



Count on it.

Parts Catalog

GrandStand® Mower

With 60in TURBO FORCE® Cutting Unit

Model No. 72509—Serial No. 414169289 and Up



Ordering Replacement Parts

To order replacement parts, please supply the part number, the quantity, and the description of each part desired.

Understanding Reference Numbers

Each identified part in an illustration has a reference number. The reference number for a part also appears in the parts list, along with other information about the part.

This catalog uses two special reference number formats, one to indicate parts in a service assembly and another to indicate the quantity of a given part in an illustration.

Service Assembly Reference Numbers

Parts in service assemblies have reference numbers in the form a:b. The a represents the reference number of the entire service assembly and the b represents a sequential number unique to each part within the service assembly.

For example, a wheel assembly might be identified by reference number 6, the tire by 6:1, the valve by 6:2, and the wheel by 6:3. When you order the assembly identified by reference number 6, you receive all parts identified by reference numbers 6:1, 6:2, and 6:3. However, you may also order any part individually. Reference numbers of this type appear in illustration and in parts lists.

Reference Numbers Indicating Quantity

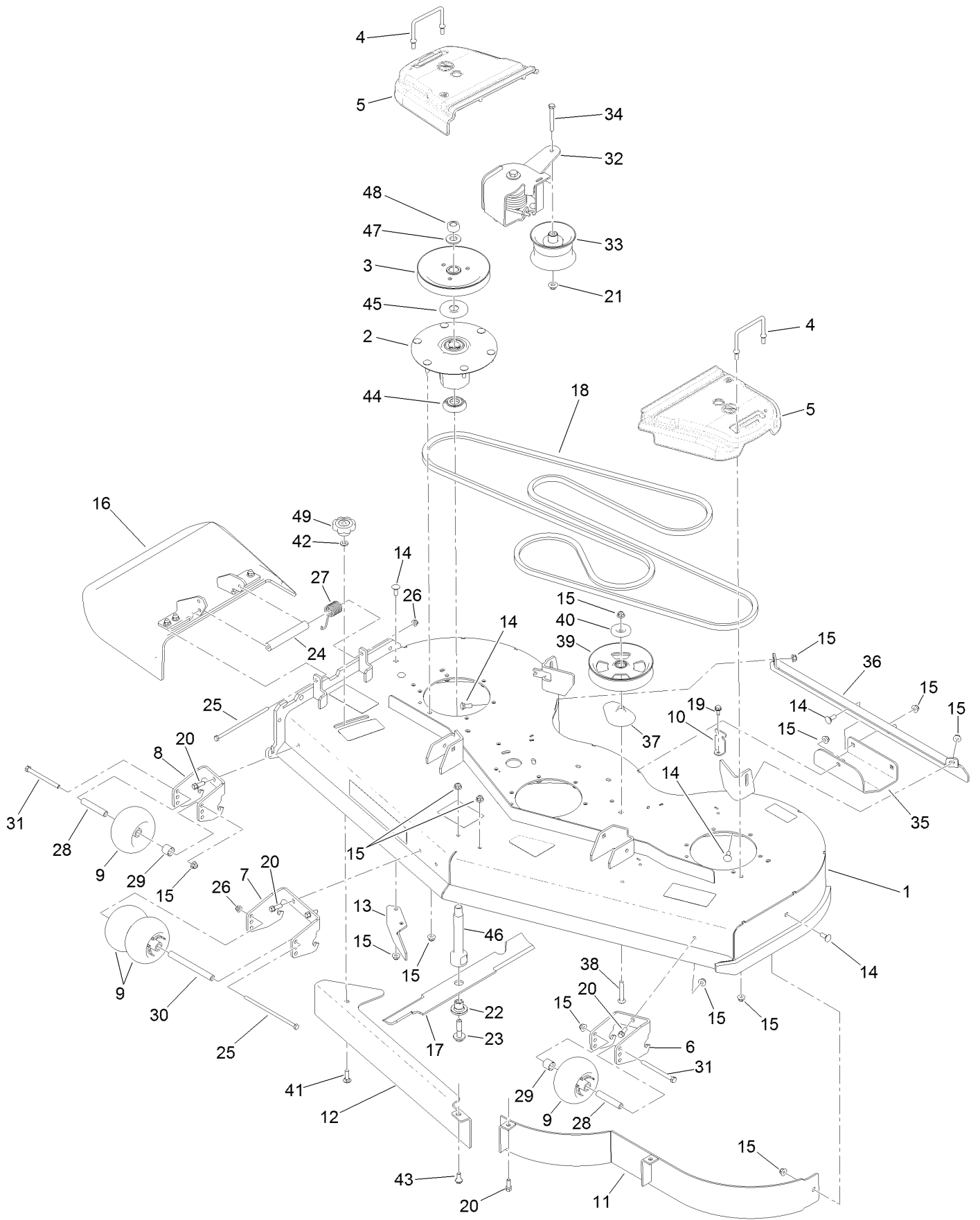
In an illustration, if a reference number indicates more than one part, the reference number has the form nX y. The n represents the quantity of the part, the X is the multiplication symbol, and the y represents the reference number.

For example, in an illustration, the reference number 2X 37 means that two of the parts identified by reference number 37 are indicated.

Contents

60 Inch Deck Assembly	4
Deck Decal Assembly No. 139-8101	6
Spindle Assembly No. 137-9780	8
Deflector Assembly No. 120-2451	10
Ground Drive Assembly	12
LH Transmission Assembly No. 138-5838	14
RH Transmission Assembly No. 138-5839	16
Overflow Hose Assembly	18
Motion Control Assembly	20
Control Handle Assembly No. 132-5157	22
Control Handle Assembly No. 132-5158	24
Parking Brake Assembly	26
Deck Lift Assembly	28
HOC Level Assembly No. 130-1755	30
HOC Link Assembly No. 130-6615	32
Frame Assembly	34
Wheel and Bearing Assembly	36
Platform Assembly	38
Engine Assembly	40
Fuel Tank Assembly	42
Electrical Assembly	44
Attachments and Accessories	46

60 Inch Deck Assembly



60 Inch Deck Assembly (continued)

<i>Ref.</i>	<i>Part Number</i>	<i>Qty.</i>	<i>Description</i>	<i>Ref.</i>	<i>Part Number</i>	<i>Qty.</i>	<i>Description</i>
1	139-8101	1	60 Deck ASM	26	104-8300	2	Nut-HF, NI
2	137-9780	3	Spindle ASM	27	108-4052	1	Spring-Torsion
3	138-6059	3	Sheave-Drive, Blade	28	98-7912	2	Tube-Spanner
4	109-6982	4	Wireform-Cover	29	104-0892	2	Spacer-Axle, Rear
5	109-6936	2	Cover-Belt, LH	30	98-5967	1	Spacer-Wheel
6	114-5204-01	1	Bracket-Wheel, LH	31	323-23	2	Screw-HH
7	114-5208-01	1	Bracket-Wheel, Center	32	145-3450	1	Gs Torsion Idler ASM li
8	114-5213-01	1	Bracket-Wheel, RH	33	127-1971	1	Pulley-Idler
9	1-603299	4	Roller-Scalp, Anti	34	323-20	1	Screw-HH
10	117-5758-03	3	Bracket-Cover	35	114-1908-01	1	Skid
11	117-9701-01	1	Baffle ASM	36	130-6647-01	1	Bracket-Skid
12	139-8106-01	1	Plate-Baffle, Formed [red]	37	109-2872	1	Spacer-Pulley
13	130-6594-01	1	Baffle-Discharge	38	3231-44	1	Screw-CARR
14	3231-2	8	Bolt-CARR	39	136-5404	1	Pulley-Idler, Flat
15	104-8301	47	Nut-HF, NI	40	132-5153	1	Shield-Dust
16	120-2451	1	Deflector ASM	41	3231-25	1	Bolt-CARR
17	140-1240	3	Blade	42	100-4852	1	Washer-Hardened
18	131-1123	1	Belt-V	43	94-7582	1	Bolt-Shoulder
19	32144-70	3	Screw-HWHTF	44	137-9784	3	Guard-Bottom
20	92-1624	6	Screw-HWH Thd Form	45	103-1330	3	Guard-Bearing, Top
21	109-6658	1	Nut-Flange, NI	46	138-6045	3	Shaft-Spindle
22	137-9787	3	Bushing-Hex	47	103-2802	3	Washer
23	109-9220	3	Screw-Sems	48	116-7306	3	Nut-Hex
24	105-4622	1	Spacer	49	109-1092	1	Knob
25	322-50	2	Screw-HH				

Deck Decal Assembly No. 139-8101



Deck Decal Assembly No. 139-8101 (continued)

<i>Ref.</i>	<i>Part Number</i>	<i>Qty.</i>	<i>Description</i>	<i>Ref.</i>	<i>Part Number</i>	<i>Qty.</i>	<i>Description</i>
2	133-4604	2	Decal-Danger	5	131-3507	1	Decal-Belt, Tension (CE)
3	107-1619	1	Decal	6	131-1180	1	Decal-Adjustment, Baffle
4	116-8283	1	Decal-Torque, Bolt	7	112-3858	1	Decal-Scalp, Anti

Spindle Assembly No. 137-9780



Spindle Assembly No. 137-9780 (continued)

<i>Ref.</i>	<i>Part Number</i>	<i>Qty.</i>	<i>Description</i>
2	116-0720	2	Bearing-Ball
3	138-6042	1	Spacer-Bearing

Deflector Assembly No. 120-2451



Deflector Assembly No. 120-2451 (continued)

<i>Ref.</i>	<i>Part Number</i>	<i>Qty.</i>	<i>Description</i>	<i>Ref.</i>	<i>Part Number</i>	<i>Qty.</i>	<i>Description</i>
1	3231-4	4	Screw-CARR	5	108-4059-01	1	Plate-Hinge, Rear
2	106-3246-01	1	Deflector	6	106-3253-01	1	Plate-Hinge, Front
3	106-3248-03	1	Strap-Discharge	7	104-8301	4	Nut-HF, NI
4	110-0759	1	Deflector-Rubber				

Ground Drive Assembly



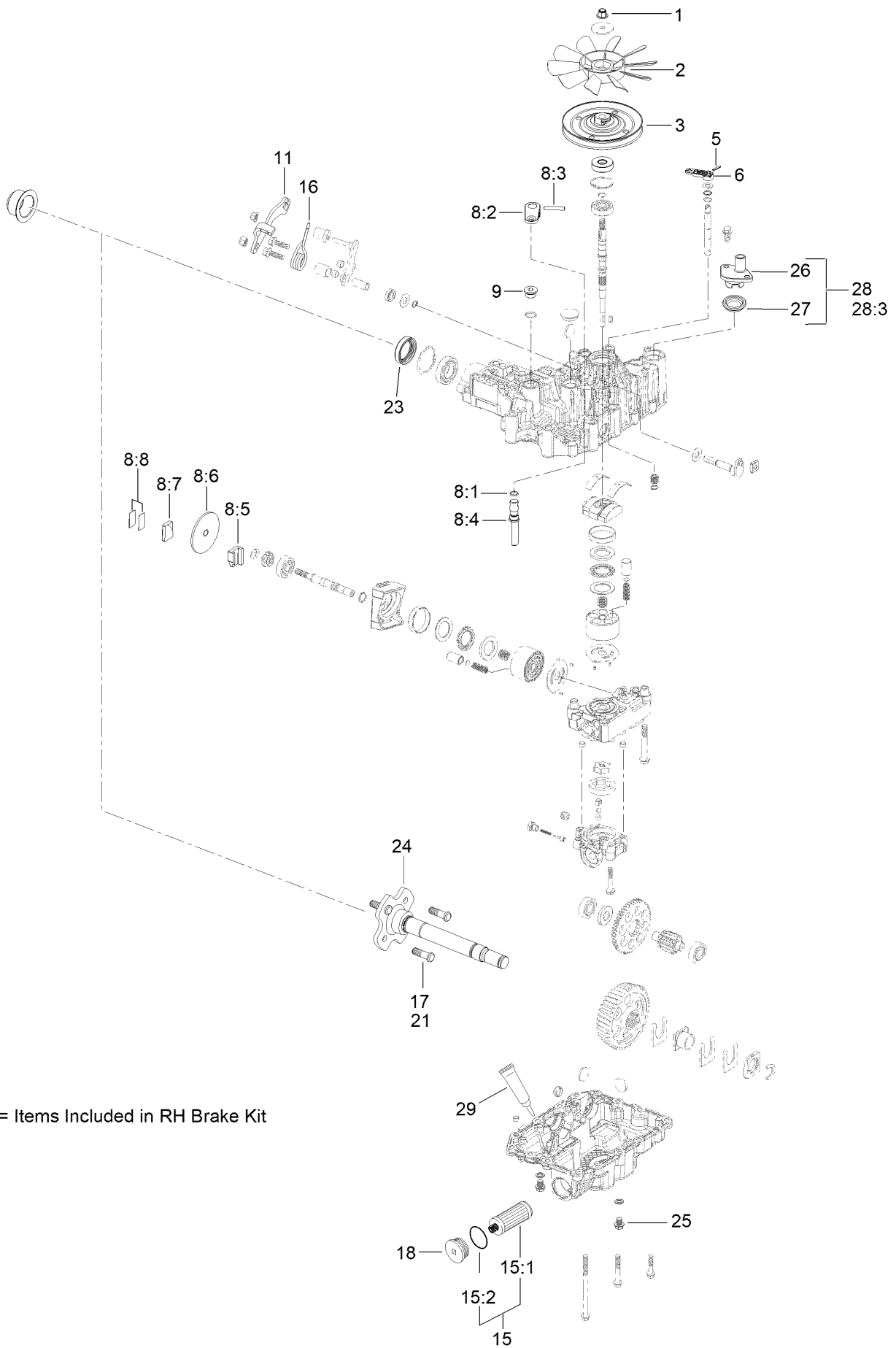
Ground Drive Assembly (continued)

<i>Ref.</i>	<i>Part Number</i>	<i>Qty.</i>	<i>Description</i>	<i>Ref.</i>	<i>Part Number</i>	<i>Qty.</i>	<i>Description</i>
1	138-5838	1	LH Transmission ASM	20	3229-25	3	Screw-CARR
2	138-5839	1	RH Transmission ASM	21	104-7201	3	Nut-HF, NI
3	131-1131-03	1	Support-Transaxle	22		1	Gs Overflow Hose ASM ■
4	93-2569	4	Screw-HHF	23	109-0309	1	Hose-Fuel
5	116-4701	16	Screw-HHF	24	92-2379	1	Clamp-Hose
6	104-8301	18	Nut-HF, NI	25	131-7469	1	Rod-Bypass, RH
7	138-1108-03	1	Plate-Skid	26	131-7470	1	Rod-Bypass, LH
9	117-5351	1	Spacer	27	108-2992	2	Pin-Hair
10	1-413088	1	Bushing-Lever, Lift	28	32180-030	1	Clip-Tie
11	131-1175	1	Arm-Idler	29	140-1886	2	Wheel And Tire ASM
12	114-0463	2	Washer-Friction, Composite	29:1	140-1887	1	Rim-8 Inch Black
13	110-9981	1	Washer-Plain	29:2	120-6466	1	Tire
14	3234-39	1	Screw-HHF	29:3	232-27	1	Stem-Valve
15	93-1622	1	Pulley-Idler	30	242-50	8	Nut-Lug
16	3231-4	1	Screw-CARR	31	132-7584	2	Spacer-Hex
17	138-1104	1	Spring-Extension	32	104-8300	2	Nut-HF, NI
18	131-1124	1	Belt-V	33	3290-250	2	Pin-Cotter
19	132-1135	1	Tank-HYD	34	2412-129	2	Clamp-Hose
19:2	133-8677	1	Cap-Vented	35	3290-378	1	Tie-Cable
19:5	140-9463	1	Strainer-Neck, Removable ●				

● Not illustrated

■ Not serviced separately

LH Transmission Assembly No. 138-5838

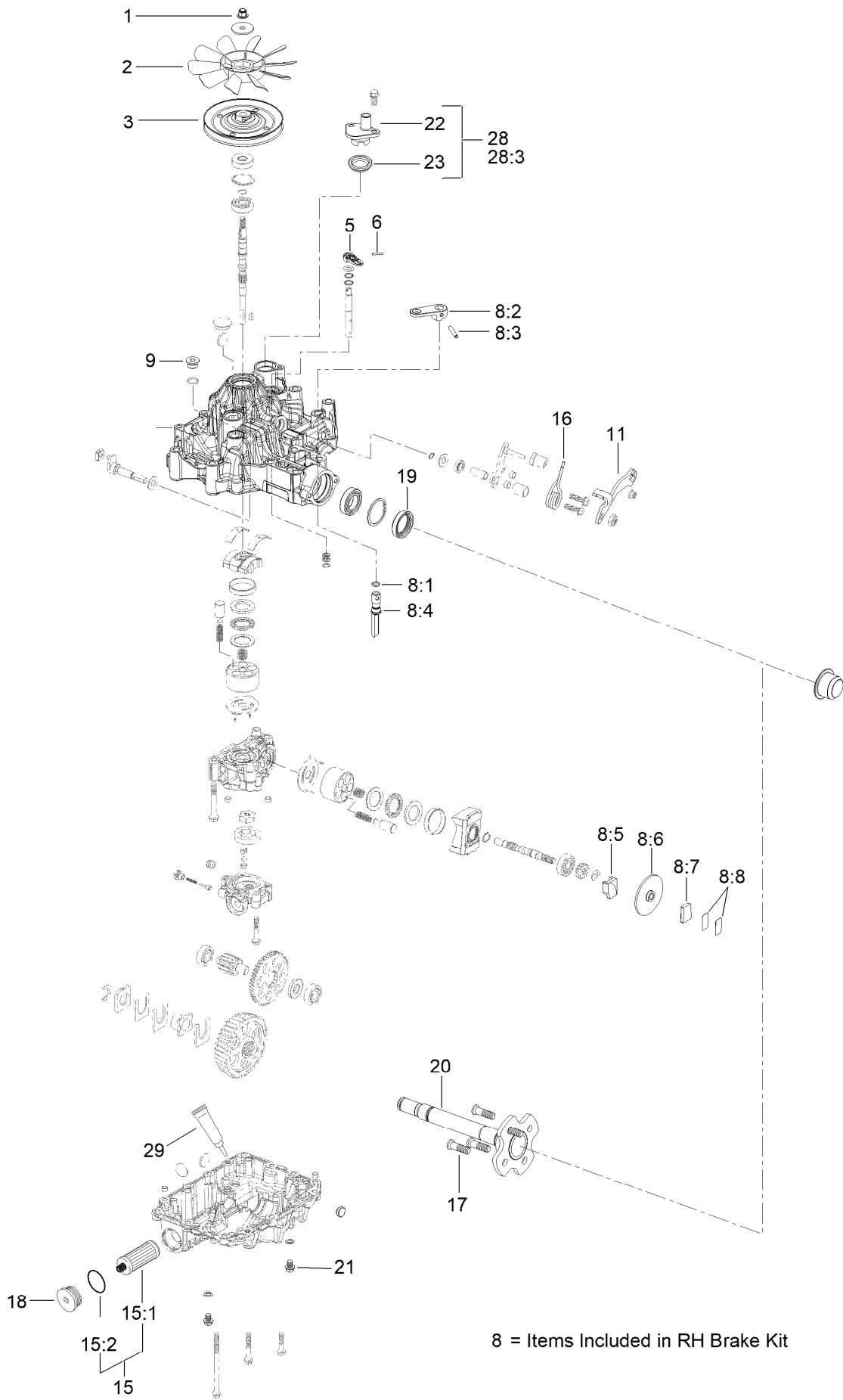


LH Transmission Assembly No. 138-5838 (continued)

<i>Ref.</i>	<i>Part Number</i>	<i>Qty.</i>	<i>Description</i>	<i>Ref.</i>	<i>Part Number</i>	<i>Qty.</i>	<i>Description</i>
1	132-4737	1	Nut-Lock	15	132-4743	1	Hydro Filter Kit
2	132-4738	1	Fan	15:1	136-5409	2	Filter
3	132-4739	1	Pulley	15:2	136-5410	2	O-Ring
5	104-3265	1	Pin	16	137-4109	1	Spring-Torsion
6	132-4700	1	Lever-Bypass	17	137-9509	4	Stud-Wheel
8	133-1468	1	Brake Kit,Left	18	138-4613	1	Cap-Oil Filter
8:1		1	O-Ring ●	21	137-9509	1	Stud-Wheel
8:2		1	Brake Arm ●	23	139-5587	1	Seal-Axle, Ua
8:3		1	Roll Pin ●	24	139-5588	1	Axle
8:4		1	Brake Shaft ●	25	139-5589	2	Drain Bolt
8:5		1	Brake Actuator ●	26	139-5590	1	Expansion Fitting
8:6		1	Brake Disc ●	27	139-5591	1	Grommet Seal, Expansion Fitting
8:7		1	Brake Shoe ●				
8:8		1	Shim Kit ●	28	139-7871	1	Expansion Fitting - W/ Seal
9	132-4735	1	Cap-Oil	28:3		1	M8*20 Flange Bolt ●
11	136-5401	1	Lever-Control, RH	29	138-4628	1	Seal Kit

● Not serviced separately

RH Transmission Assembly No. 138-5839

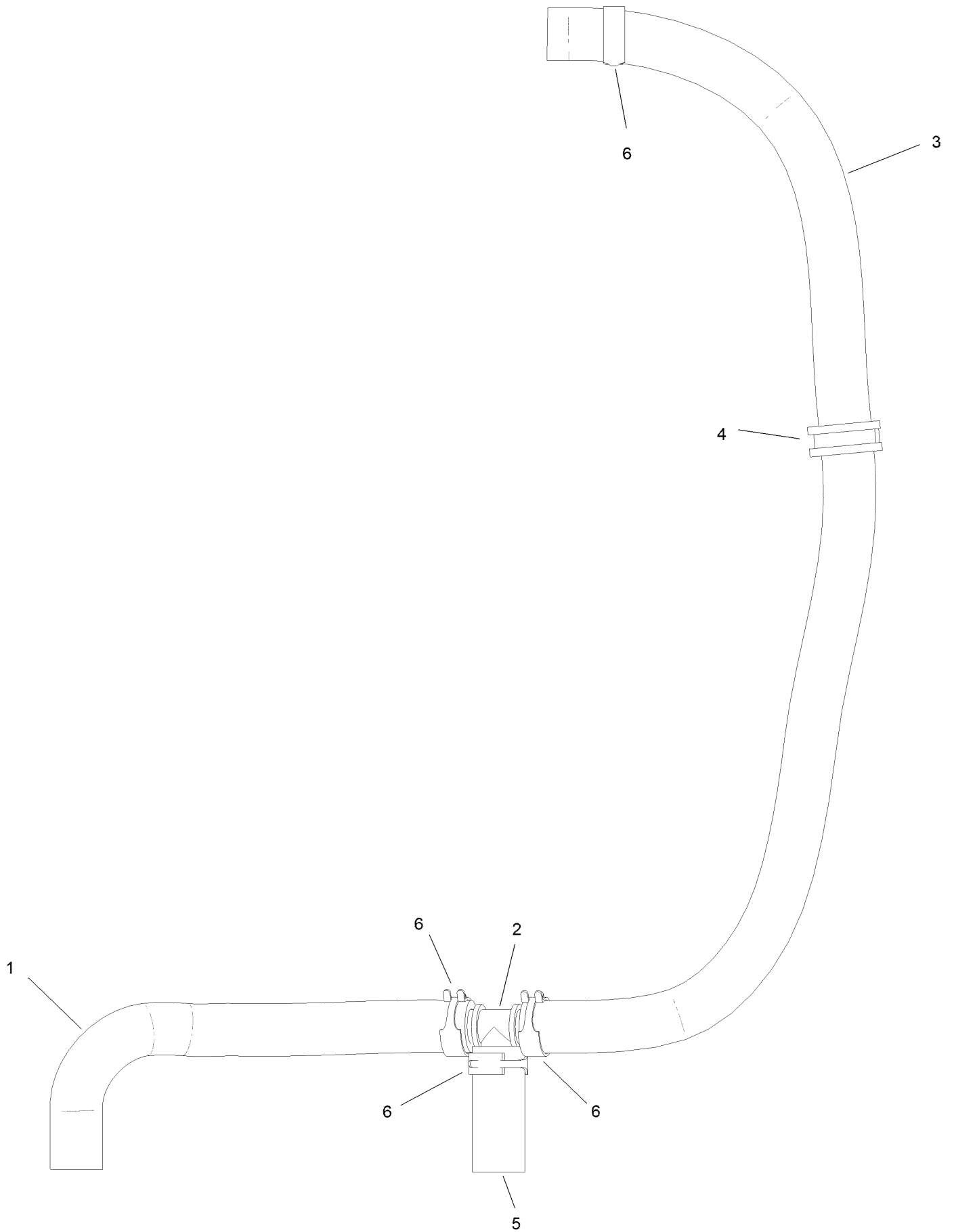


RH Transmission Assembly No. 138-5839 (continued)

<i>Ref.</i>	<i>Part Number</i>	<i>Qty.</i>	<i>Description</i>	<i>Ref.</i>	<i>Part Number</i>	<i>Qty.</i>	<i>Description</i>
1	132-4737	1	Nut-Lock	15	132-4743	1	Hydro Filter Kit
2	132-4738	1	Fan	15:1	136-5409	2	Filter
3	132-4739	1	Pulley	15:2	136-5410	2	O-Ring
5	104-3265	1	Pin	16	137-4109	1	Spring-Torsion
6	132-4700	1	Lever-Bypass	17	137-9509	4	Stud-Wheel
8	133-1462	1	RH Brake Kit	18	138-4613	1	Cap-Oil Filter
8:1		1	O-Ring ●	19	139-5587	1	Seal-Axle, Ua
8:2		1	Arm-Brake ●	20	139-5588	1	Axle
8:3		1	Pin-Roll ●	21	139-5589	2	Drain Bolt
8:4		1	Shaft-Brake ●	22	139-5590	1	Expansion Fitting
8:5		1	Actuator-Brake ●	23	139-5591	1	Grommet Seal, Expansion Fitting
8:6		1	Disc-Brake ●				
8:7		1	Shoe-Brake ●	28	139-7871	1	Expansion Fitting - W/ Seal
8:8		1	Shim Kit ●	28:3		1	M8*20 Flange Bolt ●
9	132-4735	1	Cap-Oil	29	138-4628	1	Seal Kit
11	136-5401	1	Lever-Control, RH				

● Not serviced separately

Overflow Hose Assembly



Overflow Hose Assembly (continued)

<i>Ref.</i>	<i>Part Number</i>	<i>Qty.</i>	<i>Description</i>	<i>Ref.</i>	<i>Part Number</i>	<i>Qty.</i>	<i>Description</i>
1	145-3444	1	Hose-Hydraulic	4	147-0201	1	R-Clamp
2	139-4055	1	Fitting Tee	5	147-0204	1	Hydraulic Hose
3	147-0202	1	Hydraulic Hose	6	145-3599	4	Hose Clamp

Motion Control Assembly



Motion Control Assembly (continued)

<i>Ref.</i>	<i>Part Number</i>	<i>Qty.</i>	<i>Description</i>	<i>Ref.</i>	<i>Part Number</i>	<i>Qty.</i>	<i>Description</i>
1	132-5157	1	LH Control Handle ASM	9:5	1-603807	1	Spring-Return, Neutral
2	132-5158	1	RH Control Handle ASM	10	138-4620	1	RH Control Rod ASM
3	119-0222	2	Grip	10:1	138-4647	1	Ball Joint-LH
4	103-9928	2	Bearing	10:2	138-4648	1	Ball Joint-RH
5	120-3288	1	Tab-Pivot, LH	10:4	3219-3	1	Nut-Hex
6	3229-1	4	Screw-CARR	11	3231-28	2	Screw-CARR
7	104-7201	6	Nut-HF, NI	12	104-8301	4	Nut-HF, NI
8	120-3287	1	Tab-Pivot, RH	13	3256-24	2	Washer-Plain
9	138-4619	1	LH Control Rod ASM	14	132-7538	1	Bracket-Adjustment, Speed
9:1	138-4647	1	Ball Joint-LH	15	126-1499	2	Cam
9:2	138-4648	1	Ball Joint-RH	16	323-7	2	Screw-HH
9:4	3219-3	1	Nut-Hex				

Control Handle Assembly No. 132-5157



Control Handle Assembly No. 132-5157 (continued)

<i>Ref.</i>	<i>Part Number</i>	<i>Qty.</i>	<i>Description</i>	<i>Ref.</i>	<i>Part Number</i>	<i>Qty.</i>	<i>Description</i>
2	131-3562	1	Bearing-Sleeve	7	116-2670	1	Screw-Shoulder
4	323-10	1	Screw-HH	8	104-8300	1	Nut-HF, NI
5	104-8301	1	Nut-HF, NI	9	132-5146	1	Spring-Extension
6	110-7191	2	Washer-Thrust				

Control Handle Assembly No. 132-5158



Control Handle Assembly No. 132-5158 (continued)

<i>Ref.</i>	<i>Part Number</i>	<i>Qty.</i>	<i>Description</i>	<i>Ref.</i>	<i>Part Number</i>	<i>Qty.</i>	<i>Description</i>
3	104-8301	1	Nut-HF, NI	7	104-8300	1	Nut-HF, NI
4	323-10	1	Screw-HH	8	131-3562	1	Bearing-Sleeve
5	110-7191	2	Washer-Thrust	9	132-5146	1	Spring-Extension
6	116-2670	1	Screw-Shoulder				

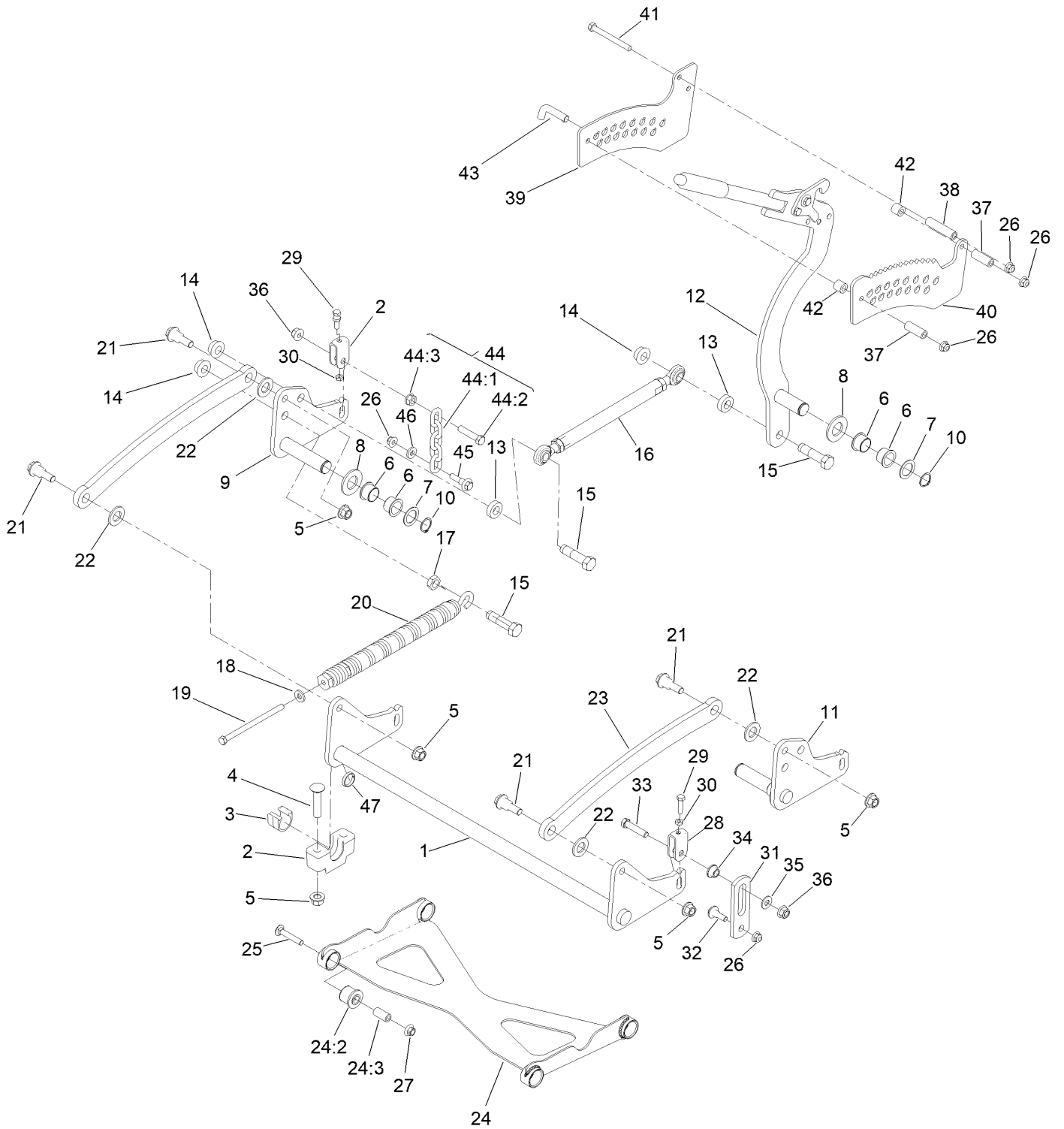
Parking Brake Assembly



Parking Brake Assembly (continued)

<i>Ref.</i>	<i>Part Number</i>	<i>Qty.</i>	<i>Description</i>	<i>Ref.</i>	<i>Part Number</i>	<i>Qty.</i>	<i>Description</i>
1	132-5170	1	Brake Handle ASM	7	32144-4	2	Screw-HWH
2	3230-23	5	Bolt-CARR	8	132-1187	1	Clamp-Cable
3	104-8300	6	Nut-HF, NI	9	132-7582	1	Mount-Cable, Brake
4	132-5168	1	RH Brake Caliper ASM	10	1-633268	1	Grip-Lever
5	132-5169	1	LH Brake Caliper ASM	11	131-1195	2	Cable-Brake
6	104-8301	2	Nut-HF, NI				

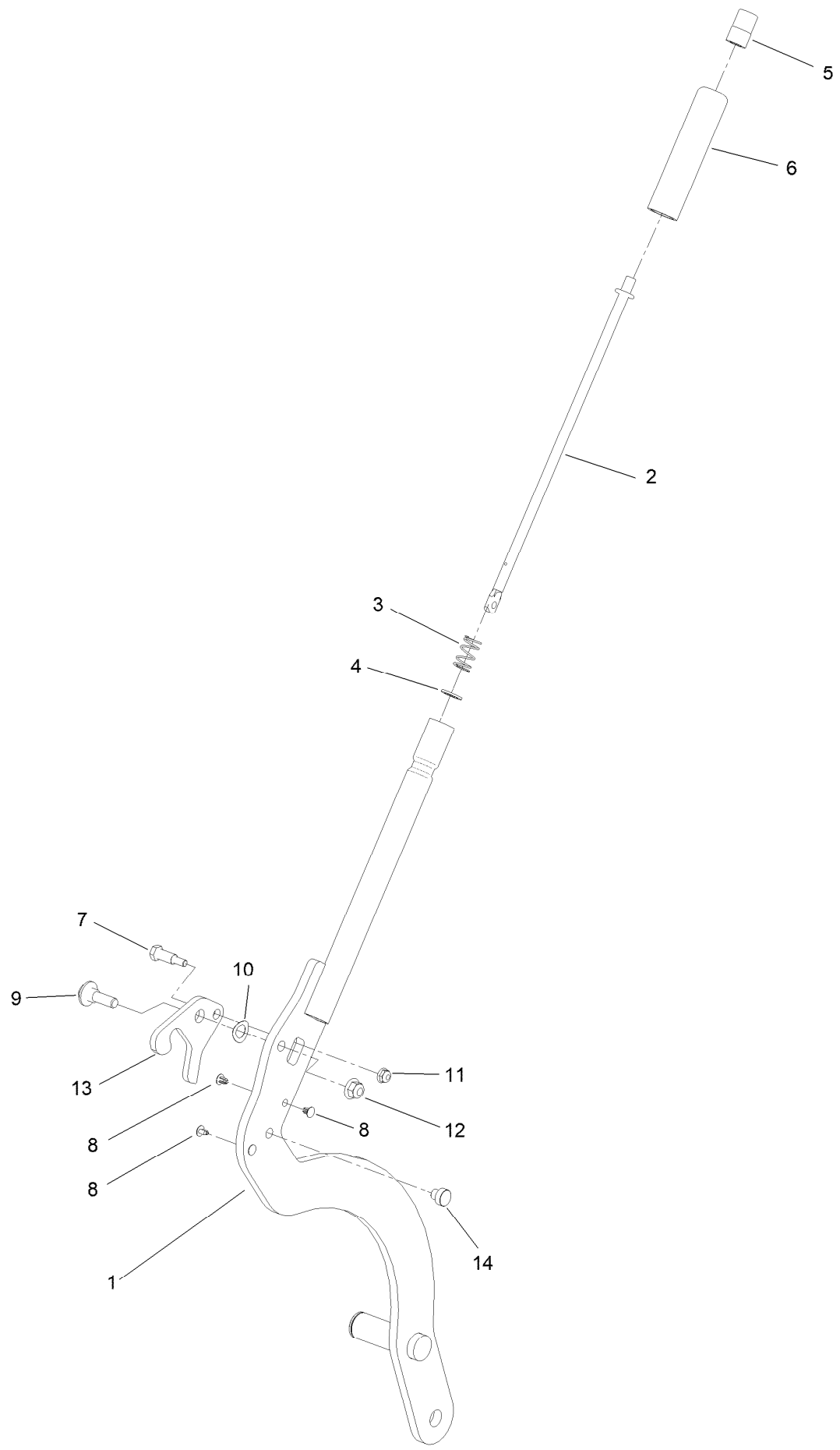
Deck Lift Assembly



Deck Lift Assembly (continued)

<i>Ref.</i>	<i>Part Number</i>	<i>Qty.</i>	<i>Description</i>	<i>Ref.</i>	<i>Part Number</i>	<i>Qty.</i>	<i>Description</i>
1	120-8405-01	1	Shaft-Cross, Front	25	3231-7	4	Screw-CARR
2	109-9409	2	Support-Bearing, Cross Shaft (Front)	26	104-8301	7	Nut-HF, NI
3	109-9410	2	Bearing-Cross Shaft, Front	27	32128-19	4	Nut-HF Lock, Large Flg
4	116-1700	4	Bolt-CARR	28	109-9066	4	Yoke-Adjust, Deck
5	99-5107	8	Nut-Lock	29	322-47	4	Screw-HH
6	127-0369	6	Bushing	30	3218-2	8	Nut-Hex Jam
7	10-8110	3	Washer-Thrust	31	130-6589	2	Link-Lift
8	3256-62	3	Washer-Flat	32	109-9840	2	Screw-Shoulder, HHF
9	120-8411-01	1	Arm-Lift, RH	33	109-9065	2	Screw-HH
10	32151-29	3	Ring-Retaining	34	116-2428	2	Bushing-Flanged
11	120-8410-01	1	Arm-Lift, LH	35	3256-4	2	Washer-Flat
12	130-1755	1	HOC Lever ASM	36	3296-48	4	Nut-Hex
13	119-6223	2	Washer	37	95-6448	2	Spacer
14	138-4932	3	Nut-Hex Flg	38	138-1111	1	Spacer
15	138-4931	3	Screw-Lock	39	132-7581	1	HOC Plate And Decal ASM
16	130-6615	1	HOC Link ASM	40	138-4887	1	Plate-HOC, Inner
17	3218-6	1	Nut-Jam	41	116-4701	3	Screw-HHF
18	98-5975	1	Washer-Belleville	42	121-1760	2	Spacer
19	323-58	1	Bolt-TAP, HH	43	116-5584	1	Pin-HOC
20	116-0886	1	Spring-Extension	44	116-0756	2	Deck Lift Chain ASM
21	116-0780	4	Screw-Shoulder, HHF	44:1	1-633447	1	Chain-Lift, Deck
22	3256-28	4	Washer-Flat	44:2	109-9065	1	Screw-HH
23	127-1948-03	2	Link-Lift	44:3	32128-37	1	Nut-HF
24	137-4129	1	Deck Strut ASM	45	130-0742	2	Bolt-Shoulder
24:2	137-4108	4	Bushing-Rubber	46	43-0940	2	Spacer
24:3	108-6544	4	Spacer	47	133-1431	1	Spacer-Split

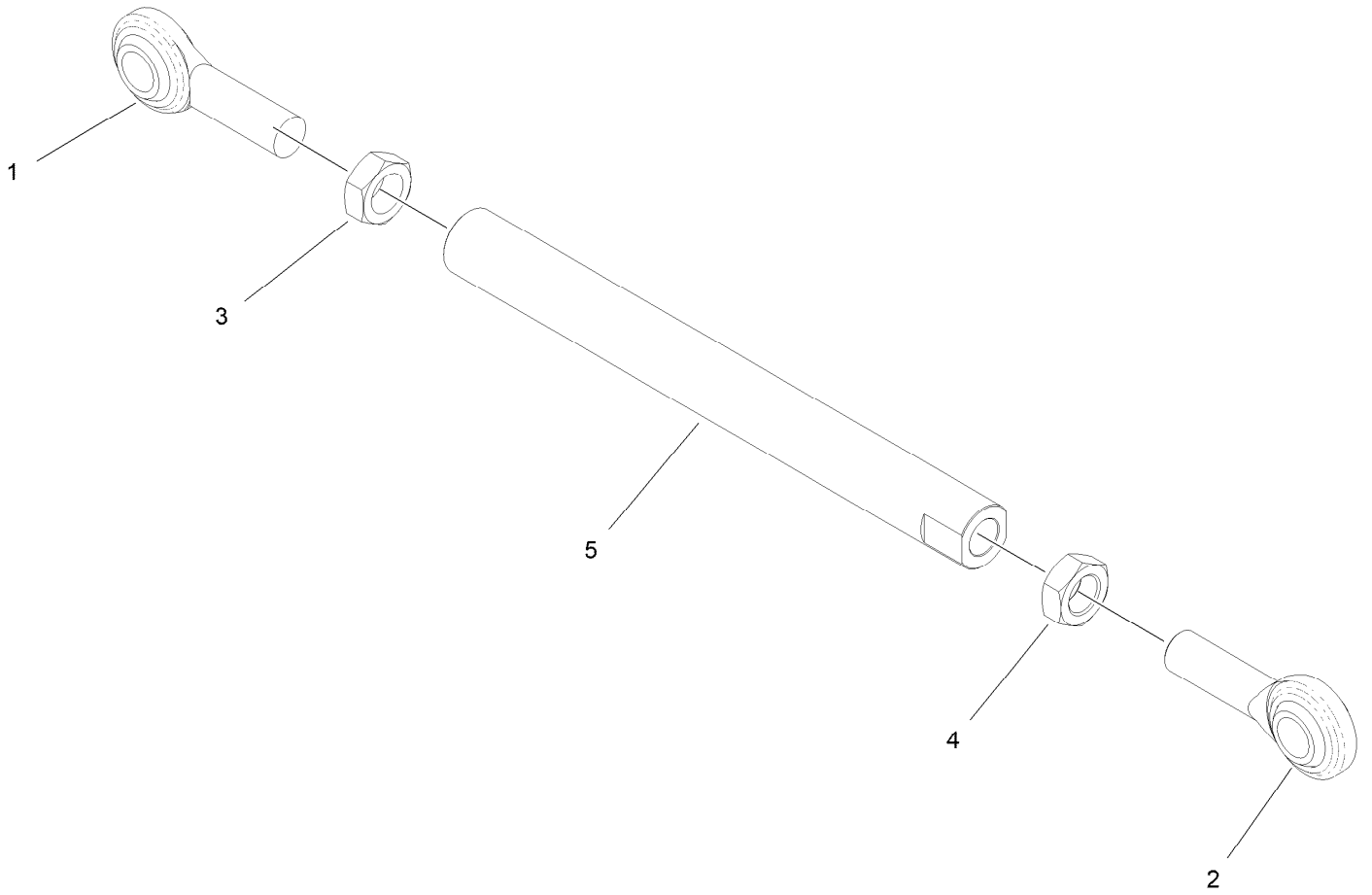
HOC Level Assembly No. 130-1755



HOC Level Assembly No. 130-1755 (continued)

<i>Ref.</i>	<i>Part Number</i>	<i>Qty.</i>	<i>Description</i>	<i>Ref.</i>	<i>Part Number</i>	<i>Qty.</i>	<i>Description</i>
1	130-1775-01	1	Lever-Lift	8	103-1363	4	Rivet
2	136-0530	1	Rod-Latch, Release	9	614672	1	Screw-Shoulder, HWH
3	114-8187	1	Spring-Compression	10	110-8982	1	Washer-Spring
4	114-1207	1	Washer-Special	11	104-7201	1	Nut-HF, NI
5	115-2750	1	Knob	12	104-8301	1	Nut-HF, NI
6	115-3592	1	Grip	13	138-4888	1	Latch-HOC
7	119-2309	1	Bolt-Shldr,HH	14	138-4863	1	Plug-Wear

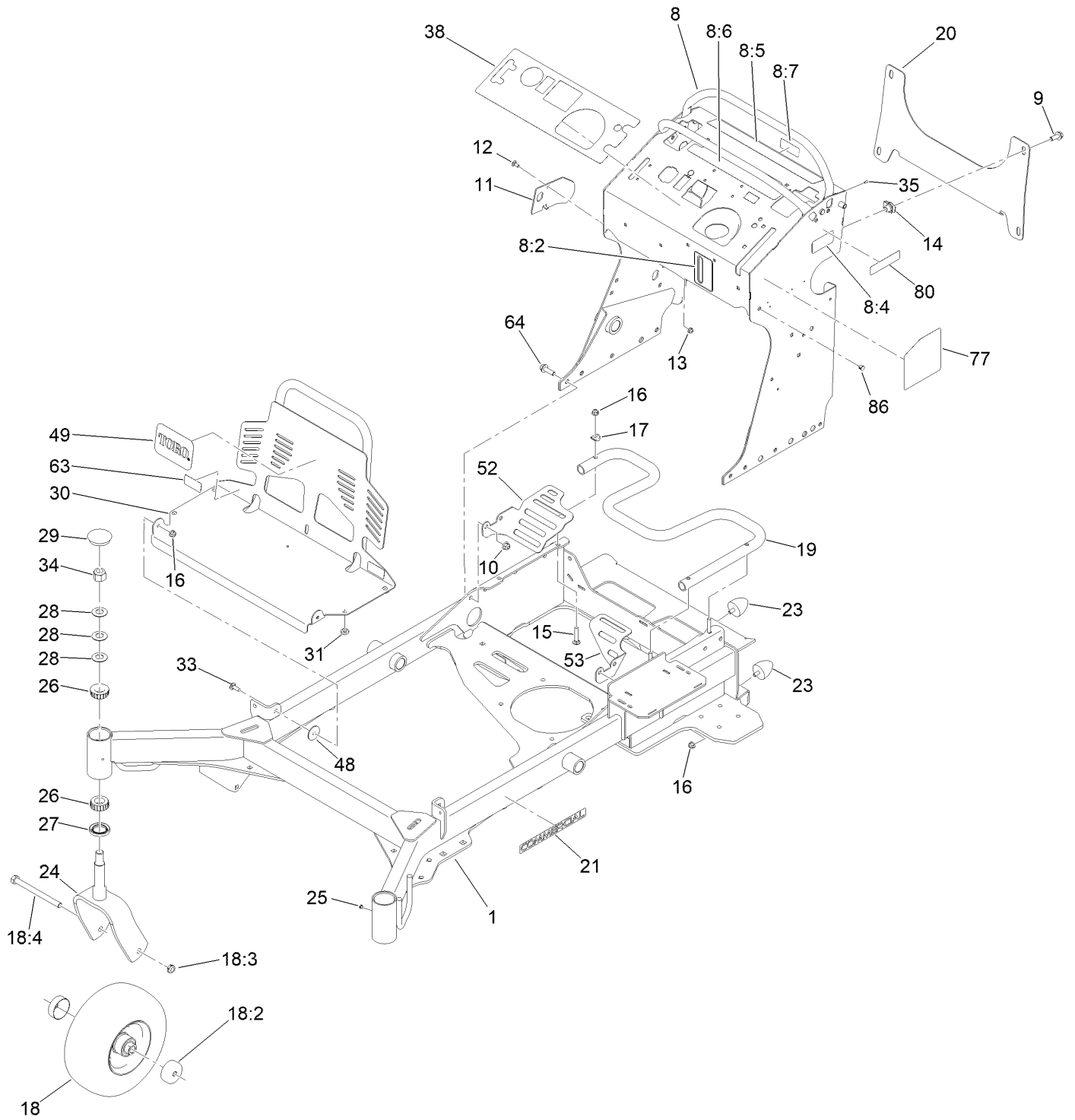
HOC Link Assembly No. 130-6615



HOC Link Assembly No. 130-6615 (continued)

<i>Ref.</i>	<i>Part Number</i>	<i>Qty.</i>	<i>Description</i>	<i>Ref.</i>	<i>Part Number</i>	<i>Qty.</i>	<i>Description</i>
1	1-633029	1	Balljoint-Spherical	4	117-5293	1	Nut-Jam
2	117-5291	1	Balljoint-Spherical	5	130-6614	1	Link-Height Of Cut
3	3220-6	1	Nut-Jam				

Frame Assembly



Frame Assembly (continued)

<i>Ref.</i>	<i>Part Number</i>	<i>Qty.</i>	<i>Description</i>	<i>Ref.</i>	<i>Part Number</i>	<i>Qty.</i>	<i>Description</i>
1	131-7431-01	1	Frame	23	114-1926	4	Bumper-Rubber
8	140-4283	1	Tower Decal ASM	24	147-6343-01	2	Caster Fork ASM [red]
8:2	131-3524	1	Decal-Level, Oil	25	1-811010	2	Plug
8:4	116-8775	1	Decal-Fill, Fuel	26	1-543509	4	Bearing-Roller, Tapered
8:5	139-2878	1	Decal-Warning	27	116-5647	2	Seal-Grease
8:6	131-3526	1	Decal-Controls	28	1-633508	6	Washer-Bellville
8:7	131-3528	1	Decal-Fuse	29	103-4882	2	Cap-Grease
9	3234-42	4	Screw-HHF	30	132-5150-03	1	Guard-Engine
10	104-8301	8	Nut-HF, NI	31	1-513658	4	Bumper
11	131-7455	1	Plate-Striker	33	3230-10	2	Bolt-CARR
12	3229-11	1	Screw-CARR	34	3296-51	2	Nut-Lock, NI
13	104-7201	1	Nut-HF, NI	35	3290-271	2	Rivet-Pop
14	105-4886	4	Nut-Tinnerman	38	140-4258	1	Decal-Panel, Control
15	3230-5	3	Bolt-CARR	48	107-3002	2	Washer-Nylon
16	104-8300	9	Nut-HF, NI	49	105-8278	1	Decal
17	107-3844	3	Washer	52	132-7578-01	1	Guard-Fan, RH
18	140-5485	2	Mf Wheel Tire Bearing ASM	53	132-7598-01	1	Guard-Fan, LH
18:2	103-2768	2	Guard-Seal	63	133-4641	2	Decal-Warning, No Riders
18:3	3296-45	1	Nut-Hex	64	119-4061	8	Screw-HHF
18:4	325-20	1	Screw-HH	77	131-3529	1	Decal-Service Aid
19	132-5161-01	1	Tube-Mount, Fuel Tank	80	133-8062	1	Decal-Spark Arrestor
20	132-1145-03	1	Bracket-Cross	86	145-3595	3	Dome Panel Plug
21	117-3591	2	Decal-Commercial				

Wheel and Bearing Assembly



Wheel and Bearing Assembly (continued)

<i>Ref.</i>	<i>Part Number</i>	<i>Qty.</i>	<i>Description</i>	<i>Ref.</i>	<i>Part Number</i>	<i>Qty.</i>	<i>Description</i>
1	1-633585	2	Bearing-Cone, Taper	4	126-5359	1	Caster Axle ASM
2	103-0063	2	Seal-Caster	5	140-5483	1	Mf Wheel And Tire ASM
3	103-3051	1	Spacer-Nut				

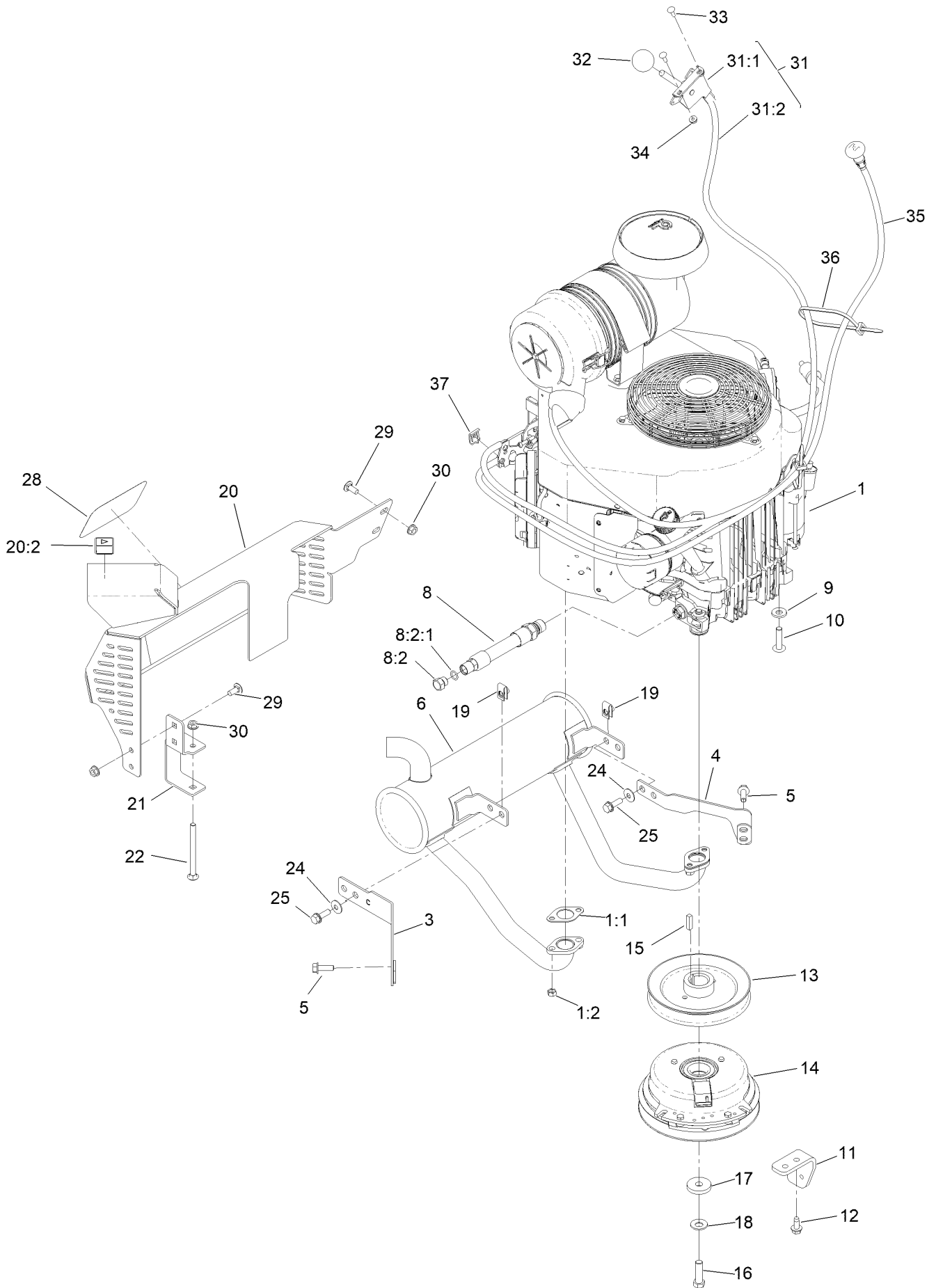
Platform Assembly



Platform Assembly (continued)

<i>Ref.</i>	<i>Part Number</i>	<i>Qty.</i>	<i>Description</i>	<i>Ref.</i>	<i>Part Number</i>	<i>Qty.</i>	<i>Description</i>
1	120-8499-03	1	Hinge-Pad	14	3231-2	2	Bolt-CARR
2	117-9739	1	Pad-Cushion	15	3231-27	2	Screw-CARR
3	3256-23	4	Washer-Plain	16	120-8475-01	1	Platform
4	121-7999	4	Screw-HH, Patch	17	126-7157	1	Mat-Platform
5	114-0463	4	Washer-Friction, Composite	18	3345-771	1	Shield Clamp Kit
6	133-1426	2	Knob	19	32144-70	2	Screw-HWHTF
7	116-2886	2	Slide-Bushing	20	119-8650	1	Pin-Latch
8	3253-4	2	Washer-Lock	21	114-5348	1	Spring
9	137-4808	2	Nut-Acorn	22	1-603175	1	Knob-Ball
10	111044	4	Spacer	23	132-7583	2	Bushing-Flanged
11	114-1915-01	2	Link-Pad	24	104-8301	2	Nut-HF, NI
12	3256-4	6	Washer-Flat	25	323-45	2	Screw-HH
13	3296-59	4	Nut-Lock, NI				

Engine Assembly



Engine Assembly (continued)

<i>Ref.</i>	<i>Part Number</i>	<i>Qty.</i>	<i>Description</i>	<i>Ref.</i>	<i>Part Number</i>	<i>Qty.</i>	<i>Description</i>
1		1	Engine-Kawasaki, Fx730V ■▲	18	1-603610	1	Washer-Spring
1:1	1-653313	2	Gasket-Exhaust	19	94-2413	4	Nut-U
1:2	114-3549	4	Nut	20	131-3550	1	Muffler Guard ASM
1:5	119-5945	1	Element-Filter, Air (Inner) ●	20:2	106-5517	1	Decal-Warning
1:6	119-5944	1	Element-Filter, Air (Outer) ●	21	131-3530-03	1	Bracket-Mounting, Guard
1:7	95-9853	1	Bolt (5X18) ●	22	106-9758	1	Screw-CARR
3	132-1173	1	Bracket-Muffler, Front	24	3290-456	4	Washer-Belleville
4	132-1174	1	Bracket-Muffler, Rear	25	3234-29	4	Screw-HHF
5	33104-025	4	Screw-HHF	28	94-2579	1	Decal
6	133-4633	1	Muffler	29	3230-23	4	Bolt-CARR
8	133-4659	1	Hose ASM	30	32128-25	5	Nut-HF
8:2	353-508	1	Plug-HH	31	132-5152	1	Throttle ASM
8:2:1	237-42	1	O-Ring	31:1	110-5547	1	Lever-Control
9	98-5975	4	Washer-Belleville	31:2	132-5141	1	Cable - Throttle
10	126-0983	4	Screw-BHTF	32	1-603175	1	Knob-Ball
11	131-3586-03	1	Stop-Clutch	33	1-807533	2	Bolt-CARR
12	32144-70	2	Screw-HWHTF	34	32128-17	2	Nut-Lock, Flange
13	120-8498	1	Pulley	35	132-5140	1	Cable-Choke
14	139-7910	1	Clutch-200Cms	36	3290-378	1	Tie-Cable
15	1-807259	1	Key	37	81-1690	1	Clamp-Cable
16	3212-6	1	Screw-HH	39	121-4570	1	Filter-Fuel ●
17	107-4136	1	Washer-Flat	40	119-5852	1	Filter-Oil ●

● Not illustrated

▲ Obtain parts from www.kawpower.com

■ Not serviced separately

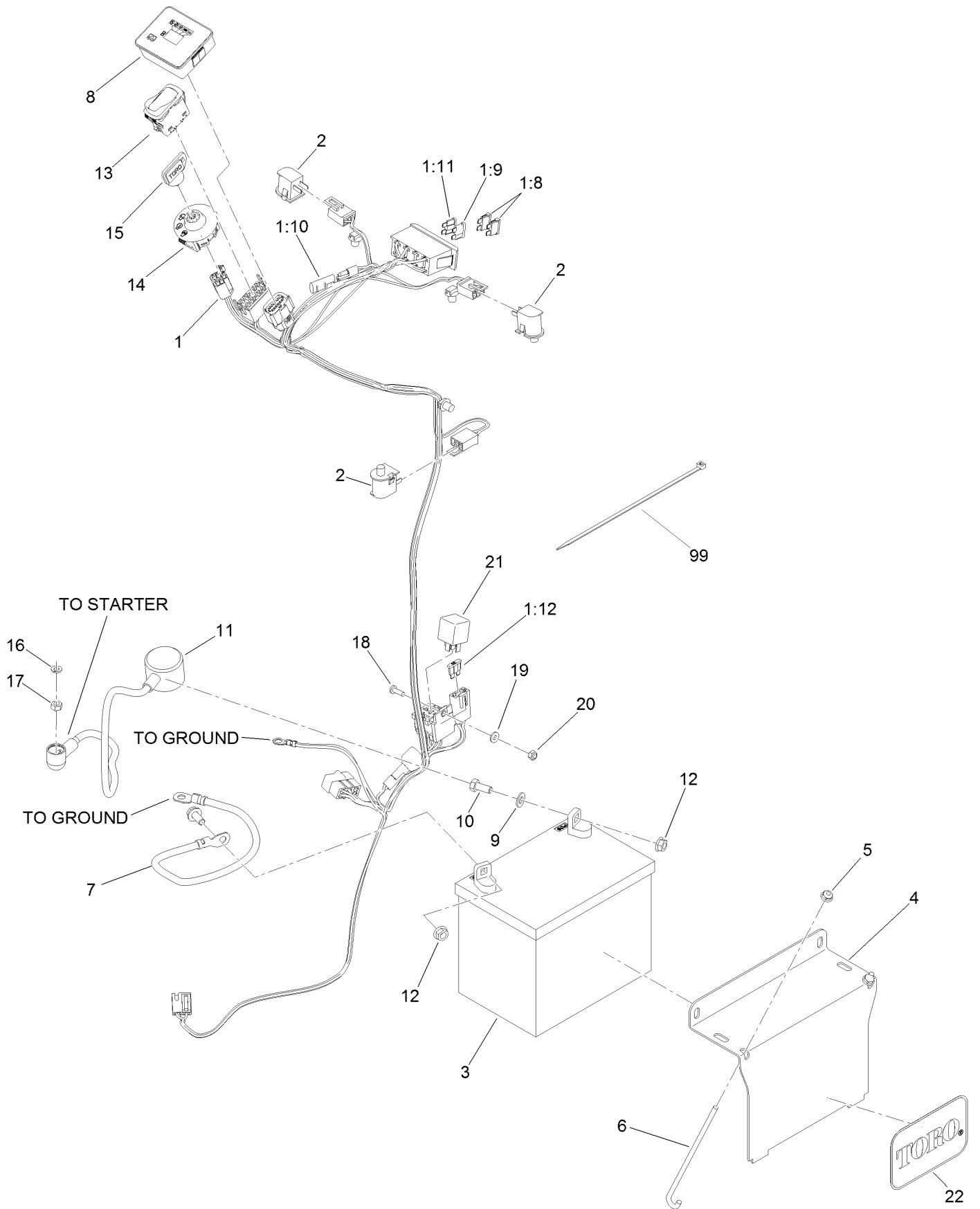
Fuel Tank Assembly



Fuel Tank Assembly (continued)

<i>Ref.</i>	<i>Part Number</i>	<i>Qty.</i>	<i>Description</i>	<i>Ref.</i>	<i>Part Number</i>	<i>Qty.</i>	<i>Description</i>
1	132-7560	1	Fuel Tank ASM	2	110-8255	1	Hose-Fuel
1:2	46-6560	2	Bushing	3	98-2952	1	Fitting-Straight
1:3	137-4127	1	Cap-Fuel	4	132-7576	1	Hose-Fuel
1:4	104-5228	1	Fitting-Elbow, 90 DEG	5	132-7546	1	Fuel Line ASM
1:5	145-6195	1	ASM, Tube-Fuel				

Electrical Assembly



Electrical Assembly (continued)

<i>Ref.</i>	<i>Part Number</i>	<i>Qty.</i>	<i>Description</i>	<i>Ref.</i>	<i>Part Number</i>	<i>Qty.</i>	<i>Description</i>
1	140-1879	1	Harness-Wire	10	322-3	2	Screw-HH
1:8	109355	2	Fuse-Blade, 15 Amp	11	115-3864	1	Cable-Battery, Positive
1:9	218-578	1	Fuse-Blade, 10 Amp	12	109-5715	2	Nut-HHF, Smooth
1:10	116-0053	1	Cap-Plug	13	139-6367	1	Switch-Rocker, (On)-On-Off
1:11	114241	1	Fuse-Blade, 7.5 Amp	14	137-4101	1	Switch-Ignition
1:12	109103	1	Fuse-Blade, 30 Amp	15	63-8360	1	Key-Ignition
2	82-2190	3	Switch-Bail	16	3253-3	1	Washer-Lock
3	104-8162	1	Battery	17	3217-5	1	Nut-Hex
4	130-6635-01	1	Bracket-Hold Down, Battery	18	3290-500	1	Screw-PPH
5	104-7201	2	Nut-HF, NI	19	3256-14	1	Washer-Flat
6	1-633651	2	Bolt-Holddown	20	3296-2	1	Nut-Lock, NI
7	112-7063	1	Cable-Battery, Black	21	1-643275	1	Relay
8	140-1884	1	Module-Meter, Hour	22	67-1300	1	Decal
9	3256-23	2	Washer-Plain	99	3290-378	5	Tie-Cable

Attachments and Accessories

For 72509 GrandStand Mower With 60in TURBO FORCE Cutting Unit

Product Name	Model/Part
Turbo Baffle Kit	107-1634
15-Pound Cast Weight.....	112-7059-01
Hypr-Oil 500 (quart).....	114-4713
Hypr-Oil 500 (gallon).....	114-4714
Hypr-Oil 500-5 (5 gallon).....	114-4715
Oil Filter	119-5852
Element-Filter, Air (Outer).....	119-5944
Element-Filter, Air (Inner).....	119-5945
Fuel Filter.....	120-2235
Harness Wire Splitter.....	121-5988
Toro Premium Fuel Treatment 12oz Bottle.....	131-6572
Speed Setting Tool.....	132-7595
Stand-On Weight Kit	133-1428
Chute Gate Kit W/ Bag.....	133-1434
Trash Bag Assembly.....	133-1435
Roller Striper Kit.....	133-1436
Light Kit.....	133-1437
Electric Accessory Port.....	133-1438
HOC Set Blocks.....	133-1439
Trimmer Rack	133-1441
Hydro Oil Change Kit	133-1457
Strobe Light Kit	133-1495
5 Gallon Bucket	133-2533
Hydraulic Cap Lock Kit.....	136-5420
Bagger Enhancement Kit.....	139-1529
Recycler Kit	139-6655
18x8.5n10 X-Tweel Turf.....	139-7890
6in Hose Kit, E-Z Vac Twin Bagger, 2016 and After Grandstand Mower	139-7930
Blower Upgrade Kit, Twin Bagger, 2016 and After Grandstand Mower.....	139-7940
Blade-20.5 High Flow	140-1240
Blade-20.50 Atomic	140-1241
Pneumatic Castor Wheel Kit.....	140-4311
Blade-20.50 Medium Flow	140-4853
Blade-20.50, Low Flow	140-4854
Blade-20.50 Recycler	140-4855
6 Pack-Blade, 20.5 High Flow.....	140-4877
6 Pack-Blade, 20.5 Med Flow	140-4878
6 Pack-Blade, 20.5 Low Flow	140-4879
6 Pack-Blade, 20.5 Atomic.....	140-4880
6 Pack-Blade, 20.5 Recycler.....	140-4881
2 Transmission Filter Kit	144-3842
Blade-20.50 High Flow	147-6252
6 Pack-Blade, 20.50 High Flow.....	147-6256
Soft Bag (3 Bushel).....	30104
10W30 4-Cycle Engine Oil (32oz Bottle).....	38280
Toro 4-Cycle SAE 30 Oil (32oz Bottle)	38903

Attachments and Accessories (continued)

Twin Bagger Kit..... 78524
Blower Drive 60-in 78527
Spark Plug 92-2153
Spark Arrestor 98-9099



Count on it.