



**Count on it.**

**Parts Catalog**

**22in Recycler®**

**Lawn Mower**

Model No. 21464—Serial No. 40000000 and Up



# Ordering Replacement Parts

To order replacement parts, please supply the part number, the quantity, and the description of each part desired.

## Understanding Reference Numbers

Each identified part in an illustration has a reference number. The reference number for a part also appears in the parts list, along with other information about the part.

This catalog uses two special reference number formats, one to indicate parts in a service assembly and another to indicate the quantity of a given part in an illustration.

## Service Assembly Reference Numbers

Parts in service assemblies have reference numbers in the form a:b. The a represents the reference number of the entire service assembly and the b represents a sequential number unique to each part within the service assembly.

For example, a wheel assembly might be identified by reference number 6, the tire by 6:1, the valve by 6:2, and the wheel by 6:3. When you order the assembly identified by reference number 6, you receive all parts identified by reference numbers 6:1, 6:2, and 6:3. However, you may also order any part individually. Reference numbers of this type appear in illustration and in parts lists.

## Reference Numbers Indicating Quantity

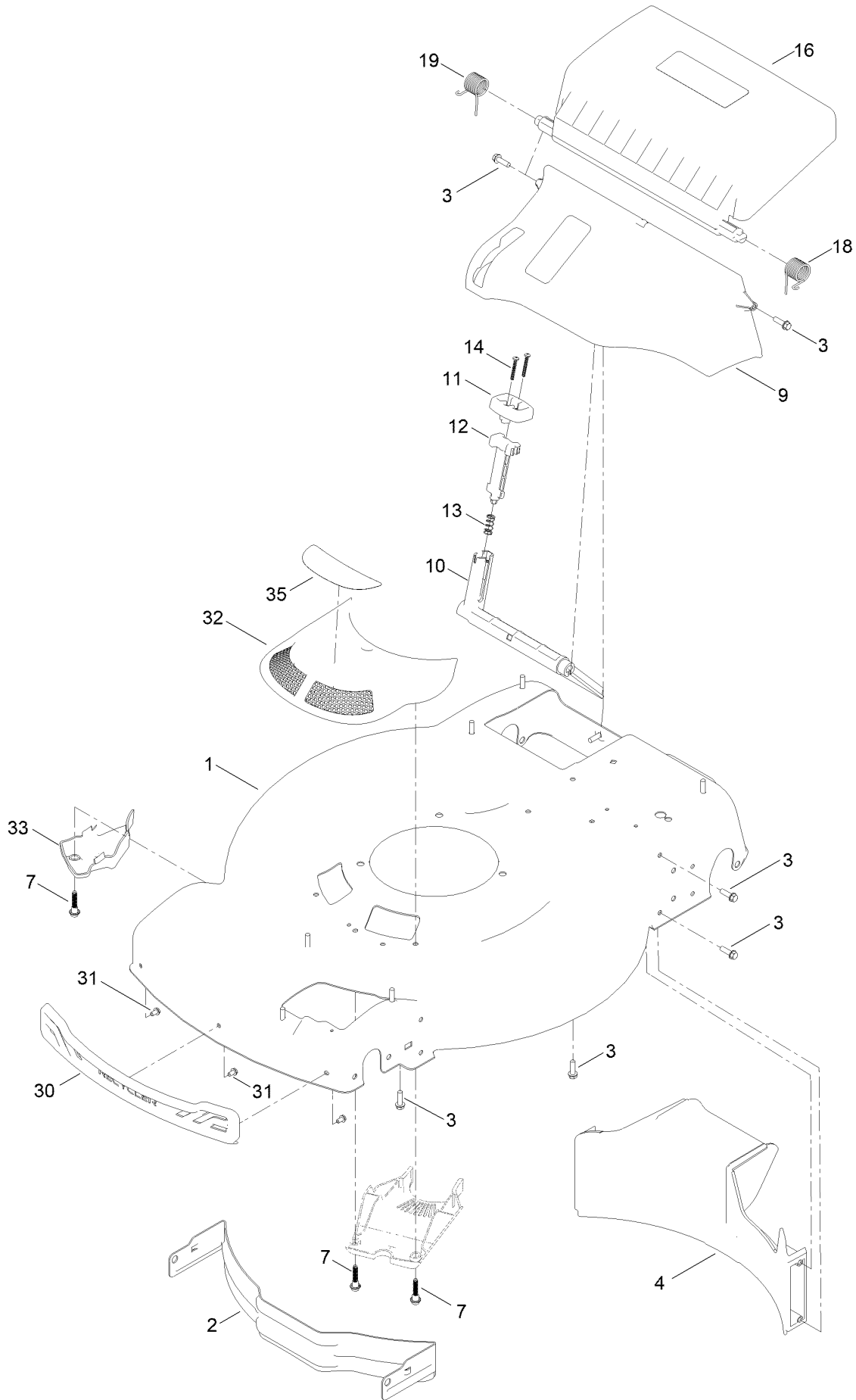
In an illustration, if a reference number indicates more than one part, the reference number has the form nX y. The n represents the quantity of the part, the X is the multiplication symbol, and the y represents the reference number.

For example, in an illustration, the reference number 2X 37 means that two of the parts identified by reference number 37 are indicated.

# Contents

|  |    |
|--|----|
| Housing Assembly .....                       | 4  |
| Grass Bag Assembly .....                     | 6  |
| Decal Assembly .....                         | 8  |
| Engine and Blade Assembly .....              | 10 |
| Front Wheel and Height-of-Cut Assembly ..... | 12 |
| Rear Wheel and Height-of-Cut Assembly .....  | 14 |
| Handle Assembly .....                        | 16 |
| Electrical Assembly .....                    | 18 |
| Battery Charger Assembly .....               | 20 |
| Attachments and Accessories .....            | 22 |

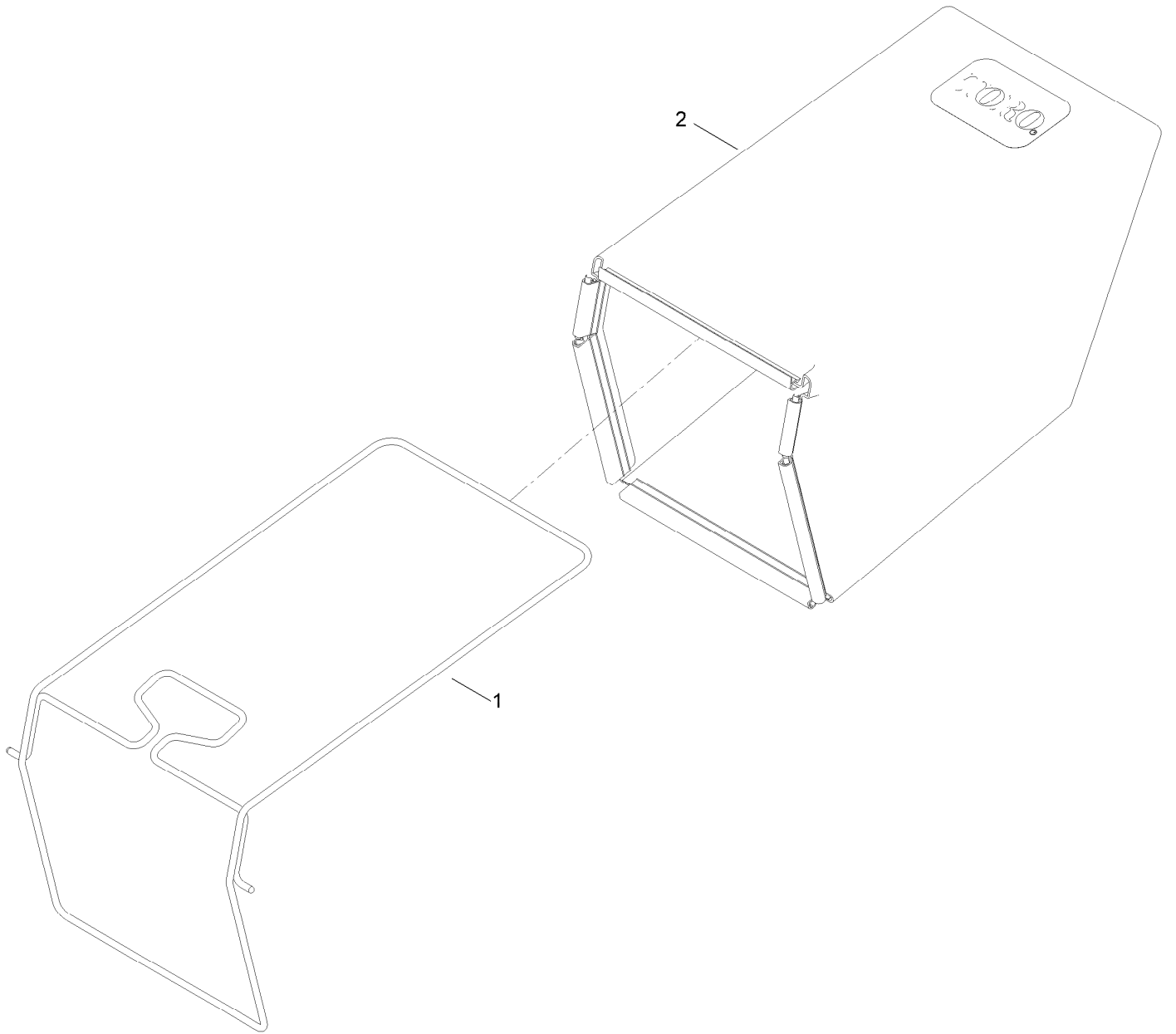
# Housing Assembly



## Housing Assembly (continued)

| <i>Ref.</i> | <i>Part Number</i> | <i>Qty.</i> | <i>Description</i>  | <i>Ref.</i> | <i>Part Number</i> | <i>Qty.</i> | <i>Description</i>     |
|-------------|--------------------|-------------|---------------------|-------------|--------------------|-------------|------------------------|
| 1           | 144-3192           | 1           | Housing ASM         | 14          | 32104-120          | 2           | Screw-PPH              |
| 2           | 114-7963-01        | 1           | Baffle-Front        | 16          | 139-5476           | 1           | ASM-Rear Door, In Mold |
| 3           | 46-8091            | 13          | Screw-HWH           | 18          | 139-5478           | 1           | Spring-Torsion, LH     |
| 4           | 139-5440           | 1           | Baffle-Rear, Rwd    | 19          | 139-5479           | 1           | Spring-Torsion, RH     |
| 7           | 131-0837           | 1           | Screw-Shoulder, HHF | 30          | 139-5457           | 1           | Bumper-Front           |
| 9           | 140-2368           | 1           | ASM-Chute, In Mold  | 31          | 139-5467           | 3           | Screw-Plastic, HWH     |
| 10          | 139-5443           | 1           | Deflector-Recycle   | 32          | 144-0210           | 1           | ASM-Intake, Rwd        |
| 11          | 139-5444           | 1           | Knob-Recycle        | 33          | 140-2384           | 1           | Cover-Intake, Bottom   |
| 12          | 139-5445           | 1           | Latch-Recycle       | 35          | 140-4185           | 1           | Decal                  |
| 13          | 140-4192           | 1           | Spring-Compression  |             |                    |             |                        |

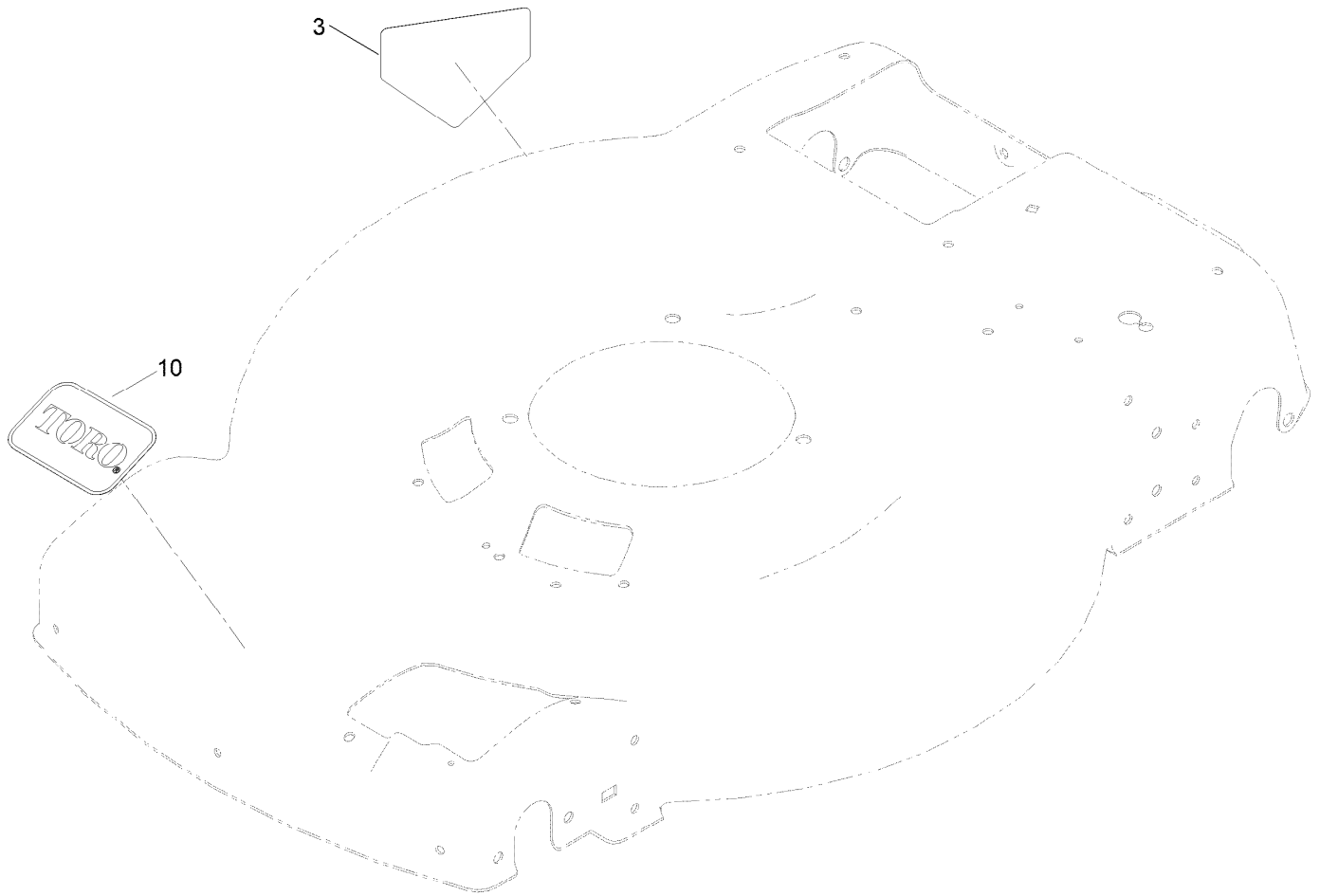
# Grass Bag Assembly



## Grass Bag Assembly (continued)

| <i>Ref.</i> | <i>Part Number</i> | <i>Qty.</i> | <i>Description</i> |
|-------------|--------------------|-------------|--------------------|
| 1           | 139-5470-03        | 1           | ASM-Frame, Bag     |
| 2           | 139-5471           | 1           | ASM-Bag, Grass     |

# Decal Assembly

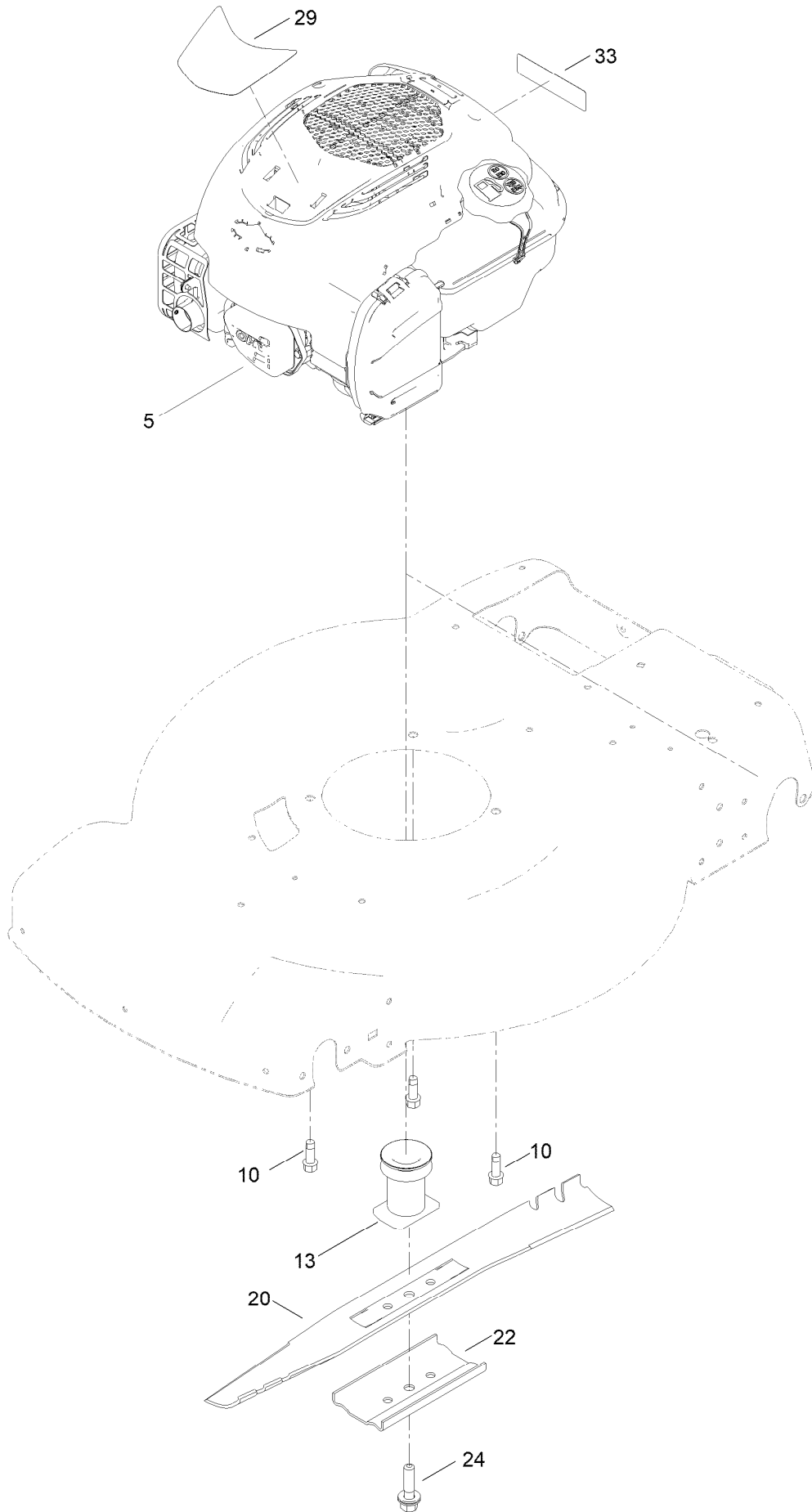




## Decal Assembly (continued)

| <i>Ref.</i> | <i>Part Number</i> | <i>Qty.</i> | <i>Description</i> |
|-------------|--------------------|-------------|--------------------|
| 3           | 94-8072            | 1           | Decal-Danger       |
| 10          | 140-4183           | 1           | Decal              |

# Engine and Blade Assembly



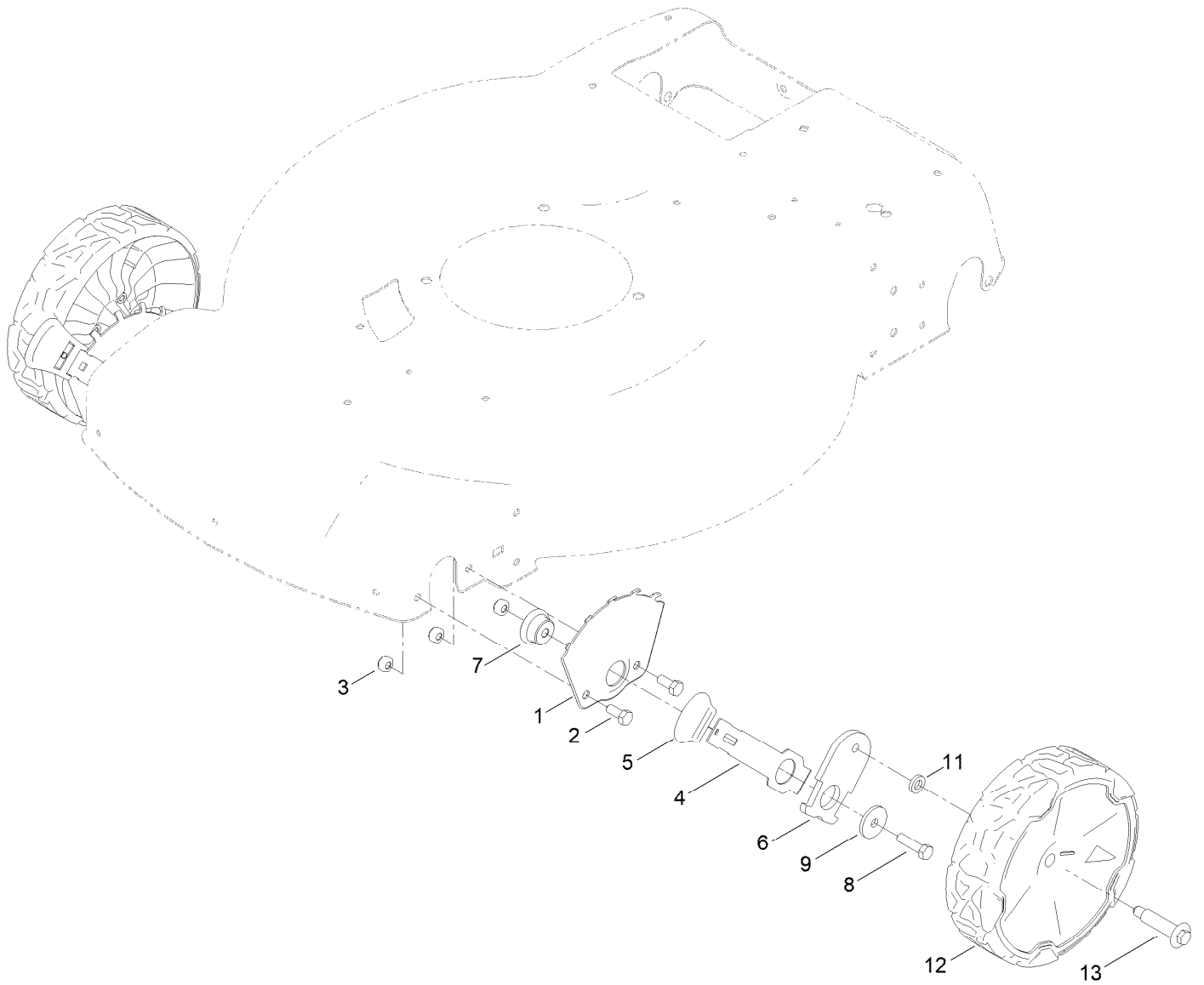
## Engine and Blade Assembly (continued)

| <i>Ref.</i> | <i>Part Number</i> | <i>Qty.</i> | <i>Description</i>              | <i>Ref.</i> | <i>Part Number</i> | <i>Qty.</i> | <i>Description</i>       |
|-------------|--------------------|-------------|---------------------------------|-------------|--------------------|-------------|--------------------------|
| 5           |                    | 1           | Engine-Briggs, 625 Exi ES<br>●■ | 22          | 108-3766-03        | 1           | Support-Blade            |
| 10          | 121-5844           | 3           | Screw-Thd Form, HWH             | 24          | 125-2466           | 1           | Bolt-Blade               |
| 13          | 139-1816           | 1           | Driver-Blade                    | 29          | 140-4249           | 1           | Decal - Briggs 625 Ex ES |
| 20          | 131-4547-03        | 1           | Blade-22 Inch                   | 33          | 133-8062           | 1           | Decal-Spark Arrestor     |

● Not serviced separately

■ Obtain parts from [www.briggsandstratton.com](http://www.briggsandstratton.com)

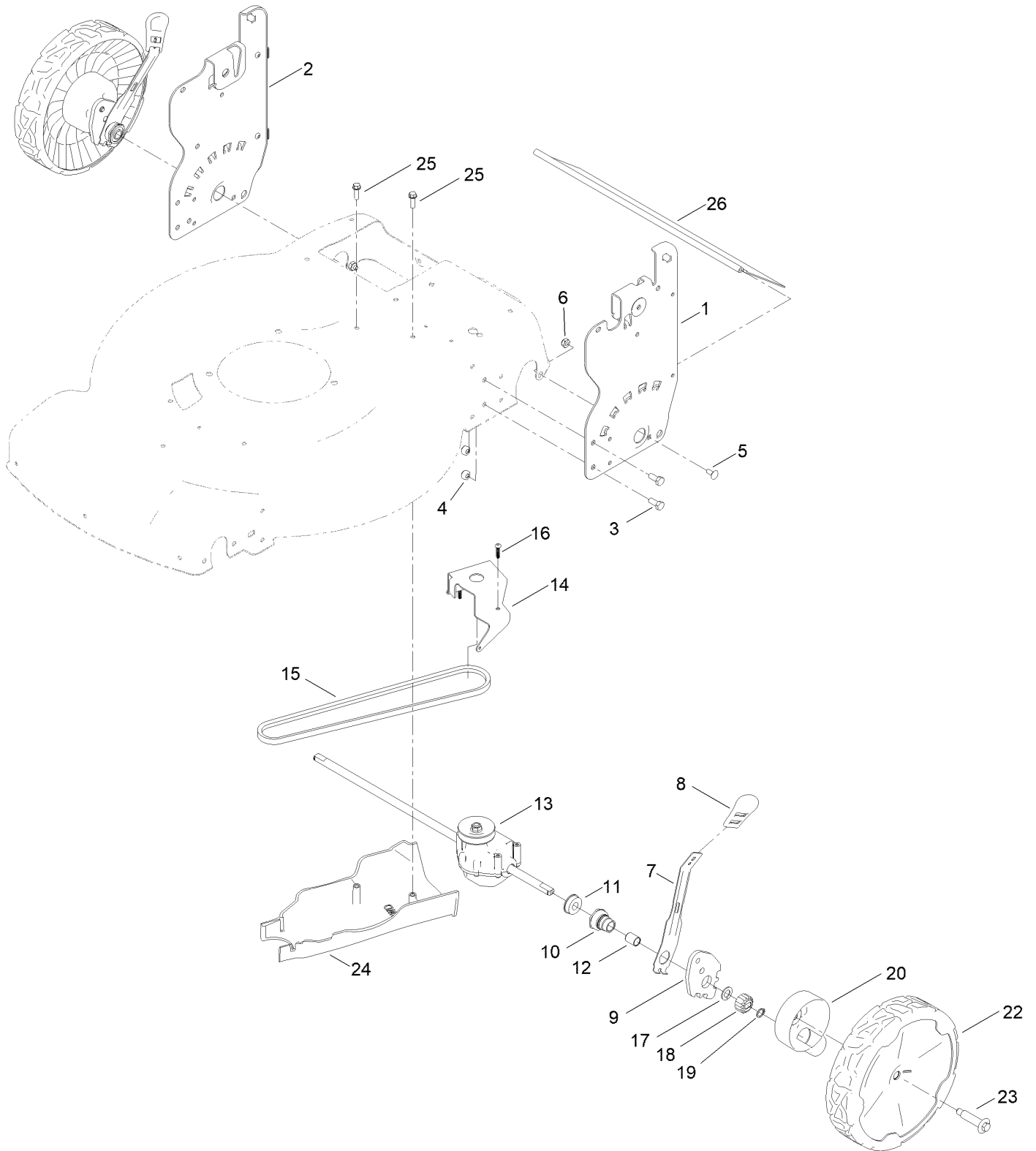
# Front Wheel and Height-of-Cut Assembly



## Front Wheel and Height-of-Cut Assembly (continued)

| <i>Ref.</i> | <i>Part Number</i> | <i>Qty.</i> | <i>Description</i>   | <i>Ref.</i> | <i>Part Number</i> | <i>Qty.</i> | <i>Description</i>  |
|-------------|--------------------|-------------|----------------------|-------------|--------------------|-------------|---------------------|
| 1           | 115-1956-05        | 2           | Plate-HOC,Front Fsvq | 7           | 105-1818           | 2           | Bushing-Mount, HOC  |
| 2           | 322-3              | 4           | Screw-HH             | 8           | 322-6              | 2           | Screw-HH            |
| 3           | 3296-29            | 6           | Nut-Lock, NI         | 9           | 105-3048           | 2           | Washer-Flat         |
| 4           | 105-1809           | 2           | Arm-Spring           | 11          | 139-5449           | 2           | Washer-Wheel Bolt   |
| 5           | 105-3042           | 2           | Knob-Lever, HOC      | 12          | 140-2355           | 2           | ASM-8" Wheel, Idler |
| 6           | 137-9128           | 2           | Arm-Pivot, Front     | 13          | 139-1789           | 2           | Wheel Bolt          |

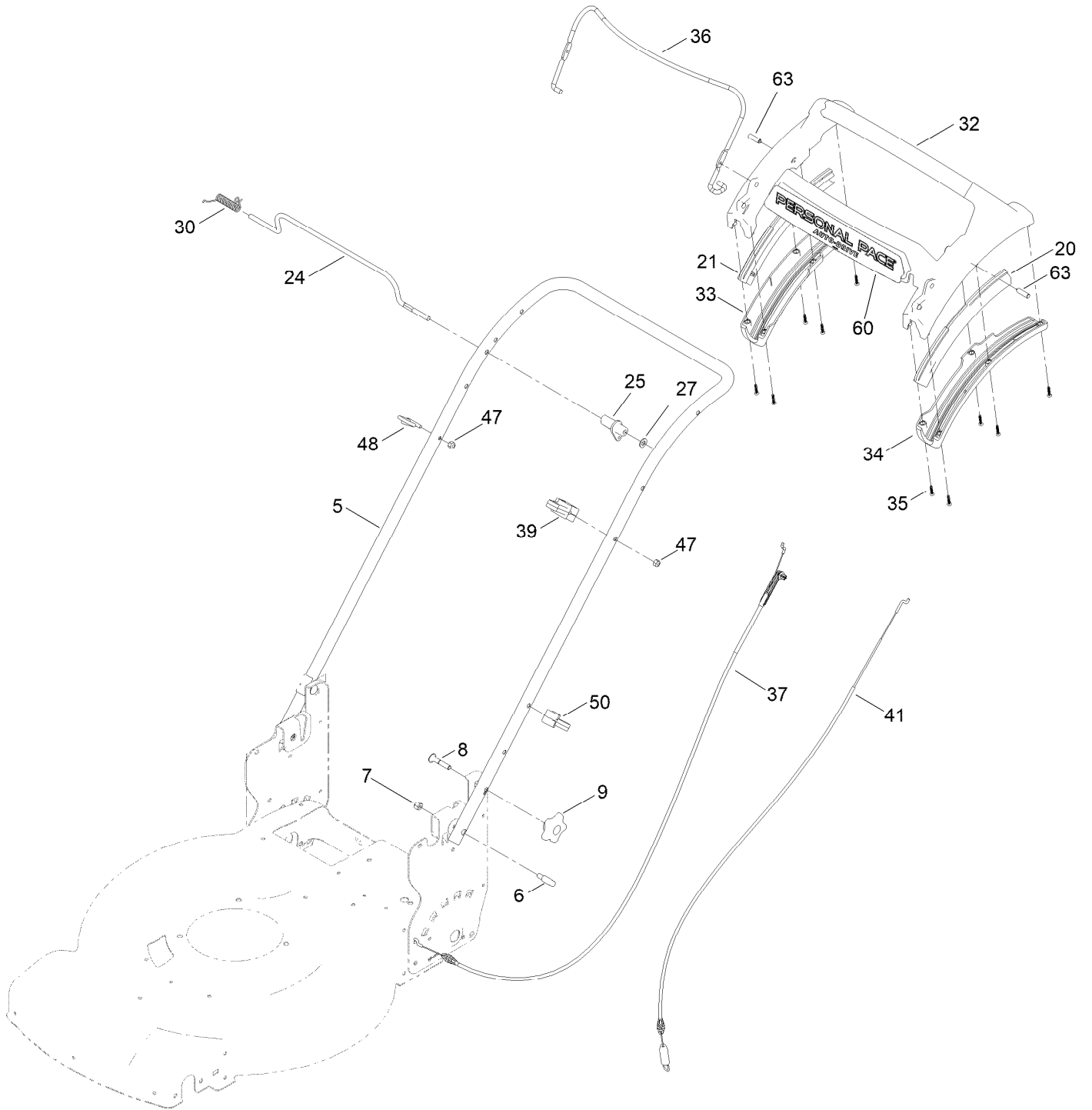
# Rear Wheel and Height-of-Cut Assembly



## Rear Wheel and Height-of-Cut Assembly (continued)

| <i>Ref.</i> | <i>Part Number</i> | <i>Qty.</i> | <i>Description</i>    | <i>Ref.</i> | <i>Part Number</i> | <i>Qty.</i> | <i>Description</i>        |
|-------------|--------------------|-------------|-----------------------|-------------|--------------------|-------------|---------------------------|
| 1           | 139-6591-05        | 1           | Plate-HOC, LH (ISO)   | 14          | 114-7977-03        | 1           | Bracket-Transmission      |
| 2           | 139-6590-05        | 1           | Plate-HOC, RH (ISO)   | 15          | 140-4041           | 1           | V-Belt                    |
| 3           | 322-3              | 4           | Screw-HH              | 16          | 108-7476           | 3           | Screw-Plastite            |
| 4           | 3296-29            | 4           | Nut-Lock, NI          | 17          | 110-7191           | 2           | Washer-Thrust             |
| 5           | 3229-11            | 2           | Screw-CARR            | 18          | 131-5399           | 2           | Gear-Pinion, 15T          |
| 6           | 3296-16            | 2           | Nut-Lock, NI          | 19          | 32151-61           | 2           | Ring-Retaining            |
| 7           | 132-4486           | 2           | Arm-Spring            | 20          | 140-2362           | 2           | ASM-Cover, Gear (Dk Gray) |
| 8           | 105-3042           | 2           | Knob-Lever, HOC       | 22          | 140-2350           | 2           | ASM-9.65" Wheel, Geared   |
| 9           | 139-5451           | 2           | Arm-Pivot, Rear       | 23          | 139-1789           | 2           | Wheel Bolt                |
| 10          | 108-9779           | 2           | Retainer-Bushing, HOC | 24          | 139-5448           | 1           | Cover-Belt, Rwd           |
| 11          | 104-8699           | 2           | Bearing-Ball          | 25          | 46-8091            | 2           | Screw-HWH                 |
| 12          | 108-9782           | 2           | Bushing-Sleeve        | 26          | 139-6597           | 1           | Shield-Trailing           |
| 13          | 139-6561           | 1           | Transmission-Rwd      |             |                    |             |                           |

# Handle Assembly

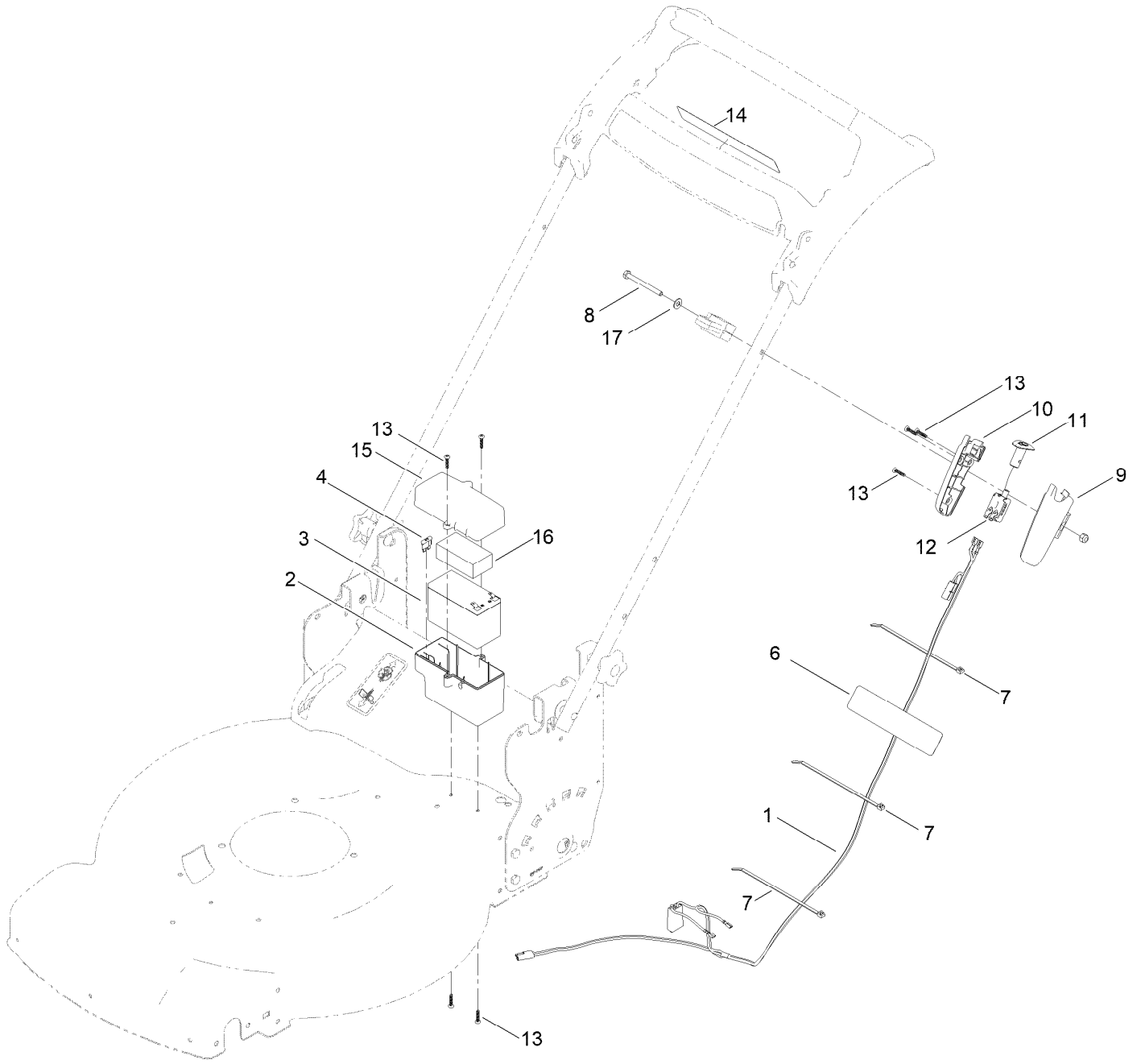




## Handle Assembly (continued)

| <i>Ref.</i> | <i>Part Number</i> | <i>Qty.</i> | <i>Description</i>              | <i>Ref.</i> | <i>Part Number</i> | <i>Qty.</i> | <i>Description</i>       |
|-------------|--------------------|-------------|---------------------------------|-------------|--------------------|-------------|--------------------------|
| 5           | 139-5458-05        | 1           | Handle-Curved                   | 33          | 139-6567           | 1           | Bottom-Handle, RH        |
| 6           | 139-6599           | 2           | Bolt-Shoulder, Handle           | 34          | 139-6568           | 1           | Bottom-Handle, LH        |
| 7           | 3296-29            | 2           | Nut-Lock, NI                    | 35          | 94-4496            | 10          | Screw-PPH                |
| 8           | 131-9663           | 2           | Screw-CARR                      | 36          | 140-4023-03        | 1           | Bail-Brake               |
| 9           | 117-5976           | 2           | Knob-Handle                     | 37          | 139-6594           | 1           | Cable-Brake, Pp B&s      |
| 20          | 140-2367           | 1           | Guide-Curved, LH (Rwd)          | 39          | 139-6581           | 1           | Anchor-Cable, Rwd        |
| 21          | 140-2366           | 1           | Guide-Curved, RH (Rwd)          | 41          | 139-6595           | 1           | Cable-Traction, Rwd (Pp) |
| 24          | 139-5464           | 1           | Rod-Control, Traction           | 47          | 3296-73            | 2           | Nut-Lock, NI             |
| 25          | 139-6554           | 1           | Lever-Traction, Rwd             | 48          | 86-9671            | 1           | Guide-Rope               |
| 27          | 3256-23            | 1           | Washer-Plain                    | 50          | 114-7988           | 1           | Guide-Cable              |
| 30          | 140-4194           | 1           | Spring-Torsion                  | 60          | 140-4187           | 1           | Decal                    |
| 32          | 139-6569           | 1           | Handle-Personal Pace,<br>Curved | 63          | 139-6577           | 2           | Pin-Handle, Pp           |

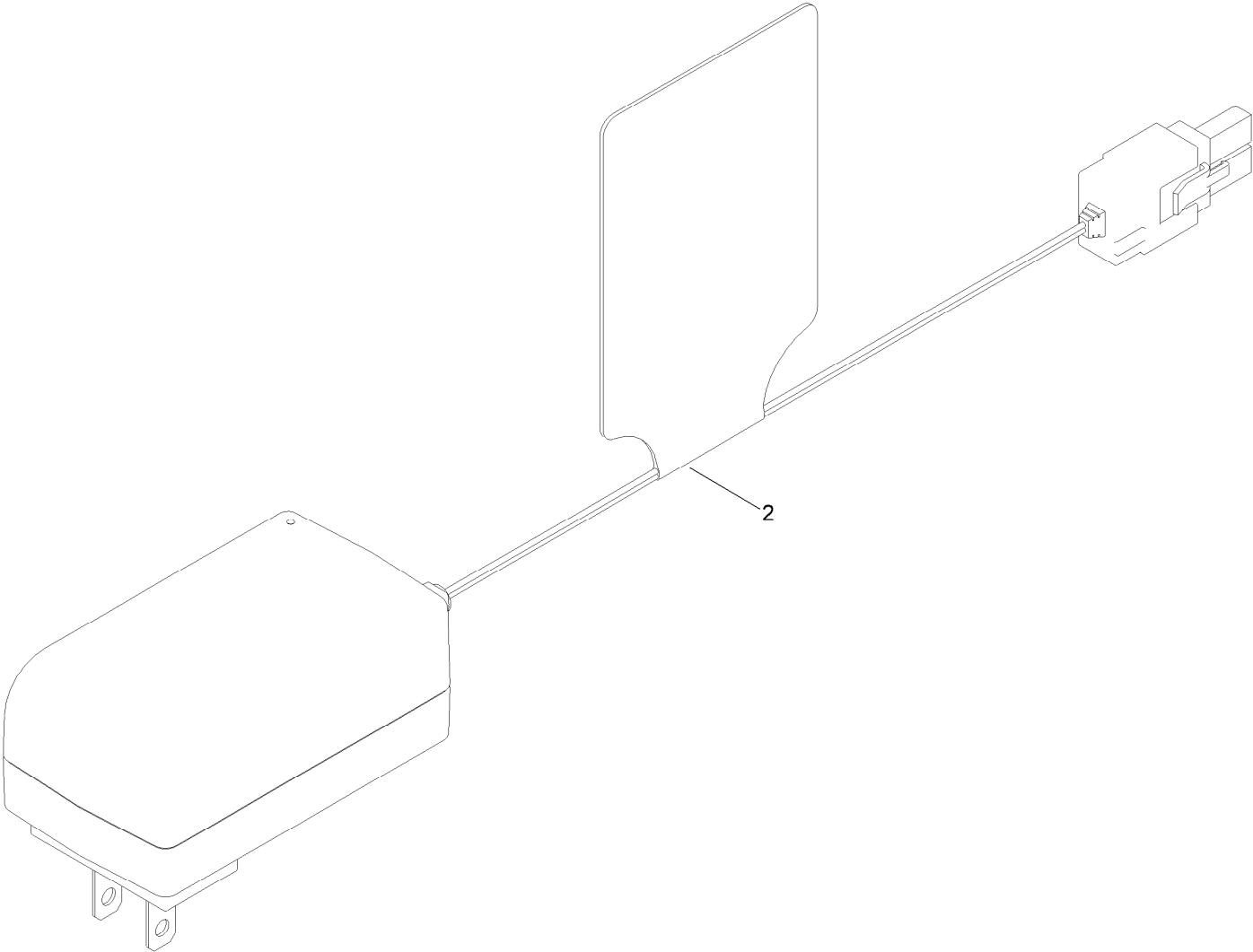
# Electrical Assembly



## Electrical Assembly (continued)

| <i>Ref.</i> | <i>Part Number</i> | <i>Qty.</i> | <i>Description</i>                | <i>Ref.</i> | <i>Part Number</i> | <i>Qty.</i> | <i>Description</i> |
|-------------|--------------------|-------------|-----------------------------------|-------------|--------------------|-------------|--------------------|
| 1           | 140-3924           | 1           | Harness-Wire                      | 10          | 133-8161           | 1           | Housing-Switch, RH |
| 2           | 140-3920           | 1           | Tray-Battery                      | 11          | 125-2470           | 1           | Button-Switch      |
| 3           | 127-0694           | 1           | Battery-Wet, 12V 3.6Ah,<br>Sealed | 12          | 121-9173           | 1           | Switch-Push Button |
| 4           | 99-6124            | 1           | Fuse-40 Amp                       | 13          | 94-4496            | 7           | Screw-PPH          |
| 6           | 140-4357           | 1           | Decal-Battery Charging            | 14          | 133-1900           | 1           | Decal-Button, Push |
| 7           | 614249             | 3           | Tie-Cable                         | 15          | 140-3921           | 1           | Cover-Battery      |
| 8           | 321-57             | 1           | Screw-HH                          | 16          | 107-3774           | 1           | Foam-Battery, Top  |
| 9           | 133-8160           | 1           | Housing-Switch, LH                | 17          | 3256-1             | 1           | Washer-Flat        |

# Battery Charger Assembly



## Battery Charger Assembly (continued)

| <i>Ref.</i> | <i>Part Number</i> | <i>Qty.</i> | <i>Description</i>     |
|-------------|--------------------|-------------|------------------------|
| 2           | 136-9126           | 1           | Charger, Battery (12V) |

# Attachments and Accessories

## For 21464 22in Recycler Lawn Mower

| <b>Product Name</b>                          | <b>Model/Part</b> |
|--|-------------------|
| Fuel Stabilizer .05 oz .....                 | 130-2393          |
| Briggs Maint Kit.....                        | 130-8148          |
| 4-Cycle Fuel, Snow And Lawn 32oz Can .....   | 131-3823          |
| Toro Premium Fuel Treatment 12oz Bottle..... | 131-6572          |
| Oil-30/10W-30 Synthetic (Quart).....         | 138-6053          |
| Chute ASM .....                              | 139-6556          |
| Lawn Striping Kit with 22in Roller.....      | 20601             |
| Toro 4-Cycle SAE 30 Oil (32oz Bottle) .....  | 38903             |
| Summer Oil-Case of 24 (20oz Bottles).....    | 38916             |
| Bag-Walk Behind (Toro).....                  | 490-7318          |
| Lawnmower Cover.....                         | 490-7462          |
| 22 Inch Atomic Blade.....                    | 59534P            |

**Notes:**



**Count on it.**