



**Count on it.**

**Parts Catalog**

**TimeCutter® MyRIDE® 54in Zero Turn**

**Riding Mower**

**Model No. 77507—Serial No. 417500000 and Up**



# Ordering Replacement Parts

To order replacement parts, please supply the part number, the quantity, and the description of each part desired.

## Understanding Reference Numbers

Each identified part in an illustration has a reference number. The reference number for a part also appears in the parts list, along with other information about the part.

This catalog uses two special reference number formats, one to indicate parts in a service assembly and another to indicate the quantity of a given part in an illustration.

## Service Assembly Reference Numbers

Parts in service assemblies have reference numbers in the form a:b. The a represents the reference number of the entire service assembly and the b represents a sequential number unique to each part within the service assembly.

For example, a wheel assembly might be identified by reference number 6, the tire by 6:1, the valve by 6:2, and the wheel by 6:3. When you order the assembly identified by reference number 6, you receive all parts identified by reference numbers 6:1, 6:2, and 6:3. However, you may also order any part individually. Reference numbers of this type appear in illustration and in parts lists.

## Reference Numbers Indicating Quantity

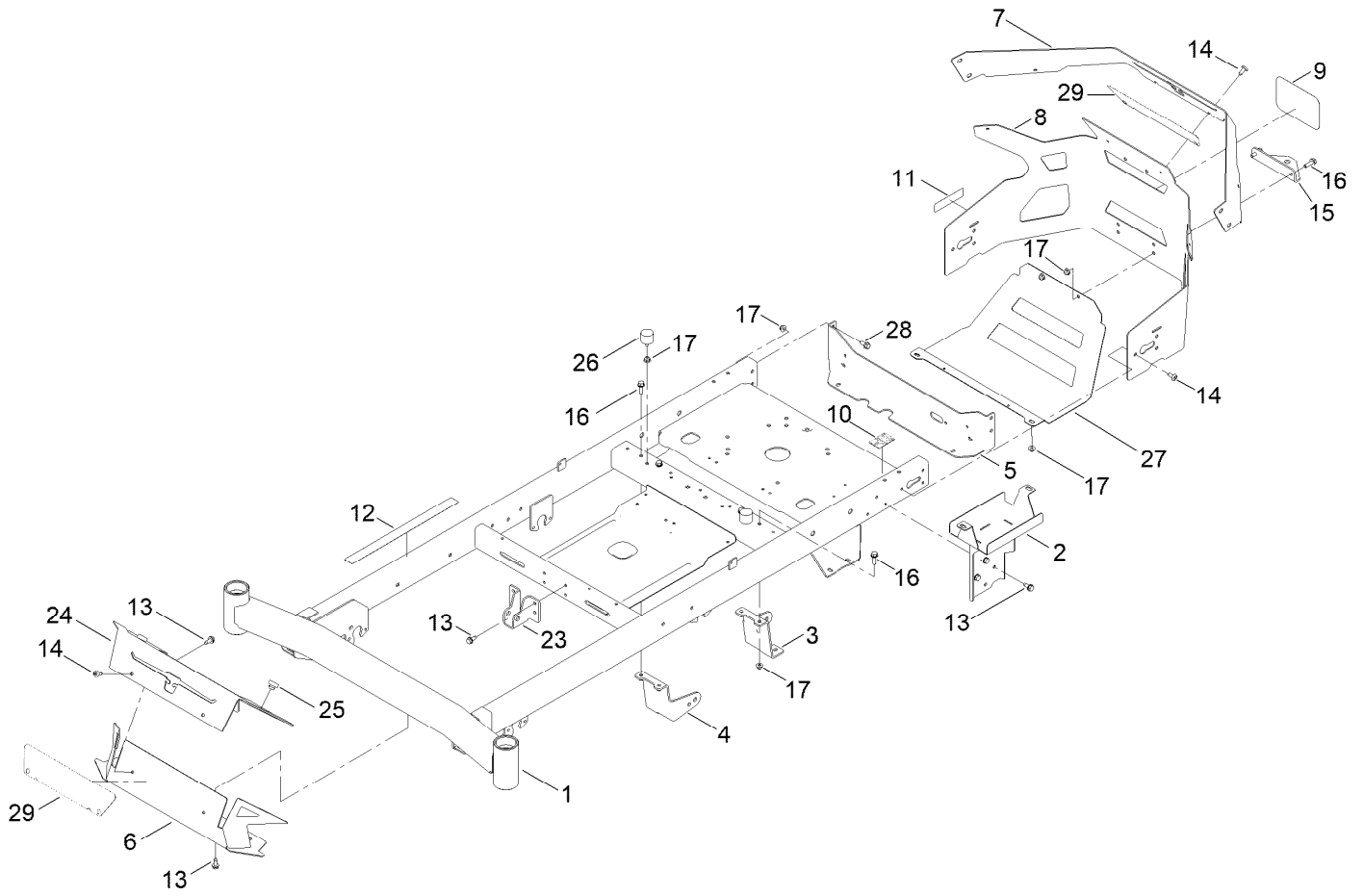
In an illustration, if a reference number indicates more than one part, the reference number has the form nX y. The n represents the quantity of the part, the X is the multiplication symbol, and the y represents the reference number.

For example, in an illustration, the reference number 2X 37 means that two of the parts identified by reference number 37 are indicated.

# Contents

|  |    |
|--|----|
| Frame Assembly . . . . .                     | 4  |
| Deck Lift Assembly . . . . .                 | 6  |
| Caster Wheel Assembly . . . . .              | 8  |
| Wheel Assembly No. 145-4692 . . . . .        | 10 |
| Traction Drive Assembly . . . . .            | 12 |
| LH Transaxle Assembly No. 139-7470 . . . . . | 14 |
| RH Transaxle Assembly No. 139-7471 . . . . . | 16 |
| Brake Assembly . . . . .                     | 18 |
| Tire Assembly . . . . .                      | 20 |
| Motion Control Assembly . . . . .            | 22 |
| Engine and Muffler Assembly . . . . .        | 24 |
| Fuel Tank Assembly . . . . .                 | 26 |
| Electrical Assembly . . . . .                | 28 |
| 54in Deck and Decal Assembly . . . . .       | 30 |
| Model Specific Assembly . . . . .            | 32 |
| Seat Pan Assembly . . . . .                  | 34 |
| Seat Assembly No. 147-8731 . . . . .         | 36 |
| Clutch Assembly . . . . .                    | 38 |
| Attachments and Accessories . . . . .        | 40 |

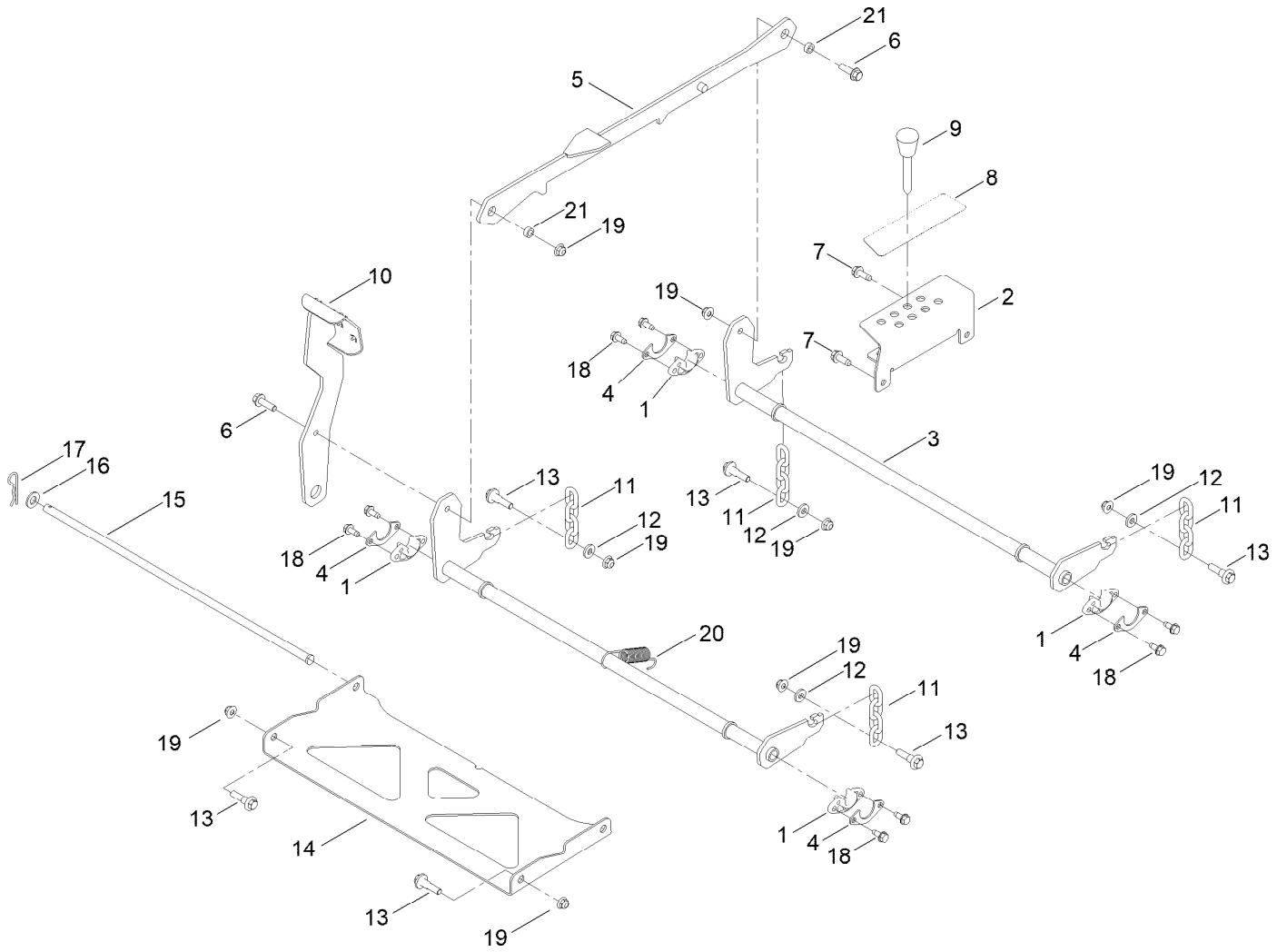
# Frame Assembly



## Frame Assembly (continued)

| <i>Ref.</i> | <i>Part Number</i> | <i>Qty.</i> | <i>Description</i>     | <i>Ref.</i> | <i>Part Number</i> | <i>Qty.</i> | <i>Description</i>             |
|-------------|--------------------|-------------|------------------------|-------------|--------------------|-------------|--------------------------------|
| 1           | 161-6614           | 1           | Service ASM-Frame, Tc  | 14          | 138-9753           | 12          | Screw                          |
| 2           | 145-6283-05        | 1           | Wa-Battery Mount       | 15          | 117-1232-03        | 1           | Bracket-Hitch                  |
| 3           | 161-6506-01        | 1           | Mount-Drive, LH        | 16          | 139-2596           | 6           | Screw-HHF                      |
| 4           | 161-6507-01        | 1           | Mount-Drive, RH        | 17          | 119-4041           | 14          | Nut-HF                         |
| 5           | 147-8709-03        | 1           | Plate-Mount            | 23          | 145-6323-01        | 1           | Bracket-Mount Damper,<br>Lower |
| 6           | 147-2966-05        | 1           | Footrest-Top           | 24          | 147-2850-05        | 1           | Plate-Kick, Mr                 |
| 7           | 147-2995-05        | 1           | Plate-Rear Cladding Tc | 25          | 140-3460           | 2           | Bumper-Rubber                  |
| 8           | 147-2994-05        | 1           | Guard-Engine Tc        | 26          | 137-4803           | 2           | Bumper-Rubber                  |
| 9           | 127-7590           | 1           | Decal                  | 27          | 163-6002-03        | 1           | Guard-Muffler [black]          |
| 10          | 161-6207           | 1           | Decal-Bypass           | 28          | 139-2598           | 4           | Screw-HHF                      |
| 11          | 142-5864           | 1           | Decal-Spark Arrester   | 29          | 147-7699           | 2           | Decal-Backer, Red              |
| 12          | 144-5288           | 1           | Decal-Warning          |             |                    |             |                                |
| 13          | 32144-70           | 11          | Screw-HWHTF            |             |                    |             |                                |

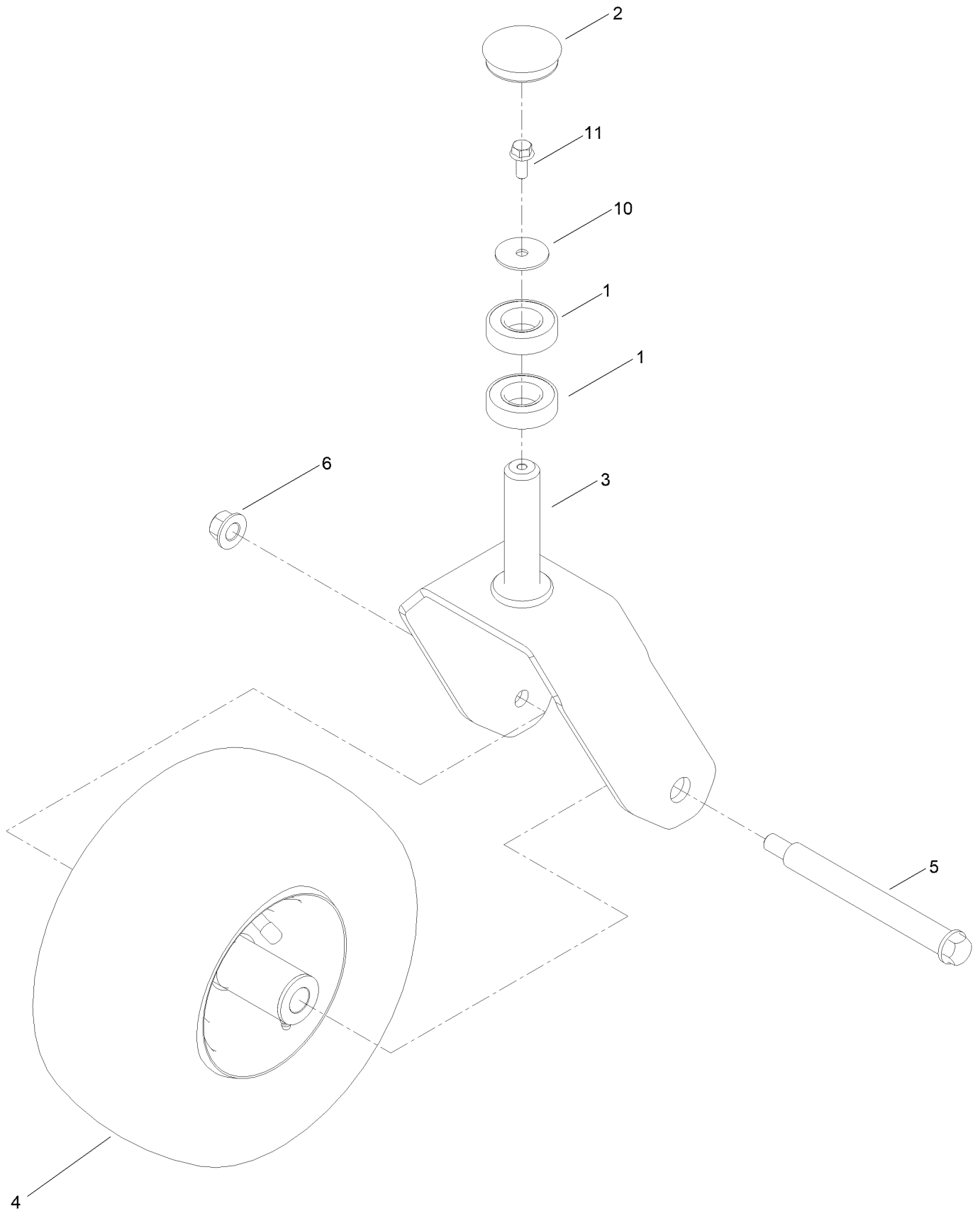
# Deck Lift Assembly



## Deck Lift Assembly (continued)

| <i>Ref.</i> | <i>Part Number</i> | <i>Qty.</i> | <i>Description</i>           | <i>Ref.</i> | <i>Part Number</i> | <i>Qty.</i> | <i>Description</i> |
|-------------|--------------------|-------------|------------------------------|-------------|--------------------|-------------|--------------------|
| 1           | 139-5872           | 4           | Bearing-Flange               | 12          | 138-7207           | 4           | Spacer-Hub, Blower |
| 2           | 145-6257-05        | 1           | Bracket-HOC                  | 13          | 130-0742           | 6           | Bolt-Shoulder      |
| 3           | 145-4645-05        | 2           | Pivot ASM-Decklift [blk-Txt] | 14          | 145-6248-03        | 1           | Pan-Deck Pivot     |
| 4           | 138-7204           | 4           | Gusset-Deck Lift             | 15          | 145-6288           | 1           | Pin-Deck           |
| 5           | 145-0557-05        | 1           | Link ASM-HOC [blk-Txt]       | 16          | 139-2611           | 1           | Washer-Flat        |
| 6           | 119-4061           | 2           | Screw-HHF                    | 17          | 139-2562           | 1           | Pin-Hair           |
| 7           | 139-2428           | 2           | Screw-HWH                    | 18          | 32144-70           | 8           | Screw-HWHTF        |
| 8           | 147-2866           | 1           | Decal-HOC, Tc                | 19          | 119-4042           | 8           | Nut-HF, NI         |
| 9           | 140-2146           | 1           | HOC Pin ASM                  | 20          | 138-7206           | 1           | Spring-Extension   |
| 10          | 145-6278-05        | 1           | Pedal ASM [blk-Txt]          | 21          | 140-2093           | 2           | Spacer             |
| 11          | 138-7205           | 4           | Chain-Decklift, 4-Link       |             |                    |             |                    |

# Caster Wheel Assembly

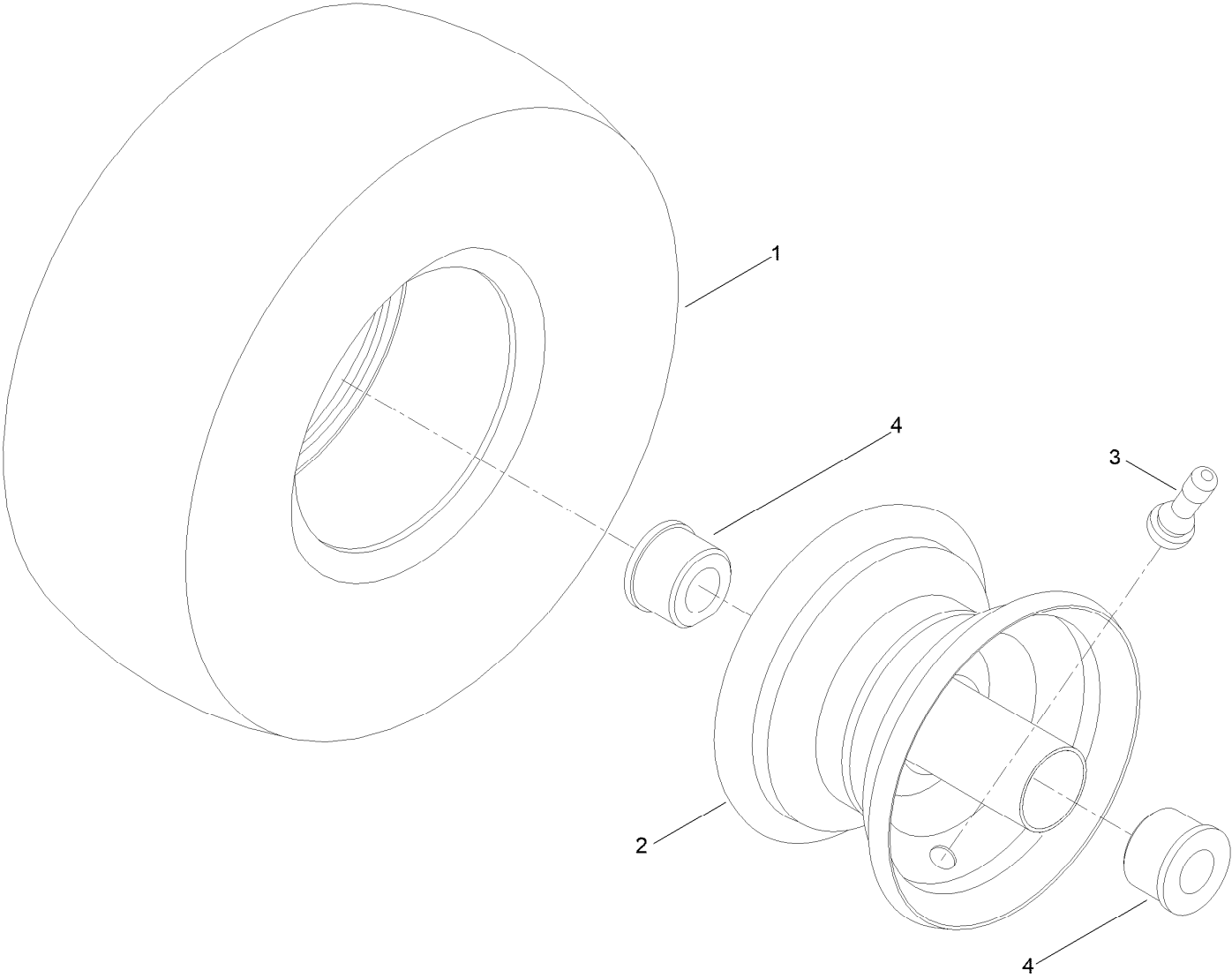




## Caster Wheel Assembly (continued)

| <i>Ref.</i> | <i>Part Number</i> | <i>Qty.</i> | <i>Description</i>        | <i>Ref.</i> | <i>Part Number</i> | <i>Qty.</i> | <i>Description</i> |
|-------------|--------------------|-------------|---------------------------|-------------|--------------------|-------------|--------------------|
| 1           | 109-3678           | 4           | Bearing-Ball              | 5           | 145-4649           | 2           | Screw-Shoulder HHF |
| 2           | 144-0375           | 2           | Cap, Grease               | 6           | 99-5107            | 2           | Nut-Lock           |
| 3           | 145-4674-05        | 2           | Fork                      | 10          | 115-1151           | 2           | Washer-Flat        |
| 4           | 145-4692           | 2           | Wheel ASM - Caster 12X6-5 | 11          | 100-1668           | 2           | Screw-HHF          |

# Wheel Assembly No. 145-4692

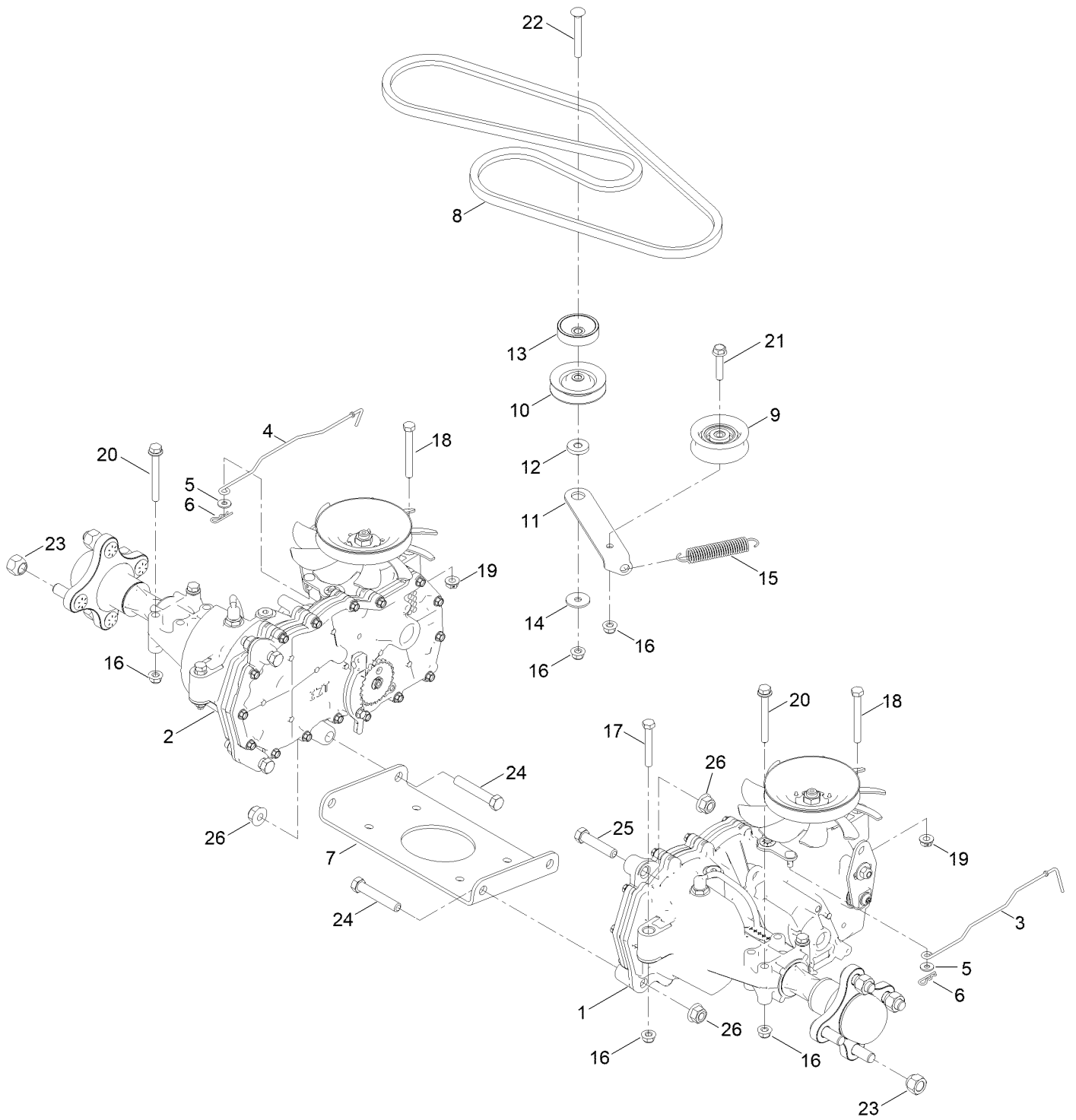


## Wheel Assembly No. 145-4692 (continued)

| <i>Ref.</i> | <i>Part Number</i> | <i>Qty.</i> | <i>Description</i>           |
|-------------|--------------------|-------------|------------------------------|
| 1           | 145-4672           | 1           | Tire 12X6-5                  |
| 2           | 145-4673           | 1           | Wheel (W/ Zerk And Bushings) |

| <i>Ref.</i> | <i>Part Number</i> | <i>Qty.</i> | <i>Description</i> |
|-------------|--------------------|-------------|--------------------|
| 3           | 232-27             | 1           | Stem-Valve         |
| 4           | 114-1640           | 2           | Bushing-Flange     |

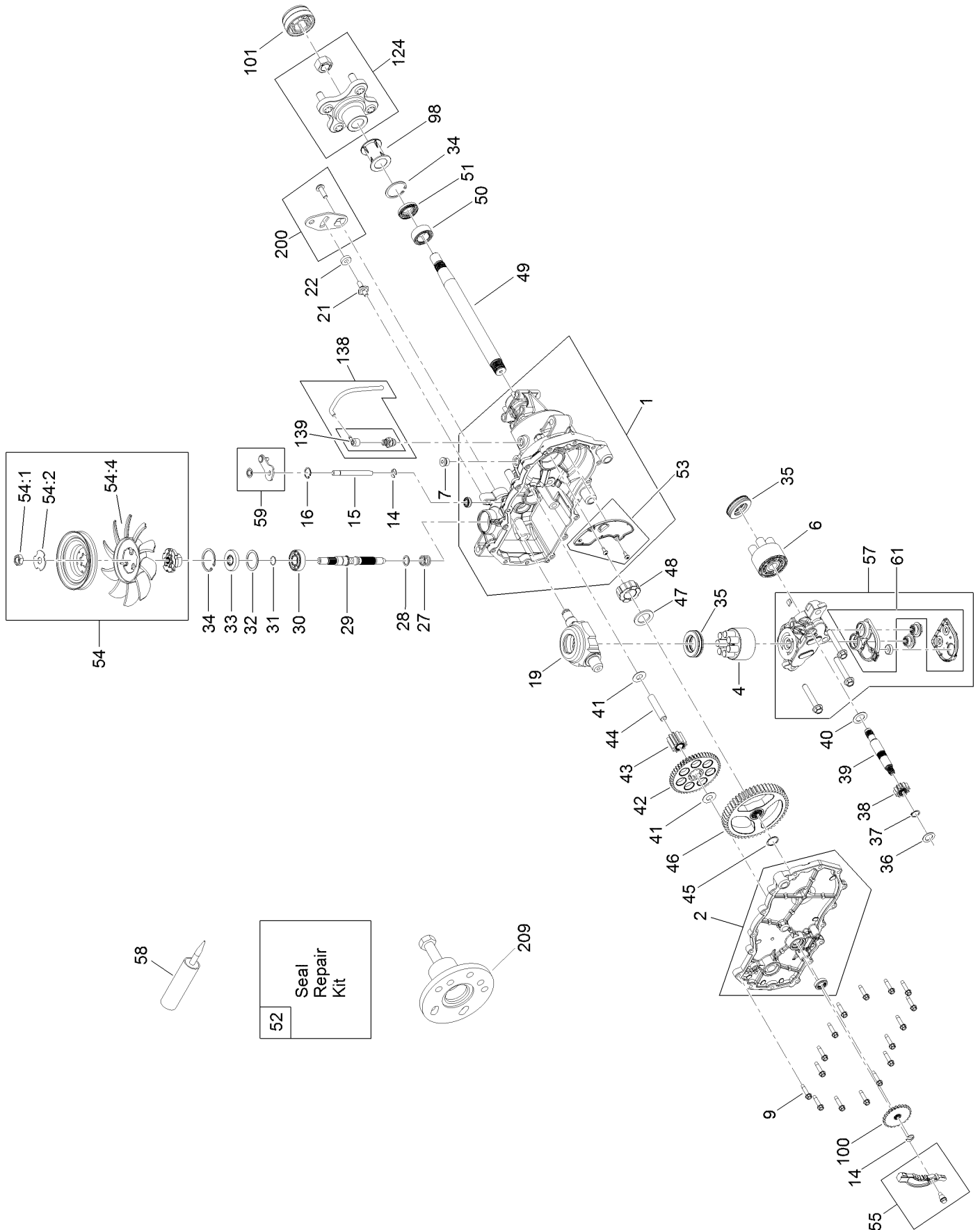
# Traction Drive Assembly



## Traction Drive Assembly (continued)

| <i>Ref.</i> | <i>Part Number</i> | <i>Qty.</i> | <i>Description</i>     | <i>Ref.</i> | <i>Part Number</i> | <i>Qty.</i> | <i>Description</i>   |
|-------------|--------------------|-------------|------------------------|-------------|--------------------|-------------|----------------------|
| 1           | 139-7470           | 1           | LH Hydro Transaxle ASM | 14          | 5-4460             | 1           | Washer-Pivot         |
| 2           | 139-7471           | 1           | RH Hydro Transaxle ASM | 15          | 137-7040           | 1           | Spring-Return, Pedal |
| 3           | 147-2988           | 1           | Rod-Bypass, LH         | 16          | 104-8300           | 8           | Nut-HF, NI           |
| 4           | 147-2989           | 1           | Rod-Bypass, RH         | 17          | 322-11             | 2           | Screw-HH             |
| 5           | 119-8952           | 2           | Washer-Spcl            | 18          | 145-6388           | 2           | Screw-HH Spcl        |
| 6           | 3290-307           | 2           | Pin-Cotter             | 19          | 139-2574           | 2           | Nut-HF               |
| 7           | 145-6390-03        | 1           | Plate-Cross Hydro      | 20          | 138-7590           | 4           | Screw-HHF            |
| 8           | 145-6361           | 1           | V-Belt (A Sec 63.8 EI) | 21          | 115-1794           | 1           | Screw-HHF            |
| 9           | 138-7597           | 1           | Pulley-Idler, Flat     | 22          | 3230-8             | 1           | Screw-CARR           |
| 10          | 68-0030            | 1           | Idler                  | 23          | 139-2564           | 8           | Nut-Lug              |
| 11          | 147-2925           | 1           | Arm-Idler              | 24          | 324-10             | 4           | Screw-HH             |
| 12          | 138-7277           | 1           | Spacer-Arm, Idler      | 25          | 324-8              | 2           | Screw-HH             |
| 13          | 138-9809           | 1           | Spacer                 | 26          | 114-8417           | 6           | Nut-HF, NI           |

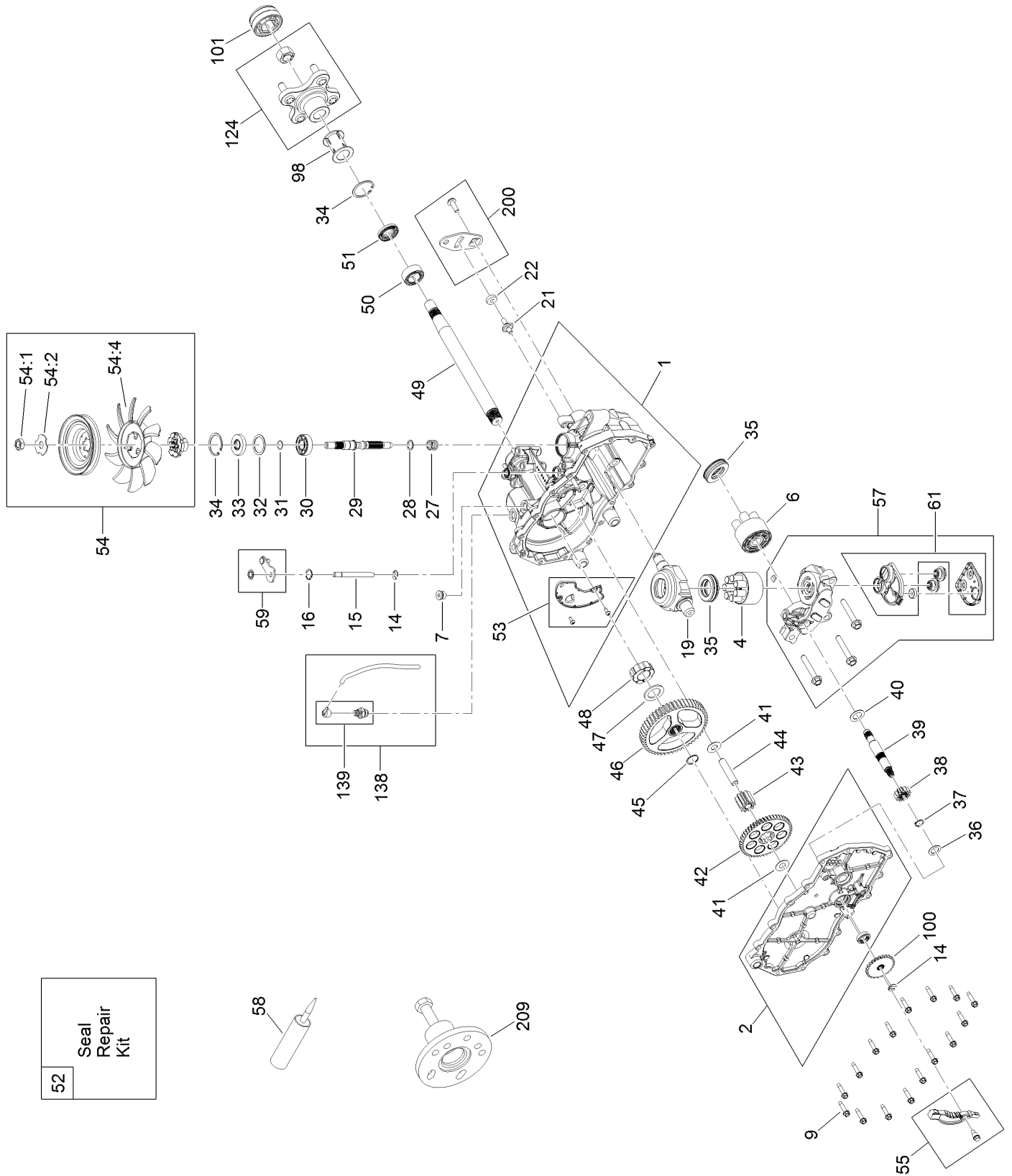
# LH Transaxle Assembly No. 139-7470



## LH Transaxle Assembly No. 139-7470 (continued)

| <i>Ref.</i> | <i>Part Number</i> | <i>Qty.</i> | <i>Description</i>       | <i>Ref.</i> | <i>Part Number</i> | <i>Qty.</i> | <i>Description</i>        |
|-------------|--------------------|-------------|--------------------------|-------------|--------------------|-------------|---------------------------|
| 1           | 106-8695           | 1           | Main Housing ASM         | 41          | 94-1933            | 2           | Washer                    |
| 2           | 106-8696           | 1           | Side ASM                 | 42          | 132-0911           | 1           | Gear-49T                  |
| 4           | 110-8561           | 1           | Pump Block ASM           | 43          | 104-5318           | 1           | Gear-Jackshaft, 10T       |
| 6           | 103-2666           | 1           | Cylinder Block Kit       | 44          | 104-5329           | 1           | Pin-Jackshaft             |
| 7           | 104-2189           | 1           | Plug-Thread, Straight    | 45          | 112-9854           | 1           | Ring-Spiral, Retaining    |
| 9           | 117-5359           | 16          | Screw-HHF                | 46          | 112-9855           | 1           | Gear-52T, Bull            |
| 14          | 106-8677           | 2           | Ring-Retaining, External | 47          | 112-9856           | 1           | Washer                    |
| 15          | 106-8678           | 1           | Rod-Bypass               | 48          | 112-9857           | 1           | Bearing-Sleeve            |
| 16          | 106-8679           | 1           | Ring-Retaining, Internal | 49          | 120-7104           | 1           | Shaft-Axle                |
| 19          | 104-5304           | 1           | Swashplate-Trunnion      | 50          | 112-9859           | 1           | Bushing-Axle              |
| 21          | 104-2116           | 1           | Stud                     | 51          | 112-9860           | 1           | Seal-Lip                  |
| 22          | 112-9853           | 1           | Puck-Friction            | 52          | 106-8686           | 1           | Seal Kit                  |
| 27          | 94-1936            | 1           | Spring-Block             | 53          | 106-8697           | 1           | Expansion Plate Kit       |
| 28          | 94-1937            | 1           | Washer-Thrust            | 54          | 135-7349           | 1           | Fan And Pulley Kit        |
| 29          | 104-5306           | 1           | Shaft-Input              | 55          | 106-8688           | 1           | Brake Arm Kit             |
| 30          | 104-5311           | 1           | Bearing-Ball             | 57          | 112-9861           | 1           | Center Section Filter Kit |
| 31          | 104-5307           | 1           | Ring-Retaining           | 59          | 120-5549           | 1           | Bypass Kit                |
| 32          | 104-5308           | 1           | Spacer                   | 61          | 114-1634           | 1           | Filter Kit                |
| 33          | 104-5310           | 1           | Seal-Lip                 | 98          | 120-7109           | 1           | Tube-Axle                 |
| 34          | 104-5309           | 2           | Ring-Retaining           | 100         | 106-8694           | 1           | Disc-Brake, Cog           |
| 35          | 94-6922            | 2           | Bearing-Thrust           | 101         | 115-5057           | 1           | Cover-Nut, Axle           |
| 36          | 104-5339           | 1           | Washer-Flat              | 124         | 109-5939           | 1           | Hub Kit                   |
| 37          | 104-5340           | 1           | Ring-Retaining           | 138         | 112-9866           | 1           | Breather Kit              |
| 38          | 132-0912           | 1           | Gear-12T                 | 139         | 114-1635           | 1           | Breather ASM              |
| 39          | 106-8683           | 1           | Shaft-Motor              | 200         | 117-5362           | 1           | Control Arm Kit           |
| 40          | 104-5360           | 1           | Washer                   | 209         | 114-8467           | 1           | Puller-Hub, 4 Bolt        |

# RH Transaxle Assembly No. 139-7471

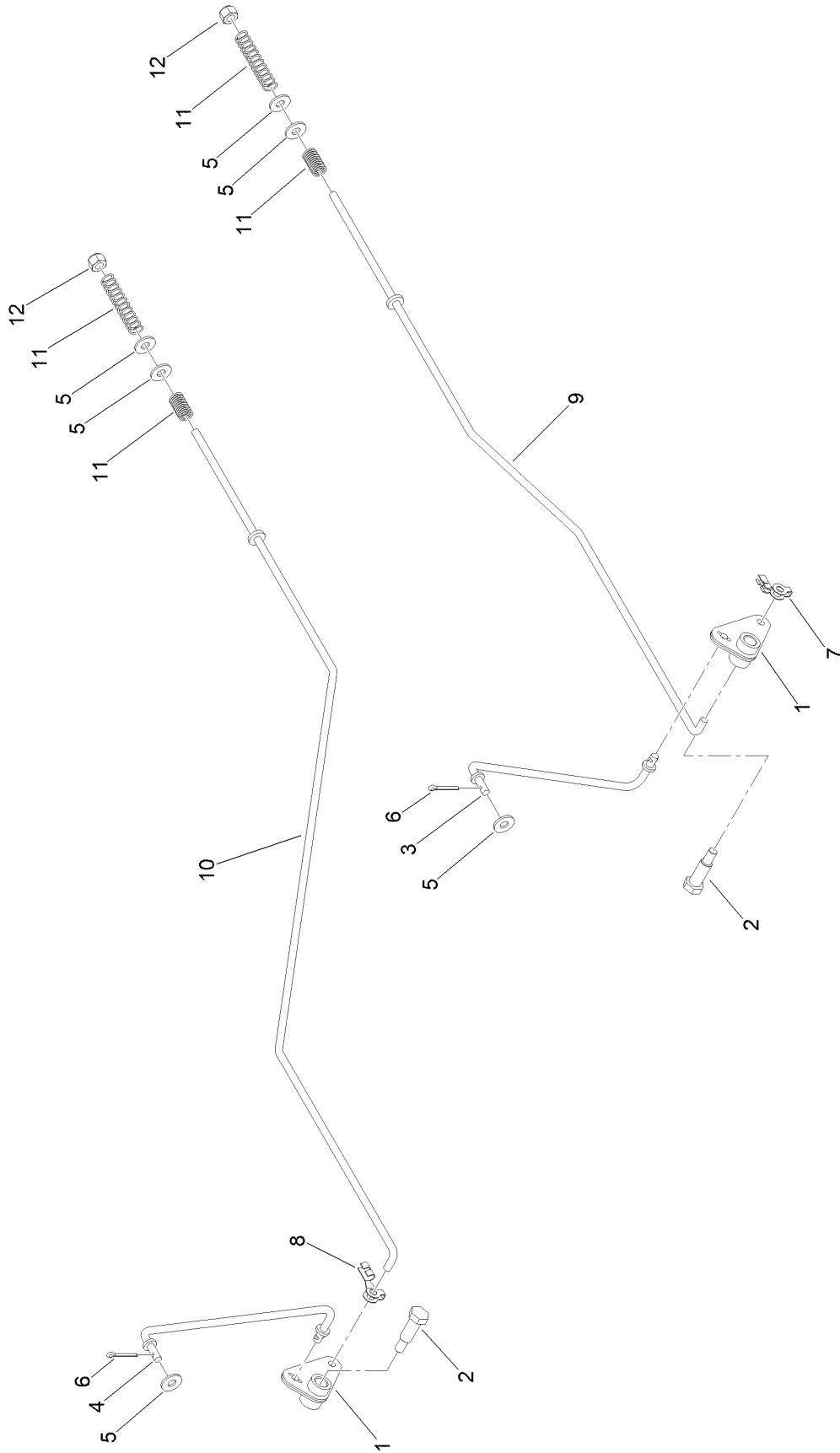




## RH Transaxle Assembly No. 139-7471 (continued)

| <i>Ref.</i> | <i>Part Number</i> | <i>Qty.</i> | <i>Description</i>       | <i>Ref.</i> | <i>Part Number</i> | <i>Qty.</i> | <i>Description</i>        |
|-------------|--------------------|-------------|--------------------------|-------------|--------------------|-------------|---------------------------|
| 1           | 106-8674           | 1           | Main Housing ASM         | 41          | 94-1933            | 2           | Washer                    |
| 2           | 106-8675           | 1           | Side ASM                 | 42          | 132-0911           | 1           | Gear-49T                  |
| 4           | 110-8561           | 1           | Pump Block ASM           | 43          | 104-5318           | 1           | Gear-Jackshaft, 10T       |
| 6           | 103-2666           | 1           | Cylinder Block Kit       | 44          | 104-5329           | 1           | Pin-Jackshaft             |
| 7           | 104-2189           | 1           | Plug-Thread, Straight    | 45          | 112-9854           | 1           | Ring-Spiral, Retaining    |
| 9           | 117-5359           | 16          | Screw-HHF                | 46          | 112-9855           | 1           | Gear-52T, Bull            |
| 14          | 106-8677           | 2           | Ring-Retaining, External | 47          | 112-9856           | 1           | Washer                    |
| 15          | 106-8678           | 1           | Rod-Bypass               | 48          | 112-9857           | 1           | Bearing-Sleeve            |
| 16          | 106-8679           | 1           | Ring-Retaining, Internal | 49          | 120-7104           | 1           | Shaft-Axle                |
| 19          | 104-5304           | 1           | Swashplate-Trunnion      | 50          | 112-9859           | 1           | Bushing-Axle              |
| 21          | 104-2116           | 1           | Stud                     | 51          | 112-9860           | 1           | Seal-Lip                  |
| 22          | 112-9853           | 1           | Puck-Friction            | 52          | 106-8686           | 1           | Seal Kit                  |
| 27          | 94-1936            | 1           | Spring-Block             | 53          | 106-8687           | 1           | Expansion Plate Kit       |
| 28          | 94-1937            | 1           | Washer-Thrust            | 54          | 135-7349           | 1           | Fan And Pulley Kit        |
| 29          | 104-5306           | 1           | Shaft-Input              | 55          | 106-8688           | 1           | Brake Arm Kit             |
| 30          | 104-5311           | 1           | Bearing-Ball             | 57          | 112-9862           | 1           | Center Section Filter Kit |
| 31          | 104-5307           | 1           | Ring-Retaining           | 59          | 107-2489           | 1           | Bypass Arm Kit            |
| 32          | 104-5308           | 1           | Spacer                   | 61          | 114-1634           | 1           | Filter Kit                |
| 33          | 104-5310           | 1           | Seal-Lip                 | 98          | 120-7109           | 1           | Tube-Axle                 |
| 34          | 104-5309           | 2           | Ring-Retaining           | 100         | 106-8694           | 1           | Disc-Brake, Cog           |
| 35          | 94-6922            | 2           | Bearing-Thrust           | 101         | 115-5057           | 1           | Cover-Nut, Axle           |
| 36          | 104-5339           | 1           | Washer-Flat              | 124         | 109-5939           | 1           | Hub Kit                   |
| 37          | 104-5340           | 1           | Ring-Retaining           | 138         | 112-9866           | 1           | Breather Kit              |
| 38          | 132-0912           | 1           | Gear-12T                 | 139         | 114-1635           | 1           | Breather ASM              |
| 39          | 106-8683           | 1           | Shaft-Motor              | 200         | 117-5362           | 1           | Control Arm Kit           |
| 40          | 104-5360           | 1           | Washer                   | 209         | 114-8467           | 1           | Puller-Hub, 4 Bolt        |

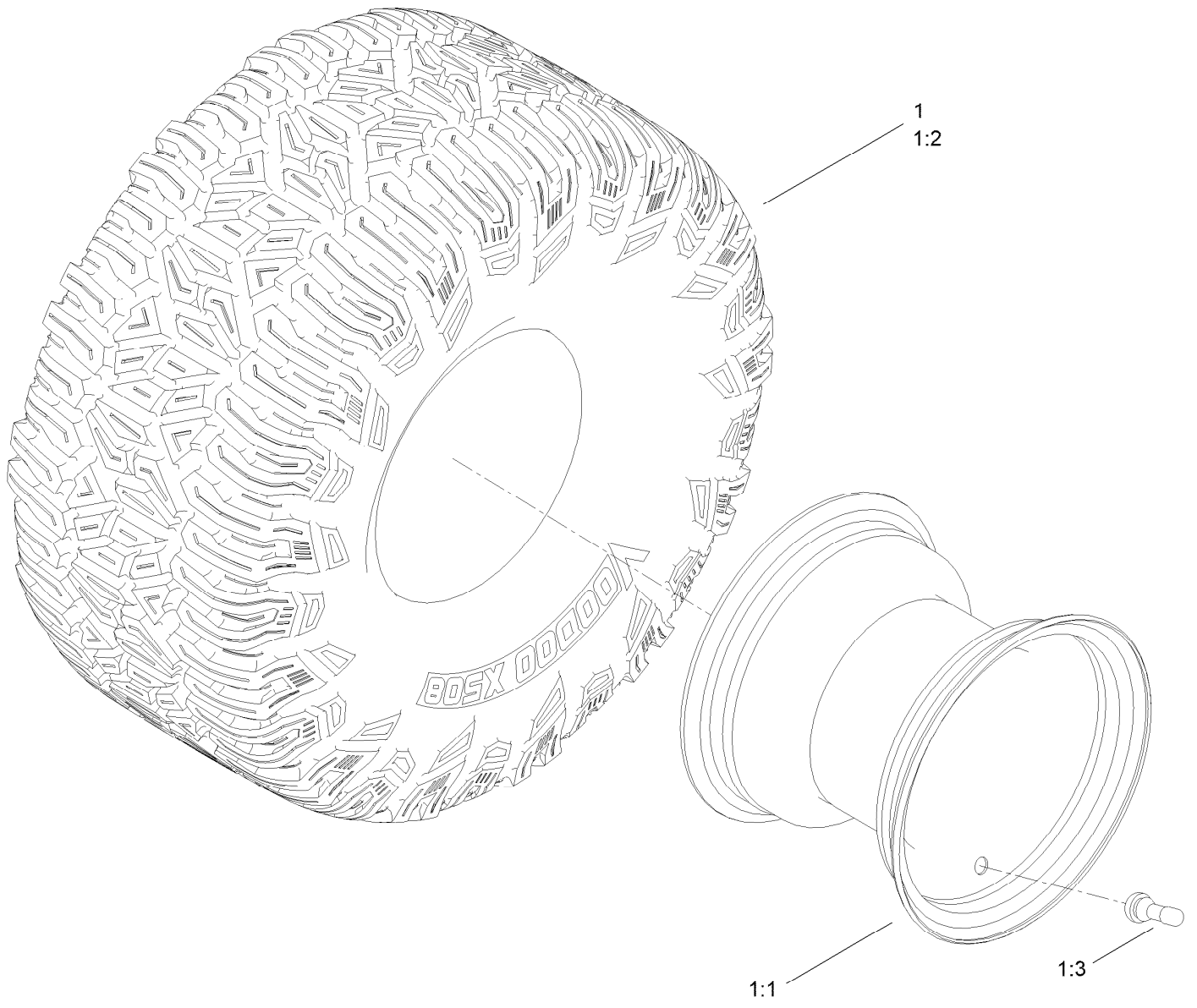
# Brake Assembly



## Brake Assembly (continued)

| <i>Ref.</i> | <i>Part Number</i> | <i>Qty.</i> | <i>Description</i> | <i>Ref.</i> | <i>Part Number</i> | <i>Qty.</i> | <i>Description</i>       |
|-------------|--------------------|-------------|--------------------|-------------|--------------------|-------------|--------------------------|
| 1           | 161-6420           | 2           | Bellcrank          | 7           | 144-1816           | 1           | Clip-Rod, LH (7L, 1/4In) |
| 2           | 145-6364           | 2           | Bolt-Shoulder      | 8           | 144-1815           | 1           | Clip-Rod, RH (7R, 1/4In) |
| 3           | 145-4607           | 1           | Link-Brake, LH     | 9           | 144-1860           | 1           | Rod-Brake, LH            |
| 4           | 145-6238           | 1           | Link-Brake, RH     | 10          | 144-1851           | 1           | Rod-Brake, RH            |
| 5           | 119-8952           | 6           | Washer-Spcl        | 11          | 117-1169           | 4           | Spring-Compression       |
| 6           | 120-9716           | 2           | Pin-Cotter         | 12          | 3296-42            | 2           | Nut-Lock, NI             |

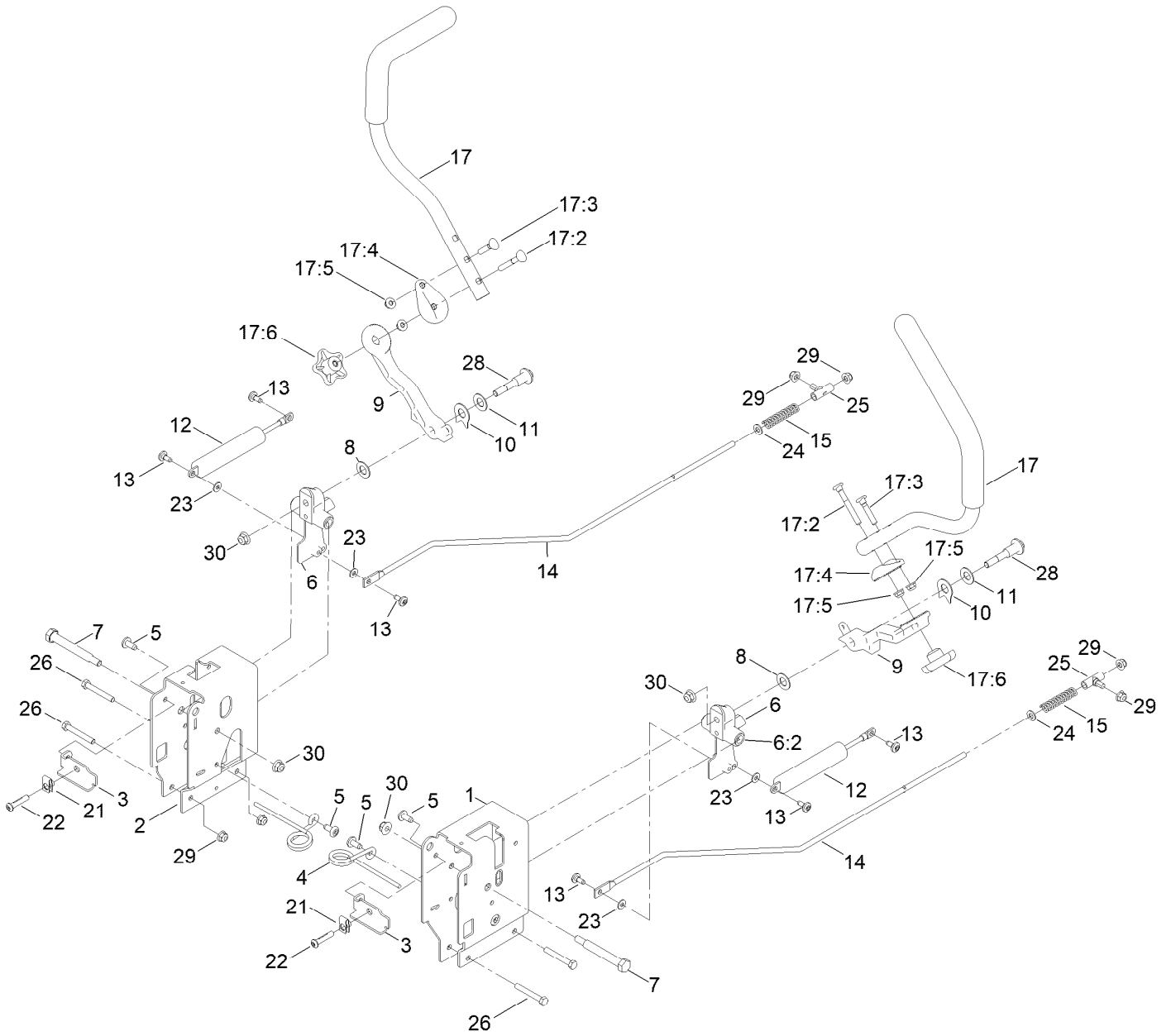
# Tire Assembly



## Tire Assembly (continued)

| <i>Ref.</i> | <i>Part Number</i> | <i>Qty.</i> | <i>Description</i> | <i>Ref.</i> | <i>Part Number</i> | <i>Qty.</i> | <i>Description</i> |
|-------------|--------------------|-------------|--------------------|-------------|--------------------|-------------|--------------------|
| 1           | 145-6391           | 2           | Tire ASM           | 1:2         | 147-5179           | 1           | Tire               |
| 1:1         | 147-5180           | 1           | Rim                | 1:3         | 232-27             | 1           | Stem-Valve         |

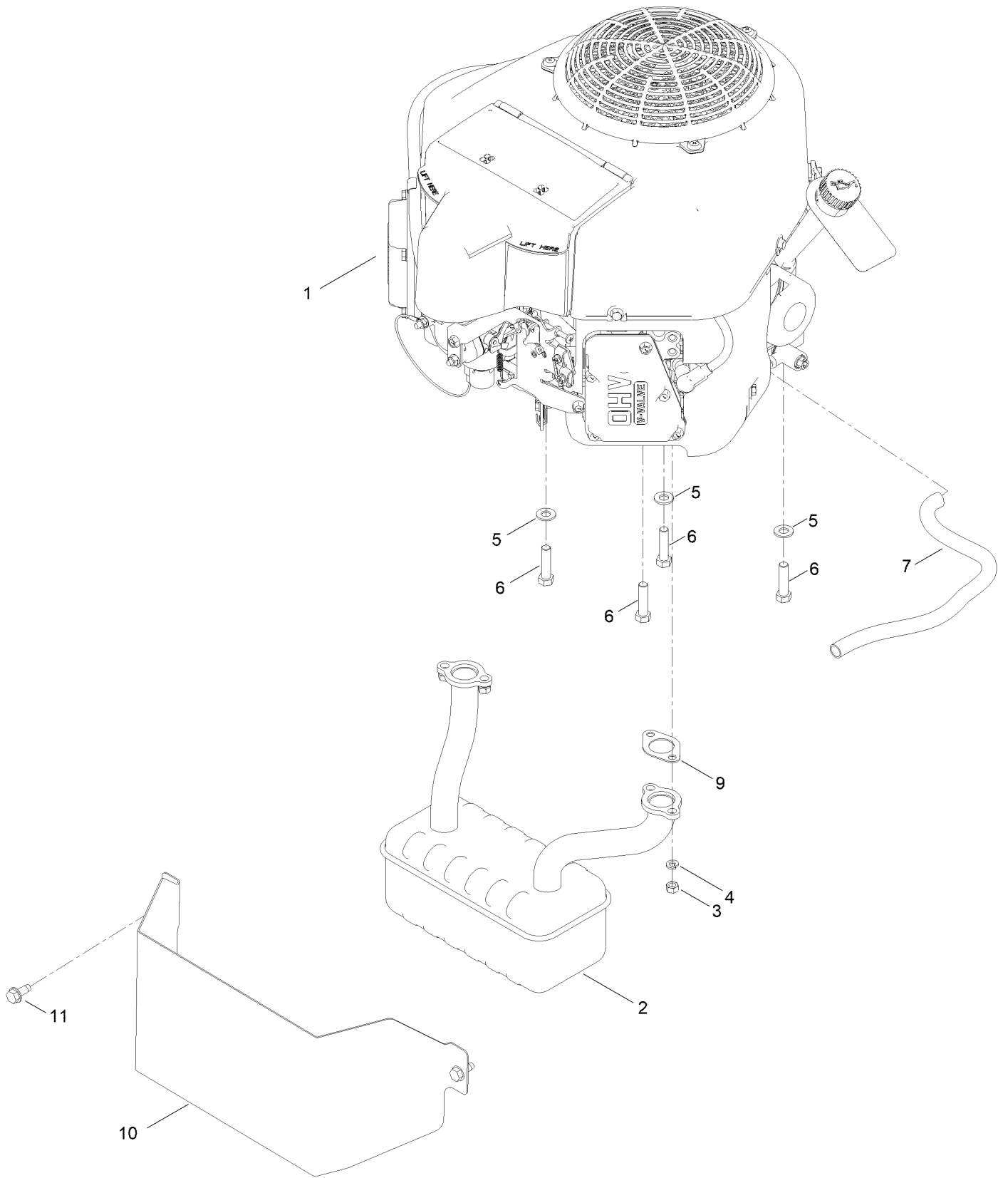
# Motion Control Assembly



## Motion Control Assembly (continued)

| <i>Ref.</i> | <i>Part Number</i> | <i>Qty.</i> | <i>Description</i>              | <i>Ref.</i> | <i>Part Number</i> | <i>Qty.</i> | <i>Description</i>                  |
|-------------|--------------------|-------------|---------------------------------|-------------|--------------------|-------------|-------------------------------------|
| 1           | 145-4615-03        | 1           | Control Box - LH G7             | 17          | 161-6525           | 2           | Handle-Control, ASM                 |
| 2           | 145-4647-03        | 1           | Control Box - RH G7             | 17:2        | 145-6366           | 1           | Screw-Handle                        |
| 3           | 147-7580-03        | 2           | Adjustment Plate-Control<br>Box | 17:3        | 137-3008           | 1           | Screw-Handle                        |
| 4           | 145-6253           | 2           | Spring-Torsion                  | 17:4        | 147-5192-05        | 1           | Disc-Adjustment Handle, 32<br>Teeth |
| 5           | 138-9753           | 4           | Screw                           | 17:5        | 138-8401           | 2           | Nut-HF                              |
| 6           | 145-4648           | 2           | Pivot Arm ASM                   | 17:6        | 117-5976           | 1           | Knob-Handle                         |
| 6:2         | 256-156            | 2           | Bushing-Flange                  | 21          | 112-3306           | 2           | Nut                                 |
| 7           | 115-5099           | 2           | Bolt-Pivot                      | 22          | 126-4299           | 2           | Screw-HSBH                          |
| 8           | 120-2273           | 2           | Washer-Nylon                    | 23          | 119-8952           | 4           | Washer-Spcl                         |
| 9           | 147-5191-05        | 2           | Arm-Control, 32 Teeth           | 24          | 120-9683           | 2           | Washer-Plain                        |
| 10          | 142-8478           | 2           | Spacer, Anti-Rotation           | 25          | 138-7218           | 2           | Mount-Rod, Hydro                    |
| 11          | 119-8925           | 2           | Washer-Belleville               | 26          | 322-11             | 4           | Screw-HH                            |
| 12          | 132-6853           | 2           | Damper-Non Cavitating           | 28          | 117-1198           | 2           | Bolt-Pivot                          |
| 13          | 120-7950           | 6           | Screw-Torx                      | 29          | 104-8300           | 8           | Nut-HF, NI                          |
| 14          | 145-4699           | 2           | Rod - Hydro, LH                 | 30          | 104-8301           | 4           | Nut-HF, NI                          |
| 15          | 138-7252           | 2           | Spring-Compression              |             |                    |             |                                     |

# Engine and Muffler Assembly





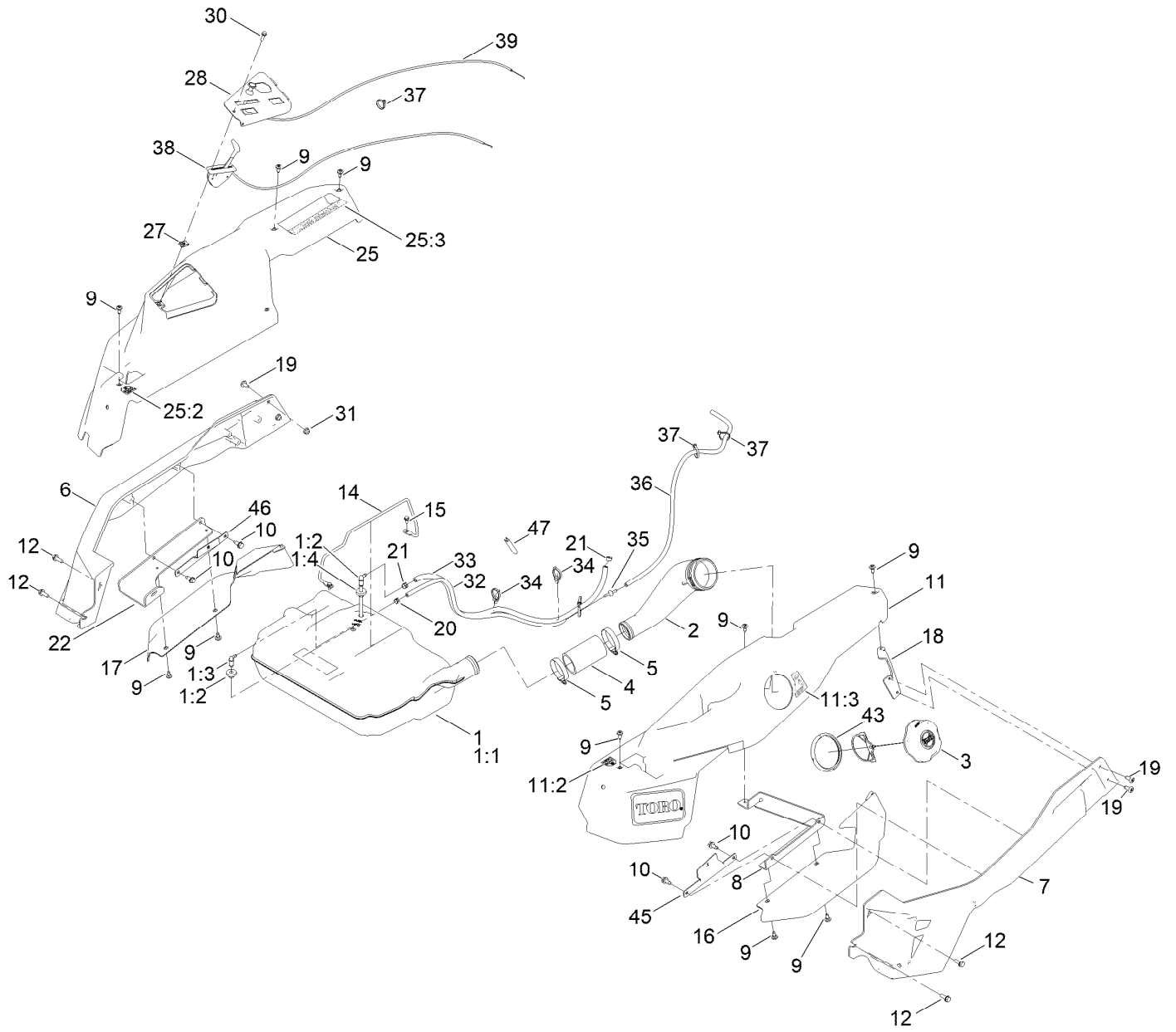
## Engine and Muffler Assembly (continued)

| <i>Ref.</i> | <i>Part Number</i> | <i>Qty.</i> | <i>Description</i>                   | <i>Ref.</i> | <i>Part Number</i> | <i>Qty.</i> | <i>Description</i>  |
|-------------|--------------------|-------------|--------------------------------------|-------------|--------------------|-------------|---------------------|
| 1           |                    | 1           | Engine-Kawasaki,<br>Fr691V-_s07-R ●■ | 6           | 323-50             | 4           | Bolt-HH             |
| 2           | 139-5867           | 1           | Muffler                              | 7           | 106-7022           | 1           | Tube-Drain, Oil     |
| 3           | 114-3549           | 4           | Nut                                  | 9           | 1-653313           | 2           | Gasket-Exhaust      |
| 4           | 114-3550           | 4           | Washer-Lock                          | 10          | 161-6221-03        | 1           | Heat Shield-Muffler |
| 5           | 3256-24            | 3           | Washer-Plain                         | 11          | 32144-70           | 2           | Screw-HWHTF         |

● Not serviced separately

■ Obtain parts from [www.kawpower.com](http://www.kawpower.com)

# Fuel Tank Assembly



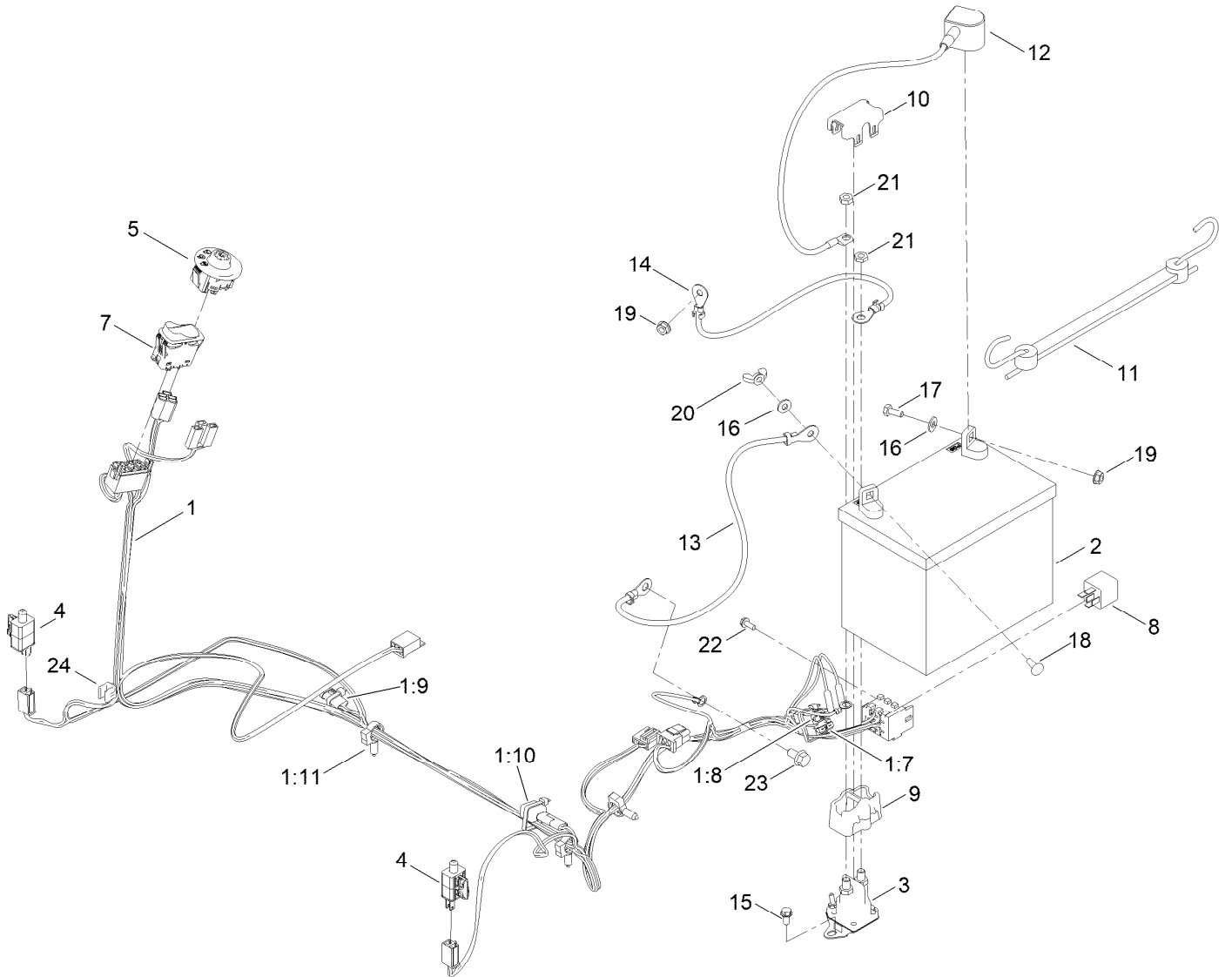
## Fuel Tank Assembly (continued)

| <i>Ref.</i> | <i>Part Number</i> | <i>Qty.</i> | <i>Description</i>      | <i>Ref.</i> | <i>Part Number</i> | <i>Qty.</i> | <i>Description</i>               |
|-------------|--------------------|-------------|-------------------------|-------------|--------------------|-------------|----------------------------------|
| 1           | 161-6588           | 1           | Fuel Tank ASM           | 20          | 2412-80            | 1           | Clamp-Hose                       |
| 1:1         |                    | 1           | Tank-Fuel ■             | 21          | 2412-98            | 2           | Clamp-Hose                       |
| 1:2         | 46-6560            | 2           | Bushing                 | 22          | 147-5173-03        | 1           | Bracket-Mr Spring                |
| 1:3         | 161-6609           | 1           | Fitting-Elbow 90        | 25          | 147-8744           | 1           | Pod ASM - RH , Mr<br>W/Decals    |
| 1:4         | 147-2934           | 1           | Fitting-Pickup, Fuel    | 25:2        | 139-2394           | 1           | Decal-Control Lever, RH          |
| 2           | 147-2852           | 1           | Neck-Filler, Fuel       | 25:3        | 147-7574           | 1           | Decal - Myride ●                 |
| 3           | 137-4119           | 1           | Cap-Fuel, Ratcheting    | 27          | 107069             | 1           | Clip                             |
| 4           | 145-4698           | 1           | Hose-Filler, Fuel       | 28          | 147-2990-03        | 1           | Panel-Control                    |
| 5           | 2412-130           | 2           | Clamp-Hose              | 30          | 32105-15           | 1           | Screw-HWH                        |
| 6           | 147-2973-05        | 1           | Cast-Tube, RH [blk-Txt] | 31          | 119-4041           | 2           | Nut-HF                           |
| 7           | 147-2972-05        | 1           | Cast-Tube, LH [blk-Txt] | 32          | 140-4956           | 1           | Hose-Fuel                        |
| 8           | 147-2974-03        | 1           | Mount-Pod Bracket LH    | 33          | 109-0275           | 1           | Hose-Fuel                        |
| 9           | 120-7950           | 10          | Screw-Torx              | 34          | 32180-030          | 2           | Clip-Tie                         |
| 10          | 32144-70           | 4           | Screw-HWHTF             | 35          | 144-1983           | 1           | Adapter Orifice                  |
| 11          | 147-8741           | 1           | Pod ASM - LH W/Decals   | 36          | 108-6344           | 1           | Hose-Fuel                        |
| 11:2        | 139-2395           | 1           | Decal-Control Lever, LH | 37          | 614249             | 4           | Tie-Cable                        |
| 11:3        | 147-2399           | 1           | Decal-Fuel Fill         | 38          | 139-2403           | 1           | Cable-Throttle                   |
| 12          | 32144-41           | 4           | Screw-Taptite           | 39          | 139-2402           | 1           | Cable-Choke                      |
| 14          | 147-5176           | 1           | Rod-Hold Down           | 43          | 147-7712           | 1           | Ring-Retaining                   |
| 15          | 32144-4            | 2           | Screw-HWH               | 45          | 161-4609-03        | 1           | Bracket-Alignment, Pod LH        |
| 16          | 147-2978           | 1           | Fender-Time Cutter, LH  | 46          | 161-4611-03        | 1           | Bracket- Alignment, Pod RH<br>Mr |
| 17          | 147-2979           | 1           | Fender-Time Cutter, RH  | 47          | 161-6414           | 1           | Trim-Edge Guard                  |
| 18          | 147-2976-03        | 1           | Bracket-Rear Pod, LH    |             |                    |             |                                  |
| 19          | 138-9753           | 4           | Screw                   |             |                    |             |                                  |

● Not illustrated

■ Not serviced separately

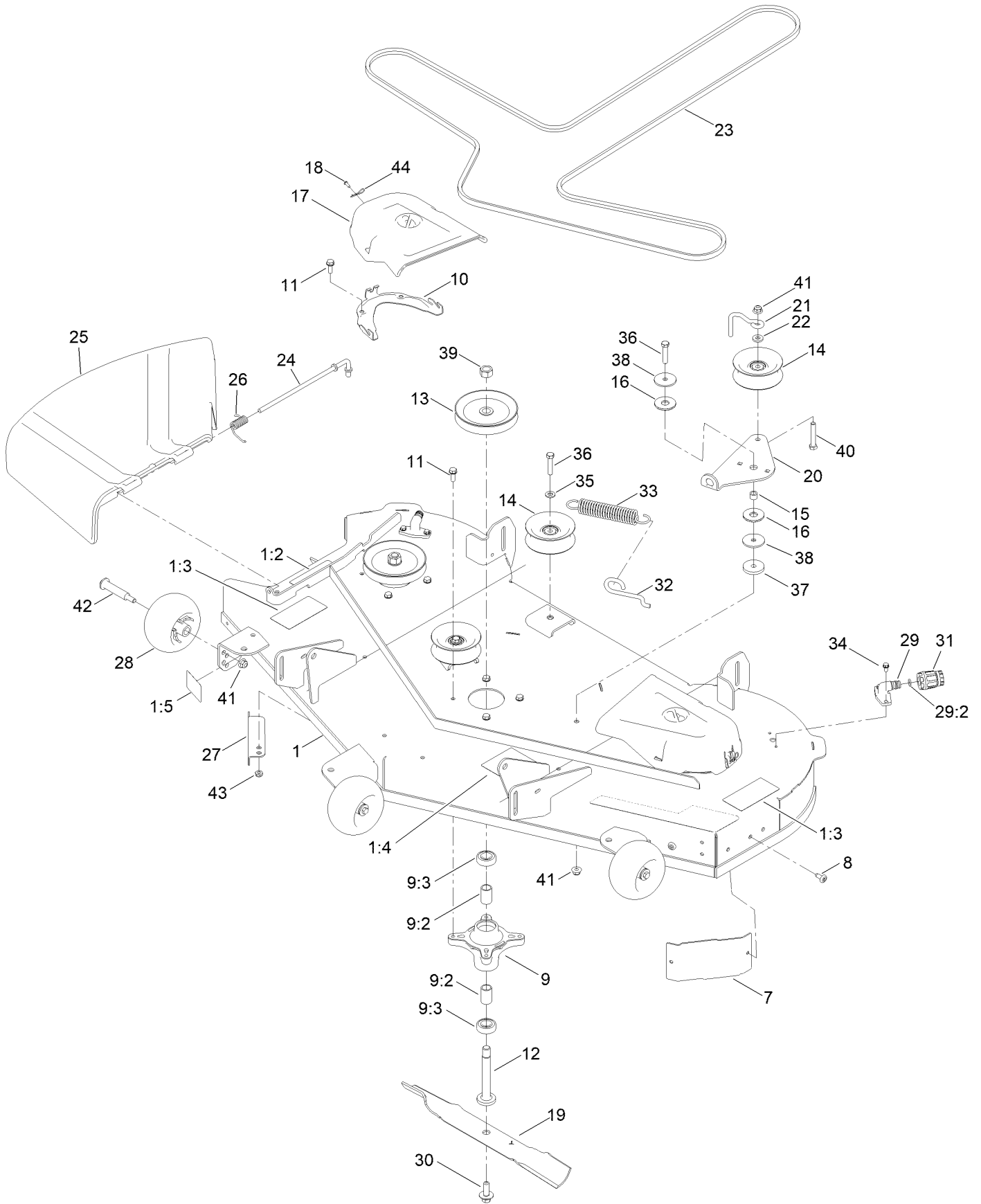
# Electrical Assembly



## Electrical Assembly (continued)

| <i>Ref.</i> | <i>Part Number</i> | <i>Qty.</i> | <i>Description</i>           | <i>Ref.</i> | <i>Part Number</i> | <i>Qty.</i> | <i>Description</i>                |
|-------------|--------------------|-------------|------------------------------|-------------|--------------------|-------------|-----------------------------------|
| 1           | 145-6382           | 1           | Harness-Wire, Main           | 11          | 104-2466           | 1           | Holddown-Battery                  |
| 1:7         | 109355             | 1           | Fuse-Blade, 15 Amp           | 12          | 147-2941           | 1           | Cable-Battery,Red                 |
| 1:8         | 109102             | 1           | Fuse-Blade, 25 Amp           | 13          | 119-8899           | 1           | Cable-Battery, Black              |
| 1:9         | 32160-029          | 1           | Connector-Molded, 1F,1M      | 14          | 121-0711           | 1           | Cable-Battery, Positive           |
| 1:10        | 100-4918           | 1           | Diode                        | 15          | 32144-4            | 2           | Screw-HWH                         |
| 1:11        | 32180-047          | 3           | Clip-Tubing, Harness         | 16          | 3256-22            | 2           | Washer-Flat                       |
| 2           | 140-2076           | 1           | Battery - Wet                | 17          | 321-3              | 1           | Screw-HH                          |
| 3           | 117-1197           | 1           | Solenoid                     | 18          | 3229-1             | 1           | Screw-CARR                        |
| 4           | 110-6765           | 2           | Switch                       | 19          | 32128-33           | 2           | Nut-HF                            |
| 5           | 137-4100           | 1           | Switch-Ignition              | 20          | 32103-22           | 1           | Nut-Wing                          |
| 7           | 139-6368           | 1           | Switch-Rocker,<br>On-None-On | 21          | 3220-2             | 2           | Nut-Jam                           |
| 8           | 1-643275           | 1           | Relay                        | 22          | 139-1713           | 1           | Screw-Thd Roll                    |
| 9           | 140-2080           | 1           | Cover-Solenoid               | 23          | 33104-016          | 1           | Screw-HHF                         |
| 10          | 140-2081           | 1           | Cap-Solenoid                 | 24          | 32180-082          | 1           | Clip-Edge W/Tie,<br>Perpendicular |

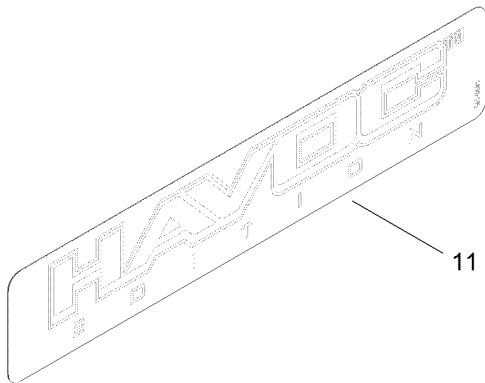
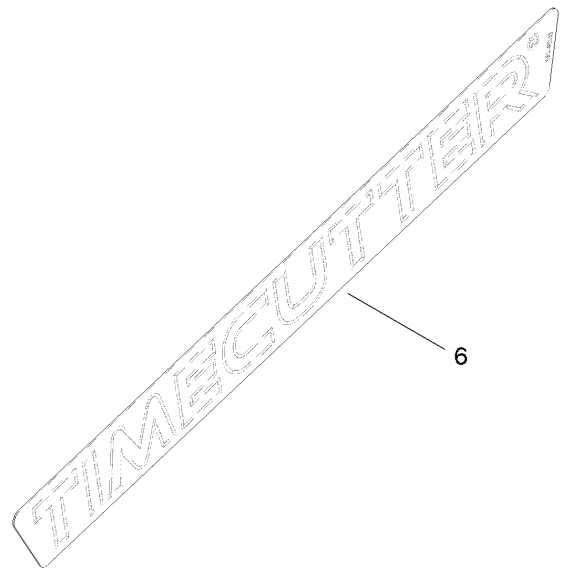
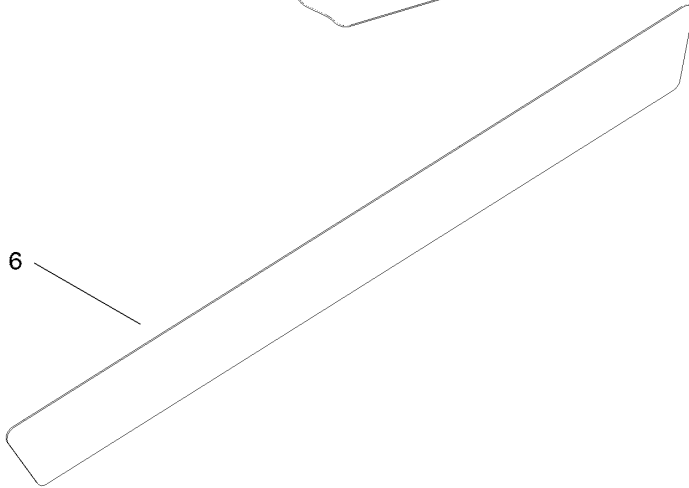
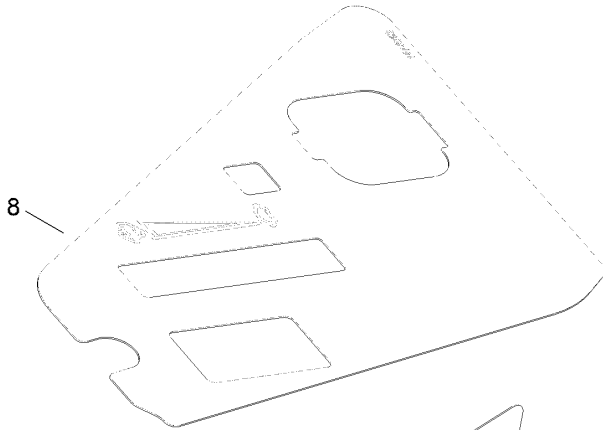
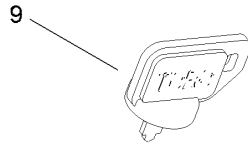
# 54in Deck and Decal Assembly



## 54in Deck and Decal Assembly (continued)

| <i>Ref.</i> | <i>Part Number</i> | <i>Qty.</i> | <i>Description</i>         | <i>Ref.</i> | <i>Part Number</i> | <i>Qty.</i> | <i>Description</i>       |
|-------------|--------------------|-------------|----------------------------|-------------|--------------------|-------------|--------------------------|
| 1           | 161-6250           | 1           | 54 In Deck & Decal ASM     | 23          | 147-2910           | 1           | Belt-V (A Sec, 145.5 El) |
| 1:2         | 147-3023           | 1           | Decal-Danger Deflector     | 24          | 137-2019           | 1           | Rod-Pivot                |
| 1:3         | 147-5152           | 2           | Decal-Danger, Deck         | 25          | 138-7502           | 1           | Deflector-Discharge      |
| 1:4         | 147-3025           | 1           | Decal-Routing, Belt        | 26          | 138-7268           | 1           | Spring-Torsion           |
| 1:5         | 147-3024           | 1           | Decal-Scalp, Anti          | 27          | 138-9800-03        | 1           | Baffle-Cutoff            |
| 7           | 139-2448-03        | 1           | Baffle-Corner              | 28          | 1-603299           | 3           | Roller-Scalp, Anti       |
| 8           | 138-9753           | 2           | Screw                      | 29          | 133-9289           | 2           | Fitting-Washout          |
| 9           | 139-3214           | 3           | Spindle ASM                | 29:2        | 133-9290           | 1           | O-Ring                   |
| 9:2         | 120-7935           | 2           | Spacer                     | 30          | 145-0411           | 3           | Bolt-Blade, Sems         |
| 9:3         | 138-9770           | 2           | Bearing-Ball               | 31          | 95-3270            | 1           | Connector-Hose           |
| 10          | 139-3272-03        | 2           | Bracket-Cover, Belt        | 32          | 138-7266           | 1           | Spring-Return, Hook      |
| 11          | 32144-41           | 12          | Screw-Taptite              | 33          | 138-7264           | 1           | Spring-Extension         |
| 12          | 117-7268           | 3           | Shaft-Spindle              | 34          | 32144-4            | 4           | Screw-HWH                |
| 13          | 138-7261           | 3           | Pulley ASM                 | 35          | 3256-24            | 2           | Washer-Plain             |
| 14          | 132-9420           | 3           | Pulley-Idler, Flat         | 36          | 323-9              | 3           | Screw-HH                 |
| 15          | 115-4986           | 1           | Spacer                     | 37          | 110-9981           | 1           | Washer-Plain             |
| 16          | 114-0463           | 2           | Washer-Friction, Composite | 38          | 63-7400            | 2           | Washer-Rebound           |
| 17          | 144-1906           | 2           | Cover-Belt                 | 39          | 3219-6             | 3           | Nut-Hex                  |
| 18          | 94-6961            | 2           | Screw                      | 40          | 323-11             | 1           | Screw-HH                 |
| 19          | 115-2454-03        | 3           | Blade-Hi Lift              | 41          | 104-8301           | 5           | Nut-HF, NI               |
| 20          | 138-7262           | 1           | Arm-Idler                  | 42          | 112-3977           | 3           | Bolt-Shoulder            |
| 21          | 138-7270           | 1           | Guide-Belt, Idler          | 43          | 3296-59            | 1           | Nut-Lock, NI             |
| 22          | 138-7207           | 1           | Spacer-Hub, Blower         | 44          | 144-1944           | 2           | Pin-Hair                 |

# Model Specific Assembly

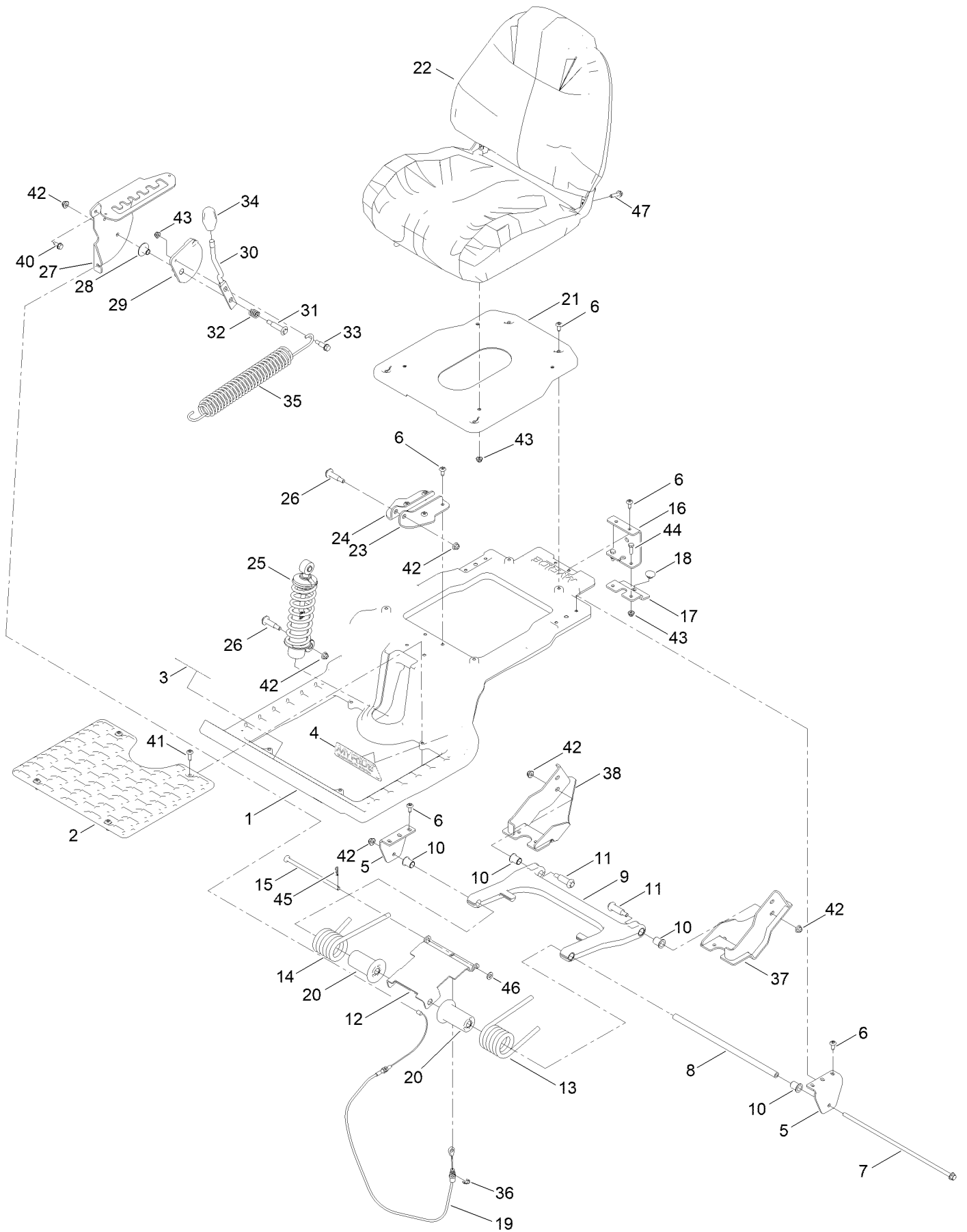




## Model Specific Assembly (continued)

| <i>Ref.</i> | <i>Part Number</i> | <i>Qty.</i> | <i>Description</i>                        | <i>Ref.</i> | <i>Part Number</i> | <i>Qty.</i> | <i>Description</i> |
|-------------|--------------------|-------------|---|-------------|--------------------|-------------|--------------------|
| 6           | 161-6220           | 2           | Decal - Timecutter                        | 9           | 63-8360            | 1           | Key-Ignition       |
| 8           | 147-8753           | 1           | Decal - Control Panel W/Out<br>Hour Meter | 11          | 161-6641           | 1           | Decal-Havoc        |

# Seat Pan Assembly

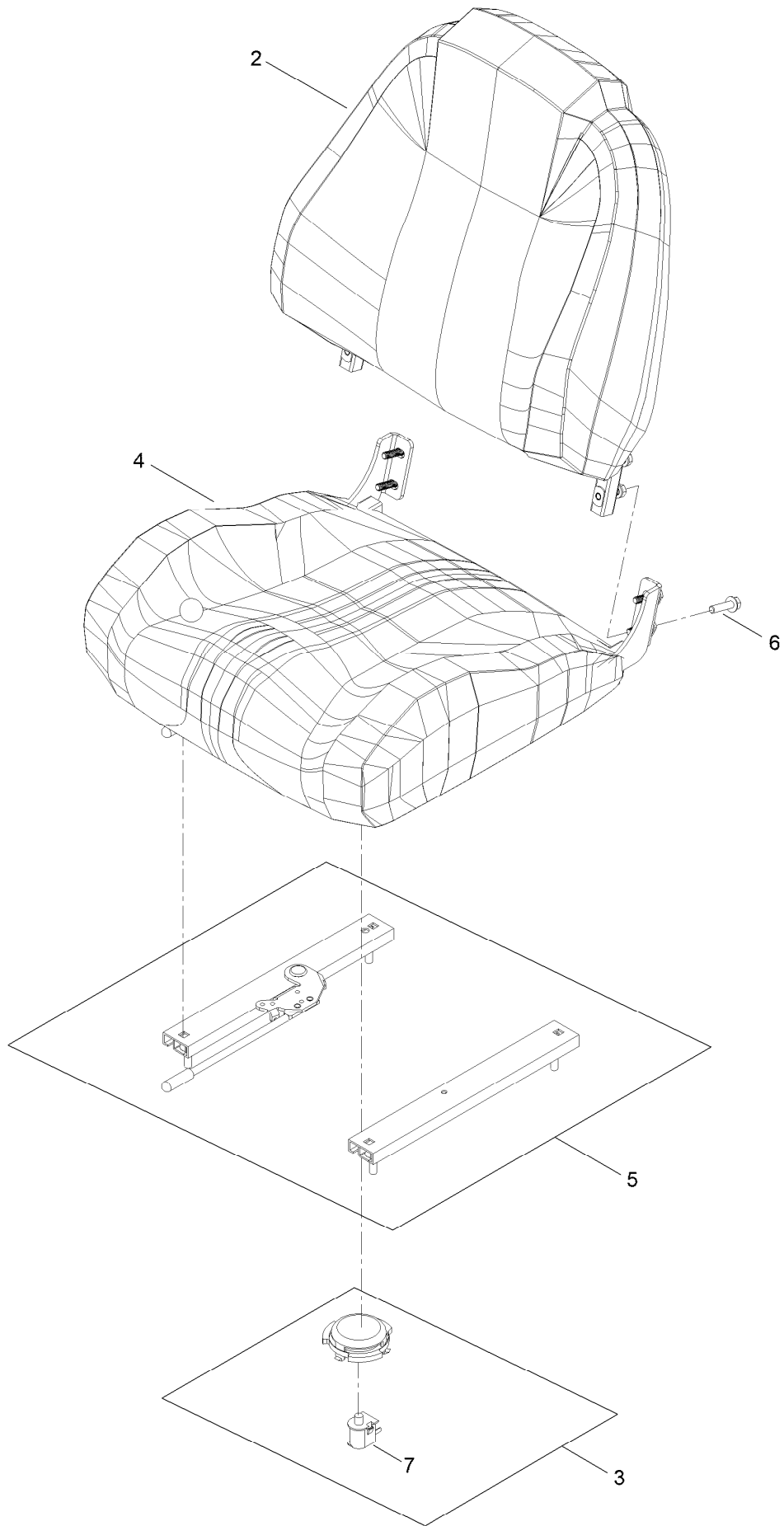


## Seat Pan Assembly (continued)

| <i>Ref.</i> | <i>Part Number</i> | <i>Qty.</i> | <i>Description</i>                 | <i>Ref.</i> | <i>Part Number</i> | <i>Qty.</i> | <i>Description</i>            |
|-------------|--------------------|-------------|------------------------------------|-------------|--------------------|-------------|-------------------------------|
| 1           | 145-6394-05        | 1           | Platform, Myride                   | 25          | 139-2427           | 1           | Shock/Spring ASM              |
| 2           | 145-6395-05        | 1           | Platform, Myride                   | 26          | 136-7198           | 2           | Bolt-Shoulder                 |
| 3           | 147-7662           | 1           | Decal - Myride                     | 27          | 145-6309-05        | 1           | Bracket-Mr Gate               |
| 4           | 147-7575           | 1           | Decal - Myride                     | 28          | 139-5800           | 1           | Bushing - Flange              |
| 5           | 138-7517           | 2           | Bracket-Mount, Swing Arm           | 29          | 147-5171           | 1           | Pulley-Cam                    |
| 6           | 138-9753           | 14          | Screw                              | 30          | 147-5172           | 1           | Lever-Adjustment,<br>Threaded |
| 7           | 138-7548           | 1           | Screw-HHF                          | 31          | 92-1057            | 1           | Bolt-Shoulder                 |
| 8           | 138-7549           | 1           | Tube-Spacer                        | 32          | 139-5858           | 1           | Spring-Compression            |
| 9           | 145-6312           | 1           | Arm-Swing                          | 33          | 140-3759           | 1           | Bolt-Shoulder,HHF             |
| 10          | 138-2573           | 4           | Bushing-Flange                     | 34          | 147-8715           | 1           | Knob-Mr                       |
| 11          | 138-2547           | 2           | Bolt-Shoulder                      | 35          | 138-9848           | 1           | Spring-Extension              |
| 12          | 138-7566-03        | 1           | Plate-Adjuster                     | 36          | 32120-47           | 1           | Ring-Retaining, External      |
| 13          | 137-1983           | 1           | Spring-Torsion, LH                 | 37          | 147-8721-03        | 1           | Mount-Mr Swing Arm, LH        |
| 14          | 137-7018           | 1           | Spring-Torsion, RH                 | 38          | 147-8722-03        | 1           | Mount-Mr Swing Arm, RH        |
| 15          | 138-9813           | 1           | Rod-Adjustment                     | 40          | 32144-70           | 3           | Screw-HWHTF                   |
| 16          | 138-9788           | 1           | Bracket-Cable                      | 41          | 147-7606           | 4           | Screw-Spcl                    |
| 17          | 139-2361-03        | 1           | Bracket Lower                      | 42          | 119-4042           | 6           | Nut-HF, NI                    |
| 18          | 135-0505           | 1           | Bumper-Seat                        | 43          | 119-4041           | 7           | Nut-HF                        |
| 19          | 147-7713           | 1           | Cable-Adjustment, Myride           | 44          | 139-1716           | 2           | Screw-HH                      |
| 20          | 138-9776           | 2           | Retainer-Spring                    | 45          | 137-3083           | 1           | Pin-Hair                      |
| 21          | 145-6265-03        | 1           | Pan-Seat                           | 46          | 115-1166           | 1           | Washer-Plain                  |
| 22          | 147-8731           | 1           | Seat King Sk220 Seat               | 47          | 119-4036           | 4           | Screw-HHF ●                   |
| 23          | 133-9318-03        | 1           | Bracket-Shock Mount,<br>Upper (LH) |             |                    |             |                               |
| 24          | 133-9319-03        | 1           | Bracket-Shock Mount,<br>Upper (RH) |             |                    |             |                               |

● Not illustrated

# Seat Assembly No. 147-8731

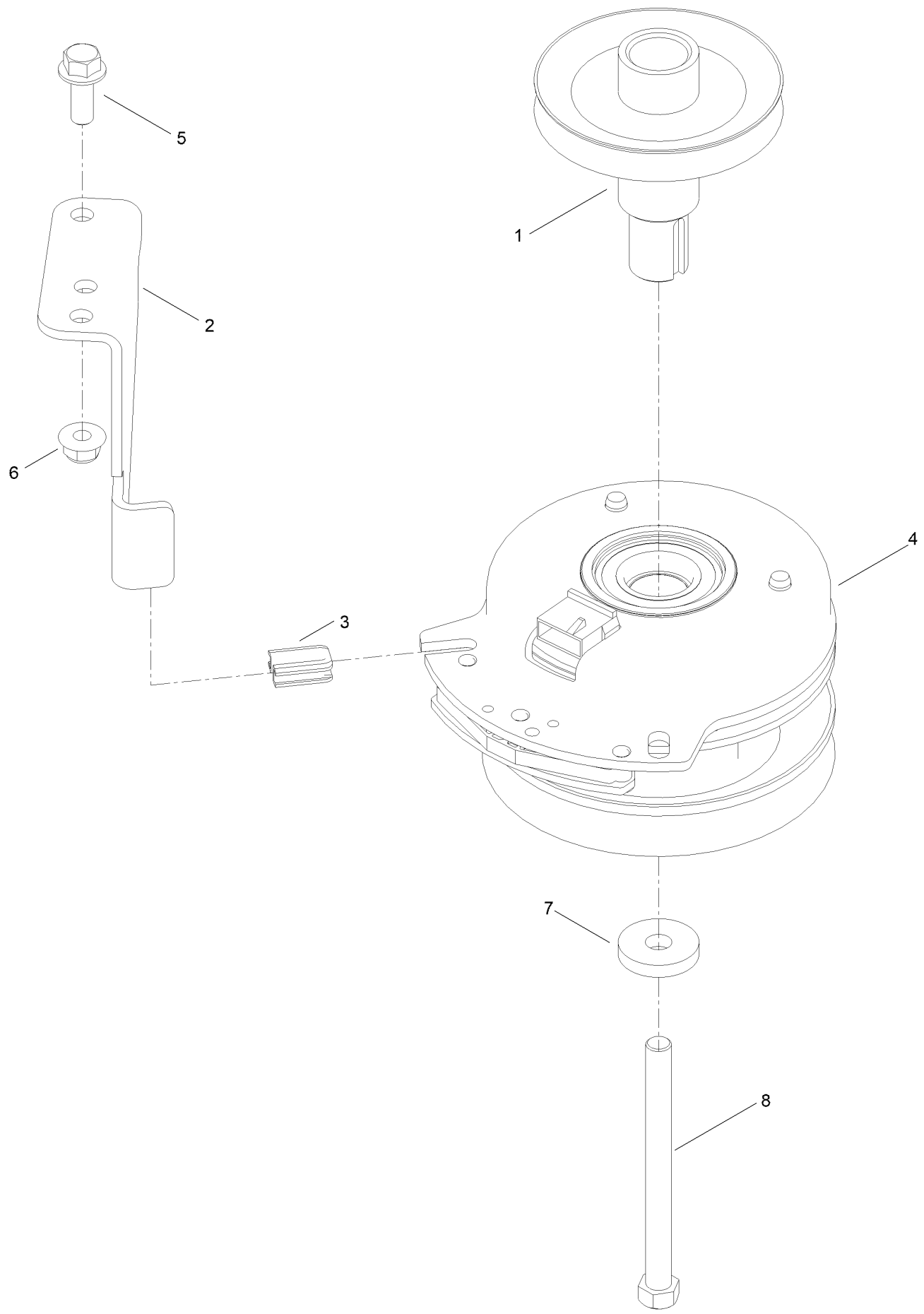


## Seat Assembly No. 147-8731 (continued)

| <i>Ref.</i> | <i>Part Number</i> | <i>Qty.</i> | <i>Description</i>                |
|-------------|--------------------|-------------|-----------------------------------|
| 2           | 147-8735           | 1           | Toro Back Cover                   |
| 3           | 147-8736           | 1           | Seat Switch Delta 6500-02<br>Open |
| 4           | 147-8739           | 1           | Toro Seat Cover                   |

| <i>Ref.</i> | <i>Part Number</i> | <i>Qty.</i> | <i>Description</i> |
|-------------|--------------------|-------------|--------------------|
| 5           | 147-8740           | 1           | Slide ASM-Seat     |
| 6           | 119-4036           | 4           | Screw-HHF          |
| 7           | 82-2190            | 1           | Switch-Bail        |

# Clutch Assembly



## Clutch Assembly (continued)

| <i>Ref.</i> | <i>Part Number</i> | <i>Qty.</i> | <i>Description</i> | <i>Ref.</i> | <i>Part Number</i> | <i>Qty.</i> | <i>Description</i> |
|-------------|--------------------|-------------|--------------------|-------------|--------------------|-------------|--------------------|
| 1           | 138-9792           | 1           | Pulley-Engine      | 5           | 3234-42            | 1           | Screw-HHF          |
| 2           | 137-7000           | 1           | Stop-Clutch (Wide) | 6           | 104-8301           | 1           | Nut-HF, NI         |
| 3           | 120-2217           | 1           | Isolator-Clutch    | 7           | 112843             | 1           | Washer             |
| 4           | 127-3410           | 1           | Clutch-PTO         | 8           | 3212-19            | 1           | Screw-HH           |

# Attachments and Accessories

## For 77507 TimeCutter MyRIDE 54in Zero Turn Riding Mower

| <b>Product Name</b>                            | <b>Model/Part</b> |
|--|-------------------|
| Blade-Hi Lift, 18.75 Inch For 54 Inch TC ..... | 115-2454-03P      |
| Jack Kit .....                                 | 127-6666          |
| 4-Cycle Fuel, Snow And Lawn 32oz Can .....     | 131-3823          |
| Toro Premium Fuel Treatment 12oz Bottle .....  | 131-6572          |
| Oil-30/10W-30 Synthetic (Quart).....           | 138-6053          |
| 54 Inch Recycler Kit .....                     | 139-3235          |
| Led Light Kit.....                             | 147-8757          |
| Floormat Kit .....                             | 147-8764          |
| Kit-Caster Wheel .....                         | 147-8772          |
| Arm Rest Kit.....                              | 147-8773          |
| Kit-Striping, 54/60in .....                    | 147-8781          |
| Kit, Hour Meter.....                           | 147-8791          |
| Mount, Jack TC.....                            | 147-8836          |
| Assist Bar Kit .....                           | 161-4450          |
| Transport Lock Kit.....                        | 161-4510          |
| 54in Bagging Enhancement Kit.....              | 161-4522          |
| Heavy Duty Spring Kit.....                     | 161-4525          |
| 10W30 4-Cycle Engine Oil (32oz Bottle).....    | 38280             |
| Toro 4-Cycle SAE 30 Oil (32oz Bottle) .....    | 38903             |
| Toro Deluxe Rider Cover.....                   | 490-7319          |
| Belt - Deck 54 TC [PKGD 23+].....              | 79007             |
| ROPS Kit .....                                 | 79487             |
| Kit-Slope Sensor.....                          | 79489             |
| Residential Z Max 50in Bagger .....            | 79501             |



**Notes:**

**Notes:**

**Notes:**



**Count on it.**