



**Count on it.**

**Parts Catalog**

**ProCore® SR72**

**Aerator**

Model No. 09935—Serial No. 32000000 and Up



# Ordering Replacement Parts

To order replacement parts, please supply the part number, the quantity, and the description of each part desired.

## Understanding Reference Numbers

Each identified part in an illustration has a reference number. The reference number for a part also appears in the parts list, along with other information about the part.

This catalog uses two special reference number formats, one to indicate parts in a service assembly and another to indicate the quantity of a given part in an illustration.

## Service Assembly Reference Numbers

Parts in service assemblies have reference numbers in the form a:b. The a represents the reference number of the entire service assembly and the b represents a sequential number unique to each part within the service assembly.

For example, a wheel assembly might be identified by reference number 6, the tire by 6:1, the valve by 6:2, and the wheel by 6:3. When you order the assembly identified by reference number 6, you receive all parts identified by reference numbers 6:1, 6:2, and 6:3. However, you may also order any part individually. Reference numbers of this type appear in illustration and in parts lists.

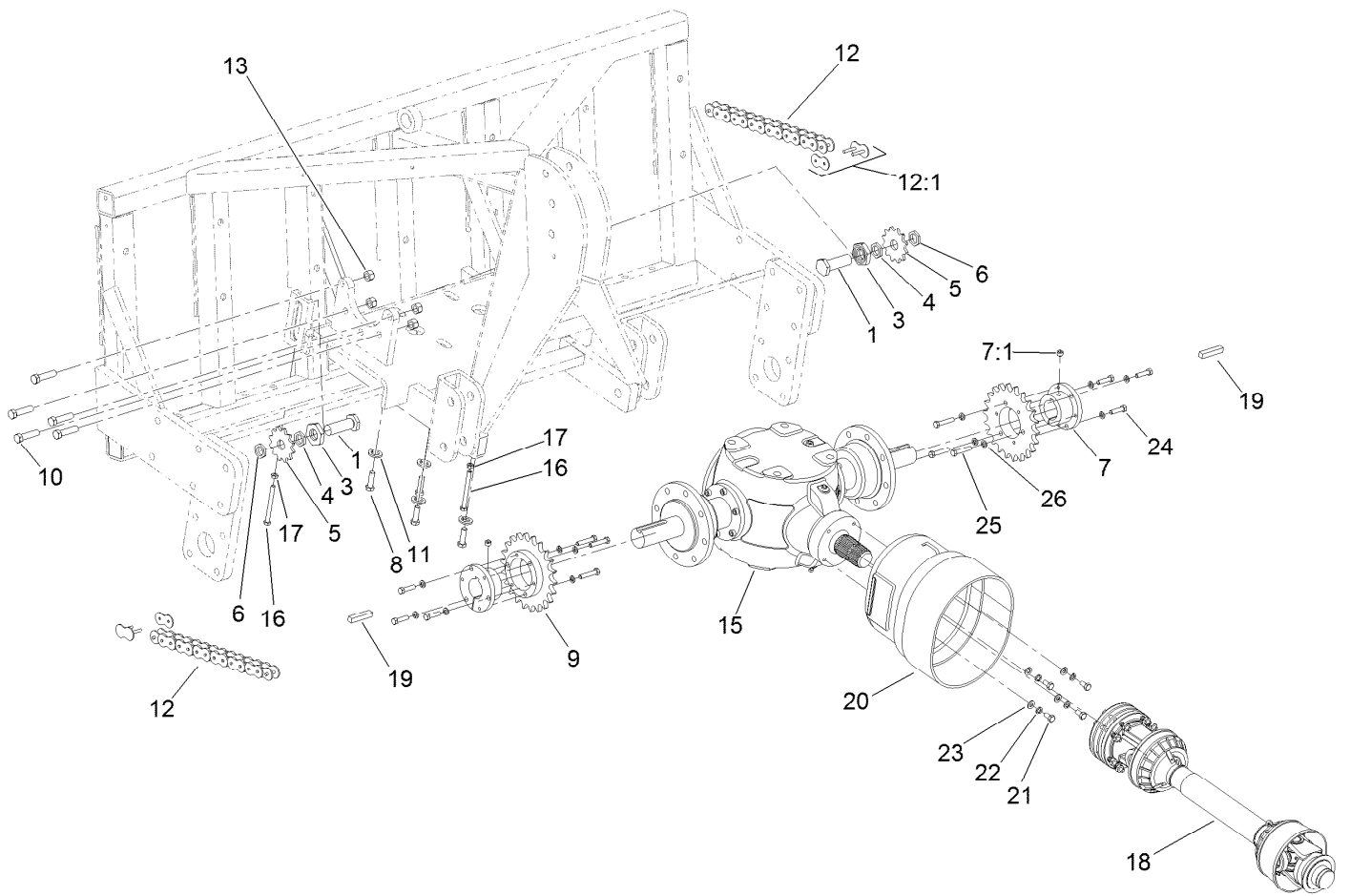
## Reference Numbers Indicating Quantity

In an illustration, if a reference number indicates more than one part, the reference number has the form nX y. The n represents the quantity of the part, the X is the multiplication symbol, and the y represents the reference number.

For example, in an illustration, the reference number 2X 37 means that two of the parts identified by reference number 37 are indicated.

# Contents

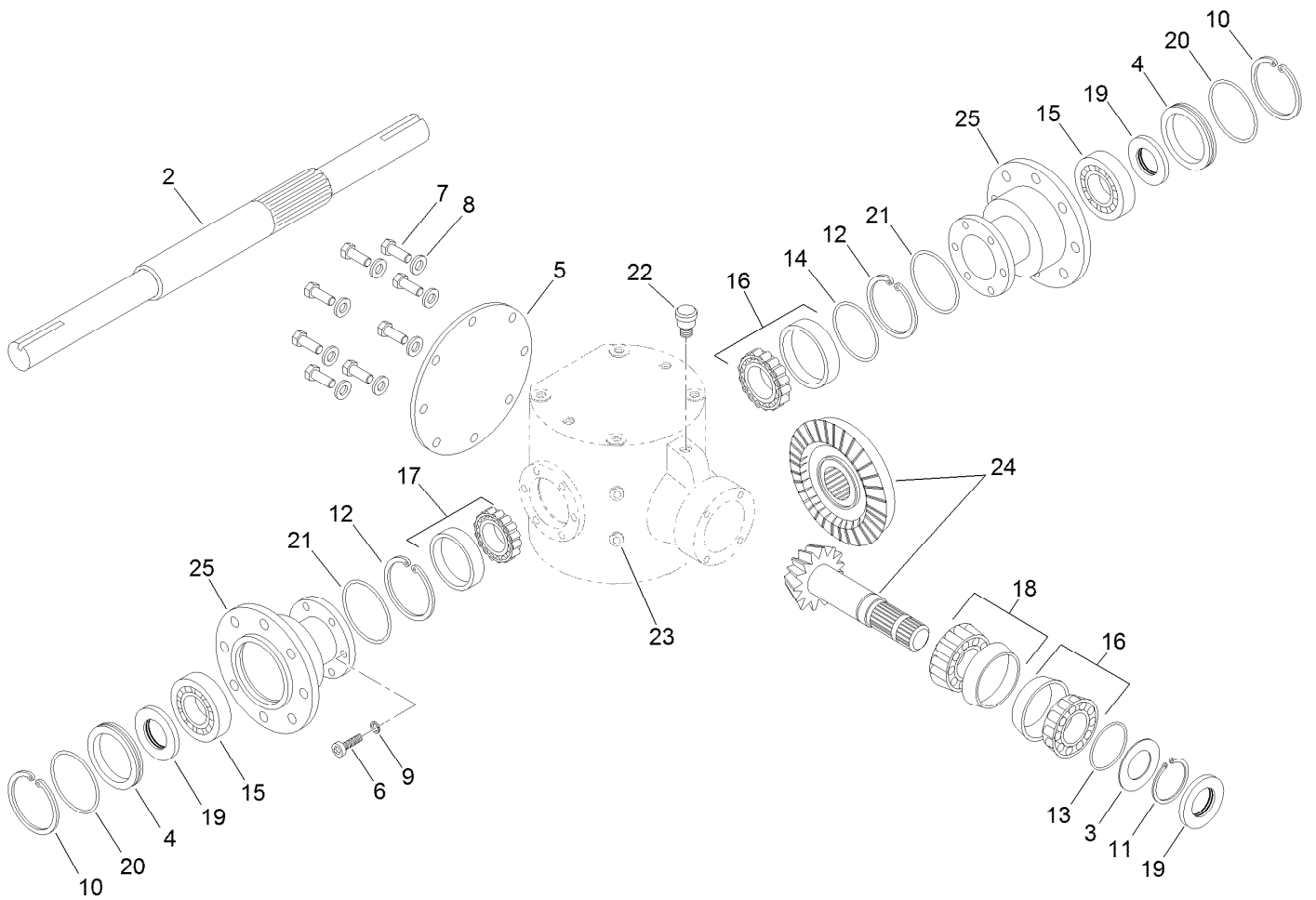
Drive Assembly .....	4
Gearbox Assembly No. SG506000 .....	5
PTO Shaft Assembly No. 137-7324 .....	6
Frame and Roller Assembly .....	7
Hydraulic Cylinder Assembly No. 139-8023 .....	9
LH Outside Crankshaft Assembly .....	10
LH Crankshaft Assembly .....	11
Center Crankshaft Assembly .....	12
RH Crankshaft Assembly .....	13
RH Outside Crankshaft Assembly .....	14
Connecting Rod Assembly .....	15
Lower Arm and Hinge Assembly .....	16
Cover Assembly .....	17
Rear Guard Assembly .....	18
Attachments and Accessories .....	19



## Drive Assembly

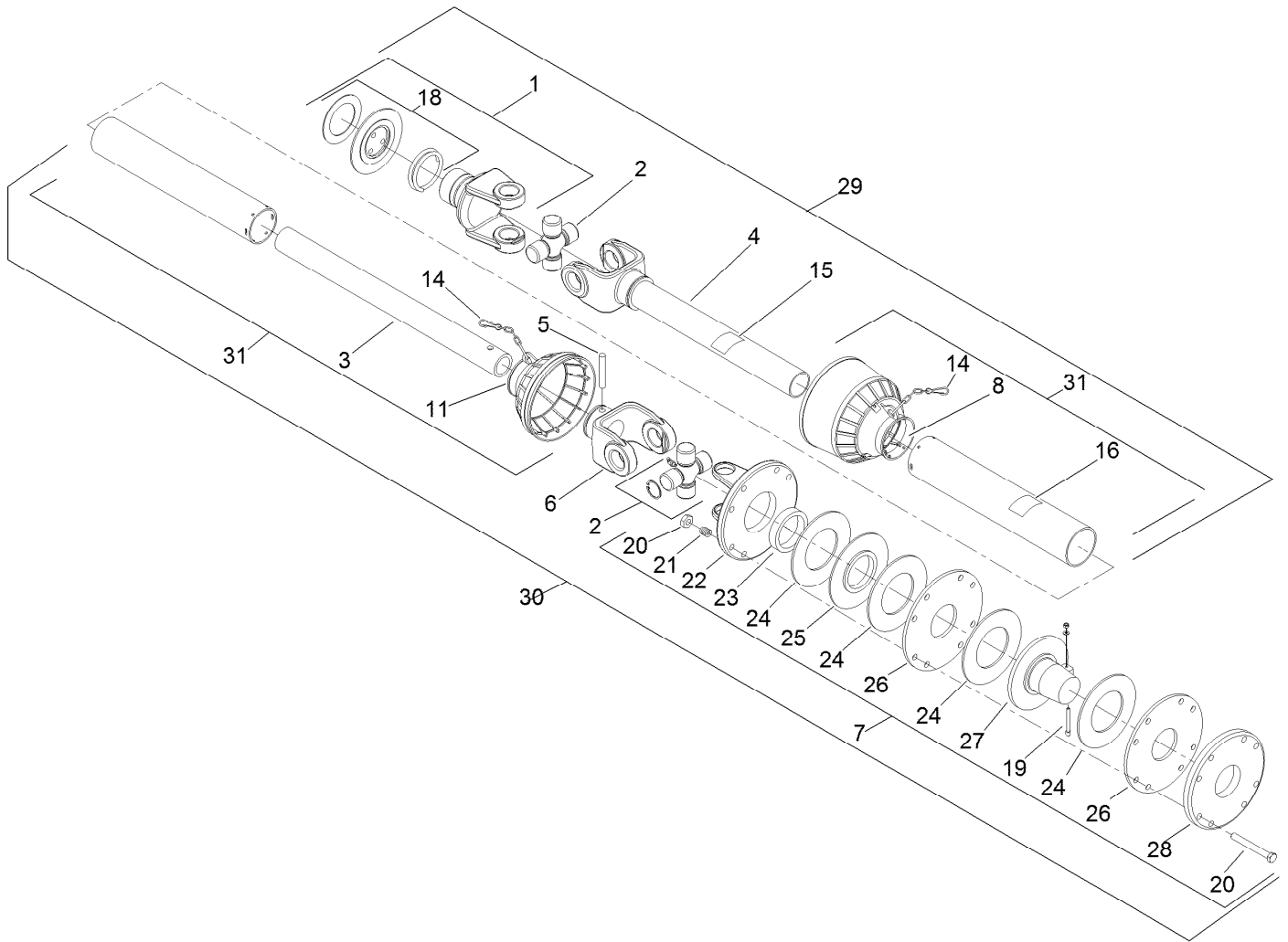
Ref.	Part Number	Qty.	Description	Ref.	Part Number	Qty.	Description
1	SG584100	2	Screw-HH Special	15	SG506000	1	Gearbox ASM
3	SG564100	2	Nut-HJ	16	SG584300	2	Screw-HH
4	SG571450	2	Nut-HJ	17	3217-7	2	Nut-Hex
5	SG511280	2	Sprocket-Idler	18	137-7324	1	Shaft-PTO
6	SG571100	2	Nut-Lock	19	SG555500	2	Key-Square
7	SG550177	2	Hub-Sprocket	20	SG4171401	1	Cone-Shaft, Lg
7:1	3246-4	1	Screw-Set	21	33115-020	4	Screw-HH
8	33119-040	4	Screw-HH	22	48-9590	4	Washer-Lock
9	SG510522	2	Sprocket-22 Tooth, 6 Bolt	23	3256-24	4	Washer-Plain
10	SG562562	10	Screw-HH	24	323-43	6	Screw-HH
11	100-7607	4	Washer-Lock	25	323-32	6	Screw-HH
12	SG580148	2	O-Ring Chain ASM	26	3253-21	12	Washer-Lock
12:1	SG581081	1	Link-Master, O-Ring	99	138-9038	1	Decal-Danger, Entanglement ●
13	99-4371	10	Nut-Lock				

● Not illustrated



## Gearbox Assembly No. SG506000

<i>Ref.</i>	<i>Part Number</i>	<i>Qty.</i>	<i>Description</i>	<i>Ref.</i>	<i>Part Number</i>	<i>Qty.</i>	<i>Description</i>
2	119-3233	1	Shaft-Output	14	119-3241	1	Ring
3	119-3238	1	Spacer	15	119-3211	2	Bearing-Ball
4	119-3203	2	Spacer	16	119-3212	2	Bearing-Roller
5	119-3204	1	Cover-Housing, Gearbox	17	119-3213	1	Bearing-Roller
6	119-3205	12	Screw-HSH	18	119-3214	1	Bearing-Roller
7	119-3239	8	Screw-HH	19	119-3215	3	Seal-Oil
8	119-3206	8	Washer	20	119-3216	2	Seal-Oil
9	119-3207	12	Washer	21	119-3217	2	Seal-Oil
10	119-3208	2	Ring-Snap	22	119-3218	1	Plug-Breather
11	119-3209	1	Ring-Snap, External	23	119-3219	5	Plug-HSH
12	119-3210	2	Ring-Snap, Internal	24	119-3242	1	Bevel Gear ASM
13	119-3240	1	Ring	25	119-3234	2	Extension-Gearbox

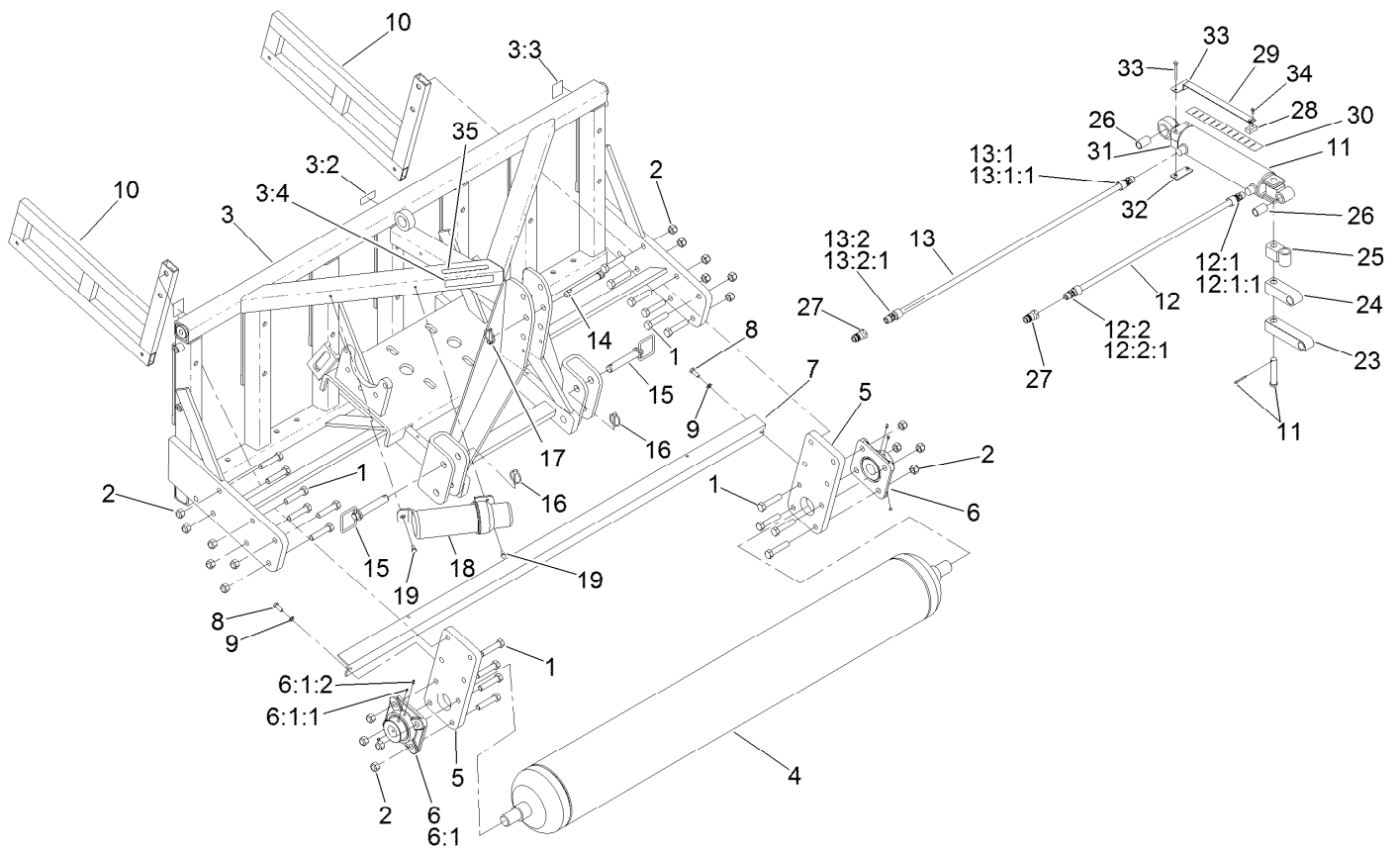


## PTO Shaft Assembly No. 137-7324

<i>Ref.</i>	<i>Part Number</i>	<i>Qty.</i>	<i>Description</i>	<i>Ref.</i>	<i>Part Number</i>	<i>Qty.</i>	<i>Description</i>
1	119-3152	1	Yoke W/ Ball Collar	19	119-3118	1	Screw And Nut ASM
2	137-7300	2	Cross And Bearing Kit	20	119-3164	8	Bolt And Nut
3		1	Tube-Inner, #6 ■	21	119-3120	8	Spring
4		1	Tube And Yoke #6 ■	22		1	Yoke-Flange ■
5	119-3156	1	Pin-Roll, PTO # 7	23		1	Bushing ■
6		1	Yoke-Inner Tube ■	24	119-3123	4	Plate-Clutch
7	119-3158	1	Clutch ASM	25	119-3166	1	Plate-Driving
8		1	Support-PTO Shield, Outer ■	26	119-3125	2	Plate-Pressure
11		1	Support-PTO Shield, Inner ■	27	119-3177	1	Hub-Splined, PTO #8
14	119-3113	2	Chain-Safety	28	119-3126	1	Plate-Pressure, PTO
15	119-3114	1	Decal-Danger	29	137-7306	1	Half Shaft ASM
16	119-3115	1	Decal-Danger	30	137-7307	1	Half Shaft ASM
17	136-3937	1	Booklet-Instruction, Usa ●	31	137-7308	1	Complete Shield ASM
18	119-3117	1	Ball And Collar Kit	32	136-3935	6	Screw-Self TAP ●

● Not illustrated

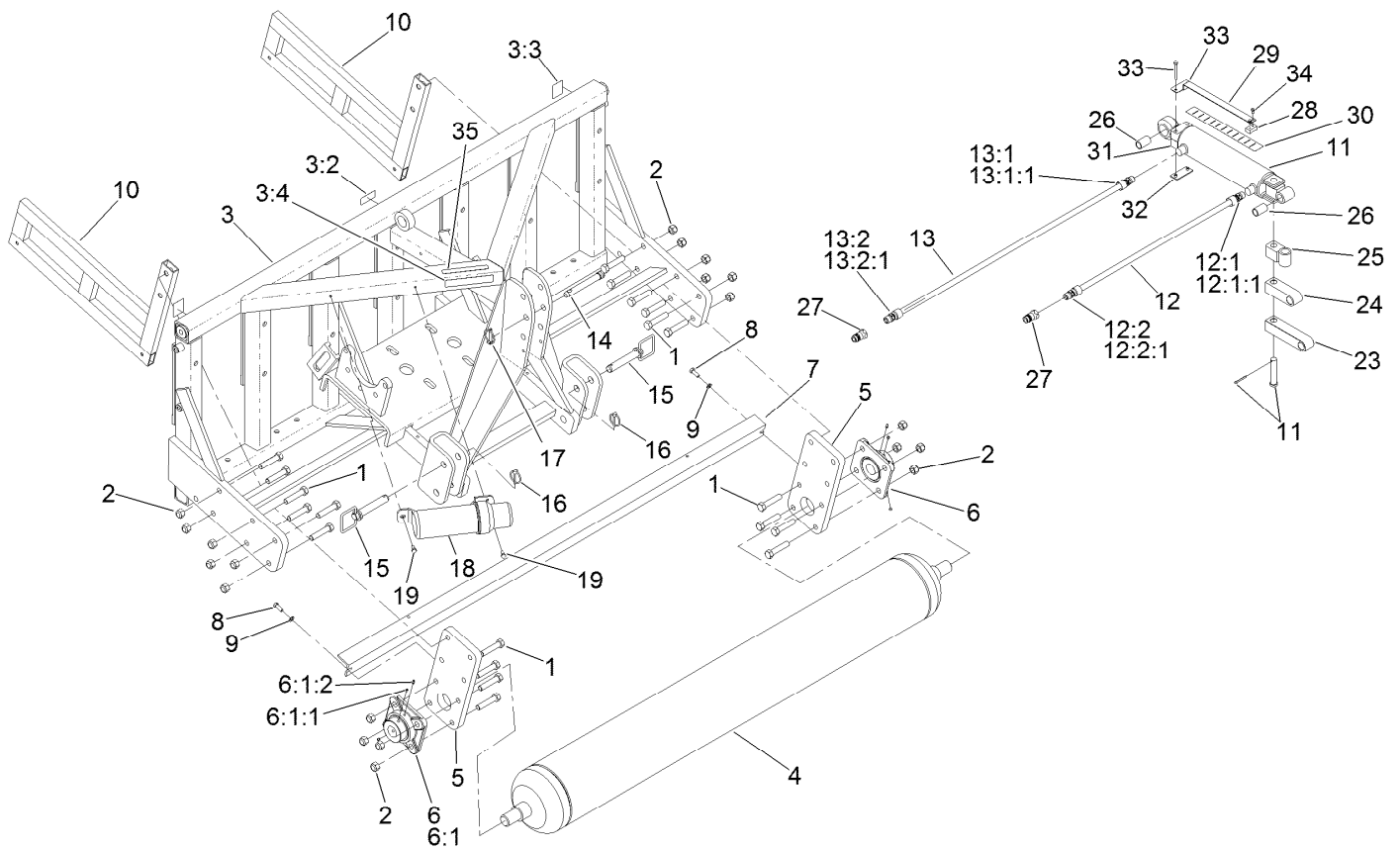
■ Not serviced separately



## Frame and Roller Assembly

Ref.	Part Number	Qty.	Description	Ref.	Part Number	Qty.	Description
1	3214-9	20	Screw-HH	12:1		1	Fitting-Straight,Rgd ●
2	3296-41	20	Nut-Lock NI	12:1:1	237-42	1	O-Ring
3	120-1073	1	Frame ASM	12:2		1	Fitting-Straight, Rgd ●
3:2	117-7052	1	Decal-No Oil	12:2:1	237-79	1	O-Ring
3:3	100-3612	2	Decal-Warning	13	139-8042	1	Hydraulic Hose ASM
3:4	127-4235	1	Decal-Warning, PTO	13:1		1	Fitting-Straight,Rgd ●
4	SG616061-03	1	Roller-Main	13:1:1	237-42	1	O-Ring
5	SG625048-01	2	Bar-Roller, Vertical	13:2		1	Fitting-Straight, Rgd ●
6	SG631150-03	2	Bearing-Roller	13:2:1	237-79	1	O-Ring
6:1		1	Bearing-Flange ●	14	SG715450	1	Pin-Link, Top
6:1:1	106-9662	2	Screw-Set, HSH	15	112-4378	2	Pin-Hitch
6:1:2	302-19	1	Fitting-Grease	16	92-1298	2	Pin-Lynch
7	SG616725-03	1	Bar-Scraper	17	100-5389	1	Pin-Lynch
8	323-6	2	Screw-HH	18	SG999018	1	Canister-Manual, Operators
9	3253-21	2	Washer-Lock	19	322-3	2	Screw-HH
10	SG785150-03	2	Stand-Storage	23	SG795551-03	1	Extension-Adapter, 5.50 Inch
11	139-8023	1	Cylinder-Hydraulic				
12	139-8041	1	Hydraulic Hose ASM				

● Not serviced separately

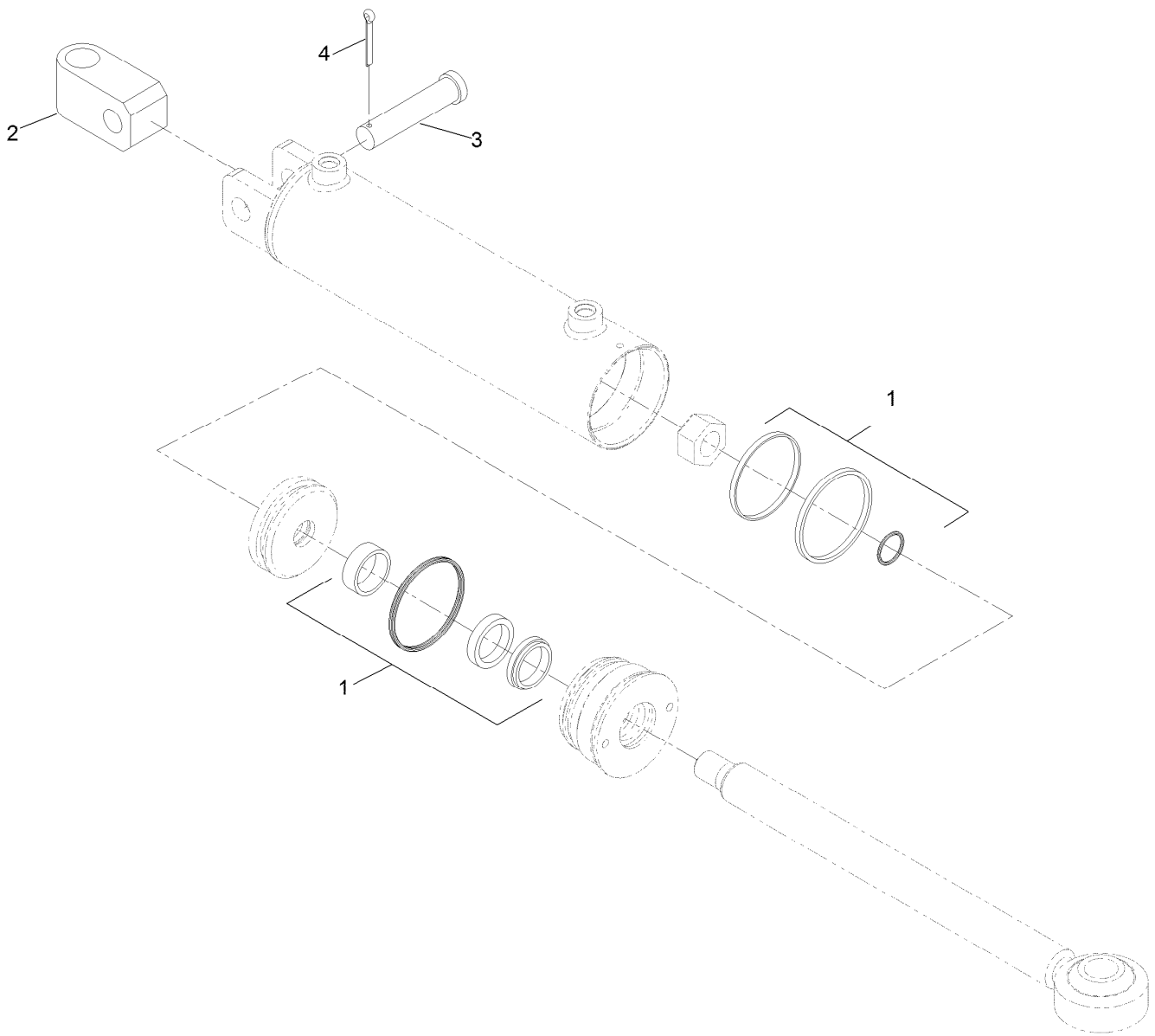


## Frame and Roller Assembly (continued)

Ref.	Part Number	Qty.	Description	Ref.	Part Number	Qty.	Description
24	SG795554-03	1	Extension-Adapter, 3.50 Inch	30	121-6926	1	Decal-Depth
25	117-7124-03	1	Mount-Adapter, 90 DEG	31	121-6949	1	Clamp-Tube
26	SG555013	2	Bushing	32	125-3301	1	Plate-Weld
27	98-4698	2	Male-Disconnect, Quick	33	321-15	2	Screw-HH
28	121-2189	1	Block-Slide	34	3290-321	2	Screw-HWH
29	121-6918-01	1	Gauge-Depth	35	133-8061	1	Decal-Warning

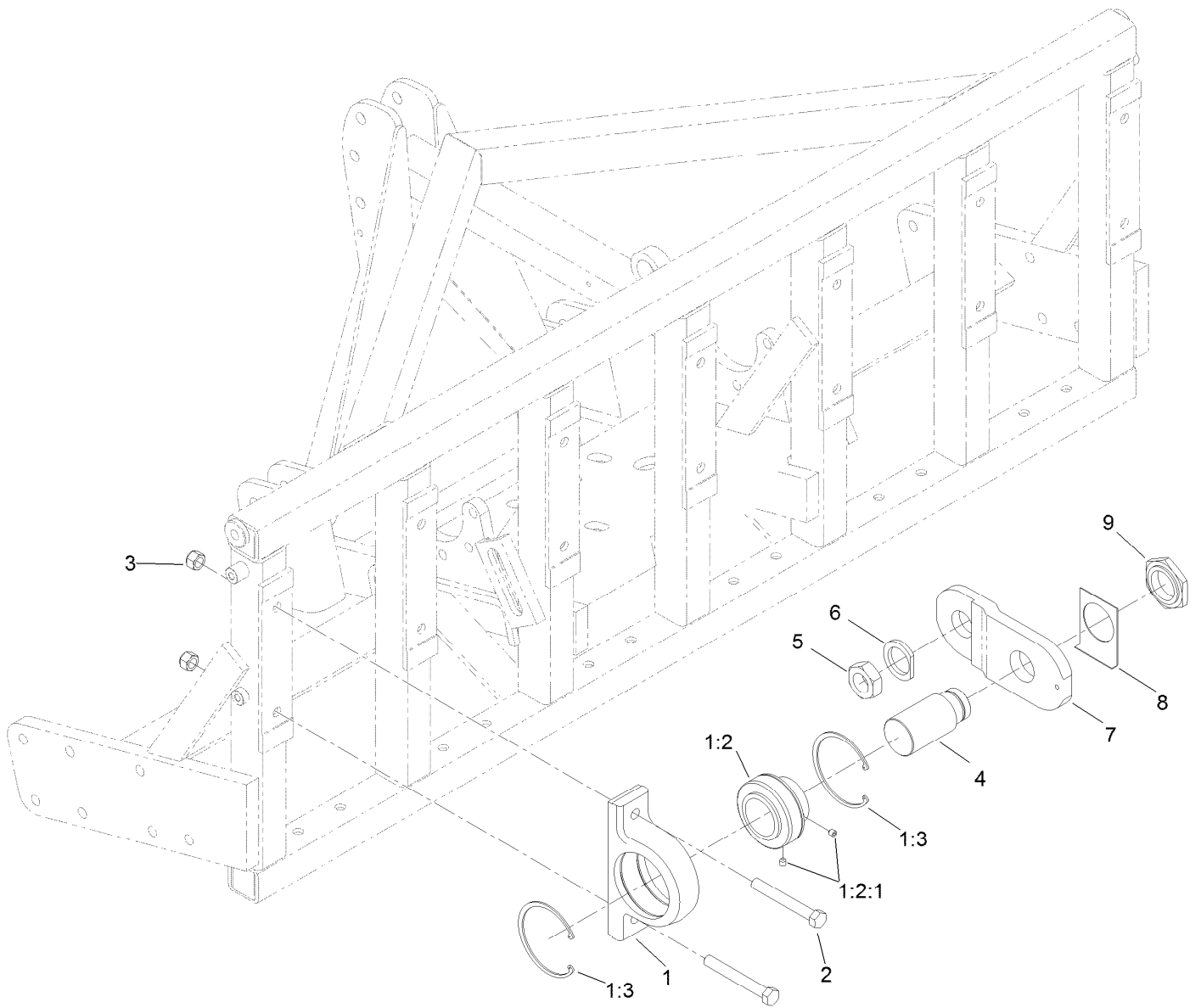
● Not serviced separately





## Hydraulic Cylinder Assembly No. 139-8023

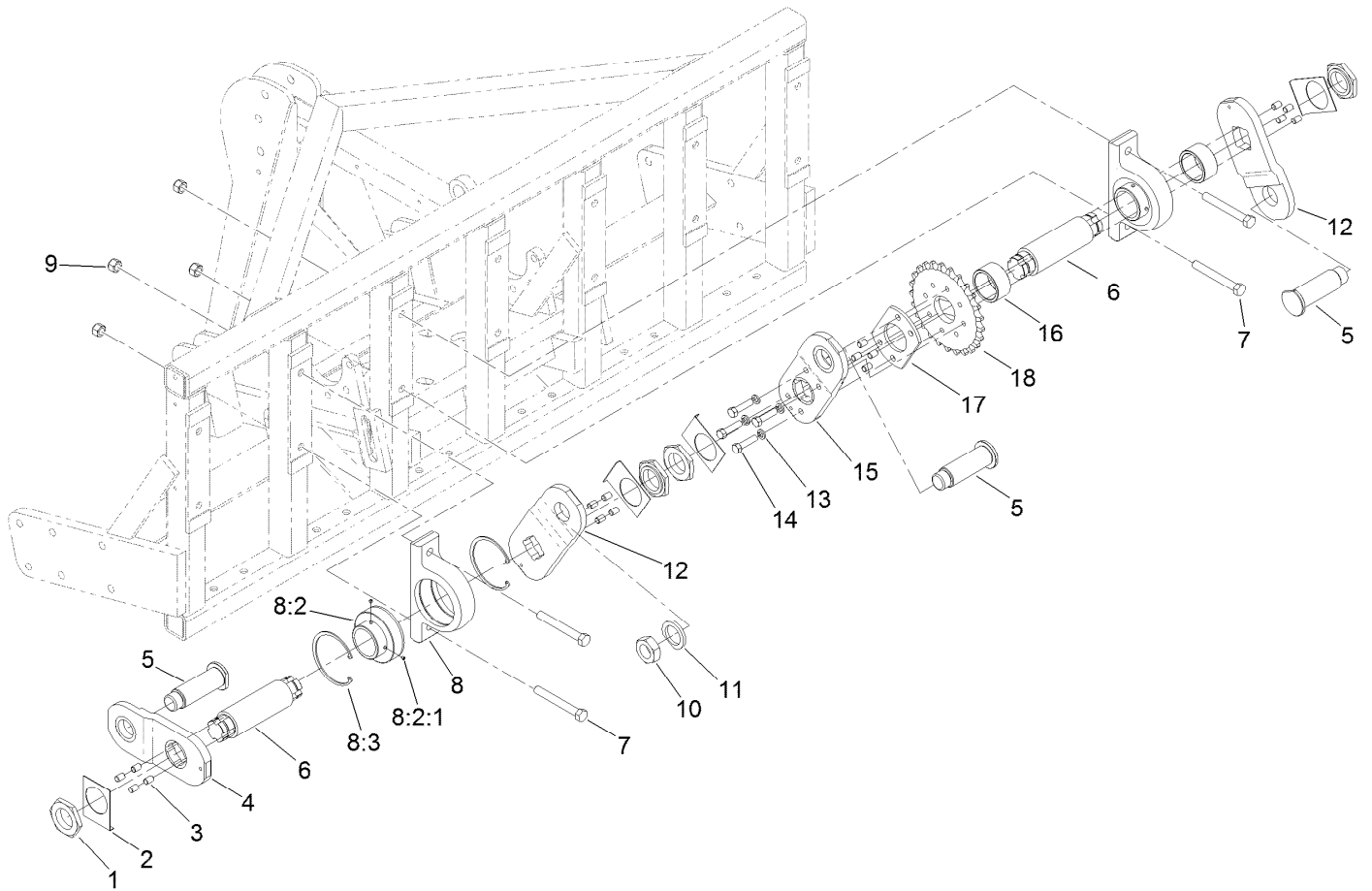
<i>Ref.</i>	<i>Part Number</i>	<i>Qty.</i>	<i>Description</i>
1	139-8039	1	Seal Kit
2	139-8038	1	Clevis
3	108-2800	1	Pin-Clevis
4	3272-23	1	Pin-Cotter



## LH Outside Crankshaft Assembly

Ref.	Part Number	Qty.	Description
1	121-6906	1	Main Bearing Housing ASM
1:2		1	Bearing-Ball ●
1:2:1	99-0195	2	Screw-Set, HSH
1:3	SG232433	2	Ring-Snap
2	SG278625	2	Screw-HH
3	3296-41	2	Nut-Lock NI
4	SG211557	1	Shaft-Stub, Outside
5	SG361375	1	Nut-HJ
6	SG241753	1	Washer-Crank, Clipped
7	SG215000-03	1	Arm-Crank
8	SG281240	1	Plate-Locking
9	SG261535	1	Nut-Hex

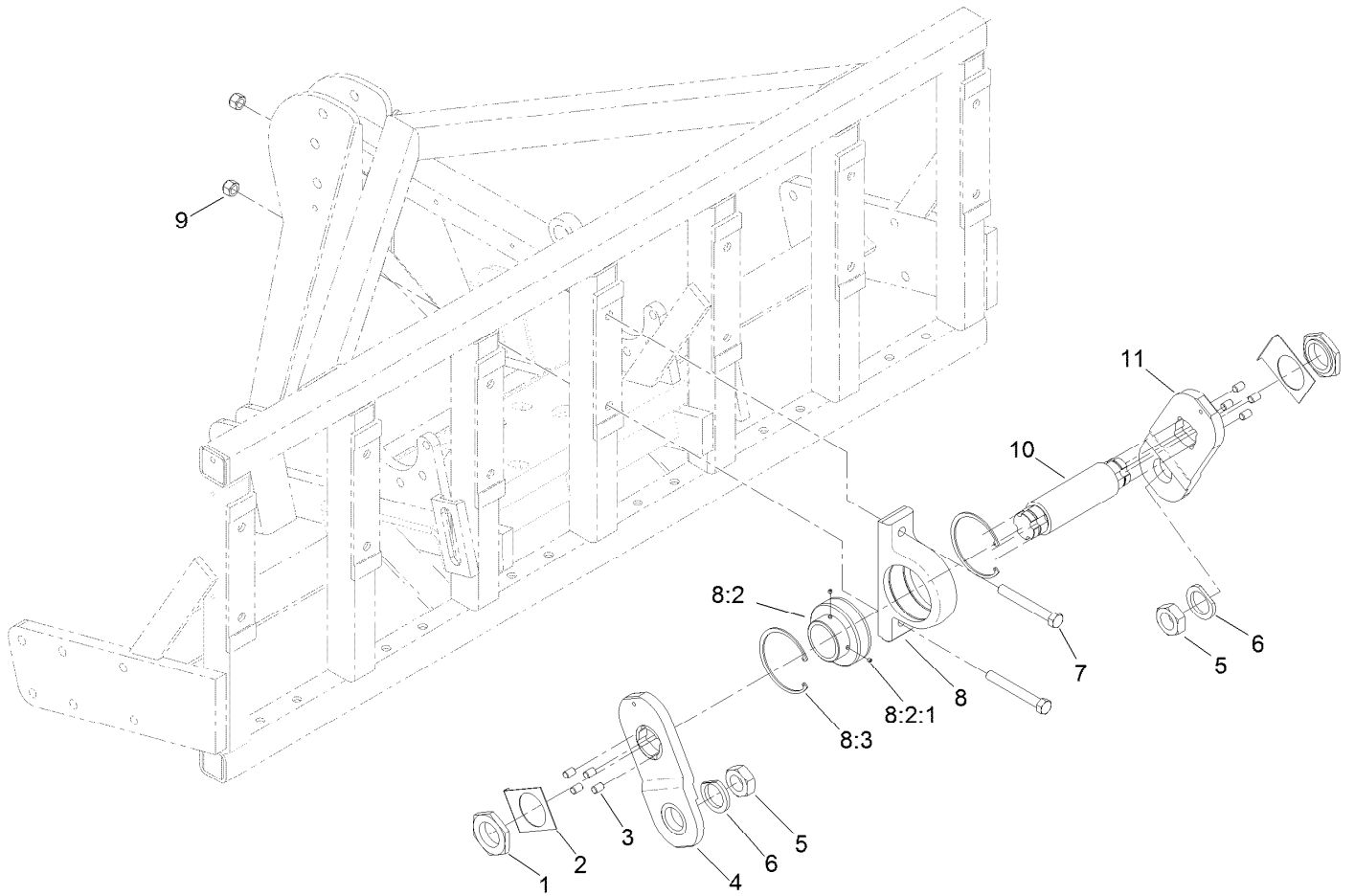
● Not serviced separately



## LH Crankshaft Assembly

Ref.	Part Number	Qty.	Description	Ref.	Part Number	Qty.	Description
1	SG261535	4	Nut-Hex	9	3296-41	4	Nut-Lock NI
2	SG281240	4	Plate-Locking	10	SG361375	1	Nut-HJ
3	SG250875	16	Pin-Dowel	11	SG241753	1	Washer-Crank, Clipped
4	SG210500-03	1	Arm-Crank	12	SG212500-03	2	Arm-Crank, LH (1/2" Drive)
5	SG315750	3	Pin-Crank	13	3253-7	4	Washer-Lock
6	SG216500	2	Shaft-Crank	14	SG271517	4	Screw-HH
7	SG278625	4	Screw-HH	15	SG200500-03	1	Arm-Crank (1/2" Drive)
8	121-6906	2	Main Bearing Housing ASM	16	SG234149	2	Spacer-Tube
8:2		1	Bearing-Ball ●	17	SG243300	1	Spacer-Sprocket
8:2:1	99-0195	2	Screw-Set, HSH	18	SG214025	1	Sprocket-Bore, Plain
8:3	SG232433	2	Ring-Snap				

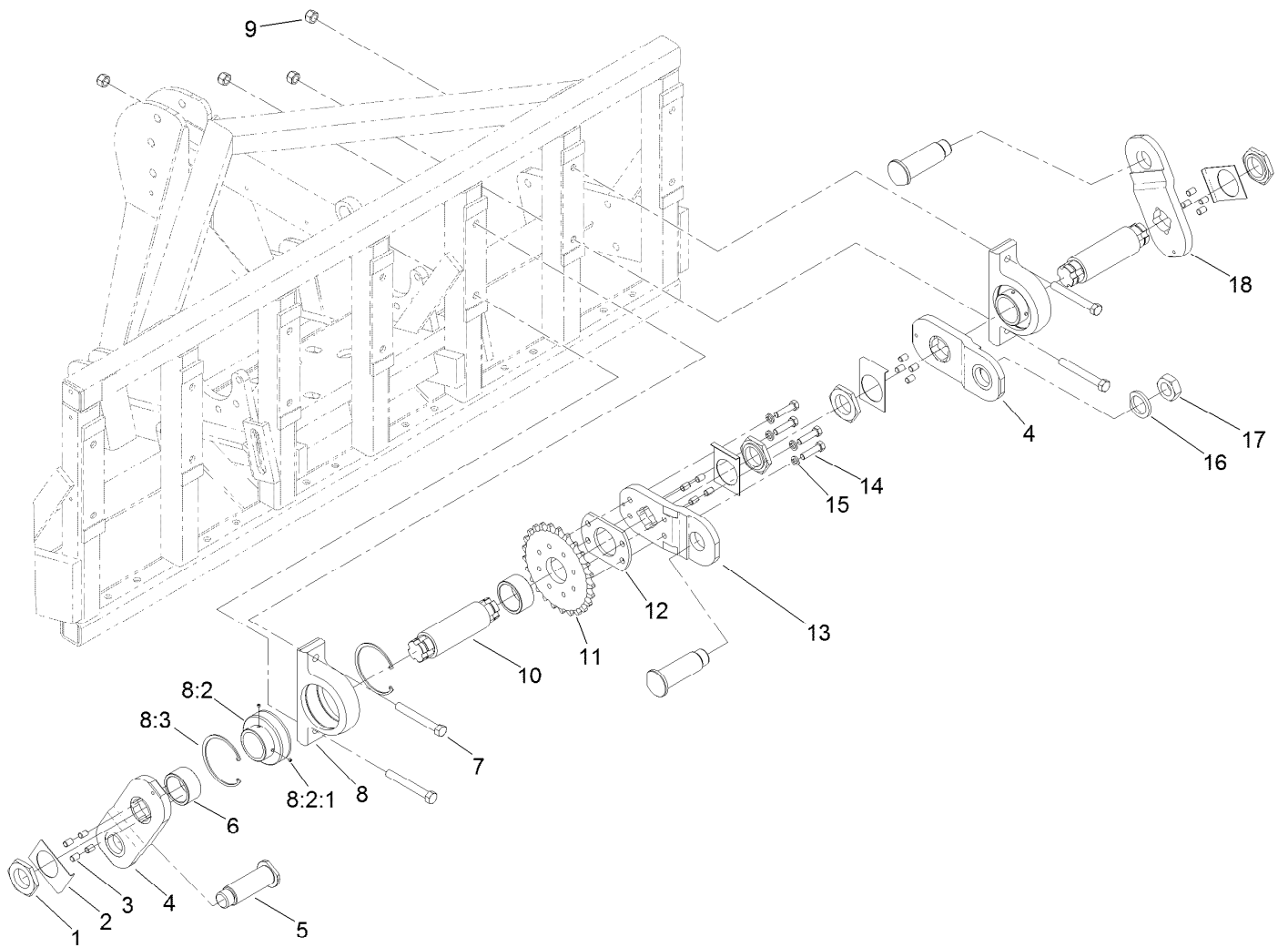
● Not serviced separately



## Center Crankshaft Assembly

Ref.	Part Number	Qty.	Description
1	SG261535	2	Nut-Hex
2	SG281240	2	Plate-Locking
3	SG250875	8	Pin-Dowel
4	SG210500-03	1	Arm-Crank
5	SG361375	2	Nut-HJ
6	SG241753	2	Washer-Crank, Clipped
7	SG278625	2	Screw-HH
8	121-6906	1	Main Bearing Housing ASM
8:2		1	Bearing-Ball ●
8:2:1	99-0195	2	Screw-Set, HSH
8:3	SG232433	2	Ring-Snap
9	3296-41	2	Nut-Lock NI
10	SG216500	1	Shaft-Crank
11	SG211500-03	1	Arm-Crank, RH (1/2" Drive)

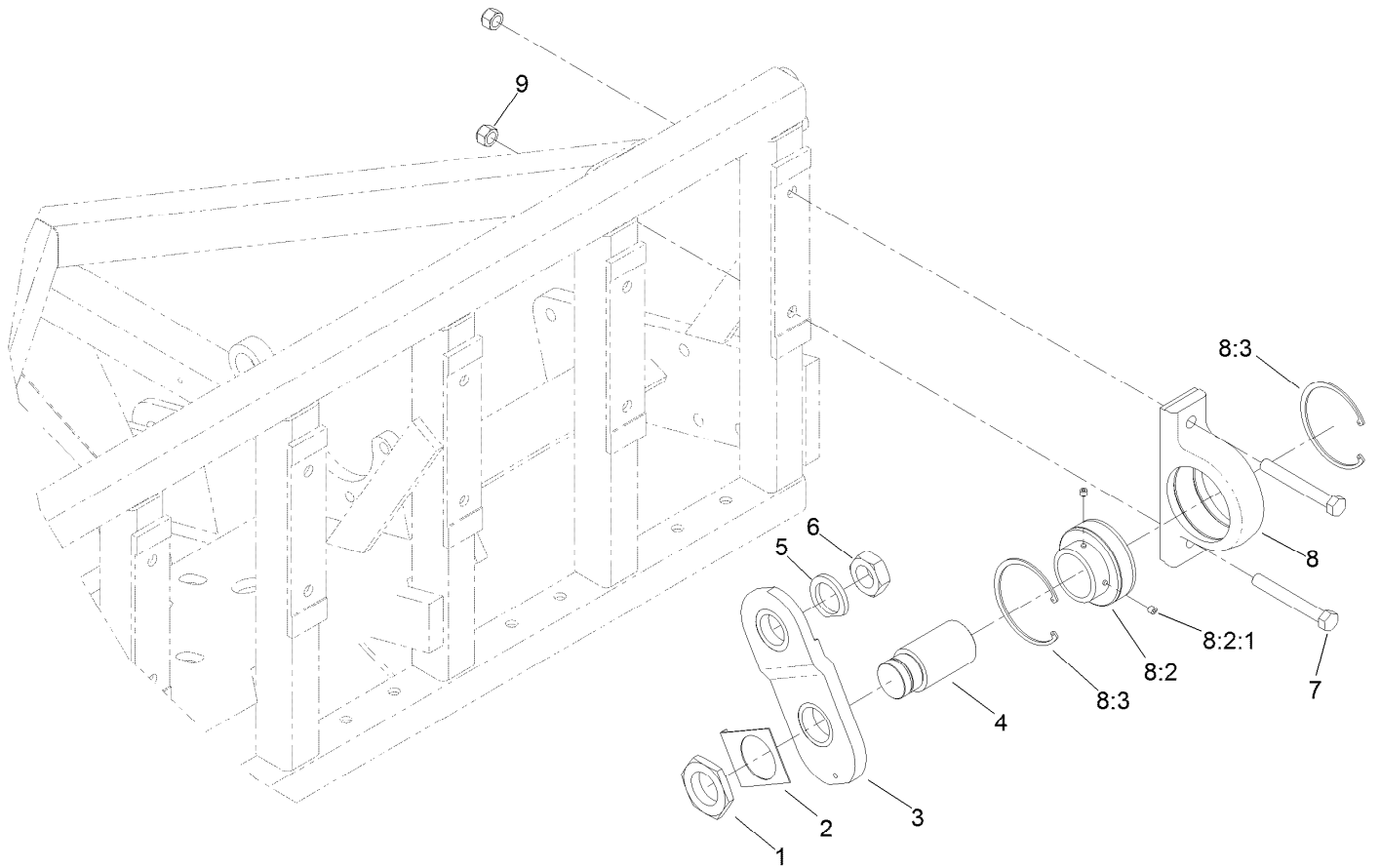
● Not serviced separately



## RH Crankshaft Assembly

Ref.	Part Number	Qty.	Description	Ref.	Part Number	Qty.	Description
1	SG261535	4	Nut-Hex	9	3296-41	4	Nut-Lock NI
2	SG281240	4	Plate-Locking	10	SG216500	2	Shaft-Crank
3	SG250875	16	Pin-Dowel	11	SG214025	1	Sprocket-Bore, Plain
4	SG211500-03	2	Arm-Crank, RH (1/2" Drive)	12	SG243300	1	Spacer-Sprocket
5	SG315750	3	Pin-Crank	13	SG200500-03	1	Arm-Crank (1/2" Drive)
6	SG234149	2	Spacer-Tube	14	SG271517	4	Screw-HH
7	SG278625	4	Screw-HH	15	3253-7	4	Washer-Lock
8	121-6906	2	Main Bearing Housing ASM	16	SG241753	1	Washer-Crank, Clipped
8:2		1	Bearing-Ball ●	17	SG361375	1	Nut-HJ
8:2:1	99-0195	2	Screw-Set, HSH	18	SG210500-03	1	Arm-Crank
8:3	SG232433	2	Ring-Snap				

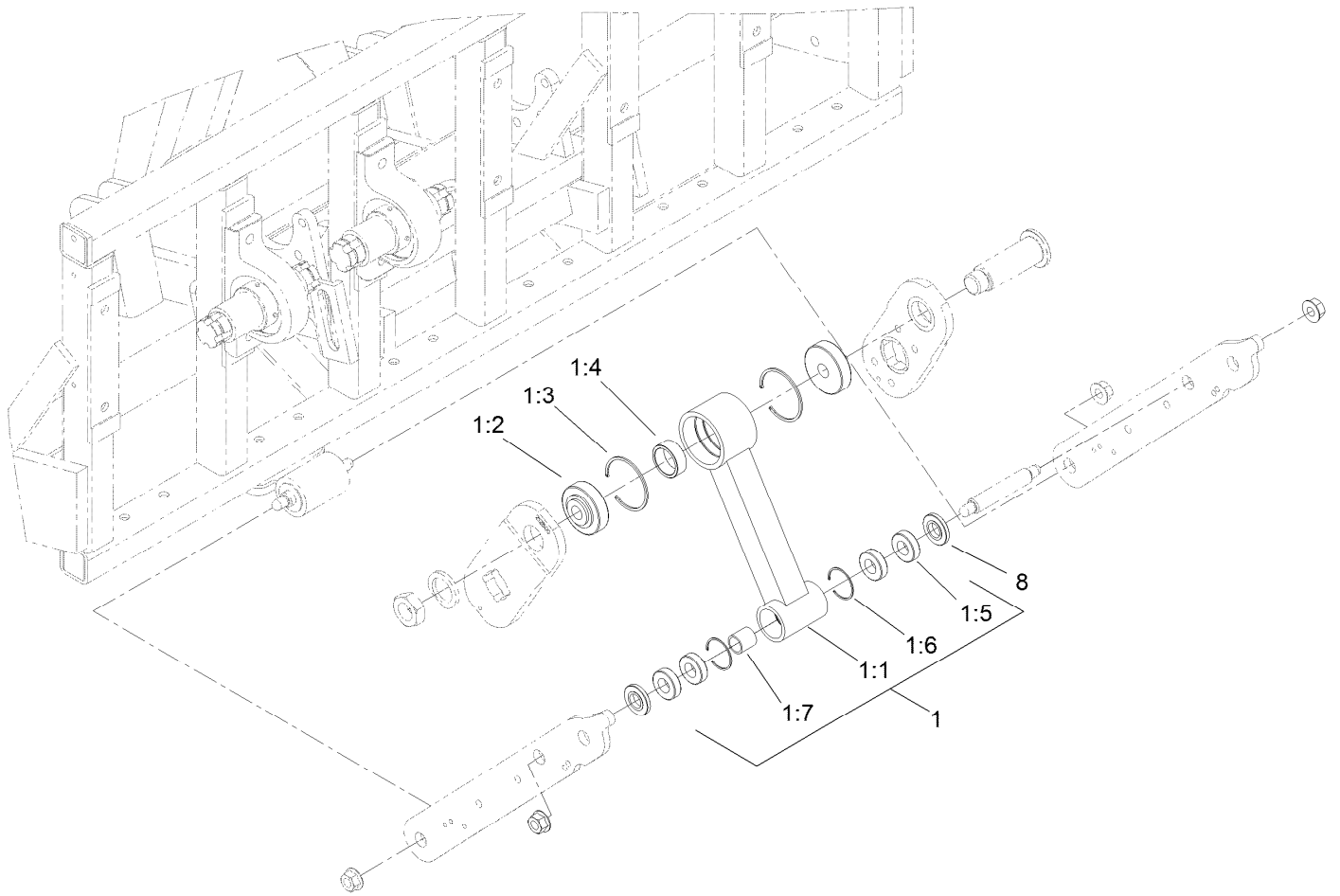
● Not serviced separately



## RH Outside Crankshaft Assembly

Ref.	Part Number	Qty.	Description
1	SG261535	1	Nut-Hex
2	SG281240	1	Plate-Locking
3	SG215000-03	1	Arm-Crank
4	SG211557	1	Shaft-Stub, Outside
5	SG241753	1	Washer-Crank, Clipped
6	SG361375	1	Nut-HJ
7	SG278625	2	Screw-HH
8	121-6906	1	Main Bearing Housing ASM
8:2		1	Bearing-Ball ●
8:2:1	99-0195	2	Screw-Set, HSH
8:3	SG232433	2	Ring-Snap
9	3296-41	2	Nut-Lock NI

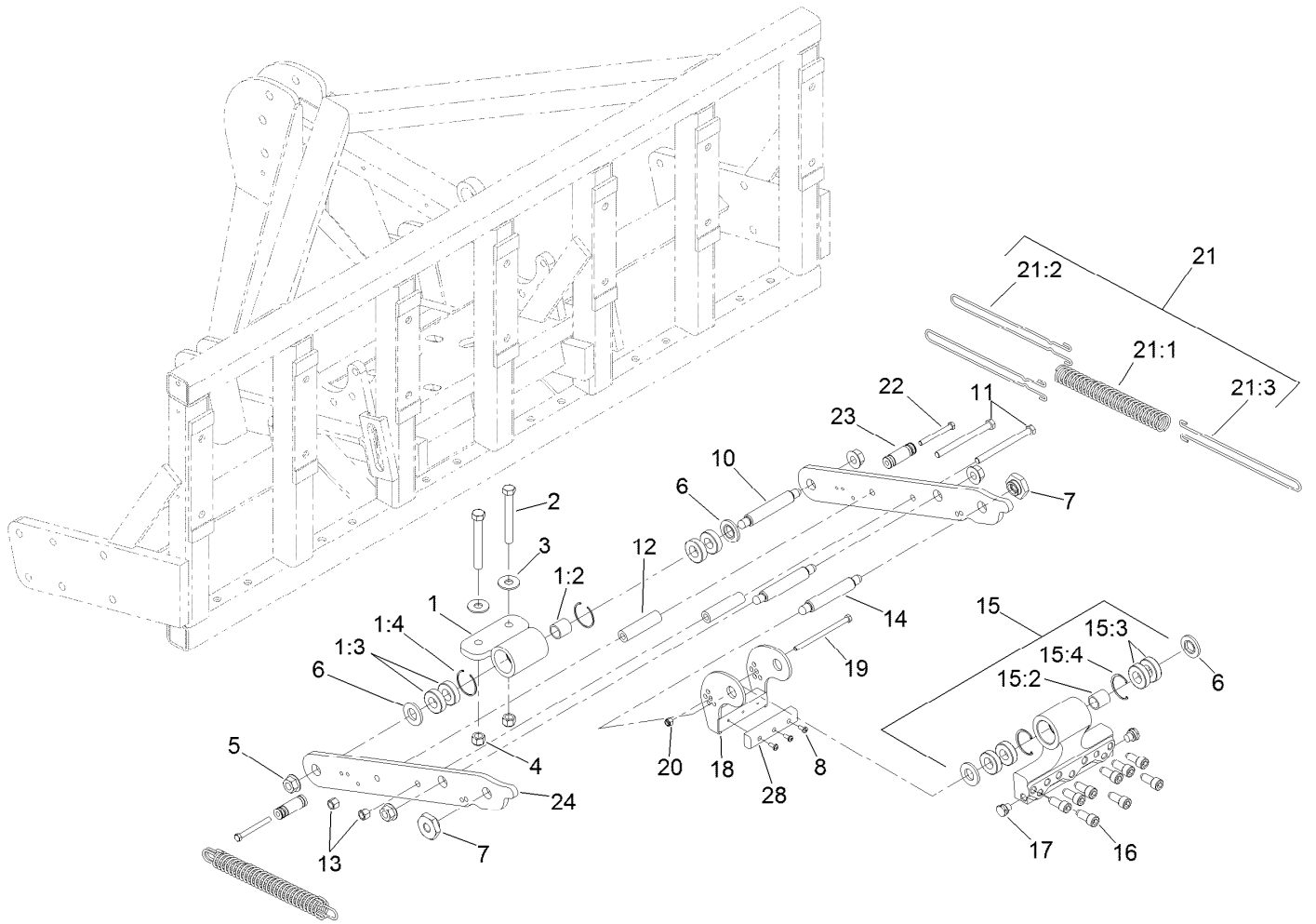
● Not serviced separately



## Connecting Rod Assembly

Ref.	Part Number	Qty.	Description
1	SG134125	6	Stomper Arm ASM
1:1		1	Arm-Stomper ●
1:2	SG331112	2	Bearing-Rod, Connecting
1:3	SG332334	2	Ring-Snap
1:4	SG340700	1	Spacer-Rod, Connecting
1:5	SG431012	4	Bearing-Ball
1:6	32120-65	2	Ring-Snap
1:7	SG410290	1	Bushing-Inner
8	SG441240	12	Bushing-Outer

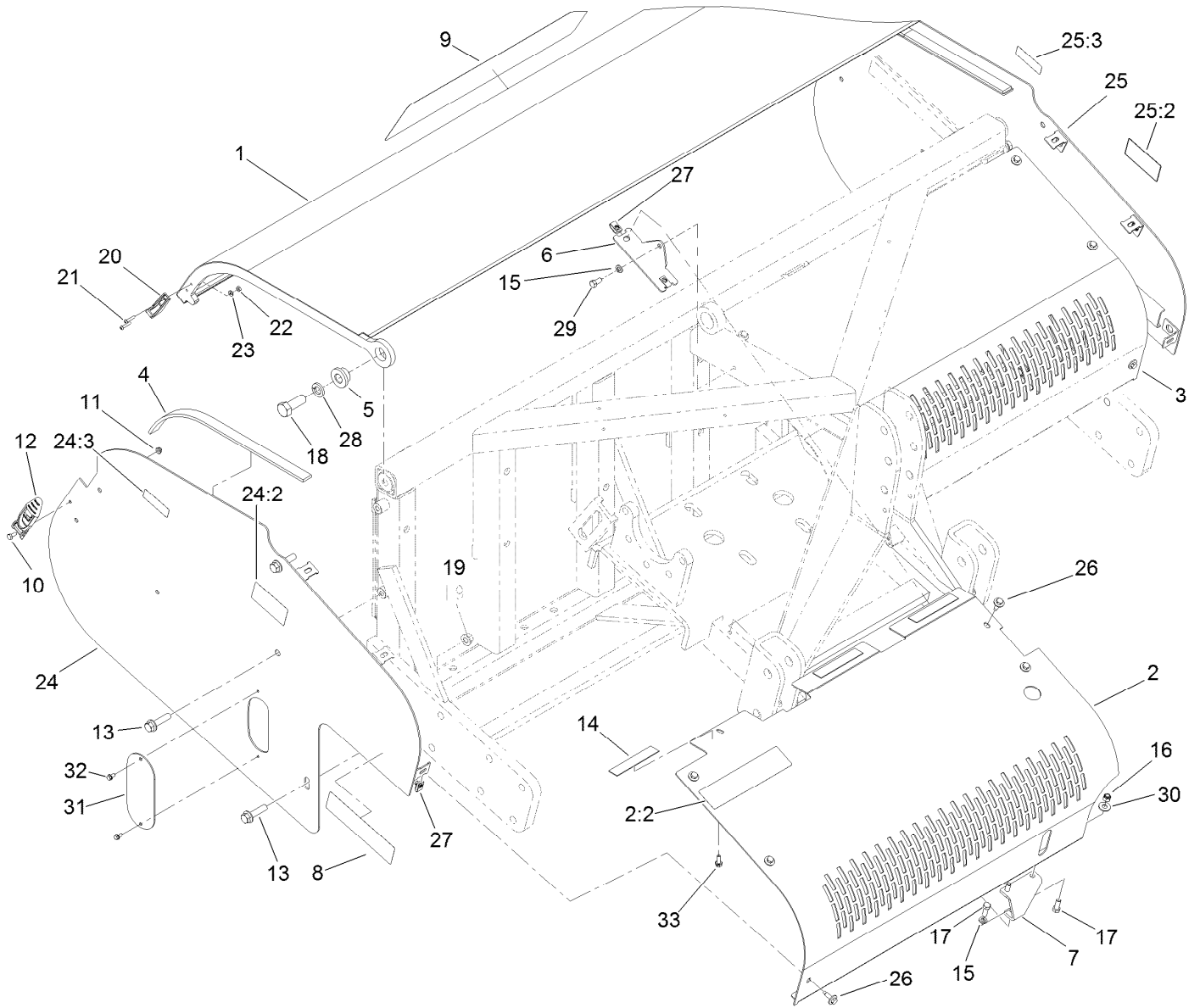
● Not serviced separately



## Lower Arm and Hinge Assembly

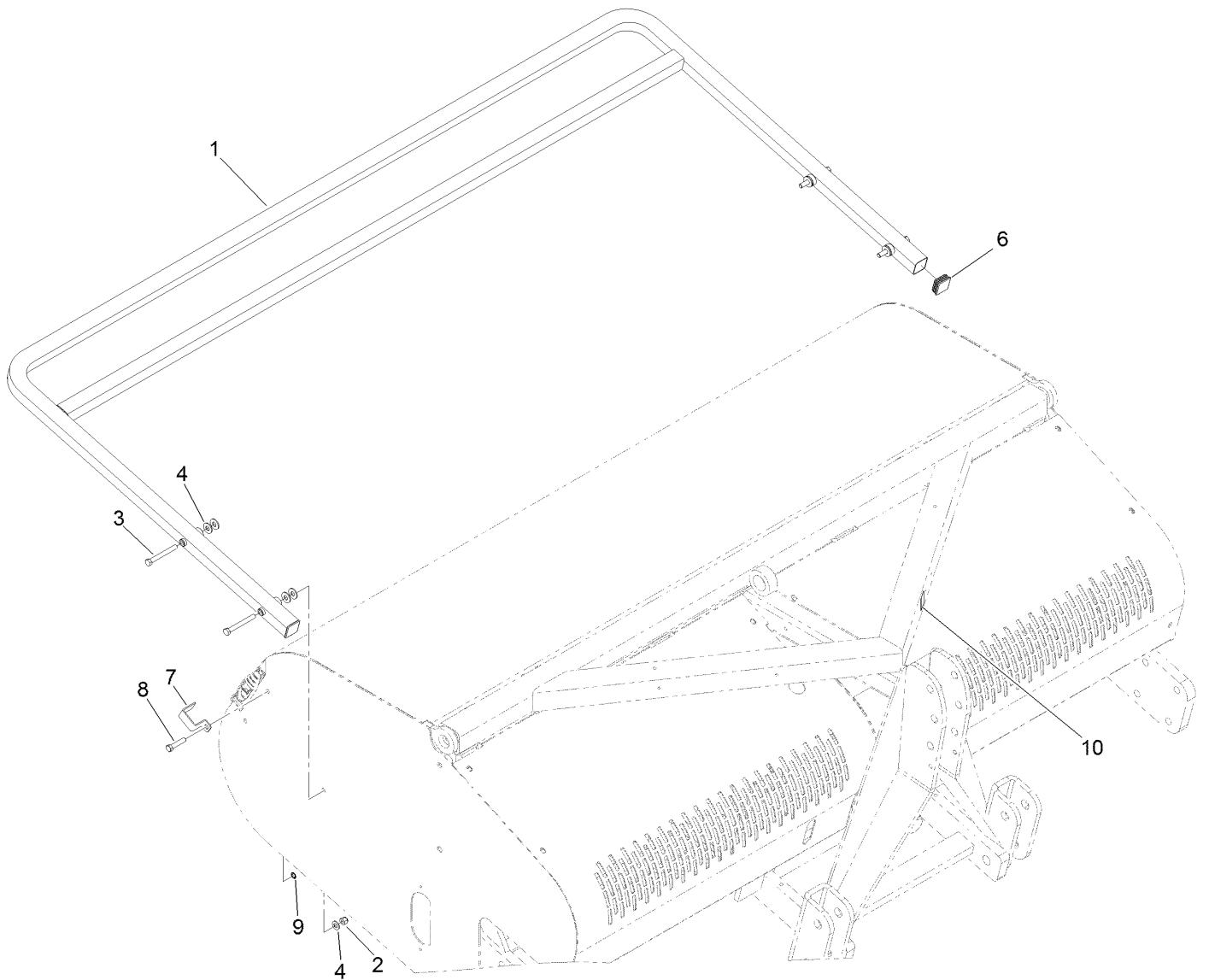
Ref.	Part Number	Qty.	Description	Ref.	Part Number	Qty.	Description
1	SG142000	6	Hinge ASM	15:2	SG410290	1	Bushing-Inner
1:2	SG410290	1	Bushing-Inner	15:3	32120-65	2	Ring-Snap
1:3	SG431012	4	Bearing-Ball	15:4	SG431012	4	Bearing-Ball
1:4	32120-65	2	Ring-Snap	16	SG471620	54	Head-Tine, Bolt (Long)
2	3214-15	12	Screw-HH	17	SG483125	12	Holder-Spring, Front
3	3256-7	12	Washer-Flat	18	120-7267-03	6	Bracket-Camber
4	3296-41	12	Nut-Lock NI	19	323-26	6	Screw-HH
5	32128-53	24	Nut-HF	20	3296-39	6	Nut-Lock, NI
6	SG441240	24	Bushing-Outer	21	SG148160	12	Spring ASM
7	120-7271	12	Nut-HH	21:1	SG481512	1	Spring-Compression
8	3290-145	18	Screw	21:2	SG482016	2	Wire-Bar, Draw
10	SG410500	12	Pin-Wrist, Short	21:3	SG482017	1	Wire-Bar, Draw
11	325-20	12	Screw-HH	22	323-15	12	Screw-HH
12	SG434118	12	Spacer-Arm, Linkage	23	SG484351-03	12	Post-Spring, Rear
13	3296-23	12	Nut-Lock, NI	24	SG434117-03	12	Arm-Linkage
14	SG410437	6	Pin-Wrist, Head	28	119-0952	6	Pad-Bumper
15	125-3339	9	Bolt Tine Head ASM				





## Cover Assembly

Ref.	Part Number	Qty.	Description	Ref.	Part Number	Qty.	Description
1	119-3261-03	1	Hood	20	103-2897	2	Latch-Catch
2	120-1079	1	Front Right Guard ASM	21	108-3153	4	Screw-HSBH
2:2	117-7050	1	Decal-Warning, CE	22	3296-2	4	Nut-Lock, NI
3	117-7153-03	1	Guard-Front, LH	23	3256-14	4	Washer-Flat
4	120-7273	2	Strip-Rubber	24	120-1077	1	RH Shield ASM
5	120-1021	2	Bushing-Hood	24:2	117-7051	1	Decal-Danger, Keep Away CE
6	120-7294-03	2	Bracket-Guard, Front	24:3	120-0625	1	Decal-Warning
7	120-7297-03	2	Bracket-Screen, Front	25	120-1078	1	LH Shield ASM
8	117-7087	2	Decal	25:2	117-7051	1	Decal-Danger, Keep Away CE
9	117-7058	1	Decal	25:3	120-0625	1	Decal-Warning
10	321-3	2	Screw-HH	26	114-8418	10	Screw-HWH, Sems
11	104-7201	2	Nut-HF, NI	27	94-2413	10	Nut-U
12	103-2898	2	Latch-Rubber	28	3253-9	2	Washer-Lock
13	3234-27	6	Screw-HHF	29	323-4	2	Screw-HH
14	120-1087	6	Strip-Rubber	30	3256-4	4	Washer-Flat
15	3253-21	4	Washer-Lock	31	119-0956-03	2	Plate-Cover
16	3296-39	4	Nut-Lock, NI	32	32144-4	2	Screw-HWH
17	323-6	6	Screw-HH	33	9264964	2	Screw-HWH, Thread Cut
18	328-24	2	Screw-HH				
19	99-5107	2	Nut-Lock				



## Rear Guard Assembly

<i>Ref.</i>	<i>Part Number</i>	<i>Qty.</i>	<i>Description</i>
1	119-3275-03	1	Guard-Rear
2	3296-39	4	Nut-Lock, NI
3	323-20	4	Screw-HH
4	80-6990	12	Washer-Hardened
6	120-7261	2	Cap-End, Square
7	110-4673	2	Lock-Latch, CE
8	323-53	2	Screw-HH
9	32151-72	2	Ring-Retaining
10	133-8095	1	Decal-CE

# Attachments and Accessories

## For 09935 ProCore SR72 Aerator

<b>Product Name</b>	<b>Model/Part</b>
Rear Roller Kit .....	09954
10 x 5/16in Tine Head Adapter Kit.....	117-7190
10 x 12mm Tine Head Adapter Kit .....	117-7191
Toro Red 12oz Aerosol Can .....	361-10
New Red Paint - Gallon .....	361-11
Semi-Gloss Black Spray Paint.....	361-9
Air Dry Red Paint - Qt .....	5340
Adapter Sleeve 5/16 x 8in .....	SGA08313
Adapter Sleeve .....	SGA12375



**Count on it.**