



Count on it.

Parts Catalog

**ProCore® SR70
Aerator**

Model No. 09933—Serial No. 323000000 and Up



Ordering Replacement Parts

To order replacement parts, please supply the part number, the quantity, and the description of each part desired.

Understanding Reference Numbers

Each identified part in an illustration has a reference number. The reference number for a part also appears in the parts list, along with other information about the part.

This catalog uses two special reference number formats, one to indicate parts in a service assembly and another to indicate the quantity of a given part in an illustration.

Service Assembly Reference Numbers

Parts in service assemblies have reference numbers in the form a:b. The a represents the reference number of the entire service assembly and the b represents a sequential number unique to each part within the service assembly.

For example, a wheel assembly might be identified by reference number 6, the tire by 6:1, the valve by 6:2, and the wheel by 6:3. When you order the assembly identified by reference number 6, you receive all parts identified by reference numbers 6:1, 6:2, and 6:3. However, you may also order any part individually. Reference numbers of this type appear in illustration and in parts lists.

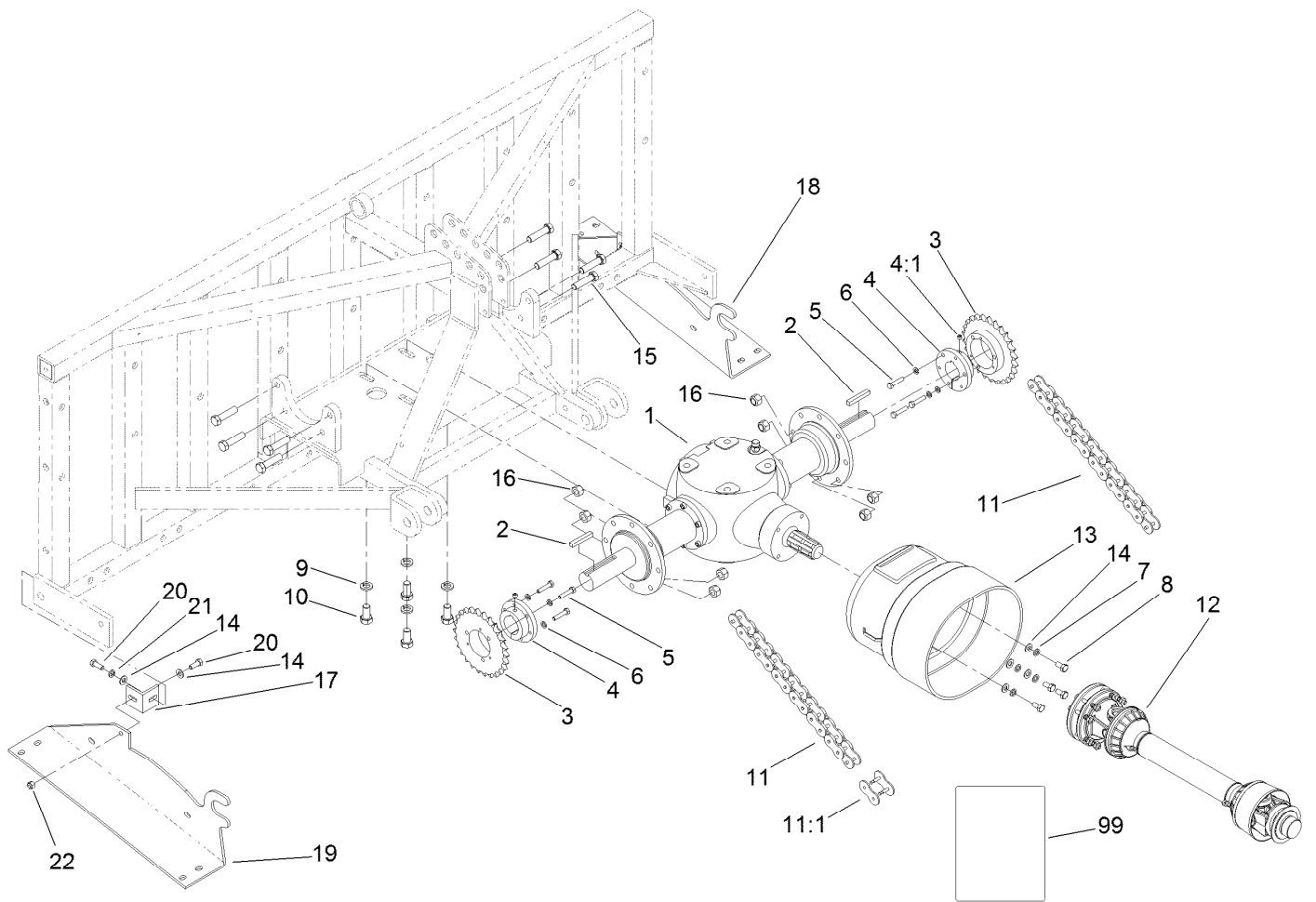
Reference Numbers Indicating Quantity

In an illustration, if a reference number indicates more than one part, the reference number has the form nX y. The n represents the quantity of the part, the X is the multiplication symbol, and the y represents the reference number.

For example, in an illustration, the reference number 2X 37 means that two of the parts identified by reference number 37 are indicated.

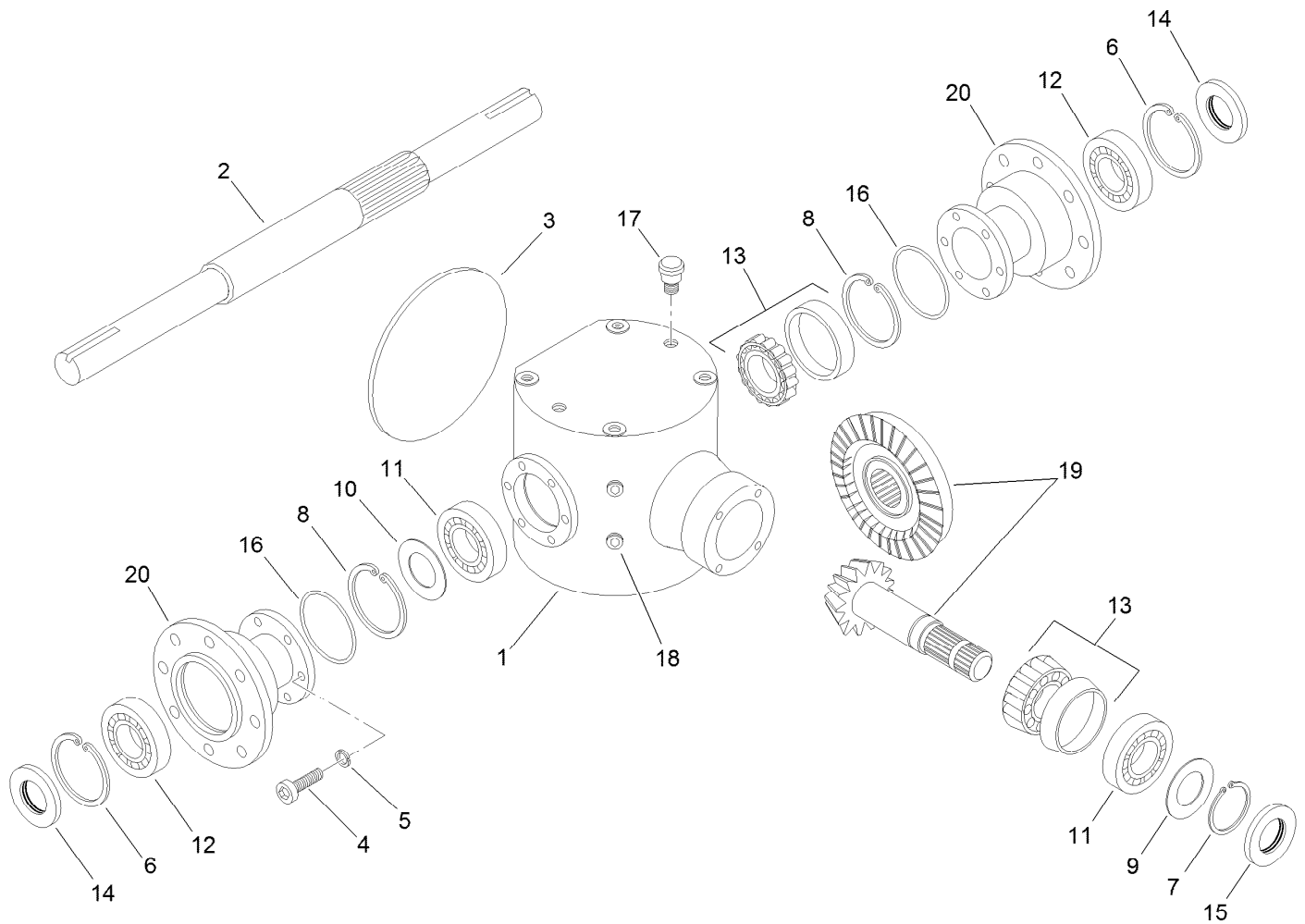
Contents

Drive Assembly	4
Gearbox Assembly No. SG504000-03	5
PTO Shaft Assembly No. 137-7323	6
Frame and Roller Assembly	7
Hydraulic Cylinder Assembly No. 139-8023	9
Center to Left Crankshaft Assembly	10
Center Crankshaft Assembly	11
Center to Right Crankshaft Assembly	12
Idler Assembly	13
Connecting Rod Assembly	14
Hinge Assembly	15
Linkage Arm Assembly	16
Head and Spring Assembly	17
Cover Assembly	18
Hood Latch Assembly Assembly	19
Attachments and Accessories	20



Drive Assembly

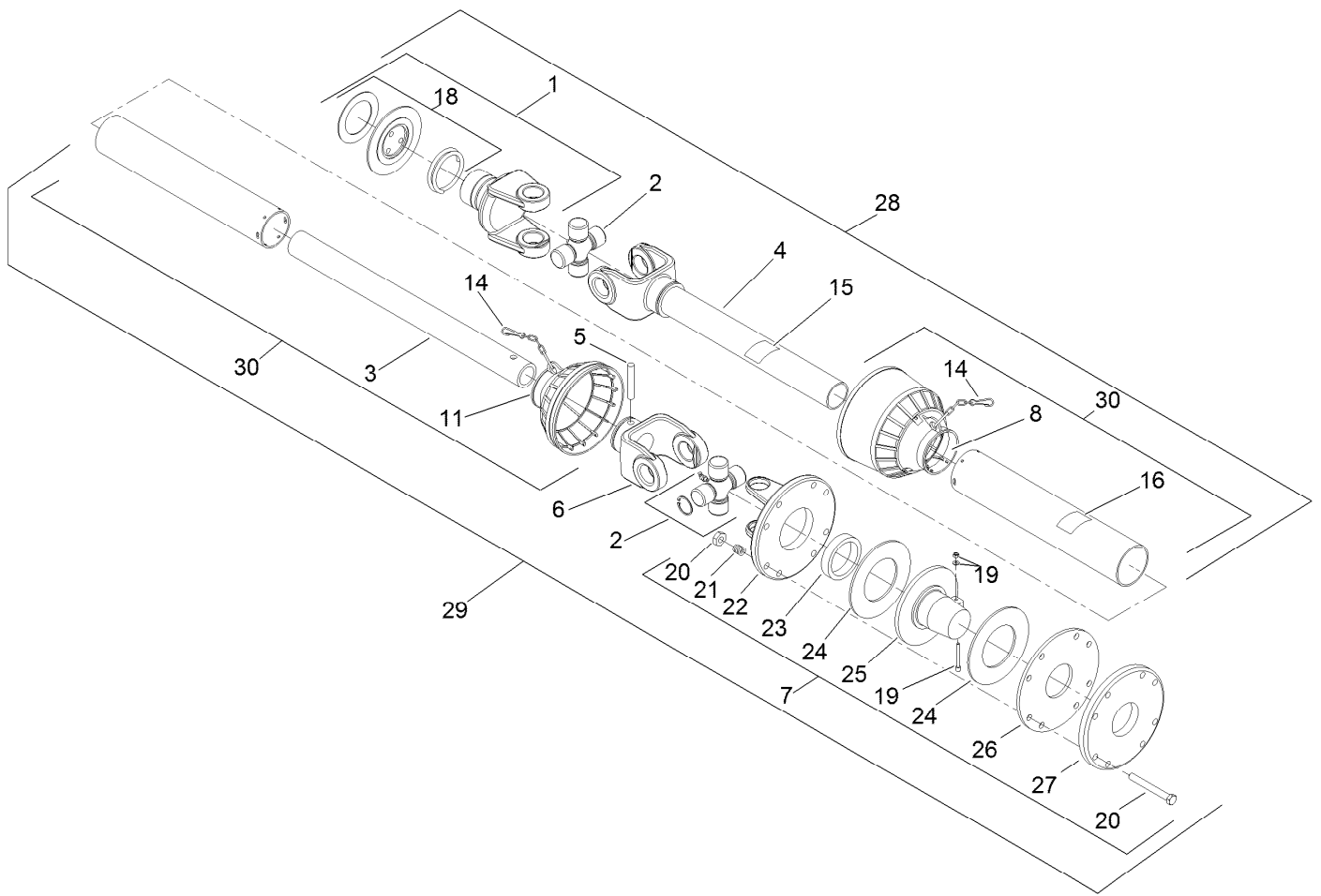
<i>Ref.</i>	<i>Part Number</i>	<i>Qty.</i>	<i>Description</i>	<i>Ref.</i>	<i>Part Number</i>	<i>Qty.</i>	<i>Description</i>
1	SG504000-03	1	Gearbox ASM	12	137-7323	1	PTO Shaft ASM
2	80-6140	2	Key-Square	13	SG4170401	1	Cone-Shaft
3	SG517026	2	Gearbox-Sprocket	14	3256-24	8	Washer-Plain
4	SG527054	2	Sprocket-Hub	15	SG562562	8	Screw-HH
4:1	3246-4	1	Screw-Set	16	99-4371	8	Nut-Lock
5	5-1470	6	Screw-HH	17	117-7081-03	2	Angle-Mounting
6	3253-4	6	Washer-Lock	18	117-7139-03	1	Stand-Storage, LH
7	48-9590	4	Washer-Lock	19	117-7138-03	1	Stand-Storage, RH
8	33115-020	4	Screw-HH	20	323-6	4	Screw-HH
9	3253-8	4	Washer-Lock	21	3253-21	2	Washer-Lock
10	33118-030	4	Screw-HH	22	3296-39	2	Nut-Lock, NI
11	SG580154	2	Chain-O-Ring	99	138-9038	1	Decal-Danger, Entanglement
11:1	SG581083	1	Link-Master				



Gearbox Assembly No. SG504000-03

Ref.	Part Number	Qty.	Description	Ref.	Part Number	Qty.	Description
1		1	Housing-Gearbox ●	11	119-3228	2	Bearing-Ball
2	119-3221	1	Shaft-Gearbox, Output	12	119-3229	2	Bearing-Ball
3	119-3222	1	Cover-Housing, Gearbox	13	119-3230	2	Bearing-Roller Gearbox
4	119-3244	12	Screw-HSH	14	119-3245	2	Seal-Oil
5	119-3249	12	Washer-Disc, Spring	15	119-3231	1	Seal-Oil
6	119-3223	2	Circlip-Internal	16	119-3246	2	Seal-Oil
7	119-3224	1	Circlip-External	17	119-3218	1	Plug-Breather
8	119-3225	2	Circlip-External	18	119-3219	3	Plug-HSH
9	119-3226	1	Shim Kit	19	119-3232	1	Gear-Bevel, Gearbox
10	119-3227	1	Shim Kit	20	119-3247	2	Housing-Gearbox

● Not serviced separately

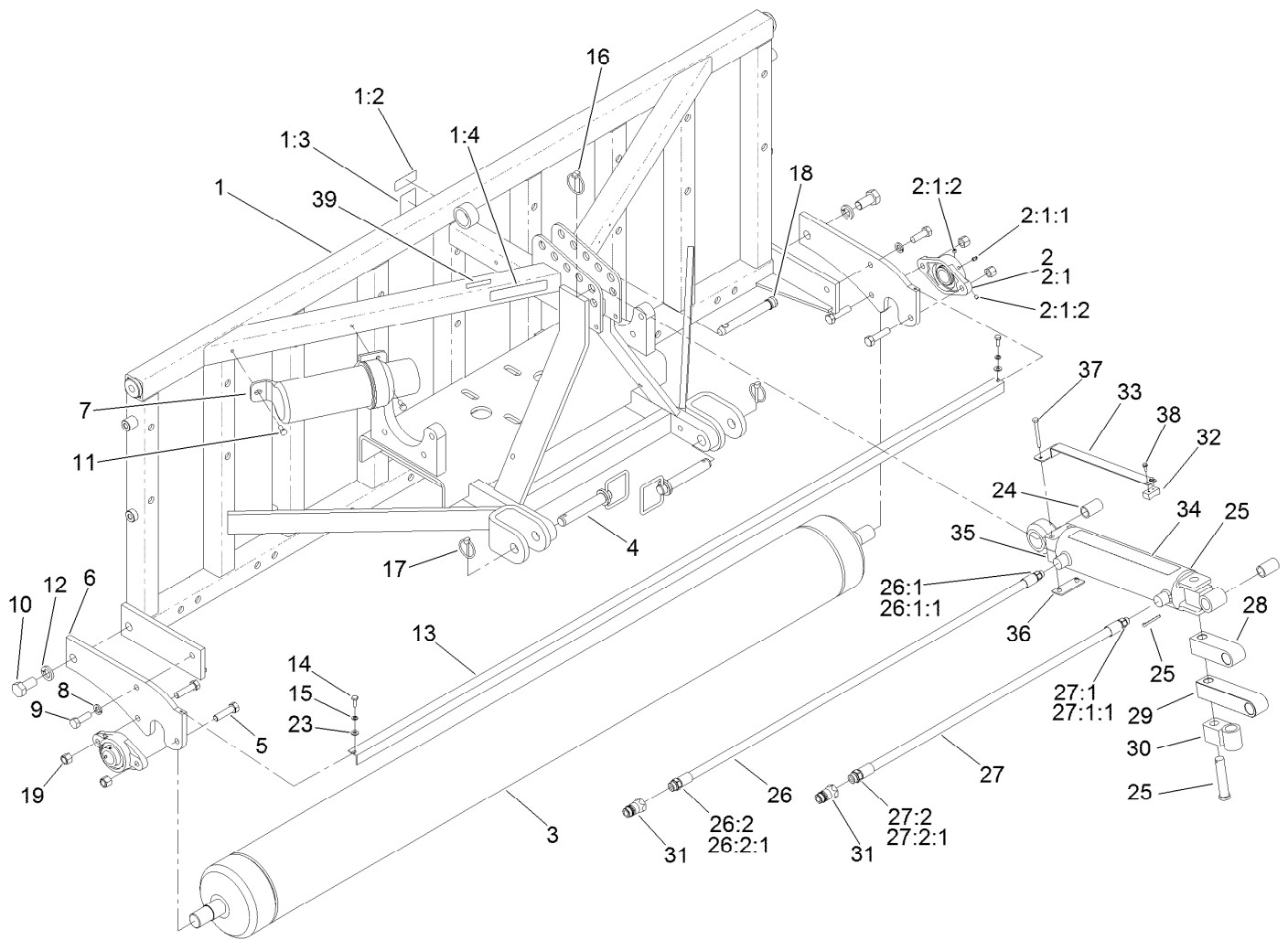


PTO Shaft Assembly No. 137-7323

<i>Ref.</i>	<i>Part Number</i>	<i>Qty.</i>	<i>Description</i>	<i>Ref.</i>	<i>Part Number</i>	<i>Qty.</i>	<i>Description</i>
1	01-282-2240	1	Yoke-Rs	19	136-3947	1	Pin-Taper
2	136-3942	2	Cross And Bearing Kit	20	119-3119	8	Bolt And Nut ASM
3		1	Tube-Inner ■	21	119-3143	8	Spring
4	136-3943	1	Yoke And Tube ASM	22		1	Yoke-Flange ■
5	119-3134	1	Pin-Roll	23		1	Bushing ■
6	01-282-2100	1	Yoke-Tube, Inner	24	119-3145	2	Lining-Clutch, PTO
7	119-3136	1	Clutch ASM	25		1	Hub ■
8	136-3944	1	Bearing-Shield, Outer	26	119-3147	1	Plate-Pressure
11		1	Bearing-Shield, Inner ■	27	119-3148	1	Plate-Outer
14	119-3113	2	Chain-Safety	28	136-3946	1	Half Shaft ASM
15	119-3114	1	Decal-Danger	29	136-3948	1	Half Shaft ASM
16	119-3115	1	Decal-Danger	30	136-3949	1	Complete Shield ASM
17	136-3937	1	Booklet-Instruction, Usa ●	31	136-3935	6	Screw-Self TAP ●
18	119-3117	1	Ball And Collar Kit				

● Not illustrated

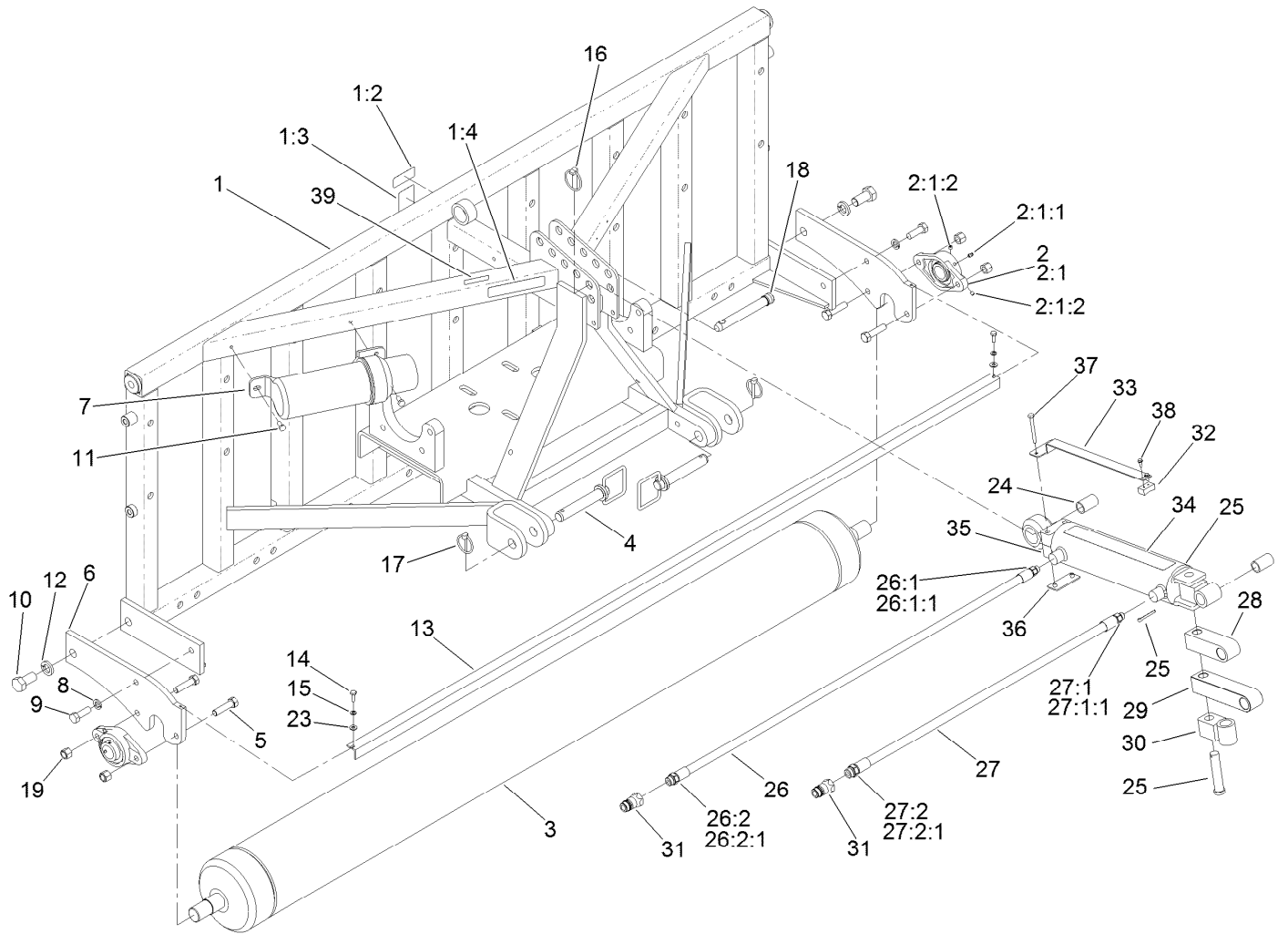
■ Not serviced separately



Frame and Roller Assembly

Ref.	Part Number	Qty.	Description	Ref.	Part Number	Qty.	Description
1	120-1071	1	Frame ASM	13	SG678970-03	1	Angle-Scraper
1:2	117-7052	1	Decal-No Oil	14	321-4	2	Screw-HH
1:3	100-3612	1	Decal-Warning	15	3253-3	2	Washer-Lock
1:4	127-4235	1	Decal-Warning, PTO	16	100-5389	1	Pin-Lynch
2	SG637070-03	2	Bearing-Roller	17	92-1298	2	Pin-Lynch
2:1		1	Bearing-Flange ●	18	SG715450	1	Pin-Link, Top
2:1:1	3245-35	2	Screw-Set, HSH	19	3296-23	4	Nut-Lock, NI
2:1:2	302-19	1	Fitting-Grease	23	3256-22	2	Washer-Flat
3	SG627070-03	1	Roller-Main, Large	24	SG555013	2	Bushing
4	112-4378	2	Pin-Hitch	25	139-8023	1	Cylinder-Hydraulic
5	SG271517	4	Screw-HH	26	139-8042	1	Hydraulic Hose ASM
6	SG639072-01	2	Boot-Roller, Single	26:1		1	Fitting-Straight,Rgd ●
7	SG999018	1	Canister-Manual, Operators	26:1:1	237-42	1	O-Ring
8	3253-7	2	Washer-Lock	26:2		1	Fitting-Straight, Rgd ●
9	325-6	2	Screw-HH	26:2:1	237-79	1	O-Ring
10	328-26	2	Screw-HH	27	139-8041	1	Hydraulic Hose ASM
11	322-3	2	Screw-HH	27:1		1	Fitting-Straight,Rgd ●
12	3253-9	2	Washer-Lock	27:1:1	237-42	1	O-Ring

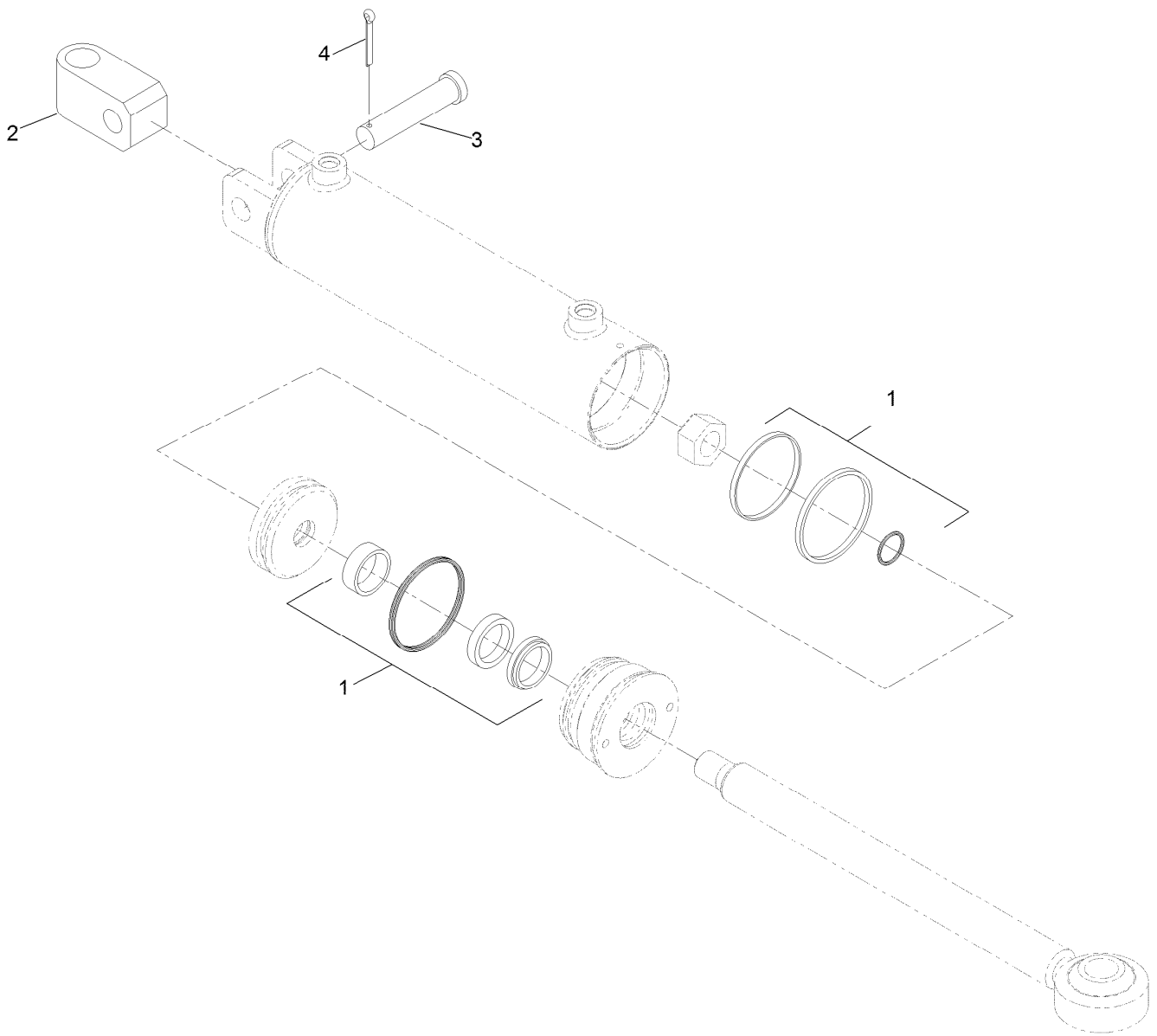
● Not serviced separately



Frame and Roller Assembly (continued)

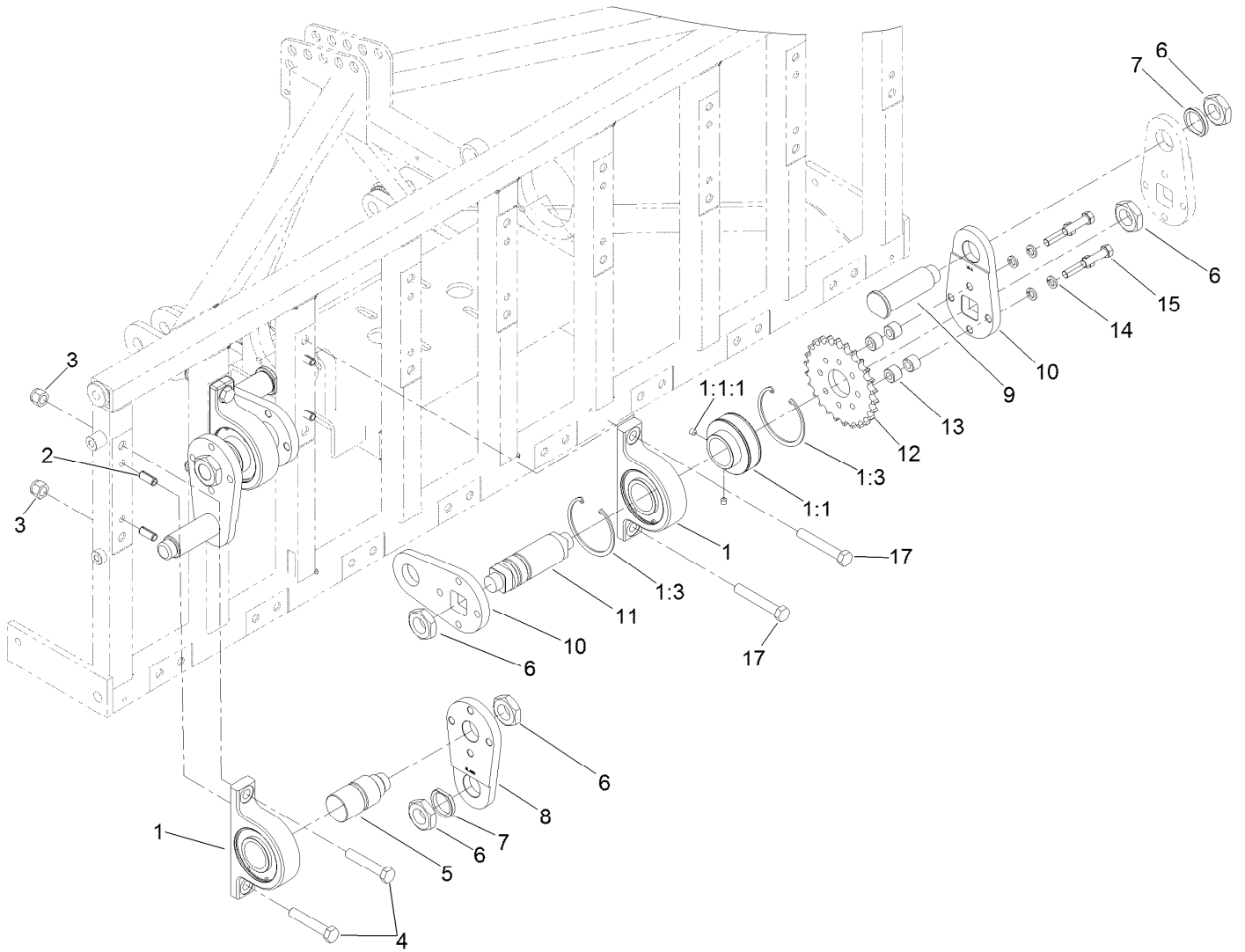
Ref.	Part Number	Qty.	Description	Ref.	Part Number	Qty.	Description
27:2		1	Fitting-Straight, Rgd ●	32	121-2189	1	Block-Slide
27:2:1	237-79	1	O-Ring	33	121-6918-01	1	Gauge-Depth
28	SG795554-03	1	Extension-Adapter, 3.50 Inch	34	121-6926	1	Decal-Depth
29	SG795551-03	1	Extension-Adapter, 5.50 Inch	35	121-6949	1	Clamp-Tube
30	117-7124-03	1	Mount-Adapter, 90 DEG	36	125-3301	1	Plate-Weld
31	98-4698	2	Male-Disconnect, Quick	37	321-15	2	Screw-HH
				38	3290-321	2	Screw-HWH
				39	133-8061	1	Decal-Warning

● Not serviced separately



Hydraulic Cylinder Assembly No. 139-8023

<i>Ref.</i>	<i>Part Number</i>	<i>Qty.</i>	<i>Description</i>
1	139-8039	1	Seal Kit
2	139-8038	1	Clevis
3	108-2800	1	Pin-Clevis
4	3272-23	1	Pin-Cotter

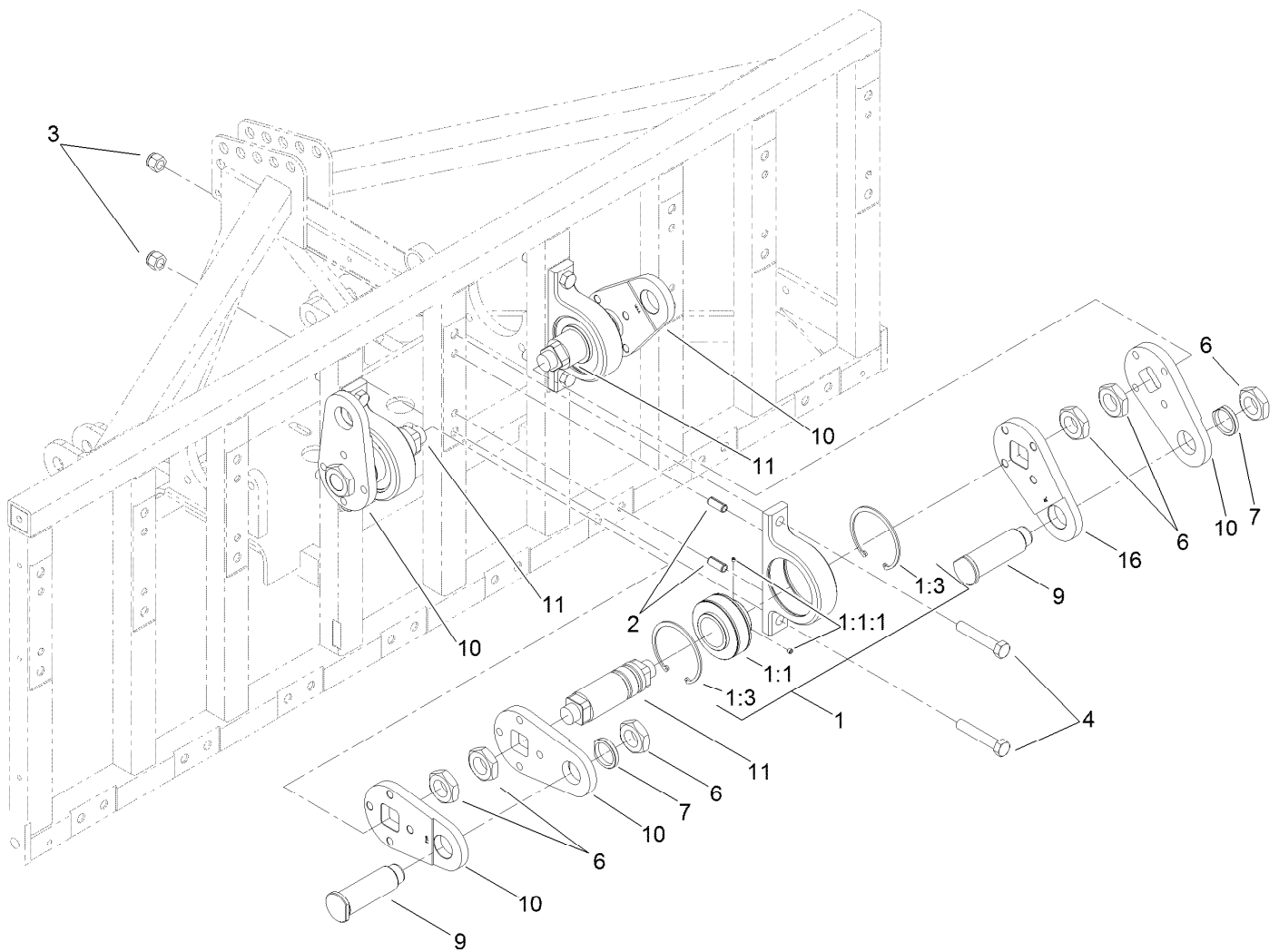


Center to Left Crankshaft Assembly

Ref.	Part Number	Qty.	Description
1	121-6905	3	Main Bearing Housing ASM
1:1		1	Bearing-Ball ●
1:1:1	99-0195	2	Screw-Set, HSH
1:3	SG427540	2	Ring-Retaining
2	105-1041	6	Pin-Spring
3	3296-53	6	Nut-Lock, NI
4	327-14	4	Screw-HH
5	SG217557	1	Shaft-Stub, Outside
6	SG267200	8	Nut-Hex
7	SG247540	3	Washer-Clipped

Ref.	Part Number	Qty.	Description
8	SG207054	1	Arm-Crank
9	SG257054	3	Pin-Crank
10	SG217054	4	Arm-Crank
11	SG217354	2	Crankshaft
12	SG217026	1	Sprocket-Crank
13	SG267500	4	Spacer
14	3253-7	4	Washer-Lock
15	SG271517	4	Screw-HH
17	327-16	2	Screw-HH

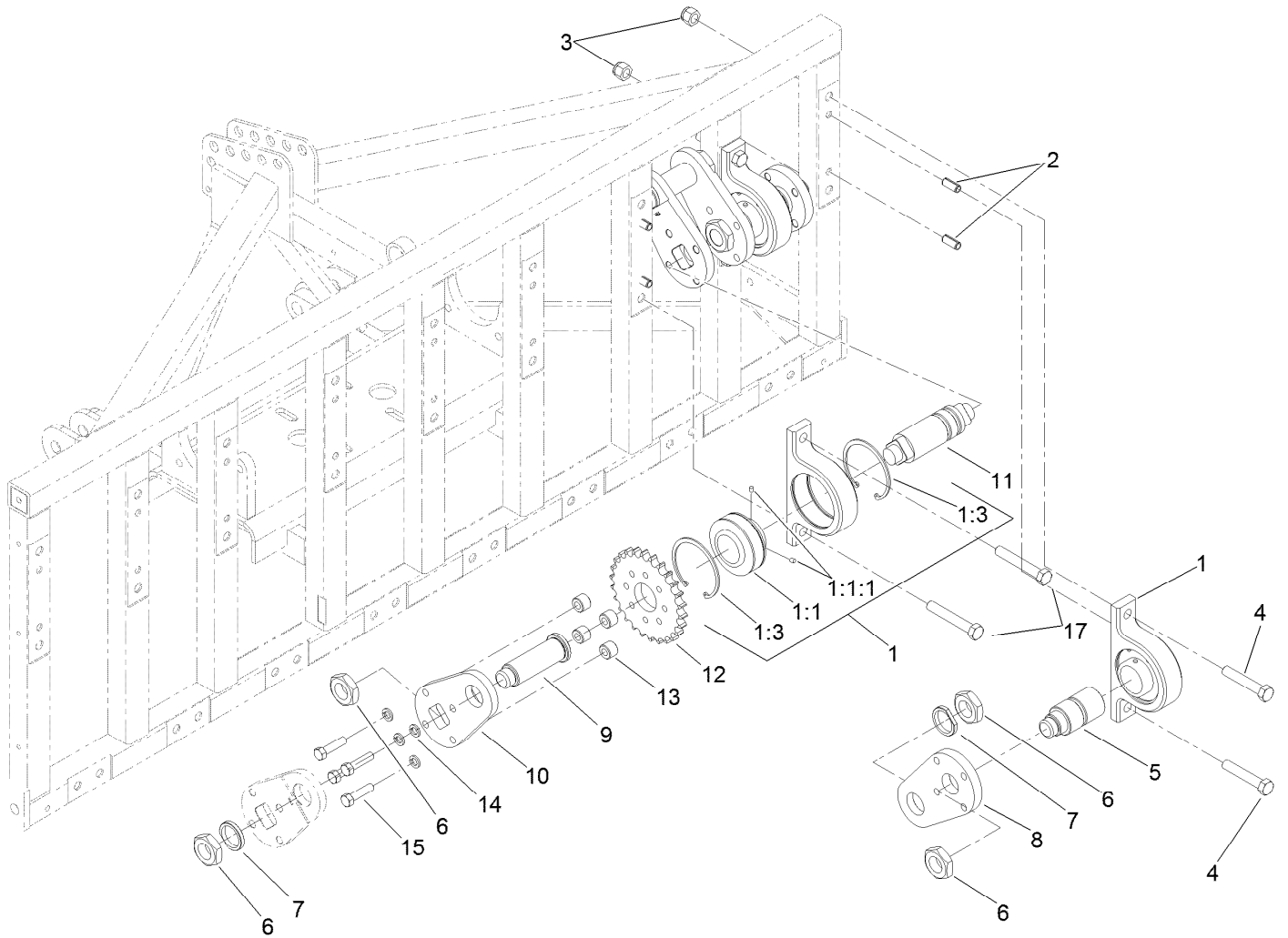
● Not serviced separately



Center Crankshaft Assembly

Ref.	Part Number	Qty.	Description
1	121-6905	3	Main Bearing Housing ASM
1:1		1	Bearing-Ball ●
1:1:1	99-0195	2	Screw-Set, HSH
1:3	SG427540	2	Ring-Retaining
2	105-1041	6	Pin-Spring
3	3296-53	6	Nut-Lock, NI
4	327-14	6	Screw-HH
6	SG267200	8	Nut-Hex
7	SG247540	2	Washer-Clipped
9	SG257054	2	Pin-Crank
10	SG217054	5	Arm-Crank
11	SG217354	3	Crankshaft
16	SG217554	1	Arm-Crank, 45 DEG

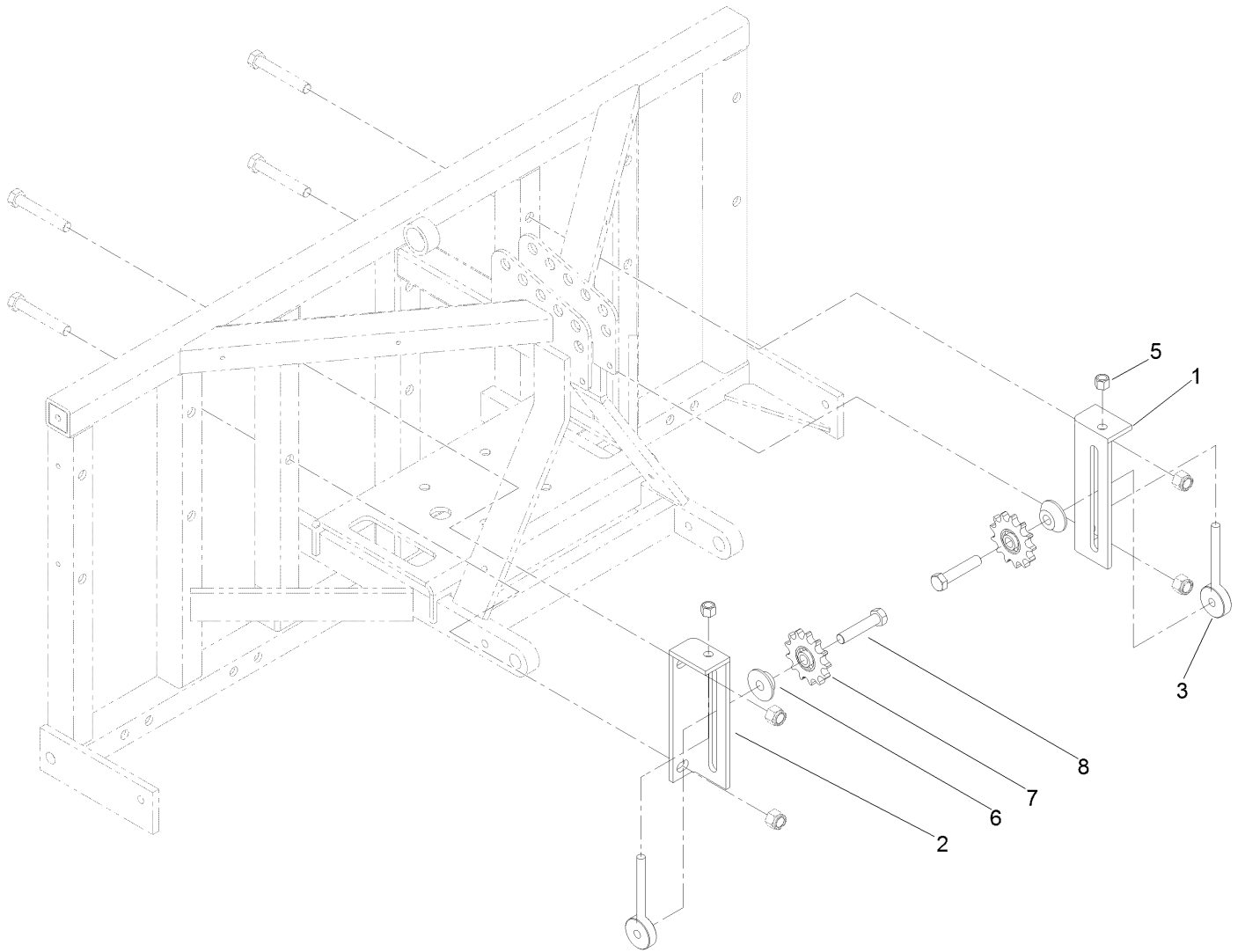
● Not serviced separately



Center to Right Crankshaft Assembly

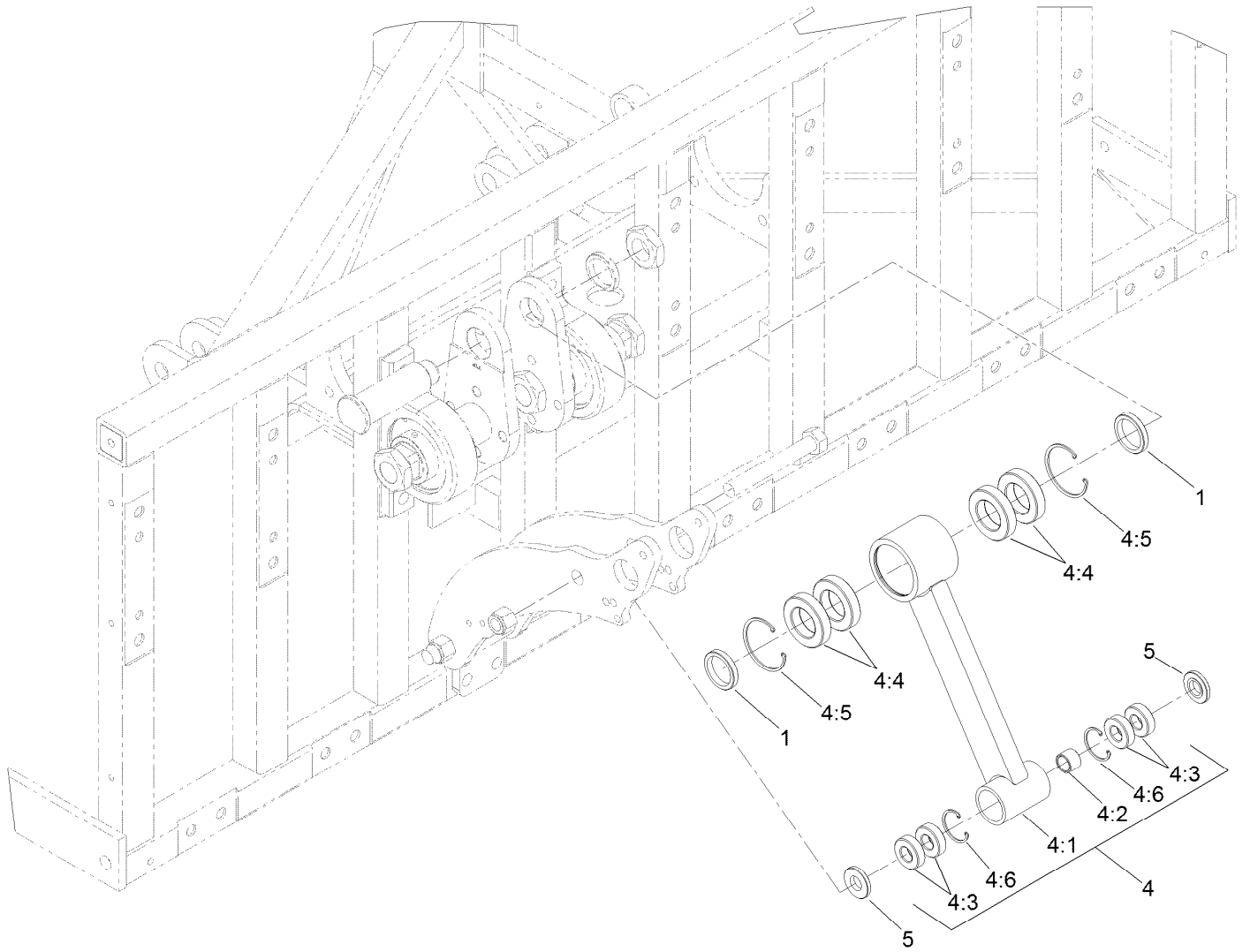
Ref.	Part Number	Qty.	Description	Ref.	Part Number	Qty.	Description
1	121-6905	3	Main Bearing Housing ASM	8	SG207054	1	Arm-Crank
1:1		1	Bearing-Ball ●	9	SG257054	3	Pin-Crank
1:1:1	99-0195	2	Screw-Set, HSH	10	SG217054	4	Arm-Crank
1:3	SG427540	2	Ring-Retaining	11	SG217354	2	Crankshaft
2	105-1041	6	Pin-Spring	12	SG217026	1	Sprocket-Crank
3	3296-53	6	Nut-Lock, NI	13	SG267500	4	Spacer
4	327-14	4	Screw-HH	14	3253-7	4	Washer-Lock
5	SG217557	1	Shaft-Stub, Outside	15	SG271517	4	Screw-HH
6	SG267200	8	Nut-Hex	17	327-16	2	Screw-HH
7	SG247540	3	Washer-Clipped				

● Not serviced separately



Idler Assembly

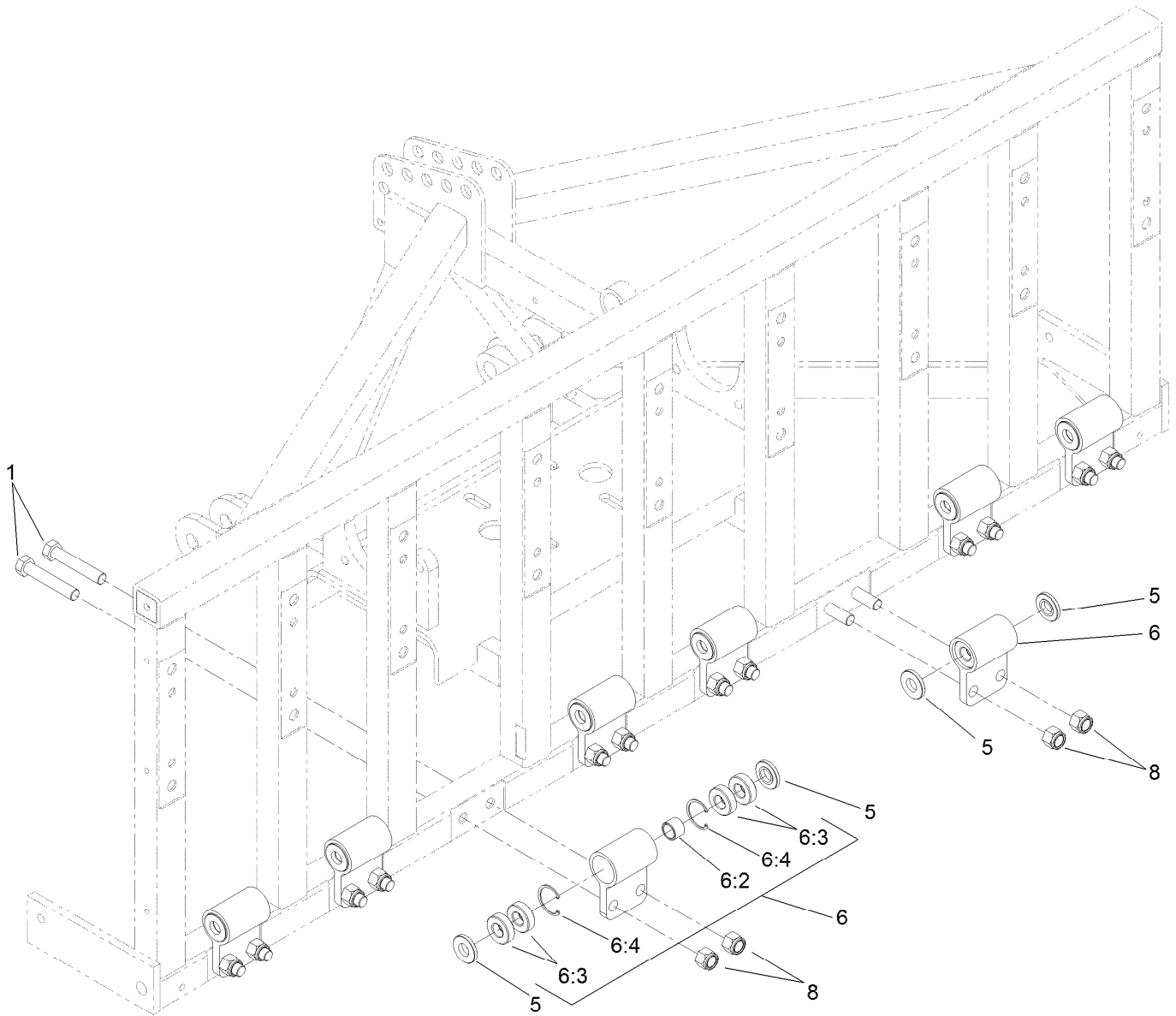
<i>Ref.</i>	<i>Part Number</i>	<i>Qty.</i>	<i>Description</i>
1	SG587054-03	1	Bracket-Idler
2	SG597054-03	1	Bracket-Idler
3	SG587202	2	Rod-Idler
5	3296-23	2	Nut-Lock, NI
6	SG537500	2	Spacer-Offset
7	SG517054	2	Sprocket-Idler
8	327-9	2	Screw-HH



Connecting Rod Assembly

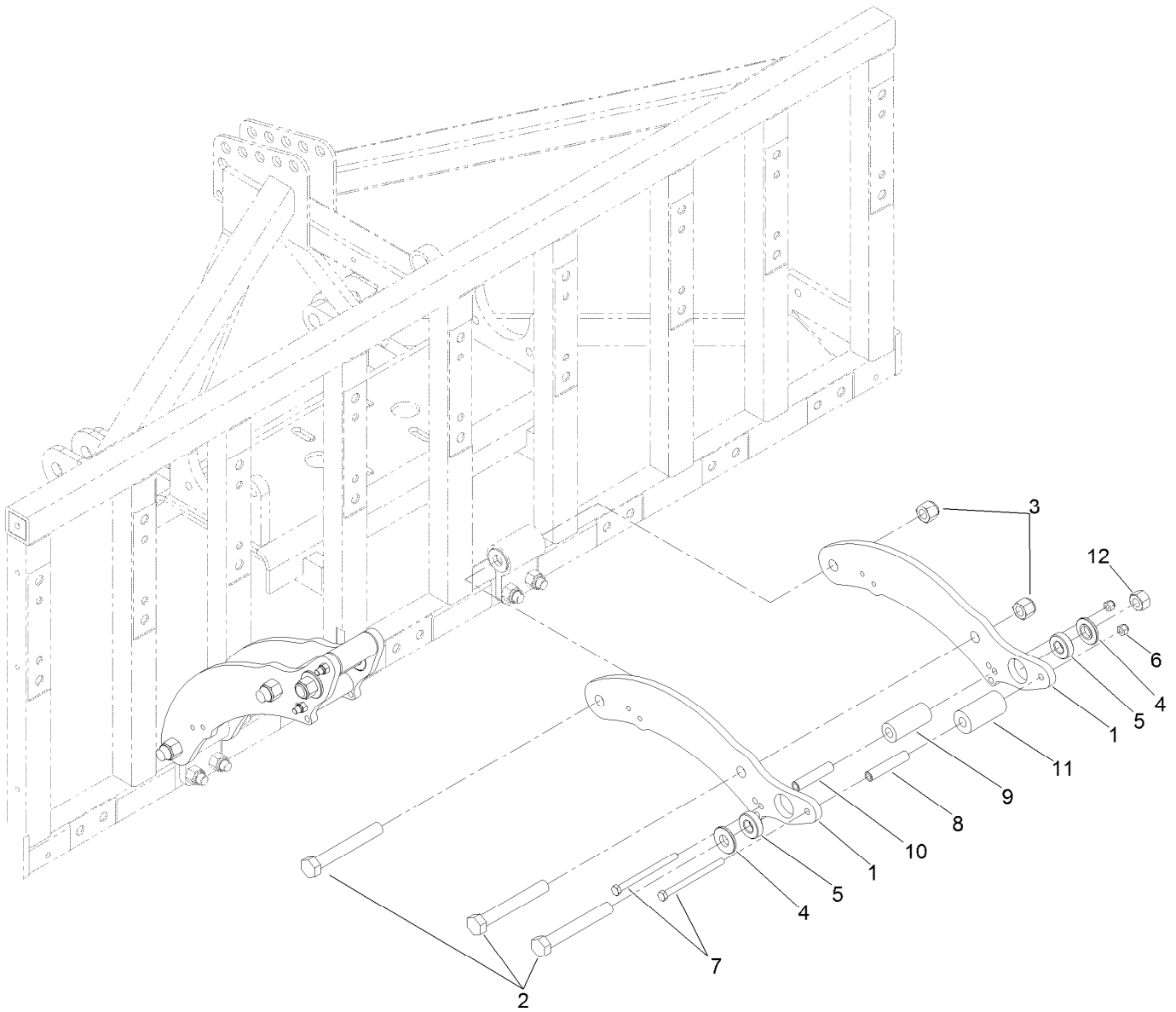
Ref.	Part Number	Qty.	Description
1	SG337100	16	Bushing-Outer
4	SG135154	8	Connecting Rod ASM
4:1		1	Rod-Connecting ●
4:2	SG337010	1	Bushing-Inner
4:3	SG337075	4	Bearing-Ball
4:4	SG337590	4	Bearing-Ball
4:5	SG427541	2	Ring-Retaining, Internal
4:6	SG427625	2	Ring-Retaining, Internal
5	SG337050	16	Bushing-Outer

● Not serviced separately



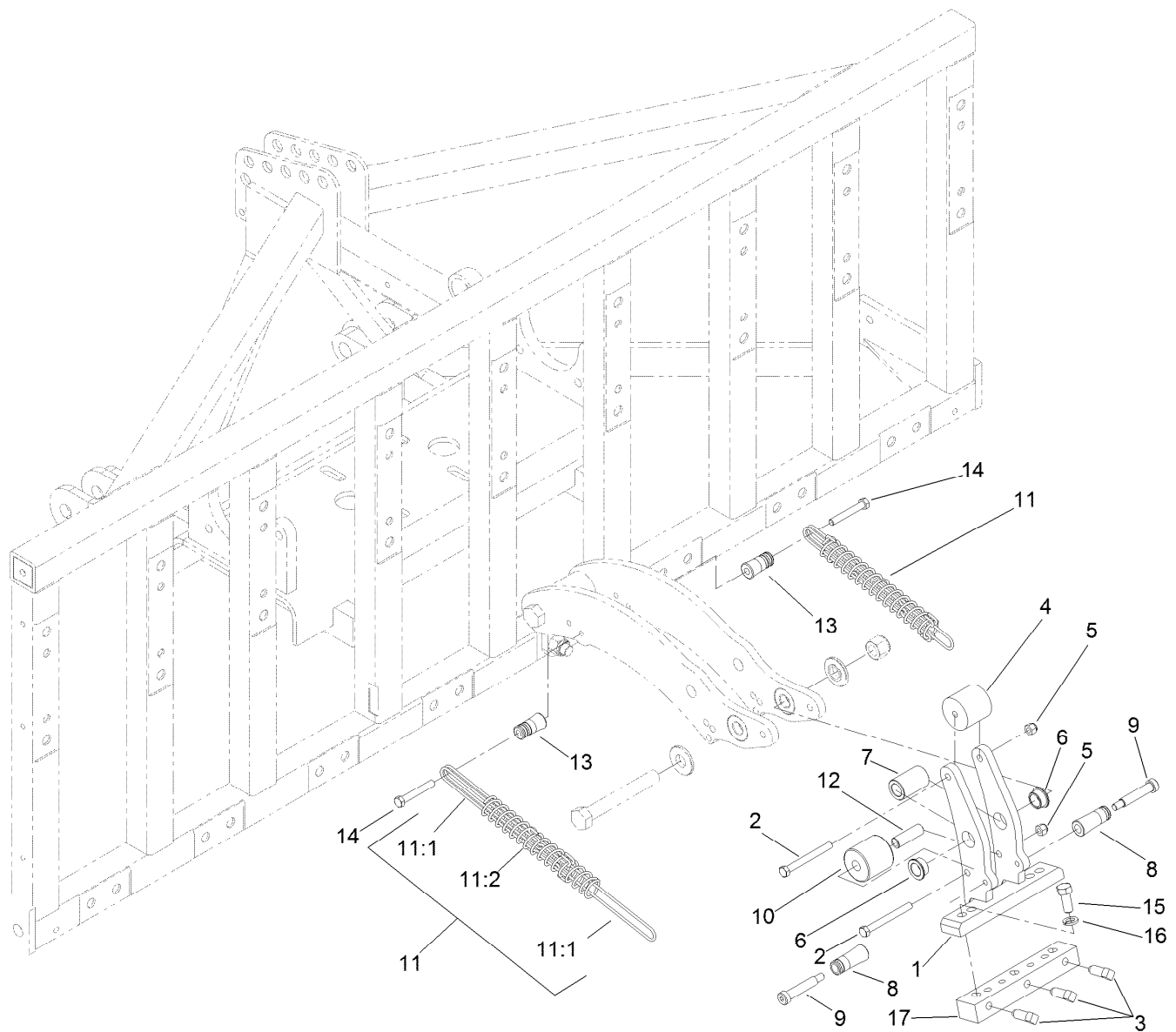
Hinge Assembly

Ref.	Part Number	Qty.	Description
1	327-14	16	Screw-HH
5	SG337050	16	Bushing-Outer
6	125-3312	8	Hinge ASM
6:2	SG337010	1	Bushing-Inner
6:3	SG337075	4	Bearing-Ball
6:4	SG427625	2	Ring-Retaining, Internal
8	3296-53	16	Nut-Lock, NI



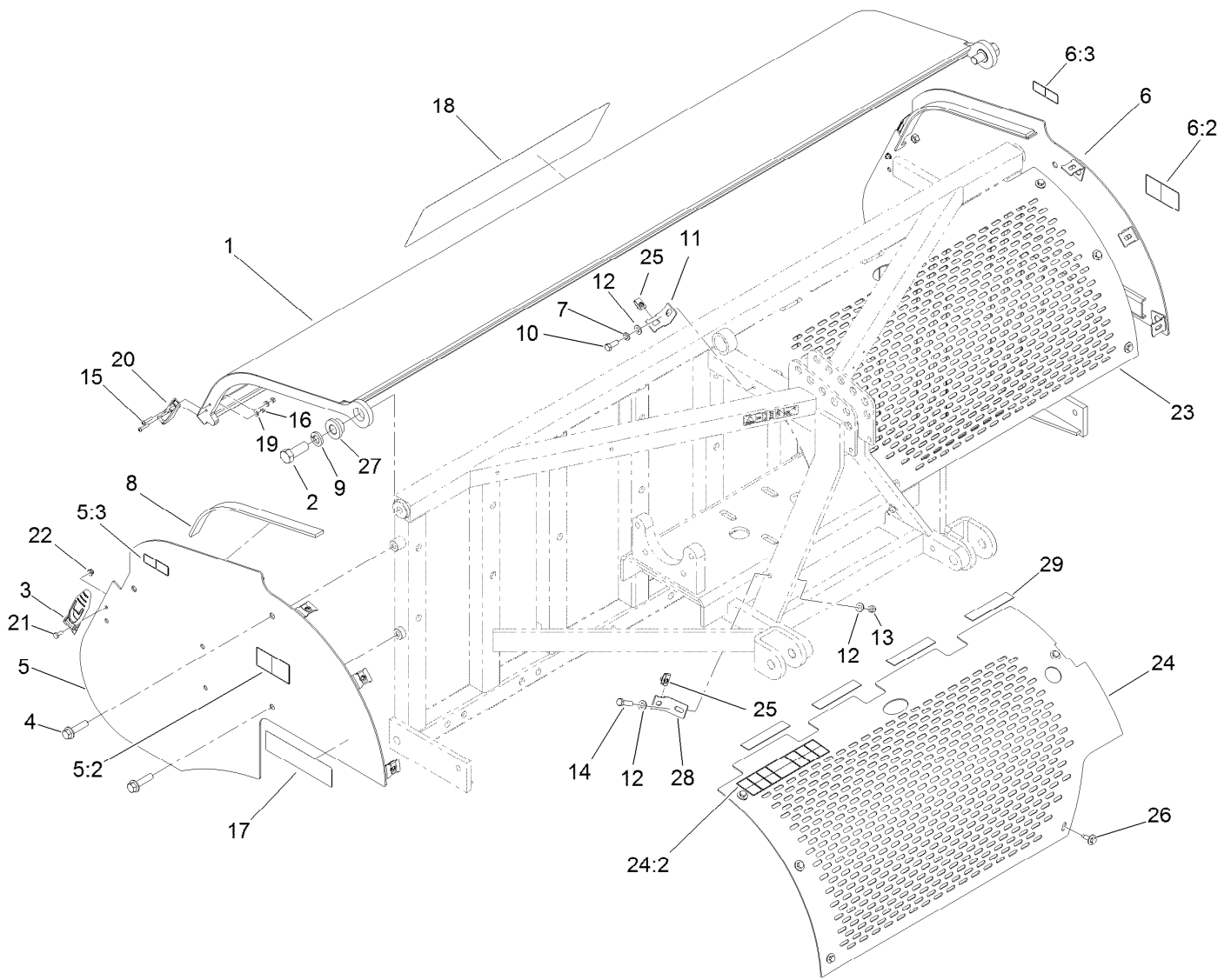
Linkage Arm Assembly

Ref.	Part Number	Qty.	Description
1	SG387055-03	16	Arm-Linkage, Arched
2	328-12	24	Screw-HH
3	3296-51	16	Nut-Lock, NI
4	SG437125	16	Bushing-Outer
5	SG337075	16	Bearing-Ball
6	3296-39	16	Nut-Lock, NI
7	323-21	16	Screw-HH
8	SG337300	8	Spacer-Linkage
9	SG487125	8	Bumper-Rubber
10	SG486312	8	Spacer-Arm, Linkage
11	SG487126	8	Bumper-Rubber
12	120-7252	8	Nut-Lock



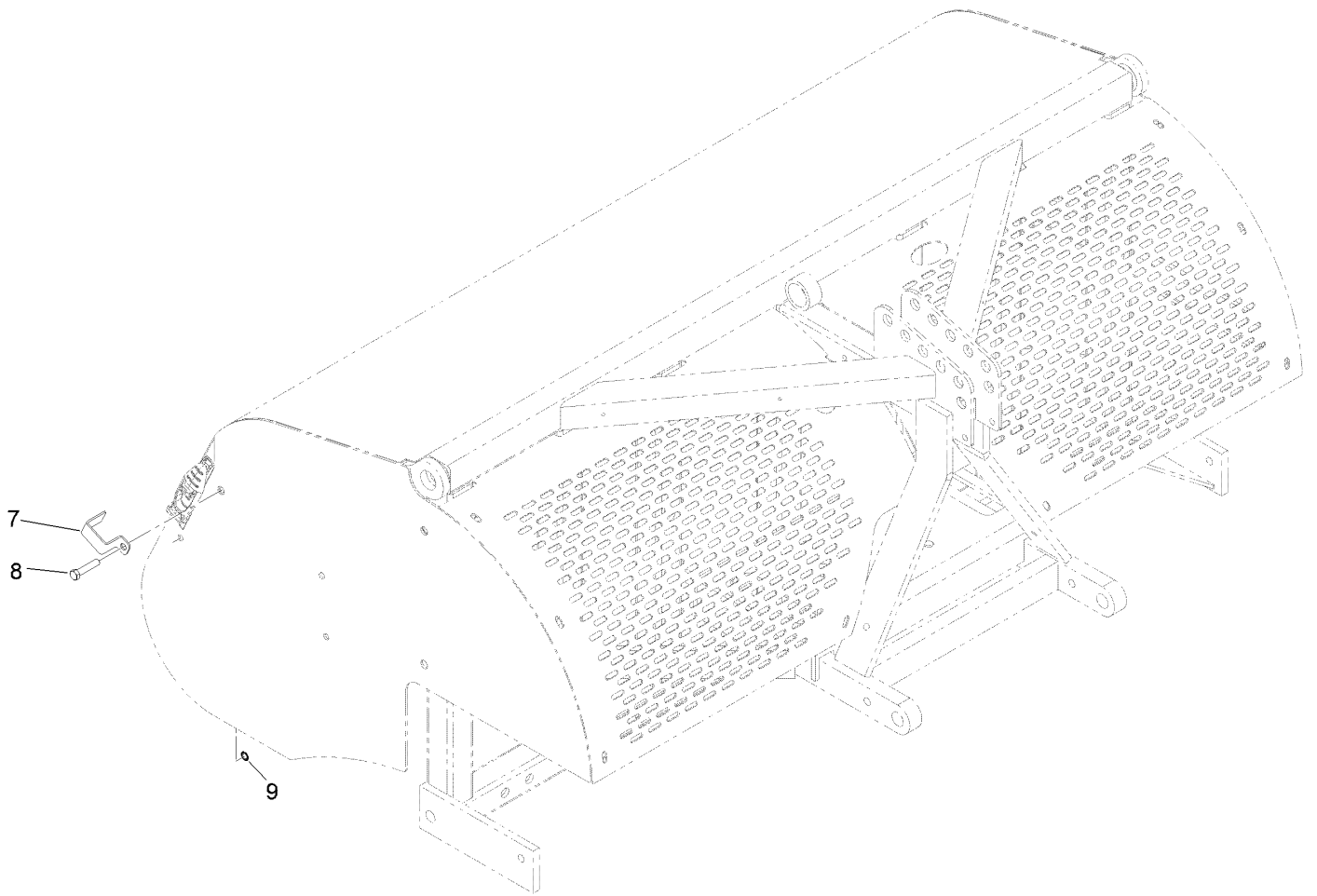
Head and Spring Assembly

<i>Ref.</i>	<i>Part Number</i>	<i>Qty.</i>	<i>Description</i>	<i>Ref.</i>	<i>Part Number</i>	<i>Qty.</i>	<i>Description</i>
1	SG404070-03	8	Head-Tine	11	SG148154	16	Spring ASM
2	323-15	16	Screw-HH	11:1	SG487256	3	Wire-Draw, Spring
3	SG477125	40	Screw-Set, SQH	11:2	SG487257	1	Spring-Compression
4	SG487200	8	Bumper-Head	12	SG486311	8	Tube-Metal, Head Bumper
5	3296-39	16	Nut-Lock, NI	13	SG449126-03	16	Post-Spring
6	SG447080	16	Bushing-Flanged	14	323-12	16	Screw-HH
7	SG437100-03	8	Spacer-Head	15	325-6	16	Screw-HH
8	SG449127-03	16	Post-Spring	16	3253-7	16	Washer-Lock
9	SG449129	16	Bolt-Shoulder	17	SGH08704-03	8	Head-Tine, Adapter
10	SG487201	8	Spacer-Plastic				



Cover Assembly

Ref.	Part Number	Qty.	Description	Ref.	Part Number	Qty.	Description
1	120-7329-03	1	Hood ASM	13	3296-39	2	Nut-Lock, NI
2	328-24	2	Screw-HH	14	323-8	2	Screw-HH
3	103-2898	2	Latch-Rubber	15	108-3153	4	Screw-HSBH
4	3234-27	4	Screw-HHF	16	3296-2	4	Nut-Lock, NI
5	120-7256	1	RH Shield ASM	17	117-7085	2	Decal
5:2	117-7051	1	Decal-Danger, Keep Away CE	18	117-7056	1	Decal
5:3	120-0625	1	Decal-Warning	19	3256-14	4	Washer-Flat
6	120-7257	1	LH Shield ASM	20	103-2897	2	Latch-Catch
6:2	117-7051	1	Decal-Danger, Keep Away CE	21	321-3	2	Screw-HH
6:3	120-0625	1	Decal-Warning	22	104-7201	2	Nut-HF, NI
7	3253-21	2	Washer-Lock	23	120-7326	1	Screen-Front, Left
8	120-7273	2	Strip-Rubber	24	120-7328	1	Front Right Guard ASM
9	3253-9	2	Washer-Lock	24:2	117-7050	1	Decal-Warning, CE
10	323-6	2	Screw-HH	25	94-2413	10	Nut-U
11	120-1011-03	2	Bracket-Shield	26	114-8418	10	Screw-HWH, Sems
12	3256-24	6	Washer-Plain	27	120-1021	2	Bushing-Hood
				28	120-7323	2	Bracket-Shield
				29	120-1087	8	Strip-Rubber



Hood Latch Assembly Assembly

<i>Ref.</i>	<i>Part Number</i>	<i>Qty.</i>	<i>Description</i>
7	110-4673	2	Lock-Latch, CE
8	323-53	2	Screw-HH
9	32151-72	2	Ring-Retaining

Attachments and Accessories

For 09933 ProCore SR70 Aerator

Product Name	Model/Part
Rear Roller Kit	09953
2x18mm Tine Head Adapter Kit	117-7194
2x12mm or 2x5/16-inch Tine Head Adapter Kit	117-7195
4x3/8-inch or 4x5/16-inch Tine Head Adapter Kit	117-7196
8x3/8-inch Tine Head Adapter Kit	117-7199
Toro Red 12oz Aerosol Can	361-10
New Red Paint - Gallon	361-11
Semi-Gloss Black Spray Paint	361-9
Air Dry Red Paint - Qt	5340

Notes:

Notes:

Notes:



Count on it.