



Count on it.

Parts Catalog

ProStripe 560 Mower

Model No. 02657—Serial No. 418000000 and Up



Ordering Replacement Parts

To order replacement parts, please supply the part number, the quantity, and the description of each part desired.

Understanding Reference Numbers

Each identified part in an illustration has a reference number. The reference number for a part also appears in the parts list, along with other information about the part.

This catalog uses two special reference number formats, one to indicate parts in a service assembly and another to indicate the quantity of a given part in an illustration.

Service Assembly Reference Numbers

Parts in service assemblies have reference numbers in the form a:b. The a represents the reference number of the entire service assembly and the b represents a sequential number unique to each part within the service assembly.

For example, a wheel assembly might be identified by reference number 6, the tire by 6:1, the valve by 6:2, and the wheel by 6:3. When you order the assembly identified by reference number 6, you receive all parts identified by reference numbers 6:1, 6:2, and 6:3. However, you may also order any part individually. Reference numbers of this type appear in illustration and in parts lists.

Reference Numbers Indicating Quantity

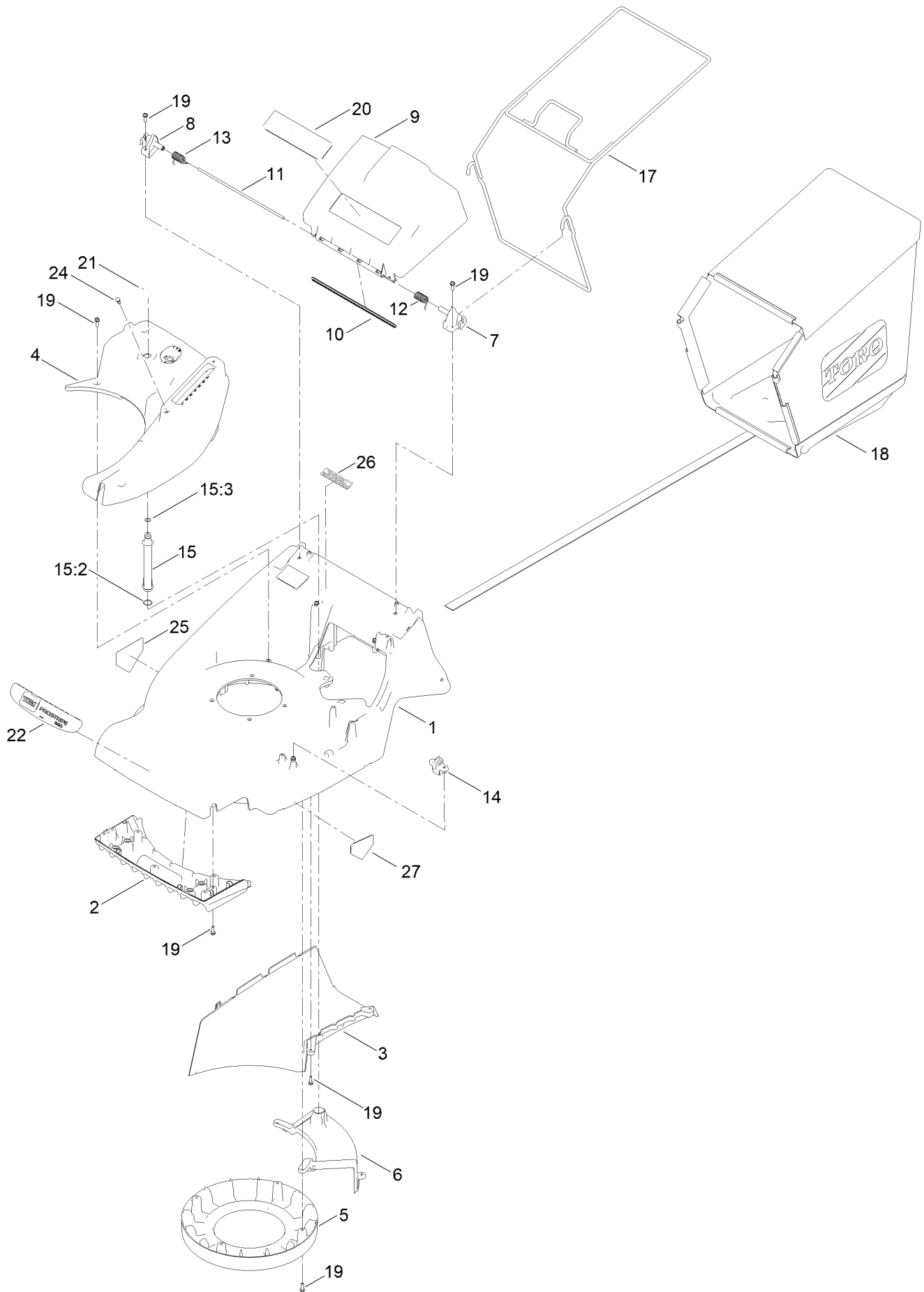
In an illustration, if a reference number indicates more than one part, the reference number has the form nX y. The n represents the quantity of the part, the X is the multiplication symbol, and the y represents the reference number.

For example, in an illustration, the reference number 2X 37 means that two of the parts identified by reference number 37 are indicated.

Contents

Deck and Bagger Assembly	4
Engine and Blade Assembly	6
Traction and Height-of-Cut Assembly	8
Handle Assembly	10
Lower Handle Assembly No. 134-3586	12
Attachments and Accessories	14

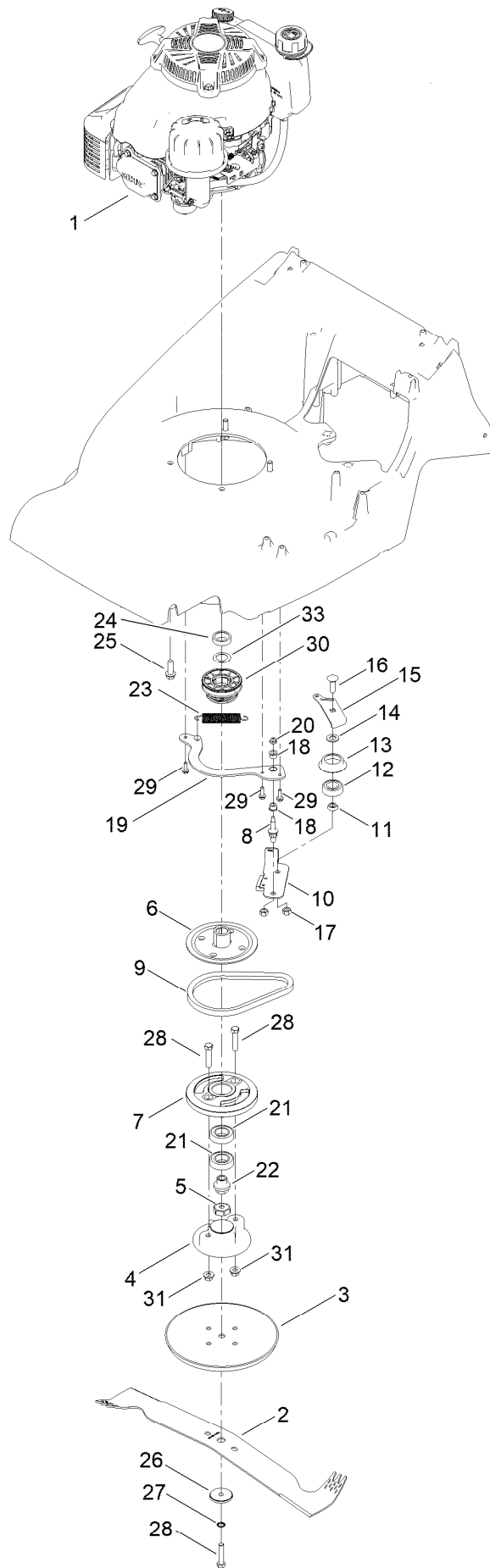
Deck and Bagger Assembly



Deck and Bagger Assembly (continued)

<i>Ref.</i>	<i>Part Number</i>	<i>Qty.</i>	<i>Description</i>	<i>Ref.</i>	<i>Part Number</i>	<i>Qty.</i>	<i>Description</i>
1	134-0332-01	1	Harrier Deck Assembly	15	134-8653	1	Washport ASM, Yellow
2	134-0333	1	Fins-Front	15:2	111-8657	1	O-Ring Seal
3	134-0334	1	Plate-Throw	15:3	111-8658	1	O-Ring Seal
4	134-0335	1	Trim-Top	17	111-8628-03	1	Grassbag-Frame
5	134-0336	1	Cover-Belt	18	134-6403	1	Fabric Grassbag, Toro
6	134-2208-03	1	Cover-Belt	19	09575	23	Screw-Taptite
7	111-8541	1	Mount-Deflector, Left	20	134-2137	1	Decal-Safety
8	111-8542	1	Deflector Mount Right	21	134-3333	1	Decal-Quick Wash
9	111-8647	1	Deflector-Rear	22	134-2302	1	Decal-Prostripe 560
10	111-8648	1	Deflector-Seal, Rear	24	134-0262	1	Rivet-Push, Plastic
11	111-8728	1	Rod-Deflector	25	94-8072	1	Decal-Danger
12	111-8543	1	Spring-Deflector, Left	26	133-8062	1	Decal-Spark Arrestor
13	111-8544	1	Spring-Deflector, Right	27	162-0023	1	Decal-Danger
14	134-2255	1	Rod-Support				

Engine and Blade Assembly



Engine and Blade Assembly (continued)

<i>Ref.</i>	<i>Part Number</i>	<i>Qty.</i>	<i>Description</i>	<i>Ref.</i>	<i>Part Number</i>	<i>Qty.</i>	<i>Description</i>
1		1	Engine-Kawasaki, Fj180V,- Bm96 ●■	17	603773	2	Nut-Hex Lock
2	134-1849	1	Cutterbar, 56CM	18	130-2377	2	Bushing-Flange
3	410057W	1	Disc-Friction	19	134-3773	1	BBC Anchor Plate Assy
4	134-2252	1	Spacer-Blade, BBC	20	137-3005	1	Nut-HF
5	134-2648	1	Nut-Retaining	21	134-0325	2	Bearing
6	134-4249	1	Pulley Half Drive BBC	22	111-8895	1	BBC Shaft Nut
7	134-2590	1	Drum-BBC	23	108-3792	1	Spring-Tension, Brake
8	107-0759	1	Bolt-Shoulder	24	111-8828	1	Spacer-Retaining
9	110-1790	1	Belt	25	09349	4	Screw-Taptite, Unc
10	125-1063	1	Plate-Brake	26	134-3973	1	Spacer-Distance, Cutterbar
11	107-0758	1	Spacer-Bearing	27	134-3191	1	Washer-Lock
12	38-7820	1	Bearing-Ball	28	134-1681	3	Bolt, Unf 3/8 X 1.3/4 (Grade 8. Rohs)
13	138-3217	1	Retainer-Belt	29	09575	3	Screw-Taptite
14	605256	1	Spacer	30	134-2714	1	Pulley-Engine
15	111-8855	1	Plate-Tensioner	31	139-1706	2	Nut-Flange, Lock
16	119-4162	1	Screw-CARR	33	134-2253	1	Spring-Disk

● Not serviced separately

■ Obtain parts from www.kawpower.com

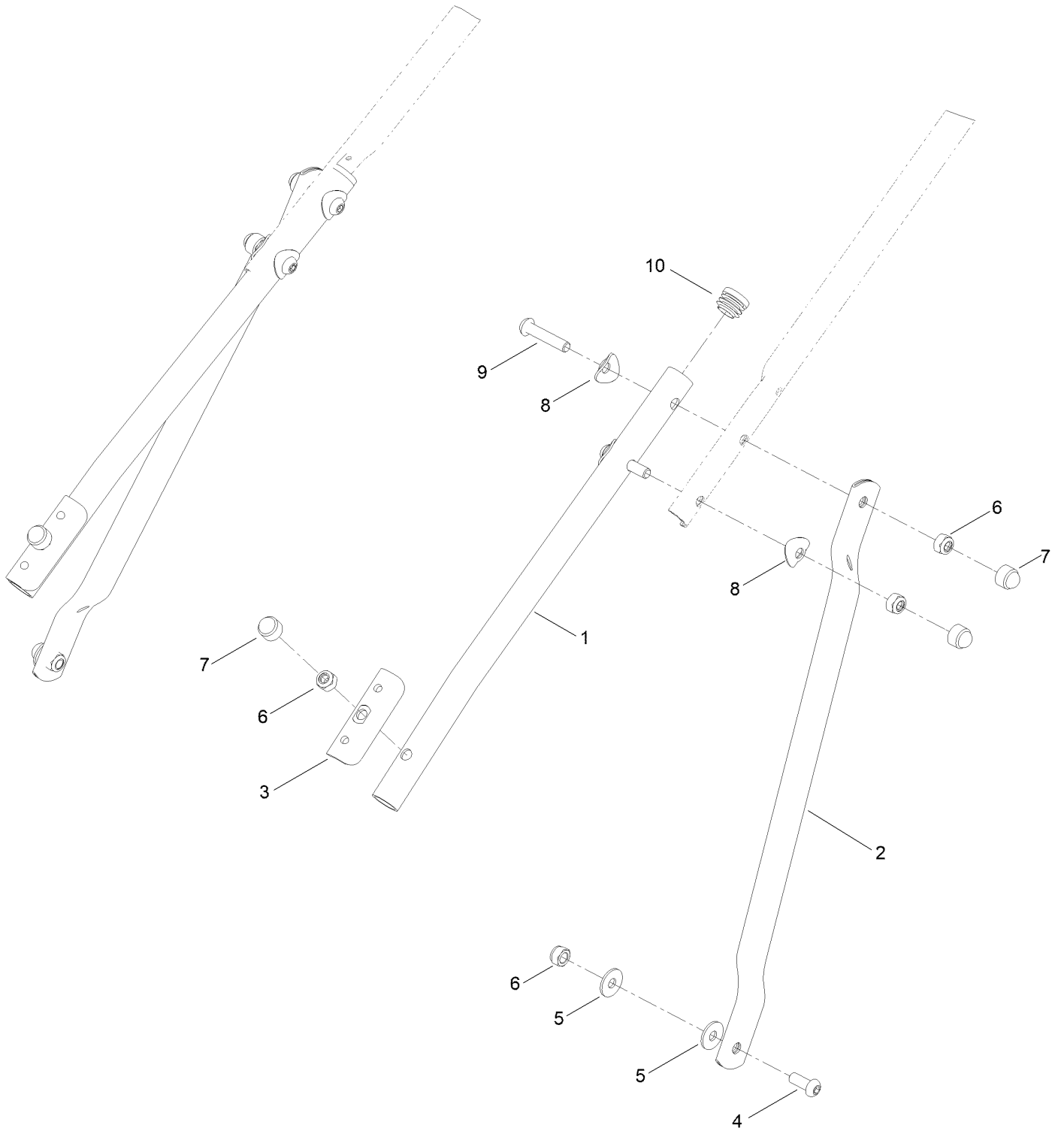
Traction and Height-of-Cut Assembly (continued)

<i>Ref.</i>	<i>Part Number</i>	<i>Qty.</i>	<i>Description</i>	<i>Ref.</i>	<i>Part Number</i>	<i>Qty.</i>	<i>Description</i>
1	134-4648	1	Mg510 3-Speed Gearbox	36	134-2225	1	Arm-Selector, 3 Speed
2	134-1737	1	Gearbox Mounting Plate	37	134-2224	1	Knob- Selector, 3 Speed
3	134-2223	1	Stud-Ball	38	134-2295	1	V-Belt
4	09441	1	Nut-Hex, NI	39	09263	1	Washer
5	134-2209	1	Gearbox Bracket Assembly	40	134-2254	1	Spring Load Lever
6	111-8587	1	Spring-Mounting, Gearbox	41	134-2287	1	Spring Counter Balance
7	134-5253	1	Shaft-Roller, Pro	42	134-2299	5	Screw-HWH
8	162-0484-03	1	Rear Frame, 56 (Pro)	43	480132	1	Spring-Torsion, HOC
9	134-2924	4	Cam-Drive	44	04020	1	Grip-Fix
10	134-2034	4	Key-Drive	45	09687	1	Screw
11	134-2635	2	Bush, Rear Roller	46	09363	1	Screw-HH
12	340129	2	Bushing-Roller, Oilite	47	09472	1	Washer-Plain
13	480097	2	Washer	48	09544	1	Nut-Nyloc
14	134-0314	1	Spacer-Roller	49	09575	20	Screw-Taptite
15	134-3806	1	Sprocket	50	134-8302	2	Cap-Roller, End
16	134-5261	1	Chain(46 Pitches 3/8")	51	134-0315-03	2	Roller Shell Assembly
17	134-4620	1	Chain Cover ASM	52	134-4513	1	Retaining Collar, Drive Shaft
18	134-0393	2	Mount-Bearing, Frame (Rear)	53	134-2620	1	Decal-HOC
19	134-3805	1	Sprocket, 10T	54	134-0254	1	Circlip-External, HD
20	111-8705	1	Lever-HOC	55	134-3366	1	Lever-Spring, Clutch (Return)
21	480134	1	Knob-HOC	56	111-8216	1	Washer-Thrust
22	134-0358	1	HOC Tower Assembly	57	0201086	2	Washer-Starlock
23	134-0361	1	Plate-HOC	59	111-8696	1	Clip-Conduit, Twin
24	134-0362	1	Adjuster-HOC	60	134-1734	2	Bearing Support Plate
25	111-4586	1	Screw-HSH	61	09545	4	Screw-Taptite
26	134-4827	1	56 Front Axle Assembly HD	62	134-4514	1	Pin, Roll, 3MM X 16MM
27	133-2639	2	Wheel	63	134-6225-03	1	Back Plate, Tensioner
27:2	133-2603	2	Bearing-Ball	64	134-6226	1	Pulley, Tensioner
27:3	125-1077	1	Spacer	65	111-0118	1	Screw-HSH
28	119-4042	2	Nut-HF, NI	66	09438	1	Nut-Nyloc
30	134-0365	1	Connecting Rod Assembly	67	111-7679	1	Washer-Plain
31	410069	2	Bearing-Axle, Front	68	134-6999	1	Screw-HH Lock
32	134-0367	1	Rod-Selector, 3 Speed	69	134-2226	1	Jack Shaft Assembly
33	134-0352	1	V-Belt	70	134-8145	2	Cover, Bearing
34	134-2889	2	"bearing, Ball 12Mm"	71	111-9903	6	Screw
35	111-8670	1	Axle- Support, Rear				

Handle Assembly (continued)

<i>Ref.</i>	<i>Part Number</i>	<i>Qty.</i>	<i>Description</i>	<i>Ref.</i>	<i>Part Number</i>	<i>Qty.</i>	<i>Description</i>
1	134-2722-03	1	Handlebar-Upper	17	134-6956	1	Cable, BBC
2	111-9381-03	1	Lever-Clutch, Gearbox	18	134-8364	1	Clutch-Cable, 3 Speed
3	340182	1	Pin-Pivot	19	134-2660	1	Anchor Plate Welded
4	111-8990	1	Clamp-Bar	20	134-2662	1	BBC Linkage Assembly
5	09688	3	Washer-Nylon	21	0201086	1	Washer-Starlock
6	09687	1	Screw	22	09379	2	Bolt-Coach
7	410037	2	Guide-Cable	23	04020	2	Grip-Fix
8	134-2608	1	Arm-Bail	24	09441	2	Nut-Hex, NI
9	111-8903	1	Lever-Catch	25	134-3208	1	Starlock-Domed
10	134-3190	1	Latch-Button	26	111-8696	1	Clip-Conduit, Twin
11	111-8908	1	Latch-Pin	27	137-3088	1	Nut-Hex
12	111-8906	1	Lever-Bail, Spring	28	05010	1	Bolt
13	111-0718	1	Fastener-Starlock, Push-On	29	09780	1	Setscrew
14	134-2027	1	Clip-Tree	30	09438	1	Nut-Nyloc
15	134-2284	1	Lever-Bail Arm, Spring	31	HY3966	1	Tie-Cable
16	111-8959	1	Throttle-Control	32	134-1761	1	Bush, Igus (8 X 9 X 8)

Lower Handle Assembly No. 134-3586



Lower Handle Assembly No. 134-3586 (continued)

<i>Ref.</i>	<i>Part Number</i>	<i>Qty.</i>	<i>Description</i>	<i>Ref.</i>	<i>Part Number</i>	<i>Qty.</i>	<i>Description</i>
1	134-2499-03	2	Handlebar Lower (Prostripe)	6	09441	6	Nut-Hex, NI
2	134-2900-03	2	Prostripe Brace Handlebar	7	HY234051	6	Cap-Nut
3	340028	2	Plate-Clamp, Handlebar	8	137-3009	6	Washer-Cup
4	ZHS1H020U	2	Screw-HSBH	9	134-3821	4	Screw-Hsbw
5	09267	4	Washer-Plain	10	300160	2	Plug-Tube

Attachments and Accessories

For 02657 ProStripe 560 Mower

Product Name	Model/Part
Groomer Brush Kit, ProStripe 560 Mower	134-3722
Jet, Main #72	134-1871

Notes:



Count on it.