



Count on it.

Parts Catalog

TX 1000 Turbo

Wide Track Compact Tool Carrier

Model No. 22588—Serial No. 417035906 and Up



Ordering Replacement Parts

To order replacement parts, please supply the part number, the quantity, and the description of each part desired.

Understanding Reference Numbers

Each identified part in an illustration has a reference number. The reference number for a part also appears in the parts list, along with other information about the part.

This catalog uses two special reference number formats, one to indicate parts in a service assembly and another to indicate the quantity of a given part in an illustration.

Service Assembly Reference Numbers

Parts in service assemblies have reference numbers in the form a:b. The a represents the reference number of the entire service assembly and the b represents a sequential number unique to each part within the service assembly.

For example, a wheel assembly might be identified by reference number 6, the tire by 6:1, the valve by 6:2, and the wheel by 6:3. When you order the assembly identified by reference number 6, you receive all parts identified by reference numbers 6:1, 6:2, and 6:3. However, you may also order any part individually. Reference numbers of this type appear in illustration and in parts lists.

Reference Numbers Indicating Quantity

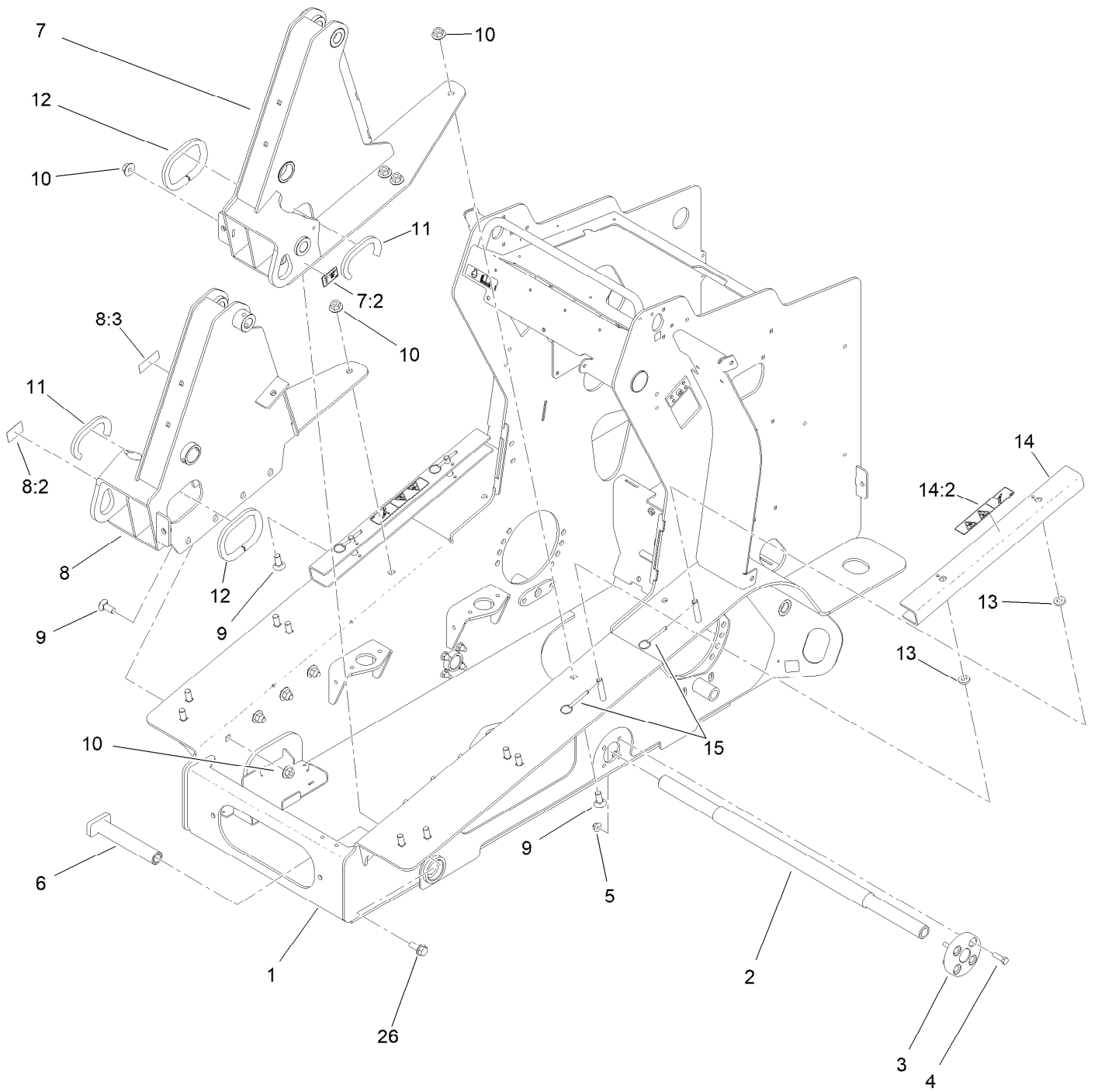
In an illustration, if a reference number indicates more than one part, the reference number has the form nX y. The n represents the quantity of the part, the X is the multiplication symbol, and the y represents the reference number.

For example, in an illustration, the reference number 2X 37 means that two of the parts identified by reference number 37 are indicated.

Contents

Frame Assembly	4
Main Frame Assembly No. 145-4421	6
Track Assembly	8
LH Track Assembly No. 139-7294	10
RH Track Assembly No. 139-7293	12
Engine and Muffler Assembly	14
Air Cleaner Assembly No. 147-6793	16
Fuel System Assembly	18
Fuel Tank Assembly No. 145-4466	20
Cooling System Assembly	22
Principal Hydraulics Assembly	24
Controls Assembly	26
Control Valve Assembly No. 145-3279	28
Loader Arm Assembly	30
Loader Arm Assembly No. 145-4307	32
Attachment Plate Assembly No. 140-6017	34
Hydraulic Cylinder Assembly No. 140-7634	36
Platform Assembly	38
Hood and Covers Assembly	40
Electrical Assembly	42
Main Wire Harness Assembly No. 122-2549	44
Traction Hydraulics Assembly	46
Hydraulic Tank Assembly No. 145-4467	48
Parking Brake Assembly	50
Cylinder Block Assembly	52
Gear Housing Assembly	54
Fywheel Housing and Oil Sump Assembly	56
Cylinder Head and Bonnet Assembly	58
Suction Manifold Assembly	60
Exhaust Manifold Assembly	62
Camshaft and Driving Gear Assembly	64
Turbine Assembly	66
Crankshaft and Piston Assembly	68
Lube Oil System Assembly	70
Oil Pump Assembly	72
Cooling Water System Assembly	74
Fuel Injection Pump Assembly	76
Governor Assembly	78
Fuel Injection Valve Assembly	80
Starter Motor Assembly	82
Generator Assembly	84
Electronic Control Unit Assembly	86
Accessories	88
Attachments and Accessories	90

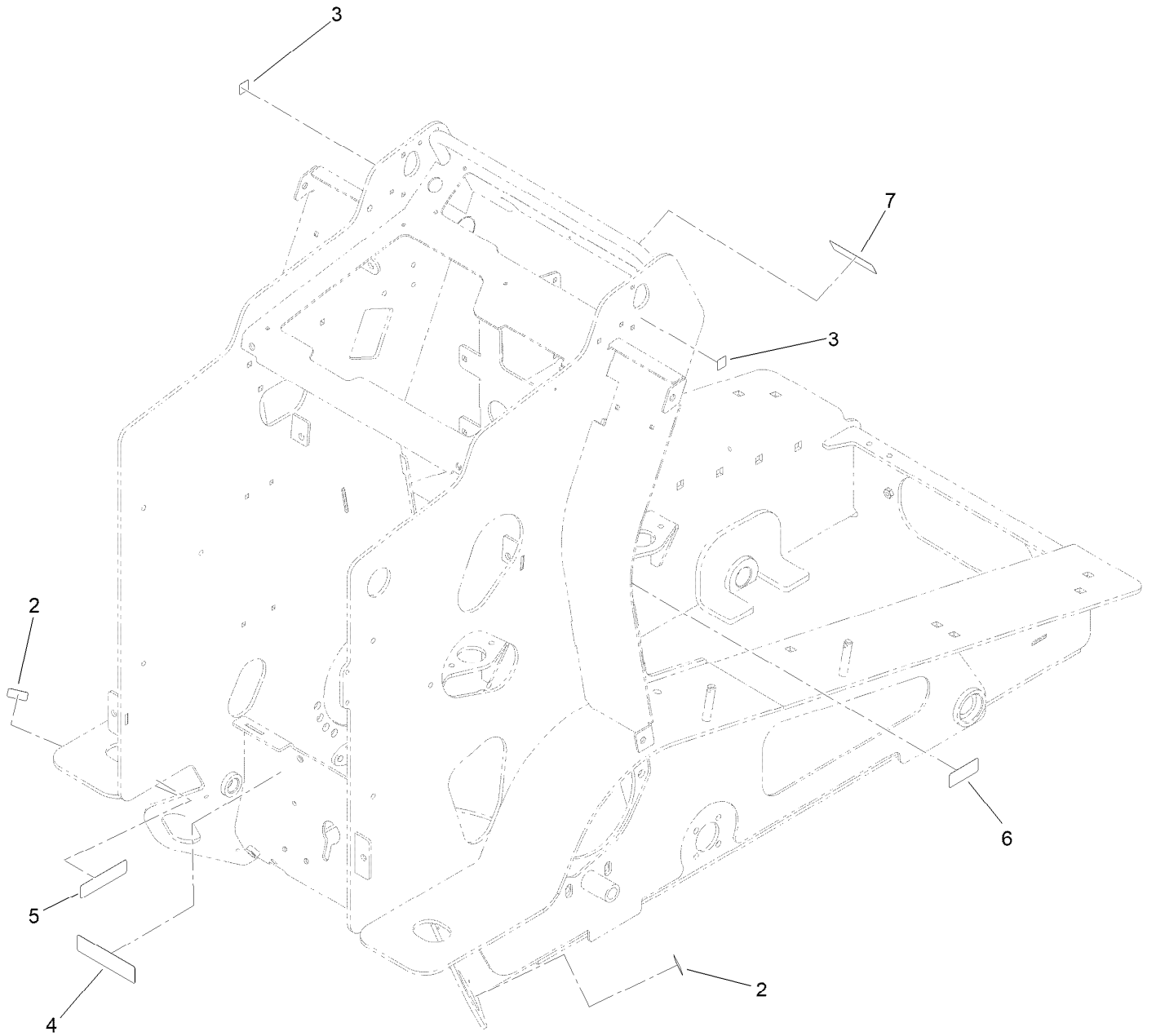
Frame Assembly



Frame Assembly (continued)

<i>Ref.</i>	<i>Part Number</i>	<i>Qty.</i>	<i>Description</i>	<i>Ref.</i>	<i>Part Number</i>	<i>Qty.</i>	<i>Description</i>
1	145-4421	1	Main Frame ASM	8:3	115-2047	1	Decal-Surface, Hot
2	125-0425	1	Shaft-Track	9	3233-1	16	Screw-CARR
3	132-9074	2	Hub-Shaft	10	32128-52	18	Nut-Lock, Flange
4	323-44	8	Screw-HH	11	133-8571	2	Trim-Seal
5	104-8301	8	Nut-HF, NI	12	133-8572	2	Trim-Seal
6	145-3322	2	Pin-Track	13	83-1470	4	Washer-Neoprene
7	145-4471	1	Tower ASM-LH	14	130-5315	2	Arm-Locking
7:2	147-6707	1	Decal-Lift, Tie Down	14:2	115-4858	1	Decal-Danger
8	145-4472	1	Tower ASM-RH	15	108-0094	4	Pin-Cotterless
8:2	147-6707	1	Decal-Lift, Tie Down	26	3234-38	2	Screw-HHF

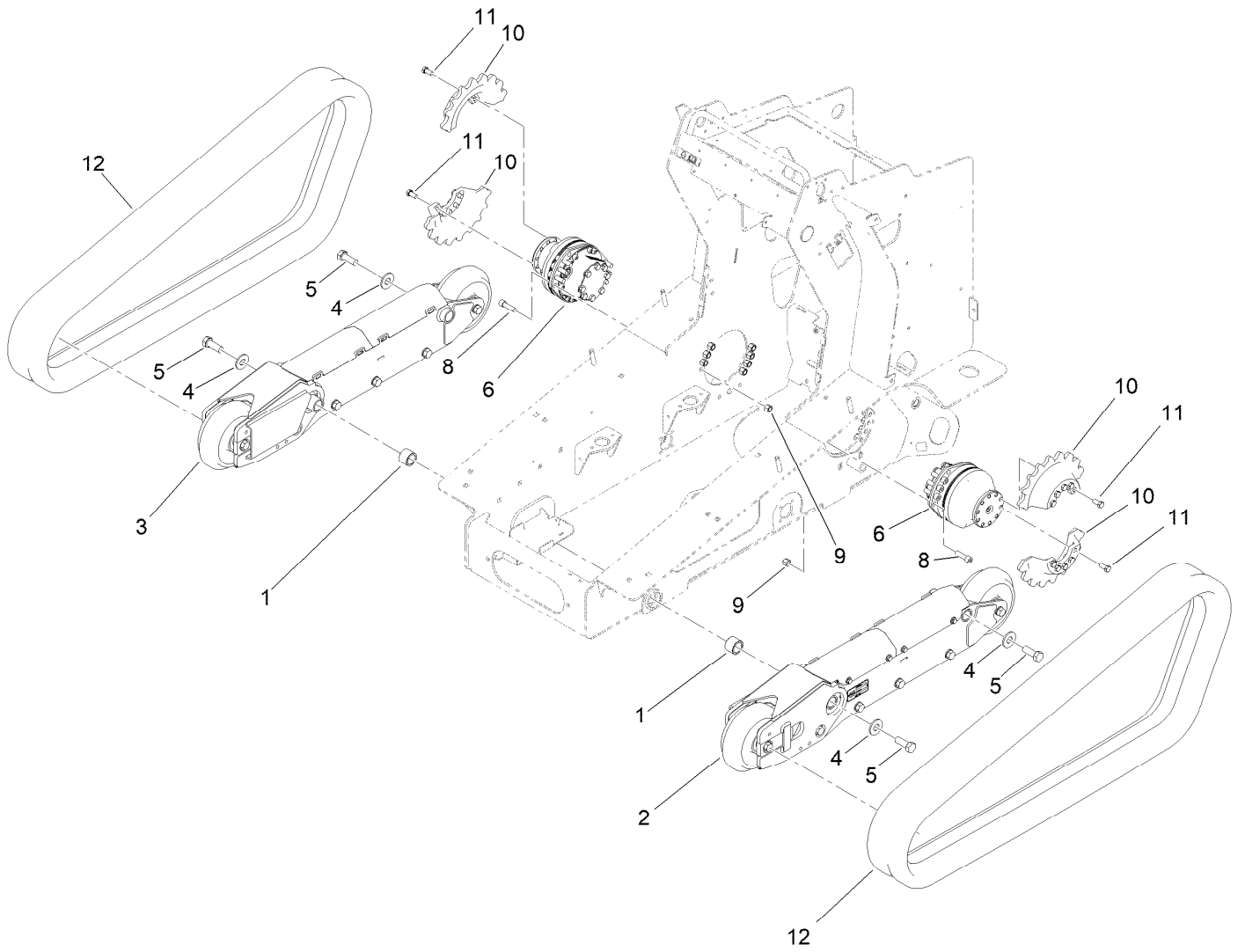
Main Frame Assembly No. 145-4421



Main Frame Assembly No. 145-4421 (continued)

<i>Ref.</i>	<i>Part Number</i>	<i>Qty.</i>	<i>Description</i>	<i>Ref.</i>	<i>Part Number</i>	<i>Qty.</i>	<i>Description</i>
2	132-9051	2	Decal-Tiedown	5	133-8062	1	Decal-Spark Arrestor
3	93-9084	2	Decal-Point, Lift	6	115-2047	1	Decal-Surface, Hot
4	131-0709	1	Decal-Parking Brake	7	115-4865	1	Decal-Fill, Radiator

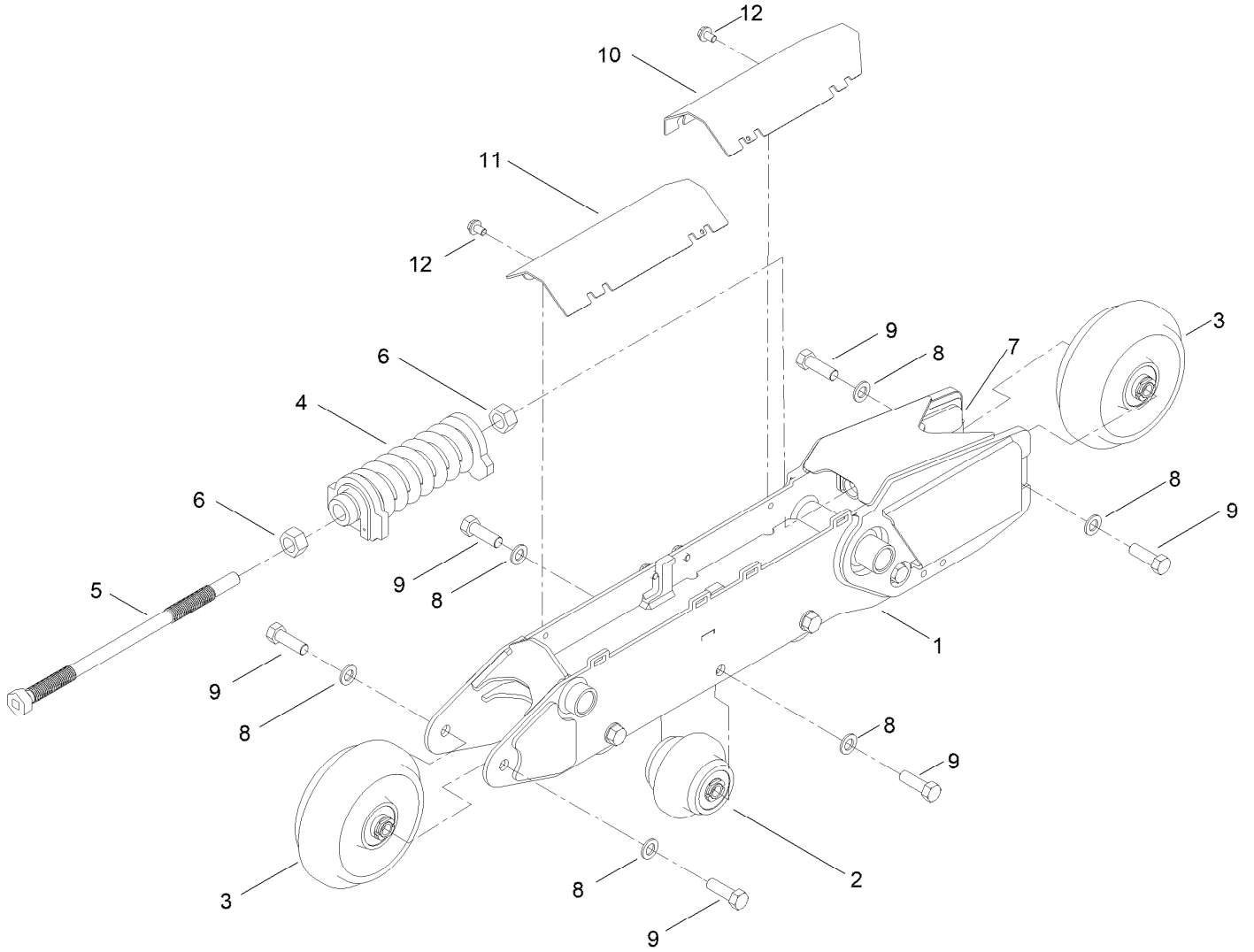
Track Assembly



Track Assembly (continued)

<i>Ref.</i>	<i>Part Number</i>	<i>Qty.</i>	<i>Description</i>	<i>Ref.</i>	<i>Part Number</i>	<i>Qty.</i>	<i>Description</i>
1	144-4268	4	Spacer-Track	8	131-0661	16	Screw-HSH
2	139-7294	1	Track ASM-LH	9	3296-23	16	Nut-Lock, NI
3	139-7293	1	Track ASM-RH	10	139-7118	4	Sprocket-Drive
4	99-2659	4	Washer	11	33116-025	20	Screw-HH
5	AU426-1256	4	Screw-HH	12	138-0777	2	Track-Wide,
6	145-4545	2	Wheelmotor ASM				

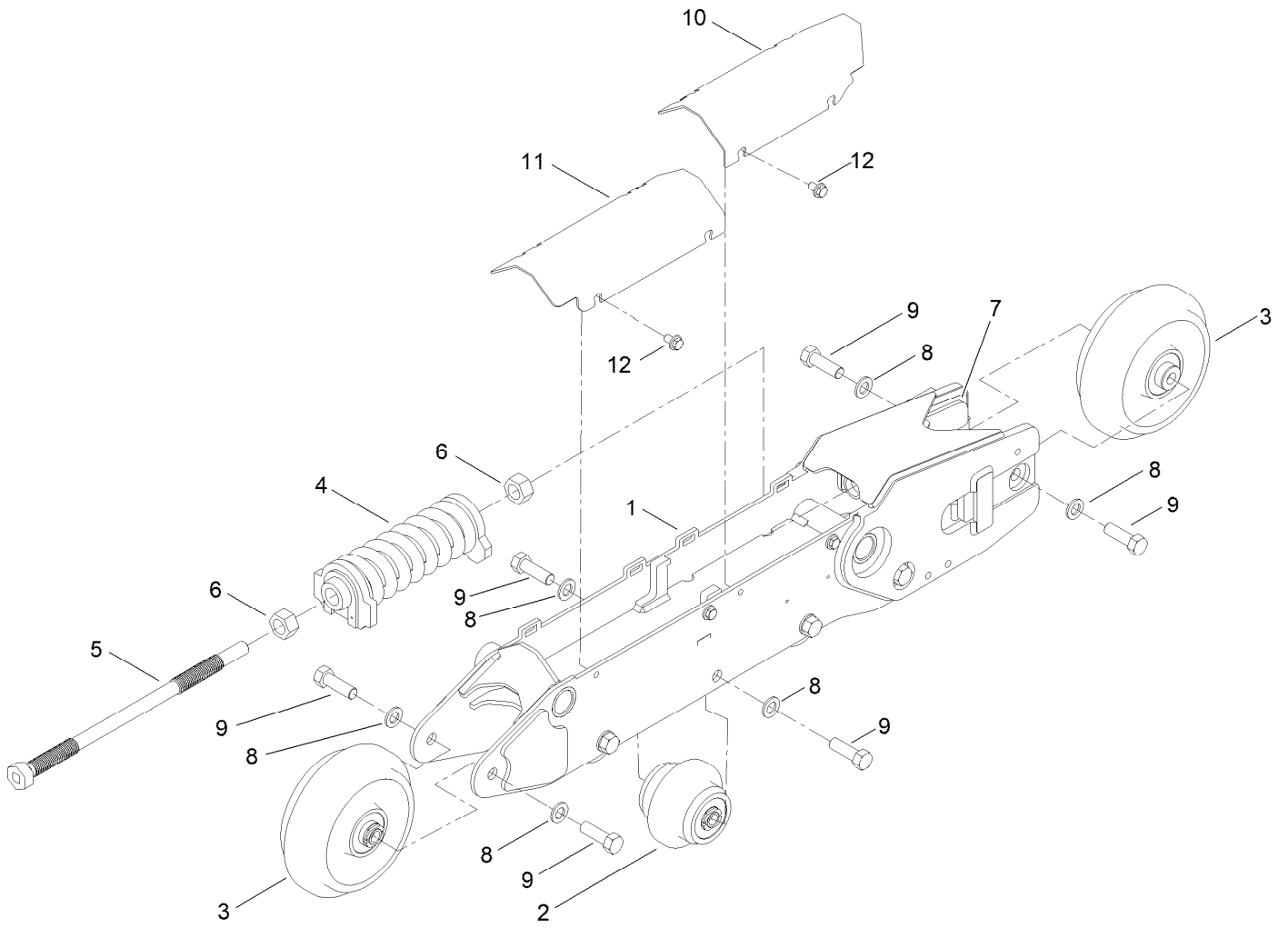
LH Track Assembly No. 139-7294



LH Track Assembly No. 139-7294 (continued)

<i>Ref.</i>	<i>Part Number</i>	<i>Qty.</i>	<i>Description</i>	<i>Ref.</i>	<i>Part Number</i>	<i>Qty.</i>	<i>Description</i>
1	139-7303	1	Frame-Track LH	7	139-7301	1	Yoke-Tensioner
2	137-8808	4	Wheel ASM,	8	139-7310	12	Washer
3	137-8807	2	Tensioner Wheel ASM	9	111-3484	12	Screw-HH
4	140-5872	1	Kit-Spring Tension	10	139-7304	1	Plate-Cover LH
5	139-7298	1	Screw-Tensioner	11	139-7305	1	Plate-Cover LH
6	3217-15	2	Nut-Hex	12	63-11-019	4	Screw-HHF

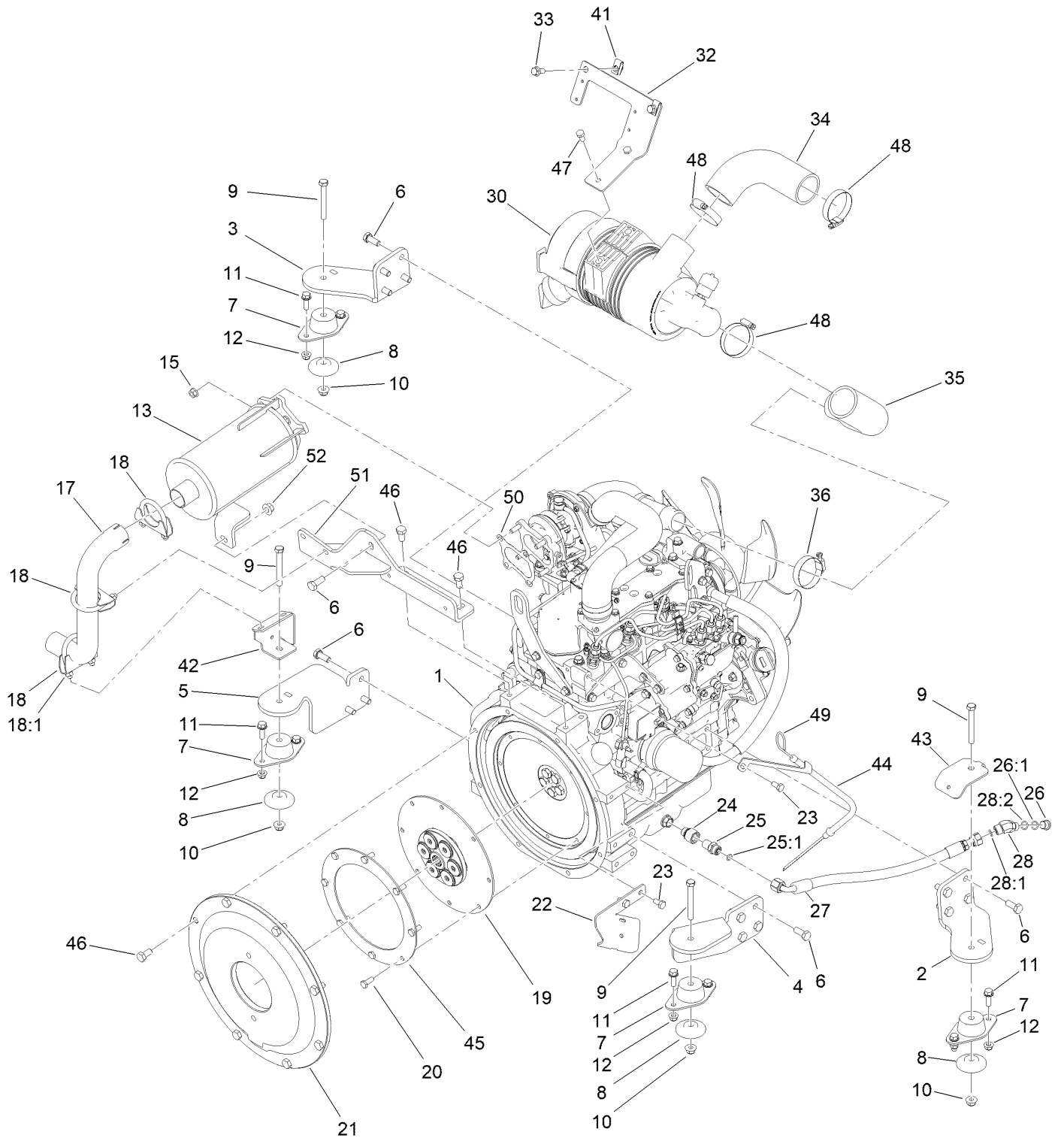
RH Track Assembly No. 139-7293



RH Track Assembly No. 139-7293 (continued)

<i>Ref.</i>	<i>Part Number</i>	<i>Qty.</i>	<i>Description</i>	<i>Ref.</i>	<i>Part Number</i>	<i>Qty.</i>	<i>Description</i>
1	139-7292	1	Frame-Track RH	7	139-7301	1	Yoke-Tensioner
2	137-8808	4	Wheel ASM,	8	139-7310	12	Washer
3	137-8807	2	Tensioner Wheel ASM	9	111-3484	12	Screw-HH
4	140-5872	1	Kit-Spring Tension	10	139-7311	1	Plate-Cover RH
5	139-7298	1	Screw-Tensioner	11	139-7312	1	Plate-Cover RH
6	3217-15	2	Nut-Hex	12	63-11-019	4	Screw-HHF

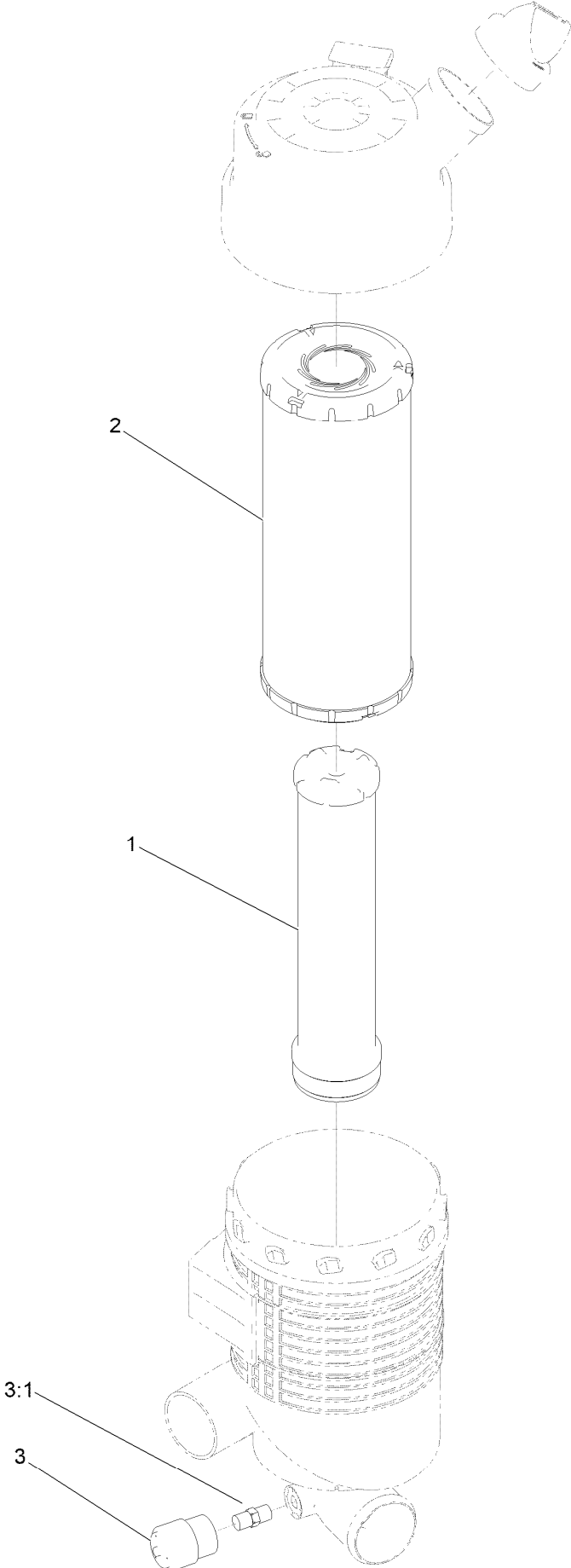
Engine and Muffler Assembly



Engine and Muffler Assembly (continued)

<i>Ref.</i>	<i>Part Number</i>	<i>Qty.</i>	<i>Description</i>	<i>Ref.</i>	<i>Part Number</i>	<i>Qty.</i>	<i>Description</i>
1	145-4547	1	Engine-Yanmar, 3Tnv80Ft-Zmtr2	25:1	237-22	1	O-Ring
2	144-4417-03	1	Mount-Engine, LH, Rear	26	353-989	1	Plug-Hex, Hollow
3	144-4418-03	1	Mount-Engine, RH, Rear	26:1	237-42	1	O-Ring
4	144-4419-03	1	Mount-Engine, LH, Front	27	140-5968	1	HYD Hose ASM
5	144-4420-03	1	Mount-Engine, RH, Front	28	340-87	1	Fitting-Elbow, 45 DEG
6	33115-025	16	Screw-HH	28:1	237-22	1	O-Ring
7	120-6274	4	Mount-Engine	28:2	237-42	1	O-Ring
8	138-6462	4	Support-Isolator	30	147-6793	1	Air Cleaner ASM
9	323-14	4	Screw-HH	32	147-6788-0P	1	Bracket-Air Cleaner
10	104-8301	4	Nut-HF, NI	33	3234-47	2	Screw-HHF
11	3234-29	8	Screw-HHF	34	147-6786	1	Hose-Intake
12	104-8300	8	Nut-HF, NI	35	147-6787	1	Hose-Intake
13	147-6859	1	Muffler ASM	36	2412-92	1	Clamp-Hose
15	33004-00	4	Nut-HF	41	115-7721	2	Nut-Clip, U
17	147-6865	1	Pipe-Exhaust	42	147-6866-0P	1	Bracket-Tailpipe, Foot
18	2112-6	3	Clamp-Muffler	43	147-6759-0P	2	Bracket-Hose Guide
18:1	3218-2	2	Nut-Hex Jam	44	147-6768	1	Dipstick
19	126-6531	1	Coupler-Flywheel	45	147-6791	1	Ring-Flywheel
20	33114-020	8	Screw-HH	46	33115-020	10	Screw-HH
21	145-3210-0P	1	Cover-Flywheel	47	139-9940	2	Screw-HH
22	145-4305-0P	1	Bracket-Guide, Hose	48	2412-130	3	Clamp-Hose
23	33114-016	3	Screw-HH	49	147-6785	1	Dipstick
24	139-2218	1	Adaptor-STR	50	147-6795	1	Gasket-Exhaust
25	340-12	1	Fitting-Straight	51	147-6867-0P	1	Bracket-Muffler
				52	136-8683	1	Nut-Lock

Air Cleaner Assembly No. 147-6793

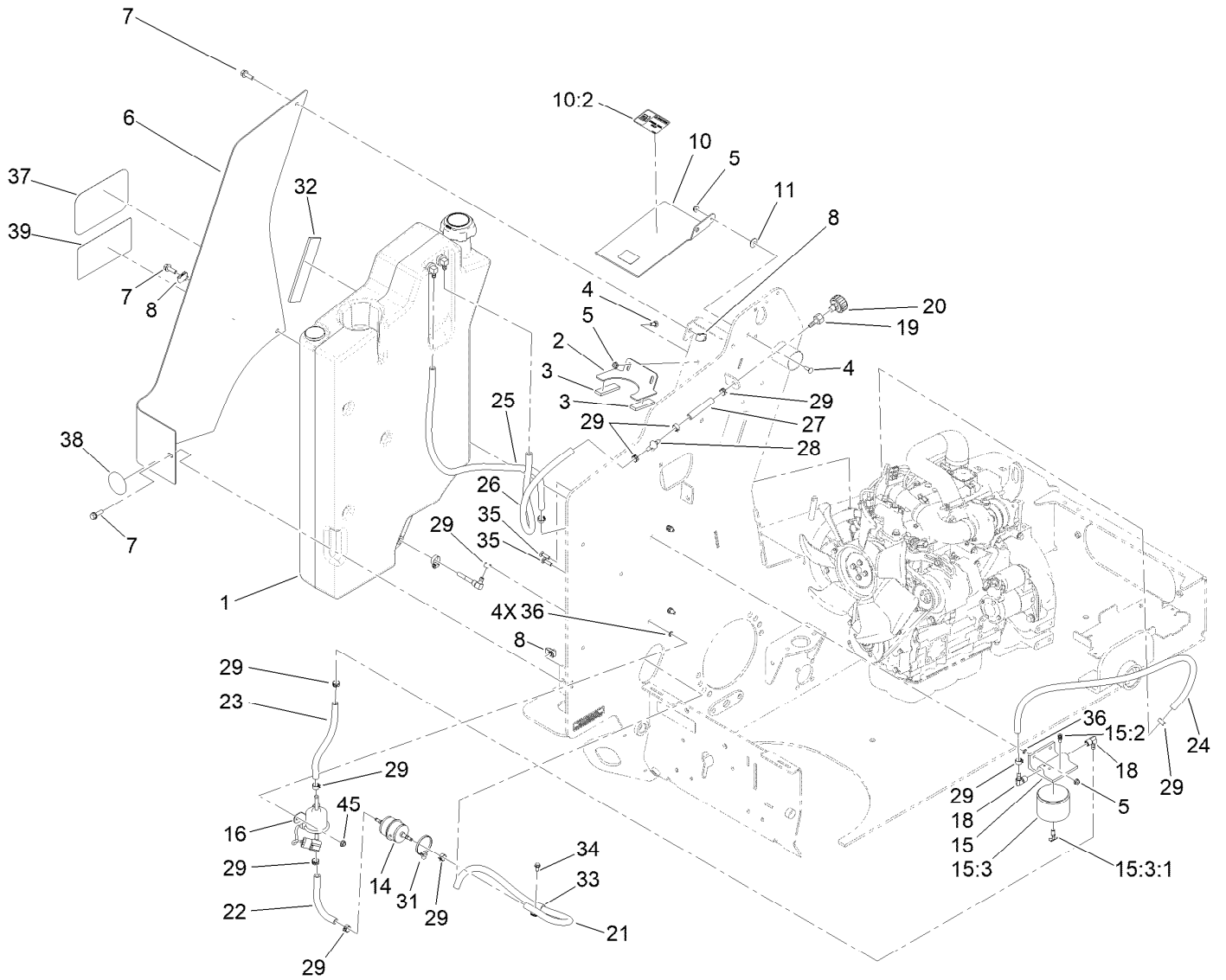


Air Cleaner Assembly No. 147-6793 (continued)

<i>Ref.</i>	<i>Part Number</i>	<i>Qty.</i>	<i>Description</i>
1	114-4057	1	Element-Safety
2	147-6812	1	Filter-Air

<i>Ref.</i>	<i>Part Number</i>	<i>Qty.</i>	<i>Description</i>
3	104-3563	1	Indicator
3:1	94-1416	1	Adapter-Indicator

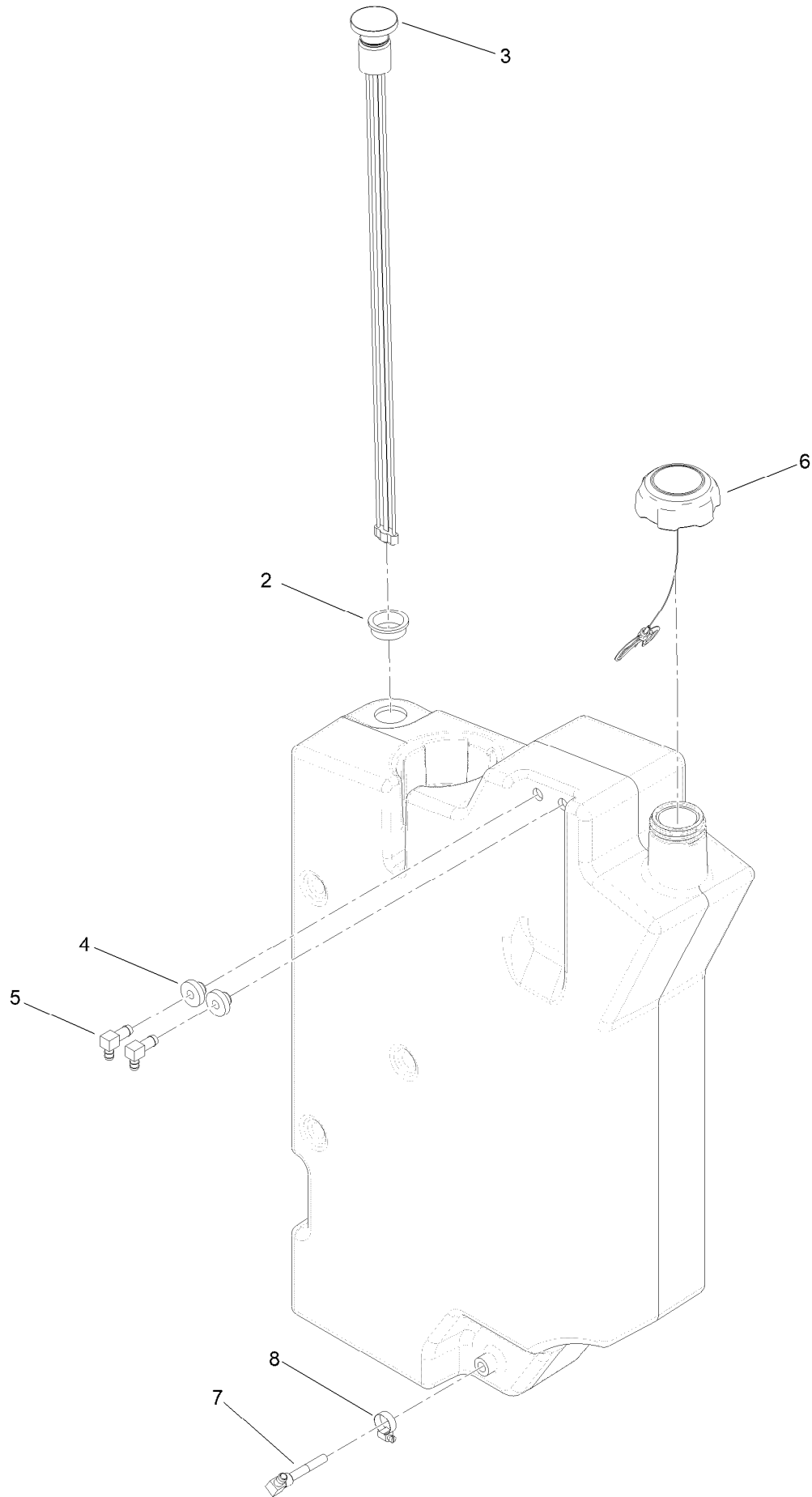
Fuel System Assembly



Fuel System Assembly (continued)

<i>Ref.</i>	<i>Part Number</i>	<i>Qty.</i>	<i>Description</i>	<i>Ref.</i>	<i>Part Number</i>	<i>Qty.</i>	<i>Description</i>
1	145-4466	1	Tank ASM-Fuel	20	68-6150	1	Breather
2	145-4429-03	1	Bracket-Tank, Hold Down	21	110-4112	1	Hose-Fuel
3	145-4430	2	Pad-Foam	22	117-4026	1	Hose-Fuel
4	3229-1	3	Screw-CARR	23	136-6098	1	Hose-Fuel
5	104-7201	5	Nut-HF, NI	24	110-9662	1	Hose-Fuel
6	145-4474	1	Tank Cover ASM-Fuel	25	109-0309	1	Hose-Fuel
7	3234-29	3	Screw-HHF	26	110-6187	1	Hose-Fuel
8	115-7721	3	Nut-Clip, U	27	112-6388	1	Hose-Fuel
10	145-4473	1	Tank Bracket ASM-Fuel	28	99-5000	1	Valve-Check, Fuel
10:2	130-2845	1	Decal-Ultra Low Sulfur Diesel	29	92-2379	14	Clamp-Hose
11	3290-456	1	Washer-Belleville	31	32180-118	1	Clip-Tie
14	108-3828	1	Filter-Fuel	32	112-2401	1	Pad-Rubber
15	109-2678	1	Filter ASM	33	92-6064	1	Clamp-R
15:2	63-8290	1	Vent-Air	34	32144-4	1	Screw-HWH
15:3	63-8300	1	Element-Spin On	35	3229-2	4	Screw-CARR
15:3:1	63-8310	1	Valve-Drain	36	1-803037	6	Nut-Retaining
16	144-4447	1	Pump-Fuel	37	145-0609	1	Decal-Toro Logo
18	353-781	2	Fitting-HYD, 90	38	139-1937	1	Reflector-Red
19	354-95	1	Fitting-Straight	39	147-6708	1	Decal-Tx1000 Turbo
				45	32128-33	2	Nut-HF

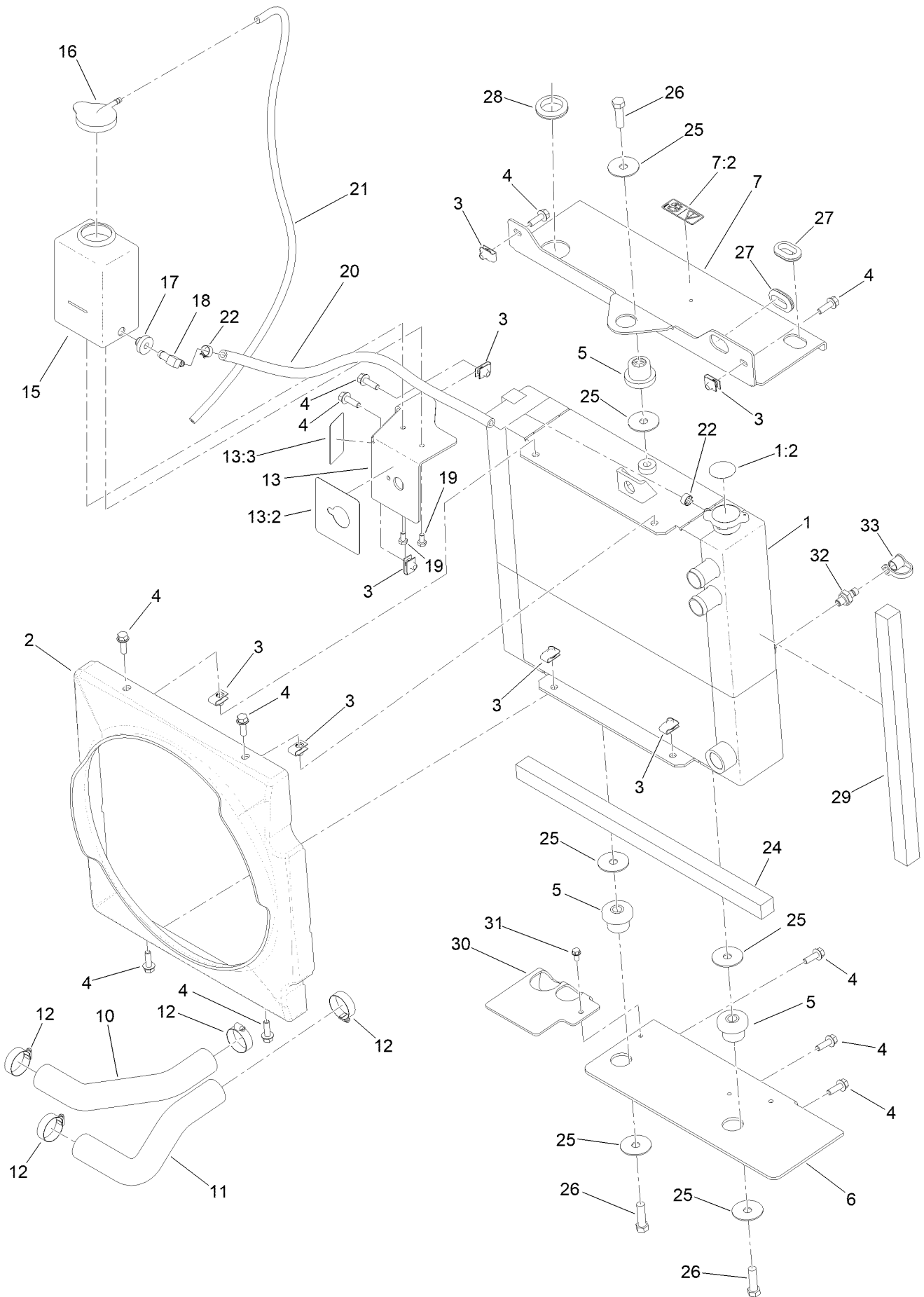
Fuel Tank Assembly No. 145-4466



Fuel Tank Assembly No. 145-4466 (continued)

<i>Ref.</i>	<i>Part Number</i>	<i>Qty.</i>	<i>Description</i>	<i>Ref.</i>	<i>Part Number</i>	<i>Qty.</i>	<i>Description</i>
2	95-8972	1	Grommet	6	144-4373	1	Cap-Diesel
3	133-6992	1	Gauge-Level, Fuel	7	115-4518	1	Pipe-Stand
4	46-6560	2	Bushing	8	2412-36	1	Clamp-Hose
5	46-6550	2	Fitting-Elbow, 90 DEG				

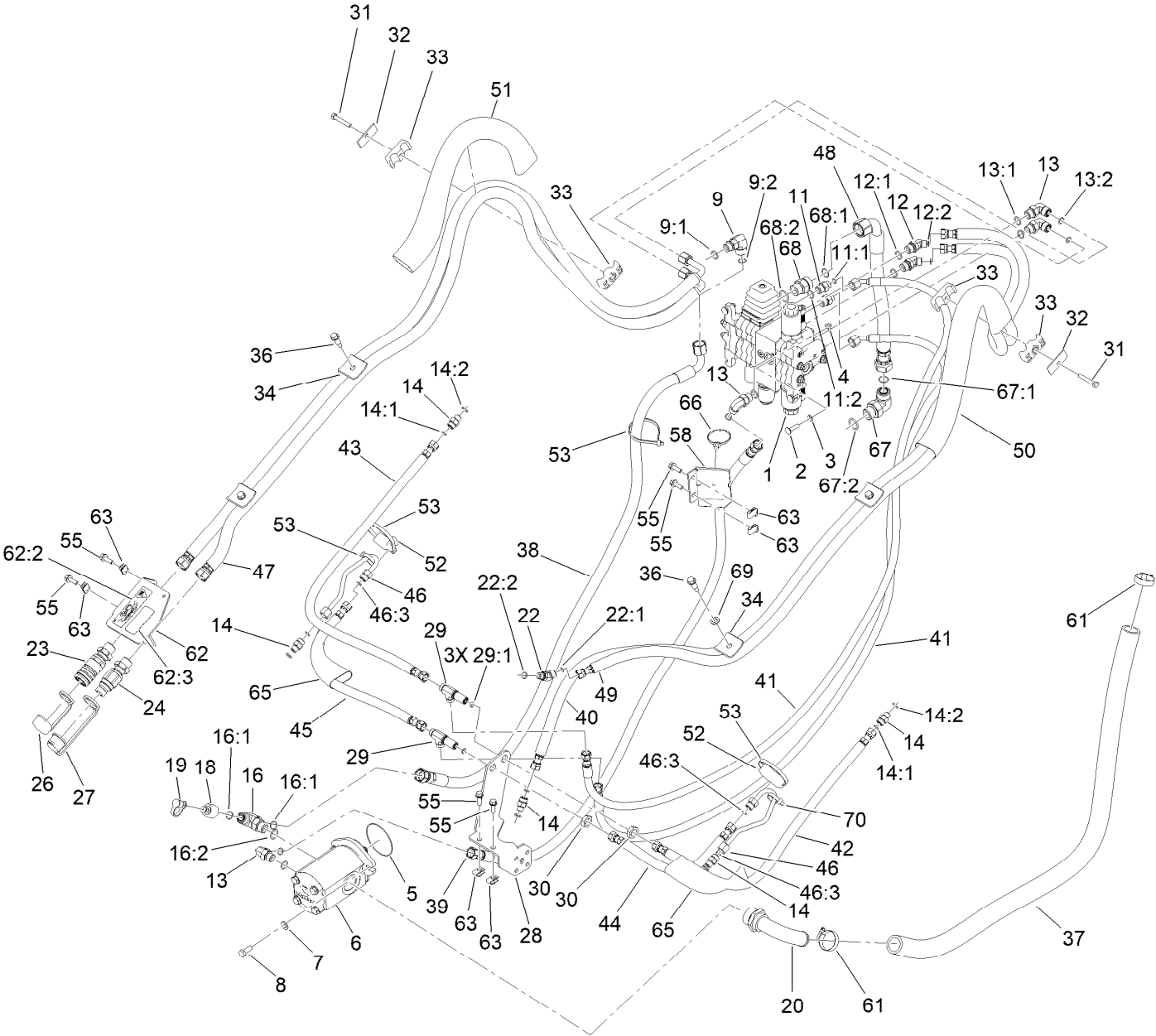
Cooling System Assembly



Cooling System Assembly (continued)

<i>Ref.</i>	<i>Part Number</i>	<i>Qty.</i>	<i>Description</i>	<i>Ref.</i>	<i>Part Number</i>	<i>Qty.</i>	<i>Description</i>
1	147-6714	1	Cooler ASM	16	1-643164	1	Cap-Tank, Overflow
1:2	106-6755	1	Decal-Cap, Radiator	17	46-6560	1	Bushing
2	144-4423	1	Shroud-Cooler	18	46-6550	1	Fitting-Elbow, 90 DEG
3	115-7721	8	Nut-Clip, U	19	321-2	2	Screw-HH
4	3234-29	11	Screw-HHF	20	108-3284	1	Hose-Fuel
5	119-1422	3	Mount-Isolator	21	108-6344	1	Hose-Fuel
6	145-4521-03	1	Plate-Mount, Cooler	22	92-2379	2	Clamp-Hose
7	147-6701	1	Bracket-Cooler	24	145-4549	2	Foam-Radiator
7:2	115-2047	1	Decal-Surface, Hot	25	147-6703	6	Washer
10	145-4527	1	Hose-Radiator, Upper	26	324-6	3	Screw-HH
11	145-4528	1	Hose-Radiator, Lower	27	240-5	2	Grommet
12	2412-34	4	Clamp-Hose	28	240-3	1	Grommet-Rubber
13	145-4475	1	Bottle Bracket ASM-Radiator	29	147-6700	2	Foam-Radiator
13:2	131-8026	1	Decal-Battery Disconnect	30	147-6732	1	Baffle-Air
13:3	147-6709	1	Decal-Warning, Fan	31	32144-4	1	Screw-HWH
15	1-643163	1	Tank-Overflow	32	99-4443	1	Fitting
				33	354-79	1	Cap-Dust

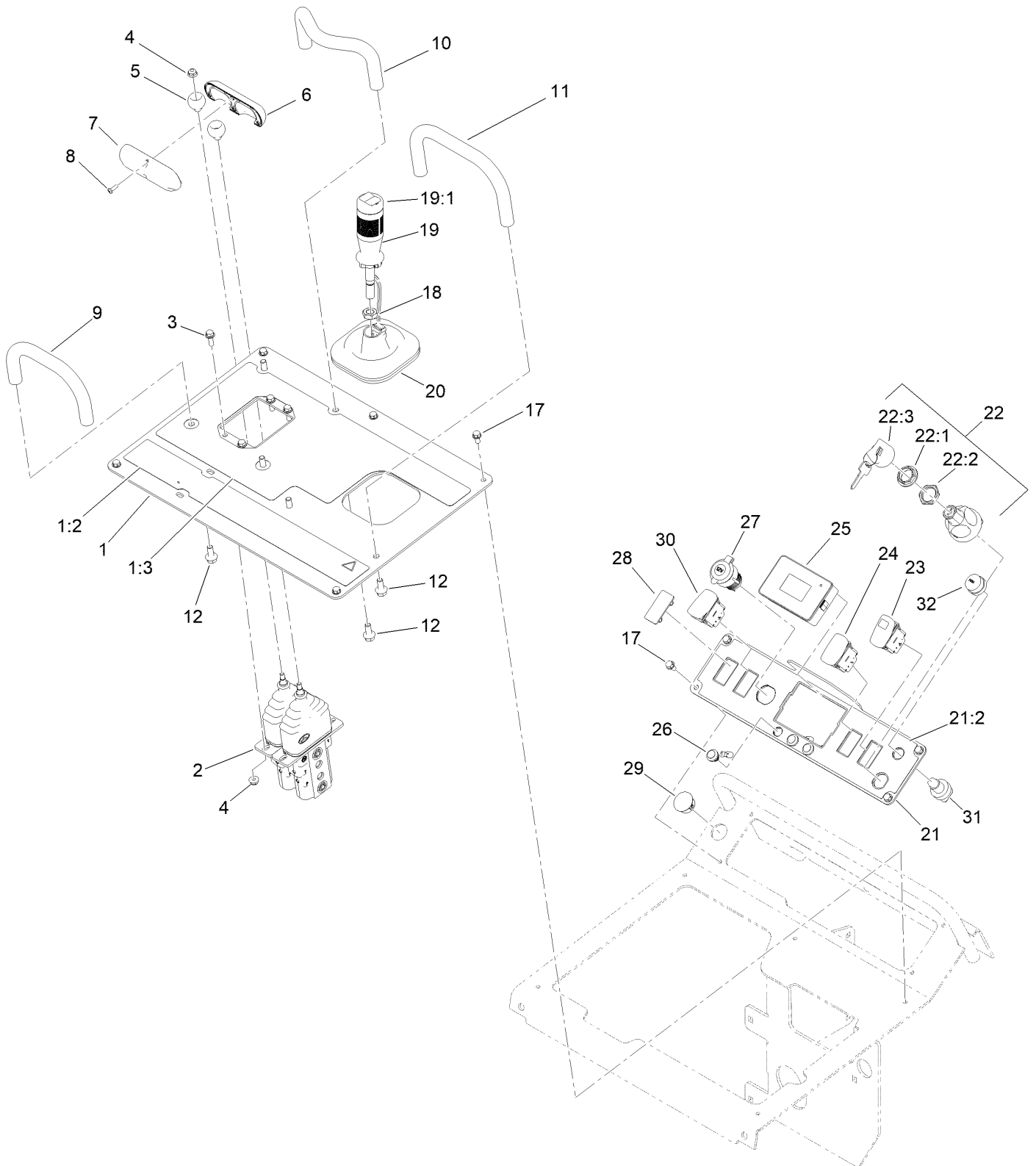
Principal Hydraulics Assembly



Principal Hydraulics Assembly (continued)

<i>Ref.</i>	<i>Part Number</i>	<i>Qty.</i>	<i>Description</i>	<i>Ref.</i>	<i>Part Number</i>	<i>Qty.</i>	<i>Description</i>
1	147-6884	1	Valve-Loader	31	322-11	2	Screw-HH
2	3230-3	3	Screw-CARR	32	69-9761	2	Plate-Cover
3	109-5667	3	Nut-Push	33	94-8105	4	Clamp-Tube
4	104-8300	3	Nut-HF, NI	34	145-4534	4	Plate-Hold Down
5	353-949	1	O-Ring	36	140-3759	4	Bolt-Shoulder,HHF
6	145-4384	1	Pump-Gear	37	145-4383	1	HYD Hose
7	33095-00	2	Washer-Flat	38	145-4376	1	HYD Hose ASM
8	33115-025	2	Screw-HH	39	145-4370	1	HYD Hose ASM
9	340-153	1	Fitting-Elbow, 90 DEG	40	145-4371	1	HYD Hose ASM
9:1	237-79	1	O-Ring	41	145-4372	2	HYD Hose ASM
9:2	237-151	1	O-Ring	42	145-4361	1	HYD Hose ASM
11	340-3	2	Fitting-Straight	43	145-4362	1	HYD Hose ASM
11:1	237-22	1	O-Ring	44	145-4363	1	HYD Hose ASM
11:2	237-79	1	O-Ring	45	145-4364	1	HYD Hose ASM
12	340-138	2	Fitting-HYD, 45 DEG	46	140-5724	2	Tube-HYD
12:1	237-79	1	O-Ring	46:3	237-22	1	O-Ring
12:2	237-22	1	O-Ring	47	145-4375	2	HYD Hose ASM
13	340-98	4	Fitting-Elbow, 90 DEG	48	147-6702	1	HYD Hose ASM
13:1	237-79	1	O-Ring	49	145-4489	1	HYD Hose ASM
13:2	237-30	1	O-Ring	50	100-6128	1	Sleeve-Protective
14	340-2	5	Fitting-Straight	51	130-7718	1	Sleeve-Protective
14:1	237-22	1	O-Ring	52	137-0146	2	Block-Hardline
14:2	237-42	1	O-Ring	53	3334-945	3	Tie-Cable
16	340-93	1	Tee-Adapter	55	3234-29	6	Screw-HHF
16:1	237-65	2	O-Ring	58	145-4540-0P	1	Bracket-Guide, Hose
16:2	237-80	1	O-Ring	61	2412-3	2	Clamp-Hose
18	86-5860	1	Nipple	62	145-4478	1	Bracket ASM-Qc
19	354-79	1	Cap-Dust	62:2	115-4855	1	Decal-Caution
20	147-6805	1	Elbow-90DEG	62:3	139-1173	1	Decal-Warning
22	340-87	1	Fitting-Elbow, 45 DEG	63	115-7721	6	Nut-Clip, U
22:1	237-22	1	O-Ring	65	133-8568	2	Sleeve-Protective
22:2	237-42	1	O-Ring	66	32180-118	1	Clip-Tie
23	139-4798	1	Coupler ASM,Bulkhead,	67	340-142	1	Fitting-Elbow, 90 DEG
24	139-4799	1	Coupler ASM,Bulkhead,	67:1	237-58	1	O-Ring
26	100-8816	1	Cap-Dust, Coupler	67:2	237-81	1	O-Ring
27	100-8815	1	Cap-Dust, Nipple	68	340-9	1	Fitting-STR
28	145-4328-03	1	Bracket-Bulkhead	68:1	237-58	1	O-Ring
29	340-68	2	Fitting-Tee, Bulkhead	68:2	237-81	1	O-Ring
29:1	237-22	3	O-Ring	69	133-4553	2	Spacer-Bearing
30	340-70	2	Nut-Lock	70	3290-378	2	Tie-Cable

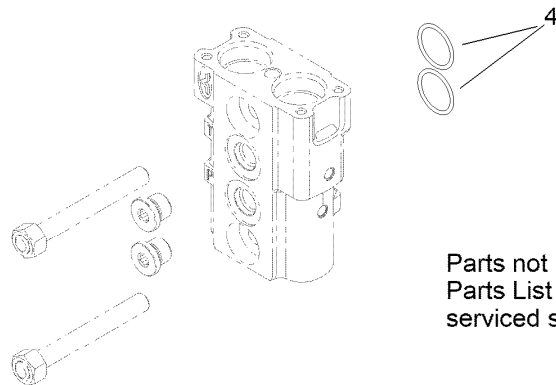
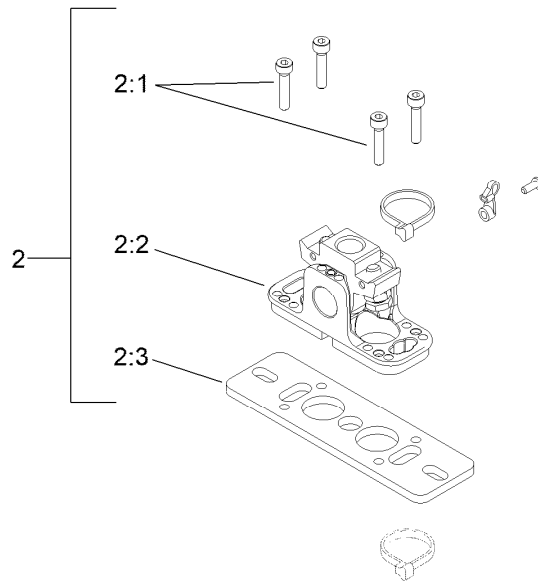
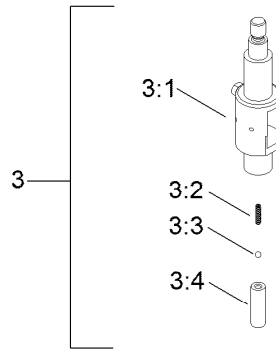
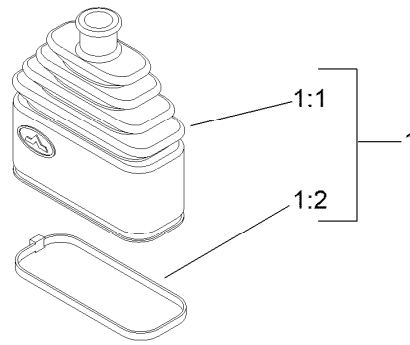
Controls Assembly



Controls Assembly (continued)

<i>Ref.</i>	<i>Part Number</i>	<i>Qty.</i>	<i>Description</i>	<i>Ref.</i>	<i>Part Number</i>	<i>Qty.</i>	<i>Description</i>
1	145-4479	1	Plate ASM-Controls	21	145-4480	1	Plate ASM-Console
1:2	147-6765	1	Decal-Safety	21:2	145-4484	1	Decal-Console
1:3	147-6883	1	Decal-Controls	22	121-5159	1	Switch-Ignition
2	145-3279	1	Valve-Control (Traction)	22:1	121-5160	1	Nut-Hex
3	115-5103	4	Screw-HHF	22:2	122-2704	1	Nut-Face, M22 (Plastic)
4	104-7201	6	Nut-HF, NI	22:3	121-5162	1	Set-Key, Ignition
5	130-7723	2	Ball-Traction	23	122-2719	1	Switch-Rocker, On-None-(On)
6	130-7692	1	Handle-Control	24	122-3203	1	Switch-Rocker,(On)-Off-(On)
7	131-9162	1	Handle-Traction	25	122-1201	1	Module-Display
8	94-6961	4	Screw	26	136-9678	3	Switch-Pushbutton
9	112-2620	1	Bar-Reference	27	109-9376	1	Receptacle-12V
10	138-0791	1	Bar-Reference	28	99-7420	1	Plug-Hole
11	145-4760	1	Bar-Reference	29	127-1842	1	Plug-Dome
12	3234-47	6	Screw-HHF	30	122-3145	1	Switch-Rocker, On - None - On
17	32144-4	9	Screw-HWH	31	112-3324	1	Switch-Horn
18	51-2070	1	Nut	32	112-3313	1	Nut-Weatherproof
19	140-5742	1	Handle-Auxiliary ASM				
19:1	147-6873	1	Boot-Switch, Joystick				
20	145-4746	1	Boot-Joystick				

Control Valve Assembly No. 145-3279



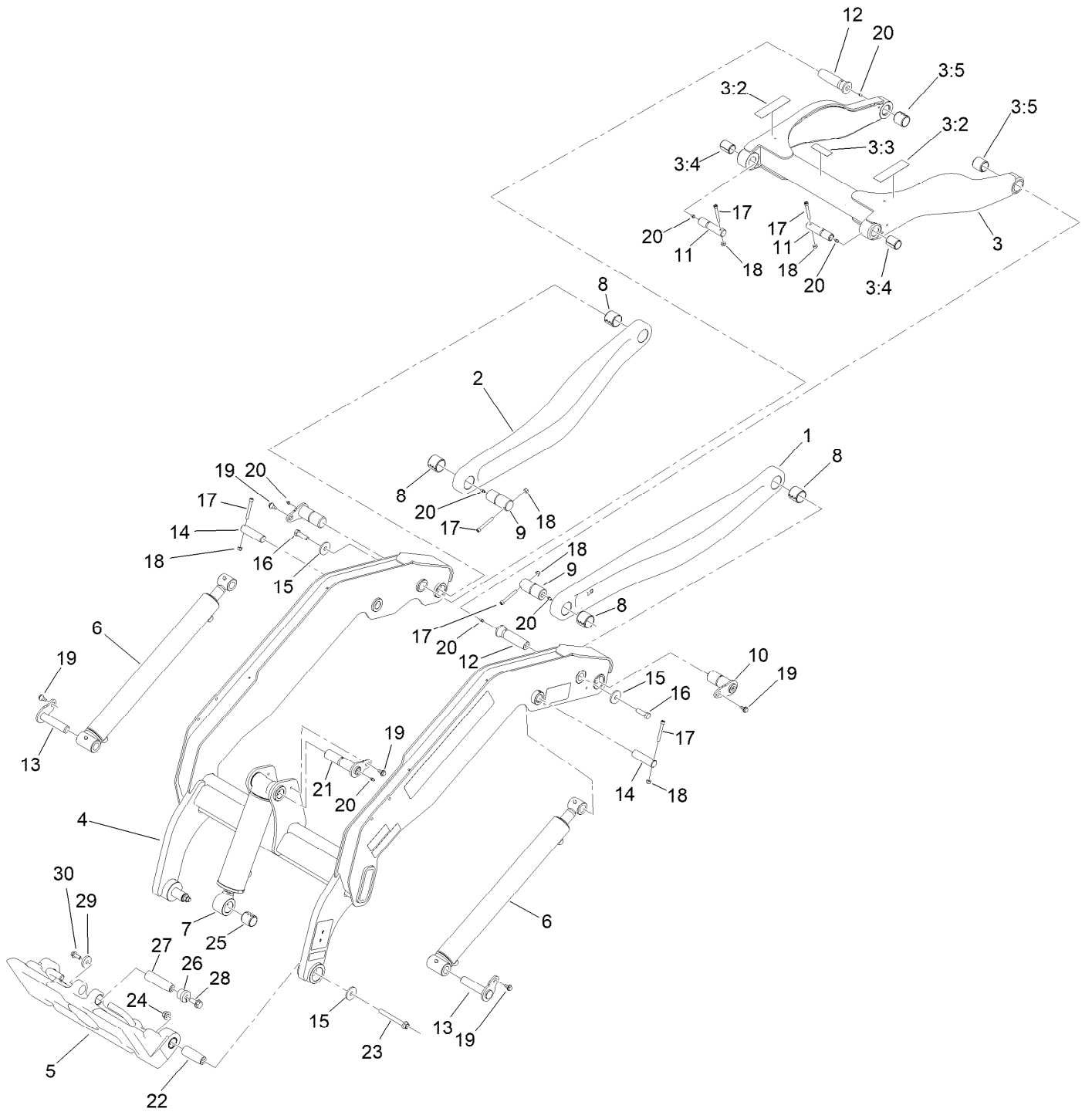
Parts not listed in
Parts List are not
serviced separately

Control Valve Assembly No. 145-3279 (continued)

<i>Ref.</i>	<i>Part Number</i>	<i>Qty.</i>	<i>Description</i>	<i>Ref.</i>	<i>Part Number</i>	<i>Qty.</i>	<i>Description</i>
1	132-6034	2	Bellow Kit	3	132-6037	2	Switch Holder Lever Kit
1:1		1	Bellow-Rubber ●	3:1		1	Lever-Holder, Switch ●
1:2		1	Tie-Cable ●	3:2		1	Spring-Return ●
2	132-6036	2	Fulcrum Kit	3:3		1	Sphere ●
2:1		4	Screw ●	3:4		1	Holder-Spring ●
2:2		1	Support Kit ●	4	100-7246	2	O-Ring
2:3		1	Plate-Mounting ●				

● Not serviced separately

Loader Arm Assembly

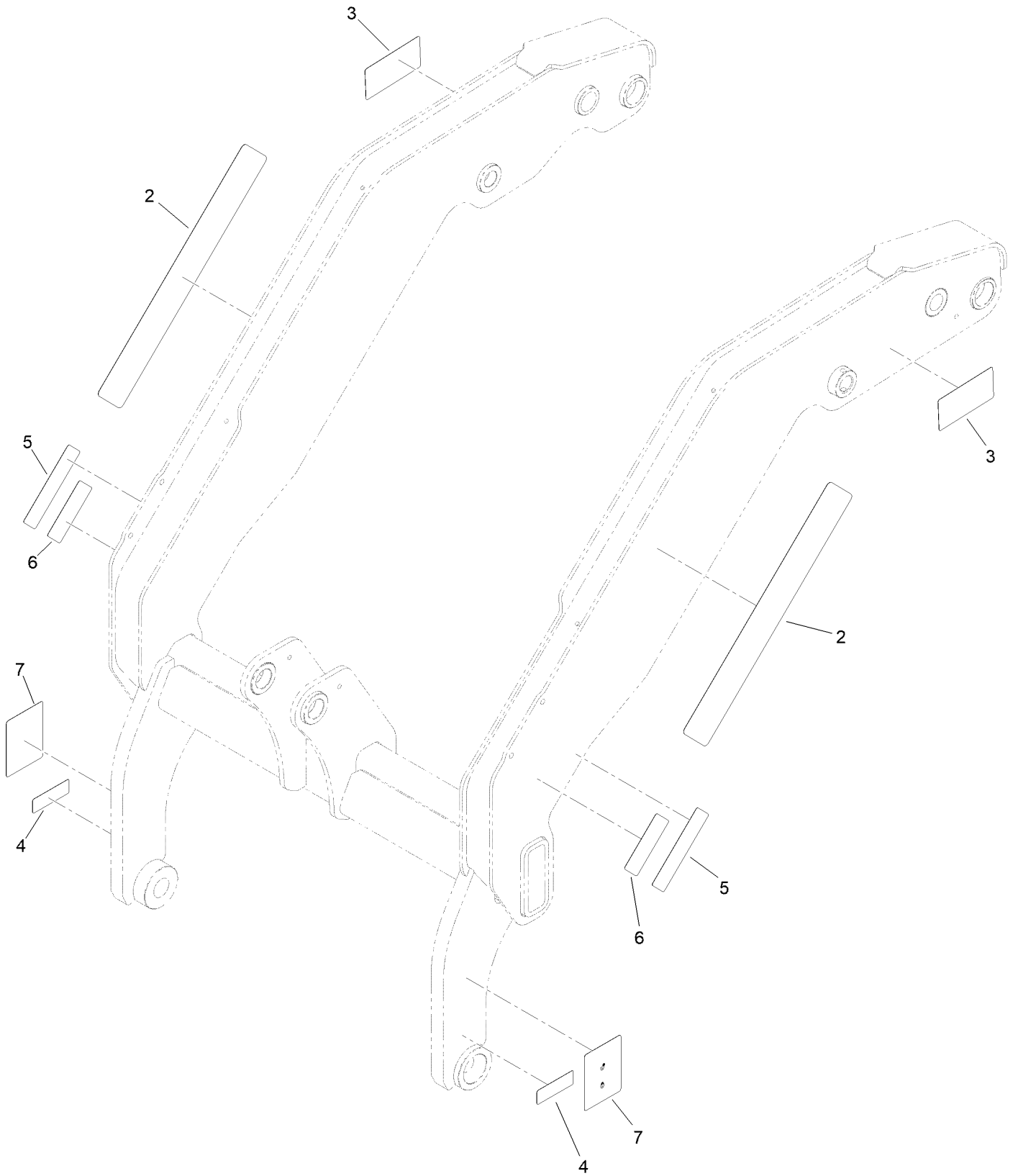


Loader Arm Assembly (continued)

<i>Ref.</i>	<i>Part Number</i>	<i>Qty.</i>	<i>Description</i>	<i>Ref.</i>	<i>Part Number</i>	<i>Qty.</i>	<i>Description</i>
1	147-6797-05	1	Link-Lower, LH [blk-Txt]	13	147-6705	2	Pin-Flag
2	147-6799-05	1	Link-Lower, RH [blk-Txt]	14	130-5178	2	Pin-Pivot
3	145-4314	1	Upper Link ASM-Loader	15	106-2008	4	Washer-Thrust
3:2	139-1158	2	Decal-Warning	16	121-1524	2	Screw-HH
3:3	120-0625	1	Decal-Warning	17	3274-40	6	Screw-HSH
3:4	130-5200	2	Bushing-Spring	18	3296-29	6	Nut-Lock, NI
3:5	139-5737	2	Bushing-Spring	19	99-5105	5	Screw-Shoulder
4	145-4307	1	Loader Arm ASM-Wt	20	302-5	9	Fitting-Grease
5	140-6017	1	Attachment Plate ASM	21	137-0134	1	Flag Pin ASM
6	140-7634	2	Cylinder HYD (2.25X20.16 Double Action)	22	140-6019	2	Pin-Link, Taper
7	145-4446	1	CYL-HYD	23	117-3176	2	Screw-HHF
7:1	137-5209	1	Seal Repair Kit ●	24	99-5107	2	Nut-Lock
8	130-5199	4	Bushing-Spring	25	139-5737	1	Bushing-Spring
9	125-3748	2	Pin-Arm	26	181-1002	1	Insert-Tapered
10	136-4708	2	Pin-Pivot	27	140-6076	1	Pin-Tapered
11	125-3695	2	Pin-Link	28	137-4653	1	Screw-HHF
12	145-4312	2	Pin-Taper	29	1-543610	1	Washer-Flat
				30	3234-42	1	Screw-HHF

● Not illustrated

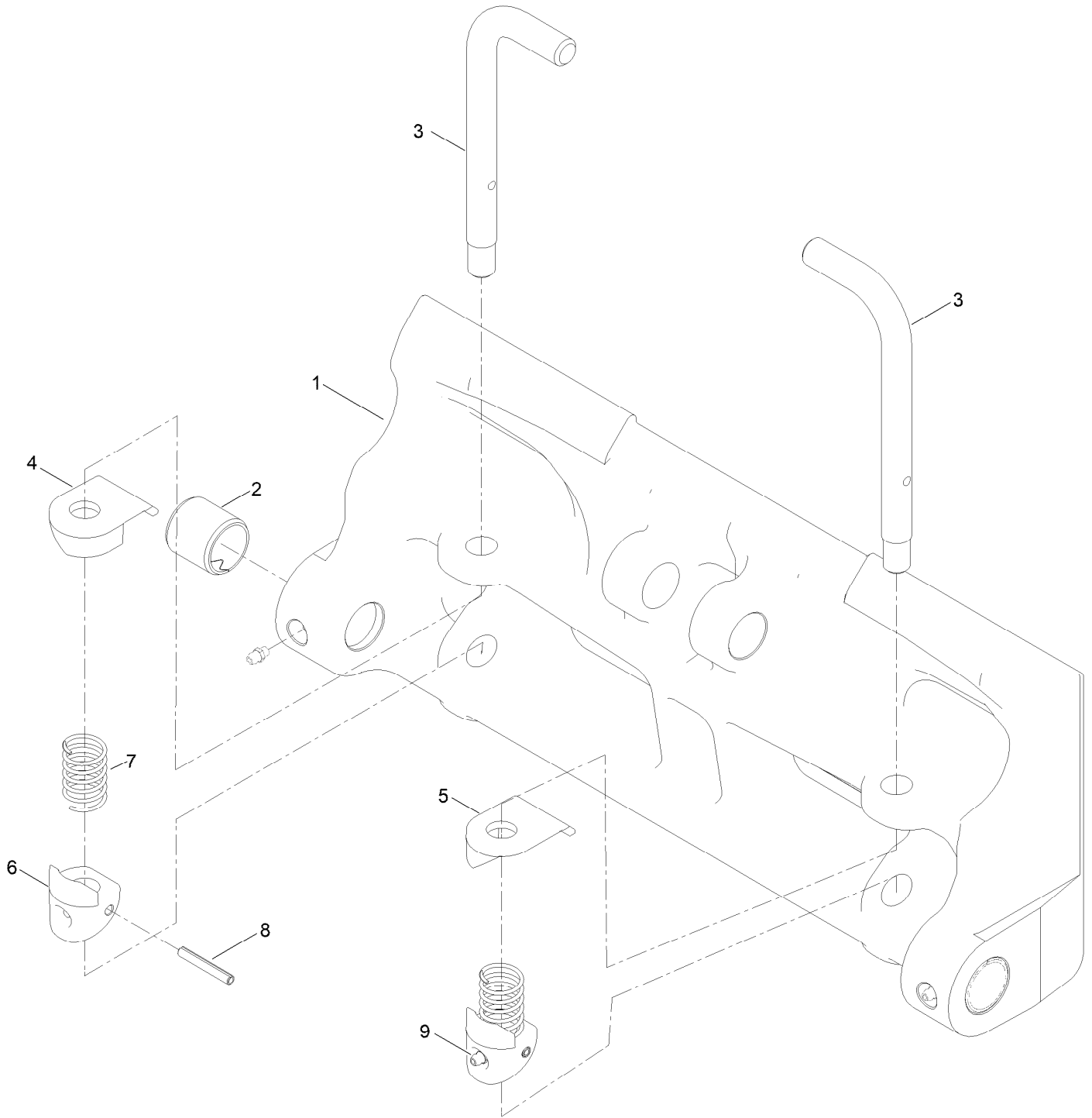
Loader Arm Assembly No. 145-4307



Loader Arm Assembly No. 145-4307 (continued)

<i>Ref.</i>	<i>Part Number</i>	<i>Qty.</i>	<i>Description</i>	<i>Ref.</i>	<i>Part Number</i>	<i>Qty.</i>	<i>Description</i>
2	147-6794	2	Decal-Vertical Lift	5	139-1158	2	Decal-Warning
3	131-0711	2	Decal-Warning	6	139-1159	2	Decal-Warning
4	120-0625	2	Decal-Warning	7	145-3252	2	Decal - Warning, Bucket

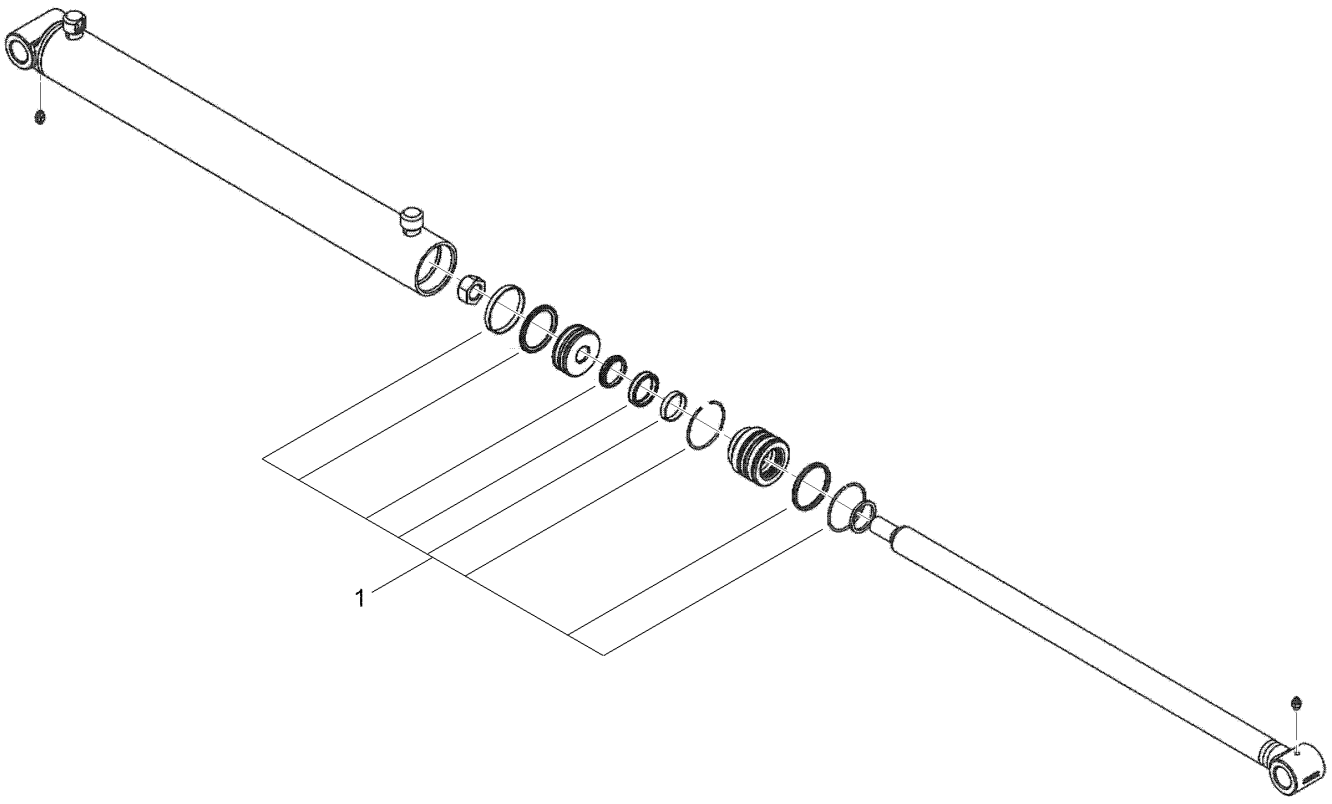
Attachment Plate Assembly No. 140-6017



Attachment Plate Assembly No. 140-6017 (continued)

<i>Ref.</i>	<i>Part Number</i>	<i>Qty.</i>	<i>Description</i>	<i>Ref.</i>	<i>Part Number</i>	<i>Qty.</i>	<i>Description</i>
1	140-5992	1	Qtach	6	140-5981	2	Cam-Qtach
2	139-5737	2	Bushing-Spring	7	100-9782	2	Spring-Compression
3	140-5979	2	Pin-Locking,	8	32121-32	2	Pin-Roll
4	140-5983	1	Stop-Pin, LH	9	302-5	4	Fitting-Grease
5	140-5991	1	Stop-Pin, RH				

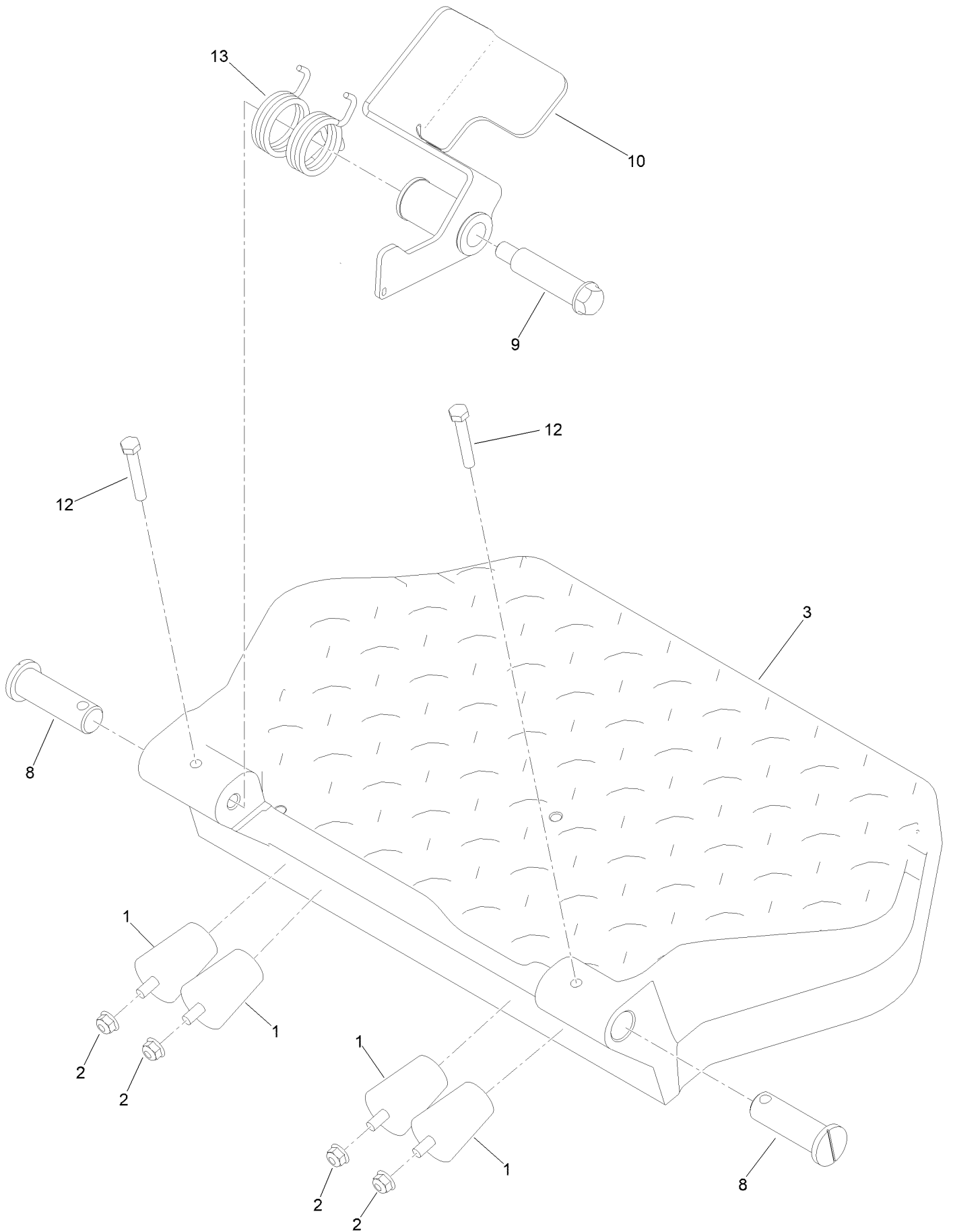
Hydraulic Cylinder Assembly No. 140-7634



Hydraulic Cylinder Assembly No. 140-7634 (continued)

<i>Ref.</i>	<i>Part Number</i>	<i>Qty.</i>	<i>Description</i>
1	140-5309	1	Kit-Seal, Hydraulic CYL

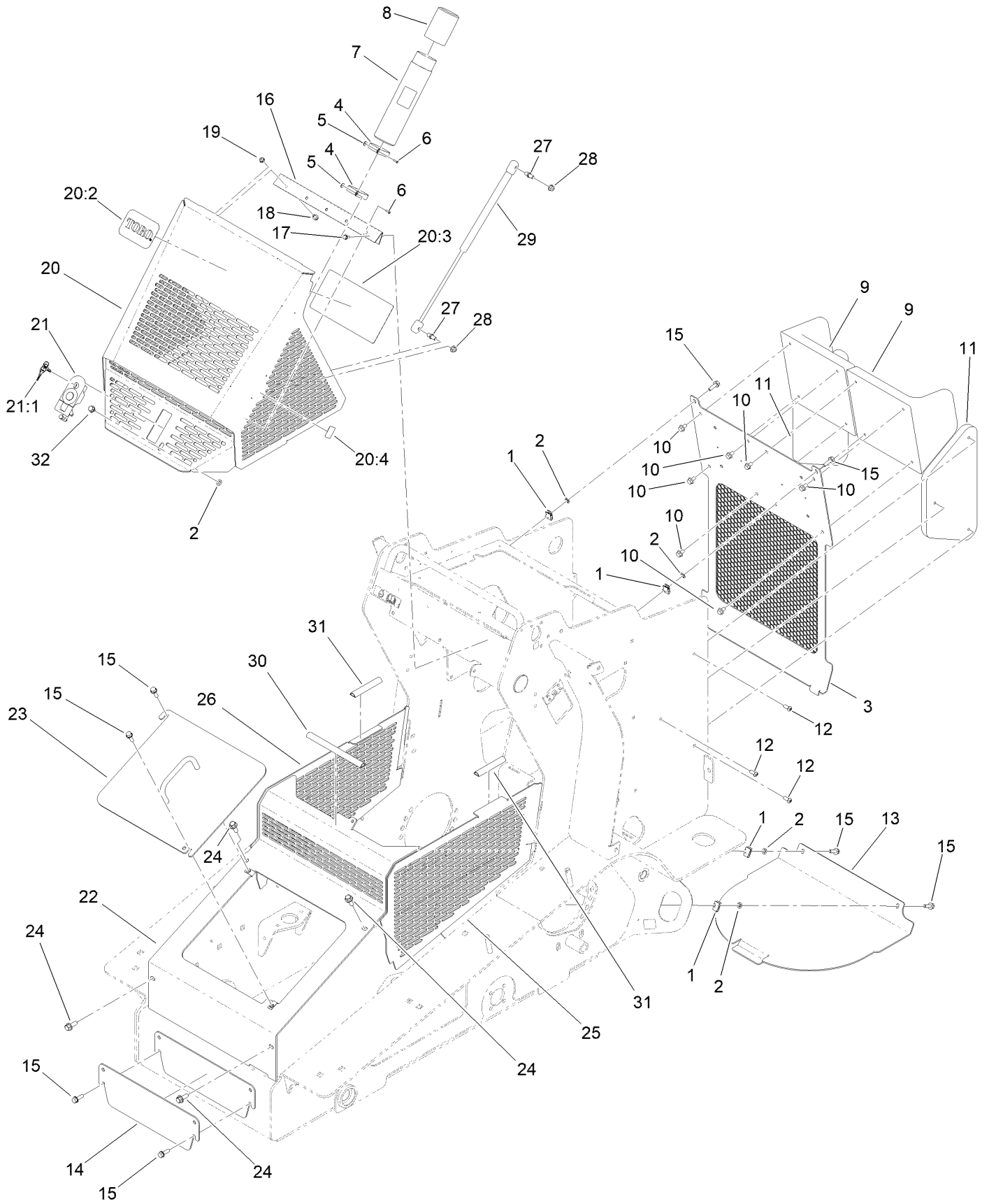
Platform Assembly



Platform Assembly (continued)

<i>Ref.</i>	<i>Part Number</i>	<i>Qty.</i>	<i>Description</i>	<i>Ref.</i>	<i>Part Number</i>	<i>Qty.</i>	<i>Description</i>
1	110-5070	4	Bumper	9	126-9209	1	Bolt-Shoulder
2	104-8300	4	Nut-HF, NI	10	147-6774-05	1	Pedal ASM [blk-Txt]
3	147-9003-05	1	Operator Platform [blk-Txt]	12	322-10	2	Screw-HH
8	147-6772	2	Pin-Platform	13	147-6857	1	Spring-Torsion, Twin Coils

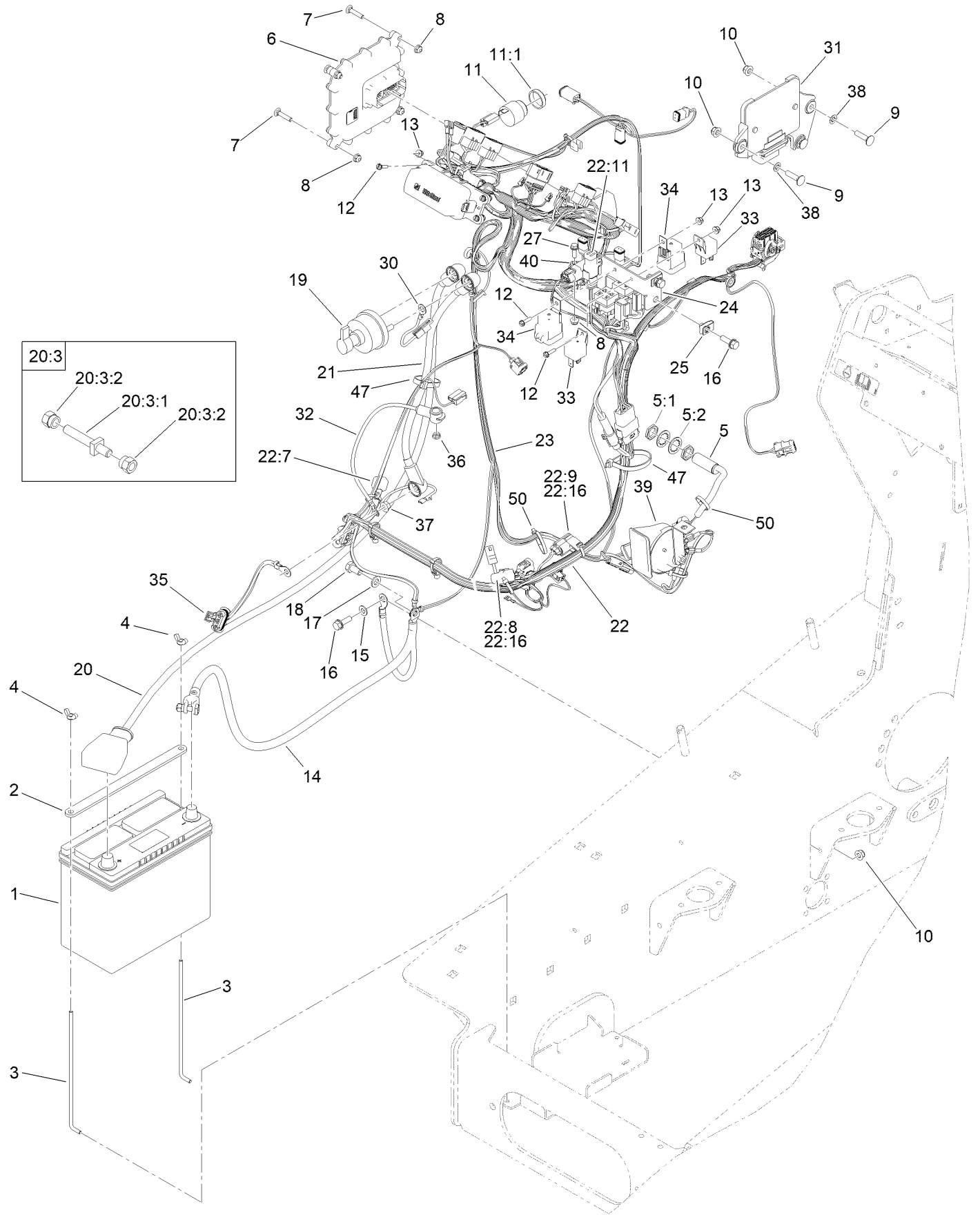
Hood and Covers Assembly



Hood and Covers Assembly (continued)

<i>Ref.</i>	<i>Part Number</i>	<i>Qty.</i>	<i>Description</i>	<i>Ref.</i>	<i>Part Number</i>	<i>Qty.</i>	<i>Description</i>
1	115-7721	6	Nut-Clip, U	20	145-4470	1	Hood ASM
2	109-5667	5	Nut-Push	20:2	117-0871	1	Decal
3	144-4365-03	1	Cover-Rear [black]	20:3	145-4486	1	Decal-Service Interval
4	2412-120	2	Clamp-R	20:4	147-6827	1	Decal-Operator Manual
5	3269-10	2	Washer-Back	21	144-4364	1	Latch-Compression, Locking
6	3269-17	2	Rivet-Pop	21:1	145-4488	1	Keys-Latch
7	104-7050	1	Tube-Manual	22	147-6826-03	1	Panel-Cover, Front
8	104-7048	1	Cap-Housing	23	145-4338-03	1	Cover-Access, Battery [black]
9	140-5943	2	Pad-Operator	24	3234-42	4	Screw-HHF
10	3234-30	8	Screw-HHF	25	147-6821-03	1	Cover-Side, LH
11	145-4343	2	Pad-Operator, Knee	26	147-6822-03	1	Cover-Side, RH
12	3274-55	6	Screw-HSBH	27	98-3104	2	Stud-Ball
13	144-4397-01	1	Cover-Access, Bottom	28	104-8300	2	Nut-HF, NI
14	144-4352-01	1	Cover-Access, Front	29	147-6766	1	Spring-Gas
15	3234-29	8	Screw-HHF	30	140-5942	1	Seal-Bulb
16	100-1284	1	Hinge-Hood	31	138-2449	2	Seal-Bulb
17	32144-4	4	Screw-HWH	32	9266934	1	Screw
18	3234-13	5	Screw-HHF				
19	104-7201	5	Nut-HF, NI				

Electrical Assembly

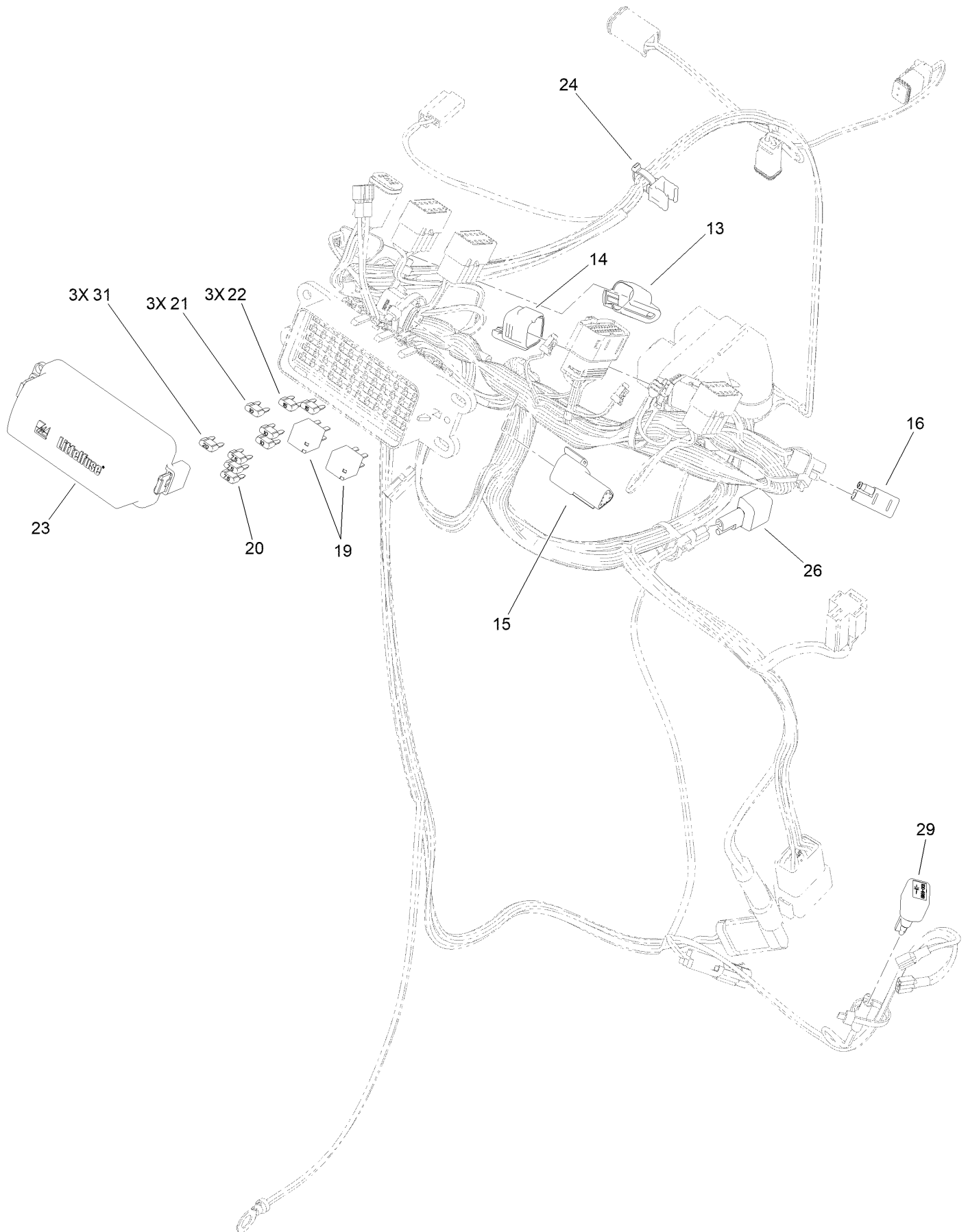


Electrical Assembly (continued)

<i>Ref.</i>	<i>Part Number</i>	<i>Qty.</i>	<i>Description</i>	<i>Ref.</i>	<i>Part Number</i>	<i>Qty.</i>	<i>Description</i>
1	140-5760	1	Battery- Wet, 12V, 450 CCA	20:3	112-9921	1	Bolt ASM
2	145-4426-03	1	Plate-Hold Down, Battery	20:3:1	32180-107	1	Bolt-Clamp, Battery
3	136-5756	2	Rod-Hold Down, Battery	20:3:2	32180-108	2	Nut-Hex Shoulder
4	1-803038	2	Wingnut	21	122-2245	1	Cable-Battery, Rd ASM
5	115-5300	1	Proximity Switch ASM	22	122-2548	1	Harness-Wire, Engine
5:1	117-3207	2	Nut-Hex	22:7	100-4918	1	Diode
5:2	117-3208	2	Washer-Lock, Internal Tooth	22:8	121-8861	1	Fuse-Mini Blade, 2 Amp
6	127-2770	1	Controller	22:9	121-8866	1	Fuse-Mini Blade, 10 Amp
7	3229-3	4	Screw-CARR	22:11	32160-359	1	Connector (6M)
8	104-7201	6	Nut-HF, NI	22:16	32180-101	2	Cover-Fuse, Single
9	3230-3	3	Screw-CARR	23	122-2549	1	Harness-Wire, Main
10	104-8300	4	Nut-HF, NI	24	145-4397-0P	1	Bracket-Relay
11	80-9330	1	Audio Alarm ASM	25	115-7721	2	Nut-Clip, U
11:1	104-5107	1	Nut-Plastic, Knurled	27	115-5103	2	Screw-HHF
12	32105-13	6	Screw-HWH	30	136-4862	1	Harness-Wire, Fusible Link
13	120-4578	6	Nut-HF	31	144-4448	1	Controller-Engine
14	105-0115	1	Cable-Battery, Negative	32	100-5552	1	Harness-Wire
15	120-9683	1	Washer-Plain	33	99-7435	2	Relay
16	3234-29	3	Screw-HHF	34	99-7430	2	Relay-Mini
17	33095-00	1	Washer-Flat	35	99-3441	1	Harness-Wire, Fusible Link
18	33115-020	1	Screw-HH	36	33003-00	1	Nut-HF
19	AUR52278	1	Switch-Disconnect, Master	37	33004-00	1	Nut-HF
19:1	3253-21	2	Washer-Lock ●	38	109-5667	3	Nut-Push
19:2	126-0687	2	Nut-Hex ●	39	116749	1	Horn
19:3	515-0040	1	Washer,Lock,Int,.91X1.387X.056,Std Bohs ●	46	126-9261	1	Sensor-Atm
				47	3334-945	2	Tie-Cable
20	122-2244	1	Cable-Battery, Rd ASM	50	3290-378	2	Tie-Cable

● Not illustrated

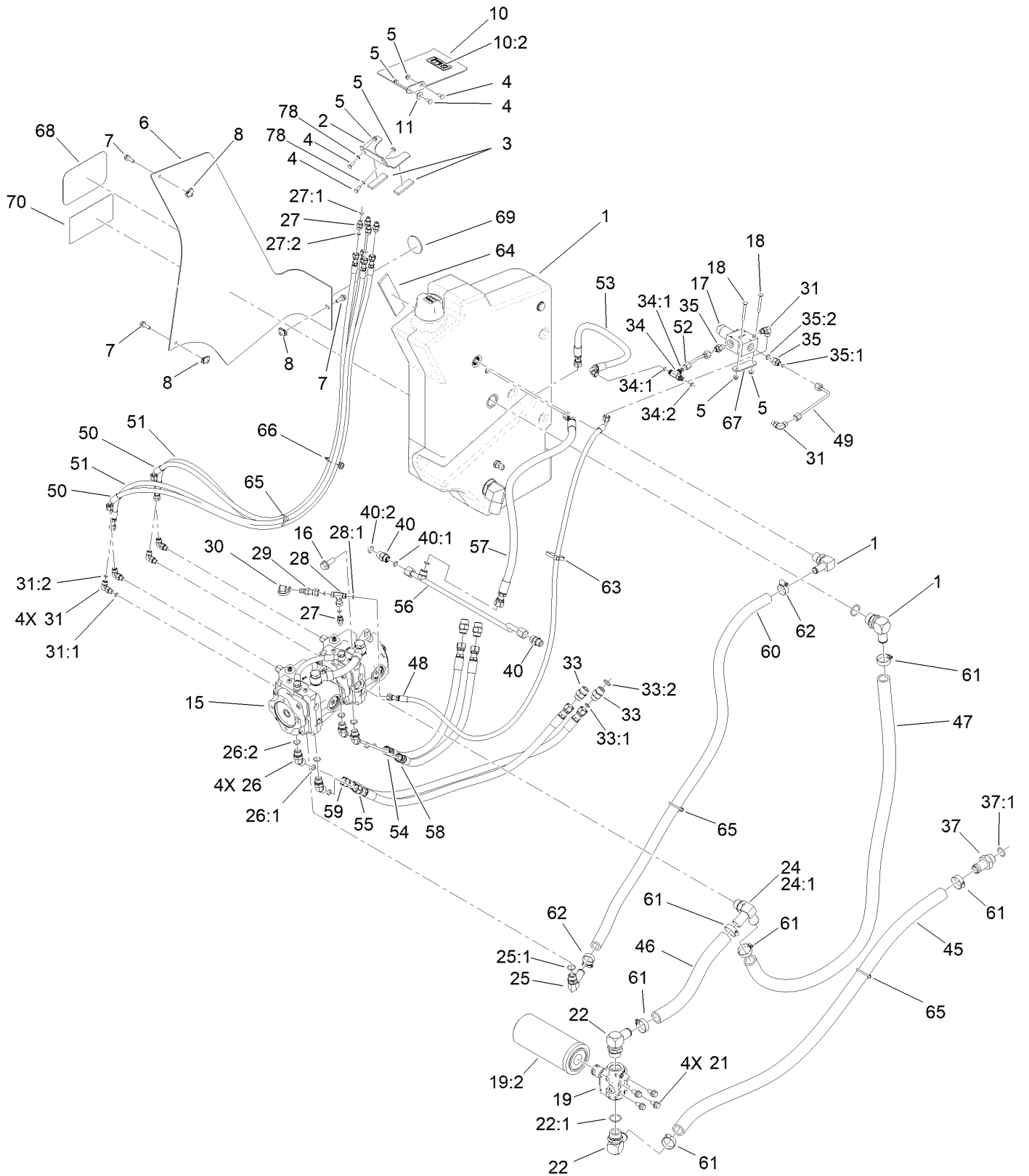
Main Wire Harness Assembly No. 122-2549



Main Wire Harness Assembly No. 122-2549 (continued)

<i>Ref.</i>	<i>Part Number</i>	<i>Qty.</i>	<i>Description</i>	<i>Ref.</i>	<i>Part Number</i>	<i>Qty.</i>	<i>Description</i>
13	32180-089	1	Cap-Plug, 3 Way	22	121-8867	3	Fuse-Mini Blade, 15 Amp
14	32180-156	1	Cap-Plug, 6 Way	23	32180-229	2	Cover-Littelfuse, Pdm 60F
15	32180-043	1	Resistor-120 Ohm	24	32180-078	1	Clip-Edge
16	116-0053	1	Cap-Plug	26	104-4022	1	Resistor-75 Ohm
19	126-3991	2	Relay-Micro	29	100-4918	1	Diode
20	121-8865	3	Fuse-Mini Blade, 7.5 Amp	31	121-8868	1	Fuse-Mini Blade, 20 Amp
21	121-8866	3	Fuse-Mini Blade, 10 Amp				

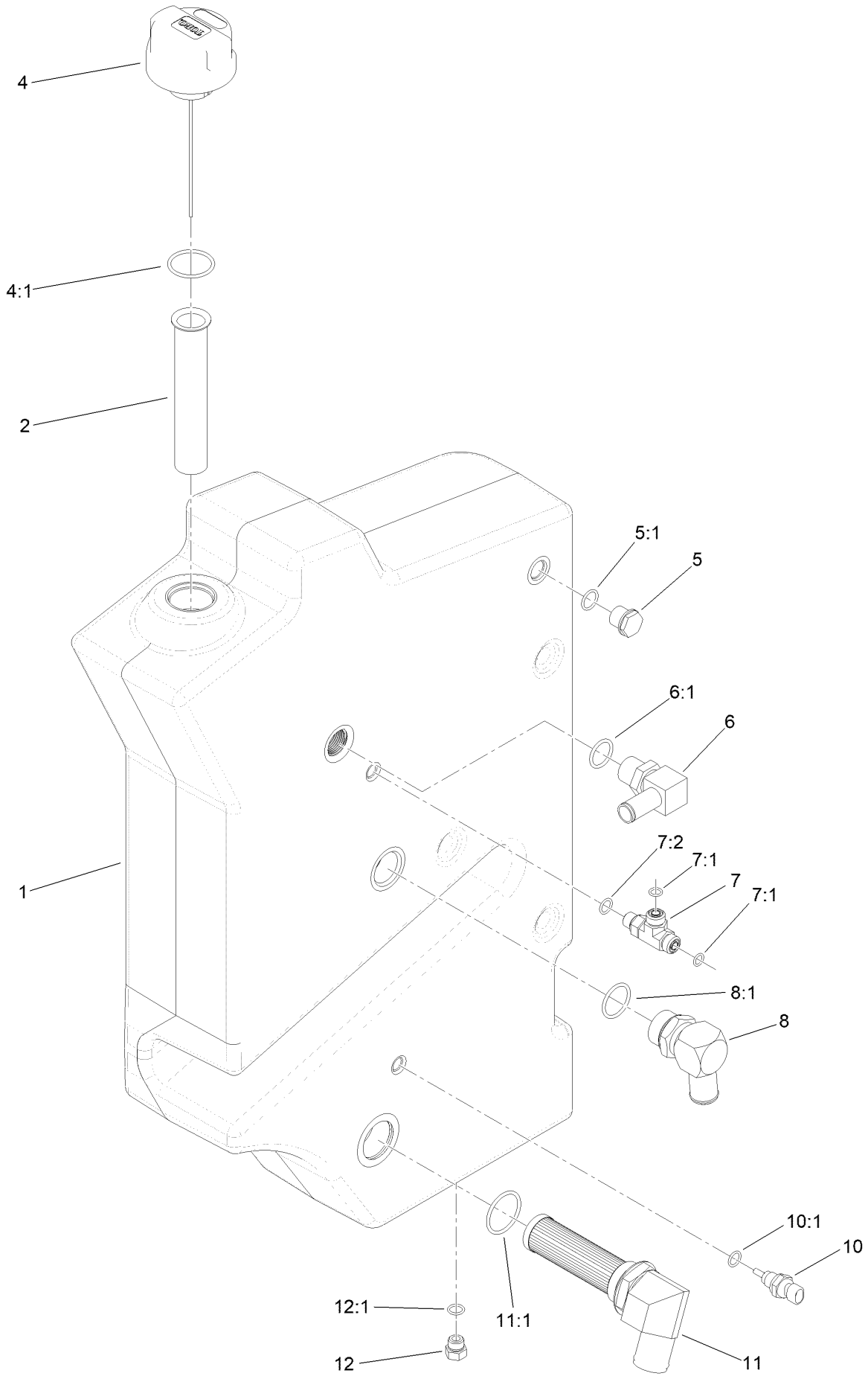
Traction Hydraulics Assembly



Traction Hydraulics Assembly (continued)

<i>Ref.</i>	<i>Part Number</i>	<i>Qty.</i>	<i>Description</i>	<i>Ref.</i>	<i>Part Number</i>	<i>Qty.</i>	<i>Description</i>
1	145-4467	1	Tank ASM-HYD	33:2	237-80	1	O-Ring
2	145-4429-03	1	Bracket-Tank, Hold Down	34	340-140	1	Fitting-Tee
3	145-4430	2	Pad-Foam	34:1	237-21	2	O-Ring
4	3229-1	4	Screw-CARR	34:2	237-78	1	O-Ring
5	104-7201	6	Nut-HF, NI	35	340-1	2	Fitting-Straight
6	145-4483	1	Tank Cover ASM-HYD	35:1	237-21	1	O-Ring
7	3234-29	3	Screw-HHF	35:2	237-42	1	O-Ring
8	115-7721	3	Nut-Clip, U	37	99-3017	1	Fitting
10	145-4482	1	Tank Bracket ASM-HYD	37:1	237-81	1	O-Ring
10:2	125-8483	1	Decal-HYD Fluid	40	340-4	2	Fitting-Straight
11	3290-456	1	Washer-Belleville	40:1	237-30	1	O-Ring
15	147-6767	1	Pump-Tandem	40:2	237-79	1	O-Ring
16	147-6874	2	Screw-HF	45	145-4380	1	HYD Hose
17	145-4324	1	Valve-Proportional Pressure Reducing	46	145-4381	1	HYD Hose
				47	145-4382	1	HYD Hose
18	120-9699	2	Screw-CARR	48	145-4365	1	HYD Hose ASM
19	139-1010	1	Filter Head ASM	49	147-6713	1	HYD Tube ASM
19:2	94-2621	1	Element-Filter	50	145-4367	2	HYD Hose ASM
21	3234-1	4	Screw-HHF	51	145-4368	2	HYD Hose ASM
22	23-8910	2	Stem-Barb-90	52	147-6711	1	HYD Tube ASM
22:1	237-146	1	O-Ring	53	145-4374	1	HYD Hose ASM
24	AU375462A1	1	Connector	54	145-4377	1	HYD Hose ASM
24:1	237-81	1	O-Ring	55	145-4378	1	HYD Hose ASM
25	87-8170	1	Fitting-90	56	147-6770	1	HYD Tube ASM
25:1	237-80	1	O-Ring	57	147-6769	1	HYD Hose ASM
26	340-101	4	Fitting-HYD, 45 DEG	58	145-4490	1	HYD Hose ASM
26:1	237-30	1	O-Ring	59	145-4491	1	HYD Hose ASM
26:2	237-79	1	O-Ring	60	145-4492	1	HYD Hose
27	340-92	5	Fitting-Straight	61	2412-34	6	Clamp-Hose
27:1	237-78	1	O-Ring	62	2412-129	2	Clamp-Hose
27:2	237-21	1	O-Ring	63	3334-945	1	Tie-Cable
28	99-3477	1	Fitting-Tee	64	112-2401	1	Pad-Rubber
28:1	237-21	2	O-Ring	65	32180-118	3	Clip-Tie
29	115-8886	1	Nipple-Test	66	32180-139	1	Mount-Tie Wrap, Magnetic
30	353-947	1	Cap-Dust, Black	67	147-6790	1	Bracket-Clamp, Valve
31	340-132	6	Fitting-Elbow, 90 DEG	68	145-0609	1	Decal-Toro Logo
31:1	237-78	1	O-Ring	69	139-1937	1	Reflector-Red
31:2	237-21	1	O-Ring	70	147-6708	1	Decal-Tx1000 Turbo
33	340-6	4	Fitting-Straight	78	1-803037	2	Nut-Retaining
33:1	237-30	1	O-Ring				

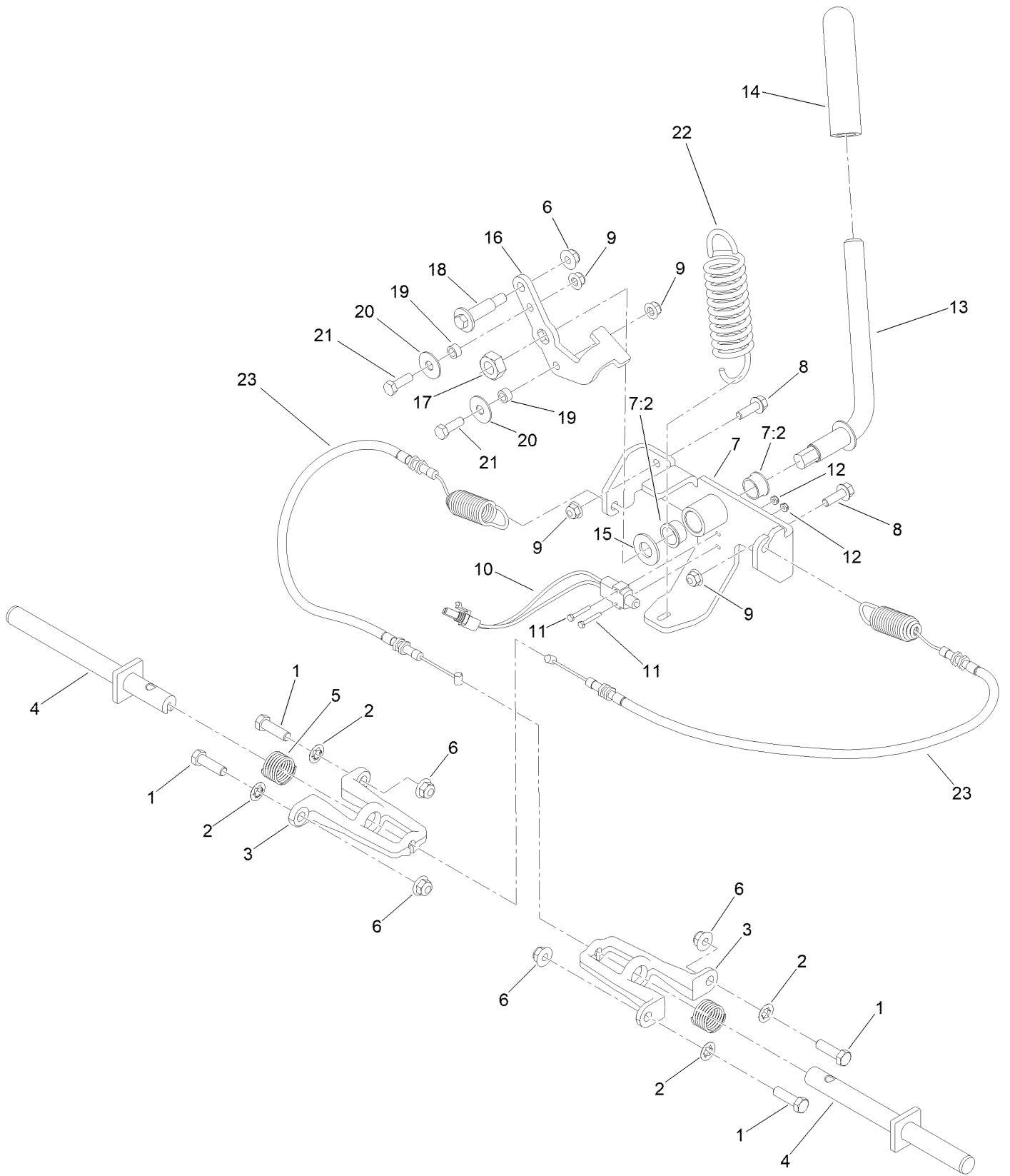
Hydraulic Tank Assembly No. 145-4467



Hydraulic Tank Assembly No. 145-4467 (continued)

<i>Ref.</i>	<i>Part Number</i>	<i>Qty.</i>	<i>Description</i>	<i>Ref.</i>	<i>Part Number</i>	<i>Qty.</i>	<i>Description</i>
1	147-6712	1	Tank ASM-HYD	7:1	237-22	2	O-Ring
2	61-2790	1	Filter-Screen	7:2	237-42	1	O-Ring
4	117-0193	1	Cap-Hydraulic, Vented Breather	8	23-8910	1	Stem-Barb-90
4:1	237-101	1	O-Ring	8:1	237-146	1	O-Ring
5	114-3075	1	Sight Glass ASM	10	110-8829	1	Sender-Temperature
5:1	237-79	1	O-Ring	10:1	237-42	1	O-Ring
6	353-987	1	Fitting-Elbow, 90	11	145-0622	1	Strainer Fitting ASM
6:1	237-81	1	O-Ring	11:1	237-101	1	O-Ring
7	340-86	1	Fitting-Tee	12	353-508	1	Plug-HH
				12:1	237-42	1	O-Ring

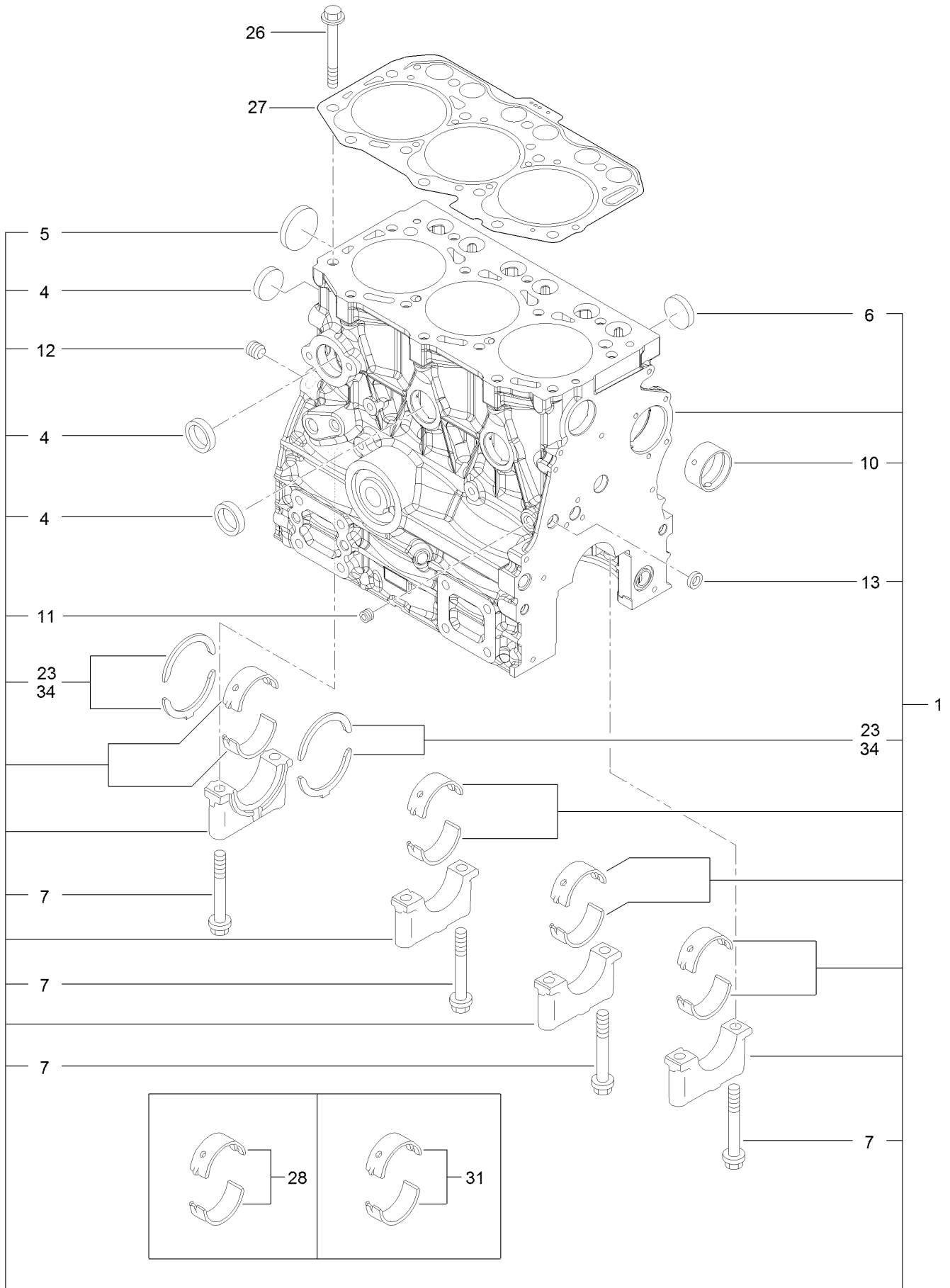
Parking Brake Assembly



Parking Brake Assembly (continued)

<i>Ref.</i>	<i>Part Number</i>	<i>Qty.</i>	<i>Description</i>	<i>Ref.</i>	<i>Part Number</i>	<i>Qty.</i>	<i>Description</i>
1	323-7	4	Screw-HH	12	3296-9	2	Nut-Hex
2	107-3154	4	Nut-Push	13	133-0232	1	Lever-Brake
3	138-0207-03	2	Mount-Pin [black]	14	110-1037	1	Grip-Handle
4	145-3170	2	Brake Rod ASM	15	3256-27	1	Washer-Flat
5	125-0344	2	Spring-Compression	16	138-0205-0P	1	Plate-Brake Linkage
6	104-8301	5	Nut-HF, NI	17	3296-33	1	Nut-Lock, NI
7	136-4798	1	Bracket-Brake	18	136-7198	1	Bolt-Shoulder
7:2	256-252	2	Bearing-Flange	19	85-9120	2	Spacer-Pivot, Tilt
8	3234-29	2	Screw-HHF	20	52-2860	2	Washer
9	104-8300	4	Nut-HF, NI	21	322-5	2	Screw-HH
10	95-8900	1	Switch	22	136-4787	1	Spring-EXT
11	32105-9	2	Screw-HH	23	136-4789	2	Cable-Brake

Cylinder Block Assembly



Cylinder Block Assembly (continued)

<i>Ref.</i>	<i>Part Number</i>	<i>Qty.</i>	<i>Description</i>	<i>Ref.</i>	<i>Part Number</i>	<i>Qty.</i>	<i>Description</i>
1	135-4030	1	Cylinder Block ASM	13	125-7237	1	Plug
4	135-4031	4	Plug-Cup	23	135-4036	2	Thrust Bearing ASM
5	135-4032	1	Plug-Dish	26	135-4037	14	Bolt-Head, Cylinder
6	135-4033	3	Plug-Cup	27	135-4038	1	Head Gasket Set
7	135-4034	8	Bolt-Cap	28	135-4039	4	Main Bearing ASM
10	135-4035	1	Bushing-Camshaft	31	135-4040	4	Main Bearing ASM
11	125-6969	1	Plug	34	135-4041	2	Bearing-Thrust
12	125-6973	1	Plug				

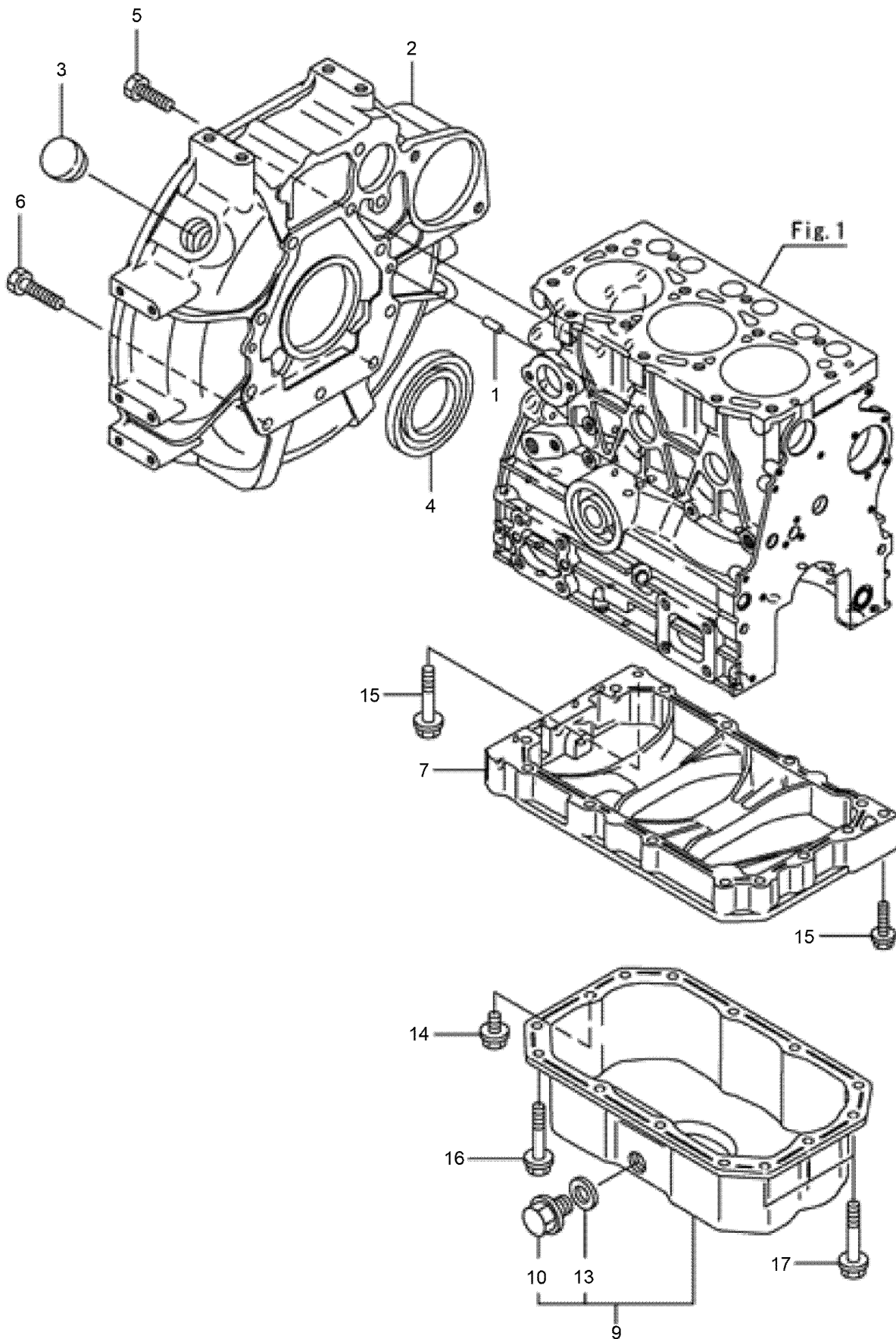
Gear Housing Assembly



Gear Housing Assembly (continued)

<i>Ref.</i>	<i>Part Number</i>	<i>Qty.</i>	<i>Description</i>	<i>Ref.</i>	<i>Part Number</i>	<i>Qty.</i>	<i>Description</i>
1	135-4042	1	Case-Gear	16	135-4056	1	Cover-Pump
2	135-4043	3	Bolt-Stud	17	135-4057	4	Dowel-Pipe
3	135-4044	1	Gear Case Cover ASM	18	127-2973	1	O-Ring
4	135-4045	1	Gear Case Cover ASM	19	135-4058	3	O-Ring
5	135-4046	1	Cover-Case, Gear	20	125-6957	1	O-Ring
6	133-6798	2	Plug	21	125-7206	1	Bolt
7	135-4047	1	Seal-Oil	22	125-7208	4	Bolt
8	135-4048	1	Cover ASM	23	125-7211	4	Bolt
9	135-4049	1	Cover-Pump	24	125-7211	3	Bolt
10	135-4050	1	Valve-Relief	25	135-4059	7	Bolt
11	135-4051	1	Spring	26	136-8257	2	Bolt
12	135-4052	1	Plug	27	125-7229	3	Nut
13	135-4053	1	Rotor-Inner	28	125-6972	1	Cover-Filler
14	135-4054	1	Rotor-Outer	29	125-7197	1	O-Ring
15	135-4055	8	Screw				

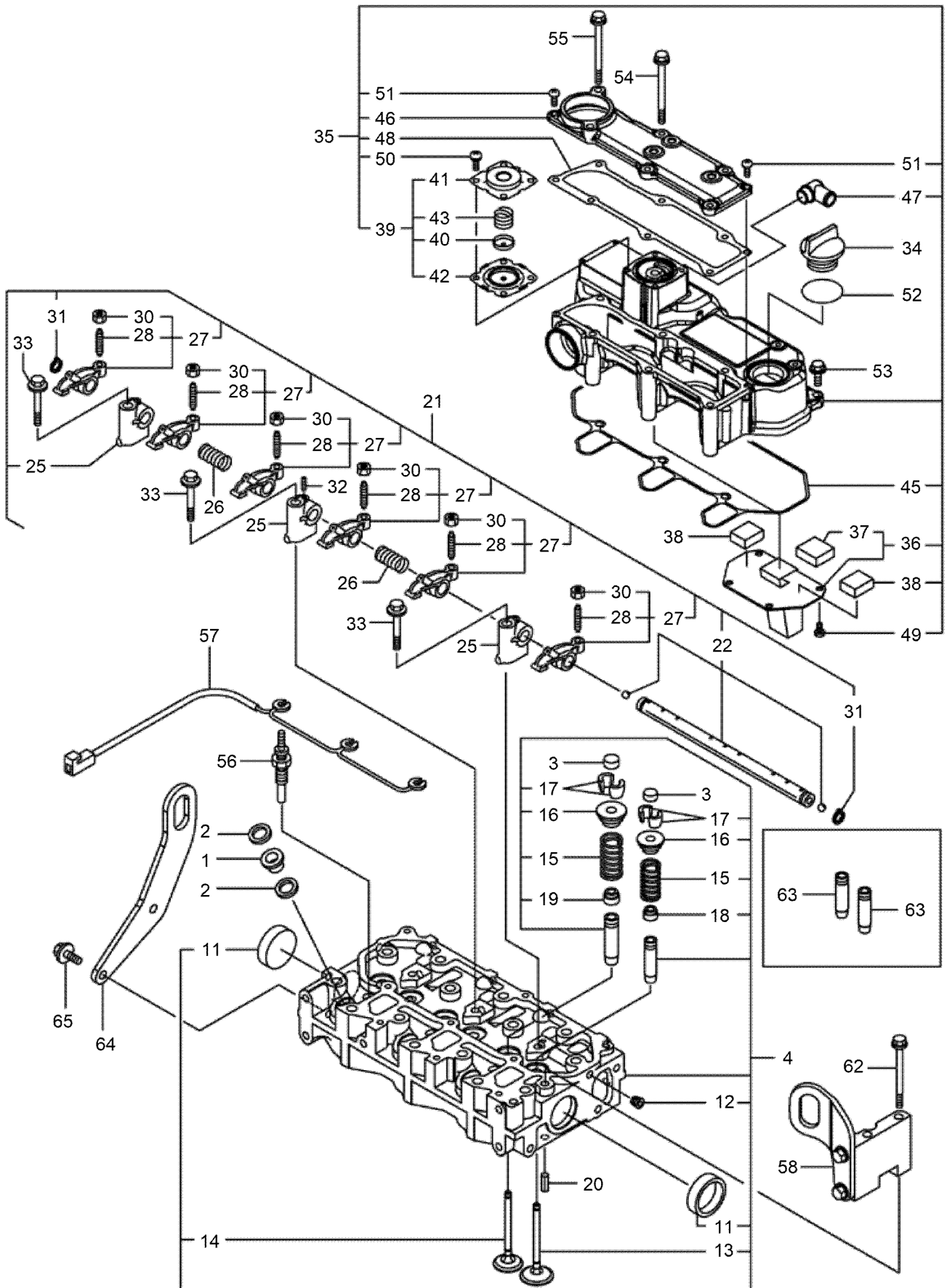
Fywheel Housing and Oil Sump Assembly



Fywheel Housing and Oil Sump Assembly (continued)

<i>Ref.</i>	<i>Part Number</i>	<i>Qty.</i>	<i>Description</i>	<i>Ref.</i>	<i>Part Number</i>	<i>Qty.</i>	<i>Description</i>
1	125-6995	2	Pin	9	134-1398	1	Oil Pan ASM
2	134-1397	1	Housing-Flywheel	10	135-4068	1	Plug
3	125-6910	1	Cap	13	136-8236	1	Washer-Seal
4	135-4064	1	Seal-Oil	14	125-7212	1	Bolt
5	125-7226	8	Bolt	15	125-7216	1	Bolt
6	125-7227	3	Bolt	16	125-7219	11	Bolt
7	135-4066	1	Spacer-Pan, Oil	17	125-7220	3	Bolt

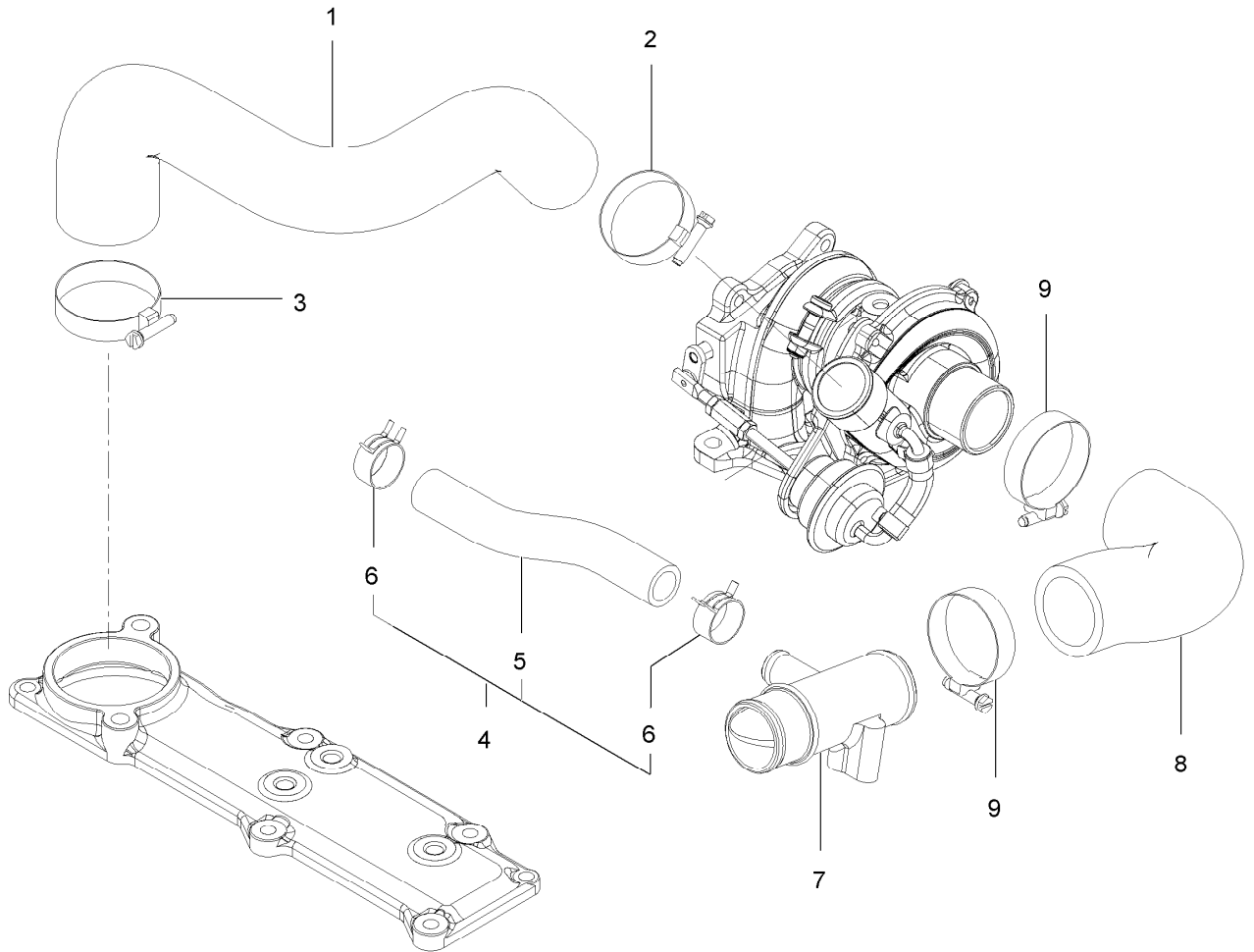
Cylinder Head and Bonnet Assembly



Cylinder Head and Bonnet Assembly (continued)

<i>Ref.</i>	<i>Part Number</i>	<i>Qty.</i>	<i>Description</i>	<i>Ref.</i>	<i>Part Number</i>	<i>Qty.</i>	<i>Description</i>
1	135-4069	3	Protector-Nozzle	37	135-4086	1	Baffle-Breather
2	135-4070	6	Gasket-Nozzle	38	135-4086	2	Baffle-Breather
3	135-4071	6	Cap-Valve	39	135-4088	1	Diaphragm ASM
4	135-4072	1	Head ASM-Cylinder	40	135-4089	1	Plate-Diaphragm
11	135-4073	2	Plug-Cup	41	135-4090	1	Cover-Diaphragm
12	133-6797	1	Plug	42	135-4091	1	Diaphragm
13	135-4074	3	Valve-Suction	43	135-4092	1	Spring-Diaphragm
14	135-4075	3	Valve-Exhaust	45	135-4093	1	Gasket-Cover, Cylinder Head
15	135-4076	6	Spring-Valve	46	135-4094	1	Cover ASM-Bonnet
16	125-7054	6	Retainer	47	133-6603	1	Elbow
17	125-6914	12	Cotter	48	135-4095	1	Gasket
18	125-6915	3	Seal-Stem, Valve	49	125-7186	4	Screw
19	125-6916	3	Seal-Stem, Valve	50	125-7186	4	Screw
20	125-7184	2	Pin-Spring	51	127-3168	2	Screw
21	135-4077	1	Rocker Support ASM	52	125-7197	1	O-Ring
22	135-4078	1	Rocker Shaft ASM	53	125-7209	3	Bolt
25	135-4079	3	Support-Arm, Rocker	54	135-4096	4	Bolt
26	135-4080	2	Spring-Rocker	55	163-1100	2	Bolt, M6X 85 Plated
27	135-4081	6	Rocker Arm ASM	56	163-1101	3	Plug, Glow 12V
28	125-7013	6	Screw-Adjust, Valve	57	134-1443	1	Connector-Plug, Glow
30	125-7014	6	Nut	58	135-4292	1	Lifter ASM
31	135-7082	2	Ring	62	127-3178	2	Bolt
32	145-7836	1	Screw	63	125-6917	6	Guide
33	125-7218	3	Bolt	64	135-4097	1	Lifter-Engine
34	125-6972	1	Cover-Filler	65	125-7214	2	Bolt
35	135-4084	1	Bonnet ASM				
36	135-4085	1	Plate-Baffle				

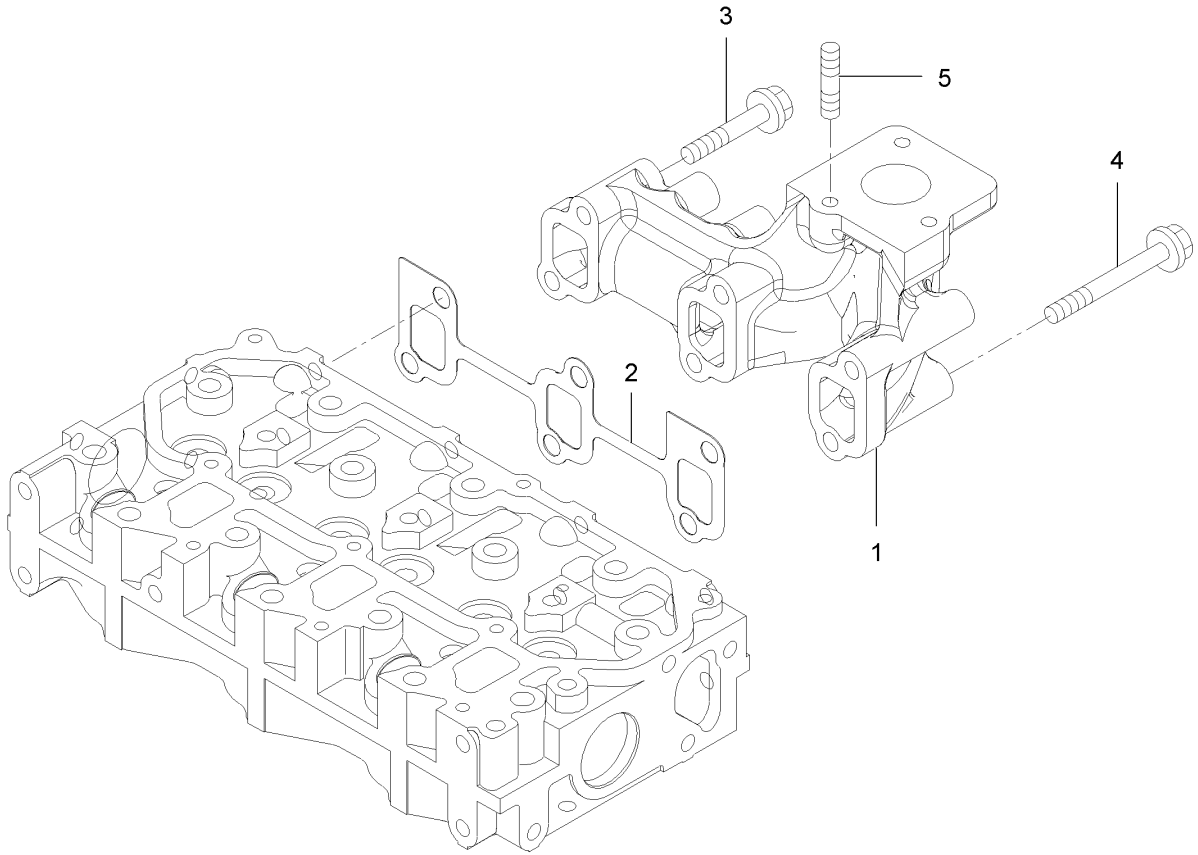
Suction Manifold Assembly



Suction Manifold Assembly (continued)

<i>Ref.</i>	<i>Part Number</i>	<i>Qty.</i>	<i>Description</i>	<i>Ref.</i>	<i>Part Number</i>	<i>Qty.</i>	<i>Description</i>
1	135-4101	1	Hose-Air Intake	6	125-7040	2	Clip-Hose
2	125-7189	1	Clamp-Hose	7	135-4104	1	Joint-Breather
3	127-3170	1	Clamp-Hose	8	135-4105	1	Hose-Intake, Air
4	135-4102	1	Hose ASM-Breather	9	127-3170	2	Clamp-Hose
5	135-4103	1	Hose-Breather				

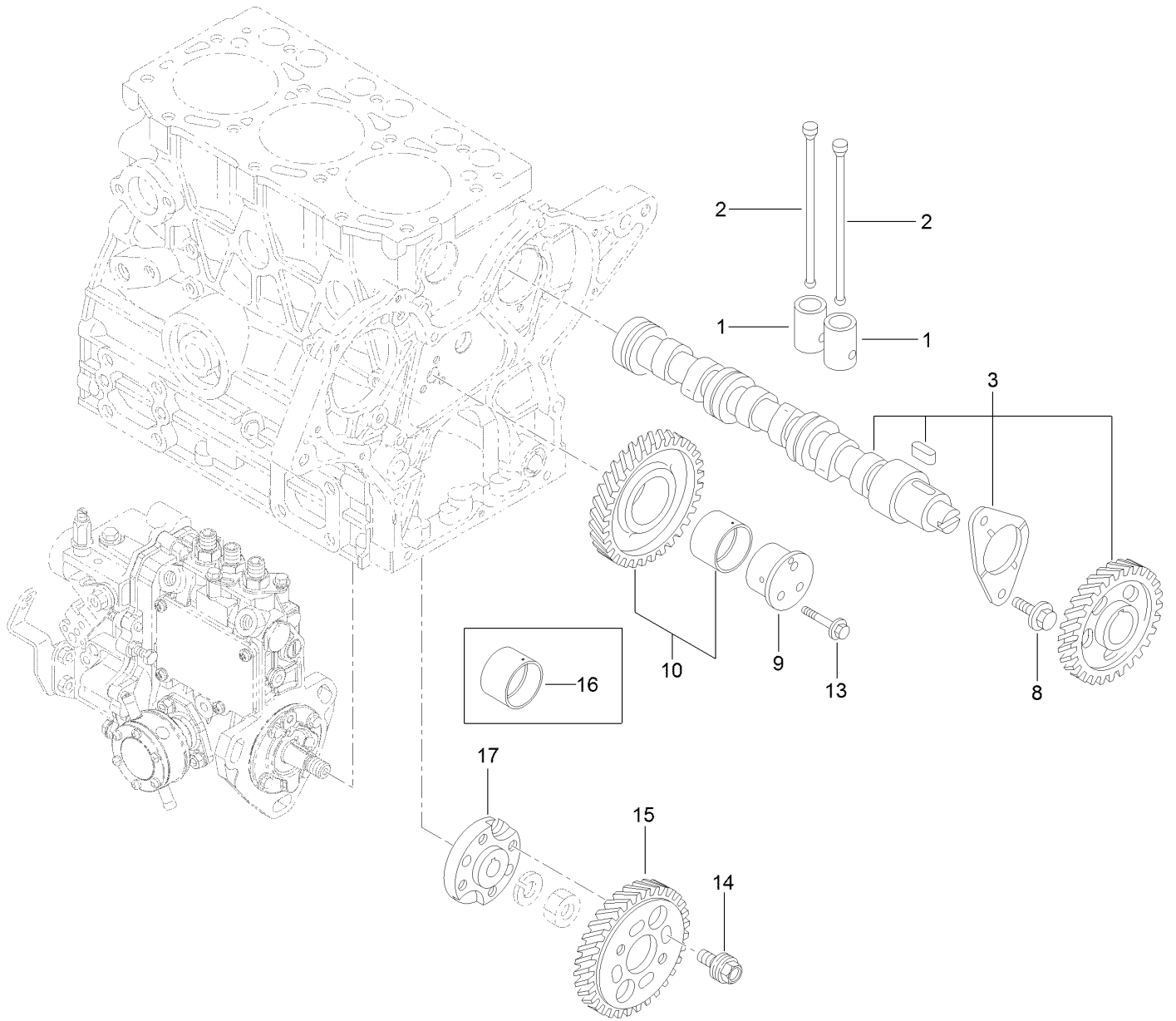
Exhaust Manifold Assembly



Exhaust Manifold Assembly (continued)

<i>Ref.</i>	<i>Part Number</i>	<i>Qty.</i>	<i>Description</i>	<i>Ref.</i>	<i>Part Number</i>	<i>Qty.</i>	<i>Description</i>
1	135-4106	1	Manifold-Exhaust	4	133-6606	3	Bolt
2	135-4107	1	Gasket-Manifold, Exhaust	5	125-7043	3	Stud
3	133-6714	3	Bolt				

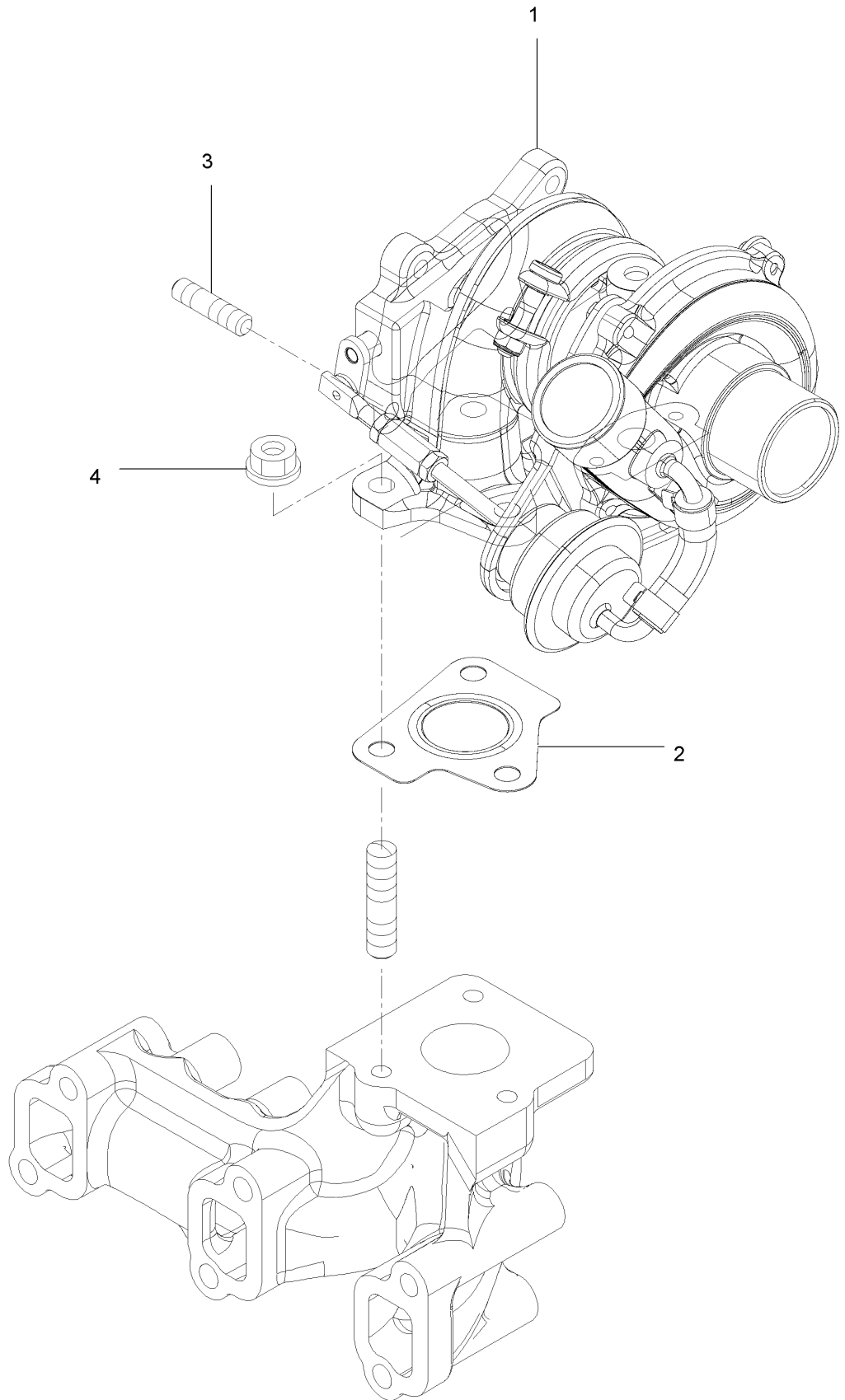
Camshaft and Driving Gear Assembly



Camshaft and Driving Gear Assembly (continued)

<i>Ref.</i>	<i>Part Number</i>	<i>Qty.</i>	<i>Description</i>	<i>Ref.</i>	<i>Part Number</i>	<i>Qty.</i>	<i>Description</i>
1	135-4108	6	Tappet	13	135-4147	3	Bolt
2	135-4109	6	Push-Rod	14	125-7020	4	Bolt
3	135-4110	1	Camshaft ASM	15	135-4148	1	Gear-Pump
8	125-7206	2	Bolt	16	135-4149	1	Bushing-Gear, Idle
9	135-4145	1	Shaft-Idle	17	135-4150	1	Flange
10	135-4146	1	Idle Gear ASM				

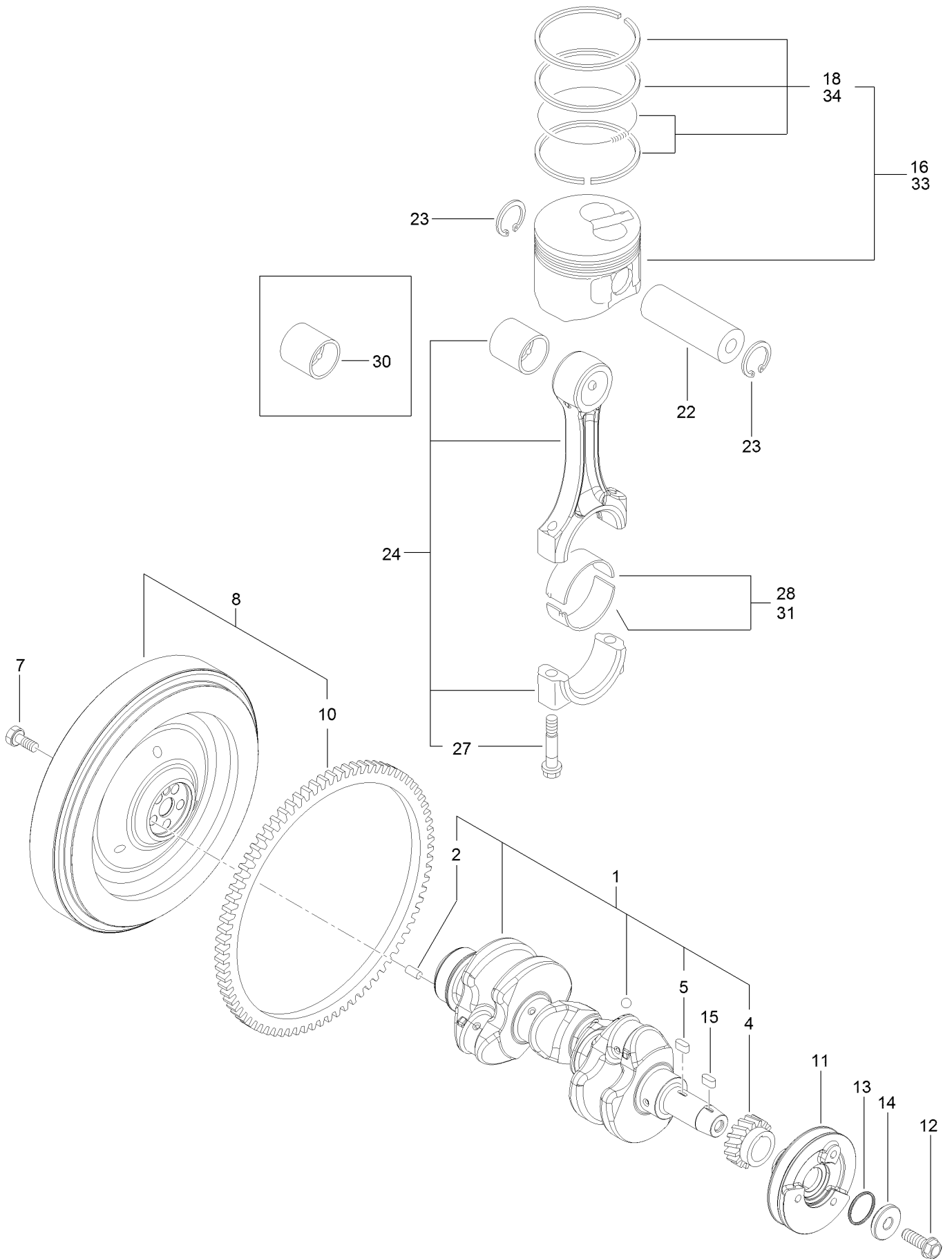
Turbine Assembly



Turbine Assembly (continued)

<i>Ref.</i>	<i>Part Number</i>	<i>Qty.</i>	<i>Description</i>	<i>Ref.</i>	<i>Part Number</i>	<i>Qty.</i>	<i>Description</i>
1	135-4151	1	Turbocharger	3	125-6906	4	Stud
2	127-3799	1	Gasket-In, T C	4	125-7229	3	Nut

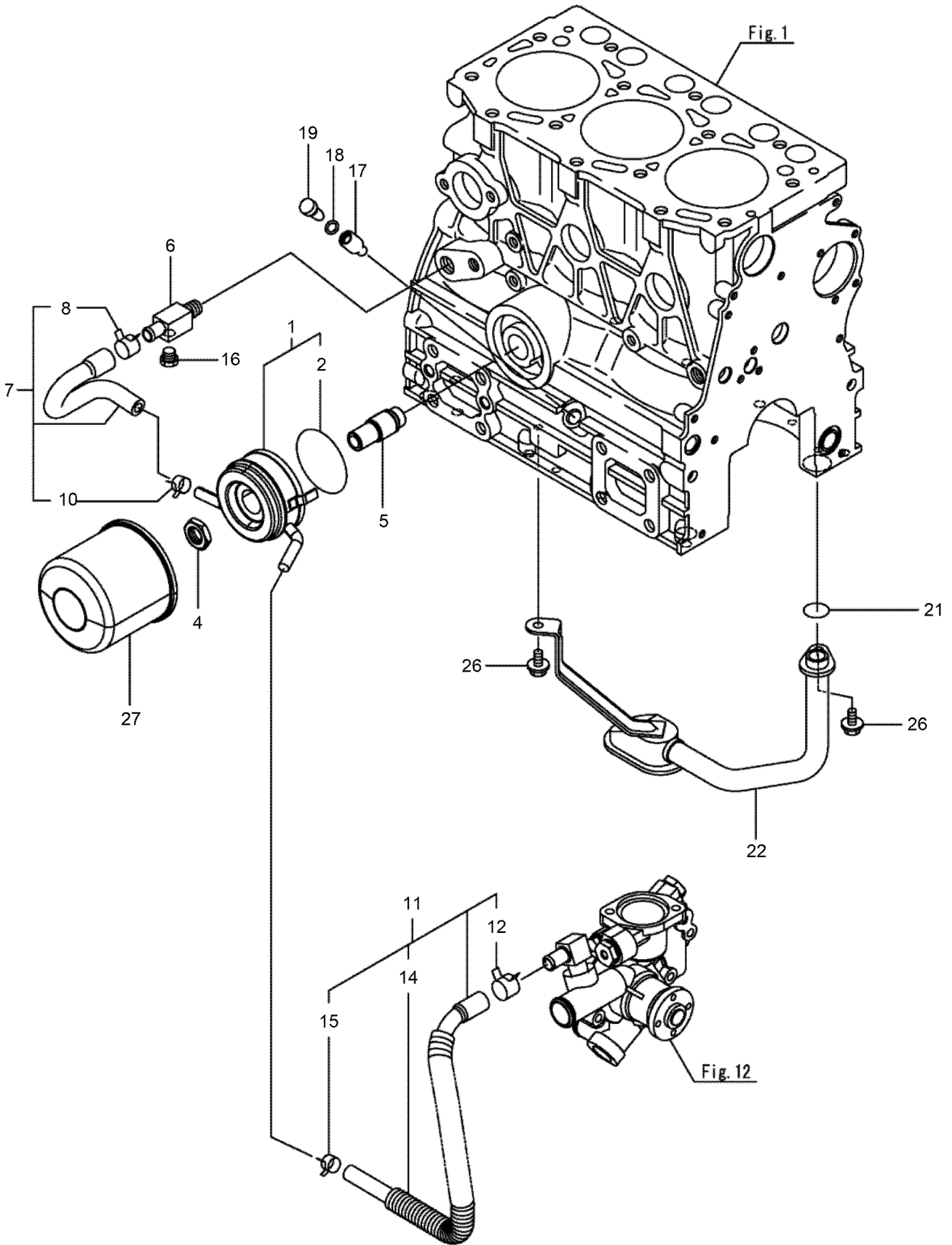
Crankshaft and Piston Assembly



Crankshaft and Piston Assembly (continued)

<i>Ref.</i>	<i>Part Number</i>	<i>Qty.</i>	<i>Description</i>	<i>Ref.</i>	<i>Part Number</i>	<i>Qty.</i>	<i>Description</i>
1	135-4152	1	Crankshaft ASM	16	135-4163	3	Piston ASM
2	125-6995	1	Pin	18	135-4164	3	Ring ASM
4	135-4153	1	Gear-Crankshaft	22	135-4165	3	Pin-Piston
5	135-4154	1	Key	23	135-4166	6	Ring
7	125-6951	5	Bolt	24	134-4005	3	Connecting Rod ASM
8	140-7164	1	Flywheel ASM	27	135-4168	6	Bolt-Rod, Connecting
10	125-6943	1	Gear	28	135-4169	3	Bearing-Pin, Crank
11	135-4158	1	V-Pulley, Crankshaft	30	134-4006	3	Bushing-Pin, Piston
12	135-4159	1	Bolt-Flange	31	135-4171	3	Bearing-Pin (0.25)
13	134-4004	1	Packing-Washer	33	134-4007	3	Piston ASM (0.25 Os)
14	135-4161	1	Washer	34	135-4173	3	Ring ASM
15	135-4154	1	Key				

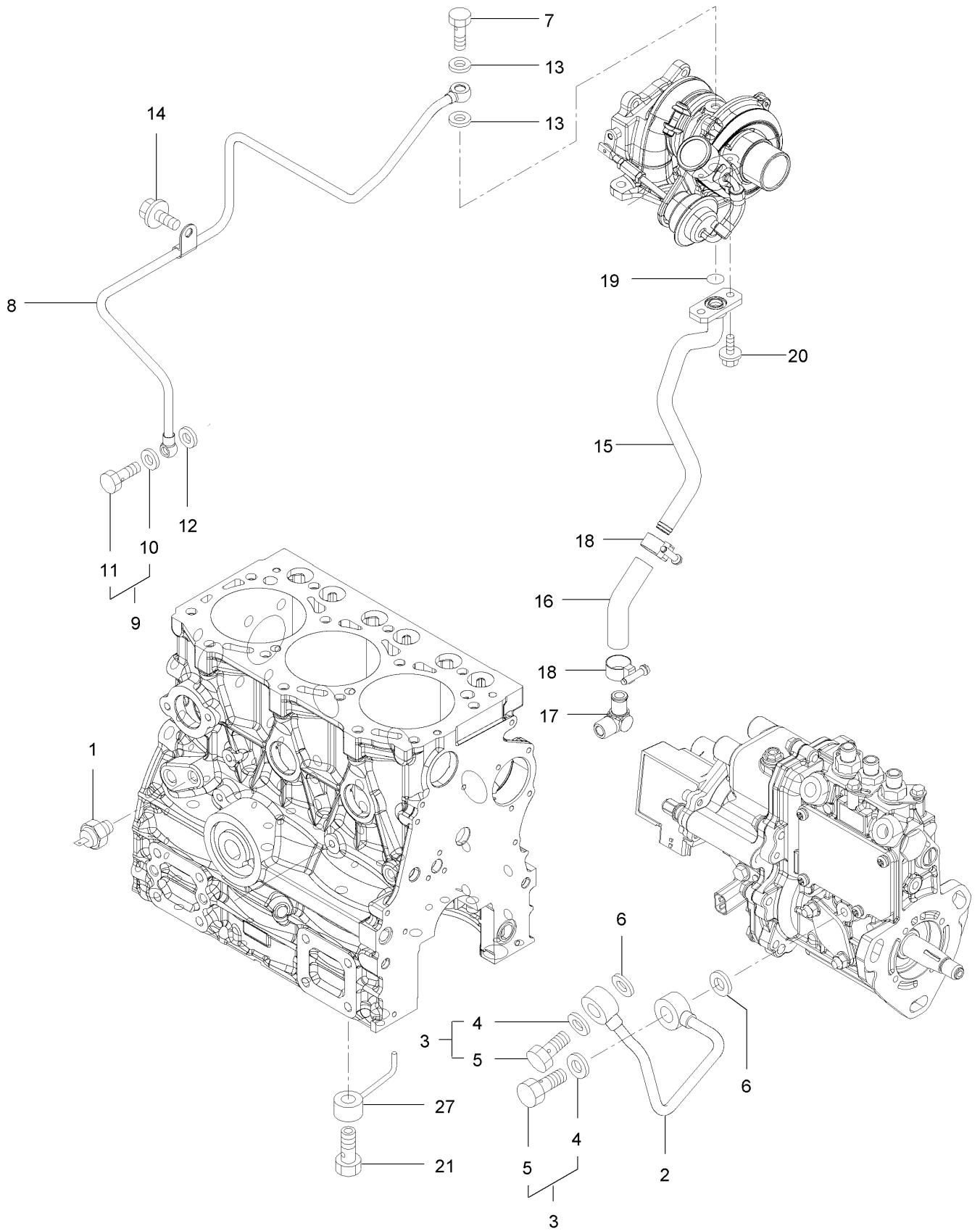
Lube Oil System Assembly



Lube Oil System Assembly (continued)

<i>Ref.</i>	<i>Part Number</i>	<i>Qty.</i>	<i>Description</i>	<i>Ref.</i>	<i>Part Number</i>	<i>Qty.</i>	<i>Description</i>
1	163-1102	1	Cooler Assy, Oil	14	125-6946	1	Tube
2	135-4019	1	Packing-Oil Cooler	15	125-7191	1	Clamp-Hose
4	135-4020	1	Nut	16	125-7171	1	Plug-Drain
5	163-1103	1	Stud, Lo Filter	17	145-7837	1	Guide, Dipstick
6	125-6990	1	Joint	18	145-7887	1	O-Ring, 4Dp10A
7	135-4176	1	Pipe ASM-Cooler In	19	137-5132	1	Plug-Dipstick
8	125-7162	1	Clip	21	135-4178	1	O-Ring
10	125-7191	1	Clamp-Hose	22	134-1414	1	Oil Inlet Pipe ASM
11	125-7079	1	Pipe ASM	26	125-7205	2	Bolt
12	125-7162	1	Clip	27	135-4181	1	Filter-Oil, Engine

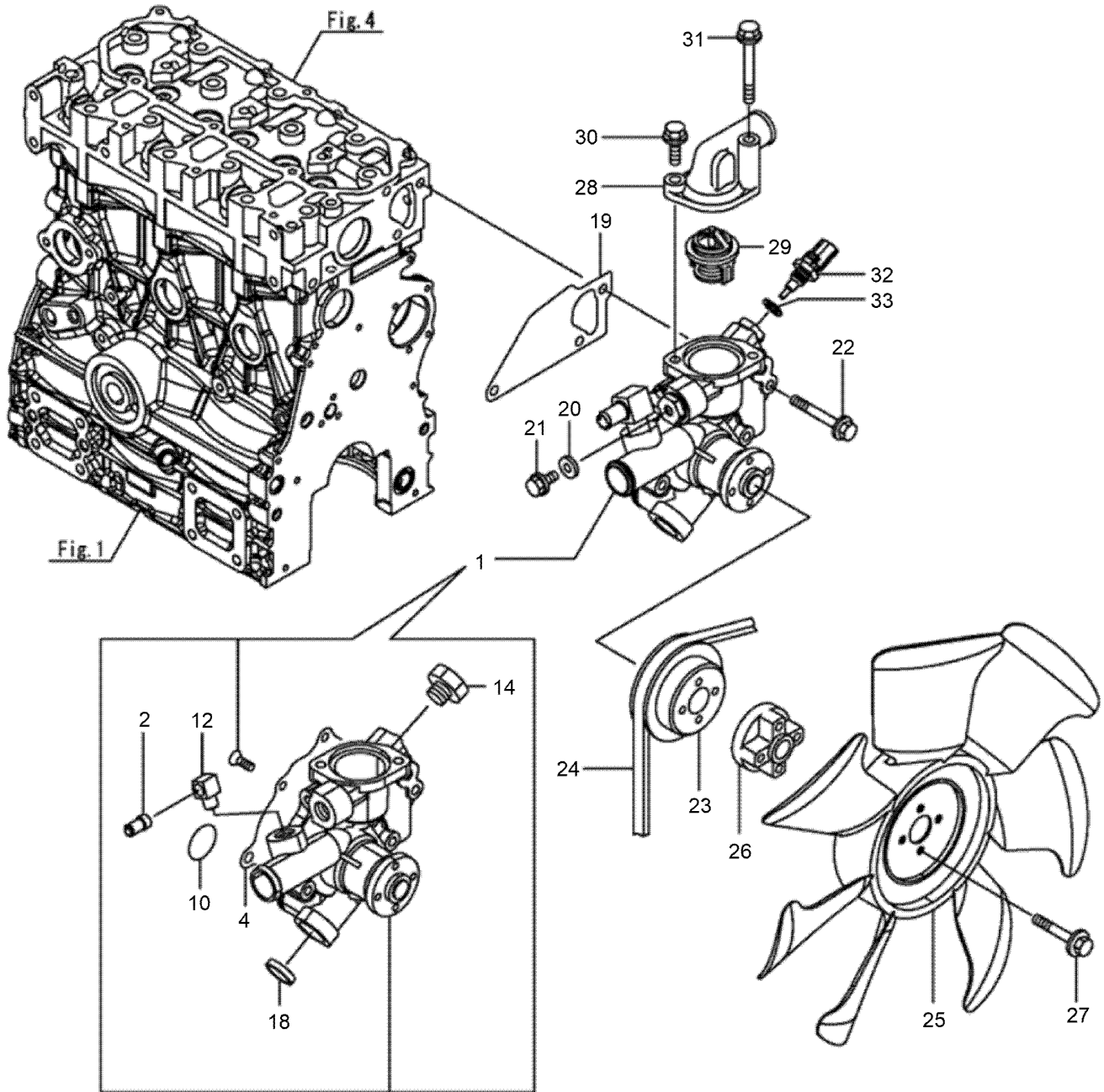
Oil Pump Assembly



Oil Pump Assembly (continued)

<i>Ref.</i>	<i>Part Number</i>	<i>Qty.</i>	<i>Description</i>	<i>Ref.</i>	<i>Part Number</i>	<i>Qty.</i>	<i>Description</i>
1	125-6918	1	Switch-Oil	12	125-7174	1	Washer-Seal
2	135-4182	1	Pipe-Oil	13	125-7193	2	Gasket
3	125-6988	2	Joint Bolt ASM	14	125-7212	1	Bolt
4	125-7174	2	Washer-Seal	15	135-4184	1	Pipe-Lo Return
5	125-7194	2	Bolt-Joint	16	127-2992	1	Joint
6	125-7174	2	Washer-Seal	17	127-3003	1	Elbow
7	125-6952	1	Bolt-Joint, Pipe	18	127-3169	2	Clamp-Hose
8	135-4183	1	Pipe ASM-Lo	19	125-7198	1	O-Ring
9	125-6988	1	Joint Bolt ASM	20	125-7208	2	Bolt
10	125-7174	1	Washer-Seal	21	135-4185	3	Valve ASM-Check
11	125-7194	1	Bolt-Joint	27	135-4186	3	Nozzle ASM-Piston

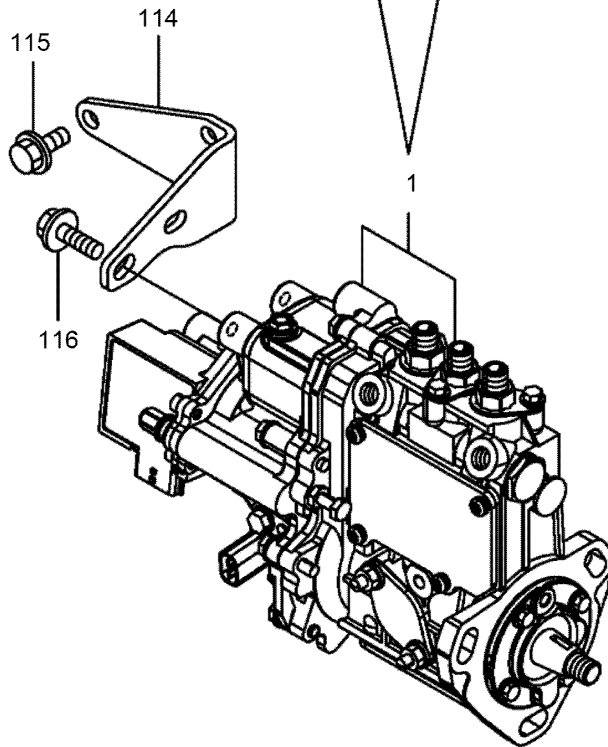
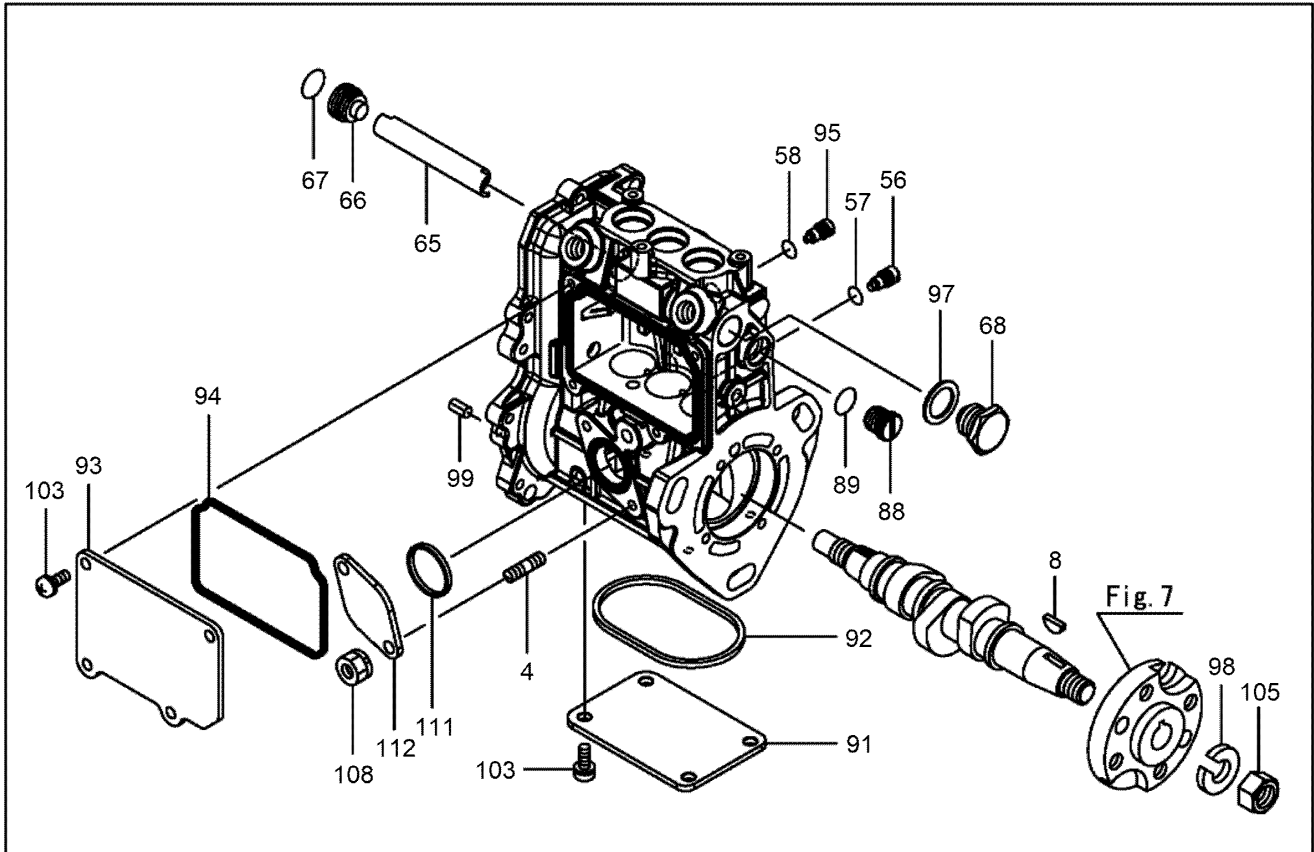
Cooling Water System Assembly



Cooling Water System Assembly (continued)

<i>Ref.</i>	<i>Part Number</i>	<i>Qty.</i>	<i>Description</i>	<i>Ref.</i>	<i>Part Number</i>	<i>Qty.</i>	<i>Description</i>
1	163-1104	1	Pump Assy, CW	23	134-1417	1	V-Pulley
2	135-4191	1	Joint-Pipe	24	163-1107	1	V-Belt, A36
4	135-4188	1	Gasket	25	135-4196	1	Fan-Cooling 1
10	135-4190	1	O-Ring	26	127-4768	1	Spacer
12	163-1105	1	Joint, Water Return	27	135-4147	4	Bolt
14	135-4203	1	Joint	28	135-4199	1	Cover-Thermostat
18	163-1106	1	Plug, 25	29	135-4200	1	Thermostat
19	135-4193	1	Gasket-Pump, Water	30	135-4201	1	Bolt
20	125-7192	1	Gasket	31	135-4202	1	Bolt
21	125-7212	1	Bolt	32	125-7124	1	Sensor-Thermostat, CW
22	125-7220	3	Bolt	33	125-7176	1	Washer-Seal

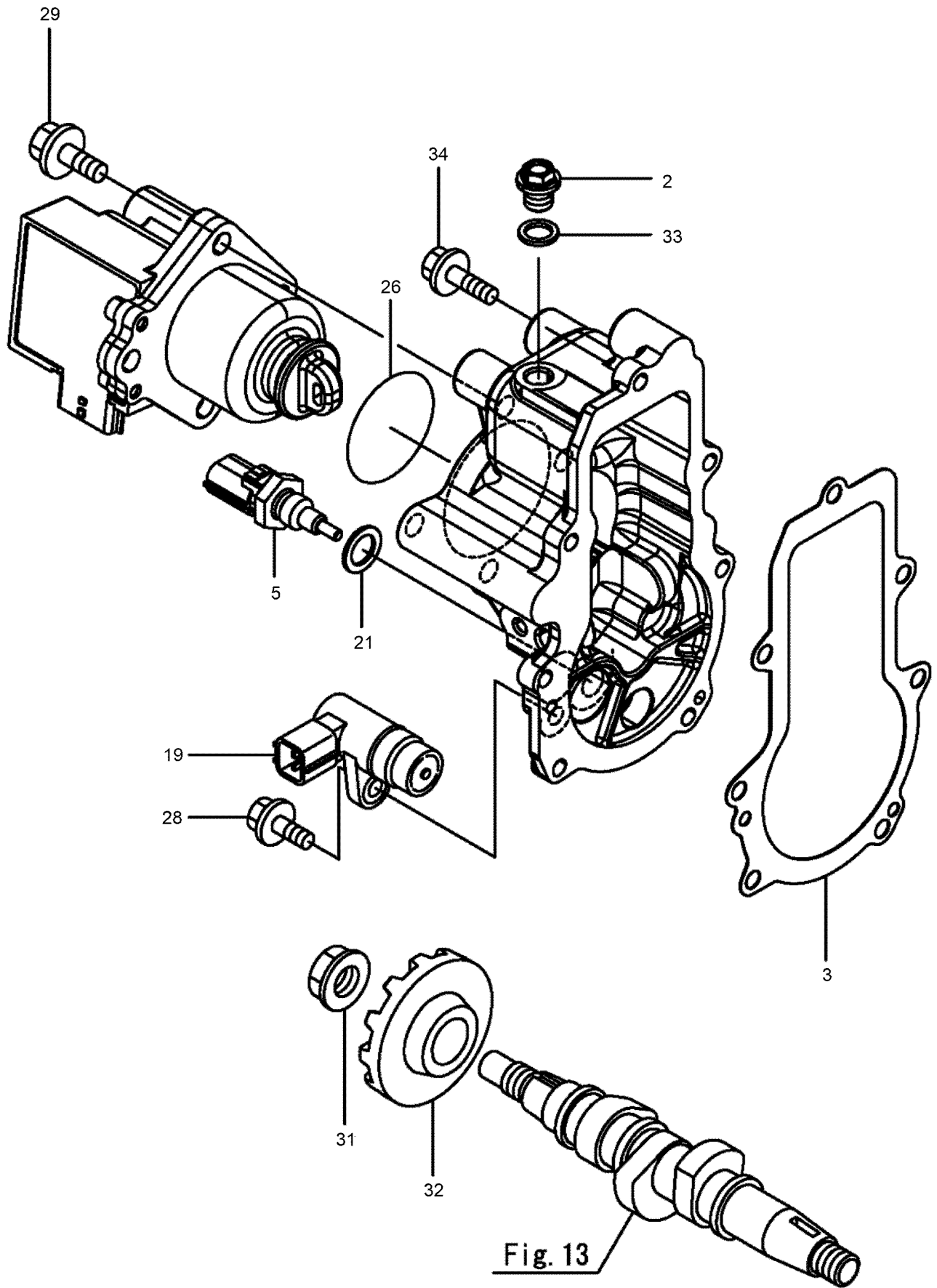
Fuel Injection Pump Assembly



Fuel Injection Pump Assembly (continued)

<i>Ref.</i>	<i>Part Number</i>	<i>Qty.</i>	<i>Description</i>	<i>Ref.</i>	<i>Part Number</i>	<i>Qty.</i>	<i>Description</i>
1	163-1108	1	Fie Assy	93	135-4217	1	Cover
4	135-4205	2	Bolt-Stud	94	135-4218	1	Gasket
8	135-4206	1	Key-Feather, Woodruff	95	135-4219	1	Stopper-Rack
56	125-7156	3	Stopper	97	136-8236	1	Washer-Seal
57	135-4207	3	O-Ring	98	135-4220	1	Washer-Spring
58	135-4207	1	O-Ring	99	125-7183	2	Pin-Spring
65	135-4209	1	Deflector	103	135-4221	8	Screw
66	135-4210	1	Plug-Deflector	105	133-2506	1	Nut
67	135-4211	1	O-Ring	108	135-4222	2	Nut
68	135-4212	1	Plug-Deflector	111	135-4223	1	Gasket
88	135-4213	1	Plug-Rack	112	135-4224	1	Cover-Pump
89	135-4214	1	O-Ring	114	135-4225	1	Support
91	135-4215	1	Cover	115	125-7213	2	Bolt
92	135-4216	1	Gasket	116	125-7595	2	Bolt

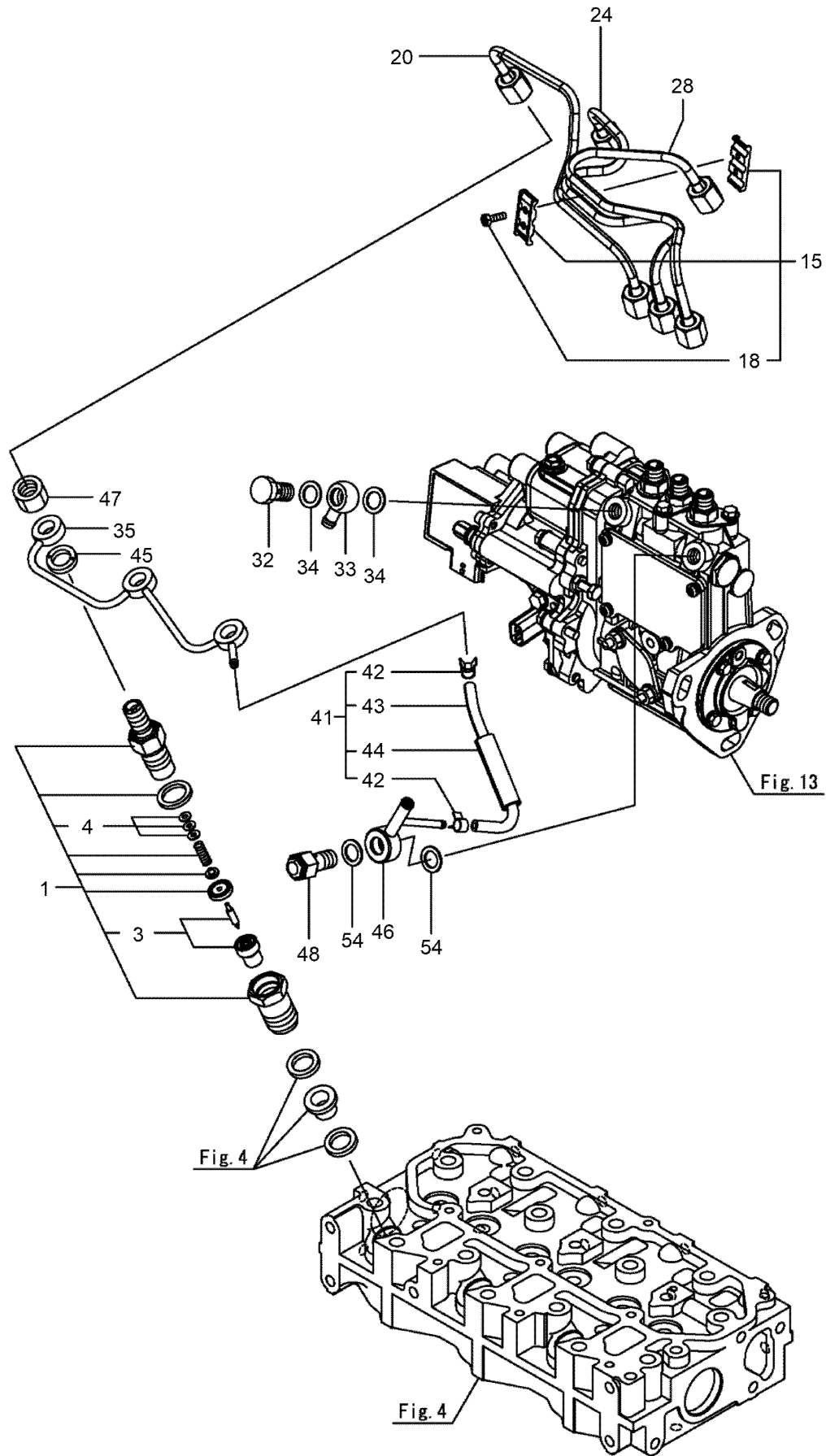
Governor Assembly



Governor Assembly (continued)

<i>Ref.</i>	<i>Part Number</i>	<i>Qty.</i>	<i>Description</i>	<i>Ref.</i>	<i>Part Number</i>	<i>Qty.</i>	<i>Description</i>
2	135-4226	1	Plug	28	125-7208	1	Bolt
3	135-4227	1	Gasket	29	125-7594	4	Bolt
5	135-4228	1	Sensor-Oil Temp	31	125-6993	1	Nut
19	125-7152	1	Sensor	32	163-1109	1	Gear
21	125-7176	1	Washer-Seal	33	125-7175	1	Washer-Seal
26	125-7200	1	O-Ring	34	125-7209	7	Bolt

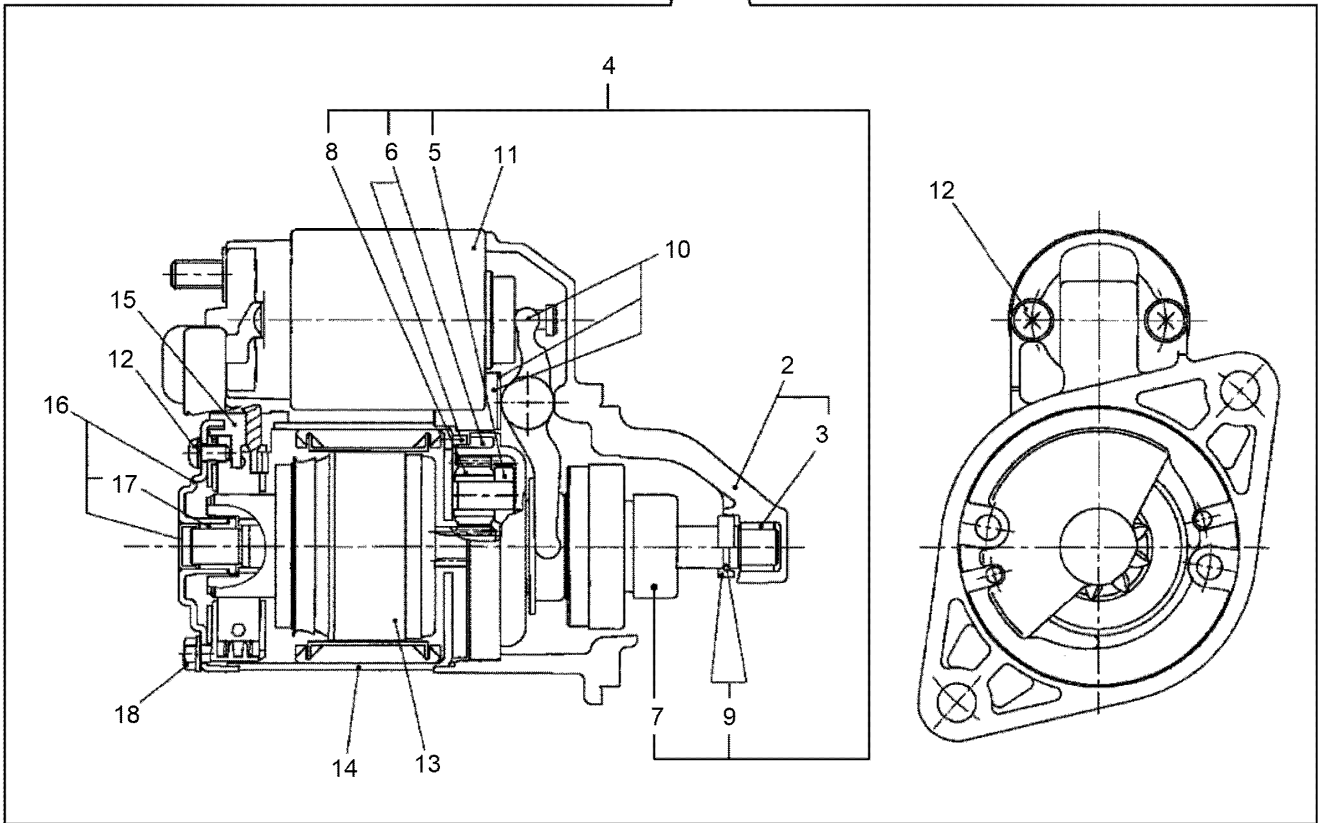
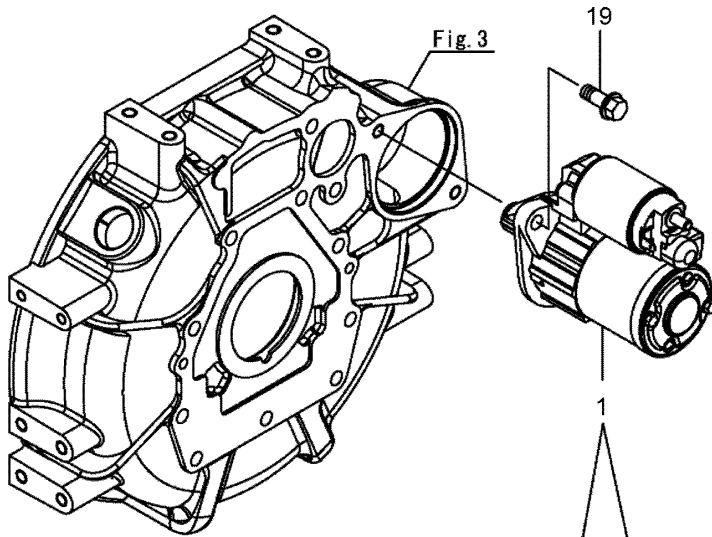
Fuel Injection Valve Assembly



Fuel Injection Valve Assembly (continued)

<i>Ref.</i>	<i>Part Number</i>	<i>Qty.</i>	<i>Description</i>	<i>Ref.</i>	<i>Part Number</i>	<i>Qty.</i>	<i>Description</i>
1	135-4229	3	Nozzle ASM	35	135-4236	1	Pipe ASM
3	135-4230	3	Nozzle ASM	41	145-3245	1	Pipe Assy, Fo Return
4	135-4231	3	Adjusting Shim Set	42	136-8225	2	Clamp-Hose
15	134-1488	1	Retainer-Pipe	43	145-3246	1	Pipe, Fo Return
18	125-7027	2	Bolt	44	145-3247	1	Tube, Corrugated
20	135-4233	1	Pipe ASM (Inj No1)	45	135-4237	3	Gasket
24	135-4234	1	Pipe ASM (Inj No2)	46	135-4239	1	Joint-Over Flow
28	135-4235	1	Pipe ASM (Inj No3)	47	135-4240	3	Nut-Nozzle
32	135-4242	1	Bolt-Joint, Pipe	48	135-4241	1	Check Valve ASM
33	135-4243	1	Joint-Pipe	54	125-7176	2	Washer-Seal
34	125-7176	2	Washer-Seal				

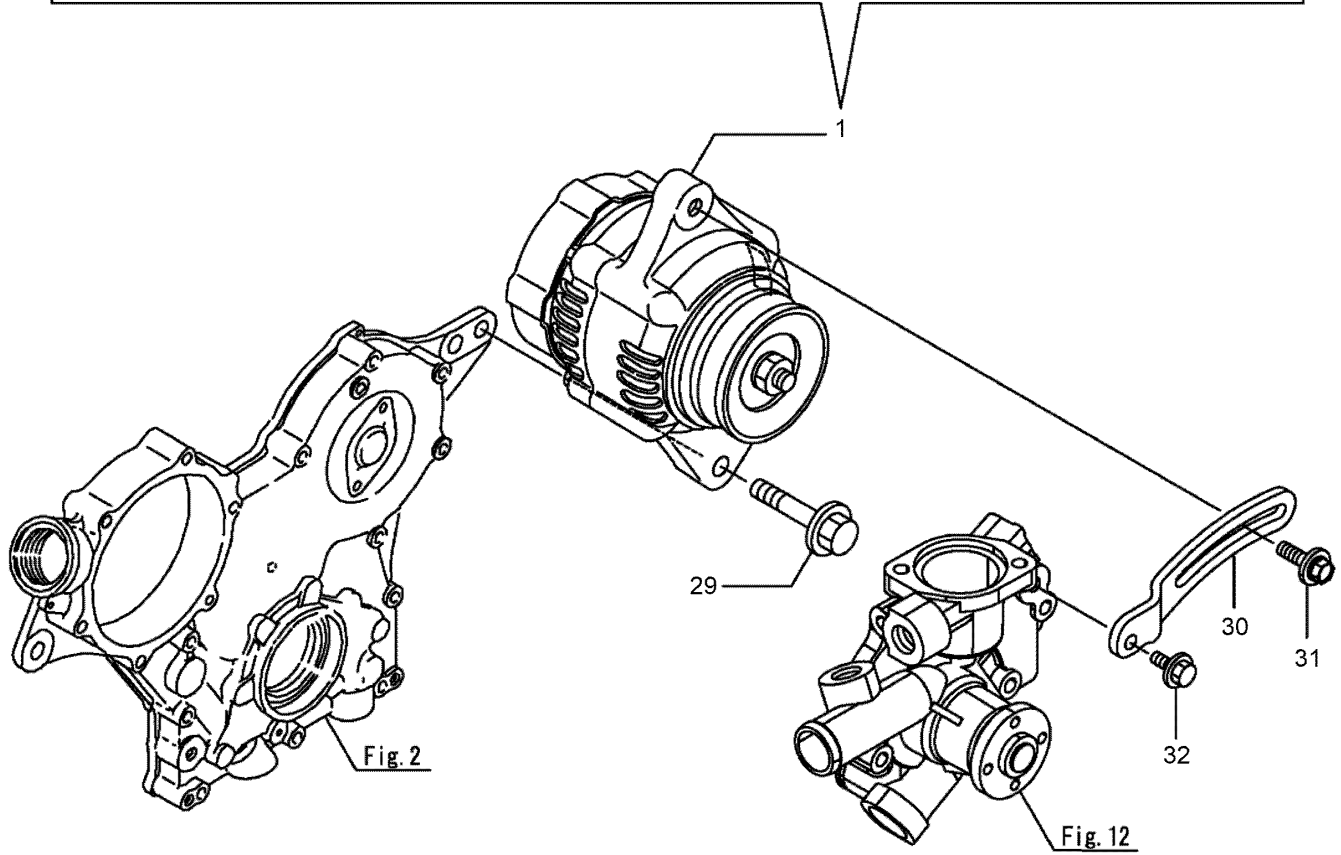
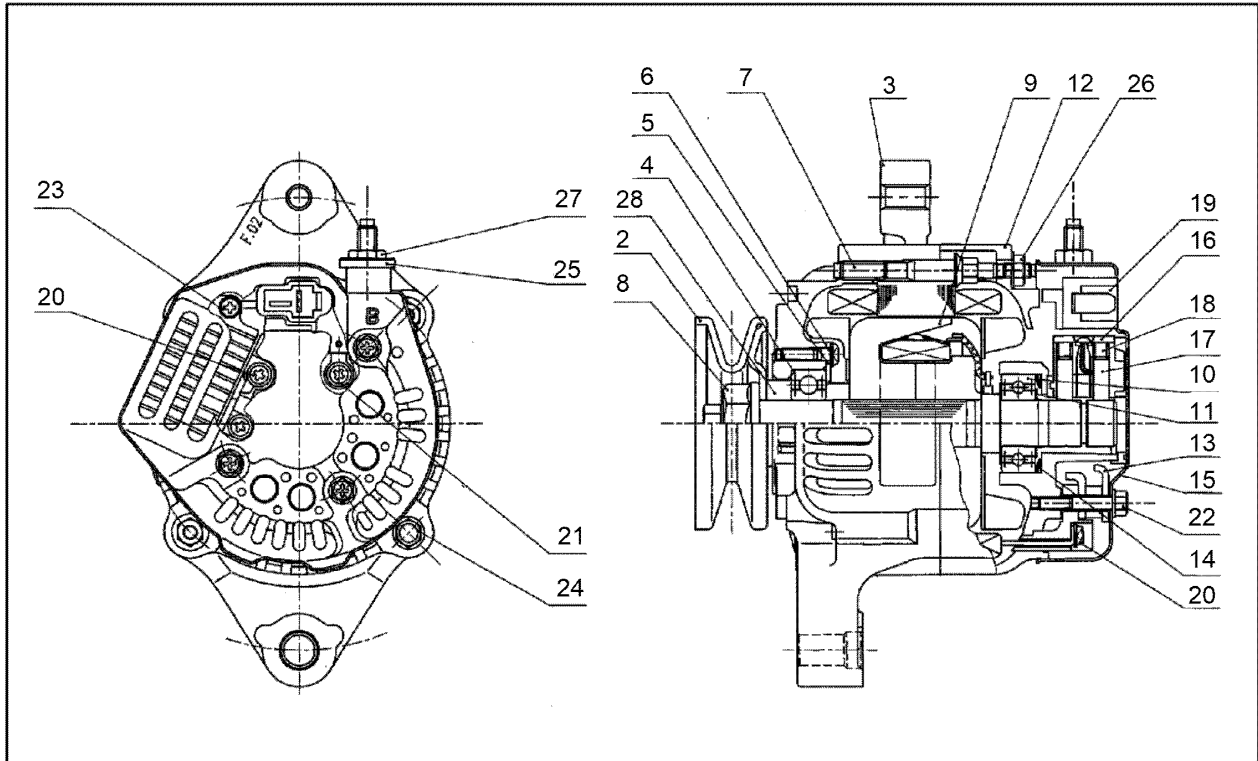
Starter Motor Assembly



Starter Motor Assembly (continued)

<i>Ref.</i>	<i>Part Number</i>	<i>Qty.</i>	<i>Description</i>	<i>Ref.</i>	<i>Part Number</i>	<i>Qty.</i>	<i>Description</i>
1	163-1110	1	Starter, 12V-1.1Kw	11	163-1120	1	Switch Assy
2	163-1111	1	Bracket Assy, Front	12	163-1121	1	Screw Set
3	163-1112	1	Metal, Fr	13	163-1122	1	Armature
4	163-1113	1	Shaft Assy, Clutch	14	163-1123	1	Yoke Assy
5	163-1114	1	Shaft Assy, Gear	15	163-1124	1	Brush Assy
6	163-1115	1	Gear Assy, Internal	16	163-1125	1	Cover Assy
7	163-1116	1	Clutch, Over Running	17	163-1126	1	Metal, Rr
8	163-1117	3	Gear Assy	18	163-1127	1	Bolt Set
9	163-1118	1	Stopper Set	19	133-2496	2	Bolt
10	163-1119	1	Lever				

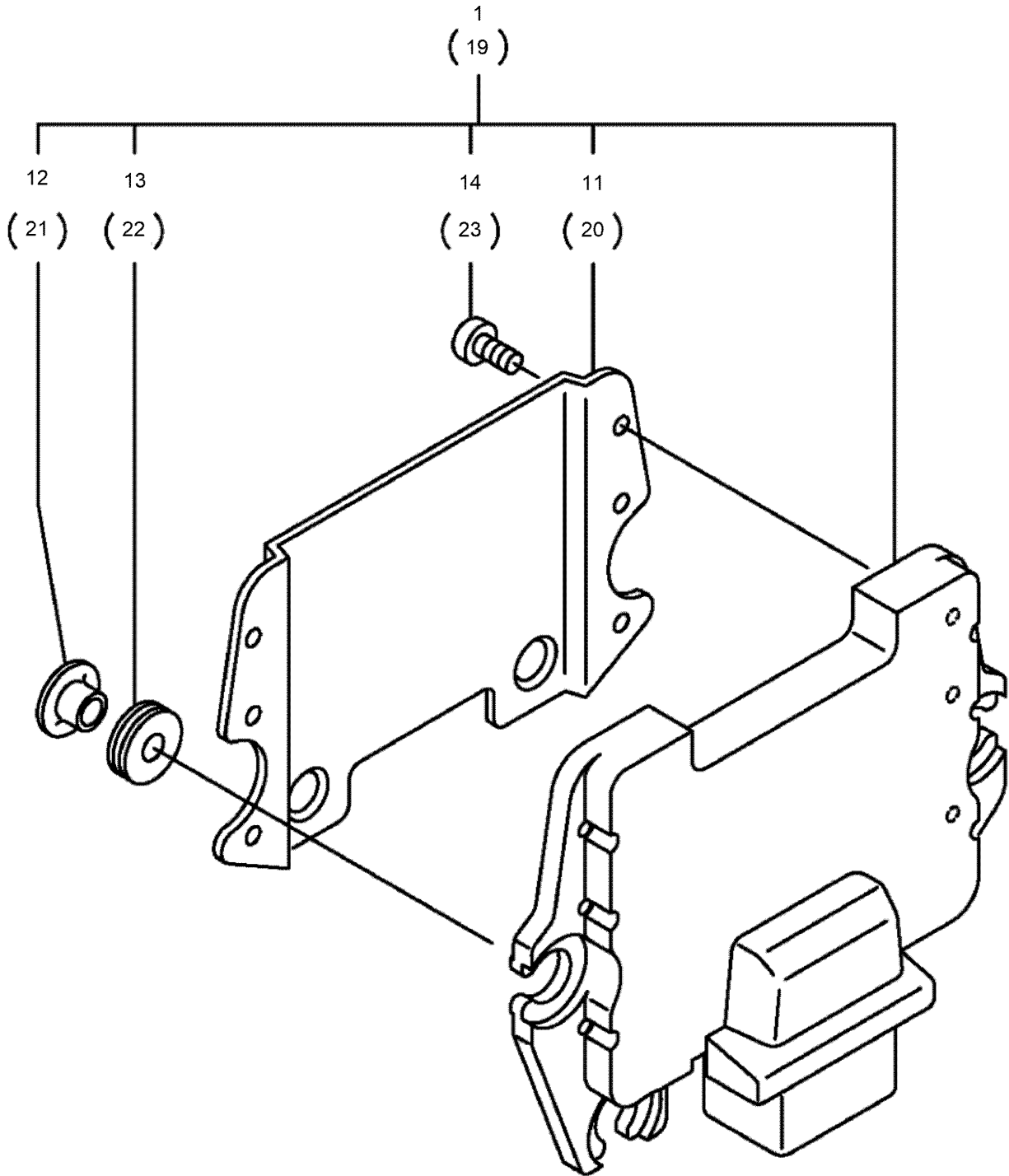
Generator Assembly



Generator Assembly (continued)

<i>Ref.</i>	<i>Part Number</i>	<i>Qty.</i>	<i>Description</i>	<i>Ref.</i>	<i>Part Number</i>	<i>Qty.</i>	<i>Description</i>
1	163-1128	1	Alternator, 12V-40A	17	163-1144	2	Brush Assy, Sub
2	163-1129	1	Pulley, Generator	18	163-1145	2	Spring, Coil
3	163-1130	1	Frame Assy, Drive	19	163-1146	1	Regulator Assy
4	163-1131	1	Bearing, Ball	20	163-1147	6	Screw
5	163-1132	1	Plate, Retainer	21	163-1148	1	Screw
6	163-1133	4	Screw	22	163-1149	3	Bolt
7	163-1134	2	Stud	23	163-1150	2	Screw, W/Washer
8	163-1135	1	Nut	24	163-1151	2	Bolt
9	163-1136	1	Rotor Assy	25	163-1152	1	Bush, Insulation
10	163-1137	1	Bearing, Ball	26	163-1153	2	Nut
11	163-1138	1	Cover, Bearing	27	163-1154	1	Nut
12	163-1139	1	Frame, End Rr	28	163-1155	1	Collar
13	163-1140	1	Holder Assy, Rectifi	29	135-4277	1	Bolt
14	163-1141	1	Washer	30	163-1156	1	Adjuster, Belt
15	163-1142	1	Cover, End Rr	31	137-5131	1	Bolt-Adjusting
16	163-1143	1	Holder Assy, Brush	32	125-7595	1	Bolt

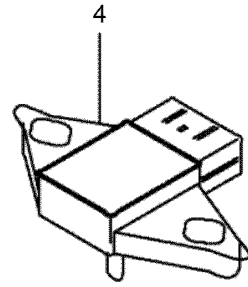
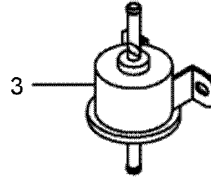
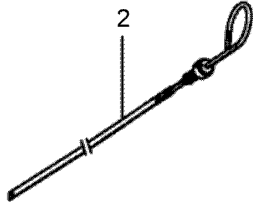
Electronic Control Unit Assembly



Electronic Control Unit Assembly (continued)

<i>Ref.</i>	<i>Part Number</i>	<i>Qty.</i>	<i>Description</i>	<i>Ref.</i>	<i>Part Number</i>	<i>Qty.</i>	<i>Description</i>
1	163-1157	1	Ecu Assy,380Ft-Zmtr2	19	121-1591	1	Controller-Engine
11	125-7129	1	Shield	20	125-7129	1	Shield
12	125-7130	3	Collar	21	125-7130	3	Collar
13	125-6908	3	Absorber	22	125-6908	3	Absorber
14	125-7187	6	Screw	23	125-7187	6	Screw

Accessories



Accessories (continued)

<i>Ref.</i>	<i>Part Number</i>	<i>Qty.</i>	<i>Description</i>	<i>Ref.</i>	<i>Part Number</i>	<i>Qty.</i>	<i>Description</i>
1	127-3779	1	Gasket-Out, T C	3	121-5613	1	Pump-Fuel, Electric
2	163-1158	1	Dipstick, Lub.Oil	4	126-9261	1	Sensor-Atm

Attachments and Accessories

For 22588 TX 1000 Turbo Wide Track Compact Tool Carrier

Product Name	Model/Part
Premium Engine Oil 10w30 (55 Gallon Drum)	121-6392
Premium Engine Oil 10w30 (5 Gallon Pail)	121-6393
Premium Engine Oil 15w40 (55 Gallon Drum)	121-6394
Premium Engine Oil 15w40 (5 Gallon Pail)	121-6395
PX Hydraulic Fluid (5 Gal)	133-8086
PX Hydraulic Fluid (55 Gal).....	133-8087
PX Hydraulic Fluid-4 Pack (Gallon).....	138-9460
Kit-Filter, 250 Hour.....	147-6854
Kit-Filter, 1000 Hour.....	147-6855
Standard Bucket	22340
High Volume Bucket	22342
Loose Materials Bucket	22410
48in Hydraulic Blade	22414
Bore Drive Head	22420
Rod and Reamer	22421
Stump Grinder	22429
Tree Forks	22438
Cement Bowl	22442
40in Tiller	22445
Crumber Kit	22464
Trench Filler.....	22472
High-Torque Trencher Head	22473
High-Speed Trencher Head	22474
Crumber Kit	22477
4-in-1 Bucket	22478
24in X 4in Soil Chain.....	22480
24in X 4in Combination Chain	22481
24in X 4in Rock Tooth Chain.....	22482
24in X 6in Soil Chain.....	22483
24in X 6in Combination Chain	22484
24in X 6in Rock Tooth Chain.....	22485
36in X 4in Soil Chain.....	22486
36in X 4in Combination Chain	22487
36in X 4in Rock Tooth Chain.....	22488
36in X 6in Rock Tooth Chain.....	22489
36in X 6in Soil Chain.....	22490
36in X 6in Combination Chain	22491
48in x 4in Soil Chain	22492
48in x 4in Combination Chain	22493
48in x 6in Soil Chain	22494
48in x 6in Combination Chain	22495
Narrow Bucket.....	22520
Grapple Rake	22577
Snow Thrower	22585
Adjustable Forks.....	22586
Grapple Bucket.....	22590

Attachments and Accessories (continued)

Multi-Purpose Tool	22672
Floor Scraper	22673
Auger Head	22805
Universal Swivel Auger Head	22806
18in Auger Bit	22814
24in Auger Bit	22815
30in Auger Bit	22816
12in Auger Bit Extension	22818
24in Auger Bit Extension	22819
6in Full-Flight Auger Bit	22820
9in Full-Flight Auger Bit	22821
12in Full-Flight Auger Bit.....	22822
15in Full-Flight Auger Bit.....	22823
Vibratory Plow	22911
Soil Cultivator	23102
Backhoe With 12in Bucket	23106
Hydraulic Breaker	23136
Leveler.....	23165
Power Box Rake.....	23702
New Red Paint - Gallon	361-11
Dark Metallic Gray Aerosol Paint	361-12
Semi-Gloss Black Spray Paint.....	361-9
Air Dry Red Paint - Qt	5340



Count on it.