



**Count on it.**

**Parts Catalog**

**ProCore® SR72 Aerator**

Model No. 09935—Serial No. 311000001 and Up



# Ordering Replacement Parts

To order replacement parts, please supply the part number, the quantity, and the description of each part desired.

## **Understanding Reference Numbers**

Each identified part in an illustration has a reference number. The reference number for a part also appears in the parts list, along with other information about the part.

This catalog uses two special reference number formats, one to indicate parts in a service assembly and another to indicate the quantity of a given part in an illustration.

## **Service Assembly Reference Numbers**

Parts in service assemblies have reference numbers in the form a:b. The a represents the reference number of the entire service assembly and the b represents a sequential number unique to each part within the service assembly.

For example, a wheel assembly might be identified by reference number 6, the tire by 6:1, the valve by 6:2, and the wheel by 6:3. When you order the assembly identified by reference number 6, you receive all parts identified by reference numbers 6:1, 6:2, and 6:3. However, you may also order any part individually. Reference numbers of this type appear in illustration and in parts lists.

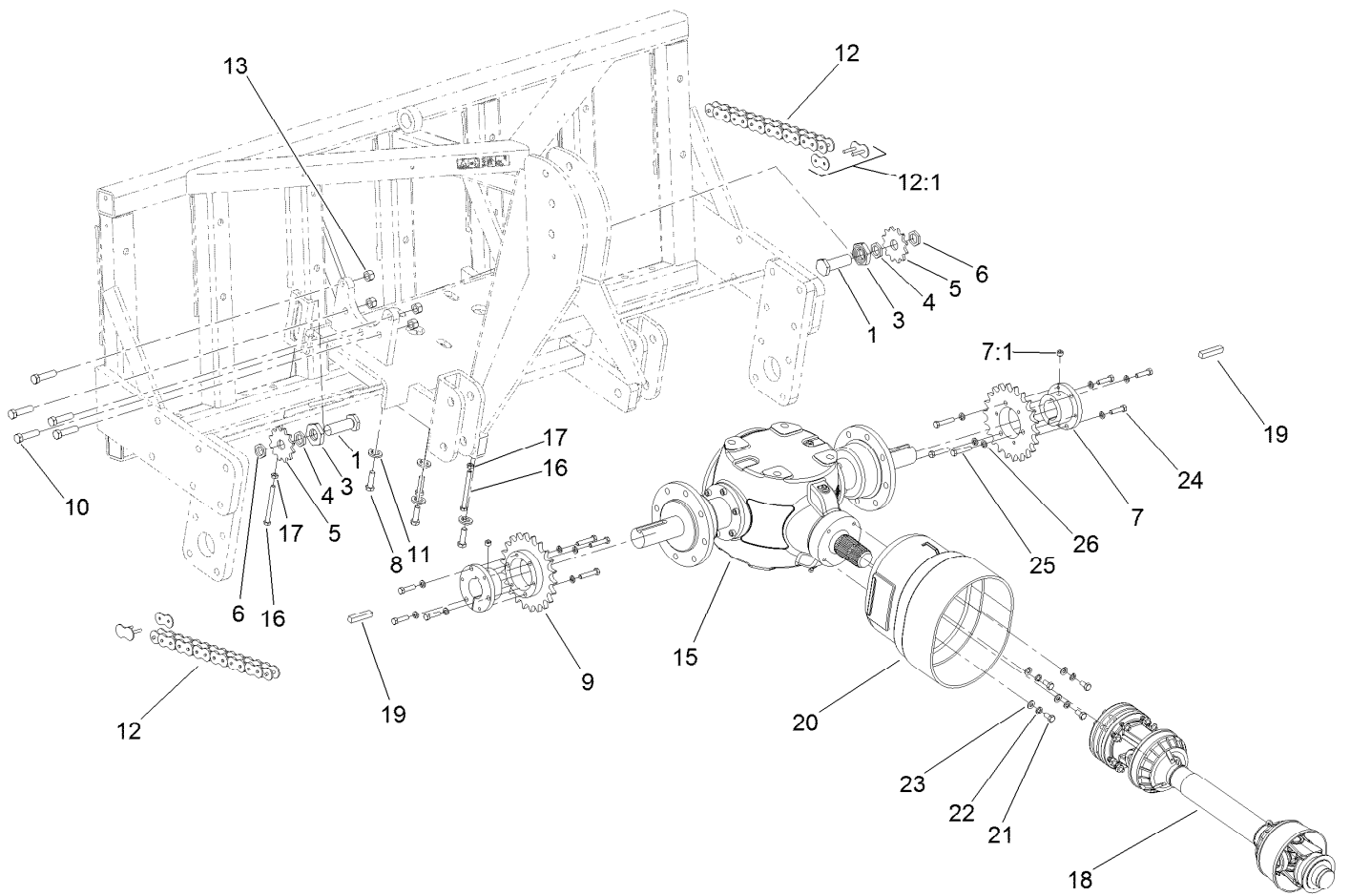
## **Reference Numbers Indicating Quantity**

In an illustration, if a reference number indicates more than one part, the reference number has the form nX y. The n represents the quantity of the part, the X is the multiplication symbol, and the y represents the reference number.

For example, in an illustration, the reference number 2X 37 means that two of the parts identified by reference number 37 are indicated.

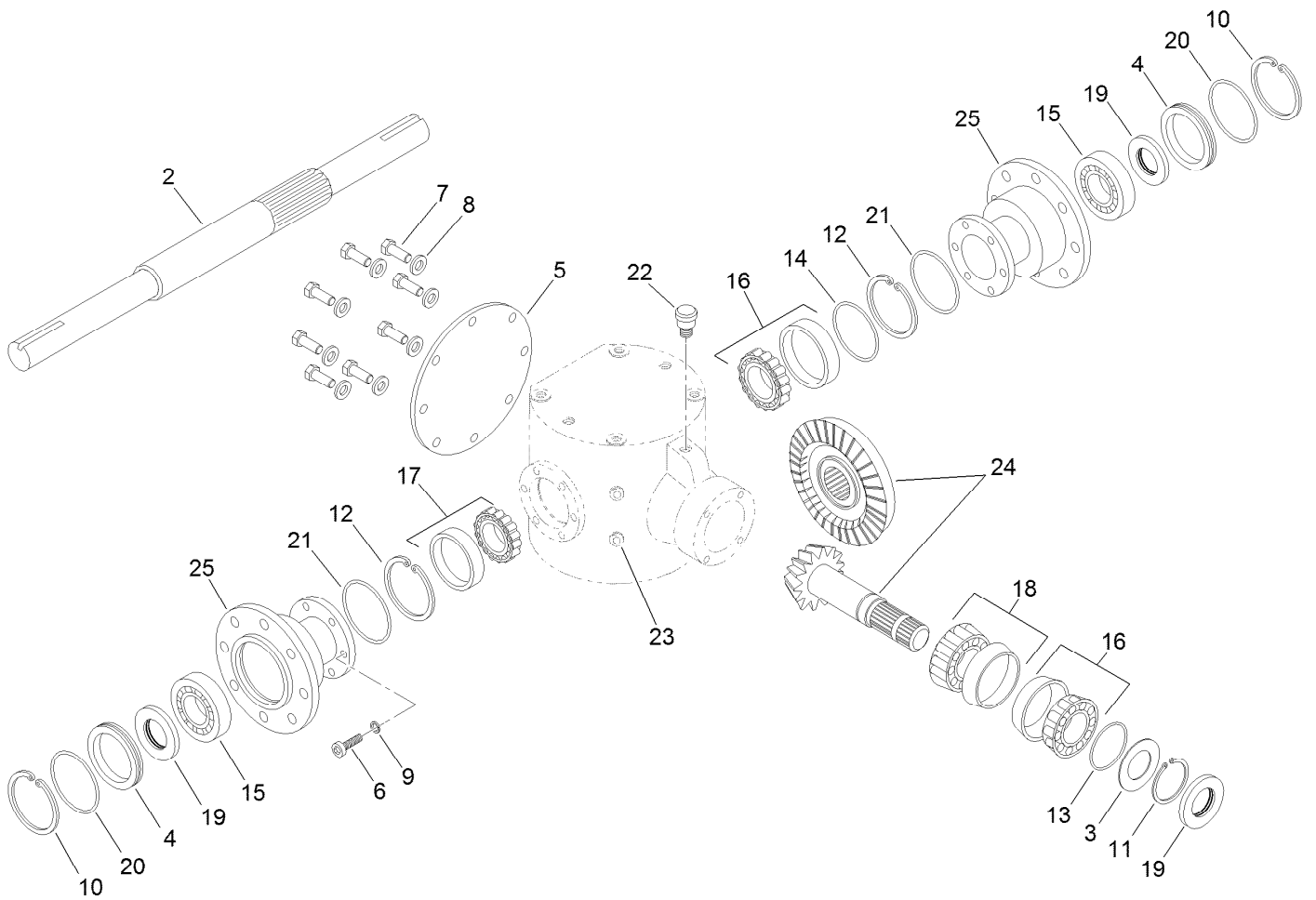
# Contents

Drive Assembly .....	4
Gearbox Assembly No. SG506000 .....	5
PTO Shaft Assembly No. SG526016 .....	6
Frame and Roller Assembly .....	7
LH Outside Crankshaft Assembly .....	8
LH Crankshaft Assembly .....	9
Center Crankshaft Assembly .....	10
RH Crankshaft Assembly .....	11
RH Outside Crankshaft Assembly .....	12
Connecting Rod Assembly .....	13
Lower Arm and Hinge Assembly .....	14
Cover Assembly .....	15
Rear Guard Assembly .....	16
Attachments and Accessories .....	17



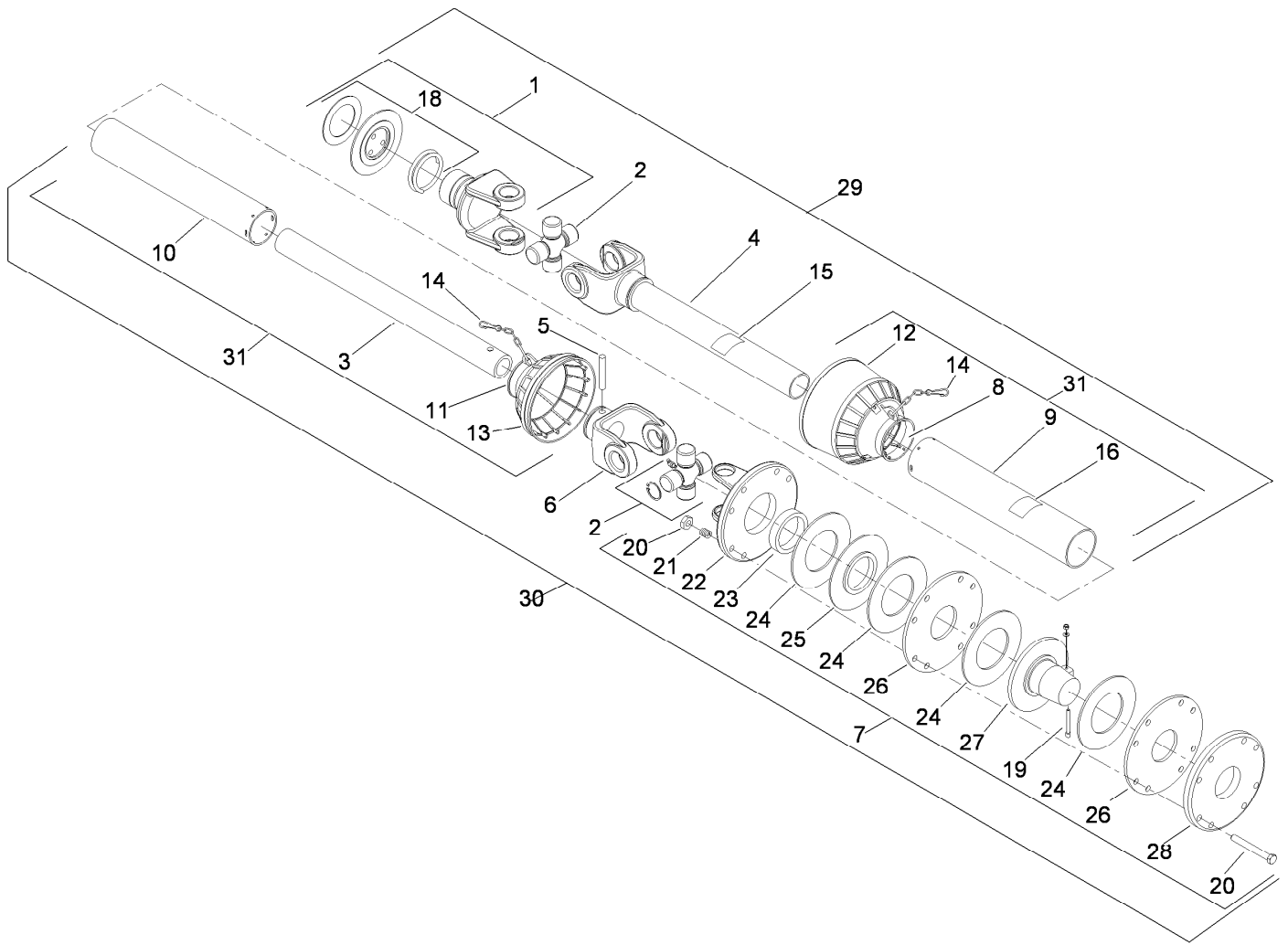
## Drive Assembly

<i>Ref.</i>	<i>Part Number</i>	<i>Qty.</i>	<i>Description</i>	<i>Ref.</i>	<i>Part Number</i>	<i>Qty.</i>	<i>Description</i>
1	SG584100	2	Screw-HH Special	13	99-4371	10	Nut-Lock
3	SG564100	2	Nut-HJ	15	SG506000	1	Gearbox ASM
4	SG571450	2	Nut-HJ	16	SG584300	2	Screw-HH
5	SG511280	2	Sprocket-Idler	17	3217-7	2	Nut-Hex
6	SG571100	2	Nut-Lock	18	SG526016	1	PTO #6
7	SG550177	2	Hub-Sprocket	19	SG555500	2	Key-Square
7:1	3246-4	1	Screw-Set	20	SG4171401	1	Cone-Shaft, Lg
8	33119-040	4	Screw-HH	21	33115-020	4	Screw-HH
9	SG510522	2	Sprocket-22 Tooth, 6 Bolt	22	48-9590	4	Washer-Lock
10	SG562562	10	Screw-HH	23	3256-24	4	Washer-Plain
11	100-7607	4	Washer-Lock	24	323-43	6	Screw-HH
12	SG580148	2	O-Ring Chain ASM	25	323-32	6	Screw-HH
12:1	SG581081	1	Link-Master, O-Ring	26	3253-21	12	Washer-Lock



## Gearbox Assembly No. SG506000

<i>Ref.</i>	<i>Part Number</i>	<i>Qty.</i>	<i>Description</i>	<i>Ref.</i>	<i>Part Number</i>	<i>Qty.</i>	<i>Description</i>
2	119-3233	1	Shaft-Output	14	119-3241	1	Ring
3	119-3238	1	Spacer	15	119-3211	2	Bearing-Ball
4	119-3203	2	Spacer	16	119-3212	2	Bearing-Roller
5	119-3204	1	Cover-Housing, Gearbox	17	119-3213	1	Bearing-Roller
6	119-3205	12	Screw-HSH	18	119-3214	1	Bearing-Roller
7	119-3239	8	Screw-HH	19	119-3215	3	Seal-Oil
8	119-3206	8	Washer	20	119-3216	2	Seal-Oil
9	119-3207	12	Washer	21	119-3217	2	Seal-Oil
10	119-3208	2	Ring-Snap	22	119-3218	1	Plug-Breather
11	119-3209	1	Ring-Snap, External	23	119-3219	5	Plug-HSH
12	119-3210	2	Ring-Snap, Internal	24	119-3242	1	Bevel Gear ASM
13	119-3240	1	Ring	25	119-3234	2	Extension-Gearbox

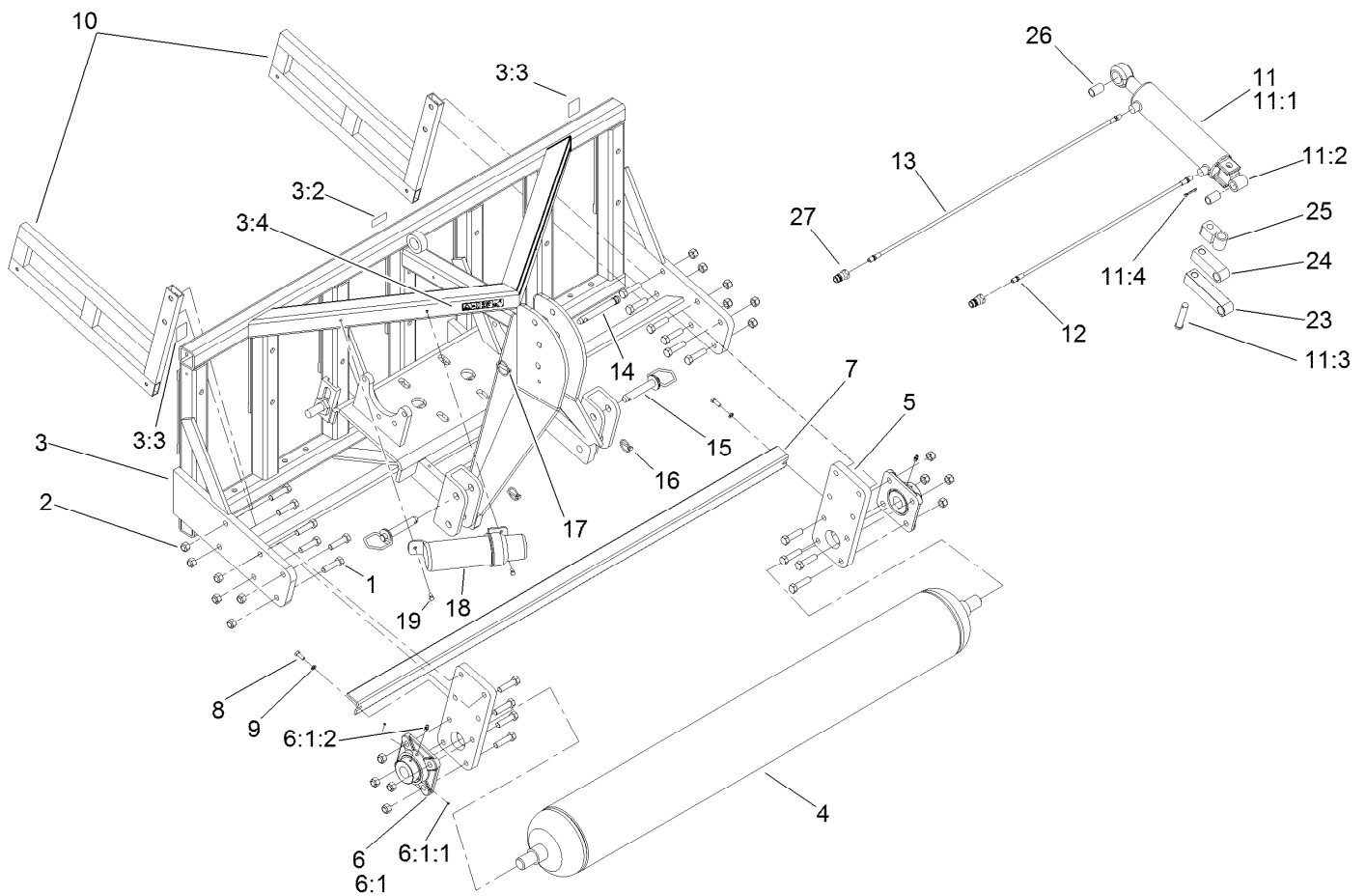


## PTO Shaft Assembly No. SG526016

Ref.	Part Number	Qty.	Description	Ref.	Part Number	Qty.	Description
1	119-3152	1	Yoke W/ Ball Collar	17	119-3116	1	Booklet-Instruction, Usa ●
2	119-3153	2	Cross Kit	18	119-3117	1	Ball And Collar Kit
3		1	Tube-Inner, #6 ■	19	119-3163	1	PTO Wedge Bolted ASM
4		1	Tube & Yoke # 6 ■	20	119-3164	8	Bolt And Nut
5	119-3156	1	Pin-Roll, PTO # 7	21	119-3120	8	Spring
6		1	Yoke- Inner Tube ■	22		1	Yoke-Flange ■
7	119-3158	1	Clutch ASM	23		1	Bushing ■
8		1	Support-PTO Shield ■	24	119-3123	4	Plate-Clutch
9		1	Tube-Safety ■	25	119-3166	1	Plate-Driving
10		1	Tube-Safety ■	26	119-3125	2	Plate-Pressure
11		1	Support-PTO Shield ■	27		1	Hub-Splined, PTO #8 ■
12		1	Yoke-Flange ■	28	119-3126	1	Plate-Pressure, PTO
13		1	Hub ■	29	119-3178	1	Half Shaft
14	119-3113	2	Chain-Safety	30	119-3179	1	Half Shaft
15	119-3114	1	Decal-Danger	31	119-3180	1	Shield ASM
16	119-3115	1	Decal-Danger				

● Not illustrated

■ Not serviced separately

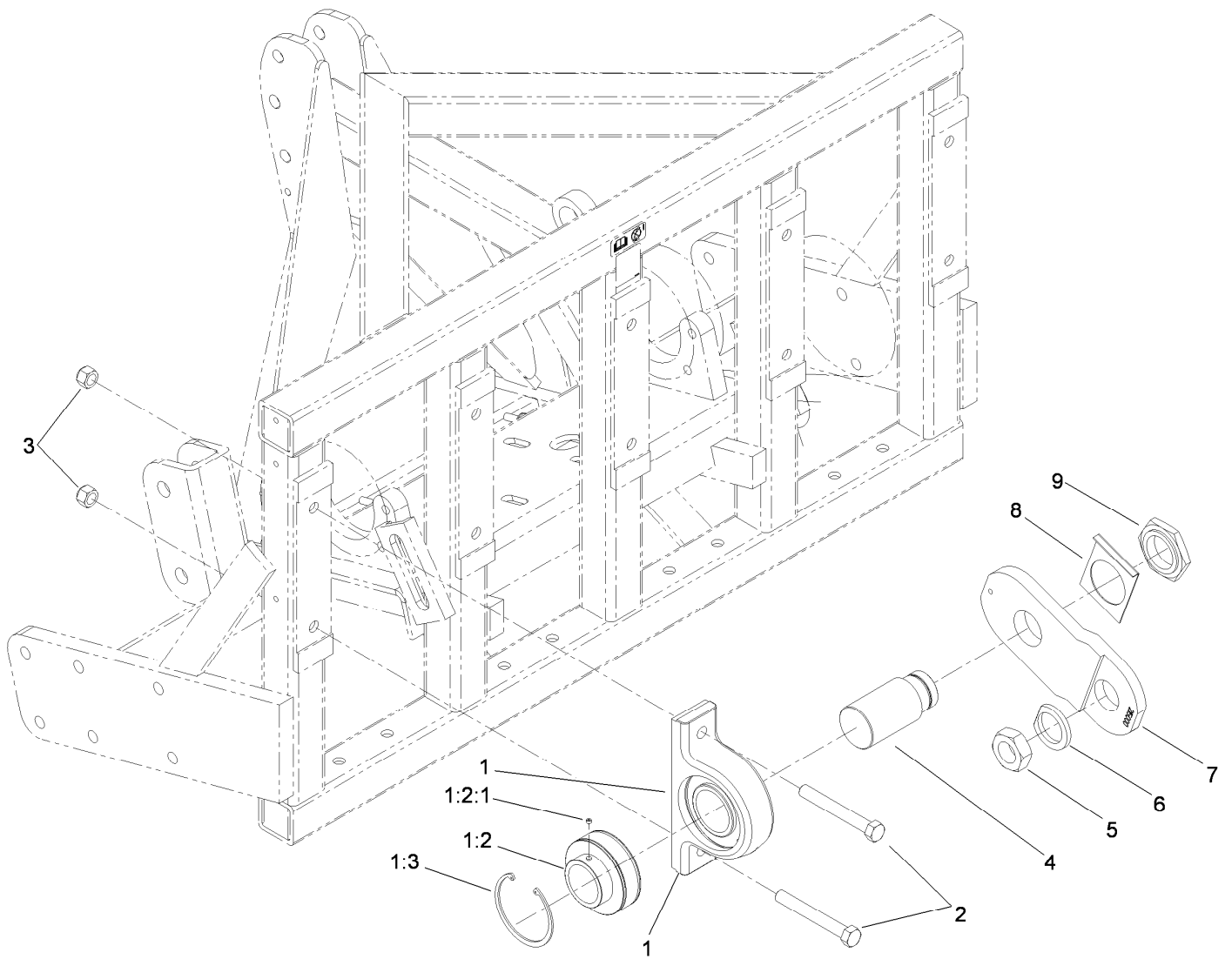


## Frame and Roller Assembly

Ref.	Part Number	Qty.	Description	Ref.	Part Number	Qty.	Description
1	3214-9	20	Screw-HH	11:2	117-7182-03	1	Pivot-End, Cylinder
2	3296-41	20	Nut-Lock NI	11:3	108-2800	1	Pin-Clevis
3	120-1073	1	Frame ASM	11:4	3272-23	1	Pin-Cotter
3:2	117-7052	1	Decal-No Oil	12	SG795245	1	Hose ASM (Short)
3:3	100-3612	2	Decal-Warning	13	SG795250	1	Hose ASM (Long)
3:4	110-4668	1	Decal-Warning, PTO	14	SG715450	1	Pin-Link, Top
4	SG616061-03	1	Roller-Main	15	112-4378	2	Pin-Hitch
5	SG625048-01	2	Bar-Roller, Vertical	16	92-1298	2	Pin-Lynch
6	SG631150-03	2	Bearing-Roller	17	100-5389	1	Pin-Lynch
6:1		1	Bearing-Flange ■	18	SG999018	1	Canister-Manual, Operators
6:1:1	106-9662	2	Screw-Set, HSH	19	322-3	2	Screw-HH
6:1:2	302-19	1	Fitting-Grease	23	SG795551-03	1	Extension-Adapter, 5.50 Inch
7	SG616725-03	1	Bar-Scraper	24	SG795554-03	1	Extension-Adapter, 3.50 Inch
8	323-6	2	Screw-HH	25	117-7124-03	1	Mount-Adapter, 90 DEG
9	3253-21	2	Washer-Lock	26	SG555013	2	Bushing
10	SG785150-03	2	Stand-Storage	27	120-1032	2	Fitting-HYD
11	SG715010	1	HYD Cylinder ASM				
11:1		1	Cylinder-HYD ■				
11:1:1	117-7175	1	Seal Kit ●				

● Not illustrated

■ Not serviced separately

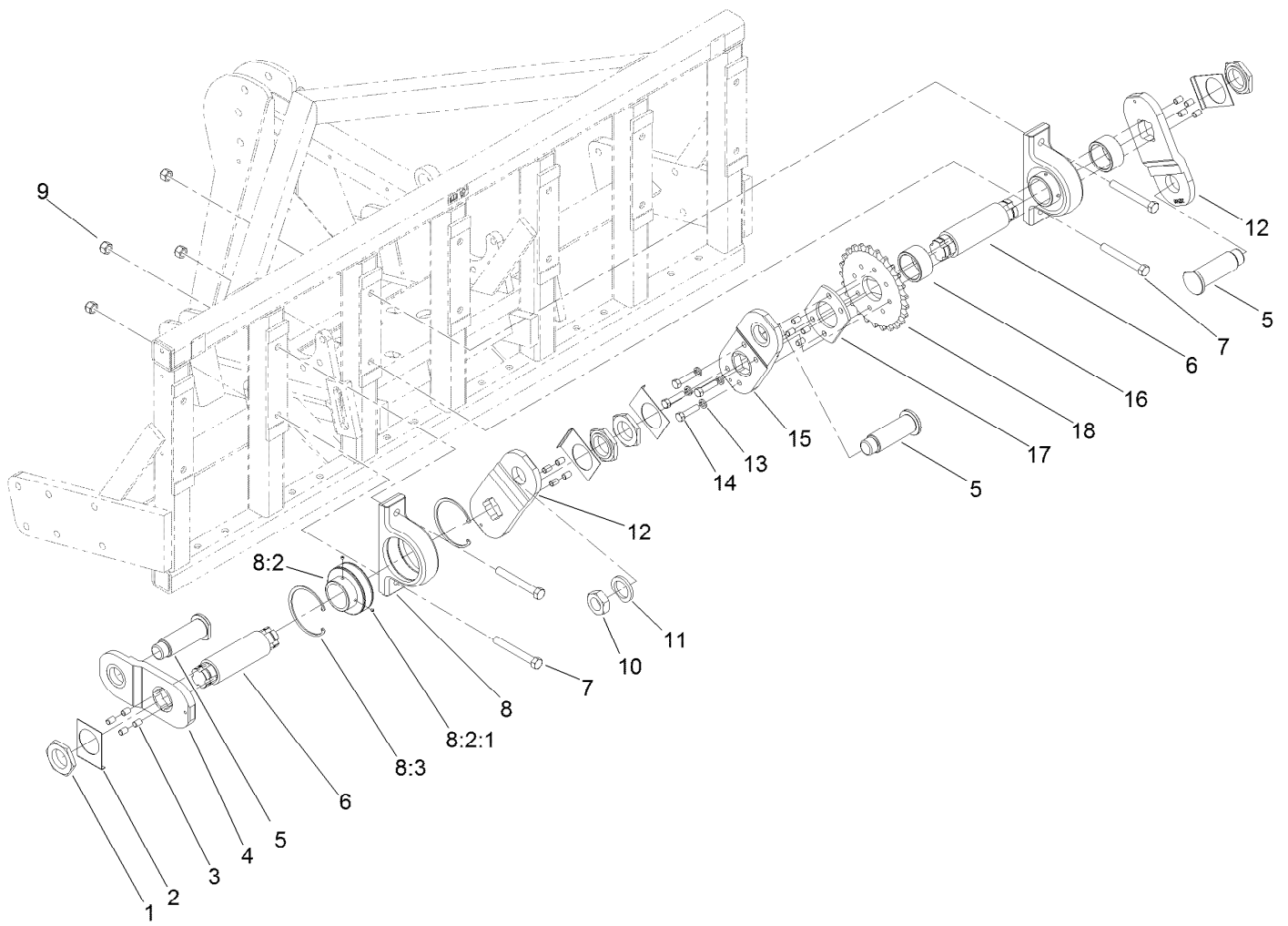


## LH Outside Crankshaft Assembly

Ref.	Part Number	Qty.	Description
1	SG231040	1	Bearing Housing ASM
1:2		1	Bearing-Ball ●
1:2:1	99-0195	2	Screw-Set, HSH
1:3	SG232433	2	Ring-Snap
2	SG278625	2	Screw-HH
3	3296-41	2	Nut-Lock NI
4	SG211557	1	Shaft-Stub, Outside
5	SG361375	1	Nut-HJ
6	SG241753	1	Washer-Crank, Clipped
7	SG215000-03	1	Arm-Crank
8	SG281240	1	Plate-Locking
9	SG261535	1	Nut-Hex

● Not serviced separately

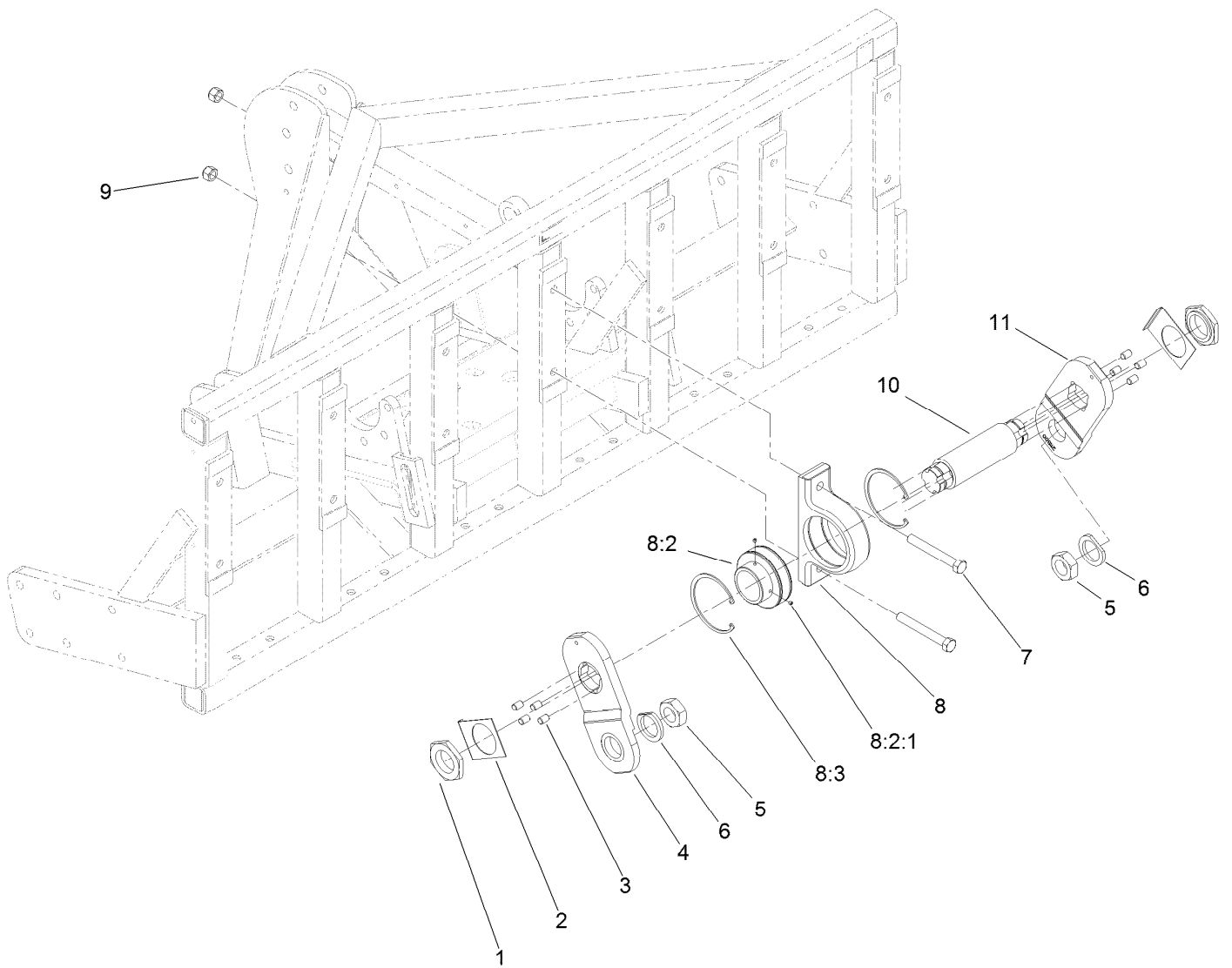




## LH Crankshaft Assembly

Ref.	Part Number	Qty.	Description	Ref.	Part Number	Qty.	Description
1	SG261535	4	Nut-Hex	9	3296-41	4	Nut-Lock NI
2	SG281240	4	Plate-Locking	10	SG361375	1	Nut-HJ
3	SG250875	16	Pin-Dowel	11	SG241753	1	Washer-Crank, Clipped
4	SG210500-03	1	Arm-Crank	12	SG212500-03	2	Arm-Crank, LH (1/2" Drive)
5	SG315750	3	Pin-Crank	13	3253-7	4	Washer-Lock
6	SG216500	2	Shaft-Crank	14	SG271517	4	Screw-HH
7	SG278625	4	Screw-HH	15	SG200500-03	1	Arm-Crank (1/2" Drive)
8	SG231040	2	Bearing Housing ASM	16	SG234149	2	Spacer-Tube
8:2		1	Bearing-Ball ●	17	SG243300	1	Spacer-Sprocket
8:2:1	99-0195	2	Screw-Set, HSH	18	SG214025	1	Sprocket-Bore, Plain
8:3	SG232433	2	Ring-Snap				

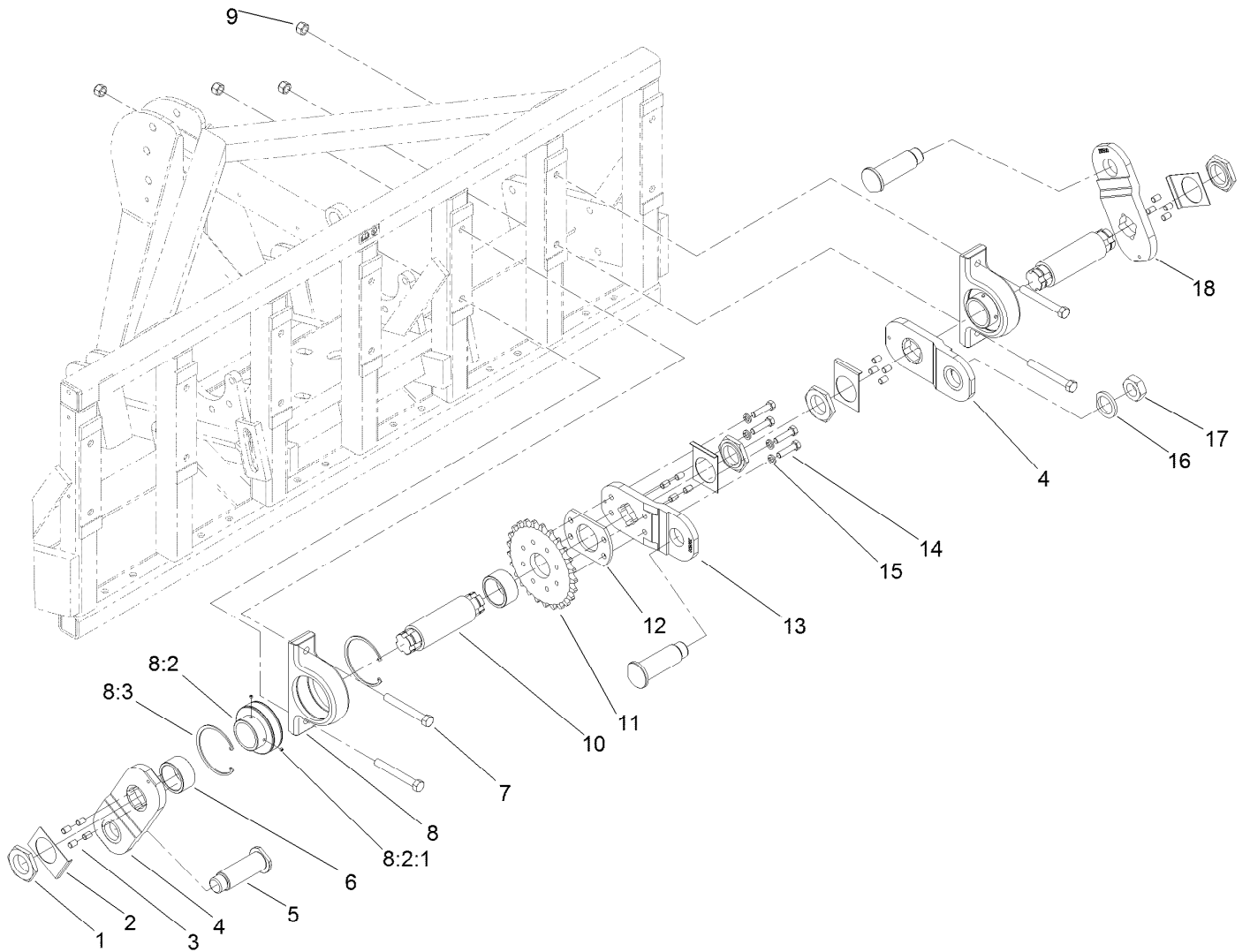
● Not serviced separately



## Center Crankshaft Assembly

Ref.	Part Number	Qty.	Description
1	SG261535	2	Nut-Hex
2	SG281240	2	Plate-Locking
3	SG250875	8	Pin-Dowel
4	SG210500-03	1	Arm-Crank
5	SG361375	2	Nut-HJ
6	SG241753	2	Washer-Crank, Clipped
7	SG278625	2	Screw-HH
8	SG231040	1	Bearing Housing ASM
8:2		1	Bearing-Ball ●
8:2:1	99-0195	2	Screw-Set, HSH
8:3	SG232433	2	Ring-Snap
9	3296-41	2	Nut-Lock NI
10	SG216500	1	Shaft-Crank
11	SG211500-03	1	Arm-Crank, RH (1/2" Drive)

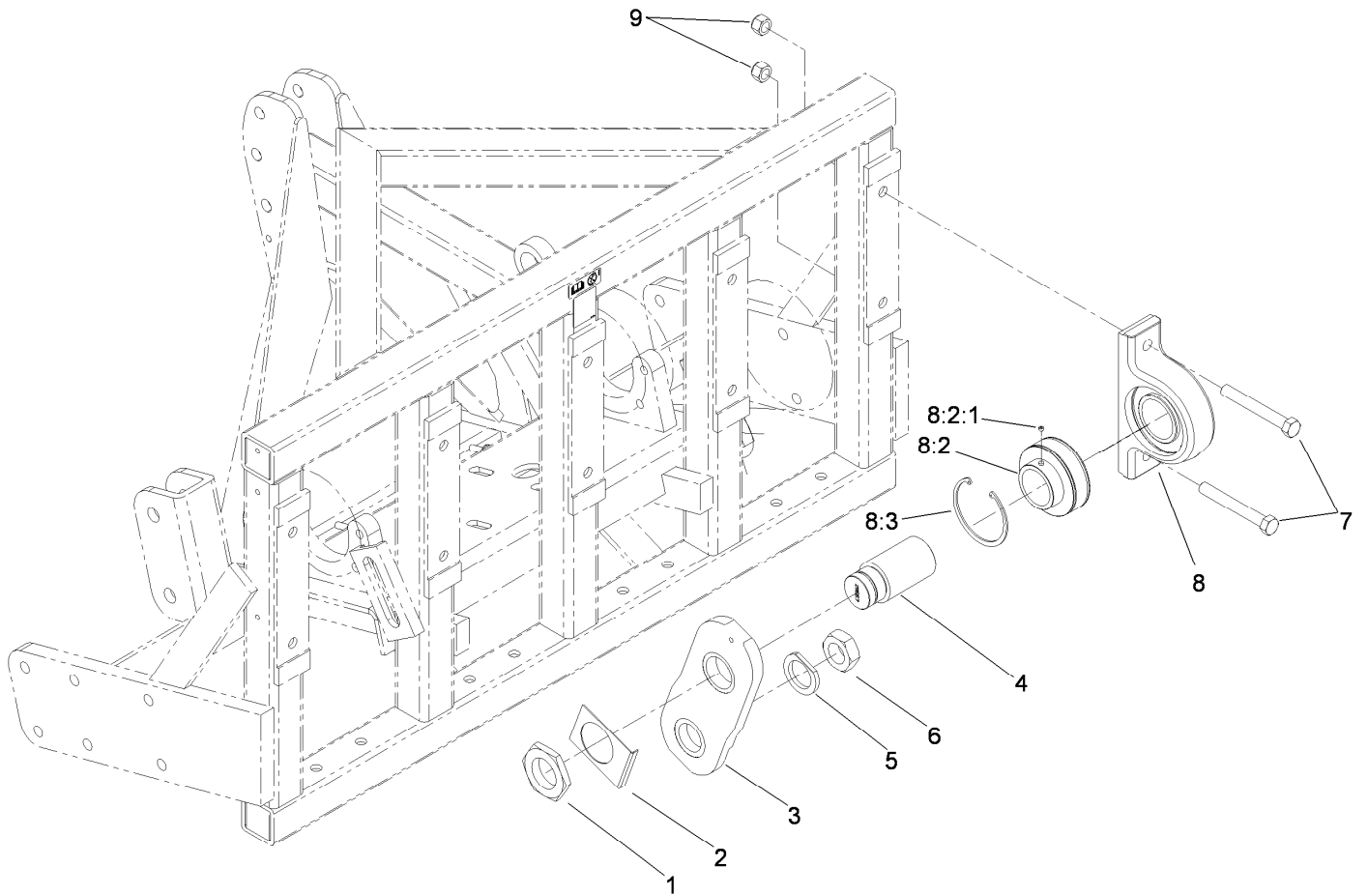
● Not serviced separately



## RH Crankshaft Assembly

Ref.	Part Number	Qty.	Description	Ref.	Part Number	Qty.	Description
1	SG261535	4	Nut-Hex	9	3296-41	4	Nut-Lock NI
2	SG281240	4	Plate-Locking	10	SG216500	2	Shaft-Crank
3	SG250875	16	Pin-Dowel	11	SG214025	1	Sprocket-Bore, Plain
4	SG211500-03	2	Arm-Crank, RH (1/2" Drive)	12	SG243300	1	Spacer-Sprocket
5	SG315750	3	Pin-Crank	13	SG200500-03	1	Arm-Crank (1/2" Drive)
6	SG234149	2	Spacer-Tube	14	SG271517	4	Screw-HH
7	SG278625	4	Screw-HH	15	3253-7	4	Washer-Lock
8	SG231040	2	Bearing Housing ASM	16	SG241753	1	Washer-Crank, Clipped
8:2		1	Bearing-Ball ●	17	SG361375	1	Nut-HJ
8:2:1	99-0195	2	Screw-Set, HSH	18	SG210500-03	1	Arm-Crank
8:3	SG232433	2	Ring-Snap				

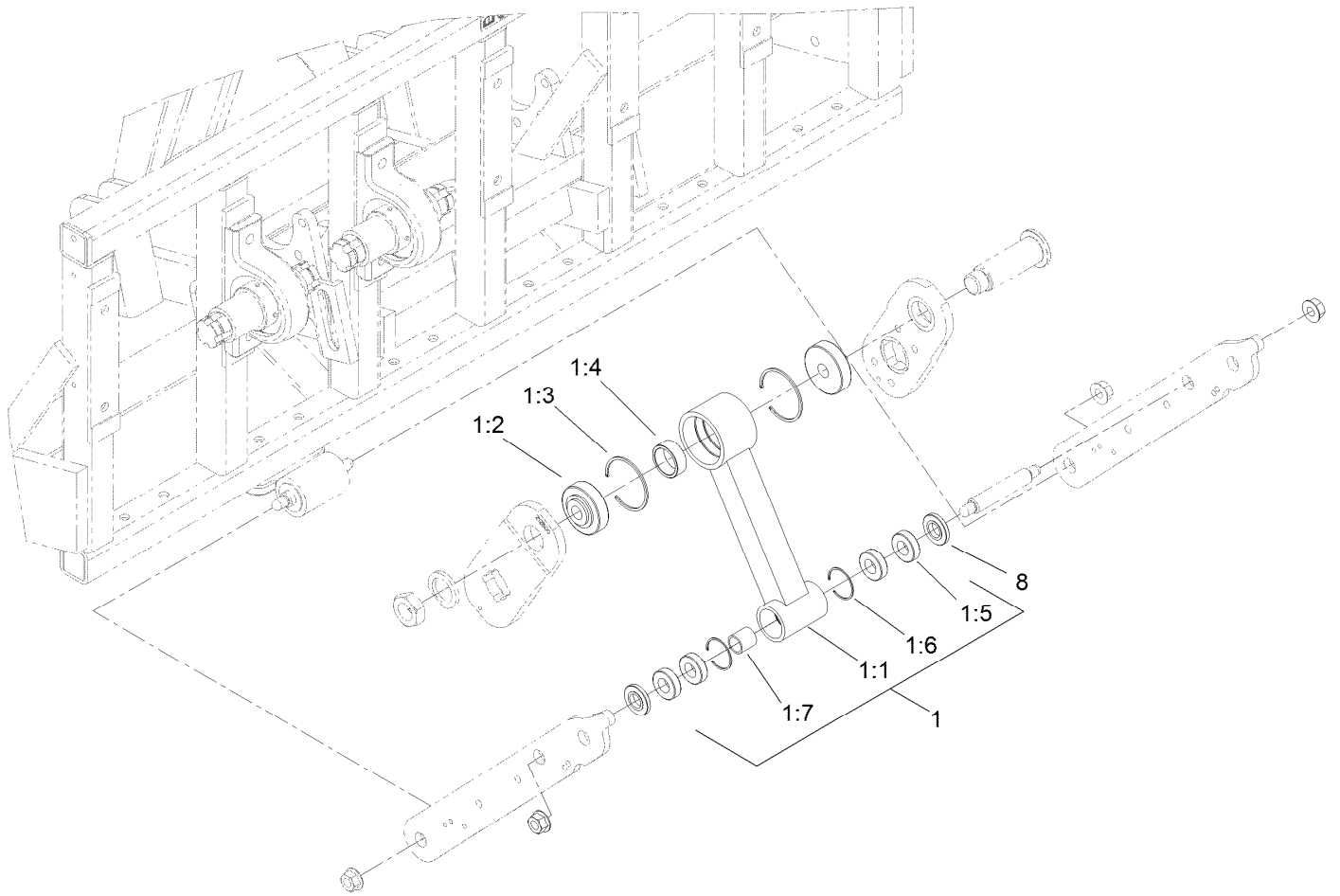
● Not serviced separately



## RH Outside Crankshaft Assembly

Ref.	Part Number	Qty.	Description
1	SG261535	1	Nut-Hex
2	SG281240	1	Plate-Locking
3	SG215000-03	1	Arm-Crank
4	SG211557	1	Shaft-Stub, Outside
5	SG241753	1	Washer-Crank, Clipped
6	SG361375	1	Nut-HJ
7	SG278625	2	Screw-HH
8	SG231040	1	Bearing Housing ASM
8:2		1	Bearing-Ball ●
8:2:1	99-0195	2	Screw-Set, HSH
8:3	SG232433	2	Ring-Snap
9	3296-41	2	Nut-Lock NI

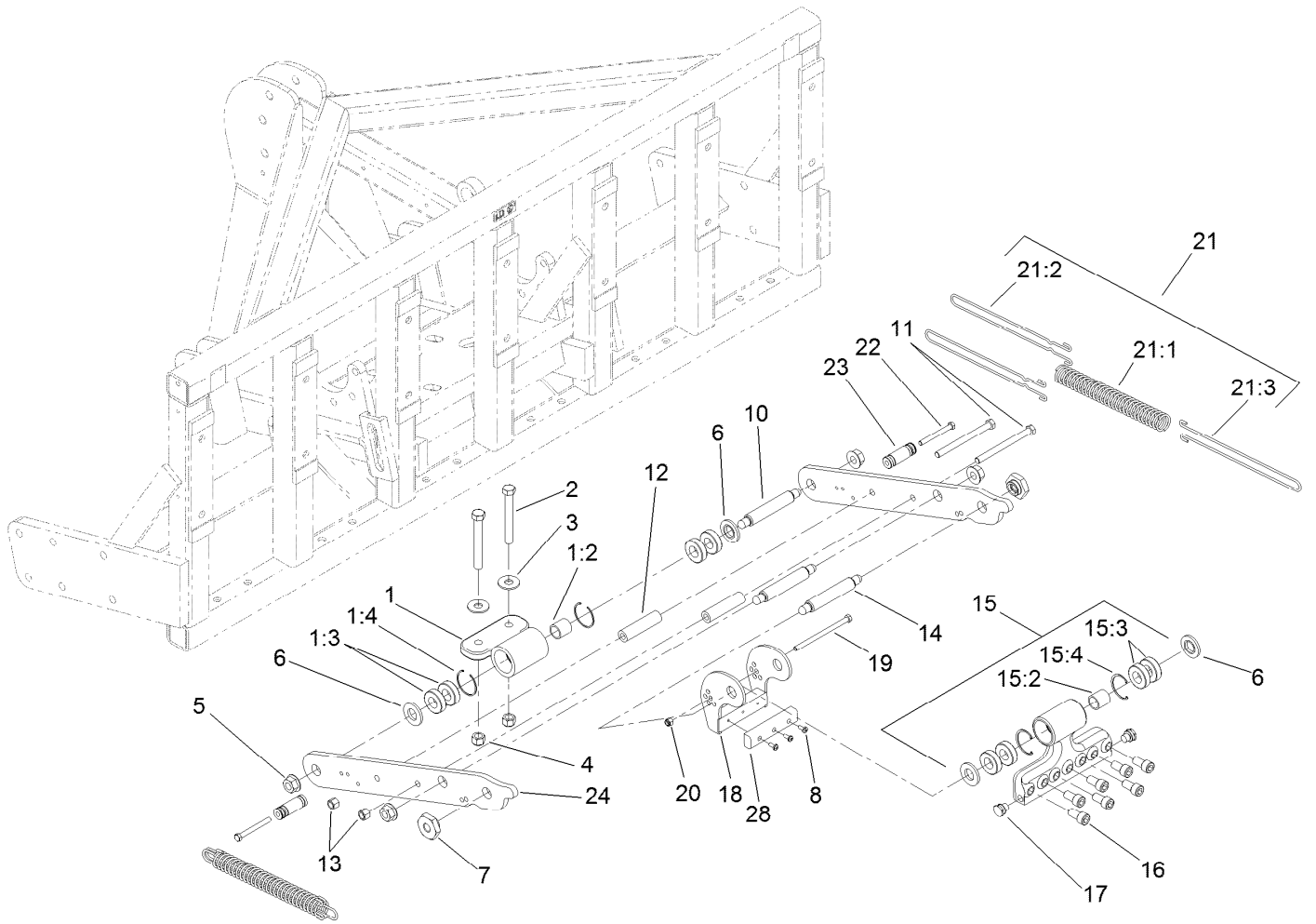
● Not serviced separately



## Connecting Rod Assembly

Ref.	Part Number	Qty.	Description
1	SG134125	6	Stomper Arm ASM
1:1		1	Arm-Stomper ●
1:2	SG331112	2	Bearing-Rod, Connecting
1:3	SG332334	2	Ring-Snap
1:4	SG340700	1	Spacer-Rod, Connecting
1:5	SG431012	4	Bearing-Ball
1:6	32120-65	2	Ring-Snap
1:7	SG410290	1	Bushing-Inner
8	SG441240	12	Bushing-Outer

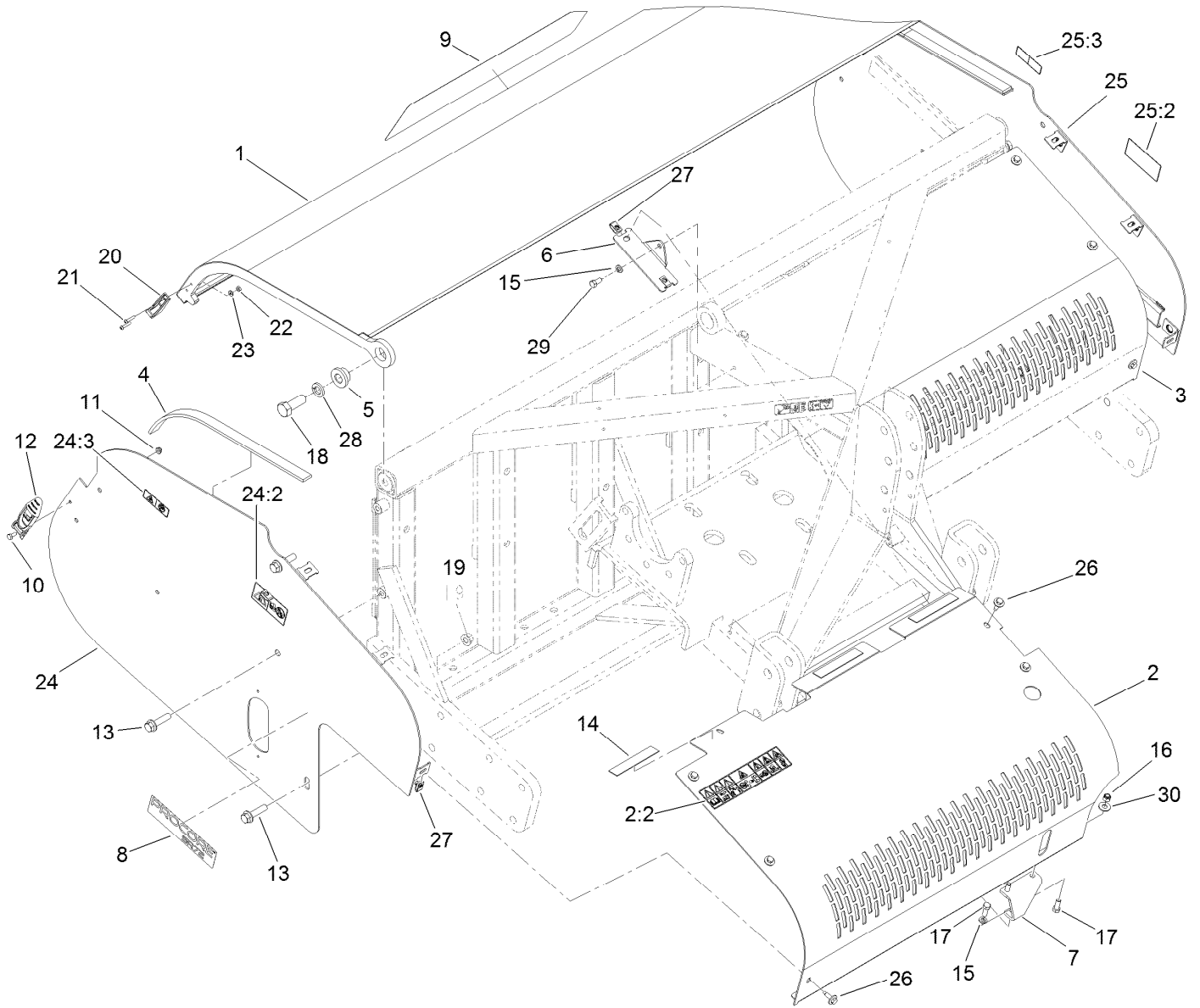
● Not serviced separately



## Lower Arm and Hinge Assembly

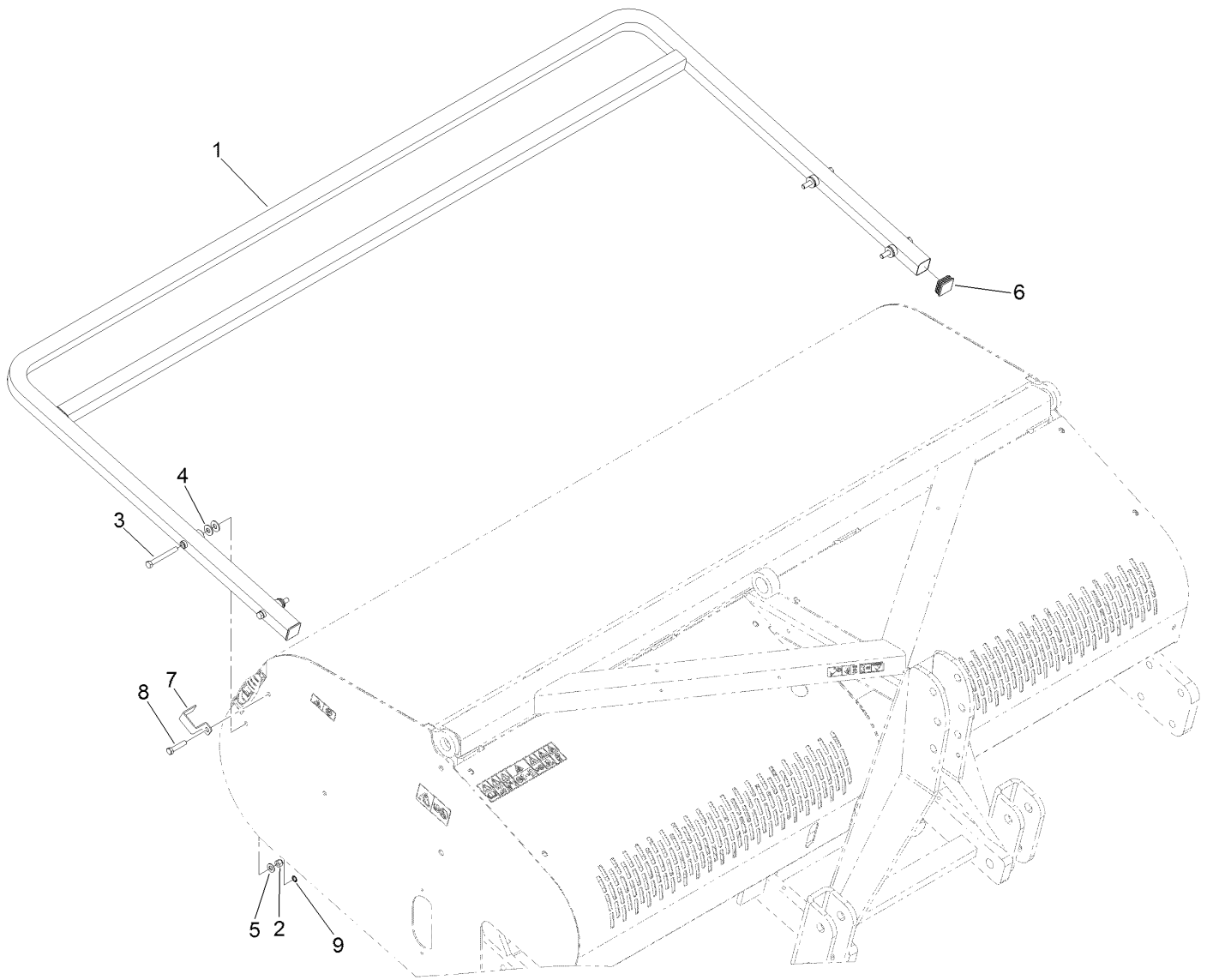
Ref.	Part Number	Qty.	Description	Ref.	Part Number	Qty.	Description
1	SG142000	6	Hinge ASM	15:2	SG410290	1	Bushing-Inner
1:2	SG410290	1	Bushing-Inner	15:3	SG431012	4	Bearing-Ball
1:3	SG431012	4	Bearing-Ball	15:4	32120-65	2	Ring-Snap
1:4	32120-65	2	Ring-Snap	16	SG471620	42	Head-Tine, Bolt (Long)
2	3214-15	12	Screw-HH	17	SG483125	12	Holder-Spring, Front
3	3256-7	12	Washer-Flat	18	120-7267-03	6	Bracket-Camber
4	3296-41	12	Nut-Lock NI	19	323-26	6	Screw-HH
5	32128-53	24	Nut-HF	20	3296-39	6	Nut-Lock, NI
6	SG441240	24	Bushing-Outer	21	SG148160	12	Spring ASM
7	120-7271	12	Nut-HH	21:1	SG481512	1	Spring-Compression
8	3290-145	18	Screw	21:2	SG482016	2	Wire-Bar, Draw
10	SG410500	12	Pin-Wrist, Short	21:3	SG482017	1	Wire-Bar, Draw
11	325-20	12	Screw-HH	22	323-15	12	Screw-HH
12	SG434118	12	Spacer-Arm, Linkage	23	SG484351	12	Post-Rear, Spring
13	3296-23	12	Nut-Lock, NI	24	SG434117-03	12	Arm-Linkage
14	SG410437	6	Pin-Wrist, Head	28	119-0952	6	Pad-Bumper
15	SG145100	6	Tine Head ASM	99	SG885222	1	Wrench-HSH ●

● Not illustrated



## Cover Assembly

Ref.	Part Number	Qty.	Description	Ref.	Part Number	Qty.	Description
1	119-3261-03	1	Hood	19	99-5107	2	Nut-Lock
2	120-1079	1	Front Right Guard ASM	20	103-2897	2	Latch-Catch
2:2	117-7050	1	Decal-Warning, CE	21	108-3153	4	Screw-HSBH
3	117-7153-03	1	Guard-Front, LH	22	3296-2	4	Nut-Lock, NI
4	117-7159	2	Strip-Rubber	23	3256-14	4	Washer-Flat
5	120-1021	2	Bushing-Hood	24	120-1077	1	RH Shield ASM
6	119-0958-03	2	Bracket-Guard, Front	24:2	117-7051	1	Decal-Danger, Keep Away CE
7	SG616730-03	2	Bracket-Screen, Front	24:3	120-0625	1	Decal-Warning
8	117-7087	2	Decal	25	120-1078	1	LH Shield ASM
9	117-7058	1	Decal	25:2	117-7051	1	Decal-Danger, Keep Away CE
10	321-3	2	Screw-HH	25:3	120-0625	1	Decal-Warning
11	104-7201	2	Nut-HF, NI	26	114-8418	10	Screw-HWH, Sems
12	103-2898	2	Latch-Rubber	27	94-2413	10	Nut-U
13	3234-27	6	Screw-HHF	28	3253-9	2	Washer-Lock
14	120-1087	6	Strip-Rubber	29	323-4	2	Screw-HH
15	3253-21	4	Washer-Lock	30	3256-4	4	Washer-Flat
16	3296-39	4	Nut-Lock, NI				
17	323-6	6	Screw-HH				
18	328-24	2	Screw-HH				



## Rear Guard Assembly

<i>Ref.</i>	<i>Part Number</i>	<i>Qty.</i>	<i>Description</i>
1	119-3275-03	1	Guard-Rear
2	3296-39	4	Nut-Lock, NI
3	323-20	4	Screw-HH
4	3256-4	8	Washer-Flat
5	3256-24	4	Washer-Plain
6	120-7261	2	Cap-End, Square
7	110-4673	2	Lock-Latch, CE
8	323-53	2	Screw-HH
9	32151-72	2	Ring-Retaining



# Attachments and Accessories

## For 09935 ProCore SR72 Aerator

<b>Product Name</b>	<b>Model/Part</b>
Rear Roller Kit .....	09954
10 x 5/16in Tine Head Adapter Kit.....	117-7190
10 x 12mm Tine Head Adapter Kit .....	117-7191
Adapter Sleeve 5/16 x 8in .....	SGA08313
Adapter Sleeve .....	SGA12375

**Notes:**

**Notes:**



**Count on it.**