



**Count on it.**

**Parts Catalog**

**EU Light Kit**

**Groundsmaster® 4300-D or Reelmaster®  
5010-H Traction Unit**

Model No. 31579



# Ordering Replacement Parts

To order replacement parts, please supply the part number, the quantity, and the description of each part desired.

## Understanding Reference Numbers

Each identified part in an illustration has a reference number. The reference number for a part also appears in the parts list, along with other information about the part.

This catalog uses two special reference number formats, one to indicate parts in a service assembly and another to indicate the quantity of a given part in an illustration.

## Service Assembly Reference Numbers

Parts in service assemblies have reference numbers in the form a:b. The a represents the reference number of the entire service assembly and the b represents a sequential number unique to each part within the service assembly.

For example, a wheel assembly might be identified by reference number 6, the tire by 6:1, the valve by 6:2, and the wheel by 6:3. When you order the assembly identified by reference number 6, you receive all parts identified by reference numbers 6:1, 6:2, and 6:3. However, you may also order any part individually. Reference numbers of this type appear in illustration and in parts lists.

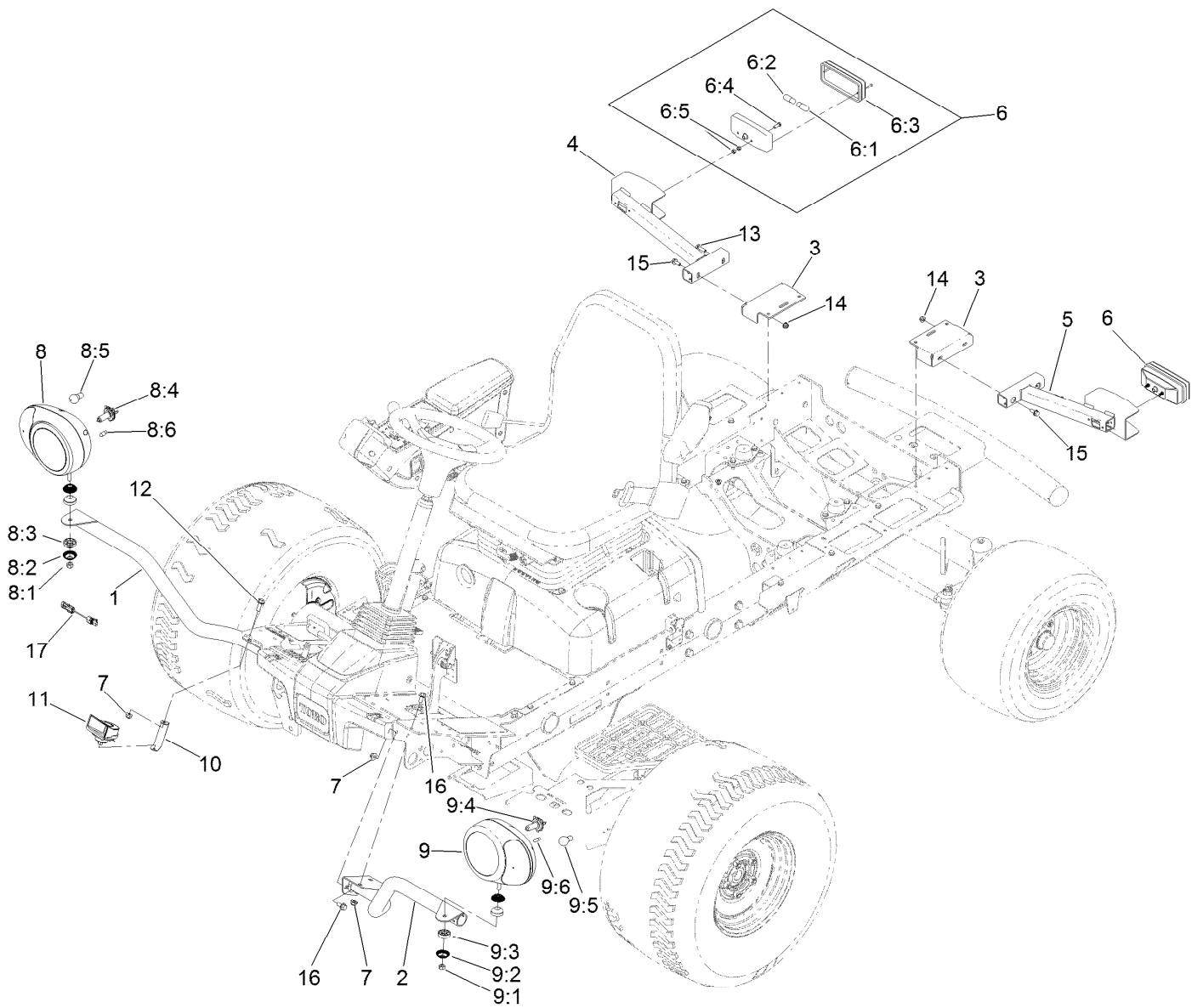
## Reference Numbers Indicating Quantity

In an illustration, if a reference number indicates more than one part, the reference number has the form nX y. The n represents the quantity of the part, the X is the multiplication symbol, and the y represents the reference number.

For example, in an illustration, the reference number 2X 37 means that two of the parts identified by reference number 37 are indicated.

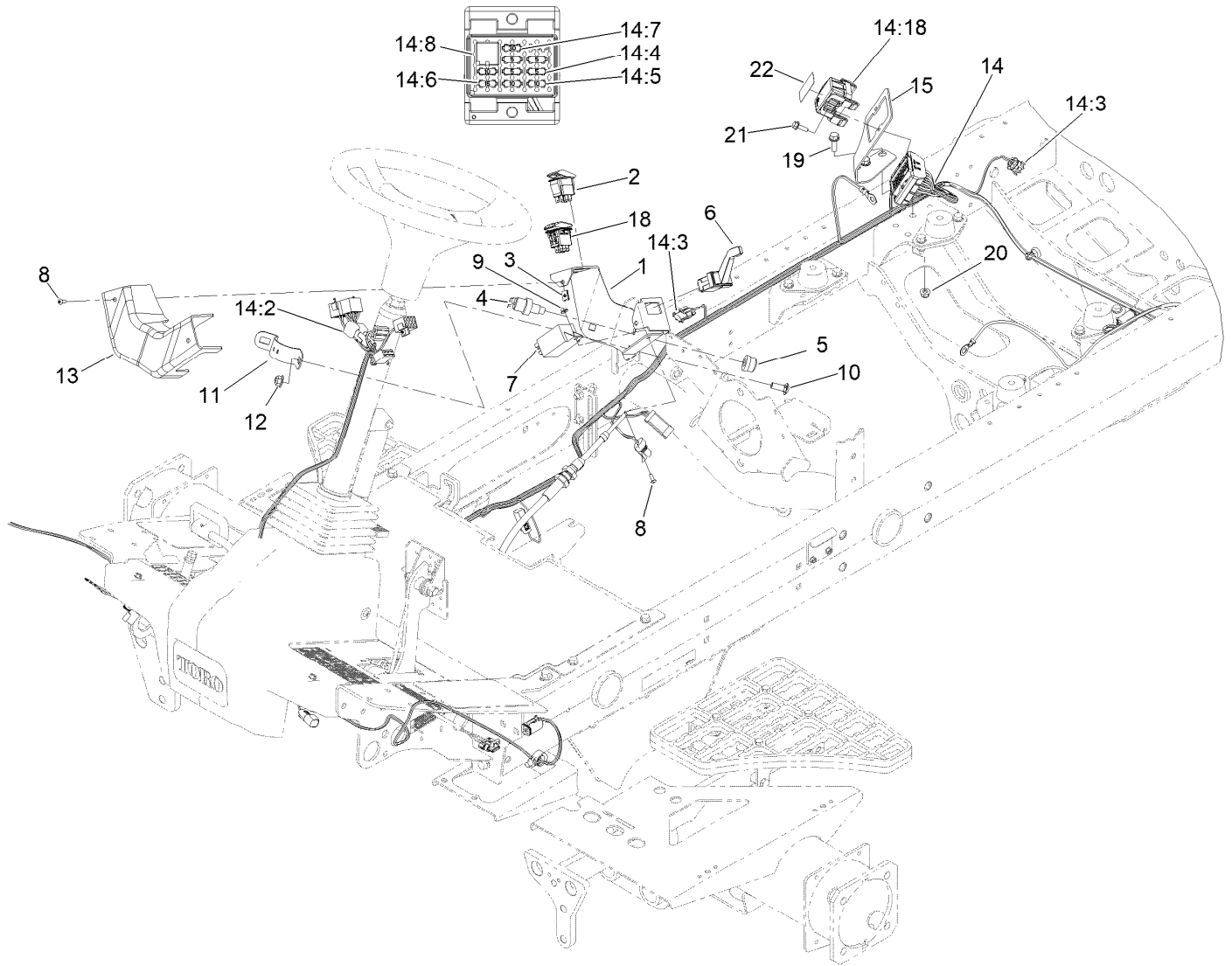
# Contents

- Head Light, Tail Light and Horn Assembly ..... 4
- Electrical Assembly ..... 5
- License Plate Mount Assembly ..... 6
- Speed Plate Assembly ..... 7



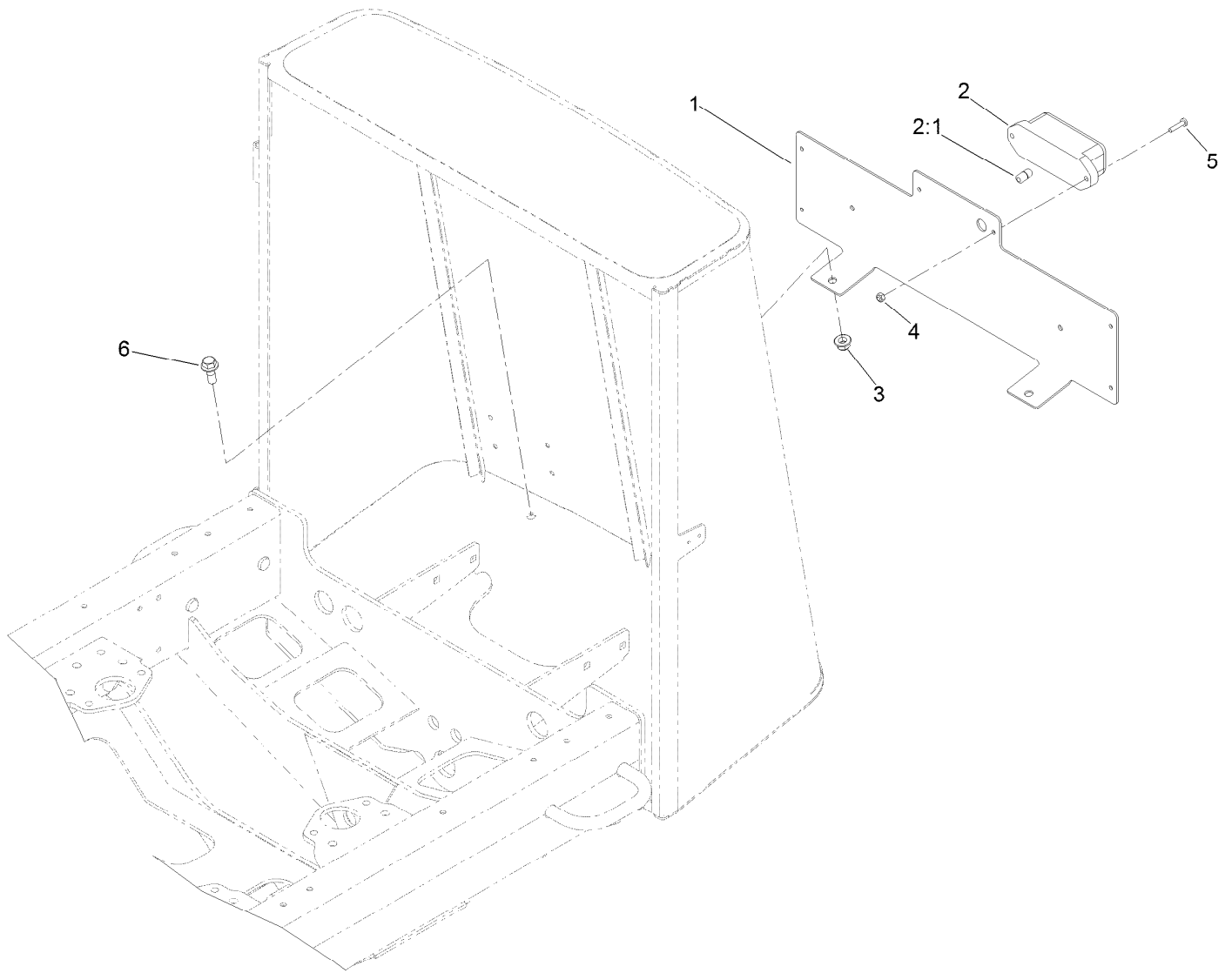
## Head Light, Tail Light and Horn Assembly

Ref.	Part Number	Qty.	Description	Ref.	Part Number	Qty.	Description
1	127-2674-03	1	Mount-Light, RH	8:5	120-0472	1	Bulb-Lamp
2	127-2794-03	1	Mount-Light, LH	8:6	120-0473	1	Bulb-Lamp
3	136-7967-03	2	Bracket-Tail Extension	9	119-8324	1	LH Headlamp ASM
4	136-7965-03	1	Mount-Light , Rear (RH)	9:1	33025-00	1	Nut-Lock, NI
5	136-7966-03	1	Mount-Light , Rear (LH)	9:2	120-0475	2	Shell-Articulated
6	119-8093	2	Tail Light ASM	9:3	120-0474	2	Joint-Articulated
6:1	7228	1	Bulb-1156	9:4	120-0471	1	Bulb-Halogen
6:2	108-8054	1	Bulb-1157	9:5	120-0472	1	Bulb-Lamp
6:3	120-6656	1	Lens-Red/Amber	9:6	120-0473	1	Bulb-Lamp
6:4	60-6910	2	Screw-HH	10	125-8842	1	Bracket-Horn
6:5	48-7880	4	Nut-Hex	11	116749	1	Horn
7	104-8301	11	Nut-HF, NI	12	3234-11	2	Screw-HHF
8	119-8323	1	RH Headlamp ASM	13	3234-17	4	Screw-HHF
8:1	33025-00	1	Nut-Lock, NI	14	104-8300	4	Nut-HF, NI
8:2	120-0475	2	Shell-Articulated	15	3234-5	4	Screw-HHF
8:3	120-0474	2	Joint-Articulated	16	3234-1	8	Screw-HHF
8:4	120-0471	1	Bulb-Halogen	17	122-1390	1	Harness-Wire, Jumper Light



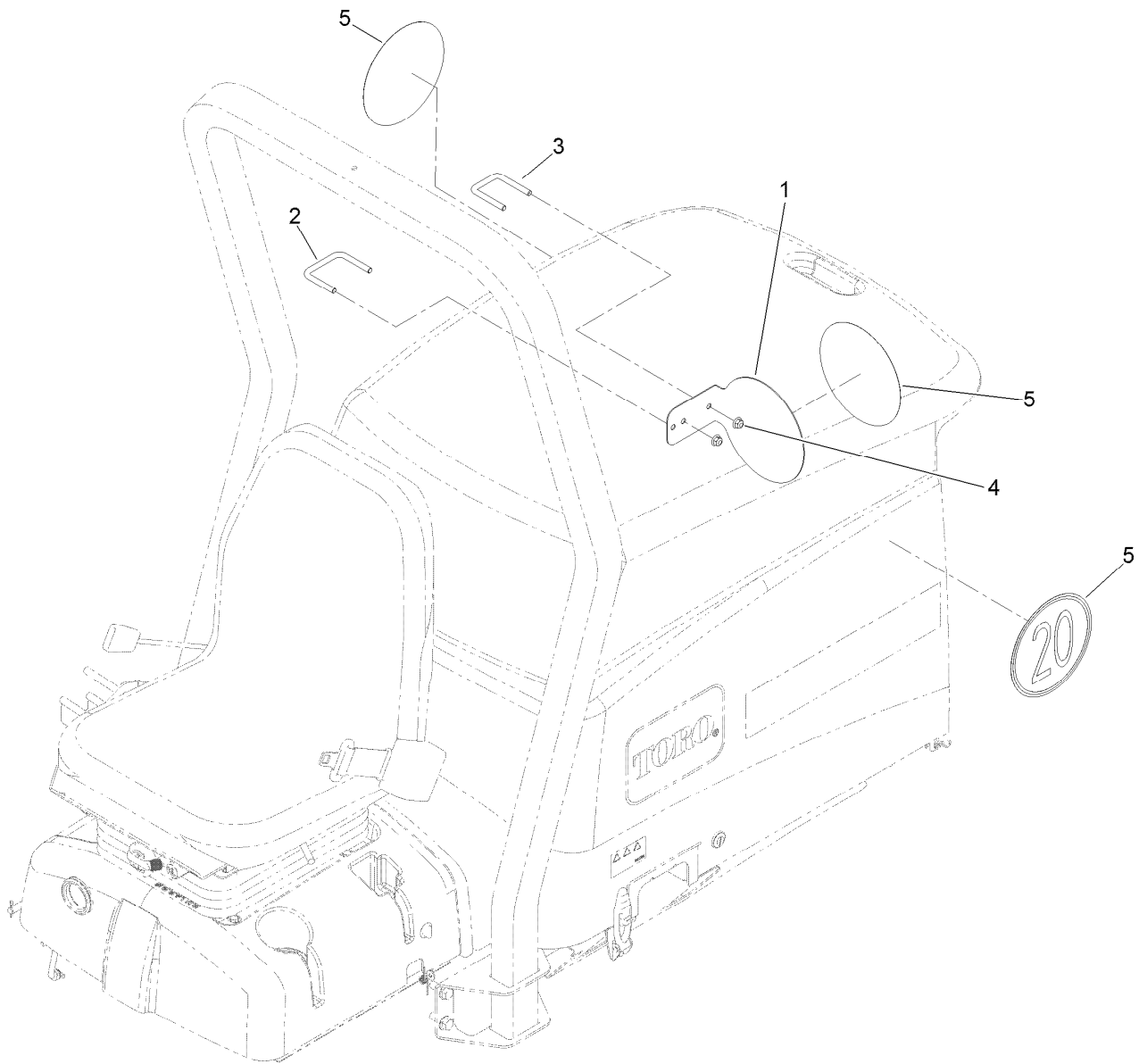
## Electrical Assembly

<i>Ref.</i>	<i>Part Number</i>	<i>Qty.</i>	<i>Description</i>	<i>Ref.</i>	<i>Part Number</i>	<i>Qty.</i>	<i>Description</i>
1	131-7784-03	1	Bracket-Column	14:2	100-4918	2	Diode
2	119-7769	1	Switch-Rocker, On/None/On	14:3	32180-056	2	Cap
3	701493	2	Nut-Speed	14:4	121-8864	4	Fuse-Mini Blade, 5 Amp
4	112-3324	1	Switch-Horn	14:5	121-8866	3	Fuse-Mini Blade, 10 Amp
5	112-3313	1	Nut-Weatherproof	14:6	121-8867	1	Fuse-Mini Blade, 15 Amp
6	120-3953	1	Switch-Paddle, On/Off/On	14:7	121-8870	1	Fuse-Mini Blade, 30 Amp
7	119-9880	1	Module-Flasher	14:8	126-3991	1	Relay-Micro
8	115-9830	3	Screw-HSBH	14:18	32181-015	1	Cover-Fuseblock
9	32128-17	2	Nut-Lock, Flange	15	161-8389-0P	1	Bracket-Pdm
10	3231-22	2	Screw-CARR	18	95-8999	1	Switch-Rocker, On-None-On
11	131-7786	1	Mount-Bracket, Column	19	3234-29	2	Screw-HHF
12	104-8301	11	Nut-HF, NI	20	104-8300	2	Nut-HF, NI
13	131-7785	1	Cover-Column	21	33103-020	2	Screw-HHF
14	122-3532	1	Harness-Wire, Homologation	22	163-3509	1	Decal-Fuse



## License Plate Mount Assembly

<i>Ref.</i>	<i>Part Number</i>	<i>Qty.</i>	<i>Description</i>
1	125-8829-03	1	Mount-License Plate
2	119-8091	1	Light-Plate
2:1	120-7564	1	Bulb-12W
3	104-8301	2	Nut-HF, NI
4	3296-2	2	Nut-Lock, NI
5	3250-27	2	Screw-PPH
6	3234-42	2	Screw-HHF



## Speed Plate Assembly

<i>Ref.</i>	<i>Part Number</i>	<i>Qty.</i>	<i>Description</i>
1	125-8843	1	Plate-Speed
2	119-6727	1	U-Bolt
3	104-9082	1	U-Bolt
4	104-8301	2	Nut-HF, NI
5	111-4247	3	Sign-20K



**Count on it.**