



**Count on it.**

**Parts Catalog**

**Z Master® Professional 7500-D  
Series Riding Mower  
With 144in TURBO FORCE® Rear Discharge  
Mower**

Model No. 72144—Serial No. 418000000 and Up



# Ordering Replacement Parts

To order replacement parts, please supply the part number, the quantity, and the description of each part desired.

## Understanding Reference Numbers

Each identified part in an illustration has a reference number. The reference number for a part also appears in the parts list, along with other information about the part.

This catalog uses two special reference number formats, one to indicate parts in a service assembly and another to indicate the quantity of a given part in an illustration.

## Service Assembly Reference Numbers

Parts in service assemblies have reference numbers in the form a:b. The a represents the reference number of the entire service assembly and the b represents a sequential number unique to each part within the service assembly.

For example, a wheel assembly might be identified by reference number 6, the tire by 6:1, the valve by 6:2, and the wheel by 6:3. When you order the assembly identified by reference number 6, you receive all parts identified by reference numbers 6:1, 6:2, and 6:3. However, you may also order any part individually. Reference numbers of this type appear in illustration and in parts lists.

## Reference Numbers Indicating Quantity

In an illustration, if a reference number indicates more than one part, the reference number has the form nX y. The n represents the quantity of the part, the X is the multiplication symbol, and the y represents the reference number.

For example, in an illustration, the reference number 2X 37 means that two of the parts identified by reference number 37 are indicated.

# Contents

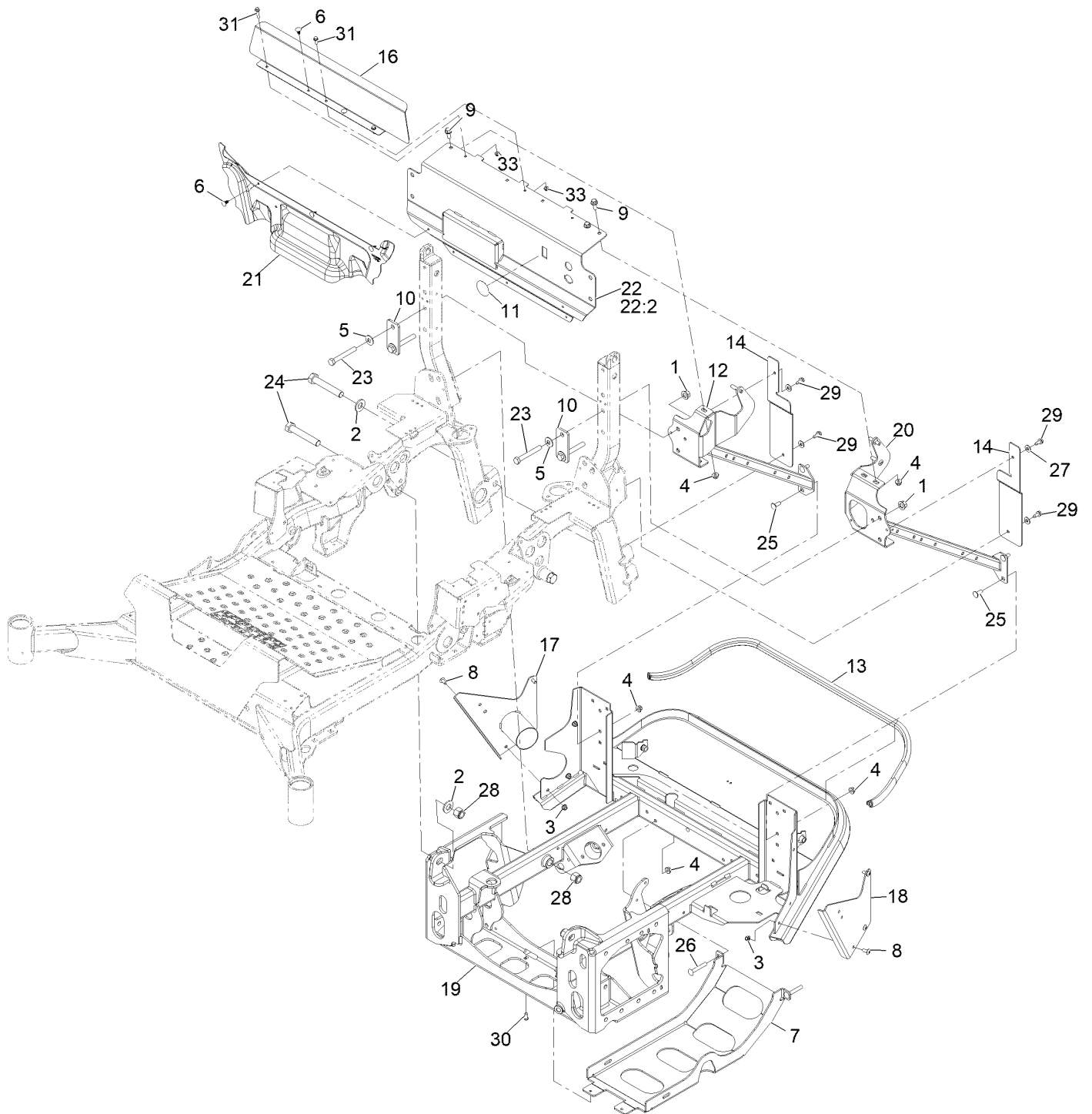
Power Frame Assembly	6
Main Frame Assembly	8
Roll-Over Protection System Assembly No. 142-9749	10
RH Mud Flap Assembly No. 135-4933	12
LH Mud Flap Assembly No. 135-4943	14
Caster Wheel Assembly	16
Transmission Mounting Assembly	18
Transmission Assembly No. 142-8084	20
Charge Pump Housing Assembly Transmission Assembly	22
Transmission Assembly (cont.) Center Section Assembly	24
Transmission Assembly (cont.) Gear Case and Clutch Assembly	26
Hydraulic Gear Pump Assembly No. 112-9542	28
Drive Wheel Assembly	30
Fuel System Assembly	32
RH Fuel Tank Assembly No. 142-8638	34
LH Fuel Tank Assembly No. 146-1835	36
Seat Mounting Assembly	38
Seat Assembly No. 146-3213	40
Motion Control Assembly	42
Front Linkage Rod Assembly No. 142-8447	44
Hood and Covers Assembly	46
Hood Assembly No. 142-5135	48
Electrical Assembly	50
Main Wire Harness Assembly No. 122-2377	52
Engine Wire Harness No. 122-2378	54
Deck Lift Assembly	56
Engine Assembly	58
Air Cleaner Assembly No. 142-7201	60
Hydraulic Drive Assembly	62
Hydraulic Reservoir Assembly No. 142-5034	64
Lift and Fold Valve Assembly No. 142-8862	66
Planetary Assembly No. 142-5548	68
Hydraulic Motor Assembly No. 142-5691	70
Hydraulic Valve Assembly No. 142-3892	72
Cooling System Assembly	74
Cooling Assembly No. 121-3330	76
Deck Assembly	78
Center Deck Assembly	80
Center Deck Decal Assembly No. 146-3918	82
Idler Arm Assembly No. 126-2585	84
Idler Assembly No. 126-9435	86
Idler Assembly No. 126-9438	88
Center Folding Deck Hydraulic Assembly	90
Center Deck Cover and Torsion Assembly	92
Center Deck Spindle, Baffle and Roller Assembly	94
LH Wing Deck Assembly	96
LH Wing Deck Decal Assembly No. 146-3909	98
Caster Fork and Wheel Assembly	100
Rear Caster Wheel Assembly	102
Weight Transfer Spring Assembly No. 142-6483	104
LH Belt Shield Assembly No. 142-6623	106
LH Wing Deck Baffle and Roller Assembly	108
RH Wing Deck Assembly	110
RH Wing Deck Decal Assembly No. 146-3910	112

# Contents (continued)

RH Belt Shield Assembly No. 142-6633	114
RH Wing Deck Baffle and Roller Assembly	116
Discharge Tunnel Assembly No. 142-6621	118
Mulch Kit Assembly	120
Center Deck and Gear Box Assembly	122
Gearbox and Mount Assembly	124
Gearbox Assembly No. 142-8061	126
Driveshaft Assembly No. 110-3575	128
Cylinder Block Assembly	130
Gear Housing Assembly	132
Flywheel Housing and Oil Sump Assembly	134
Cylinder Head and Cover Assembly	136
Suction Manifold Assembly	138
Gasket Manifold Assembly	140
Diesel Particulate Filter (DPF) Assembly	142
Camshaft and Driving Gear Assembly	144
Turbine Assembly	146
Crankshaft and Piston Assembly	148
Oil Pump Assembly	150
Lubrication and Oil System Assembly	152
Cooling Water System Assembly	154
Fuel Supply Pump Assembly	156
Fuel Injection Valve Assembly	158
Fuel Line Assembly	160
Starting Motor Assembly	162
Electric Parts Assembly	164
Accessory Parts	166
Gasket Set	168
Attachments and Accessories	170



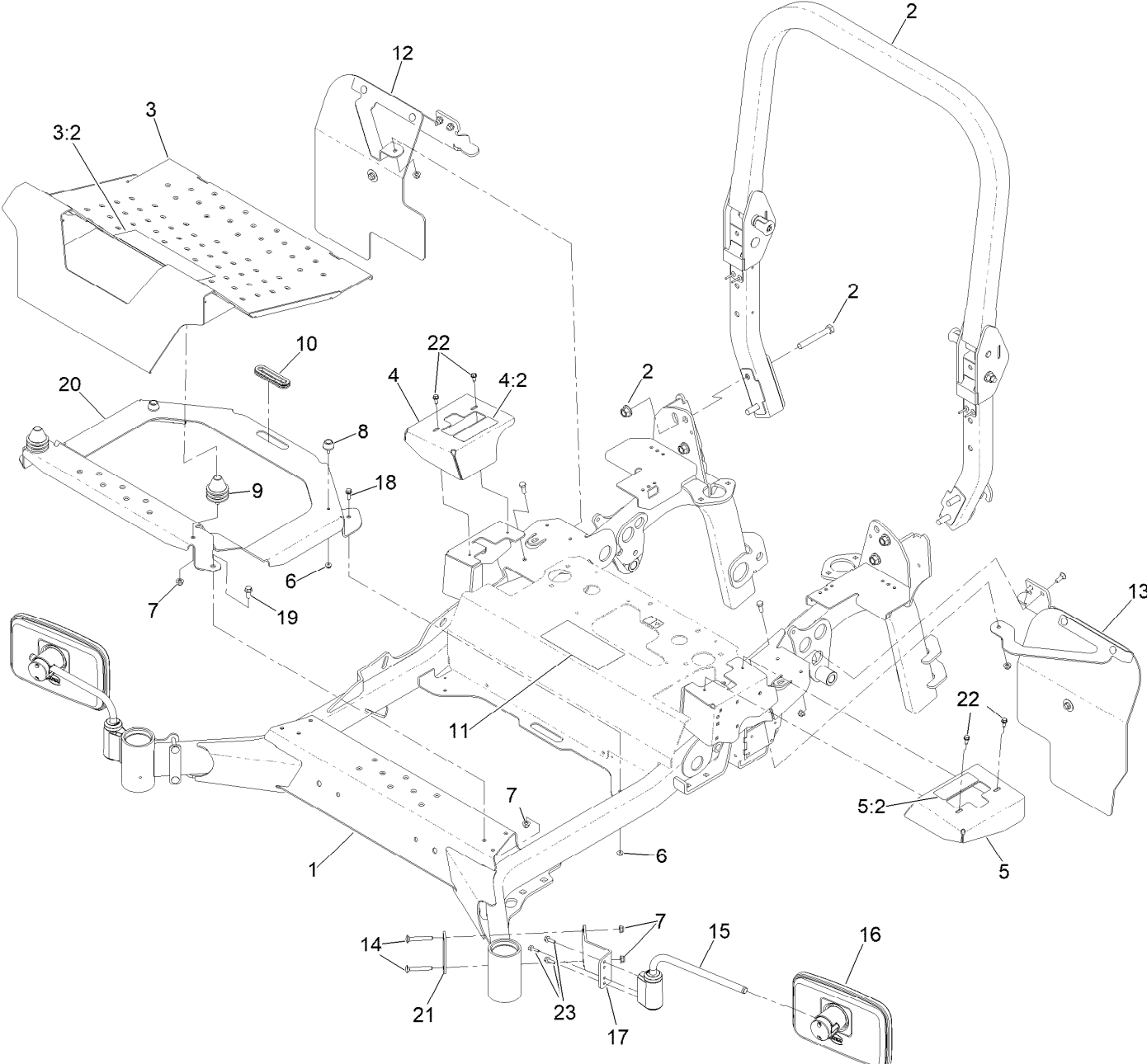
# Power Frame Assembly



## Power Frame Assembly (continued)

<i>Ref.</i>	<i>Part Number</i>	<i>Qty.</i>	<i>Description</i>	<i>Ref.</i>	<i>Part Number</i>	<i>Qty.</i>	<i>Description</i>
1	99-5107	4	Nut-Lock	18	142-5788-03	1	Plate-Battery Cover
2	103-2802	4	Washer	19	142-5154-03	1	Frame, Power [black]
3	104-8300	6	Nut-HF, NI	20	142-5163-03	1	Wldmt-ROPS LH Brace
4	104-8301	9	Nut-HF, NI	21	142-5165	1	Panel-Heat Deflector
5	109-9505	4	Washer-Spring	22	142-8745	1	Channel-Cross, ASM
6	117-2382	5	Plug-Plastic	22:2	142-5782	1	Barrier-Heat
7	126-5922-03	1	Plate-Skid	23	325-35	4	Screw-HH
8	126-6268	6	Screw-TTH	24	328-8	4	Screw-HH
9	131-2220	3	Screw-HHF	25	3231-22	4	Screw-CARR
10	135-0412-03	2	Plate-Spacer	26	3231-44	2	Screw-CARR
11	135-3728	1	Decal-Cover	27	3256-3	4	Washer-Flat
12	142-2353-03	1	Wldmt-ROPS RH Brace	28	3296-51	4	Nut-Lock, NI
13	142-3172	1	Seal-Bulb	29	32144-70	4	Screw-HWHTF
14	142-3197	2	Sheet-ROPS Airdam	30	138-9753	2	Screw
16	142-7218-03	1	Shield-Air	31	115-5103	3	Screw-HHF
17	142-5785	1	Plate-Exhaust	33	32128-33	3	Nut-HF

# Main Frame Assembly

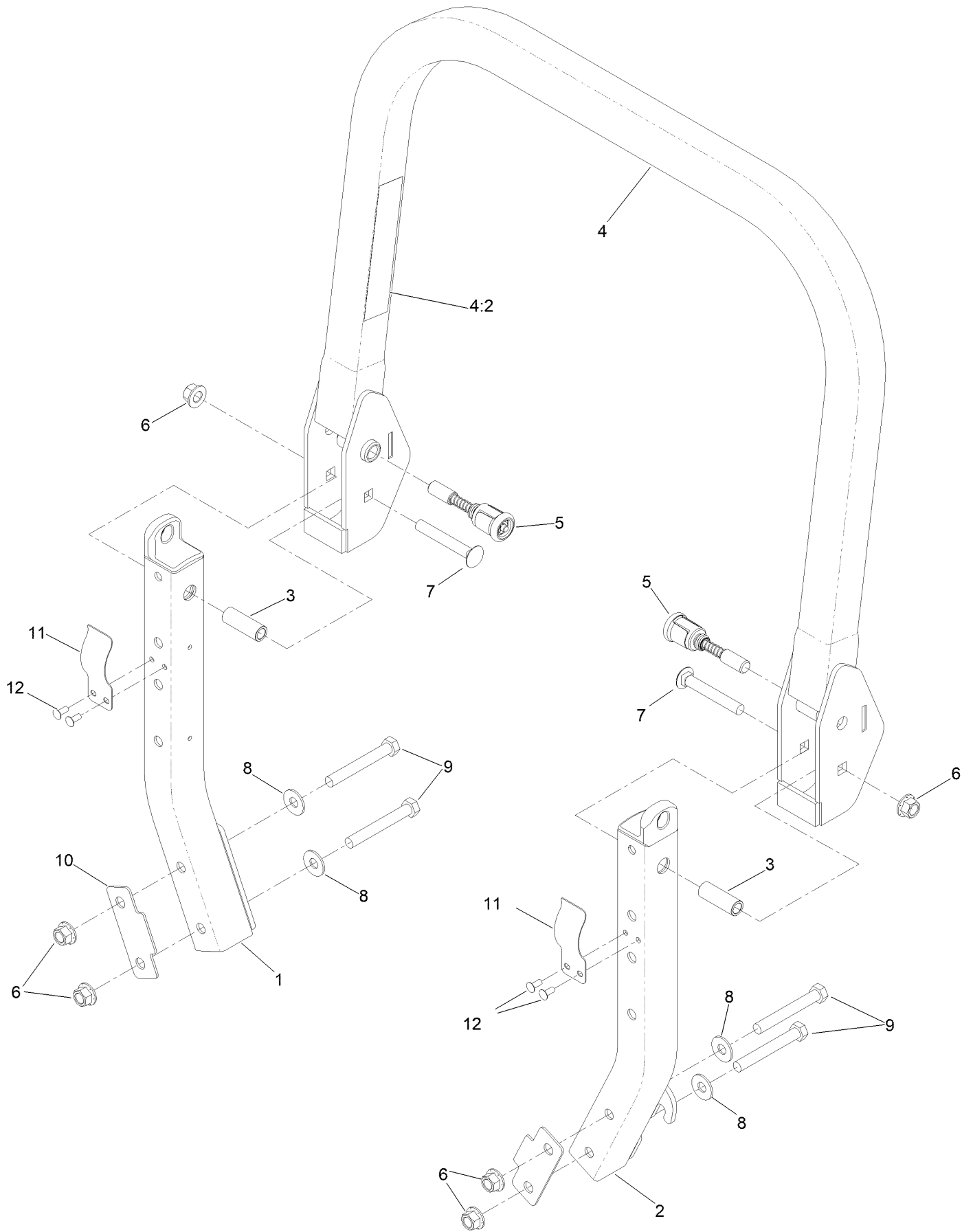




## Main Frame Assembly (continued)

<i>Ref.</i>	<i>Part Number</i>	<i>Qty.</i>	<i>Description</i>	<i>Ref.</i>	<i>Part Number</i>	<i>Qty.</i>	<i>Description</i>
1	142-7219	1	Mainframe ASM, Wd	10	126-7065	1	Grommet-Rubber
2	142-9749	1	ASM, ROPS-7500D Diesel	11	142-7835	1	Decal-Service Aid
3	126-9066	1	Pan-Floor	12	135-4933	1	ASM, RH Mud Flap
3:2	126-8383	1	Decal-Danger	13	135-4943	1	ASM, LH Mud Flap
4	142-2392	1	ASM,Motion Control Cover W/Decal, RH	14	3230-7	4	Bolt-CARR
4:2	142-3952	1	Decal-RH Motion Control	15	142-4120	2	Mirror Arm
5	142-2393	1	ASM,Motion Control Cover W/Decal LH	16	142-4121	2	Mirror, 144
5:2	142-3953	1	Decal-LH Motion Control	17	142-6584-01	2	Plate-Mirror Mount
6	104-7201	4	Nut-HF, NI	18	3234-4	2	Screw-HHF
7	104-8300	8	Nut-HF, NI	19	3234-47	2	Screw-HHF
8	109-2365	2	Bumper-Rubber	20	142-7203-01	1	Bracket, Floor Pan Riser
9	126-5491	2	Isolator	21	142-6583-01	2	Bracket-Mirror
				22	32144-10	4	Screw-HWH
				23	33103-020	6	Screw-HHF

# Roll-Over Protection System Assembly No. 142-9749

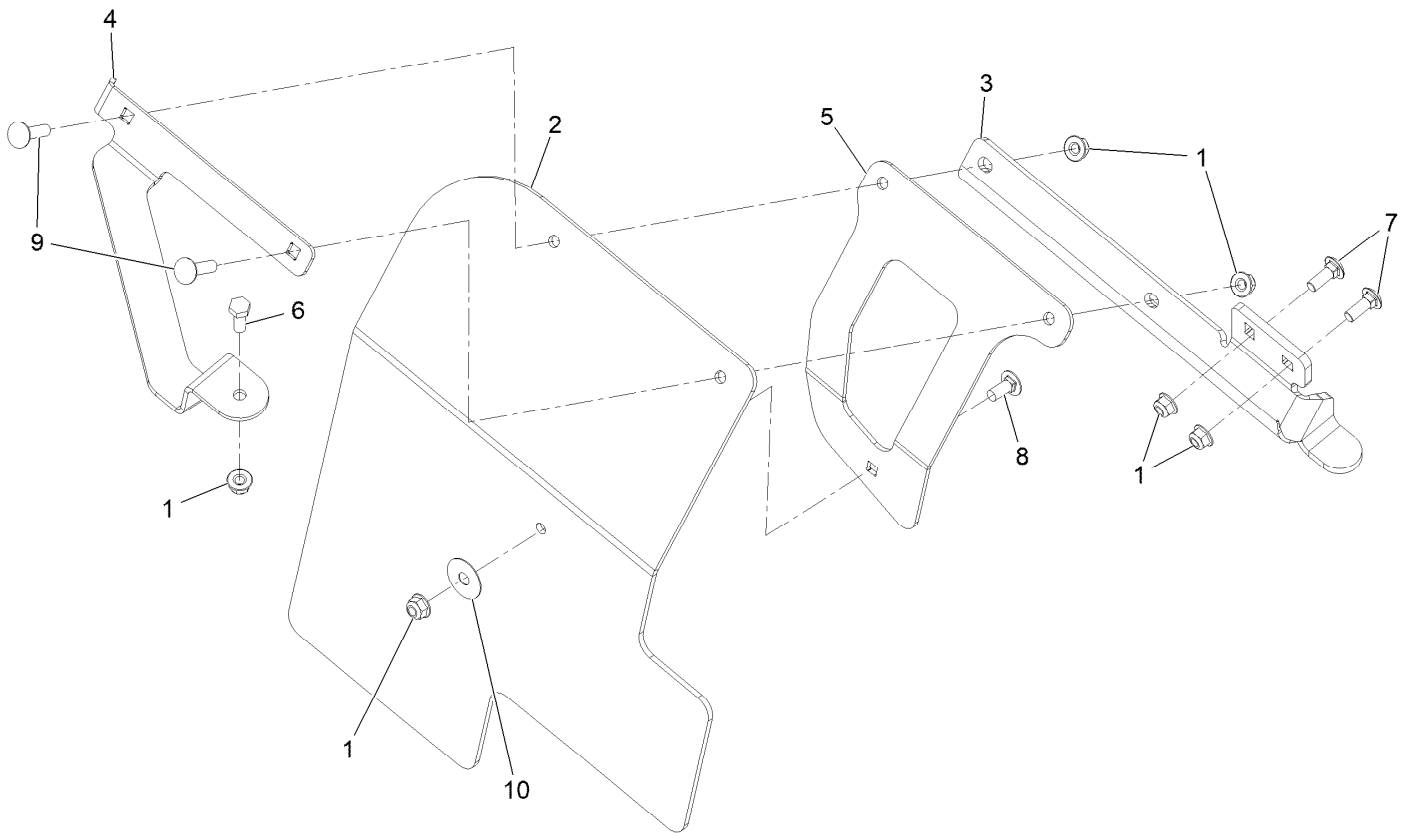


# Roll-Over Protection System Assembly No. 142-9749 (continued)

<i>Ref.</i>	<i>Part Number</i>	<i>Qty.</i>	<i>Description</i>	<i>Ref.</i>	<i>Part Number</i>	<i>Qty.</i>	<i>Description</i>
1		1	Lower-ROPS, RH ●	7	3233-10	2	Screw-CARR
2		1	Lower-ROPS, LH ●	8	109-9505	4	Washer-Spring
3	109-6653	2	Spacer	9	325-35	4	Screw-HH
4	142-2385	1	ASM,ROPS Upper W/Decal	10	116-0960	2	Spacer
4:2	107-3069	1	Decal-Warning	11	110-5696	2	Spring-Leaf
5	116-0104	2	Pin-Spring	12	3290-412	4	Rivet-Blind
6	99-5107	6	Nut-Lock				

● Not serviced separately

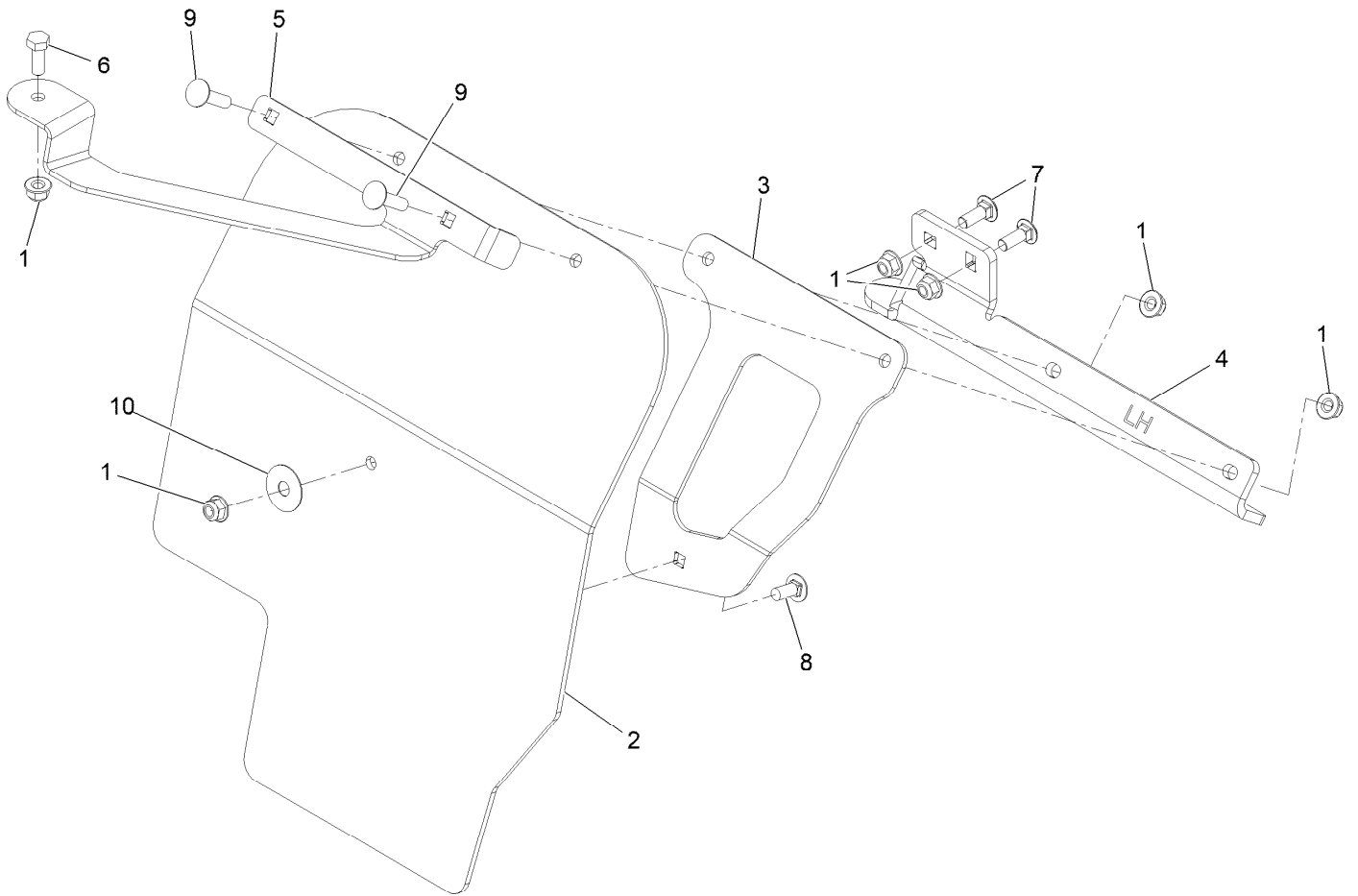
# RH Mud Flap Assembly No. 135-4933



## RH Mud Flap Assembly No. 135-4933 (continued)

<i>Ref.</i>	<i>Part Number</i>	<i>Qty.</i>	<i>Description</i>	<i>Ref.</i>	<i>Part Number</i>	<i>Qty.</i>	<i>Description</i>
1	104-8300	6	Nut-Nyloc 5/16-18 Flg	7	3230-16	2	Bolt-Carriage 5/16-18 X 7/8
2	135-4909	1	RH Mud Flap	8	3230-23	1	Bolt-Carriage 5/16-18 X 3/4 Short Neck
3	146-5322-03	1	Plate-RH Mud Flap Bracket	9	3230-3	2	Bolt-Carriage 5/16-18 X 1 1/4
4	146-2988-03	1	Plate-RH Mud Flap Support	10	105-6814	1	Washer-Plain
5	135-4942-03	1	Support, RH Mud Flap				
6	322-4	1	Screw-HH 5/16-18 X 7/8				

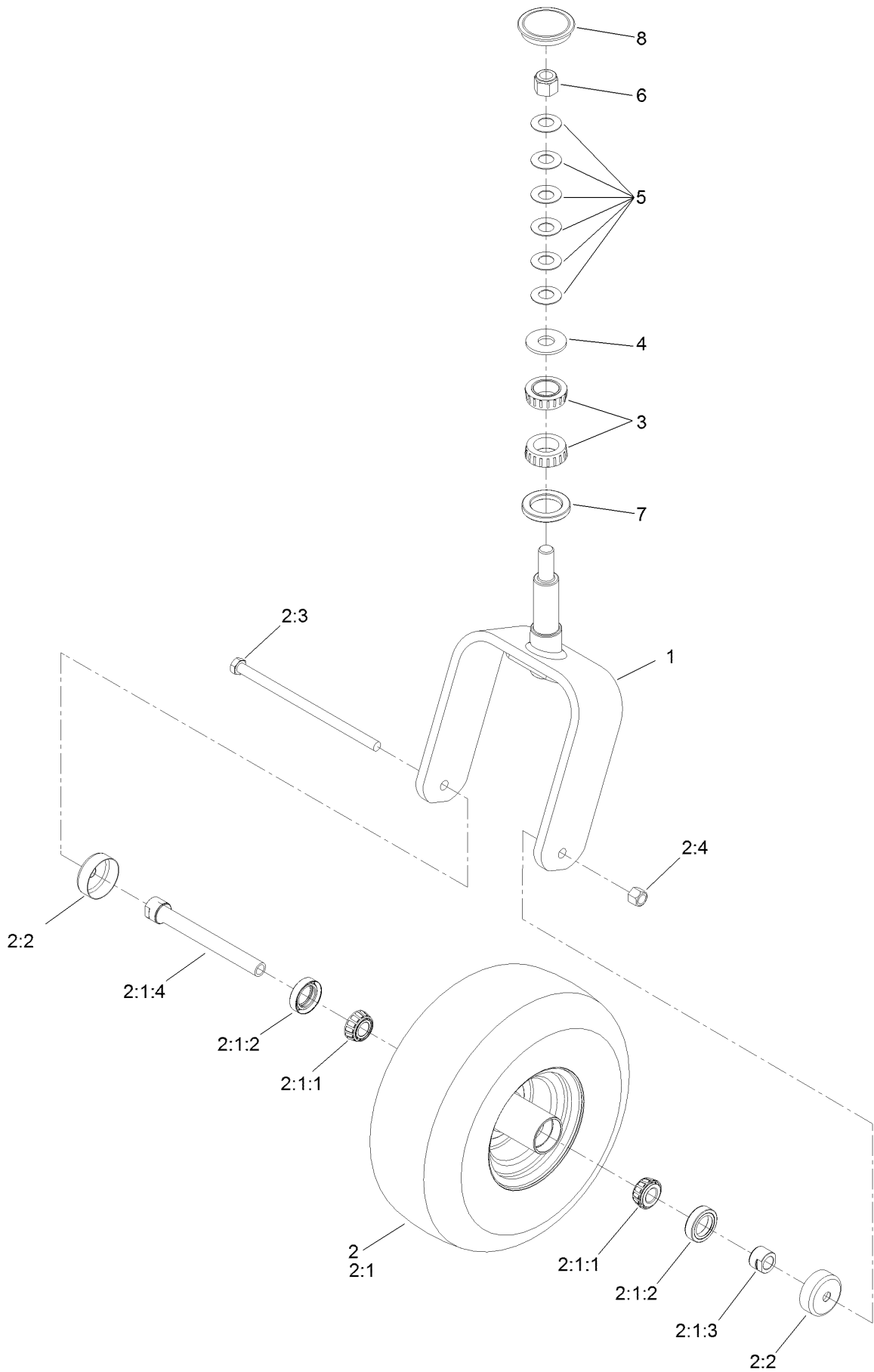
# LH Mud Flap Assembly No. 135-4943



## LH Mud Flap Assembly No. 135-4943 (continued)

<i>Ref.</i>	<i>Part Number</i>	<i>Qty.</i>	<i>Description</i>	<i>Ref.</i>	<i>Part Number</i>	<i>Qty.</i>	<i>Description</i>
1	104-8300	6	Nut-Nyloc 5/16-18 Flg	7	3230-16	2	Bolt-Carriage 5/16-18 X 7/8
2	135-4912	1	LH Mud Flap	8	3230-23	1	Bolt-Carriage 5/16-18 X 3/4 Short Neck
3	135-4938-03	1	Support, LH Mud Flap	9	3230-3	2	Bolt-Carriage 5/16-18 X 1 1/4
4	146-5321-03	1	Plate-LH Mud Flap Bracket	10	105-6814	1	Washer-Plain
5	146-5323-03	1	Plate-LH Mud Flap Support				
6	322-4	1	Screw-HH 5/16-18 X 7/8				

# Caster Wheel Assembly



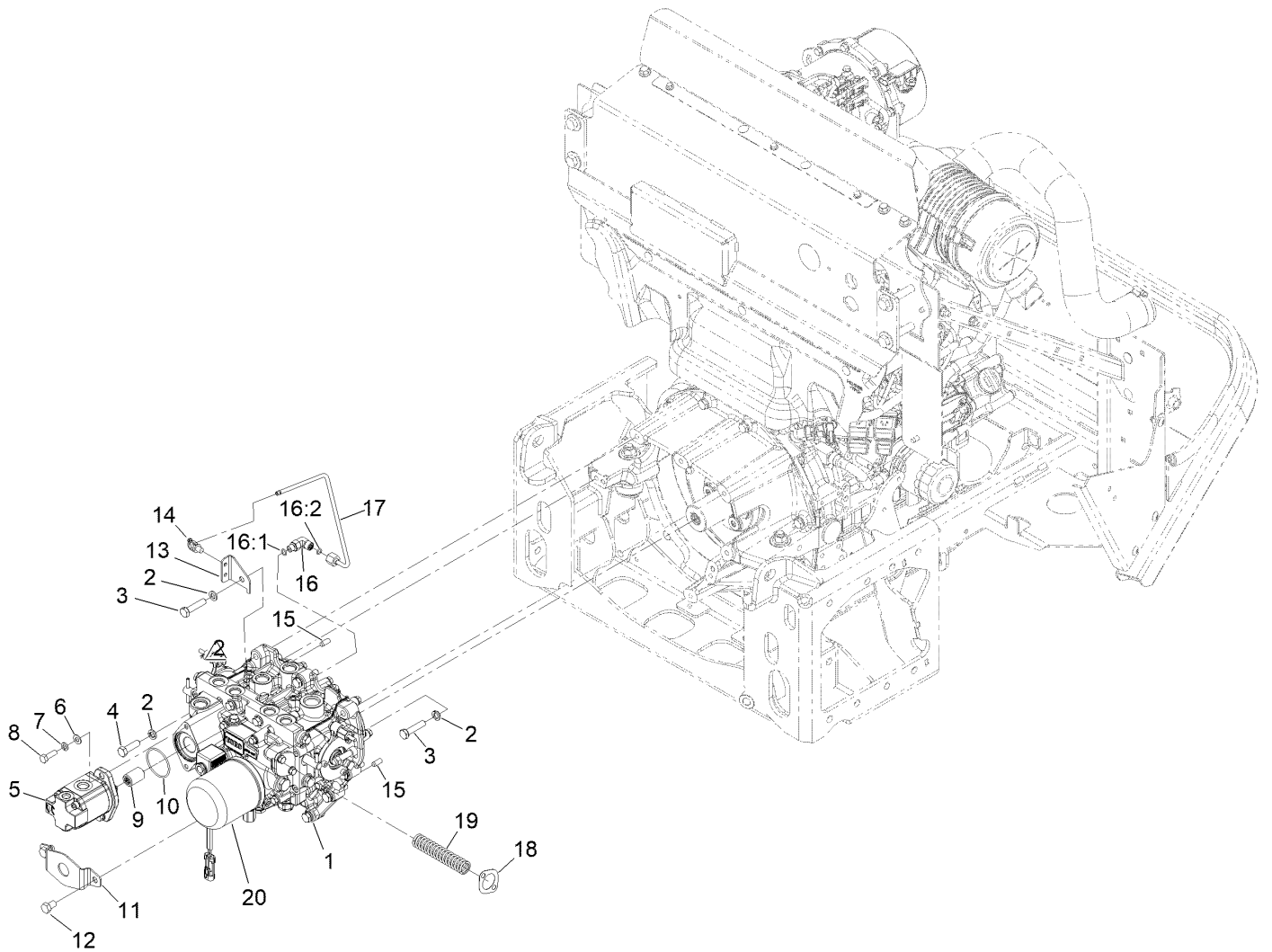


## Caster Wheel Assembly (continued)

<i>Ref.</i>	<i>Part Number</i>	<i>Qty.</i>	<i>Description</i>	<i>Ref.</i>	<i>Part Number</i>	<i>Qty.</i>	<i>Description</i>
1	126-8601-01	1	Fork-Caster	2:3	325-39	1	Screw-HH
2	126-9344	1	Wheel And Tire ASM	2:4	99-5107	1	Nut-Lock
2:1		1	Tire And Wheel ASM ●	3	103-9028	2	Bearing-Roller, Cone Taper
2:1:1	1-633585	2	Bearing-Cone, Taper	4	3256-8	1	Washer-Flat
2:1:2	103-0063	2	Seal-Caster	5	1-633508	6	Washer-Bellville
2:1:3	103-3051	1	Spacer-Nut	6	3296-51	1	Nut-Lock, NI
2:1:4	126-5361	1	Axle Caster ASM	7	135-0355	1	Seal-Grease
2:2	103-2768	2	Guard-Seal	8	126-9369	1	Cap-Grease

● Not serviced separately

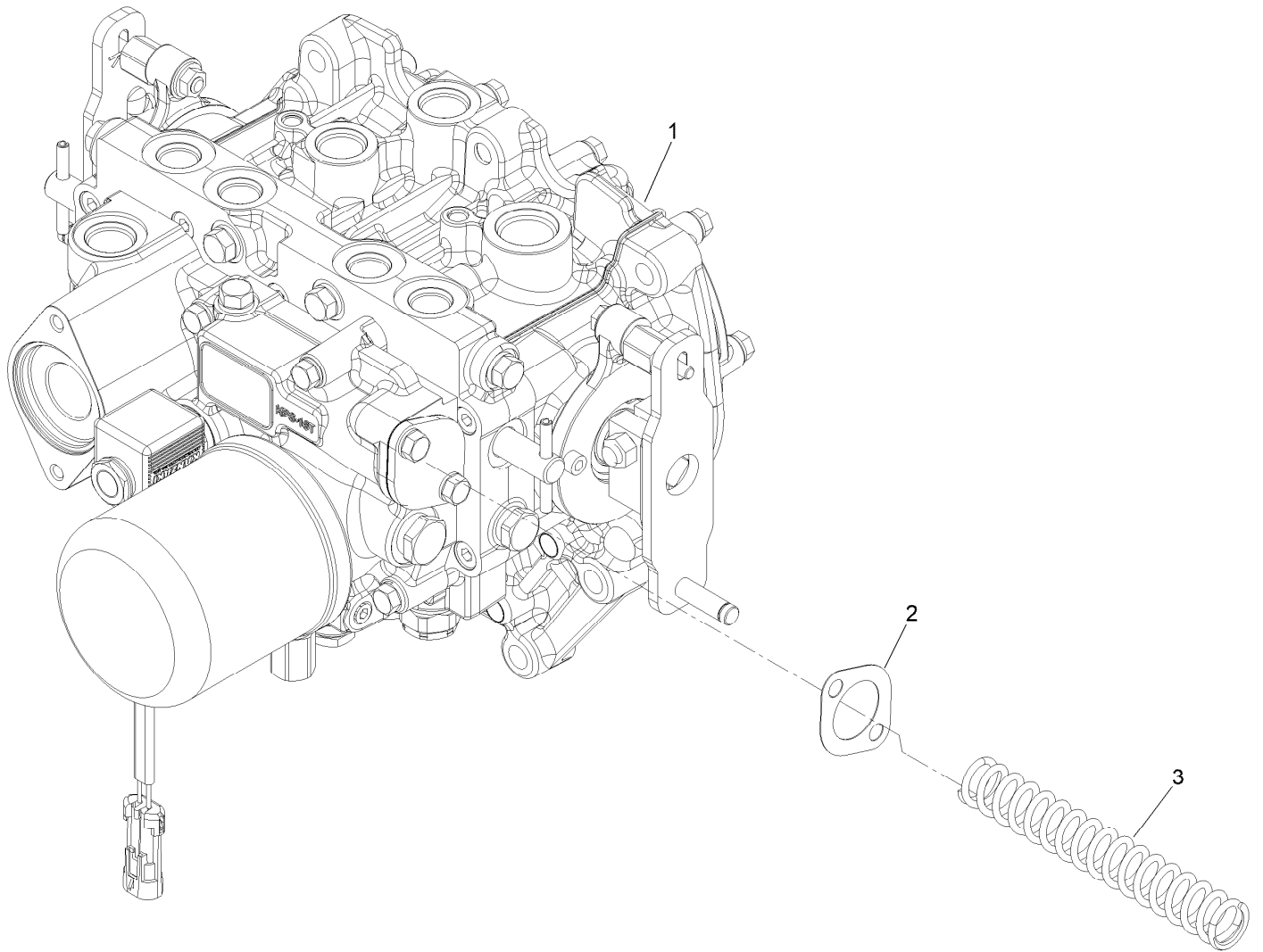
# Transmission Mounting Assembly



## Transmission Mounting Assembly (continued)

<i>Ref.</i>	<i>Part Number</i>	<i>Qty.</i>	<i>Description</i>	<i>Ref.</i>	<i>Part Number</i>	<i>Qty.</i>	<i>Description</i>
1	142-8084	1	Kit-Transmission ASM	12	33115-016	2	Screw-HH
2	48-9590	7	Washer-Lock	13	126-6806	1	Support-Tube
3	33115-045	6	Screw-HH	14	32180-030	1	Clip-Tie
4	33115-035	1	Screw-HH	15	87-1910	2	Pin-Dowel
5	112-9542	1	HYD Gear Pump ASM	16	340-132	1	Fitting-Elbow, 90 DEG
6	3256-23	2	Washer-Plain	16:1	237-78	1	O-Ring
7	3253-4	2	Washer-Lock	16:2	237-21	1	O-Ring
8	33114-025	2	Screw-HH	17	126-8689	1	Tube ASM
9	108-9920	1	Coupler-Spline	18	107-0847	1	Gasket
10	108-9919	1	O-Ring	19	142-5957	1	Spring-Compression
11	114-4088	1	Shield-Seal	20	108-5194	1	Filter-Oil, HYD

# Transmission Assembly No. 142-8084

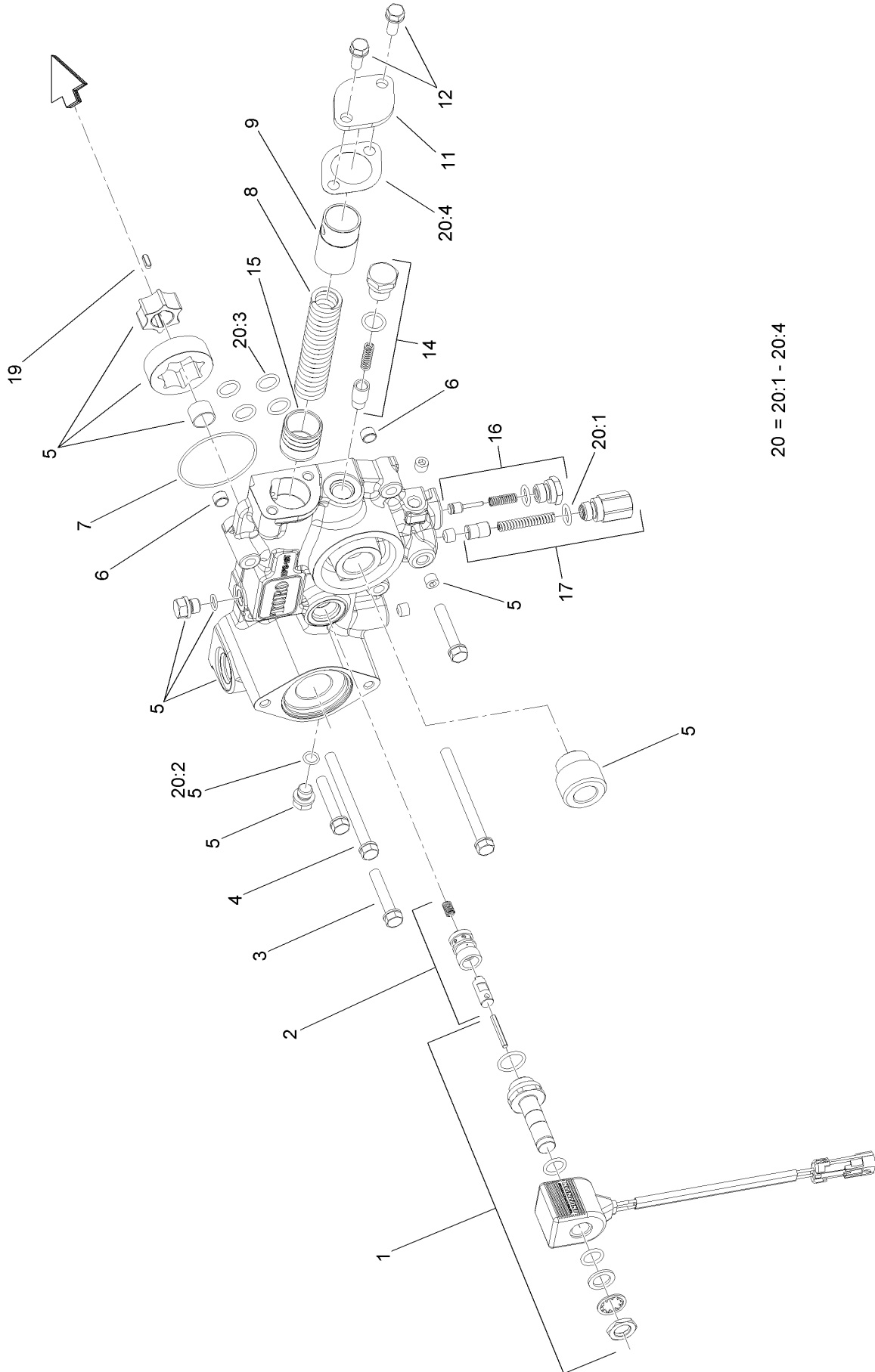


# Transmission Assembly No. 142-8084 (continued)

<i>Ref.</i>	<i>Part Number</i>	<i>Qty.</i>	<i>Description</i>
1		1	Transmisson ASM ●
2	107-0847	1	Gasket
3	142-5957	1	Spring-Compression

● Not serviced separately

# Charge Pump Housing Assembly Transmission Assembly



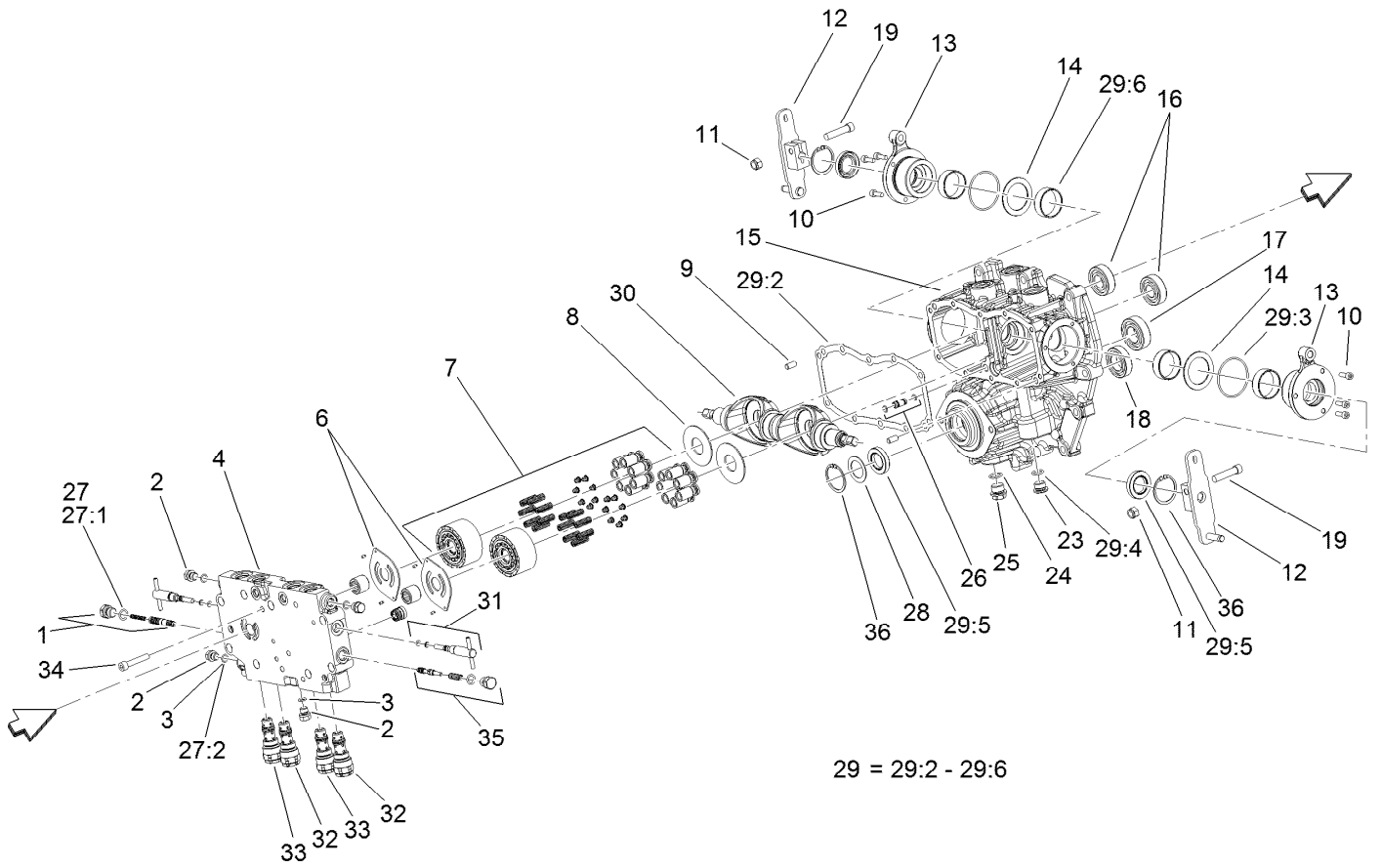
20 = 20:1 - 20:4

## Charge Pump Housing Assembly Transmission Assembly (continued)

<i>Ref.</i>	<i>Part Number</i>	<i>Qty.</i>	<i>Description</i>	<i>Ref.</i>	<i>Part Number</i>	<i>Qty.</i>	<i>Description</i>
1	107-0851	1	Solenoid ASM	14	107-0843	1	Filter Bypass Valve ASM
2	107-0850	1	Solenoid Valve ASM	15	107-0818	1	Piston
3	107-0863	3	Bolt	16	107-0842	1	Charge Relief Valve ASM
4	107-0864	2	Bolt	17	107-0841	1	Pressure Valve ASM
5	107-0840	1	Pump Body ASM	19	107-0865	1	Key
6	107-0848	2	Pin	20	107-0855	1	Charge Pump Seal Kit
7	107-0856	1	O-Ring	20:1	93-0418	2	O-Ring
8	107-0845	1	Spring	20:2	107-0817	2	O Ring-Plug
9	107-0844	1	Collar	20:3	104-3298	6	Packing
11	107-0846	1	Cover	20:4	107-0847	1	Gasket
12	93-0457	2	Bolt And Washer ASM				

# Transmission Assembly (cont.)

## Center Section Assembly



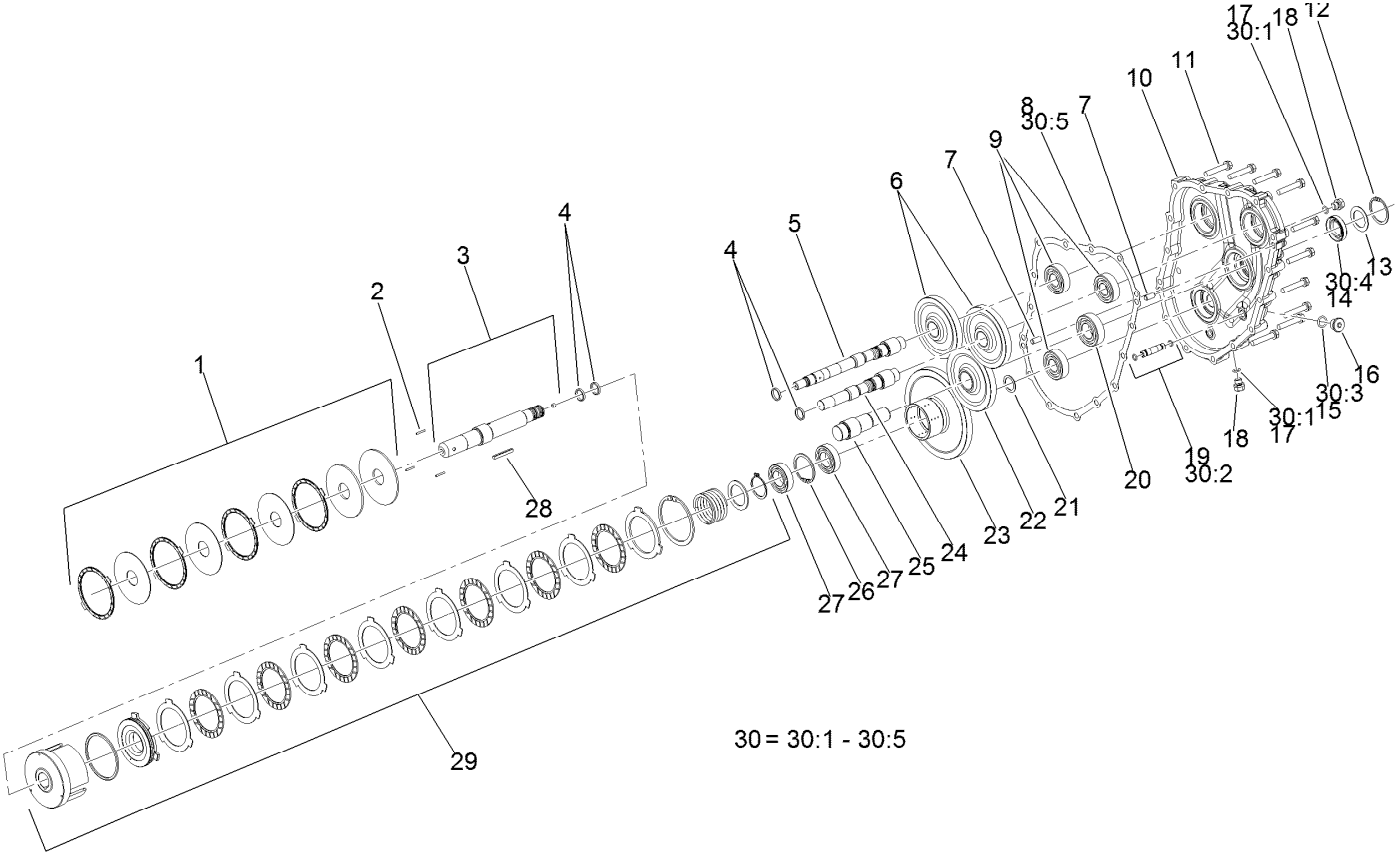
29 = 29:2 - 29:6



## Transmission Assembly (cont.) Center Section Assembly (continued)

<i>Ref.</i>	<i>Part Number</i>	<i>Qty.</i>	<i>Description</i>	<i>Ref.</i>	<i>Part Number</i>	<i>Qty.</i>	<i>Description</i>
1	107-0807	1	Valve-Flushing, RH	25	107-0867	1	Plug
2	107-0857	6	Plug	26	107-0812	1	Pipe
3	107-0817	6	O Ring-Plug	27	107-0852	1	Center Case Seal Kit
4	121-3377	1	Center Case, Complete	27:1	93-0418	2	O-Ring
6	107-0805	2	Plate-Valve	27:2	107-0817	6	O Ring-Plug
7	107-0824	2	Cylinder Block ASM	28	107-0813	1	Spacer
8	107-0830	2	Plate-Thrust	29	107-0853	1	Pump Housing Seal Kit
9	92-0765	4	Pin-Parallel	29:2	107-0810	1	Gasket-Case, Center
10	107-0859	6	Bolt	29:3	107-0817	2	O Ring-Plug
11	120-6681	2	U-Nut	29:4	104-3298	1	Packing
12	120-6680	2	Arm-Control	29:5	107-0814	3	Seal
13	107-0832	2	Side Cover ASM	29:6	107-0825	4	Ring-Seal
14	107-0829	2	Washer	30	120-6679	2	Plate-Swash
15	120-5151	1	Pump Housing ASM	31	107-0808	2	Valve-Bypass
16	107-0826	2	Bearing	32	107-0804	2	Valve-Rear
17	107-0821	1	Bearing	33	107-0803	2	Valve-Front
18	107-0838	1	Bearing	34	107-0863	8	Bolt
19	120-6682	2	Bolt	35	107-0806	1	Valve-Flushing, LH
23	107-0861	1	Plug-NPTF	36	92-0757	2	Ring-Snap
24	237-79	1	O-Ring				

# Transmission Assembly (cont.) Gear Case and Clutch Assembly

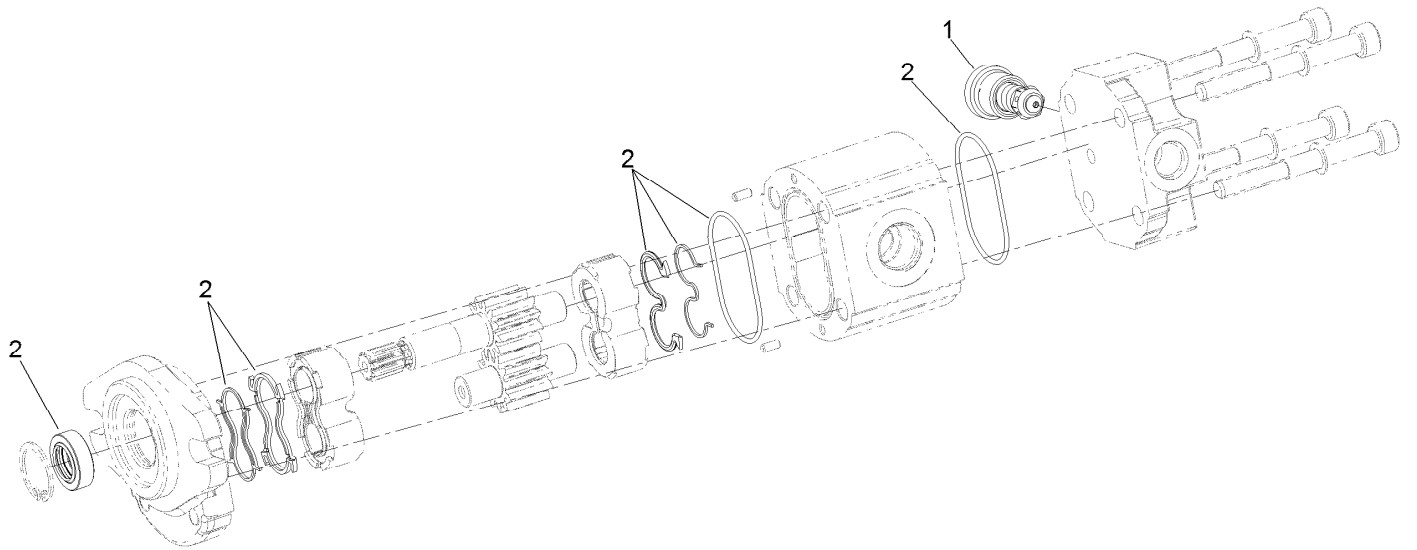


## Transmission Assembly (cont.) Gear Case and Clutch Assembly (continued)

<i>Ref.</i>	<i>Part Number</i>	<i>Qty.</i>	<i>Description</i>	<i>Ref.</i>	<i>Part Number</i>	<i>Qty.</i>	<i>Description</i>
1	107-0839	1	PTO Brake ASM	19	107-0811	1	Pipe
2	107-0837	3	Rod-Push	20	107-0821	2	Bearing
3	107-0833	1	PTO Shaft ASM	21	107-0836	1	Spacer
4	107-0825	2	Ring-Seal	22	107-0820	1	Gear-Input
5	107-0827	1	Shaft-Pump	23	107-0834	1	Gear-PTO
6	107-0823	2	Gear-Pump	24	107-0822	1	Shaft-Pump
7	92-0765	4	Pin-Parallel	25	107-0819	1	Shaft-Input
8	107-0816	1	Gasket-Housing, Gear	26	92-0758	1	Ring-Snap
9	107-0826	4	Bearing	27	107-0838	3	Bearing
10	120-5152	1	Housing-Case, Gear	28	107-0866	1	Key
11	107-0863	13	Bolt	29	107-0835	1	Clutch Cylinder ASM
12	92-0757	1	Ring-Snap	30	107-0854	1	Gear Housing Seal Kit
13	107-0813	1	Spacer	30:1	107-0817	2	O Ring-Plug
14	107-0814	1	Seal	30:2		2	O-Ring ●
15	104-3298	1	Packing	30:3	104-3298	1	Packing
16	107-0861	1	Plug-NPTF	30:4	107-0814	1	Seal
17	107-0817	6	O Ring-Plug	30:5	107-0816	1	Gasket-Housing, Gear
18	107-0857	6	Plug				

● Not serviced separately

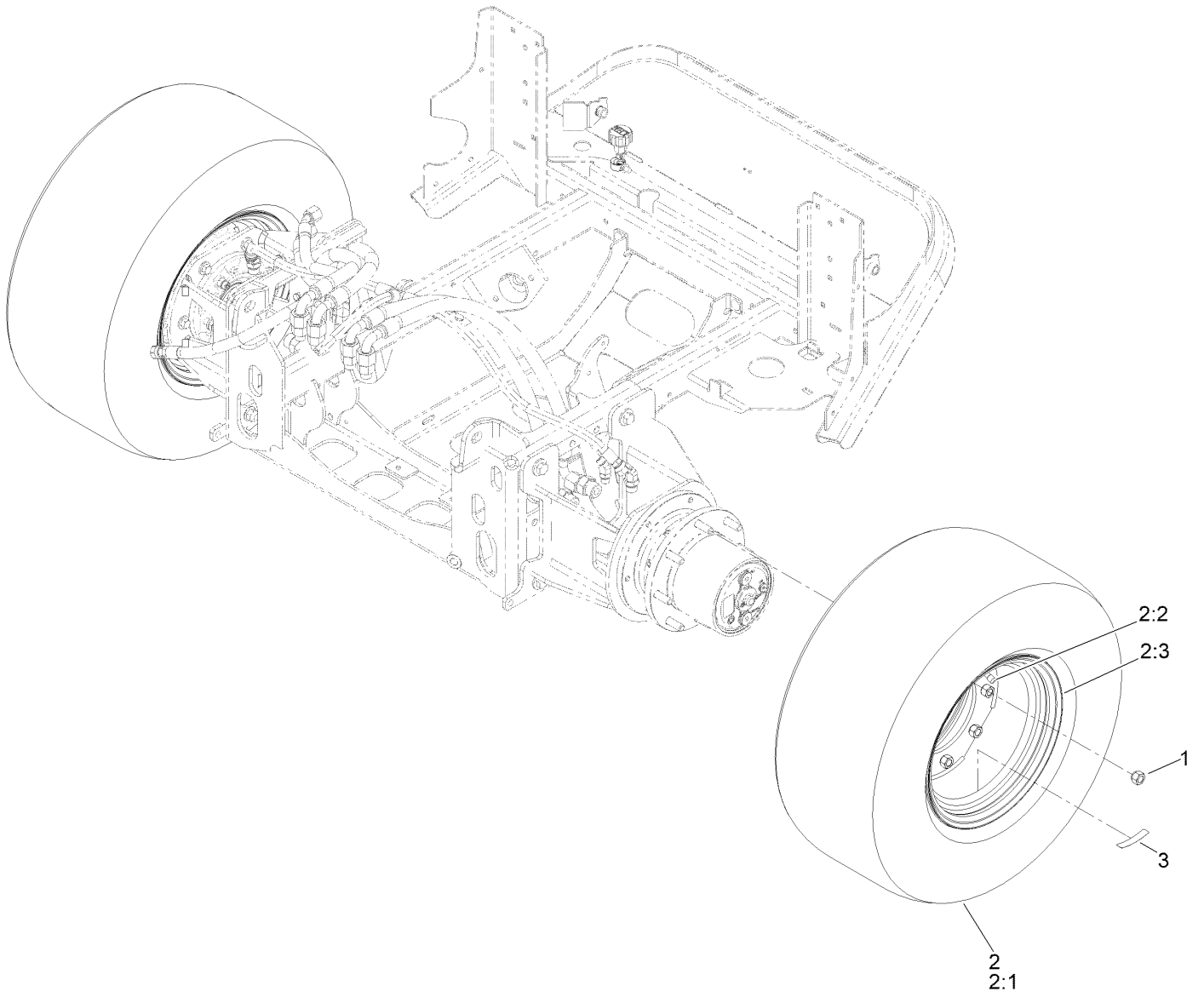
# Hydraulic Gear Pump Assembly No. 112-9542



# Hydraulic Gear Pump Assembly No. 112-9542 (continued)

<i>Ref.</i>	<i>Part Number</i>	<i>Qty.</i>	<i>Description</i>
1	112-0198	1	Valve
2	112-0199	1	Seal Kit

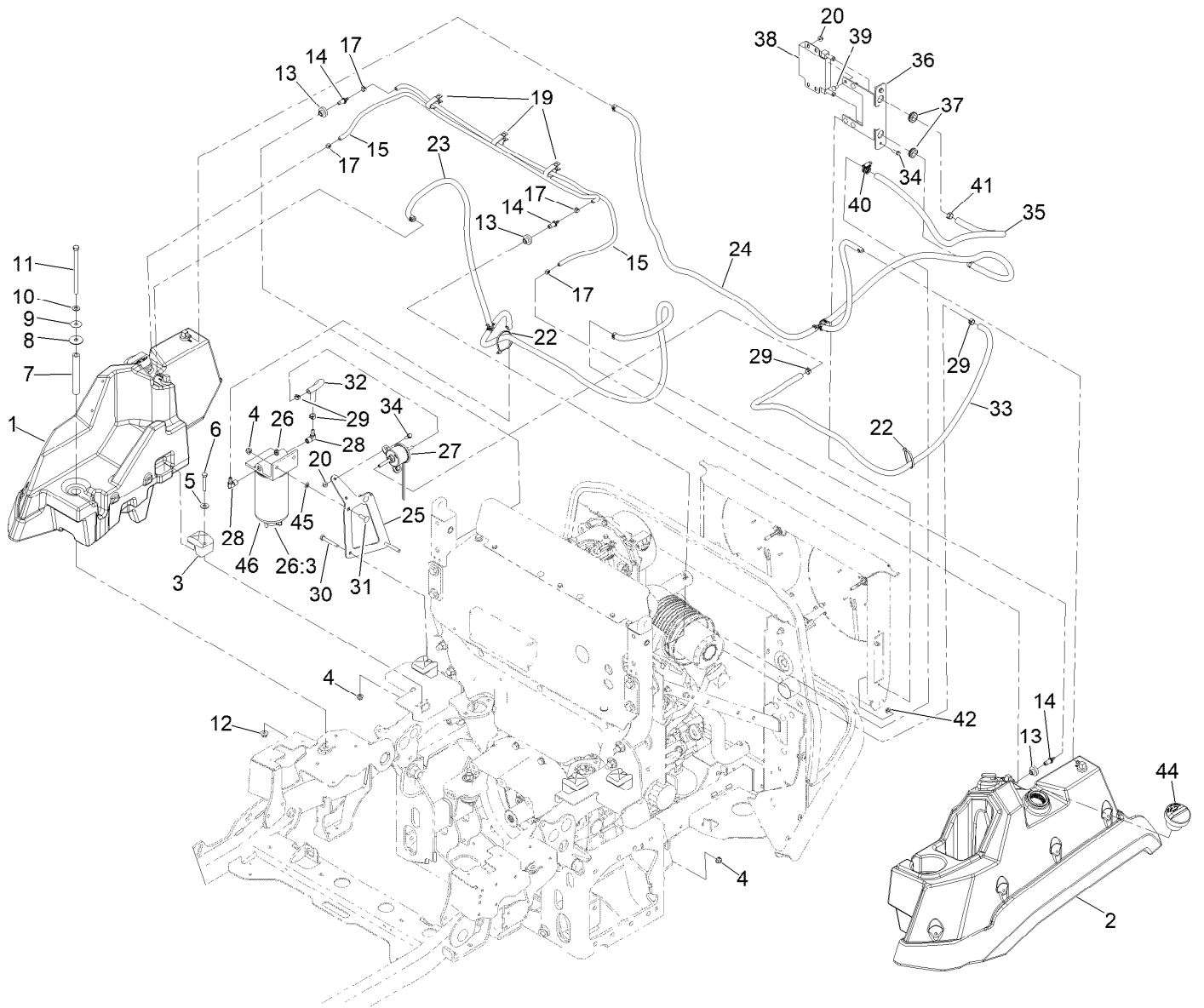
# Drive Wheel Assembly



## Drive Wheel Assembly (continued)

<i>Ref.</i>	<i>Part Number</i>	<i>Qty.</i>	<i>Description</i>	<i>Ref.</i>	<i>Part Number</i>	<i>Qty.</i>	<i>Description</i>
1	139-2564	16	Nut-Lug	2:2	232-27	1	Stem-Valve
2	146-1455	2	ASM-Tire 26X12-12, Gray	2:3	146-1457	1	Wheel-12.0X8.5 8/8.0
2:1	146-1486	1	Tire	3	142-7838	2	Decal-Wheel Hub

# Fuel System Assembly

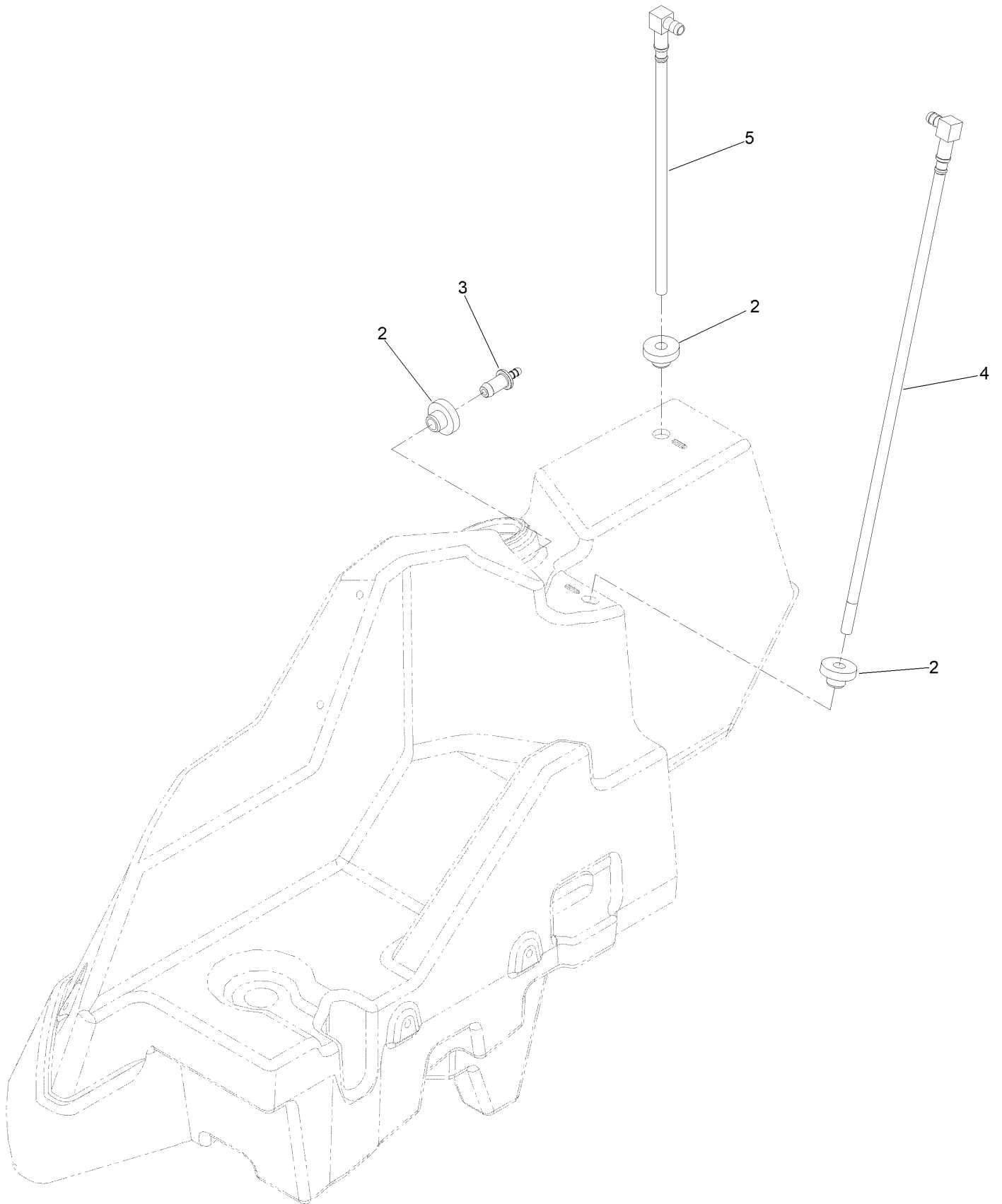




## Fuel System Assembly (continued)

<i>Ref.</i>	<i>Part Number</i>	<i>Qty.</i>	<i>Description</i>	<i>Ref.</i>	<i>Part Number</i>	<i>Qty.</i>	<i>Description</i>
1	142-8638	1	RH Fuel Tank ASM	26	146-5024	1	Filter-Fuel/Water Separator
2	146-1835	1	ASM-Fuel Tank, LH	26:3	146-5027	1	Filter-Bowl, Water Separator
3	107-4543	4	Clamp	27	121-5613	1	Pump-Fuel, Electric
4	104-8300	8	Nut-HF, NI	28	353-781	2	Fitting-HYD, 90
5	3256-3	4	Washer-Flat	29	92-2379	4	Clamp-Hose
6	322-21	4	Screw-HH	30	322-11	2	Screw-HH
7	126-8335	2	Tube-Spacer	31	3230-22	2	Screw-CARR
8	95-1905	2	Washer-Rubber	32	108-3280	1	Hose-Fuel
9	105-6814	2	Washer-Plain	33	110-7503	1	Hose-Fuel
10	3256-24	2	Washer-Plain	34	32105-15	4	Screw-HWH
11	323-22	2	Screw-HH	35	142-3195	1	Hose-Fuel
12	104-8301	2	Nut-HF, NI	36	142-5173-03	1	Mount-Cooler, Fuel
13	46-6560	2	Bushing	37	237-124	2	Grommet
14	116-4630	2	Fitting-Orifice, Straight	38	116-7205	1	Cooler
15	117-6395	2	Hose-Fuel	39	3229-11	4	Screw-CARR
17	2412-80	4	Clamp-Hose	40	135-7984	1	Clamp-Hose
19	92-5753	3	Clamp-Hose	41	103-1988	1	Clamp-Hose
20	104-7201	6	Nut-HF, NI	42	32128-33	2	Nut-HF
22	3290-378	2	Tie-Cable	44	142-8001	2	Cap-Fuel, Diesel Ultra Low Sulfur
23	135-0512	1	Fuel Suction Line ASM				
24	142-3194	1	Hose ASM-Fuel, Tee	45	109-5667	2	Nut-Push
25	142-7204-03	1	Brkt-Fuel Filter	46	146-5026	1	Filter-Fuel/Water Separator

# RH Fuel Tank Assembly No. 142-8638

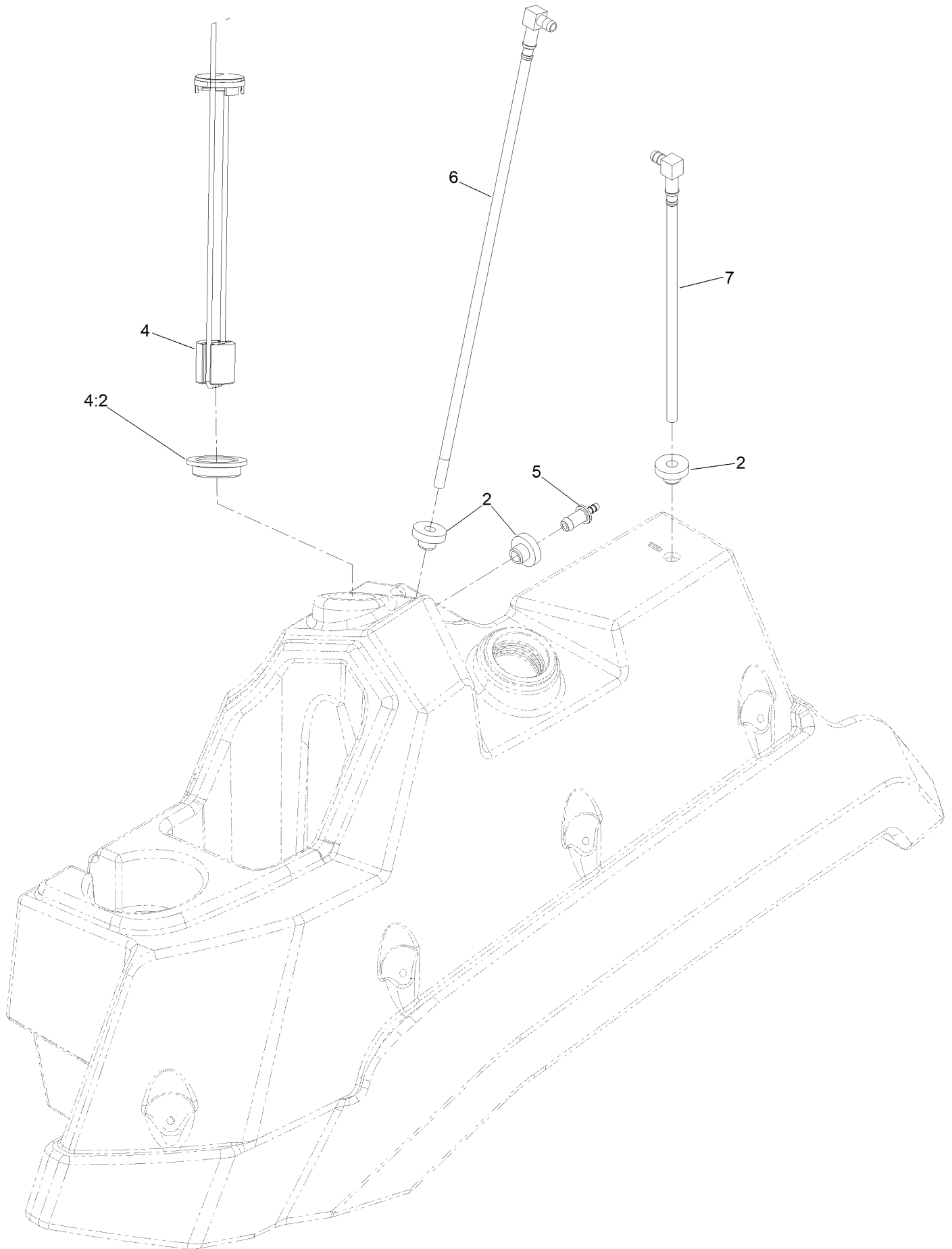


# RH Fuel Tank Assembly No. 142-8638 (continued)

<i>Ref.</i>	<i>Part Number</i>	<i>Qty.</i>	<i>Description</i>
2	46-6560	3	Bushing
3	116-4630	1	Fitting-Orifice, Straight

<i>Ref.</i>	<i>Part Number</i>	<i>Qty.</i>	<i>Description</i>
4	126-8647	1	Pick-Up-Fuel
5	126-8649	1	Return-Fuel

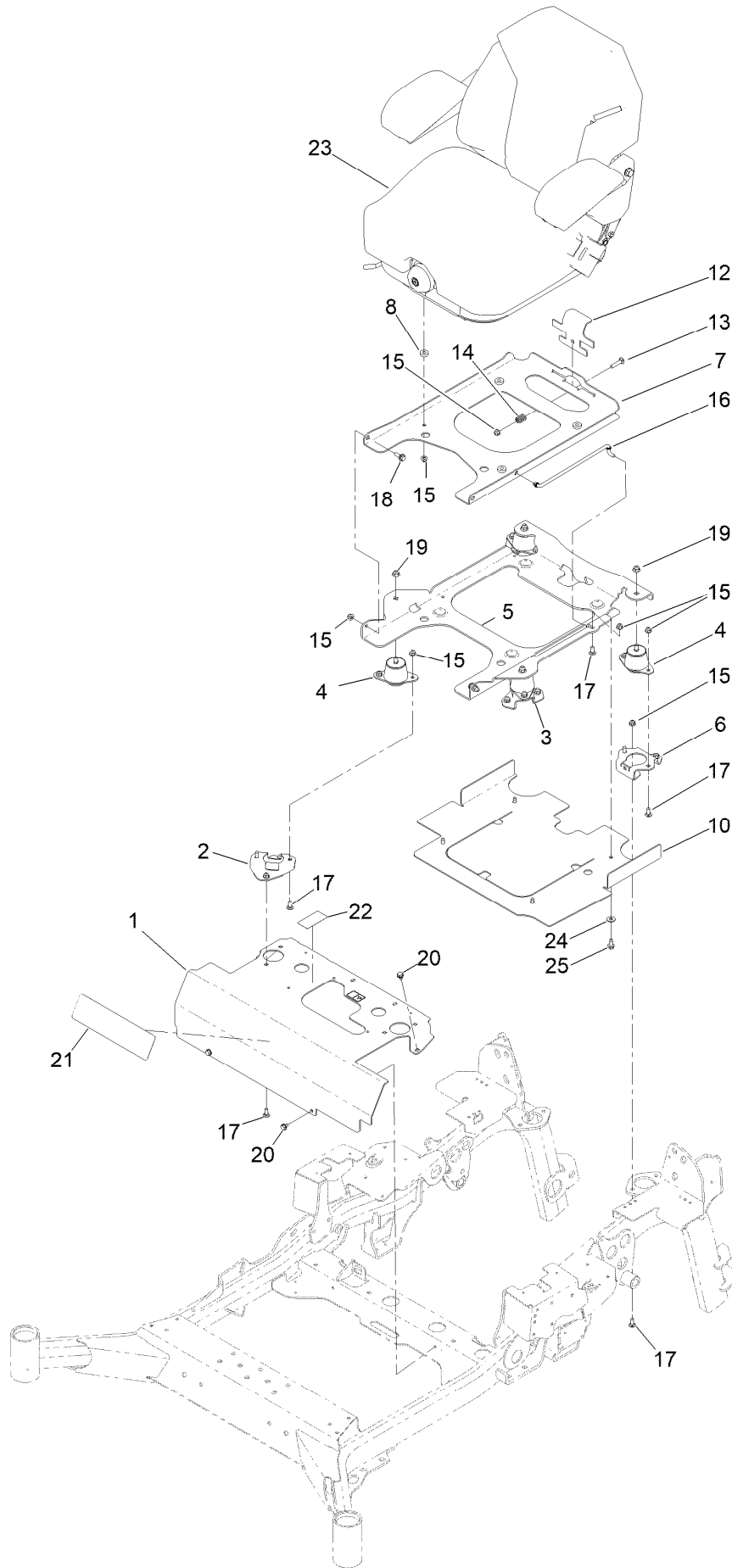
# LH Fuel Tank Assembly No. 146-1835



## LH Fuel Tank Assembly No. 146-1835 (continued)

<i>Ref.</i>	<i>Part Number</i>	<i>Qty.</i>	<i>Description</i>	<i>Ref.</i>	<i>Part Number</i>	<i>Qty.</i>	<i>Description</i>
2	46-6560	3	Bushing	5	116-4630	1	Fitting-Orifice, Straight
4	146-1833	1	Gauge-Fuel	6	126-8647	1	Pick-Up-Fuel
4:2	146-2382	1	Seal-Fuel Gauge	7	126-8649	1	Return-Fuel

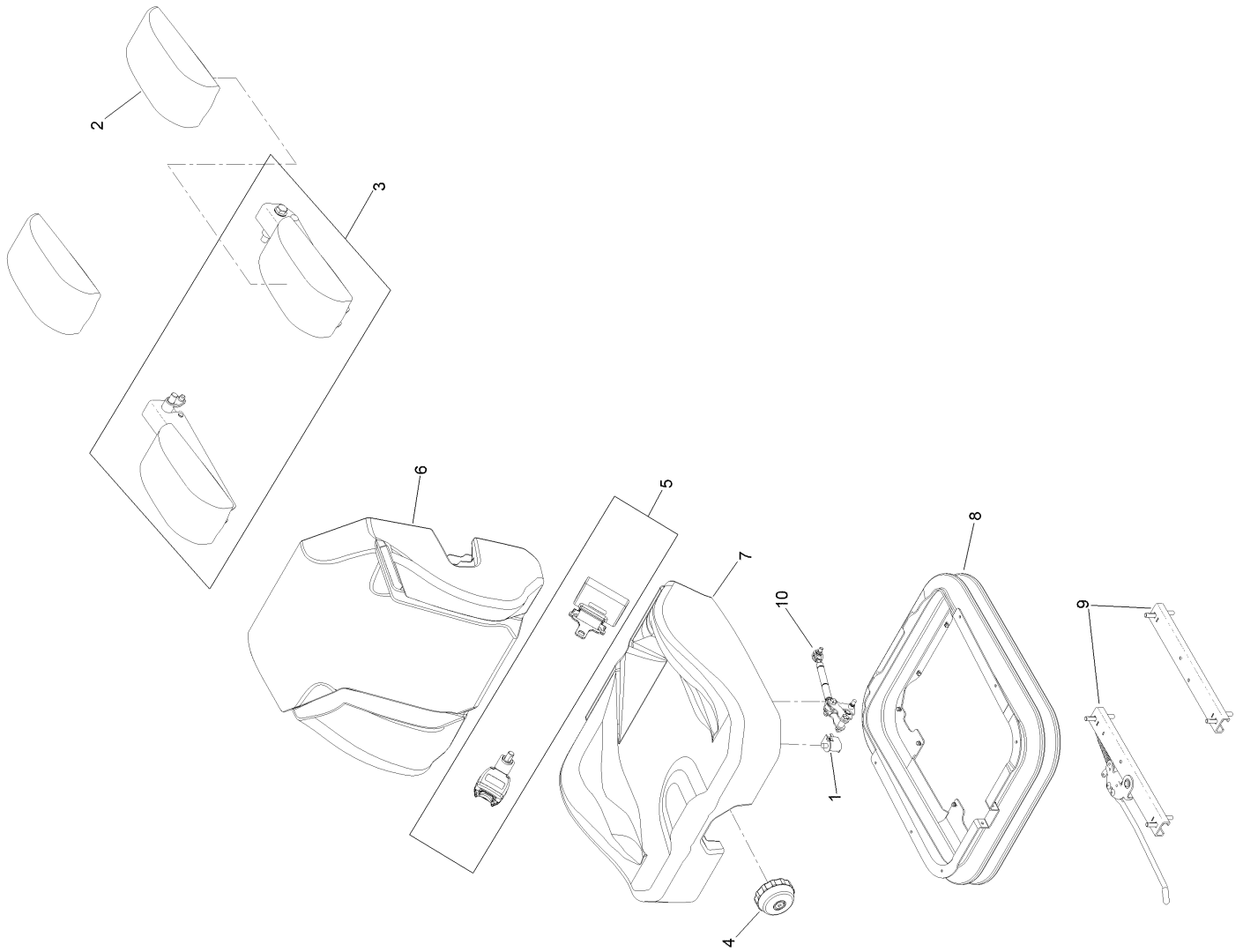
# Seat Mounting Assembly



## Seat Mounting Assembly (continued)

<i>Ref.</i>	<i>Part Number</i>	<i>Qty.</i>	<i>Description</i>	<i>Ref.</i>	<i>Part Number</i>	<i>Qty.</i>	<i>Description</i>
1	142-6618	1	Mount-Seat W/Decals	15	104-8300	24	Nut-HF, NI
2	142-6658-03	1	Riser-Seat Mount, R	16	116-0070	1	Rod-Prop
3	142-6659-03	1	Riser-Seat Mount, L	17	3230-23	17	Bolt-CARR
4	109-9034	4	Isolator-Seat	18	116-1297	2	Screw-Shoulder
5	142-4142-03	1	Plate,Tilt Seat Support	19	104-8301	4	Nut-HF, NI
6	142-6651-03	2	Riser-Seat Mount, Rear	20	9266934	4	Screw
7	126-2700-03	1	Plate-Frame, Seat	21	140-1215	1	Decal-Console
8	26-4840	4	Spacer-Pin, Mounting	22	135-2837	1	Decal-Fluid, Transmission
10	142-9671	1	Shield-Heat	23	146-3213	1	ASM-Suspension Seat, Toro
12	126-1855	1	Plate-Latch, Seat	24	3256-3	4	Washer-Flat
13	3230-4	1	Bolt-CARR	25	32144-70	4	Screw-HWHTF
14	107-3017	1	Spring-Compression				

# Seat Assembly No. 146-3213

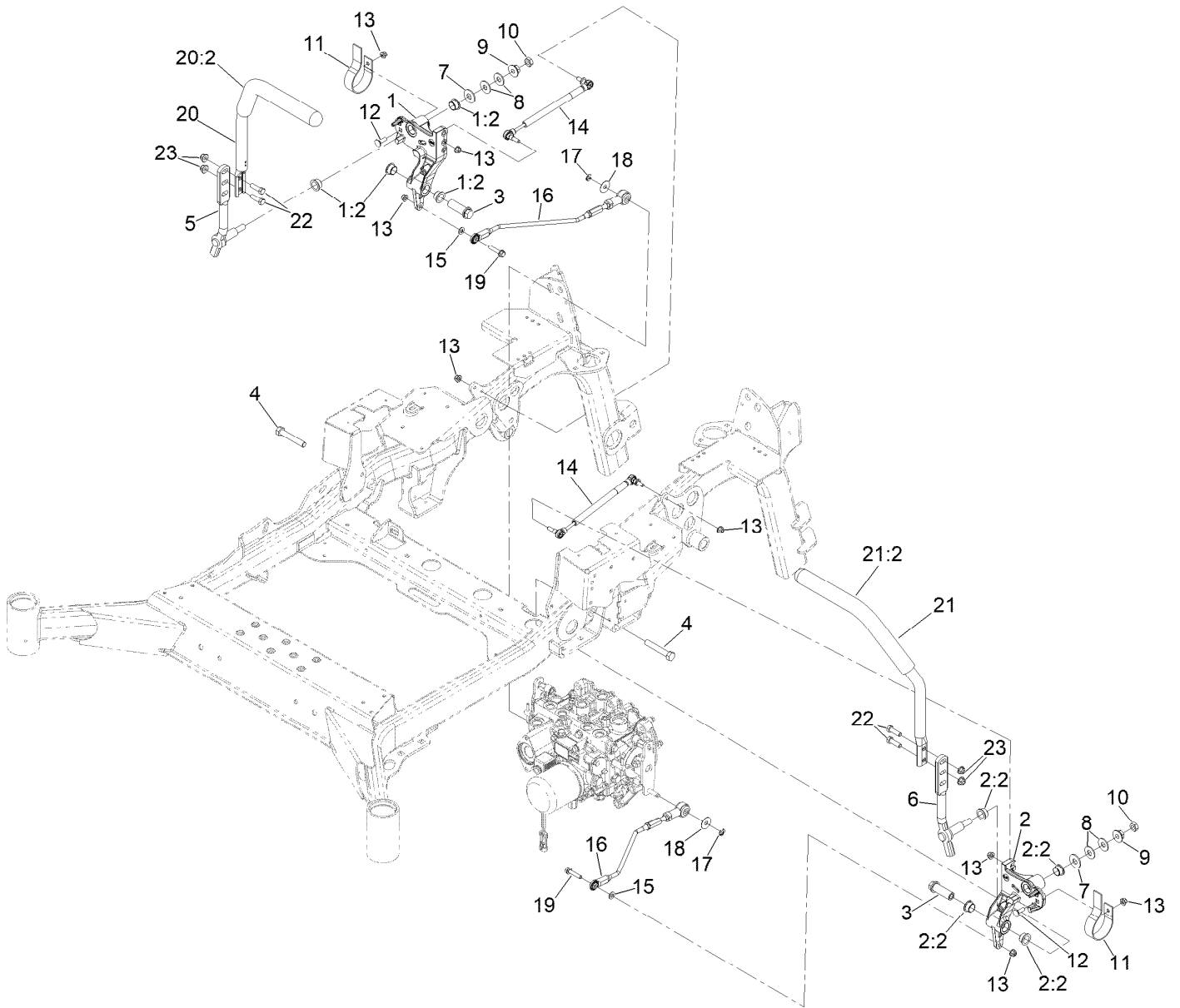




## Seat Assembly No. 146-3213 (continued)

<i>Ref.</i>	<i>Part Number</i>	<i>Qty.</i>	<i>Description</i>	<i>Ref.</i>	<i>Part Number</i>	<i>Qty.</i>	<i>Description</i>
1	82-2190	1	Switch-Bail	6	146-0868	1	Cover-Back
2	146-0691	1	Kit-Arm Rest Pads	7	146-3260	1	Cover-Cushion
3	146-0679	1	Kit-Arm Rest Set	8	146-3252	1	Cover-Suspension Bellows
4	116-8911	1	Knob-Adjuster	9	146-3251	1	Set-Seat Track
5	146-0595	1	Seat Belt Kit	10	146-4468	1	Damper-Seat

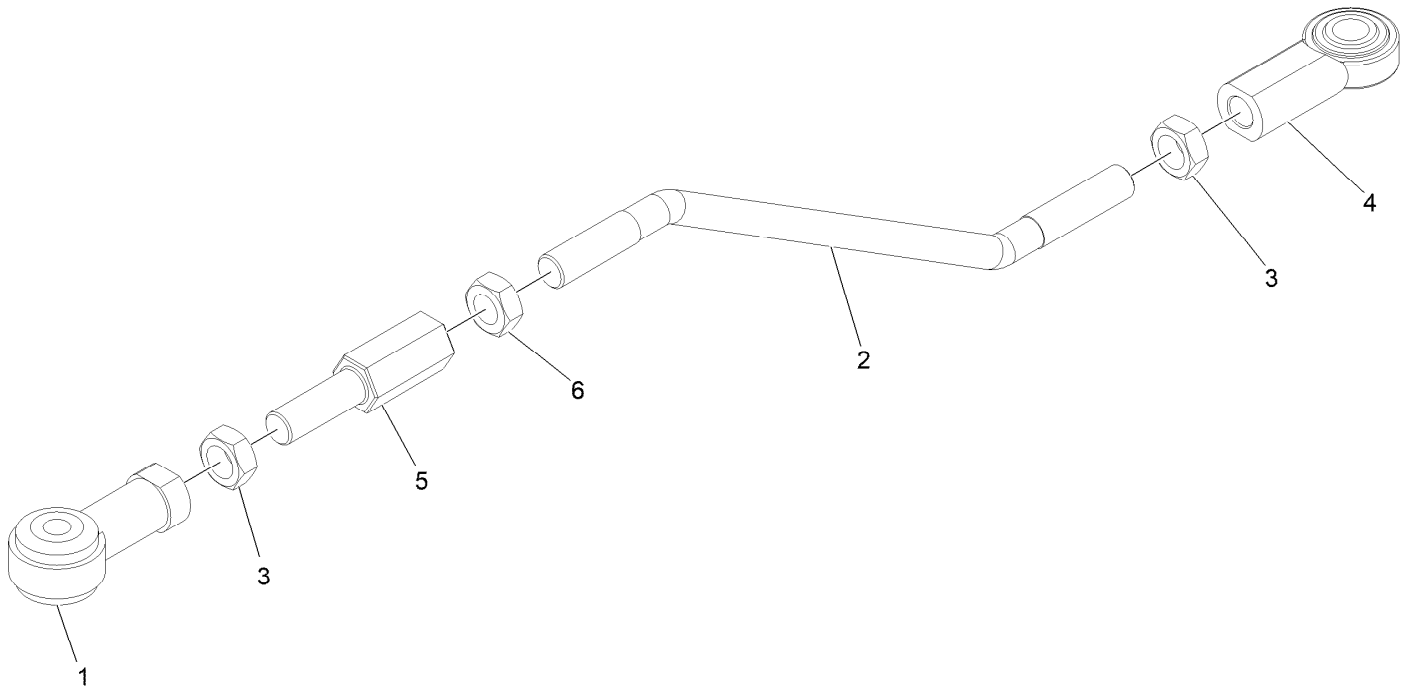
# Motion Control Assembly



## Motion Control Assembly (continued)

<i>Ref.</i>	<i>Part Number</i>	<i>Qty.</i>	<i>Description</i>	<i>Ref.</i>	<i>Part Number</i>	<i>Qty.</i>	<i>Description</i>
1	116-0880	1	RH Motion Control And Bushing ASM	12	3230-2	2	Bolt-CARR
1:2	109-8054	4	Bushing-Flange	13	104-8300	8	Nut-HF, NI
2	116-0881	1	LH Motion Control And Bushing ASM	14	146-0859	2	Damper, Motion Control
2:2	109-8054	4	Bushing-Flange	15	3256-23	2	Washer-Plain
3	109-5891	2	Hub-Threaded	16	142-8447	2	ASM, Front Linkage Rod
4	325-12	2	Screw-HH	17	32151-47	2	Ring-Retaining
5	116-0039	1	Lever-Control Motion, RH	18	130-8094	2	Washer-Plain
6	116-0040	1	Lever-Control Motion, LH	19	142-8518	2	Bolt-Shoulder,HHF
7	3256-6	2	Washer-Flat	20	142-2391	1	ASM,Steering Handle RH
8	109-9505	4	Washer-Spring	20:2	109-5668	1	Grip-Lever, Control
9	32128-56	2	Nut-HF	21	142-2390	1	ASM,Steering Handle LH
10	3218-5	2	Nut-Jam	21:2	109-5668	1	Grip-Lever, Control
11	109-5575	2	Spring-Leaf	22	323-7	4	Screw-HH
				23	104-8301	4	Nut-HF, NI

# Front Linkage Rod Assembly No. 142-8447

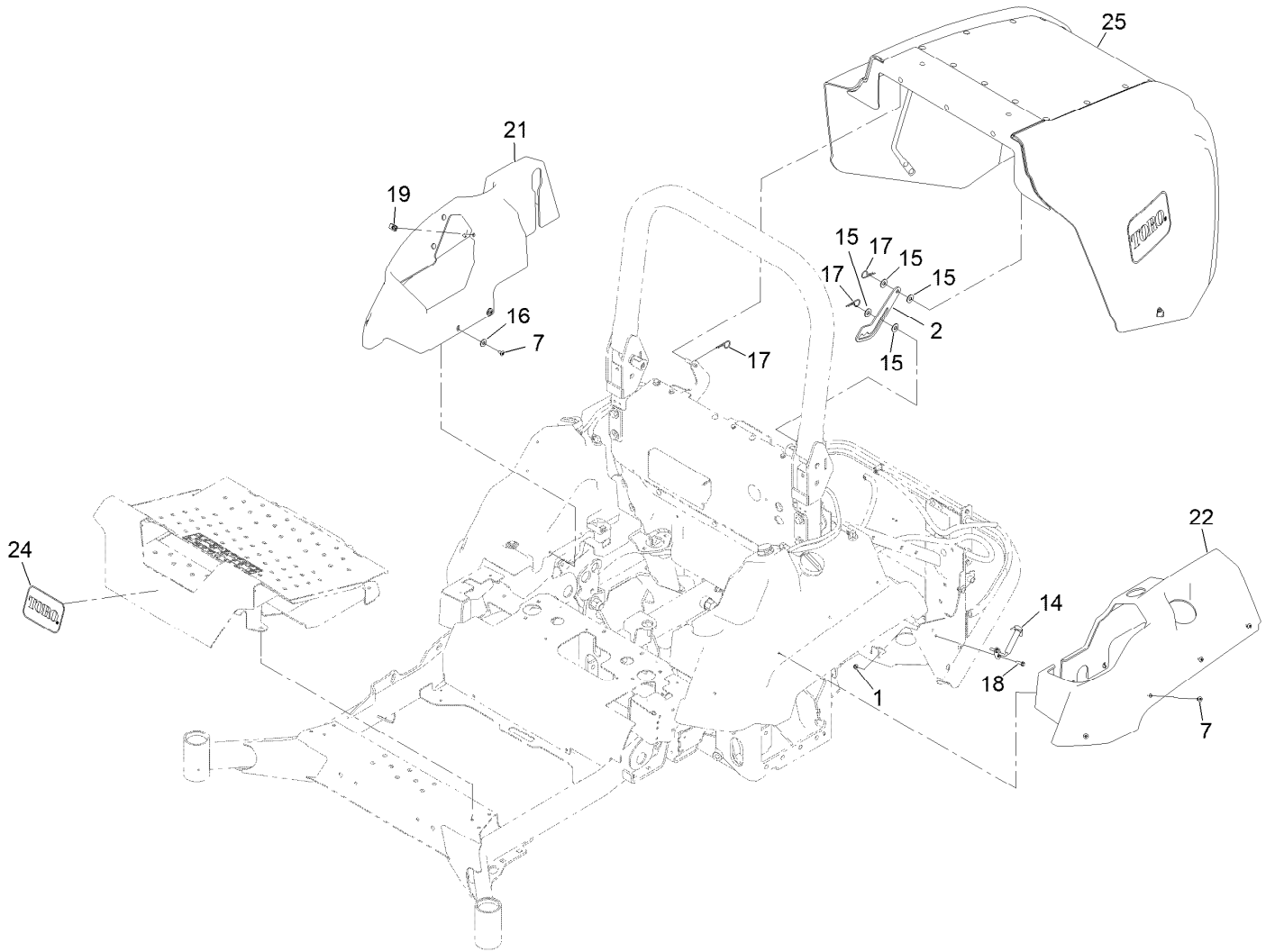


# Front Linkage Rod Assembly No. 142-8447 (continued)

<i>Ref.</i>	<i>Part Number</i>	<i>Qty.</i>	<i>Description</i>
1	142-8415	1	Rod End - Isolated 1/2-20
2	142-8412	1	Rod - Linkage
3	3220-5	2	Nut-Jam 1/2-20

<i>Ref.</i>	<i>Part Number</i>	<i>Qty.</i>	<i>Description</i>
4	142-8416	1	Rod End - 1/2-20
5	142-8413	1	Rod - Adjustment
6	3220-12	1	Nut-Hex Jam LH

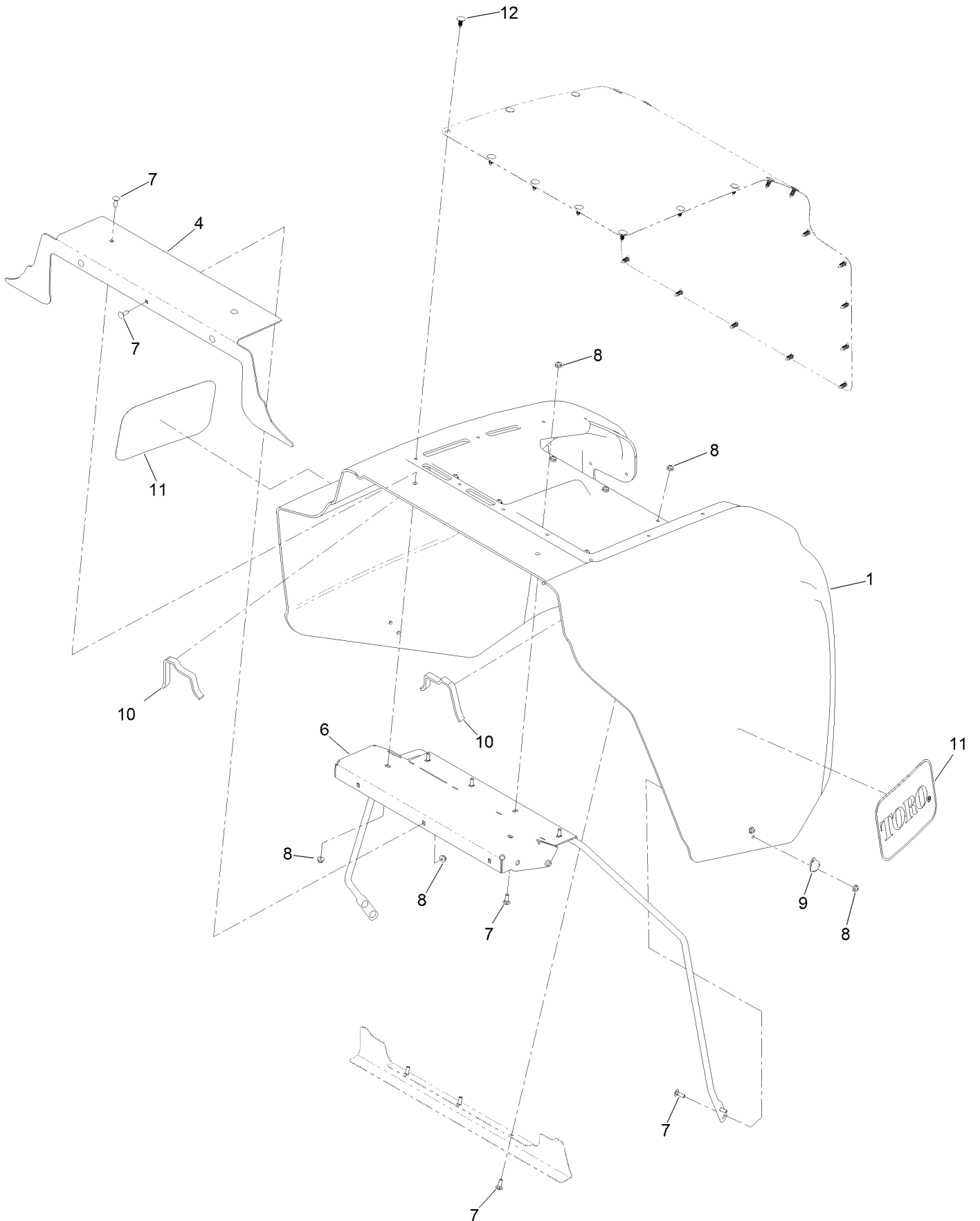
# Hood and Covers Assembly



## Hood and Covers Assembly (continued)

<i>Ref.</i>	<i>Part Number</i>	<i>Qty.</i>	<i>Description</i>	<i>Ref.</i>	<i>Part Number</i>	<i>Qty.</i>	<i>Description</i>
1	104-7201	4	Nut-HF, NI	18	32105-15	4	Screw-HWH
2	142-6010	1	Prop-Hood	19	107069	1	Clip
7	126-8216	12	Screw-Torx	21	126-8655	1	Cover-Tank, RH
14	142-5169	2	Latch-Hook	22	146-2024	1	Cover-Tank, LH
15	3256-4	4	Washer-Flat	24	68-3640	1	Decal
16	3256-71	4	Washer-Flat	25	142-5135	1	ASM, Hood Lzsd
17	3290-255	3	Pin-Cotter, Hair				

# Hood Assembly No. 142-5135



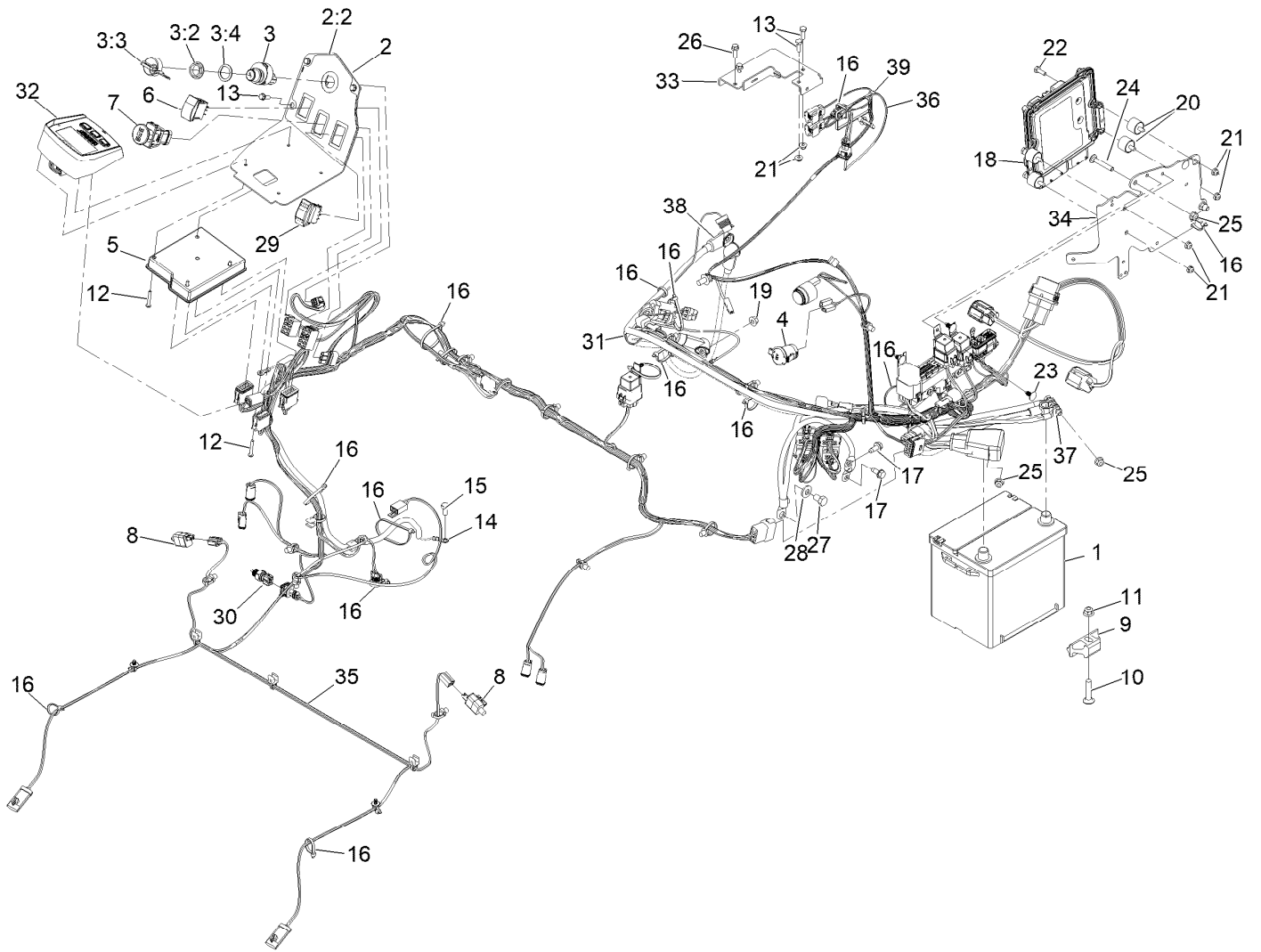


## Hood Assembly No. 142-5135 (continued)

<i>Ref.</i>	<i>Part Number</i>	<i>Qty.</i>	<i>Description</i>
1	142-5134	1	Hood
4	142-6641-03	1	Bracket-Hood Block Off
6	142-5133-03	1	Hood Support ASM [black]
7	3229-1	16	Screw-CARR
8	104-7201	16	Nut-HF, NI

<i>Ref.</i>	<i>Part Number</i>	<i>Qty.</i>	<i>Description</i>
9	142-5170	2	Latch, Keeper
10	142-3219	2	Seal-Foam
11	62-7400	2	Decal-Toro Logo
12	117-2382	26	Plug-Plastic

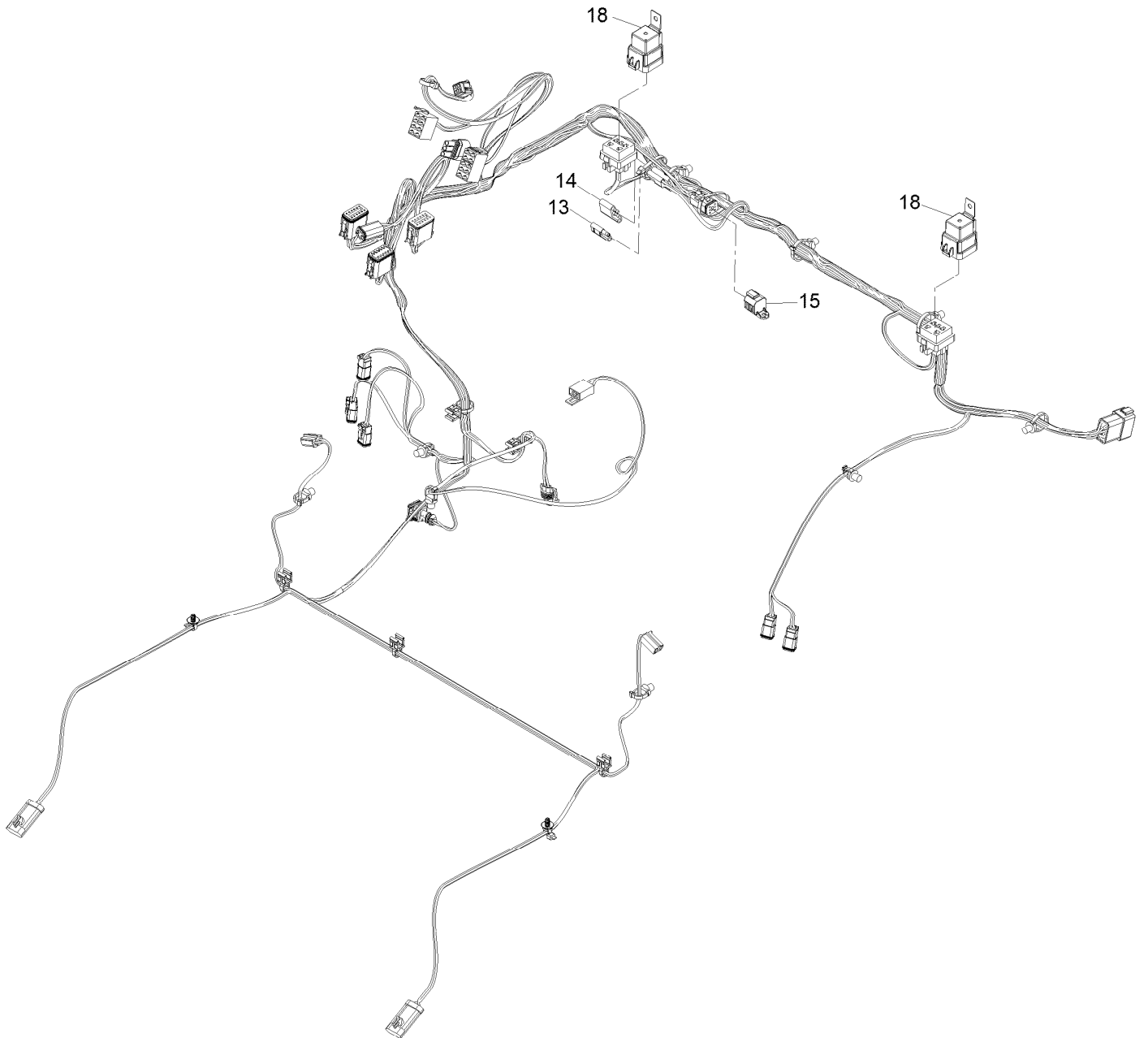
# Electrical Assembly



## Electrical Assembly (continued)

<i>Ref.</i>	<i>Part Number</i>	<i>Qty.</i>	<i>Description</i>	<i>Ref.</i>	<i>Part Number</i>	<i>Qty.</i>	<i>Description</i>
1	106-5187	1	Battery- Dry, 12V, 525 CCA	19	127-2371	1	Nut-HF
2	142-6613	1	ASM, Console W/ Decal 144	20	125-2674	4	Mount-Cylindrical
2:2	142-3956	1	Decal-Control Panel	21	104-7201	6	Nut-HF, NI
3	126-6285	1	Ignition Switch ASM	22	321-4	4	Screw-HH
3:2	108-8660	1	Nut-Mounting	23	117-2382	5	Plug-Plastic
3:3	106-5270	1	Ignition Key Set	24	3230-6	2	Bolt-CARR
3:4	108-8659	1	Washer-Backup	25	104-8300	4	Nut-HF, NI
4	126-6499	1	Port-Power, 12V	26	33103-020	2	Screw-HHF
5	135-3427	1	Module-Mcu	27	33115-016	1	Screw-HH
6	100-1535	1	Switch-Rocker, (On)-Off-(On)	28	98-5975	1	Washer-Belleville
7	126-6187	1	Switch-PTO, Sealed	29	122-0249	1	Switch-Rocker, On-None-On
8	110-6765	2	Switch	30	146-3819	1	Sensor-Temperature
9	138-6335	1	Retainer-Battery	31	32180-030	1	Clip-Tie
10	3231-5	1	Screw-CARR	32	126-9976	1	Module-Horizon
11	104-8301	1	Nut-HF, NI	33	142-7565	1	Bracket-Sensor, Dpf
12	126-5092	4	Screw-PPH	34	142-7685-03	1	Plate-Ecu Mount
13	32105-15	5	Screw-HWH	35	122-2377	1	Harness-Wire, Main
14	135-3998	1	Harness-Wire, Jumper	36	122-2378	1	Harness-Wire, Engine
15	139-9940	1	Screw-HH	37	122-2379	1	Cable-Battery, Rd And Bk ASM
16	3290-378	13	Tie-Cable	38	122-2380	1	Cable-Battery, Bk ASM
17	32144-70	2	Screw-HWHTF	39	3290-379	1	Tie-Cable
18	121-5592	1	Electronic Control Unit				

# Main Wire Harness Assembly No. 122-2377



# Main Wire Harness Assembly No. 122-2377 (continued)

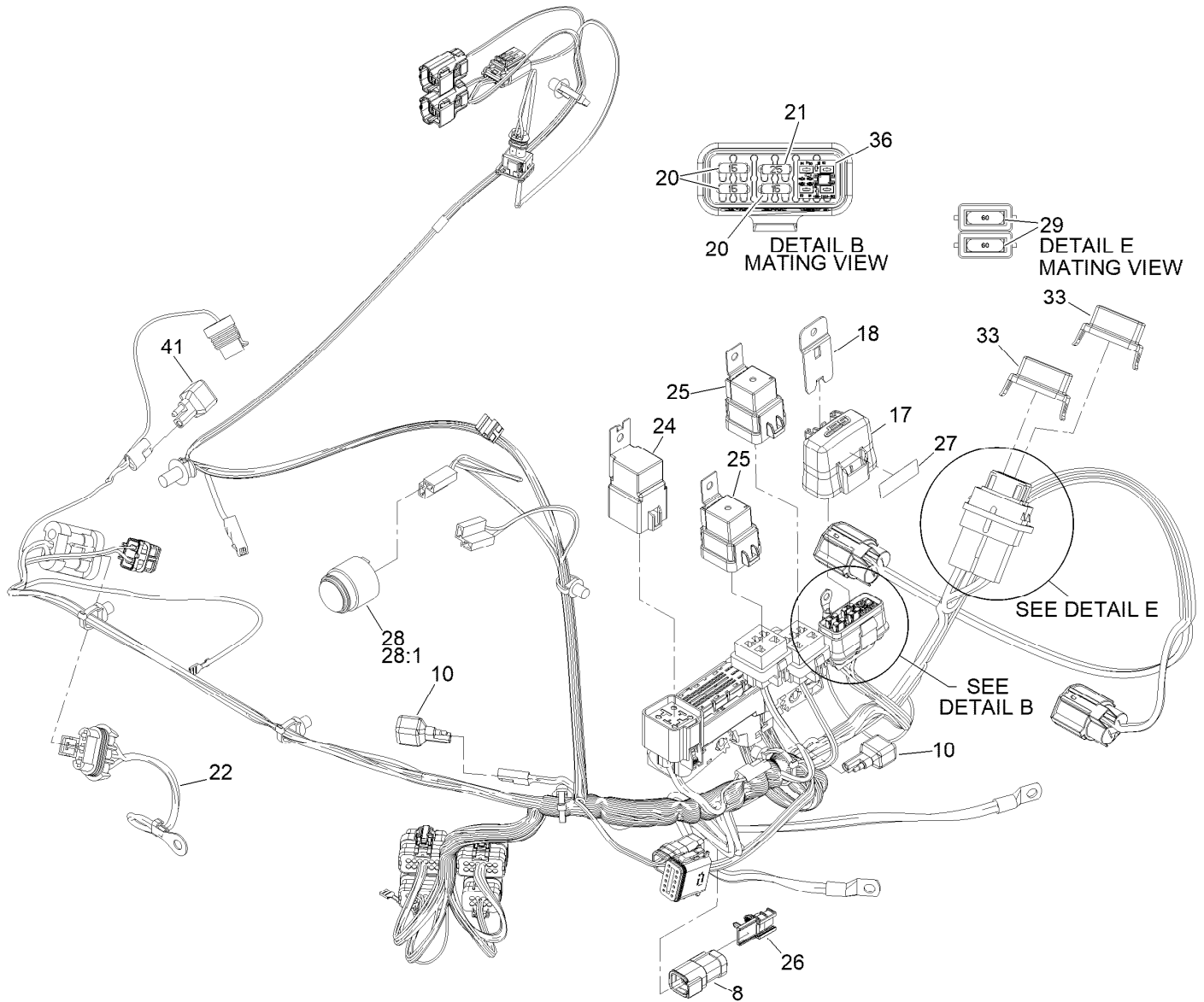
---

<i>Ref.</i>	<i>Part Number</i>	<i>Qty.</i>	<i>Description</i>
13	116-0053	1	Cap-Plug
14	32180-197	1	Cap-Plug

---

<i>Ref.</i>	<i>Part Number</i>	<i>Qty.</i>	<i>Description</i>
15	32180-156	1	Cap-Plug, 6 Way
18	99-7430	2	Relay-Mini

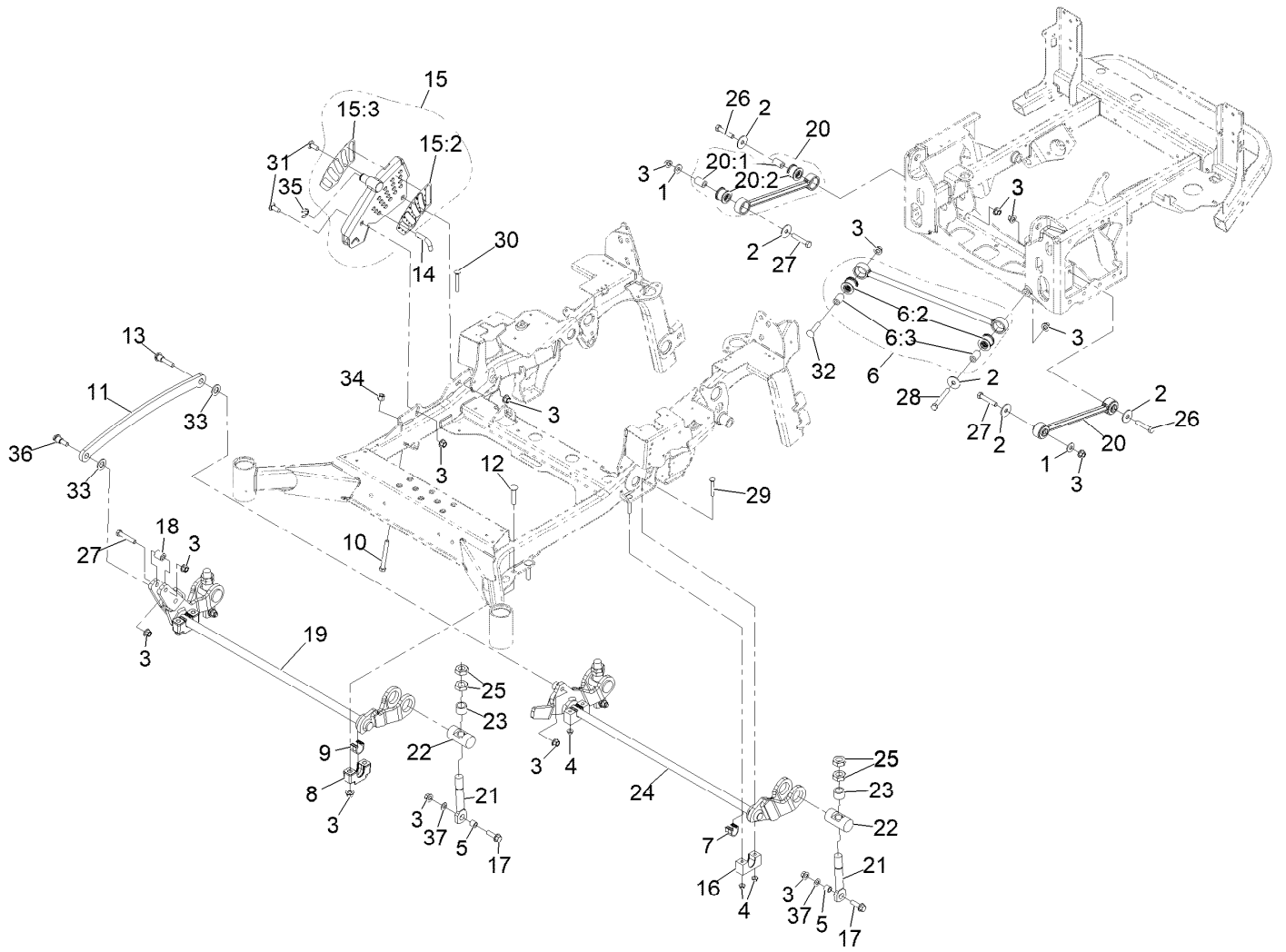
# Engine Wire Harness No. 122-2378



## Engine Wire Harness No. 122-2378 (continued)

<i>Ref.</i>	<i>Part Number</i>	<i>Qty.</i>	<i>Description</i>	<i>Ref.</i>	<i>Part Number</i>	<i>Qty.</i>	<i>Description</i>
8	32160-359	1	Connector (6M)	27	142-6728	1	Decal-Fuse
10	100-4918	2	Diode	28	80-9330	1	Audio Alarm ASM
17	32180-176	1	Cover-Block, Fuse	28:1	104-5107	1	Nut-Plastic, Knurled
18	32180-177	1	Clip-Mounting	29	114-3342	2	Fuse-Maxi, 60 Amp
20	121-8867	3	Fuse-Mini Blade, 15 Amp	33	32181-014	2	Cover-Fuse Holder, Maxi
21	121-8869	1	Fuse-Mini Blade, 25 Amp	36	142-3979	1	Harness Assy, Relay-Solid State, Mp280
22	99-3441	1	Harness-Wire, Fusible Link	41	142-3904	1	Resistor-220 Ohms,2W,5%,Overmolded
24	127-7514	1	Relay-70A				
25	99-7430	2	Relay-Mini				
26	32180-103	1	Clip-Connector				

# Deck Lift Assembly

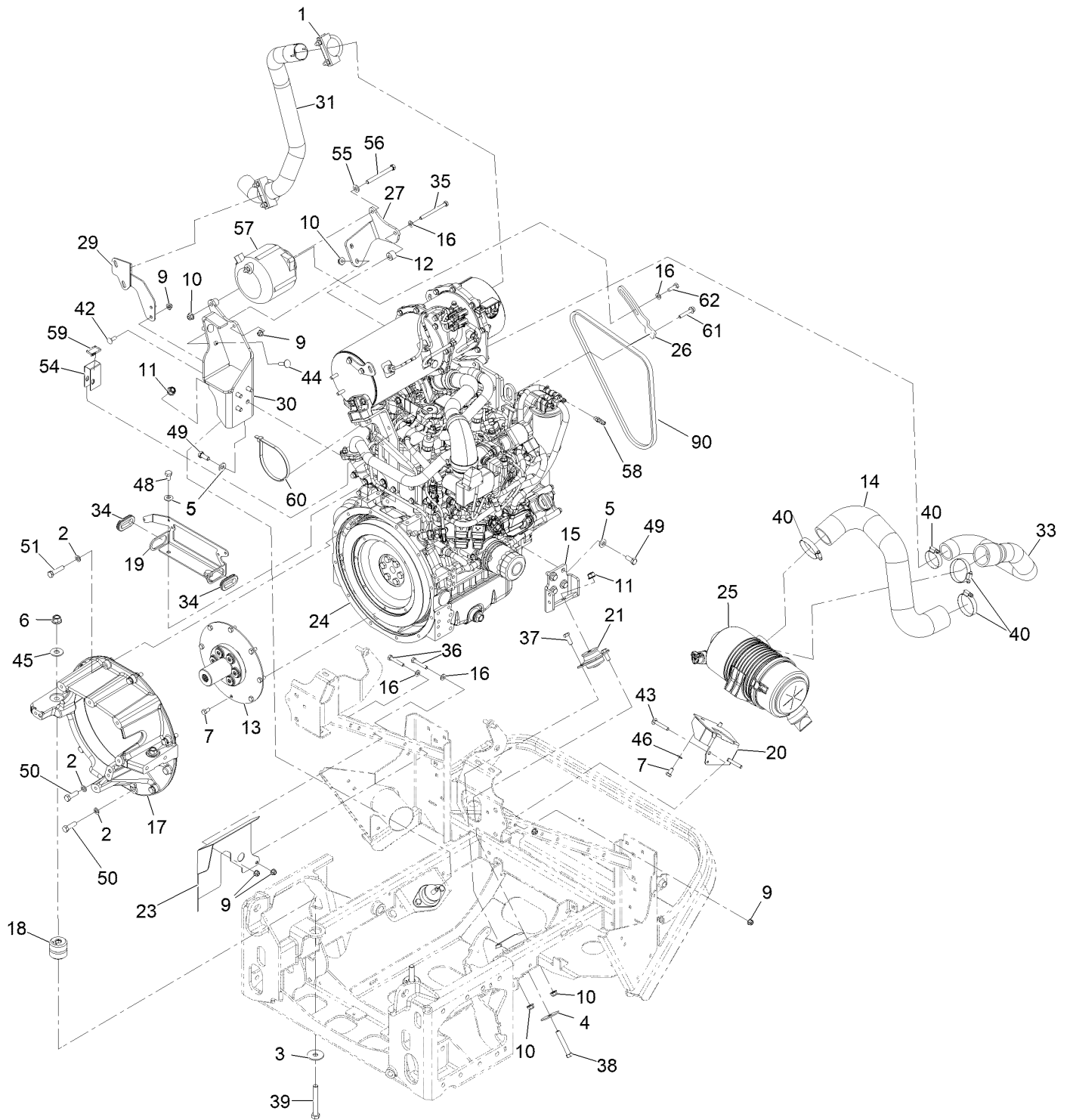




## Deck Lift Assembly (continued)

<i>Ref.</i>	<i>Part Number</i>	<i>Qty.</i>	<i>Description</i>	<i>Ref.</i>	<i>Part Number</i>	<i>Qty.</i>	<i>Description</i>
1	1-513435	2	Washer-Spring Disc 1/2	17	130-6481	4	Screw-HHF
2	86-1990	6	Washer	18	135-1215	1	Spacer-Pivot
3	99-5107	19	Nut-Lock 1/2-13	19	142-8093-03	1	Decklift-Front, 144 [black]
4	104-8301	4	Nut-Nyloc 3/8-16 Fig	20	142-4003	2	Deck Strut ASM 85A
5	108-8483	4	Spacer-Plain	20:1	109-5010	2	Spacer
6	109-5013	1	Panhard Rod ASM	20:2	135-2466	2	Bushing-Rubber
6:2	109-5009	2	Bushing-Suspension, Rubber	21	142-7187	4	Link, Deck Lift Adjuster
6:3	109-5010	2	Spacer	22	142-7188	4	Trunnion, Deck Lift
7	109-7173	2	Bearing-Cross Shaft, Rear	23	142-7192	4	Spacer, Deck Link
8	109-9409	2	Support-Bearing, Cross Shaft (Front)	24	142-7197-03	1	Wld, Deck Lift-Rear
9	109-9410	2	Bearing-Cross Shaft, Front	25	142-7212	8	Nut-Hex
10	116-0559	1	Bolt-HH 1/2-13 X 4 Tap	26	325-10	2	Screw-HH 1/2-13 X 2 1/2
11	116-0797-03	1	Link-Lift, Deck	27	325-11	3	Screw-HH 1/2-13 X 2 3/4
12	116-1700	4	Bolt-Carriage 1/2-13 X 2 1/2 Spl Neck	28	325-17	1	Screw-HH 1/2-13 X 4
13	116-2022	1	Screw-Hex Flange 1/2-13 X 1.90	29	3231-31	3	Bolt-Carriage 3/8-16 X 2 1/2
14	116-5584	1	Pin-HOC	30	3231-10	1	Bolt-Carriage 3/8-16 X 3
15	126-7866	1	HOC ASM	31	3233-26	2	Screw-CARR,Shortneck
15:2	126-9275	1	Decal-HOC	32	3233-34	1	Bolt-Carriage 1/2-13 X 2 1/2
15:3	135-1432	1	Decal-HOC, Outer	33	3256-28	2	Washer-3/4 SAE
16	142-8321	2	Support-Cross Shaft	34	3296-23	1	Nut-Nyloc 1/2-13
				35	32151-91	1	Ring-Retaining
				36	116-0780	1	Screw-Shoulder HHF 1/2-13 X 1.12
				37	3-6803	4	Washer-Adjusting

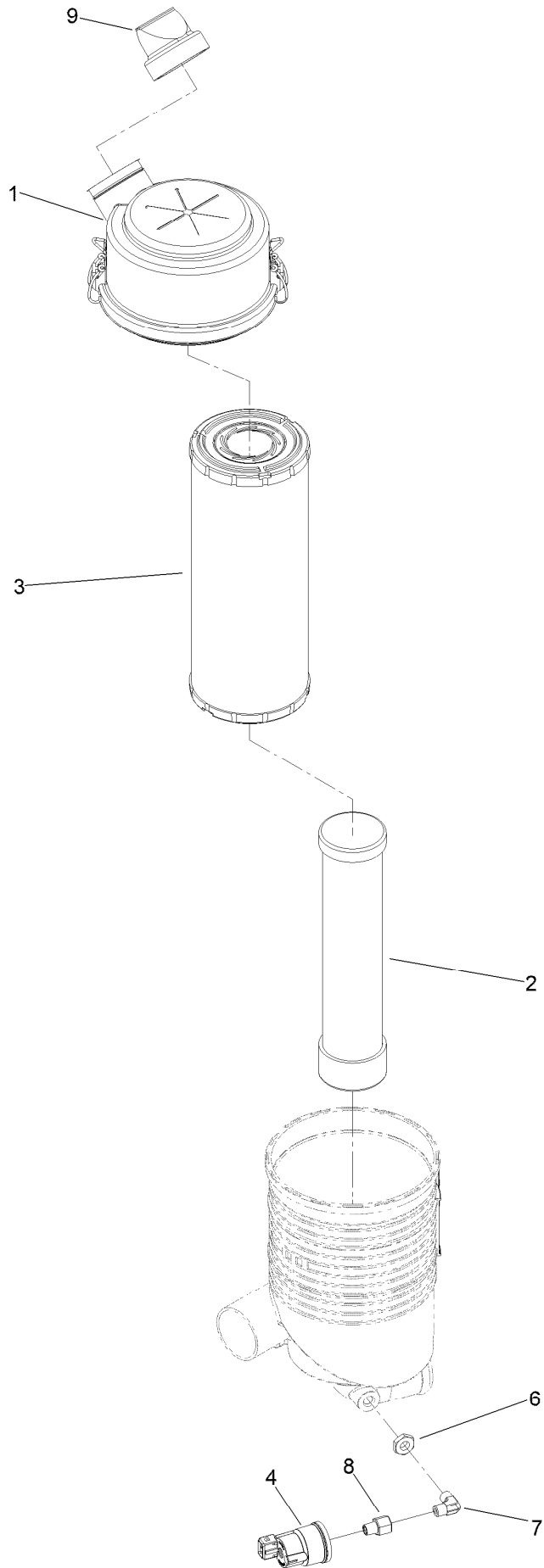
# Engine Assembly



## Engine Assembly (continued)

<i>Ref.</i>	<i>Part Number</i>	<i>Qty.</i>	<i>Description</i>	<i>Ref.</i>	<i>Part Number</i>	<i>Qty.</i>	<i>Description</i>
1	18-2130	2	Clamp	31	142-4158	1	Tube-Exhaust
2	48-9590	9	Washer-Lock	33	142-5171	1	Hose-Air
3	86-1990	2	Washer	34	240-7	2	Grommet-Rubber
4	87-5100	2	Washer-Snubbing	35	322-23	1	Screw-HH
5	98-5975	10	Washer-Belleville	36	322-21	2	Screw-HH
6	99-5107	2	Nut-Lock	37	323-6	4	Screw-HH
7	139-9940	10	Screw-HH	38	324-11	2	Screw-HH
9	104-8300	7	Nut-HF, NI	39	325-15	2	Screw-HH
10	104-8301	6	Nut-HF, NI	40	2412-130	4	Clamp-Hose
11	114-8417	2	Nut-HF, NI	42	3230-16	2	Screw-CARR
12	116-9329	1	Spacer	43	3230-6	2	Bolt-CARR
13	120-9131	1	Coupling-Flywheel	44	3231-25	2	Bolt-CARR
14	120-9177	1	Hose-Air	45	3256-6	2	Washer-Flat
15	120-9180-03	1	Mount-Motor, Upper	46	3290-475	2	Washer-Belleville
16	3256-23	4	Washer-Plain	48	33115-016	2	Screw-HH
17	125-2836	1	Housing-Flywheel	49	33115-025	8	Screw-HH
18	142-8457	2	Mount-Isolator	50	33115-035	2	Screw-HH
19	142-6061-03	1	Plate_guide Bracket	51	33115-045	7	Screw-HH
20	126-8730-03	1	Bracket-Cleaner, Air	54	142-6642	1	Insulation-Heat
21	142-8456	2	Mount- Isolator, Engine	55	33095-00	1	Washer-Flat
23	142-9188-03	1	Sheet-Air Deflector	56	33115-100	1	Screw-HH
24	142-7566	1	Engine-Yanmar, 3Tnv86Ct-Dtr2	57	146-2171	1	Alternator-12V 175A
25	142-7201	1	ASM, Hdac	58	142-7698	1	Fitting-Straight
26	146-1788-03	1	Plate-Tension Arm	59	142-8170	1	Tie-Cable, SS
27	146-1786-03	1	Plate-Alternator Bracket	60	103-2446	1	Tie-Cable
29	142-4151-03	1	Exhaust Bracket	61	33104-045	1	Screw-HHF
30	146-1783-03	1	Mount-Engine Alternator [black]	62	322-6	1	Screw-HH
				90	142-6650	1	Belt-V, Cogged

# Air Cleaner Assembly No. 142-7201



## Air Cleaner Assembly No. 142-7201 (continued)

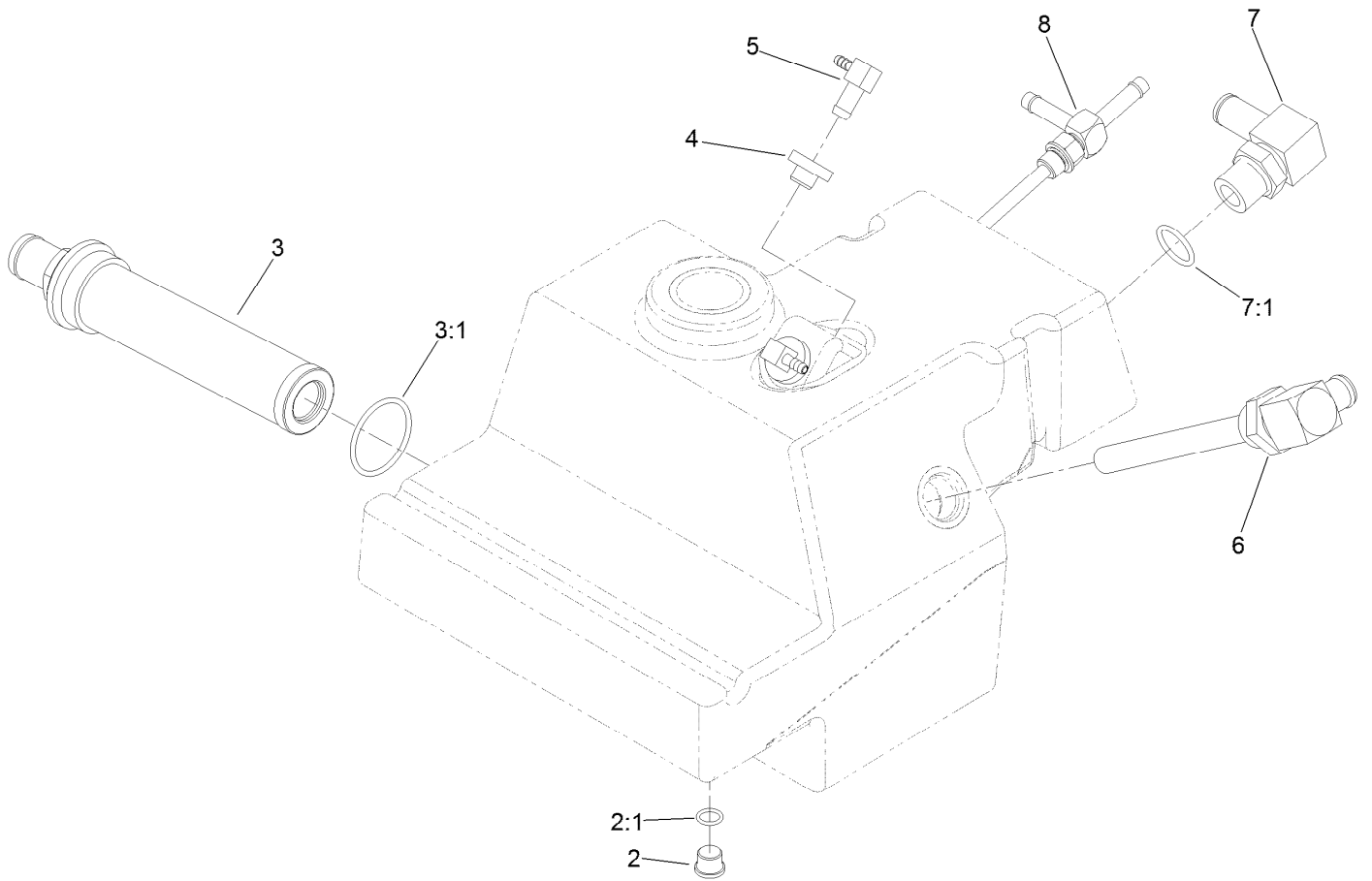
<i>Ref.</i>	<i>Part Number</i>	<i>Qty.</i>	<i>Description</i>	<i>Ref.</i>	<i>Part Number</i>	<i>Qty.</i>	<i>Description</i>
1	98-9771	1	Cover ASM	6	142-7209	1	Nut-Hex
2	103-1326	1	Filter, Safety Air	7	142-7210	1	Fitting-Elbow-90
3	108-3810	1	Filter-Air	8	142-7211	1	Insert-Restriction Adapter
4	126-7651	1	Indicator-Mini	9	AUA189052	1	Valve-Dust-Air Cleaner



## Hydraulic Drive Assembly (continued)

<i>Ref.</i>	<i>Part Number</i>	<i>Qty.</i>	<i>Description</i>	<i>Ref.</i>	<i>Part Number</i>	<i>Qty.</i>	<i>Description</i>
1	142-5034	1	HYD Reservoir ASM	38	3256-16	4	Washer-#12 Std
2	126-6776	1	Hose-Fuel	39	321-28	2	Screw-HH
3	126-6767	1	Hose-Return	40	32128-33	4	Nut-Whizlock 1/4-20
4	126-6768	1	Hose-Return	41	1-633396	1	Clip-Loom 5/8
5	126-6778	1	Hose-Fuel	42	104-8301	1	Nut-Nyloc 3/8-16 Flg
6	126-6766	1	Hose	43	126-8692	1	Fitting-HYD, Straight
7	126-8688	1	Tube ASM	43:1	237-78	1	O-Ring
8	142-5180	1	Hose ASM-HYD HP	43:2	237-21	1	O-Ring
9	126-6774	1	Hose-Suction	44	126-8683	1	Hose ASM
10	32180-030	5	Clip-Tie	45	321-14	2	Screw-HH 1/4-20 X 2 3/4
11	126-7547	1	Rod-Support, HYD Tank	46	142-5548	2	Planetary ASM-11.96:1
12	126-7546	1	Rod-Support, HYD Tank	47	142-5691	2	Motor-HYD, Piston, 30Cc
13	104-8300	4	Nut-Nyloc 5/16-18 Flg	48	340-92	3	Fitting-Straight
14	112-6365	1	Dipstick	48:1	237-78	1	O-Ring
15	94-8166	1	O-Ring	48:2	237-21	1	O-Ring
16	93-7498	1	Plug-Plastic	49	340-8	4	Fitting-Straight
17	340-155	4	Fitting-Straight	49:1	237-65	1	O-Ring
17:1	237-79	1	O-Ring	49:2	237-81	1	O-Ring
17:2	237-151	1	O-Ring	50	142-5611	1	Hose-HP
18	340-7	1	Fitting-Straight	51	142-5612	1	Hose-HP
18:1	237-65	1	O-Ring	52	142-6631	1	Hose ASM-Hydlptee
18:2	237-80	1	O-Ring	53	142-6640	1	Hose ASM-HYD HP Tee
19	340-4	1	Fitting-Straight	54	142-6639	1	Hose ASM-HYD HP Tee
19:1	237-30	1	O-Ring	55	142-5768	1	Hose ASM-Hydlp
19:2	237-79	1	O-Ring	56	142-3892	1	Valve-HYD, Brk-2Spd
20	340-105	1	Fitting-Elbow, 90 DEG	57	340-82	3	Fitting-Elbow, 90 DEG
20:1	237-80	1	O-Ring	57:1	237-42	1	O-Ring
20:2	237-30	1	O-Ring	57:2	237-21	1	O-Ring
21	103-1912	1	Adapter-Straight	58	340-137	2	Fitting
21:1	237-42	1	O-Ring	58:1	237-21	1	O-Ring
22	87-8170	1	Fitting-90	58:2	237-42	1	O-Ring
22:1	237-80	1	O-Ring	59	340-138	2	Fitting-HYD, 45 DEG
23	354-95	1	Fitting-Straight	59:1	237-79	1	O-Ring
24	2412-98	4	Clamp-Hose	59:2	237-22	1	O-Ring
25	68-6150	1	Breather	60	33106-025	12	Screw-HHF
26	126-8684	1	Hose ASM	61	340-2	4	Fitting-Straight
27	340-77	2	Fitting-Elbow, 90 DEG	61:1	237-22	1	O-Ring
27:1	237-22	1	O-Ring	61:2	237-42	1	O-Ring
27:2	237-42	1	O-Ring	62	237-166	2	O-Ring
28	2412-129	5	Clamp-Hose	63	AUH339762	1	Tee
29	2412-34	2	Clamp-Hose	64	142-5778	1	Hose ASM-HYD HP
31	142-5791-03	1	Motor Mount, L [black]	65	142-6632	2	Hose-HP
32	142-5790-03	1	Motor Mount, R [black]	66	142-5789	1	Hose ASM-HYD HP
33	1-513435	8	Washer-Spring Disc 1/2	67	9202424	4	Spacer
34	325-6	8	Screw-HH 1/2-13 X 1 1/2	68	94-2702	4	Screw-HH
35	32128-49	8	Nut-Whizlock 1/2-13	69	340-99	1	Fitting-HYD, 90 DEG
36	126-7841	1	Lift Cylinder ASM	69:1	237-30	1	O-Ring
36:1	142-2767	1	Kit, CYL Repair	69:2	237-42	1	O-Ring
37	142-8862	1	Valve ASM-Lift And Fold	70	135-7984	3	Clamp-Hose

# Hydraulic Reservoir Assembly No. 142-5034

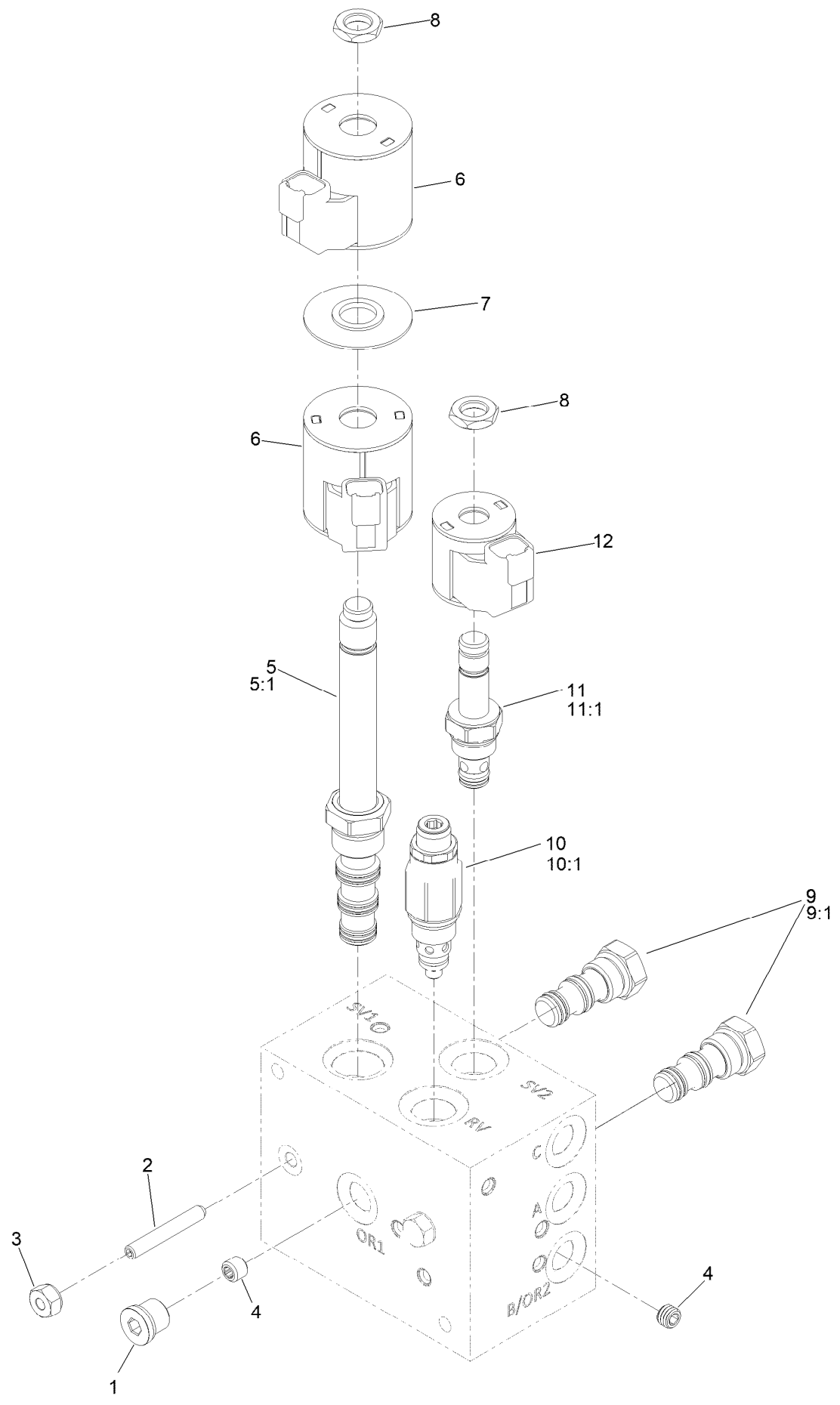




# Hydraulic Reservoir Assembly No. 142-5034 (continued)

<i>Ref.</i>	<i>Part Number</i>	<i>Qty.</i>	<i>Description</i>	<i>Ref.</i>	<i>Part Number</i>	<i>Qty.</i>	<i>Description</i>
2	353-989	1	Plug-Hex, Hollow	5	104-5228	2	Fitting-Elbow, 90 DEG
2:1	237-42	1	O-Ring	6	126-6782	1	Fitting-Standpipe
3	104-7546	1	Tank Strainer ASM	7	353-987	1	Fitting-Elbow, 90
3:1	340-136	1	O-Ring	7:1	237-81	1	O-Ring
4	46-6560	2	Bushing	8	135-3740	1	Fitting-Tee, Drop Tube

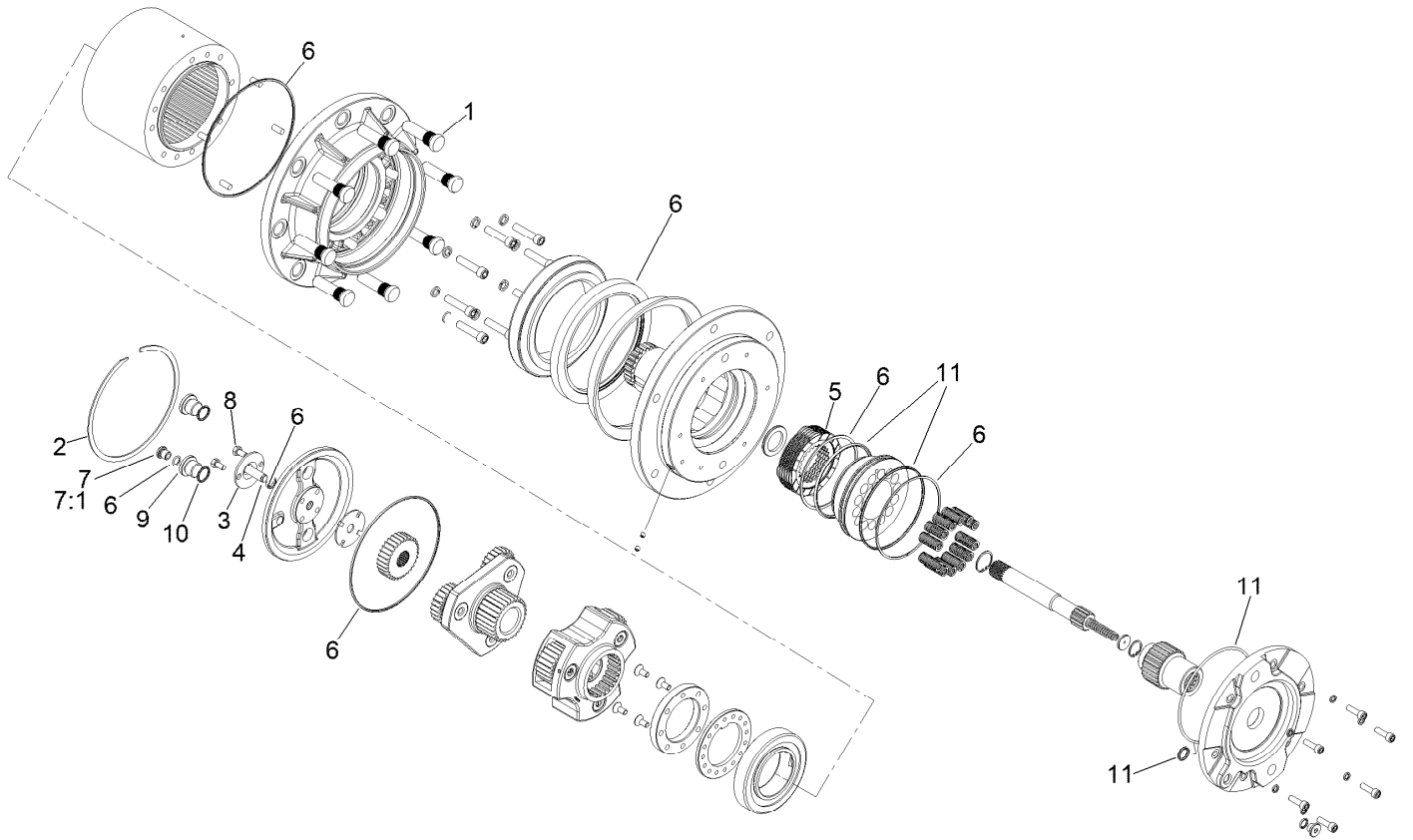
# Lift and Fold Valve Assembly No. 142-8862



## Lift and Fold Valve Assembly No. 142-8862 (continued)

<i>Ref.</i>	<i>Part Number</i>	<i>Qty.</i>	<i>Description</i>	<i>Ref.</i>	<i>Part Number</i>	<i>Qty.</i>	<i>Description</i>
1	111-5512	1	Plug-HYD, SAE	8	110-2634	2	Nut-Coil
2	135-4544	2	Screw-Set	9	142-4923	2	Po Check Valve
3	135-4545	2	Nut-Sealing, Hex	9:1	142-7526	1	Seal Kit
4	142-8912	2	Plug-Orifice	10	142-8872	1	Valve-HYD, Pressure Relief
5	135-4546	1	Solenoid Valve ASM	10:1	142-8965	1	Seal Kit
5:1	110-8908	1	Spool Valve Seal Kit	11	142-8873	1	Valve-HYD, Solenoid, NC
6	115-3021	2	Coil-12V	11:1	119-7716	1	Seal Kit
7	117-8316	1	Spacer-E Coil	12	119-8036	1	Coil

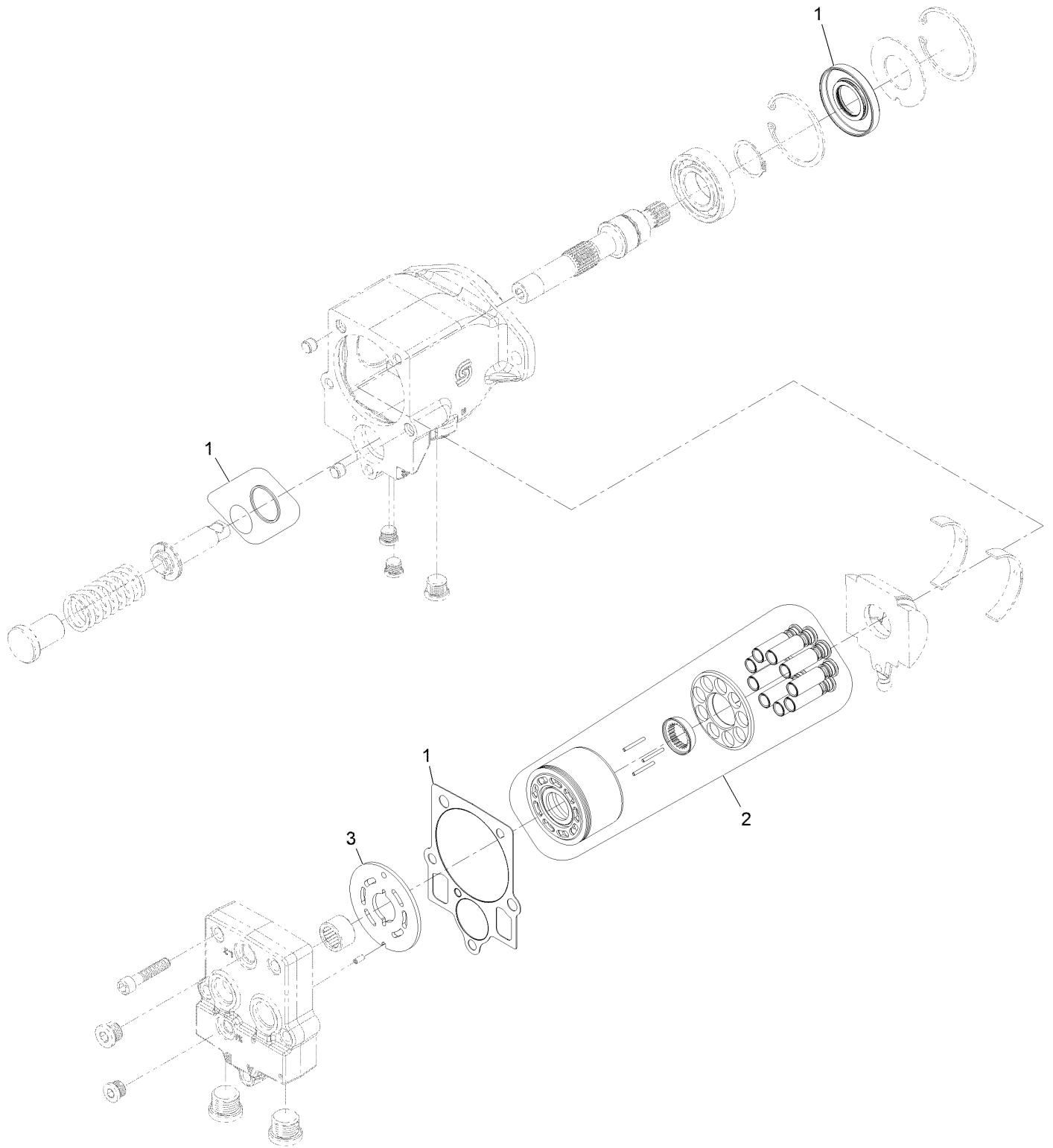
# Planetary Assembly No. 142-5548



## Planetary Assembly No. 142-5548 (continued)

<i>Ref.</i>	<i>Part Number</i>	<i>Qty.</i>	<i>Description</i>	<i>Ref.</i>	<i>Part Number</i>	<i>Qty.</i>	<i>Description</i>
1	105-8124	8	Stud-Wheel	7	353-990	1	Plug ASM
2	138-1210	1	Ring-Snap	7:1	237-78	1	O-Ring
3	142-9125	1	Cap-Lockout	8	33113-012	2	Screw-HH
4	142-9126	1	Plunger	9	138-1211	2	Plug-Flange, Magnetic
5	142-9127	1	Brake	10	138-6248	2	O-Ring M18
6	142-9128	1	Seal Kit-Gearbox	11	146-4469	1	Seal Kit-Gearbox, Brake

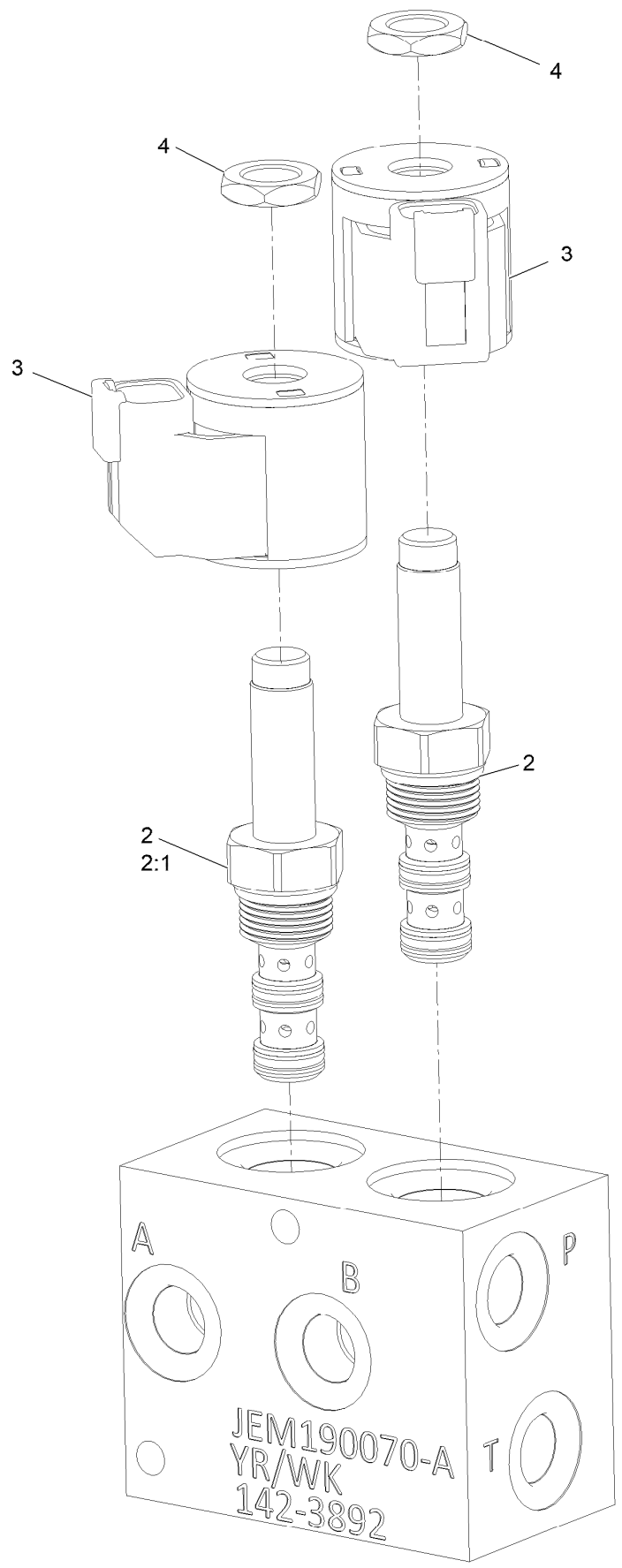
# Hydraulic Motor Assembly No. 142-5691



# Hydraulic Motor Assembly No. 142-5691 (continued)

<i>Ref.</i>	<i>Part Number</i>	<i>Qty.</i>	<i>Description</i>
1	138-7823	1	Overhaul Seal Kit
2	121-1735	1	Cylinder Block Kit
3	121-1734	1	Plate-Valve

# Hydraulic Valve Assembly No. 142-3892



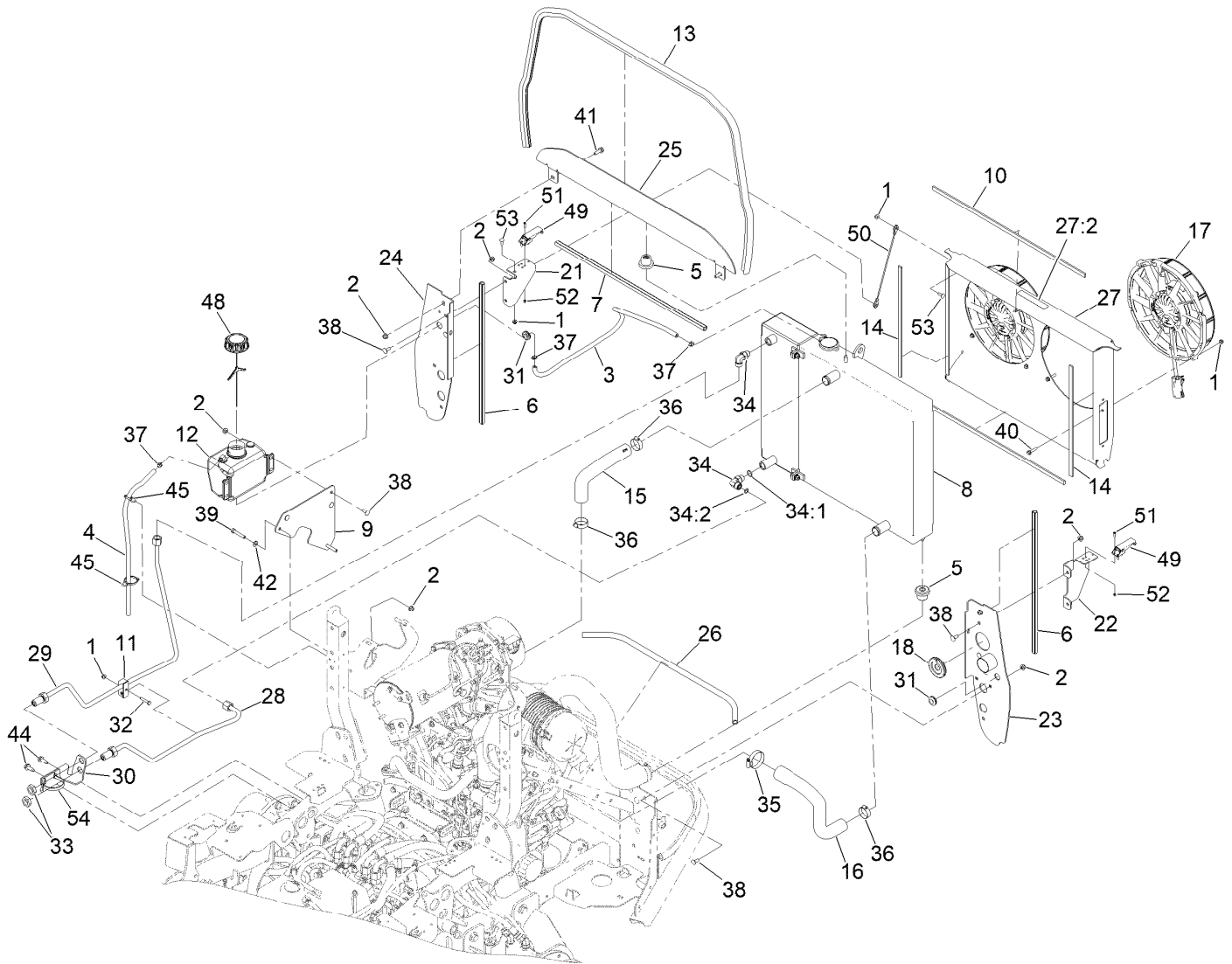


# Hydraulic Valve Assembly No. 142-3892 (continued)

<i>Ref.</i>	<i>Part Number</i>	<i>Qty.</i>	<i>Description</i>
2	106-1995	2	Valve-3 Way
2:1	110-8773	1	Seal Kit

<i>Ref.</i>	<i>Part Number</i>	<i>Qty.</i>	<i>Description</i>
3	119-8036	2	Coil
4	110-2634	2	Nut-Coil

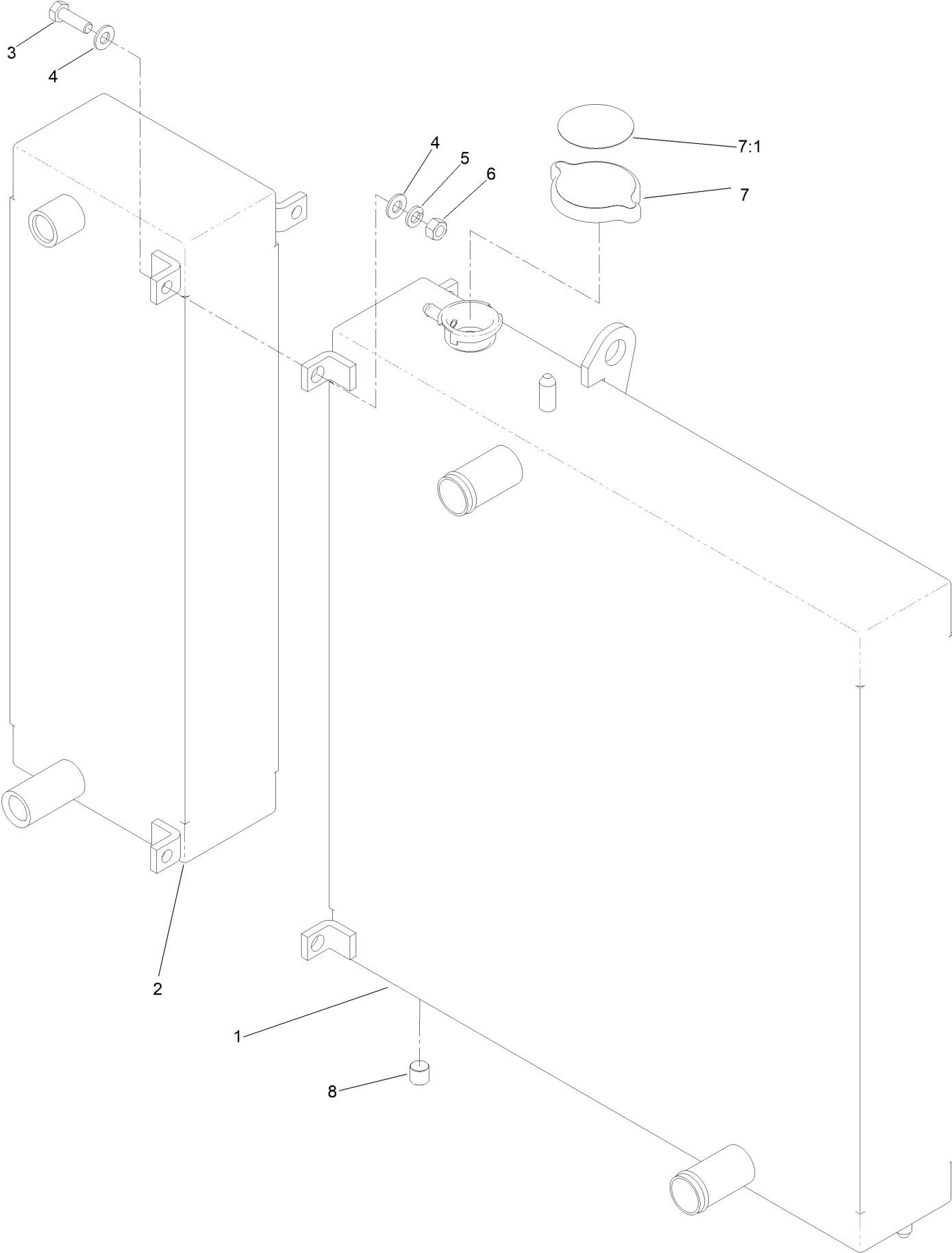
# Cooling System Assembly



## Cooling System Assembly (continued)

<i>Ref.</i>	<i>Part Number</i>	<i>Qty.</i>	<i>Description</i>	<i>Ref.</i>	<i>Part Number</i>	<i>Qty.</i>	<i>Description</i>
1	104-7201	11	Nut-HF, NI	27:2	93-7272	1	Decal-Warning
2	104-8300	17	Nut-HF, NI	28	146-4698	1	Hydraulic Tube ASM
3	109-0284	1	Hose-Fuel	29	146-4699	1	Hydraulic Tube ASM
4	110-4103	1	Hose-Fuel	30	146-5351-03	1	Plate-Bulkhead
5	119-1422	3	Mount-Isolator	31	237-124	3	Grommet
6	119-1426	2	Seal-Bulb	32	321-13	1	Screw-HH
7	119-1427	1	Seal-Bulb	33	340-127	2	Nut-Bulkhead
8	121-3330	1	Cooling ASM	34	340-98	2	Fitting-Elbow, 90 DEG
9	126-9178-03	1	Bracket-Bottle	34:1	237-79	1	O-Ring
10	142-8747	2	Foam-Adhesive Backed	34:2	237-30	1	O-Ring
11	135-0641	1	Clamp-Twin	35	1-643009	1	Clamp-Hose
12	135-4692	1	Tank-Overflow, W/Cap	36	2412-34	3	Clamp-Hose
13	142-4136	1	Seal-Bulb	37	2412-98	3	Clamp-Hose
14	142-8746	2	Foam-Adhesive Backed	38	3230-23	13	Bolt-CARR
15	142-3192	1	Hose-Radiator, Upper	39	322-21	2	Screw-HH
16	142-3193	1	Hose-Radiator, Lower	40	127-8639	8	Screw-HHF
17	142-3375	2	Fan-12", 12V, Electric, Reversing	41	3234-29	2	Screw-HHF
18	142-6616	1	Grommet-Split, 2.38 Gd X 0.14 Gw X 0.82	42	3256-23	2	Washer-Plain
21	146-0568-03	1	Plate-Right Latch Bracket	44	126-1696	2	Screw-HWHTF
22	146-0567-03	1	Plate-Left Latch Bracket	45	32180-030	2	Clip-Tie
23	142-5136-03	1	Support-Radiator, LH [black]	48	135-4693	1	Cap-W/Tether
24	142-5138-03	1	Bracket-Cooling, RH	49	146-0562	2	Latch-Draw
25	142-5139-03	1	Bracket-Cooling, Top	50	109-2628	1	Cable-Stop, Seat
26	142-5156	1	Seal-Bulb	51	111-3473	6	Screw-Button
27	146-5048	1	Fan Shroud	52	140-3749	6	Nut-Lock Rohs
				53	3229-1	2	Screw-CARR
				54	103-2446	1	Tie-Cable

# Cooling Assembly No. 121-3330

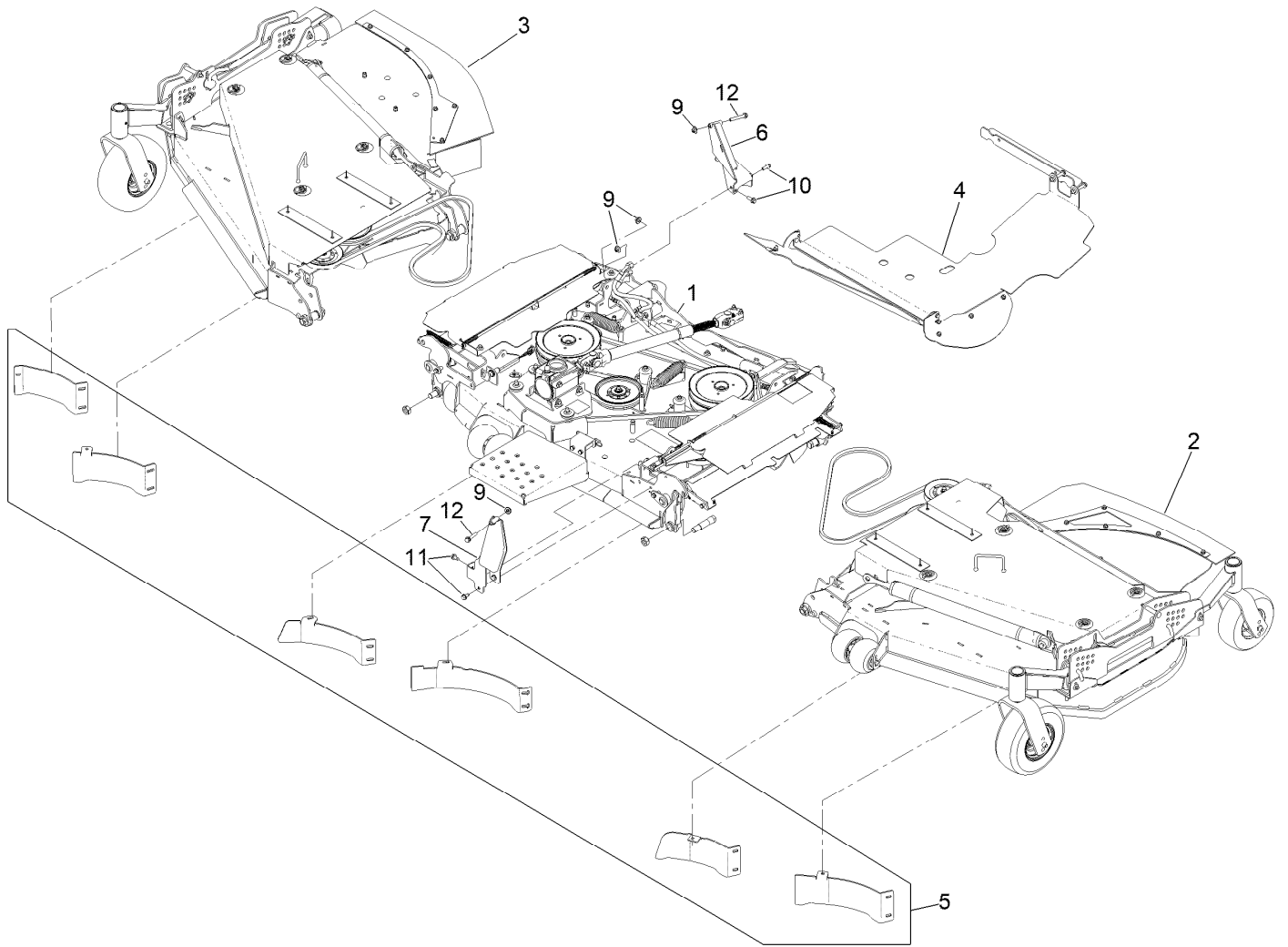


## Cooling Assembly No. 121-3330 (continued)

<i>Ref.</i>	<i>Part Number</i>	<i>Qty.</i>	<i>Description</i>
1	121-3328	1	Radiator
2	121-3329	1	Oil Cooler
3	322-5	3	Screw-HH
4	3256-23	6	Washer-Plain
5	3253-4	3	Washer-Lock

<i>Ref.</i>	<i>Part Number</i>	<i>Qty.</i>	<i>Description</i>
6	3217-6	3	Nut-Hex
7	117-5138	1	Cap-Radiator
7:1	117-3276	1	Decal-Danger
8	99-8551	1	Plug-Pipe

# Deck Assembly

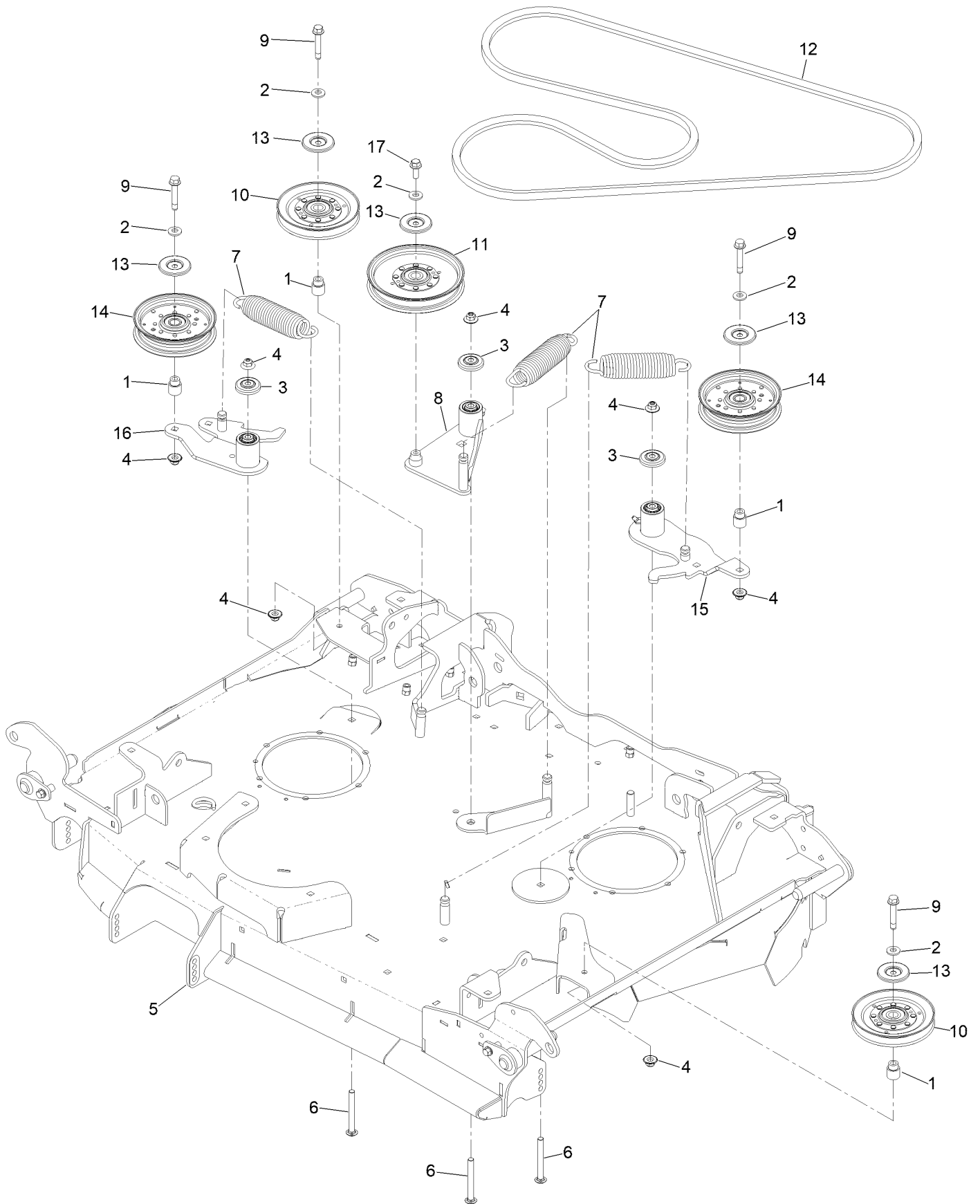


## Deck Assembly (continued)

<i>Ref.</i>	<i>Part Number</i>	<i>Qty.</i>	<i>Description</i>	<i>Ref.</i>	<i>Part Number</i>	<i>Qty.</i>	<i>Description</i>
1		1	ASM-Deck, Ctr ●	7	142-4221-03	1	Bracket, LH
2		1	ASM-Deck, LH Wing ●				Centerdeck-Spring [bl
3		1	ASM-Deck, RH Wing ●	9	109-6658	5	Nut-Flange, NI
4	142-6621	1	Discharge-Tunnel ASM, 144	10	3234-42	3	Screw-HHF
5	142-2744	1	Kit-Finish Cut Baffle 144	11	110-9380	3	Screw-HWH
6	142-8451-03	1	Weld-RH Spring Mount-Upstop	12	3234-39	2	Screw-HHF

● Not serviced separately

# Center Deck Assembly

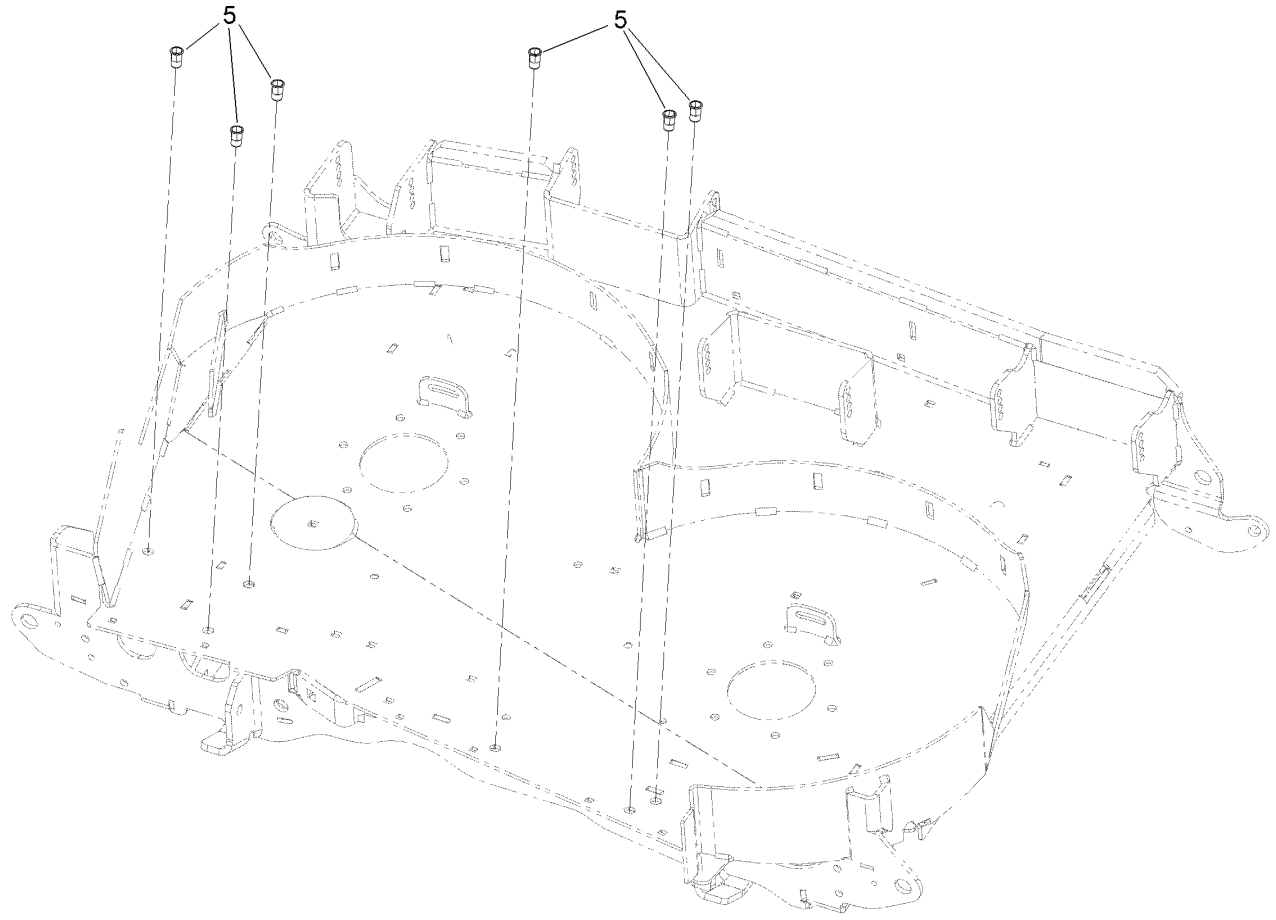
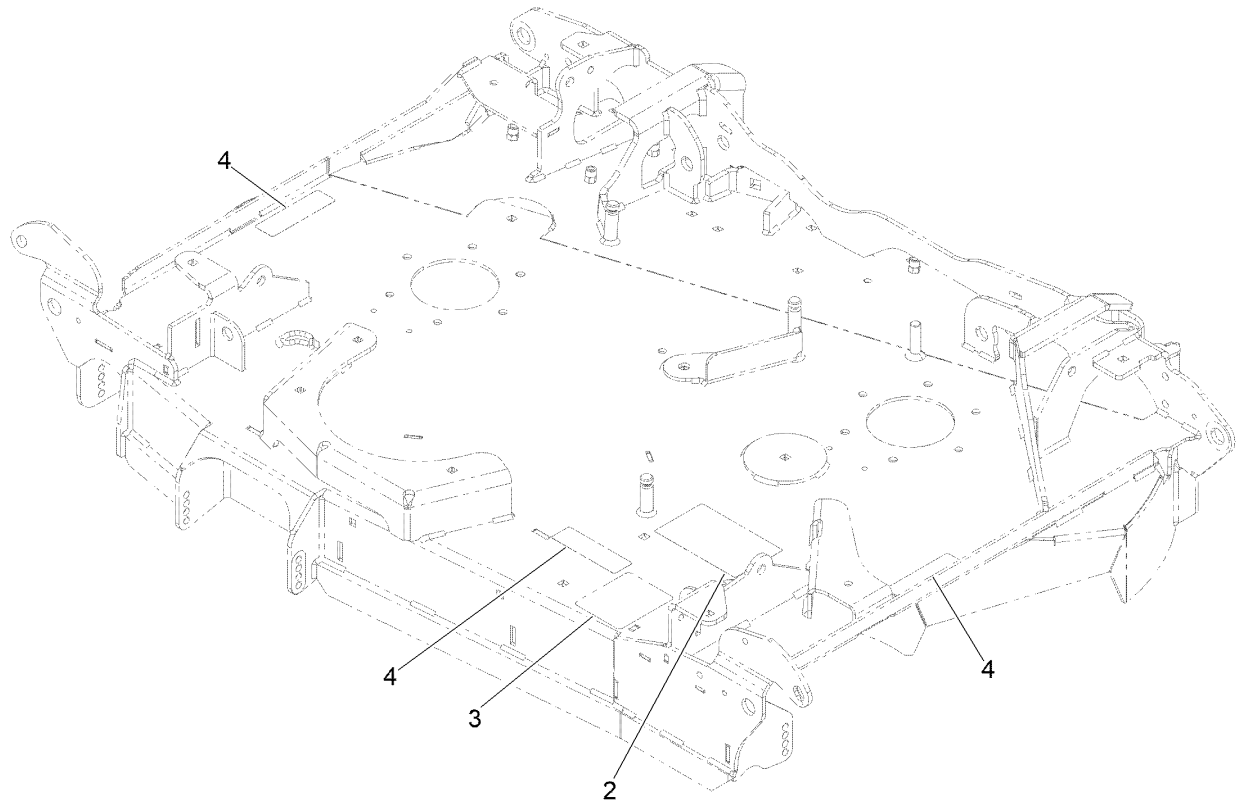




## Center Deck Assembly (continued)

<i>Ref.</i>	<i>Part Number</i>	<i>Qty.</i>	<i>Description</i>	<i>Ref.</i>	<i>Part Number</i>	<i>Qty.</i>	<i>Description</i>
1	1-633456	4	Bushing, Idler	10	126-2960	2	Idler-V
2	98-5975	5	Washer-Belleville	11	126-7685	1	Idler-Pulley
3	103-2916	3	Guard-Top	12	126-7924	1	V-Belt
4	109-6658	7	Nut-Flange, NI	13	126-8043	5	Shield-Dust
5	146-3918	1	ASM-Deck, Ctr [w/Decals]	14	126-9187	2	Pulley-Idler, Flat
6	116-1502	3	Bolt-Shoulder, Carriage	15	126-9435	1	Idler ASM
7	116-6317	3	Spring-Extension	16	126-9438	1	Idler ASM
8	126-2585	1	Idler Arm ASM	17	3234-42	1	Screw-HHF
9	126-2956	4	Screw-HHF				

# Center Deck Decal Assembly No. 146-3918

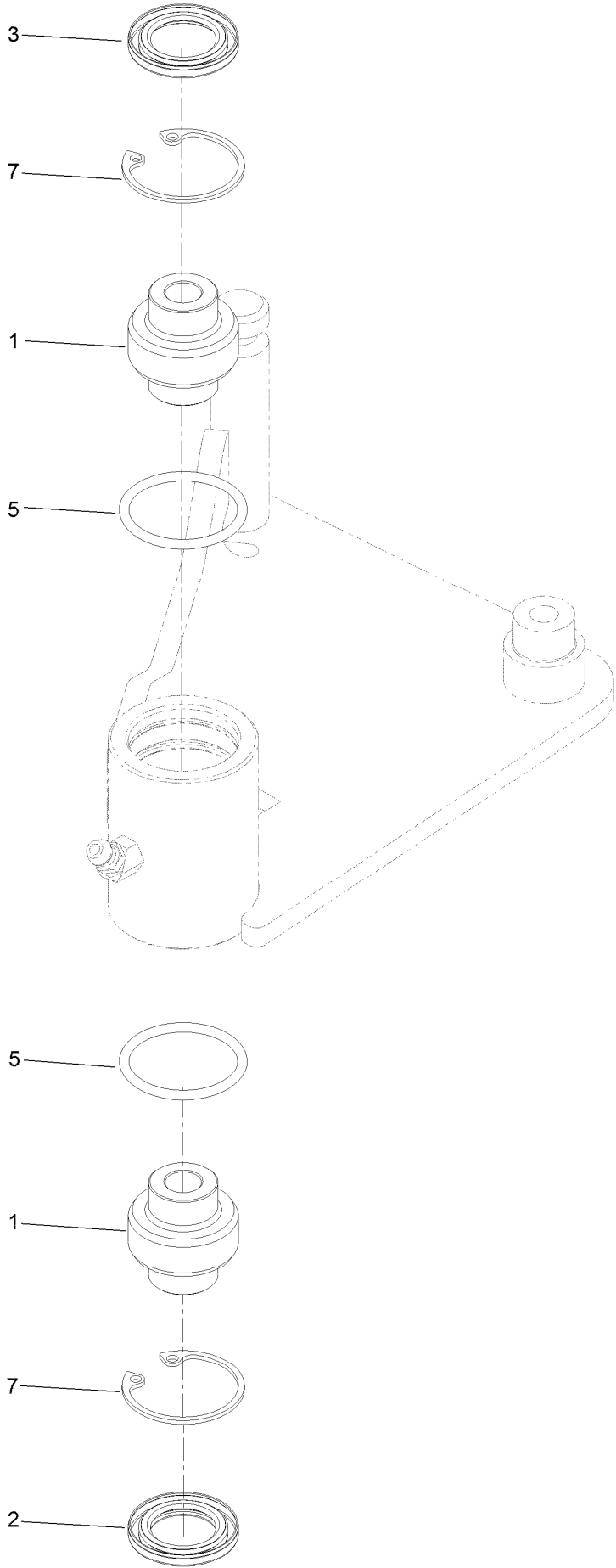


## Center Deck Decal Assembly No. 146-3918 (continued)

<i>Ref.</i>	<i>Part Number</i>	<i>Qty.</i>	<i>Description</i>
2	142-3903	1	Decal-Deck Belt Routing
3	109-6036	1	Decal-Roller, Anti-Scalp

<i>Ref.</i>	<i>Part Number</i>	<i>Qty.</i>	<i>Description</i>
4	112-9028	3	Decal-Cover, Missing
5	135-7200	6	Nut-Clinch,Hex

# Idler Arm Assembly No. 126-2585

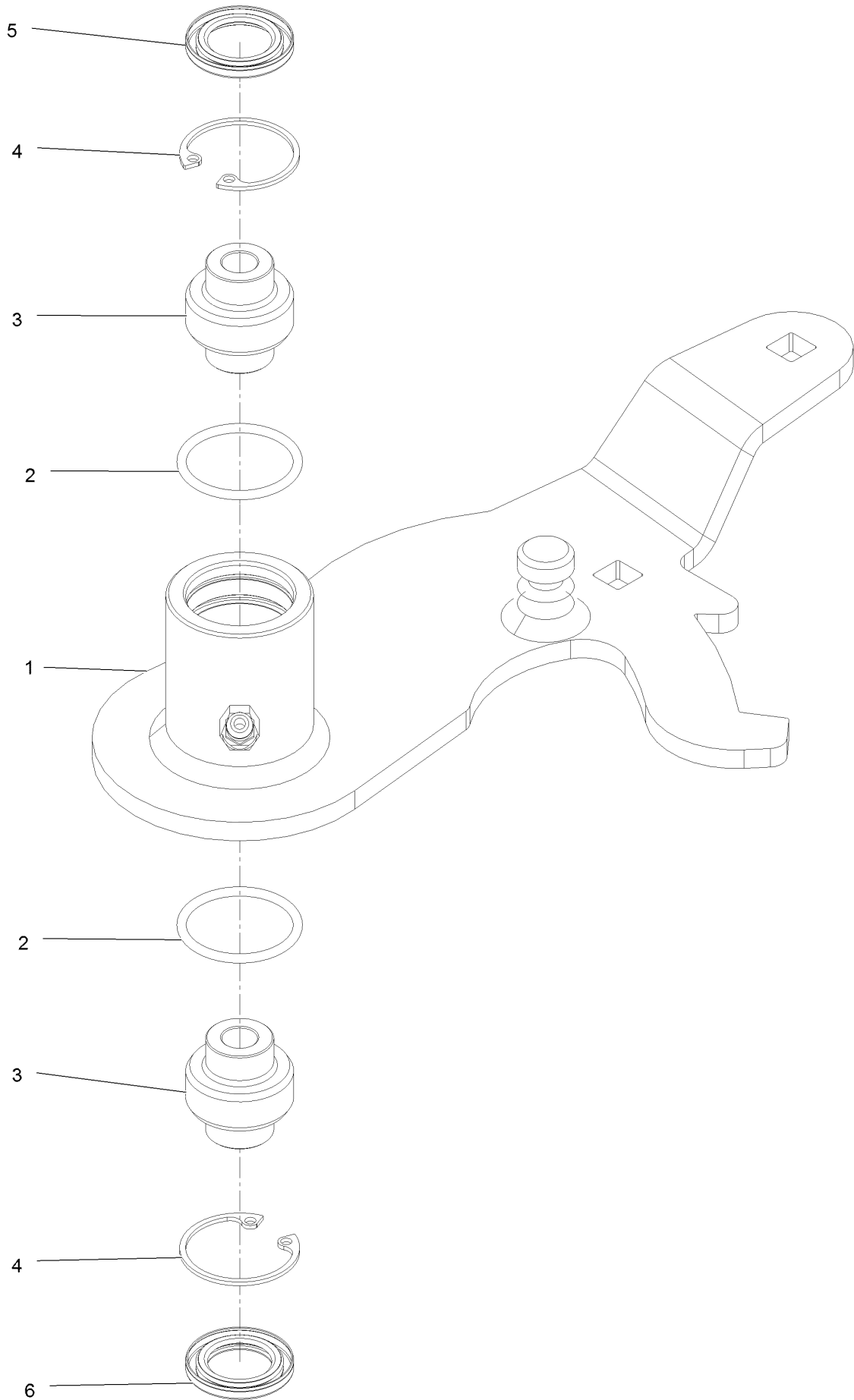


## Idler Arm Assembly No. 126-2585 (continued)

<i>Ref.</i>	<i>Part Number</i>	<i>Qty.</i>	<i>Description</i>
1	103-3504	2	Bearing-Spherical
2	103-3505	1	Seal-Lip, Double
3	103-3506	1	Seal-Lip, Single

<i>Ref.</i>	<i>Part Number</i>	<i>Qty.</i>	<i>Description</i>
5	106-7159	2	O-Ring
7	32120-10	2	Ring-Snap

# Idler Assembly No. 126-9435



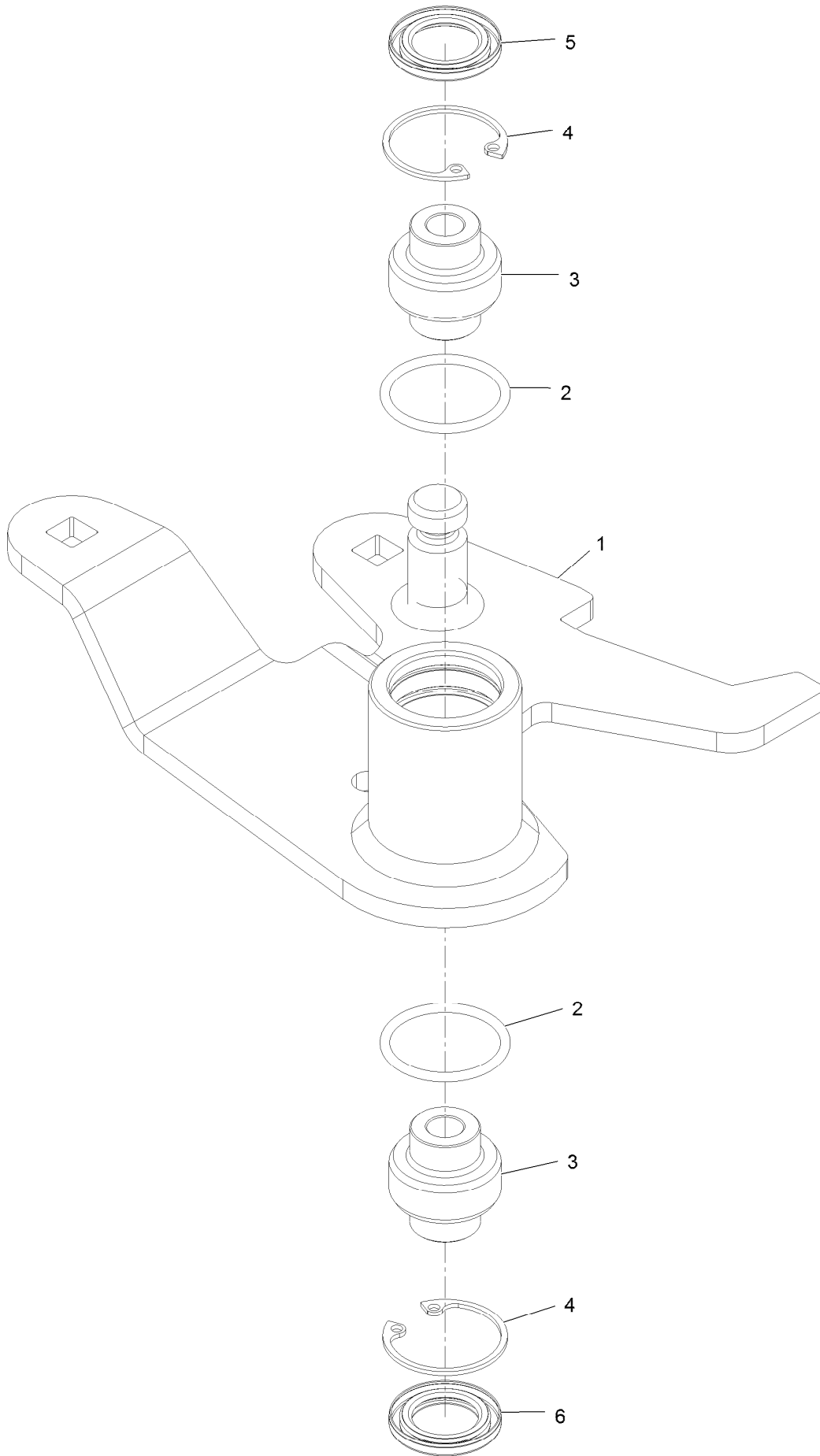
## Idler Assembly No. 126-9435 (continued)

<i>Ref.</i>	<i>Part Number</i>	<i>Qty.</i>	<i>Description</i>
1		1	ASM-Idler Arm 96Rd LH [red] ●
2	106-7159	2	O-Ring
3	103-3504	2	Bearing-Spherical

<i>Ref.</i>	<i>Part Number</i>	<i>Qty.</i>	<i>Description</i>
4	32120-10	2	Ring-Snap
5	103-3506	1	Seal-Lip, Single
6	103-3505	1	Seal-Lip, Double

● Not serviced separately

# Idler Assembly No. 126-9438



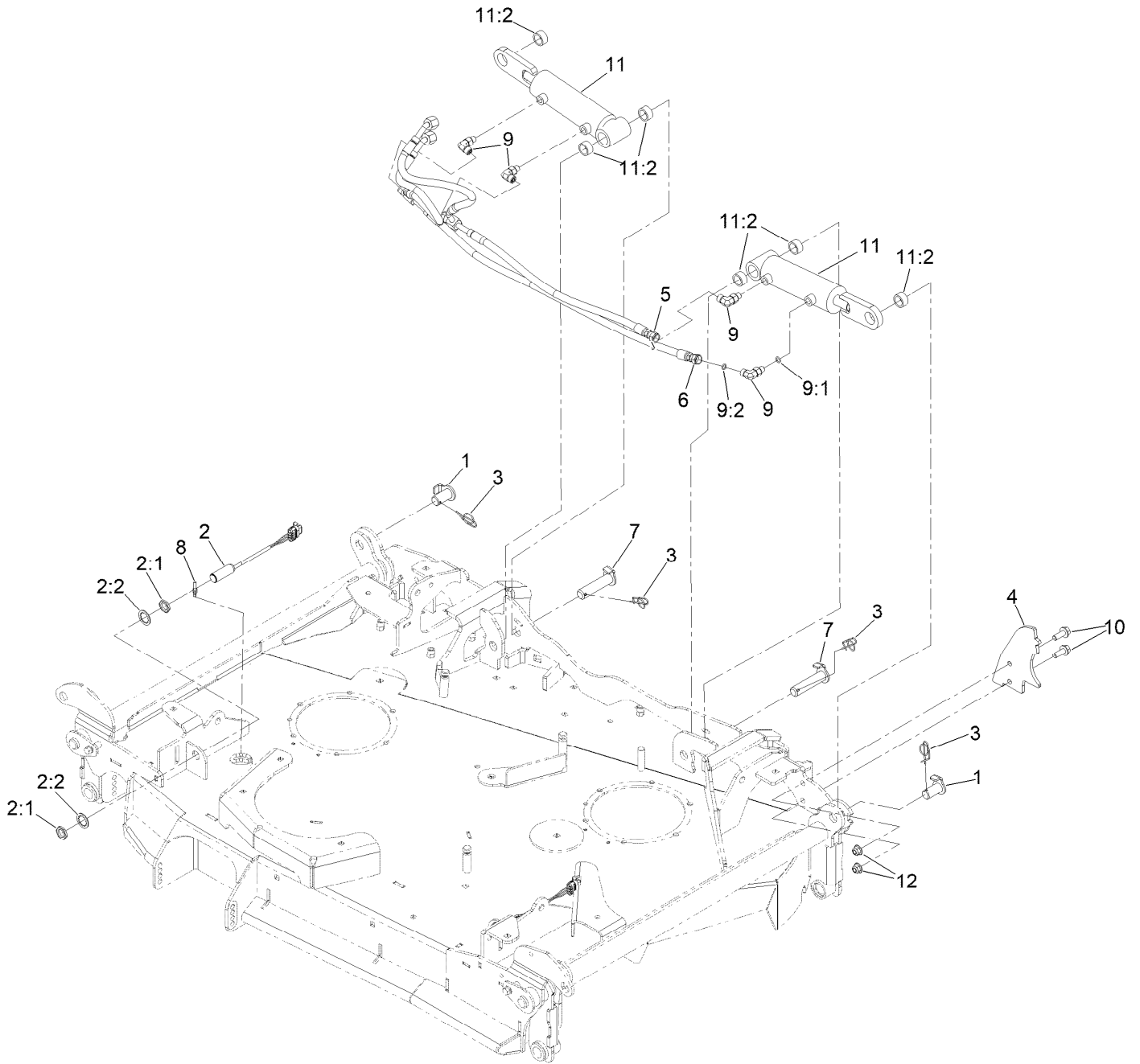


## Idler Assembly No. 126-9438 (continued)

<i>Ref.</i>	<i>Part Number</i>	<i>Qty.</i>	<i>Description</i>	<i>Ref.</i>	<i>Part Number</i>	<i>Qty.</i>	<i>Description</i>
1		1	ASM-Idler Arm, 96Rd [red] ●	4	32120-10	2	Ring-Retaining
2	106-7159	2	O-Ring	5	103-3506	1	Seal-Single Lip
3	103-3504	2	Bearing-Spherical	6	103-3505	1	Seal-Lip, Double

● Not serviced separately

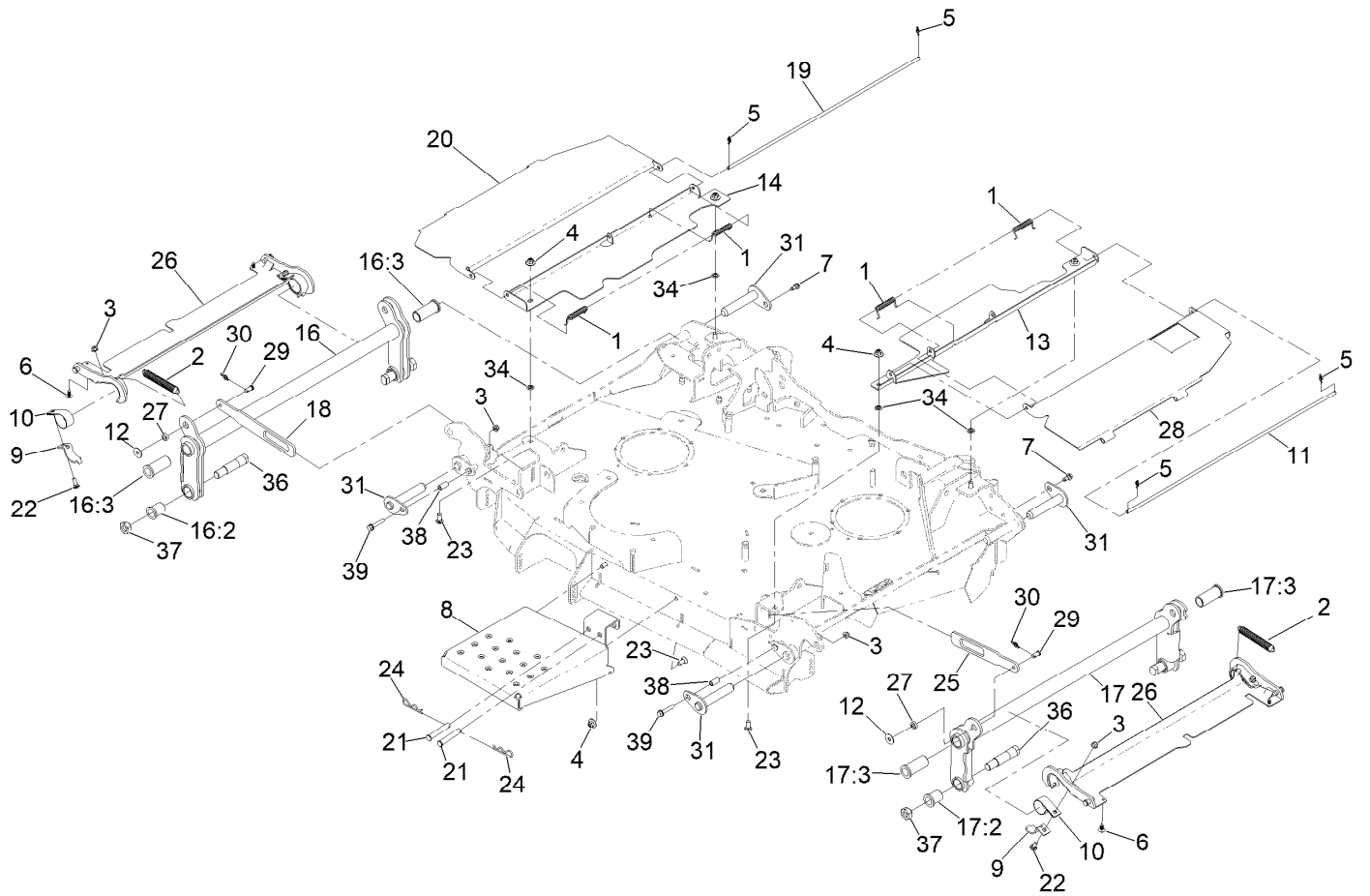
# Center Folding Deck Hydraulic Assembly



## Center Folding Deck Hydraulic Assembly (continued)

<i>Ref.</i>	<i>Part Number</i>	<i>Qty.</i>	<i>Description</i>	<i>Ref.</i>	<i>Part Number</i>	<i>Qty.</i>	<i>Description</i>
1	142-3999	2	Pin-Cylinder	8	3290-378	2	Tie-Cable
2	115-5300	2	Proximity Switch ASM	9	340-132	4	Fitting-Elbow, 90 DEG
2:1	117-3207	2	Nut-Hex	9:1	237-78	1	O-Ring
2:2	117-3208	2	Washer-Lock, Internal Tooth	9:2	237-21	1	O-Ring
3	142-4002	4	Pin-Locking Cotter	10	131-2220	2	Screw-HHF
4	142-3841-01	1	Bracket-Deck Stop LH	11	142-6609	2	CYL-Deck Fold
5	135-1760	1	Hose ASM	11:2	142-5808	3	Bushing-0.75X1.00X0.50 Long
6	135-1761	1	Hose ASM	12	104-8301	2	Nut-HF, NI
7	142-5437	2	ASM-CYL Pin Base				

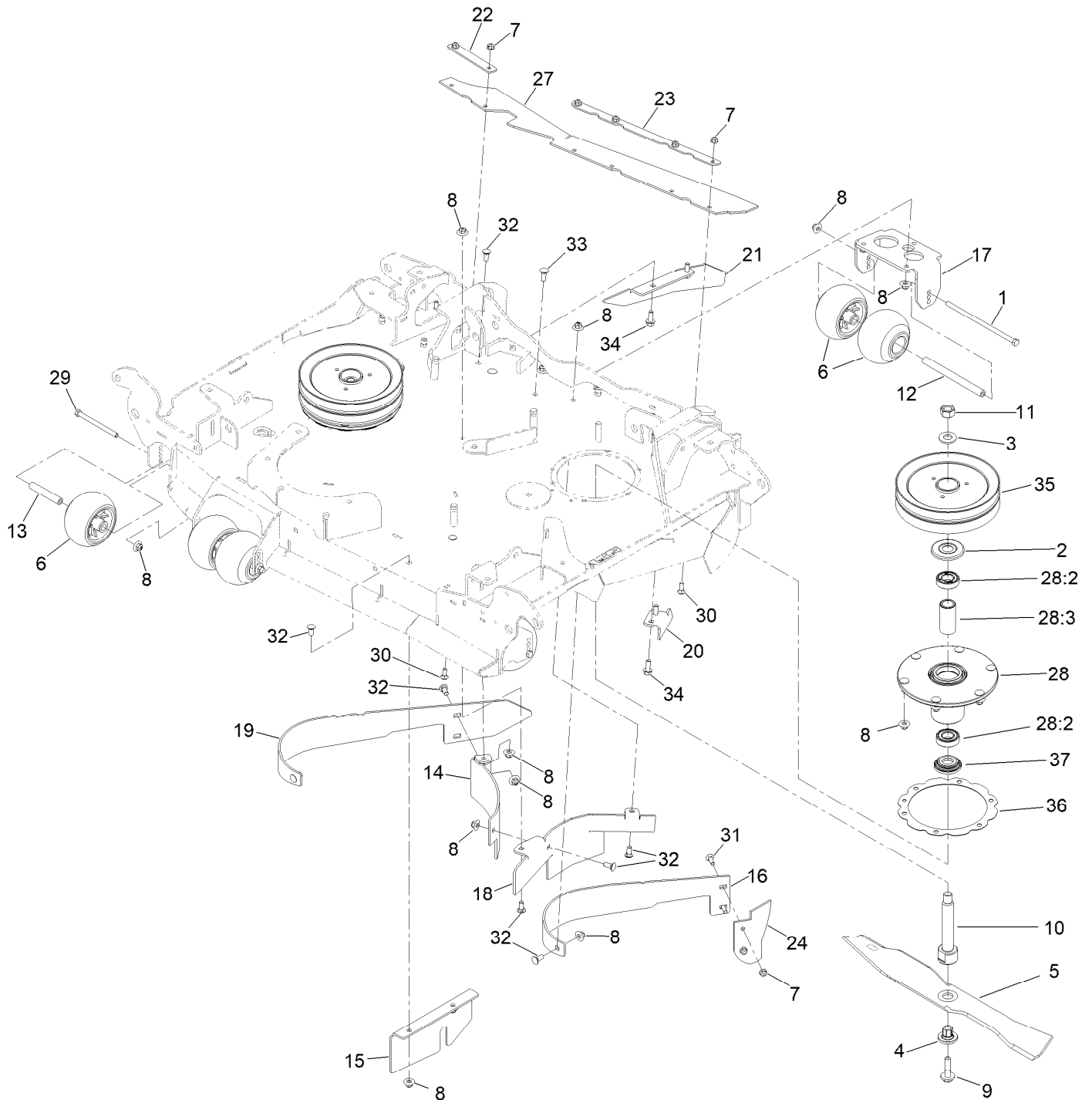
# Center Deck Cover and Torsion Assembly



## Center Deck Cover and Torsion Assembly (continued)

<i>Ref.</i>	<i>Part Number</i>	<i>Qty.</i>	<i>Description</i>	<i>Ref.</i>	<i>Part Number</i>	<i>Qty.</i>	<i>Description</i>
1	99-5293	4	Spring-Torsion	18	142-9434	1	Strap-RH Flag
2	103-4813	2	Spring	19	142-2704	1	Rod-Center Cover
3	104-8300	6	Nut-HF, NI	20	142-2706-03	1	Plate-Hinged Cover
4	109-6658	6	Nut-Flange, NI	21	283-55	2	Pin-Clevis
5	116-6639	4	Pin-Cotter, Locking	22	3230-16	4	Screw-CARR
6	117-2382	4	Plug-Plastic	23	3231-12	6	Bolt-CARR
7	126-4424	2	Screw-Shoulder	24	3290-355	2	Pin-Hair
8	146-0669-03	1	Plate-Deck Step	25	142-6467	1	Strap-LH Flag
9	126-9764	4	Plate-Retainer, Bearing	26	142-6649-01	2	ASM-Wing Cover, [red]
10	135-0584	4	Strap-Bearing, Nylon	27	142-6724	2	Bushing
11	135-1023	1	Cover-Rod, Pivot	28	142-8106-03	1	Cover-Hinged, LH [black]
12	52-2860	2	Washer	29	283-85	2	Pin-Clevis
13	142-8103-01	1	Shield-LH Center [red]	30	120-9716	2	Pin-Cotter
14	135-6566-01	1	Shield-Center, RH	31	146-2595	4	ASM-Deck Pin
16	142-6419	1	ASM-RH Fold Arm	34	107-3154	4	Nut-Push
16:2	142-4794	2	Bushing-Flanged	36	146-2893	4	Bolt-Pivot Pin
16:3	142-8114	2	Bushing-Flange	37	146-3191	4	Nut-Lug
17	142-6428	1	ASM-LH Fold Arm	38	146-3744	2	Tube-Standoff
17:2	142-4794	2	Bushing-Flanged	39	94-5780	2	Screw-HWH
17:3	142-8114	2	Bushing-Flange				

# Center Deck Spindle, Baffle and Roller Assembly



## Center Deck Spindle, Baffle and Roller Assembly (continued)

<i>Ref.</i>	<i>Part Number</i>	<i>Qty.</i>	<i>Description</i>	<i>Ref.</i>	<i>Part Number</i>	<i>Qty.</i>	<i>Description</i>
1	99-7203	4	Screw-HH	20	135-2452-01	1	Baffle-Breaker
2	103-1330	2	Guard-Bearing, Top	21	135-2453-01	1	Plate-Fin, Discharge
3	103-2802	2	Washer	22	135-2455-03	1	Support-Flap, LH
4	137-9787	2	Bushing-Hex	23	135-2457-03	1	Support-Flap, LH
5	140-1246	2	Blade-24.50 Mulch	24	135-2458	1	Guard-Discharge
6	103-8415	9	Roller-Anti-Scalp	27	135-2618	1	Flap-Discharge
7	104-8300	8	Nut-HF, NI	28	137-9780	2	Spindle ASM
8	109-6658	30	Nut-Flange, NI	28:2	116-0720	2	Bearing-Ball
9	109-9220	2	Screw-Sems	28:3	138-6042	1	Spacer-Bearing
10	138-6045	2	Shaft-Spindle	29	323-38	1	Screw-HH
11	116-7306	2	Nut-Hex	30	3230-16	6	Screw-CARR
12	126-6115	4	Spacer-Wheel	31	3230-22	2	Screw-CARR
13	126-7140	1	Spacer-Wheel, Short	32	3231-12	10	Bolt-CARR
14	135-0601-01	1	Baffle-Center, Rear (RH)	33	3231-2	2	Bolt-CARR
15	135-0603-01	1	Plate-Block, Front	34	3234-11	7	Screw-HHF
16	135-0792-01	1	Baffle-Dogleg, Center (LH)	35	140-1186	2	Sheave-Double Blade Drive
17	135-1036-01	1	Bracket-Antiscalp, Rear	36	140-0986	2	Ring-Spacer, Housing
18	135-1827-01	1	Baffle-Center	37	137-9784	2	Guard-Bottom
19	135-2451-01	1	Baffle-Dogleg, Center (RH)				



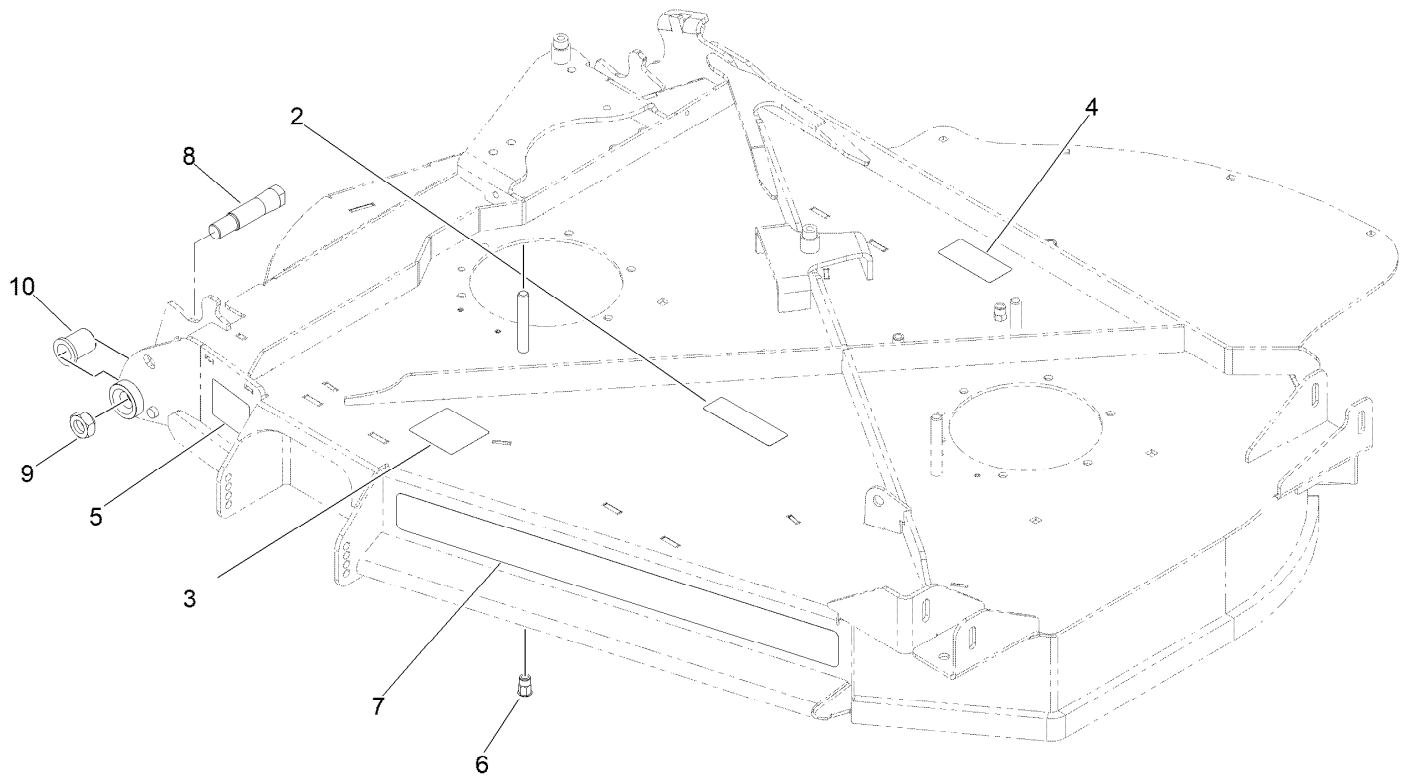


## LH Wing Deck Assembly (continued)

<i>Ref.</i>	<i>Part Number</i>	<i>Qty.</i>	<i>Description</i>	<i>Ref.</i>	<i>Part Number</i>	<i>Qty.</i>	<i>Description</i>
1	146-3909	1	ASM-Deck, LH Wing [w/Decals]	30:1	106-3239	1	Screw-Lock
2		1	Caster Wheel ASM ●	30:2	107-1644	1	Cap-Lock
3		1	Rear Caster Wheel ASM ●	30:3	106-3241	1	Lever-Lock
4	137-9780	2	Spindle ASM	30:4	3296-29	1	Nut-Lock, NI
4:2	116-0720	2	Bearing-Ball	31	99-5107	1	Nut-Lock
4:3	138-6042	1	Spacer-Bearing	32	98-5975	3	Washer-Belleville
5	103-1330	2	Guard-Bearing, Top	33	3231-11	1	Screw-CARR
6	126-2960	1	Idler-V	34	135-2424	1	Spacer
7	1-633456	1	Bushing, Idler	35	30-8770	1	Washer
8	126-7685	2	Idler-Pulley	36	135-2073	2	Pin-HOC
9	126-8043	3	Shield-Dust	37	92-1298	6	Pin-Lynch
10	3234-42	2	Screw-HHF	38	110-9380	1	Screw-HWH
11	137-9784	2	Guard-Bottom	39	135-2611-01	1	Bracket-Retainer, Cover
12	103-2802	2	Washer	40	114-1925	2	Bumper-Rubber
13	116-7306	2	Nut-Hex	41	146-3831	1	ASM-LH Gauge Wheel Arm
14	109-6658	26	Nut-Flange, NI	41:2	142-3501	2	Plate-Guide, Rear
15	137-9787	2	Bushing-Hex	41:3	142-3592	2	Plate-Guide, Front
16	109-9220	2	Screw-Sems	42	142-6623	1	ASM-Belt Shield
17	138-6045	2	Shaft-Spindle	43	135-5775	1	Belt
18	140-0986	2	Ring-Spacer, Housing	45	135-7307	1	Bushing-Lift Spring
19	140-1185	2	Sheave-Drive, Blade	46	323-11	1	Screw-HH
20	140-1246	2	Blade-24.50 Mulch	50	99-7203	1	Screw-HH
21	126-2956	1	Screw-HHF	51	126-6115	1	Spacer-Wheel
22	3230-10	5	Bolt-CARR	52	103-8415	2	Roller-Anti-Scalp
23	142-4241	1	ASM-Channel, HOC LH	53	135-2653-03	1	Bracket-Shield Mount, Outer
23:2	126-8597	2	Decal-HOC, LH	54	3231-12	4	Bolt-CARR
24	142-6483	1	ASM-Weight-Transfer-Spring	55	126-1503	4	Spring
25	104-8300	12	Nut-HF, NI	56	135-7455	4	Pin, Spring
26	3256-23	1	Washer-Plain	57	1-811010	2	Plug
27	322-3	1	Screw-HH	58	142-6627-03	1	Bracket-Shield Mount, Outer Long
28	3231-2	4	Bolt-CARR	60	142-8358	1	Guard-LH Rear Wing
29	3231-6	2	Screw-CARR	61	142-8359-03	1	Support-LH Rear Guard
30	107-1664	1	Lever ASM				

● Not serviced separately

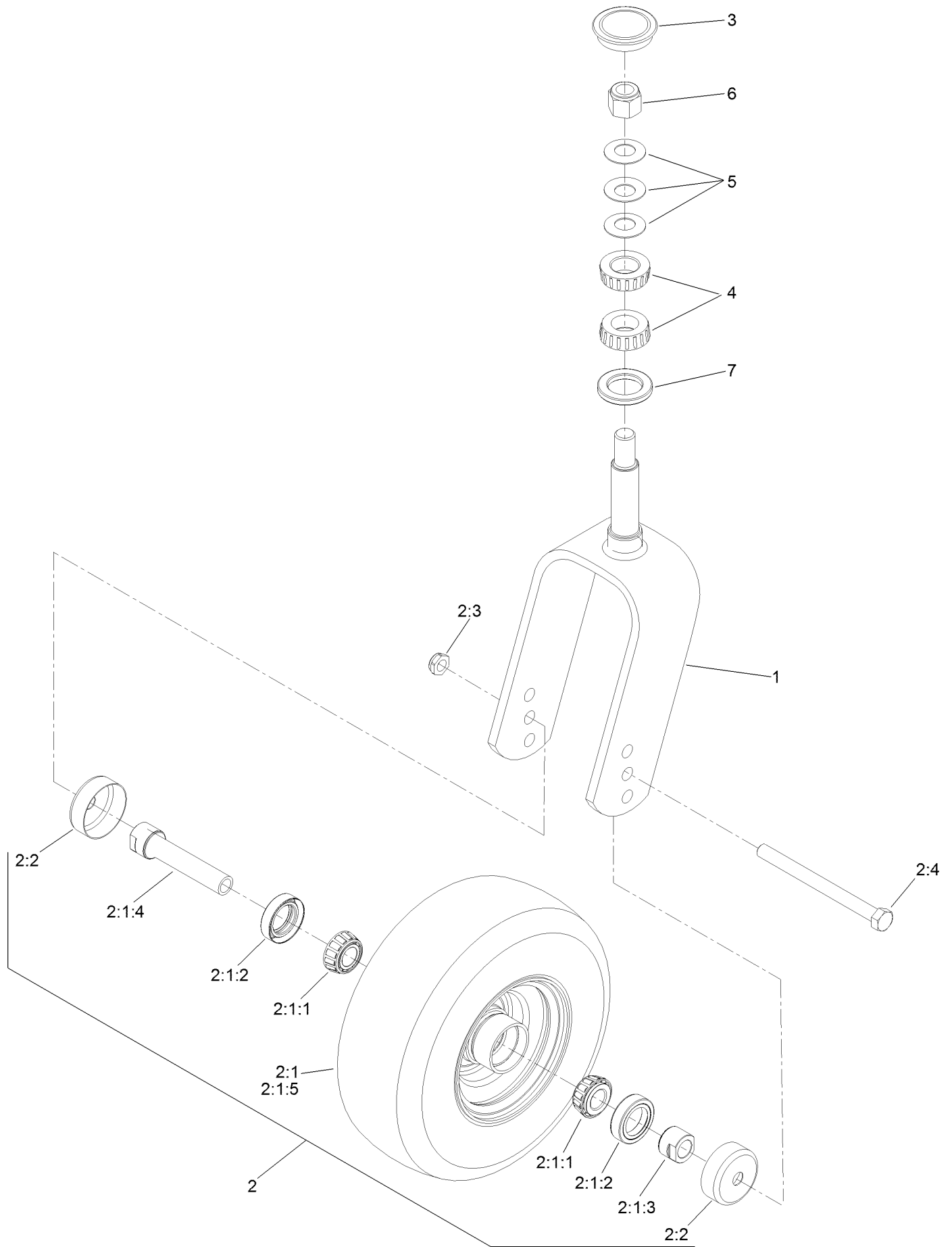
# LH Wing Deck Decal Assembly No. 146-3909



# LH Wing Deck Decal Assembly No. 146-3909 (continued)

<i>Ref.</i>	<i>Part Number</i>	<i>Qty.</i>	<i>Description</i>	<i>Ref.</i>	<i>Part Number</i>	<i>Qty.</i>	<i>Description</i>
2	112-9028	1	Decal-Cover, Missing	6	135-7200	6	Nut-Clinch,Hex
3	135-0664	1	Decal-Danger, Thrown Object	8	146-2893	2	Bolt-Pivot Pin
4	116-8283	1	Decal-Torque, Bolt	7	145-3596	1	Decal-144 Inch
5	135-0670	1	Decal-Warning, Pinch Point	9	146-3191	2	Nut-Lug
				10	142-4794	2	Bushing-Flanged

# Caster Fork and Wheel Assembly



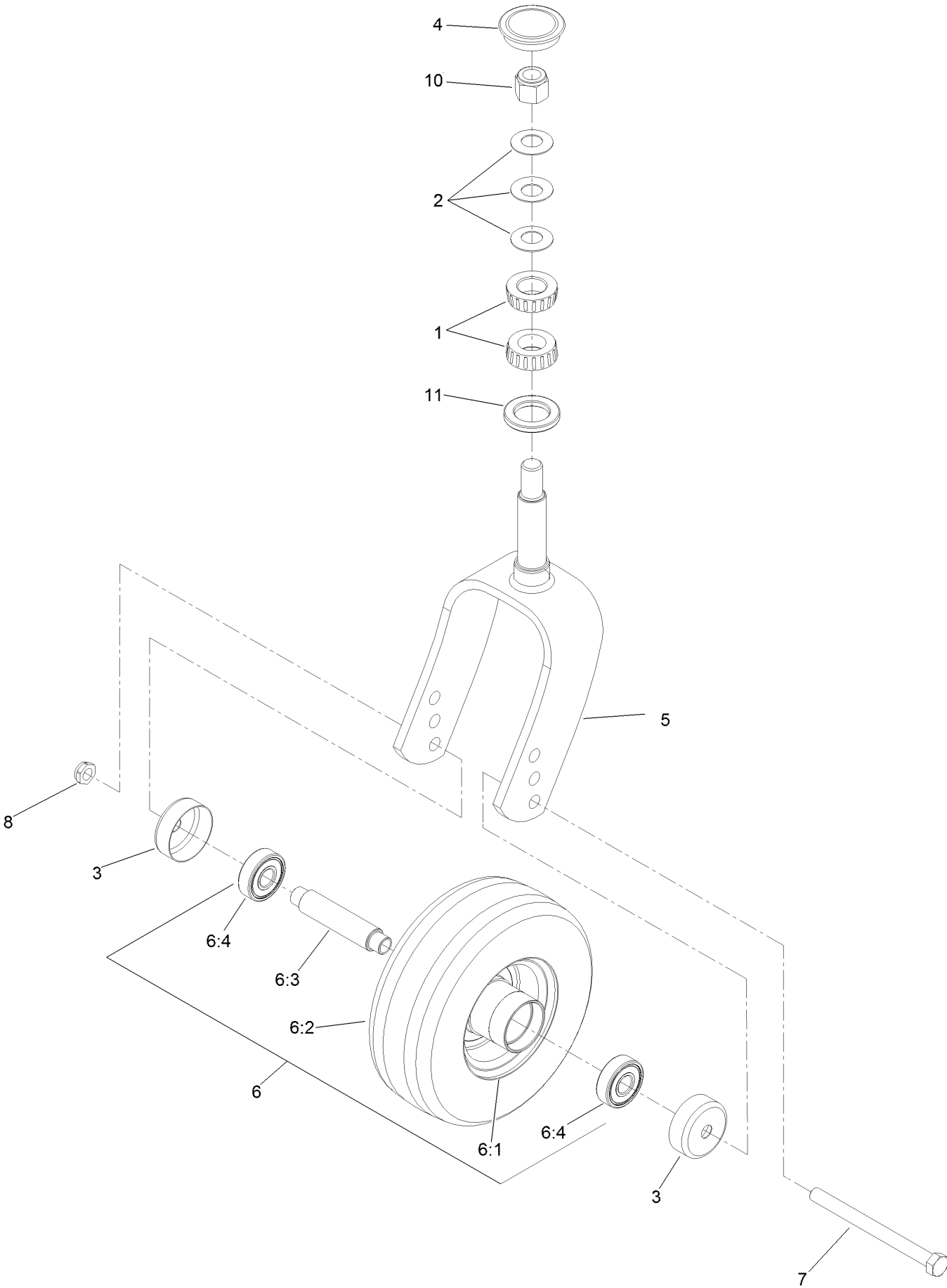
## Caster Fork and Wheel Assembly (continued)

<i>Ref.</i>	<i>Part Number</i>	<i>Qty.</i>	<i>Description</i>	<i>Ref.</i>	<i>Part Number</i>	<i>Qty.</i>	<i>Description</i>
1	135-3794-01	1	Fork-Caster	2:2	103-2768	2	Guard-Seal
2	130-4558	1	Wheel/Tire And Bearing ASM	2:3	3296-45	1	Nut-Hex
2:1		1	Wheel And Bearing ASM ●	2:4	325-20	1	Screw-HH
2:1:1	1-633585	2	Bearing-Cone, Taper	3	103-4882	1	Cap-Grease
2:1:2	103-0063	2	Seal-Caster	4	1-543509	2	Bearing-Roller, Tapered
2:1:3	103-3051	1	Spacer-Nut ■	5	1-633508	3	Washer-Bellville
2:1:4	126-5359	1	Caster Axle ASM	6	3296-51	1	Nut-Lock, NI
2:1:5	130-4563	1	Wheel And Tire ASM	7	1-543511	1	Seal-Grease

● Not serviced separately

■ Use Pro-Lock, Nut Type (P/N 1-840022, .5ml tube) on spacer nut

# Rear Caster Wheel Assembly

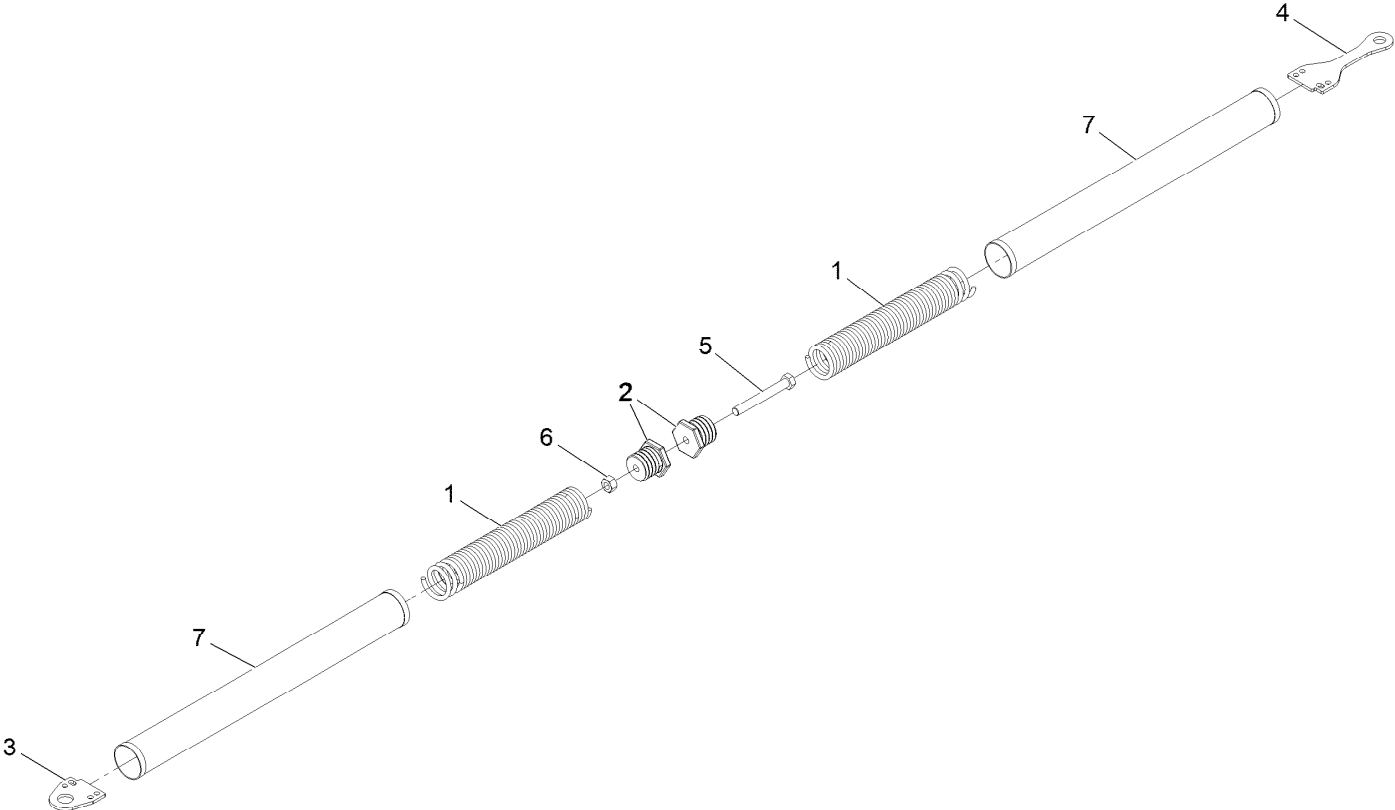


## Rear Caster Wheel Assembly (continued)

<i>Ref.</i>	<i>Part Number</i>	<i>Qty.</i>	<i>Description</i>	<i>Ref.</i>	<i>Part Number</i>	<i>Qty.</i>	<i>Description</i>
1	1-543509	2	Bearing-Roller, Tapered	6:2	112-7065	1	Tire
2	1-633508	3	Washer-Bellville	6:3	126-7904	1	Axle-Caster
3	135-3218	2	Guard, Seal	6:4	116-4004	2	Bearing
4	103-4882	1	Cap-Grease	7	325-20	1	Screw-HH
5	135-3793-01	1	Fork-Caster	8	3296-45	1	Nut-Hex
6		1	Wheel And Tire ASM ●	10	3296-51	1	Nut-Lock, NI
6:1	135-2646	1	Wheel	11	1-543511	1	Seal-Grease

● Not serviced separately

# Weight Transfer Spring Assembly No. 142-6483

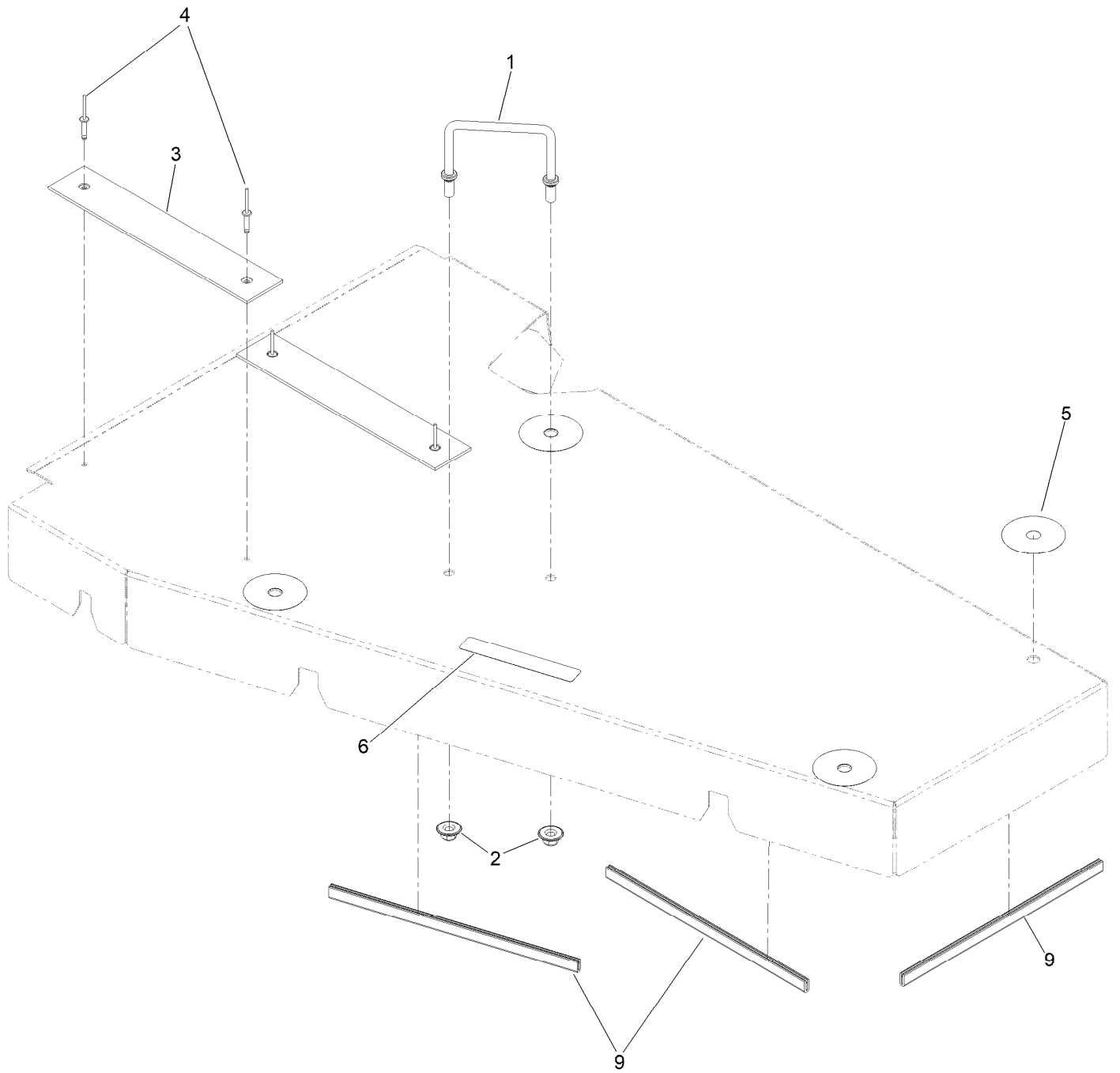




# Weight Transfer Spring Assembly No. 142-6483 (continued)

<i>Ref.</i>	<i>Part Number</i>	<i>Qty.</i>	<i>Description</i>	<i>Ref.</i>	<i>Part Number</i>	<i>Qty.</i>	<i>Description</i>
1	103-4281	2	Spring-Extension	5	116-3114	1	Bolt-TAP
2	103-3772	2	Plug-Adjuster, Spring	6	3217-9	1	Nut-Hex 1/2-13
3	126-7579	1	Plate-Spring Eye	7	103-7971	2	Cover-Spring, Deck
4	142-6482	1	Spring-Tab				

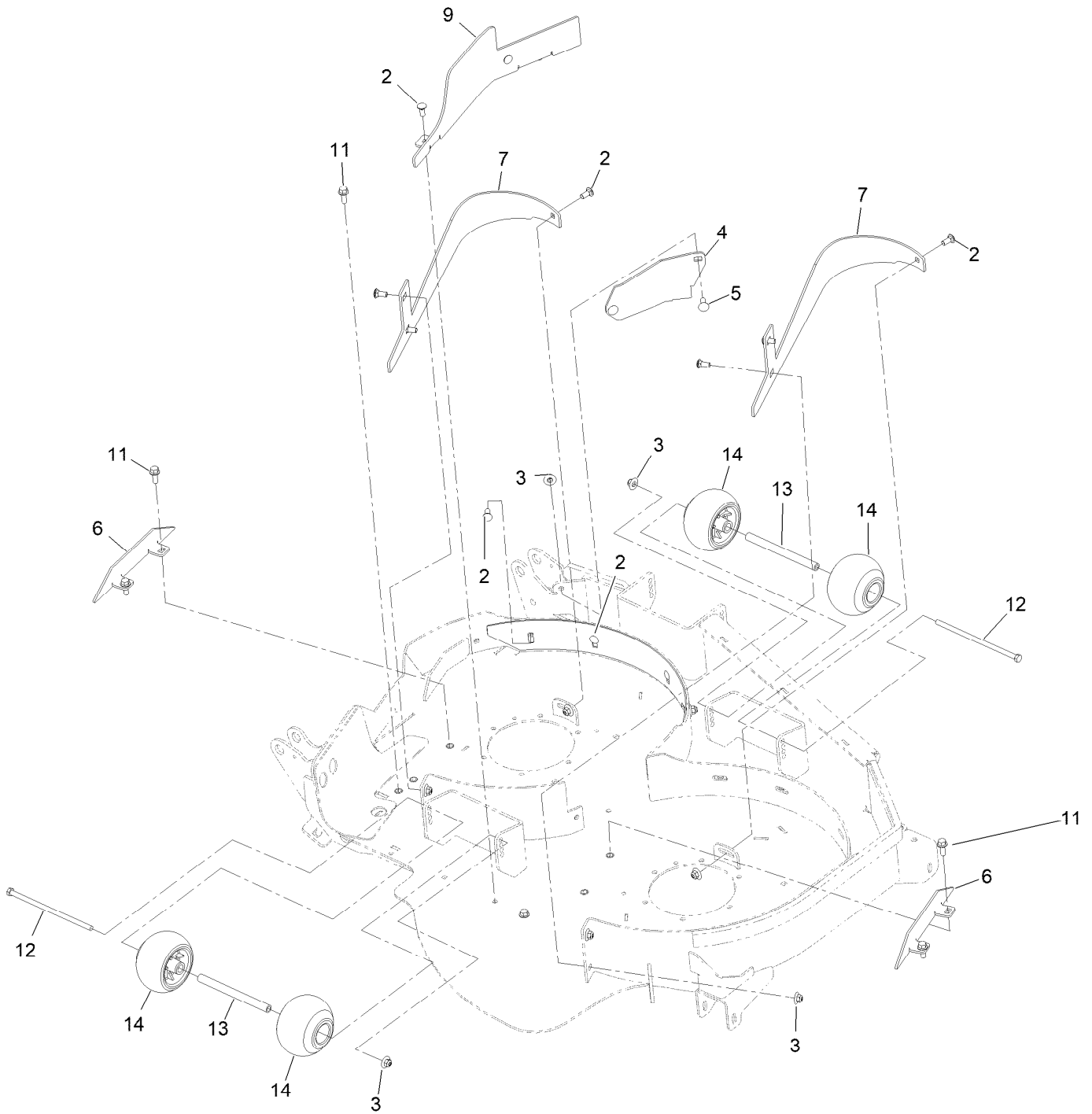
# LH Belt Shield Assembly No. 142-6623



# LH Belt Shield Assembly No. 142-6623 (continued)

<i>Ref.</i>	<i>Part Number</i>	<i>Qty.</i>	<i>Description</i>	<i>Ref.</i>	<i>Part Number</i>	<i>Qty.</i>	<i>Description</i>
1	109-6982	1	Wireform-Cover	5	135-3165	4	Decal-Cover, Scratch
2	109-6658	2	Nut-Nyloc 3/8-16 Flg	6	93-6687	1	Decal-No Step
3	135-6706	2	Plate	9	142-6629	3	Guard-Edge
4	133-7130	4	Rivet-Pop				

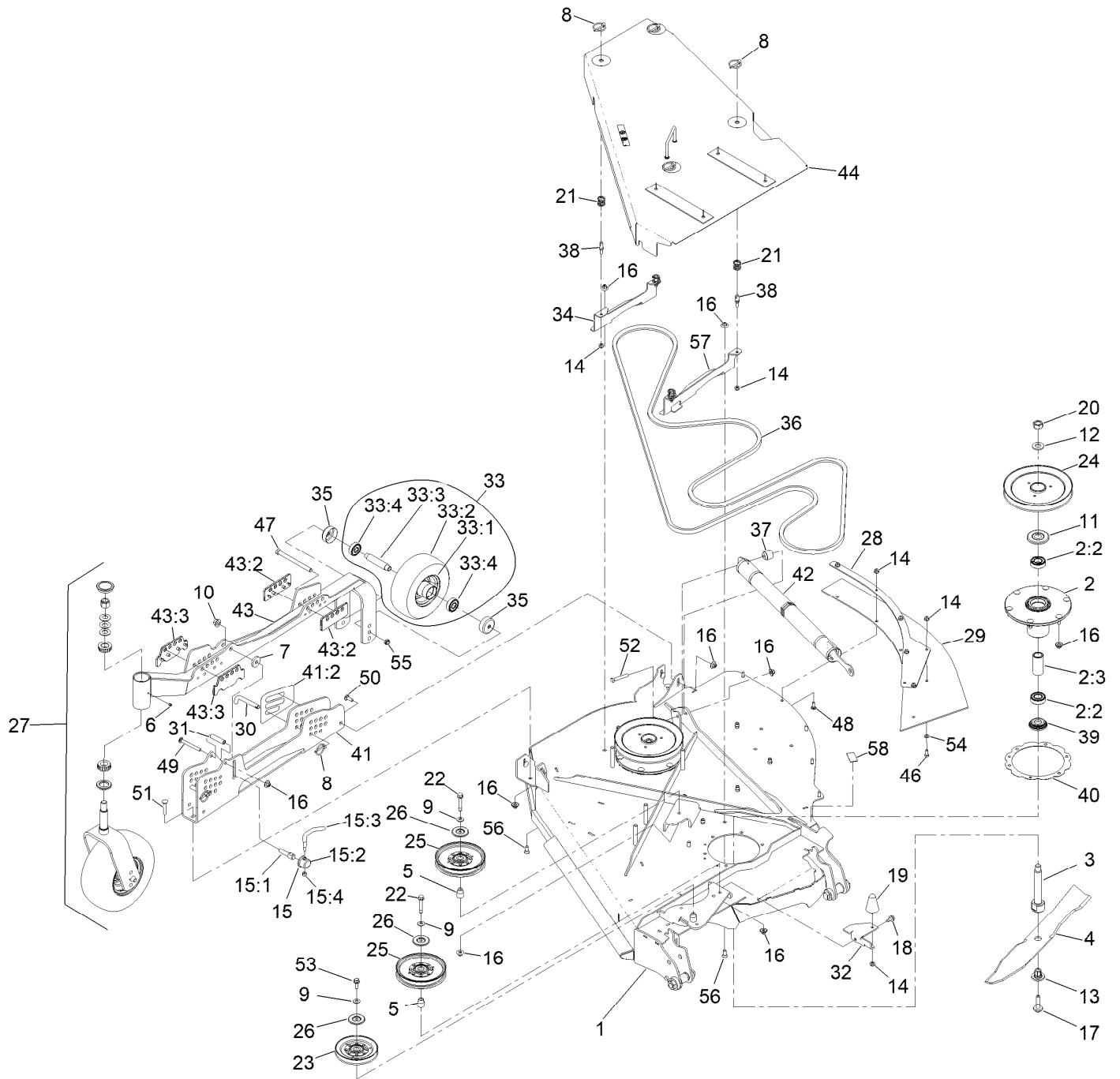
# LH Wing Deck Baffle and Roller Assembly



## LH Wing Deck Baffle and Roller Assembly (continued)

<i>Ref.</i>	<i>Part Number</i>	<i>Qty.</i>	<i>Description</i>	<i>Ref.</i>	<i>Part Number</i>	<i>Qty.</i>	<i>Description</i>
2	3231-12	9	Bolt-CARR	9	135-7653-01	1	Baffle-Center, LH
3	109-6658	13	Nut-Flange, NI	11	3234-11	6	Screw-HHF
4	126-9757-01	1	Plate-Fill	12	99-7203	2	Screw-HH
5	3231-2	2	Bolt-CARR	13	126-6115	2	Spacer-Wheel
6	142-2405-01	2	Plate-Baffle Straight RH	14	103-8415	4	Roller-Anti-Scalp
7	135-7274-01	2	Baffle-Dogleg, Outside				

# RH Wing Deck Assembly

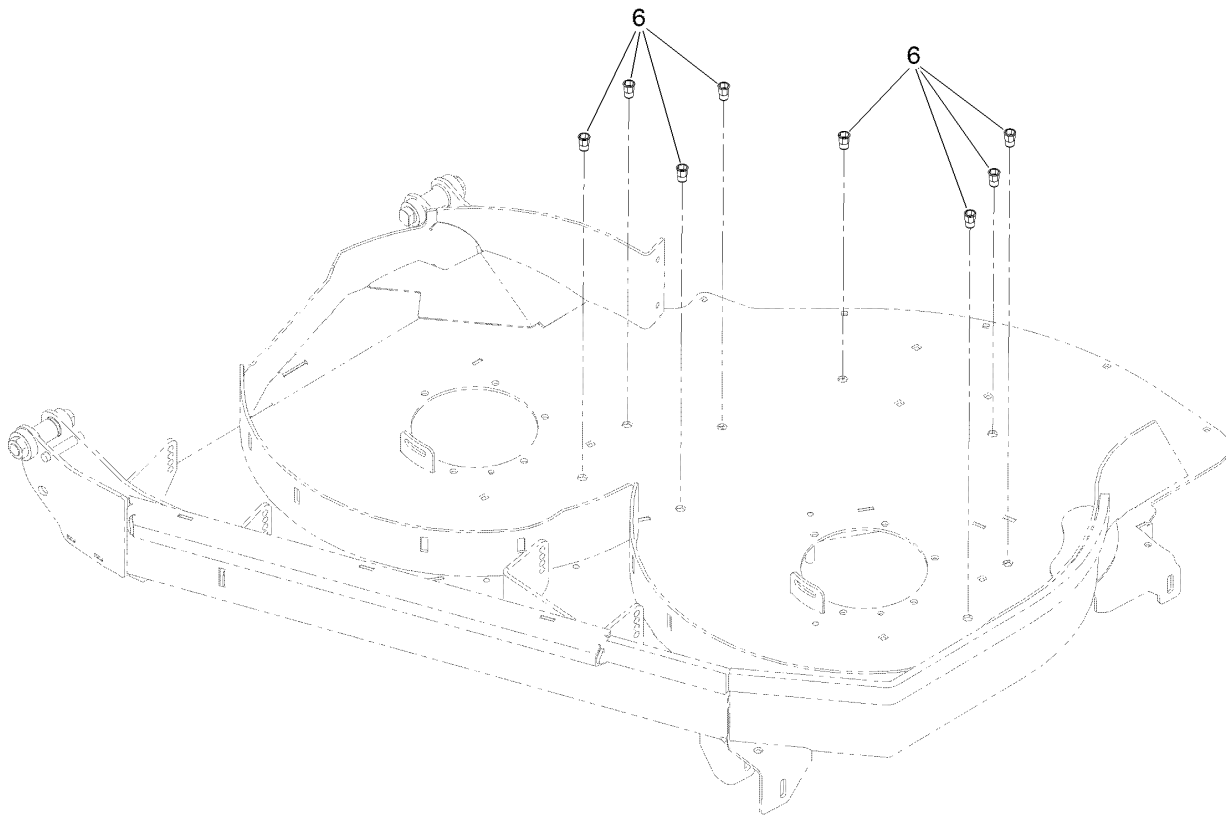
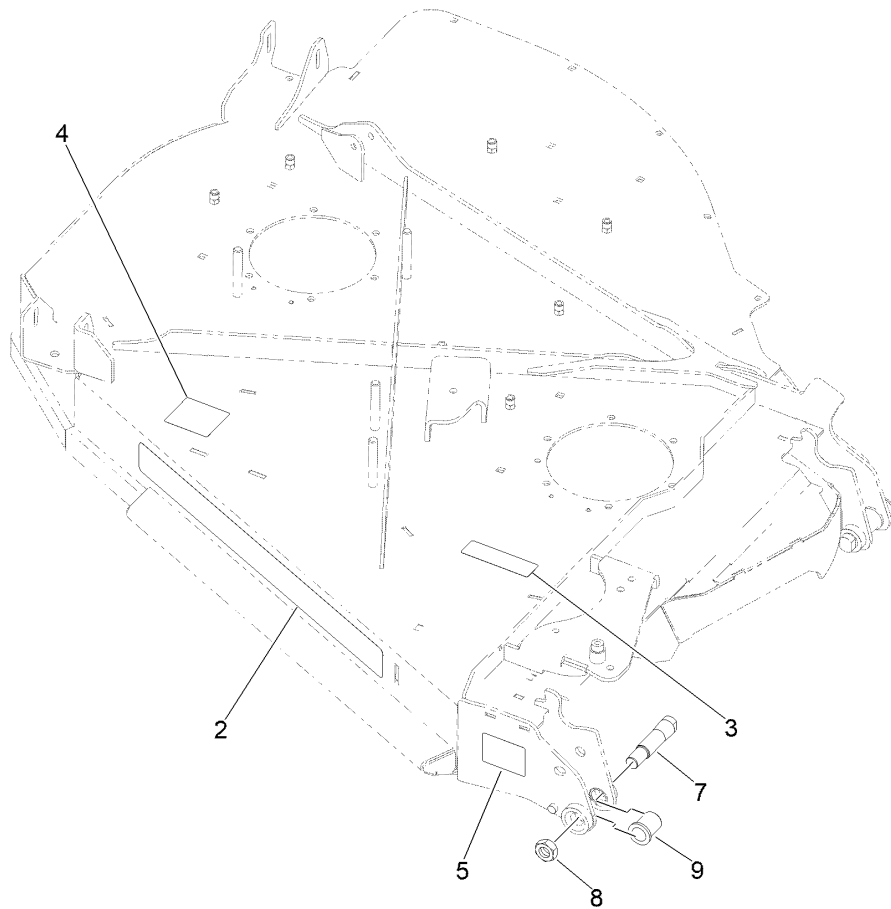


## RH Wing Deck Assembly (continued)

<i>Ref.</i>	<i>Part Number</i>	<i>Qty.</i>	<i>Description</i>	<i>Ref.</i>	<i>Part Number</i>	<i>Qty.</i>	<i>Description</i>
1	146-3910	1	ASM-Deck, RH Wing [w/Decals]	31	135-2424	1	Spacer
2	137-9780	2	Spindle ASM	32	135-2611-01	1	Bracket-Retainer, Cover
2:2	116-0720	2	Bearing-Ball	33	135-2645	1	Wheel And Tire ASM
2:3	138-6042	1	Spacer-Bearing	33:1	135-2646	1	Wheel
3	138-6045	2	Shaft-Spindle	33:2	112-7065	1	Tire
4	140-1246	2	Blade-24.50 Mulch	33:3	126-7904	1	Axle-Caster
5	1-633456	2	Bushing, Idler	33:4	116-4004	2	Bearing
6	1-811010	1	Plug	34	135-2653-03	1	Bracket-Shield Mount, Outer
7	30-8770	1	Washer	35	135-3218	2	Guard, Seal
8	92-1298	6	Pin-Lynch	36	135-5774	1	Belt,V-5V-198.75
9	98-5975	3	Washer-Belleville	37	135-7307	1	Bushing-Lift Spring
10	99-5107	1	Nut-Lock	38	135-7455	4	Pin, Spring
11	103-1330	2	Guard-Bearing, Top	39	137-9784	2	Guard-Bottom
12	103-2802	2	Washer	40	140-0986	2	Ring-Spacer, Housing
13	137-9787	2	Bushing-Hex	41	142-4470	1	ASM-Channel, HOC RH W/Decals
14	104-8300	11	Nut-HF, NI	41:2	126-8760	2	Decal-HOC, RH
15	107-1664	1	Lever ASM	42	142-6483	1	ASM-Weight-Transfer-Spring
15:1	106-3239	1	Screw-Lock	43	146-3870	1	ASM-RH Gauge Wheel Arm
15:2	107-1644	1	Cap-Lock	43:2	142-3501	2	Plate-Guide, Rear
15:3	106-3241	1	Lever-Lock	43:3	142-3592	2	Plate-Guide, Front
15:4	3296-29	1	Nut-Lock, NI	44	142-6633	1	ASM-Belt Shield RH
16	109-6658	26	Nut-Flange, NI	46	322-3	1	Screw-HH
17	109-9220	2	Screw-Sems	47	325-20	1	Screw-HH
18	110-9380	1	Screw-HWH	48	3230-16	5	Screw-CARR
19	114-1925	1	Bumper-Rubber	49	3231-11	1	Screw-CARR
20	116-7306	2	Nut-Hex	50	3231-2	4	Bolt-CARR
21	126-1503	4	Spring	51	3231-6	2	Screw-CARR
22	126-2956	2	Screw-HHF	52	323-11	1	Screw-HH
23	126-2960	1	Idler-V	53	3234-42	1	Screw-HHF
24	140-1185	2	Sheave-Drive, Blade	54	3256-23	1	Washer-Plain
25	126-7685	2	Idler-Pulley	55	3296-45	1	Nut-Hex
26	126-8043	3	Shield-Dust	56	3231-12	4	Bolt-CARR
27		1	Caster Wheel ASM ●	57	142-6636-03	1	Bracket-Shield Mount, Right Long
28	142-8360-03	1	Support-RH Rear Guard	58	130-0733	1	Pad-Rubber
29	146-3681	1	Guard-RH Wing Rear				
30	135-2073	2	Pin-HOC				

● Not serviced separately

# RH Wing Deck Decal Assembly No. 146-3910

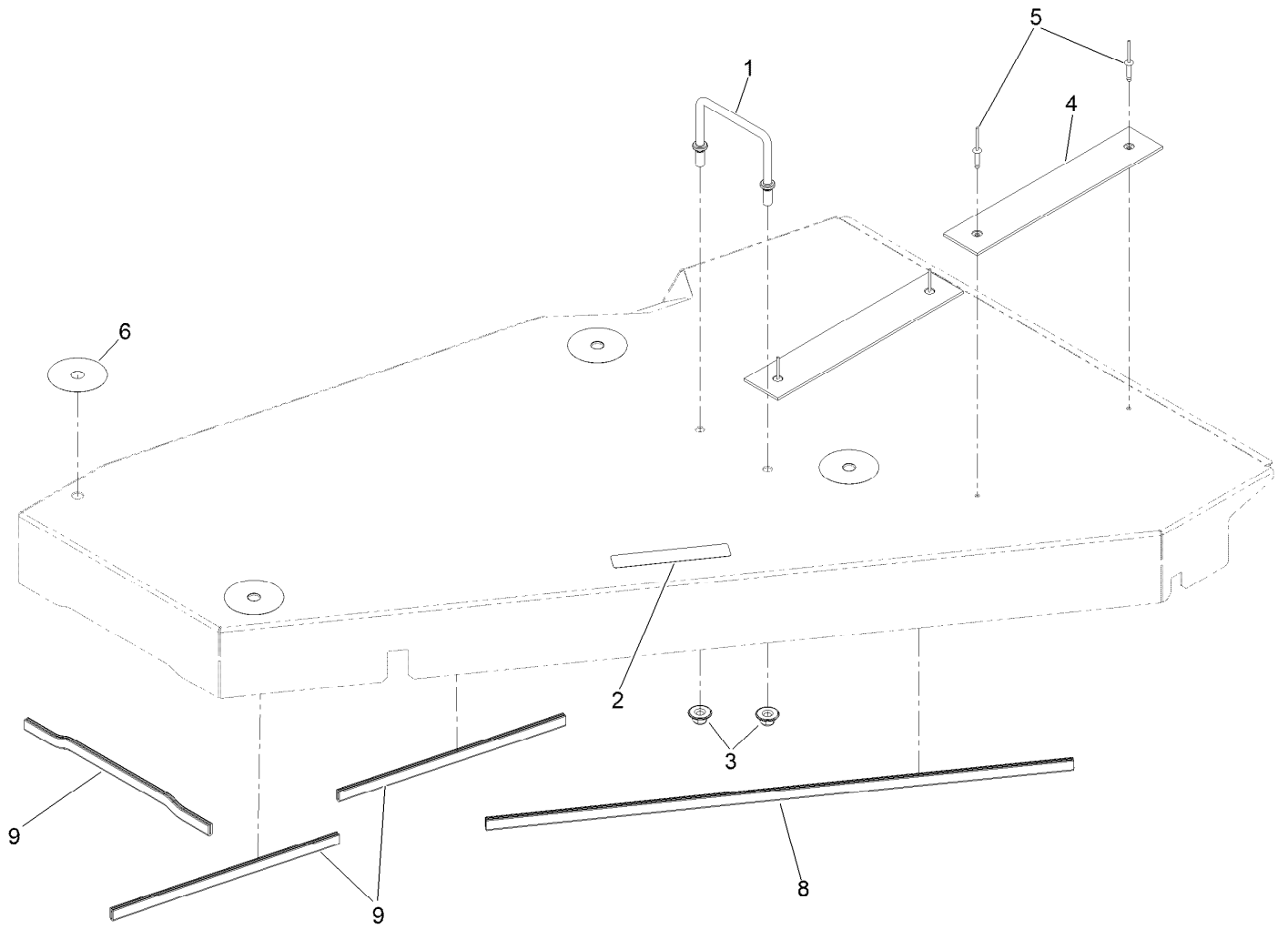




## RH Wing Deck Decal Assembly No. 146-3910 (continued)

<i>Ref.</i>	<i>Part Number</i>	<i>Qty.</i>	<i>Description</i>	<i>Ref.</i>	<i>Part Number</i>	<i>Qty.</i>	<i>Description</i>
2	145-3596	1	Decal-144 Inch	6	135-7200	8	Nut-Clinch,Hex
3	112-9028	1	Decal-Cover, Missing	7	146-2893	2	Bolt-Pivot Pin
4	135-0664	1	Decal-Danger, Thrown Object	8	146-3191	2	Nut-Lug
5	135-0670	1	Decal-Warning, Pinch Point	9	142-4794	2	Bushing-Flanged

# RH Belt Shield Assembly No. 142-6633

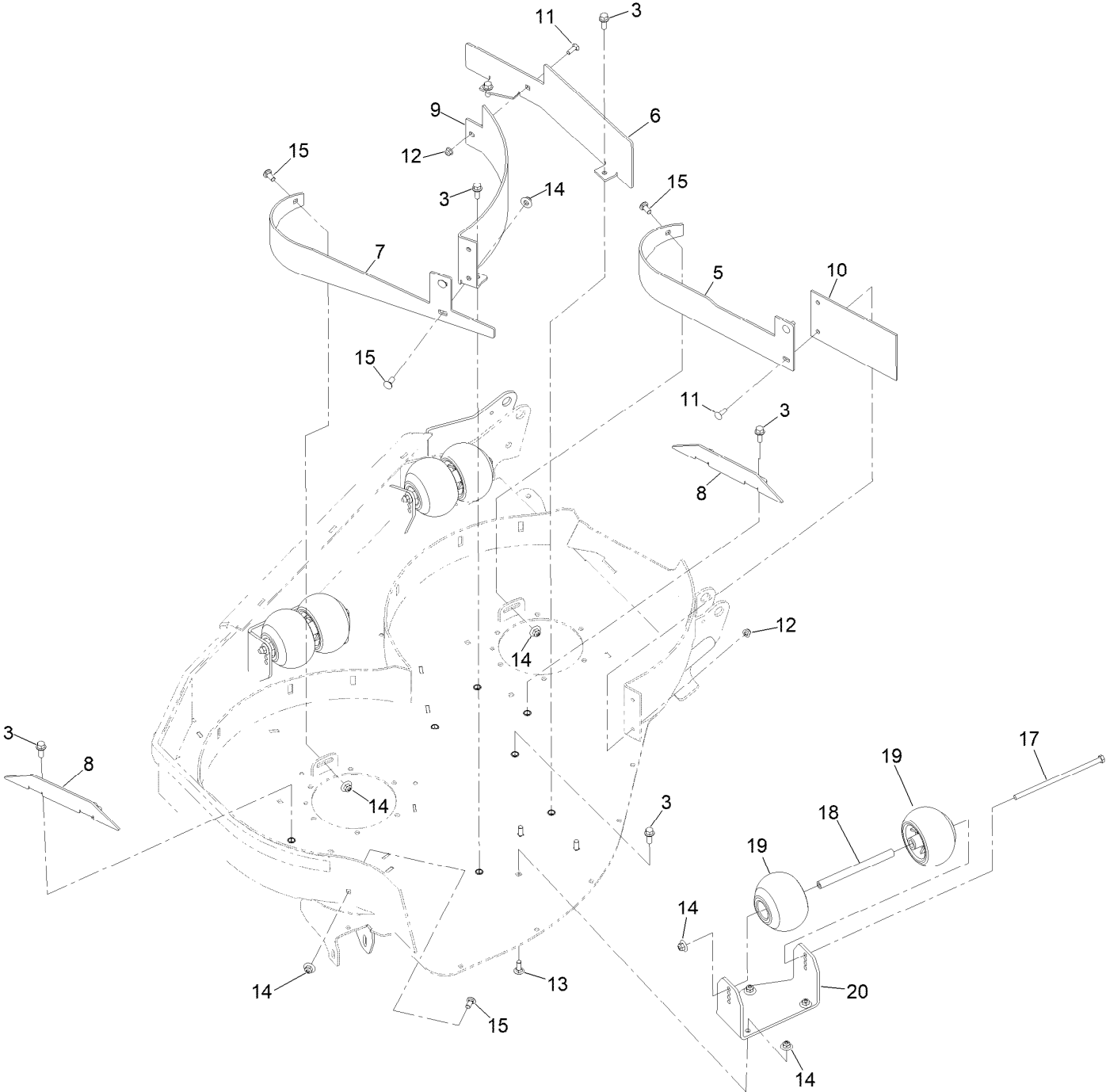


## RH Belt Shield Assembly No. 142-6633 (continued)

<i>Ref.</i>	<i>Part Number</i>	<i>Qty.</i>	<i>Description</i>
1	109-6982	1	Wireform-Cover
2	93-6687	1	Decal-No Step
3	109-6658	2	Nut-Nyloc 3/8-16 Flg
4	135-6706	2	Plate

<i>Ref.</i>	<i>Part Number</i>	<i>Qty.</i>	<i>Description</i>
5	133-7130	4	Rivet-Pop
6	135-3165	4	Decal-Cover, Scratch
8	142-6628	1	Guard Edge
9	142-6629	2	Guard-Edge

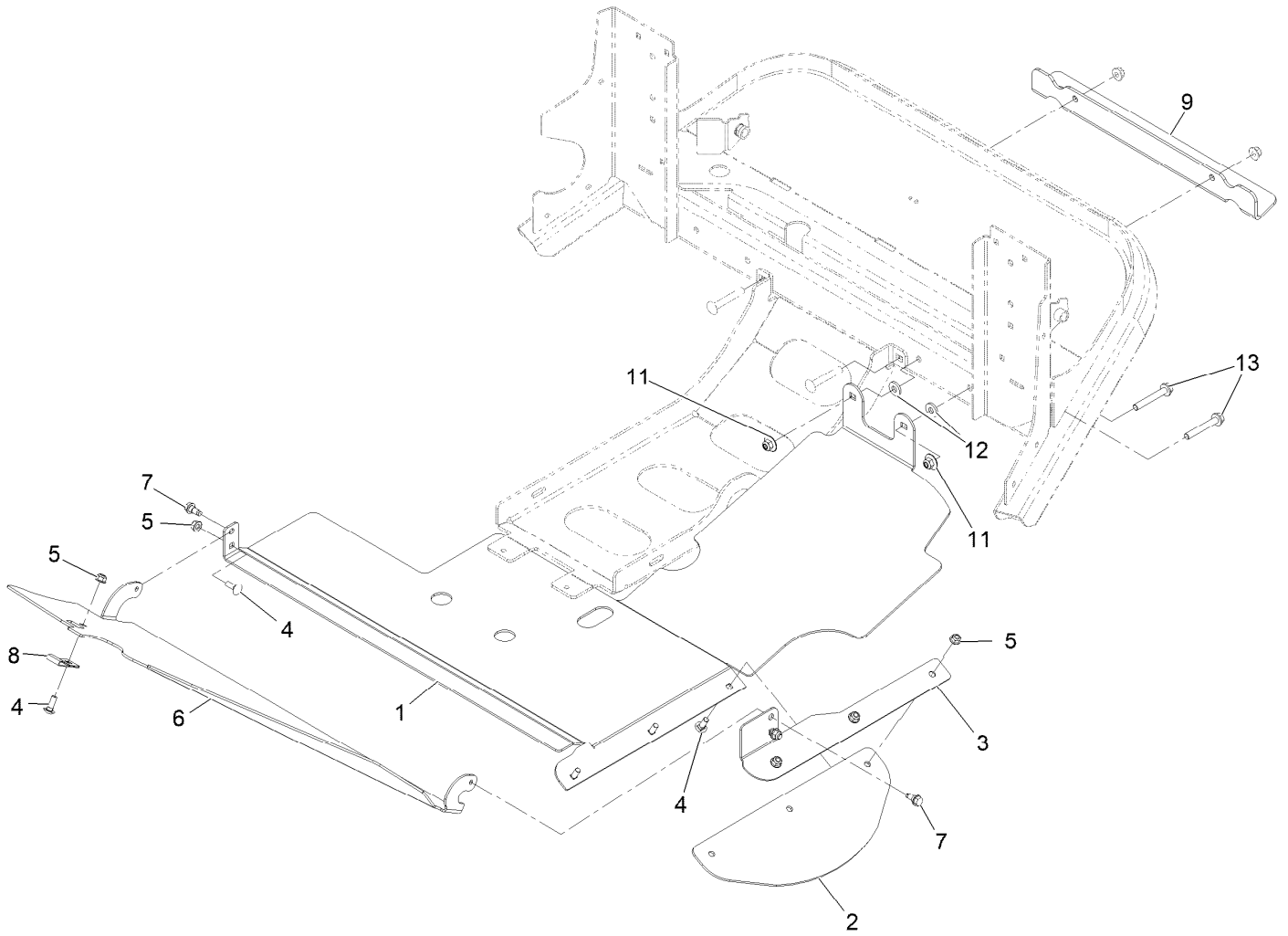
# RH Wing Deck Baffle and Roller Assembly



## RH Wing Deck Baffle and Roller Assembly (continued)

<i>Ref.</i>	<i>Part Number</i>	<i>Qty.</i>	<i>Description</i>	<i>Ref.</i>	<i>Part Number</i>	<i>Qty.</i>	<i>Description</i>
3	3234-11	8	Screw-HHF	12	104-8300	2	Nut-HF, NI
5	135-0795-01	1	Baffle-Dogleg, RH	13	3231-2	3	Bolt-CARR
6	135-7171-01	1	Baffle-Ctr	14	109-6658	12	Nut-Flange, NI
7	135-7274-01	1	Baffle-Dogleg, Outside	15	3231-12	6	Bolt-CARR
8	142-2405-01	2	Plate-Baffle Straight RH	17	99-7203	3	Screw-HH
9	142-7551-01	1	Baffle-Wing Rear Center	18	126-6115	3	Spacer-Wheel
10	135-0091	1	Flap-Rubber	19	103-8415	6	Roller-Anti-Scalp
11	3230-22	2	Screw-CARR	20	142-7550-01	1	Plate-Rear As Bracket

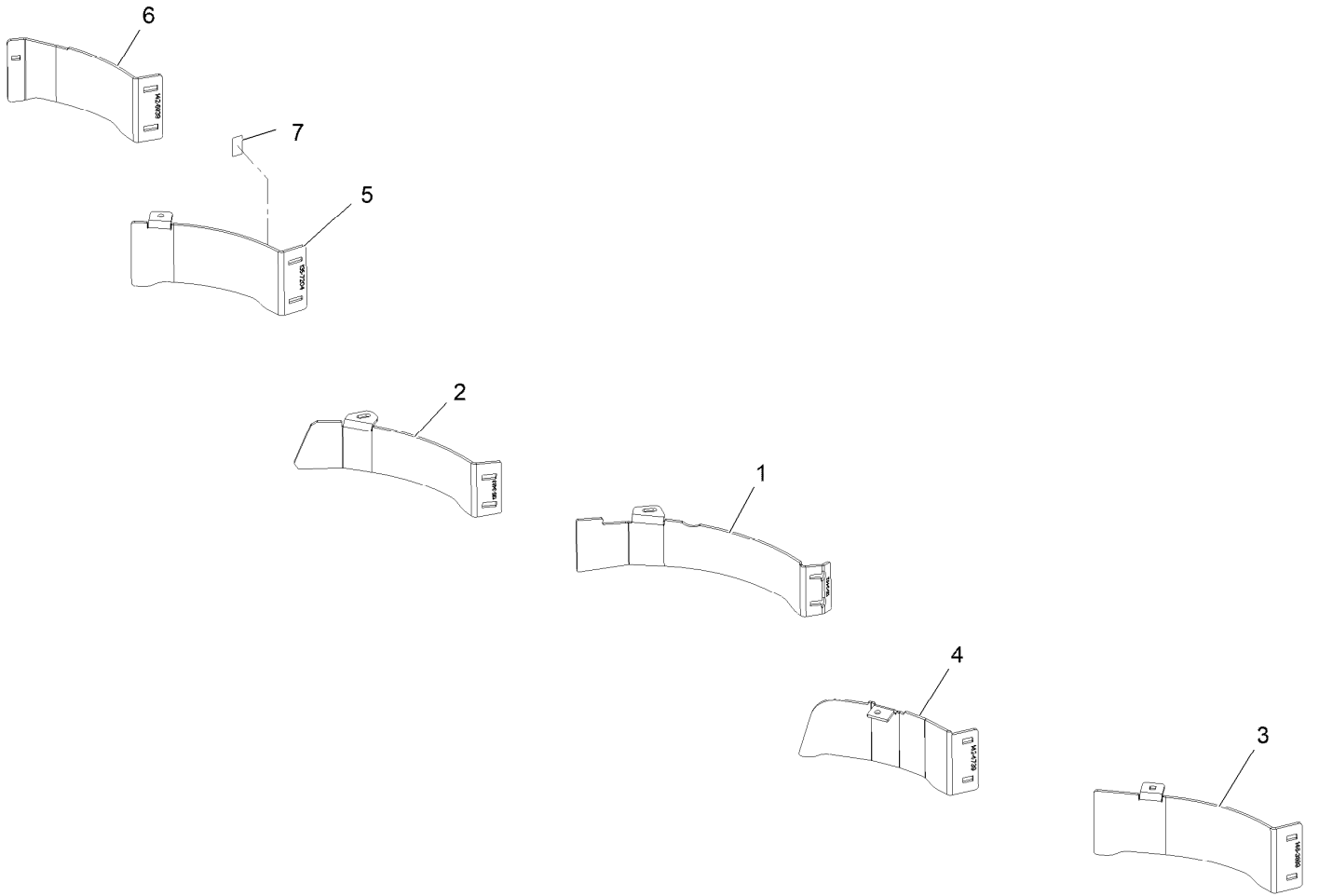
# Discharge Tunnel Assembly No. 142-6621



## Discharge Tunnel Assembly No. 142-6621 (continued)

<i>Ref.</i>	<i>Part Number</i>	<i>Qty.</i>	<i>Description</i>	<i>Ref.</i>	<i>Part Number</i>	<i>Qty.</i>	<i>Description</i>
1	135-2089-03	1	Plate-Discharge	8	135-0608	1	Bearing-Strap, Nylon
2	135-0050	1	Flap-Rubber	9	135-2092-03	1	Bracket-Tie Down
3	135-2090-03	1	Bracket-Flap, LH	11	109-6658	2	Nut-Nyloc 3/8-16 Flg
4	3230-16	6	Bolt-Carriage 5/16-18 X 7/8	12	43-0940	2	Spacer
5	104-8300	6	Nut-Nyloc 5/16-18 Flg	13	3234-39	2	Screw-Hfh 3/8-16 X 2 1/2
6	135-2617-03	1	Panel-Discharge				
7	126-4424	2	Screw-HHF Shoulder 3/8-16 X 3/4 Tf				

# Mulch Kit Assembly

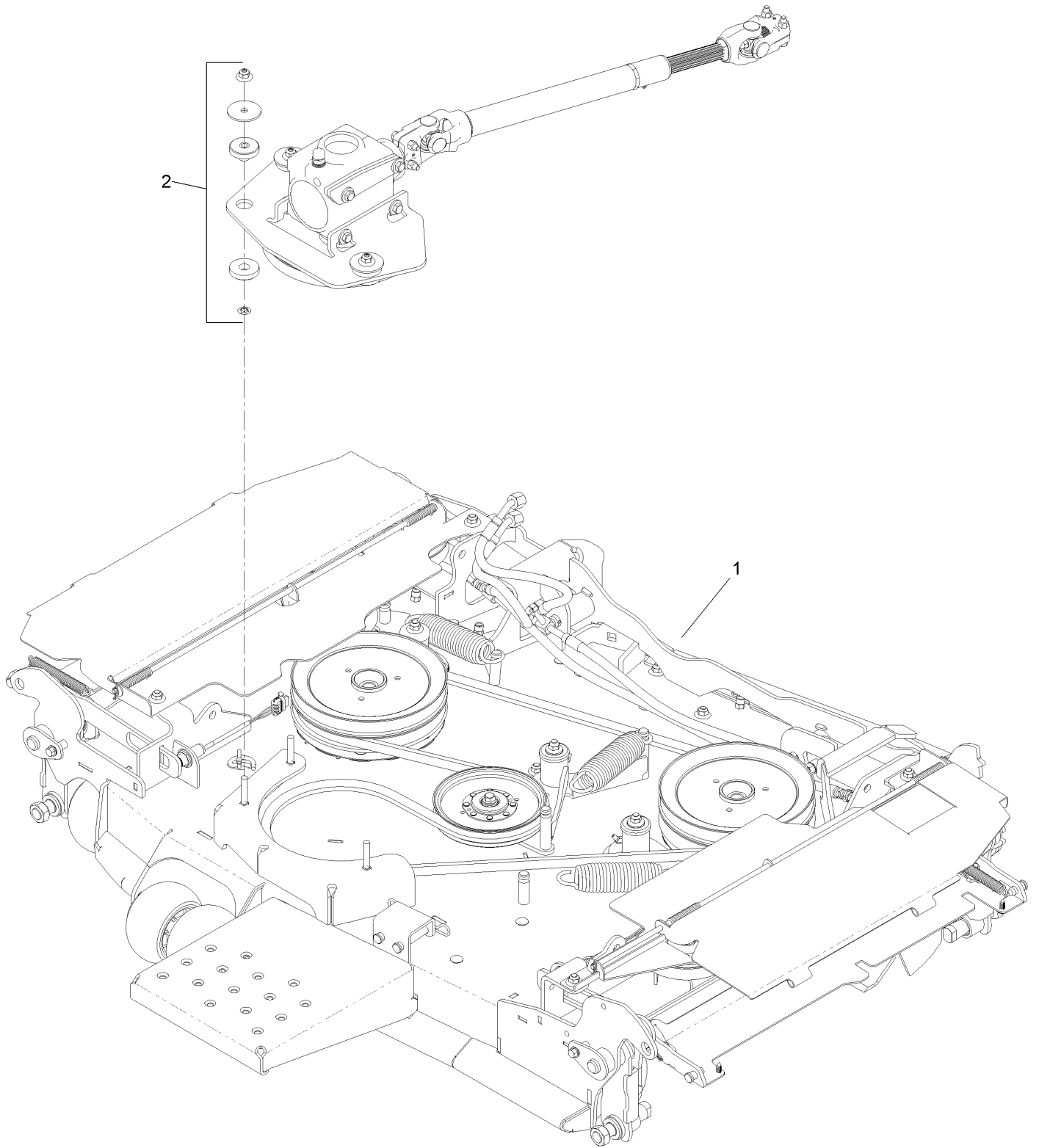




## Mulch Kit Assembly (continued)

<i>Ref.</i>	<i>Part Number</i>	<i>Qty.</i>	<i>Description</i>	<i>Ref.</i>	<i>Part Number</i>	<i>Qty.</i>	<i>Description</i>
1	135-3462-01	1	Baffle-Block, LH Ctr	5	135-7204-01	1	Plate-Mulch
2	135-3463-01	1	Baffle-Block, RH Ctr	6	142-6039-01	1	Baffle-Wide Outside Mulch
3	146-3889-01	1	Plate-Baffle, LH Mulch	7	126-4345	1	Decal-Patent
4	142-4739-01	1	Baffle-Mulch, LH Inside				

# Center Deck and Gear Box Assembly

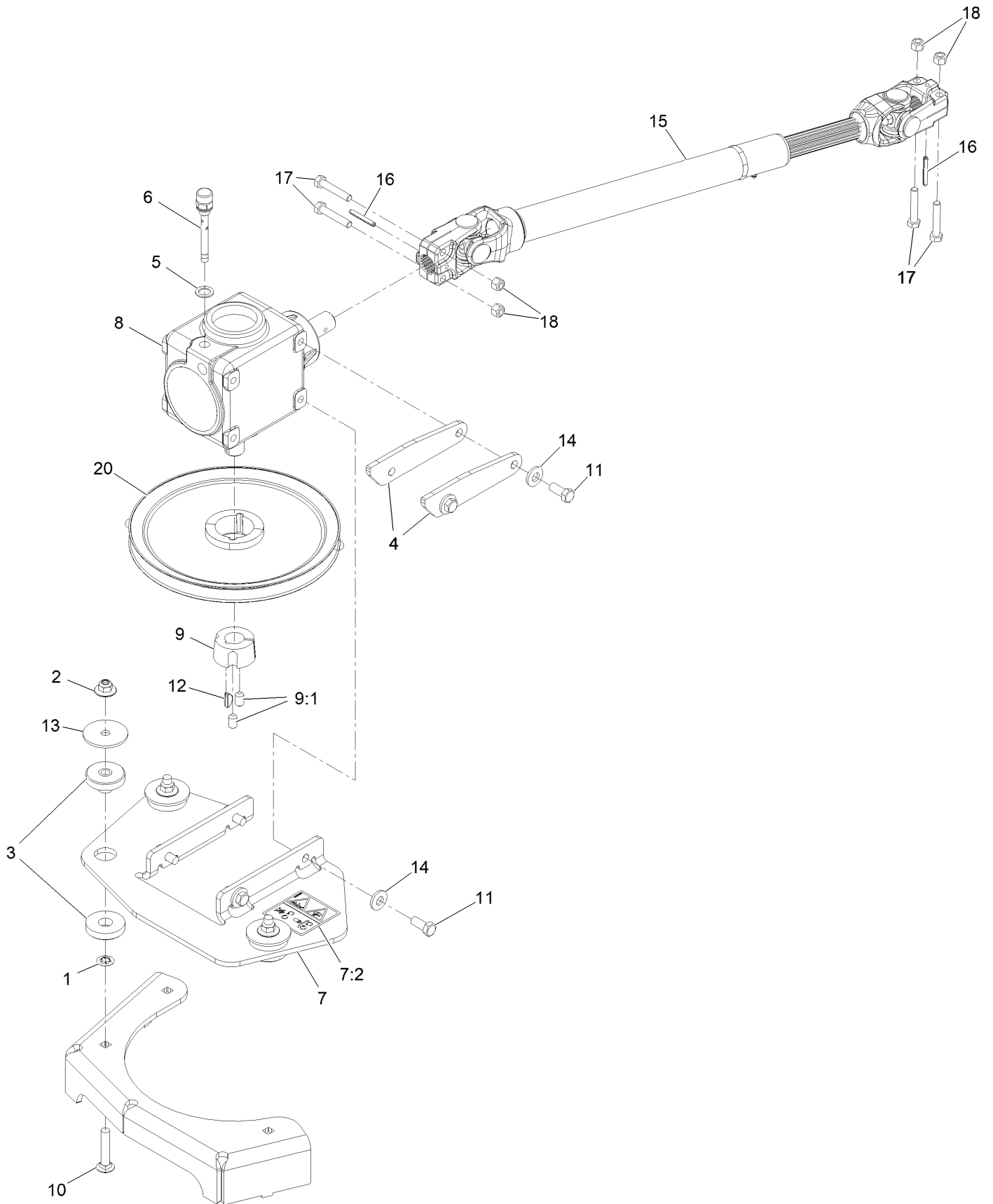


# Center Deck and Gear Box Assembly (continued)

<i>Ref.</i>	<i>Part Number</i>	<i>Qty.</i>	<i>Description</i>
1		1	ASM-Deck, Ctr [diesel] ●
2		1	Gear Box-ASM ●

● Not serviced separately

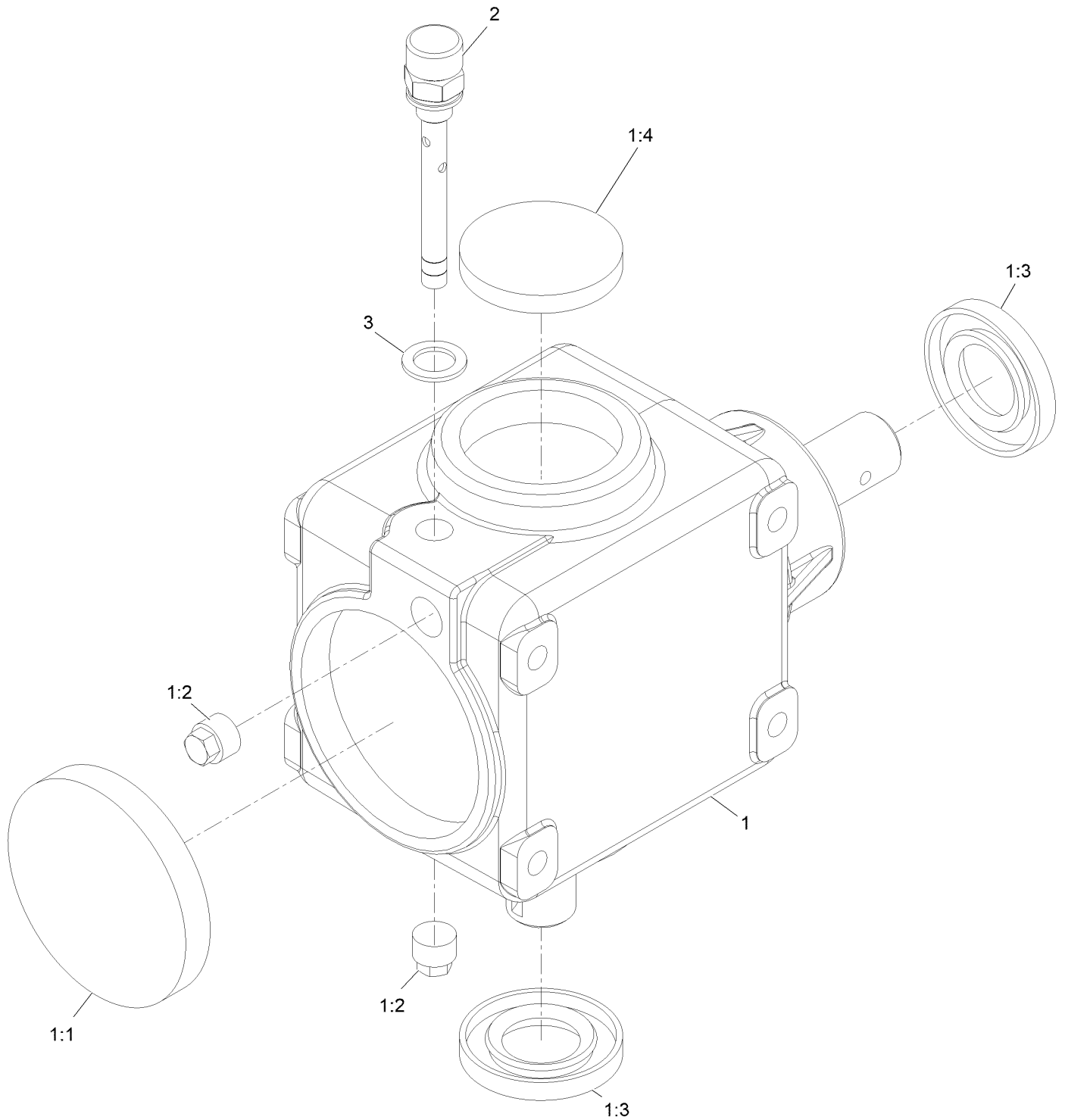
# Gearbox and Mount Assembly



## Gearbox and Mount Assembly (continued)

<i>Ref.</i>	<i>Part Number</i>	<i>Qty.</i>	<i>Description</i>	<i>Ref.</i>	<i>Part Number</i>	<i>Qty.</i>	<i>Description</i>
1	107-3154	3	Nut-Push 3/8-16	9:1	3247-4	2	Setscrew-HSH 3/8-16 X 5/8
2	109-6658	3	Nut-Nyloc 3/8-16 Flg	10	3231-6	3	Bolt-Carriage 3/8-16 X 2
3	126-3074	3	Mount-ISO	11	323-6	6	Screw-HH 3/8-16 X 1
4	126-3544	2	Stop-Gearbox	12	3257-5	1	Key-Woodruff #9 3/4 X 3/16
5	130-4899	1	Washer	13	83-1040	3	Washer
6	130-8661	1	Plug-Breather	14	98-5975	6	Washer-Spring Disc 3/8
7	135-0874	1	Mount-Gearbox	15	110-3575	1	Driveshaft ASM
7:2	135-0679	1	Decal-Hazard, Entanglement	16	32121-34	2	Pin-Roll
8	142-8061	1	Gearbox ASM	17	322-9	4	Screw-HH 5/16-18 X 1 3/4
9	23-1640	1	Bushing-Taperlock	18	3296-29	4	Nut-Nyloc 5/16-18
				20	126-2822	1	Pulley

# Gearbox Assembly No. 142-8061

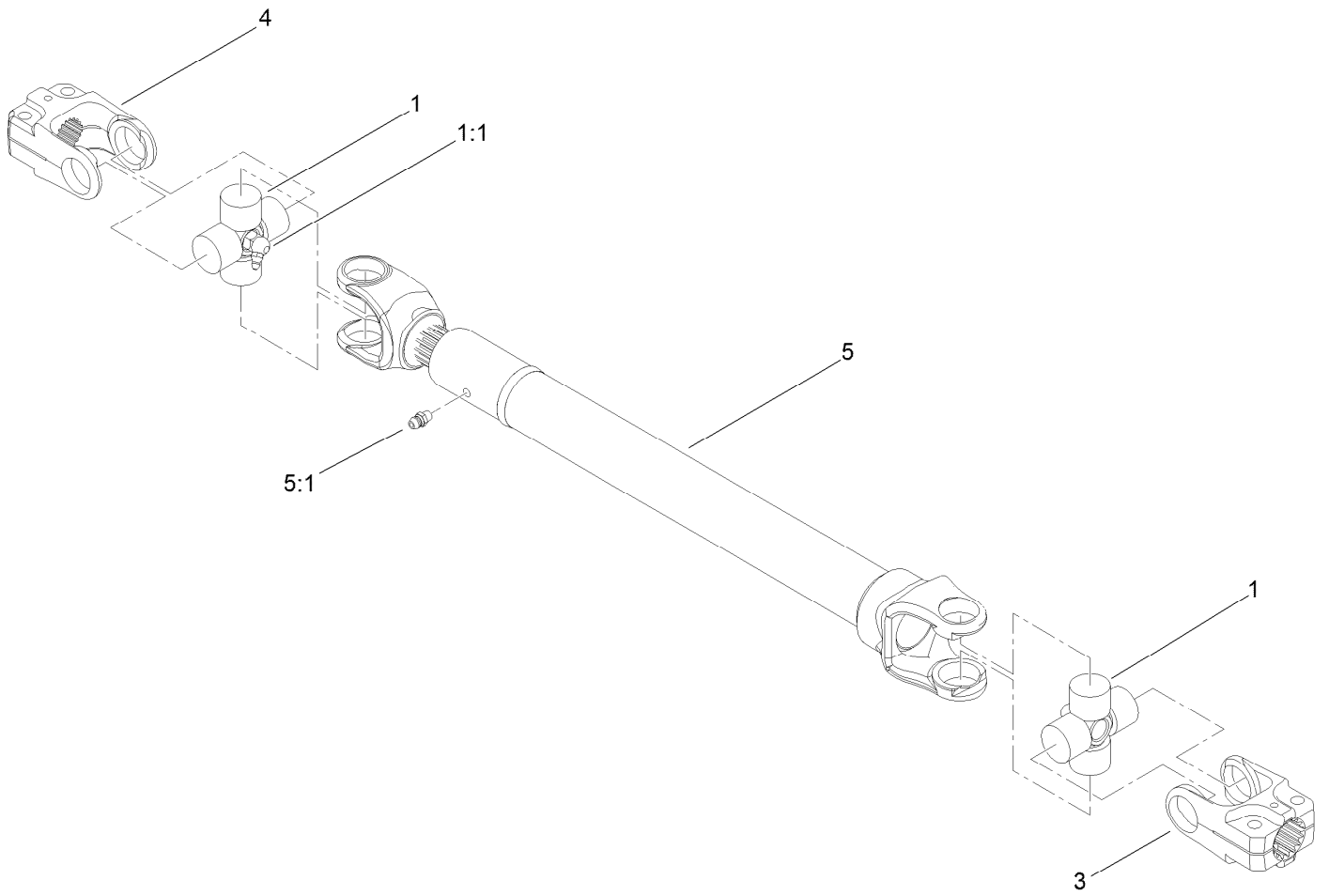


## Gearbox Assembly No. 142-8061 (continued)

<i>Ref.</i>	<i>Part Number</i>	<i>Qty.</i>	<i>Description</i>	<i>Ref.</i>	<i>Part Number</i>	<i>Qty.</i>	<i>Description</i>
1		1	Gearbox ASM-90 DEG ●	1:4	107-2935	1	Cap-Oil
1:1	107-2932	1	Cap-Oil	2	130-8661	1	Plug-Breather
1:2	107-2933	2	Plug	3	130-4899	1	Washer
1:3	117-9247	2	Seal				

● Not serviced separately

# Driveshaft Assembly No. 110-3575



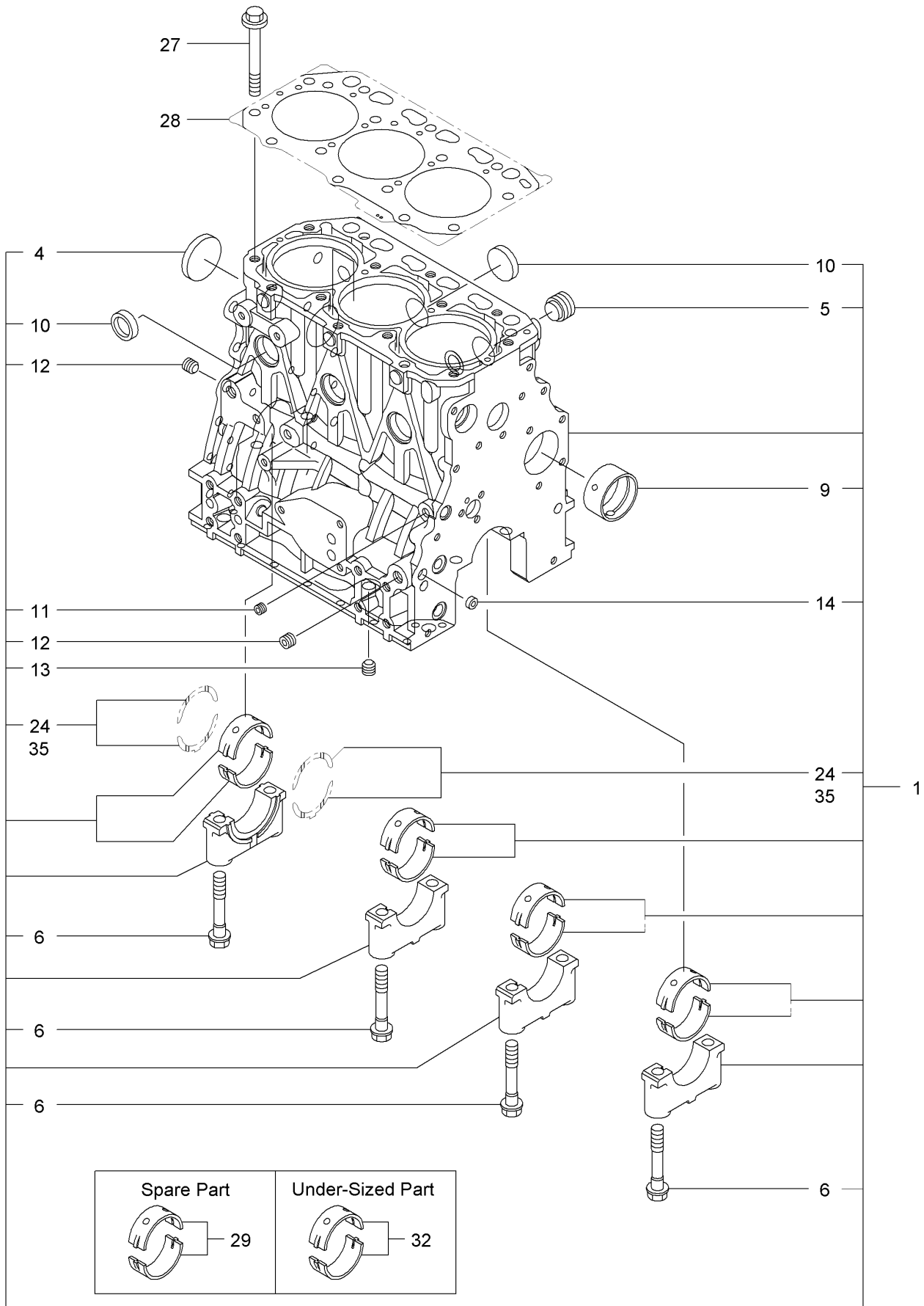


## Driveshaft Assembly No. 110-3575 (continued)

<i>Ref.</i>	<i>Part Number</i>	<i>Qty.</i>	<i>Description</i>	<i>Ref.</i>	<i>Part Number</i>	<i>Qty.</i>	<i>Description</i>
1	112-1687	2	Cross And Bearing Kit	4	54-9090	1	Yoke-End
1:1	62-3820	1	Fitting-Grease	5		1	Tube-Yoke, Slip ●
3	54-9040	1	Yoke-End	5:1	302-22	1	Fitting-Grease

● Not serviced separately

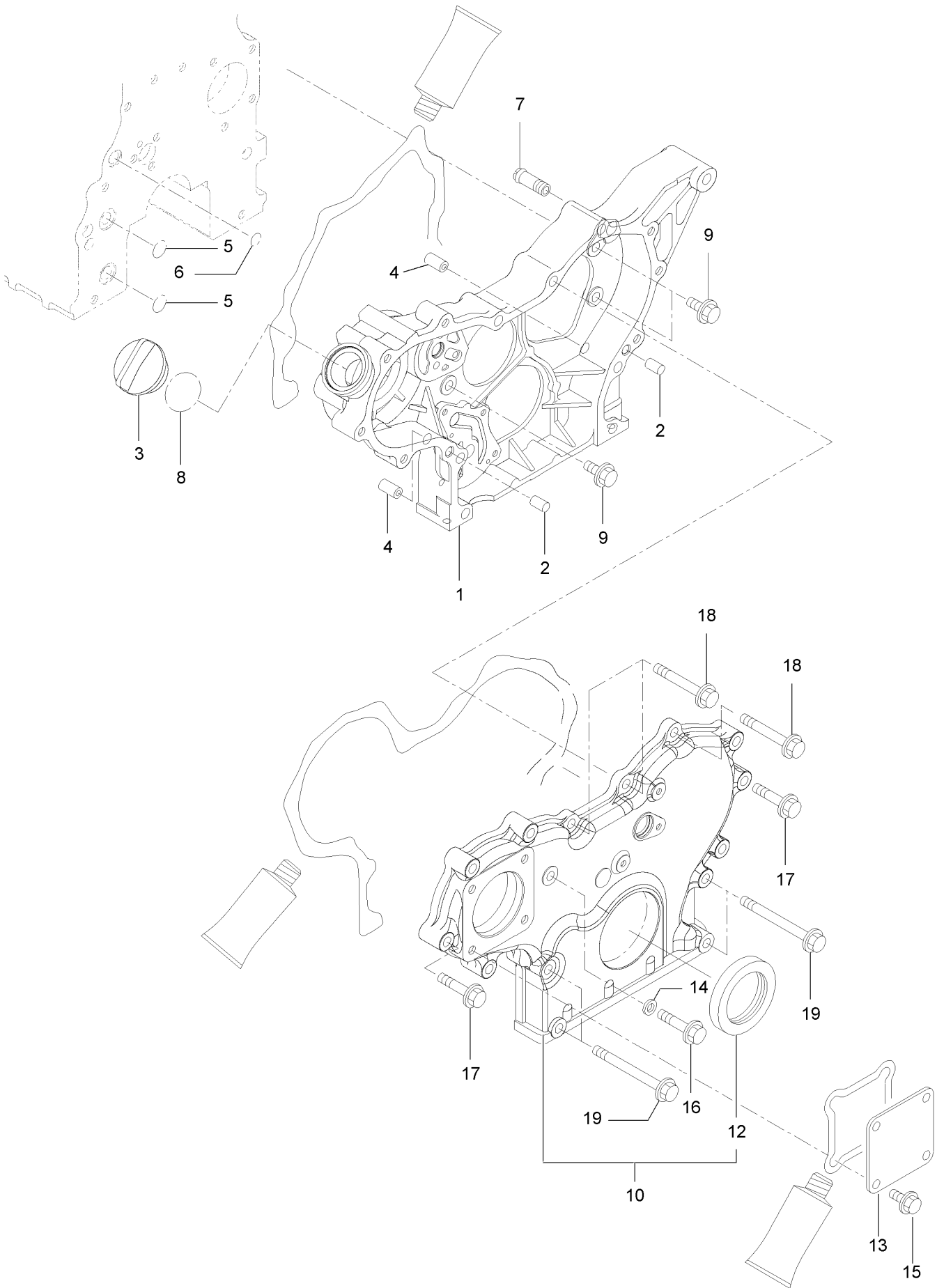
# Cylinder Block Assembly



## Cylinder Block Assembly (continued)

<i>Ref.</i>	<i>Part Number</i>	<i>Qty.</i>	<i>Description</i>	<i>Ref.</i>	<i>Part Number</i>	<i>Qty.</i>	<i>Description</i>
1	127-3750	1	Cylinder Block ASM	13	125-6973	1	Plug
4	125-6980	1	Plug	14	125-7237	1	Plug
5	125-7170	1	Plug	24	125-7010	2	Metal-Thrust
6	125-7007	8	Bolt	27	125-7006	14	Bolt
9	125-7108	1	Bushing	28	127-3751	1	Head Gasket ASM
10	140-7182	6	Plug 30	29	125-6981	4	Metal-Main
11	125-6969	1	Plug	32	125-7009	4	Metal-Main (0.25)
12	125-6973	2	Plug	35	125-7011	1	Metal-Thrust (0.25)

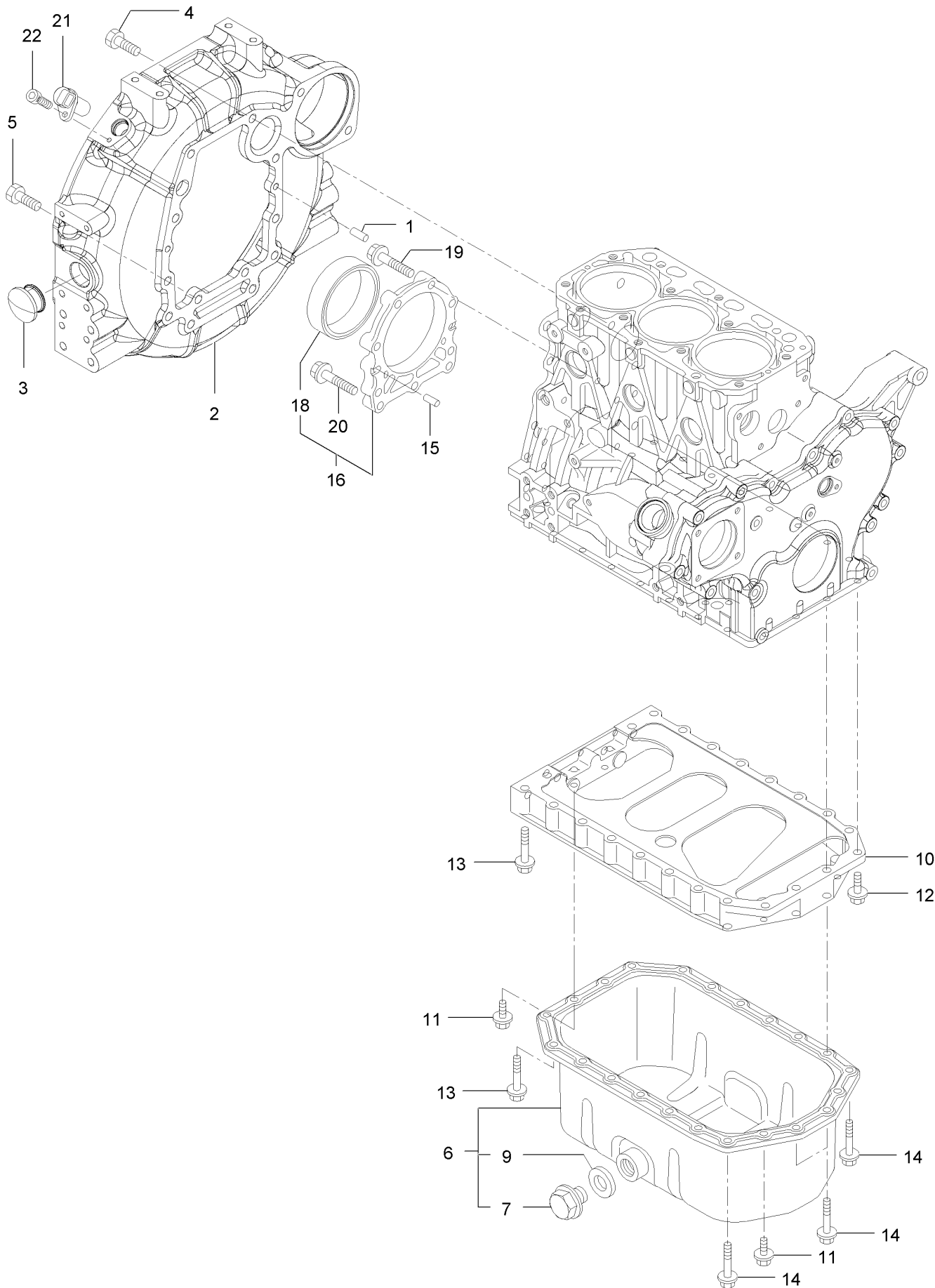
# Gear Housing Assembly



## Gear Housing Assembly (continued)

<i>Ref.</i>	<i>Part Number</i>	<i>Qty.</i>	<i>Description</i>	<i>Ref.</i>	<i>Part Number</i>	<i>Qty.</i>	<i>Description</i>
1	142-8721	1	Case-Gear	10	127-3024	1	Gearcase Cover ASM
2	125-6995	2	Pin	12	125-6944	1	Seal-Oil
3	125-6972	1	Cover-Filler	13	125-6977	1	Cover
4	125-7107	2	Pipe	14	125-7174	1	Washer-Seal
5	125-6909	2	O-Ring	15	125-7214	4	Bolt
6	127-2973	1	O-Ring	16	125-7217	1	Bolt
7	127-3753	1	Joint	17	125-7218	7	Bolt
8	125-7197	1	O-Ring	18	125-7222	3	Bolt
9	125-7214	3	Bolt	19	125-7224	4	Bolt

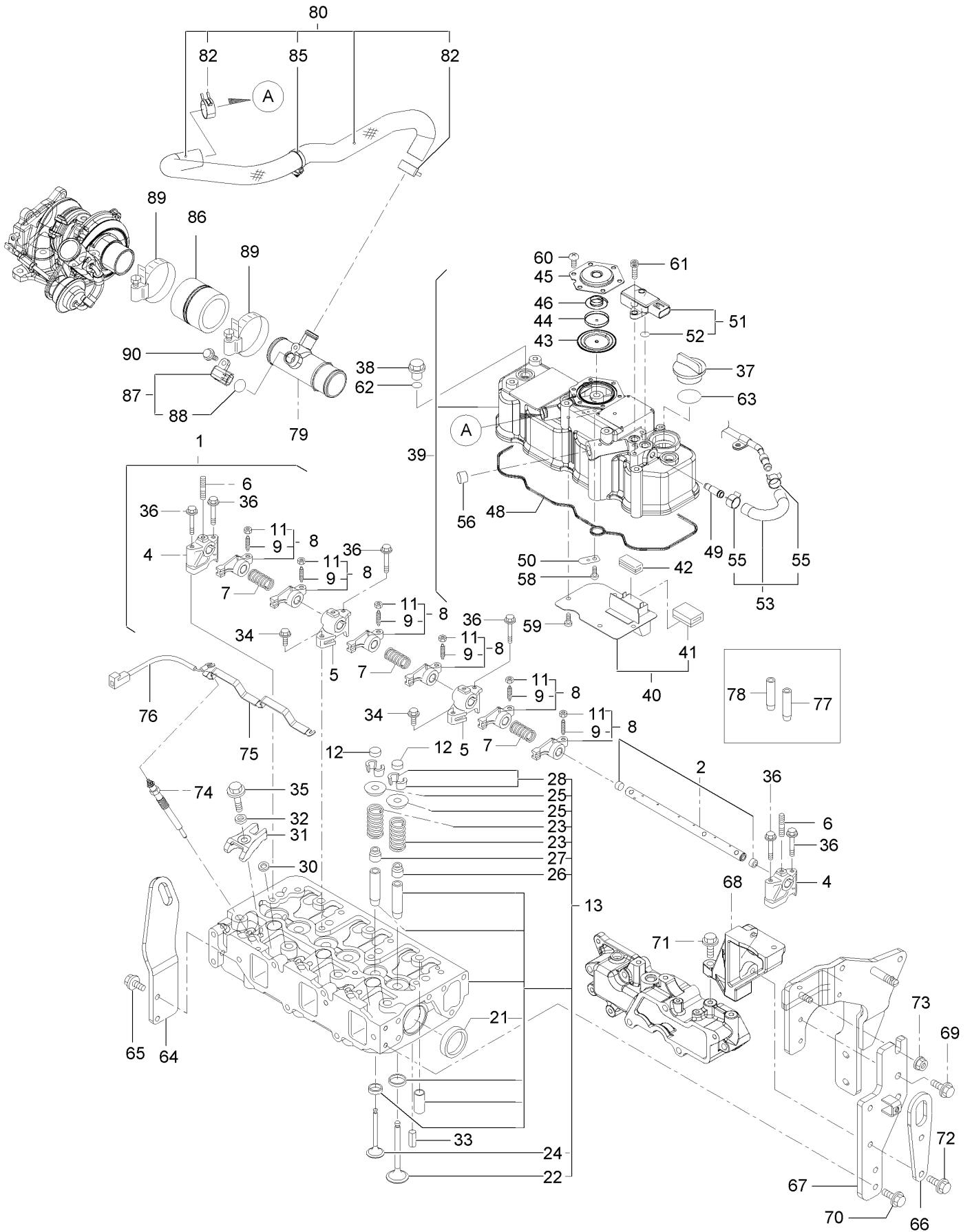
# Flywheel Housing and Oil Sump Assembly



## Flywheel Housing and Oil Sump Assembly (continued)

<i>Ref.</i>	<i>Part Number</i>	<i>Qty.</i>	<i>Description</i>	<i>Ref.</i>	<i>Part Number</i>	<i>Qty.</i>	<i>Description</i>
1	125-6995	2	Pin	12	125-7215	2	Bolt
2	127-4758	1	Housing-Flywheel	13	125-7219	16	Bolt
3	125-6910	1	Cap	14	125-7220	4	Bolt
4	125-7226	6	Bolt	15	125-6995	2	Pin
5	125-7227	4	Bolt	16	140-7173	1	Oil Seal Case ASM
6	135-4010	1	Oil Pan ASM	18	140-7174	1	Seal-Oil
7	125-6912	1	Plug-Drain	19	125-7045	6	Bolt
9	125-7177	1	Washer-Seal	20	125-7217	3	Bolt
10	131-3863	1	Spacer, Oil Pan	21	127-3062	1	Sensor-Rev, Flywheel
11	125-7214	4	Bolt	22	127-3184	1	Bolt

# Cylinder Head and Cover Assembly

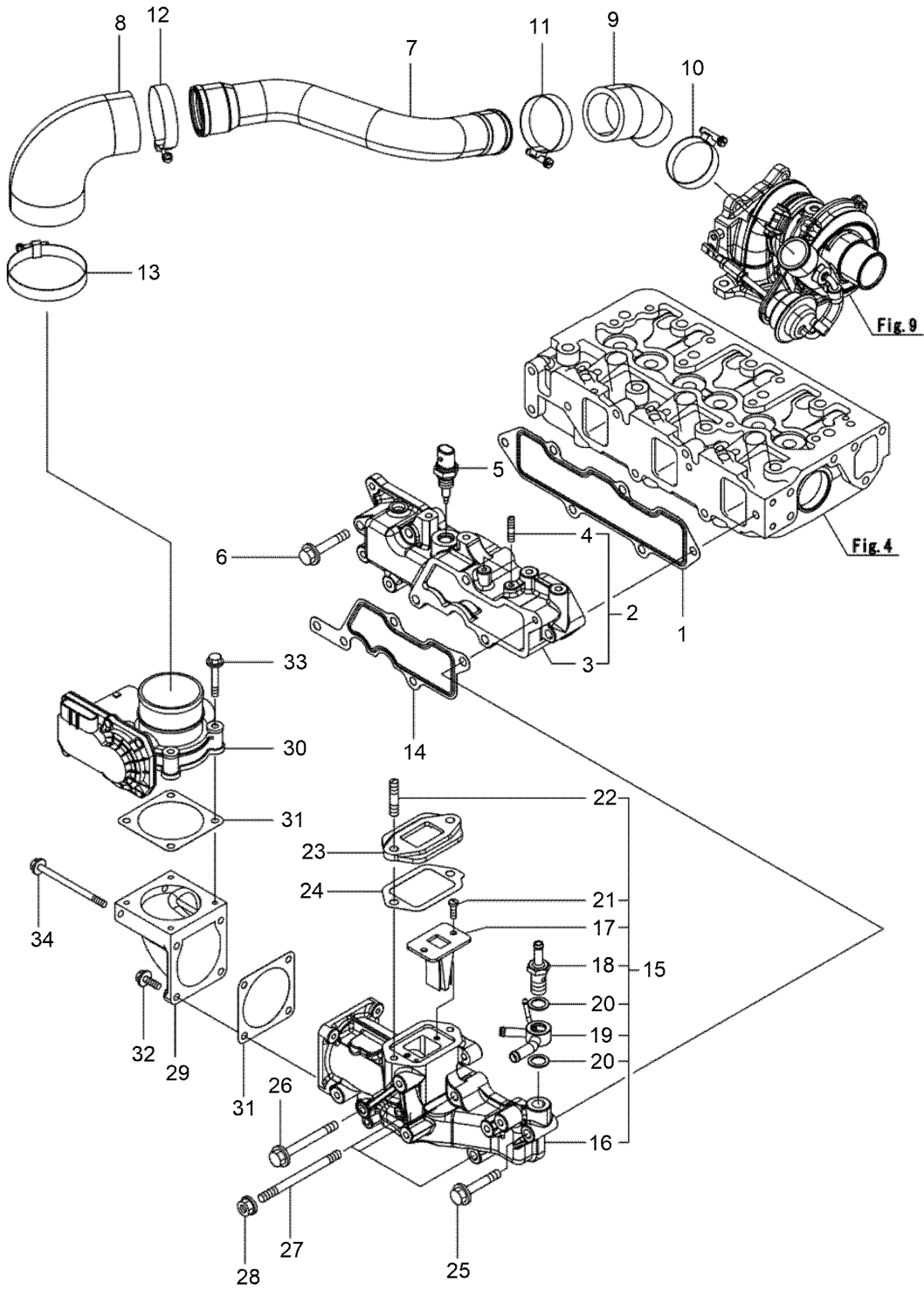




## Cylinder Head and Cover Assembly (continued)

<i>Ref.</i>	<i>Part Number</i>	<i>Qty.</i>	<i>Description</i>	<i>Ref.</i>	<i>Part Number</i>	<i>Qty.</i>	<i>Description</i>
1	127-3757	1	Shaft ASM	49	127-3026	1	Joint
2	127-3758	1	Shaft	50	125-6994	1	Spring
4	127-2974	2	Support	51	127-3029	1	Sensor-Pressure
5	127-2975	2	Support	52	127-3032	2	O Ring-Sensor, Pressure
6	135-4012	3	Bolt,Stud	53	127-3040	1	Hose ASM
7	127-2995	3	Spring	55	127-3041	2	Clip-Hose
8	127-2989	6	Arm-Rocker	56	125-6913	1	Plug
9	125-7013	6	Screw-Adjust, Valve	58	125-7186	1	Screw
11	125-7014	6	Nut	59	125-7186	4	Screw
12	127-2996	6	Cap-Valve	60	125-7186	6	Screw
13	127-3760	1	Cylinder Head ASM	61	127-3184	2	Bolt
21	125-7240	2	Plug	62	138-7829	3	O-Ring
22	127-2990	3	Valve	63	125-7197	1	O-Ring
23	127-3012	6	Spring	64	127-4718	1	Lifter-Engine
24	127-2994	3	Valve	65	125-7595	2	Bolt
25	127-3013	6	Retainer-Spring	66	127-3091	1	Lifter-Engine
26	127-2986	3	Seal-Stem, Valve	67	127-3095	1	Stay-D P F
27	127-3027	3	Seal-Stem, Valve	68	127-3105	1	Stay-Bracket, Filter
28	127-3186	6	Pin-Cotter	69	125-7595	2	Bolt
30	127-3021	3	Gasket-Injector	70	125-7595	2	Bolt
31	127-3028	3	Retainer-Injector	71	125-7215	1	Bolt
32	127-2980	3	Washer-Injector	72	125-7216	2	Bolt
33	125-7184	2	Pin-Spring	73	125-7229	1	Nut
34	125-7215	2	Bolt	74	127-2991	3	Plug-Glow
35	125-7217	3	Bolt	75	127-3768	1	Connector-Plug, Glow
36	125-7220	6	Bolt	76	131-2704	1	Harness-Wire
37	125-6972	1	Cover-Filler	77	127-2979	3	Guide
38	125-6974	3	Knob	78	127-2997	3	Guide-Valve
39	139-6019	1	Cylinder Head ASM	79	131-3864	1	Joint, Breather
40	127-2988	1	Plate	80	131-3865	1	Hose Assy, Breather
41	125-6920	1	Baffle	82	125-7040	2	Clip-Hose
42	125-7012	1	Baffle	85	127-3087	1	Band-Clip
43	125-6959	1	Diaphragm	86	142-8736	1	Hose-Air
44	125-6960	1	Plate	87	127-3030	1	Sensor-Temp, Air
45	125-6961	1	Plate-Breather	88	127-3033	1	O-Ring
46	125-6962	1	Spring-Diaphragm	89	127-3170	2	Clamp-Hose
48	127-3762	1	Gasket-Cover, Cylinder Head	90	125-7208	1	Bolt

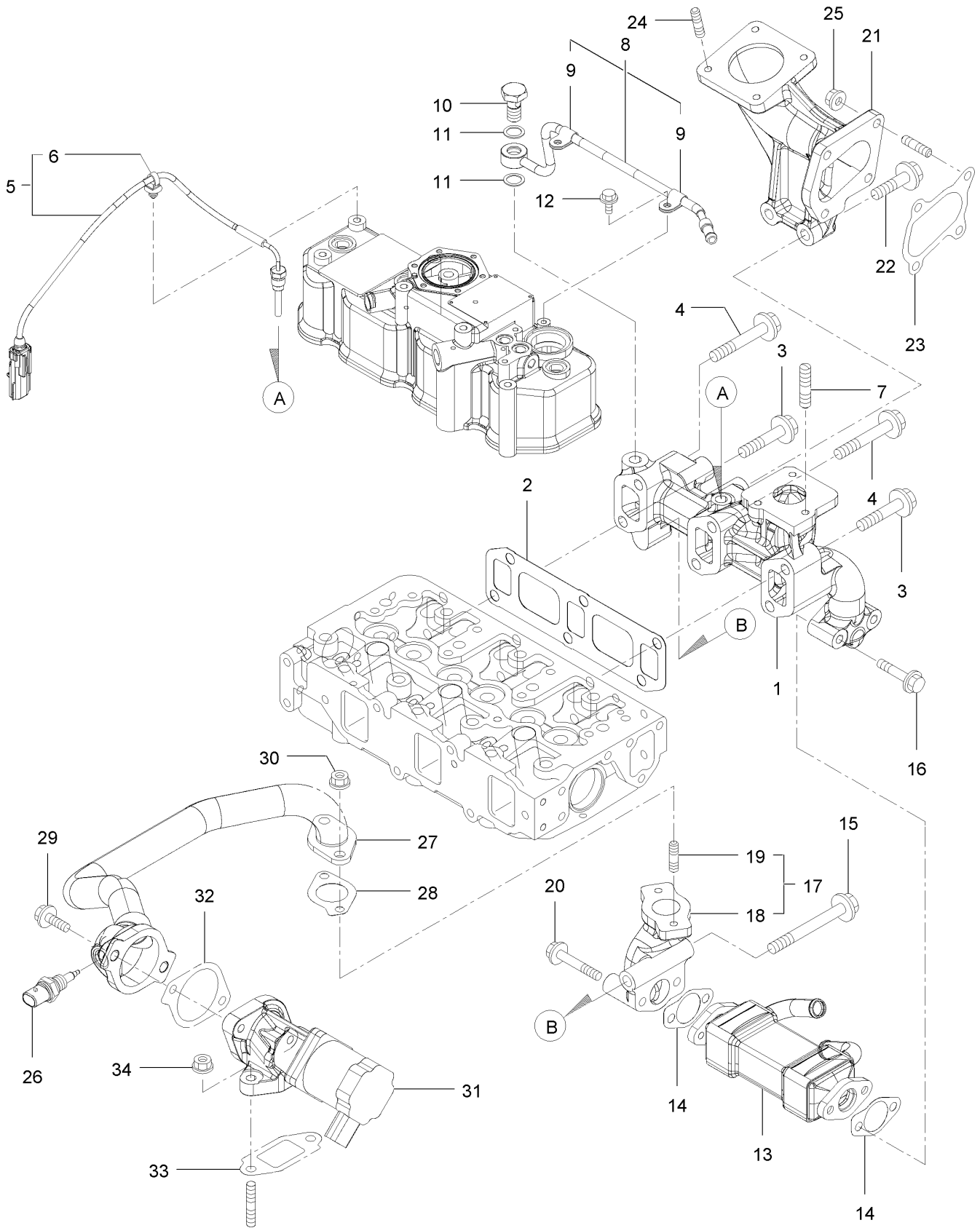
# Suction Manifold Assembly



## Suction Manifold Assembly (continued)

<i>Ref.</i>	<i>Part Number</i>	<i>Qty.</i>	<i>Description</i>	<i>Ref.</i>	<i>Part Number</i>	<i>Qty.</i>	<i>Description</i>
1	127-3769	1	Gasket-Manifold, Intake	18	127-3080	1	Joint-Hose
2	127-3770	1	Intake Manifold ASM	19	127-3081	1	Joint-Hose
3	127-3771	1	Manifold-Intake, Air	20	127-3166	2	Washer-Seal
4	127-3180	2	Stud	21	127-3168	2	Screw
5	137-5167	1	Sensor-Temperature, Air	22	138-7831	2	Stud, M8X 35
6	125-7220	3	Bolt	23	127-3045	1	Spacer-Valve, E G R
7	127-3772	1	Duct Suction	24	127-3046	1	Gasket-E G R
8	127-3096	1	Joint-Rubber	25	125-7220	1	Bolt
9	127-3773	1	Joint, Rubber	26	127-3178	1	Bolt
10	125-7189	1	Clamp-Hose	27	127-3182	3	Stud
11	127-3170	1	Clamp-Hose	28	125-7229	3	Nut
12	125-7190	1	Clamp-Hose	29	127-3035	1	Bend-Inlet
13	127-3171	1	Clamp-Hose	30	127-3036	1	Body-Throttle
14	127-3034	1	Gasket-Collector	31	127-3037	2	Gasket-Throttle
15	127-3093	1	Intake Collector ASM	32	125-7209	2	Bolt
16	127-3092	1	Collector-Intake	33	125-7211	4	Bolt
17	127-3139	1	Valve-Reed	34	127-3177	2	Bolt

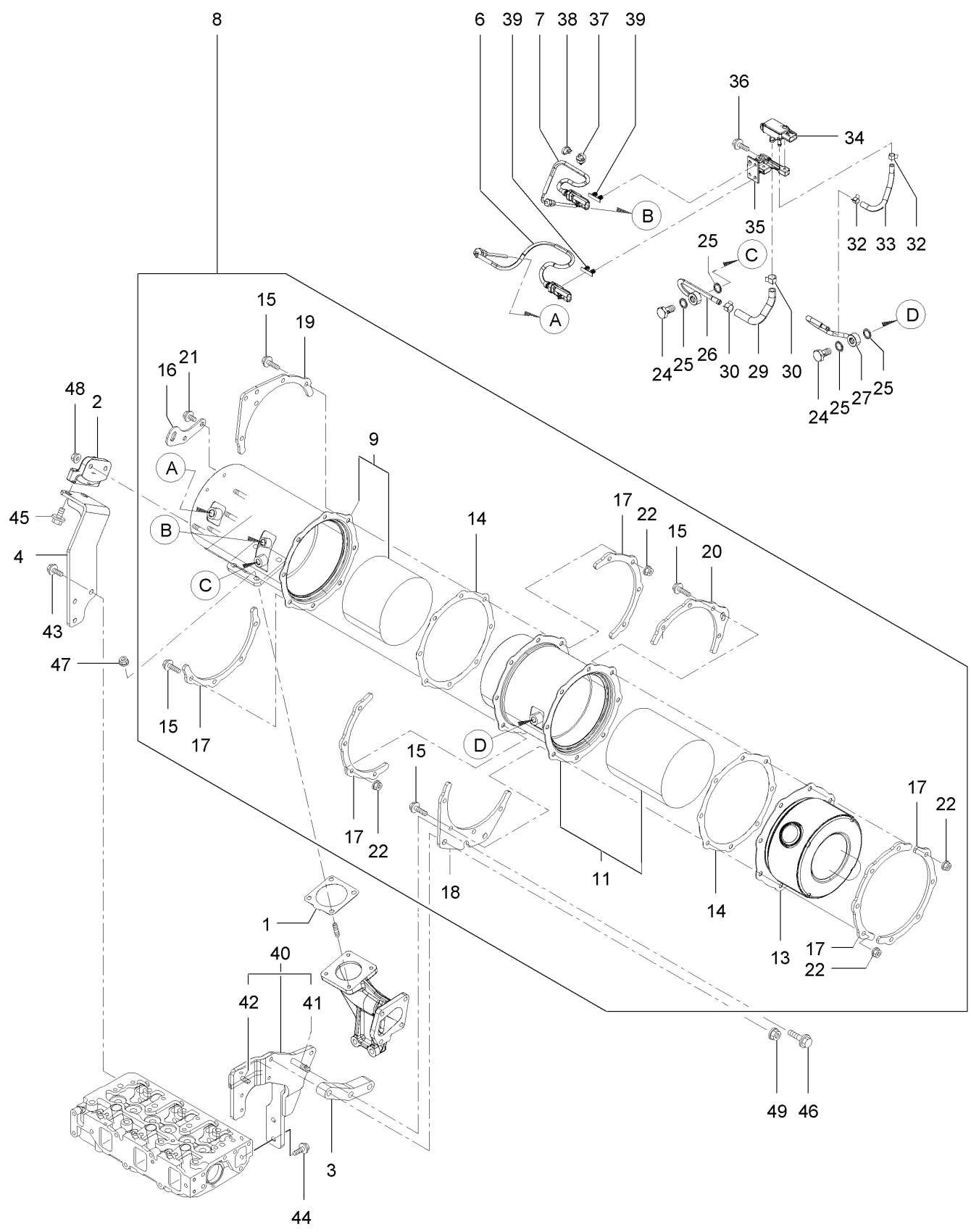
# Gasket Manifold Assembly



## Gasket Manifold Assembly (continued)

<i>Ref.</i>	<i>Part Number</i>	<i>Qty.</i>	<i>Description</i>	<i>Ref.</i>	<i>Part Number</i>	<i>Qty.</i>	<i>Description</i>
1	127-3774	1	Manifold-Exhaust	18	127-3049	1	Pipe-Out, E G R
2	127-3775	1	Gasket-Manifold, Exhaust	19	125-7043	2	Stud
3	135-4013	2	Bolt	20	125-7220	2	Bolt
4	131-3866	4	Bolt, M10X65 10.9T	21	131-3867	1	Pipe, Exhaust
5	127-3777	1	Sensor-Temp, Exhaust	22	133-6792	2	Bolt
6	127-3087	1	Band-Clip	23	127-3779	1	Gasket-Out, T C
7	125-7043	3	Stud	24	125-6906	4	Stud
8	127-3038	1	Exhaust Pipe ASM	25	125-7229	4	Nut
9	127-3173	2	Clamp	26	137-5168	1	Sensor-Gas Temp, E G R
10	127-3039	1	Bolt-Joint, Pipe	27	127-3780	1	E G R Pipe ASM
11	127-3174	2	Gasket	28	127-3016	1	Gasket
12	125-7206	2	Bolt	29	125-7215	2	Bolt
13	127-3042	1	Cooler-E G R	30	125-7229	2	Nut
14	127-3043	2	Gasket-Cooler, E G R	31	127-3781	1	Valve-E G R
15	135-4016	1	Bolt	32	127-3050	1	Gasket-Intake Valve, E G R
16	135-4015	2	Bolt	33	127-3051	1	Gasket-Out Valve, E G R
17	127-3048	1	E G R Pipe ASM	34	125-7229	2	Nut

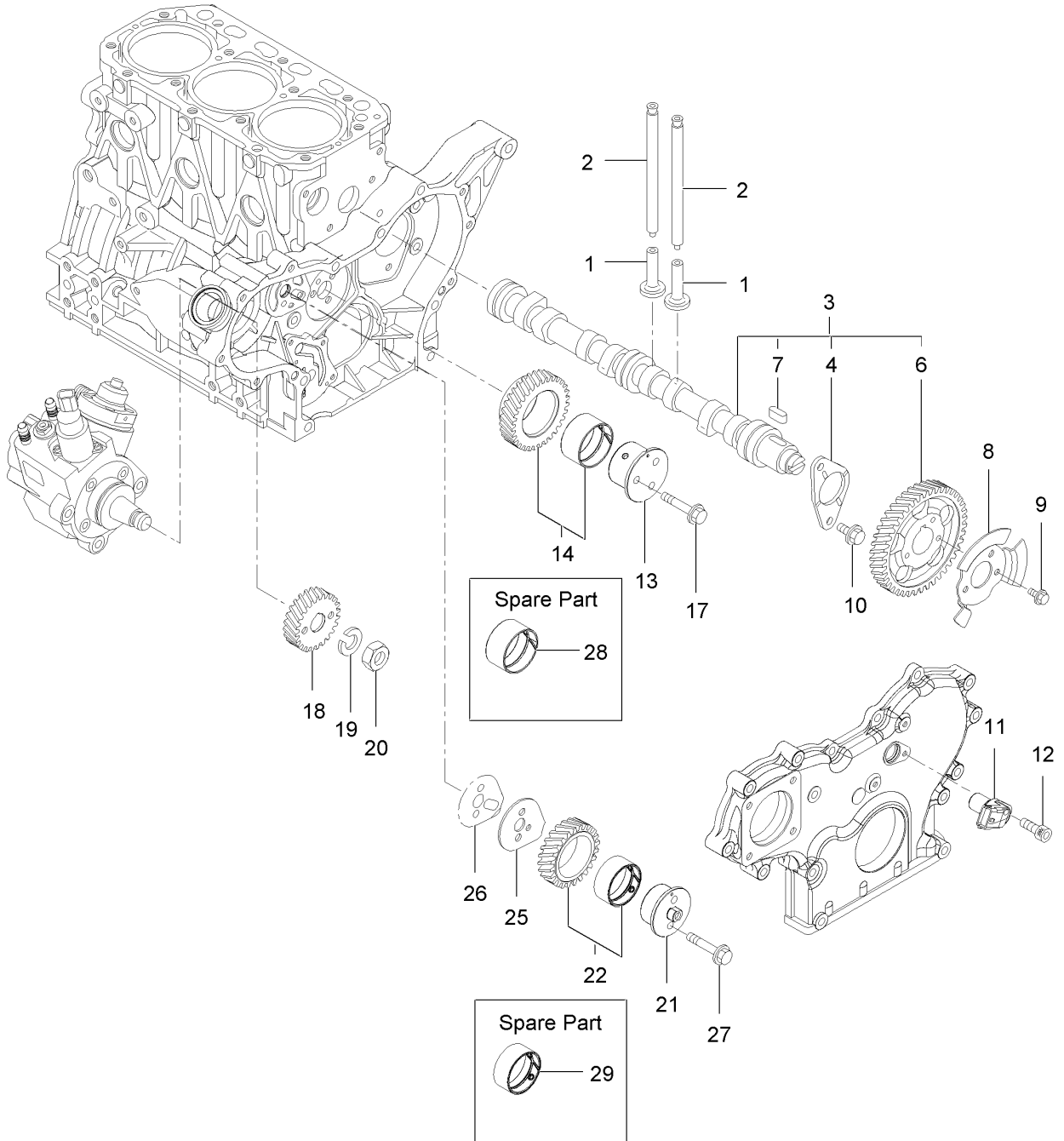
# Diesel Particulate Filter (DPF) Assembly



## Diesel Particulate Filter (DPF) Assembly (continued)

<i>Ref.</i>	<i>Part Number</i>	<i>Qty.</i>	<i>Description</i>	<i>Ref.</i>	<i>Part Number</i>	<i>Qty.</i>	<i>Description</i>
1	127-3019	1	Gasket	27	127-4745	1	Sensor Pipe ASM
2	127-4739	1	Stay-D P F	29	140-7175	1	Hose-Pressure
3	131-3868	1	Stay, Dpf	30	127-3057	2	Clip-Hose
4	131-3869	1	Stay, Dpf	32	127-3058	2	Clip-Hose
6	142-8722	1	Sensor-Temp, Exhaust	33	142-8726	1	Hose, Exhaust Pressure
7	142-8723	1	Sensor-Temp, Exhaust	34	127-3060	1	Sensor-Pressure
8	142-8724	1	D P F ASM	35	127-4750	1	Bracket-Sensor
9	142-8725	1	Case, Doc	36	125-7595	2	Bolt
11	131-3872	1	Case, Soot Filter	37	127-3087	1	Band-Clip
13	127-3786	1	Silencer-D P F	38	127-3124	1	Band
14	127-3787	2	Gasket-D P F	39	127-3088	2	Clip-Connector
15	127-3055	16	Bolt	40	131-3878	1	Stay, Dpf
16	127-3788	1	Lifter-D P F	41	142-8727	1	Bolt-Stud
17	127-3789	5	Stiffener-D P F, A	42	142-8728	1	Bolt-Stud
18	131-3874	1	Stiffener, Dpf B	43	125-7214	3	Bolt
19	131-3875	1	Stiffener, Dpf C	44	125-7595	2	Bolt
20	127-3792	1	Stiffener-D P F, C	45	130-7444	2	Bolt
21	93-0362	2	Bolt	46	131-3879	2	Bolt, M10X 40 Plated
22	125-7229	16	Nut	47	125-7229	4	Nut
24	127-3039	2	Bolt-Joint, Pipe	48	125-7229	2	Nut
25	127-3056	4	Gasket-Sensor	49	125-7230	1	Nut
26	127-4744	1	Sensor Pipe ASM				

# Camshaft and Driving Gear Assembly

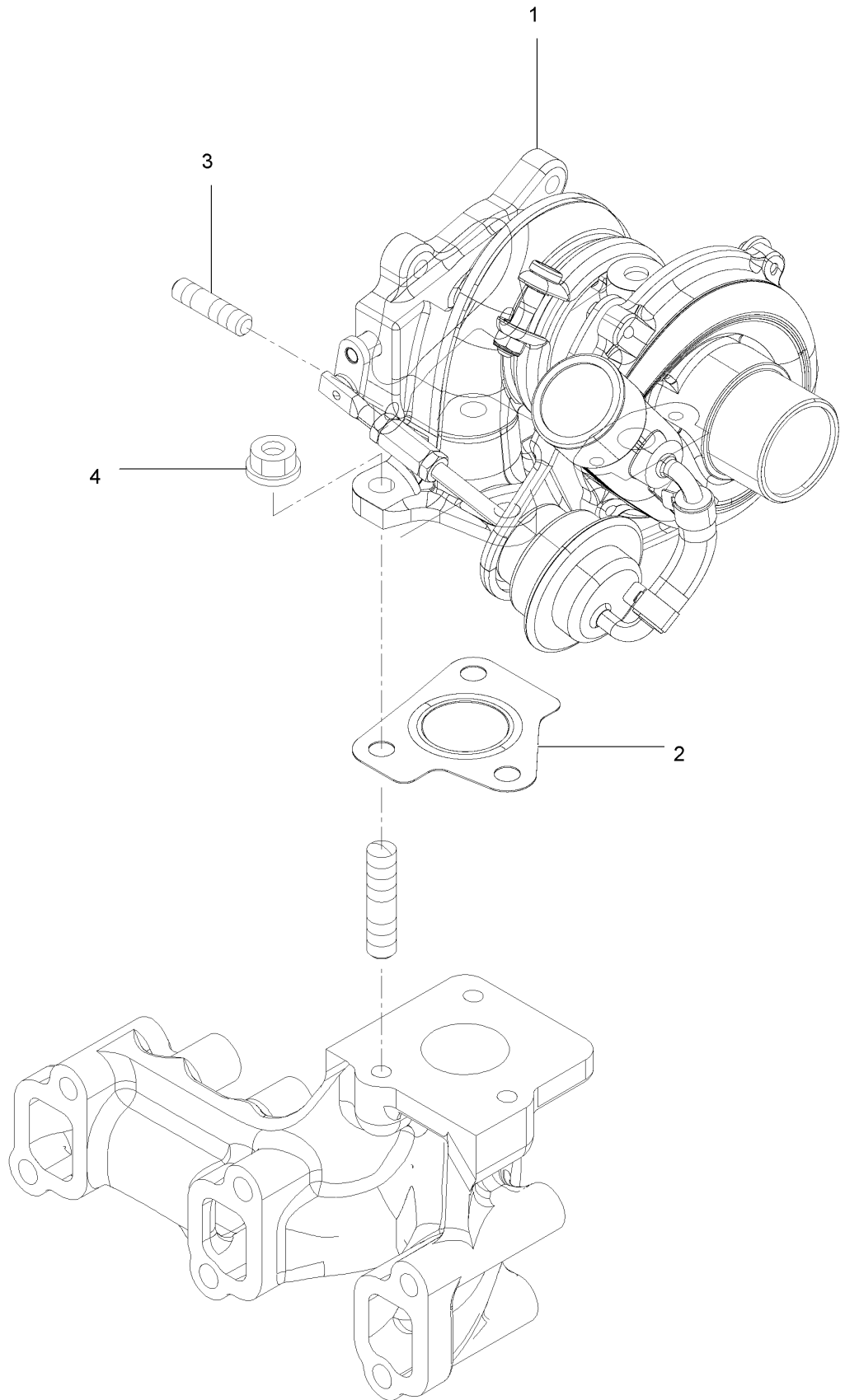




## Camshaft and Driving Gear Assembly (continued)

<i>Ref.</i>	<i>Part Number</i>	<i>Qty.</i>	<i>Description</i>	<i>Ref.</i>	<i>Part Number</i>	<i>Qty.</i>	<i>Description</i>
1	125-7016	6	Tappet	14	127-3066	1	Idle Gear A ASM
2	125-7017	6	Rod-Push	17	125-7219	3	Bolt
3	127-3797	1	Camshaft ASM	18	127-3070	1	Gear-Pump, Supply
4	125-7008	1	Metal-Thrust	19	127-3167	1	Washer-Spring
6	127-3052	1	Gear-Camshaft	20	127-3185	1	Nut-Lock
7	125-7185	1	Key	21	127-3064	1	Shaft-Idle, Gear B
8	131-3880	1	Pulser, Camshaft	22	127-3067	1	Idle Gear B ASM
9	125-7205	3	Bolt	25	127-3068	1	Plate-Idle, Shaft
10	125-7213	2	Bolt	26	127-3069	1	Gasket-Idle, Shaft B
11	127-3054	1	Sensor-Rev, Gear	27	125-7218	2	Bolt
12	127-3184	1	Bolt	28	125-6927	1	Bushing
13	127-3063	1	Shaft-Idle, Gear A	29	127-3065	1	Bushing

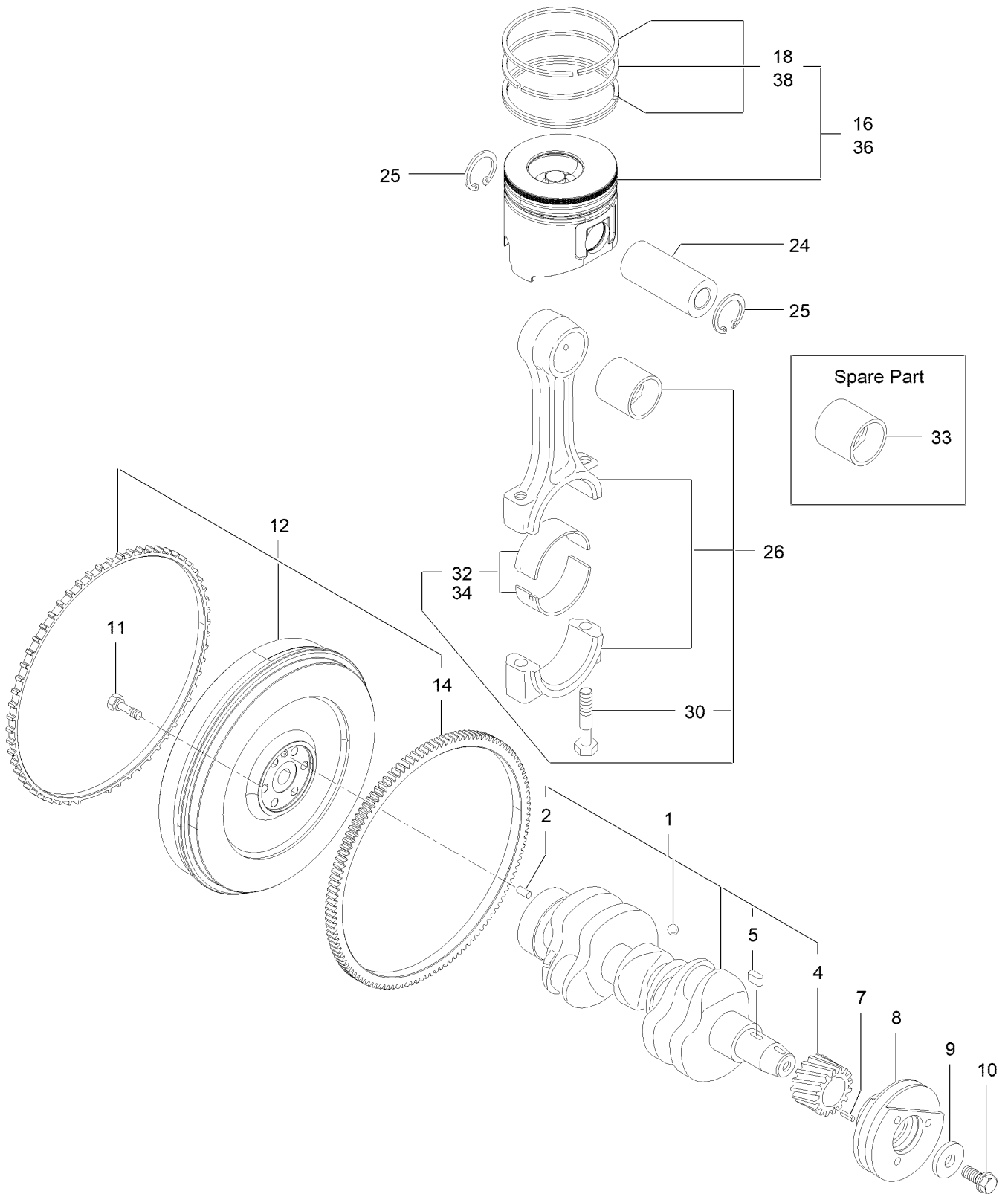
# Turbine Assembly



## Turbine Assembly (continued)

<i>Ref.</i>	<i>Part Number</i>	<i>Qty.</i>	<i>Description</i>	<i>Ref.</i>	<i>Part Number</i>	<i>Qty.</i>	<i>Description</i>
1	135-4151	1	Turbocharger	3	125-6906	4	Stud
2	127-3799	1	Gasket-In, T C	4	125-7229	3	Nut

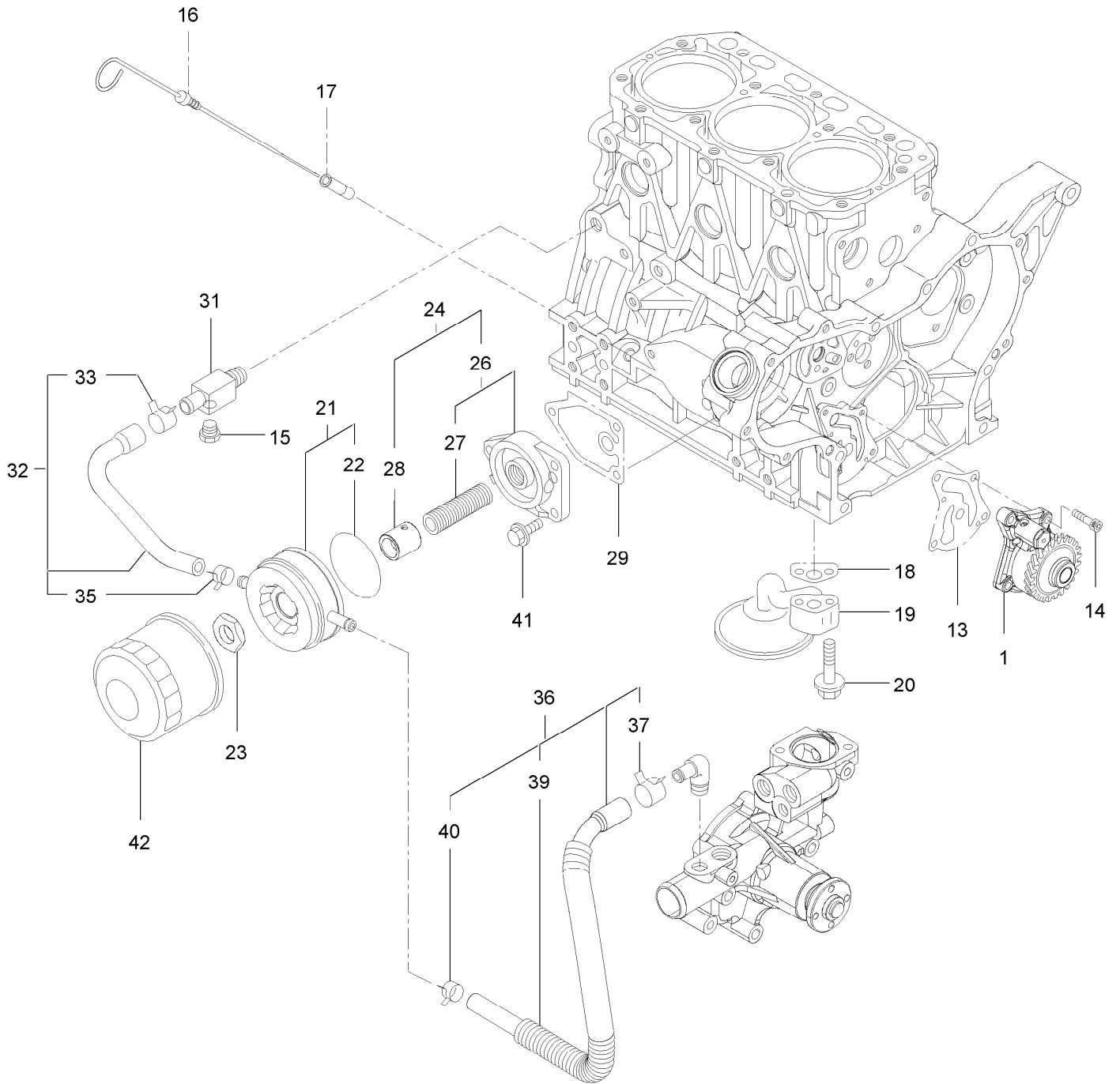
# Crankshaft and Piston Assembly



## Crankshaft and Piston Assembly (continued)

<i>Ref.</i>	<i>Part Number</i>	<i>Qty.</i>	<i>Description</i>	<i>Ref.</i>	<i>Part Number</i>	<i>Qty.</i>	<i>Description</i>
1	127-3800	1	Crankshaft ASM	16	127-3097	3	Piston ASM
2	125-6995	1	Pin	18	127-3098	3	Piston Ring ASM
4	125-6937	1	Gear	24	125-7030	3	Pin
5	125-7185	1	Key	25	125-7180	6	Ring
7	125-7182	1	Pin-Spring	26	125-7242	3	Connecting Rod ASM
8	142-8729	1	Pulley-V, Crankshaft	30	125-6955	6	Bolt
9	125-7109	1	Washer	32	125-7018	3	Pin-Crank
10	125-6956	1	Bolt	33	125-6997	3	Pin-Piston
11	125-6951	6	Bolt	34	125-7019	3	Pin-Crank (.25)
12	127-4761	1	Flywheel ASM	36	127-3099	3	Piston ASM (0.25 O.S.)
14	127-4703	1	Gear	38	127-3100	3	Piston Ring ASM (0.25 O.S.)

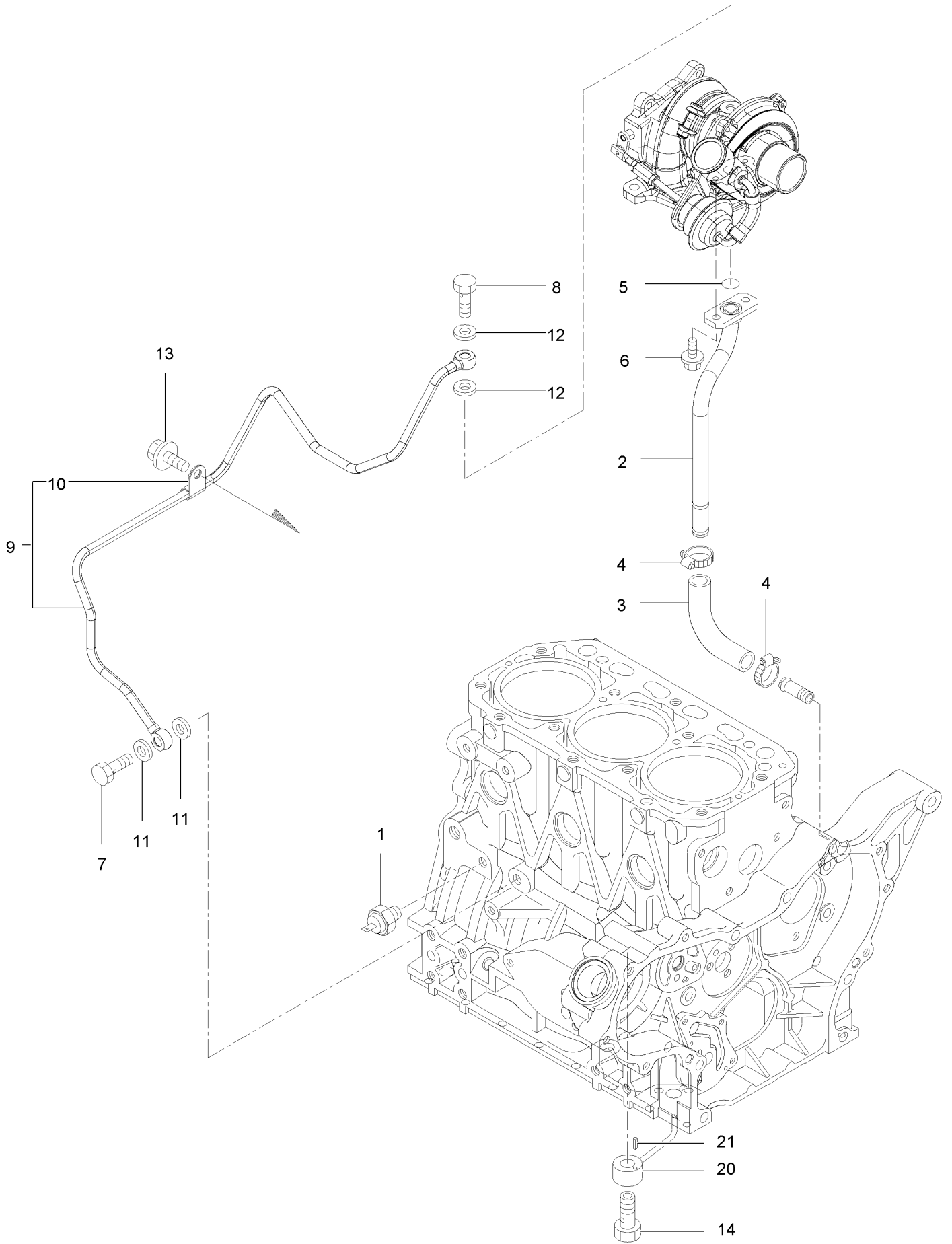
# Oil Pump Assembly



## Oil Pump Assembly (continued)

<i>Ref.</i>	<i>Part Number</i>	<i>Qty.</i>	<i>Description</i>	<i>Ref.</i>	<i>Part Number</i>	<i>Qty.</i>	<i>Description</i>
1	127-3101	1	Oil Lube Pump ASM	27	125-7042	1	Stud
13	127-3004	1	Gasket	28	135-4022	1	Collar-Cooler, Oil
14	125-7232	4	Bolt	29	125-7024	1	Gasket
15	125-7171	1	Plug-Drain	31	125-6990	1	Joint
16	140-7168	1	Dipstick-Oil	32	125-7078	1	Pipe ASM
17	125-6954	1	Guide-Dipstick	33	125-7162	1	Clip
18	125-7022	1	Gasket	35	125-7191	1	Clamp-Hose
19	135-4017	1	Oil Inlet Pipe ASM	36	127-3804	1	Pipe ASM
20	125-7217	2	Bolt	37	125-7162	1	Clip
21	135-4018	1	Oil Cooler ASM	39	127-3805	1	Tube
22	135-4019	1	Packing-Oil Cooler	40	125-7191	3	Clamp-Hose
23	135-4020	1	Nut	41	125-7595	1	Bolt
24	135-4021	1	Lo Filter Bracket ASM	42	125-7025	1	Filter-Engine, Oil
26	140-7169	1	Filter Bracket ASM				

# Lubrication and Oil System Assembly

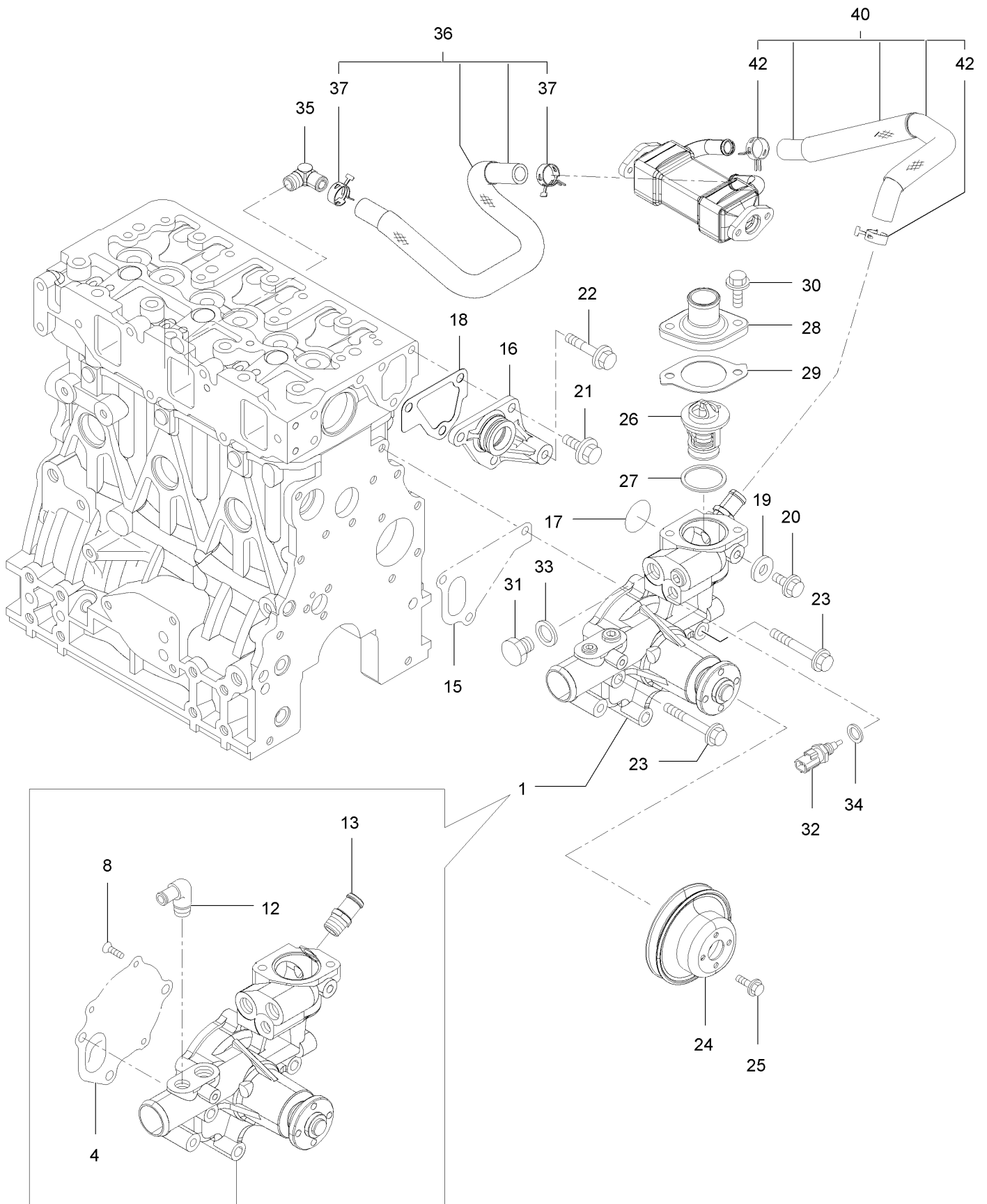




## Lubrication and Oil System Assembly (continued)

<i>Ref.</i>	<i>Part Number</i>	<i>Qty.</i>	<i>Description</i>	<i>Ref.</i>	<i>Part Number</i>	<i>Qty.</i>	<i>Description</i>
1	125-6918	1	Switch-Oil	9	139-6021	1	Lube Oil Pipe ASM
2	142-8730	1	Pipe, Oil Return	10	125-6976	1	Retainer
3	127-3808	1	Joint	11	125-7175	2	Washer-Seal
4	127-3169	2	Clamp-Hose	12	125-7193	2	Gasket
5	125-7198	1	O-Ring	13	93-0362	1	Bolt
6	125-7208	2	Bolt	14	125-7105	3	Check Valve ASM
7	125-6975	1	Bolt-Joint, Pipe	20	125-7098	3	Nozzle
8	125-6952	1	Bolt-Joint, Pipe	21	125-7182	3	Pin-Spring

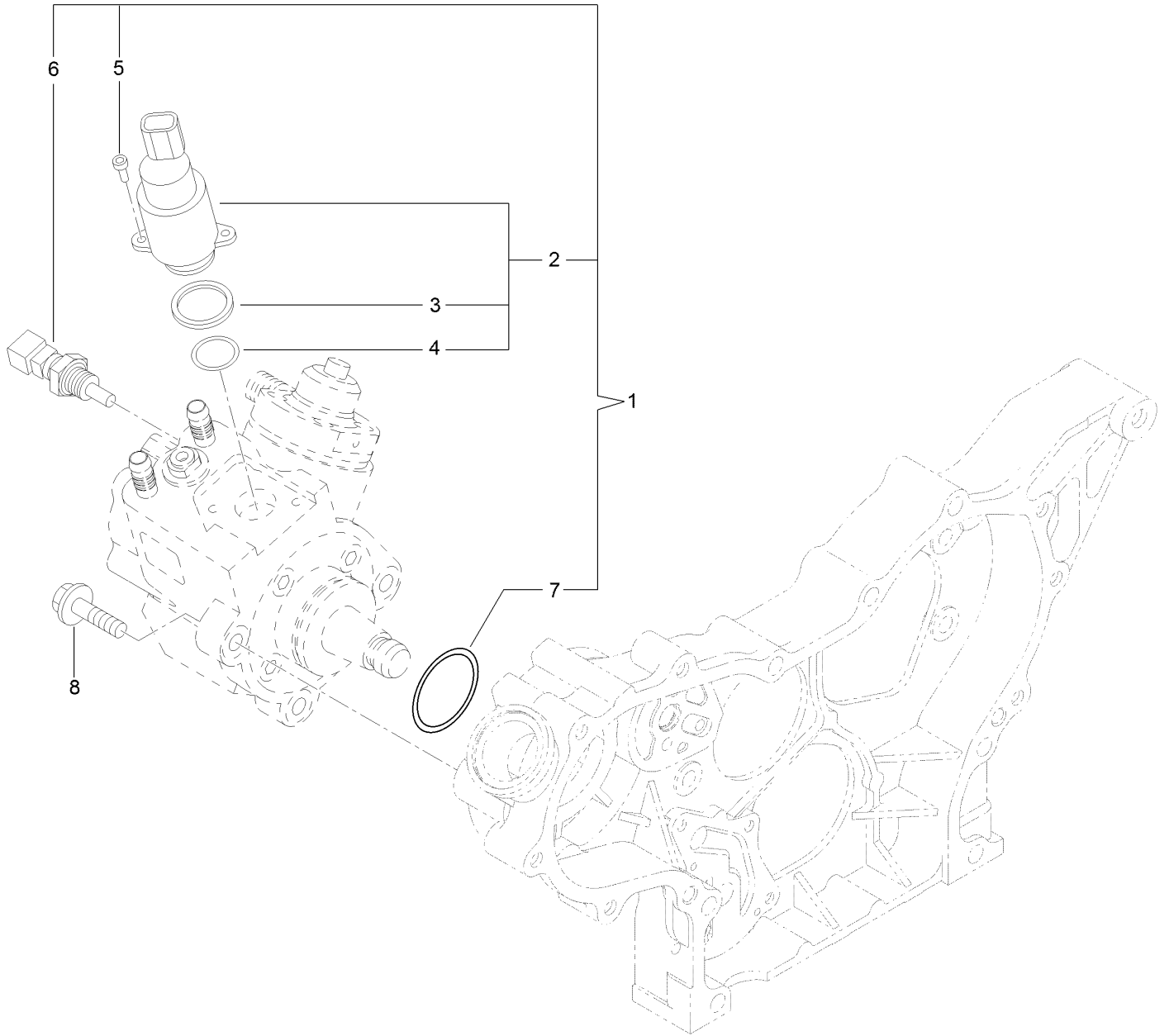
# Cooling Water System Assembly



## Cooling Water System Assembly (continued)

<i>Ref.</i>	<i>Part Number</i>	<i>Qty.</i>	<i>Description</i>	<i>Ref.</i>	<i>Part Number</i>	<i>Qty.</i>	<i>Description</i>
1	142-8731	1	Water Pump ASM	25	125-7206	4	Bolt
4	125-6998	1	Gasket	26	125-7029	1	Thermostat
8	140-7170	3	Screw-Flat	27	125-7026	1	Gasket
12	125-7001	1	Elbow	28	140-7171	1	Cover-Thermostat
13	142-8732	1	Elbow	29	125-7110	1	Gasket
15	125-7047	1	Gasket	30	125-7594	2	Bolt
16	125-6986	1	Joint	31	125-6953	1	Plug
17	125-7048	1	O-Ring	32	125-7124	1	Sensor-Thermostat, CW
18	125-6978	1	Gasket	33	125-6979	1	Gasket
19	125-7192	1	Gasket	34	125-7176	1	Washer-Seal
20	93-0362	1	Bolt	35	127-4705	1	Elbow
21	125-7214	3	Bolt	36	127-4757	1	E G R-C Pipe ASM
22	125-7219	1	Bolt	37	127-3020	2	Clip-Hose
23	125-7222	3	Bolt	40	142-8734	1	Pipe ASM, CW
24	142-8733	1	Pulley-V, Pump	42	127-3020	2	Clip-Hose

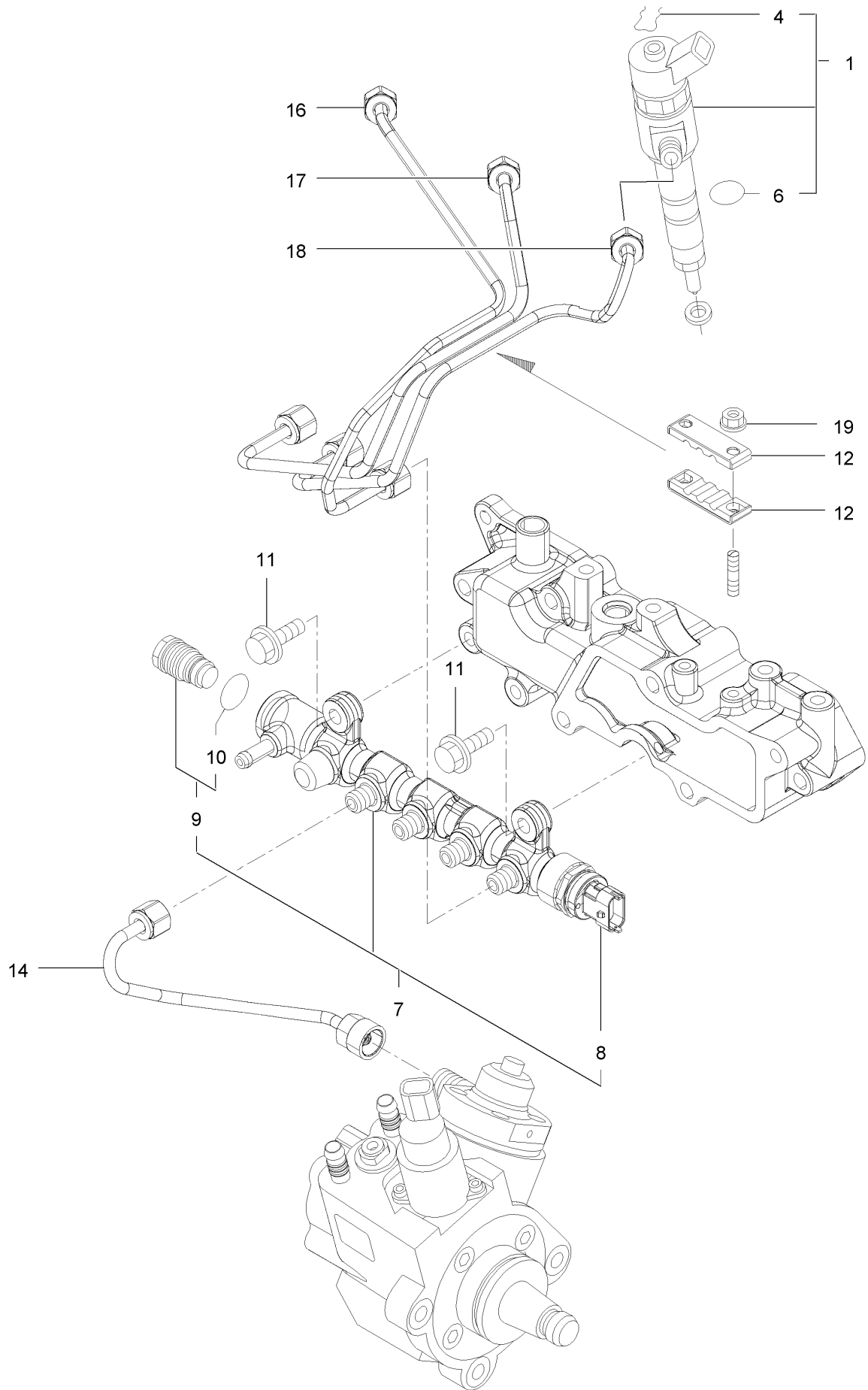
# Fuel Supply Pump Assembly



## Fuel Supply Pump Assembly (continued)

<i>Ref.</i>	<i>Part Number</i>	<i>Qty.</i>	<i>Description</i>	<i>Ref.</i>	<i>Part Number</i>	<i>Qty.</i>	<i>Description</i>
1	140-7178	1	Fuel Pump ASM	5	131-2107	2	Bolt
2	131-2103	1	Valve ASM	6	131-2108	1	Sensor-Temperature
3	131-2105	1	Ring-Sealing	7	127-3074	1	O-Ring
4	131-2106	1	O-Ring	8	125-7216	3	Bolt

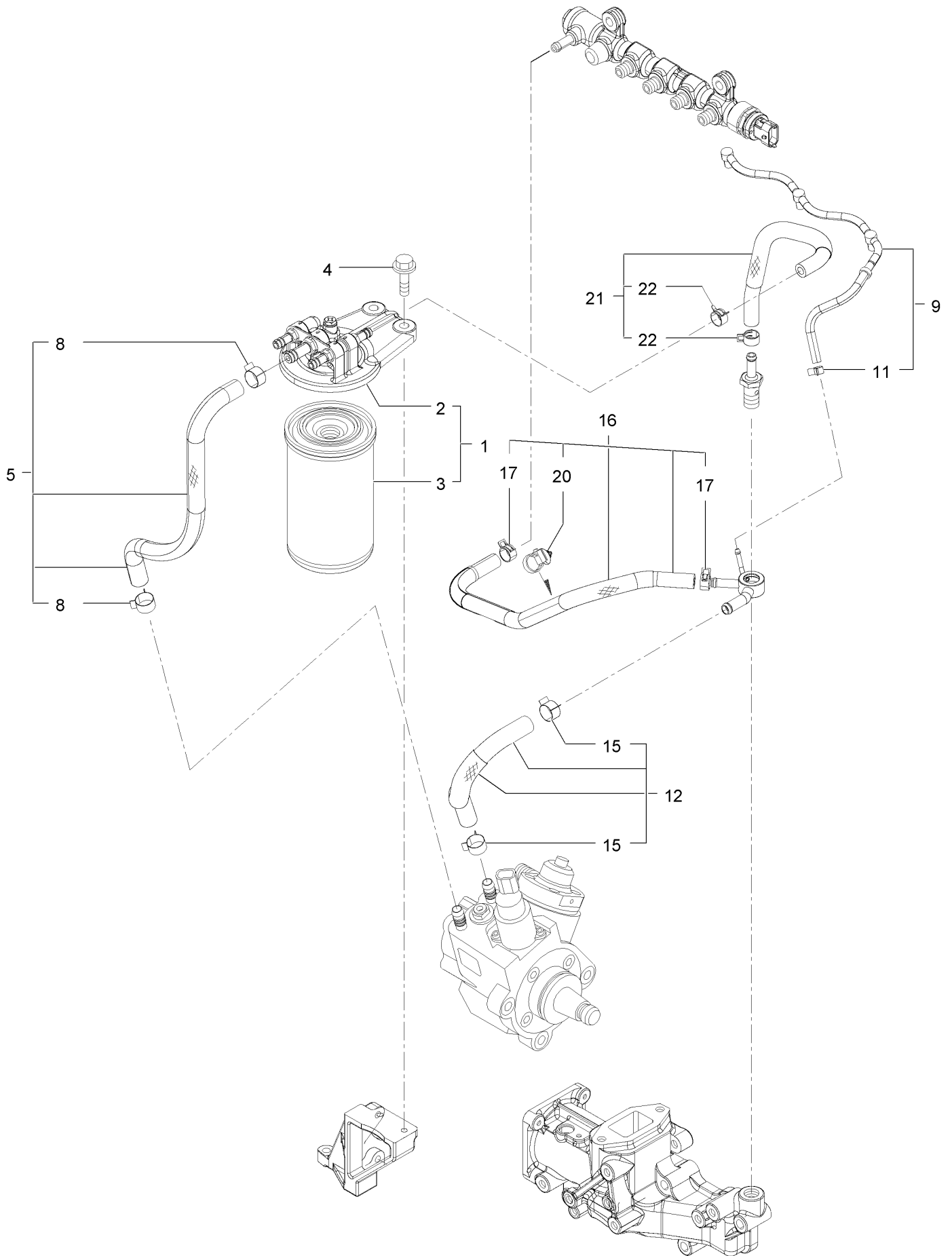
# Fuel Injection Valve Assembly



## Fuel Injection Valve Assembly (continued)

<i>Ref.</i>	<i>Part Number</i>	<i>Qty.</i>	<i>Description</i>	<i>Ref.</i>	<i>Part Number</i>	<i>Qty.</i>	<i>Description</i>
1	127-3104	3	Injector ASM	11	125-7215	2	Bolt
4	138-7843	3	Ring, Retaining	12	127-3813	2	Retainer
6	137-5173	3	O-Ring	14	127-3082	1	Rail In Pipe ASM
7	127-3812	1	Rail ASM	16	127-3814	1	Injection Pipe ASM
8	131-2709	1	Sensor-Pressure, Rail	17	127-3083	1	Injection Pipe ASM
9	131-2710	1	Valve ASM	18	127-3084	1	Injection Pipe ASM
10	138-7844	1	O-Ring, Plv4	19	125-7231	2	Nut

# Fuel Line Assembly

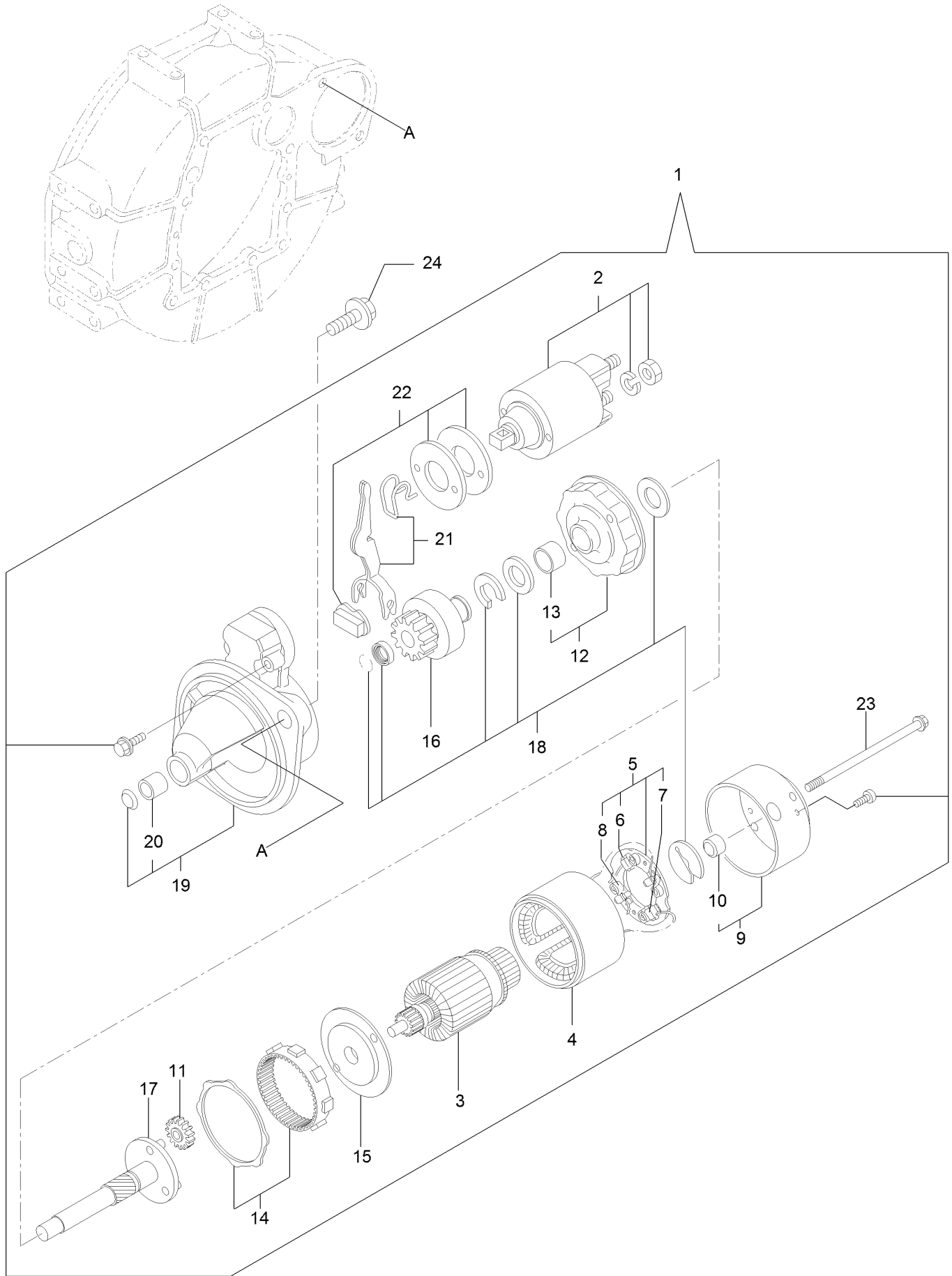




## Fuel Line Assembly (continued)

<i>Ref.</i>	<i>Part Number</i>	<i>Qty.</i>	<i>Description</i>	<i>Ref.</i>	<i>Part Number</i>	<i>Qty.</i>	<i>Description</i>
1	139-6016	1	Fuel/Oil Filter ASM	12	127-3078	1	Fuel Pipe ASM
2	127-3076	1	Fuel/Oil Filter Bracket ASM	15	125-7191	2	Clamp-Hose
3	139-6017	1	Filter-Fuel	16	127-3817	1	Fuel Pipe ASM
4	125-7216	2	Bolt	17	127-2950	2	Clip-Hose
5	127-3077	1	Fuel Pipe ASM	20	127-3087	1	Band-Clip
8	125-7191	2	Clamp-Hose	21	127-3079	1	Fuel Pipe ASM
9	135-4023	1	Fuel/Oil Return Pipe ASM	22	127-2950	2	Clip-Hose
11	127-3172	1	Clamp-Hose				

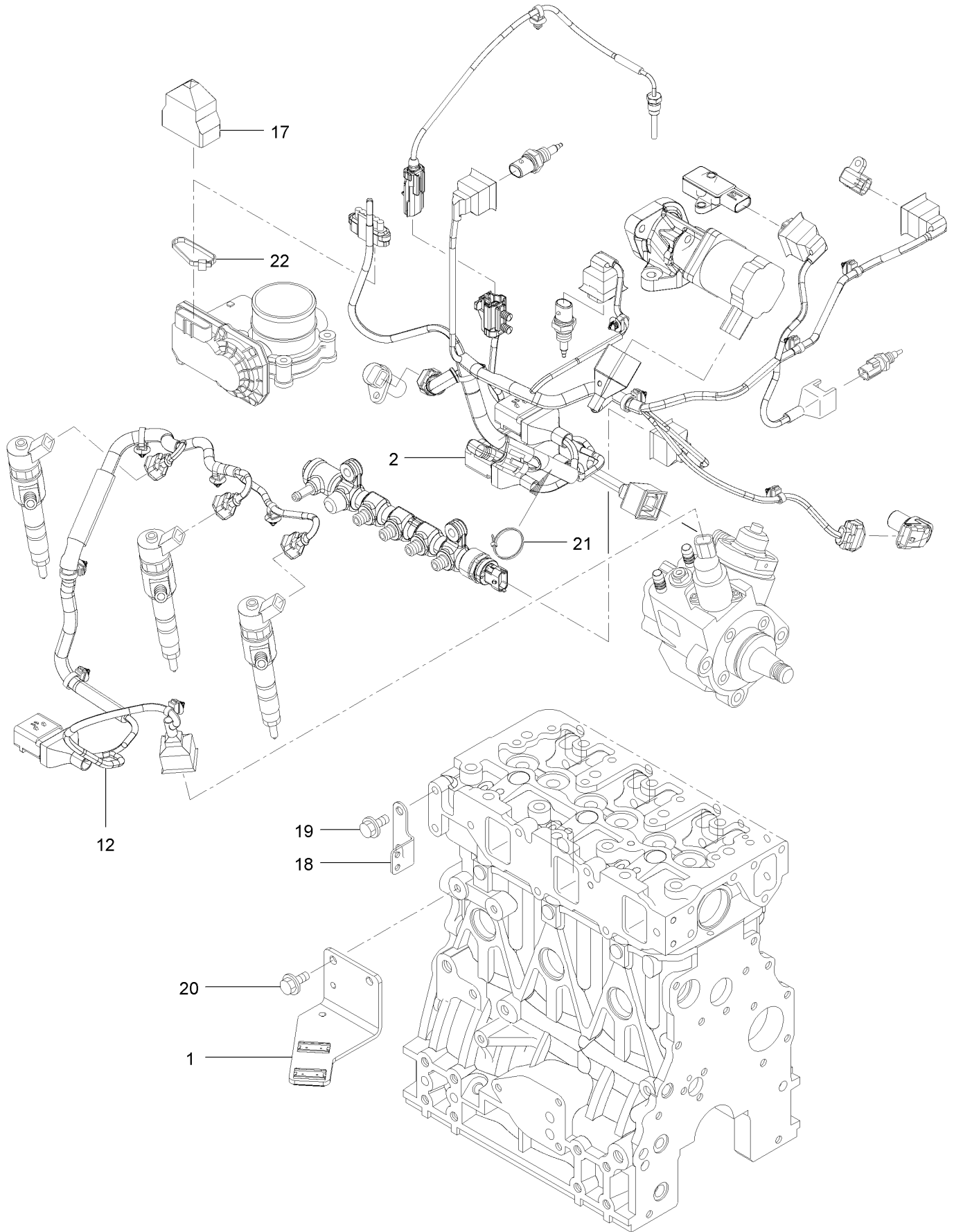
# Starting Motor Assembly



## Starting Motor Assembly (continued)

<i>Ref.</i>	<i>Part Number</i>	<i>Qty.</i>	<i>Description</i>	<i>Ref.</i>	<i>Part Number</i>	<i>Qty.</i>	<i>Description</i>
1	127-3818	1	Starter ASM	13	127-3830	1	Bracket
2	127-3819	1	Switch ASM	14	127-3831	1	Gear
3	127-3820	1	Armature ASM	15	127-3832	1	Bracket
4	127-3821	1	Yoke ASM	16	127-3833	1	Pinion ASM
5	127-3822	1	Brush Holder ASM	17	127-3834	1	Shaft
6	127-3823	2	Brush	18	127-3835	1	Washer Set
7	127-3824	1	Brush Set	19	127-3836	1	Case ASM
8	127-3825	4	Spring	20	127-3837	1	Metal-Starter
9	127-3826	1	Cover ASM	21	127-3838	1	Lever Set
10	127-3827	1	Metal	22	127-3839	1	Dust Cover ASM
11	127-3828	3	Gear	23	135-4024	2	Bolt-Through
12	127-3829	1	Bracket	24	125-7225	2	Bolt

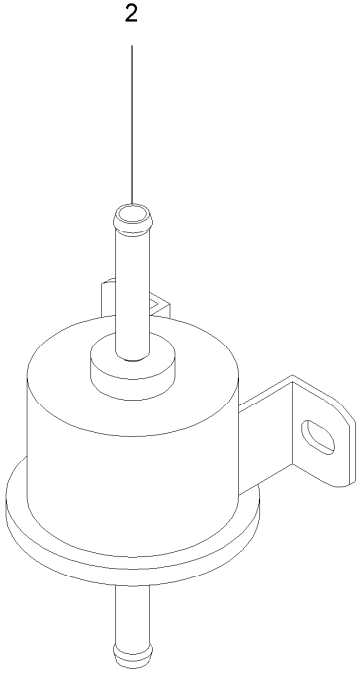
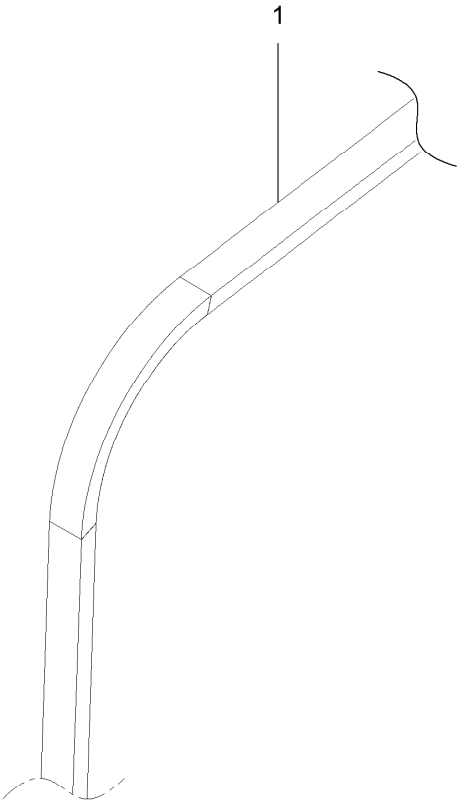
# Electric Parts Assembly



## Electric Parts Assembly (continued)

<i>Ref.</i>	<i>Part Number</i>	<i>Qty.</i>	<i>Description</i>	<i>Ref.</i>	<i>Part Number</i>	<i>Qty.</i>	<i>Description</i>
1	131-2735	1	Bracket-Connector	19	93-0362	1	Bolt
2	127-3850	1	Harness B-Engine, E C O	20	125-7213	1	Bolt
12	130-7438	1	Harness	21	127-3187	2	Band
17	131-2713	1	Boot-Cap	22	127-3188	2	Band
18	127-3090	1	Bracket-Harness				

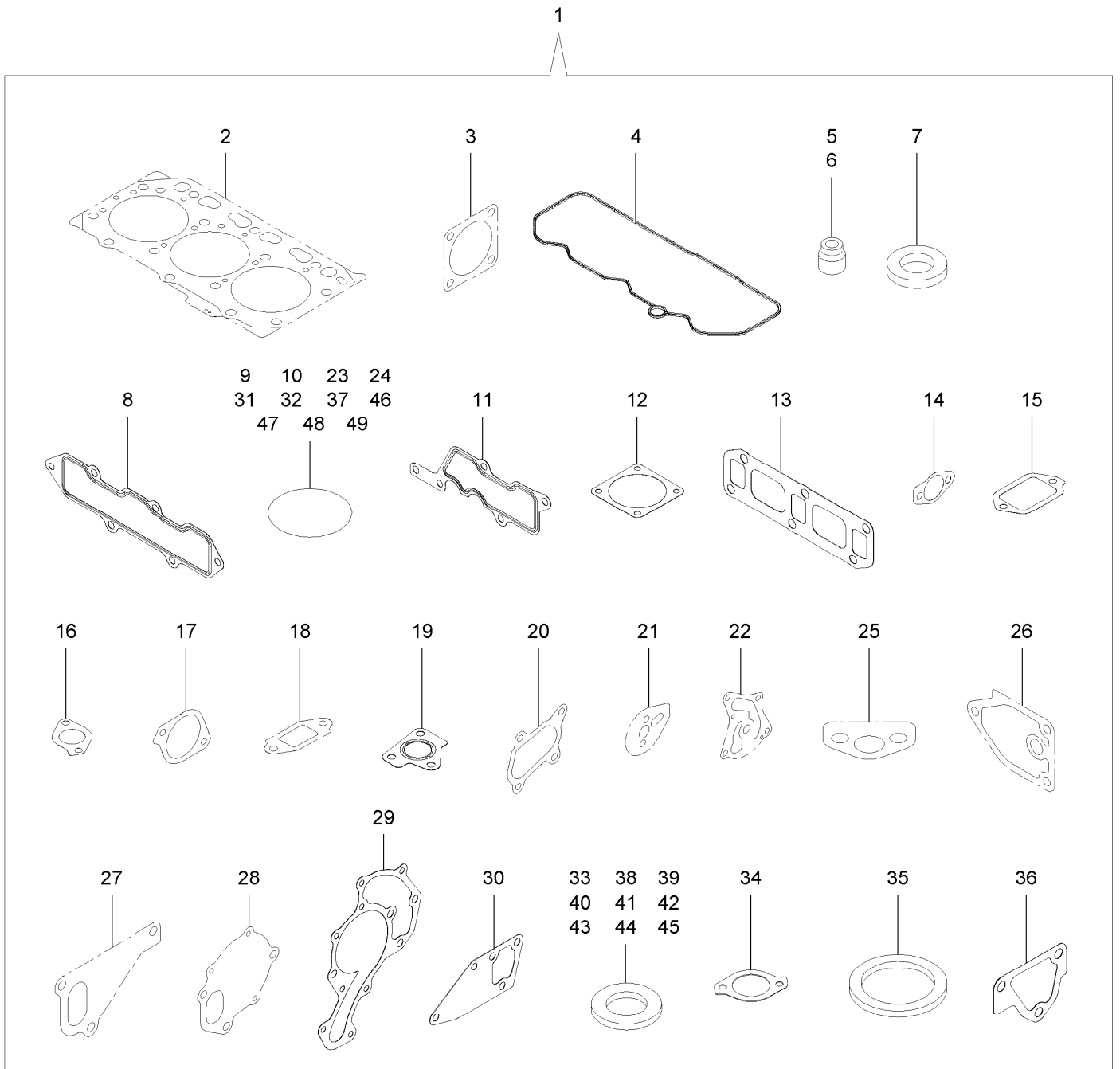
# Accessory Parts



## Accessory Parts (continued)

<i>Ref.</i>	<i>Part Number</i>	<i>Qty.</i>	<i>Description</i>
1	142-6650	1	Belt-V, Cogged
2	121-5613	1	Pump-Fuel, Electric

# Gasket Set





## Gasket Set (continued)

<i>Ref.</i>	<i>Part Number</i>	<i>Qty.</i>	<i>Description</i>	<i>Ref.</i>	<i>Part Number</i>	<i>Qty.</i>	<i>Description</i>
1	127-3854	1	Gasket Kit	25	125-7022	1	Gasket
2	127-3751	1	Head Gasket ASM	26	125-7024	1	Gasket
3	131-3886	2	Gasket, Pump	27	125-7047	1	Gasket
4	127-3762	1	Gasket-Cover, Cylinder Head	28	125-6998	1	Gasket
5	127-2986	3	Seal-Stem, Valve	29	131-3887	1	Gasket
6	127-3027	3	Seal-Stem, Valve	30	131-3888	1	Gasket, Water Pump
7	127-3021	3	Gasket-Injector	31	125-7048	1	O-Ring
8	127-3769	1	Gasket-Manifold, Intake	32	131-3889	1	O-Ring
9	127-3032	2	O Ring-Sensor, Pressure	33	125-6979	1	Gasket
10	127-3033	1	O-Ring	34	125-7110	1	Gasket
11	127-3034	1	Gasket-Collector	35	125-7026	1	Gasket
12	127-3037	2	Gasket-Throttle	36	125-6978	1	Gasket
13	127-3775	1	Gasket-Manifold, Exhaust	37	127-3074	1	O-Ring
14	127-3043	2	Gasket-Cooler, E G R	38	125-7174	3	Washer-Seal
15	127-3046	1	Gasket-E G R	39	125-7175	2	Washer-Seal
16	127-3016	1	Gasket	40	125-7176	1	Washer-Seal
17	127-3050	1	Gasket-Intake Valve, E G R	41	127-3166	2	Washer-Seal
18	127-3051	1	Gasket-Out Valve, E G R	42	136-8236	1	Washer-Seal
19	127-3799	1	Gasket-In, T C	43	125-7192	1	Gasket
20	127-3779	1	Gasket-Out, T C	44	125-7193	2	Gasket
21	127-3069	1	Gasket-Idle, Shaft B	45	127-3174	2	Gasket
22	127-3004	1	Gasket	46	138-7829	3	O-Ring
23	125-6909	2	O-Ring	47	125-7197	2	O-Ring
24	127-2973	1	O-Ring	48	125-7198	1	O-Ring
				49	131-3890	1	O-Ring, 524031

# Attachments and Accessories

## For 72144 Z Master Professional 7500-D Series Riding Mower With 144in TURBO FORCE Rear Discharge Mower

<b>Product Name</b>	<b>Model/Part</b>
Premium Transmission/Hydraulic Tractor Fluid (55 Gallon Drum).....	108-1183
Premium Transmission/Hydraulic Tractor Fluid (5 Gallon Pail) .....	108-1184
Jack Kit.....	127-6666
Jack Mount Kit .....	135-1768
Light Flasher Kit.....	135-2892
Worklight Kit .....	135-7076
15W40 Oil 32oz. ....	137-1051
Oil-30/10W-30 Synthetic (Quart).....	138-6053
Oil-30/10W-30 Synthetic (Gallon) .....	138-6054
Blade-24.50 High Flow .....	140-1238
Blade-24.50 Atomic .....	140-1239
Blade-24.50 Mulch.....	140-1246
Blade-24.50 Medium Flow .....	140-4850
Blade-24.50 Low Flow .....	140-4851
Blade-24.50 Recycler .....	140-4852
6 Pack-Blade, 24.5 High Flow.....	140-4872
6 Pack-Blade, 24.5 Med Flow .....	140-4873
6 Pack-Blade, 24.5 Low Flow .....	140-4874
6 Pack-Blade, 24.5 Atomic.....	140-4875
6 Pack-Blade, 24.5 Recycler.....	140-4876
Finish Cut Baffle 144.....	142-2744
Tilt Sensor-Diesel .....	142-3372
Sunshade Kit .....	142-8775
Wing Deck Pivot Repair .....	146-4076
Heat Deflector Kit, ZMaster Professional 7500-D Series Riding Mower .....	147-7913

**Notes:**



**Count on it.**