



**Count on it.**

**Parts Catalog**

**Multi Pro<sup>®</sup> WM Turf Sprayer**

Model No. 41240—Serial No. 400966414 and Up



# Ordering Replacement Parts

To order replacement parts, please supply the part number, the quantity, and the description of each part desired.

## Understanding Reference Numbers

Each identified part in an illustration has a reference number. The reference number for a part also appears in the parts list, along with other information about the part.

This catalog uses two special reference number formats, one to indicate parts in a service assembly and another to indicate the quantity of a given part in an illustration.

## Service Assembly Reference Numbers

Parts in service assemblies have reference numbers in the form a:b. The a represents the reference number of the entire service assembly and the b represents a sequential number unique to each part within the service assembly.

For example, a wheel assembly might be identified by reference number 6, the tire by 6:1, the valve by 6:2, and the wheel by 6:3. When you order the assembly identified by reference number 6, you receive all parts identified by reference numbers 6:1, 6:2, and 6:3. However, you may also order any part individually. Reference numbers of this type appear in illustration and in parts lists.

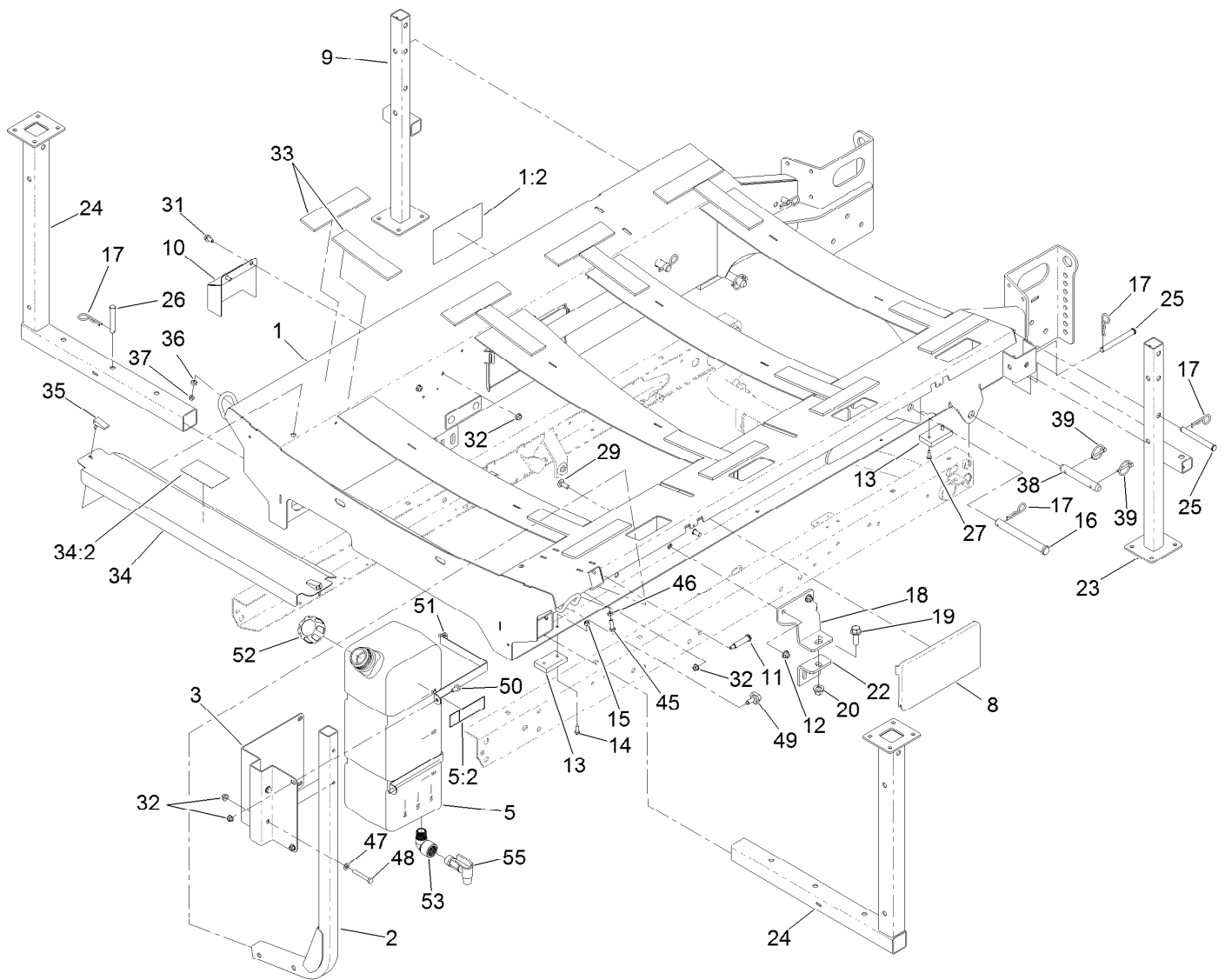
## Reference Numbers Indicating Quantity

In an illustration, if a reference number indicates more than one part, the reference number has the form nX y. The n represents the quantity of the part, the X is the multiplication symbol, and the y represents the reference number.

For example, in an illustration, the reference number 2X 37 means that two of the parts identified by reference number 37 are indicated.

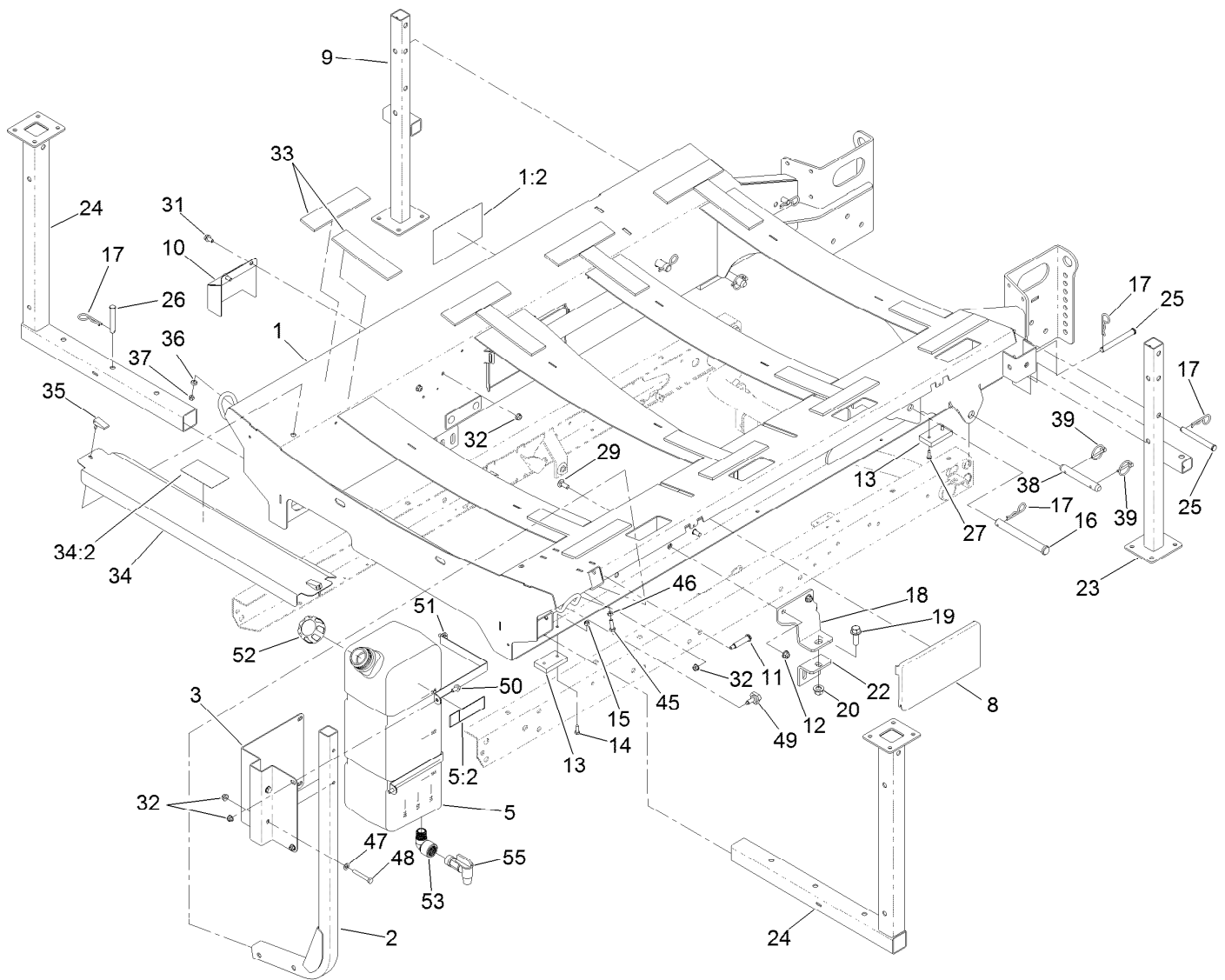
# Contents

Frame, Stand and Boom Mount Assembly	4
Control Console Assembly	6
Turf Sprayer Finishing Kit No. 131-3301	7
Hydraulic Motor Assembly No. 131-5810	8
Multi Pro WM Turf Sprayer Finishing Kit No. 131-3302	9
Driveshaft Assembly No. 125-0680	10
Pump Mount Assembly	11
Pump Assembly No. 132-7768	12
Spray Tank Assembly	13
Tank Assembly No. 121-6518	14
Spray Tank Lid Assembly No. 119-9380	15
Filter Assembly No. 130-7096	16
Spray Valve Assembly	17
Agitation Valve Assembly	18
Regulating Valve Body Assembly No. 127-9804	19
Actuator Regulating Valve No. 131-3724	20
On/Off Actuator Kit No. 131-3723	21
Pressure Filter Assembly No. 131-3791	22
Manifold Valve Kit No. 131-0253	23
Manifold Valve Kit No. 131-7256	24
Flow Meter Assembly No. 106-1038	25
Section Valve Manifold Assembly	26
On/Off Manifold Valve Kit No. 127-9803	27
Actuator On/Off Kit No. 131-3723	28
Bypass Valve Assembly No. 127-9805	29
Hose Assembly	30
Boom Lift Assembly	32
Hydraulic Cylinder Assembly No. 117-0701	33
On-Off Boom Lift Valve Assembly No. 136-2400	34
Electrical Assembly	35
Center Boom Assembly	36
RH Single Body Turret Assembly No. 108-3726	38
Double Turret Body Assembly No. 108-3727	39
LH Single Turret Body Assembly No. 108-3725	40
Boom Mounting Assembly	41
Left and Right Hand Boom Assembly	42
Attachments and Accessories	43



## Frame, Stand and Boom Mount Assembly

Ref.	Part Number	Qty.	Description	Ref.	Part Number	Qty.	Description
1	127-3984	1	Skid ASM	24	125-0841-03	2	Stand-Front
1:2	127-3936	2	Decal-Danger	25	283-83	4	Pin-Clevis
2	131-5791-03	1	Tube	26	283-55	2	Pin-Clevis
3	131-5796-03	1	Mount-Tank, Eye Wash	27	49-2040	4	Screw-HWHTF
5	132-7745	1	Fresh Water Tank ASM	29	3231-2	4	Bolt-CARR
5:2	120-0616	3	Decal-Water, Fresh	31	3234-14	2	Screw-HHF
8	125-0798	2	Cover-Access	32	104-8300	10	Nut-HF, NI
9	125-8108-03	1	Jack Stand-Rear, RH	33	125-8094	16	Pad-Tank
10	125-8138-03	1	Guard-Relay	34	127-3985	1	Skid Cover ASM
11	100-9880	2	Bolt-Shoulder	34:2	127-3937	1	Decal-Warning, Engine Cover
12	104-8301	4	Nut-HF, NI	35	106-6777	2	Handle-Latch, Swell
13	93-9719	4	Block-Wear	36	106-6778	2	Bushing-Latch, Swell
14	321-4	4	Screw-HH	37	1-804254	2	Nut-Lock, HH
15	3296-42	4	Nut-Lock, NI	38	92-1233	2	Pin-Clevis
16	100-5569	2	Pin-Clevis	39	92-1298	4	Pin-Lynch
17	3290-343	8	Pin-Hair	45	322-5	1	Screw-HH
18	125-0809	2	Bracket-Mount, Front	46	3218-2	1	Nut-Hex Jam
19	100-6116	2	Screw-HHF	47	3256-23	2	Washer-Plain
20	99-5107	2	Nut-Lock	48	322-11	2	Screw-HH
22	92-2667-03	2	Bracket-Mount	49	95-9648	2	Knob
23	125-0840-03	1	Jack Stand-Rear				

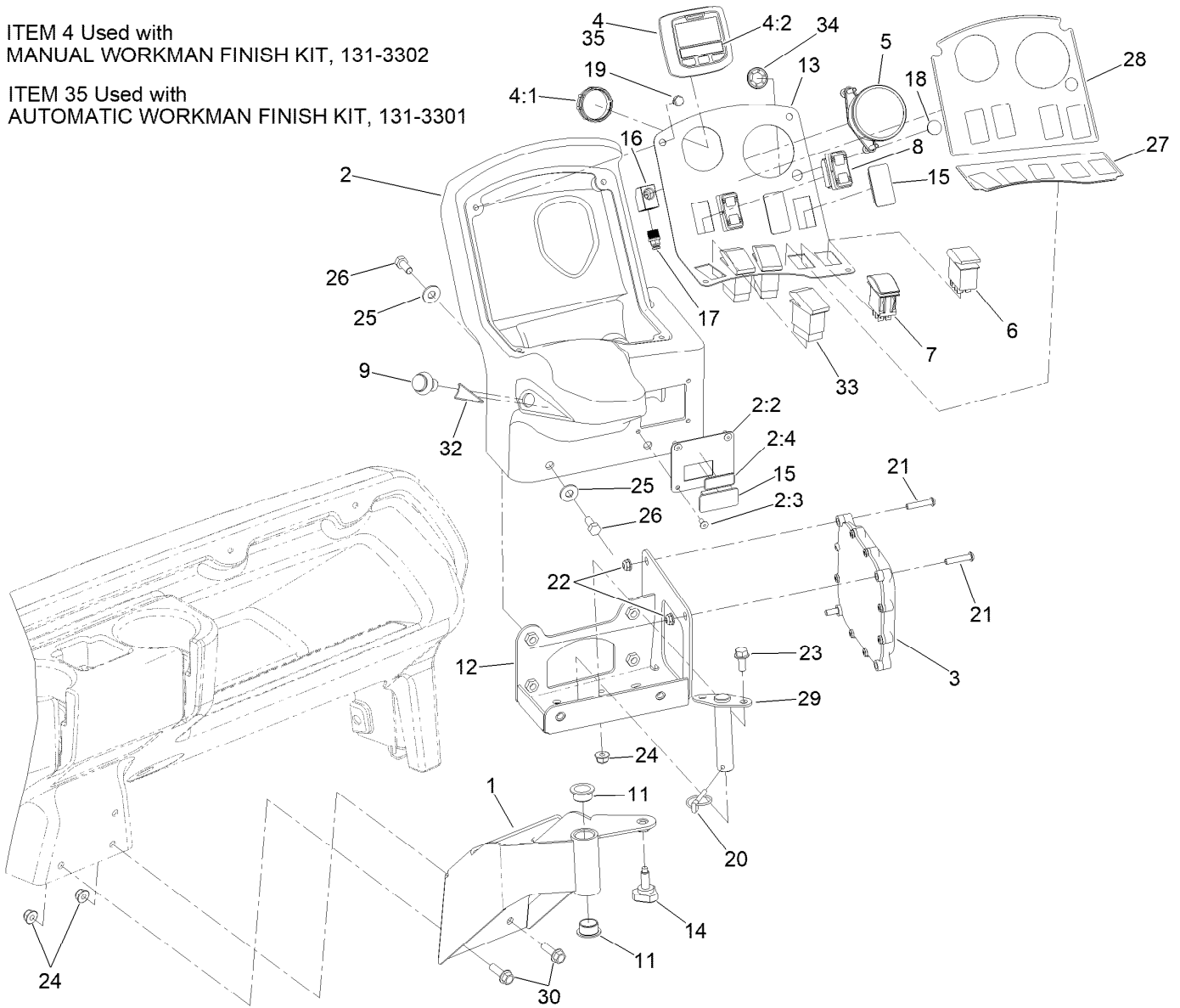


## Frame, Stand and Boom Mount Assembly (continued)

<i>Ref.</i>	<i>Part Number</i>	<i>Qty.</i>	<i>Description</i>	<i>Ref.</i>	<i>Part Number</i>	<i>Qty.</i>	<i>Description</i>
50	3234-7	4	Screw-HHF	53	132-7706	1	Elbow-90 DEG
51	132-7628-03	2	Band-Tank, Eye Wash	55	100-7011	1	Spigot-90 DEG
52	106-5052	1	Cap-Water, Fresh				

ITEM 4 Used with  
MANUAL WORKMAN FINISH KIT, 131-3302

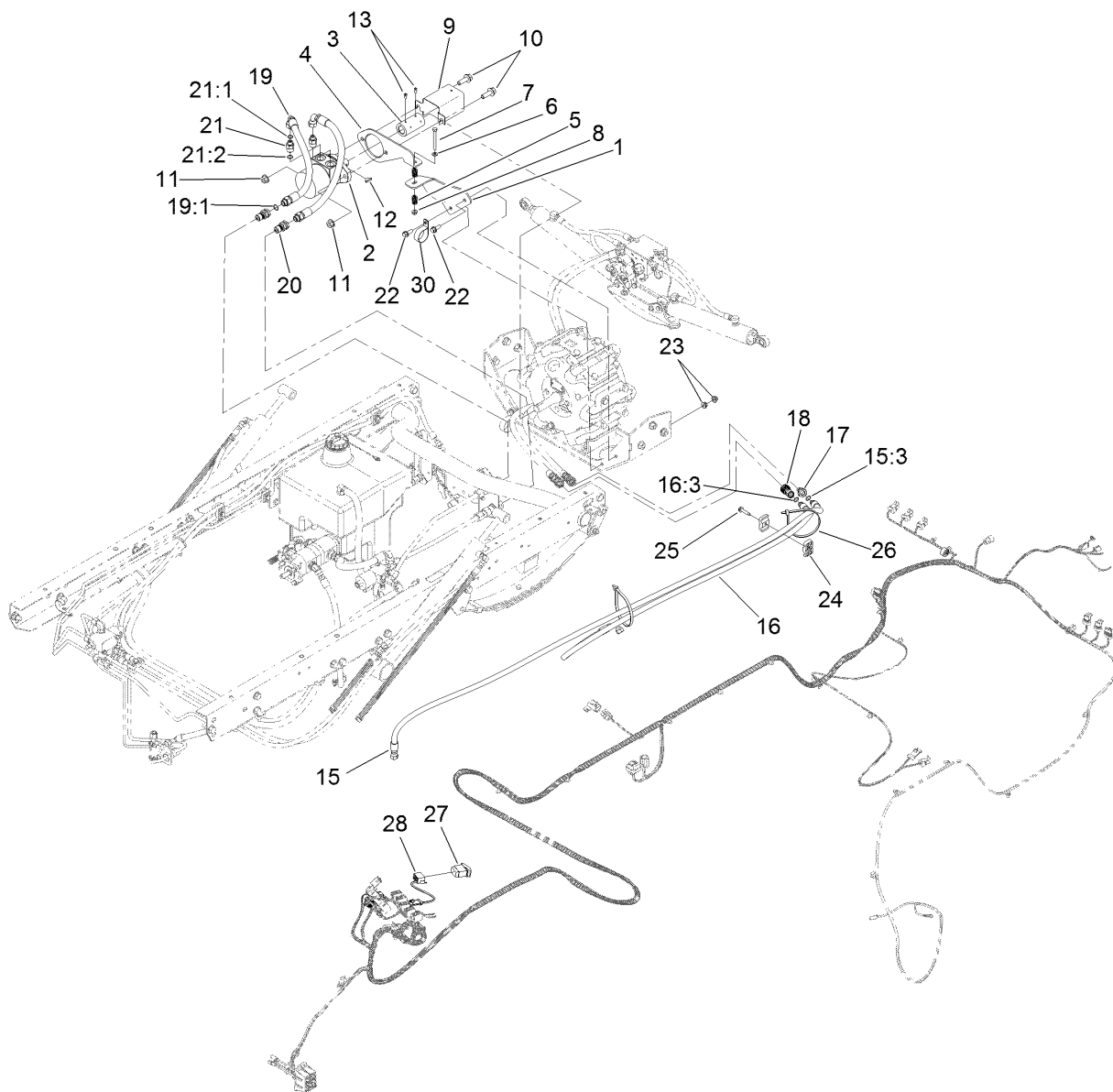
ITEM 35 Used with  
AUTOMATIC WORKMAN FINISH KIT, 131-3301



## Control Console Assembly

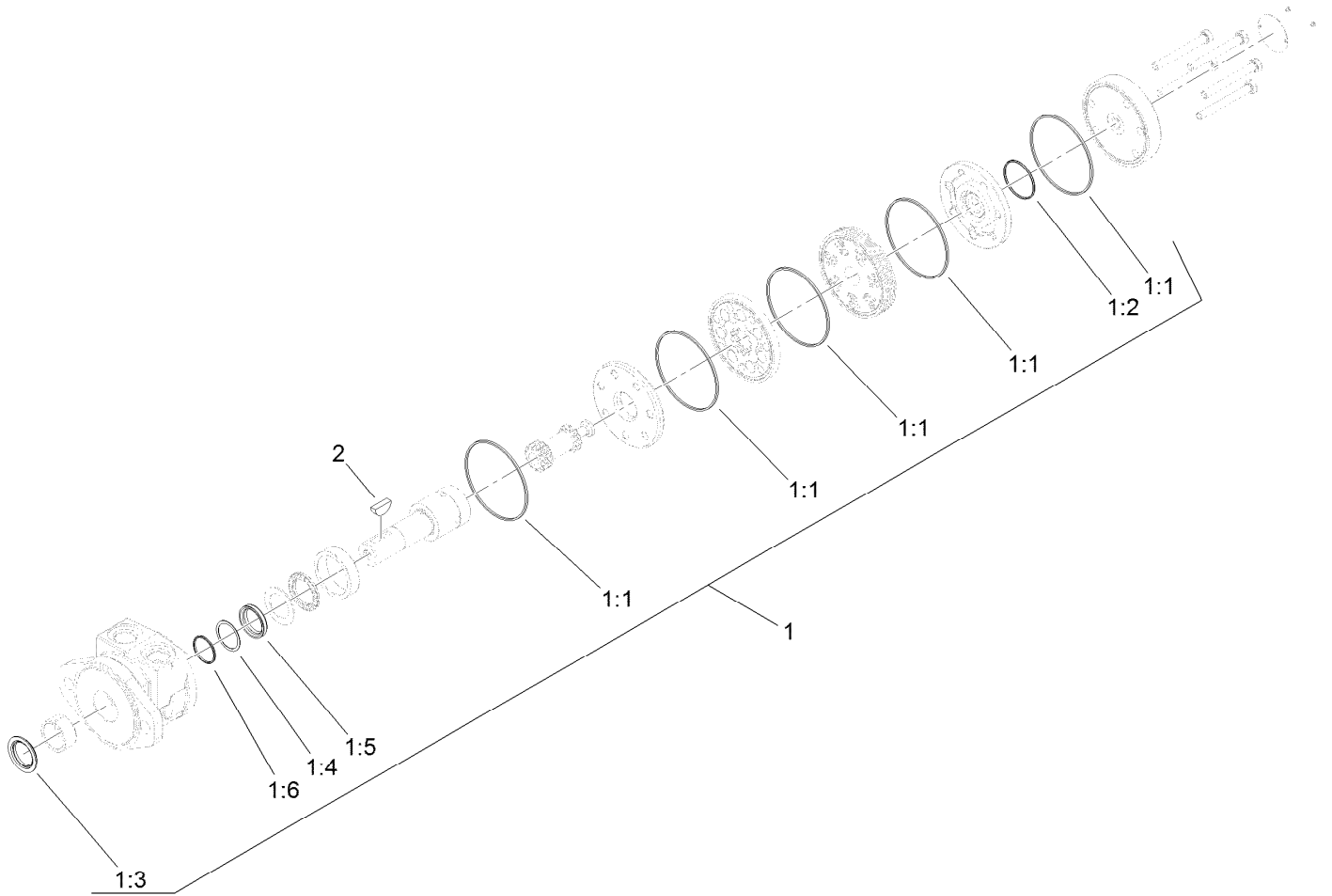
Ref.	Part Number	Qty.	Description
1	131-5795-03	1	Bracket-Console
2	131-9618	1	Control-Console
2:2	131-9607-03	1	Plate-Switch
2:3	3290-409	4	Rivet
2:4	131-5808	1	Decal-Switch
3	115-1900	1	Controller
4	120-6310	1	LCD Display ASM Kantrak 1700
4:1	120-4630	1	Nut-Display
4:2	120-6311	1	Decal-Display
5	120-8546	1	Gauge-Pressure
6	100-8490	1	Switch-Rocker, On-None-On
7	100-1535	1	Switch-Rocker, (On)-Off-(On)
8	125-0899	2	Switch-Rocker
9	125-7996	1	Switch-Pb, Momentary
11	109-8054	2	Bushing-Flange
12	125-4021-03	1	Bracket-Pivot, Console
13	125-4020-03	1	Panel-Control
14	95-9648	1	Knob

Ref.	Part Number	Qty.	Description
15	99-7420	3	Plug-Hole
16	131-9605	1	Fitting-Elbow-90
17	100-8674	1	Coupler-Tube
18	119-5329	1	Plug-Hole
19	93-6083	4	Screw-HWH
20	3290-495	1	Pin-Klik
21	120-0834	3	Screw-HSBH
22	104-7201	3	Nut-HF, NI
23	3234-5	2	Screw-HHF
24	104-8300	5	Nut-HF, NI
25	3256-71	6	Washer-Flat
26	322-43	6	Screw-HH
27	130-8294	1	Decal-Console
28	125-4052	1	Decal-Console, Upper
29	125-4054	1	Pin
30	3234-17	3	Screw-HHF
32	125-8139	1	Decal-Master Boom Switch
33	95-8999	3	Switch-Rocker, On-None-On
34	1-323142	1	Nut-Push
35	163-2995	1	Display-LCD, Svc Only



## Turf Sprayer Finishing Kit No. 131-3301

<i>Ref.</i>	<i>Part Number</i>	<i>Qty.</i>	<i>Description</i>	<i>Ref.</i>	<i>Part Number</i>	<i>Qty.</i>	<i>Description</i>
1	127-9796-03	1	Mount-Arm, Torque	17	106-7969	1	Coupler-Quick, Male
2	131-5810	1	Motor-Hydraulic	18	106-7968	1	Coupler-Quick, Female
3	117-8045	1	Coupler	19	130-7184	2	HYD Hose ASM
4	127-9794-03	1	Bracket-Motor	19:1	237-79	1	O-Ring
5	110-5331	2	Spring-Compression	20	105-4170	2	Coupler-Male
6	3256-23	1	Washer-Plain	21	340-6	2	Fitting-Straight
7	322-14	1	Screw-HH	21:1	237-30	1	O-Ring
8	104-8300	1	Nut-HF, NI	21:2	237-80	1	O-Ring
9	120-0628-03	1	Guard-Shaft, Pump	22	3234-42	2	Screw-HHF
10	100-6116	2	Screw-HHF	23	104-8301	2	Nut-HF, NI
11	108-3745	2	Nut-HHF, Whiz	24	56-7976	2	Clamp-Tube
12	106-1990	1	Key-Woodruff	25	32144-57	1	Screw
13	3241-7	4	Screw-SQH	26	3334-945	2	Tie-Cable
15	112-0273	1	HYD Hose ASM	27	95-8999	1	Switch-Rocker, On-None-On
15:3	237-42	1	O-Ring	28	122-0372	1	Harness-Wire
16	130-7181	1	Upper Lift Hose Valve ASM	30	2412-147	1	Clamp-R
16:3	237-42	1	O-Ring				



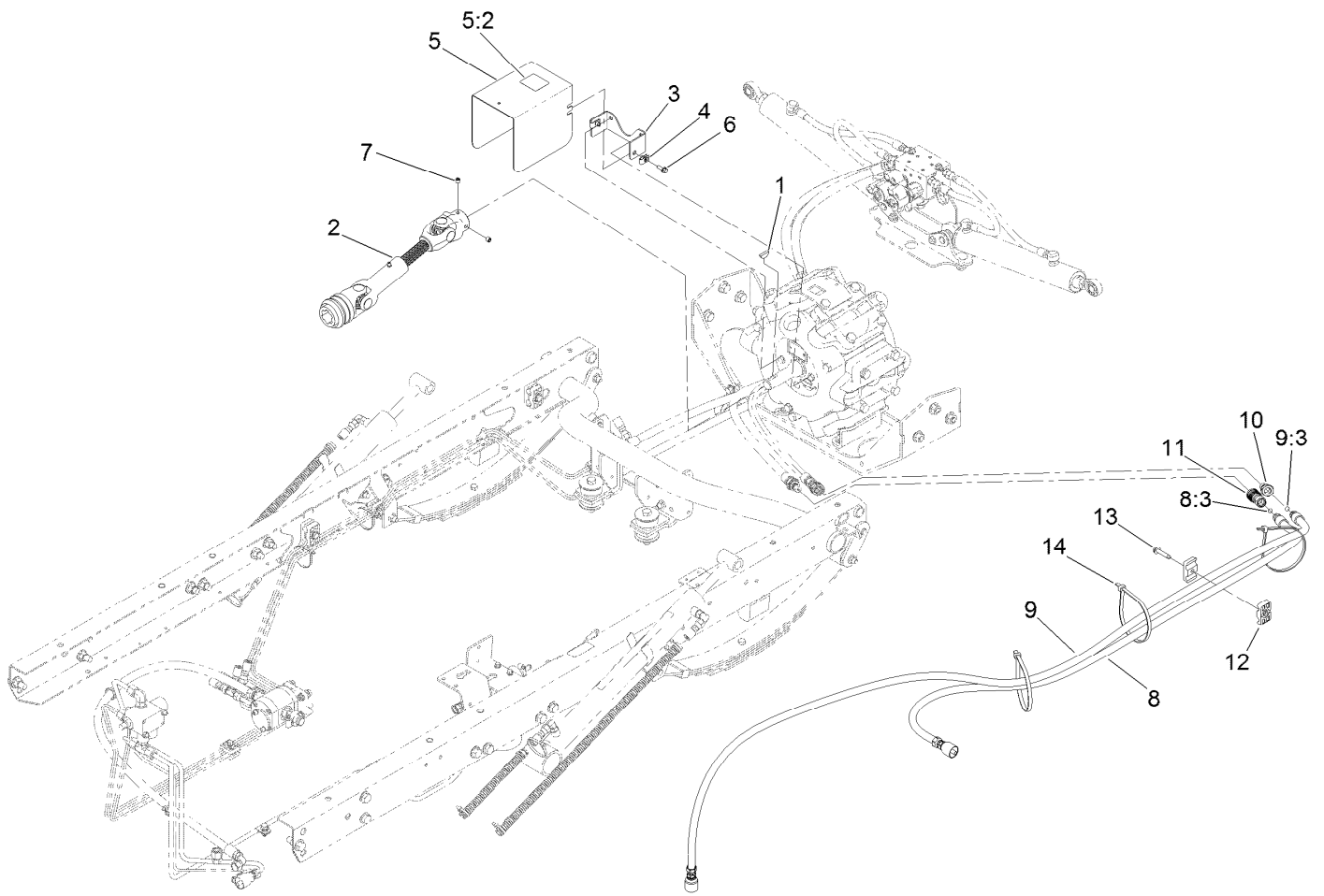
## Hydraulic Motor Assembly No. 131-5810

Ref.	Part Number	Qty.	Description
1	106-1989	1	Seal Kit
1:1		6	Seal-Ring ■
1:2		1	Seal-Commutator ■
1:3		1	Seal-Dirt And Water ■
1:4		1	Washer-Backup ■
1:5		1	Seal-Shaft ■
1:6		1	Ring-Back Up ●■
2	106-1990	1	Key-Woodruff

● Not illustrated

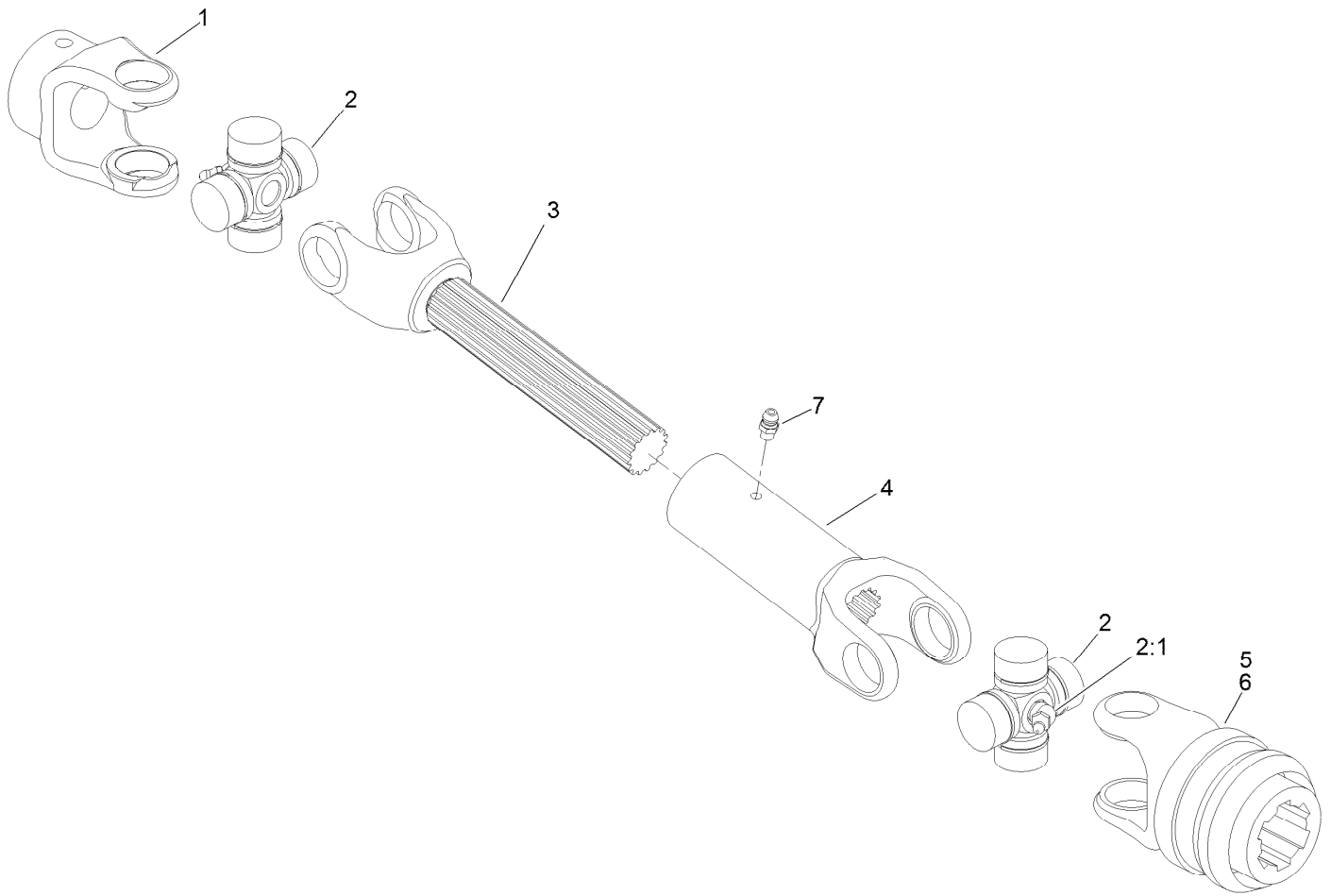
■ Not serviced separately





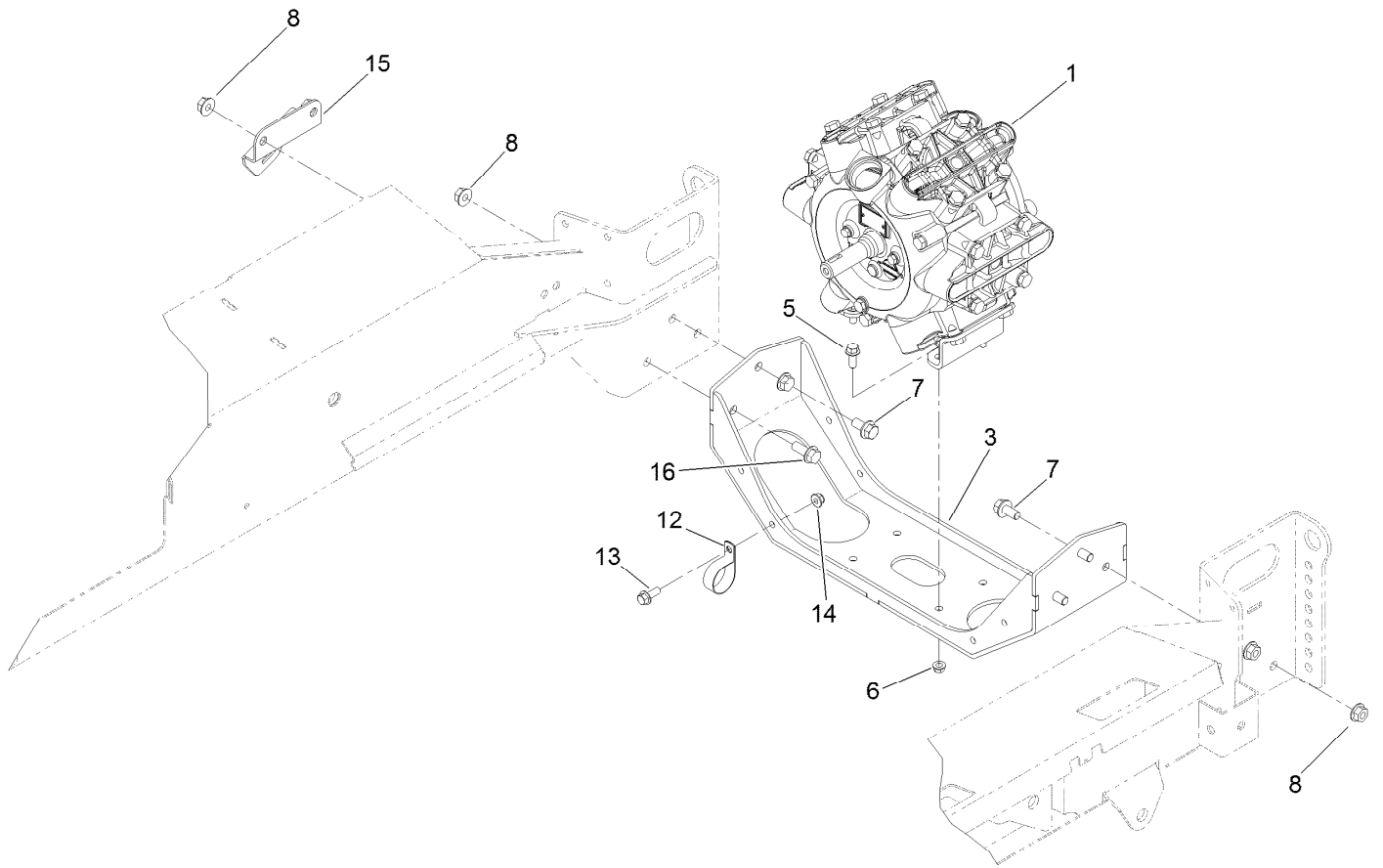
## Multi Pro WM Turf Sprayer Finishing Kit No. 131-3302

Ref.	Part Number	Qty.	Description	Ref.	Part Number	Qty.	Description
1	106-1990	1	Key-Woodruff	8:3	237-42	1	O-Ring
2	125-0680	1	Driveshaft-PTO	9	112-0273	1	HYD Hose ASM
3	125-8054-03	1	Bracket-Shield, Driveshaft	9:3	237-42	1	O-Ring
4	107069	2	Clip	10	106-7969	1	Coupler-Quick, Male
5	127-3986	1	Shield-Driveshaft	11	106-7968	1	Coupler-Quick, Female
5:2	127-3981	1	Decal-Warning	12	56-7976	2	Clamp-Tube
6	3234-4	2	Screw-HHF	13	32144-57	1	Screw
7	3247-2	2	Screw-Set, HSH	14	3334-945	3	Tie-Cable
8	112-0274	1	Hose-HYD				



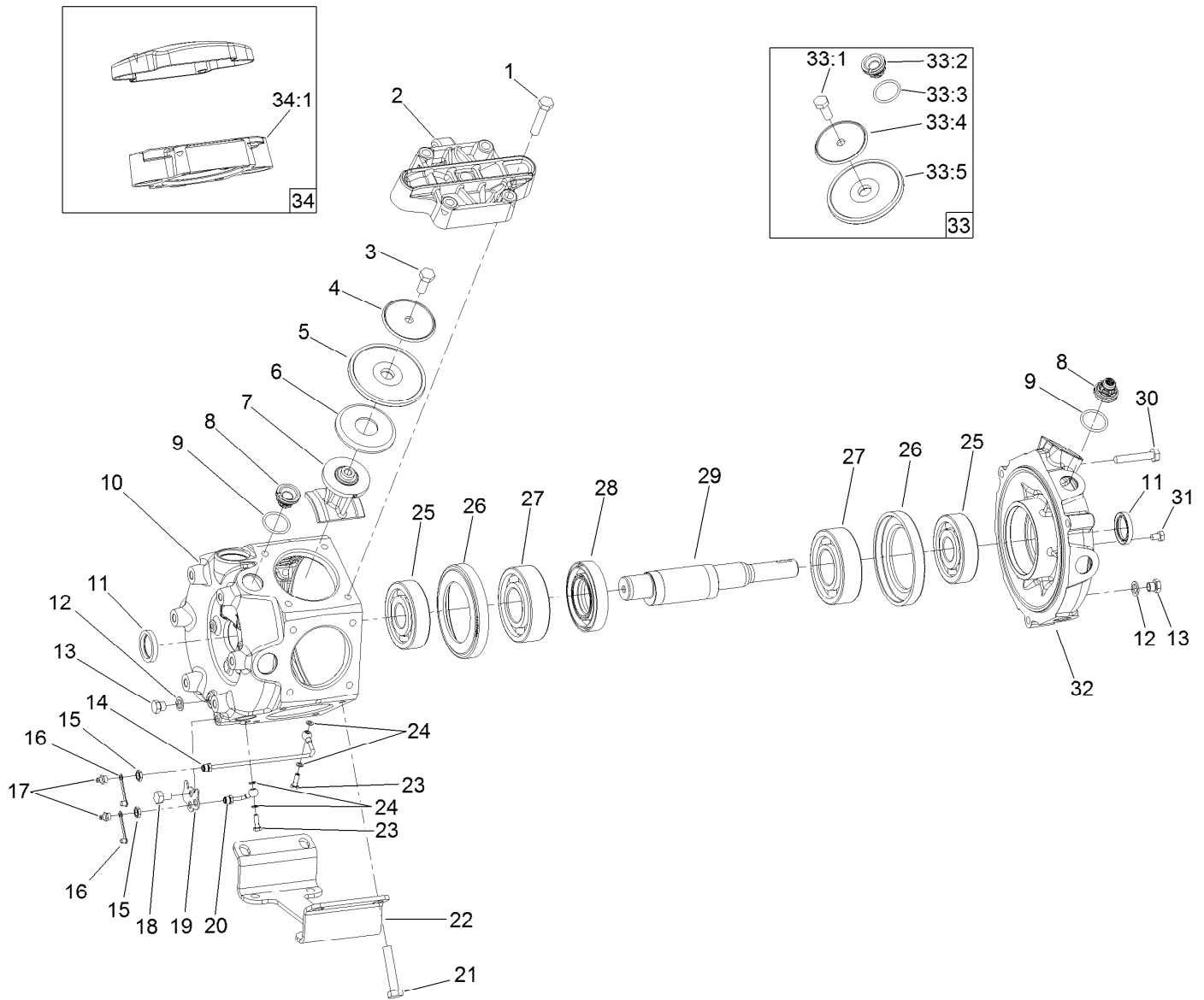
## Driveshaft Assembly No. 125-0680

<i>Ref.</i>	<i>Part Number</i>	<i>Qty.</i>	<i>Description</i>
1	125-0679	1	Yoke-Shaft
2	54-9180	2	U-Joint Kit
2:1	62-3820	1	Fitting-Grease
3	125-8109	1	Shaft-Slip Yoke
4	94-7379	1	Tube-Yoke, Slip
5	99-4476	1	Spring Lock Yoke ASM
6	99-4477	1	Yoke Spring Lock Repair Kit
7	302-5	1	Fitting-Grease



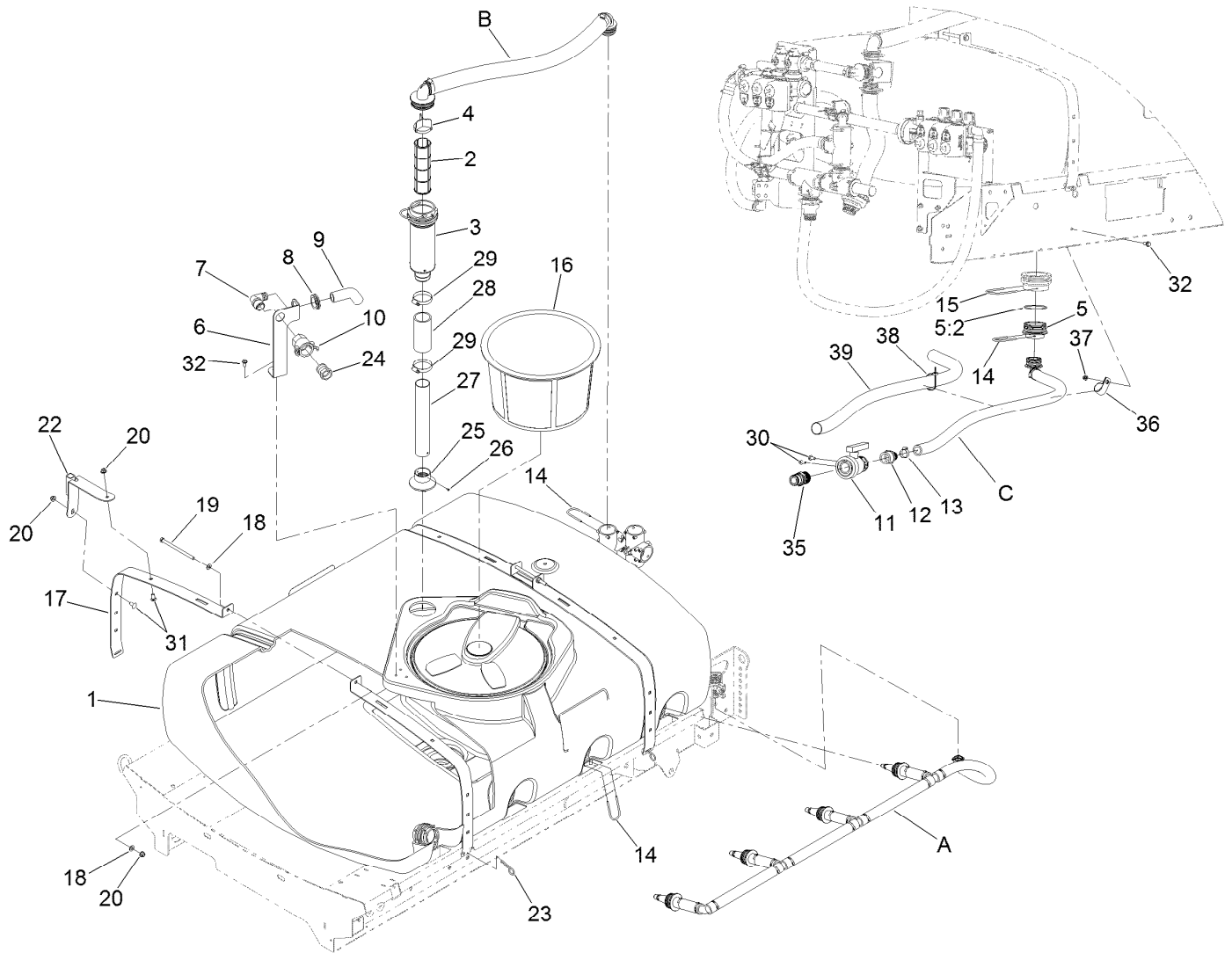
## Pump Mount Assembly

<i>Ref.</i>	<i>Part Number</i>	<i>Qty.</i>	<i>Description</i>
1	132-7768	1	Pump
3	125-8053-03	1	Mount-Pump
5	3234-11	4	Screw-HHF
6	3290-357	4	Nut-HSF
7	3234-6	4	Screw-HHF
8	32128-49	6	Nut-HHF
12	2412-147	1	Clamp-R
13	3234-42	1	Screw-HHF
14	104-8301	1	Nut-HF, NI
15	133-2867-03	1	Bracket-Mount Valve Drain
16	3234-38	2	Screw-HHF



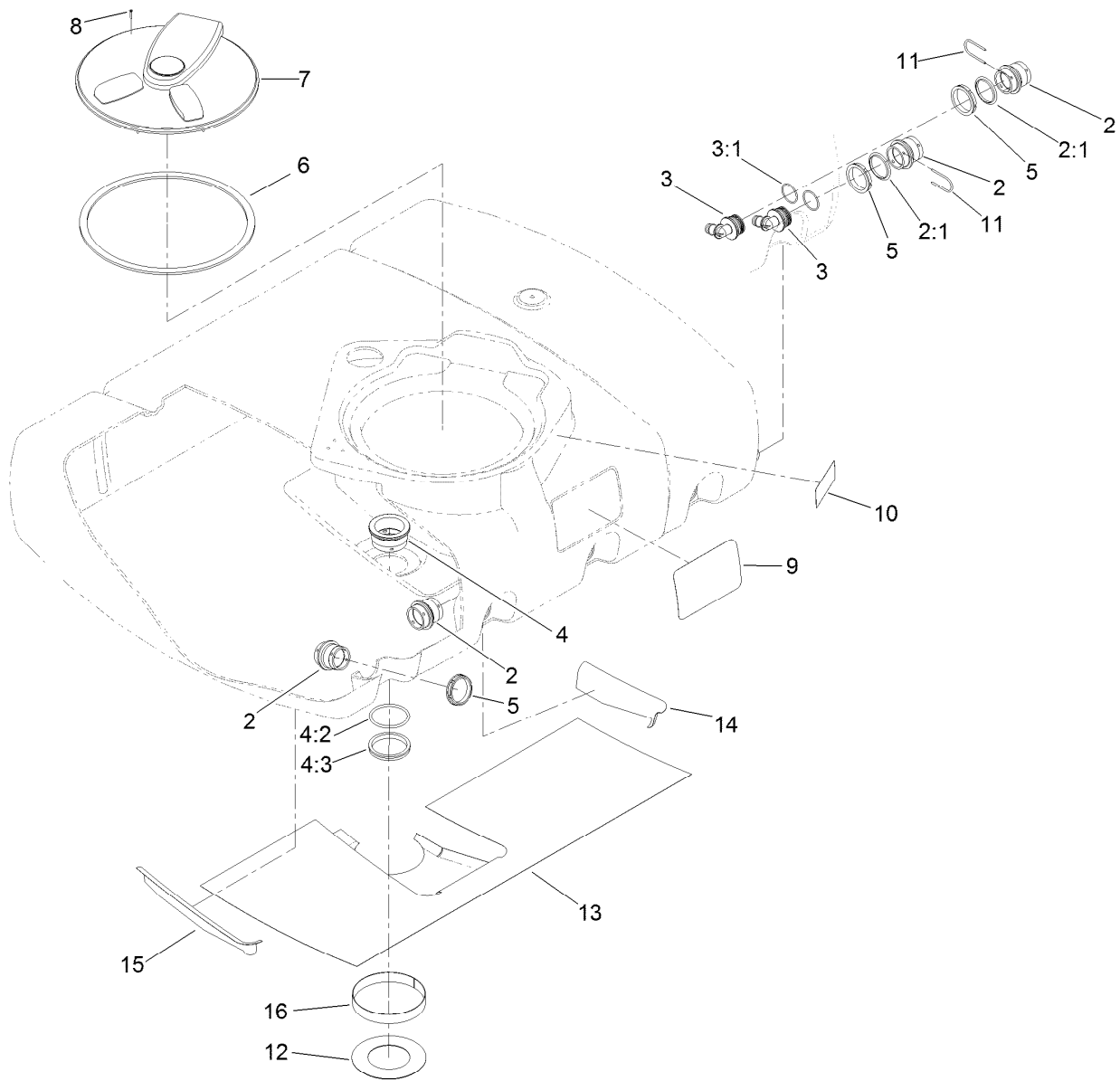
## Pump Assembly No. 132-7768

Ref.	Part Number	Qty.	Description	Ref.	Part Number	Qty.	Description
1	120-0773	20	Bolt-Hex	21	120-0774	4	Bolt-Hex
2	133-2824	6	Cover-Pump, Hardened	22	120-0787	1	Foot-Pump
3	120-0777	6	Bolt-Hex	23	133-2830	2	Bolt-Banjo
4	120-0778	6	Disc-Diaphragm	24	136-2251	4	Gasket
5	120-0779	6	Diaphragm	25	120-0788	2	Bearing-Ball
6	120-0780	6	Disc-Backing, Diaphragm	26	133-2820	2	Spacer-Metal
7	120-0781	6	Rod-Connecting	27	120-0791	2	Bearing-Ball
8	99-0861	12	Valve-Pump	28	133-2827	1	Distance Ring
9	100-6651	12	O-Ring	29	133-2825	1	Shaft-Crank
10	133-2821	1	Housing-Pump, Main	30	120-0794	3	Bolt-Hex
11	120-0783	2	Seal-Oil	31	120-0784	4	Bolt-Hex
12	120-0786	2	Seal	32	133-2822	1	Housing-Pump, Front
13	120-0785	2	Plug	33	133-2885	1	Pump Repair Kit
14	133-2877	1	Tube-Banjo, Long	33:1	120-0777	6	Bolt-Hex
15	133-2878	2	Nut	33:2	99-0861	12	Valve-Pump
16	133-2880	2	Cap-Grease Nipple, Yellow	33:3	100-6651	12	O-Ring
17	133-2879	2	Nipple-Grease	33:4	120-0778	6	Disc-Diaphragm
18	136-2252	1	Bolt-Hex	33:5	120-0779	6	Diaphragm
19	133-2875	1	Plate-Nipple, Grease	34	133-2898	1	Pump Head Kit
20	133-2876	1	Tube-Banjo, Short	34:1	133-2824	6	Cover-Pump, Hardened



## Spray Tank Assembly

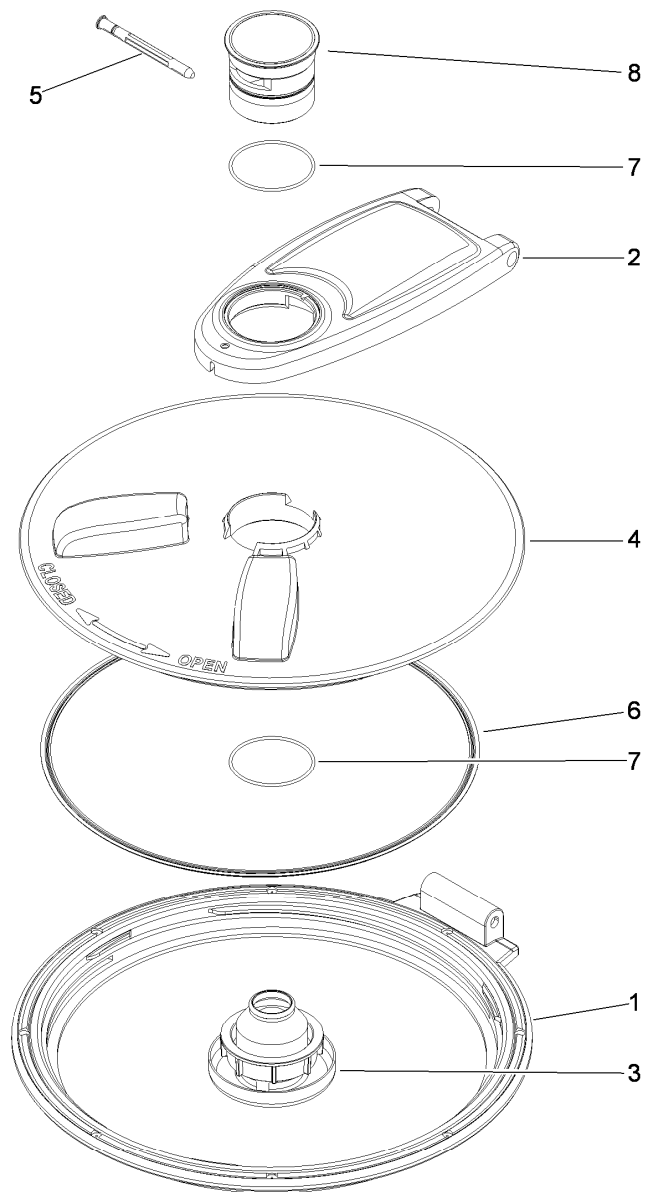
Ref.	Part Number	Qty.	Description	Ref.	Part Number	Qty.	Description
1	121-6518	1	200 Gallon Tank ASM	19	323-58	2	Bolt-TAP, HH
2	100-8642	1	Screen-Suction	20	104-8301	4	Nut-HF, NI
3	130-7096	1	Filter ASM	22	127-3920-03	1	Bracket-Storage
4	100-8641	1	Vane-Screen	23	3290-343	4	Pin-Hair
5	117-7928	1	Adapter ASM	24	41316	1	Adapter-Quick
5:2	100-6989	1	O-Ring	25	100-6714	1	Foot-Tube, Suction
6	110-5082-03	1	Bracket-Anti Siphon	26	108-3270	1	Screw-TAP
7	41140	1	Elbow	27	125-8128	1	Tube-Suction
8	110-5090	1	Grommet	28	100-8649	1	Hose-Suction
9	110-5088	1	Hose-Fill	29	2412-130	2	Clamp-Hose
10	100-6779	1	Coupling-Female	30	3234-7	2	Screw-HHF
11	108-0069	1	Valve-Ball	31	3231-21	2	Screw-CARR
12	110-5224	1	Fitting-Barbed, Straight	32	3234-5	2	Screw-HHF
13	2412-34	1	Clamp-Hose	35	132-7787	1	Coupler-Quick
14	100-8635	6	Fork	36	2412-82	1	Clamp-R
15	117-7996	1	Fork	37	104-8300	1	Nut-HF, NI
16	119-9419	1	Basket-Filter	38	3290-378	1	Tie-Cable
17	125-4081-03	4	Band-Tank	39	136-2272	1	Tubing-Convolutd, Slit
18	3256-24	4	Washer-Plain				



## Tank Assembly No. 121-6518

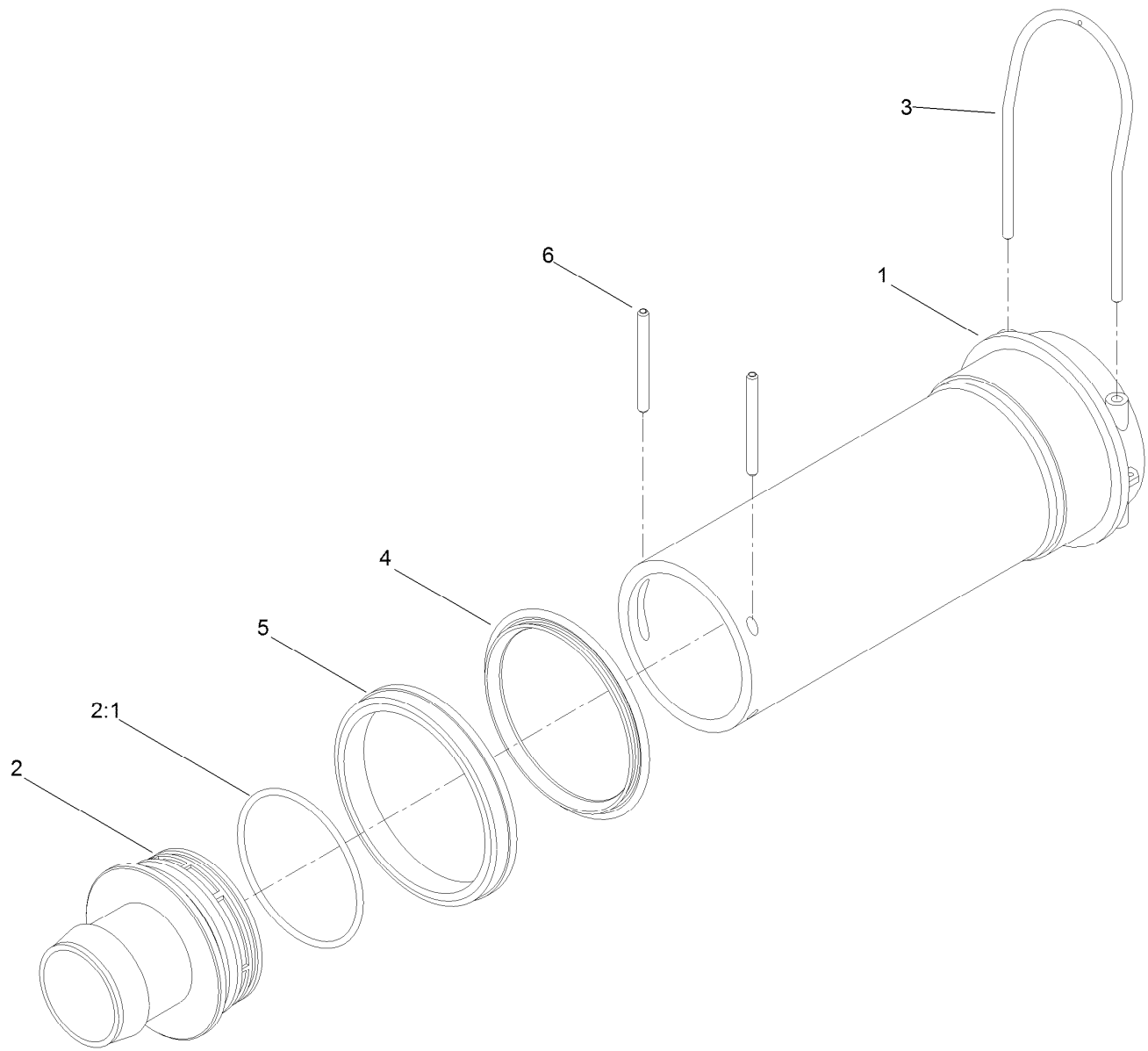
Ref.	Part Number	Qty.	Description
2	108-3358	6	Fitting-Bulkhead
2:1	107-2864	1	Gasket-Bulkhead
3	106-4933	2	Hosebarb ASM
3:1	100-8637	1	O-Ring
4	117-7851	1	Bulkhead ASM
4:2	100-8646	1	Gasket-Bulkhead
4:3	100-8647	1	Nut-Bulkhead
5	100-7051	6	Nut-Bulkhead
6	119-9378	1	Gasket-Lid, Tank
7	119-9380	1	Spray Tank Lid ASM

Ref.	Part Number	Qty.	Description
8	107-8635	8	Screw-PFH
9	125-8064	2	Decal-Tank
10	120-0622	1	Decal-Warning
11	100-8635	2	Fork
12	127-3967	1	Shield-Sump, Bottom
13	127-3960	1	Shield-Sump, Center
14	127-3962	1	Shield-Sump, Rear
15	127-3961	1	Shield-Sump, Front
16	127-3988	1	Shield-Sump, Side



## Spray Tank Lid Assembly No. 119-9380

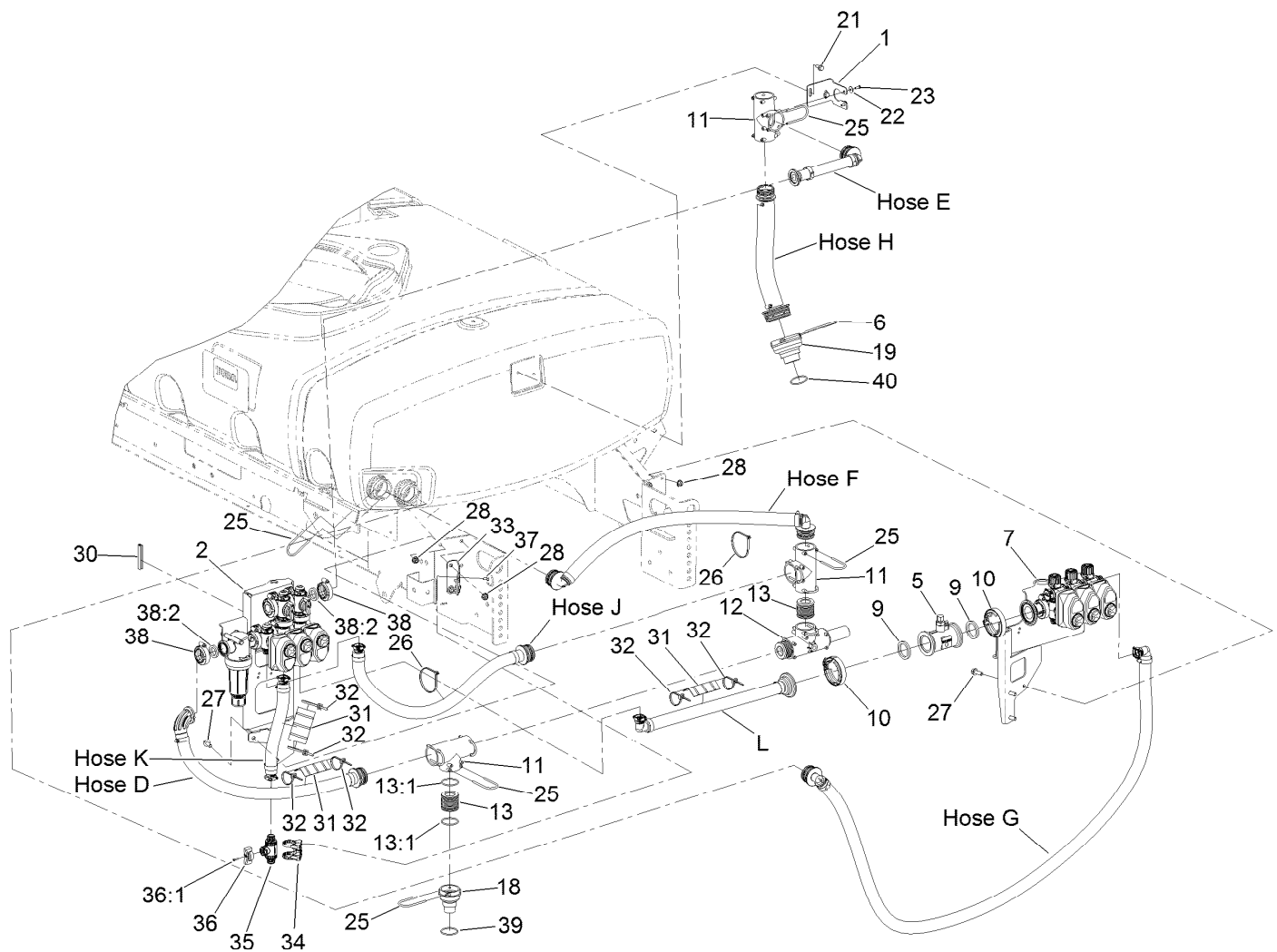
<i>Ref.</i>	<i>Part Number</i>	<i>Qty.</i>	<i>Description</i>
1	119-9381	1	Ring-Lid
2	119-9382	1	Arm-Lid
3	119-9383	1	Vent-Lid
4	119-9384	1	Cover-Lid
5	119-9385	1	Pin-Pivot
6	106-5004	1	Seal-Lid
7	119-9386	2	O-Ring
8	119-9387	1	Cap-Lid



## Filter Assembly No. 130-7096

<i>Ref.</i>	<i>Part Number</i>	<i>Qty.</i>	<i>Description</i>
1	100-8643	1	Housing-Filter
2	106-4942	1	Hosebarb-Straight
2:1	100-6989	1	O-Ring
3	100-8636	1	Fork-Special
4	100-8646	1	Gasket-Bulkhead
5	100-8647	1	Nut-Bulkhead
6	100-8644	2	Pin-Expansion



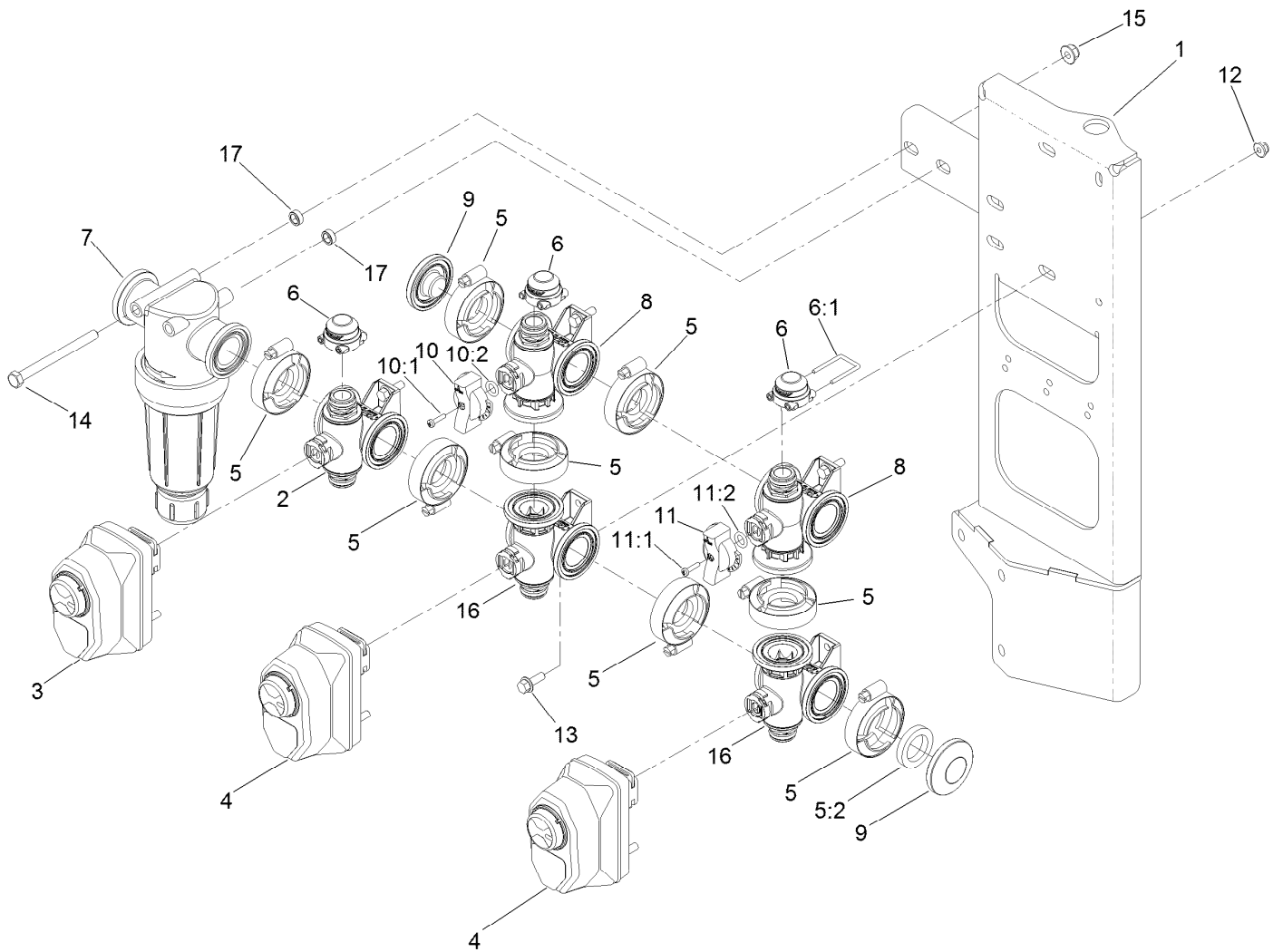


Reference **Hose Assembly** page for hose assemblies and service parts

## Spray Valve Assembly

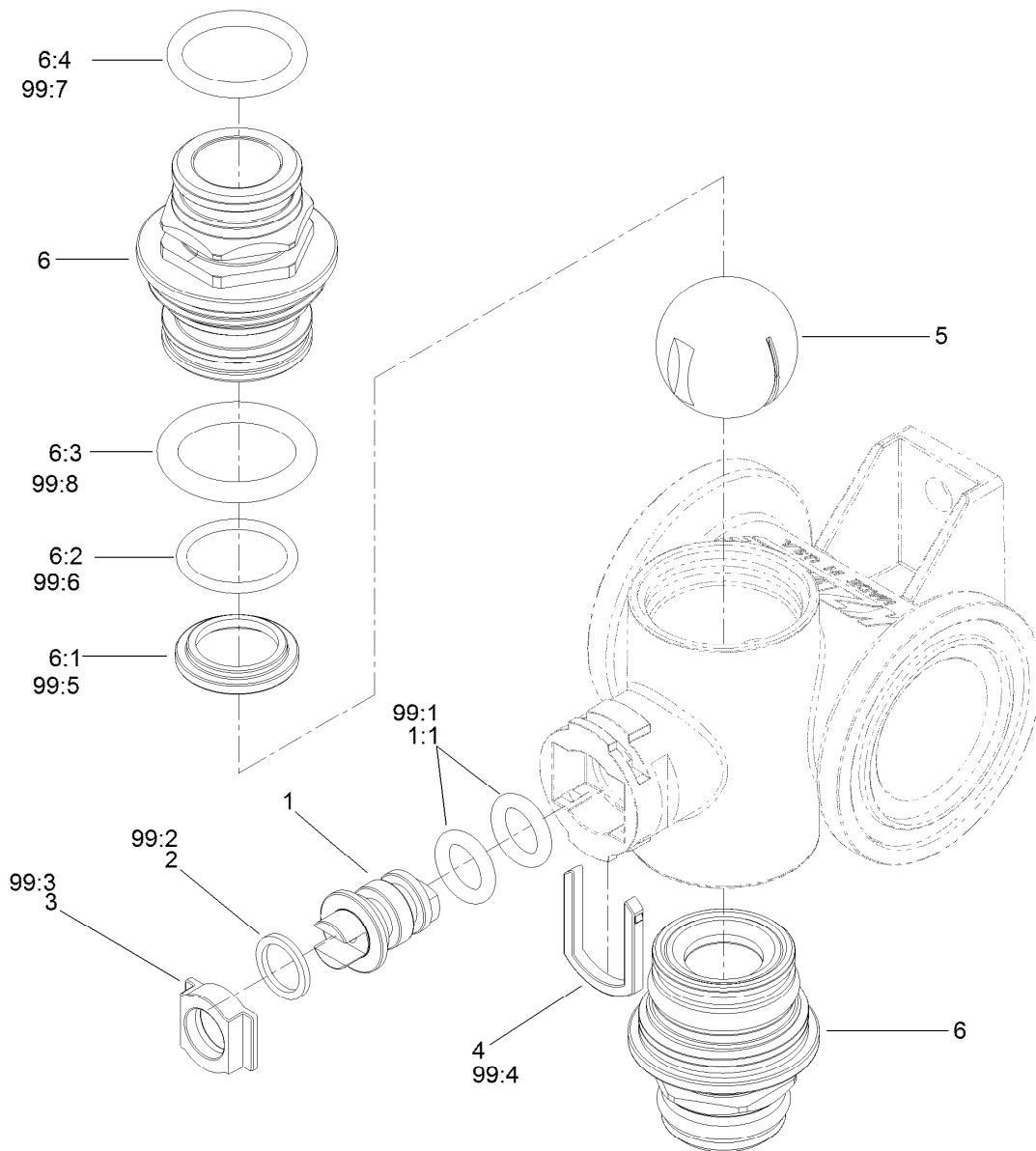
Ref.	Part Number	Qty.	Description	Ref.	Part Number	Qty.	Description
1	131-3704	1	Bracket-Fitting, Tee	26	3290-379	2	Tie-Cable
2		1	Agitation Manifold ASM ●	27	3234-42	6	Screw-HHF
5	106-1038	1	Flow Meter ASM	28	104-8301	6	Nut-HF, NI
6	117-7996	1	Fork	30	131-9636	1	Trim-Manifold, Agitation
7		1	Section Valve Manifold ASM	31	AU112950	3	Protector-Hose
				32	3290-378	6	Tie-Cable
9	104-9090	2	Gasket	33	132-4325-03	1	Mount-Bracket, Agitation
10	104-9089	2	Clamp-Screw, Worm	34	132-4302	1	Mount-Valve
11	100-6704	3	Tee	35	131-0249	1	On/Off 2-Way Valve Kit
12	117-7874	1	Relief Valve ASM	36	131-0264	1	Agitation Throttling Handle Kit
13	106-4947	2	Connector	36:1	131-0263	1	Screw-Handle
13:1	100-8637	2	O-Ring	37	33113-012	4	Screw-HH
18	133-2881	1	Fitting	38	127-9829	2	Clamp/Gasket Kit
19	133-2883	1	Fitting	38:2	127-1145	1	Gasket-Flange
21	3234-47	2	Screw-HHF	39	133-2882	1	O-Ring
22	3256-61	2	Washer-Flat	40	133-2884	1	O-Ring
23	32144-32	2	Screw-PPH				
25	100-8635	12	Fork				

● Not serviced separately



## Agitation Valve Assembly

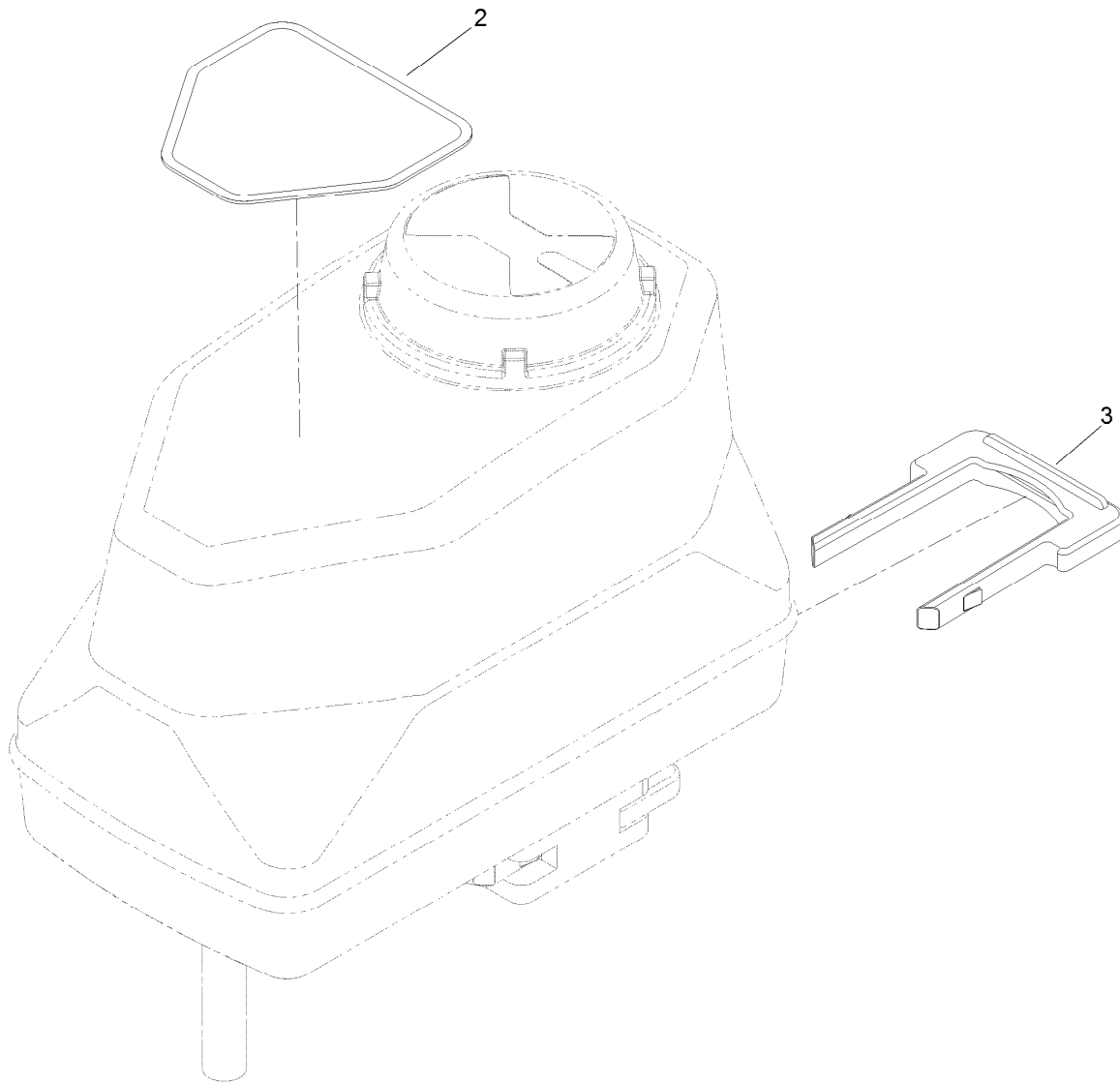
<i>Ref.</i>	<i>Part Number</i>	<i>Qty.</i>	<i>Description</i>	<i>Ref.</i>	<i>Part Number</i>	<i>Qty.</i>	<i>Description</i>
1	131-3722	1	Mount-Valve	10:1	131-0263	1	Screw-Handle
2	127-9804	1	Regulating Valve Body ASM	10:2	127-1197	1	O-Ring-Stem
3	131-3724	1	Actuator Regulating Kit	11	131-0266	1	Master Regulating Handle Kit
4	131-3723	2	Actuator On/Off Kit	11:1	131-0263	1	Screw-Handle
5	127-9829	8	Clamp/Gasket Kit	11:2	127-1197	1	O-Ring-Stem
5:2	127-1145	1	Gasket-Flange	12	104-7201	6	Nut-HF, NI
6	127-9811	3	Fitting-Cap, Female	13	3234-4	6	Screw-HHF
6:1	133-0398	1	Pin-Fork	14	322-23	2	Screw-HH
7	131-3791	1	Filter-Pressure	15	104-8300	2	Nut-HF, NI
8	131-0253	2	Manifold Valve Kit	16	131-7256	2	Manifold Valve Kit
9	127-9815	2	Fitting-Cap	17	133-0380	2	Spacer-Filter
10	131-0265	1	Agitation Regulating Handle Kit				



## Regulating Valve Body Assembly No. 127-9804

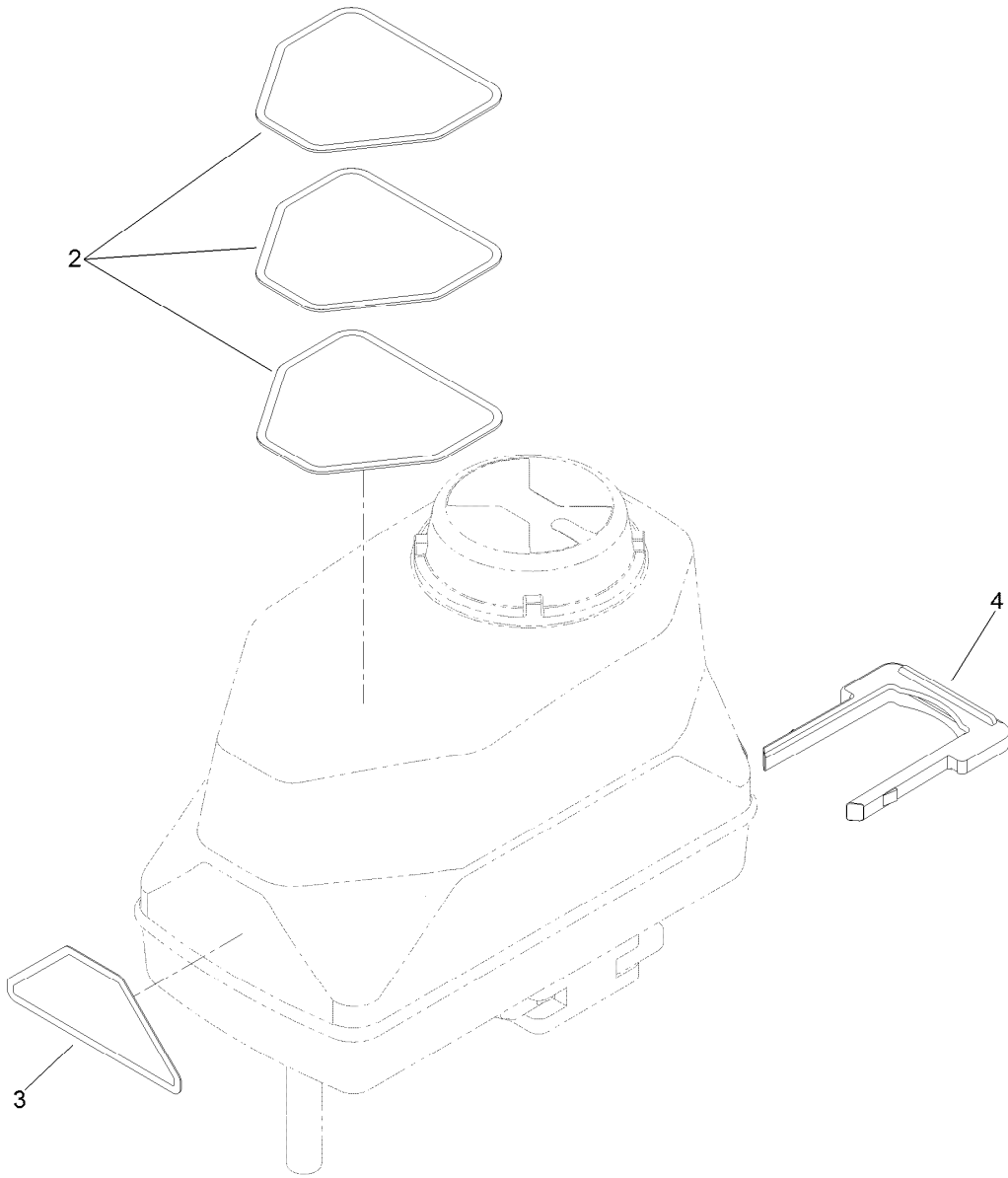
<i>Ref.</i>	<i>Part Number</i>	<i>Qty.</i>	<i>Description</i>	<i>Ref.</i>	<i>Part Number</i>	<i>Qty.</i>	<i>Description</i>
1	130-8248	1	Valve Stem Kit	6:4	127-1187	1	O-Ring, Endcap
1:1	127-1197	2	O-Ring-Stem	99	130-7304	1	Valve Repair Kit ●
2	127-1196	1	Washer-Stem, Valve	99:1	127-1197	2	O-Ring-Stem
3	127-1195	1	Seat-Stem, Valve	99:2	127-1196	2	Washer-Stem, Valve
4	127-1190	1	Fork-Stem, Valve	99:3	127-1195	1	Seat-Stem, Valve
5	127-1113	1	Ball-V	99:4	127-1190	1	Fork-Stem, Valve
6	130-7317	2	Endcap Kit	99:5	127-1192	2	Seat-Ball
6:1	127-1192	1	Seat-Ball	99:6	127-1188	2	O-Ring, Seat (Ball)
6:2	127-1188	1	O-Ring, Seat (Ball)	99:7	127-1187	2	O-Ring, Endcap
6:3	127-1189	1	O-Ring, Endcap	99:8	127-1189	2	O-Ring, Endcap

● Not illustrated



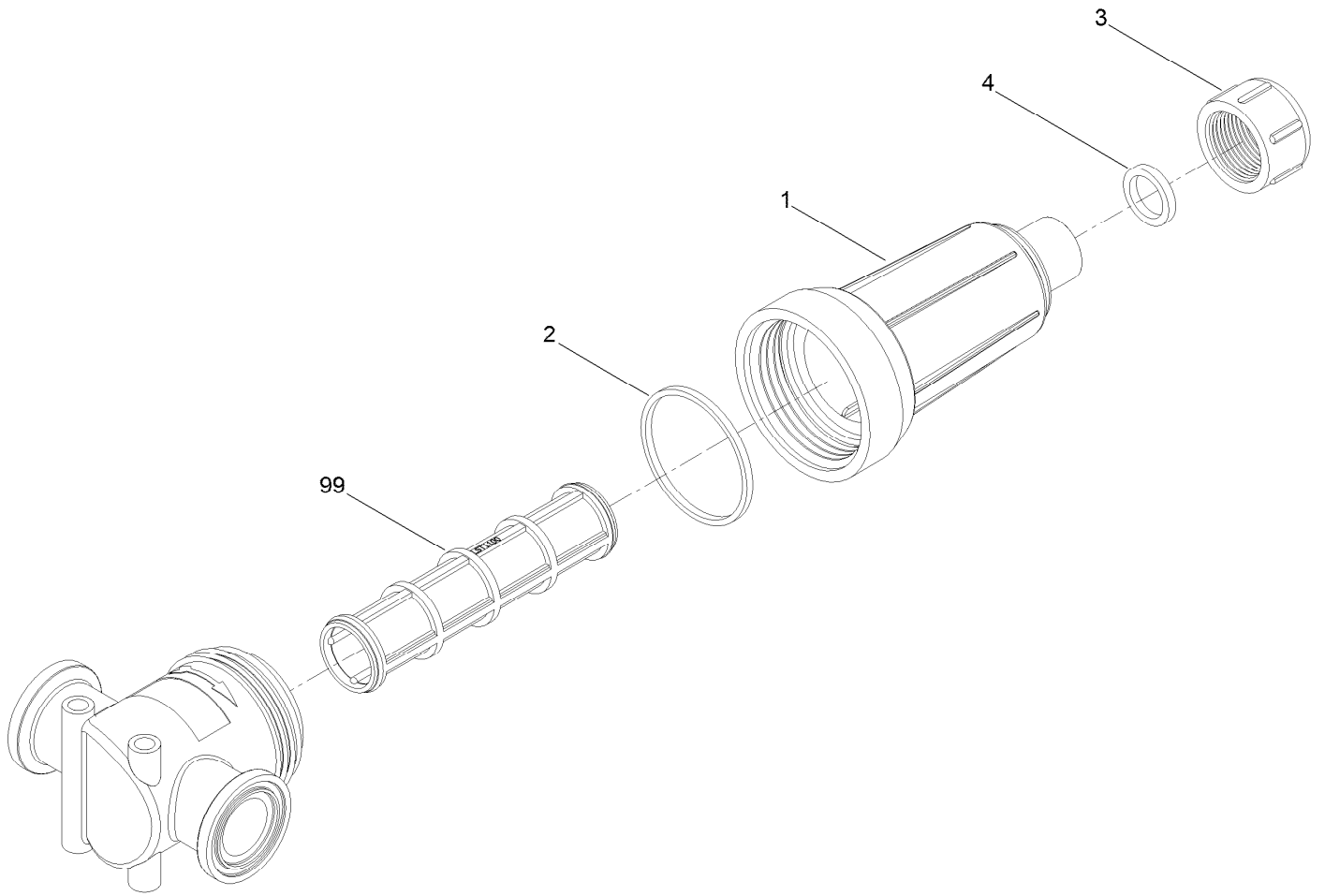
## Actuator Regulating Valve No. 131-3724

<i>Ref.</i>	<i>Part Number</i>	<i>Qty.</i>	<i>Description</i>
2	127-6984	1	Decal-Valve, Regulating
3	130-7301	1	Hairpin-Actuator



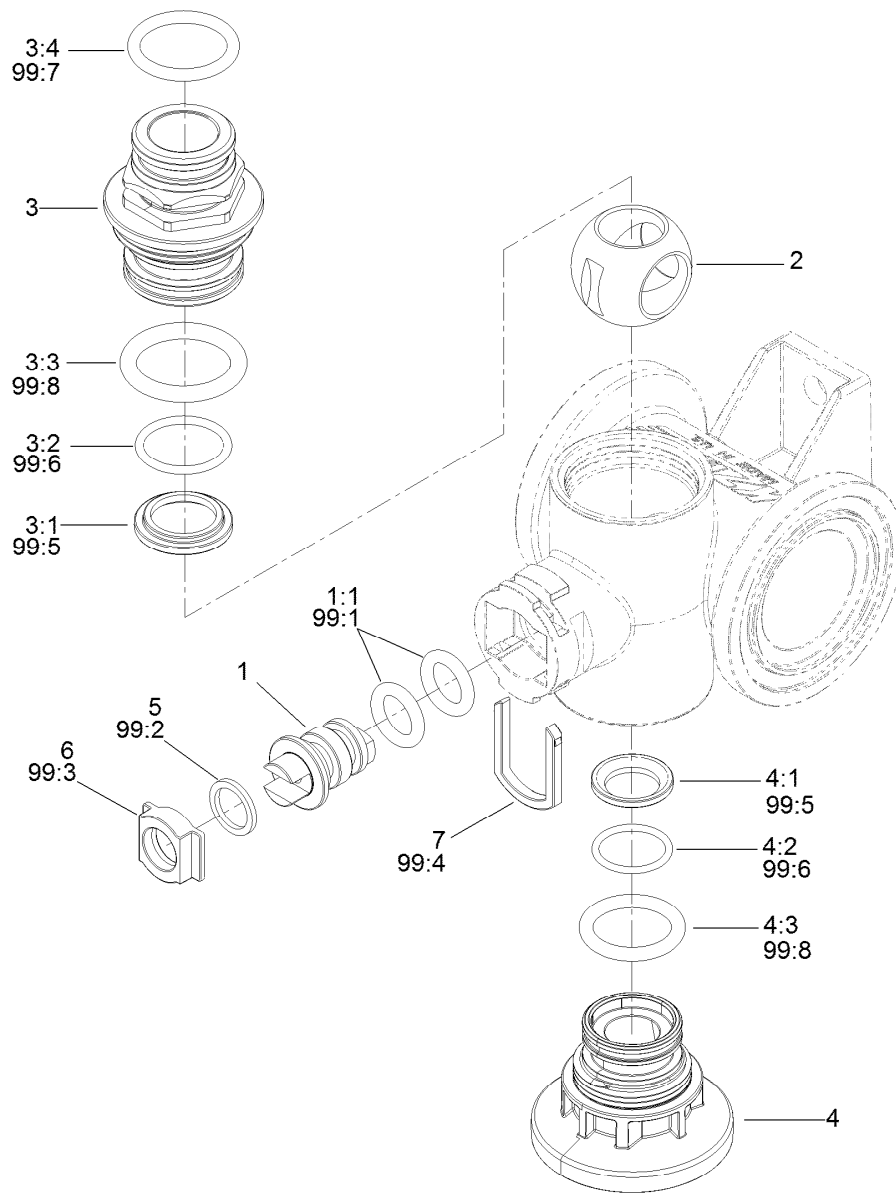
## On/Off Actuator Kit No. 131-3723

<i>Ref.</i>	<i>Part Number</i>	<i>Qty.</i>	<i>Description</i>
2	127-6979	1	Decal-Valve, Agitation
2	127-6981	1	Decal-Valve, On/Off
2	127-6982	1	Decal-Valve, Master Boom
3	127-6976	1	Decal-Valve, Bypass Adjust
4	130-7301	1	Hairpin-Actuator



## Pressure Filter Assembly No. 131-3791

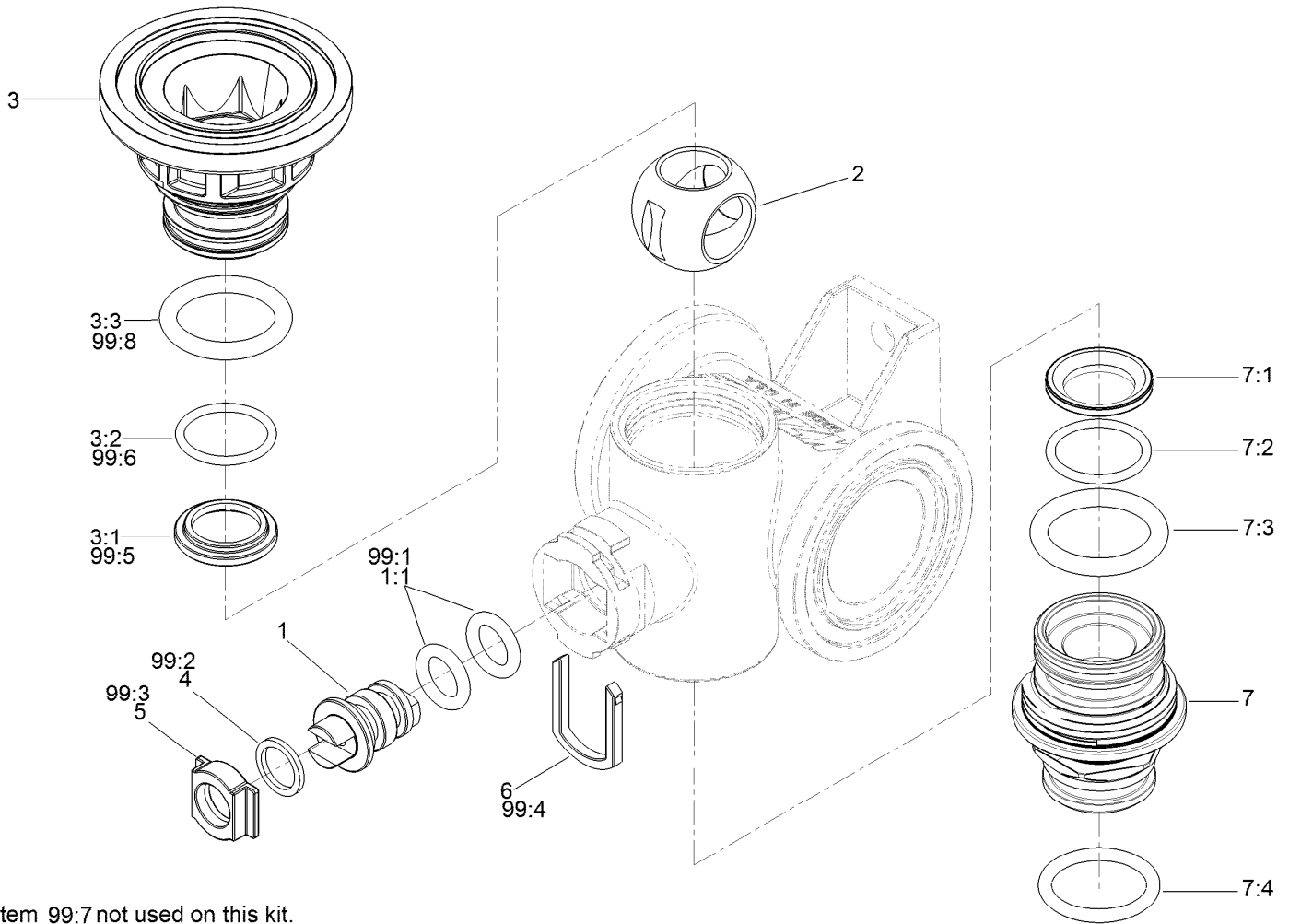
<i>Ref.</i>	<i>Part Number</i>	<i>Qty.</i>	<i>Description</i>
1	136-0397	1	Bowl-Strainer
2	136-0398	1	Rubber-Gasket
3	136-0410	1	Strainer Cap
4	136-0399	1	Rubber-Gasket
99	133-0384	1	Screen-Teejet, 30 Mesh
99	133-0385	1	Screen-Teejet, 50 Mesh
99	133-0386	1	Screen-Teejet, 80 Mesh
99	133-0387	1	Screen-Teejet, 100 Mesh



## Manifold Valve Kit No. 131-0253

<i>Ref.</i>	<i>Part Number</i>	<i>Qty.</i>	<i>Description</i>	<i>Ref.</i>	<i>Part Number</i>	<i>Qty.</i>	<i>Description</i>
1	130-8248	1	Valve Stem Kit	5	127-1196	1	Washer-Stem, Valve
1:1	127-1197	2	O-Ring-Stem	6	127-1195	1	Seat-Stem, Valve
2	127-1113	1	Ball-V	7	127-1190	1	Fork-Stem, Valve
3	130-7317	1	Endcap Kit	99	130-7304	1	Valve Repair Kit ●
3:1	127-1192	1	Seat-Ball	99:1	127-1197	2	O-Ring-Stem
3:2	127-1188	1	O-Ring, Seat (Ball)	99:2	127-1196	2	Washer-Stem, Valve
3:3	127-1189	1	O-Ring, Endcap	99:3	127-1195	1	Seat-Stem, Valve
3:4	127-1187	1	O-Ring, Endcap	99:4	127-1190	1	Fork-Stem, Valve
4	130-8249	1	Endcap Kit	99:5	127-1192	2	Seat-Ball
4:1	127-1192	1	Seat-Ball	99:6	127-1188	2	O-Ring, Seat (Ball)
4:2	127-1188	1	O-Ring, Seat (Ball)	99:7	127-1187	2	O-Ring, Endcap
4:3	127-1189	1	O-Ring, Endcap	99:8	127-1189	2	O-Ring, Endcap

● Not illustrated



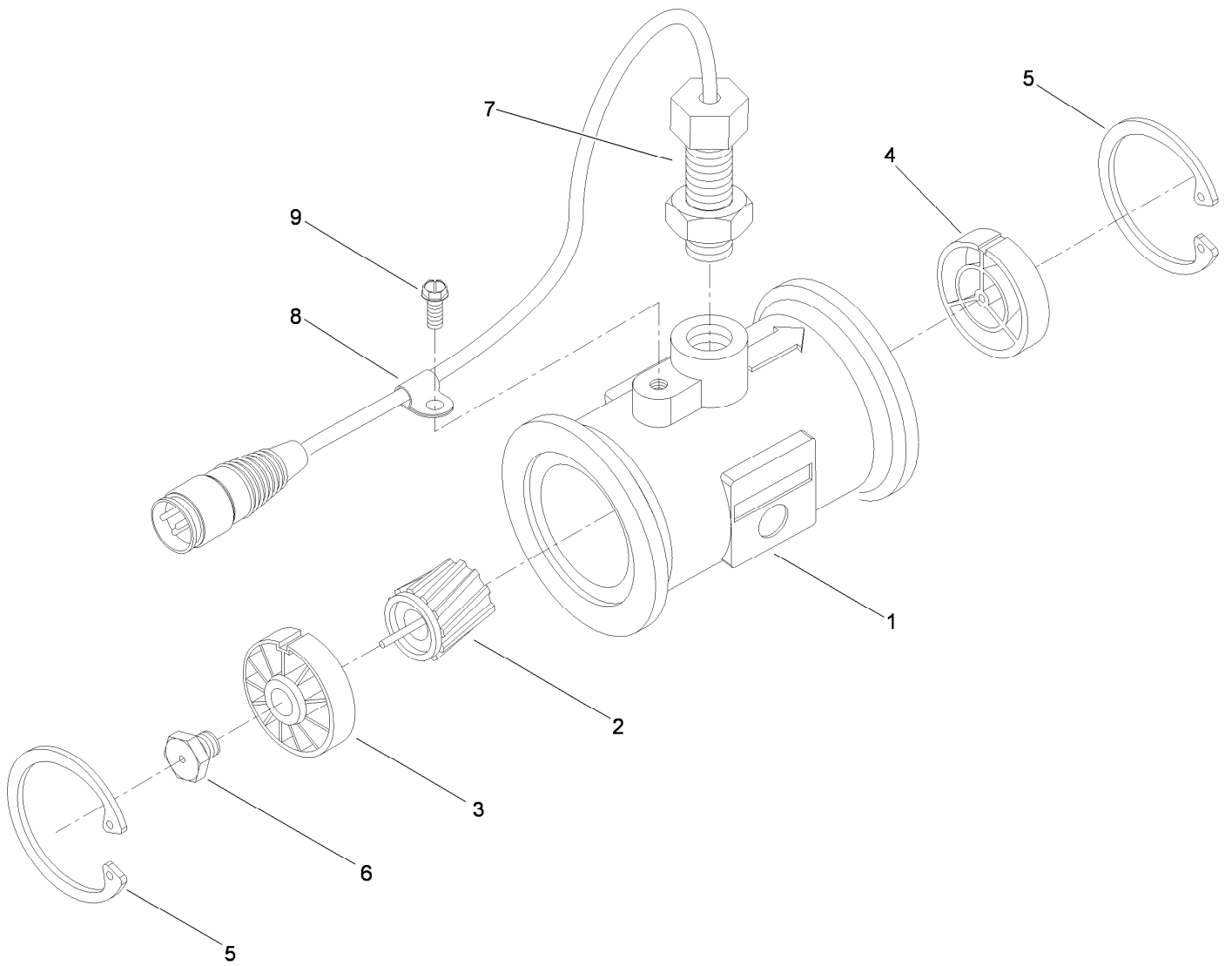
Item 99:7 not used on this kit.

## Manifold Valve Kit No. 131-7256

Ref.	Part Number	Qty.	Description	Ref.	Part Number	Qty.	Description
1	130-8248	1	Valve Stem Kit	7:2	127-1188	1	O-Ring, Seat (Ball)
1:1	127-1197	2	O-Ring-Stem	7:3	127-1189	1	O-Ring, Endcap
2	127-1194	1	Ball-Valve, 3Way	7:4	127-1187	1	O-Ring, Endcap
3	130-8249	1	Endcap Kit	99	130-7304	1	Valve Repair Kit ●
3:1	127-1192	1	Seat-Ball	99:1	127-1197	2	O-Ring-Stem
3:2	127-1188	1	O-Ring, Seat (Ball)	99:2	127-1196	2	Washer-Stem, Valve
3:3	127-1189	1	O-Ring, Endcap	99:3	127-1195	1	Seat-Stem, Valve
4	127-1196	1	Washer-Stem, Valve	99:4	127-1190	1	Fork-Stem, Valve
5	127-1195	1	Seat-Stem, Valve	99:5	127-1192	2	Seat-Ball
6	127-1190	1	Fork-Stem, Valve	99:6	127-1188	2	O-Ring, Seat (Ball)
7	130-7317	1	Endcap Kit	99:7	127-1187	2	O-Ring, Endcap
7:1	127-1192	1	Seat-Ball	99:8	127-1189	2	O-Ring, Endcap

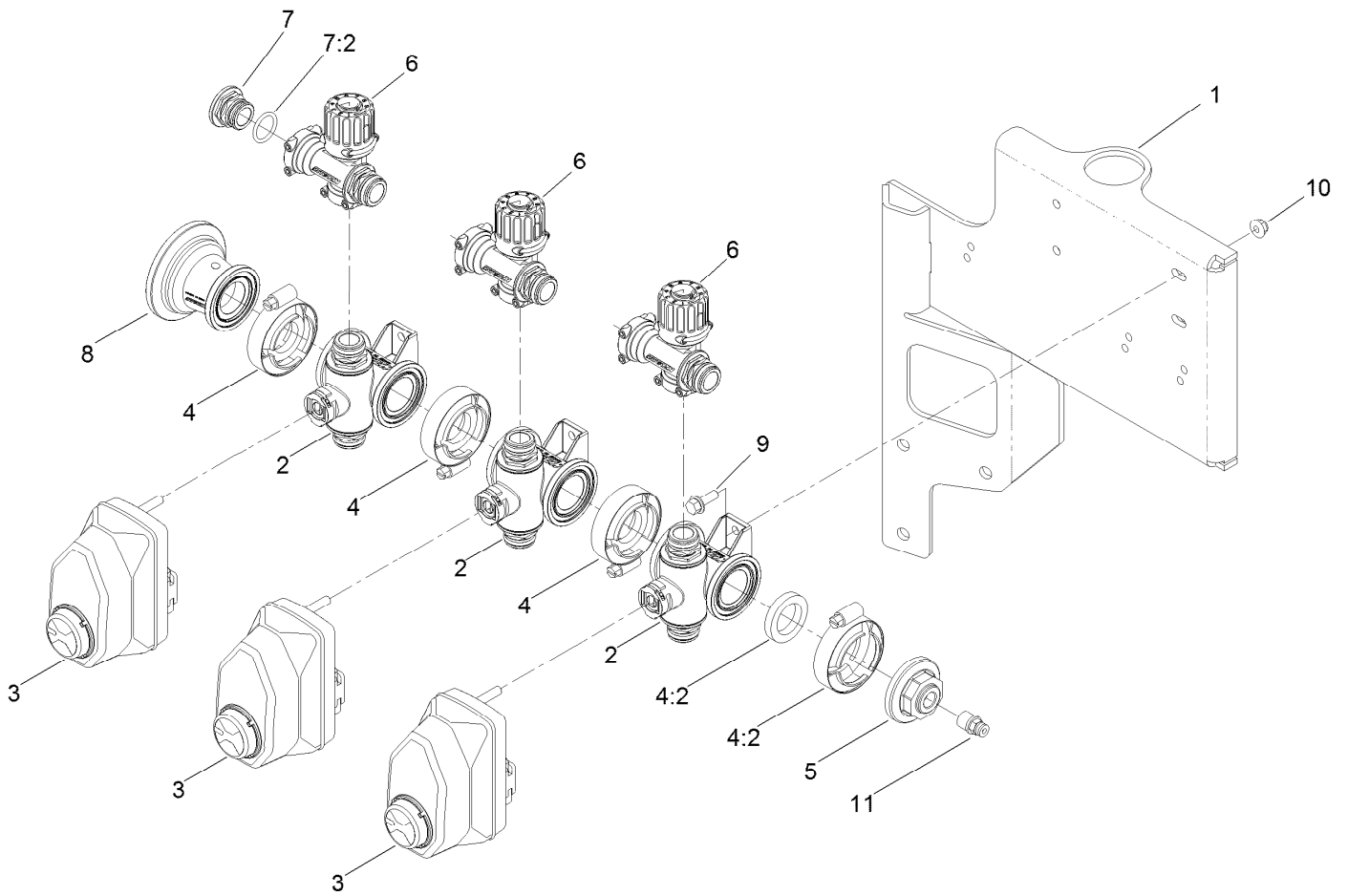
● Not illustrated





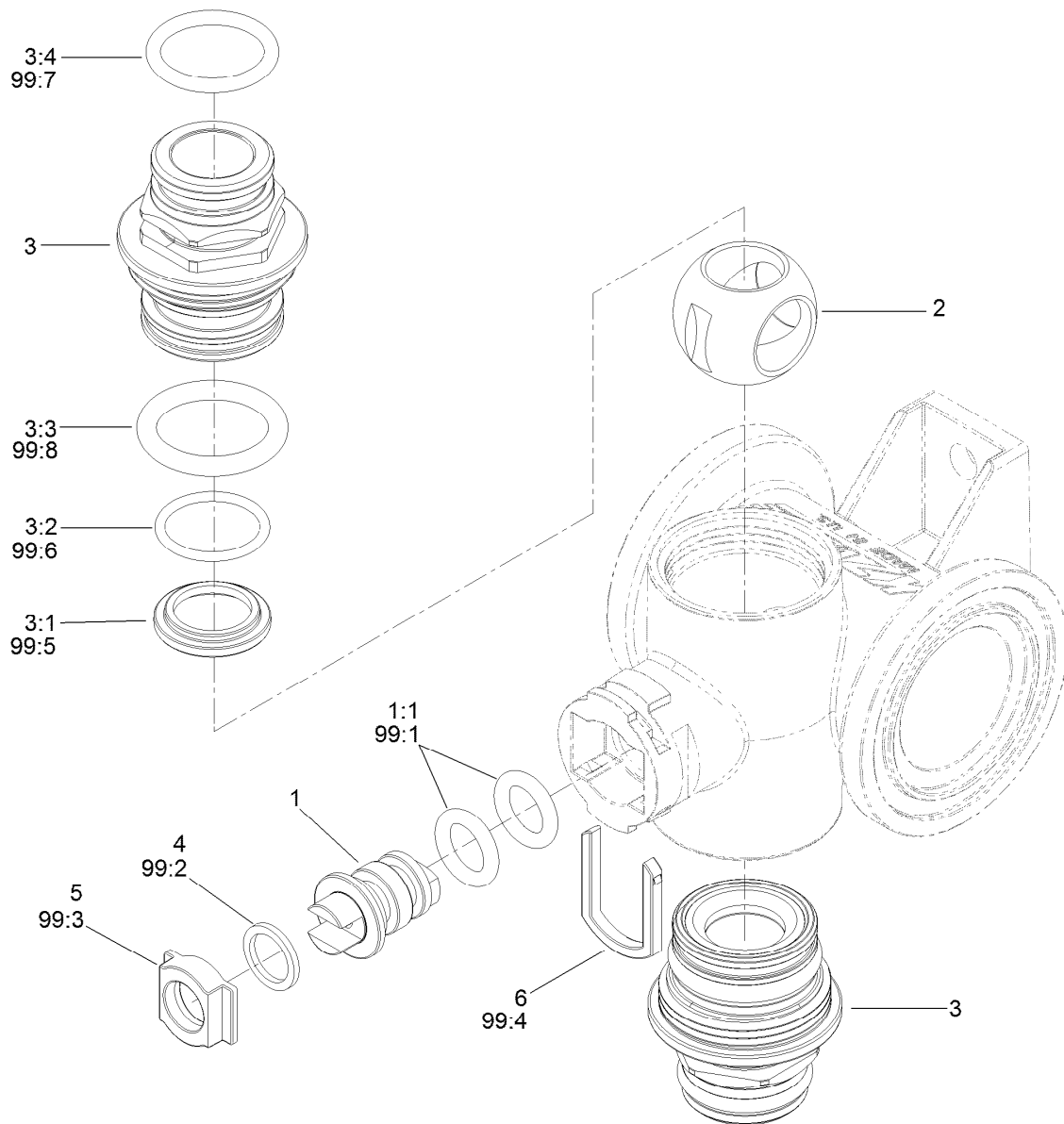
## Flow Meter Assembly No. 106-1038

<i>Ref.</i>	<i>Part Number</i>	<i>Qty.</i>	<i>Description</i>
1	106-1042	1	Body-Meter, Flow
2	104-9059	1	Rotor / Magnet ASM
3	104-9060	1	Upstream Hub And Bearing ASM
4	104-9061	1	Downstream Hub ASM
5	104-9062	2	Ring-Retaining, Internal
6	42480	1	Stud-Turbine (W / Bearing)
7	104-9065	1	External Sensor ASM
8	104-9063	1	Clamp-Cable
9	104-9064	1	Screw-HWHTF



## Section Valve Manifold Assembly

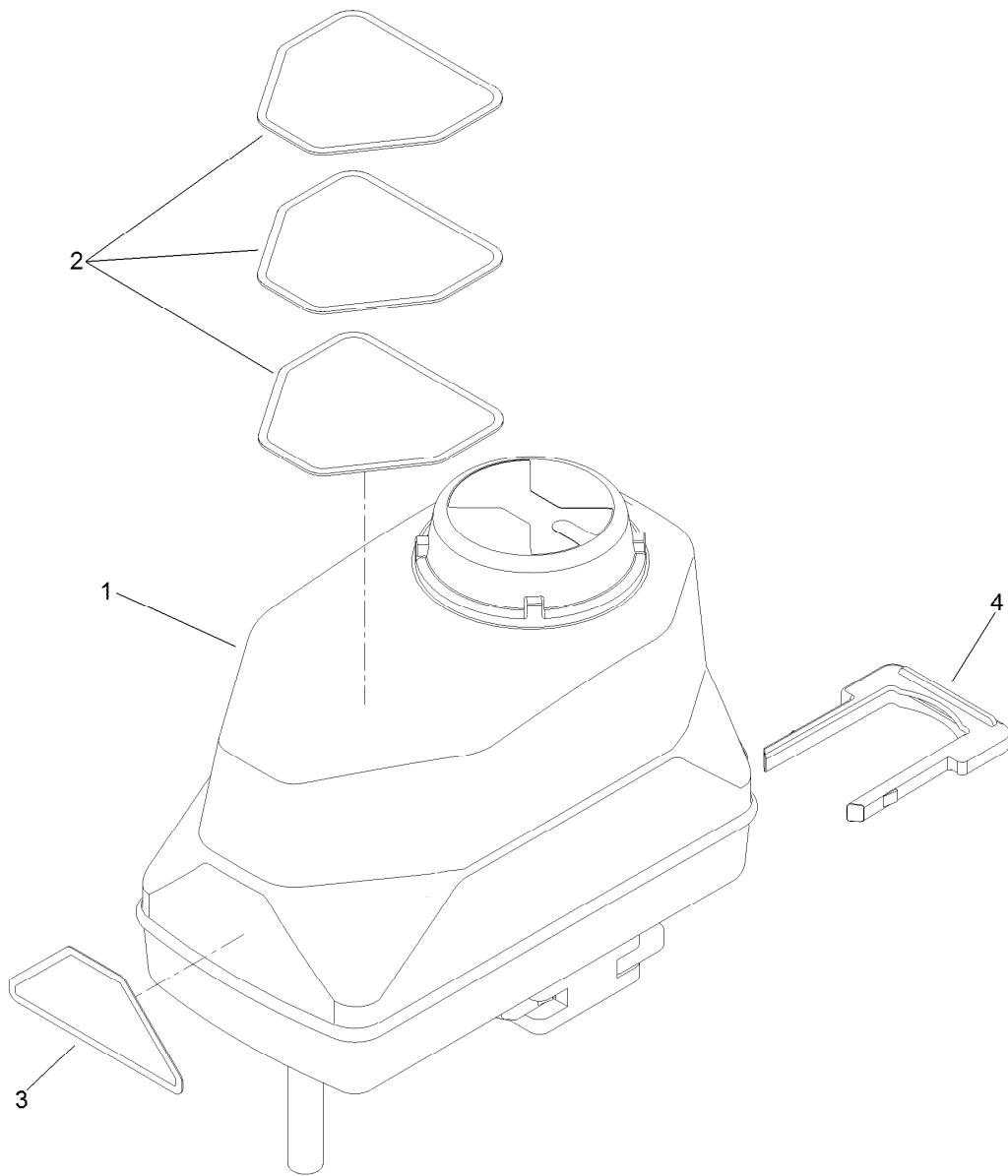
Ref.	Part Number	Qty.	Description
1	131-0258	1	Mount-Valves, Boom
2	127-9803	3	On/Off Manifold Valve Kit
3	131-3723	3	Actuator On/Off Kit
4	127-9829	4	Clamp/Gasket Kit
4:2	127-1145	1	Gasket-Flange
5	127-1185	1	Fitting-Cap, Port
6	127-9805	3	Bypass Valve ASM
7	127-9810	1	Male Cap Fitting Kit
7:2	127-1187	1	O-Ring, Endcap
8	127-1144	1	Fitting-Adapter
9	3234-4	4	Screw-HHF
10	104-7201	4	Nut-HF, NI
11	131-3709	1	Coupler



## On/Off Manifold Valve Kit No. 127-9803

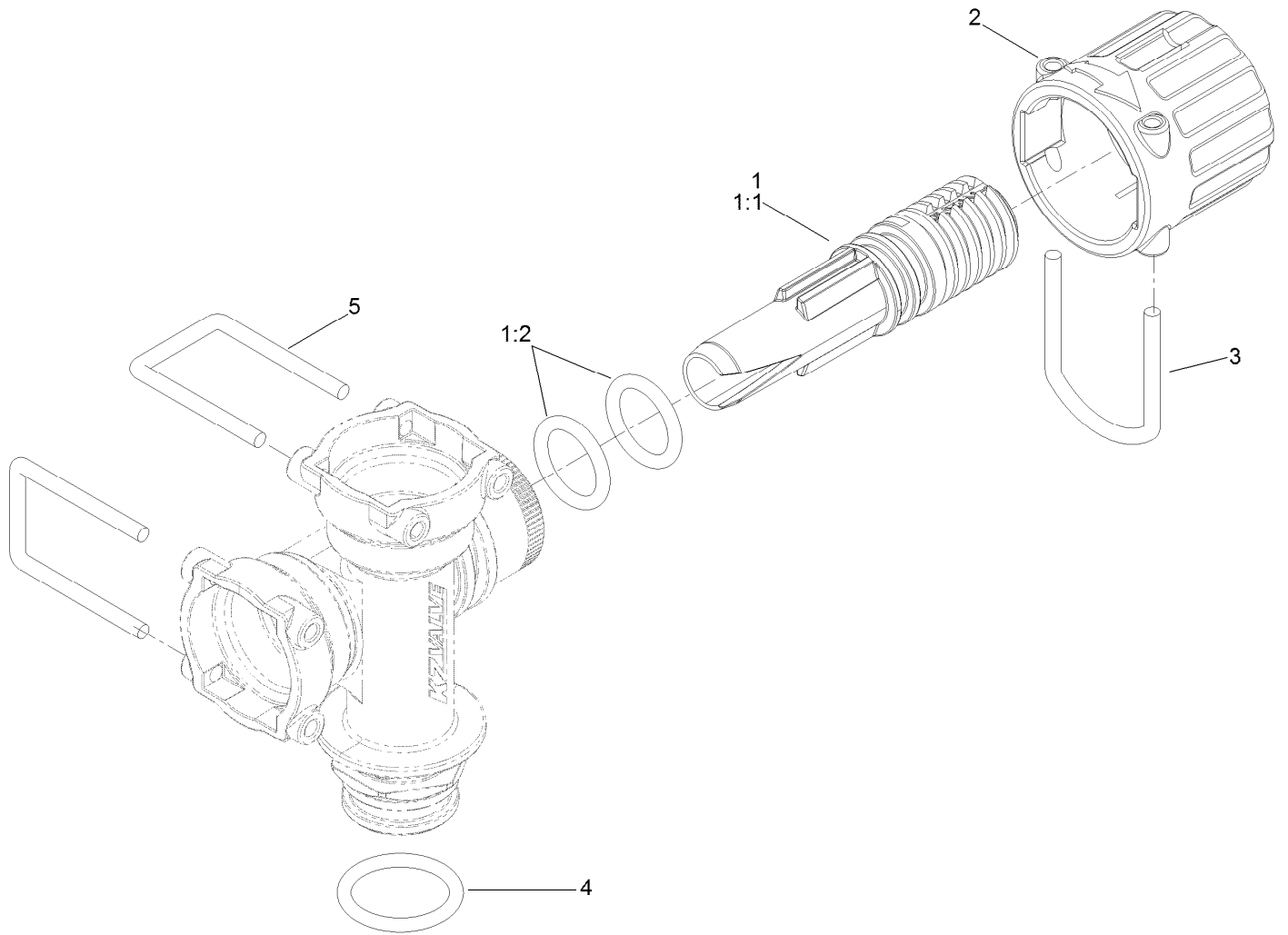
<i>Ref.</i>	<i>Part Number</i>	<i>Qty.</i>	<i>Description</i>	<i>Ref.</i>	<i>Part Number</i>	<i>Qty.</i>	<i>Description</i>
1	130-8248	1	Valve Stem Kit	6	127-1190	1	Fork-Stem, Valve
1:1	127-1197	2	O-Ring-Stem	99	130-7304	1	Valve Repair Kit ●
2	127-1194	1	Ball-Valve, 3Way	99:1	127-1197	2	O-Ring-Stem
3	130-7317	2	Endcap Kit	99:2	127-1196	2	Washer-Stem, Valve
3:1	127-1192	1	Seat-Ball	99:3	127-1195	1	Seat-Stem, Valve
3:2	127-1188	1	O-Ring, Seat (Ball)	99:4	127-1190	1	Fork-Stem, Valve
3:3	127-1189	1	O-Ring, Endcap	99:5	127-1192	2	Seat-Ball
3:4	127-1187	1	O-Ring, Endcap	99:6	127-1188	2	O-Ring, Seat (Ball)
4	127-1196	1	Washer-Stem, Valve	99:7	127-1187	2	O-Ring, Endcap
5	127-1195	1	Seat-Stem, Valve	99:8	127-1189	2	O-Ring, Endcap

● Not illustrated



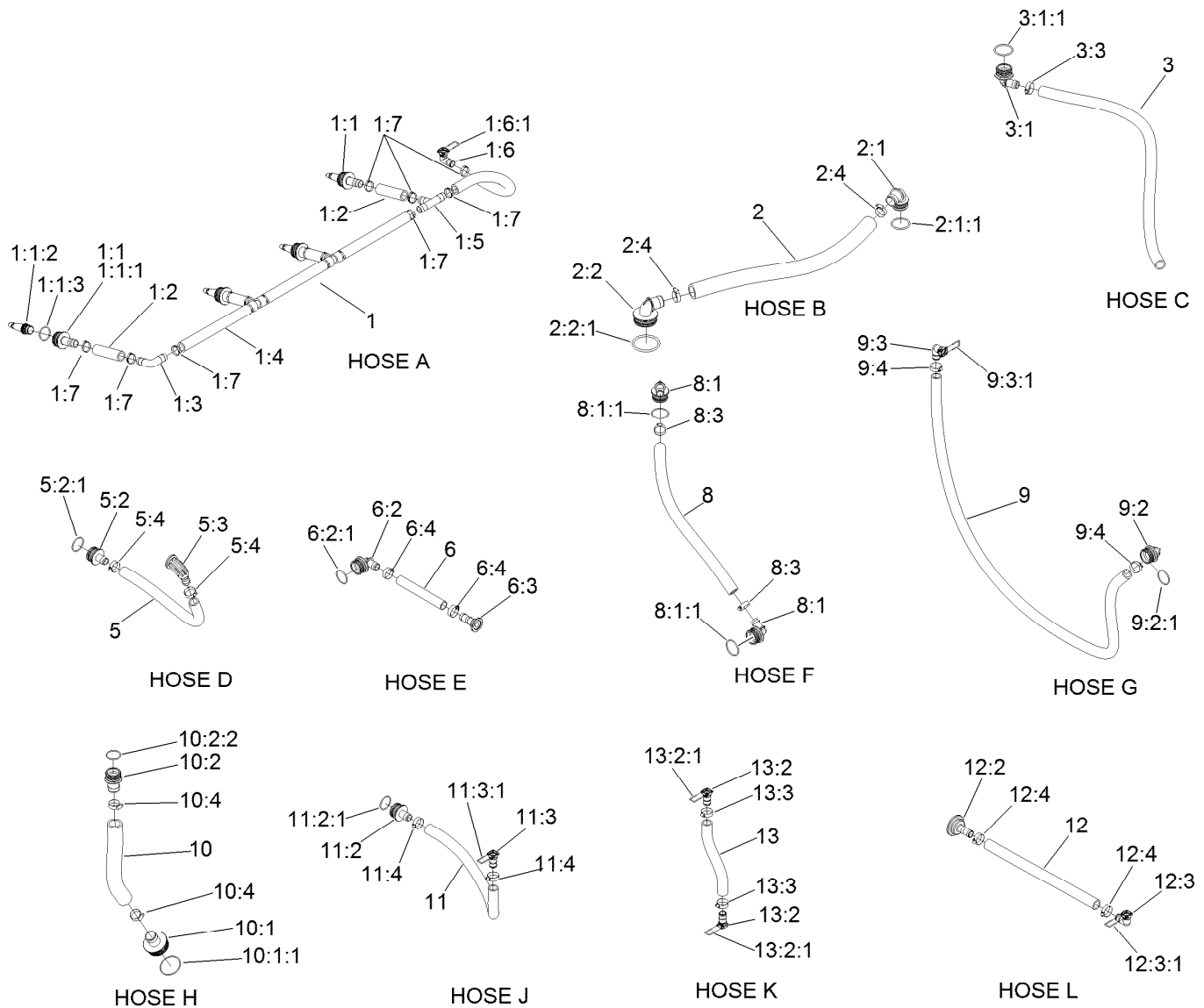
## Actuator On/Off Kit No. 131-3723

<i>Ref.</i>	<i>Part Number</i>	<i>Qty.</i>	<i>Description</i>
1	127-9801	1	Actuator-On/Off
2	127-6979	1	Decal-Valve, Agitation
2	127-6981	1	Decal-Valve, On/Off
2	127-6982	1	Decal-Valve, Master Boom
3	127-6976	1	Decal-Valve, Bypass Adjust
4	130-7301	1	Hairpin-Actuator



## Bypass Valve Assembly No. 127-9805

<i>Ref.</i>	<i>Part Number</i>	<i>Qty.</i>	<i>Description</i>
1	131-0298	1	Bypass Needle Kit
1:1	127-1182	1	Needle-Bypass
1:2	127-1181	2	Oring-Bypass Needle
2	127-1180	1	Knob-Bypass
3	127-1179	1	Fork-Bypass Knob
4	127-1187	1	O-Ring, Endcap
5	127-1175	2	Fork

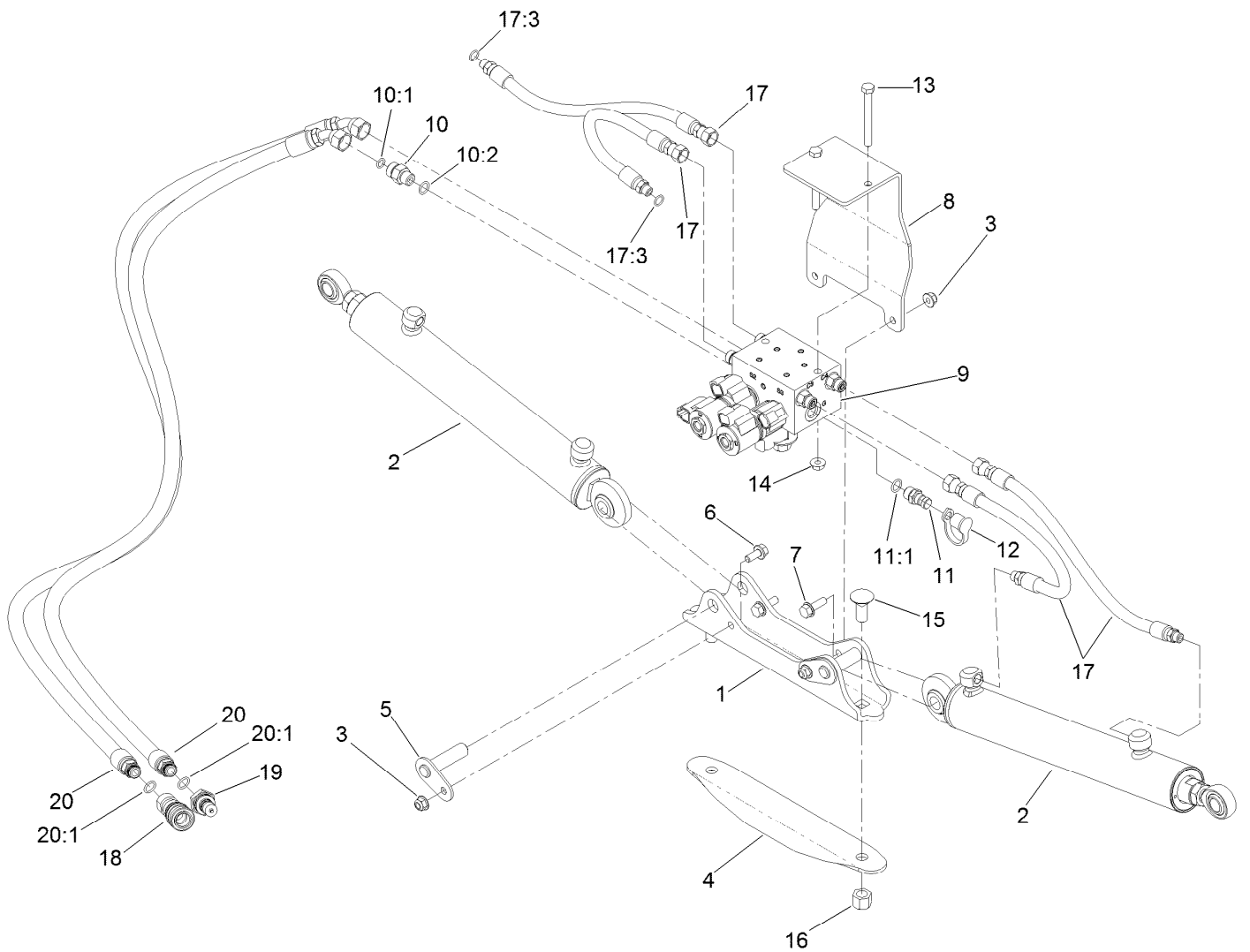


Reference **Spray Tank Assembly** page and **Spray Tank Valve Assembly** page for hose locations and orientation

## Hose Assembly

Ref.	Part Number	Qty.	Description	Ref.	Part Number	Qty.	Description
1	132-4327	1	Hose-Agitation	3:3	2412-34	1	Clamp-Hose
1:1	131-3731	4	Agitation Nozzle ASM	5	132-4329	1	Hose-Supply
1:1:1	131-3732	1	Fitting-Barb	5:2	106-4932	1	Hosebarb-Straight
1:1:2	120-8579	1	Nozzle-Agitation	5:2:1	100-8637	1	O-Ring
1:1:3	121-4996	1	O-Ring	5:3	131-0241	1	Fitting-Elb 90
1:2	119-0441	4	Hose-Agitaiton	5:4	2412-34	2	Clamp-Hose
1:3	117-7867	1	Elbow-Hosebarb	6	132-4331	1	Hose-Agitation, Bypass
1:4	117-7862	3	Hose-Main Agitation	6:2	106-4933	1	Hosebarb ASM
1:5	117-7866	3	Tee-Hosebarb	6:2:1	100-8637	1	O-Ring
1:6	131-0213	1	90 DEG Barb Fitting Kit	6:3	127-1142	1	Fitting-STR
1:6:1	133-0398	1	Pin-Fork	6:4	2412-34	2	Clamp-Hose
1:7	2412-3	16	Clamp-Hose	8	125-0639	1	Regulating Hose ASM
2	125-0645	1	Upper Suction Hose ASM	8:1	106-4933	2	Hosebarb ASM
2:1	110-5156	1	Suction Elbow ASM	8:1:1	100-8637	1	O-Ring
2:1:1	100-8637	1	O-Ring	8:3	2412-34	2	Clamp-Hose
2:2	106-4952	1	Hosebarb-90 DEG	9	132-4333	1	Hose-Bypass
2:2:1	100-6989	1	O-Ring	9:2	106-4933	1	Hosebarb ASM
2:4	41327	2	Clamp-Hose	9:2:1	100-8637	1	O-Ring
3	133-2868	1	Drain Hose ASM	9:3	131-0213	1	90 DEG Barb Fitting Kit
3:1	106-4933	1	Hosebarb ASM	9:3:1	133-0398	1	Pin-Fork
3:1:1	100-8637	1	O-Ring	9:4	2412-34	2	Clamp-Hose

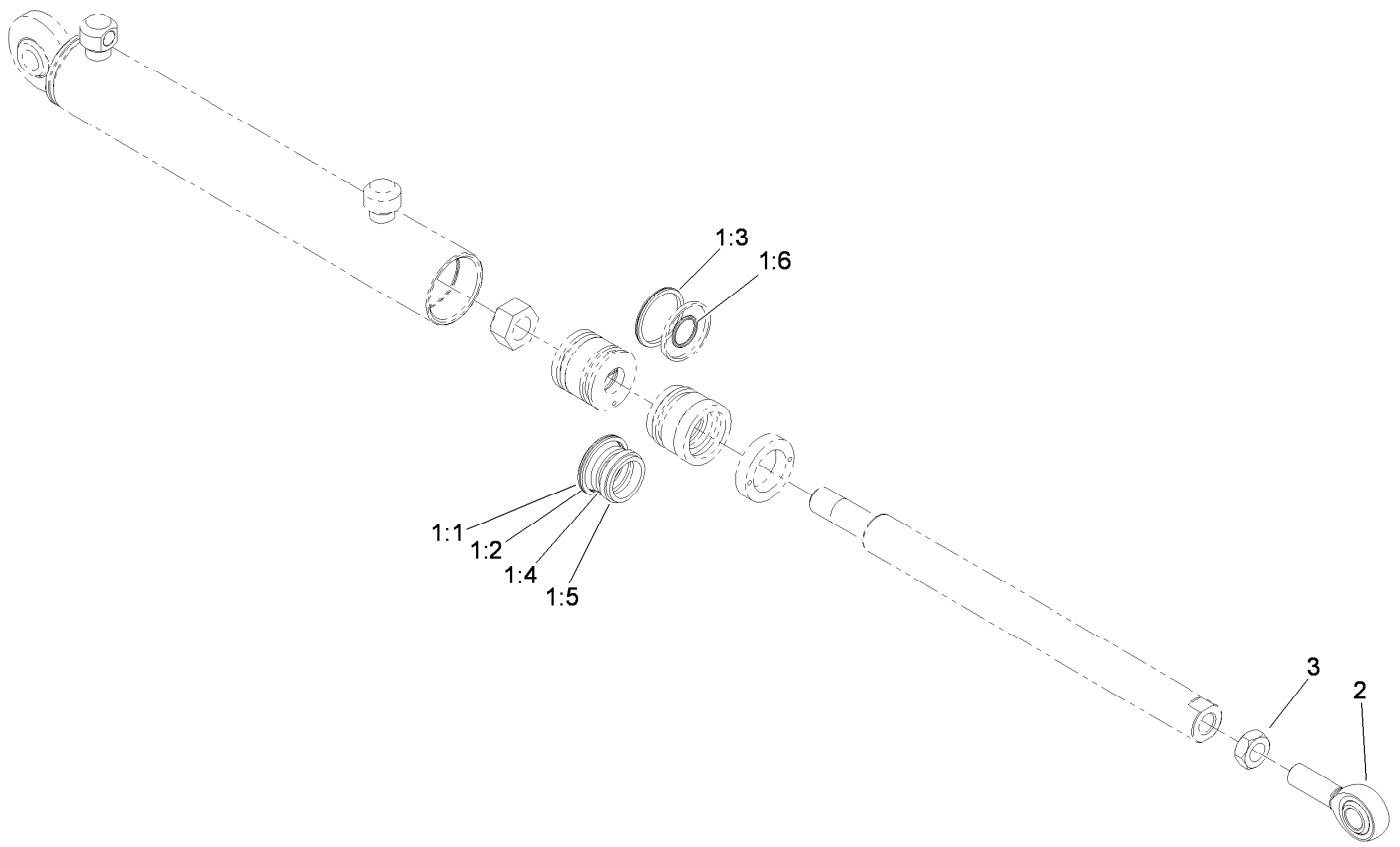




## Boom Lift Assembly

Ref.	Part Number	Qty.	Description	Ref.	Part Number	Qty.	Description
1	119-4856-03	1	Plate-Mount, Cylinders	11:1	237-42	1	O-Ring
2	117-0701	2	Hydraulic Cylinder ASM	12	354-79	1	Cap-Dust
3	104-8300	4	Nut-HF, NI	13	322-14	2	Screw-HH
4	131-0297-03	1	Plate-Stiffener, Boom	14	32128-26	2	Nut-HF
5	112-7884	2	Pin-Pivot	15	110-5067	2	Screw-CARR
6	110-5053	2	Screw-HHF	16	3296-23	2	Nut-Lock, NI
7	3234-29	2	Screw-HHF	17	119-4859	4	Hose ASM
8	130-8201-03	1	Mount-Valve	17:3	237-78	1	O-Ring
9	136-2400	1	On-Off Boom Lift Valve ASM	18	106-7968	1	Coupler-Quick, Female
10	340-2	2	Fitting-Straight	19	106-7969	1	Coupler-Quick, Male
10:1	237-22	1	O-Ring	20	127-9717	2	Hose ASM
10:2	237-42	1	O-Ring	20:1	237-42	1	O-Ring
11	59-7410	1	Fitting-Diagnostic				



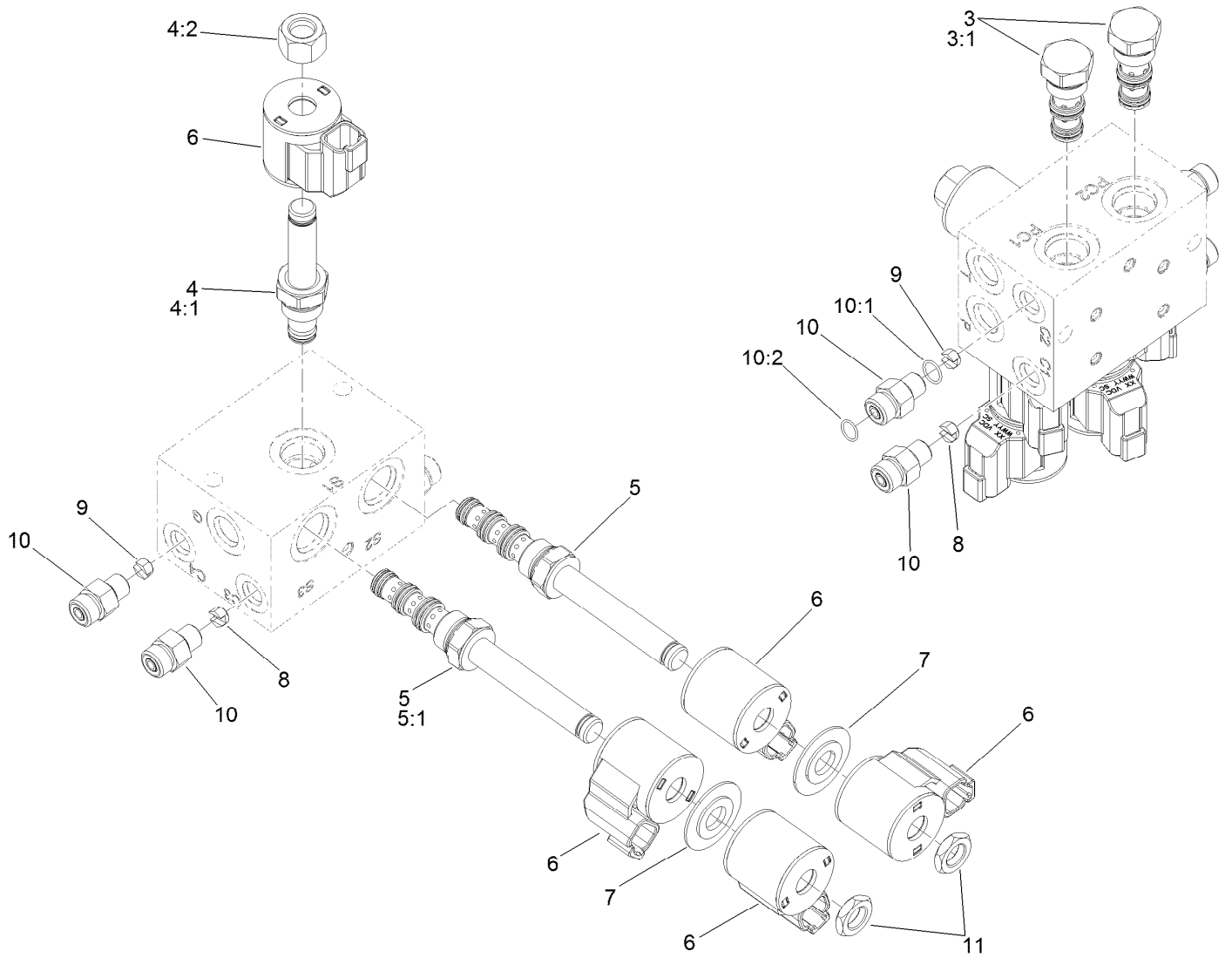


## Hydraulic Cylinder Assembly No. 117-0701

<i>Ref.</i>	<i>Part Number</i>	<i>Qty.</i>	<i>Description</i>
1	119-8026	1	Seal Kit ●
1:1		1	O-Ring ■
1:2		1	Ring-Backup ■
1:3		1	Bp Seal ■
1:4		1	Bs Seal ■
1:5		1	Dust Seal ■
1:6		1	O-Ring ■
2	119-8027	1	Rod End
3	3220-6	1	Nut-Jam

● Not illustrated

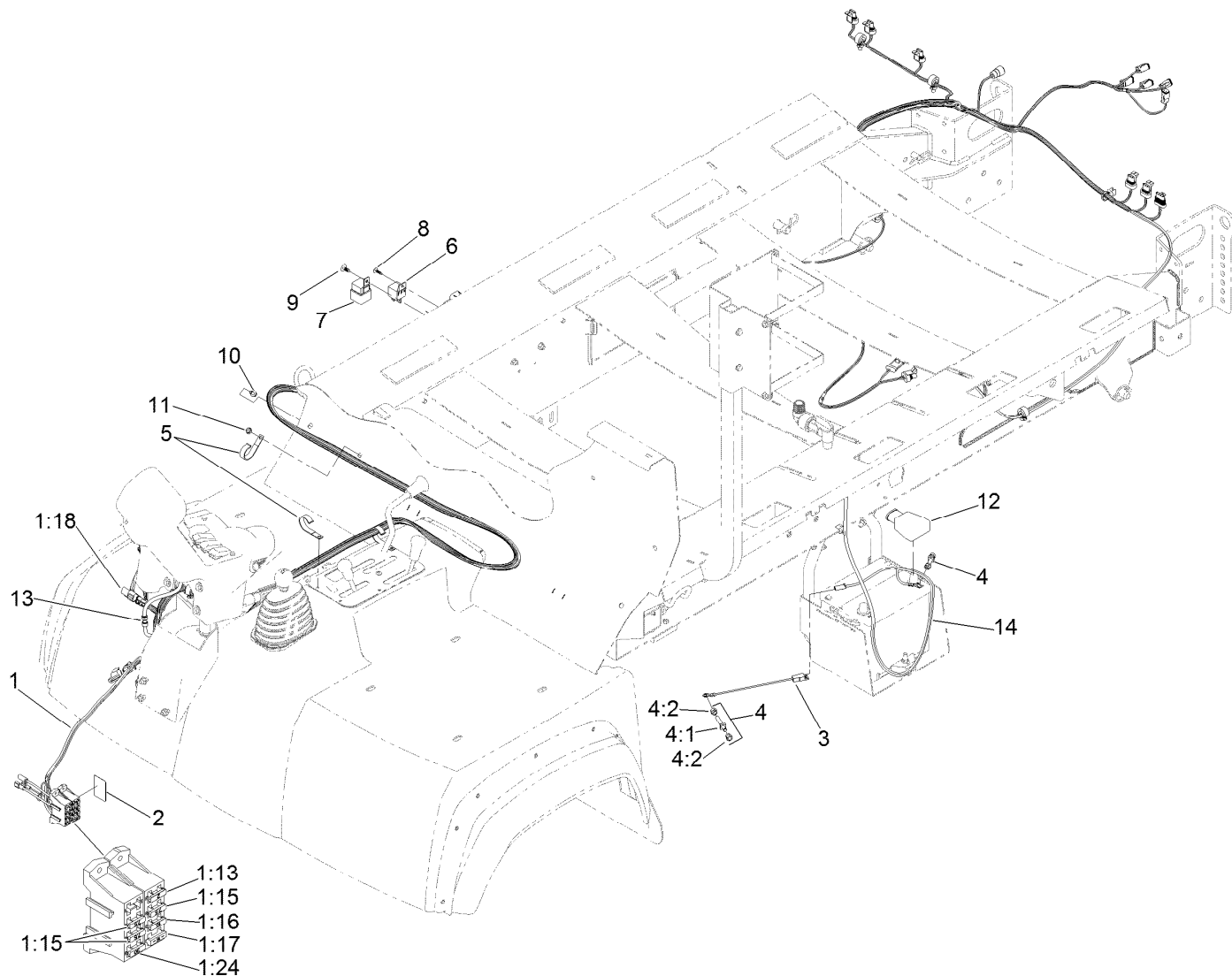
■ Not serviced separately



## On-Off Boom Lift Valve Assembly No. 136-2400

Ref.	Part Number	Qty.	Description
3	136-2430	2	Valve-Check, Po
3:1	120-0886	1	Seal Kit
4	107-7517	1	Valve-Solenoid
4:1	105-9156	1	Seal Kit
4:2	107-7812	1	Nut-Solenoid
5	120-2587	2	Valve-Solenoid
5:1	112-6520	1	Seal Kit ●
6	119-8036	5	Coil
7	120-2586	2	Spacer-Coil
8	110-8903	2	Orifice-Control, Flow (0.055)
9	136-2399	2	Orifice-Control, Flow (0.025)
10	340-92	4	Fitting-Straight
10:1	237-78	1	O-Ring
10:2	237-21	1	O-Ring
11	110-2634	2	Nut-Coil

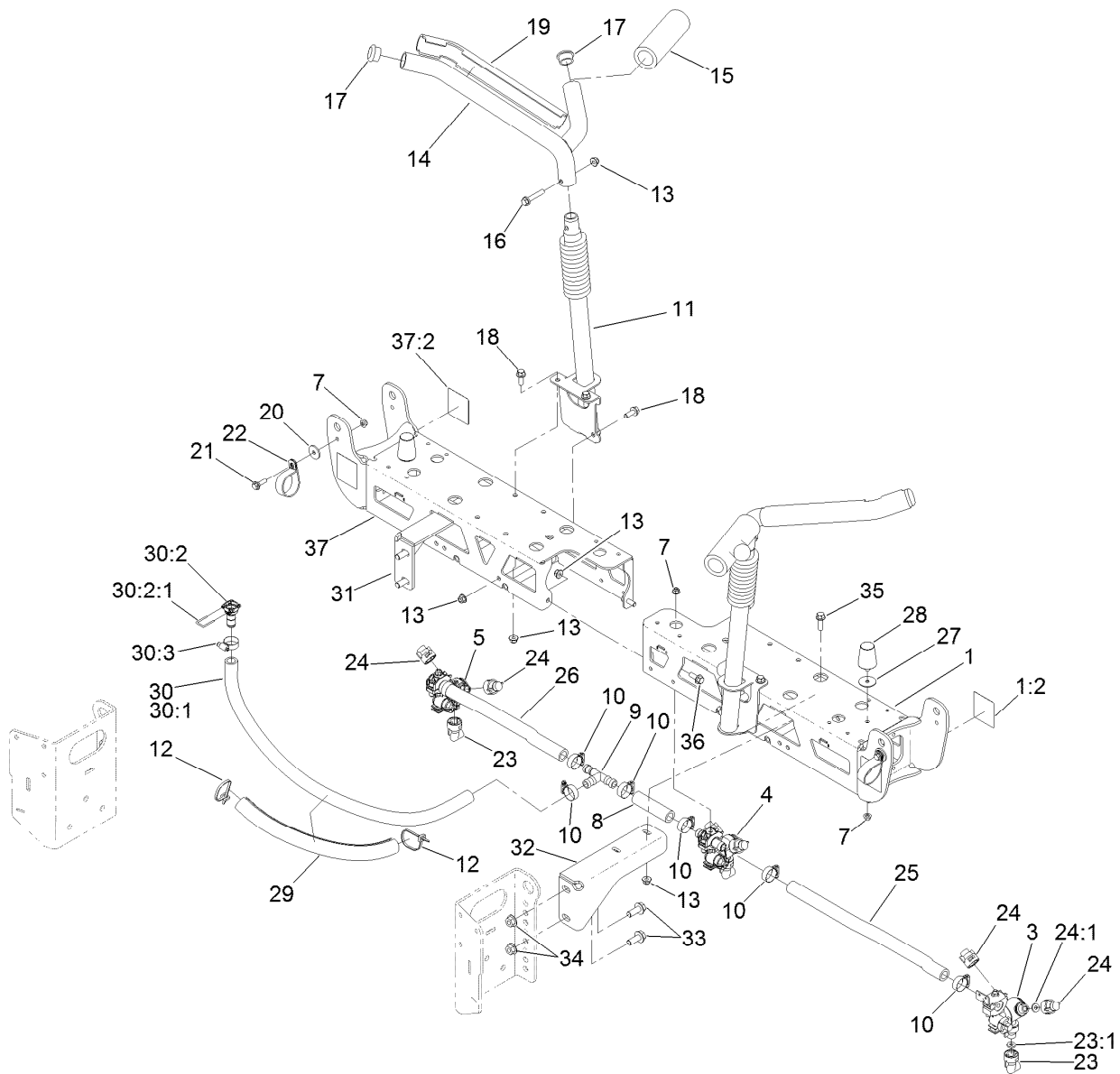
● Not illustrated



## Electrical Assembly

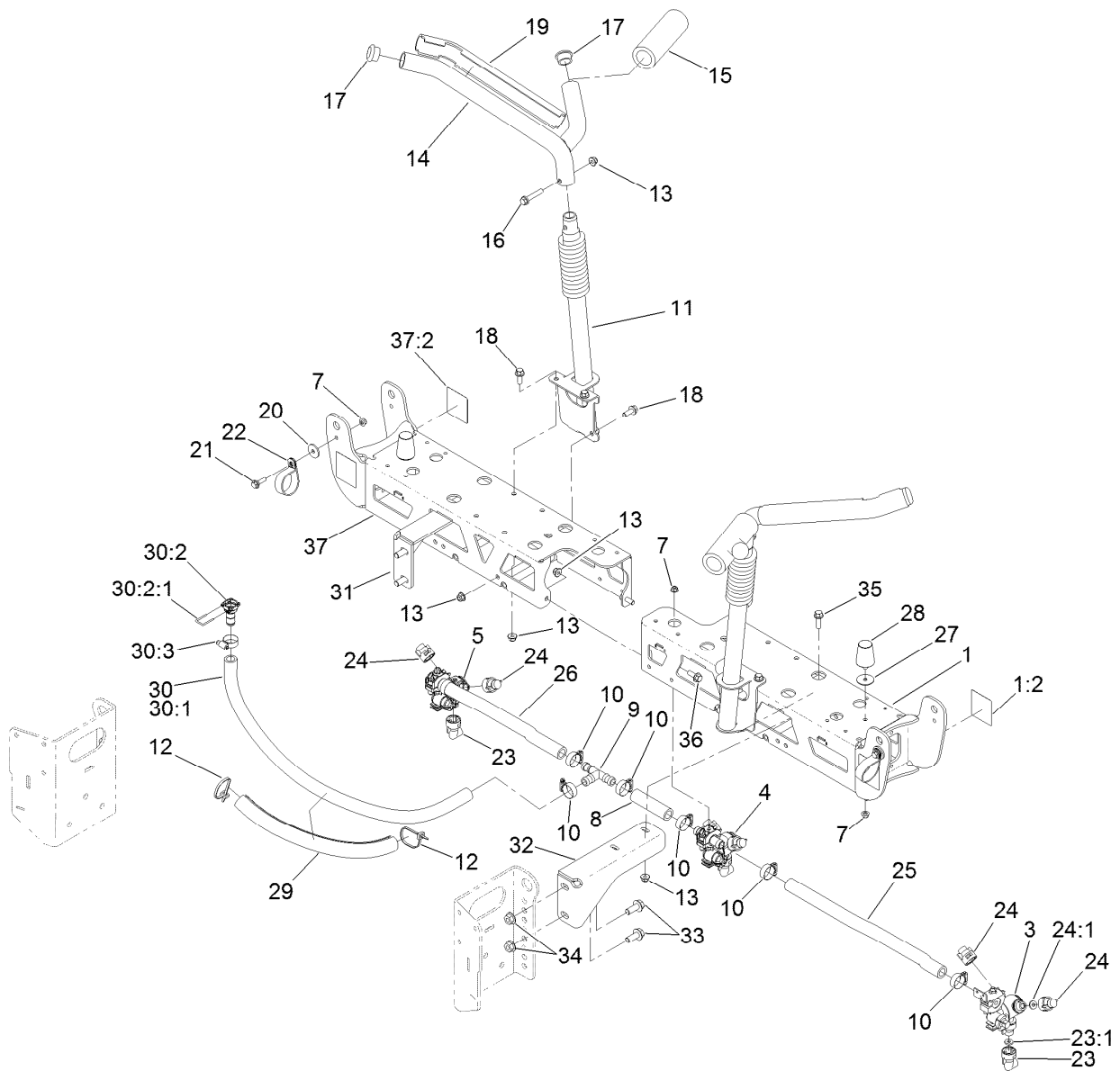
<i>Ref.</i>	<i>Part Number</i>	<i>Qty.</i>	<i>Description</i>
1	122-0735	1	Harness-Wire, Front
1:13	94-6710	1	Fuse-2 Amp
1:15	114241	2	Fuse-Blade, 7.5 Amp
1:16	218-578	1	Fuse-Blade, 10 Amp
1:17	109355	1	Fuse-Blade, 15 Amp
1:18	32180-043	2	Resistor-120 Ohm
1:24	109103	1	Fuse-Blade, 30 Amp
2	127-3966	1	Decal-Fuse Block
3	108-9455	1	Harness-Wire, Fusible Link
4	112-9921	2	Bolt ASM
4:1	32180-107	1	Bolt-Clamp, Battery

<i>Ref.</i>	<i>Part Number</i>	<i>Qty.</i>	<i>Description</i>
4:2	32180-108	2	Nut-Hex Shoulder
5	106-1429	3	Clamp-J
6	99-7435	1	Relay
7	99-7430	1	Relay-Mini
8	125-8067	1	Plug-Plastic
9	104-0395	1	Plug-Plastic
10	3234-13	1	Screw-HHF
11	104-7201	1	Nut-HF, NI
12	32180-110	1	Insulator-Lead Cast
13	132-7773	1	Connector-Hose
14	122-0736	1	Harness-Wire, Rear



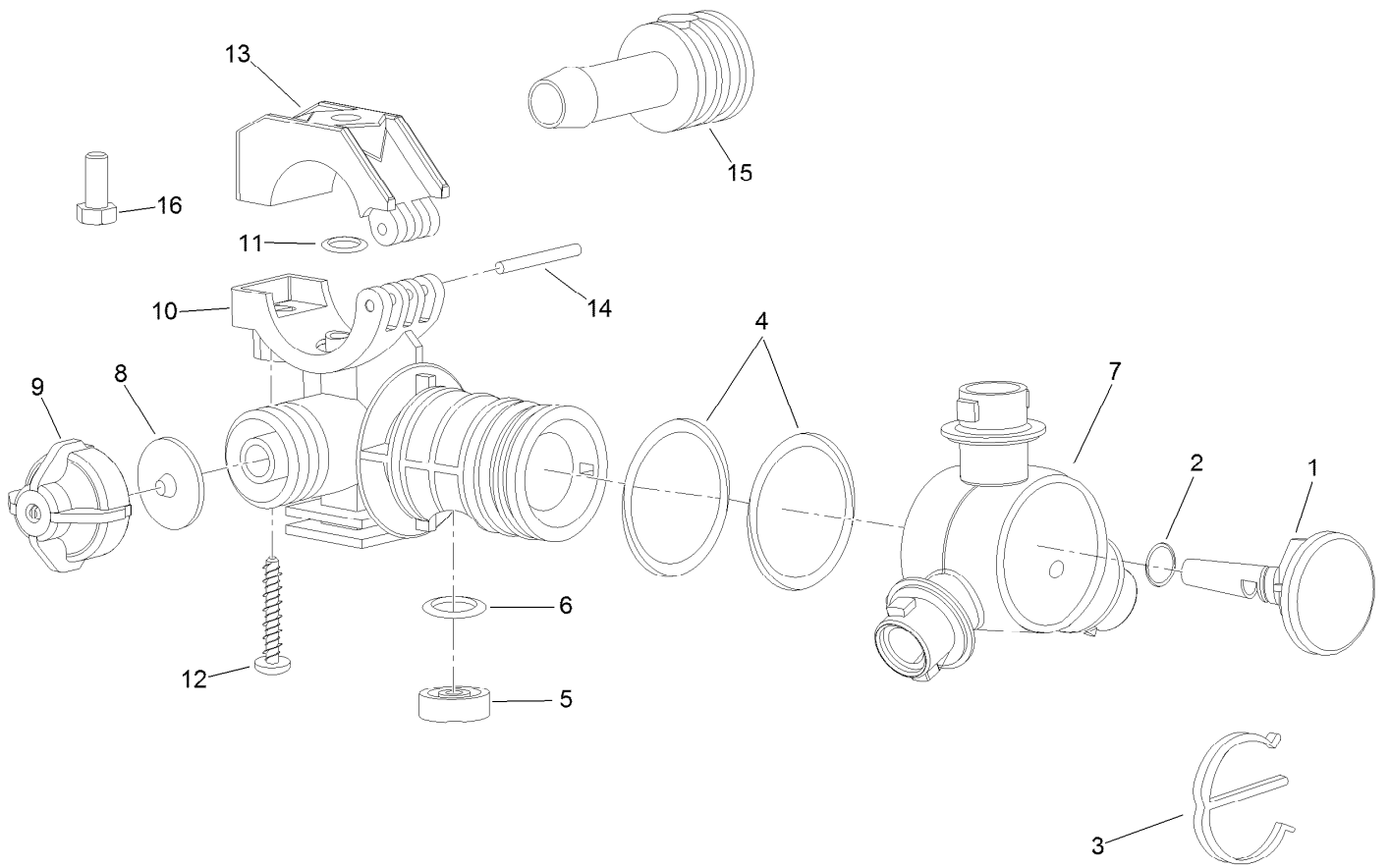
## Center Boom Assembly

Ref.	Part Number	Qty.	Description	Ref.	Part Number	Qty.	Description
1	136-0381	1	Boom-LH	22	114-9566	2	Clamp-R
1:2	120-0617	2	Decal-Warning, Pinch, Crush	23	95-9186	3	Cap
3	108-3725	1	LH Single Body Turret ASM	23:1	40998	1	Seat-Gasket
4	108-3727	1	Double Turret Body ASM	24	95-9187	6	Cap-Blank
5	108-3726	1	RH Single Body Turret ASM	24:1	40998	1	Seat-Gasket
7	104-8300	7	Nut-HF, NI	25	108-3735	1	Hose-Boom, Center (LH)
8	108-3717	1	Hose-Boom	26	108-3718	1	Hose-Boom, Center (RH)
9	108-3439	1	Tee	27	3256-68	2	Washer-Flat
10	2412-129	7	Clamp-Hose	28	110-5070	2	Bumper
11	130-8238-03	2	Lower Cradle ASM	29	127-3923	1	Conduit-Convolved
12	3290-378	2	Tie-Cable	30	132-4335	1	Hose-Center Boom
13	104-8301	14	Nut-HF, NI	30:1	127-9770	1	Hose-Shutoff
14	108-3476-03	2	Cradle-Upper	30:2	127-9807	1	Straight Fitting Kit
15	108-3457	2	Spacer	30:2:1	133-0398	1	Pin-Fork
16	108-3742	2	Screw-HHF	30:3	2412-129	1	Clamp-Hose
17	108-3489	4	Cap-Tube	31	127-8955-03	1	Mount-Boom
18	110-5052	6	Screw-HHF	32	127-8956-03	1	Mount-Boom
19	108-3495	2	Cover-Slide	33	110-5057	4	Capscrew-HHF
20	108-3743	2	Washer	34	108-3745	4	Nut-HHF, Whiz
21	108-3744	2	Screw-Shoulder	35	110-5050	4	Screw-HHF
				36	3234-42	2	Screw-HHF



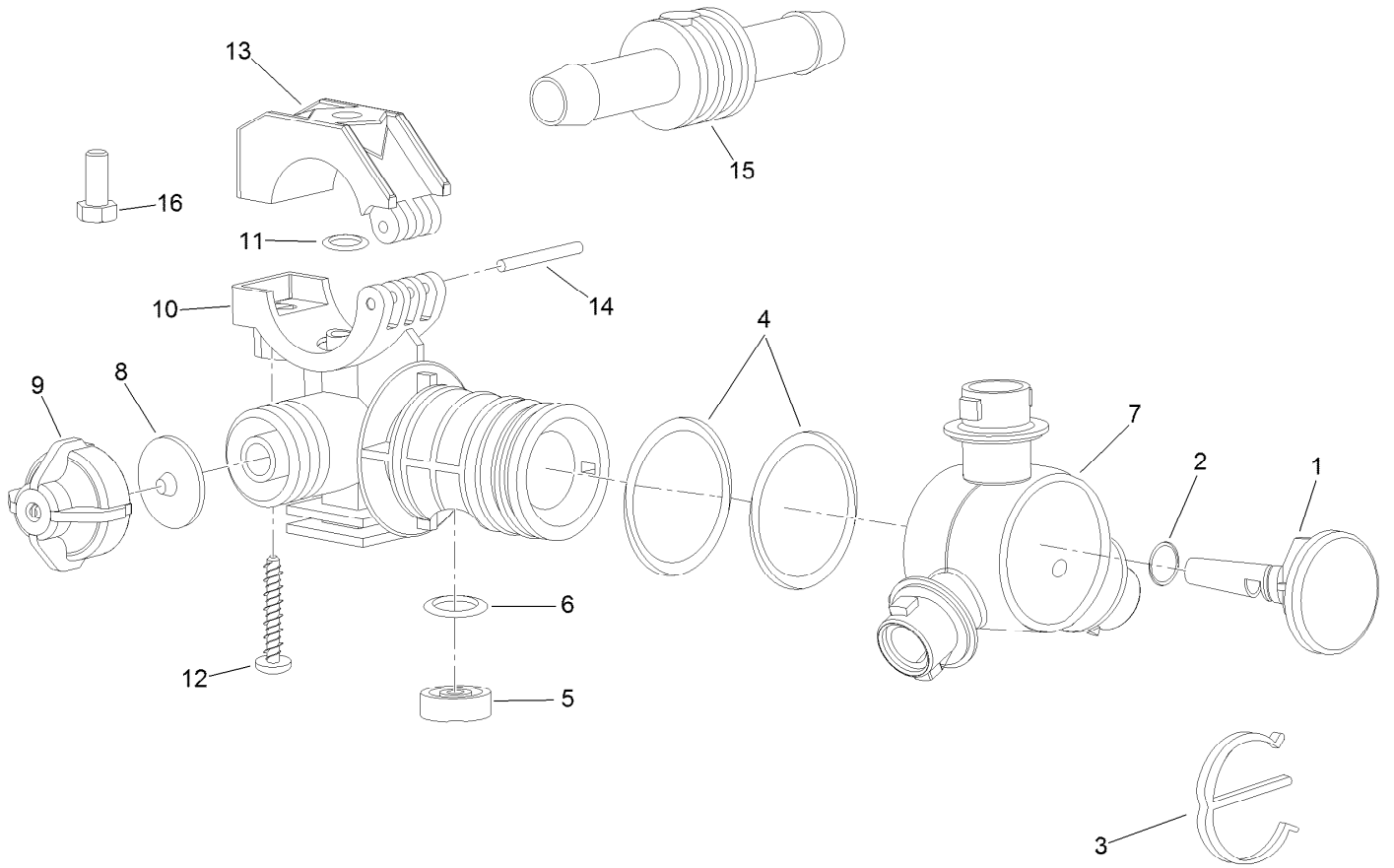
## Center Boom Assembly (continued)

Ref.	Part Number	Qty.	Description
37	136-0382	1	Boom-RH
37:2	120-0617	2	Decal-Warning, Pinch, Crush



## RH Single Body Turret Assembly No. 108-3726

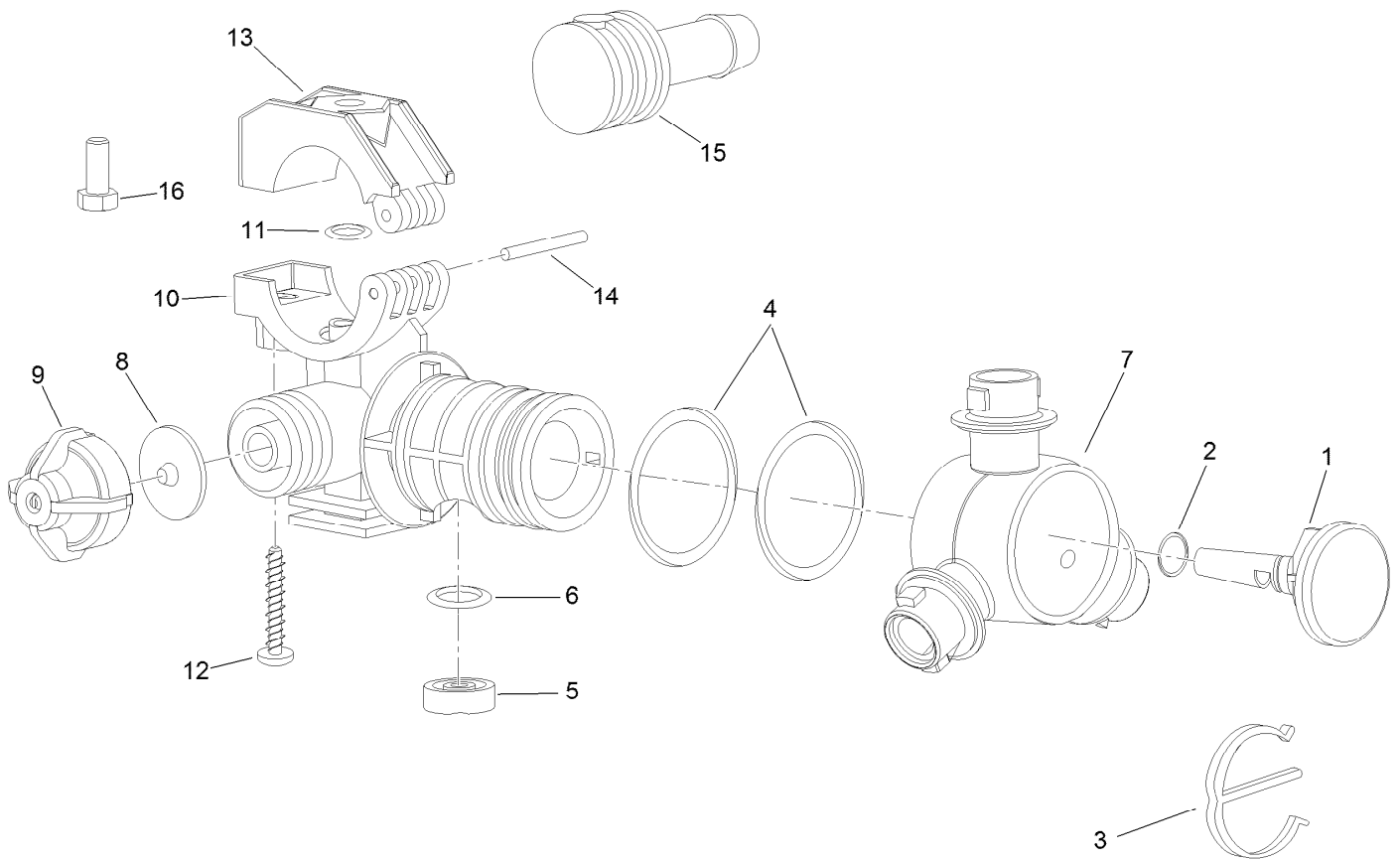
<i>Ref.</i>	<i>Part Number</i>	<i>Qty.</i>	<i>Description</i>	<i>Ref.</i>	<i>Part Number</i>	<i>Qty.</i>	<i>Description</i>
1	95-9200	1	Plug	9	95-9193	1	Cap-Diaphragm
2	95-9198	1	O-Ring	10	95-9192	1	Body-Split Eyelet
3	95-9197	1	E-Clip	11	95-9191	1	O-Ring
4	95-9199	2	O-Ring	12	99-0811	1	Screw-Clamp
5	108-3264	1	Seal-Viton	13	99-0812	1	Clamp-Upper
6	108-3265	1	O-Ring-Viton	14	99-0814	1	Pin-Pivot
7	95-9196	1	Turret	15	95-9201	1	Shank-Hose
8	41003	1	Diaphragm	16	322-3	1	Screw-HH



## Double Turret Body Assembly No. 108-3727

<i>Ref.</i>	<i>Part Number</i>	<i>Qty.</i>	<i>Description</i>
1	95-9200	1	Plug
2	95-9198	1	O-Ring
3	95-9197	1	E-Clip
4	95-9199	2	O-Ring
5	108-3264	1	Seal-Viton
6	108-3265	1	O-Ring-Viton
7	95-9196	1	Turret
8	41003	1	Diaphragm

<i>Ref.</i>	<i>Part Number</i>	<i>Qty.</i>	<i>Description</i>
9	95-9193	1	Cap-Diaphragm
10	95-9192	1	Body-Split Eyelet
11	95-9191	1	O-Ring
12	99-0811	1	Screw-Clamp
13	99-0812	1	Clamp-Upper
14	99-0814	1	Pin-Pivot
15	95-9202	1	Shank-Hose
16	322-3	1	Screw-HH

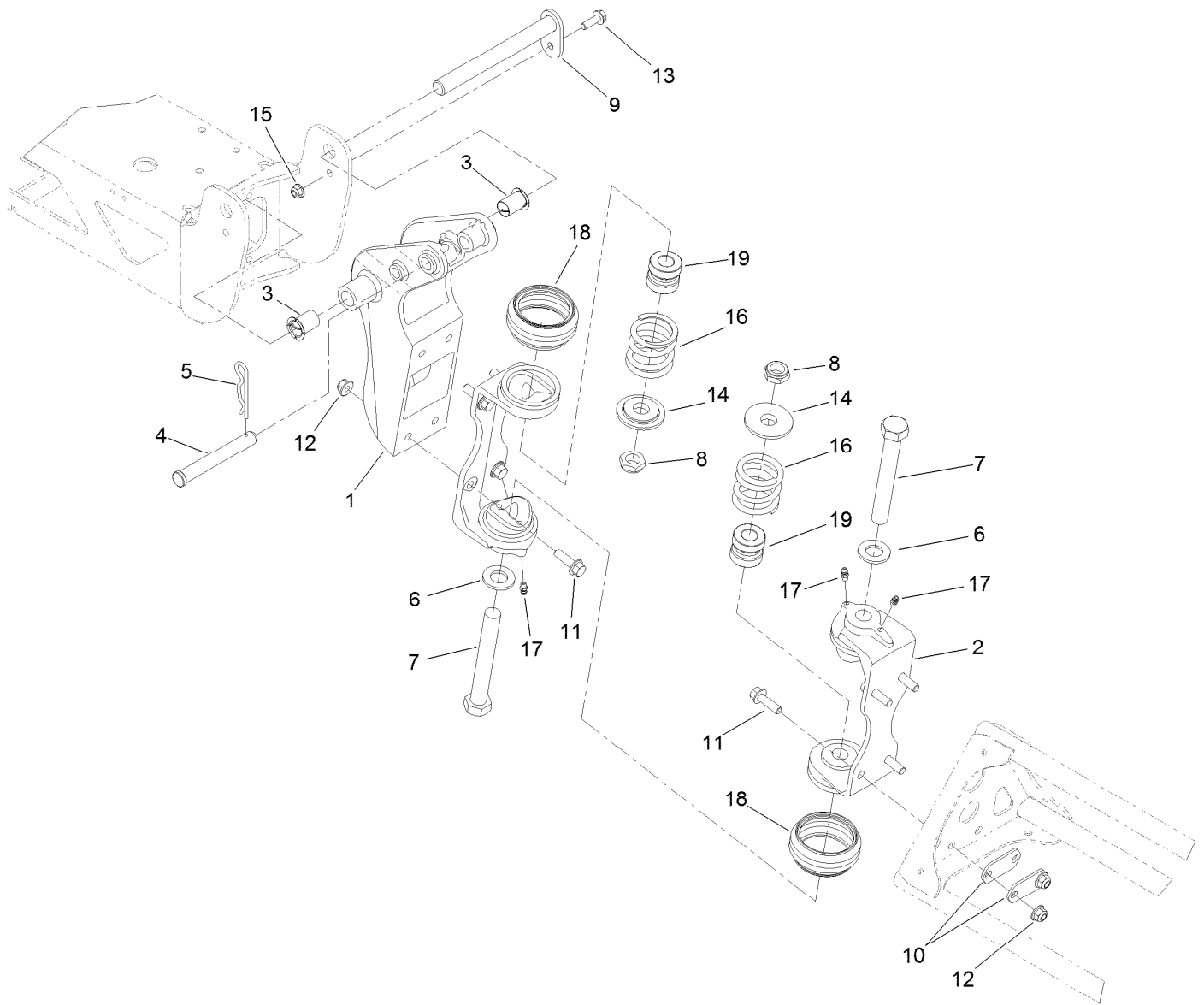


## LH Single Turret Body Assembly No. 108-3725

<i>Ref.</i>	<i>Part Number</i>	<i>Qty.</i>	<i>Description</i>
1	95-9200	1	Plug
2	95-9198	1	O-Ring
3	95-9197	1	E-Clip
4	95-9199	2	O-Ring
5	108-3264	1	Seal-Viton
6	108-3265	1	O-Ring-Viton
7	95-9196	1	Turret
8	41003	1	Diaphragm

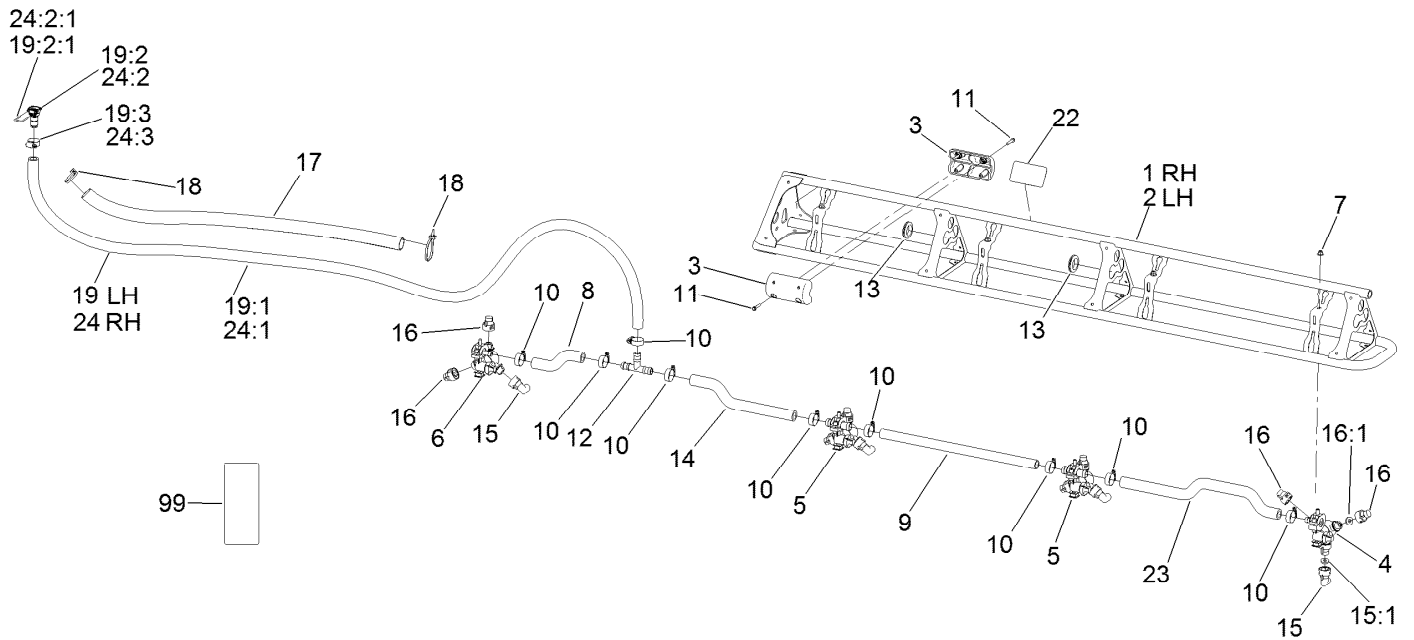
<i>Ref.</i>	<i>Part Number</i>	<i>Qty.</i>	<i>Description</i>
9	95-9193	1	Cap-Diaphragm
10	95-9192	1	Body-Split Eyelet
11	95-9191	1	O-Ring
12	99-0811	1	Screw-Clamp
13	99-0812	1	Clamp-Upper
14	99-0814	1	Pin-Pivot
15	95-9201	1	Shank-Hose
16	322-3	1	Screw-HH





## Boom Mounting Assembly

<i>Ref.</i>	<i>Part Number</i>	<i>Qty.</i>	<i>Description</i>	<i>Ref.</i>	<i>Part Number</i>	<i>Qty.</i>	<i>Description</i>
1	119-4993-03	2	Bracket-Pivot	11	110-5050	16	Screw-HHF
2	108-3471-03	4	Hinge	12	104-8301	16	Nut-HF, NI
3	100-8541	4	Bushing-A Arm	13	108-3748	2	Screw-HHF
4	108-3436	2	Pin-Clevis	14	108-3444	4	Retainer-Spring
5	3290-468	2	Pin-Cotter	15	104-8300	2	Nut-HF, NI
6	110-5054	4	Washer-Flat	16	108-3440	4	Spring-Breakaway, Boom
7	108-3738	4	Screw-HH	17	302-5	8	Fitting-Grease
8	3296-15	4	Nut-Lock, NI	18	108-3459	4	Boot-Hinge
9	108-3419	2	Pivot Pin ASM	19	120-8541	4	Dampener-Hinge
10	108-3605	8	Plate-Backing				



## Left and Right Hand Boom Assembly

Ref.	Part Number	Qty.	Description	Ref.	Part Number	Qty.	Description
1	108-3524-03	1	Boom-RH	16:1	40998	1	Seat-Gasket
2	108-3525-03	1	Boom-LH	17	107-8650	2	Conduit-Convolutd
3	119-9368	4	Block Slide	18	3290-378	6	Tie-Cable
4	108-3725	2	LH Single Body Turret ASM	19	132-4334	1	Hose-Left Boom
5	108-3727	4	Double Turret Body ASM	19:1	131-3790	1	Hose-Boom, RH
6	108-3726	2	RH Single Body Turret ASM	19:2	127-9807	1	Straight Fitting Kit
7	104-8300	8	Nut-HF, NI	19:2:1	133-0398	1	Pin-Fork
8	136-0437	2	Hose-Formed	19:3	2412-129	1	Clamp-Hose
9	40506	2	Hose-Jumper	22	104-8904	2	Decal-Grasp Boom Here
10	2412-129	18	Clamp-Hose	23	108-3735	2	Hose-Boom, Center (LH)
11	119-9369	8	Screw-HHF	24	132-4324	2	Hose-Boom
12	108-3439	2	Tee	24:1	127-9769	1	Hose-Supply
13	240-3	4	Grommet-Rubber	24:2	127-9807	1	Straight Fitting Kit
14	136-0436	2	Hose-Formed	24:2:1	133-0398	1	Pin-Fork
15	95-9186	8	Cap	24:3	2412-129	1	Clamp-Hose
15:1	40998	1	Seat-Gasket	99	119-9434	1	Decal-Magnetic
16	95-9187	16	Cap-Blank				

# Attachments and Accessories

## For 41240 Multi Pro WM Turf Sprayer

<b>Product Name</b>	<b>Model/Part</b>
Cab Kit.....	07392
Premium ATF (Drum).....	108-1185
Premium ATF (Pail) .....	108-1186
Premium All Purpose Grease (Tube) .....	108-1190
License Plate Kit.....	120-8506
Covered Boom Spring Upgrade Kit.....	120-8508
Premium Engine Oil 10w30 (55 Gallon Drum) .....	121-6392
Premium Engine Oil 10w30 (5 Gallon Pail) .....	121-6393
Fan Kit (EFI, Gas Engine Only).....	127-9719
Lance Suction Assembly .....	127-9826
Multi Pro WM Turf Sprayer Finishing Kit (Automatic).....	131-3301
Multi Pro WM Turf Sprayer Finishing Kit (Manual).....	131-3302
Cab Finishing Kit, 2016 and After Multi Pro WM Turf Sprayer.....	133-2725
Ultra Sonic Boom Finishing Kit, 2013 and After Multi Pro WM Turf Sprayer .....	133-2808
Pump Head Kit.....	133-2898
Foam Marker Finishing Kit.....	136-0459
Rear Work Light Kit.....	41010
Single Nozzle Kit.....	41023
Hand Spray Wand Kit .....	41118
Pro Foam Concentrate (4 x 1 Gallon) .....	41157
EU Compliance Kit.....	41200
Jackstand Kit .....	41216
Ultra Sonic Boom Leveling Kit .....	41219
Tank Clean Rinse Kit .....	41241
Chemical Pre-Mix Kit .....	41244
Electric Hose Reel Kit .....	41245
Foam Marker Kit .....	41249
Drift Reduction Boom Shroud Kit.....	41602
Pro-Foam.....	41607



**Count on it.**