



**Count on it.**

**Parts Catalog**

**Multi Pro<sup>®</sup> WM Turf Sprayer**

Model No. 41240—Serial No. 316000001 and Up



# Ordering Replacement Parts

To order replacement parts, please supply the part number, the quantity, and the description of each part desired.

## Understanding Reference Numbers

Each identified part in an illustration has a reference number. The reference number for a part also appears in the parts list, along with other information about the part.

This catalog uses two special reference number formats, one to indicate parts in a service assembly and another to indicate the quantity of a given part in an illustration.

## Service Assembly Reference Numbers

Parts in service assemblies have reference numbers in the form a:b. The a represents the reference number of the entire service assembly and the b represents a sequential number unique to each part within the service assembly.

For example, a wheel assembly might be identified by reference number 6, the tire by 6:1, the valve by 6:2, and the wheel by 6:3. When you order the assembly identified by reference number 6, you receive all parts identified by reference numbers 6:1, 6:2, and 6:3. However, you may also order any part individually. Reference numbers of this type appear in illustration and in parts lists.

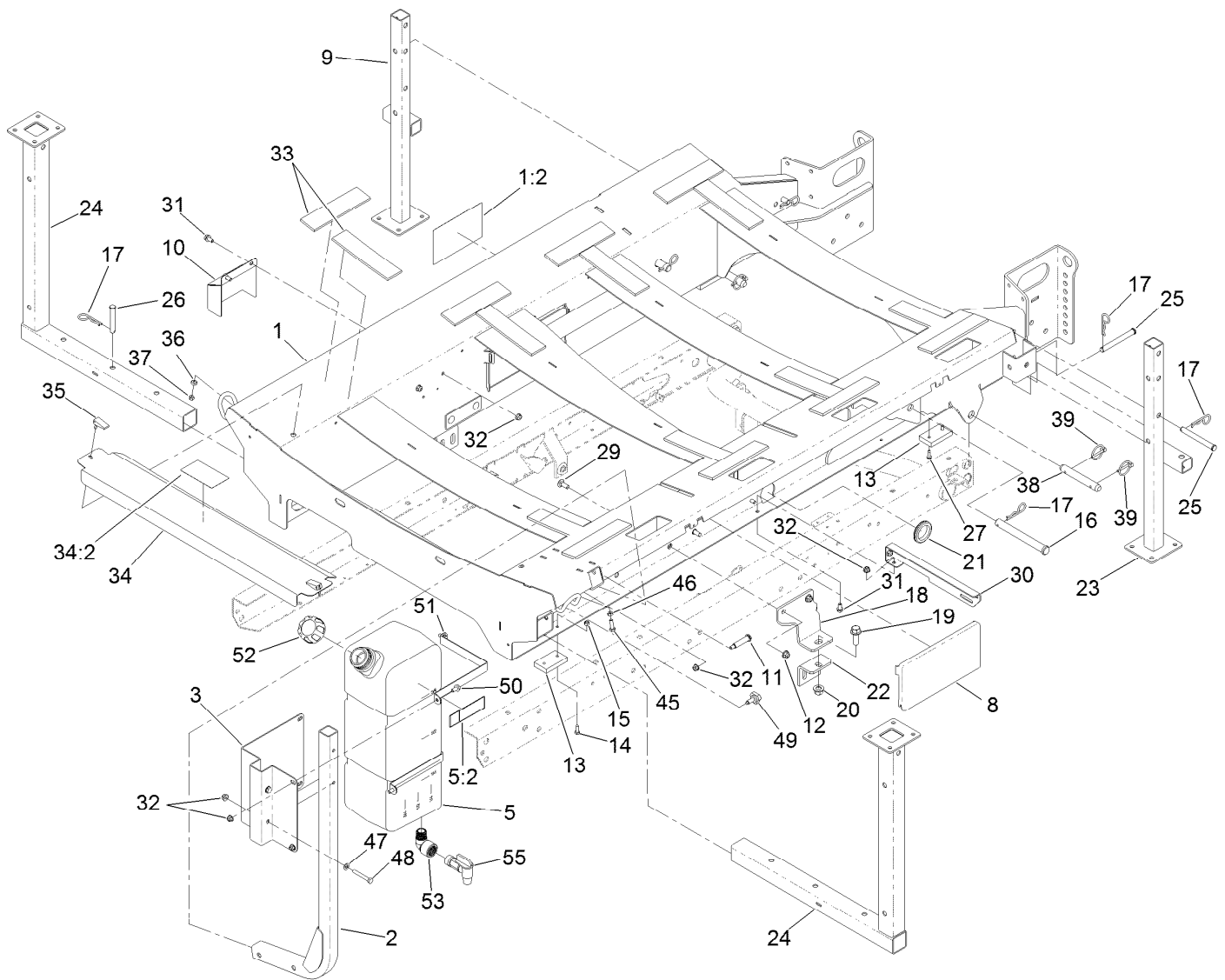
## Reference Numbers Indicating Quantity

In an illustration, if a reference number indicates more than one part, the reference number has the form nX y. The n represents the quantity of the part, the X is the multiplication symbol, and the y represents the reference number.

For example, in an illustration, the reference number 2X 37 means that two of the parts identified by reference number 37 are indicated.

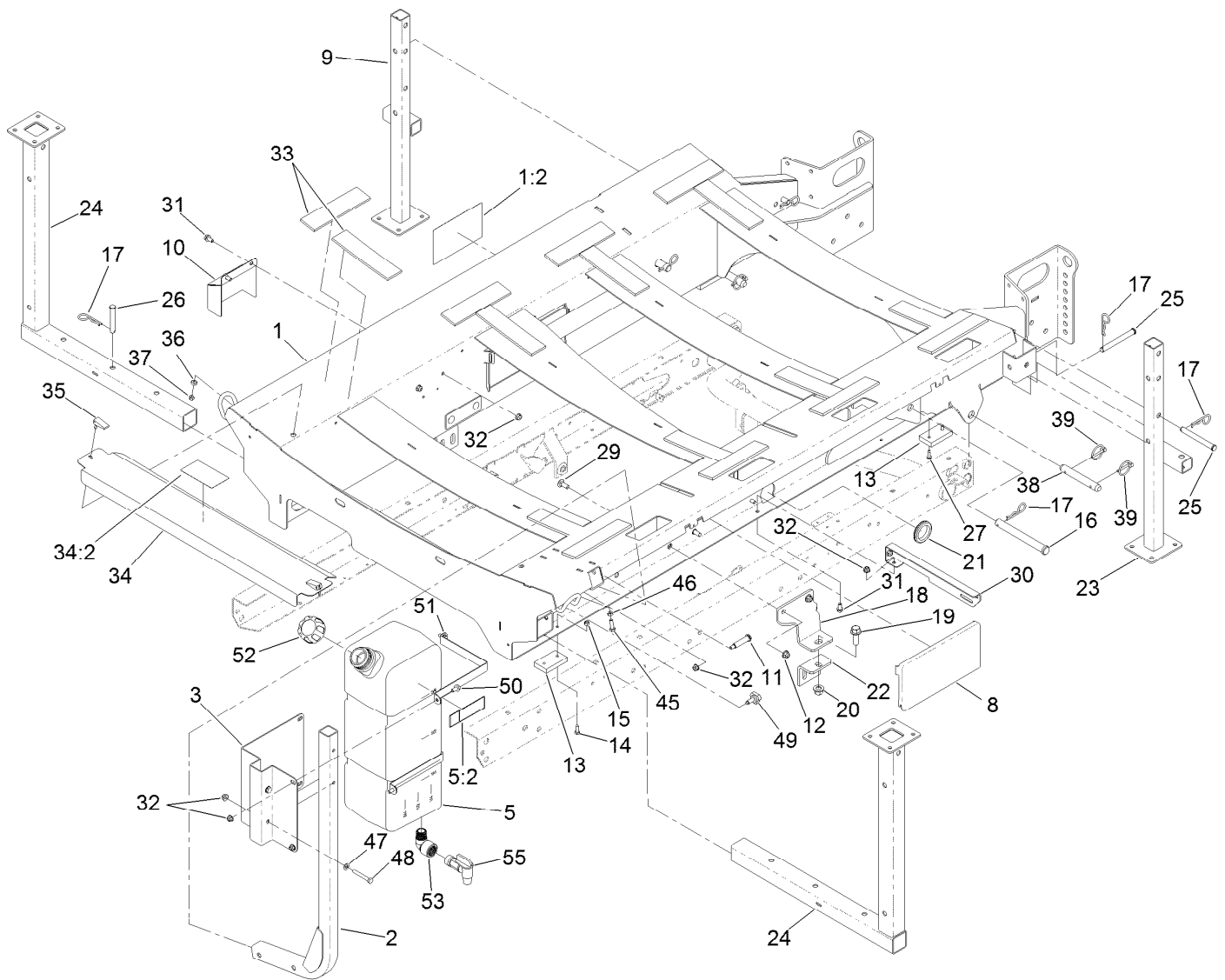
# Contents

Frame, Stand and Boom Mount Assembly	4
Control Console Assembly	6
Turf Sprayer Finishing Kit No. 131-3301	7
Hydraulic Motor Assembly No. 131-5810	8
Multi Pro WM Turf Sprayer Finishing Kit No. 131-3302	9
Driveshaft Assembly No. 125-0680	10
Pump Mount Assembly	11
Pump Assembly No. 117-0713	12
Spray Tank Assembly	13
Tank Assembly No. 121-6518	14
Spray Tank Lid Assembly No. 119-9380	15
Filter Assembly No. 130-7096	16
Spray Valve Assembly	17
Agitation Valve Assembly	18
Regulating Valve Body Assembly No. 127-9804	19
Actuator Regulating Valve No. 131-3724	20
Manifold Valve Kit No. 131-0253	21
Manifold Valve Kit No. 131-7256	22
Flow Meter Assembly No. 106-1038	23
Section Valve Manifold Assembly	24
On/Off Manifold Valve Kit No. 127-9803	25
Actuator On/Off Kit No. 131-3723	26
Bypass Valve Assembly No. 127-9805	27
On/Off 2-Way Valve Kit No. 131-0249	28
Hose Assembly	29
Boom Lift Assembly	31
Hydraulic Cylinder Assembly No. 117-0701	32
On-Off Boom Lift Valve No. 117-0702	33
Electrical Assembly	34
Center Boom Assembly	35
LH Single Turret Body Assembly No. 108-3725	37
Double Turret Body Assembly No. 108-3727	38
RH Single Body Turret Assembly No. 108-3726	39
Boom Mounting Assembly	40
Left and Right Hand Boom Assembly	41
Attachments and Accessories	42



## Frame, Stand and Boom Mount Assembly

Ref.	Part Number	Qty.	Description	Ref.	Part Number	Qty.	Description
1	127-3984	1	Skid ASM	23	125-0840-03	1	Jack Stand-Rear
1:2	127-3936	2	Decal-Danger	24	125-0841-03	2	Stand-Front
2	131-5791-03	1	Tube	25	283-83	4	Pin-Clevis
3	131-5796-03	1	Mount-Tank, Eye Wash	26	283-55	2	Pin-Clevis
5	132-7745	1	Fresh Water Tank ASM	27	49-2040	4	Screw-HWHTF
5:2	120-0616	3	Decal-Water, Fresh	29	3231-2	4	Bolt-CARR
8	125-0798	2	Cover-Access	30	125-4049-03	1	Bracket-Mount, Valve Drain
9	125-8108-03	1	Jack Stand-Rear, RH	31	3234-14	4	Screw-HHF
10	125-8138-03	1	Guard-Relay	32	104-8300	12	Nut-HF, NI
11	100-9880	2	Bolt-Shoulder	33	125-8094	16	Pad-Tank
12	104-8301	4	Nut-HF, NI	34	127-3985	1	Skid Cover ASM
13	93-9719	4	Block-Wear	34:2	127-3937	1	Decal-Warning, Engine Cover
14	321-4	4	Screw-HH	35	106-6777	2	Handle-Latch, Swell
15	3296-42	4	Nut-Lock, NI	36	106-6778	2	Bushing-Latch, Swell
16	100-5569	2	Pin-Clevis	37	1-804254	2	Nut-Lock, HH
17	3290-343	8	Pin-Hair	38	92-1233	2	Pin-Clevis
18	125-0809	2	Bracket-Mount, Front	39	92-1298	4	Pin-Lynch
19	100-6116	2	Screw-HHF	45	322-5	1	Screw-HH
20	99-5107	2	Nut-Lock	46	3218-2	1	Nut-Hex Jam
21	240-2	1	Grommet-Rubber	47	3256-23	2	Washer-Plain
22	92-2667-03	2	Bracket-Mount				

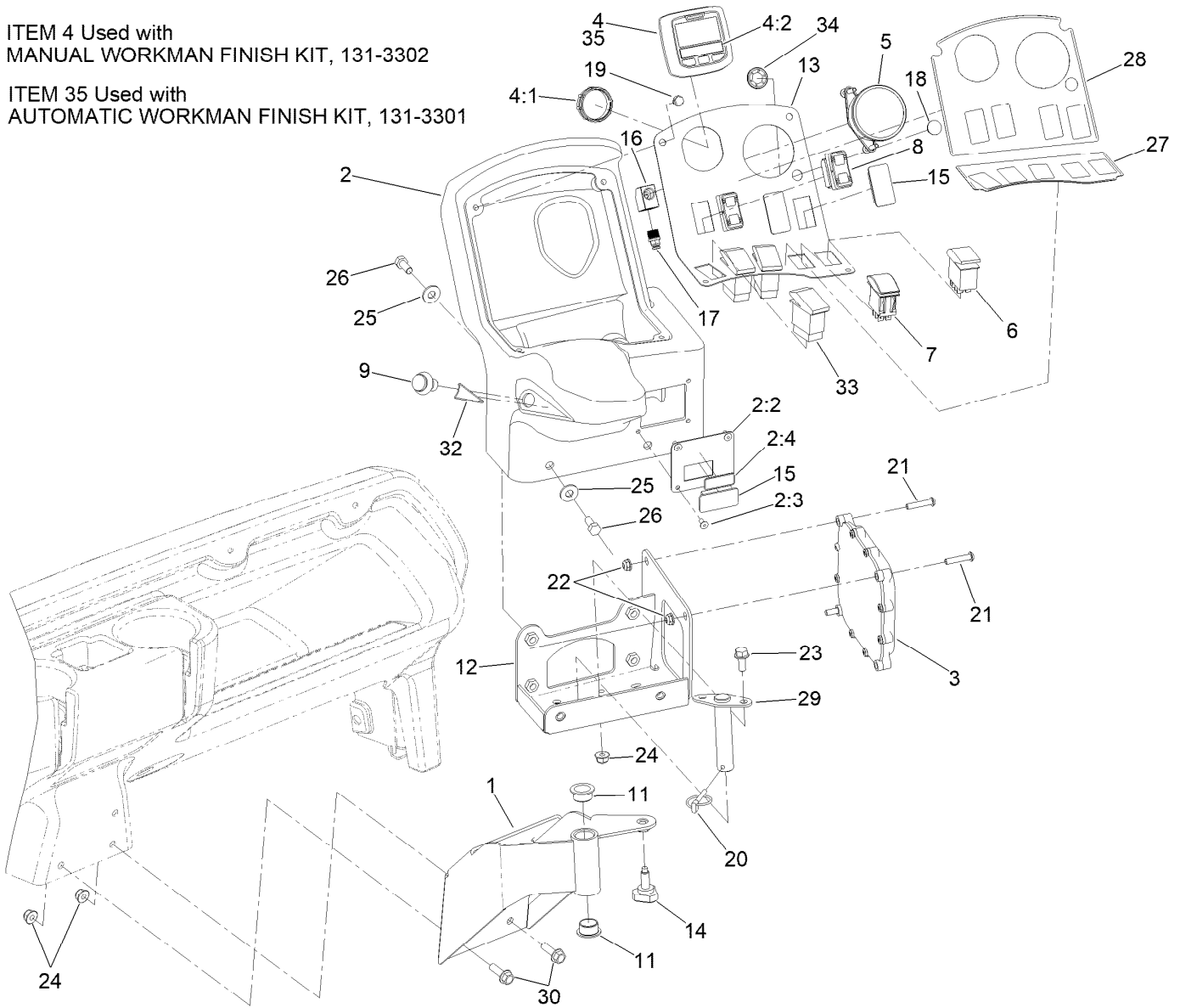


## Frame, Stand and Boom Mount Assembly (continued)

<i>Ref.</i>	<i>Part Number</i>	<i>Qty.</i>	<i>Description</i>	<i>Ref.</i>	<i>Part Number</i>	<i>Qty.</i>	<i>Description</i>
48	322-11	2	Screw-HH	52	106-5052	1	Cap-Water, Fresh
49	95-9648	2	Knob	53	132-7706	1	Elbow-90 DEG
50	3234-7	4	Screw-HHF	55	100-7011	1	Spigot-90 DEG
51	132-7628-03	2	Band-Tank, Eye Wash				

ITEM 4 Used with  
MANUAL WORKMAN FINISH KIT, 131-3302

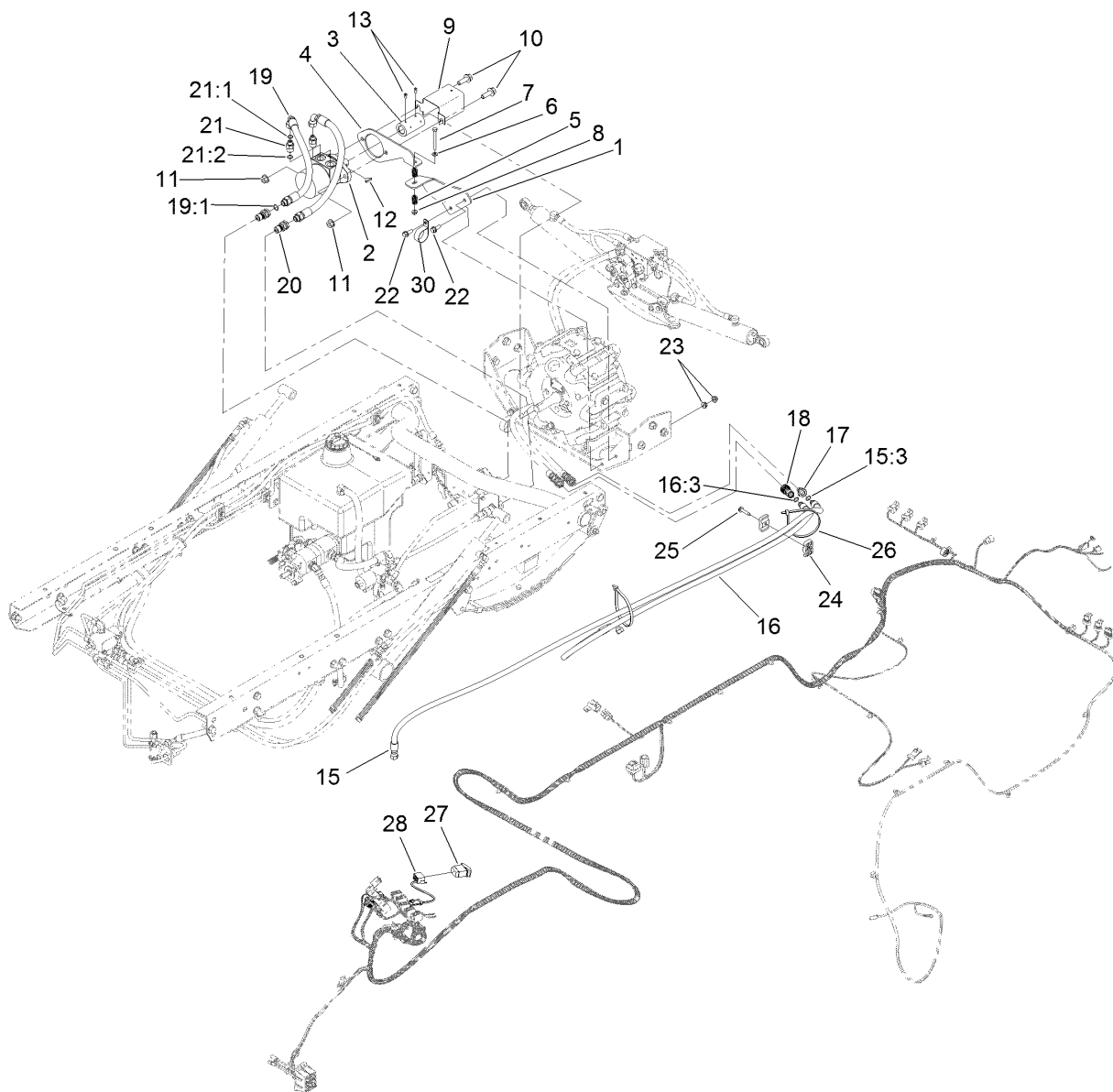
ITEM 35 Used with  
AUTOMATIC WORKMAN FINISH KIT, 131-3301



## Control Console Assembly

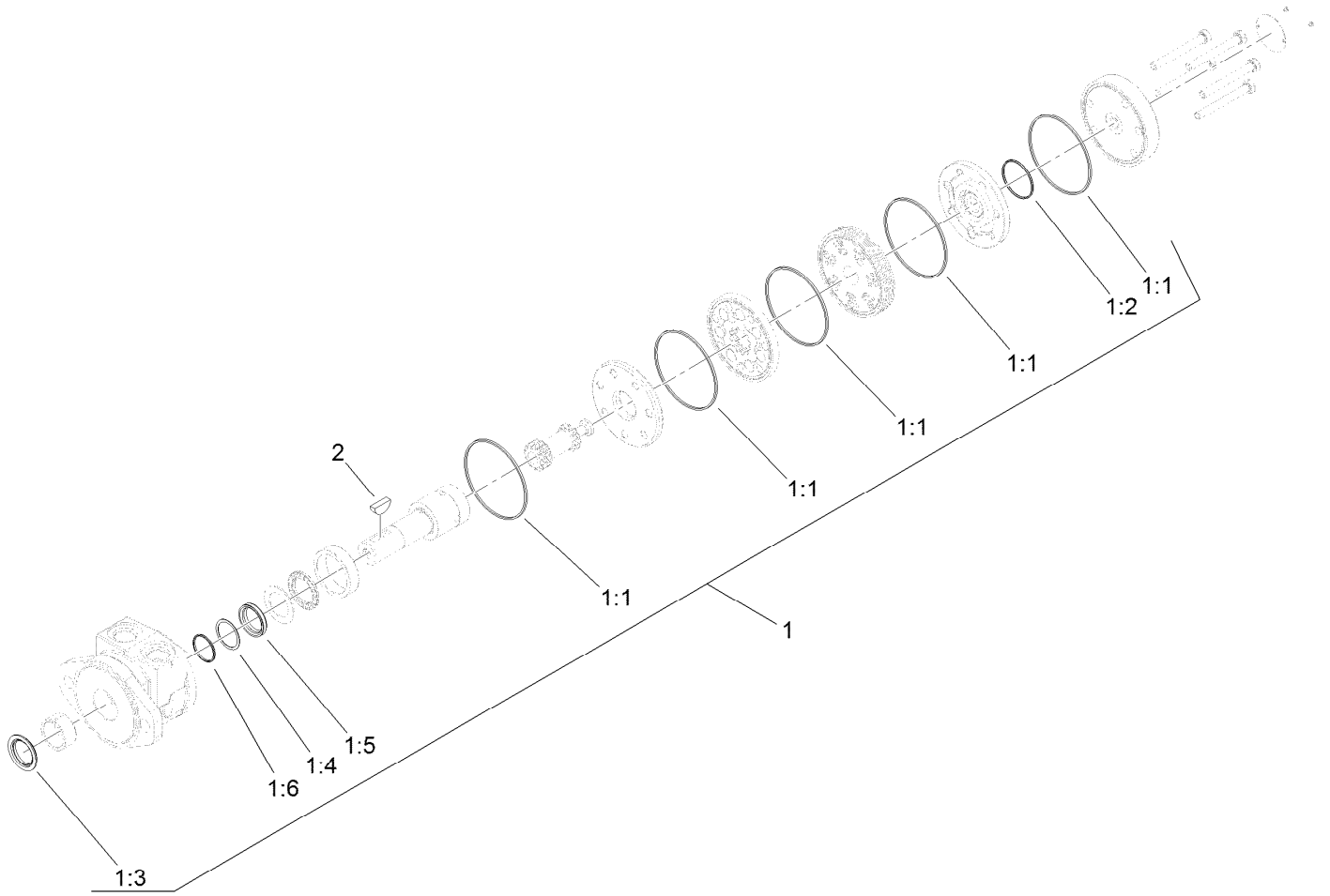
Ref.	Part Number	Qty.	Description
1	131-5795-03	1	Bracket-Console
2	131-9618	1	Control-Console
2:2	131-9607-03	1	Plate-Switch
2:3	3290-409	4	Rivet
2:4	131-5808	1	Decal-Switch
3	115-1900	1	Controller
4	120-6310	1	LCD Display ASM Kantrak 1700
4:1	120-4630	1	Nut-Display
4:2	120-6311	1	Decal-Display
5	120-8546	1	Gauge-Pressure
6	100-8490	1	Switch-Rocker, On-None-On
7	100-1535	1	Switch-Rocker, (On)-Off-(On)
8	125-0899	2	Switch-Rocker
9	125-7996	1	Switch-Pb, Momentary
11	109-8054	2	Bushing-Flange
12	125-4021-03	1	Bracket-Pivot, Console
13	125-4020-03	1	Panel-Control
14	95-9648	1	Knob

Ref.	Part Number	Qty.	Description
15	99-7420	3	Plug-Hole
16	131-9605	1	Fitting-Elbow-90
17	100-8674	1	Coupler-Tube
18	119-5329	1	Plug-Hole
19	93-6083	4	Screw-HWH
20	3290-495	1	Pin-Klik
21	120-0834	3	Screw-HSBH
22	104-7201	3	Nut-HF, NI
23	3234-5	2	Screw-HHF
24	104-8300	5	Nut-HF, NI
25	3256-71	6	Washer-Flat
26	322-43	6	Screw-HH
27	130-8294	1	Decal-Console
28	125-4052	1	Decal-Console, Upper
29	125-4054	1	Pin
30	3234-17	3	Screw-HHF
32	125-8139	1	Decal-Master Boom Switch
33	95-8999	3	Switch-Rocker, On-None-On
34	1-323142	1	Nut-Push
35	163-2995	1	Display-LCD, Svc Only



## Turf Sprayer Finishing Kit No. 131-3301

<i>Ref.</i>	<i>Part Number</i>	<i>Qty.</i>	<i>Description</i>	<i>Ref.</i>	<i>Part Number</i>	<i>Qty.</i>	<i>Description</i>
1	127-9796-03	1	Mount-Arm, Torque	17	106-7969	1	Coupler-Quick, Male
2	131-5810	1	Motor-Hydraulic	18	106-7968	1	Coupler-Quick, Female
3	117-8045	1	Coupler	19	130-7184	2	HYD Hose ASM
4	127-9794-03	1	Bracket-Motor	19:1	237-79	1	O-Ring
5	110-5331	2	Spring-Compression	20	105-4170	2	Coupler-Male
6	3256-23	1	Washer-Plain	21	340-6	2	Fitting-Straight
7	322-14	1	Screw-HH	21:1	237-30	1	O-Ring
8	104-8300	1	Nut-HF, NI	21:2	237-80	1	O-Ring
9	120-0628-03	1	Guard-Shaft, Pump	22	3234-42	2	Screw-HHF
10	100-6116	2	Screw-HHF	23	104-8301	2	Nut-HF, NI
11	108-3745	2	Nut-HHF, Whiz	24	56-7976	2	Clamp-Tube
12	106-1990	1	Key-Woodruff	25	32144-57	1	Screw
13	3241-7	4	Screw-SQH	26	3334-945	2	Tie-Cable
15	112-0273	1	HYD Hose ASM	27	95-8999	1	Switch-Rocker, On-None-On
15:3	237-42	1	O-Ring	28	122-0372	1	Harness-Wire
16	130-7181	1	Upper Lift Hose Valve ASM	30	2412-147	1	Clamp-R
16:3	237-42	1	O-Ring				



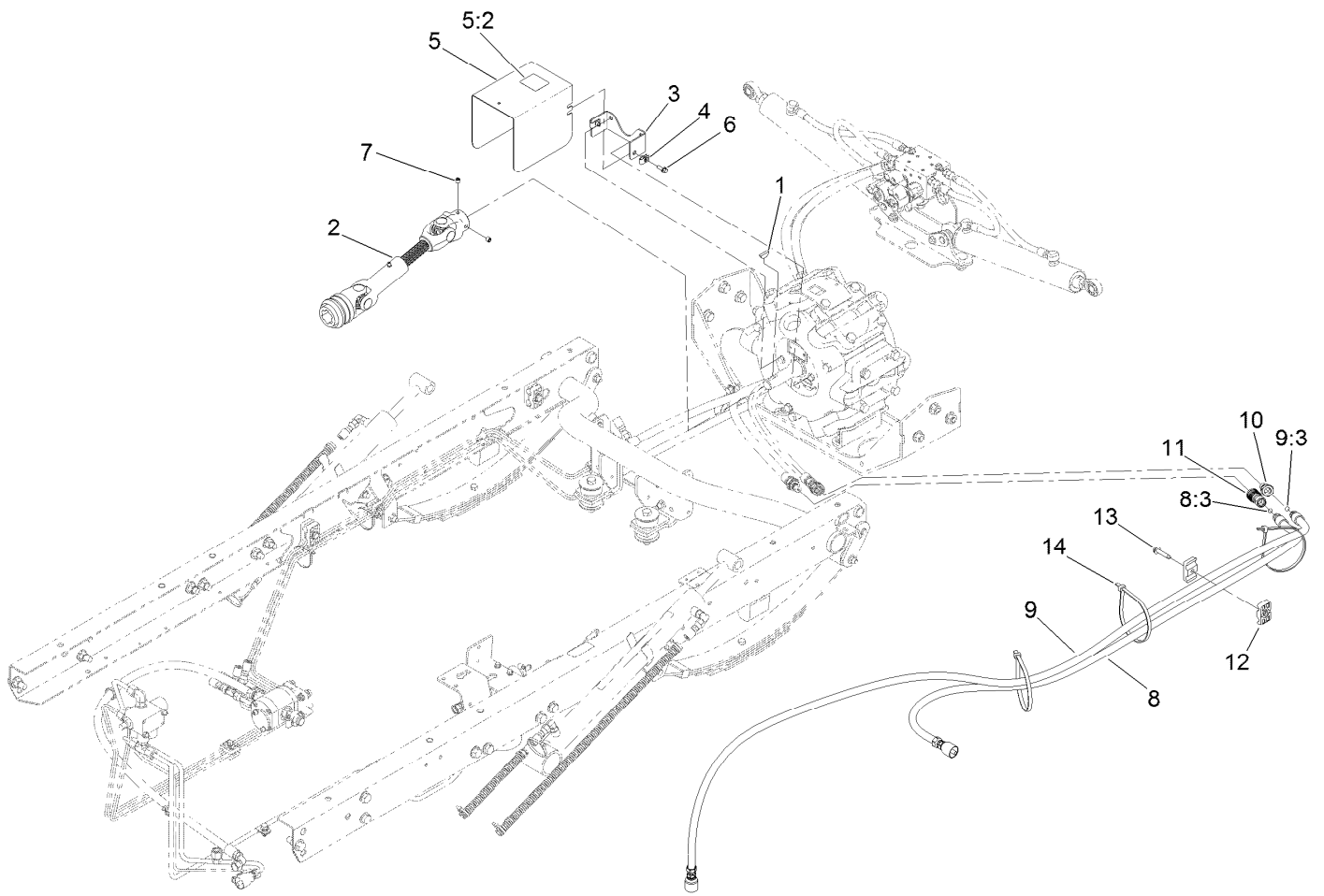
## Hydraulic Motor Assembly No. 131-5810

Ref.	Part Number	Qty.	Description
1	106-1989	1	Seal Kit
1:1		6	Seal-Ring ■
1:2		1	Seal-Commutator ■
1:3		1	Seal-Dirt And Water ■
1:4		1	Washer-Backup ■
1:5		1	Seal-Shaft ■
1:6		1	Ring-Back Up ●■
2	106-1990	1	Key-Woodruff

● Not illustrated

■ Not serviced separately

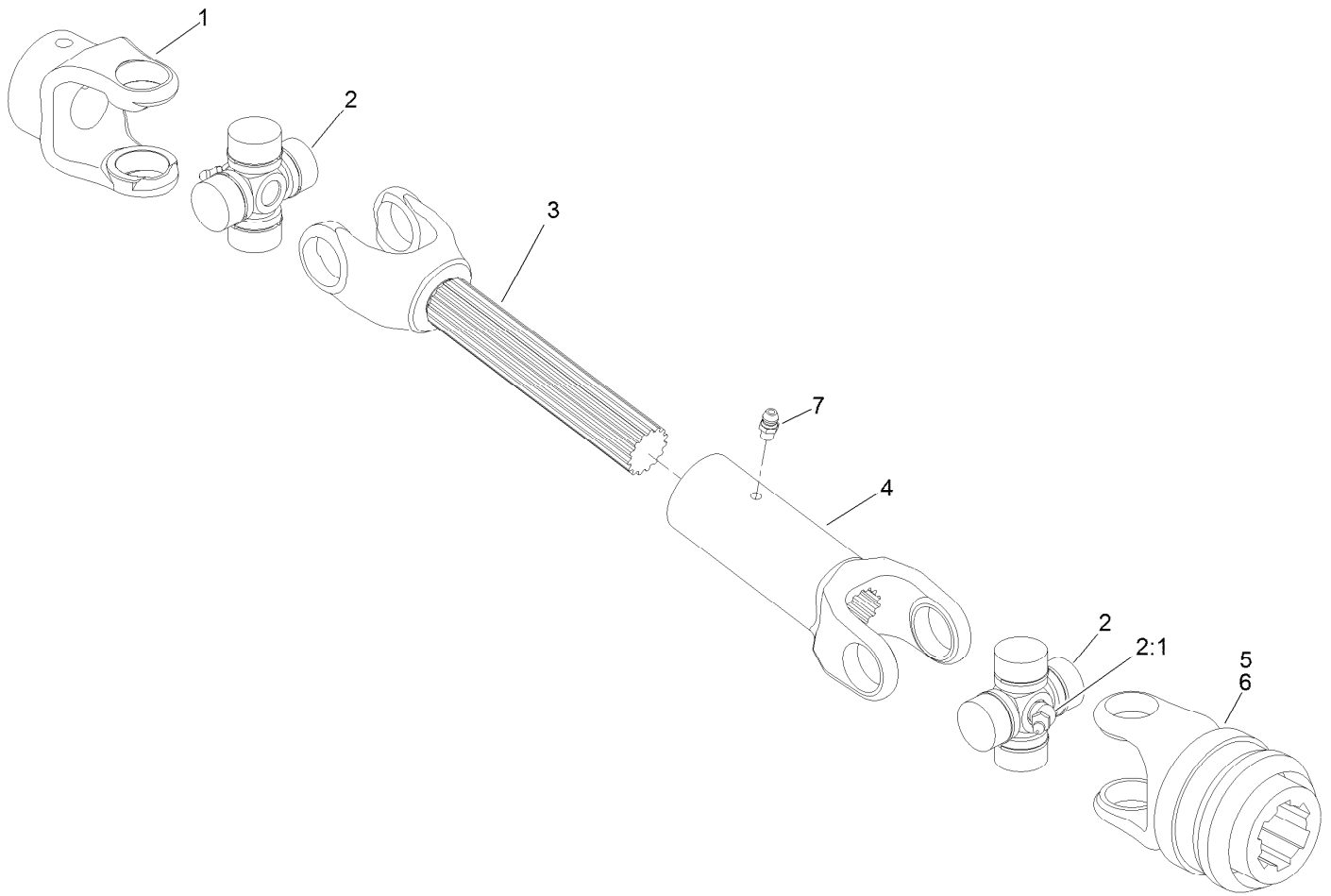




## Multi Pro WM Turf Sprayer Finishing Kit No. 131-3302

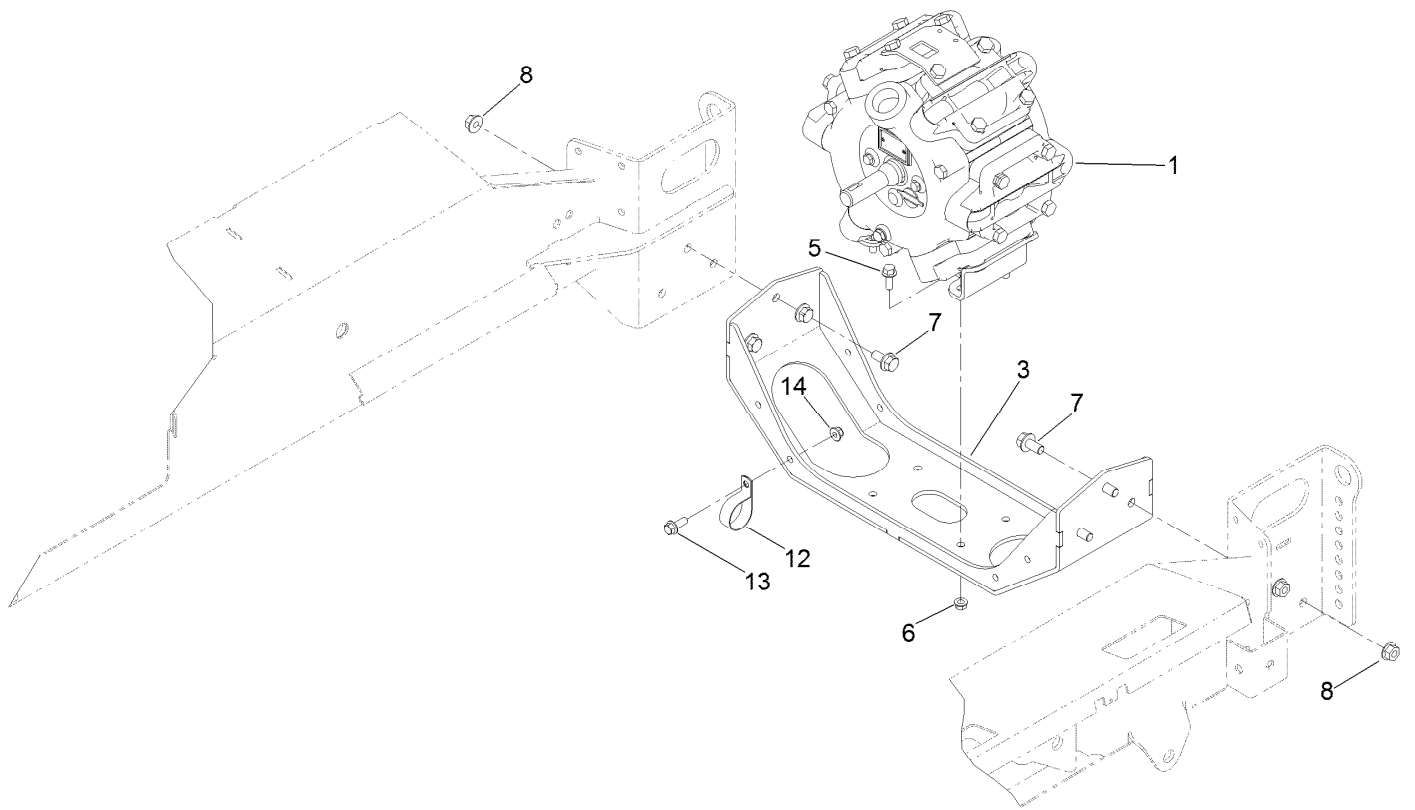
Ref.	Part Number	Qty.	Description
1	106-1990	1	Key-Woodruff
2	125-0680	1	Driveshaft-PTO
3	125-8054-03	1	Bracket-Shield, Driveshaft
4	107069	2	Clip
5	127-3986	1	Shield-Driveshaft
5:2	127-3981	1	Decal-Warning
6	3234-4	2	Screw-HHF
7	3247-2	2	Screw-Set, HSH
8	112-0274	1	Hose-HYD

Ref.	Part Number	Qty.	Description
8:3	237-42	1	O-Ring
9	112-0273	1	HYD Hose ASM
9:3	237-42	1	O-Ring
10	106-7969	1	Coupler-Quick, Male
11	106-7968	1	Coupler-Quick, Female
12	56-7976	2	Clamp-Tube
13	32144-57	1	Screw
14	3334-945	3	Tie-Cable



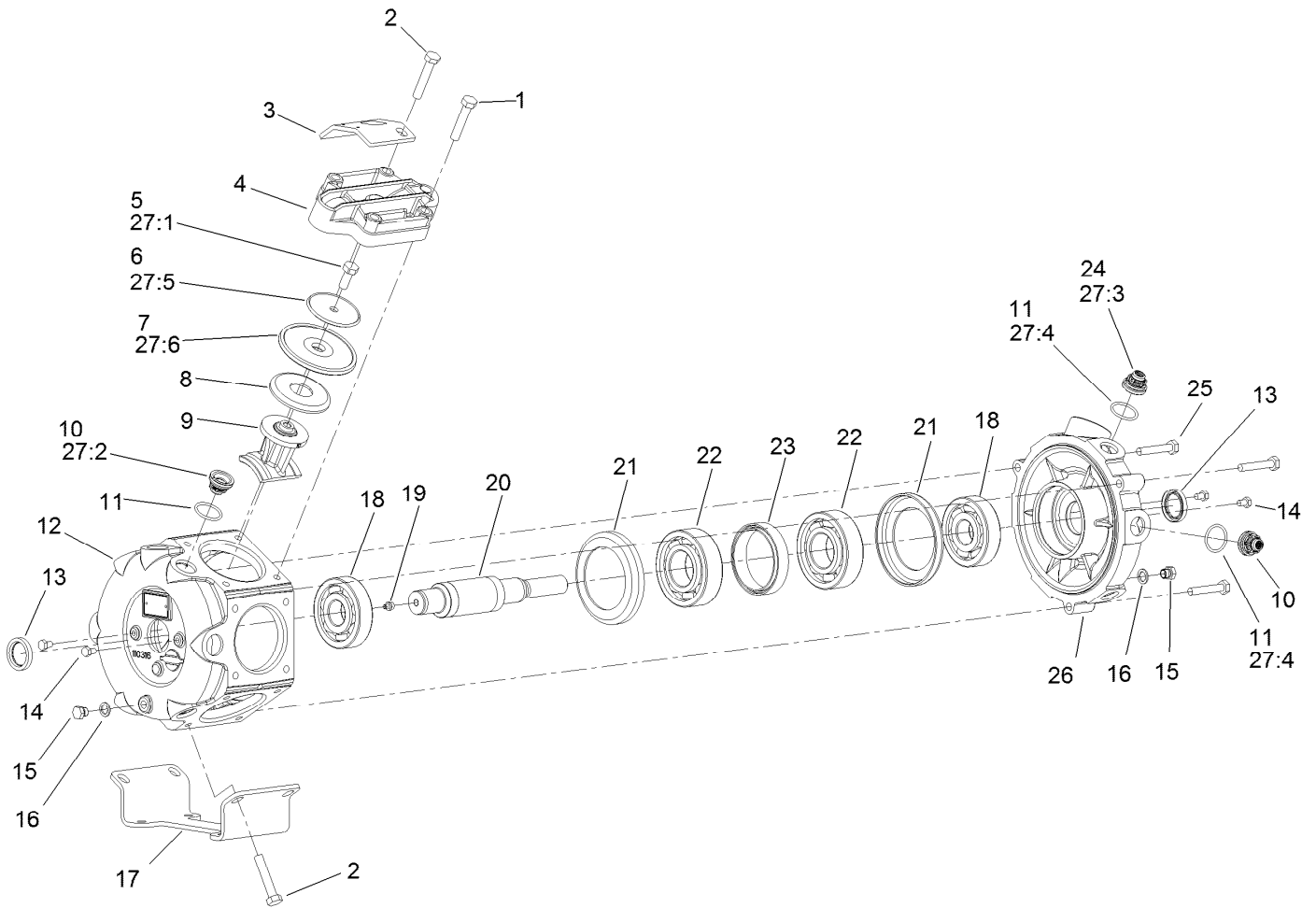
## Driveshaft Assembly No. 125-0680

<i>Ref.</i>	<i>Part Number</i>	<i>Qty.</i>	<i>Description</i>
1	125-0679	1	Yoke-Shaft
2	54-9180	2	U-Joint Kit
2:1	62-3820	1	Fitting-Grease
3	125-8109	1	Shaft-Slip Yoke
4	94-7379	1	Tube-Yoke, Slip
5	99-4476	1	Spring Lock Yoke ASM
6	99-4477	1	Yoke Spring Lock Repair Kit
7	302-5	1	Fitting-Grease



## Pump Mount Assembly

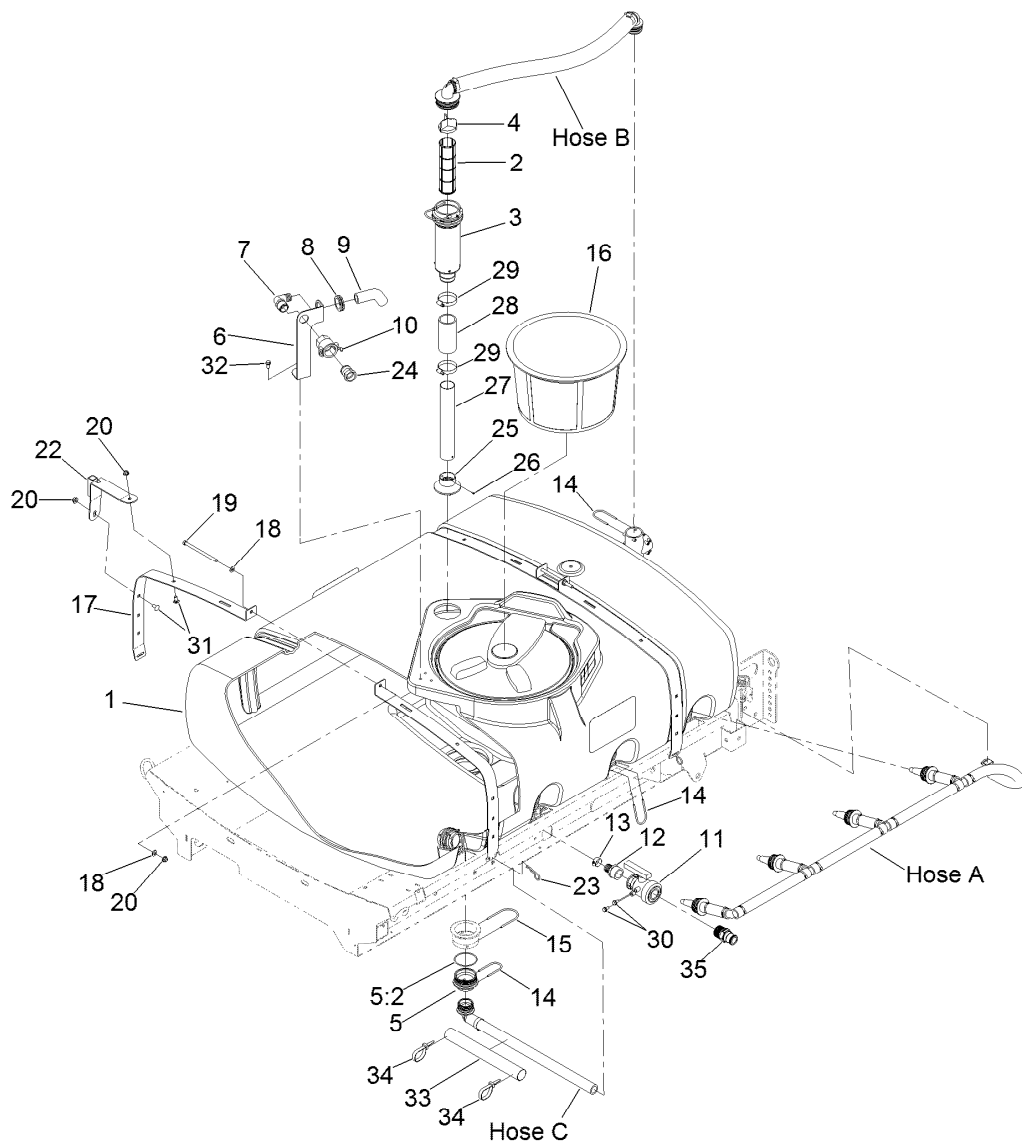
<i>Ref.</i>	<i>Part Number</i>	<i>Qty.</i>	<i>Description</i>
1	117-0713	1	Pump ASM
3	125-8053-03	1	Mount-Pump
5	3234-11	4	Screw-HHF
6	3290-357	4	Nut-HSF
7	3234-6	6	Screw-HHF
8	32128-49	6	Nut-HHF
12	2412-147	1	Clamp-R
13	3234-42	1	Screw-HHF
14	104-8301	1	Nut-HF, NI



## Pump Assembly No. 117-0713

Ref.	Part Number	Qty.	Description	Ref.	Part Number	Qty.	Description
1	120-0773	18	Bolt-Hex	18	120-0788	2	Bearing-Ball
2	120-0774	6	Bolt-Hex	19	99-0873	1	Fitting-Grease
3	120-0775	1	Bracket-Pump	20	120-0789	1	Shaft-Crank
4	120-0776	6	Cover-Valve	21	120-0790	2	Spacer-Metal
5	120-0777	6	Bolt-Hex	22	120-0791	2	Bearing-Ball
6	120-0778	6	Disc-Diaphragm	23	120-0792	1	Spacer
7	120-0779	6	Diaphragm	24	120-0793	2	Valve W/Hole
8	120-0780	6	Disc-Backing, Diaphragm	25	120-0794	3	Bolt-Hex
9	120-0781	6	Rod-Connecting	26	120-0795	1	Casting-Pump
10	99-0861	10	Valve-Pump	27	120-0796	1	Pump Kit ●
11	100-6651	12	O-Ring	27:1	120-0777	6	Bolt-Hex
12	120-0782	1	Casting-Pump	27:2	99-0861	10	Valve-Pump
13	120-0783	2	Seal-Oil	27:3	120-0793	2	Valve W/Hole
14	120-0784	4	Bolt-Hex	27:4	100-6651	12	O-Ring
15	120-0785	2	Plug	27:5	120-0778	6	Disc-Diaphragm
16	120-0786	2	Seal	27:6	120-0779	6	Diaphragm
17	120-0787	1	Foot-Pump				

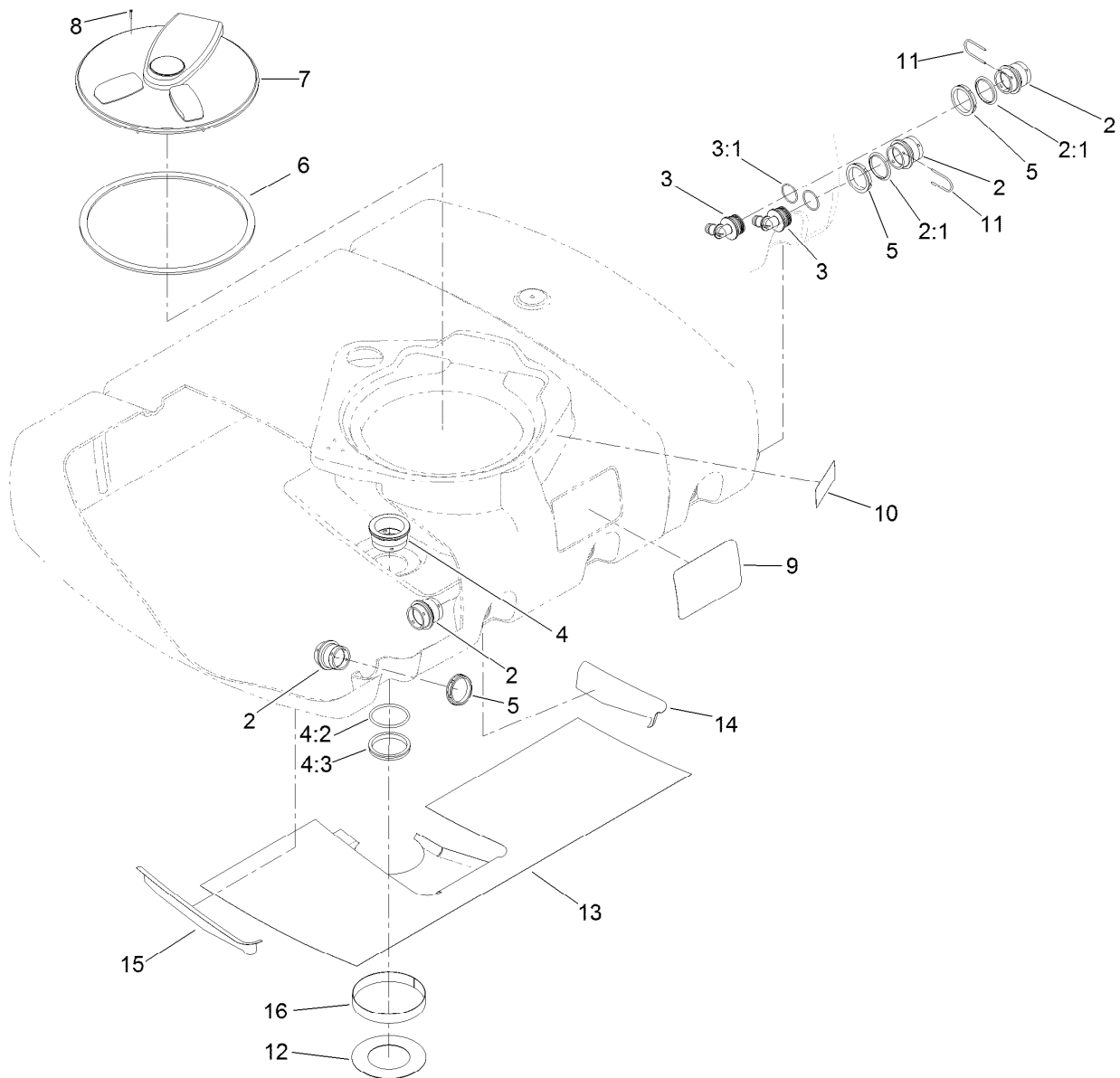
● Not illustrated



Reference **Hose Assembly** page for hose assemblies and service parts

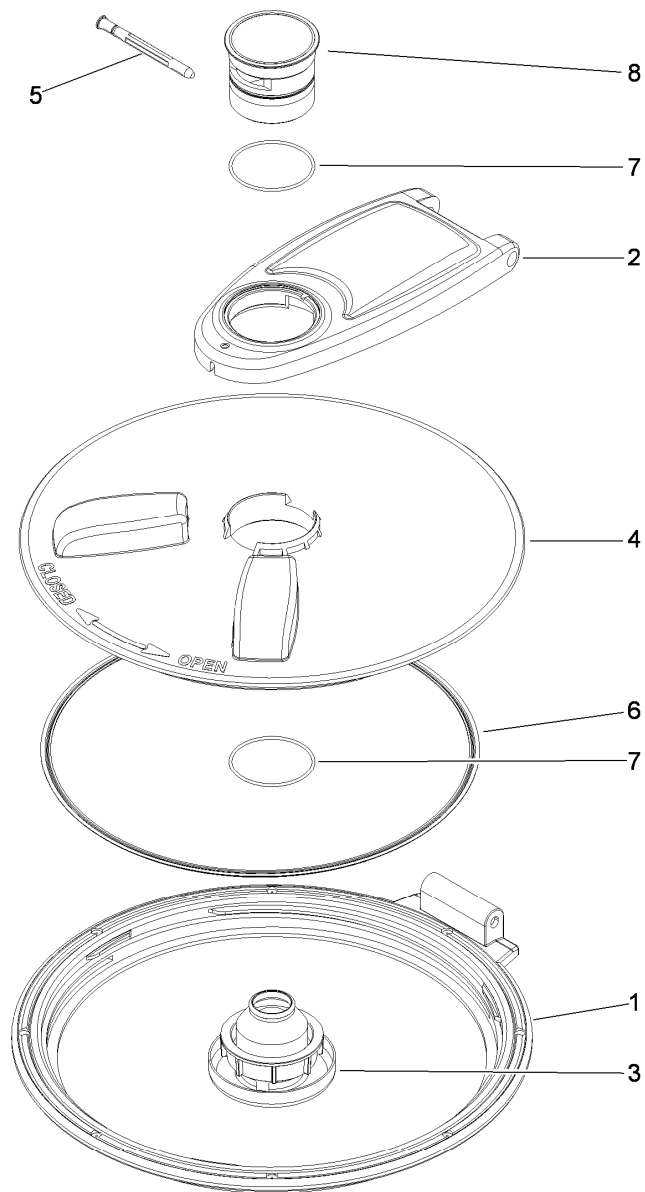
## Spray Tank Assembly

Ref.	Part Number	Qty.	Description	Ref.	Part Number	Qty.	Description
1	121-6518	1	200 Gallon Tank ASM	18	3256-24	4	Washer-Plain
2	100-8642	1	Screen-Suction	19	323-58	2	Bolt-TAP, HH
3	130-7096	1	Filter ASM	20	104-8301	4	Nut-HF, NI
4	100-8641	1	Vane-Screen	22	127-3920-03	1	Bracket-Storage
5	117-7928	1	Adapter ASM	23	3290-343	4	Pin-Hair
5:2	100-6989	1	O-Ring	24	41316	1	Adapter-Quick
6	110-5082-03	1	Bracket-Anti Siphon	25	100-6714	1	Foot-Tube, Suction
7	41140	1	Elbow	26	108-3270	1	Screw-TAP
8	110-5090	1	Grommet	27	125-8128	1	Tube-Suction
9	110-5088	1	Hose-Fill	28	100-8649	1	Hose-Suction
10	100-6779	1	Coupling-Female	29	2412-130	2	Clamp-Hose
11	108-0069	1	Valve-Ball	30	3234-7	2	Screw-HHF
12	110-5224	1	Fitting-Barbed, Straight	31	3231-21	2	Screw-CARR
13	2412-34	2	Clamp-Hose	32	3234-5	1	Screw-HHF
14	100-8635	6	Fork	33	127-9716	1	Shield-Hose, Drain
15	117-7996	1	Fork	34	127-9795	2	Tie-Cable, High Temp
16	119-9419	1	Basket-Filter	35	132-7787	1	Coupler-Quick
17	125-4081-03	4	Band-Tank				



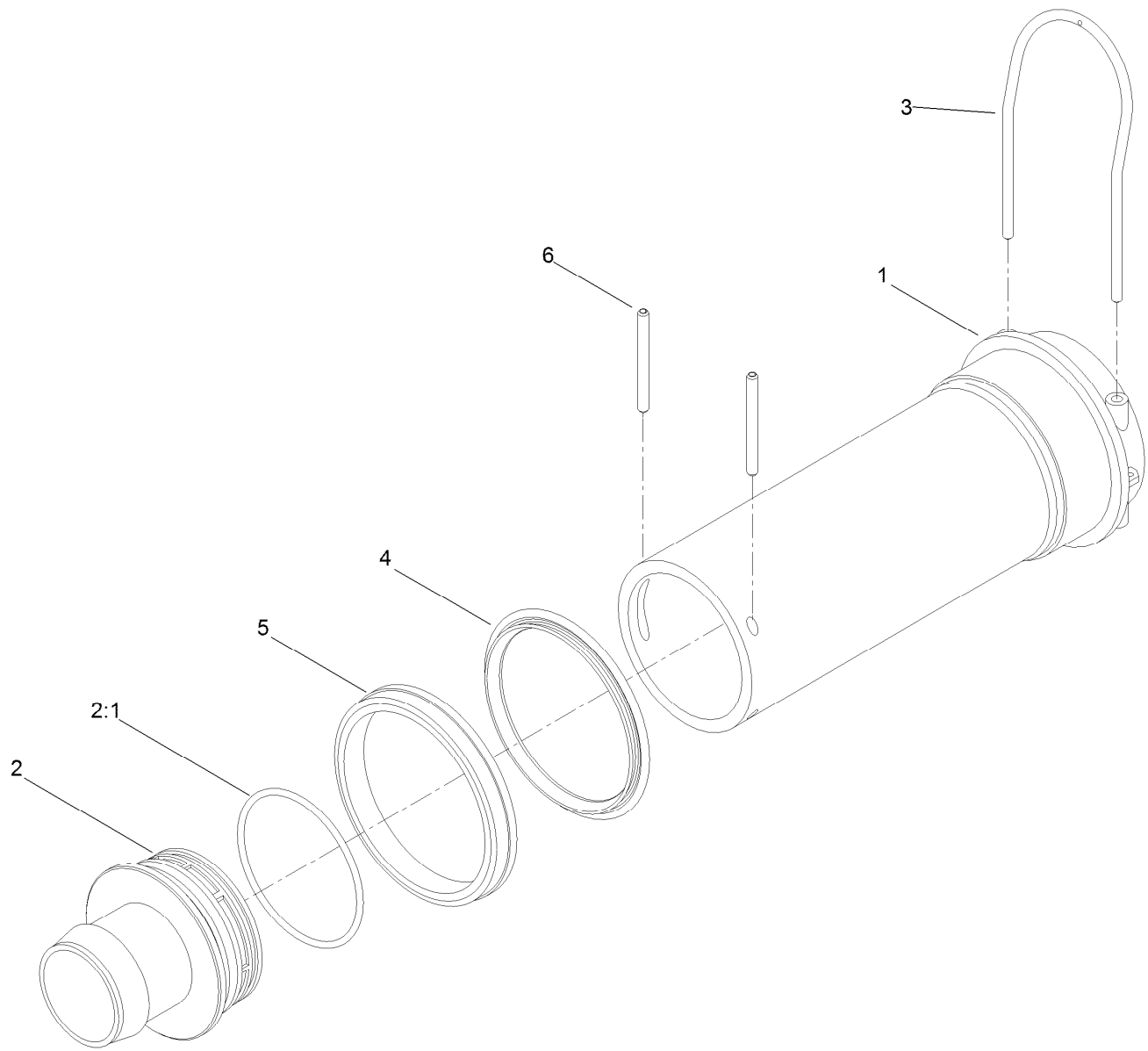
## Tank Assembly No. 121-6518

<i>Ref.</i>	<i>Part Number</i>	<i>Qty.</i>	<i>Description</i>	<i>Ref.</i>	<i>Part Number</i>	<i>Qty.</i>	<i>Description</i>
2	108-3358	6	Fitting-Bulkhead	8	107-8635	8	Screw-PFH
2:1	107-2864	1	Gasket-Bulkhead	9	125-8064	2	Decal-Tank
3	106-4933	2	Hosebarb ASM	10	120-0622	1	Decal-Warning
3:1	100-8637	1	O-Ring	11	100-8635	2	Fork
4	117-7851	1	Bulkhead ASM	12	127-3967	1	Shield-Sump, Bottom
4:2	100-8646	1	Gasket-Bulkhead	13	127-3960	1	Shield-Sump, Center
4:3	100-8647	1	Nut-Bulkhead	14	127-3962	1	Shield-Sump, Rear
5	100-7051	6	Nut-Bulkhead	15	127-3961	1	Shield-Sump, Front
6	119-9378	1	Gasket-Lid, Tank	16	127-3988	1	Shield-Sump, Side
7	119-9380	1	Spray Tank Lid ASM				



## Spray Tank Lid Assembly No. 119-9380

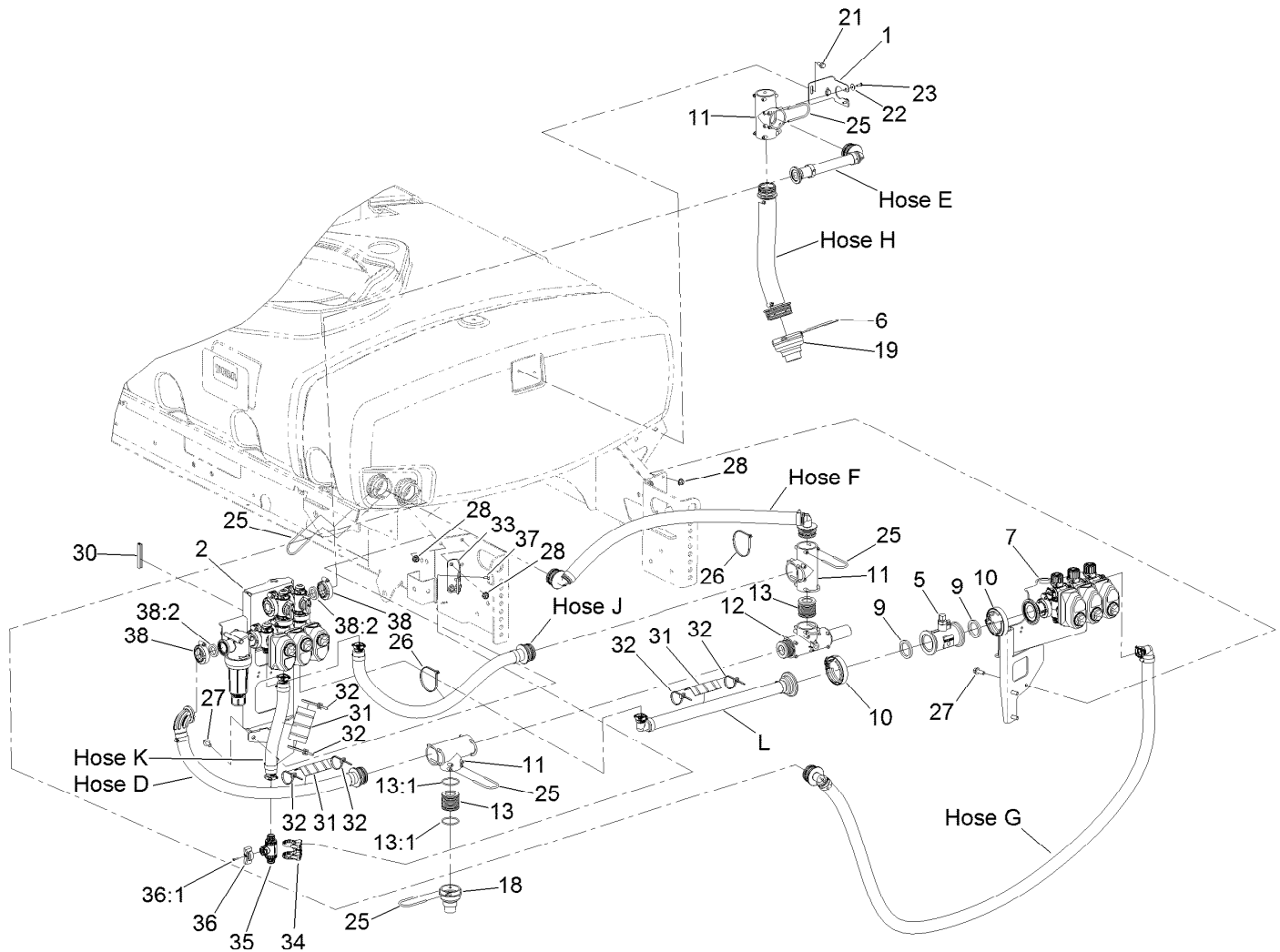
<i>Ref.</i>	<i>Part Number</i>	<i>Qty.</i>	<i>Description</i>
1	119-9381	1	Ring-Lid
2	119-9382	1	Arm-Lid
3	119-9383	1	Vent-Lid
4	119-9384	1	Cover-Lid
5	119-9385	1	Pin-Pivot
6	106-5004	1	Seal-Lid
7	119-9386	2	O-Ring
8	119-9387	1	Cap-Lid



## Filter Assembly No. 130-7096

<i>Ref.</i>	<i>Part Number</i>	<i>Qty.</i>	<i>Description</i>
1	100-8643	1	Housing-Filter
2	106-4942	1	Hosebarb-Straight
2:1	100-6989	1	O-Ring
3	100-8636	1	Fork-Special
4	100-8646	1	Gasket-Bulkhead
5	100-8647	1	Nut-Bulkhead
6	100-8644	2	Pin-Expansion



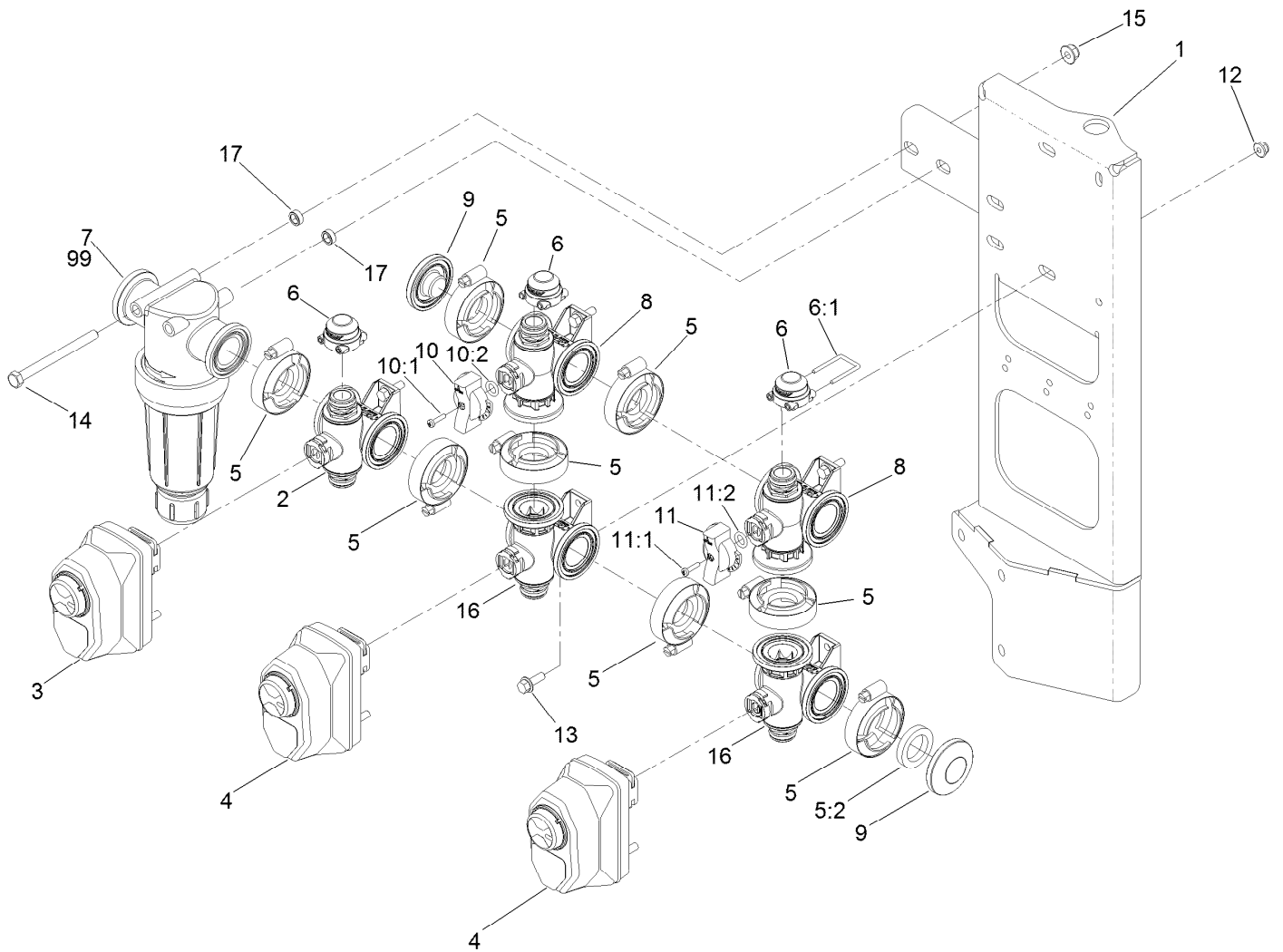


Reference **Hose Assembly** page for hose assemblies and service parts

## Spray Valve Assembly

Ref.	Part Number	Qty.	Description	Ref.	Part Number	Qty.	Description
1	131-3704	1	Bracket-Fitting, Tee	25	100-8635	12	Fork
2		1	Agitation Manifold ASM ●	26	3290-379	2	Tie-Cable
5	106-1038	1	Flow Meter ASM	27	3234-42	6	Screw-HHF
6	117-7996	1	Fork	28	104-8301	6	Nut-HF, NI
7		1	Section Valve Manifold ASM	30	131-9636	1	Trim-Manifold, Agitation
9	104-9090	2	Gasket	31	AU112950	3	Protector-Hose
10	104-9089	2	Clamp-Screw, Worm	32	3290-378	6	Tie-Cable
11	100-6704	3	Tee	33	132-4325-03	1	Mount-Bracket, Agitation
12	117-7874	1	Relief Valve ASM	34	132-4302	1	Mount-Valve
13	106-4947	2	Connector	35	131-0249	1	On/Off 2-Way Valve Kit
13:1	100-8637	2	O-Ring	36	131-0264	1	Agitation Throttling Handle Kit
18	117-7859	1	Fitting-Pump	36:1	131-0263	1	Screw-Handle
19	117-7858	1	Fitting-Pump	37	33113-012	4	Screw-HH
21	3234-47	2	Screw-HHF	38	127-9829	2	Clamp/Gasket Kit
22	3256-61	2	Washer-Flat	38:2	127-1145	1	Gasket-Flange
23	32144-32	2	Screw-PPH				

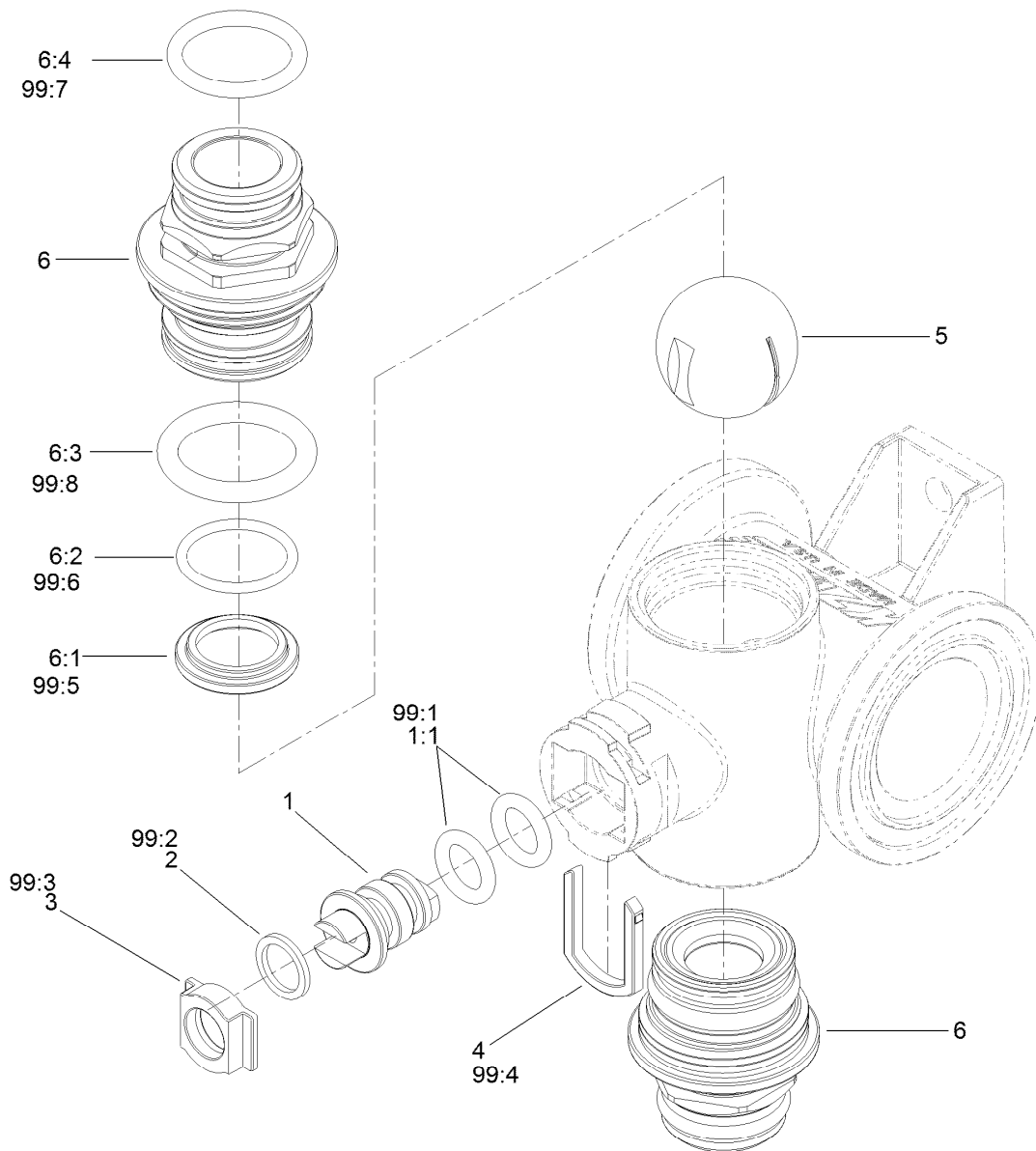
● Not serviced separately



## Agitation Valve Assembly

<i>Ref.</i>	<i>Part Number</i>	<i>Qty.</i>	<i>Description</i>	<i>Ref.</i>	<i>Part Number</i>	<i>Qty.</i>	<i>Description</i>
1	131-3722	1	Mount-Valve	11	131-0266	1	Master Regulating Handle Kit
2	127-9804	1	Regulating Valve Body ASM	11:1	131-0263	1	Screw-Handle
3	131-3724	1	Actuator Regulating Kit	11:2	127-1197	1	O-Ring-Stem
4	131-3723	2	Actuator On/Off Kit	12	104-7201	6	Nut-HF, NI
5	127-9829	8	Clamp/Gasket Kit	13	3234-4	6	Screw-HHF
5:2	127-1145	1	Gasket-Flange	14	322-23	2	Screw-HH
6	127-9811	3	Fitting-Cap, Female	15	104-8300	2	Nut-HF, NI
6:1	127-1175	1	Fork	16	131-7256	2	Manifold Valve Kit
7	131-3791	1	Filter-Pressure	17	133-0380	2	Spacer-Filter
8	131-0253	2	Manifold Valve Kit	99	133-0387	1	Screen-Teejet, 100 Mesh ●
9	127-9815	2	Fitting-Cap	99	133-0386	1	Screen-Teejet, 80 Mesh ●
10	131-0265	1	Agitation Regulating Handle Kit	99	133-0385	1	Screen-Teejet, 50 Mesh ●
10:1	131-0263	1	Screw-Handle	99	133-0384	1	Screen-Teejet, 30 Mesh ●
10:2	127-1197	1	O-Ring-Stem				

● Optional Equipment

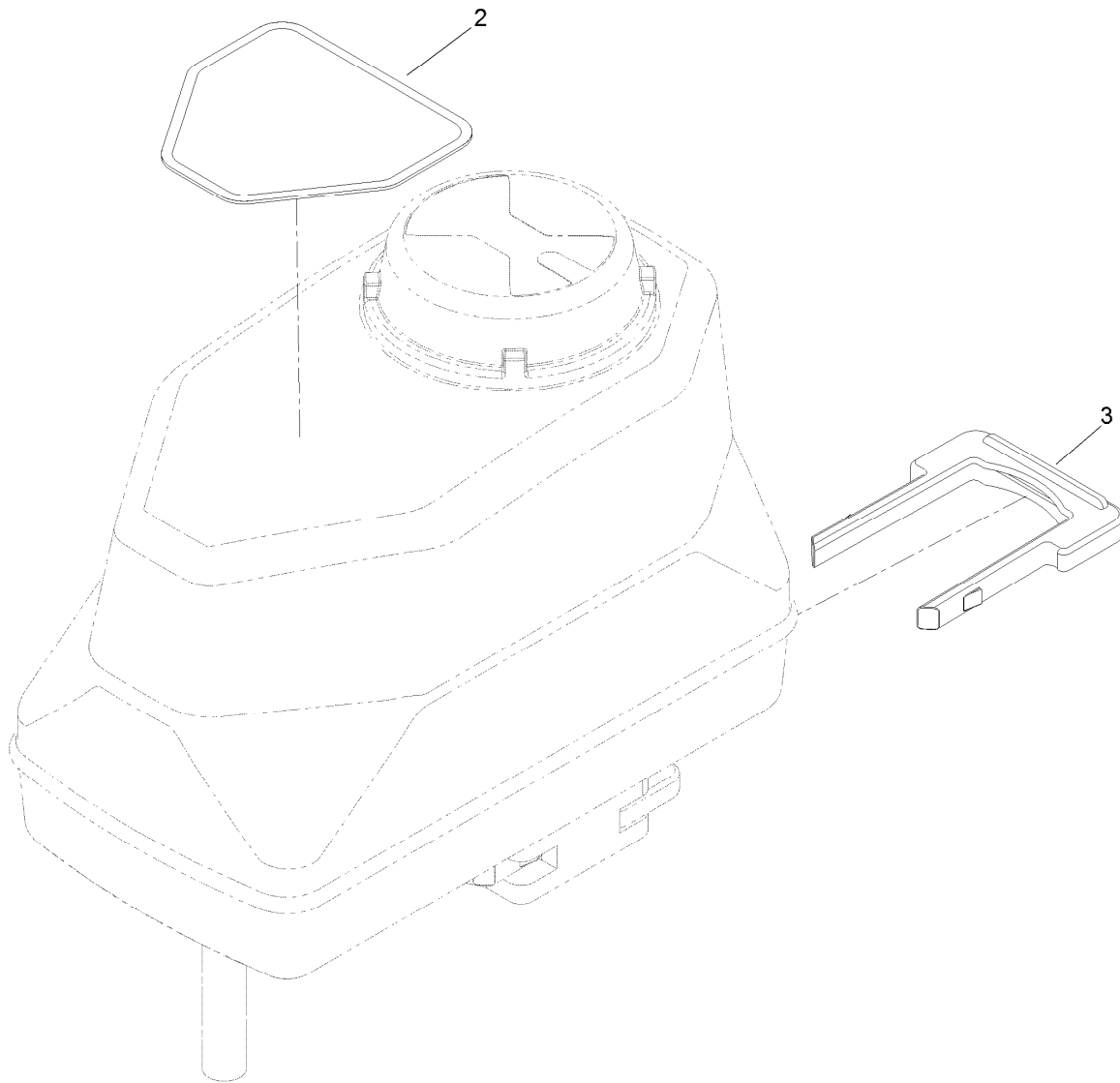


## Regulating Valve Body Assembly No. 127-9804

<i>Ref.</i>	<i>Part Number</i>	<i>Qty.</i>	<i>Description</i>
1	130-8248	1	Valve Stem Kit
1:1	127-1197	2	O-Ring-Stem
2	127-1196	1	Washer-Stem, Valve
3	127-1195	1	Seat-Stem, Valve
4	127-1190	1	Fork-Stem, Valve
5	127-1113	1	Ball-V
6	130-7317	2	Endcap Kit
6:1	127-1192	1	Seat-Ball
6:2	127-1188	1	O-Ring, Seat (Ball)
6:3	127-1189	1	O-Ring, Endcap

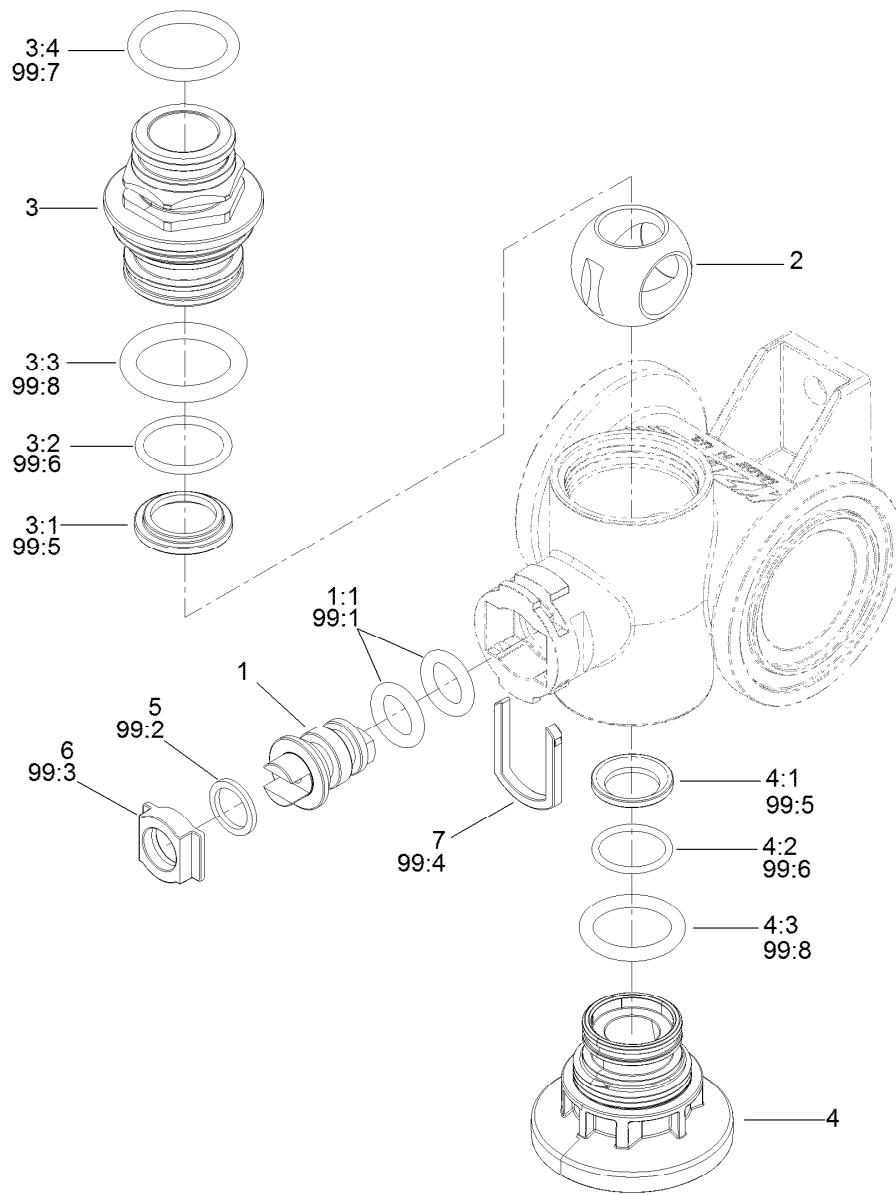
<i>Ref.</i>	<i>Part Number</i>	<i>Qty.</i>	<i>Description</i>
6:4	127-1187	1	O-Ring, Endcap
99	130-7304	1	Valve Repair Kit ●
99:1	127-1197	2	O-Ring-Stem
99:2	127-1196	2	Washer-Stem, Valve
99:3	127-1195	1	Seat-Stem, Valve
99:4	127-1190	1	Fork-Stem, Valve
99:5	127-1192	2	Seat-Ball
99:6	127-1188	2	O-Ring, Seat (Ball)
99:7	127-1187	2	O-Ring, Endcap
99:8	127-1189	2	O-Ring, Endcap

● Not illustrated



## Actuator Regulating Valve No. 131-3724

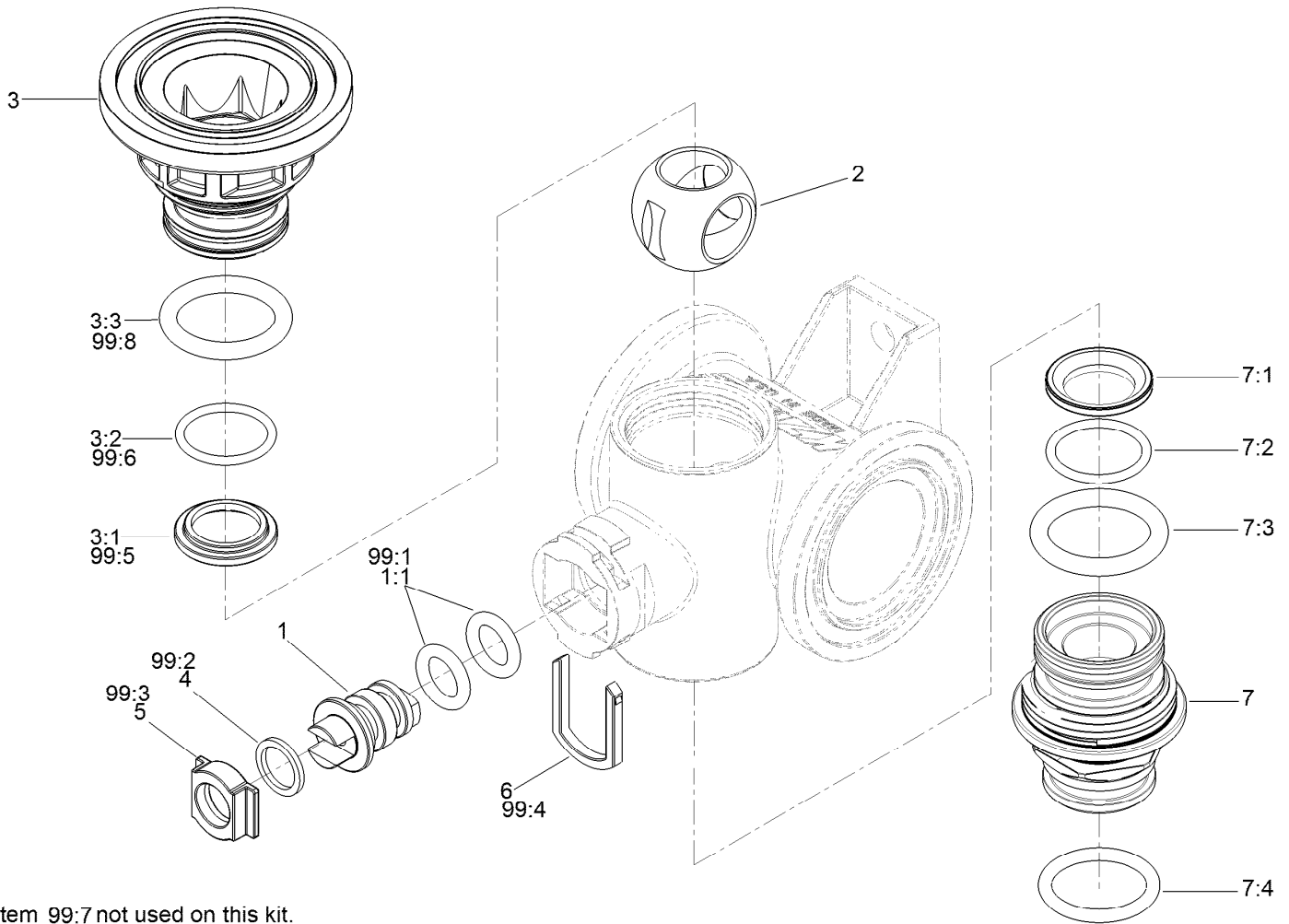
<i>Ref.</i>	<i>Part Number</i>	<i>Qty.</i>	<i>Description</i>
2	127-6984	1	Decal-Valve, Regulating
3	130-7301	1	Hairpin-Actuator



## Manifold Valve Kit No. 131-0253

<i>Ref.</i>	<i>Part Number</i>	<i>Qty.</i>	<i>Description</i>	<i>Ref.</i>	<i>Part Number</i>	<i>Qty.</i>	<i>Description</i>
1	130-8248	1	Valve Stem Kit	5	127-1196	1	Washer-Stem, Valve
1:1	127-1197	2	O-Ring-Stem	6	127-1195	1	Seat-Stem, Valve
2	127-1113	1	Ball-V	7	127-1190	1	Fork-Stem, Valve
3	130-7317	1	Endcap Kit	99	130-7304	1	Valve Repair Kit ●
3:1	127-1192	1	Seat-Ball	99:1	127-1197	2	O-Ring-Stem
3:2	127-1188	1	O-Ring, Seat (Ball)	99:2	127-1196	2	Washer-Stem, Valve
3:3	127-1189	1	O-Ring, Endcap	99:3	127-1195	1	Seat-Stem, Valve
3:4	127-1187	1	O-Ring, Endcap	99:4	127-1190	1	Fork-Stem, Valve
4	130-8249	1	Endcap Kit	99:5	127-1192	2	Seat-Ball
4:1	127-1192	1	Seat-Ball	99:6	127-1188	2	O-Ring, Seat (Ball)
4:2	127-1188	1	O-Ring, Seat (Ball)	99:7	127-1187	2	O-Ring, Endcap
4:3	127-1189	1	O-Ring, Endcap	99:8	127-1189	2	O-Ring, Endcap

● Not illustrated

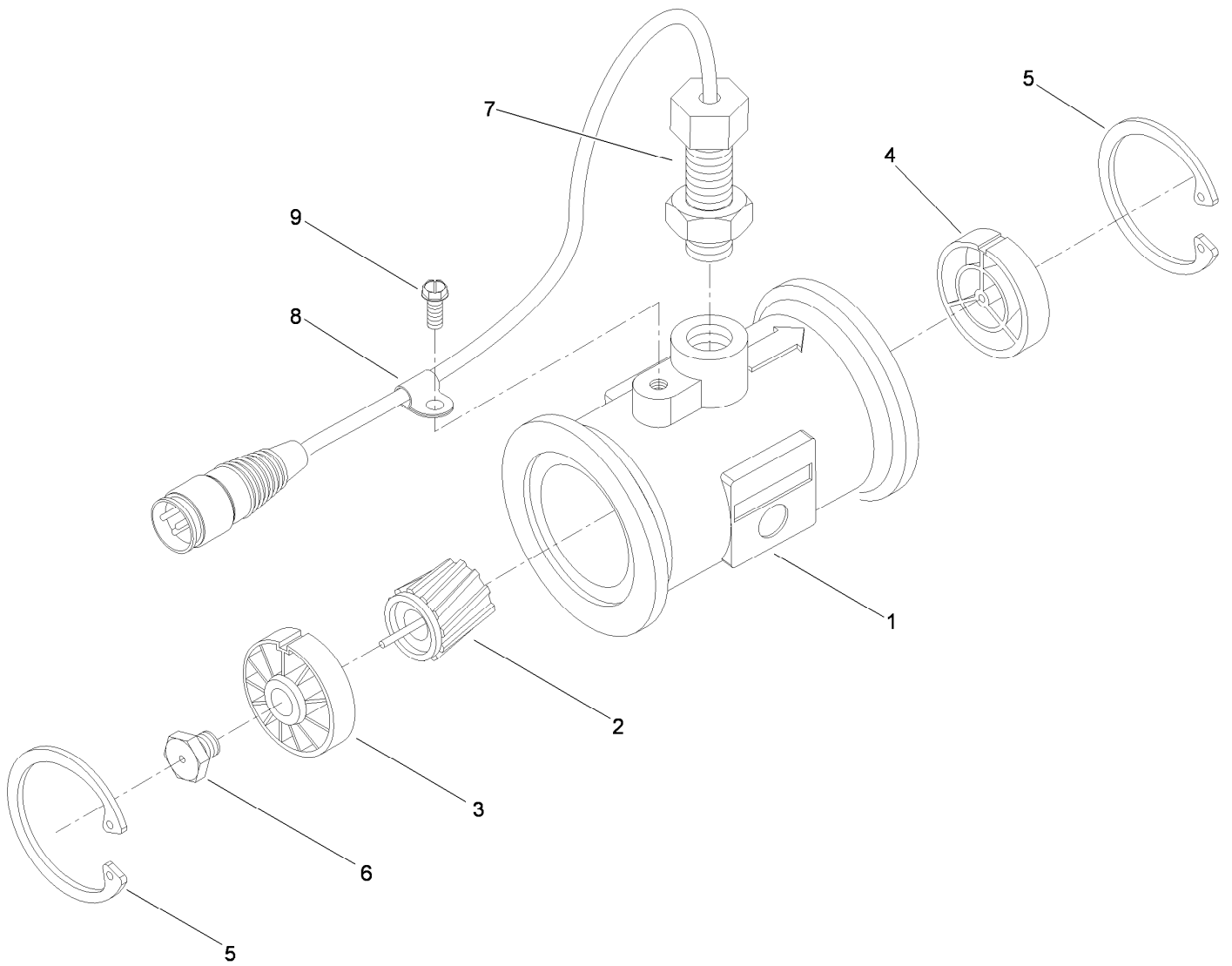


Item 99:7 not used on this kit.

## Manifold Valve Kit No. 131-7256

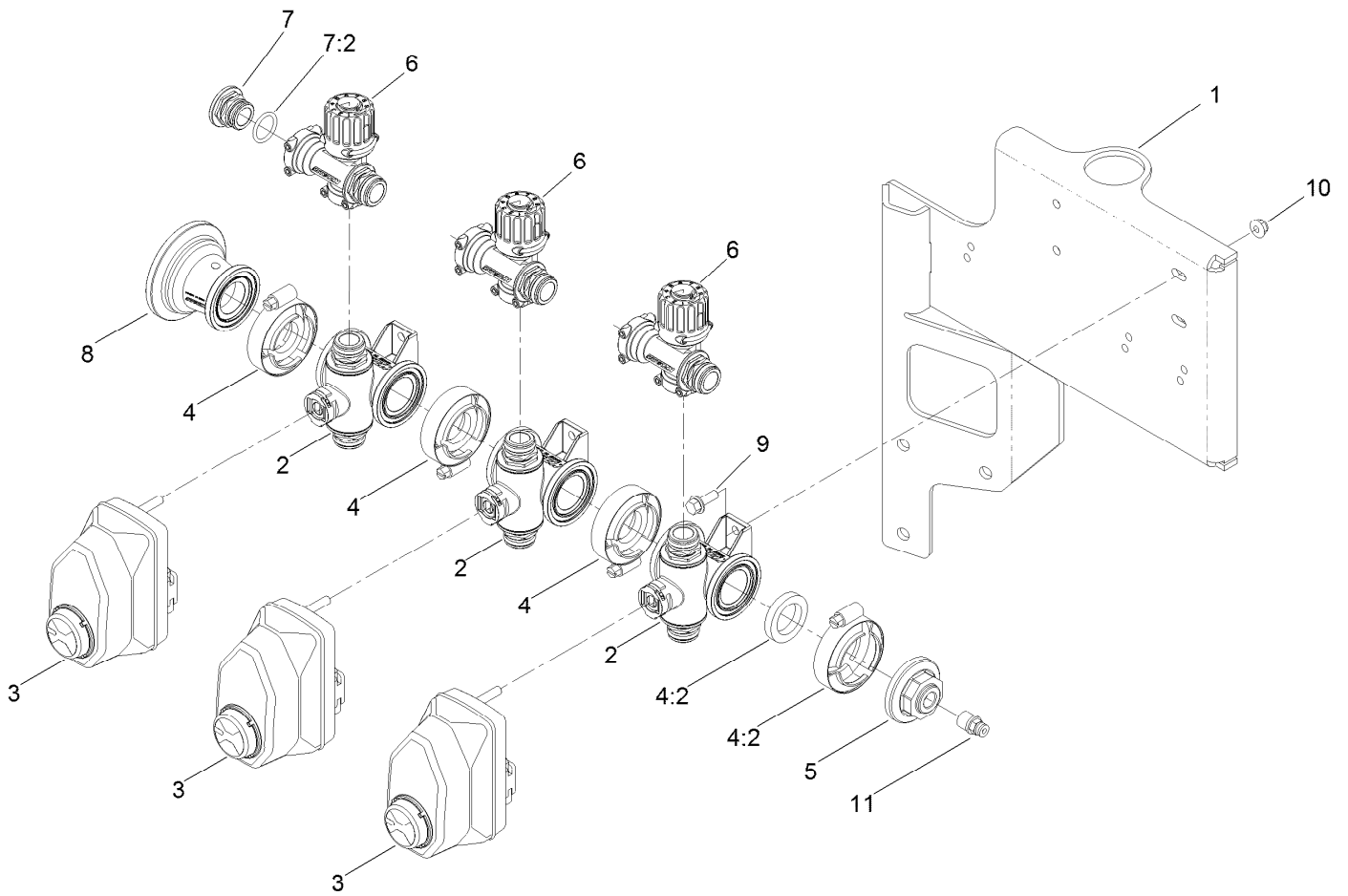
Ref.	Part Number	Qty.	Description	Ref.	Part Number	Qty.	Description
1	130-8248	1	Valve Stem Kit	7:2	127-1188	1	O-Ring, Seat (Ball)
1:1	127-1197	2	O-Ring-Stem	7:3	127-1189	1	O-Ring, Endcap
2	127-1194	1	Ball-Valve, 3Way	7:4	127-1187	1	O-Ring, Endcap
3	130-8249	1	Endcap Kit	99	130-7304	1	Valve Repair Kit ●
3:1	127-1192	1	Seat-Ball	99:1	127-1197	2	O-Ring-Stem
3:2	127-1188	1	O-Ring, Seat (Ball)	99:2	127-1196	2	Washer-Stem, Valve
3:3	127-1189	1	O-Ring, Endcap	99:3	127-1195	1	Seat-Stem, Valve
4	127-1196	1	Washer-Stem, Valve	99:4	127-1190	1	Fork-Stem, Valve
5	127-1195	1	Seat-Stem, Valve	99:5	127-1192	2	Seat-Ball
6	127-1190	1	Fork-Stem, Valve	99:6	127-1188	2	O-Ring, Seat (Ball)
7	130-7317	1	Endcap Kit	99:7	127-1187	2	O-Ring, Endcap
7:1	127-1192	1	Seat-Ball	99:8	127-1189	2	O-Ring, Endcap

● Not illustrated



## Flow Meter Assembly No. 106-1038

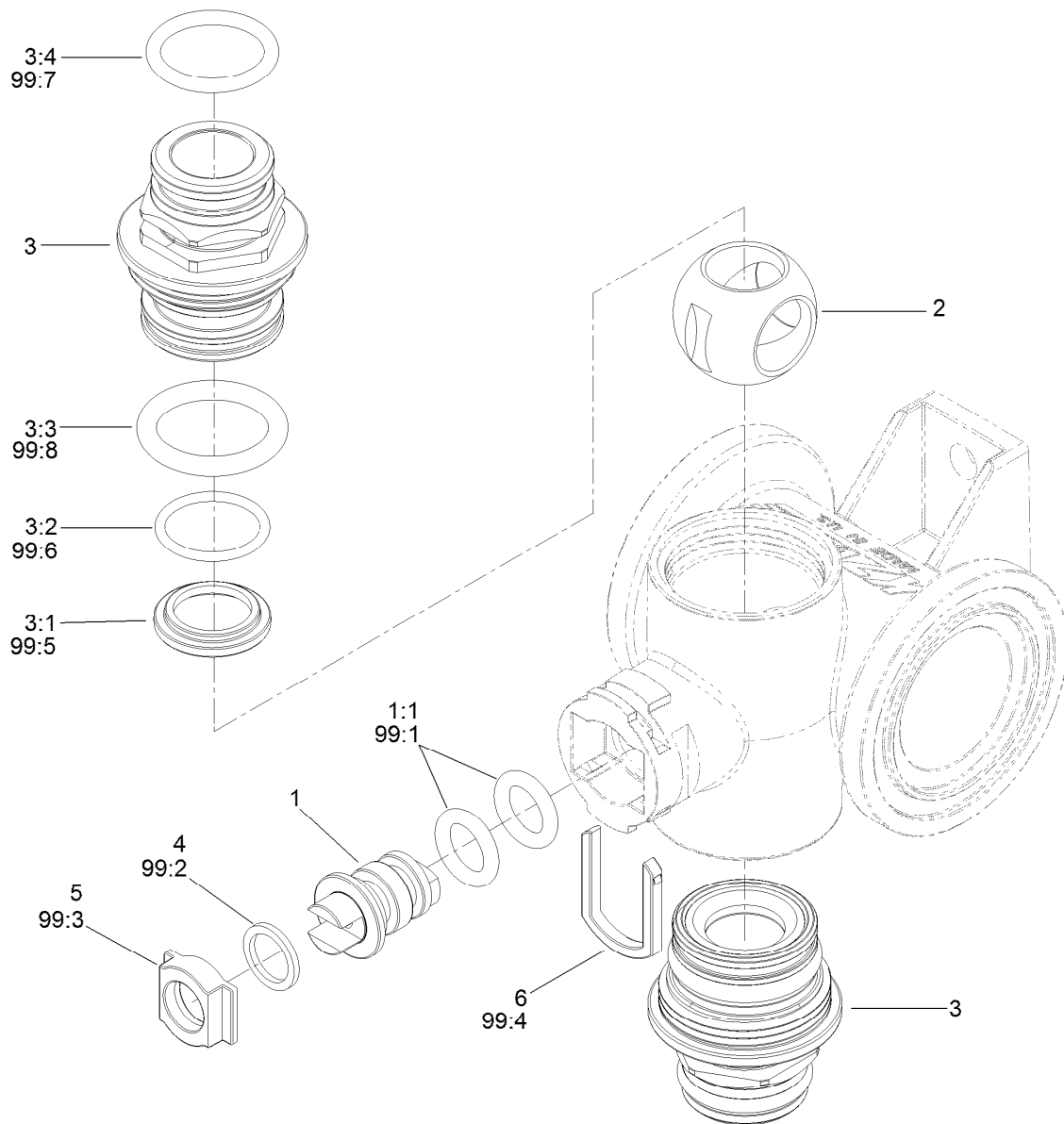
<i>Ref.</i>	<i>Part Number</i>	<i>Qty.</i>	<i>Description</i>
1	106-1042	1	Body-Meter, Flow
2	104-9059	1	Rotor / Magnet ASM
3	104-9060	1	Upstream Hub And Bearing ASM
4	104-9061	1	Downstream Hub ASM
5	104-9062	2	Ring-Retaining, Internal
6	42480	1	Stud-Turbine (W / Bearing)
7	104-9065	1	External Sensor ASM
8	104-9063	1	Clamp-Cable
9	104-9064	1	Screw-HWHTF



## Section Valve Manifold Assembly

Ref.	Part Number	Qty.	Description
1	131-0258	1	Mount-Valves, Boom
2	127-9803	3	On/Off Manifold Valve Kit
3	131-3723	3	Actuator On/Off Kit
4	127-9829	4	Clamp/Gasket Kit
4:2	127-1145	1	Gasket-Flange
5	127-1185	1	Fitting-Cap, Port
6	127-9805	3	Bypass Valve ASM
7	127-9810	1	Male Cap Fitting Kit
7:2	127-1187	1	O-Ring, Endcap
8	127-1144	1	Fitting-Adapter
9	3234-4	4	Screw-HHF
10	104-7201	4	Nut-HF, NI
11	131-3709	1	Coupler

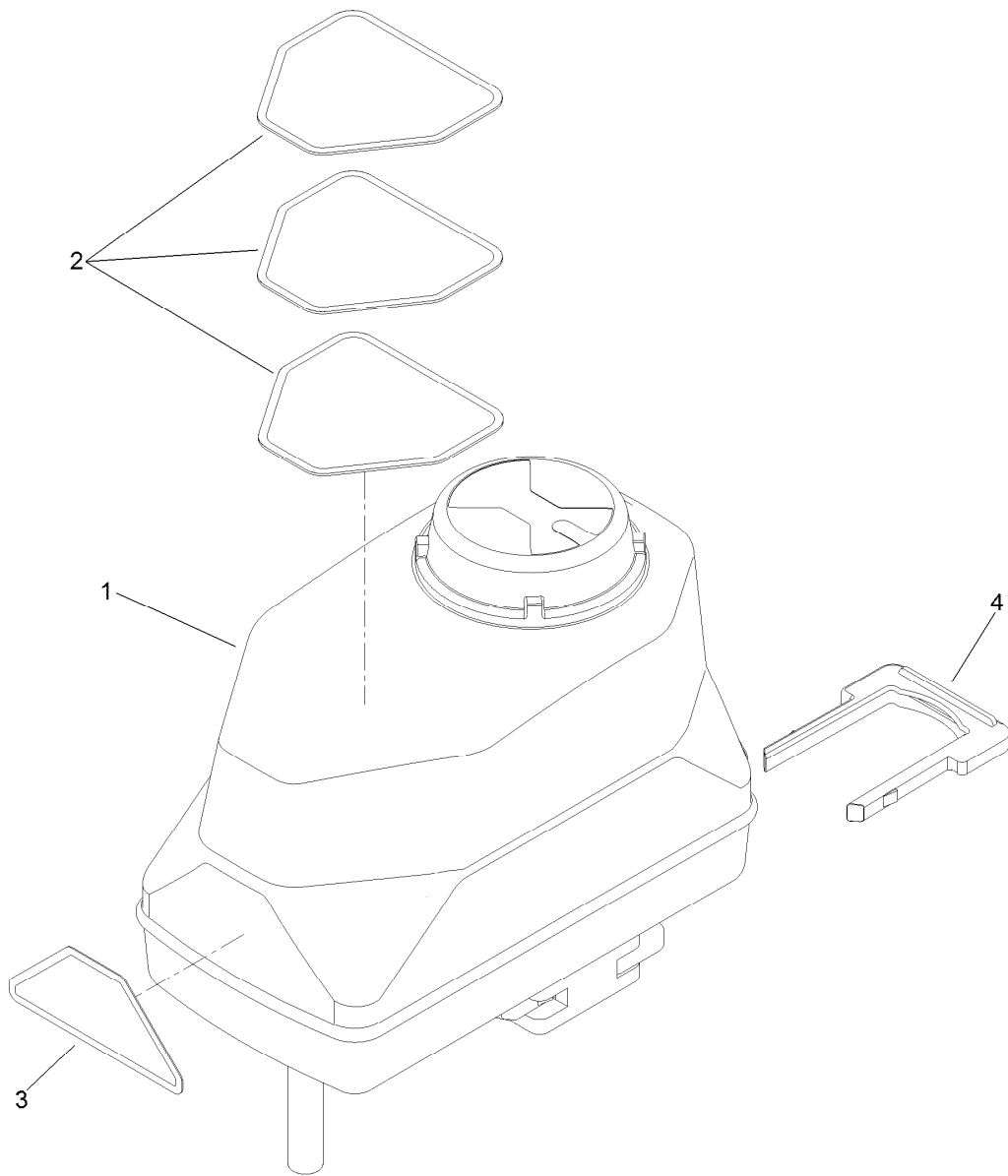




## On/Off Manifold Valve Kit No. 127-9803

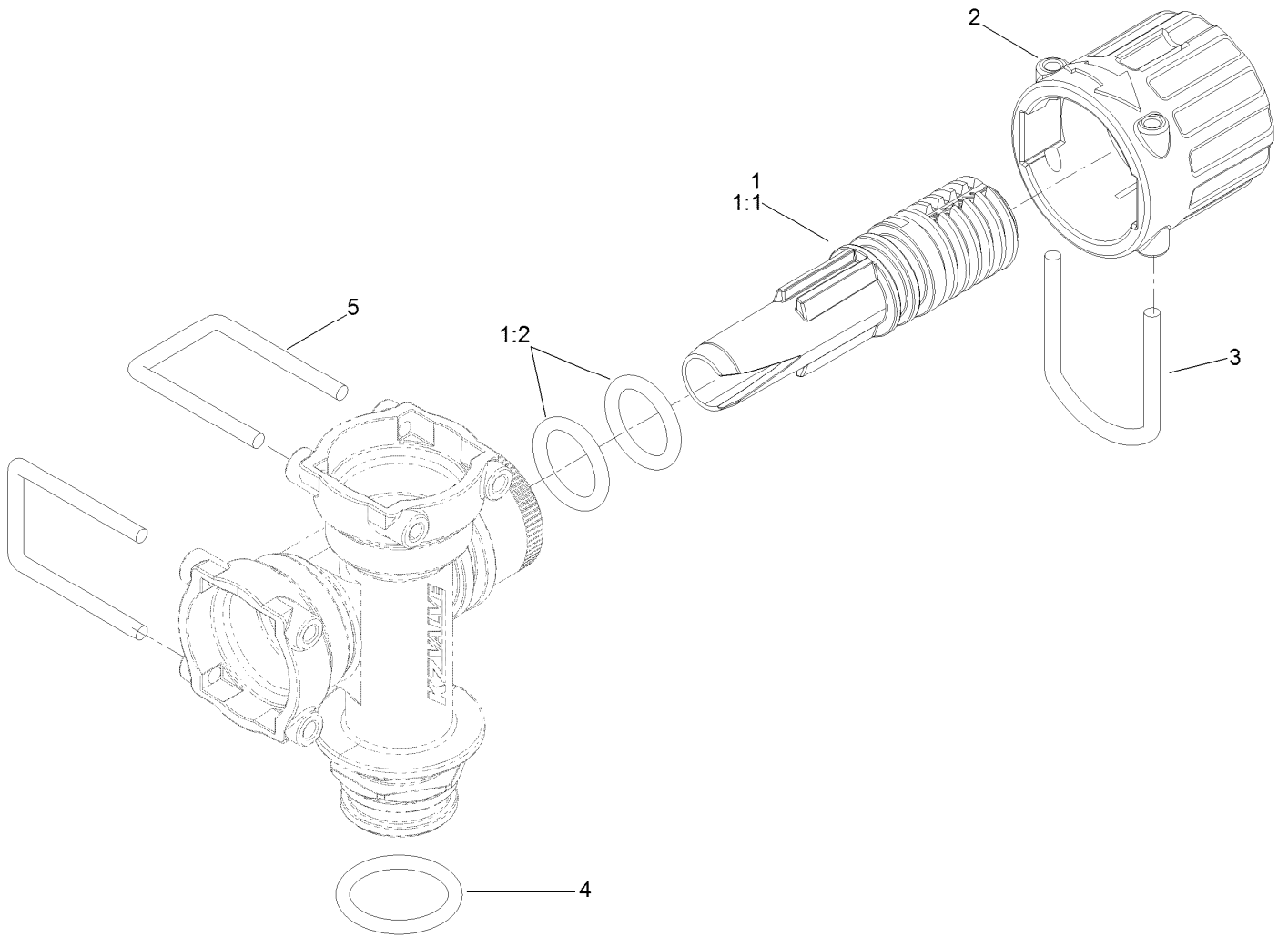
<i>Ref.</i>	<i>Part Number</i>	<i>Qty.</i>	<i>Description</i>	<i>Ref.</i>	<i>Part Number</i>	<i>Qty.</i>	<i>Description</i>
1	130-8248	1	Valve Stem Kit	6	127-1190	1	Fork-Stem, Valve
1:1	127-1197	2	O-Ring-Stem	99	130-7304	1	Valve Repair Kit ●
2	127-1194	1	Ball-Valve, 3Way	99:1	127-1197	2	O-Ring-Stem
3	130-7317	2	Endcap Kit	99:2	127-1196	2	Washer-Stem, Valve
3:1	127-1192	1	Seat-Ball	99:3	127-1195	1	Seat-Stem, Valve
3:2	127-1188	1	O-Ring, Seat (Ball)	99:4	127-1190	1	Fork-Stem, Valve
3:3	127-1189	1	O-Ring, Endcap	99:5	127-1192	2	Seat-Ball
3:4	127-1187	1	O-Ring, Endcap	99:6	127-1188	2	O-Ring, Seat (Ball)
4	127-1196	1	Washer-Stem, Valve	99:7	127-1187	2	O-Ring, Endcap
5	127-1195	1	Seat-Stem, Valve	99:8	127-1189	2	O-Ring, Endcap

● Not illustrated



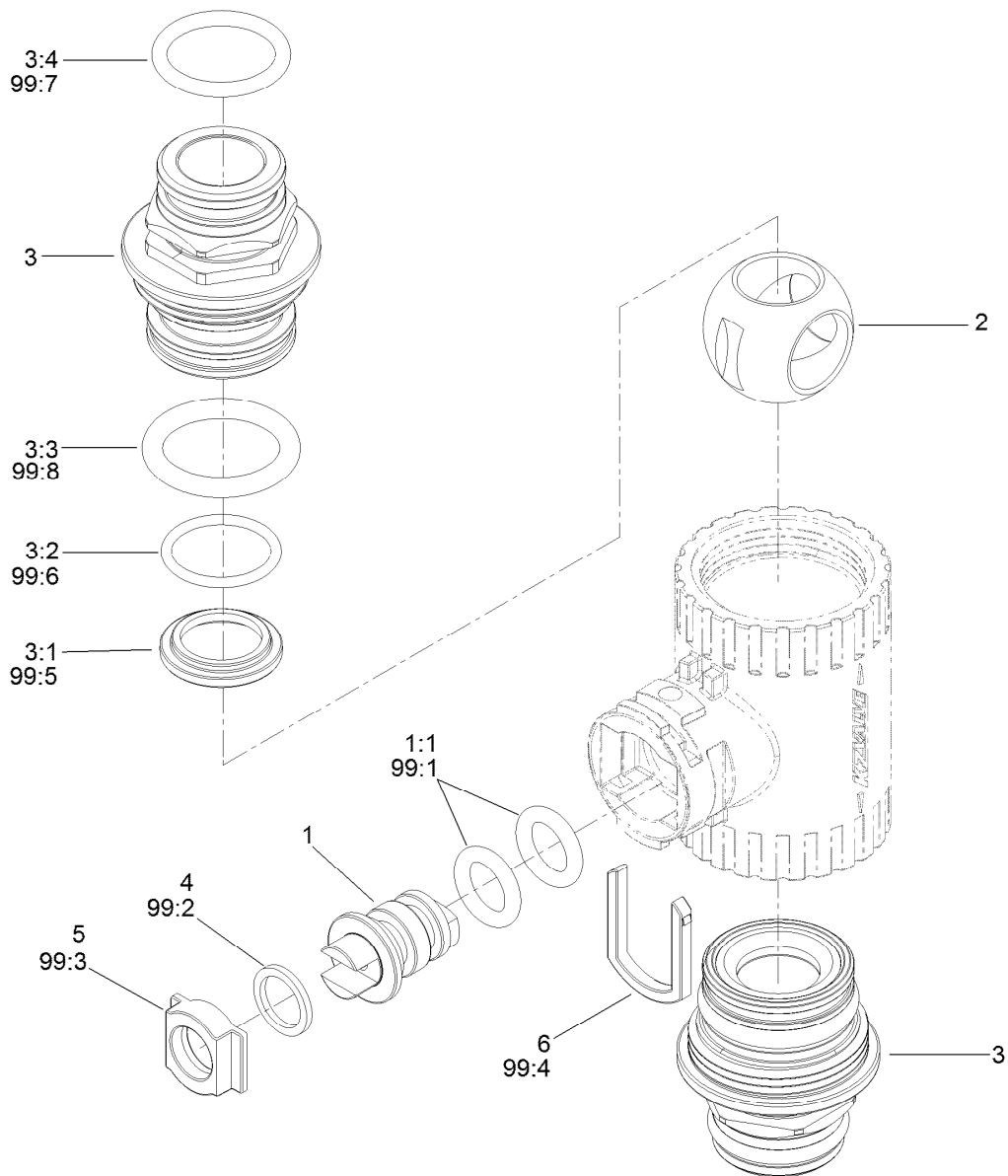
## Actuator On/Off Kit No. 131-3723

<i>Ref.</i>	<i>Part Number</i>	<i>Qty.</i>	<i>Description</i>
1	127-9801	1	Actuator-On/Off
2	127-6979	1	Decal-Valve, Agitation
2	127-6981	1	Decal-Valve, On/Off
2	127-6982	1	Decal-Valve, Master Boom
3	127-6976	1	Decal-Valve, Bypass Adjust
4	130-7301	1	Hairpin-Actuator



## Bypass Valve Assembly No. 127-9805

<i>Ref.</i>	<i>Part Number</i>	<i>Qty.</i>	<i>Description</i>
1	131-0298	1	Bypass Needle Kit
1:1	127-1182	1	Needle-Bypass
1:2	127-1181	2	Oring-Bypass Needle
2	127-1180	1	Knob-Bypass
3	127-1179	1	Fork-Bypass Knob
4	127-1187	1	O-Ring, Endcap
5	127-1175	2	Fork

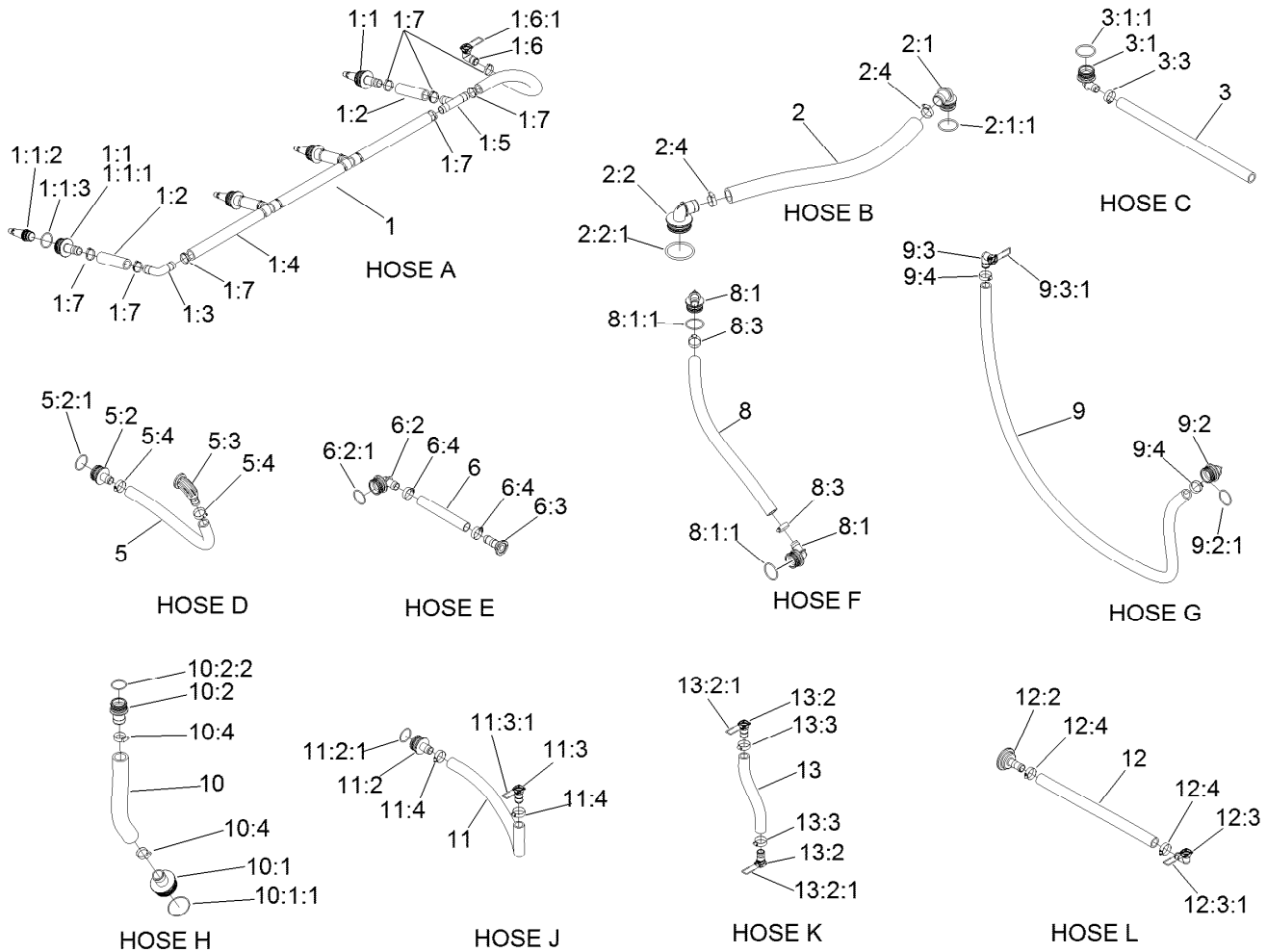


## On/Off 2-Way Valve Kit No. 131-0249

Ref.	Part Number	Qty.	Description
1	130-8248	1	Valve Stem Kit
1:1	127-1197	2	O-Ring-Stem
2	131-0252	1	Ball-2-Way
3	130-7317	2	Endcap Kit
3:1	127-1192	1	Seat-Ball
3:2	127-1188	1	O-Ring, Seat (Ball)
3:3	127-1189	1	O-Ring, Endcap
3:4	127-1187	1	O-Ring, Endcap
4	127-1196	1	Washer-Stem, Valve
5	127-1195	1	Seat-Stem, Valve

Ref.	Part Number	Qty.	Description
6	127-1190	1	Fork-Stem, Valve
99	130-7304	1	Valve Repair Kit ●
99:1	127-1197	2	O-Ring-Stem
99:2	127-1196	2	Washer-Stem, Valve
99:3	127-1195	1	Seat-Stem, Valve
99:4	127-1190	1	Fork-Stem, Valve
99:5	127-1192	2	Seat-Ball
99:6	127-1188	2	O-Ring, Seat (Ball)
99:7	127-1187	2	O-Ring, Endcap
99:8	127-1189	2	O-Ring, Endcap

● Not illustrated

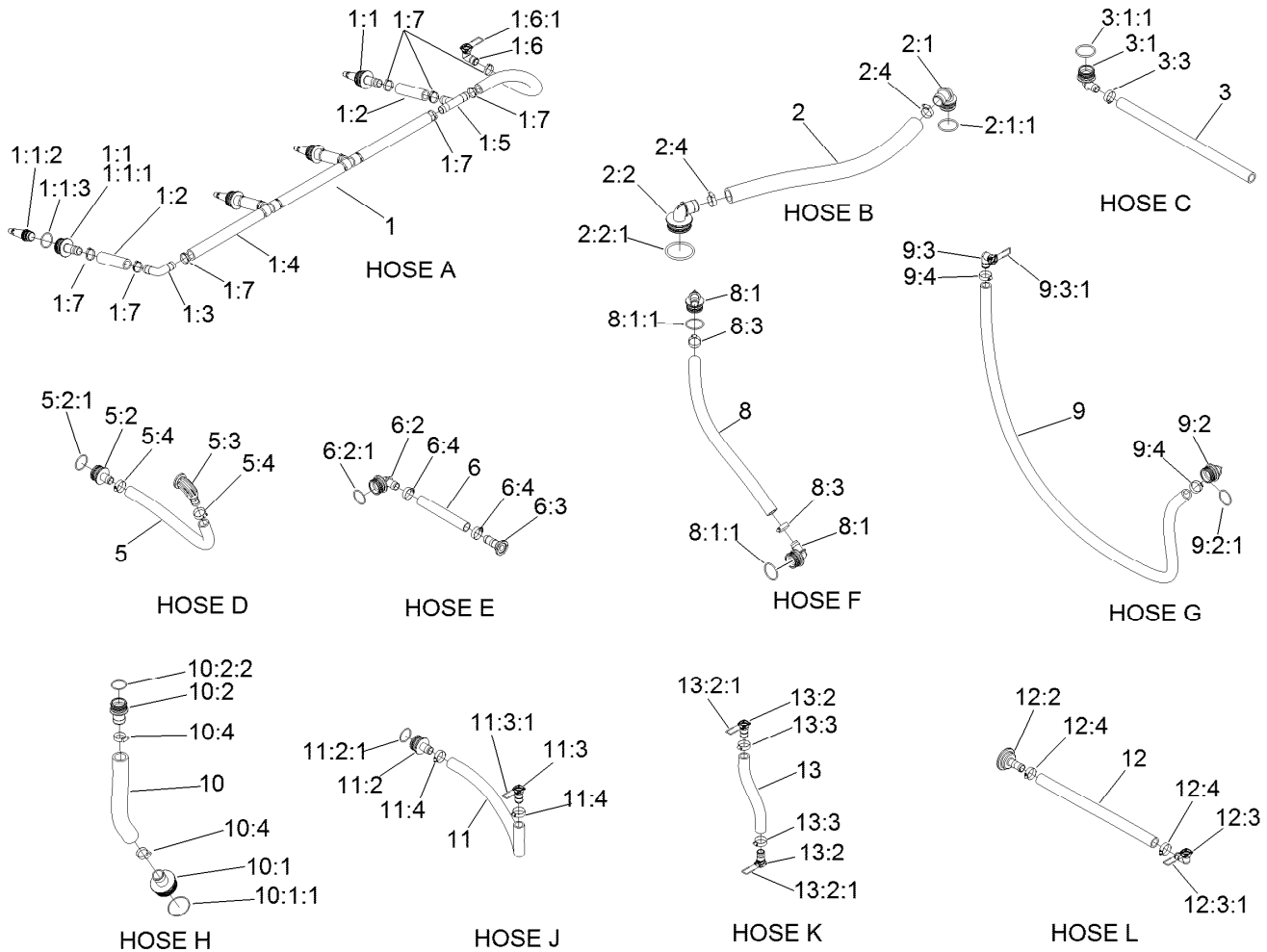


Reference **Spray Tank Assembly** page and **Spray Tank Valve Assembly** page for hose locations and orientation

## Hose Assembly

Ref.	Part Number	Qty.	Description
1	132-4327	1	Hose-Agitation
1:1	131-3731	4	Agitation Nozzle ASM
1:1:1	131-3732	1	Fitting-Barb
1:1:2	120-8579	1	Nozzle-Agitation
1:1:3	121-4996	1	O-Ring
1:2	119-0441	4	Hose-Agitation
1:3	117-7867	1	Elbow-Hosebarb
1:4	117-7862	3	Hose-Main Agitation
1:5	117-7866	3	Tee-Hosebarb
1:6	131-0213	1	90 DEG Barb Fitting Kit
1:6:1	127-1175	1	Fork
1:7	2412-3	16	Clamp-Hose
2	125-0645	1	Upper Suction Hose ASM
2:1	110-5156	1	Suction Elbow ASM
2:1:1	100-8637	1	O-Ring
2:2	106-4952	1	Hosebarb-90 DEG
2:2:1	100-6989	1	O-Ring
2:4	41327	2	Clamp-Hose
3	125-0647	1	Drain Hose ASM
3:1	106-4933	1	Hosebarb ASM
3:1:1	100-8637	1	O-Ring

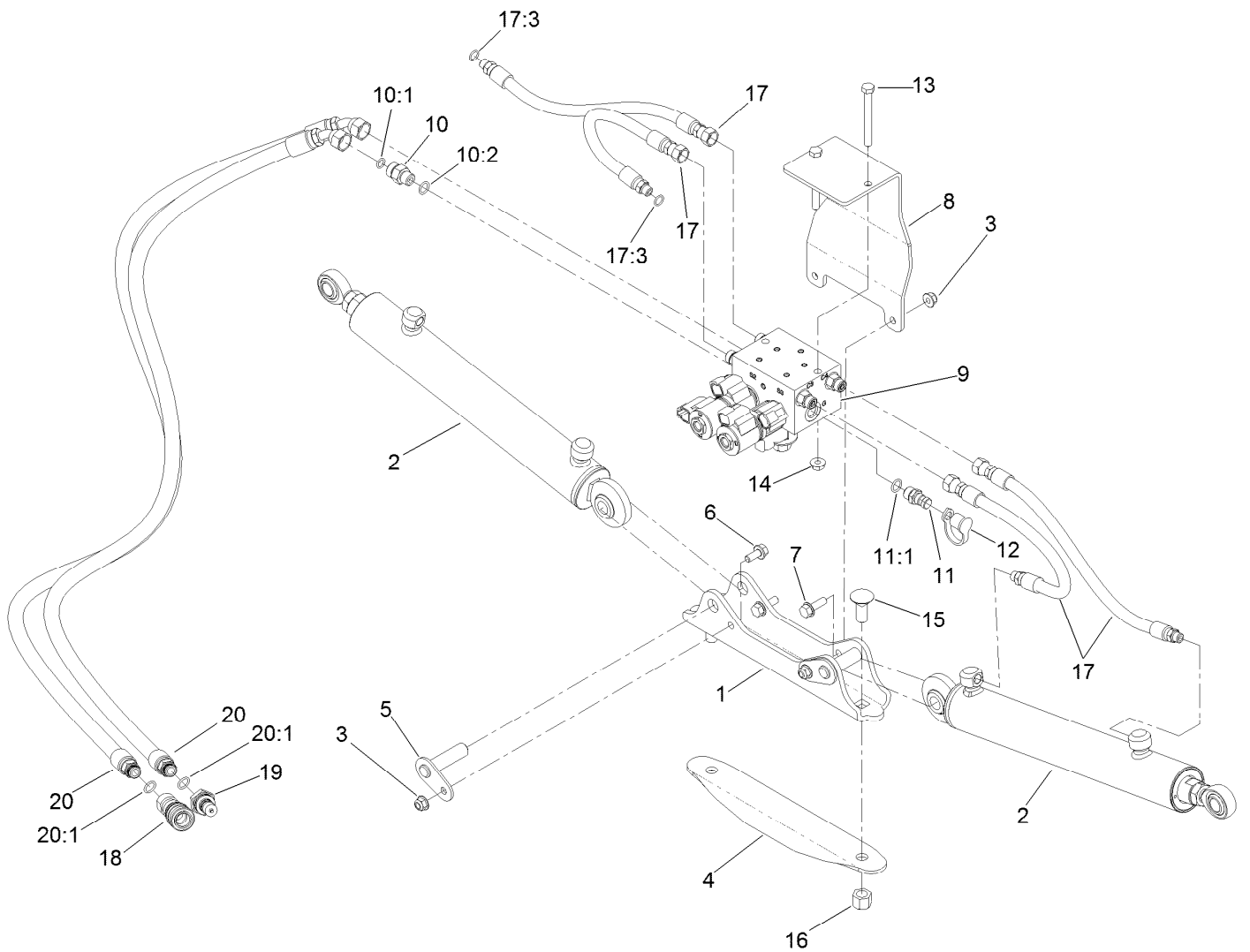
Ref.	Part Number	Qty.	Description
3:3	2412-34	1	Clamp-Hose
5	132-4329	1	Hose-Supply
5:2	106-4932	1	Hosebarb-Straight
5:2:1	100-8637	1	O-Ring
5:3	131-0241	1	Fitting-Elb 90
5:4	2412-34	2	Clamp-Hose
6	132-4331	1	Hose-Agitation, Bypass
6:2	106-4933	1	Hosebarb ASM
6:2:1	100-8637	1	O-Ring
6:3	127-1142	1	Fitting-STR
6:4	2412-34	2	Clamp-Hose
8	125-0639	1	Regulating Hose ASM
8:1	106-4933	2	Hosebarb ASM
8:1:1	100-8637	1	O-Ring
8:3	2412-34	2	Clamp-Hose
9	132-4333	1	Hose-Bypass
9:2	106-4933	1	Hosebarb ASM
9:2:1	100-8637	1	O-Ring
9:3	131-0213	1	90 DEG Barb Fitting Kit
9:3:1	127-1175	1	Fork
9:4	2412-34	2	Clamp-Hose



Reference **Spray Tank Assembly** page and **Spray Tank Valve Assembly** page for hose locations and orientation

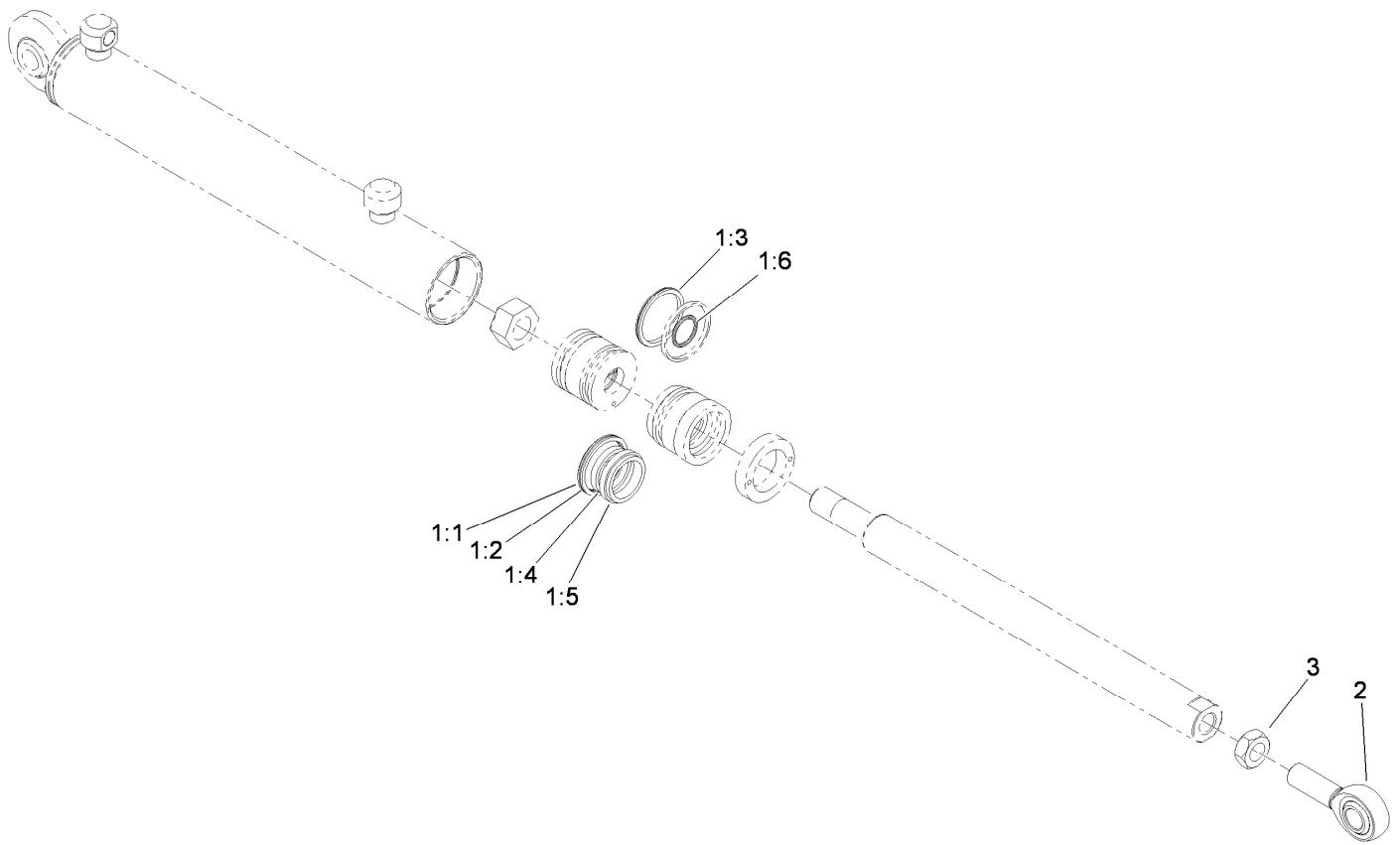
## Hose Assembly (continued)

Ref.	Part Number	Qty.	Description	Ref.	Part Number	Qty.	Description
10	125-0643	1	Lower Suction Hose ASM	11:4	2412-34	2	Clamp-Hose
10:1	117-7965	1	Hosebarb ASM	12	132-4332	1	Hose-Master
10:1:1	100-6989	1	O-Ring	12:2	107-8704	1	Hosebarb
10:2	117-7982	1	Hosebarb ASM	12:3	131-0213	1	90 DEG Barb Fitting Kit
10:2:2	100-8637	1	O-Ring	12:3:1	127-1175	1	Fork
10:4	41327	2	Clamp-Hose	12:4	2412-34	2	Clamp-Hose
11	132-4330	1	Hose-Regulating	13	132-4326	1	Hose-Agitation, Supply
11:2	106-4932	1	Hosebarb-Straight	13:2	127-9806	2	Fitting Kit
11:2:1	100-8637	1	O-Ring	13:2:1	127-1175	1	Fork
11:3	127-9806	1	Fitting Kit	13:3	2412-34	2	Clamp-Hose
11:3:1	127-1175	1	Fork				



## Boom Lift Assembly

<i>Ref.</i>	<i>Part Number</i>	<i>Qty.</i>	<i>Description</i>	<i>Ref.</i>	<i>Part Number</i>	<i>Qty.</i>	<i>Description</i>
1	119-4856-03	1	Plate-Mount, Cylinders	11:1	237-42	1	O-Ring
2	117-0701	2	Hydraulic Cylinder ASM	12	354-79	1	Cap-Dust
3	104-8300	4	Nut-HF, NI	13	322-14	2	Screw-HH
4	131-0297-03	1	Plate-Stiffener, Boom	14	32128-26	2	Nut-HF
5	112-7884	2	Pin-Pivot	15	110-5067	2	Screw-CARR
6	110-5053	2	Screw-HHF	16	3296-23	2	Nut-Lock, NI
7	3234-29	2	Screw-HHF	17	119-4859	4	Hose ASM
8	130-8201-03	1	Mount-Valve	17:3	237-78	1	O-Ring
9	117-0702	1	On-Off Boom Lift Valve ASM	18	106-7968	1	Coupler-Quick, Female
10	340-2	2	Fitting-Straight	19	106-7969	1	Coupler-Quick, Male
10:1	237-22	1	O-Ring	20	127-9717	2	Hose ASM
10:2	237-42	1	O-Ring	20:1	237-42	1	O-Ring
11	59-7410	1	Fitting-Diagnostic				



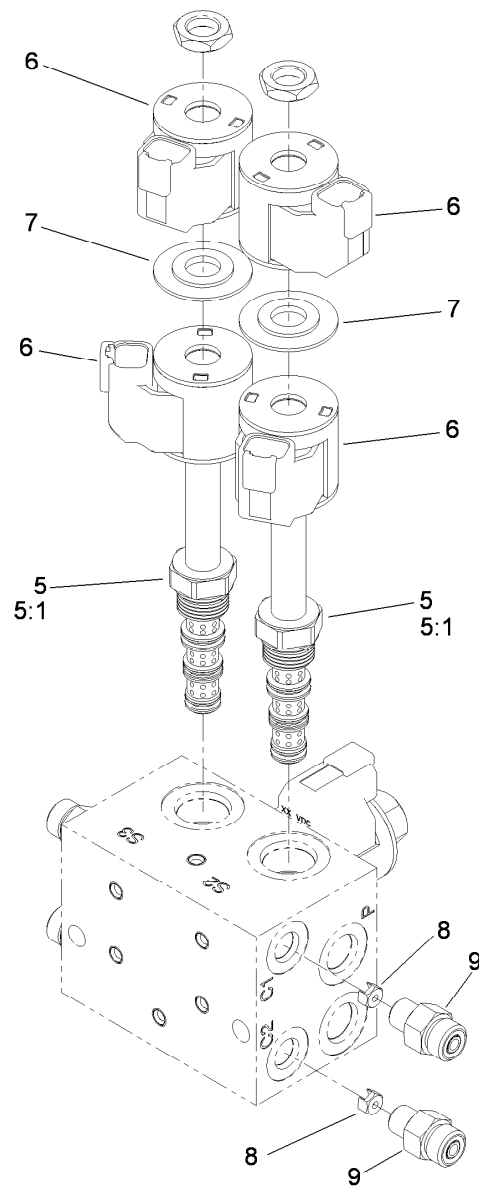
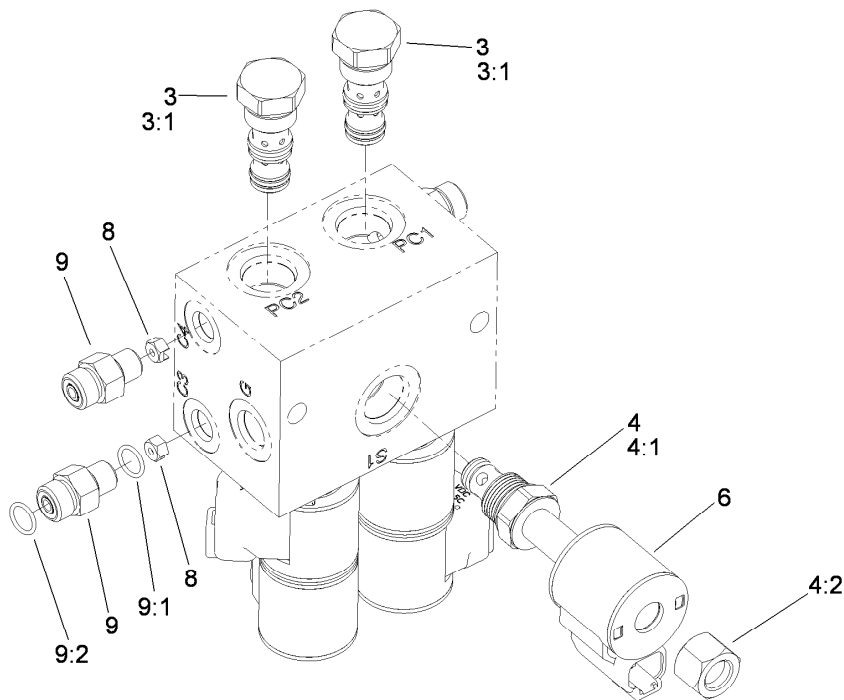
## Hydraulic Cylinder Assembly No. 117-0701

<i>Ref.</i>	<i>Part Number</i>	<i>Qty.</i>	<i>Description</i>
1	119-8026	1	Seal Kit ●
1:1		1	O-Ring ■
1:2		1	Ring-Backup ■
1:3		1	Bp Seal ■
1:4		1	Bs Seal ■
1:5		1	Dust Seal ■
1:6		1	O-Ring ■
2	119-8027	1	Rod End
3	3220-6	1	Nut-Jam

● Not illustrated

■ Not serviced separately

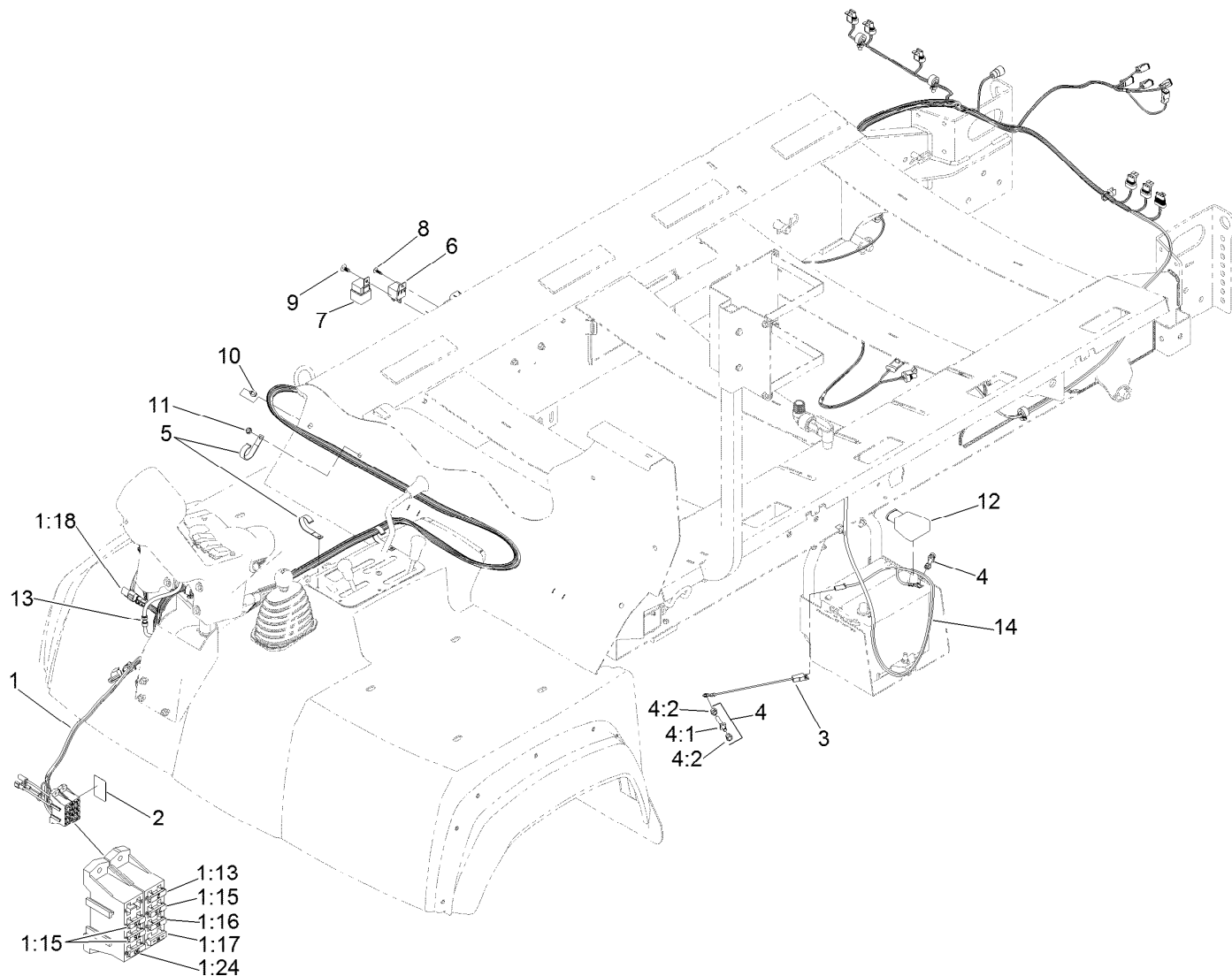




## On-Off Boom Lift Valve No. 117-0702

Ref.	Part Number	Qty.	Description
3	120-2588	2	Valve-Check
3:1	120-0886	1	Seal Kit ●
4	107-7517	1	Valve-Solenoid
4:1	105-9156	1	Seal Kit
4:2	107-7812	1	Nut-Solenoid
5	120-2587	2	Valve-Solenoid
5:1	112-6520	1	Seal Kit ●
6	119-8036	5	Coil
7	120-2586	2	Spacer-Coil
8	120-2585	4	Orifice, .035
9	340-92	4	Fitting-Straight
9:1	237-78	1	O-Ring
9:2	237-21	1	O-Ring

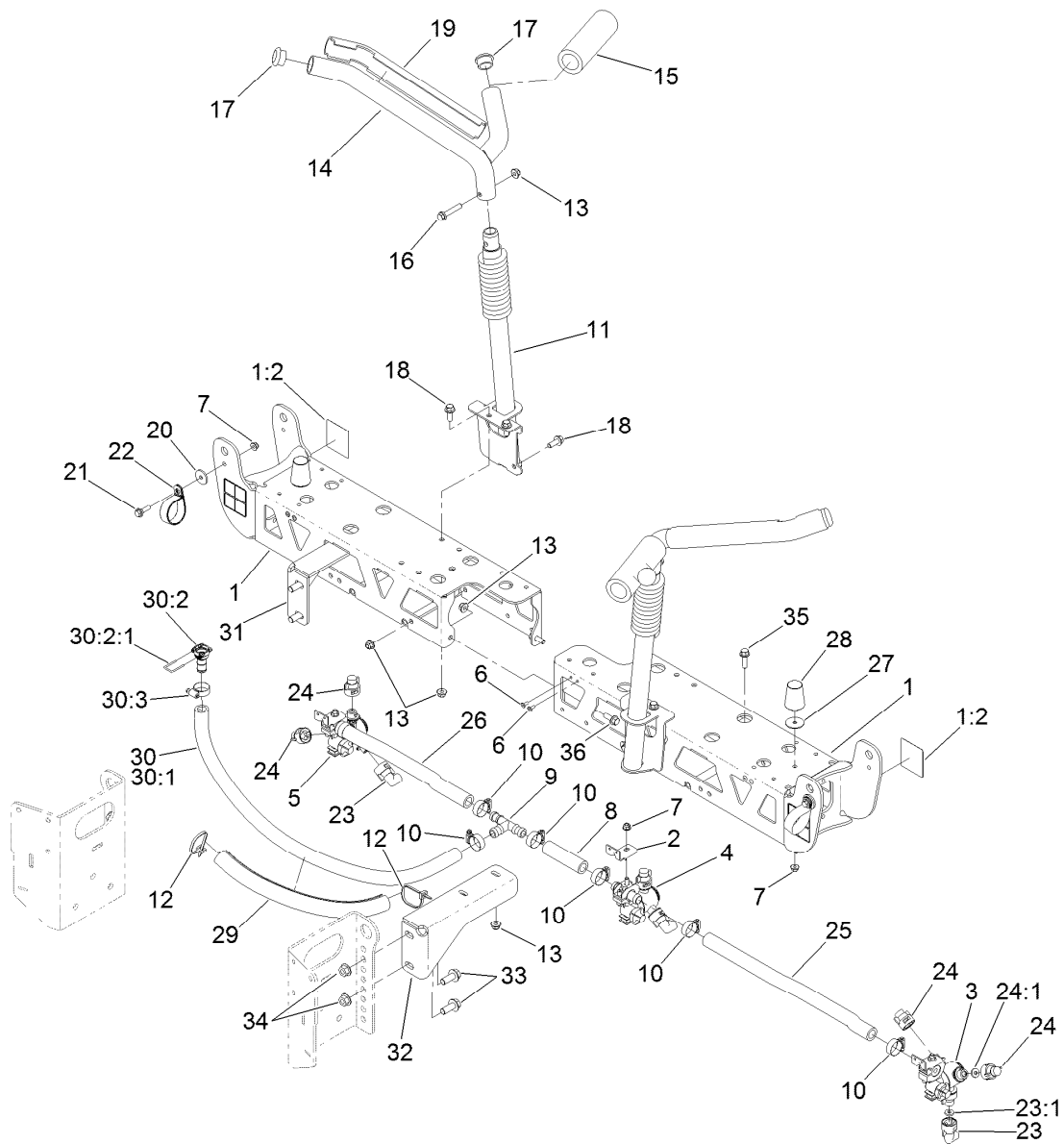
● Not illustrated



## Electrical Assembly

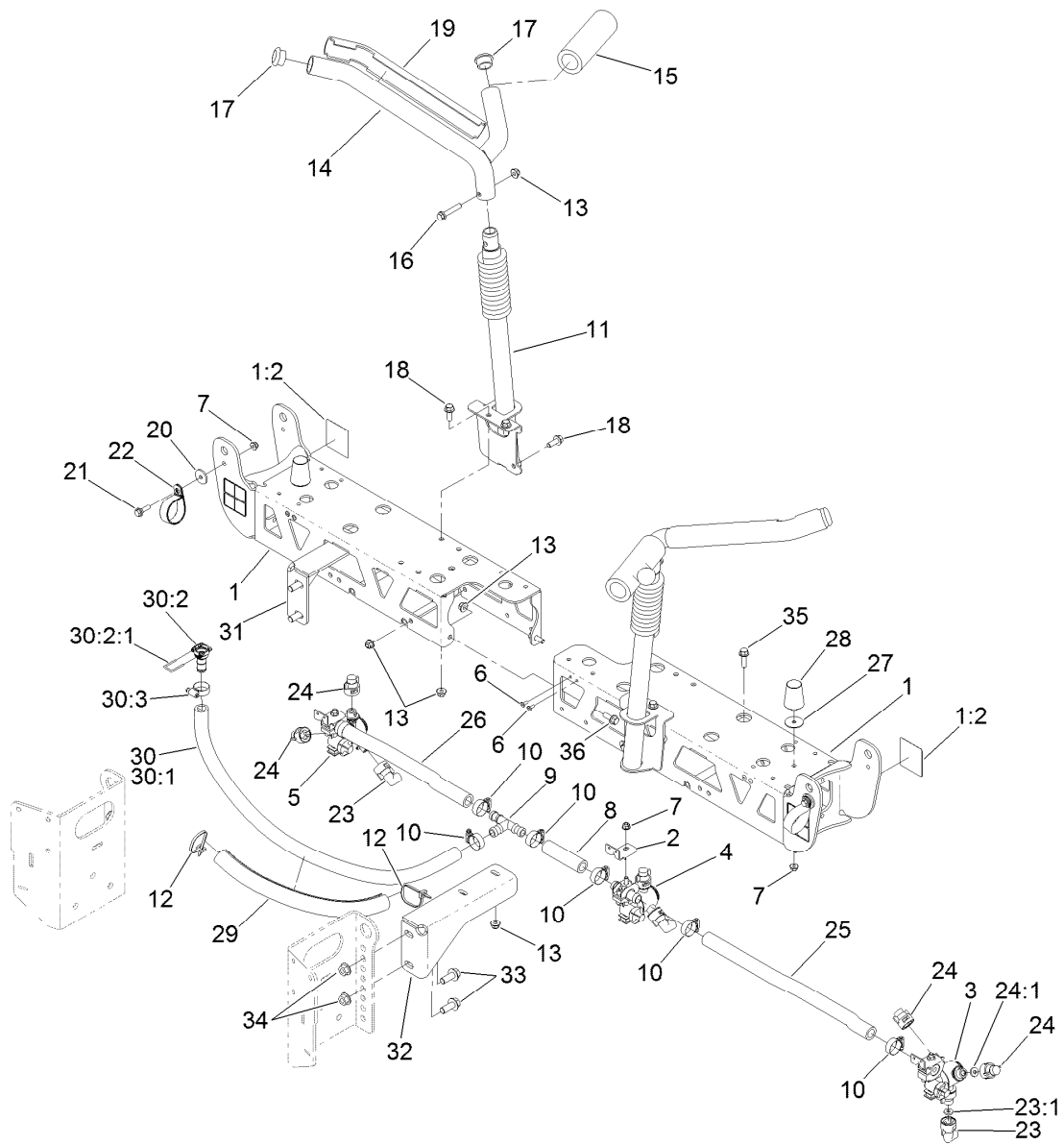
<i>Ref.</i>	<i>Part Number</i>	<i>Qty.</i>	<i>Description</i>
1	122-0735	1	Harness-Wire, Front
1:13	94-6710	1	Fuse-2 Amp
1:15	114241	3	Fuse-Blade, 7.5 Amp
1:16	218-578	1	Fuse-Blade, 10 Amp
1:17	109355	1	Fuse-Blade, 15 Amp
1:18	32180-043	2	Resistor-120 Ohm
1:24	109103	1	Fuse-Blade, 30 Amp
2	127-3966	1	Decal-Fuse Block
3	108-9455	1	Harness-Wire, Fusible Link
4	112-9921	2	Bolt ASM
4:1	32180-107	1	Bolt-Clamp, Battery

<i>Ref.</i>	<i>Part Number</i>	<i>Qty.</i>	<i>Description</i>
4:2	32180-108	2	Nut-Hex Shoulder
5	106-1429	3	Clamp-J
6	99-7435	1	Relay
7	99-7430	1	Relay-Mini
8	125-8067	1	Plug-Plastic
9	104-0395	1	Plug-Plastic
10	3234-13	1	Screw-HHF
11	104-7201	1	Nut-HF, NI
12	32180-110	1	Insulator-Lead Cast
13	132-7773	1	Connector-Hose
14	122-0736	1	Harness-Wire, Rear



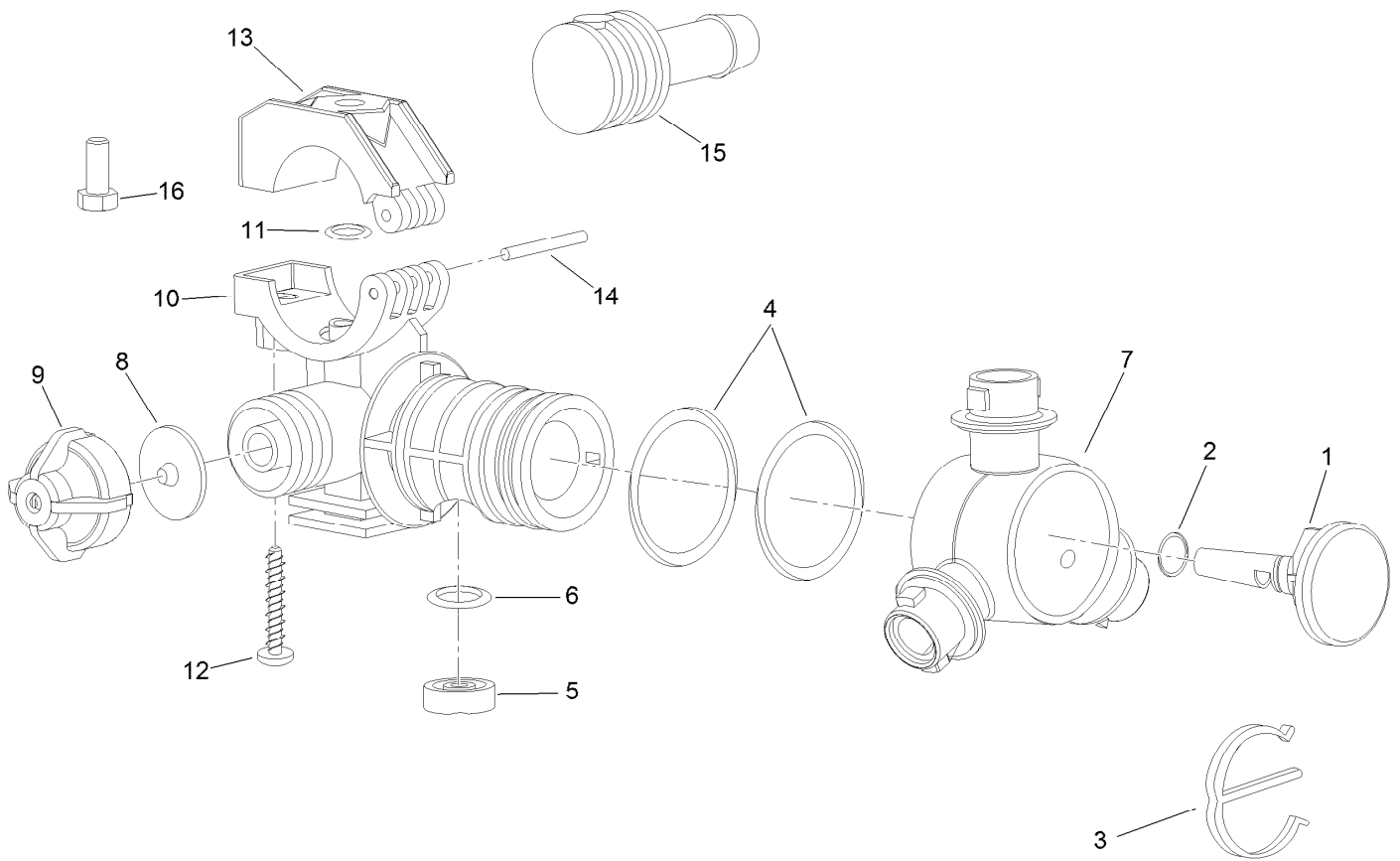
## Center Boom Assembly

Ref.	Part Number	Qty.	Description	Ref.	Part Number	Qty.	Description
1	131-7268	2	Boom-Outer	20	108-3743	2	Washer
1:2	120-0617	2	Decal-Warning, Pinch, Crush	21	108-3744	2	Screw-Shoulder
2	107-8775-03	3	Bracket-Nozzle Mount	22	114-9566	2	Clamp-R
3	108-3725	1	LH Single Body Turret ASM	23	95-9186	3	Cap
4	108-3727	1	Double Turret Body ASM	23:1	40998	1	Seat-Gasket
5	108-3726	1	RH Single Body Turret ASM	24	95-9187	6	Cap-Blank
6	114439	6	Rivet-Blind	24:1	40998	1	Seat-Gasket
7	104-8300	7	Nut-HF, NI	25	108-3735	1	Hose-Boom, Center (LH)
8	108-3717	1	Hose-Boom	26	108-3718	1	Hose-Boom, Center (RH)
9	108-3439	1	Tee	27	3256-68	2	Washer-Flat
10	2412-129	7	Clamp-Hose	28	110-5070	2	Bumper
11	130-8238-03	2	Lower Cradle ASM	29	127-3923RT02	1	Conduit
12	3290-378	2	Tie-Cable	30	132-4335	1	Hose-Center Boom
13	104-8301	14	Nut-HF, NI	30:1	127-9770	1	Hose-Shutoff
14	108-3476-03	2	Cradle-Upper	30:2	127-9807	1	Straight Fitting Kit
15	108-3457	2	Spacer	30:2:1	127-1175	1	Fork
16	108-3742	2	Screw-HHF	30:3	2412-129	1	Clamp-Hose
17	108-3489	4	Cap-Tube	31	127-8955-03	1	Mount-Boom
18	110-5052	6	Screw-HHF	32	127-8956-03	1	Mount-Boom
19	108-3495	2	Cover-Slide	33	110-5057	4	Capscrew-HHF
				34	108-3745	4	Nut-HHF, Whiz



## Center Boom Assembly (continued)

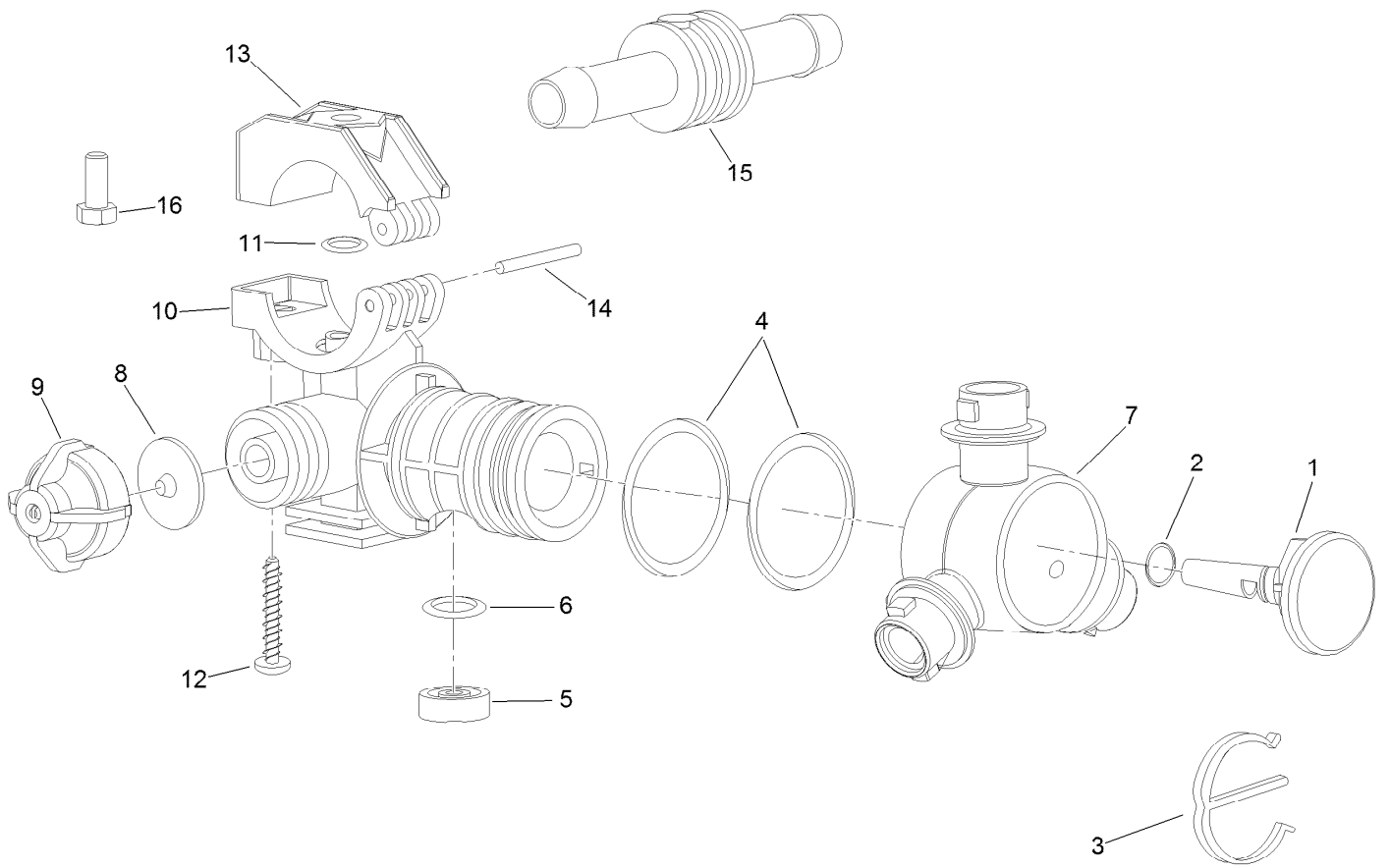
<i>Ref.</i>	<i>Part Number</i>	<i>Qty.</i>	<i>Description</i>
35	110-5050	4	Screw-HHF
36	3234-42	2	Screw-HHF



## LH Single Turret Body Assembly No. 108-3725

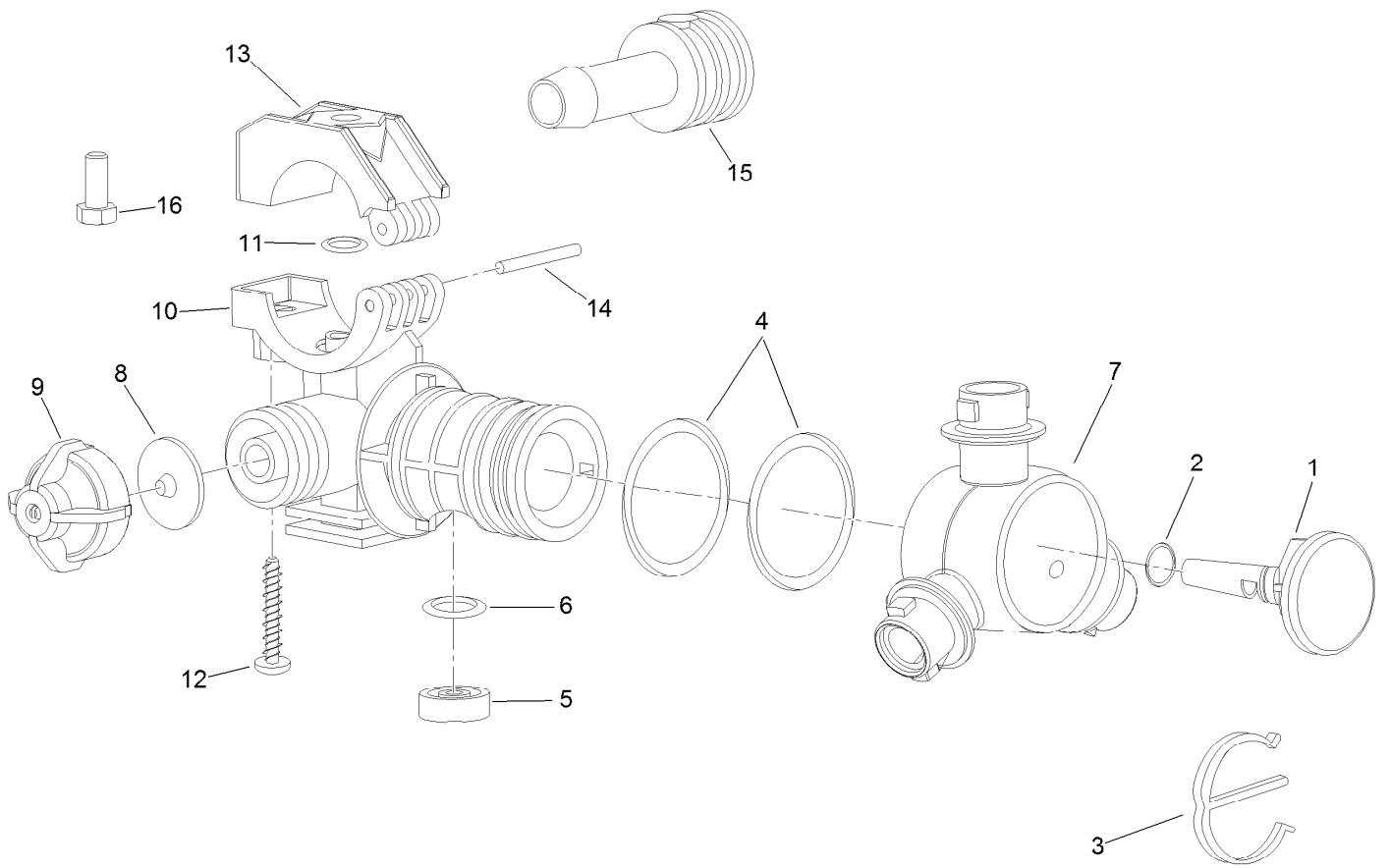
<i>Ref.</i>	<i>Part Number</i>	<i>Qty.</i>	<i>Description</i>
1	95-9200	1	Plug
2	95-9198	1	O-Ring
3	95-9197	1	E-Clip
4	95-9199	2	O-Ring
5	108-3264	1	Seal-Viton
6	108-3265	1	O-Ring-Viton
7	95-9196	1	Turret
8	41003	1	Diaphragm

<i>Ref.</i>	<i>Part Number</i>	<i>Qty.</i>	<i>Description</i>
9	95-9193	1	Cap-Diaphragm
10	95-9192	1	Body-Split Eyelet
11	95-9191	1	O-Ring
12	99-0811	1	Screw-Clamp
13	99-0812	1	Clamp-Upper
14	99-0814	1	Pin-Pivot
15	95-9201	1	Shank-Hose
16	322-3	1	Screw-HH



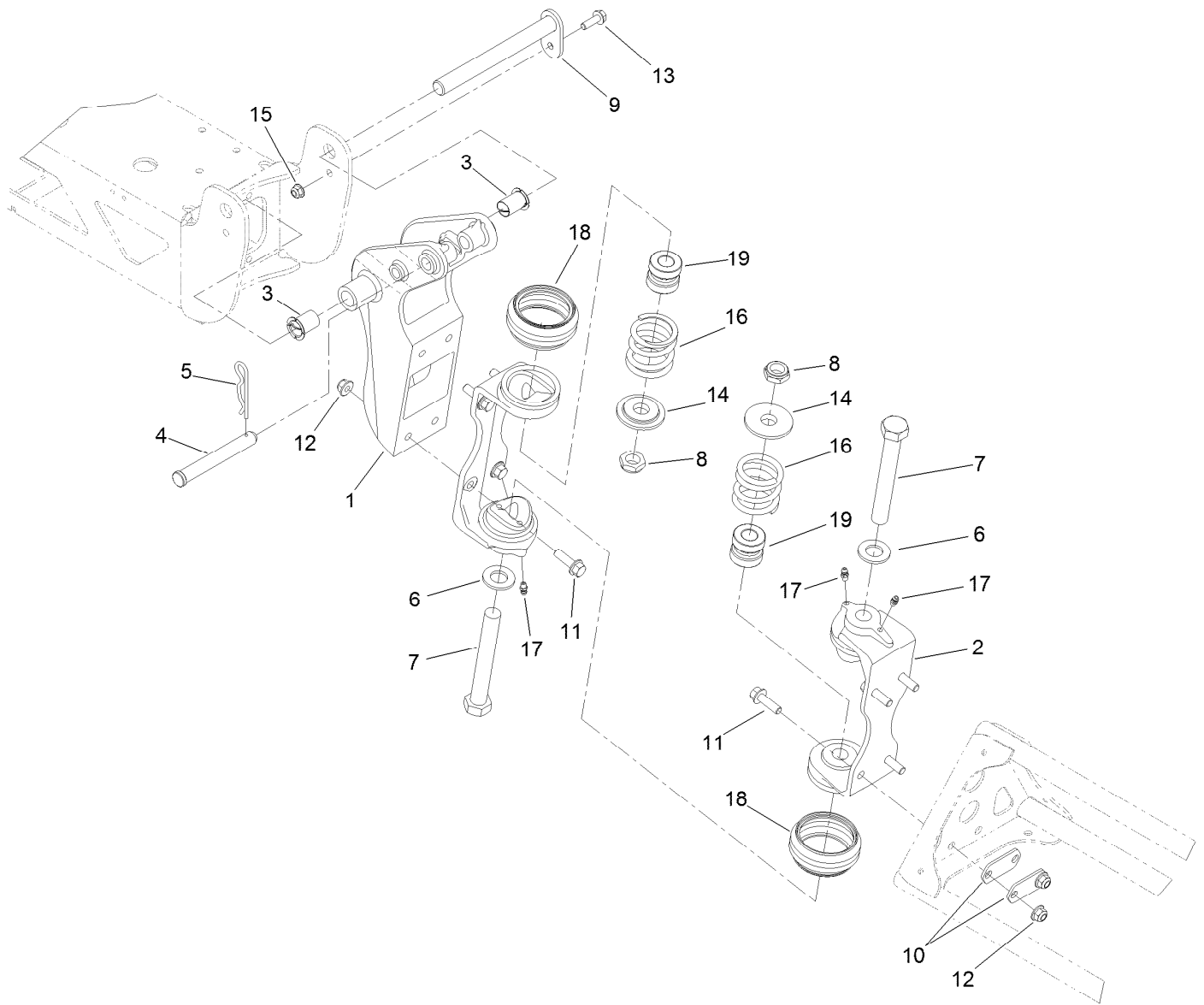
## Double Turret Body Assembly No. 108-3727

<i>Ref.</i>	<i>Part Number</i>	<i>Qty.</i>	<i>Description</i>	<i>Ref.</i>	<i>Part Number</i>	<i>Qty.</i>	<i>Description</i>
1	95-9200	1	Plug	9	95-9193	1	Cap-Diaphragm
2	95-9198	1	O-Ring	10	95-9192	1	Body-Split Eyelet
3	95-9197	1	E-Clip	11	95-9191	1	O-Ring
4	95-9199	2	O-Ring	12	99-0811	1	Screw-Clamp
5	108-3264	1	Seal-Viton	13	99-0812	1	Clamp-Upper
6	108-3265	1	O-Ring-Viton	14	99-0814	1	Pin-Pivot
7	95-9196	1	Turret	15	95-9202	1	Shank-Hose
8	41003	1	Diaphragm	16	322-3	1	Screw-HH



## RH Single Body Turret Assembly No. 108-3726

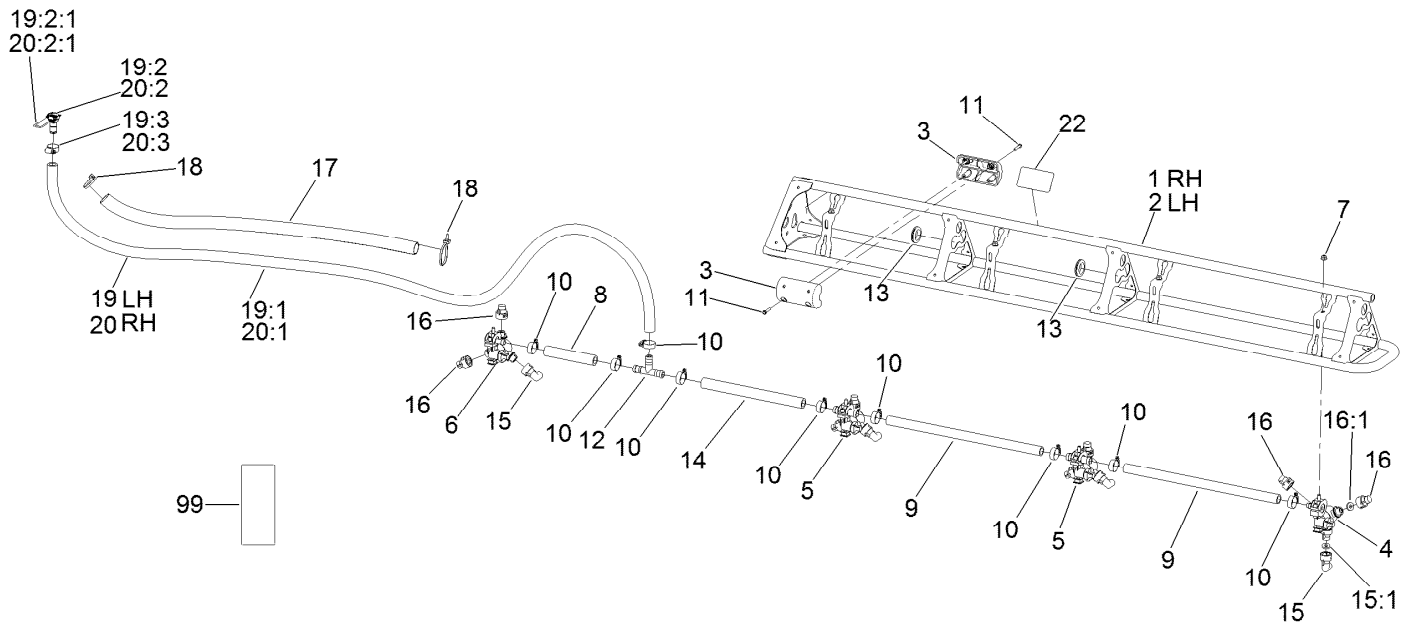
<i>Ref.</i>	<i>Part Number</i>	<i>Qty.</i>	<i>Description</i>	<i>Ref.</i>	<i>Part Number</i>	<i>Qty.</i>	<i>Description</i>
1	95-9200	1	Plug	9	95-9193	1	Cap-Diaphragm
2	95-9198	1	O-Ring	10	95-9192	1	Body-Split Eyelet
3	95-9197	1	E-Clip	11	95-9191	1	O-Ring
4	95-9199	2	O-Ring	12	99-0811	1	Screw-Clamp
5	108-3264	1	Seal-Viton	13	99-0812	1	Clamp-Upper
6	108-3265	1	O-Ring-Viton	14	99-0814	1	Pin-Pivot
7	95-9196	1	Turret	15	95-9201	1	Shank-Hose
8	41003	1	Diaphragm	16	322-3	1	Screw-HH



## Boom Mounting Assembly

Ref.	Part Number	Qty.	Description	Ref.	Part Number	Qty.	Description
1	119-4993-03	2	Bracket-Pivot	11	110-5050	16	Screw-HHF
2	108-3471-03	4	Hinge	12	104-8301	16	Nut-HF, NI
3	100-8541	4	Bushing-A Arm	13	108-3748	2	Screw-HHF
4	108-3436	2	Pin-Clevis	14	108-3444	4	Retainer-Spring
5	3290-468	2	Pin-Cotter	15	104-8300	2	Nut-HF, NI
6	110-5054	4	Washer-Flat	16	108-3440	4	Spring-Breakaway, Boom
7	108-3738	4	Screw-HH	17	302-5	8	Fitting-Grease
8	3296-15	4	Nut-Lock, NI	18	108-3459	4	Boot-Hinge
9	108-3419	2	Pivot Pin ASM	19	120-8541	4	Dampener-Hinge
10	108-3605	8	Plate-Backing				





## Left and Right Hand Boom Assembly

Ref.	Part Number	Qty.	Description	Ref.	Part Number	Qty.	Description
1	108-3524-03	1	Boom-RH	16	95-9187	16	Cap-Blank
2	108-3525-03	1	Boom-LH	16:1	40998	1	Seat-Gasket
3	119-9368	4	Block Slide	17	107-8650	2	Conduit-Convolutd
4	108-3725	2	LH Single Body Turret ASM	18	3290-378	6	Tie-Cable
5	108-3727	4	Double Turret Body ASM	19	132-4334	1	Hose-Left Boom
6	108-3726	2	RH Single Body Turret ASM	19:1	131-3790	1	Hose-Boom, RH
7	104-8300	8	Nut-HF, NI	19:2	127-9807	1	Straight Fitting Kit
8	108-3728	2	Hose-Boom	19:2:1	127-1175	1	Fork
9	40506	4	Hose-Jumper	19:3	2412-129	1	Clamp-Hose
10	2412-129	18	Clamp-Hose	20	132-4336	1	Hose-Boom, ASM
11	119-9369	8	Screw-HHF	20:1	127-9769	1	Hose-Supply
12	108-3439	2	Tee	20:2	127-9807	1	Straight Fitting Kit
13	240-3	4	Grommet-Rubber	20:2:1	127-1175	1	Fork
14	108-3721	2	Hose-Boom	20:3	2412-129	1	Clamp-Hose
15	95-9186	8	Cap	22	104-8904	2	Decal-Grasp Boom Here
15:1	40998	1	Seat-Gasket	99	119-9434	1	Decal-Magnetic

# Attachments and Accessories

## For 41240 Multi Pro WM Turf Sprayer

<b>Product Name</b>	<b>Model/Part</b>
Premium ATF (Drum).....	108-1185
Premium ATF (Pail) .....	108-1186
Premium All Purpose Grease (Tube) .....	108-1190
License Plate Kit.....	120-8506
Covered Boom Spring Upgrade Kit.....	120-8508
Premium Engine Oil 10w30 (55 Gallon Drum) .....	121-6392
Premium Engine Oil 10w30 (5 Gallon Pail) .....	121-6393
Fan Kit (EFI, Gas Engine Only).....	127-9719
Lance Suction Assembly .....	127-9826
Sonic Boom Finish Kit.....	130-8228
Multi Pro WM Turf Sprayer Finishing Kit (Automatic).....	131-3301
Multi Pro WM Turf Sprayer Finishing Kit (Manual).....	131-3302
Foam Marker Finishing Kit .....	136-0459
Single Nozzle Kit.....	41023
Hand Spray Wand Kit .....	41118
Pro Foam Concentrate (4 x 1 Gallon) .....	41157
EU Compliance Kit.....	41200
Rear Work Light Kit.....	41206
Jackstand Kit .....	41216
Ultra Sonic Boom Leveling Kit .....	41219
Foam Marker Kit .....	41232
Tank Clean Rinse Kit .....	41241
Chemical Pre-Mix Kit .....	41244
Electric Hose Reel Kit .....	41245
Foam Marker Kit .....	41249
Drift Reduction Boom Shroud Kit.....	41602
Pro-Foam.....	41607

**Notes:**



**Count on it.**