



Count on it.

Parts Catalog

30in Stand-On Aerator

Model No. 39521—Serial No. 409760523 and Up



Ordering Replacement Parts

To order replacement parts, please supply the part number, the quantity, and the description of each part desired.

Understanding Reference Numbers

Each identified part in an illustration has a reference number. The reference number for a part also appears in the parts list, along with other information about the part.

This catalog uses two special reference number formats, one to indicate parts in a service assembly and another to indicate the quantity of a given part in an illustration.

Service Assembly Reference Numbers

Parts in service assemblies have reference numbers in the form a:b. The a represents the reference number of the entire service assembly and the b represents a sequential number unique to each part within the service assembly.

For example, a wheel assembly might be identified by reference number 6, the tire by 6:1, the valve by 6:2, and the wheel by 6:3. When you order the assembly identified by reference number 6, you receive all parts identified by reference numbers 6:1, 6:2, and 6:3. However, you may also order any part individually. Reference numbers of this type appear in illustration and in parts lists.

Reference Numbers Indicating Quantity

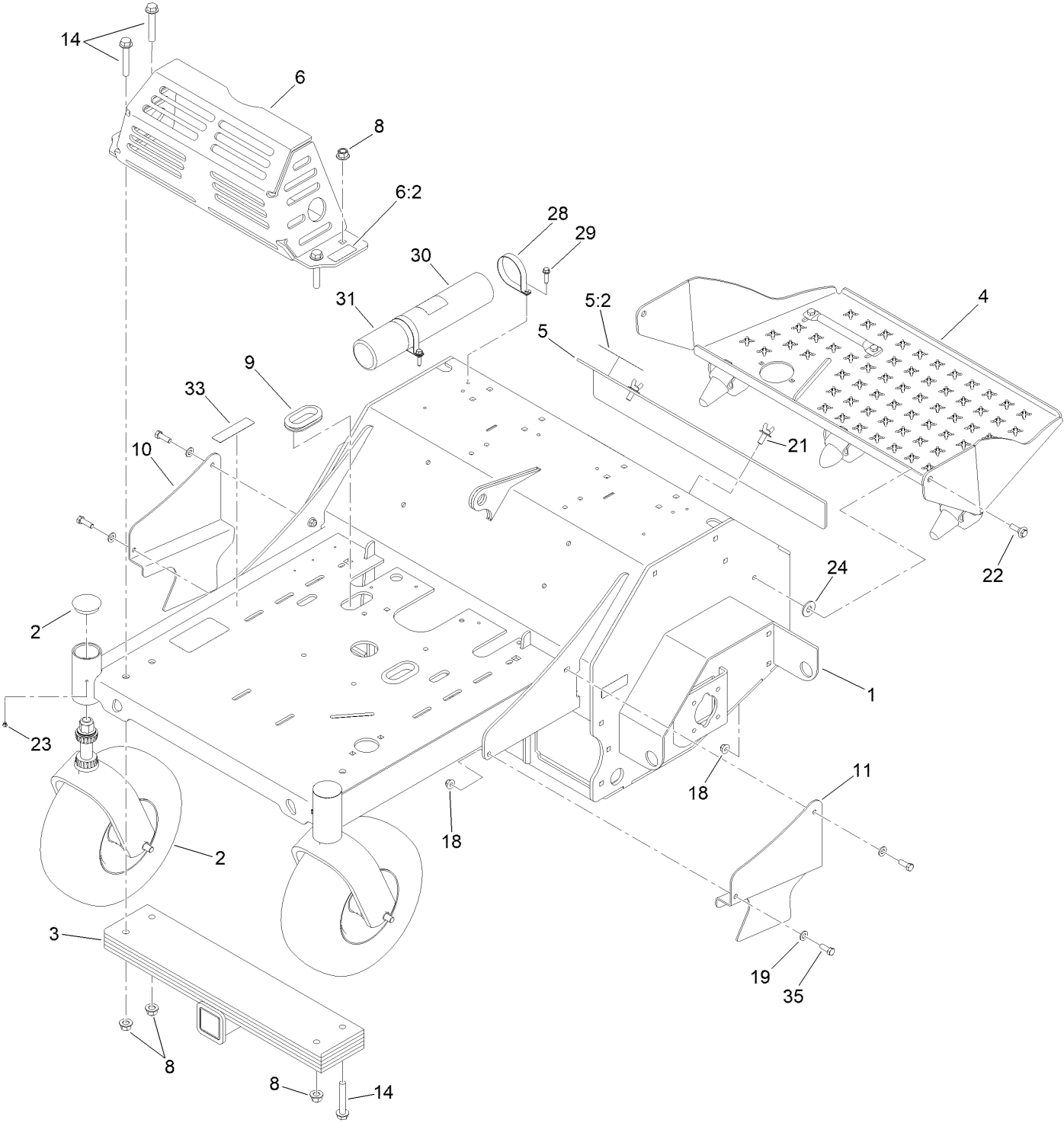
In an illustration, if a reference number indicates more than one part, the reference number has the form nX y. The n represents the quantity of the part, the X is the multiplication symbol, and the y represents the reference number.

For example, in an illustration, the reference number 2X 37 means that two of the parts identified by reference number 37 are indicated.

Contents

Main Frame Assembly	4
Main Frame Decal Assembly No. 135-5938	6
Caster Wheel and Fork Assembly	8
Platform Assembly No. 116-9135	10
Tower Assembly	12
Ground Drive Assembly	14
Idler Arm Assembly No. 116-9307	16
RH Transaxle Assembly No. 135-1050	18
LH Transaxle Assembly No. 135-1051	20
Axle and Bearing Assembly No. 116-9545	22
Tine Assembly	24
RH Tine Wheel Assembly No. 135-2507	26
LH Tine Wheel Assembly No. 135-2510	28
Fuel Assembly	30
Motion Control Assembly	32
Electrical Assembly	34
Auxiliary Hydraulic Assembly	36
Hydraulic Pump Assembly No. 116-9129	38
Engine Assembly	40
Attachments and Accessories	42

Main Frame Assembly

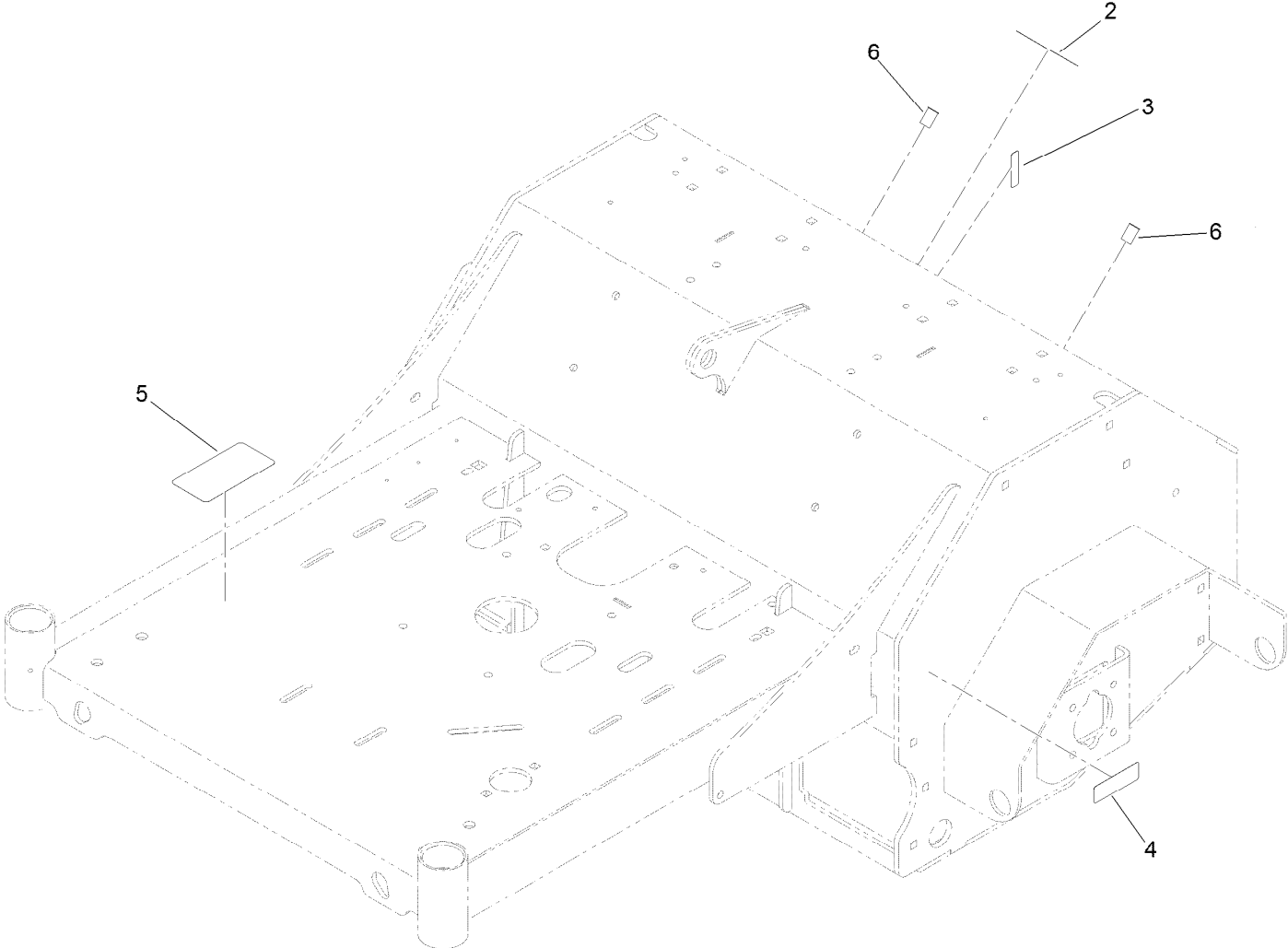


Main Frame Assembly (continued)

<i>Ref.</i>	<i>Part Number</i>	<i>Qty.</i>	<i>Description</i>	<i>Ref.</i>	<i>Part Number</i>	<i>Qty.</i>	<i>Description</i>
1	135-5938	1	Main Frame ASM	14	3234-40	4	Screw-HF
2		2	Front Caster ASM ●	18	104-8301	6	Nut-HF, NI
3	116-6536-01	1	Weight	19	3256-24	4	Washer-Plain
4	116-9135	1	Platform W/Rocker ASM	21	135-4629	2	Screw-Sems (3/8-16 X 1)
5	116-7300	1	Access Cover ASM	22	614672	2	Screw-Shoulder, HWH
5:2	121-6163	1	Decal-Operation, Tine Ground (CE)	23	1-811010	2	Plug
6	116-8258	1	Muffler Guard ASM	24	3256-6	2	Washer-Flat
6:2	115-2047	2	Decal-Surface, Hot	28	107-1865	2	R-Clamp
8	99-5107	4	Nut-Lock	29	120-4654	2	Screw-HHF
9	126-0015	2	Grommet	30	104-7050	1	Tube-Manual
10	116-6612-01	1	Guard-Chain, RH	31	104-7048	1	Cap-Housing
11	116-6611-01	1	Guard-Chain, LH	33	133-8062	1	Decal-Spark Arrestor
				35	323-6	4	Screw-HH

● Not serviced separately

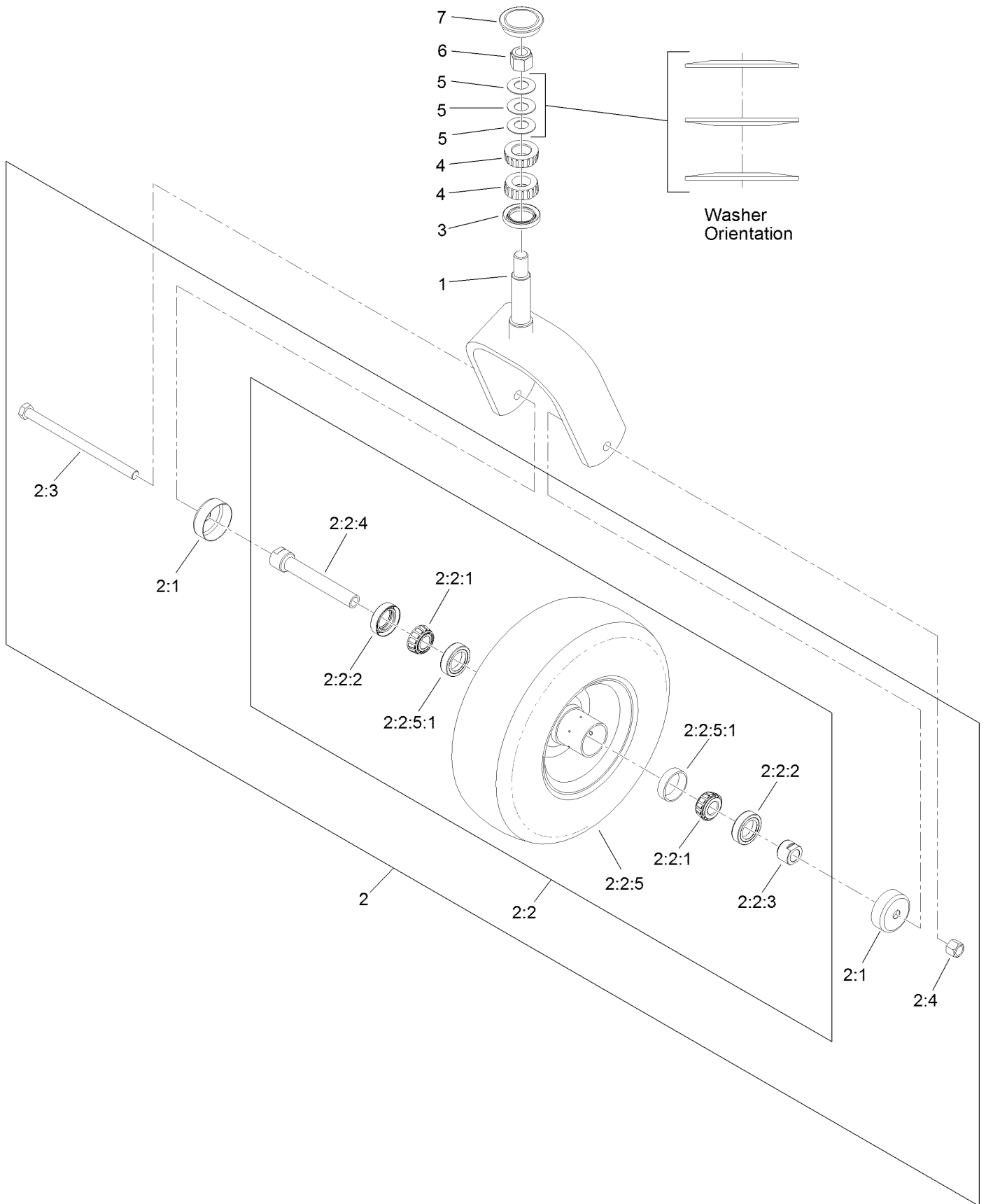
Main Frame Decal Assembly No. 135-5938



Main Frame Decal Assembly No. 135-5938 (continued)

<i>Ref.</i>	<i>Part Number</i>	<i>Qty.</i>	<i>Description</i>	<i>Ref.</i>	<i>Part Number</i>	<i>Qty.</i>	<i>Description</i>
2	121-6150	1	Decal-Warning	5	116-9391	1	Decal-Routing, Belt
3	120-9570	1	Decal-Warning	6	32148-10	2	Nut-Clinch
4	121-6161	2	Decal-Danger				

Caster Wheel and Fork Assembly



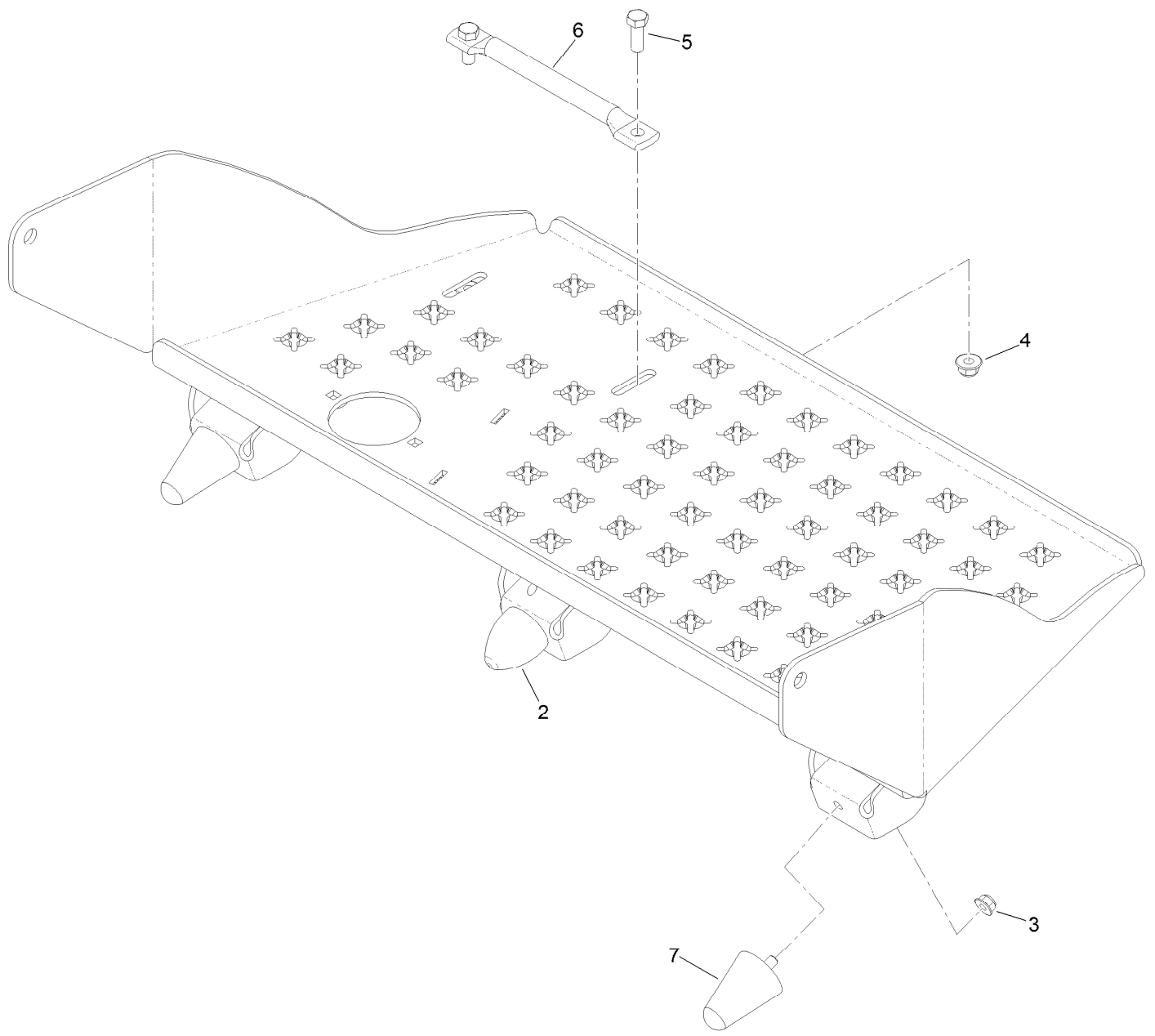
Caster Wheel and Fork Assembly (continued)

<i>Ref.</i>	<i>Part Number</i>	<i>Qty.</i>	<i>Description</i>	<i>Ref.</i>	<i>Part Number</i>	<i>Qty.</i>	<i>Description</i>
1	116-6704-01	1	Caster	2:2:5:1	1-633584	2	Bearing-Cup
2	127-9531	1	Wheel And Axle ASM	2:3	325-42	1	Screw-HH
2:1	103-2768	2	Guard-Seal	2:4	3296-23	1	Nut-Lock, NI
2:2		1	Wheel And Bearing ASM ●	3	116-5647	1	Seal-Grease
2:2:1	1-633585	2	Bearing-Cone, Taper	4	1-543509	2	Bearing-Roller, Tapered
2:2:2	103-0063	2	Seal-Caster	5	1-633508	3	Washer-Bellville
2:2:3	103-3051	1	Spacer-Nut ■	6	3296-51	1	Nut-Lock, NI
2:2:4	126-5360	1	Axle-Caster	7	103-4882	1	Cap-Grease
2:2:5		1	Wheel And Tire ASM ●				

● Not serviced separately

■ Use Pro-Lock, Nut Type (P/N 1-840022, .5ml tube) on threads.

Platform Assembly No. 116-9135

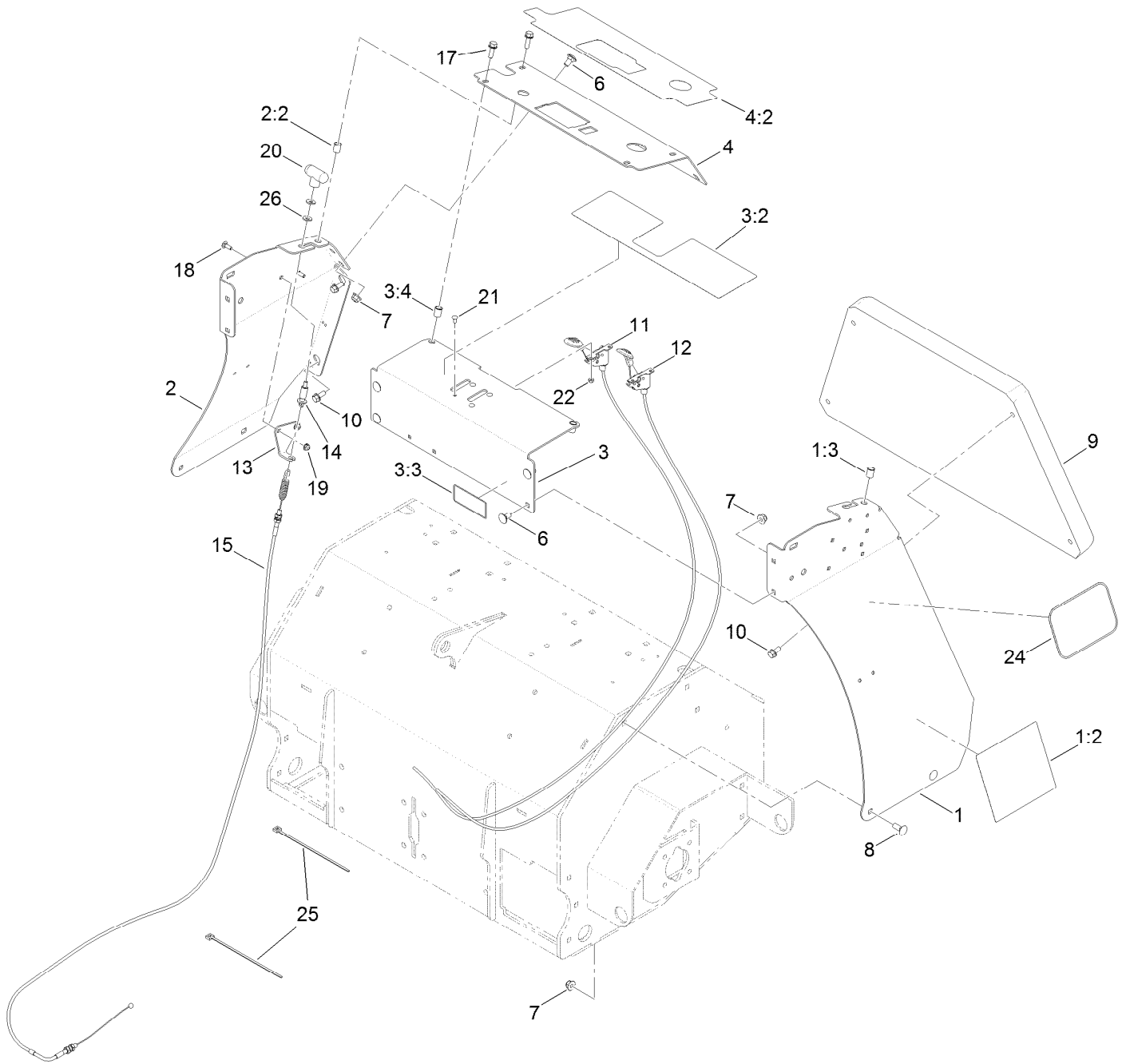


Platform Assembly No. 116-9135 (continued)

<i>Ref.</i>	<i>Part Number</i>	<i>Qty.</i>	<i>Description</i>
2	114-1926	1	Bumper-Rubber
3	104-8300	3	Nut-HF, NI
4	104-8301	2	Nut-HF, NI

<i>Ref.</i>	<i>Part Number</i>	<i>Qty.</i>	<i>Description</i>
5	323-6	2	Screw-HH
6	116-8950-01	1	Rocker-Pedal, Foot
7	114-1925	2	Bumper-Rubber

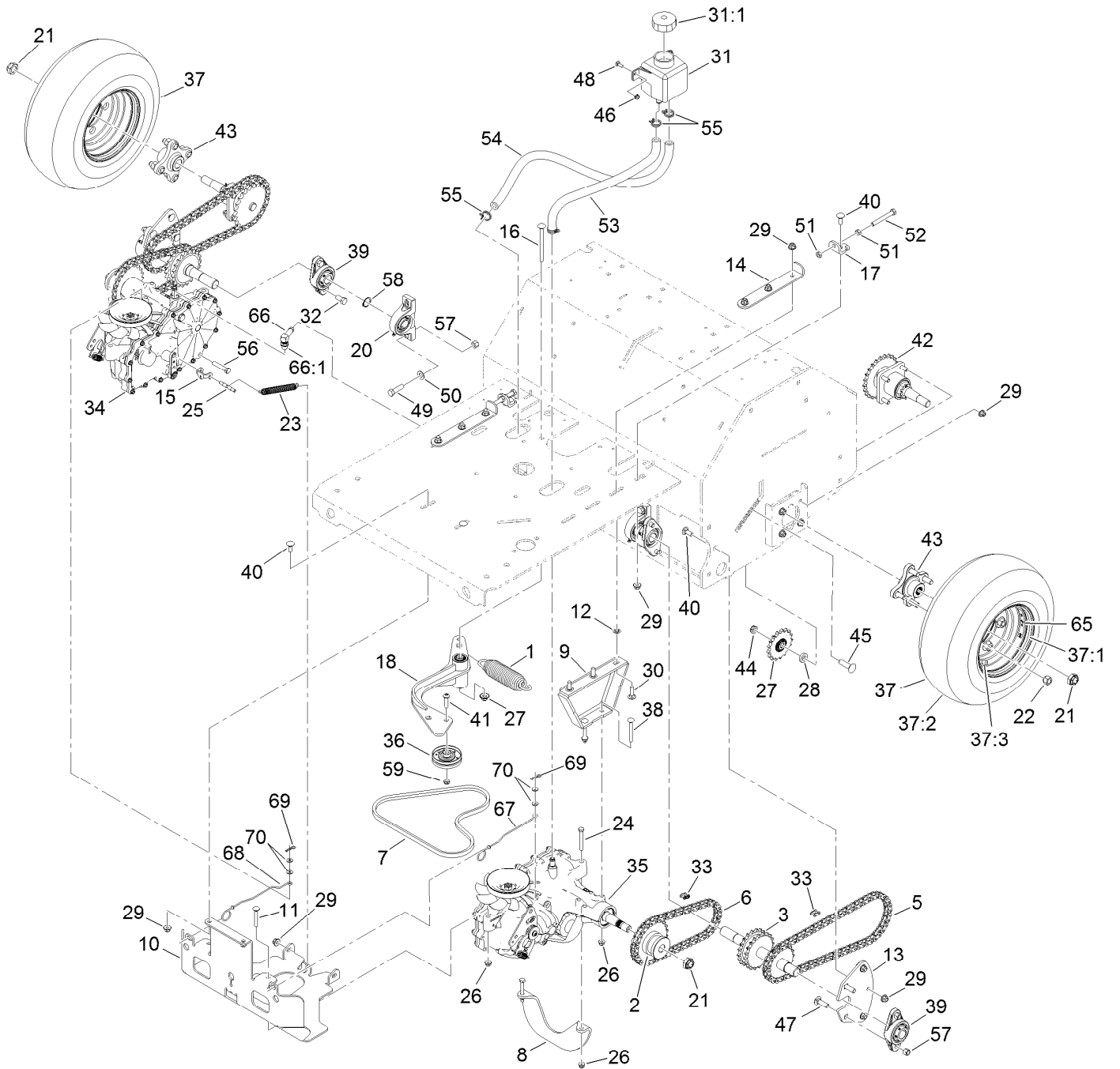
Tower Assembly



Tower Assembly (continued)

<i>Ref.</i>	<i>Part Number</i>	<i>Qty.</i>	<i>Description</i>	<i>Ref.</i>	<i>Part Number</i>	<i>Qty.</i>	<i>Description</i>
1	135-5949	1	LH Side Panel ASM	10	3234-5	4	Screw-HHF
1:2	116-9392	1	Decal-Service Aid (CE)	11	109-9147	1	Control-Choke
1:3	32148-7	1	Nut-Clinch	12	109-3958	1	Control-Throttle
2	116-7657	1	RH Side Panel ASM	13	116-6630	1	Bracket-Cable, Brake
2:2	32148-7	1	Nut-Clinch	14	116-7504	1	Link-Cable, Brake
3	135-6293	1	Front Console Plate ASM	15	116-7503	1	Cable-Brake
3:2	121-6164	1	Decal-Warning, Control Panel	17	3234-29	4	Screw-HHF
3:3	121-6162	1	Decal-Warning, Tines	18	3229-1	2	Screw-CARR
3:4	32148-7	2	Nut-Clinch	19	104-7201	2	Nut-HF, NI
4	135-5951	1	Console ASM	20	116-7607	1	Knob-Tee
4:2	135-5948	1	Decal-Panel, Control	21	1-807513	4	Bolt-CARR
6	3231-1	6	Screw-CARR	22	3296-2	4	Nut-Lock, NI
7	104-8301	10	Nut-HF, NI	24	62-5550	2	Decal
8	3231-2	4	Bolt-CARR	25	3290-378	2	Tie-Cable
9	116-6959	1	Cushion-Black	26	3256-2	2	Washer-Flat

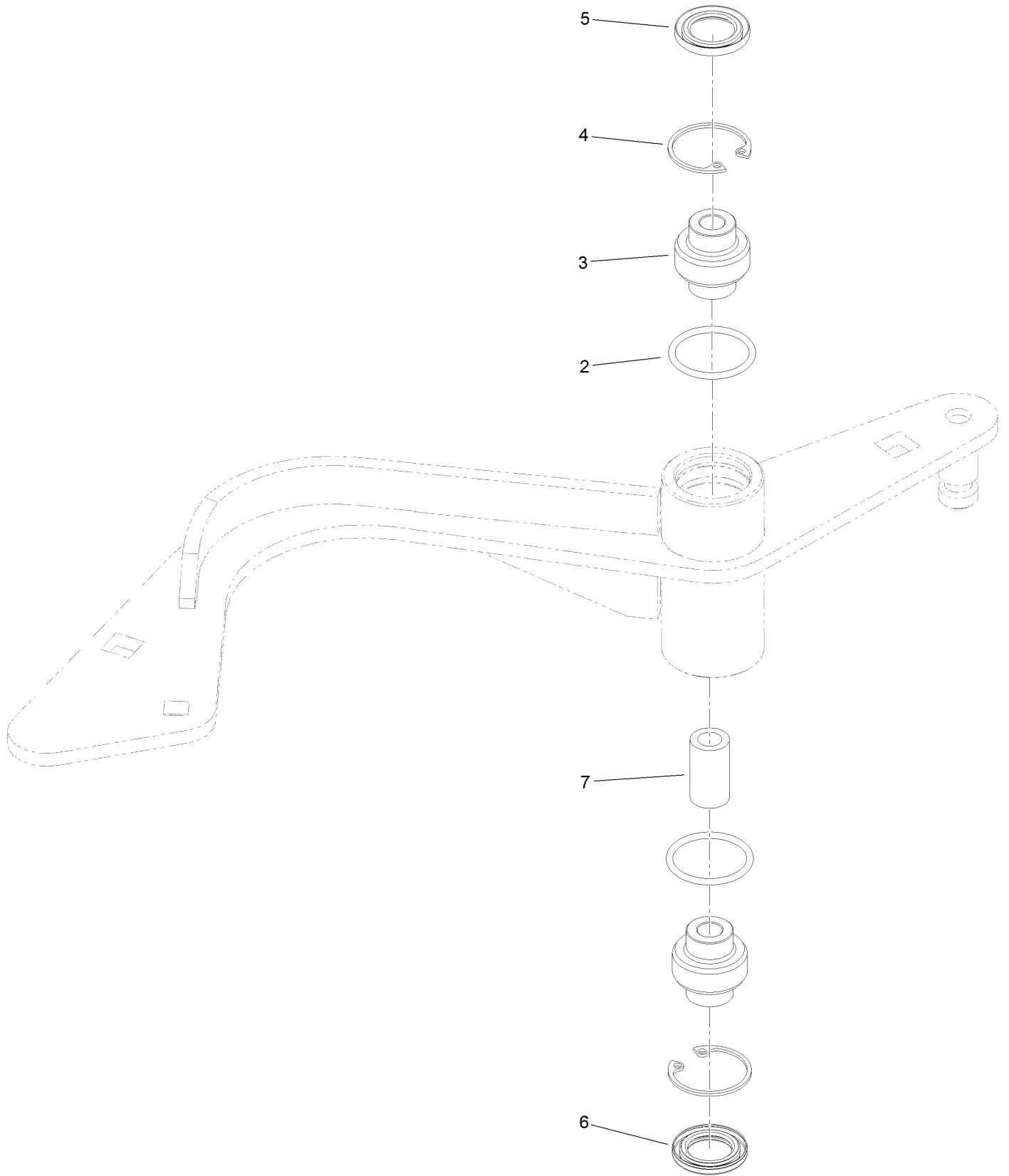
Ground Drive Assembly



Ground Drive Assembly (continued)

<i>Ref.</i>	<i>Part Number</i>	<i>Qty.</i>	<i>Description</i>	<i>Ref.</i>	<i>Part Number</i>	<i>Qty.</i>	<i>Description</i>
1	116-6317	1	Spring-Extension	36	116-9715	1	Pulley-Idler
2	116-9305	2	Hub-Drive, Chain	37	126-4267	2	Wheel And Tire ASM
3	126-5625	2	Jackshaft	37:1	126-4266	1	Rim-Gray
5	126-8808	2	Chain-Roller	37:2	116-6978	1	Tire
6	126-8807	2	Chain-Roller	37:3	232-27	1	Stem-Valve
7	116-8874	1	Belt-4L Section	38	3230-9	4	Screw-CARR
8	135-5051-03	1	Brace-Angle	39	116-6777	4	Bearing-Flange, 2 Bolt
9	116-9710-03	2	Mount-Transmission	40	3231-2	10	Bolt-CARR
10	126-5495-03	1	Guard-Transmission	41	116-9927	1	Screw-HSBH
11	3230-7	2	Bolt-CARR	42	116-9545	2	Axle And Bearing ASM
12	107-3154	6	Nut-Push	43	116-3872	2	Hub-Offset
13	116-6596-01	2	Plate-Jackshaft	44	3296-45	2	Nut-Hex
14	116-6619	2	Plate-Adjustment, Transmission	45	3233-14	2	Screw-CARR
15	116-7597	1	Yoke-Brake, Park	46	104-7201	2	Nut-HF, NI
16	9000779	1	Bolt-CARR	47	3232-3	4	Bolt-CARR
17	116-6723	2	Bracket-Hydro, Adjust	48	3229-1	2	Screw-CARR
18	116-9307	1	Idler Arm ASM	49	324-6	4	Screw-HH
20	116-6756	2	Bearing-Pillow Block	50	3256-25	4	Washer-Flat
21	116-2839	4	Nut-Lock	51	3217-7	4	Nut-Hex
22	242-50	8	Nut-Lug	52	99-8664	2	Screw-HH
23	76-4660	1	Spring-Door	53	116-6775	1	Hose-Hydraulic
24	322-12	2	Screw-HH	54	116-6776	1	Hose-Hydraulic
25	116-7596	1	Pin-Brake, Park	55	109-3322	4	Clamp-Hose
26	104-8300	8	Nut-HF, NI	56	323-10	2	Screw-HH
27	126-9108	2	Sprocket-Idler, 15T	57	3296-48	8	Nut-Hex
28	104-8417	2	Washer	58	32151-29	2	Ring-Retaining
29	104-8301	27	Nut-HF, NI	59	3296-59	1	Nut-Lock, NI
30	3231-25	6	Bolt-CARR	65	126-2054	2	Decal-Hub, Wheel
31	109-2250	1	Tank-HYD	66	109-6449	1	Fitting-Elbow, 90
31:1	109-3320	1	Cap-Reservoir, HYD	66:1	237-42	1	O-Ring
32	135-7810	4	Screw-HH	67	135-0685	1	Rod-Bypass, RH
33	116-6897	4	Link-Connecting	68	135-0683	1	Rod-Bypass, LH
34	135-1050	1	RH Transaxle ASM (W/Pin)	69	1-806003	2	Pin-Cotter
35	135-1051	1	LH Transaxle ASM (W/Pin)	70	119-8952	4	Washer-Spcl

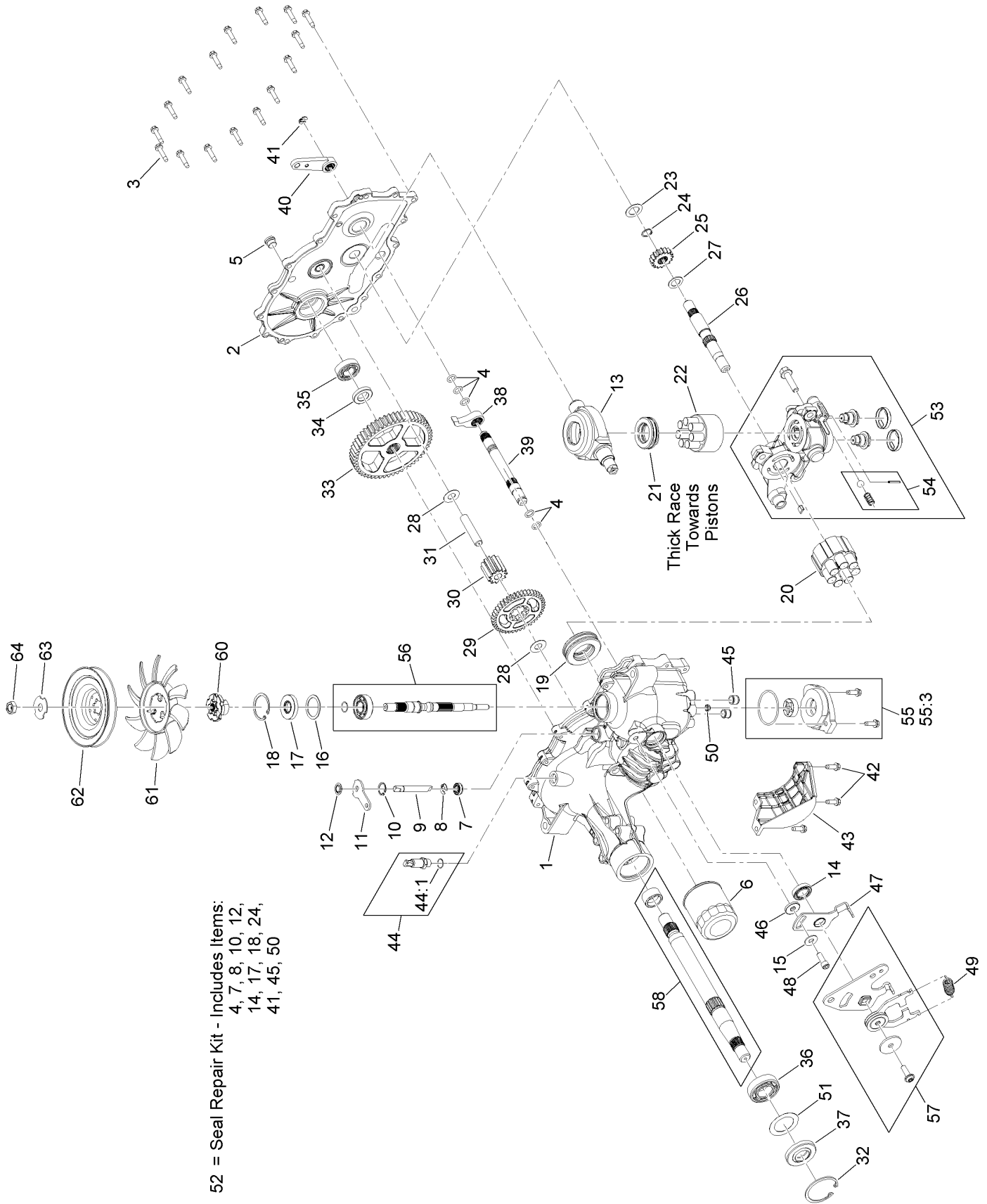
Idler Arm Assembly No. 116-9307



Idler Arm Assembly No. 116-9307 (continued)

<i>Ref.</i>	<i>Part Number</i>	<i>Qty.</i>	<i>Description</i>	<i>Ref.</i>	<i>Part Number</i>	<i>Qty.</i>	<i>Description</i>
2	106-7159	2	O-Ring	5	103-3506	1	Seal-Lip, Single
3	103-3504	2	Bearing-Spherical	6	103-3505	1	Seal-Lip, Double
4	32120-10	2	Ring-Snap	7	1-603401	1	Spacer

RH Transaxle Assembly No. 135-1050



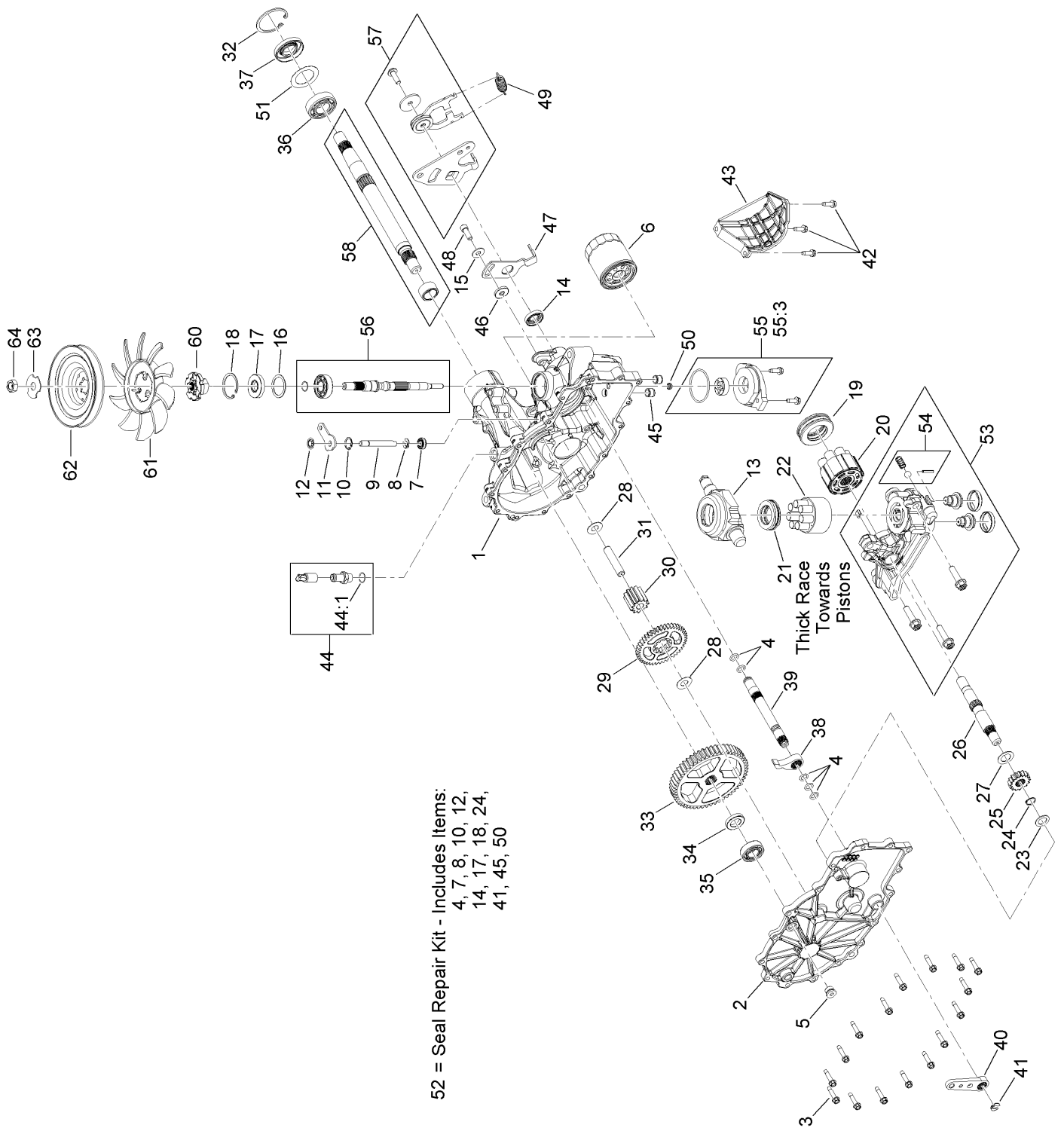
52 = Seal Repair Kit - Includes Items:
 4, 7, 8, 10, 12,
 14, 17, 18, 24,
 41, 45, 50

RH Transaxle Assembly No. 135-1050 (continued)

<i>Ref.</i>	<i>Part Number</i>	<i>Qty.</i>	<i>Description</i>	<i>Ref.</i>	<i>Part Number</i>	<i>Qty.</i>	<i>Description</i>
1	114-1676	1	Main Housing Kit	35	135-1361	1	Bearing-Ball
2	117-5358	1	RH Housing Side Kit	36	130-8477	1	Bearing-Ball
3	117-5359	16	Screw-HHF	37	104-2144	1	Seal
4	114-1678	5	O-Ring	38	114-1697	1	Pawl-Brake
5	135-1140	1	Plug-Straight	39	114-1698	1	Shaft-Brake, Inboard
6	109-3321	1	Element-Oil Filter, HYD	40	125-0021	1	Handle-Brake
7	106-8676	1	Seal-Lip	41	131-0906	1	Ring-Retaining, EXT
8	106-8677	1	Ring-Retaining, External	42	104-2120	3	Screw
9	114-1685	1	Rod-Bypass	43	120-7981	1	Guard-Filter, RH
10	106-8679	1	Ring-Retaining, Internal	44	109-3278	1	Adapter-Straight
11	106-8680	1	Arm-Bypass	44:1	237-42	1	O-Ring
12	106-8681	1	Ring-Retaining, External	45	126-3251	2	Tube-Charge
13	104-5304	1	Swashplate-Trunnion	46	114-8458	1	Spacer
14	104-5313	1	Seal-Lip	47	114-8459	1	Arm-Neutral, Right
15	114-8491	1	Washer	48	106-8682	1	Screw-Sh
16	104-5308	1	Spacer	49	115-8307	1	Spring-Extension
17	104-5310	1	Seal-Lip	50	131-0908	1	Seal-Gerotor
18	104-5309	1	Ring-Retaining	51	121-5745	1	Spacer
19	112-4154	1	Bearing-Thrust	52	109-3537	1	Seal Kit
20	114-1689	1	Motor Cylinder Block Kit	53	120-7982	1	RH Center Section Charge Kit
21	94-6922	1	Bearing-Thrust				
22	110-8561	1	Pump Block ASM	54	114-8464	1	Charge Relief Kit
23	104-5339	1	Washer-Flat	55	114-8465	1	Charge Kit
24	104-5340	1	Ring-Retaining	55:3	109-3540	1	O Ring-Seal
25	126-0788	1	Gear-16T	56	117-5361	1	Input Shaft Kit
26	114-1691	1	Shaft-Motor	57	126-2291	1	Control Arm Kit
27	104-5360	1	Washer	58	114-8470	1	Axle Shaft Kit
28	94-1933	2	Washer	60	116-9705	1	Hub-Pulley
29	125-0000	1	Gear-43T	61	116-9706	1	Fan
30	120-7974	1	Gear-11T	62	116-9707	1	Pulley
31	104-5329	1	Pin-Jackshaft	63	116-9708	1	Washer-Slotted
32	104-2169	1	Ring-Retaining	64	116-9714	1	Nut-HJ
33	114-1694	1	Gear-54T	99	135-3604	1	Brake Shaft Seal Kit ●
34	120-7975	1	Spacer				

● Not illustrated

LH Transaxle Assembly No. 135-1051

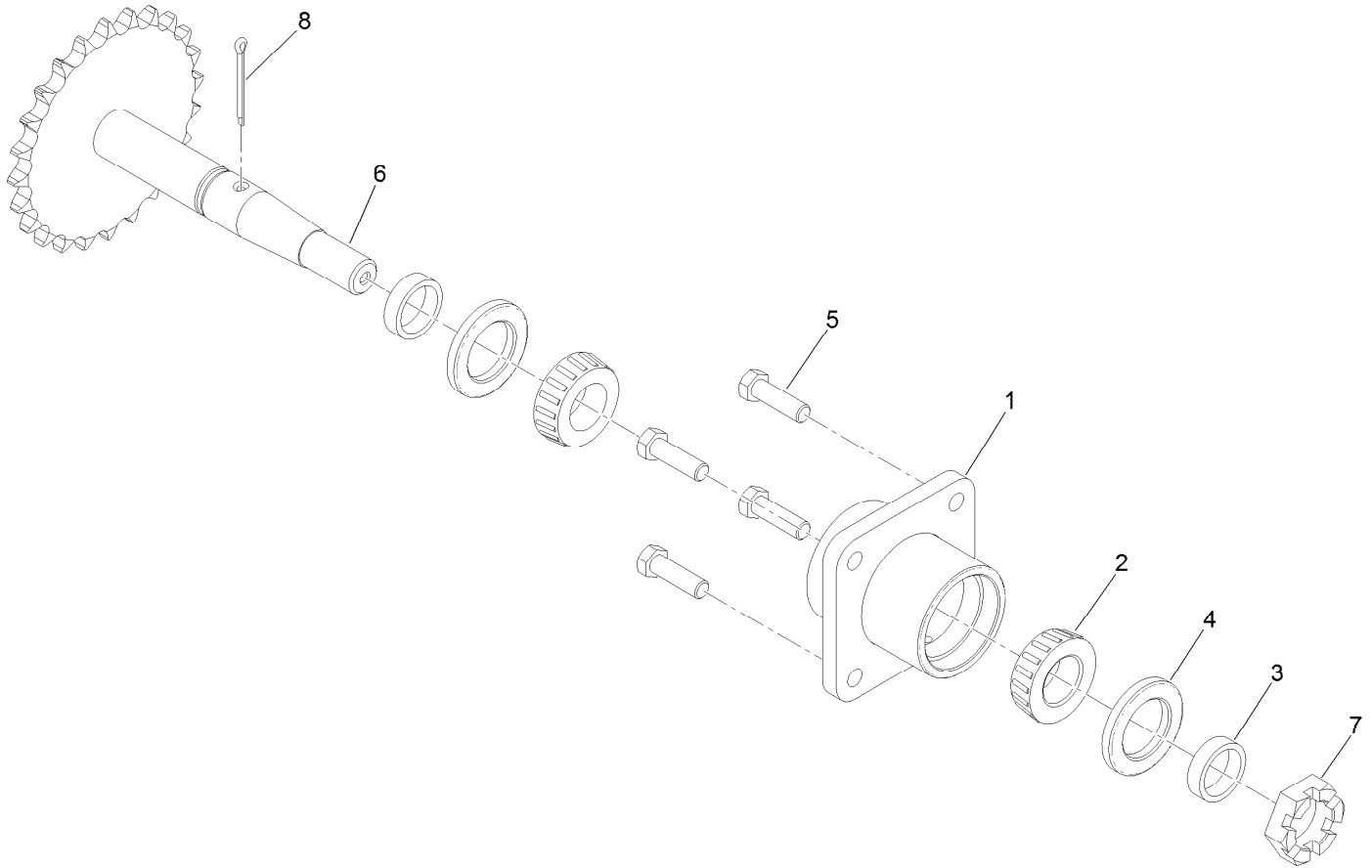


LH Transaxle Assembly No. 135-1051 (continued)

<i>Ref.</i>	<i>Part Number</i>	<i>Qty.</i>	<i>Description</i>	<i>Ref.</i>	<i>Part Number</i>	<i>Qty.</i>	<i>Description</i>
1	114-8471	1	LH Main Housing Kit	35	135-1361	1	Bearing-Ball
2	114-8472	1	LH Side Cover Kit	36	130-8477	1	Bearing-Ball
3	117-5359	16	Screw-HHF	37	104-2144	1	Seal
4	114-1678	5	O-Ring	38	114-1697	1	Pawl-Brake
5	135-1140	1	Plug-Straight	39	114-1698	1	Shaft-Brake, Inboard
6	109-3321	1	Element-Oil Filter, HYD	40	125-0021	1	Handle-Brake
7	106-8676	1	Seal-Lip	41	131-0906	1	Ring-Retaining, EXT
8	106-8677	1	Ring-Retaining, External	42	104-2120	3	Screw
9	114-1685	1	Rod-Bypass	43	120-7981	1	Guard-Filter, RH
10	106-8679	1	Ring-Retaining, Internal	44	109-3278	1	Adapter-Straight
11	106-8680	1	Arm-Bypass	44:1	237-42	1	O-Ring
12	106-8681	1	Ring-Retaining, External	45	126-3251	2	Tube-Charge
13	104-5304	1	Swashplate-Trunnion	46	114-8458	1	Spacer
14	104-5313	1	Seal-Lip	47	114-8459	1	Arm-Neutral, Right
15	114-8491	1	Washer	48	106-8682	1	Screw-Sh
16	104-5308	1	Spacer	49	115-8307	1	Spring-Extension
17	104-5310	1	Seal-Lip	50	131-0908	1	Seal-Gerotor
18	104-5309	1	Ring-Retaining	51	121-5745	1	Spacer
19	112-4154	1	Bearing-Thrust	52	109-3537	1	Seal Kit
20	114-1689	1	Motor Cylinder Block Kit	53	120-7980	1	LH Center Section Charge Kit
21	94-6922	1	Bearing-Thrust	54	114-8464	1	Charge Relief Kit
22	110-8561	1	Pump Block ASM	55	114-8465	1	Charge Kit
23	104-5339	1	Washer-Flat	55:3	109-3540	1	O Ring-Seal
24	104-5340	1	Ring-Retaining	56	117-5361	1	Input Shaft Kit
25	126-0788	1	Gear-16T	57	126-2291	1	Control Arm Kit
26	114-1691	1	Shaft-Motor	58	114-8470	1	Axle Shaft Kit
27	104-5360	1	Washer	60	116-9705	1	Hub-Pulley
28	94-1933	2	Washer	61	116-9706	1	Fan
29	125-0000	1	Gear-43T	62	116-9707	1	Pulley
30	120-7974	1	Gear-11T	63	116-9708	1	Washer-Slotted
31	104-5329	1	Pin-Jackshaft	64	116-9714	1	Nut-HJ
32	104-2169	1	Ring-Retaining	99	135-3604	1	Brake Shaft Seal Kit ●
33	114-1694	1	Gear-54T				
34	120-7975	1	Spacer				

● Not illustrated

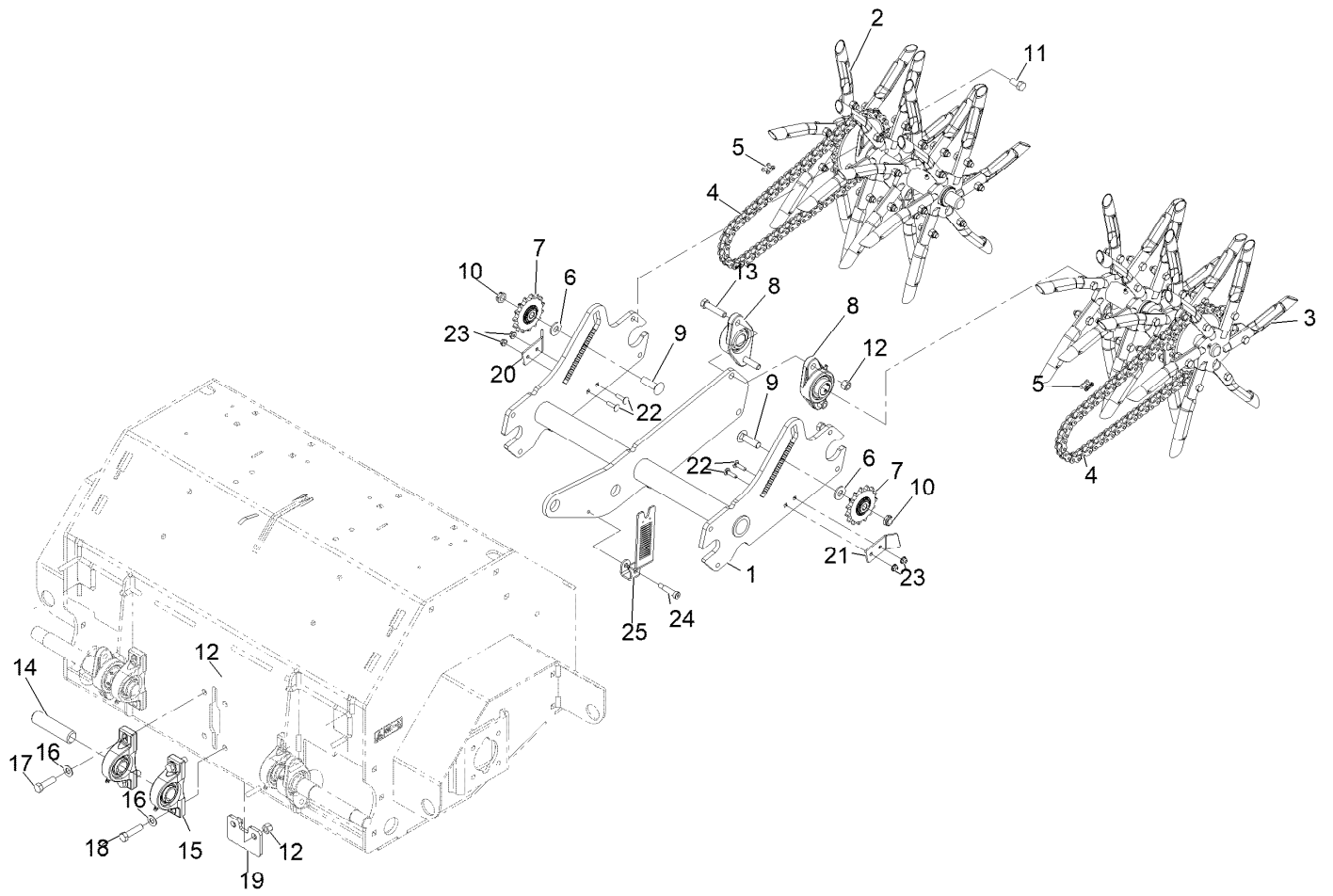
Axle and Bearing Assembly No. 116-9545



Axle and Bearing Assembly No. 116-9545 (continued)

<i>Ref.</i>	<i>Part Number</i>	<i>Qty.</i>	<i>Description</i>	<i>Ref.</i>	<i>Part Number</i>	<i>Qty.</i>	<i>Description</i>
1	116-6746-01	1	Mount-Bearing, Wheel	5	323-7	4	Screw-HH
2	1-543509	2	Bearing-Roller, Tapered	6	126-0459	1	Axle
3	116-6758	2	Spacer	7	99-3139	1	Nut-Slotted
4	1-543511	2	Seal-Grease	8	1-806800	1	Pin-Cotter

Tine Assembly

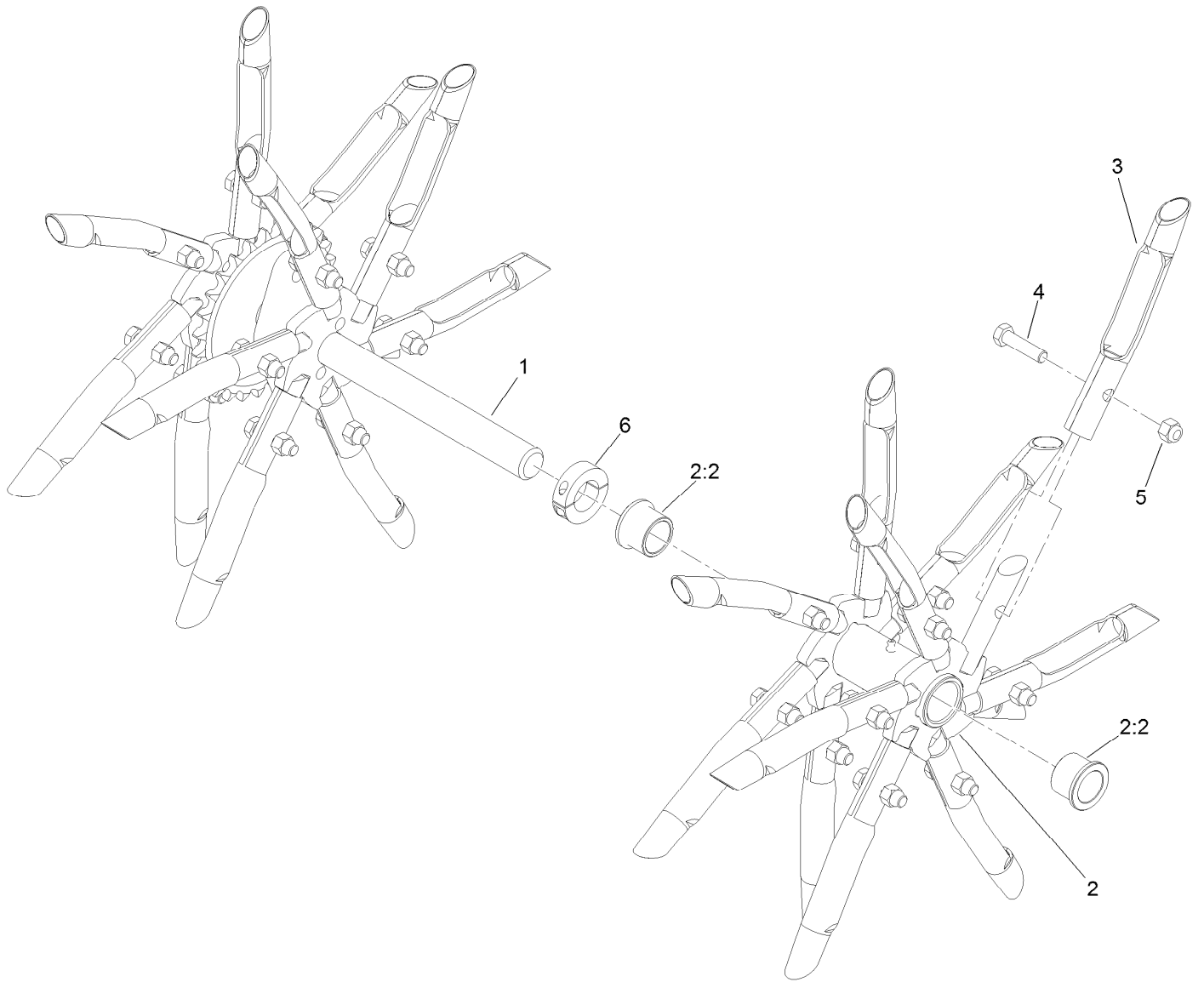


Tine Assembly (continued)

<i>Ref.</i>	<i>Part Number</i>	<i>Qty.</i>	<i>Description</i>	<i>Ref.</i>	<i>Part Number</i>	<i>Qty.</i>	<i>Description</i>
1	135-5952-03	1	Arm-Trail	14	116-6629	1	Shaft
2	135-2507	1	RH Tine Wheel ASM	15	116-6756	2	Bearing-Pillow Block ●
3	135-2510	1	LH Tine Wheel ASM	16	3256-25	4	Washer-7/16 SAE
4	126-8808	2	Chain-Roller	17	324-6	2	Screw-HH 7/16-14 X 1 1/2
5	116-6897	2	Link-Connecting	18	324-7	2	Screw-HH
6	87-7270	2	Washer-Thrust	19	116-7327-01	1	Plate-Downstop
7	126-9108	2	Sprocket-Idler, 15T	20	126-4192-03	1	Guard-Chain, RH
8	116-6777	2	Bearing-Flange, 2 Bolt	21	126-4193-03	1	Guard-Chain, LH
9	3233-14	2	Screw-CARR	22	3229-30	4	Bolt-Carriage 1/4-20 X 1
10	3296-45	2	Nut-Nyloc 1/2-13 Thin	23	104-7201	4	Nut-Nyloc 1/4-20 Flg
11	135-7810	4	Screw-HH ●	24	114-0239	1	Screw-Shoulder 5/16-18 X 1/2
12	3296-48	6	Nut-Nyloc 7/16-14				
13	324-8	2	Screw-HH	25	135-5109	1	Bracket-Control, Depth

● Use Pro-Lock, Nut Type (P/N 1-840022, .5ml tube) on threads.

RH Tine Wheel Assembly No. 135-2507

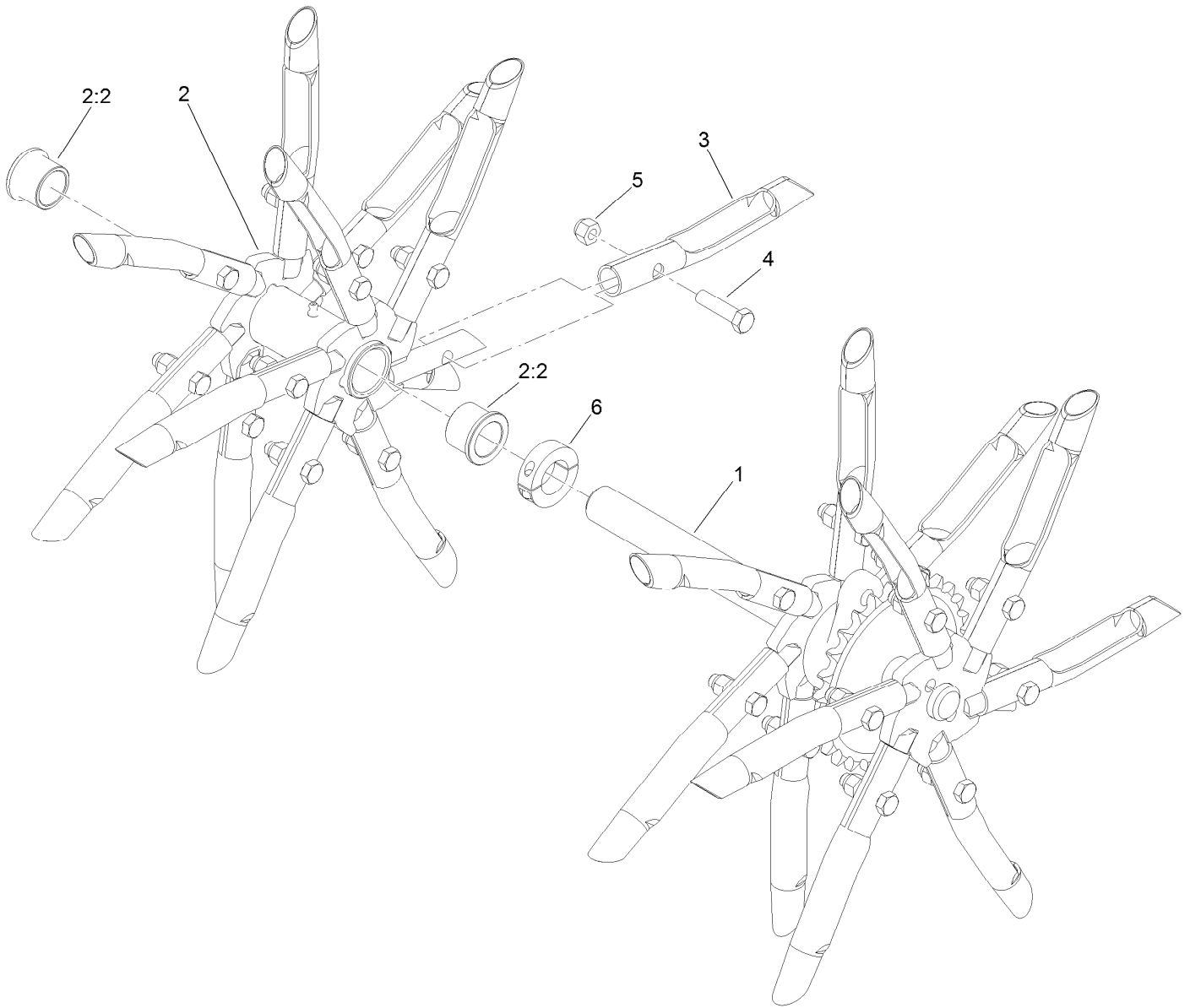


RH Tine Wheel Assembly No. 135-2507 (continued)

<i>Ref.</i>	<i>Part Number</i>	<i>Qty.</i>	<i>Description</i>
1	135-4341	1	Shaft-Tine, RH
2	135-4342	1	Tine Shaft Float ASM
2:2	94-8949	2	Bushing-Flange
3	126-2143	24	Tine-Coring (3/4 Inch)

<i>Ref.</i>	<i>Part Number</i>	<i>Qty.</i>	<i>Description</i>
4	323-8	24	Screw-HH
5	3296-39	24	Nut-Lock, NI
6	116-7271	1	Collar-Shaft, Split

LH Tine Wheel Assembly No. 135-2510

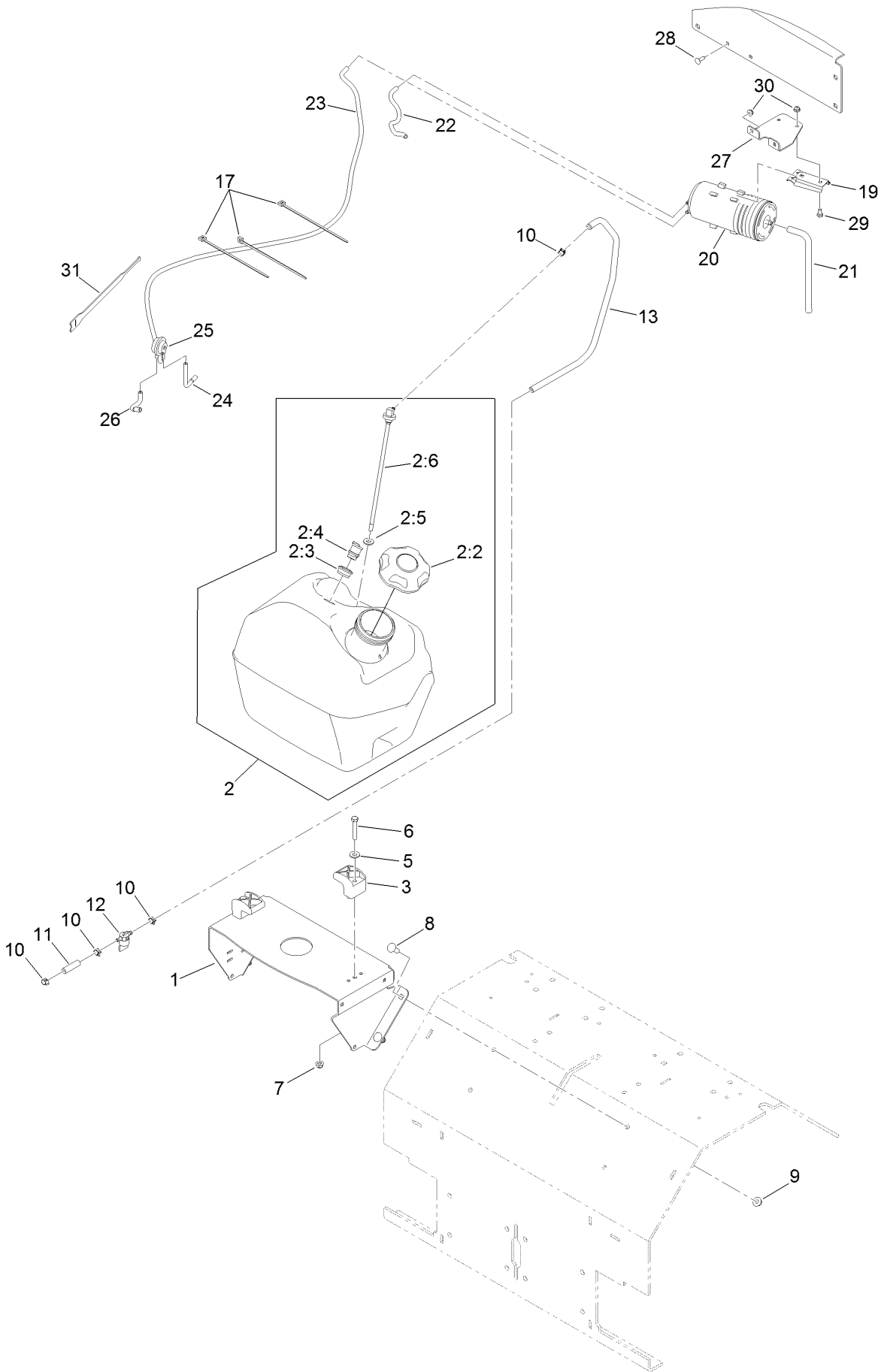


LH Tine Wheel Assembly No. 135-2510 (continued)

<i>Ref.</i>	<i>Part Number</i>	<i>Qty.</i>	<i>Description</i>	<i>Ref.</i>	<i>Part Number</i>	<i>Qty.</i>	<i>Description</i>
1	135-4343	1	Shaft-Tine, LH	4	323-8	24	Screw-HH
2	135-4342	1	Tine Shaft Float ASM	5	3296-39	24	Nut-Lock, NI
2:2	94-8949	2	Bushing-Flange	6	116-7271	1	Collar-Shaft, Split ●
3	126-2143	24	Tine-Coring (3/4 Inch)				

● Use Loctite® 243 on threads.

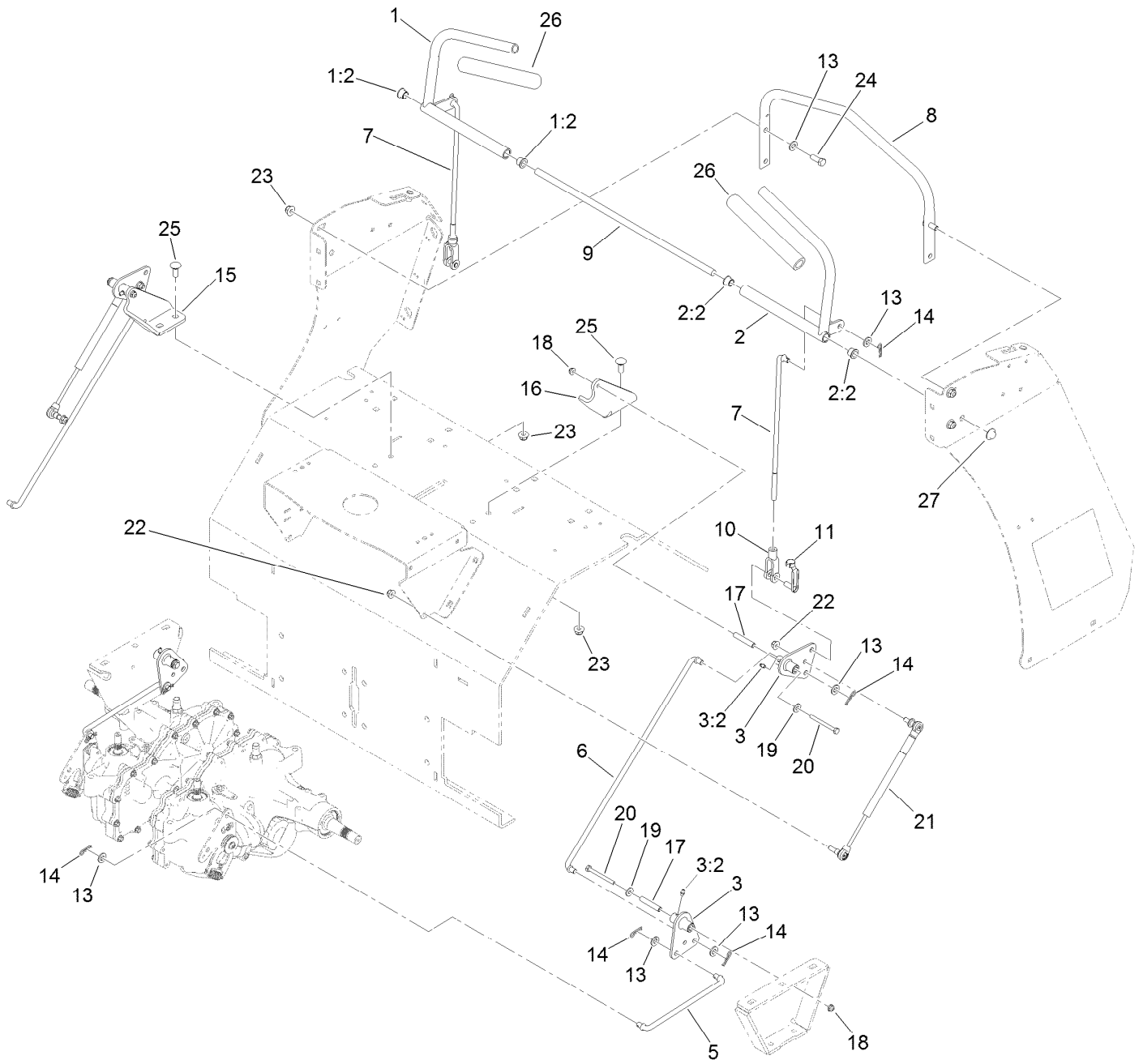
Fuel Assembly



Fuel Assembly (continued)

<i>Ref.</i>	<i>Part Number</i>	<i>Qty.</i>	<i>Description</i>	<i>Ref.</i>	<i>Part Number</i>	<i>Qty.</i>	<i>Description</i>
1	116-9541-01	1	Support-Tank, Fuel	12	1-603770	1	Valve-Fuel
2	137-9502	1	Fuel Tank ASM	13	135-0494	1	Hose-Fuel
2:2	137-4119	1	Cap-Fuel, Ratcheting	17	3290-378	3	Tie-Cable
2:3	114-0284	1	Grommet	19	114-0292	1	Bracket-Canister, Carbon
2:4	119-3547	1	Valve-Vent, Fuel	20	117-1221	1	Canister-Carbon, 800Cc
2:5	46-6560	1	Bushing	21	115-0962	1	Hose-Vent, Canister
2:6	109-9364	1	Fitting-Fuel (W/Line And Screen)	22	135-0986	1	Hose-Emissions
3	107-4543	2	Clamp	23	126-4179	1	Hose-Vent, Formed
5	3256-3	2	Washer-Flat	24	119-8501	1	Hose-Vent, Formed
6	322-10	2	Screw-HH	25	116-2232	1	Valve-Control, Vacuum
7	104-8300	2	Nut-HF, NI	26	119-8502	1	Hose-Vent, Formed
8	3231-22	4	Screw-CARR	27	126-2991-03	1	Bracket-Mounting, Canister
9	104-8301	4	Nut-HF, NI	28	3229-1	2	Screw-CARR
10	2412-98	4	Clamp-Hose	29	321-2	2	Screw-HH
11	119-7856	1	Hose-Fuel	30	104-7201	4	Nut-HF, NI
				31	116-2469	1	Strap-Velcro, Cable Tie

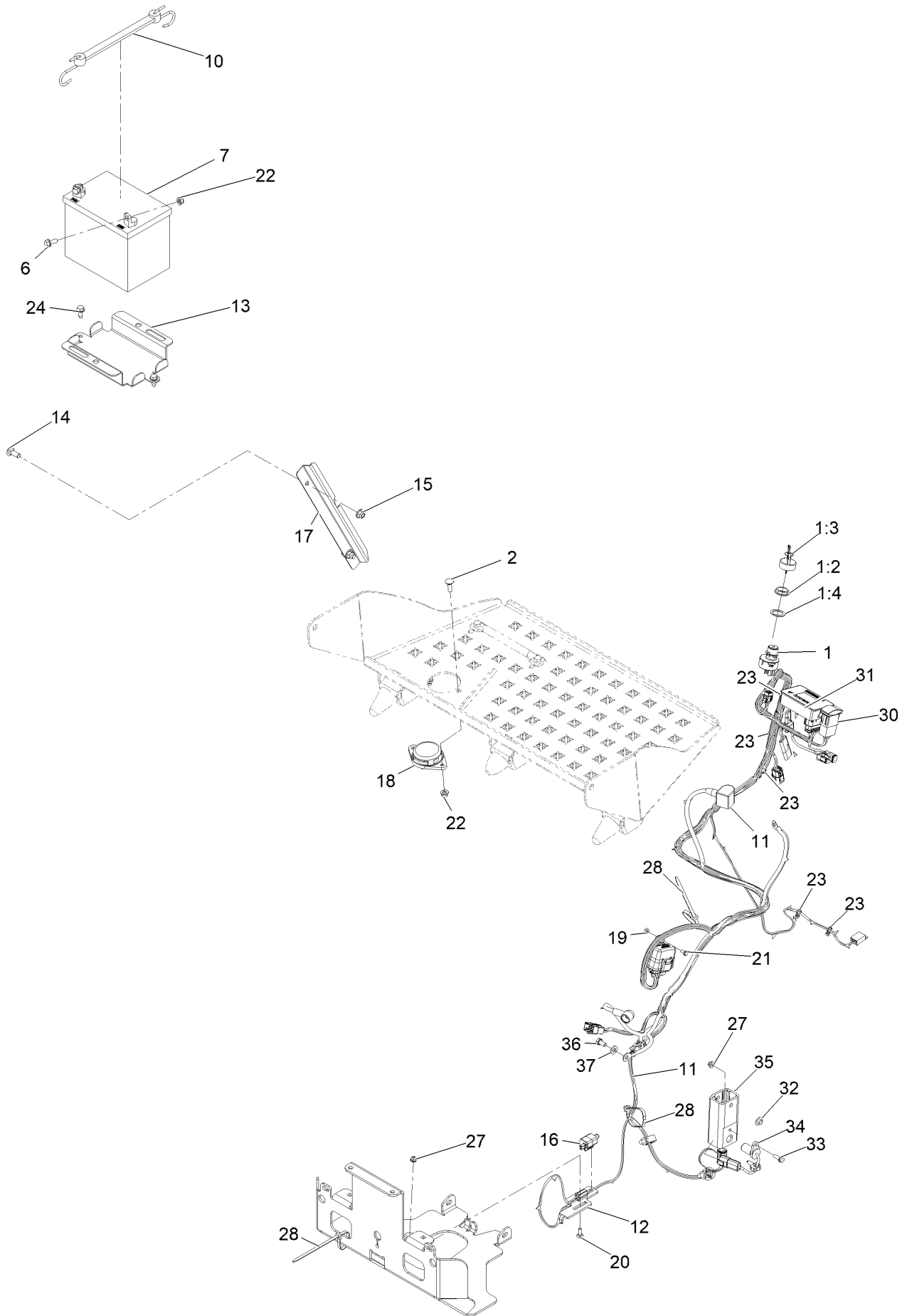
Motion Control Assembly



Motion Control Assembly (continued)

<i>Ref.</i>	<i>Part Number</i>	<i>Qty.</i>	<i>Description</i>	<i>Ref.</i>	<i>Part Number</i>	<i>Qty.</i>	<i>Description</i>
1	116-6567	1	RH Control Handle ASM	14	1-806003	10	Pin-Cotter
1:2	116-4279	2	Bearing-Flange	15	116-6576-03	1	Bracket-Pivot, RH
2	116-6566	1	LH Control Handle ASM	16	116-6577-03	1	Bracket-Pivot, LH
2:2	116-4279	2	Bearing-Flange	17	116-7224	4	Spacer
3	126-0340	4	Crank-Bell	18	104-7201	4	Nut-HF, NI
3:2	302-19	1	Fitting-Grease	19	3256-2	4	Washer-Flat
5	116-6722	2	Link-Control, Hydro	20	321-14	4	Screw-HH
6	116-9298	2	Link-Control, Bell Crank	21	116-0027	2	Damper-Control, Motion
7	116-6730	2	Link-Control, Bell Crank	22	104-8300	4	Nut-HF, NI
8	116-6608-03	1	Bar-Reference	23	104-8301	8	Nut-HF, NI
9	116-6607	1	Shaft-Pivot, Control	24	323-6	4	Screw-HH
10	1-633131	2	Yoke-Linkage, Brake	25	3231-2	4	Bolt-CARR
11	103-2399	2	Pin-Spring, Clevis	26	103-8153	2	Grip-Lever, Control
13	3256-24	14	Washer-Plain	27	32112-14	2	Nut-Push

Electrical Assembly

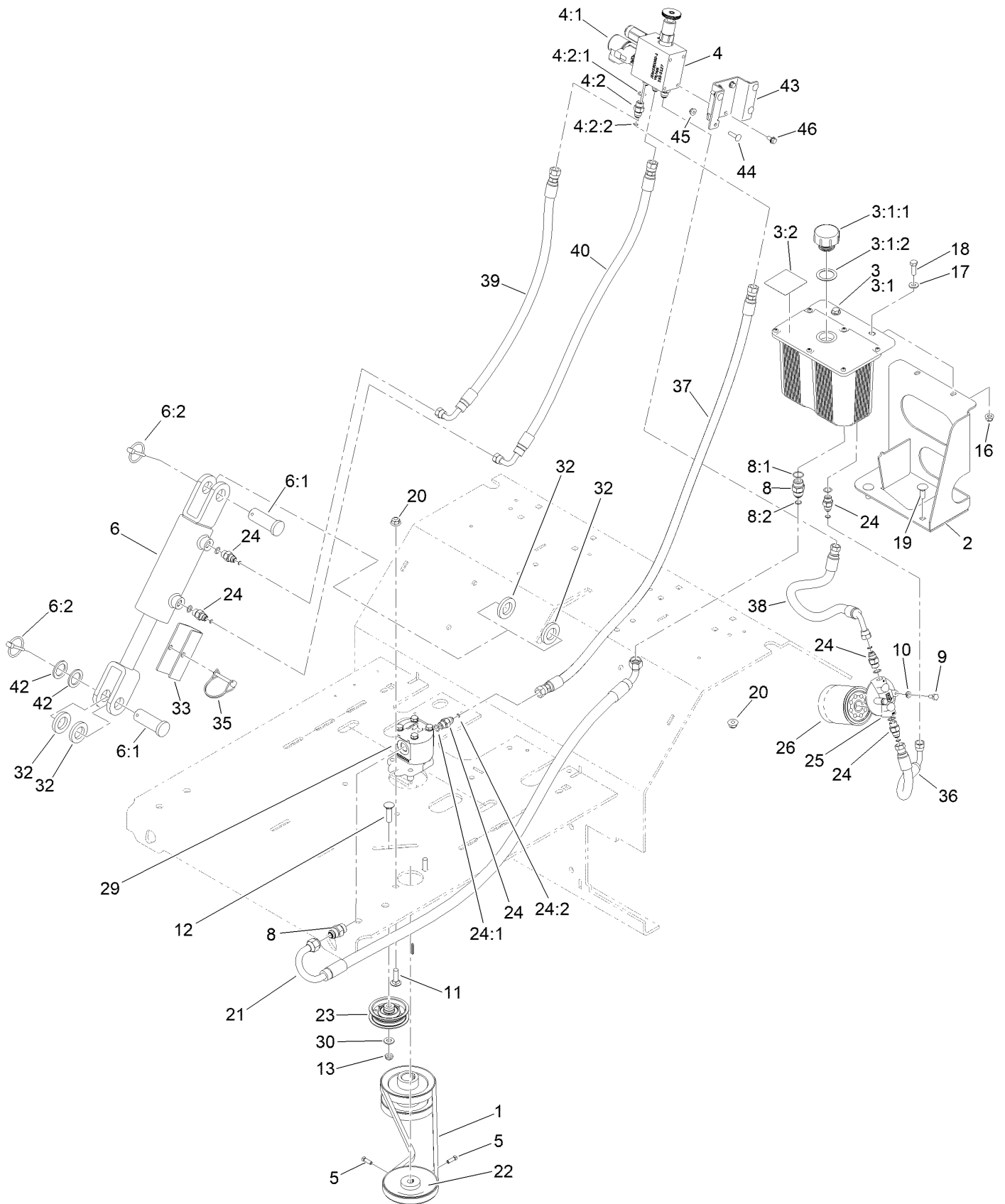


Electrical Assembly (continued)

<i>Ref.</i>	<i>Part Number</i>	<i>Qty.</i>	<i>Description</i>	<i>Ref.</i>	<i>Part Number</i>	<i>Qty.</i>	<i>Description</i>
1	126-6285	1	Ignition Switch ASM	20	3229-1	1	Bolt-Carriage 1/4-20 X 3/4
1:2	108-8660	1	Nut-Mounting	21	3290-321	2	Screw-HWH
1:3	106-5270	1	Ignition Key Set	22	104-8300	4	Nut-Nyloc 5/16-18 Flg
1:4	108-8659	1	Washer-Backup	23	1-303287	5	Tie-Cable 5 1/2 (Small)
2	3230-2	2	Bolt-Carriage 5/16-18 X 1	24	32144-70	2	Screw-HWH 5/16-18 X 3/4 Tf
6	3234-5	2	Screw-HH Flg 5/16-18 X 3/4	27	104-7201	2	Nut-Nyloc 1/4-20 Flg
7	99-7421	1	Battery- Wet, 12V, 300 CCA	28	3290-378	5	Tie-Cable
10	104-2466	1	Holddown-Battery	30	100-1535	1	Switch-Rocker, (On)-Off-(On)
11	135-5919	1	Harness-Wire ●	31	135-6910	1	Hour Meter ASM
12	116-7589	1	Mount-Switch	32	3290-320	1	Nut-Push
13	116-9383-03	1	Bracket-Battery	33	32105-15	1	Screw-Machine 1/4-20 X 3/4
14	3231-2	2	Bolt-Carriage 3/8-16 X 1	34	135-4381	1	Sensor, Quadrature
15	104-8301	2	Nut-Nyloc 3/8-16 Flg	35	135-6609	1	Housing-Depth Control 30
16	110-6765	1	Switch	36	33114-016	1	Screw-HH M8-1.25 X 16Mm
17	116-9394-03	1	Guard-Harness	37	33094-00	1	Washer
18	92-6282	1	Switch-Seat				
19	3296-2	2	Nut-Nyloc #10-24				

● Use dielectric grease on all unsealed connectors and terminals only. Do not apply in sealed connectors.

Auxiliary Hydraulic Assembly



Auxiliary Hydraulic Assembly (continued)

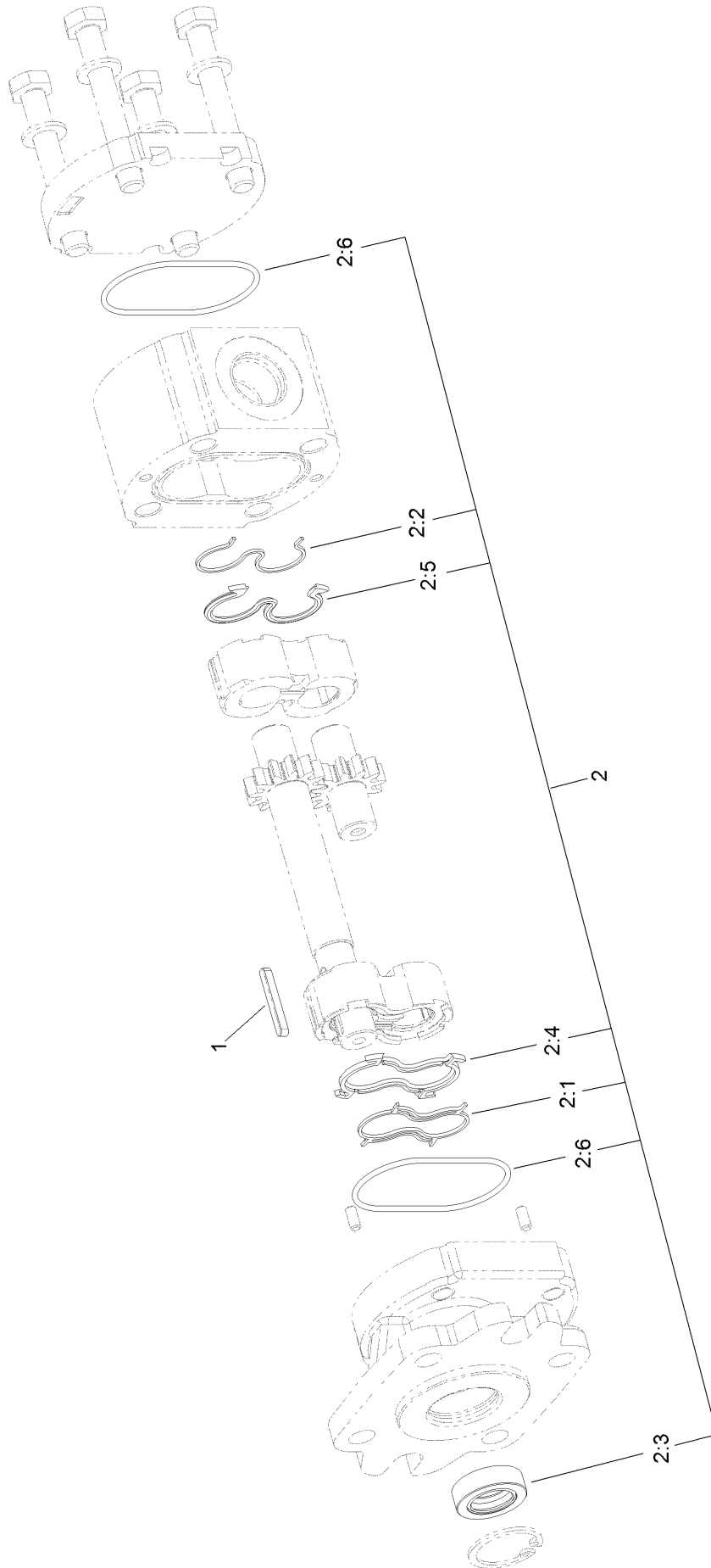
<i>Ref.</i>	<i>Part Number</i>	<i>Qty.</i>	<i>Description</i>	<i>Ref.</i>	<i>Part Number</i>	<i>Qty.</i>	<i>Description</i>
1	116-8874	1	Belt-4L Section	18	322-5	2	Screw-HH
2	116-6618-03	1	Bracket-Tank, Hydraulic	19	3231-2	4	Bolt-CARR
3	116-7557	1	Reservoir ASM	20	104-8301	6	Nut-HF, NI
3:1		1	Tank-Hydraulic ■	21	116-9309	1	Hose-Hydraulic
3:1:1	103-1948	1	Cap-Reservoir, HYD	22	116-6667	1	Pulley
3:1:2	103-1949	1	Gasket-Cap	23	116-6760	1	Pulley-Idler, Flat
3:2	115-4212	1	Decal-Warning	24	103-2156	6	Fitting-Straight
4	135-5127	1	Manifold ASM	24:1	1-603921	1	O-Ring
4:1	112-0197	2	E Coil-12V DC	24:2	103-1020	1	O-Ring
4:2	103-2156	4	Fitting-Straight	25	104-7836	1	Head-Filter
4:2:1	1-603921	1	O-Ring	26	1-633750	1	Filter-Oil, HYD
4:2:2	103-1020	1	O-Ring	29	116-9129	1	Hydraulic Pump ASM
5	3241-6	2	Screw-SQH ▲	30	3256-24	1	Washer-Plain
6	116-6969	1	HYD Cylinder ASM	32	116-6781	5	Spacer
6:1	116-7290	2	Pin-Clevis	33	116-7307-01	1	Stop-Cylinder
6:2	92-1298	2	Pin-Lynch	35	100-1663	1	Pin-Hitch
6:3	127-3234	1	Seal Kit ●	36	116-6675	1	Hose-Hydraulic, LP
8	1-603990	2	Fitting-Straight	37	116-8151	1	Hose-Hydraulic
8:1	1-603920	1	O-Ring	38	116-9308	1	Hose-Hydraulic
8:2	1-603992	1	O-Ring	39	116-6677	1	Hose-Hydraulic
9	321-3	2	Screw-HH	40	135-5973	1	Hydraulic Hose ASM
10	1-805004	2	Washer-Lock	42	3-8514	2	Washer-Thrust
11	3231-25	2	Bolt-CARR	43	135-3603-03	1	Bracket-Sensor, Control (Depth)
12	3231-4	1	Screw-CARR	44	3229-30	4	Screw-CARR
13	3296-59	1	Nut-Lock, NI	45	104-7201	4	Nut-HF, NI
16	104-8300	2	Nut-HF, NI	46	119-1065	4	Screw-Lock, HF
17	3256-2	2	Washer-Flat				

● Not illustrated

■ Not serviced separately

▲ Use Pro-Lock, Nut Type (P/N 1-840022, .5ml tube) on threads.

Hydraulic Pump Assembly No. 116-9129

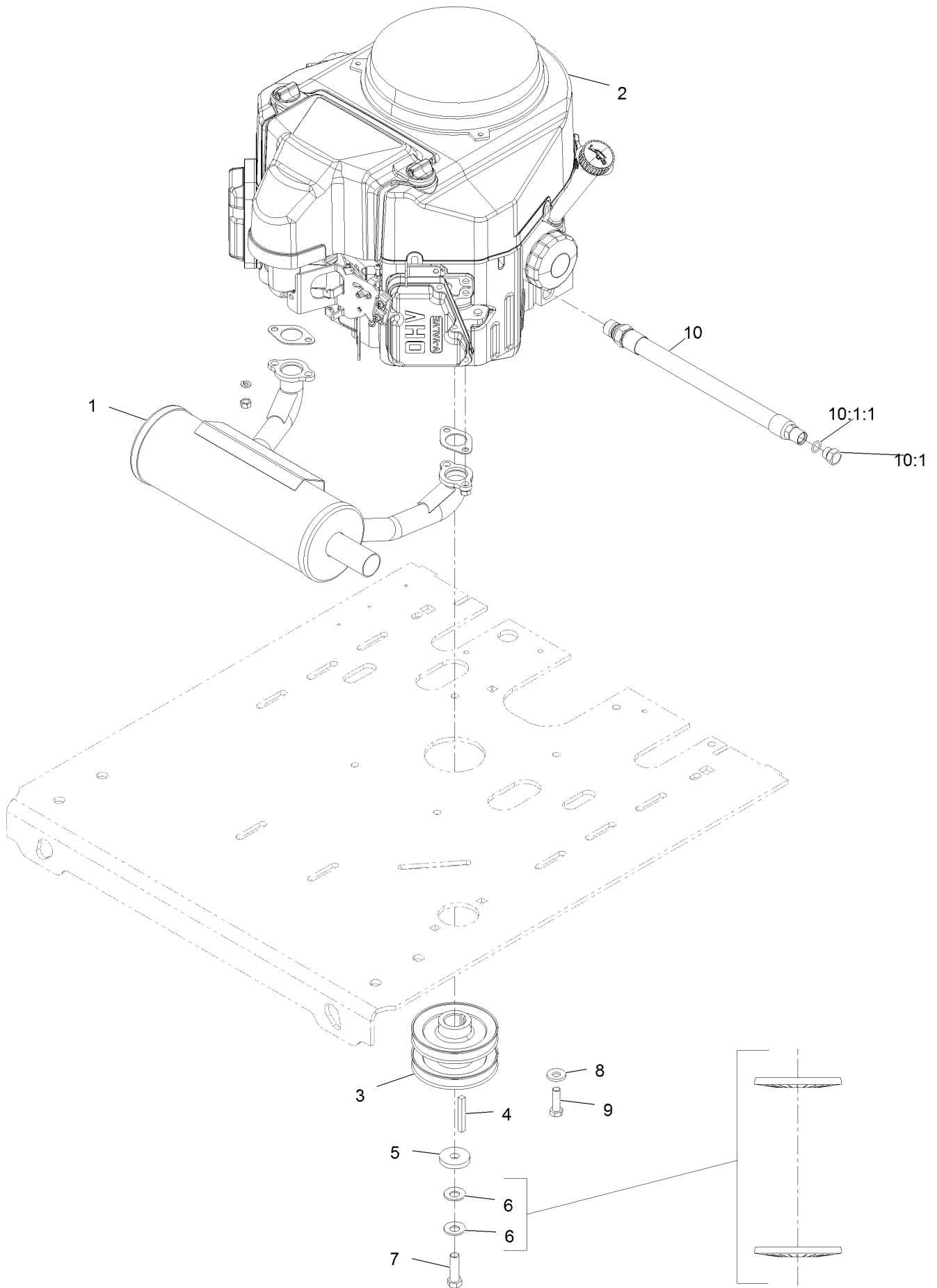


Hydraulic Pump Assembly No. 116-9129 (continued)

<i>Ref.</i>	<i>Part Number</i>	<i>Qty.</i>	<i>Description</i>	<i>Ref.</i>	<i>Part Number</i>	<i>Qty.</i>	<i>Description</i>
1	115-7855	1	Key-Square	2:3		1	Seal-Shaft ●
2	112-0199	1	Seal Kit	2:4		1	Seal-Upper ●
2:1		1	Seal-Anti Extrusion ●	2:5		1	Seal ●
2:2		1	Seal-Anti Extrusion ●	2:6		2	O-Ring ●

● Not serviced separately

Engine Assembly



Engine Assembly (continued)

<i>Ref.</i>	<i>Part Number</i>	<i>Qty.</i>	<i>Description</i>	<i>Ref.</i>	<i>Part Number</i>	<i>Qty.</i>	<i>Description</i>
1	116-3735	1	Muffler-Horizontal	8	98-5975	4	Washer-Belleville
2		1	Engine-Kawasaki, Fs541 ■▲	9	323-7	4	Screw-HH
3	116-9709	1	Pulley	10	116-4924	1	Engine Oil Drain Hose ASM
4	103-4177	1	Key				◆
5	1-543610	1	Washer-Flat	10:1	353-508	1	Plug-HH ●
6	1-603610	2	Washer-Spring	10:1:1	237-42	1	O-Ring
7	109-9761	1	Screw-HH □				

● Torque to 24-26 ft-lb

▲ Obtain parts from www.kawpower.com

◆ Use a Teflon Pipe Sealant or equivalent on threads.

□ Use Pro-Lock, Nut Type (P/N 1-840022, .5ml tube) on threads.

■ Not serviced separately

Attachments and Accessories

For 39521 30in Stand-On Aerator

Product Name

Model/Part

Spreader Hopper ASM 33525

Notes:



Count on it.