



Count on it.

Parts Catalog

Grandstand® 32in HDM

Model No. 74532—Serial No. 418050000 and Up



Ordering Replacement Parts

To order replacement parts, please supply the part number, the quantity, and the description of each part desired.

Understanding Reference Numbers

Each identified part in an illustration has a reference number. The reference number for a part also appears in the parts list, along with other information about the part.

This catalog uses two special reference number formats, one to indicate parts in a service assembly and another to indicate the quantity of a given part in an illustration.

Service Assembly Reference Numbers

Parts in service assemblies have reference numbers in the form a:b. The a represents the reference number of the entire service assembly and the b represents a sequential number unique to each part within the service assembly.

For example, a wheel assembly might be identified by reference number 6, the tire by 6:1, the valve by 6:2, and the wheel by 6:3. When you order the assembly identified by reference number 6, you receive all parts identified by reference numbers 6:1, 6:2, and 6:3. However, you may also order any part individually. Reference numbers of this type appear in illustration and in parts lists.

Reference Numbers Indicating Quantity

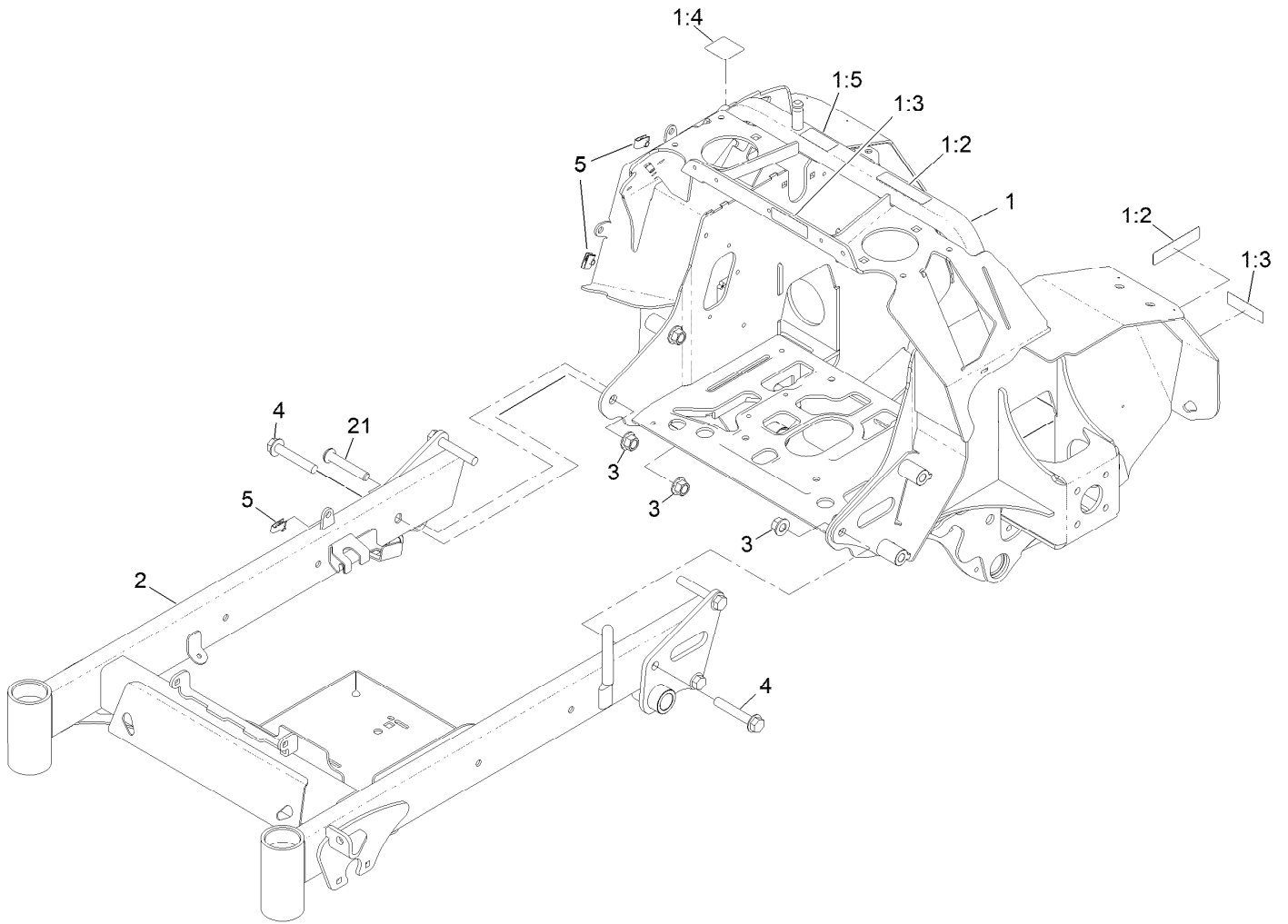
In an illustration, if a reference number indicates more than one part, the reference number has the form nX y. The n represents the quantity of the part, the X is the multiplication symbol, and the y represents the reference number.

For example, in an illustration, the reference number 2X 37 means that two of the parts identified by reference number 37 are indicated.

Contents

Frame Assembly	4
Park Brake Assembly	6
Deck Lift Assembly	8
Height-of-Cut Lever Assembly No. 142-2579	10
Lift Rod Assembly No. 142-2581	12
Platform Assembly	14
Hydraulic Assembly	16
Idler Arm Assembly No. 135-1270	18
Engine Assembly	20
Motion Control Assembly	22
Left Motion Control Assembly No. 135-1304	24
Right Motion Control Assembly No. 135-1305	26
Fuel Assembly	28
Fuel Tank Assembly No. 161-6672	30
Fuel Line and Valve Assembly No. 142-3596	32
Electrical Assembly	34
Harness Assembly No. 142-2926	36
Guarding Assembly	38
32 Inch Deck Assembly	40
Decal Deck Assembly No. 161-6758	42
Idler Assembly No. 135-1679	44
Rubber Deflector Assembly No. 142-6489	46
Drive Wheel Assembly	48
Caster Wheel Assembly	50
Attachments and Accessories	52

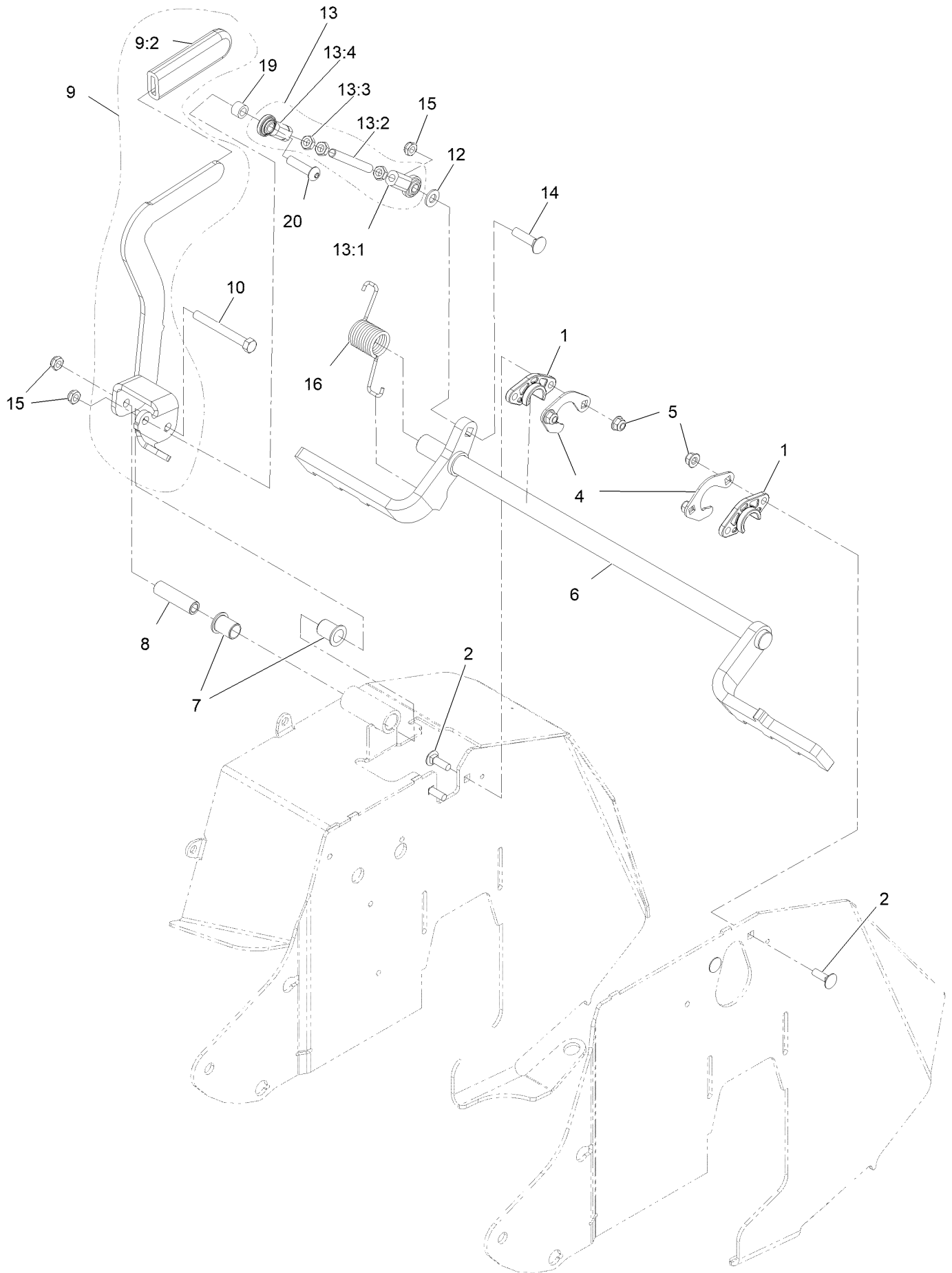
Frame Assembly



Frame Assembly (continued)

<i>Ref.</i>	<i>Part Number</i>	<i>Qty.</i>	<i>Description</i>	<i>Ref.</i>	<i>Part Number</i>	<i>Qty.</i>	<i>Description</i>
1	146-2773	1	ASM, Rear Frame W/ Decals	2	146-5200	1	ASM-Front Frame W/Decal
1:2	98-1977	2	Decal-Warning	3	99-5107	6	Nut-Lock
1:3	116-8559	2	Decal, Cover Missing	4	3234-40	5	Screw-HF
1:4	116-5988	1	Decal-Park Brake, CE	5	107069	3	Clip
1:5	135-2267	1	Decal-Belt Routing HYD	21	142-3783	1	Screw, HSBH

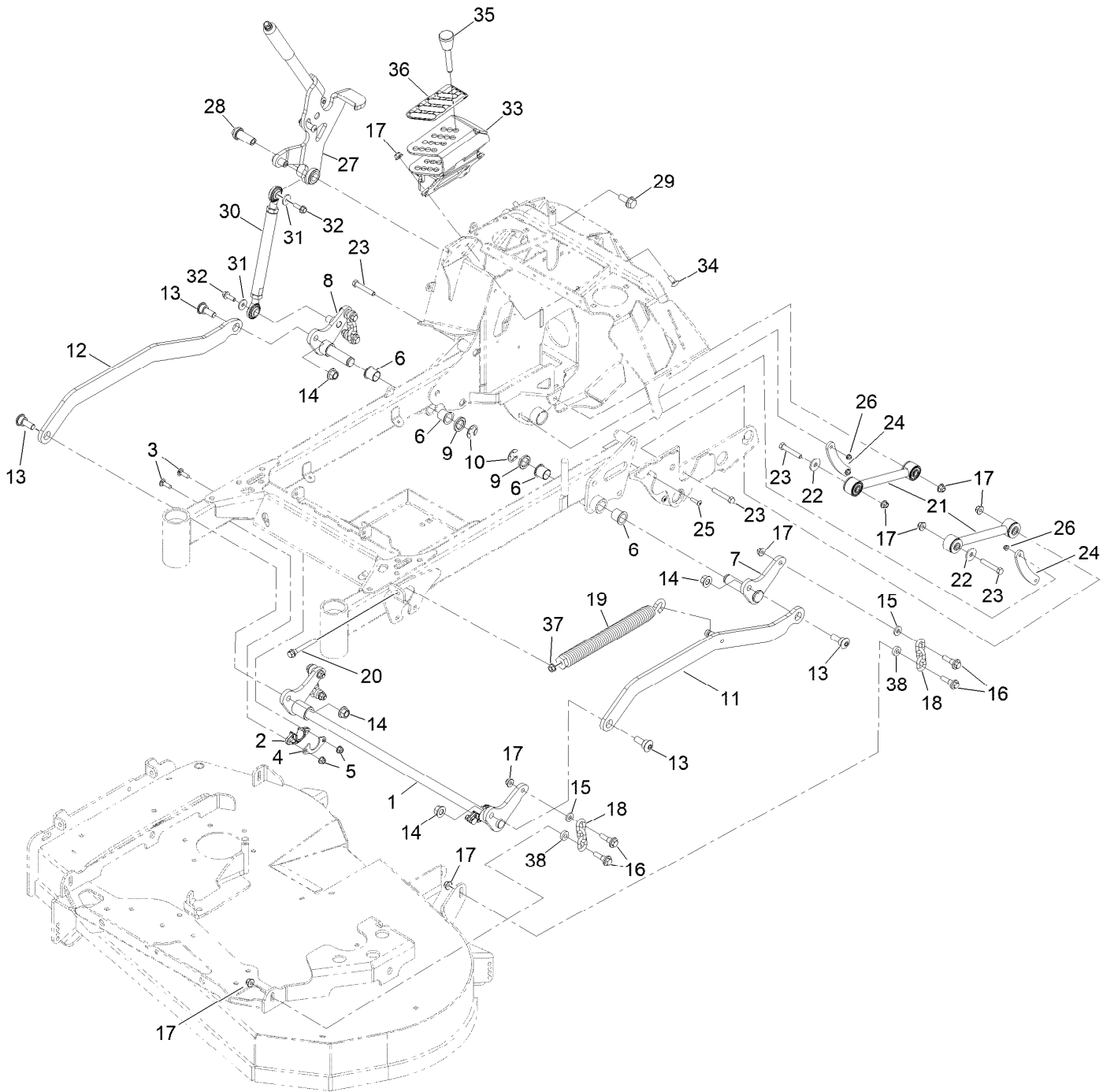
Park Brake Assembly



Park Brake Assembly (continued)

<i>Ref.</i>	<i>Part Number</i>	<i>Qty.</i>	<i>Description</i>	<i>Ref.</i>	<i>Part Number</i>	<i>Qty.</i>	<i>Description</i>
1	139-5872	2	Bearing-Flange	13	142-2562	1	ASM, Brake Link
2	3230-2	4	Bolt-CARR	13:1	103-0608	1	Joint-Ball, End
4	135-7867	2	Support, Bearing	13:2	142-4034	1	Linkage, Brake
5	104-8300	4	Nut-HF, NI	13:3	3220-3	3	Nut-HJ
6	135-1950-03	1	Wld-Brake Shaft 32/36	13:4	103-1167	1	Joint-Ball End, LH
7	138-2573	2	Bushing-Flange	14	3231-4	1	Screw-CARR
8	142-2558	1	Spacer, Brake Pivot	15	3296-59	3	Nut-Lock, NI
9	142-2560	1	ASM, Lever W/ Grip	16	108-4052	1	Spring-Torsion
9:2	1-633268	1	Grip-Lever	19	142-4035	1	Spacer
10	112-7161	1	Screw-HH	20	95-3857	1	Screw-HSBH
12	3256-24	1	Washer-Plain				

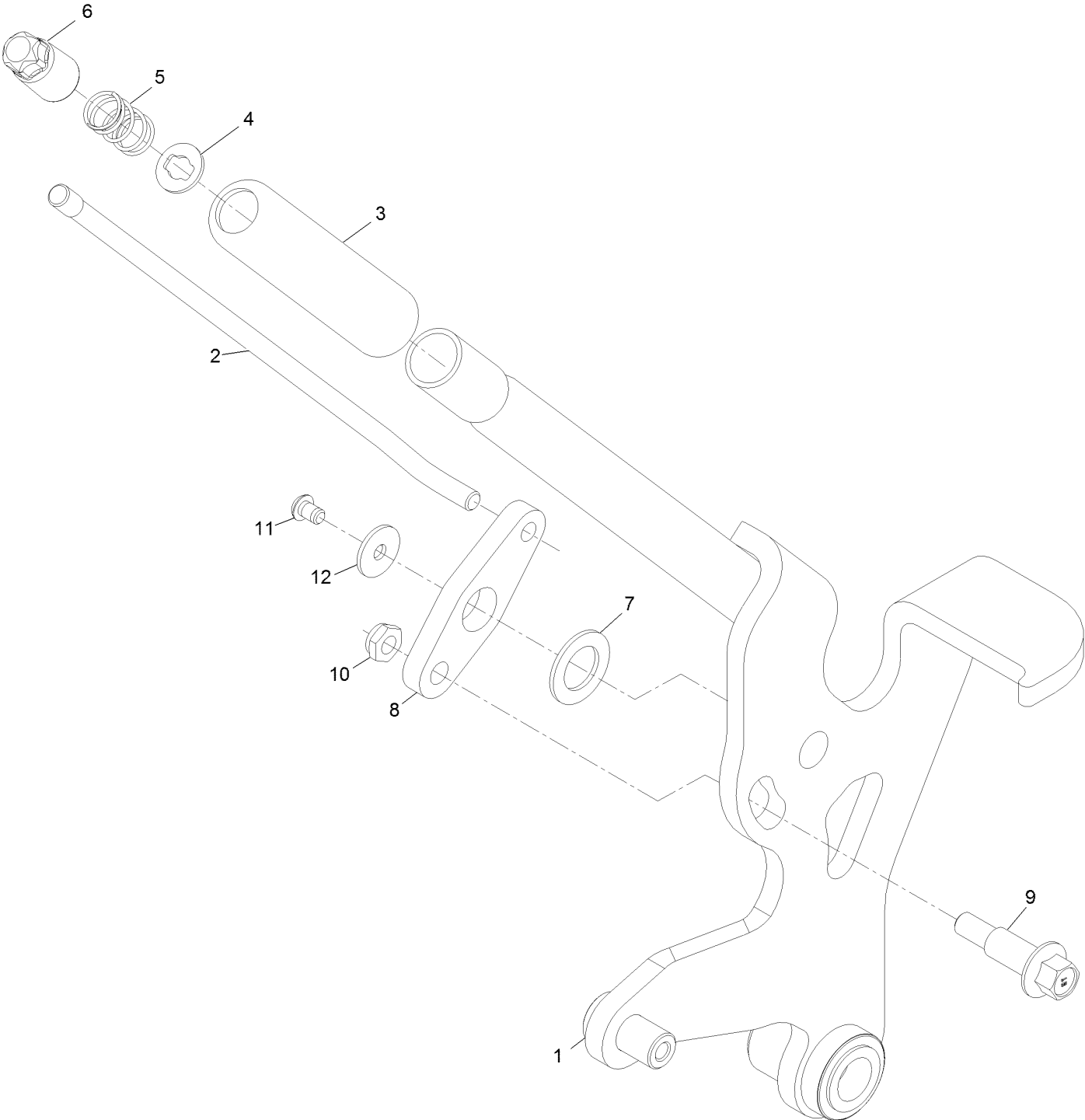
Deck Lift Assembly



Deck Lift Assembly (continued)

<i>Ref.</i>	<i>Part Number</i>	<i>Qty.</i>	<i>Description</i>	<i>Ref.</i>	<i>Part Number</i>	<i>Qty.</i>	<i>Description</i>
1	142-2566-03	1	Weld, HOC Lift Shaft	20	92-7674	1	Bolt-Shoulder
2	139-5872	2	Bearing-Flange	21	142-2588	2	ASM, Strut W/ Bushings
3	3230-2	4	Bolt-CARR	22	2844	2	Washer
4	116-2887	2	Gusset-Lift, Deck	23	104-3396	4	Screw-HH
5	104-8300	4	Nut-HF, NI	24	142-2772	2	Strip, Rub
6	135-1248	4	Bushing, Igus	25	32105-32	4	Screw-TTH
7	142-4524-03	1	Weld, Bellcrank, Lt Rr	26	104-7201	4	Nut-HF, NI
8	142-2570-03	1	Weld, Bellcrank, Rt Rr	27	142-2579	1	ASM, HOC Lever
9	142-3444	2	Spacer, HOC Pivot	28	142-2181	1	Pivot, HOC Lever
10	32151-103	2	Ring-Retaining, EXT	29	3234-38	1	Screw-HHF
11	142-4521-03	1	Weld, Lift Strap, Lt	30	142-2581	1	ASM, Lift Rod
12	142-4522-03	1	Strap, Lift Rt	31	1-603716	2	Washer-Friction
13	135-1259	4	Bolt, Shoulder	32	115-5142	2	Screw-HHF, Patch
14	99-5107	4	Nut-Lock	33	146-3498-03	1	Weld, HOC Index
15	43-0940	4	Spacer	34	3231-27	3	Screw-CARR
16	130-0742	8	Bolt-Shoulder	35	126-5401	1	Pin-HOC
17	104-8301	15	Nut-HF, NI	36	142-3087	1	Decal-Height Of Cut
18	103-9859	4	Chain-Decklift	37	3290-357	1	Nut-HSF
19	116-0886	1	Spring-Extension	38	5-0652	4	Spacer

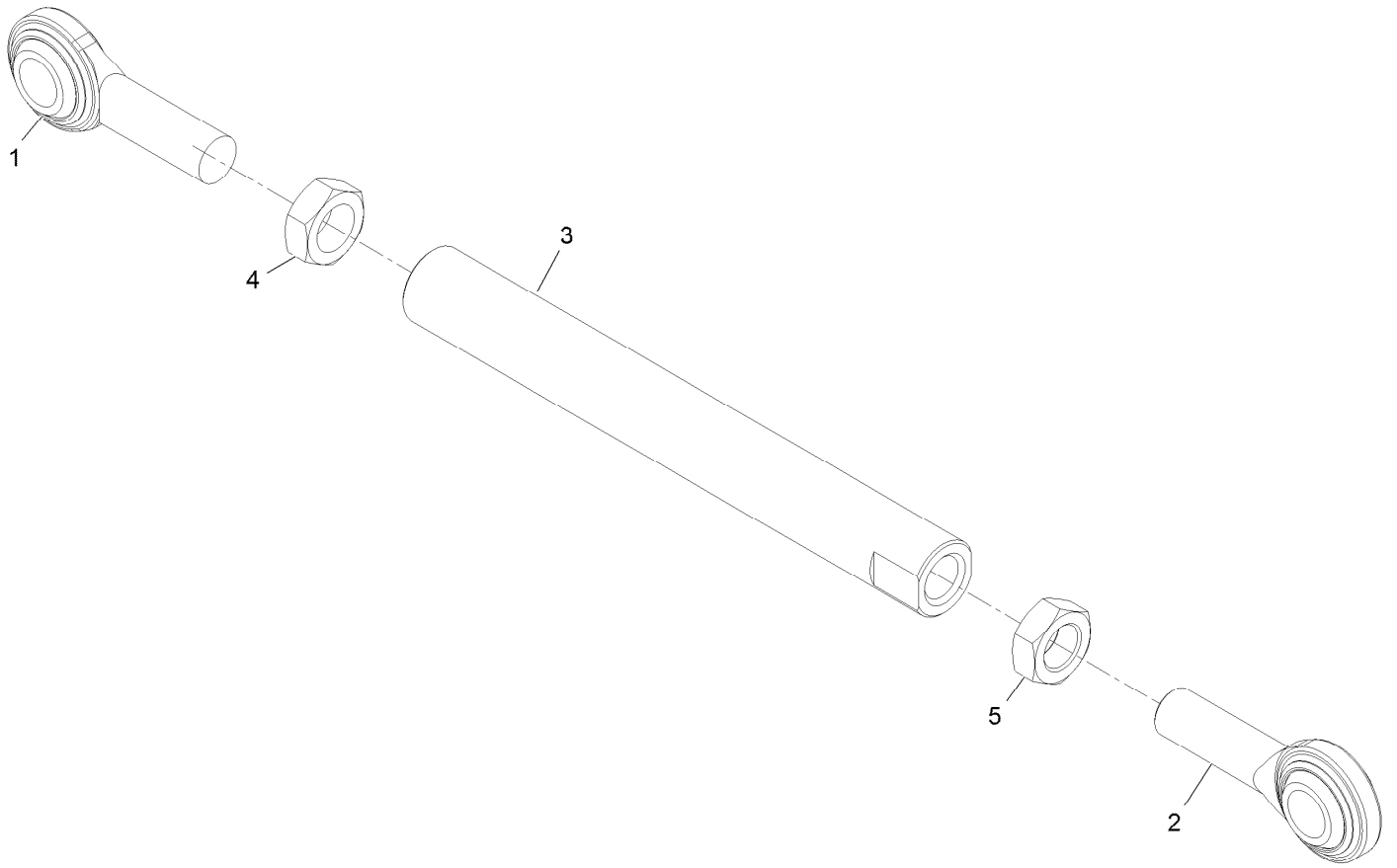
Height-of-Cut Lever Assembly No. 142-2579



Height-of-Cut Lever Assembly No. 142-2579 (continued)

<i>Ref.</i>	<i>Part Number</i>	<i>Qty.</i>	<i>Description</i>	<i>Ref.</i>	<i>Part Number</i>	<i>Qty.</i>	<i>Description</i>
1	142-2577	1	ASM, Lever W/ Bushings	7	126-7888	1	Washer-Nylon
2	142-3358	1	Linkage, HOC Lever	8	142-2578	1	Arm, Transport
3	115-3592	1	Grip	9	142-4197	1	Screw-Bh
4	114-1207	1	Washer-Special	10	3296-59	1	Nut-Nyloc 3/8-16 Thin
5	114-8187	1	Spring-Compression	11	142-2216	1	Screw-Bht
6	135-7809	1	Button, Push	12	3256-67	1	Washer

Lift Rod Assembly No. 142-2581

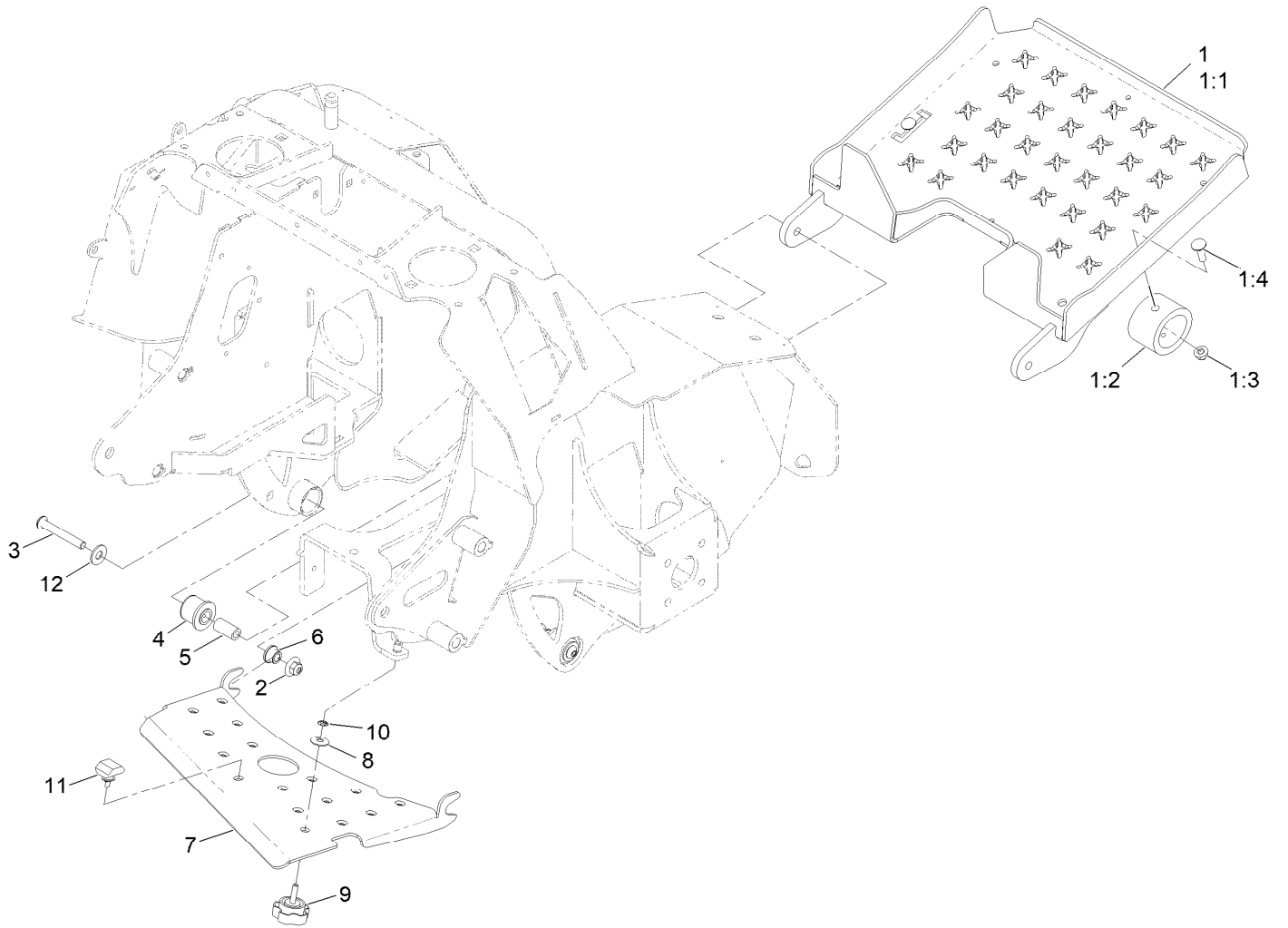


Lift Rod Assembly No. 142-2581 (continued)

<i>Ref.</i>	<i>Part Number</i>	<i>Qty.</i>	<i>Description</i>
1	1-633029	1	Balljoint
2	117-5291	1	Balljoint-Spherical
3	142-2580	1	Rod, Lift

<i>Ref.</i>	<i>Part Number</i>	<i>Qty.</i>	<i>Description</i>
4	3220-6	1	Nut-Jam
5	117-5293	1	Nut-Jam

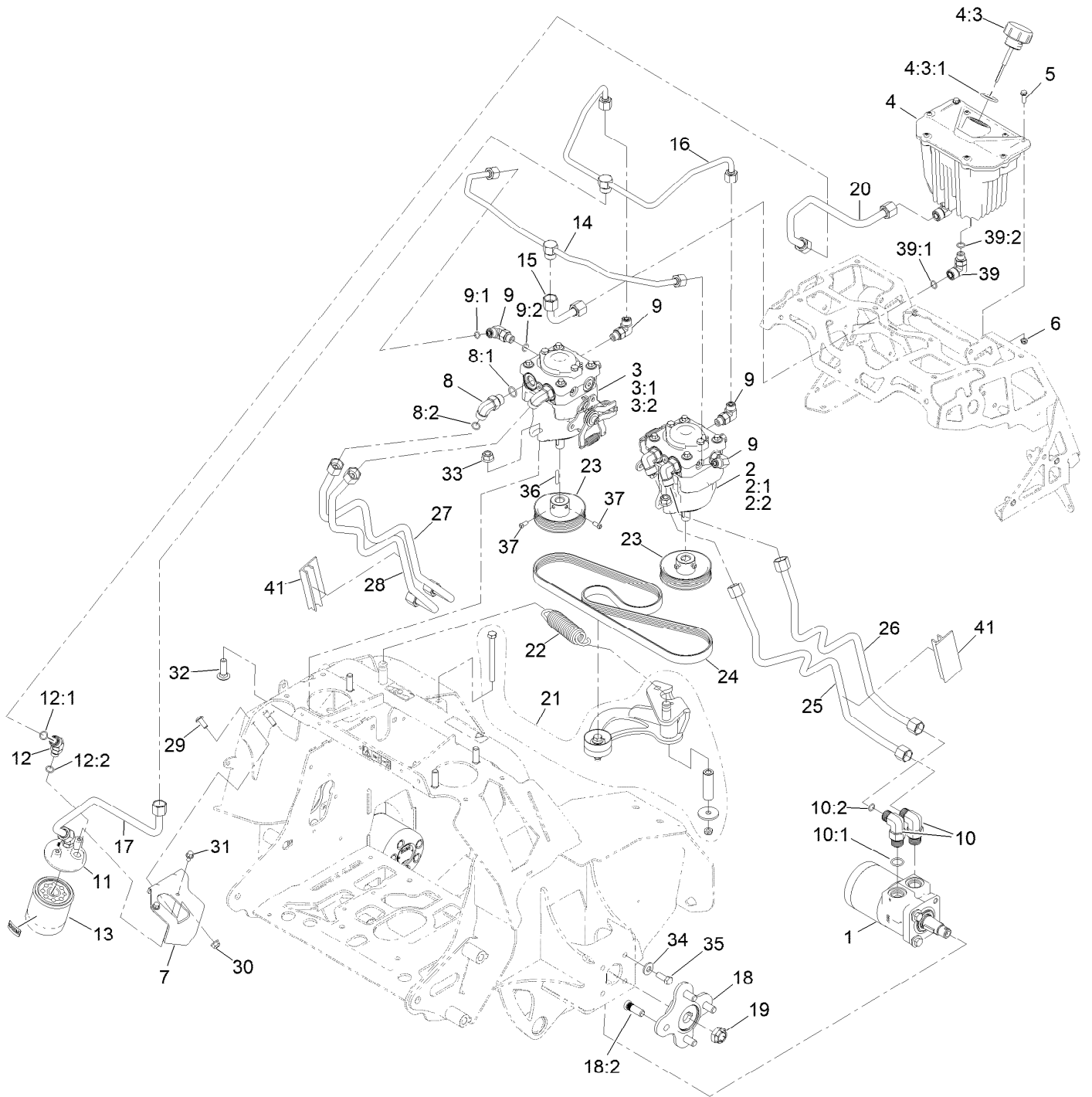
Platform Assembly



Platform Assembly (continued)

<i>Ref.</i>	<i>Part Number</i>	<i>Qty.</i>	<i>Description</i>	<i>Ref.</i>	<i>Part Number</i>	<i>Qty.</i>	<i>Description</i>
1	142-2710	1	ASM-Platform	5	108-6544	2	Spacer
1:1	142-2470-05	1	Weld-Platform [blk-Txt]	6	109-8788	2	Bushing-Flanged
1:2	135-2548	2	Bumper-Isolator	7	142-6014-03	1	Deflector, Air, 32
1:3	104-8300	2	Nut-HF, NI	8	3290-456	1	Washer-Belleville
1:4	3230-2	2	Bolt-CARR	9	135-7382	1	Knob
2	109-6658	2	Nut-Flange, NI	10	1-803037	1	Nut-Retaining
3	135-7158	2	Screw-HSBH	11	126-9966	1	Bumper-ROPS
4	126-8360	2	Bushing-Rubber, Suspension	12	3256-4	2	Washer-Flat

Hydraulic Assembly



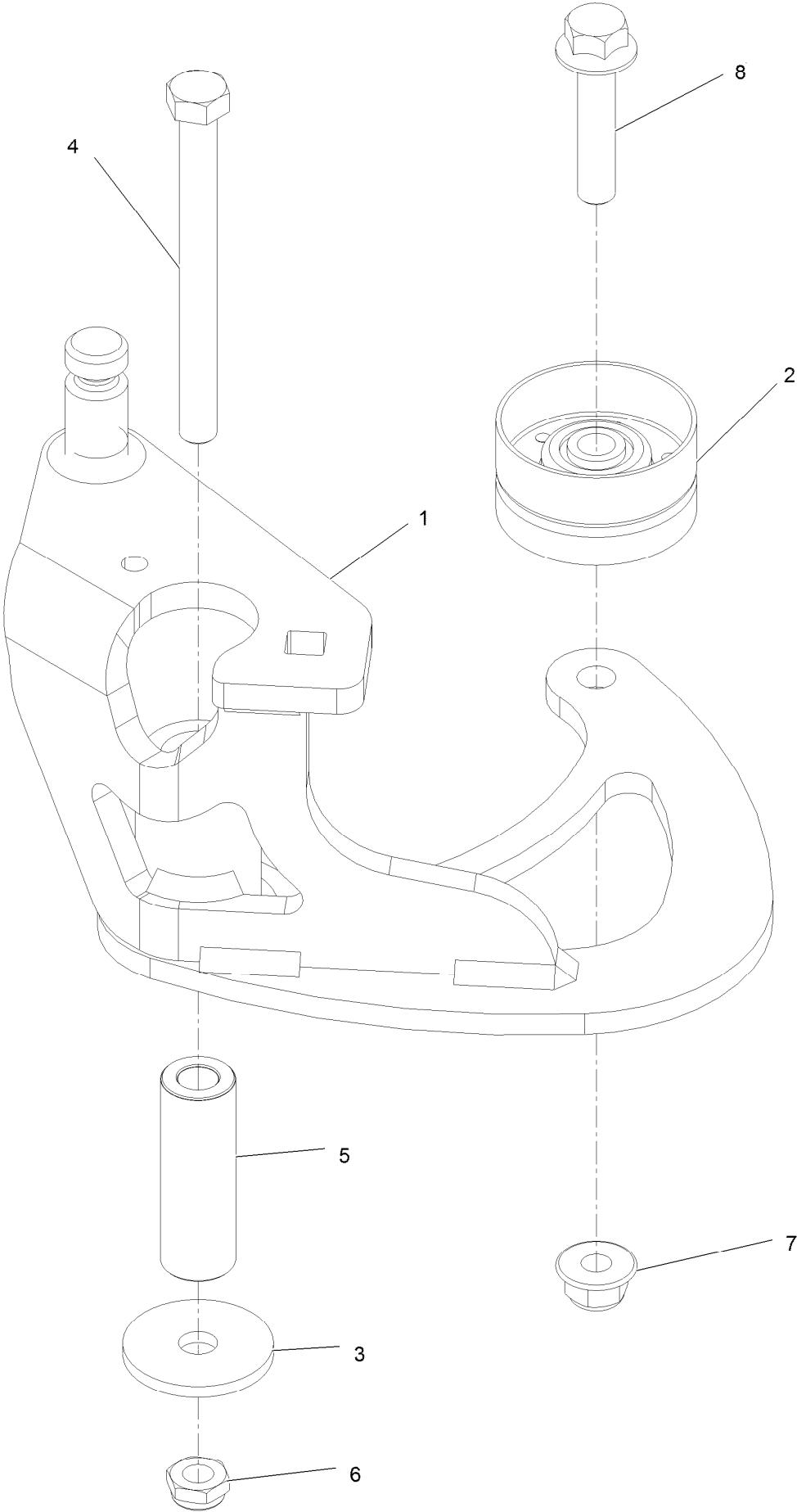
Hydraulic Assembly (continued)

<i>Ref.</i>	<i>Part Number</i>	<i>Qty.</i>	<i>Description</i>	<i>Ref.</i>	<i>Part Number</i>	<i>Qty.</i>	<i>Description</i>
1	135-1274	2	Motor-Wheel	17	142-2594	1	Line, HYD. Charge
2	135-2212	1	Pump-Hydraulic LH 10Cc	18	135-1621	2	ASM-Hub And Studs
2:1	126-2479	1	Kit-Pump Repair 10Cc/12Cc	18:2	116-1696	4	Stud-Wheel
2:2	105-6184	1	Kit-Pump Seal Overhaul	19	116-2839	2	Nut-Lock
3	135-2211	1	Pump-Hydraulic RH 10Cc	20	142-2593	1	Line, HYD. Supply
3:1	126-2479	1	Kit-Pump Repair 10Cc/12Cc	21	135-1270	1	ASM, Idler Arm
3:2	105-6184	1	Kit-Pump Seal Overhaul	22	135-1272	1	Spring, Extension
4	161-6800	1	Hydraulic Reservoir ASM	23	142-2968	2	Pulley, Pvk5
4:3	142-2793	1	Cap, Hydraulic	24	146-4642	1	Belt Pvk5
4:3:1	142-2792	1	O-Ring	25	142-5632	1	Kit-Ste HYD Line Lt Rear B-A
5	32105-15	2	Screw-HWH	26	142-5633	1	Kit-Ste HYD Line Lt Frnt A-B
6	3296-56	2	Nut-Lock, NI	27	142-5634	1	Kit-Ste HYD Line Rt Rear B-B
7	142-2592-03	1	Mount, Filter	28	142-5635	1	Kit-Ste HYD Line Rt Frnt A-A
8	340-98	4	Fitting-Elbow, 90 DEG	29	126-6268	2	Screw-TTH
8:1	237-79	1	O-Ring	30	104-8300	2	Nut-HF, NI
8:2	237-30	1	O-Ring	31	3234-13	2	Screw-HHF
9	340-77	4	Fitting-Elbow, 90 DEG	32	3232-3	4	Bolt-CARR
9:1	237-22	1	O-Ring	33	114-8417	4	Nut-HF, NI
9:2	237-42	1	O-Ring	34	98-5975	8	Washer-Belleville
10	340-105	4	Fitting-Elbow, 90 DEG	35	323-6	8	Screw-HH
10:1	237-80	1	O-Ring	36	135-7971	2	Key
10:2	237-30	1	O-Ring	37	3241-7	4	Screw-SQH ■
11	103-2888	1	Head-Filter	39	340-99	2	Fitting-HYD, 90 DEG
12	340-96	2	Adapter	39:1	237-30	1	O-Ring
12:1	237-30	1	O-Ring	39:2	237-42	1	O-Ring
12:2	237-42	1	O-Ring	41	142-4399	2	Spacer-Hydraulic Tube
13	114-3494	1	Element-Filter, 25 Micron	99	133-1779	1	Kit-Wheel Motor Seal ●
14	135-7056	1	Line, Hydraulic, Case Tee				
15	135-7054	1	Line, Hydraulic, Case				
16	135-7055	1	Line, Hydraulic, Charge Tee				

● Not illustrated

■ Use Pro-Lock, Nut Type (P/N 1-840022, .5ml tube) on threads.

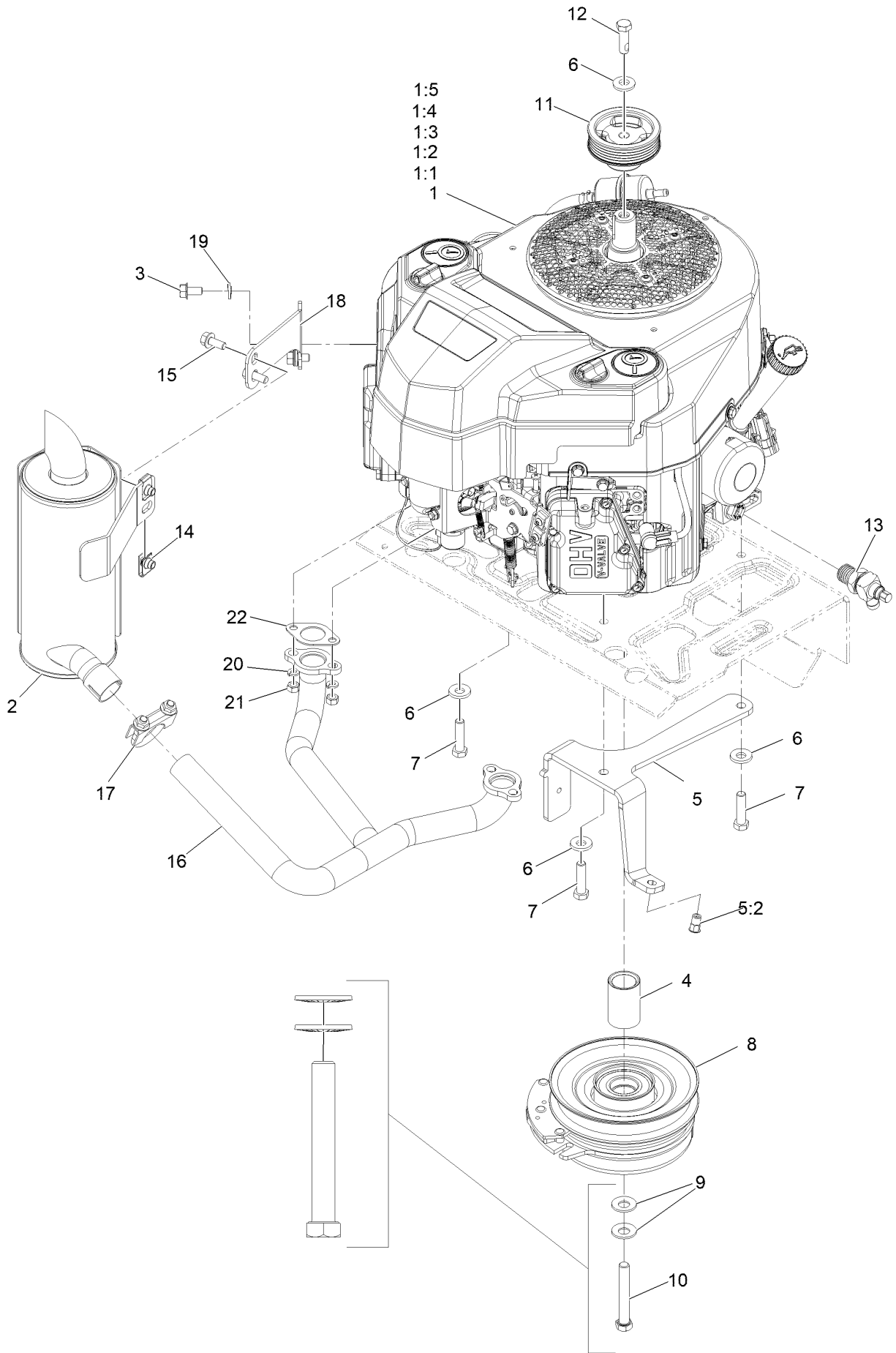
Idler Arm Assembly No. 135-1270



Idler Arm Assembly No. 135-1270 (continued)

<i>Ref.</i>	<i>Part Number</i>	<i>Qty.</i>	<i>Description</i>	<i>Ref.</i>	<i>Part Number</i>	<i>Qty.</i>	<i>Description</i>
1	135-2238	1	ASM, Idler Arm W/ Bushings	5	135-1273	1	Tube, Idler Pivot
2	135-1199	1	Idler, Flat	6	3296-59	1	Nut-Lock, NI
3	1-213069	1	Washer	7	104-8301	1	Nut-HF, NI
4	323-16	1	Screw-HH	8	3234-19	1	Screw-HHF

Engine Assembly



Engine Assembly (continued)

<i>Ref.</i>	<i>Part Number</i>	<i>Qty.</i>	<i>Description</i>	<i>Ref.</i>	<i>Part Number</i>	<i>Qty.</i>	<i>Description</i>
1		1	Engine-Kawasaki Fs600 ■▲	9	1-603610	2	Washer-Spring Disc 7/16
1:1		1	Filter-Oil ■▲	10	126-7198	1	Screw-HH 7/16-20 X 3 W/Loctite ◆
1:2		1	Filter-Fuel ■▲	11	135-1198	1	Pulley, Crank
1:3		1	Plug-Spark ■▲	12	135-7890	1	Screw-HH, Patch,
1:4		1	Filter-Air, Foam ■▲	13	135-2660	1	Drain-Oil Valve ●
1:5		1	Filter-Air, Paper ■▲	14	94-2413	2	Nut-U 5/16-18
2	135-5025	1	Muffler-Vertical Ka	15	3234-5	2	Screw-HH Flg 5/16-18 X 3/4
3	33104-016	2	Screw-HHF	16	135-5026	1	Manifold-Vertical Ka Exh
4	135-5028	1	Spacer-Clutch	17	104-4090	1	Clamp-Muffler
5	135-6711	1	ASM-Clutch Anchor W/Insert	18	135-3828-03	1	Bracket-Muffler Vertical
5:2	138-2758	1	Nut-Clinch,Hex	19	3253-21	2	Washer-Lock 3/8
6	98-5975	5	Washer-Spring Disc 3/8	20	114-3550	4	Washer-Spring Lock M8
7	323-8	4	Screw-HH 3/8-16 X 1 1/2	21	114-3549	4	Nut-M8
8	142-3586	1	Clutch 105	22	1-653313	2	Gasket-Exhaust

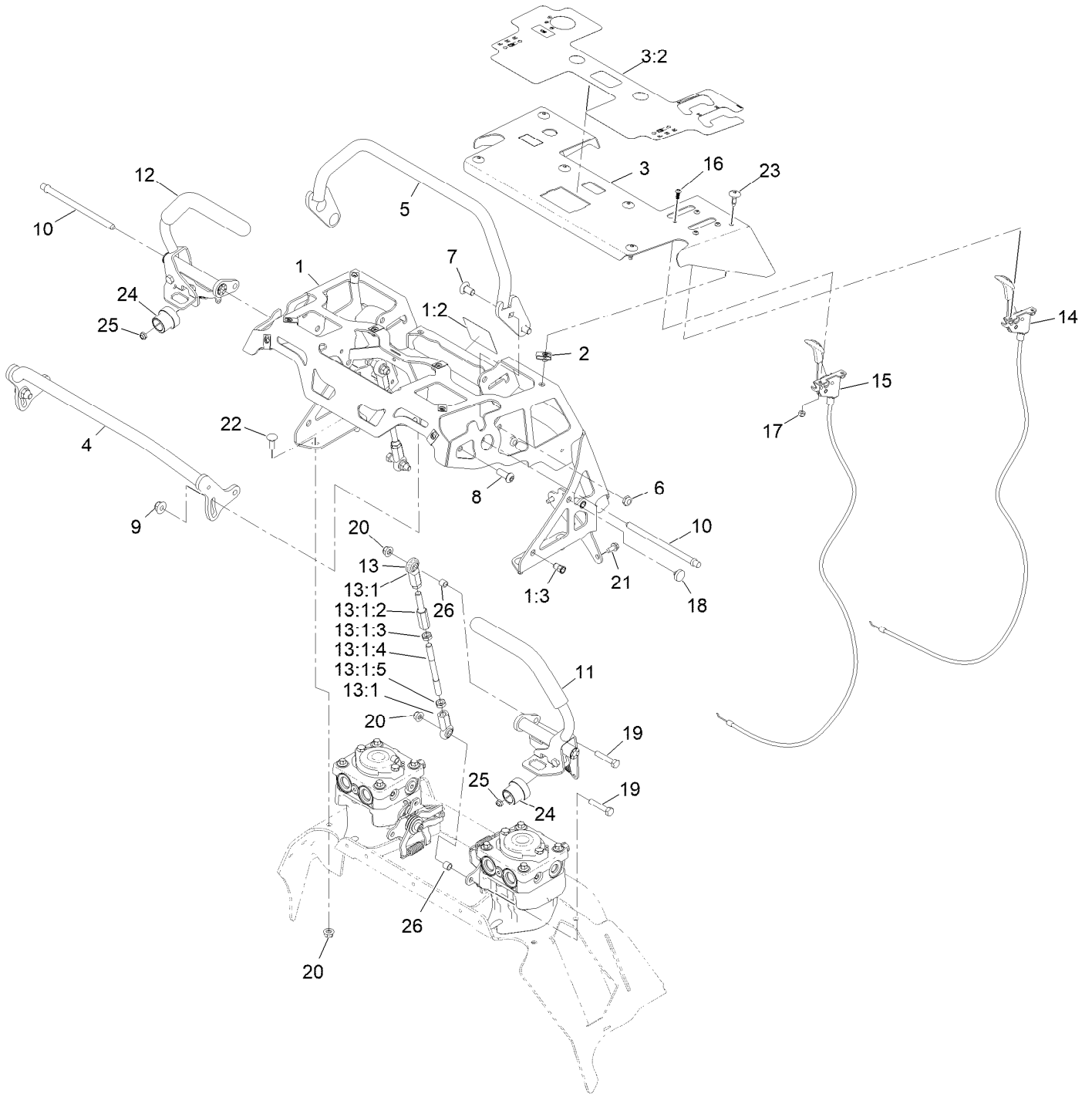
● Torque to 23-29 ft-lb

▲ Obtain parts from www.kawpower.com

◆ Use Pro-Lock, Nut Type (P/N 1-840022, .5ml tube) on threads.

■ Not serviced separately

Motion Control Assembly

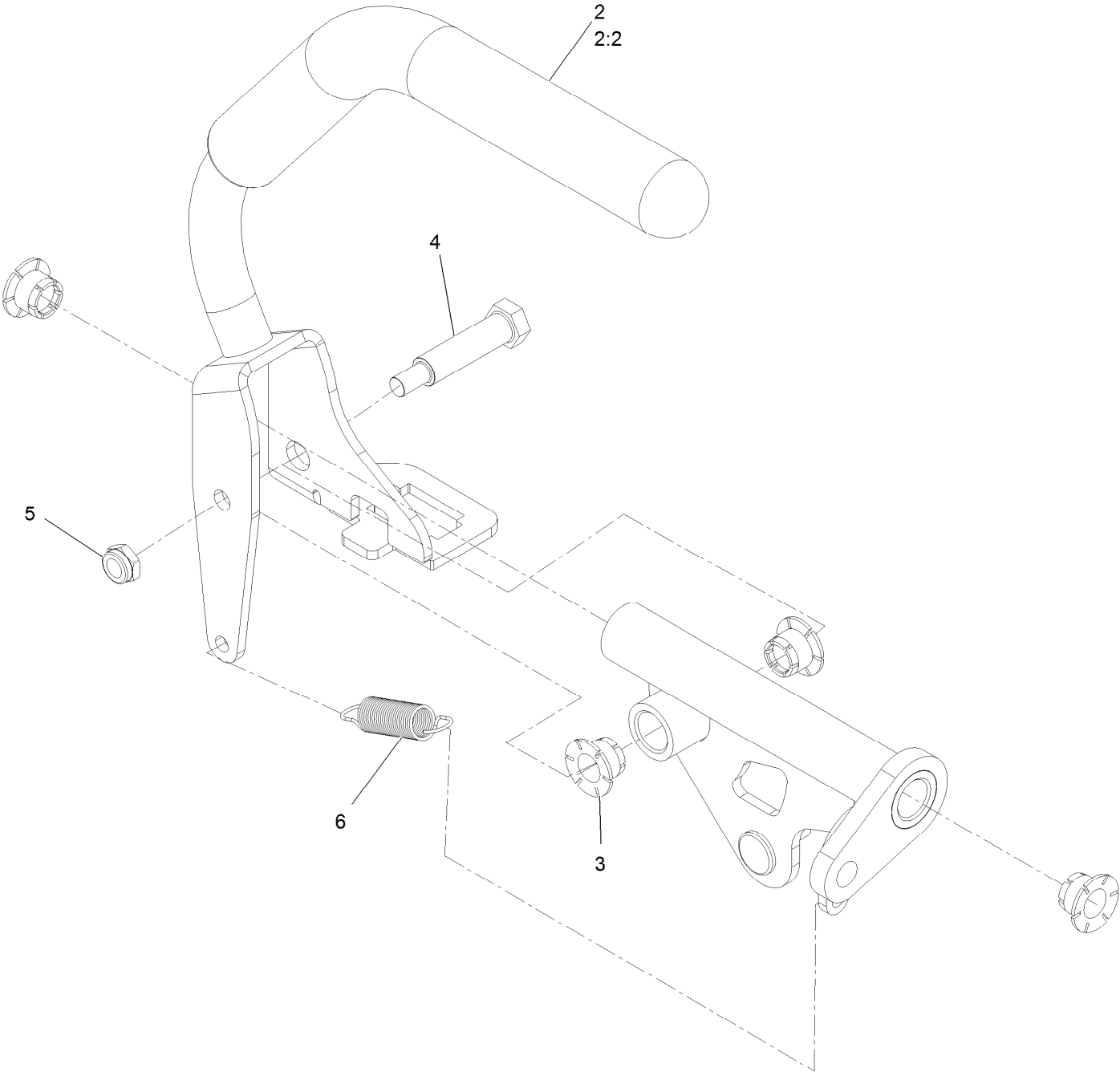


Motion Control Assembly (continued)

<i>Ref.</i>	<i>Part Number</i>	<i>Qty.</i>	<i>Description</i>	<i>Ref.</i>	<i>Part Number</i>	<i>Qty.</i>	<i>Description</i>
1	146-2939	1	ASM-Ctrl Tower	13:1		1	ASM, Motion Control Link ●
1:2	142-3077	1	Decal-HYD Fluid Warn	13:1:2	116-4755	1	Rod-Adjustment
1:3	138-2758	2	Nut-Clinch,Hex	13:1:3	3220-16	1	Nut-Hex Jam, LH
2	107069	8	Clip	13:1:4	135-1291	1	Link, Motion Control
3	146-2936	1	ASM, Control Panel W/ Decals	13:1:5	3220-3	1	Nut-HJ
3:2	135-6773	1	Decal-Control Panel Non-EFI	14	135-2168	1	Control, Choke
4	135-3432-05	1	Weld, Front Ref Bar	15	135-2169	1	Control, Throttle
5	135-3430-05	1	Weld, Rear Ref Bar	16	135-3176	4	Screw, BHCS
6	3296-59	4	Nut-Lock, NI	17	3296-2	4	Nut-Lock, NI
7	3231-21	4	Screw-CARR	18	1-513658	2	Bumper
8	3274-94	2	Screw-HSBH	19	322-8	4	Screw-HH
9	104-8301	2	Nut-HF, NI	20	104-8300	8	Nut-HF, NI
10	135-1277	2	Pin, Pivot	21	32144-10	4	Screw-HWH
11	135-1304	1	ASM, Motion Control, Lt	22	3230-16	4	Screw-CARR
12	135-1305	1	ASM, Motion Control, Rt	23	135-3494	6	Screw, Torx
13	135-7116	2	ASM, Linkage	24	126-1499	2	Cam
				25	3296-56	2	Nut-Lock, NI
				26	1-633545	4	Spacer

● Not serviced separately

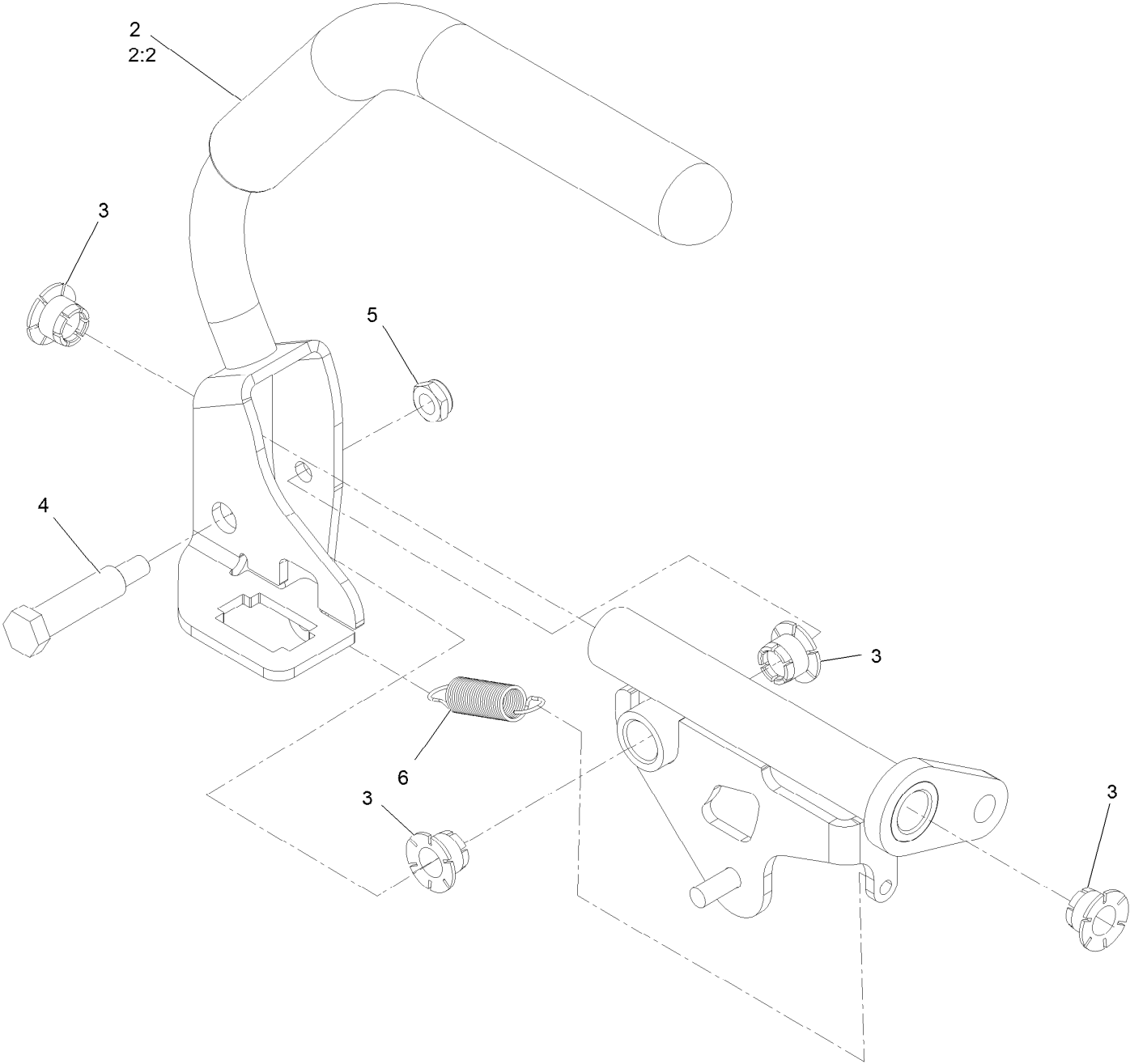
Left Motion Control Assembly No. 135-1304



Left Motion Control Assembly No. 135-1304 (continued)

<i>Ref.</i>	<i>Part Number</i>	<i>Qty.</i>	<i>Description</i>	<i>Ref.</i>	<i>Part Number</i>	<i>Qty.</i>	<i>Description</i>
2	135-2546	1	ASM, Lt Control Lever W/ Grip	4	121-1229	1	Bolt-Shoulder
2:2	135-3301	1	Grip, Drive Lever	5	3296-56	1	Nut-Lock, NI
3	135-6412	4	Bearing, Igus	6	114-0249	1	Spring-Extension

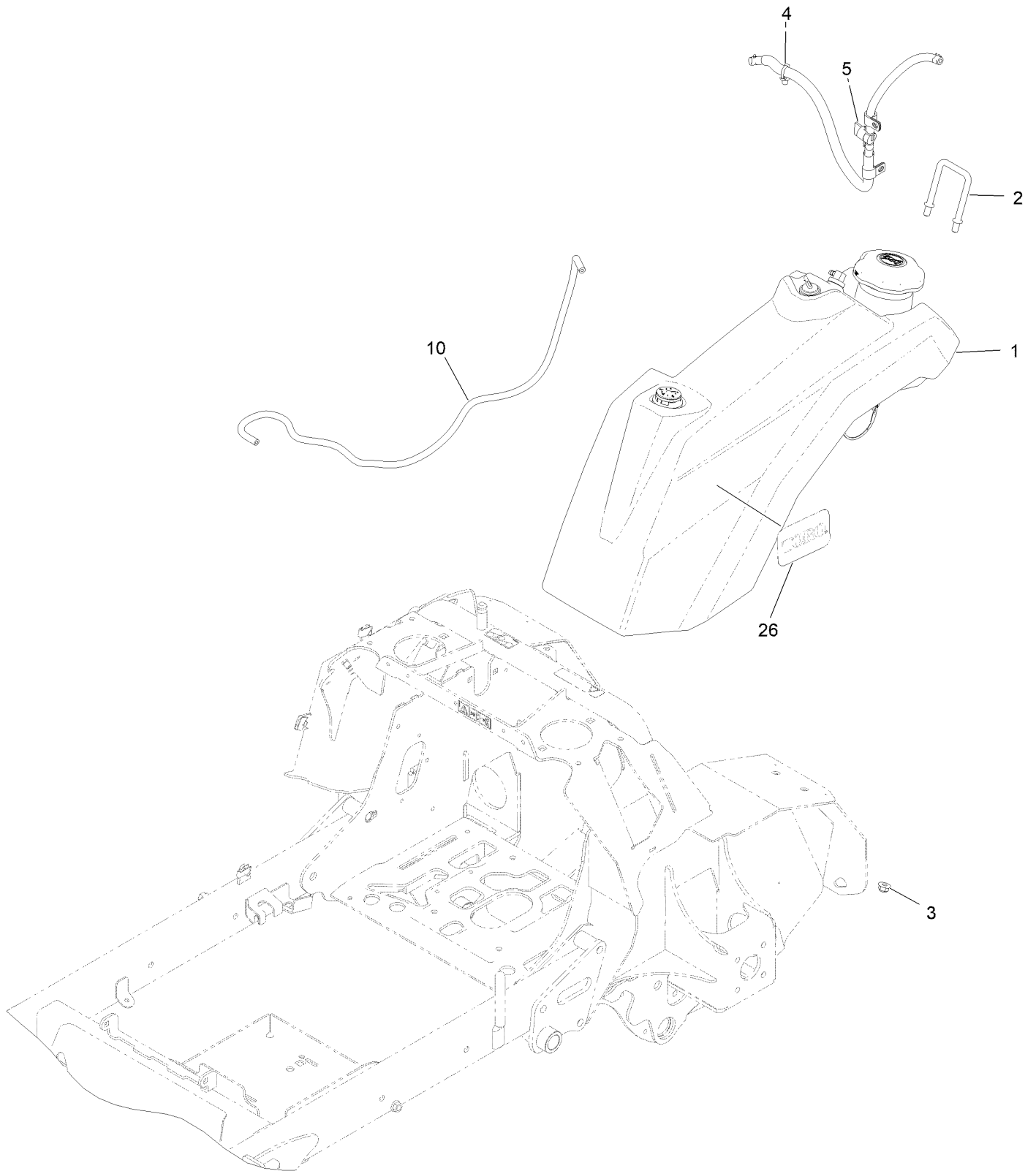
Right Motion Control Assembly No. 135-1305



Right Motion Control Assembly No. 135-1305 (continued)

<i>Ref.</i>	<i>Part Number</i>	<i>Qty.</i>	<i>Description</i>	<i>Ref.</i>	<i>Part Number</i>	<i>Qty.</i>	<i>Description</i>
2	135-2547	1	ASM, Rt Control Lever W/ Grip	4	121-1229	1	Bolt-Shoulder
2:2	135-3301	1	Grip, Drive Lever	5	3296-56	1	Nut-Lock, NI
3	135-6412	4	Bearing, Igus	6	114-0249	1	Spring-Extension

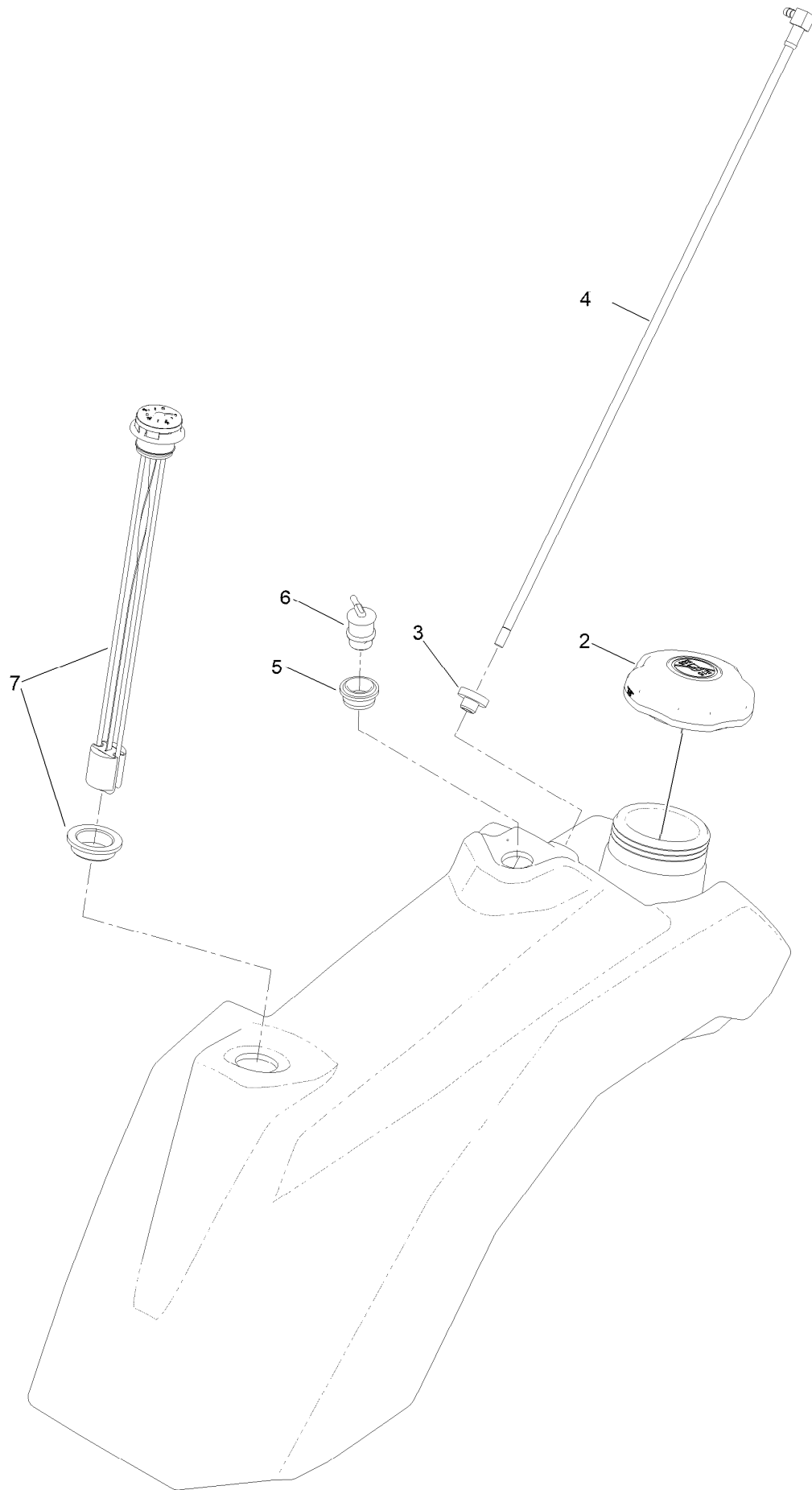
Fuel Assembly



Fuel Assembly (continued)

<i>Ref.</i>	<i>Part Number</i>	<i>Qty.</i>	<i>Description</i>	<i>Ref.</i>	<i>Part Number</i>	<i>Qty.</i>	<i>Description</i>
1	161-6672	1	ASM-Fuel Tank	5	142-3596	1	ASM-Fuel Line & Valve
2	135-1921	1	Clamp, Tank	10	110-3958	1	Hose-Fuel
3	104-8301	2	Nut-HF, NI	26	161-6663	1	Decal-Toro Logo
4	32180-030	1	Clip-Tie				

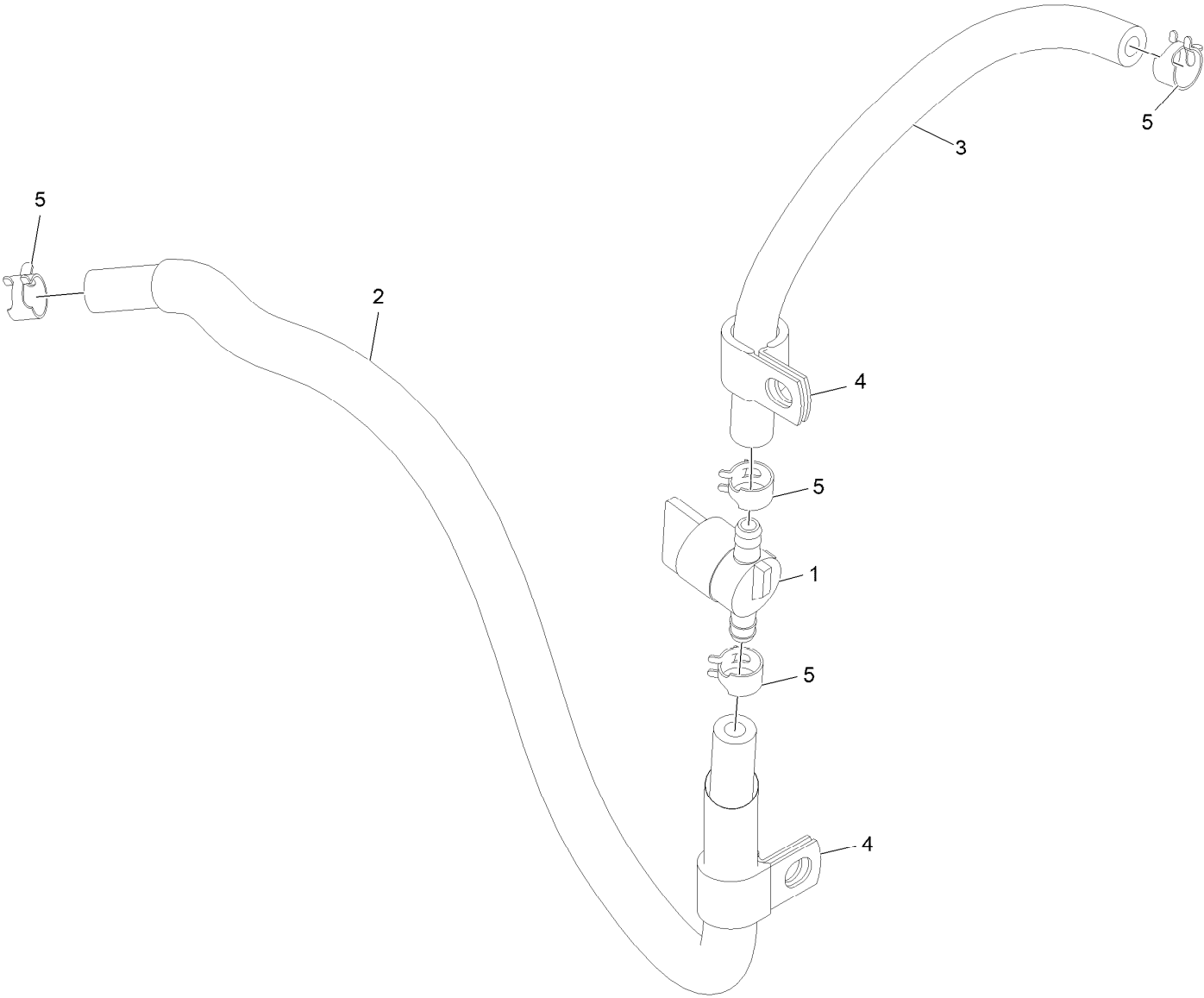
Fuel Tank Assembly No. 161-6672



Fuel Tank Assembly No. 161-6672 (continued)

<i>Ref.</i>	<i>Part Number</i>	<i>Qty.</i>	<i>Description</i>	<i>Ref.</i>	<i>Part Number</i>	<i>Qty.</i>	<i>Description</i>
2	137-4119	1	Cap-Fuel, Ratcheting	5	114-0284	1	Grommet
3	46-6560	1	Bushing	6	119-3547	1	Valve-Vent, Fuel
4	135-1917	1	Straw, Fuel, Long	7	135-3693	1	ASM-Fuel Gauge

Fuel Line and Valve Assembly No. 142-3596

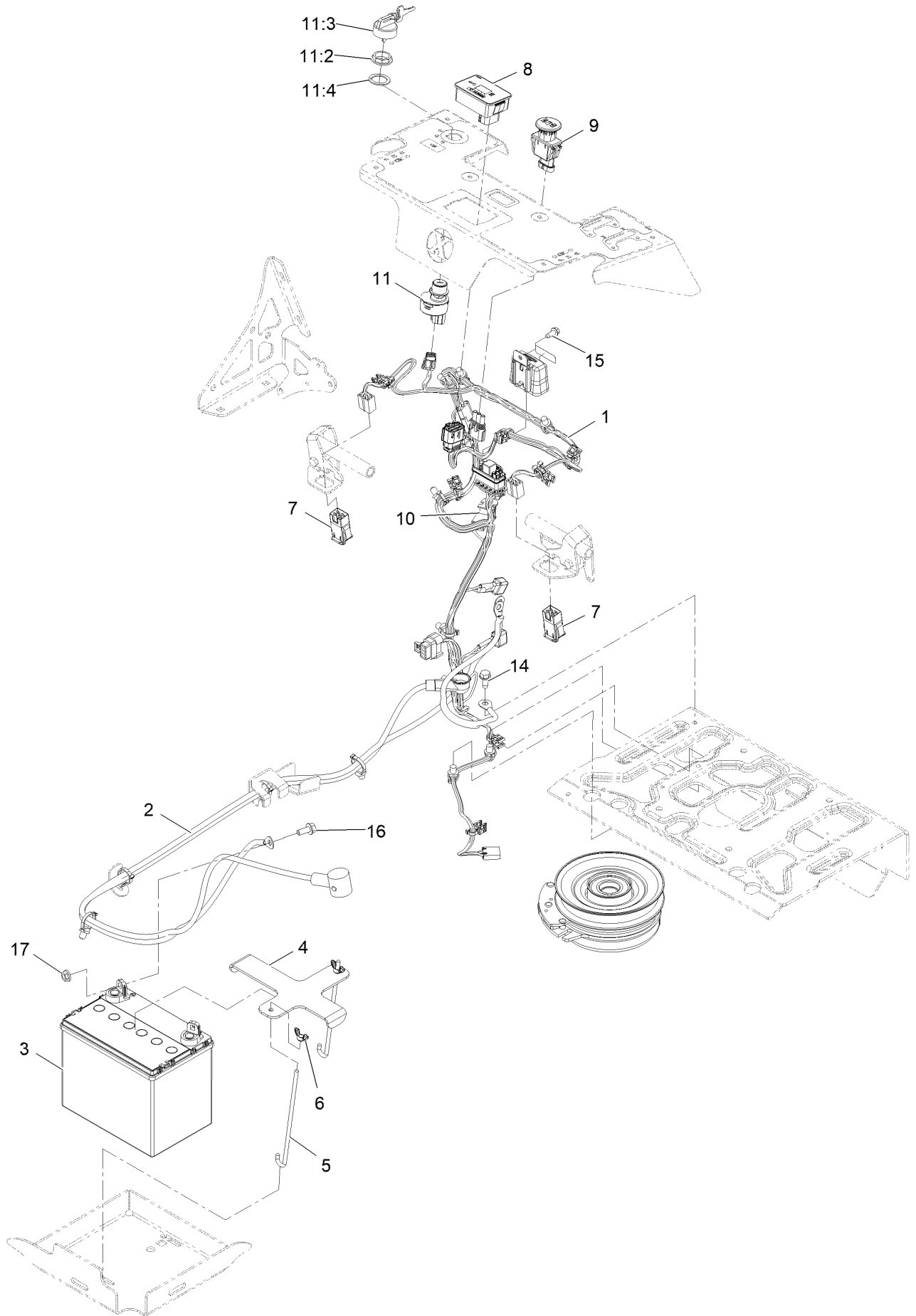


Fuel Line and Valve Assembly No. 142-3596 (continued)

<i>Ref.</i>	<i>Part Number</i>	<i>Qty.</i>	<i>Description</i>
1	1-603770	1	Valve-Fuel
2	109-0298	1	Line-Fuel
3	109-0293	1	Hose-Fuel

<i>Ref.</i>	<i>Part Number</i>	<i>Qty.</i>	<i>Description</i>
4	92-6064	2	Clamp-R
5	2412-98	4	Clamp-Hose

Electrical Assembly



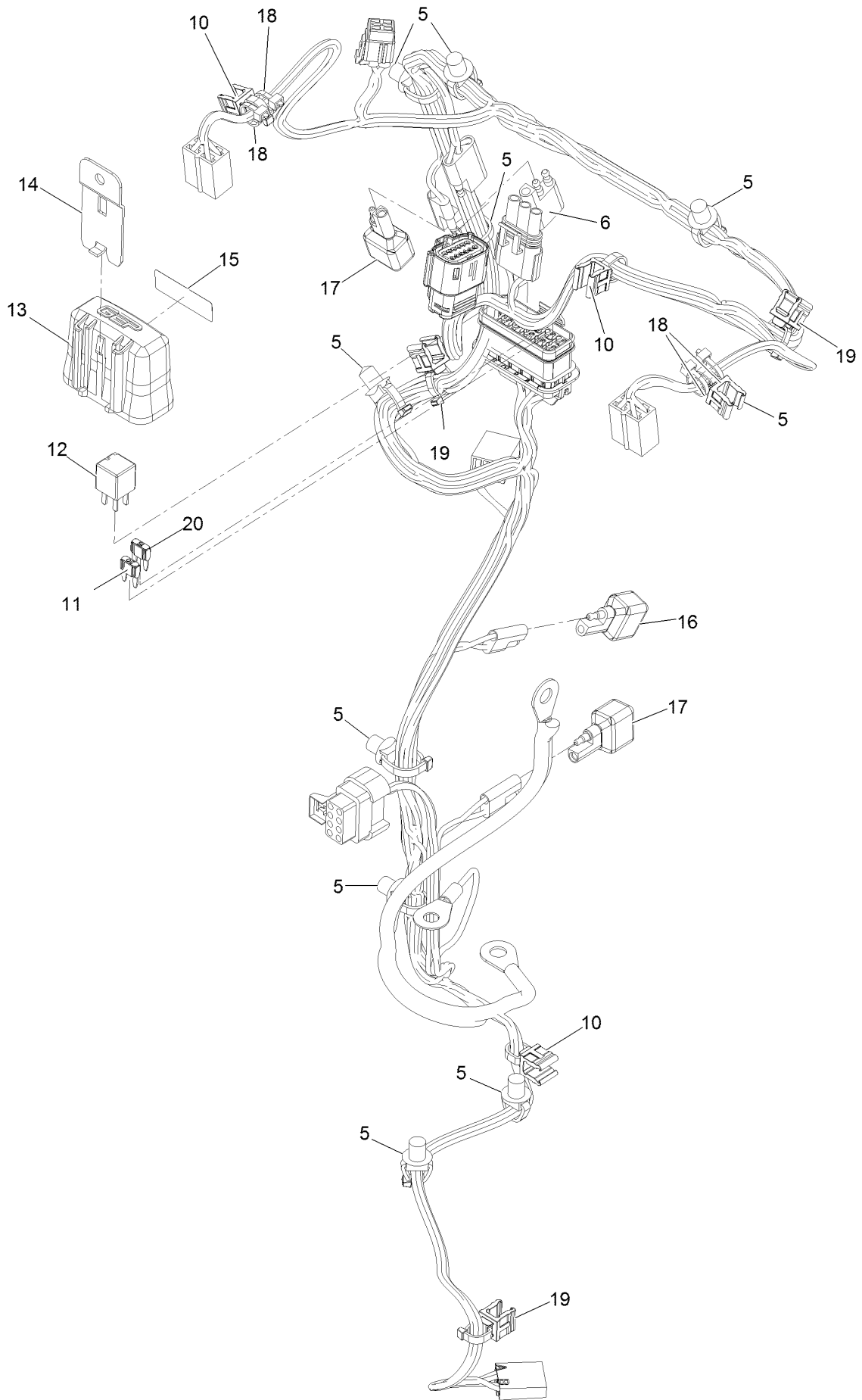
Electrical Assembly (continued)

<i>Ref.</i>	<i>Part Number</i>	<i>Qty.</i>	<i>Description</i>	<i>Ref.</i>	<i>Part Number</i>	<i>Qty.</i>	<i>Description</i>
1	142-2926	1	Harness-Wiring ■	11	126-6285	1	Ignition Switch ASM
2	135-2255	1	Harness-Battery	11:2	108-8660	1	Nut-Mounting
3	99-7421	1	Battery- Wet, 12V, 300 CCA	11:3	106-5270	1	Ignition Key Set
4	135-2056	1	Bracket, Battery Hold Down	11:4	108-8659	1	Washer-Backup
5	1-633651	2	Bolt-Holddown	14	32144-11	1	Screw-HWH 5/16-18 X 3/4 Tf
6	1-543792	2	Wingnut-Nyloc 1/4-20	15	32144-10	1	Screw-HWH 1/4-20 X .62
7	104-3338	2	Switch-Delta	16	3234-5	2	Screw-HH Flg 5/16-18 X 3/4
8	135-7189	1	Module-Hour Meter	17	32128-20	2	Nut-Whizlock 5/16-18 ●
9	126-6187	1	Switch-PTO, Sealed				
10	82-2190	1	Switch				

● Not illustrated

■ Use dielectric grease on all unsealed connectors and terminals only. Do not apply in sealed connectors.

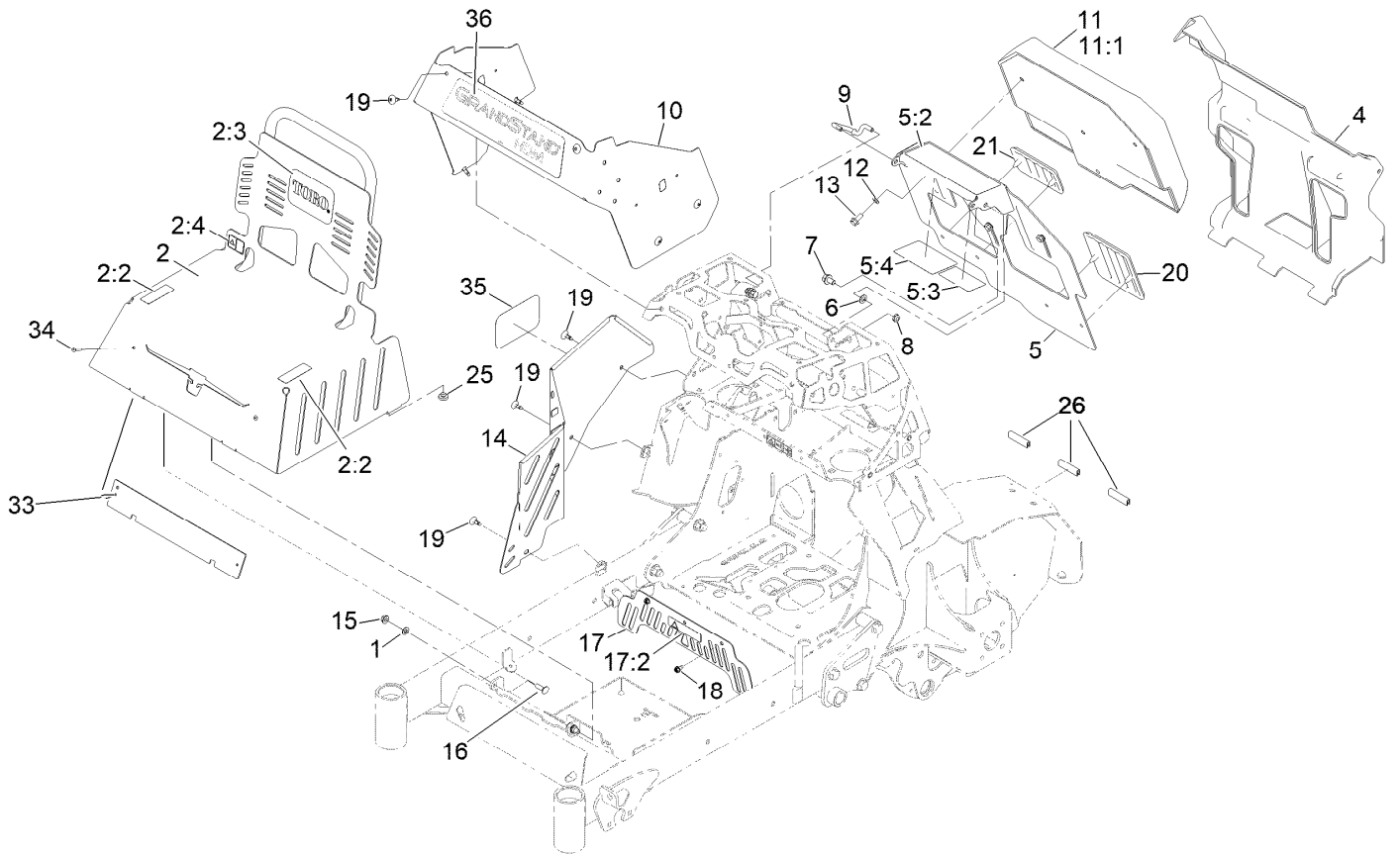
Harness Assembly No. 142-2926



Harness Assembly No. 142-2926 (continued)

<i>Ref.</i>	<i>Part Number</i>	<i>Qty.</i>	<i>Description</i>	<i>Ref.</i>	<i>Part Number</i>	<i>Qty.</i>	<i>Description</i>
5	32180-030	9	Clip-Tie	15	126-7875	1	Decal-Fuse
6	32180-197	1	Cap-Plug	16	103-3895	1	Diode
10	32180-078	4	Clip-Edge	17	100-4918	2	Diode
11	121-8868	1	Fuse-Mini Blade, 20 Amp	18	1-303287	7	Tie-Cable
12	126-3991	1	Relay-Micro	19	32180-082	3	Clip-Edge W/Tie, Perpendicular
13	32180-176	1	Cover-Block, Fuse	20	121-8867	1	Fuse-Mini Blade, 15 Amp
14	32180-177	1	Clip-Mounting				

Guarding Assembly

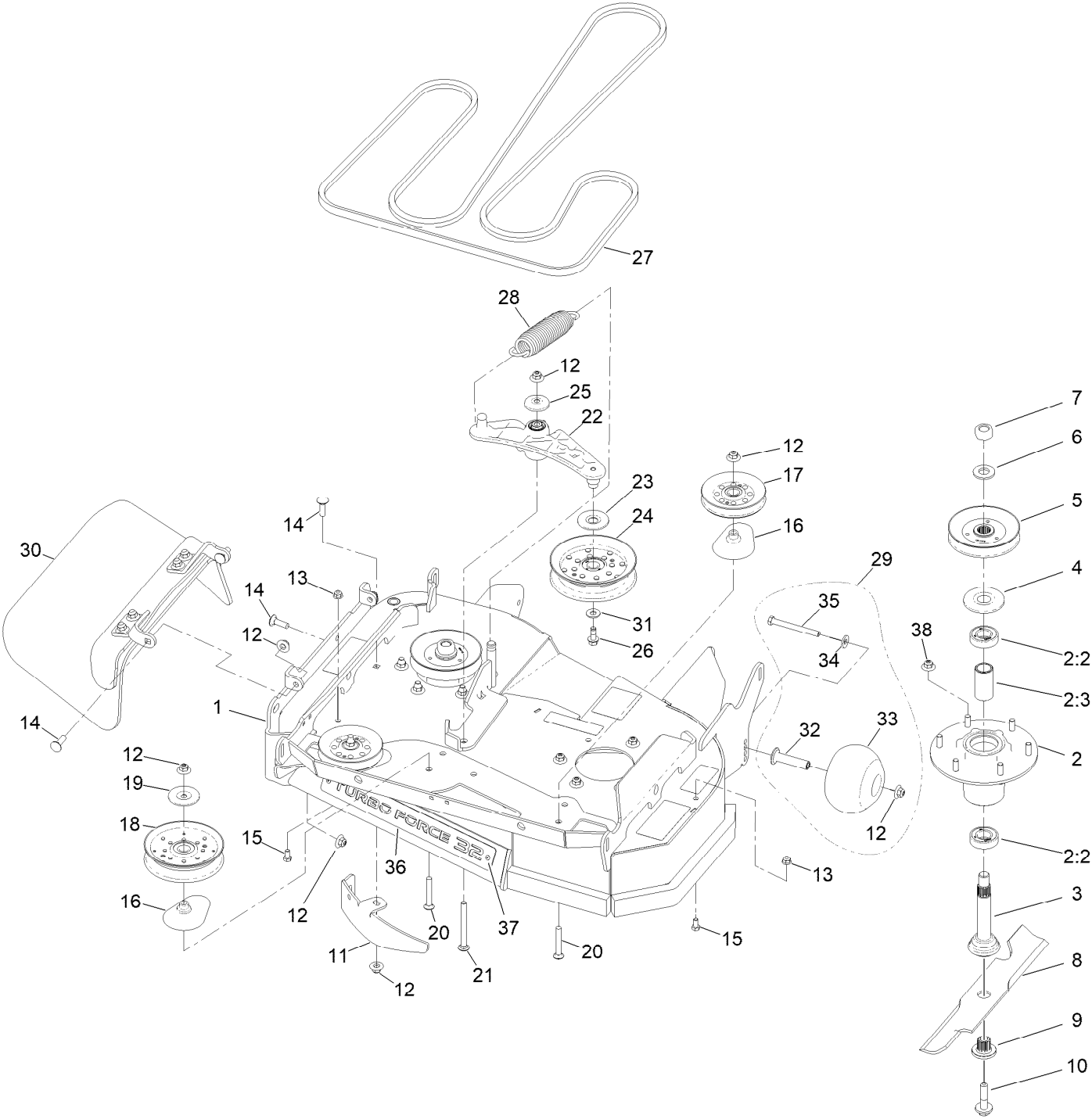


Guarding Assembly (continued)

<i>Ref.</i>	<i>Part Number</i>	<i>Qty.</i>	<i>Description</i>	<i>Ref.</i>	<i>Part Number</i>	<i>Qty.</i>	<i>Description</i>
1	93-6079	2	Spacer-Nylon	12	3290-475	3	Washer-Belleville
2		1	Engine Guard W/Decals ●	13	100-1668	3	Screw-HHF
2:2	136-1672	2	Decal-No Step/Riders	14	146-4142-03	1	Cover-Rt Side
2:3	105-8278	1	Decal	15	32128-25	2	Nut-HF
2:4	106-5517	1	Decal-Warning	16	3230-2	2	Bolt-CARR
4	142-3523	1	Cover-Rear Ste	17	135-2204	1	ASM, Belt Guard W/ Decal
5	135-2601	1	ASM, Pad Backing W/ Decals	17:2	98-1977	1	Decal-Warning
5:2	135-2412	1	Decal-Warning	18	32104-17	2	Screw-HWH
5:3	116-8253	1	Decal-Drive Release	19	135-3494	9	Screw, Torx
5:4	135-2563	1	Decal-Service Aid Sm	20	135-5344	1	Pad, Knee, Lt
6	131-8667	2	Washer-Thrust	21	135-5345	1	Pad, Knee, Rt
7	3234-9	2	Screw-HHF	25	1-513658	2	Bumper
8	3296-59	2	Nut-Lock, NI	26	142-4759	3	Strip-Seal 2.13
9	135-1611	1	Rod, Prop	33	161-3528-01	1	Plate-Backer
10	146-2751-01	1	Skin Tower	34	130-8451	2	Rivet-Trifold
11	161-3555	1	Pad-Thigh	35	105-8278	1	Decal
11:1	161-3554	1	Cover Pad	36	161-6662	1	Decal-Gradstand Hdm

● Not serviced separately

32 Inch Deck Assembly

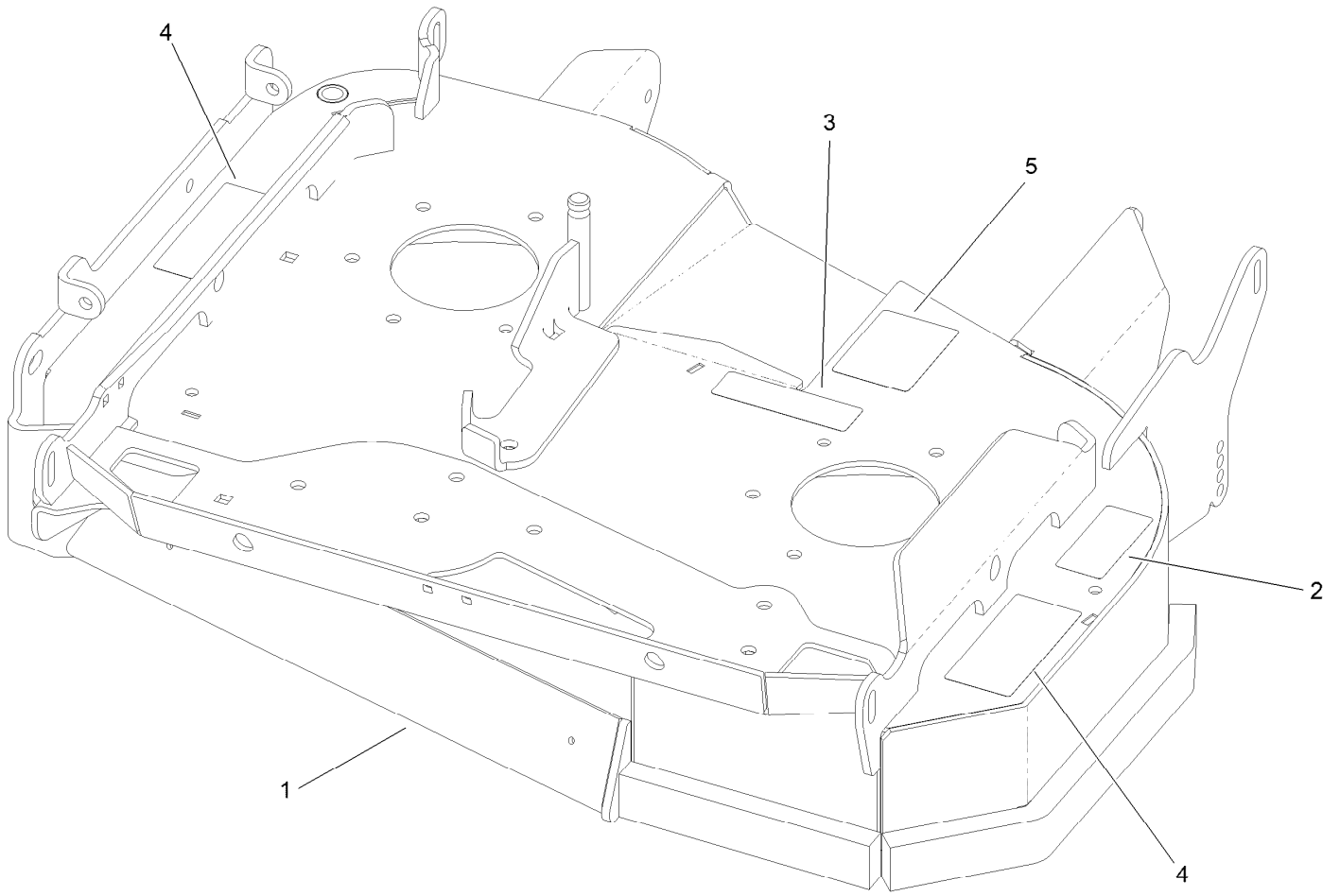


32 Inch Deck Assembly (continued)

<i>Ref.</i>	<i>Part Number</i>	<i>Qty.</i>	<i>Description</i>	<i>Ref.</i>	<i>Part Number</i>	<i>Qty.</i>	<i>Description</i>
1		1	ASM 32 Deck ●	18	146-4624	1	Pulley-Idler, Flat
1	161-6758	1	ASM-Deck W/Decals	19	126-8043	1	Shield-Dust
2	146-5285	2	ASM-Cutter Hsg With Bearings	20	3231-31	3	Screw-CARR
2:2	116-0720	2	Bearing-Ball	21	135-0313	1	Screw-CARR
2:3	116-3312	1	Spacer-Bearing	22	135-1679	1	ASM.-Arm, Idler
3	116-3342	2	ASM-Spindle And Seal	23	126-9195	1	Shield-Guard, Dust
4	116-1286	2	Guard,Bearing Top .989	24	146-4609	1	Idler-Pulley, Flat
5	135-4808	2	Sheave-Blade Drive	25	103-2916	1	Guard-Top
6	103-2802	2	Washer	26	126-1680	1	Screw-HHF
7	116-7306	2	Nut-Hex	27	135-7353	1	Belt-V
8	146-3406	2	Blade-High Flow	28	116-6317	1	Spring-Extension
9	103-3037	2	Bushing, Splined	29	116-9981	1	Kit, Anti-Scalp Roller
10	109-9220	2	Screw-Sems	30	142-6489	1	Rubber Deflector ASM
11	126-2783-01	1	Baffle, Dogleg	31	3256-4	1	Washer-Flat
12	109-6658	9	Nut-Flange, NI	32	116-8131	1	Axle, Roller
13	104-8300	2	Nut-HF, NI	33	103-8415	1	Roller-Anti-Scalp
14	3231-25	4	Bolt-CARR	34	98-5975	1	Washer-Belleville
15	322-2	2	Screw-HH	35	116-9362	1	Screw-HH
16	109-2872	3	Spacer-Pulley	36	161-3543-03	1	Plate-Badge [black]
17	135-4398	2	Idler - V 4.13 Eod-A	37	130-8451	2	Rivet-Trifold
				38	104-8301	12	Nut-HF, NI

● Not serviced separately

Decal Deck Assembly No. 161-6758

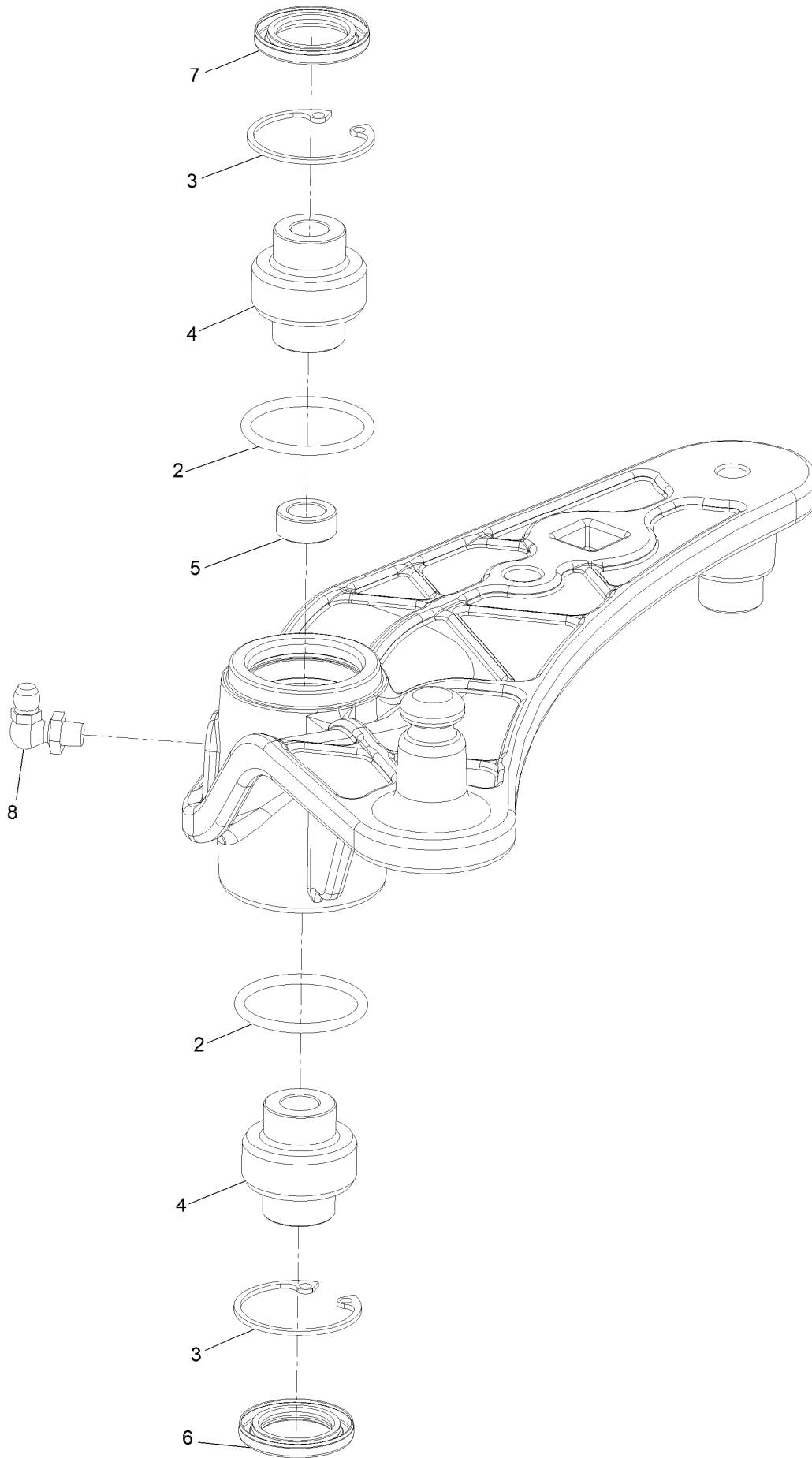


Decal Deck Assembly No. 161-6758 (continued)

<i>Ref.</i>	<i>Part Number</i>	<i>Qty.</i>	<i>Description</i>	<i>Ref.</i>	<i>Part Number</i>	<i>Qty.</i>	<i>Description</i>
1		1	ASM-Deck W/Decals ●	4	142-6830	2	Decal-Warning Thrown Object
2	116-8283	1	Decal-Torque, Bolt	5	135-3004	1	Decal-Belt Routing
3	112-9028	1	Decal-Cover, Missing				

● Not serviced separately

Idler Assembly No. 135-1679

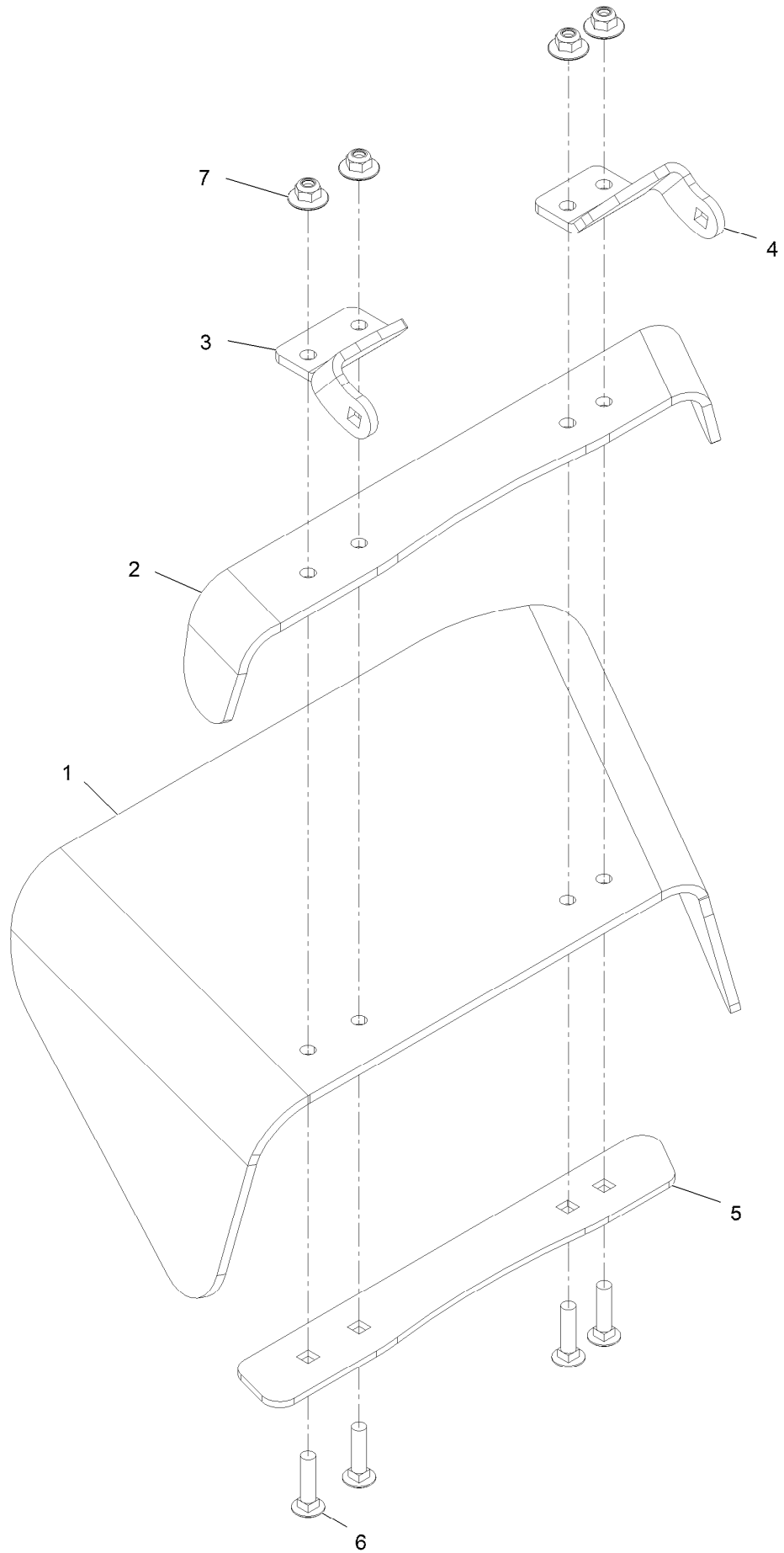


Idler Assembly No. 135-1679 (continued)

<i>Ref.</i>	<i>Part Number</i>	<i>Qty.</i>	<i>Description</i>
2	106-7159	2	O-Ring
3	32120-10	2	Ring-Retaining
4	103-3504	2	Bearing-Spherical
5	103-5677	1	Spacer

<i>Ref.</i>	<i>Part Number</i>	<i>Qty.</i>	<i>Description</i>
6	103-3505	1	Seal-Lip, Double
7	103-3506	1	Seal-Single Lip
8	302-40	1	Zerk-90° 1/4-28

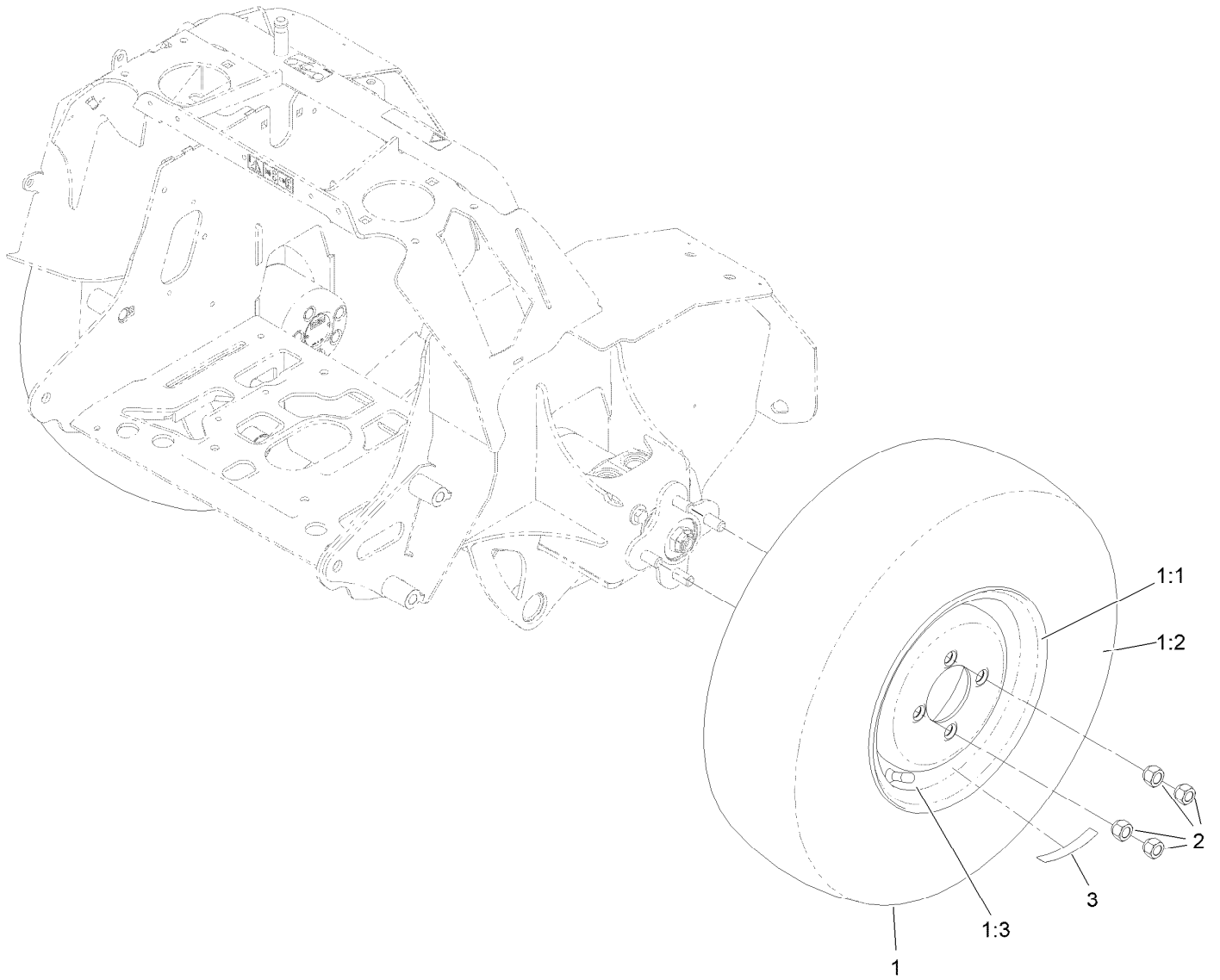
Rubber Deflector Assembly No. 142-6489



Rubber Deflector Assembly No. 142-6489 (continued)

<i>Ref.</i>	<i>Part Number</i>	<i>Qty.</i>	<i>Description</i>	<i>Ref.</i>	<i>Part Number</i>	<i>Qty.</i>	<i>Description</i>
1	135-2157	1	Deflector-Rubber	5	135-2156-03	1	Strap-Bottom Deflector
2	135-2155-01	1	Bracket-Top Deflector	6	3231-4	4	Bolt-Carriage 3/8-16 X 1 1/2
3	142-6487-01	1	Bracket-Deflector	7	109-6658	4	Nut-Nyloc 3/8-16 Flg
4	142-6488-01	1	Bracket-Deflector				

Drive Wheel Assembly

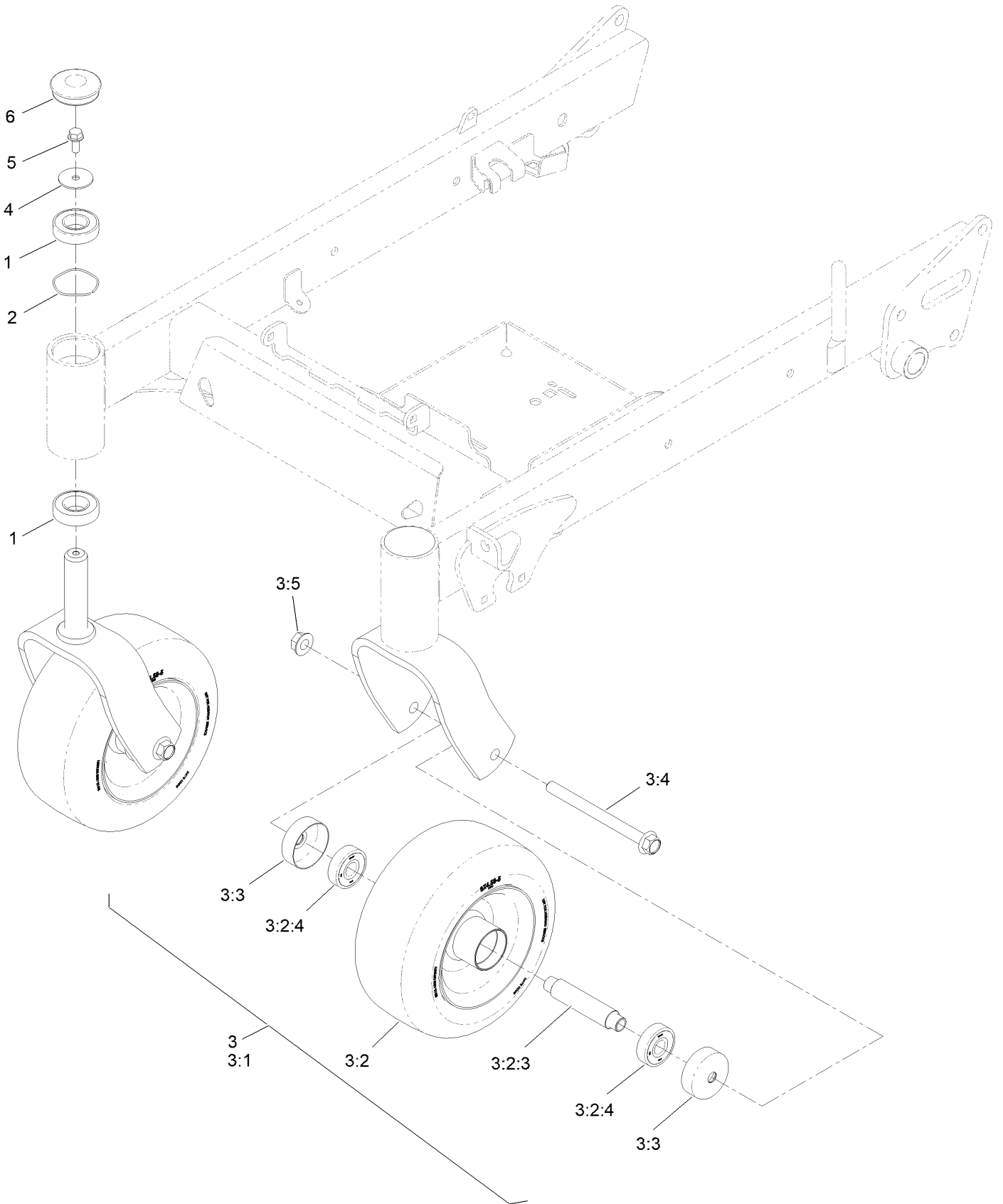


Drive Wheel Assembly (continued)

<i>Ref.</i>	<i>Part Number</i>	<i>Qty.</i>	<i>Description</i>
1	161-3515	2	Wheel And Tire ASM
1:1	161-3509	1	Wheel 10X5.5
1:2	135-1623	1	Tire 21X7.00-10
1:3	232-27	1	Stem-Valve

<i>Ref.</i>	<i>Part Number</i>	<i>Qty.</i>	<i>Description</i>
2	139-2564	8	Nut-Lug
3	126-2056	2	Decal-Torque Wheel Lug-Hub

Caster Wheel Assembly



Caster Wheel Assembly (continued)

<i>Ref.</i>	<i>Part Number</i>	<i>Qty.</i>	<i>Description</i>	<i>Ref.</i>	<i>Part Number</i>	<i>Qty.</i>	<i>Description</i>
1	109-3678	4	Bearing-Ball	3:2:4	116-4004	2	Bearing
2	126-5897	2	Spring	3:3	135-3218	2	Guard, Seal
3		2	ASM-Caster Fork W/Tire ●	3:4	135-4633	1	Screw-HHF
3:1	135-1651-01	1	ASM-Caster Fork [red]	3:5	32128-23	1	Nut-HF
3:2	161-3505	1	ASM-Tire & Whl Sp 9X4.50-5	4	3256-68	2	Washer-Flat
3:2:3	126-7904	1	Axle-Caster	5	3234-5	2	Screw-HHF
				6	144-0375	2	Cap, Grease

● Not serviced separately

Attachments and Accessories

For 74532 Grandstand 32in HDM

Product Name	Model/Part
Bucket Mount Kit.....	136-5681
Blade, Medium Flow 16.25 (.94 Hole).....	146-3403
6 PACK - BLADE, 16.25 MED FLOW.....	146-3403P6
Blade, Low Flow 16.25 (.94 Hole).....	146-3404
6 PACK - BLADE, 16.25 LOW FLOW.....	146-3404P6
Blade, Recycler 16.25 (.94 Hole).....	146-3405
6 PACK - BLADE, 16.25 RECYCLER.....	146-3405P6
Blade-high Flow.....	146-3406
6 PACK - BLADE, 16.25 HIGH FLOW.....	146-3406P6
Blade-atomic, 16.25".....	146-3407
6 PACK - BLADE, 16.25 ATOMIC.....	146-3407P6
Flasher Light Kit.....	161-6716
LED Work Light Kit.....	161-6717
KIT-32" MULCH.....	161-6718
12V Power Adapter Kit.....	161-6720
Trash Container Kit.....	161-6721
3-Bushel Bagger.....	161-6831

Notes:

Notes:

Notes:



Count on it.