



**Count on it.**

**Parts Catalog**

**Groundsmaster® 5910**

**Rotary Mower**

Model No. 31699—Serial No. 416926500 and Up



# Ordering Replacement Parts

To order replacement parts, please supply the part number, the quantity, and the description of each part desired.

## **Understanding Reference Numbers**

Each identified part in an illustration has a reference number. The reference number for a part also appears in the parts list, along with other information about the part.

This catalog uses two special reference number formats, one to indicate parts in a service assembly and another to indicate the quantity of a given part in an illustration.

## **Service Assembly Reference Numbers**

Parts in service assemblies have reference numbers in the form a:b. The a represents the reference number of the entire service assembly and the b represents a sequential number unique to each part within the service assembly.

For example, a wheel assembly might be identified by reference number 6, the tire by 6:1, the valve by 6:2, and the wheel by 6:3. When you order the assembly identified by reference number 6, you receive all parts identified by reference numbers 6:1, 6:2, and 6:3. However, you may also order any part individually. Reference numbers of this type appear in illustration and in parts lists.

## **Reference Numbers Indicating Quantity**

In an illustration, if a reference number indicates more than one part, the reference number has the form nX y. The n represents the quantity of the part, the X is the multiplication symbol, and the y represents the reference number.

For example, in an illustration, the reference number 2X 37 means that two of the parts identified by reference number 37 are indicated.

# Contents

|   |    |
|---|----|
| Frame Assembly  | 6  |
| Rear Axle Assembly                                      | 8  |
| Axle Assembly No. 114-5982-03                           | 10 |
| Tie Rod Assembly No. 147-3564                           | 11 |
| Engine and Mount Assembly                               | 12 |
| Alternator Assembly                                     | 14 |
| Hydraulic Cooling Assembly                              | 16 |
| Radiator and Cooling Fan Assembly                       | 18 |
| Air Cleaner Assembly                                    | 20 |
| Fuel System Assembly                                    | 22 |
| Traction Hydraulic Assembly                             | 24 |
| Piston Pump Assembly No. 130-9150                       | 26 |
| Hydraulic Gear Pump Assembly No. 130-2520               | 28 |
| Traction Manifold Assembly                              | 30 |
| Hydraulic Traction Valve Manifold Assembly No. 137-5623 | 32 |
| Hydraulic Traction Motors Assembly                      | 34 |
| Hydraulic Motor Assembly No. 125-5391                   | 36 |
| Hydraulic Motor Assembly No. 125-5434                   | 38 |
| Hydraulic Traction Assembly                             | 40 |
| Hydraulic Motor Assembly No. 132-1425                   | 42 |
| Hydraulic Tank Assembly                                 | 44 |
| Hydraulic Cutting Circuit Assembly                      | 46 |
| Center Cutting Deck Drive Valve Assembly                | 48 |
| Hydraulic Manifold Assembly No. 132-1394                | 49 |
| LH Cutting Deck Drive Valve Assembly                    | 50 |
| Hydraulic Manifold Assembly No. 132-1395                | 51 |
| RH Cutting Deck Drive Valve Assembly                    | 52 |
| Hydraulic Manifold Assembly No. 132-1396                | 53 |
| Hydraulic Motor Assembly No. 125-5392                   | 54 |
| Hydraulic Steering/Lift Circuit Assembly                | 56 |
| Steering/Lift Valve Assembly No. 137-5626               | 58 |
| Hydraulic Steering/Lift Manifold Assembly No. 137-5625  | 60 |
| Hydraulic Cylinder Assembly No. 114-4831                | 62 |
| Hydraulic Cylinder Assembly No. 114-4830                | 63 |
| Hydraulic Cylinder Assembly No. 114-5685                | 64 |
| Manual Parking Brake Manifold Assembly No. 132-1378     | 65 |
| Hydraulic Parking Brake Manifold Assembly No. 132-1399  | 66 |
| Hydraulic Steering Assembly                             | 68 |
| Steering Valve Assembly No. 132-6256                    | 70 |
| Hydraulic Cylinder Assembly No. 132-1308                | 72 |
| Hydraulic Filter Manifold Assembly                      | 73 |
| Side Panel and Bumper Assembly                          | 74 |
| Hood Assembly   | 76 |
| Center Front Deck Connection Assembly                   | 78 |
| LH Front Lift Arm Assembly No. 138-6368                 | 80 |
| RH Front Lift Arm Assembly No. 138-6369                 | 82 |
| Center Front and Winglet Deck Assembly                  | 84 |
| Center Front Deck and Decal Assembly No. 130-9201       | 85 |
| Right Front Deck and Decal Assembly No. 130-9218        | 86 |
| Left Front Deck and Decal Assembly No. 130-9210         | 87 |
| Center Deck Belt, Pulley and Spindle Assembly           | 88 |
| Single Driving Spindle Assembly No. 139-1034            | 90 |
| Double Driven Spindle Assembly No. 139-1033             | 92 |
| High Driven Spindle Assembly No. 139-1032               | 94 |

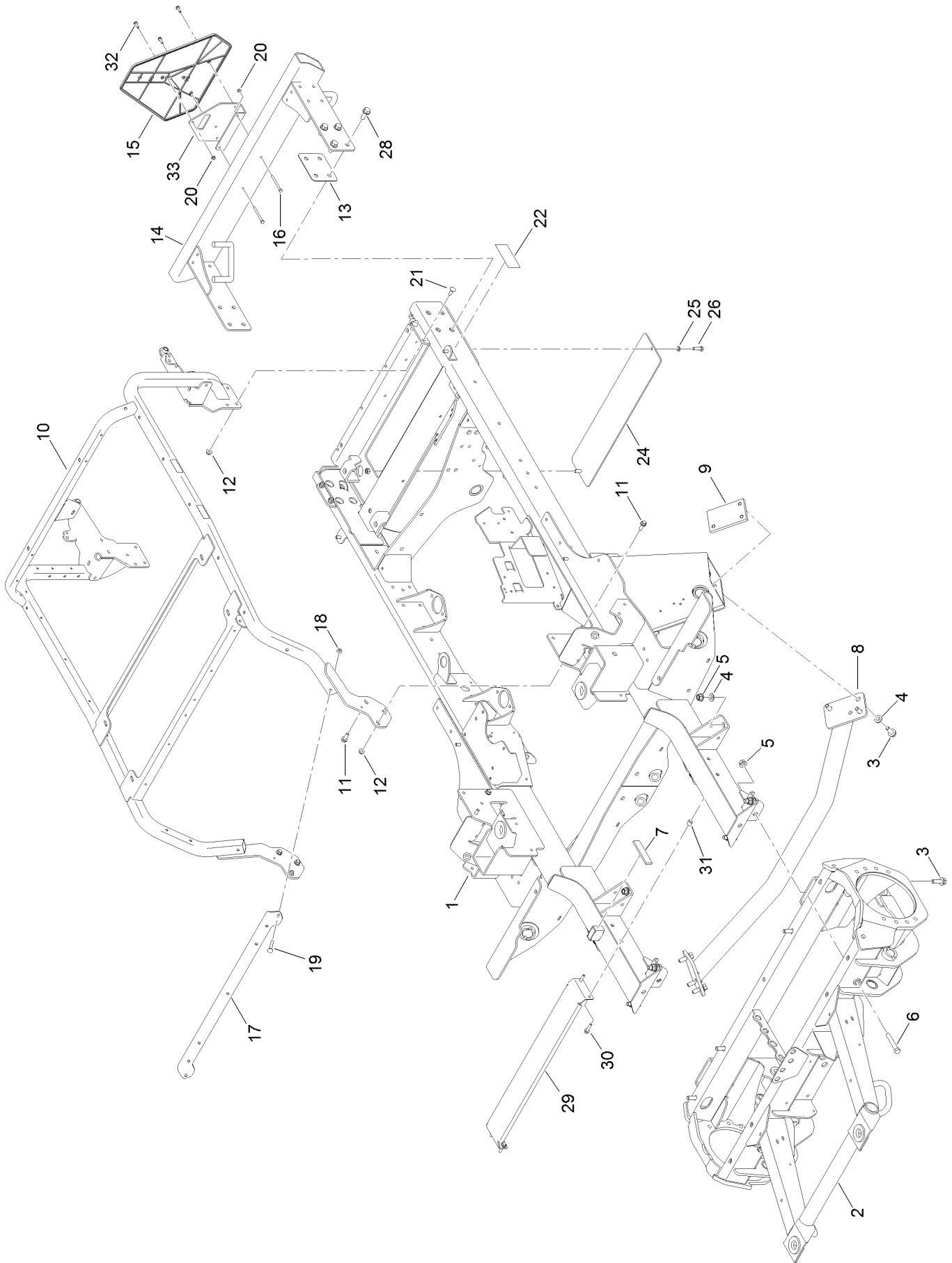
# Contents (continued)

|  |     |
|--|-----|
| Center Deck Roller, Skid and Caster Wheel Assembly . . . . .     | 96  |
| 10 Inch Wheel Assembly No. 93-4240 . . . . .                     | 97  |
| Center Front Deck Spindle and Blade Assembly . . . . .           | 98  |
| Center Front Deck Belt Cover Assembly . . . . .                  | 99  |
| Center Front Deck Chamber and Discharge Assembly . . . . .       | 100 |
| Center Front Deck Transport Damper Assembly . . . . .            | 101 |
| Left Hand Deck Connection Assembly . . . . .                     | 102 |
| Left Hand Deck Belt, Pulley and Spindle Assembly . . . . .       | 104 |
| Left Hand Deck Decal Assembly No. 130-9271 . . . . .             | 106 |
| Left Hand Deck Skid and Caster Wheel Assembly . . . . .          | 107 |
| Left Hand Deck Spindle and Blade Assembly . . . . .              | 108 |
| Left Hand Deck Belt Cover Assembly . . . . .                     | 109 |
| Left Hand Deck Chamber Assembly . . . . .                        | 110 |
| Left Hand Deck Stop Assembly . . . . .                           | 111 |
| Left Hand Deck Impact Arm and Limit Switch Assembly . . . . .    | 112 |
| Impact Damper Assembly No. 137-1648 . . . . .                    | 114 |
| Left Hand Deck Transport Lock Assembly . . . . .                 | 116 |
| Right Hand Deck Connection Assembly . . . . .                    | 118 |
| Right Hand Deck Belt, Pulley and Spindle Assembly . . . . .      | 120 |
| Right Hand Deck Decal Assembly No. 130-9241 . . . . .            | 122 |
| Right Hand Deck Spindle and Blade Assembly . . . . .             | 123 |
| Right Hand Deck Belt Cover Assembly . . . . .                    | 124 |
| Right Hand Deck Chamber Assembly . . . . .                       | 126 |
| Right Hand Deck Impact Arm and Limit Switch Assembly . . . . .   | 128 |
| Right Hand Deck Transport Lock Assembly . . . . .                | 130 |
| Platform Assembly . . . . .                                      | 132 |
| Seat Mount Assembly . . . . .                                    | 134 |
| Air Ride Seat Suspension Assembly No. 130-2702 . . . . .         | 136 |
| Control Console Assembly . . . . .                               | 138 |
| Traction Pedal Assembly . . . . .                                | 140 |
| Steering Column Assembly . . . . .                               | 142 |
| Steering Column Assembly No. 132-6230 . . . . .                  | 144 |
| Front Electrical Component Assembly . . . . .                    | 146 |
| Mid Electrical Component Assembly . . . . .                      | 147 |
| Rear Electrical Component Assembly . . . . .                     | 148 |
| Battery Cable Routing Assembly . . . . .                         | 150 |
| Wire Harness Assembly . . . . .                                  | 152 |
| Platform Wire Harness Assembly No. 122-1964 . . . . .            | 154 |
| Rear Wire Harness Assembly No. 122-1963 . . . . .                | 156 |
| Engine Wire Harness Assembly No. 122-1556 . . . . .              | 158 |
| Cab Mounting Assembly . . . . .                                  | 160 |
| Cloth Premium Seat Assembly No. 117-9429 . . . . .               | 162 |
| Light Mount Kit Assembly No. 140-6698 . . . . .                  | 163 |
| A/C Compressor Mount and Cab Fluids Assembly . . . . .           | 164 |
| Cab Frame, Mirror and Decal Assembly . . . . .                   | 166 |
| Windshield Wiper, Filter and Air Conditioning Assembly . . . . . | 168 |
| Air Conditioning Duct Assembly No. 132-3468 . . . . .            | 170 |
| Window and Door Assembly . . . . .                               | 172 |
| Left Hand Door Assembly . . . . .                                | 174 |
| Right Hand Door Assembly . . . . .                               | 176 |
| Left Side Hose Assembly For Cab Model Only . . . . .             | 178 |
| Pre-Filter Screen Assembly . . . . .                             | 180 |
| Right Side Hose Assembly For Cab Model Only . . . . .            | 182 |
| Roof and Headliner Assembly . . . . .                            | 184 |

# Contents (continued)

|  |     |
|--|-----|
| Headliner Wire Harness and Control Assembly . . . . .                            | 186 |
| Wire Harness Assembly No. 122-2129 . . . . .                                     | 188 |
| Mixing Box Mounting Bracket and Water Tray Assembly For Cab Model Only . . . . . | 190 |
| Blower Fan and Evaporator Core Assembly For Cab Model Only . . . . .             | 192 |
| Heat / Air Conditioner Housing Assembly For Cab Model Only . . . . .             | 194 |
| Air Diverter and Expansion Valve Assembly . . . . .                              | 196 |
| Air Diverter Assembly No. 121-8369 . . . . .                                     | 198 |
| Cylinder Block Assembly . . . . .  | 200 |
| Gear Housing Assembly . . . . .  | 202 |
| Flywheel Housing and Oil Sump Assembly . . . . .                                 | 203 |
| Cylinder Head and Cover Assembly . . . . .                                       | 204 |
| Suction Manifold Assembly . . . . .  | 206 |
| Exhaust Manifold Assembly . . . . .  | 207 |
| Diesel Particulate Filter Assembly . . . . .                                     | 208 |
| Camshaft and Driving Gear Assembly . . . . .                                     | 210 |
| Turbine Assembly . . . . .   | 211 |
| Crankshaft and Piston Assembly . . . . .   | 212 |
| Lubrication and Oil System Assembly . . . . .                                    | 213 |
| Lubrication Oil Pipe Assembly . . . . .  | 214 |
| Cooling Water System Assembly . . . . .  | 215 |
| Fuel Supply Pump Assembly . . . . .  | 216 |
| Fuel Injection Valve Assembly . . . . .  | 218 |
| Fuel Pipe Assembly . . . . .   | 219 |
| Starter Motor Assembly . . . . .   | 220 |
| Electronic Control Unit Assembly . . . . .                                       | 222 |
| Generator Assembly . . . . .   | 224 |
| Electric Parts Assembly . . . . .  | 225 |
| Gasket Set . . . . .   | 226 |
| Attachments and Accessories . . . . .  | 228 |

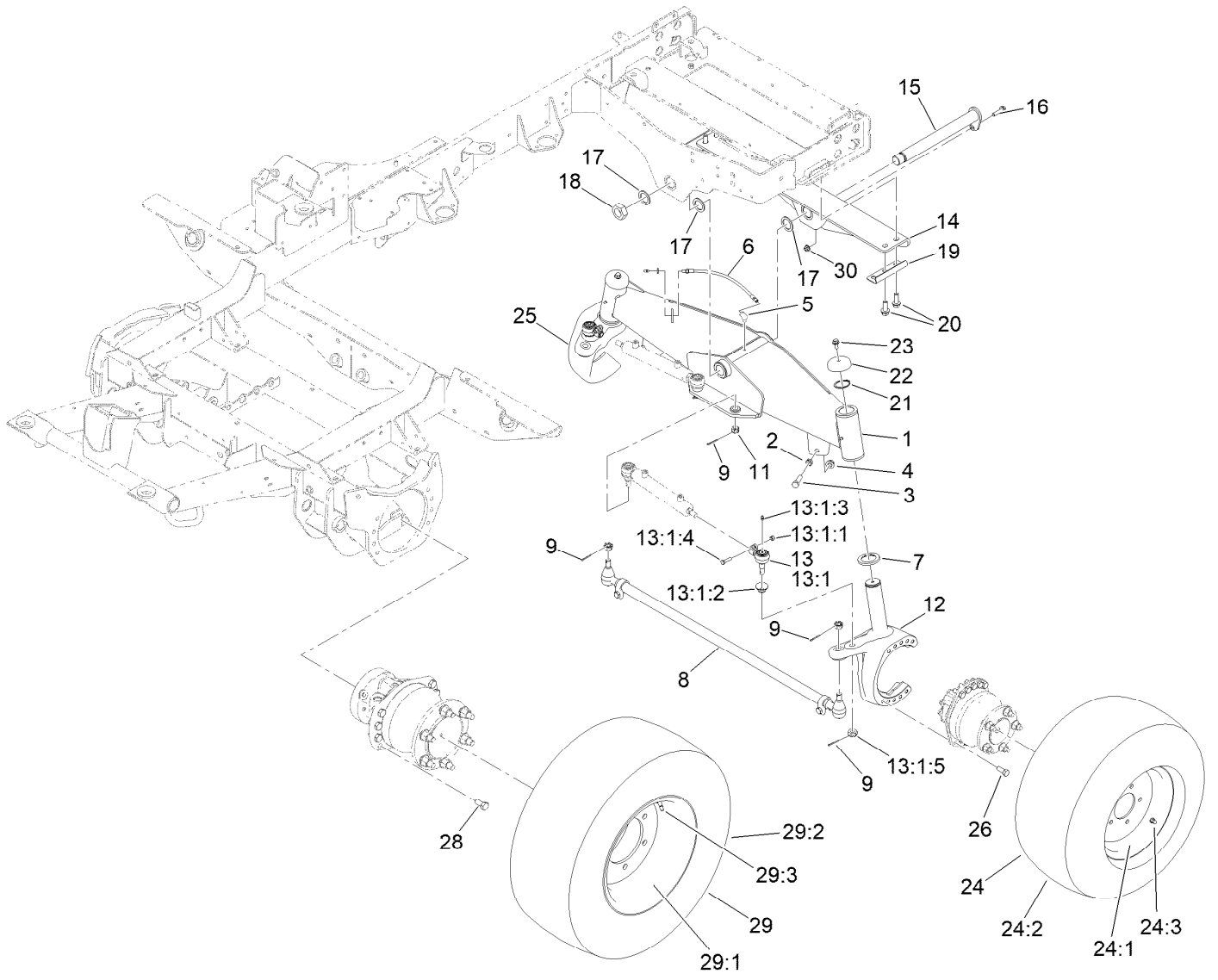
# Frame Assembly



## Frame Assembly (continued)

| <i>Ref.</i> | <i>Part Number</i> | <i>Qty.</i> | <i>Description</i>          | <i>Ref.</i> | <i>Part Number</i> | <i>Qty.</i> | <i>Description</i>    |
|-------------|--------------------|-------------|-----------------------------|-------------|--------------------|-------------|-----------------------|
| 1           | 130-2450-01        | 1           | Frame                       | 16          | 321-14             | 2           | Screw-HH              |
| 2           | 137-5608-01        | 1           | Frame-Front                 | 17          | 130-2570-0P        | 1           | Bracket-Mount, Fuse   |
| 3           | 100-6116           | 14          | Screw-HHF                   | 18          | 104-8300           | 2           | Nut-HF, NI            |
| 4           | 3256-26            | 14          | Washer-Flat                 | 19          | 3230-7             | 2           | Bolt-CARR             |
| 5           | 99-5107            | 10          | Nut-Lock                    | 20          | 104-7201           | 5           | Nut-HF, NI            |
| 6           | 325-12             | 2           | Screw-HH                    | 21          | 3231-2             | 4           | Bolt-CARR             |
| 7           | 115-5465           | 1           | Seal-Trim                   | 22          | 108-8014           | 4           | Tape-Reflective (Red) |
| 8           | 114-5969-01        | 1           | Crossmember                 | 24          | 136-4429-01        | 1           | Cover-Frame           |
| 9           | 114-5990           | 2           | Plate-Tapped                | 25          | 3253-21            | 2           | Washer-Lock           |
| 10          | 132-1387           | 1           | Cooler Mount ASM            | 26          | 323-7              | 2           | Screw-HH              |
| 11          | 3234-42            | 8           | Screw-HHF                   | 28          | 3234-38            | 8           | Screw-HHF             |
| 12          | 104-8301           | 6           | Nut-HF, NI                  | 29          | 132-1401-0P        | 1           | Strap-Support, Tank   |
| 13          | 115-5458-0P        | 1           | Shim-Bumper                 | 30          | 3234-36            | 4           | Screw-HHF             |
| 14          | 131-2310-03        | 1           | Bumper                      | 31          | 107-3677           | 2           | Spacer-Tube           |
| 15          | 92-7760            | 1           | Emblem-Vehicle, Slow Moving | 32          | 115-5103           | 3           | Screw-HHF             |
|             |                    |             |                             | 33          | 140-6842-03        | 1           | Mount-Smv             |

# Rear Axle Assembly

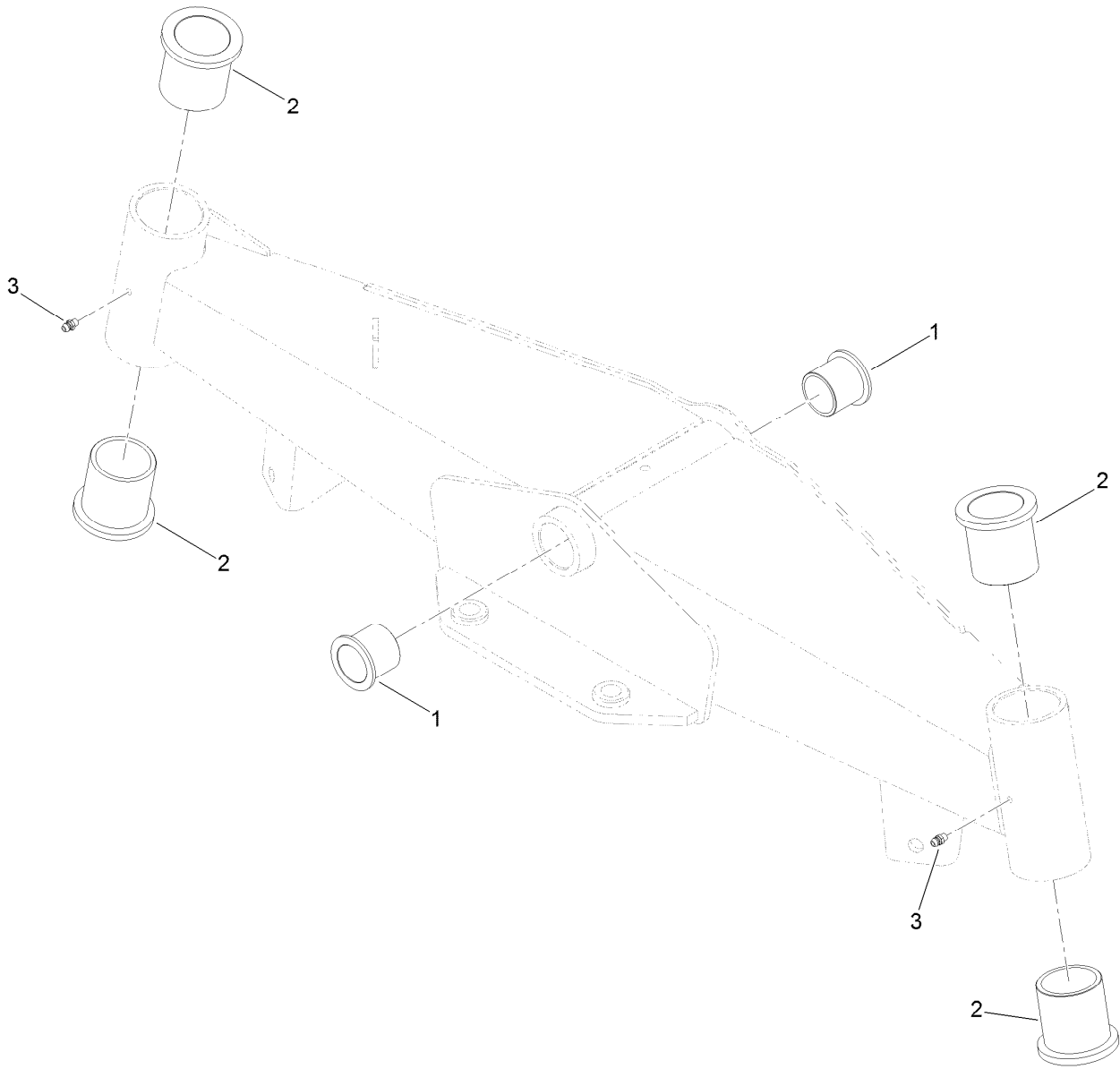




## Rear Axle Assembly (continued)

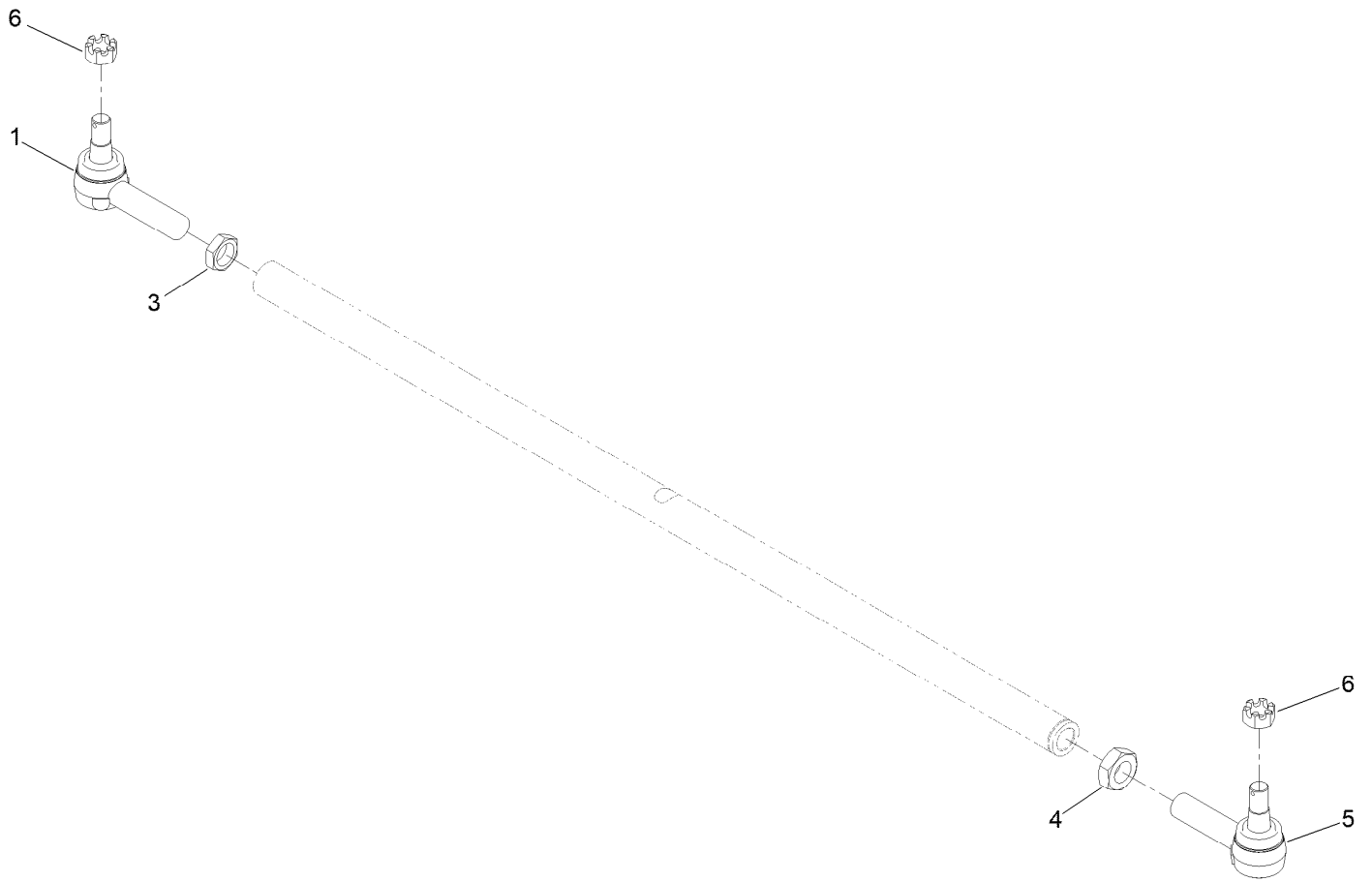
| <i>Ref.</i> | <i>Part Number</i> | <i>Qty.</i> | <i>Description</i>       | <i>Ref.</i> | <i>Part Number</i> | <i>Qty.</i> | <i>Description</i>       |
|-------------|--------------------|-------------|--------------------------|-------------|--------------------|-------------|--------------------------|
| 1           | 114-5982-03        | 1           | Axle ASM                 | 16          | 114-4681           | 1           | Screw-HHF                |
| 2           | 3218-5             | 2           | Nut-Jam                  | 17          | 98-1452            | 3           | Washer-Thrust            |
| 3           | 325-7              | 2           | Screw-HH                 | 18          | 3296-68            | 1           | Nut-Lock, NI             |
| 4           | 99-5107            | 2           | Nut-Lock                 | 19          | 130-9033-01        | 2           | Guard-Hose               |
| 5           | 2811-7             | 1           | Elbow                    | 20          | 100-6116           | 4           | Screw-HHF                |
| 6           | 114-5586           | 1           | Hose ASM (With Fitting)  | 21          | 100-4196           | 2           | Ring-Retaining           |
| 7           | 100-2508           | 2           | Washer-Thrust            | 22          | 100-3362           | 2           | Cap-Spindle              |
| 8           | 147-3564           | 1           | Tie Rod ASM              | 23          | 3234-12            | 2           | Screw-HHF                |
| 9           | 3272-12            | 6           | Pin-Cotter               | 24          | 127-3509           | 2           | Wheel And Tire ASM       |
| 11          | 32136-13           | 2           | Nut-SHH                  | 24:1        | 125-5379           | 1           | Wheel                    |
| 12          | 130-9043-03        | 1           | Spindle-Steer,LH [black] | 24:2        | 117-2901           | 1           | Tire                     |
| 13          | 106-6895-03        | 2           | Ball Joint ASM           | 24:3        | 5108               | 1           | Valve                    |
| 13:1        |                    | 1           | Joint-Ball ●             | 25          | 130-9041-03        | 1           | Spindle-Steer,RH [black] |
| 13:1:1      | 32136-13           | 1           | Nut-SHH                  | 26          | 325-5              | 20          | Screw-HH                 |
| 13:1:2      | 106-6896           | 1           | Seal                     | 28          | 327-3              | 16          | Screw-HH                 |
| 13:1:3      | 302-5              | 1           | Fitting-Grease           | 29          | 131-2380           | 2           | Wheel And Tire ASM       |
| 13:1:4      | 3210-7             | 1           | Screw-HH                 | 29:1        | 131-2381           | 1           | Wheel                    |
| 13:1:5      | 32152-5            | 1           | Nut-Hex                  | 29:2        | 131-2382           | 1           | Tire                     |
| 14          | 110-6033-03        | 1           | Support - Axle [black]   | 29:3        | 232-24             | 1           | Stem-Valve               |
| 15          | 144-4158           | 1           | Pin-Axle                 | 30          | 104-8301           | 1           | Nut-HF, NI               |

● Not serviced separately



## Axle Assembly No. 114-5982-03

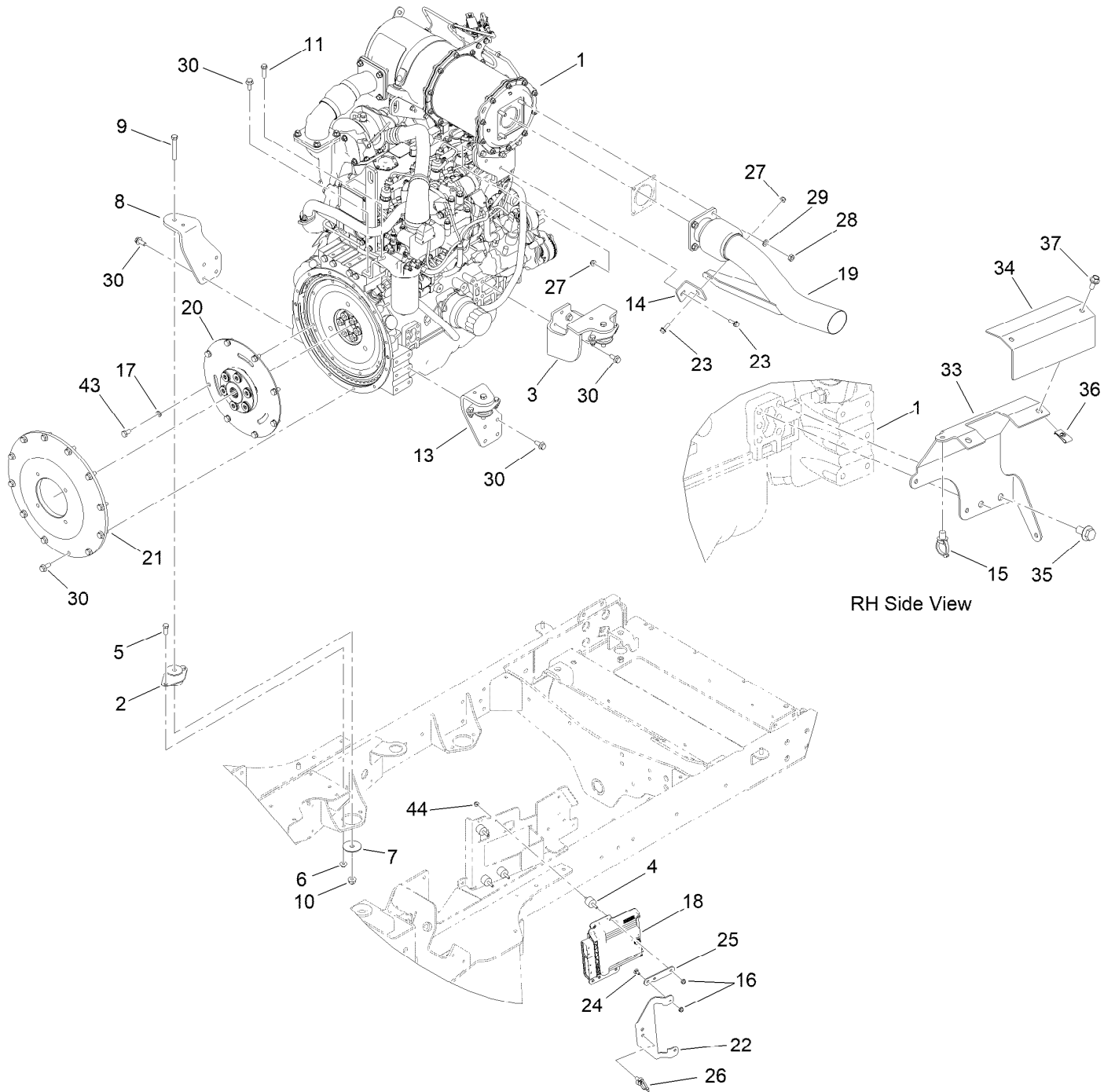
| Ref. | Part Number | Qty. | Description    |
|------|-------------|------|----------------|
| 1    |             | 1    | Axle ASM       |
| 1    | 69-6470     | 2    | Bushing-Caster |
| 2    | 100-2506    | 4    | Bushing-Castor |
| 3    | 302-5       | 2    | Fitting-Grease |



## Tie Rod Assembly No. 147-3564

| <i>Ref.</i> | <i>Part Number</i> | <i>Qty.</i> | <i>Description</i> |
|-------------|--------------------|-------------|--------------------|
| 1           | 147-3565           | 1           | Rod End-Tie, RH    |
| 3           | 119-7457           | 1           | Nut                |
| 4           | 147-3569           | 1           | Jam Nut, LH        |
| 5           | 147-3566           | 1           | Rod End-Tie, LH    |
| 6           | 32136-2            | 2           | Nut-SHH            |

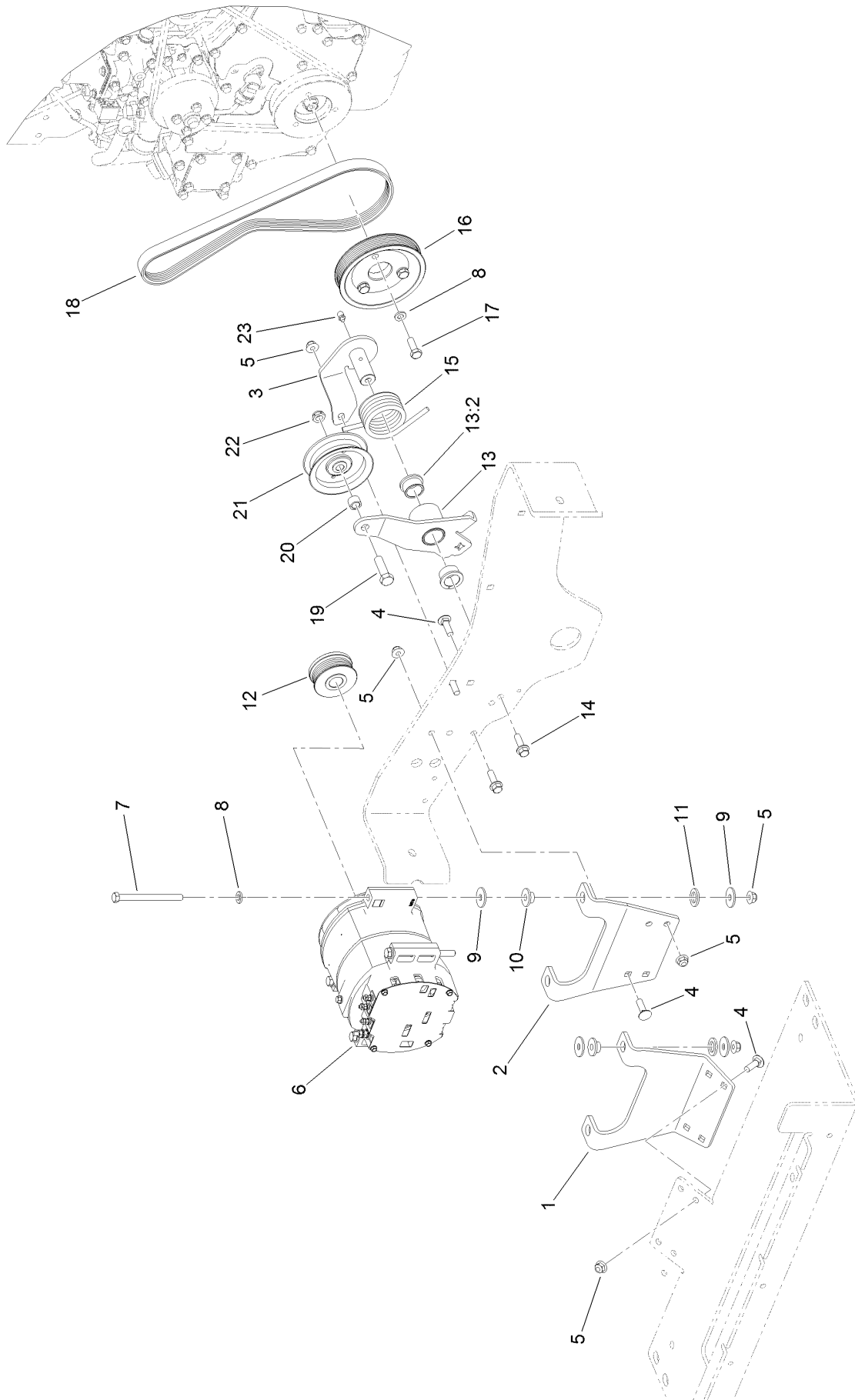
# Engine and Mount Assembly



## Engine and Mount Assembly (continued)

| <i>Ref.</i> | <i>Part Number</i> | <i>Qty.</i> | <i>Description</i>      | <i>Ref.</i> | <i>Part Number</i> | <i>Qty.</i> | <i>Description</i>       |
|-------------|--------------------|-------------|-------------------------|-------------|--------------------|-------------|--------------------------|
| 1           | 138-6921           | 1           | Engine-Yanmar           | 20          | 130-2585           | 1           | Coupler-Flywheel         |
| 2           | 136-4885           | 4           | Mount-Engine            | 21          | 130-9095           | 1           | Cover-Flywheel           |
| 3           | 130-2409-0P        | 2           | Mount-Motor, Rear       | 22          | 139-1027           | 1           | Plate-Retention, Harness |
| 4           | 132-1356           | 4           | Mount-Isolator          | 23          | 3234-29            | 2           | Screw-HHF                |
| 5           | 323-6              | 8           | Screw-HH                | 24          | 3229-11            | 2           | Screw-CARR               |
| 6           | 104-8301           | 8           | Nut-HF, NI              | 25          | 139-1026           | 2           | Plate-Retention, Harness |
| 7           | 87-5100            | 4           | Washer-Snubbing         | 26          | 32180-031          | 2           | Clip-Tree (W/Tie)        |
| 8           | 130-2415-0P        | 1           | Mount-Motor, RH Front   | 27          | 104-8300           | 2           | Nut-HF, NI               |
| 9           | 324-12             | 4           | Screw-HH                | 28          | 33015-00           | 4           | Nut-Hex                  |
| 10          | 114-8417           | 4           | Nut-HF, NI              | 29          | 33095-00           | 4           | Washer-Flat              |
| 11          | 33104-030          | 2           | Screw-HHF               | 30          | 33105-025          | 30          | Screw-HHF                |
| 13          | 130-2414-0P        | 1           | Mount-Motor, LH Front   | 33          | 137-5505-0P        | 1           | Mount-Shield             |
| 14          | 130-2424           | 1           | Bracket-Exhaust         | 34          | 137-5506-0P        | 1           | Shield-Starter           |
| 15          | 32180-030          | 1           | Clip-Tie                | 35          | 33105-020          | 2           | Screw-HHF                |
| 16          | 104-7201           | 6           | Nut-HF, NI              | 36          | 3290-199           | 2           | Nut-Speed                |
| 17          | 107-1413           | 8           | Washer-Hardened         | 37          | 99-6810            | 2           | Screw-HHF                |
| 18          | 121-5592           | 1           | Electronic Control Unit | 43          | 33115-020          | 8           | Screw-HH                 |
| 19          | 132-1628           | 1           | Pipe-Exhaust            | 44          | 32128-33           | 4           | Nut-HF                   |

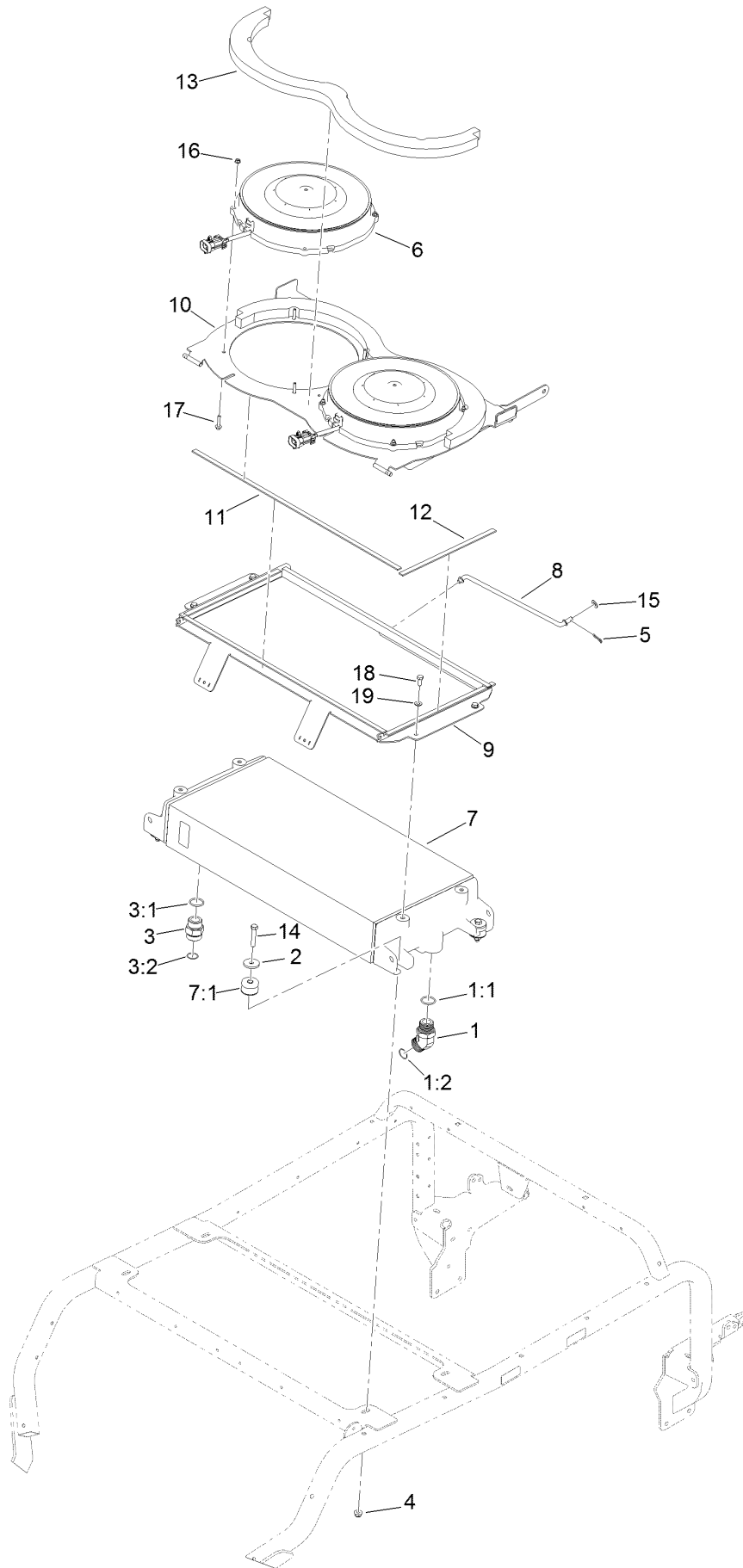
# Alternator Assembly



## Alternator Assembly (continued)

| <i>Ref.</i> | <i>Part Number</i> | <i>Qty.</i> | <i>Description</i>      | <i>Ref.</i> | <i>Part Number</i> | <i>Qty.</i> | <i>Description</i>        |
|-------------|--------------------|-------------|-------------------------|-------------|--------------------|-------------|---------------------------|
| 1           | 139-7797-0P        | 1           | Mount-Alternator, Rear  | 13          | 145-8386           | 1           | Idler Arm ASM             |
| 2           | 139-7796-0P        | 1           | Mount-Alternator, Front | 13:2        | 112-1626           | 2           | Bushing-Flange            |
| 3           | 144-5156-03        | 1           | Support-Idler           | 14          | 119-4061           | 2           | Screw-HHF                 |
| 4           | 3231-25            | 8           | Bolt-CARR               | 15          | 140-3102           | 1           | Spring-Torsion            |
| 5           | 104-8301           | 13          | Nut-HF, NI              | 16          | 130-2403           | 1           | Pulley                    |
| 6           | 130-2491           | 1           | Alternator-24V          | 17          | 33115-030          | 3           | Screw-HH                  |
| 7           | 323-23             | 4           | Screw-HH                | 18          | 139-7848           | 1           | Belt-Poly V               |
| 8           | 107-1413           | 7           | Washer-Hardened         | 19          | 121-1524           | 1           | Screw-HH                  |
| 9           | 93-8806            | 8           | Washer-Hardened         | 20          | 47-4420            | 1           | Spacer-Sleeve, Adjustment |
| 10          | 131-2313           | 4           | Bushing-Alternator      | 21          | 135-5662           | 1           | Pulley-Idler, Flat        |
| 11          | 131-2315           | 4           | Washer-Delrin           | 22          | 3296-45            | 1           | Nut-Hex                   |
| 12          | 130-9162           | 1           | Pulley                  | 23          | 302-40             | 1           | Fitting-Grease, 90 DEG    |

# Hydraulic Cooling Assembly

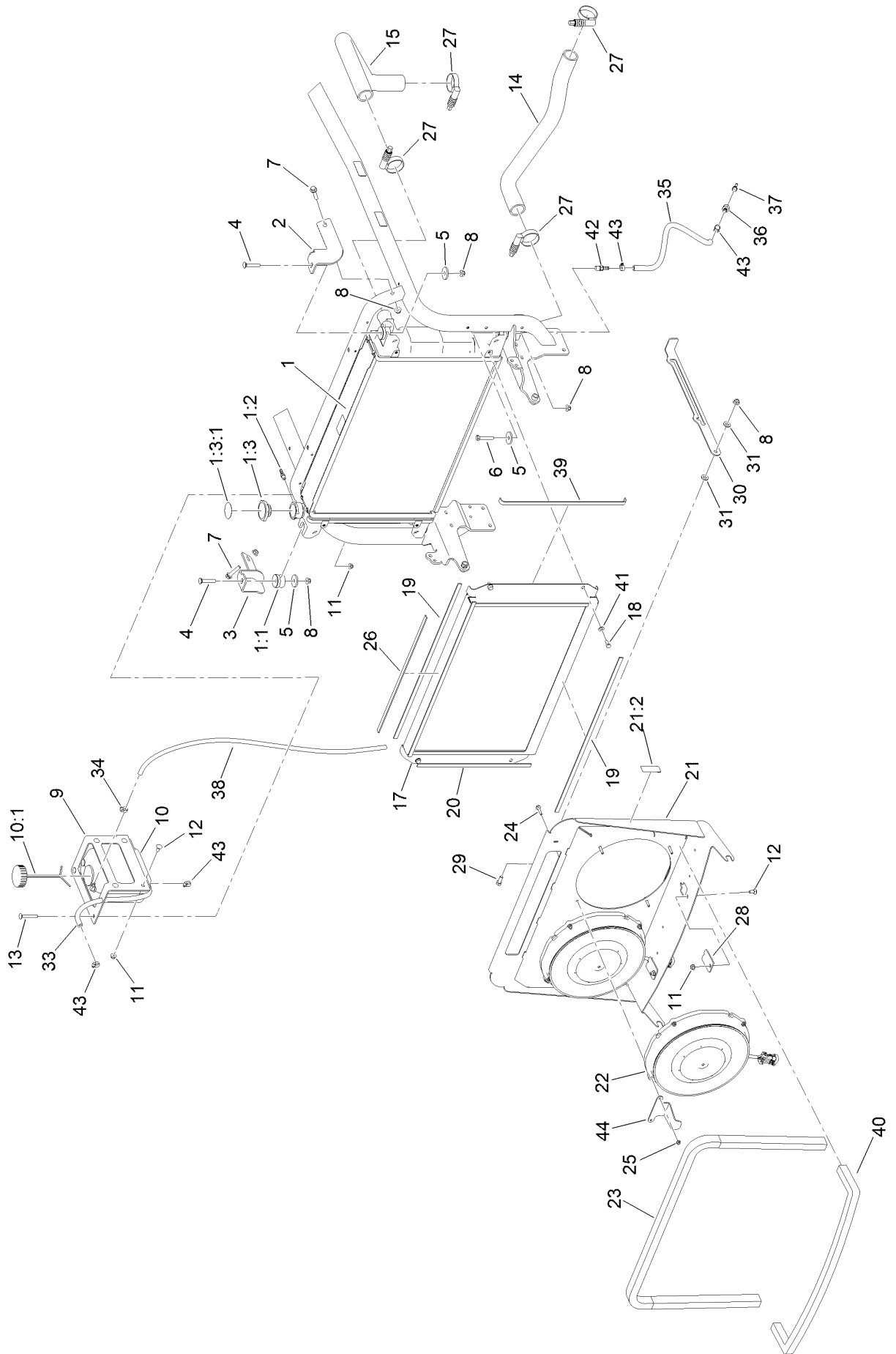




## Hydraulic Cooling Assembly (continued)

| <i>Ref.</i> | <i>Part Number</i> | <i>Qty.</i> | <i>Description</i>  | <i>Ref.</i> | <i>Part Number</i> | <i>Qty.</i> | <i>Description</i> |
|-------------|--------------------|-------------|---------------------|-------------|--------------------|-------------|--------------------|
| 1           | 104-3509           | 1           | Fitting-HYD, 45 DEG | 8           | 130-9170           | 1           | Rod-Prop, Cooler   |
| 1:1         | 237-146            | 1           | O-Ring              | 9           | 130-9171-0P        | 1           | Plate-Seal, Cooler |
| 1:2         | 340-65             | 1           | O-Ring              | 10          | 132-1385           | 1           | Cooler Top ASM     |
| 2           | 114-2120           | 4           | Washer              | 11          | 130-9173           | 2           | Foam-Cooler, Long  |
| 3           | 104-3797           | 1           | Fitting-Straight    | 12          | 130-9174           | 2           | Foam-Cooler, Short |
| 3:1         | 237-146            | 1           | O-Ring              | 13          | 130-9175           | 2           | Foam-Cooler, Top   |
| 3:2         | 340-65             | 1           | O-Ring              | 14          | 323-10             | 4           | Screw-HH           |
| 4           | 104-8301           | 4           | Nut-HF, NI          | 15          | 3256-24            | 1           | Washer-Plain       |
| 5           | 119-1415           | 1           | Pin-Cotter, Locking | 16          | 104-7201           | 8           | Nut-HF, NI         |
| 6           | 144-5153           | 2           | Fan-Spal            | 17          | 3234-21            | 8           | Screw-HHF          |
| 7           | 161-1716           | 1           | Cooler-Oil          | 18          | 3210-2             | 4           | Screw-HH           |
| 7:1         | 161-1724           | 4           | Mount-Isolator      | 19          | 3256-23            | 4           | Washer-Plain       |

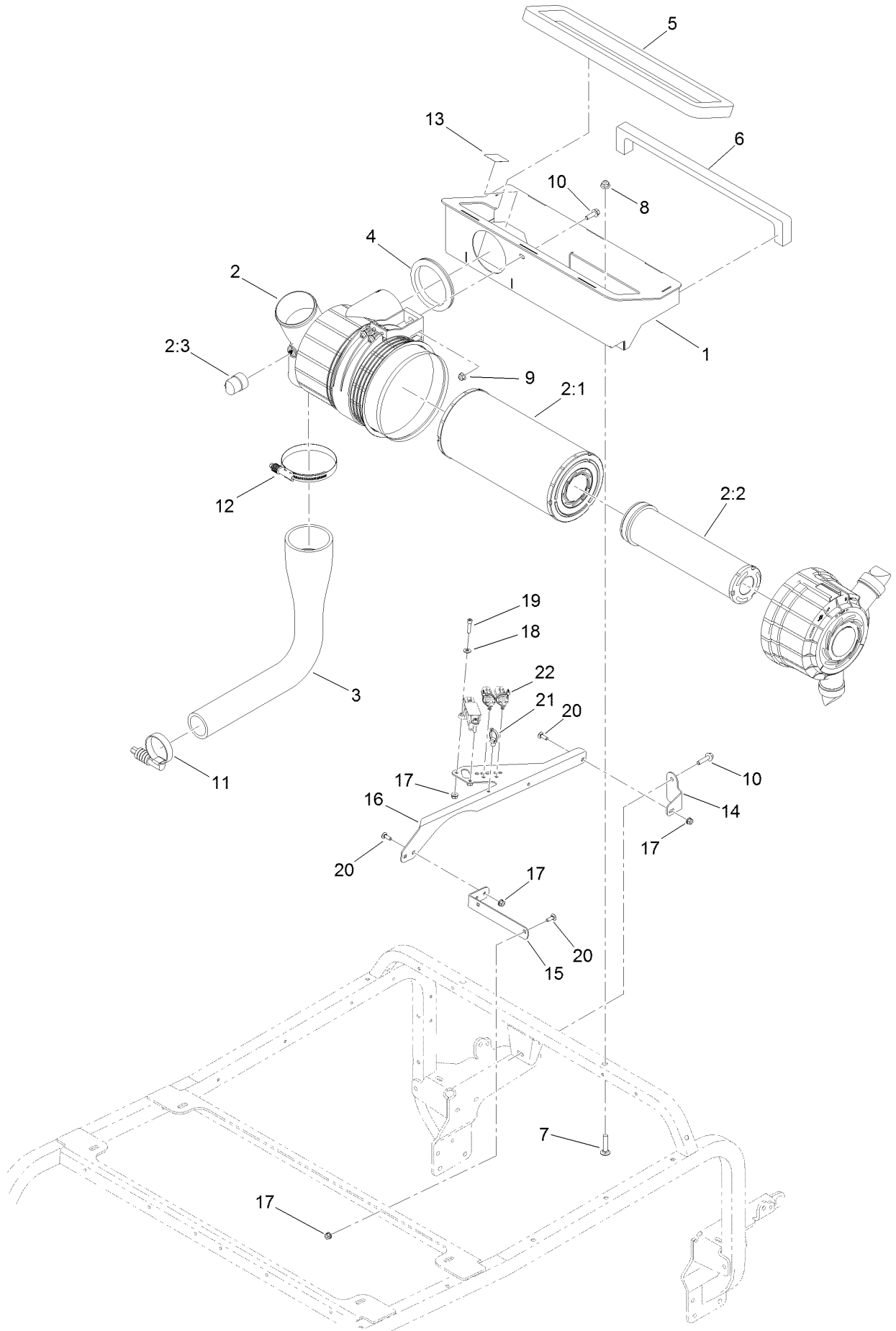
# Radiator and Cooling Fan Assembly



## Radiator and Cooling Fan Assembly (continued)

| <i>Ref.</i> | <i>Part Number</i> | <i>Qty.</i> | <i>Description</i>                 | <i>Ref.</i> | <i>Part Number</i> | <i>Qty.</i> | <i>Description</i>     |
|-------------|--------------------|-------------|------------------------------------|-------------|--------------------|-------------|------------------------|
| 1           | 161-1715           | 1           | Radiator                           | 21          | 132-1386           | 1           | Fan Shroud ASM         |
| 1:1         | 161-1724           | 4           | Mount-Isolator                     | 21:2        | 117-4766           | 2           | Decal-Warning, Fan     |
| 1:2         | 94-7220            | 1           | Fitting-Barb, Hose                 | 22          | 144-5153           | 2           | Fan-Spal               |
| 1:3         | 161-1733           | 1           | Cap-Radiator                       | 23          | 132-1347           | 1           | Radiator Foam ASM      |
| 1:3:1       | 117-3276           | 1           | Decal-Danger                       | 24          | 3234-21            | 8           | Screw-HHF              |
| 2           | 127-3638-0P        | 1           | Bracket-Mount, RH Radiator         | 25          | 104-7201           | 8           | Nut-HF, NI             |
| 3           | 127-3631-0P        | 1           | Bracket-Mount, LH Radiator         | 26          | 130-9183           | 1           | Foam-Radiator, Top     |
| 4           | 3231-6             | 2           | Screw-CARR                         | 27          | 121-7536           | 4           | Clamp-Torque, Constant |
| 5           | 114-2120           | 4           | Washer                             | 28          | 130-9020           | 2           | Plate-Cover            |
| 6           | 323-10             | 2           | Screw-HH                           | 29          | 323-6              | 1           | Screw-HH               |
| 7           | 3234-19            | 2           | Screw-HHF                          | 30          | 130-9021-0P        | 1           | Rod-Prop, Radiator     |
| 8           | 104-8301           | 7           | Nut-HF, NI                         | 31          | 66-2920            | 2           | Washer-Friction        |
| 9           | 130-2592-0P        | 1           | Bracket-Tank, Radiator<br>Overflow | 33          | 110-4109           | 1           | Hose-Fuel              |
| 10          | 144-6219           | 1           | Reservoir-Coolant ASM              | 34          | 2412-108           | 1           | Clamp-Worm             |
| 10:1        | 87-7050            | 1           | Cap-Reservoir                      | 35          | 116-5087           | 1           | Hose-Fuel              |
| 11          | 104-8300           | 8           | Nut-HF, NI                         | 36          | 354-94             | 1           | Fitting-Female, Barbed |
| 12          | 3230-1             | 6           | Bolt-CARR                          | 37          | 93-5528            | 1           | Fitting-Cock, Drain    |
| 13          | 3230-7             | 2           | Bolt-CARR                          | 38          | 115-2370           | 1           | Hose-Fuel              |
| 14          | 130-9159           | 1           | Hose-Radiator, Lower               | 39          | 131-2289           | 2           | Foam-Radiator          |
| 15          | 127-3616           | 1           | Hose-Radiator, Upper               | 40          | 131-2322           | 1           | Foam-Shroud, Lower     |
| 17          | 130-9185-0P        | 1           | Plate-Seal, Radiator               | 41          | 3256-23            | 4           | Washer-Plain           |
| 18          | 3210-3             | 4           | Screw-HH                           | 42          | 108-0342           | 1           | Fitting-Straight       |
| 19          | 130-9181           | 4           | Foam-Radiator, Long                | 43          | 2412-36            | 4           | Clamp-Hose             |
| 20          | 130-9182           | 2           | Foam-Radiator, Short               | 44          | 144-4159-03        | 1           | Support-Screen         |

# Air Cleaner Assembly



## Air Cleaner Assembly (continued)

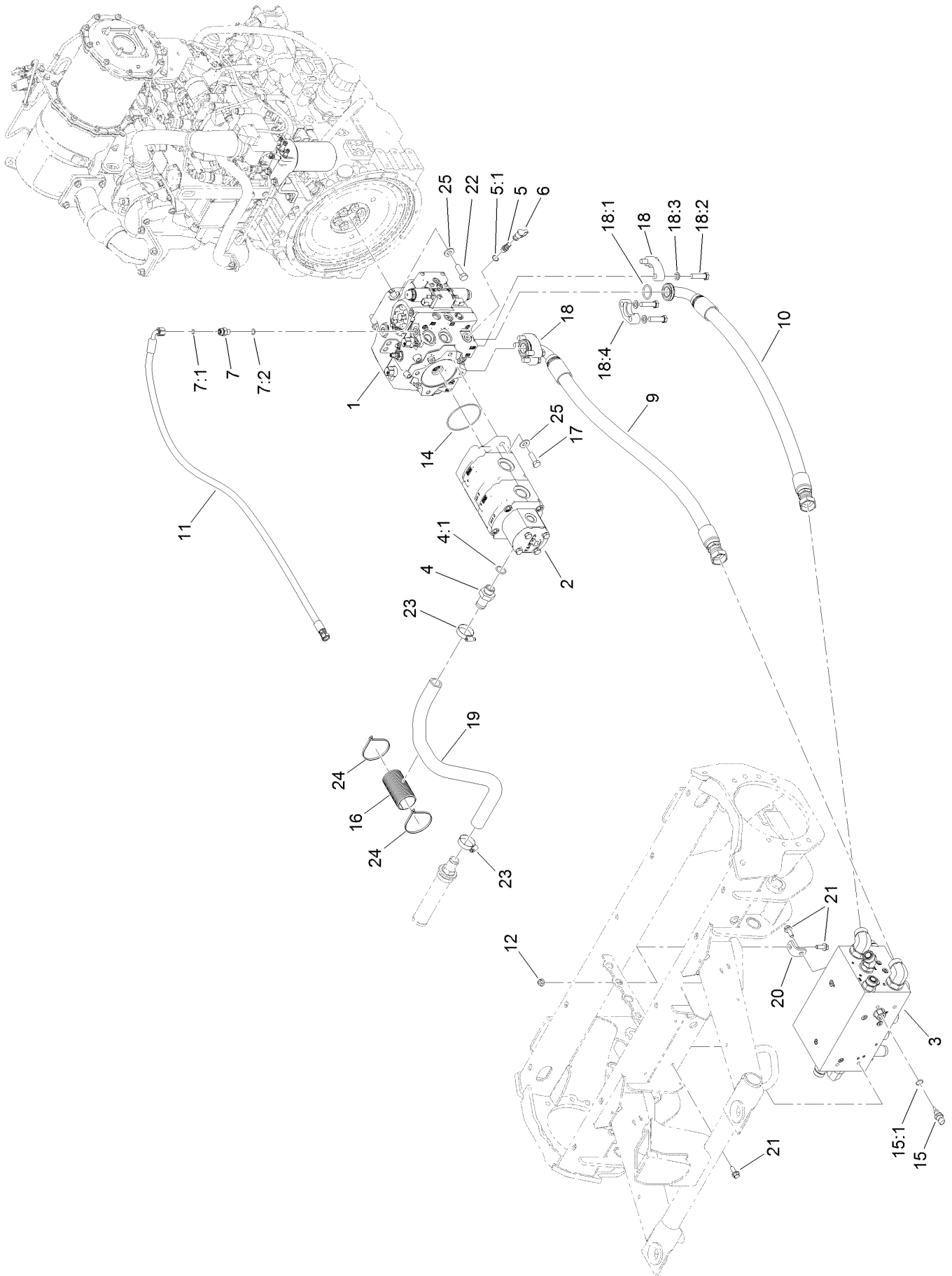
| <i>Ref.</i> | <i>Part Number</i> | <i>Qty.</i> | <i>Description</i>     | <i>Ref.</i> | <i>Part Number</i> | <i>Qty.</i> | <i>Description</i>     |
|-------------|--------------------|-------------|------------------------|-------------|--------------------|-------------|------------------------|
| 1           | 130-9176-0P        | 1           | Airbox                 | 11          | AU110569           | 1           | Clamp-Torque, Constant |
| 2           | 130-9160           | 1           | Air Filter ASM         | 12          | 131-2229           | 1           | Clamp-Hose             |
| 2:1         | 108-3815           | 1           | Filter-Air             | 13          | 115-8155           | 1           | Decal-Warning          |
| 2:2         | 130-9070           | 1           | Element-Filter, Safety | 14          | 140-5839-0P        | 1           | Mount-Sensors, Rear    |
| 2:3         | 69-1940            | 1           | Indicator-Electrical   | 15          | 140-5838-0P        | 1           | Mount-Sensors, Front   |
| 3           | 130-2512           | 1           | Hose-Intake, Air       | 16          | 145-8398-0P        | 1           | Mount-Sensors, Main    |
| 4           | 130-2579           | 1           | Grommet                | 17          | 32128-32           | 7           | Nut-HHF                |
| 5           | 130-9179           | 1           | Foam-Airbox            | 18          | 3256-2             | 2           | Washer-Flat            |
| 6           | 130-9180           | 1           | Foam-Airbox, Rear      | 19          | 3274-9             | 2           | Screw-HSH              |
| 7           | 3231-5             | 2           | Screw-CARR             | 20          | 1-807512           | 5           | Bolt-CARR              |
| 8           | 104-8301           | 2           | Nut-HF, NI             | 21          | 32180-030          | 1           | Clip-Tie               |
| 9           | 104-8300           | 2           | Nut-HF, NI             | 22          | 3290-378           | 2           | Tie-Cable              |
| 10          | 132-3837           | 2           | Screw-HHF              |             |                    |             |                        |



## Fuel System Assembly (continued)

| <i>Ref.</i> | <i>Part Number</i> | <i>Qty.</i> | <i>Description</i>          | <i>Ref.</i> | <i>Part Number</i> | <i>Qty.</i> | <i>Description</i>    |
|-------------|--------------------|-------------|-----------------------------|-------------|--------------------|-------------|-----------------------|
| 1           | 121-5613           | 1           | Pump-Fuel, Electric         | 20          | 3234-42            | 2           | Screw-HHF             |
| 2           | 125-2914           | 1           | Filter-Separator            | 21          | 104-8301           | 2           | Nut-HF, NI            |
| 2:1         | 125-2915           | 1           | Filter-Fuel/Water Separator | 22          | 114-4939-03        | 1           | Cover-Fitting, Fuel   |
| 3           | 353-783            | 1           | Fitting-STR                 | 23          | 2412-36            | 4           | Clamp-Hose            |
| 4           | 119-7748           | 1           | Pipe-Stand, Fuel            | 24          | 3234-4             | 2           | Screw-HHF             |
| 5           | 2412-108           | 8           | Clamp-Worm                  | 25          | 104-7201           | 2           | Nut-HF, NI            |
| 6           | 131-2284           | 1           | Fuel Tank ASM               | 26          | 1-543286           | 1           | Grommet               |
| 7           | 94-6821            | 2           | Clamp-Wire                  | 27          | 130-9191           | 2           | Hose-Fuel             |
| 8           | 117-2382           | 4           | Plug-Plastic                | 28          | 108-0342           | 1           | Fitting-Straight      |
| 9           | 125-9171           | 1           | Cap-Fuel                    | 29          | 130-9143           | 1           | Hose-Fuel             |
| 10          | 104-0790           | 2           | Bushing                     | 30          | 108-3282           | 1           | Hose-Fuel             |
| 11          | 46-6560            | 1           | Bushing                     | 32          | 104-8300           | 3           | Nut-HF, NI            |
| 12          | 46-6550            | 1           | Fitting-Elbow, 90 DEG       | 33          | 3234-29            | 2           | Screw-HHF             |
| 13          | 130-9149           | 1           | Pipe-Stand, Return          | 34          | 120-1959           | 2           | Clamp                 |
| 14          | 121-1688           | 1           | Gauge-Fuel                  | 35          | 109-0308           | 1           | Hose-Fuel             |
| 15          | 3274-31            | 3           | Screw-HSBH                  | 36          | 114-0832           | 1           | Hose-Fuel             |
| 16          | 3253-15            | 5           | Washer-Lock                 | 37          | 3234-7             | 1           | Screw-HHF             |
| 17          | 32122-24           | 5           | Screw-PTH                   | 38          | 132-1329           | 1           | Bracket-Hose Retainer |
| 18          | 121-1707           | 1           | Gasket-Fuel, Viton          | 39          | 237-124            | 1           | Grommet               |
| 19          | 114-0094           | 1           | Hold Down-Tank              |             |                    |             |                       |

# Traction Hydraulic Assembly



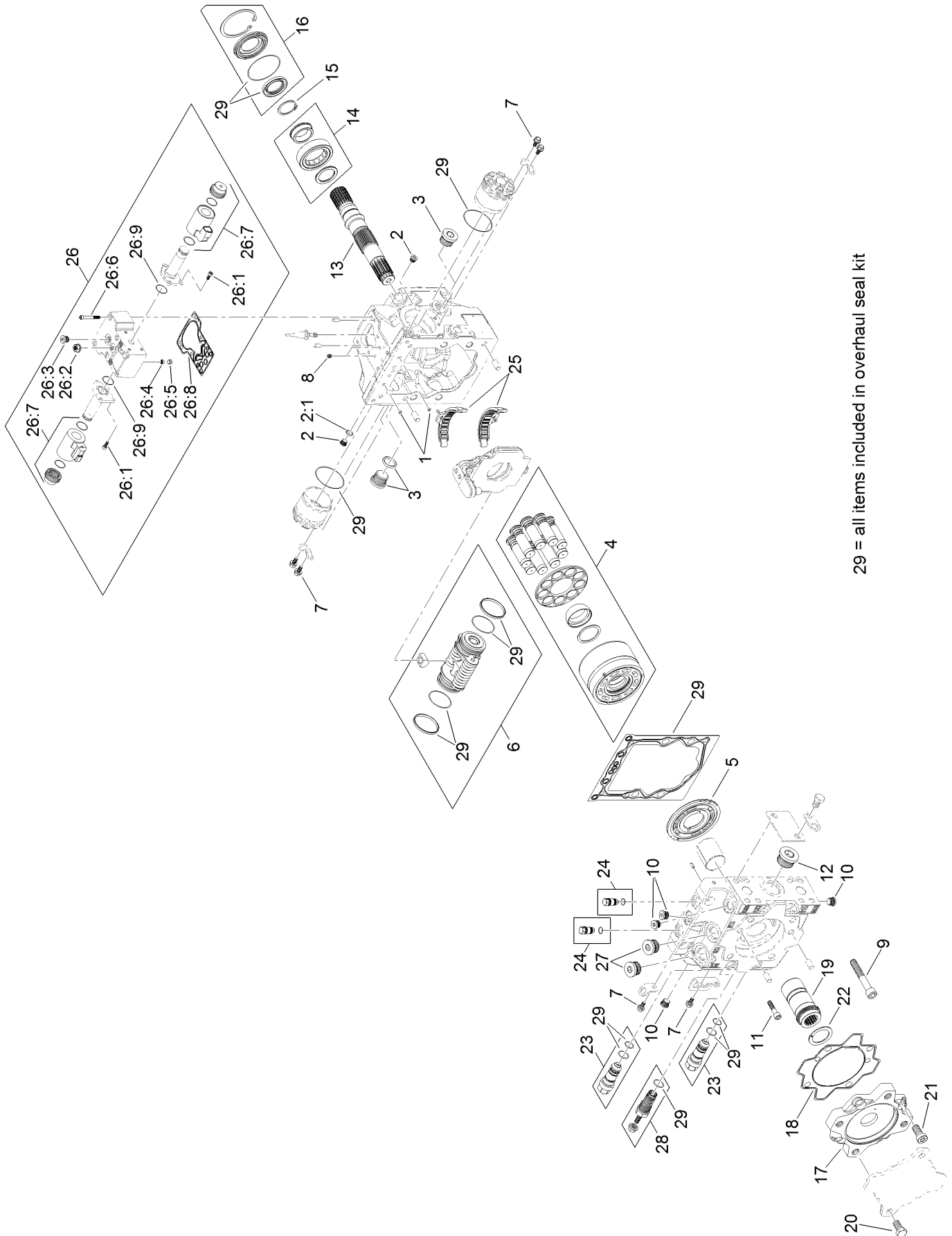


## Traction Hydraulic Assembly (continued)

| <i>Ref.</i> | <i>Part Number</i> | <i>Qty.</i> | <i>Description</i>             | <i>Ref.</i> | <i>Part Number</i> | <i>Qty.</i> | <i>Description</i>  |
|-------------|--------------------|-------------|--------------------------------|-------------|--------------------|-------------|---------------------|
| 1           | 130-9150           | 1           | Hydraulic Piston Pump ASM      | 15          | 110-8829           | 1           | Sender-Temperature  |
| 2           | 130-2520           | 1           | Hydraulic Triple Gear Pump ASM | 15:1        | 237-42             | 1           | O-Ring              |
| 3           |                    | 1           | Manifold-Traction ●            | 16          | 115-5523           | 1           | Guard-Hose          |
| 4           | 99-3017            | 1           | Fitting                        | 17          | 121-1525           | 2           | Screw-HH            |
| 4:1         | 237-81             | 1           | O-Ring                         | 18          | 121-3903           | 2           | Flange Kit          |
| 5           | 59-7410            | 3           | Fitting-Diagnostic             | 18:1        | 121-3904           | 1           | O-Ring              |
| 5:1         | 237-42             | 1           | O-Ring                         | 18:2        | 33116-045          | 4           | Screw-HH            |
| 6           | 354-79             | 3           | Cap-Dust                       | 18:3        | 100-7336           | 4           | Washer              |
| 7           | 340-2              | 1           | Fitting-Straight               | 18:4        |                    | 2           | Flange ●            |
| 7:1         | 237-22             | 1           | O-Ring                         | 19          | 130-2550           | 1           | Hose-Suction        |
| 7:2         | 237-42             | 1           | O-Ring                         | 20          | 130-2571           | 1           | Tab-Mount, Manifold |
| 9           | 127-3450           | 1           | Hydraulic Hose ASM             | 21          | 131-2220           | 6           | Screw-HHF           |
| 10          | 127-3451           | 1           | Hydraulic Hose ASM             | 22          | AU426-824          | 4           | Screw-HH            |
| 11          | 127-3521           | 1           | Hydraulic Hose ASM             | 23          | 2412-111           | 2           | Clamp-Hose, W/Liner |
| 12          | 104-8301           | 1           | Nut-HF, NI                     | 24          | 3290-379           | 2           | Tie-Cable           |
| 14          | 107-9447           | 1           | O-Ring                         | 25          | 87-7270            | 6           | Washer-Thrust       |

● Not serviced separately

# Piston Pump Assembly No. 130-9150

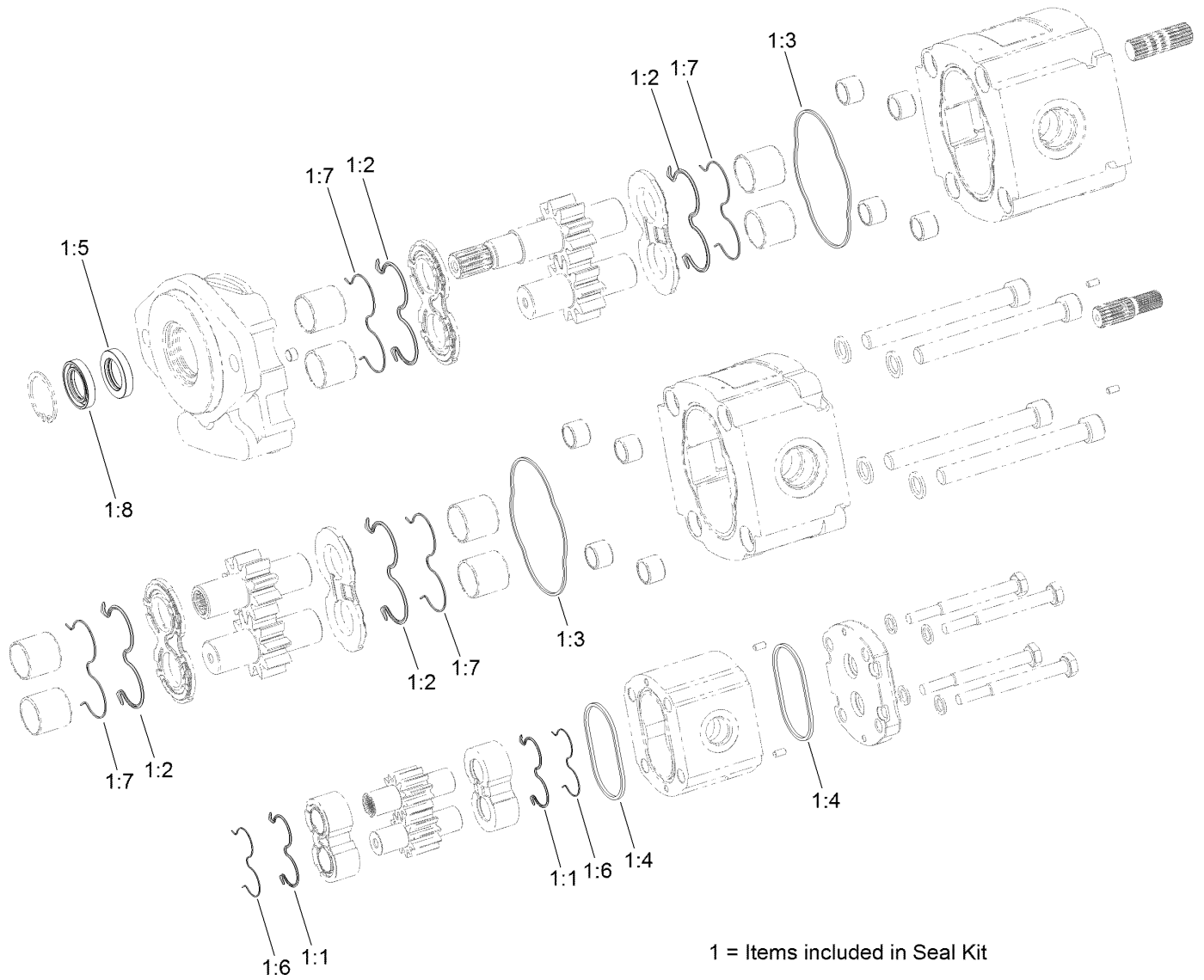


29 = all items included in overhaul seal kit

## Piston Pump Assembly No. 130-9150 (continued)

| <i>Ref.</i> | <i>Part Number</i> | <i>Qty.</i> | <i>Description</i>    | <i>Ref.</i> | <i>Part Number</i> | <i>Qty.</i> | <i>Description</i>          |
|-------------|--------------------|-------------|-----------------------|-------------|--------------------|-------------|-----------------------------|
| 1           | 125-5266           | 2           | Screen                | 20          | 125-5281           | 4           | Screw                       |
| 2           | 75-0170            | 2           | Plug-Thread, Straight | 21          | 125-5282           | 4           | Screw                       |
| 2:1         | 92-8777            | 1           | O-Ring                | 22          | 125-5287           | 1           | Plate-Thrust                |
| 3           | 69-3130            | 2           | Plug                  | 23          | 125-5291           | 2           | Valve-Relief, High Pressure |
| 4           | 125-5267           | 1           | Cylinder Block Kit    | 24          | 125-5292           | 2           | Pressure Limiter Plug ASM   |
| 5           | 125-5268           | 1           | Valve Plate, CW       | 25          | 125-5293           | 1           | Swashplate Bearing Kit      |
| 6           | 125-5271           | 1           | Servo Piston ASM      | 26          | 125-5295           | 1           | Control Kit (12 Volt)       |
| 7           | 125-5270           | 8           | Screw                 | 26:1        | 125-5272           | 6           | Screw                       |
| 8           | 125-5276           | 2           | Orifice (0.8)         | 26:2        | 125-5273           | 1           | Nut-Seal                    |
| 9           | 125-5277           | 4           | Screw                 | 26:3        | 125-5302           | 1           | Plug                        |
| 10          | 125-5300           | 4           | Plug ASM              | 26:4        | 125-5266           | 1           | Screen                      |
| 11          | 125-5275           | 2           | Screw                 | 26:5        | 125-5269           | 1           | Ring-Locking                |
| 12          | 125-5301           | 1           | Plug                  | 26:6        | 125-5274           | 6           | Screw                       |
| 13          | 125-5278           | 1           | Shaft                 | 26:7        | 125-5294           | 2           | Coil Kit                    |
| 14          | 125-5279           | 1           | Bearing-Roller        | 26:8        | 125-5283           | 1           | Gasket-Control              |
| 15          | 125-5280           | 1           | Ring-Retaining        | 26:9        | 125-5288           | 2           | O-Ring                      |
| 16          | 125-5296           | 1           | Shaft Seal Kit        | 27          | 125-5303           | 2           | Plug ASM                    |
| 17          | 125-5284           | 1           | Adapter               | 28          | 125-5297           | 1           | Charge Relief Kit           |
| 18          | 125-5285           | 1           | Seal-Adapter          | 29          | 125-5299           | 1           | Overhaul Seal Kit           |
| 19          | 125-5286           | 1           | Coupling              |             |                    |             |                             |

# Hydraulic Gear Pump Assembly No. 130-2520

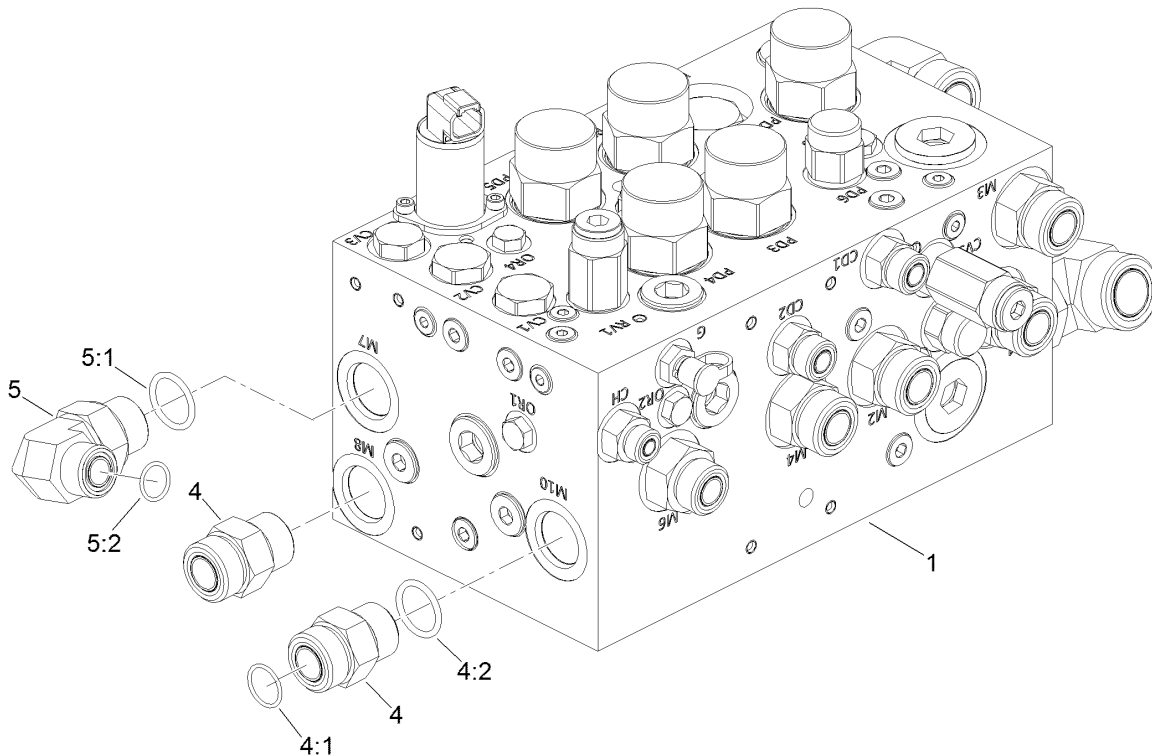
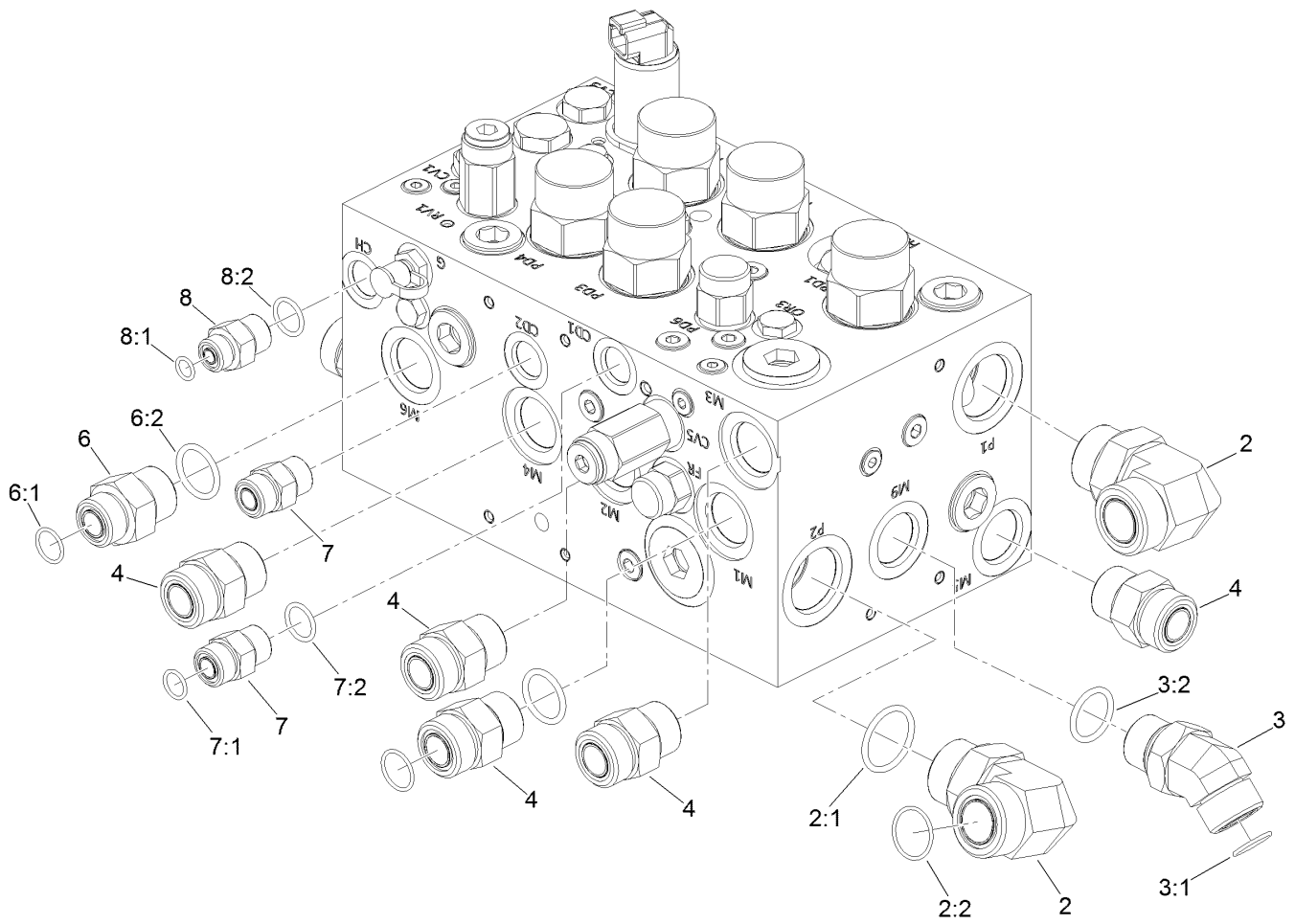


# Hydraulic Gear Pump Assembly No. 130-2520 (continued)

| <i>Ref.</i> | <i>Part Number</i> | <i>Qty.</i> | <i>Description</i> | <i>Ref.</i> | <i>Part Number</i> | <i>Qty.</i> | <i>Description</i>   |
|-------------|--------------------|-------------|--------------------|-------------|--------------------|-------------|----------------------|
| 1           | 133-2484           | 1           | Seal Kit           | 1:5         |                    | 1           | Seal-Shaft ●         |
| 1:1         |                    | 2           | Seal ●             | 1:6         |                    | 2           | Antiextrusion ●      |
| 1:2         |                    | 4           | Seal ●             | 1:7         |                    | 4           | Ring-Antiextrusion ● |
| 1:3         |                    | 2           | Seal-Standard ●    | 1:8         |                    | 1           | Seal-Shaft ●         |
| 1:4         |                    | 2           | Seal-Standard ●    |             |                    |             |                      |

● Not serviced separately

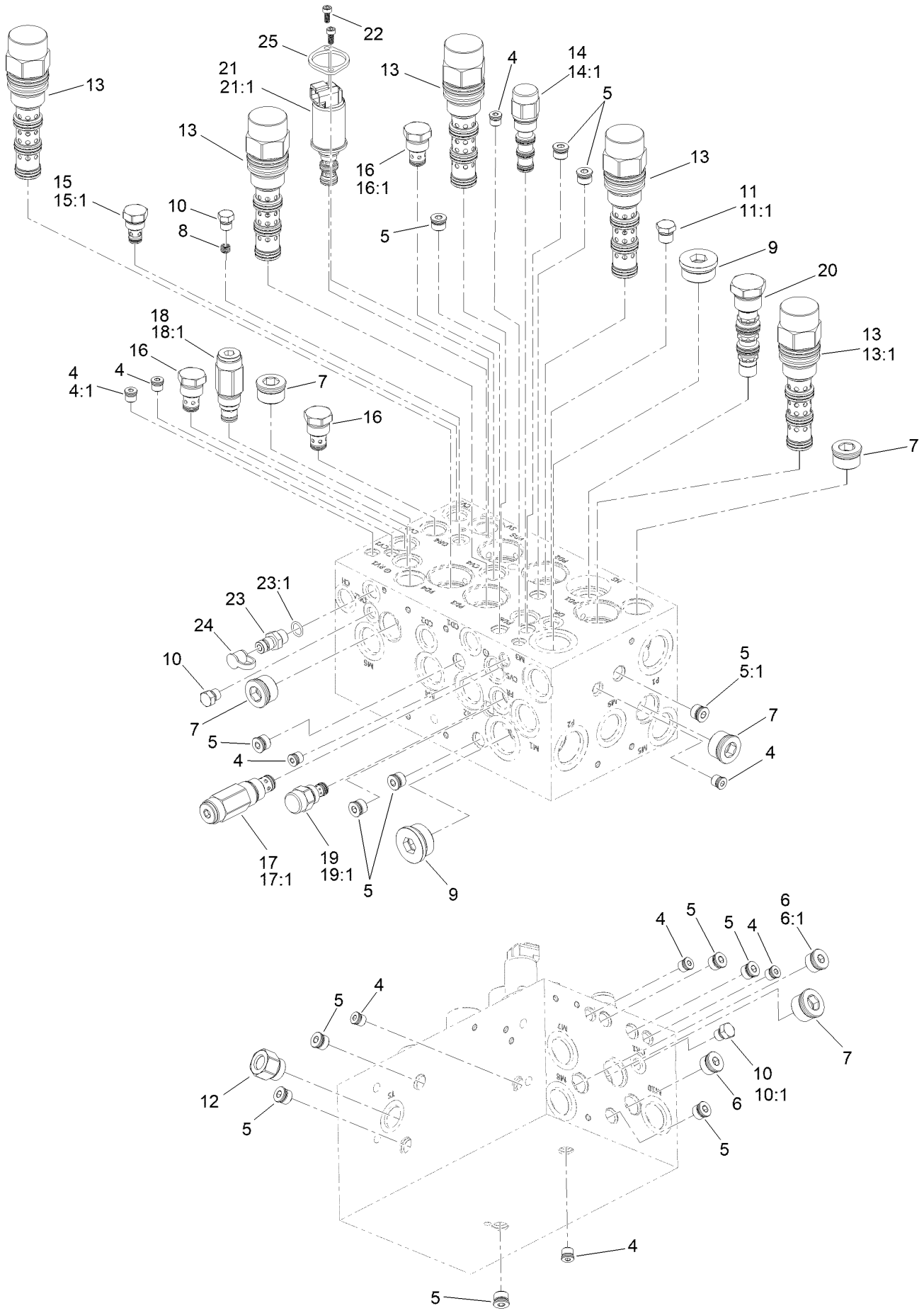
# Traction Manifold Assembly



## Traction Manifold Assembly (continued)

| <i>Ref.</i> | <i>Part Number</i> | <i>Qty.</i> | <i>Description</i>    | <i>Ref.</i> | <i>Part Number</i> | <i>Qty.</i> | <i>Description</i> |
|-------------|--------------------|-------------|-----------------------|-------------|--------------------|-------------|--------------------|
| 1           | 137-5623           | 1           | Manifold-Traction     | 5:1         | 237-81             | 1           | O-Ring             |
| 2           | 340-129            | 2           | Fitting-Elbow, 90 DEG | 5:2         | 237-65             | 1           | O-Ring             |
| 2:1         | 237-146            | 1           | O-Ring                | 6           | 340-8              | 1           | Fitting-Straight   |
| 2:2         | 340-65             | 1           | O-Ring                | 6:1         | 237-65             | 1           | O-Ring             |
| 3           | 100-5530           | 1           | Fitting-45 DEG        | 6:2         | 237-81             | 1           | O-Ring             |
| 3:1         | 237-58             | 1           | O-Ring                | 7           | 340-4              | 2           | Fitting-Straight   |
| 3:2         | 237-81             | 1           | O-Ring                | 7:1         | 237-30             | 1           | O-Ring             |
| 4           | 340-9              | 7           | Fitting-STR           | 7:2         | 237-79             | 1           | O-Ring             |
| 4:1         | 237-58             | 1           | O-Ring                | 8           | 340-3              | 1           | Fitting-Straight   |
| 4:2         | 237-81             | 1           | O-Ring                | 8:1         | 237-22             | 1           | O-Ring             |
| 5           | 340-139            | 1           | Fitting-Elbow 90      | 8:2         | 237-79             | 1           | O-Ring             |

# Hydraulic Traction Valve Manifold Assembly No. 137-5623



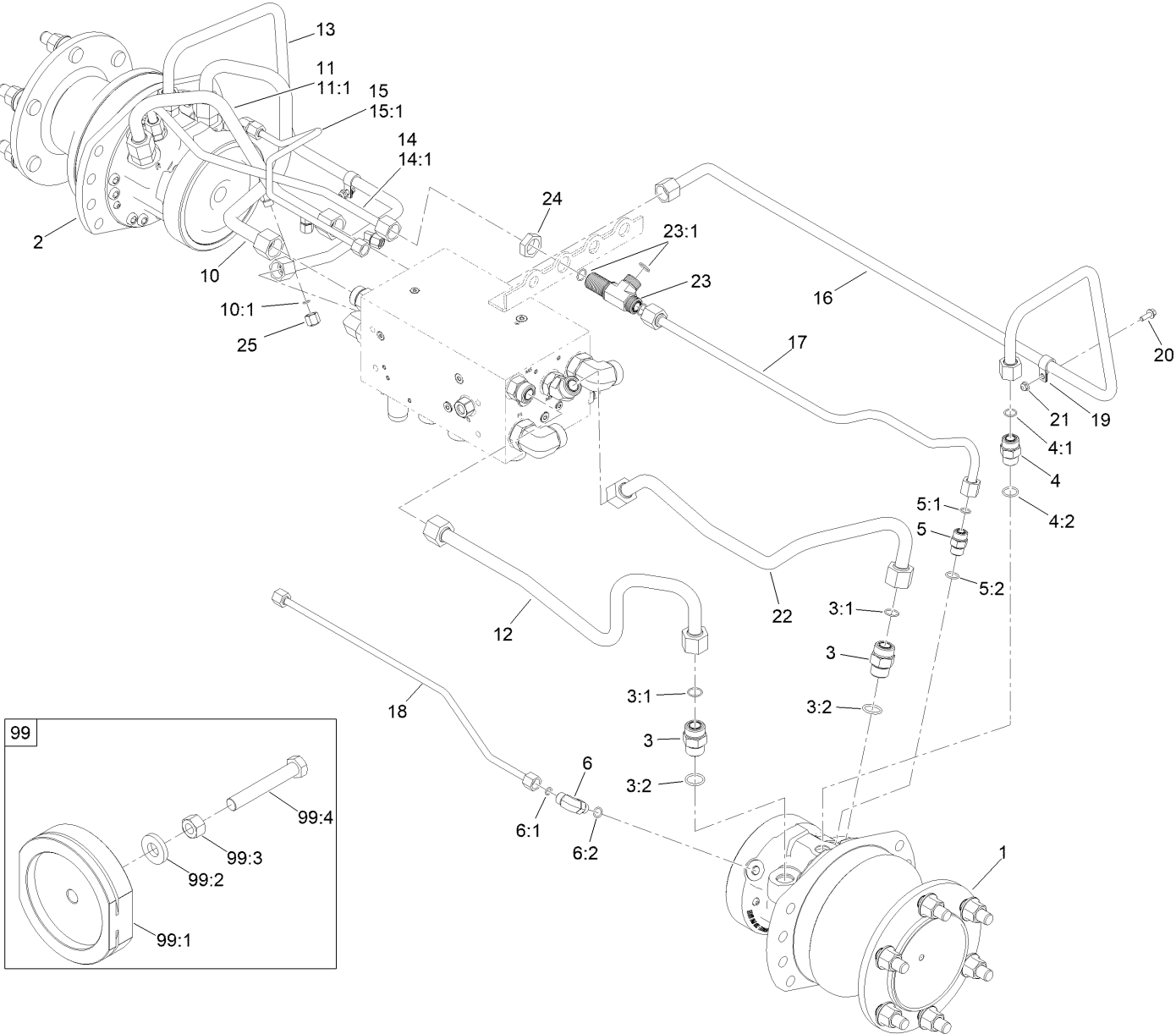


# Hydraulic Traction Valve Manifold Assembly No. 137-5623 (continued)

| <i>Ref.</i> | <i>Part Number</i> | <i>Qty.</i> | <i>Description</i>                | <i>Ref.</i> | <i>Part Number</i> | <i>Qty.</i> | <i>Description</i>               |
|-------------|--------------------|-------------|-----------------------------------|-------------|--------------------|-------------|----------------------------------|
| 4           | 353-990            | 9           | Plug ASM                          | 15          | 105-9321           | 1           | Check Valve ASM                  |
| 4:1         | 237-78             | 1           | O-Ring                            | 15:1        | 105-9156           | 1           | Seal Kit                         |
| 5           | 353-989            | 13          | Plug-Hex, Hollow                  | 16          | 110-8881           | 3           | Valve-Check                      |
| 5:1         | 237-42             | 1           | O-Ring                            | 16:1        | 105-9159           | 1           | Seal Kit ●                       |
| 6           | 353-988            | 2           | Plug-Hex                          | 17          | 132-4912           | 1           | Valve-Check                      |
| 6:1         | 237-79             | 1           | O-Ring                            | 17:1        | 105-9159           | 1           | Seal Kit                         |
| 7           | 133-2444           | 5           | Zero-Leak Plug, SAE-12            | 18          | 132-4911           | 1           | Valve-Relief, Poppet Type        |
| 8           | 110-5973           | 1           | Orifice-0.030                     | 18:1        | 130-8183           | 1           | Seal Kit                         |
| 9           | 133-2445           | 2           | Plug-Socket, Hex                  | 19          | 132-4910           | 1           | Regulator-Flow, Pressure Comp    |
| 10          | 353-512            | 3           | Plug                              | 19:1        | 107-7527           | 1           | Seal Kit                         |
| 10:1        | 237-78             | 1           | O-Ring                            | 20          | 132-4909           | 1           | Valve-Shuttle, Hot Oil           |
| 11          | 353-508            | 1           | Plug-HH                           | 21          | 138-3828           | 1           | Valve-Solenoid, 3 Way 2 Position |
| 11:1        | 237-42             | 1           | O-Ring                            | 21:1        | 138-3831           | 1           | Seal Kit                         |
| 12          | 132-4915           | 1           | Fitting-Adapter, Temp Sensor      | 22          | 138-3827           | 2           | Screw                            |
| 13          | 132-4914           | 5           | Valve-Piloted Directional, Vented | 23          | 59-7410            | 1           | Fitting-Diagnostic               |
| 13:1        | 137-5511           | 1           | Seal Kit                          | 23:1        | 237-42             | 1           | O-Ring                           |
| 14          | 132-4913           | 1           | Vent-External, Piloted            | 24          | 354-79             | 1           | Cap-Dust                         |
| 14:1        | 110-8908           | 1           | Spool Valve Seal Kit              | 25          | 138-3825           | 1           | Plate-Mounting, Standard         |

● Not illustrated

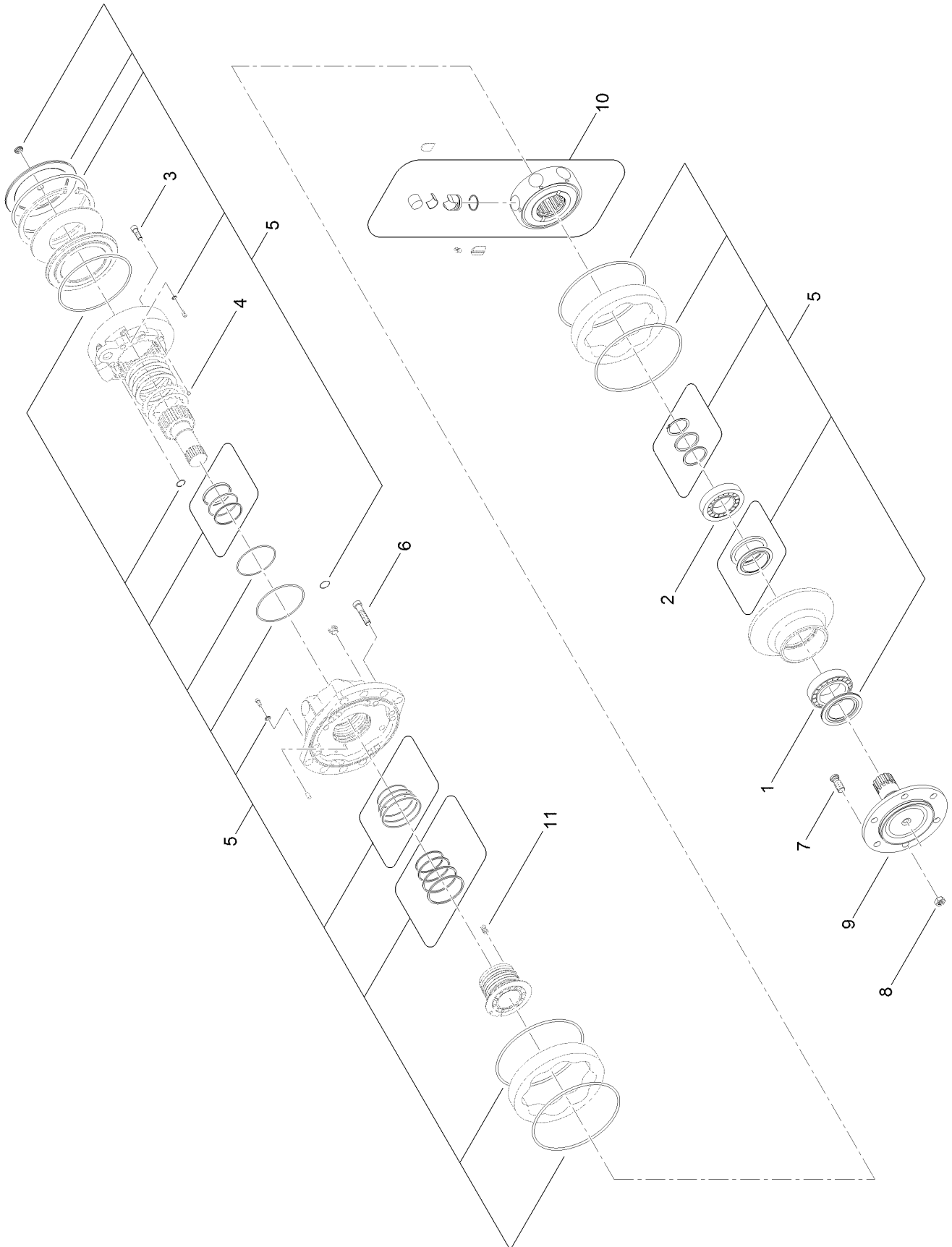
# Hydraulic Traction Motors Assembly



## Hydraulic Traction Motors Assembly (continued)

| <i>Ref.</i> | <i>Part Number</i> | <i>Qty.</i> | <i>Description</i>     | <i>Ref.</i> | <i>Part Number</i> | <i>Qty.</i> | <i>Description</i>               |
|-------------|--------------------|-------------|------------------------|-------------|--------------------|-------------|----------------------------------|
| 1           | 125-5391           | 1           | LH Hydraulic Motor ASM | 14:1        | 237-30             | 1           | O-Ring                           |
| 2           | 125-5434           | 1           | RH Hydraulic Motor ASM | 15          | 130-2541           | 1           | Hydraulic Tube ASM               |
| 3           | 340-9              | 4           | Fitting-STR            | 15:1        | 237-22             | 1           | O-Ring                           |
| 3:1         | 237-58             | 1           | O-Ring                 | 16          | 130-9075           | 1           | Hydraulic Tube ASM               |
| 3:2         | 237-81             | 1           | O-Ring                 | 17          | 130-2554           | 1           | Hydraulic Tube ASM               |
| 4           | 340-7              | 2           | Fitting-Straight       | 18          | 130-2555           | 1           | Hydraulic Tube ASM               |
| 4:1         | 237-65             | 1           | O-Ring                 | 19          | 2412-87            | 2           | Clamp-Cable                      |
| 4:2         | 237-80             | 1           | O-Ring                 | 20          | 3234-4             | 2           | Screw-HHF                        |
| 5           | 340-4              | 2           | Fitting-Straight       | 21          | 104-7201           | 2           | Nut-HF, NI                       |
| 5:1         | 237-30             | 1           | O-Ring                 | 22          | 130-2556           | 1           | Hydraulic Tube ASM               |
| 5:2         | 237-79             | 1           | O-Ring                 | 23          | 94-5350            | 1           | Fitting-Tee                      |
| 6           | 340-77             | 2           | Fitting-Elbow, 90 DEG  | 23:1        | 237-65             | 3           | O-Ring                           |
| 6:1         | 237-22             | 1           | O-Ring                 | 24          | 340-74             | 1           | Nut-Lock, Bulkhead               |
| 6:2         | 237-42             | 1           | O-Ring                 | 25          | 117-3297           | 3           | Fitting-Cap                      |
| 10          | 130-2533           | 1           | Hydraulic Tube ASM     | 99          | 144-7177           | 1           | Kit-Parking Brake O-Ring Removal |
| 10:1        | 237-21             | 1           | O-Ring                 | 99:1        | 144-7176           | 1           | Tool, Parking Brake Belleville   |
| 11          | 130-2534           | 1           | Hydraulic Tube ASM     | 99:2        | 107-3395           | 1           | Washer-Hardened                  |
| 11:1        | 237-21             | 1           | O-Ring                 | 99:3        | 33016-00           | 1           | Nut-Hex                          |
| 12          | 130-2537           | 1           | Hydraulic Tube ASM     | 99:4        | 33116-080          | 1           | Screw-HH                         |
| 13          | 130-9074           | 1           | Hydraulic Tube ASM     |             |                    |             |                                  |
| 14          | 130-2540           | 1           | Hydraulic Tube ASM     |             |                    |             |                                  |

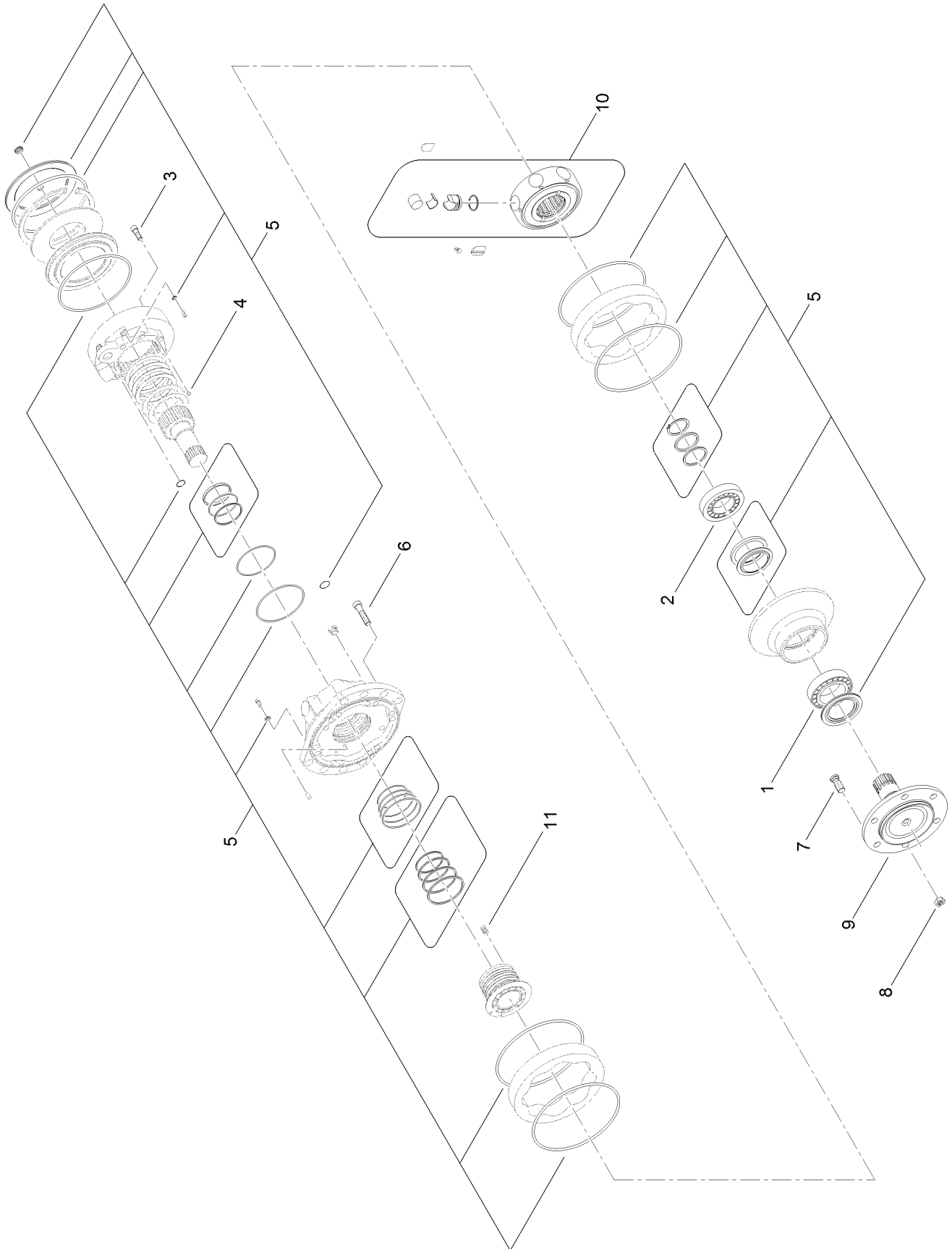
# Hydraulic Motor Assembly No. 125-5391



# Hydraulic Motor Assembly No. 125-5391 (continued)

| <i>Ref.</i> | <i>Part Number</i> | <i>Qty.</i> | <i>Description</i> | <i>Ref.</i> | <i>Part Number</i> | <i>Qty.</i> | <i>Description</i> |
|-------------|--------------------|-------------|--------------------|-------------|--------------------|-------------|--------------------|
| 1           | 137-5627           | 1           | Bearing            | 7           | 137-5632           | 1           | Stud               |
| 2           | 137-5628           | 1           | Bearing            | 8           | 137-5633           | 1           | Lug Nut            |
| 3           | 137-5649           | 1           | Screw              | 9           | 137-5634           | 1           | Shaft              |
| 4           | 137-5629           | 1           | Shear Ball         | 10          | 137-5578           | 1           | Rotating Group ASM |
| 5           | 137-5630           | 1           | Master Seal Kit    | 11          | 137-5583           | 1           | Spring             |
| 6           | 137-5631           | 1           | Screw              |             |                    |             |                    |

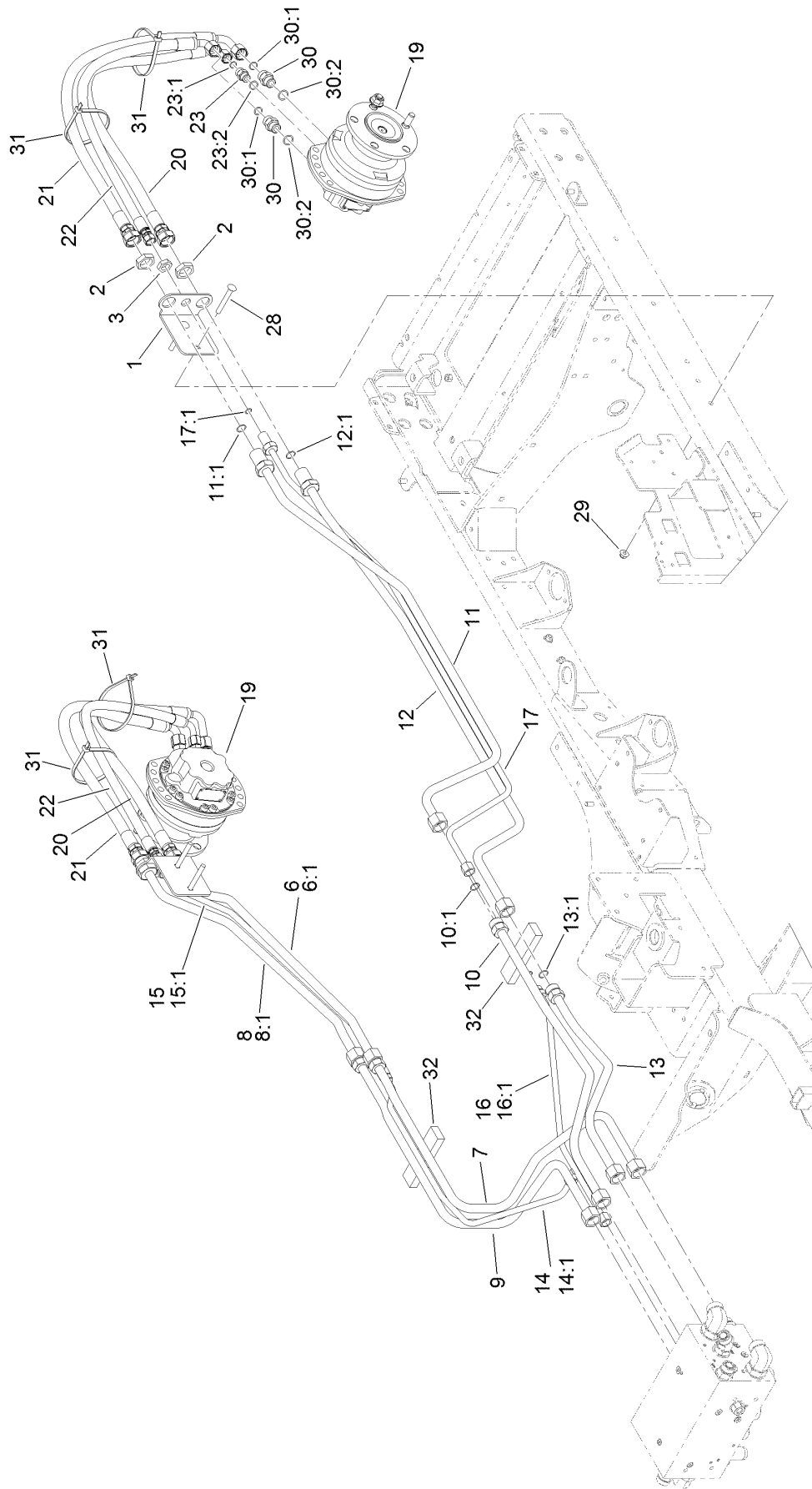
# Hydraulic Motor Assembly No. 125-5434



# Hydraulic Motor Assembly No. 125-5434 (continued)

| <i>Ref.</i> | <i>Part Number</i> | <i>Qty.</i> | <i>Description</i> | <i>Ref.</i> | <i>Part Number</i> | <i>Qty.</i> | <i>Description</i> |
|-------------|--------------------|-------------|--------------------|-------------|--------------------|-------------|--------------------|
| 1           | 137-5627           | 1           | Bearing            | 7           | 137-5632           | 1           | Stud               |
| 2           | 137-5628           | 1           | Bearing            | 8           | 137-5633           | 1           | Lug Nut            |
| 3           | 137-5649           | 1           | Screw              | 9           | 137-5634           | 1           | Shaft              |
| 4           | 137-5629           | 1           | Shear Ball         | 10          | 137-5578           | 1           | Rotating Group ASM |
| 5           | 137-5630           | 1           | Master Seal Kit    | 11          | 137-5583           | 1           | Spring             |
| 6           | 137-5631           | 1           | Screw              |             |                    |             |                    |

# Hydraulic Traction Assembly

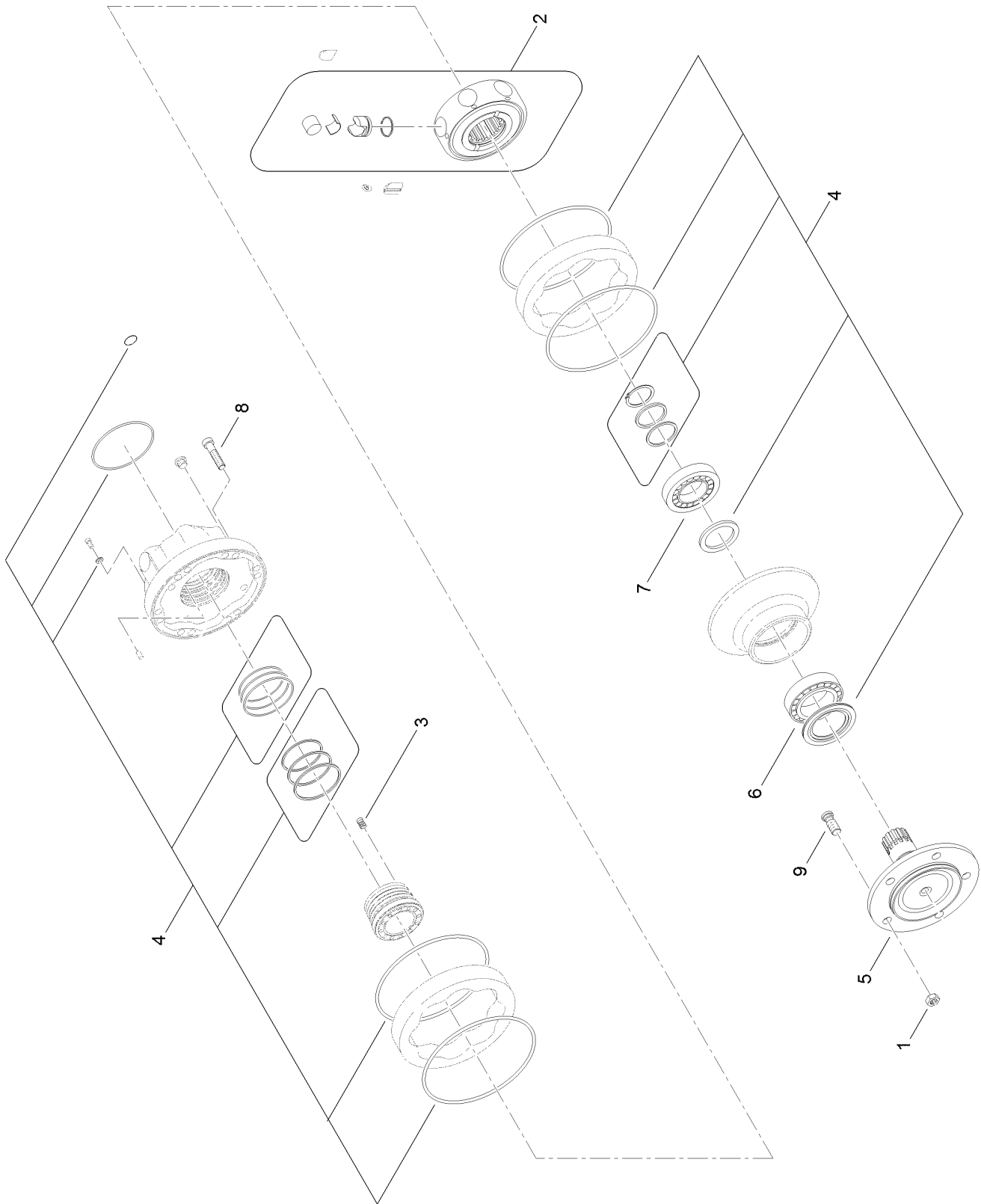




## Hydraulic Traction Assembly (continued)

| <i>Ref.</i> | <i>Part Number</i> | <i>Qty.</i> | <i>Description</i> | <i>Ref.</i> | <i>Part Number</i> | <i>Qty.</i> | <i>Description</i>  |
|-------------|--------------------|-------------|--------------------|-------------|--------------------|-------------|---------------------|
| 1           | 131-2377-01        | 2           | Support-Bulkhead   | 15:1        | 237-30             | 1           | O-Ring              |
| 2           | 340-126            | 4           | Nut-Bulkhead       | 16          | 131-2386           | 1           | Hydraulic Tube ASM  |
| 3           | 340-127            | 2           | Nut-Bulkhead       | 16:1        | 237-30             | 2           | O-Ring              |
| 6           | 131-2378           | 1           | Hydraulic Tube ASM | 17          | 131-2387           | 1           | Hydraulic Tube ASM  |
| 6:1         | 237-58             | 1           | O-Ring             | 17:1        | 237-30             | 1           | O-Ring              |
| 7           | 131-2397           | 1           | Hydraulic Tube ASM | 19          | 132-1425           | 2           | Hydraulic Motor ASM |
| 8           | 131-2379           | 1           | Hydraulic Tube ASM | 20          | 127-3568           | 2           | Hydraulic Hose ASM  |
| 8:1         | 237-58             | 1           | O-Ring             | 21          | 127-3569           | 2           | Hydraulic Hose ASM  |
| 9           | 131-2398           | 1           | Hydraulic Tube ASM | 22          | 131-2383           | 2           | Hydraulic Hose ASM  |
| 10          | 130-2464           | 1           | Hydraulic Tube ASM | 23          | 340-4              | 2           | Fitting-Straight    |
| 10:1        | 237-58             | 1           | O-Ring             | 23:1        | 237-30             | 1           | O-Ring              |
| 11          | 131-2388           | 1           | Hydraulic Tube ASM | 23:2        | 237-79             | 1           | O-Ring              |
| 11:1        | 237-58             | 1           | O-Ring             | 28          | 3231-42            | 4           | Screw-CARR          |
| 12          | 131-2389           | 1           | Hydraulic Tube ASM | 29          | 104-8301           | 4           | Nut-HF, NI          |
| 12:1        | 237-58             | 1           | O-Ring             | 30          | 340-7              | 4           | Fitting-Straight    |
| 13          | 130-2467           | 1           | Hydraulic Tube ASM | 30:1        | 237-65             | 1           | O-Ring              |
| 13:1        | 237-58             | 1           | O-Ring             | 30:2        | 237-80             | 1           | O-Ring              |
| 14          | 131-2384           | 1           | Hydraulic Tube ASM | 31          | 3334-945           | 4           | Tie-Cable           |
| 14:1        | 237-30             | 1           | O-Ring             | 32          | 132-1393           | 2           | Foam-Support, Tube  |
| 15          | 131-2385           | 1           | Hydraulic Tube ASM |             |                    |             |                     |

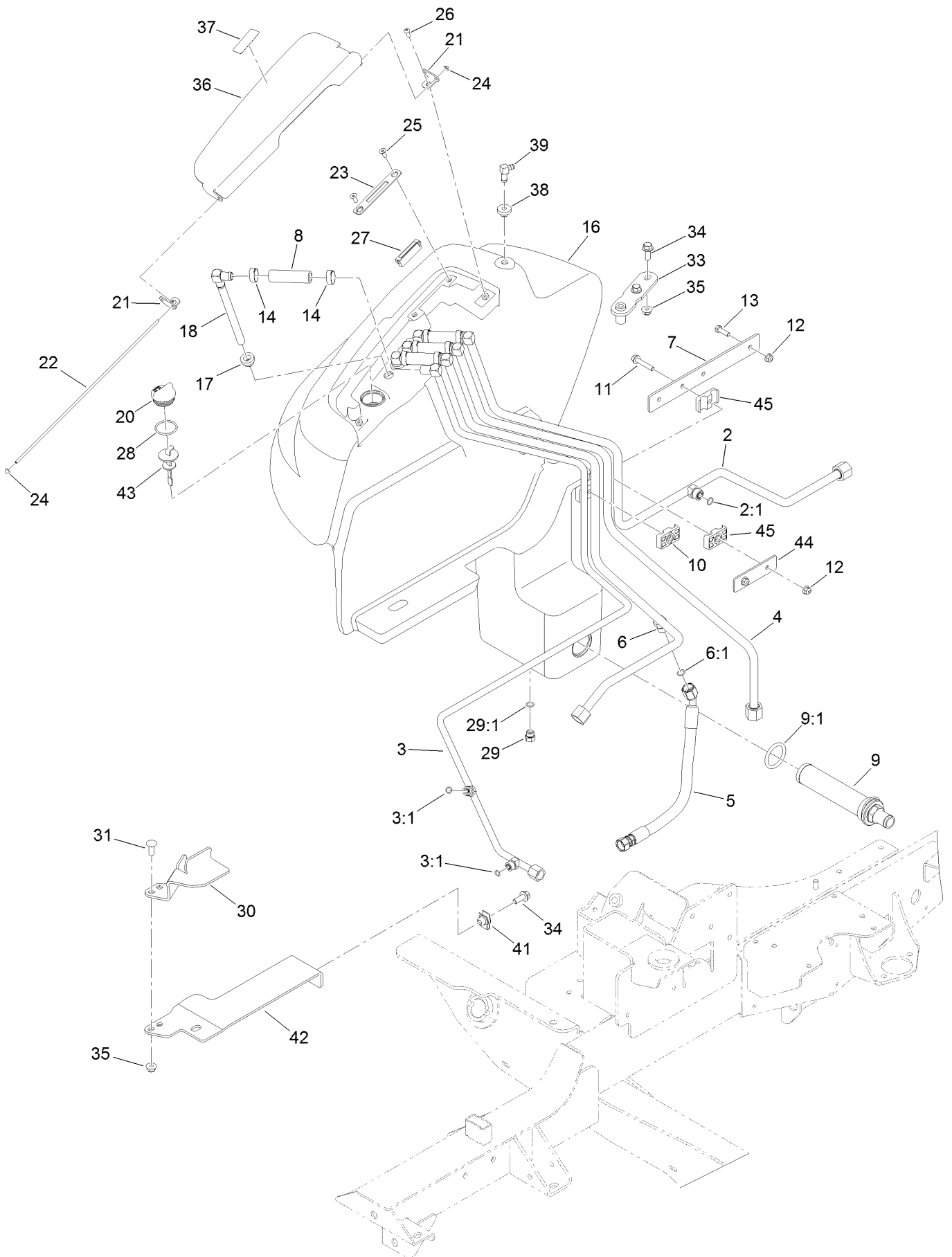
# Hydraulic Motor Assembly No. 132-1425



# Hydraulic Motor Assembly No. 132-1425 (continued)

| <i>Ref.</i> | <i>Part Number</i> | <i>Qty.</i> | <i>Description</i> | <i>Ref.</i> | <i>Part Number</i> | <i>Qty.</i> | <i>Description</i> |
|-------------|--------------------|-------------|--------------------|-------------|--------------------|-------------|--------------------|
| 1           | 133-2517           | 1           | Nut-Flange         | 6           | 137-5636           | 1           | Bearing            |
| 2           | 133-2518           | 1           | Rotating Group ASM | 7           | 137-5637           | 1           | Bearing            |
| 3           | 137-5583           | 1           | Spring             | 8           | 137-5638           | 1           | Screw              |
| 4           | 133-2520           | 1           | Seal Kit           | 9           | 137-5639           | 1           | Stud               |
| 5           | 137-5635           | 1           | Shaft              |             |                    |             |                    |

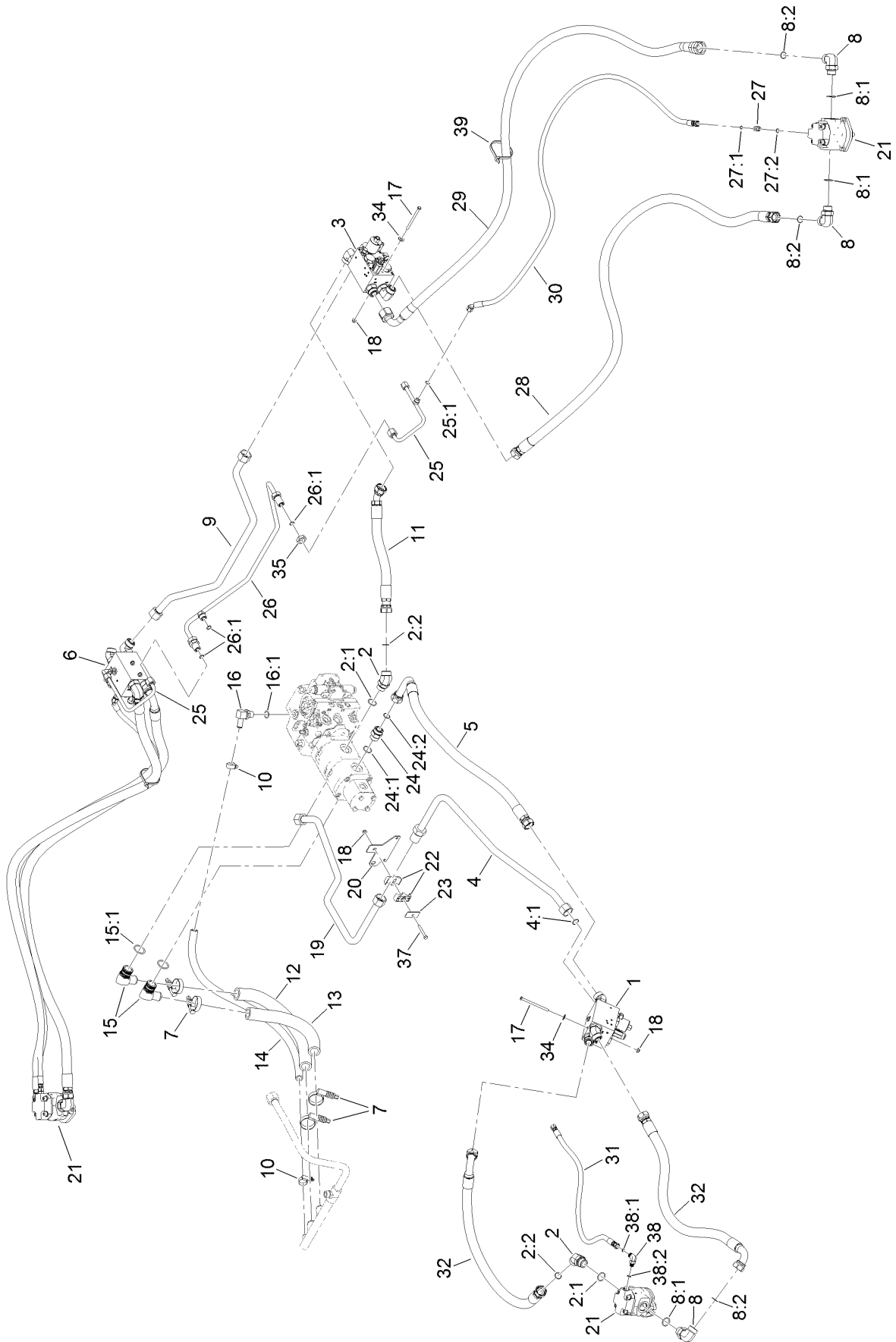
# Hydraulic Tank Assembly



## Hydraulic Tank Assembly (continued)

| <i>Ref.</i> | <i>Part Number</i> | <i>Qty.</i> | <i>Description</i> | <i>Ref.</i> | <i>Part Number</i> | <i>Qty.</i> | <i>Description</i>    |
|-------------|--------------------|-------------|--------------------|-------------|--------------------|-------------|-----------------------|
| 2           | 125-5357           | 1           | Hydraulic Tube ASM | 23          | 114-0941           | 1           | Plate-Latch           |
| 2:1         | 237-30             | 1           | O-Ring             | 24          | 1-803001           | 2           | Nut-Push              |
| 3           | 130-2553           | 1           | Hydraulic Tube ASM | 25          | 3274-47            | 2           | Screw-HSFH            |
| 3:1         | 237-22             | 2           | O-Ring             | 26          | 3274-31            | 2           | Screw-HSBH            |
| 4           | 130-2511           | 1           | Hydraulic Tube ASM | 27          | 58-4250            | 1           | Catch-Magnetic        |
| 5           | 130-2543           | 1           | Hydraulic Hose ASM | 28          | 94-8166            | 1           | O-Ring                |
| 6           | 130-9036           | 1           | Hydraulic Tube ASM | 29          | 353-508            | 1           | Plug-HH               |
| 6:1         | 237-30             | 1           | O-Ring             | 29:1        | 237-42             | 1           | O-Ring                |
| 7           | 114-4919-0P        | 1           | Plate-Mount, Tube  | 30          | 139-7819-01        | 1           | Keeper-Tank           |
| 8           | 114-4920           | 4           | Hose               | 31          | 3231-22            | 2           | Screw-CARR            |
| 9           | 104-7546           | 1           | Tank Strainer ASM  | 33          | 114-0094           | 1           | Hold Down-Tank        |
| 9:1         | 340-136            | 1           | O-Ring             | 34          | 3234-42            | 3           | Screw-HHF             |
| 10          | 56-7977            | 2           | Clamp-Tube         | 35          | 104-8301           | 4           | Nut-HF, NI            |
| 11          | 94-5780            | 2           | Screw-HWH          | 36          | 137-5592-03        | 1           | Cover-Tank, Hydraulic |
| 12          | 104-8300           | 4           | Nut-HF, NI         | 37          | 93-6686            | 1           | Decal-Oil, HYD        |
| 13          | 322-5              | 2           | Screw-HH           | 38          | 46-6560            | 1           | Bushing               |
| 14          | 2412-36            | 8           | Clamp-Hose         | 39          | 46-6550            | 1           | Fitting-Elbow, 90 DEG |
| 16          | 119-7726           | 1           | Hydraulic Tank ASM | 41          | 105-4886           | 1           | Nut-Tinnerman         |
| 17          | 104-0790           | 4           | Bushing            | 42          | 139-7809-01        | 1           | Support-Tank          |
| 18          | 132-1384           | 4           | Tube-Drop          | 43          | 105-2812           | 1           | Dipstick              |
| 20          | 93-7498            | 1           | Plug-Plastic       | 44          | 131-2213           | 1           | Plate-Case Drain      |
| 21          | 114-0940           | 2           | Bracket-Hinge      | 45          | 56-7971            | 2           | Clamp-Tube            |
| 22          | 114-0904           | 1           | Rod                |             |                    |             |                       |

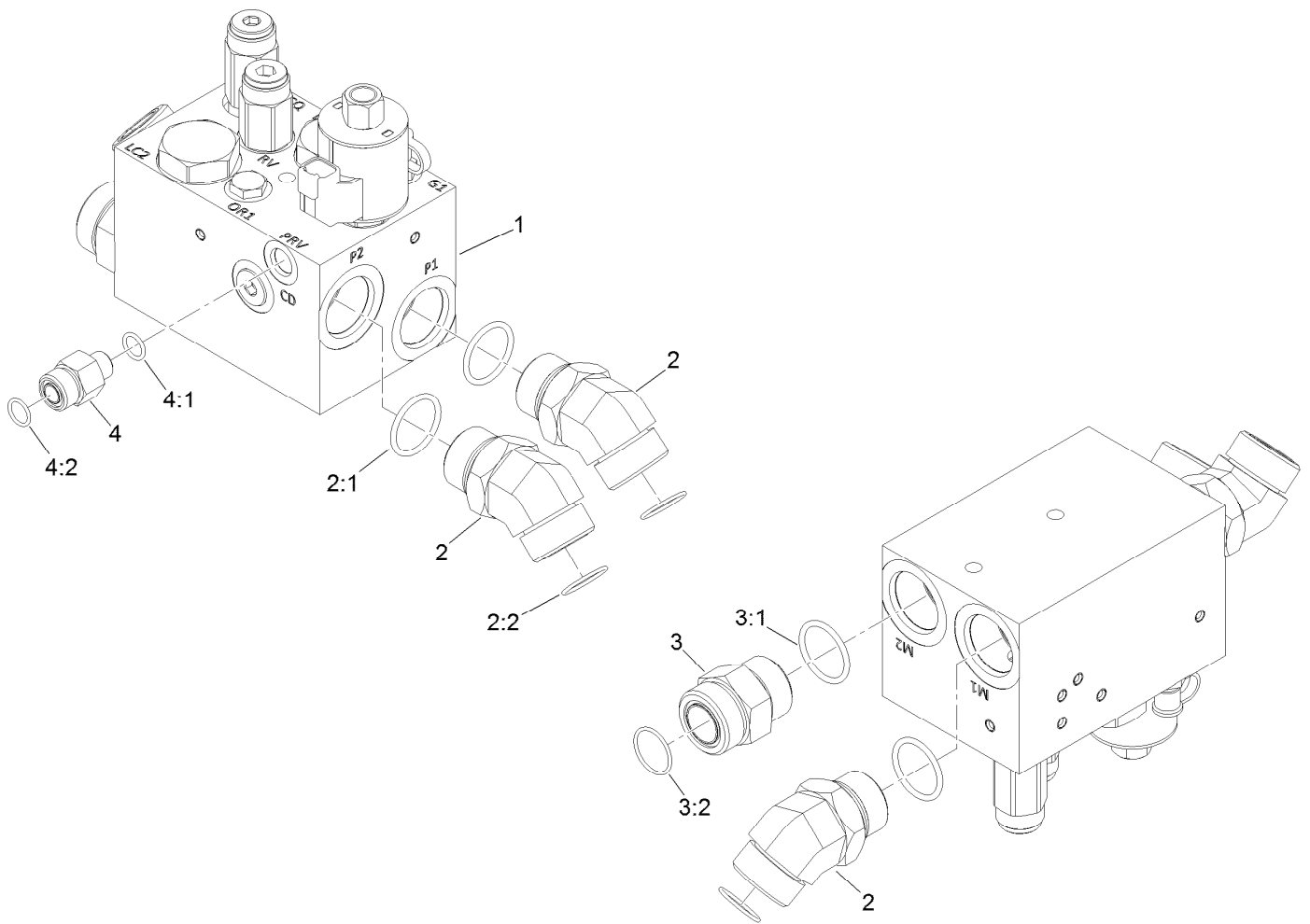
# Hydraulic Cutting Circuit Assembly



## Hydraulic Cutting Circuit Assembly (continued)

| <i>Ref.</i> | <i>Part Number</i> | <i>Qty.</i> | <i>Description</i>       | <i>Ref.</i> | <i>Part Number</i> | <i>Qty.</i> | <i>Description</i>    |
|-------------|--------------------|-------------|--------------------------|-------------|--------------------|-------------|-----------------------|
| 1           |                    | 1           | Center Deck Manifold ASM | 20          | 132-1377-0P        | 1           | Bracket-Hydraulic     |
| 2           | 104-3509           | 2           | Fitting-HYD, 45 DEG      | 21          | 125-5392           | 3           | Hydraulic Motor ASM   |
| 2:1         | 237-146            | 1           | O-Ring                   | 22          | 56-7974            | 2           | Clamp-Tube            |
| 2:2         | 340-65             | 1           | O-Ring                   | 23          | 69-9761            | 1           | Plate-Cover           |
| 3           |                    | 1           | LH Deck Manifold ASM ●   | 24          | 104-3797           | 1           | Fitting-Straight      |
| 4           | 130-2549           | 1           | Hydraulic Tube ASM       | 24:1        | 237-146            | 1           | O-Ring                |
| 4:1         | 340-65             | 1           | O-Ring                   | 24:2        | 340-65             | 1           | O-Ring                |
| 5           | 125-5346           | 1           | Hydraulic Hose ASM       | 25          | 125-5326           | 2           | Hydraulic Tube ASM    |
| 6           |                    | 1           | RH Deck Manifold ASM ●   | 25:1        | 237-22             | 1           | O-Ring                |
| 7           | 121-7536           | 4           | Clamp-Torque, Constant   | 26          | 125-5356           | 1           | Hydraulic Tube ASM    |
| 8           | 340-129            | 5           | Fitting-Elbow, 90 DEG    | 26:1        | 237-65             | 3           | O-Ring                |
| 8:1         | 237-146            | 1           | O-Ring                   | 27          | 340-2              | 2           | Fitting-Straight      |
| 8:2         | 340-65             | 1           | O-Ring                   | 27:1        | 237-22             | 1           | O-Ring                |
| 9           | 125-5325           | 1           | Hydraulic Tube ASM       | 27:2        | 237-42             | 1           | O-Ring                |
| 10          | 132-1383           | 2           | Clamp-Belville Sprg      | 28          | 140-5801           | 2           | Hydraulic Hose ASM    |
| 11          | 125-5328           | 1           | Hydraulic Hose ASM       | 29          | 140-5802           | 2           | Hydraulic Hose ASM    |
| 12          | 127-3466           | 1           | Hose-Hydraulic           | 30          | 130-9154           | 2           | Hydraulic Hose ASM    |
| 13          | 127-3467           | 1           | Hose-Hydraulic           | 31          | 132-1389           | 1           | Hydraulic Hose ASM    |
| 14          | 127-3468           | 1           | Hose-Hydraulic           | 32          | 140-5803           | 2           | Hydraulic Hose ASM    |
| 15          | 92-7526            | 2           | Fitting-HYD 90 Spcl      | 34          | 3256-56            | 6           | Washer-Flat           |
| 15:1        | 237-101            | 1           | O-Ring                   | 35          | 340-74             | 2           | Nut-Lock, Bulkhead    |
| 16          | 353-987            | 1           | Fitting-Elbow, 90        | 37          | 322-12             | 1           | Screw-HH              |
| 16:1        | 237-81             | 1           | O-Ring                   | 38          | 340-77             | 1           | Fitting-Elbow, 90 DEG |
| 17          | 130-9133           | 6           | Screw-HH                 | 38:1        | 237-22             | 1           | O-Ring                |
| 18          | 104-8300           | 7           | Nut-HF, NI               | 38:2        | 237-42             | 1           | O-Ring                |
| 19          | 132-1374           | 1           | Hydraulic Tube ASM       | 39          | 3334-945           | 2           | Tie-Cable             |

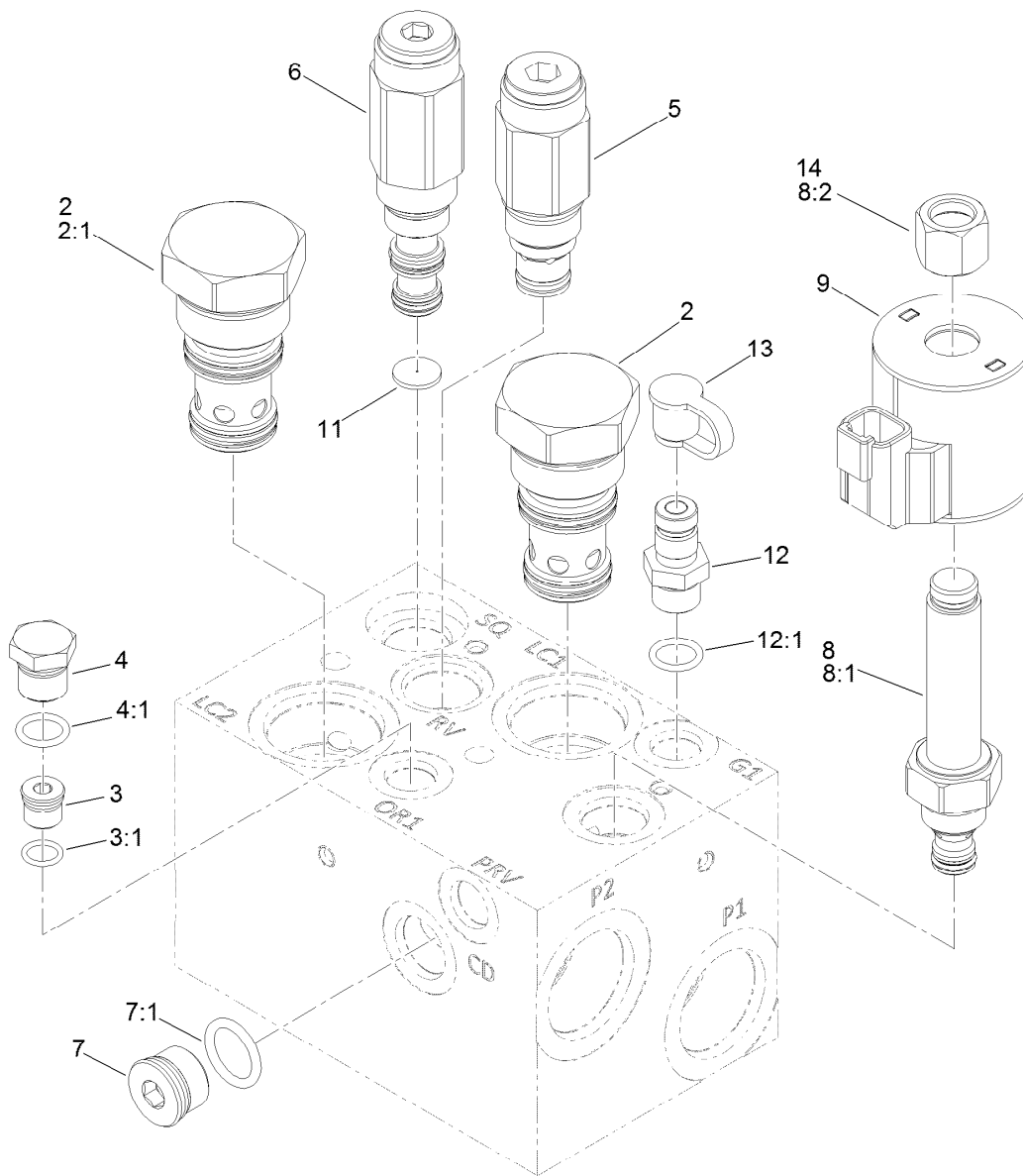
● Not serviced separately



## Center Cutting Deck Drive Valve Assembly

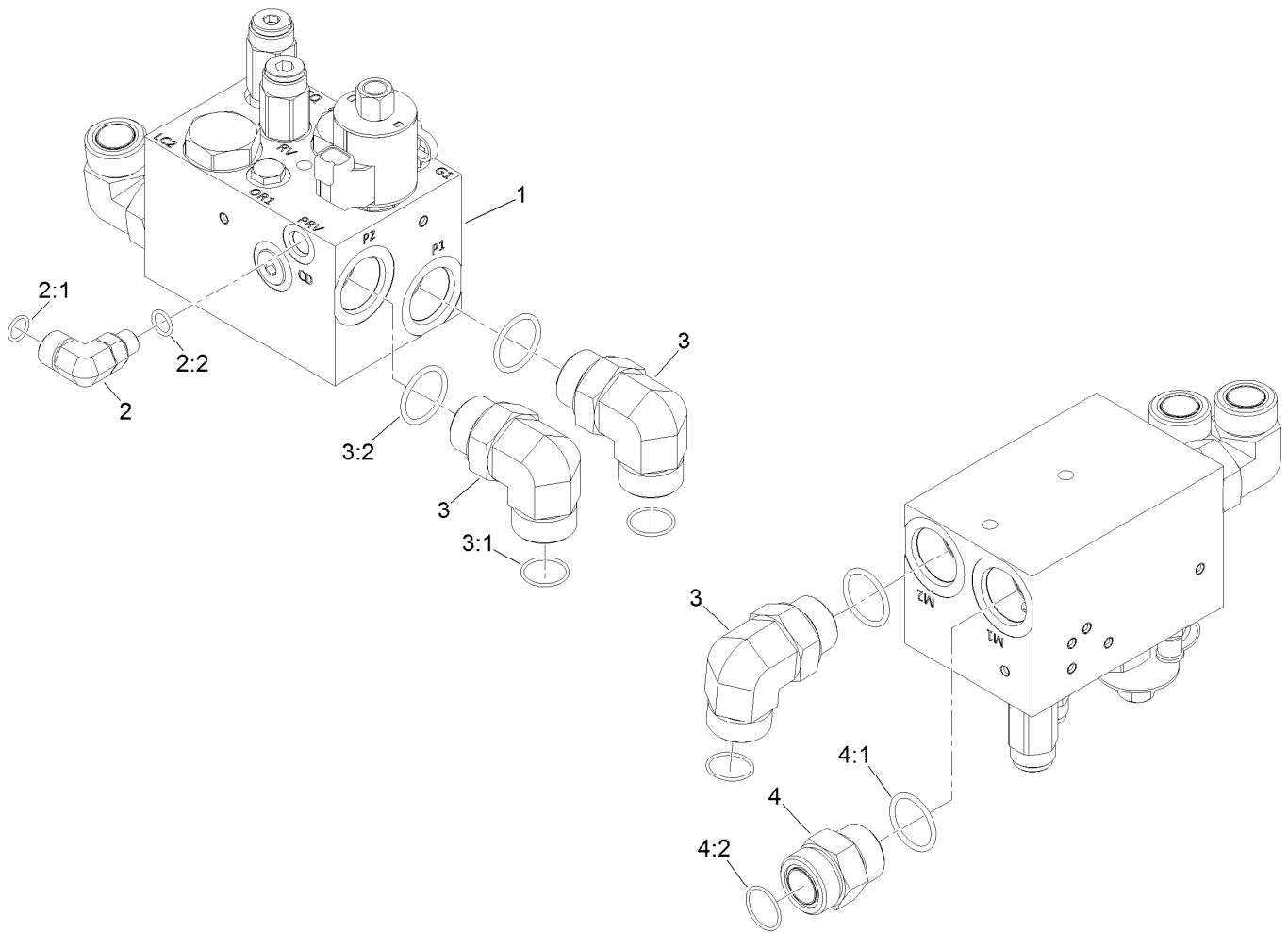
| Ref. | Part Number | Qty. | Description              |
|------|-------------|------|--------------------------|
| 1    | 132-1394    | 1    | Center Deck Manifold ASM |
| 2    | 104-3509    | 3    | Fitting-HYD, 45 DEG      |
| 2:1  | 237-146     | 1    | O-Ring                   |
| 2:2  | 340-65      | 1    | O-Ring                   |
| 3    | 104-3797    | 1    | Fitting-Straight         |
| 3:1  | 237-146     | 1    | O-Ring                   |
| 3:2  | 340-65      | 1    | O-Ring                   |
| 4    | 340-5       | 1    | Fitting-Straight         |
| 4:1  | 237-42      | 1    | O-Ring                   |
| 4:2  | 237-30      | 1    | O-Ring                   |





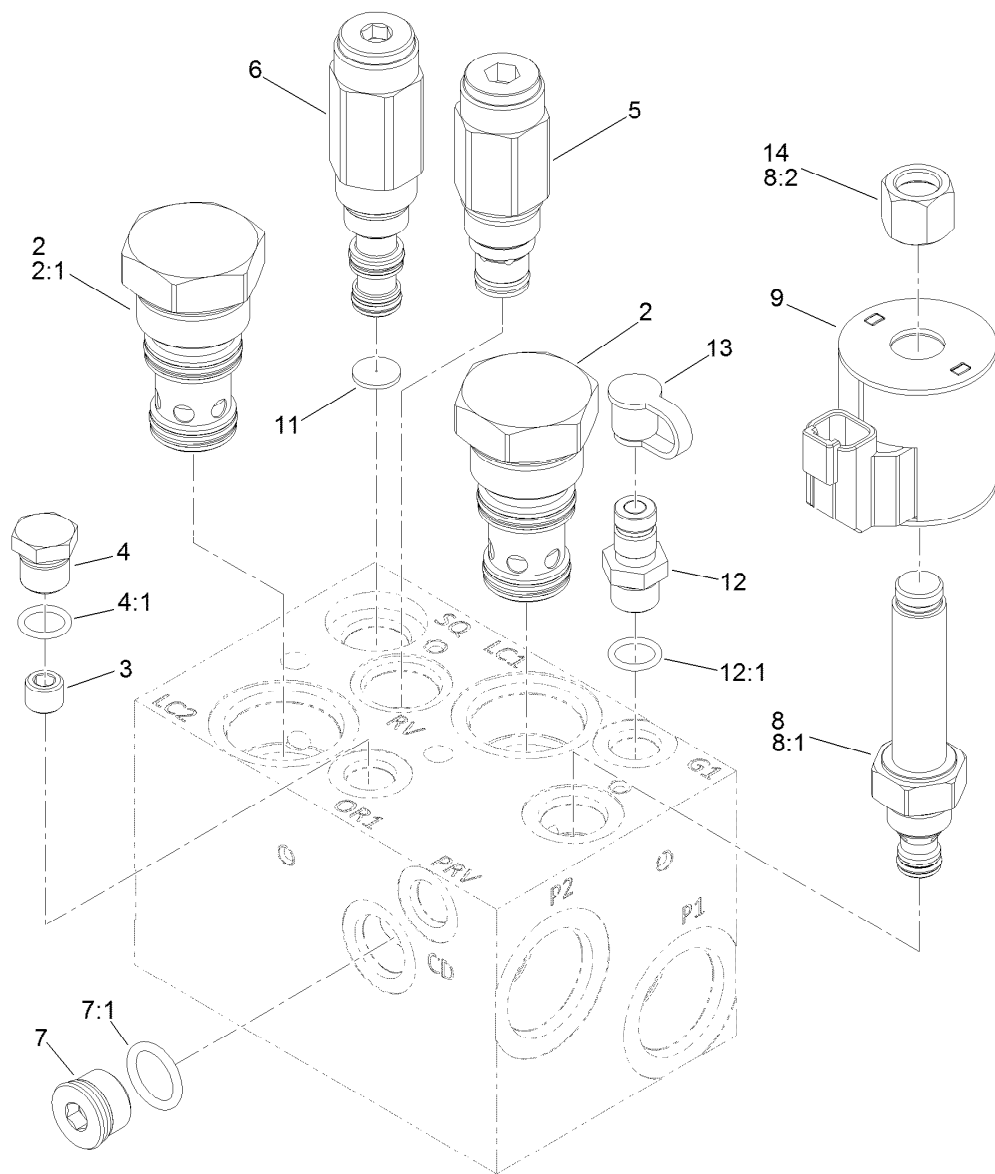
## Hydraulic Manifold Assembly No. 132-1394

| <i>Ref.</i> | <i>Part Number</i> | <i>Qty.</i> | <i>Description</i>      | <i>Ref.</i> | <i>Part Number</i> | <i>Qty.</i> | <i>Description</i>         |
|-------------|--------------------|-------------|-------------------------|-------------|--------------------|-------------|----------------------------|
| 2           | 132-4896           | 2           | Element-Logic           | 8           | 117-0227           | 1           | Valve-Relief, Proportional |
| 2:1         | 139-7839           | 1           | Seal Kit                | 8:1         | 105-9156           | 1           | Seal Kit                   |
| 3           | 353-990            | 1           | Plug ASM                | 8:2         | 130-8180           | 1           | Nut-Coil (9/16-24 Unef-2B) |
| 3:1         | 237-78             | 1           | O-Ring                  | 9           | 119-4619           | 1           | Coil-Solenoid              |
| 4           | 353-508            | 1           | Plug-HH                 | 11          | 132-4891           | 1           | Disc-Orifice               |
| 4:1         | 237-42             | 1           | O-Ring                  | 12          | 59-7410            | 1           | Fitting-Diagnostic         |
| 5           | 132-4894           | 1           | Valve-Relief, Poppet    | 12:1        | 237-42             | 1           | O-Ring                     |
| 6           | 132-4893           | 1           | Valve-Sequence, 110 PSI | 13          | 354-79             | 1           | Cap-Dust                   |
| 7           | 353-988            | 1           | Plug-Hex                | 14          | 130-8180           | 1           | Nut-Coil (9/16-24 Unef-2B) |
| 7:1         | 237-79             | 1           | O-Ring                  |             |                    |             |                            |



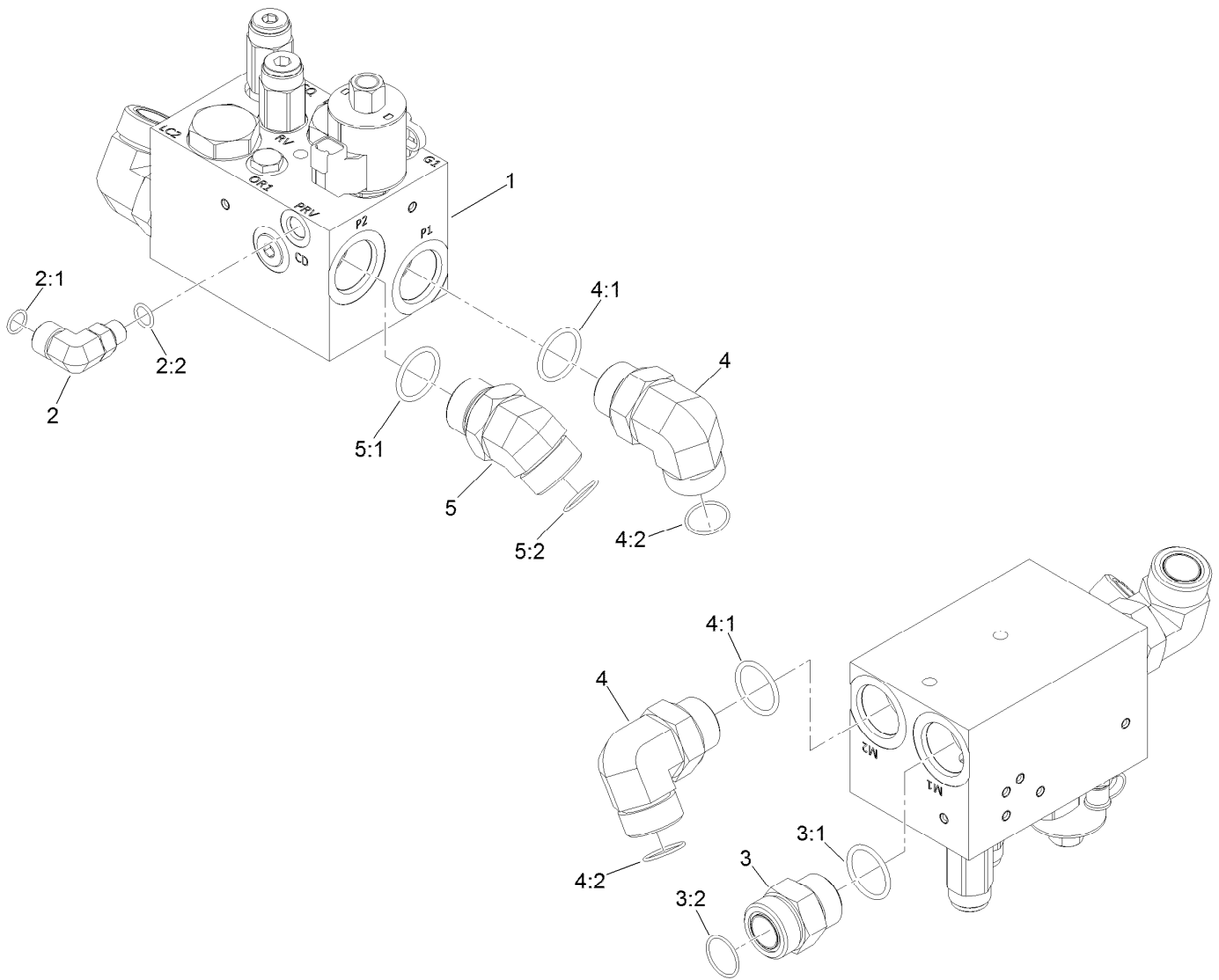
## LH Cutting Deck Drive Valve Assembly

| Ref. | Part Number | Qty. | Description           |
|------|-------------|------|-----------------------|
| 1    | 132-1395    | 1    | LH Deck Manifold ASM  |
| 2    | 340-99      | 1    | Fitting-HYD, 90 DEG   |
| 2:1  | 237-30      | 1    | O-Ring                |
| 2:2  | 237-42      | 1    | O-Ring                |
| 3    | 340-129     | 3    | Fitting-Elbow, 90 DEG |
| 3:1  | 237-146     | 1    | O-Ring                |
| 3:2  | 340-65      | 1    | O-Ring                |
| 4    | 104-3797    | 1    | Fitting-Straight      |
| 4:1  | 237-146     | 1    | O-Ring                |
| 4:2  | 340-65      | 1    | O-Ring                |



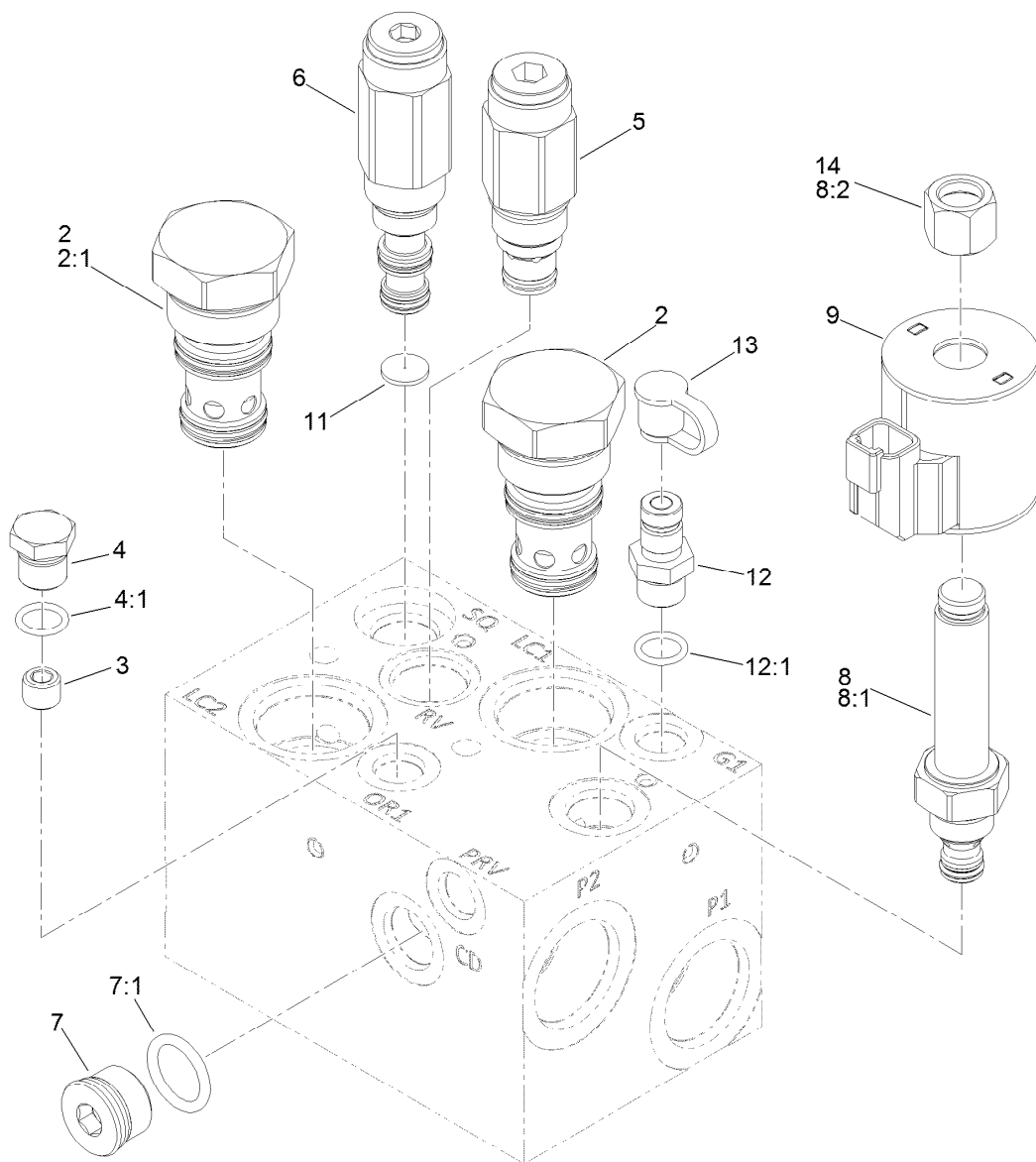
## Hydraulic Manifold Assembly No. 132-1395

| <i>Ref.</i> | <i>Part Number</i> | <i>Qty.</i> | <i>Description</i>      | <i>Ref.</i> | <i>Part Number</i> | <i>Qty.</i> | <i>Description</i>         |
|-------------|--------------------|-------------|-------------------------|-------------|--------------------|-------------|----------------------------|
| 2           | 132-4896           | 2           | Element-Logic           | 8           | 117-0227           | 1           | Valve-Relief, Proportional |
| 2:1         | 139-7839           | 1           | Seal Kit                | 8:1         | 105-9156           | 1           | Seal Kit                   |
| 3           | 132-4895           | 1           | Orifice                 | 8:2         | 130-8180           | 1           | Nut-Coil (9/16-24 Unef-2B) |
| 4           | 353-508            | 1           | Plug-HH                 | 9           | 119-4619           | 1           | Coil-Solenoid              |
| 4:1         | 237-42             | 1           | O-Ring                  | 11          | 132-4891           | 1           | Disc-Orifice               |
| 5           | 132-4894           | 1           | Valve-Relief, Poppet    | 12          | 59-7410            | 1           | Fitting-Diagnostic         |
| 6           | 132-4893           | 1           | Valve-Sequence, 110 PSI | 12:1        | 237-42             | 1           | O-Ring                     |
| 7           | 353-988            | 1           | Plug-Hex                | 13          | 354-79             | 1           | Cap-Dust                   |
| 7:1         | 237-79             | 1           | O-Ring                  | 14          | 130-8180           | 1           | Nut-Coil (9/16-24 Unef-2B) |



## RH Cutting Deck Drive Valve Assembly

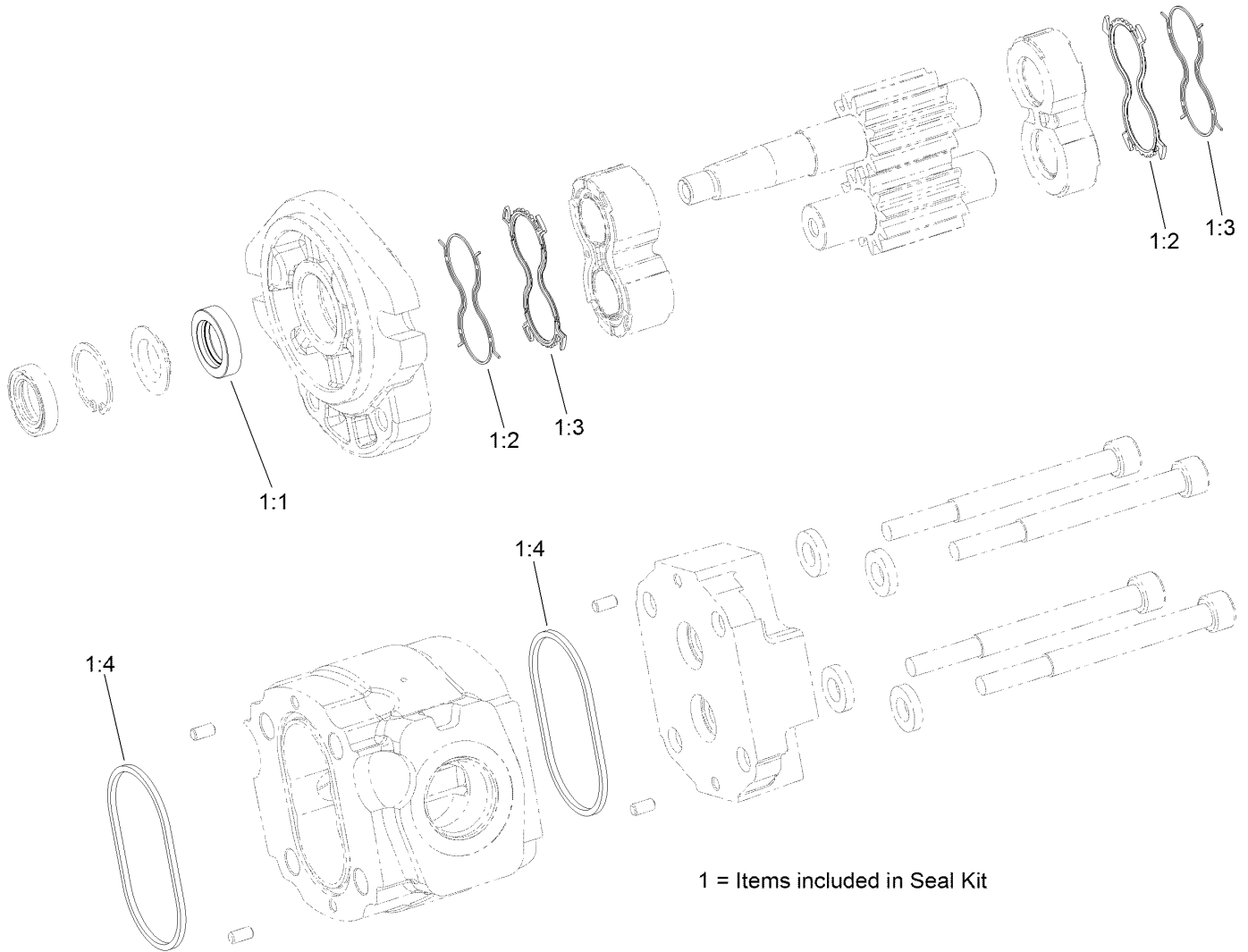
| Ref. | Part Number | Qty. | Description           |
|------|-------------|------|-----------------------|
| 1    | 132-1396    | 1    | RH Deck Manifold ASM  |
| 2    | 340-99      | 1    | Fitting-HYD, 90 DEG   |
| 2:1  | 237-30      | 1    | O-Ring                |
| 2:2  | 237-42      | 1    | O-Ring                |
| 3    | 104-3797    | 1    | Fitting-Straight      |
| 3:1  | 237-146     | 1    | O-Ring                |
| 3:2  | 340-65      | 1    | O-Ring                |
| 4    | 340-129     | 2    | Fitting-Elbow, 90 DEG |
| 4:1  | 237-146     | 1    | O-Ring                |
| 4:2  | 340-65      | 1    | O-Ring                |
| 5    | 104-3509    | 1    | Fitting-HYD, 45 DEG   |
| 5:1  | 237-146     | 1    | O-Ring                |
| 5:2  | 340-65      | 1    | O-Ring                |



## Hydraulic Manifold Assembly No. 132-1396

| <i>Ref.</i> | <i>Part Number</i> | <i>Qty.</i> | <i>Description</i>      | <i>Ref.</i> | <i>Part Number</i> | <i>Qty.</i> | <i>Description</i>         |
|-------------|--------------------|-------------|-------------------------|-------------|--------------------|-------------|----------------------------|
| 2           | 132-4896           | 2           | Element-Logic           | 8           | 117-0227           | 1           | Valve-Relief, Proportional |
| 2:1         | 139-7839           | 1           | Seal Kit                | 8:1         | 105-9156           | 1           | Seal Kit                   |
| 3           | 132-4895           | 1           | Orifice                 | 8:2         | 130-8180           | 1           | Nut-Coil (9/16-24 Unef-2B) |
| 4           | 353-508            | 1           | Plug-HH                 | 9           | 119-4619           | 1           | Coil-Solenoid              |
| 4:1         | 237-42             | 1           | O-Ring                  | 11          | 132-4891           | 1           | Disc-Orifice               |
| 5           | 132-4894           | 1           | Valve-Relief, Poppet    | 12          | 59-7410            | 1           | Fitting-Diagnostic         |
| 6           | 132-4893           | 1           | Valve-Sequence, 110 PSI | 12:1        | 237-42             | 1           | O-Ring                     |
| 7           | 353-988            | 1           | Plug-Hex                | 13          | 354-79             | 1           | Cap-Dust                   |
| 7:1         | 237-79             | 1           | O-Ring                  | 14          | 130-8180           | 1           | Nut-Coil (9/16-24 Unef-2B) |

# Hydraulic Motor Assembly No. 125-5392

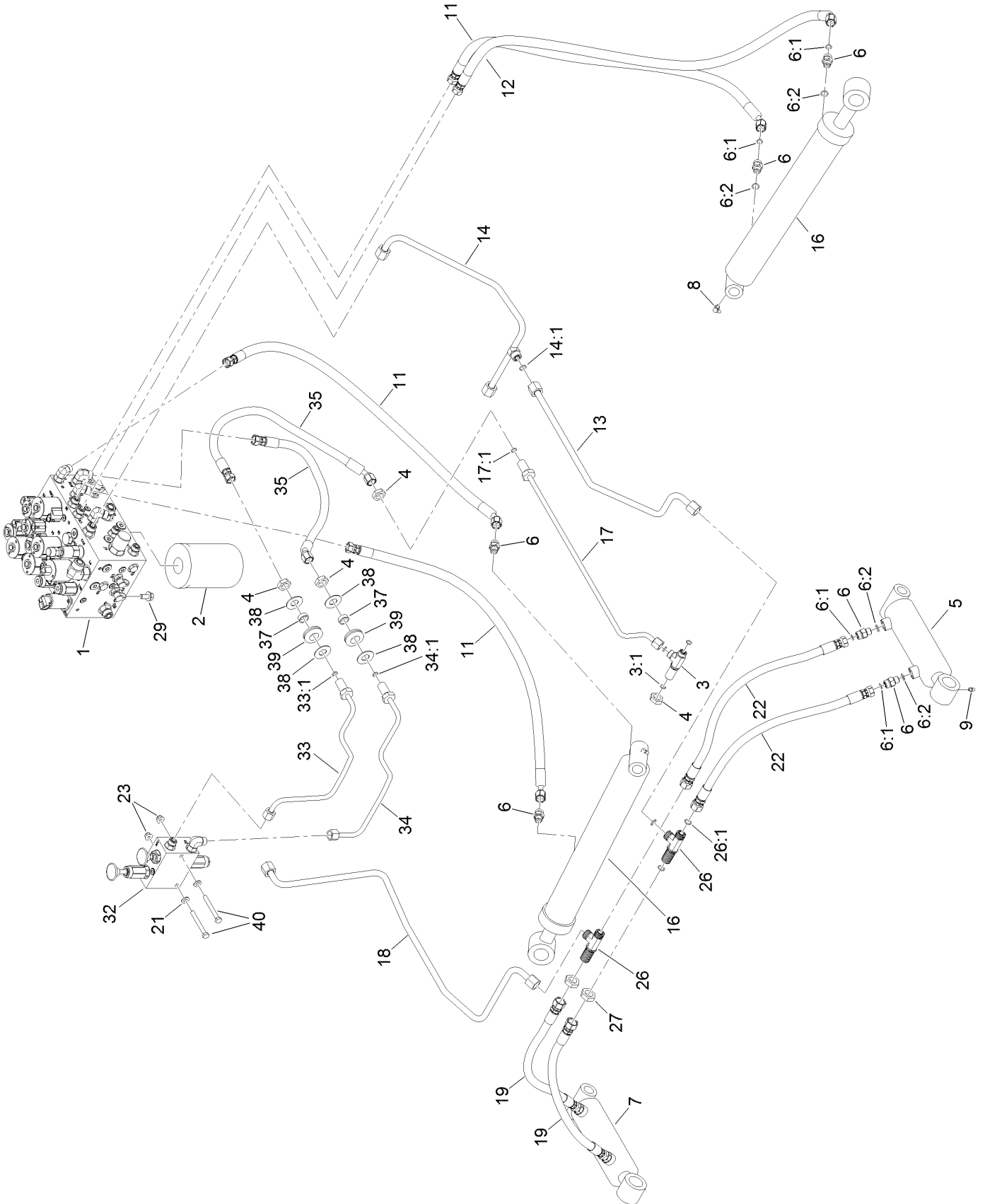


# Hydraulic Motor Assembly No. 125-5392 (continued)

| <i>Ref.</i> | <i>Part Number</i> | <i>Qty.</i> | <i>Description</i>      | <i>Ref.</i> | <i>Part Number</i> | <i>Qty.</i> | <i>Description</i>    |
|-------------|--------------------|-------------|-------------------------|-------------|--------------------|-------------|-----------------------|
| 1           | 115-4110           | 1           | Seal Kit                | 1:3         |                    | 2           | Seal-Anti Extrusion ● |
| 1:1         |                    | 2           | Seal-Shaft ●            | 1:4         |                    | 2           | O-Ring (Housing) ●    |
| 1:2         |                    | 2           | Seal-Plate, Balancing ● |             |                    |             |                       |

● Not serviced separately

# Hydraulic Steering/Lift Circuit Assembly

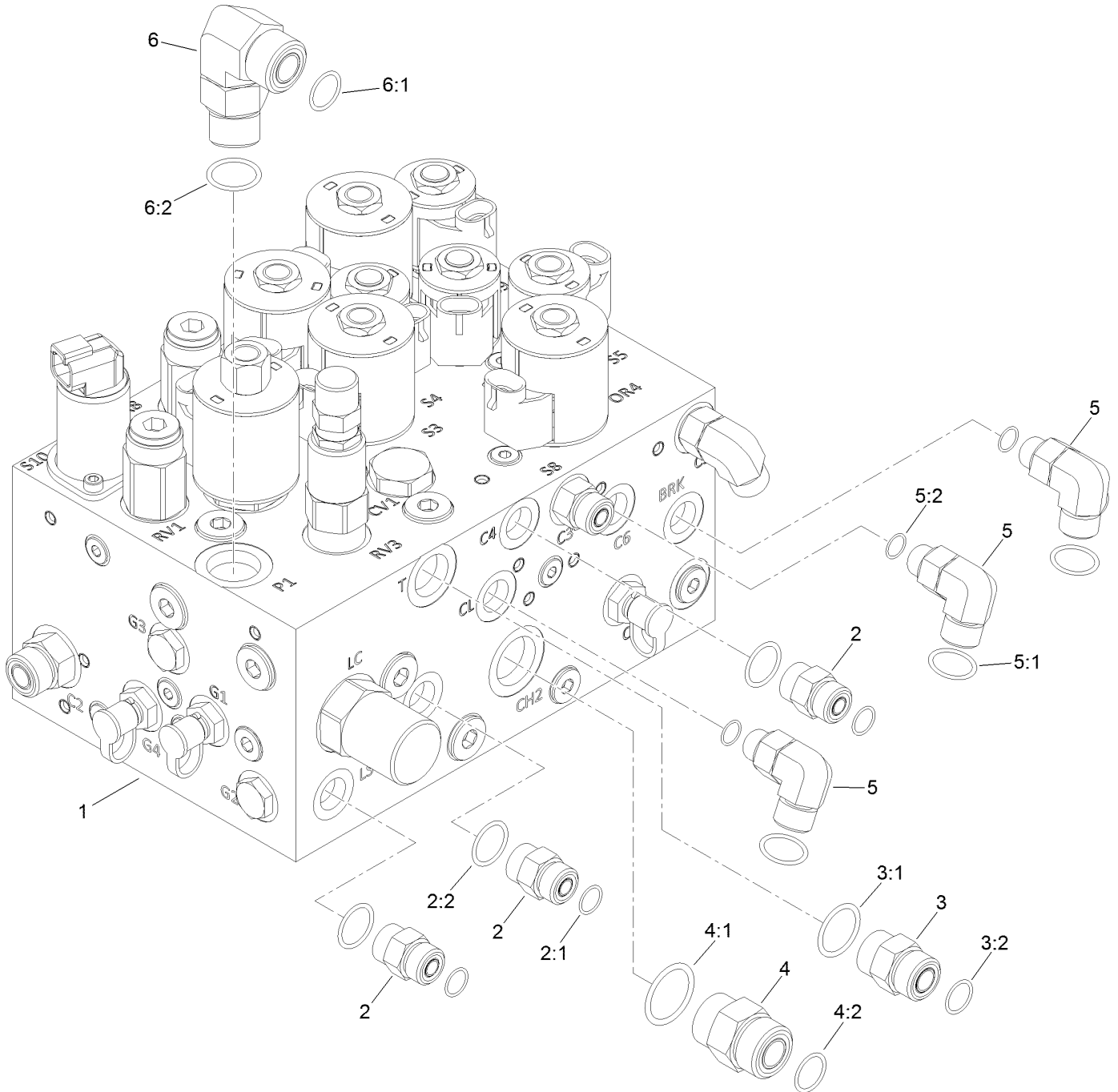




## Hydraulic Steering/Lift Circuit Assembly (continued)

| <i>Ref.</i> | <i>Part Number</i> | <i>Qty.</i> | <i>Description</i>     | <i>Ref.</i> | <i>Part Number</i> | <i>Qty.</i> | <i>Description</i>                |
|-------------|--------------------|-------------|------------------------|-------------|--------------------|-------------|-----------------------------------|
| 1           | 137-5626           | 1           | Manifold-Steering/Lift | 18          | 130-9038           | 1           | Hydraulic Tube ASM                |
| 2           | 75-1310            | 1           | Filter-HYD             | 19          | 131-2298           | 2           | Hydraulic Hose ASM                |
| 3           | 340-68             | 1           | Fitting-Tee, Bulkhead  | 21          | 3256-23            | 2           | Washer-Plain                      |
| 3:1         | 237-22             | 3           | O-Ring                 | 22          | 131-2299           | 2           | Hydraulic Hose ASM                |
| 4           | 340-70             | 4           | Nut-Lock               | 23          | 104-8300           | 2           | Nut-HF, NI                        |
| 5           | 114-4831           | 1           | LH Lift Cylinder ASM   | 26          | 340-121            | 2           | Fitting-Tee                       |
| 6           | 340-2              | 8           | Fitting-Straight       | 26:1        | 237-30             | 3           | O-Ring                            |
| 6:1         | 237-22             | 1           | O-Ring                 | 27          | 340-127            | 2           | Nut-Bulkhead                      |
| 6:2         | 237-42             | 1           | O-Ring                 | 29          | 3234-12            | 4           | Screw-HHF                         |
| 7           | 114-4830           | 1           | RH Lift Cylinder ASM   | 32          | 132-1378           | 1           | Manual Park Brake Manifold<br>ASM |
| 8           | 302-60             | 2           | Fitting-Grease         | 33          | 132-1380           | 1           | Hydraulic Tube ASM                |
| 9           | 302-5              | 4           | Fitting-Grease         | 33:1        | 237-22             | 1           | O-Ring                            |
| 11          | 131-2216           | 3           | Hydraulic Hose ASM     | 34          | 132-1381           | 1           | Hydraulic Tube ASM                |
| 12          | 131-2217           | 1           | Hydraulic Hose ASM     | 34:1        | 237-22             | 1           | O-Ring                            |
| 13          | 130-9035           | 1           | Hydraulic Tube ASM     | 35          | 132-1382           | 2           | Hydraulic Hose ASM                |
| 14          | 131-2374           | 1           | Hydraulic Tube ASM     | 37          | 69-8970            | 2           | Spacer                            |
| 14:1        | 237-30             | 1           | O-Ring                 | 38          | 69-8940            | 4           | Washer                            |
| 16          | 114-5685           | 2           | HYD Cylinder ASM       | 39          | 240-4              | 2           | Grommet-Rubber                    |
| 17          | 131-2371           | 1           | Hydraulic Tube ASM     | 40          | 322-13             | 2           | Screw-HH                          |
| 17:1        | 237-22             | 1           | O-Ring                 |             |                    |             |                                   |

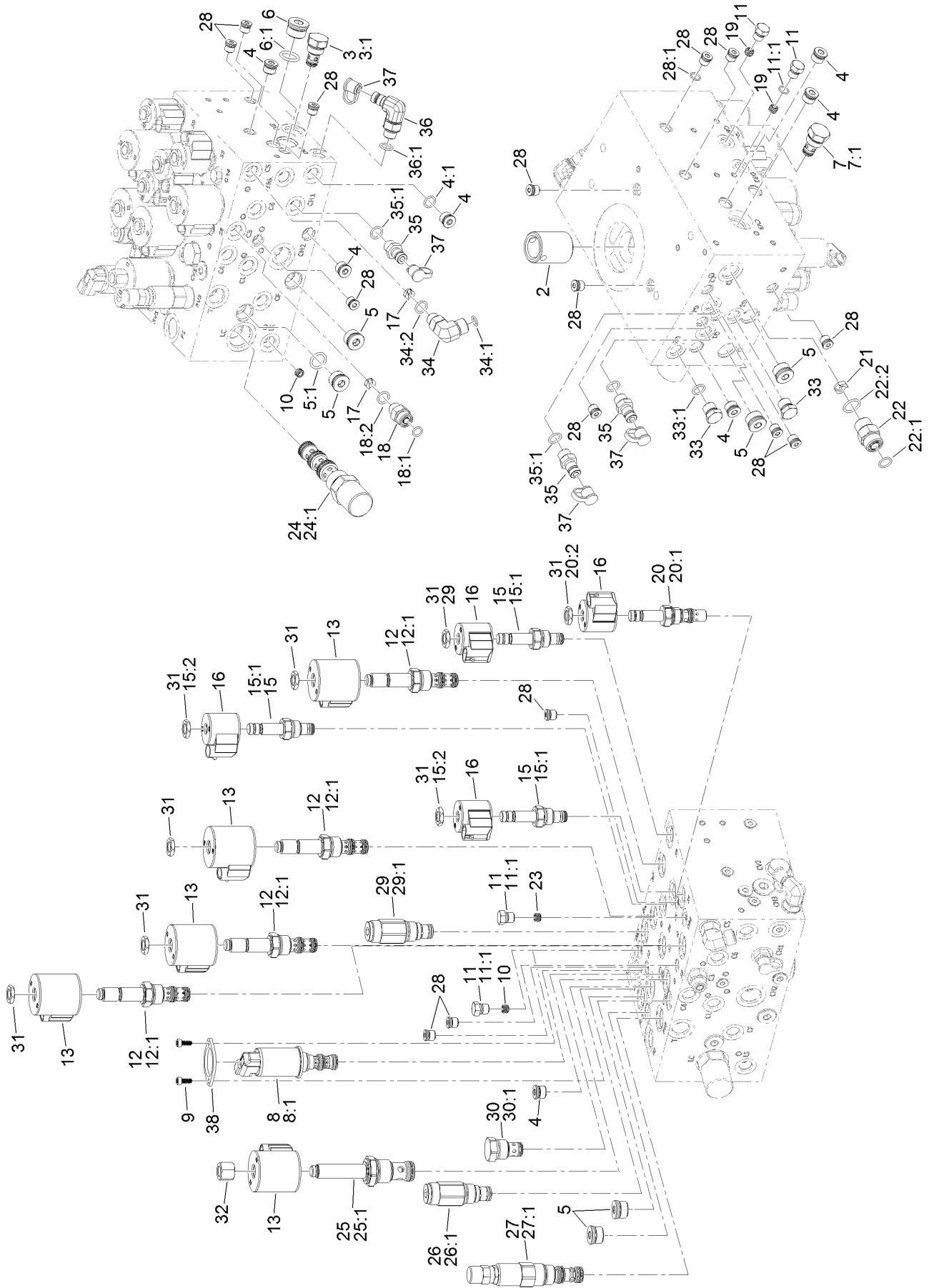
# Steering/Lift Valve Assembly No. 137-5626



## Steering/Lift Valve Assembly No. 137-5626 (continued)

| <i>Ref.</i> | <i>Part Number</i> | <i>Qty.</i> | <i>Description</i>     | <i>Ref.</i> | <i>Part Number</i> | <i>Qty.</i> | <i>Description</i>    |
|-------------|--------------------|-------------|------------------------|-------------|--------------------|-------------|-----------------------|
| 1           | 137-5625           | 1           | Manifold-Steering/Lift | 4:1         | 237-30             | 1           | O-Ring                |
| 2           | 340-2              | 3           | Fitting-Straight       | 4:2         | 237-79             | 1           | O-Ring                |
| 2:1         | 237-22             | 1           | O-Ring                 | 5           | 340-7              | 1           | Fitting-Straight      |
| 2:2         | 237-42             | 1           | O-Ring                 | 5:1         | 237-65             | 1           | O-Ring                |
| 3           | 340-77             | 3           | Fitting-Elbow, 90 DEG  | 5:2         | 237-80             | 1           | O-Ring                |
| 3:1         | 237-22             | 1           | O-Ring                 | 6           | 340-17             | 1           | Fitting-Elbow, 90 DEG |
| 3:2         | 237-42             | 1           | O-Ring                 | 6:1         | 237-65             | 1           | O-Ring                |
| 4           | 340-4              | 1           | Fitting-Straight       | 6:2         | 237-80             | 1           | O-Ring                |

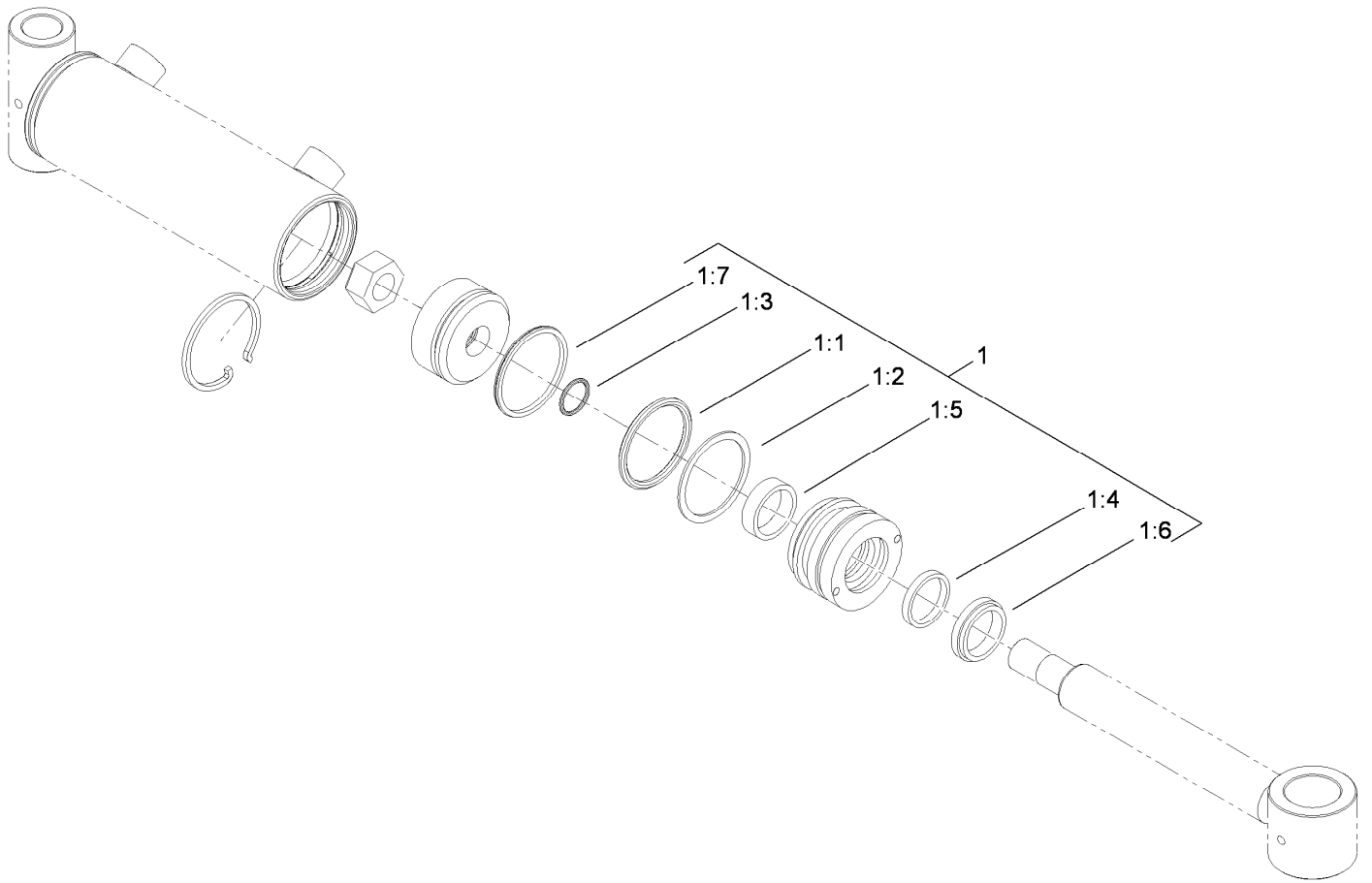
# Hydraulic Steering/Lift Manifold Assembly No. 137-5625



## Hydraulic Steering/Lift Manifold Assembly No. 137-5625 (continued)

| <i>Ref.</i> | <i>Part Number</i> | <i>Qty.</i> | <i>Description</i>                  | <i>Ref.</i> | <i>Part Number</i> | <i>Qty.</i> | <i>Description</i>        |
|-------------|--------------------|-------------|-------------------------------------|-------------|--------------------|-------------|---------------------------|
| 2           | 125-7551           | 1           | Nipple-Filter                       | 20:2        | 110-2634           | 1           | Nut-Coil                  |
| 3           | 132-4916           | 1           | Valve-Check                         | 21          | 132-4918           | 1           | Orifice-Control, Flow     |
| 4           | 353-989            | 7           | Plug-Hex, Hollow                    | 22          | 340-4              | 1           | Fitting-Straight          |
| 4:1         | 237-42             | 1           | O-Ring                              | 22:1        | 237-30             | 1           | O-Ring                    |
| 5           | 353-988            | 6           | Plug-Hex                            | 22:2        | 237-79             | 1           | O-Ring                    |
| 5:1         | 237-79             | 1           | O-Ring                              | 23          | 130-1674           | 1           | Orifice-Control, Flow     |
| 6           | 354-70             | 1           | Plug-Hex, Hollow                    | 24          | 139-7834           | 1           | Pressure Compensator      |
| 6:1         | 237-80             | 1           | O-Ring                              | 24:1        | 110-6111           | 1           | Seal Kit                  |
| 7           | 105-9321           | 1           | Check Valve ASM                     | 25          | 132-4920           | 1           | Valve-Solenoid            |
| 7:1         | 105-9156           | 1           | Seal Kit                            | 26          | 132-4921           | 1           | Valve-Relief, Poppet Type |
| 8           | 138-3828           | 1           | Valve-Solenoid, 3 Way 2<br>Position | 27          | 132-4923           | 1           | Vented Logic Element      |
| 8:1         | 138-3831           | 1           | Seal Kit                            | 28          | 353-990            | 15          | Plug ASM                  |
| 9           | 138-3827           | 2           | Screw                               | 28:1        | 237-78             | 1           | O-Ring                    |
| 10          | 110-5973           | 2           | Orifice-0.030                       | 29          | 132-4922           | 1           | Valve-Relief, Poppet Type |
| 11          | 353-512            | 4           | Plug                                | 30          | 110-8881           | 1           | Valve-Check               |
| 11:1        | 237-78             | 1           | O-Ring                              | 30:1        | 105-9159           | 1           | Seal Kit ●                |
| 12          | 125-7556           | 4           | Solenoid Valve ASM                  | 31          | 110-2634           | 8           | Nut-Coil                  |
| 12:1        | 107-7813           | 1           | Seal Kit                            | 32          | 130-8181           | 1           | Nut-Coil (1/2-20 Unf-2B)  |
| 13          | 110-6344           | 5           | Coil-12V, DC                        | 33          | 353-508            | 2           | Plug-HH                   |
| 15          | 112-9206           | 3           | Solenoid Valve ASM                  | 33:1        | 237-42             | 1           | O-Ring                    |
| 15:1        | 105-9156           | 1           | Seal Kit                            | 34          | 340-77             | 1           | Fitting-Elbow, 90 DEG     |
| 15:2        | 110-2634           | 1           | Nut-Coil                            | 34:1        | 237-22             | 1           | O-Ring                    |
| 16          | 110-0497           | 4           | Coil-Solenoid                       | 34:2        | 237-42             | 1           | O-Ring                    |
| 17          | 132-4917           | 2           | Orifice-Check, 0.088 DIA            | 35          | 59-7410            | 3           | Fitting-Diagnostic        |
| 18          | 340-2              | 1           | Fitting-Straight                    | 35:1        | 237-42             | 1           | O-Ring                    |
| 18:1        | 237-22             | 1           | O-Ring                              | 36          | 115-9148           | 1           | Fitting-Elbow-90          |
| 18:2        | 237-42             | 1           | O-Ring                              | 36:1        | 237-42             | 1           | O-Ring                    |
| 19          | 110-8887           | 2           | Plug-Orifice (0.055)                | 37          | 354-79             | 4           | Cap-Dust                  |
| 20          | 115-5405           | 1           | Solenoid Valve ASM                  | 38          | 138-3825           | 1           | Plate-Mounting, Standard  |
| 20:1        | 115-5413           | 1           | Seal Kit                            |             |                    |             |                           |

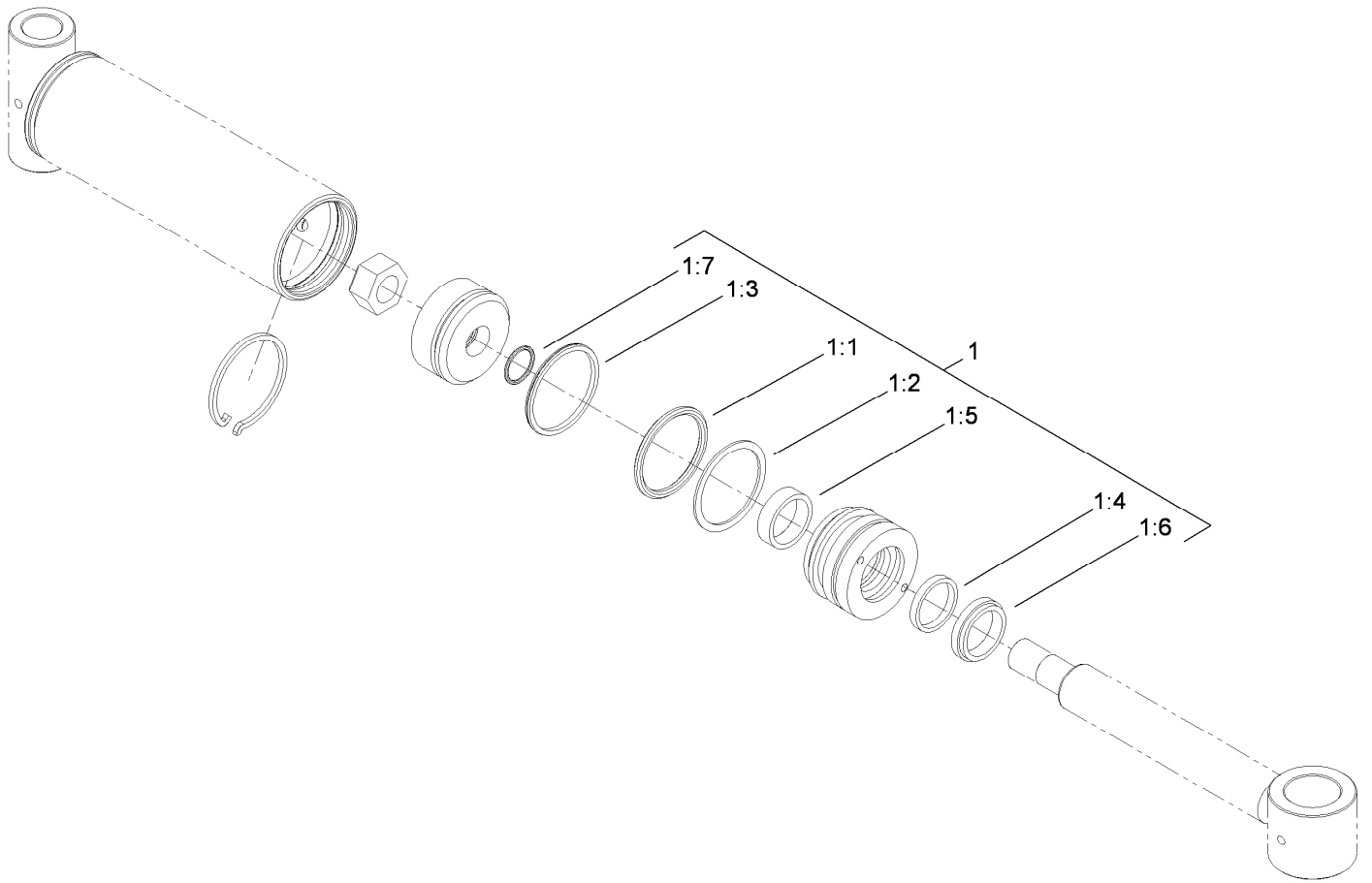
● Not illustrated



## Hydraulic Cylinder Assembly No. 114-4831

| <i>Ref.</i> | <i>Part Number</i> | <i>Qty.</i> | <i>Description</i> |
|-------------|--------------------|-------------|--------------------|
| 1           | 114-5611           | 1           | Seal Kit           |
| 1:1         |                    | 1           | O-Ring ●           |
| 1:2         |                    | 1           | Backup ●           |
| 1:3         |                    | 1           | Seal-Bp ●          |
| 1:4         |                    | 1           | Seal-Bs ●          |
| 1:5         |                    | 1           | Ring-Wear ●        |
| 1:6         |                    | 1           | Seal-Dust ●        |
| 1:7         |                    | 1           | O-Ring ●           |

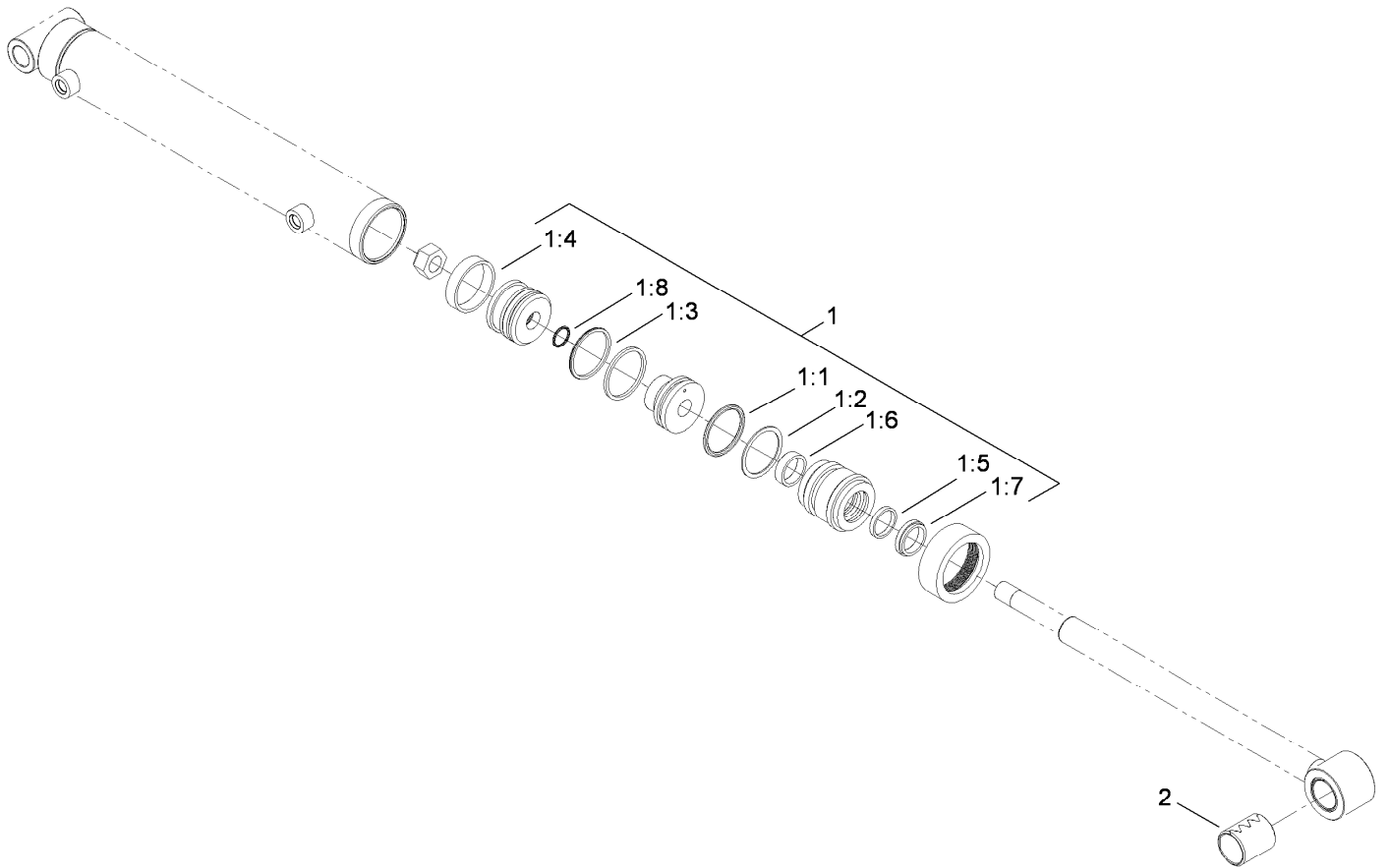
● Not serviced separately



## Hydraulic Cylinder Assembly No. 114-4830

| <i>Ref.</i> | <i>Part Number</i> | <i>Qty.</i> | <i>Description</i> |
|-------------|--------------------|-------------|--------------------|
| 1           | 114-5611           | 1           | Seal Kit           |
| 1:1         |                    | 1           | O-Ring ●           |
| 1:2         |                    | 1           | Backup ●           |
| 1:3         |                    | 1           | Seal-Bp ●          |
| 1:4         |                    | 1           | Seal-Bs ●          |
| 1:5         |                    | 1           | Ring-Wear ●        |
| 1:6         |                    | 1           | Seal-Dust ●        |
| 1:7         |                    | 1           | O-Ring ●           |

● Not serviced separately

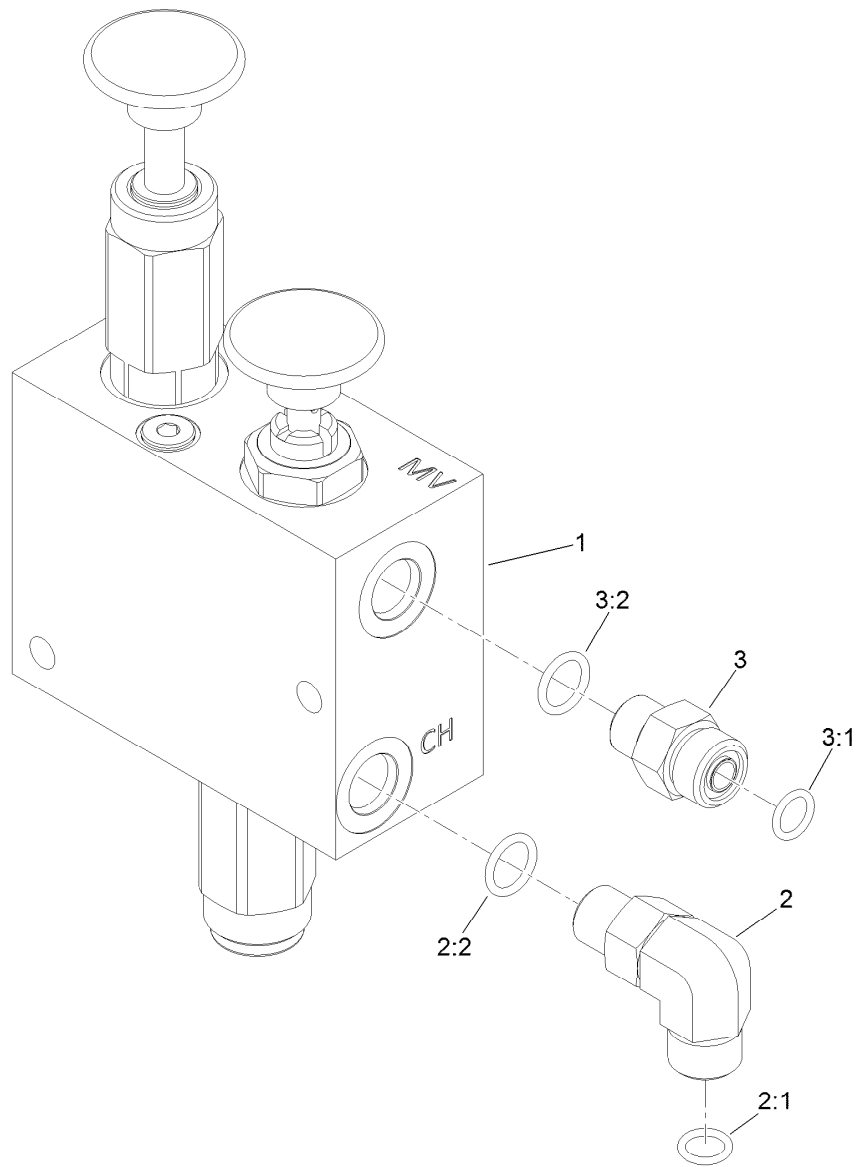


## Hydraulic Cylinder Assembly No. 114-5685

| <i>Ref.</i> | <i>Part Number</i> | <i>Qty.</i> | <i>Description</i> |
|-------------|--------------------|-------------|--------------------|
| 1           | 114-5612           | 1           | Seal Kit           |
| 1:1         |                    | 1           | O-Ring ●           |
| 1:2         |                    | 1           | Backup ●           |
| 1:3         |                    | 1           | Seal-Bp ●          |
| 1:4         |                    | 1           | Ring-Wear ●        |
| 1:5         |                    | 1           | Seal-Bs ●          |
| 1:6         |                    | 1           | Ring-Wear ●        |
| 1:7         |                    | 1           | Seal-Dust ●        |
| 1:8         |                    | 1           | O-Ring ●           |
| 2           | 117-9407           | 1           | Bushing-Connex     |

● Not serviced separately

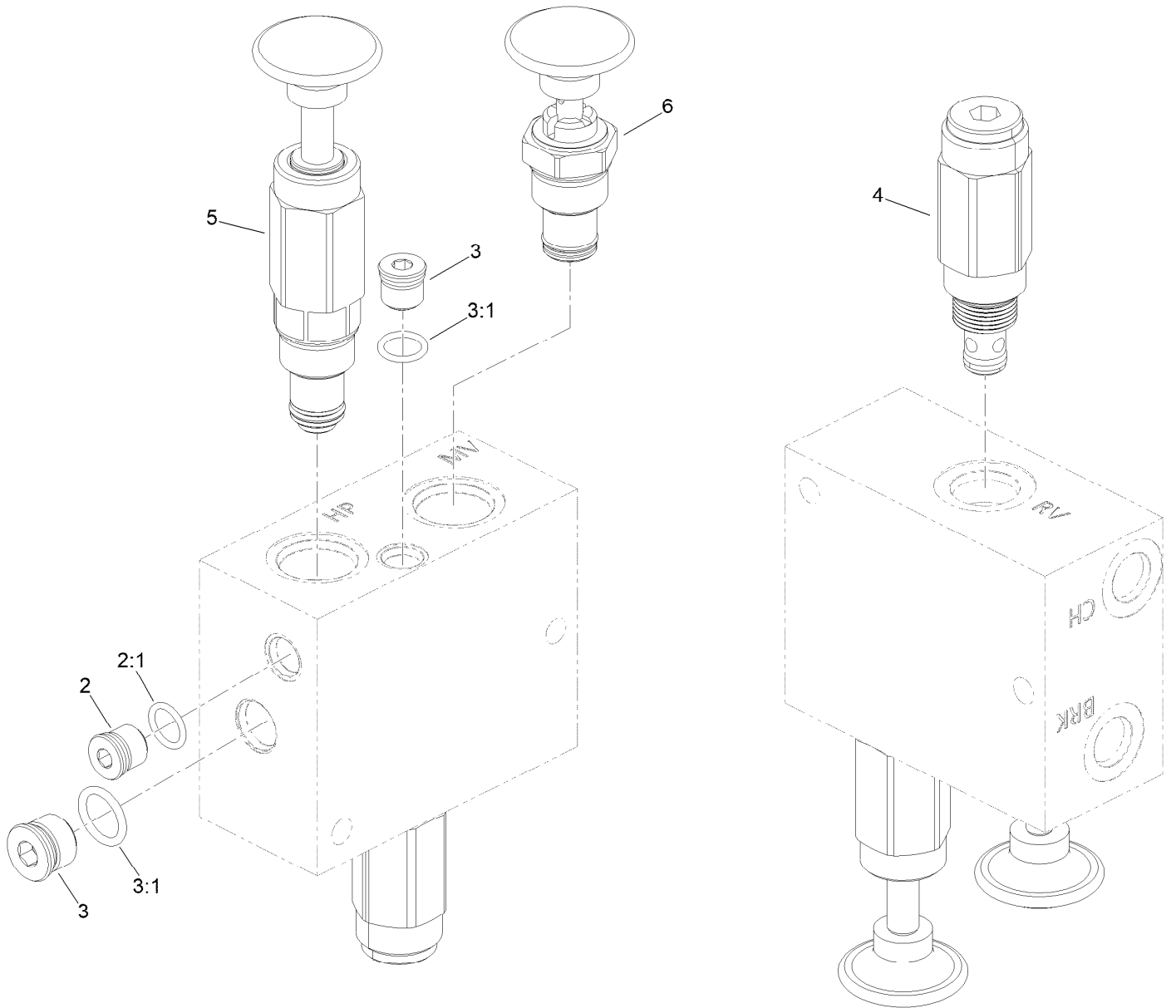




## Manual Parking Brake Manifold Assembly No. 132-1378

| <i>Ref.</i> | <i>Part Number</i> | <i>Qty.</i> | <i>Description</i>             |
|-------------|--------------------|-------------|--------------------------------|
| 1           | 132-1399           | 1           | Manual Park Brake Manifold ASM |
| 2           | 340-77             | 1           | Fitting-Elbow, 90 DEG          |
| 2:1         | 237-22             | 1           | O-Ring                         |
| 2:2         | 237-42             | 1           | O-Ring                         |
| 3           | 340-2              | 1           | Fitting-Straight               |
| 3:1         | 237-22             | 1           | O-Ring                         |
| 3:2         | 237-42             | 1           | O-Ring                         |

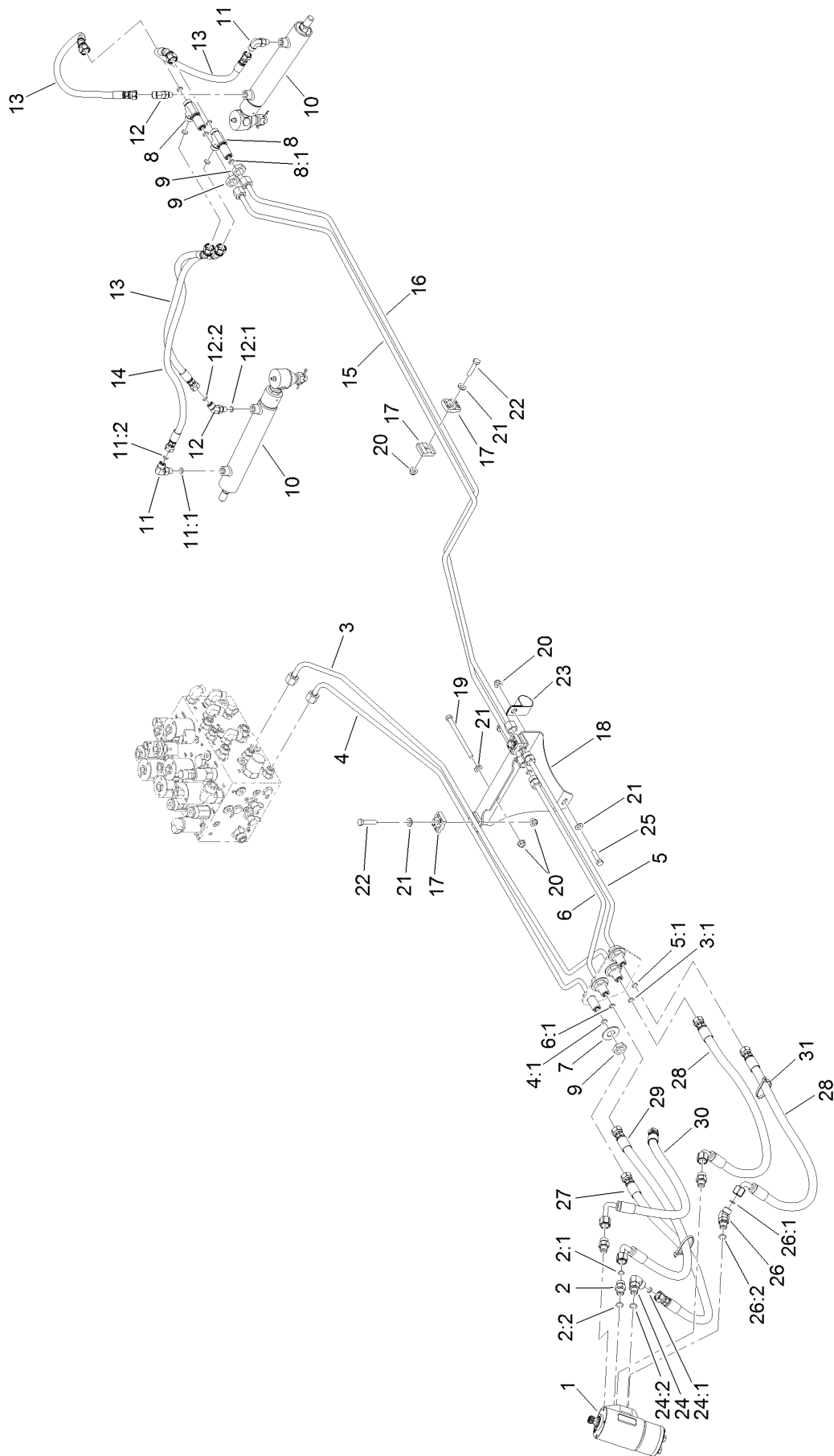
# Hydraulic Parking Brake Manifold Assembly No. 132-1399



# Hydraulic Parking Brake Manifold Assembly No. 132-1399 (continued)

| <i>Ref.</i> | <i>Part Number</i> | <i>Qty.</i> | <i>Description</i> | <i>Ref.</i> | <i>Part Number</i> | <i>Qty.</i> | <i>Description</i>  |
|-------------|--------------------|-------------|--------------------|-------------|--------------------|-------------|---------------------|
| 2           | 353-989            | 1           | Plug-Hex, Hollow   | 4           | 132-4905           | 1           | Valve-Relief        |
| 2:1         | 237-42             | 1           | O-Ring             | 5           | 132-4904           | 1           | Pump-Hand           |
| 3           | 353-990            | 2           | Plug ASM           | 6           | 132-4903           | 1           | Valve-2 Way, Manual |
| 3:1         | 237-78             | 1           | O-Ring             |             |                    |             |                     |

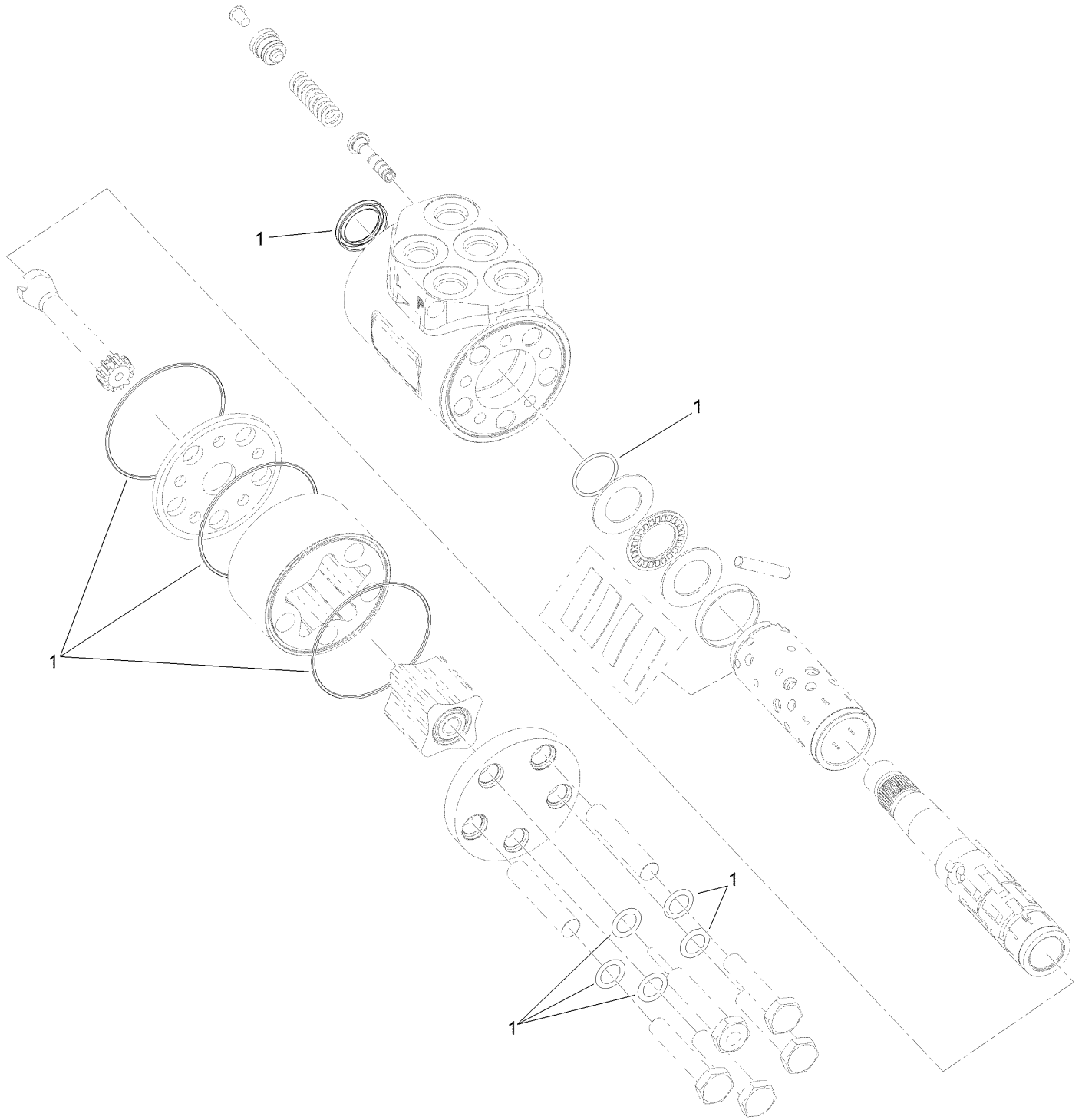
# Hydraulic Steering Assembly



## Hydraulic Steering Assembly (continued)

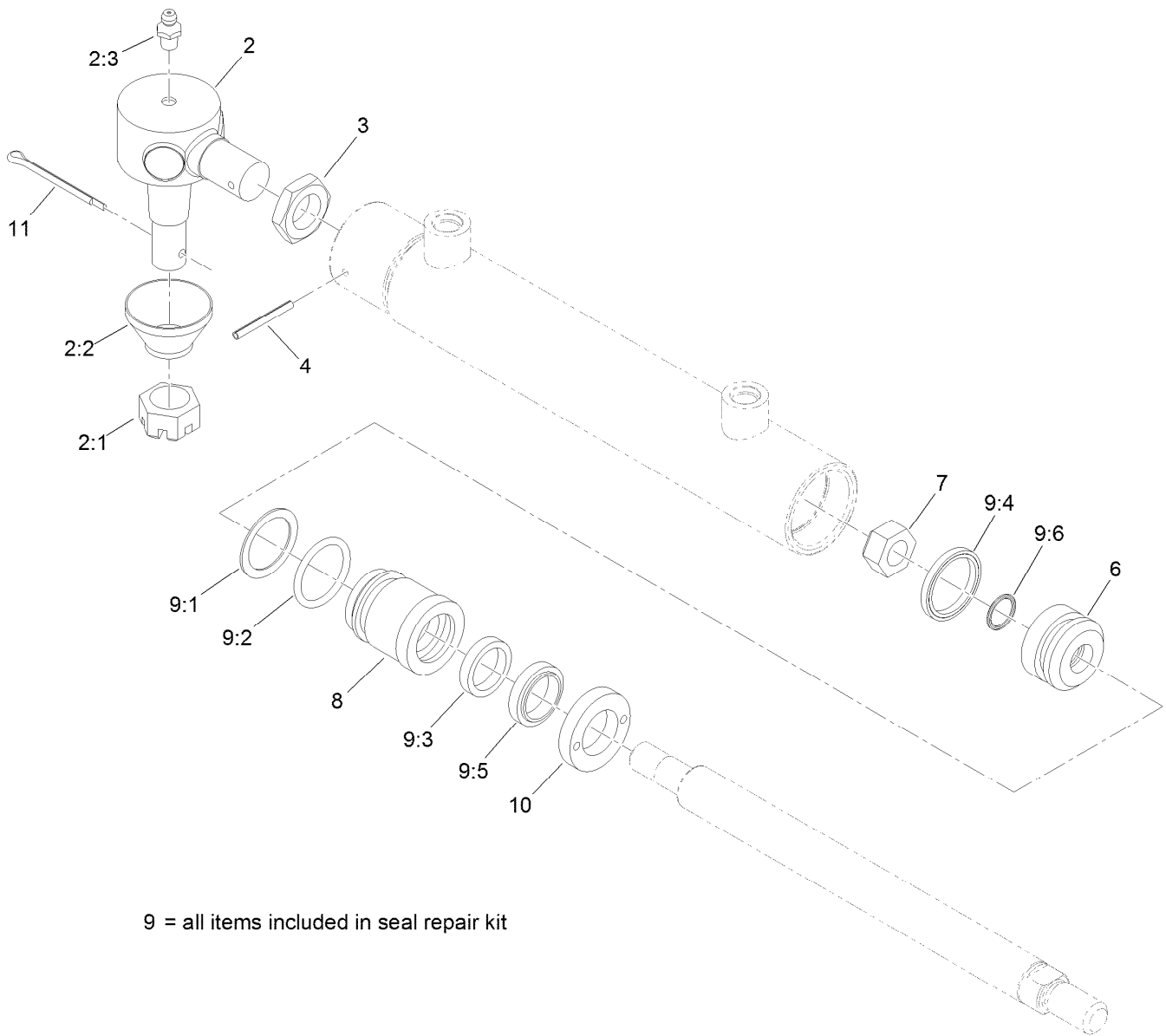
| <i>Ref.</i> | <i>Part Number</i> | <i>Qty.</i> | <i>Description</i>    | <i>Ref.</i> | <i>Part Number</i> | <i>Qty.</i> | <i>Description</i>    |
|-------------|--------------------|-------------|-----------------------|-------------|--------------------|-------------|-----------------------|
| 1           | 132-6256           | 1           | Valve-Steer           | 13          | 114-4922           | 3           | HYD Hose ASM          |
| 2           | 340-2              | 3           | Fitting-Straight      | 14          | 114-4934           | 1           | HYD Hose ASM          |
| 2:1         | 237-22             | 1           | O-Ring                | 15          | 125-5352           | 1           | Hydraulic Tube ASM    |
| 2:2         | 237-42             | 1           | O-Ring                | 16          | 125-5353           | 1           | Hydraulic Tube ASM    |
| 3           | 139-0965           | 1           | Hydraulic Tube ASM    | 17          | 56-7973            | 6           | Clamp-Tube            |
| 3:1         | 237-22             | 1           | O-Ring                | 18          | 127-3492-0P        | 1           | Support-Hardlines     |
| 4           | 139-0964           | 1           | Hydraulic Tube ASM    | 19          | 322-38             | 2           | Screw-HH              |
| 4:1         | 237-22             | 1           | O-Ring                | 20          | 104-8300           | 6           | Nut-HF, NI            |
| 5           | 139-0963           | 1           | Hydraulic Tube ASM    | 21          | 3256-23            | 6           | Washer-Plain          |
| 5:1         | 237-22             | 2           | O-Ring                | 22          | 322-7              | 3           | Screw-HH              |
| 6           | 139-0966           | 1           | Hydraulic Tube ASM    | 23          | 2412-82            | 1           | Clamp-R               |
| 6:1         | 237-22             | 2           | O-Ring                | 24          | 340-77             | 1           | Fitting-Elbow, 90 DEG |
| 7           | 69-8940            | 4           | Washer                | 24:1        | 237-22             | 1           | O-Ring                |
| 8           | 340-68             | 2           | Fitting-Tee, Bulkhead | 24:2        | 237-42             | 1           | O-Ring                |
| 8:1         | 237-22             | 3           | O-Ring                | 25          | 322-6              | 1           | Screw-HH              |
| 9           | 340-70             | 6           | Nut-Lock              | 26          | 340-87             | 1           | Fitting-Elbow, 45 DEG |
| 10          | 132-1308           | 2           | HYD Cylinder ASM      | 26:1        | 237-22             | 1           | O-Ring                |
| 11          | 340-132            | 2           | Fitting-Elbow, 90 DEG | 26:2        | 237-42             | 1           | O-Ring                |
| 11:1        | 237-78             | 1           | O-Ring                | 27          | 139-0988           | 1           | Hose ASM              |
| 11:2        | 237-21             | 1           | O-Ring                | 28          | 139-0986           | 2           | Hose ASM              |
| 12          | 340-103            | 2           | Fitting-HYD, 45 DEG   | 29          | 139-0987           | 1           | Hose ASM              |
| 12:1        | 237-78             | 1           | O-Ring                | 30          | 139-0985           | 1           | Hose ASM              |
| 12:2        | 237-21             | 1           | O-Ring                | 31          | 3290-378           | 2           | Tie-Cable             |

# Steering Valve Assembly No. 132-6256



# Steering Valve Assembly No. 132-6256 (continued)

| <i>Ref.</i> | <i>Part Number</i> | <i>Qty.</i> | <i>Description</i> |
|-------------|--------------------|-------------|--------------------|
| 1           | 106-6716           | 1           | Seal Kit           |



9 = all items included in seal repair kit

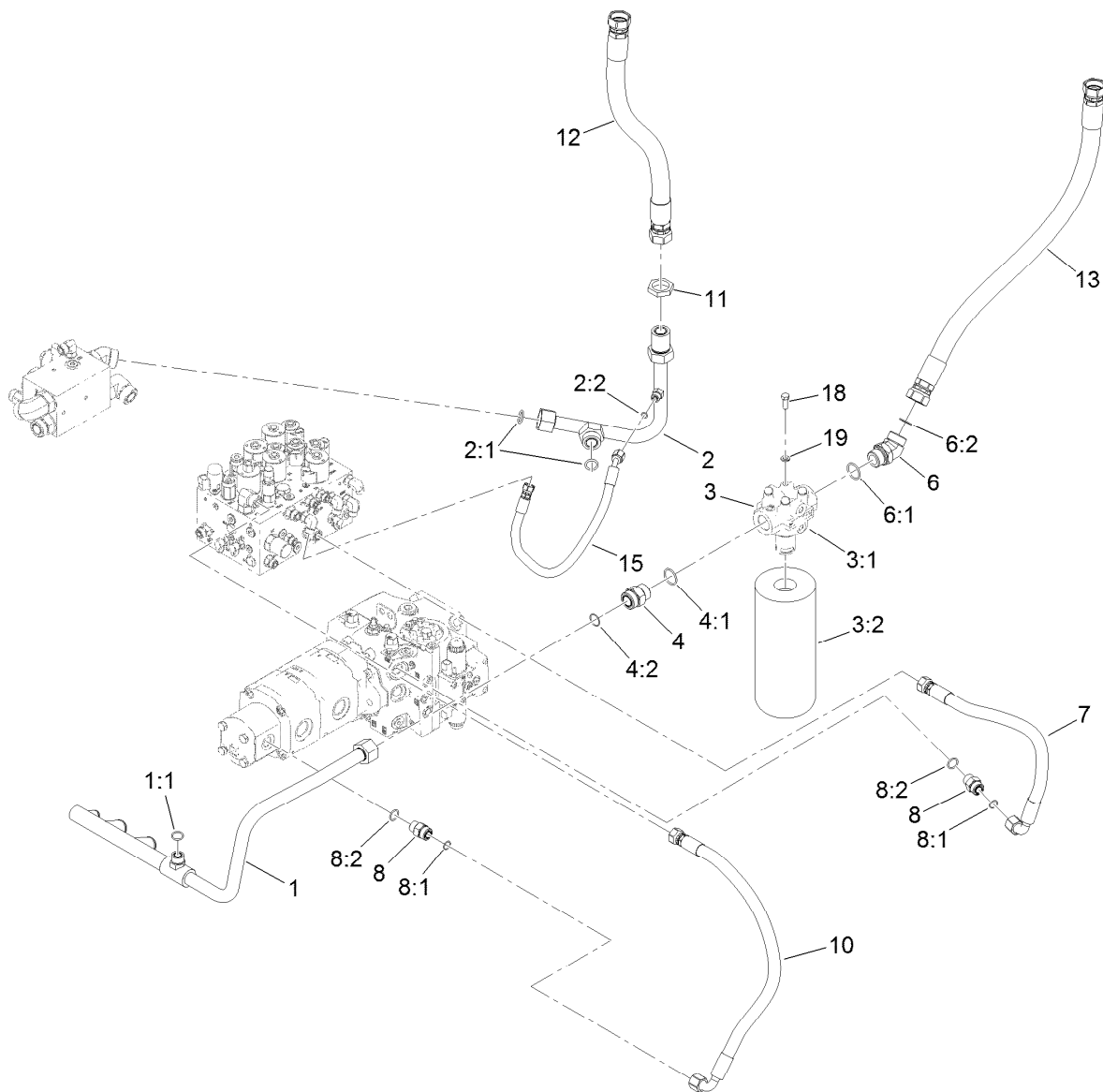
## Hydraulic Cylinder Assembly No. 132-1308

| Ref. | Part Number | Qty. | Description      |
|------|-------------|------|------------------|
| 2    | 82-5730     | 1    | Tie Rod End ASM  |
| 2:1  | 105-7941    | 1    | Nut-Hex, Slotted |
| 2:2  | 105-7835    | 1    | Seal             |
| 2:3  | 302-5       | 1    | Fitting-Grease   |
| 3    | 69-1980     | 1    | Nut-Jam          |
| 4    | 32121-34    | 1    | Pin-Roll         |
| 6    | 133-2476    | 1    | Piston           |
| 7    | 133-2477    | 1    | Nut-Lock         |
| 8    | 133-2478    | 1    | Head             |

| Ref. | Part Number | Qty. | Description     |
|------|-------------|------|-----------------|
| 9    | 133-2479    | 1    | Seal Repair Kit |
| 9:1  |             | 1    | O-Ring ●        |
| 9:2  |             | 1    | Ring-Backup ●   |
| 9:3  |             | 1    | Seal-Bt ●       |
| 9:4  |             | 1    | Seal-Psp ●      |
| 9:5  |             | 1    | Seal-Psp ●      |
| 9:6  |             | 1    | O-Ring ●        |
| 10   | 133-2482    | 1    | Collar-Internal |
| 11   | 3272-12     | 1    | Pin-Cotter      |

● Not serviced separately



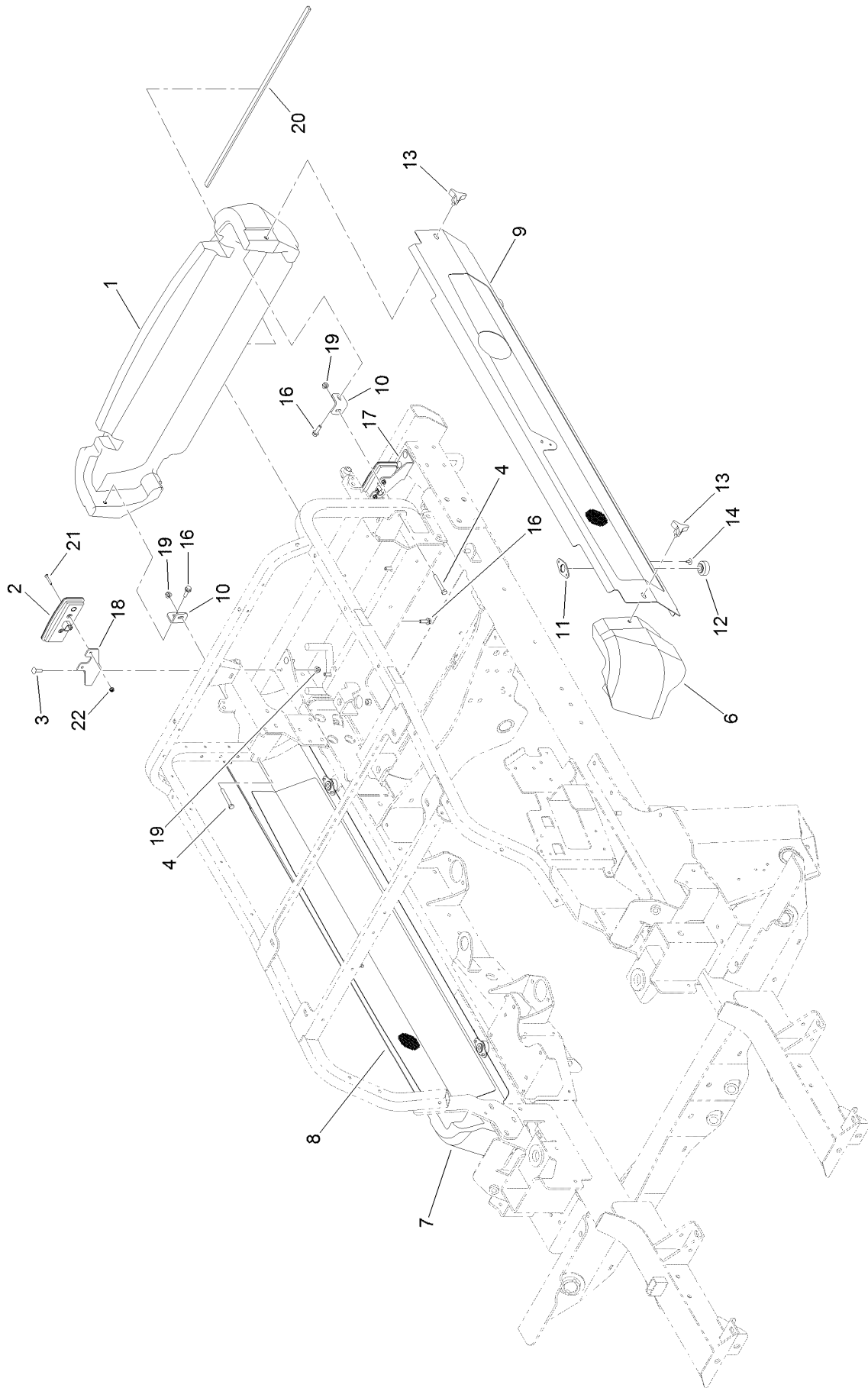


## Hydraulic Filter Manifold Assembly

| Ref. | Part Number | Qty. | Description         | Ref. | Part Number | Qty. | Description        |
|------|-------------|------|---------------------|------|-------------|------|--------------------|
| 1    | 130-2510    | 1    | Manifold-Suction    | 6:2  | 340-65      | 1    | O-Ring             |
| 1:1  | 237-65      | 1    | O-Ring              | 7    | 127-3519    | 1    | Hydraulic Hose ASM |
| 2    | 130-2548    | 1    | Hydraulic Tube ASM  | 8    | 340-7       | 2    | Fitting-Straight   |
| 2:1  | 340-65      | 2    | O-Ring              | 8:1  | 237-65      | 1    | O-Ring             |
| 2:2  | 237-22      | 1    | O-Ring              | 8:2  | 237-80      | 1    | O-Ring             |
| 3    | 132-1404    | 1    | Filter Head ASM     | 10   | 130-2544    | 1    | Hydraulic Hose ASM |
| 3:1  |             | 1    | Head-Filter ●       | 11   | 340-128     | 1    | Nut-Bulkhead       |
| 3:2  | 86-6110     | 1    | Filter-Hydraulic    | 12   | 130-2514    | 1    | Hydraulic Hose ASM |
| 4    | 104-3797    | 1    | Fitting-Straight    | 13   | 125-5366    | 1    | Hydraulic Hose ASM |
| 4:1  | 237-146     | 1    | O-Ring              | 15   | 131-2216    | 1    | Hydraulic Hose ASM |
| 4:2  | 340-65      | 1    | O-Ring              | 18   | 323-6       | 4    | Screw-HH           |
| 6    | 104-3509    | 1    | Fitting-HYD, 45 DEG | 19   | 3253-21     | 4    | Washer-Lock        |
| 6:1  | 237-146     | 1    | O-Ring              |      |             |      |                    |

● Not serviced separately

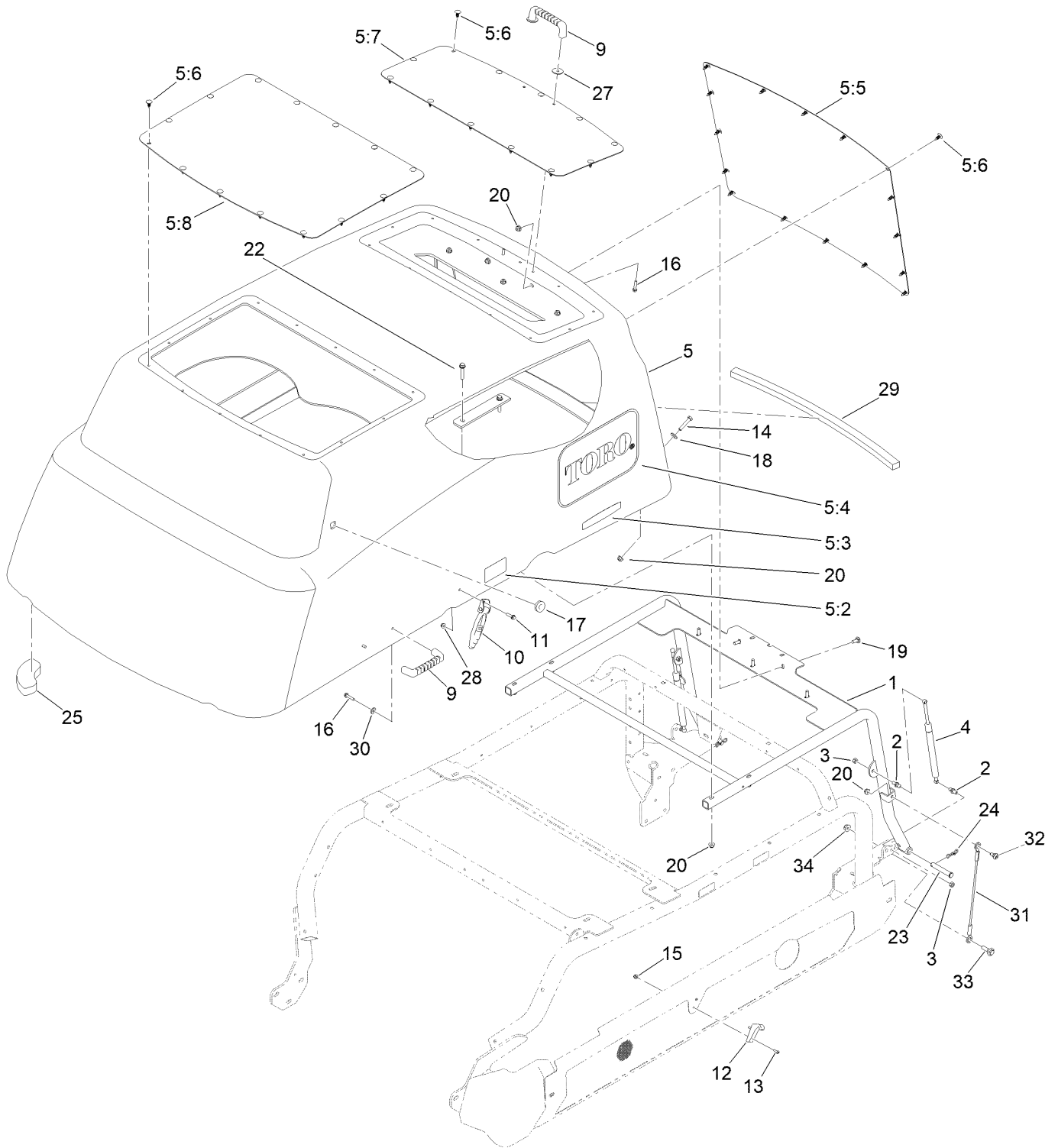
# Side Panel and Bumper Assembly



## Side Panel and Bumper Assembly (continued)

| <i>Ref.</i> | <i>Part Number</i> | <i>Qty.</i> | <i>Description</i>        | <i>Ref.</i> | <i>Part Number</i> | <i>Qty.</i> | <i>Description</i> |
|-------------|--------------------|-------------|---------------------------|-------------|--------------------|-------------|--------------------|
| 1           | 130-9028           | 1           | Shroud-Rear, Lower        | 12          | 114-4869           | 4           | Grommet            |
| 2           | 139-2071           | 2           | Light-Rear Tail/Stop/Turn | 13          | 92-9674            | 4           | Knob               |
| 3           | 3230-22            | 4           | Screw-CARR                | 14          | 1-803035           | 8           | Rivet-Pop          |
| 4           | 322-12             | 2           | Screw-HH                  | 16          | 3234-17            | 6           | Screw-HHF          |
| 6           | 117-5456           | 1           | Shroud-Front, LH          | 17          | 140-6929-03        | 1           | Bracket-Light, LH  |
| 7           | 117-5457           | 1           | Shroud-Front, RH          | 18          | 140-6930-03        | 1           | Bracket-Light, RH  |
| 8           | 131-2390-03        | 1           | Panel-Side, RH            | 19          | 104-8300           | 6           | Nut-HF, NI         |
| 9           | 131-2393-03        | 1           | Panel-Side, LH            | 20          | 131-2219           | 1           | Seal-Foam          |
| 10          | 139-1017           | 2           | Mount-Bumper              | 21          | 3250-23            | 4           | Screw-PPH          |
| 11          | 114-5619           | 4           | Plate-Grommet             | 22          | 120-4578           | 4           | Nut-HF             |

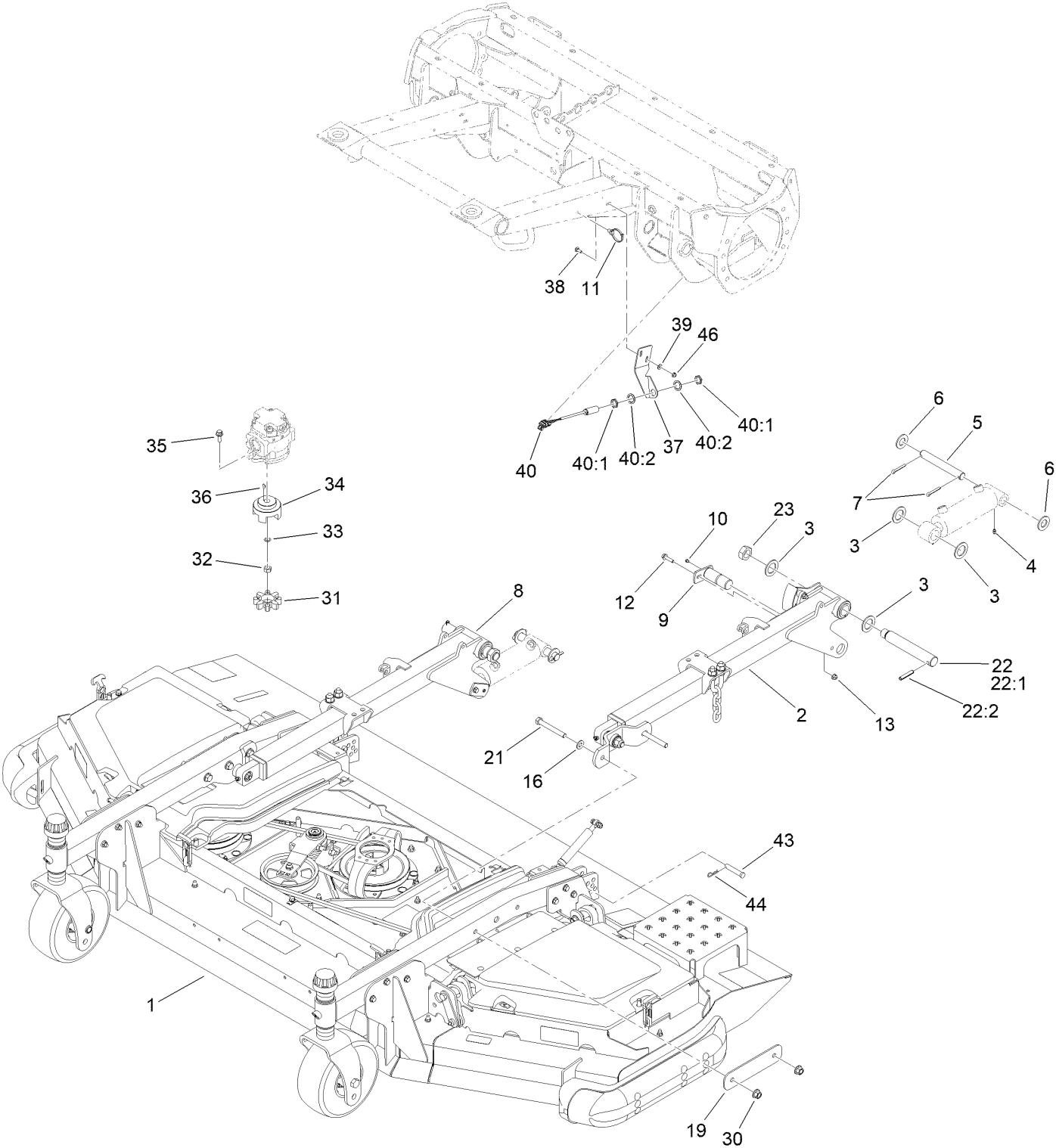
# Hood Assembly



## Hood Assembly (continued)

| <i>Ref.</i> | <i>Part Number</i> | <i>Qty.</i> | <i>Description</i>      | <i>Ref.</i> | <i>Part Number</i> | <i>Qty.</i> | <i>Description</i>  |
|-------------|--------------------|-------------|-------------------------|-------------|--------------------|-------------|---------------------|
| 1           | 130-9011-0P        | 1           | Frame ASM-Hood [primed] | 15          | 120-4578           | 4           | Nut-HF              |
| 2           | 103-5752           | 4           | Stud-Ball               | 16          | 137-3101           | 6           | Screw-Plastic, HWH  |
| 3           | 32153-3            | 4           | Nut-Hex, Side Deform    | 17          | 104-1453           | 1           | Grommet             |
| 4           | 114-5532           | 2           | Cylinder-Gas            | 18          | 3256-3             | 2           | Washer-Flat         |
| 5           | 144-7165           | 1           | Hood ASM                | 19          | 3230-10            | 5           | Bolt-CARR           |
| 5:2         | 106-6754           | 2           | Decal-Danger            | 20          | 104-8300           | 13          | Nut-HF, NI          |
| 5:3         | 121-1594           | 2           | Decal-Smart Power       | 22          | 94-5780            | 4           | Screw-HWH           |
| 5:4         | 114-0990           | 2           | Decal                   | 23          | 283-55             | 2           | Pin-Clevis          |
| 5:5         | 130-9010-03        | 1           | Screen-Radiator, Hood   | 24          | 119-1416           | 2           | Pin-Cotter, Locking |
| 5:6         | 117-2382           | 42          | Plug-Plastic            | 25          | 130-9019           | 2           | Foam-Hood, Corner   |
| 5:7         | 130-9009-03        | 1           | Screen-Air Intake, Hood | 27          | 3256-57            | 2           | Washer-Flat         |
| 5:8         | 140-5844-03        | 1           | Screen-Cooler, Hood     | 28          | 104-7201           | 2           | Nut-HF, NI          |
| 9           | 65-5100            | 3           | Handle-Door             | 29          | 131-2359           | 1           | Foam-Hood           |
| 10          | 103-2898           | 2           | Latch-Rubber            | 30          | 3256-2             | 4           | Washer-Flat         |
| 11          | 120-4654           | 2           | Screw-HHF               | 31          | 130-5726           | 2           | Lanyard             |
| 12          | 103-2897           | 2           | Latch-Catch             | 32          | 120-9471           | 2           | Bolt-Shoulder       |
| 13          | 3274-39            | 4           | Screw-HSBH              | 33          | 614672             | 2           | Screw-Shoulder, HWH |
| 14          | 322-9              | 2           | Screw-HH                | 34          | 104-8301           | 2           | Nut-HF, NI          |

# Center Front Deck Connection Assembly

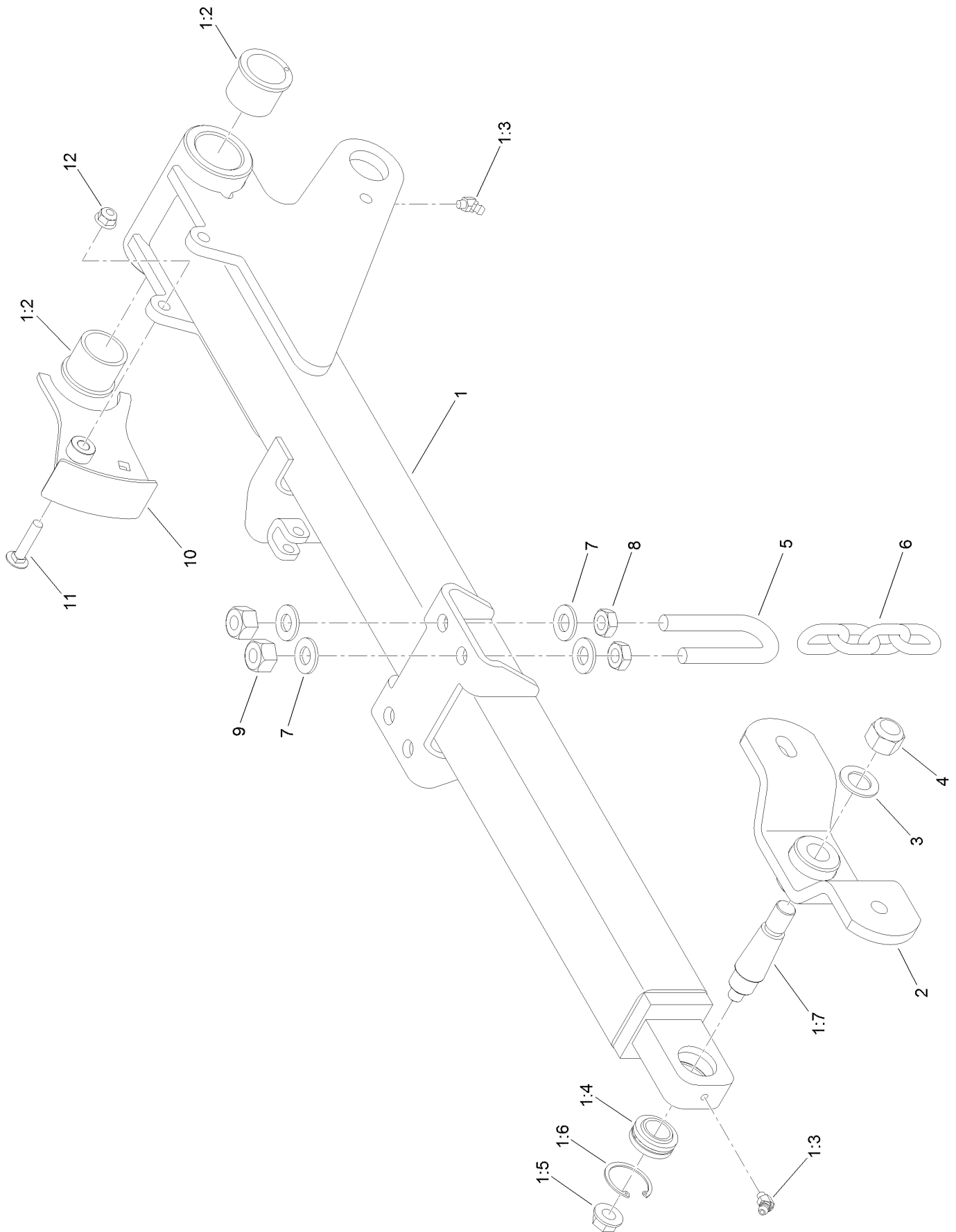


## Center Front Deck Connection Assembly (continued)

| <i>Ref.</i> | <i>Part Number</i> | <i>Qty.</i> | <i>Description</i>      | <i>Ref.</i> | <i>Part Number</i> | <i>Qty.</i> | <i>Description</i>          |
|-------------|--------------------|-------------|-------------------------|-------------|--------------------|-------------|-----------------------------|
| 1           |                    | 1           | Front Center Deck ASM ● | 22:2        | 32121-110          | 1           | Pin-Roll, Slotted           |
| 2           | 138-6368           | 1           | LH Front Lift Arm ASM   | 23          | 3296-49            | 2           | Nut-Lock, NI                |
| 3           | AU495-81203        | 8           | Washer                  | 30          | 99-5107            | 4           | Nut-Lock                    |
| 4           | 302-5              | 4           | Fitting-Grease          | 31          | 104-3542           | 1           | Spider                      |
| 5           | 110-6006           | 2           | Pin-Clevis              | 32          | 110-8815           | 1           | Nut-Hex                     |
| 6           | 3256-29            | 4           | Washer-Flat             | 33          | 112-6957           | 1           | Washer-Hardened             |
| 7           | 3272-30            | 4           | Pin-Cotter              | 34          | 104-3541           | 1           | Hub-Spider                  |
| 8           | 138-6369           | 1           | RH Front Lift Arm ASM   | 35          | 3234-42            | 2           | Screw-HHF                   |
| 9           | 125-1912           | 2           | Pin-Pivot               | 36          | 3257-3             | 1           | Key-Woodruff                |
| 10          | 1-811010           | 2           | Plug                    | 37          | 133-2234-01        | 1           | Bracket-Sensor, Front       |
| 11          | 32180-030          | 1           | Clip-Tie                | 38          | 3229-1             | 2           | Screw-CARR                  |
| 12          | 119-4036           | 2           | Screw-HHF               | 39          | 3256-22            | 2           | Washer-Flat                 |
| 13          | 104-8300           | 2           | Nut-HF, NI              | 40          | 115-5300           | 1           | Proximity Switch ASM        |
| 16          | 3256-26            | 4           | Washer-Flat             | 40:1        | 117-3207           | 2           | Nut-Hex                     |
| 19          | 130-9233-01        | 2           | Plate-Reinforcing       | 40:2        | 117-3208           | 2           | Washer-Lock, Internal Tooth |
| 21          | 325-17             | 4           | Screw-HH                | 43          | 92-2743            | 2           | Pin-Clevis                  |
| 22          | 140-6337           | 2           | Pin ASM                 | 44          | 3290-467           | 2           | Pin-Hair                    |
| 22:1        | 140-6348           | 1           | Pin-Lift Arm            | 46          | 104-7201           | 2           | Nut-HF, NI                  |

● Not serviced separately

# LH Front Lift Arm Assembly No. 138-6368

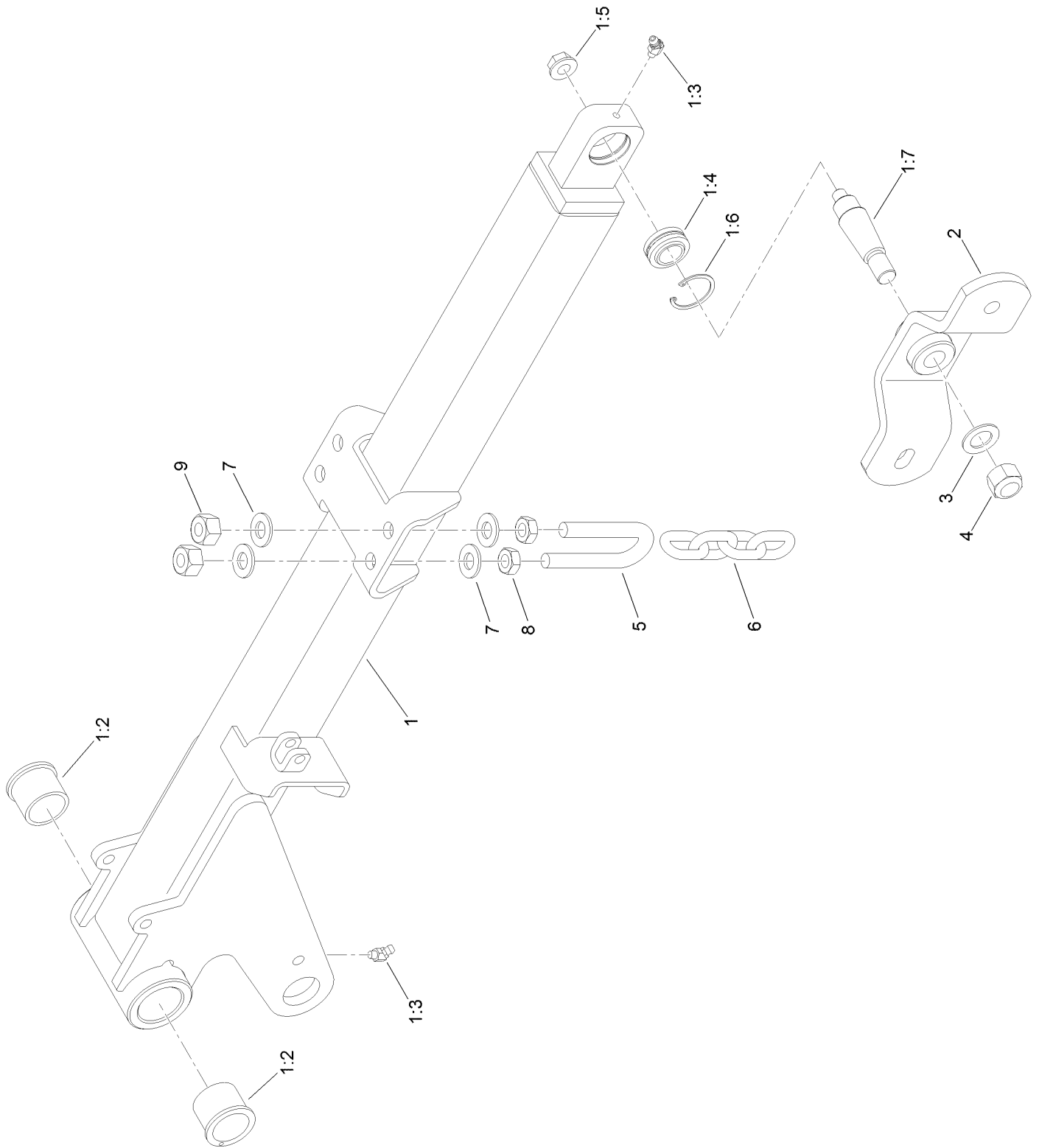




# LH Front Lift Arm Assembly No. 138-6368 (continued)

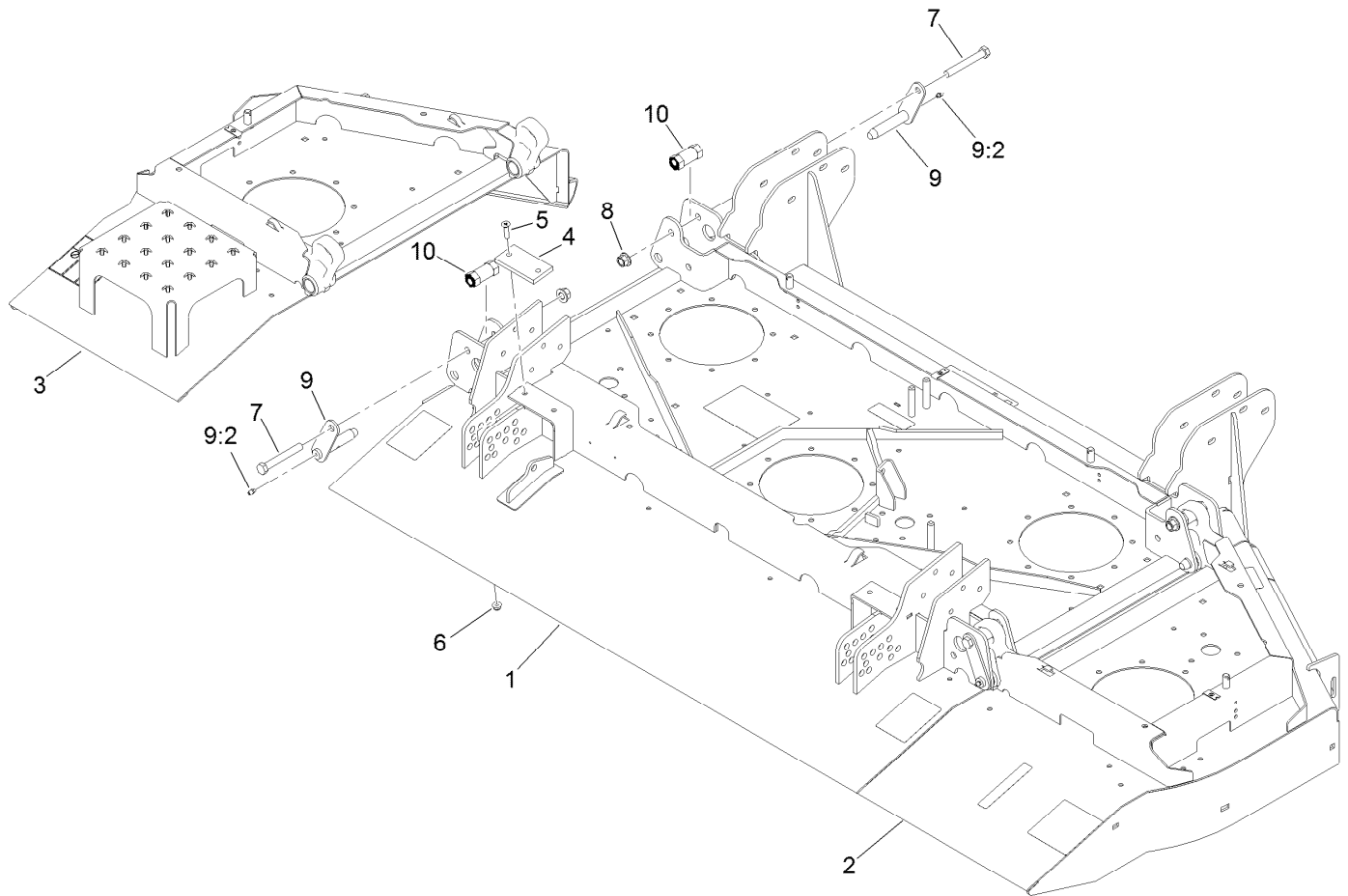
| <i>Ref.</i> | <i>Part Number</i> | <i>Qty.</i> | <i>Description</i>   | <i>Ref.</i> | <i>Part Number</i> | <i>Qty.</i> | <i>Description</i> |
|-------------|--------------------|-------------|----------------------|-------------|--------------------|-------------|--------------------|
| 1           | 139-7837           | 1           | LH Lift Arm ASM      | 4           | 3296-41            | 1           | Nut-Lock NI        |
| 1:2         | 104-0015           | 2           | Bushing-Flange       | 5           | 104-0108           | 1           | U-Bolt             |
| 1:3         | 302-11             | 2           | Fitting-Lube, 45 DEG | 6           | 95-6231            | 1           | Chain-HOC          |
| 1:4         | 105-7441           | 1           | Bearing-Spherical    | 7           | 3256-26            | 4           | Washer-Flat        |
| 1:5         | 32128-42           | 1           | Nut-HF               | 8           | 3218-5             | 2           | Nut-Jam            |
| 1:6         | 32151-34           | 1           | Ring-Retaining       | 9           | 3296-25            | 2           | Nut-Lock, NI       |
| 1:7         | 105-7468           | 1           | Stud-Tapered         | 10          | 139-7770           | 1           | Trigger-Sensor     |
| 2           | 137-3581-01        | 1           | Hub Support ASM      | 11          | 3230-4             | 1           | Bolt-CARR          |
| 3           | 86-1440            | 1           | Washer-Flat          | 12          | 104-8300           | 1           | Nut-HF, NI         |

# RH Front Lift Arm Assembly No. 138-6369



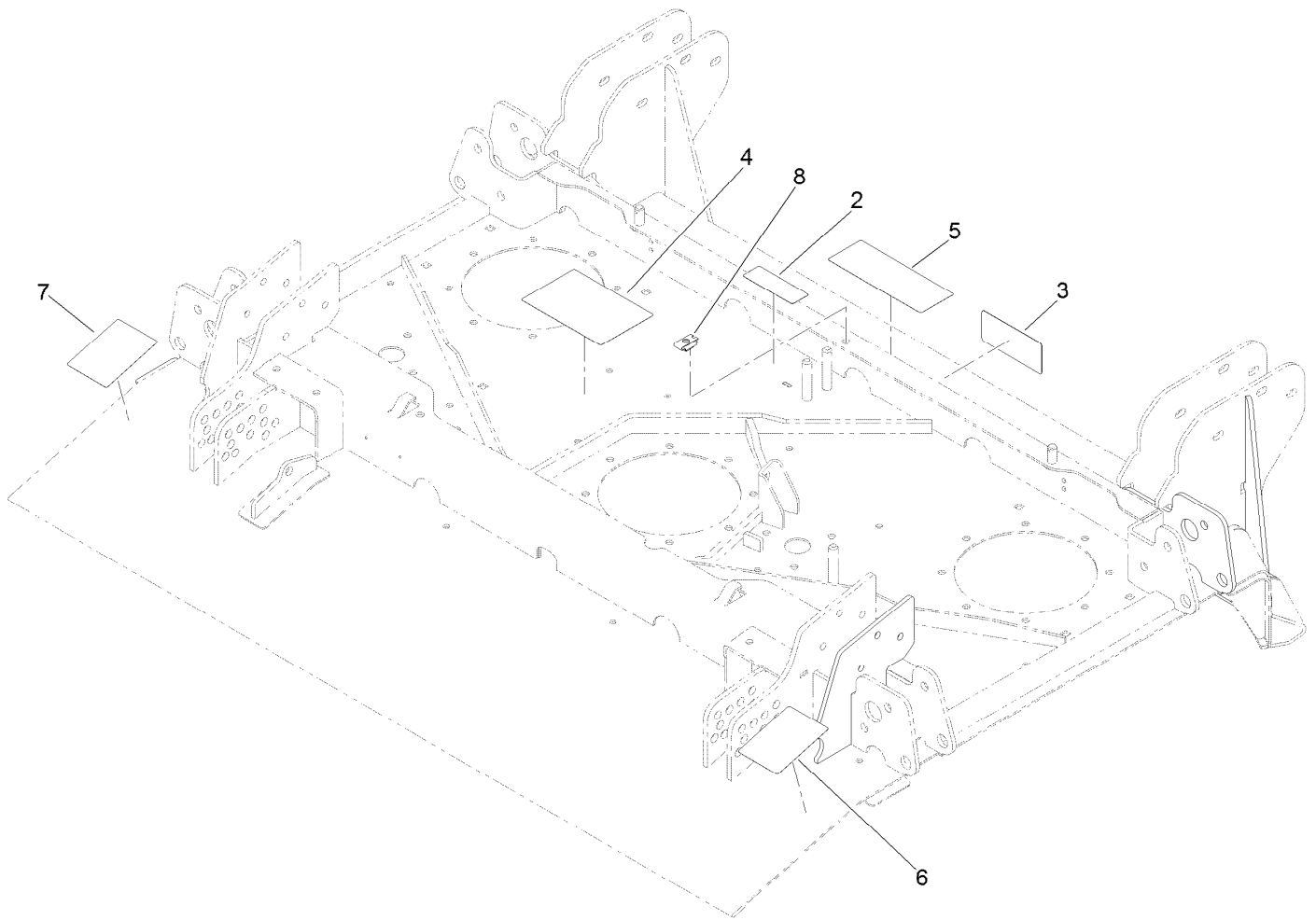
## RH Front Lift Arm Assembly No. 138-6369 (continued)

| <i>Ref.</i> | <i>Part Number</i> | <i>Qty.</i> | <i>Description</i>   | <i>Ref.</i> | <i>Part Number</i> | <i>Qty.</i> | <i>Description</i> |
|-------------|--------------------|-------------|----------------------|-------------|--------------------|-------------|--------------------|
| 1           | 139-7847           | 1           | RH Lift Arm ASM      | 3           | 86-1440            | 1           | Washer-Flat        |
| 1:2         | 104-0015           | 2           | Bushing-Flange       | 4           | 3296-41            | 1           | Nut-Lock NI        |
| 1:3         | 302-11             | 2           | Fitting-Lube, 45 DEG | 5           | 104-0108           | 1           | U-Bolt             |
| 1:4         | 105-7441           | 1           | Bearing-Spherical    | 6           | 95-6231            | 1           | Chain-HOC          |
| 1:5         | 32128-42           | 1           | Nut-HF               | 7           | 3256-26            | 4           | Washer-Flat        |
| 1:6         | 32151-34           | 1           | Ring-Retaining       | 8           | 3218-5             | 2           | Nut-Jam            |
| 1:7         | 105-7468           | 1           | Stud-Tapered         | 9           | 3296-25            | 2           | Nut-Lock, NI       |
| 2           | 137-3581-01        | 1           | Hub Support ASM      |             |                    |             |                    |



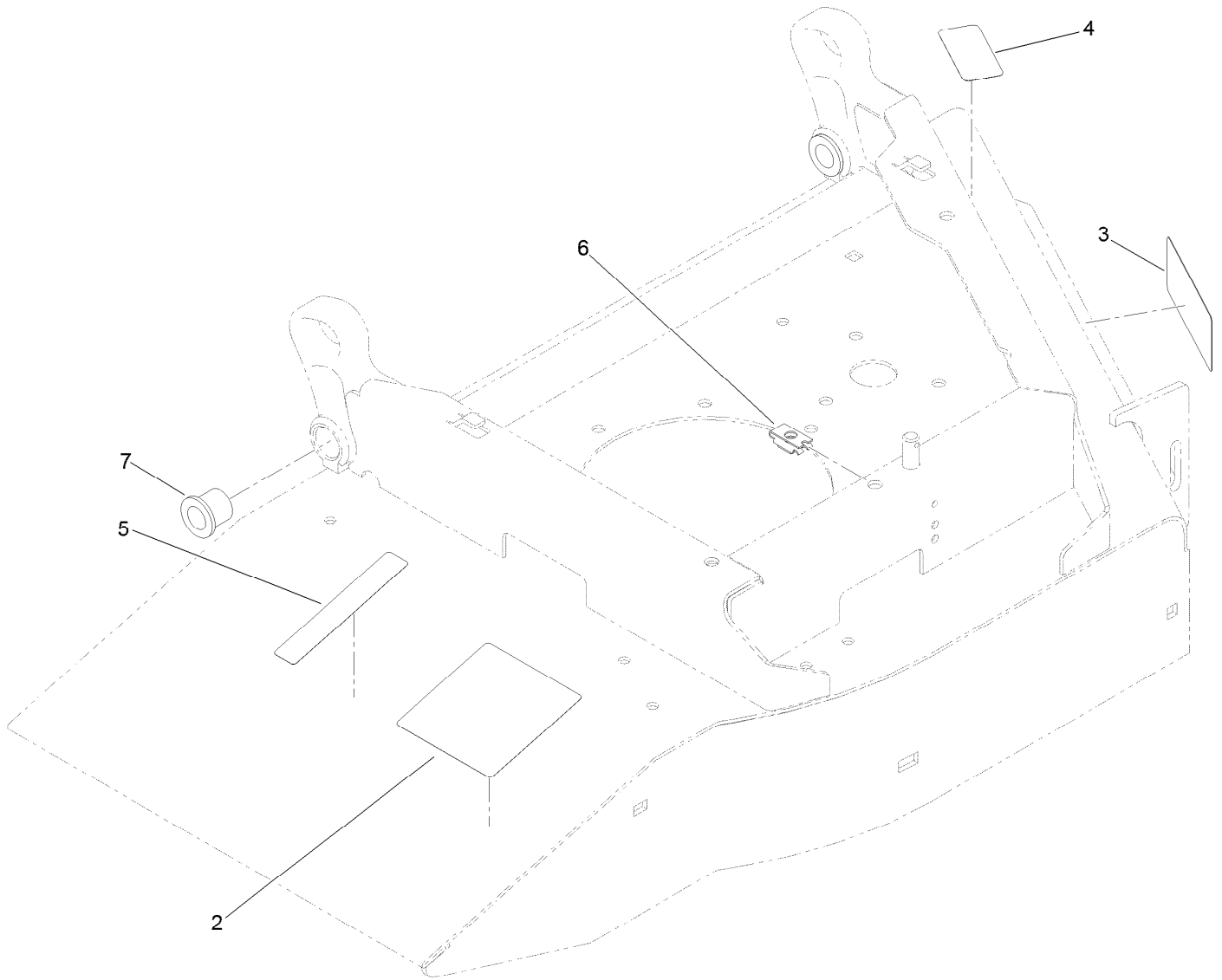
## Center Front and Winglet Deck Assembly

| <i>Ref.</i> | <i>Part Number</i> | <i>Qty.</i> | <i>Description</i>    |
|-------------|--------------------|-------------|-----------------------|
| 1           | 130-9201           | 1           | Center Front Deck ASM |
| 2           | 130-9218           | 1           | Right Front Deck ASM  |
| 3           | 130-9210           | 1           | Left Front Deck ASM   |
| 4           | 69-9300            | 2           | Pad-Bumper            |
| 5           | 32108-103          | 4           | Screw-FH              |
| 6           | 104-8300           | 4           | Nut-HF, NI            |
| 7           | 325-35             | 4           | Screw-HH              |
| 8           | 99-5107            | 4           | Nut-Lock              |
| 9           | 138-6469           | 4           | Pin ASM               |
| 9:2         | 302-5              | 1           | Fitting-Grease        |
| 10          | 115-3367           | 4           | Eccentric             |



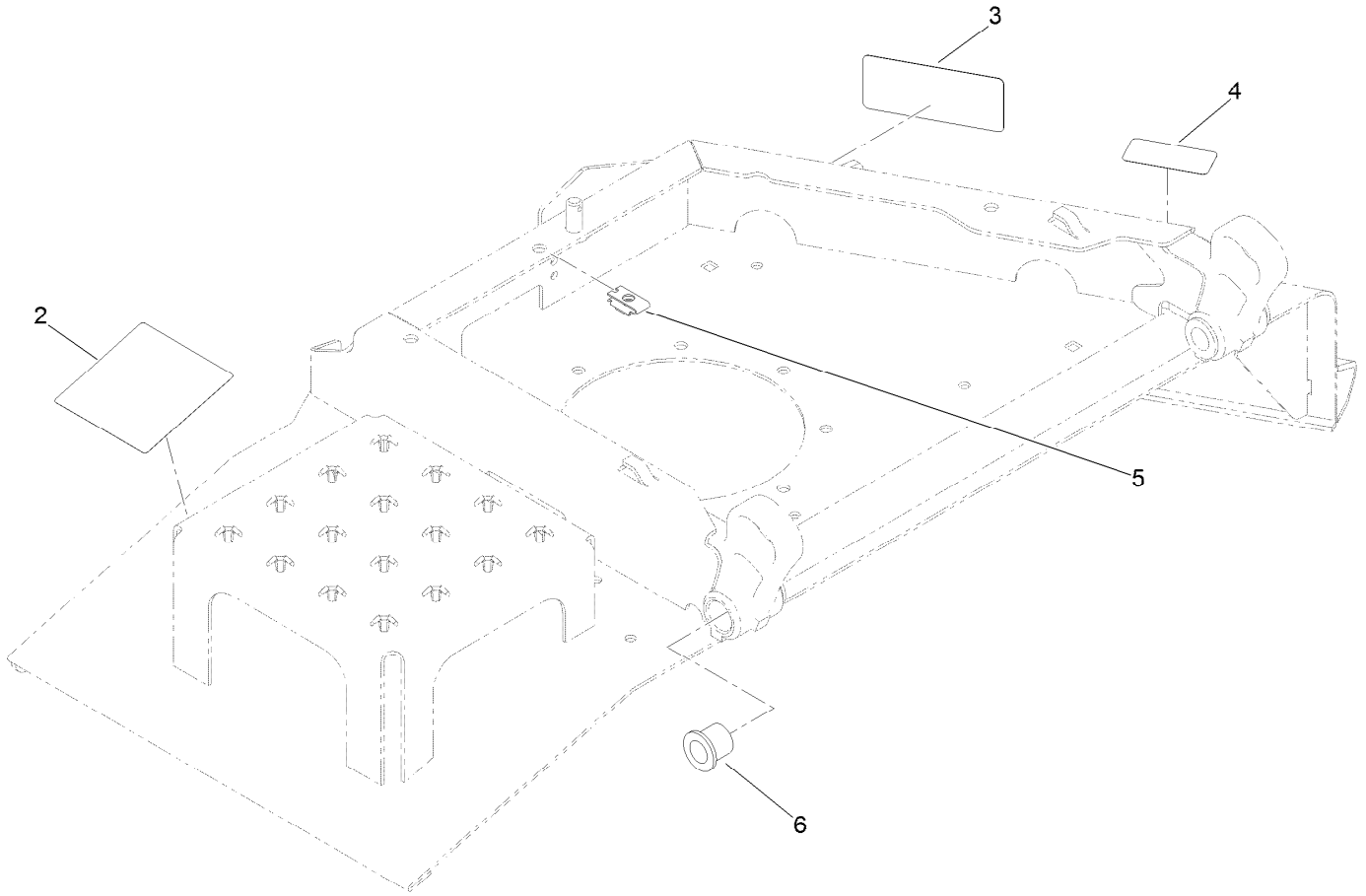
## Center Front Deck and Decal Assembly No. 130-9201

| <i>Ref.</i> | <i>Part Number</i> | <i>Qty.</i> | <i>Description</i>       |
|-------------|--------------------|-------------|--------------------------|
| 2           | 117-4979           | 1           | Decal-Warning            |
| 3           | 93-7818            | 1           | Decal-Torque, Blade Bolt |
| 4           | 114-0922           | 1           | Decal-Belt Routing       |
| 5           | 131-6027           | 1           | Decal-HOC                |
| 6           | 131-6026           | 1           | Decal-Rear HOC, RH       |
| 7           | 131-6025           | 1           | Decal-Rear HOC, LH       |
| 8           | 110-3510           | 1           | Nut-Retainer             |



## Right Front Deck and Decal Assembly No. 130-9218

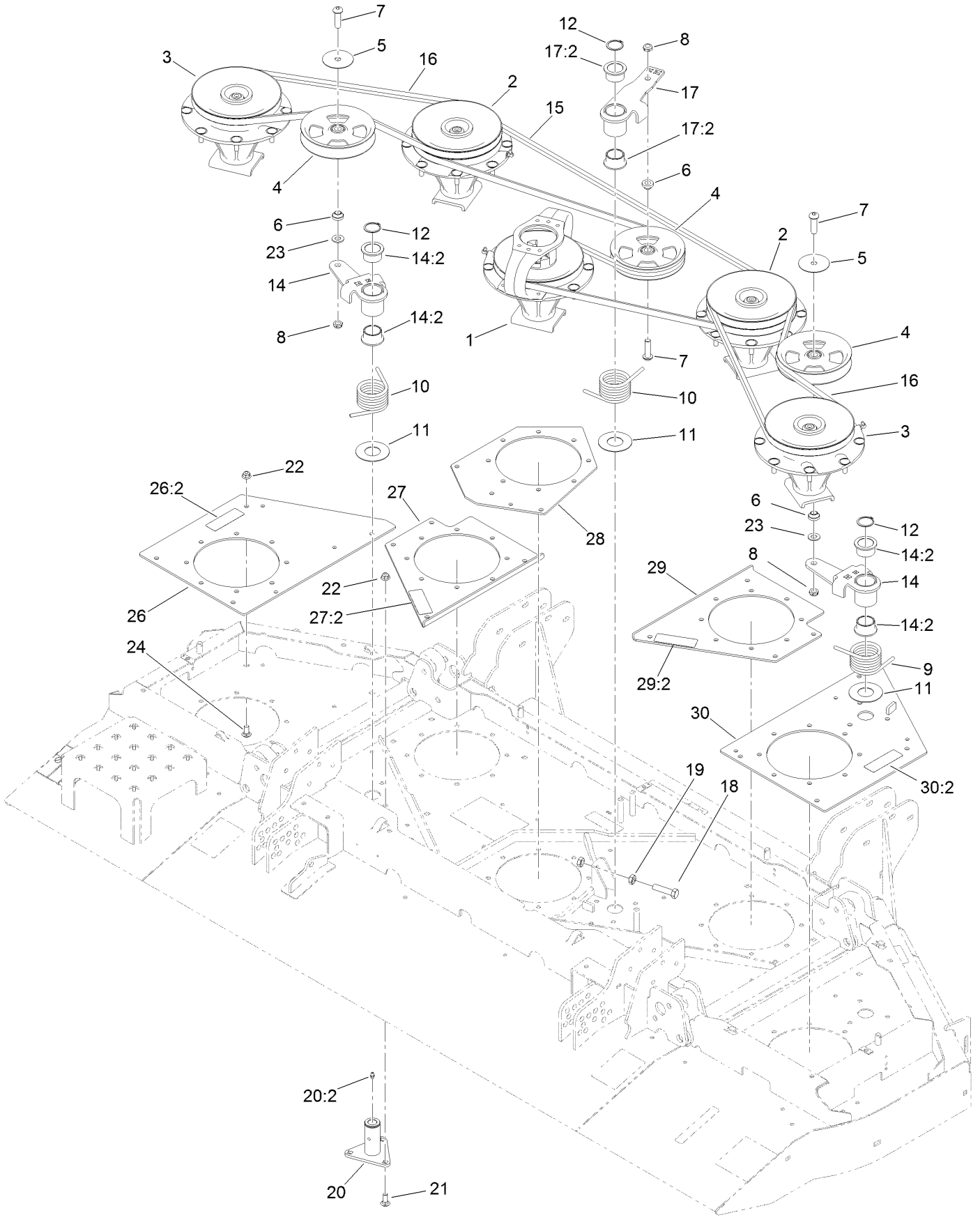
| <i>Ref.</i> | <i>Part Number</i> | <i>Qty.</i> | <i>Description</i>       |
|-------------|--------------------|-------------|--------------------------|
| 2           | 120-6604           | 1           | Decal-Danger             |
| 3           | 93-7818            | 1           | Decal-Torque, Blade Bolt |
| 4           | 93-6674            | 1           | Decal-Warning            |
| 5           | 93-6687            | 1           | Decal-No Step            |
| 6           | 110-3510           | 1           | Nut-Retainer             |
| 7           | 92-3162            | 4           | Bushing                  |



## Left Front Deck and Decal Assembly No. 130-9210

| <i>Ref.</i> | <i>Part Number</i> | <i>Qty.</i> | <i>Description</i>       |
|-------------|--------------------|-------------|--------------------------|
| 2           | 120-6604           | 1           | Decal-Danger             |
| 3           | 93-7818            | 1           | Decal-Torque, Blade Bolt |
| 4           | 93-6674            | 1           | Decal-Warning            |
| 5           | 110-3510           | 1           | Nut-Retainer             |
| 6           | 92-3162            | 4           | Bushing                  |

# Center Deck Belt, Pulley and Spindle Assembly

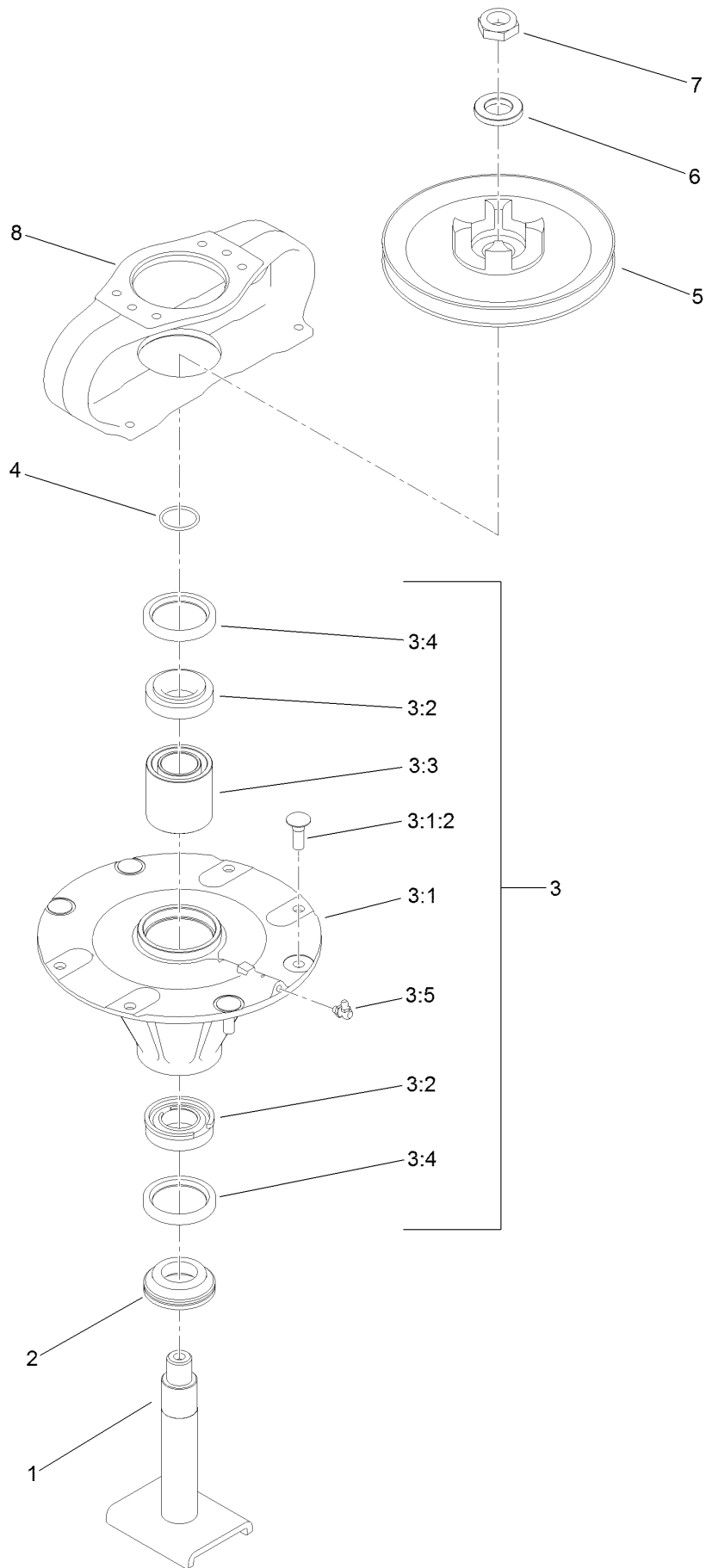




## Center Deck Belt, Pulley and Spindle Assembly (continued)

| <i>Ref.</i> | <i>Part Number</i> | <i>Qty.</i> | <i>Description</i>         | <i>Ref.</i> | <i>Part Number</i> | <i>Qty.</i> | <i>Description</i>      |
|-------------|--------------------|-------------|----------------------------|-------------|--------------------|-------------|-------------------------|
| 1           | 139-1034           | 1           | Single Driving Spindle ASM | 18          | 01-182-0816        | 1           | Bolt-HH                 |
| 2           | 139-1033           | 2           | Double Driven Spindle ASM  | 19          | 3218-5             | 2           | Nut-Jam                 |
| 3           | 139-1032           | 2           | High Driven Spindle ASM    | 20          | 137-5640           | 3           | Idler Pivot ASM         |
| 4           | 132-9421           | 3           | Pulley-Idler, Flat         | 20:2        | 302-5              | 1           | Fitting-Grease          |
| 5           | 100-3102           | 2           | Washer-Flat                | 21          | 3231-2             | 9           | Bolt-CARR               |
| 6           | 108-1924           | 3           | Spacer-Idler               | 22          | 104-8301           | 28          | Nut-HF, NI              |
| 7           | 108-1993           | 3           | Screw-HSBH                 | 23          | 3256-26            | 2           | Washer-Flat             |
| 8           | 3296-45            | 3           | Nut-Hex                    | 24          | 3231-27            | 19          | Screw-CARR              |
| 9           | 108-1921           | 1           | Spring-Torsion             | 26          | 132-1611           | 1           | LH Spindle Plate ASM    |
| 10          | 112-7395           | 2           | Spring-Torsion             | 26:2        | 117-4979           | 1           | Decal-Warning           |
| 11          | 108-1926           | 3           | Washer                     | 27          | 132-1608           | 1           | Left Spindle Plate ASM  |
| 12          | 32120-84           | 3           | Ring-Snap, External        | 27:2        | 117-4979           | 1           | Decal-Warning           |
| 14          | 140-7079           | 2           | Idler Arm ASM              | 28          | 132-1602-01        | 1           | Plate-Spindle, Center   |
| 14:2        | 93-4510            | 2           | Bushing-Caster             | 29          | 132-1607           | 1           | Right Spindle Plate ASM |
| 15          | 112-7376           | 1           | Belt-V, B                  | 29:2        | 117-4979           | 1           | Decal-Warning           |
| 16          | 112-7377           | 2           | Belt-V, B                  | 30          | 132-1609           | 1           | RH Spindle Plate ASM    |
| 17          | 144-4150           | 1           | Idler Arm ASM              | 30:2        | 117-4979           | 1           | Decal-Warning           |
| 17:2        | 93-4510            | 2           | Bushing-Caster             |             |                    |             |                         |

# Single Driving Spindle Assembly No. 139-1034

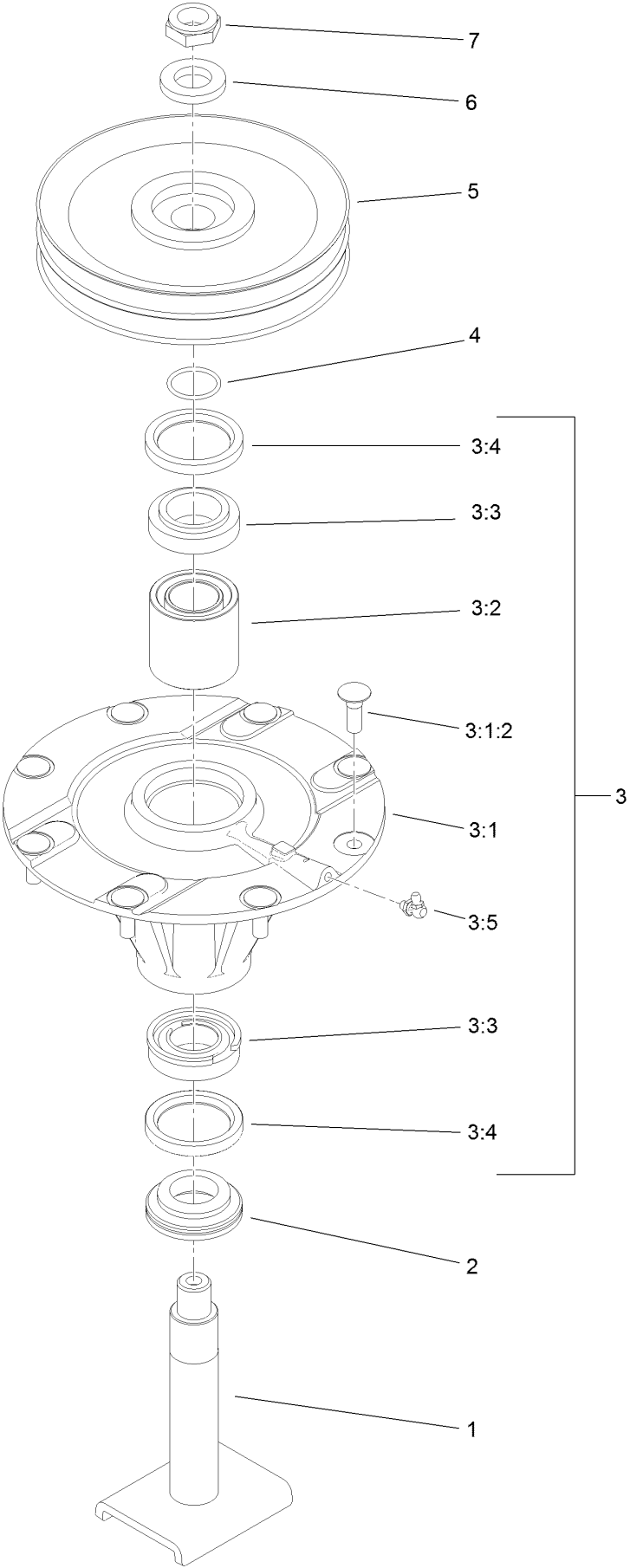


# Single Driving Spindle Assembly No. 139-1034 (continued)

| <i>Ref.</i> | <i>Part Number</i> | <i>Qty.</i> | <i>Description</i>    | <i>Ref.</i> | <i>Part Number</i> | <i>Qty.</i> | <i>Description</i> |
|-------------|--------------------|-------------|-----------------------|-------------|--------------------|-------------|--------------------|
| 1           | 139-1042           | 1           | Spindle-Shaft         | 3:4         | 253-154            | 2           | Seal-Oil           |
| 2           | 138-6416           | 1           | Spacer-Spindle, Shaft | 3:5         | 302-60             | 1           | Fitting-Grease     |
| 3           | 131-0767           | 1           | Spindle Housing ASM   | 4           | 106-7159           | 1           | O-Ring             |
| 3:1         |                    | 1           | Spindle ASM ●         | 5           | 104-3545           | 1           | Pulley-Driving     |
| 3:1:2       | 114-8195           | 4           | Bolt-Neck, Ribbed     | 6           | 120-5576           | 1           | Washer-Hardened    |
| 3:2         | 110-8297           | 1           | Bearing ASM           | 7           | 3296-60            | 1           | Nut-Lock, NI       |
| 3:3         | 108-1954           | 1           | Bearing Spacer Set    | 8           | 104-3544           | 1           | Mount-Motor, Drive |

● Not serviced separately

# Double Driven Spindle Assembly No. 139-1033

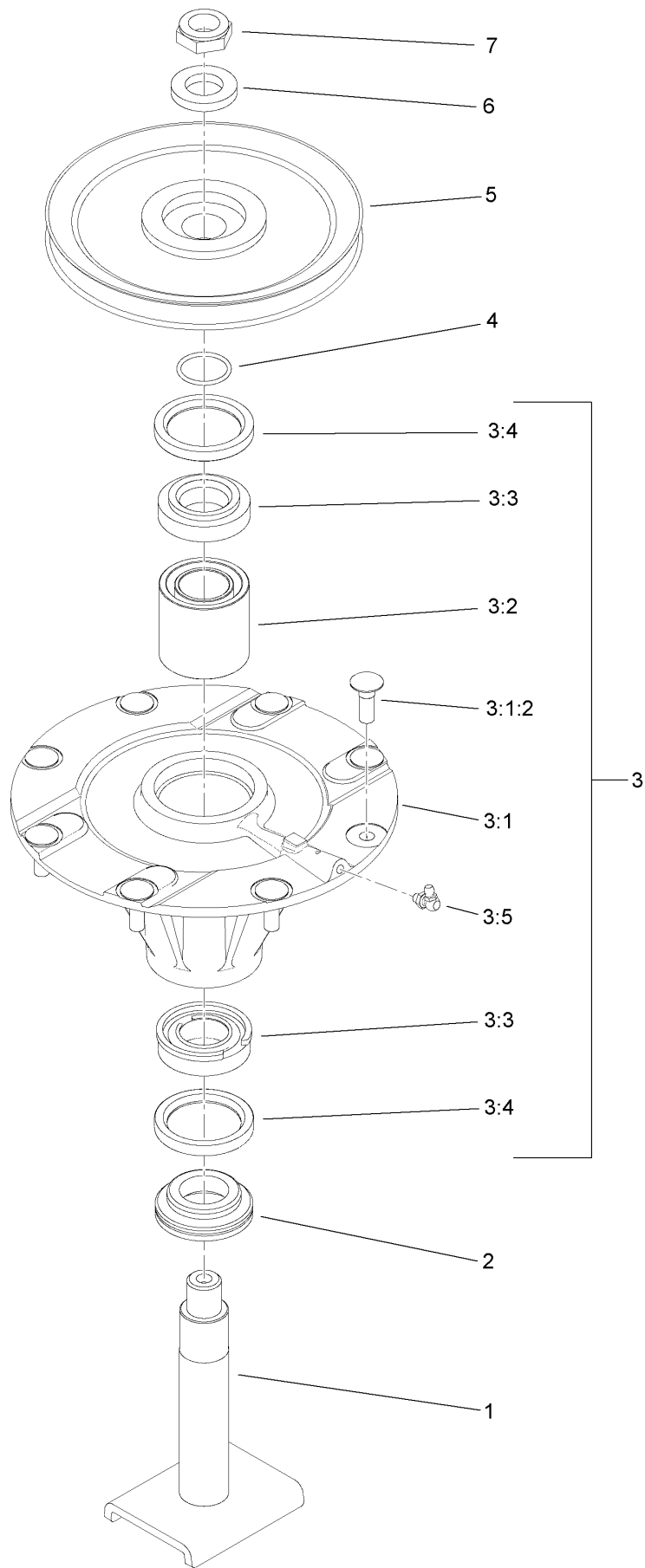


## Double Driven Spindle Assembly No. 139-1033 (continued)

| <i>Ref.</i> | <i>Part Number</i> | <i>Qty.</i> | <i>Description</i>    | <i>Ref.</i> | <i>Part Number</i> | <i>Qty.</i> | <i>Description</i>    |
|-------------|--------------------|-------------|-----------------------|-------------|--------------------|-------------|-----------------------|
| 1           | 139-1042           | 1           | Spindle-Shaft         | 3:4         | 253-154            | 2           | Seal-Oil              |
| 2           | 138-6416           | 1           | Spacer-Spindle, Shaft | 3:5         | 302-60             | 1           | Fitting-Grease        |
| 3           | 119-4777           | 1           | Spindle ASM           | 4           | 106-7159           | 1           | O-Ring                |
| 3:1         |                    | 1           | Spindle ASM ●         | 5           | 104-3547           | 1           | Pulley-Driven, Double |
| 3:1:2       | 114-8195           | 8           | Bolt-Neck, Ribbed     | 6           | 120-5576           | 1           | Washer-Hardened       |
| 3:2         | 108-1954           | 1           | Bearing Spacer Set    | 7           | 3296-60            | 1           | Nut-Lock, NI          |
| 3:3         | 110-8297           | 1           | Bearing ASM           |             |                    |             |                       |

● Not serviced separately

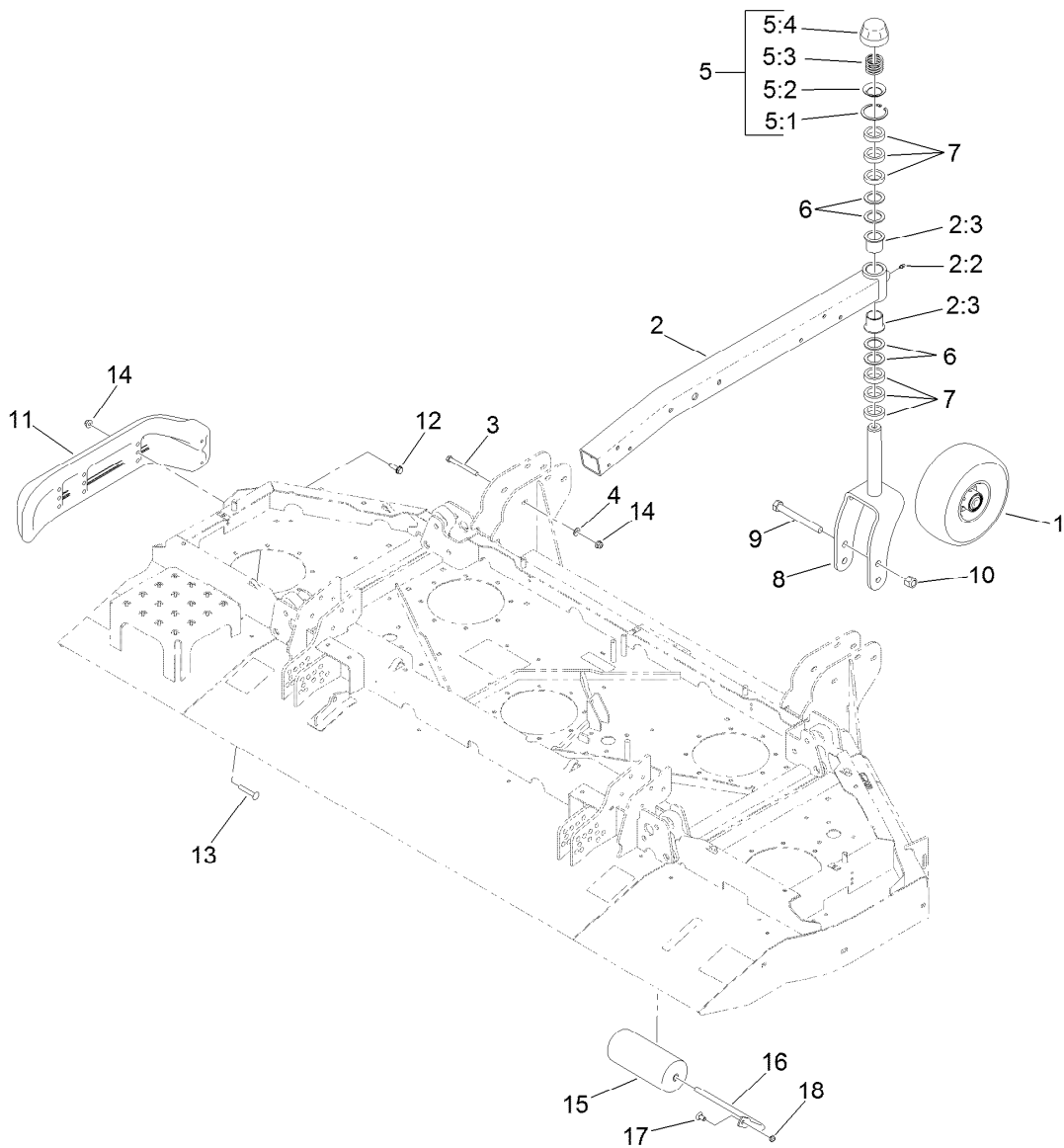
# High Driven Spindle Assembly No. 139-1032



# High Driven Spindle Assembly No. 139-1032 (continued)

| <i>Ref.</i> | <i>Part Number</i> | <i>Qty.</i> | <i>Description</i>    | <i>Ref.</i> | <i>Part Number</i> | <i>Qty.</i> | <i>Description</i>  |
|-------------|--------------------|-------------|-----------------------|-------------|--------------------|-------------|---------------------|
| 1           | 139-1042           | 1           | Spindle-Shaft         | 3:4         | 253-154            | 2           | Seal-Oil            |
| 2           | 138-6416           | 1           | Spacer-Spindle, Shaft | 3:5         | 302-60             | 1           | Fitting-Grease      |
| 3           | 119-4777           | 1           | Spindle ASM           | 4           | 106-7159           | 1           | O-Ring              |
| 3:1         |                    | 1           | Spindle ASM ●         | 5           | 104-3548           | 1           | Pulley-Driven, High |
| 3:1:2       | 114-8195           | 8           | Bolt-Neck, Ribbed     | 6           | 120-5576           | 1           | Washer-Hardened     |
| 3:2         | 108-1954           | 1           | Bearing Spacer Set    | 7           | 3296-60            | 1           | Nut-Lock, NI        |
| 3:3         | 110-8297           | 1           | Bearing ASM           |             |                    |             |                     |

● Not serviced separately

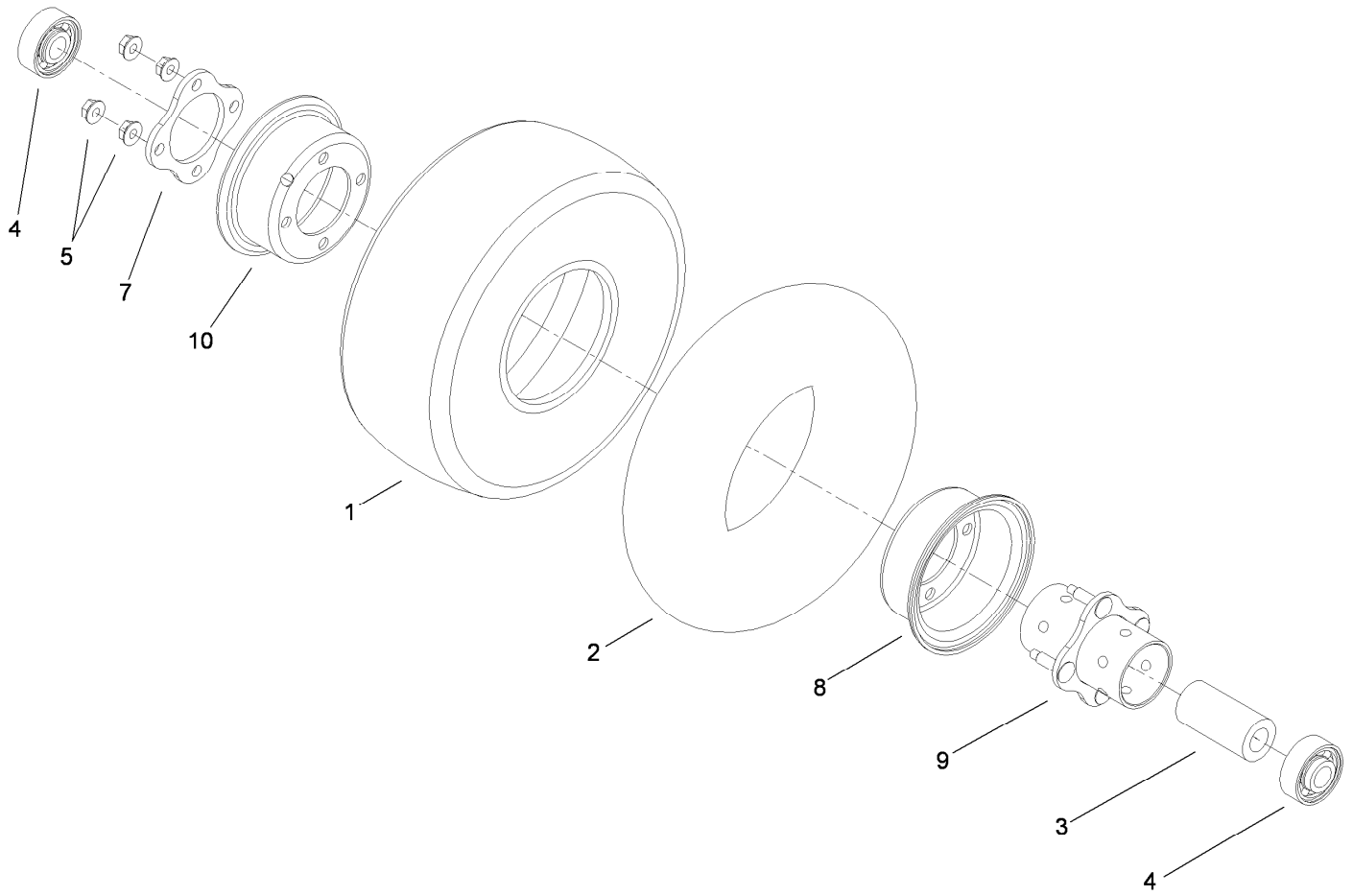


## Center Deck Roller, Skid and Caster Wheel Assembly

| Ref. | Part Number | Qty. | Description                |
|------|-------------|------|----------------------------|
| 1    | 93-4240     | 2    | 10 Inch Wheel ASM          |
| 2    | 130-7787    | 2    | Caster Arm ASM             |
| 2:2  | 302-5       | 1    | Fitting-Grease             |
| 2:3  | 69-6470     | 2    | Bushing-Caster             |
| 3    | 323-42      | 12   | Screw-HH                   |
| 4    | 3256-24     | 12   | Washer-Plain               |
| 5    | 92-9727     | 2    | HOC Cap ASM                |
| 5:1  | 92-5581     | 1    | Ring-Rtng, Snap, Int, Flat |
| 5:2  | 92-5583     | 1    | Washer-Cap                 |
| 5:3  | 92-9726     | 1    | Spring-Compression         |
| 5:4  | 92-8861     | 1    | Cap-HOC                    |
| 6    | 69-6860     | 8    | Washer-Thrust              |

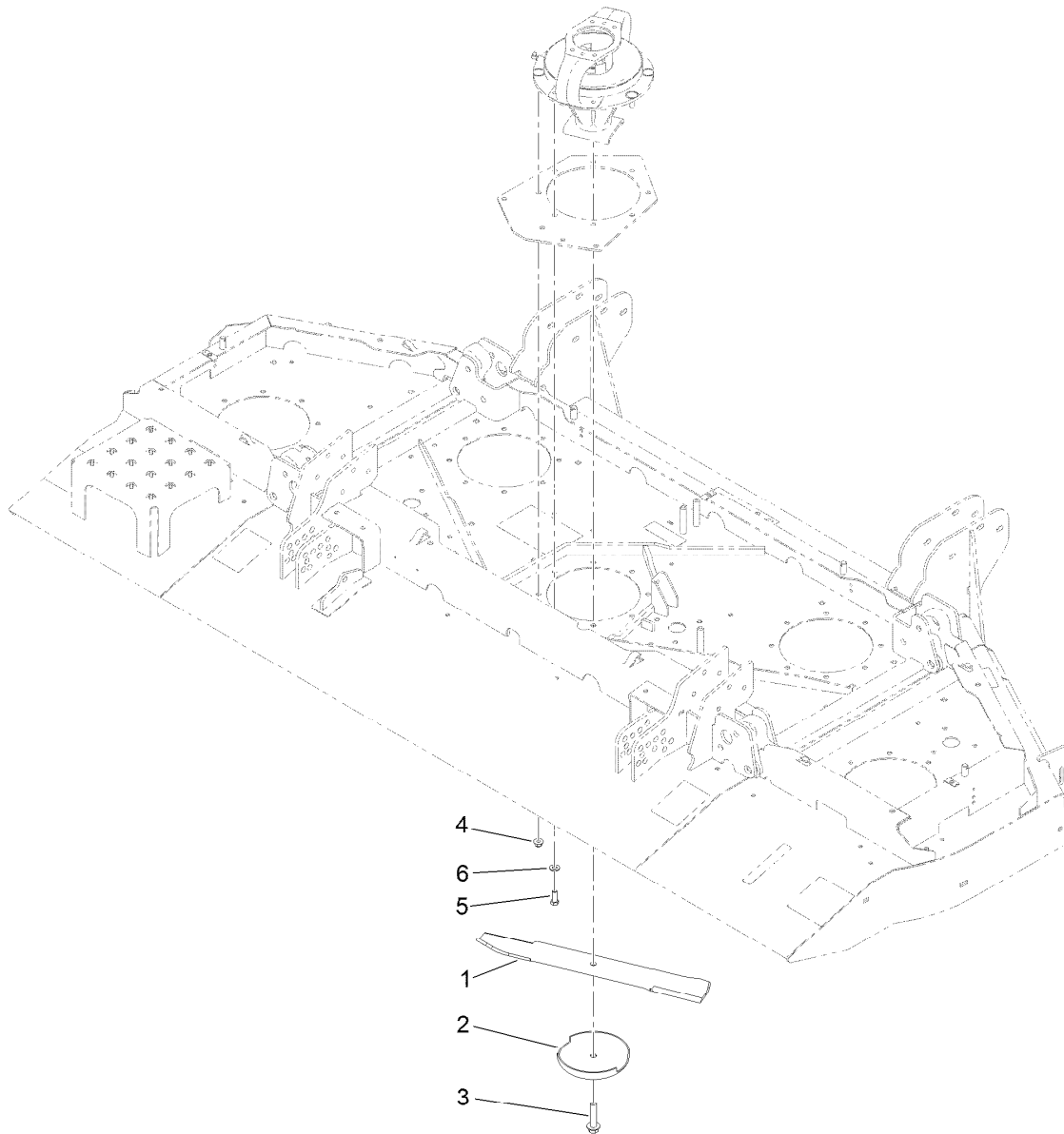
| Ref. | Part Number | Qty. | Description           |
|------|-------------|------|-----------------------|
| 7    | 69-1510     | 12   | Spacer                |
| 8    | 140-6279-01 | 2    | Caster Fork ASM [red] |
| 9    | 327-24      | 2    | Screw-HH              |
| 10   | 3296-53     | 2    | Nut-Lock, NI          |
| 11   | 112-1479    | 2    | Skid-Bumper, Deck     |
| 12   | 9136144     | 2    | Screw-HWHTF           |
| 13   | 3231-33     | 4    | Screw-CARR            |
| 14   | 104-8301    | 16   | Nut-HF, NI            |
| 15   | 68-6710     | 1    | Roller                |
| 16   | 68-6840     | 1    | Shaft-Roller          |
| 17   | 3231-21     | 1    | Screw-CARR            |
| 18   | 3296-59     | 1    | Nut-Lock, NI          |





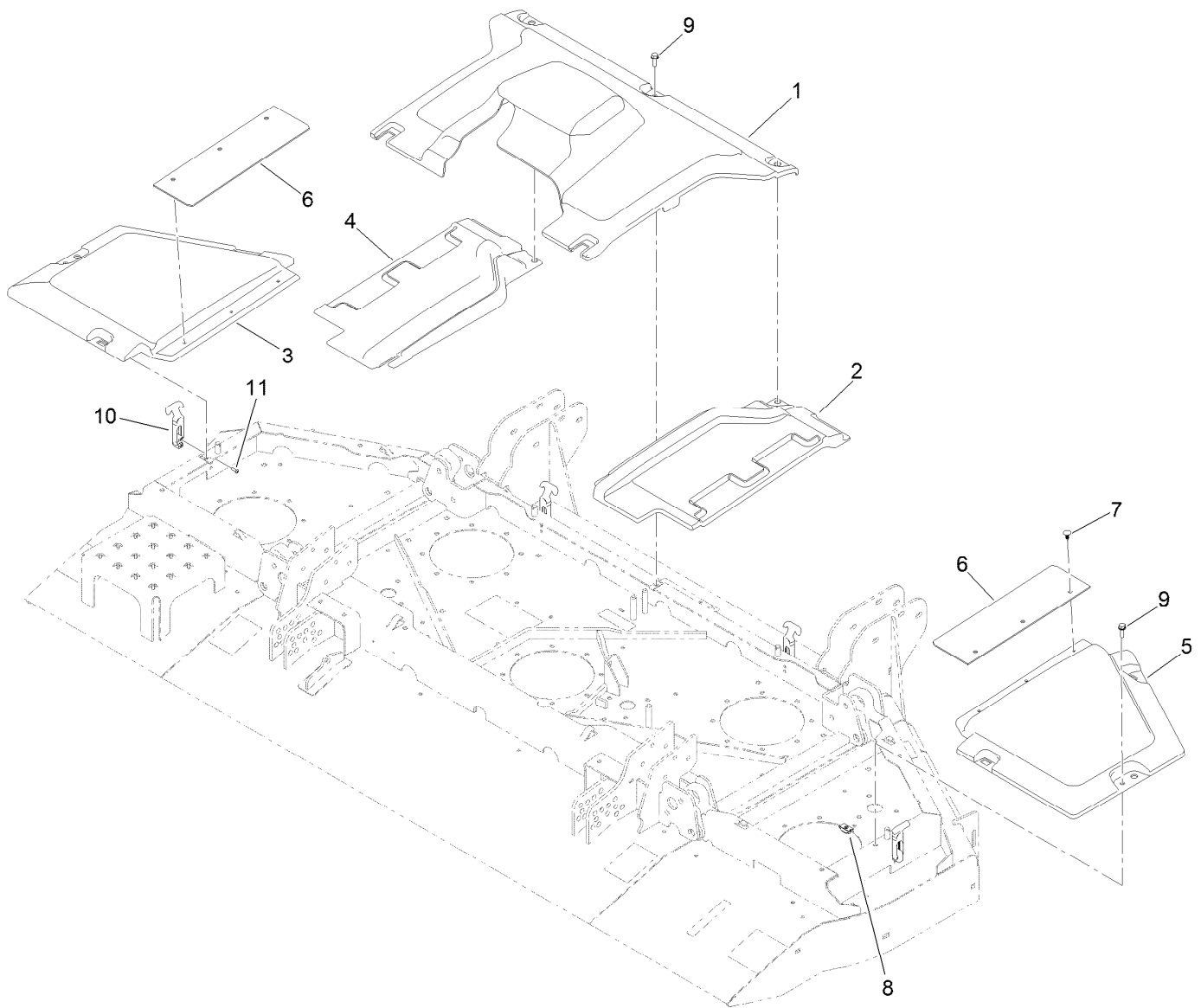
## 10 Inch Wheel Assembly No. 93-4240

| <i>Ref.</i> | <i>Part Number</i> | <i>Qty.</i> | <i>Description</i>    |
|-------------|--------------------|-------------|-----------------------|
| 1           | 93-4243            | 1           | Tire                  |
| 2           | 93-4244            | 1           | Tube-Inner (W/Valve)  |
| 3           | 93-4241            | 1           | Spacer-Bearing, Inner |
| 4           | 120-3366           | 2           | Bearing               |
| 5           | 32128-16           | 4           | Nut-HHF               |
| 7           | 93-4242            | 1           | Plate                 |
| 8           | 93-4239            | 1           | Rim-Wheel, Half       |
| 9           | 93-5980            | 1           | Hub                   |
| 10          | 95-2741            | 1           | Rim-Wheel, Half       |



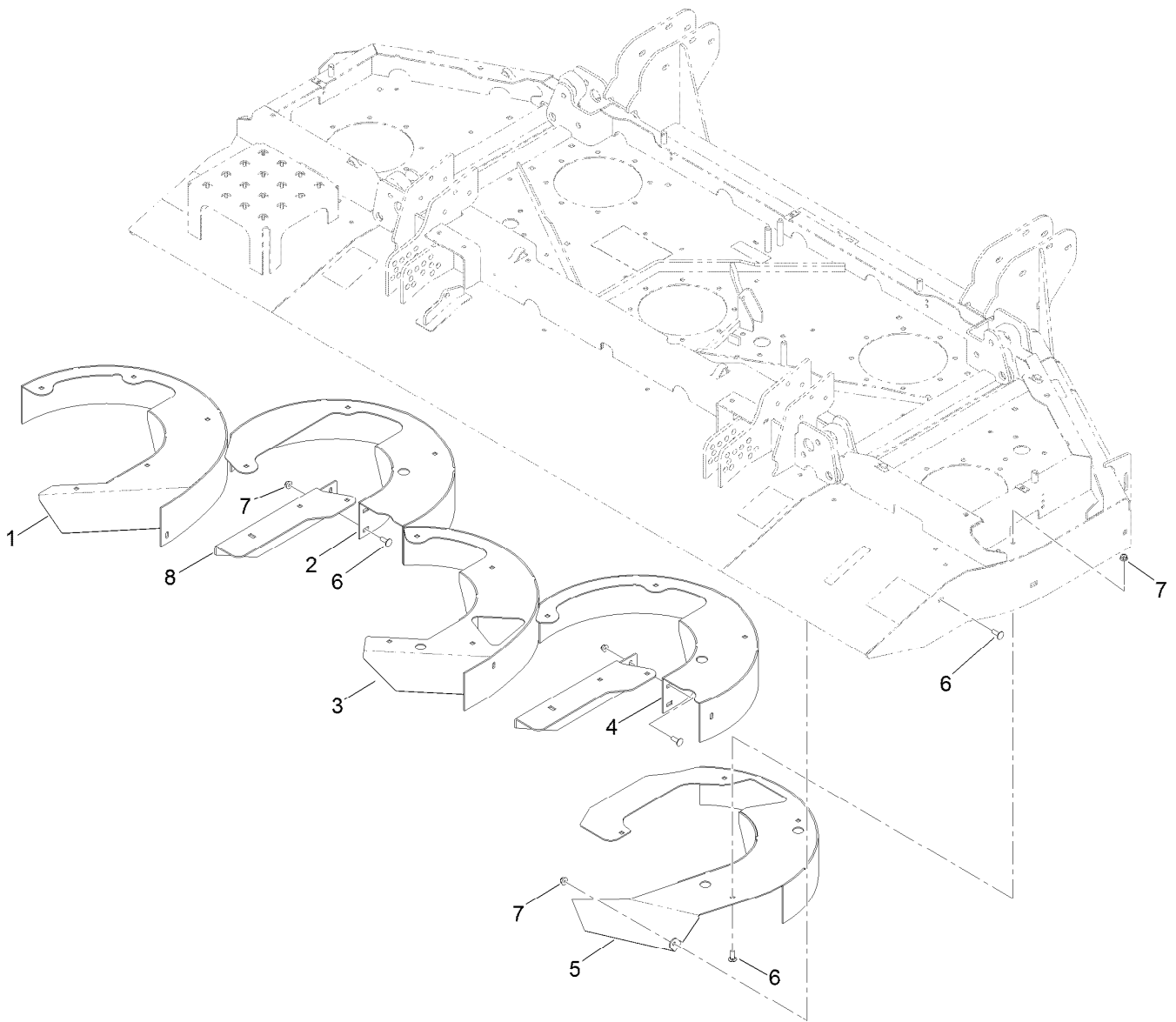
## Center Front Deck Spindle and Blade Assembly

| <i>Ref.</i> | <i>Part Number</i> | <i>Qty.</i> | <i>Description</i> |
|-------------|--------------------|-------------|--------------------|
| 1           | 130-9151           | 5           | Blade-20 In        |
| 2           | 72-9361            | 5           | Cup-Scalp, Anti    |
| 3           | 92-5816            | 5           | Bolt-Blade         |
| 4           | 104-8301           | 36          | Nut-HF, NI         |
| 5           | 323-6              | 4           | Screw-HH           |
| 6           | 3256-24            | 4           | Washer-Plain       |



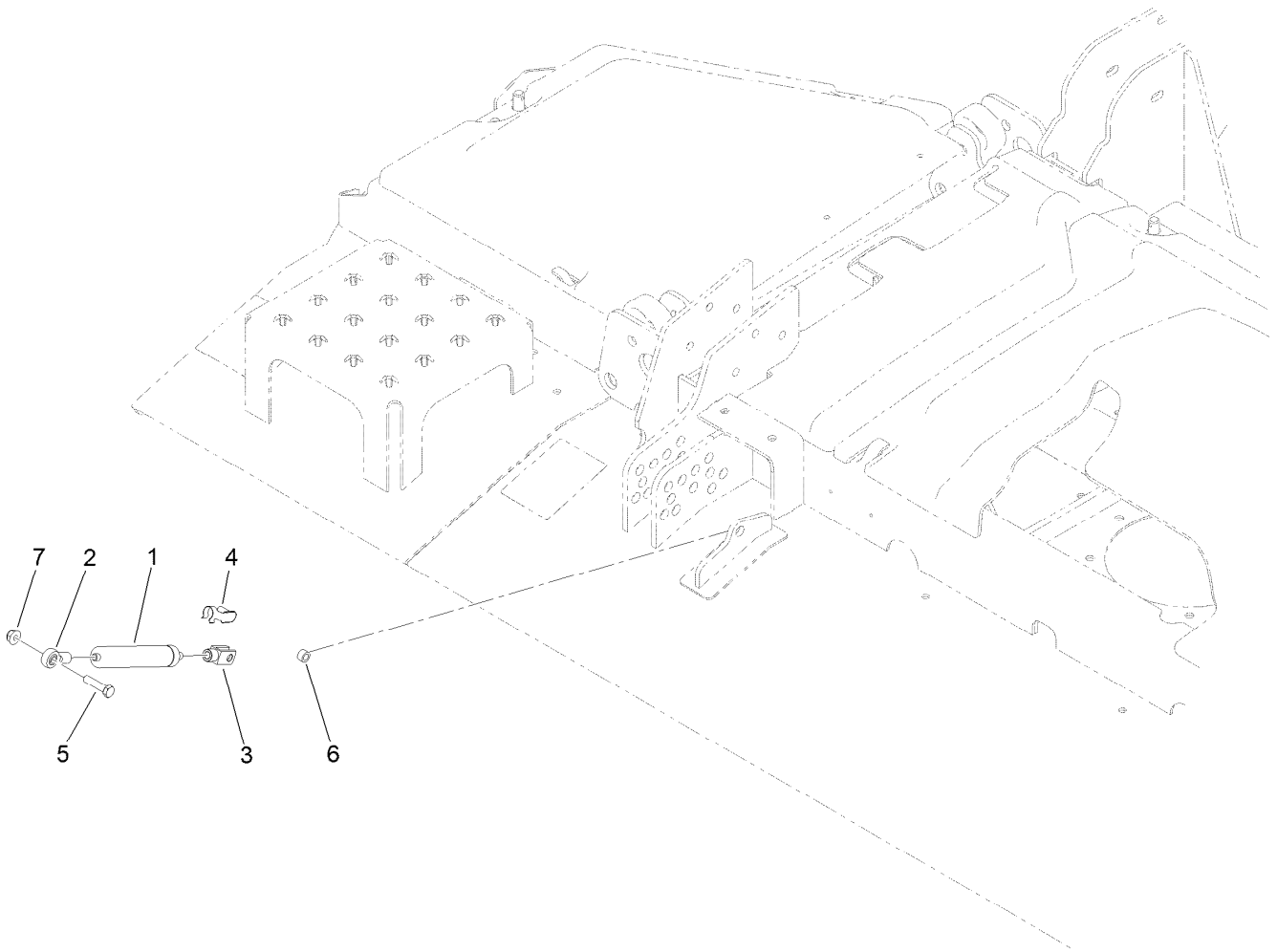
## Center Front Deck Belt Cover Assembly

| <i>Ref.</i> | <i>Part Number</i> | <i>Qty.</i> | <i>Description</i>              |
|-------------|--------------------|-------------|---------------------------------|
| 1           | 131-2223           | 1           | Cover-Front Deck, Center        |
| 2           | 114-5632           | 1           | Cover-Front Deck, RH Transition |
| 3           | 114-5629           | 1           | Cover-Front Deck, LH            |
| 4           | 114-5631           | 1           | Cover-Front Deck, LH Transition |
| 5           | 114-5628           | 1           | Cover-Front Deck, RH            |
| 6           | 115-5424           | 2           | Shield-Deck, Flexible           |
| 7           | 117-2382           | 6           | Plug-Plastic                    |
| 8           | 110-3510           | 3           | Nut-Retainer                    |
| 9           | 3234-29            | 3           | Screw-HHF                       |
| 10          | 103-4080           | 4           | Latch-Rubber                    |
| 11          | 3274-39            | 8           | Screw-HSBH                      |



## Center Front Deck Chamber and Discharge Assembly

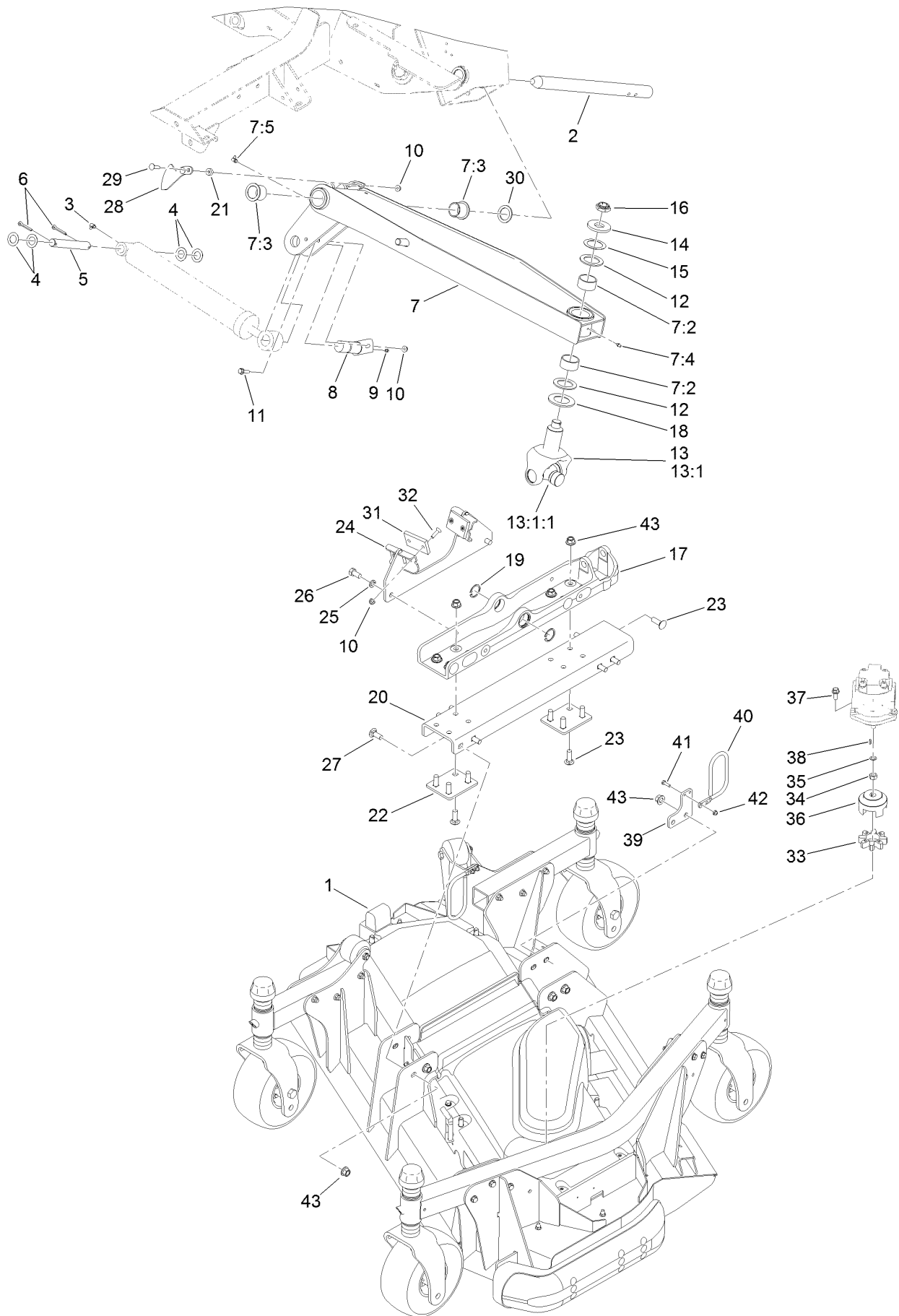
| <i>Ref.</i> | <i>Part Number</i> | <i>Qty.</i> | <i>Description</i>    |
|-------------|--------------------|-------------|-----------------------|
| 1           | 132-1640-0P        | 1           | Chamber-Front, Left   |
| 2           | 133-2244-0P        | 1           | Chamber-Front, Lc     |
| 3           | 132-1644-0P        | 1           | Chamber-Front, Center |
| 4           | 133-2240-0P        | 1           | Chamber-Front, Rc     |
| 5           | 132-1647-0P        | 1           | Chamber-Front, Right  |
| 6           | 3230-10            | 28          | Bolt-CARR             |
| 7           | 104-8300           | 28          | Nut-HF, NI            |
| 8           | 133-2208-0P        | 2           | Angle-Deflector       |



## Center Front Deck Transport Damper Assembly

| <i>Ref.</i> | <i>Part Number</i> | <i>Qty.</i> | <i>Description</i> |
|-------------|--------------------|-------------|--------------------|
| 1           | 105-3249           | 1           | Damper             |
| 2           | 104-8331           | 1           | End-Rod, Spherical |
| 3           | 115-5455           | 1           | End-Rod, Clevis    |
| 4           | 115-5454           | 1           | Pin-Spring         |
| 5           | 322-17             | 1           | Screw-HH           |
| 6           | 115-2142           | 1           | Spacer             |
| 7           | 104-8300           | 1           | Nut-HF, NI         |

# Left Hand Deck Connection Assembly



## Left Hand Deck Connection Assembly (continued)

| <i>Ref.</i> | <i>Part Number</i> | <i>Qty.</i> | <i>Description</i>    | <i>Ref.</i> | <i>Part Number</i> | <i>Qty.</i> | <i>Description</i>  |
|-------------|--------------------|-------------|-----------------------|-------------|--------------------|-------------|---------------------|
| 1           |                    | 1           | Left Deck ASM ●       | 20          | 136-0063-01        | 1           | Channel-LH          |
| 2           | 121-3882           | 1           | Shaft-Pivot, Lift Arm | 21          | 121-1759           | 2           | Spacer              |
| 3           | 302-60             | 1           | Fitting-Grease        | 22          | 136-0065-01        | 2           | Plate-Spacer        |
| 4           | 110-6767           | 4           | Washer-Thrust         | 23          | 3233-2             | 10          | Screw-CARR          |
| 5           | 110-6006           | 1           | Pin-Clevis            | 24          | 136-0040-03        | 1           | Stop-Deck ASM       |
| 6           | 3272-30            | 2           | Pin-Cotter            | 25          | 3253-7             | 2           | Washer-Lock         |
| 7           | 138-6396           | 1           | Lift Arm ASM, LH      | 26          | 325-4              | 2           | Screw-HH            |
| 7:2         | 114-5596           | 2           | Bushing-Straight      | 27          | 3233-1             | 6           | Screw-CARR          |
| 7:3         | 69-6470            | 2           | Bushing-Caster        | 28          | 112-7339           | 1           | Plate-Sensing       |
| 7:4         | 302-5              | 1           | Fitting-Grease        | 29          | 3230-3             | 2           | Screw-CARR          |
| 7:5         | 302-60             | 1           | Fitting-Grease        | 30          | 98-1452            | 1           | Washer-Thrust       |
| 8           | 125-1912           | 1           | Pin-Pivot             | 31          | 69-9290            | 2           | Pad-Bumper          |
| 9           | 302-5              | 1           | Fitting-Grease        | 32          | 32108-103          | 4           | Screw-FH            |
| 10          | 104-8300           | 7           | Nut-HF, NI            | 33          | 104-3542           | 1           | Spider              |
| 11          | 119-4036           | 1           | Screw-HHF             | 34          | 110-8815           | 1           | Nut-Hex             |
| 12          | 104-0721           | 2           | Washer-Thrust         | 35          | 112-6957           | 1           | Washer-Hardened     |
| 13          | 114-5640-03        | 1           | Joint Yoke ASM        | 36          | 104-3541           | 1           | Hub-Spider          |
| 13:1        |                    | 1           | Yoke-Joint ●          | 37          | 3234-42            | 2           | Screw-HHF           |
| 13:1:1      | 104-4299           | 1           | Cross And Bearing Kit | 38          | 3257-3             | 1           | Key-Woodruff        |
| 14          | 104-0719           | 1           | Washer-Hardened       | 39          | 136-0055-01        | 1           | Plate-Hose Retainer |
| 15          | 114-5641           | 1           | Washer-Thrust         | 40          | 130-9161           | 1           | Support-Hose        |
| 16          | 116-1399           | 1           | Locknut               | 41          | 321-5              | 2           | Screw-HH            |
| 17          | 136-0061-03        | 1           | Mount-Deck, Machining | 42          | 104-7201           | 2           | Nut-HF, NI          |
| 18          | 104-0720           | 1           | Spacer                | 43          | 99-5107            | 16          | Nut-Lock            |
| 19          | 145-8397           | 2           | Ring-Retaining, Int   |             |                    |             |                     |

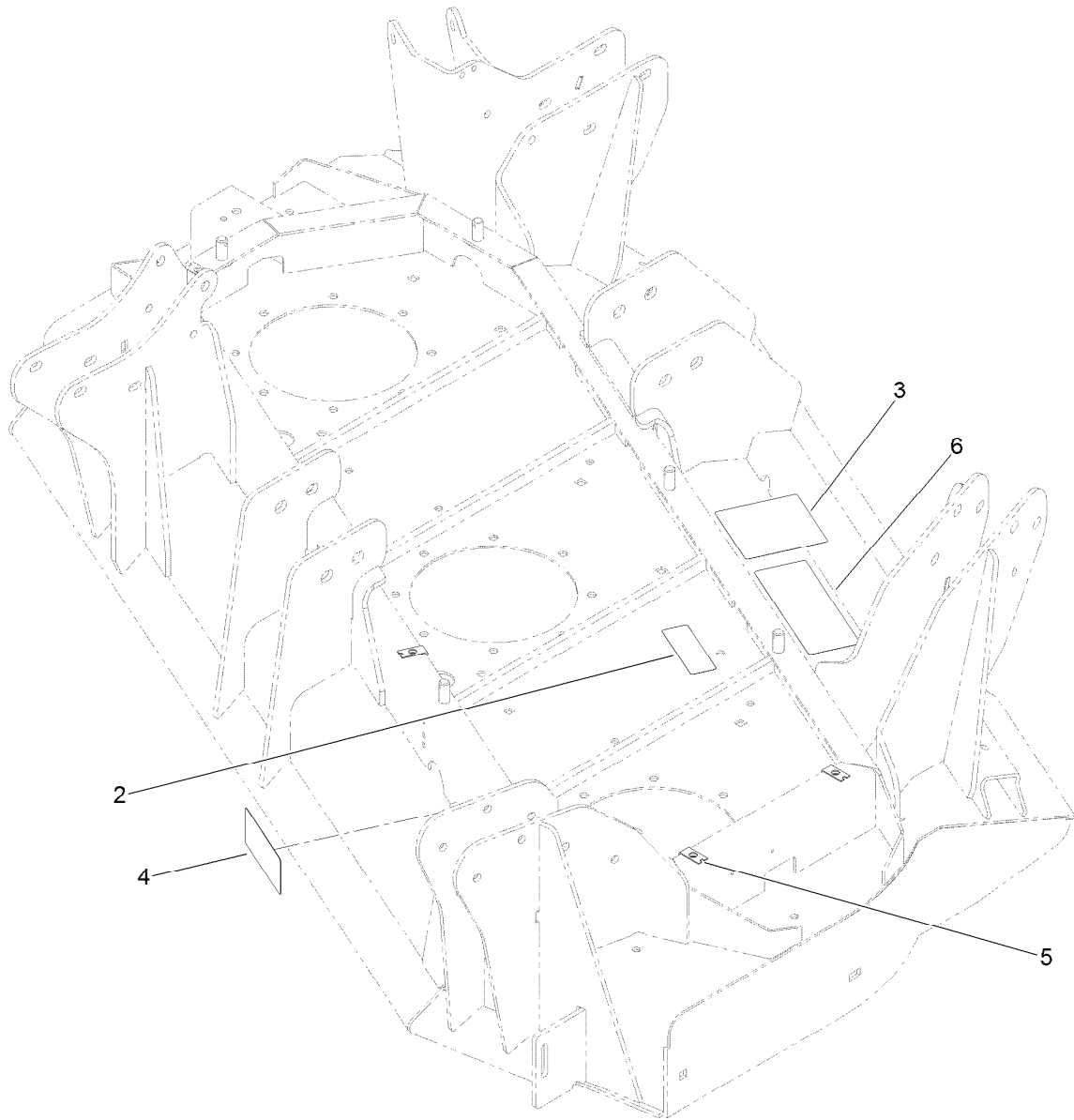
● Not serviced separately





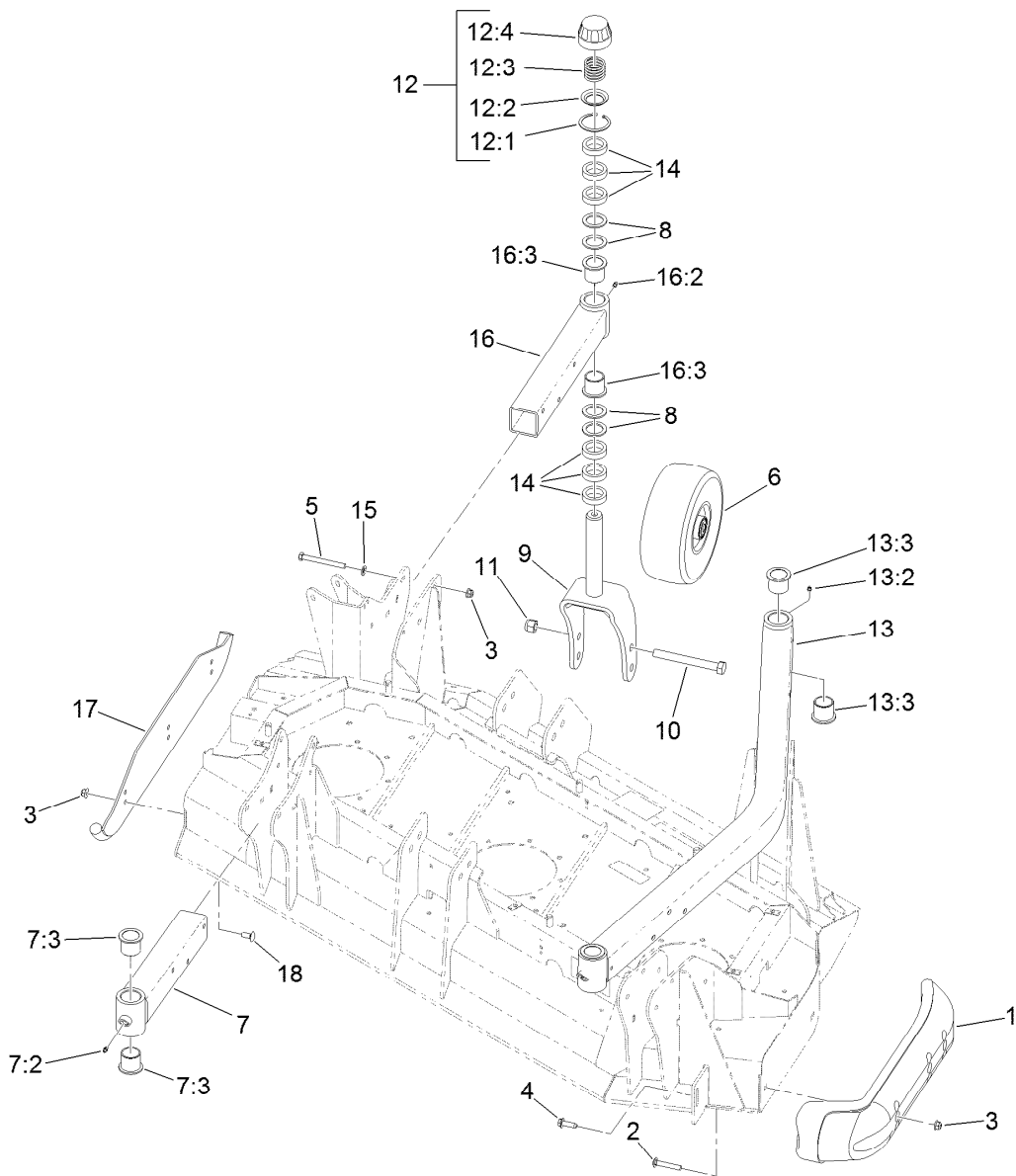
# Left Hand Deck Belt, Pulley and Spindle Assembly (continued)

| <i>Ref.</i> | <i>Part Number</i> | <i>Qty.</i> | <i>Description</i>         | <i>Ref.</i> | <i>Part Number</i> | <i>Qty.</i> | <i>Description</i>            |
|-------------|--------------------|-------------|----------------------------|-------------|--------------------|-------------|-------------------------------|
| 1           | 130-9271           | 1           | Left Deck ASM              | 15          | 108-1921           | 2           | Spring-Torsion                |
| 2           | 139-1034           | 1           | Single Driving Spindle ASM | 16          | 112-7377           | 2           | Belt-V, B                     |
| 3           | 139-1033           | 1           | Double Driven Spindle ASM  | 17          | 137-5640           | 2           | Idler Pivot ASM               |
| 4           | 139-1032           | 1           | High Driven Spindle ASM    | 17:2        | 302-5              | 1           | Fitting-Grease                |
| 5           | 132-9421           | 2           | Pulley-Idler, Flat         | 18          | 3231-2             | 6           | Bolt-CARR                     |
| 6           | 100-3102           | 1           | Washer-Flat                | 20          | 3256-26            | 1           | Washer-Flat                   |
| 7           | 108-1993           | 2           | Screw-HSBH                 | 21          | 104-8301           | 16          | Nut-HF, NI                    |
| 8           | 108-1924           | 2           | Spacer-Idler               | 22          | 3231-27            | 10          | Screw-CARR                    |
| 9           | 3296-45            | 2           | Nut-Hex                    | 23          | 132-1621           | 1           | Inner Spindle Plate ASM       |
| 10          | 140-7079           | 1           | Idler Arm ASM              | 23:2        | 117-4979           | 1           | Decal-Warning                 |
| 10:2        | 93-4510            | 2           | Bushing-Caster             | 24          | 132-1622-01        | 1           | Plate-Spindle, Center         |
| 11          | 108-1926           | 2           | Washer                     | 25          | 132-1620           | 1           | Outer Spindle Plate ASM       |
| 12          | 32120-84           | 2           | Ring-Snap, External        | 25:2        | 117-4979           | 1           | Decal-Warning                 |
| 14          | 140-7078           | 1           | Idler Arm ASM              | 25:3        | 114-4883           | 1           | Decal-Belt Routing, Deck (LH) |
| 14:2        | 93-4510            | 2           | Bushing-Caster             |             |                    |             |                               |



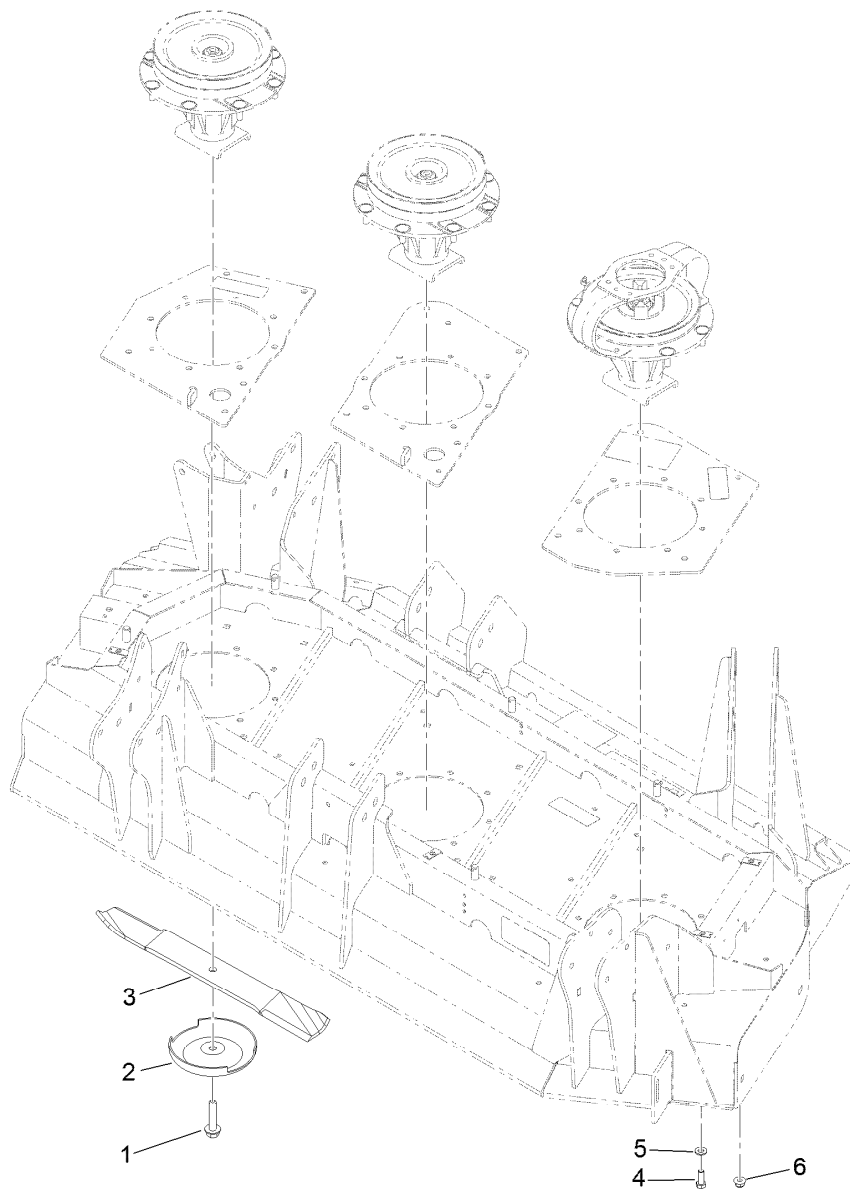
## Left Hand Deck Decal Assembly No. 130-9271

| <i>Ref.</i> | <i>Part Number</i> | <i>Qty.</i> | <i>Description</i>       |
|-------------|--------------------|-------------|--------------------------|
| 2           | 117-4979           | 1           | Decal-Warning            |
| 3           | 120-6604           | 1           | Decal-Danger             |
| 4           | 93-7818            | 1           | Decal-Torque, Blade Bolt |
| 5           | 110-3510           | 4           | Nut-Retainer             |
| 6           | 131-6027           | 1           | Decal-HOC                |



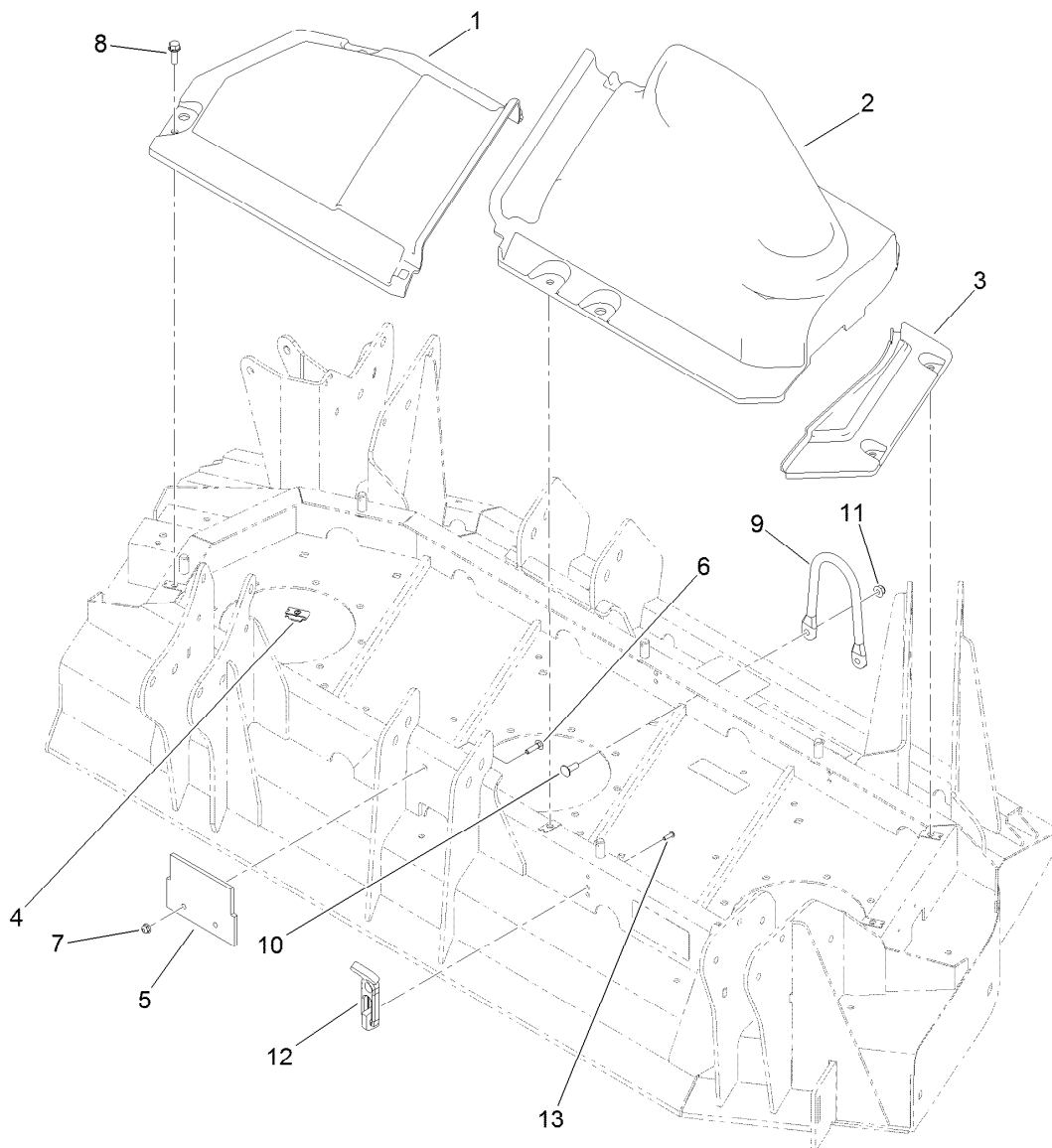
## Left Hand Deck Skid and Caster Wheel Assembly

| Ref. | Part Number | Qty. | Description           | Ref. | Part Number | Qty. | Description                |
|------|-------------|------|-----------------------|------|-------------|------|----------------------------|
| 1    | 112-1479    | 1    | Skid-Bumper, Deck     | 12:1 | 92-5581     | 1    | Ring-Rtng, Snap, Int, Flat |
| 2    | 3231-33     | 2    | Screw-CARR            | 12:2 | 92-5583     | 1    | Washer-Cap                 |
| 3    | 104-8301    | 17   | Nut-HF, NI            | 12:3 | 92-9726     | 1    | Spring-Compression         |
| 4    | 9136144     | 1    | Screw-HWHTF           | 12:4 | 92-8861     | 1    | Cap-HOC                    |
| 5    | 323-42      | 12   | Screw-HH              | 13   | 114-0953    | 1    | HOC Castor Arm ASM         |
| 6    | 93-4240     | 4    | 10 Inch Wheel ASM     | 13:2 | 302-5       | 2    | Fitting-Grease             |
| 7    | 131-6042    | 1    | Caster Arm ASM        | 13:3 | 69-6470     | 4    | Bushing-Caster             |
| 7:2  | 302-5       | 1    | Fitting-Grease        | 14   | 69-1510     | 24   | Spacer                     |
| 7:3  | 69-6470     | 2    | Bushing-Caster        | 15   | 3256-24     | 12   | Washer-Plain               |
| 8    | 69-6860     | 16   | Washer-Thrust         | 16   | 131-6047    | 1    | Caster Arm ASM             |
| 9    | 140-6279-01 | 4    | Caster Fork ASM [red] | 16:2 | 302-5       | 1    | Fitting-Grease             |
| 10   | 327-24      | 4    | Screw-HH              | 16:3 | 69-6470     | 2    | Bushing-Caster             |
| 11   | 3296-53     | 4    | Nut-Lock, NI          | 17   | 131-6034-01 | 1    | Skid-Deck                  |
| 12   | 92-9727     | 4    | HOC Cap ASM           | 18   | 3231-27     | 3    | Screw-CARR                 |



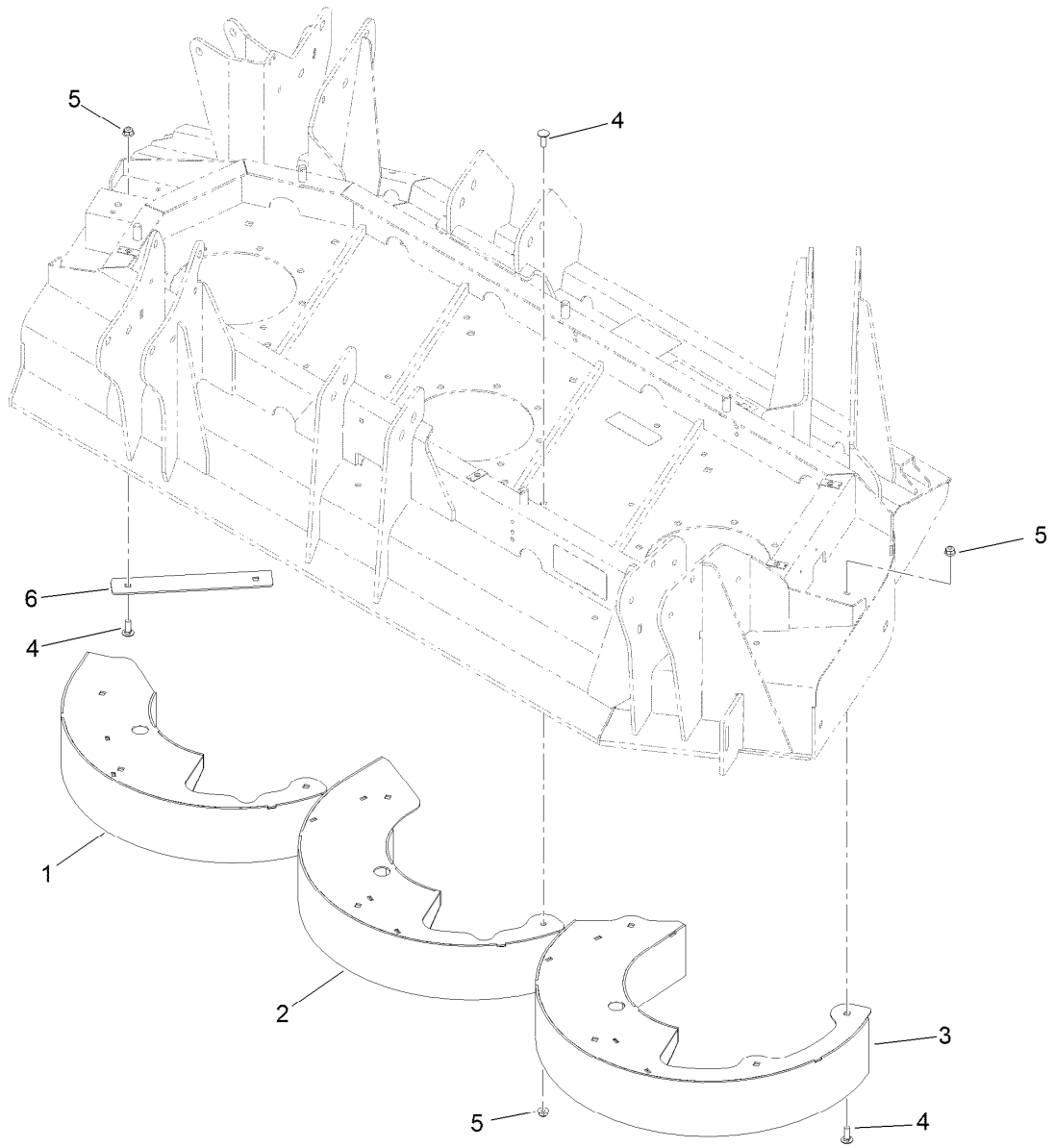
## Left Hand Deck Spindle and Blade Assembly

| <i>Ref.</i> | <i>Part Number</i> | <i>Qty.</i> | <i>Description</i> |
|-------------|--------------------|-------------|--------------------|
| 1           | 92-5816            | 3           | Bolt-Blade         |
| 2           | 72-9361            | 3           | Cup-Scalp, Anti    |
| 3           | 130-9151           | 3           | Blade-20 In        |
| 4           | 323-6              | 4           | Screw-HH           |
| 5           | 3256-24            | 4           | Washer-Plain       |
| 6           | 104-8301           | 20          | Nut-HF, NI         |



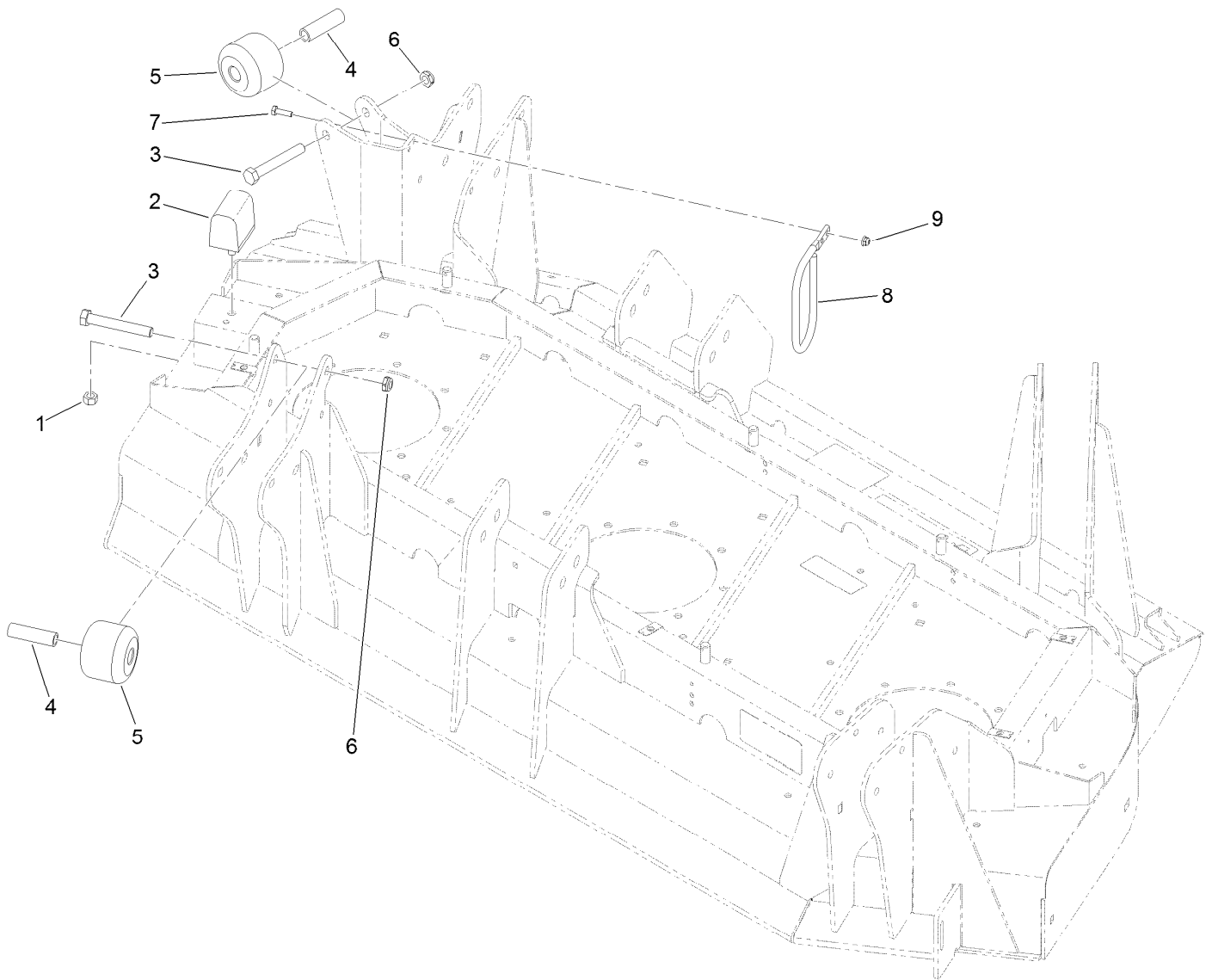
## Left Hand Deck Belt Cover Assembly

| <i>Ref.</i> | <i>Part Number</i> | <i>Qty.</i> | <i>Description</i>            |
|-------------|--------------------|-------------|-------------------------------|
| 1           | 114-5633           | 1           | Cover-Deck, LH Wing (Inside)  |
| 2           | 114-5634           | 1           | Cover-Deck, LH Wing (Outside) |
| 3           | 114-5637           | 1           | Cover-Deck, LH Wing (Fixed)   |
| 4           | 110-3510           | 4           | Nut-Retainer                  |
| 5           | 136-0079           | 1           | Plug-Rubber                   |
| 6           | 3229-2             | 2           | Screw-CARR                    |
| 7           | 104-7201           | 2           | Nut-HF, NI                    |
| 8           | 3234-29            | 4           | Screw-HHF                     |
| 9           | 115-3362           | 1           | Guide-Hose                    |
| 10          | 3230-10            | 2           | Bolt-CARR                     |
| 11          | 104-8300           | 2           | Nut-HF, NI                    |
| 12          | 103-4080           | 4           | Latch-Rubber                  |
| 13          | 3274-39            | 8           | Screw-HSBH                    |



## Left Hand Deck Chamber Assembly

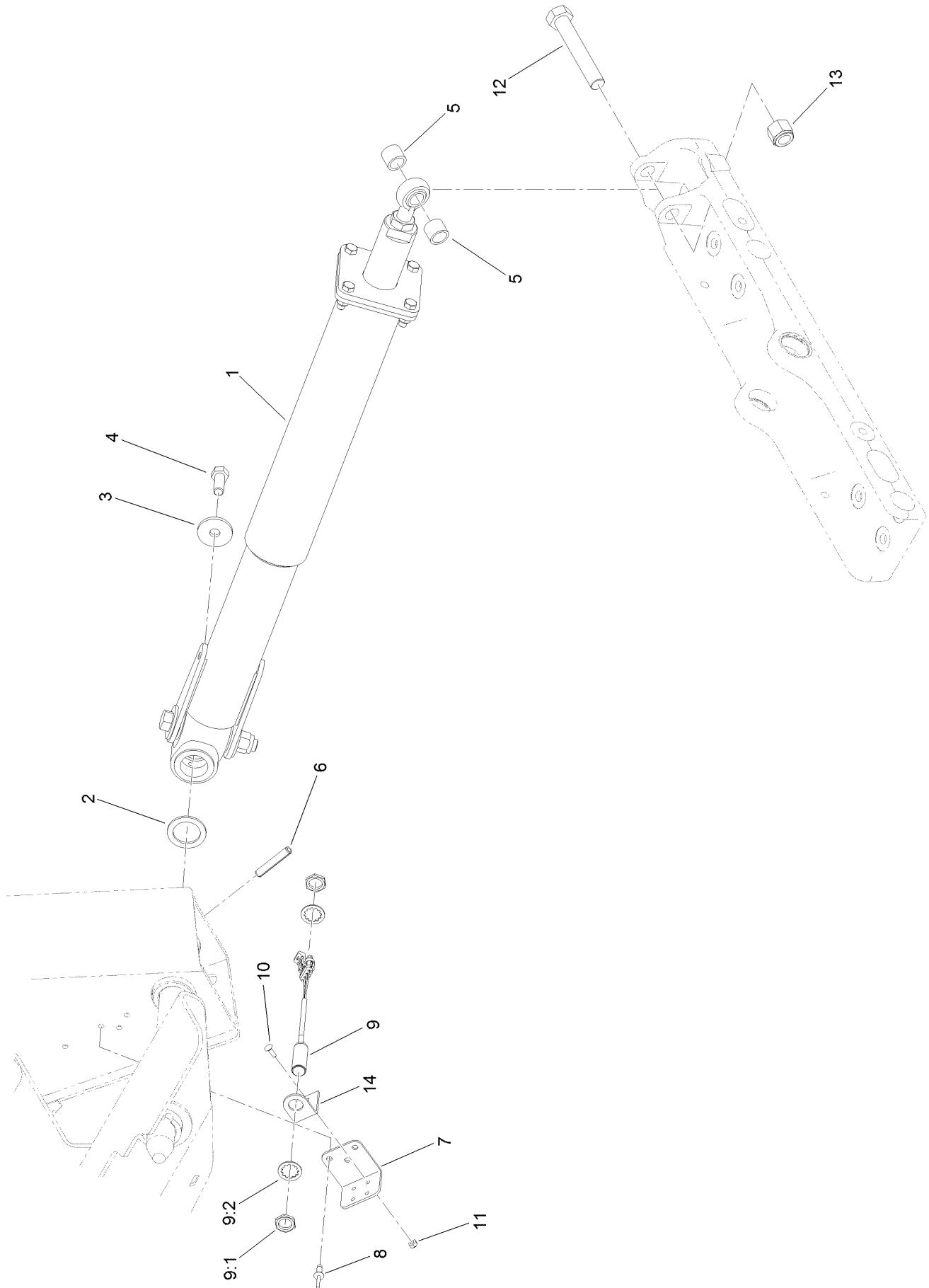
| <i>Ref.</i> | <i>Part Number</i> | <i>Qty.</i> | <i>Description</i>   |
|-------------|--------------------|-------------|----------------------|
| 1           | 132-1600-0P        | 1           | Chamber-Left, Inner  |
| 2           | 131-6005-0P        | 1           | Chamber-Left, Center |
| 3           | 131-6001-0P        | 1           | Chamber-Left, Outer  |
| 4           | 3230-10            | 12          | Bolt-CARR            |
| 5           | 104-8300           | 12          | Nut-HF, NI           |
| 6           | 133-2248-0P        | 1           | Deflector-LH         |



## Left Hand Deck Stop Assembly

| Ref. | Part Number | Qty. | Description  |
|------|-------------|------|--------------|
| 1    | 33025-00    | 1    | Nut-Lock, NI |
| 2    | 87-3470     | 1    | Bumper       |
| 3    | 325-14      | 2    | Screw-HH     |
| 4    | 115-2144    | 2    | Tube-Spacer  |
| 5    | 115-3366    | 2    | Roller       |
| 6    | 3296-45     | 2    | Nut-Hex      |
| 7    | 321-5       | 2    | Screw-HH     |
| 8    | 130-9161    | 1    | Support-Hose |
| 9    | 104-7201    | 2    | Nut-HF, NI   |

# Left Hand Deck Impact Arm and Limit Switch Assembly

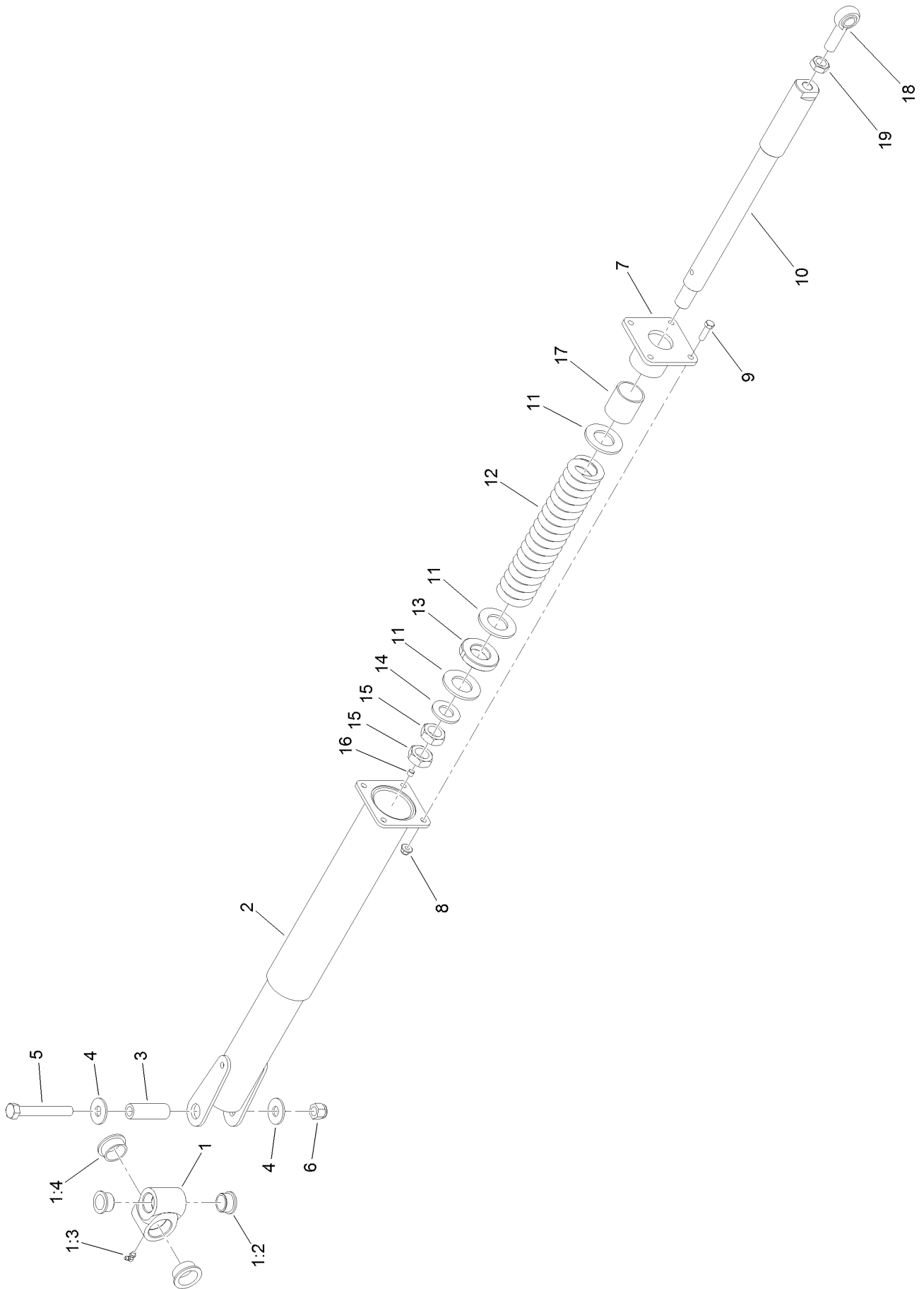




## Left Hand Deck Impact Arm and Limit Switch Assembly (continued)

| <i>Ref.</i> | <i>Part Number</i> | <i>Qty.</i> | <i>Description</i> | <i>Ref.</i> | <i>Part Number</i> | <i>Qty.</i> | <i>Description</i>          |
|-------------|--------------------|-------------|--------------------|-------------|--------------------|-------------|-----------------------------|
| 1           | 137-1648           | 1           | Impact Damper ASM  | 9           | 115-5300           | 1           | Proximity Switch ASM        |
| 2           | 98-1452            | 1           | Washer-Thrust      | 9:1         | 117-3207           | 2           | Nut-Hex                     |
| 3           | 106-2008           | 1           | Washer-Thrust      | 9:2         | 117-3208           | 2           | Washer-Lock, Internal Tooth |
| 4           | 325-5              | 1           | Screw-HH           | 10          | 3229-34            | 2           | Screw-CARR                  |
| 5           | 136-0077           | 2           | Spacer             | 11          | 3296-2             | 2           | Nut-Lock, NI                |
| 6           | 117-5479           | 2           | Pin-Spring         | 12          | 328-8              | 1           | Screw-HH                    |
| 7           | 133-2236           | 1           | Bracket-Support    | 13          | 3296-51            | 1           | Nut-Lock, NI                |
| 8           | 3290-412           | 3           | Rivet-Blind        | 14          | 133-2235           | 1           | Bracket-Sensor, Side        |

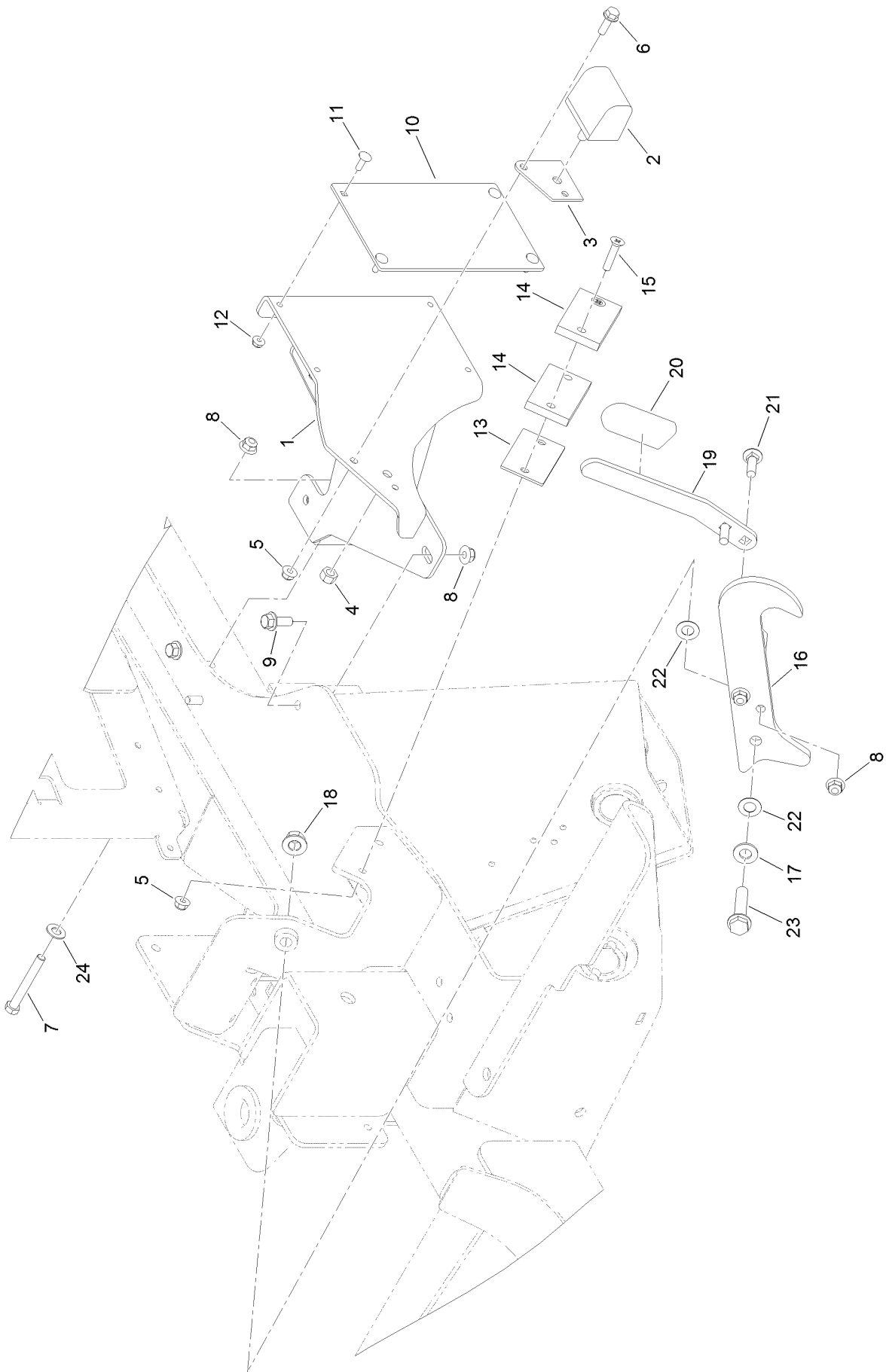
# Impact Damper Assembly No. 137-1648



## Impact Damper Assembly No. 137-1648 (continued)

| <i>Ref.</i> | <i>Part Number</i> | <i>Qty.</i> | <i>Description</i> | <i>Ref.</i> | <i>Part Number</i> | <i>Qty.</i> | <i>Description</i> |
|-------------|--------------------|-------------|--------------------|-------------|--------------------|-------------|--------------------|
| 1           | 138-5253           | 1           | Pivot Hub ASM      | 9           | 323-7              | 4           | Screw-HH           |
| 1:2         | 302-60             | 1           | Fitting-Grease     | 10          | 138-5266           | 1           | Shaft-Spring       |
| 1:3         | 115-5469           | 2           | Bushing-Flange     | 11          | 114-5986           | 3           | Washer-Plain       |
| 1:4         | 114-5680           | 2           | Bushing-Flange     | 12          | 114-5993           | 1           | Spring-Compression |
| 2           | 137-5596           | 1           | Arm-Impact, Rear   | 13          | 114-5992           | 1           | Bearing-Plastic    |
| 3           | 94-6604            | 1           | Tube-Spacer        | 14          | 3256-62            | 1           | Washer-Flat        |
| 4           | 3256-7             | 2           | Washer-Flat        | 15          | 3220-9             | 2           | Nut-Jam            |
| 5           | 327-23             | 1           | Screw-HH           | 16          | 285-17             | 1           | Plug-Pipe          |
| 6           | 3296-53            | 1           | Nut-Lock, NI       | 17          | 114-5989           | 1           | Bushing-Plain      |
| 7           | 138-5250           | 1           | Housing ASM        | 18          | 105-2806           | 1           | End-Rod            |
| 8           | 104-8301           | 4           | Nut-HF, NI         | 19          | 3220-7             | 1           | Nut-Jam            |

# Left Hand Deck Transport Lock Assembly



# Left Hand Deck Transport Lock Assembly (continued)

| <i>Ref.</i> | <i>Part Number</i> | <i>Qty.</i> | <i>Description</i> | <i>Ref.</i> | <i>Part Number</i> | <i>Qty.</i> | <i>Description</i> |
|-------------|--------------------|-------------|--------------------|-------------|--------------------|-------------|--------------------|
| 1           | 119-8275-01        | 1           | Pad-Transport, LH  | 13          | 114-5675           | 1           | Shim-Pad           |
| 2           | 87-3470            | 1           | Bumper             | 14          | 69-9300            | 2           | Pad-Bumper         |
| 3           | 115-8826           | 1           | Shim-Bumper        | 15          | 32108-107          | 2           | Screw-FH           |
| 4           | 33025-00           | 1           | Nut-Lock, NI       | 16          | 119-7723-03        | 1           | Latch-Wing         |
| 5           | 104-8300           | 3           | Nut-HF, NI         | 17          | 3256-26            | 1           | Washer-Flat        |
| 6           | 3234-17            | 1           | Screw-HHF          | 18          | 99-5107            | 1           | Nut-Lock           |
| 7           | 323-14             | 1           | Screw-HH           | 19          | 114-5659-03        | 1           | Handle-Latch       |
| 8           | 104-8301           | 5           | Nut-HF, NI         | 20          | 119-1846           | 1           | Grip               |
| 9           | 3234-42            | 2           | Screw-HHF          | 21          | 3231-25            | 2           | Bolt-CARR          |
| 10          | 117-5476           | 1           | Pad-Roller         | 22          | 104-3577           | 2           | Washer             |
| 11          | 1-807512           | 4           | Bolt-CARR          | 23          | 3234-46            | 1           | Screw-HHF          |
| 12          | 104-7201           | 4           | Nut-HF, NI         | 24          | 52-2861            | 1           | Washer             |

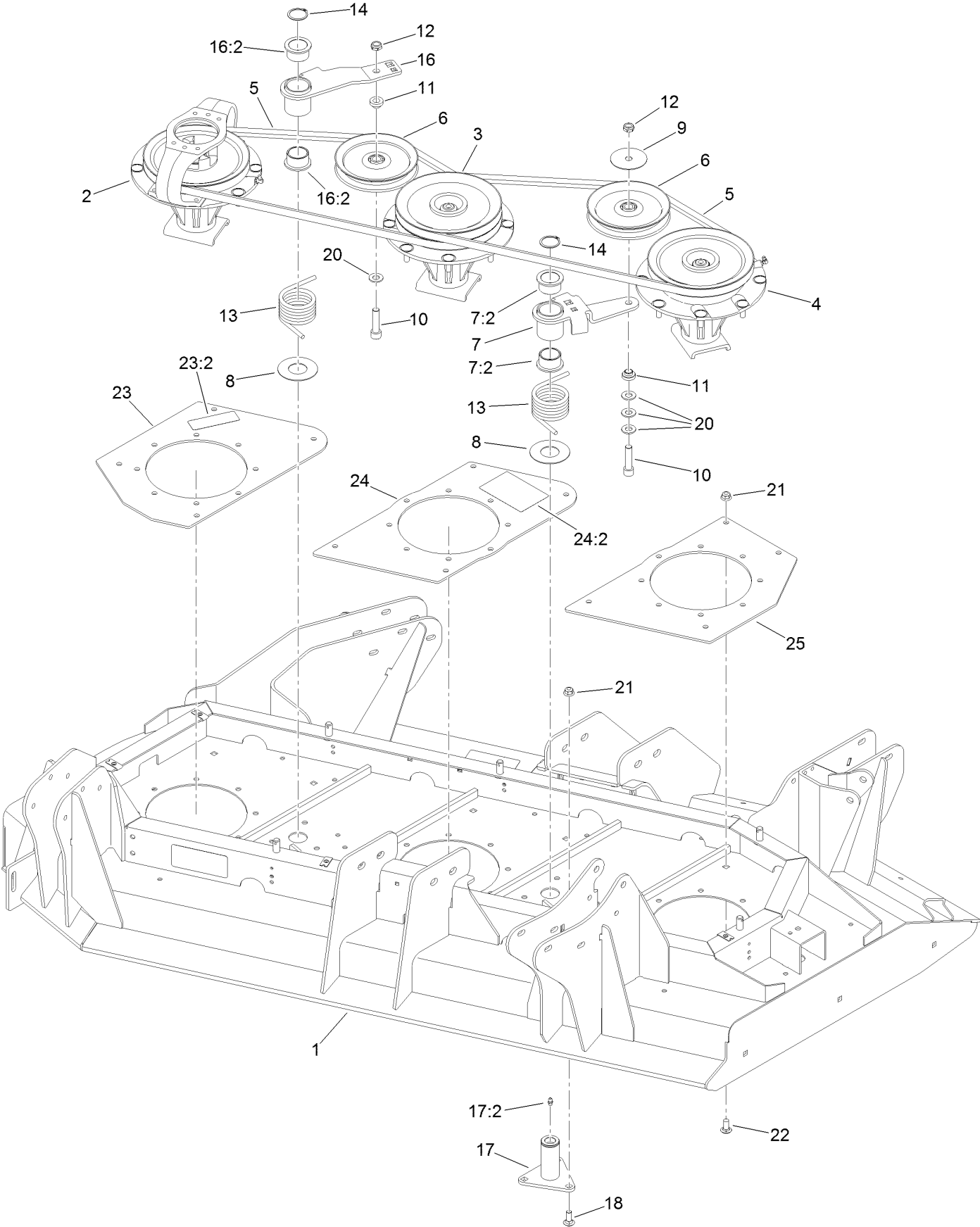


## Right Hand Deck Connection Assembly (continued)

| <i>Ref.</i> | <i>Part Number</i> | <i>Qty.</i> | <i>Description</i>    | <i>Ref.</i> | <i>Part Number</i> | <i>Qty.</i> | <i>Description</i>  |
|-------------|--------------------|-------------|-----------------------|-------------|--------------------|-------------|---------------------|
| 1           |                    | 1           | Right Deck ASM ●      | 20          | 136-0064-01        | 1           | Channel-RH          |
| 2           | 121-3882           | 1           | Shaft-Pivot, Lift Arm | 21          | 121-1759           | 2           | Spacer              |
| 3           | 302-60             | 1           | Fitting-Grease        | 22          | 136-0065-01        | 2           | Plate-Spacer        |
| 4           | 110-6767           | 4           | Washer-Thrust         | 23          | 3233-2             | 10          | Screw-CARR          |
| 5           | 110-6006           | 1           | Pin-Clevis            | 24          | 136-0080-03        | 1           | Stop-Deck, RH       |
| 6           | 3272-30            | 2           | Pin-Cotter            | 25          | 3253-7             | 2           | Washer-Lock         |
| 7           | 138-6395           | 1           | Lift Arm ASM, RH      | 26          | 325-4              | 2           | Screw-HH            |
| 7:2         | 114-5596           | 2           | Bushing-Straight      | 27          | 3233-1             | 6           | Screw-CARR          |
| 7:3         | 69-6470            | 2           | Bushing-Caster        | 28          | 112-7339           | 1           | Plate-Sensing       |
| 7:4         | 302-5              | 1           | Fitting-Grease        | 29          | 3230-3             | 2           | Screw-CARR          |
| 7:5         | 302-60             | 1           | Fitting-Grease        | 30          | 98-1452            | 1           | Washer-Thrust       |
| 8           | 125-1912           | 1           | Pin-Pivot             | 31          | 69-9290            | 2           | Pad-Bumper          |
| 9           | 302-5              | 1           | Fitting-Grease        | 32          | 32108-103          | 4           | Screw-FH            |
| 10          | 104-8300           | 7           | Nut-HF, NI            | 33          | 104-3542           | 1           | Spider              |
| 11          | 119-4036           | 1           | Screw-HHF             | 34          | 110-8815           | 1           | Nut-Hex             |
| 12          | 104-0721           | 2           | Washer-Thrust         | 35          | 112-6957           | 1           | Washer-Hardened     |
| 13          | 114-5640-03        | 1           | Joint Yoke ASM        | 36          | 104-3541           | 1           | Hub-Spider          |
| 13:1        |                    | 1           | Yoke-Joint ●          | 37          | 3234-42            | 2           | Screw-HHF           |
| 13:1:1      | 104-4299           | 1           | Cross And Bearing Kit | 38          | 3257-3             | 1           | Key-Woodruff        |
| 14          | 104-0719           | 1           | Washer-Hardened       | 39          | 136-0055-01        | 1           | Plate-Hose Retainer |
| 15          | 114-5641           | 1           | Washer-Thrust         | 40          | 130-9161           | 1           | Support-Hose        |
| 16          | 116-1399           | 1           | Locknut               | 41          | 321-5              | 2           | Screw-HH            |
| 17          | 136-0061-03        | 1           | Mount-Deck, Machining | 42          | 104-7201           | 2           | Nut-HF, NI          |
| 18          | 104-0720           | 1           | Spacer                | 43          | 99-5107            | 16          | Nut-Lock            |
| 19          | 145-8397           | 2           | Ring-Retaining, Int   |             |                    |             |                     |

● Not serviced separately

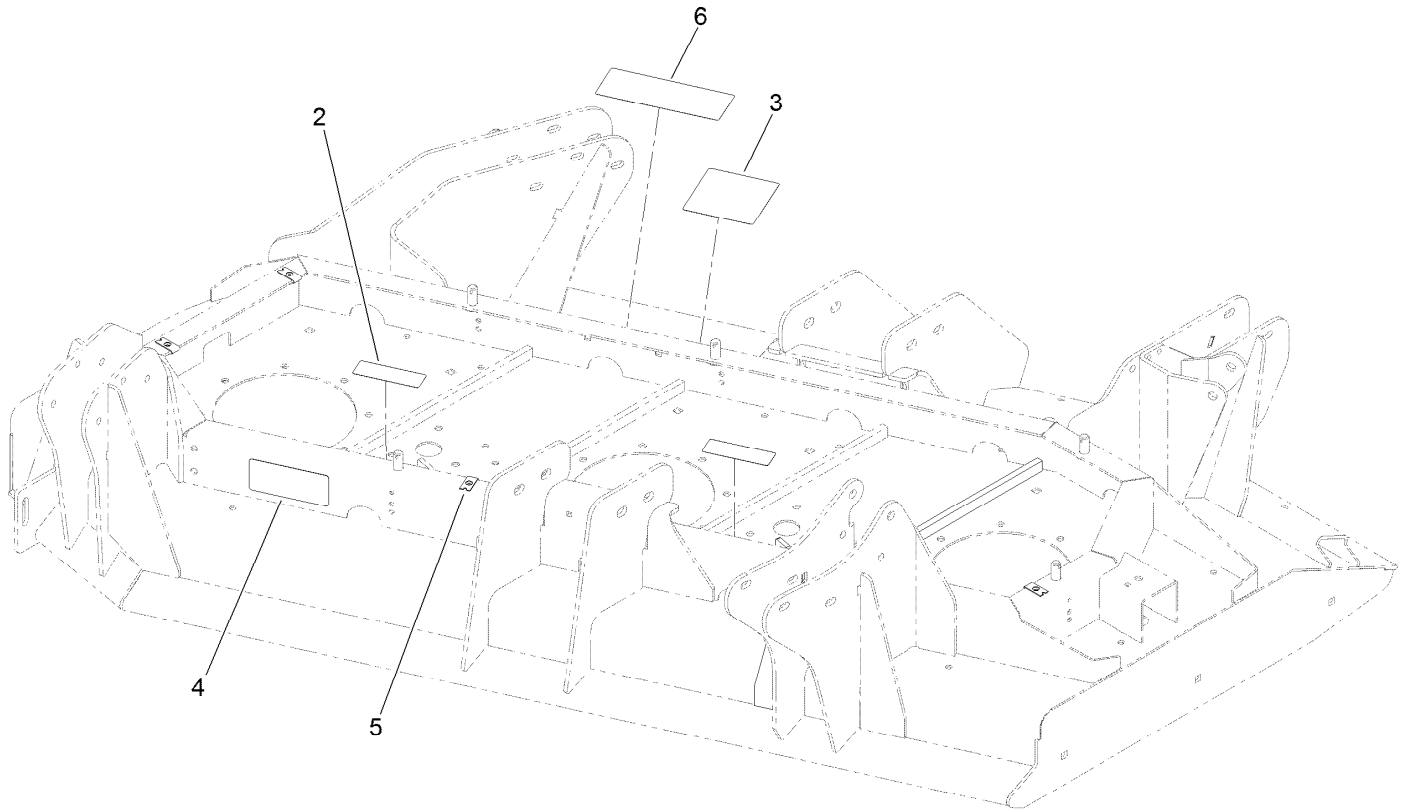
# Right Hand Deck Belt, Pulley and Spindle Assembly





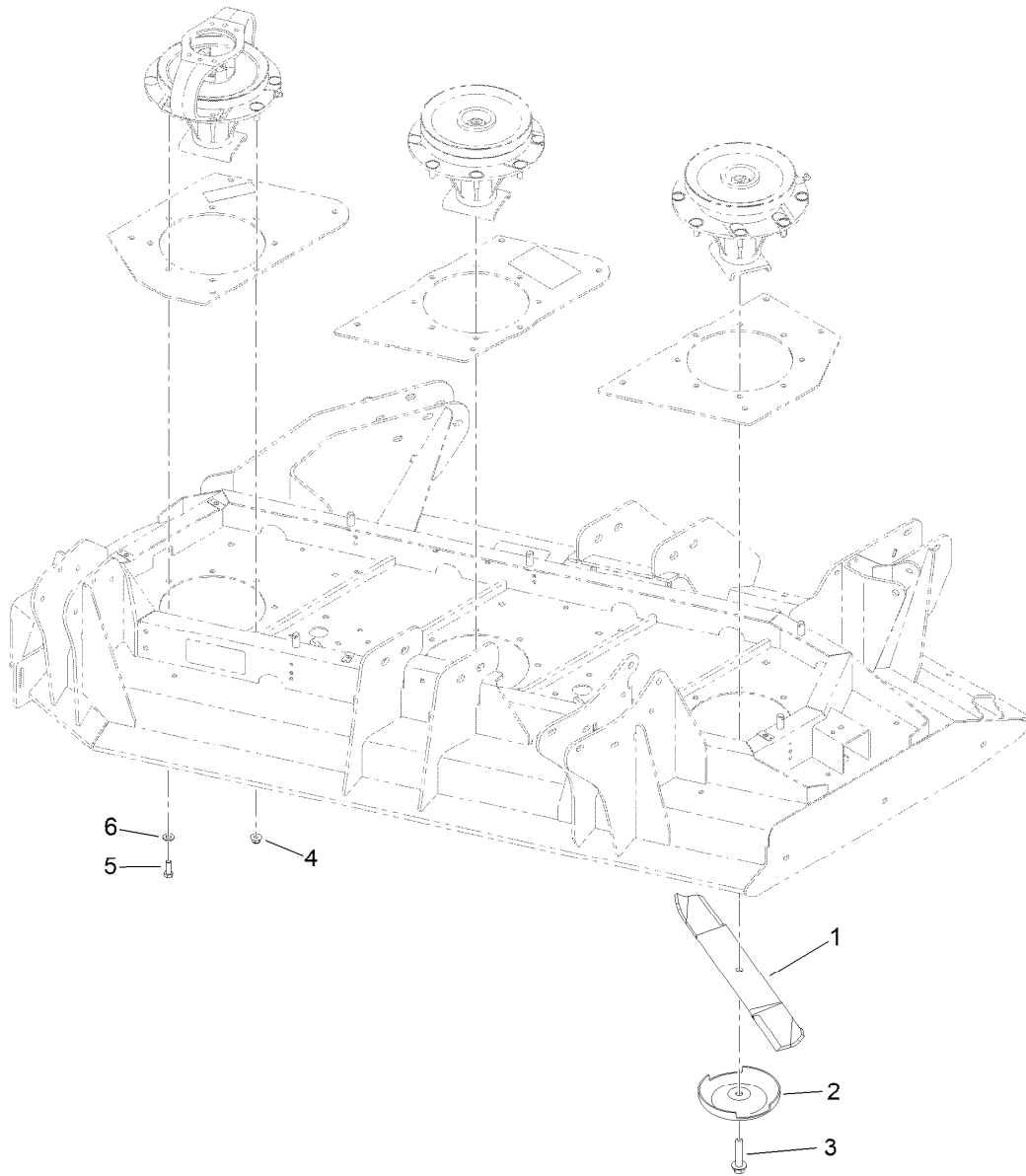
## Right Hand Deck Belt, Pulley and Spindle Assembly (continued)

| <i>Ref.</i> | <i>Part Number</i> | <i>Qty.</i> | <i>Description</i>         | <i>Ref.</i> | <i>Part Number</i> | <i>Qty.</i> | <i>Description</i>            |
|-------------|--------------------|-------------|----------------------------|-------------|--------------------|-------------|-------------------------------|
| 1           | 130-9241           | 1           | Right Deck ASM             | 16          | 140-7078           | 1           | Idler Arm ASM                 |
| 2           | 139-1034           | 1           | Single Driving Spindle ASM | 16:2        | 93-4510            | 2           | Bushing-Caster                |
| 3           | 139-1033           | 1           | Double Driven Spindle ASM  | 17          | 137-5640           | 2           | Idler Pivot ASM               |
| 4           | 139-1032           | 1           | High Driven Spindle ASM    | 17:2        | 302-5              | 1           | Fitting-Grease                |
| 5           | 112-7377           | 2           | Belt-V, B                  | 18          | 3231-2             | 6           | Bolt-CARR                     |
| 6           | 140-5847           | 2           | Pulley-Idler               | 20          | 3256-26            | 1           | Washer-Flat                   |
| 7           | 140-7079           | 1           | Idler Arm ASM              | 21          | 104-8301           | 18          | Nut-HF, NI                    |
| 7:2         | 93-4510            | 2           | Bushing-Caster             | 22          | 3231-27            | 12          | Screw-CARR                    |
| 8           | 108-1926           | 2           | Washer                     | 23          | 132-1617           | 1           | Outer Spindle Plate ASM       |
| 9           | 100-3102           | 1           | Washer-Flat                | 23:2        | 117-4979           | 1           | Decal-Warning                 |
| 10          | 108-1993           | 2           | Screw-HSBH                 | 24          | 132-1618           | 1           | Center Spindle Plate ASM      |
| 11          | 108-1924           | 2           | Spacer-Idler               | 24:2        | 114-0974           | 1           | Decal-Belt Routing, Deck (RH) |
| 12          | 3296-45            | 2           | Nut-Hex                    | 25          | 132-1615-01        | 1           | Plate-Spindle, Inner          |
| 13          | 108-1921           | 2           | Spring-Torsion             |             |                    |             |                               |
| 14          | 32120-84           | 2           | Ring-Snap, External        |             |                    |             |                               |



## Right Hand Deck Decal Assembly No. 130-9241

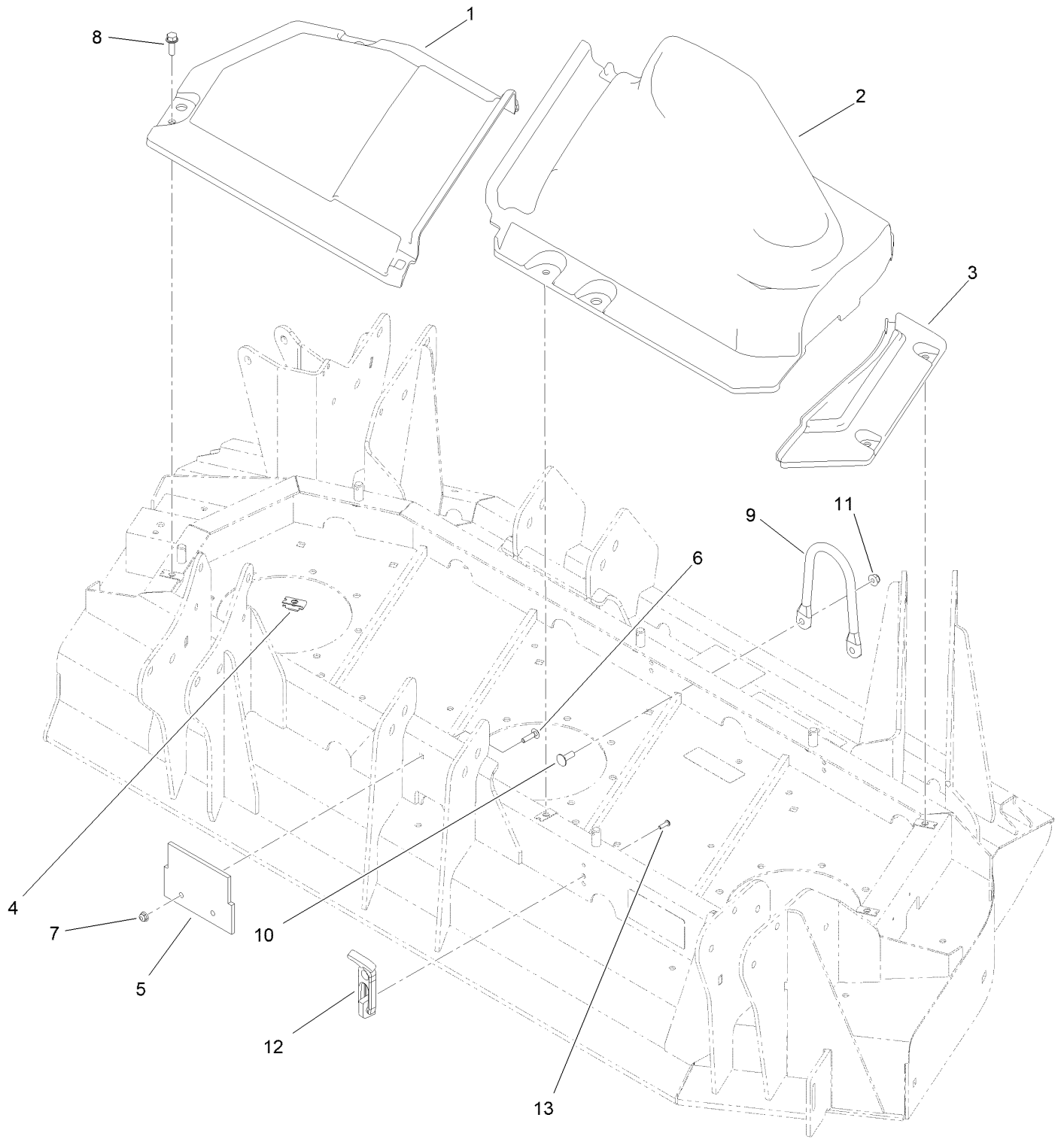
| <i>Ref.</i> | <i>Part Number</i> | <i>Qty.</i> | <i>Description</i>       |
|-------------|--------------------|-------------|--------------------------|
| 2           | 117-4979           | 2           | Decal-Warning            |
| 3           | 120-6604           | 1           | Decal-Danger             |
| 4           | 93-7818            | 1           | Decal-Torque, Blade Bolt |
| 5           | 110-3510           | 4           | Nut-Retainer             |
| 6           | 131-6027           | 1           | Decal-HOC                |



## Right Hand Deck Spindle and Blade Assembly

| <i>Ref.</i> | <i>Part Number</i> | <i>Qty.</i> | <i>Description</i> |
|-------------|--------------------|-------------|--------------------|
| 1           | 130-9151           | 3           | Blade-20 In        |
| 2           | 72-9361            | 3           | Cup-Scalp, Anti    |
| 3           | 92-5816            | 3           | Bolt-Blade         |
| 4           | 104-8301           | 20          | Nut-HF, NI         |
| 5           | 323-6              | 4           | Screw-HH           |
| 6           | 3256-24            | 4           | Washer-Plain       |

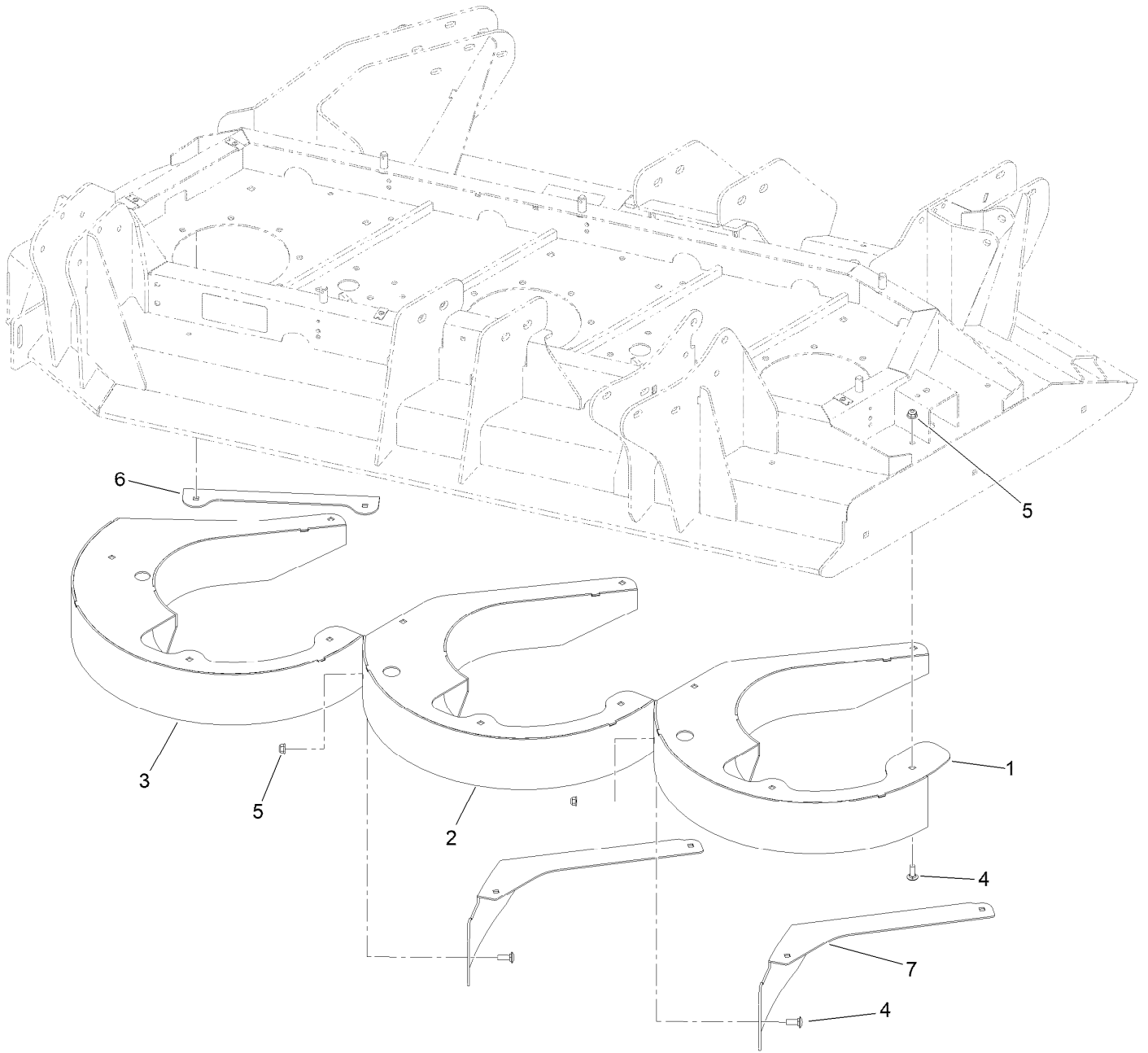
# Right Hand Deck Belt Cover Assembly



## Right Hand Deck Belt Cover Assembly (continued)

| <i>Ref.</i> | <i>Part Number</i> | <i>Qty.</i> | <i>Description</i>               | <i>Ref.</i> | <i>Part Number</i> | <i>Qty.</i> | <i>Description</i> |
|-------------|--------------------|-------------|----------------------------------|-------------|--------------------|-------------|--------------------|
| 1           | 114-5635           | 1           | Cover-Deck, RH Wing<br>(Inside)  | 6           | 3229-2             | 2           | Screw-CARR         |
| 2           | 114-5636           | 1           | Cover-Deck, RH Wing<br>(Outside) | 7           | 104-7201           | 2           | Nut-HF, NI         |
| 3           | 114-5638           | 1           | Cover-Deck, RH Wing<br>(Fixed)   | 8           | 3234-29            | 4           | Screw-HHF          |
| 4           | 110-3510           | 4           | Nut-Retainer                     | 9           | 115-3362           | 1           | Guide-Hose         |
| 5           | 136-0079           | 1           | Plug-Rubber                      | 10          | 3230-10            | 2           | Bolt-CARR          |
|             |                    |             |                                  | 11          | 104-8300           | 2           | Nut-HF, NI         |
|             |                    |             |                                  | 12          | 103-4080           | 4           | Latch-Rubber       |
|             |                    |             |                                  | 13          | 3274-39            | 8           | Screw-HSBH         |

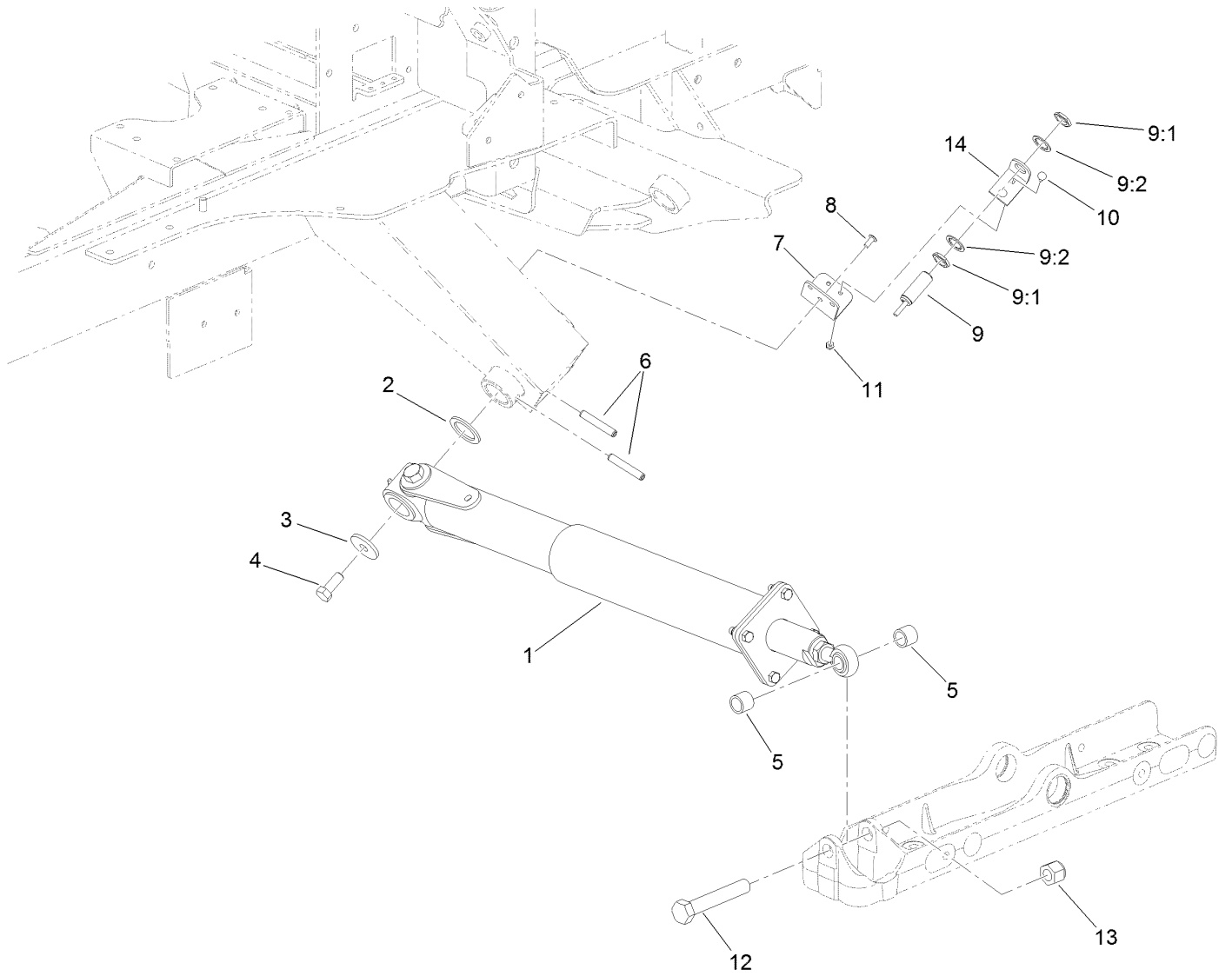
# Right Hand Deck Chamber Assembly



## Right Hand Deck Chamber Assembly (continued)

| <i>Ref.</i> | <i>Part Number</i> | <i>Qty.</i> | <i>Description</i>    | <i>Ref.</i> | <i>Part Number</i> | <i>Qty.</i> | <i>Description</i> |
|-------------|--------------------|-------------|-----------------------|-------------|--------------------|-------------|--------------------|
| 1           | 132-1637-0P        | 1           | Chamber-Right, Inner  | 5           | 104-8300           | 20          | Nut-HF, NI         |
| 2           | 132-1634-0P        | 1           | Chamber-Right, Center | 6           | 133-2249-0P        | 1           | Deflector-RH       |
| 3           | 132-1630-0P        | 1           | Chamber-Right, Outer  | 7           | 133-2205-0P        | 2           | Deflector          |
| 4           | 3230-10            | 20          | Bolt-CARR             |             |                    |             |                    |

# Right Hand Deck Impact Arm and Limit Switch Assembly

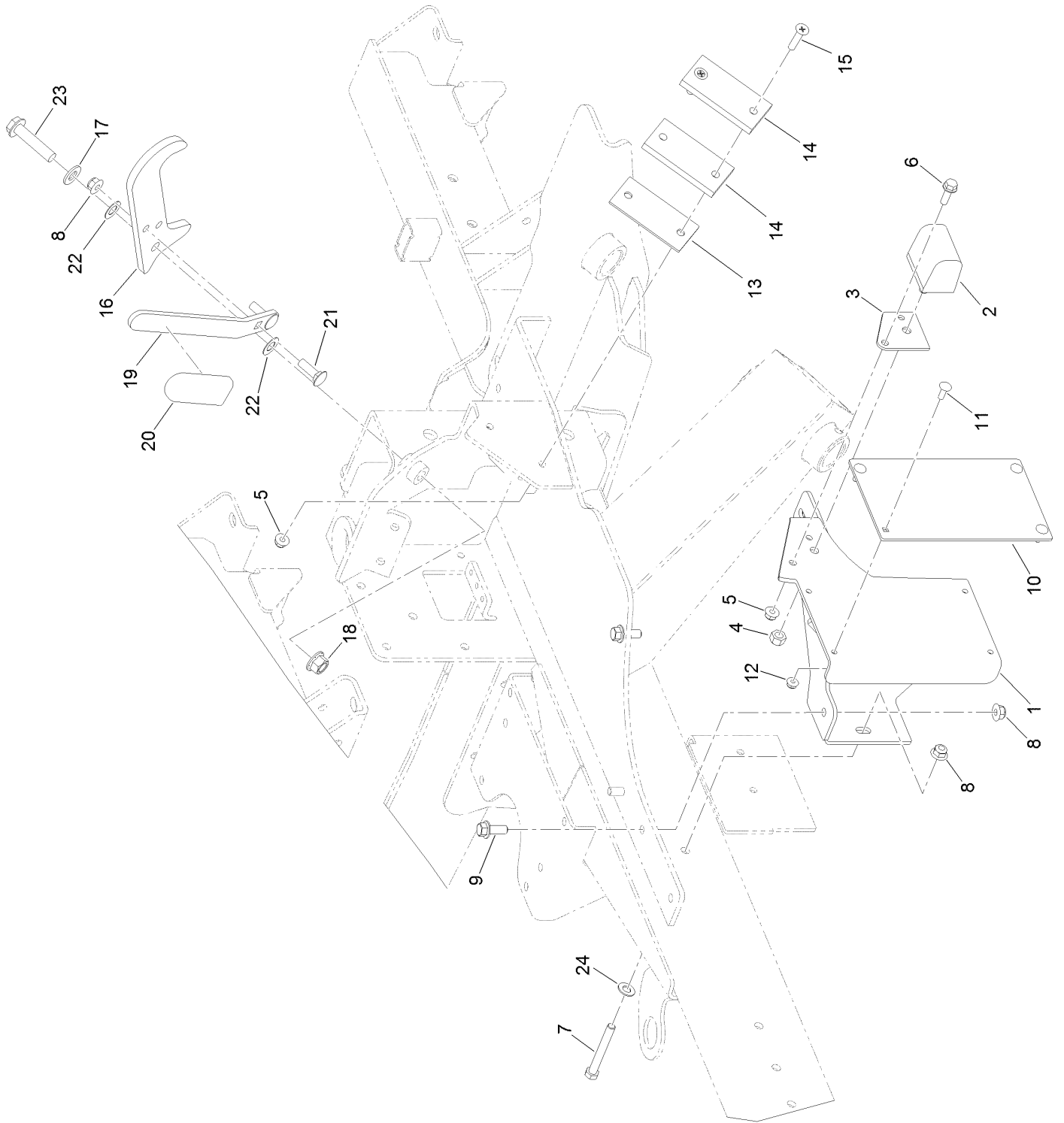




## Right Hand Deck Impact Arm and Limit Switch Assembly (continued)

| <i>Ref.</i> | <i>Part Number</i> | <i>Qty.</i> | <i>Description</i> | <i>Ref.</i> | <i>Part Number</i> | <i>Qty.</i> | <i>Description</i>          |
|-------------|--------------------|-------------|--------------------|-------------|--------------------|-------------|-----------------------------|
| 1           | 137-1648           | 1           | Impact Damper ASM  | 9           | 115-5300           | 1           | Proximity Switch ASM        |
| 2           | 98-1452            | 1           | Washer-Thrust      | 9:1         | 117-3207           | 2           | Nut-Hex                     |
| 3           | 106-2008           | 1           | Washer-Thrust      | 9:2         | 117-3208           | 2           | Washer-Lock, Internal Tooth |
| 4           | 325-5              | 1           | Screw-HH           | 10          | 3229-34            | 2           | Screw-CARR                  |
| 5           | 136-0077           | 2           | Spacer             | 11          | 3296-2             | 2           | Nut-Lock, NI                |
| 6           | 117-5479           | 2           | Pin-Spring         | 12          | 328-8              | 1           | Screw-HH                    |
| 7           | 133-2236           | 1           | Bracket-Support    | 13          | 3296-51            | 1           | Nut-Lock, NI                |
| 8           | 3290-412           | 3           | Rivet-Blind        | 14          | 133-2235           | 1           | Bracket-Sensor, Side        |

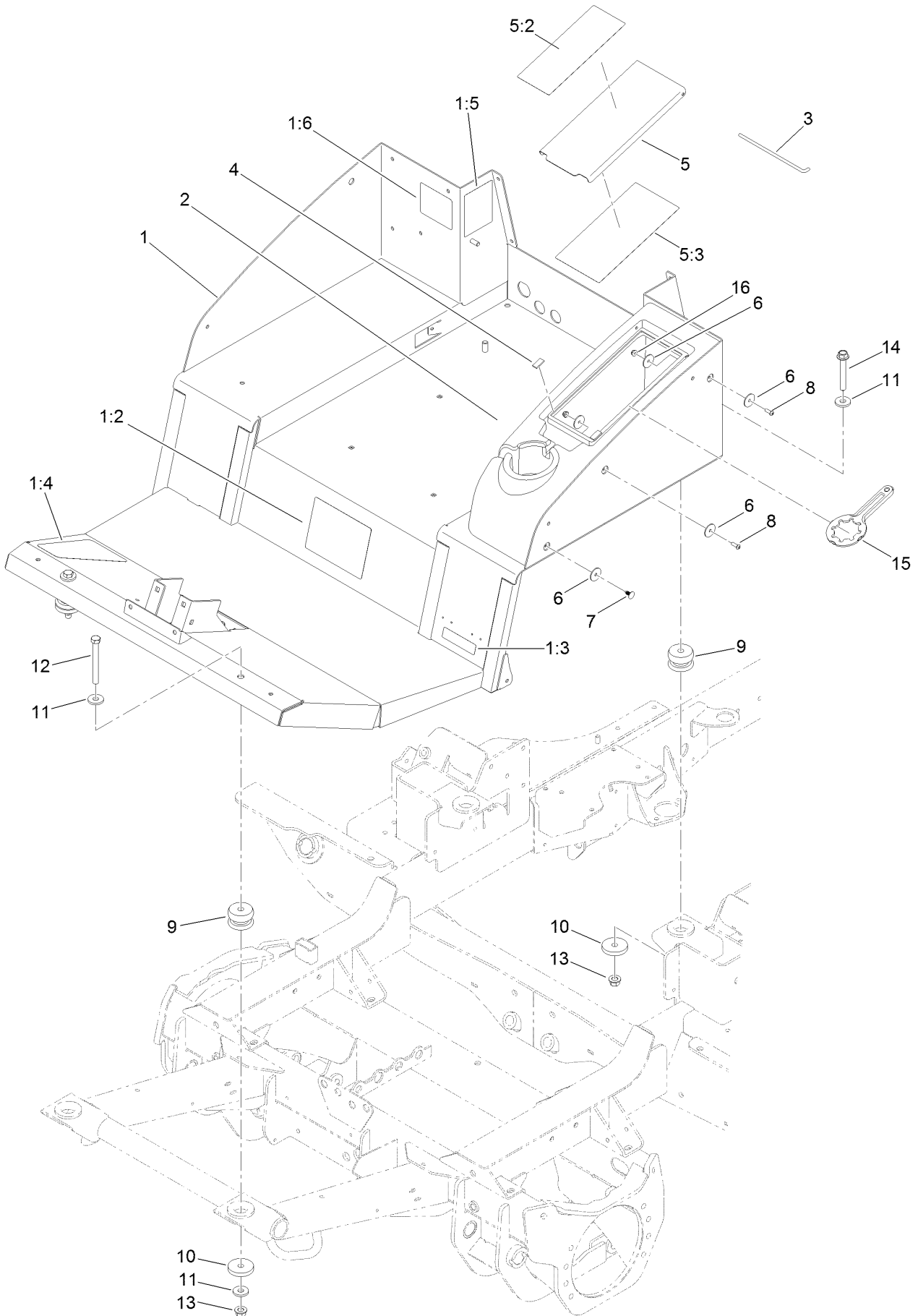
# Right Hand Deck Transport Lock Assembly



## Right Hand Deck Transport Lock Assembly (continued)

| <i>Ref.</i> | <i>Part Number</i> | <i>Qty.</i> | <i>Description</i> | <i>Ref.</i> | <i>Part Number</i> | <i>Qty.</i> | <i>Description</i> |
|-------------|--------------------|-------------|--------------------|-------------|--------------------|-------------|--------------------|
| 1           | 119-8270-01        | 1           | Pad-Transport, RH  | 13          | 114-5675           | 1           | Shim-Pad           |
| 2           | 87-3470            | 1           | Bumper             | 14          | 69-9300            | 2           | Pad-Bumper         |
| 3           | 115-8826           | 1           | Shim-Bumper        | 15          | 32108-107          | 2           | Screw-FH           |
| 4           | 33025-00           | 1           | Nut-Lock, NI       | 16          | 119-7723-03        | 1           | Latch-Wing         |
| 5           | 104-8300           | 3           | Nut-HF, NI         | 17          | 3256-26            | 1           | Washer-Flat        |
| 6           | 3234-17            | 1           | Screw-HHF          | 18          | 99-5107            | 1           | Nut-Lock           |
| 7           | 323-14             | 1           | Screw-HH           | 19          | 114-5659-03        | 1           | Handle-Latch       |
| 8           | 104-8301           | 5           | Nut-HF, NI         | 20          | 119-1846           | 1           | Grip               |
| 9           | 3234-42            | 2           | Screw-HHF          | 21          | 3231-25            | 2           | Bolt-CARR          |
| 10          | 117-5476           | 1           | Pad-Roller         | 22          | 104-3577           | 2           | Washer             |
| 11          | 1-807512           | 4           | Bolt-CARR          | 23          | 3234-46            | 1           | Screw-HHF          |
| 12          | 104-7201           | 4           | Nut-HF, NI         | 24          | 52-2861            | 1           | Washer             |

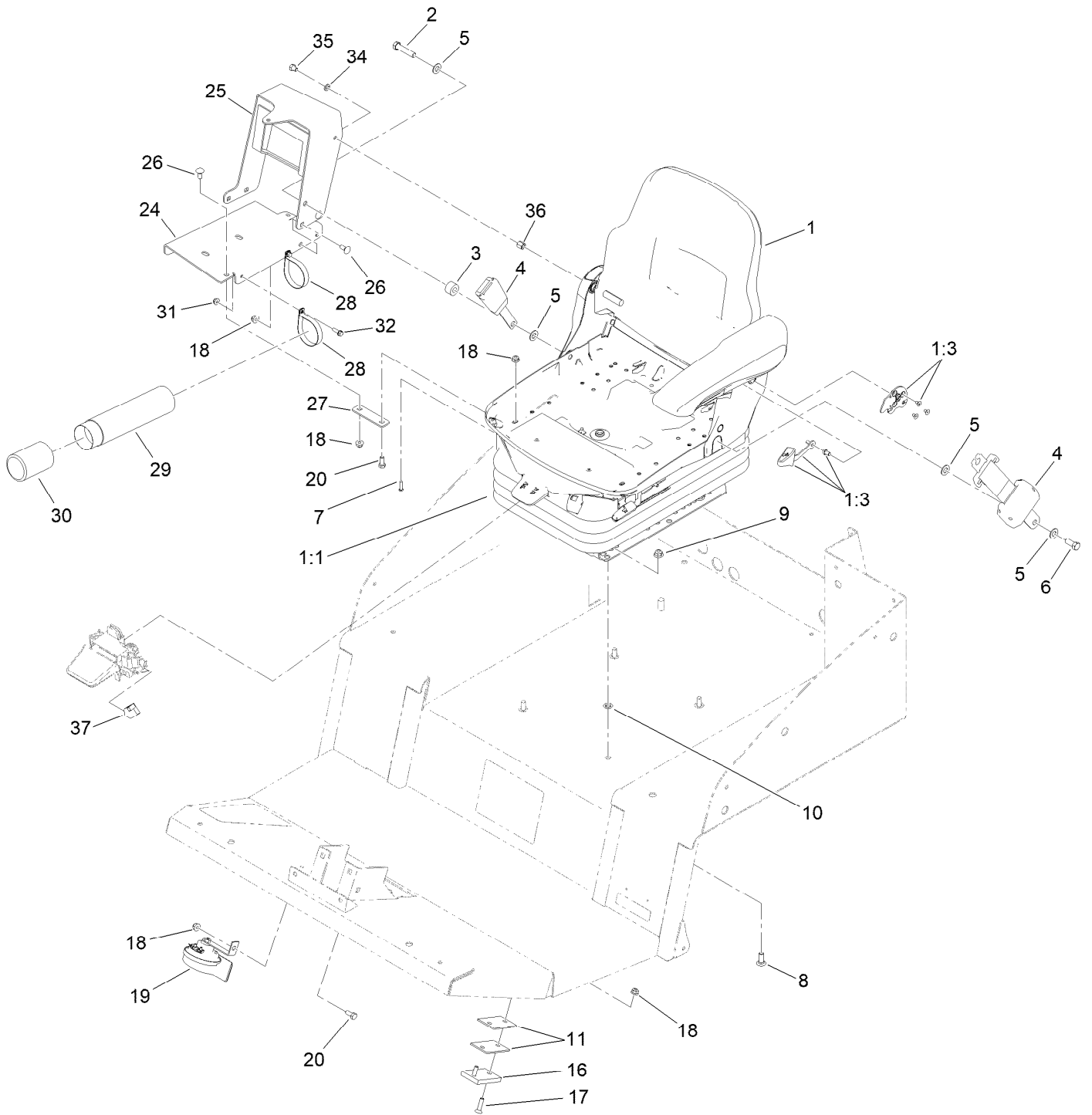
# Platform Assembly



## Platform Assembly (continued)

| <i>Ref.</i> | <i>Part Number</i> | <i>Qty.</i> | <i>Description</i>               | <i>Ref.</i> | <i>Part Number</i> | <i>Qty.</i> | <i>Description</i>      |
|-------------|--------------------|-------------|----------------------------------|-------------|--------------------|-------------|-------------------------|
| 1           | 137-5600           | 1           | Platform ASM                     | 5:3         | 139-0977           | 1           | Decal-Service           |
| 1:2         | 132-1321           | 1           | Decal-Instructions,<br>Operating | 6           | 3256-55            | 10          | Washer-Flat             |
| 1:3         | 133-8062           | 1           | Decal-Spark Arrestor             | 7           | 117-2382           | 6           | Plug-Plastic            |
| 1:4         | 114-0849           | 1           | Decal-Pedal, Traction            | 8           | 3274-69            | 2           | Screw-HSBH              |
| 1:5         | 145-8368           | 1           | Decal-Fuse                       | 9           | 110-5954           | 4           | Mount-Center, Bonded    |
| 1:6         | 132-1406           | 1           | Decal-Release, Parking<br>Brake  | 10          | 115-5519           | 4           | Washer-Plain            |
| 2           | 112-7316           | 1           | Cover-Storage, Center            | 11          | 92-2651            | 6           | Washer                  |
| 3           | 114-5508           | 1           | Rod-Hinge                        | 12          | 702093             | 2           | Screw-HH                |
| 4           | 115-5417           | 2           | Strip-Foam                       | 13          | 99-5107            | 4           | Nut-Lock                |
| 5           | 139-0996           | 1           | Lid-Center, Storage              | 14          | 126-3900           | 2           | Screw-HHF               |
| 5:2         | 117-2754           | 1           | Decal-Warning                    | 15          | 138-6367           | 1           | Wrench-Castor Cap/Latch |
|             |                    |             |                                  | 16          | 104-7201           | 2           | Nut-HF, NI              |

# Seat Mount Assembly

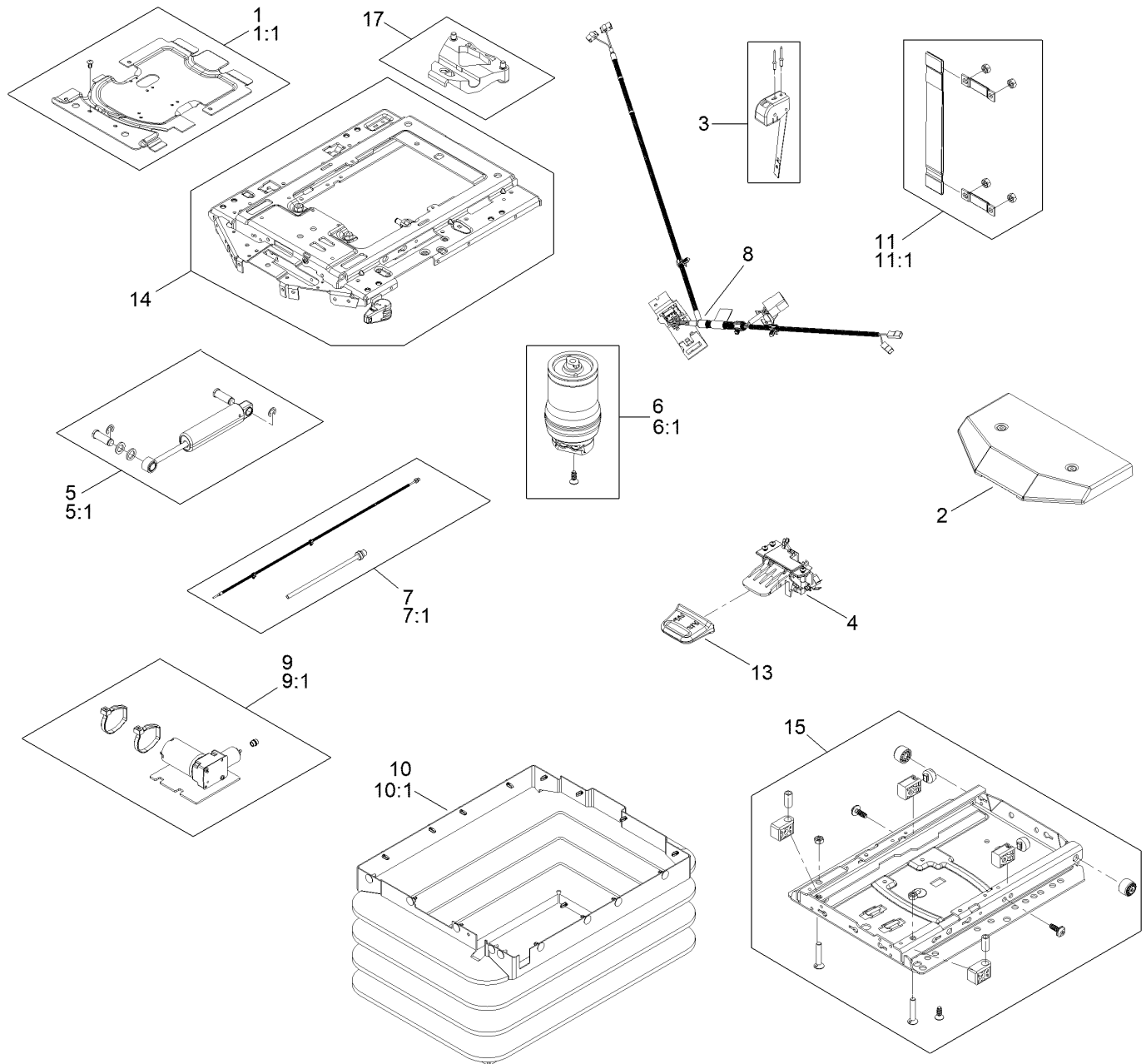


## Seat Mount Assembly (continued)

| <i>Ref.</i> | <i>Part Number</i> | <i>Qty.</i> | <i>Description</i>       | <i>Ref.</i> | <i>Part Number</i> | <i>Qty.</i> | <i>Description</i> |
|-------------|--------------------|-------------|--------------------------|-------------|--------------------|-------------|--------------------|
| 1           |                    | 1           | Seat And Suspension ASM  | 18          | 104-8300           | 11          | Nut-HF, NI         |
|             |                    |             | ●                        | 19          | 116749             | 1           | Horn               |
| 1:1         | 130-2702           | 1           | Air Ride Seat Suspension | 20          | 322-3              | 2           | Screw-HH           |
| 1:3         | 132-1304           | 1           | Backrest Adjustment Kit  | 24          | 131-2355-03        | 1           | Support-Arm        |
| 2           | 3212-8             | 1           | Screw-HH                 | 25          | 131-2352-03        | 1           | Channel-Support    |
| 3           | 17-7190            | 1           | Spacer-Finger            | 26          | 3230-1             | 5           | Bolt-CARR          |
| 4           | 110-0413           | 1           | Seatbelt-Retractable     | 27          | 131-2351           | 1           | Strap-Support      |
| 5           | 3256-25            | 4           | Washer-Flat              | 28          | 107-1865           | 2           | R-Clamp            |
| 6           | 3212-4             | 1           | Screw-HH                 | 29          | 104-7050           | 1           | Tube-Manual        |
| 7           | 119-7742           | 1           | Screw-Cushion            | 30          | 104-7048           | 1           | Cap-Housing        |
| 8           | 3231-22            | 4           | Screw-CARR               | 31          | 104-7201           | 2           | Nut-HF, NI         |
| 9           | 104-8301           | 6           | Nut-HF, NI               | 32          | 32105-15           | 2           | Screw-HWH          |
| 10          | 107-3154           | 4           | Nut-Push                 | 34          | 3253-4             | 1           | Washer-Lock        |
| 11          | 114-5553           | 4           | Shim-Pad                 | 35          | 33114-010          | 1           | Screw-HH           |
| 16          | 69-9290            | 2           | Pad-Bumper               | 36          | 112-7405           | 1           | Nut-Hex, Coupling  |
| 17          | 32108-103          | 4           | Screw-FH                 | 37          | 161-1739           | 1           | Foam-Switch        |

● Not serviced separately

# Air Ride Seat Suspension Assembly No. 130-2702



12  
WEAR PARTS KIT

16  
ADJUSTER MOUNTING KIT

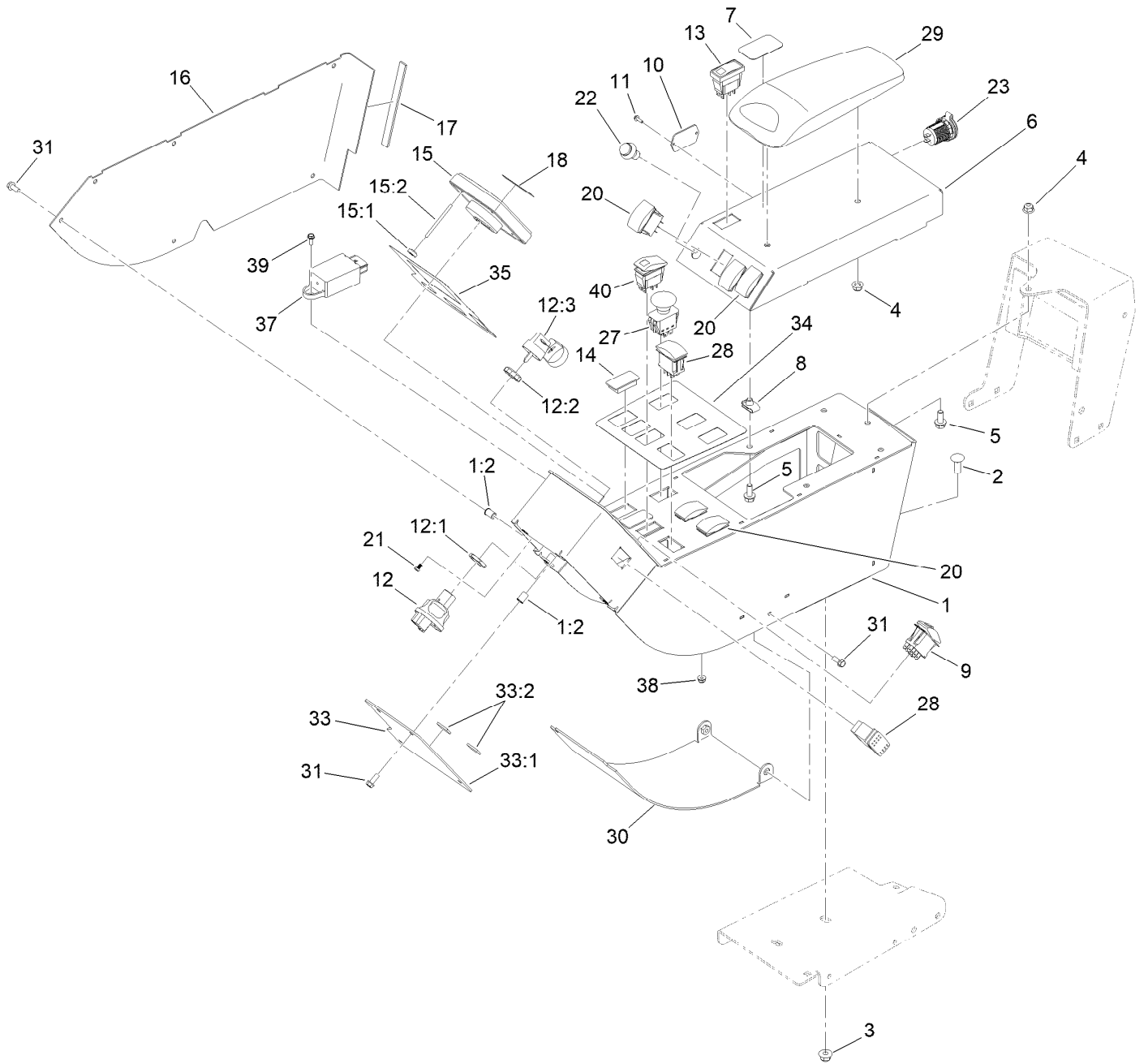


# Air Ride Seat Suspension Assembly No. 130-2702 (continued)

| <i>Ref.</i> | <i>Part Number</i> | <i>Qty.</i> | <i>Description</i> | <i>Ref.</i> | <i>Part Number</i> | <i>Qty.</i> | <i>Description</i>      |
|-------------|--------------------|-------------|--------------------|-------------|--------------------|-------------|-------------------------|
| 1           | 130-2709           | 1           | Cover ASM          | 9           | 130-2719           | 1           | Compressor              |
| 1:1         | 130-2710           | 1           | Cover Kit          | 9:1         | 130-2720           | 1           | Compressor Kit          |
| 2           | 108-8027           | 1           | Cover              | 10          | 130-2721           | 1           | Bellows ASM             |
| 3           | 130-2711           | 1           | Control-Level      | 10:1        | 130-2722           | 1           | Bellows Kit             |
| 4           | 108-8029           | 1           | Valve-Control, Air | 11          | 130-2723           | 1           | Tether                  |
| 5           | 130-2712           | 1           | Shock Absorber ASM | 11:1        | 130-2724           | 1           | Tether Kit              |
| 5:1         | 130-2713           | 1           | Shock Absorber Kit | 12          | 130-2725           | 1           | Wear Parts Kit ●        |
| 6           | 130-2714           | 1           | Air Spring ASM     | 13          | 130-2726           | 1           | Handle                  |
| 6:1         | 130-2715           | 1           | Air Spring Kit     | 14          | 130-2727           | 1           | Upper Suspension Kit    |
| 7           | 130-2716           | 1           | Air Tube ASM       | 15          | 130-2728           | 1           | Lower Suspension Kit    |
| 7:1         | 130-2717           | 1           | Air Tube Kit       | 16          | 130-2729           | 1           | Adjuster Mounting Kit ● |
| 8           | 130-2718           | 1           | Harness-Wire       | 17          | 130-2730           | 1           | Limiters-Thrust         |

● Not illustrated

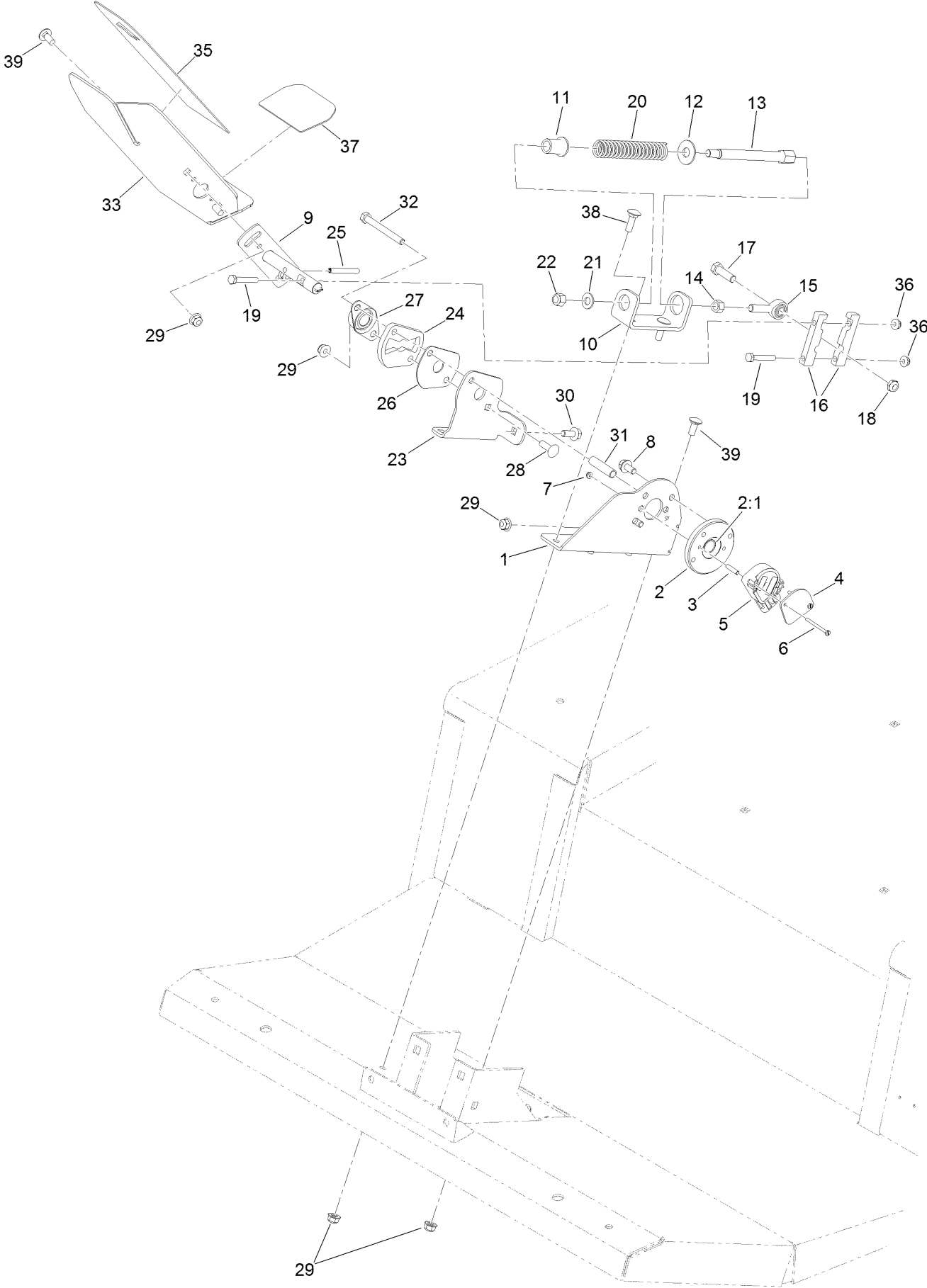
# Control Console Assembly



## Control Console Assembly (continued)

| <i>Ref.</i> | <i>Part Number</i> | <i>Qty.</i> | <i>Description</i>           | <i>Ref.</i> | <i>Part Number</i> | <i>Qty.</i> | <i>Description</i>              |
|-------------|--------------------|-------------|------------------------------|-------------|--------------------|-------------|---------------------------------|
| 1           | 136-0071           | 1           | Console Arm ASM              | 16          | 136-0069-03        | 1           | Cover-Right                     |
| 1:2         | 32148-6            | 10          | Nut-Clinch                   | 17          | 131-2222           | 1           | Strip-Foam                      |
| 2           | 3231-22            | 2           | Screw-CARR                   | 18          | 114-5554           | 1           | Decal-Center, Info              |
| 3           | 104-8301           | 2           | Nut-HF, NI                   | 20          | 100-1535           | 5           | Switch-Rocker,<br>(On)-Off-(On) |
| 4           | 104-8300           | 3           | Nut-HF, NI                   | 21          | 132-7668           | 4           | Screw-PPH                       |
| 5           | 3234-5             | 5           | Screw-HHF                    | 22          | 125-7996           | 1           | Switch-Pb, Momentary            |
| 6           | 136-1072-03        | 1           | Panel-Control Arm            | 23          | 131-8388           | 1           | Socket-USB                      |
| 7           | 136-1003           | 1           | Decal-Console, Cruise        | 27          | 93-9999            | 1           | Switch-PTO                      |
| 8           | 94-2413            | 4           | Nut-U                        | 28          | 107-8034           | 2           | Switch-Rocker, On-Off-On        |
| 9           | 111-2254           | 1           | Switch-Rocker,<br>On-None-On | 29          | 131-9637           | 1           | Armrest-Quick Find              |
| 10          | 121-1630           | 1           | Plate-Cover                  | 30          | 131-2340-03        | 1           | Cover-Gate                      |
| 11          | 32144-18           | 2           | Screw-HWH                    | 31          | 32144-85           | 12          | Screw-HWH Thd Form              |
| 12          | 121-5159           | 1           | Switch-Ignition              | 33          | 131-2338           | 1           | Top Front Cover ASM             |
| 12:1        | 121-5160           | 1           | Nut-Hex                      | 33:1        | 131-2339-03        | 1           | Cover-Front, Top                |
| 12:2        | 122-2704           | 1           | Nut-Face, M22 (Plastic)      | 33:2        | 115-5417           | 2           | Strip-Foam                      |
| 12:3        | 121-5162           | 1           | Set-Key, Ignition            | 34          | 136-1004           | 1           | Decal-Console, Main             |
| 13          | 104-9007           | 1           | Switch-Rocker                | 35          | 144-7166           | 1           | Decal-Console, Display          |
| 14          | 99-7420            | 3           | Plug-Hole                    | 37          | 139-2080           | 1           | Flasher-Dual Rate               |
| 15          | 125-5320           | 1           | Infocenter Kantrak 2700      | 38          | 120-4578           | 1           | Nut-HF                          |
| 15:1        | 115-8884           | 4           | Nut-Thumb                    | 39          | 32105-23           | 1           | Screw                           |
| 15:2        | 115-8885           | 4           | Stud                         | 40          | 119-7769           | 1           | Switch-Rocker, On/None/On       |

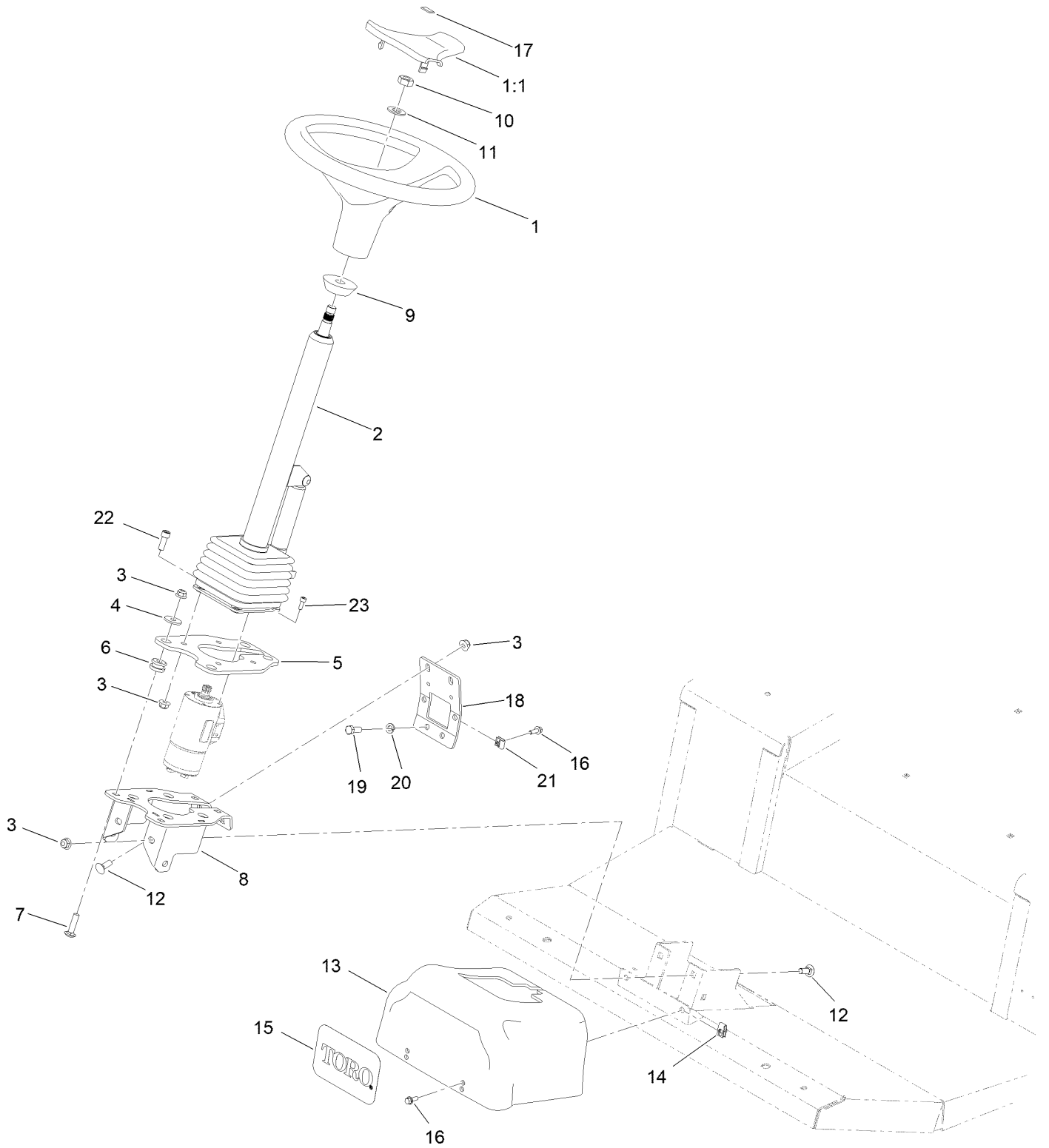
# Traction Pedal Assembly



## Traction Pedal Assembly (continued)

| <i>Ref.</i> | <i>Part Number</i> | <i>Qty.</i> | <i>Description</i>    | <i>Ref.</i> | <i>Part Number</i> | <i>Qty.</i> | <i>Description</i>    |
|-------------|--------------------|-------------|-----------------------|-------------|--------------------|-------------|-----------------------|
| 1           | 136-4384-0P        | 1           | Bracket-Sender        | 20          | 84-9100            | 1           | Spring                |
| 2           | 140-6215           | 1           | Bushing Hub ASM       | 21          | 3256-24            | 1           | Washer-Plain          |
| 2:1         | 95-7497            | 1           | Bushing-Wheel         | 22          | 3296-6             | 1           | Nut-Lock              |
| 3           | 114-5608           | 2           | Spacer-Standoff       | 23          | 131-2250-0P        | 1           | Bracket-Pedal, Outer  |
| 4           | 114-5595           | 1           | Plate-Capture         | 24          | 117-5454           | 1           | Plate-Butterfly       |
| 5           | 114-5609           | 1           | Sensor-Position       | 25          | 32121-78           | 1           | Pin-Roll              |
| 6           | 32105-25           | 2           | Screw-SHH             | 26          | 117-5455           | 1           | Plate-Cover           |
| 7           | 3296-9             | 2           | Nut-Hex               | 27          | 256-236            | 1           | Bearing-Mount, Flange |
| 8           | 114-7728           | 2           | Screw-HHF, Patch      | 28          | 3230-22            | 1           | Screw-CARR            |
| 9           | 131-2245           | 1           | Shaft-Pedal, Traction | 29          | 104-8300           | 7           | Nut-HF, NI            |
| 10          | 131-2252-0P        | 1           | Bracket-Spring        | 30          | 3234-47            | 1           | Screw-HHF             |
| 11          | 92-7610            | 1           | Retainer-Spring       | 31          | 93-7960            | 1           | Spacer                |
| 12          | 3256-5             | 1           | Washer-Flat           | 32          | 322-14             | 1           | Screw-HH              |
| 13          | 117-5446           | 1           | Shaft-Spring          | 33          | 136-4368-01        | 1           | Pedal-Traction        |
| 14          | 3219-3             | 1           | Nut-Hex               | 35          | 93-5347            | 1           | Abrasive-Pedal        |
| 15          | 2411-36            | 1           | Bearing-End, Rod      | 36          | 104-7201           | 2           | Nut-HF, NI            |
| 16          | 117-5459           | 2           | Block-Clamp           | 37          | 93-5368            | 1           | Abrasive-Pedal        |
| 17          | 323-7              | 1           | Screw-HH              | 38          | 3230-2             | 2           | Bolt-CARR             |
| 18          | 3296-59            | 1           | Nut-Lock, NI          | 39          | 3230-23            | 5           | Bolt-CARR             |
| 19          | 321-37             | 2           | Screw-HH              |             |                    |             |                       |

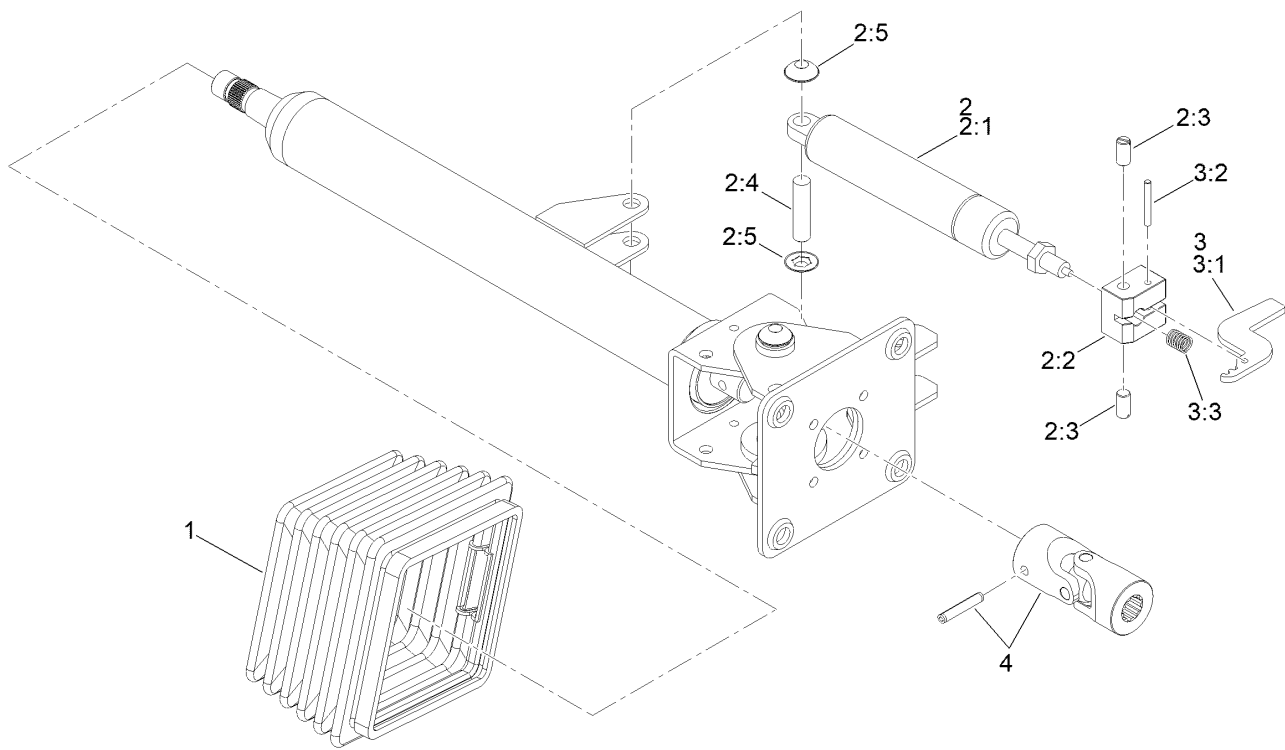
# Steering Column Assembly



## Steering Column Assembly (continued)

| <i>Ref.</i> | <i>Part Number</i> | <i>Qty.</i> | <i>Description</i>       | <i>Ref.</i> | <i>Part Number</i> | <i>Qty.</i> | <i>Description</i> |
|-------------|--------------------|-------------|--------------------------|-------------|--------------------|-------------|--------------------|
| 1           | 98-1471            | 1           | Wheel-Steering           | 12          | 3231-2             | 6           | Bolt-CARR          |
| 1:1         | 98-1468            | 1           | Cover-Wheel, Steering    | 13          | 137-5607           | 1           | Cover-Steering     |
| 2           | 132-6230           | 1           | Steering Tilt Column ASM | 14          | 107069             | 2           | Clip               |
| 3           | 104-8301           | 14          | Nut-HF, NI               | 15          | 105-1217           | 1           | Decal              |
| 4           | 63-8410            | 4           | Washer                   | 16          | 3234-4             | 4           | Screw-HHF          |
| 5           | 137-5588-0P        | 1           | Plate-Mount, Column      | 17          | 98-1459            | 1           | Decal              |
| 6           | 63-9750            | 4           | Mount                    | 18          | 137-5606-0P        | 1           | Support-Column     |
| 7           | 3231-26            | 4           | Screw-CARR               | 19          | 323-6              | 2           | Screw-HH           |
| 8           | 137-5590-0P        | 1           | Mount                    | 20          | 3253-21            | 2           | Washer-Lock        |
| 9           | 93-5429            | 1           | Collar-Foam              | 21          | 609900             | 2           | Nut-Speed          |
| 10          | 3296-33            | 1           | Nut-Lock, NI             | 22          | 3274-7             | 4           | Screw-HSH          |
| 11          | 3256-27            | 1           | Washer-Flat              | 23          | 105-2409           | 4           | Screw-HSH          |

# Steering Column Assembly No. 132-6230

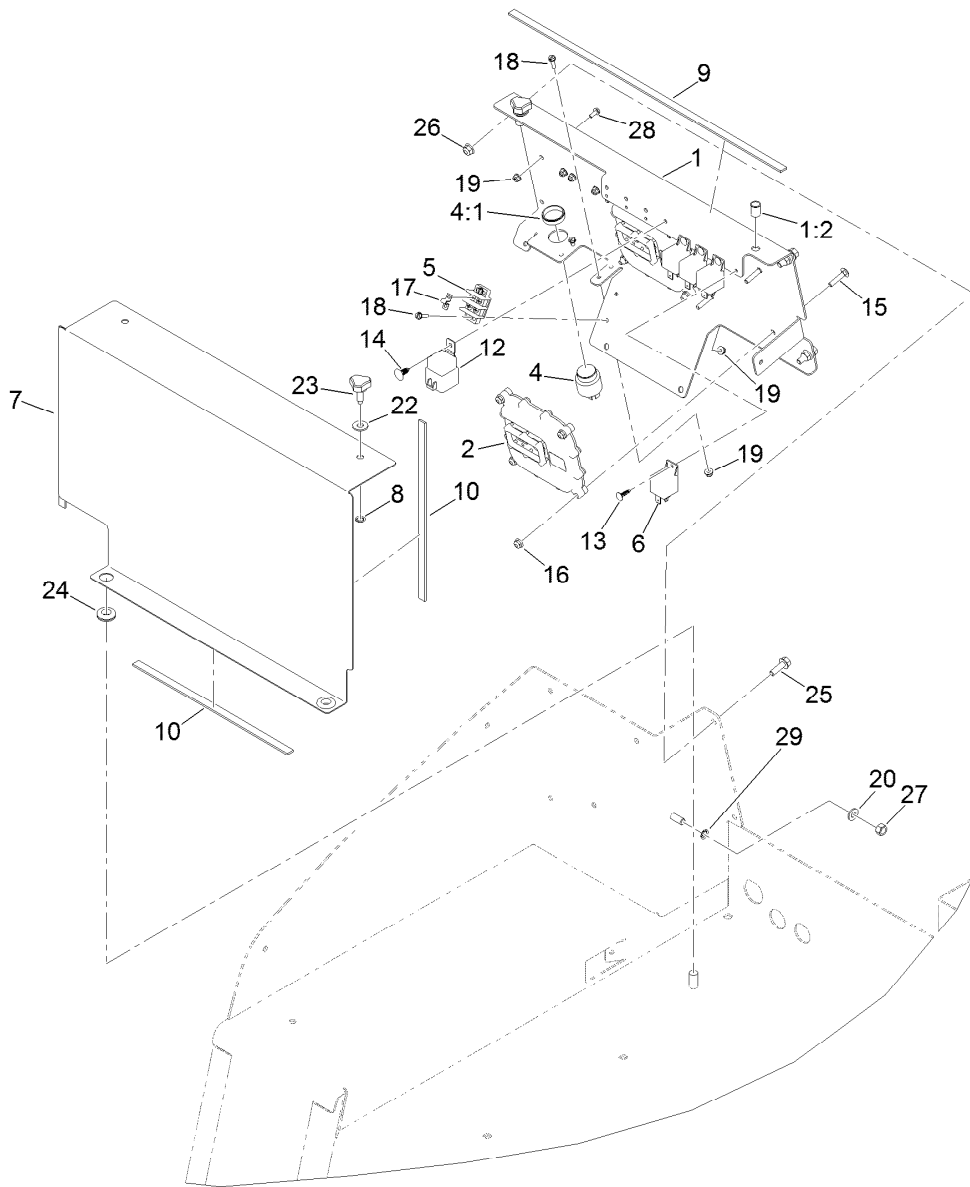




# Steering Column Assembly No. 132-6230 (continued)

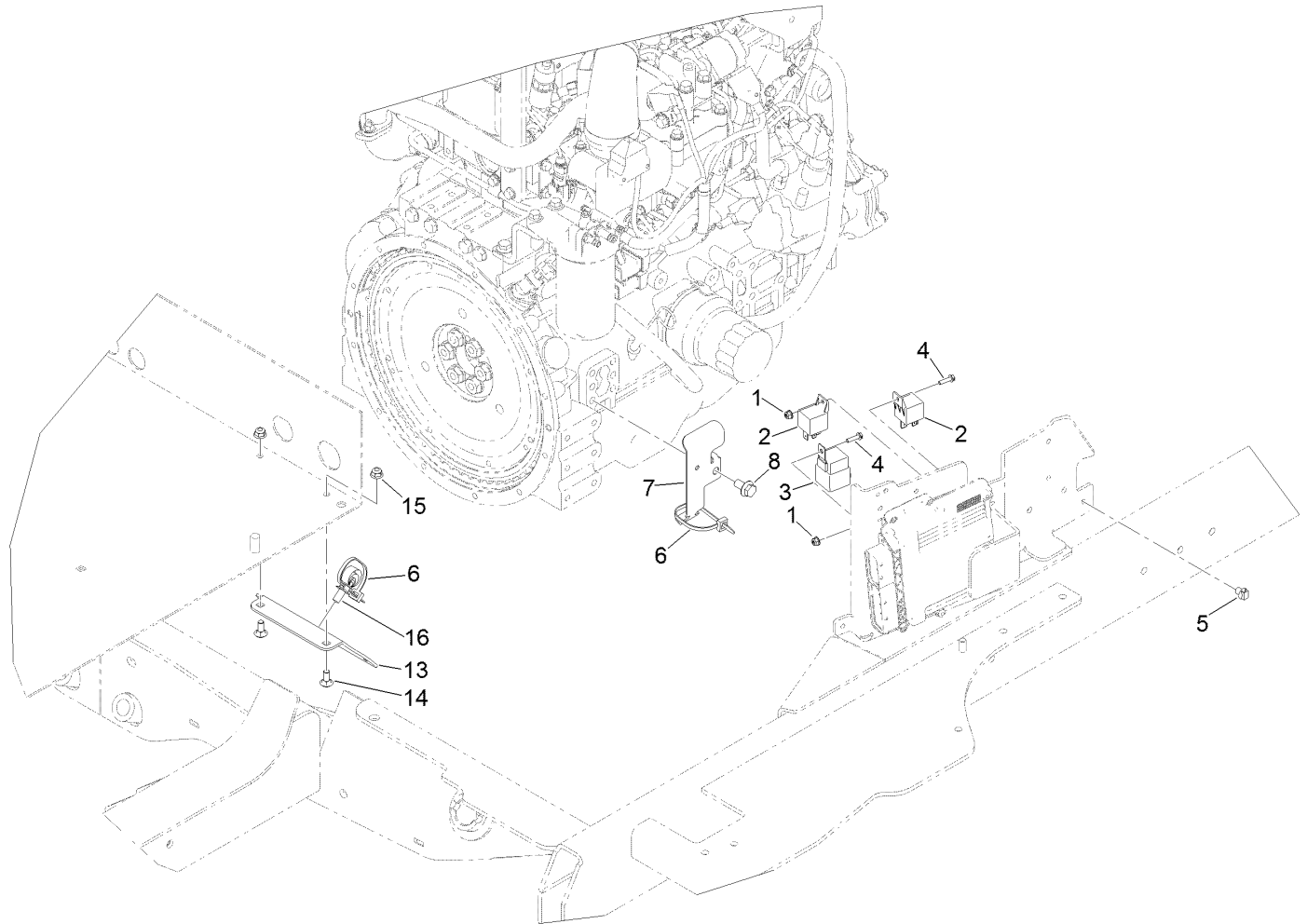
| <i>Ref.</i> | <i>Part Number</i> | <i>Qty.</i> | <i>Description</i>   | <i>Ref.</i> | <i>Part Number</i> | <i>Qty.</i> | <i>Description</i>  |
|-------------|--------------------|-------------|----------------------|-------------|--------------------|-------------|---------------------|
| 1           | 110-6462           | 1           | Bellows-Rubber       | 2:5         |                    | 2           | Washer-Lock ●       |
| 2           | 110-6463           | 1           | Cylinder Service Kit | 3           | 136-4385           | 1           | Pedal Service Kit   |
| 2:1         |                    | 1           | Cylinder-Gas ●       | 3:1         |                    | 1           | Pedal ●             |
| 2:2         |                    | 1           | Block-Pedal ●        | 3:2         |                    | 1           | Pin ●               |
| 2:3         |                    | 2           | Bolt ●               | 3:3         |                    | 1           | Spring ●            |
| 2:4         |                    | 1           | Pin ●                | 4           | 120-6256           | 1           | Universal Joint Kit |

● Not serviced separately



## Front Electrical Component Assembly

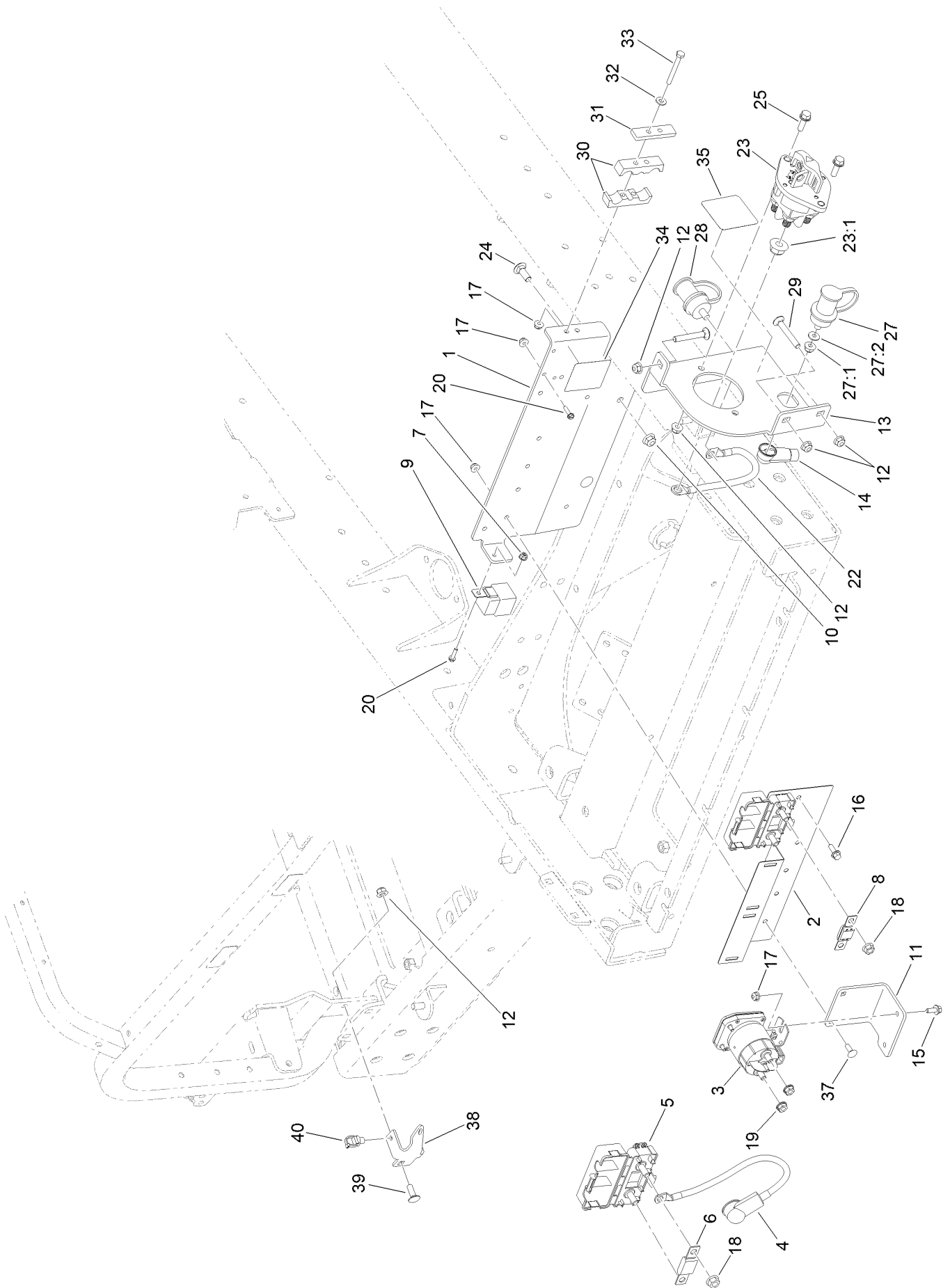
| <i>Ref.</i> | <i>Part Number</i> | <i>Qty.</i> | <i>Description</i>      | <i>Ref.</i> | <i>Part Number</i> | <i>Qty.</i> | <i>Description</i>    |
|-------------|--------------------|-------------|-------------------------|-------------|--------------------|-------------|-----------------------|
| 1           | 132-1332           | 1           | Electrical Plate ASM    | 15          | 3229-3             | 8           | Screw-CARR            |
| 1:2         | 32148-9            | 2           | Nut-Clinch              | 16          | 104-7201           | 8           | Nut-HF, NI            |
| 2           | 122-3375           | 2           | Controller-Tec          | 17          | 42863              | 1           | Strip-Jumper          |
| 4           | 80-9330            | 1           | Audio Alarm ASM         | 18          | 32105-13           | 6           | Screw-HWH             |
| 4:1         | 104-5107           | 1           | Nut-Plastic, Knurled    | 19          | 120-4578           | 10          | Nut-HF                |
| 5           | 42862              | 1           | Block-Terminal, Ground  | 20          | 3256-38            | 1           | Washer-Flat           |
| 6           | 99-7435            | 4           | Relay                   | 22          | 3256-3             | 2           | Washer-Flat           |
| 7           | 130-9034-01        | 1           | Plate-Cover, Electrical | 23          | 95-9648            | 2           | Knob                  |
| 8           | 32151-72           | 2           | Ring-Retaining          | 24          | 99-3481            | 2           | Grommet               |
| 9           | 131-2221           | 1           | Strip-Foam              | 25          | 3234-29            | 4           | Screw-HHF             |
| 10          | 130-9174           | 3           | Foam-Cooler, Short      | 26          | 104-8300           | 4           | Nut-HF, NI            |
| 12          | 99-7430            | 1           | Relay-Mini              | 27          | 32146-2            | 1           | Nut-Hex               |
| 13          | 125-8067           | 4           | Plug-Plastic            | 28          | 3290-321           | 4           | Screw-HWH             |
| 14          | 104-0395           | 1           | Plug-Plastic            | 29          | 3254-6             | 1           | Washer-Lock, Internal |



## Mid Electrical Component Assembly

| <i>Ref.</i> | <i>Part Number</i> | <i>Qty.</i> | <i>Description</i>           |
|-------------|--------------------|-------------|------------------------------|
| 1           | 120-4578           | 2           | Nut-HF                       |
| 2           | 99-7435            | 2           | Relay                        |
| 3           | 99-7430            | 1           | Relay-Mini                   |
| 4           | 32105-13           | 2           | Screw-HWH                    |
| 5           | 32180-030          | 1           | Clip-Tie                     |
| 6           | 3290-378           | 2           | Tie-Cable                    |
| 7           | 132-9627           | 1           | Bracket-Harness              |
| 8           | 33105-020          | 1           | Screw-HHF                    |
| 13          | 136-0074-01        | 1           | Bracket-Bulkhead, Electrical |
| 14          | 3230-1             | 2           | Bolt-CARR                    |
| 15          | 104-8300           | 2           | Nut-HF, NI                   |
| 16          | 32180-031          | 1           | Clip-Tree (W/Tie)            |

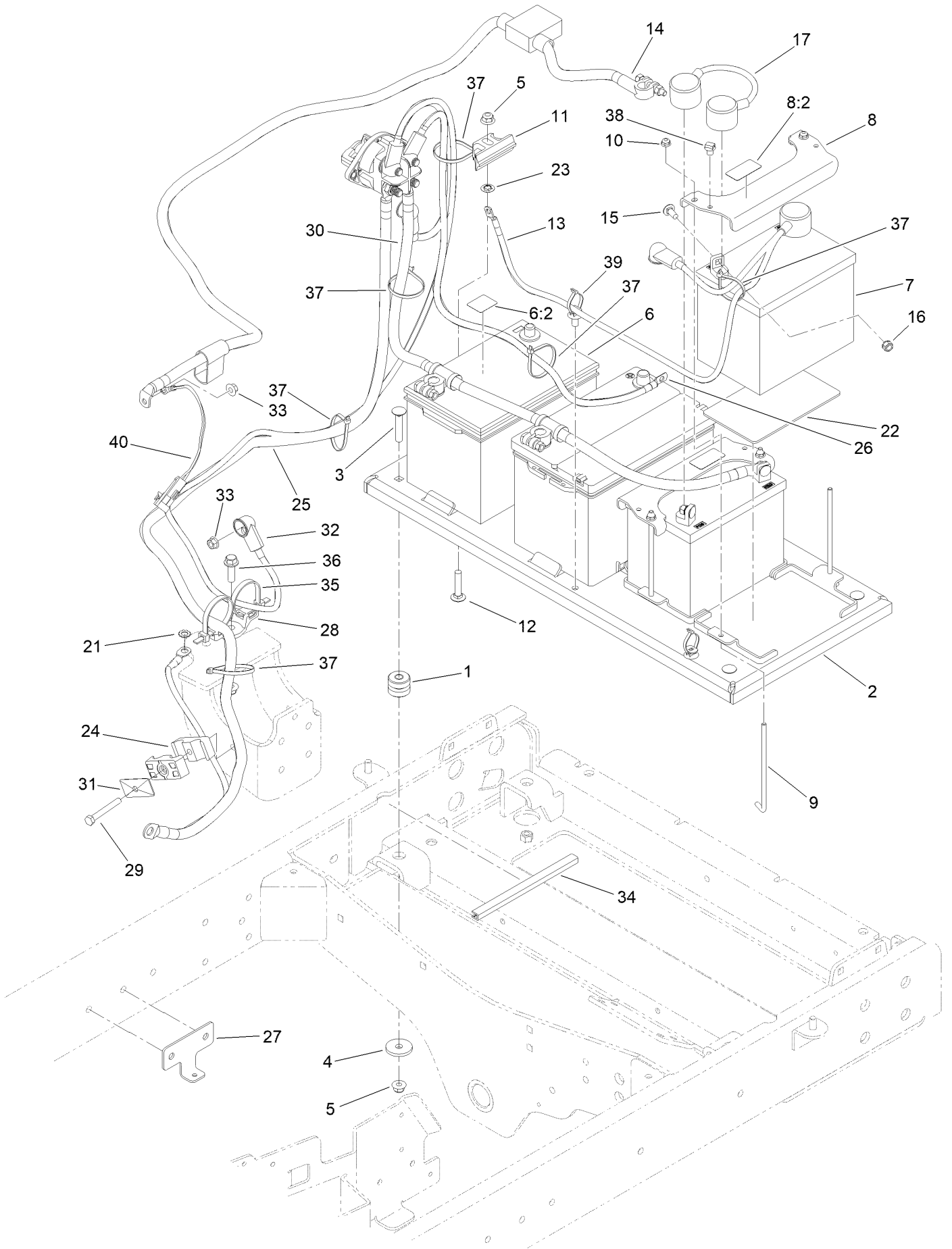
# Rear Electrical Component Assembly



## Rear Electrical Component Assembly (continued)

| <i>Ref.</i> | <i>Part Number</i> | <i>Qty.</i> | <i>Description</i>      | <i>Ref.</i> | <i>Part Number</i> | <i>Qty.</i> | <i>Description</i>    |
|-------------|--------------------|-------------|-------------------------|-------------|--------------------|-------------|-----------------------|
| 1           | 122-0518-0P        | 1           | Bracket-Electrical      | 22          | 122-0701           | 1           | Ground Jumper         |
| 2           | 122-0624-0P        | 1           | Bracket-Fuse            | 23          | 122-0603           | 1           | Switch-Disconnect     |
| 3           | 139-0997           | 1           | Contactora-12V          | 23:1        | 33006-00           | 1           | Nut-HF                |
| 4           | 122-1546           | 1           | Cable-Battery, Positive | 24          | 3231-2             | 2           | Bolt-CARR             |
| 5           | 114-3318           | 2           | Holder-Fuse, Mega       | 25          | 3234-29            | 2           | Screw-HHF             |
| 6           | AU126232           | 1           | Fuse-100A               | 27          | 132-1364           | 1           | Stud-Jumper, Positive |
| 7           | 120-4578           | 1           | Nut-HF                  | 27:1        | 3217-7             | 1           | Nut-Hex               |
| 8           | 122-0628           | 1           | Fuse-Mega               | 27:2        | 3253-21            | 1           | Washer-Lock           |
| 9           | 99-7430            | 1           | Relay-Mini              | 28          | 132-1365           | 1           | Stud-Jumper, Negative |
| 10          | 104-8301           | 2           | Nut-HF, NI              | 29          | 3230-7             | 3           | Bolt-CARR             |
| 11          | 139-0995-0P        | 1           | Mount-Contactor         | 30          | 99-3641            | 2           | Clamp-Tube            |
| 12          | 104-8300           | 7           | Nut-HF, NI              | 31          | 114-0989           | 1           | Plate-Cover           |
| 13          | 139-1016-0P        | 1           | Mount-Disconnect        | 32          | 3256-22            | 2           | Washer-Flat           |
| 14          | 32180-009          | 1           | Insulator-Lug, Red      | 33          | 321-18             | 2           | Screw-HH              |
| 15          | 99-6810            | 2           | Screw-HHF               | 34          | 139-1031           | 1           | Decal-Fuse            |
| 16          | 3234-4             | 2           | Screw-HHF               | 35          | 132-1313           | 1           | Decal-Disconnect      |
| 17          | 104-7201           | 8           | Nut-HF, NI              | 37          | 3229-1             | 2           | Screw-CARR            |
| 18          | 127-2371           | 4           | Nut-HF                  | 38          | 139-1025           | 1           | Retainer-Harness      |
| 19          | 107-0380           | 2           | Nut-HF                  | 39          | 3230-10            | 1           | Bolt-CARR             |
| 20          | 32105-13           | 1           | Screw-HWH               | 40          | 32180-030          | 1           | Clip-Tie              |

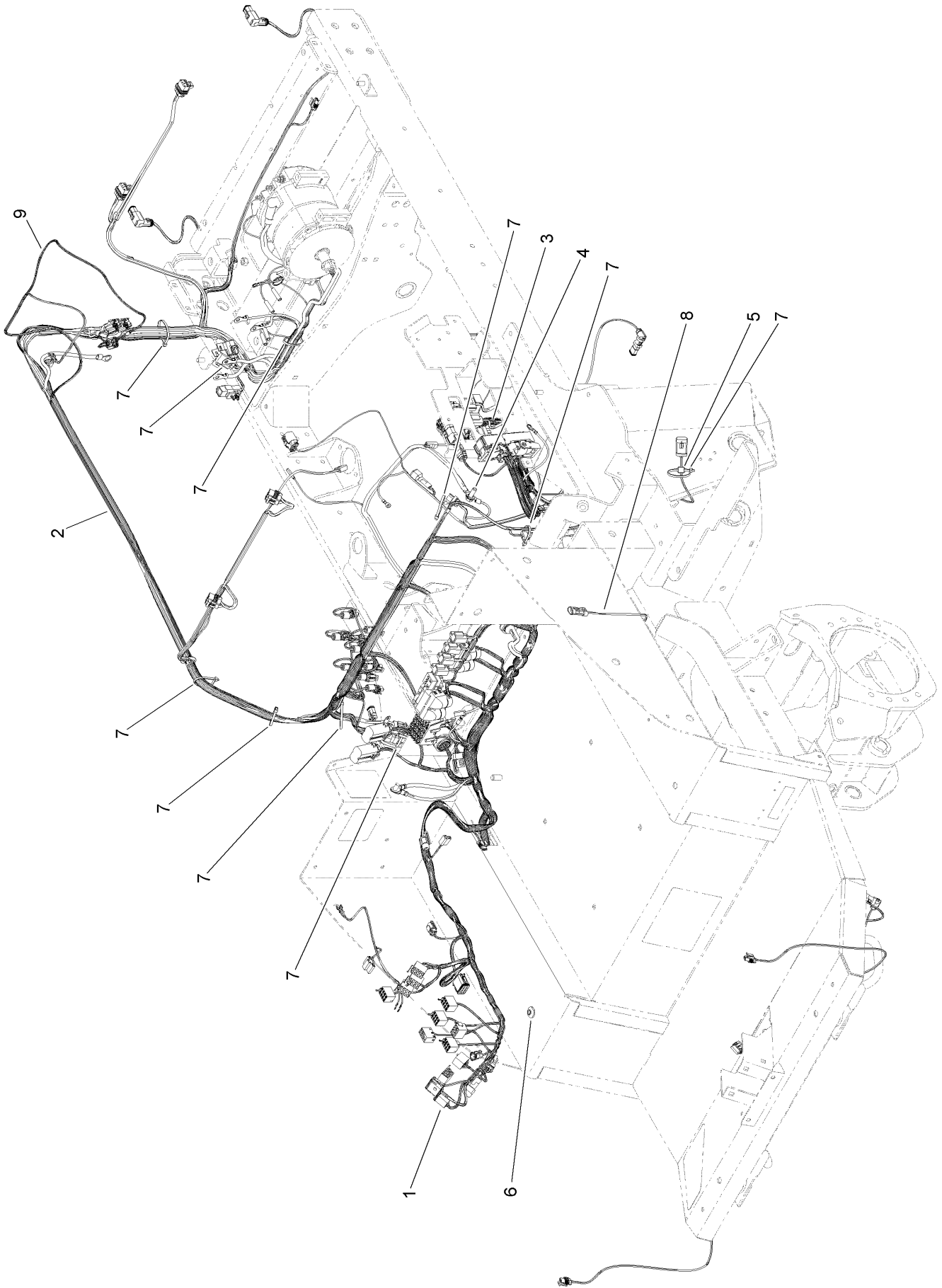
# Battery Cable Routing Assembly



## Battery Cable Routing Assembly (continued)

| <i>Ref.</i> | <i>Part Number</i> | <i>Qty.</i> | <i>Description</i>          | <i>Ref.</i> | <i>Part Number</i> | <i>Qty.</i> | <i>Description</i>         |
|-------------|--------------------|-------------|-----------------------------|-------------|--------------------|-------------|----------------------------|
| 1           | 130-9077           | 4           | Mount-ISO                   | 22          | 62-4300            | 2           | Pad-Skid, Anti             |
| 2           | 130-9084-0P        | 1           | Tray-Battery                | 23          | 107-3154           | 2           | Nut-Push                   |
| 3           | 3231-6             | 4           | Screw-CARR                  | 24          | 94-8105            | 2           | Clamp-Tube                 |
| 4           | 114-2120           | 4           | Washer                      | 25          | 122-0404           | 1           | Cable-Battery, Negative    |
| 5           | 104-8301           | 7           | Nut-HF, NI                  | 26          | 122-0329           | 1           | Cable-Battery              |
| 6           | 139-1005           | 1           | Battery Kit                 | 27          | 122-0604           | 1           | Bracket-Battery Cable      |
| 6:2         | 139-1006           | 1           | Decal                       | 28          | 32180-187          | 1           | Clip-Double Tie Mount      |
| 7           | 104-8162           | 1           | Battery                     | 29          | 322-12             | 1           | Screw-HH                   |
| 8           | 132-1388           | 2           | Bracket-Battery             | 30          | 122-0617           | 1           | Cable-Battery, Negative    |
| 8:2         | 132-1318           | 1           | Decal-24 Volt               | 31          | 69-9761            | 1           | Plate-Cover                |
| 9           | 104-8567           | 4           | Holdown-Battery             | 32          | 122-0331           | 1           | Cable-Battery              |
| 10          | 104-7201           | 4           | Nut-HF, NI                  | 33          | 33004-00           | 2           | Nut-HF                     |
| 11          | 138-6335           | 2           | Retainer-Battery            | 34          | 133-8571           | 1           | Trim-Seal                  |
| 12          | 3231-5             | 2           | Screw-CARR                  | 35          | 3334-945           | 2           | Tie-Cable                  |
| 13          | 122-0401           | 1           | Cable-Battery, Positive     | 36          | 119-4061           | 1           | Screw-HHF                  |
| 14          | 122-1146           | 1           | Cable-Battery, Positive ASM | 37          | 3290-378           | 6           | Tie-Cable                  |
| 15          | 3230-23            | 4           | Bolt-CARR                   | 38          | 32180-030          | 1           | Clip-Tie                   |
| 16          | 32149-1            | 4           | Nut-Keps                    | 39          | 32180-031          | 2           | Clip-Tree (W/Tie)          |
| 17          | 122-0402           | 1           | Cable-Battery, Jumper (24V) | 40          | 108-9470           | 1           | Harness-Wire, Fusible Link |
| 21          | 3255-9             | 1           | Washer-Lock                 |             |                    |             |                            |

# Wire Harness Assembly





## Wire Harness Assembly (continued)

| <i>Ref.</i> | <i>Part Number</i> | <i>Qty.</i> | <i>Description</i>     | <i>Ref.</i> | <i>Part Number</i> | <i>Qty.</i> | <i>Description</i>                 |
|-------------|--------------------|-------------|------------------------|-------------|--------------------|-------------|------------------------------------|
| 1           | 122-1964           | 1           | Harness-Wire, Platform | 6           | 32180-149          | 1           | Tie-Button Head                    |
| 2           | 122-1963           | 1           | Harness-Wire, Rear     | 7           | 3290-378           | 12          | Tie-Cable                          |
| 3           | 122-1556           | 1           | Harness-Wire, Engine   | 8           | 122-1561           | 1           | Harness-Wire, Fuel Level<br>Jumper |
| 4           | 33105-025          | 1           | Screw-HHF              | 9           | 122-1961           | 1           | Harness-Wire, Dpf                  |
| 5           | 32180-030          | 2           | Clip-Tie               |             |                    |             |                                    |

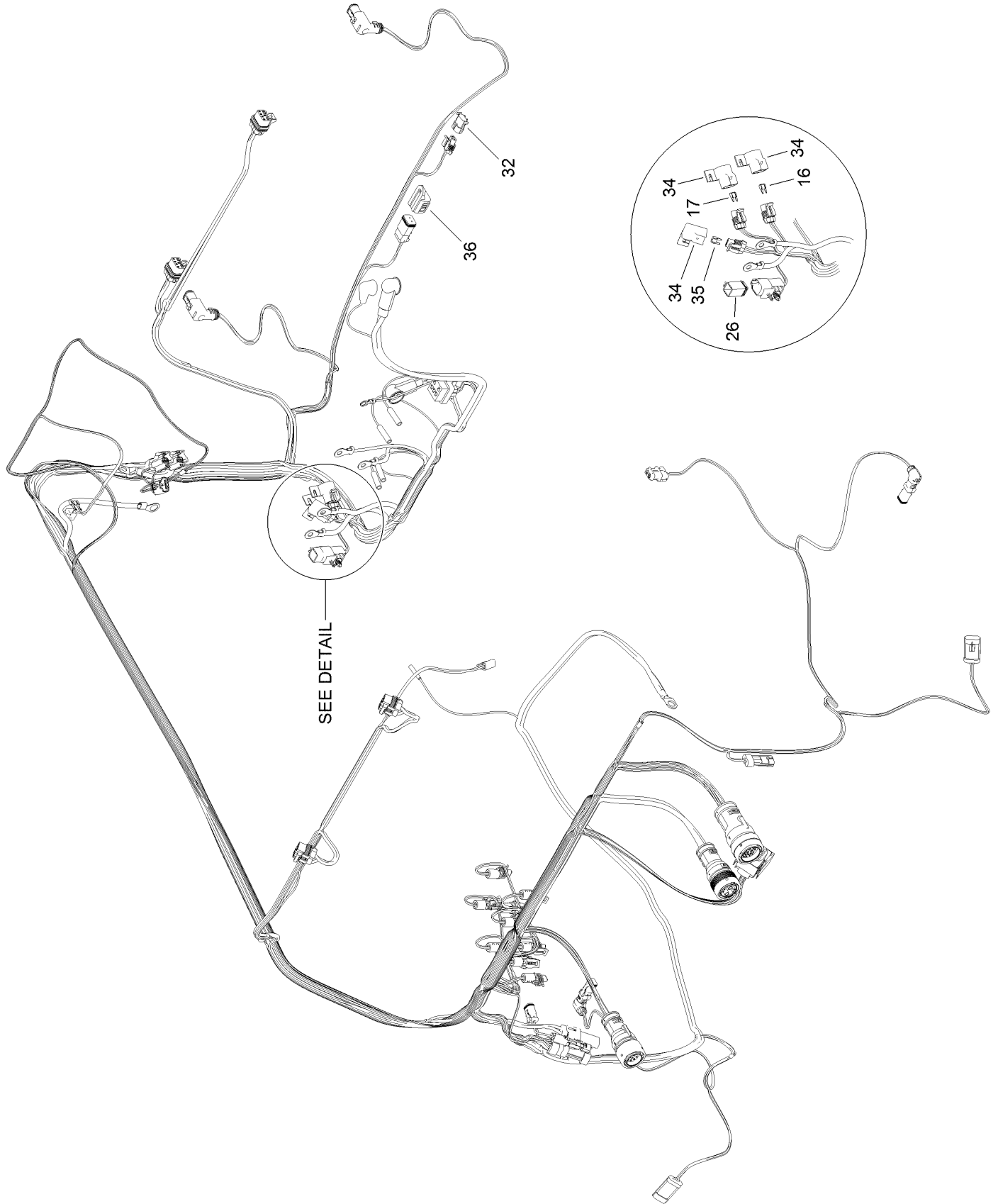
# Platform Wire Harness Assembly No. 122-1964



## Platform Wire Harness Assembly No. 122-1964 (continued)

| <i>Ref.</i> | <i>Part Number</i> | <i>Qty.</i> | <i>Description</i>       | <i>Ref.</i> | <i>Part Number</i> | <i>Qty.</i> | <i>Description</i>      |
|-------------|--------------------|-------------|--------------------------|-------------|--------------------|-------------|-------------------------|
| 14          | 32180-167          | 5           | Diode-Mini Fuse, 6A      | 27          | 121-8866           | 6           | Fuse-Mini Blade, 10 Amp |
| 17          | 32180-043          | 1           | Resistor-120 Ohm         | 28          | 121-8867           | 1           | Fuse-Mini Blade, 15 Amp |
| 18          | 32180-089          | 1           | Cap-Plug, 3 Way          | 29          | 121-8870           | 1           | Fuse-Mini Blade, 30 Amp |
| 19          | 32180-156          | 1           | Cap-Plug, 6 Way          | 30          | 104-4022           | 1           | Resistor-75 Ohm         |
| 20          | 32180-091          | 1           | Cap-Dust, 2 Way          | 32          | 32180-174          | 2           | Washer-Lock             |
| 21          | 32180-135          | 1           | Nut-Connector            | 33          | 32180-175          | 2           | Nut-Connector           |
| 22          | 32180-143          | 1           | Washer-Lock              | 35          | 32180-190          | 1           | Resistor-2K Ohm         |
| 25          | 121-8861           | 4           | Fuse-Mini Blade, 2 Amp   | 36          | 32180-191          | 2           | Cover                   |
| 26          | 121-8865           | 6           | Fuse-Mini Blade, 7.5 Amp |             |                    |             |                         |

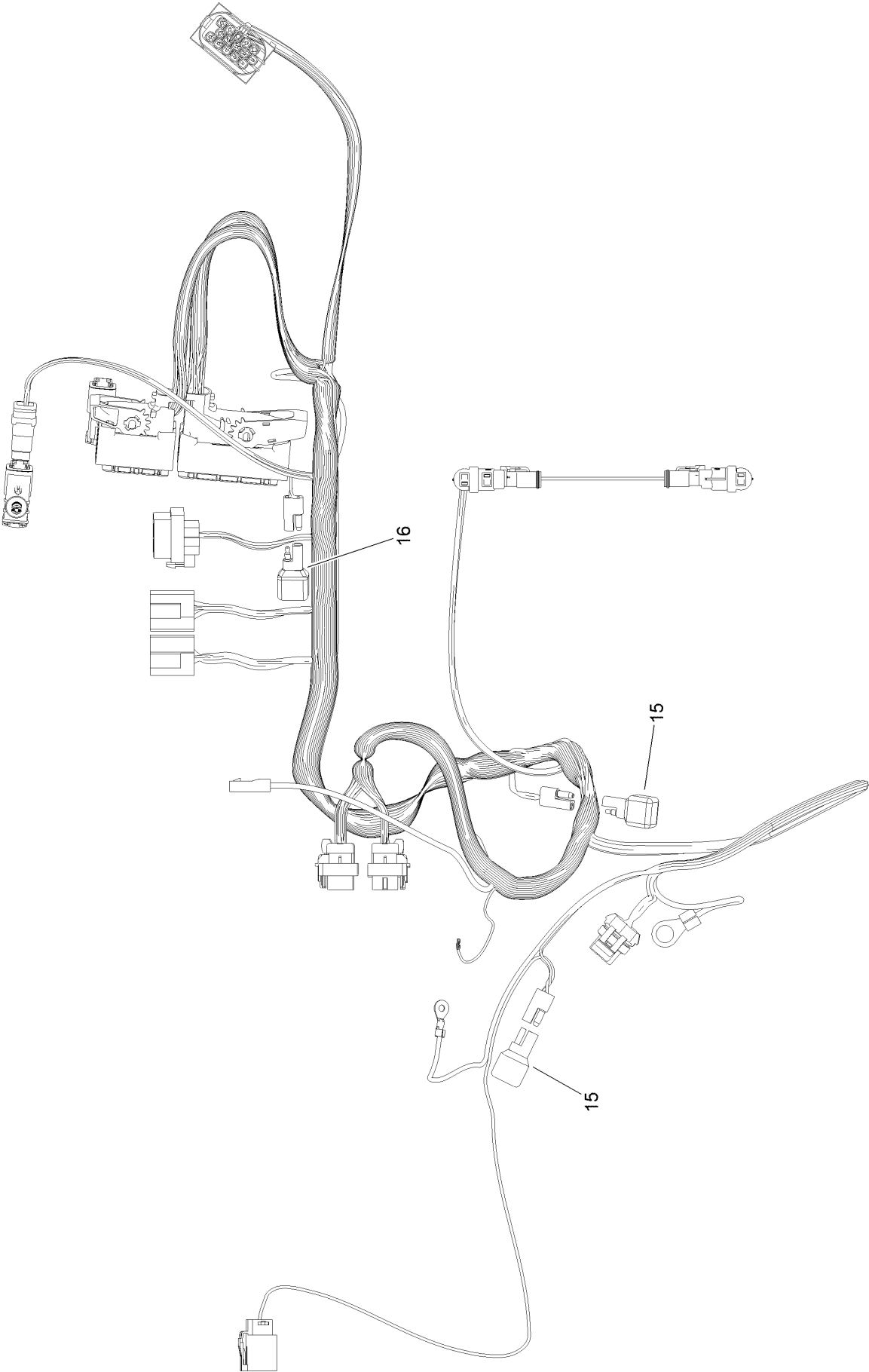
# Rear Wire Harness Assembly No. 122-1963



## Rear Wire Harness Assembly No. 122-1963 (continued)

| <i>Ref.</i> | <i>Part Number</i> | <i>Qty.</i> | <i>Description</i>      | <i>Ref.</i> | <i>Part Number</i> | <i>Qty.</i> | <i>Description</i>      |
|-------------|--------------------|-------------|-------------------------|-------------|--------------------|-------------|-------------------------|
| 16          | 121-8864           | 1           | Fuse-Mini Blade, 5 Amp  | 34          | 32180-101          | 3           | Cover-Fuse, Single      |
| 17          | 121-8869           | 1           | Fuse-Mini Blade, 25 Amp | 35          | 121-8866           | 1           | Fuse-Mini Blade, 10 Amp |
| 26          | 122-0392           | 1           | Voltage Divider-Sealed  | 36          | 32180-091          | 1           | Cap-Dust, 2 Way         |
| 32          | 32180-056          | 1           | Cap                     |             |                    |             |                         |

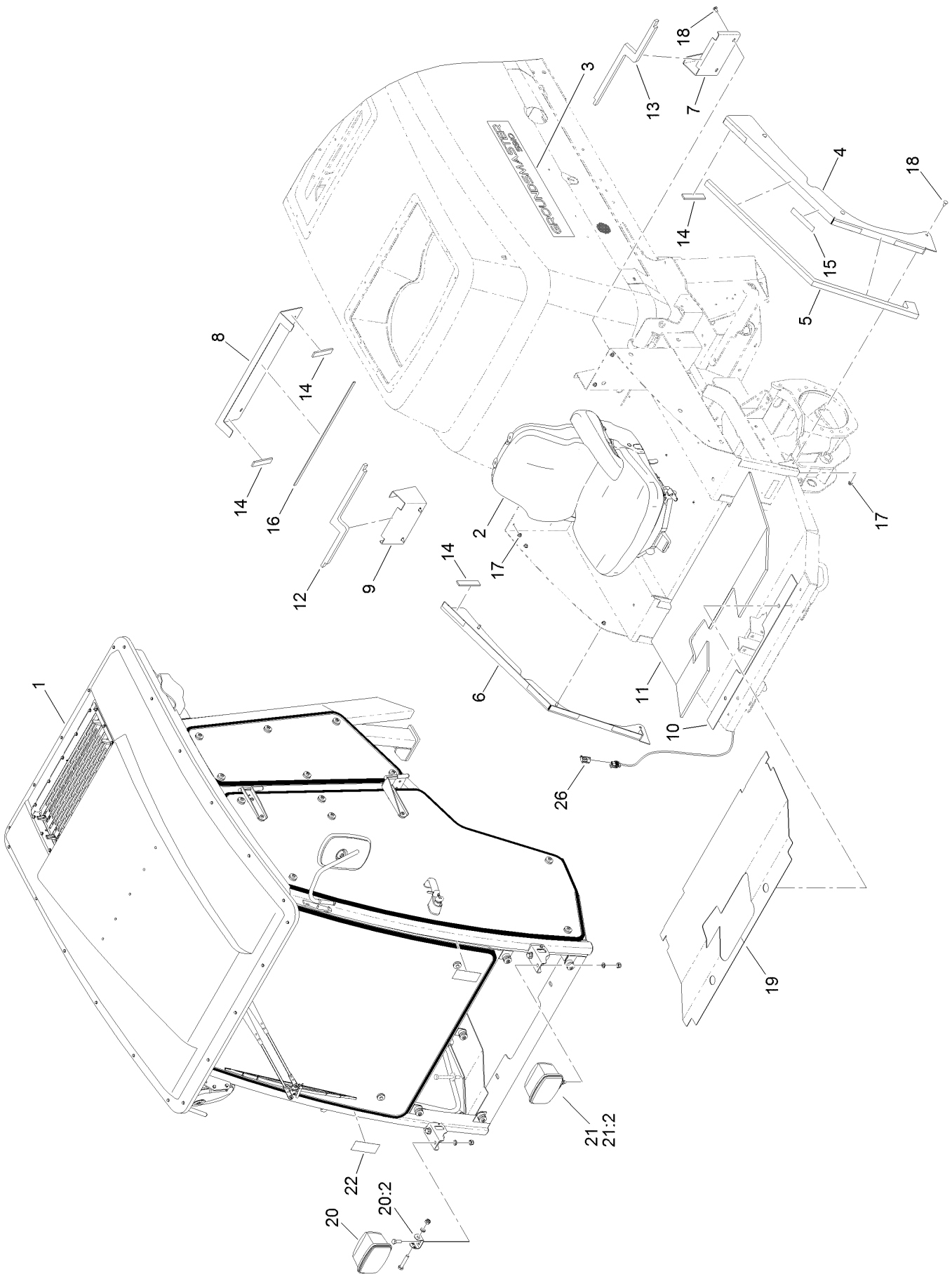
# Engine Wire Harness Assembly No. 122-1556



# Engine Wire Harness Assembly No. 122-1556 (continued)

| <i>Ref.</i> | <i>Part Number</i> | <i>Qty.</i> | <i>Description</i>  |
|-------------|--------------------|-------------|---------------------|
| 15          | 100-4918           | 2           | Diode               |
| 16          | 121-8891           | 1           | Resistor (1.6K Ohm) |

# Cab Mounting Assembly

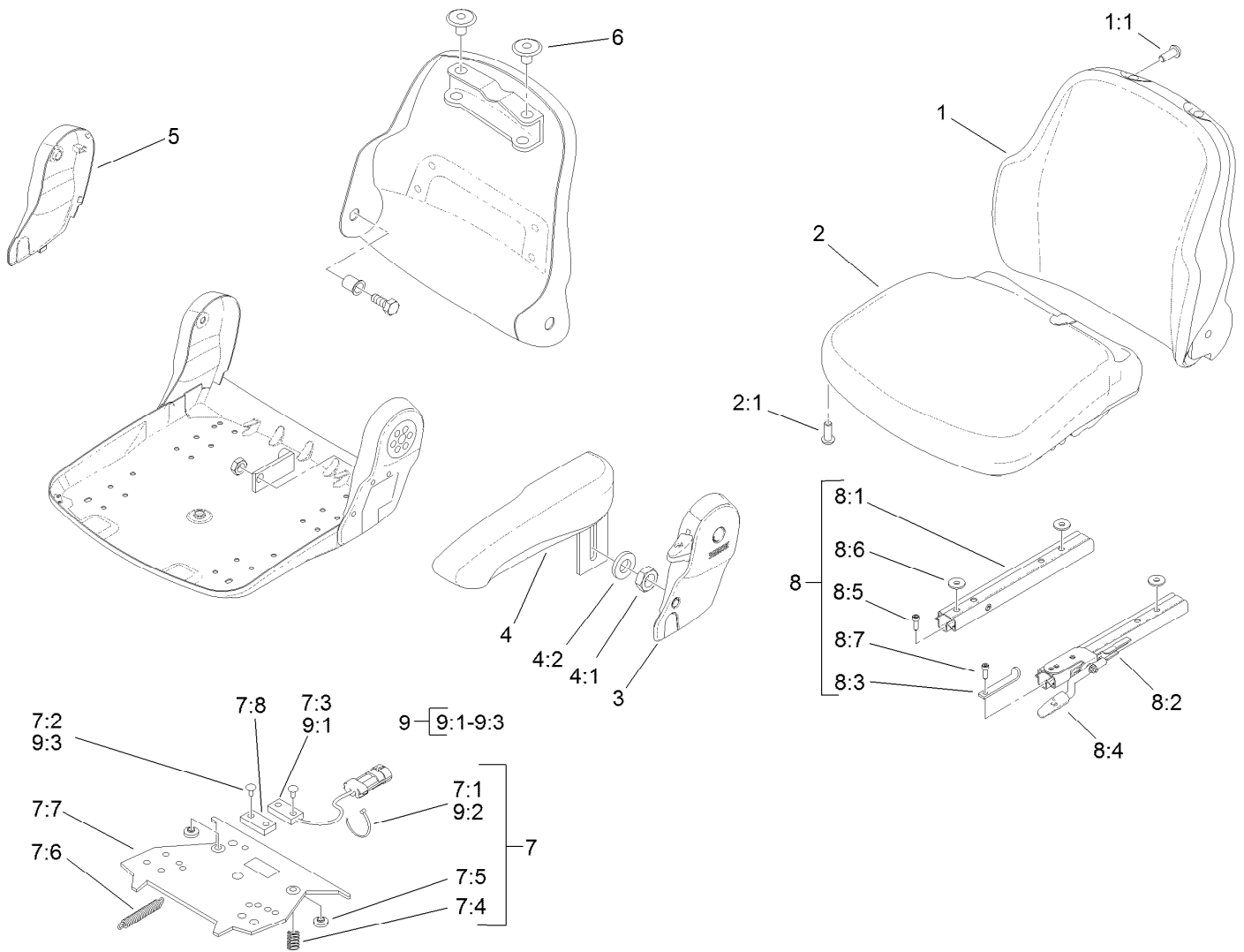




## Cab Mounting Assembly (continued)

| <i>Ref.</i> | <i>Part Number</i> | <i>Qty.</i> | <i>Description</i>    | <i>Ref.</i> | <i>Part Number</i> | <i>Qty.</i> | <i>Description</i>       |
|-------------|--------------------|-------------|-----------------------|-------------|--------------------|-------------|--------------------------|
| 1           |                    | 1           | Cab ASM ●             | 14          | 115-5465           | 4           | Seal-Trim                |
| 2           | 117-9429           | 1           | Matrix Cloth Seat ASM | 15          | 130-6112           | 8           | Tape-Double Stick        |
| 3           | 115-5448           | 2           | Decal-Hood            | 16          | 130-5724           | 1           | Seal-Trim                |
| 4           | 132-3297-03        | 1           | Panel-Transition, LH  | 17          | 104-8300           | 10          | Nut-HF, NI               |
| 5           | 132-3293           | 2           | Foam-Seal, Side Panel | 18          | 3230-23            | 10          | Bolt-CARR                |
| 6           | 132-3296-03        | 1           | Panel-Transition, RH  | 19          | 130-5984           | 1           | Tread-Floor              |
| 7           | 132-3299-03        | 1           | Panel-Rear, LH        | 20          | 140-6772           | 1           | RH Light ASM             |
| 8           | 132-3294-03        | 1           | Panel-Rear, Center    | 20:2        | 140-6698           | 1           | Light Mount Kit          |
| 9           | 132-3298-03        | 1           | Panel-Rear, RH        | 21          | 140-6773           | 1           | LH Light ASM             |
| 10          | 130-5605           | 1           | Gasket-Front          | 21:2        | 140-6698           | 1           | Light Mount Kit          |
| 11          | 130-5983           | 1           | Foam-Floor            | 22          | 144-3373           | 2           | Tape-Reflective (Yellow) |
| 12          | 130-0534           | 1           | Foam-Seal, Rear RH    | 26          | 32180-056          | 2           | Cap                      |
| 13          | 130-0535           | 1           | Foam-Seal, Rear LH    |             |                    |             |                          |

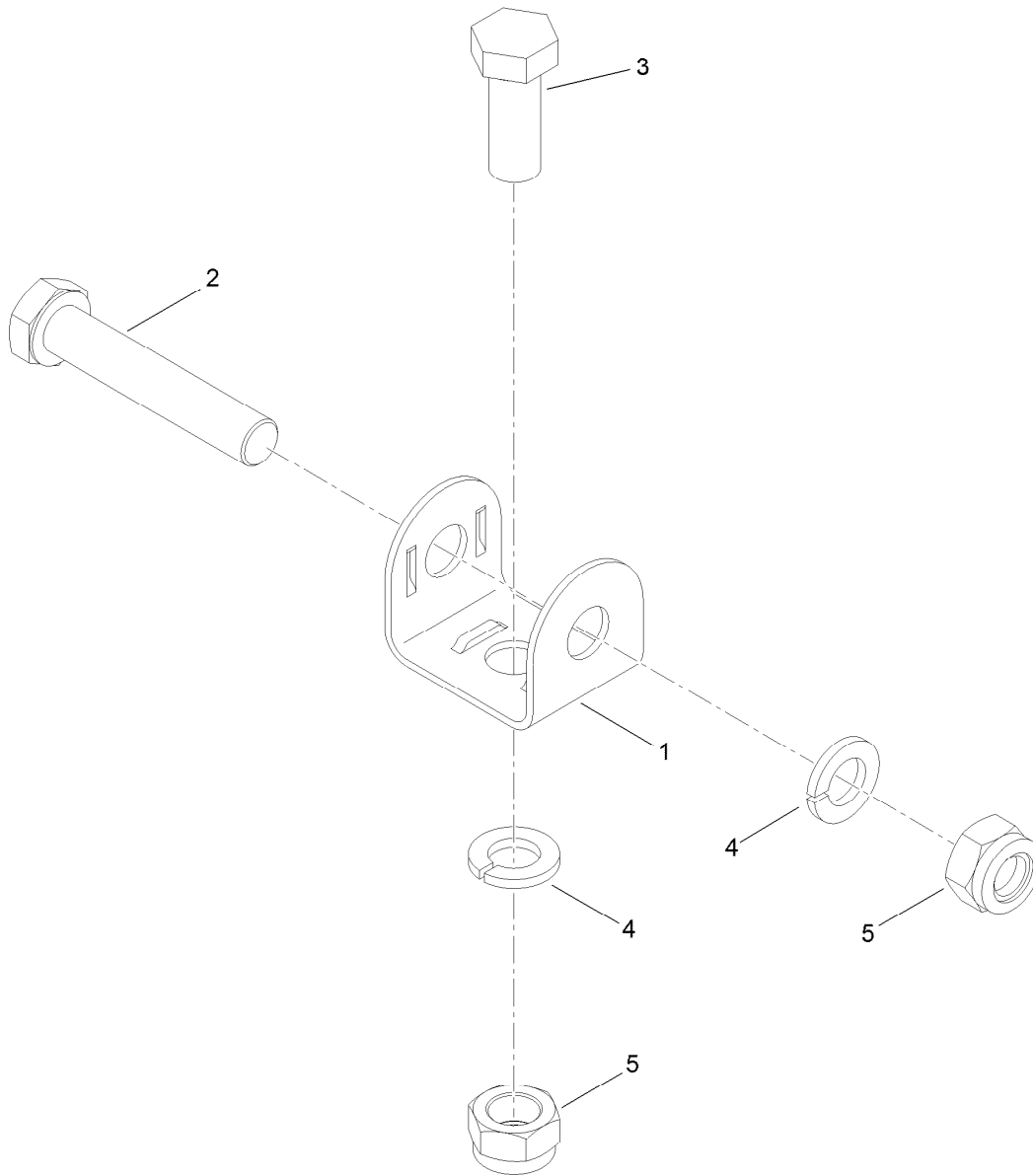
● Not serviced separately



## Cloth Premium Seat Assembly No. 117-9429

| Ref. | Part Number | Qty.                 | Description                       | Ref.     | Part Number | Qty.                    | Description         |
|------|-------------|----------------------|-----------------------------------|----------|-------------|-------------------------|---------------------|
| 1    | 117-9415    | 1                    | Backrest Cushion ASM Matrix Cloth | 7:5      | 2           | Bumper-Pressure Plate ● |                     |
| 1:1  | 119-7742    | 4                    | Screw-Cushion                     | 7:6      | 1           | Spring-Extension ●      |                     |
| 2    | 117-9416    | 1                    | Seat Cushion ASM Matrix Cloth     | 7:7      | 1           | Plate-Mounting ●        |                     |
| 2:1  | 119-7742    | 3                    | Screw-Cushion                     | 7:8      | 1           | Magnet ●                |                     |
| 3    | 108-8018    | 1                    | Cover-Armrest                     | 8        | 108-8025    | 1                       | Adjustment Rail Set |
| 4    | 108-8019    | 1                    | LH Armrest ASM                    | 8:1      | 1           | Rail-Adjustment, RH ●   |                     |
| 4:1  | 82-9650     | 1                    | Nut                               | 8:2      | 1           | Rail-Adjustment, LH ●   |                     |
| 4:2  | 107-1198    | 1                    | Washer                            | 8:3      | 1           | Stop-Rail ●             |                     |
| 5    | 108-8021    | 1                    | Cover-Armrest                     | 8:4      | 1           | Handle ●                |                     |
| 6    | 108-8022    | 2                    | Cover-Black                       | 8:5      | 3           | Screw ●                 |                     |
| 7    | 108-8024    | 1                    | Switch Kit                        | 8:6      | 3           | Washer ●                |                     |
| 7:1  | 3           | Wire Tie ●           | 8:7                               | 1        | Screw ●     |                         |                     |
| 7:2  | 4           | Rivet ●              | 9                                 | 110-6189 | 1           | Switch Kit              |                     |
| 7:3  | 1           | Sensor-Seat Switch ● | 9:1                               | 1        | Switch ●    |                         |                     |
| 7:4  | 2           | Spring-Compression ● | 9:2                               | 3        | Wire Tie ●  |                         |                     |
|      |             |                      | 9:3                               | 2        | Rivet ●     |                         |                     |

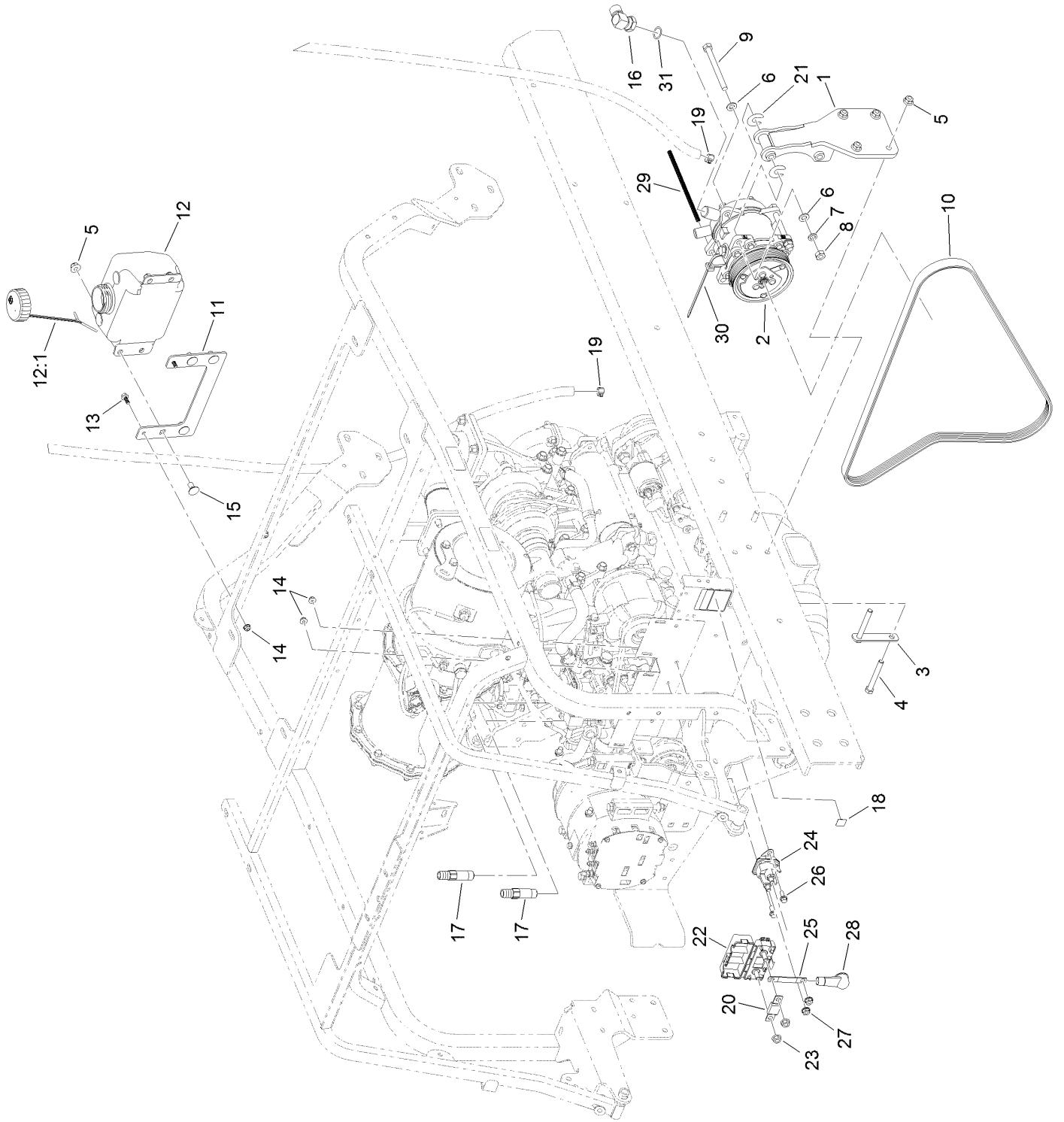
● Not serviced separately



## Light Mount Kit Assembly No. 140-6698

| <i>Ref.</i> | <i>Part Number</i> | <i>Qty.</i> | <i>Description</i> |
|-------------|--------------------|-------------|--------------------|
| 1           | 139-2092           | 1           | Mount-Light        |
| 2           | 107-7983           | 1           | Screw-HH           |
| 3           | 33116-030          | 1           | Screw-HH           |
| 4           | 48-8070            | 2           | Washer-Lock        |
| 5           | 33026-00           | 2           | Nut-Hex            |

# A/C Compressor Mount and Cab Fluids Assembly



## A/C Compressor Mount and Cab Fluids Assembly (continued)

| <i>Ref.</i> | <i>Part Number</i> | <i>Qty.</i> | <i>Description</i>        | <i>Ref.</i> | <i>Part Number</i> | <i>Qty.</i> | <i>Description</i>    |
|-------------|--------------------|-------------|---------------------------|-------------|--------------------|-------------|-----------------------|
| 1           | 130-2482-03        | 1           | Mount-Compressor          | 16          | 119-0128           | 1           | Fitting-Elbow, 90 DEG |
| 2           | 130-2487           | 1           | Compressor                | 17          | 139-2236           | 2           | Fitting-STR Spcl      |
| 3           | 130-2483-03        | 2           | Compressor-Mount, Strap   | 18          | 137-5499           | 1           | Decal-Radio Memory    |
| 4           | 323-14             | 4           | Screw-HH                  | 19          | 2412-108           | 2           | Clamp-Worm            |
| 5           | 104-8301           | 8           | Nut-HF, NI                | 20          | 122-0628           | 1           | Fuse-Mega             |
| 6           | 33095-00           | 4           | Washer-Flat               | 21          | 119-7734           | 4           | Shim                  |
| 7           | 48-9590            | 2           | Washer-Lock               | 22          | 114-3318           | 1           | Holder-Fuse, Mega     |
| 8           | 33015-00           | 2           | Nut-Hex                   | 23          | 127-2371           | 2           | Nut-HF                |
| 9           | 33115-110          | 2           | Screw-HH                  | 24          | 131-8342           | 1           | Solenoid              |
| 10          | 139-7849           | 1           | Belt-Poly V               | 25          | 114-5682           | 1           | Strap-Jumper          |
| 11          | 130-5625-03        | 1           | Bracket-Tank, Wiper Fluid | 26          | 3234-4             | 2           | Screw-HHF             |
| 12          | 138-2702           | 1           | Tank-Fluid, Washer        | 27          | 107-0380           | 2           | Nut-HF                |
| 12:1        | 125-5258           | 1           | Lid-Tank, Washer Fluid    | 28          | 32180-008          | 1           | Insulator-Lug, Red    |
| 13          | 99-6810            | 2           | Screw-HHF                 | 29          | 115-8882           | 1           | Conduit-Convoluted    |
| 14          | 104-7201           | 4           | Nut-HF, NI                | 30          | 3290-378           | 1           | Tie-Cable             |
| 15          | 3231-1             | 4           | Screw-CARR                | 31          | 117-2780           | 1           | O-Ring                |

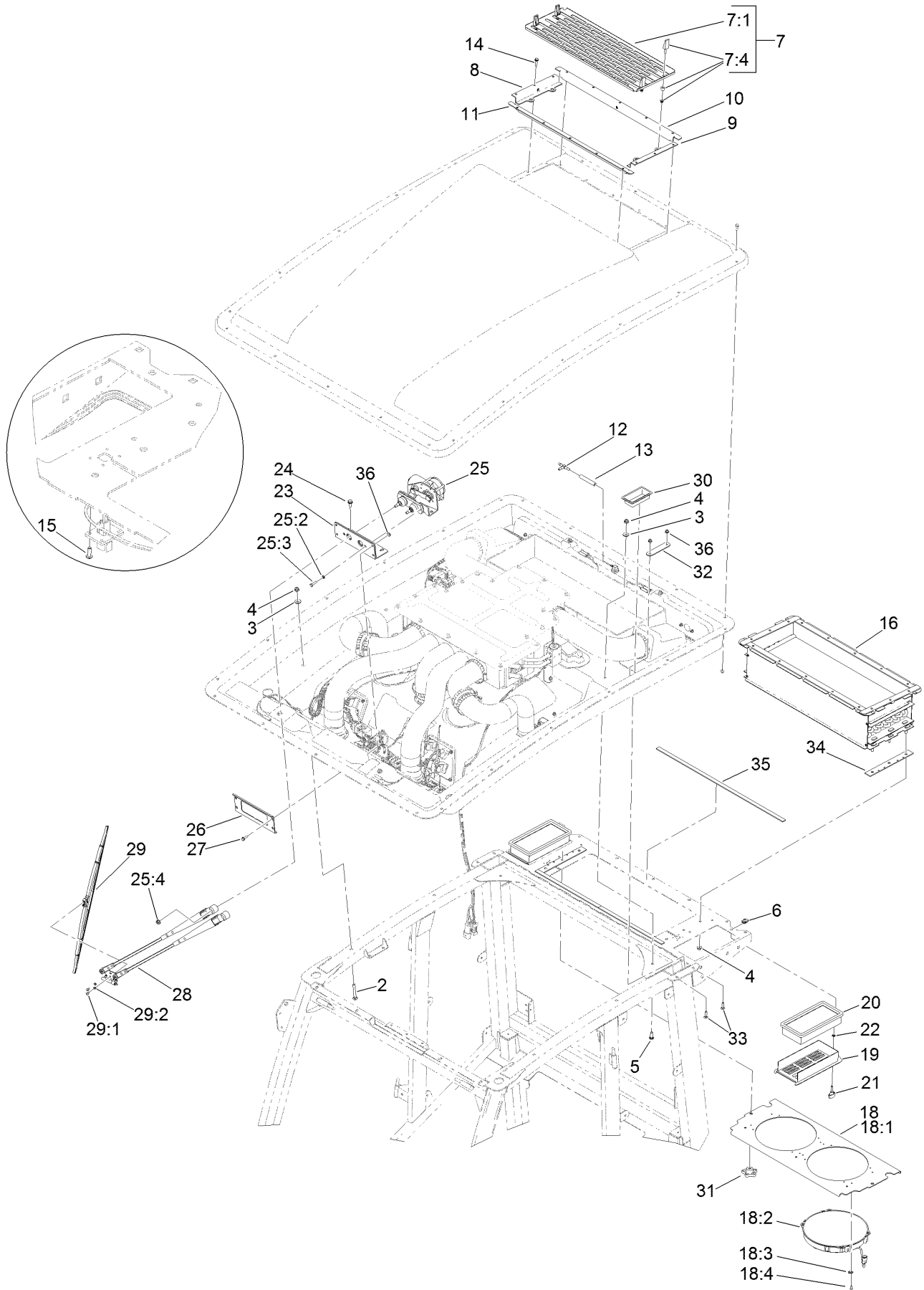


## Cab Frame, Mirror and Decal Assembly (continued)

| <i>Ref.</i> | <i>Part Number</i> | <i>Qty.</i> | <i>Description</i>   | <i>Ref.</i> | <i>Part Number</i> | <i>Qty.</i> | <i>Description</i>         |
|-------------|--------------------|-------------|----------------------|-------------|--------------------|-------------|----------------------------|
| 2           | 121-8341           | 2           | Side Mirror ASM      | 14          | 104-8301           | 4           | Nut-HF, NI                 |
| 2:1         |                    | 1           | Mirror-Glass ●       | 15          | 130-0586           | 1           | Seal-Foam, Frame Roof      |
| 2:2         |                    | 1           | Gasket ●             | 16          | 130-0587           | 2           | Seal-Foam, Roof Air Filter |
| 3           | 121-8275           | 2           | Arm-Mirror, Side     | 17          | 130-5855           | 2           | Seal-Tube, Rear            |
| 4           | 33103-016          | 4           | Screw-HHF            | 18          | 133-0982           | 2           | Tube-Seal, Front           |
| 5           | 121-8343           | 1           | Interior Mirror ASM  | 19          | 136-1768-03        | 1           | Shelf-Mount, Fan           |
| 5:1         |                    | 1           | Mirror ●             | 20          | 3230-18            | 4           | Screw-CARR                 |
| 5:2         |                    | 1           | Gasket ●             | 21          | 104-8300           | 4           | Nut-HF, NI                 |
| 6           | 32144-32           | 2           | Screw-PPH            | 22          | 144-3259-03        | 2           | Bracket-Extension, Light   |
| 7           | 130-5356           | 1           | Decal-Traction Pedal | 23          | 3234-33            | 2           | Screw-HHF                  |
| 8           | 130-0611           | 4           | Decal-Window, Pin    | 24          | 104-7201           | 2           | Nut-HF, NI                 |
| 9           | 130-0594           | 1           | Decal-Warning        | 25          | 3234-6             | 2           | Screw-HHF                  |
| 12          | 130-5791-03        | 2           | Deck-Stop            | 26          | 99-5107            | 2           | Nut-Lock                   |
| 13          | 3231-12            | 4           | Bolt-CARR            |             |                    |             |                            |

● Not serviced separately

# Windshield Wiper, Filter and Air Conditioning Assembly



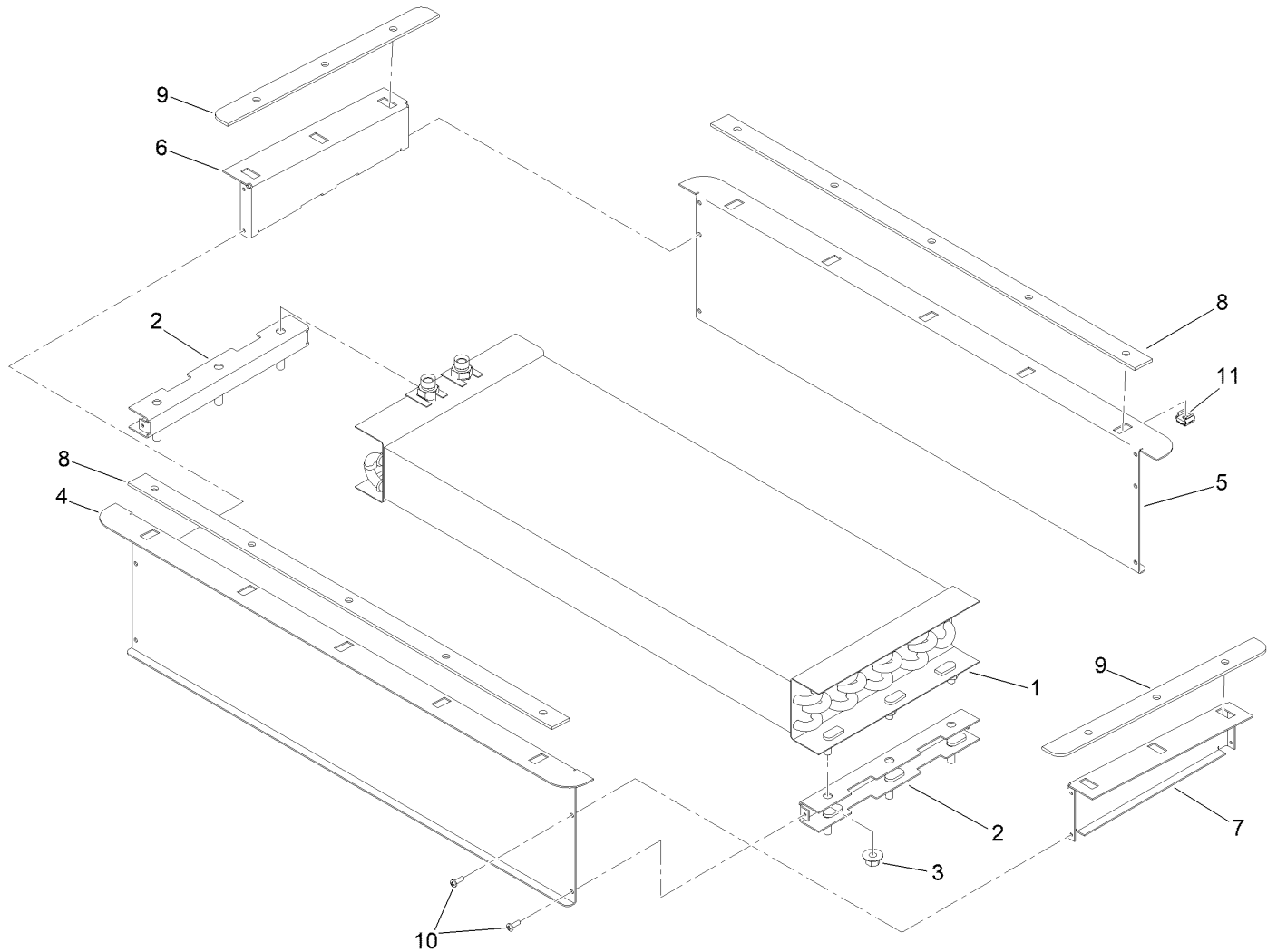


## Windshield Wiper, Filter and Air Conditioning Assembly (continued)

| <i>Ref.</i> | <i>Part Number</i> | <i>Qty.</i> | <i>Description</i>    | <i>Ref.</i> | <i>Part Number</i> | <i>Qty.</i> | <i>Description</i>        |
|-------------|--------------------|-------------|-----------------------|-------------|--------------------|-------------|---------------------------|
| 2           | 3230-9             | 4           | Screw-CARR            | 20          | 121-8457           | 2           | Filter-Air                |
| 3           | 3256-3             | 17          | Washer-Flat           | 21          | 126-5846           | 2           | Knob-T                    |
| 4           | 104-8300           | 21          | Nut-HF, NI            | 22          | 32115-15           | 2           | Nut-Push                  |
| 5           | 3230-22            | 13          | Screw-CARR            | 23          | 130-5871           | 1           | Bracket-Wiper             |
| 6           | 107069             | 2           | Clip                  | 24          | 32144-11           | 3           | Screw-HWH                 |
| 7           |                    | 1           | Screen ASM ●          | 25          | 125-7452           | 1           | Wiper Motor ASM           |
| 7:1         | 132-3530-03        | 1           | Screen                | 25:2        | 3253-3             | 1           | Washer-Lock               |
| 7:4         | 74-5950            | 4           | Latch-Swell           | 25:3        | 33113-025          | 1           | Screw-HH                  |
| 8           | 132-3534-03        | 1           | Seal-Side, Right      | 25:4        | 112-2844           | 2           | Nut-HF                    |
| 9           | 132-3533-03        | 1           | Seal-Side, Left       | 26          | 130-6068-03        | 1           | Plate-Washer, Wiper Motor |
| 10          | 132-3532-03        | 1           | Seal-Rear             | 27          | 32105-15           | 4           | Screw-HWH                 |
| 11          | 132-3531-03        | 1           | Seal-Front            | 28          | 125-7453           | 1           | Arm-Wiper                 |
| 12          | 99-5005            | 1           | Fitting-Tee, Barbed   | 29          | 125-7454           | 1           | Blade-Wiper               |
| 13          | 114-3765           | 1           | Hose-Fuel             | 29:1        | 47-2830            | 2           | Screw                     |
| 14          | 120-4654           | 16          | Screw-HHF             | 29:2        | 43-5920            | 2           | Washer-Lock, Spring       |
| 15          | 3290-55            | 8           | Rivet-Pop             | 30          | 130-5661           | 2           | Tube-Sleeve               |
| 16          | 132-3468           | 1           | A/C Duct ASM          | 31          | 117-5976           | 2           | Knob-Handle               |
| 18          | 132-3488           | 1           | Panel-Fan             | 32          | 130-5854           | 2           | Brace-Seal                |
| 18:1        | 132-3486-03        | 1           | Plate-Mount, Fan      | 33          | 3229-30            | 4           | Screw-CARR                |
| 18:2        | 132-3607           | 2           | Fan-Condenser         | 34          | 132-3608           | 2           | Seal-Edge                 |
| 18:3        | 132-3606           | 8           | Tab-Fan               | 35          | 132-3609           | 2           | Seal-Strip                |
| 18:4        | 105-6849           | 8           | Screw-Forming, Thread | 36          | 104-7201           | 8           | Nut-HF, NI                |
| 19          | 125-9825-03        | 2           | Cover-Air, Fresh      |             |                    |             |                           |

● Not serviced separately

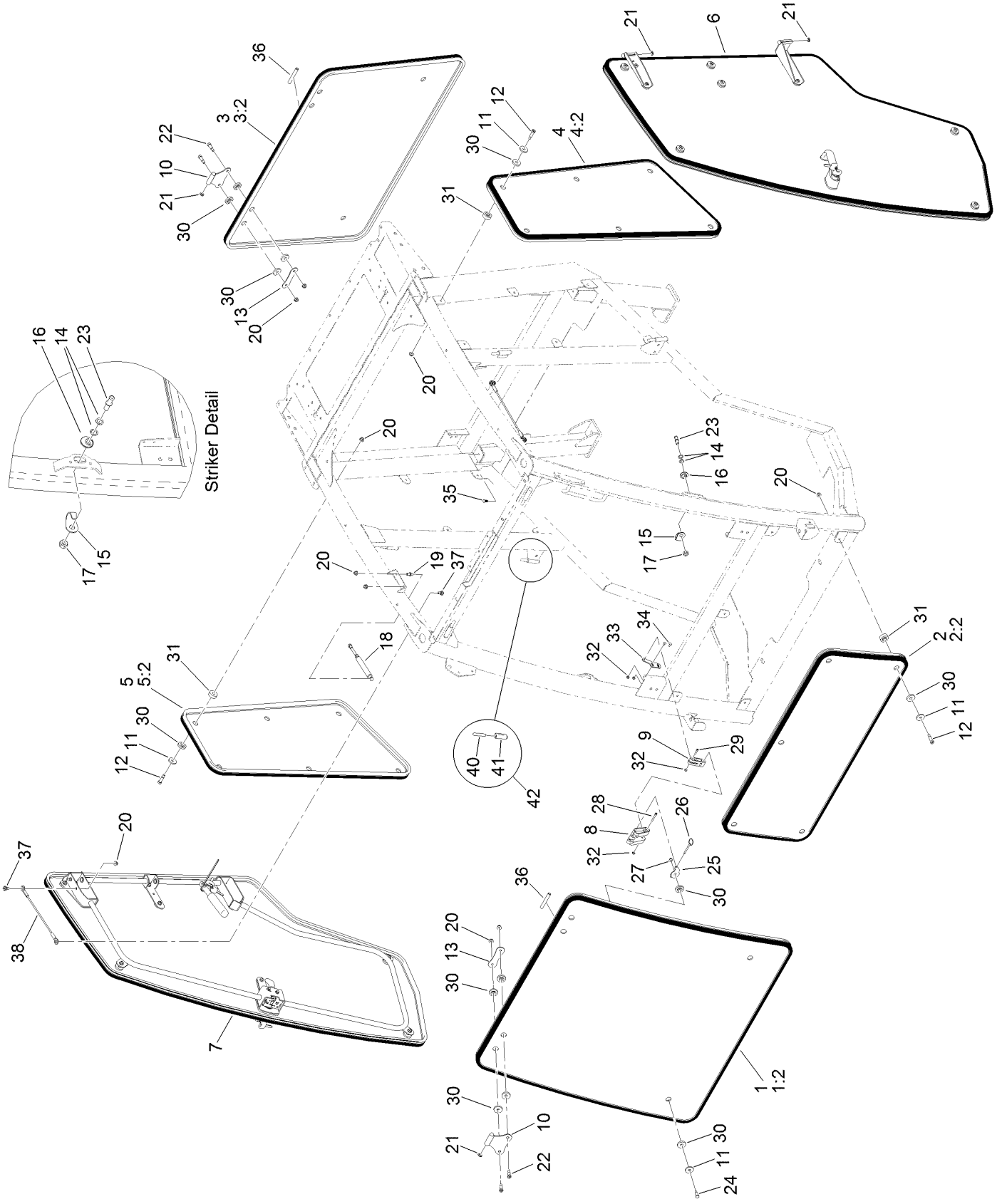
# Air Conditioning Duct Assembly No. 132-3468



# Air Conditioning Duct Assembly No. 132-3468 (continued)

| <i>Ref.</i> | <i>Part Number</i> | <i>Qty.</i> | <i>Description</i> | <i>Ref.</i> | <i>Part Number</i> | <i>Qty.</i> | <i>Description</i> |
|-------------|--------------------|-------------|--------------------|-------------|--------------------|-------------|--------------------|
| 1           | 121-8447           | 1           | Core-Condenser     | 7           | 145-7719-03        | 1           | Wall-Side, Left    |
| 2           | 132-3469-03        | 2           | Leg-Lower          | 8           | 132-3466           | 2           | Seal-Strip         |
| 3           | 32128-44           | 6           | Nut                | 9           | 132-3467           | 2           | Seal-Edge          |
| 4           | 145-7679-03        | 1           | Wall-Front         | 10          | 363-8245           | 12          | Screw-TAP          |
| 5           | 145-7678-03        | 1           | Wall-Back          | 11          | 161-7811           | 16          | Nut-Cage           |
| 6           | 145-7718-03        | 1           | Wall-Side, Right   |             |                    |             |                    |

# Window and Door Assembly

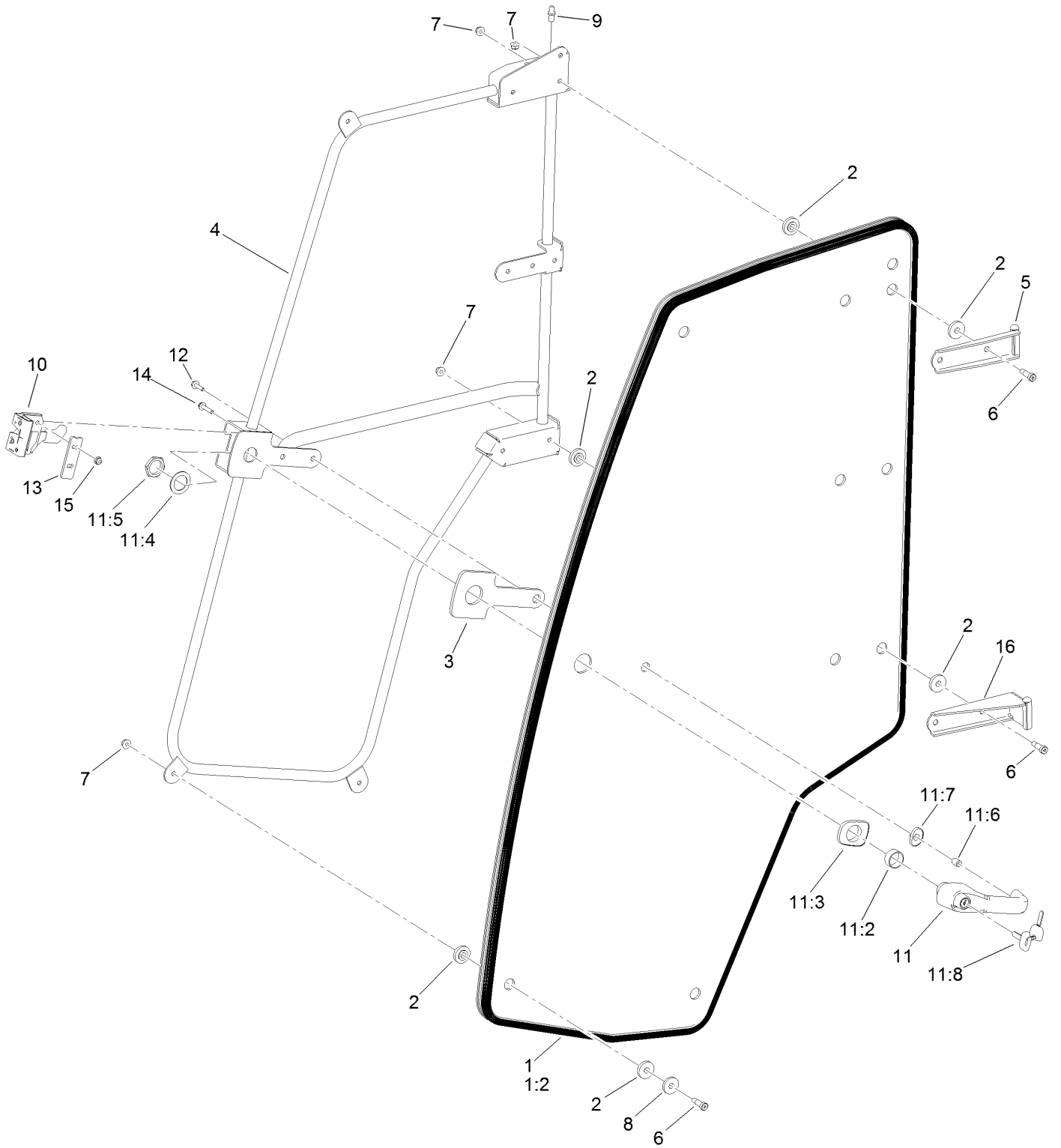


## Window and Door Assembly (continued)

| <i>Ref.</i> | <i>Part Number</i> | <i>Qty.</i> | <i>Description</i>       | <i>Ref.</i> | <i>Part Number</i> | <i>Qty.</i> | <i>Description</i>    |
|-------------|--------------------|-------------|--------------------------|-------------|--------------------|-------------|-----------------------|
| 1           | 130-5680           | 1           | Upper Front Window ASM   | 19          | 98-3104            | 2           | Stud-Ball             |
| 1:2         | 121-8212           | 1           | Seal-Trim                | 20          | 104-8300           | 31          | Nut-HF, NI            |
| 2           | 130-5681           | 1           | Lower Front Window ASM   | 21          | 121-8441           | 8           | Washer-Spacer         |
| 2:2         | 121-8211           | 1           | Trim-Window, Front       | 22          | 125-9520           | 8           | Screw-Shoulder, HSH   |
| 3           | 130-5690           | 1           | Rear Window ASM          | 23          | 125-9993           | 2           | Striker-Stud          |
| 3:2         | 121-8213           | 1           | Trim-Window, Rear        | 24          | 119-9812           | 4           | Bolt-Shoulder         |
| 4           | 130-6187           | 1           | LH Side Window ASM       | 25          | 144-3308           | 4           | Mount-Latch           |
| 4:2         | 130-0502           | 1           | Trim-Window, Stationary  | 26          | 127-9850           | 4           | Pin-Release, Quick    |
| 5           | 130-6186           | 1           | RH Side Window ASM       | 27          | 104-7201           | 4           | Nut-HF, NI            |
| 5:2         | 130-0502           | 1           | Trim-Window, Stationary  | 28          | 3274-59            | 4           | Screw-HSH             |
| 6           |                    | 1           | LH Door ASM ●            | 29          | 3274-14            | 4           | Screw-HSH             |
| 7           |                    | 1           | RH Door ASM ●            | 30          | 125-9982           | 41          | Bushing-Flange        |
| 8           | 125-9792           | 4           | Handle-Window            | 31          | 125-9537           | 17          | Bushing-Flange        |
| 9           | 125-9793           | 4           | Link-Window              | 32          | 120-9681           | 16          | Nut-Lock, NI          |
| 10          | 121-8535-03        | 4           | Hinge-Window             | 33          | 130-0590           | 4           | Mount-Tab             |
| 11          | 130-5815           | 21          | Washer-Backup            | 34          | 1-807513           | 8           | Bolt-CARR             |
| 12          | 125-9521           | 17          | Screw-Shldr HSH          | 35          | 114-4899           | 2           | Rivet-Push            |
| 13          | 144-3307           | 4           | Plate-Backer, Windshield | 36          | 130-5578           | 2           | Tubing-Seal, Rubber   |
| 14          | 73-0040            | 4           | Washer-Thrust            | 37          | 120-9471           | 4           | Bolt-Shoulder         |
| 15          | 121-8393           | 2           | Guard-Striker            | 38          | 130-5726           | 2           | Lanyard               |
| 16          | 125-9992           | 2           | Adjuster-Stud            | 40          | 133-1110           | 1           | Pin-Hinge             |
| 17          | 106-0327           | 2           | Nut-Hex                  | 41          | 121-8439           | 1           | Receiver-Pivot, Hinge |
| 18          | 144-3516           | 2           | Spring-Gas, Door         | 42          | 121-8440           | 1           | Pivot-Hinge           |

● Not serviced separately

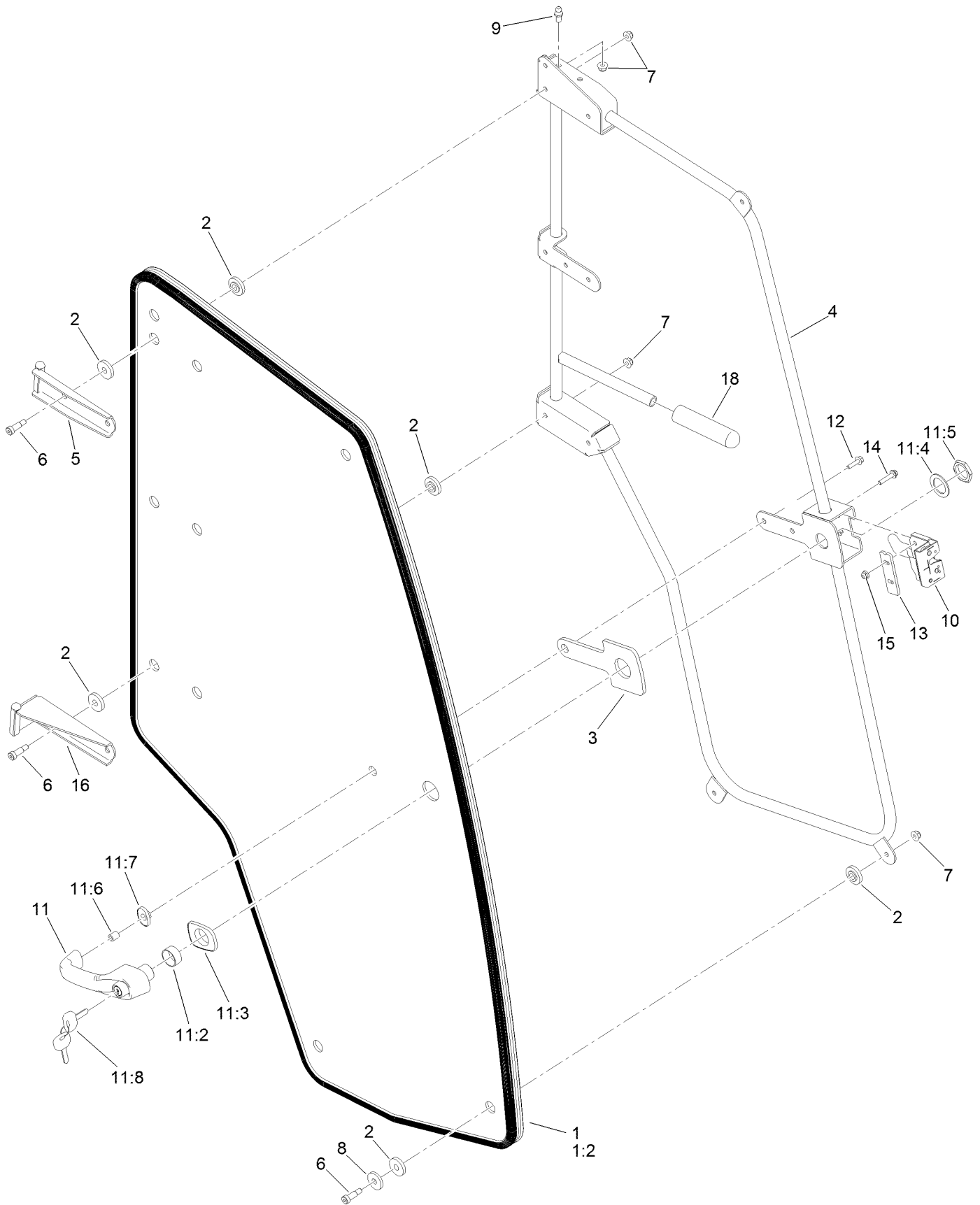
# Left Hand Door Assembly



## Left Hand Door Assembly (continued)

| <i>Ref.</i> | <i>Part Number</i> | <i>Qty.</i> | <i>Description</i>   | <i>Ref.</i> | <i>Part Number</i> | <i>Qty.</i> | <i>Description</i>      |
|-------------|--------------------|-------------|----------------------|-------------|--------------------|-------------|-------------------------|
| 1           | 121-8318           | 1           | Glass Assembly-LH    | 11:2        | 121-8628           | 1           | Cylinder-Mounting, Key  |
| 1:2         | 121-8317           | 1           | Trim-Window, Door    | 11:3        | 121-8322           | 1           | Grommet-Mounting, Large |
| 2           | 125-9982           | 20          | Bushing-Flange       | 11:4        | 121-8327           | 1           | Washer                  |
| 3           | 121-8331           | 1           | Gasket-Handle        | 11:5        | 121-8328           | 1           | Nut                     |
| 4           | 144-3648-03        | 1           | Frame-Door, LH       | 11:6        | 121-8627           | 1           | Cylinder-Mounting, End  |
| 5           | 130-0525-03        | 1           | Hinge-Door, Top (LH) | 11:7        | 121-8323           | 1           | Grommet-Mounting, Small |
| 6           | 125-9520           | 10          | Screw-Shoulder, HSH  | 11:8        | 125-9531           | 1           | Key-Set                 |
| 7           | 104-8300           | 11          | Nut-HF, NI           | 12          | 33103-025          | 1           | Screw-HHF               |
| 8           | 130-5815           | 6           | Washer-Backup        | 13          | 121-8395           | 1           | Plate-Support, Latch    |
| 9           | 98-3104            | 1           | Stud-Ball            | 14          | 3234-21            | 2           | Screw-HHF               |
| 10          | 121-8391           | 1           | Latch-LH             | 15          | 104-7201           | 2           | Nut-HF, NI              |
| 11          | 121-8630           | 1           | Handle ASM           | 16          | 130-0526-03        | 1           | Hinge-Door, Bottom (LH) |

# Right Hand Door Assembly

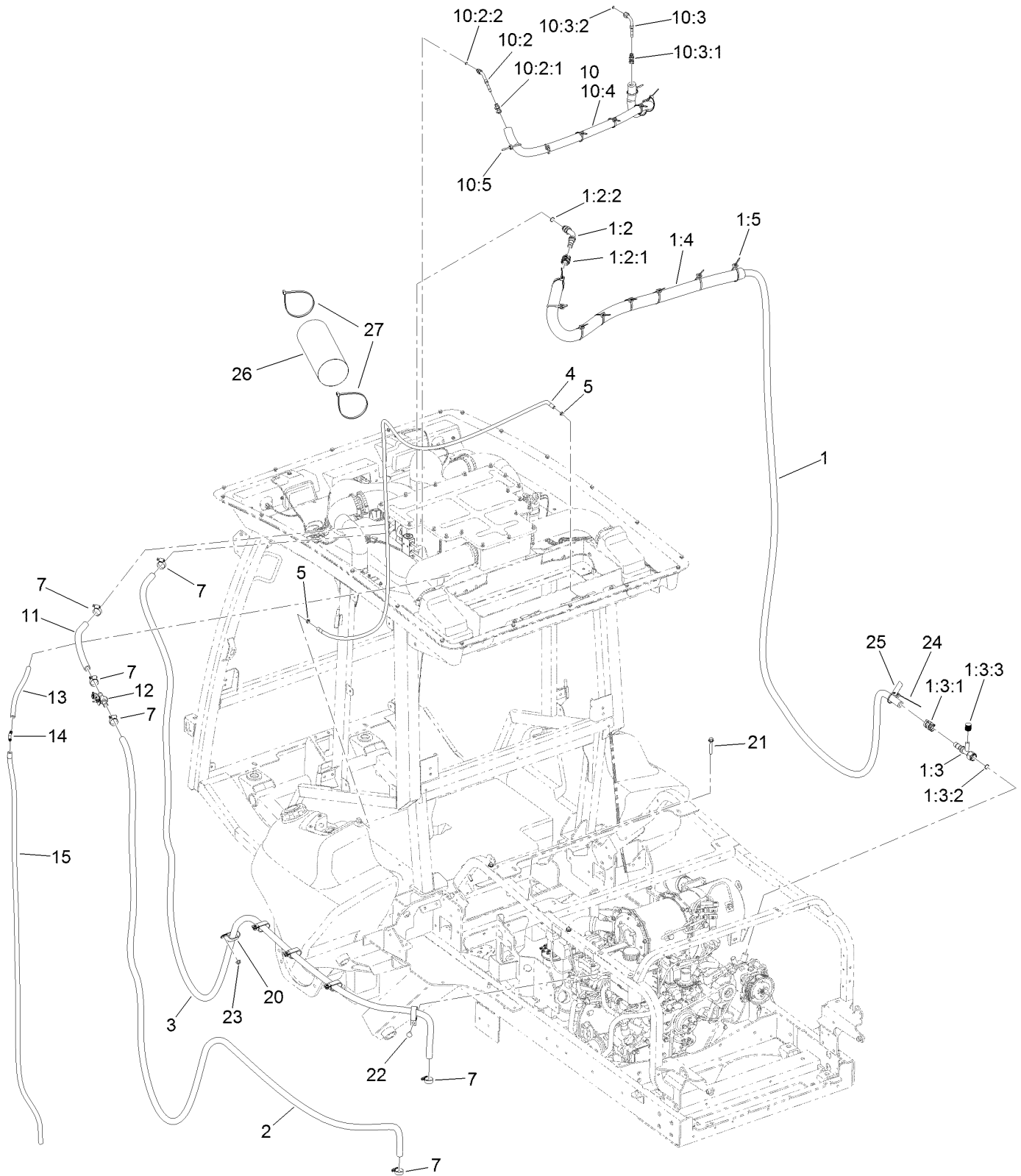




## Right Hand Door Assembly (continued)

| <i>Ref.</i> | <i>Part Number</i> | <i>Qty.</i> | <i>Description</i>     | <i>Ref.</i> | <i>Part Number</i> | <i>Qty.</i> | <i>Description</i>           |
|-------------|--------------------|-------------|------------------------|-------------|--------------------|-------------|------------------------------|
| 1           | 125-7350           | 1           | Glass Assembly-RH      | 11:3        | 121-8322           | 1           | Grommet-Mounting, Large      |
| 1:2         | 121-8317           | 1           | Trim-Window, Door      | 11:4        | 121-8327           | 1           | Washer                       |
| 2           | 125-9982           | 20          | Bushing-Flange         | 11:5        | 121-8328           | 1           | Nut                          |
| 3           | 121-8331           | 1           | Gasket-Handle          | 11:6        | 121-8627           | 1           | Cylinder-Mounting, End       |
| 4           | 144-3554           | 1           | Frame ASM-Door, RH     | 11:7        | 121-8323           | 1           | Grommet-Mounting, Small      |
| 5           | 130-0529           | 1           | Hinge ASM-Door, RH Top | 11:8        | 125-9531           | 1           | Key-Set                      |
| 6           | 125-9520           | 10          | Screw-Shoulder, HSH    | 12          | 33103-025          | 1           | Screw-HHF                    |
| 7           | 104-8300           | 11          | Nut-HF, NI             | 13          | 121-8395           | 1           | Plate-Support, Latch         |
| 8           | 130-5815           | 6           | Washer-Backup          | 14          | 3234-21            | 2           | Screw-HHF                    |
| 9           | 98-3104            | 1           | Stud-Ball              | 15          | 104-7201           | 2           | Nut-HF, NI                   |
| 10          | 121-8390           | 1           | Latch-RH               | 16          | 130-0530           | 1           | Hinge ASM-Door, RH<br>Bottom |
| 11          | 121-8630           | 1           | Handle ASM             |             |                    |             |                              |
| 11:2        | 121-8628           | 1           | Cylinder-Mounting, Key | 18          | 110-1037           | 1           | Grip-Handle                  |

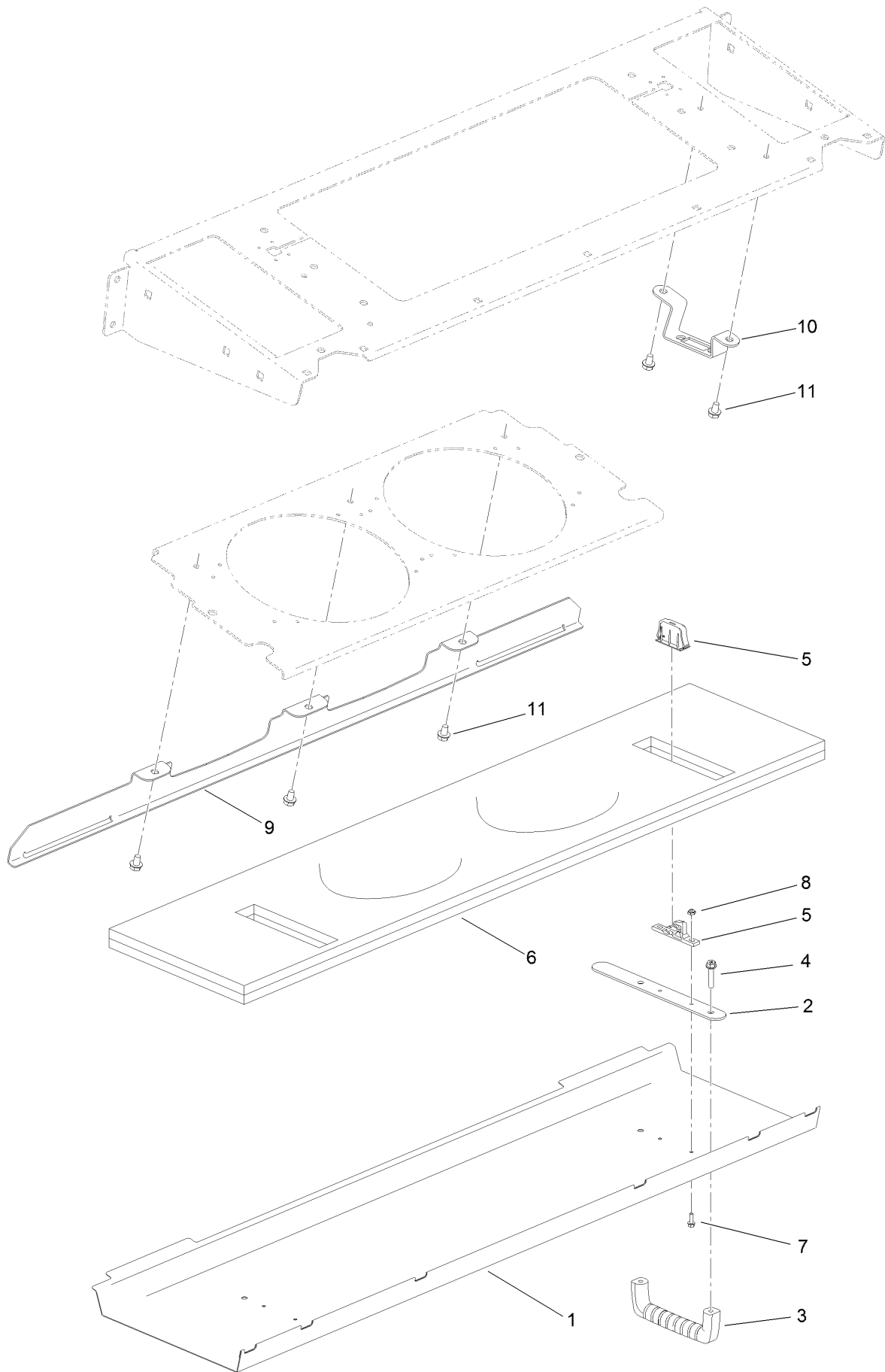
# Left Side Hose Assembly For Cab Model Only



## Left Side Hose Assembly For Cab Model Only (continued)

| <i>Ref.</i> | <i>Part Number</i> | <i>Qty.</i> | <i>Description</i>       | <i>Ref.</i> | <i>Part Number</i> | <i>Qty.</i> | <i>Description</i>        |
|-------------|--------------------|-------------|--------------------------|-------------|--------------------|-------------|---------------------------|
| 1           | 130-5620           | 1           | A/C Hose ASM             | 10:3        | 130-5751           | 1           | Fitting-Female, 90 DEG    |
| 1:2         | 130-5754           | 1           | Fitting-Male, 45 DEG     | 10:3:1      | 130-5772           | 1           | Fitting Kit               |
| 1:2:1       | 130-5775           | 1           | Fitting Kit              | 10:3:2      | 117-2778           | 1           | O-Ring                    |
| 1:2:2       | 117-2780           | 1           | O-Ring                   | 10:4        | 130-5958           | 1           | Cover-Foam                |
| 1:3         | 130-5755           | 1           | Fitting-Female, Straight | 10:5        | 3290-378           | 8           | Tie-Cable                 |
| 1:3:1       | 130-5775           | 1           | Fitting Kit              | 11          | 125-9706           | 1           | Hose-Heater               |
| 1:3:2       | 117-2780           | 1           | O-Ring                   | 12          | 120-4947           | 1           | Valve-Heater              |
| 1:3:3       | 117-2784           | 1           | Cap-Side, Low            | 13          | 125-9865           | 1           | Hose-Drain                |
| 1:4         | 130-5959           | 1           | Cover-Foam               | 14          | 130-0578           | 1           | Fitting-Barb, 90 DEG      |
| 1:5         | 3290-378           | 8           | Tie-Cable                | 15          | 125-9866           | 1           | Hose-Drain                |
| 2           | 130-5622           | 1           | Hose-Heater              | 20          | 2412-137           | 5           | Clamp-R, Double           |
| 3           | 130-5946           | 1           | Hose-Heater              | 21          | 3234-39            | 4           | Screw-HHF                 |
| 4           | 130-5813           | 1           | Hose-Fuel                | 22          | 3231-21            | 1           | Screw-CARR                |
| 5           | 2412-98            | 2           | Clamp-Hose               | 23          | 104-8301           | 5           | Nut-HF, NI                |
| 7           | 2412-129           | 6           | Clamp-Hose               | 24          | 3290-378           | 1           | Tie-Cable                 |
| 10          | 125-9702           | 1           | Hose ASM                 | 25          | 133-0779           | 1           | Tag-Hang, Oil Refrigerant |
| 10:2        | 130-5753           | 1           | Fitting-45 DEG           | 26          | 133-1025           | 1           | Wrap-Abrasion             |
| 10:2:1      | 130-5772           | 1           | Fitting Kit              | 27          | 94-3890            | 2           | Tie-Cable                 |
| 10:2:2      | 117-2778           | 1           | O-Ring                   |             |                    |             |                           |

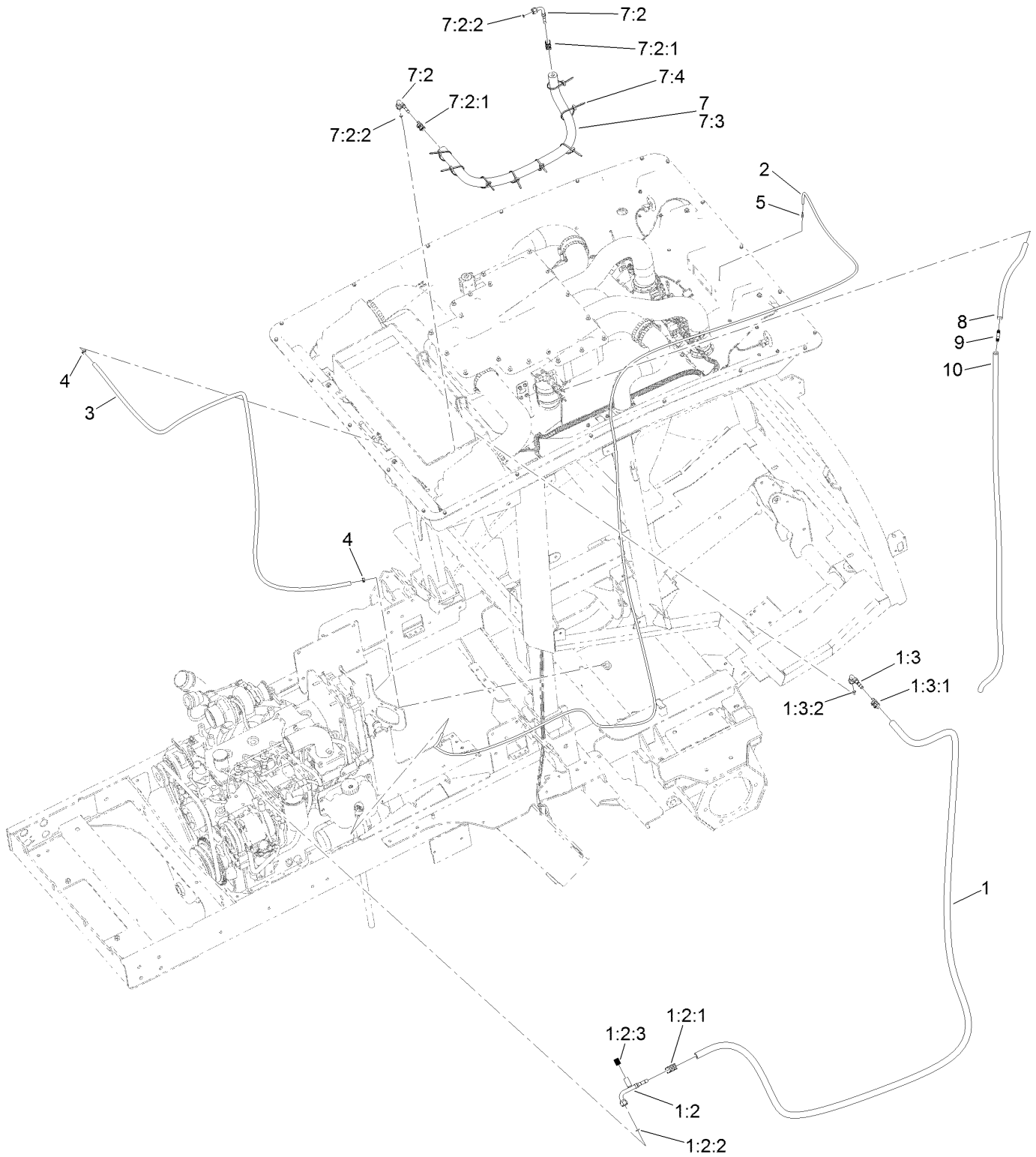
# Pre-Filter Screen Assembly



## Pre-Filter Screen Assembly (continued)

| <i>Ref.</i> | <i>Part Number</i> | <i>Qty.</i> | <i>Description</i>  | <i>Ref.</i> | <i>Part Number</i> | <i>Qty.</i> | <i>Description</i>  |
|-------------|--------------------|-------------|---------------------|-------------|--------------------|-------------|---------------------|
| 1           | 130-0640-03        | 1           | Screen              | 7           | 112-3169           | 4           | Screw-HHF, Serrated |
| 2           | 130-0642-03        | 2           | Backplate           | 8           | 3296-54            | 4           | Nut-Lock            |
| 3           | 65-5100            | 2           | Handle-Door         | 9           | 132-3630-03        | 1           | Screen-Mount, Front |
| 4           | 137-3101           | 4           | Screw-Plastic, HWH  | 10          | 136-2171           | 2           | Mount-Latch         |
| 5           | 130-0643           | 2           | Latch-Push To Close | 11          | 32104-82           | 7           | Screw-HHF           |
| 6           | 130-5875           | 1           | Pre-Filter          |             |                    |             |                     |

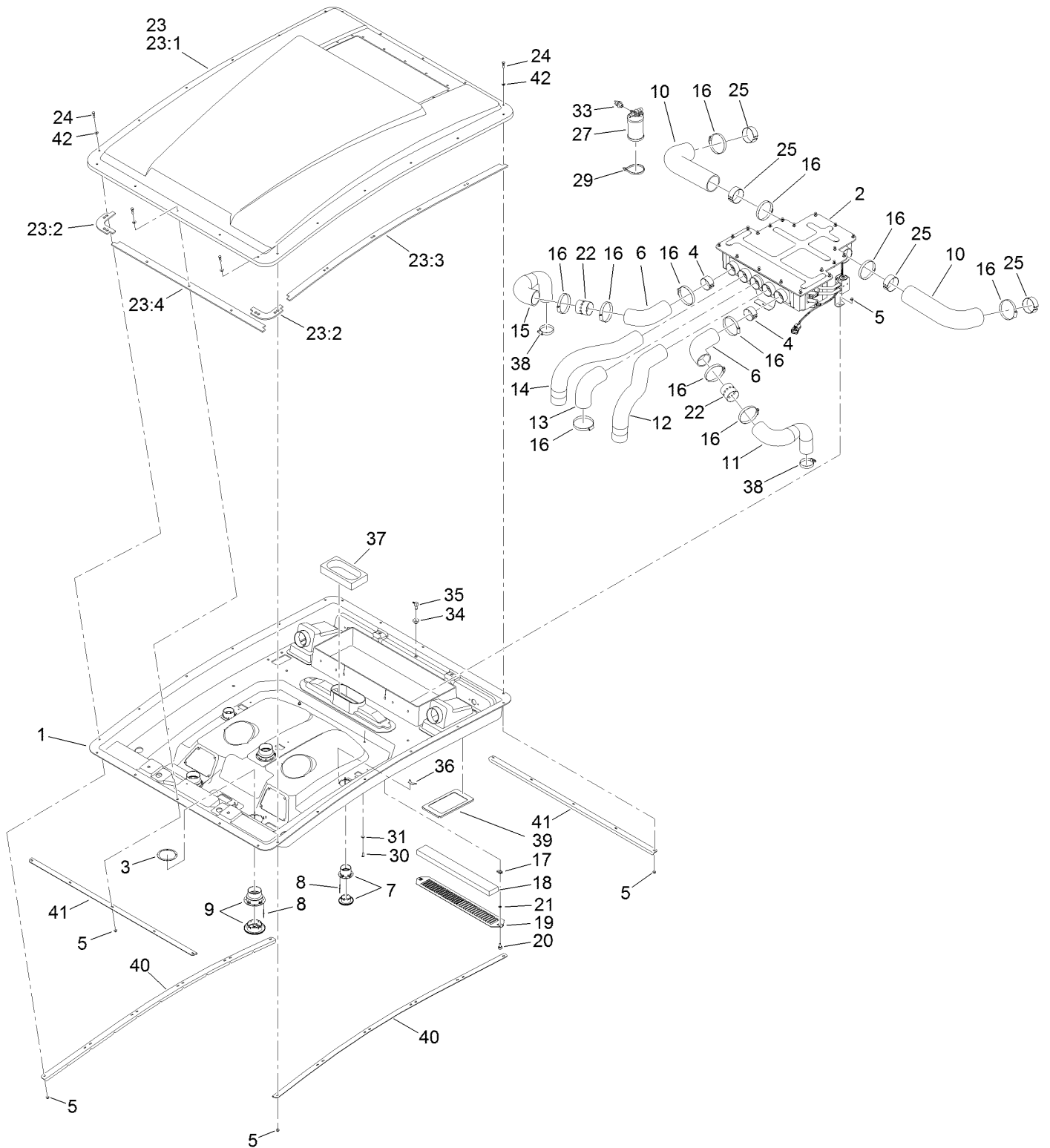
# Right Side Hose Assembly For Cab Model Only



## Right Side Hose Assembly For Cab Model Only (continued)

| <i>Ref.</i> | <i>Part Number</i> | <i>Qty.</i> | <i>Description</i>     | <i>Ref.</i> | <i>Part Number</i> | <i>Qty.</i> | <i>Description</i>     |
|-------------|--------------------|-------------|------------------------|-------------|--------------------|-------------|------------------------|
| 1           | 130-5621           | 1           | A/C Hose ASM           | 5           | 127-9905           | 1           | Fitting-Hose, Barb     |
| 1:2         | 130-5758           | 1           | Fitting-Female, 90 DEG | 7           | 125-9703           | 1           | Hose ASM               |
| 1:2:1       | 130-5773           | 1           | Fitting Kit            | 7:2         | 130-5751           | 2           | Fitting-Female, 90 DEG |
| 1:2:2       | 117-2779           | 1           | O-Ring                 | 7:2:1       | 130-5772           | 1           | Fitting Kit            |
| 1:2:3       | 117-2783           | 1           | Cap-Side, High         | 7:2:2       | 117-2778           | 1           | O-Ring                 |
| 1:3         | 130-5752           | 1           | Fitting-Female, 90 DEG | 7:3         | 130-5958           | 1           | Cover-Foam             |
| 1:3:1       | 130-5773           | 1           | Fitting Kit            | 7:4         | 3290-378           | 8           | Tie-Cable              |
| 1:3:2       | 117-2778           | 1           | O-Ring                 | 8           | 125-9865           | 1           | Hose-Drain             |
| 2           | 130-5624           | 1           | Hose-Fluid, Wiper      | 9           | 130-0578           | 1           | Fitting-Barb, 90 DEG   |
| 3           | 130-5813           | 1           | Hose-Fuel              | 10          | 125-9866           | 1           | Hose-Drain             |
| 4           | 2412-98            | 2           | Clamp-Hose             |             |                    |             |                        |

# Roof and Headliner Assembly

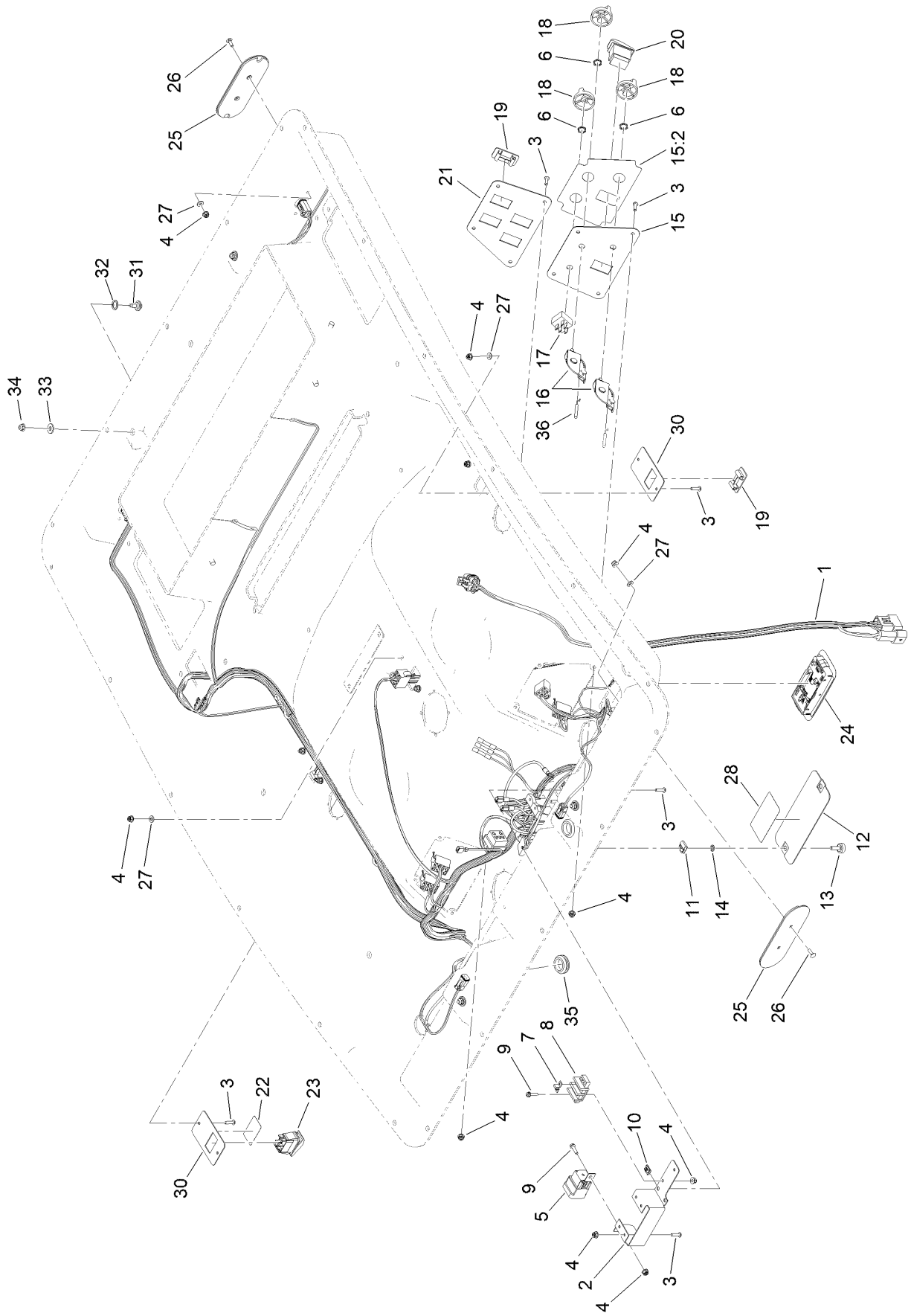




## Roof and Headliner Assembly (continued)

| <i>Ref.</i> | <i>Part Number</i> | <i>Qty.</i> | <i>Description</i>                | <i>Ref.</i> | <i>Part Number</i> | <i>Qty.</i> | <i>Description</i>    |
|-------------|--------------------|-------------|-----------------------------------|-------------|--------------------|-------------|-----------------------|
| 1           | 140-6760           | 1           | Headliner ASM                     | 22          | 130-5927           | 2           | Adapter-Bleed         |
| 2           | 121-8495           | 1           | Box-Mixing, Heater A/C            | 23          | 132-3601           | 1           | Roof ASM              |
| 3           | 130-0558           | 3           | Backplate-Rivet                   | 23:1        | 132-3602           | 1           | Roof                  |
| 4           | 130-5938           | 2           | Tube-Support                      | 23:2        | 130-5961           | 4           | Seal-Corner           |
| 5           | 104-7201           | 24          | Nut-HF, NI                        | 23:3        | 130-5960           | 2           | Seal-Side             |
| 6           | 130-5860           | 2           | Hose-Vent                         | 23:4        | 130-5962           | 2           | Seal-Front, Rear      |
| 7           | 130-0455           | 2           | Louver-Round, Snap-In             | 24          | 136-8674           | 22          | Bolt-Pivot, Eccentric |
| 8           | 125-7503           | 20          | Rivet-Pop                         | 25          | 130-5939           | 4           | Tube-Support          |
| 9           | 130-0465           | 3           | Louver-Round, Snap-In (4<br>Inch) | 27          | 130-5999           | 1           | Drier-Receiver        |
| 10          | 121-8473           | 2           | Hose-Intake, Fresh Air            | 29          | 3334-945           | 2           | Tie-Cable             |
| 11          | 130-5861           | 1           | Hose-Vent, Outer (LH)             | 30          | 3274-69            | 2           | Screw-HSBH            |
| 12          | 121-8477           | 1           | Hose-Vent, Defrost (LH)           | 31          | 3256-1             | 2           | Washer-Flat           |
| 13          | 130-0437           | 1           | Hose-Vent, Center                 | 33          | 119-4501           | 1           | Switch-Function, Dual |
| 14          | 121-8478           | 1           | Hose-Vent, Defrost (RH)           | 34          | 46-6560            | 1           | Bushing               |
| 15          | 130-5862           | 1           | Hose-Vent, Outer (RH)             | 35          | 104-5228           | 1           | Fitting-Elbow, 90 DEG |
| 16          | 2412-110           | 11          | Clamp-Band/Screw                  | 36          | 130-0445           | 4           | Backplate-Rivet       |
| 17          | 107069             | 2           | Clip                              | 37          | 130-0444           | 1           | Foam-Inlet, Airbox    |
| 18          | 125-9532           | 1           | Filter-Cab, Inside                | 38          | 2412-130           | 2           | Clamp-Hose            |
| 19          | 125-9604-03        | 1           | Plate-Cover, Recirculation        | 39          | 132-3474           | 2           | Insert-Seal, Filter   |
| 20          | 125-7438           | 2           | Knob-Screw, Thumb                 | 40          | 132-1461-03        | 2           | Strap-Cab, Side       |
| 21          | 32115-15           | 2           | Nut-Push                          | 41          | 132-1462-03        | 2           | Strap-Cab             |
|             |                    |             |                                   | 42          | 3256-74            | 22          | Washer-Flat           |

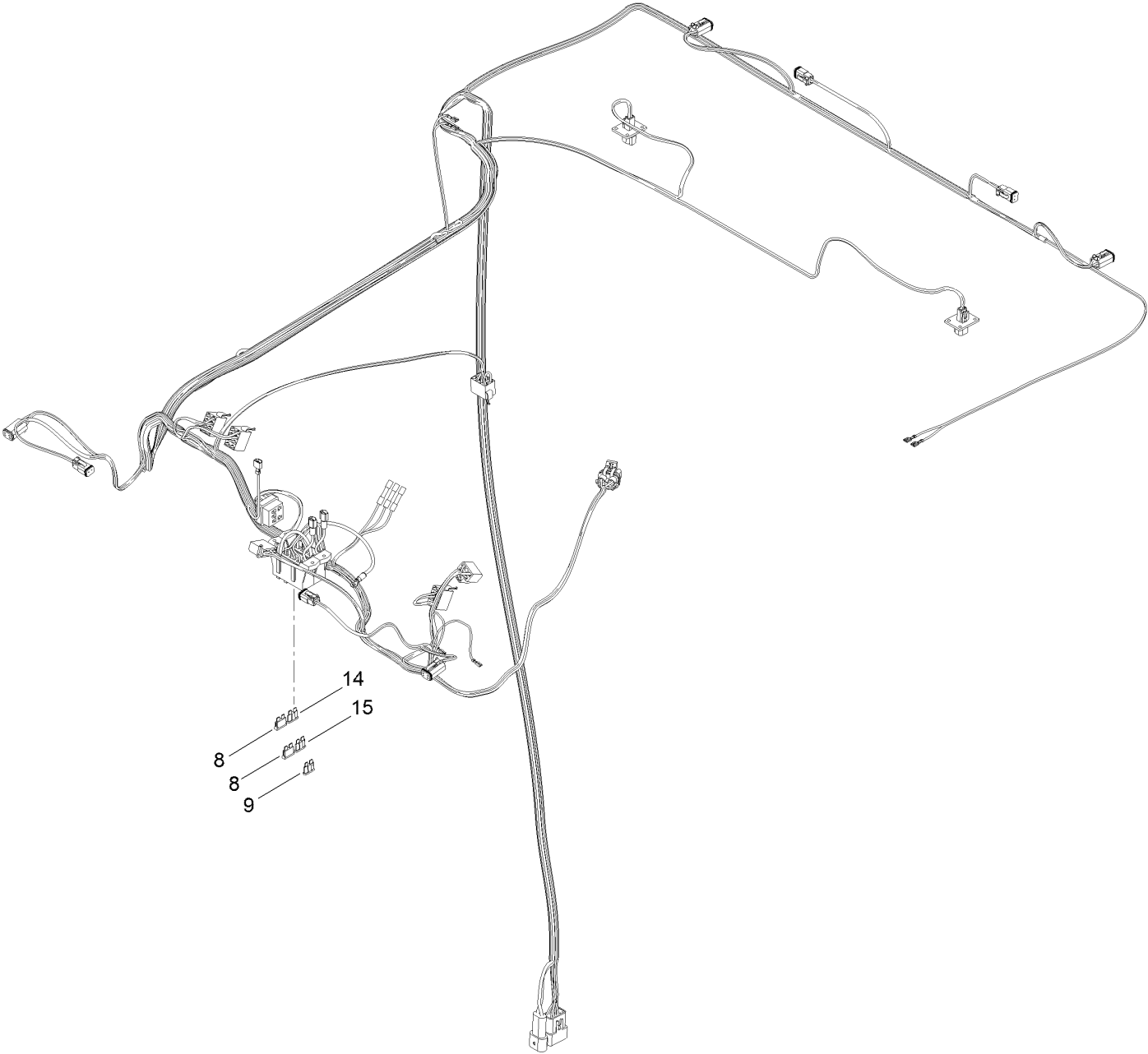
# Headliner Wire Harness and Control Assembly



## Headliner Wire Harness and Control Assembly (continued)

| <i>Ref.</i> | <i>Part Number</i> | <i>Qty.</i> | <i>Description</i>             | <i>Ref.</i> | <i>Part Number</i> | <i>Qty.</i> | <i>Description</i>           |
|-------------|--------------------|-------------|--------------------------------|-------------|--------------------|-------------|------------------------------|
| 1           | 122-2129           | 1           | Harness-Wire, Cab<br>Headliner | 18          | 125-9510           | 3           | Knob-Control                 |
| 2           | 125-9606-03        | 1           | Bracket-Fuse Block             | 19          | 99-7420            | 6           | Plug-Hole                    |
| 3           | 104-2408           | 22          | Screw-HSBH                     | 20          | 95-8999            | 1           | Switch-Rocker,<br>On-None-On |
| 4           | 120-4578           | 29          | Nut-HF                         | 21          | 125-9691-03        | 1           | Panel-Switch, Lights         |
| 5           | 99-7430            | 1           | Relay-Mini                     | 22          | 125-9688           | 1           | Decal-Washer                 |
| 6           | 130-0588           | 3           | Nut-Switch                     | 23          | 119-8355           | 1           | Switch-Rocker                |
| 7           | 42863              | 1           | Strip-Jumper                   | 24          | 125-7437           | 1           | Light-Dome                   |
| 8           | 42862              | 1           | Block-Terminal, Ground         | 25          | 130-5867           | 4           | Cover-Light, Rear            |
| 9           | 32105-13           | 3           | Screw-HWH                      | 26          | 3229-34            | 8           | Screw-CARR                   |
| 10          | 107-1013           | 4           | Nut-Speed                      | 27          | 3256-14            | 14          | Washer-Flat                  |
| 11          | 609900             | 2           | Nut-Speed                      | 28          | 132-3600           | 1           | Decal-Panel, Fuse            |
| 12          | 125-9603-03        | 1           | Plate-Cover, Fuse              | 30          | 144-3306           | 3           | Panel-Switch                 |
| 13          | 125-7438           | 2           | Knob-Screw, Thumb              | 31          | 92-9698            | 4           | Screw-Shoulder               |
| 14          | 32115-15           | 2           | Nut-Push                       | 32          | 94-8196            | 4           | Washer-Nylon                 |
| 15          | 144-3510           | 1           | Panel-Air/Heat                 | 33          | 3256-2             | 4           | Washer-Flat                  |
| 15:2        | 144-3512           | 1           | Decal, Air/Heat                | 34          | 104-7201           | 4           | Nut-HF, NI                   |
| 16          | 144-3572           | 2           | Control-Rotary, Linear         | 35          | 110-5333           | 4           | Grommet-Plug                 |
| 17          | 122-0150           | 1           | Switch, Rotary                 | 36          | 144-3573           | 1           | Cable-Control                |

# Wire Harness Assembly No. 122-2129

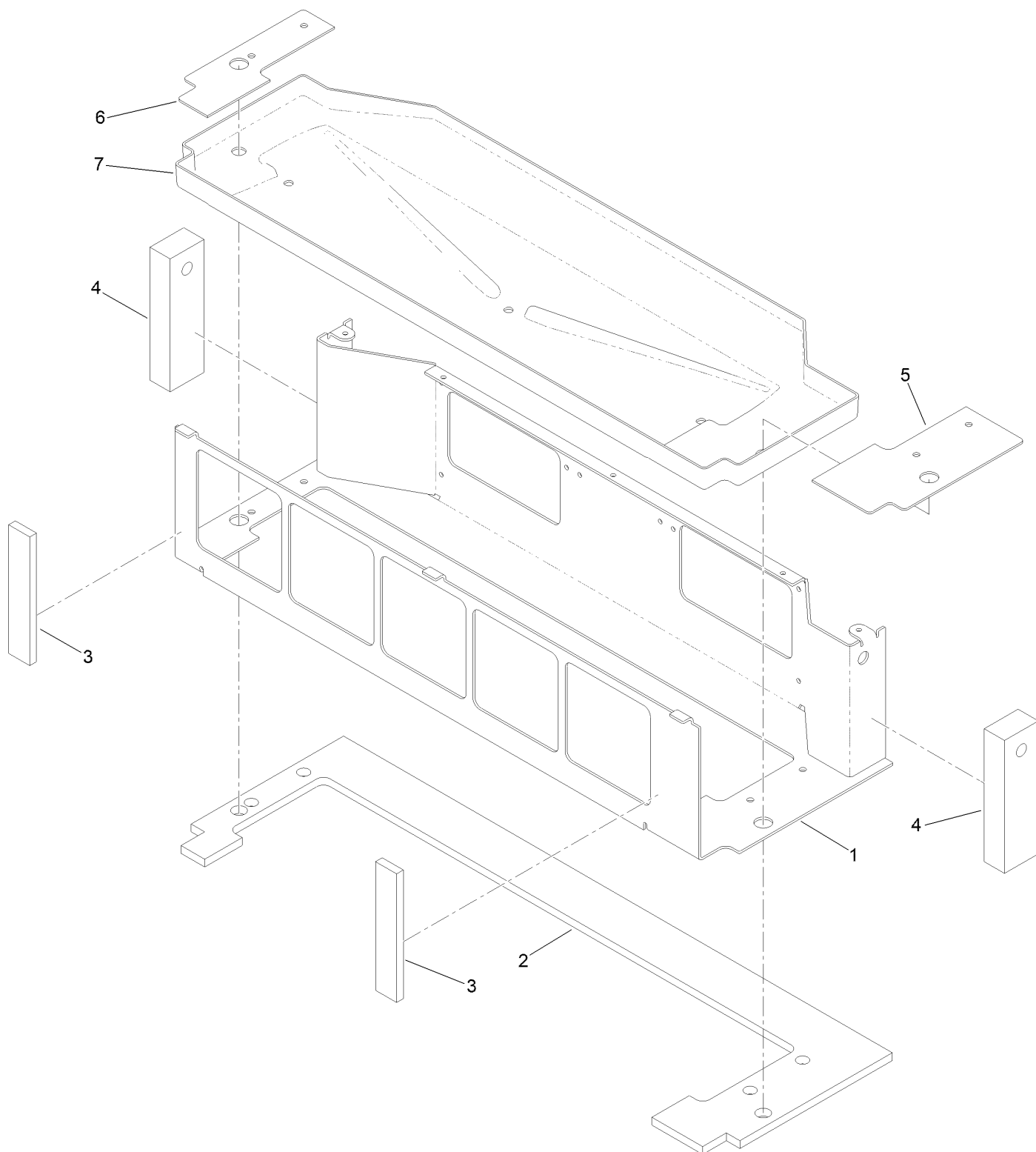


# Wire Harness Assembly No. 122-2129 (continued)

| <i>Ref.</i> | <i>Part Number</i> | <i>Qty.</i> | <i>Description</i> |
|-------------|--------------------|-------------|--------------------|
| 8           | 109355             | 2           | Fuse-Blade, 15 Amp |
| 9           | 109103             | 1           | Fuse-Blade, 30 Amp |

| <i>Ref.</i> | <i>Part Number</i> | <i>Qty.</i> | <i>Description</i> |
|-------------|--------------------|-------------|--------------------|
| 14          | 109101             | 1           | Fuse-Blade, 20 Amp |
| 15          | 109102             | 1           | Fuse-Blade, 25 Amp |

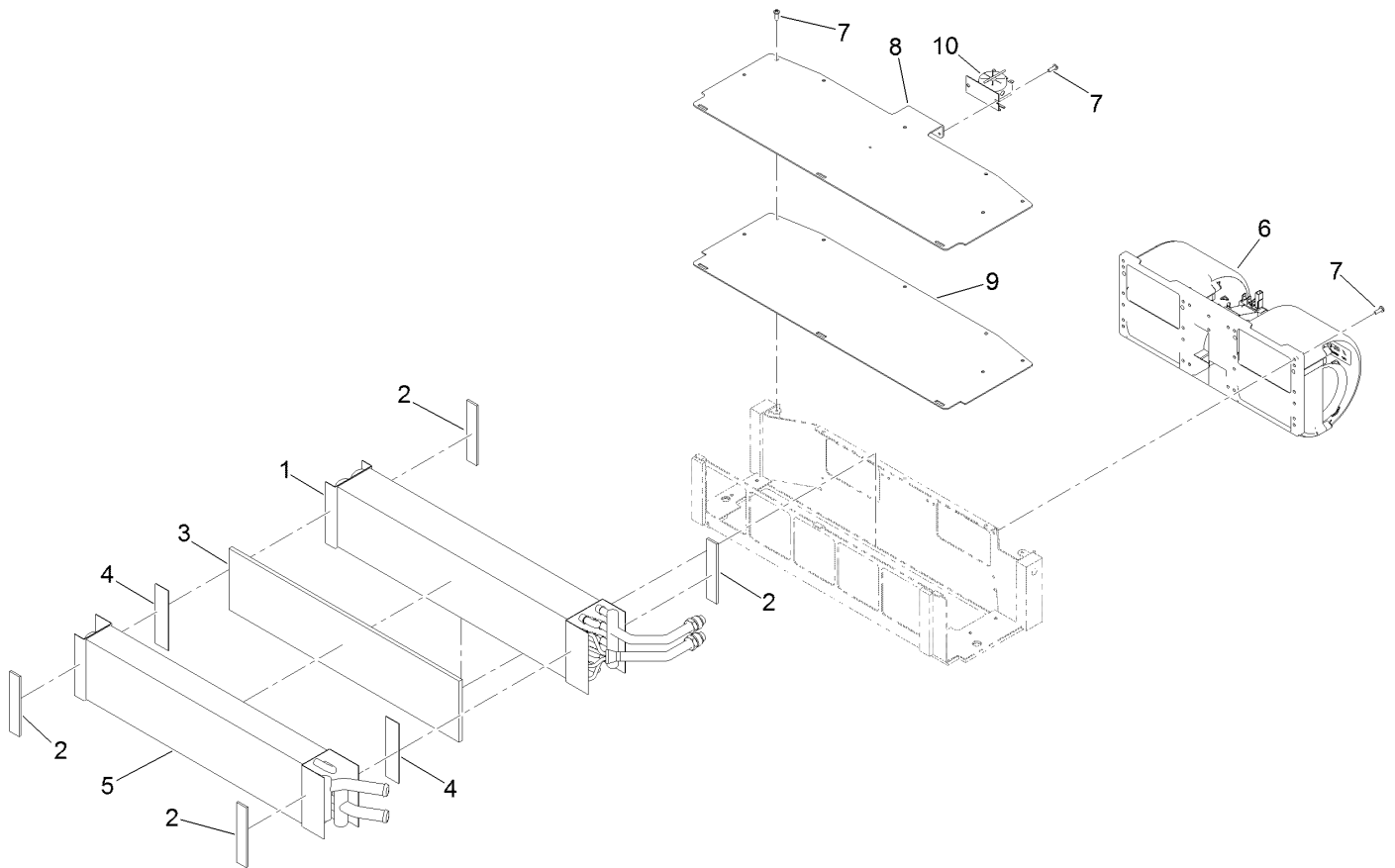
# Mixing Box Mounting Bracket and Water Tray Assembly For Cab Model Only



# Mixing Box Mounting Bracket and Water Tray Assembly For Cab Model Only (continued)

| <i>Ref.</i> | <i>Part Number</i> | <i>Qty.</i> | <i>Description</i> | <i>Ref.</i> | <i>Part Number</i> | <i>Qty.</i> | <i>Description</i>       |
|-------------|--------------------|-------------|--------------------|-------------|--------------------|-------------|--------------------------|
| 1           | 130-5655-03        | 1           | Bracket-Mount      | 5           | 130-5653           | 1           | Gasket-Mount, LH Bracket |
| 2           | 130-5659           | 1           | Seal-Foam          | 6           | 130-5654           | 1           | Gasket-Mount, RH Bracket |
| 3           | 130-5808           | 2           | Seal-Foam, Front   | 7           | 130-5660           | 1           | Tray-Water               |
| 4           | 130-0602           | 2           | Seal-End           |             |                    |             |                          |

# Blower Fan and Evaporator Core Assembly For Cab Model Only

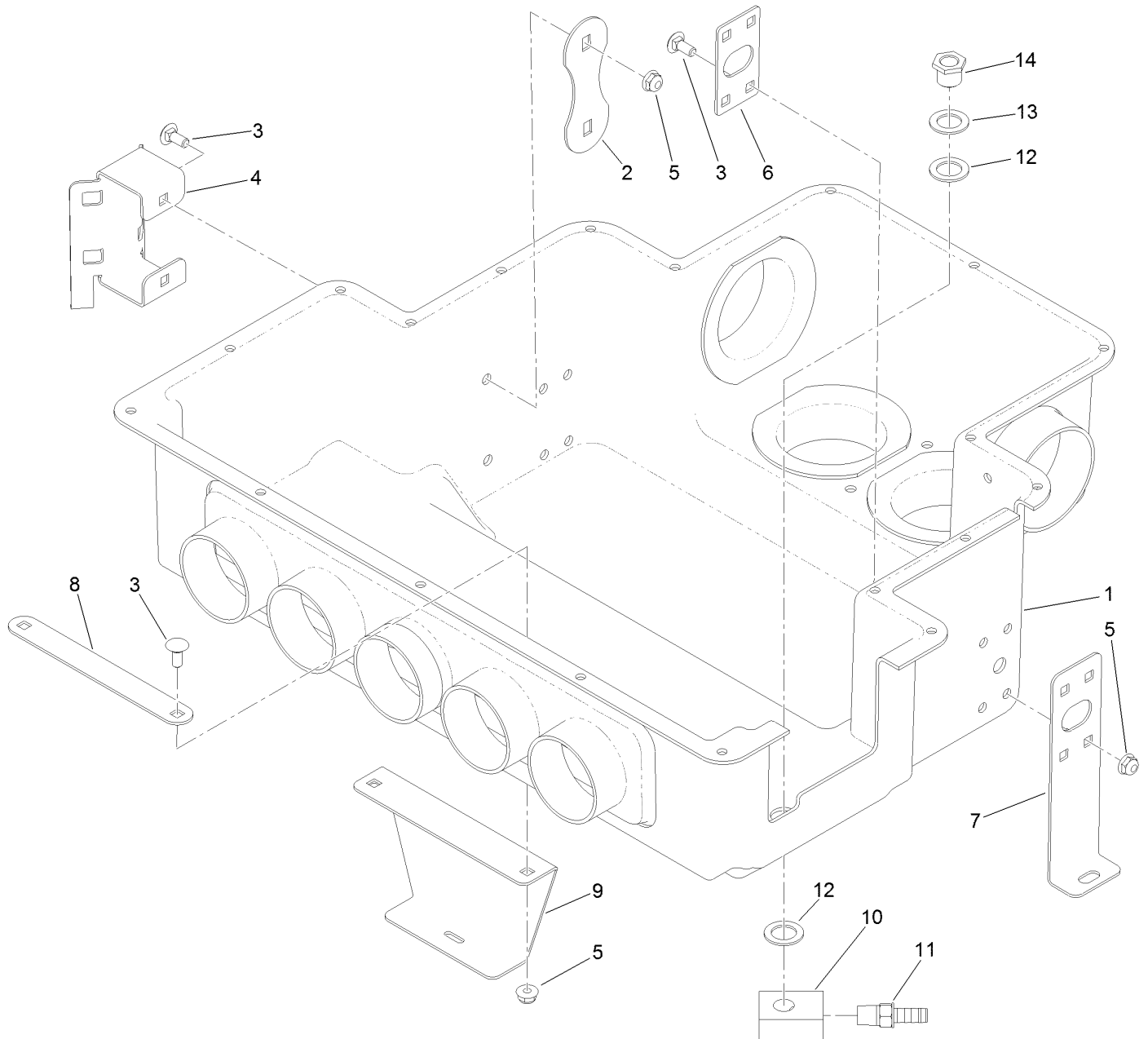




## Blower Fan and Evaporator Core Assembly For Cab Model Only (continued)

| <i>Ref.</i> | <i>Part Number</i> | <i>Qty.</i> | <i>Description</i> | <i>Ref.</i> | <i>Part Number</i> | <i>Qty.</i> | <i>Description</i>             |
|-------------|--------------------|-------------|--------------------|-------------|--------------------|-------------|--------------------------------|
| 1           | 130-5392           | 1           | Core-Evaporator    | 7           | 363-8245           | 13          | Screw-TAP                      |
| 2           | 130-5658           | 4           | Gasket-Coil        | 8           | 130-5656-03        | 1           | Cover, Bracket-Mount           |
| 3           | 130-5807           | 1           | Foam               | 9           | 130-5652           | 1           | Gasket-Mount, Cover<br>Bracket |
| 4           | 130-5806           | 2           | Tape, Double-Sided | 10          | 121-8385           | 1           | Thermostat-Switch, Freeze      |
| 5           | 127-9915           | 1           | Core-Heater        |             |                    |             |                                |
| 6           | 121-8451           | 1           | Fan-Blower         |             |                    |             |                                |

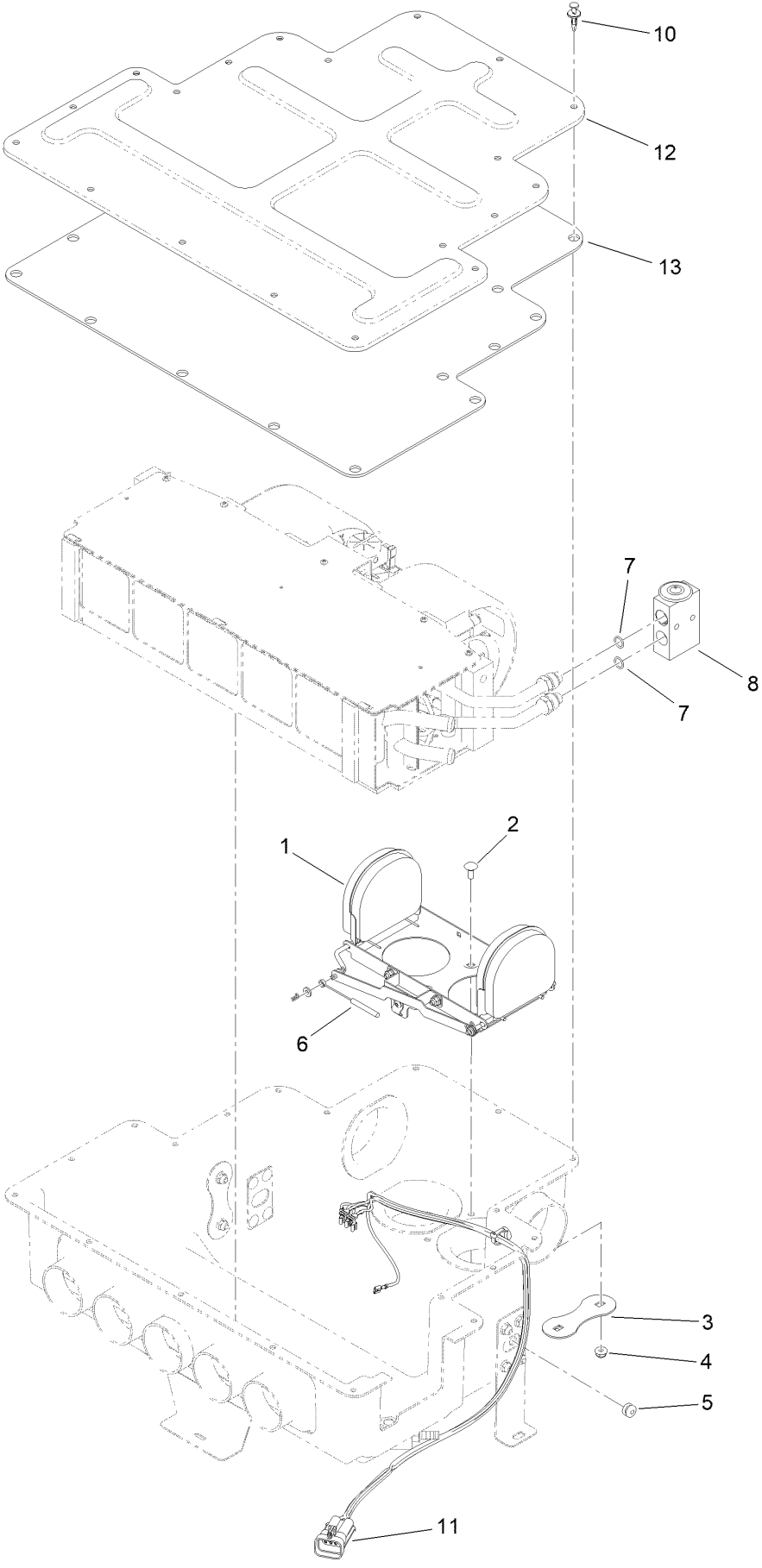
# Heat / Air Conditioner Housing Assembly For Cab Model Only



## Heat / Air Conditioner Housing Assembly For Cab Model Only (continued)

| <i>Ref.</i> | <i>Part Number</i> | <i>Qty.</i> | <i>Description</i>   | <i>Ref.</i> | <i>Part Number</i> | <i>Qty.</i> | <i>Description</i>     |
|-------------|--------------------|-------------|----------------------|-------------|--------------------|-------------|------------------------|
| 1           | 130-5830           | 1           | Housing-Heat/AC      | 8           | 125-7504           | 1           | Plate-Backer, Center   |
| 2           | 121-8491           | 1           | Plate-Support        | 9           | 130-0554           | 1           | Bracket-Airbox, Center |
| 3           | 3229-11            | 12          | Screw-CARR           | 10          | 130-5601           | 2           | Drain-Lower            |
| 4           | 121-8490           | 1           | Bracket-Mount, Drier | 11          | 108-0342           | 2           | Fitting-Straight       |
| 5           | 104-7201           | 12          | Nut-HF, NI           | 12          | 121-6840           | 4           | Washer-Rubber          |
| 6           | 130-5834           | 2           | Bracket-Support      | 13          | 107-3041           | 2           | Washer-Flat            |
| 7           | 130-5821           | 2           | Bracket-Airbox, Side | 14          | 130-0293           | 2           | Drain-Upper            |

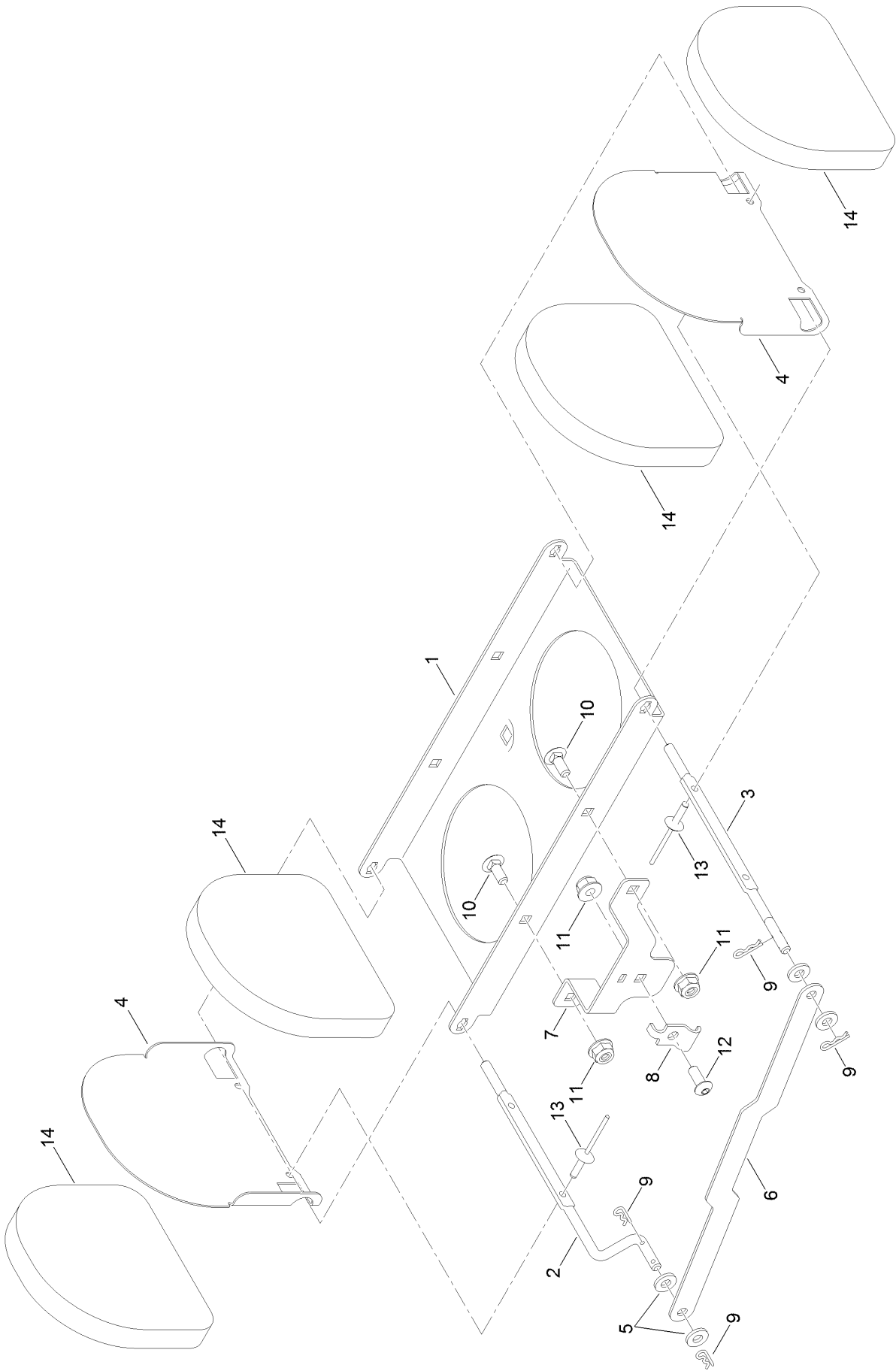
# Air Diverter and Expansion Valve Assembly



## Air Diverter and Expansion Valve Assembly (continued)

| <i>Ref.</i> | <i>Part Number</i> | <i>Qty.</i> | <i>Description</i> | <i>Ref.</i> | <i>Part Number</i> | <i>Qty.</i> | <i>Description</i>              |
|-------------|--------------------|-------------|--------------------|-------------|--------------------|-------------|---------------------------------|
| 1           | 121-8369           | 1           | Air Diverter ASM   | 8           | 121-8384           | 1           | Valve-Expansion                 |
| 2           | 3229-11            | 2           | Screw-CARR         | 10          | 125-9622           | 19          | Rivet-Blind                     |
| 3           | 121-8491           | 1           | Plate-Support      | 11          | 122-0153           | 1           | Harness-Wire, Heat/AC<br>Blower |
| 4           | 104-7201           | 2           | Nut-HF, NI         | 12          | 121-8449           | 1           | Housing-Ventilation, Upper      |
| 5           | 125-7528           | 1           | Grommet-Cable      | 13          | 130-5614           | 1           | Insulation-Cover                |
| 6           | 144-3574           | 1           | Cable-Control      |             |                    |             |                                 |
| 7           | 125-9524           | 2           | O-Ring             |             |                    |             |                                 |

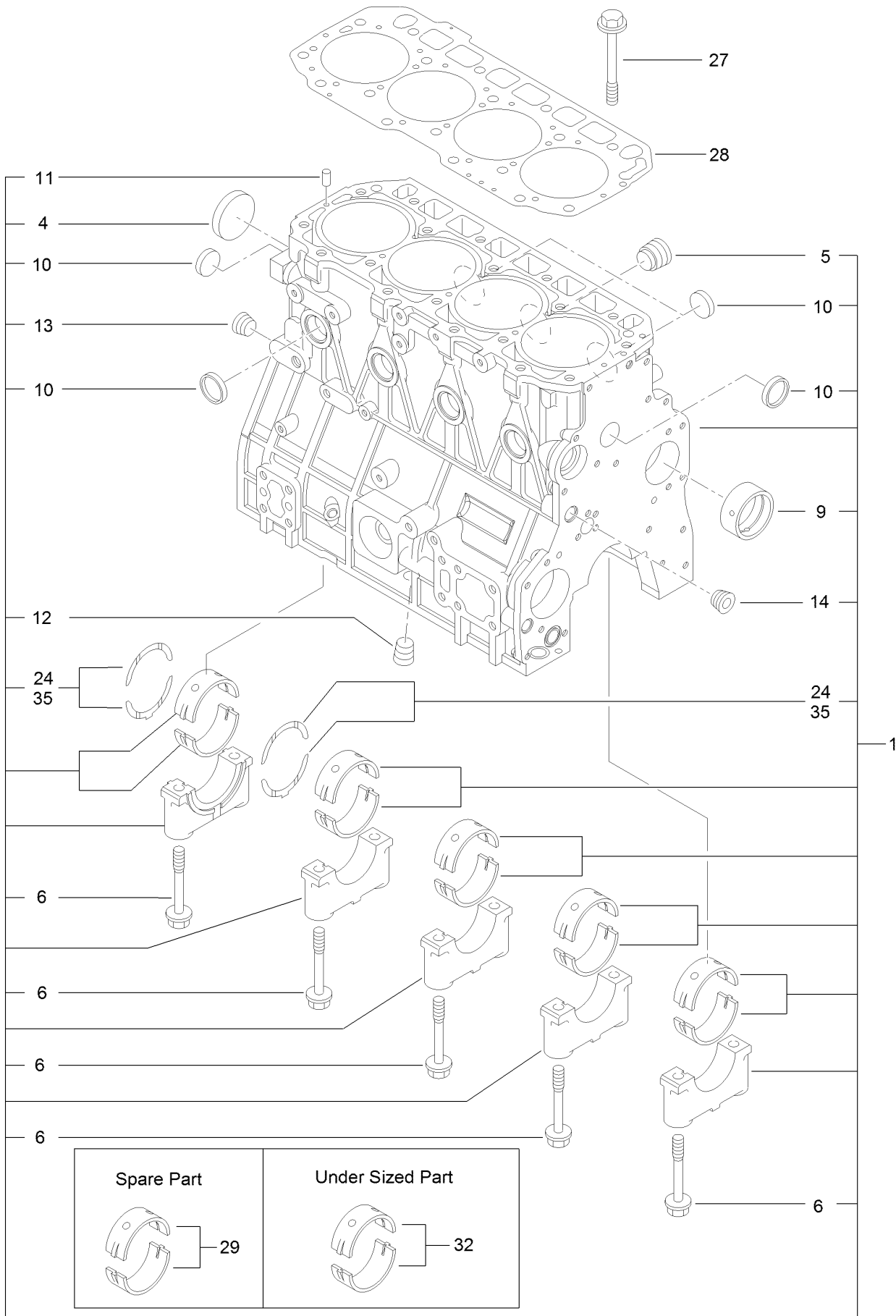
# Air Diverter Assembly No. 121-8369



## Air Diverter Assembly No. 121-8369 (continued)

| <i>Ref.</i> | <i>Part Number</i> | <i>Qty.</i> | <i>Description</i> | <i>Ref.</i> | <i>Part Number</i> | <i>Qty.</i> | <i>Description</i> |
|-------------|--------------------|-------------|--------------------|-------------|--------------------|-------------|--------------------|
| 1           | 125-9697           | 1           | Base-Mount         | 8           | 613385             | 1           | Clamp-Cable        |
| 2           | 121-8381           | 1           | Shaft-Baffle, RH   | 9           | 108-2992           | 4           | Pin-Hair           |
| 3           | 121-8382           | 1           | Shaft-Baffle, LH   | 10          | 1-807513           | 2           | Bolt-CARR          |
| 4           | 125-9698           | 2           | Baffle-Air         | 11          | 120-4578           | 3           | Nut-HF             |
| 5           | 3256-51            | 4           | Washer-Flat        | 12          | 115-9830           | 1           | Screw-HSBH         |
| 6           | 125-9696           | 1           | Link-Baffle        | 13          | 3290-271           | 4           | Rivet-Pop          |
| 7           | 121-8374           | 1           | Mount-Cable        | 14          | 125-9699           | 4           | Damper-Foam        |

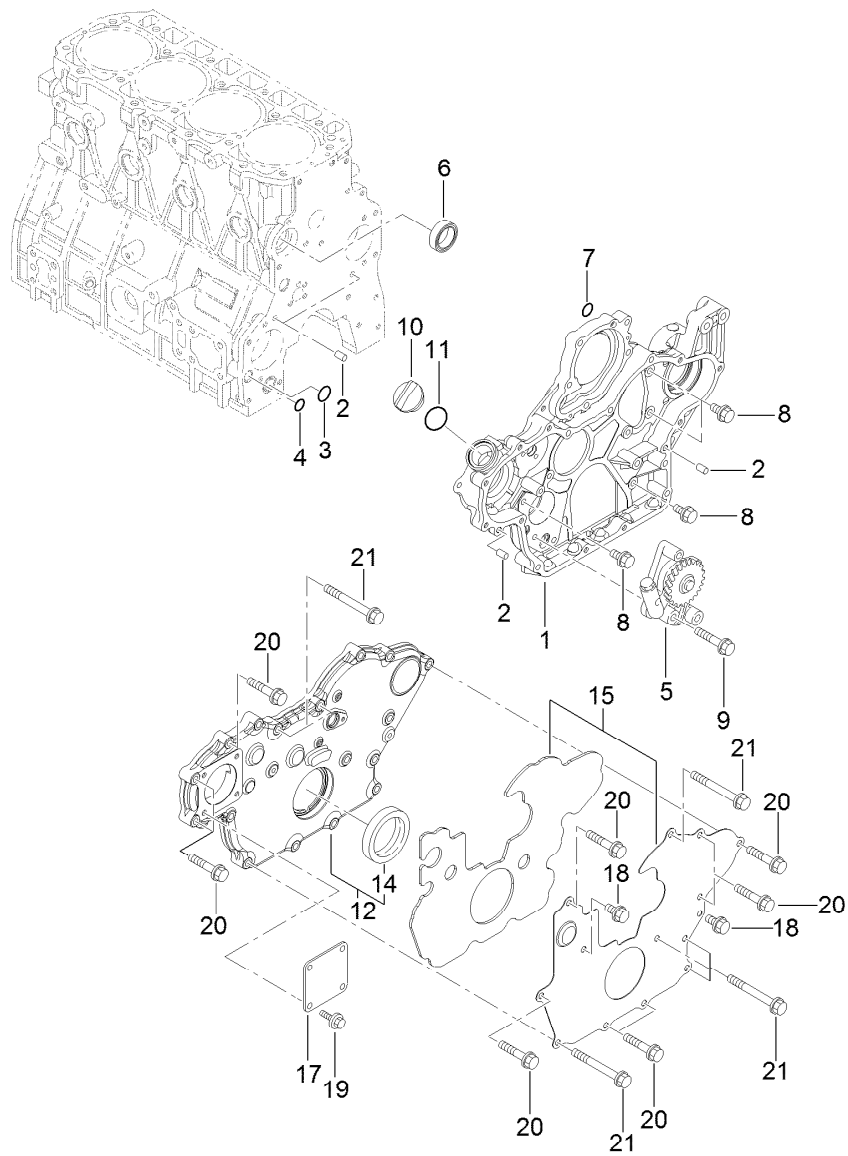
# Cylinder Block Assembly





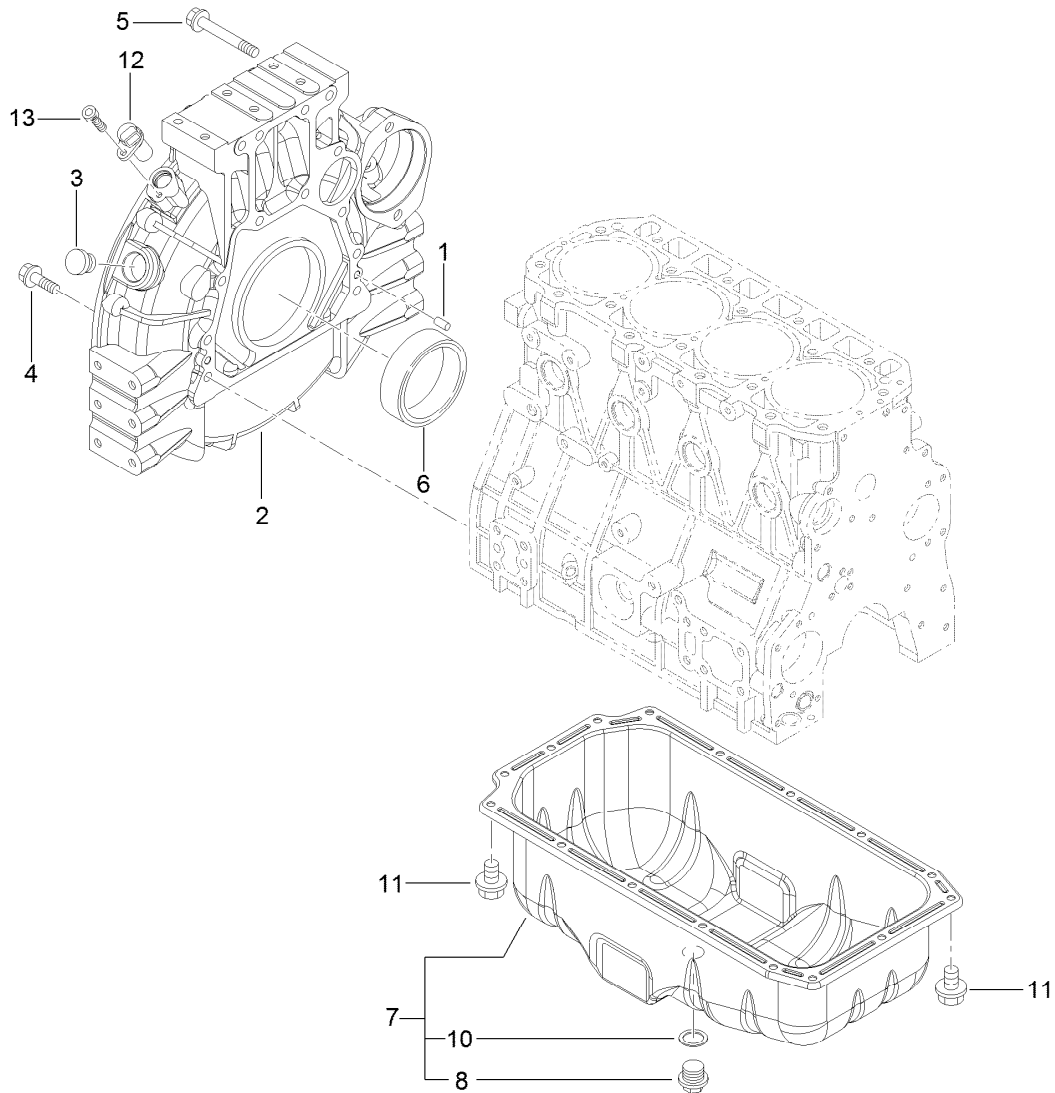
## Cylinder Block Assembly (continued)

| <i>Ref.</i> | <i>Part Number</i> | <i>Qty.</i> | <i>Description</i> | <i>Ref.</i> | <i>Part Number</i> | <i>Qty.</i> | <i>Description</i>    |
|-------------|--------------------|-------------|--------------------|-------------|--------------------|-------------|-----------------------|
| 1           | 133-6785           | 1           | Cylinder Block ASM | 13          | 133-6798           | 1           | Plug                  |
| 4           | 133-6627           | 1           | Plug               | 14          | 133-6798           | 1           | Plug                  |
| 5           | 125-7170           | 1           | Plug               | 24          | 133-6631           | 2           | Bearing-Thrust        |
| 6           | 133-6628           | 10          | Bolt               | 27          | 133-6626           | 18          | Bolt-Head             |
| 9           | 133-6630           | 1           | Bushing-Camshaft   | 28          | 133-6700           | 1           | Gasket-Head, Cylinder |
| 10          | 133-2507           | 8           | Plug               | 29          | 133-2508           | 5           | Bearing-Main          |
| 11          | 125-7184           | 2           | Pin-Spring         | 32          | 133-6629           | 5           | Bearing               |
| 12          | 133-6798           | 1           | Plug               | 35          | 133-6632           | 2           | Bearing-Thrust        |



## Gear Housing Assembly

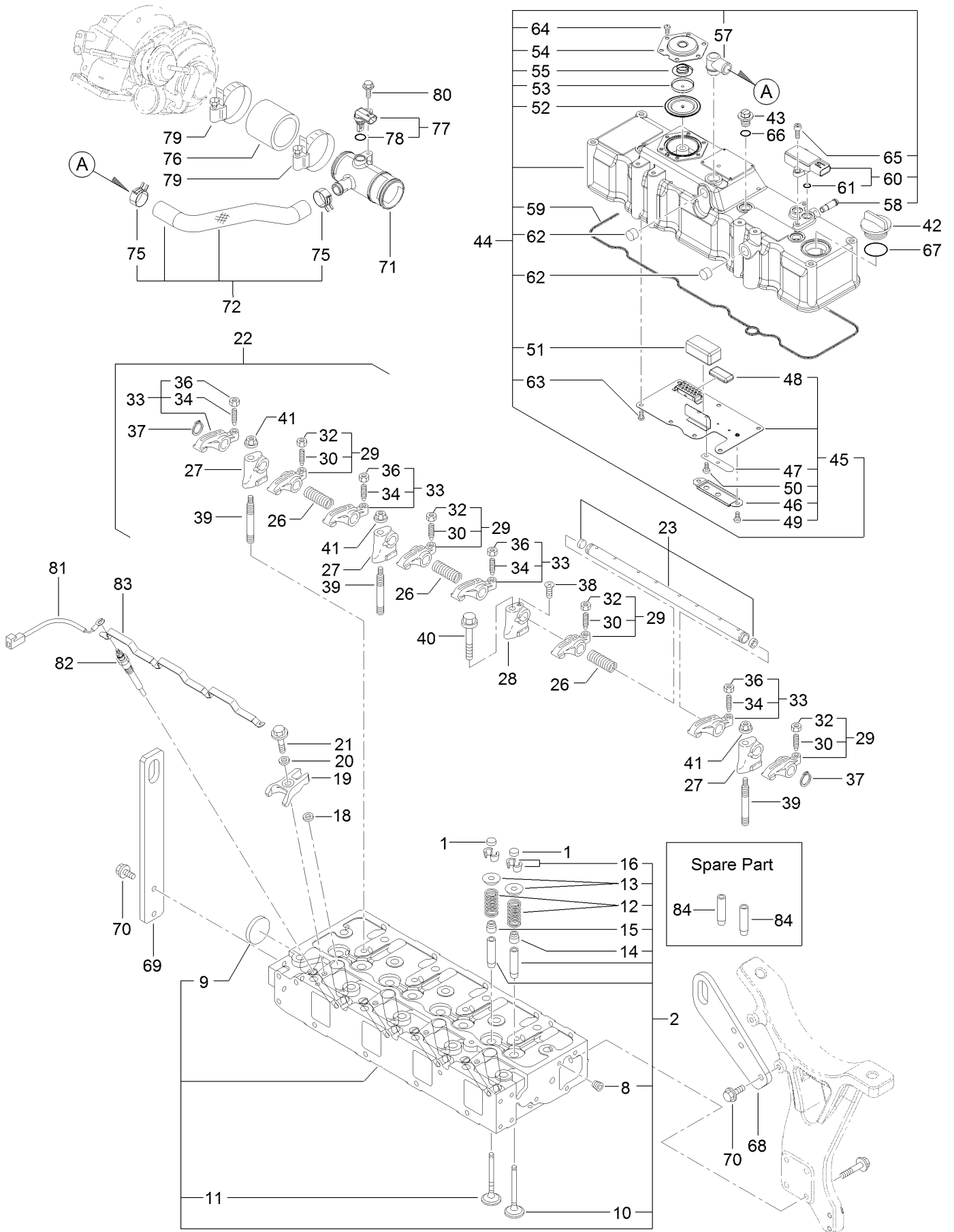
| <i>Ref.</i> | <i>Part Number</i> | <i>Qty.</i> | <i>Description</i> | <i>Ref.</i> | <i>Part Number</i> | <i>Qty.</i> | <i>Description</i> |
|-------------|--------------------|-------------|--------------------|-------------|--------------------|-------------|--------------------|
| 1           | 133-6754           | 1           | Case-Gear          | 11          | 125-7197           | 1           | O-Ring             |
| 2           | 125-6995           | 4           | Pin                | 12          | 133-6701           | 1           | Gearcase Cover ASM |
| 3           | 133-6653           | 1           | O-Ring             | 14          | 133-6669           | 1           | Seal-Oil           |
| 4           | 133-6654           | 1           | O-Ring             | 15          | 133-6703           | 1           | Gearcase Cover ASM |
| 5           | 133-6664           | 1           | Oil Pump ASM       | 17          | 125-6977           | 1           | Cover              |
| 6           | 133-6672           | 1           | Gasket-CW P, Out   | 18          | 125-7214           | 2           | Bolt               |
| 7           | 93-0400            | 1           | O-Ring             | 19          | 125-7214           | 4           | Bolt               |
| 8           | 125-7214           | 4           | Bolt               | 20          | 125-7218           | 10          | Bolt               |
| 9           | 125-7219           | 3           | Bolt               | 21          | 133-2492           | 7           | Bolt               |
| 10          | 125-6972           | 1           | Cover-Filler       |             |                    |             |                    |



## Flywheel Housing and Oil Sump Assembly

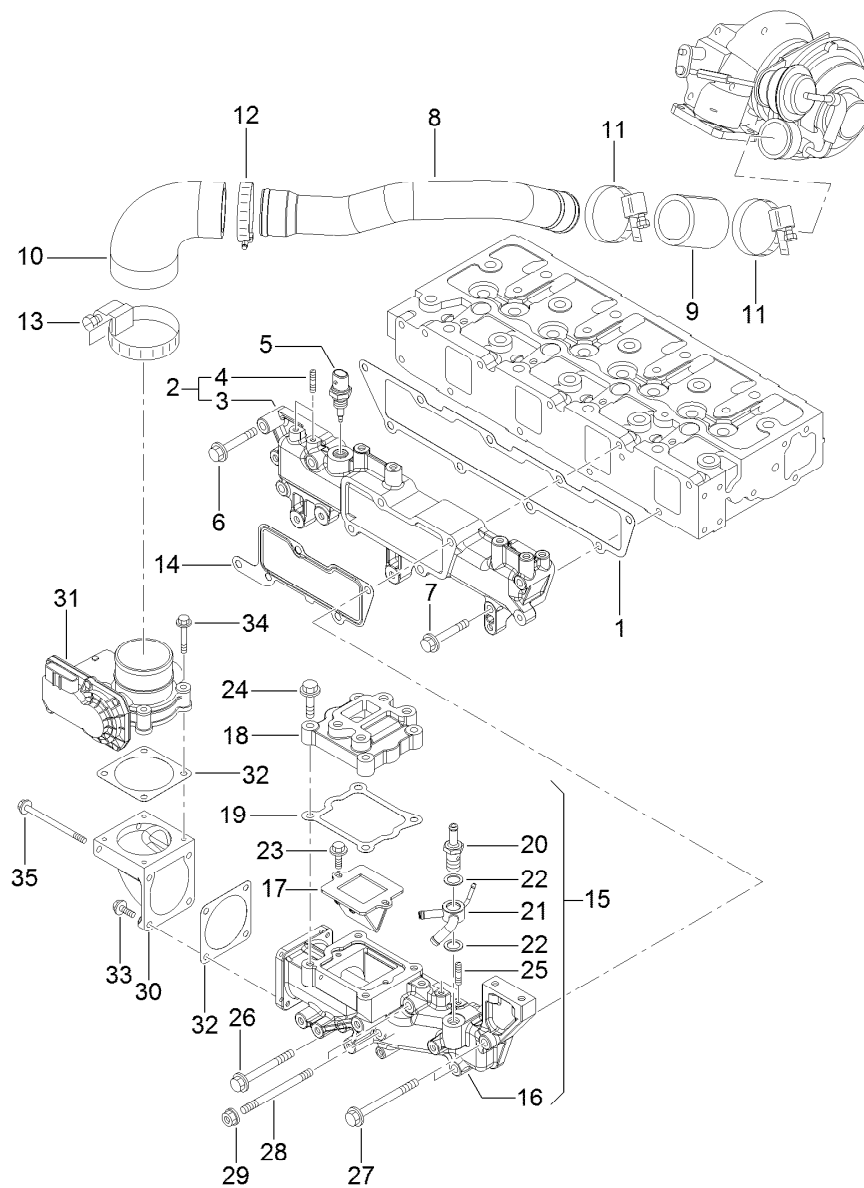
| Ref. | Part Number | Qty. | Description          |
|------|-------------|------|----------------------|
| 1    | 125-6995    | 2    | Pin                  |
| 2    | 133-6702    | 1    | Housing-Flywheel     |
| 3    | 125-6910    | 1    | Cap                  |
| 4    | 133-2499    | 9    | Bolt                 |
| 5    | 133-2500    | 4    | Bolt                 |
| 6    | 133-6668    | 1    | Seal                 |
| 7    | 133-6691    | 1    | Oil Sump ASM         |
| 8    | 125-6912    | 1    | Plug-Drain           |
| 10   | 125-7177    | 1    | Washer-Seal          |
| 11   | 125-7212    | 16   | Bolt                 |
| 12   | 127-3062    | 1    | Sensor-Rev, Flywheel |
| 13   | 127-3184    | 1    | Bolt                 |

# Cylinder Head and Cover Assembly



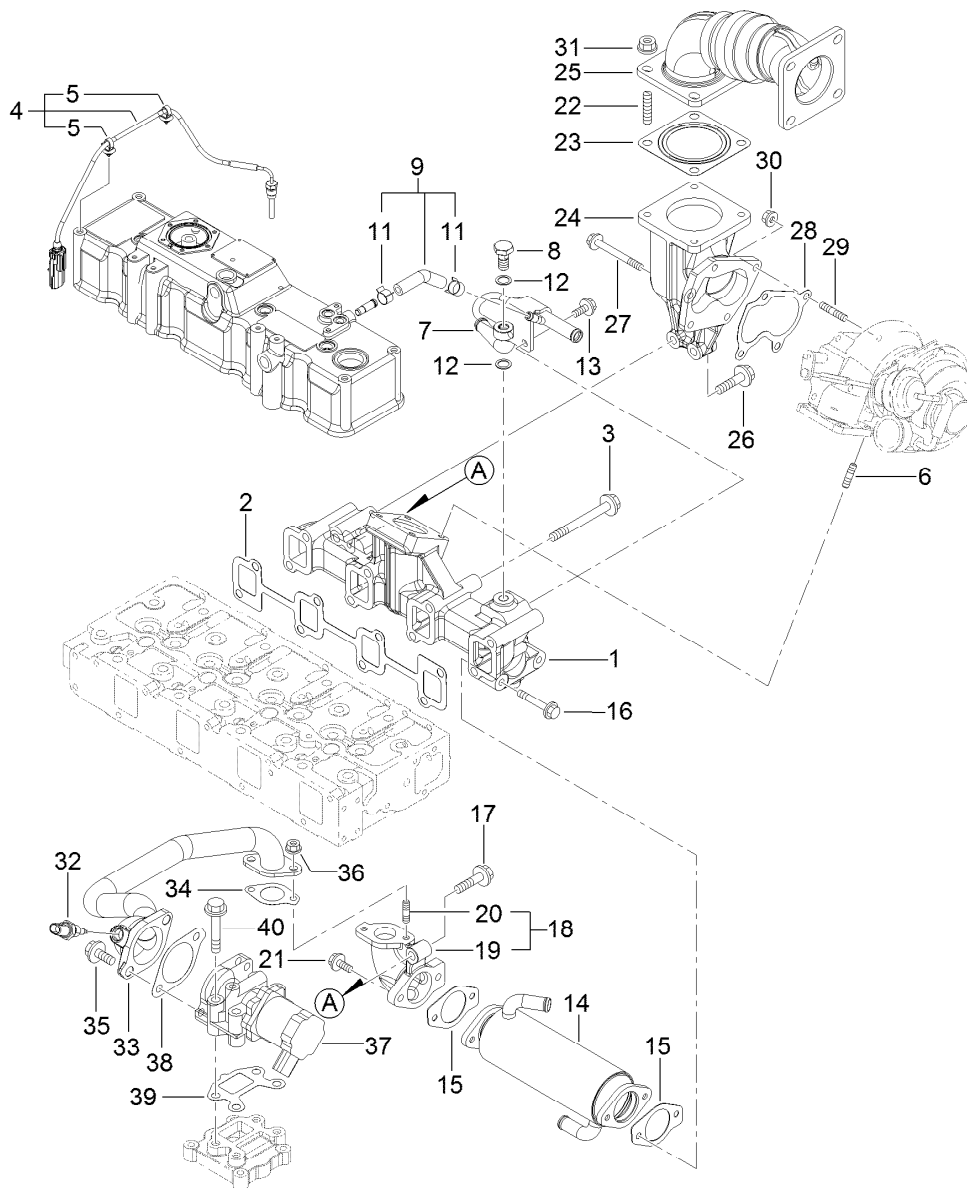
## Cylinder Head and Cover Assembly (continued)

| <i>Ref.</i> | <i>Part Number</i> | <i>Qty.</i> | <i>Description</i>      | <i>Ref.</i> | <i>Part Number</i> | <i>Qty.</i> | <i>Description</i>      |
|-------------|--------------------|-------------|-------------------------|-------------|--------------------|-------------|-------------------------|
| 1           | 127-2996           | 8           | Cap-Valve               | 47          | 133-6696           | 1           | Spring-Plate            |
| 2           | 133-6756           | 1           | Cylinder Head ASM       | 48          | 133-6661           | 1           | Baffle-Breather         |
| 8           | 133-6797           | 1           | Plug                    | 49          | 133-2502           | 2           | Screw                   |
| 9           | 125-7240           | 1           | Plug                    | 50          | 133-2505           | 1           | Screw                   |
| 10          | 133-6633           | 4           | Valve-Intake            | 51          | 125-7118           | 1           | Baffle-Breather         |
| 11          | 133-6634           | 4           | Valve-Exhaust           | 52          | 125-6959           | 1           | Diaphragm               |
| 12          | 133-6635           | 8           | Spring-Valve            | 53          | 125-6960           | 1           | Plate                   |
| 13          | 127-3013           | 8           | Retainer-Spring         | 54          | 125-6961           | 1           | Plate-Breather          |
| 14          | 127-2986           | 4           | Seal-Stem, Valve        | 55          | 125-6962           | 1           | Spring-Diaphragm        |
| 15          | 127-3027           | 4           | Seal-Stem, Valve        | 57          | 133-6603           | 1           | Elbow                   |
| 16          | 127-3186           | 8           | Pin-Cotter              | 58          | 127-3026           | 1           | Joint                   |
| 18          | 127-3021           | 4           | Gasket-Injector         | 59          | 132-4907           | 1           | Gasket-Cover, Head      |
| 19          | 133-6707           | 4           | Retainer-Injector       | 60          | 127-3029           | 1           | Sensor-Pressure         |
| 20          | 127-2980           | 4           | Washer-Injector         | 61          | 127-3032           | 2           | O Ring-Sensor, Pressure |
| 21          | 125-7217           | 4           | Bolt                    | 62          | 125-6913           | 2           | Plug                    |
| 22          | 133-6636           | 1           | Arm Support ASM         | 63          | 125-7186           | 7           | Screw                   |
| 23          | 133-6637           | 1           | Rocker Shaft ASM        | 64          | 125-7186           | 6           | Screw                   |
| 26          | 133-6638           | 3           | Spring-Arm, Rocker      | 65          | 127-3184           | 2           | Bolt                    |
| 27          | 133-6639           | 3           | Support-Arm, Rocker     | 66          | 93-0418            | 3           | O-Ring                  |
| 28          | 133-6640           | 1           | Support-Arm, Rocker     | 67          | 125-7197           | 1           | O-Ring                  |
| 29          | 133-6642           | 4           | Arm-Rocker              | 68          | 133-6779           | 1           | Lifter-Engine           |
| 30          | 125-7013           | 4           | Screw-Adjust, Valve     | 69          | 133-6695           | 1           | Lifter                  |
| 32          | 125-7014           | 4           | Nut                     | 70          | 125-7595           | 4           | Bolt                    |
| 33          | 133-6643           | 4           | Arm-Rocker              | 71          | 127-3128           | 1           | Joint-Breather          |
| 34          | 125-7013           | 4           | Screw-Adjust, Valve     | 72          | 133-6787           | 1           | Breather Hose ASM       |
| 36          | 125-7014           | 4           | Nut                     | 75          | 125-7040           | 2           | Clip-Hose               |
| 37          | 133-6794           | 2           | Ring                    | 76          | 127-3133           | 1           | Hose-Intake             |
| 38          | 133-2503           | 1           | Screw                   | 77          | 127-3030           | 1           | Sensor-Temp, Air        |
| 39          | 133-6641           | 3           | Stud                    | 78          | 127-3033           | 1           | O-Ring                  |
| 40          | 133-2498           | 1           | Bolt                    | 79          | 125-7190           | 2           | Clamp-Hose              |
| 41          | 125-7230           | 3           | Nut                     | 80          | 125-7207           | 1           | Bolt                    |
| 42          | 125-6972           | 1           | Cover-Filler            | 81          | 131-2704           | 1           | Harness-Wire            |
| 43          | 125-6974           | 3           | Knob                    | 82          | 127-2991           | 4           | Plug-Glow               |
| 44          | 133-6755           | 1           | Cylinder Head Cover ASM | 83          | 133-6750           | 1           | Connector-Plug, Glow    |
| 45          | 133-6704           | 1           | Plate-Baffle            | 84          | 127-2997           | 8           | Guide-Valve             |
| 46          | 133-6705           | 1           | Cover-Plate, Spring     |             |                    |             |                         |



## Suction Manifold Assembly

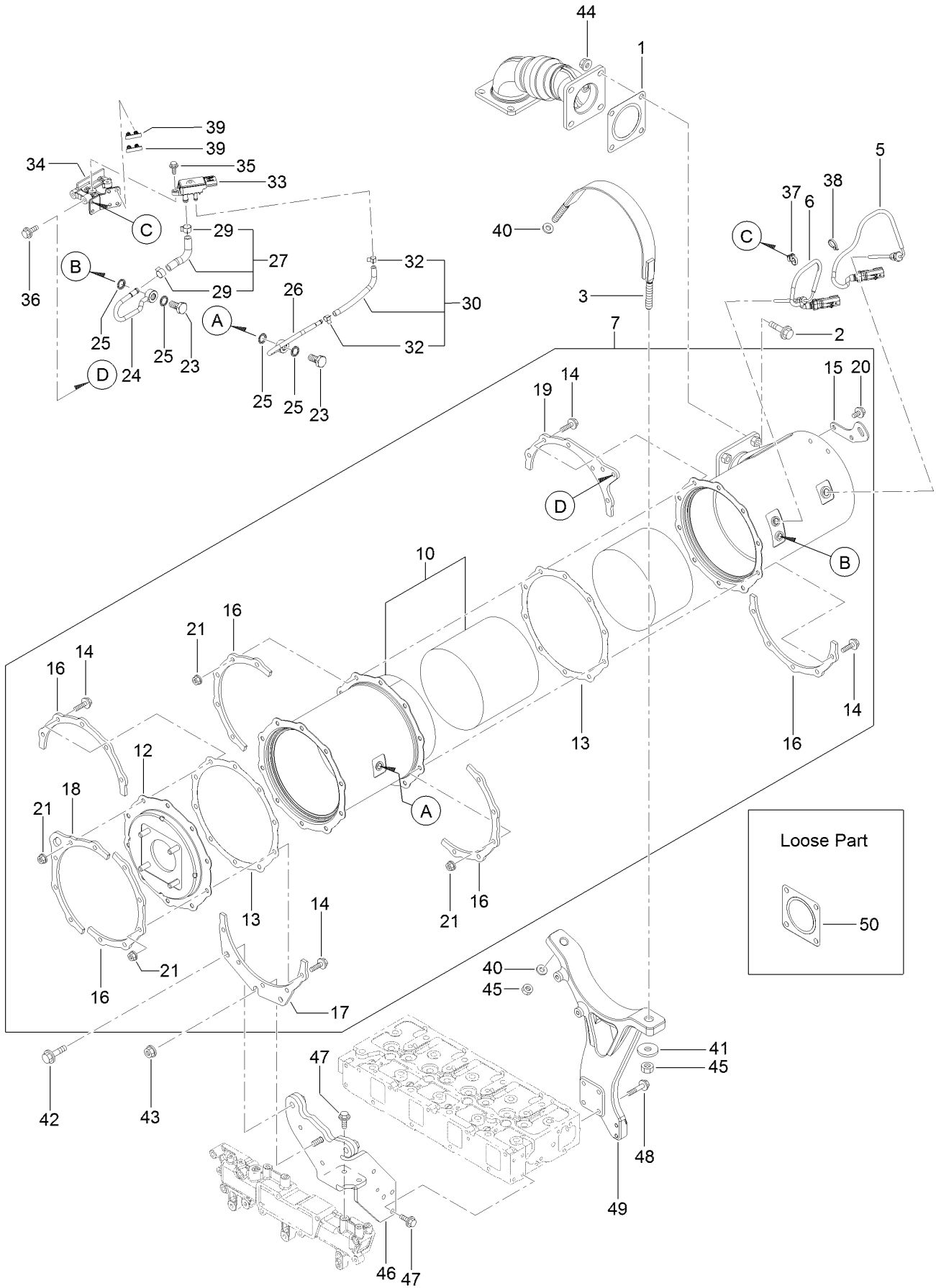
| Ref. | Part Number | Qty. | Description          | Ref. | Part Number | Qty. | Description            |
|------|-------------|------|----------------------|------|-------------|------|------------------------|
| 1    | 133-6708    | 1    | Gasket-Manifold      | 19   | 133-6717    | 1    | Gasket-V Spacer, E G R |
| 2    | 133-6758    | 1    | Intake Manifold ASM  | 20   | 127-3080    | 1    | Joint-Hose             |
| 3    | 133-6757    | 1    | Manifold-Intake, Air | 21   | 133-6743    | 1    | Joint-Hose             |
| 4    | 127-3180    | 2    | Stud                 | 22   | 127-3166    | 2    | Washer-Seal            |
| 5    | 127-3031    | 1    | Sensor-Temp, Air     | 23   | 125-7207    | 2    | Bolt                   |
| 6    | 125-7219    | 1    | Bolt                 | 24   | 125-7217    | 4    | Bolt                   |
| 7    | 125-7221    | 4    | Bolt                 | 25   | 127-3180    | 2    | Stud                   |
| 8    | 133-6764    | 1    | Duct-Intake          | 26   | 127-3178    | 1    | Bolt                   |
| 9    | 127-3096    | 1    | Joint-Rubber         | 27   | 133-2493    | 2    | Bolt                   |
| 10   | 133-6765    | 1    | Joint-Hose           | 28   | 133-2501    | 2    | Stud                   |
| 11   | 127-3170    | 2    | Clamp-Hose           | 29   | 125-7229    | 2    | Nut                    |
| 12   | 125-7190    | 1    | Clamp-Hose           | 30   | 127-3035    | 1    | Bend-Inlet             |
| 13   | 127-3171    | 1    | Clamp-Hose           | 31   | 127-3036    | 1    | Body-Throttle          |
| 14   | 133-6709    | 1    | Gasket-Collector     | 32   | 127-3037    | 2    | Gasket-Throttle        |
| 15   | 133-6760    | 1    | Collector ASM        | 33   | 125-7209    | 2    | Bolt                   |
| 16   | 133-6759    | 1    | Collector            | 34   | 125-7211    | 4    | Bolt                   |
| 17   | 133-6762    | 1    | Valve-Reed           | 35   | 127-3177    | 2    | Bolt                   |
| 18   | 133-6716    | 1    | Spacer-Valve, E G R  |      |             |      |                        |



## Exhaust Manifold Assembly

| Ref. | Part Number | Qty. | Description                  | Ref. | Part Number | Qty. | Description            |
|------|-------------|------|------------------------------|------|-------------|------|------------------------|
| 1    | 133-6761    | 1    | Manifold-Exhaust             | 21   | 125-7595    | 2    | Bolt                   |
| 2    | 133-6710    | 1    | Gasket-Manifold              | 22   | 127-2984    | 4    | Stud                   |
| 3    | 133-6791    | 8    | Bolt                         | 23   | 127-2987    | 1    | Gasket-Silencer        |
| 4    | 133-6718    | 1    | Sensor-Temp, Exhaust         | 24   | 133-6697    | 1    | Pipe-Exhaust           |
| 5    | 127-3087    | 2    | Band-Clip                    | 25   | 133-6788    | 1    | Pipe-Exhaust           |
| 6    | 125-7043    | 4    | Stud                         | 26   | 133-6792    | 2    | Bolt                   |
| 7    | 133-6711    | 1    | Pipe-Pressure, Exhaust       | 27   | 133-6606    | 1    | Bolt                   |
| 8    | 127-3039    | 1    | Bolt-Joint, Pipe             | 28   | 133-6619    | 1    | Gasket                 |
| 9    | 133-6712    | 1    | Exhaust Pressure Hose<br>ASM | 29   | 125-6906    | 3    | Stud                   |
| 11   | 127-3041    | 2    | Clip-Hose                    | 30   | 125-7229    | 3    | Nut                    |
| 12   | 127-3174    | 2    | Gasket                       | 31   | 125-7230    | 4    | Nut                    |
| 13   | 125-7214    | 2    | Bolt                         | 32   | 127-3047    | 1    | Sensor-Gas Temp, E G R |
| 14   | 133-6713    | 1    | Cooler-E G R                 | 33   | 133-6719    | 1    | E G R Pipe ASM         |
| 15   | 133-6698    | 2    | Gasket-Cooler, E G R         | 34   | 127-3016    | 1    | Gasket                 |
| 16   | 133-6714    | 2    | Bolt                         | 35   | 133-2496    | 2    | Bolt                   |
| 17   | 133-6792    | 1    | Bolt                         | 36   | 125-7229    | 2    | Nut                    |
| 18   | 133-6720    | 1    | E G R-C Out Bend ASM         | 37   | 133-6722    | 1    | Valve-E G R            |
| 19   | 133-6721    | 1    | Bend-Out, E G R-C            | 38   | 133-6723    | 1    | Gasket-In, E G R-V     |
| 20   | 125-7043    | 2    | Stud                         | 39   | 133-6724    | 1    | Gasket-Out, E G R-V    |
|      |             |      |                              | 40   | 93-0479     | 4    | Bolt                   |

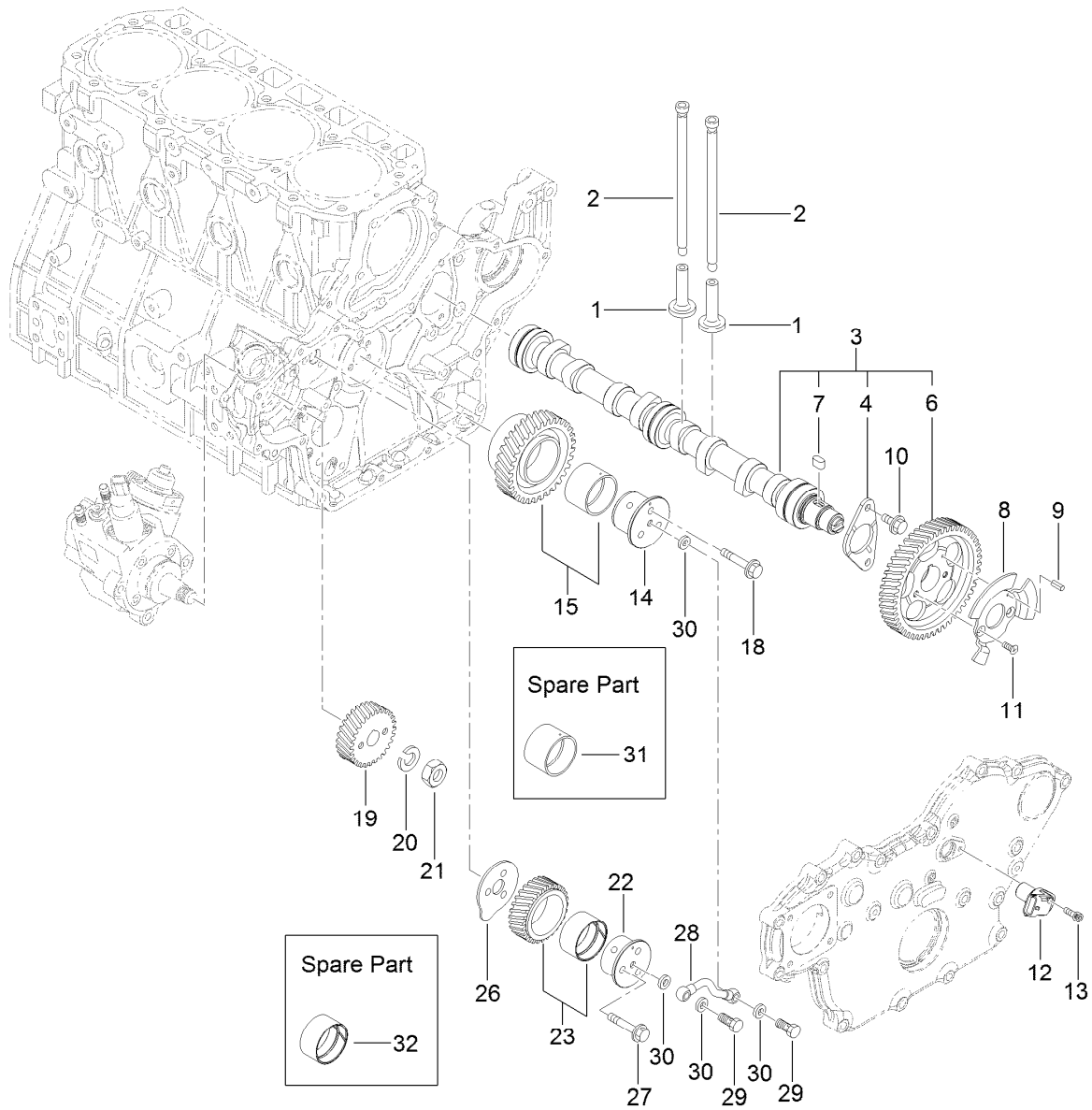
# Diesel Particulate Filter Assembly





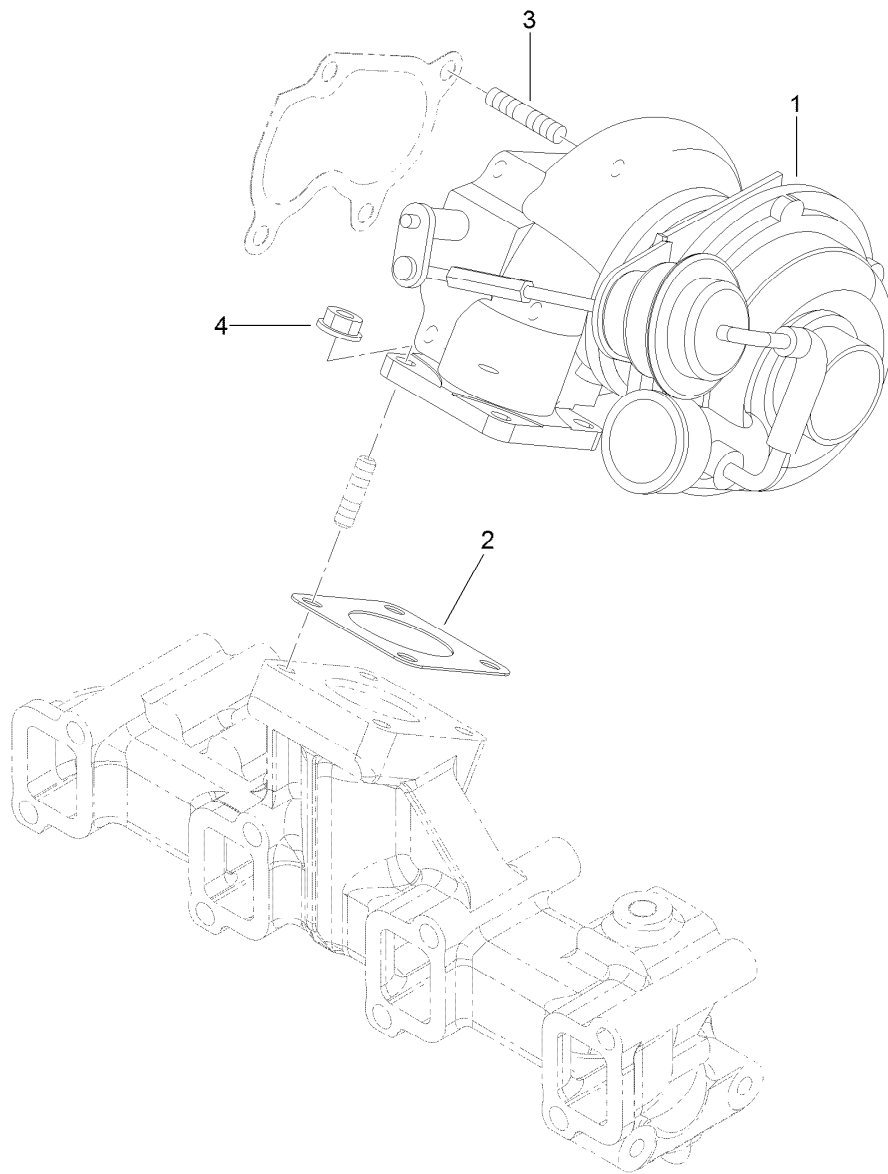
## Diesel Particulate Filter Assembly (continued)

| <i>Ref.</i> | <i>Part Number</i> | <i>Qty.</i> | <i>Description</i>           | <i>Ref.</i> | <i>Part Number</i> | <i>Qty.</i> | <i>Description</i>           |
|-------------|--------------------|-------------|------------------------------|-------------|--------------------|-------------|------------------------------|
| 1           | 127-2987           | 1           | Gasket-Silencer              | 29          | 127-3057           | 2           | Clip-Hose                    |
| 2           | 133-6793           | 4           | Bolt                         | 30          | 127-3059           | 1           | Exhaust Pressure Hose<br>ASM |
| 3           | 133-6783           | 1           | Band-D P F                   | 32          | 127-3058           | 2           | Clip-Hose                    |
| 5           | 127-4764           | 1           | Sensor-Temp, Exhaust         | 33          | 127-3060           | 1           | Sensor-Pressure              |
| 6           | 127-4765           | 1           | Sensor-Temp, Exhaust         | 34          | 133-6773           | 1           | Bracket-Sensor               |
| 7           | 133-6786           | 1           | D P F ASM                    | 35          | 125-7208           | 2           | Bolt                         |
| 10          | 130-8348R          | 1           | Case-Soot Filter, Recon      | 36          | 125-7215           | 2           | Bolt                         |
| 10          | 130-8348           | 1           | Case-Soot Filter             | 37          | 127-3087           | 1           | Band-Clip                    |
| 12          | 133-6781           | 1           | Flange-Outlet                | 38          | 127-3124           | 1           | Band                         |
| 13          | 127-3162           | 2           | Gasket-D P F                 | 39          | 127-3088           | 2           | Clip-Connector               |
| 14          | 127-3055           | 20          | Bolt                         | 40          | 93-0417            | 2           | Washer                       |
| 15          | 127-3144           | 1           | Lifter-D P F                 | 41          | 93-0417            | 1           | Washer                       |
| 16          | 127-3145           | 5           | Stiffener-D P F, A           | 42          | 133-2497           | 2           | Bolt                         |
| 17          | 133-6728           | 1           | Stiffener-D P F, B           | 43          | 125-7230           | 1           | Nut                          |
| 18          | 127-3147           | 1           | Stiffener-D P F, C           | 44          | 125-7230           | 4           | Nut                          |
| 19          | 133-6699           | 1           | Stiffener-D P F, C           | 45          | 133-2506           | 2           | Nut                          |
| 20          | 125-7213           | 2           | Bolt                         | 46          | 133-6774           | 1           | Stay-D P F                   |
| 21          | 125-7229           | 20          | Nut                          | 47          | 125-7595           | 5           | Bolt                         |
| 23          | 127-3039           | 2           | Bolt-Joint, Pipe             | 48          | 133-6715           | 4           | Bolt                         |
| 24          | 133-6775           | 1           | Exhaust Pressure Pipe ASM    | 49          | 133-6782           | 1           | Stay-D P F                   |
| 25          | 127-3056           | 4           | Gasket-Sensor                | 50          | 127-2987           | 1           | Gasket-Silencer              |
| 26          | 133-6776           | 1           | Exhaust Pressure Pipe ASM    |             |                    |             |                              |
| 27          | 133-6777           | 1           | Exhaust Pressure Hose<br>ASM |             |                    |             |                              |



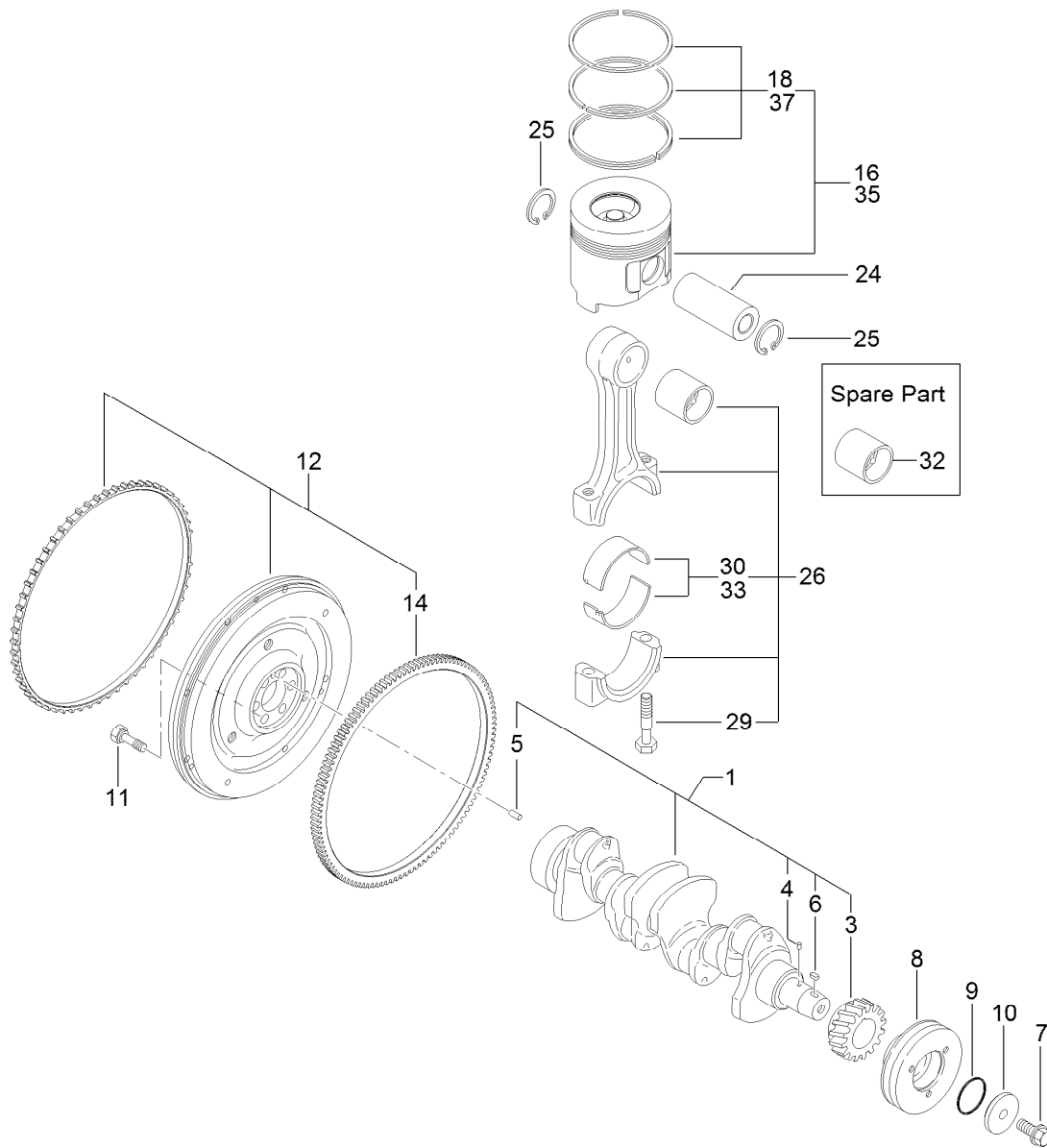
## Camshaft and Driving Gear Assembly

| Ref. | Part Number | Qty. | Description        | Ref. | Part Number | Qty. | Description         |
|------|-------------|------|--------------------|------|-------------|------|---------------------|
| 1    | 125-7016    | 8    | Tappet             | 18   | 125-7220    | 3    | Bolt                |
| 2    | 133-6644    | 8    | Rod-Push           | 19   | 133-6737    | 1    | Gear-Pump, Supply   |
| 3    | 133-6726    | 1    | Cam Shaft ASM      | 20   | 127-3167    | 1    | Washer-Spring       |
| 4    | 125-7008    | 1    | Metal-Thrust       | 21   | 127-3185    | 1    | Nut-Lock            |
| 6    | 133-6725    | 1    | Gear-Camshaft      | 22   | 133-6732    | 1    | Shaft-Gear B, Idle  |
| 7    | 125-7185    | 1    | Key                | 23   | 133-6734    | 1    | Idle Gear B ASM     |
| 8    | 133-6727    | 1    | Pulser-Gear, Cam   | 26   | 133-6735    | 1    | Plate-Shaft B, Idle |
| 9    | 125-7182    | 1    | Pin-Spring         | 27   | 125-7219    | 3    | Bolt                |
| 10   | 125-7213    | 2    | Bolt               | 28   | 133-6736    | 1    | L O Pipe ASM        |
| 11   | 133-2504    | 2    | Screw              | 29   | 133-6600    | 2    | Bolt-Joint, Pipe    |
| 12   | 127-3054    | 1    | Sensor-Rev, Gear   | 30   | 125-7174    | 4    | Washer-Seal         |
| 13   | 127-3184    | 1    | Bolt               | 31   | 133-6624    | 1    | Bushing-Gear, Idle  |
| 14   | 133-6731    | 1    | Shaft-Gear A, Idle | 32   | 133-6733    | 1    | Bushing             |
| 15   | 133-6652    | 1    | Idle Gear ASM      |      |             |      |                     |



## Turbine Assembly

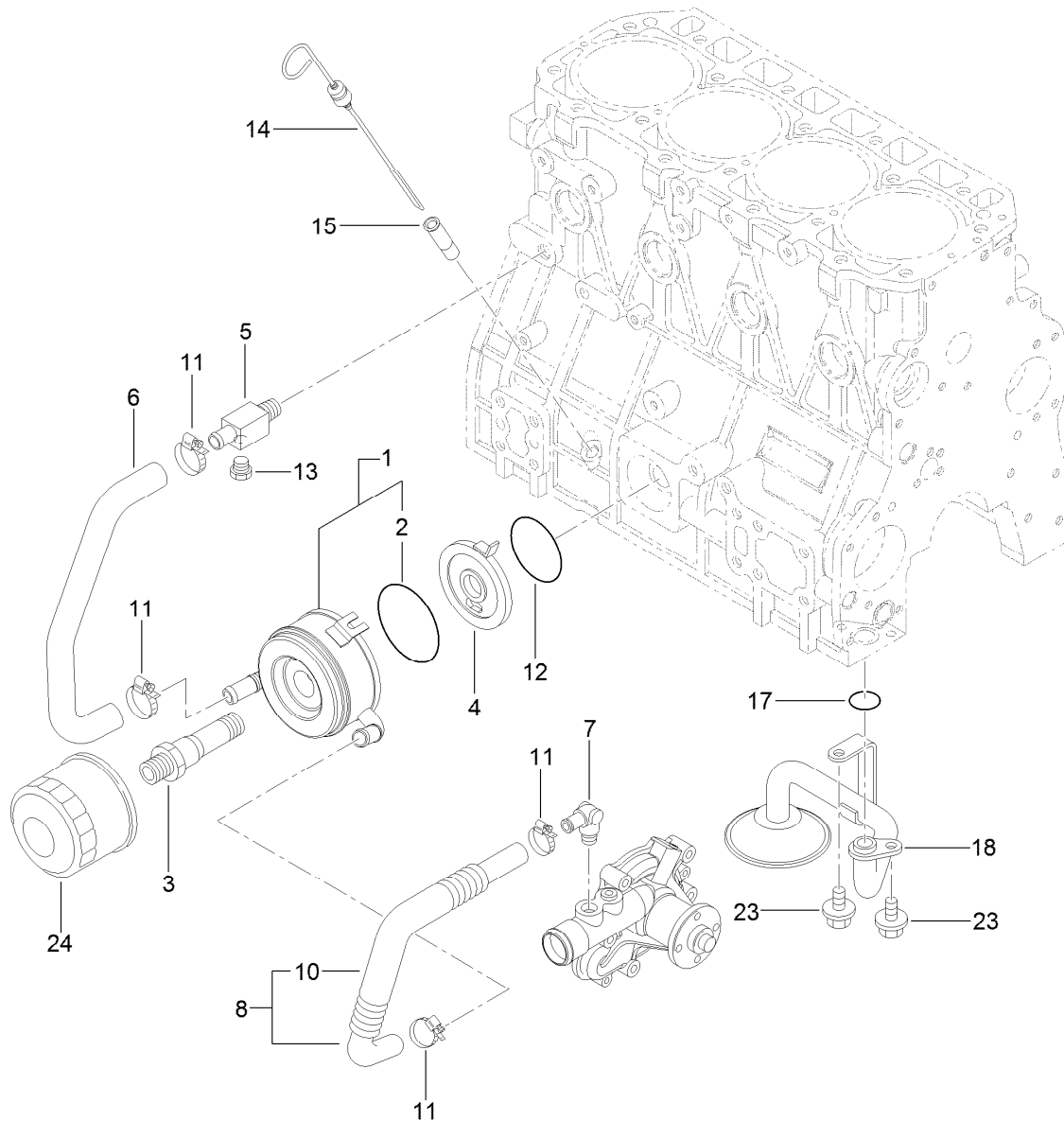
| <i>Ref.</i> | <i>Part Number</i> | <i>Qty.</i> | <i>Description</i>  |
|-------------|--------------------|-------------|---------------------|
| 1           | 133-6763           | 1           | Turbocharger-R H F5 |
| 2           | 133-6625           | 1           | Gasket              |
| 3           | 125-6906           | 4           | Stud                |
| 4           | 125-7229           | 4           | Nut                 |



## Crankshaft and Piston Assembly

| <i>Ref.</i> | <i>Part Number</i> | <i>Qty.</i> | <i>Description</i> |
|-------------|--------------------|-------------|--------------------|
| 1           | 133-6663           | 1           | Crankshaft ASM     |
| 3           | 133-6645           | 1           | Gear-Crankshaft    |
| 4           | 133-6611           | 1           | Pin                |
| 5           | 133-6612           | 1           | Pin-Parallel       |
| 6           | 125-7185           | 1           | Key                |
| 7           | 133-6670           | 1           | Bolt               |
| 8           | 133-6662           | 1           | Pulley-V           |
| 9           | 133-6693           | 1           | Packing-Washer     |
| 10          | 133-6694           | 1           | Washer-Pulley, V   |
| 11          | 133-6610           | 6           | Bolt-Flywheel      |
| 12          | 133-6778           | 1           | Flywheel ASM       |
| 14          | 133-6646           | 1           | Gear-Ring          |

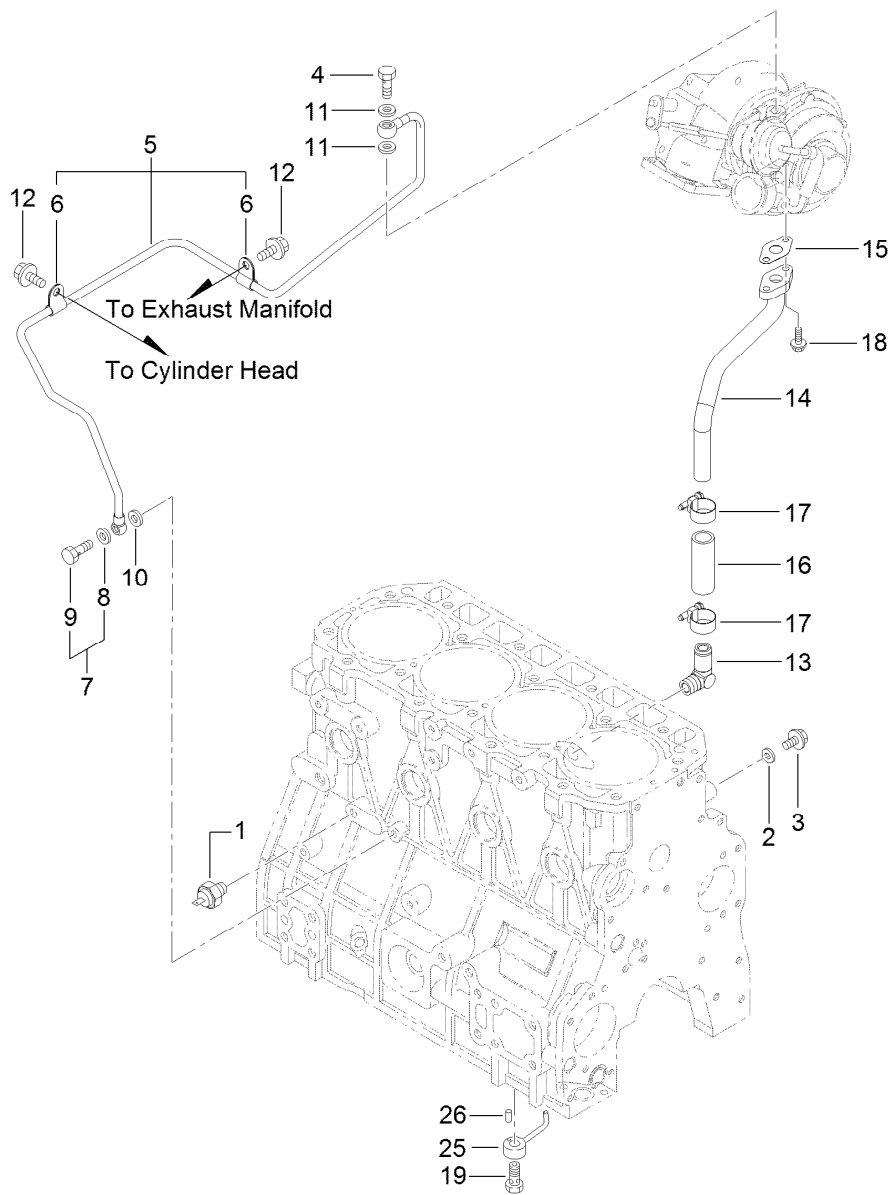
| <i>Ref.</i> | <i>Part Number</i> | <i>Qty.</i> | <i>Description</i>   |
|-------------|--------------------|-------------|----------------------|
| 16          | 133-6766           | 4           | Piston ASM           |
| 18          | 133-6729           | 4           | Ring ASM             |
| 24          | 133-6607           | 4           | Pin-Piston           |
| 25          | 133-6795           | 8           | Ring                 |
| 26          | 133-6647           | 4           | Connecting Rod ASM   |
| 29          | 133-6648           | 8           | Bolt-Rod, Connecting |
| 30          | 133-6649           | 4           | Bearing-Pin, Crank   |
| 32          | 133-6651           | 4           | Bearing-Pin, Piston  |
| 33          | 133-6650           | 4           | Bearing              |
| 35          | 133-6767           | 4           | Piston ASM           |
| 37          | 133-6730           | 4           | Ring ASM             |



## Lubrication and Oil System Assembly

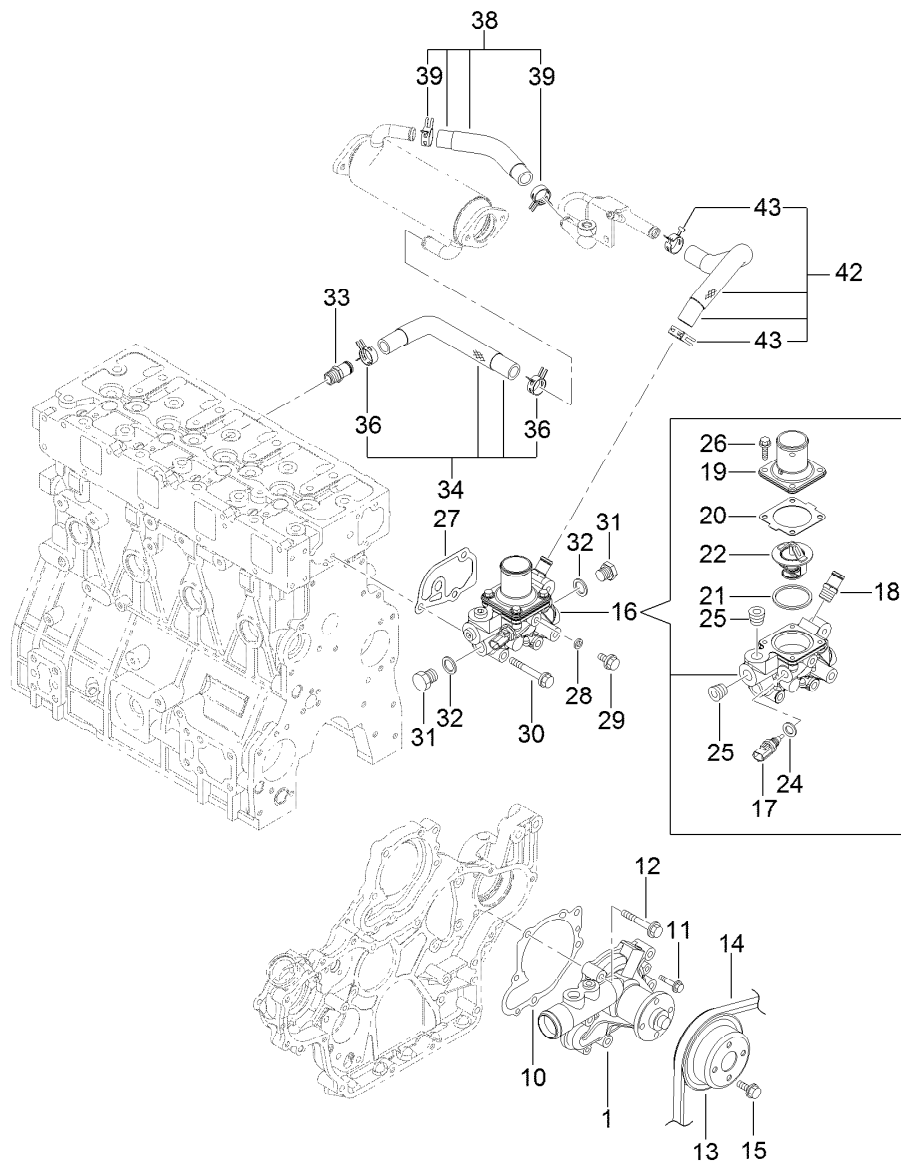
| Ref. | Part Number | Qty. | Description     |
|------|-------------|------|-----------------|
| 1    | 127-3014    | 1    | Cooler ASM      |
| 2    | 127-2985    | 1    | O-Ring          |
| 3    | 133-6622    | 1    | Bolt-Cooler     |
| 4    | 127-3015    | 1    | Bracket-Cooler  |
| 5    | 125-6990    | 1    | Joint           |
| 6    | 133-6667    | 1    | Pipe-Water      |
| 7    | 127-3003    | 1    | Elbow           |
| 8    | 133-6620    | 1    | Pipe-Water      |
| 10   | 133-6621    | 1    | Tube-Corrugated |

| Ref. | Part Number | Qty. | Description        |
|------|-------------|------|--------------------|
| 11   | 125-7188    | 4    | Clamp-Hose         |
| 12   | 127-3176    | 1    | O-Ring             |
| 13   | 125-7171    | 1    | Plug-Drain         |
| 14   | 133-6655    | 1    | Dipstick-Oil       |
| 15   | 125-6954    | 1    | Guide-Dipstick     |
| 17   | 133-6653    | 1    | O-Ring             |
| 18   | 133-6656    | 1    | Oil Inlet Pipe ASM |
| 23   | 125-7212    | 2    | Bolt               |
| 24   | 125-7025    | 1    | Filter-Engine, Oil |



## Lubrication Oil Pipe Assembly

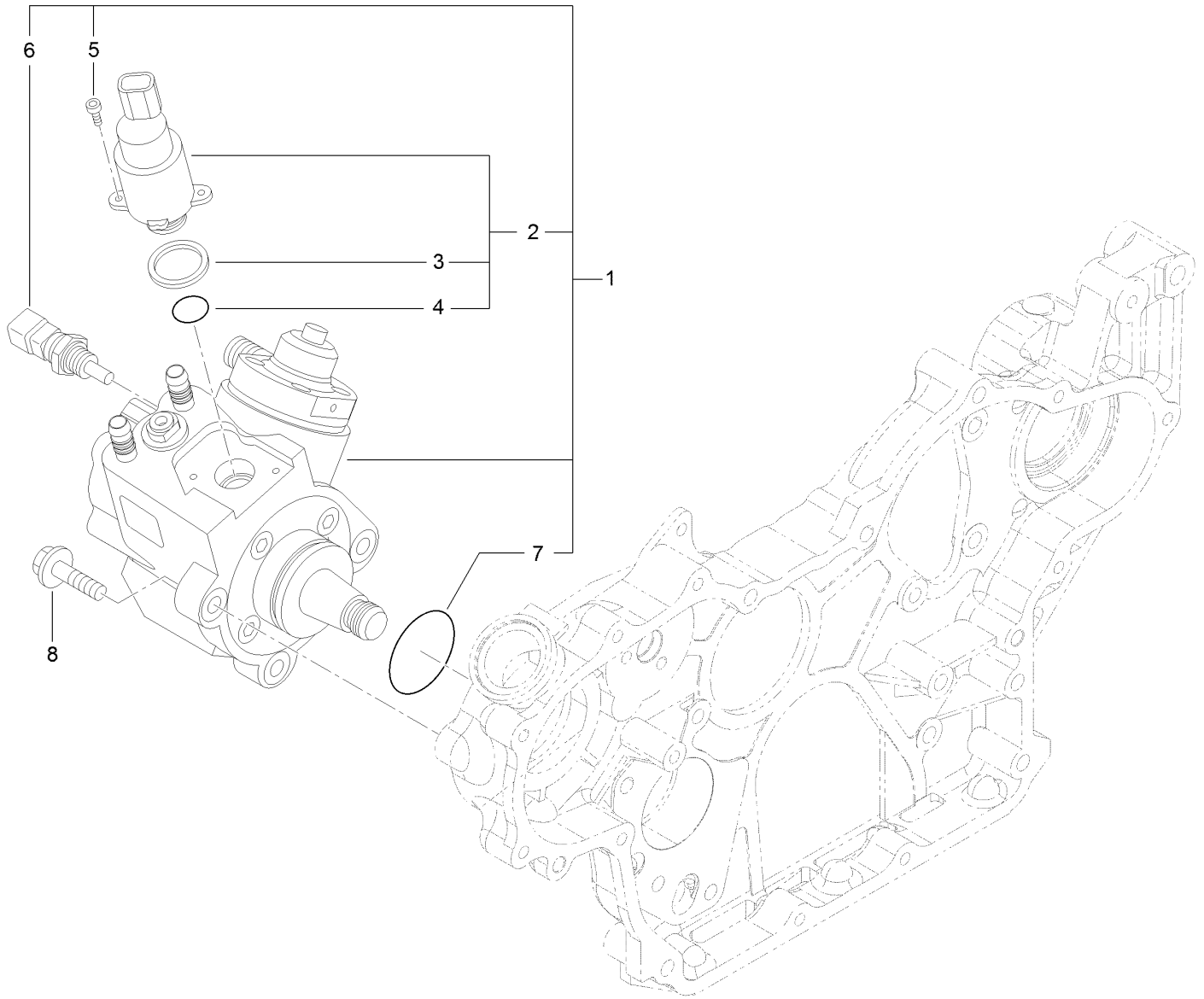
| Ref. | Part Number | Qty. | Description      | Ref. | Part Number | Qty. | Description         |
|------|-------------|------|------------------|------|-------------|------|---------------------|
| 1    | 125-6918    | 1    | Switch-Oil       | 12   | 125-7212    | 2    | Bolt                |
| 2    | 125-7174    | 1    | Washer-Seal      | 13   | 125-6971    | 1    | Elbow               |
| 3    | 125-7212    | 1    | Bolt             | 14   | 133-6769    | 1    | Pipe-L O Return T/C |
| 4    | 125-6952    | 1    | Bolt-Joint, Pipe | 15   | 133-6666    | 1    | Gasket              |
| 5    | 133-6768    | 1    | L O Pipe ASM     | 16   | 125-6958    | 1    | Hose                |
| 6    | 133-6623    | 2    | Retainer         | 17   | 125-7188    | 2    | Clamp-Hose          |
| 7    | 125-6988    | 1    | Joint Bolt ASM   | 18   | 125-7208    | 2    | Bolt                |
| 8    | 125-7174    | 1    | Washer-Seal      | 19   | 133-6665    | 4    | Check Valve ASM     |
| 9    | 125-7194    | 1    | Bolt-Joint       | 25   | 133-6602    | 4    | Nozzle              |
| 10   | 125-7174    | 2    | Washer-Seal      | 26   | 125-7182    | 4    | Pin-Spring          |
| 11   | 125-7193    | 2    | Gasket           |      |             |      |                     |



## Cooling Water System Assembly

| Ref. | Part Number | Qty. | Description           | Ref. | Part Number | Qty. | Description            |
|------|-------------|------|-----------------------|------|-------------|------|------------------------|
| 1    | 133-6657    | 1    | Water Pump ASM        | 25   | 133-6796    | 2    | Plug                   |
| 10   | 133-6658    | 1    | Gasket-Pump, Water    | 26   | 125-7209    | 4    | Bolt                   |
| 11   | 131-2739    | 2    | Bolt                  | 27   | 133-6660    | 1    | Gasket                 |
| 12   | 125-7221    | 5    | Bolt                  | 28   | 125-7192    | 1    | Gasket                 |
| 13   | 133-6659    | 1    | V Pulley-Pump, CW     | 29   | 125-7212    | 1    | Bolt                   |
| 14   | 133-6799    | 1    | V-Belt                | 30   | 125-7222    | 3    | Bolt                   |
| 15   | 133-2495    | 4    | Bolt                  | 31   | 125-6953    | 2    | Plug                   |
| 16   | 133-6740    | 1    | Thermostat Case ASM   | 32   | 125-6979    | 2    | Gasket                 |
| 17   | 125-7124    | 1    | Sensor-Thermostat, CW | 33   | 127-3017    | 1    | Joint                  |
| 18   | 127-3017    | 1    | Joint                 | 34   | 133-6738    | 1    | E G R-C In Hose ASM    |
| 19   | 133-6671    | 1    | Cover-Thermostat      | 36   | 127-3020    | 2    | Clip-Hose              |
| 20   | 133-6613    | 1    | Gasket-Thermostat     | 38   | 133-6739    | 1    | E G R-C Out A Hose ASM |
| 21   | 133-6614    | 1    | Gasket-Thermostat     | 39   | 127-3020    | 2    | Clip-Hose              |
| 22   | 133-6615    | 1    | Thermostat            | 42   | 133-6784    | 1    | E G R-C Out B Hose ASM |
| 24   | 125-7176    | 1    | Washer-Seal           | 43   | 127-3020    | 2    | Clip-Hose              |

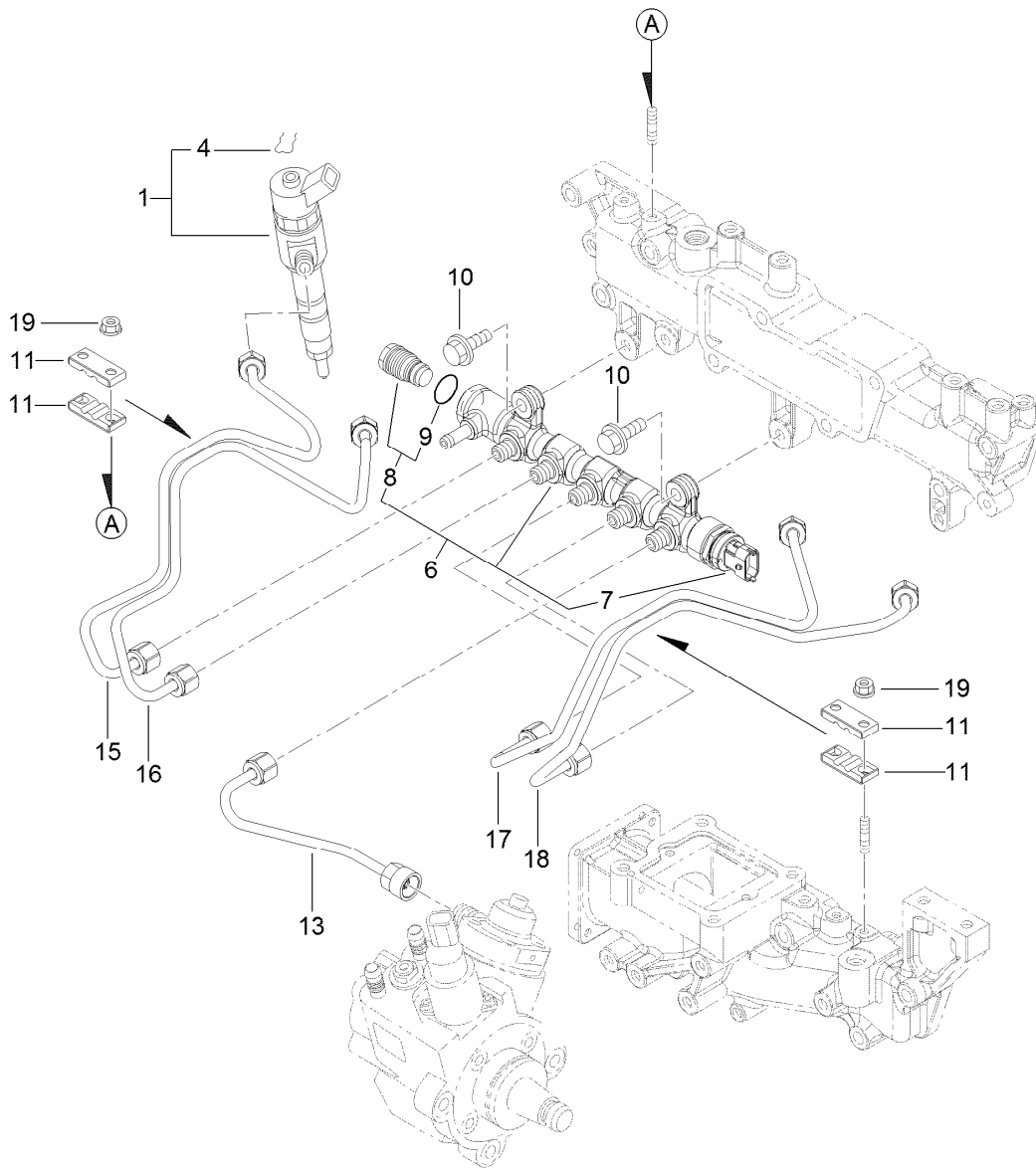
# Fuel Supply Pump Assembly





## Fuel Supply Pump Assembly (continued)

| <i>Ref.</i> | <i>Part Number</i> | <i>Qty.</i> | <i>Description</i> | <i>Ref.</i> | <i>Part Number</i> | <i>Qty.</i> | <i>Description</i> |
|-------------|--------------------|-------------|--------------------|-------------|--------------------|-------------|--------------------|
| 1           | 127-3073           | 1           | Fuel Pump ASM      | 5           | 131-2107           | 2           | Bolt               |
| 2           | 131-2103           | 1           | Valve ASM          | 6           | 131-2108           | 1           | Sensor-Temperature |
| 3           | 131-2105           | 1           | Ring-Sealing       | 7           | 127-3074           | 1           | O-Ring             |
| 4           | 131-2106           | 1           | O-Ring             | 8           | 125-7216           | 3           | Bolt               |

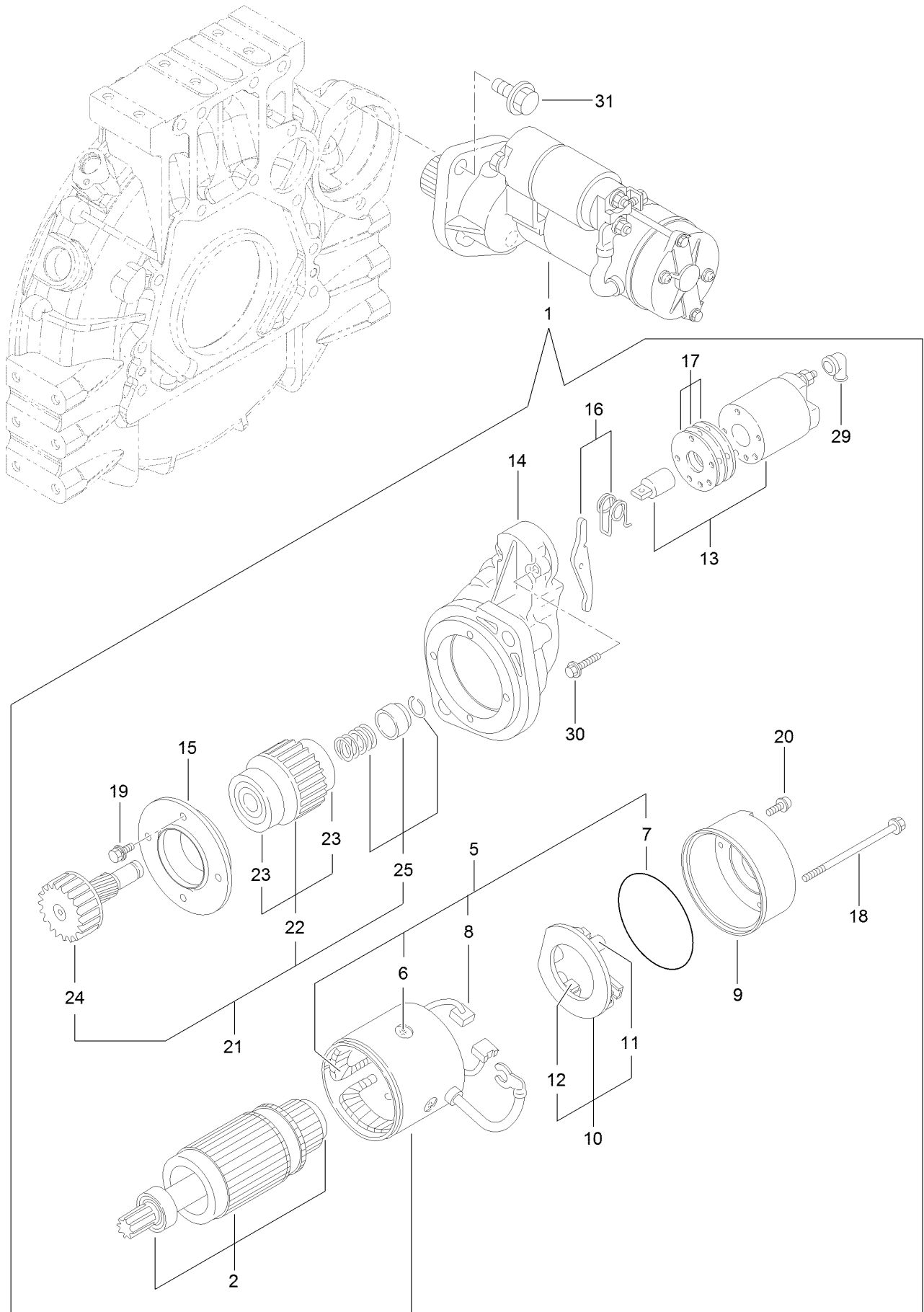


## Fuel Injection Valve Assembly

| Ref. | Part Number | Qty. | Description            |
|------|-------------|------|------------------------|
| 1    | 133-6770    | 4    | Injector-C R           |
| 4    | 130-7430    | 4    | Ring-Retaining         |
| 6    | 127-3118    | 1    | Rail ASM               |
| 7    | 131-2709    | 1    | Sensor-Pressure, Rail  |
| 8    | 131-2710    | 1    | Valve ASM              |
| 9    | 130-7433    | 1    | O-Ring                 |
| 10   | 125-7215    | 2    | Bolt                   |
| 11   | 127-2982    | 4    | Retainer               |
| 13   | 133-6745    | 1    | Rail Injector Pipe ASM |
| 15   | 133-6746    | 1    | Injector No 1 Pipe ASM |
| 16   | 133-6747    | 1    | Injector No 2 Pipe ASM |
| 17   | 133-6748    | 1    | Injector No 3 Pipe ASM |
| 18   | 133-6749    | 1    | Injector No 4 Pipe ASM |
| 19   | 125-7231    | 4    | Nut                    |



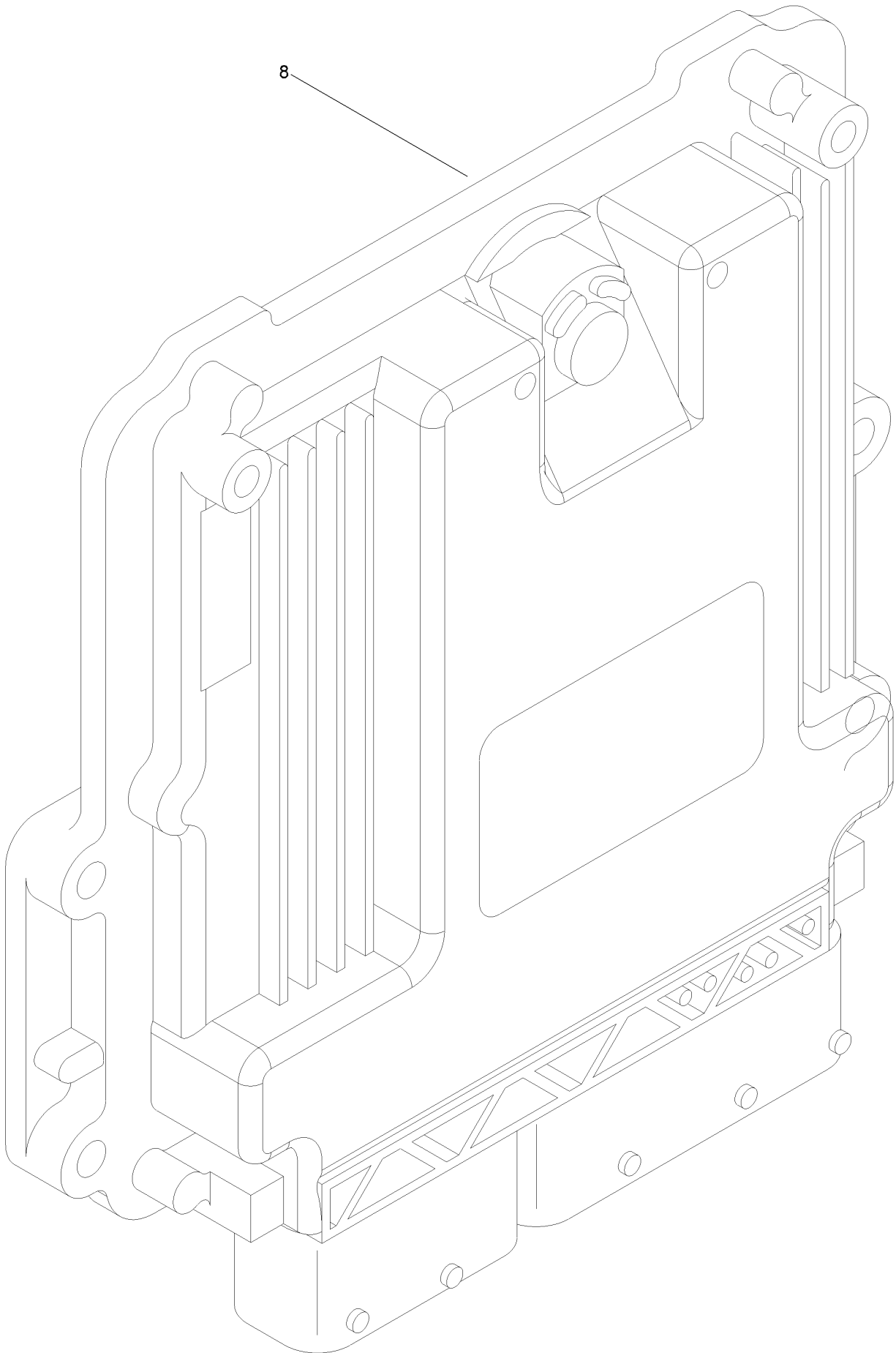
# Starter Motor Assembly



## Starter Motor Assembly (continued)

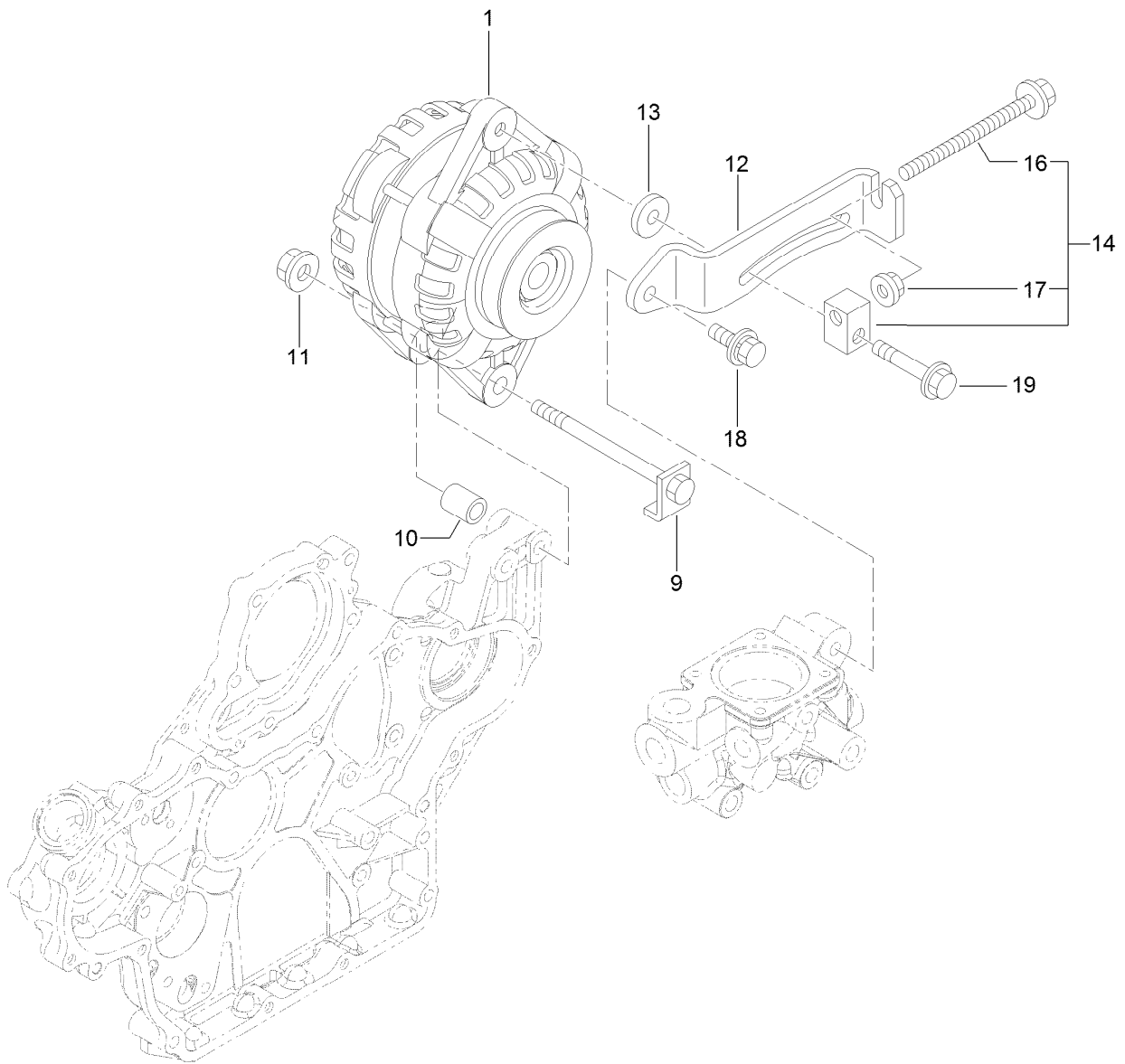
| <i>Ref.</i> | <i>Part Number</i> | <i>Qty.</i> | <i>Description</i> | <i>Ref.</i> | <i>Part Number</i> | <i>Qty.</i> | <i>Description</i> |
|-------------|--------------------|-------------|--------------------|-------------|--------------------|-------------|--------------------|
| 1           | 133-6673           | 1           | Starter            | 16          | 133-6686           | 1           | Lever Set          |
| 2           | 133-6674           | 1           | Armature ASM       | 17          | 133-6687           | 1           | Dust Cover ASM     |
| 5           | 133-6675           | 1           | Field Coil ASM     | 18          | 133-6688           | 2           | Bolt-Through       |
| 6           | 133-6676           | 4           | Screw              | 19          | 133-6689           | 4           | Bolt               |
| 7           | 133-6677           | 1           | O-Ring             | 20          | 133-6690           | 2           | Screw              |
| 8           | 133-6678           | 2           | Brush              | 21          | 133-6616           | 1           | Pinion ASM         |
| 9           | 133-6679           | 1           | Cover              | 22          | 133-6617           | 1           | Clutch ASM         |
| 10          | 133-6680           | 1           | Brush Holder ASM   | 23          | 133-2510           | 2           | Bearing-Ball       |
| 11          | 133-6681           | 1           | Spring             | 24          | 133-6618           | 1           | Shaft              |
| 12          | 133-6682           | 2           | Brush              | 25          | 133-6604           | 1           | Stopper Kit        |
| 13          | 133-6683           | 1           | Switch ASM         | 29          | 133-6609           | 1           | Cover-Terminal     |
| 14          | 133-6684           | 1           | Case-Gear          | 30          | 133-6601           | 2           | Bolt               |
| 15          | 133-6685           | 1           | Retainer           | 31          | 125-7225           | 2           | Bolt               |

# Electronic Control Unit Assembly



# Electronic Control Unit Assembly (continued)

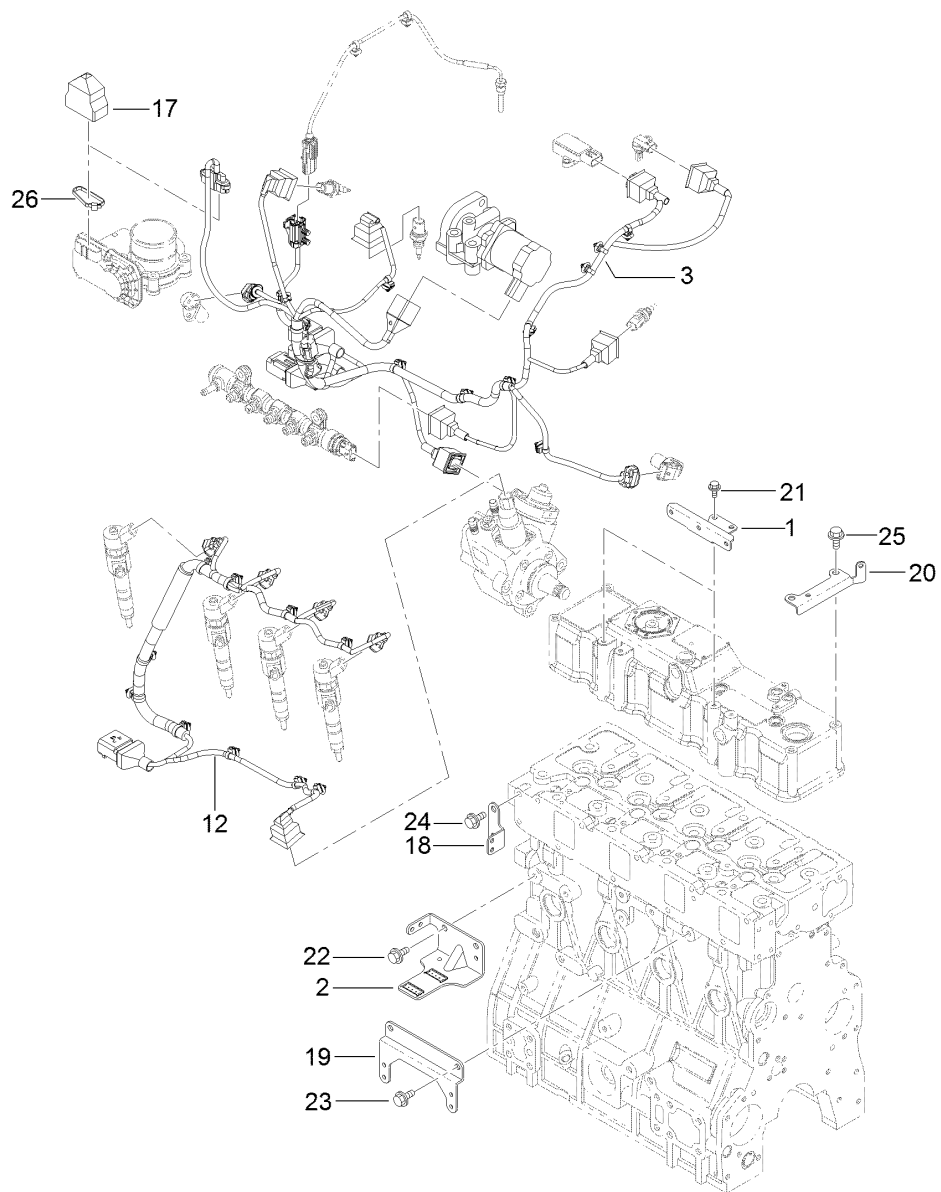
| <i>Ref.</i> | <i>Part Number</i> | <i>Qty.</i> | <i>Description</i>      |
|-------------|--------------------|-------------|-------------------------|
| 8           | 121-5592           | 1           | Electronic Control Unit |



## Generator Assembly

| <b>Ref.</b> | <b>Part Number</b> | <b>Qty.</b> | <b>Description</b> |
|-------------|--------------------|-------------|--------------------|
| 1           | 125-7120           | 1           | Alternator-12V     |
| 9           | 125-7121           | 1           | Bolt-Stopper       |
| 10          | 125-7122           | 1           | Piece-Distance     |
| 11          | 125-7230           | 1           | Nut                |
| 12          | 133-6692           | 1           | Adjuster           |
| 13          | 133-6608           | 1           | Spacer             |
| 14          | 133-6605           | 1           | Adjuster Block ASM |
| 16          | 133-2494           | 1           | Bolt               |
| 17          | 125-7229           | 1           | Nut                |
| 18          | 133-2491           | 1           | Bolt               |
| 19          | 125-7219           | 1           | Bolt               |

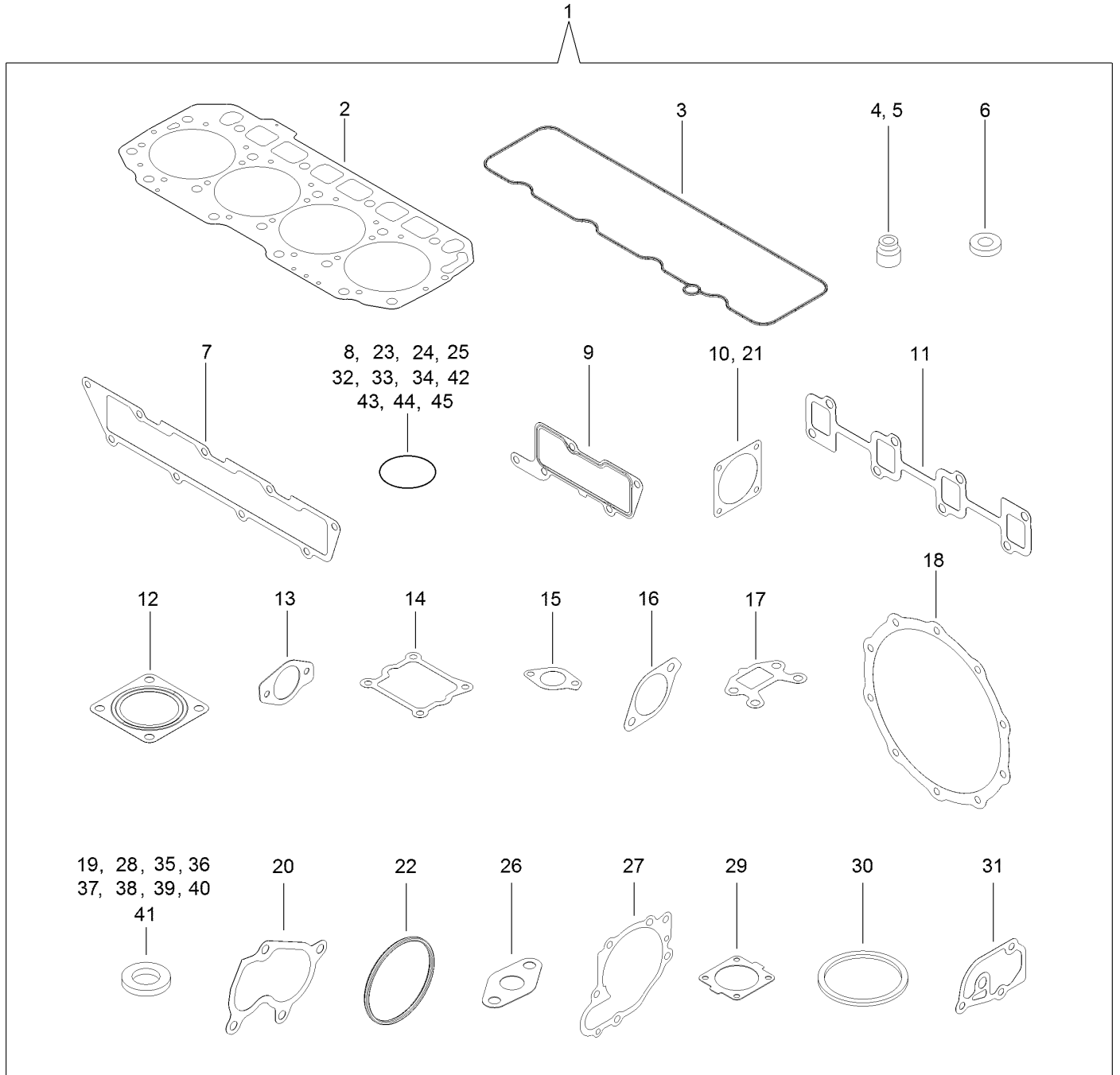




## Electric Parts Assembly

| <i>Ref.</i> | <i>Part Number</i> | <i>Qty.</i> | <i>Description</i>      |
|-------------|--------------------|-------------|-------------------------|
| 1           | 133-6706           | 2           | Bracket-Harness         |
| 2           | 133-6751           | 1           | Bracket-Connector       |
| 3           | 133-6771           | 1           | Harness-B, E C O        |
| 12          | 133-6752           | 1           | Harness-C, E C O Engine |
| 17          | 131-2713           | 1           | Boot-Cap                |
| 18          | 127-3090           | 1           | Bracket-Harness         |
| 19          | 133-6753           | 1           | Bracket-Harness         |
| 20          | 133-6772           | 1           | Bracket-Harness         |
| 21          | 125-7206           | 4           | Bolt                    |
| 22          | 125-7212           | 2           | Bolt                    |
| 23          | 125-7212           | 2           | Bolt                    |
| 24          | 125-7212           | 2           | Bolt                    |
| 25          | 125-7212           | 2           | Bolt                    |
| 26          | 127-3188           | 1           | Band                    |

# Gasket Set



## Gasket Set (continued)

| <i>Ref.</i> | <i>Part Number</i> | <i>Qty.</i> | <i>Description</i>     | <i>Ref.</i> | <i>Part Number</i> | <i>Qty.</i> | <i>Description</i> |
|-------------|--------------------|-------------|------------------------|-------------|--------------------|-------------|--------------------|
| 1           | 133-2509           | 1           | Gasket Kit             | 24          | 133-6654           | 1           | O-Ring             |
| 2           | 133-6700           | 1           | Gasket-Head, Cylinder  | 25          | 127-2985           | 1           | O-Ring             |
| 3           | 132-4907           | 1           | Gasket-Cover, Head     | 26          | 133-6666           | 1           | Gasket             |
| 4           | 127-2986           | 4           | Seal-Stem, Valve       | 27          | 133-6658           | 1           | Gasket-Pump, Water |
| 5           | 127-3027           | 4           | Seal-Stem, Valve       | 28          | 125-6979           | 2           | Gasket             |
| 6           | 127-3021           | 4           | Gasket-Injector        | 29          | 133-6613           | 1           | Gasket-Thermostat  |
| 7           | 133-6708           | 1           | Gasket-Manifold        | 30          | 133-6614           | 1           | Gasket-Thermostat  |
| 8           | 127-3033           | 1           | O-Ring                 | 31          | 133-6660           | 1           | Gasket             |
| 9           | 133-6709           | 1           | Gasket-Collector       | 32          | 131-2106           | 1           | O-Ring             |
| 10          | 127-3037           | 2           | Gasket-Throttle        | 33          | 127-3074           | 1           | O-Ring             |
| 11          | 133-6710           | 1           | Gasket-Manifold        | 34          | 130-7433           | 1           | O-Ring             |
| 12          | 127-2987           | 3           | Gasket-Silencer        | 35          | 125-7174           | 7           | Washer-Seal        |
| 13          | 133-6698           | 2           | Gasket-Cooler, E G R   | 36          | 125-7176           | 1           | Washer-Seal        |
| 14          | 133-6717           | 1           | Gasket-V Spacer, E G R | 37          | 127-3166           | 2           | Washer-Seal        |
| 15          | 127-3016           | 1           | Gasket                 | 38          | 125-7177           | 1           | Washer-Seal        |
| 16          | 133-6723           | 1           | Gasket-In, E G R-V     | 39          | 125-7192           | 1           | Gasket             |
| 17          | 133-6724           | 1           | Gasket-Out, E G R-V    | 40          | 125-7193           | 2           | Gasket             |
| 18          | 127-3162           | 2           | Gasket-D P F           | 41          | 127-3174           | 2           | Gasket             |
| 19          | 127-3056           | 4           | Gasket-Sensor          | 42          | 93-0400            | 1           | O-Ring             |
| 20          | 133-6619           | 1           | Gasket                 | 43          | 93-0418            | 3           | O-Ring             |
| 21          | 133-6625           | 1           | Gasket                 | 44          | 125-7197           | 1           | O-Ring             |
| 22          | 133-6693           | 2           | Packing-Washer         | 45          | 127-3176           | 1           | O-Ring             |
| 23          | 133-6653           | 2           | O-Ring                 |             |                    |             |                    |

# Attachments and Accessories

## For 31699 Groundsmaster 5910 Rotary Mower

| <b>Product Name</b>   | <b>Model/Part</b> |
|---|-------------------|
| Premium All Purpose Grease (Tube) .....   | 108-1190          |
| Primary Engine Air Filter .....   | 108-3815          |
| Backrest Extension Kit.....   | 119-7719          |
| Premium Engine Oil 15w40 (55 Gallon Drum) .....   | 121-6394          |
| Premium Engine Oil 15w40 (5 Gallon Pail) .....  | 121-6395          |
| Air Filter .....  | 121-8457          |
| Fuel/Water Separator Filter.....  | 125-2915          |
| Engine Oil Filter .....   | 125-7025          |
| Fuel Filter.....  | 125-8752          |
| Safety Air Filter Element .....   | 130-9070          |
| CE Kit, 2016 and After Groundsmaster 5900 Tier 4 Series Traction Unit .....                               | 132-1340          |
| Atomic Blade Service Pack (20in).....   | 132-1391          |
| Standard Blade Service Pack (20in) .....  | 132-1392          |
| Blade/Belt Kit .....  | 132-1440          |
| PX Hydraulic Fluid (5 Gal) .....  | 133-8086          |
| PX Hydraulic Fluid (55 Gal).....  | 133-8087          |
| Wrench-Caster Cap/Latch .....   | 138-6367          |
| Manual Flow Divider Kit .....   | 140-5800          |
| Pre-Filter Screen Kit, 2015 and After Groundsmaster Series Cab.....                                       | 30647             |
| Beacon Kit, 2015 and After Groundsmaster Series Traction Unit .....                                       | 31509             |
| Backup Alarm Kit .....  | 31512             |
| LED Work Light Kit, Groundsmaster or Reelmaster Traction Unit with Cab or 2 Post ROPS Extension Kit ..... | 31590             |
| Center Deck.....  | 31601             |
| Right Wing Deck.....  | 31602             |
| Left Wing Deck .....  | 31603             |
| Leaf Mulching Kit .....   | 31604             |
| Fluid/Filter MVP Kit .....  | 31609             |
| Turn Signal Kit, Cab.....   | 31671             |
| EU Light Kit Conversion.....  | 31695             |
| Auxiliary Braking System .....  | 31701             |
| 1000 Hour MVP Kit .....   | 44958             |
| Hydraulic Filter.....   | 75-1310           |
| Hydraulic Filter.....   | 86-6110           |
| 10in Foam Filled Castor Wheel.....  | 93-5973           |

**Notes:**

**Notes:**

**Notes:**



**Count on it.**