



Count on it.

Parts Catalog

**Groundsmaster® 5900/5910
Rotary Mower**

Model No. 31698—Serial No. 316000001 and Up

Model No. 31699—Serial No. 316000001 and Up



Ordering Replacement Parts

To order replacement parts, please supply the part number, the quantity, and the description of each part desired.

Understanding Reference Numbers

Each identified part in an illustration has a reference number. The reference number for a part also appears in the parts list, along with other information about the part.

This catalog uses two special reference number formats, one to indicate parts in a service assembly and another to indicate the quantity of a given part in an illustration.

Service Assembly Reference Numbers

Parts in service assemblies have reference numbers in the form a:b. The a represents the reference number of the entire service assembly and the b represents a sequential number unique to each part within the service assembly.

For example, a wheel assembly might be identified by reference number 6, the tire by 6:1, the valve by 6:2, and the wheel by 6:3. When you order the assembly identified by reference number 6, you receive all parts identified by reference numbers 6:1, 6:2, and 6:3. However, you may also order any part individually. Reference numbers of this type appear in illustration and in parts lists.

Reference Numbers Indicating Quantity

In an illustration, if a reference number indicates more than one part, the reference number has the form nX y. The n represents the quantity of the part, the X is the multiplication symbol, and the y represents the reference number.

For example, in an illustration, the reference number 2X 37 means that two of the parts identified by reference number 37 are indicated.

Contents

| | |
|---|----|
| Frame Assembly | 6 |
| Rear Axle Assembly | 8 |
| Axle Assembly No. 114-5982-01 | 10 |
| Tie Rod Assembly No. 110-6049-03 | 11 |
| Engine and Mount Assembly | 12 |
| Alternator Assembly | 13 |
| Hydraulic Cooling Assembly | 14 |
| Radiator and Cooling Fan Assembly | 16 |
| Air Cleaner Assembly | 18 |
| Fuel System Assembly | 19 |
| Traction Hydraulic Assembly | 20 |
| Piston Pump Assembly No. 130-9150 | 22 |
| Hydraulic Gear Pump Assembly No. 130-2520 | 24 |
| Traction Valve Assembly | 26 |
| Hydraulic Traction Valve Manifold Assembly No. 132-1397 | 28 |
| Hydraulic Traction Motors Assembly | 30 |
| Hydraulic Motor Assembly No. 125-5434 | 32 |
| Hydraulic Motor Assembly No. 125-5391 | 34 |
| Hydraulic Traction Assembly | 36 |
| Hydraulic Motor Assembly No. 132-1425 | 38 |
| Hydraulic Tank Assembly | 40 |
| Hydraulic Cutting Circuit Assembly | 42 |
| Center Cutting Deck Drive Valve Assembly | 44 |
| Hydraulic Manifold Assembly No. 132-1394 | 45 |
| LH Cutting Deck Drive Valve Assembly | 46 |
| Hydraulic Manifold Assembly No. 132-1395 | 47 |
| RH Cutting Deck Drive Valve Assembly | 48 |
| Hydraulic Manifold Assembly No. 132-1396 | 49 |
| Hydraulic Motor Assembly No. 125-5392 | 50 |
| Hydraulic Steering/Lift Circuit Assembly | 52 |
| Steering/Lift Valve Assembly | 54 |
| Hydraulic Steering/Lift Manifold Assembly No. 132-1398 | 56 |
| Hydraulic Cylinder Assembly No. 114-4830 | 58 |
| Hydraulic Cylinder Assembly No. 114-4831 | 59 |
| Hydraulic Cylinder Assembly No. 114-5685 | 60 |
| Manual Parking Brake Release Valve Assembly | 61 |
| Hydraulic Parking Brake Manifold Assembly No. 132-1399 | 62 |
| Hydraulic Steering Assembly | 63 |
| Steering Valve Assembly No. 130-7949 | 64 |
| Hydraulic Cylinder Assembly No. 132-1308 | 65 |
| Hydraulic Filter Manifold Assembly | 66 |
| Side Panel and Bumper Assembly | 67 |
| Hood Assembly | 68 |
| Center Front Deck Assembly | 70 |
| Center Front and Winglet Deck Assembly | 72 |
| Center Front Deck and Decal Assembly No. 130-9201 | 73 |
| Right Front Deck and Decal Assembly No. 130-9218 | 74 |
| Left Front Deck and Decal Assembly No. 130-9210 | 75 |
| Center Deck Belt and Spindle Assembly | 76 |
| Driving Spindle Assembly No. 131-0768 | 78 |
| Double Spindle Assembly No. 117-9234 | 80 |
| High Spindle Assembly No. 117-9233 | 82 |
| Center Deck Roller, Skid and Caster Wheel Assembly | 84 |
| 10 Inch Wheel Assembly No. 93-4240 | 85 |

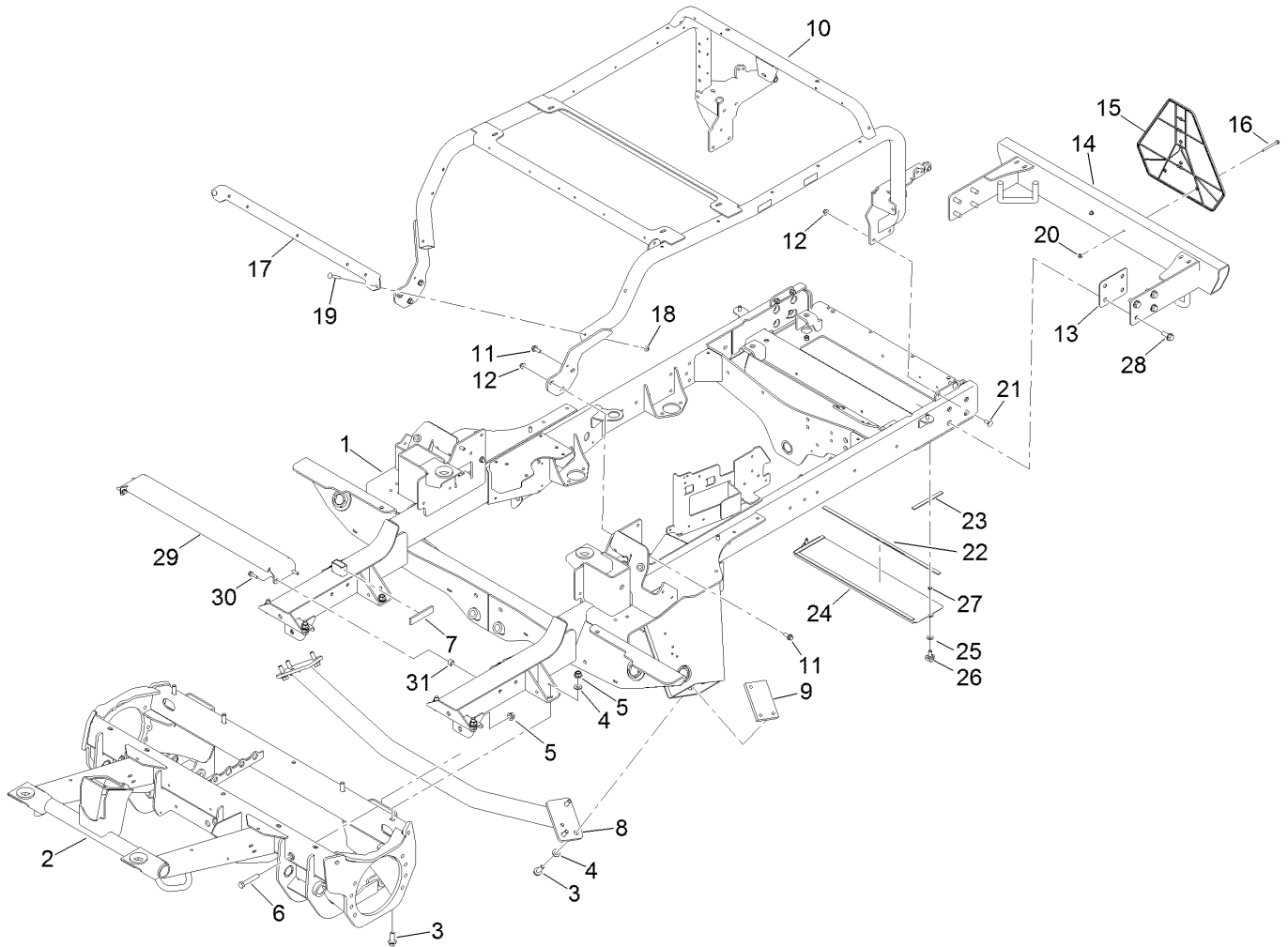
Contents (continued)

| | |
|---|-----|
| Center Front Deck Spindle and Blade Assembly | 86 |
| Center Front Deck Belt Cover Assembly | 87 |
| Center Front Deck Chamber and Discharge Assembly | 88 |
| Center Front Deck Transport Damper Assembly | 89 |
| Left Hand Deck Connection Assembly | 90 |
| Left Hand Deck Belt and Spindle Assembly | 92 |
| Left Hand Deck Decal Assembly No. 130-9271 | 94 |
| Left Hand Deck Roller, Skid and Caster Wheel Assembly | 95 |
| Left Hand Deck Spindle and Blade Assembly | 96 |
| Left Hand Deck Belt Cover Assembly | 97 |
| Left Hand Deck Chamber Assembly | 98 |
| Left Hand Deck Stop Assembly | 99 |
| Left Hand Deck Impact Arm and Limit Switch Assembly | 100 |
| Left Hand Deck Transport Lock Assembly | 101 |
| Right Hand Deck Assembly | 102 |
| Right Hand Deck Belt and Spindle Assembly | 104 |
| Right Hand Deck Decal Assembly No. 130-9241 | 105 |
| Right Hand Deck Roller, Skid and Caster Wheel Assembly | 106 |
| Right Hand Deck Spindle and Blade Assembly | 107 |
| Right Hand Deck Belt Cover Assembly | 108 |
| Right Hand Deck Chamber Assembly | 109 |
| Right Hand Deck Stop Assembly | 110 |
| Right Hand Deck Impact Arm and Limit Switch Assembly | 111 |
| Right Hand Deck Transport Lock Assembly | 112 |
| Platform Assembly | 114 |
| Seat Mount Assembly | 115 |
| Air Ride Seat Suspension Assembly No. 130-2702 | 116 |
| Control Console Assembly | 118 |
| Traction Pedal Assembly | 120 |
| Steering Column Assembly | 121 |
| Steering Column Assembly No. 132-1307 | 122 |
| Front Electrical Component Assembly | 123 |
| Mid Electrical Component Assembly | 124 |
| Rear Electrical Component Assembly | 125 |
| Battery Cable Routing Assembly | 126 |
| Wire Harness Assembly | 128 |
| Roll-Over Protection System Assembly For ROPS Model Only | 130 |
| Right Hand Tail Light Assembly No. 108-8007 | 131 |
| Left Hand Tail Light Assembly No. 108-8008 | 132 |
| Vinyl Premium Seat Assembly No. 117-5676 | 133 |
| Head Light Assembly No. 92-6565 | 134 |
| Cab Mounting Assembly For Cab Model Only | 135 |
| Cloth Premium Seat Assembly No. 117-9429 | 136 |
| AC Compressor Mount and Cab Fluids Assembly For Cab Model Only | 137 |
| Cab Frame, Mirror and Decal Assembly For Cab Model Only | 138 |
| Windshield Wiper, Filter and Air Conditioning Assembly For Cab Model Only | 140 |
| Air Conditioning Duct Assembly No. 132-3468 For Cab Model Only | 142 |
| Window and Door Assembly For Cab Model Only | 144 |
| Left Hand Door Assembly For Cab Model Only | 146 |
| Right Hand Door Assembly For Cab Model Only | 148 |
| Left Side Hose Assembly For Cab Model Only | 150 |
| Right Side Hose Assembly For Cab Model Only | 152 |
| Mixing Box and Vent Hose Assembly For Cab Model Only | 154 |
| Headliner Wire Harness and Control Assembly For Cab Model Only | 156 |

Contents (continued)

| | |
|--|-----|
| Mixing Box Mounting Bracket and Water Tray Assembly For Cab Model Only | 158 |
| Blower Fan and Evaporator Core Assembly For Cab Model Only | 160 |
| Heat / Air Conditioner Housing Assembly For Cab Model Only | 162 |
| Air Diverter and Expansion Valve Assembly For Cab Model Only | 164 |
| Air Diverter Assembly No. 121-8369 For Cab Model Only | 166 |
| Cylinder Block Assembly | 168 |
| Gear Housing Assembly | 169 |
| Cylinder Head and Cover Assembly | 170 |
| Flywheel Housing and Oil Sump Assembly | 172 |
| Suction Manifold Assembly | 173 |
| Exhaust Manifold Assembly | 174 |
| Camshaft and Driving Gear Assembly | 175 |
| Diesel Particulate Filter Assembly | 176 |
| Turbine Assembly | 178 |
| Crankshaft and Piston Assembly | 179 |
| Lubrication and Oil System Assembly | 180 |
| Lubrication Oil Pipe Assembly | 181 |
| Cooling Water System Assembly | 182 |
| Fuel Supply Pump Assembly | 183 |
| Fuel Injection Valve Assembly | 184 |
| Fuel Pipe Assembly | 185 |
| Starter Motor Assembly | 186 |
| Generator Assembly | 187 |
| Electronic Control Unit Assembly | 188 |
| Electric Parts Assembly | 189 |
| Gasket Set | 190 |
| Attachments and Accessories | 192 |

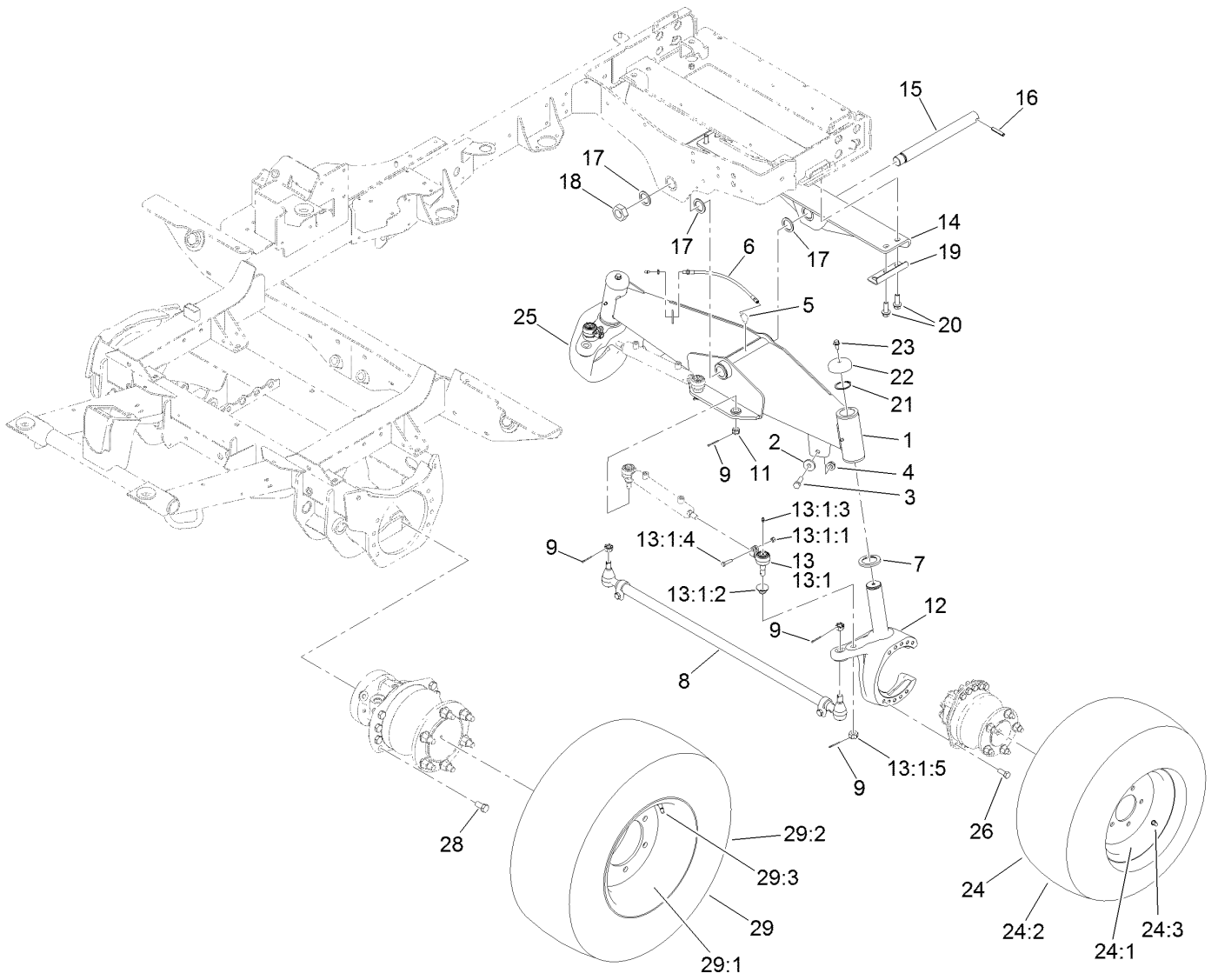
Frame Assembly



Frame Assembly (continued)

| <i>Ref.</i> | <i>Part Number</i> | <i>Qty.</i> | <i>Description</i> | <i>Ref.</i> | <i>Part Number</i> | <i>Qty.</i> | <i>Description</i> |
|-------------|--------------------|-------------|-----------------------------|-------------|--------------------|-------------|---------------------|
| 1 | 130-2450-01 | 1 | Frame | 16 | 114-8410 | 2 | Screw-HHF |
| 2 | 125-5401-01 | 1 | Frame-Front | 17 | 130-2570-03 | 1 | Bracket-Mount, Fuse |
| 3 | 100-6116 | 14 | Screw-HHF | 18 | 104-8300 | 2 | Nut-HF, NI |
| 4 | 3256-26 | 14 | Washer-Flat | 19 | 3230-7 | 2 | Bolt-CARR |
| 5 | 99-5107 | 10 | Nut-Lock | 20 | 104-7201 | 2 | Nut-HF, NI |
| 6 | 325-12 | 2 | Screw-HH | 21 | 3231-2 | 4 | Bolt-CARR |
| 7 | 115-5465 | 1 | Seal-Trim | 22 | 131-2221 | 2 | Strip-Foam |
| 8 | 114-5969-01 | 1 | Crossmember | 23 | 131-2222 | 2 | Strip-Foam |
| 9 | 114-5990 | 2 | Plate-Tapped | 24 | 131-2218-01 | 1 | Cover-Frame |
| 10 | 132-1387 | 1 | Cooler Mount ASM | 25 | 3256-3 | 2 | Washer-Flat |
| 11 | 3234-42 | 8 | Screw-HHF | 26 | 95-9648 | 2 | Knob |
| 12 | 104-8301 | 6 | Nut-HF, NI | 27 | 32151-72 | 2 | Ring-Retaining |
| 13 | 115-5458-03 | 1 | Shim-Bumper | 28 | 3234-38 | 8 | Screw-HHF |
| 14 | 131-2310-03 | 1 | Bumper | 29 | 132-1401-01 | 1 | Strap-Support, Tank |
| 15 | 92-7760 | 1 | Emblem-Vehicle, Slow Moving | 30 | 3234-36 | 4 | Screw-HHF |
| | | | | 31 | 107-3677 | 2 | Spacer-Tube |

Rear Axle Assembly



Rear Axle Assembly (continued)

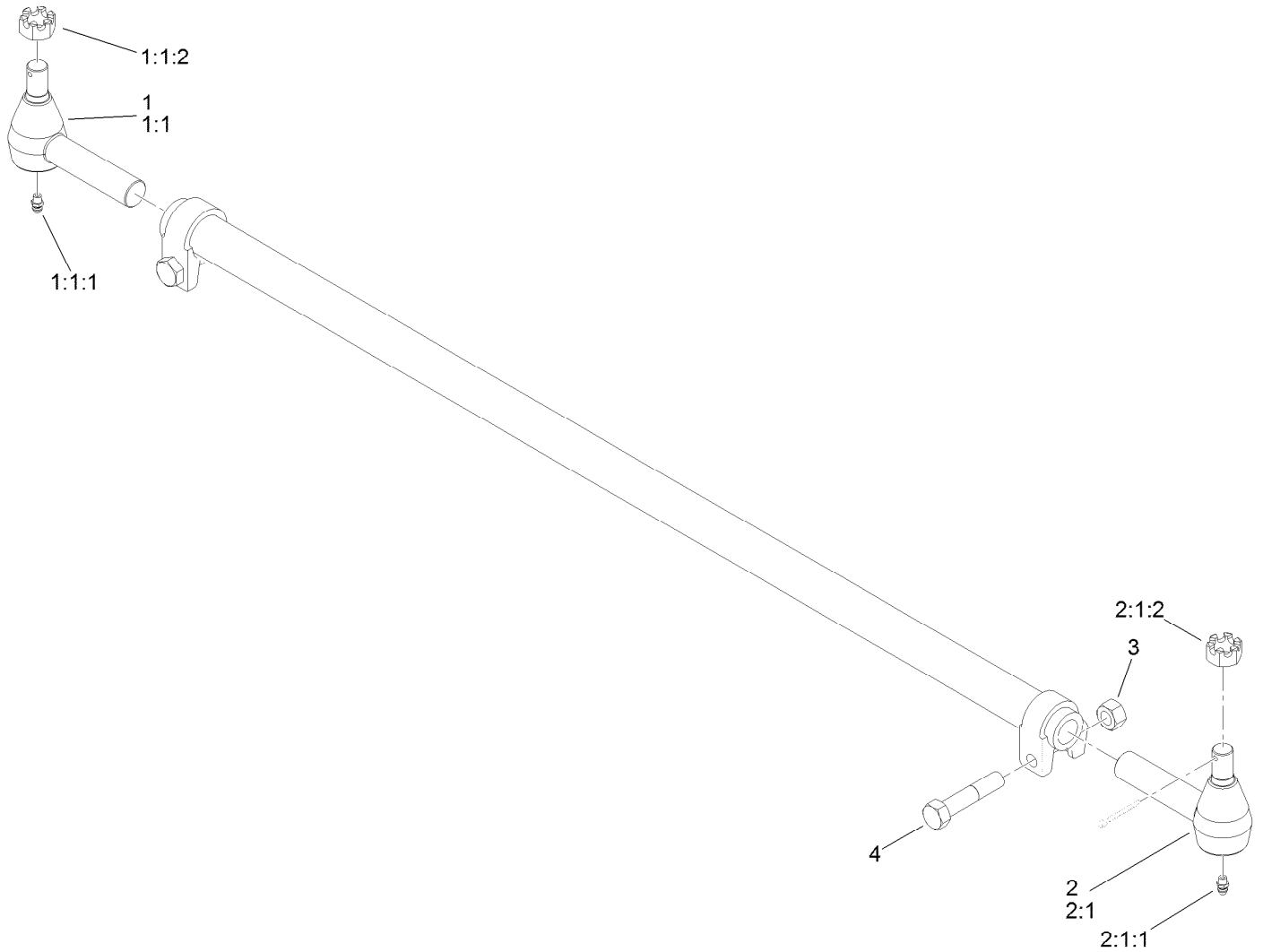
| <i>Ref.</i> | <i>Part Number</i> | <i>Qty.</i> | <i>Description</i> | <i>Ref.</i> | <i>Part Number</i> | <i>Qty.</i> | <i>Description</i> |
|-------------|--------------------|-------------|-------------------------|-------------|--------------------|-------------|--------------------|
| 1 | 114-5982-01 | 1 | Axle ASM | 16 | 32121-110 | 1 | Pin-Roll, Slotted |
| 2 | 30-8770 | 2 | Washer | 17 | 98-1452 | 3 | Washer-Thrust |
| 3 | 325-6 | 2 | Screw-HH | 18 | 3296-68 | 1 | Nut-Lock, NI |
| 4 | 99-5107 | 2 | Nut-Lock | 19 | 130-9033-01 | 2 | Guard-Hose |
| 5 | 2811-7 | 1 | Elbow | 20 | 100-6116 | 4 | Screw-HHF |
| 6 | 114-5586 | 1 | Hose ASM (With Fitting) | 21 | 100-4196 | 2 | Ring-Retaining |
| 7 | 100-2508 | 2 | Washer-Thrust | 22 | 100-3362 | 2 | Cap-Spindle |
| 8 | 110-6049-03 | 1 | Tie Rod ASM | 23 | 3234-12 | 2 | Screw-HHF |
| 9 | 3272-12 | 6 | Pin-Cotter | 24 | 127-3509 | 2 | Wheel And Tire ASM |
| 11 | 32136-13 | 2 | Nut-SHH | 24:1 | 125-5379 | 1 | Wheel |
| 12 | 130-9043-01 | 1 | Spindle-Steer, LH | 24:2 | 117-2901 | 1 | Tire |
| 13 | 106-6895-03 | 2 | Ball Joint ASM | 24:3 | 5108 | 1 | Valve |
| 13:1 | | 1 | Joint-Ball ● | 25 | 130-9041-01 | 1 | Spindle-Steer, RH |
| 13:1:1 | 32136-13 | 1 | Nut-SHH | 26 | 325-5 | 20 | Screw-HH |
| 13:1:2 | 106-6896 | 1 | Seal | 28 | 327-3 | 16 | Screw-HH |
| 13:1:3 | 302-5 | 1 | Fitting-Grease | 29 | 131-2380 | 2 | Wheel And Tire ASM |
| 13:1:4 | 3210-7 | 1 | Screw-HH | 29:1 | 131-2381 | 1 | Wheel |
| 13:1:5 | 32152-5 | 1 | Nut-Hex | 29:2 | 131-2382 | 1 | Tire |
| 14 | 110-6033-01 | 1 | Support-Axle | 29:3 | 232-24 | 1 | Stem-Valve |
| 15 | 114-5970 | 1 | Shaft-Pivot | | | | |

● Not serviced separately



Axle Assembly No. 114-5982-01

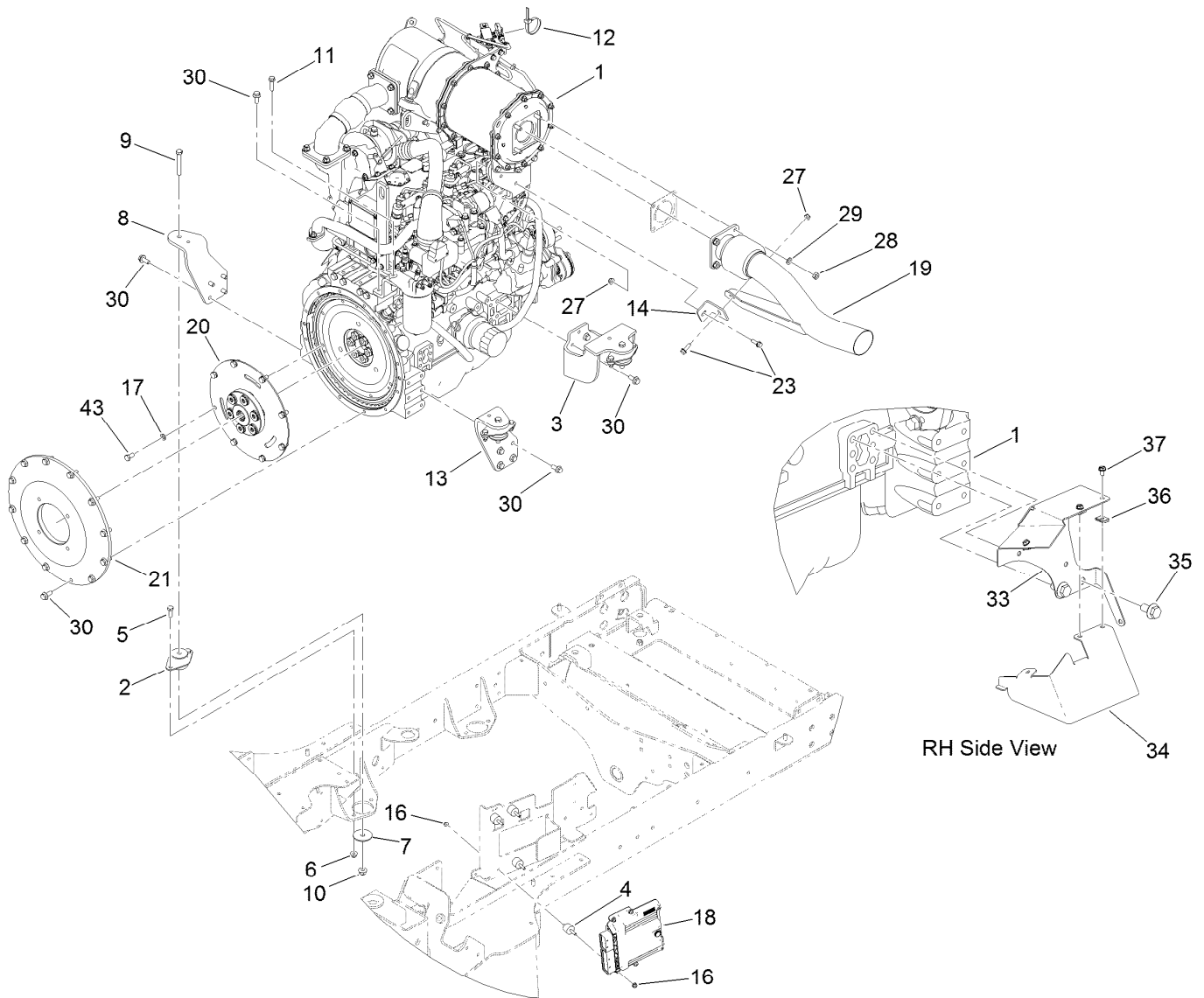
| <i>Ref.</i> | <i>Part Number</i> | <i>Qty.</i> | <i>Description</i> |
|-------------|--------------------|-------------|--------------------|
| 1 | 69-6470 | 2 | Bushing-Caster |
| 2 | 100-2506 | 4 | Bushing-Castor |
| 3 | 302-5 | 2 | Fitting-Grease |



Tie Rod Assembly No. 110-6049-03

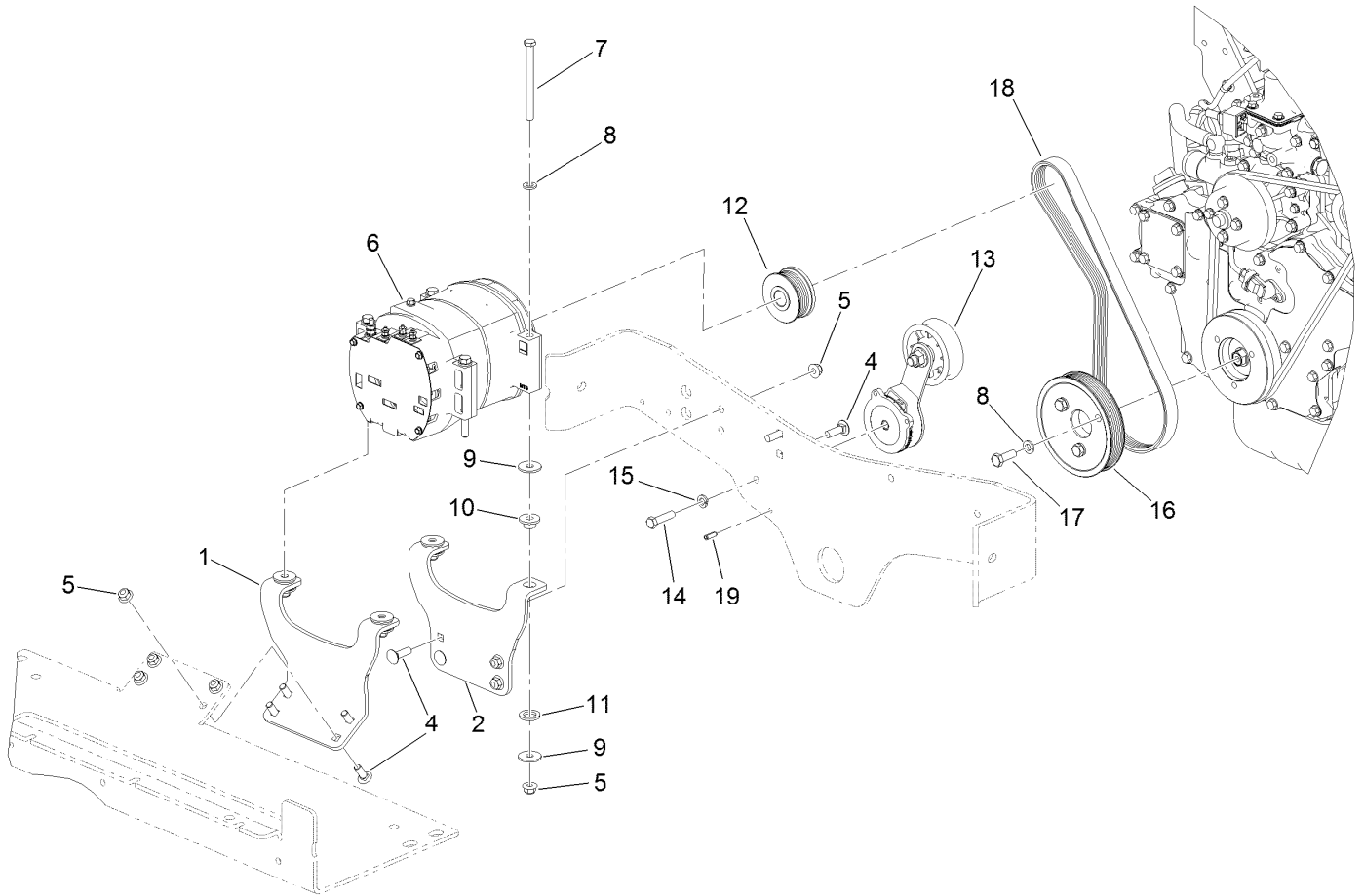
| <i>Ref.</i> | <i>Part Number</i> | <i>Qty.</i> | <i>Description</i> |
|-------------|--------------------|-------------|--------------------|
| 1 | 110-6141-03 | 1 | RH Tie Rod End ASM |
| 1:1 | | 1 | Rod End-Tie, RH ● |
| 1:1:1 | 302-5 | 1 | Fitting-Grease |
| 1:1:2 | 32136-2 | 1 | Nut-SHH |
| 2 | 110-6142-03 | 1 | LH Tie Rod End ASM |
| 2:1 | | 1 | Rod End-Tie, LH ● |
| 2:1:1 | 302-5 | 1 | Fitting-Grease |
| 2:1:2 | 32136-2 | 1 | Nut-SHH |
| 3 | 44-2200 | 1 | Screw-Blade |
| 4 | 32153-7 | 1 | Nut-Lock |

● Not serviced separately



Engine and Mount Assembly

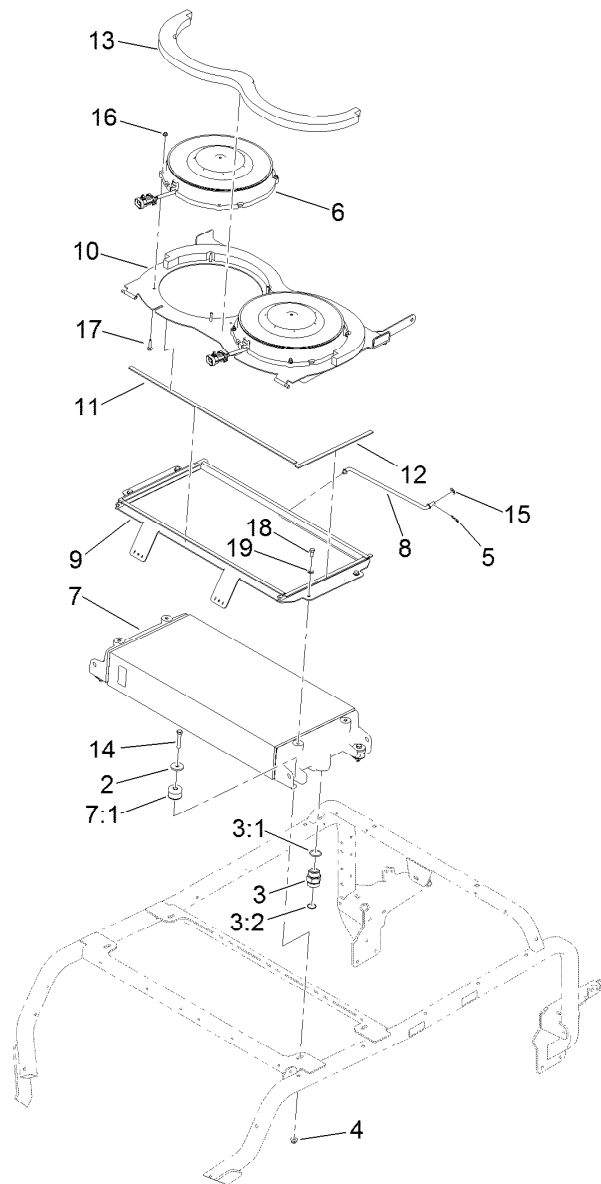
| Ref. | Part Number | Qty. | Description | Ref. | Part Number | Qty. | Description |
|------|-------------|------|-----------------------|------|-------------|------|-------------------------|
| 1 | 130-2500 | 1 | Engine-Yanmar | 18 | 121-5592 | 1 | Electronic Control Unit |
| 2 | 136-4885 | 4 | Mount-Engine | 19 | 132-1628 | 1 | Pipe-Exhaust |
| 3 | 130-2409-03 | 2 | Mount-Motor, Rear | 20 | 130-2585 | 1 | Coupler-Flywheel |
| 4 | 132-1356 | 4 | Mount-Isolator | 21 | 130-9095 | 1 | Cover-Flywheel |
| 5 | 323-6 | 8 | Screw-HH | 23 | 3234-29 | 2 | Screw-HHF |
| 6 | 104-8301 | 8 | Nut-HF, NI | 27 | 104-8300 | 2 | Nut-HF, NI |
| 7 | 87-5100 | 4 | Washer-Snubbing | 28 | 33015-00 | 4 | Nut-Hex |
| 8 | 130-2415-03 | 1 | Mount-Motor, RH Front | 29 | 33095-00 | 4 | Washer-Flat |
| 9 | 324-12 | 4 | Screw-HH | 30 | 33105-025 | 30 | Screw-HHF |
| 10 | 114-8417 | 4 | Nut-HF, NI | 33 | 132-1309 | 1 | Shield-Heat |
| 11 | 33104-030 | 2 | Screw-HHF | 34 | 132-1310 | 1 | Shield-Heat |
| 12 | 3290-378 | 1 | Tie-Cable | 35 | 33105-020 | 2 | Screw-HHF |
| 13 | 130-2414-03 | 1 | Mount-Motor, LH Front | 36 | 107-1013 | 3 | Nut-Speed |
| 14 | 130-2424 | 1 | Bracket-Exhaust | 37 | 3290-144 | 3 | Screw-SHWH |
| 16 | 104-7201 | 8 | Nut-HF, NI | 43 | 33115-020 | 8 | Screw-HH |
| 17 | 107-1413 | 8 | Washer-Hardened | | | | |



Alternator Assembly

| <i>Ref.</i> | <i>Part Number</i> | <i>Qty.</i> | <i>Description</i> | <i>Ref.</i> | <i>Part Number</i> | <i>Qty.</i> | <i>Description</i> |
|-------------|--------------------|-------------|----------------------------|-------------|--------------------|-------------|--------------------|
| 1 | 131-2314-03 | 1 | Bracket-Alternator | 11 | 131-2315 | 4 | Washer-Delrin |
| 2 | 130-9164-03 | 1 | Mount-Alternator, Vertical | 12 | 130-9162 | 1 | Pulley |
| 4 | 3231-25 | 8 | Bolt-CARR | 13 | 130-2454 | 1 | Tensioner |
| 5 | 104-8301 | 12 | Nut-HF, NI | 14 | 323-8 | 1 | Screw-HH |
| 6 | 130-2491 | 1 | Alternator-24V | 15 | 3253-5 | 1 | Washer-Lock |
| 7 | 323-23 | 4 | Screw-HH | 16 | 130-2403 | 1 | Pulley |
| 8 | 107-1413 | 7 | Washer-Hardened | 17 | 33115-030 | 3 | Screw-HH |
| 9 | 93-8806 | 8 | Washer-Hardened | 18 | 130-9165 | 1 | Belt |
| 10 | 131-2313 | 4 | Bushing-Alternator | 19 | 32121-11 | 1 | Pin-Roll |

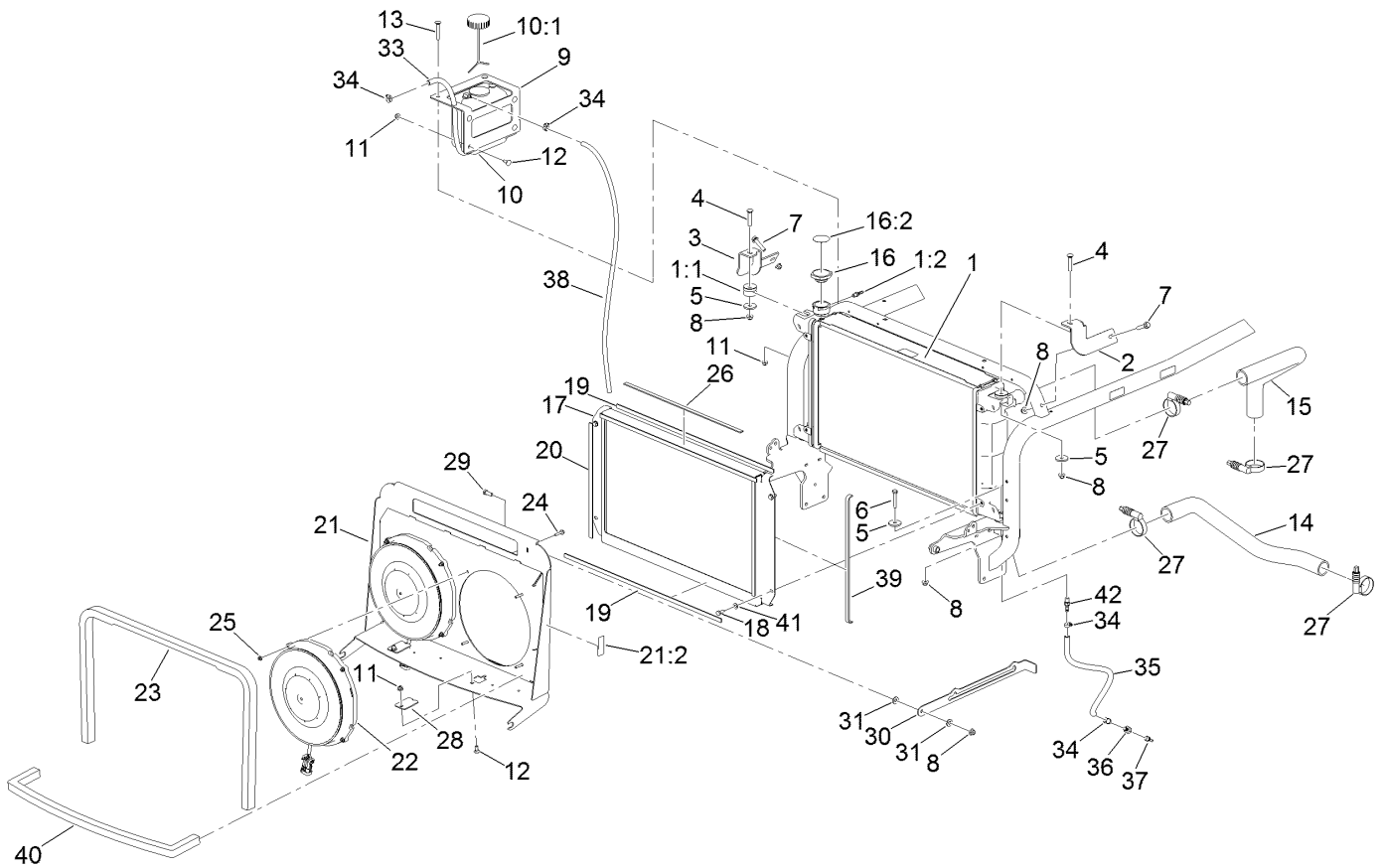
Hydraulic Cooling Assembly



Hydraulic Cooling Assembly (continued)

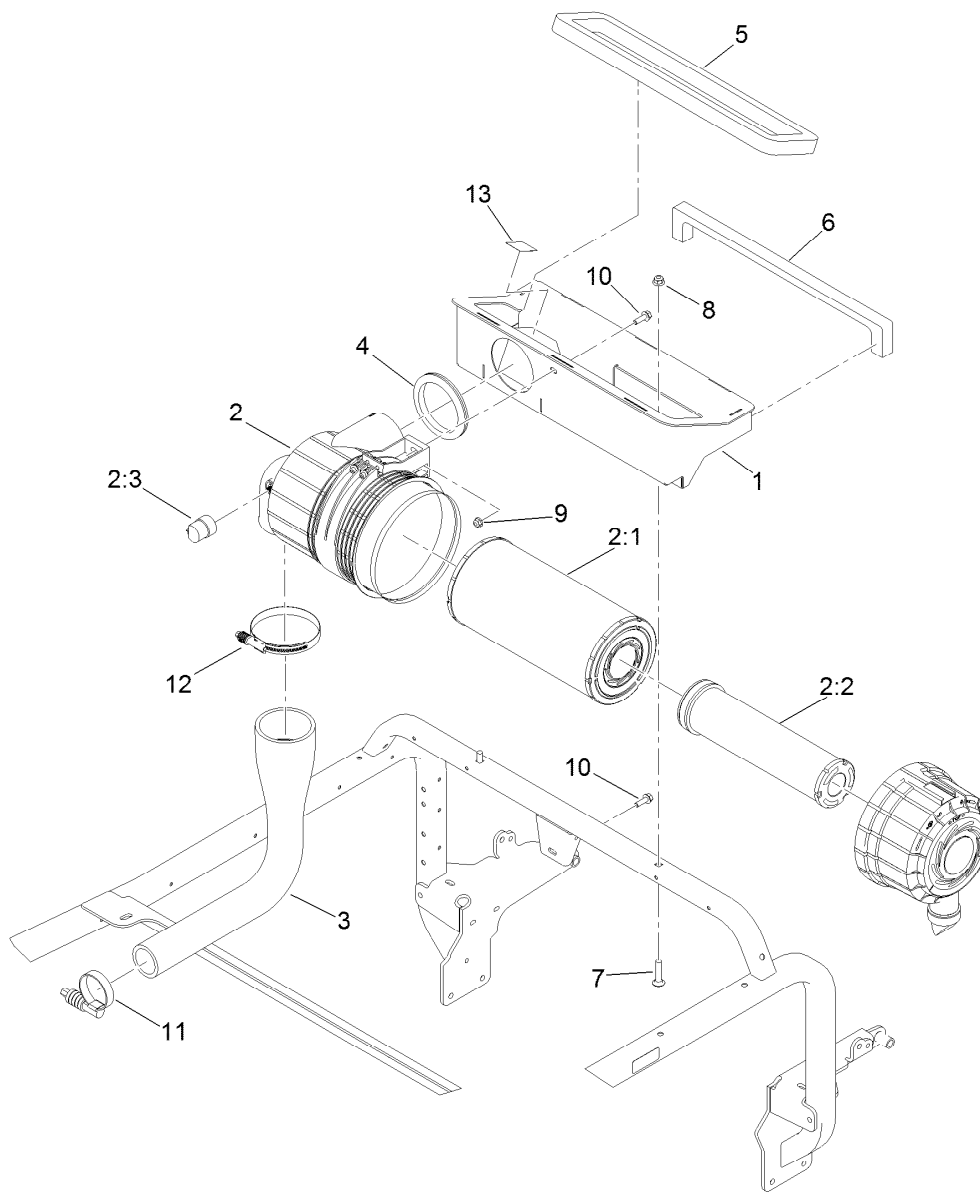
| <i>Ref.</i> | <i>Part Number</i> | <i>Qty.</i> | <i>Description</i> | <i>Ref.</i> | <i>Part Number</i> | <i>Qty.</i> | <i>Description</i> |
|-------------|--------------------|-------------|---------------------|-------------|--------------------|-------------|--------------------|
| 2 | 114-2120 | 4 | Washer | 10 | 132-1385 | 1 | Cooler Top ASM |
| 3 | 104-3797 | 2 | Fitting-Straight | 11 | 130-9173 | 2 | Foam-Cooler, Long |
| 3:1 | 237-146 | 1 | O-Ring | 12 | 130-9174 | 2 | Foam-Cooler, Short |
| 3:2 | 340-65 | 1 | O-Ring | 13 | 130-9175 | 2 | Foam-Cooler, Top |
| 4 | 104-8301 | 4 | Nut-HF, NI | 14 | 323-10 | 4 | Screw-HH |
| 5 | 119-1415 | 1 | Pin-Cotter, Locking | 15 | 3256-24 | 1 | Washer-Plain |
| 6 | 130-2531 | 2 | Fan | 16 | 33003-00 | 8 | Nut-HF |
| 7 | 130-2573 | 1 | Oil Cooler ASM | 17 | 33103-030 | 8 | Screw-HHF |
| 7:1 | 132-1361 | 4 | Mount-Isolator | 18 | 3210-2 | 4 | Screw-HH |
| 8 | 130-9170 | 1 | Rod-Prop, Cooler | 19 | 3256-23 | 4 | Washer-Plain |
| 9 | 130-9171-03 | 1 | Plate-Seal, Cooler | | | | |

Radiator and Cooling Fan Assembly



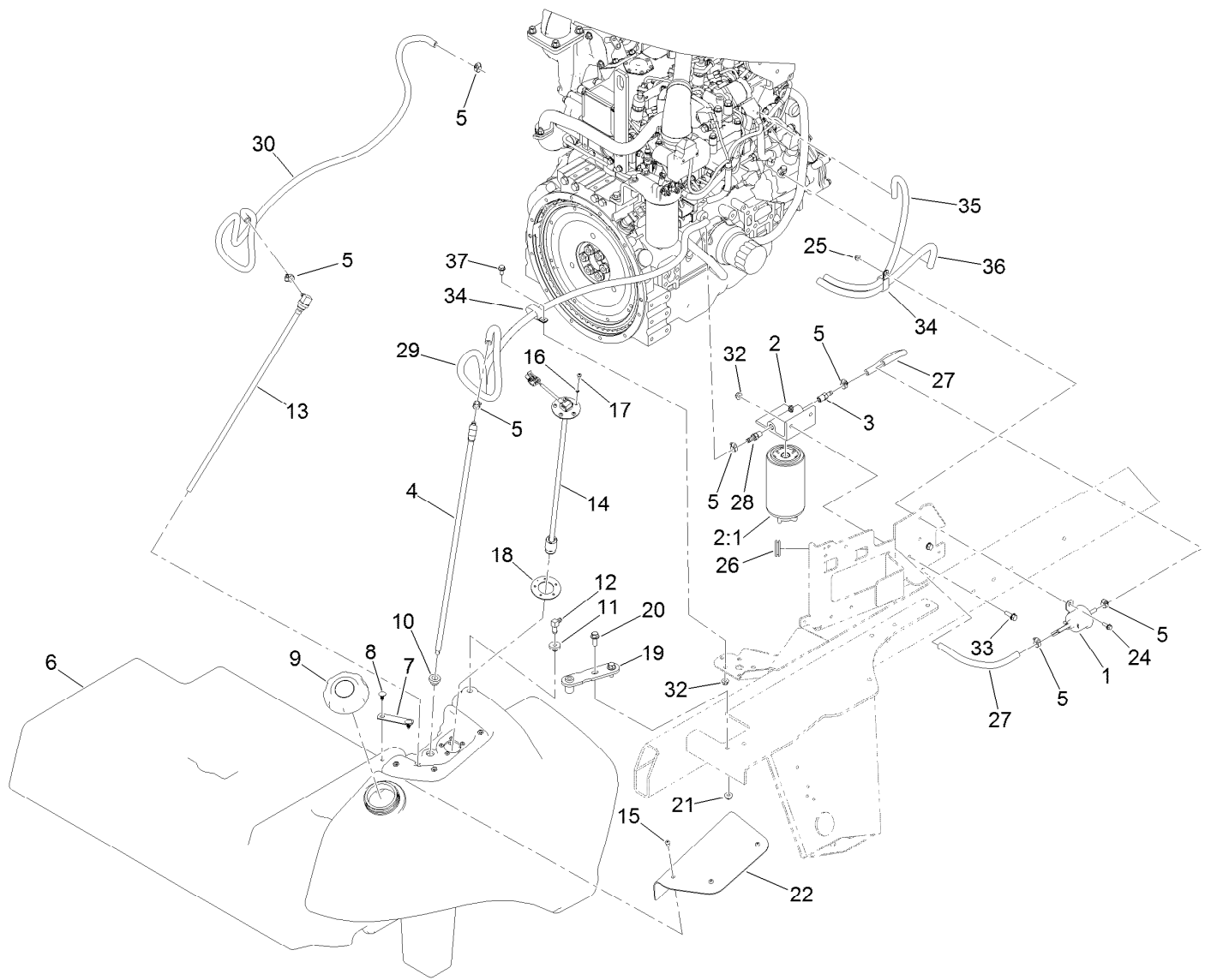
Radiator and Cooling Fan Assembly (continued)

| <i>Ref.</i> | <i>Part Number</i> | <i>Qty.</i> | <i>Description</i> | <i>Ref.</i> | <i>Part Number</i> | <i>Qty.</i> | <i>Description</i> |
|-------------|--------------------|-------------|--------------------------|-------------|--------------------|-------------|------------------------|
| 1 | 130-2572 | 1 | Radiator ASM | 20 | 130-9182 | 2 | Foam-Radiator, Short |
| 1:1 | 132-1361 | 4 | Mount-Isolator | 21 | 132-1386 | 1 | Fan Shroud ASM |
| 1:2 | 94-7220 | 1 | Fitting-Barb, Hose | 21:2 | 117-4766 | 2 | Decal-Warning, Fan |
| 2 | 127-3638-03 | 1 | Bracket-Mount, Radiator | 22 | 130-2531 | 2 | Fan |
| 3 | 127-3631-03 | 1 | Bracket-Mount, Radiator | 23 | 131-2321 | 1 | Foam-Shroud, Upper |
| 4 | 3231-6 | 2 | Screw-CARR | 24 | 33103-030 | 8 | Screw-HHF |
| 5 | 114-2120 | 4 | Washer | 25 | 33003-00 | 8 | Nut-HF |
| 6 | 323-10 | 2 | Screw-HH | 26 | 130-9183 | 1 | Foam-Radiator, Top |
| 7 | 3234-19 | 2 | Screw-HHF | 27 | 121-7536 | 4 | Clamp-Torque, Constant |
| 8 | 104-8301 | 7 | Nut-HF, NI | 28 | 130-9020 | 2 | Plate-Cover |
| 9 | 130-2592-03 | 1 | Bracket-Bottle, Radiator | 29 | 323-6 | 1 | Screw-HH |
| 10 | 120-5571 | 1 | Coolant Reservoir ASM | 30 | 130-9021-03 | 1 | Rod-Prop, Radiator |
| 10:1 | 87-7050 | 1 | Cap-Reservoir | 31 | 66-2920 | 2 | Washer-Friction |
| 11 | 104-8300 | 8 | Nut-HF, NI | 33 | 110-4109 | 1 | Hose-Fuel |
| 12 | 3230-1 | 6 | Bolt-CARR | 34 | 2412-108 | 5 | Clamp-Worm |
| 13 | 3230-7 | 2 | Bolt-CARR | 35 | 116-5087 | 1 | Hose-Fuel |
| 14 | 130-9159 | 1 | Hose-Radiator, Lower | 36 | 354-94 | 1 | Fitting-Female, Barbed |
| 15 | 127-3616 | 1 | Hose-Radiator, Upper | 37 | 93-5528 | 1 | Fitting-Cock, Drain |
| 16 | 131-2356 | 1 | Radiator Cap ASM | 38 | 115-2370 | 1 | Hose-Fuel |
| 16:2 | 117-3276 | 1 | Decal-Danger | 39 | 131-2289 | 2 | Foam-Radiator |
| 17 | 130-9185-03 | 1 | Plate-Seal, Radiator | 40 | 131-2322 | 1 | Foam-Shroud, Lower |
| 18 | 3210-3 | 4 | Screw-HH | 41 | 3256-23 | 4 | Washer-Plain |
| 19 | 130-9181 | 4 | Foam-Radiator, Long | 42 | 108-0342 | 1 | Fitting-Straight |



Air Cleaner Assembly

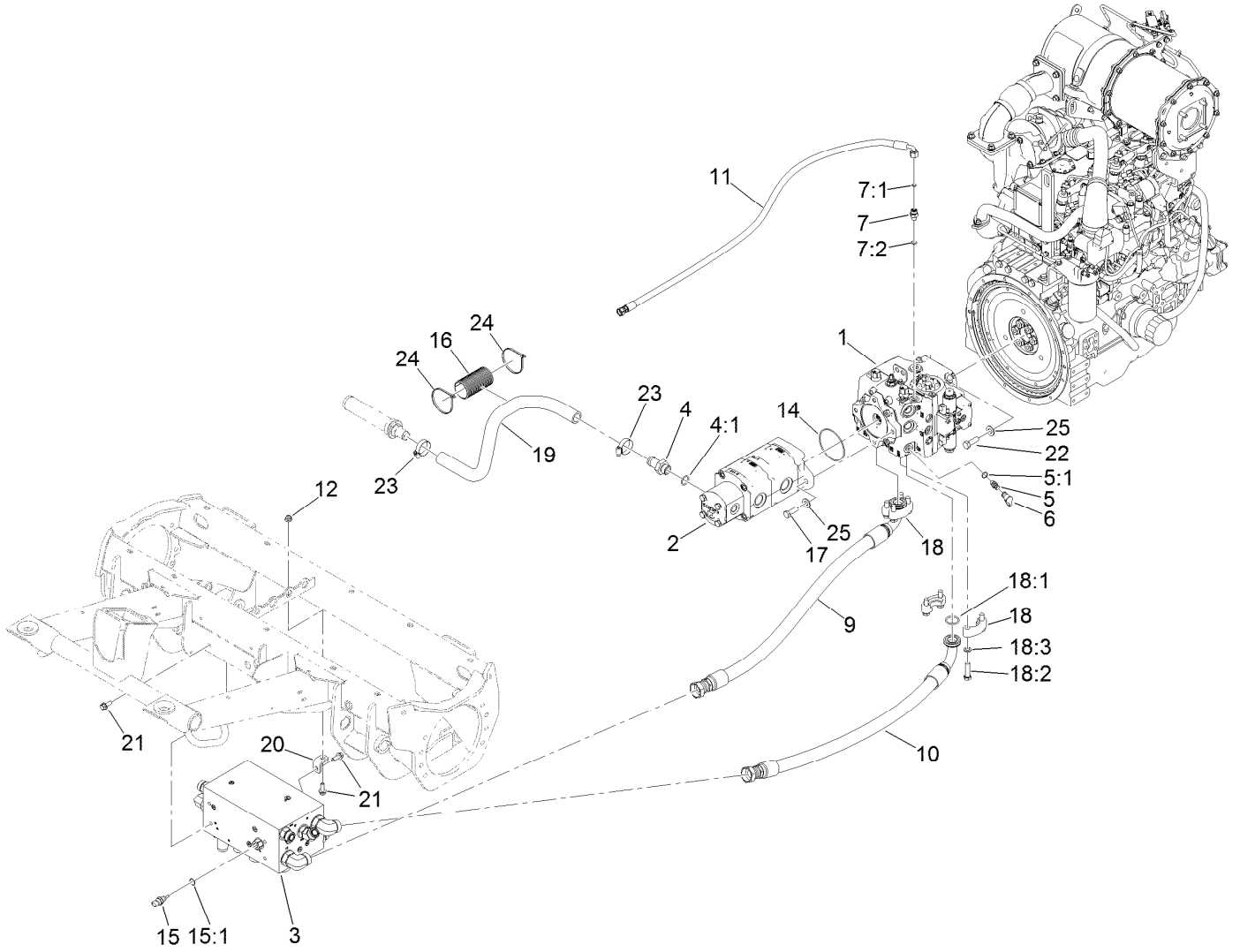
| <i>Ref.</i> | <i>Part Number</i> | <i>Qty.</i> | <i>Description</i> | <i>Ref.</i> | <i>Part Number</i> | <i>Qty.</i> | <i>Description</i> |
|-------------|--------------------|-------------|------------------------|-------------|--------------------|-------------|------------------------|
| 1 | 130-9176-03 | 1 | Air Box ASM | 6 | 130-9180 | 1 | Foam-Airbox, Rear |
| 2 | 130-9160 | 1 | Air Filter ASM | 7 | 3231-5 | 2 | Screw-CARR |
| 2:1 | 108-3815 | 1 | Filter-Air | 8 | 104-8301 | 2 | Nut-HF, NI |
| 2:2 | 130-9070 | 1 | Element-Filter, Safety | 9 | 104-8300 | 2 | Nut-HF, NI |
| 2:3 | 69-1940 | 1 | Indicator-Electrical | 10 | 3234-29 | 2 | Screw-HHF |
| 3 | 130-2512 | 1 | Hose-Intake, Air | 11 | AU110569 | 1 | Clamp-Torque, Constant |
| 4 | 130-2579 | 1 | Grommet | 12 | 131-2229 | 1 | Clamp-Hose |
| 5 | 130-9179 | 1 | Foam-Airbox | 13 | 93-7275 | 1 | Decal-Fluid, Starting |



Fuel System Assembly

| Ref. | Part Number | Qty. | Description | Ref. | Part Number | Qty. | Description |
|------|-------------|------|-----------------------------|------|-------------|------|---------------------|
| 1 | 121-5613 | 1 | Pump-Fuel, Electric | 18 | 121-1707 | 1 | Gasket-Fuel, Viton |
| 2 | 125-2914 | 1 | Filter-Separator | 19 | 114-0094 | 1 | Hold Down-Tank |
| 2:1 | 125-2915 | 1 | Filter-Fuel/Water Separator | 20 | 3234-42 | 2 | Screw-HHF |
| 3 | 353-783 | 1 | Fitting-STR | 21 | 104-8301 | 2 | Nut-HF, NI |
| 4 | 119-7748 | 1 | Pipe-Stand, Fuel | 22 | 114-4939-03 | 1 | Cover-Fitting, Fuel |
| 5 | 2412-108 | 12 | Clamp-Worm | 24 | 3234-4 | 2 | Screw-HHF |
| 6 | 131-2284 | 1 | Fuel Tank ASM | 25 | 104-7201 | 2 | Nut-HF, NI |
| 7 | 94-6821 | 2 | Clamp-Wire | 26 | 1-543286 | 1 | Grommet |
| 8 | 117-2382 | 4 | Plug-Plastic | 27 | 130-9191 | 2 | Hose-Fuel |
| 9 | 125-9171 | 1 | Cap-Fuel | 28 | 108-0342 | 1 | Fitting-Straight |
| 10 | 104-0790 | 2 | Bushing | 29 | 130-9143 | 1 | Hose-Fuel |
| 11 | 46-6560 | 1 | Bushing | 30 | 132-1330 | 1 | Hose-Fuel |
| 12 | 46-6550 | 1 | Fitting-Elbow, 90 DEG | 32 | 104-8300 | 3 | Nut-HF, NI |
| 13 | 130-9149 | 1 | Pipe-Stand, Return | 33 | 3234-29 | 2 | Screw-HHF |
| 14 | 121-1688 | 1 | Gauge-Fuel | 34 | 120-1959 | 2 | Clamp |
| 15 | 3274-31 | 3 | Screw-HSBH | 35 | 109-0308 | 1 | Hose-Fuel |
| 16 | 3253-15 | 5 | Washer-Lock | 36 | 114-0832 | 1 | Hose-Fuel |
| 17 | 32122-24 | 5 | Screw-PTH | 37 | 3234-7 | 1 | Screw-HHF |

Traction Hydraulic Assembly

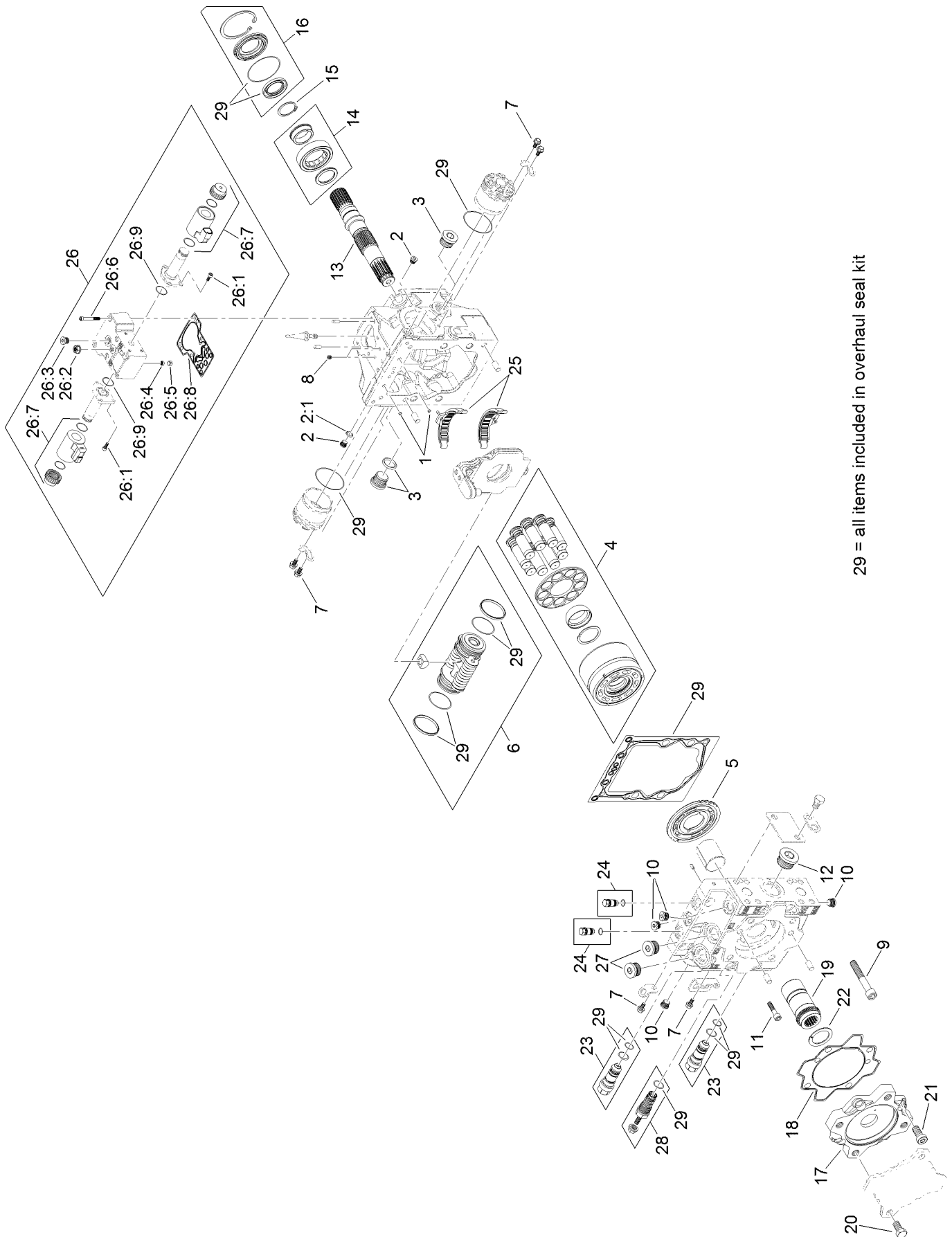


Traction Hydraulic Assembly (continued)

| <i>Ref.</i> | <i>Part Number</i> | <i>Qty.</i> | <i>Description</i> | <i>Ref.</i> | <i>Part Number</i> | <i>Qty.</i> | <i>Description</i> |
|-------------|--------------------|-------------|-----------------------------------|-------------|--------------------|-------------|---------------------|
| 1 | 130-9150 | 1 | Hydraulic Piston Pump ASM | 14 | 107-9447 | 1 | O-Ring |
| 2 | 130-2520 | 1 | Hydraulic Triple Gear Pump ASM | 15 | 110-8829 | 1 | Sender-Temperature |
| 3 | | 1 | Traction Valve ASM ● | 15:1 | 237-42 | 1 | O-Ring |
| 4 | 99-3017 | 1 | Fitting | 16 | 115-5523 | 1 | Guard-Hose |
| 4:1 | 237-81 | 1 | O-Ring | 17 | 121-1525 | 2 | Screw-HH |
| 5 | 59-7410 | 2 | Fitting-Diagnostic | 18 | 121-3903 | 2 | Flange Kit |
| 5:1 | 237-42 | 1 | O-Ring | 18:1 | 121-3904 | 1 | O-Ring |
| 6 | 354-79 | 2 | Cap-Dust | 18:2 | 33116-045 | 4 | Screw-HH |
| 7 | 340-2 | 1 | Fitting-Straight | 18:3 | 48-8070 | 4 | Washer-Lock |
| 7:1 | 237-22 | 1 | O-Ring | 19 | 130-2550 | 1 | Hose-Suction |
| 7:2 | 237-42 | 1 | O-Ring | 20 | 130-2571 | 1 | Tab-Mount, Manifold |
| 9 | 127-3450 | 1 | Hydraulic Hose ASM | 21 | 131-2220 | 6 | Screw-HHF |
| 10 | 127-3451 | 1 | Hydraulic Hose ASM | 22 | AU426-824 | 4 | Screw-HH |
| 11 | 127-3521 | 1 | Hydraulic Hose ASM | 23 | 2412-111 | 2 | Clamp-Hose, W/Liner |
| 12 | 104-8301 | 1 | Nut-HF, NI | 24 | 3290-379 | 2 | Tie-Cable |
| | | | | 25 | 87-7270 | 6 | Washer-Thrust |

● Not serviced separately

Piston Pump Assembly No. 130-9150

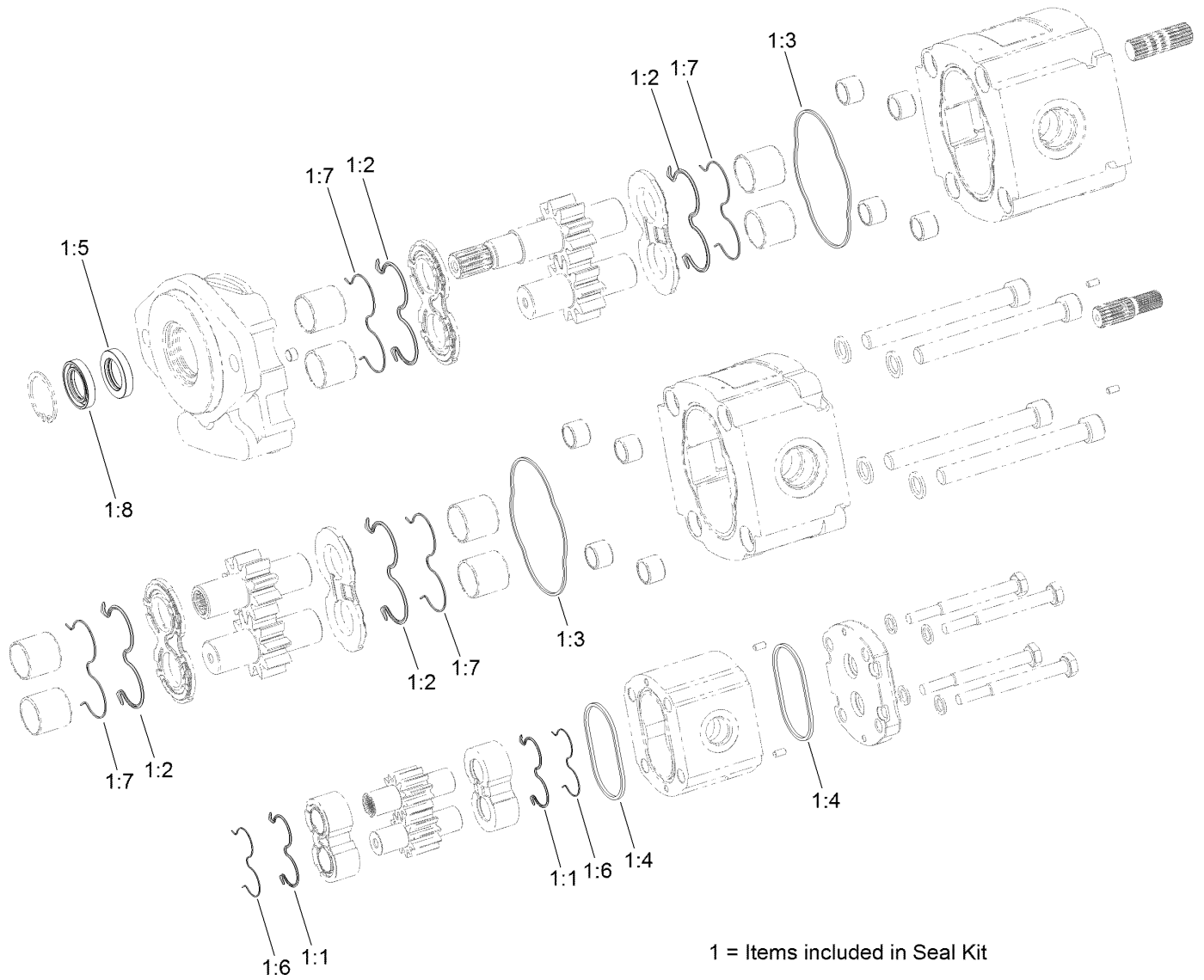


29 = all items included in overhaul seal kit

Piston Pump Assembly No. 130-9150 (continued)

| <i>Ref.</i> | <i>Part Number</i> | <i>Qty.</i> | <i>Description</i> | <i>Ref.</i> | <i>Part Number</i> | <i>Qty.</i> | <i>Description</i> |
|-------------|--------------------|-------------|-----------------------|-------------|--------------------|-------------|-----------------------------|
| 1 | 125-5266 | 2 | Screen | 20 | 125-5281 | 4 | Screw |
| 2 | 75-0170 | 2 | Plug-Thread, Straight | 21 | 125-5282 | 4 | Screw |
| 2:1 | 92-8777 | 1 | O-Ring | 22 | 125-5287 | 1 | Plate-Thrust |
| 3 | 69-3130 | 2 | Plug | 23 | 125-5291 | 2 | Valve-Relief, High Pressure |
| 4 | 125-5267 | 1 | Cylinder Block Kit | 24 | 125-5292 | 2 | Pressure Limiter Plug ASM |
| 5 | 125-5268 | 1 | Valve Plate, CW | 25 | 125-5293 | 1 | Swashplate Bearing Kit |
| 6 | 125-5271 | 1 | Servo Piston ASM | 26 | 125-5295 | 1 | Control Kit (12 Volt) |
| 7 | 125-5270 | 8 | Screw | 26:1 | 125-5272 | 6 | Screw |
| 8 | 125-5276 | 2 | Orifice (0.8) | 26:2 | 125-5273 | 1 | Nut-Seal |
| 9 | 125-5277 | 4 | Screw | 26:3 | 125-5302 | 1 | Plug |
| 10 | 125-5300 | 4 | Plug ASM | 26:4 | 125-5266 | 1 | Screen |
| 11 | 125-5275 | 2 | Screw | 26:5 | 125-5269 | 1 | Ring-Locking |
| 12 | 125-5301 | 1 | Plug | 26:6 | 125-5274 | 6 | Screw |
| 13 | 125-5278 | 1 | Shaft | 26:7 | 125-5294 | 2 | Coil Kit |
| 14 | 125-5279 | 1 | Bearing-Roller | 26:8 | 125-5283 | 1 | Gasket-Control |
| 15 | 125-5280 | 1 | Ring-Retaining | 26:9 | 125-5288 | 2 | O-Ring |
| 16 | 125-5296 | 1 | Shaft Seal Kit | 27 | 125-5303 | 2 | Plug ASM |
| 17 | 125-5284 | 1 | Adapter | 28 | 125-5297 | 1 | Charge Relief Kit |
| 18 | 125-5285 | 1 | Seal-Adapter | 29 | 125-5299 | 1 | Overhaul Seal Kit |
| 19 | 125-5286 | 1 | Coupling | | | | |

Hydraulic Gear Pump Assembly No. 130-2520

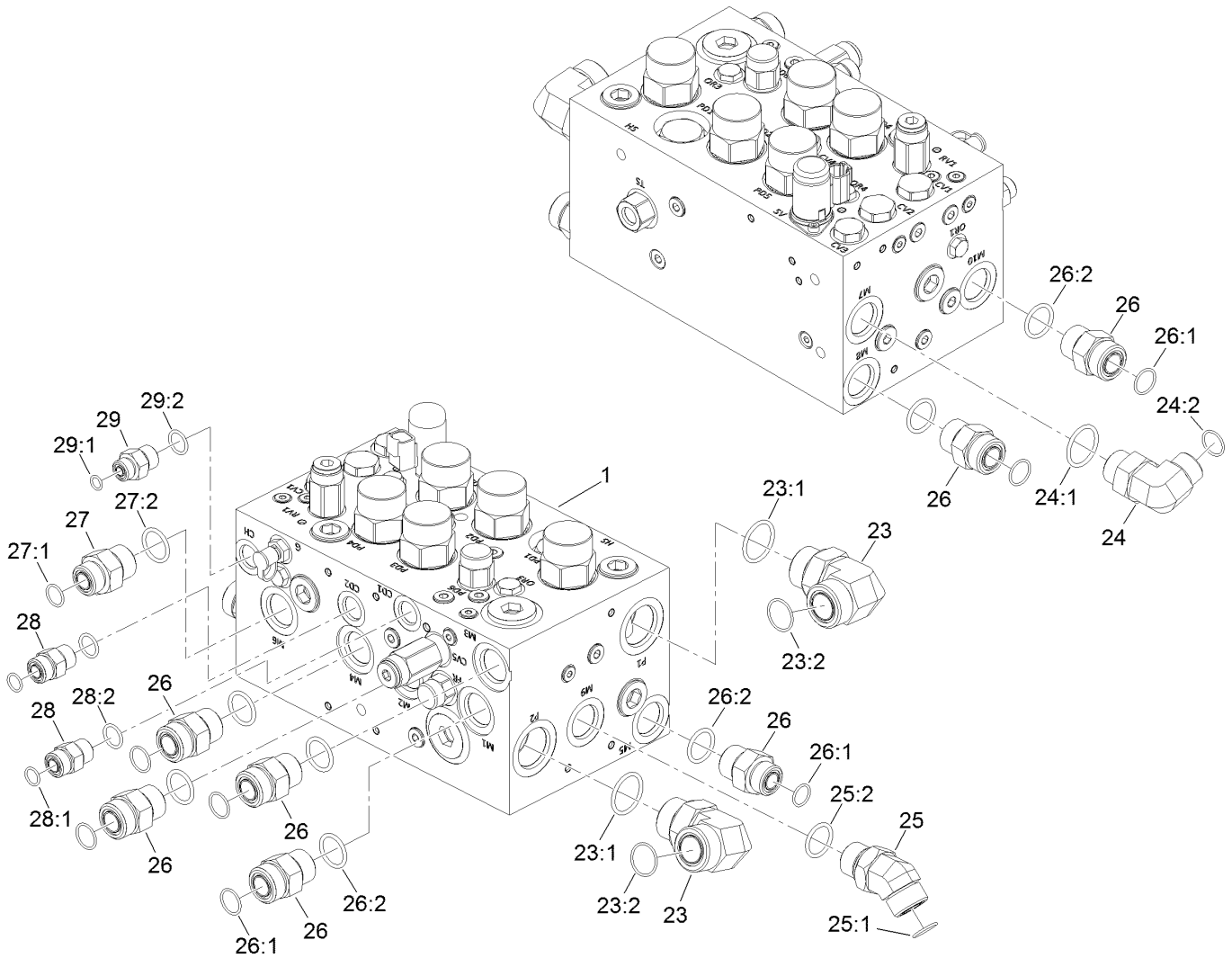


Hydraulic Gear Pump Assembly No. 130-2520 (continued)

| <i>Ref.</i> | <i>Part Number</i> | <i>Qty.</i> | <i>Description</i> | <i>Ref.</i> | <i>Part Number</i> | <i>Qty.</i> | <i>Description</i> |
|-------------|--------------------|-------------|--------------------|-------------|--------------------|-------------|----------------------|
| 1 | 133-2484 | 1 | Seal Kit | 1:5 | | 1 | Seal-Shaft ● |
| 1:1 | | 2 | Seal ● | 1:6 | | 2 | Antiextrusion ● |
| 1:2 | | 4 | Seal ● | 1:7 | | 4 | Ring-Antiextrusion ● |
| 1:3 | | 2 | Seal-Standard ● | 1:8 | | 1 | Seal-Shaft ● |
| 1:4 | | 2 | Seal-Standard ● | | | | |

● Not serviced separately

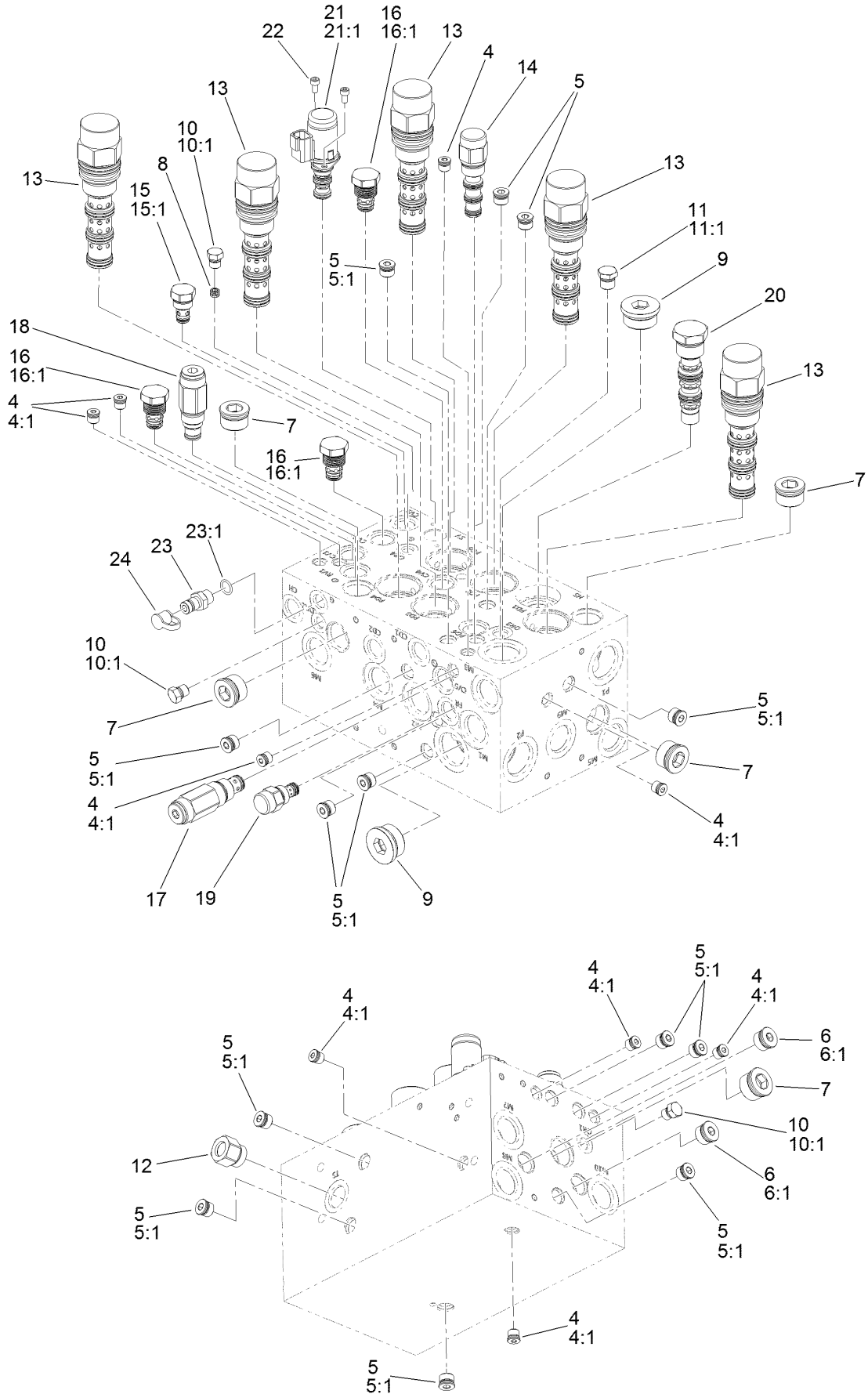
Traction Valve Assembly



Traction Valve Assembly (continued)

| <i>Ref.</i> | <i>Part Number</i> | <i>Qty.</i> | <i>Description</i> | <i>Ref.</i> | <i>Part Number</i> | <i>Qty.</i> | <i>Description</i> |
|-------------|--------------------|-------------|--------------------------------|-------------|--------------------|-------------|--------------------|
| 1 | 132-1397 | 1 | Traction Valve Manifold ASM | 26:1 | 237-58 | 1 | O-Ring |
| 23 | 340-129 | 2 | Fitting-Elbow, 90 DEG | 26:2 | 237-81 | 1 | O-Ring |
| 23:1 | 237-146 | 1 | O-Ring | 27 | 340-8 | 1 | Fitting-Straight |
| 23:2 | 340-65 | 1 | O-Ring | 27:1 | 237-65 | 1 | O-Ring |
| 24 | 340-139 | 1 | Fitting-Elbow 90 | 27:2 | 237-81 | 1 | O-Ring |
| 24:1 | 237-81 | 1 | O-Ring | 28 | 340-4 | 2 | Fitting-Straight |
| 24:2 | 237-65 | 1 | O-Ring | 28:1 | 237-30 | 1 | O-Ring |
| 25 | 100-5530 | 1 | Fitting-45 DEG | 28:2 | 237-79 | 1 | O-Ring |
| 25:1 | 237-58 | 1 | O-Ring | 29 | 340-3 | 1 | Fitting-Straight |
| 25:2 | 237-81 | 1 | O-Ring | 29:1 | 237-22 | 1 | O-Ring |
| 26 | 340-9 | 7 | Fitting-STR | 29:2 | 237-79 | 1 | O-Ring |

Hydraulic Traction Valve Manifold Assembly No. 132-1397

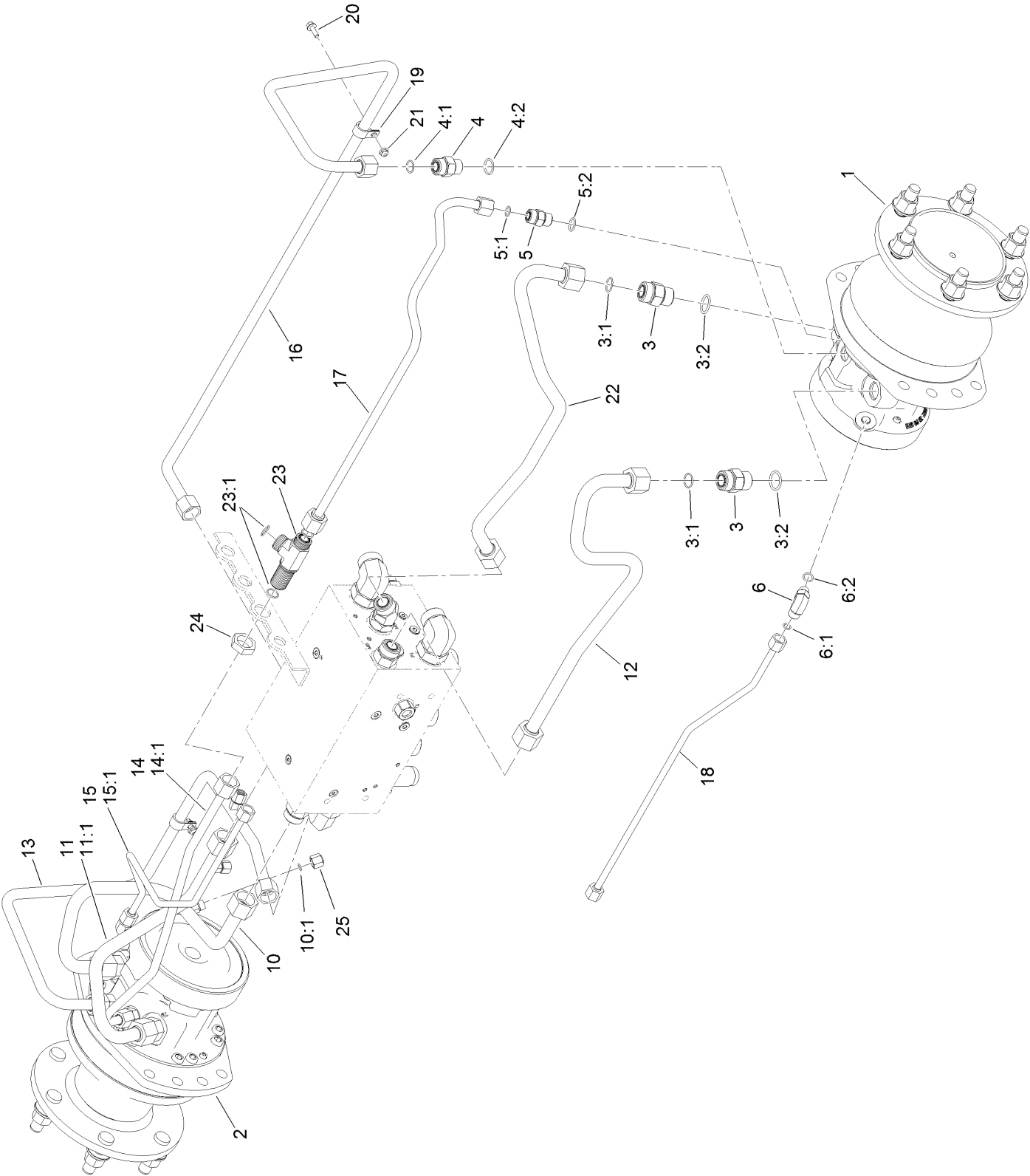


Hydraulic Traction Valve Manifold Assembly No. 132-1397 (continued)

| <i>Ref.</i> | <i>Part Number</i> | <i>Qty.</i> | <i>Description</i> | <i>Ref.</i> | <i>Part Number</i> | <i>Qty.</i> | <i>Description</i> |
|-------------|--------------------|-------------|--------------------------------------|-------------|--------------------|-------------|----------------------------------|
| 4 | 353-990 | 9 | Plug ASM | 14 | 132-4913 | 1 | Vent-External, Piloted |
| 4:1 | 237-78 | 1 | O-Ring | 15 | 105-9321 | 1 | Check Valve ASM |
| 5 | 353-989 | 13 | Plug-Hex, Hollow | 15:1 | 105-9156 | 1 | Seal Kit |
| 5:1 | 237-42 | 1 | O-Ring | 16 | 110-8881 | 3 | Valve-Check |
| 6 | 353-988 | 2 | Plug-Hex | 16:1 | 105-9159 | 1 | Seal Kit ● |
| 6:1 | 237-79 | 1 | O-Ring | 17 | 132-4912 | 1 | Valve-Check |
| 7 | 133-2444 | 5 | Zero-Leak Plug, SAE-12 | 18 | 132-4911 | 1 | Valve-Relief, Poppet Type |
| 8 | 110-5973 | 1 | Orifice-0.030 | 19 | 132-4910 | 1 | Regulator-Flow, Pressure Comp |
| 9 | 133-2445 | 2 | Plug-Socket, Hex | 20 | 132-4909 | 1 | Valve-Shuttle, Hot Oil |
| 10 | 353-512 | 3 | Plug | 21 | 125-7554 | 1 | Valve-Solenoid |
| 10:1 | 237-78 | 1 | O-Ring | 21:1 | 125-7561 | 1 | Seal Kit |
| 11 | 353-508 | 1 | Plug-HH | 22 | 132-4908 | 2 | Screw-Cap, Soc HD |
| 11:1 | 237-42 | 1 | O-Ring | 23 | 59-7410 | 1 | Fitting-Diagnostic |
| 12 | 132-4915 | 1 | Fitting-Adapter, Temp Sensor | 23:1 | 237-42 | 1 | O-Ring |
| 13 | 132-4914 | 5 | Valve-Piloted Directional, Vented | 24 | 354-79 | 1 | Cap-Dust |

● Not illustrated

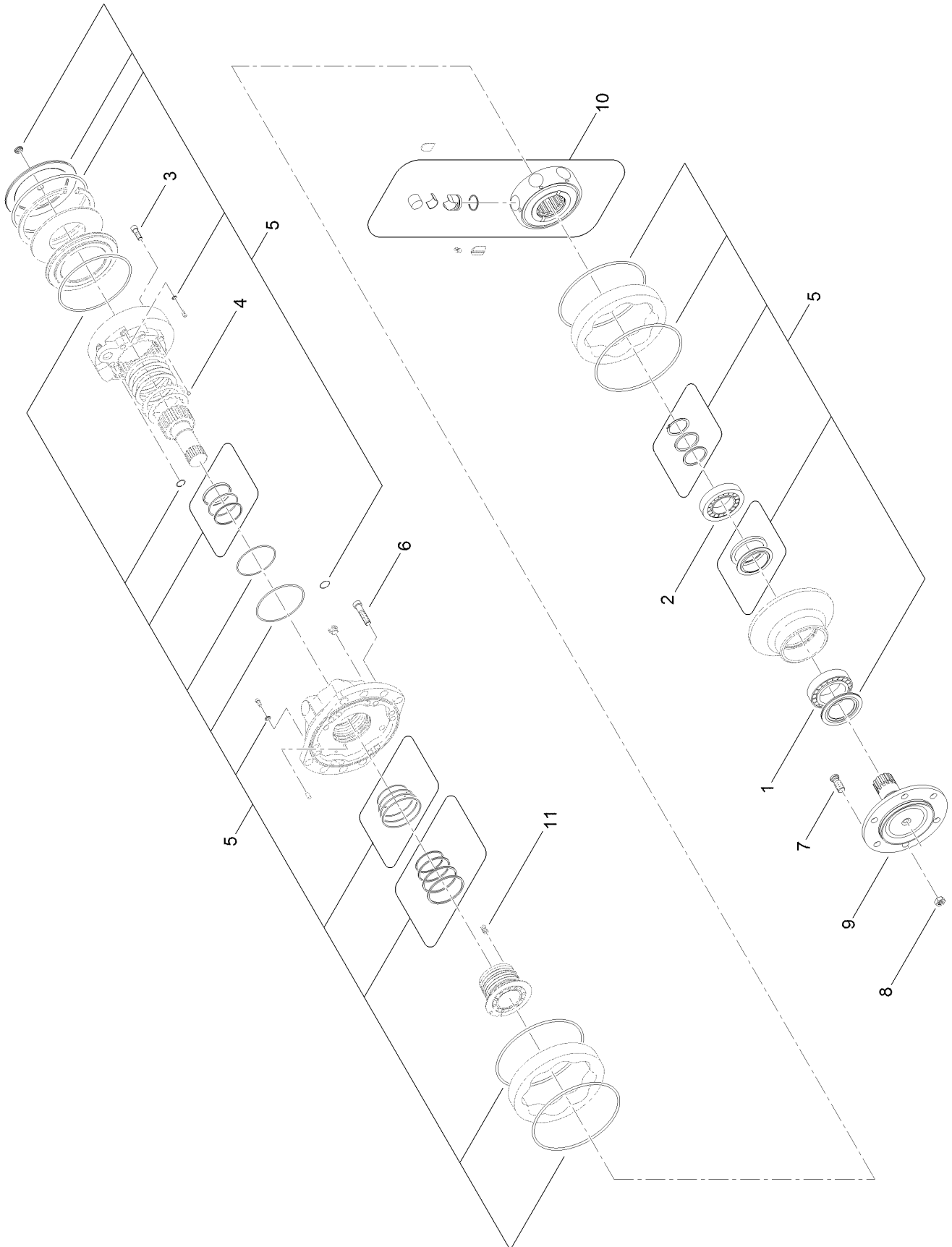
Hydraulic Traction Motors Assembly



Hydraulic Traction Motors Assembly (continued)

| <i>Ref.</i> | <i>Part Number</i> | <i>Qty.</i> | <i>Description</i> | <i>Ref.</i> | <i>Part Number</i> | <i>Qty.</i> | <i>Description</i> |
|-------------|--------------------|-------------|------------------------|-------------|--------------------|-------------|--------------------|
| 1 | 125-5391 | 1 | LH Hydraulic Motor ASM | 12 | 130-2537 | 1 | Hydraulic Tube ASM |
| 2 | 125-5434 | 1 | RH Hydraulic Motor ASM | 13 | 130-9074 | 1 | Hydraulic Tube ASM |
| 3 | 340-9 | 4 | Fitting-STR | 14 | 130-2540 | 1 | Hydraulic Tube ASM |
| 3:1 | 237-58 | 1 | O-Ring | 14:1 | 237-30 | 1 | O-Ring |
| 3:2 | 237-81 | 1 | O-Ring | 15 | 130-2541 | 1 | Hydraulic Tube ASM |
| 4 | 340-7 | 2 | Fitting-Straight | 15:1 | 237-22 | 1 | O-Ring |
| 4:1 | 237-65 | 1 | O-Ring | 16 | 130-9075 | 1 | Hydraulic Tube ASM |
| 4:2 | 237-80 | 1 | O-Ring | 17 | 130-2554 | 1 | Hydraulic Tube ASM |
| 5 | 340-4 | 2 | Fitting-Straight | 18 | 130-2555 | 1 | Hydraulic Tube ASM |
| 5:1 | 237-30 | 1 | O-Ring | 19 | 2412-87 | 2 | Clamp-Cable |
| 5:2 | 237-79 | 1 | O-Ring | 20 | 3234-4 | 2 | Screw-HHF |
| 6 | 340-77 | 2 | Fitting-Elbow, 90 DEG | 21 | 104-7201 | 2 | Nut-HF, NI |
| 6:1 | 237-22 | 1 | O-Ring | 22 | 130-2556 | 1 | Hydraulic Tube ASM |
| 6:2 | 237-42 | 1 | O-Ring | 23 | 94-5350 | 1 | Fitting-Tee |
| 10 | 130-2533 | 1 | Hydraulic Tube ASM | 23:1 | 237-65 | 3 | O-Ring |
| 10:1 | 237-21 | 1 | O-Ring | 24 | 340-74 | 1 | Nut-Lock, Bulkhead |
| 11 | 130-2534 | 1 | Hydraulic Tube ASM | 25 | 117-3297 | 3 | Fitting-Cap |
| 11:1 | 237-21 | 1 | O-Ring | | | | |

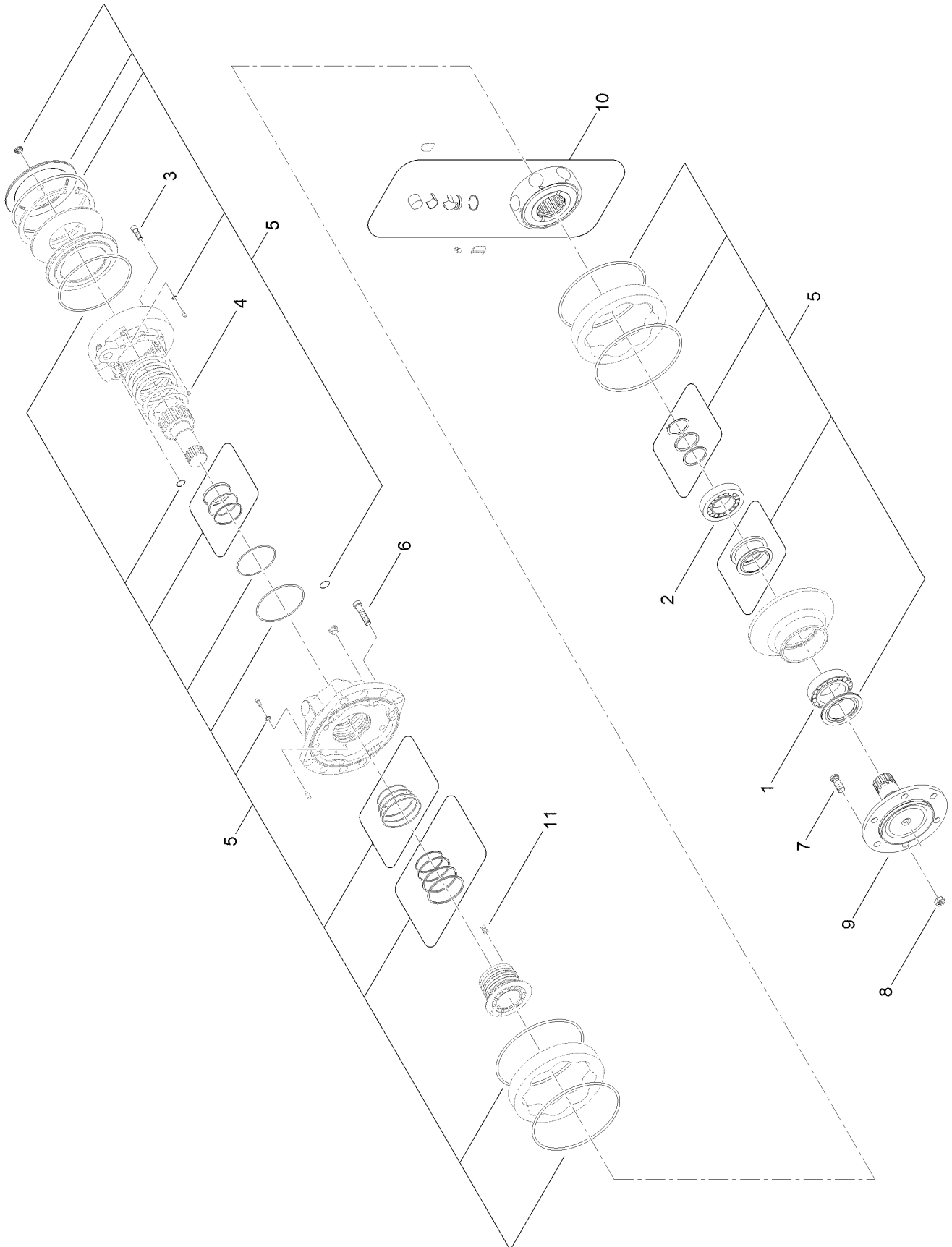
Hydraulic Motor Assembly No. 125-5434



Hydraulic Motor Assembly No. 125-5434 (continued)

| <i>Ref.</i> | <i>Part Number</i> | <i>Qty.</i> | <i>Description</i> | <i>Ref.</i> | <i>Part Number</i> | <i>Qty.</i> | <i>Description</i> |
|-------------|--------------------|-------------|--------------------|-------------|--------------------|-------------|--------------------|
| 1 | 137-5627 | 1 | Bearing | 7 | 137-5632 | 1 | Stud |
| 2 | 137-5628 | 1 | Bearing | 8 | 137-5633 | 1 | Lug Nut |
| 3 | 137-5649 | 1 | Screw | 9 | 137-5634 | 1 | Shaft |
| 4 | 137-5629 | 1 | Shear Ball | 10 | 137-5578 | 1 | Rotating Group ASM |
| 5 | 137-5630 | 1 | Master Seal Kit | 11 | 137-5583 | 1 | Spring |
| 6 | 137-5631 | 1 | Screw | | | | |

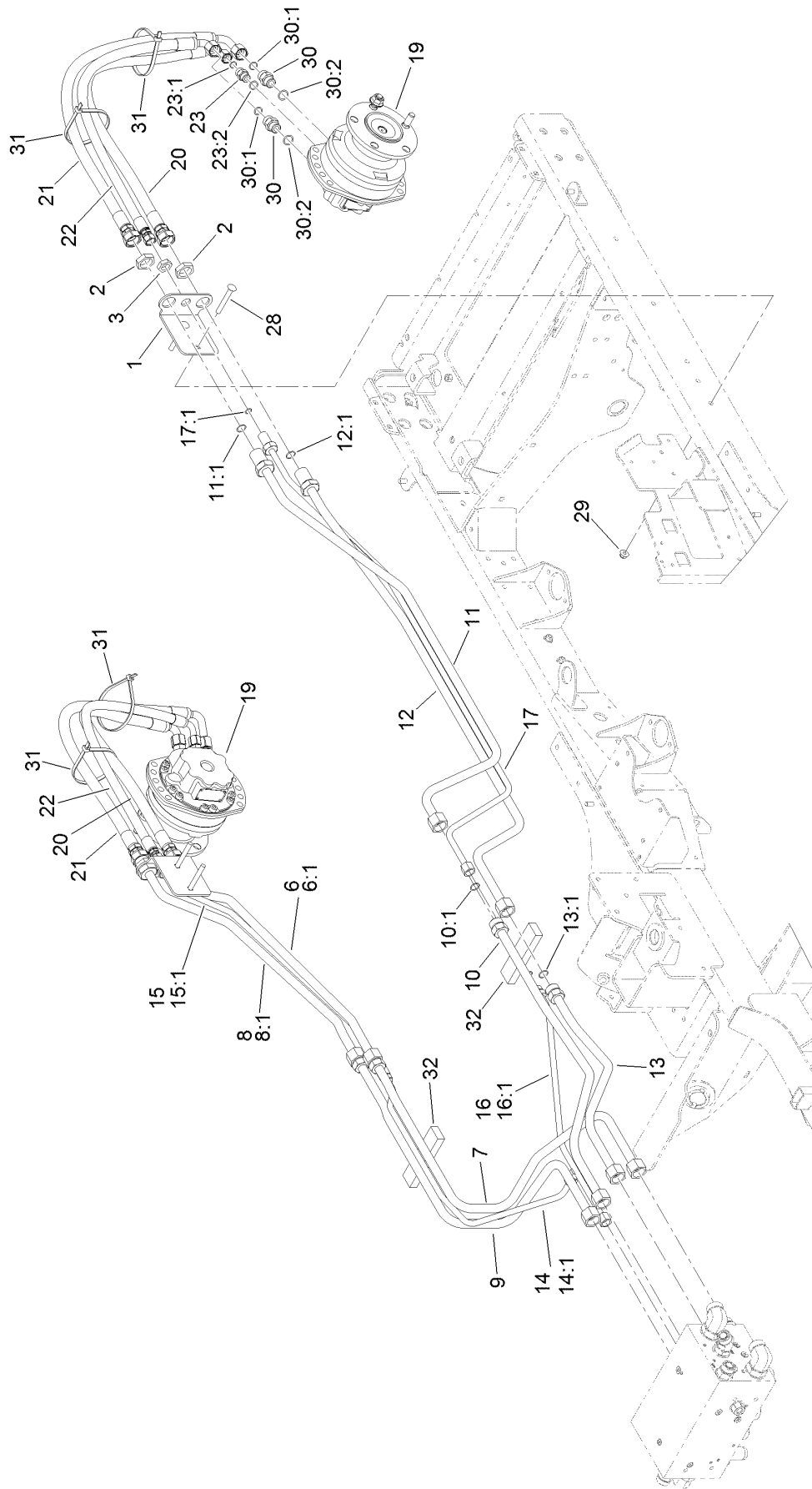
Hydraulic Motor Assembly No. 125-5391



Hydraulic Motor Assembly No. 125-5391 (continued)

| <i>Ref.</i> | <i>Part Number</i> | <i>Qty.</i> | <i>Description</i> | <i>Ref.</i> | <i>Part Number</i> | <i>Qty.</i> | <i>Description</i> |
|-------------|--------------------|-------------|--------------------|-------------|--------------------|-------------|--------------------|
| 1 | 137-5627 | 1 | Bearing | 7 | 137-5632 | 1 | Stud |
| 2 | 137-5628 | 1 | Bearing | 8 | 137-5633 | 1 | Lug Nut |
| 3 | 137-5649 | 1 | Screw | 9 | 137-5634 | 1 | Shaft |
| 4 | 137-5629 | 1 | Shear Ball | 10 | 137-5578 | 1 | Rotating Group ASM |
| 5 | 137-5630 | 1 | Master Seal Kit | 11 | 137-5583 | 1 | Spring |
| 6 | 137-5631 | 1 | Screw | | | | |

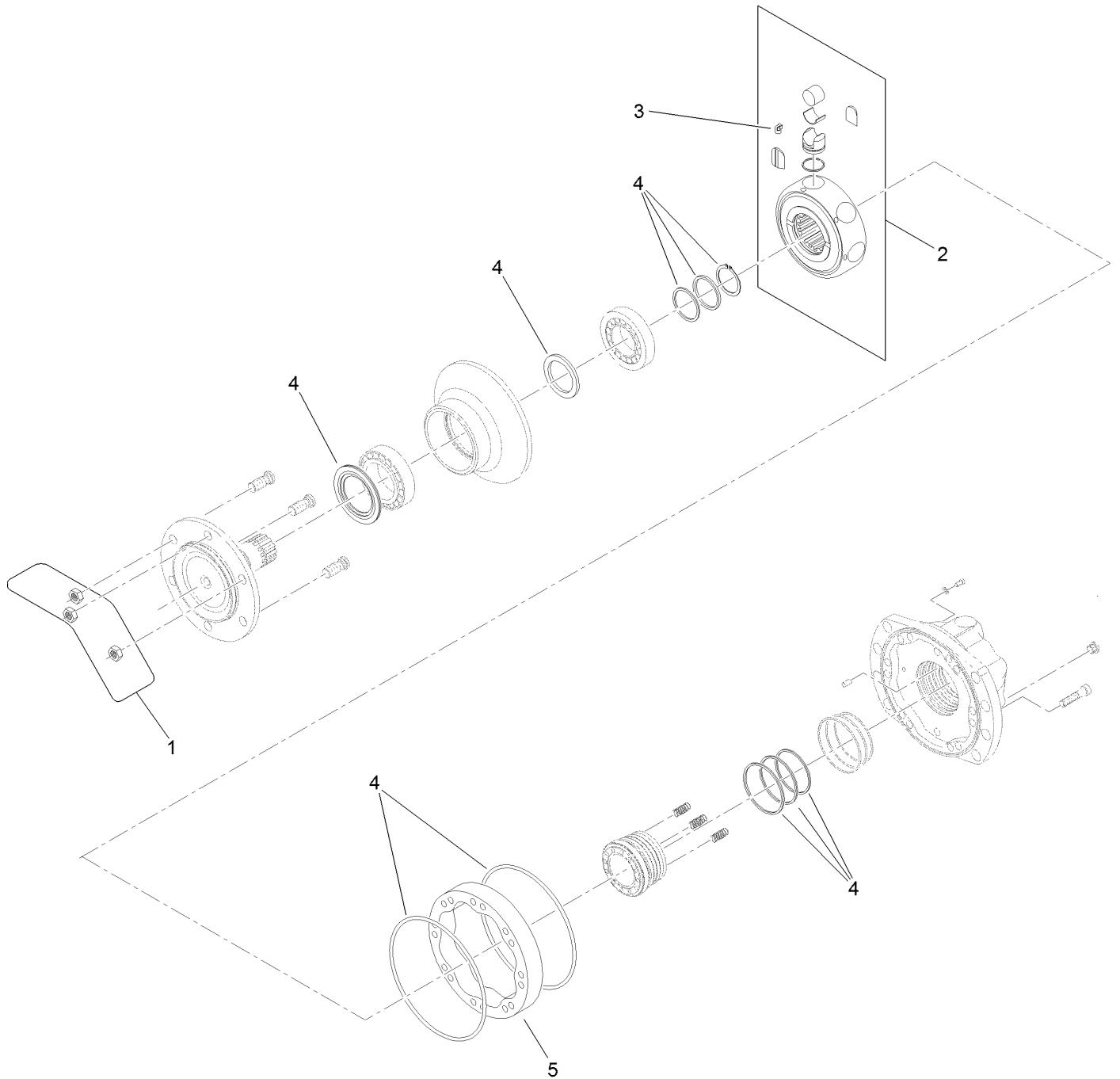
Hydraulic Traction Assembly



Hydraulic Traction Assembly (continued)

| <i>Ref.</i> | <i>Part Number</i> | <i>Qty.</i> | <i>Description</i> | <i>Ref.</i> | <i>Part Number</i> | <i>Qty.</i> | <i>Description</i> |
|-------------|--------------------|-------------|--------------------|-------------|--------------------|-------------|---------------------|
| 1 | 131-2377-01 | 2 | Support-Bulkhead | 15:1 | 237-30 | 1 | O-Ring |
| 2 | 340-126 | 4 | Nut-Bulkhead | 16 | 131-2386 | 1 | Hydraulic Tube ASM |
| 3 | 340-127 | 2 | Nut-Bulkhead | 16:1 | 237-30 | 2 | O-Ring |
| 6 | 131-2378 | 1 | Hydraulic Tube ASM | 17 | 131-2387 | 1 | Hydraulic Tube ASM |
| 6:1 | 237-58 | 1 | O-Ring | 17:1 | 237-30 | 1 | O-Ring |
| 7 | 131-2397 | 1 | Hydraulic Tube ASM | 19 | 132-1425 | 2 | Hydraulic Motor ASM |
| 8 | 131-2379 | 1 | Hydraulic Tube ASM | 20 | 127-3568 | 2 | Hydraulic Hose ASM |
| 8:1 | 237-58 | 1 | O-Ring | 21 | 127-3569 | 2 | Hydraulic Hose ASM |
| 9 | 131-2398 | 1 | Hydraulic Tube ASM | 22 | 131-2383 | 2 | Hydraulic Hose ASM |
| 10 | 130-2464 | 1 | Hydraulic Tube ASM | 23 | 340-4 | 2 | Fitting-Straight |
| 10:1 | 237-58 | 1 | O-Ring | 23:1 | 237-30 | 1 | O-Ring |
| 11 | 131-2388 | 1 | Hydraulic Tube ASM | 23:2 | 237-79 | 1 | O-Ring |
| 11:1 | 237-58 | 1 | O-Ring | 28 | 3231-42 | 4 | Screw-CARR |
| 12 | 131-2389 | 1 | Hydraulic Tube ASM | 29 | 104-8301 | 4 | Nut-HF, NI |
| 12:1 | 237-58 | 1 | O-Ring | 30 | 340-7 | 4 | Fitting-Straight |
| 13 | 130-2467 | 1 | Hydraulic Tube ASM | 30:1 | 237-65 | 1 | O-Ring |
| 13:1 | 237-58 | 1 | O-Ring | 30:2 | 237-80 | 1 | O-Ring |
| 14 | 131-2384 | 1 | Hydraulic Tube ASM | 31 | 3334-945 | 4 | Tie-Cable |
| 14:1 | 237-30 | 1 | O-Ring | 32 | 132-1393 | 2 | Foam-Support, Tube |
| 15 | 131-2385 | 1 | Hydraulic Tube ASM | | | | |

Hydraulic Motor Assembly No. 132-1425

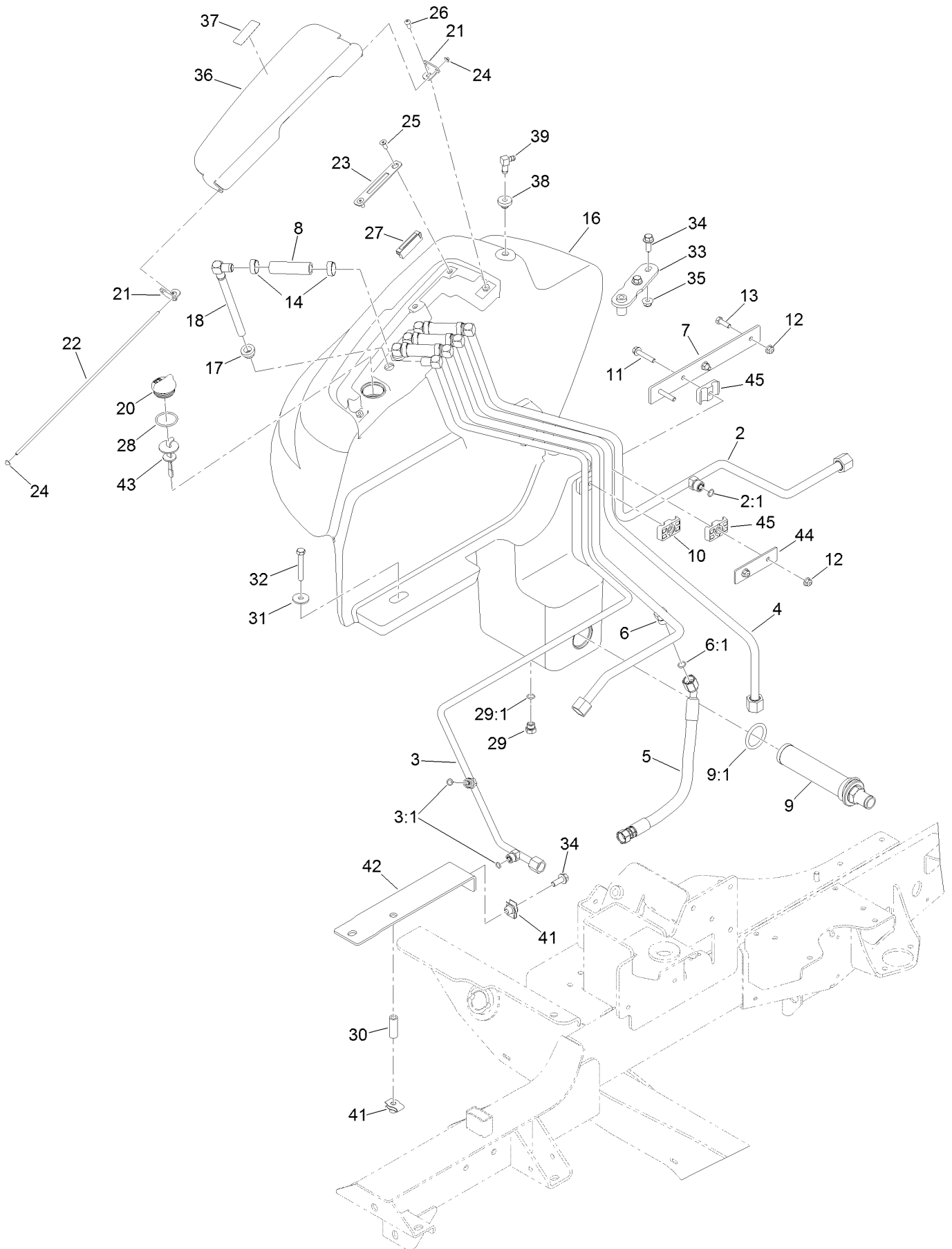


Hydraulic Motor Assembly No. 132-1425 (continued)

| <i>Ref.</i> | <i>Part Number</i> | <i>Qty.</i> | <i>Description</i> |
|-------------|--------------------|-------------|--------------------|
| 1 | 133-2517 | 1 | Nut-Flange |
| 2 | 133-2518 | 1 | Rotating Group ASM |
| 3 | 133-2519 | 1 | Clip-Retaining |

| <i>Ref.</i> | <i>Part Number</i> | <i>Qty.</i> | <i>Description</i> |
|-------------|--------------------|-------------|--------------------|
| 4 | 133-2520 | 1 | Seal Kit |
| 5 | 133-2521 | 1 | Cam-Z |

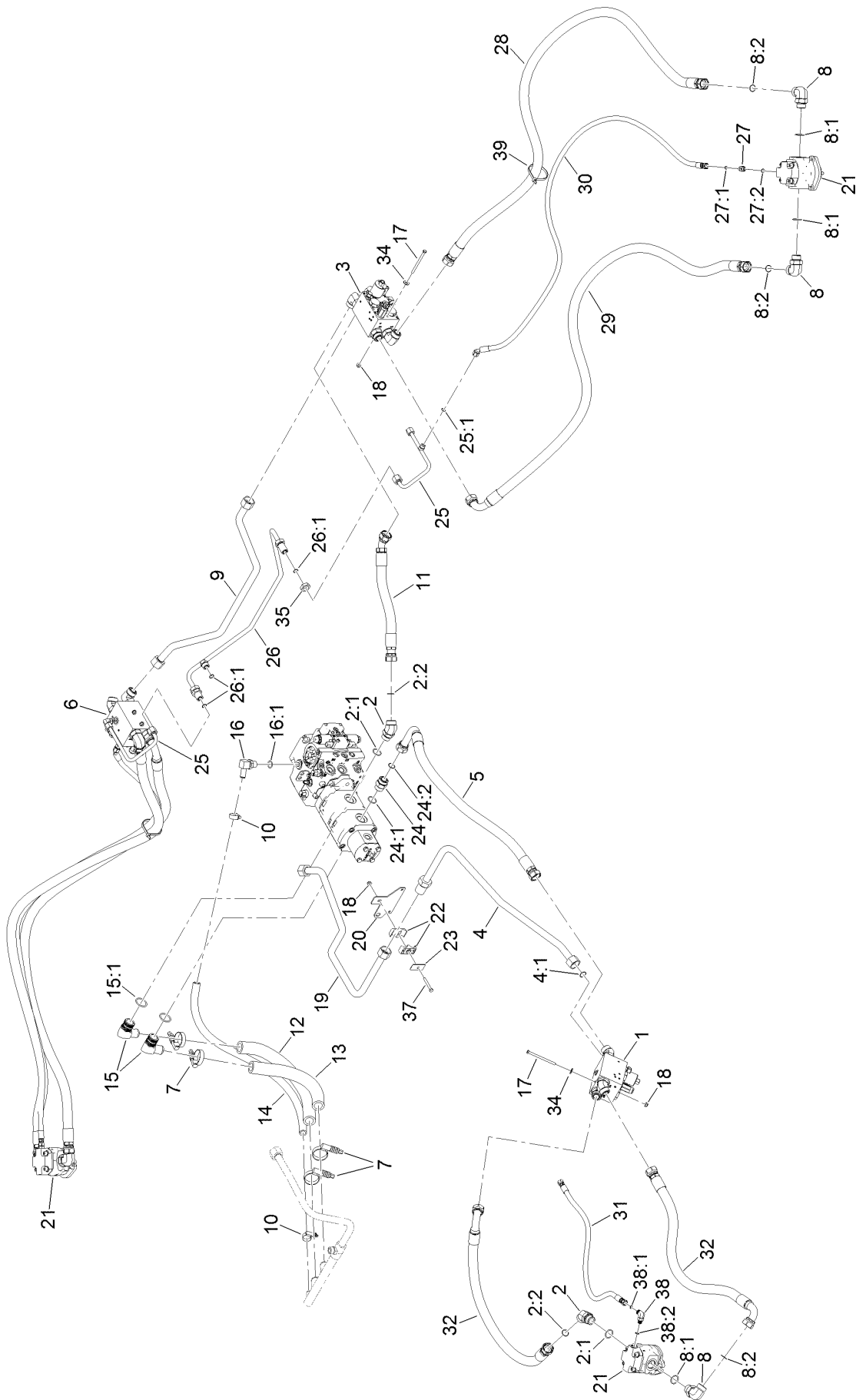
Hydraulic Tank Assembly



Hydraulic Tank Assembly (continued)

| <i>Ref.</i> | <i>Part Number</i> | <i>Qty.</i> | <i>Description</i> | <i>Ref.</i> | <i>Part Number</i> | <i>Qty.</i> | <i>Description</i> |
|-------------|--------------------|-------------|--------------------|-------------|--------------------|-------------|-------------------------|
| 2 | 125-5357 | 1 | Hydraulic Tube ASM | 23 | 114-0941 | 1 | Plate-Latch |
| 2:1 | 237-30 | 1 | O-Ring | 24 | 108-3629 | 2 | Nut-Push |
| 3 | 130-2553 | 1 | Hydraulic Tube ASM | 25 | 3274-47 | 2 | Screw-HSFH |
| 3:1 | 237-22 | 2 | O-Ring | 26 | 3274-31 | 2 | Screw-HSBH |
| 4 | 130-2511 | 1 | Hydraulic Tube ASM | 27 | 58-4250 | 1 | Catch-Magnetic |
| 5 | 130-2543 | 1 | Hydraulic Hose ASM | 28 | 94-8166 | 1 | O-Ring |
| 6 | 130-9036 | 1 | Hydraulic Tube ASM | 29 | 353-508 | 1 | Plug-HH |
| 6:1 | 237-30 | 1 | O-Ring | 29:1 | 237-42 | 1 | O-Ring |
| 7 | 114-4919-03 | 1 | Plate-Mount, Tube | 30 | 95-6448 | 1 | Spacer |
| 8 | 114-4920 | 4 | Hose | 31 | 63-8410 | 1 | Washer |
| 9 | 104-7546 | 1 | Tank Strainer ASM | 32 | 323-12 | 1 | Screw-HH |
| 9:1 | 340-136 | 1 | O-Ring | 33 | 114-0094 | 1 | Hold Down-Tank |
| 10 | 56-7977 | 2 | Clamp-Tube | 34 | 3234-42 | 3 | Screw-HFH |
| 11 | 94-5780 | 2 | Screw-HWH | 35 | 104-8301 | 2 | Nut-HF, NI |
| 12 | 104-8300 | 4 | Nut-HF, NI | 36 | 114-0939-03 | 1 | Cover-Tank, HYD |
| 13 | 322-5 | 2 | Screw-HH | 37 | 93-6686 | 1 | Decal-Oil, HYD |
| 14 | 2412-36 | 8 | Clamp-Hose | 38 | 46-6560 | 1 | Bushing |
| 16 | 119-7726 | 1 | Hydraulic Tank ASM | 39 | 46-6550 | 1 | Fitting-Elbow, 90 DEG |
| 17 | 104-0790 | 4 | Bushing | 41 | 105-4886 | 2 | Nut-Tinnerman |
| 18 | 132-1384 | 4 | Tube-Drop | 42 | 130-2583-01 | 1 | Support-Tank, Hydraulic |
| 20 | 93-7498 | 1 | Plug-Plastic | 43 | 105-2812 | 1 | Dipstick |
| 21 | 114-0940 | 2 | Bracket-Hinge | 44 | 131-2213-03 | 1 | Plate-Drain, Case |
| 22 | 114-0904 | 1 | Rod | 45 | 56-7971 | 2 | Clamp-Tube |

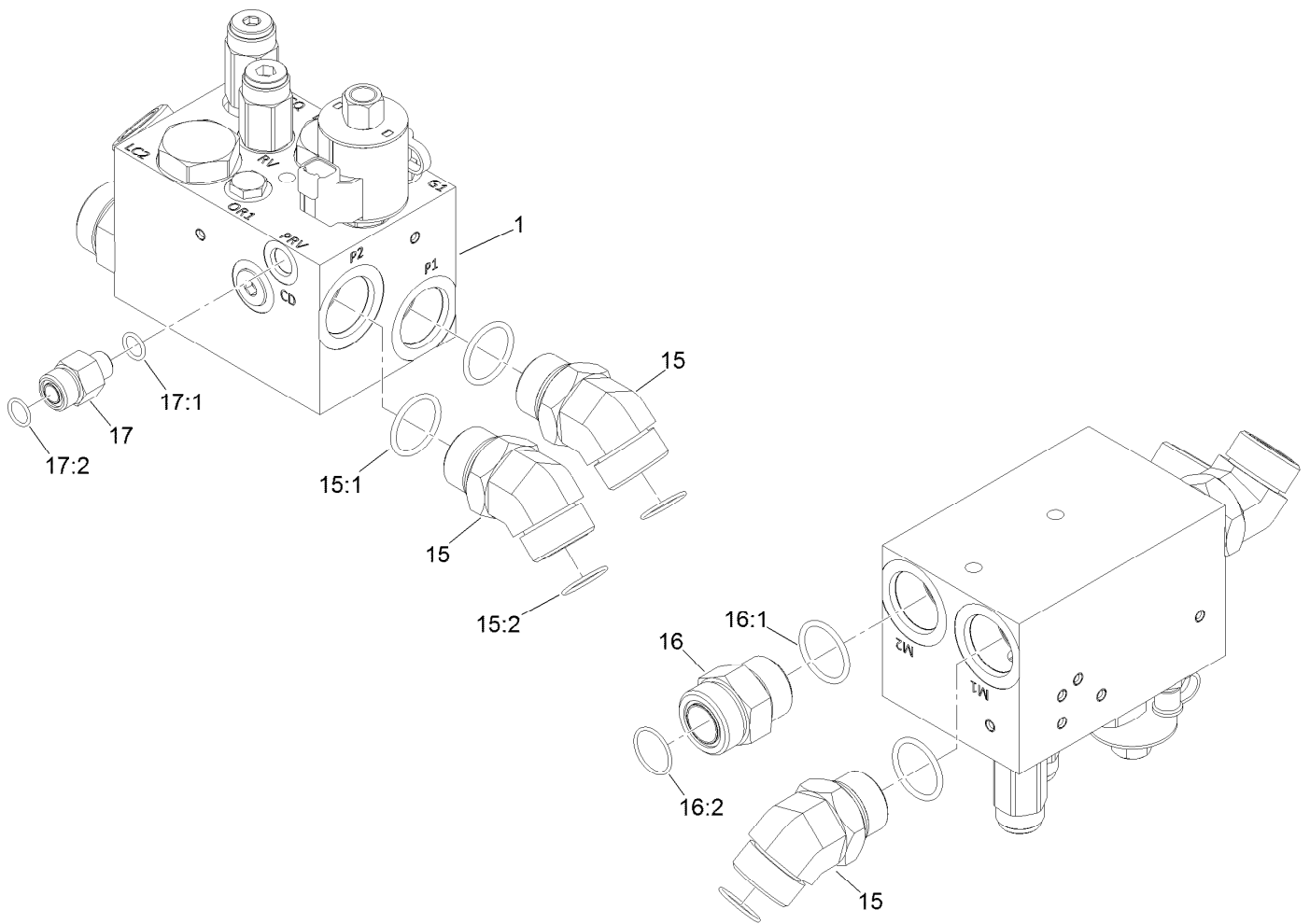
Hydraulic Cutting Circuit Assembly



Hydraulic Cutting Circuit Assembly (continued)

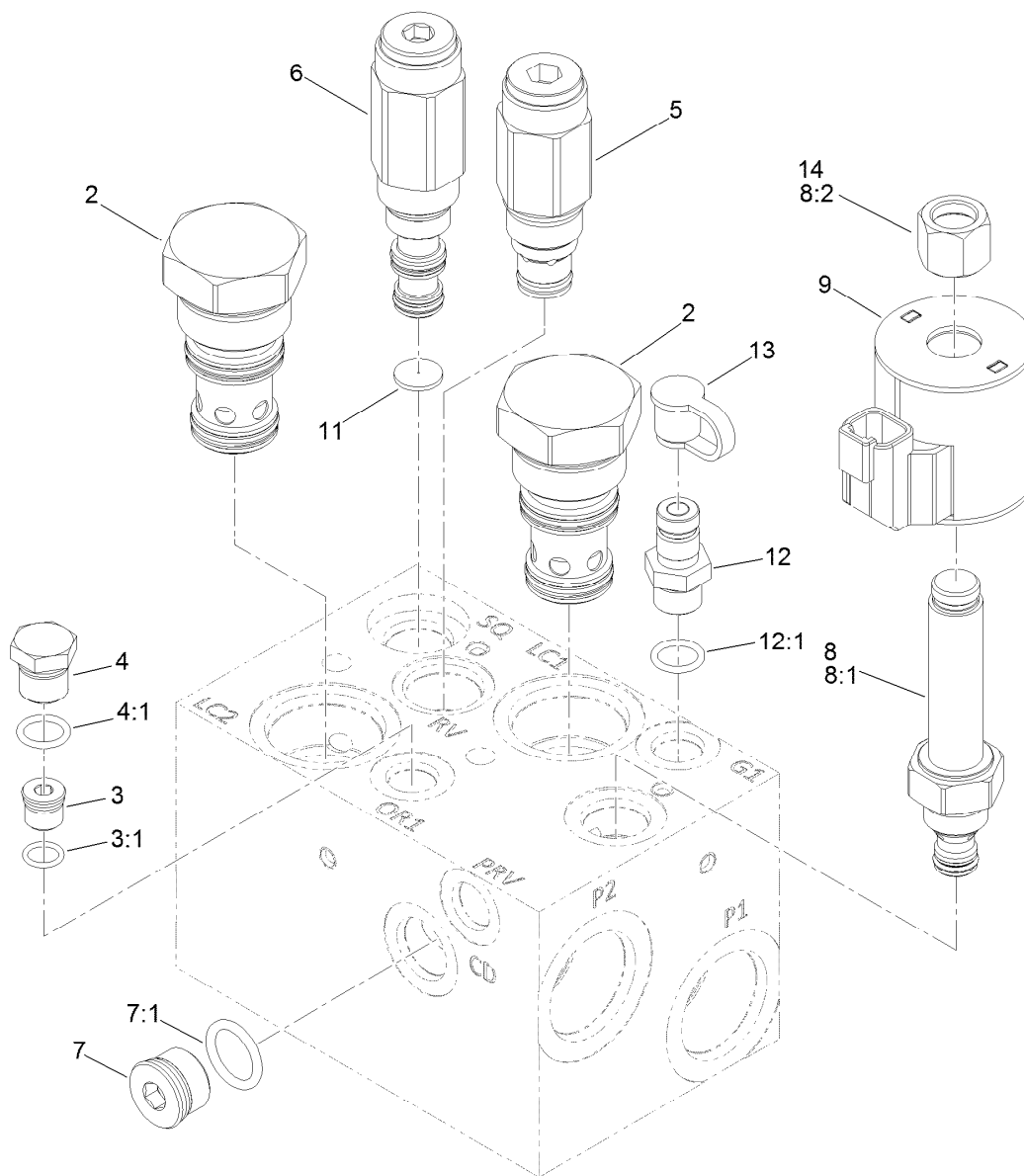
| <i>Ref.</i> | <i>Part Number</i> | <i>Qty.</i> | <i>Description</i> | <i>Ref.</i> | <i>Part Number</i> | <i>Qty.</i> | <i>Description</i> |
|-------------|--------------------|-------------|----------------------------------|-------------|--------------------|-------------|-----------------------|
| 1 | | 1 | Center Front Deck Valve ASM ● | 20 | 132-1377-01 | 1 | Bracket-Hydraulic |
| 2 | 104-3509 | 2 | Fitting-HYD, 45 DEG | 21 | 125-5392 | 3 | Hydraulic Motor ASM |
| 2:1 | 237-146 | 1 | O-Ring | 22 | 56-7974 | 2 | Clamp-Tube |
| 2:2 | 340-65 | 1 | O-Ring | 23 | 69-9761 | 1 | Plate-Cover |
| 3 | | 1 | LH Deck HYD Valve ASM ● | 24 | 104-3797 | 1 | Fitting-Straight |
| 4 | 130-2549 | 1 | Hydraulic Tube ASM | 24:1 | 237-146 | 1 | O-Ring |
| 4:1 | 340-65 | 1 | O-Ring | 24:2 | 340-65 | 1 | O-Ring |
| 5 | 125-5346 | 1 | Hydraulic Hose ASM | 25 | 125-5326 | 2 | Hydraulic Tube ASM |
| 6 | | 1 | RH Deck HYD Valve ASM ● | 25:1 | 237-22 | 1 | O-Ring |
| 7 | 121-7536 | 4 | Clamp-Torque, Constant | 26 | 125-5356 | 1 | Hydraulic Tube ASM |
| 8 | 340-129 | 5 | Fitting-Elbow, 90 DEG | 26:1 | 237-65 | 3 | O-Ring |
| 8:1 | 237-146 | 1 | O-Ring | 27 | 340-2 | 2 | Fitting-Straight |
| 8:2 | 340-65 | 1 | O-Ring | 27:1 | 237-22 | 1 | O-Ring |
| 9 | 125-5325 | 1 | Hydraulic Tube ASM | 27:2 | 237-42 | 1 | O-Ring |
| 10 | 132-1383 | 2 | Clamp-Belville Sprg | 28 | 130-9152 | 2 | Hydraulic Hose ASM |
| 11 | 125-5328 | 1 | Hydraulic Hose ASM | 29 | 130-9153 | 2 | Hydraulic Hose ASM |
| 12 | 127-3466 | 1 | Hose-Hydraulic | 30 | 130-9154 | 2 | Hydraulic Hose ASM |
| 13 | 127-3467 | 1 | Hose-Hydraulic | 31 | 132-1389 | 1 | Hydraulic Hose ASM |
| 14 | 127-3468 | 1 | Hose-Hydraulic | 32 | 130-9156 | 2 | Hydraulic Hose ASM |
| 15 | 92-7526 | 2 | Fitting-HYD 90 Spcl | 34 | 3256-56 | 6 | Washer-Flat |
| 15:1 | 237-101 | 1 | O-Ring | 35 | 340-74 | 2 | Nut-Lock, Bulkhead |
| 16 | 353-987 | 1 | Fitting-Elbow, 90 | 37 | 322-12 | 1 | Screw-HH |
| 16:1 | 237-81 | 1 | O-Ring | 38 | 340-77 | 1 | Fitting-Elbow, 90 DEG |
| 17 | 130-9133 | 6 | Screw-HH | 38:1 | 237-22 | 1 | O-Ring |
| 18 | 104-8300 | 7 | Nut-HF, NI | 38:2 | 237-42 | 1 | O-Ring |
| 19 | 132-1374 | 1 | Hydraulic Tube ASM | 39 | 3334-945 | 2 | Tie-Cable |

● Not serviced separately



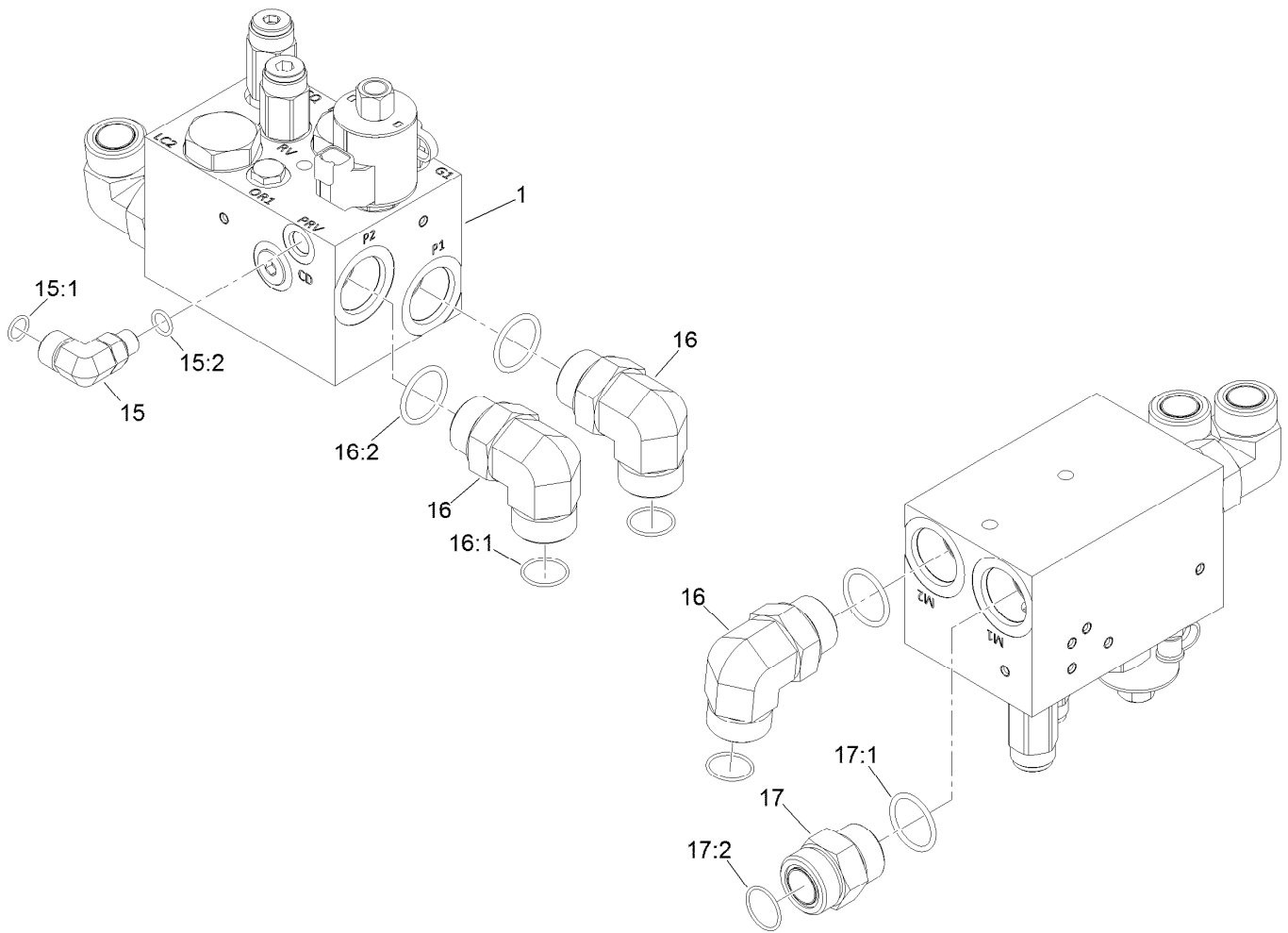
Center Cutting Deck Drive Valve Assembly

| Ref. | Part Number | Qty. | Description |
|------|-------------|------|--------------------------|
| 1 | 132-1394 | 1 | Center Deck Manifold ASM |
| 15 | 104-3509 | 4 | Fitting-HYD, 45 DEG |
| 15:1 | 237-146 | 1 | O-Ring |
| 15:2 | 340-65 | 1 | O-Ring |
| 16 | 104-3797 | 1 | Fitting-Straight |
| 16:1 | 237-146 | 1 | O-Ring |
| 16:2 | 340-65 | 1 | O-Ring |
| 17 | 340-5 | 1 | Fitting-Straight |
| 17:1 | 237-42 | 1 | O-Ring |
| 17:2 | 237-30 | 1 | O-Ring |



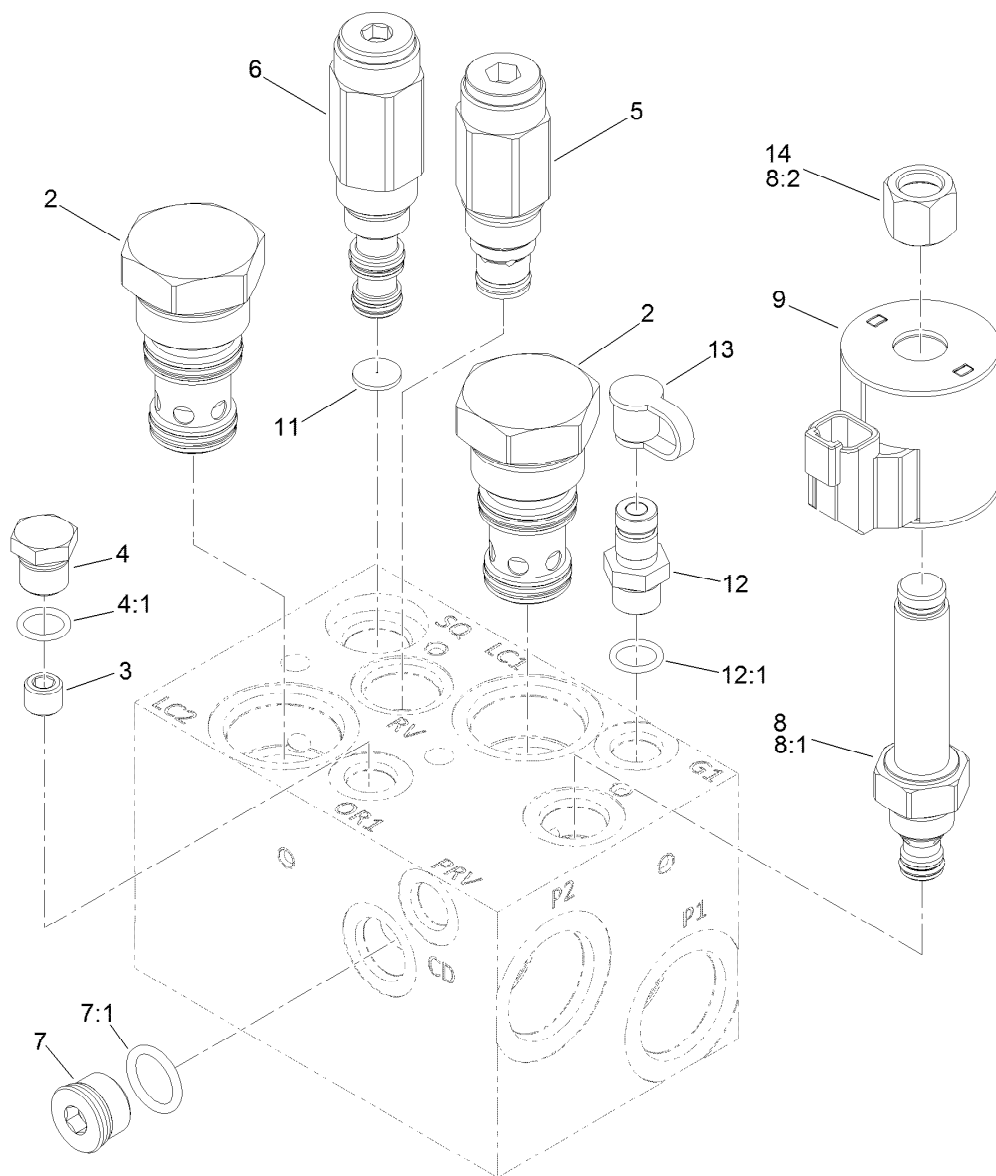
Hydraulic Manifold Assembly No. 132-1394

| <i>Ref.</i> | <i>Part Number</i> | <i>Qty.</i> | <i>Description</i> | <i>Ref.</i> | <i>Part Number</i> | <i>Qty.</i> | <i>Description</i> |
|-------------|--------------------|-------------|-------------------------|-------------|--------------------|-------------|----------------------------|
| 2 | 132-4896 | 2 | Element-Logic | 8 | 117-0227 | 1 | Valve-Relief, Proportional |
| 3 | 353-990 | 1 | Plug ASM | 8:1 | 105-9156 | 1 | Seal Kit |
| 3:1 | 237-78 | 1 | O-Ring | 8:2 | 119-2160 | 1 | Nut-Coil |
| 4 | 353-508 | 1 | Plug-HH | 9 | 119-4619 | 1 | Coil-Solenoid |
| 4:1 | 237-42 | 1 | O-Ring | 11 | 132-4891 | 1 | Disc-Orifice |
| 5 | 132-4894 | 1 | Valve-Relief, Poppet | 12 | 59-7410 | 1 | Fitting-Diagnostic |
| 6 | 132-4893 | 1 | Valve-Sequence, 110 PSI | 12:1 | 237-42 | 1 | O-Ring |
| 7 | 353-988 | 1 | Plug-Hex | 13 | 354-79 | 1 | Cap-Dust |
| 7:1 | 237-79 | 1 | O-Ring | 14 | 119-2160 | 1 | Nut-Coil |



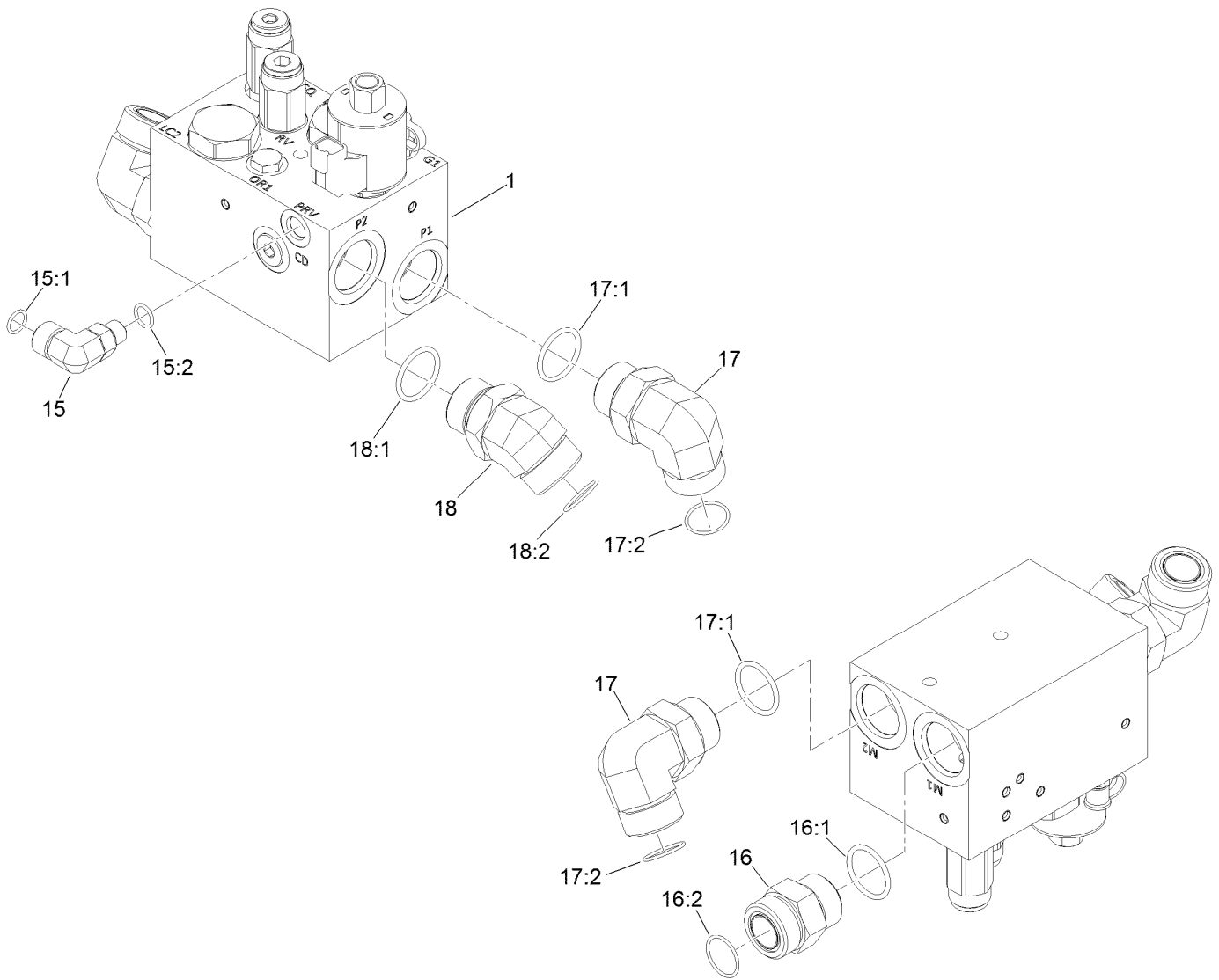
LH Cutting Deck Drive Valve Assembly

| Ref. | Part Number | Qty. | Description |
|------|-------------|------|-----------------------|
| 1 | 132-1395 | 1 | LH Deck Manifold ASM |
| 15 | 340-99 | 1 | Fitting-HYD, 90 DEG |
| 15:1 | 237-30 | 1 | O-Ring |
| 15:2 | 237-42 | 1 | O-Ring |
| 16 | 340-129 | 3 | Fitting-Elbow, 90 DEG |
| 16:1 | 237-146 | 1 | O-Ring |
| 16:2 | 340-65 | 1 | O-Ring |
| 17 | 104-3797 | 1 | Fitting-Straight |
| 17:1 | 237-146 | 1 | O-Ring |
| 17:2 | 340-65 | 1 | O-Ring |



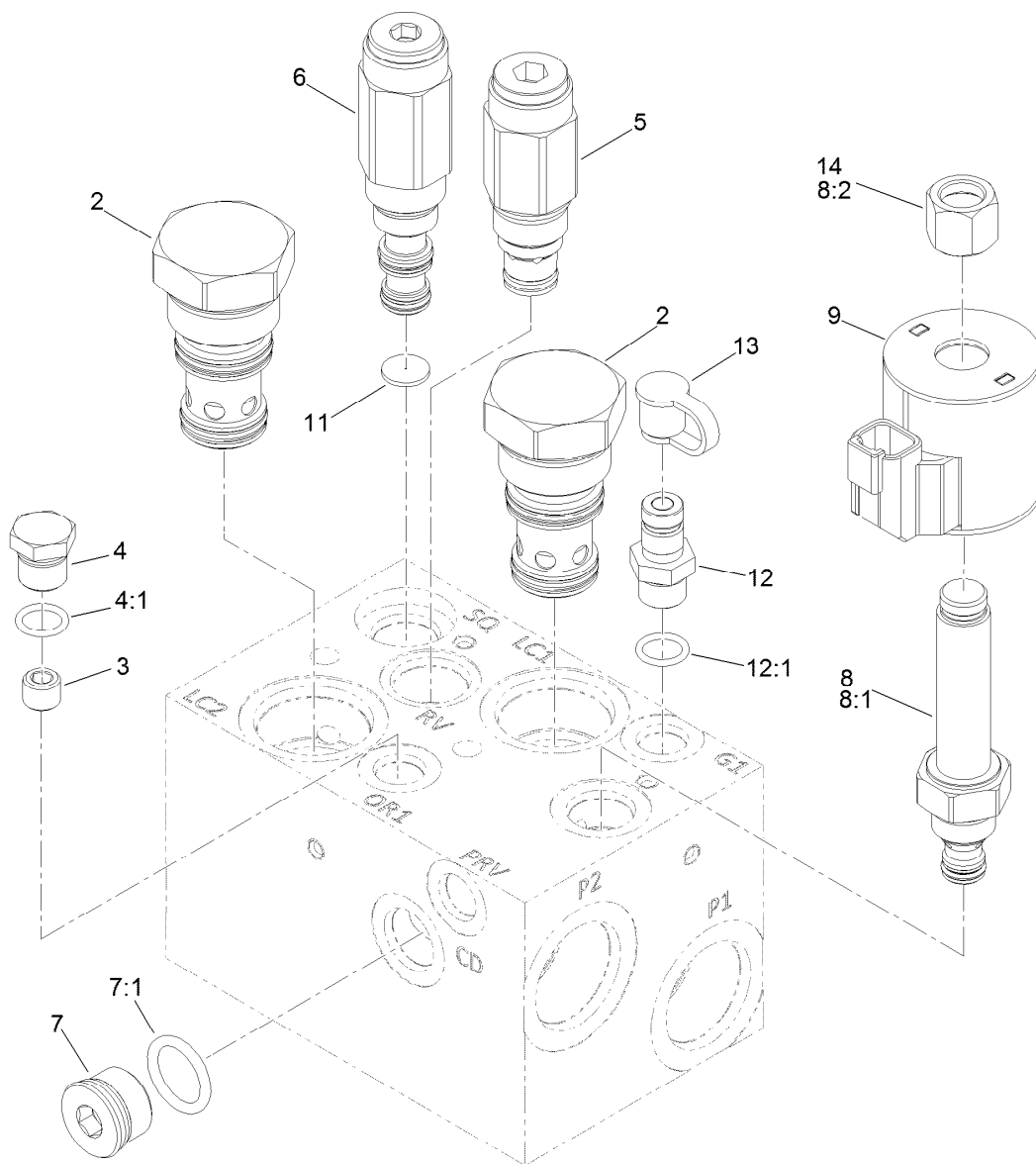
Hydraulic Manifold Assembly No. 132-1395

| <i>Ref.</i> | <i>Part Number</i> | <i>Qty.</i> | <i>Description</i> | <i>Ref.</i> | <i>Part Number</i> | <i>Qty.</i> | <i>Description</i> |
|-------------|--------------------|-------------|----------------------------|-------------|--------------------|-------------|--------------------|
| 2 | 132-4896 | 2 | Element-Logic | 8:1 | 105-9156 | 1 | Seal Kit |
| 3 | 132-4895 | 1 | Orifice | 8:2 | 119-2160 | 1 | Nut-Coil |
| 4 | 353-508 | 1 | Plug-HH | 9 | 119-4619 | 1 | Coil-Solenoid |
| 4:1 | 237-42 | 1 | O-Ring | 11 | 132-4891 | 1 | Disc-Orifice |
| 5 | 132-4894 | 1 | Valve-Relief, Poppet | 12 | 59-7410 | 1 | Fitting-Diagnostic |
| 6 | 132-4893 | 1 | Valve-Sequence, 110 PSI | 12:1 | 237-42 | 1 | O-Ring |
| 7 | 353-988 | 1 | Plug-Hex | 13 | 354-79 | 1 | Cap-Dust |
| 7:1 | 237-79 | 1 | O-Ring | 14 | 119-2160 | 1 | Nut-Coil |
| 8 | 117-0227 | 1 | Valve-Relief, Proportional | | | | |



RH Cutting Deck Drive Valve Assembly

| Ref. | Part Number | Qty. | Description |
|------|-------------|------|-----------------------|
| 1 | 132-1396 | 1 | RH Deck Manifold ASM |
| 15 | 340-99 | 1 | Fitting-HYD, 90 DEG |
| 15:1 | 237-30 | 1 | O-Ring |
| 15:2 | 237-42 | 1 | O-Ring |
| 16 | 104-3797 | 1 | Fitting-Straight |
| 16:1 | 237-146 | 1 | O-Ring |
| 16:2 | 340-65 | 1 | O-Ring |
| 17 | 340-129 | 2 | Fitting-Elbow, 90 DEG |
| 17:1 | 237-146 | 1 | O-Ring |
| 17:2 | 340-65 | 1 | O-Ring |
| 18 | 104-3509 | 1 | Fitting-HYD, 45 DEG |
| 18:1 | 237-146 | 1 | O-Ring |
| 18:2 | 340-65 | 1 | O-Ring |

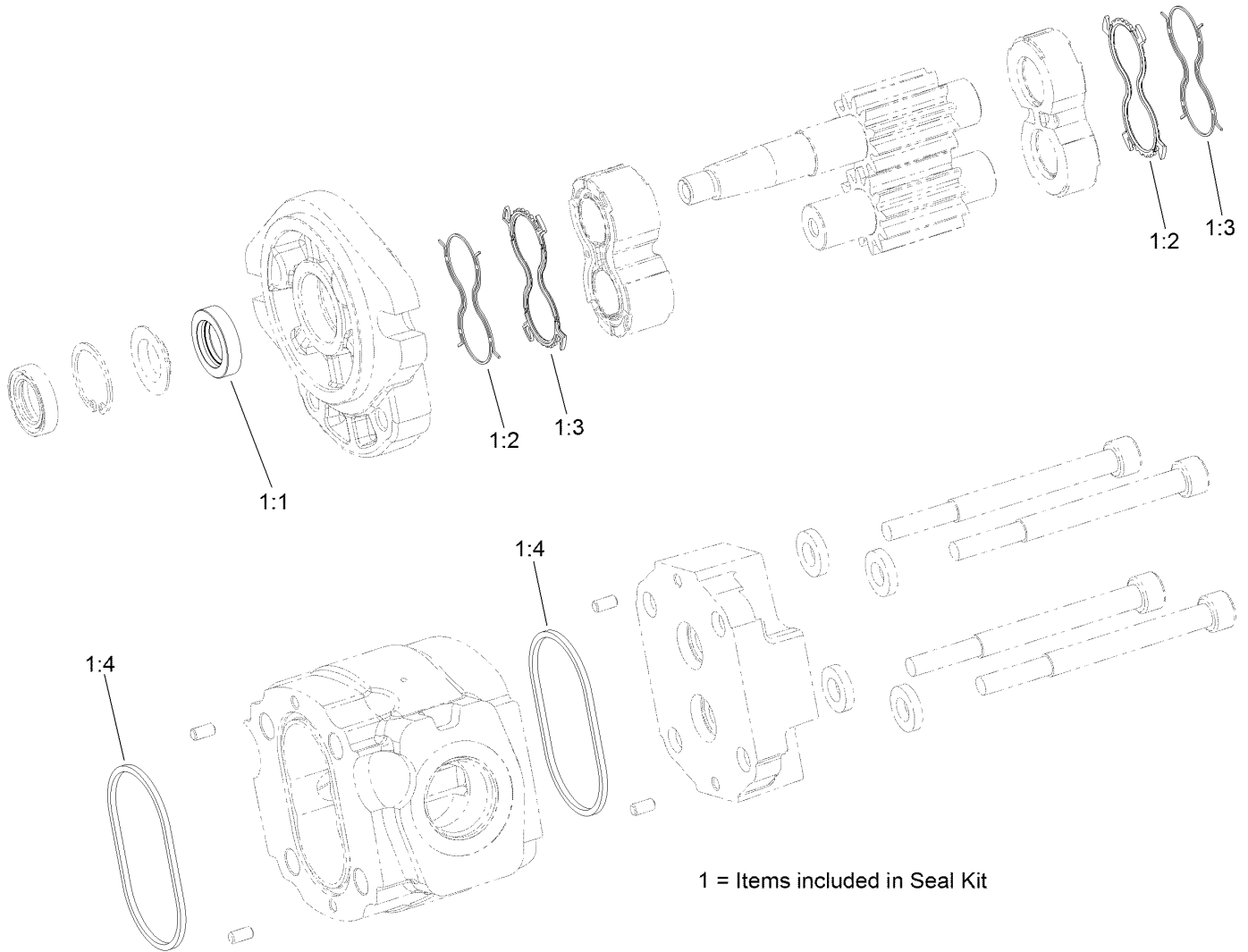


Hydraulic Manifold Assembly No. 132-1396

| <i>Ref.</i> | <i>Part Number</i> | <i>Qty.</i> | <i>Description</i> |
|-------------|--------------------|-------------|----------------------------|
| 2 | 132-4896 | 2 | Element-Logic |
| 3 | 132-4895 | 1 | Orifice |
| 4 | 353-508 | 1 | Plug-HH |
| 4:1 | 237-42 | 1 | O-Ring |
| 5 | 132-4894 | 1 | Valve-Relief, Poppet |
| 6 | 132-4893 | 1 | Valve-Sequence, 110 PSI |
| 7 | 353-988 | 1 | Plug-Hex |
| 7:1 | 237-79 | 1 | O-Ring |
| 8 | 117-0227 | 1 | Valve-Relief, Proportional |

| <i>Ref.</i> | <i>Part Number</i> | <i>Qty.</i> | <i>Description</i> |
|-------------|--------------------|-------------|--------------------|
| 8:1 | 105-9156 | 1 | Seal Kit |
| 8:2 | 119-2160 | 1 | Nut-Coil |
| 9 | 119-4619 | 1 | Coil-Solenoid |
| 11 | 132-4891 | 1 | Disc-Orifice |
| 12 | 59-7410 | 1 | Fitting-Diagnostic |
| 12:1 | 237-42 | 1 | O-Ring |
| 13 | 354-79 | 1 | Cap-Dust |
| 14 | 119-2160 | 1 | Nut-Coil |

Hydraulic Motor Assembly No. 125-5392

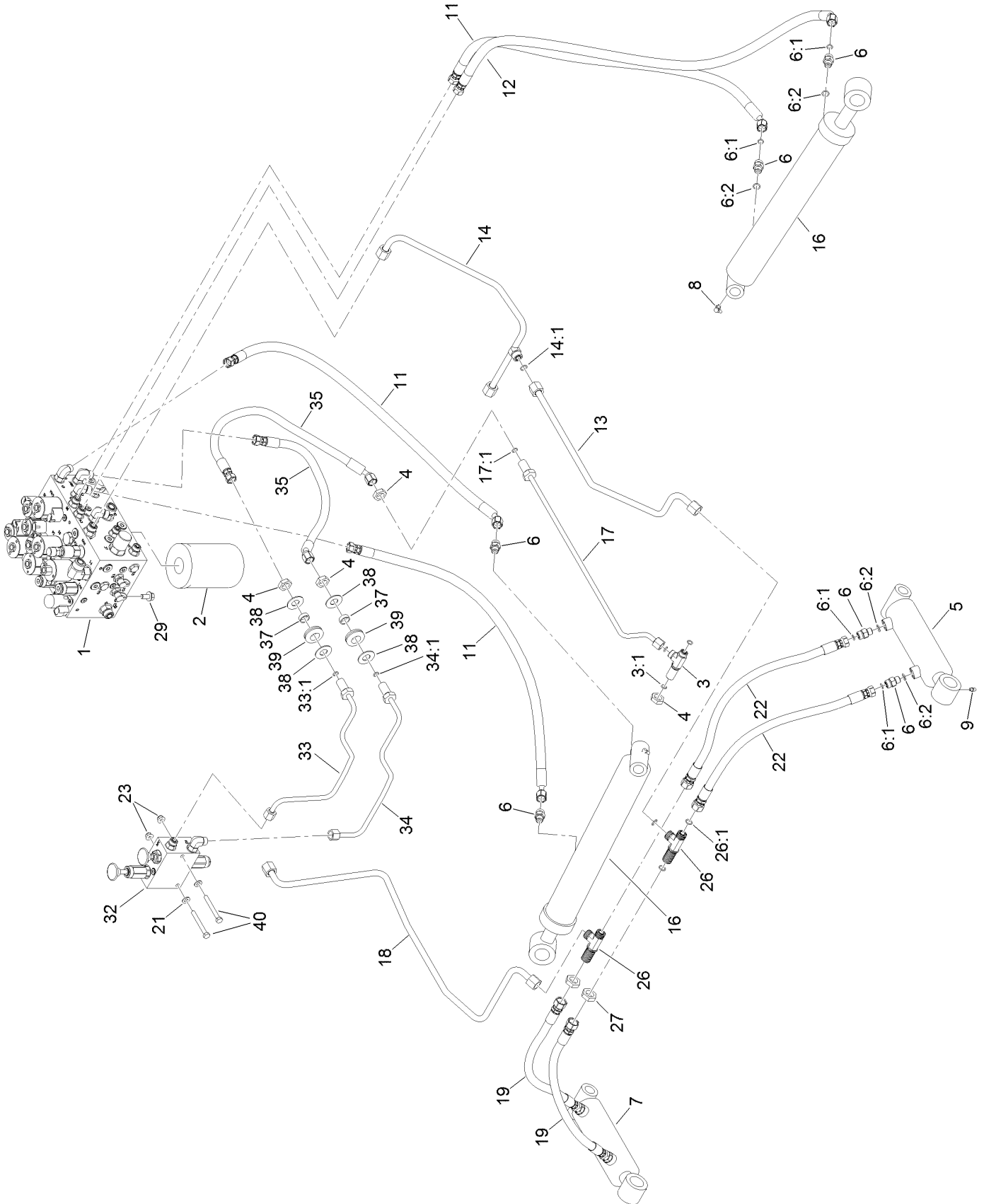


Hydraulic Motor Assembly No. 125-5392 (continued)

| <i>Ref.</i> | <i>Part Number</i> | <i>Qty.</i> | <i>Description</i> | <i>Ref.</i> | <i>Part Number</i> | <i>Qty.</i> | <i>Description</i> |
|-------------|--------------------|-------------|-----------------------|-------------|--------------------|-------------|-------------------------|
| 1 | 133-2490 | 1 | Seal Kit | 1:3 | | 2 | Seal-Plate, Balancing ● |
| 1:1 | | 2 | Seal-Shaft ● | 1:4 | | 2 | O Ring-Housing ● |
| 1:2 | | 2 | Seal-Anti Extrusion ● | | | | |

● Not serviced separately

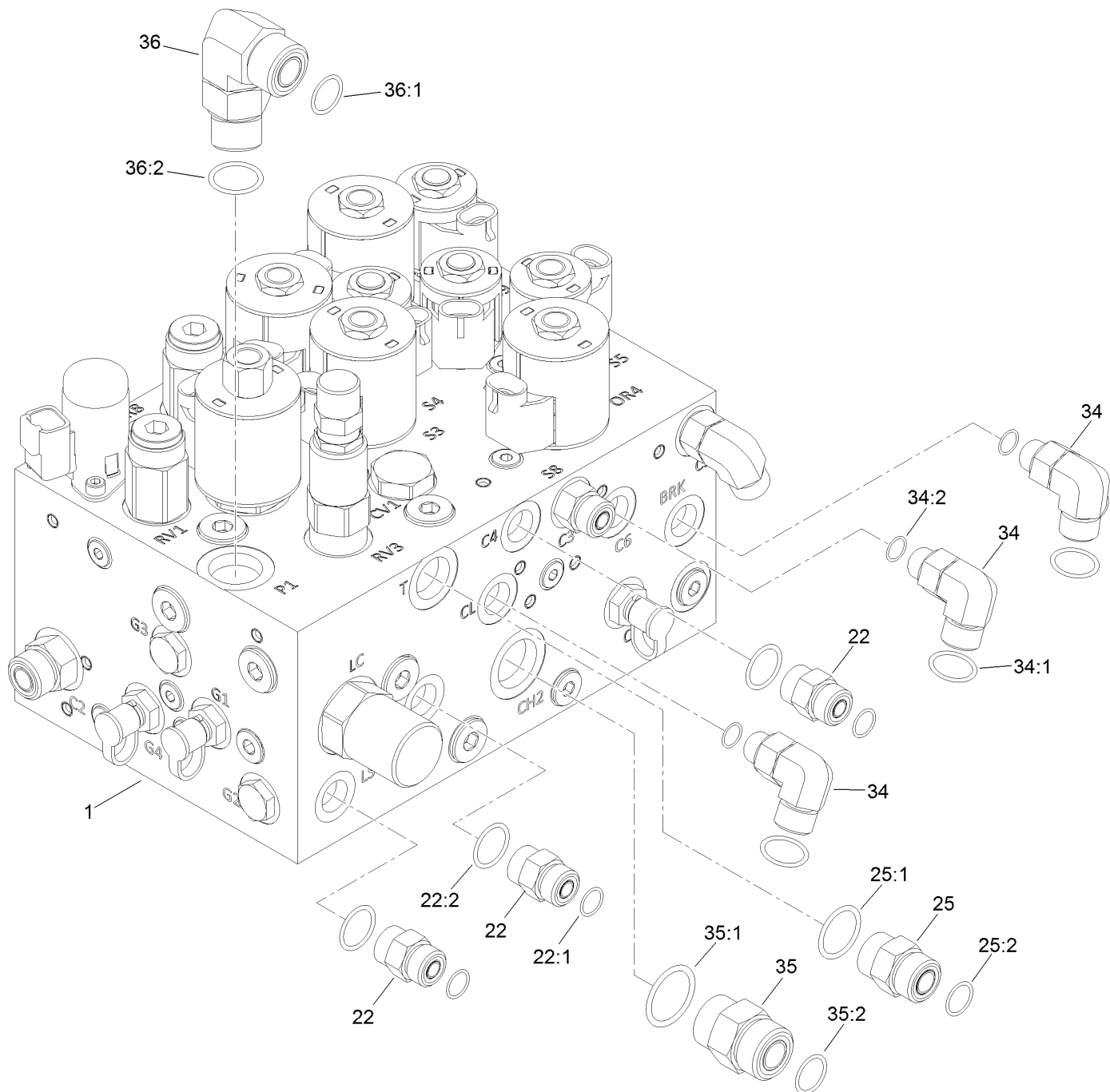
Hydraulic Steering/Lift Circuit Assembly



Hydraulic Steering/Lift Circuit Assembly (continued)

| <i>Ref.</i> | <i>Part Number</i> | <i>Qty.</i> | <i>Description</i> | <i>Ref.</i> | <i>Part Number</i> | <i>Qty.</i> | <i>Description</i> |
|-------------|--------------------|-------------|-------------------------|-------------|--------------------|-------------|-----------------------------------|
| 1 | 130-2433 | 1 | Steering/Lift Valve ASM | 18 | 130-9038 | 1 | Hydraulic Tube ASM |
| 2 | 75-1310 | 1 | Filter-HYD | 19 | 131-2298 | 2 | Hydraulic Hose ASM |
| 3 | 340-68 | 1 | Fitting-Tee, Bulkhead | 21 | 3256-23 | 2 | Washer-Plain |
| 3:1 | 237-22 | 3 | O-Ring | 22 | 131-2299 | 2 | Hydraulic Hose ASM |
| 4 | 340-70 | 4 | Nut-Lock | 23 | 104-8300 | 2 | Nut-HF, NI |
| 5 | 114-4831 | 1 | LH Lift Cylinder ASM | 26 | 340-121 | 2 | Fitting-Tee |
| 6 | 340-2 | 8 | Fitting-Straight | 26:1 | 237-30 | 3 | O-Ring |
| 6:1 | 237-22 | 1 | O-Ring | 27 | 340-127 | 2 | Nut-Bulkhead |
| 6:2 | 237-42 | 1 | O-Ring | 29 | 3234-12 | 4 | Screw-HHF |
| 7 | 114-4830 | 1 | RH Lift Cylinder ASM | 32 | 132-1378 | 1 | Manual Park Brake Manifold ASM |
| 8 | 302-60 | 2 | Fitting-Grease | 33 | 132-1380 | 1 | Hydraulic Tube ASM |
| 9 | 302-5 | 4 | Fitting-Grease | 33:1 | 237-22 | 1 | O-Ring |
| 11 | 131-2216 | 3 | Hydraulic Hose ASM | 34 | 132-1381 | 1 | Hydraulic Tube ASM |
| 12 | 131-2217 | 1 | Hydraulic Hose ASM | 34:1 | 237-22 | 1 | O-Ring |
| 13 | 130-9035 | 1 | Hydraulic Tube ASM | 35 | 132-1382 | 2 | Hydraulic Hose ASM |
| 14 | 131-2374 | 1 | Hydraulic Tube ASM | 37 | 69-8970 | 2 | Spacer |
| 14:1 | 237-30 | 1 | O-Ring | 38 | 69-8940 | 4 | Washer |
| 16 | 114-5685 | 2 | HYD Cylinder ASM | 39 | 240-4 | 2 | Grommet-Rubber |
| 17 | 131-2371 | 1 | Hydraulic Tube ASM | 40 | 322-13 | 2 | Screw-HH |
| 17:1 | 237-22 | 1 | O-Ring | | | | |

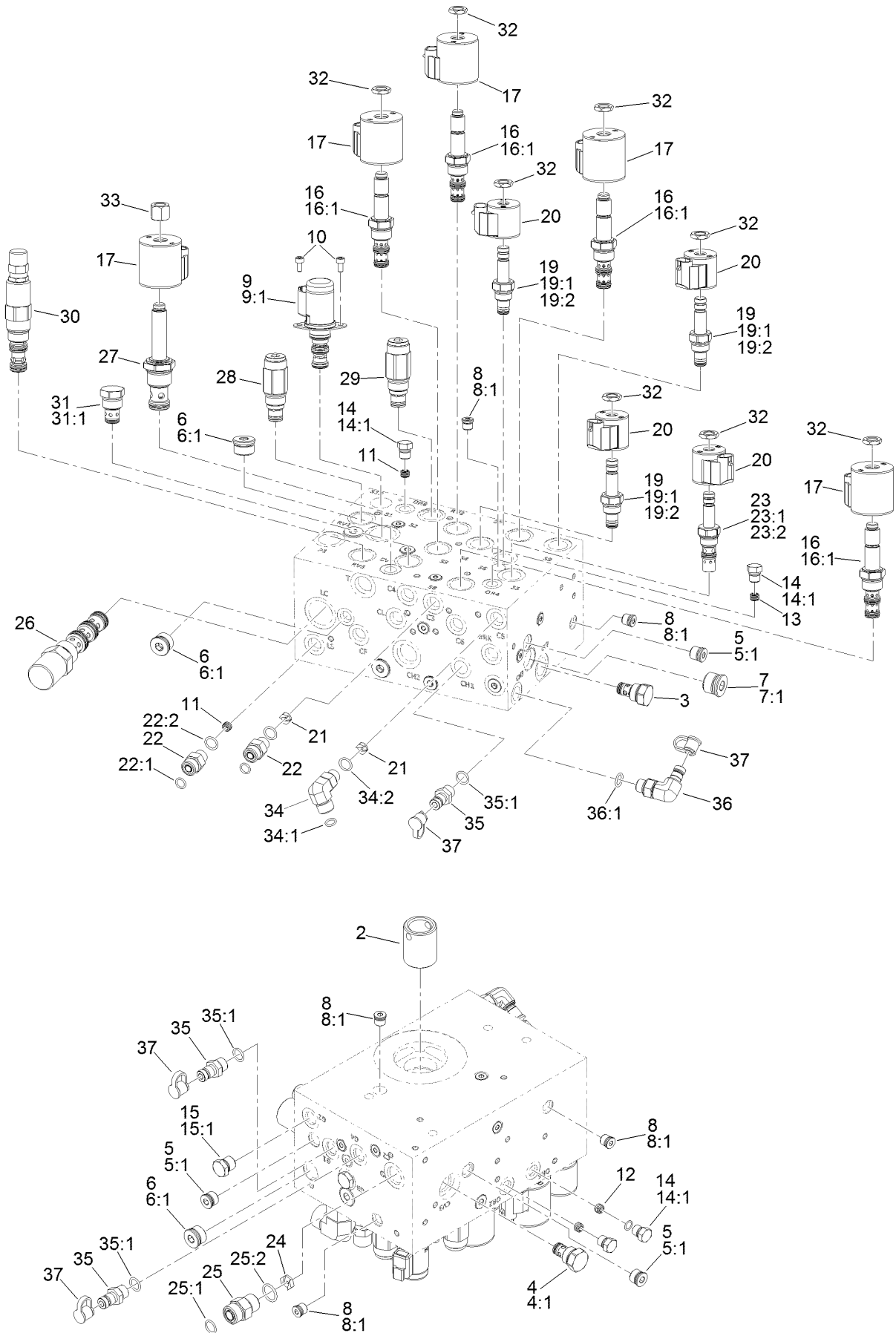
Steering/Lift Valve Assembly



Steering/Lift Valve Assembly (continued)

| <i>Ref.</i> | <i>Part Number</i> | <i>Qty.</i> | <i>Description</i> | <i>Ref.</i> | <i>Part Number</i> | <i>Qty.</i> | <i>Description</i> |
|-------------|--------------------|-------------|----------------------------|-------------|--------------------|-------------|-----------------------|
| 1 | 132-1398 | 1 | Steering/Lift Manifold ASM | 34:1 | 237-22 | 1 | O-Ring |
| 22 | 340-2 | 3 | Fitting-Straight | 34:2 | 237-42 | 1 | O-Ring |
| 22:1 | 237-22 | 1 | O-Ring | 35 | 340-7 | 1 | Fitting-Straight |
| 22:2 | 237-42 | 1 | O-Ring | 35:1 | 237-65 | 1 | O-Ring |
| 25 | 340-4 | 1 | Fitting-Straight | 35:2 | 237-80 | 1 | O-Ring |
| 25:1 | 237-30 | 1 | O-Ring | 36 | 340-17 | 1 | Fitting-Elbow, 90 DEG |
| 25:2 | 237-79 | 1 | O-Ring | 36:1 | 237-65 | 1 | O-Ring |
| 34 | 340-77 | 3 | Fitting-Elbow, 90 DEG | 36:2 | 237-80 | 1 | O-Ring |

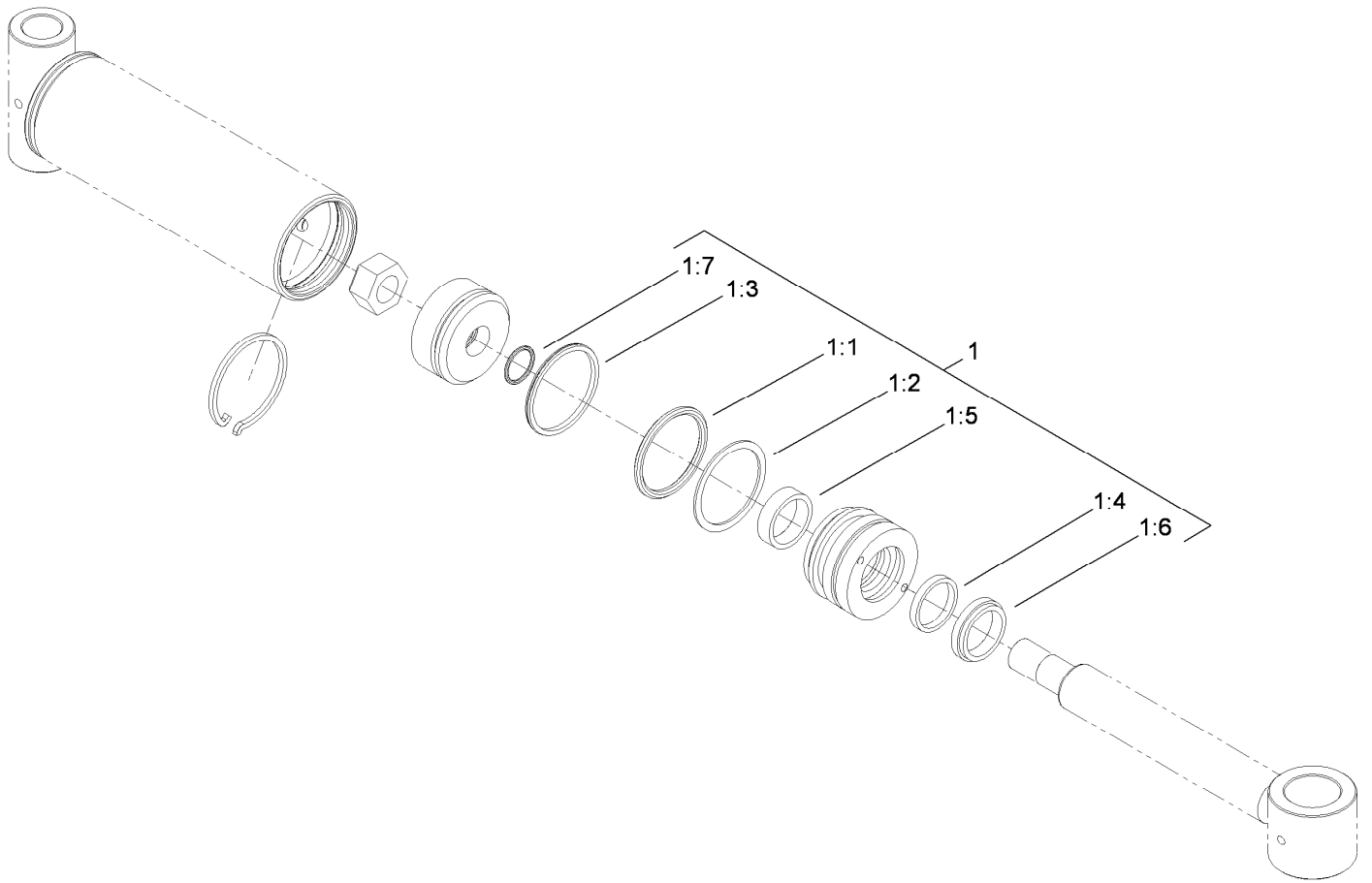
Hydraulic Steering/Lift Manifold Assembly No. 132-1398



Hydraulic Steering/Lift Manifold Assembly No. 132-1398 (continued)

| <i>Ref.</i> | <i>Part Number</i> | <i>Qty.</i> | <i>Description</i> | <i>Ref.</i> | <i>Part Number</i> | <i>Qty.</i> | <i>Description</i> |
|-------------|--------------------|-------------|-----------------------|-------------|--------------------|-------------|------------------------------|
| 2 | 125-7551 | 1 | Nipple-Filter | 21 | 132-4917 | 2 | Orifice-Check, 0.088 DIA |
| 3 | 132-4916 | 1 | Valve-Check | 22 | 340-2 | 1 | Fitting-Straight |
| 4 | 105-9321 | 1 | Check Valve ASM | 22:1 | 237-22 | 1 | O-Ring |
| 4:1 | 105-9156 | 1 | Seal Kit | 22:2 | 237-42 | 1 | O-Ring |
| 5 | 353-989 | 7 | Plug-Hex, Hollow | 23 | 115-5405 | 1 | Solenoid Valve ASM |
| 5:1 | 237-42 | 1 | O-Ring | 23:1 | 115-5413 | 1 | Seal Kit |
| 6 | 353-988 | 6 | Plug-Hex | 23:2 | 110-2634 | 1 | Nut-Coil |
| 6:1 | 237-79 | 1 | O-Ring | 24 | 132-4918 | 1 | Orifice-Control, Flow |
| 7 | 354-70 | 1 | Plug-Hex, Hollow | 25 | 340-4 | 1 | Fitting-Straight |
| 7:1 | 237-80 | 1 | O-Ring | 25:1 | 237-30 | 1 | O-Ring |
| 8 | 353-990 | 15 | Plug ASM | 25:2 | 237-79 | 1 | O-Ring |
| 8:1 | 237-78 | 1 | O-Ring | 26 | 132-4919 | 1 | Compensator-Pressure, 80 PSI |
| 9 | 125-7554 | 1 | Valve-Solenoid | 27 | 132-4920 | 1 | Valve-Solenoid |
| 9:1 | 125-7561 | 1 | Seal Kit | 28 | 132-4921 | 1 | Valve-Relief, Poppet Type |
| 10 | 132-4908 | 2 | Screw-Cap, Soc HD | 29 | 132-4922 | 1 | Valve-Relief, Poppet Type |
| 11 | 110-5973 | 2 | Orifice-0.030 | 30 | 132-4923 | 1 | Vented Logic Element |
| 12 | 110-8887 | 2 | Plug-Orifice (0.055) | 31 | 110-8881 | 1 | Valve-Check |
| 13 | 130-1674 | 1 | Orifice-Control, Flow | 31:1 | 105-9159 | 1 | Seal Kit ● |
| 14 | 353-512 | 4 | Plug | 32 | 110-2634 | 8 | Nut-Coil |
| 14:1 | 237-78 | 1 | O-Ring | 33 | 110-2635 | 1 | Nut-Coil |
| 15 | 353-508 | 2 | Plug-HH | 34 | 340-77 | 1 | Fitting-Elbow, 90 DEG |
| 15:1 | 237-42 | 1 | O-Ring | 34:1 | 237-22 | 1 | O-Ring |
| 16 | 125-7556 | 4 | Solenoid Valve ASM | 34:2 | 237-42 | 1 | O-Ring |
| 16:1 | 107-7813 | 1 | Seal Kit | 35 | 59-7410 | 3 | Fitting-Diagnostic |
| 17 | 110-6344 | 5 | Coil-12V, DC | 35:1 | 237-42 | 1 | O-Ring |
| 19 | 112-9206 | 3 | Solenoid Valve ASM | 36 | 115-9148 | 1 | Fitting-Elbow-90 |
| 19:1 | 105-9156 | 1 | Seal Kit | 36:1 | 237-42 | 1 | O-Ring |
| 19:2 | 110-2634 | 1 | Nut-Coil | 37 | 354-79 | 4 | Cap-Dust |
| 20 | 110-0497 | 4 | Coil-Solenoid | | | | |

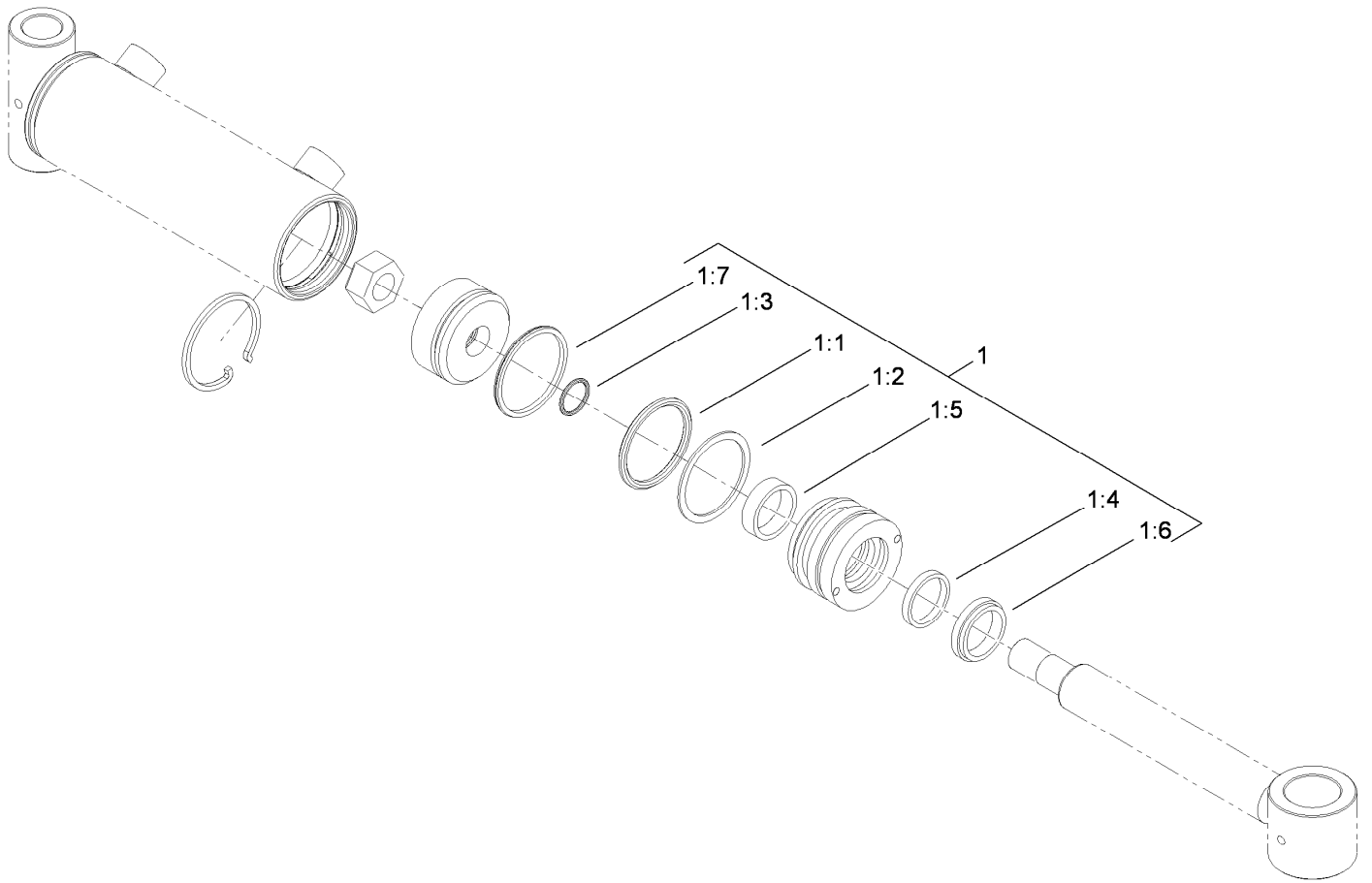
● Not illustrated



Hydraulic Cylinder Assembly No. 114-4830

| <i>Ref.</i> | <i>Part Number</i> | <i>Qty.</i> | <i>Description</i> |
|-------------|--------------------|-------------|--------------------|
| 1 | 114-5611 | 1 | Seal Kit |
| 1:1 | | 1 | O-Ring ● |
| 1:2 | | 1 | Backup ● |
| 1:3 | | 1 | Seal-Bp ● |
| 1:4 | | 1 | Seal-Bs ● |
| 1:5 | | 1 | Ring-Wear ● |
| 1:6 | | 1 | Seal-Dust ● |
| 1:7 | | 1 | O-Ring ● |

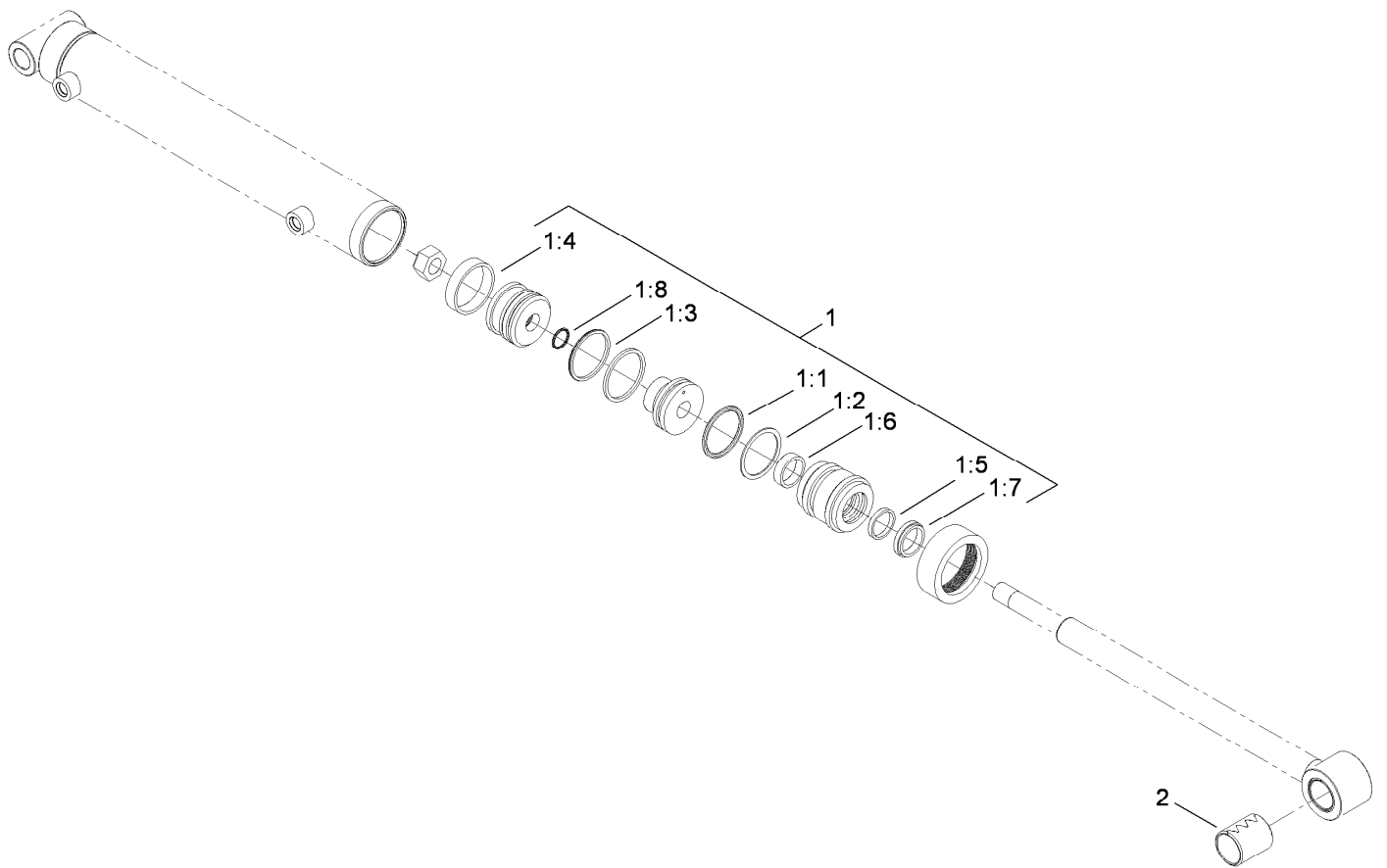
● Not serviced separately



Hydraulic Cylinder Assembly No. 114-4831

| <i>Ref.</i> | <i>Part Number</i> | <i>Qty.</i> | <i>Description</i> |
|-------------|--------------------|-------------|--------------------|
| 1 | 114-5611 | 1 | Seal Kit |
| 1:1 | | 1 | O-Ring ● |
| 1:2 | | 1 | Backup ● |
| 1:3 | | 1 | Seal-Bp ● |
| 1:4 | | 1 | Seal-Bs ● |
| 1:5 | | 1 | Ring-Wear ● |
| 1:6 | | 1 | Seal-Dust ● |
| 1:7 | | 1 | O-Ring ● |

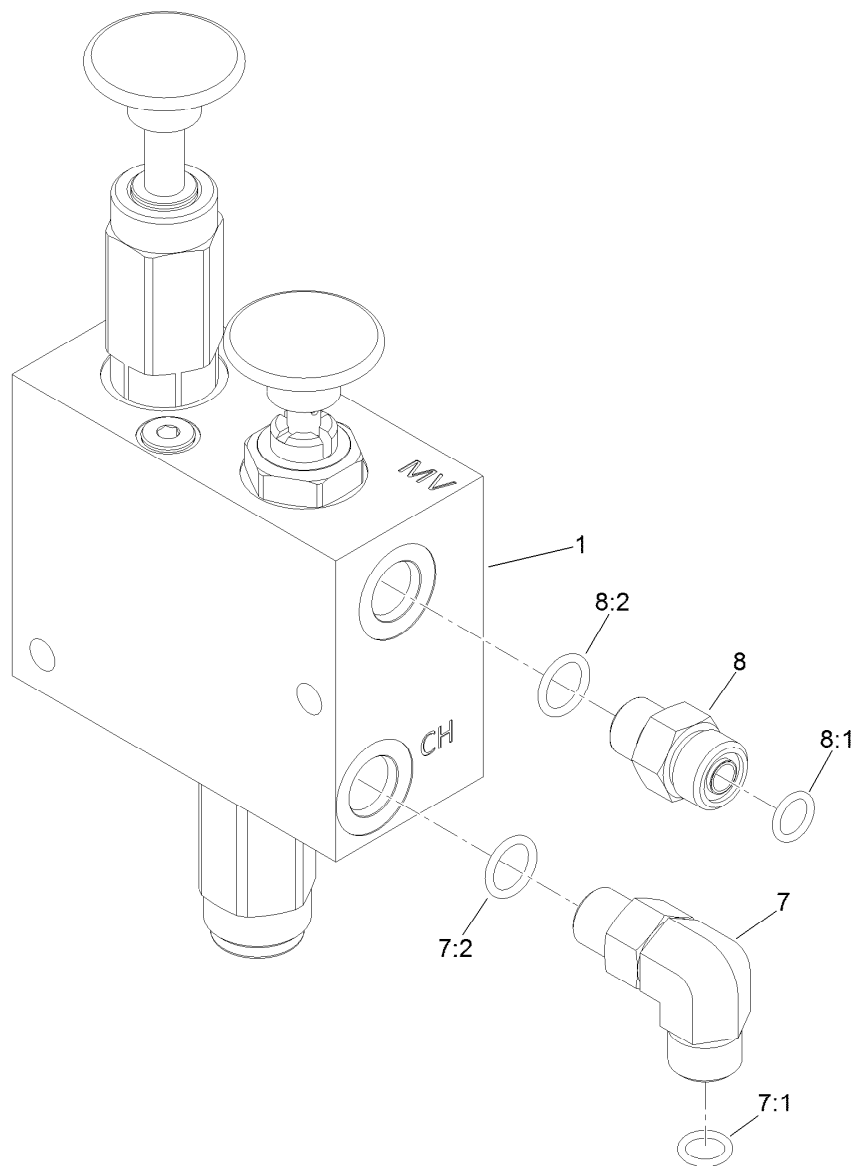
● Not serviced separately



Hydraulic Cylinder Assembly No. 114-5685

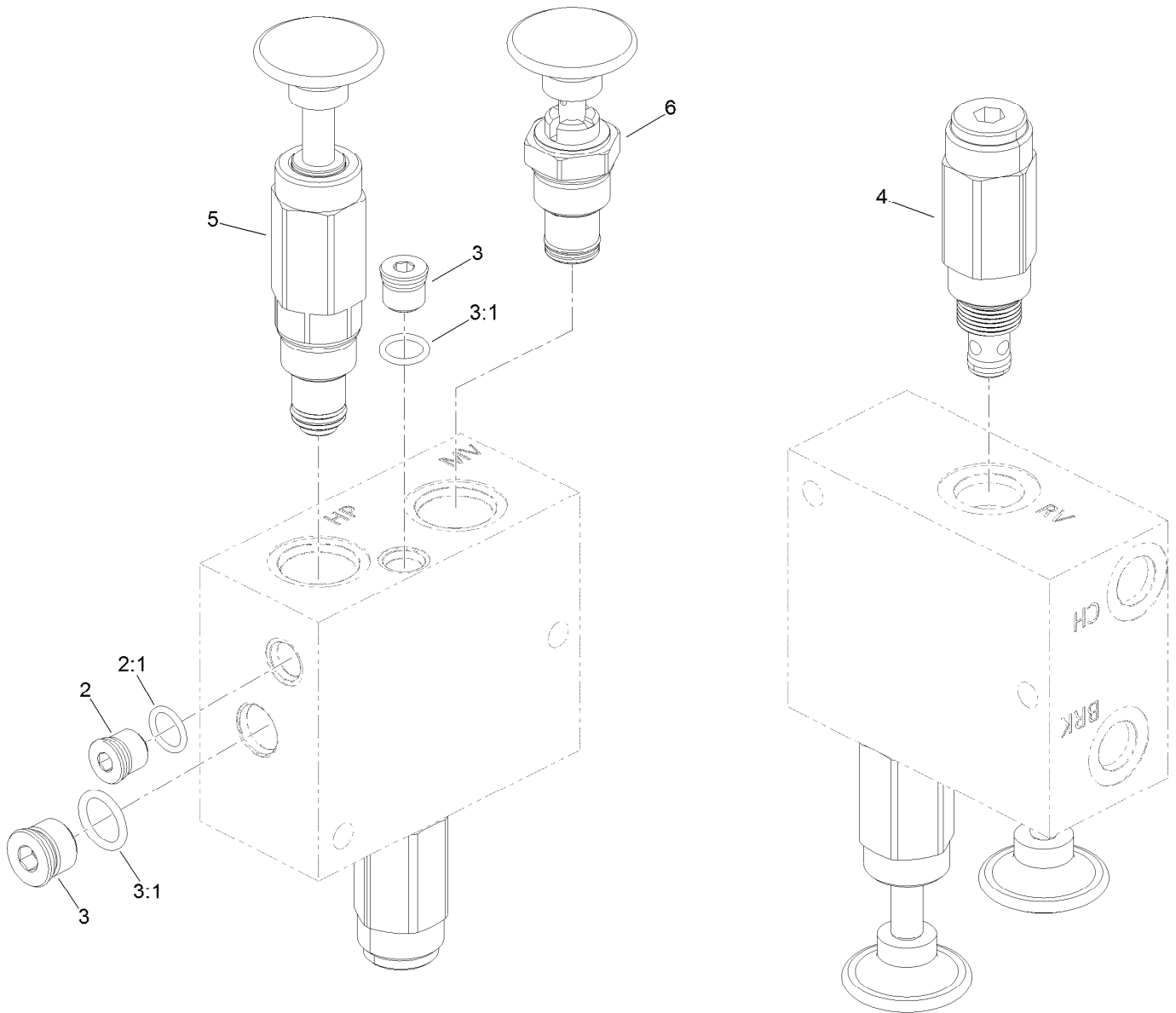
| <i>Ref.</i> | <i>Part Number</i> | <i>Qty.</i> | <i>Description</i> |
|-------------|--------------------|-------------|--------------------|
| 1 | 114-5612 | 1 | Seal Kit |
| 1:1 | | 1 | O-Ring ● |
| 1:2 | | 1 | Backup ● |
| 1:3 | | 1 | Seal-Bp ● |
| 1:4 | | 1 | Ring-Wear ● |
| 1:5 | | 1 | Seal-Bs ● |
| 1:6 | | 1 | Ring-Wear ● |
| 1:7 | | 1 | Seal-Dust ● |
| 1:8 | | 1 | O-Ring ● |
| 2 | 117-9407 | 1 | Bushing-Connex |

● Not serviced separately



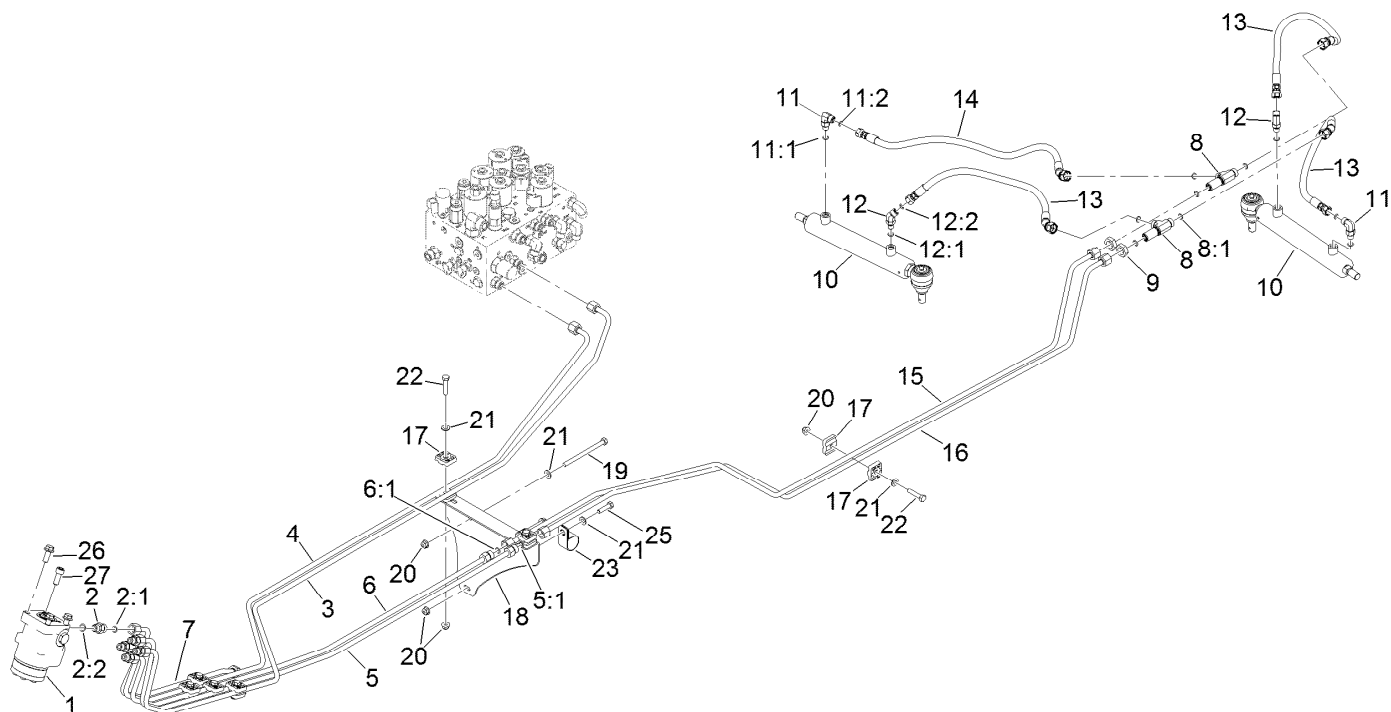
Manual Parking Brake Release Valve Assembly

| <i>Ref.</i> | <i>Part Number</i> | <i>Qty.</i> | <i>Description</i> |
|-------------|--------------------|-------------|--------------------------------|
| 1 | 132-1399 | 1 | Manual Park Brake Manifold ASM |
| 7 | 340-77 | 1 | Fitting-Elbow, 90 DEG |
| 7:1 | 237-22 | 1 | O-Ring |
| 7:2 | 237-42 | 1 | O-Ring |
| 8 | 340-2 | 1 | Fitting-Straight |
| 8:1 | 237-22 | 1 | O-Ring |
| 8:2 | 237-42 | 1 | O-Ring |



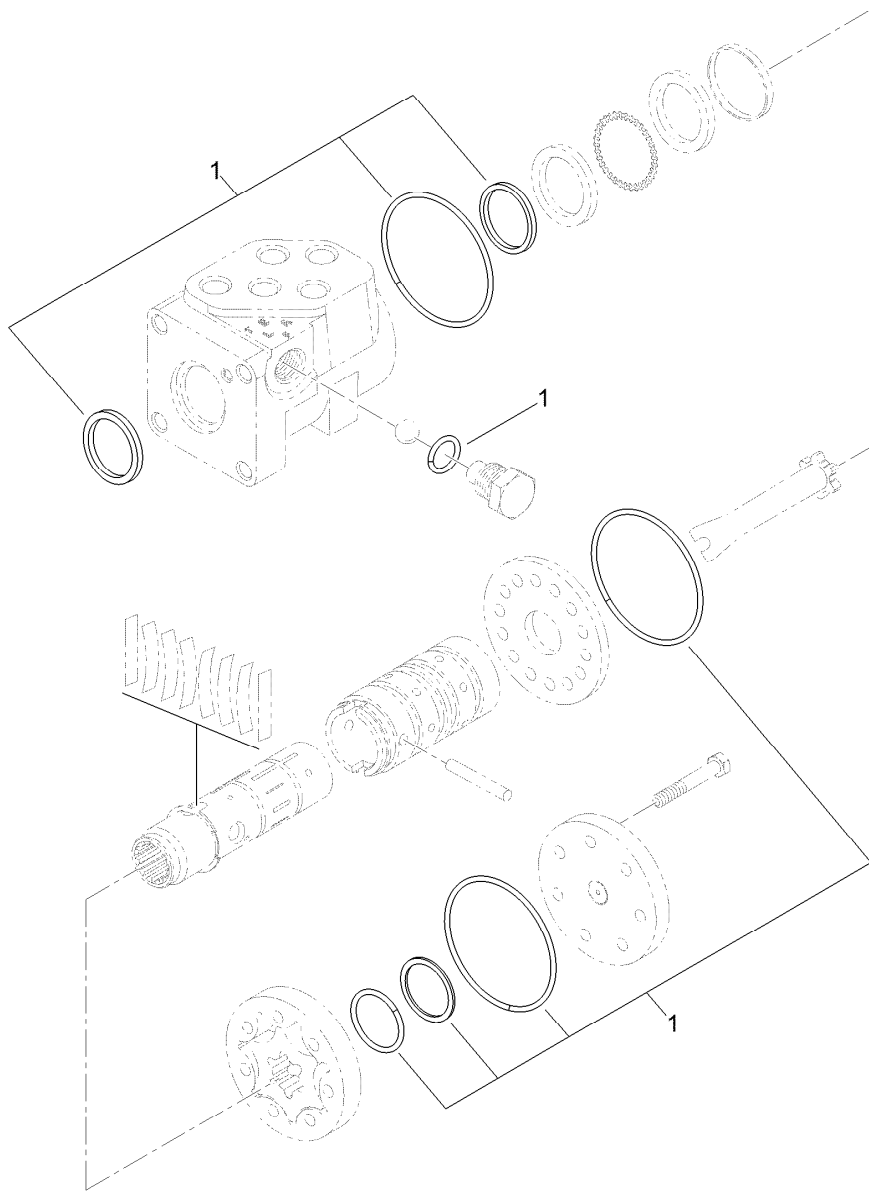
Hydraulic Parking Brake Manifold Assembly No. 132-1399

| <i>Ref.</i> | <i>Part Number</i> | <i>Qty.</i> | <i>Description</i> |
|-------------|--------------------|-------------|---------------------|
| 2 | 353-989 | 1 | Plug-Hex, Hollow |
| 2:1 | 237-42 | 1 | O-Ring |
| 3 | 353-990 | 2 | Plug ASM |
| 3:1 | 237-78 | 1 | O-Ring |
| 4 | 132-4905 | 1 | Valve-Relief |
| 5 | 132-4904 | 1 | Pump-Hand |
| 6 | 132-4903 | 1 | Valve-2 Way, Manual |



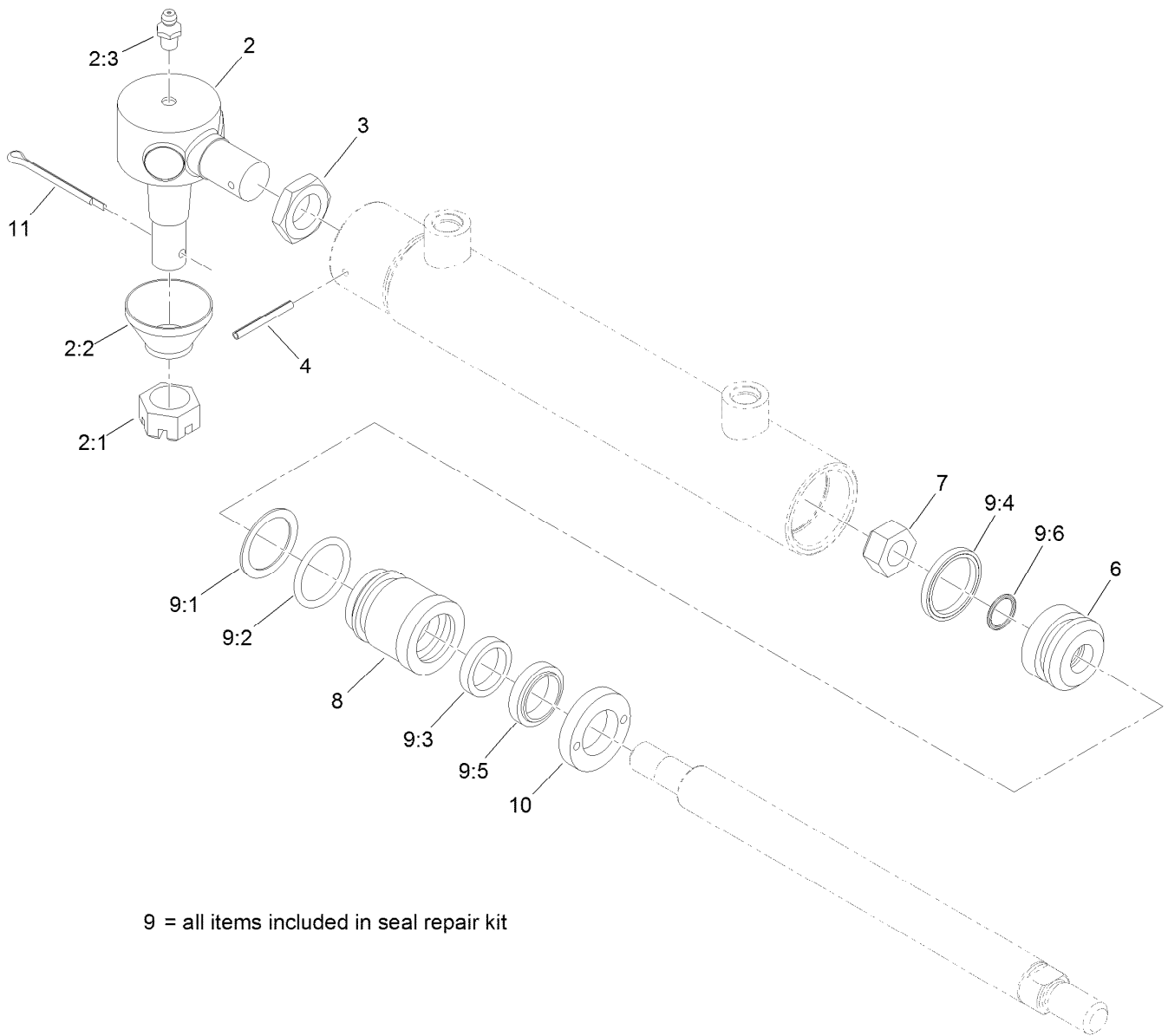
Hydraulic Steering Assembly

| Ref. | Part Number | Qty. | Description | Ref. | Part Number | Qty. | Description |
|------|-------------|------|----------------------------|------|-------------|------|---------------------|
| 1 | 130-7949 | 1 | Steering Control Valve ASM | 12 | 340-103 | 2 | Fitting-HYD, 45 DEG |
| 2 | 340-2 | 5 | Fitting-Straight | 12:1 | 237-78 | 1 | O-Ring |
| 2:1 | 237-22 | 1 | O-Ring | 12:2 | 237-21 | 1 | O-Ring |
| 2:2 | 237-42 | 1 | O-Ring | 13 | 114-4922 | 3 | HYD Hose ASM |
| 3 | 131-2372 | 1 | Hydraulic Tube ASM | 14 | 114-4934 | 1 | HYD Hose ASM |
| 4 | 131-2373 | 1 | Hydraulic Tube ASM | 15 | 125-5352 | 1 | Hydraulic Tube ASM |
| 5 | 125-5349 | 1 | Hydraulic Tube ASM | 16 | 125-5353 | 1 | Hydraulic Tube ASM |
| 5:1 | 237-22 | 1 | O-Ring | 17 | 56-7973 | 14 | Clamp-Tube |
| 6 | 125-5351 | 1 | Hydraulic Tube ASM | 18 | 127-3492-01 | 1 | Support-Hardlines |
| 6:1 | 237-22 | 1 | O-Ring | 19 | 322-38 | 2 | Screw-HH |
| 7 | 125-5337 | 1 | Hydraulic Tube ASM | 20 | 104-8300 | 10 | Nut-HF, NI |
| 8 | 340-68 | 2 | Fitting-Tee, Bulkhead | 21 | 3256-23 | 10 | Washer-Plain |
| 8:1 | 237-22 | 3 | O-Ring | 22 | 322-7 | 3 | Screw-HH |
| 9 | 340-70 | 2 | Nut-Lock | 23 | 2412-82 | 1 | Clamp-R |
| 10 | 132-1308 | 2 | HYD Cylinder ASM | 25 | 322-6 | 5 | Screw-HH |
| 11 | 340-132 | 2 | Fitting-Elbow, 90 DEG | 26 | 108-1531 | 3 | Screw-HHF |
| 11:1 | 237-78 | 1 | O-Ring | 27 | 3273-41 | 1 | Screw-HSH |
| 11:2 | 237-21 | 1 | O-Ring | | | | |



Steering Valve Assembly No. 130-7949

| <i>Ref.</i> | <i>Part Number</i> | <i>Qty.</i> | <i>Description</i> |
|-------------|--------------------|-------------|--------------------|
| 1 | 130-8358 | 1 | Seal Kit |



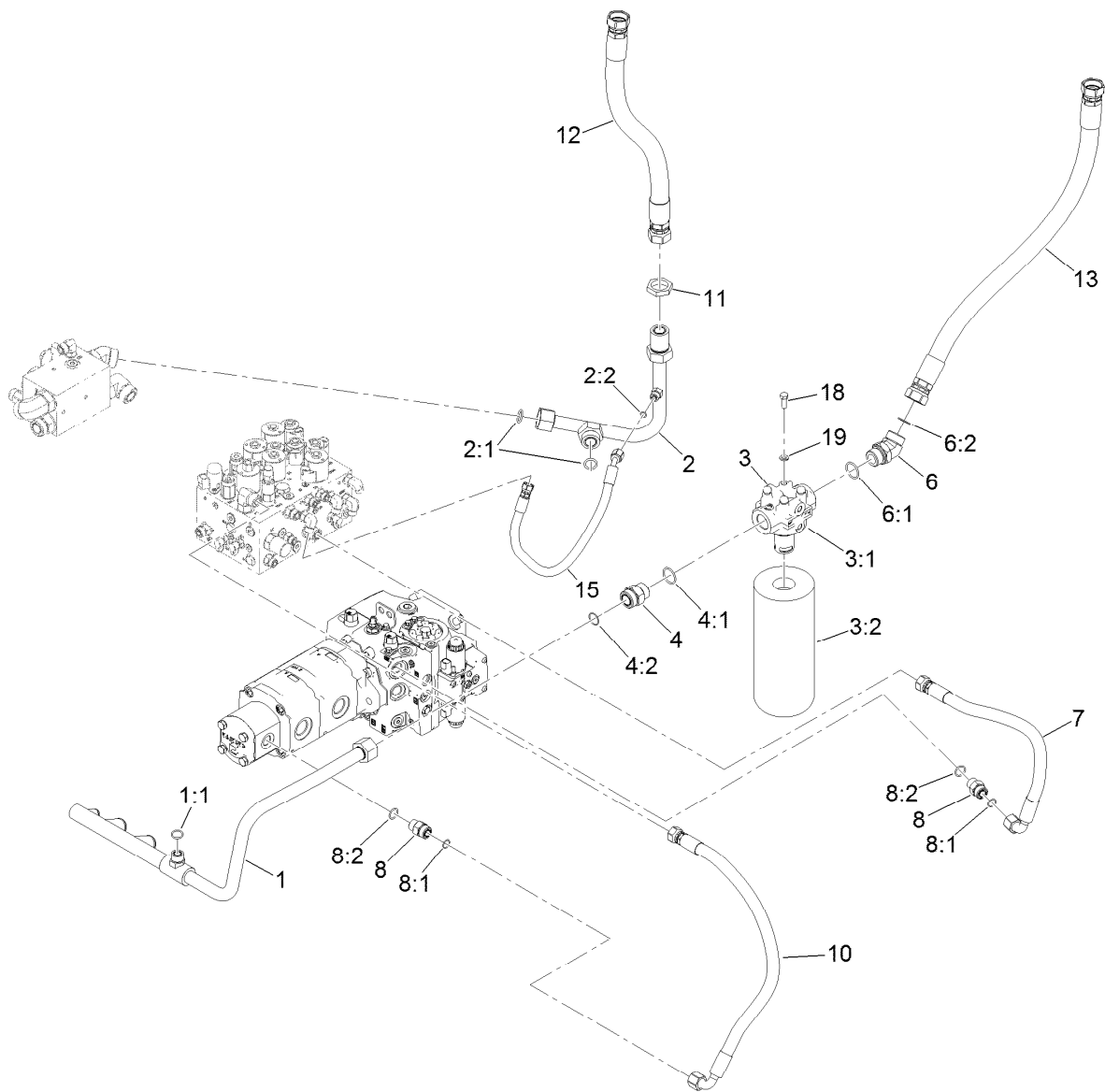
9 = all items included in seal repair kit

Hydraulic Cylinder Assembly No. 132-1308

| Ref. | Part Number | Qty. | Description |
|------|-------------|------|------------------|
| 2 | 82-5730 | 1 | Tie Rod End ASM |
| 2:1 | 105-7941 | 1 | Nut-Hex, Slotted |
| 2:2 | 105-7835 | 1 | Seal |
| 2:3 | 302-5 | 1 | Fitting-Grease |
| 3 | 69-1980 | 1 | Nut-Jam |
| 4 | 32121-34 | 1 | Pin-Roll |
| 6 | 133-2476 | 1 | Piston |
| 7 | 133-2477 | 1 | Nut-Lock |
| 8 | 133-2478 | 1 | Head |

| Ref. | Part Number | Qty. | Description |
|------|-------------|------|-----------------|
| 9 | 133-2479 | 1 | Seal Repair Kit |
| 9:1 | | 1 | O-Ring ● |
| 9:2 | | 1 | Ring-Backup ● |
| 9:3 | | 1 | Seal-Bt ● |
| 9:4 | | 1 | Seal-Psp ● |
| 9:5 | | 1 | Seal-Psp ● |
| 9:6 | | 1 | O-Ring ● |
| 10 | 133-2482 | 1 | Collar-Internal |
| 11 | 3272-12 | 1 | Pin-Cotter |

● Not serviced separately

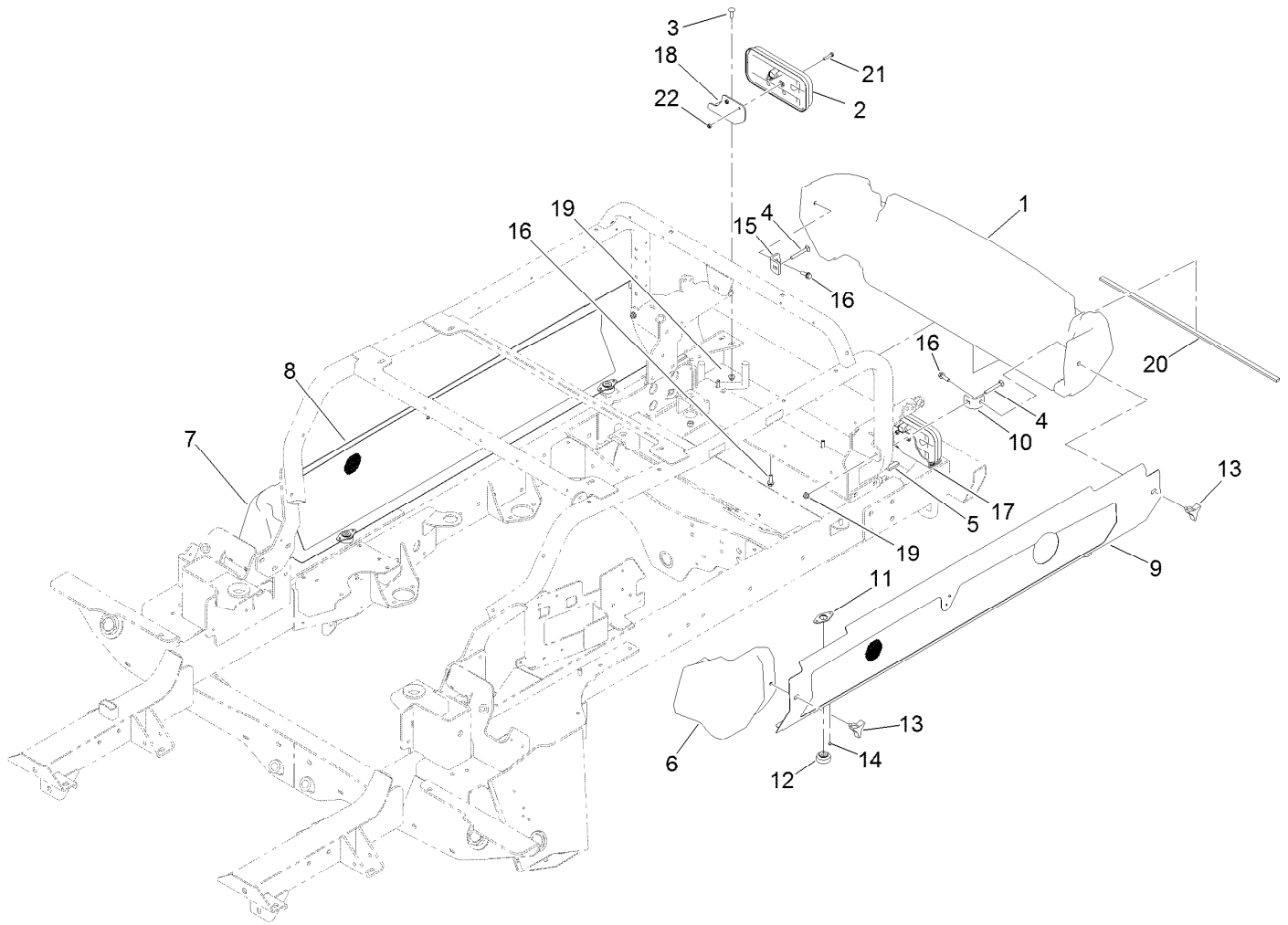


Hydraulic Filter Manifold Assembly

| Ref. | Part Number | Qty. | Description |
|------|-------------|------|---------------------|
| 1 | 130-2510 | 1 | Manifold-Suction |
| 1:1 | 237-65 | 1 | O-Ring |
| 2 | 130-2548 | 1 | Hydraulic Tube ASM |
| 2:1 | 340-65 | 2 | O-Ring |
| 2:2 | 237-22 | 1 | O-Ring |
| 3 | 132-1404 | 1 | Filter Head ASM |
| 3:1 | | 1 | Filter Head ● |
| 3:2 | 86-6110 | 1 | Filter-Hydraulic |
| 4 | 104-3797 | 1 | Fitting-Straight |
| 4:1 | 237-146 | 1 | O-Ring |
| 4:2 | 340-65 | 1 | O-Ring |
| 6 | 104-3509 | 1 | Fitting-HYD, 45 DEG |
| 6:1 | 237-146 | 1 | O-Ring |

| Ref. | Part Number | Qty. | Description |
|------|-------------|------|--------------------|
| 6:2 | 340-65 | 1 | O-Ring |
| 7 | 127-3519 | 1 | Hydraulic Hose ASM |
| 8 | 340-7 | 2 | Fitting-Straight |
| 8:1 | 237-65 | 1 | O-Ring |
| 8:2 | 237-80 | 1 | O-Ring |
| 10 | 130-2544 | 1 | Hydraulic Hose ASM |
| 11 | 340-128 | 1 | Nut-Bulkhead |
| 12 | 130-2514 | 1 | Hydraulic Hose ASM |
| 13 | 125-5366 | 1 | Hydraulic Hose ASM |
| 15 | 131-2216 | 1 | Hydraulic Hose ASM |
| 18 | 323-6 | 4 | Screw-HH |
| 19 | 3253-21 | 4 | Washer-Lock |

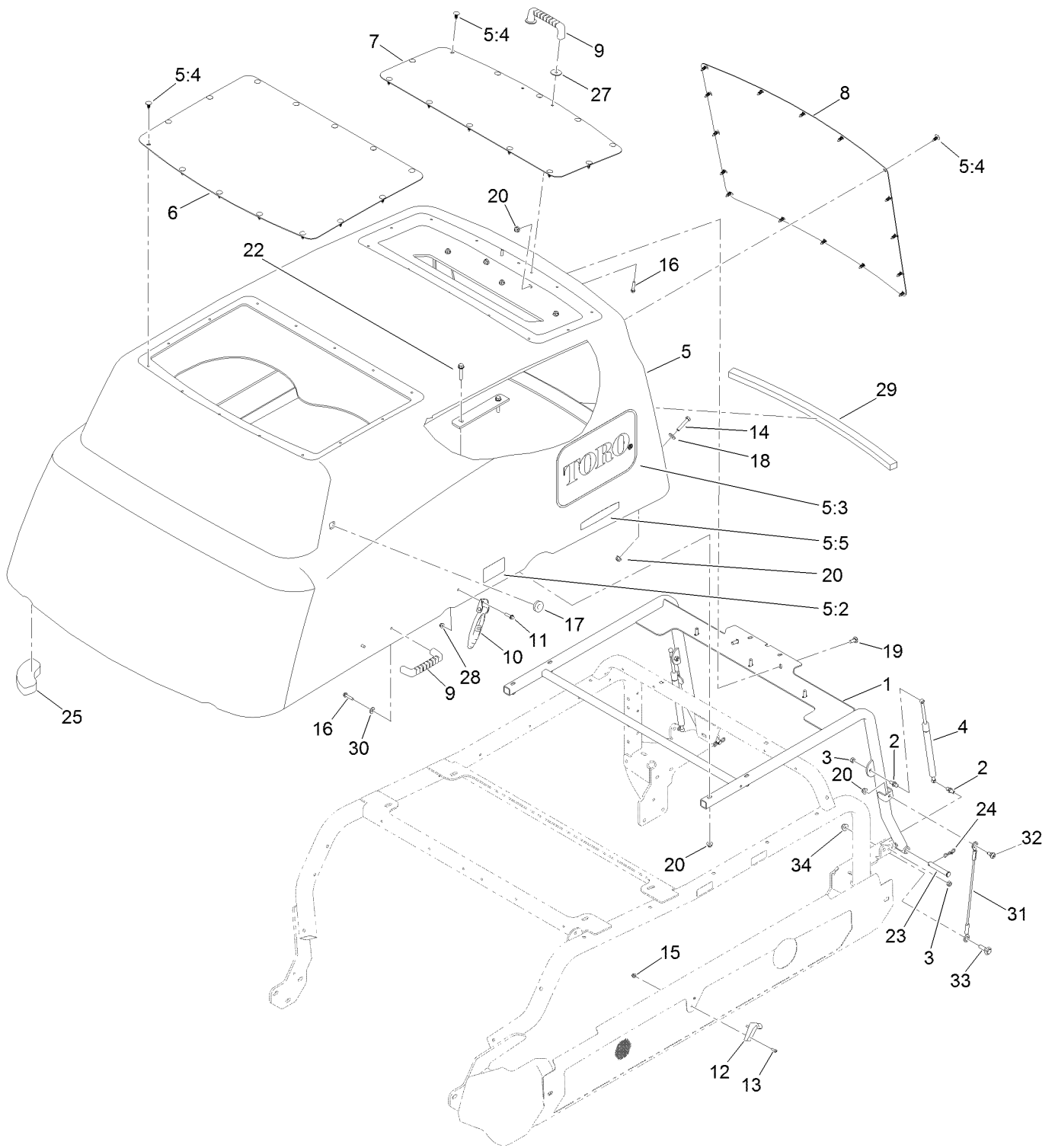
● Not serviced separately



Side Panel and Bumper Assembly

| <i>Ref.</i> | <i>Part Number</i> | <i>Qty.</i> | <i>Description</i> | <i>Ref.</i> | <i>Part Number</i> | <i>Qty.</i> | <i>Description</i> |
|-------------|--------------------|-------------|-------------------------|-------------|--------------------|-------------|-------------------------|
| 1 | 130-9028 | 1 | Shroud-Rear, Lower | 12 | 114-4869 | 4 | Grommet |
| 2 | 130-9137 | 2 | Taillight | 13 | 92-9674 | 4 | Knob |
| 3 | 3230-22 | 4 | Screw-CARR | 14 | 1-803035 | 8 | Rivet-Pop |
| 4 | 3230-8 | 2 | Screw-CARR | 15 | 130-9047 | 1 | Bracket-Rear Shroud, RH |
| 5 | 130-9168 | 2 | Seal-Foam | 16 | 3234-17 | 6 | Screw-HHF |
| 6 | 117-5456 | 1 | Shroud-Front, LH | 17 | 130-9051-03 | 1 | Bracket-Light, LH |
| 7 | 117-5457 | 1 | Shroud-Front, RH | 18 | 130-9031-03 | 1 | Bracket-Light, RH |
| 8 | 131-2390-03 | 1 | Panel-Side, RH | 19 | 104-8300 | 6 | Nut-HF, NI |
| 9 | 131-2393-03 | 1 | Panel-Side, LH | 20 | 131-2219 | 1 | Seal-Foam |
| 10 | 130-9046 | 1 | Bracket-Rear Shroud, LH | 21 | 33113-030 | 4 | Screw-HH |
| 11 | 114-5619 | 4 | Plate-Grommet | 22 | 33023-00 | 4 | Nut-Lock |

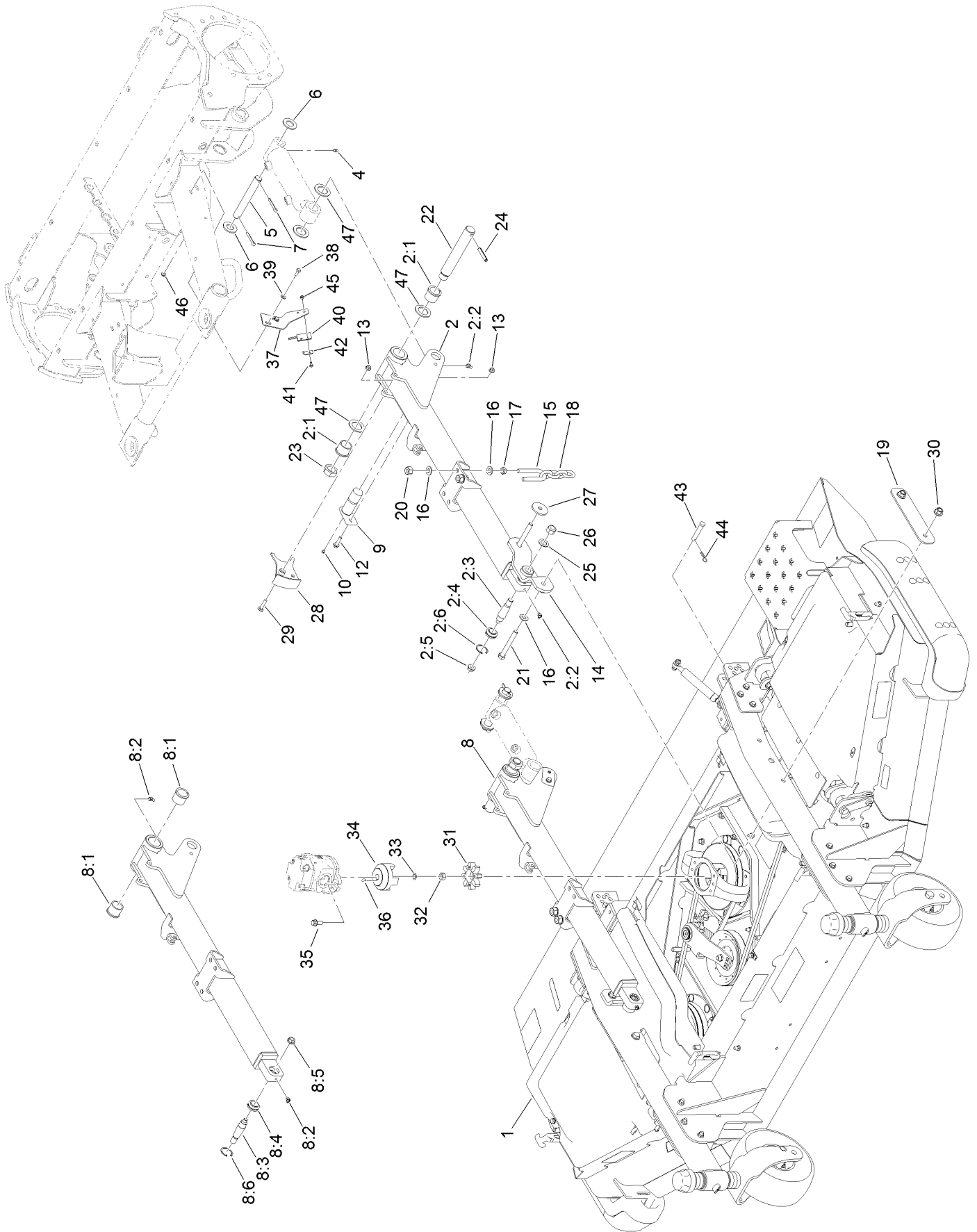
Hood Assembly



Hood Assembly (continued)

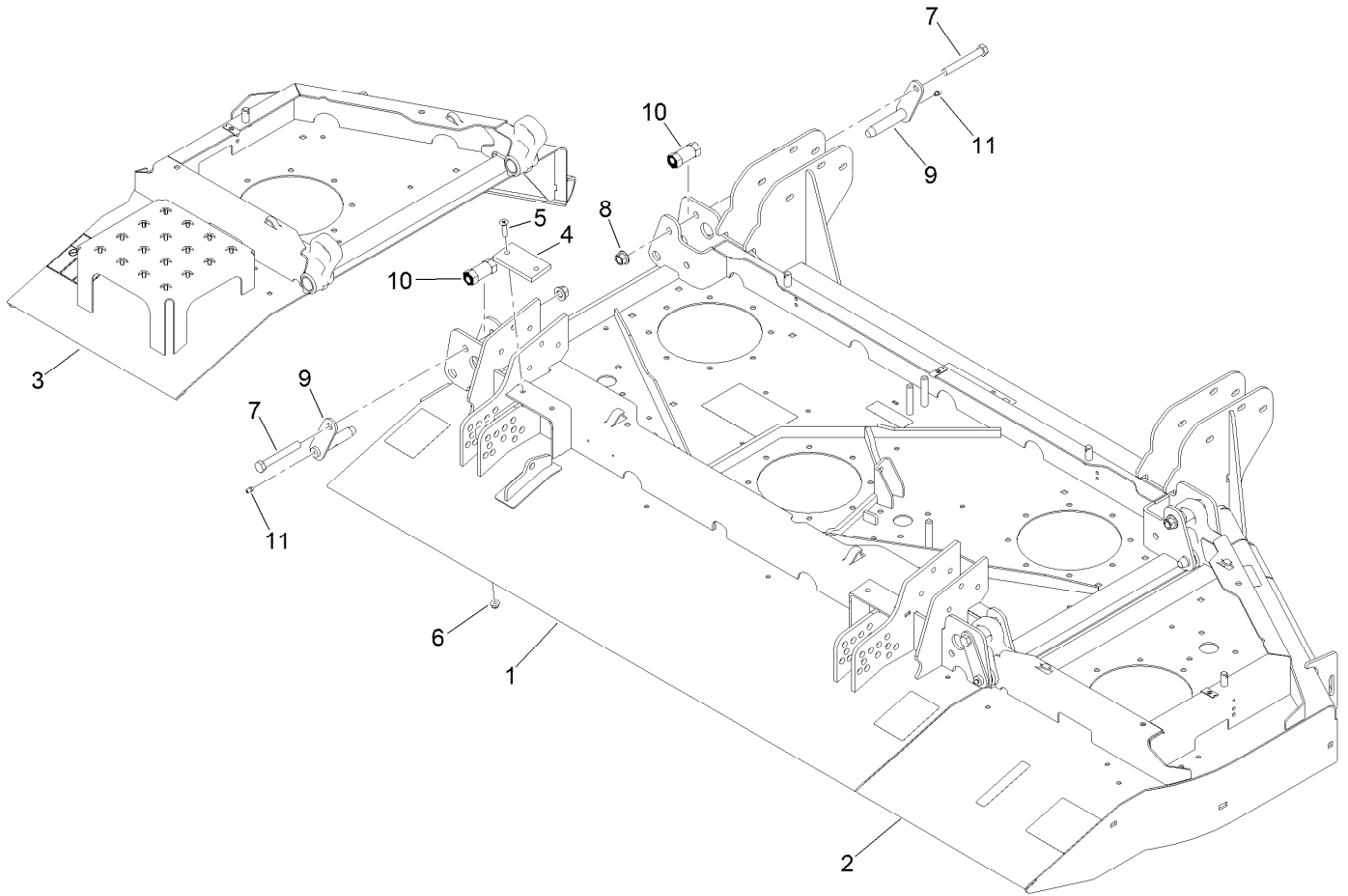
| <i>Ref.</i> | <i>Part Number</i> | <i>Qty.</i> | <i>Description</i> | <i>Ref.</i> | <i>Part Number</i> | <i>Qty.</i> | <i>Description</i> |
|-------------|--------------------|-------------|-------------------------|-------------|--------------------|-------------|---------------------|
| 1 | 130-9011-03 | 1 | Frame-Hood | 15 | 120-4578 | 4 | Nut-HF |
| 2 | 103-5752 | 4 | Stud-Ball | 16 | 46-8092 | 6 | Screw-Plastite |
| 3 | 32153-3 | 4 | Nut-Hex, Side Deform | 17 | 104-1453 | 1 | Grommet |
| 4 | 114-5532 | 2 | Cylinder-Gas | 18 | 3256-3 | 2 | Washer-Flat |
| 5 | 132-1405 | 1 | Hood ASM | 19 | 3230-10 | 5 | Bolt-CARR |
| 5:2 | 106-6754 | 2 | Decal-Danger | 20 | 104-8300 | 13 | Nut-HF, NI |
| 5:3 | 114-0990 | 2 | Decal | 22 | 94-5780 | 6 | Screw-HWH |
| 5:4 | 117-2382 | 42 | Plug-Plastic | 23 | 283-55 | 2 | Pin-Clevis |
| 5:5 | 121-1594 | 2 | Decal-Smart Power | 24 | 119-1416 | 2 | Pin-Cotter, Locking |
| 6 | 130-9008-03 | 1 | Screen-Cooler, Hood | 25 | 130-9019 | 2 | Foam-Hood, Corner |
| 7 | 130-9009-03 | 1 | Screen-Air Intake, Hood | 27 | 3256-57 | 2 | Washer-Flat |
| 8 | 130-9010-03 | 1 | Screen-Radiator, Hood | 28 | 104-7201 | 2 | Nut-HF, NI |
| 9 | 65-5100 | 3 | Handle-Door | 29 | 131-2359 | 1 | Foam-Hood |
| 10 | 103-2898 | 2 | Latch-Rubber | 30 | 3256-2 | 4 | Washer-Flat |
| 11 | 120-4654 | 2 | Screw-HHF | 31 | 130-5726 | 2 | Lanyard |
| 12 | 103-2897 | 2 | Latch-Catch | 32 | 120-9471 | 2 | Bolt-Shoulder |
| 13 | 3274-39 | 4 | Screw-HSBH | 33 | 614672 | 2 | Screw-Shoulder, HWH |
| 14 | 322-9 | 2 | Screw-HH | 34 | 104-8301 | 2 | Nut-HF, NI |

Center Front Deck Assembly



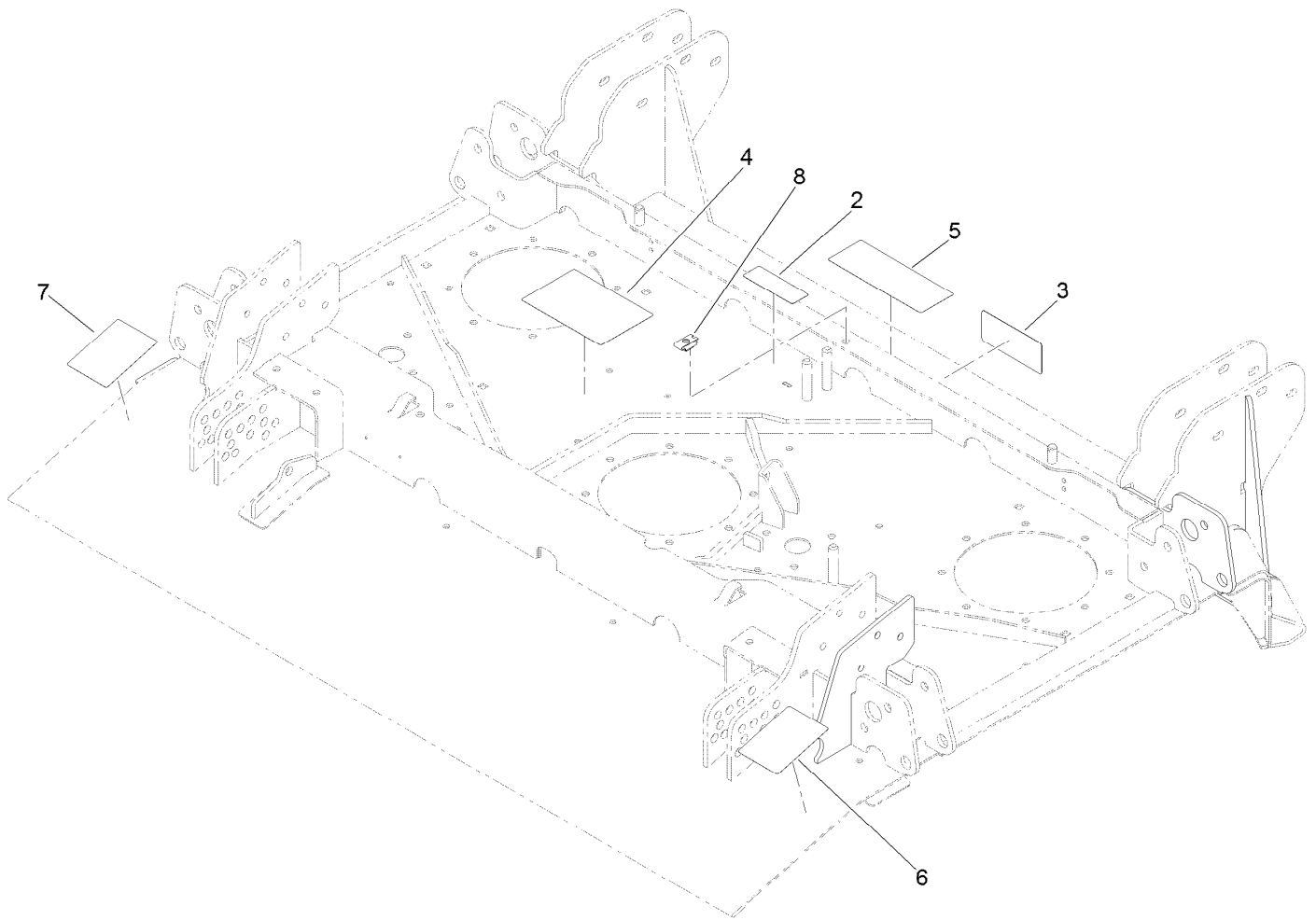
Center Front Deck Assembly (continued)

| <i>Ref.</i> | <i>Part Number</i> | <i>Qty.</i> | <i>Description</i> | <i>Ref.</i> | <i>Part Number</i> | <i>Qty.</i> | <i>Description</i> |
|-------------|--------------------|-------------|-----------------------|-------------|--------------------|-------------|---------------------------|
| 1 | 130-9200 | 1 | Front Center Deck ASM | 20 | 3296-25 | 4 | Nut-Lock, NI |
| 2 | 110-5962 | 1 | LH Front Lift Arm ASM | 21 | 325-17 | 4 | Screw-HH |
| 2:1 | 104-0015 | 2 | Bushing-Flange | 22 | 100-3017 | 2 | *obs Pin-Lift Arm |
| 2:2 | 302-11 | 2 | Fitting-Lube, 45 DEG | 23 | 3296-49 | 2 | Nut-Lock, NI |
| 2:3 | 105-7468 | 1 | Stud-Tapered | 24 | 32121-110 | 2 | Pin-Roll, Slotted |
| 2:4 | 105-7441 | 1 | Bearing-Spherical | 25 | 86-1440 | 2 | Washer-Flat |
| 2:5 | 32128-42 | 1 | Nut-HF | 26 | 3296-41 | 2 | Nut-Lock NI |
| 2:6 | 32151-34 | 1 | Ring-Retaining | 27 | 75-7730 | 2 | Washer-Thrust |
| 4 | 302-5 | 4 | Fitting-Grease | 28 | 114-0738-01 | 1 | Sensor Trigger ASM |
| 5 | 110-6006 | 2 | Pin-Clevis | 29 | 3230-4 | 1 | Bolt-CARR |
| 6 | 3256-29 | 4 | Washer-Flat | 30 | 99-5107 | 4 | Nut-Lock |
| 7 | 3272-30 | 4 | Pin-Cotter | 31 | 104-3542 | 1 | Spider |
| 8 | 110-5966 | 1 | RH Front Lift Arm ASM | 32 | 110-8815 | 1 | Nut-Hex |
| 8:1 | 104-0015 | 2 | Bushing-Flange | 33 | 112-6957 | 1 | Washer-Hardened |
| 8:2 | 302-11 | 2 | Fitting-Lube, 45 DEG | 34 | 104-3541 | 1 | Hub-Spider |
| 8:3 | 105-7468 | 1 | Stud-Tapered | 35 | 3234-42 | 2 | Screw-HHF |
| 8:4 | 105-7441 | 1 | Bearing-Spherical | 36 | 3257-3 | 1 | Key-Woodruff |
| 8:5 | 32128-42 | 1 | Nut-HF | 37 | 114-5671 | 1 | Bracket-Sensor |
| 8:6 | 32151-34 | 1 | Ring-Retaining | 38 | 321-4 | 2 | Screw-HH |
| 9 | 125-1912 | 2 | Pin-Pivot | 39 | 3256-22 | 2 | Washer-Flat |
| 10 | 1-811010 | 2 | Plug | 40 | 106-9288 | 1 | Sensor-Proximity, Ferrous |
| 12 | 119-4036 | 2 | Screw-HHF | 41 | 3229-34 | 1 | Screw-CARR |
| 13 | 104-8300 | 3 | Nut-HF, NI | 42 | 100-4872 | 1 | Plate-Switch, Neutral |
| 14 | 115-5442-01 | 2 | Support-Hub | 43 | 92-2743 | 2 | Pin-Clevis |
| 15 | 104-0108 | 2 | U-Bolt | 44 | 3290-467 | 2 | Pin-Hair |
| 16 | 3256-26 | 12 | Washer-Flat | 45 | 3296-2 | 1 | Nut-Lock, NI |
| 17 | 3218-5 | 4 | Nut-Jam | 46 | 104-7201 | 2 | Nut-HF, NI |
| 18 | 95-6231 | 2 | Chain-HOC | 47 | AU495-81203 | 4 | Washer |
| 19 | 130-9233-01 | 2 | Plate-Reinforcing | | | | |



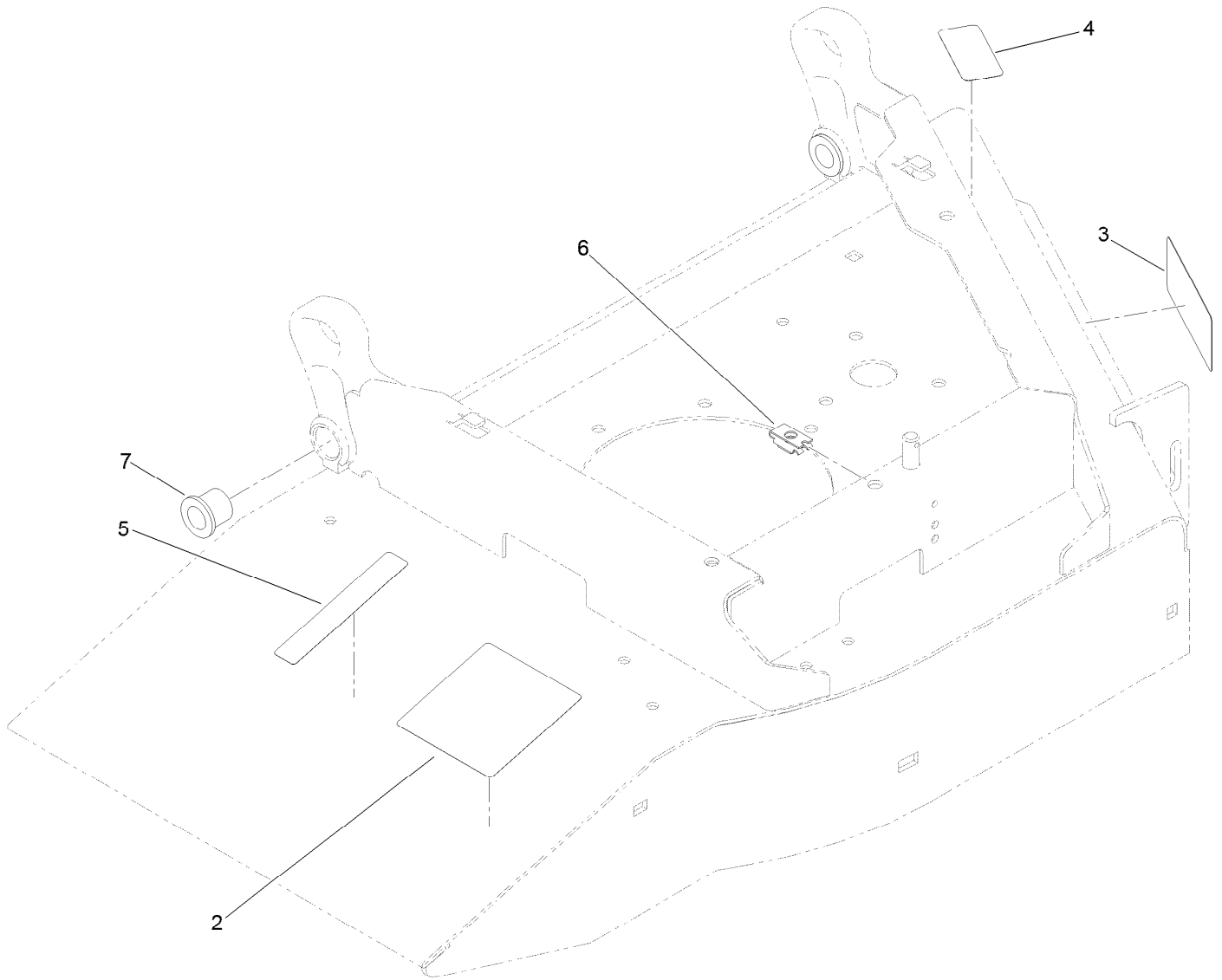
Center Front and Winglet Deck Assembly

| Ref. | Part Number | Qty. | Description |
|------|-------------|------|-----------------------|
| 1 | 130-9201 | 1 | Center Front Deck ASM |
| 2 | 130-9218 | 1 | Right Front Deck ASM |
| 3 | 130-9210 | 1 | Left Front Deck ASM |
| 4 | 69-9300 | 2 | Pad-Bumper |
| 5 | 32108-103 | 4 | Screw-FH |
| 6 | 104-8300 | 4 | Nut-HF, NI |
| 7 | 325-35 | 4 | Screw-HH |
| 8 | 99-5107 | 4 | Nut-Lock |
| 9 | 114-0714 | 4 | Hinge Pin ASM |
| 10 | 115-3367 | 4 | Eccentric |
| 11 | 302-5 | 4 | Fitting-Grease |



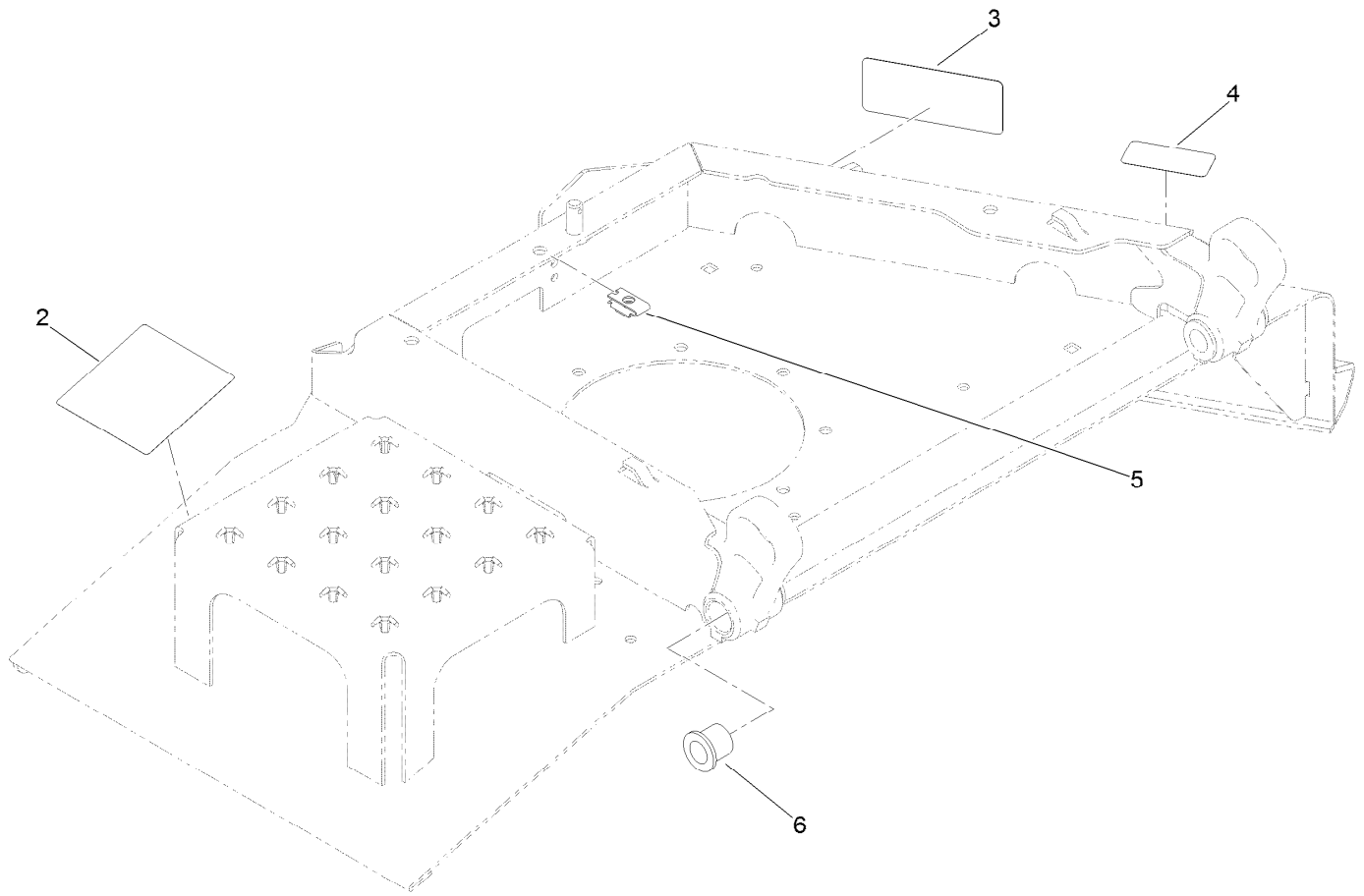
Center Front Deck and Decal Assembly No. 130-9201

| <i>Ref.</i> | <i>Part Number</i> | <i>Qty.</i> | <i>Description</i> |
|-------------|--------------------|-------------|--------------------------|
| 2 | 117-4979 | 1 | Decal-Warning |
| 3 | 93-7818 | 1 | Decal-Torque, Blade Bolt |
| 4 | 114-0922 | 1 | Decal-Belt Routing |
| 5 | 131-6027 | 1 | Decal-HOC |
| 6 | 131-6026 | 1 | Decal-Rear HOC, RH |
| 7 | 131-6025 | 1 | Decal-Rear HOC, LH |
| 8 | 110-3510 | 1 | Nut-Retainer |



Right Front Deck and Decal Assembly No. 130-9218

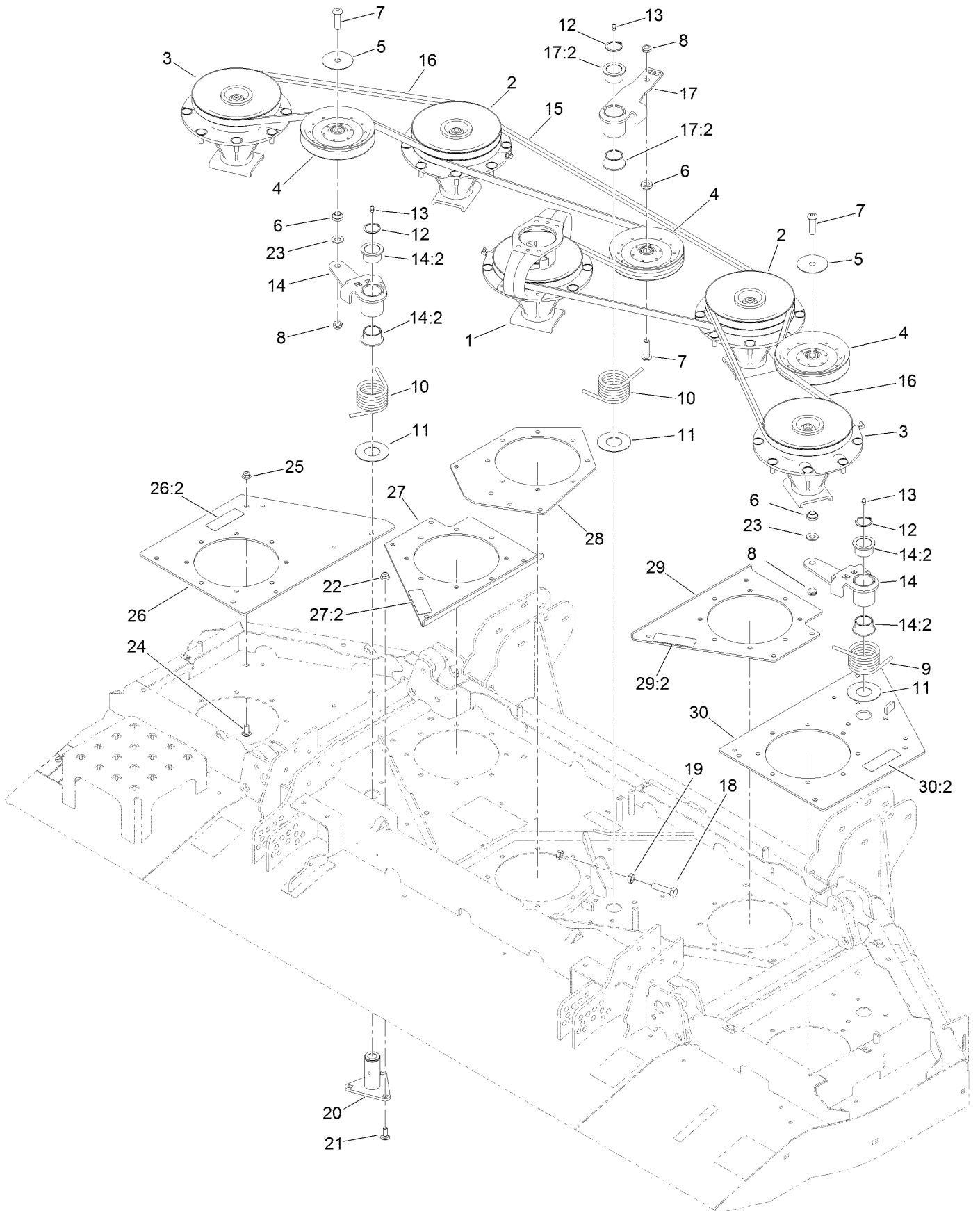
| <i>Ref.</i> | <i>Part Number</i> | <i>Qty.</i> | <i>Description</i> |
|-------------|--------------------|-------------|--------------------------|
| 2 | 120-6604 | 1 | Decal-Danger |
| 3 | 93-7818 | 1 | Decal-Torque, Blade Bolt |
| 4 | 93-6674 | 1 | Decal-Warning |
| 5 | 93-6687 | 1 | Decal-No Step |
| 6 | 110-3510 | 1 | Nut-Retainer |
| 7 | 92-3162 | 4 | Bushing |



Left Front Deck and Decal Assembly No. 130-9210

| <i>Ref.</i> | <i>Part Number</i> | <i>Qty.</i> | <i>Description</i> |
|-------------|--------------------|-------------|--------------------------|
| 2 | 120-6604 | 1 | Decal-Danger |
| 3 | 93-7818 | 1 | Decal-Torque, Blade Bolt |
| 4 | 93-6674 | 1 | Decal-Warning |
| 5 | 110-3510 | 1 | Nut-Retainer |
| 6 | 92-3162 | 4 | Bushing |

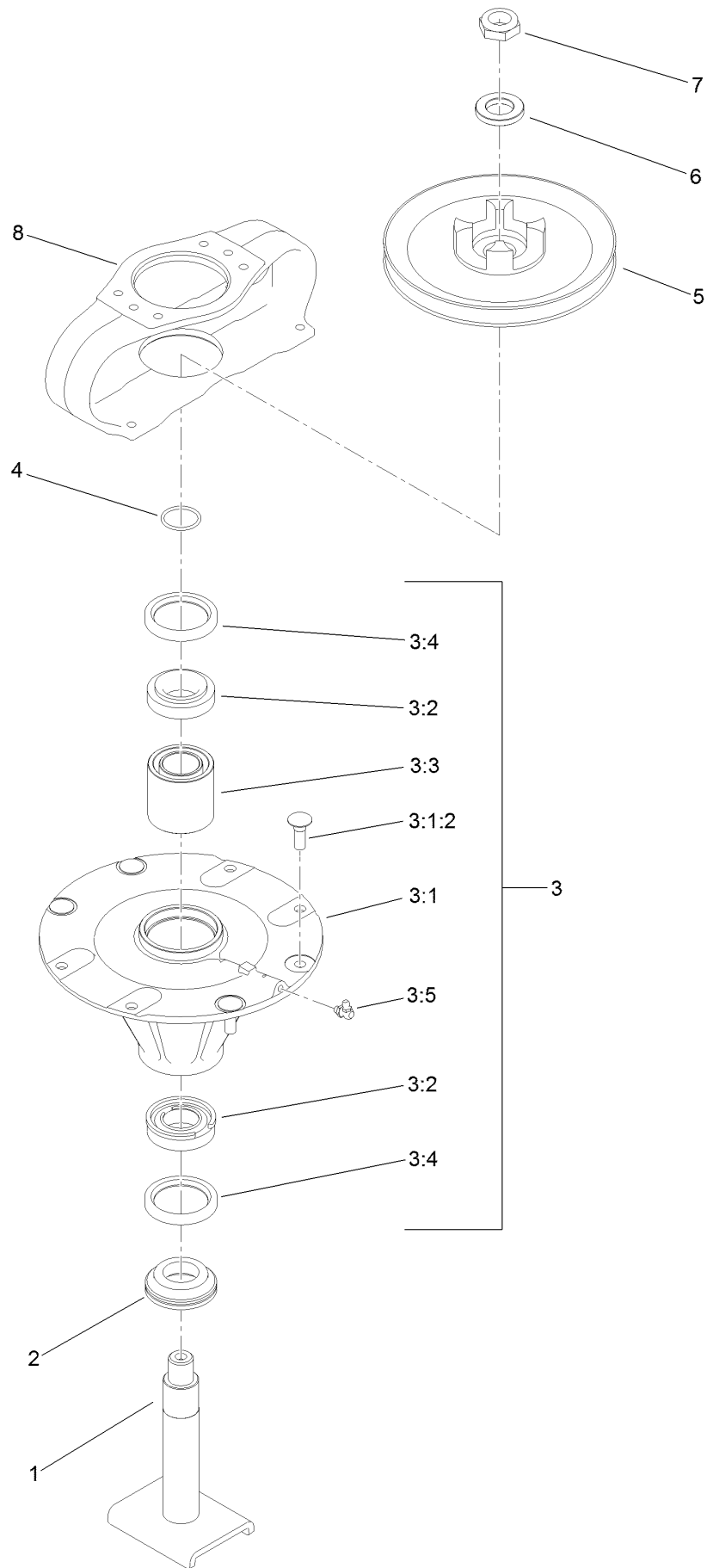
Center Deck Belt and Spindle Assembly



Center Deck Belt and Spindle Assembly (continued)

| <i>Ref.</i> | <i>Part Number</i> | <i>Qty.</i> | <i>Description</i> | <i>Ref.</i> | <i>Part Number</i> | <i>Qty.</i> | <i>Description</i> |
|-------------|--------------------|-------------|---------------------|-------------|--------------------|-------------|-------------------------|
| 1 | 131-0768 | 1 | Driving Spindle ASM | 17:2 | 93-4510 | 2 | Bushing-Caster |
| 2 | 117-9234 | 2 | Double Spindle ASM | 18 | 01-182-0816 | 1 | Bolt-HH |
| 3 | 117-9233 | 2 | High Spindle ASM | 19 | 3218-5 | 2 | Nut-Jam |
| 4 | 110-9596 | 3 | Pulley-Idler | 20 | 114-0997 | 3 | Pivot-Idler |
| 5 | 100-3102 | 2 | Washer-Flat | 21 | 3231-2 | 9 | Bolt-CARR |
| 6 | 108-1924 | 3 | Spacer-Idler | 22 | 104-8301 | 9 | Nut-HF, NI |
| 7 | 108-1993 | 3 | Screw-HSBH | 23 | 3256-26 | 2 | Washer-Flat |
| 8 | 3296-45 | 3 | Nut-Hex | 24 | 3231-27 | 19 | Screw-CARR |
| 9 | 108-1921 | 1 | Spring-Torsion | 25 | 104-8301 | 19 | Nut-HF, NI |
| 10 | 112-7395 | 2 | Spring-Torsion | 26 | 132-1611 | 1 | LH Spindle Plate ASM |
| 11 | 108-1926 | 3 | Washer | 26:2 | 117-4979 | 1 | Decal-Warning |
| 12 | 32120-84 | 3 | Ring-Snap, External | 27 | 132-1608 | 1 | Left Spindle Plate ASM |
| 13 | 302-5 | 3 | Fitting-Grease | 27:2 | 117-4979 | 1 | Decal-Warning |
| 14 | 117-9176 | 2 | Idler Arm ASM | 28 | 132-1602-01 | 1 | Plate-Spindle, Center |
| 14:2 | 93-4510 | 2 | Bushing-Caster | 29 | 132-1607 | 1 | Right Spindle Plate ASM |
| 15 | 112-7376 | 1 | Belt-V, B | 29:2 | 117-4979 | 1 | Decal-Warning |
| 16 | 112-7377 | 2 | Belt-V, B | 30 | 132-1609 | 1 | RH Spindle Plate ASM |
| 17 | 114-0100 | 1 | High Idler Arm ASM | 30:2 | 117-4979 | 1 | Decal-Warning |

Driving Spindle Assembly No. 131-0768

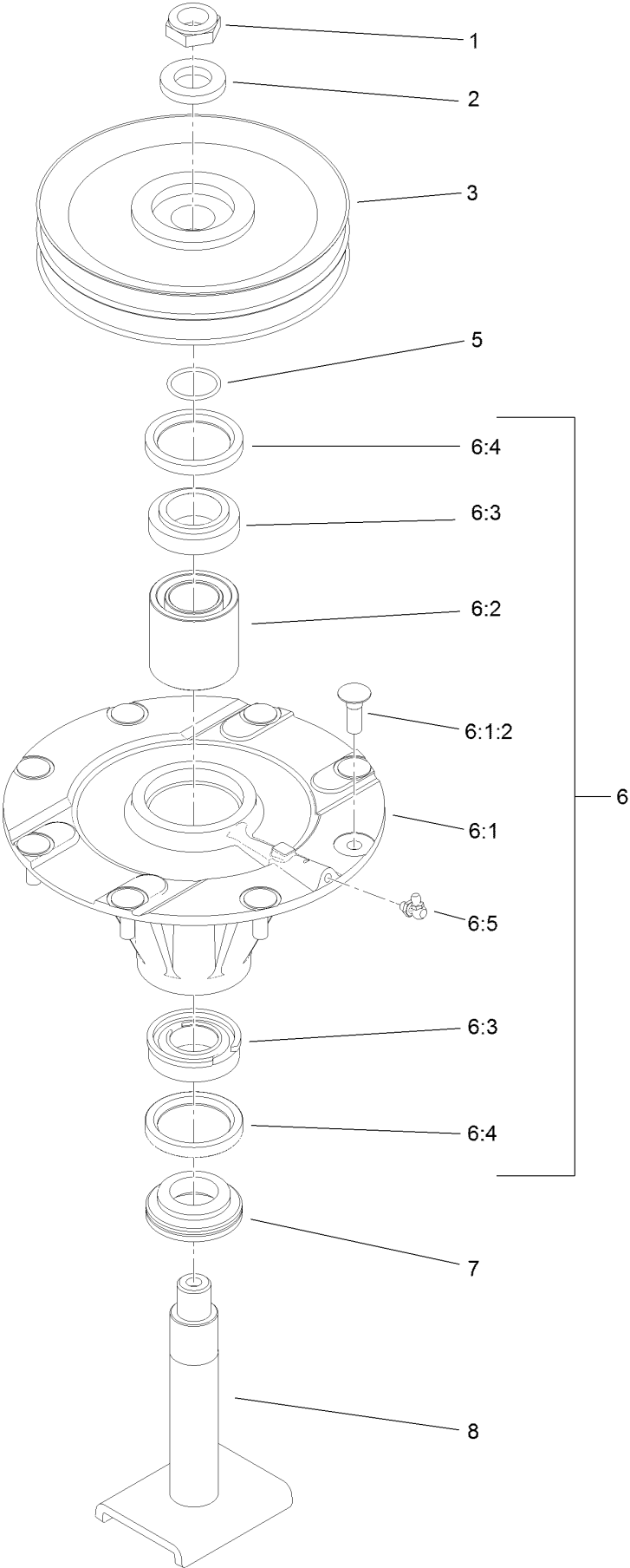


Driving Spindle Assembly No. 131-0768 (continued)

| <i>Ref.</i> | <i>Part Number</i> | <i>Qty.</i> | <i>Description</i> | <i>Ref.</i> | <i>Part Number</i> | <i>Qty.</i> | <i>Description</i> |
|-------------|--------------------|-------------|-----------------------|-------------|--------------------|-------------|--------------------|
| 1 | 108-1956 | 1 | Shaft-Spindle | 3:4 | 253-154 | 2 | Seal-Oil |
| 2 | 69-6950 | 1 | Spacer-Shaft, Spindle | 3:5 | 302-60 | 1 | Fitting-Grease |
| 3 | 131-0767 | 1 | Spindle Housing ASM | 4 | 106-7159 | 1 | O-Ring |
| 3:1 | | 1 | Spindle ASM ● | 5 | 104-3545 | 1 | Pulley-Driving |
| 3:1:2 | 114-8195 | 4 | Bolt-Neck, Ribbed | 6 | 120-5576 | 1 | Washer-Hardened |
| 3:2 | 110-8297 | 1 | Bearing ASM | 7 | 3296-60 | 1 | Nut-Lock, NI |
| 3:3 | 108-1954 | 1 | Bearing Spacer Set | 8 | 104-3544 | 1 | Mount-Motor, Drive |

● Not serviced separately

Double Spindle Assembly No. 117-9234

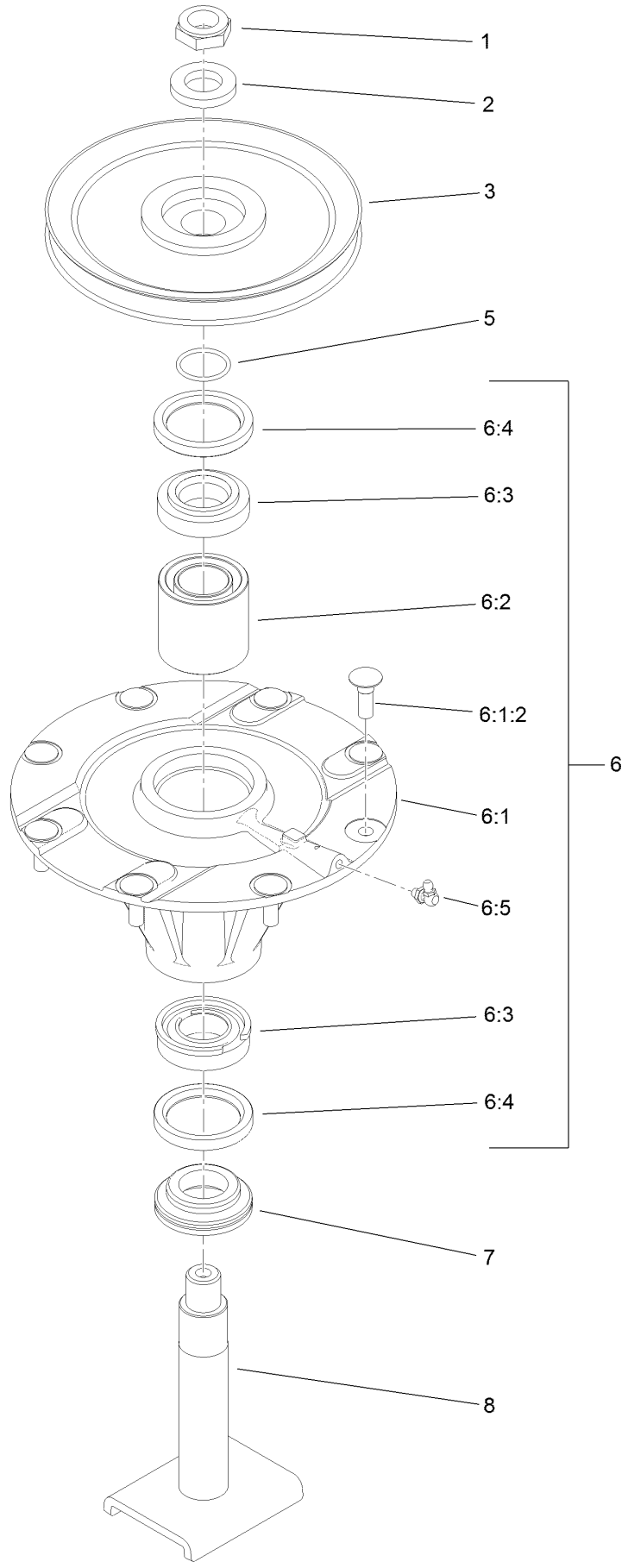


Double Spindle Assembly No. 117-9234 (continued)

| <i>Ref.</i> | <i>Part Number</i> | <i>Qty.</i> | <i>Description</i> | <i>Ref.</i> | <i>Part Number</i> | <i>Qty.</i> | <i>Description</i> |
|-------------|--------------------|-------------|---------------------|-------------|--------------------|-------------|-----------------------|
| 1 | 3296-60 | 1 | Nut-Lock, NI | 6:2 | 108-1954 | 1 | Bearing Spacer Set |
| 2 | 120-5576 | 1 | Washer-Hardened | 6:3 | 110-8297 | 1 | Bearing ASM |
| 3 | 104-3548 | 1 | Pulley-Driven, High | 6:4 | 253-154 | 2 | Seal-Oil |
| 5 | 106-7159 | 1 | O-Ring | 6:5 | 302-60 | 1 | Fitting-Grease |
| 6 | 119-4777 | 1 | Spindle ASM | 7 | 69-6950 | 1 | Spacer-Shaft, Spindle |
| 6:1 | | 1 | Spindle ASM ● | 8 | 108-1956 | 1 | Shaft-Spindle |
| 6:1:2 | 114-8195 | 8 | Bolt-Neck, Ribbed | | | | |

● Not serviced separately

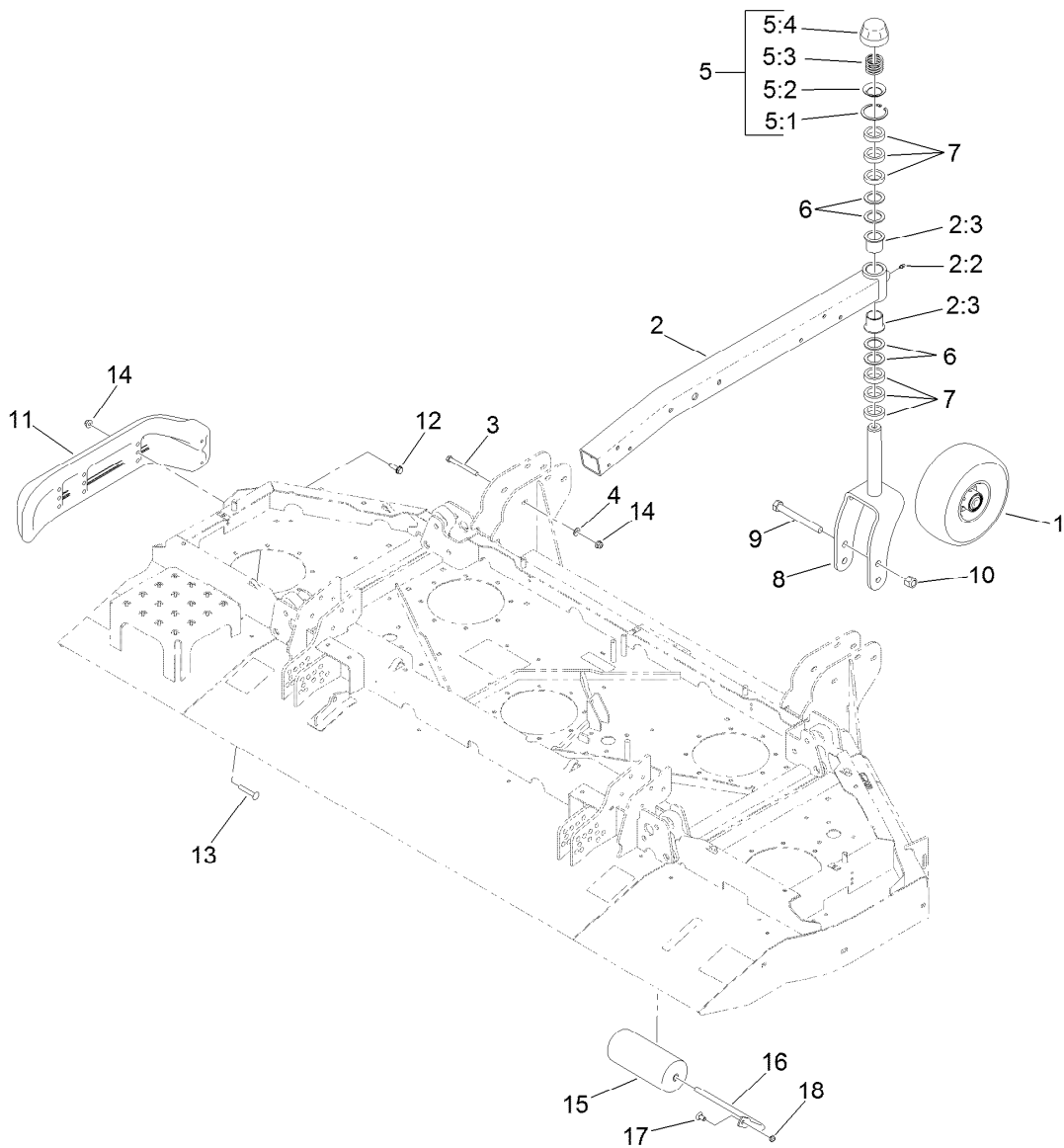
High Spindle Assembly No. 117-9233



High Spindle Assembly No. 117-9233 (continued)

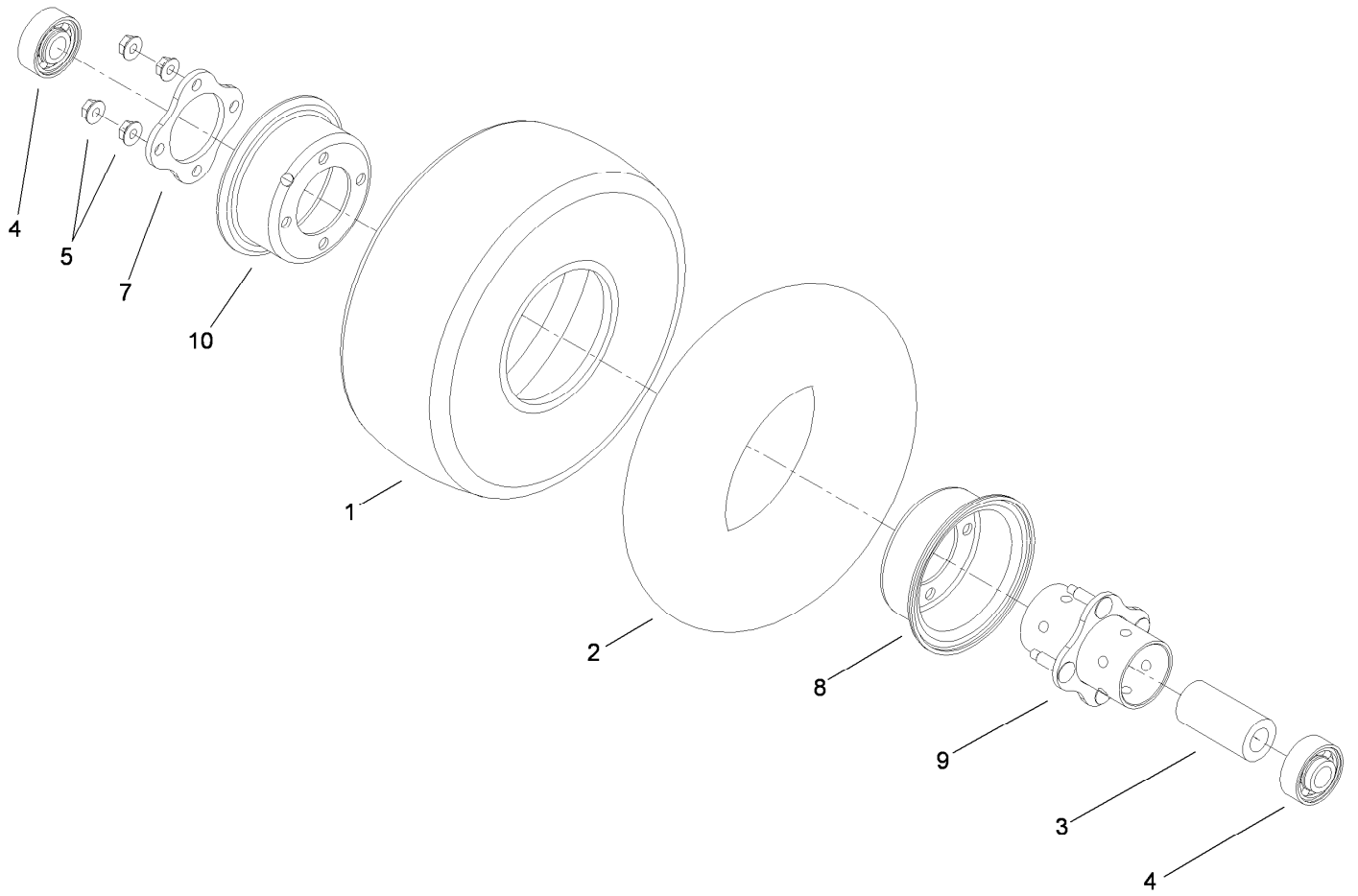
| <i>Ref.</i> | <i>Part Number</i> | <i>Qty.</i> | <i>Description</i> | <i>Ref.</i> | <i>Part Number</i> | <i>Qty.</i> | <i>Description</i> |
|-------------|--------------------|-------------|-----------------------|-------------|--------------------|-------------|-----------------------|
| 1 | 3296-60 | 1 | Nut-Lock, NI | 6:2 | 108-1954 | 1 | Bearing Spacer Set |
| 2 | 120-5576 | 1 | Washer-Hardened | 6:3 | 110-8297 | 1 | Bearing ASM |
| 3 | 104-3547 | 1 | Pulley-Driven, Double | 6:4 | 253-154 | 2 | Seal-Oil |
| 5 | 106-7159 | 1 | O-Ring | 6:5 | 302-60 | 1 | Fitting-Grease |
| 6 | 119-4777 | 1 | Spindle ASM | 7 | 69-6950 | 1 | Spacer-Shaft, Spindle |
| 6:1 | | 1 | Spindle ASM ● | 8 | 108-1956 | 1 | Shaft-Spindle |
| 6:1:2 | 114-8195 | 8 | Bolt-Neck, Ribbed | | | | |

● Not serviced separately



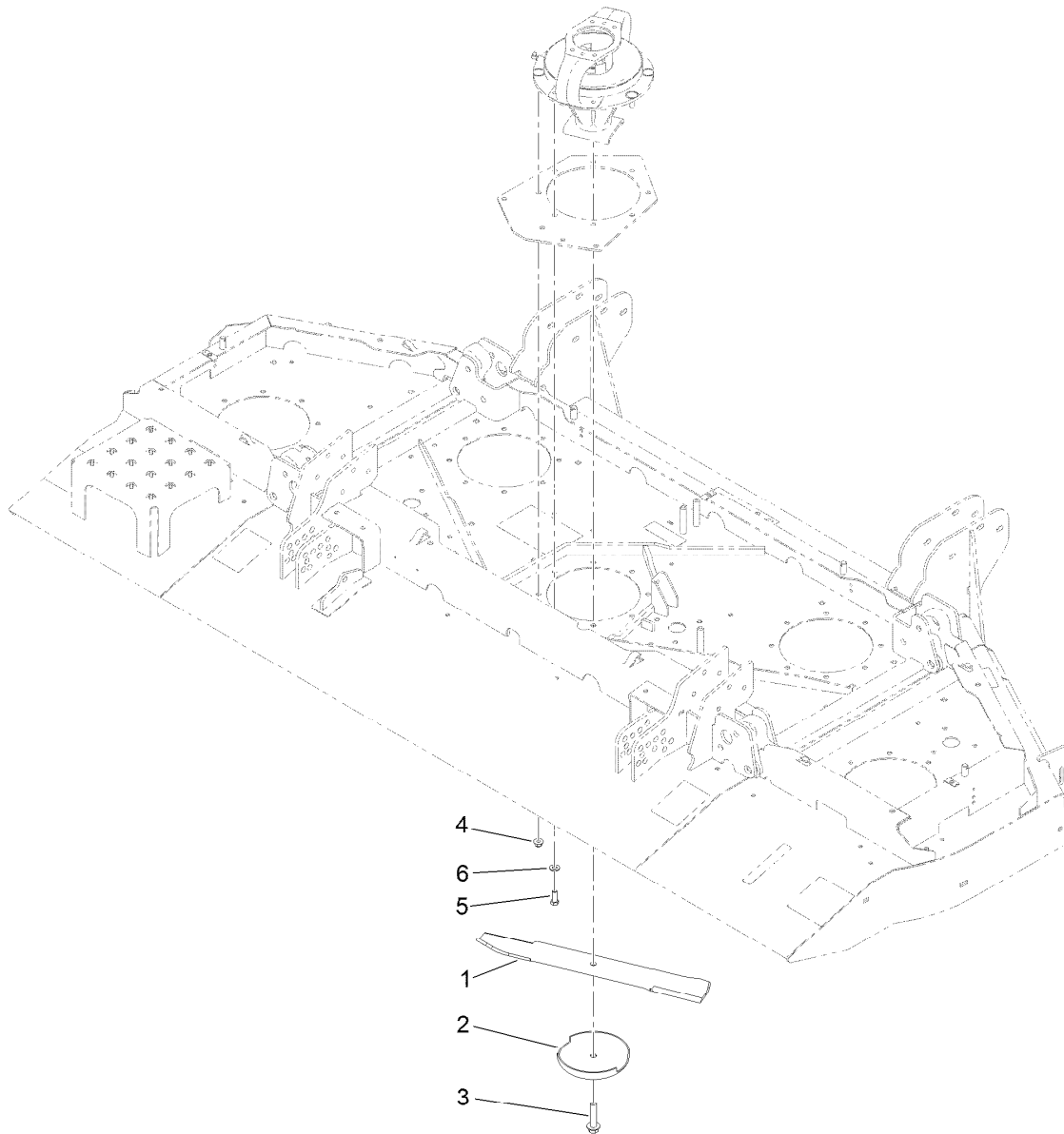
Center Deck Roller, Skid and Caster Wheel Assembly

| Ref. | Part Number | Qty. | Description | Ref. | Part Number | Qty. | Description |
|------|-------------|------|----------------------------|------|-------------|------|-------------------|
| 1 | 93-4240 | 2 | 10 Inch Wheel ASM | 7 | 69-1510 | 12 | Spacer |
| 2 | 130-7787 | 2 | Caster Arm ASM | 8 | 130-7784-01 | 2 | Fork-Caster |
| 2:2 | 302-5 | 1 | Fitting-Grease | 9 | 327-24 | 2 | Screw-HH |
| 2:3 | 69-6470 | 2 | Bushing-Caster | 10 | 3296-53 | 2 | Nut-Lock, NI |
| 3 | 323-42 | 12 | Screw-HH | 11 | 112-1479 | 2 | Skid-Bumper, Deck |
| 4 | 3256-24 | 12 | Washer-Plain | 12 | 9136144 | 2 | Screw-HWHTF |
| 5 | 92-9727 | 2 | HOC Cap ASM | 13 | 3231-33 | 4 | Screw-CARR |
| 5:1 | 92-5581 | 1 | Ring-Rtng, Snap, Int, Flat | 14 | 104-8301 | 16 | Nut-HF, NI |
| 5:2 | 92-5583 | 1 | Washer-Cap | 15 | 68-6710 | 1 | Roller |
| 5:3 | 92-9726 | 1 | Spring-Compression | 16 | 68-6840 | 1 | Shaft-Roller |
| 5:4 | 92-8861 | 1 | Cap-HOC | 17 | 3231-21 | 1 | Screw-CARR |
| 6 | 69-6860 | 8 | Washer-Thrust | 18 | 3296-59 | 1 | Nut-Lock, NI |



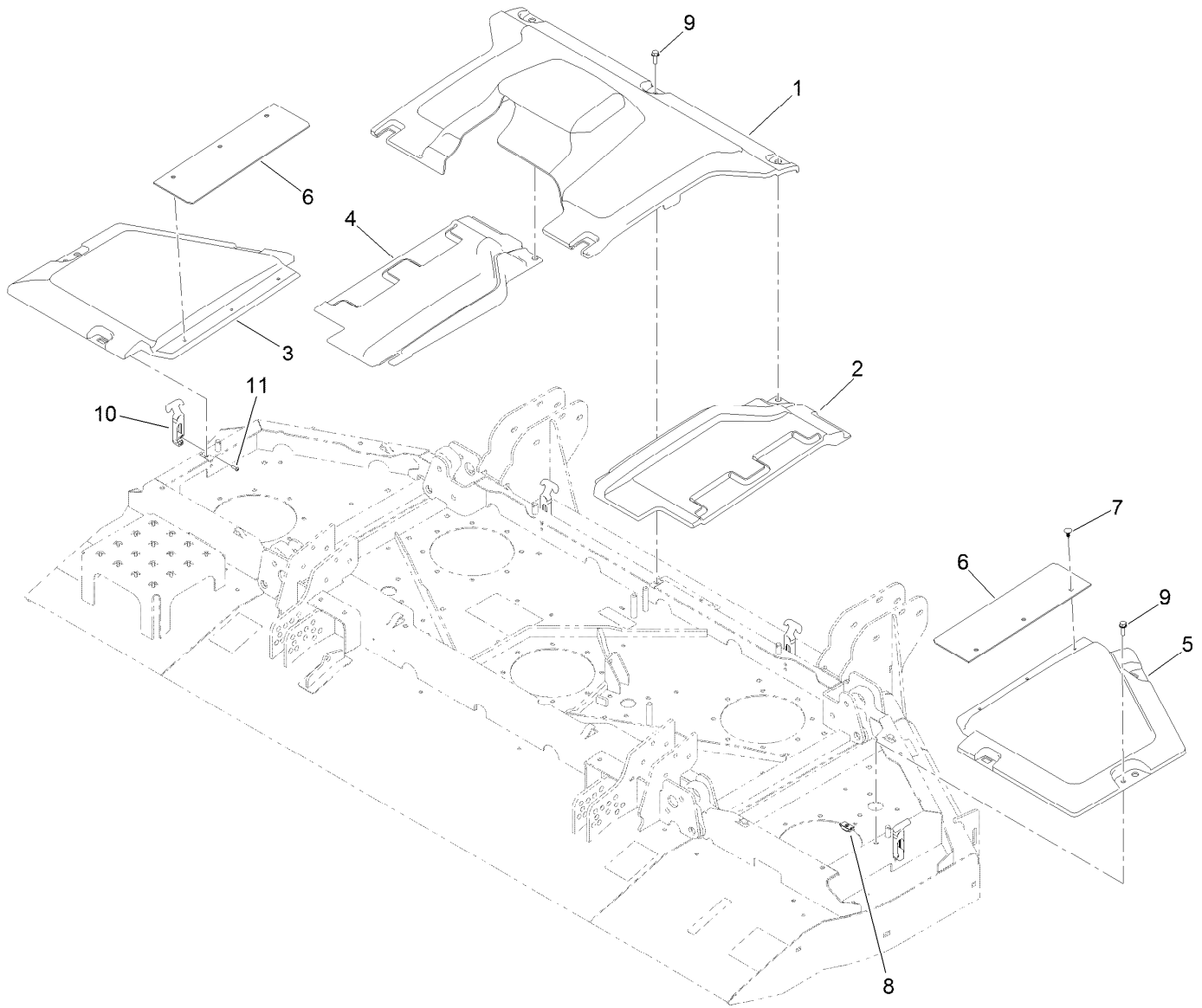
10 Inch Wheel Assembly No. 93-4240

| <i>Ref.</i> | <i>Part Number</i> | <i>Qty.</i> | <i>Description</i> |
|-------------|--------------------|-------------|-----------------------|
| 1 | 93-4243 | 1 | Tire |
| 2 | 93-4244 | 1 | Tube-Inner (W/Valve) |
| 3 | 93-4241 | 1 | Spacer-Bearing, Inner |
| 4 | 120-3366 | 2 | Bearing |
| 5 | 32128-16 | 4 | Nut-HHF |
| 7 | 93-4242 | 1 | Plate |
| 8 | 93-4239 | 1 | Rim-Wheel, Half |
| 9 | 93-5980 | 1 | Hub |
| 10 | 95-2741 | 1 | Rim-Wheel, Half |



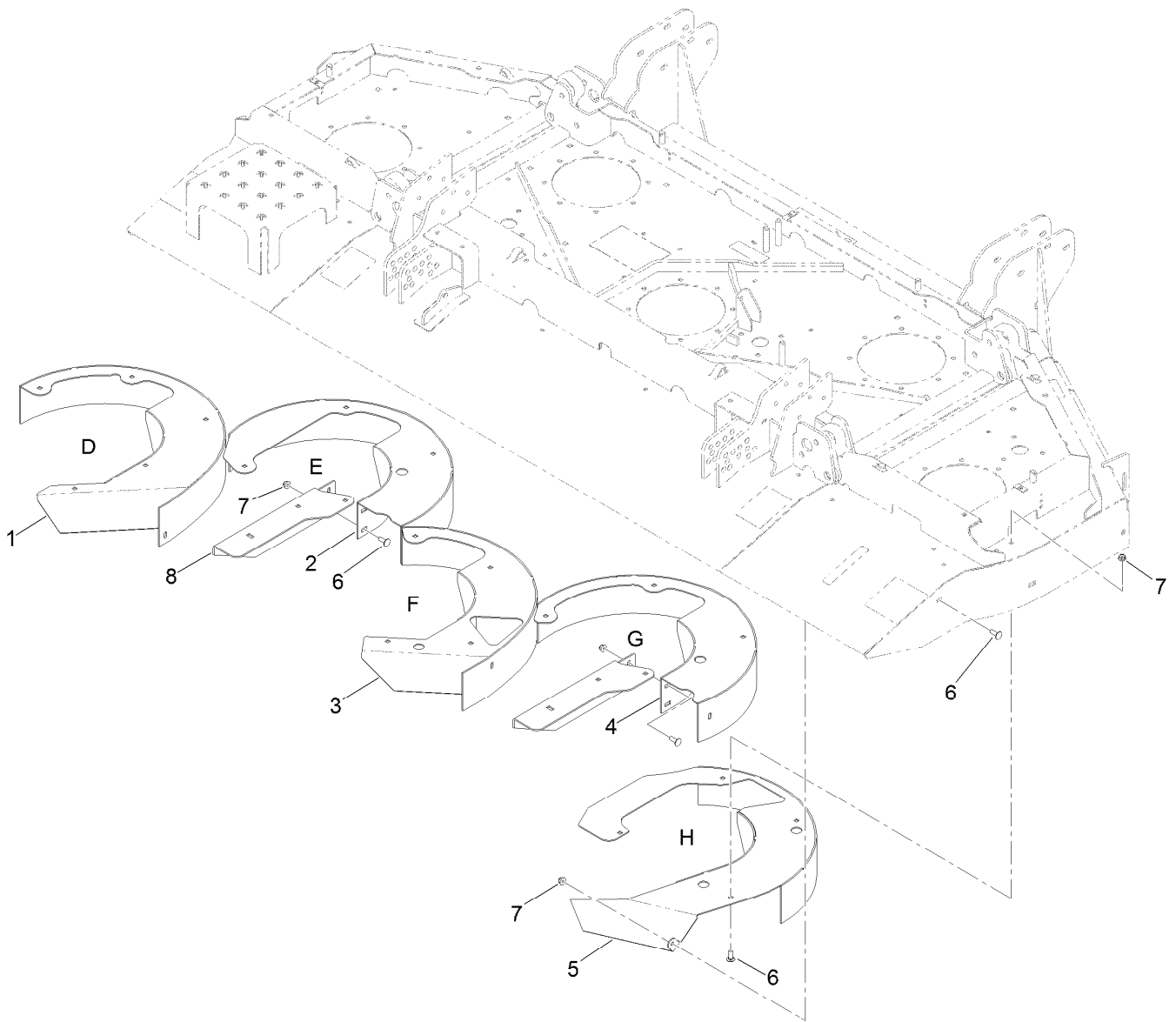
Center Front Deck Spindle and Blade Assembly

| <i>Ref.</i> | <i>Part Number</i> | <i>Qty.</i> | <i>Description</i> |
|-------------|--------------------|-------------|--------------------|
| 1 | 130-9151 | 5 | Blade-20 In |
| 2 | 72-9361 | 5 | Cup-Scalp, Anti |
| 3 | 92-5816 | 5 | Bolt-Blade |
| 4 | 104-8301 | 36 | Nut-HF, NI |
| 5 | 323-6 | 4 | Screw-HH |
| 6 | 3256-24 | 4 | Washer-Plain |



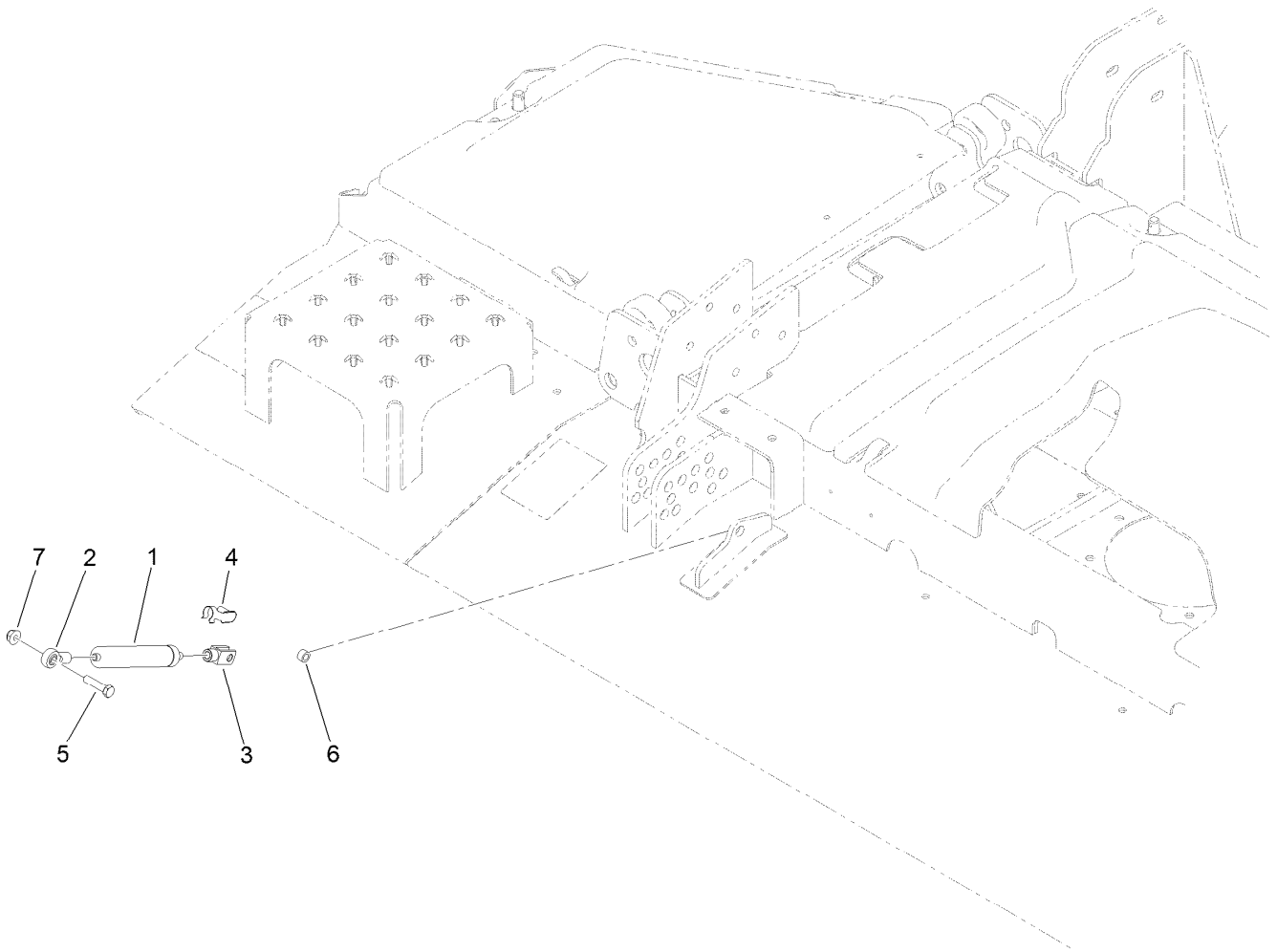
Center Front Deck Belt Cover Assembly

| <i>Ref.</i> | <i>Part Number</i> | <i>Qty.</i> | <i>Description</i> |
|-------------|--------------------|-------------|---------------------------------|
| 1 | 131-2223 | 1 | Cover-Front Deck, Center |
| 2 | 114-5632 | 1 | Cover-Front Deck, RH Transition |
| 3 | 114-5629 | 1 | Cover-Front Deck, LH |
| 4 | 114-5631 | 1 | Cover-Front Deck, LH Transition |
| 5 | 114-5628 | 1 | Cover-Front Deck, RH |
| 6 | 115-5424 | 2 | Shield-Deck, Flexible |
| 7 | 117-2382 | 6 | Plug-Plastic |
| 8 | 110-3510 | 3 | Nut-Retainer |
| 9 | 3234-29 | 3 | Screw-HHF |
| 10 | 103-4080 | 4 | Latch-Rubber |
| 11 | 3274-39 | 8 | Screw-HSBH |



Center Front Deck Chamber and Discharge Assembly

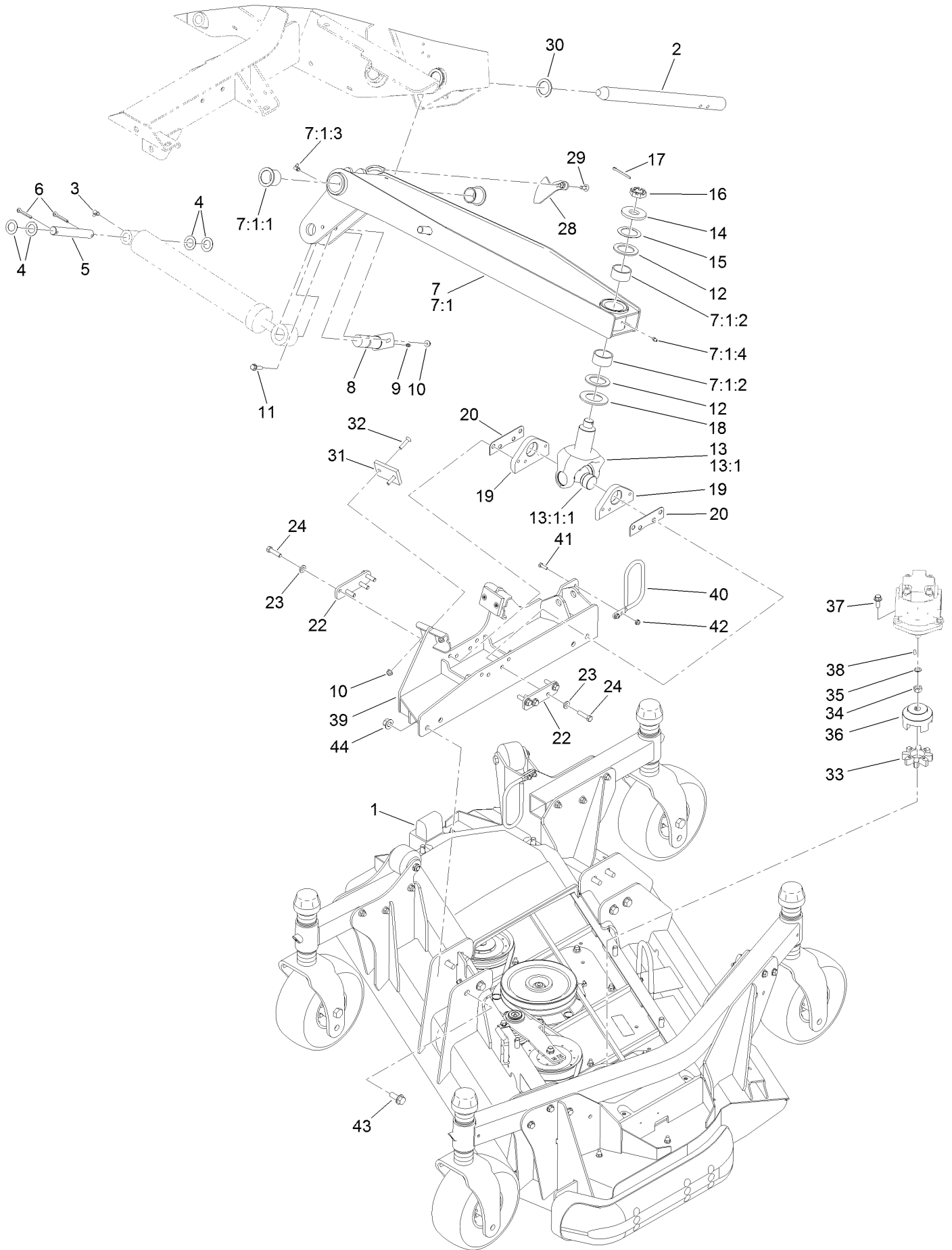
| <i>Ref.</i> | <i>Part Number</i> | <i>Qty.</i> | <i>Description</i> |
|-------------|--------------------|-------------|-----------------------------|
| 1 | 132-1640-01 | 1 | Chamber-Front, Left |
| 2 | 133-2244-01 | 1 | Chamber-Front, Left Center |
| 3 | 132-1644-01 | 1 | Chamber-Front, Center |
| 4 | 133-2240-01 | 1 | Chamber-Front, Right Center |
| 5 | 132-1647-01 | 1 | Chamber-Front, Right |
| 6 | 3230-1 | 28 | Bolt-CARR |
| 7 | 104-8300 | 28 | Nut-HF, NI |
| 8 | 133-2208-01 | 2 | Angle-Deflector |



Center Front Deck Transport Damper Assembly

| <i>Ref.</i> | <i>Part Number</i> | <i>Qty.</i> | <i>Description</i> |
|-------------|--------------------|-------------|--------------------|
| 1 | 105-3249 | 1 | Damper |
| 2 | 104-8331 | 1 | End-Rod, Spherical |
| 3 | 115-5455 | 1 | End-Rod, Clevis |
| 4 | 115-5454 | 1 | Pin-Spring |
| 5 | 322-17 | 1 | Screw-HH |
| 6 | 115-2142 | 1 | Spacer |
| 7 | 104-8300 | 1 | Nut-HF, NI |

Left Hand Deck Connection Assembly

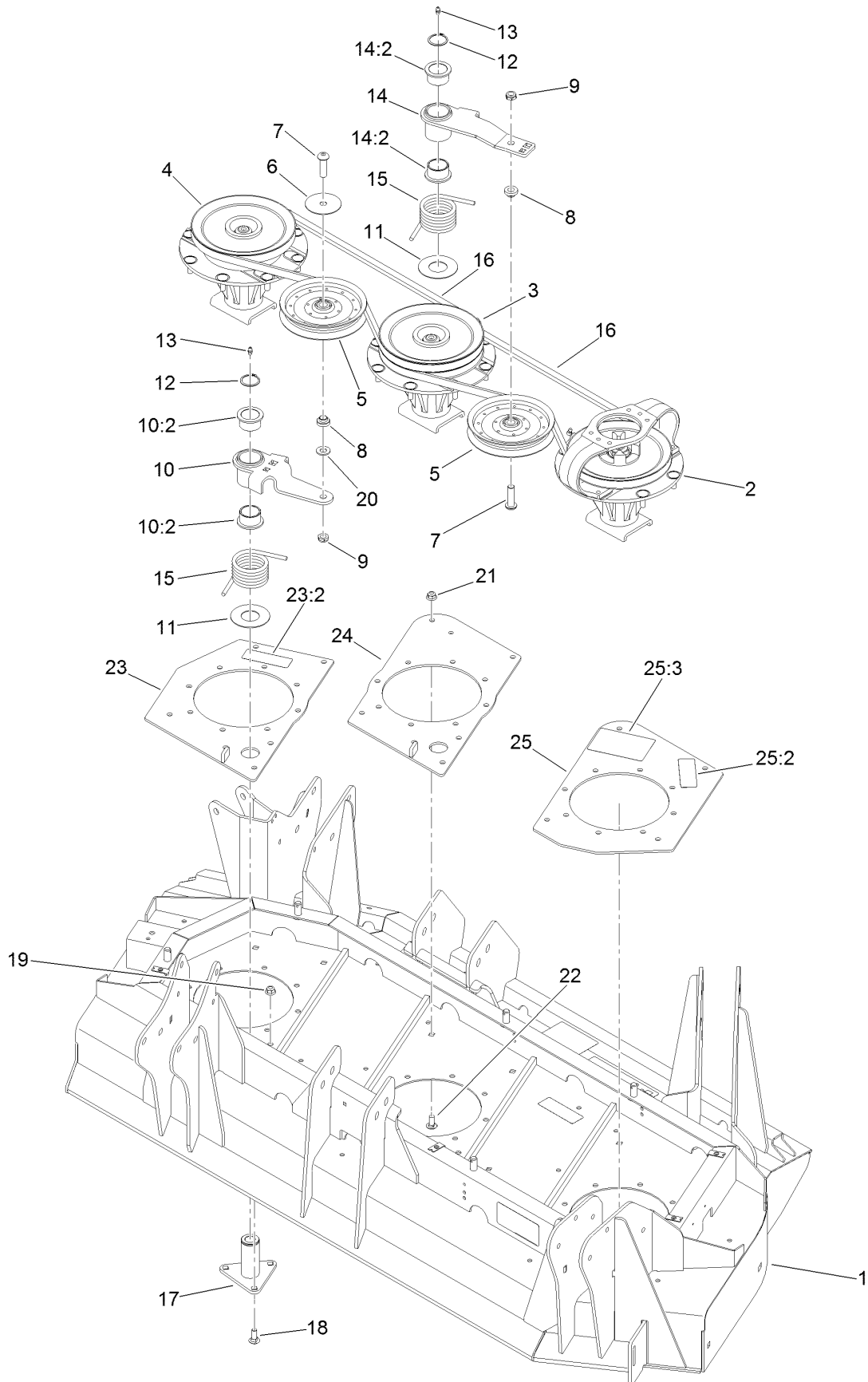


Left Hand Deck Connection Assembly (continued)

| <i>Ref.</i> | <i>Part Number</i> | <i>Qty.</i> | <i>Description</i> | <i>Ref.</i> | <i>Part Number</i> | <i>Qty.</i> | <i>Description</i> |
|-------------|--------------------|-------------|-----------------------|-------------|--------------------|-------------|---------------------|
| 1 | 130-9270 | 1 | Left Deck ASM | 18 | 104-0720 | 1 | Spacer |
| 2 | 121-3882 | 1 | Shaft-Pivot, Lift Arm | 19 | 115-8870-03 | 2 | Mount-Base |
| 3 | 302-60 | 1 | Fitting-Grease | 20 | 104-0731 | 2 | Shim |
| 4 | 110-6767 | 4 | Washer-Thrust | 22 | 117-9419 | 2 | Plate-Spacer |
| 5 | 110-6006 | 1 | Pin-Clevis | 23 | 100-4852 | 8 | Washer-Hardened |
| 6 | 3272-30 | 2 | Pin-Cotter | 24 | 323-43 | 8 | Screw-HH |
| 7 | 114-5660-01 | 1 | LH Lift Arm ASM | 28 | 112-7339 | 1 | Plate-Sensing |
| 7:1 | | 1 | Arm-Lift, LH ● | 29 | 3230-16 | 2 | Screw-CARR |
| 7:1:1 | 69-6470 | 2 | Bushing-Caster | 30 | 98-1452 | 2 | Washer-Thrust |
| 7:1:2 | 114-5596 | 2 | Bushing-Straight | 31 | 69-9290 | 2 | Pad-Bumper |
| 7:1:3 | 302-60 | 1 | Fitting-Grease | 32 | 32108-107 | 4 | Screw-FH |
| 7:1:4 | 302-5 | 1 | Fitting-Grease | 33 | 104-3542 | 1 | Spider |
| 8 | 125-1912 | 1 | Pin-Pivot | 34 | 110-8815 | 1 | Nut-Hex |
| 9 | 302-5 | 1 | Fitting-Grease | 35 | 112-6957 | 1 | Washer-Hardened |
| 10 | 104-8300 | 7 | Nut-HF, NI | 36 | 104-3541 | 1 | Hub-Spider |
| 11 | 119-4036 | 1 | Screw-HHF | 37 | 3234-42 | 2 | Screw-HHF |
| 12 | 104-0721 | 2 | Washer-Thrust | 38 | 3257-3 | 1 | Key-Woodruff |
| 13 | 114-5640-03 | 1 | Joint Yoke ASM | 39 | 131-6013-01 | 1 | Connection-Deck, LH |
| 13:1 | | 1 | Yoke-Joint ● | 40 | 130-9161 | 1 | Support-Hose |
| 13:1:1 | 104-4299 | 1 | Cross And Bearing Kit | 41 | 321-5 | 2 | Screw-HH |
| 14 | 104-0719 | 1 | Washer-Hardened | 42 | 104-7201 | 2 | Nut-HF, NI |
| 15 | 114-5641 | 1 | Washer-Thrust | 43 | 3234-38 | 8 | Screw-HHF |
| 16 | 99-3139 | 1 | Nut-Slotted | 44 | 99-5107 | 8 | Nut-Lock |
| 17 | 3272-25 | 1 | Pin-Cotter | | | | |

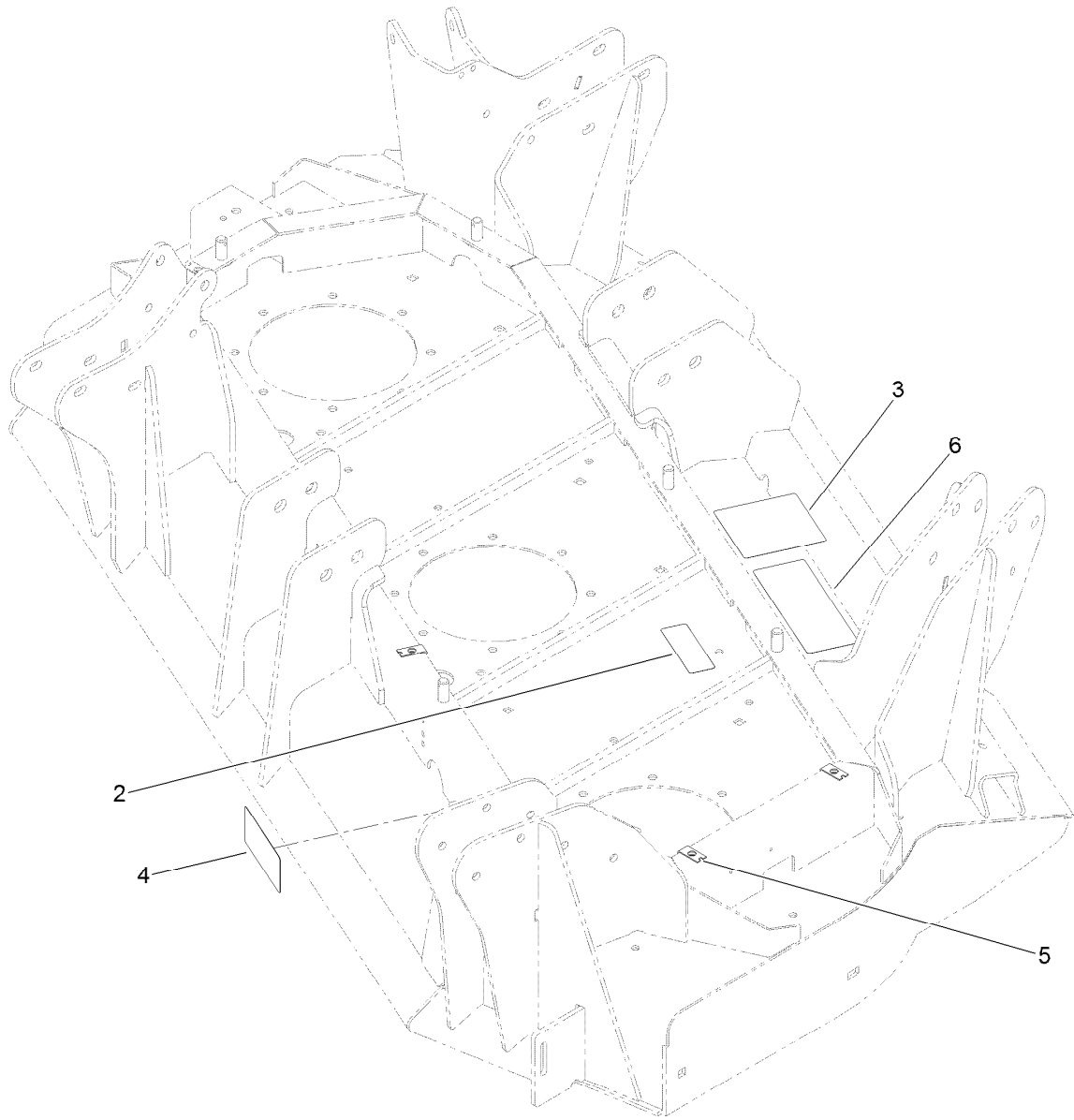
● Not serviced separately

Left Hand Deck Belt and Spindle Assembly



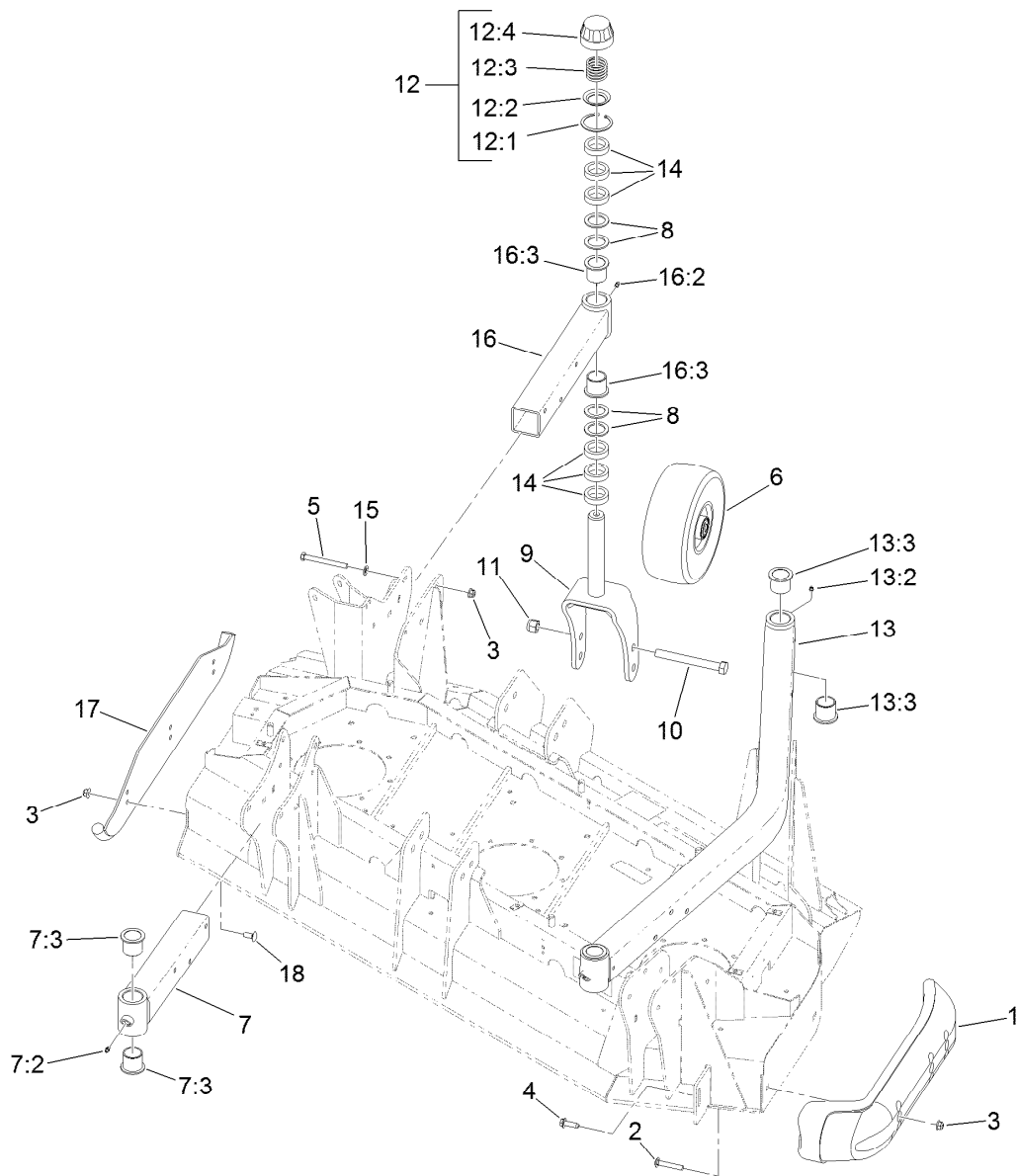
Left Hand Deck Belt and Spindle Assembly (continued)

| <i>Ref.</i> | <i>Part Number</i> | <i>Qty.</i> | <i>Description</i> | <i>Ref.</i> | <i>Part Number</i> | <i>Qty.</i> | <i>Description</i> |
|-------------|--------------------|-------------|---------------------|-------------|--------------------|-------------|-------------------------------|
| 1 | 130-9271 | 1 | Left Deck ASM | 15 | 108-1921 | 2 | Spring-Torsion |
| 2 | 131-0768 | 1 | Driving Spindle ASM | 16 | 112-7377 | 2 | Belt-V, B |
| 3 | 117-9234 | 1 | Double Spindle ASM | 17 | 114-0997 | 2 | Pivot-Idler |
| 4 | 117-9233 | 1 | High Spindle ASM | 18 | 3231-2 | 6 | Bolt-CARR |
| 5 | 110-9596 | 2 | Pulley-Idler | 19 | 104-8301 | 6 | Nut-HF, NI |
| 6 | 100-3102 | 1 | Washer-Flat | 20 | 3256-26 | 1 | Washer-Flat |
| 7 | 108-1993 | 2 | Screw-HSBH | 21 | 104-8301 | 10 | Nut-HF, NI |
| 8 | 108-1924 | 2 | Spacer-Idler | 22 | 3231-27 | 10 | Screw-CARR |
| 9 | 3296-45 | 2 | Nut-Hex | 23 | 132-1621 | 1 | Inner Spindle Plate ASM |
| 10 | 117-9176 | 1 | Idler Arm ASM | 23:2 | 117-4979 | 1 | Decal-Warning |
| 10:2 | 93-4510 | 2 | Bushing-Caster | 24 | 132-1622-01 | 1 | Plate-Spindle, Center |
| 11 | 108-1926 | 2 | Washer | 25 | 132-1620 | 1 | Outer Spindle Plate ASM |
| 12 | 32120-84 | 2 | Ring-Snap, External | 25:2 | 117-4979 | 1 | Decal-Warning |
| 13 | 302-5 | 2 | Fitting-Grease | 25:3 | 114-4883 | 1 | Decal-Belt Routing, Deck (LH) |
| 14 | 108-1930 | 1 | Idler Arm ASM | | | | |
| 14:2 | 93-4510 | 2 | Bushing-Caster | | | | |



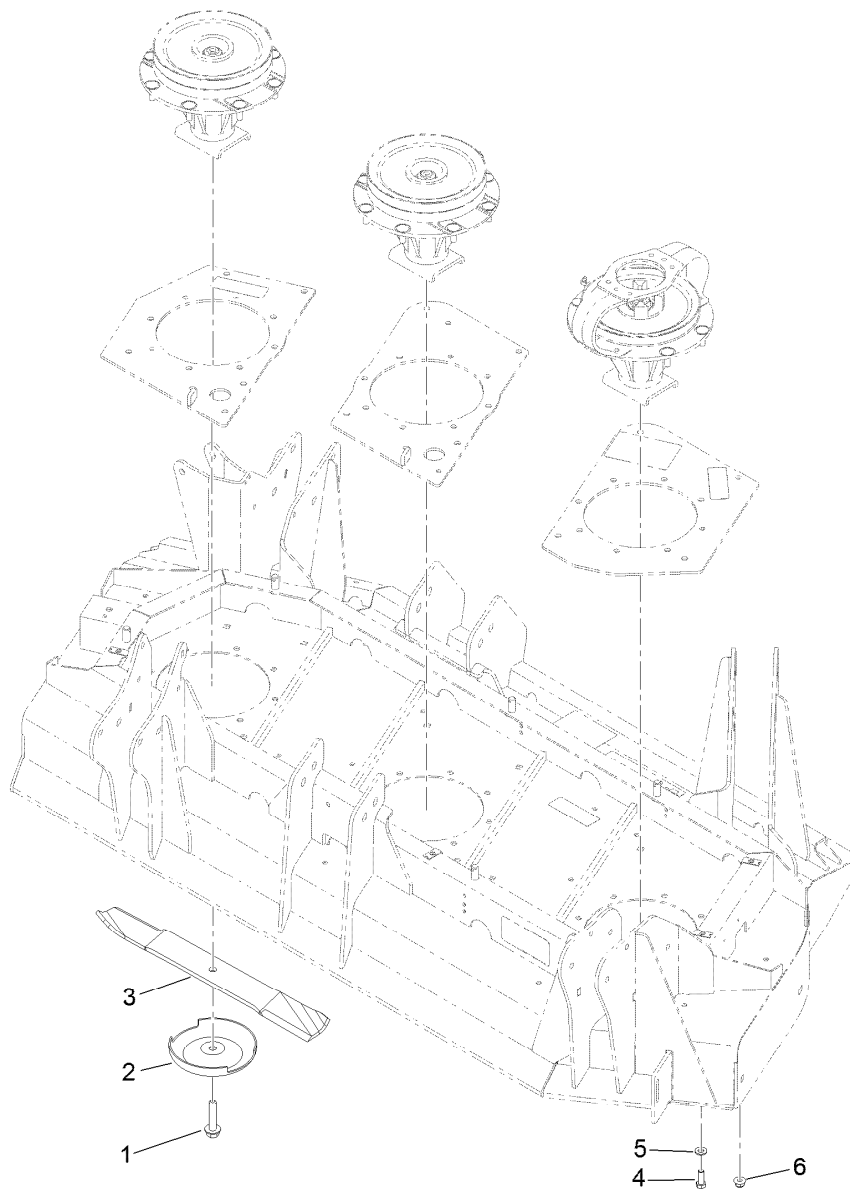
Left Hand Deck Decal Assembly No. 130-9271

| <i>Ref.</i> | <i>Part Number</i> | <i>Qty.</i> | <i>Description</i> |
|-------------|--------------------|-------------|--------------------------|
| 2 | 117-4979 | 1 | Decal-Warning |
| 3 | 120-6604 | 1 | Decal-Danger |
| 4 | 93-7818 | 1 | Decal-Torque, Blade Bolt |
| 5 | 110-3510 | 4 | Nut-Retainer |
| 6 | 131-6027 | 1 | Decal-HOC |



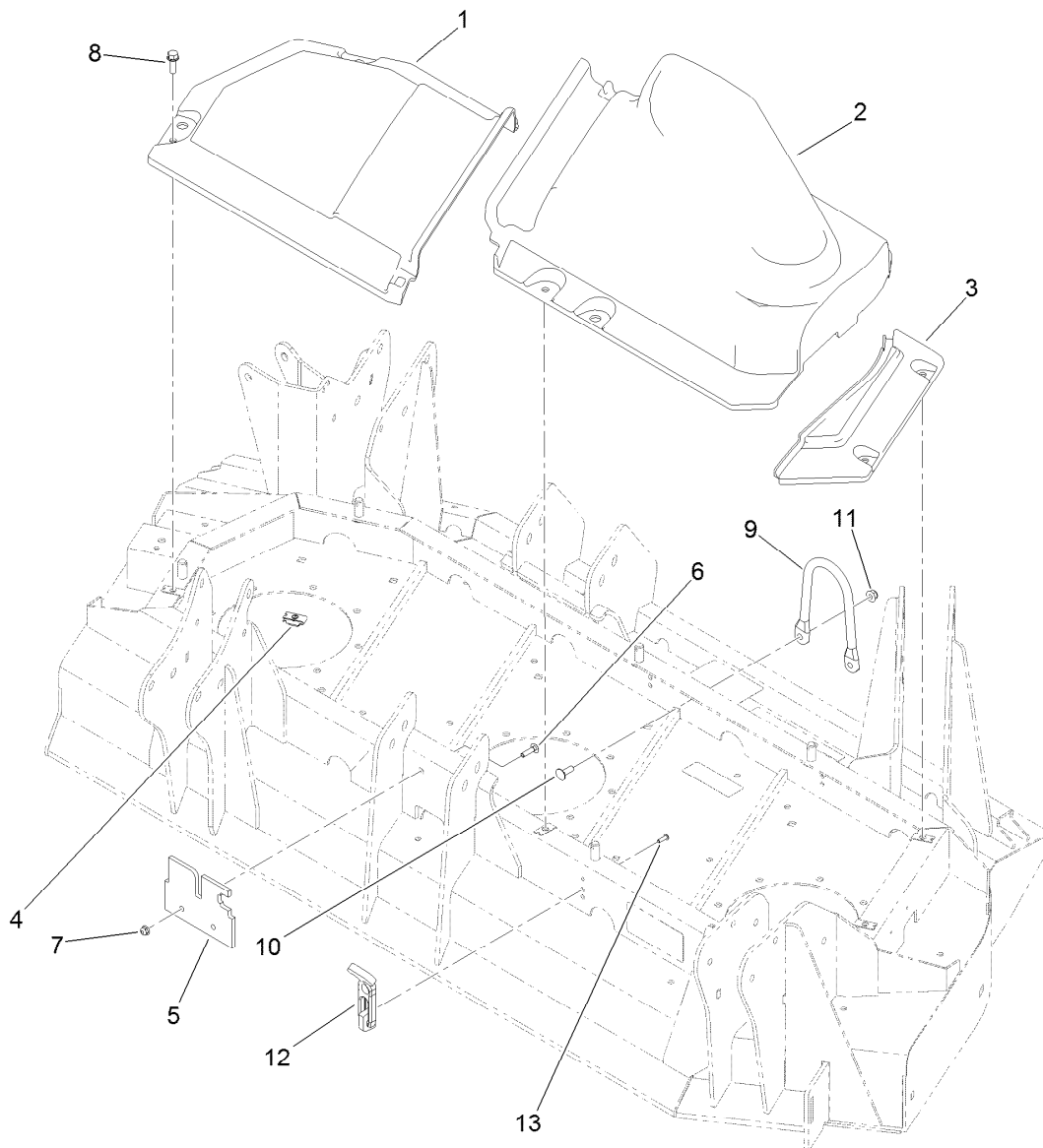
Left Hand Deck Roller, Skid and Caster Wheel Assembly

| Ref. | Part Number | Qty. | Description | Ref. | Part Number | Qty. | Description |
|------|-------------|------|-------------------|------|-------------|------|----------------------------|
| 1 | 112-1479 | 1 | Skid-Bumper, Deck | 12:1 | 92-5581 | 1 | Ring-Rtng, Snap, Int, Flat |
| 2 | 3231-33 | 2 | Screw-CARR | 12:2 | 92-5583 | 1 | Washer-Cap |
| 3 | 104-8301 | 17 | Nut-HF, NI | 12:3 | 92-9726 | 1 | Spring-Compression |
| 4 | 9136144 | 1 | Screw-HWHTF | 12:4 | 92-8861 | 1 | Cap-HOC |
| 5 | 323-42 | 12 | Screw-HH | 13 | 114-0953 | 1 | HOC Castor Arm ASM |
| 6 | 93-4240 | 4 | 10 Inch Wheel ASM | 13:2 | 302-5 | 2 | Fitting-Grease |
| 7 | 131-6042 | 1 | Caster Arm ASM | 13:3 | 69-6470 | 4 | Bushing-Caster |
| 7:2 | 302-5 | 1 | Fitting-Grease | 14 | 69-1510 | 24 | Spacer |
| 7:3 | 69-6470 | 2 | Bushing-Caster | 15 | 3256-24 | 12 | Washer-Plain |
| 8 | 69-6860 | 16 | Washer-Thrust | 16 | 131-6047 | 1 | Caster Arm ASM |
| 9 | 130-7784-01 | 4 | Fork-Caster | 16:2 | 302-5 | 1 | Fitting-Grease |
| 10 | 327-24 | 4 | Screw-HH | 16:3 | 69-6470 | 2 | Bushing-Caster |
| 11 | 3296-53 | 4 | Nut-Lock, NI | 17 | 131-6034-01 | 1 | Skid-Deck |
| 12 | 92-9727 | 4 | HOC Cap ASM | 18 | 3231-27 | 3 | Screw-CARR |



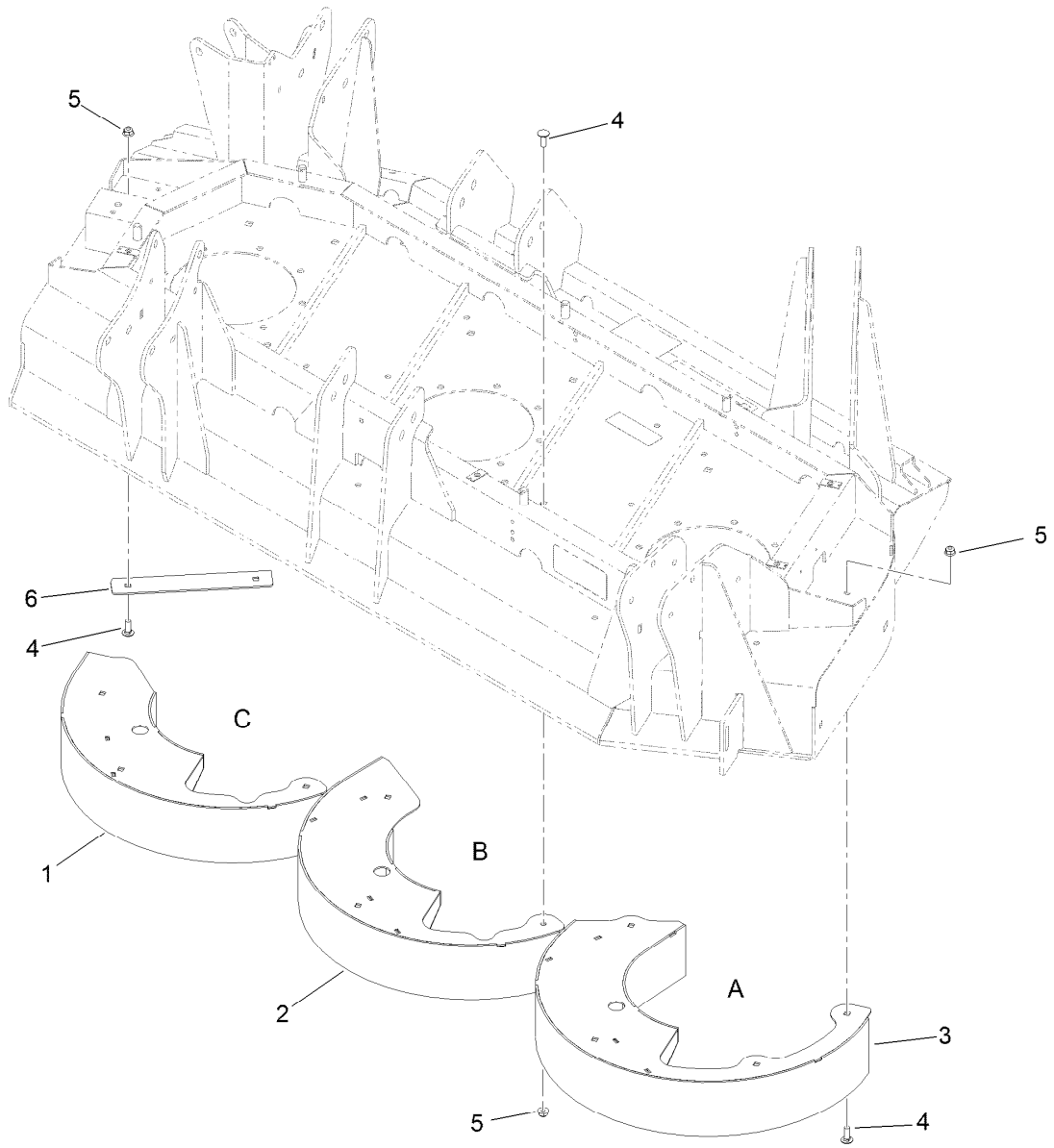
Left Hand Deck Spindle and Blade Assembly

| <i>Ref.</i> | <i>Part Number</i> | <i>Qty.</i> | <i>Description</i> |
|-------------|--------------------|-------------|--------------------|
| 1 | 92-5816 | 3 | Bolt-Blade |
| 2 | 72-9361 | 3 | Cup-Scalp, Anti |
| 3 | 130-9151 | 3 | Blade-20 In |
| 4 | 323-6 | 4 | Screw-HH |
| 5 | 3256-24 | 4 | Washer-Plain |
| 6 | 104-8301 | 20 | Nut-HF, NI |



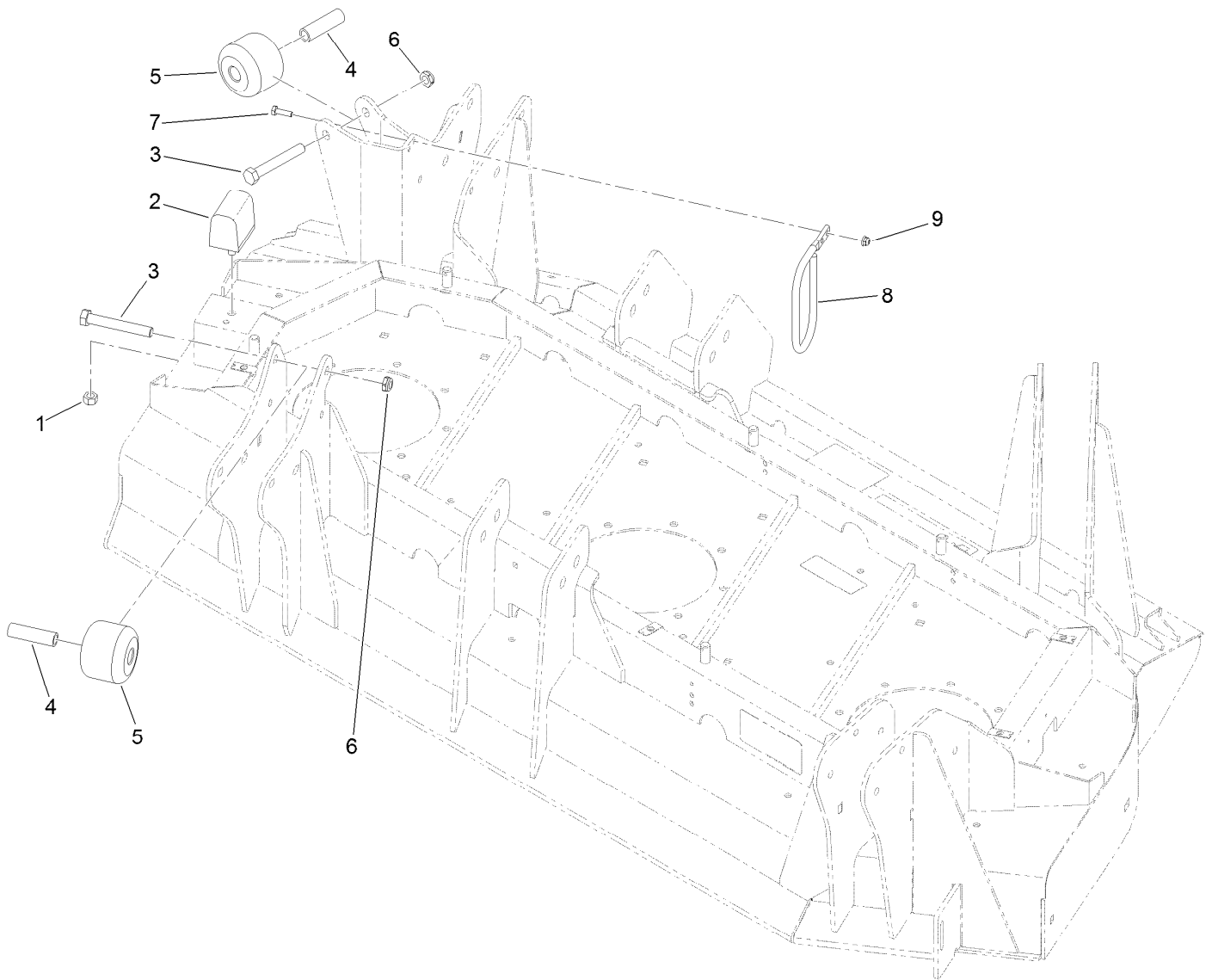
Left Hand Deck Belt Cover Assembly

| Ref. | Part Number | Qty. | Description |
|------|-------------|------|-------------------------------|
| 1 | 114-5633 | 1 | Cover-Deck, LH Wing (Inside) |
| 2 | 114-5634 | 1 | Cover-Deck, LH Wing (Outside) |
| 3 | 114-5637 | 1 | Cover-Deck, LH Wing (Fixed) |
| 4 | 110-3510 | 4 | Nut-Retainer |
| 5 | 115-3363 | 1 | Deflector-Debris, Side Deck |
| 6 | 3229-2 | 2 | Screw-CARR |
| 7 | 104-7201 | 2 | Nut-HF, NI |
| 8 | 3234-29 | 4 | Screw-HHF |
| 9 | 115-3362 | 1 | Guide-Hose |
| 10 | 3230-10 | 2 | Bolt-CARR |
| 11 | 104-8300 | 2 | Nut-HF, NI |
| 12 | 103-4080 | 4 | Latch-Rubber |
| 13 | 3274-39 | 8 | Screw-HSBH |



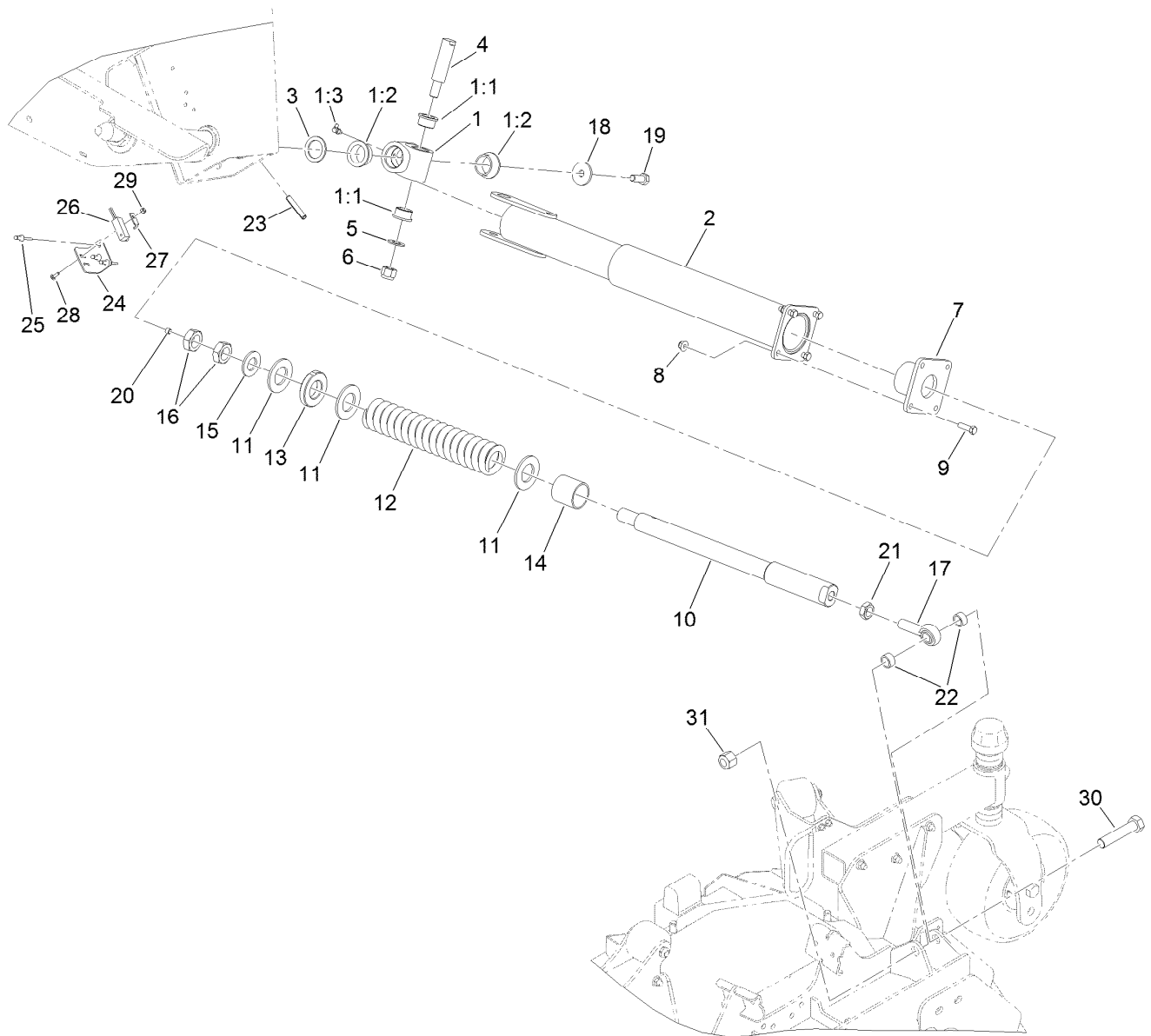
Left Hand Deck Chamber Assembly

| <i>Ref.</i> | <i>Part Number</i> | <i>Qty.</i> | <i>Description</i> |
|-------------|--------------------|-------------|----------------------|
| 1 | 132-1600-01 | 1 | Chamber-Inner, Left |
| 2 | 131-6005-01 | 1 | Chamber-Center, Left |
| 3 | 131-6001-01 | 1 | Chamber-Outer, Left |
| 4 | 3230-1 | 12 | Bolt-CARR |
| 5 | 104-8300 | 12 | Nut-HF, NI |
| 6 | 133-2248-01 | 1 | Deflector-LH |



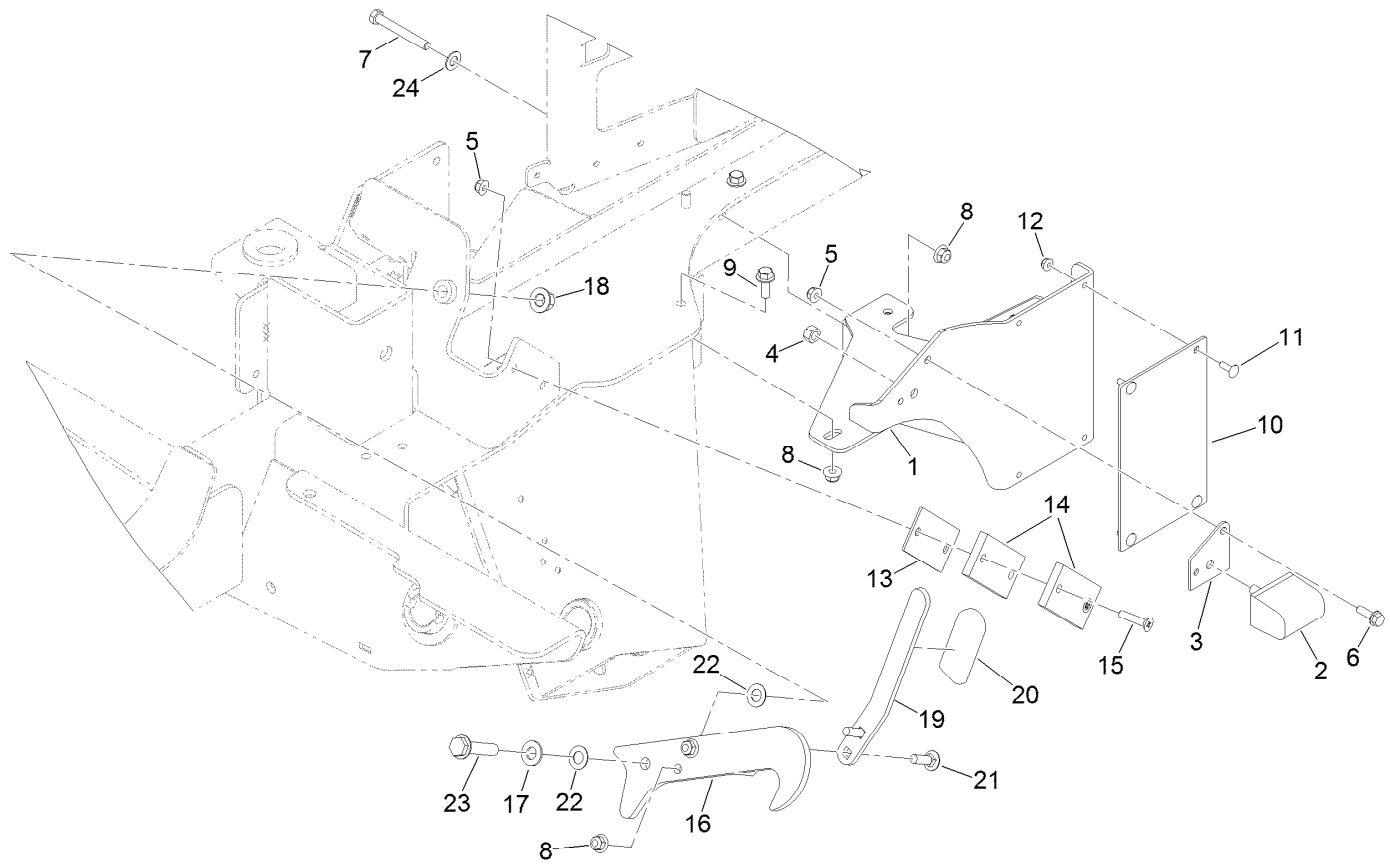
Left Hand Deck Stop Assembly

| <i>Ref.</i> | <i>Part Number</i> | <i>Qty.</i> | <i>Description</i> |
|-------------|--------------------|-------------|--------------------|
| 1 | 33025-00 | 1 | Nut-Lock, NI |
| 2 | 87-3470 | 1 | Bumper |
| 3 | 325-14 | 2 | Screw-HH |
| 4 | 115-2144 | 2 | Tube-Spacer |
| 5 | 115-3366 | 2 | Roller |
| 6 | 3296-45 | 2 | Nut-Hex |
| 7 | 321-5 | 2 | Screw-HH |
| 8 | 130-9161 | 1 | Support-Hose |
| 9 | 104-7201 | 2 | Nut-HF, NI |



Left Hand Deck Impact Arm and Limit Switch Assembly

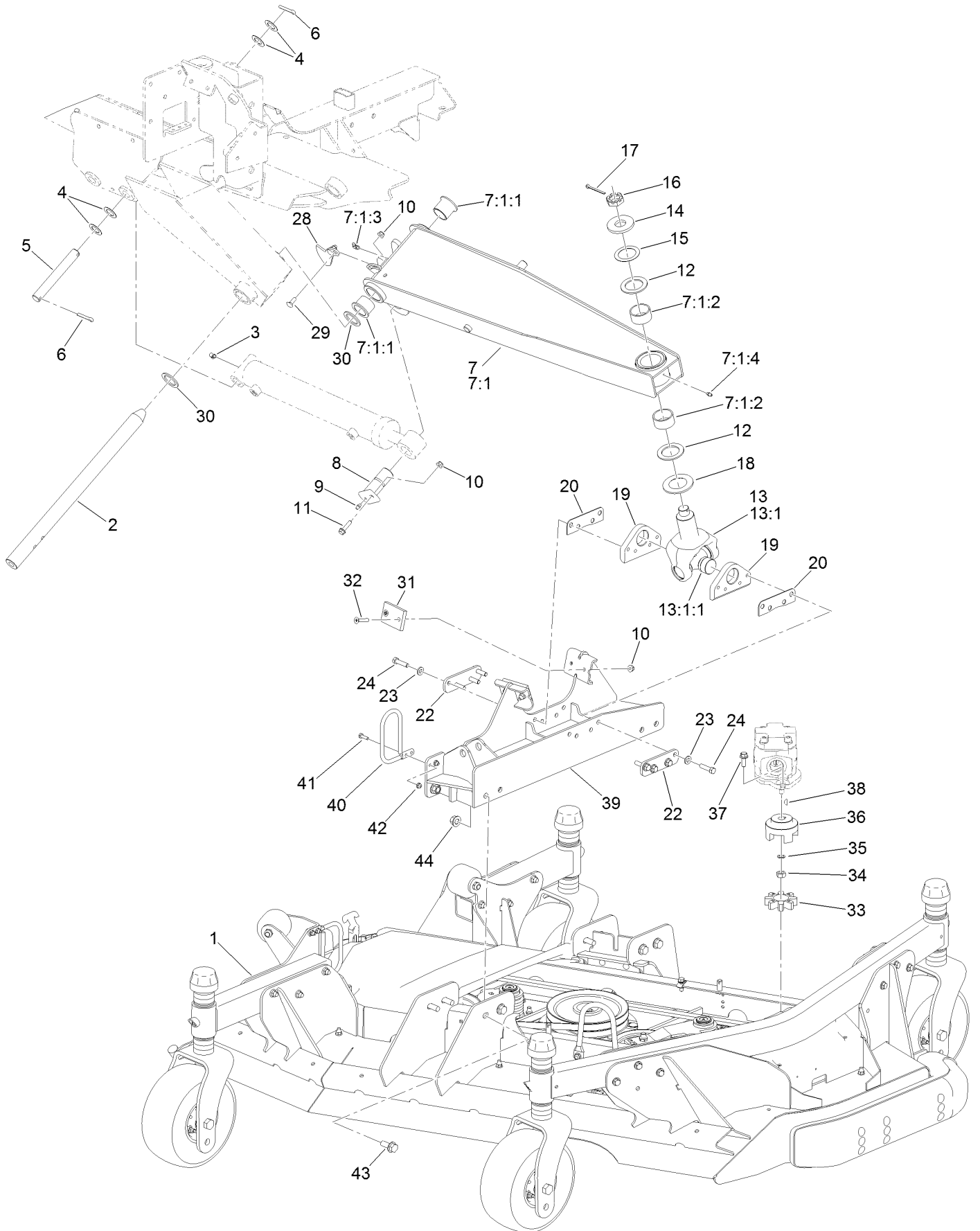
| <i>Ref.</i> | <i>Part Number</i> | <i>Qty.</i> | <i>Description</i> | <i>Ref.</i> | <i>Part Number</i> | <i>Qty.</i> | <i>Description</i> |
|-------------|--------------------|-------------|--------------------|-------------|--------------------|-------------|---------------------------|
| 1 | 115-5468 | 1 | Pivot Hub ASM | 15 | 3256-62 | 1 | Washer-Flat |
| 1:1 | 115-5469 | 2 | Bushing-Flange | 16 | 3220-9 | 2 | Nut-Jam |
| 1:2 | 114-5680 | 2 | Bushing-Flange | 17 | 105-2806 | 1 | End-Rod |
| 1:3 | 302-60 | 1 | Fitting-Grease | 18 | 106-2008 | 1 | Washer-Thrust |
| 2 | 112-7330-03 | 1 | Arm-Impact, Rear | 19 | 325-5 | 1 | Screw-HH |
| 3 | 98-1452 | 1 | Washer-Thrust | 20 | 285-17 | 1 | Plug-Pipe |
| 4 | 104-2281 | 1 | Shaft-Pivot | 21 | 3220-7 | 1 | Nut-Jam |
| 5 | 3256-27 | 1 | Washer-Flat | 22 | 74-3730 | 2 | Spacer-Spindle, Rear |
| 6 | 3296-53 | 1 | Nut-Lock, NI | 23 | 117-5479 | 2 | Pin-Spring |
| 7 | 114-5677-03 | 1 | Housing | 24 | 112-7338 | 1 | Plate-Aluminum |
| 8 | 104-8301 | 4 | Nut-HF, NI | 25 | 3290-412 | 3 | Rivet-Blind |
| 9 | 323-7 | 4 | Screw-HH | 26 | 106-9288 | 1 | Sensor-Proximity, Ferrous |
| 10 | 117-9404 | 1 | Shaft-Spring | 27 | 100-4872 | 1 | Plate-Switch, Neutral |
| 11 | 114-5986 | 3 | Washer-Plain | 28 | 3229-34 | 1 | Screw-CARR |
| 12 | 114-5993 | 1 | Spring-Compression | 29 | 3296-2 | 1 | Nut-Lock, NI |
| 13 | 114-5992 | 1 | Bearing-Plastic | 30 | 328-5 | 1 | Screw-HH |
| 14 | 114-5989 | 1 | Bushing-Plain | 31 | 3296-51 | 1 | Nut-Lock, NI |



Left Hand Deck Transport Lock Assembly

| <i>Ref.</i> | <i>Part Number</i> | <i>Qty.</i> | <i>Description</i> | <i>Ref.</i> | <i>Part Number</i> | <i>Qty.</i> | <i>Description</i> |
|-------------|--------------------|-------------|--------------------|-------------|--------------------|-------------|--------------------|
| 1 | 119-8275-01 | 1 | Pad-Transport, LH | 13 | 114-5675 | 1 | Shim-Pad |
| 2 | 87-3470 | 1 | Bumper | 14 | 69-9300 | 2 | Pad-Bumper |
| 3 | 115-8826 | 1 | Shim-Bumper | 15 | 32108-107 | 2 | Screw-FH |
| 4 | 33025-00 | 1 | Nut-Lock, NI | 16 | 119-7723-03 | 1 | Latch-Wing |
| 5 | 104-8300 | 3 | Nut-HF, NI | 17 | 3256-26 | 1 | Washer-Flat |
| 6 | 3234-17 | 1 | Screw-HHF | 18 | 99-5107 | 1 | Nut-Lock |
| 7 | 323-14 | 1 | Screw-HH | 19 | 114-5659-03 | 1 | Handle-Latch |
| 8 | 104-8301 | 5 | Nut-HF, NI | 20 | 119-1846 | 1 | Grip |
| 9 | 3234-42 | 2 | Screw-HHF | 21 | 3231-25 | 2 | Bolt-CARR |
| 10 | 117-5476 | 1 | Pad-Roller | 22 | 104-3577 | 2 | Washer |
| 11 | 1-807512 | 4 | Bolt-CARR | 23 | 3234-46 | 1 | Screw-HHF |
| 12 | 104-7201 | 4 | Nut-HF, NI | 24 | 52-2861 | 1 | Washer |

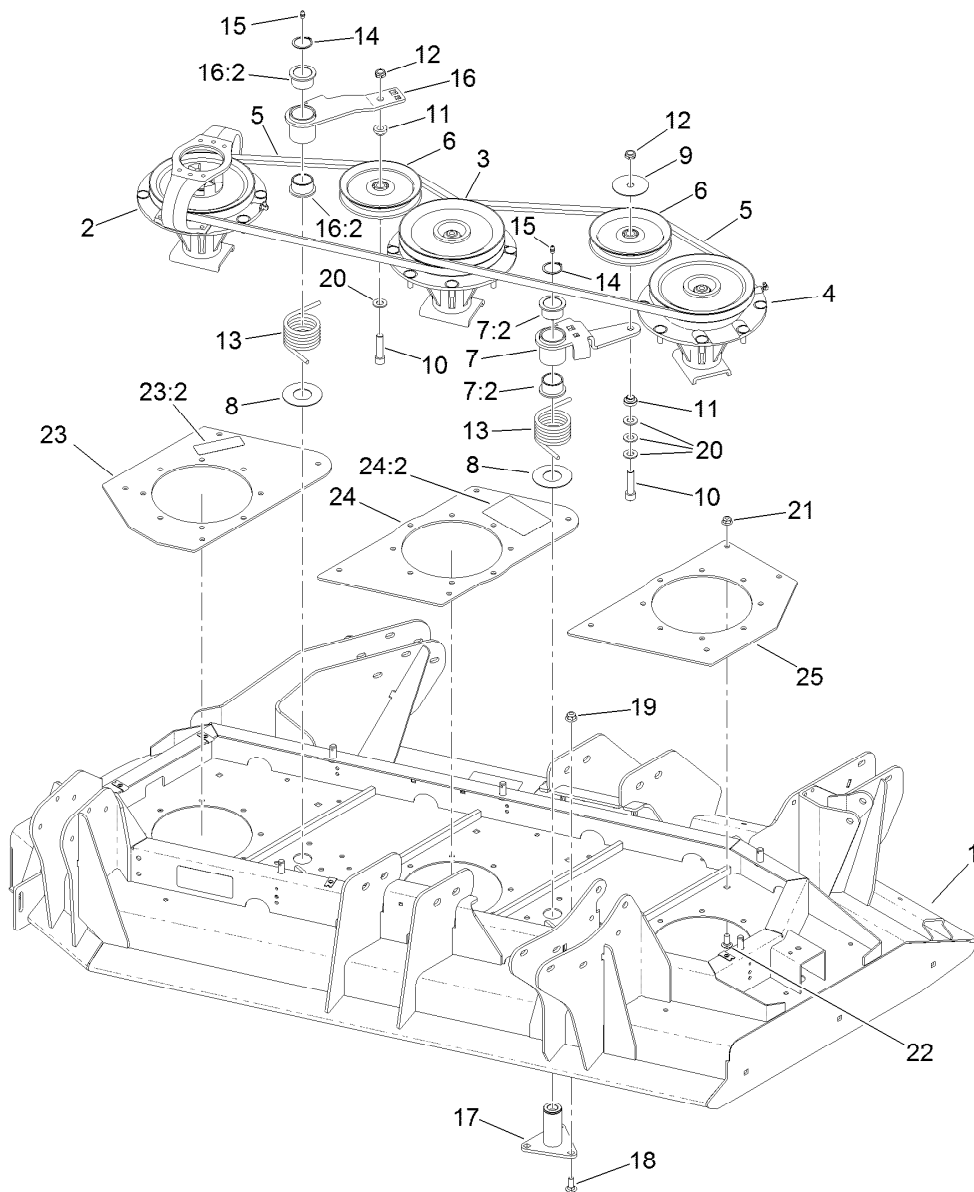
Right Hand Deck Assembly



Right Hand Deck Assembly (continued)

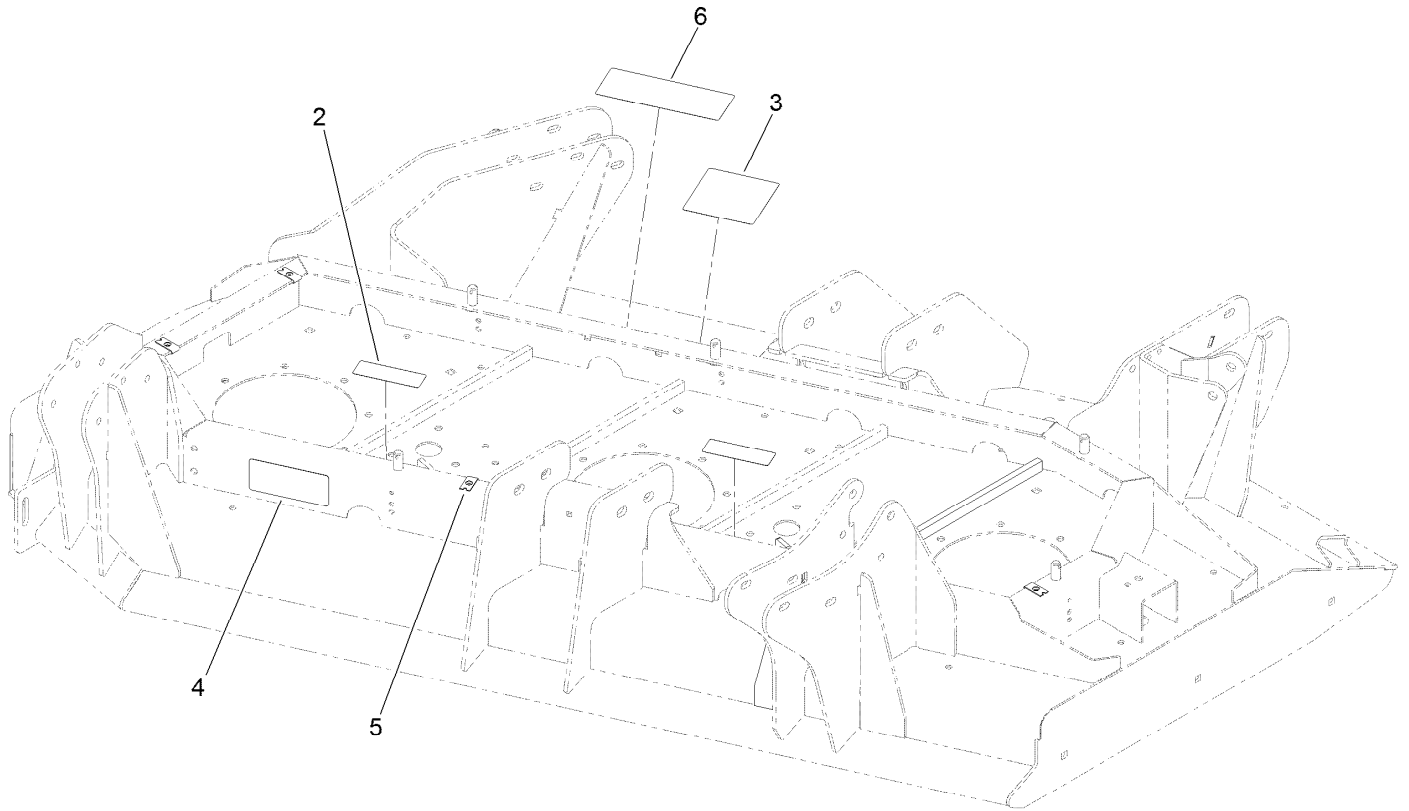
| <i>Ref.</i> | <i>Part Number</i> | <i>Qty.</i> | <i>Description</i> | <i>Ref.</i> | <i>Part Number</i> | <i>Qty.</i> | <i>Description</i> |
|-------------|--------------------|-------------|-----------------------|-------------|--------------------|-------------|---------------------|
| 1 | 130-9240 | 1 | Right Deck ASM | 18 | 104-0720 | 1 | Spacer |
| 2 | 121-3882 | 1 | Shaft-Pivot, Lift Arm | 19 | 115-8870-03 | 2 | Mount-Base |
| 3 | 302-60 | 1 | Fitting-Grease | 20 | 104-0731 | 2 | Shim |
| 4 | 110-6767 | 4 | Washer-Thrust | 22 | 117-9419 | 2 | Plate-Spacer |
| 5 | 110-6006 | 1 | Pin-Clevis | 23 | 100-4852 | 8 | Washer-Hardened |
| 6 | 3272-30 | 2 | Pin-Cotter | 24 | 323-43 | 8 | Screw-HH |
| 7 | 114-5650-01 | 1 | RH Lift Arm ASM | 28 | 112-7339 | 1 | Plate-Sensing |
| 7:1 | | 1 | Arm-Lift, RH ● | 29 | 3230-16 | 2 | Screw-CARR |
| 7:1:1 | 69-6470 | 2 | Bushing-Caster | 30 | 98-1452 | 2 | Washer-Thrust |
| 7:1:2 | 114-5596 | 2 | Bushing-Straight | 31 | 69-9290 | 2 | Pad-Bumper |
| 7:1:3 | 302-60 | 1 | Fitting-Grease | 32 | 32108-107 | 4 | Screw-FH |
| 7:1:4 | 302-5 | 1 | Fitting-Grease | 33 | 104-3542 | 1 | Spider |
| 8 | 125-1912 | 1 | Pin-Pivot | 34 | 110-8815 | 1 | Nut-Hex |
| 9 | 302-5 | 1 | Fitting-Grease | 35 | 112-6957 | 1 | Washer-Hardened |
| 10 | 104-8300 | 7 | Nut-HF, NI | 36 | 104-3541 | 1 | Hub-Spider |
| 11 | 119-4036 | 1 | Screw-HHF | 37 | 3234-42 | 2 | Screw-HHF |
| 12 | 104-0721 | 2 | Washer-Thrust | 38 | 3257-3 | 1 | Key-Woodruff |
| 13 | 114-5640-03 | 1 | Joint Yoke ASM | 39 | 131-6012-01 | 1 | Connection-Deck, RH |
| 13:1 | | 1 | Yoke-Joint ● | 40 | 130-9161 | 1 | Support-Hose |
| 13:1:1 | 104-4299 | 1 | Cross And Bearing Kit | 41 | 321-5 | 2 | Screw-HH |
| 14 | 104-0719 | 1 | Washer-Hardened | 42 | 104-7201 | 2 | Nut-HF, NI |
| 15 | 114-5641 | 1 | Washer-Thrust | 43 | 3234-38 | 8 | Screw-HHF |
| 16 | 99-3139 | 1 | Nut-Slotted | 44 | 99-5107 | 8 | Nut-Lock |
| 17 | 3272-25 | 1 | Pin-Cotter | | | | |

● Not serviced separately



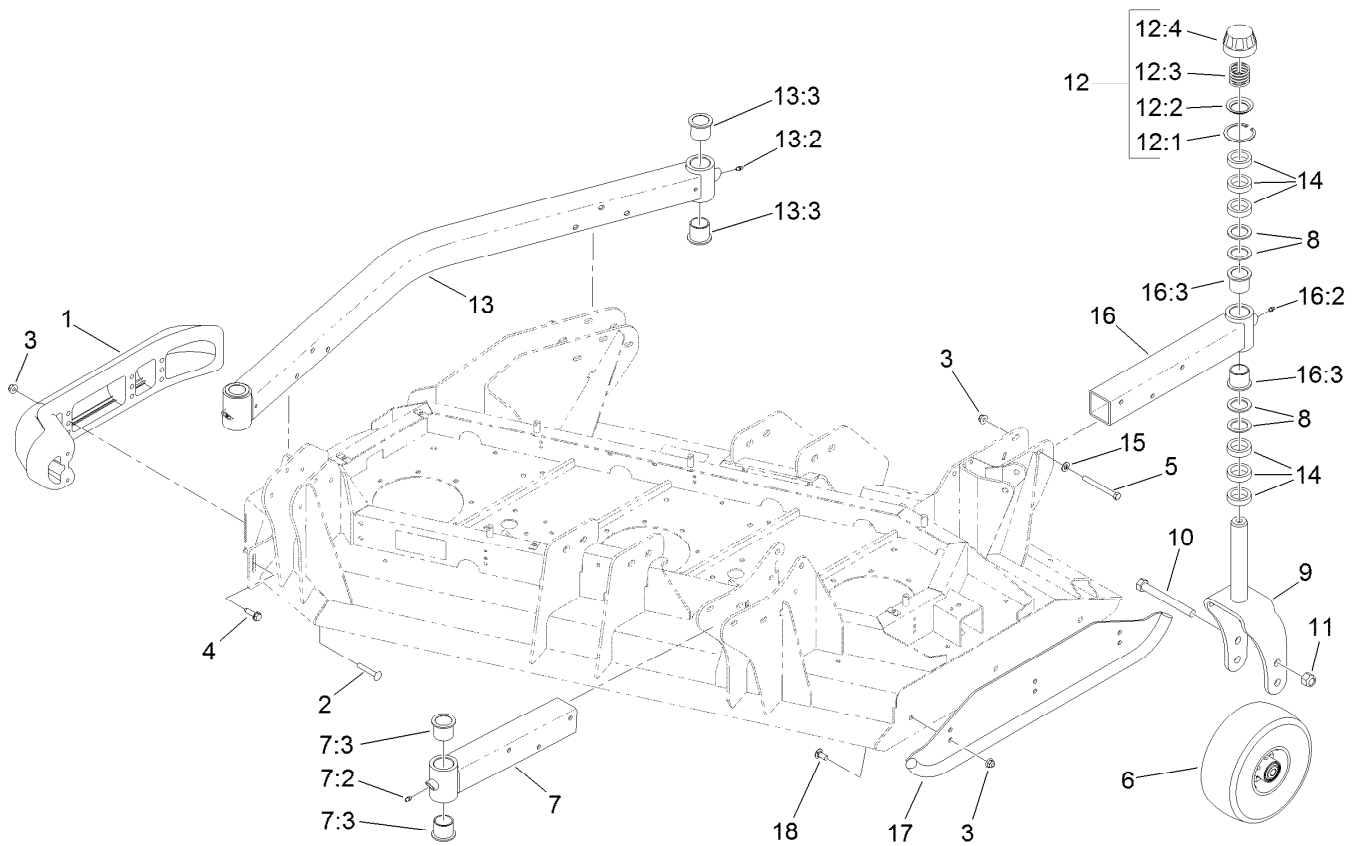
Right Hand Deck Belt and Spindle Assembly

| Ref. | Part Number | Qty. | Description | Ref. | Part Number | Qty. | Description |
|------|-------------|------|---------------------|------|-------------|------|-------------------------------|
| 1 | 130-9241 | 1 | Right Deck ASM | 15 | 302-5 | 2 | Fitting-Grease |
| 2 | 131-0768 | 1 | Driving Spindle ASM | 16 | 108-1930 | 1 | Idler Arm ASM |
| 3 | 117-9234 | 1 | Double Spindle ASM | 16:2 | 93-4510 | 2 | Bushing-Caster |
| 4 | 117-9233 | 1 | High Spindle ASM | 17 | 114-0997 | 2 | Pivot-Idler |
| 5 | 112-7377 | 2 | Belt-V, B | 18 | 3231-27 | 3 | Screw-CARR |
| 6 | 01-268-0160 | 2 | Pulley-Idler | 18 | 3231-2 | 6 | Bolt-CARR |
| 7 | 117-9176 | 1 | Idler Arm ASM | 19 | 104-8301 | 6 | Nut-HF, NI |
| 7:2 | 93-4510 | 2 | Bushing-Caster | 20 | 3256-26 | 4 | Washer-Flat |
| 8 | 108-1926 | 2 | Washer | 21 | 104-8301 | 12 | Nut-HF, NI |
| 9 | 100-3102 | 1 | Washer-Flat | 22 | 3231-27 | 12 | Screw-CARR |
| 10 | 3274-5 | 2 | Screw-HSH | 23 | 132-1617 | 1 | Outer Spindle Plate ASM |
| 11 | 108-1924 | 2 | Spacer-Idler | 23:2 | 117-4979 | 1 | Decal-Warning |
| 12 | 3296-45 | 2 | Nut-Hex | 24 | 132-1618 | 1 | Center Spindle Plate ASM |
| 12 | 103-4080 | 4 | Latch-Rubber | 24:2 | 114-0974 | 1 | Decal-Belt Routing, Deck (RH) |
| 13 | 108-1921 | 2 | Spring-Torsion | 25 | 132-1615-01 | 1 | Plate-Spindle, Inner |
| 14 | 69-1510 | 24 | Spacer | | | | |
| 14 | 32120-84 | 2 | Ring-Snap, External | | | | |



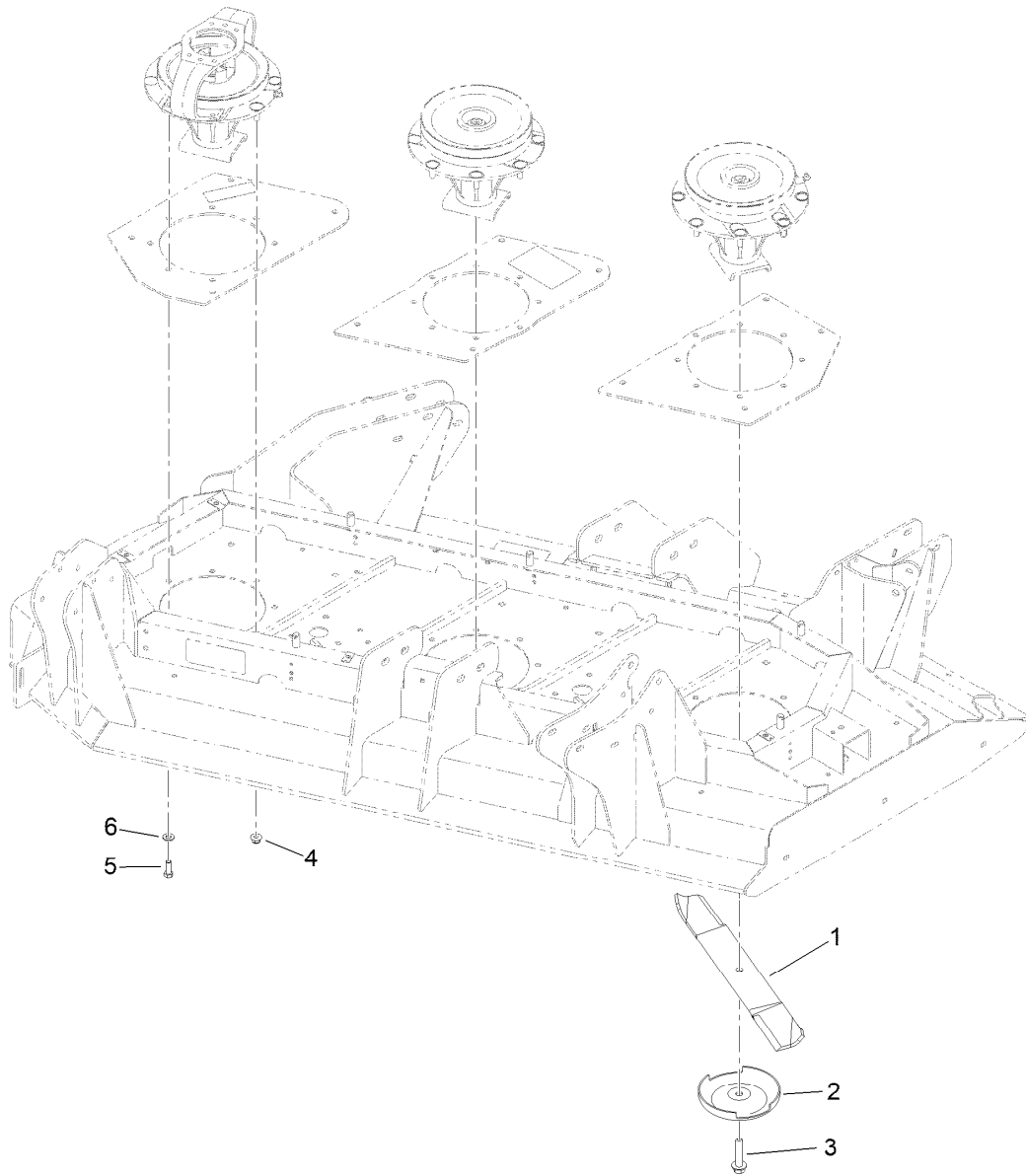
Right Hand Deck Decal Assembly No. 130-9241

| <i>Ref.</i> | <i>Part Number</i> | <i>Qty.</i> | <i>Description</i> |
|-------------|--------------------|-------------|--------------------------|
| 2 | 117-4979 | 2 | Decal-Warning |
| 3 | 120-6604 | 1 | Decal-Danger |
| 4 | 93-7818 | 1 | Decal-Torque, Blade Bolt |
| 5 | 110-3510 | 4 | Nut-Retainer |
| 6 | 131-6027 | 1 | Decal-HOC |



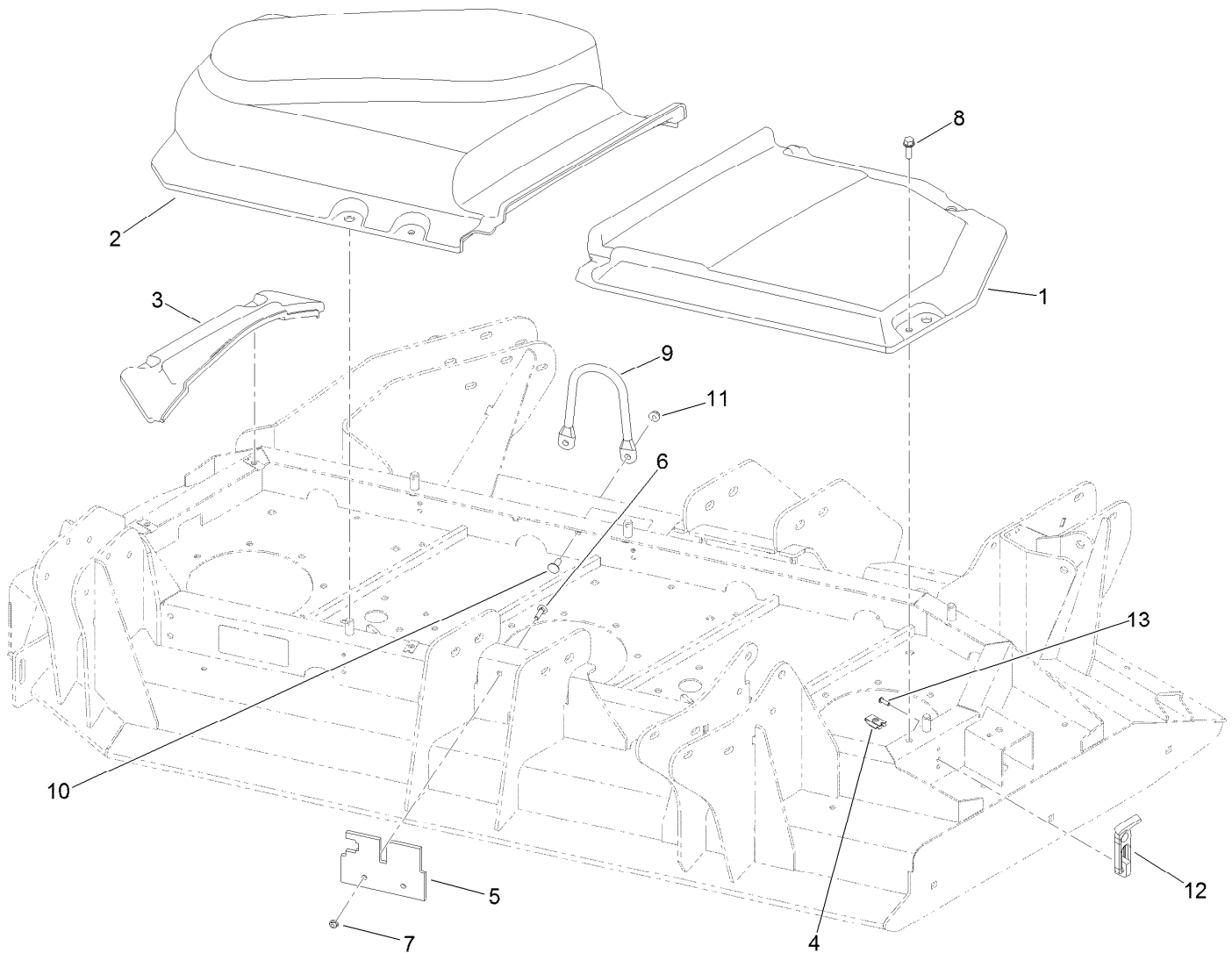
Right Hand Deck Roller, Skid and Caster Wheel Assembly

| Ref. | Part Number | Qty. | Description | Ref. | Part Number | Qty. | Description |
|------|-------------|------|-------------------|------|-------------|------|----------------------------|
| 1 | 112-1479 | 1 | Skid-Bumper, Deck | 12:1 | 92-5581 | 1 | Ring-Rtng, Snap, Int, Flat |
| 2 | 3231-33 | 2 | Screw-CARR | 12:2 | 92-5583 | 1 | Washer-Cap |
| 3 | 104-8301 | 17 | Nut-HF, NI | 12:3 | 92-9726 | 1 | Spring-Compression |
| 4 | 9136144 | 1 | Screw-HWHTF | 12:4 | 92-8861 | 1 | Cap-HOC |
| 5 | 323-42 | 12 | Screw-HH | 13 | 114-0953 | 1 | HOC Castor Arm ASM |
| 6 | 93-4240 | 4 | 10 Inch Wheel ASM | 13:2 | 302-5 | 2 | Fitting-Grease |
| 7 | 131-6042 | 1 | Caster Arm ASM | 13:3 | 69-6470 | 4 | Bushing-Caster |
| 7:2 | 302-5 | 1 | Fitting-Grease | 14 | 69-1510 | 24 | Spacer |
| 7:3 | 69-6470 | 2 | Bushing-Caster | 15 | 3256-24 | 12 | Washer-Plain |
| 8 | 69-6860 | 16 | Washer-Thrust | 16 | 131-6047 | 1 | Caster Arm ASM |
| 9 | 130-7784-01 | 4 | Fork-Caster | 16:2 | 302-5 | 1 | Fitting-Grease |
| 10 | 327-24 | 4 | Screw-HH | 16:3 | 69-6470 | 2 | Bushing-Caster |
| 11 | 3296-53 | 4 | Nut-Lock, NI | 17 | 131-6034-01 | 1 | Skid-Deck |
| 12 | 92-9727 | 4 | HOC Cap ASM | 18 | 3231-27 | 3 | Screw-CARR |



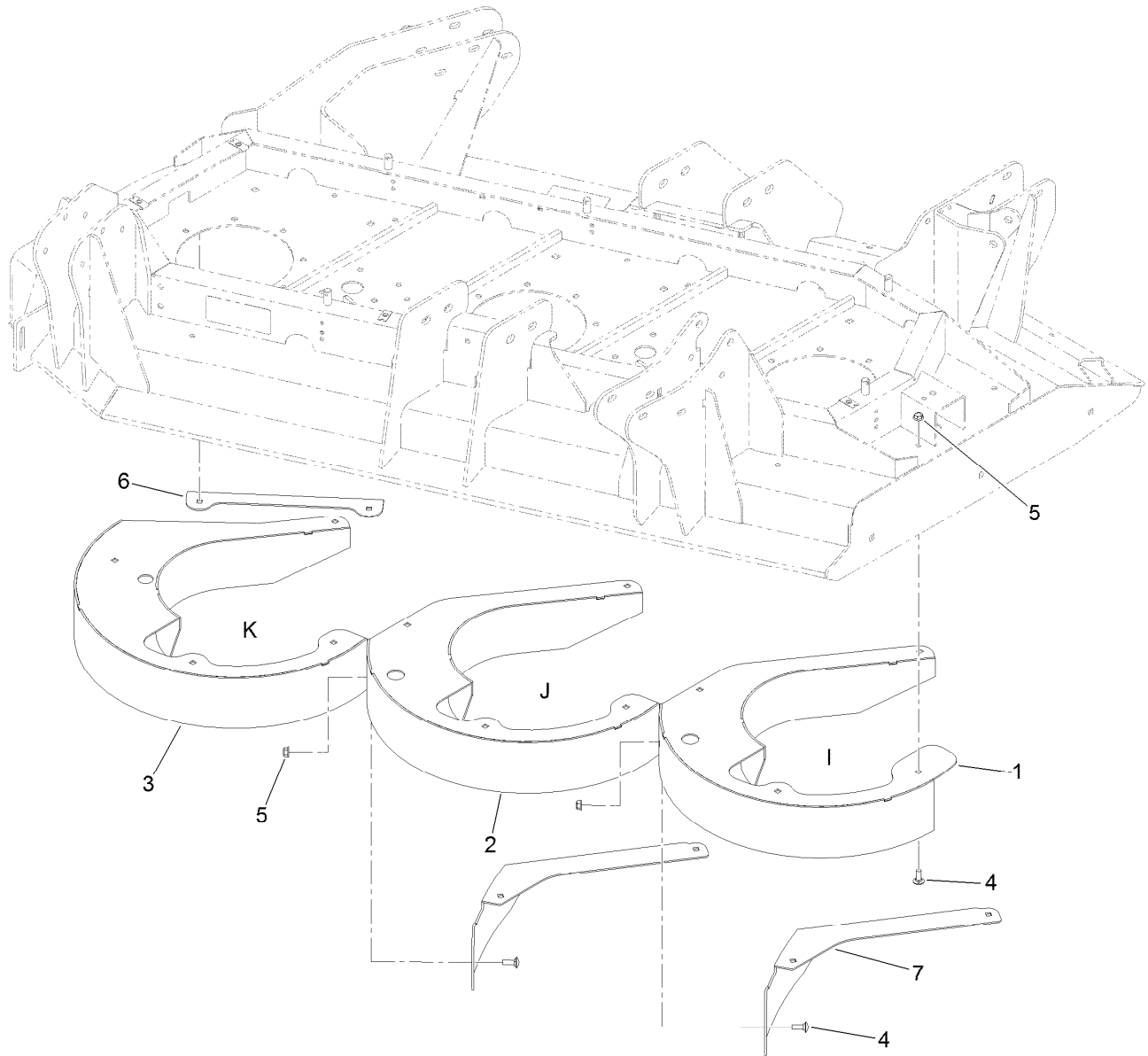
Right Hand Deck Spindle and Blade Assembly

| <i>Ref.</i> | <i>Part Number</i> | <i>Qty.</i> | <i>Description</i> |
|-------------|--------------------|-------------|--------------------|
| 1 | 130-9151 | 3 | Blade-20 In |
| 2 | 72-9361 | 3 | Cup-Scalp, Anti |
| 3 | 92-5816 | 3 | Bolt-Blade |
| 4 | 104-8301 | 20 | Nut-HF, NI |
| 5 | 323-6 | 4 | Screw-HH |
| 6 | 3256-24 | 4 | Washer-Plain |



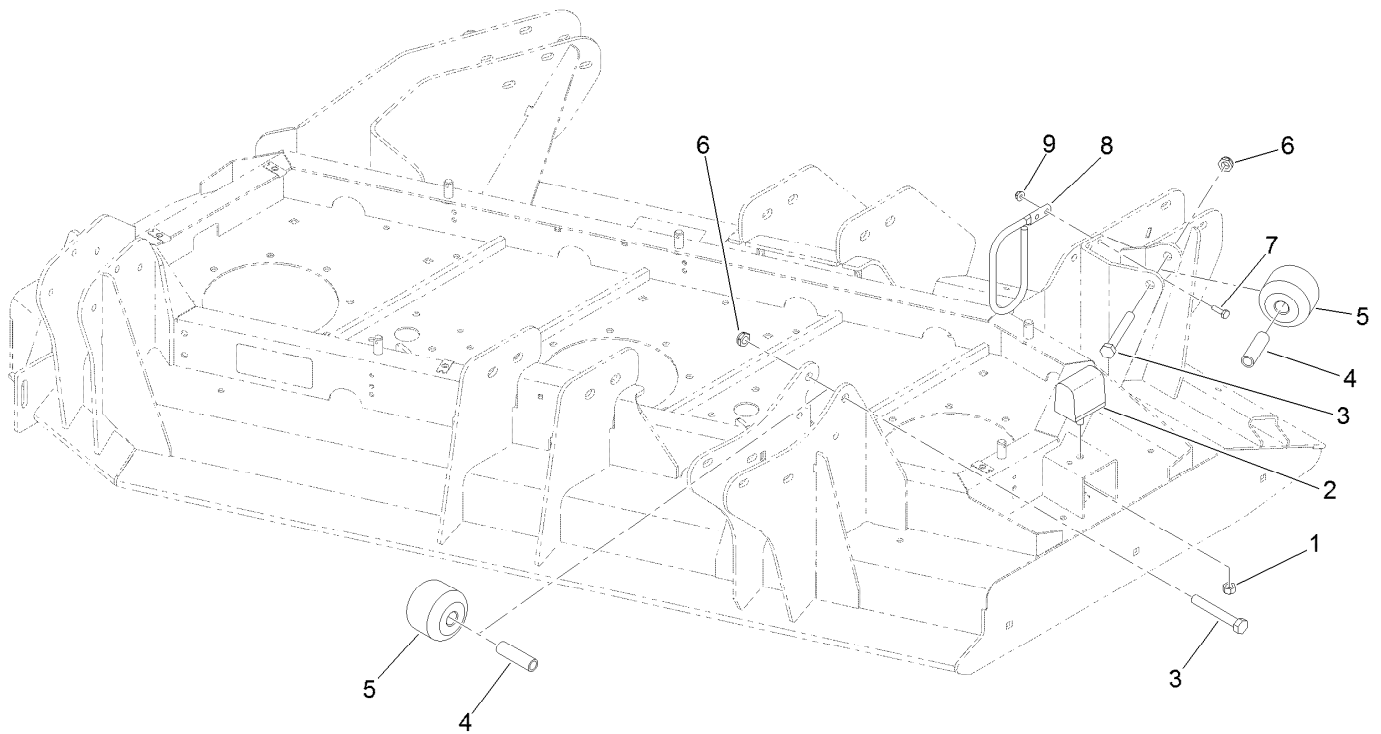
Right Hand Deck Belt Cover Assembly

| Ref. | Part Number | Qty. | Description |
|------|-------------|------|-------------------------------|
| 1 | 114-5635 | 1 | Cover-Deck, RH Wing (Inside) |
| 2 | 114-5636 | 1 | Cover-Deck, RH Wing (Outside) |
| 3 | 114-5638 | 1 | Cover-Deck, RH Wing (Fixed) |
| 4 | 110-3510 | 4 | Nut-Retainer |
| 5 | 115-3363 | 1 | Deflector-Debris, Side Deck |
| 6 | 3229-2 | 2 | Screw-CARR |
| 7 | 104-7201 | 2 | Nut-HF, NI |
| 8 | 3234-29 | 4 | Screw-HHF |
| 9 | 115-3362 | 1 | Guide-Hose |
| 10 | 3230-10 | 2 | Bolt-CARR |
| 11 | 104-8300 | 2 | Nut-HF, NI |
| 12 | 103-4080 | 4 | Latch-Rubber |
| 13 | 3274-39 | 8 | Screw-HSBH |



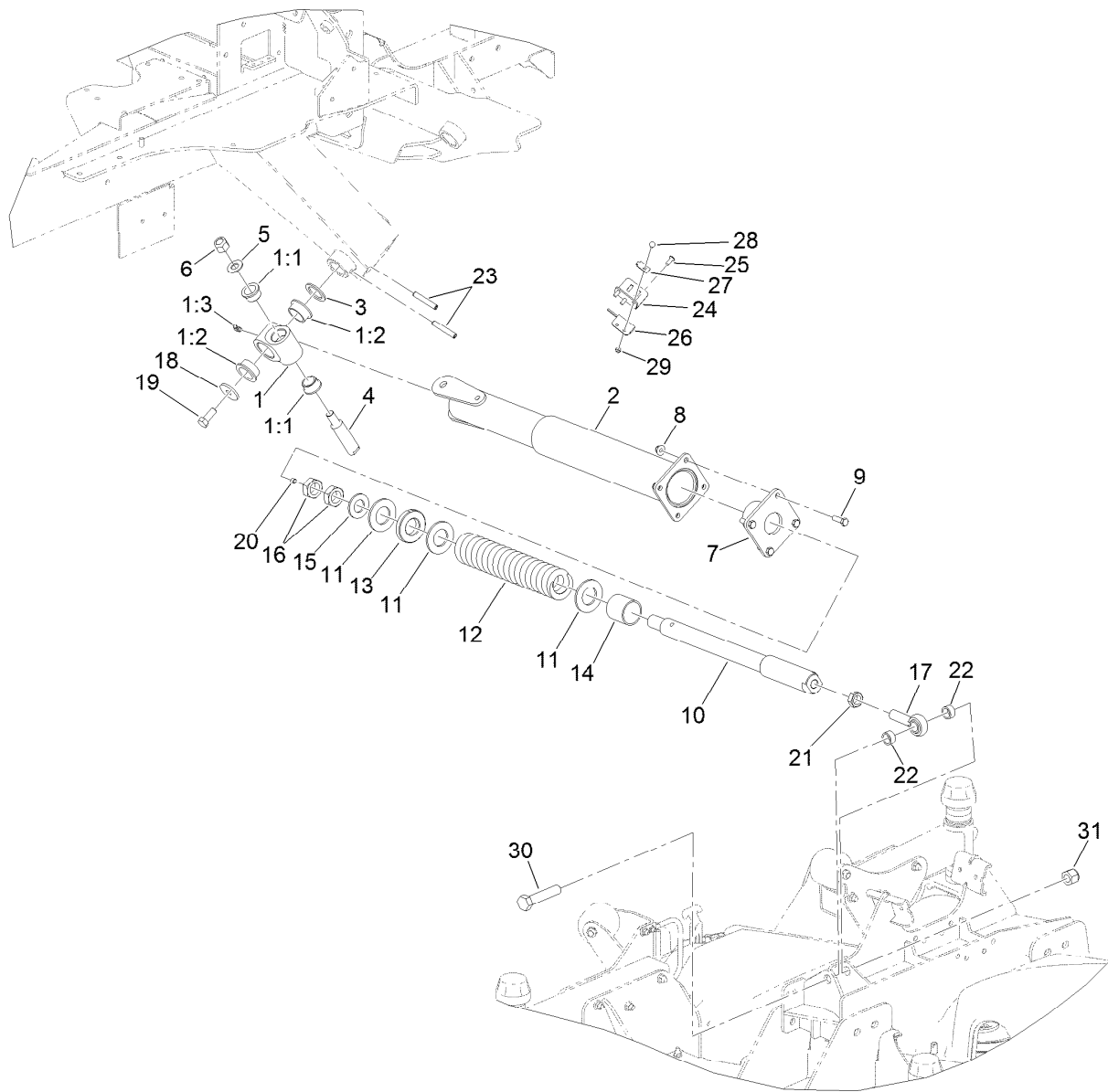
Right Hand Deck Chamber Assembly

| <i>Ref.</i> | <i>Part Number</i> | <i>Qty.</i> | <i>Description</i> |
|-------------|--------------------|-------------|-----------------------|
| 1 | 132-1637-01 | 1 | Chamber-Inner, Right |
| 2 | 132-1634-01 | 1 | Chamber-Center, Right |
| 3 | 132-1630-01 | 1 | Chamber-Outer, Right |
| 4 | 3230-1 | 20 | Bolt-CARR |
| 5 | 104-8300 | 20 | Nut-HF, NI |
| 6 | 133-2249-01 | 1 | Deflector-RH |
| 7 | 133-2205-01 | 2 | Deflector |



Right Hand Deck Stop Assembly

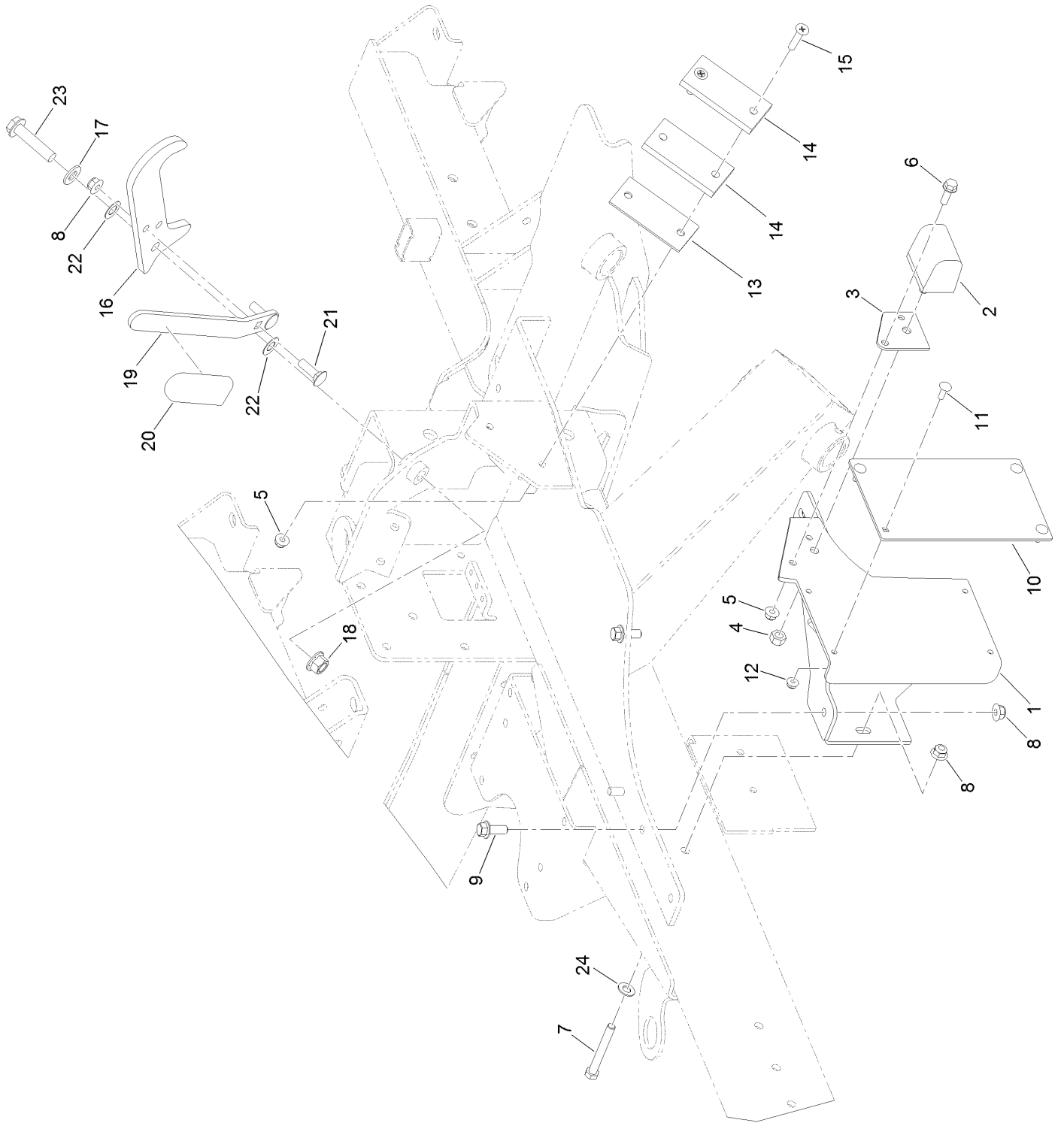
| Ref. | Part Number | Qty. | Description |
|------|-------------|------|--------------|
| 1 | 33025-00 | 1 | Nut-Lock, NI |
| 2 | 87-3470 | 1 | Bumper |
| 3 | 325-14 | 2 | Screw-HH |
| 4 | 115-2144 | 2 | Tube-Spacer |
| 5 | 115-3366 | 2 | Roller |
| 6 | 3296-45 | 2 | Nut-Hex |
| 7 | 321-5 | 2 | Screw-HH |
| 8 | 130-9161 | 1 | Support-Hose |
| 9 | 104-7201 | 2 | Nut-HF, NI |



Right Hand Deck Impact Arm and Limit Switch Assembly

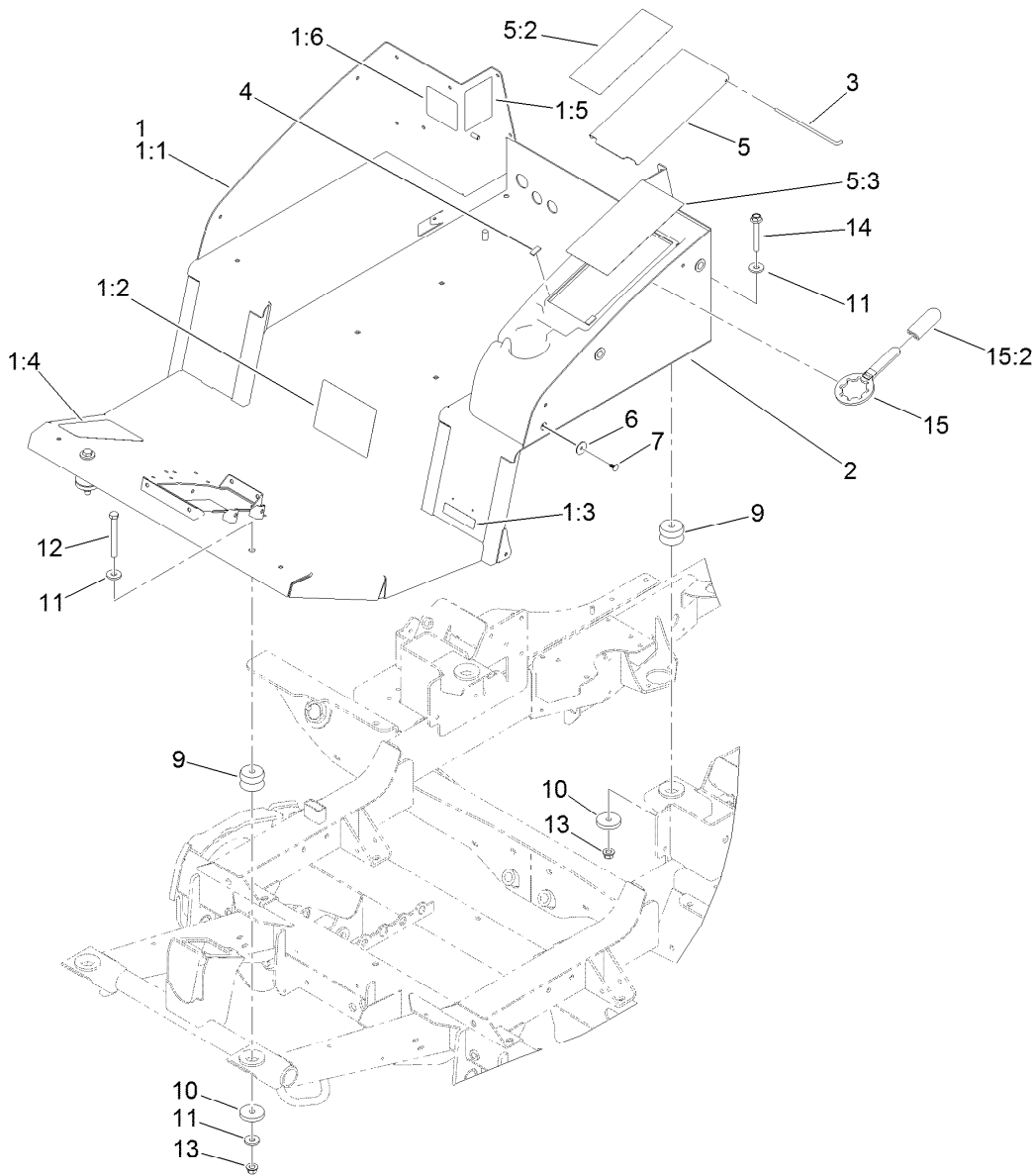
| Ref. | Part Number | Qty. | Description | Ref. | Part Number | Qty. | Description |
|------|-------------|------|--------------------|------|-------------|------|---------------------------|
| 1 | 115-5468 | 1 | Pivot Hub ASM | 15 | 3256-62 | 1 | Washer-Flat |
| 1:1 | 115-5469 | 2 | Bushing-Flange | 16 | 3220-9 | 2 | Nut-Jam |
| 1:2 | 114-5680 | 2 | Bushing-Flange | 17 | 105-2806 | 1 | End-Rod |
| 1:3 | 302-60 | 1 | Fitting-Grease | 18 | 106-2008 | 1 | Washer-Thrust |
| 2 | 112-7330-03 | 1 | Arm-Impact, Rear | 19 | 325-5 | 1 | Screw-HH |
| 3 | 98-1452 | 1 | Washer-Thrust | 20 | 285-17 | 1 | Plug-Pipe |
| 4 | 104-2281 | 1 | Shaft-Pivot | 21 | 3220-7 | 1 | Nut-Jam |
| 5 | 3256-27 | 1 | Washer-Flat | 22 | 74-3730 | 2 | Spacer-Spindle, Rear |
| 6 | 3296-53 | 1 | Nut-Lock, NI | 23 | 117-5479 | 2 | Pin-Spring |
| 7 | 114-5677-03 | 1 | Housing | 24 | 112-7338 | 1 | Plate-Aluminum |
| 8 | 104-8301 | 4 | Nut-HF, NI | 25 | 3290-412 | 3 | Rivet-Blind |
| 9 | 323-7 | 4 | Screw-HH | 26 | 106-9288 | 1 | Sensor-Proximity, Ferrous |
| 10 | 117-9404 | 1 | Shaft-Spring | 27 | 100-4872 | 1 | Plate-Switch, Neutral |
| 11 | 114-5986 | 3 | Washer-Plain | 28 | 3229-34 | 1 | Screw-CARR |
| 12 | 114-5993 | 1 | Spring-Compression | 29 | 3296-2 | 1 | Nut-Lock, NI |
| 13 | 114-5992 | 1 | Bearing-Plastic | 30 | 328-5 | 1 | Screw-HH |
| 14 | 114-5989 | 1 | Bushing-Plain | 31 | 3296-51 | 1 | Nut-Lock, NI |

Right Hand Deck Transport Lock Assembly



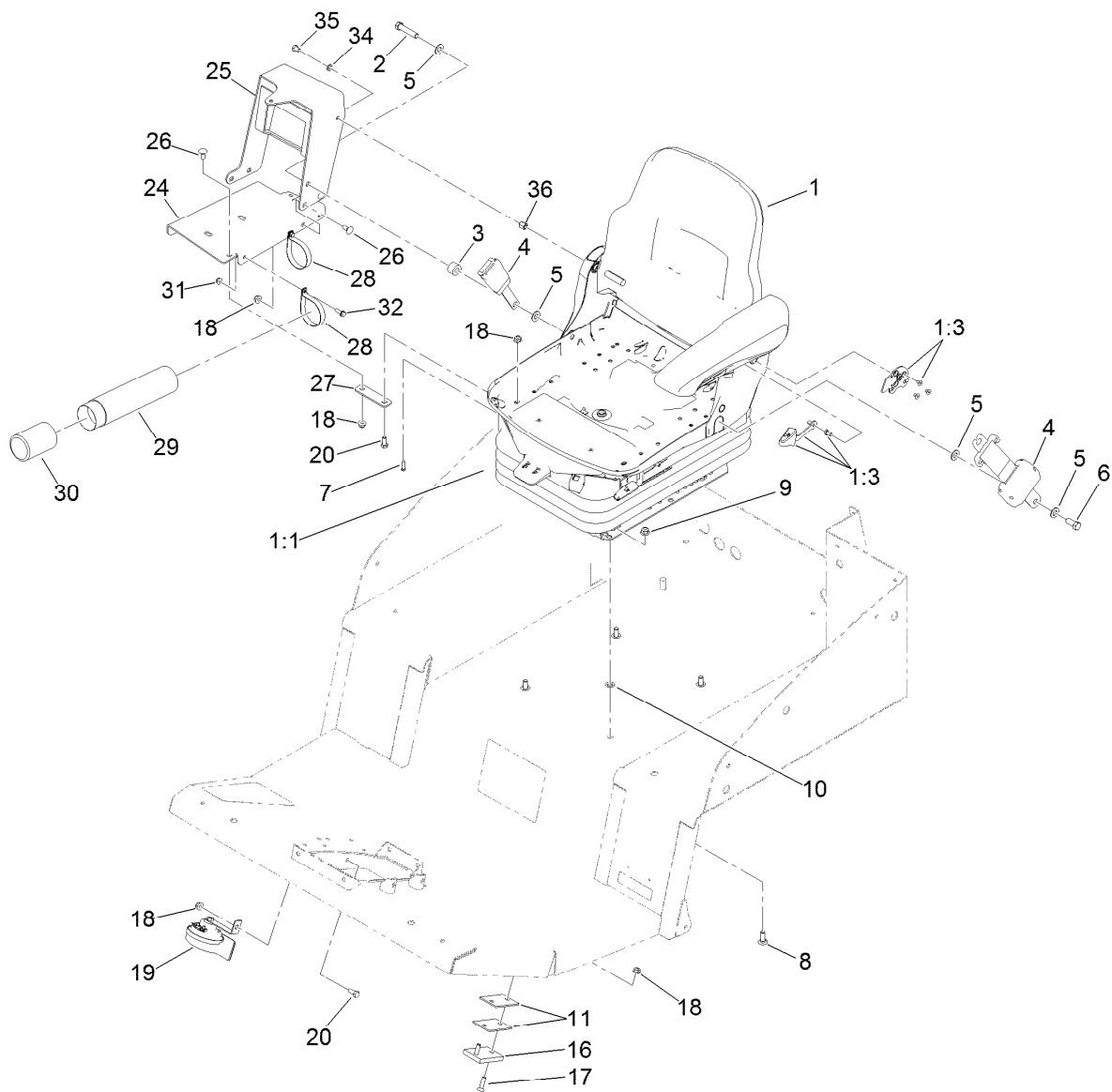
Right Hand Deck Transport Lock Assembly (continued)

| <i>Ref.</i> | <i>Part Number</i> | <i>Qty.</i> | <i>Description</i> | <i>Ref.</i> | <i>Part Number</i> | <i>Qty.</i> | <i>Description</i> |
|-------------|--------------------|-------------|--------------------|-------------|--------------------|-------------|--------------------|
| 1 | 119-8270-01 | 1 | Pad-Transport, RH | 13 | 114-5675 | 1 | Shim-Pad |
| 2 | 87-3470 | 1 | Bumper | 14 | 69-9300 | 2 | Pad-Bumper |
| 3 | 115-8826 | 1 | Shim-Bumper | 15 | 32108-107 | 2 | Screw-FH |
| 4 | 33025-00 | 1 | Nut-Lock, NI | 16 | 119-7723-03 | 1 | Latch-Wing |
| 5 | 104-8300 | 3 | Nut-HF, NI | 17 | 3256-26 | 1 | Washer-Flat |
| 6 | 3234-17 | 1 | Screw-HHF | 18 | 99-5107 | 1 | Nut-Lock |
| 7 | 323-14 | 1 | Screw-HH | 19 | 114-5659-03 | 1 | Handle-Latch |
| 8 | 104-8301 | 5 | Nut-HF, NI | 20 | 119-1846 | 1 | Grip |
| 9 | 3234-42 | 2 | Screw-HHF | 21 | 3231-25 | 2 | Bolt-CARR |
| 10 | 117-5476 | 1 | Pad-Roller | 22 | 104-3577 | 2 | Washer |
| 11 | 1-807512 | 4 | Bolt-CARR | 23 | 3234-46 | 1 | Screw-HHF |
| 12 | 104-7201 | 4 | Nut-HF, NI | 24 | 52-2861 | 1 | Washer |



Platform Assembly

| <i>Ref.</i> | <i>Part Number</i> | <i>Qty.</i> | <i>Description</i> | <i>Ref.</i> | <i>Part Number</i> | <i>Qty.</i> | <i>Description</i> |
|-------------|--------------------|-------------|-------------------------------|-------------|--------------------|-------------|----------------------|
| 1 | 130-9100 | 1 | Platform ASM | 5:2 | 117-2754 | 1 | Decal-Warning |
| 1:1 | 130-9101-01 | 1 | Platform | 5:3 | 132-1407 | 1 | Decal-Service |
| 1:2 | 132-1321 | 1 | Decal-Instructions, Operating | 6 | 3256-55 | 8 | Washer-Flat |
| 1:3 | 117-2718 | 1 | Decal-Arrester, Spark | 7 | 117-2382 | 9 | Plug-Plastic |
| 1:4 | 114-0849 | 1 | Decal-Pedal, Traction | 9 | 110-5954 | 4 | Mount-Center, Bonded |
| 1:5 | 132-1314 | 1 | Decal-Fuse | 10 | 115-5519 | 4 | Washer-Plain |
| 1:6 | 132-1406 | 1 | Decal-Release, Parking Brake | 11 | 92-2651 | 6 | Washer |
| 2 | 112-7316 | 1 | Cover-Storage, Center | 12 | 702093 | 2 | Screw-HH |
| 3 | 114-5508 | 1 | Rod-Hinge | 13 | 99-5107 | 4 | Nut-Lock |
| 4 | 115-5417 | 2 | Strip-Foam | 14 | 126-3900 | 2 | Screw-HHF |
| 5 | 132-1419 | 1 | Lid-Center, Storage | 15 | 121-3874 | 1 | Wrench ASM |
| | | | | 15:2 | 119-1846 | 1 | Grip |

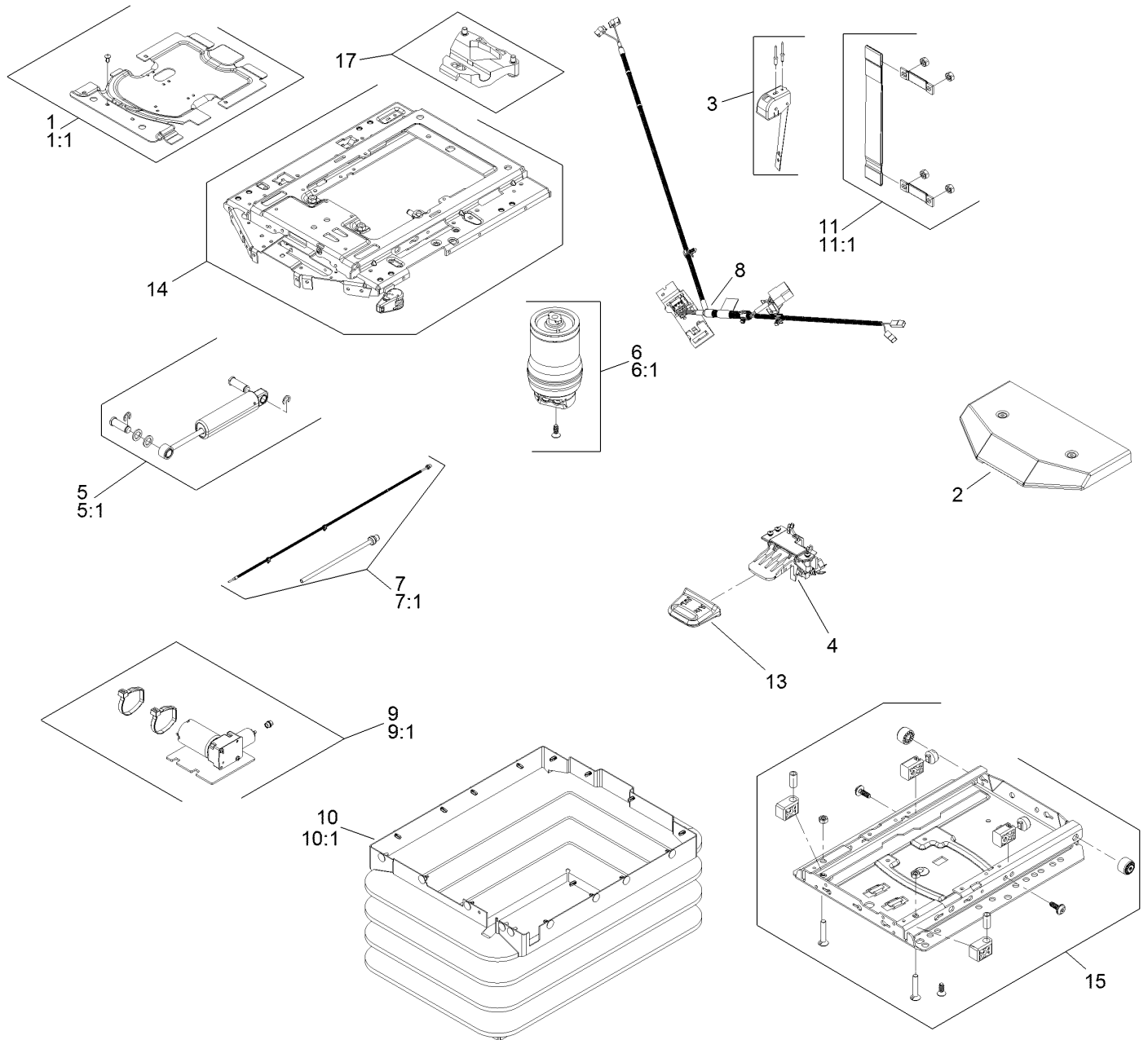


Seat Mount Assembly

| Ref. | Part Number | Qty. | Description | Ref. | Part Number | Qty. | Description |
|------|-------------|------|--------------------------|------|-------------|------|-------------------|
| 1 | | 1 | Seat And Suspension ASM | 18 | 104-8300 | 11 | Nut-HF, NI |
| | | | ● | 19 | 116749 | 1 | Horn |
| 1:1 | 130-2702 | 1 | Air Ride Seat Suspension | 20 | 322-3 | 2 | Screw-HH |
| 1:3 | 132-1304 | 1 | Backrest Adjustment Kit | 24 | 131-2355-03 | 1 | Support-Arm |
| 2 | 3212-8 | 1 | Screw-HH | 25 | 131-2352-03 | 1 | Channel-Support |
| 3 | 17-7190 | 1 | Spacer-Finger | 26 | 3230-1 | 5 | Bolt-CARR |
| 4 | 110-0413 | 1 | Seatbelt-Retractable | 27 | 131-2351-03 | 1 | Strap-Support |
| 5 | 3256-25 | 4 | Washer-Flat | 28 | 107-1865 | 2 | R-Clamp |
| 6 | 3212-4 | 1 | Screw-HH | 29 | 104-7050 | 1 | Tube-Manual |
| 7 | 119-7742 | 1 | Screw-Cushion | 30 | 104-7048 | 1 | Cap-Housing |
| 8 | 3231-22 | 4 | Screw-CARR | 31 | 104-7201 | 2 | Nut-HF, NI |
| 9 | 104-8301 | 6 | Nut-HF, NI | 32 | 32105-15 | 2 | Screw-HWH |
| 10 | 107-3154 | 4 | Nut-Push | 34 | 3253-4 | 1 | Washer-Lock |
| 11 | 114-5553 | 4 | Shim-Pad | 35 | 33114-010 | 1 | Screw-HH |
| 16 | 69-9290 | 2 | Pad-Bumper | 36 | 112-7405 | 1 | Nut-Hex, Coupling |
| 17 | 32108-103 | 4 | Screw-FH | | | | |

● Not serviced separately

Air Ride Seat Suspension Assembly No. 130-2702

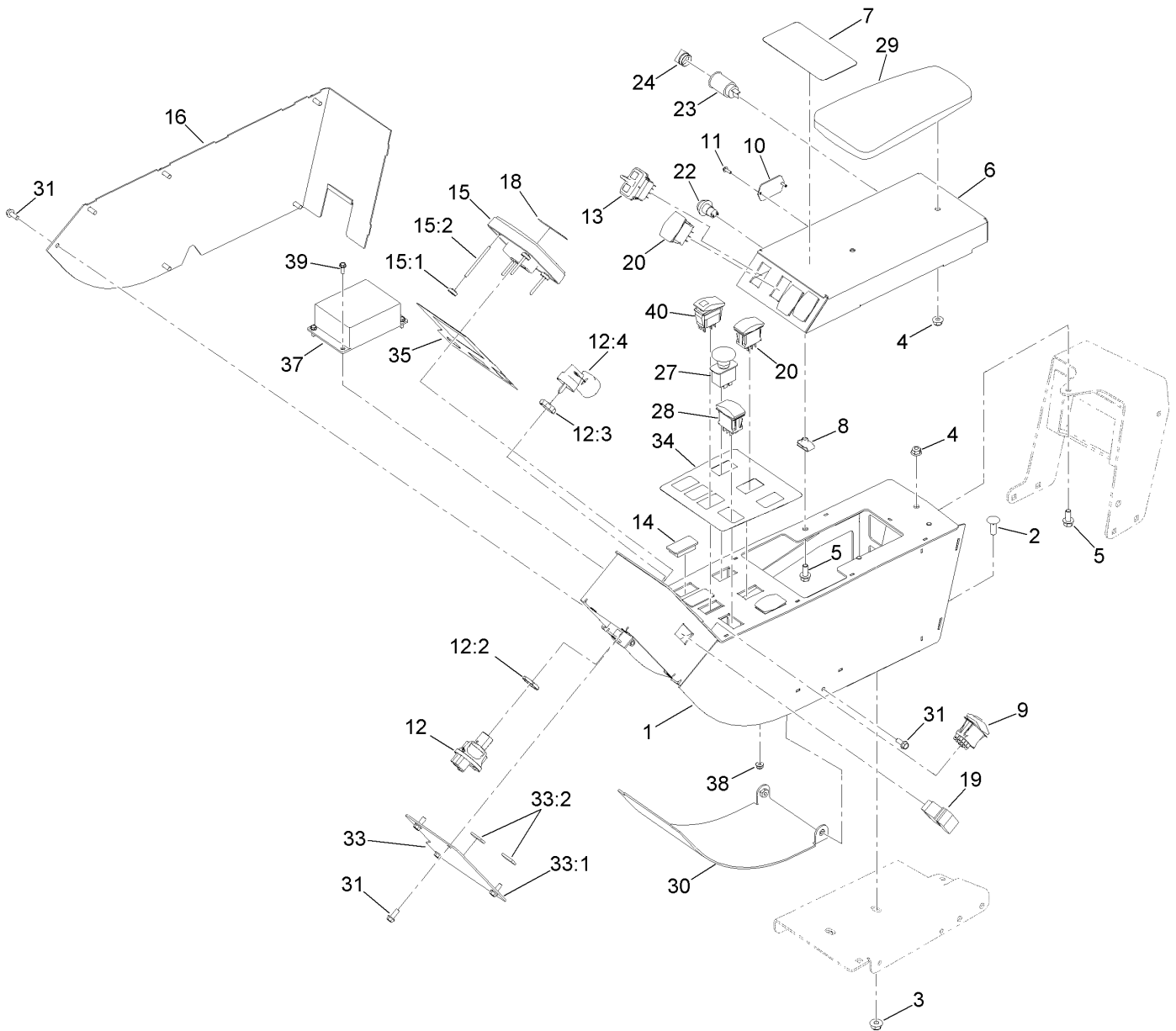


Air Ride Seat Suspension Assembly No. 130-2702 (continued)

| <i>Ref.</i> | <i>Part Number</i> | <i>Qty.</i> | <i>Description</i> | <i>Ref.</i> | <i>Part Number</i> | <i>Qty.</i> | <i>Description</i> |
|-------------|--------------------|-------------|--------------------|-------------|--------------------|-------------|-------------------------|
| 1 | 130-2709 | 1 | Cover ASM | 9 | 130-2719 | 1 | Compressor |
| 1:1 | 130-2710 | 1 | Cover Kit | 9:1 | 130-2720 | 1 | Compressor Kit |
| 2 | 108-8027 | 1 | Cover | 10 | 130-2721 | 1 | Bellows ASM |
| 3 | 130-2711 | 1 | Control-Level | 10:1 | 130-2722 | 1 | Bellows Kit |
| 4 | 108-8029 | 1 | Valve-Control, Air | 11 | 130-2723 | 1 | Tether |
| 5 | 130-2712 | 1 | Shock Absorber ASM | 11:1 | 130-2724 | 1 | Tether Kit |
| 5:1 | 130-2713 | 1 | Shock Absorber Kit | 12 | 130-2725 | 1 | Wear Parts Kit ● |
| 6 | 130-2714 | 1 | Air Spring ASM | 13 | 130-2726 | 1 | Handle |
| 6:1 | 130-2715 | 1 | Air Spring Kit | 14 | 130-2727 | 1 | Upper Suspension Kit |
| 7 | 130-2716 | 1 | Air Tube ASM | 15 | 130-2728 | 1 | Lower Suspension Kit |
| 7:1 | 130-2717 | 1 | Air Tube Kit | 16 | 130-2729 | 1 | Adjuster Mounting Kit ● |
| 8 | 130-2718 | 1 | Harness-Wire | 17 | 130-2730 | 1 | Limiters-Thrust |

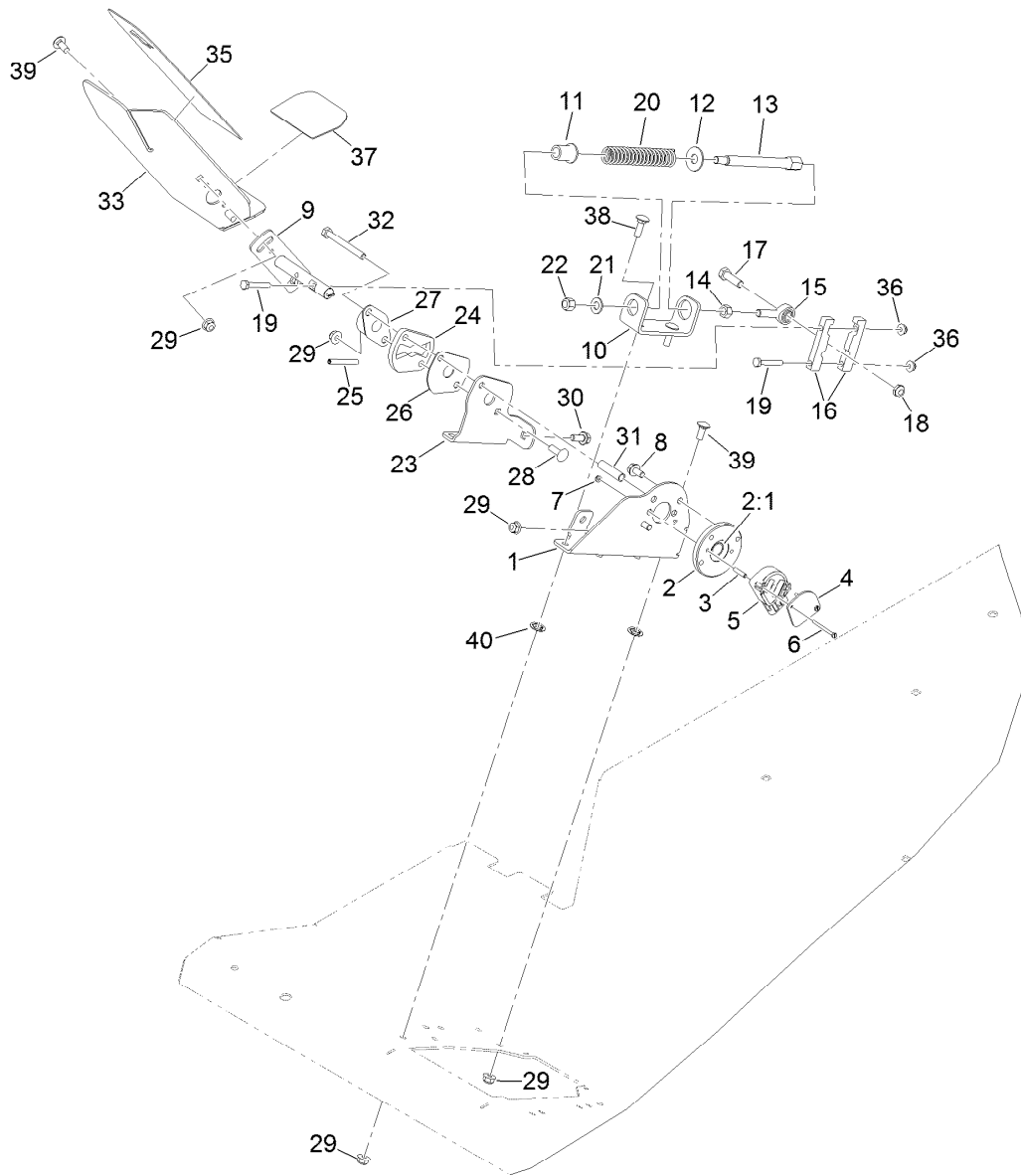
● Not illustrated

Control Console Assembly



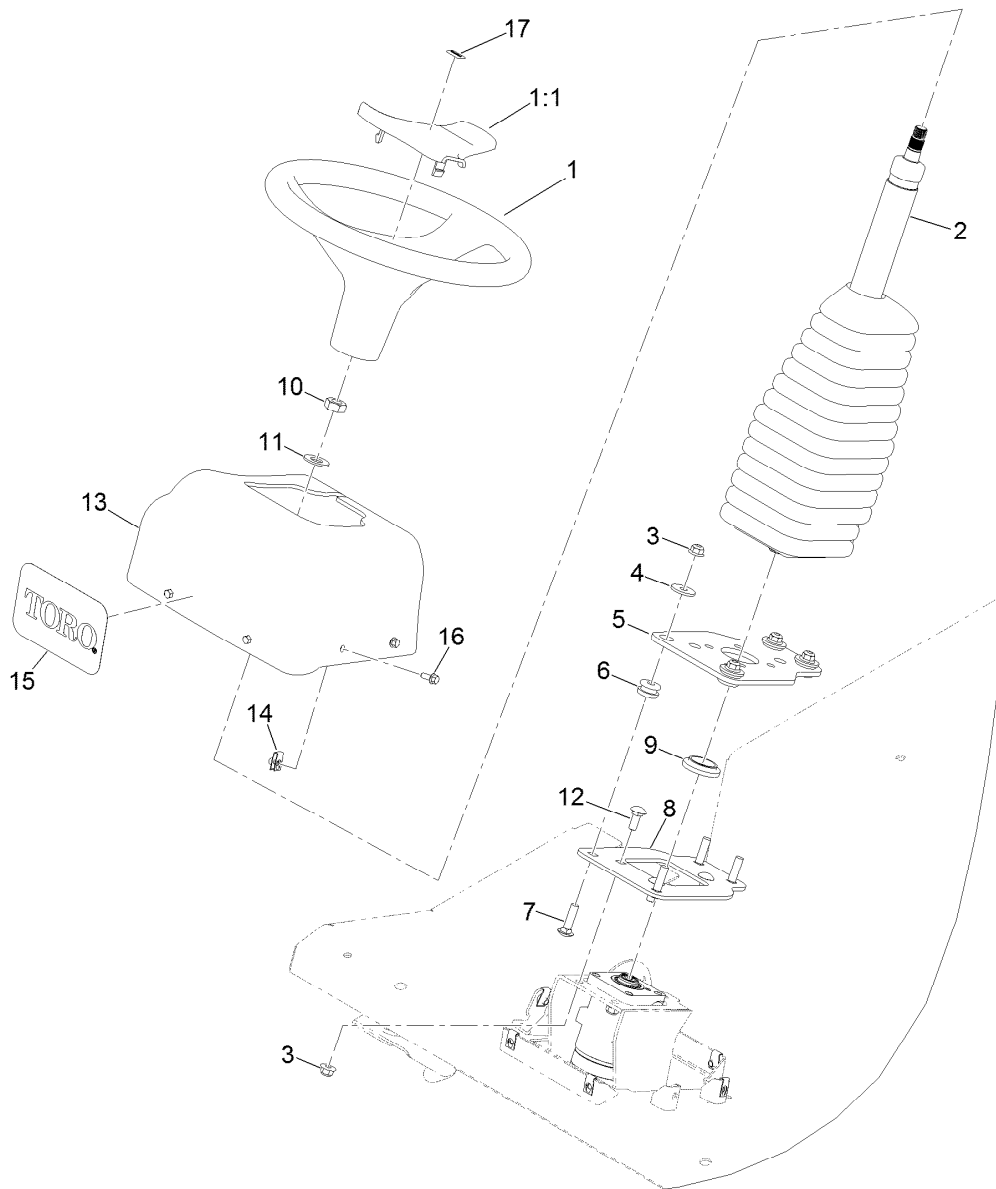
Control Console Assembly (continued)

| <i>Ref.</i> | <i>Part Number</i> | <i>Qty.</i> | <i>Description</i> | <i>Ref.</i> | <i>Part Number</i> | <i>Qty.</i> | <i>Description</i> |
|-------------|--------------------|-------------|------------------------------|-------------|--------------------|-------------|---------------------------------|
| 1 | 131-2329 | 1 | Control Arm ASM | 18 | 114-5554 | 1 | Decal-Center, Info |
| 2 | 3231-22 | 2 | Screw-CARR | 19 | 95-8999 | 1 | Switch-Rocker, On-None-On |
| 3 | 104-8301 | 2 | Nut-HF, NI | 20 | 100-1535 | 5 | Switch-Rocker, (On)-Off-(On) |
| 4 | 104-8300 | 3 | Nut-HF, NI | 22 | 125-7996 | 1 | Switch-Pb, Momentary |
| 5 | 3234-5 | 5 | Screw-HHF | 23 | 99-7411 | 1 | Point-Power |
| 6 | 131-2346-03 | 1 | Panel-Control | 24 | 99-7416 | 1 | Cap |
| 7 | 131-2349 | 1 | Decal-Console, Lift | 27 | 93-9999 | 1 | Switch-PTO |
| 8 | 94-2413 | 4 | Nut-U | 28 | 107-8034 | 1 | Switch-Rocker, On-Off-On |
| 9 | 111-2254 | 1 | Switch-Rocker, On-None-On | 29 | 108-7602 | 1 | Rest-Arm |
| 10 | 121-1630 | 1 | Plate-Cover | 30 | 131-2340-03 | 1 | Cover-Gate |
| 11 | 32144-18 | 2 | Screw-HWH | 31 | 32144-85 | 12 | Screw-HWH Thd Form |
| 12 | 121-5159 | 1 | Switch-Ignition | 33 | 131-2338 | 1 | Top Front Cover ASM |
| 12:2 | 121-5160 | 1 | Nut-Hex | 33:1 | 131-2339-03 | 1 | Cover-Front, Top |
| 12:3 | 121-5161 | 1 | Nut-Face | 33:2 | 115-5417 | 2 | Strip-Foam |
| 12:4 | 121-5162 | 1 | Set-Key, Ignition | 34 | 131-2347 | 1 | Decal-Console, Main |
| 13 | 122-0702 | 1 | Switch-Paddle, Off-On-On | 35 | 131-2348 | 1 | Decal-Console, Display |
| 14 | 99-7420 | 3 | Plug-Hole | 37 | 105-4515 | 1 | Flasher-Rate, Dual |
| 15 | 125-5320 | 1 | Infocenter Kantrak 2700 | 38 | 120-4578 | 4 | Nut-HF |
| 15:1 | 115-8884 | 4 | Nut-Thumb | 39 | 32105-23 | 4 | Screw |
| 15:2 | 115-8885 | 4 | Stud | 40 | 119-7769 | 1 | Switch-Rocker, On/None/On |
| 16 | 131-2342-03 | 1 | Cover-Right | | | | |



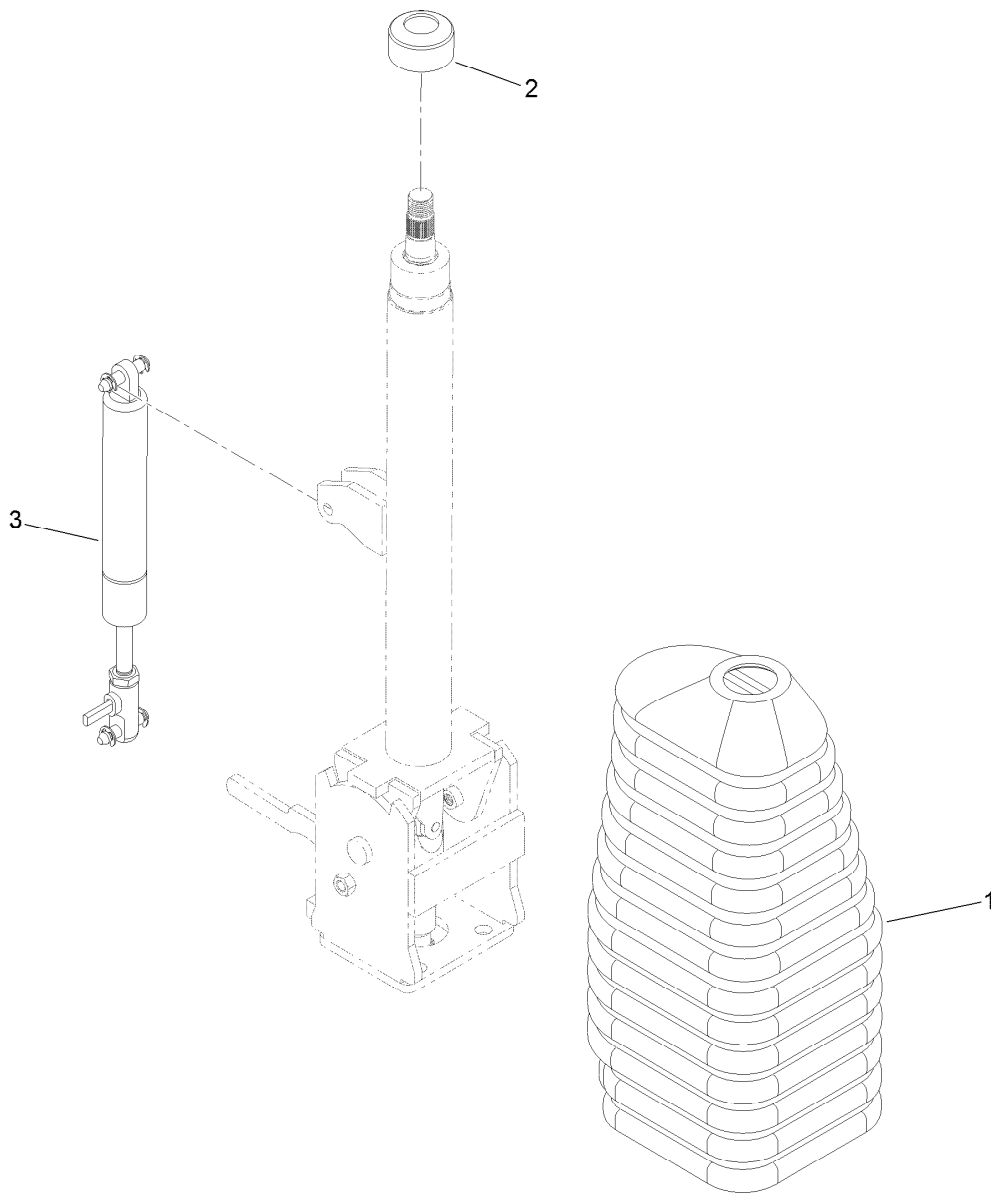
Traction Pedal Assembly

| Ref. | Part Number | Qty. | Description | Ref. | Part Number | Qty. | Description |
|------|-------------|------|-----------------------|------|-------------|------|-----------------------|
| 1 | 131-2249-01 | 1 | Bracket-Sendor | 20 | 84-9100 | 1 | Spring |
| 2 | 117-5445 | 1 | Bushing Hub ASM | 21 | 3256-24 | 1 | Washer-Plain |
| 2:1 | 95-7497 | 1 | Bushing-Wheel | 22 | 3296-6 | 1 | Nut-Lock |
| 3 | 114-5608 | 2 | Spacer-Standoff | 23 | 131-2250-01 | 1 | Bracket-Butterfly |
| 4 | 114-5595 | 1 | Plate-Capture | 24 | 117-5454 | 1 | Plate-Butterfly |
| 5 | 114-5609 | 1 | Sensor-Position | 25 | 32121-78 | 1 | Pin-Roll |
| 6 | 32105-25 | 2 | Screw-SHH | 26 | 117-5455 | 1 | Plate-Cover |
| 7 | 3296-9 | 2 | Nut-Hex | 27 | 256-236 | 1 | Bearing-Mount, Flange |
| 8 | 114-7728 | 2 | Screw-HHF, Patch | 28 | 3230-22 | 1 | Screw-CARR |
| 9 | 131-2245 | 1 | Shaft-Pedal, Traction | 29 | 104-8300 | 7 | Nut-HF, NI |
| 10 | 131-2252-01 | 1 | Bracket-Spring | 30 | 3234-47 | 1 | Screw-HHF |
| 11 | 92-7610 | 1 | Retainer-Spring | 31 | 93-7960 | 1 | Spacer |
| 12 | 3256-5 | 1 | Washer-Flat | 32 | 322-14 | 1 | Screw-HH |
| 13 | 117-5446 | 1 | Shaft-Spring | 33 | 110-5986-01 | 1 | Pedal-Traction |
| 14 | 3219-3 | 1 | Nut-Hex | 35 | 93-5347 | 1 | Abrasive-Pedal |
| 15 | 2411-36 | 1 | Bearing-End, Rod | 36 | 104-7201 | 2 | Nut-HF, NI |
| 16 | 117-5459 | 2 | Block-Clamp | 37 | 93-5368 | 1 | Abrasive-Pedal |
| 17 | 323-7 | 1 | Screw-HH | 38 | 3230-2 | 2 | Bolt-CARR |
| 18 | 3296-59 | 1 | Nut-Lock, NI | 39 | 3230-23 | 5 | Bolt-CARR |
| 19 | 321-37 | 2 | Screw-HH | 40 | 117-2749 | 2 | Nut-Push |



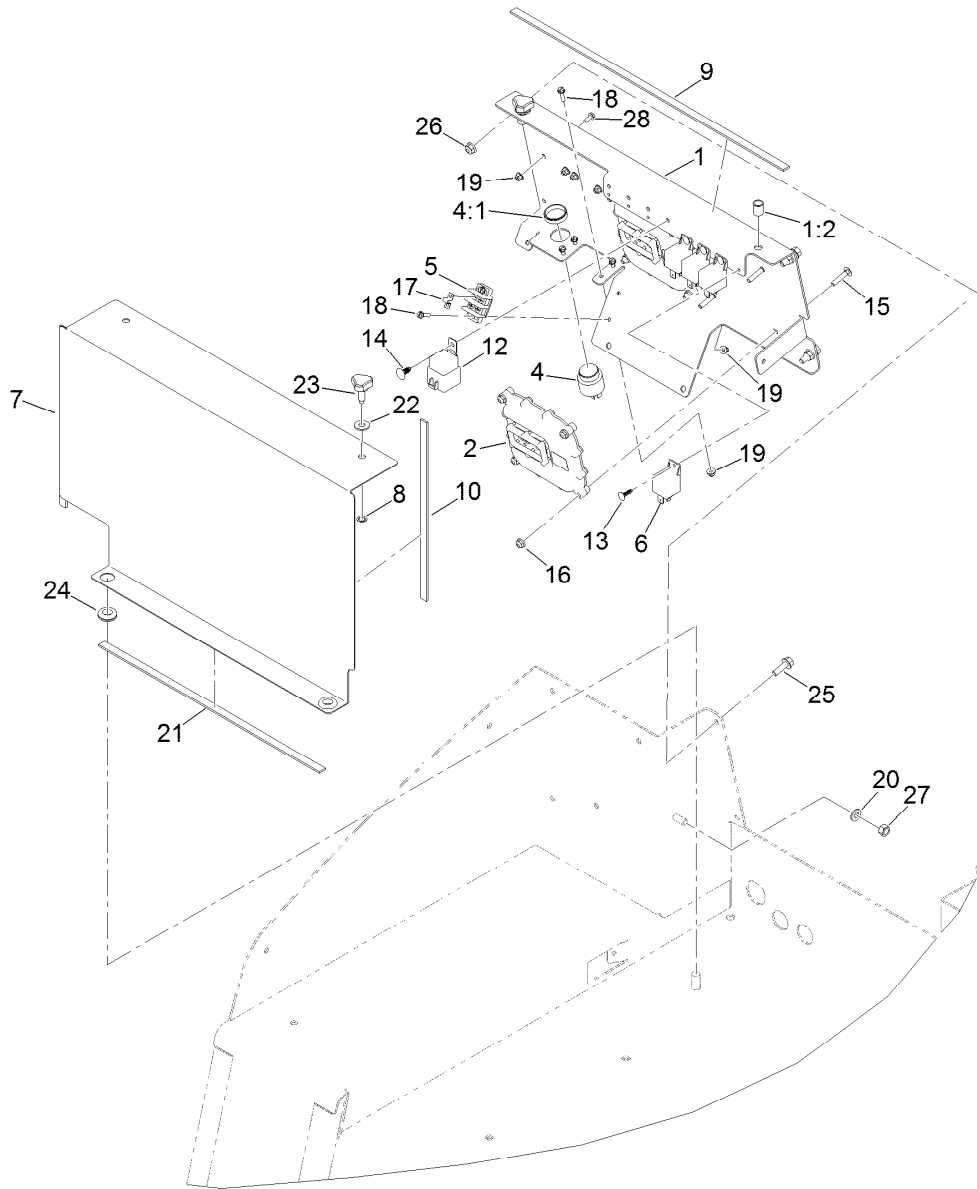
Steering Column Assembly

| <i>Ref.</i> | <i>Part Number</i> | <i>Qty.</i> | <i>Description</i> | <i>Ref.</i> | <i>Part Number</i> | <i>Qty.</i> | <i>Description</i> |
|-------------|--------------------|-------------|-----------------------|-------------|--------------------|-------------|--------------------|
| 1 | 98-1471 | 1 | Wheel-Steering | 9 | 117-3373 | 1 | Bushing-Alignment |
| 1:1 | 98-1468 | 1 | Cover-Wheel, Steering | 10 | 3296-33 | 1 | Nut-Lock, NI |
| 2 | 132-1307 | 1 | Column-Steering | 11 | 3256-27 | 1 | Washer-Flat |
| 3 | 104-8301 | 7 | Nut-HF, NI | 12 | 3231-2 | 3 | Bolt-CARR |
| 4 | 63-8410 | 4 | Washer | 13 | 131-2269 | 1 | Cover-Steering |
| 5 | 131-2248-01 | 1 | Plate-Steering Mount | 14 | 107069 | 7 | Clip |
| 6 | 63-9750 | 4 | Mount | 15 | 105-1217 | 1 | Decal |
| 7 | 3231-26 | 4 | Screw-CARR | 16 | 3234-33 | 7 | Screw-HHF |
| 8 | 131-2246-01 | 1 | Plate-Mounting, Valve | 17 | 98-1459 | 1 | Decal |



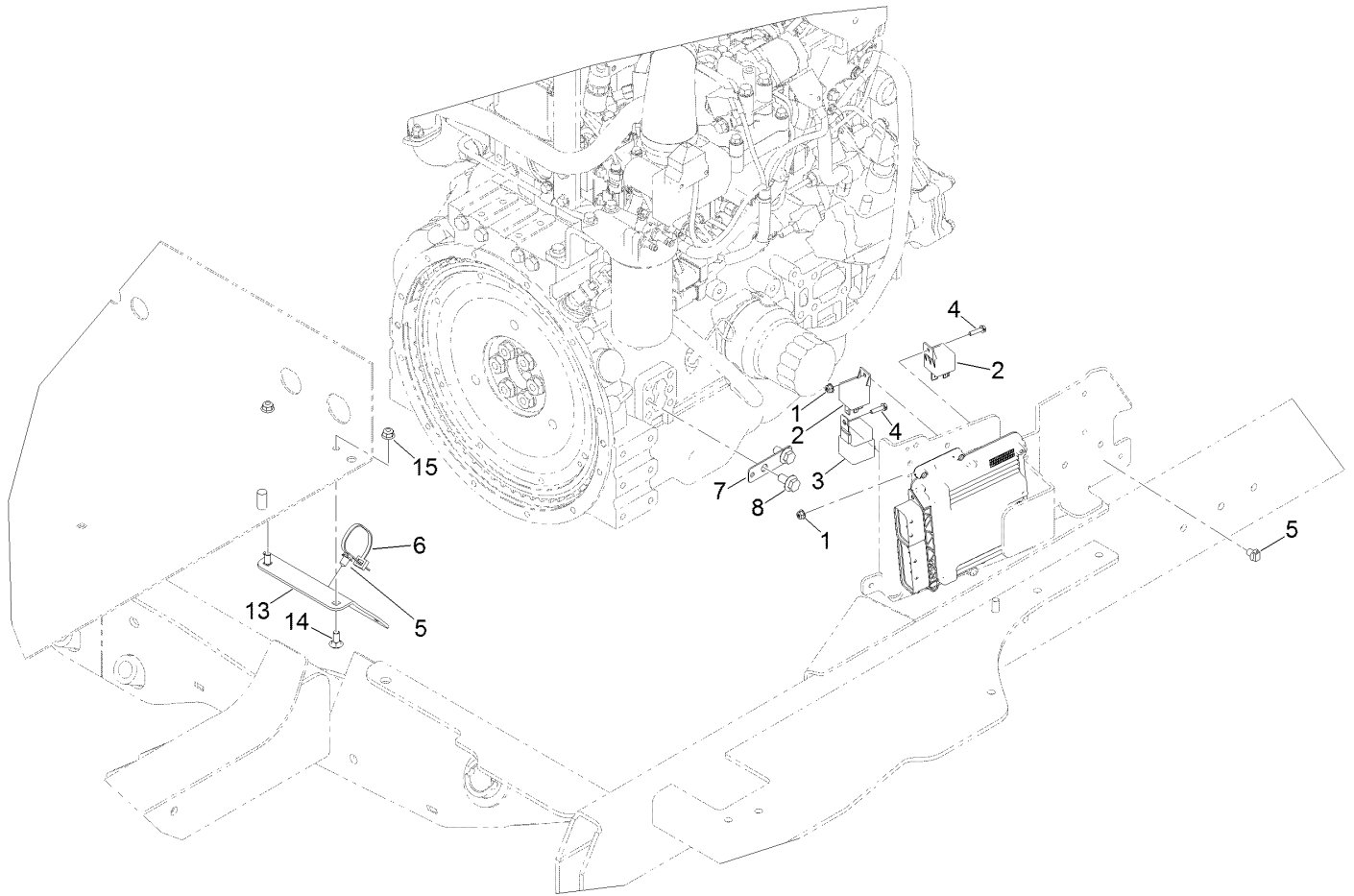
Steering Column Assembly No. 132-1307

| <i>Ref.</i> | <i>Part Number</i> | <i>Qty.</i> | <i>Description</i> |
|-------------|--------------------|-------------|----------------------|
| 1 | 120-2592 | 1 | Boot-Rubber, Column |
| 2 | 120-2593 | 1 | Boot-Rubber, Bearing |
| 3 | 120-2594 | 1 | Gas Spring ASM |



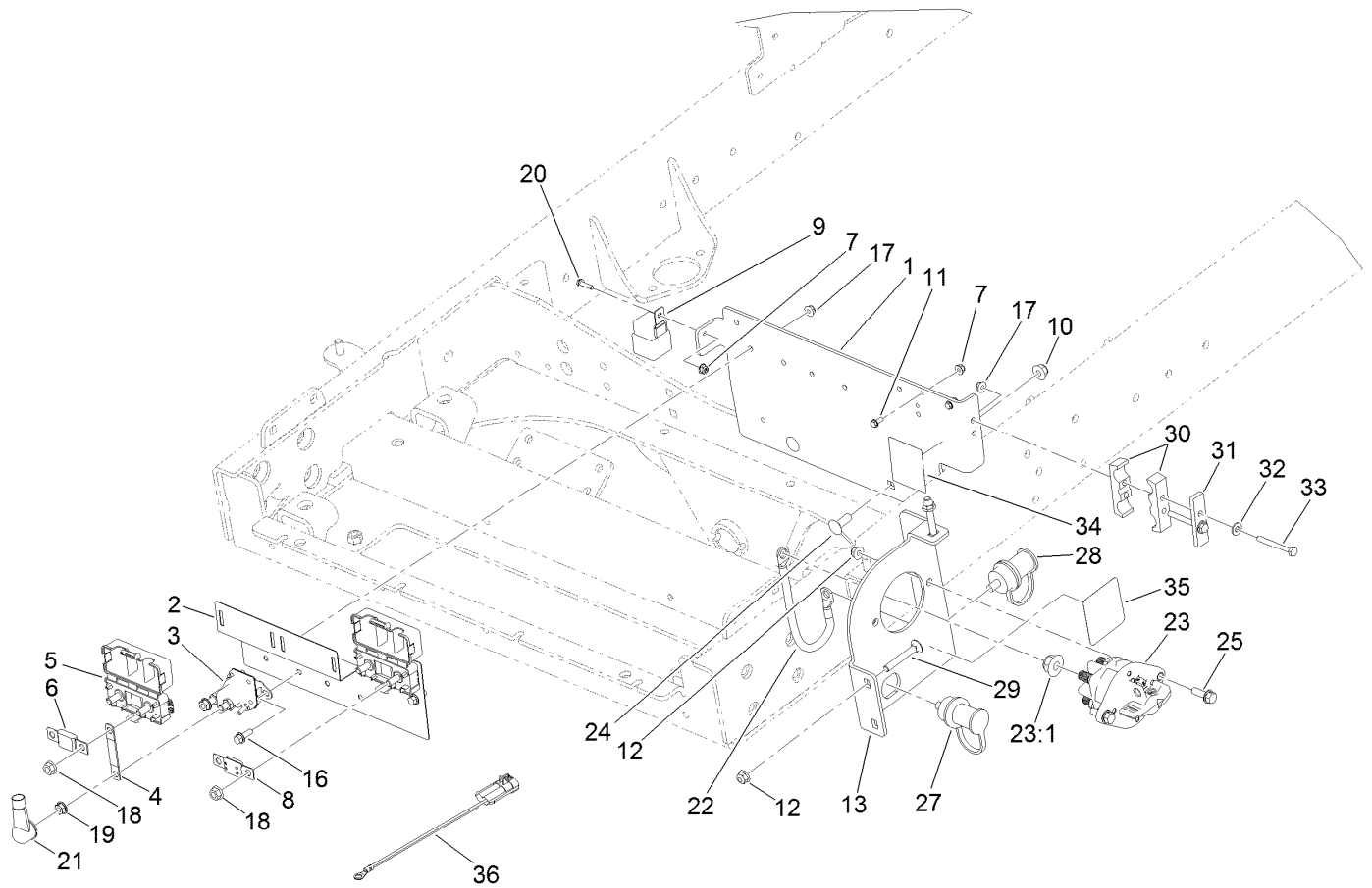
Front Electrical Component Assembly

| <i>Ref.</i> | <i>Part Number</i> | <i>Qty.</i> | <i>Description</i> | <i>Ref.</i> | <i>Part Number</i> | <i>Qty.</i> | <i>Description</i> |
|-------------|--------------------|-------------|-------------------------|-------------|--------------------|-------------|--------------------|
| 1 | 132-1332 | 1 | Electrical Plate ASM | 15 | 3229-3 | 8 | Screw-CARR |
| 1:2 | 32148-9 | 2 | Nut-Clinch | 16 | 104-7201 | 8 | Nut-HF, NI |
| 2 | 114-3321 | 2 | Controller-Tec | 17 | 42863 | 1 | Strip-Jumper |
| 4 | 80-9330 | 1 | Audio Alarm ASM | 18 | 32105-13 | 6 | Screw-HWH |
| 4:1 | 104-5107 | 1 | Nut-Plastic, Knurled | 19 | 120-4578 | 10 | Nut-HF |
| 5 | 42862 | 1 | Block-Terminal, Ground | 20 | 3256-38 | 1 | Washer-Flat |
| 6 | 99-7435 | 4 | Relay | 21 | 131-2289 | 1 | Foam-Radiator |
| 7 | 130-9034-01 | 1 | Plate-Cover, Electrical | 22 | 3256-3 | 2 | Washer-Flat |
| 8 | 32151-72 | 2 | Ring-Retaining | 23 | 95-9648 | 2 | Knob |
| 9 | 131-2221 | 1 | Strip-Foam | 24 | 99-3481 | 2 | Grommet |
| 10 | 130-9174 | 2 | Foam-Cooler, Short | 25 | 3234-29 | 4 | Screw-HHF |
| 12 | 99-7430 | 1 | Relay-Mini | 26 | 104-8300 | 4 | Nut-HF, NI |
| 13 | 125-8067 | 4 | Plug-Plastic | 27 | 32146-2 | 1 | Nut-Hex |
| 14 | 104-0395 | 1 | Plug-Plastic | 28 | 3290-321 | 4 | Screw-HWH |



Mid Electrical Component Assembly

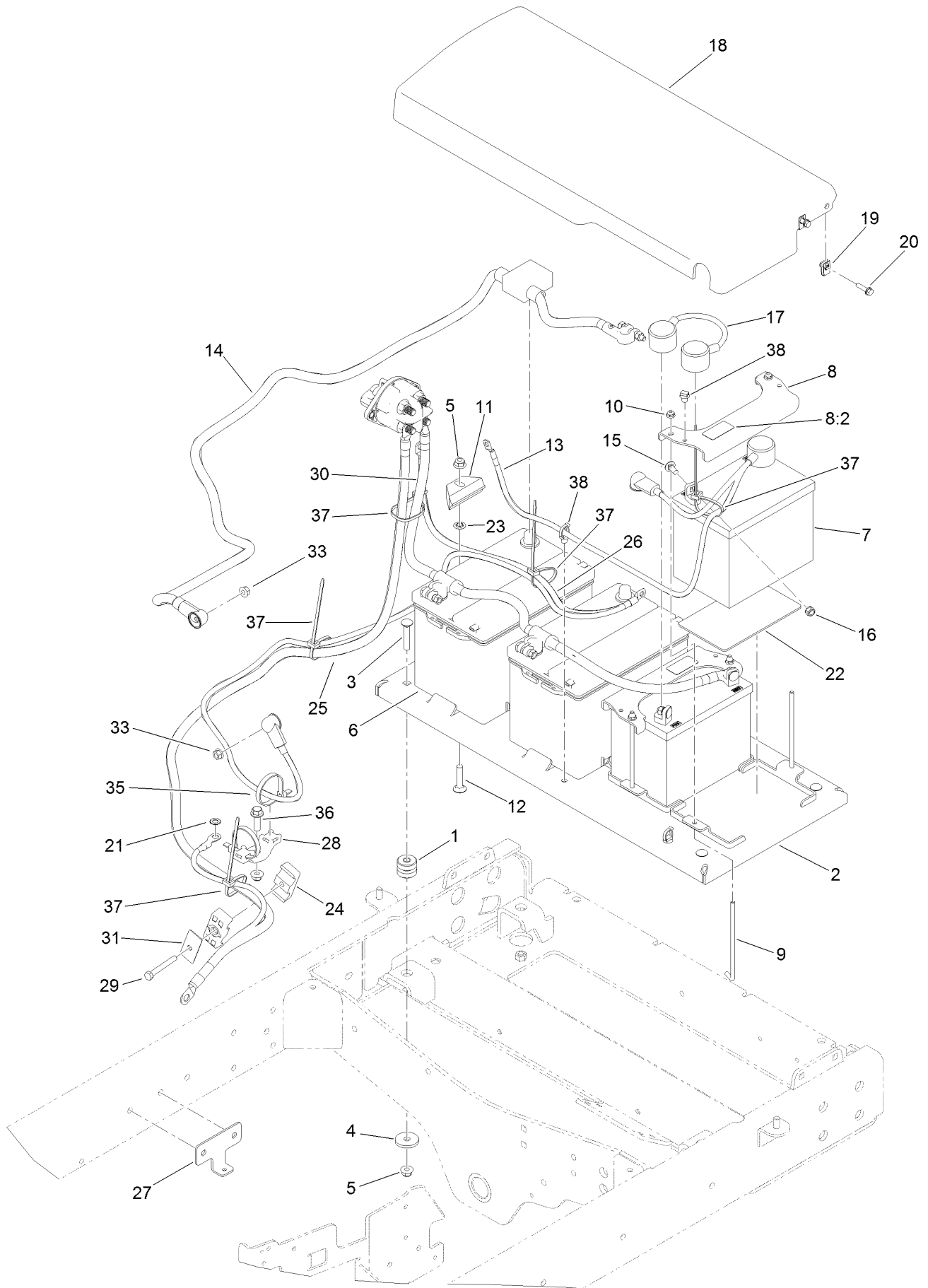
| <i>Ref.</i> | <i>Part Number</i> | <i>Qty.</i> | <i>Description</i> |
|-------------|--------------------|-------------|------------------------------|
| 1 | 120-4578 | 2 | Nut-HF |
| 2 | 99-7435 | 2 | Relay |
| 3 | 99-7430 | 1 | Relay-Mini |
| 4 | 32105-13 | 2 | Screw-HWH |
| 5 | 32180-030 | 2 | Clip-Tie |
| 6 | 3290-378 | 2 | Tie-Cable |
| 7 | 132-9627 | 1 | Bracket-Harness |
| 8 | 33105-020 | 1 | Screw-HHF |
| 13 | 132-1357-01 | 1 | Bracket-Bulkhead, Electrical |
| 14 | 3230-1 | 2 | Bolt-CARR |
| 15 | 104-8300 | 2 | Nut-HF, NI |



Rear Electrical Component Assembly

| <i>Ref.</i> | <i>Part Number</i> | <i>Qty.</i> | <i>Description</i> | <i>Ref.</i> | <i>Part Number</i> | <i>Qty.</i> | <i>Description</i> |
|-------------|--------------------|-------------|--------------------|-------------|--------------------|-------------|----------------------------|
| 1 | 122-0518-03 | 1 | Bracket-Electrical | 20 | 32105-13 | 1 | Screw-HWH |
| 2 | 122-0624-03 | 1 | Bracket-Fuse | 21 | 32180-008 | 1 | Insulator-Lug, Red |
| 3 | 131-8342 | 1 | Solenoid | 22 | 122-0701 | 1 | Ground Jumper |
| 4 | 114-5682 | 1 | Strap-Jumper | 23 | 122-0603 | 1 | Switch-Disconnect |
| 5 | 114-3318 | 2 | Holder-Fuse, Mega | 23:1 | 33006-00 | 1 | Nut-HF |
| 6 | AU126232 | 1 | Fuse-100A | 24 | 3231-22 | 2 | Screw-CARR |
| 7 | 120-4578 | 3 | Nut-HF | 25 | 3234-29 | 2 | Screw-HHF |
| 8 | 122-0628 | 1 | Fuse-Mega | 27 | 132-1364 | 1 | Stud-Jumper, Positive |
| 9 | 99-7430 | 1 | Relay-Mini | 28 | 132-1365 | 1 | Stud-Jumper, Negative |
| 10 | 104-8301 | 2 | Nut-HF, NI | 29 | 3230-7 | 3 | Bolt-CARR |
| 11 | 3290-321 | 2 | Screw-HWH | 30 | 99-3641 | 2 | Clamp-Tube |
| 12 | 104-8300 | 6 | Nut-HF, NI | 31 | 114-0989 | 1 | Plate-Cover |
| 13 | 132-1362-03 | 1 | Bracket-Disconnect | 32 | 3256-22 | 2 | Washer-Flat |
| 16 | 3234-4 | 4 | Screw-HHF | 33 | 321-18 | 2 | Screw-HH |
| 17 | 104-7201 | 6 | Nut-HF, NI | 34 | 132-1315 | 1 | Decal-Fuse |
| 18 | 127-2371 | 4 | Nut-HF | 35 | 132-1313 | 1 | Decal-Disconnect |
| 19 | 107-0380 | 2 | Nut-HF | 36 | 108-9470 | 1 | Harness-Wire, Fusible Link |

Battery Cable Routing Assembly



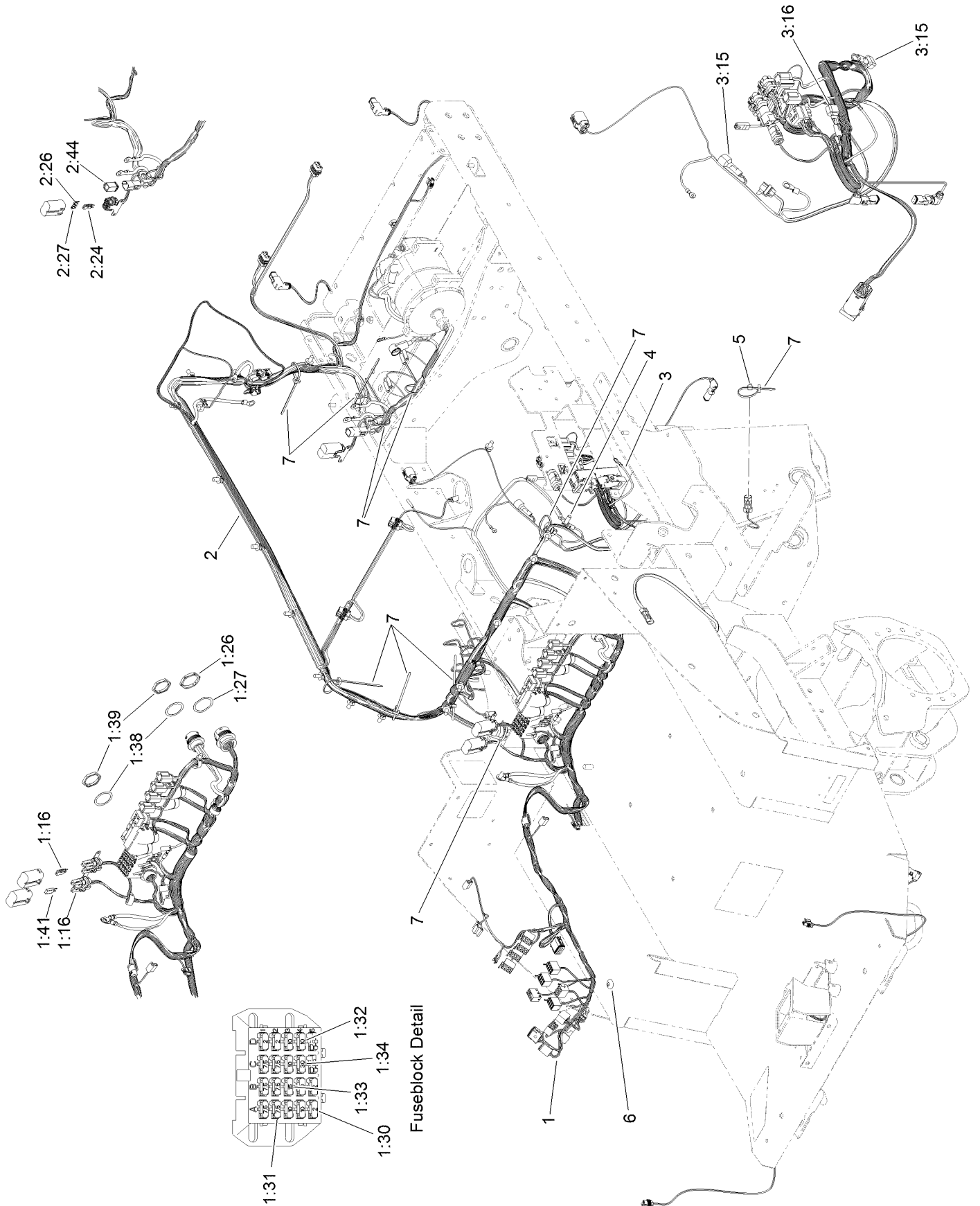
Battery Cable Routing Assembly (continued)

| <i>Ref.</i> | <i>Part Number</i> | <i>Qty.</i> | <i>Description</i> | <i>Ref.</i> | <i>Part Number</i> | <i>Qty.</i> | <i>Description</i> |
|-------------|--------------------|-------------|-----------------------------|-------------|--------------------|-------------|-------------------------|
| 1 | 130-9077 | 4 | Mount-ISO | 19 | 107069 | 4 | Clip |
| 2 | 130-9084-03 | 1 | Tray-Battery | 20 | 120-4654 | 4 | Screw-HHF |
| 3 | 3231-6 | 4 | Screw-CARR | 21 | 3255-9 | 1 | Washer-Lock |
| 4 | 114-2120 | 4 | Washer | 22 | 62-4300 | 2 | Pad-Skid, Anti |
| 5 | 104-8301 | 7 | Nut-HF, NI | 23 | 107-3154 | 2 | Nut-Push |
| 6 | | 2 | Battery-12 Volt, Wet ●■ | 24 | 94-8105 | 2 | Clamp-Tube |
| 7 | | 2 | Battery (340 CCA, Wet) ●■ | 25 | 122-0404 | 1 | Cable-Battery, Negative |
| 8 | 132-1388 | 2 | Bracket-Battery | 26 | 122-0615 | 1 | Cable-Battery, Positive |
| 8:2 | 132-1318 | 1 | Decal-24 Volt | 27 | 122-0604-03 | 1 | Bracket-Battery Cable |
| 9 | 104-8567 | 4 | Holdown-Battery | 28 | 32180-187 | 1 | Clip-Double Tie Mount |
| 10 | 104-7201 | 4 | Nut-HF, NI | 29 | 322-12 | 1 | Screw-HH |
| 11 | 66-2490 | 2 | Retainer-Battery | 30 | 122-0617 | 1 | Cable-Battery, Negative |
| 12 | 3231-5 | 2 | Screw-CARR | 31 | 69-9761 | 1 | Plate-Cover |
| 13 | 122-0401 | 1 | Cable-Battery, Positive | 33 | 33004-00 | 2 | Nut-HF |
| 14 | 122-0398 | 1 | Cable-Battery, Positive | 35 | 3334-945 | 2 | Tie-Cable |
| 15 | 3230-23 | 4 | Bolt-CARR | 36 | 119-4061 | 1 | Screw-HHF |
| 16 | 32149-1 | 4 | Nut-Keps | 37 | 3290-378 | 5 | Tie-Cable |
| 17 | 122-0402 | 1 | Cable-Battery, Jumper (24V) | 38 | 32180-030 | 3 | Clip-Tie |
| 18 | 130-9032 | 1 | Cover-Battery | | | | |

● Obtain locally.

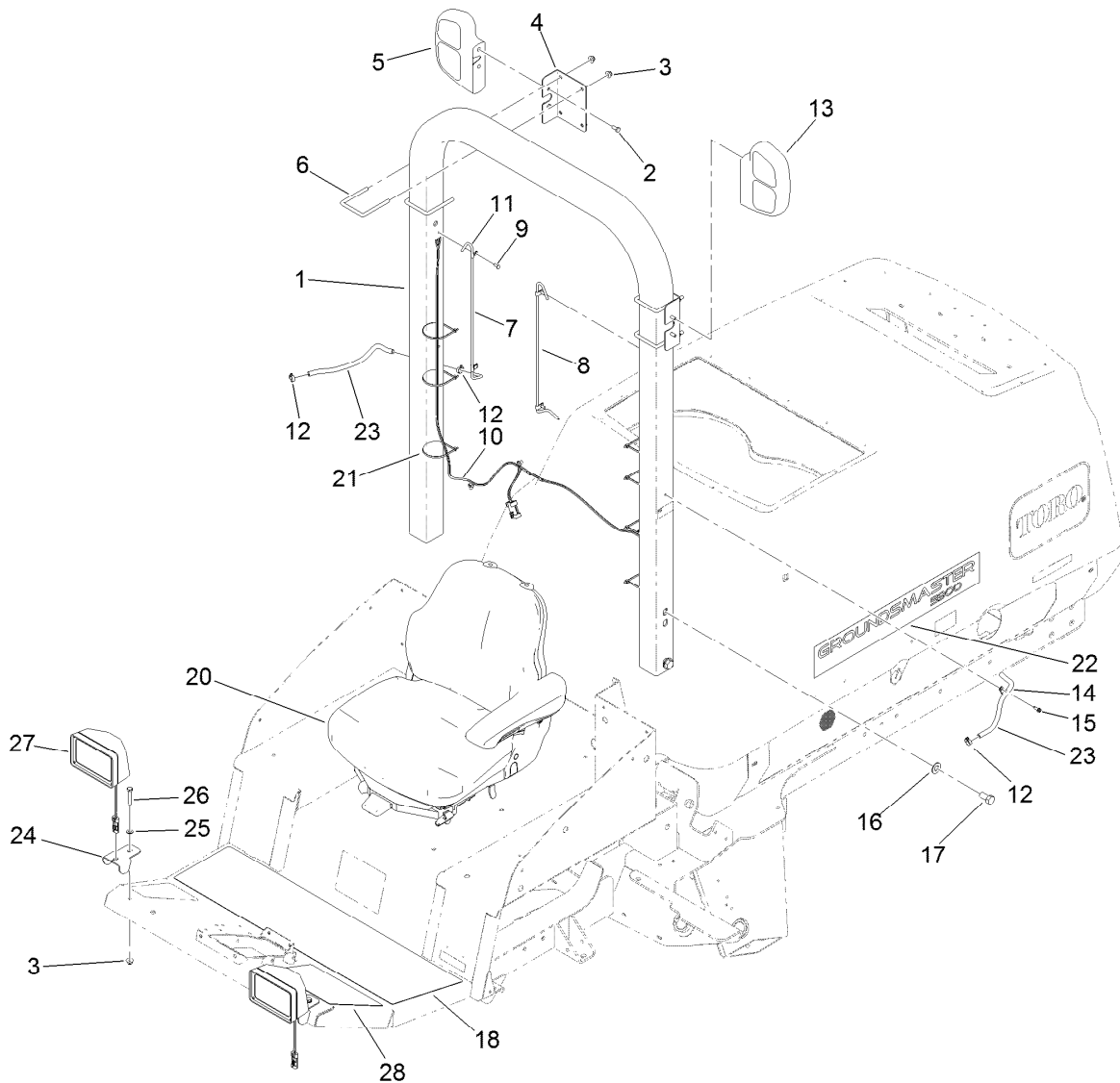
■ Not serviced separately

Wire Harness Assembly



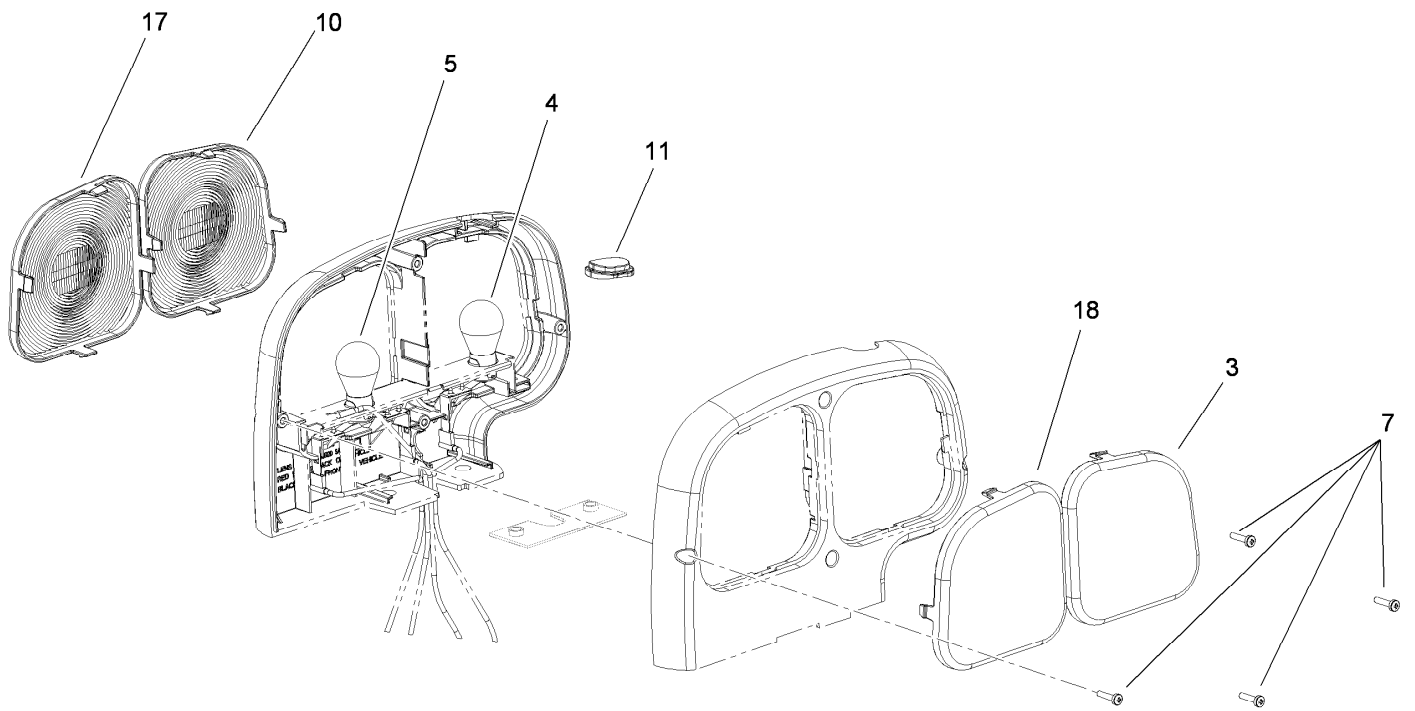
Wire Harness Assembly (continued)

| <i>Ref.</i> | <i>Part Number</i> | <i>Qty.</i> | <i>Description</i> | <i>Ref.</i> | <i>Part Number</i> | <i>Qty.</i> | <i>Description</i> |
|-------------|--------------------|-------------|--------------------------|-------------|--------------------|-------------|-------------------------|
| 1 | 122-0201 | 1 | Harness-Wire | 2 | 122-0441 | 1 | Harness-Wire |
| 1:16 | 32180-167 | 7 | Diode-Mini Fuse, 6A | 2:24 | 32180-167 | 1 | Diode-Mini Fuse, 6A |
| 1:26 | 32180-135 | 1 | Nut-Connector | 2:26 | 121-8864 | 1 | Fuse-Mini Blade, 5 Amp |
| 1:27 | 32180-143 | 1 | Washer-Lock | 2:27 | 121-8869 | 1 | Fuse-Mini Blade, 25 Amp |
| 1:30 | 121-8861 | 4 | Fuse-Mini Blade, 2 Amp | 2:44 | 122-0392 | 1 | Voltage Divider-Sealed |
| 1:31 | 121-8865 | 6 | Fuse-Mini Blade, 7.5 Amp | 3 | 122-0337 | 1 | Harness-Wire, Engine |
| 1:32 | 121-8866 | 6 | Fuse-Mini Blade, 10 Amp | 3:15 | 100-4918 | 2 | Diode |
| 1:33 | 121-8867 | 1 | Fuse-Mini Blade, 15 Amp | 3:16 | 121-8891 | 1 | Resistor (1.6K Ohm) |
| 1:34 | 121-8870 | 1 | Fuse-Mini Blade, 30 Amp | 4 | 33105-025 | 1 | Screw-HHF |
| 1:38 | 32180-174 | 2 | Washer-Lock | 5 | 32180-030 | 2 | Clip-Tie |
| 1:39 | 32180-175 | 2 | Nut-Connector | 6 | 32180-149 | 1 | Tie-Button Head |
| 1:41 | 32180-190 | 1 | Resistor-2K Ohm | 7 | 3290-378 | 11 | Tie-Cable |



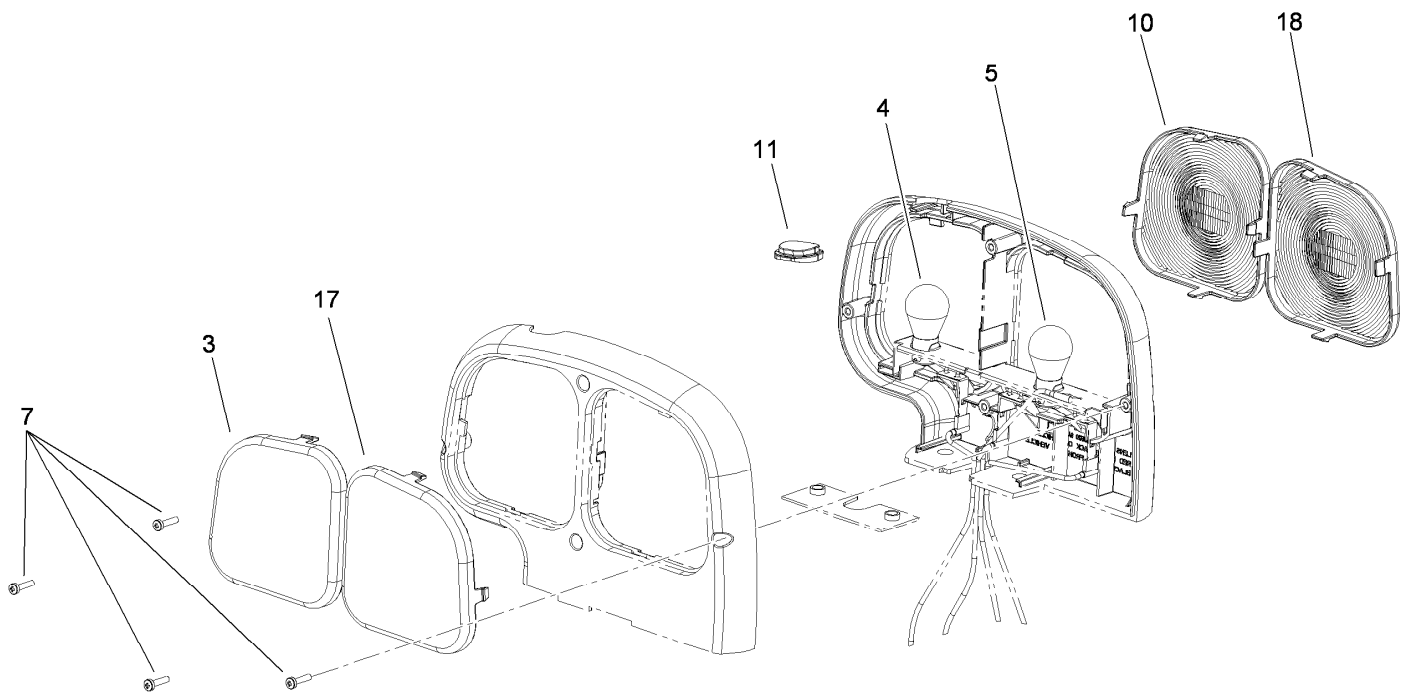
Roll-Over Protection System Assembly For ROPS Model Only

| <i>Ref.</i> | <i>Part Number</i> | <i>Qty.</i> | <i>Description</i> | <i>Ref.</i> | <i>Part Number</i> | <i>Qty.</i> | <i>Description</i> |
|-------------|--------------------|-------------|------------------------|-------------|--------------------|-------------|----------------------|
| 1 | 132-1416 | 1 | ROPS ASM | 15 | 49-2040 | 2 | Screw-HWHTF |
| 2 | 33114-020 | 4 | Screw-HH | 16 | 3256-27 | 4 | Washer-Flat |
| 3 | 104-8301 | 10 | Nut-HF, NI | 17 | 327-3 | 4 | Screw-HH |
| 4 | 114-5601-03 | 2 | Bracket-Flasher | 18 | 132-1333 | 1 | Tread-Foot, Abrasive |
| 5 | 108-8007 | 1 | Tail Light Flasher ASM | 20 | 117-5676 | 1 | Premium Seat ASM |
| 6 | 100-7067 | 4 | U-Bolt (4 Inch) | 21 | 3290-379 | 7 | Tie-Cable |
| 7 | 114-0938 | 1 | Tube-Vent | 22 | 110-6008 | 2 | Decal-Hood |
| 8 | 114-0937 | 1 | Tube-Vent | 23 | 110-4110 | 2 | Hose-Fuel |
| 9 | 3290-412 | 4 | Rivet-Blind | 24 | 125-5305-01 | 2 | Bracket-Headlight |
| 10 | 122-0786 | 1 | Harness-Wire, Flashers | 25 | 3256-45 | 2 | Washer-Flat |
| 11 | 2412-72 | 4 | Clip-Closed, Insulated | 26 | 323-10 | 2 | Screw-HH |
| 12 | 2412-108 | 4 | Clamp-Worm | 27 | 114-5928 | 2 | Headlight ASM |
| 13 | 108-8008 | 1 | Tail Light Flasher ASM | 28 | 132-1334 | 1 | Tread-Foot, Abrasive |
| 14 | 2412-134 | 2 | Clamp-R | | | | |



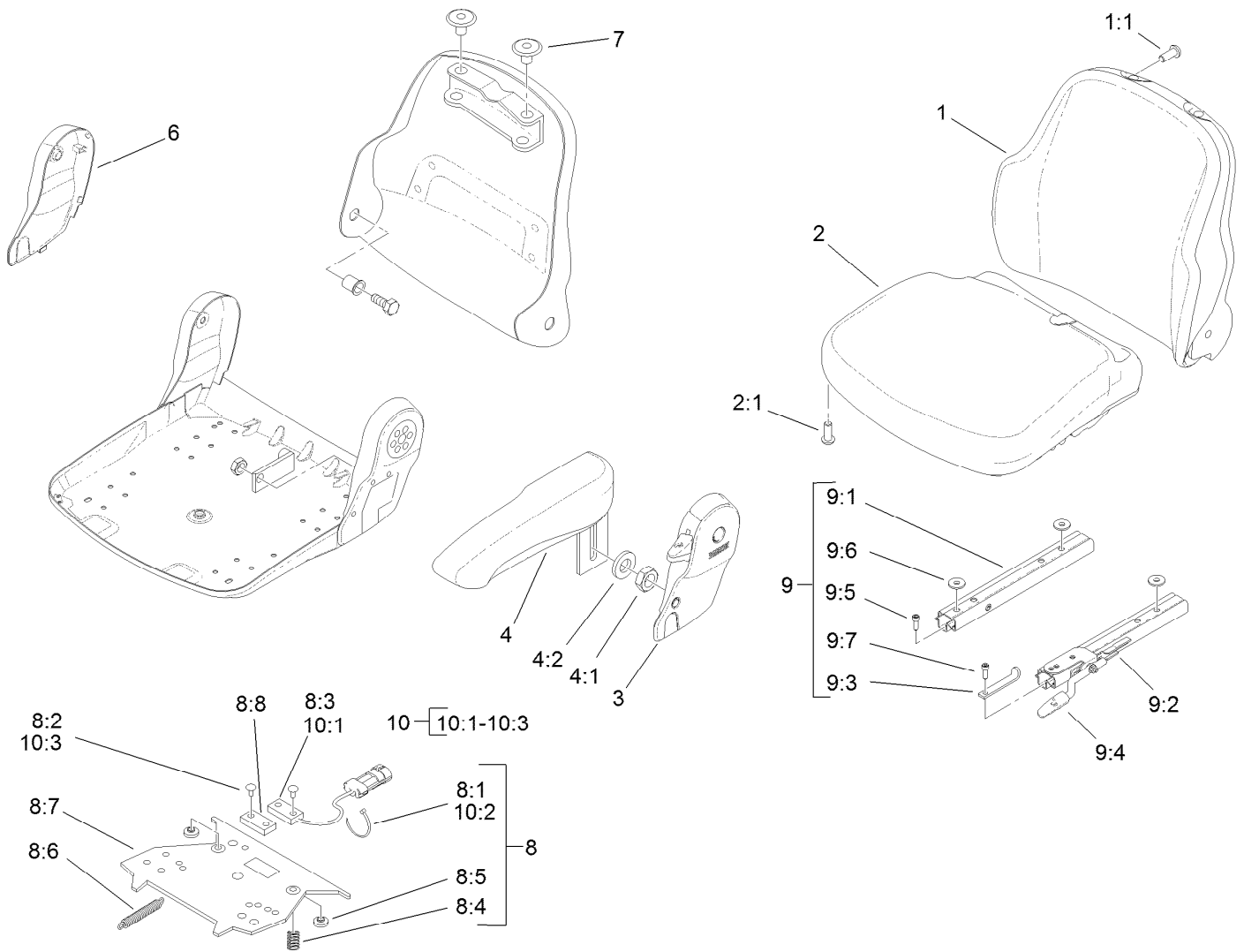
Right Hand Tail Light Assembly No. 108-8007

| Ref. | Part Number | Qty. | Description |
|------|-------------|------|--------------------|
| 3 | 108-8056 | 1 | Lens-Amber, Base |
| 4 | 7228 | 1 | Bulb-1156 |
| 5 | 108-8054 | 1 | Bulb-1157 |
| 7 | 108-8053 | 4 | Screw |
| 10 | 108-8057 | 1 | Lens-Amber, Cover |
| 11 | 108-8055 | 1 | Lens-Amber, Window |
| 17 | 108-8060 | 1 | Lens-Red, Base |
| 18 | 108-8059 | 1 | Lens-Black, Cover |



Left Hand Tail Light Assembly No. 108-8008

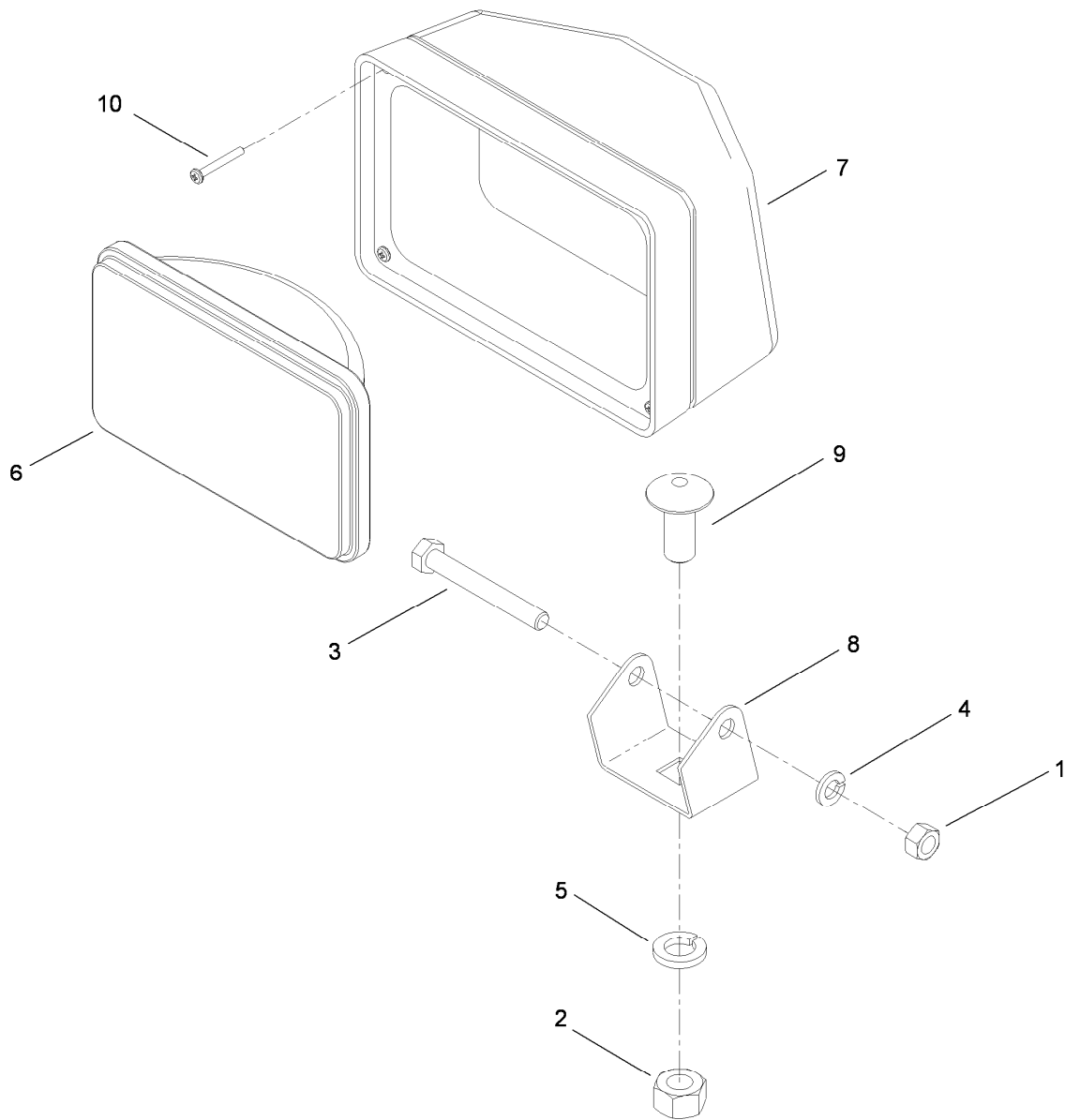
| <i>Ref.</i> | <i>Part Number</i> | <i>Qty.</i> | <i>Description</i> |
|-------------|--------------------|-------------|--------------------|
| 3 | 108-8056 | 1 | Lens-Amber, Base |
| 4 | 7228 | 1 | Bulb-1156 |
| 5 | 108-8054 | 1 | Bulb-1157 |
| 7 | 108-8053 | 4 | Screw |
| 10 | 108-8057 | 1 | Lens-Amber, Cover |
| 11 | 108-8055 | 1 | Lens-Amber, Window |
| 17 | 108-8061 | 1 | Lens-Red, Cover |
| 18 | 108-8058 | 1 | Lens-Black, Base |



Vinyl Premium Seat Assembly No. 117-5676

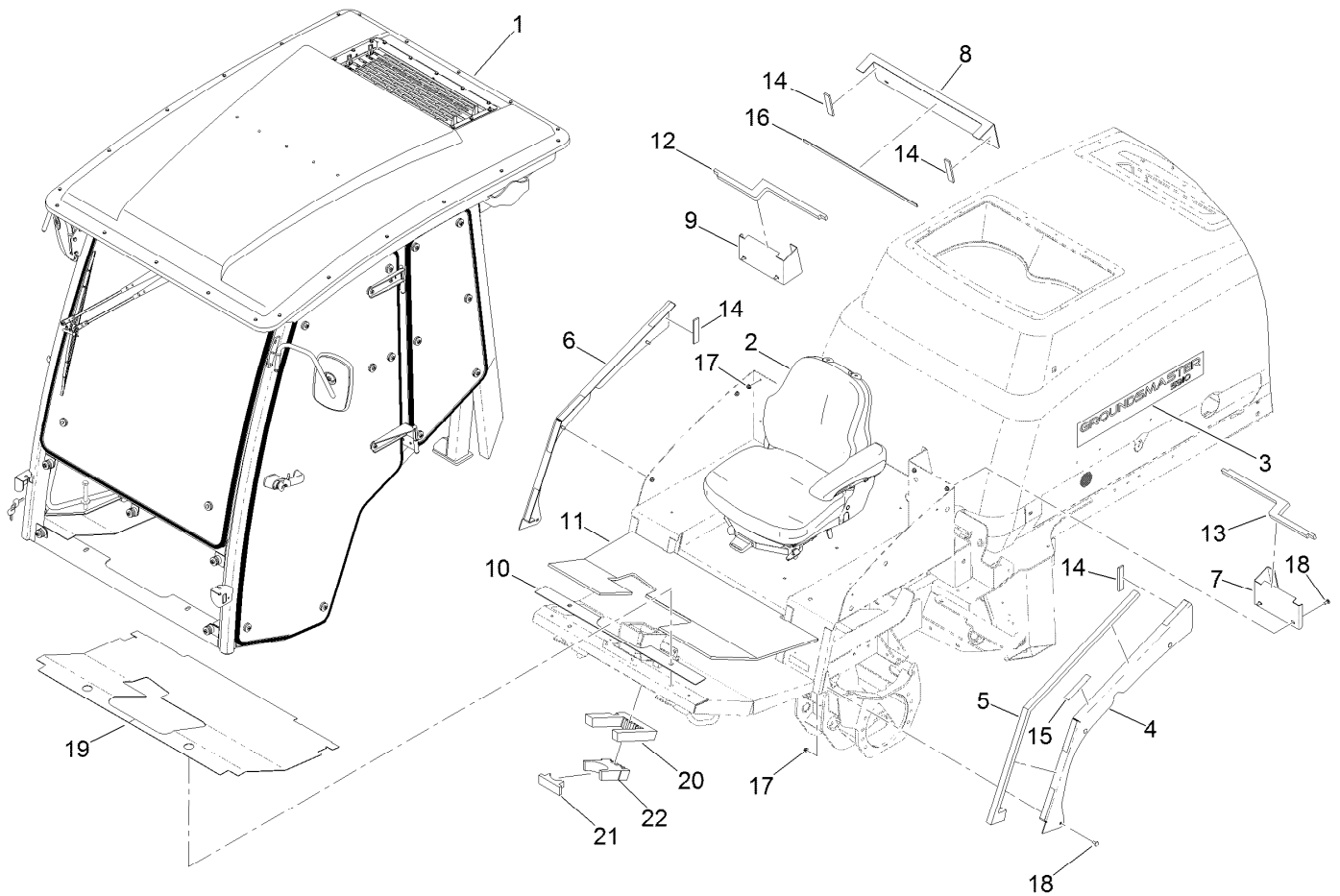
| Ref. | Part Number | Qty. | Description | Ref. | Part Number | Qty. | Description |
|------|-------------|------|-------------------------|------|-------------|------|-----------------------|
| 1 | 108-8016 | 1 | Backrest Cushion ASM | 8:6 | | 1 | Spring-Extension ● |
| 1:1 | 119-7742 | 4 | Screw-Cushion | 8:7 | | 1 | Plate-Mounting ● |
| 2 | 108-8017 | 1 | Seat Cushion ASM | 8:8 | | 1 | Magnet ● |
| 2:1 | 119-7742 | 3 | Screw-Cushion | 9 | 108-8025 | 1 | Adjustment Rail Set |
| 3 | 108-8018 | 1 | Cover-Armrest | 9:1 | | 1 | Rail-Adjustment, RH ● |
| 4 | 108-8019 | 1 | LH Armrest ASM | 9:2 | | 1 | Rail-Adjustment, LH ● |
| 4:1 | 82-9650 | 1 | Nut | 9:3 | | 1 | Stop-Rail ● |
| 4:2 | 107-1198 | 1 | Washer | 9:4 | | 1 | Handle ● |
| 6 | 108-8021 | 1 | Cover-Armrest | 9:5 | | 3 | Screw ● |
| 7 | 108-8022 | 2 | Cover-Black | 9:6 | | 3 | Washer ● |
| 8 | 108-8024 | 1 | Switch Kit | 9:7 | | 1 | Screw ● |
| 8:1 | | 3 | Wire Tie ● | 10 | 110-6189 | 1 | Switch Kit |
| 8:2 | | 4 | Rivet ● | 10:1 | | 1 | Switch ● |
| 8:3 | | 1 | Sensor-Seat Switch ● | 10:2 | | 3 | Wire Tie ● |
| 8:4 | | 2 | Spring-Compression ● | 10:3 | | 2 | Rivet ● |
| 8:5 | | 2 | Bumper-Pressure Plate ● | | | | |

● Not serviced separately



Head Light Assembly No. 92-6565

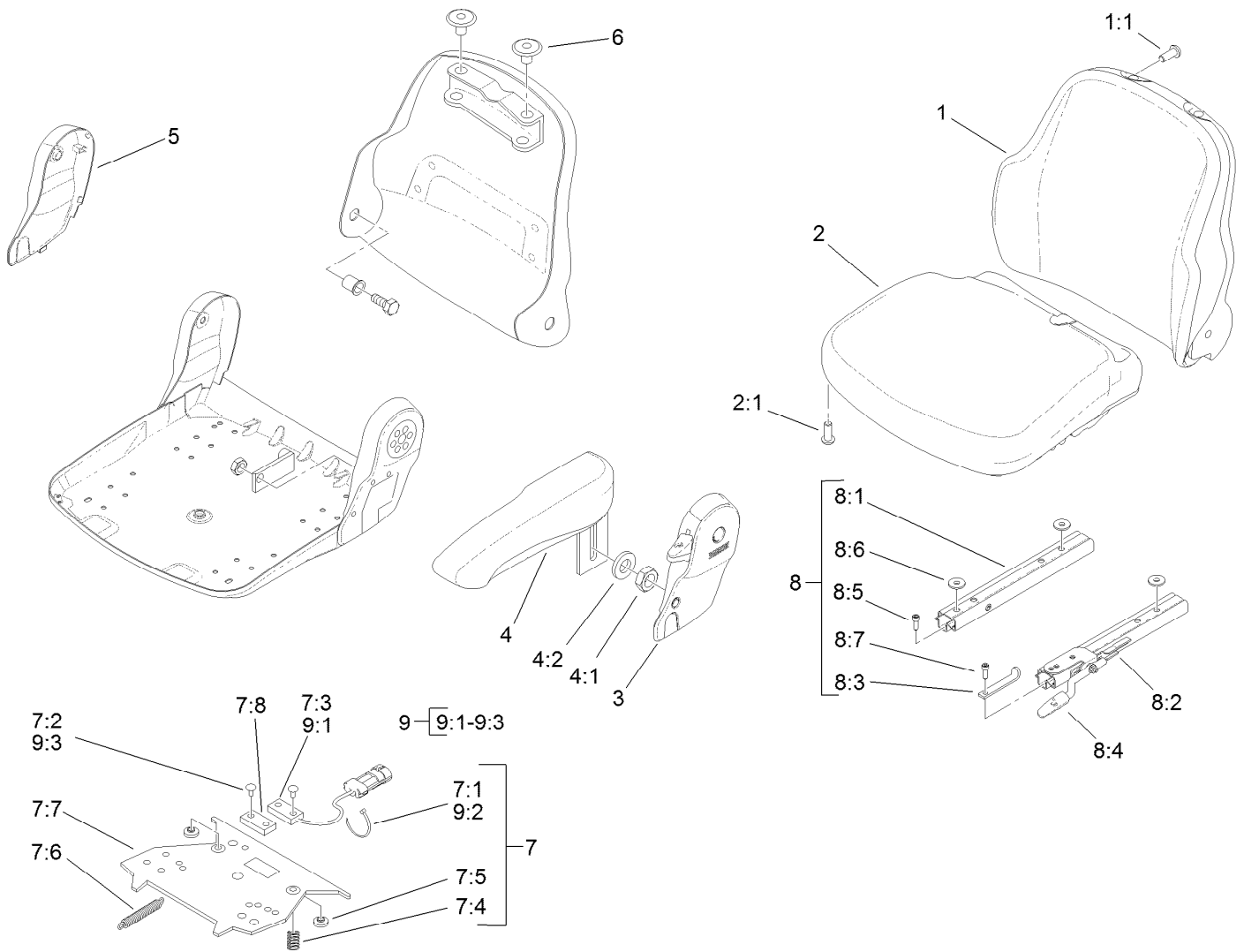
| Ref. | Part Number | Qty. | Description |
|------|-------------|------|------------------------|
| 1 | 3217-6 | 1 | Nut-Hex |
| 2 | 3217-9 | 1 | Nut-HH |
| 3 | 322-12 | 1 | Screw-HH |
| 4 | 3253-4 | 1 | Washer-Lock |
| 5 | 3253-7 | 1 | Washer-Lock |
| 6 | 92-6595 | 1 | Lamp-Beam, Sealed |
| 7 | 92-6596 | 1 | Bezel |
| 8 | 92-6597 | 1 | Bracket-Mounting |
| 9 | 92-6598 | 1 | Bolt-Carriage, Drilled |
| 10 | 92-6599 | 4 | Screw |



Cab Mounting Assembly For Cab Model Only

| <i>Ref.</i> | <i>Part Number</i> | <i>Qty.</i> | <i>Description</i> | <i>Ref.</i> | <i>Part Number</i> | <i>Qty.</i> | <i>Description</i> |
|-------------|--------------------|-------------|-----------------------|-------------|--------------------|-------------|----------------------|
| 1 | | 1 | Cab ASM ● | 12 | 130-0534 | 1 | Foam-Seal, Rear RH |
| 2 | 117-9429 | 1 | Matrix Cloth Seat ASM | 13 | 130-0535 | 1 | Foam-Seal, Rear LH |
| 3 | 115-5448 | 2 | Decal-Hood | 14 | 115-5465 | 4 | Seal-Trim |
| 4 | 132-3297-03 | 1 | Panel-Transition, LH | 15 | 130-6112 | 8 | Tape-Double Stick |
| 5 | 132-3293 | 2 | Foam-Seal, Side Panel | 16 | 130-5724 | 1 | Seal-Trim |
| 6 | 132-3296-03 | 1 | Panel-Transition, RH | 17 | 104-8300 | 10 | Nut-HF, NI |
| 7 | 132-3299-03 | 1 | Panel-Rear, LH | 18 | 3230-23 | 10 | Bolt-CARR |
| 8 | 132-3294-03 | 1 | Panel-Rear, Center | 19 | 130-5984 | 1 | Tread-Floor |
| 9 | 132-3298-03 | 1 | Panel-Rear, RH | 20 | 130-6115 | 1 | Foam-Steering, Rear |
| 10 | 130-5605 | 1 | Gasket-Front | 21 | 130-6116 | 1 | Foam-Steering, Plug |
| 11 | 130-5983 | 1 | Foam-Floor | 22 | 130-6117 | 1 | Foam-Steering, Front |

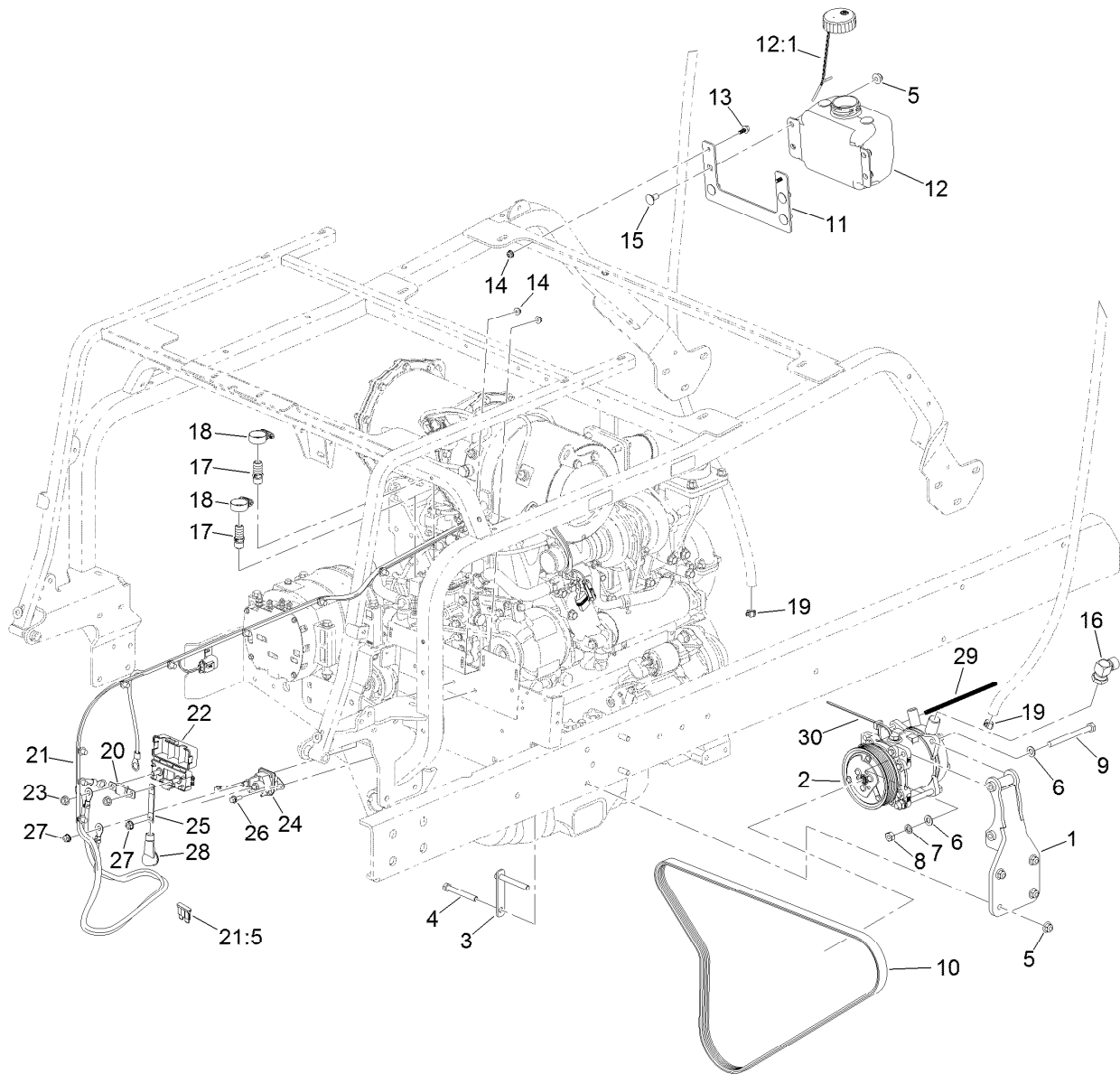
● Not serviced separately



Cloth Premium Seat Assembly No. 117-9429

| Ref. | Part Number | Qty. | Description | Ref. | Part Number | Qty. | Description |
|------|-------------|----------------------|-----------------------------------|----------|-------------|-------------------------|---------------------|
| 1 | 117-9415 | 1 | Backrest Cushion ASM Matrix Cloth | 7:5 | 2 | Bumper-Pressure Plate ● | |
| 1:1 | 119-7742 | 4 | Screw-Cushion | 7:6 | 1 | Spring-Extension ● | |
| 2 | 117-9416 | 1 | Seat Cushion ASM Matrix Cloth | 7:7 | 1 | Plate-Mounting ● | |
| 2:1 | 119-7742 | 3 | Screw-Cushion | 7:8 | 1 | Magnet ● | |
| 3 | 108-8018 | 1 | Cover-Armrest | 8 | 108-8025 | 1 | Adjustment Rail Set |
| 4 | 108-8019 | 1 | LH Armrest ASM | 8:1 | 1 | Rail-Adjustment, RH ● | |
| 4:1 | 82-9650 | 1 | Nut | 8:2 | 1 | Rail-Adjustment, LH ● | |
| 4:2 | 107-1198 | 1 | Washer | 8:3 | 1 | Stop-Rail ● | |
| 5 | 108-8021 | 1 | Cover-Armrest | 8:4 | 1 | Handle ● | |
| 6 | 108-8022 | 2 | Cover-Black | 8:5 | 3 | Screw ● | |
| 7 | 108-8024 | 1 | Switch Kit | 8:6 | 3 | Washer ● | |
| 7:1 | 3 | Wire Tie ● | 8:7 | 1 | Screw ● | | |
| 7:2 | 4 | Rivet ● | 9 | 110-6189 | 1 | Switch Kit | |
| 7:3 | 1 | Sensor-Seat Switch ● | 9:1 | 1 | Switch ● | | |
| 7:4 | 2 | Spring-Compression ● | 9:2 | 3 | Wire Tie ● | | |
| | | | 9:3 | 2 | Rivet ● | | |

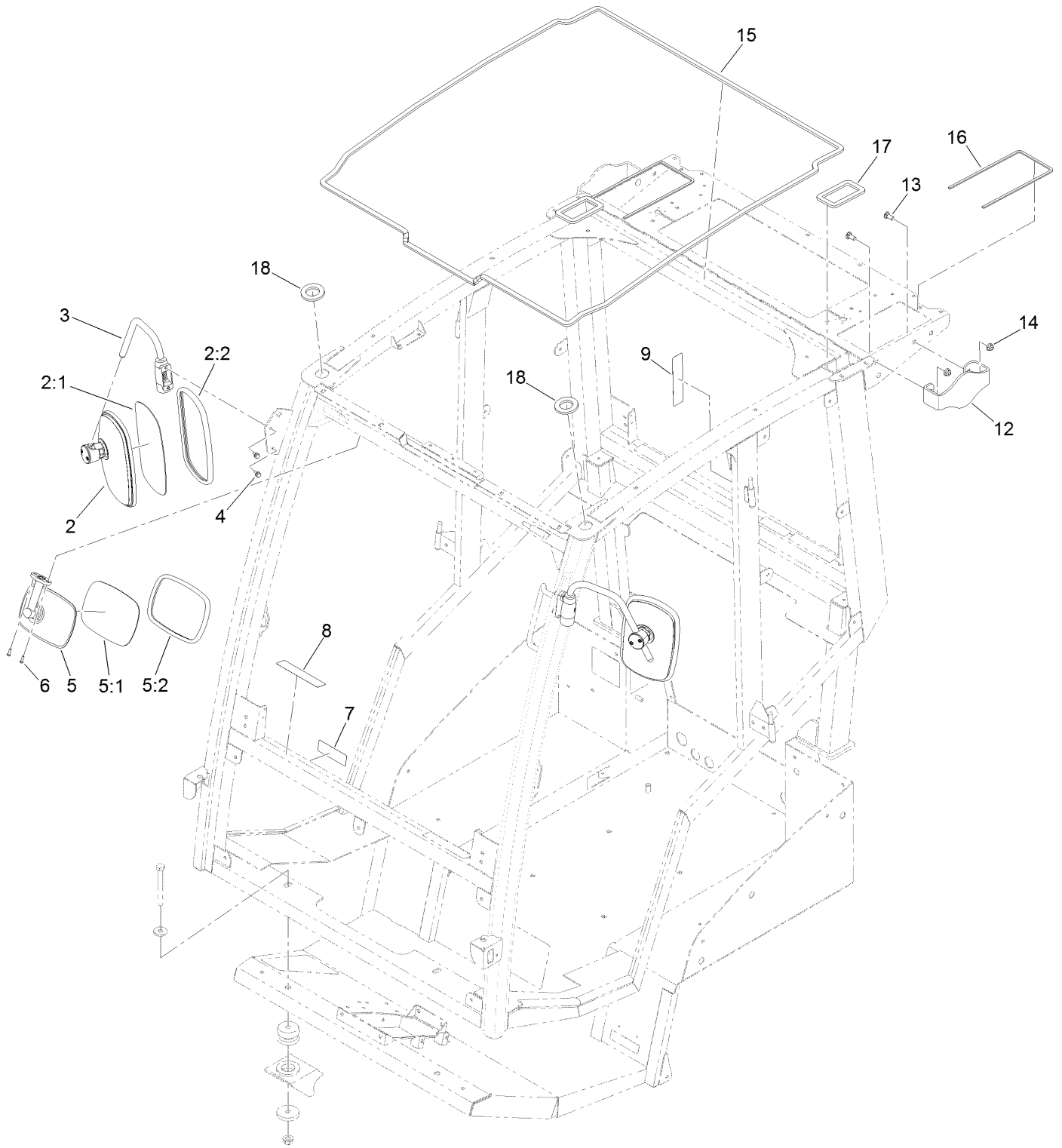
● Not serviced separately



AC Compressor Mount and Cab Fluids Assembly For Cab Model Only

| Ref. | Part Number | Qty. | Description | Ref. | Part Number | Qty. | Description |
|------|-------------|------|---------------------------|------|-------------|------|-----------------------|
| 1 | 130-2482-03 | 1 | Mount-Compressor | 16 | 119-0128 | 1 | Fitting-Elbow, 90 DEG |
| 2 | 130-2487 | 1 | Compressor | 17 | 117-9410 | 2 | Fitting-Straight |
| 3 | 130-2483-03 | 2 | Compressor-Mount, Strap | 18 | 2412-129 | 2 | Clamp-Hose |
| 4 | 323-14 | 4 | Screw-HH | 19 | 2412-108 | 2 | Clamp-Worm |
| 5 | 104-8301 | 8 | Nut-HF, NI | 20 | AU126232 | 1 | Fuse-100A |
| 6 | 33095-00 | 4 | Washer-Flat | 21 | 122-0640 | 1 | Harness-Power, Cab |
| 7 | 48-9590 | 2 | Washer-Lock | 21:5 | 218-578 | 1 | Fuse-Blade, 10 Amp |
| 8 | 33015-00 | 2 | Nut-Hex | 22 | 114-3318 | 1 | Holder-Fuse, Mega |
| 9 | 33115-110 | 2 | Screw-HH | 23 | 127-2371 | 2 | Nut-HF |
| 10 | 130-9166 | 1 | Belt-Poly V | 24 | 131-8342 | 1 | Solenoid |
| 11 | 130-5625-03 | 1 | Bracket-Tank, Wiper Fluid | 25 | 114-5682 | 1 | Strap-Jumper |
| 12 | 125-5257 | 1 | Tank-Fluid, Washer | 26 | 3234-4 | 2 | Screw-HHF |
| 12:1 | 125-5258 | 1 | Lid-Tank, Washer Fluid | 27 | 107-0380 | 2 | Nut-HF |
| 13 | 99-6810 | 2 | Screw-HHF | 28 | 32180-008 | 1 | Insulator-Lug, Red |
| 14 | 104-7201 | 4 | Nut-HF, NI | 29 | 115-8882 | 1 | Conduit-Convolutd |
| 15 | 3231-1 | 4 | Screw-CARR | 30 | 3290-378 | 1 | Tie-Cable |

Cab Frame, Mirror and Decal Assembly For Cab Model Only

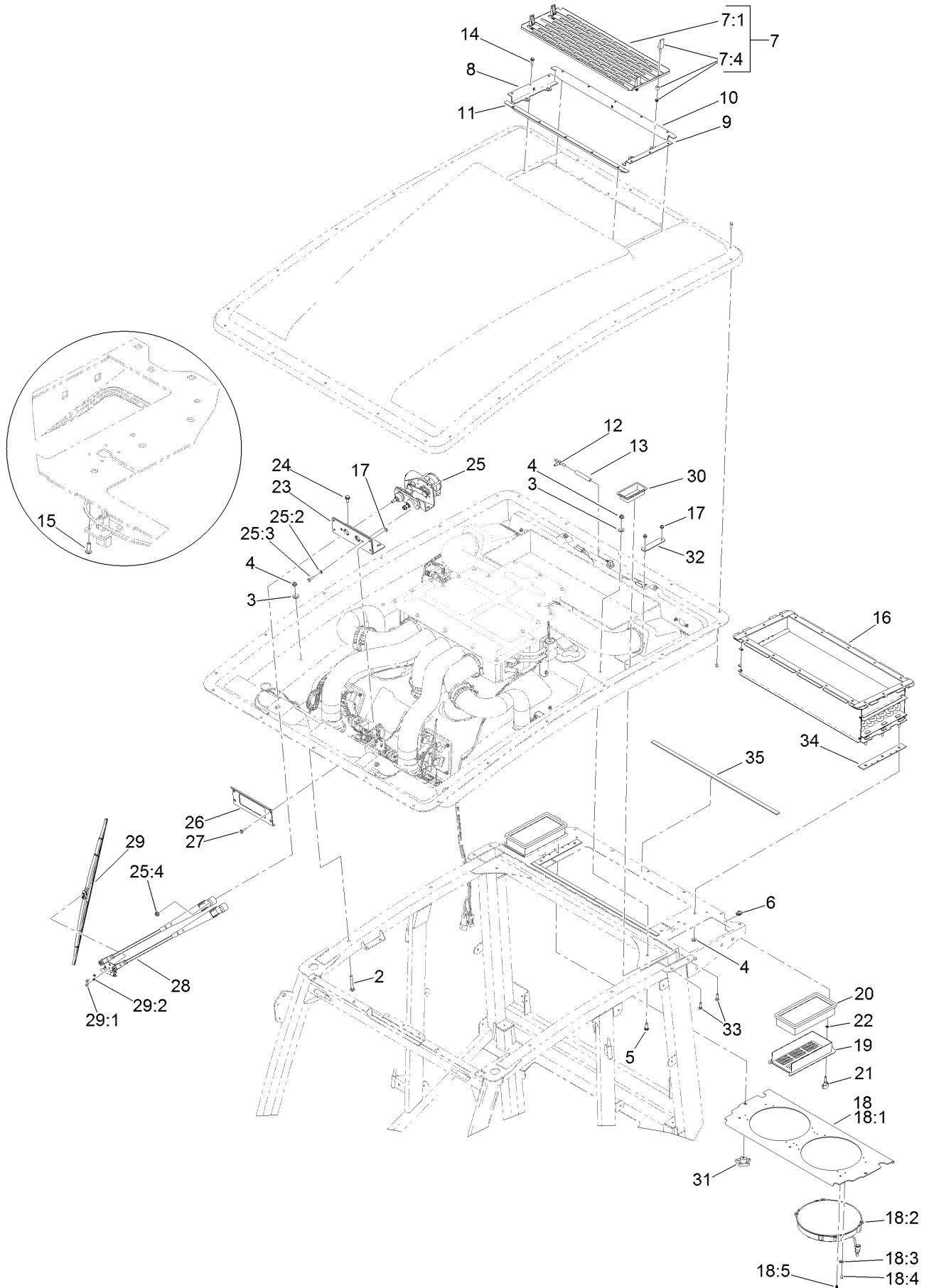


Cab Frame, Mirror and Decal Assembly For Cab Model Only (continued)

| <i>Ref.</i> | <i>Part Number</i> | <i>Qty.</i> | <i>Description</i> | <i>Ref.</i> | <i>Part Number</i> | <i>Qty.</i> | <i>Description</i> |
|-------------|--------------------|-------------|----------------------|-------------|--------------------|-------------|----------------------------|
| 2 | 121-8341 | 2 | Side Mirror ASM | 8 | 130-0611 | 4 | Decal-Window, Pin |
| 2:1 | | 1 | Mirror-Glass ● | 9 | 130-0594 | 1 | Decal-Warning |
| 2:2 | | 1 | Gasket ● | 12 | 130-5791-03 | 2 | Deck-Stop |
| 3 | 121-8275 | 2 | Arm-Mirror, Side | 13 | 3231-12 | 4 | Bolt-CARR |
| 4 | 33103-016 | 4 | Screw-HHF | 14 | 104-8301 | 4 | Nut-HF, NI |
| 5 | 121-8343 | 1 | Interior Mirror ASM | 15 | 130-0586 | 1 | Seal-Foam, Frame Roof |
| 5:1 | | 1 | Mirror ● | 16 | 130-0587 | 2 | Seal-Foam, Roof Air Filter |
| 5:2 | | 1 | Gasket ● | 17 | 130-5855 | 2 | Seal-Tube, Rear |
| 6 | 32144-32 | 2 | Screw-PPH | 18 | 133-0982 | 2 | Tube-Seal, Front |
| 7 | 130-5356 | 1 | Decal-Traction Pedal | | | | |

● Not serviced separately

Windshield Wiper, Filter and Air Conditioning Assembly For Cab Model Only

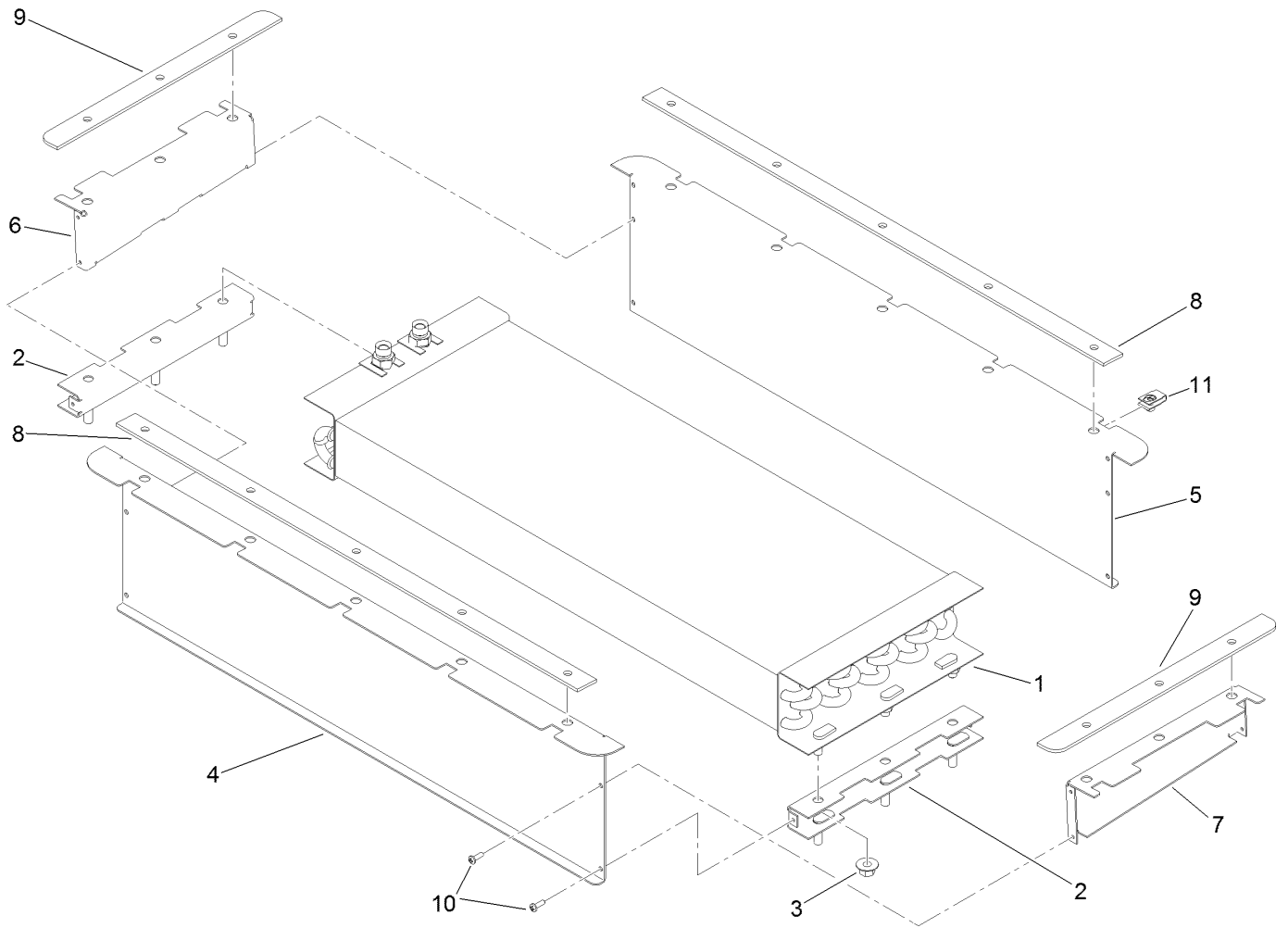


Windshield Wiper, Filter and Air Conditioning Assembly For Cab Model Only (continued)

| <i>Ref.</i> | <i>Part Number</i> | <i>Qty.</i> | <i>Description</i> | <i>Ref.</i> | <i>Part Number</i> | <i>Qty.</i> | <i>Description</i> |
|-------------|--------------------|-------------|-----------------------|-------------|--------------------|-------------|---------------------------|
| 2 | 3230-9 | 4 | Screw-CARR | 18:5 | 114-4899 | 3 | Rivet-Push |
| 3 | 3256-3 | 17 | Washer-Flat | 19 | 125-9825-03 | 2 | Cover-Air, Fresh |
| 4 | 104-8300 | 21 | Nut-HF, NI | 20 | 121-8457 | 2 | Filter-Air |
| 5 | 3230-22 | 13 | Screw-CARR | 21 | 126-5846 | 2 | Knob-T |
| 6 | 107069 | 2 | Clip | 22 | 106-8737 | 2 | Nut-Retainer |
| 7 | | 1 | Screen ASM ● | 23 | 130-5871 | 1 | Bracket-Wiper |
| 7:1 | 132-3530-03 | 1 | Screen | 24 | 32144-11 | 3 | Screw-HWH |
| 7:4 | 74-5950 | 4 | Latch-Swell | 25 | 125-7452 | 1 | Wiper Motor ASM |
| 8 | 132-3534-03 | 1 | Seal-Side, Right | 25:2 | 3253-3 | 1 | Washer-Lock |
| 9 | 132-3533-03 | 1 | Seal-Side, Left | 25:3 | 33113-025 | 1 | Screw-HH |
| 10 | 132-3532-03 | 1 | Seal-Rear | 25:4 | 112-2844 | 2 | Nut-HF |
| 11 | 132-3531-03 | 1 | Seal-Front | 26 | 130-6068-03 | 1 | Plate-Washer, Wiper Motor |
| 12 | 99-5005 | 1 | Fitting-Tee, Barbed | 27 | 32105-15 | 4 | Screw-HWH |
| 13 | 114-3765 | 1 | Hose-Fuel | 28 | 125-7453 | 1 | Arm-Wiper |
| 14 | 120-4654 | 16 | Screw-HHF | 29 | 125-7454 | 1 | Blade-Wiper |
| 15 | 363-8245 | 8 | Screw-TAP | 29:1 | 47-2830 | 2 | Screw |
| 16 | 132-3468 | 1 | A/C Duct ASM | 29:2 | 43-5920 | 2 | Washer-Lock, Spring |
| 17 | 104-7201 | 8 | Nut-HF, NI | 30 | 130-5661 | 2 | Tube-Sleeve |
| 18 | 132-3488 | 1 | Panel-Fan | 31 | 117-5976 | 2 | Knob-Handle |
| 18:1 | 132-3486-03 | 1 | Plate-Mount, Fan | 32 | 130-5854 | 2 | Brace-Seal |
| 18:2 | 132-3607 | 2 | Fan-Condenser | 33 | 3229-30 | 4 | Screw-CARR |
| 18:3 | 132-3606 | 8 | Tab-Fan | 34 | 132-3608 | 2 | Seal-Edge |
| 18:4 | 105-6849 | 8 | Screw-Forming, Thread | 35 | 132-3609 | 2 | Seal-Strip |

● Not serviced separately

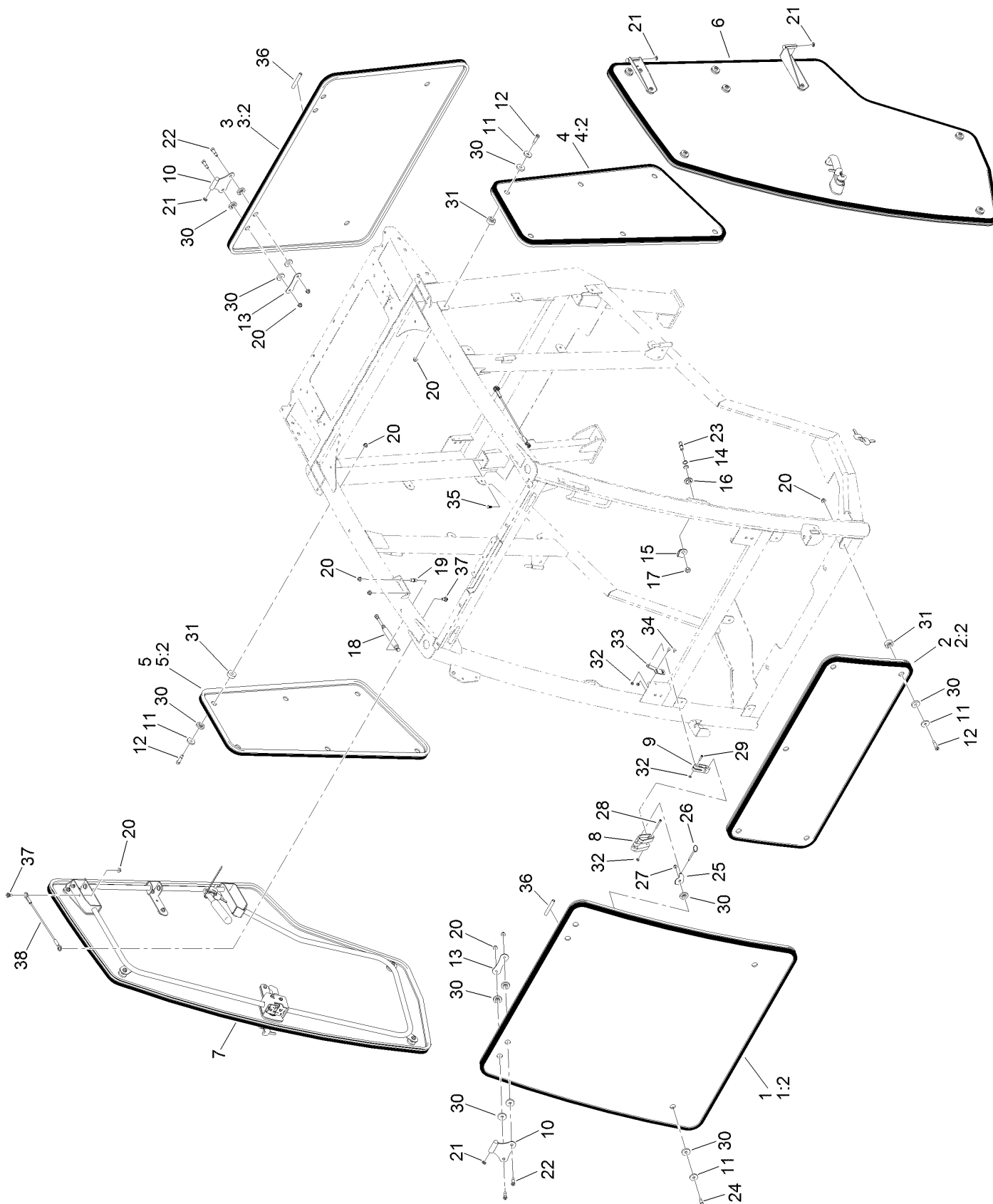
Air Conditioning Duct Assembly No. 132-3468 For Cab Model Only



Air Conditioning Duct Assembly No. 132-3468 For Cab Model Only (continued)

| <i>Ref.</i> | <i>Part Number</i> | <i>Qty.</i> | <i>Description</i> | <i>Ref.</i> | <i>Part Number</i> | <i>Qty.</i> | <i>Description</i> |
|-------------|--------------------|-------------|--------------------|-------------|--------------------|-------------|--------------------|
| 1 | 121-8447 | 1 | Core-Condenser | 7 | 132-3465-03 | 1 | Wall-Side, Left |
| 2 | 132-3469-03 | 2 | Leg-Lower | 8 | 132-3466 | 2 | Seal-Strip |
| 3 | 32128-44 | 6 | Nut | 9 | 132-3467 | 2 | Seal-Edge |
| 4 | 132-3462-03 | 1 | Wall-Front | 10 | 363-8245 | 12 | Screw-TAP |
| 5 | 132-3463-03 | 1 | Wall-Back | 11 | 107069 | 16 | Clip |
| 6 | 132-3464-03 | 1 | Wall-Side, Right | | | | |

Window and Door Assembly For Cab Model Only

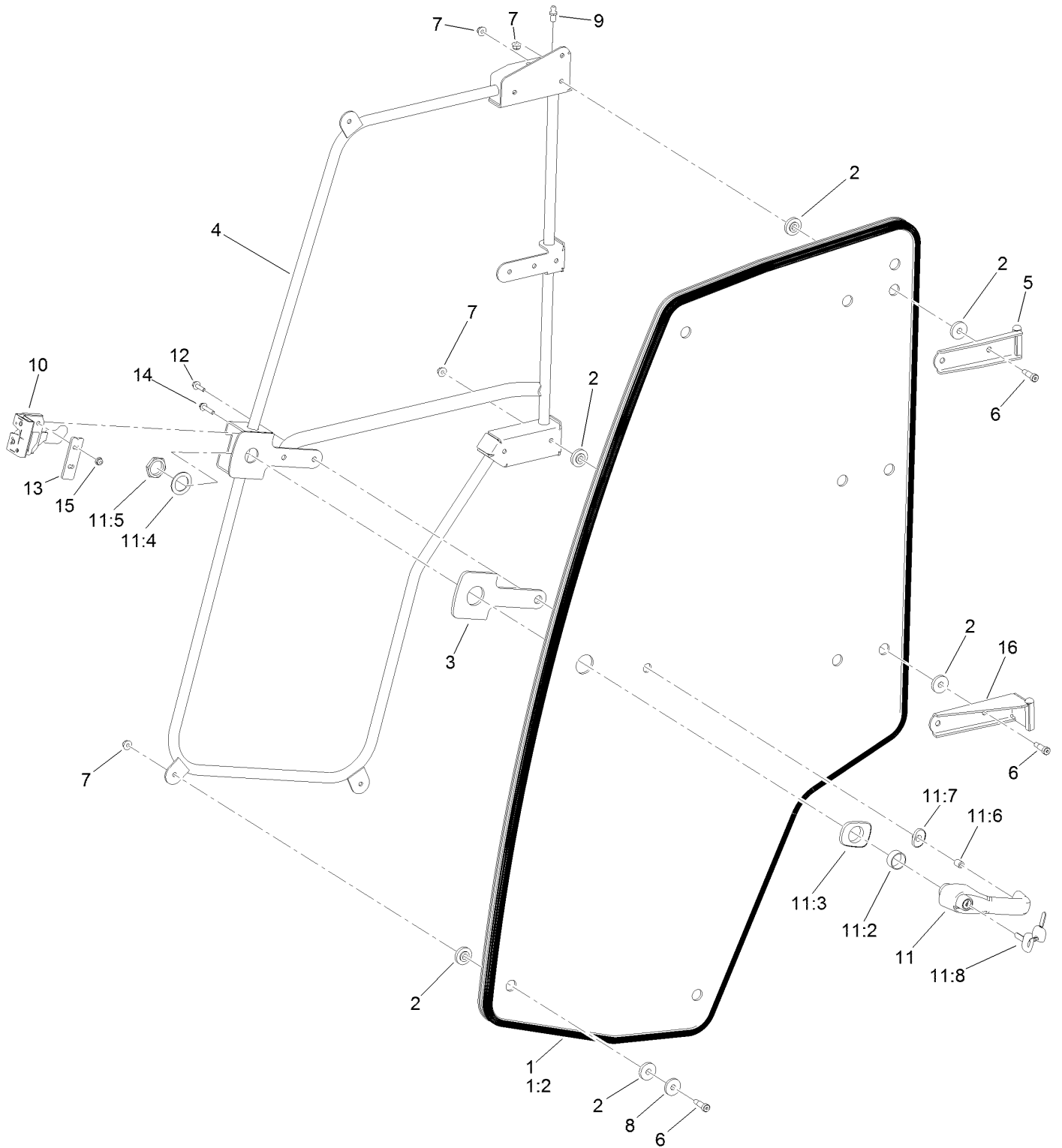


Window and Door Assembly For Cab Model Only (continued)

| <i>Ref.</i> | <i>Part Number</i> | <i>Qty.</i> | <i>Description</i> | <i>Ref.</i> | <i>Part Number</i> | <i>Qty.</i> | <i>Description</i> |
|-------------|--------------------|-------------|--------------------------|-------------|--------------------|-------------|---------------------|
| 1 | 130-5680 | 1 | Upper Front Window ASM | 18 | 130-6083 | 2 | Spring-Gas, Door |
| 1:2 | 121-8212 | 1 | Seal-Trim | 19 | 98-3104 | 2 | Stud-Ball |
| 2 | 130-5681 | 1 | Lower Front Window ASM | 20 | 104-8300 | 31 | Nut-HF, NI |
| 2:2 | 121-8211 | 1 | Trim-Window, Front | 21 | 121-8441 | 8 | Washer-Spacer |
| 3 | 130-5690 | 1 | Rear Window ASM | 22 | 125-9520 | 8 | Screw-Shoulder, HSH |
| 3:2 | 121-8213 | 1 | Trim-Window, Rear | 23 | 125-9993 | 2 | Striker-Stud |
| 4 | 130-6187 | 1 | LH Side Window ASM | 24 | 119-9812 | 4 | Bolt-Shoulder |
| 4:2 | 130-0502 | 1 | Trim-Window, Stationary | 25 | 125-9987 | 4 | Mount-Latch |
| 5 | 130-6186 | 1 | RH Side Window ASM | 26 | 127-9850 | 4 | Pin-Release, Quick |
| 5:2 | 130-0502 | 1 | Trim-Window, Stationary | 27 | 104-7201 | 4 | Nut-HF, NI |
| 6 | | 1 | LH Door ASM ● | 28 | 3274-59 | 4 | Screw-HSH |
| 7 | | 1 | RH Door ASM ● | 29 | 3274-14 | 4 | Screw-HSH |
| 8 | 125-9792 | 4 | Handle-Window | 30 | 125-9982 | 41 | Bushing-Flange |
| 9 | 125-9793 | 4 | Link-Window | 31 | 125-9537 | 17 | Bushing-Flange |
| 10 | 121-8535-03 | 4 | Hinge-Window | 32 | 120-9681 | 16 | Nut-Lock, NI |
| 11 | 130-5815 | 21 | Washer-Backup | 33 | 130-0590 | 4 | Mount-Tab |
| 12 | 125-9521 | 17 | Screw-Shldr HSH | 34 | 1-807513 | 8 | Bolt-CARR |
| 13 | 127-9933 | 4 | Plate-Backer, Windshield | 35 | 114-4899 | 2 | Rivet-Push |
| 14 | 73-0040 | 4 | Washer-Thrust | 36 | 130-5578 | 2 | Tubing-Seal, Rubber |
| 15 | 121-8393 | 2 | Guard-Striker | 37 | 120-9471 | 4 | Bolt-Shoulder |
| 16 | 125-9992 | 2 | Adjuster-Stud | 38 | 130-5726 | 2 | Lanyard |
| 17 | 106-0327 | 2 | Nut-Hex | | | | |

● Not serviced separately

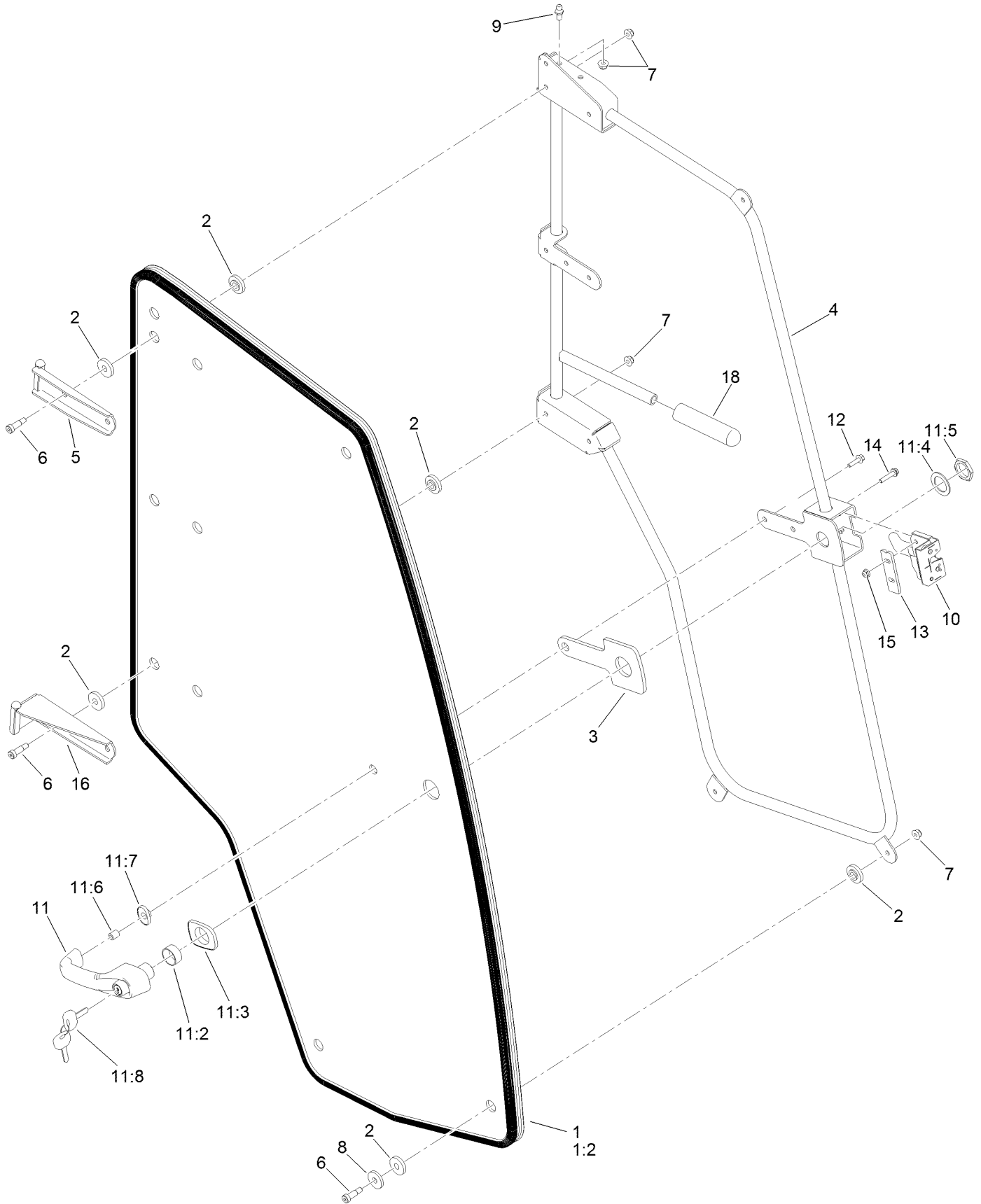
Left Hand Door Assembly For Cab Model Only



Left Hand Door Assembly For Cab Model Only (continued)

| <i>Ref.</i> | <i>Part Number</i> | <i>Qty.</i> | <i>Description</i> | <i>Ref.</i> | <i>Part Number</i> | <i>Qty.</i> | <i>Description</i> |
|-------------|--------------------|-------------|----------------------|-------------|--------------------|-------------|-------------------------|
| 1 | 130-6185 | 1 | LH Door ASM | 11:2 | 121-8628 | 1 | Cylinder-Mounting, Key |
| 1:2 | 121-8317 | 1 | Trim-Window, Door | 11:3 | 121-8322 | 1 | Grommet-Mounting, Large |
| 2 | 125-9982 | 20 | Bushing-Flange | 11:4 | 121-8327 | 1 | Washer |
| 3 | 121-8331 | 1 | Gasket-Handle | 11:5 | 121-8328 | 1 | Nut |
| 4 | 125-7358-03 | 1 | Frame-Door, LH | 11:6 | 121-8627 | 1 | Cylinder-Mounting, End |
| 5 | 130-0525-03 | 1 | Hinge-Door, Top (LH) | 11:7 | 121-8323 | 1 | Grommet-Mounting, Small |
| 6 | 125-9520 | 10 | Screw-Shoulder, HSH | 11:8 | 125-9531 | 1 | Key-Set |
| 7 | 104-8300 | 11 | Nut-HF, NI | 12 | 33103-025 | 1 | Screw-HHF |
| 8 | 130-5815 | 6 | Washer-Backup | 13 | 121-8395 | 1 | Plate-Support, Latch |
| 9 | 98-3104 | 1 | Stud-Ball | 14 | 3234-21 | 2 | Screw-HHF |
| 10 | 121-8391 | 1 | Latch-LH | 15 | 104-7201 | 2 | Nut-HF, NI |
| 11 | 121-8630 | 1 | Handle ASM | 16 | 130-0526-03 | 1 | Hinge-Door, Bottom (LH) |

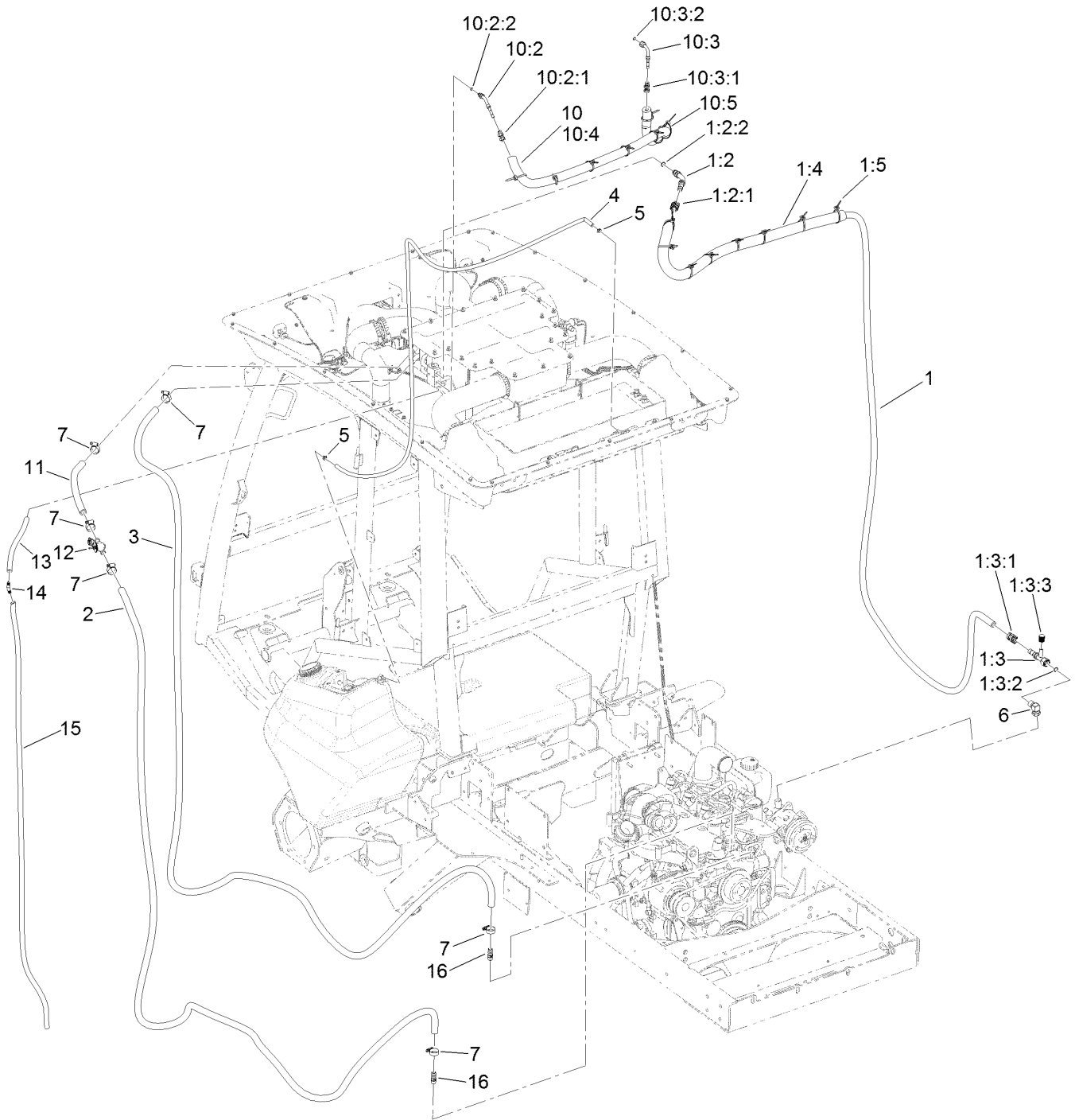
Right Hand Door Assembly For Cab Model Only



Right Hand Door Assembly For Cab Model Only (continued)

| <i>Ref.</i> | <i>Part Number</i> | <i>Qty.</i> | <i>Description</i> | <i>Ref.</i> | <i>Part Number</i> | <i>Qty.</i> | <i>Description</i> |
|-------------|--------------------|-------------|------------------------|-------------|--------------------|-------------|-------------------------|
| 1 | 130-6184 | 1 | RH Door ASM | 11:3 | 121-8322 | 1 | Grommet-Mounting, Large |
| 1:2 | 121-8317 | 1 | Trim-Window, Door | 11:4 | 121-8327 | 1 | Washer |
| 2 | 125-9982 | 20 | Bushing-Flange | 11:5 | 121-8328 | 1 | Nut |
| 3 | 121-8331 | 1 | Gasket-Handle | 11:6 | 121-8627 | 1 | Cylinder-Mounting, End |
| 4 | 125-7359-03 | 1 | Frame-Door, RH | 11:7 | 121-8323 | 1 | Grommet-Mounting, Small |
| 5 | 130-0529-03 | 1 | Hinge-Door, Top (RH) | 11:8 | 125-9531 | 1 | Key-Set |
| 6 | 125-9520 | 10 | Screw-Shoulder, HSH | 12 | 33103-025 | 1 | Screw-HHF |
| 7 | 104-8300 | 11 | Nut-HF, NI | 13 | 121-8395 | 1 | Plate-Support, Latch |
| 8 | 130-5815 | 6 | Washer-Backup | 14 | 3234-21 | 2 | Screw-HHF |
| 9 | 98-3104 | 1 | Stud-Ball | 15 | 104-7201 | 2 | Nut-HF, NI |
| 10 | 121-8390 | 1 | Latch-RH | 16 | 130-0530-03 | 1 | Hinge-Door, Bottom (RH) |
| 11 | 121-8630 | 1 | Handle ASM | 18 | 110-1037 | 1 | Grip-Handle |
| 11:2 | 121-8628 | 1 | Cylinder-Mounting, Key | | | | |

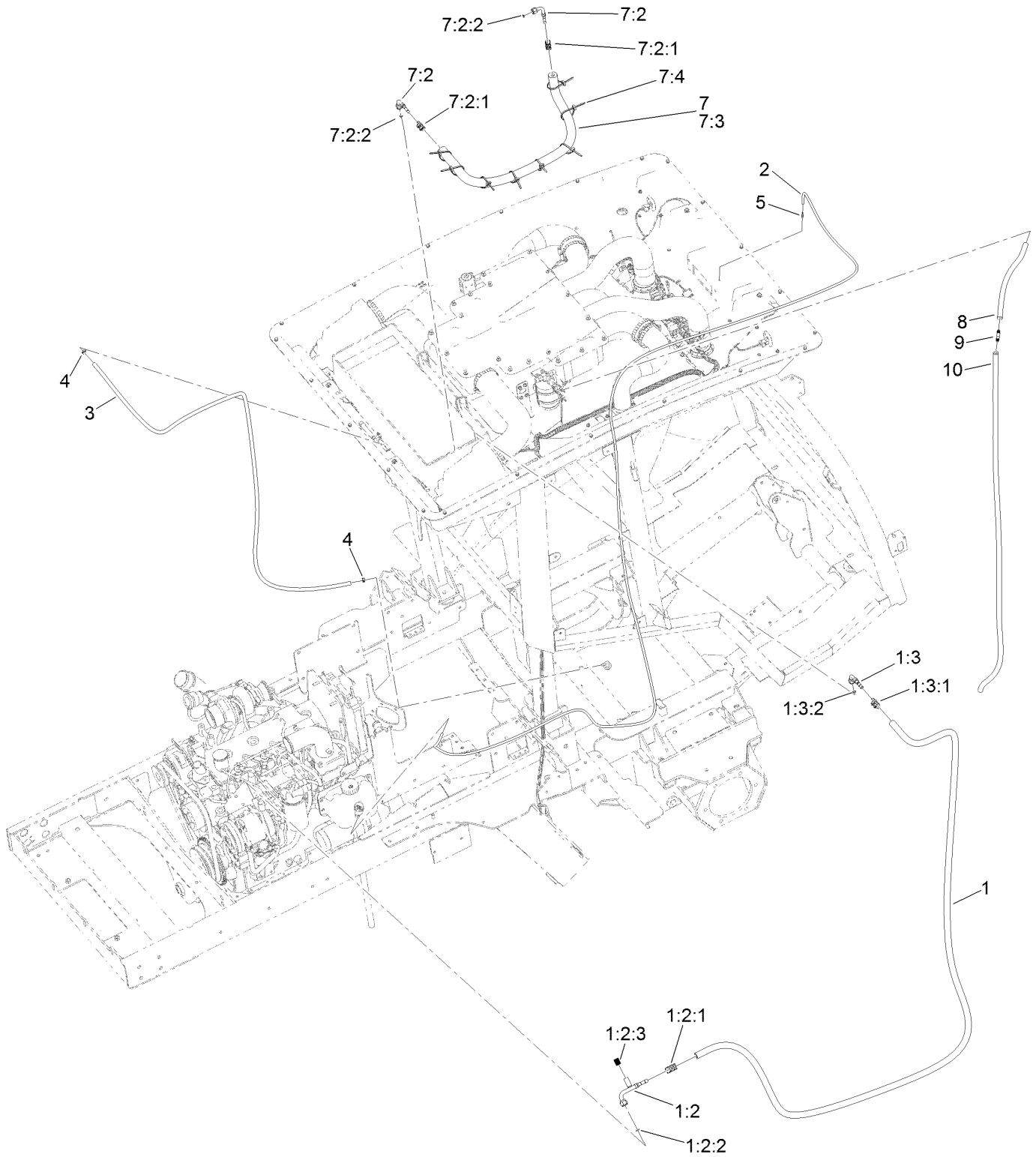
Left Side Hose Assembly For Cab Model Only



Left Side Hose Assembly For Cab Model Only (continued)

| <i>Ref.</i> | <i>Part Number</i> | <i>Qty.</i> | <i>Description</i> | <i>Ref.</i> | <i>Part Number</i> | <i>Qty.</i> | <i>Description</i> |
|-------------|--------------------|-------------|--------------------------|-------------|--------------------|-------------|------------------------|
| 1 | 130-5620 | 1 | A/C Hose ASM | 10 | 125-9702 | 1 | Hose ASM |
| 1:2 | 130-5754 | 1 | Fitting-Male, 45 DEG | 10:2 | 130-5753 | 1 | Fitting-45 DEG |
| 1:2:1 | 130-5775 | 1 | Fitting Kit | 10:2:1 | 130-5772 | 1 | Fitting Kit |
| 1:2:2 | 117-2780 | 1 | O-Ring | 10:2:2 | 117-2778 | 1 | O-Ring |
| 1:3 | 130-5755 | 1 | Fitting-Female, Straight | 10:3 | 130-5751 | 1 | Fitting-Female, 90 DEG |
| 1:3:1 | 130-5775 | 1 | Fitting Kit | 10:3:1 | 130-5772 | 1 | Fitting Kit |
| 1:3:2 | 117-2780 | 1 | O-Ring | 10:3:2 | 117-2778 | 1 | O-Ring |
| 1:3:3 | 117-2784 | 1 | Cap-Side, Low | 10:4 | 130-5958 | 1 | Cover-Foam |
| 1:4 | 130-5959 | 1 | Cover-Foam | 10:5 | 3290-378 | 8 | Tie-Cable |
| 1:5 | 3290-378 | 8 | Tie-Cable | 11 | 125-9706 | 1 | Hose-Heater |
| 2 | 130-5622 | 1 | Hose-Heater | 12 | 120-4947 | 1 | Valve-Heater |
| 3 | 130-5946 | 1 | Hose-Heater | 13 | 125-9865 | 1 | Hose-Drain |
| 4 | 130-5813 | 1 | Hose-Fuel | 14 | 130-0578 | 1 | Fitting-Barb, 90 DEG |
| 5 | 2412-98 | 2 | Clamp-Hose | 15 | 125-9866 | 1 | Hose-Drain |
| 6 | 119-0128 | 1 | Fitting-Elbow, 90 DEG | 16 | 117-9410 | 2 | Fitting-Straight |
| 7 | 2412-129 | 6 | Clamp-Hose | | | | |

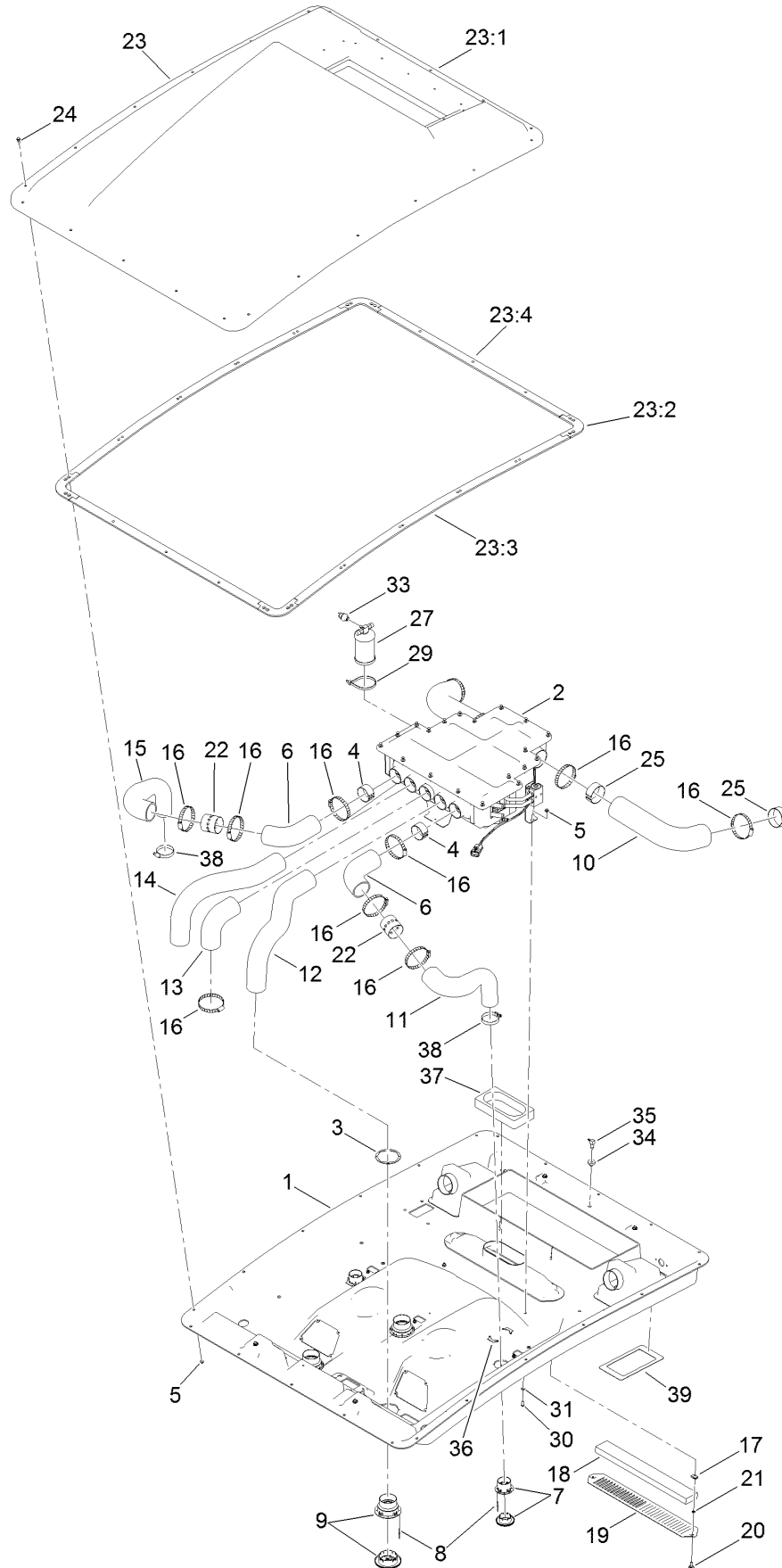
Right Side Hose Assembly For Cab Model Only



Right Side Hose Assembly For Cab Model Only (continued)

| <i>Ref.</i> | <i>Part Number</i> | <i>Qty.</i> | <i>Description</i> | <i>Ref.</i> | <i>Part Number</i> | <i>Qty.</i> | <i>Description</i> |
|-------------|--------------------|-------------|------------------------|-------------|--------------------|-------------|------------------------|
| 1 | 130-5621 | 1 | A/C Hose ASM | 5 | 127-9905 | 1 | Fitting-Hose, Barb |
| 1:2 | 130-5758 | 1 | Fitting-Female, 90 DEG | 7 | 125-9703 | 1 | Hose ASM |
| 1:2:1 | 130-5773 | 1 | Fitting Kit | 7:2 | 130-5751 | 2 | Fitting-Female, 90 DEG |
| 1:2:2 | 117-2779 | 1 | O-Ring | 7:2:1 | 130-5772 | 1 | Fitting Kit |
| 1:2:3 | 117-2783 | 1 | Cap-Side, High | 7:2:2 | 117-2778 | 1 | O-Ring |
| 1:3 | 130-5752 | 1 | Fitting-Female, 90 DEG | 7:3 | 130-5958 | 1 | Cover-Foam |
| 1:3:1 | 130-5773 | 1 | Fitting Kit | 7:4 | 3290-378 | 8 | Tie-Cable |
| 1:3:2 | 117-2778 | 1 | O-Ring | 8 | 125-9865 | 1 | Hose-Drain |
| 2 | 130-5624 | 1 | Hose-Fluid, Wiper | 9 | 130-0578 | 1 | Fitting-Barb, 90 DEG |
| 3 | 130-5813 | 1 | Hose-Fuel | 10 | 125-9866 | 1 | Hose-Drain |
| 4 | 2412-98 | 2 | Clamp-Hose | | | | |

Mixing Box and Vent Hose Assembly For Cab Model Only

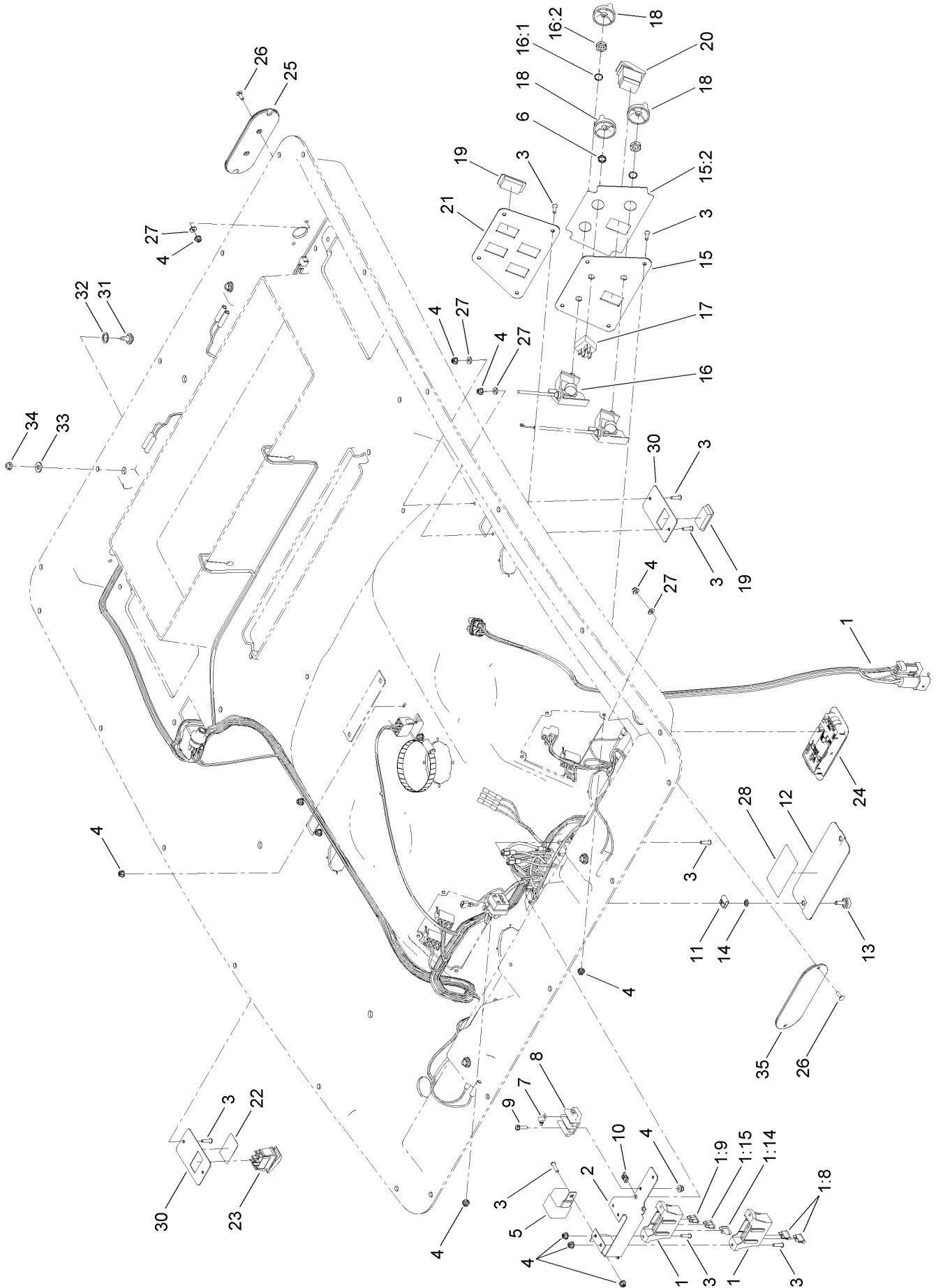


Mixing Box and Vent Hose Assembly For Cab Model Only (continued)

| <i>Ref.</i> | <i>Part Number</i> | <i>Qty.</i> | <i>Description</i> | <i>Ref.</i> | <i>Part Number</i> | <i>Qty.</i> | <i>Description</i> |
|-------------|--------------------|-------------|-----------------------------------|-------------|--------------------|-------------|-----------------------|
| 1 | 121-8470 | 1 | Headliner | 21 | 106-8737 | 2 | Nut-Retainer |
| 2 | 121-8495 | 1 | Box-Mixing, Heater A/C | 22 | 130-5927 | 2 | Adapter-Bleed |
| 3 | 130-0558 | 3 | Backplate-Rivet | 23 | | 1 | Roof ASM ● |
| 4 | 130-5938 | 2 | Tube-Support | 23:1 | 132-3602 | 1 | Roof |
| 5 | 104-7201 | 24 | Nut-HF, NI | 23:2 | 130-5961 | 4 | Seal-Corner |
| 6 | 130-5860 | 2 | Hose-Vent | 23:3 | 130-5960 | 2 | Seal-Side |
| 7 | 130-0455 | 2 | Louver-Round, Snap-In | 23:4 | 130-5962 | 2 | Seal-Front, Rear |
| 8 | 125-7503 | 20 | Rivet-Pop | 24 | 119-4161 | 22 | Bolt-Shoulder |
| 9 | 130-0465 | 3 | Louver-Round, Snap-In (4 Inch) | 25 | 130-5939 | 4 | Tube-Support |
| 10 | 121-8473 | 2 | Hose-Intake, Fresh Air | 27 | 130-5999 | 1 | Drier-Receiver |
| 11 | 130-5861 | 1 | Hose-Vent, Outer (LH) | 29 | 3334-945 | 2 | Tie-Cable |
| 12 | 121-8477 | 1 | Hose-Vent, Defrost (LH) | 30 | 3274-69 | 2 | Screw-HSBH |
| 13 | 130-0437 | 1 | Hose-Vent, Center | 31 | 3256-1 | 2 | Washer-Flat |
| 14 | 121-8478 | 1 | Hose-Vent, Defrost (RH) | 33 | 119-4501 | 1 | Switch-Function, Dual |
| 15 | 130-5862 | 1 | Hose-Vent, Outer (RH) | 34 | 46-6560 | 1 | Bushing |
| 16 | 2412-110 | 11 | Clamp-Band/Screw | 35 | 104-5228 | 1 | Fitting-Elbow, 90 DEG |
| 17 | 107069 | 2 | Clip | 36 | 130-0445 | 4 | Backplate-Rivet |
| 18 | 125-9532 | 1 | Filter-Cab, Inside | 37 | 130-0444 | 1 | Foam-Inlet, Airbox |
| 19 | 125-9604-03 | 1 | Plate-Cover, Recirculation | 38 | 2412-130 | 2 | Clamp-Hose |
| 20 | 125-7438 | 2 | Knob-Screw, Thumb | 39 | 132-3474 | 2 | Insert-Seal, Filter |

● Not serviced separately

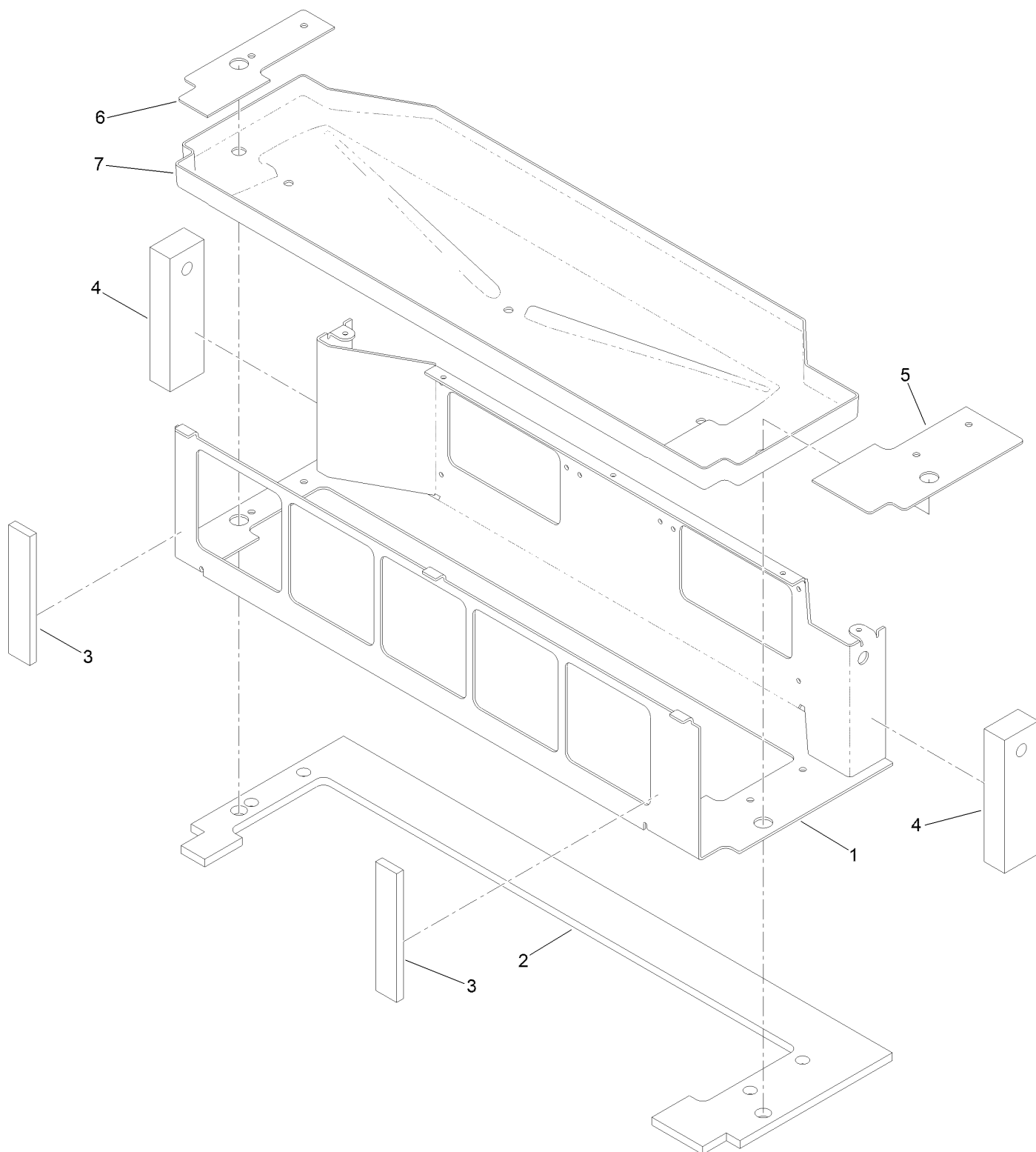
Headliner Wire Harness and Control Assembly For Cab Model Only



Headliner Wire Harness and Control Assembly For Cab Model Only (continued)

| <i>Ref.</i> | <i>Part Number</i> | <i>Qty.</i> | <i>Description</i> | <i>Ref.</i> | <i>Part Number</i> | <i>Qty.</i> | <i>Description</i> |
|-------------|--------------------|-------------|-------------------------|-------------|--------------------|-------------|------------------------------|
| 1 | 122-0723 | 1 | Harness-Wire, Headliner | 16:1 | 3254-20 | 1 | Washer-Lock, Int |
| 1:8 | 109355 | 2 | Fuse-Blade, 15 Amp | 16:2 | 3220-4 | 1 | Nut-Jam |
| 1:9 | 109103 | 1 | Fuse-Blade, 30 Amp | 17 | 122-0150 | 1 | Switch, Rotary |
| 1:14 | 109101 | 1 | Fuse-Blade, 20 Amp | 18 | 125-9510 | 3 | Knob-Control |
| 1:15 | 109102 | 1 | Fuse-Blade, 25 Amp | 19 | 99-7420 | 6 | Plug-Hole |
| 2 | 125-9606-03 | 1 | Bracket-Fuse Block | 20 | 95-8999 | 1 | Switch-Rocker, On-None-On |
| 3 | 104-2408 | 23 | Screw-HSBH | 21 | 125-9691-03 | 1 | Panel-Switch, Lights |
| 4 | 120-4578 | 29 | Nut-HF | 22 | 125-9688 | 1 | Decal-Washer |
| 5 | 99-7430 | 1 | Relay-Mini | 23 | 119-8355 | 1 | Switch-Rocker |
| 6 | 130-0588 | 1 | Nut-Switch | 24 | 125-7437 | 1 | Light-Dome |
| 7 | 42863 | 1 | Strip-Jumper | 25 | 130-5867 | 2 | Cover-Light, Rear |
| 8 | 42862 | 1 | Block-Terminal, Ground | 26 | 3229-34 | 8 | Screw-CARR |
| 9 | 32105-13 | 2 | Screw-HWH | 27 | 3256-14 | 14 | Washer-Flat |
| 10 | 107-1013 | 4 | Nut-Speed | 28 | 132-3600 | 1 | Decal-Panel, Fuse |
| 11 | 609900 | 2 | Nut-Speed | 30 | 130-0436 | 3 | Panel-Switch |
| 12 | 125-9603-03 | 1 | Plate-Cover, Fuse | 31 | 92-9698 | 4 | Screw-Shoulder |
| 13 | 125-7438 | 2 | Knob-Screw, Thumb | 32 | 94-8196 | 4 | Washer-Nylon |
| 14 | 106-8737 | 2 | Nut-Retainer | 33 | 3256-2 | 4 | Washer-Flat |
| 15 | 121-8481 | 1 | Panel-Air/Heat | 34 | 104-7201 | 4 | Nut-HF, NI |
| 15:2 | 121-8378 | 1 | Decal, Air/Heat | 35 | 130-5868 | 2 | Cover-Light, Front |
| 16 | 125-9677 | 1 | Control-Rotary, Linear | | | | |

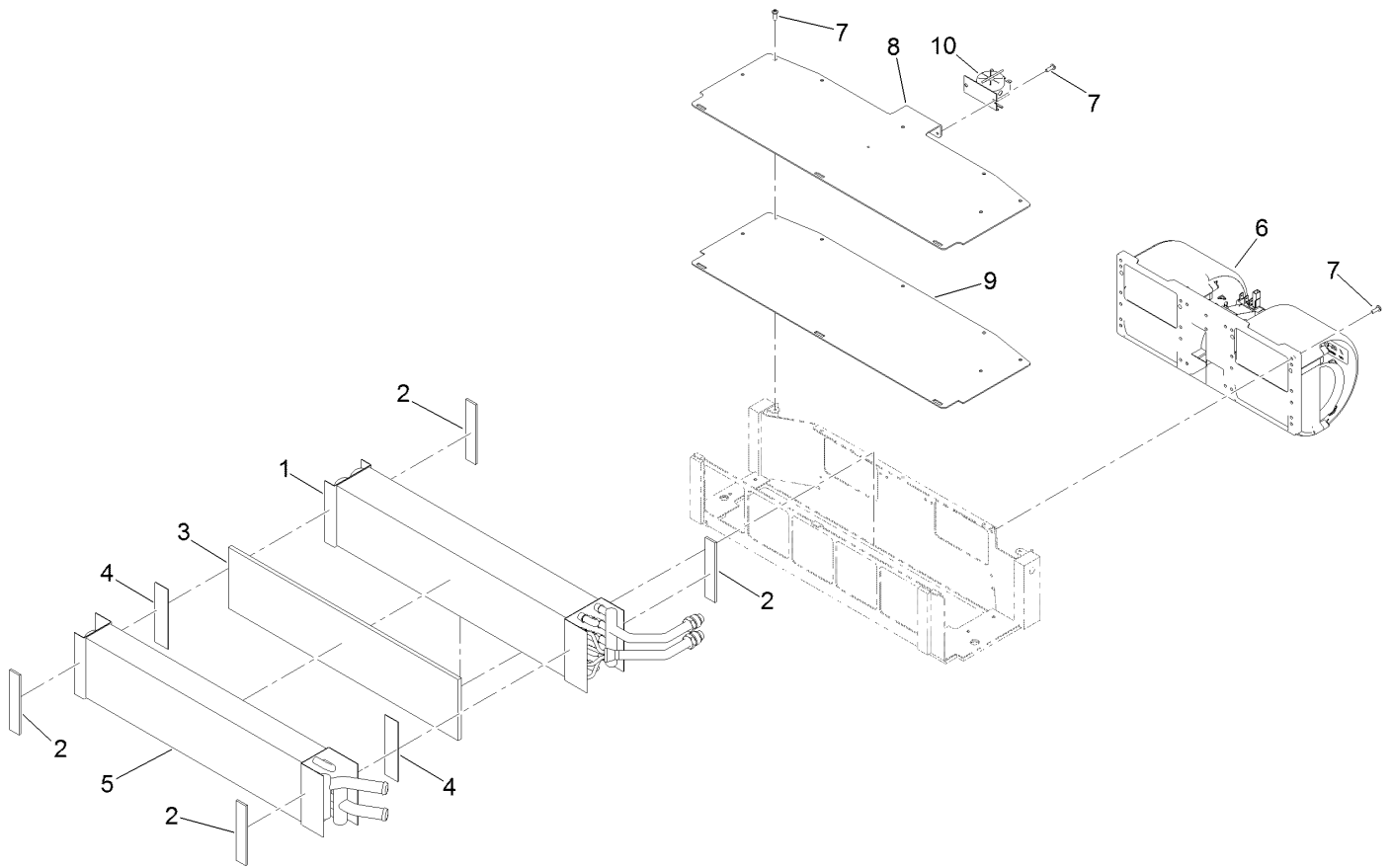
Mixing Box Mounting Bracket and Water Tray Assembly For Cab Model Only



Mixing Box Mounting Bracket and Water Tray Assembly For Cab Model Only (continued)

| <i>Ref.</i> | <i>Part Number</i> | <i>Qty.</i> | <i>Description</i> | <i>Ref.</i> | <i>Part Number</i> | <i>Qty.</i> | <i>Description</i> |
|-------------|--------------------|-------------|--------------------|-------------|--------------------|-------------|--------------------------|
| 1 | 130-5655-03 | 1 | Bracket-Mount | 5 | 130-5653 | 1 | Gasket-Mount, LH Bracket |
| 2 | 130-5659 | 1 | Seal-Foam | 6 | 130-5654 | 1 | Gasket-Mount, RH Bracket |
| 3 | 130-5808 | 2 | Seal-Foam, Front | 7 | 130-5660 | 1 | Tray-Water |
| 4 | 130-0602 | 2 | Seal-End | | | | |

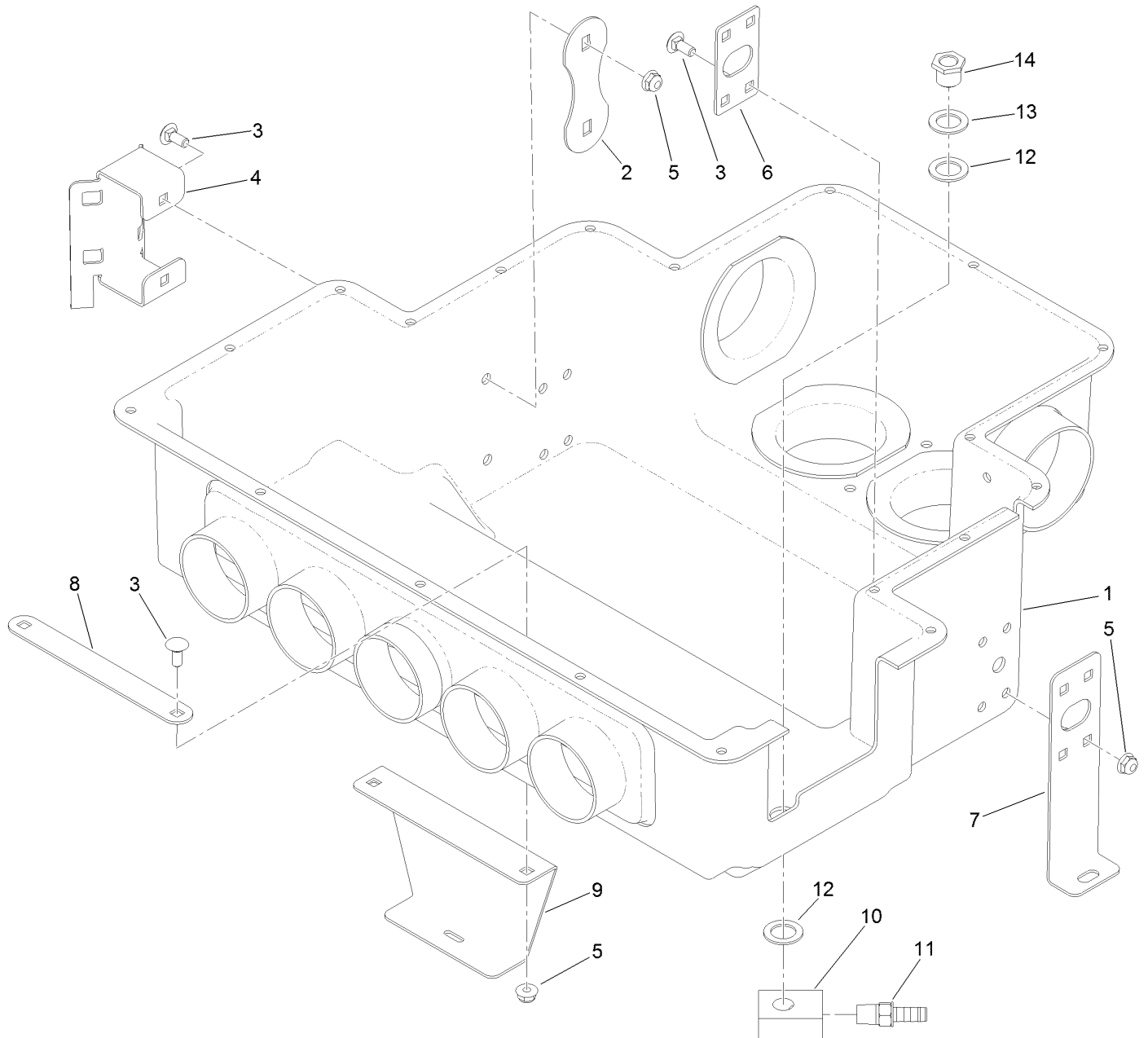
Blower Fan and Evaporator Core Assembly For Cab Model Only



Blower Fan and Evaporator Core Assembly For Cab Model Only (continued)

| <i>Ref.</i> | <i>Part Number</i> | <i>Qty.</i> | <i>Description</i> | <i>Ref.</i> | <i>Part Number</i> | <i>Qty.</i> | <i>Description</i> |
|-------------|--------------------|-------------|--------------------|-------------|--------------------|-------------|--------------------------------|
| 1 | 130-5392 | 1 | Core-Evaporator | 7 | 363-8245 | 13 | Screw-TAP |
| 2 | 130-5658 | 4 | Gasket-Coil | 8 | 130-5656-03 | 1 | Cover, Bracket-Mount |
| 3 | 130-5807 | 1 | Foam | 9 | 130-5652 | 1 | Gasket-Mount, Cover Bracket |
| 4 | 130-5806 | 2 | Tape, Double-Sided | 10 | 121-8385 | 1 | Thermostat-Switch, Freeze |
| 5 | 127-9915 | 1 | Core-Heater | | | | |
| 6 | 121-8451 | 1 | Fan-Blower | | | | |

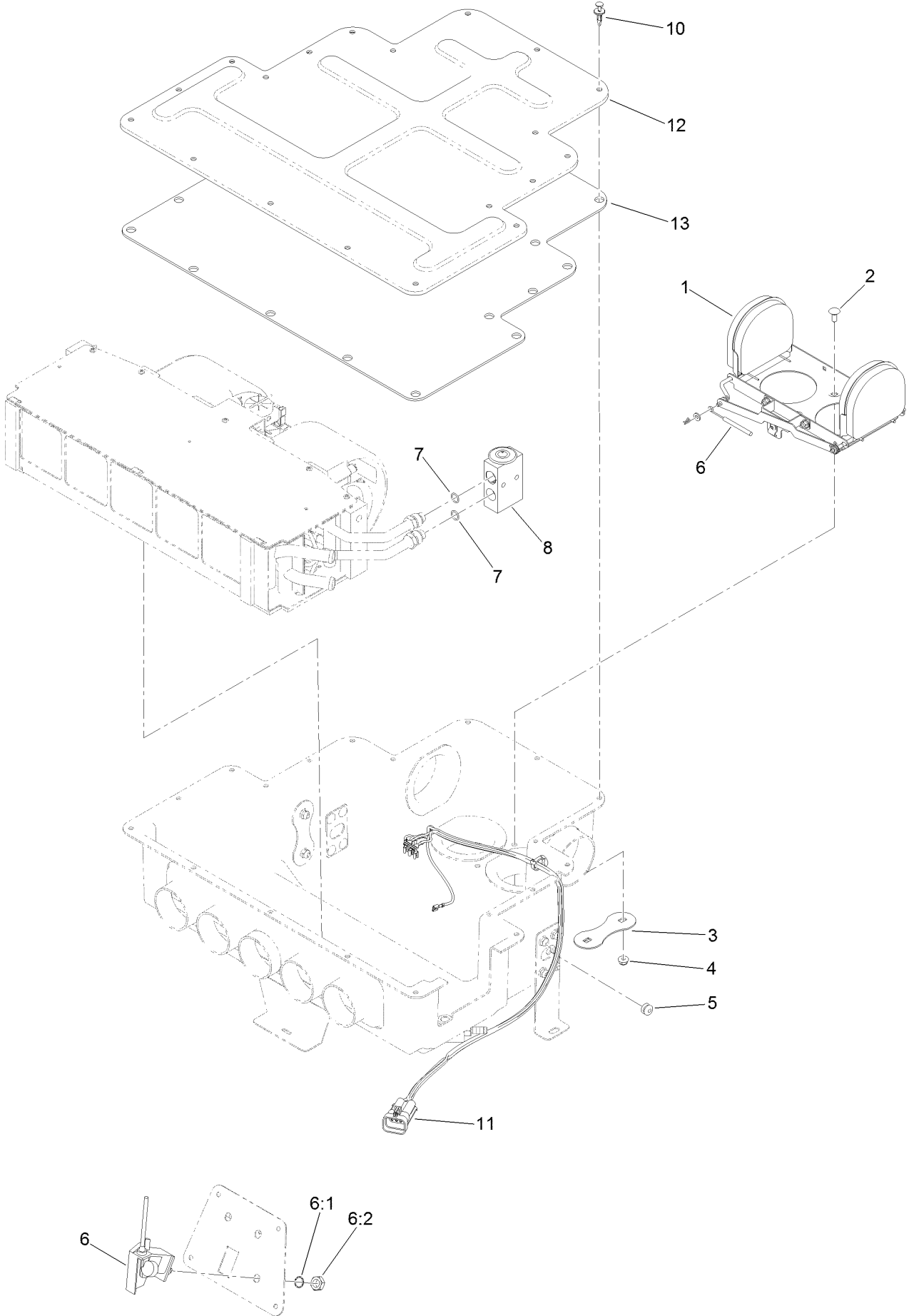
Heat / Air Conditioner Housing Assembly For Cab Model Only



Heat / Air Conditioner Housing Assembly For Cab Model Only (continued)

| <i>Ref.</i> | <i>Part Number</i> | <i>Qty.</i> | <i>Description</i> | <i>Ref.</i> | <i>Part Number</i> | <i>Qty.</i> | <i>Description</i> |
|-------------|--------------------|-------------|----------------------|-------------|--------------------|-------------|------------------------|
| 1 | 130-5830 | 1 | Housing-Heat/AC | 8 | 125-7504 | 1 | Plate-Backer, Center |
| 2 | 121-8491 | 1 | Plate-Support | 9 | 130-0554 | 1 | Bracket-Airbox, Center |
| 3 | 3229-11 | 12 | Screw-CARR | 10 | 130-5601 | 2 | Drain-Lower |
| 4 | 121-8490 | 1 | Bracket-Mount, Drier | 11 | 108-0342 | 2 | Fitting-Straight |
| 5 | 104-7201 | 12 | Nut-HF, NI | 12 | 121-6840 | 4 | Washer-Rubber |
| 6 | 130-5834 | 2 | Bracket-Support | 13 | 107-3041 | 2 | Washer-Flat |
| 7 | 130-5821 | 2 | Bracket-Airbox, Side | 14 | 130-0293 | 2 | Drain-Upper |

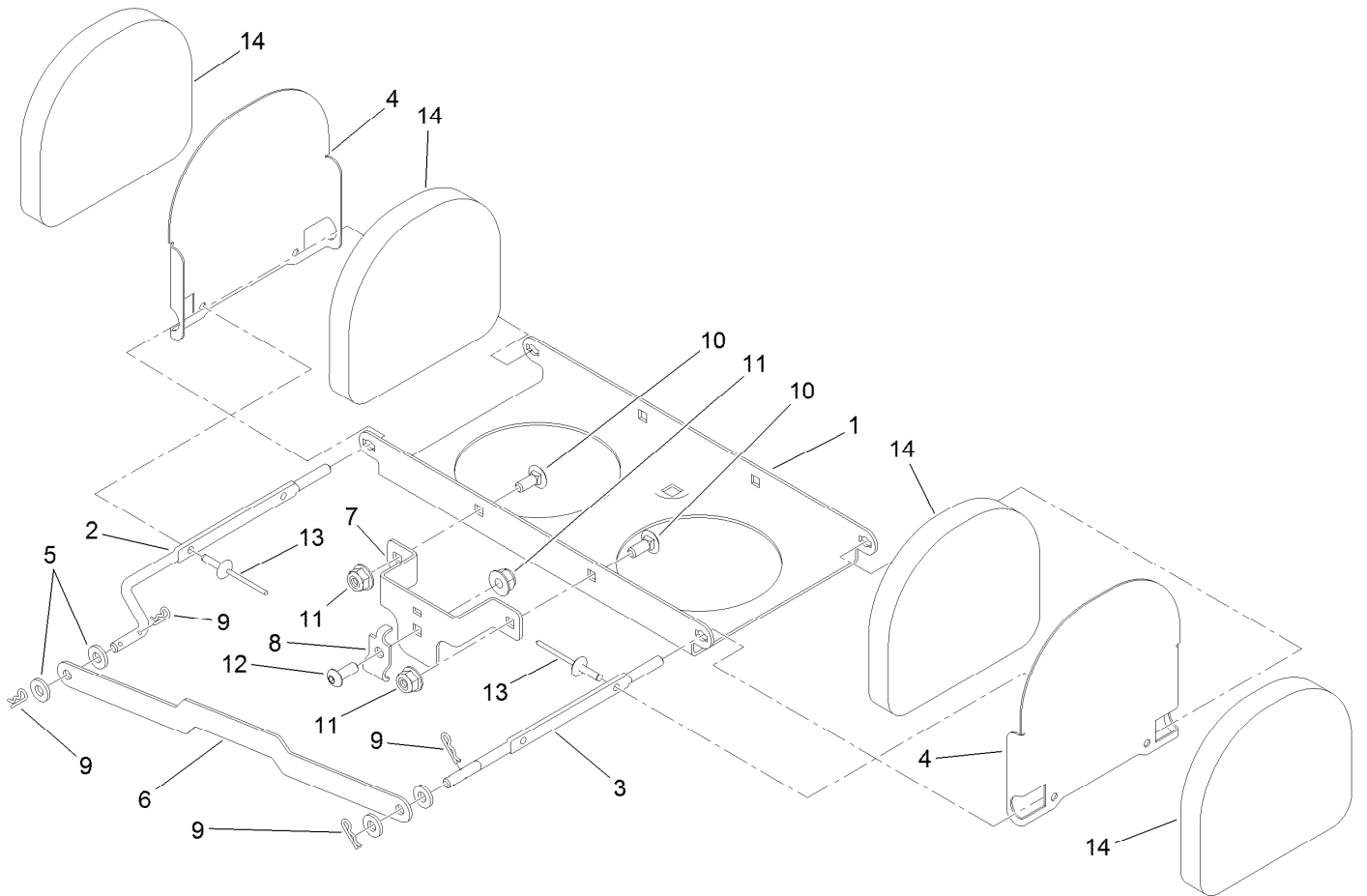
Air Diverter and Expansion Valve Assembly For Cab Model Only



Air Diverter and Expansion Valve Assembly For Cab Model Only (continued)

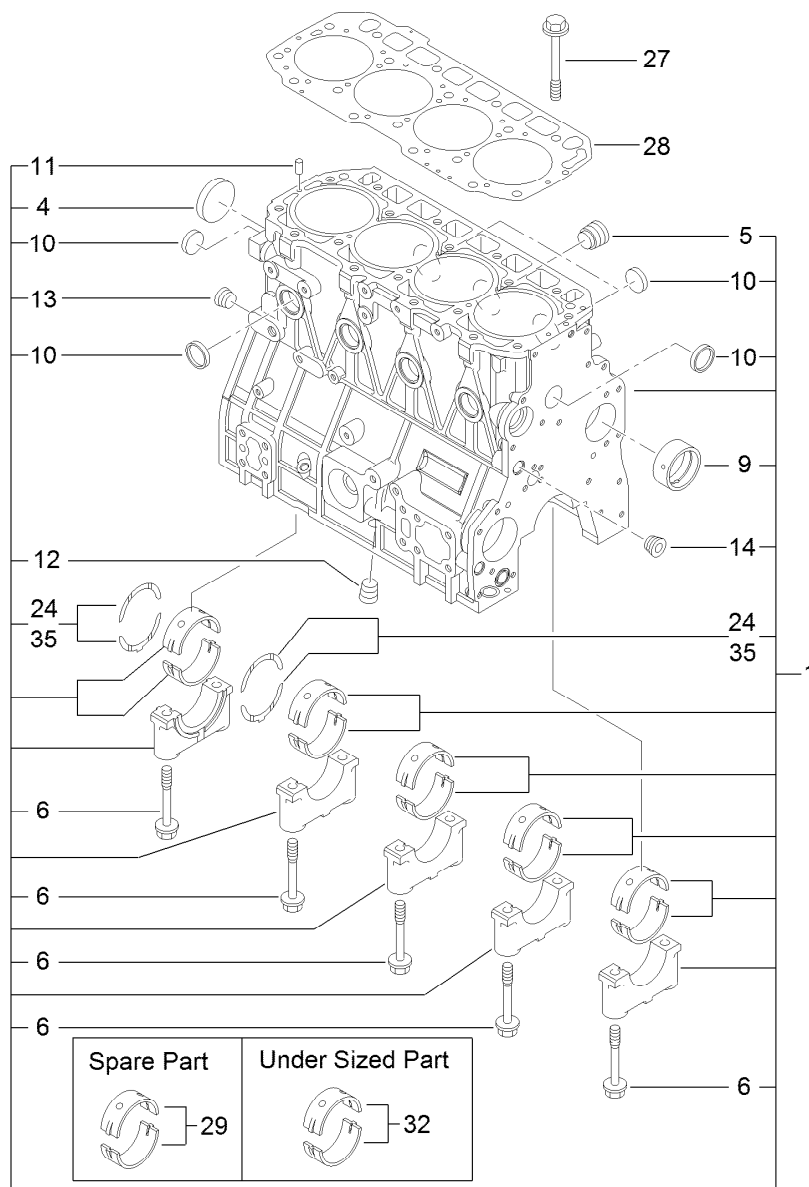
| <i>Ref.</i> | <i>Part Number</i> | <i>Qty.</i> | <i>Description</i> | <i>Ref.</i> | <i>Part Number</i> | <i>Qty.</i> | <i>Description</i> |
|-------------|--------------------|-------------|------------------------|-------------|--------------------|-------------|---------------------------------|
| 1 | 121-8369 | 1 | Air Diverter ASM | 7 | 125-9524 | 2 | O-Ring |
| 2 | 3229-11 | 2 | Screw-CARR | 8 | 121-8384 | 1 | Valve-Expansion |
| 3 | 121-8491 | 1 | Plate-Support | 10 | 125-9622 | 19 | Rivet-Blind |
| 4 | 104-7201 | 2 | Nut-HF, NI | 11 | 122-0153 | 1 | Harness-Wire, Heat/AC Blower |
| 5 | 125-7528 | 1 | Grommet-Cable | 12 | 121-8449 | 1 | Housing-Ventilation, Upper |
| 6 | 125-9678 | 1 | Control-Rotary, Linear | 13 | 130-5614 | 1 | Insulation-Cover |
| 6:1 | 3254-20 | 1 | Washer-Lock, Int | | | | |
| 6:2 | 3220-4 | 1 | Nut-Jam | | | | |

Air Diverter Assembly No. 121-8369 For Cab Model Only



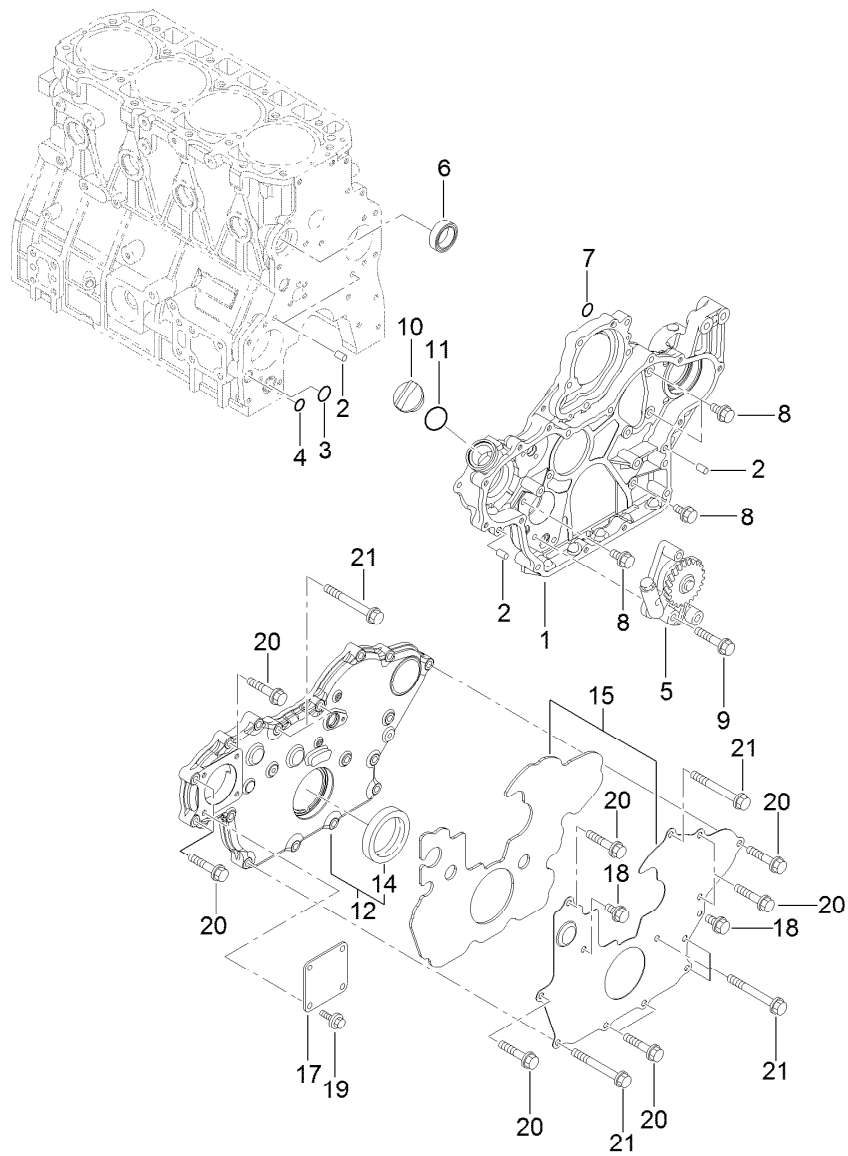
Air Diverter Assembly No. 121-8369 For Cab Model Only (continued)

| <i>Ref.</i> | <i>Part Number</i> | <i>Qty.</i> | <i>Description</i> | <i>Ref.</i> | <i>Part Number</i> | <i>Qty.</i> | <i>Description</i> |
|-------------|--------------------|-------------|--------------------|-------------|--------------------|-------------|--------------------|
| 1 | 125-9697 | 1 | Base-Mount | 8 | 121-8256 | 1 | Clamp-Conduit |
| 2 | 121-8381 | 1 | Shaft-Baffle, RH | 9 | 108-2992 | 4 | Pin-Hair |
| 3 | 121-8382 | 1 | Shaft-Baffle, LH | 10 | 1-807513 | 2 | Bolt-CARR |
| 4 | 125-9698 | 2 | Baffle-Air | 11 | 120-4578 | 3 | Nut-HF |
| 5 | 3256-51 | 4 | Washer-Flat | 12 | 115-9830 | 1 | Screw-HSBH |
| 6 | 125-9696 | 1 | Link-Baffle | 13 | 3290-271 | 4 | Rivet-Pop |
| 7 | 121-8374 | 1 | Mount-Cable | 14 | 125-9699 | 4 | Damper-Foam |



Cylinder Block Assembly

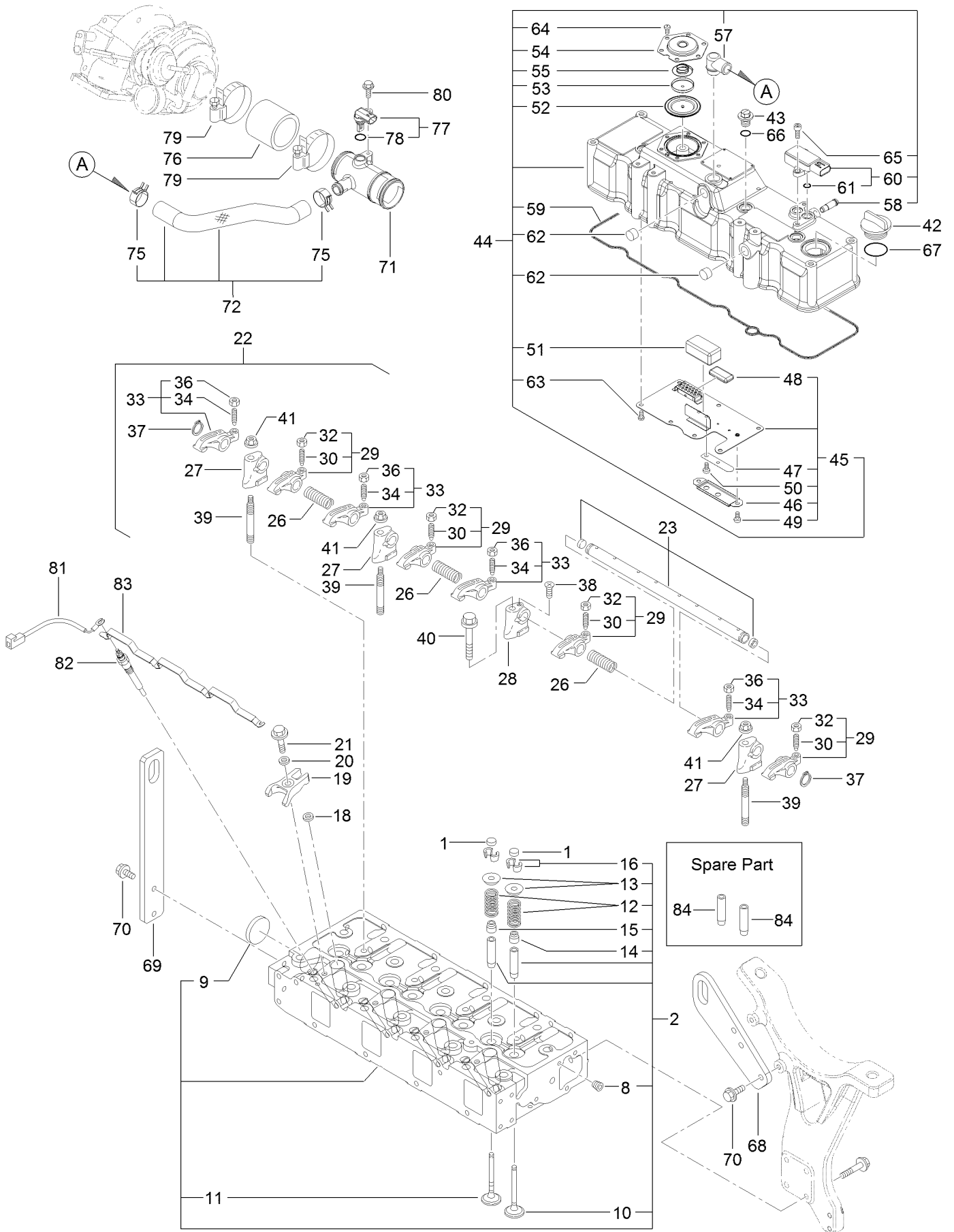
| <i>Ref.</i> | <i>Part Number</i> | <i>Qty.</i> | <i>Description</i> | <i>Ref.</i> | <i>Part Number</i> | <i>Qty.</i> | <i>Description</i> |
|-------------|--------------------|-------------|--------------------|-------------|--------------------|-------------|-----------------------|
| 1 | 133-6785 | 1 | Cylinder Block ASM | 13 | 133-6798 | 1 | Plug |
| 4 | 133-6627 | 1 | Plug | 14 | 133-6798 | 1 | Plug |
| 5 | 125-7170 | 1 | Plug | 24 | 133-6631 | 2 | Bearing-Thrust |
| 6 | 133-6628 | 10 | Bolt | 27 | 133-6626 | 18 | Bolt-Head |
| 9 | 133-6630 | 1 | Bushing-Camshaft | 28 | 133-6700 | 1 | Gasket-Head, Cylinder |
| 10 | 133-2507 | 8 | Plug | 29 | 133-2508 | 5 | Bearing-Main |
| 11 | 125-7184 | 2 | Pin-Spring | 32 | 133-6629 | 5 | Bearing |
| 12 | 133-6798 | 1 | Plug | 35 | 133-6632 | 2 | Bearing-Thrust |



Gear Housing Assembly

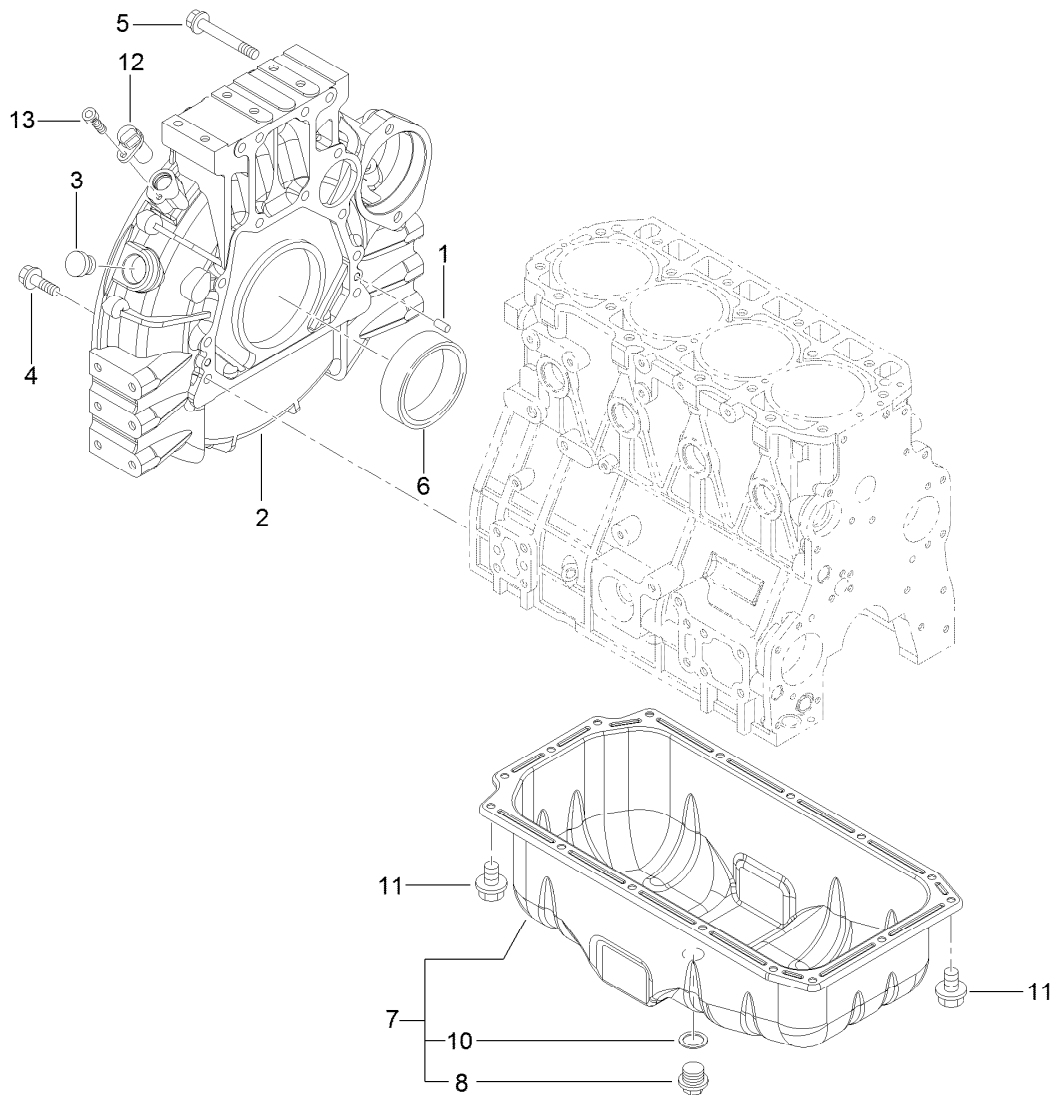
| <i>Ref.</i> | <i>Part Number</i> | <i>Qty.</i> | <i>Description</i> | <i>Ref.</i> | <i>Part Number</i> | <i>Qty.</i> | <i>Description</i> |
|-------------|--------------------|-------------|--------------------|-------------|--------------------|-------------|--------------------|
| 1 | 133-6754 | 1 | Case-Gear | 11 | 125-7197 | 1 | O-Ring |
| 2 | 125-6995 | 4 | Pin | 12 | 133-6701 | 1 | Gearcase Cover ASM |
| 3 | 133-6653 | 1 | O-Ring | 14 | 133-6669 | 1 | Seal-Oil |
| 4 | 133-6654 | 1 | O-Ring | 15 | 133-6703 | 1 | Gearcase Cover ASM |
| 5 | 133-6664 | 1 | Oil Pump ASM | 17 | 125-6977 | 1 | Cover |
| 6 | 133-6672 | 1 | Gasket-CW P, Out | 18 | 125-7214 | 2 | Bolt |
| 7 | 93-0400 | 1 | O-Ring | 19 | 125-7214 | 4 | Bolt |
| 8 | 125-7214 | 4 | Bolt | 20 | 125-7218 | 10 | Bolt |
| 9 | 125-7219 | 3 | Bolt | 21 | 133-2492 | 7 | Bolt |
| 10 | 125-6972 | 1 | Cover-Filler | | | | |

Cylinder Head and Cover Assembly



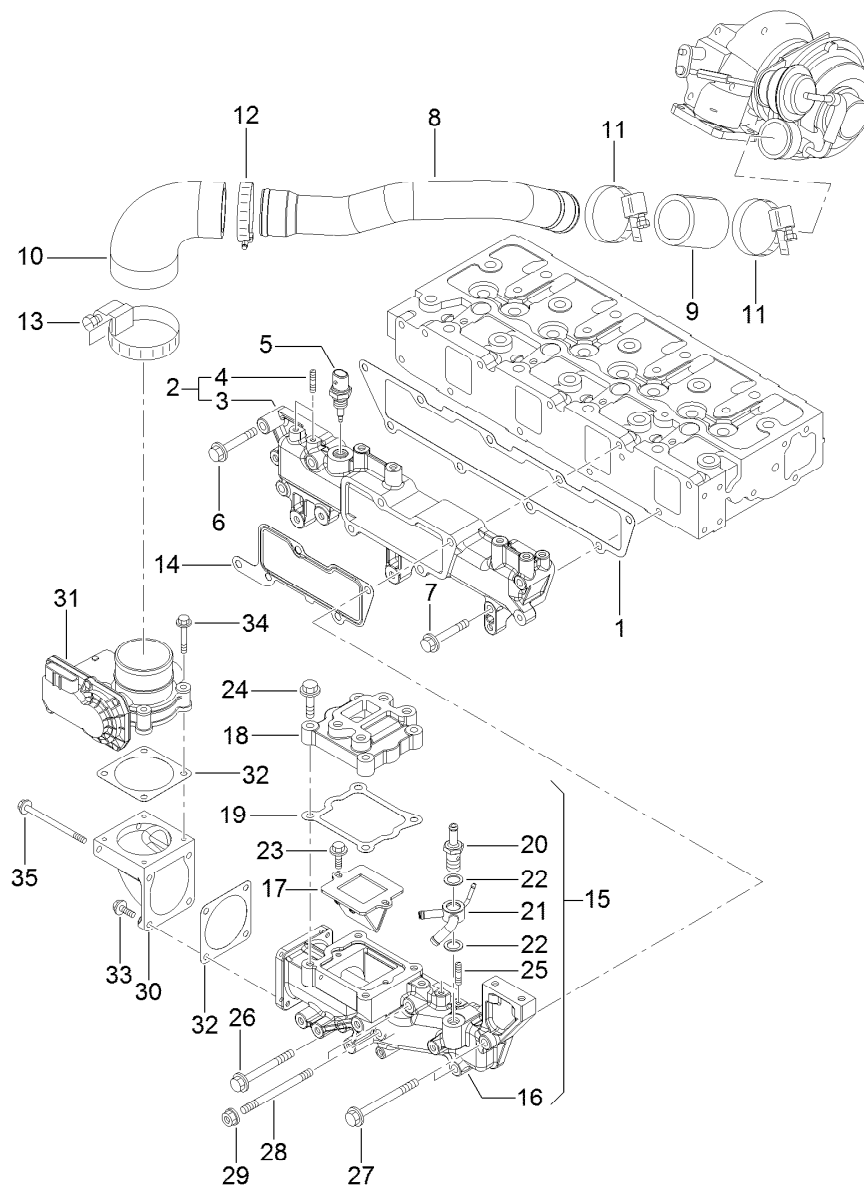
Cylinder Head and Cover Assembly (continued)

| <i>Ref.</i> | <i>Part Number</i> | <i>Qty.</i> | <i>Description</i> | <i>Ref.</i> | <i>Part Number</i> | <i>Qty.</i> | <i>Description</i> |
|-------------|--------------------|-------------|-------------------------|-------------|--------------------|-------------|-------------------------|
| 1 | 127-2996 | 8 | Cap-Valve | 47 | 133-6696 | 1 | Spring-Plate |
| 2 | 133-6756 | 1 | Cylinder Head ASM | 48 | 133-6661 | 1 | Baffle-Breather |
| 8 | 133-6797 | 1 | Plug | 49 | 133-2502 | 2 | Screw |
| 9 | 125-7240 | 1 | Plug | 50 | 133-2505 | 1 | Screw |
| 10 | 133-6633 | 4 | Valve-Intake | 51 | 125-7118 | 1 | Baffle-Breather |
| 11 | 133-6634 | 4 | Valve-Exhaust | 52 | 125-6959 | 1 | Diaphragm |
| 12 | 133-6635 | 8 | Spring-Valve | 53 | 125-6960 | 1 | Plate |
| 13 | 127-3013 | 8 | Retainer-Spring | 54 | 125-6961 | 1 | Plate-Breather |
| 14 | 127-2986 | 4 | Seal-Stem, Valve | 55 | 125-6962 | 1 | Spring-Diaphragm |
| 15 | 127-3027 | 4 | Seal-Stem, Valve | 57 | 133-6603 | 1 | Elbow |
| 16 | 127-3186 | 8 | Pin-Cotter | 58 | 127-3026 | 1 | Joint |
| 18 | 127-3021 | 4 | Gasket-Injector | 59 | 132-4907 | 1 | Gasket-Cover, Head |
| 19 | 133-6707 | 4 | Retainer-Injector | 60 | 127-3029 | 1 | Sensor-Pressure |
| 20 | 127-2980 | 4 | Washer-Injector | 61 | 127-3032 | 2 | O Ring-Sensor, Pressure |
| 21 | 125-7217 | 4 | Bolt | 62 | 125-6913 | 2 | Plug |
| 22 | 133-6636 | 1 | Arm Support ASM | 63 | 125-7186 | 7 | Screw |
| 23 | 133-6637 | 1 | Rocker Shaft ASM | 64 | 125-7186 | 6 | Screw |
| 26 | 133-6638 | 3 | Spring-Arm, Rocker | 65 | 127-3184 | 2 | Bolt |
| 27 | 133-6639 | 3 | Support-Arm, Rocker | 66 | 93-0418 | 3 | O-Ring |
| 28 | 133-6640 | 1 | Support-Arm, Rocker | 67 | 125-7197 | 1 | O-Ring |
| 29 | 133-6642 | 4 | Arm-Rocker | 68 | 133-6779 | 1 | Lifter-Engine |
| 30 | 125-7013 | 4 | Screw-Adjust, Valve | 69 | 133-6695 | 1 | Lifter |
| 32 | 125-7014 | 4 | Nut | 70 | 125-7595 | 4 | Bolt |
| 33 | 133-6643 | 4 | Arm-Rocker | 71 | 127-3128 | 1 | Joint-Breather |
| 34 | 125-7013 | 4 | Screw-Adjust, Valve | 72 | 133-6787 | 1 | Breather Hose ASM |
| 36 | 125-7014 | 4 | Nut | 75 | 125-7040 | 2 | Clip-Hose |
| 37 | 133-6794 | 2 | Ring | 76 | 127-3133 | 1 | Hose-Intake |
| 38 | 133-2503 | 1 | Screw | 77 | 127-3030 | 1 | Sensor-Temp, Air |
| 39 | 133-6641 | 3 | Stud | 78 | 127-3033 | 1 | O-Ring |
| 40 | 133-2498 | 1 | Bolt | 79 | 125-7190 | 2 | Clamp-Hose |
| 41 | 125-7230 | 3 | Nut | 80 | 125-7207 | 1 | Bolt |
| 42 | 125-6972 | 1 | Cover-Filler | 81 | 131-2704 | 1 | Harness-Wire |
| 43 | 125-6974 | 3 | Knob | 82 | 127-2991 | 4 | Plug-Glow |
| 44 | 133-6755 | 1 | Cylinder Head Cover ASM | 83 | 133-6750 | 1 | Connector-Plug, Glow |
| 45 | 133-6704 | 1 | Plate-Baffle | 84 | 127-2997 | 8 | Guide-Valve |
| 46 | 133-6705 | 1 | Cover-Plate, Spring | | | | |



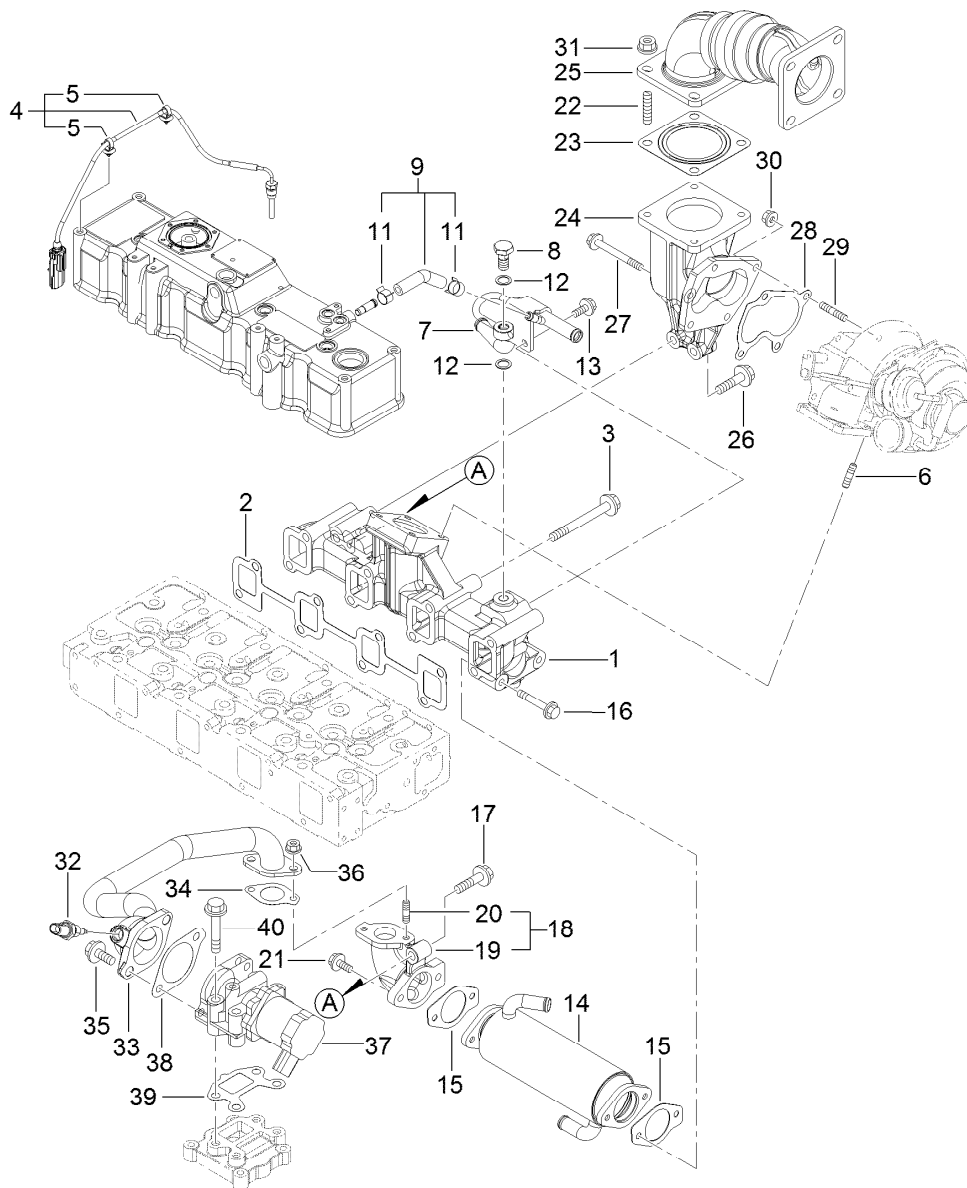
Flywheel Housing and Oil Sump Assembly

| Ref. | Part Number | Qty. | Description |
|------|-------------|------|----------------------|
| 1 | 125-6995 | 2 | Pin |
| 2 | 133-6702 | 1 | Housing-Flywheel |
| 3 | 125-6910 | 1 | Cap |
| 4 | 133-2499 | 9 | Bolt |
| 5 | 133-2500 | 4 | Bolt |
| 6 | 133-6668 | 1 | Seal |
| 7 | 133-6691 | 1 | Oil Sump ASM |
| 8 | 125-6912 | 1 | Plug-Drain |
| 10 | 125-7177 | 1 | Washer-Seal |
| 11 | 125-7212 | 16 | Bolt |
| 12 | 127-3062 | 1 | Sensor-Rev, Flywheel |
| 13 | 127-3184 | 1 | Bolt |



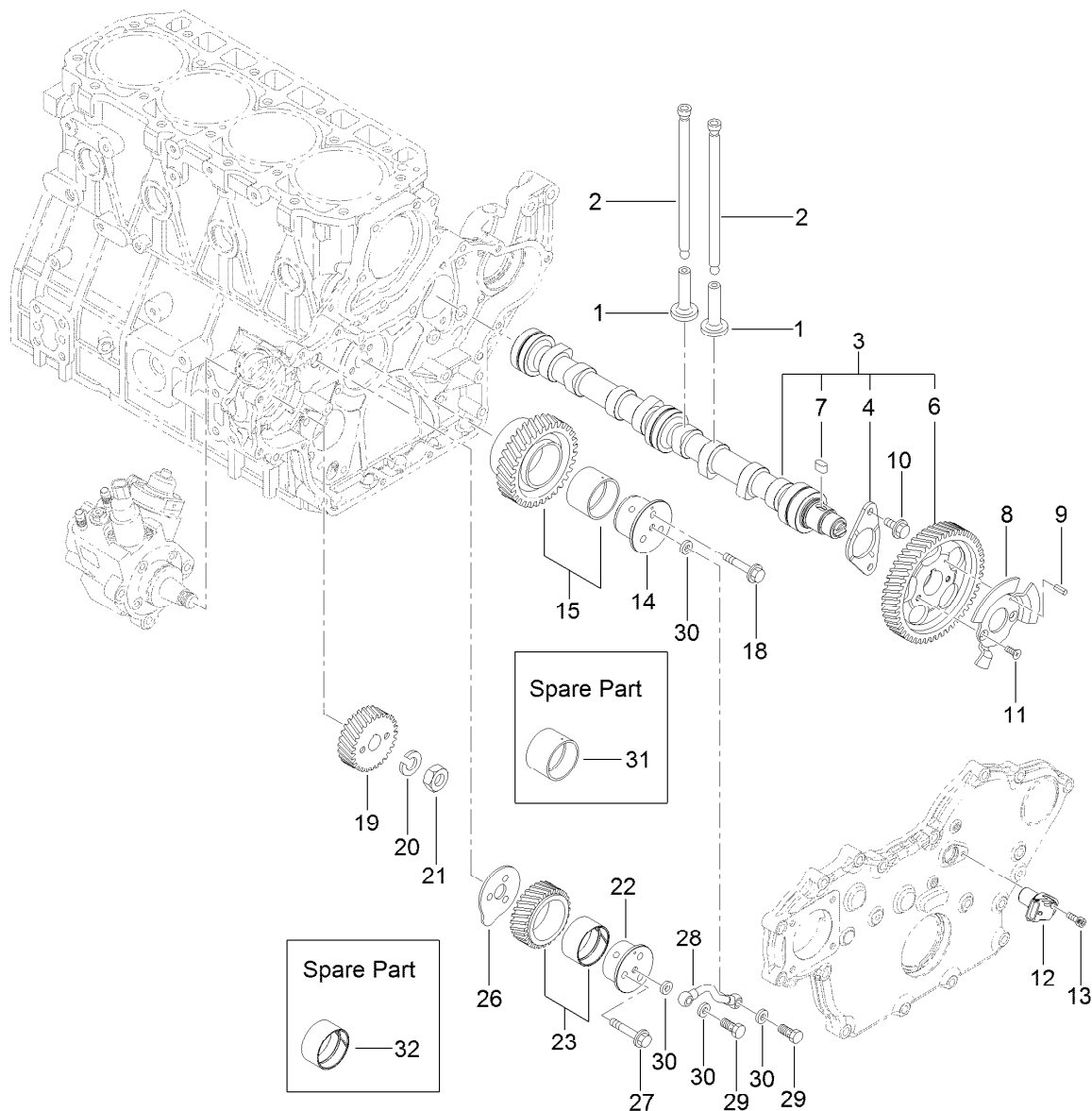
Suction Manifold Assembly

| Ref. | Part Number | Qty. | Description | Ref. | Part Number | Qty. | Description |
|------|-------------|------|----------------------|------|-------------|------|------------------------|
| 1 | 133-6708 | 1 | Gasket-Manifold | 19 | 133-6717 | 1 | Gasket-V Spacer, E G R |
| 2 | 133-6758 | 1 | Intake Manifold ASM | 20 | 127-3080 | 1 | Joint-Hose |
| 3 | 133-6757 | 1 | Manifold-Intake, Air | 21 | 133-6743 | 1 | Joint-Hose |
| 4 | 127-3180 | 2 | Stud | 22 | 127-3166 | 2 | Washer-Seal |
| 5 | 127-3031 | 1 | Sensor-Temp, Air | 23 | 125-7207 | 2 | Bolt |
| 6 | 125-7219 | 1 | Bolt | 24 | 125-7217 | 4 | Bolt |
| 7 | 125-7221 | 4 | Bolt | 25 | 127-3180 | 2 | Stud |
| 8 | 133-6764 | 1 | Duct-Intake | 26 | 127-3178 | 1 | Bolt |
| 9 | 127-3096 | 1 | Joint-Rubber | 27 | 133-2493 | 2 | Bolt |
| 10 | 133-6765 | 1 | Joint-Hose | 28 | 133-2501 | 2 | Stud |
| 11 | 127-3170 | 2 | Clamp-Hose | 29 | 125-7229 | 2 | Nut |
| 12 | 125-7190 | 1 | Clamp-Hose | 30 | 127-3035 | 1 | Bend-Inlet |
| 13 | 127-3171 | 1 | Clamp-Hose | 31 | 127-3036 | 1 | Body-Throttle |
| 14 | 133-6709 | 1 | Gasket-Collector | 32 | 127-3037 | 2 | Gasket-Throttle |
| 15 | 133-6760 | 1 | Collector ASM | 33 | 125-7209 | 2 | Bolt |
| 16 | 133-6759 | 1 | Collector | 34 | 125-7211 | 4 | Bolt |
| 17 | 133-6762 | 1 | Valve-Reed | 35 | 127-3177 | 2 | Bolt |
| 18 | 133-6716 | 1 | Spacer-Valve, E G R | | | | |



Exhaust Manifold Assembly

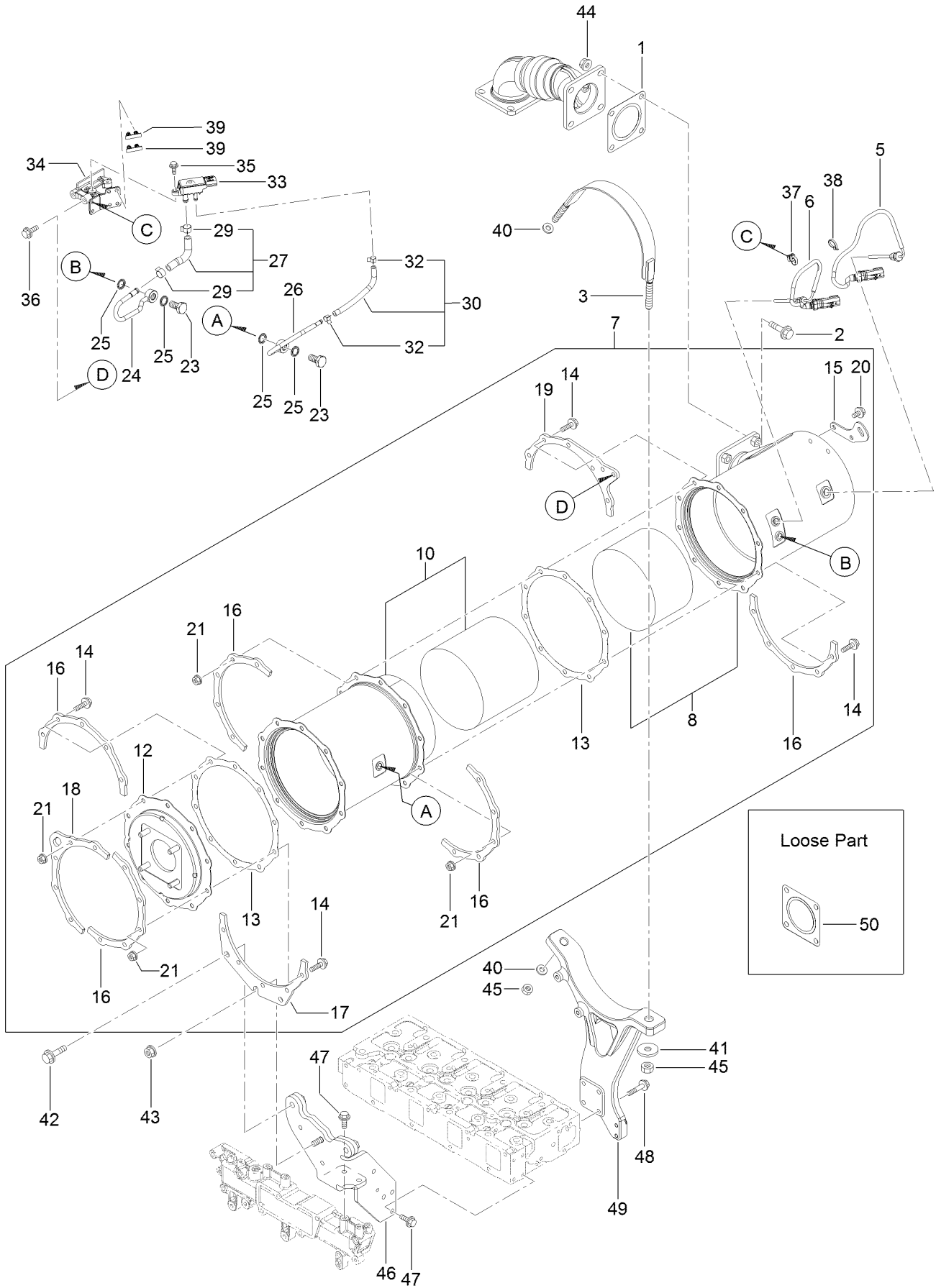
| Ref. | Part Number | Qty. | Description | Ref. | Part Number | Qty. | Description |
|------|-------------|------|------------------------------|------|-------------|------|------------------------|
| 1 | 133-6761 | 1 | Manifold-Exhaust | 21 | 125-7595 | 2 | Bolt |
| 2 | 133-6710 | 1 | Gasket-Manifold | 22 | 127-2984 | 4 | Stud |
| 3 | 133-6791 | 8 | Bolt | 23 | 127-2987 | 1 | Gasket-Silencer |
| 4 | 133-6718 | 1 | Sensor-Temp, Exhaust | 24 | 133-6697 | 1 | Pipe-Exhaust |
| 5 | 127-3087 | 2 | Band-Clip | 25 | 133-6788 | 1 | Pipe-Exhaust |
| 6 | 125-7043 | 4 | Stud | 26 | 133-6792 | 2 | Bolt |
| 7 | 133-6711 | 1 | Pipe-Pressure, Exhaust | 27 | 133-6606 | 1 | Bolt |
| 8 | 127-3039 | 1 | Bolt-Joint, Pipe | 28 | 133-6619 | 1 | Gasket |
| 9 | 133-6712 | 1 | Exhaust Pressure Hose ASM | 29 | 125-6906 | 3 | Stud |
| 11 | 127-3041 | 2 | Clip-Hose | 30 | 125-7229 | 3 | Nut |
| 12 | 127-3174 | 2 | Gasket | 31 | 125-7230 | 4 | Nut |
| 13 | 125-7214 | 2 | Bolt | 32 | 127-3047 | 1 | Sensor-Gas Temp, E G R |
| 14 | 133-6713 | 1 | Cooler-E G R | 33 | 133-6719 | 1 | E G R Pipe ASM |
| 15 | 133-6698 | 2 | Gasket-Cooler, E G R | 34 | 127-3016 | 1 | Gasket |
| 16 | 133-6714 | 2 | Bolt | 35 | 133-2496 | 2 | Bolt |
| 17 | 133-6792 | 1 | Bolt | 36 | 125-7229 | 2 | Nut |
| 18 | 133-6720 | 1 | E G R-C Out Bend ASM | 37 | 133-6722 | 1 | Valve-E G R |
| 19 | 133-6721 | 1 | Bend-Out, E G R-C | 38 | 133-6723 | 1 | Gasket-In, E G R-V |
| 20 | 125-7043 | 2 | Stud | 39 | 133-6724 | 1 | Gasket-Out, E G R-V |
| | | | | 40 | 93-0479 | 4 | Bolt |



Camshaft and Driving Gear Assembly

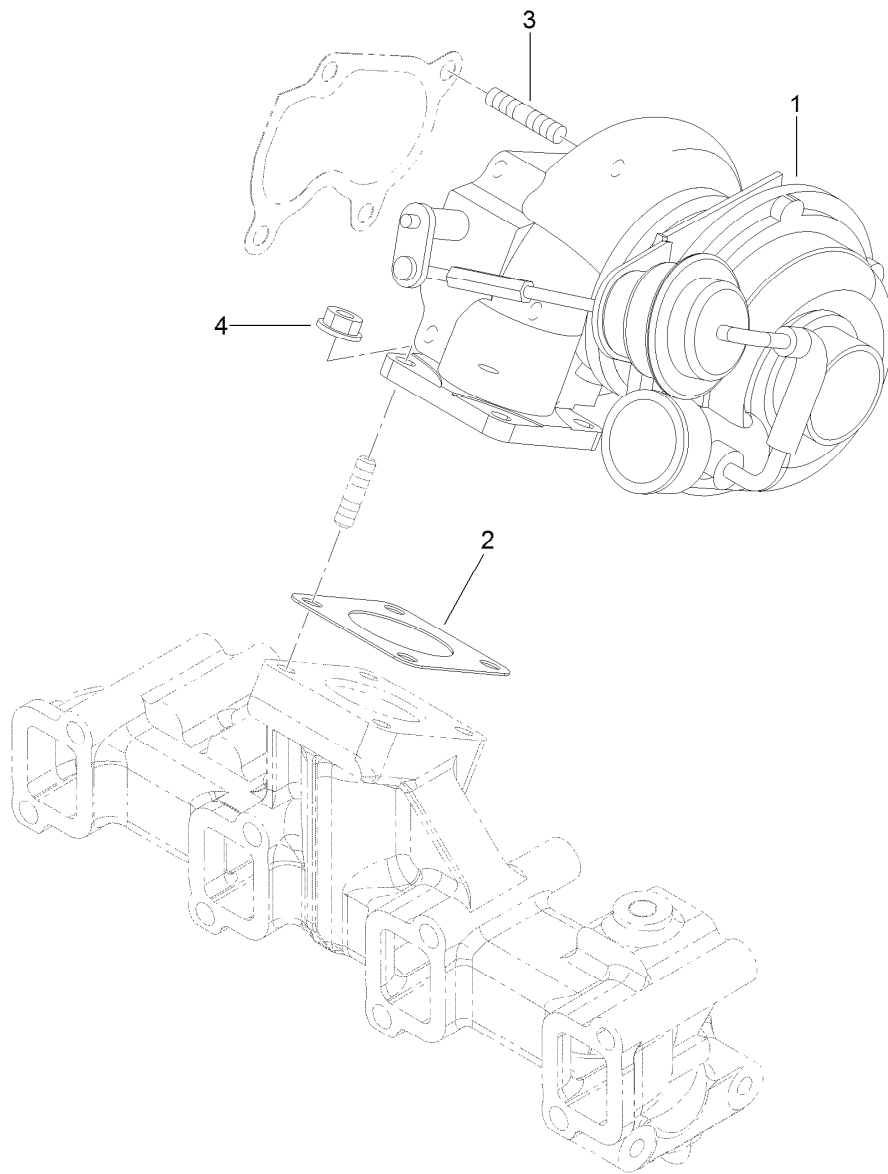
| Ref. | Part Number | Qty. | Description | Ref. | Part Number | Qty. | Description |
|------|-------------|------|--------------------|------|-------------|------|---------------------|
| 1 | 125-7016 | 8 | Tappet | 18 | 125-7220 | 3 | Bolt |
| 2 | 133-6644 | 8 | Rod-Push | 19 | 133-6737 | 1 | Gear-Pump, Supply |
| 3 | 133-6726 | 1 | Cam Shaft ASM | 20 | 127-3167 | 1 | Washer-Spring |
| 4 | 125-7008 | 1 | Metal-Thrust | 21 | 127-3185 | 1 | Nut-Lock |
| 6 | 133-6725 | 1 | Gear-Camshaft | 22 | 133-6732 | 1 | Shaft-Gear B, Idle |
| 7 | 125-7185 | 1 | Key | 23 | 133-6734 | 1 | Idle Gear B ASM |
| 8 | 133-6727 | 1 | Pulser-Gear, Cam | 26 | 133-6735 | 1 | Plate-Shaft B, Idle |
| 9 | 125-7182 | 1 | Pin-Spring | 27 | 125-7219 | 3 | Bolt |
| 10 | 125-7213 | 2 | Bolt | 28 | 133-6736 | 1 | L O Pipe ASM |
| 11 | 133-2504 | 2 | Screw | 29 | 133-6600 | 2 | Bolt-Joint, Pipe |
| 12 | 127-3054 | 1 | Sensor-Rev, Gear | 30 | 125-7174 | 4 | Washer-Seal |
| 13 | 127-3184 | 1 | Bolt | 31 | 133-6624 | 1 | Bushing-Gear, Idle |
| 14 | 133-6731 | 1 | Shaft-Gear A, Idle | 32 | 133-6733 | 1 | Bushing |
| 15 | 133-6652 | 1 | Idle Gear ASM | | | | |

Diesel Particulate Filter Assembly



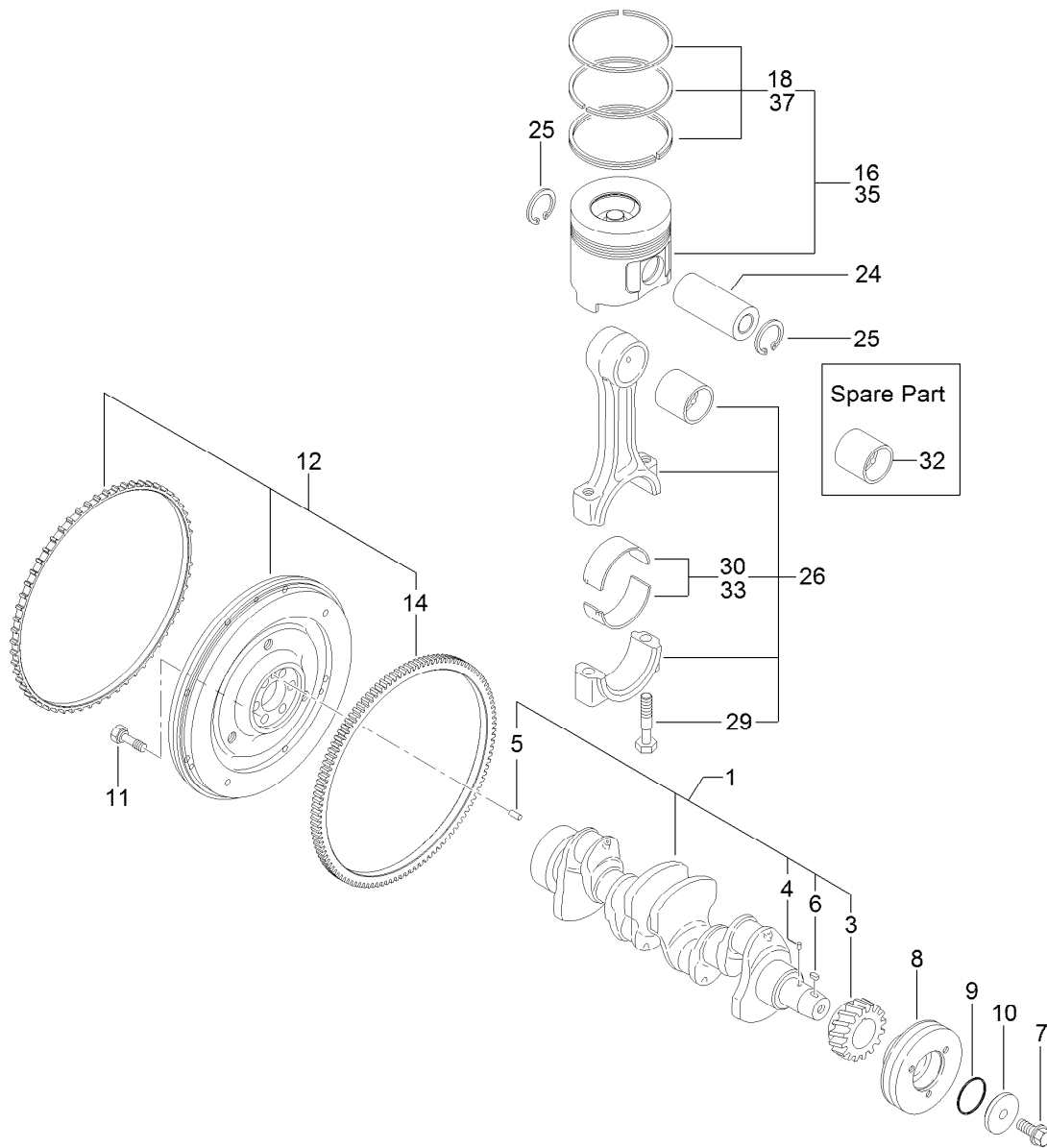
Diesel Particulate Filter Assembly (continued)

| <i>Ref.</i> | <i>Part Number</i> | <i>Qty.</i> | <i>Description</i> | <i>Ref.</i> | <i>Part Number</i> | <i>Qty.</i> | <i>Description</i> |
|-------------|--------------------|-------------|------------------------------|-------------|--------------------|-------------|------------------------------|
| 1 | 127-2987 | 1 | Gasket-Silencer | 29 | 127-3057 | 2 | Clip-Hose |
| 2 | 133-6793 | 4 | Bolt | 30 | 127-3059 | 1 | Exhaust Pressure Hose ASM |
| 3 | 133-6783 | 1 | Band-D P F | 32 | 127-3058 | 2 | Clip-Hose |
| 5 | 127-4764 | 1 | Sensor-Temp, Exhaust | 33 | 127-3060 | 1 | Sensor-Pressure |
| 6 | 127-4765 | 1 | Sensor-Temp, Exhaust | 34 | 133-6773 | 1 | Bracket-Sensor |
| 7 | 133-6786 | 1 | D P F ASM | 35 | 125-7208 | 2 | Bolt |
| 8 | 133-6789 | 1 | Case-D O C | 36 | 125-7215 | 2 | Bolt |
| 10 | 133-6780 | 1 | Case-Filter, Soot | 37 | 127-3087 | 1 | Band-Clip |
| 12 | 133-6781 | 1 | Flange-Outlet | 38 | 127-3124 | 1 | Band |
| 13 | 127-3162 | 2 | Gasket-D P F | 39 | 127-3088 | 2 | Clip-Connector |
| 14 | 127-3055 | 20 | Bolt | 40 | 93-0417 | 2 | Washer |
| 15 | 127-3144 | 1 | Lifter-D P F | 41 | 93-0417 | 1 | Washer |
| 16 | 127-3145 | 5 | Stiffener-D P F, A | 42 | 133-2497 | 2 | Bolt |
| 17 | 133-6728 | 1 | Stiffener-D P F, B | 43 | 125-7230 | 1 | Nut |
| 18 | 127-3147 | 1 | Stiffener-D P F, C | 44 | 125-7230 | 4 | Nut |
| 19 | 133-6699 | 1 | Stiffener-D P F, C | 45 | 133-2506 | 2 | Nut |
| 20 | 125-7213 | 2 | Bolt | 46 | 133-6774 | 1 | Stay-D P F |
| 21 | 125-7229 | 20 | Nut | 47 | 125-7595 | 5 | Bolt |
| 23 | 127-3039 | 2 | Bolt-Joint, Pipe | 48 | 133-6715 | 4 | Bolt |
| 24 | 133-6775 | 1 | Exhaust Pressure Pipe ASM | 49 | 133-6782 | 1 | Stay-D P F |
| 25 | 127-3056 | 4 | Gasket-Sensor | 50 | 127-2987 | 1 | Gasket-Silencer |
| 26 | 133-6776 | 1 | Exhaust Pressure Pipe ASM | | | | |
| 27 | 133-6777 | 1 | Exhaust Pressure Hose ASM | | | | |



Turbine Assembly

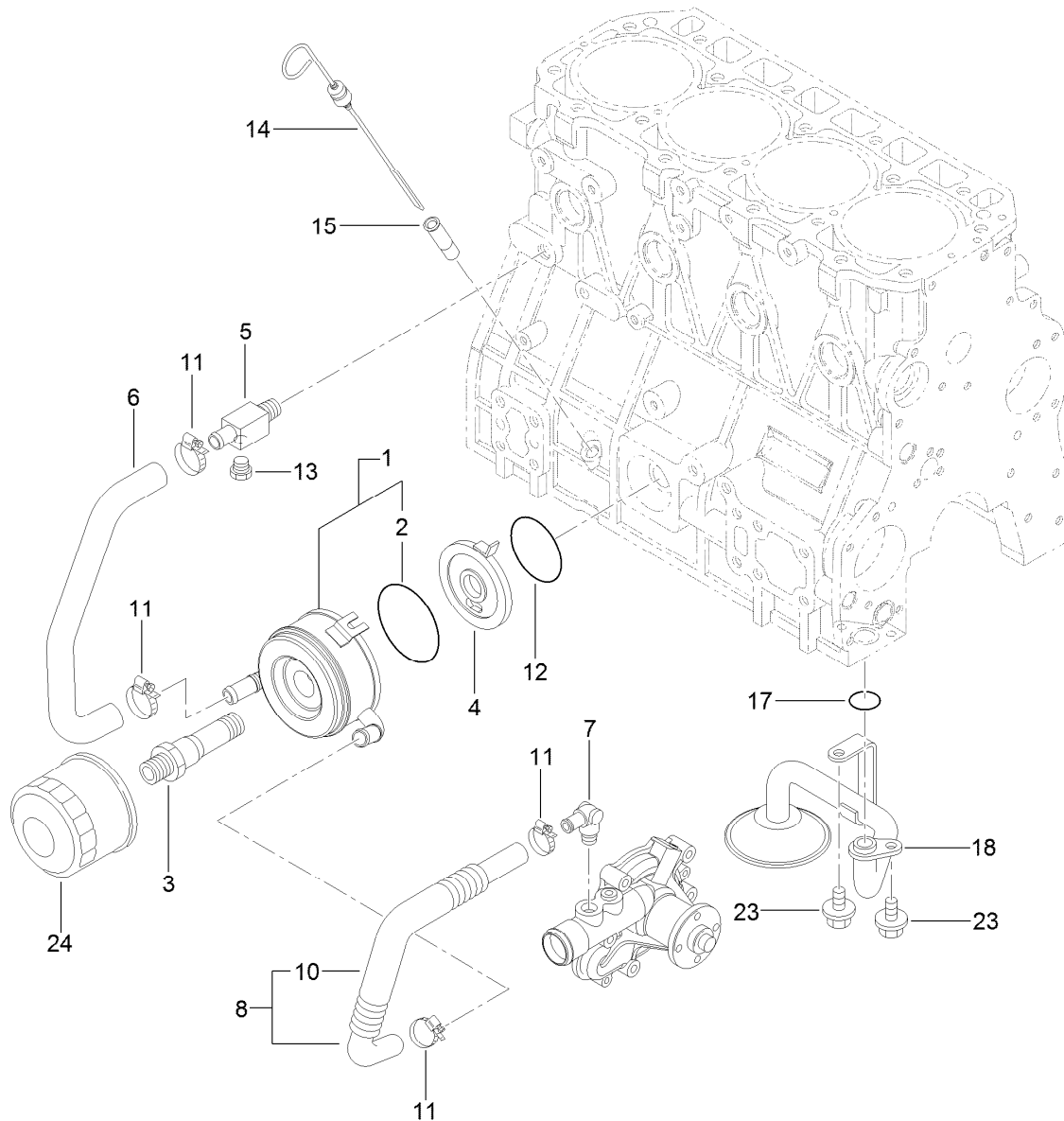
| <i>Ref.</i> | <i>Part Number</i> | <i>Qty.</i> | <i>Description</i> |
|-------------|--------------------|-------------|---------------------|
| 1 | 133-6763 | 1 | Turbocharger-R H F5 |
| 2 | 133-6625 | 1 | Gasket |
| 3 | 125-6906 | 4 | Stud |
| 4 | 125-7229 | 4 | Nut |



Crankshaft and Piston Assembly

| Ref. | Part Number | Qty. | Description |
|------|-------------|------|------------------|
| 1 | 133-6663 | 1 | Crankshaft ASM |
| 3 | 133-6645 | 1 | Gear-Crankshaft |
| 4 | 133-6611 | 1 | Pin |
| 5 | 133-6612 | 1 | Pin-Parallel |
| 6 | 125-7185 | 1 | Key |
| 7 | 133-6670 | 1 | Bolt |
| 8 | 133-6662 | 1 | Pulley-V |
| 9 | 133-6693 | 1 | Packing-Washer |
| 10 | 133-6694 | 1 | Washer-Pulley, V |
| 11 | 133-6610 | 6 | Bolt-Flywheel |
| 12 | 133-6778 | 1 | Flywheel ASM |
| 14 | 133-6646 | 1 | Gear-Ring |

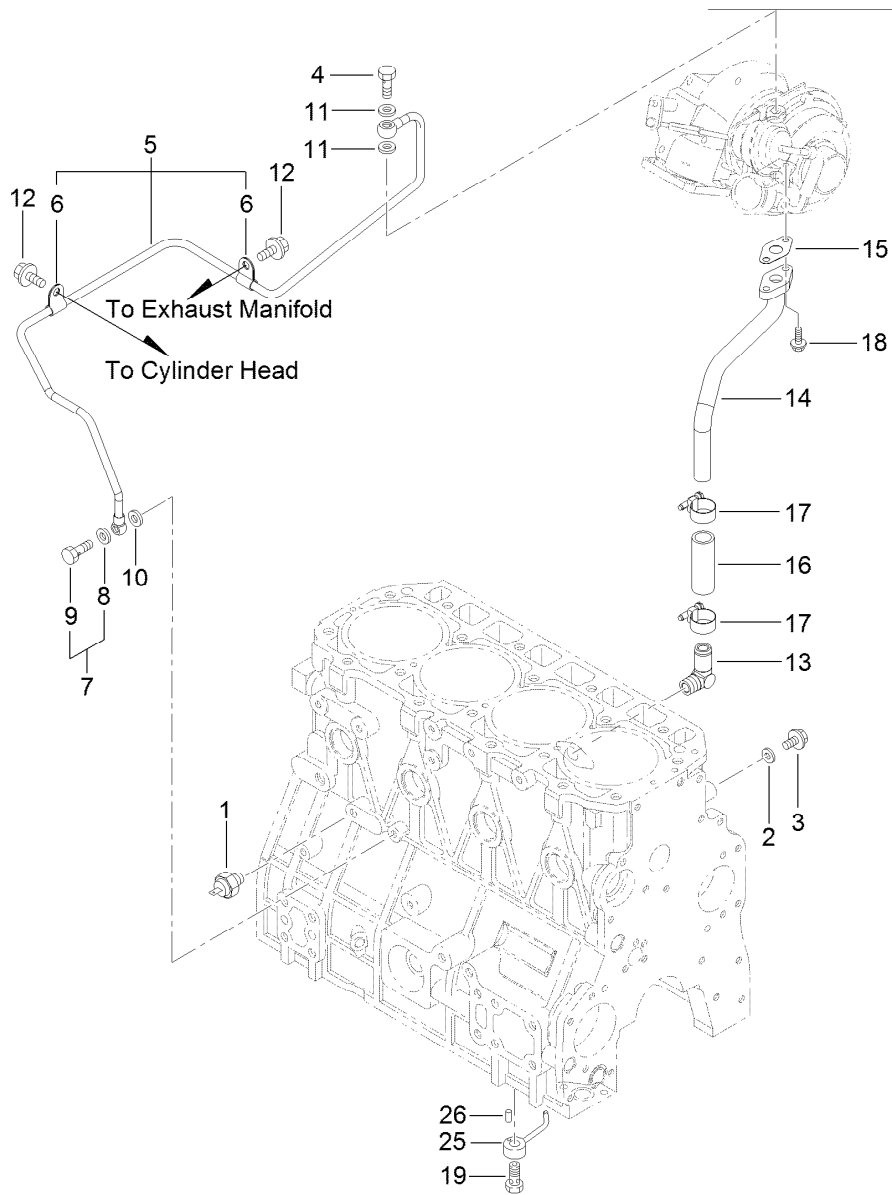
| Ref. | Part Number | Qty. | Description |
|------|-------------|------|----------------------|
| 16 | 133-6766 | 4 | Piston ASM |
| 18 | 133-6729 | 4 | Ring ASM |
| 24 | 133-6607 | 4 | Pin-Piston |
| 25 | 133-6795 | 8 | Ring |
| 26 | 133-6647 | 4 | Connecting Rod ASM |
| 29 | 133-6648 | 8 | Bolt-Rod, Connecting |
| 30 | 133-6649 | 4 | Bearing-Pin, Crank |
| 32 | 133-6651 | 4 | Bearing-Pin, Piston |
| 33 | 133-6650 | 4 | Bearing |
| 35 | 133-6767 | 4 | Piston ASM |
| 37 | 133-6730 | 4 | Ring ASM |



Lubrication and Oil System Assembly

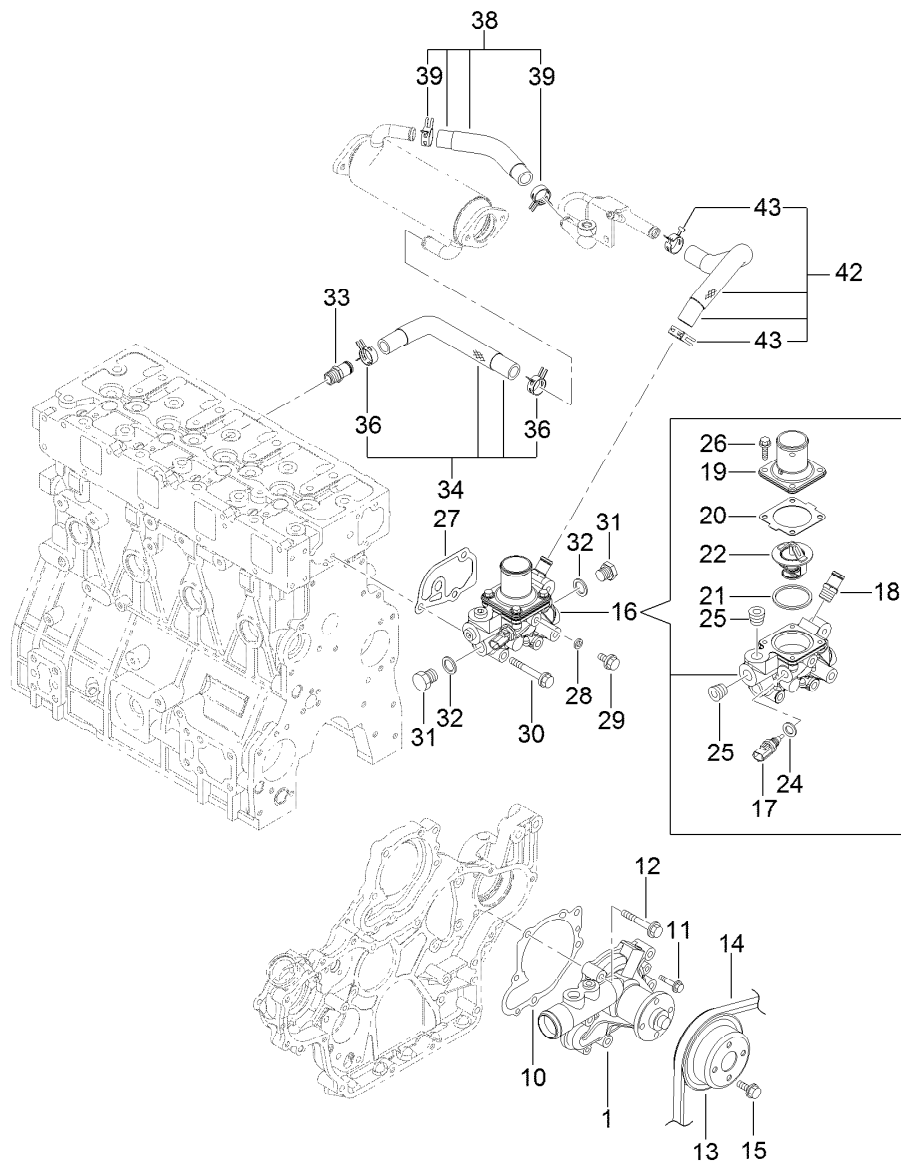
| Ref. | Part Number | Qty. | Description |
|------|-------------|------|-----------------|
| 1 | 127-3014 | 1 | Cooler ASM |
| 2 | 127-2985 | 1 | O-Ring |
| 3 | 133-6622 | 1 | Bolt-Cooler |
| 4 | 127-3015 | 1 | Bracket-Cooler |
| 5 | 125-6990 | 1 | Joint |
| 6 | 133-6667 | 1 | Pipe-Water |
| 7 | 127-3003 | 1 | Elbow |
| 8 | 133-6620 | 1 | Pipe-Water |
| 10 | 133-6621 | 1 | Tube-Corrugated |

| Ref. | Part Number | Qty. | Description |
|------|-------------|------|--------------------|
| 11 | 125-7188 | 4 | Clamp-Hose |
| 12 | 127-3176 | 1 | O-Ring |
| 13 | 125-7171 | 1 | Plug-Drain |
| 14 | 133-6655 | 1 | Dipstick-Oil |
| 15 | 125-6954 | 1 | Guide-Dipstick |
| 17 | 133-6653 | 1 | O-Ring |
| 18 | 133-6656 | 1 | Oil Inlet Pipe ASM |
| 23 | 125-7212 | 2 | Bolt |
| 24 | 125-7025 | 1 | Filter-Engine, Oil |



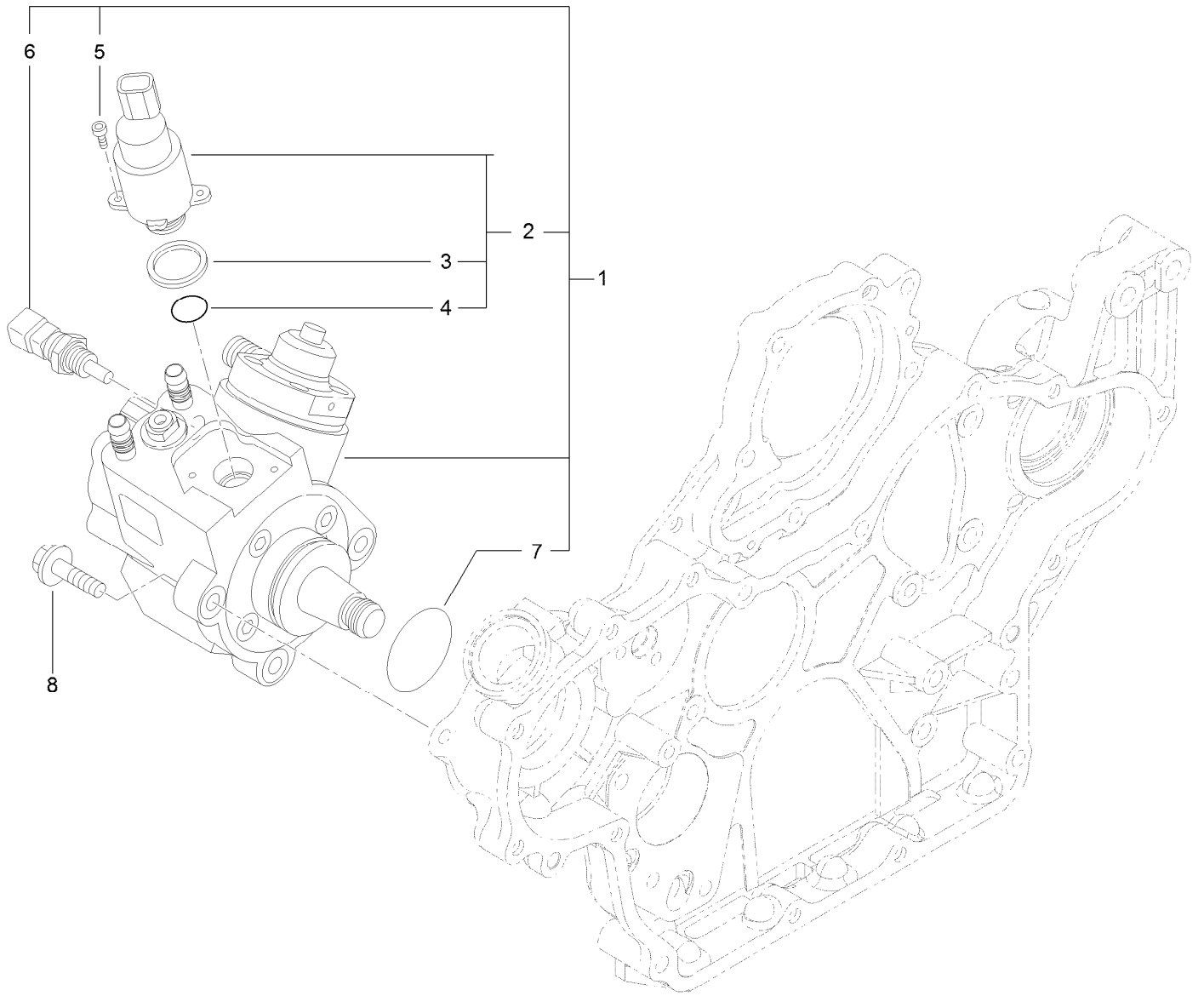
Lubrication Oil Pipe Assembly

| <i>Ref.</i> | <i>Part Number</i> | <i>Qty.</i> | <i>Description</i> | <i>Ref.</i> | <i>Part Number</i> | <i>Qty.</i> | <i>Description</i> |
|-------------|--------------------|-------------|--------------------|-------------|--------------------|-------------|---------------------|
| 1 | 125-6918 | 1 | Switch-Oil | 12 | 125-7212 | 2 | Bolt |
| 2 | 125-7174 | 1 | Washer-Seal | 13 | 125-6971 | 1 | Elbow |
| 3 | 125-7212 | 1 | Bolt | 14 | 133-6769 | 1 | Pipe-L O Return T/C |
| 4 | 125-6952 | 1 | Bolt-Joint, Pipe | 15 | 133-6666 | 1 | Gasket |
| 5 | 133-6768 | 1 | L O Pipe ASM | 16 | 125-6958 | 1 | Hose |
| 6 | 133-6623 | 2 | Retainer | 17 | 125-7188 | 2 | Clamp-Hose |
| 7 | 125-6988 | 1 | Joint Bolt ASM | 18 | 125-7208 | 2 | Bolt |
| 8 | 125-7174 | 1 | Washer-Seal | 19 | 133-6665 | 4 | Check Valve ASM |
| 9 | 125-7194 | 1 | Bolt-Joint | 25 | 133-6602 | 4 | Nozzle |
| 10 | 125-7174 | 2 | Washer-Seal | 26 | 125-7182 | 4 | Pin-Spring |
| 11 | 125-7193 | 2 | Gasket | | | | |



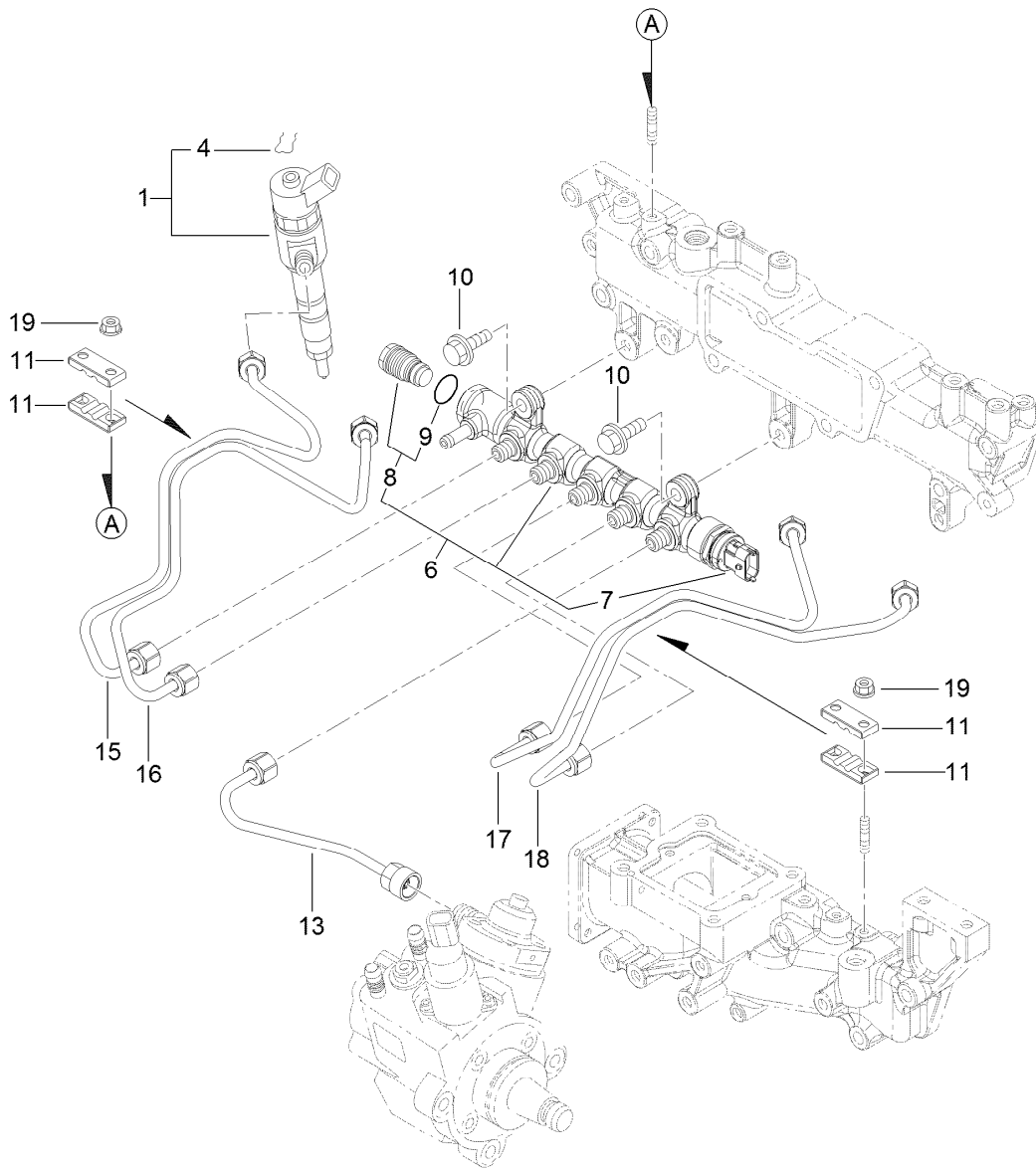
Cooling Water System Assembly

| Ref. | Part Number | Qty. | Description | Ref. | Part Number | Qty. | Description |
|------|-------------|------|-----------------------|------|-------------|------|------------------------|
| 1 | 133-6657 | 1 | Water Pump ASM | 25 | 133-6796 | 2 | Plug |
| 10 | 133-6658 | 1 | Gasket-Pump, Water | 26 | 125-7209 | 4 | Bolt |
| 11 | 131-2739 | 2 | Bolt | 27 | 133-6660 | 1 | Gasket |
| 12 | 125-7221 | 5 | Bolt | 28 | 125-7192 | 1 | Gasket |
| 13 | 133-6659 | 1 | V Pulley-Pump, CW | 29 | 125-7212 | 1 | Bolt |
| 14 | 133-6799 | 1 | V-Belt | 30 | 125-7222 | 3 | Bolt |
| 15 | 133-2495 | 4 | Bolt | 31 | 125-6953 | 2 | Plug |
| 16 | 133-6740 | 1 | Thermostat Case ASM | 32 | 125-6979 | 2 | Gasket |
| 17 | 125-7124 | 1 | Sensor-Thermostat, CW | 33 | 127-3017 | 1 | Joint |
| 18 | 127-3017 | 1 | Joint | 34 | 133-6738 | 1 | E G R-C In Hose ASM |
| 19 | 133-6671 | 1 | Cover-Thermostat | 36 | 127-3020 | 2 | Clip-Hose |
| 20 | 133-6613 | 1 | Gasket-Thermostat | 38 | 133-6739 | 1 | E G R-C Out A Hose ASM |
| 21 | 133-6614 | 1 | Gasket-Thermostat | 39 | 127-3020 | 2 | Clip-Hose |
| 22 | 133-6615 | 1 | Thermostat | 42 | 133-6784 | 1 | E G R-C Out B Hose ASM |
| 24 | 125-7176 | 1 | Washer-Seal | 43 | 127-3020 | 2 | Clip-Hose |



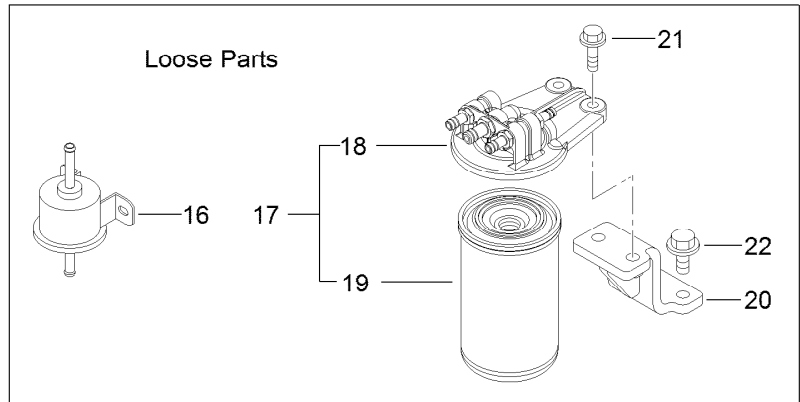
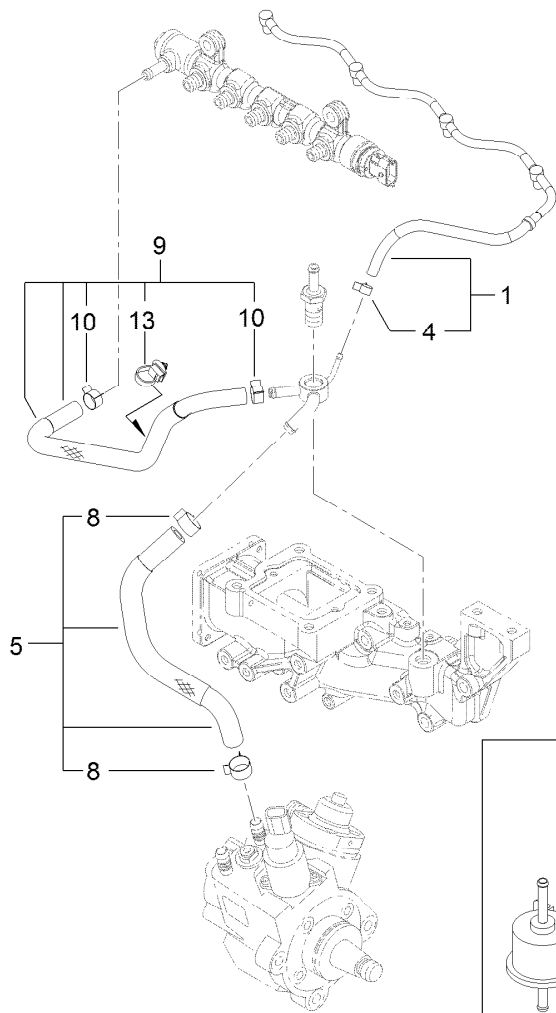
Fuel Supply Pump Assembly

| <i>Ref.</i> | <i>Part Number</i> | <i>Qty.</i> | <i>Description</i> |
|-------------|--------------------|-------------|--------------------|
| 1 | 127-3073 | 1 | Fuel Pump ASM |
| 2 | 131-2103 | 1 | Valve ASM |
| 3 | 131-2105 | 1 | Ring-Sealing |
| 4 | 131-2106 | 1 | O-Ring |
| 5 | 131-2107 | 2 | Bolt |
| 6 | 131-2108 | 1 | Sensor-Temperature |
| 7 | 127-3074 | 1 | O-Ring |
| 8 | 125-7216 | 3 | Bolt |



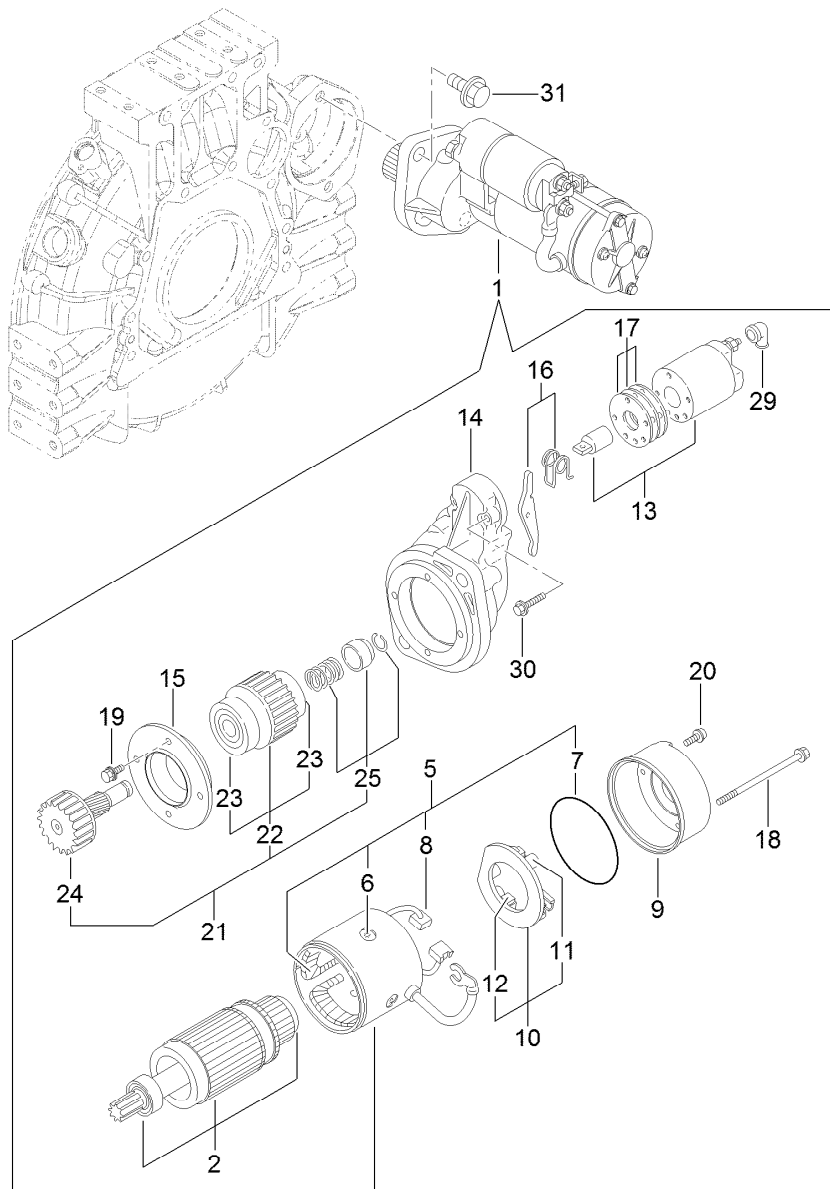
Fuel Injection Valve Assembly

| Ref. | Part Number | Qty. | Description |
|------|-------------|------|------------------------|
| 1 | 133-6770 | 4 | Injector-C R |
| 4 | 130-7430 | 4 | Ring-Retaining |
| 6 | 127-3118 | 1 | Rail ASM |
| 7 | 130-7431 | 1 | Sensor-Pressure, Rail |
| 8 | 130-7432 | 1 | Valve ASM |
| 9 | 130-7433 | 1 | O-Ring |
| 10 | 125-7215 | 2 | Bolt |
| 11 | 127-2982 | 4 | Retainer |
| 13 | 133-6745 | 1 | Rail Injector Pipe ASM |
| 15 | 133-6746 | 1 | Injector No 1 Pipe ASM |
| 16 | 133-6747 | 1 | Injector No 2 Pipe ASM |
| 17 | 133-6748 | 1 | Injector No 3 Pipe ASM |
| 18 | 133-6749 | 1 | Injector No 4 Pipe ASM |
| 19 | 125-7231 | 4 | Nut |



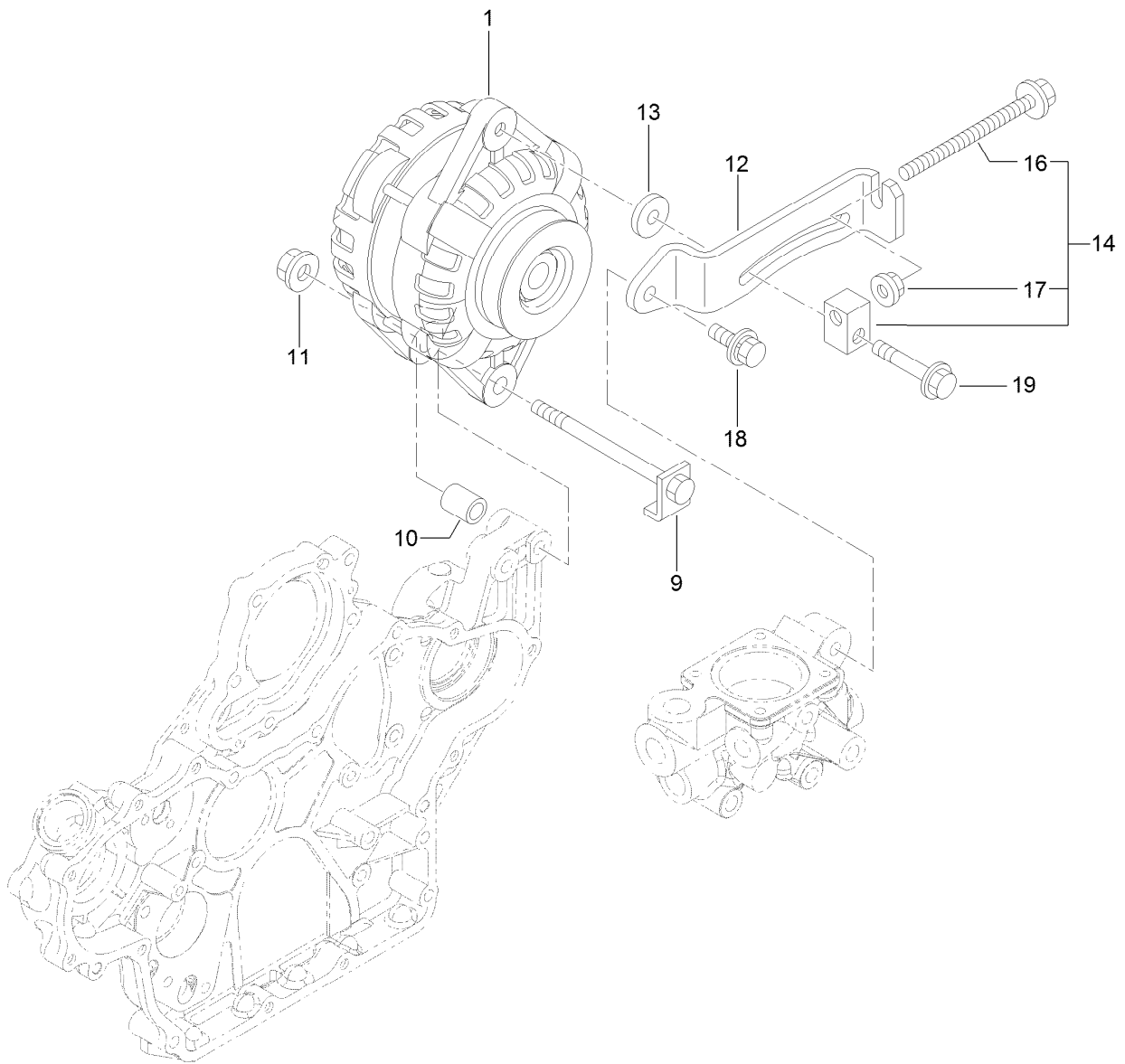
Fuel Pipe Assembly

| Ref. | Part Number | Qty. | Description |
|------|-------------|------|-----------------------------|
| 1 | 133-6744 | 1 | Fuel/Oil Return Pipe ASM |
| 4 | 127-3172 | 1 | Clamp-Hose |
| 5 | 133-6741 | 1 | Fuel/Oil Return Hose ASM |
| 8 | 125-7191 | 2 | Clamp-Hose |
| 9 | 133-6742 | 1 | Fuel/Oil Return Hose ASM |
| 10 | 127-2950 | 2 | Clip-Hose |
| 13 | 127-3087 | 1 | Band-Clip |
| 16 | 127-3008 | 1 | Fuel Feed Pump ASM |
| 17 | 127-3075 | 1 | Fuel/Oil Filter ASM |
| 18 | 127-3076 | 1 | Fuel/Oil Filter Bracket ASM |
| 19 | 125-8752 | 1 | Filter-Fuel/Oil |
| 20 | 131-2731 | 1 | Bracket-Filter, Fuel |
| 21 | 125-7216 | 2 | Bolt |
| 22 | 133-2496 | 2 | Bolt |



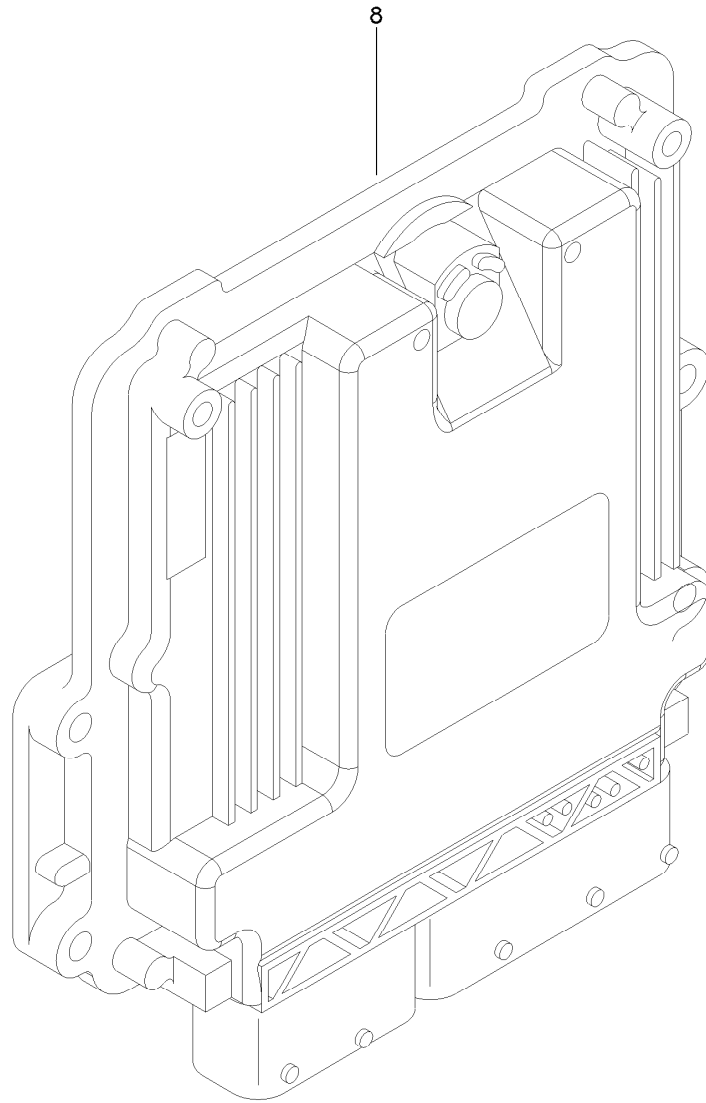
Starter Motor Assembly

| <i>Ref.</i> | <i>Part Number</i> | <i>Qty.</i> | <i>Description</i> | <i>Ref.</i> | <i>Part Number</i> | <i>Qty.</i> | <i>Description</i> |
|-------------|--------------------|-------------|--------------------|-------------|--------------------|-------------|--------------------|
| 1 | 133-6673 | 1 | Starter | 16 | 133-6686 | 1 | Lever Set |
| 2 | 133-6674 | 1 | Armature ASM | 17 | 133-6687 | 1 | Dust Cover ASM |
| 5 | 133-6675 | 1 | Field Coil ASM | 18 | 133-6688 | 2 | Bolt-Through |
| 6 | 133-6676 | 4 | Screw | 19 | 133-6689 | 4 | Bolt |
| 7 | 133-6677 | 1 | O-Ring | 20 | 133-6690 | 2 | Screw |
| 8 | 133-6678 | 2 | Brush | 21 | 133-6616 | 1 | Pinion ASM |
| 9 | 133-6679 | 1 | Cover | 22 | 133-6617 | 1 | Clutch ASM |
| 10 | 133-6680 | 1 | Brush Holder ASM | 23 | 133-2510 | 2 | Bearing-Ball |
| 11 | 133-6681 | 1 | Spring | 24 | 133-6618 | 1 | Shaft |
| 12 | 133-6682 | 2 | Brush | 25 | 133-6604 | 1 | Stopper Kit |
| 13 | 133-6683 | 1 | Switch ASM | 29 | 133-6609 | 1 | Cover-Terminal |
| 14 | 133-6684 | 1 | Case-Gear | 30 | 133-6601 | 2 | Bolt |
| 15 | 133-6685 | 1 | Retainer | 31 | 125-7225 | 2 | Bolt |



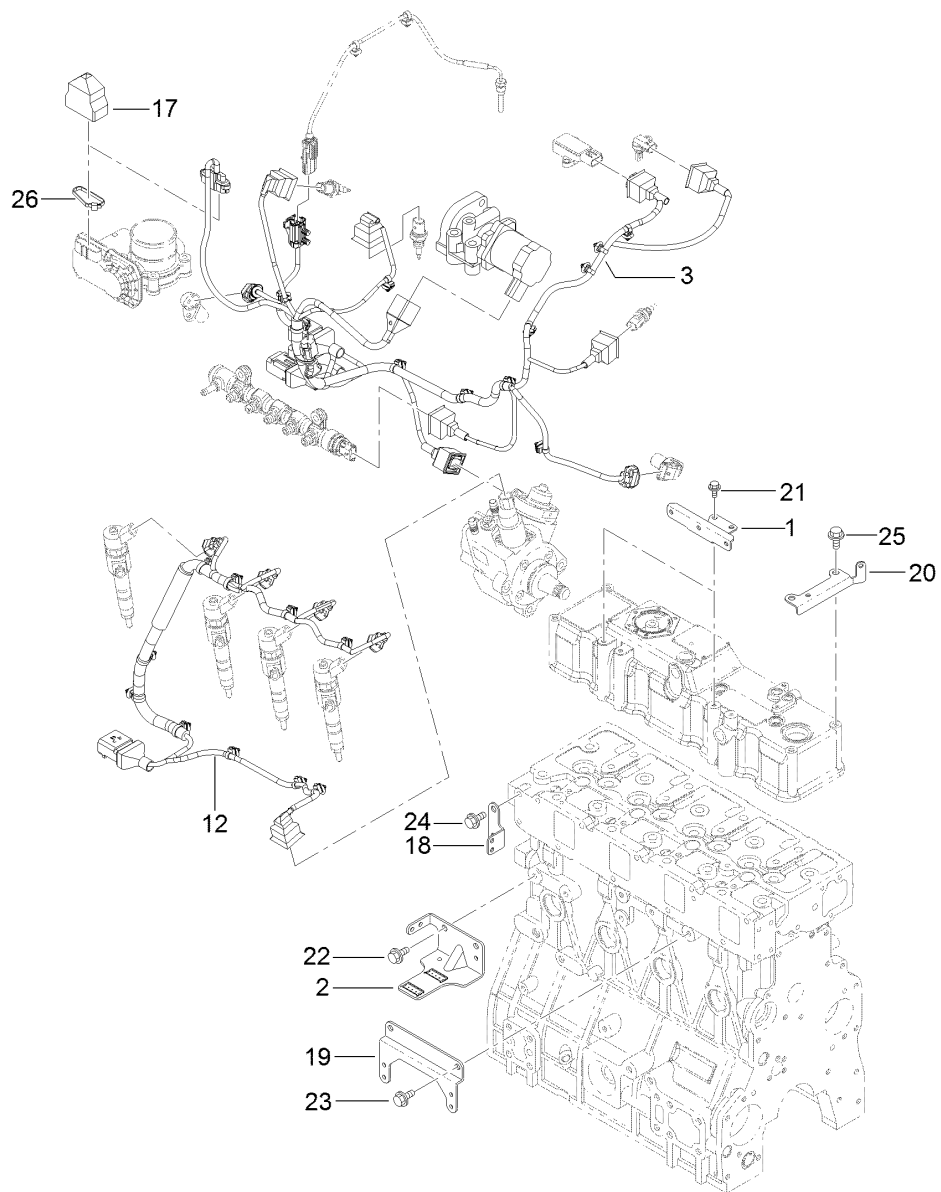
Generator Assembly

| <i>Ref.</i> | <i>Part Number</i> | <i>Qty.</i> | <i>Description</i> |
|-------------|--------------------|-------------|--------------------|
| 1 | 125-7120 | 1 | Alternator-12V |
| 9 | 125-7121 | 1 | Bolt-Stopper |
| 10 | 125-7122 | 1 | Piece-Distance |
| 11 | 125-7230 | 1 | Nut |
| 12 | 133-6692 | 1 | Adjuster |
| 13 | 133-6608 | 1 | Spacer |
| 14 | 133-6605 | 1 | Adjuster Block ASM |
| 16 | 133-2494 | 1 | Bolt |
| 17 | 125-7229 | 1 | Nut |
| 18 | 133-2491 | 1 | Bolt |
| 19 | 125-7219 | 1 | Bolt |



Electronic Control Unit Assembly

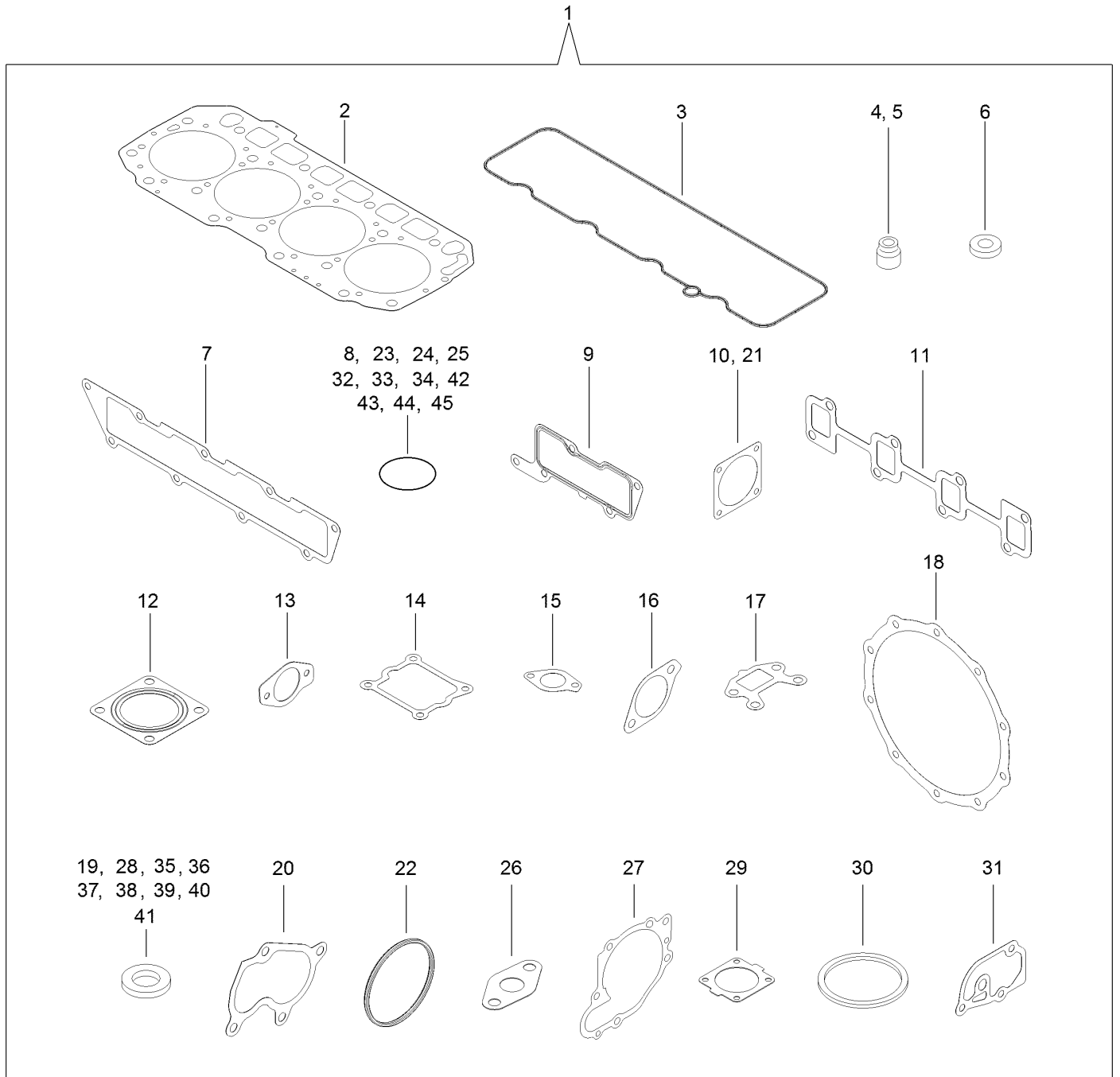
| <i>Ref.</i> | <i>Part Number</i> | <i>Qty.</i> | <i>Description</i> |
|-------------|--------------------|-------------|-------------------------|
| 8 | 121-5592 | 1 | Electronic Control Unit |



Electric Parts Assembly

| <i>Ref.</i> | <i>Part Number</i> | <i>Qty.</i> | <i>Description</i> |
|-------------|--------------------|-------------|-------------------------|
| 1 | 133-6706 | 2 | Bracket-Harness |
| 2 | 133-6751 | 1 | Bracket-Connector |
| 3 | 133-6771 | 1 | Harness-B, E C O |
| 12 | 133-6752 | 1 | Harness-C, E C O Engine |
| 17 | 131-2713 | 1 | Boot-Cap |
| 18 | 127-3090 | 1 | Bracket-Harness |
| 19 | 133-6753 | 1 | Bracket-Harness |
| 20 | 133-6772 | 1 | Bracket-Harness |
| 21 | 125-7206 | 4 | Bolt |
| 22 | 125-7212 | 2 | Bolt |
| 23 | 125-7212 | 2 | Bolt |
| 24 | 125-7212 | 2 | Bolt |
| 25 | 125-7212 | 2 | Bolt |
| 26 | 127-3188 | 1 | Band |

Gasket Set



Gasket Set (continued)

| <i>Ref.</i> | <i>Part Number</i> | <i>Qty.</i> | <i>Description</i> | <i>Ref.</i> | <i>Part Number</i> | <i>Qty.</i> | <i>Description</i> |
|-------------|--------------------|-------------|------------------------|-------------|--------------------|-------------|--------------------|
| 1 | 133-2509 | 1 | Gasket Kit | 24 | 133-6654 | 1 | O-Ring |
| 2 | 133-6700 | 1 | Gasket-Head, Cylinder | 25 | 127-2985 | 1 | O-Ring |
| 3 | 132-4907 | 1 | Gasket-Cover, Head | 26 | 133-6666 | 1 | Gasket |
| 4 | 127-2986 | 4 | Seal-Stem, Valve | 27 | 133-6658 | 1 | Gasket-Pump, Water |
| 5 | 127-3027 | 4 | Seal-Stem, Valve | 28 | 125-6979 | 2 | Gasket |
| 6 | 127-3021 | 4 | Gasket-Injector | 29 | 133-6613 | 1 | Gasket-Thermostat |
| 7 | 133-6708 | 1 | Gasket-Manifold | 30 | 133-6614 | 1 | Gasket-Thermostat |
| 8 | 127-3033 | 1 | O-Ring | 31 | 133-6660 | 1 | Gasket |
| 9 | 133-6709 | 1 | Gasket-Collector | 32 | 131-2106 | 1 | O-Ring |
| 10 | 127-3037 | 2 | Gasket-Throttle | 33 | 127-3074 | 1 | O-Ring |
| 11 | 133-6710 | 1 | Gasket-Manifold | 34 | 130-7433 | 1 | O-Ring |
| 12 | 127-2987 | 3 | Gasket-Silencer | 35 | 125-7174 | 7 | Washer-Seal |
| 13 | 133-6698 | 2 | Gasket-Cooler, E G R | 36 | 125-7176 | 1 | Washer-Seal |
| 14 | 133-6717 | 1 | Gasket-V Spacer, E G R | 37 | 127-3166 | 2 | Washer-Seal |
| 15 | 127-3016 | 1 | Gasket | 38 | 125-7177 | 1 | Washer-Seal |
| 16 | 133-6723 | 1 | Gasket-In, E G R-V | 39 | 125-7192 | 1 | Gasket |
| 17 | 133-6724 | 1 | Gasket-Out, E G R-V | 40 | 125-7193 | 2 | Gasket |
| 18 | 127-3162 | 2 | Gasket-D P F | 41 | 127-3174 | 2 | Gasket |
| 19 | 127-3056 | 4 | Gasket-Sensor | 42 | 93-0400 | 1 | O-Ring |
| 20 | 133-6619 | 1 | Gasket | 43 | 93-0418 | 3 | O-Ring |
| 21 | 133-6625 | 1 | Gasket | 44 | 125-7197 | 1 | O-Ring |
| 22 | 133-6693 | 2 | Packing-Washer | 45 | 127-3176 | 1 | O-Ring |
| 23 | 133-6653 | 2 | O-Ring | | | | |

Attachments and Accessories

For 31698 Groundsmaster 5900/5910 Rotary Mower

| Product Name | Model/Part |
|---|-------------------|
| Dry Battery..... | 104-8162 |
| 12 Volt Battery | 106-5190 |
| Premium All Season Hydraulic Fluid (55 Gallon Drum) | 108-1177 |
| Premium All Season Hydraulic Fluid (5 Gallon Pail)..... | 108-1178 |
| Premium All Purpose Grease (Tube) | 108-1190 |
| Primary Engine Air Filter | 108-3815 |
| Vinyl Backrest Extension Kit | 119-7718 |
| Beacon Kit | 119-8256 |
| Registration Plate and Light Kit..... | 120-7570 |
| Premium Engine Oil 15w40 (55 Gallon Drum) | 121-6394 |
| Premium Engine Oil 15w40 (5 Gallon Pail) | 121-6395 |
| Fuel/Water Separator Filter..... | 125-2915 |
| Engine Oil Filter | 125-7025 |
| Fuel Filter..... | 125-8752 |
| Exterior Mirror Kit..... | 130-5448 |
| Safety Air Filter Element | 130-9070 |
| CE Kit, 2016 and After Groundsmaster 5900 Tier 4 Series Traction Unit | 132-1340 |
| Atomic Blade Service Pack (20in)..... | 132-1391 |
| Standard Blade Service Pack (20in) | 132-1392 |
| Blade/Belt Kit | 132-1440 |
| Polycarbonate Window Kit..... | 132-3420 |
| Universal Sunshade | 30349 |
| Red Universal Sunshade | 30552 |
| EU Light Kit, 2015 and After Groundsmaster 5910 Series Rotary Mower with Cab..... | 30639 |
| 2 Post ROPS Extension Kit..... | 31353 |
| Backup Alarm Kit | 31512 |
| Center Deck..... | 31601 |
| Right Wing Deck | 31602 |
| Left Wing Deck | 31603 |
| Leaf Mulching Kit | 31604 |
| Fluid/Filter MVP Kit..... | 31609 |
| Hydraulic Filter..... | 75-1310 |
| Hydraulic Filter..... | 86-6110 |
| 10in Foam Filled Castor Wheel..... | 93-5973 |

For 31699 Groundsmaster 5900/5910 Rotary Mower

| Product Name | Model/Part |
|---|-------------------|
| Dry Battery..... | 104-8162 |
| 12 Volt Battery | 106-5190 |
| Premium All Season Hydraulic Fluid (55 Gallon Drum) | 108-1177 |
| Premium All Season Hydraulic Fluid (5 Gallon Pail)..... | 108-1178 |
| Premium All Purpose Grease (Tube) | 108-1190 |
| Primary Engine Air Filter | 108-3815 |
| Backrest Extension Kit..... | 119-7719 |

Attachments and Accessories (continued)

| | |
|--|----------|
| Registration Plate and Light Kit..... | 120-7570 |
| Premium Engine Oil 15w40 (55 Gallon Drum) | 121-6394 |
| Premium Engine Oil 15w40 (5 Gallon Pail) | 121-6395 |
| Air Filter | 121-8457 |
| Fuel/Water Separator Filter..... | 125-2915 |
| Engine Oil Filter | 125-7025 |
| Fuel Filter..... | 125-8752 |
| Safety Air Filter Element | 130-9070 |
| CE Kit, 2016 and After Groundsmaster 5900 Tier 4 Series Traction Unit | 132-1340 |
| Atomic Blade Service Pack (20in)..... | 132-1391 |
| Standard Blade Service Pack (20in) | 132-1392 |
| Blade/Belt Kit | 132-1440 |
| EU Light Kit, 2015 and After Groundsmaster 5910 Series Rotary Mower with Cab..... | 30639 |
| Pre-Filter Screen Kit, 2015 and After Groundsmaster Series Cab..... | 30647 |
| North American Cab Light Kit, 2015 and After Groundsmaster 5910/4010/4110 Series Traction Unit | 30706 |
| Beacon Kit, 2015 and After Groundsmaster Series Traction Unit | 31509 |
| Backup Alarm Kit | 31512 |
| Center Deck..... | 31601 |
| Right Wing Deck | 31602 |
| Left Wing Deck | 31603 |
| Leaf Mulching Kit | 31604 |
| Fluid/Filter MVP Kit | 31609 |
| Hydraulic Filter..... | 75-1310 |
| Hydraulic Filter..... | 86-6110 |
| 10in Foam Filled Castor Wheel..... | 93-5973 |

Notes:

Notes:



Count on it.