



**Count on it.**

**Parts Catalog**

**27-inch 11-Blade EDGESERIES™  
Cutting Unit**

**Reelmaster® 7000-D Traction Unit**

Model No. 03722—Serial No. 401400001 and Up



# Ordering Replacement Parts

To order replacement parts, please supply the part number, the quantity, and the description of each part desired.

## Understanding Reference Numbers

Each identified part in an illustration has a reference number. The reference number for a part also appears in the parts list, along with other information about the part.

This catalog uses two special reference number formats, one to indicate parts in a service assembly and another to indicate the quantity of a given part in an illustration.

## Service Assembly Reference Numbers

Parts in service assemblies have reference numbers in the form a:b. The a represents the reference number of the entire service assembly and the b represents a sequential number unique to each part within the service assembly.

For example, a wheel assembly might be identified by reference number 6, the tire by 6:1, the valve by 6:2, and the wheel by 6:3. When you order the assembly identified by reference number 6, you receive all parts identified by reference numbers 6:1, 6:2, and 6:3. However, you may also order any part individually. Reference numbers of this type appear in illustration and in parts lists.

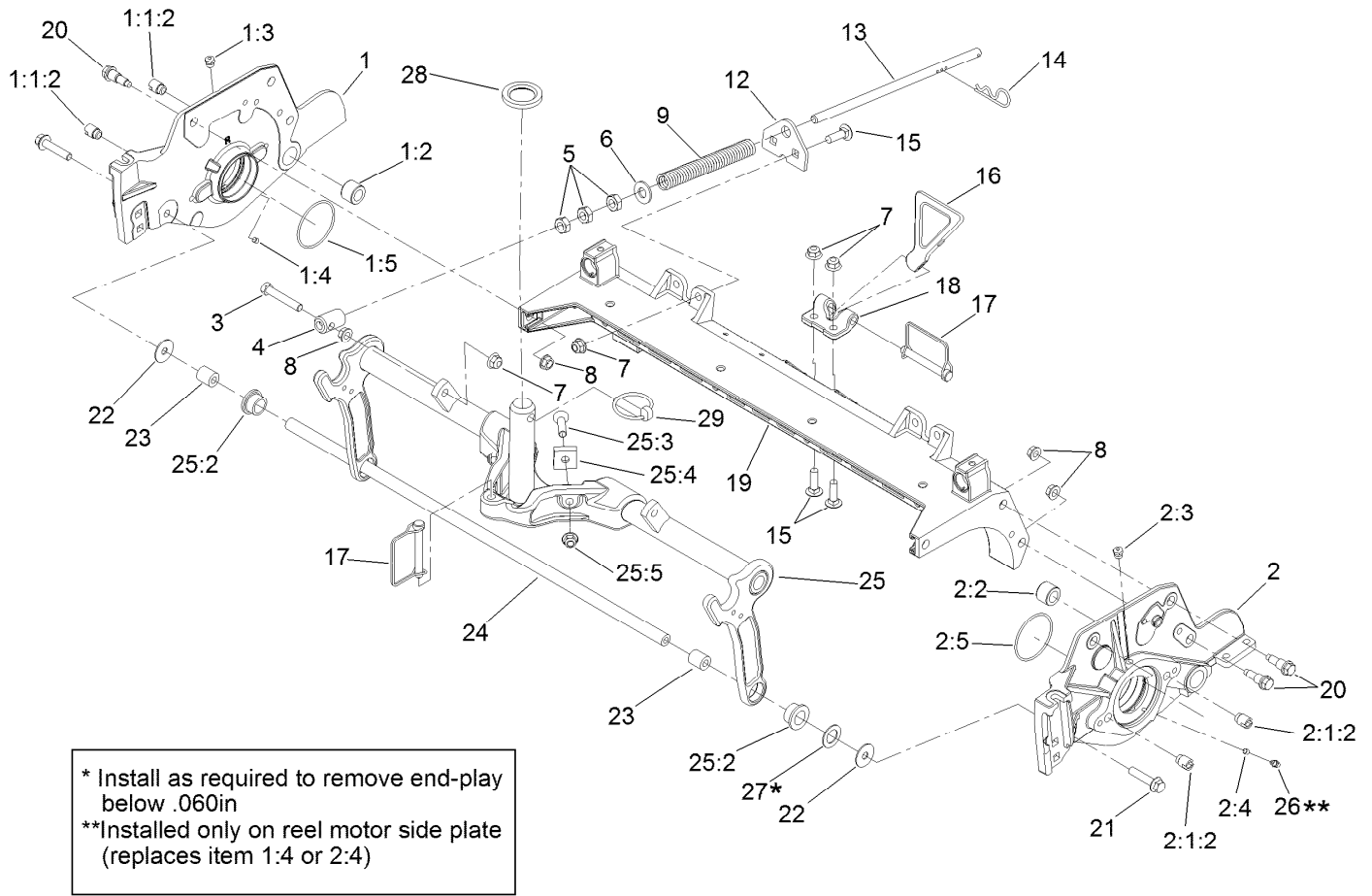
## Reference Numbers Indicating Quantity

In an illustration, if a reference number indicates more than one part, the reference number has the form nX y. The n represents the quantity of the part, the X is the multiplication symbol, and the y represents the reference number.

For example, in an illustration, the reference number 2X 37 means that two of the parts identified by reference number 37 are indicated.

# Contents

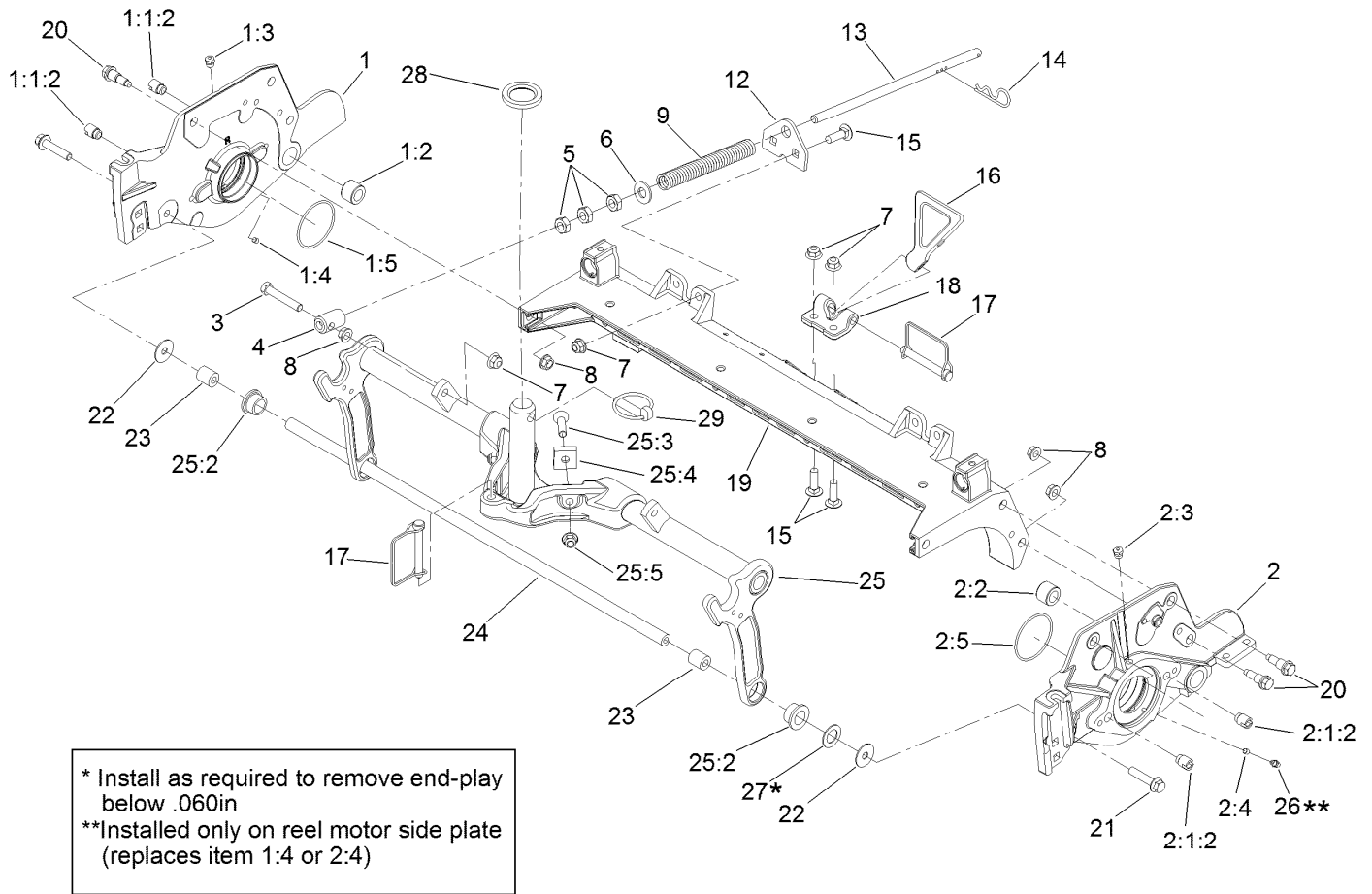
Frame Assembly.....	4
Reel and Bedbar Assembly .....	6
Optional 7IN EDGESERIES + 27In Fairway, 5 Blade, Low Drag, Radial Reel Assembly No. 137-8469 .....	8
7IN EDGESERIES + 27In Fairway, 11 Blade, Low Drag, Radial Reel Assembly No. 137-8471 .....	9
Optional Heavy-Duty MVP Kit No. 120-7230.....	10
Roller Assembly .....	11
Long Roller Assembly No. 112-8915.....	12
Optional Short Roller Assembly No. 119-4286 .....	13
Optional Full Front Roller Assembly No. 114-9383 .....	14
Wiehle Roller Assembly No. 117-0960 .....	15
Optional Shoulder Roller Assembly No. 119-0630 .....	16
Optional High Height-of-Cut Assembly No. 137-0890 .....	17
Shield Assembly.....	18
Optional Tool Assembly.....	19
Attachments and Accessories .....	20



## Frame Assembly

Ref.	Part Number	Qty.	Description	Ref.	Part Number	Qty.	Description
1	127-4298	1	7 Inch RH Side Plate ASM	9	119-4275	1	Spring-Compression
1:1:2	127-7149	2	Insert-Threaded, Side Plate	12	110-4069	1	Bracket
1:2	106-9618	1	Bushing-Rubber	13	115-2007	1	Rod-Spring
1:3	302-39	1	Fitting-Plug	14	92-2762	1	Pin-Hair
1:4	3245-35	1	Screw-Set, HSH	15	3231-25	4	Bolt-CARR
1:5	117-8177	1	O-Ring	16	119-8010-03	1	Kickstand ●
2	127-4295	1	7 Inch LH Side Plate ASM	17	107-7400	2	Pin-Lynch
2:1:2	127-7149	2	Insert-Threaded, Side Plate	18	110-4058	1	Bracket-Chain
2:2	106-9618	1	Bushing-Rubber	19	112-8935	1	Frame-Center
2:3	302-39	1	Fitting-Plug	20	107-2979	6	Bolt-Shoulder
2:4	3245-35	1	Screw-Set, HSH	21	3234-19	2	Screw-HHF
2:5	117-8177	1	O-Ring	22	130-8094	2	Washer-Plain
3	104-3396	1	Screw-HH	23	108-4279	2	Spacer-Frame
4	99-8662	1	Tube-Spring	24	117-3752	1	Tube-Support
5	3218-5	3	Nut-Jam	25	112-8937	1	Carrier Frame ASM
6	87-7270	1	Washer-Thrust	25:2	93-2877	2	Bushing
7	104-8301	5	Nut-HF, NI	25:3	3289-17	2	Screw-FH, Hex Socket
8	3290-357	7	Nut-HSF	25:4	119-1603	2	Spacer-Pivot

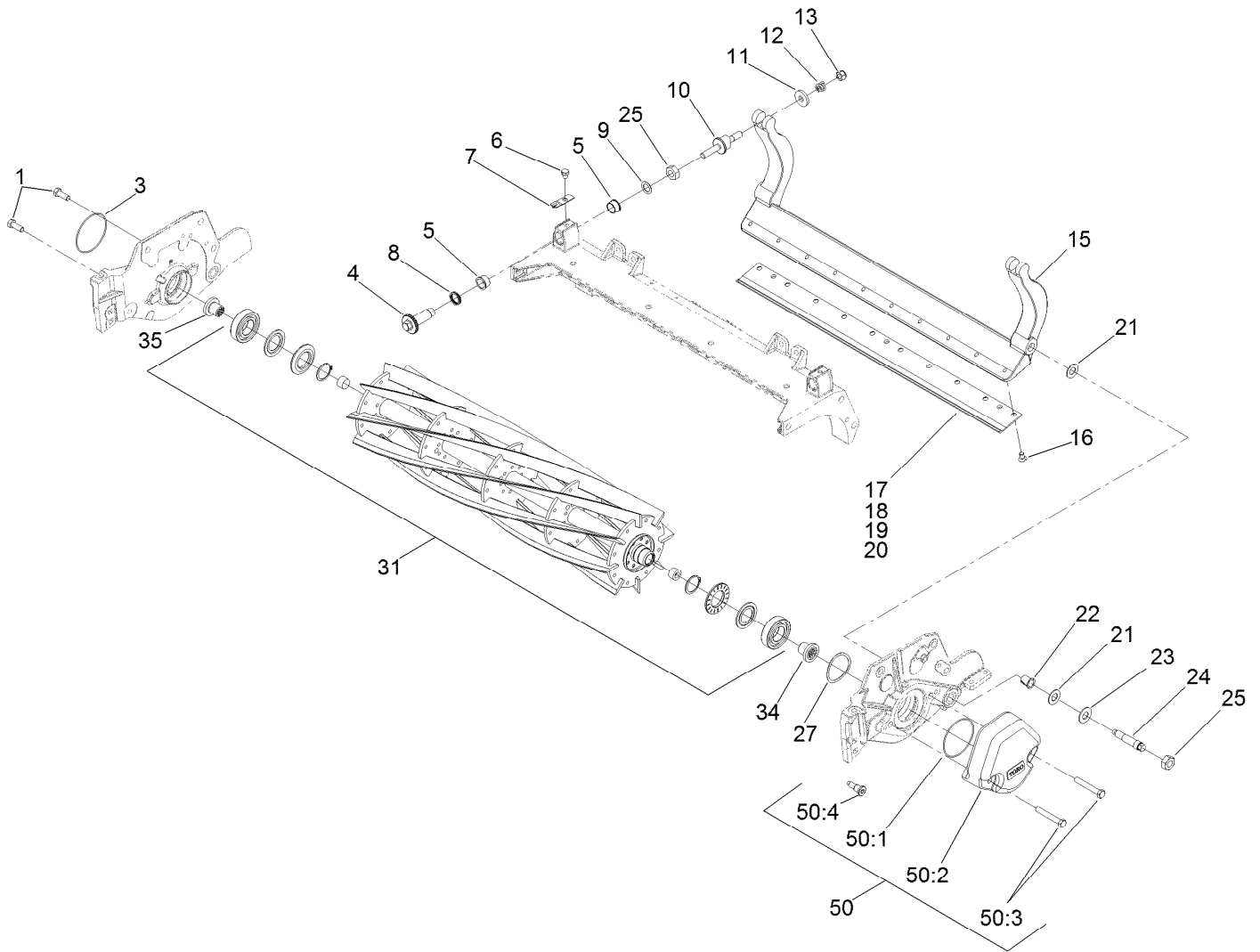
● Optional Equipment



## Frame Assembly (continued)

Ref.	Part Number	Qty.	Description	Ref.	Part Number	Qty.	Description
25:5	104-8301	2	Nut-HF, NI	28	94-8946	1	Washer-Thrust
26	302-5	1	Fitting-Grease	29	283-71	1	Pin-Lynch
27	67-9410	1	Washer				

● Optional Equipment

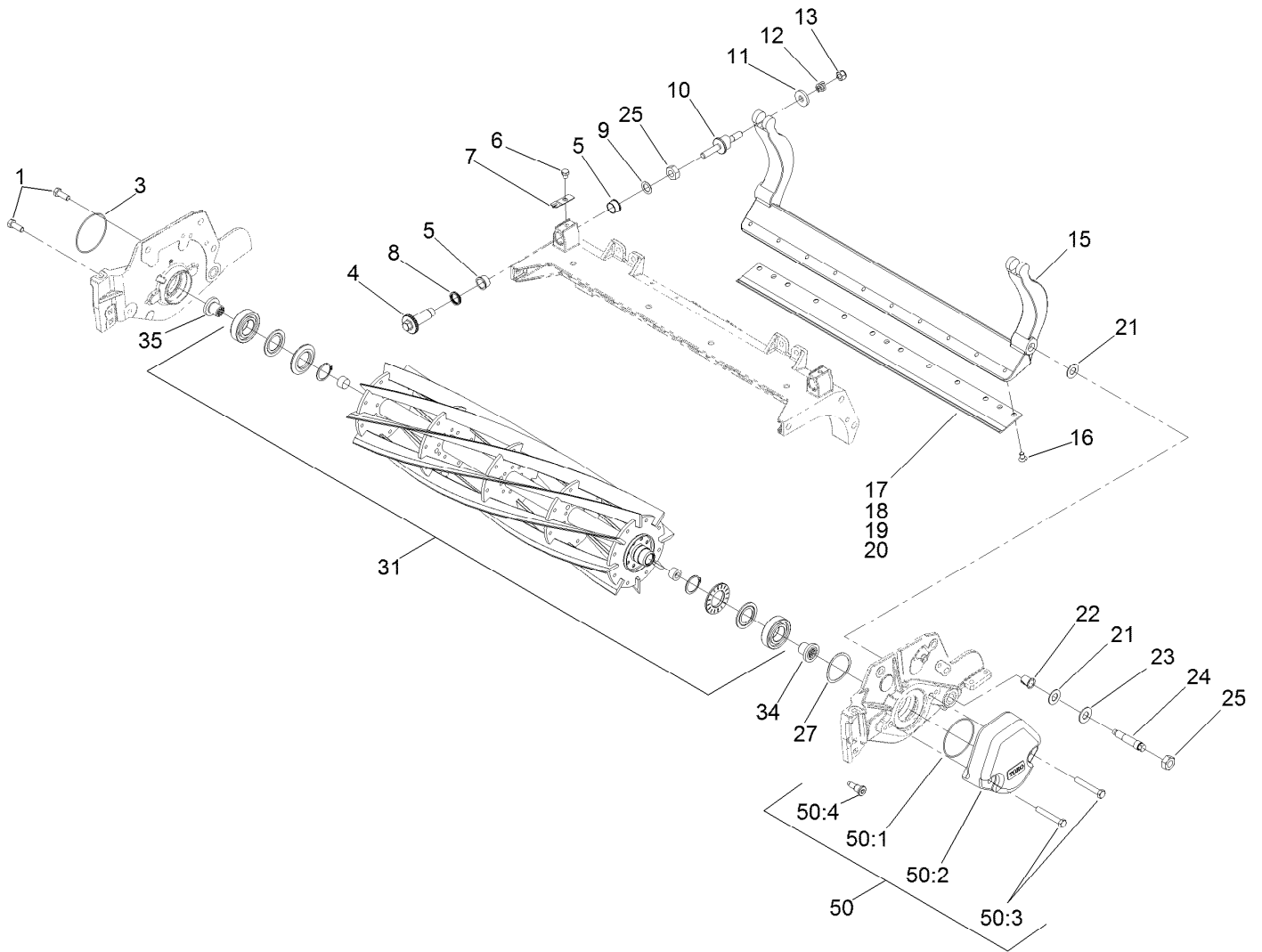


## Reel and Bedbar Assembly

Ref.	Part Number	Qty.	Description	Ref.	Part Number	Qty.	Description
1	323-6	2	Screw-HH	21	61-1950	4	Washer-Plastic
3	112-6967	1	O-Ring	22	56-9520	2	Bushing-Flanged
4	120-5118	2	Shaft-Adjuster	23	69-8980	2	Washer
5	106-5344	4	Bushing-Flange, Keyed	24	106-9623	2	Bolt-Bedbar
6	119-4067	2	Screw-HH	25	3296-33	4	Nut-Lock, NI
7	99-2097	2	Detent	27	115-5258	1	Spring-Wire, Flat
8	120-5116	2	Washer-Wave	31	137-8469	1	7In Edgeseries + 27In Fairway, 5 Blade, Low Drag, Radial Reel ASM ■
9	108-0015	2	Washer-Flat	31	137-8471	1	7In Edgeseries + 27In Fairway, 11 Blade, Low Drag, Radial Reel ASM
10	115-7039	2	Screw-Adjuster, Bedbar	34	127-7111	1	Insert-Threaded, 7 Inch (LH)
11	119-4155	2	Washer-Hardened	35	127-7109	1	Insert-Threaded, 7 Inch (RH)
12	120-5120	2	Spring-Compression	45	120-7230	1	Rm HD DPA MVP Kit ● ■
13	119-4039	2	Nut-Hex	50	127-7129	1	Weight Kit ■
15	112-8908-01	1	Bedbar	50:1	112-6967	5	O-Ring
16	119-4151	10	Screw-Bedknife				
17	114-9388	1	Bedknife-STD				
18	112-8910	1	Bedknife-Edgemax ■				
19	114-9390	1	Bedknife-HD ■				
20	120-1641	1	Bedknife-Low HOC EXT ■				

● Not illustrated

■ Optional Equipment



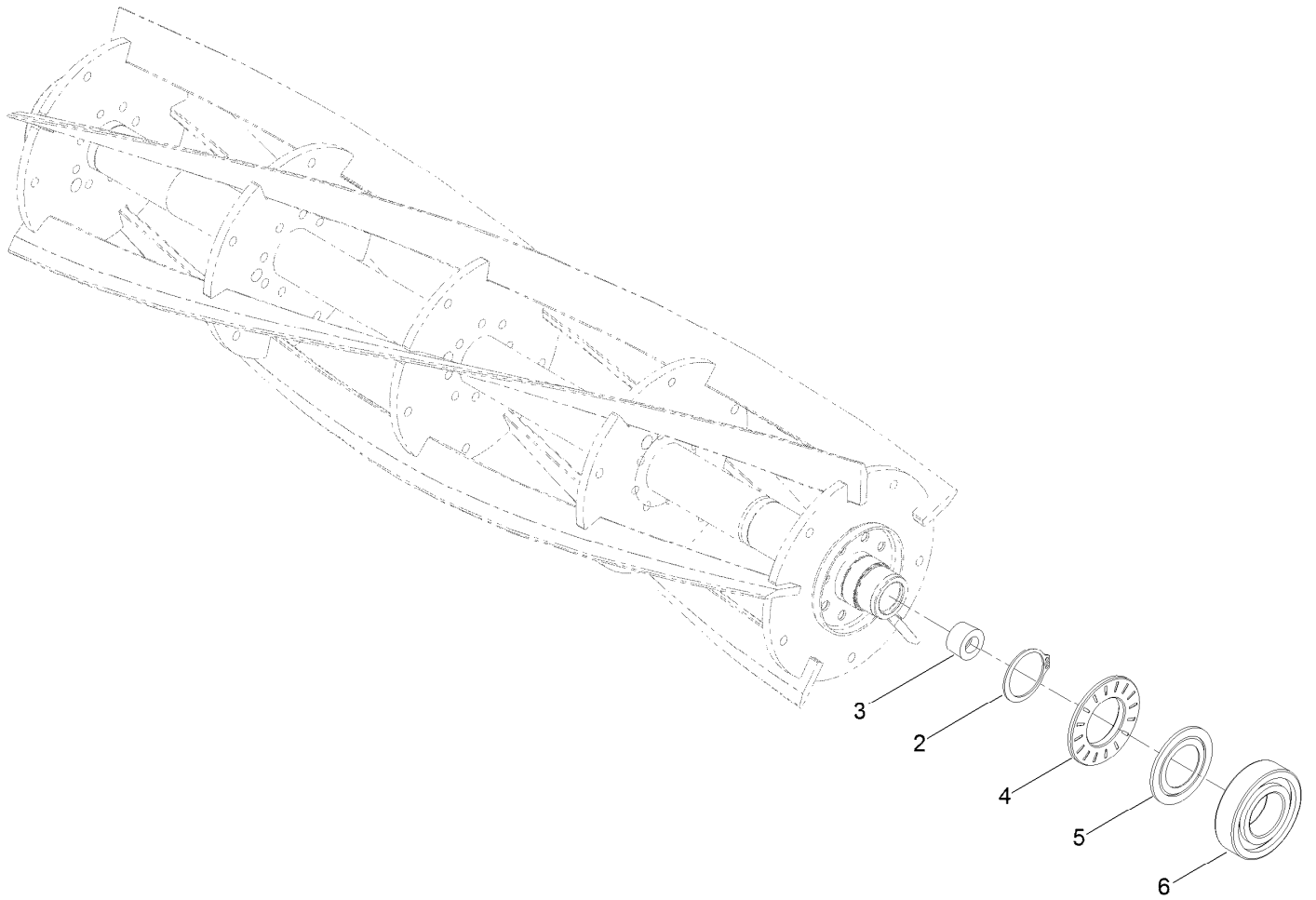
## Reel and Bedbar Assembly (continued)

Ref.	Part Number	Qty.	Description
50:2	108-4269-01	5	Weight

Ref.	Part Number	Qty.	Description
50:3	323-12	10	Screw-HH
50:4	127-7122	5	Bolt-Shoulder, Flange Hex Socket

● Not illustrated

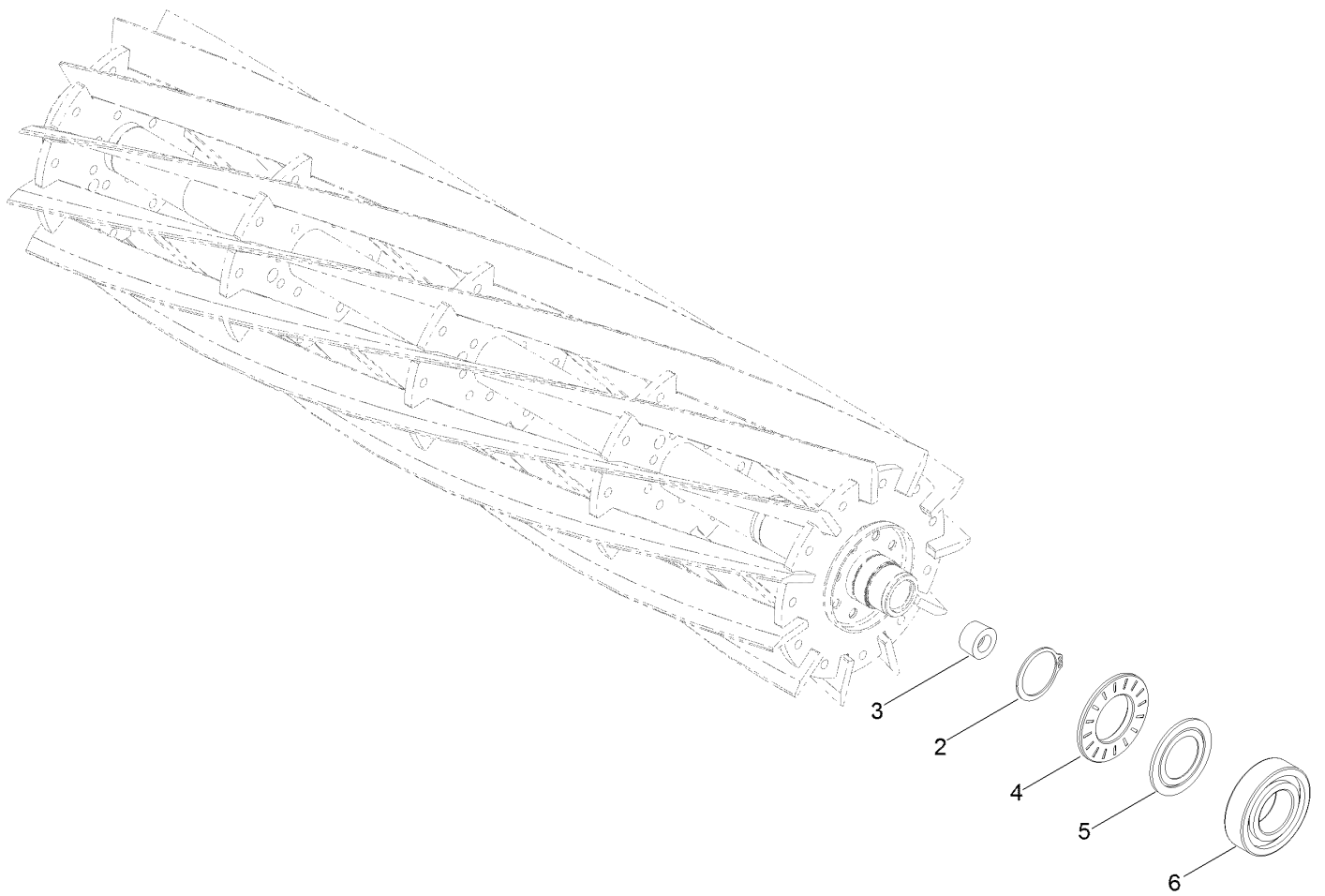
■ Optional Equipment



**Optional 7IN EDGESERIES + 27In Fairway, 5 Blade, Low Drag,  
Radial Reel Assembly No. 137-8469**

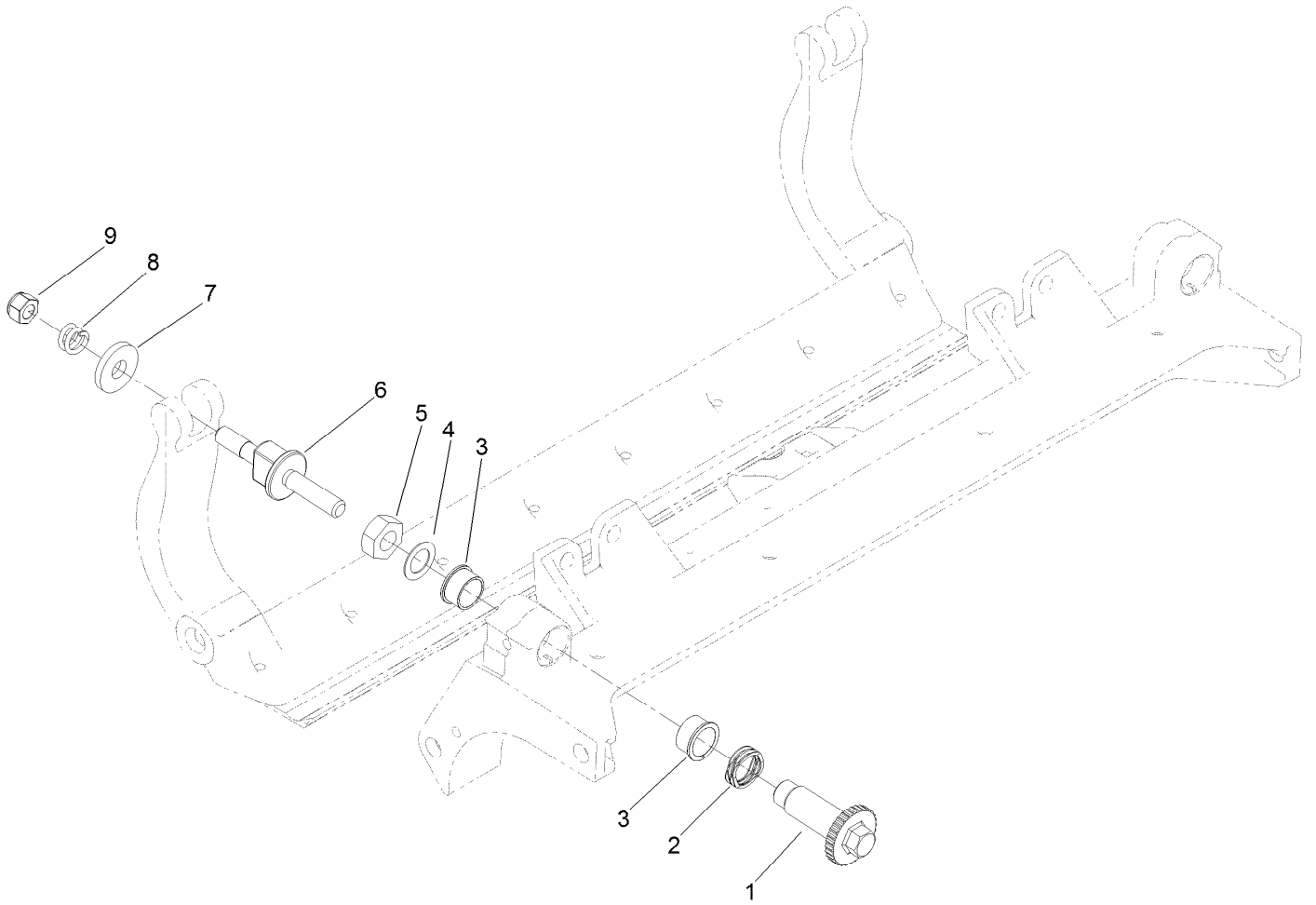
<i>Ref.</i>	<i>Part Number</i>	<i>Qty.</i>	<i>Description</i>
2	92-2601	2	Ring-Retaining
3	127-7118	2	Plug-Shaft, Reel
4	127-4284	2	Washer-Special
5	115-3299	2	Seal-Flocked
6	115-3296	2	Bearing-Sealed





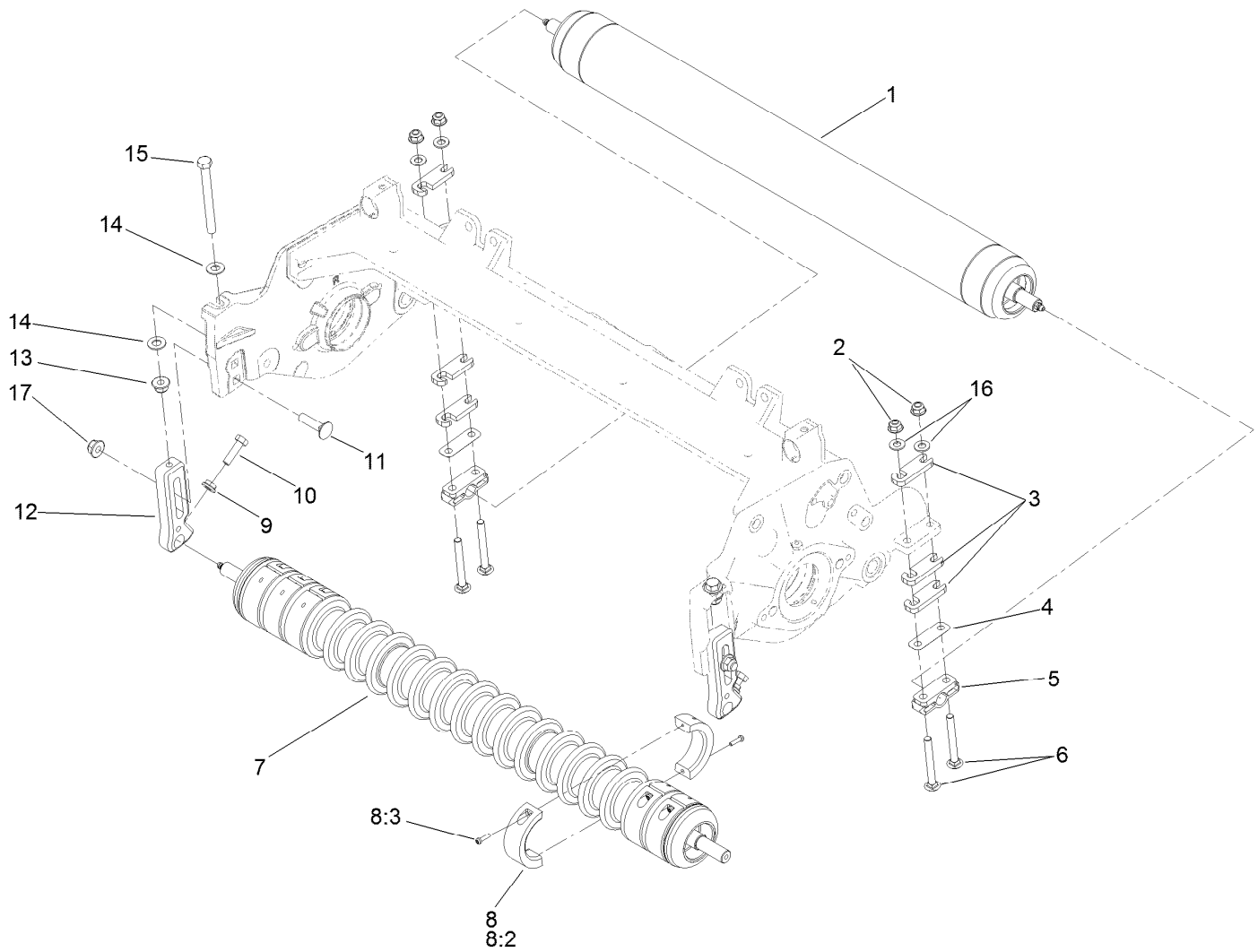
## 7IN EDGESERIES + 27In Fairway, 11 Blade, Low Drag, Radial Reel Assembly No. 137-8471

<i>Ref.</i>	<i>Part Number</i>	<i>Qty.</i>	<i>Description</i>
2	92-2601	2	Ring-Retaining
3	127-7118	2	Plug-Shaft, Reel
4	127-4284	2	Washer-Special
5	115-3299	2	Seal-Flocked
6	115-3296	2	Bearing-Sealed



## Optional Heavy-Duty MVP Kit No. 120-7230

<i>Ref.</i>	<i>Part Number</i>	<i>Qty.</i>	<i>Description</i>
1	120-5118	2	Shaft-Adjuster
2	120-5116	2	Washer-Wave
3	106-5344	4	Bushing-Flange, Keyed
4	108-0015	2	Washer-Flat
5	3296-33	2	Nut-Lock, NI
6	115-7039	2	Screw-Adjuster, Bedbar
7	119-4155	2	Washer-Hardened
8	120-5120	2	Spring-Compression
9	119-4039	2	Nut-Hex

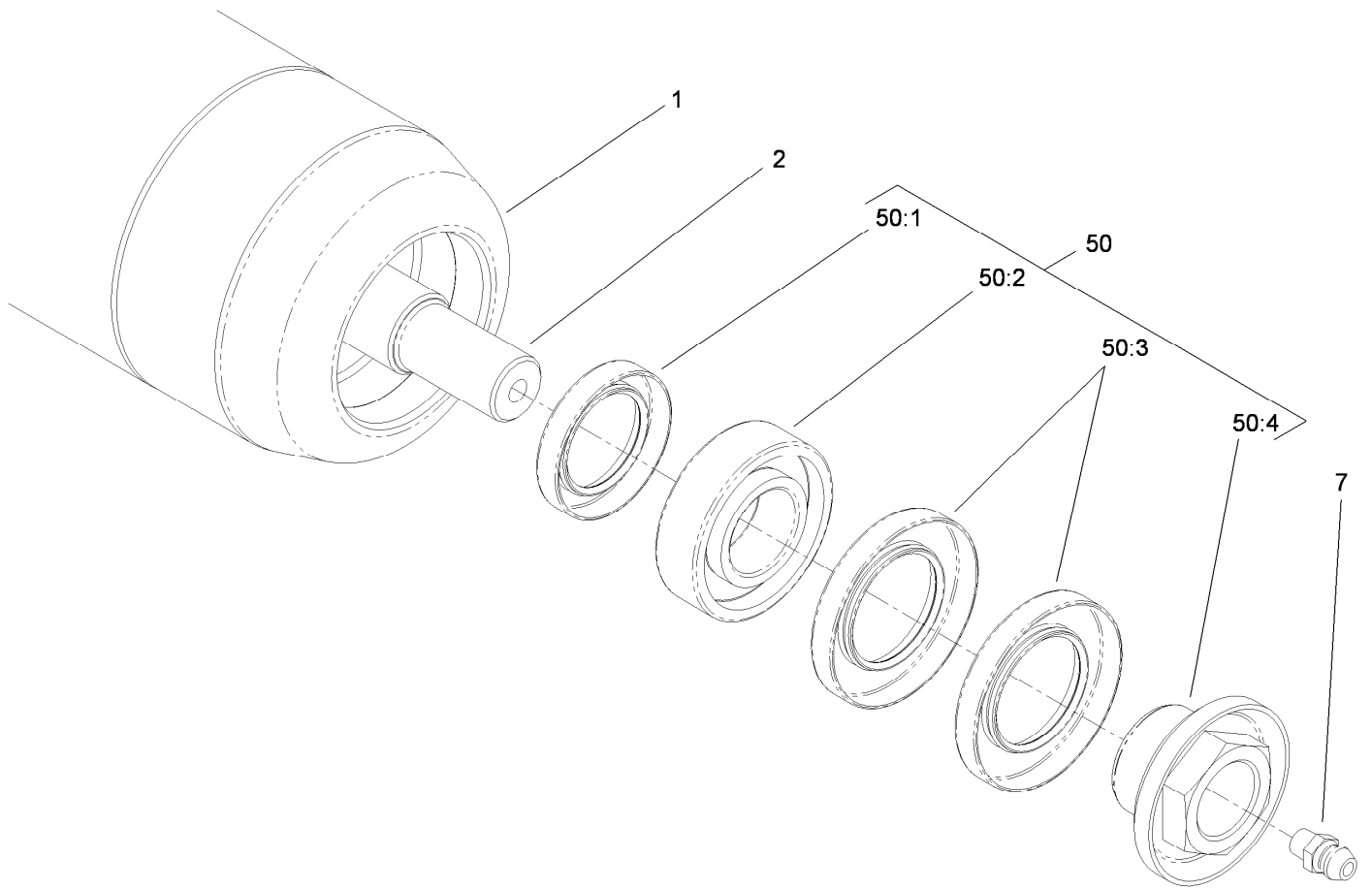


## Roller Assembly

Ref.	Part Number	Qty.	Description	Ref.	Part Number	Qty.	Description
1	112-8915	1	Rear Roller ASM	8:2	119-1604	2	Collar-Trim/HD
1	119-4286	1	Rear Roller ASM (Short) ●■	8:3	104-1835	2	Screw
2	104-8300	4	Nut-HF, NI	9	32128-20	2	Nut-HF
3	119-0626	6	Shim-Roller	10	322-16	2	Screw-HH
4	107-4001	2	Shim-Roller (0.01 Inch) ■	11	3231-4	2	Screw-CARR
5	106-3924	2	Bracket-Roller, Rear	12	125-2796	2	Bracket-Front HOC
6	3230-9	4	Screw-CARR	13	104-8301	2	Nut-HF, NI
7	114-9383	1	Full Front Roller ASM (3In DIA) (27In) ●■	14	48-9220	4	Washer-Flat
7	117-0960	1	Plastic Wiehle Roller ASM	15	133-7571	2	Screw-HOC, Fairway
7	119-0630	1	Plastic Shoulder Roller ASM (27In) ●■	16	94-6936	4	Washer-Hardened
8	119-0649	1	Trim/HD Collar Kit ■	17	133-7570	2	Nut-Flange, NI
				50	137-0890	1	Rm DPA High HOC Kit (F18 & Up) ●■

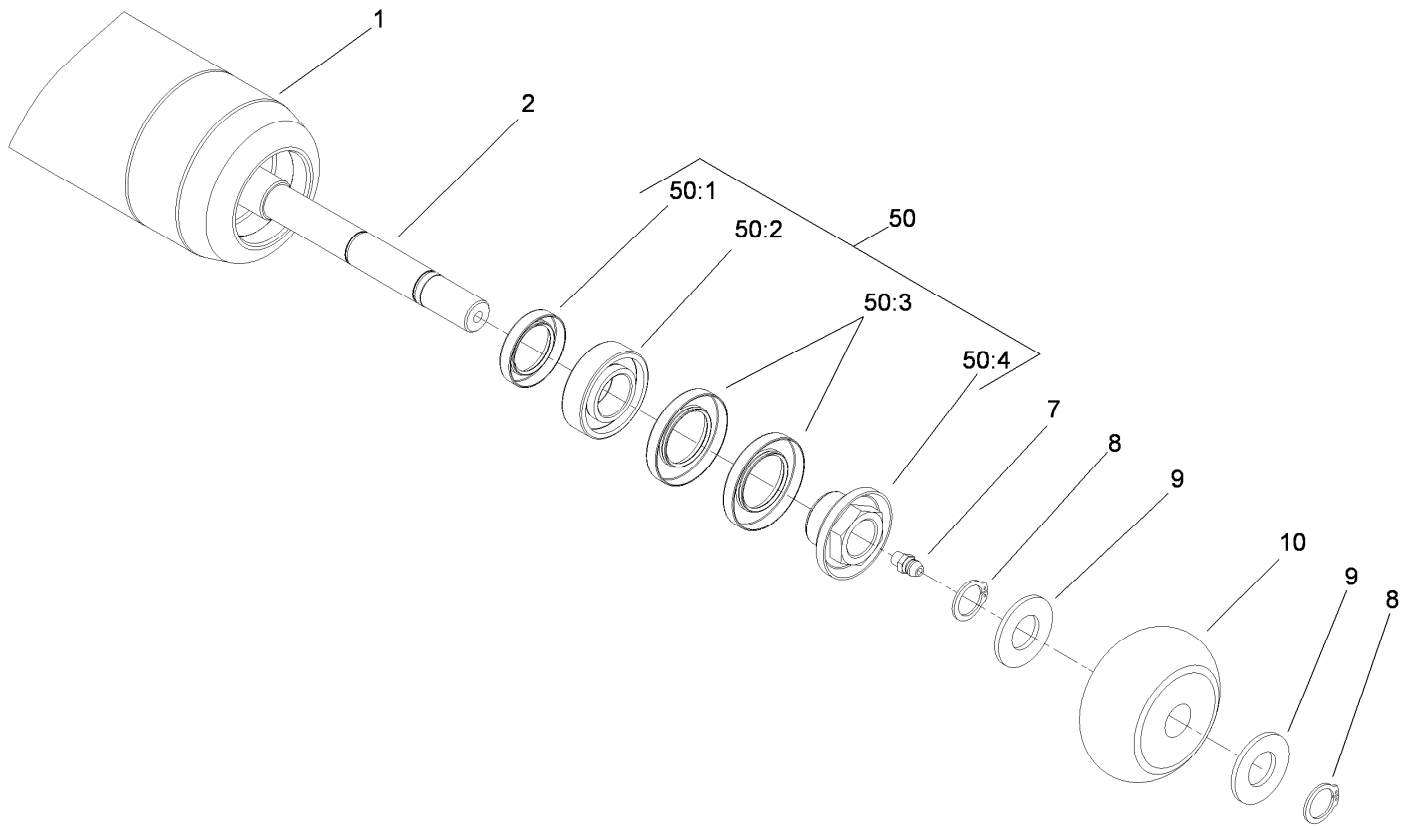
● Not illustrated

■ Optional Equipment



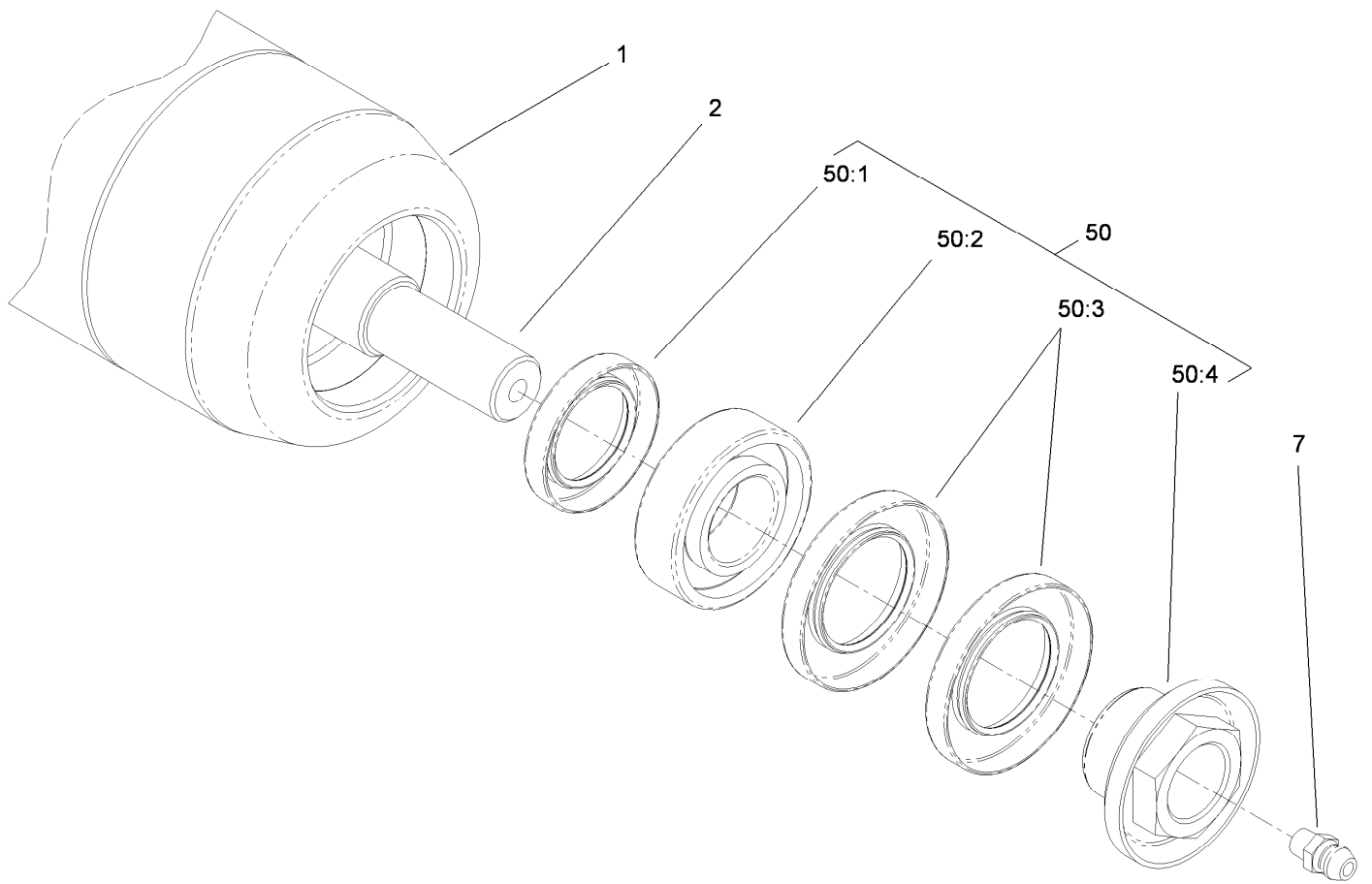
## Long Roller Assembly No. 112-8915

<i>Ref.</i>	<i>Part Number</i>	<i>Qty.</i>	<i>Description</i>
1	112-8916-03	1	Tube-Roller, Long
2	112-8918	1	Shaft-Long, Rear Roller
7	302-5	2	Fitting-Grease
50	114-5430	1	Roller Rebuild Kit
50:1	114-3717	2	Seal-Oil
50:2	112-5290	2	Bearing-Steel, Stainless
50:3	112-7494	4	Seal
50:4	114-3745	2	Nut-Lock, Bearing



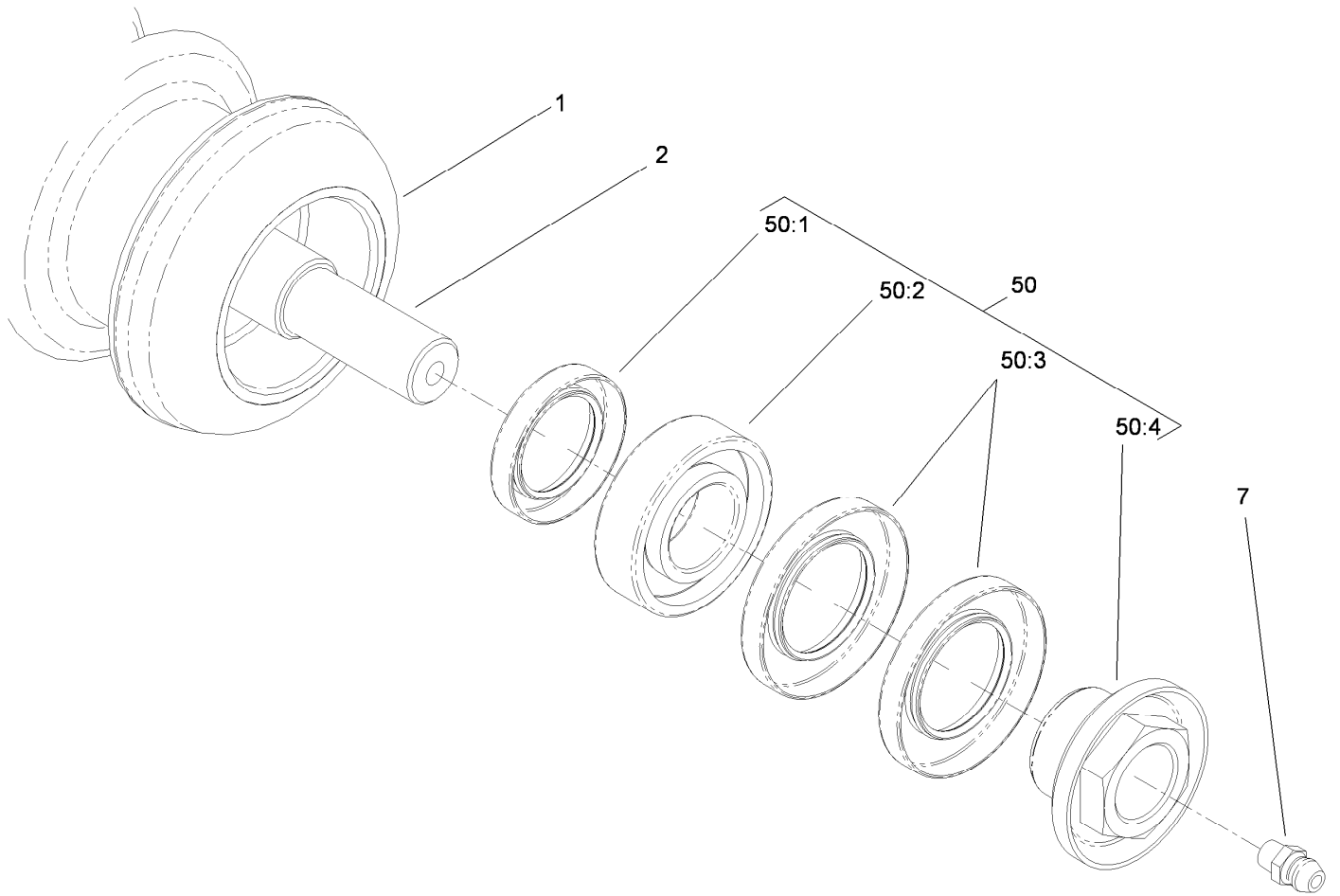
## Optional Short Roller Assembly No. 119-4286

<i>Ref.</i>	<i>Part Number</i>	<i>Qty.</i>	<i>Description</i>
1	115-8296-03	1	Tube-Roller (Short)
2	119-4287	1	Shaft-Rear Roller, 27 Inch
7	302-5	2	Fitting-Grease
8	32151-62	4	Ring-Retaining
9	119-1868	4	Washer
10	119-4276	2	Roller-Tipper
50	114-5430	1	Roller Rebuild Kit
50:1	114-3717	2	Seal-Oil
50:2	112-5290	2	Bearing-Steel, Stainless
50:3	112-7494	4	Seal
50:4	114-3745	2	Nut-Lock, Bearing



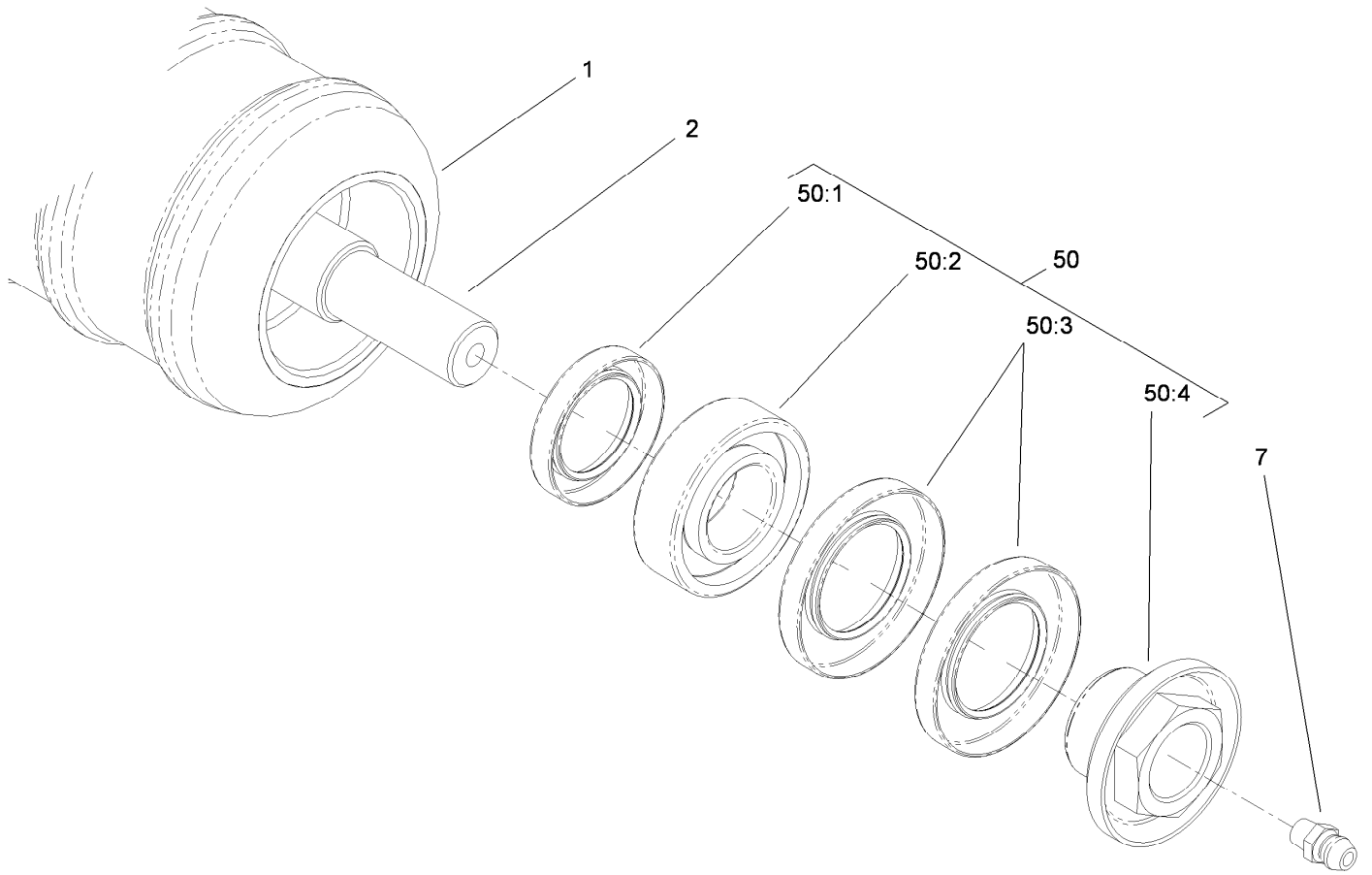
## Optional Full Front Roller Assembly No. 114-9383

<i>Ref.</i>	<i>Part Number</i>	<i>Qty.</i>	<i>Description</i>
1	112-8916-03	1	Tube-Roller, Long
2	117-0957	1	Shaft-Roller, Wiehle
7	302-5	2	Fitting-Grease
50	114-5430	1	Roller Rebuild Kit
50:1	114-3717	2	Seal-Oil
50:2	112-5290	2	Bearing-Steel, Stainless
50:3	112-7494	4	Seal
50:4	114-3745	2	Nut-Lock, Bearing



## Wiehle Roller Assembly No. 117-0960

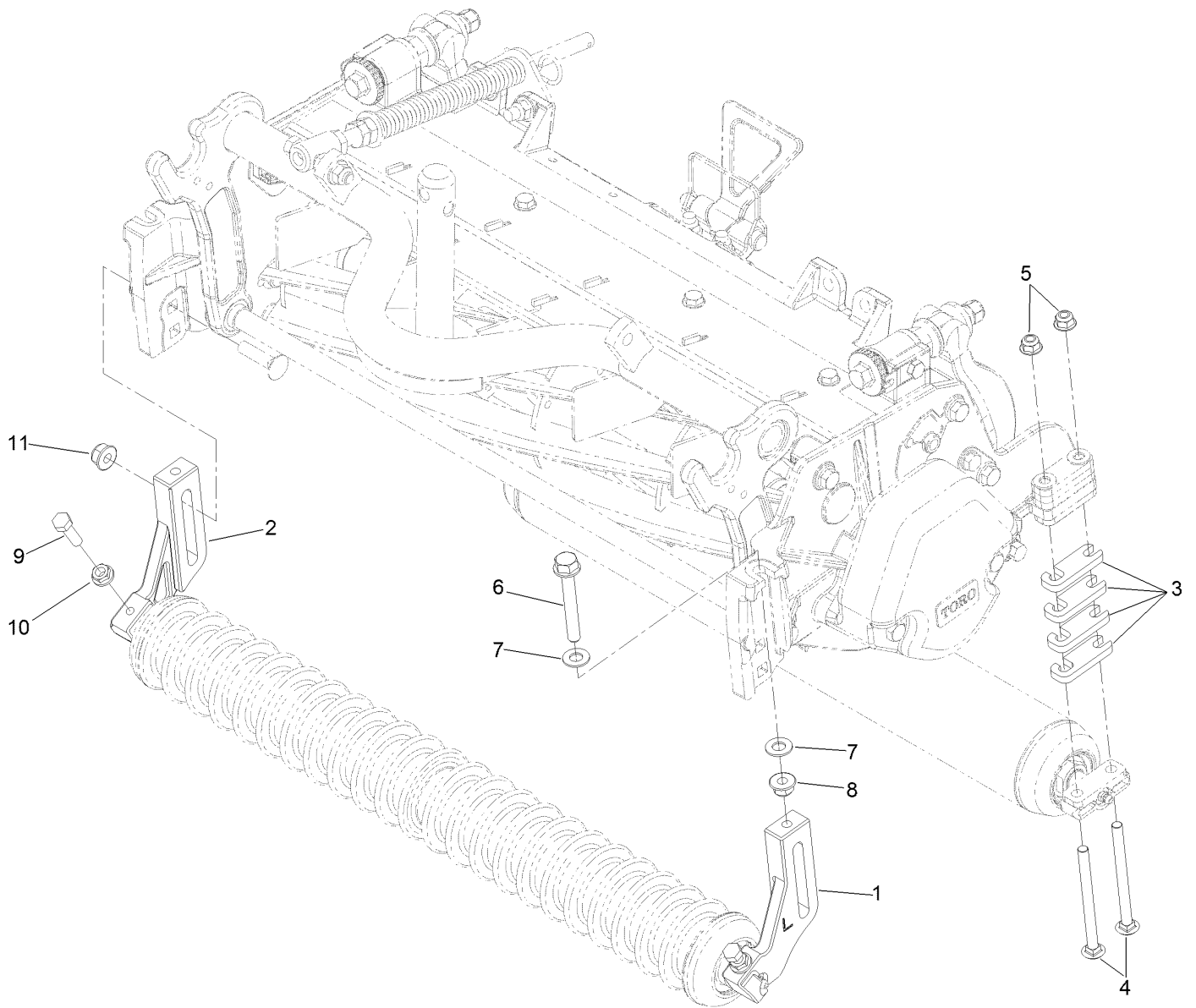
<i>Ref.</i>	<i>Part Number</i>	<i>Qty.</i>	<i>Description</i>
1	117-0959	1	Roller-Wiehle, Plastic
2	117-0957	1	Shaft-Roller, Wiehle
7	302-5	2	Fitting-Grease
50	114-5430	1	Roller Rebuild Kit
50:1	114-3717	2	Seal-Oil
50:2	112-5290	2	Bearing-Steel, Stainless
50:3	112-7494	4	Seal
50:4	114-3745	2	Nut-Lock, Bearing



## Optional Shoulder Roller Assembly No. 119-0630

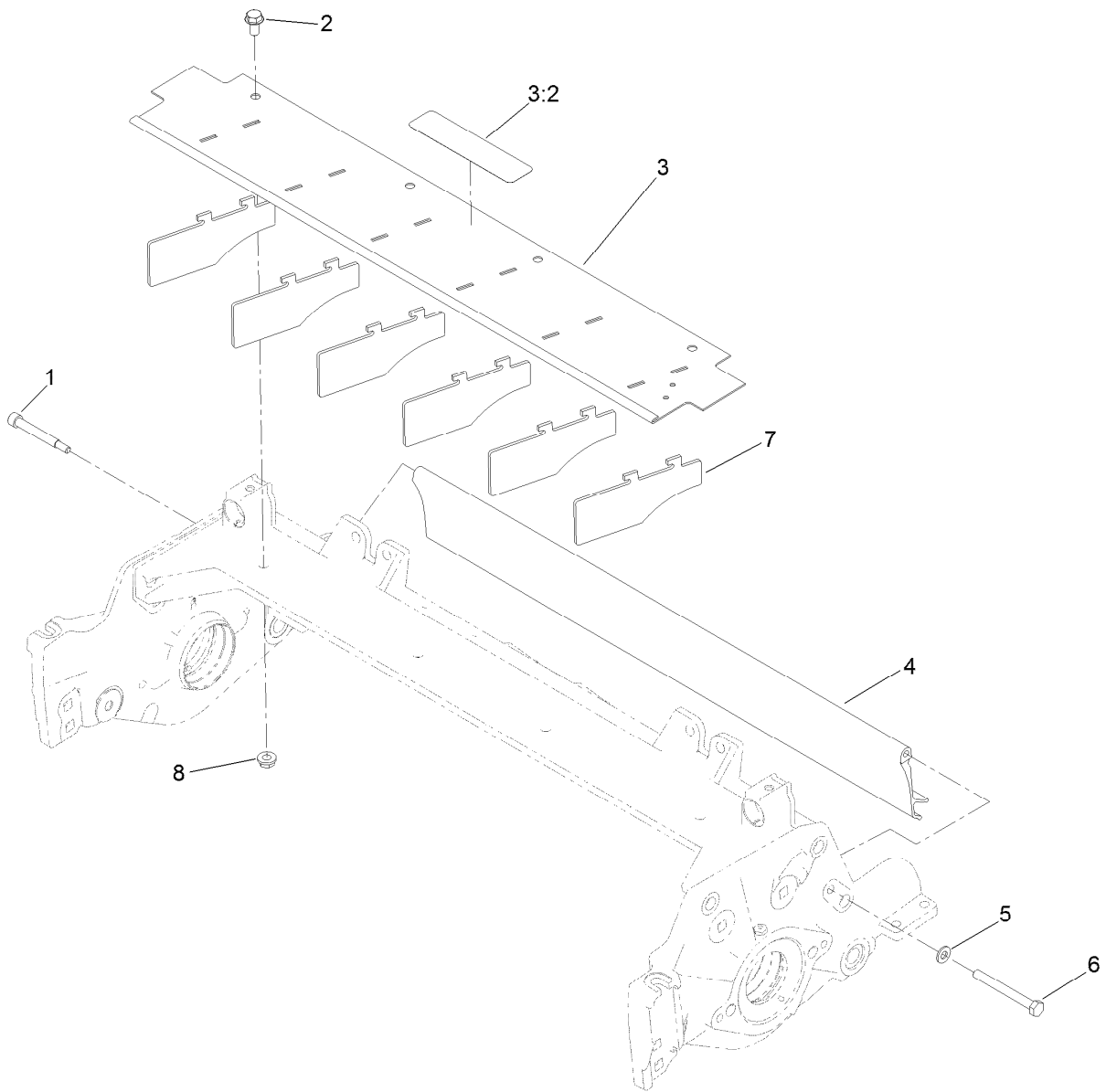
<i>Ref.</i>	<i>Part Number</i>	<i>Qty.</i>	<i>Description</i>
1	119-0631	1	Roller-Shoulder, Plastic
2	117-0957	1	Shaft-Roller, Wiehle
7	302-5	2	Fitting-Grease
50	114-5430	1	Roller Rebuild Kit
50:1	114-3717	2	Seal-Oil
50:2	112-5290	2	Bearing-Steel, Stainless
50:3	112-7494	4	Seal
50:4	114-3745	2	Nut-Lock, Bearing





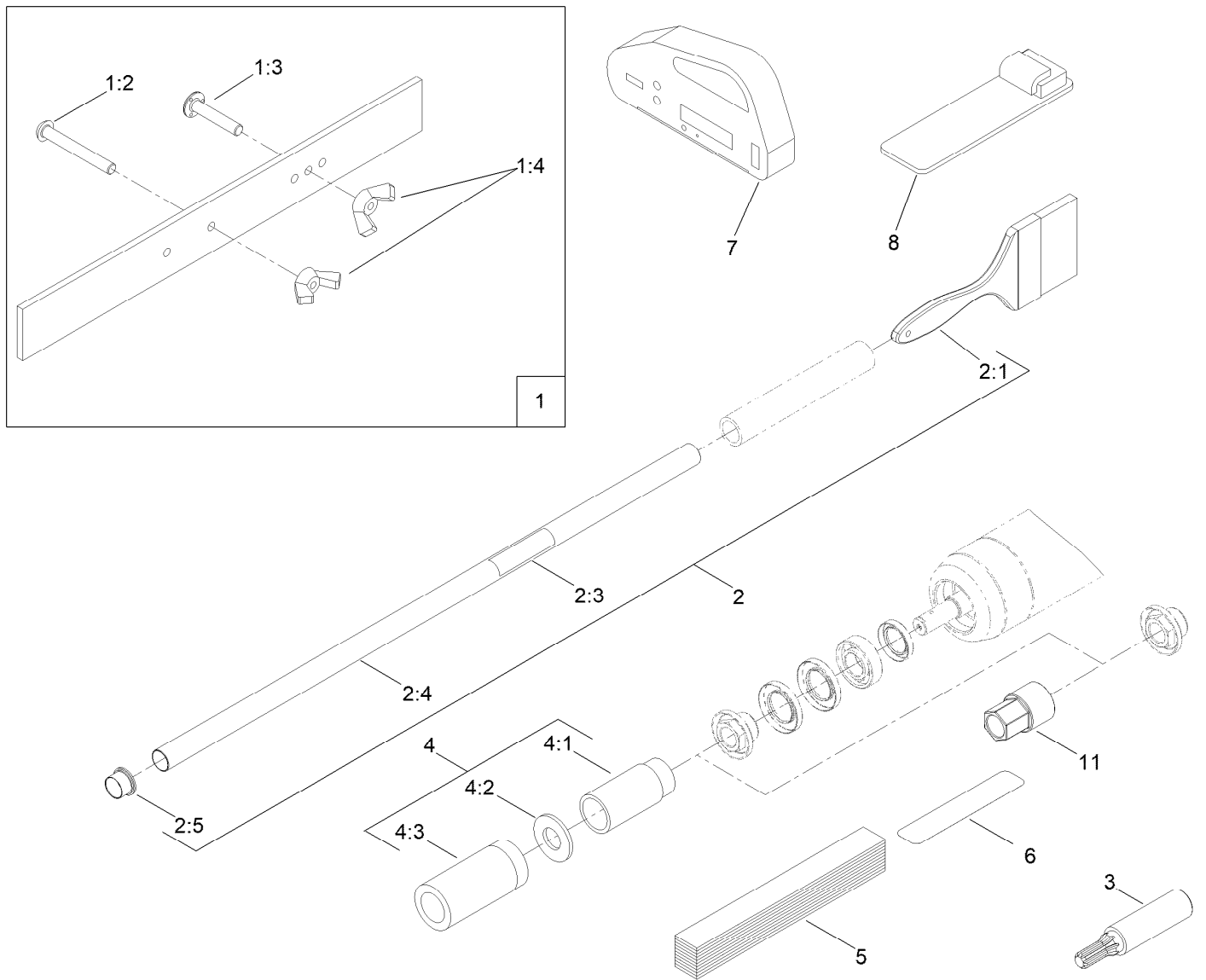
## Optional High Height-of-Cut Assembly No. 137-0890

<i>Ref.</i>	<i>Part Number</i>	<i>Qty.</i>	<i>Description</i>
1	120-0404	1	Bracket-High HOC (LH)
2	120-0405	1	Bracket-High HOC (RH)
3	119-0626	8	Shim-Roller
4	106-9758	4	Screw-CARR
4	3230-30	4	Screw-CARR
5	104-8300	4	Nut-HF, NI
6	133-7572	2	Screw-HOC
7	48-9220	4	Washer-Flat
8	104-8301	4	Nut-HF, NI
9	322-16	2	Screw-HH
10	32128-20	2	Nut-HF
11	133-7570	2	Nut-Flange, NI



## Shield Assembly

<b>Ref.</b>	<b>Part Number</b>	<b>Qty.</b>	<b>Description</b>
1	107-7773	1	Screw-HSH
2	3234-7	4	Screw-HHF
3	112-8942	1	Front Grass Shield ASM
3:2	93-6688	1	Decal-Danger
4	125-1997	1	Shield-Grass, Rear
5	3256-74	1	Washer-Flat
6	322-14	1	Screw-HH
7	110-1706	6	Deflector
8	32128-20	4	Nut-HF



## Optional Tool Assembly

Ref.	Part Number	Qty.	Description
1	108-6715	1	Gauge Bar ASM
1:2	32122-54	1	Screw-Head, Truss
1:3	108-6714	1	Stud-Weld
1:4	32103-3	2	Nut-Wing
2	29-9100	1	Brush And Handle ASM
2:1	36-4310	1	Brush
2:3	98-3206	1	Decal
2:4	29-9080	1	Handle
2:5	2410-18	1	Cap-Plastic
3	TOR4074	1	Adapter-Drive, Reel ■
4	115-0803	1	Rm/Gm Roller Rebuild Tool Kit

Ref.	Part Number	Qty.	Description
4:1	115-0852	1	Tool-Inner Seal
4:2	107-8133	1	Washer-Flat
4:3	115-0853	1	Tool-Bearing/Outer Seal
5	125-5610	1	Paper-Reel, Toro (10 Pack)
6	140-5531	1	Shim-Toro Reel (.002In)
7	131-6828	1	Indicator-Angle
8	131-6829	1	Mount-Indicator, Angle
9	137-0924	1	Tool-Hand TAP 7/8-16 (Rm DPA Reel) ●
10	137-0925	1	Tool-Hand TAP 7/8-16, LH (Rm DPA Reel) ●
11	147-1132	1	Tool-Drive, Roller Nut

● Not illustrated

■ Obtain directly from K-Line Industries, Inc. (<https://klineind.com>)

# Attachments and Accessories

## For 03722 27-inch 11-Blade EDGESERIES Cutting Unit Reelmaster 7000-D Traction Unit

Product Name	Model/Part
Universal Groomer Cartridge (27in).....	03241
Rear Roller Brush Kit with 7in Reel and Universal Groomer (27in).....	03242
27in RRB Only Kit.....	03243
Weight Kit for 8-Blade or 11-Blade DPA Cutting Unit with 7in Reel Traction Unit.....	03405
27in Verticutter Cutting Unit.....	03731
Universal Groomer Drive Kit.....	03768
Turf Evaluator.....	04399
Gauge Bar Assembly.....	108-6715
Edgemax Bedknife.....	112-8910
Roller Rebuild Kit.....	114-5430
Rear Roller Scraper Kit.....	114-9368
Wiehle Scraper ASM.....	114-9372-03
Comb/Scraper Kit.....	114-9376
Shoulder Scraper ASM.....	114-9381-03
Full Front Roller ASM (3in dia).....	114-9383
Full Front Roller Scraper ASM (3in dia).....	114-9386-03
Bedknife-std (fairway).....	114-9388
Bedknife-HD.....	114-9390
Roller Rebuild Tool Kit.....	115-0803
Brush-Roller (High HOC).....	115-0838
Plastic Shoulder Roller ASM.....	119-0630
Trim/Heavy-Duty Collar Kit.....	119-0649
Rear Roller ASM (short).....	119-4286
Cutting Unit Kickstand.....	119-8010-03
Low HOC Extended Bedknife.....	120-1641
Heavy-Duty DPA MVP Kit.....	120-7230
Rear Roller Adjustment Kit.....	125-0570
Toro Reel Paper (10 Pack).....	125-5610
Toro Reel Shim (0.002in).....	125-5611
Groomer/RRB Seal Kit.....	131-3233
Angle Indicator.....	131-6828
Angle Indicator Mount.....	131-6829
Broomer Kit (27in).....	133-8222
High Height-of-Cut Kit, Reelmaster 3000 or 5000 Series DPA Cutting Unit.....	137-0890
EdgeSeries+ 27in Fairway, 5 Blade, Low Drag, Radial Reel.....	137-8469
7in EdgeSeries + 27In Fairway, 11 Blade, Low Drag, Radial Reel Assembly.....	137-8471
Brush and Handle Kit.....	29-9100
Reel Drive Adapter.....	TOR4074

**Notes:**

**Notes:**

**Notes:**



**Count on it.**