



**Count on it.**

**Parts Catalog**

**27-inch 11-Blade EdgeSeries™  
DPA Cutting Unit**

**Reelmaster® 7000-D Traction Unit**

**Model No. 03722—Serial No. 407960000 and Up**



# Ordering Replacement Parts

To order replacement parts, please supply the part number, the quantity, and the description of each part desired.

## Understanding Reference Numbers

Each identified part in an illustration has a reference number. The reference number for a part also appears in the parts list, along with other information about the part.

This catalog uses two special reference number formats, one to indicate parts in a service assembly and another to indicate the quantity of a given part in an illustration.

## Service Assembly Reference Numbers

Parts in service assemblies have reference numbers in the form a:b. The a represents the reference number of the entire service assembly and the b represents a sequential number unique to each part within the service assembly.

For example, a wheel assembly might be identified by reference number 6, the tire by 6:1, the valve by 6:2, and the wheel by 6:3. When you order the assembly identified by reference number 6, you receive all parts identified by reference numbers 6:1, 6:2, and 6:3. However, you may also order any part individually. Reference numbers of this type appear in illustration and in parts lists.

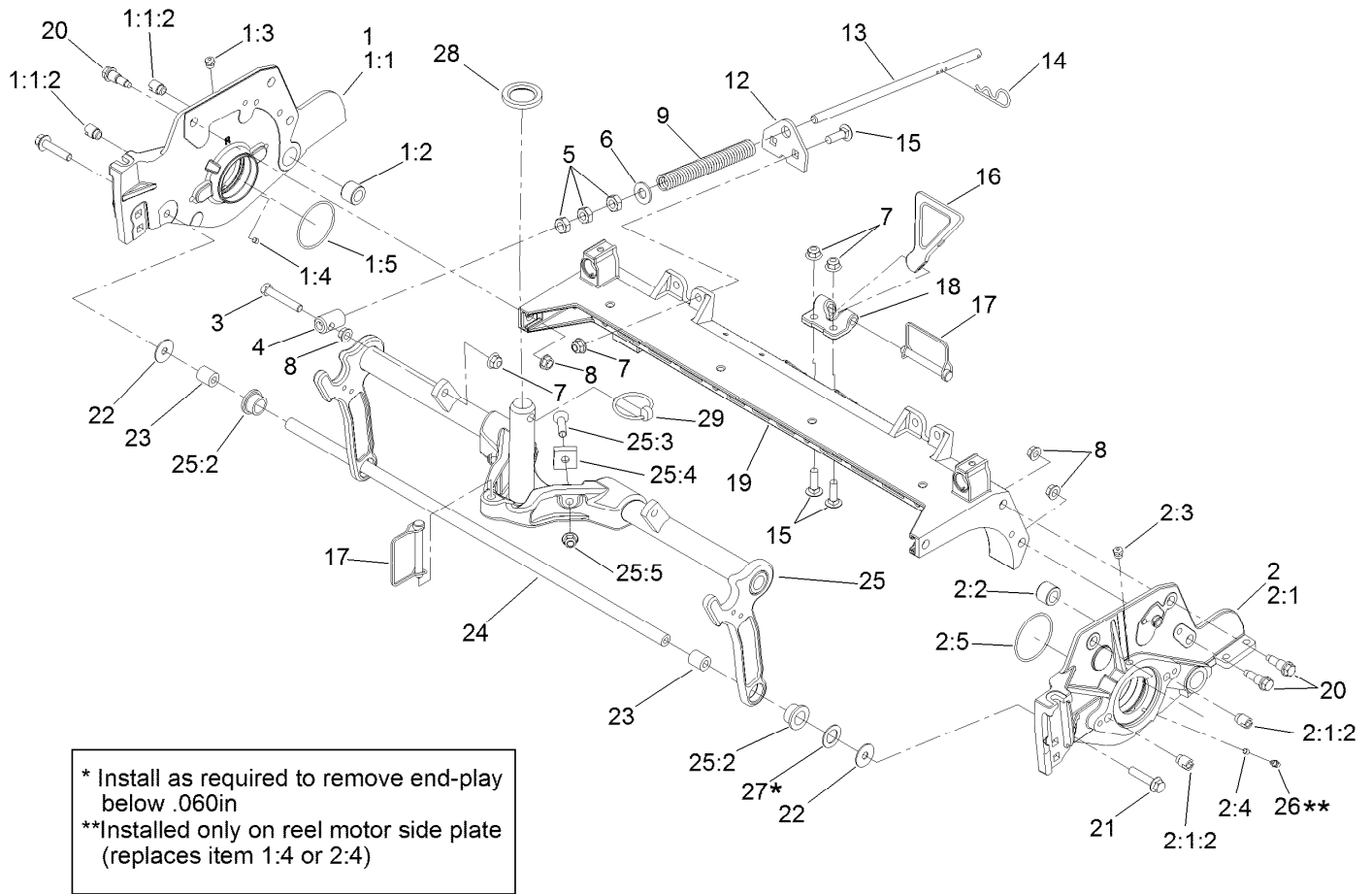
## Reference Numbers Indicating Quantity

In an illustration, if a reference number indicates more than one part, the reference number has the form nX y. The n represents the quantity of the part, the X is the multiplication symbol, and the y represents the reference number.

For example, in an illustration, the reference number 2X 37 means that two of the parts identified by reference number 37 are indicated.

# Contents

Frame Assembly.....	4
Reel and Bedbar Assembly .....	6
Optional EdgeSeries+ 27in Fairway, 5 Blade, Low Drag, Radial Reel Assembly No. 137-8469.....	7
7in EdgeSeries + 27In Fairway, 11 Blade, Low Drag, Radial Reel Assembly No. 137-8471 .....	8
Heavy-Duty MVP Kit No. 120-7230.....	9
Roller Assembly .....	10
Optional Short Roller Assembly No. 137-6118 .....	11
Long Rear Roller Assembly No. 137-6120.....	12
Wiehle Roller Assembly No. 117-0960 .....	13
Optional Shoulder Roller Assembly No. 119-0630 .....	14
Optional Full Front Roller Assembly No. 137-6121.....	15
Optional High Height-of-Cut Assembly No. 137-0890 .....	16
Shield Assembly.....	17
Optional Tool Assembly.....	18
Attachments and Accessories .....	19



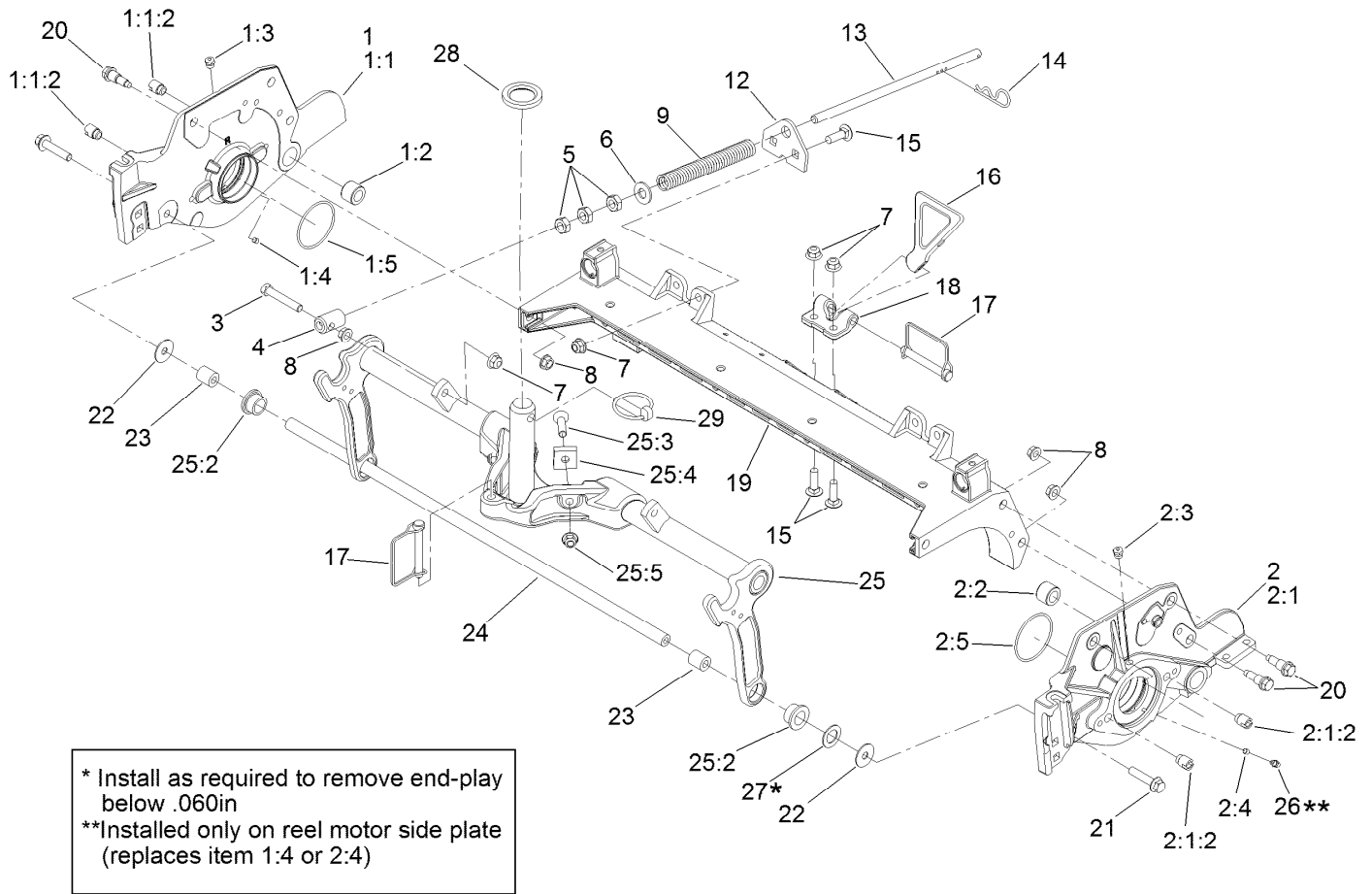
## Frame Assembly

Ref.	Part Number	Qty.	Description
1	137-5967	1	7In RH LD Side Plate ASM
1:1		1	Side Plate-7In, RH ■
1:1:2	127-7149	2	Insert-Threaded, Side Plate
1:2	106-9618	1	Bushing-Rubber
1:3	302-39	1	Fitting-Plug
1:4	3245-35	1	Screw-Set, HSH
1:5	117-8177	1	O-Ring
2	137-5963	1	7In LH LD Side Plate ASM
2:1		1	Side Plate-7In, LH ■
2:1:2	127-7149	2	Insert-Threaded, Side Plate
2:2	106-9618	1	Bushing-Rubber
2:3	302-39	1	Fitting-Plug
2:4	3245-35	1	Screw-Set, HSH
2:5	117-8177	1	O-Ring
3	104-3396	1	Screw-HH
4	99-8662	1	Tube-Spring
5	3218-5	3	Nut-Jam
6	87-7270	1	Washer-Thrust

Ref.	Part Number	Qty.	Description
7	104-8301	5	Nut-HF, NI
8	3290-357	7	Nut-HSF
9	119-4275	1	Spring-Compression
12	110-4069	1	Bracket
13	115-2007	1	Rod-Spring
14	92-2762	1	Pin-Hair
15	3231-25	4	Bolt-CARR
16	119-8010-03	1	Kickstand ●
17	107-7400	2	Pin-Lynch
18	110-4058	1	Bracket-Chain
19	112-8935	1	Frame-Center
20	107-2979	6	Bolt-Shoulder
21	3234-19	2	Screw-HHF
22	130-8094	2	Washer-Plain
23	108-4279	2	Spacer-Frame
24	117-3752	1	Tube-Support
25	112-8937	1	Carrier Frame ASM
25:2	93-2877	2	Bushing

● Optional Equipment

■ Not serviced separately

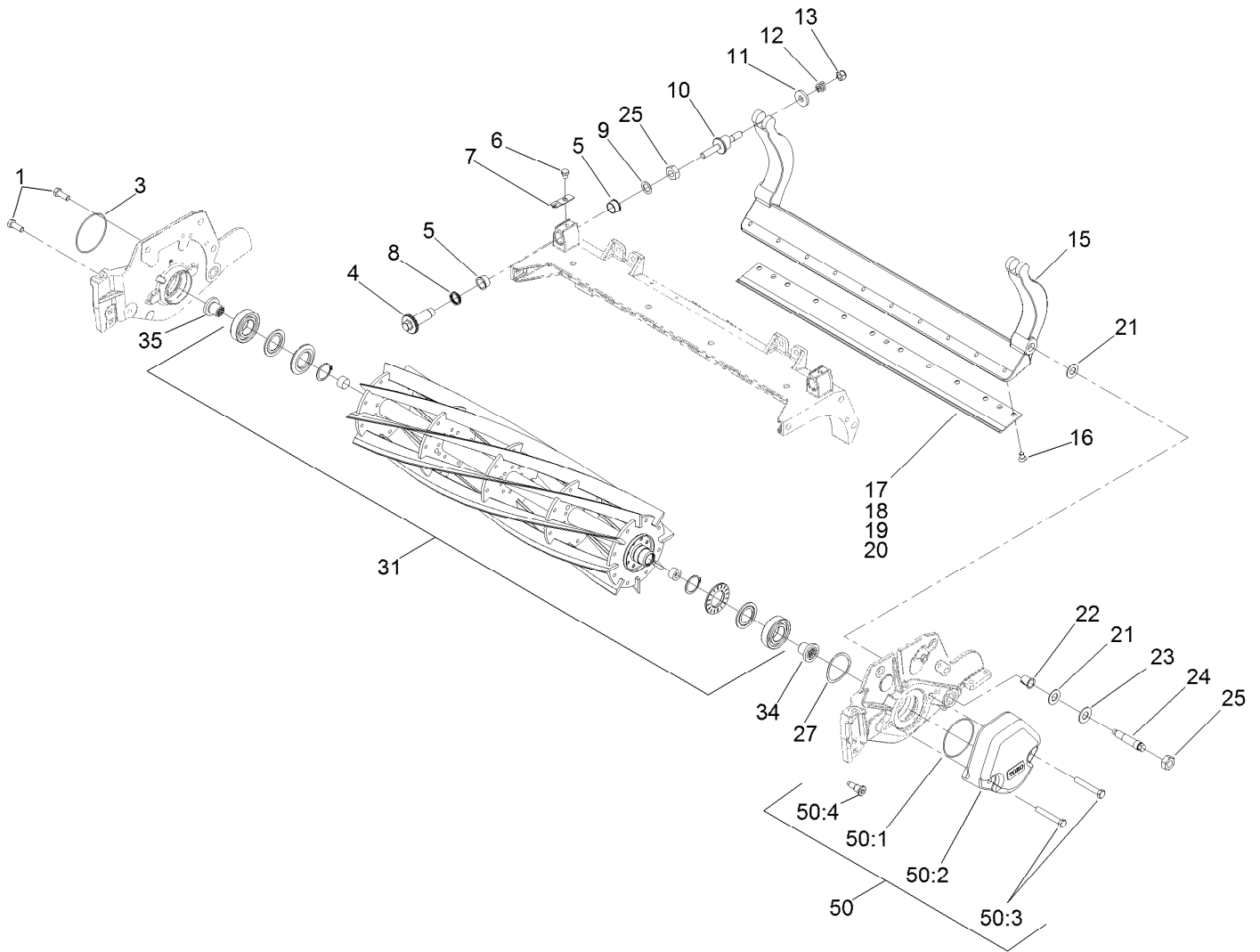


## Frame Assembly (continued)

<i>Ref.</i>	<i>Part Number</i>	<i>Qty.</i>	<i>Description</i>	<i>Ref.</i>	<i>Part Number</i>	<i>Qty.</i>	<i>Description</i>
25:3	3289-17	2	Screw-FH, Hex Socket	27	67-9410	1	Washer
25:4	119-1603	2	Spacer-Pivot	28	94-8946	1	Washer-Thrust
25:5	104-8301	2	Nut-HF, NI	29	283-71	1	Pin-Lynch
26	302-5	1	Fitting-Grease				

● Optional Equipment

■ Not serviced separately

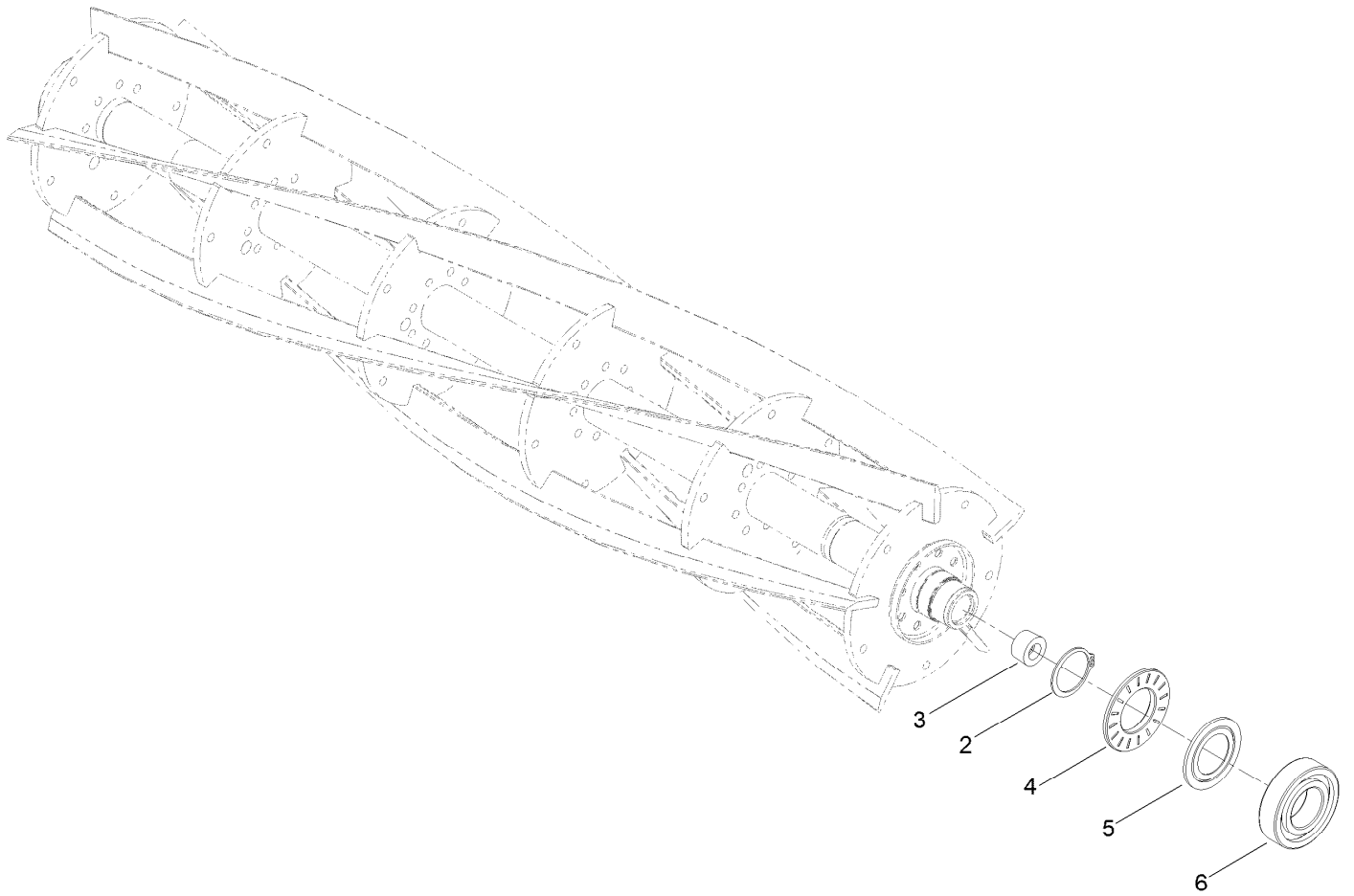


## Reel and Bedbar Assembly

Ref.	Part Number	Qty.	Description	Ref.	Part Number	Qty.	Description
1	323-6	2	Screw-HH	22	56-9520	2	Bushing-Flanged
3	112-6967	1	O-Ring	23	69-8980	2	Washer
4	120-5118	2	Shaft-Adjuster	24	106-9623	2	Bolt-Bedbar
5	106-5344	4	Bushing-Flange, Keyed	25	3296-33	4	Nut-Lock, NI
6	119-4067	2	Screw-HH	27	115-5258	1	Spring-Wire, Flat
7	99-2097	2	Detent	31	137-8469	1	ES Reel+,Fwy(27)5 Bld LD(Rr)
8	120-5116	2	Washer-Wave	31	137-8471	1	ES Reel+,Fwy(27)11 Bld LD(Rr)
9	108-0015	2	Washer-Flat	34	127-7111	1	Insert-Threaded, 7 Inch (LH)
10	137-6130	2	Screw-Adjuster, Bedbar	35	127-7109	1	Insert-Threaded, 7 Inch (RH)
11	119-4155	2	Washer-Hardened	45	120-7230	1	Rm HD DPA MVP Kit ● ■
12	120-5120	2	Spring-Compression	50	127-7129	1	Weight Kit ■
13	119-4039	2	Nut-Hex	50:1	112-6967	5	O-Ring
15	112-8908-01	1	Bedbar	50:2	108-4269-01	5	Weight
16	119-4151	10	Screw-Bedknife	50:3	323-12	10	Screw-HH
17	114-9388	1	Bedknife-STD	50:4	127-7122	5	Bolt-Shoulder, Flange Hex Socket
18	112-8910	1	Bedknife-Edgemax ■				
19	114-9390	1	Bedknife-HD ■				
20	120-1641	1	Bedknife-Low HOC EXT ■				
21	61-1950	4	Washer-Plastic				

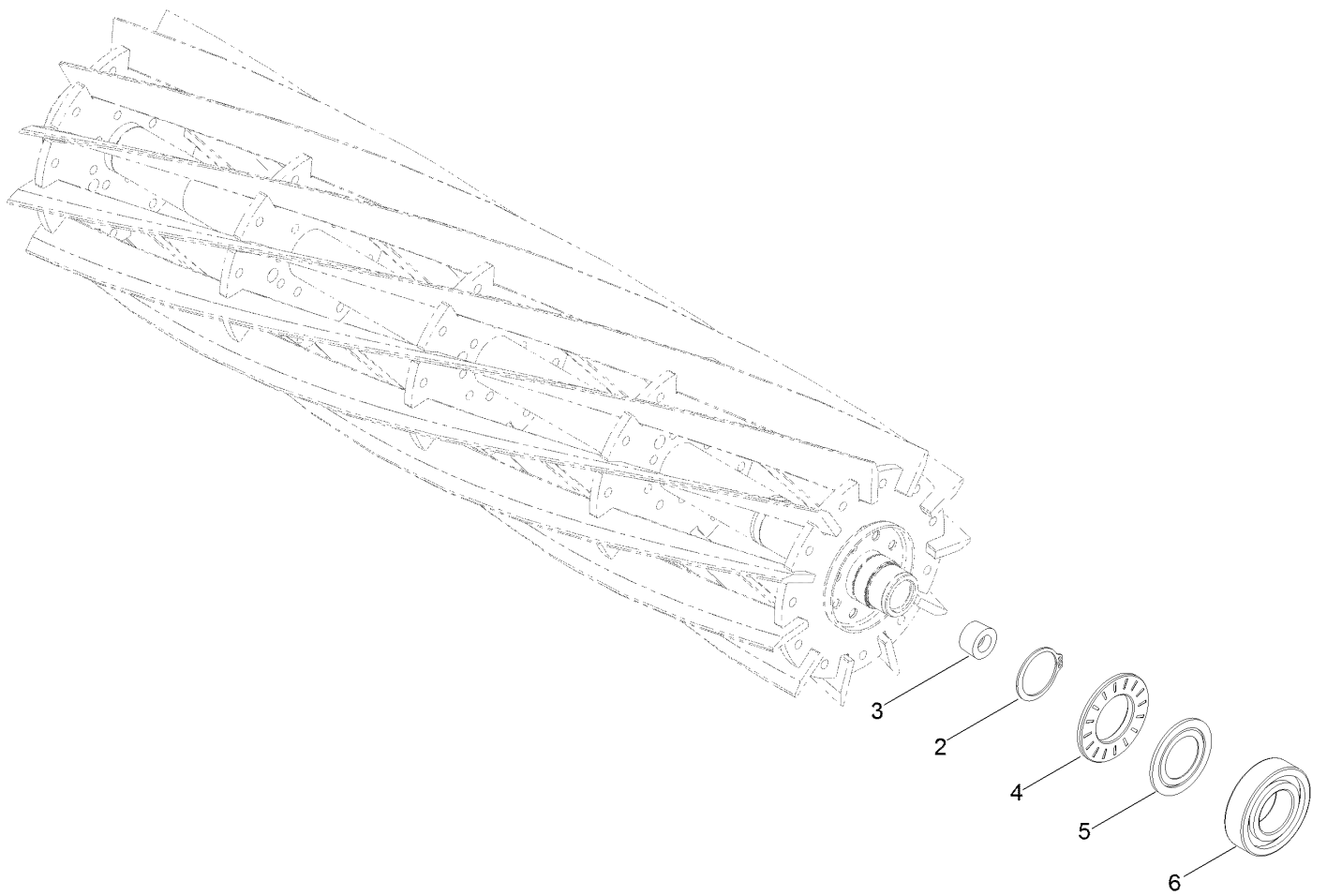
● Not illustrated

■ Optional Equipment



## Optional EdgeSeries+ 27in Fairway, 5 Blade, Low Drag, Radial Reel Assembly No. 137-8469

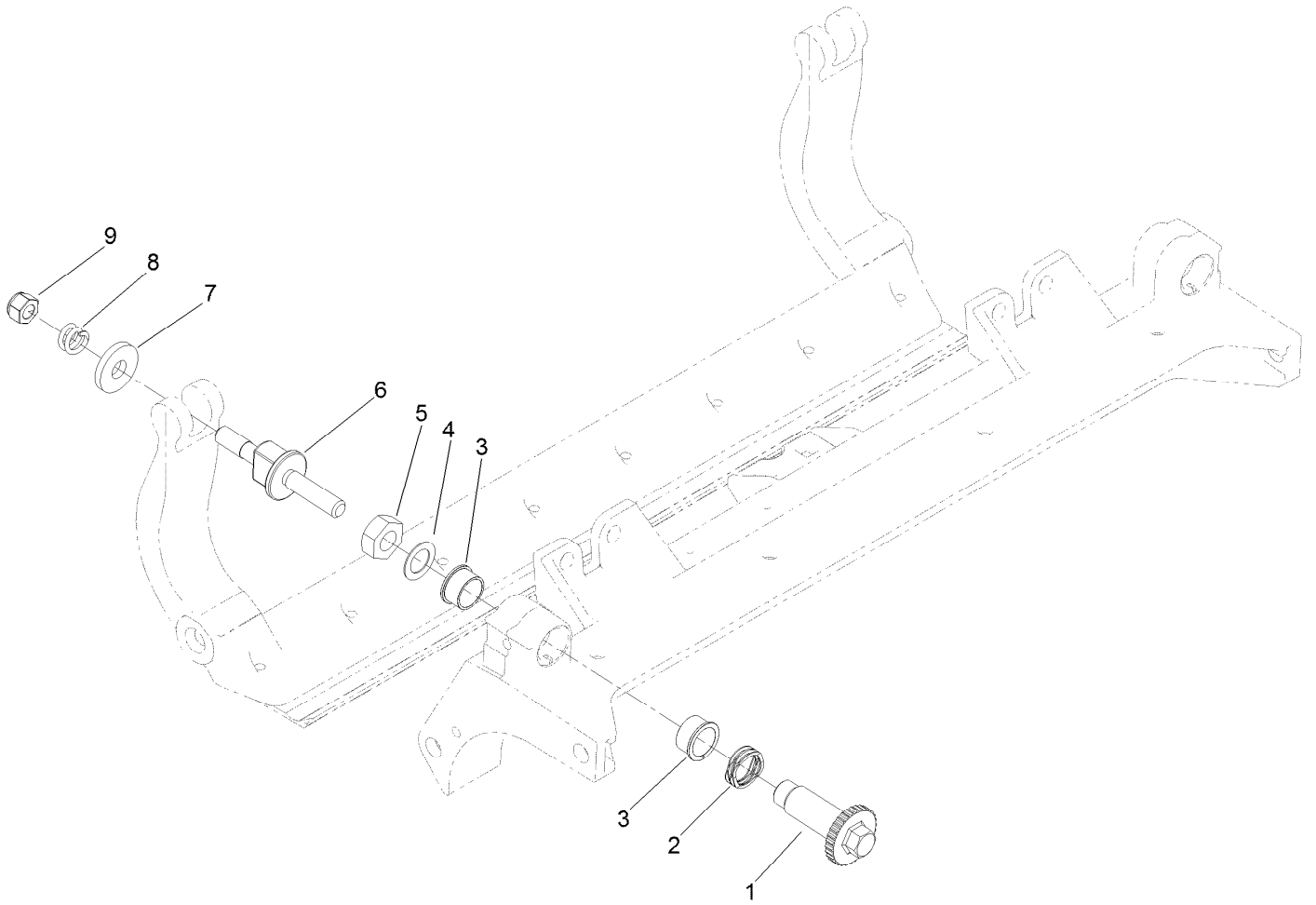
<i>Ref.</i>	<i>Part Number</i>	<i>Qty.</i>	<i>Description</i>
2	92-2601	2	Ring-Retaining
3	127-7118	2	Plug-Shaft, Reel
4	127-4284	2	Washer-Special
5	115-3299	2	Seal-Flocked
6	140-5510	2	Bearing-Sealed, Stainless



## 7in EdgeSeries + 27In Fairway, 11 Blade, Low Drag, Radial Reel Assembly No. 137-8471

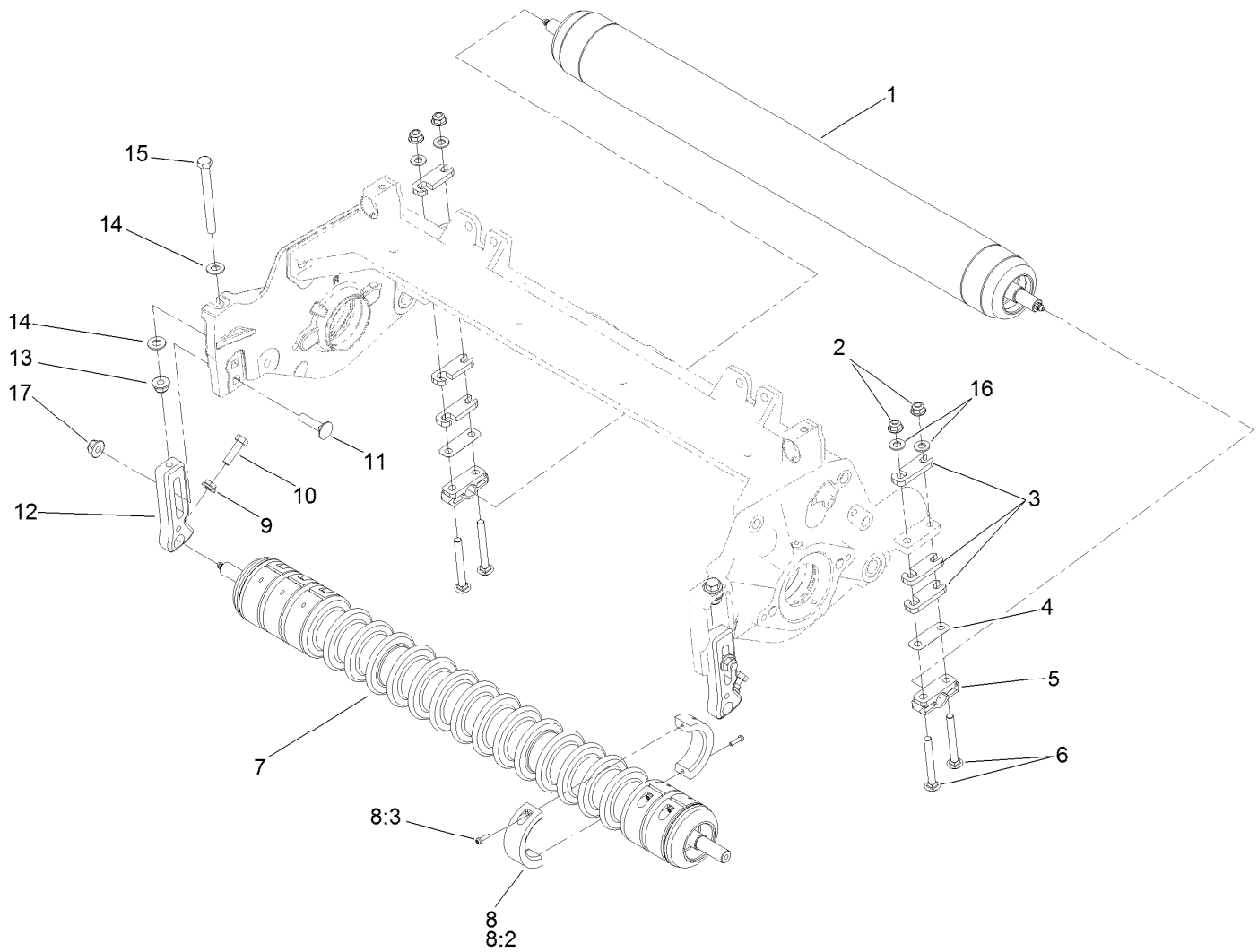
<i>Ref.</i>	<i>Part Number</i>	<i>Qty.</i>	<i>Description</i>
2	92-2601	2	Ring-Retaining
3	127-7118	2	Plug-Shaft, Reel
4	127-4284	2	Washer-Special
5	115-3299	2	Seal-Flocked
6	140-5510	2	Bearing-Sealed, Stainless





## Heavy-Duty MVP Kit No. 120-7230

<i>Ref.</i>	<i>Part Number</i>	<i>Qty.</i>	<i>Description</i>
1	120-5118	2	Shaft-Adjuster
2	120-5116	2	Washer-Wave
3	106-5344	4	Bushing-Flange, Keyed
4	108-0015	2	Washer-Flat
5	3296-33	2	Nut-Lock, NI
6	137-6130	2	Screw-Adjuster, Bedbar
7	119-4155	2	Washer-Hardened
8	120-5120	2	Spring-Compression
9	119-4039	2	Nut-Hex

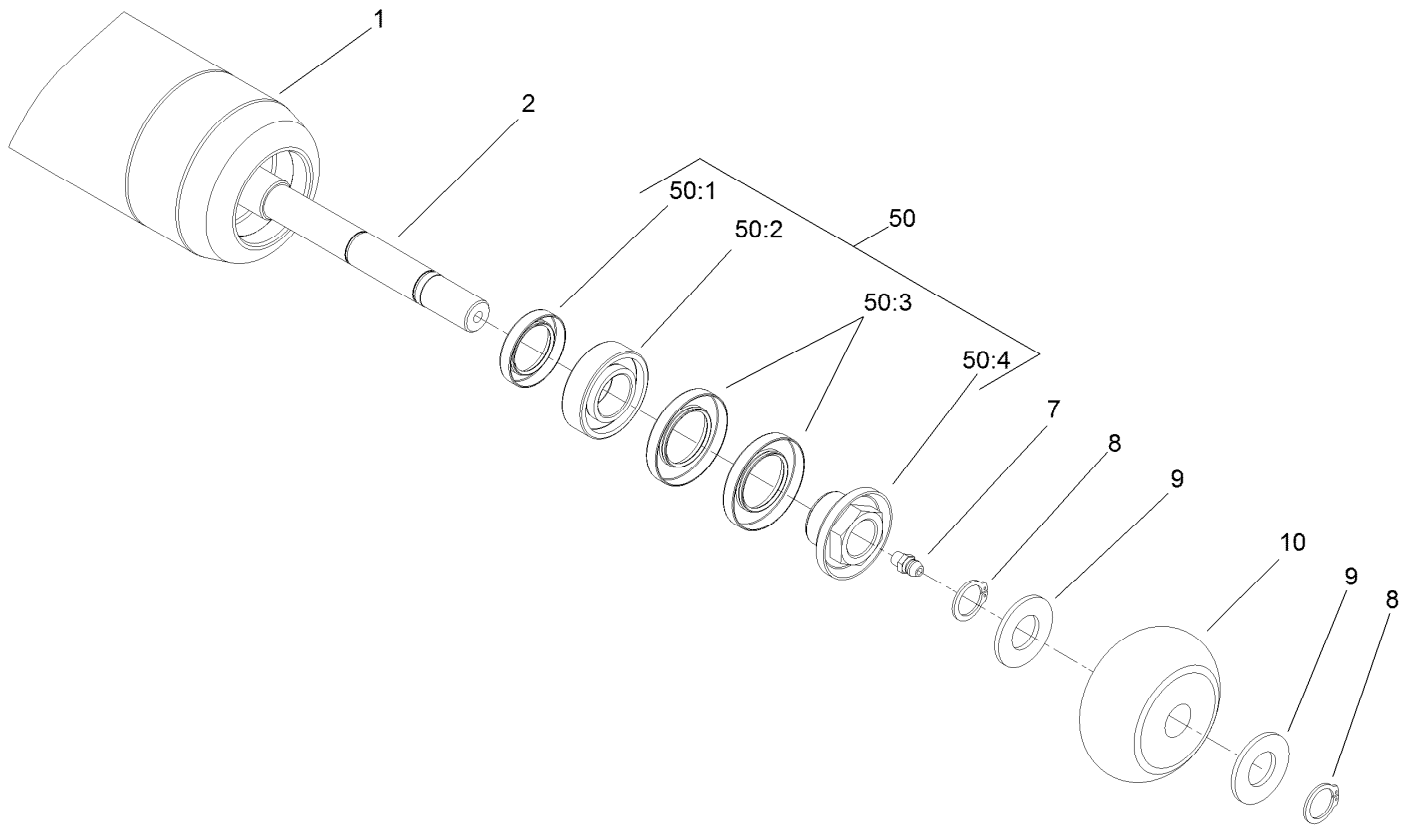


## Roller Assembly

Ref.	Part Number	Qty.	Description	Ref.	Part Number	Qty.	Description
1	137-6118	1	Short Rear Roller ASM (3In DIA)(27In) ●■	8	119-0649	1	Trim/HD Collar Kit ■
1	137-6120	1	Long Rear Roller ASM (3In DIA)(27In)	8:2	119-1604	2	Collar-Trim/HD
2	104-8300	4	Nut-HF, NI	8:3	104-1835	2	Screw
3	119-0626	6	Shim-Roller	9	32128-20	2	Nut-HF
4	140-5530	2	Shim-Roller (.01") ■	10	322-16	2	Screw-HH
5	106-3924	2	Bracket-Roller, Rear	11	3231-4	2	Screw-CARR
6	3230-9	4	Screw-CARR	12	125-2796	2	Bracket-Front HOC
7	117-0960	1	Plastic Wiehle Roller ASM	13	104-8301	2	Nut-HF, NI
7	119-0630	1	Plastic Shoulder Roller ASM (27In) ●■	14	48-9220	4	Washer-Flat
7	137-6121	1	Full Front Roller ASM (3In DIA)(27In) ●■	15	140-5522	2	Screw-HHF 5/8, Patch
				16	94-6936	4	Washer-Hardened
				17	133-7570	2	Nut-Flange, NI
				50	137-0890	1	Rm DPA High HOC Kit (F18 & Up) ●■

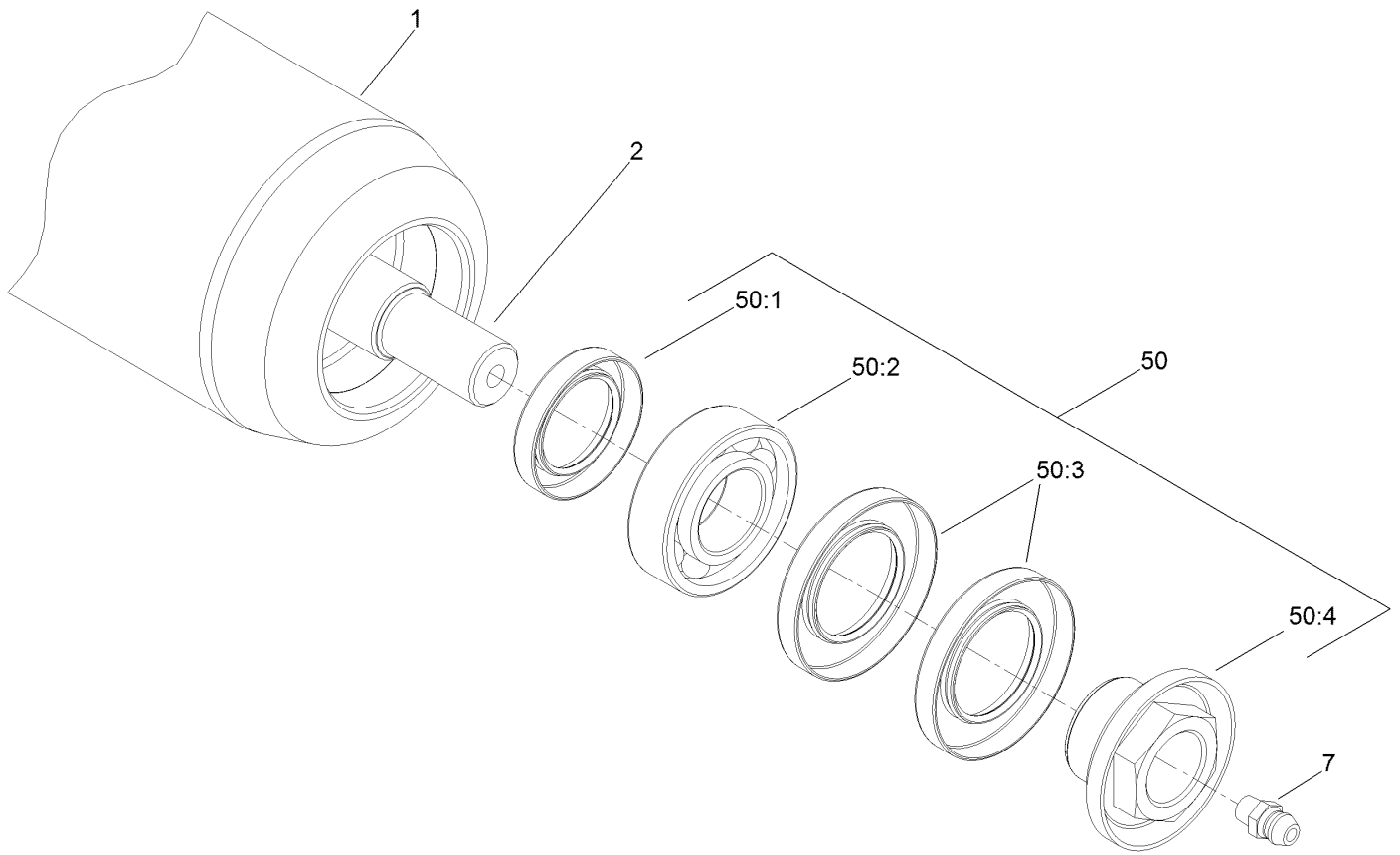
● Not illustrated

■ Optional Equipment



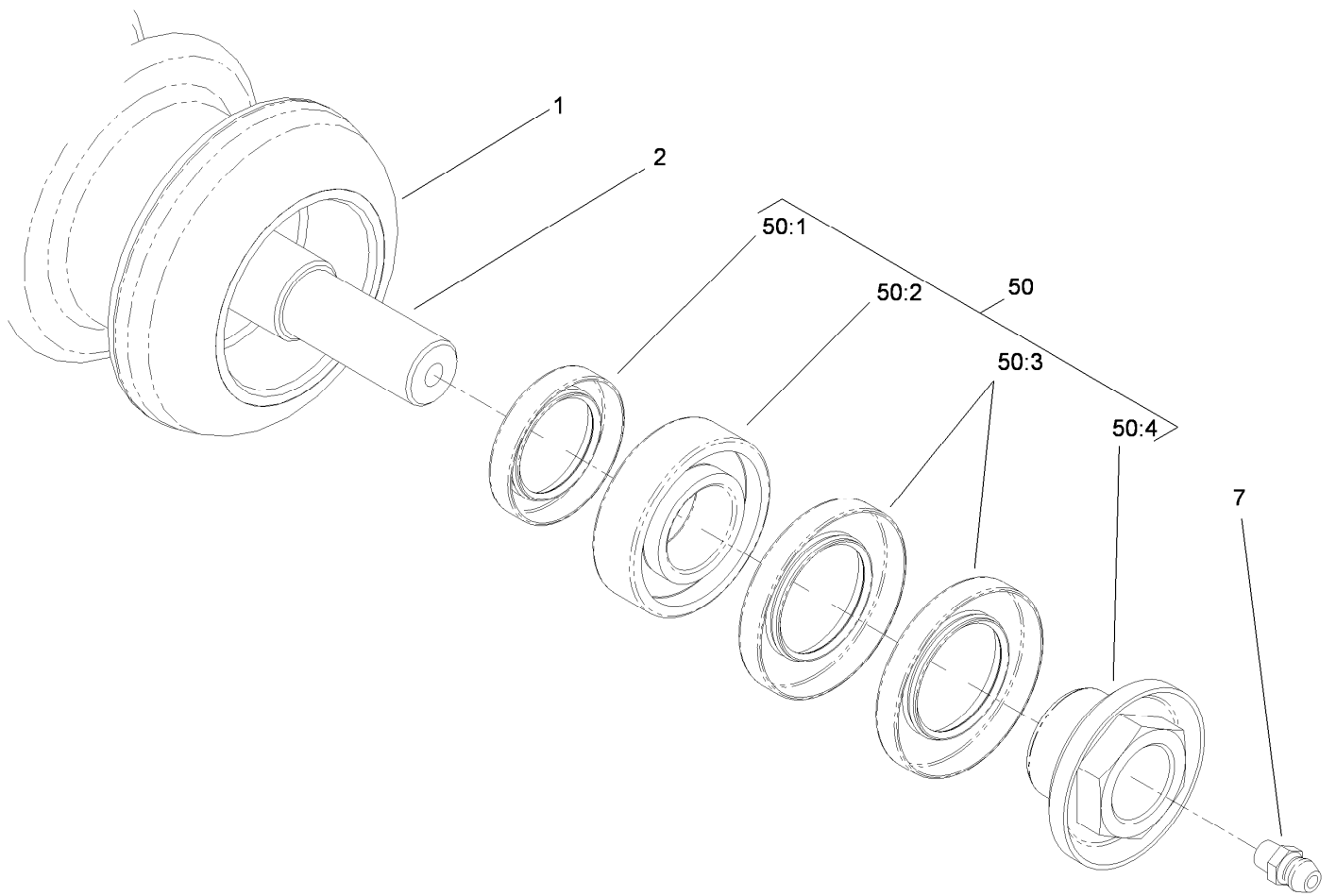
## Optional Short Roller Assembly No. 137-6118

<i>Ref.</i>	<i>Part Number</i>	<i>Qty.</i>	<i>Description</i>
1	137-6115	1	Tube Roller 3.0In DIA X 20.5In
2	119-4287	1	Shaft-Rear Roller, 27 Inch
7	302-5	2	Fitting-Grease
8	32151-62	4	Ring-Retaining
9	119-1868	4	Washer
10	119-4276	2	Roller-Tipper
50	114-5430	1	Roller Rebuild Kit
50:1	114-3717	2	Seal-Oil
50:2	112-5290	2	Bearing-Steel, Stainless
50:3	112-7494	4	Seal
50:4	114-5411	2	Nut-Lock, Bearing



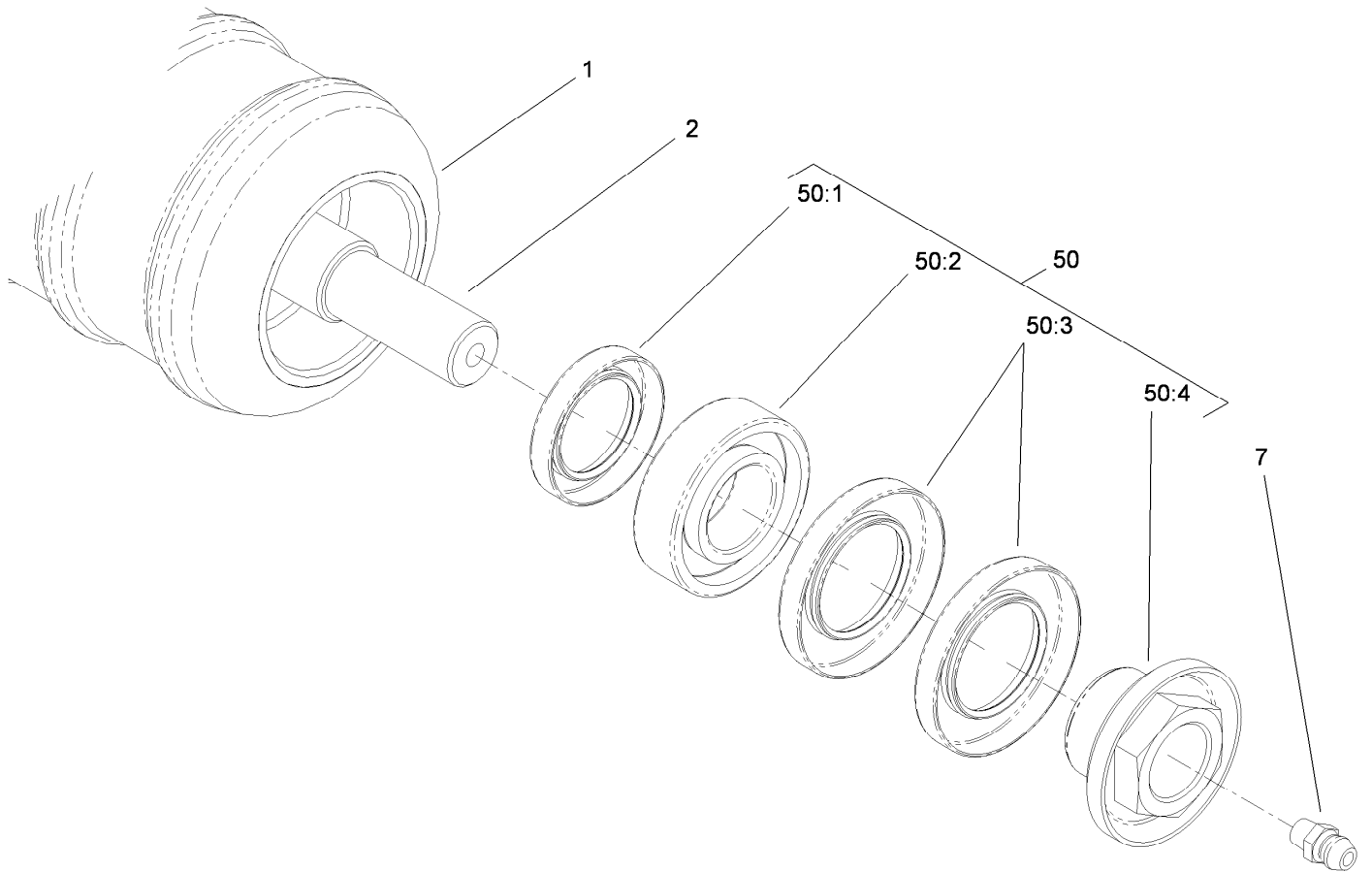
## Long Rear Roller Assembly No. 137-6120

<i>Ref.</i>	<i>Part Number</i>	<i>Qty.</i>	<i>Description</i>
1	137-6119	1	Tube Roller 3.0In DIA X 28In
2	112-8918	1	Shaft-Long, Rear Roller
7	302-5	2	Fitting-Grease
50	114-5430	1	Roller Rebuild Kit
50:1	114-3717	2	Seal-Oil
50:2	112-5290	2	Bearing-Steel, Stainless
50:3	112-7494	4	Seal
50:4	114-5411	2	Nut-Lock, Bearing



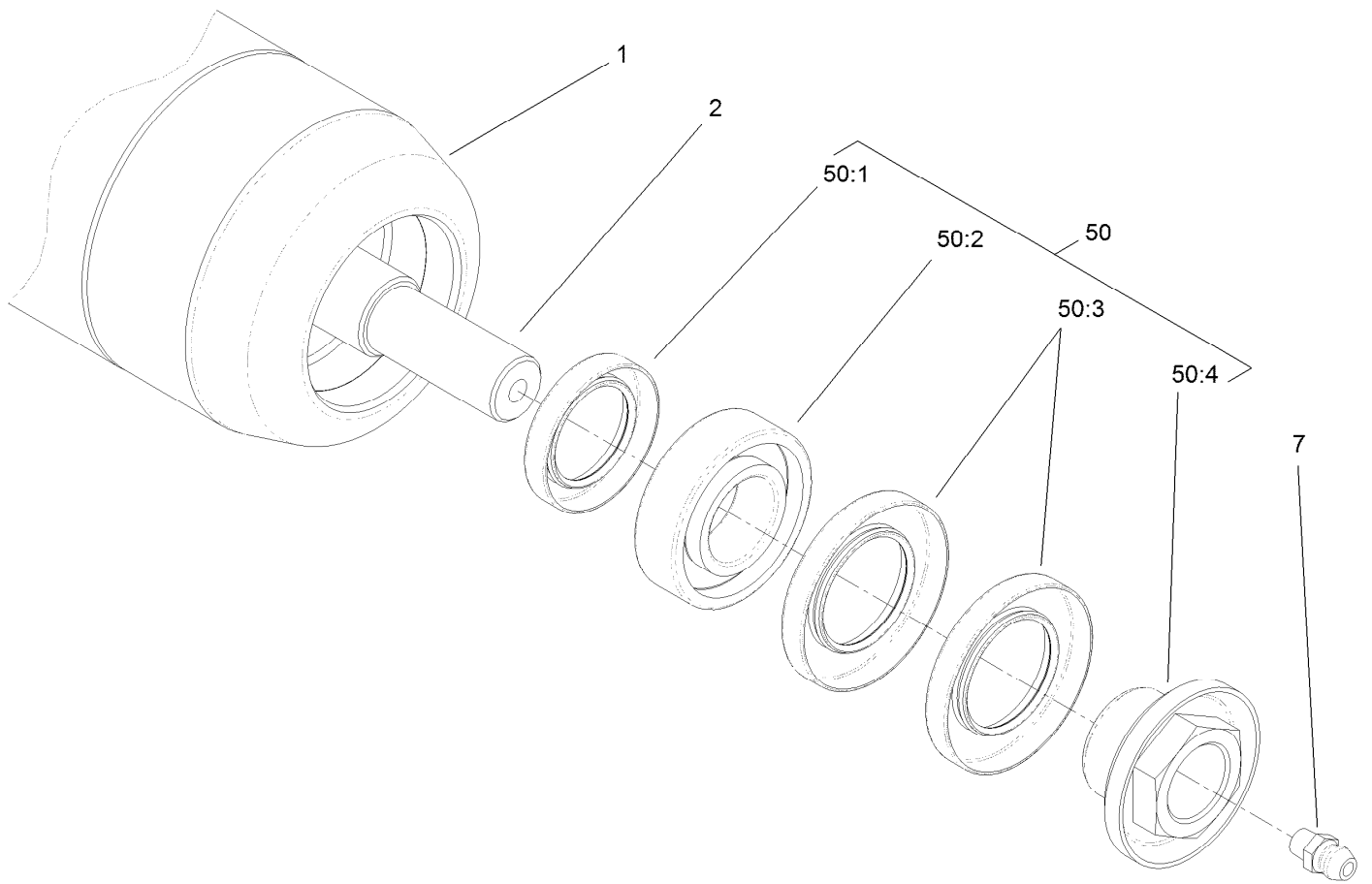
## Wiehle Roller Assembly No. 117-0960

<i>Ref.</i>	<i>Part Number</i>	<i>Qty.</i>	<i>Description</i>
1	117-0959	1	Roller-Wiehle, Plastic
2	117-0957	1	Shaft-Roller, Wiehle
7	302-5	2	Fitting-Grease
50	114-5430	1	Roller Rebuild Kit
50:1	114-3717	2	Seal-Oil
50:2	112-5290	2	Bearing-Steel, Stainless
50:3	112-7494	4	Seal
50:4	114-5411	2	Nut-Lock, Bearing



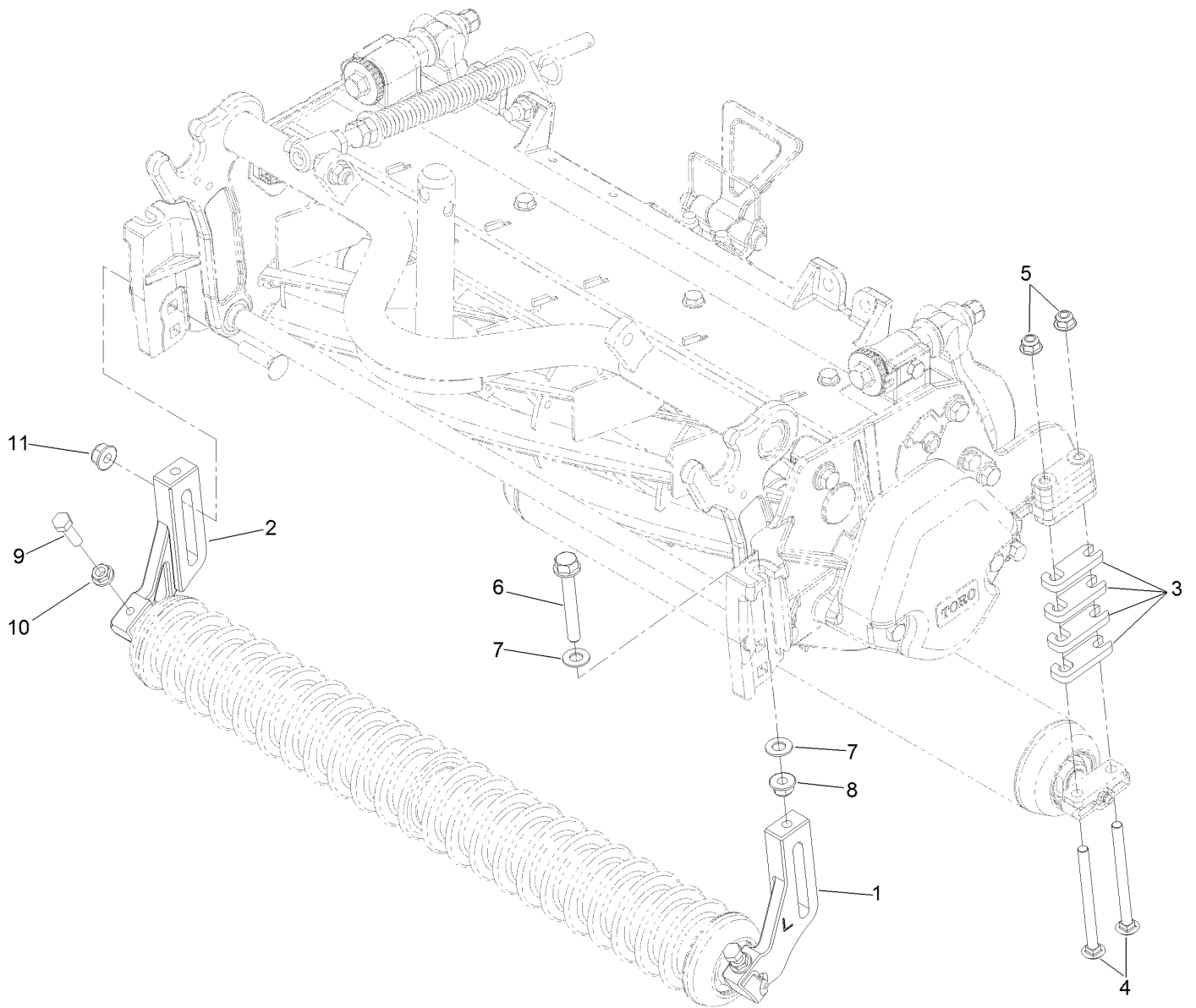
## Optional Shoulder Roller Assembly No. 119-0630

<i>Ref.</i>	<i>Part Number</i>	<i>Qty.</i>	<i>Description</i>
1	119-0631	1	Roller-Shoulder, Plastic
2	117-0957	1	Shaft-Roller, Wiehle
7	302-5	2	Fitting-Grease
50	114-5430	1	Roller Rebuild Kit
50:1	114-3717	2	Seal-Oil
50:2	112-5290	2	Bearing-Steel, Stainless
50:3	112-7494	4	Seal
50:4	114-5411	2	Nut-Lock, Bearing



## Optional Full Front Roller Assembly No. 137-6121

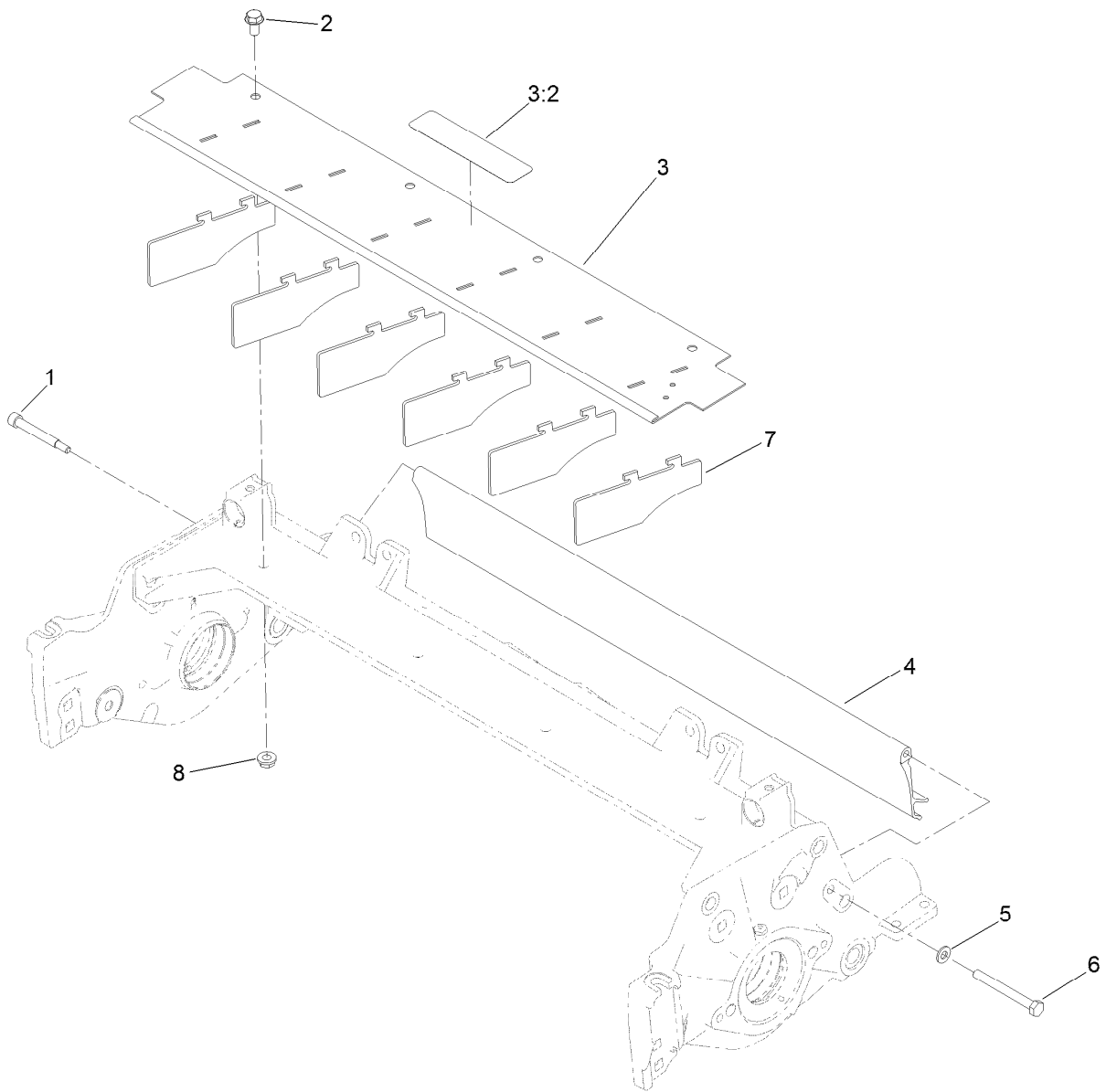
<i>Ref.</i>	<i>Part Number</i>	<i>Qty.</i>	<i>Description</i>
1	137-6119	1	Tube Roller 3.0In DIA X 28In
2	117-0957	1	Shaft-Roller, Wiehle
7	302-5	2	Fitting-Grease
50	114-5430	1	Roller Rebuild Kit
50:1	114-3717	2	Seal-Oil
50:2	112-5290	2	Bearing-Steel, Stainless
50:3	112-7494	4	Seal
50:4	114-5411	2	Nut-Lock, Bearing



## Optional High Height-of-Cut Assembly No. 137-0890

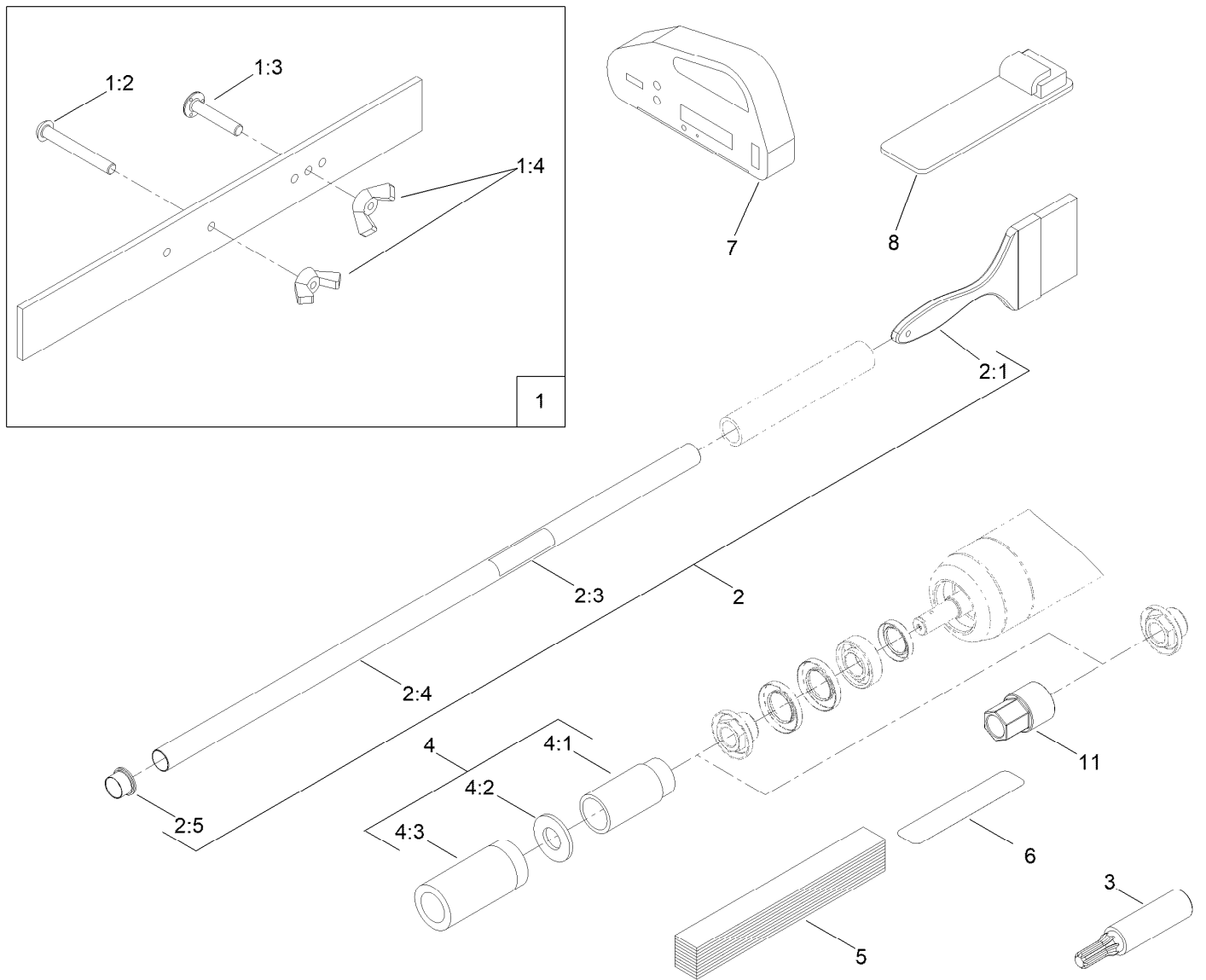
<i>Ref.</i>	<i>Part Number</i>	<i>Qty.</i>	<i>Description</i>
1	120-0404	1	Bracket-High HOC (LH)
2	120-0405	1	Bracket-High HOC (RH)
3	119-0626	8	Shim-Roller
4	106-9758	4	Screw-CARR
4	3230-30	4	Screw-CARR
5	104-8300	4	Nut-HF, NI
6	140-5523	2	Screw-HHF 5/8, Patch
7	48-9220	4	Washer-Flat
8	104-8301	4	Nut-HF, NI
9	322-16	2	Screw-HH
10	32128-20	2	Nut-HF
11	133-7570	2	Nut-Flange, NI





## Shield Assembly

<i>Ref.</i>	<i>Part Number</i>	<i>Qty.</i>	<i>Description</i>
1	107-7773	1	Screw-HSH
2	3234-7	4	Screw-HHF
3	112-8942	1	Front Grass Shield ASM
3:2	137-9706	1	Decal-Warning
4	125-1997	1	Shield-Glass, Rear
5	3256-74	1	Washer-Flat
6	322-14	1	Screw-HH
7	110-1706	6	Deflector
8	32128-20	4	Nut-HF



## Optional Tool Assembly

Ref.	Part Number	Qty.	Description
1	108-6715	1	Gauge Bar ASM
1:2	32122-54	1	Screw-Head, Truss
1:3	108-6714	1	Stud-Weld
1:4	32103-3	2	Nut-Wing
2	29-9100	1	Brush And Handle ASM
2:1	36-4310	1	Brush
2:3	98-3206	1	Decal
2:4	29-9080	1	Handle
2:5	2410-18	1	Cap-Plastic
3	TOR4074	1	Adapter-Drive, Reel ■
4	115-0803	1	Rm/Gm Roller Rebuild Tool Kit

Ref.	Part Number	Qty.	Description
4:1	115-0852	1	Tool-Inner Seal
4:2	107-8133	1	Washer-Flat
4:3	115-0853	1	Tool-Bearing/Outer Seal
5	125-5610	1	Paper-Reel, Toro (10 Pack)
6	140-5531	1	Shim-Toro Reel (.002In)
7	131-6828	1	Indicator-Angle
8	131-6829	1	Mount-Indicator, Angle
9	137-0924	1	Tool-Hand TAP 7/8-16 (Rm DPA Reel) ●
10	137-0925	1	Tool-Hand TAP 7/8-16, LH (Rm DPA Reel) ●
11	147-1132	1	Tool-Drive, Roller Nut

● Not illustrated

■ Obtain directly from K-Line Industries, Inc. (<https://klineind.com>)

# Attachments and Accessories

## For 03722 27-inch 11-Blade EdgeSeries DPA Cutting Unit Reelmaster 7000-D Traction Unit

<b>Product Name</b>	<b>Model/Part</b>
Rear Roller Brush Kit with 7in Reel and Universal Groomer (27in) .....	03242
27in RRB Only Kit.....	03243
Weight Kit for 8-Blade or 11-Blade DPA Cutting Unit with 7in Reel Traction Unit .....	03405
27in Verticutter Cutting Unit .....	03731
Universal Groomer Drive Kit .....	03768
Universal Groomer Cartridge (27in).....	03778
Turf Evaluator .....	04399
Gauge Bar Assembly.....	108-6715
Edgemax Bedknife .....	112-8910
Roller Rebuild Kit.....	114-5430
Rear Roller Scraper Kit.....	114-9368
Wiehle Scraper ASM .....	114-9372-03
Comb/Scraper Kit .....	114-9376
Shoulder Scraper ASM.....	114-9381-03
Full Front Roller Scraper ASM (3in dia).....	114-9386-03
Bedknife-std (fairway).....	114-9388
Bedknife-HD .....	114-9390
Roller Rebuild Tool Kit.....	115-0803
Plastic Shoulder Roller ASM.....	119-0630
Trim/Heavy-Duty Collar Kit .....	119-0649
Cutting Unit Kickstand .....	119-8010-03
Low HOC Extended Bedknife .....	120-1641
Heavy-Duty DPA MVP Kit.....	120-7230
Rear Roller Adjustment Kit.....	125-0570
Toro Reel Paper (10 Pack).....	125-5610
Groomer/RRB Seal Kit.....	131-3233
Angle Indicator.....	131-6828
Angle Indicator Mount.....	131-6829
Broomer Kit (27in).....	133-8222
HD Brush-Rear Roller (27 inch) .....	137-0844
High Height-of-Cut Kit, Reelmaster 3000 or 5000 Series DPA Cutting Unit .....	137-0890
Tool-hand Tap 7/8-16 (RM DPA Reel) .....	137-0924
Tool-hand Tap 7/8-16, LH (RM DPA Reel).....	137-0925
LH 7in Heavy Duty Low Drag Side Plate ASM .....	137-5982
RH 7in Heavy Duty Low Drag Side Plate ASM .....	137-5983
Short Rear Roller Asm (3in Dia)(27in).....	137-6118
Full Front Roller Asm (3in Dia)(27in).....	137-6121
EdgeSeries+ 27in Fairway, 5 Blade, Low Drag, Radial Reel .....	137-8469
7in EdgeSeries + 27In Fairway, 11 Blade, Low Drag, Radial Reel Assembly .....	137-8471
Brush-Roller (27in Hd High Hoc).....	140-5514
Shim-TORO Reel (.002in) .....	140-5531
Brush and Handle Kit.....	29-9100
Reel Drive Adapter .....	TOR4074



**Count on it.**