



**Count on it.**

**Parts Catalog**

**Ultra Buggy® 2500-TS**

Model No. 68141—Serial No. 417357727 and Up



# Ordering Replacement Parts

To order replacement parts, please supply the part number, the quantity, and the description of each part desired.

## Understanding Reference Numbers

Each identified part in an illustration has a reference number. The reference number for a part also appears in the parts list, along with other information about the part.

This catalog uses two special reference number formats, one to indicate parts in a service assembly and another to indicate the quantity of a given part in an illustration.

## Service Assembly Reference Numbers

Parts in service assemblies have reference numbers in the form a:b. The a represents the reference number of the entire service assembly and the b represents a sequential number unique to each part within the service assembly.

For example, a wheel assembly might be identified by reference number 6, the tire by 6:1, the valve by 6:2, and the wheel by 6:3. When you order the assembly identified by reference number 6, you receive all parts identified by reference numbers 6:1, 6:2, and 6:3. However, you may also order any part individually. Reference numbers of this type appear in illustration and in parts lists.

## Reference Numbers Indicating Quantity

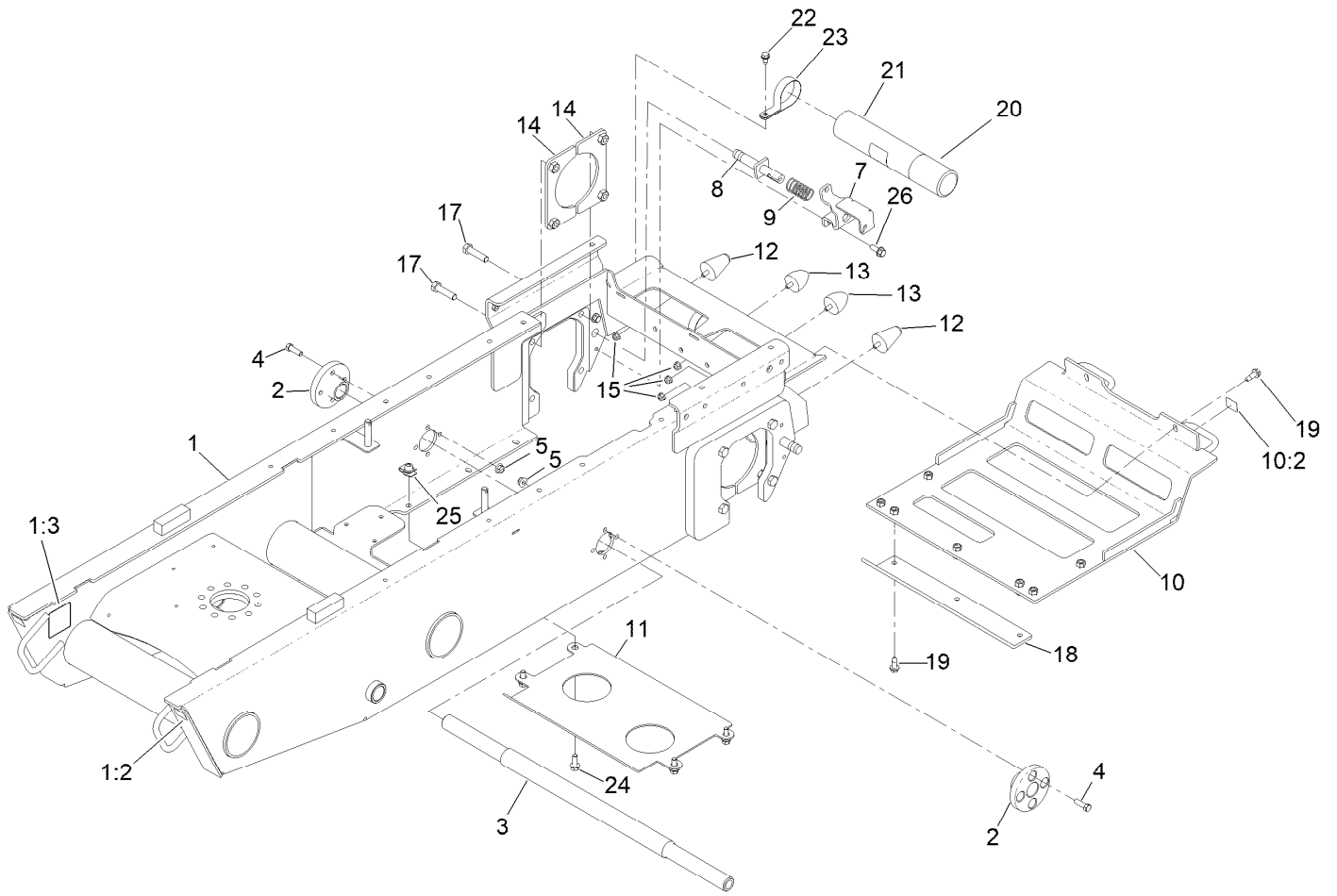
In an illustration, if a reference number indicates more than one part, the reference number has the form nX y. The n represents the quantity of the part, the X is the multiplication symbol, and the y represents the reference number.

For example, in an illustration, the reference number 2X 37 means that two of the parts identified by reference number 37 are indicated.

# Contents

Frame Assembly	4
Hydraulic Pump Assembly	6
LH Hydro Transaxle Assembly No. 132-8802	8
RH Hydro Transaxle Assembly No. 132-8803	10
Hydraulic Cylinder Assembly No. 140-3558	12
Hydraulic Manifold Assembly	14
Manifold Assembly No 140-3572	16
Engine Assembly	18
Hydraulic Gear Pump Assembly No. 139-7183	20
Fuel Tank and Tower Assembly	22
Track Assembly	24
Hopper Assembly	26
Electrical Harness Assembly	28
Control Assembly	30
Platform Assembly	32
Hood Assembly	34
Attachments and Accessories	36

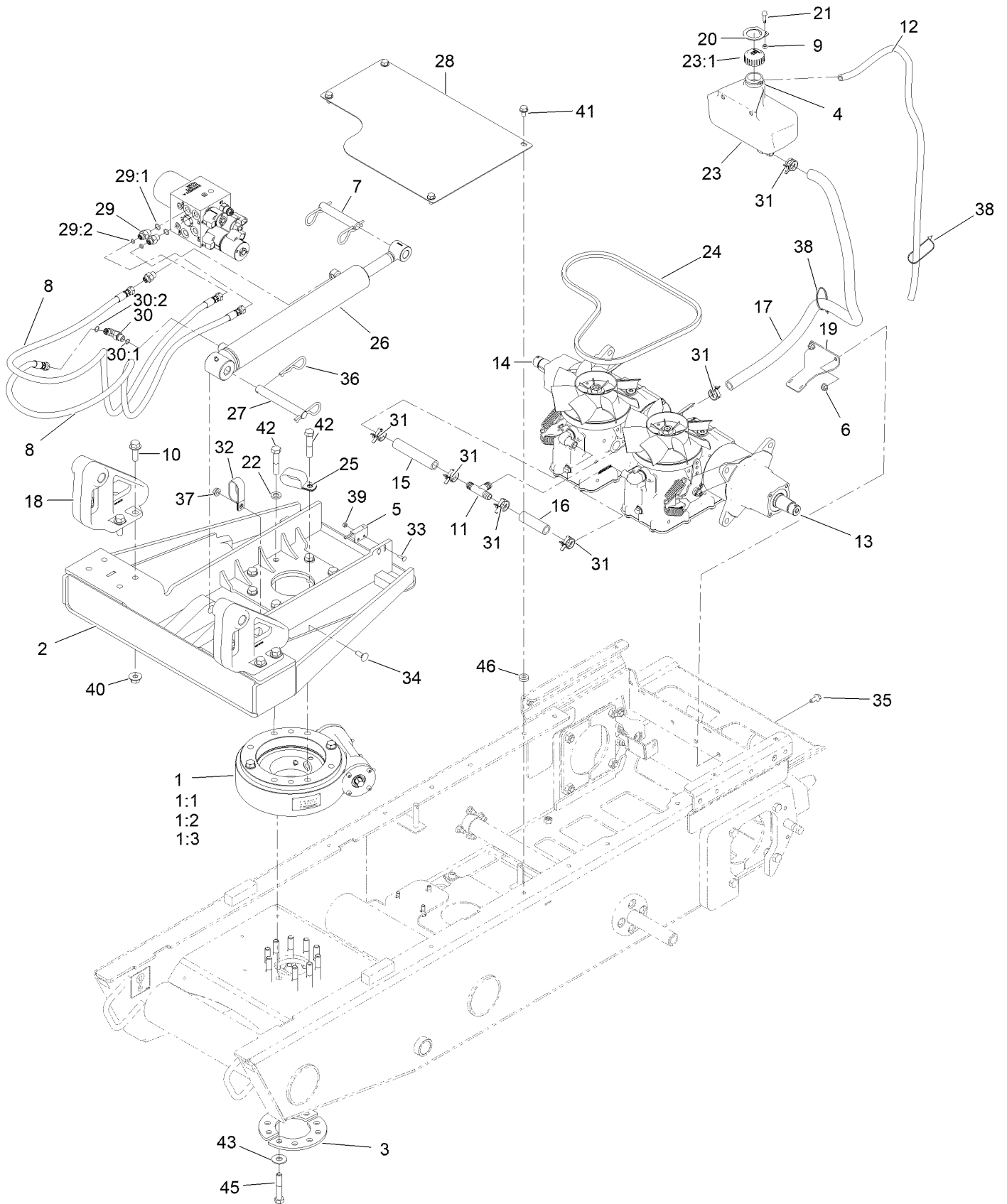
# Frame Assembly



## Frame Assembly (continued)

<i>Ref.</i>	<i>Part Number</i>	<i>Qty.</i>	<i>Description</i>	<i>Ref.</i>	<i>Part Number</i>	<i>Qty.</i>	<i>Description</i>
1	139-7197	1	Frame ASM- Swivel	13	114-1926	2	Bumper-Rubber
1:2	132-9051	2	Decal-Tiedown	14	132-8936-05	4	Hydro Mounting Plate ASM (Welded)
1:3	125-4967	2	Decal-Lift Here	15	104-8300	4	Nut-HF, NI
2	132-9075	2	Hub-Mount, Track	17	325-8	8	Screw-HH
3	125-0425	1	Shaft-Track	18	136-4611-05	1	Plate-Skid
4	323-7	8	Screw-HH	19	105-6245	9	Screw-Tapping
5	104-8301	8	Nut-HF, NI	20	104-7048	1	Cap-Housing
7	130-5284-05	2	Bracket-Brake ASM	21	104-7050	1	Tube-Manual
8	132-8866	2	Shaft-Brake	22	32144-70	2	Screw-HWHTF
9	125-0344	2	Spring-Compression	23	2412-133	2	Clamp-R
10	136-4651	1	Plate-Side	24	3234-11	4	Screw-HHF
10:2	132-9051	2	Decal-Tiedown	25	105-4886	4	Nut-Tinnerman
11	145-1158-05	1	Skid Plate, Hydraulic Tank	26	3234-42	4	Screw-HHF
12	114-1925	2	Bumper-Rubber				

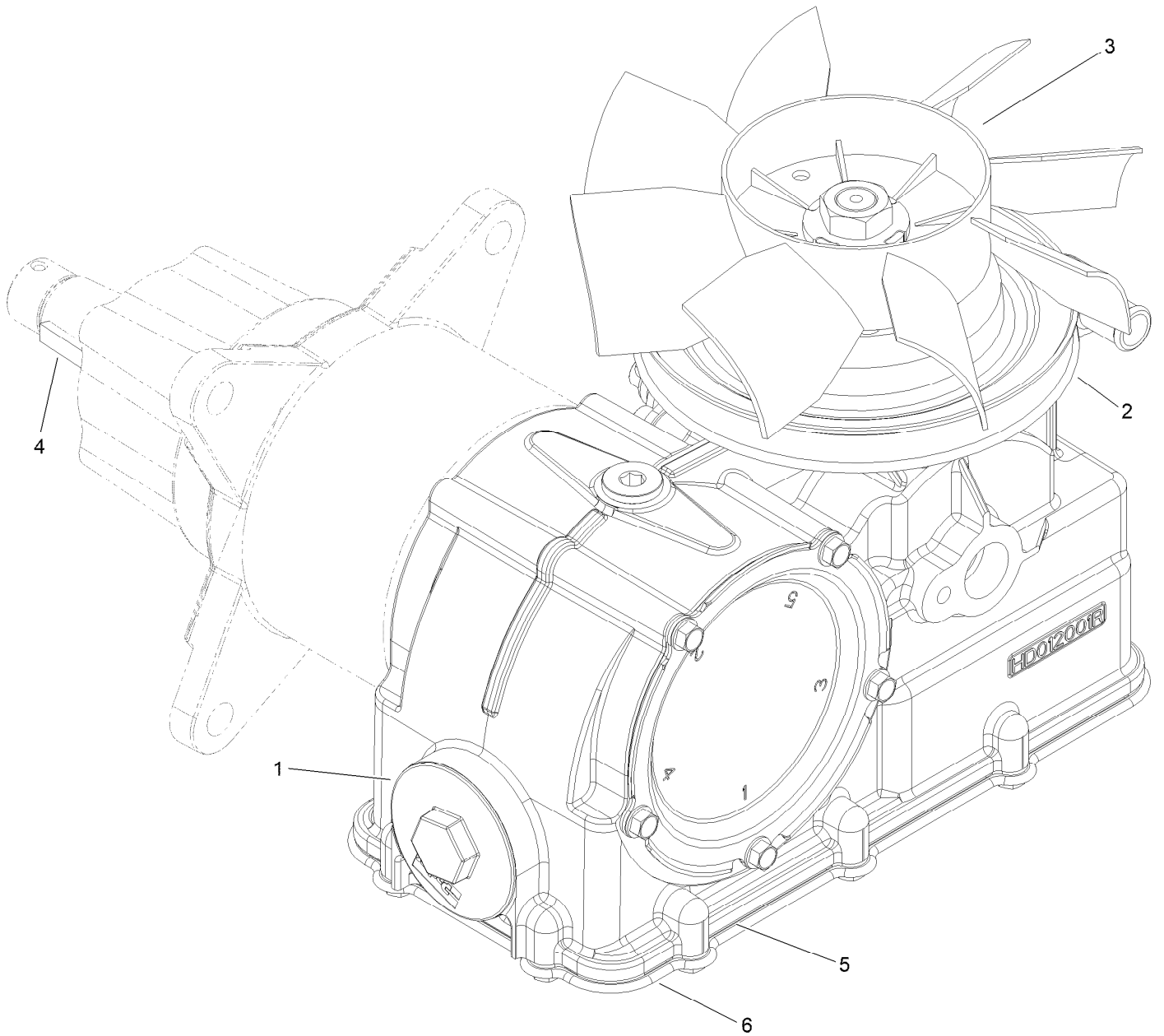
# Hydraulic Pump Assembly



## Hydraulic Pump Assembly (continued)

<i>Ref.</i>	<i>Part Number</i>	<i>Qty.</i>	<i>Description</i>	<i>Ref.</i>	<i>Part Number</i>	<i>Qty.</i>	<i>Description</i>
1	139-7184	1	Drive-Slew	23:1	133-8677	1	Cap-Vented
1:1	140-3579	1	Motor-HYD, Slew	24	139-1295	1	Belt-V
1:2	139-7235	1	Seal-Lip	25	139-7218	1	Clamp-R, Double
1:3	139-7236	1	Seal-Top Plate	26	140-3558	1	Cylinder, Hydraulic
2	140-2347-05	1	Top Swivel Plate ASM [blk-Txt]	27	140-3582	1	Pin,Plain
3	139-7228-05	2	Spacer-Slew Mount	28	140-7204-05	1	Shield-Cover
4	92-2379	1	Clamp-Hose	29	340-1	3	Fitting-Straight
5	100-1270	1	Switch-Proximity	29:1	237-21	1	O-Ring
6	104-8300	2	Nut-HF, NI	29:2	237-42	1	O-Ring
7	105-7456	1	Pin-Pivot	30	340-82	1	Fitting-Elbow, 90 DEG
8	121-4347	2	Hose-HYD	30:1	237-42	1	O-Ring
9	126-0416	1	Spacer	30:2	237-21	1	O-Ring
10	130-6482	8	Screw-HHF	31	144-2248	6	Clamp-Sc Band
11	132-5127	1	Tee	32	2412-137	1	Clamp-R, Double
12	132-7563	1	Hose-Fuel	33	3229-20	2	Screw-CARR
13	132-8802	1	LH Hydro Transaxle ASM	34	3231-2	1	Bolt-CARR
14	132-8803	1	RH Hydro Transaxle ASM	35	3234-47	5	Screw-HHF
15	132-8933	1	Hose-HYD, Hydro	36	3290-256	4	Pin-Hair
16	132-8934	1	Hose-HYD, Hydro	37	3290-357	1	Nut-HSF
17	132-8935	1	Hose-HYD, Hydro	38	3290-378	4	Tie-Cable
18	132-9025-05	2	Pivot-Dump (Machined)	39	3296-2	2	Nut-Lock, NI
19	132-9032-05	1	Bracket-Hose Retainer	40	32128-52	8	Nut-Lock, Flange
20	136-0549-01	1	Lock-Tank	41	32144-15	4	Screw-HHFTF
20	136-0549-07	1	Lock-Tank	42	AU426-840	8	Screw-HH
21	137-3711	1	Screw	43	AU495-81163	10	Washer-Flat
22	137-5550	7	Washer-Thrust	45	325-34	10	Screw-HH
23	138-3164	1	Tank-Hydraulic	46	5-0652	4	Spacer

# LH Hydro Transaxle Assembly No. 132-8802



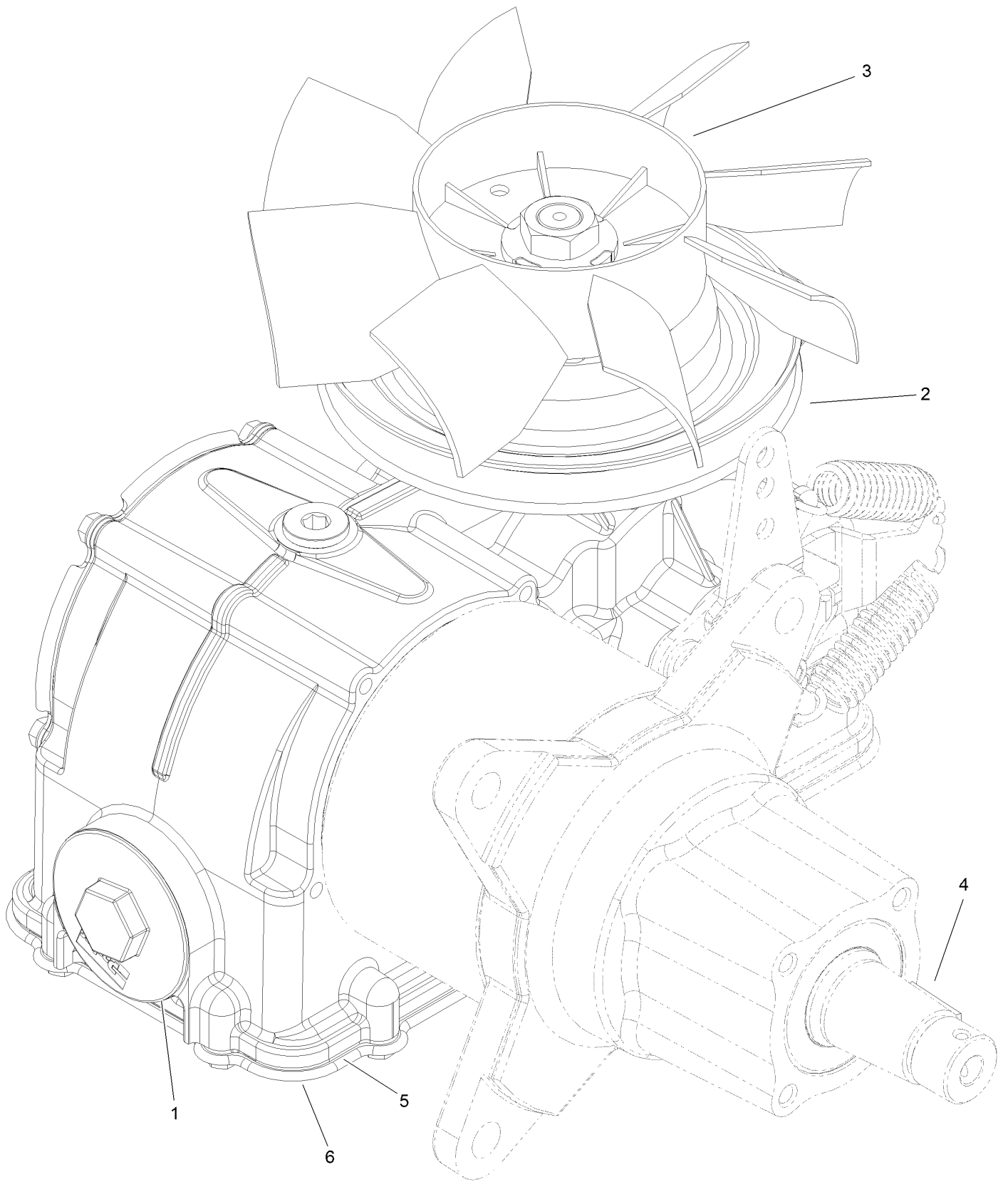


# LH Hydro Transaxle Assembly No. 132-8802 (continued)

<i>Ref.</i>	<i>Part Number</i>	<i>Qty.</i>	<i>Description</i>	<i>Ref.</i>	<i>Part Number</i>	<i>Qty.</i>	<i>Description</i>
1	137-3772	1	Filter	6	139-7233	1	Cover-Service
2	137-3773	1	Pulley	7	145-1155	1	Kit-Seal, Motor ●
3	137-3774	1	Fan (8.3 Inch)	8	145-1156	1	Seal-Shaft ●
4	3257-42	1	Key-Woodruff	9	145-1166	1	Rtn ASM (LH) ●
5	140-1148	1	Gasket-Cover, Bottom				

● Not illustrated

# RH Hydro Transaxle Assembly No. 132-8803

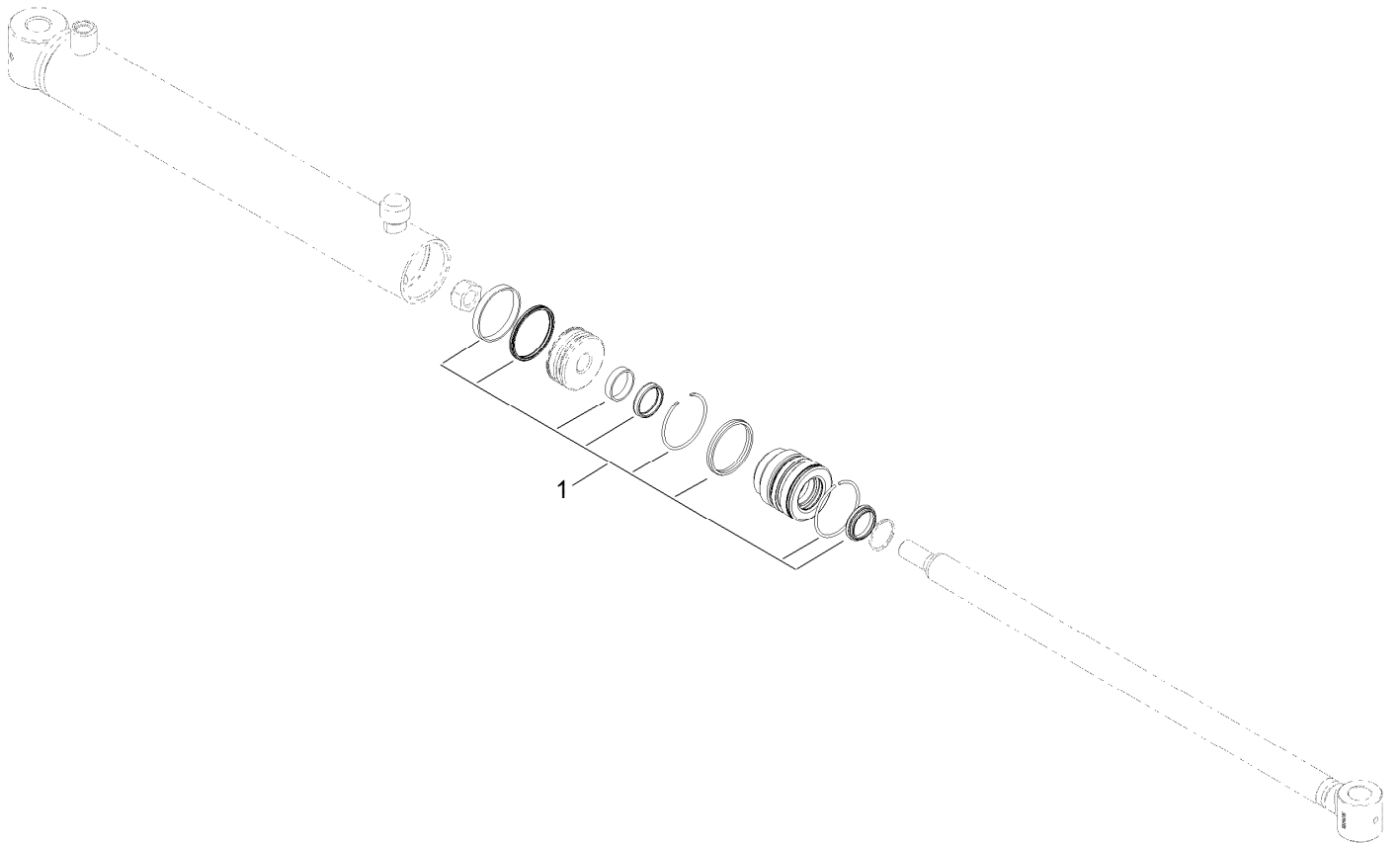


# RH Hydro Transaxle Assembly No. 132-8803 (continued)

<i>Ref.</i>	<i>Part Number</i>	<i>Qty.</i>	<i>Description</i>	<i>Ref.</i>	<i>Part Number</i>	<i>Qty.</i>	<i>Description</i>
1	137-3772	1	Filter	6	139-7233	1	Cover-Service
2	137-3773	1	Pulley	7	145-1155	1	Kit-Seal, Motor ●
3	137-3774	1	Fan (8.3 Inch)	8	145-1156	1	Seal-Shaft ●
4	3257-42	1	Key-Woodruff	9	145-1167	1	Rtn ASM (RH) ●
5	140-1148	1	Gasket-Cover, Bottom				

● Not illustrated

# Hydraulic Cylinder Assembly No. 140-3558



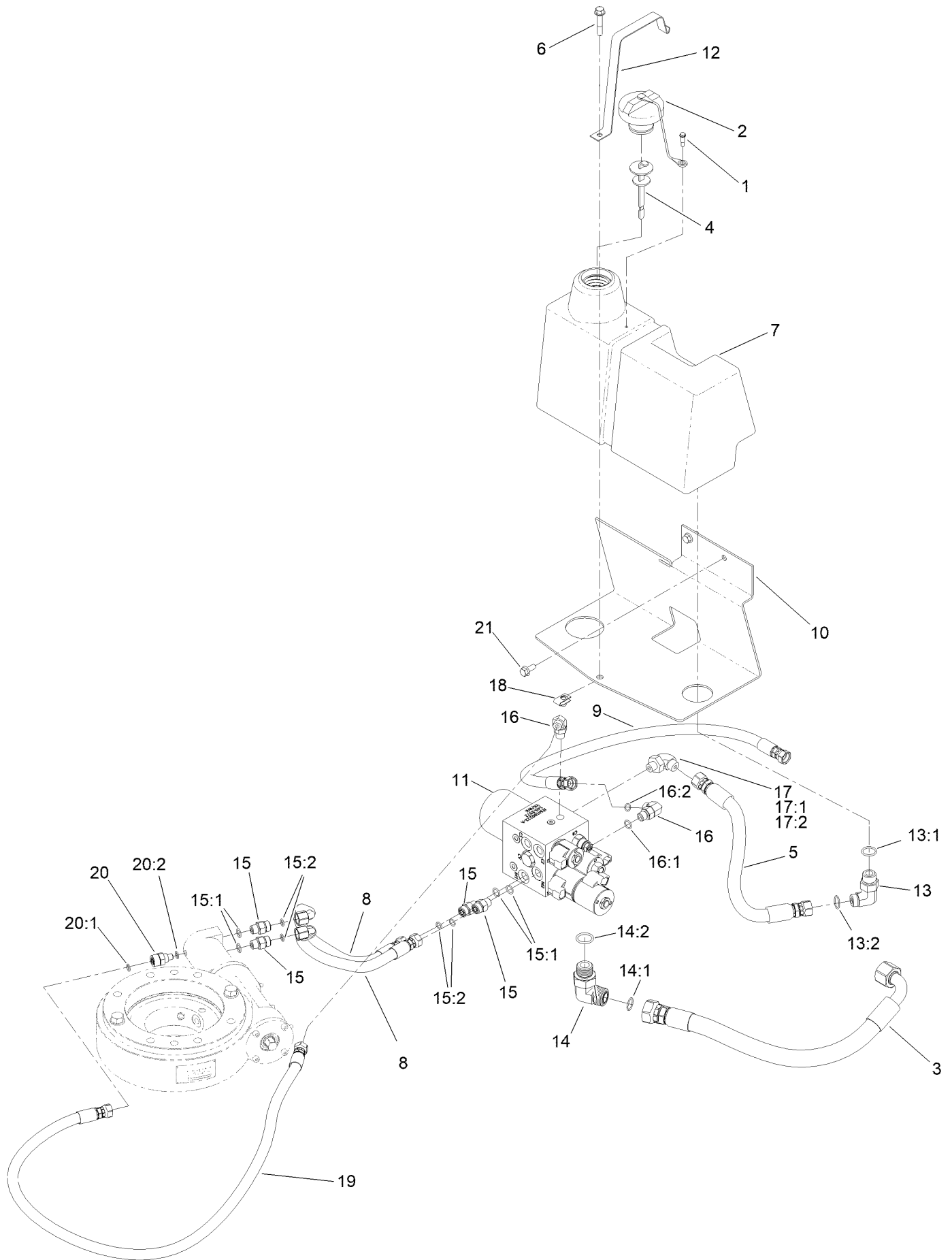
# Hydraulic Cylinder Assembly No. 140-3558 (continued)

---

<i>Ref.</i>	<i>Part Number</i>	<i>Qty.</i>	<i>Description</i>
1	137-1813	1	Seal Repair Kit

---

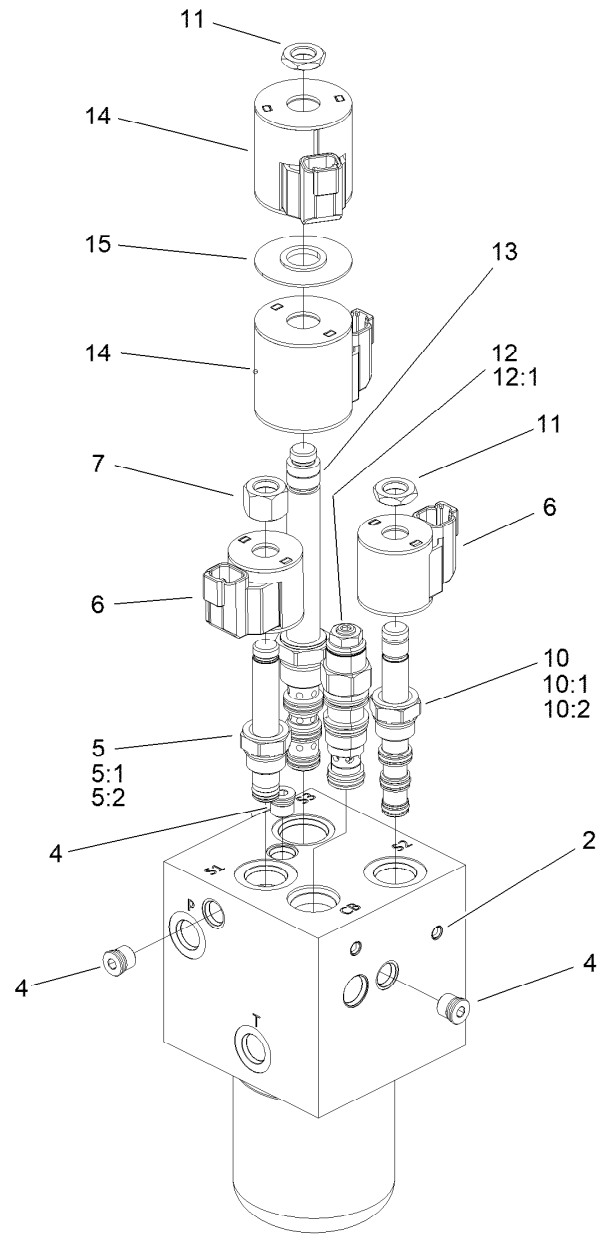
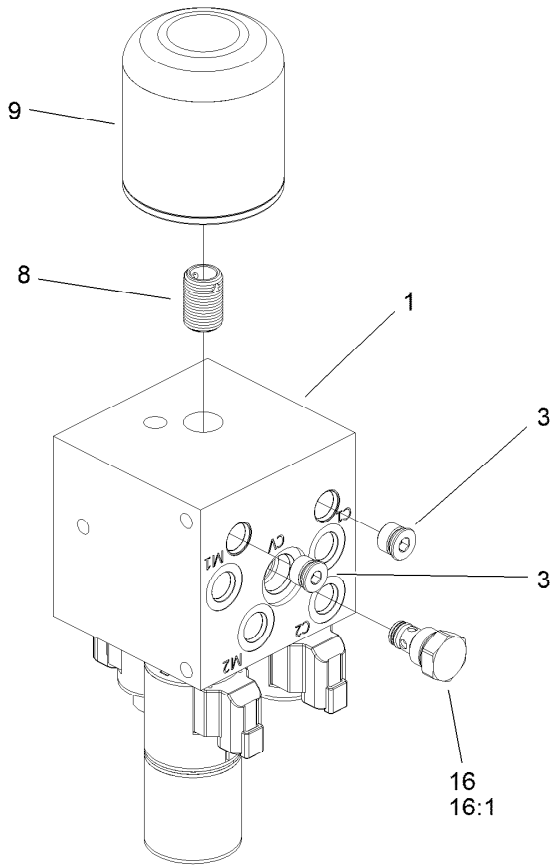
# Hydraulic Manifold Assembly



## Hydraulic Manifold Assembly (continued)

<i>Ref.</i>	<i>Part Number</i>	<i>Qty.</i>	<i>Description</i>	<i>Ref.</i>	<i>Part Number</i>	<i>Qty.</i>	<i>Description</i>
1	57-5420	1	Screw-Shoulder	14:2	237-81	1	O-Ring
2	93-7160	1	Cap-Oil, HYD	15	340-2	4	Fitting-Straight
3	100-5579	1	Hose ASM	15:1	237-22	1	O-Ring
4	106-8811	1	Dipstick ASM	15:2	237-42	1	O-Ring
5	117-0729	1	Hose ASM	16	340-77	2	Fitting-Elbow, 90 DEG
6	94-5780	1	Screw-HWH	16:1	237-22	1	O-Ring
7	127-4162	1	Reservoir-Oil, HYD	16:2	237-42	1	O-Ring
8	144-7466	2	Hose ASM-HYD	17	340-99	1	Fitting-HYD, 90 DEG
9	133-2260	1	Hose ASM	17:1	237-30	1	O-Ring
10	140-3552-05	1	Support - Tank, HYD	17:2	237-42	1	O-Ring
11	140-3572	1	Manifold-Hydraulic ASM	18	94-2413	1	Nut-U
12	140-7639-05	1	Strap-Hydraulic Tank	19	144-7464	1	Hose ASM-HYD
13	340-105	1	Fitting-Elbow, 90 DEG	20	98-1282	1	Adapter-HYD, Straight
13:1	237-80	1	O-Ring	20:1	237-22	1	O-Ring
13:2	237-30	1	O-Ring	20:2	237-118	1	O-Ring
14	340-142	1	Fitting-Elbow, 90 DEG	21	3234-47	2	Screw-HHF
14:1	237-58	1	O-Ring				

# Manifold Assembly No 140-3572



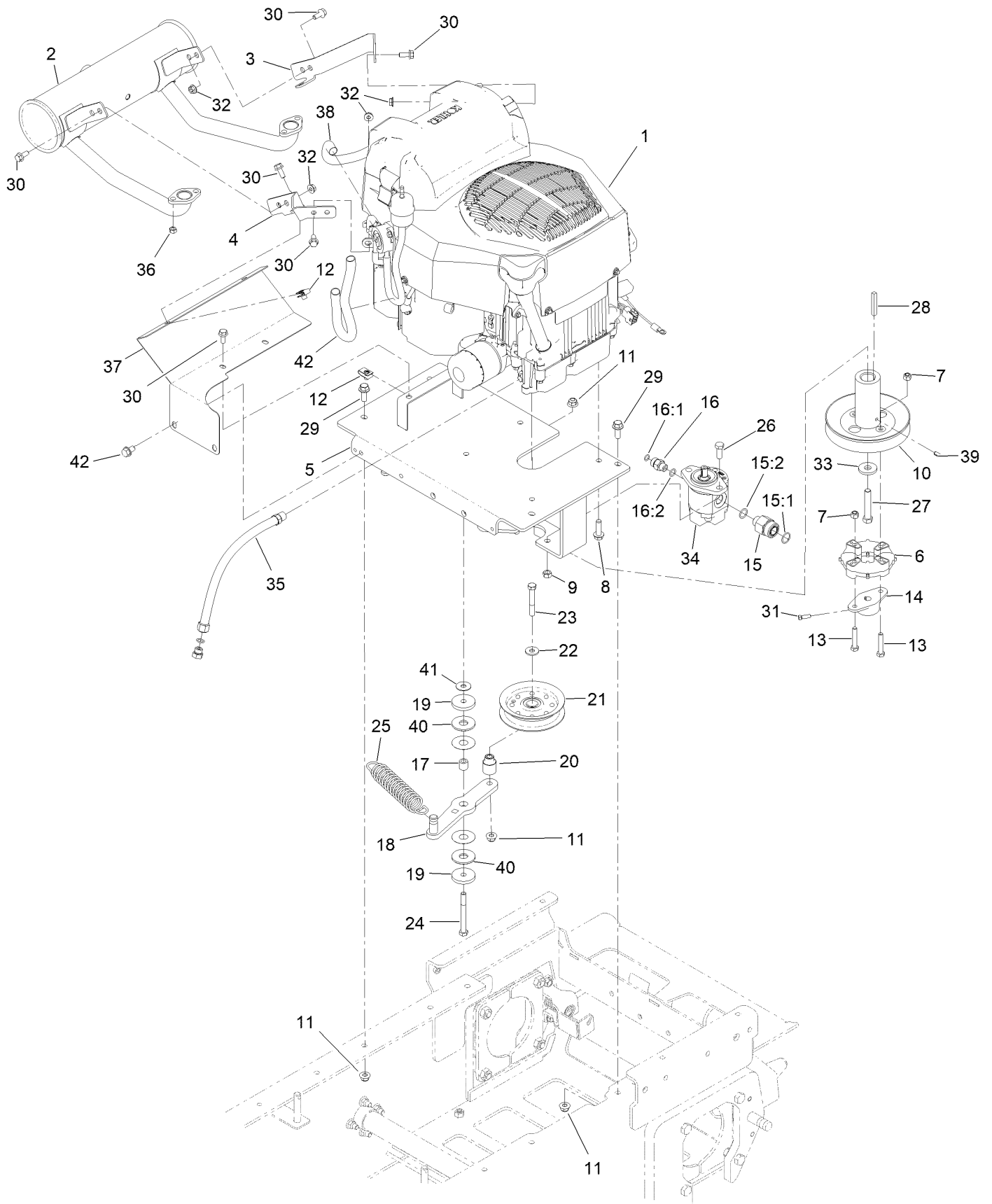


## Manifold Assembly No 140-3572 (continued)

<i>Ref.</i>	<i>Part Number</i>	<i>Qty.</i>	<i>Description</i>	<i>Ref.</i>	<i>Part Number</i>	<i>Qty.</i>	<i>Description</i>
1		1	Manifold Block ●	10	120-1665	1	Valve-Solenoid
2		1	Expander Plug ●	10:1	112-6520	1	Seal Kit
3	112-9213	2	Plug	10:2	110-2634	1	Nut-Coil
4	112-9212	3	Plug	11	110-2634	2	Nut-Coil
5	107-7517	1	Valve-Solenoid	12	114-5082	1	Valve-Balance, Counter
5:1	105-9156	1	Seal Kit	12:1	114-5083	1	Seal Kit
5:2	107-7812	1	Nut-Solenoid	13	139-7230	1	Valve-Solenoid
6	119-8036	2	Coil	14	119-4619	2	Coil-Solenoid
7	107-7812	1	Nut-Solenoid	15	117-8316	1	Spacer-E Coil
8	127-3885	1	Nipple-Filter	16	105-9321	1	Check Valve ASM
9	1-633750	1	Filter-Oil, HYD	16:1	105-9156	1	Seal Kit

● Not serviced separately

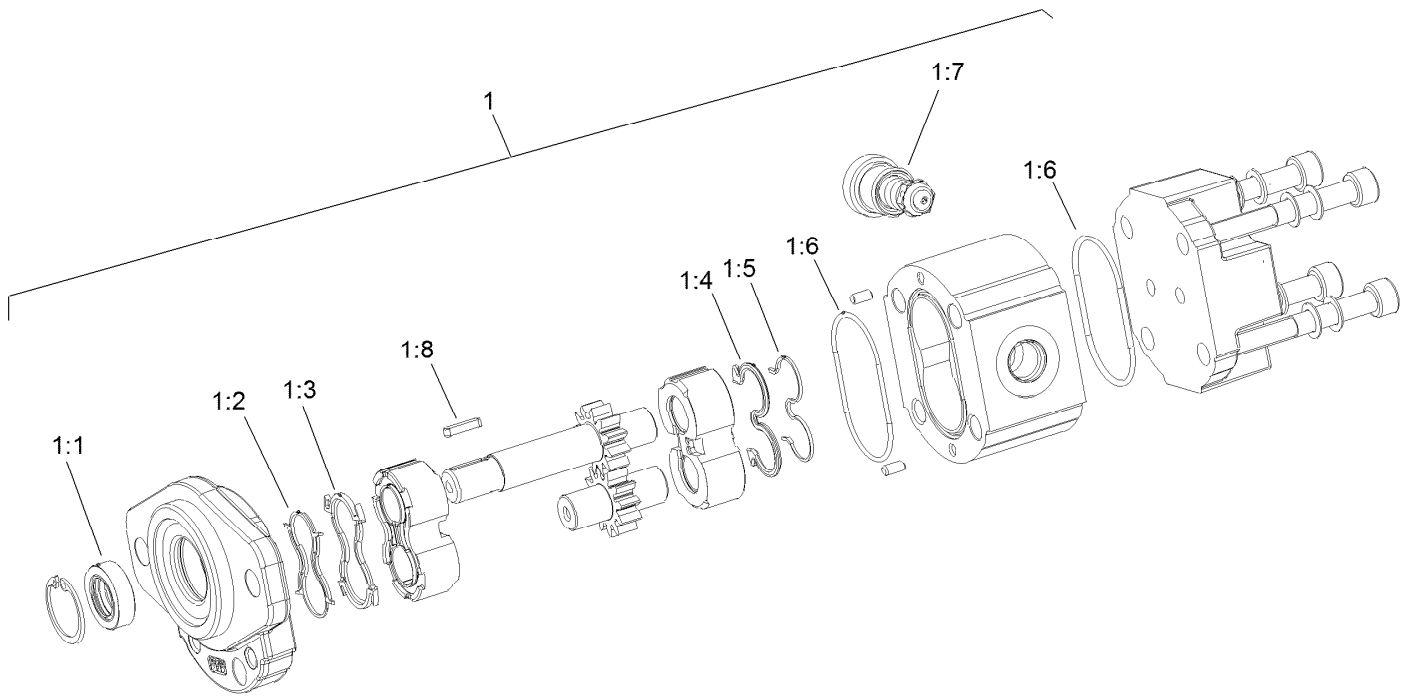
# Engine Assembly



## Engine Assembly (continued)

<i>Ref.</i>	<i>Part Number</i>	<i>Qty.</i>	<i>Description</i>	<i>Ref.</i>	<i>Part Number</i>	<i>Qty.</i>	<i>Description</i>
1	139-7245	1	Engine-Kohler, Zt740 [service]	20	132-9080	1	Bushing-Idler
2	132-8995	1	Muffler-Kohler	21	116-3626	1	Pulley-Idler
3	132-8916-05	1	Bracket-Muffler	22	80-6990	1	Washer-Hardened
4	132-8917-05	1	Bracket-Muffler	23	323-12	1	Screw-HH
5	132-8907-05	1	Engine Plate ASM (Welded)	24	323-15	1	Screw-HH
6	119-0652	1	Coupler-Rubber	25	138-7110	1	Spring-Extension
7	3296-29	4	Nut-Lock, NI	26	323-6	2	Screw-HH
8	32144-109	4	Screw-Thd	27	3212-10	1	Screw-HH
9	125-5069	2	Nut-Hex	28	103-4177	1	Key
10	132-8938	1	Pulley-Engine	29	3234-42	4	Screw-HHF
11	104-8301	6	Nut-HF, NI	30	3234-47	12	Screw-HHF
12	115-7721	4	Nut-Clip, U	31	3241-6	2	Screw-SQH
13	322-9	4	Screw-HH	32	32128-26	8	Nut-HF
14	132-9033	1	Hub-Pump	33	110-6147	1	Washer-Flat
15	98-9921	1	Fitting-Straight	34	139-7183	1	Pump-Gear
15:1	237-145	1	O-Ring	35	117-1261	1	Hose-Drain, Oil
15:2	237-79	1	O-Ring	36	114-3549	4	Nut
16	340-2	1	Fitting-Straight	37	139-7232-05	1	Shield-Manifold
16:1	237-22	1	O-Ring	38	136-4617	2	Sleeve-Thermal
16:2	237-42	1	O-Ring	39	32121-134	1	Pin-Roll
17	75-5270	1	Spacer-Knob, Seat	40	114-0463	2	Washer-Friction, Composite
18	132-9086-05	1	Idler Arm ASM (Welded)	41	119-4150	1	Washer-Flat
19	110-9981	2	Washer-Plain	42	32144-15	2	Screw-HHFTF

# Hydraulic Gear Pump Assembly No. 139-7183

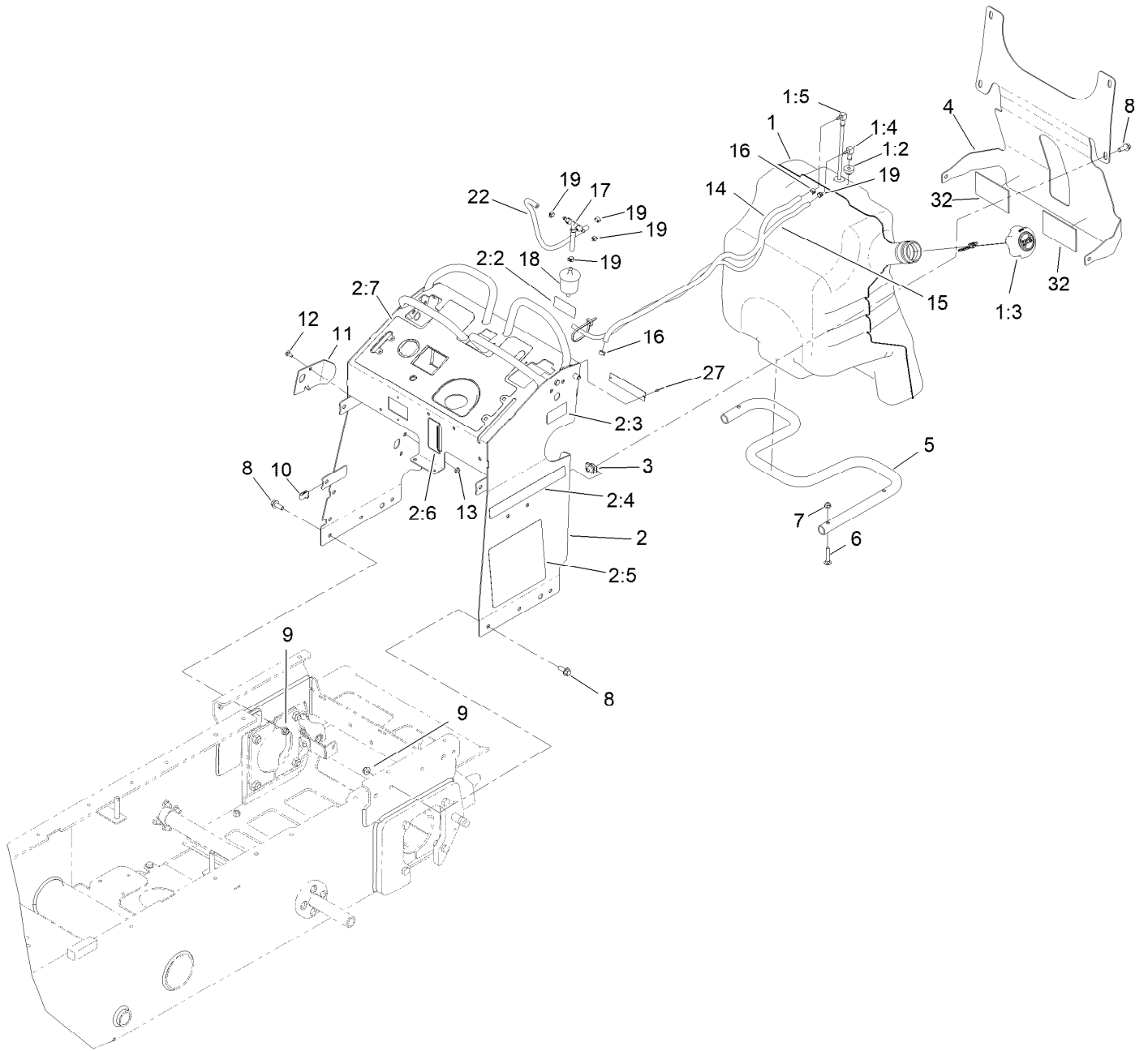


# Hydraulic Gear Pump Assembly No. 139-7183 (continued)

<i>Ref.</i>	<i>Part Number</i>	<i>Qty.</i>	<i>Description</i>	<i>Ref.</i>	<i>Part Number</i>	<i>Qty.</i>	<i>Description</i>
1	132-8969	1	Seal-Kit	1:5		1	Anti Extrusion ●
1:1		1	Shaft Seal ●	1:6		2	O-Ring Seal ●
1:2		1	Anti Extrusion ●	1:7		1	O-Ring Seal ●
1:3		1	Upper Seal ●	1:8		1	Key ●
1:4		1	Seal ●				

● Not serviced separately

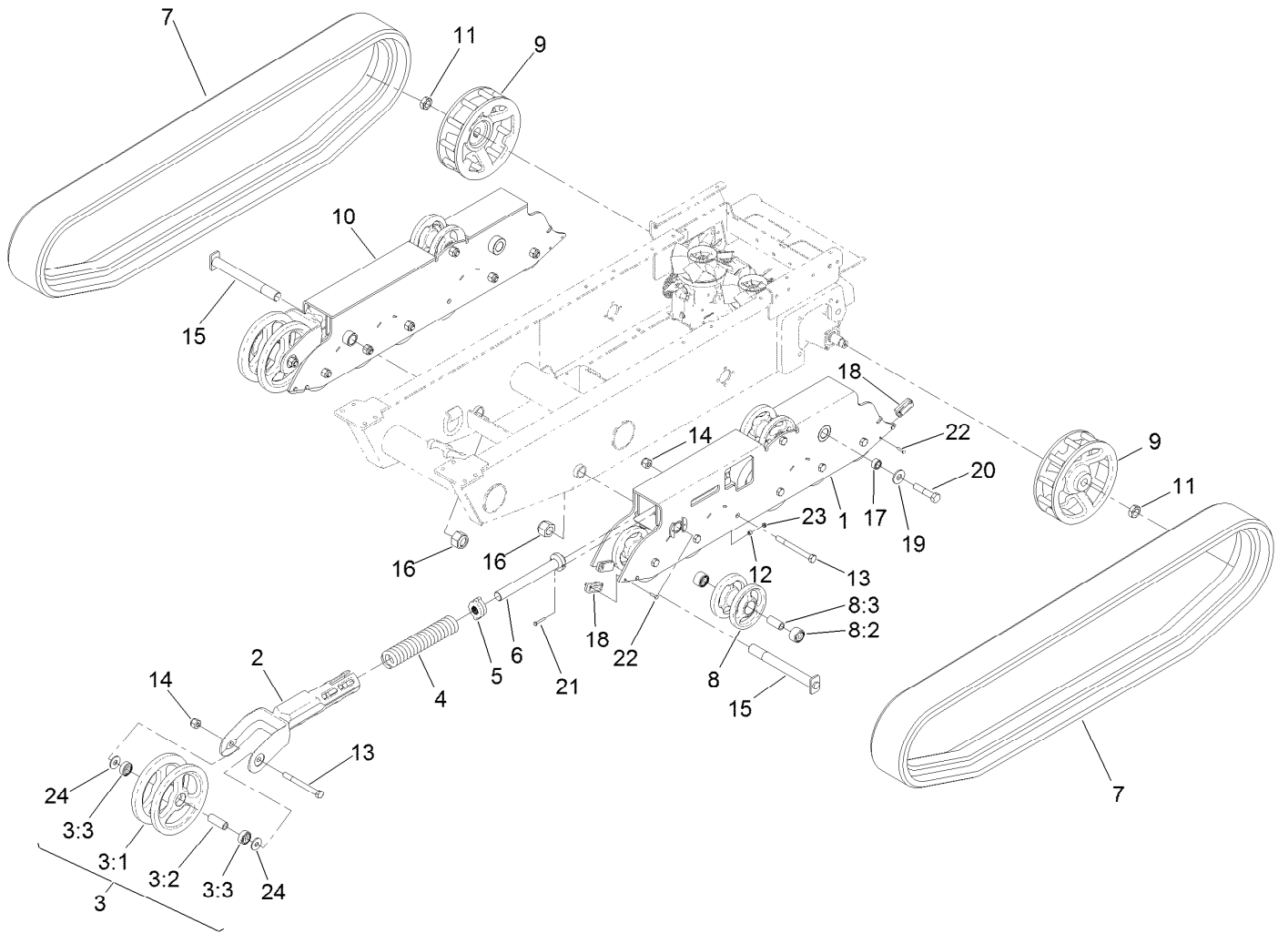
# Fuel Tank and Tower Assembly



## Fuel Tank and Tower Assembly (continued)

<i>Ref.</i>	<i>Part Number</i>	<i>Qty.</i>	<i>Description</i>	<i>Ref.</i>	<i>Part Number</i>	<i>Qty.</i>	<i>Description</i>
1	132-7560	1	Fuel Tank ASM	4	147-3226-05	1	Bracket-Cross
1:2	46-6560	2	Bushing	5	132-5161-05	1	Tube-Fuel Tank Mount
1:3	137-4127	1	Cap-Fuel	6	3230-5	3	Bolt-CARR
1:4	104-5228	1	Fitting-Elbow, 90 DEG	7	104-8300	3	Nut-HF, NI
1:5	145-6195	1	ASM, Tube-Fuel	8	3234-42	10	Screw-HHF
2	140-7621	1	Tower ASM- Swivel	9	104-8301	6	Nut-HF, NI
2	145-1163	1	Tower ASM-Swivel	10	115-7721	5	Nut-Clip, U
2:2	132-9052	1	Decal-Fuse	11	131-7455	1	Plate-Striker
2:2	132-9052	1	Decal-Fuse	12	3229-11	1	Screw-CARR
2:3	116-8775	1	Decal-Fill, Fuel	13	104-7201	1	Nut-HF, NI
2:3	116-8775	1	Decal-Fill, Fuel	14	132-8929	1	Hose-Fuel
2:4	147-3264	2	Decal- 2500-Ts	15	110-3958	1	Hose-Fuel
2:4	147-3267	2	Decal- 2500-Ts	16	2412-98	2	Clamp-Hose
2:5	147-3270	1	Decal-Service, 2500-Ts	17	116-5464	1	Tee And Check
2:5	147-3270	1	Decal-Service, 2500-Ts	18	120-2235	1	Filter-Fuel
2:6	137-0575	1	Decal-Level, Oil	19	2412-146	5	Clamp-Hose
2:6	139-7202	1	Decal-Control Panel	22	132-9046	1	Hose-Fuel
2:7	139-7202	1	Decal-Control Panel	27	3269-29	2	Rivet-Pop
2:7	137-0575	1	Decal-Level, Oil	32	98-1386	2	Pad-Foam
3	105-4886	4	Nut-Tinnerman				

# Track Assembly

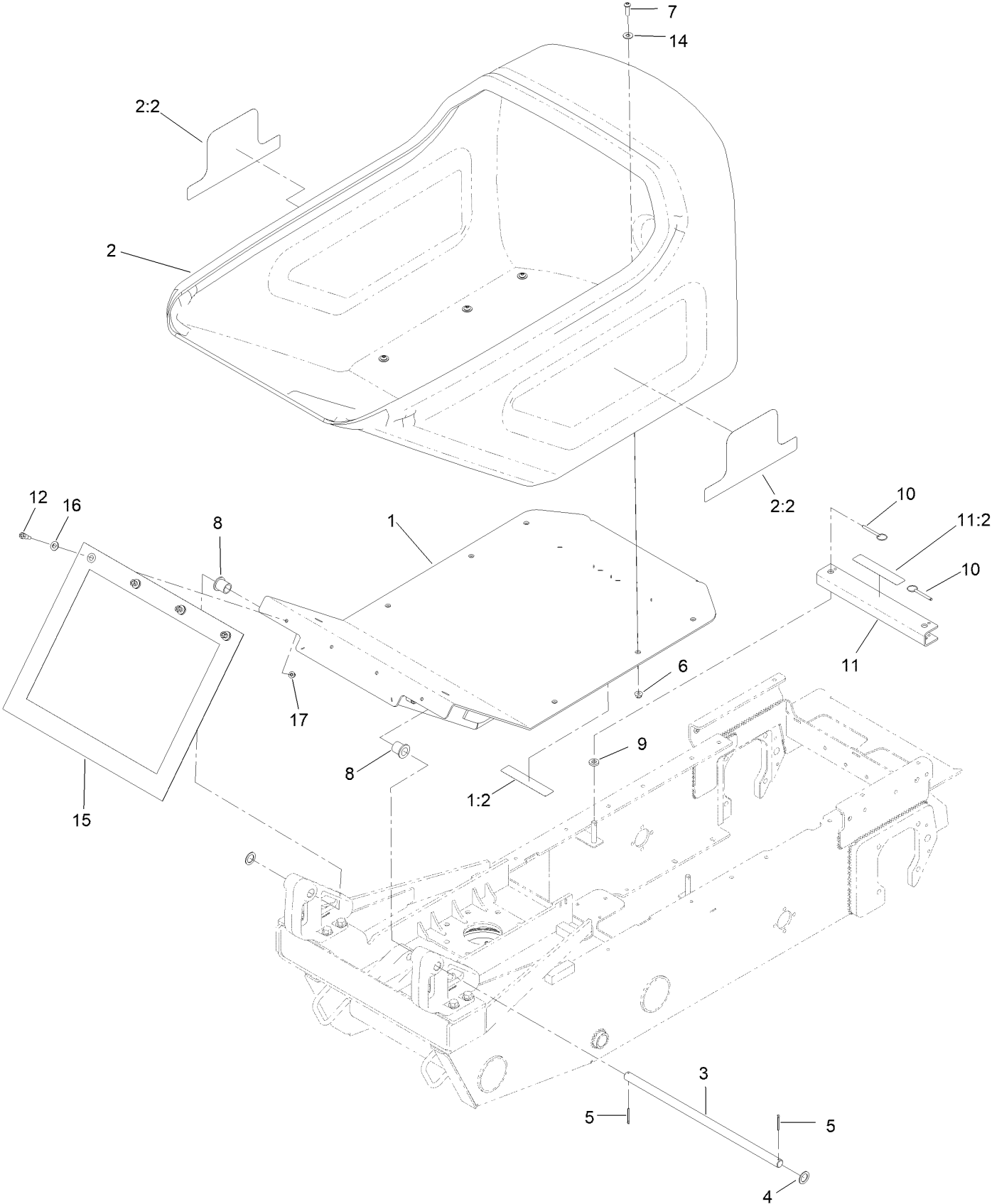




## Track Assembly (continued)

<i>Ref.</i>	<i>Part Number</i>	<i>Qty.</i>	<i>Description</i>	<i>Ref.</i>	<i>Part Number</i>	<i>Qty.</i>	<i>Description</i>
1	132-8813-05	1	Wheel Mount ASM, LH (Wld)	11	26-3790	2	Nut-Lock
2	108-4691-05	2	Arm-Tensioner, [blk-Txt]	12	98-4799	2	Spacer
3	104-5745	2	Tensioner Wheel ASM	13	327-17	16	Screw-HH
3:1	104-5747-03	1	Wheel-Tensioner	14	3296-24	16	Nut-Hex
3:2	98-9835	1	Spacer-Wheel, Tensioner	15	130-1050	2	Pin-Track
3:3	120-5378	2	Bearing-Ball	16	125-0399	2	Nut-HH
4	95-3624	2	Spring-Compression	17	132-8944	2	Spacer-Track, Outside Mount
5	108-4664	2	Block-Tensioner	18	132-6053	8	Block-Track
6	127-9563	2	Bolt-Tensioner	19	99-2659	2	Washer
7	137-8712	2	Track	20	328-5	2	Screw-HH
8	138-5231	14	Wheel ASM	21	321-37	2	Screw-HH
8:2	138-0547	2	Bearing-Ball	22	321-6	16	Screw-HH
8:3	130-7564	1	Spacer-Wheel	23	32128-32	2	Nut-HHF
9	132-8893-05	2	Wheel-Drive, Mud Buggy	24	3256-7	4	Washer-Flat
10	132-8814-05	1	Wheel Mount ASM, RH (Wld)				

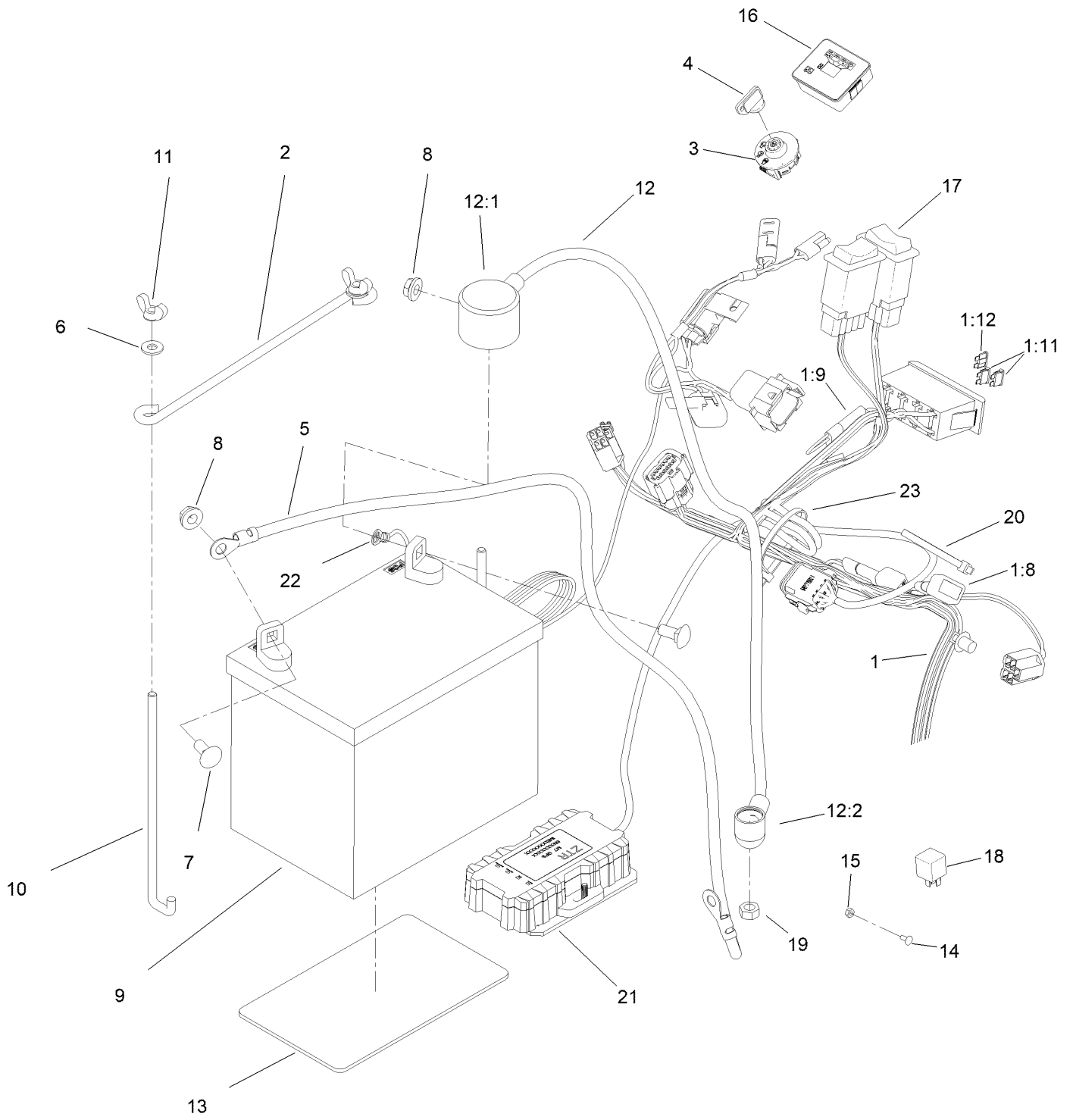
# Hopper Assembly



## Hopper Assembly (continued)

<i>Ref.</i>	<i>Part Number</i>	<i>Qty.</i>	<i>Description</i>	<i>Ref.</i>	<i>Part Number</i>	<i>Qty.</i>	<i>Description</i>
1	140-3575	1	Hopper Base ASM (Service)	9	83-1470	2	Washer-Neoprene
1:2	115-4858	2	Decal-Danger	10	108-0094	2	Pin-Cotterless
2	139-7240	1	Hopper-Mortar, ASM	11	139-7203	1	Arm-Locking
2:2	147-3262	2	Decal-Tub, Ultra Buggy	11:2	115-4858	1	Decal-Danger
3	132-8854	1	Shaft-Pivot, Tub	12	28-0540	4	Bolt-Shoulder
4	99-4958	2	Spacer	14	3256-4	6	Washer-Flat
5	3272-13	2	Pin-Cotter	15	132-9044	1	Shield-Splatter
6	104-8301	6	Nut-HF, NI	16	3256-25	4	Washer-Flat
7	3274-63	6	Screw-HSBH	17	104-8300	4	Nut-HF, NI
8	1-303514	2	Bearing-Flanged				

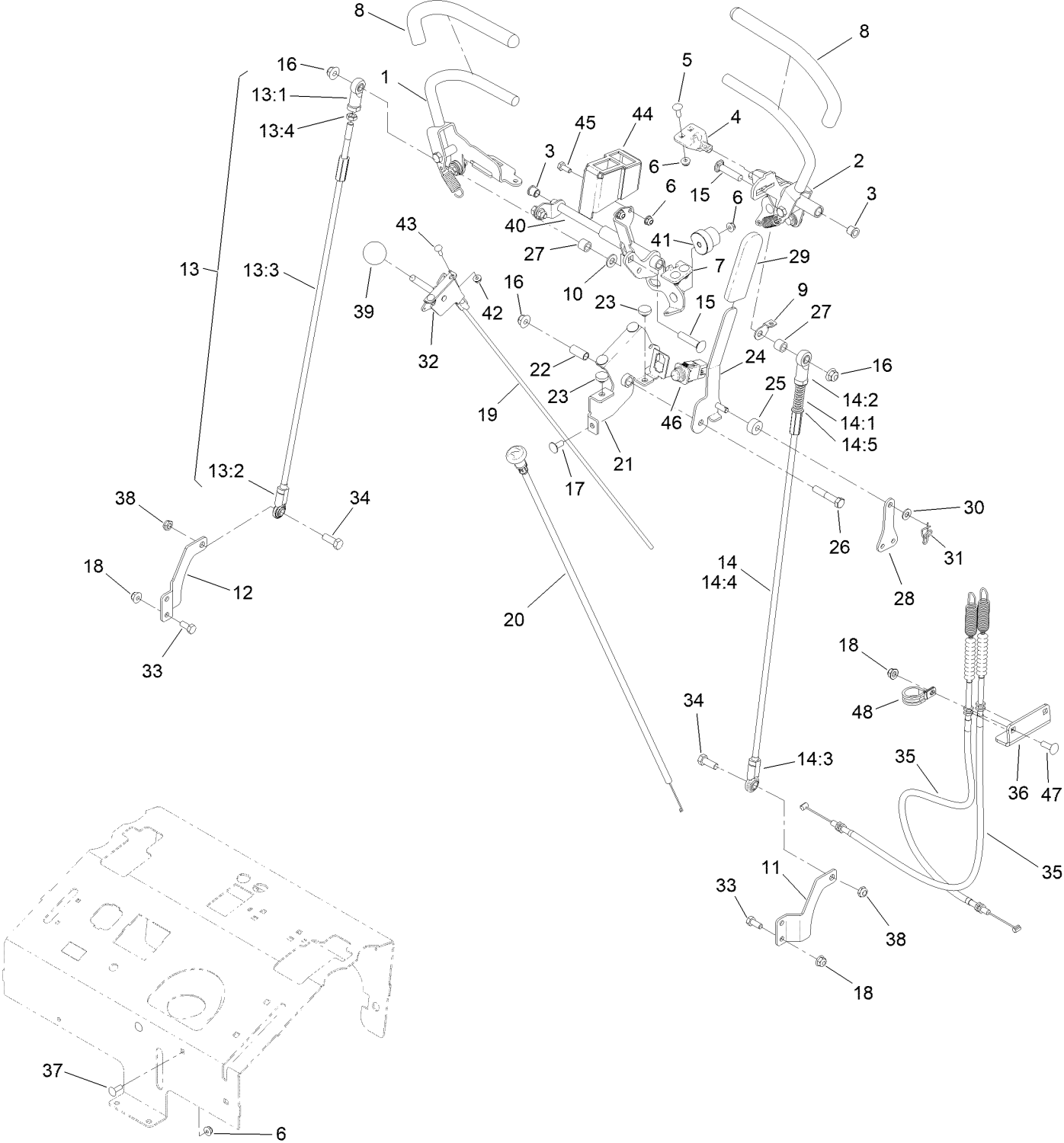
# Electrical Harness Assembly



## Electrical Harness Assembly (continued)

<i>Ref.</i>	<i>Part Number</i>	<i>Qty.</i>	<i>Description</i>	<i>Ref.</i>	<i>Part Number</i>	<i>Qty.</i>	<i>Description</i>
1	139-6385	1	Harness-Wire, Mud Buggy	12	109-7630	1	Positive Battery Cable ASM
1:8	100-4918	2	Diode	12:1	109-2407	1	Insulator-Battery
1:9	32180-416	1	Cap-Tethered	12:2	1-543393	1	Insulator-Solenoid
1:11	109355	2	Fuse-Blade, 15 Amp	13	62-4300	1	Pad-Skid, Anti
1:12	114241	1	Fuse-Blade, 7.5 Amp	14	1-807513	1	Bolt-CARR
2	100-6434	1	Rod-Hold Down, Battery	15	3296-2	1	Nut-Lock, NI
3	137-4101	1	Switch-Ignition	16	132-8959	1	Module, Hour Meter
4	63-8360	1	Key-Ignition	17	AU113664	2	Switch-Rocker, 2 Pole
5	117-7240	1	Cable-Battery, Negative	18	1-643275	1	Relay
6	3256-22	2	Washer-Flat	19	33014-00	1	Nut-Hex
7	322-3	2	Screw-HH	20	3290-378	3	Tie-Cable
8	32128-20	2	Nut-HF	21	140-7684	1	M7L-Lite Ztr Kit ASM
9	161-3049	1	Battery-12V, 350CCA	22	122-2112	1	Harness-Wire, Machine Ztr
10	100-6435	2	Post-Battery	23	3290-378	3	Tie-Cable
11	32103-22	2	Nut-Wing				

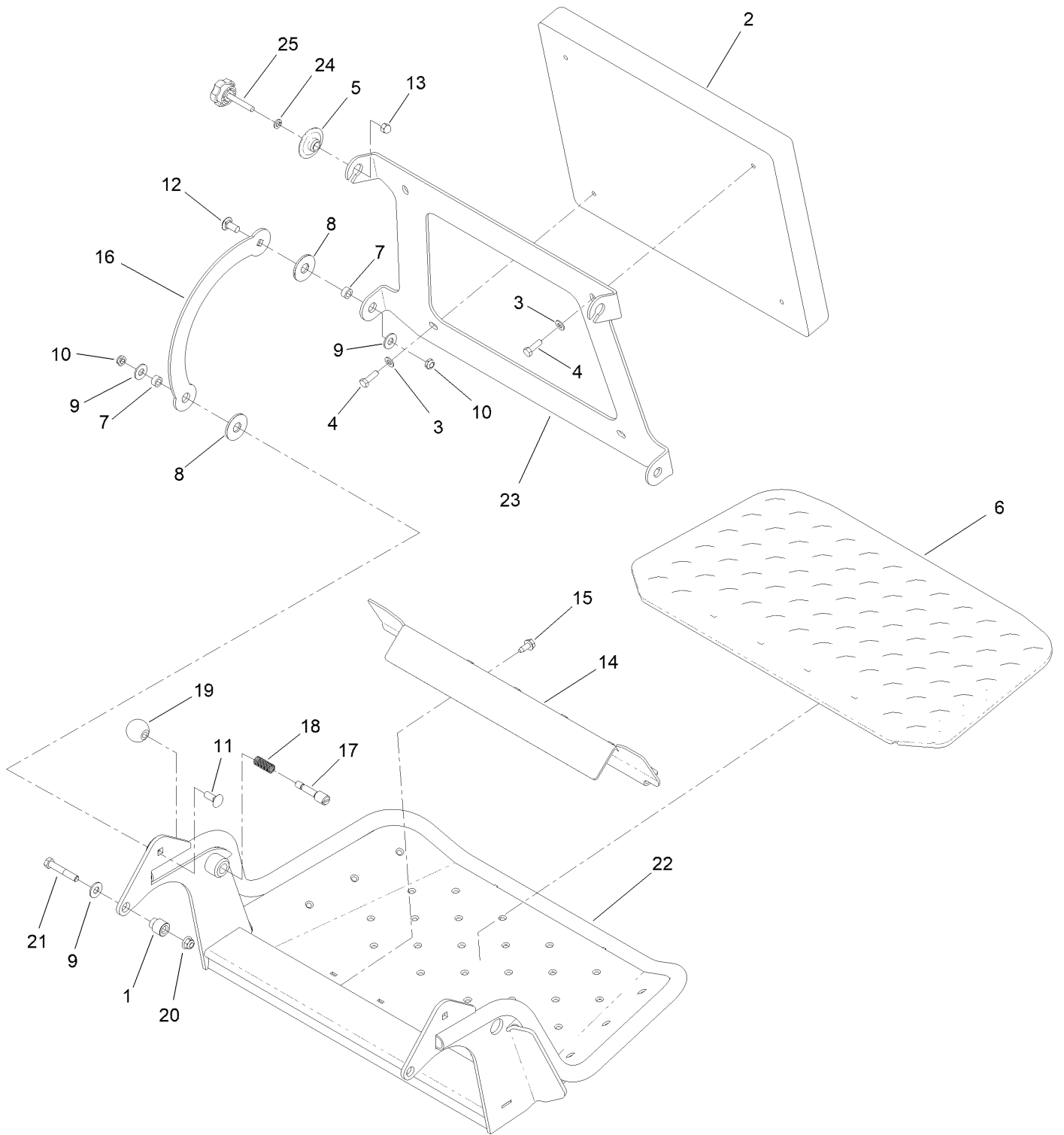
# Control Assembly



## Control Assembly (continued)

<i>Ref.</i>	<i>Part Number</i>	<i>Qty.</i>	<i>Description</i>	<i>Ref.</i>	<i>Part Number</i>	<i>Qty.</i>	<i>Description</i>
1	132-9048	1	RH Control Handle ASM	22	131-3562	1	Bearing-Sleeve
2	132-9047	1	LH Control Handle ASM	23	1-513658	2	Bumper
3	103-9928	2	Bearing	24	132-8920-05	1	Handle-Brake Arm
4	120-3288	1	Tab-Pivot, LH	25	132-9064	1	Bushing-Brake
5	3229-1	4	Screw-CARR	26	323-10	1	Screw-HH
6	104-7201	10	Nut-HF, NI	27	93-9847	2	Spacer
7	120-3287	1	Tab-Pivot, RH	28	132-1188	1	Yoke-Cable
8	119-0222	2	Grip	29	1-633268	1	Grip-Lever
9	132-7538	1	Bracket-Adjustment, Speed	30	93-6079	1	Spacer-Nylon
10	3256-24	1	Washer-Plain	31	112-1491	1	Pin-Cotter
11	131-5748-05	1	Bracket-Hydro [blk-Txt]	32	110-5547	1	Lever-Control
12	131-5747-05	1	Bracket-Hydro [blk-Txt]	33	322-3	5	Screw-HH
13	138-8642	1	RH Control Rod ASM	34	323-6	2	Screw-HH
13:1	92-7008	1	End-Rod, Female	35	132-8921	2	Cable-Brake
13:2	103-1167	1	Joint-Ball End, LH	36	132-8923-05	1	Bracket-Cable, Brake
13:3	138-8641	1	Rod-Control	37	3229-25	2	Screw-CARR
13:4	3220-3	1	Nut-HJ	38	3296-59	2	Nut-Lock, NI
14	138-8643	1	LH Control Rod ASM	39	1-603175	1	Knob-Ball
14:1	1-603807	1	Spring-Return, Neutral	40	132-9029-05	1	Pivot/Plate Switch ASM (Weld)
14:2	92-7008	1	End-Rod, Female	41	126-1499	2	Cam
14:3	103-1167	1	Joint-Ball End, LH	42	32128-17	2	Nut-Lock, Flange
14:4	138-8641	1	Rod-Control	43	1-807533	2	Bolt-CARR
14:5	3256-45	2	Washer-Flat	44	145-1157-05	1	Bracket-Switch
15	3231-29	2	Screw-CARR	45	321-3	2	Screw-HH
16	104-8301	3	Nut-HF, NI	46	100-1268	1	Switch-Plunger
17	3230-23	3	Bolt-CARR	47	3230-22	2	Screw-CARR
18	104-8300	10	Nut-HF, NI	48	2412-104	1	Clamp-R
19	115-1211	1	Cable-Control				
20	132-9035	1	Cable-Choke				
21	132-8919-05	1	Bracket-Brake Pivot (Welded)				

# Platform Assembly

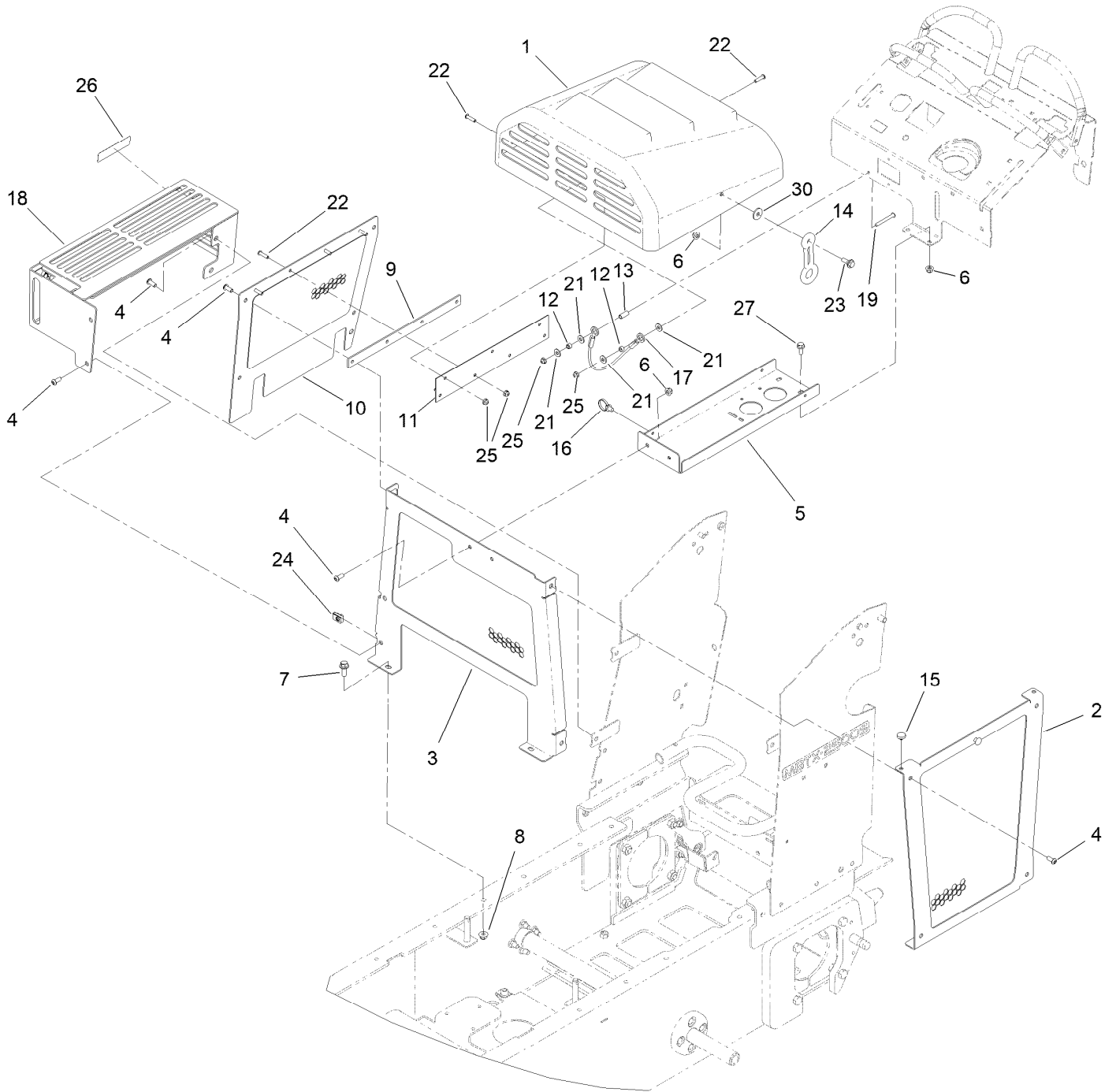




## Platform Assembly (continued)

<i>Ref.</i>	<i>Part Number</i>	<i>Qty.</i>	<i>Description</i>	<i>Ref.</i>	<i>Part Number</i>	<i>Qty.</i>	<i>Description</i>
1	132-7583	2	Bushing-Flanged	14	136-5669-05	1	Clamp-Shield
2	117-9739	1	Pad-Cushion	15	32144-70	2	Screw-HWHTF
3	3256-23	4	Washer-Plain	16	114-1915-05	2	Link-Pad
4	121-7999	4	Screw-HH, Patch	17	119-8650	1	Pin-Latch
5	116-2886	2	Slide-Bushing	18	114-5348	1	Spring
6	126-7157	1	Mat-Platform	19	1-603175	1	Knob-Ball
7	111044	4	Spacer	20	104-8301	2	Nut-HF, NI
8	114-0463	4	Washer-Friction, Composite	21	323-11	2	Screw-HH
9	3256-4	6	Washer-Flat	22	161-6796-05	1	Platform ASM [blk-Txt]
10	3296-59	4	Nut-Lock, NI	23	120-8499-05	1	Hinge-Pad
11	3231-2	2	Bolt-CARR	24	3253-4	2	Washer-Lock
12	3231-22	2	Screw-CARR	25	120-6000	2	Bolt-TAP, HH
13	137-4808	2	Nut-Acorn	25	133-1426	2	Knob

# Hood Assembly



## Hood Assembly (continued)

<i>Ref.</i>	<i>Part Number</i>	<i>Qty.</i>	<i>Description</i>	<i>Ref.</i>	<i>Part Number</i>	<i>Qty.</i>	<i>Description</i>
1	132-8990	1	Hood	13	87-4710	1	Spacer-Brake, Parking
1	136-4639	1	Hood	14	ST47182	1	Latch-Rubber
2	132-8886-01	1	Panel-Side, LH	15	1-513658	2	Bumper
2	132-8886-07	1	Panel-Side, LH	16	32180-118	2	Clip-Tie
3	138-8619-01	1	Panel-Front (Welded)	17	130-5726	1	Lanyard
3	138-8619-07	1	Panel-Front (Welded)	18	136-4592-01	1	Guard-Muffler
4	3274-55	14	Screw-HSBH	18	136-4592-07	1	Guard-Muffler
5	132-8876-05	1	Platform-Battery	19	120-2011	1	Screw-HSBH
6	104-8300	5	Nut-HF, NI	21	3256-2	4	Washer-Flat
7	3234-42	2	Screw-HHF	22	3274-65	8	Screw-HSBH
8	104-8301	2	Nut-HF, NI	23	116-2670	1	Screw-Shoulder
9	132-9050-05	1	Plate-Spacer, Hood	24	115-7721	6	Nut-Clip, U
10	132-3905-01	1	Panel-Side, Upper	25	104-7201	9	Nut-HF, NI
10	132-3905-07	1	Panel-Side, Upper	26	133-8062	1	Decal-Spark Arrestor
11	132-9021	1	Hinge-Hood	27	3234-47	2	Screw-HHF
12	55-9370	2	Spacer-Blade, Rotor	30	115-7109	1	Washer-Flat

# Attachments and Accessories

## For 68141 Ultra Buggy 2500-TS

<b>Product Name</b>	<b>Model/Part</b>
Hypr-Oil 500 (quart) .....	114-4713
Hypr-Oil 500 (gallon).....	114-4714
Hypr-Oil 500-5 (5 gallon).....	114-4715
Light Kit.....	137-0558
Oil-30/10W-30 Synthetic (Quart).....	138-6053
Kit-Hopper, Mortar .....	139-7216
DECAL KIT - HERC .....	145-6949
Kit, Decal-Equip Share MBTX2500-TS .....	163-3231
Toro Red 12oz Aerosol Can .....	361-10
New Red Paint - Gallon .....	361-11
Semi-Gloss Black Spray Paint .....	361-9
10W30 4-Cycle Engine Oil (32oz Bottle).....	38280
Steel Tub Accessory For Material Buggies .....	68101
Spark Arrestor .....	98-9099

**Notes:**

**Notes:**

**Notes:**



**Count on it.**