



**Count on it.**

**Parts Catalog**

**48in Z Master<sup>®</sup> Professional 2000  
Series Riding Mower**

Model No. 77281—Serial No. 417302473 and Up



# Ordering Replacement Parts

To order replacement parts, please supply the part number, the quantity, and the description of each part desired.

## Understanding Reference Numbers

Each identified part in an illustration has a reference number. The reference number for a part also appears in the parts list, along with other information about the part.

This catalog uses two special reference number formats, one to indicate parts in a service assembly and another to indicate the quantity of a given part in an illustration.

## Service Assembly Reference Numbers

Parts in service assemblies have reference numbers in the form a:b. The a represents the reference number of the entire service assembly and the b represents a sequential number unique to each part within the service assembly.

For example, a wheel assembly might be identified by reference number 6, the tire by 6:1, the valve by 6:2, and the wheel by 6:3. When you order the assembly identified by reference number 6, you receive all parts identified by reference numbers 6:1, 6:2, and 6:3. However, you may also order any part individually. Reference numbers of this type appear in illustration and in parts lists.

## Reference Numbers Indicating Quantity

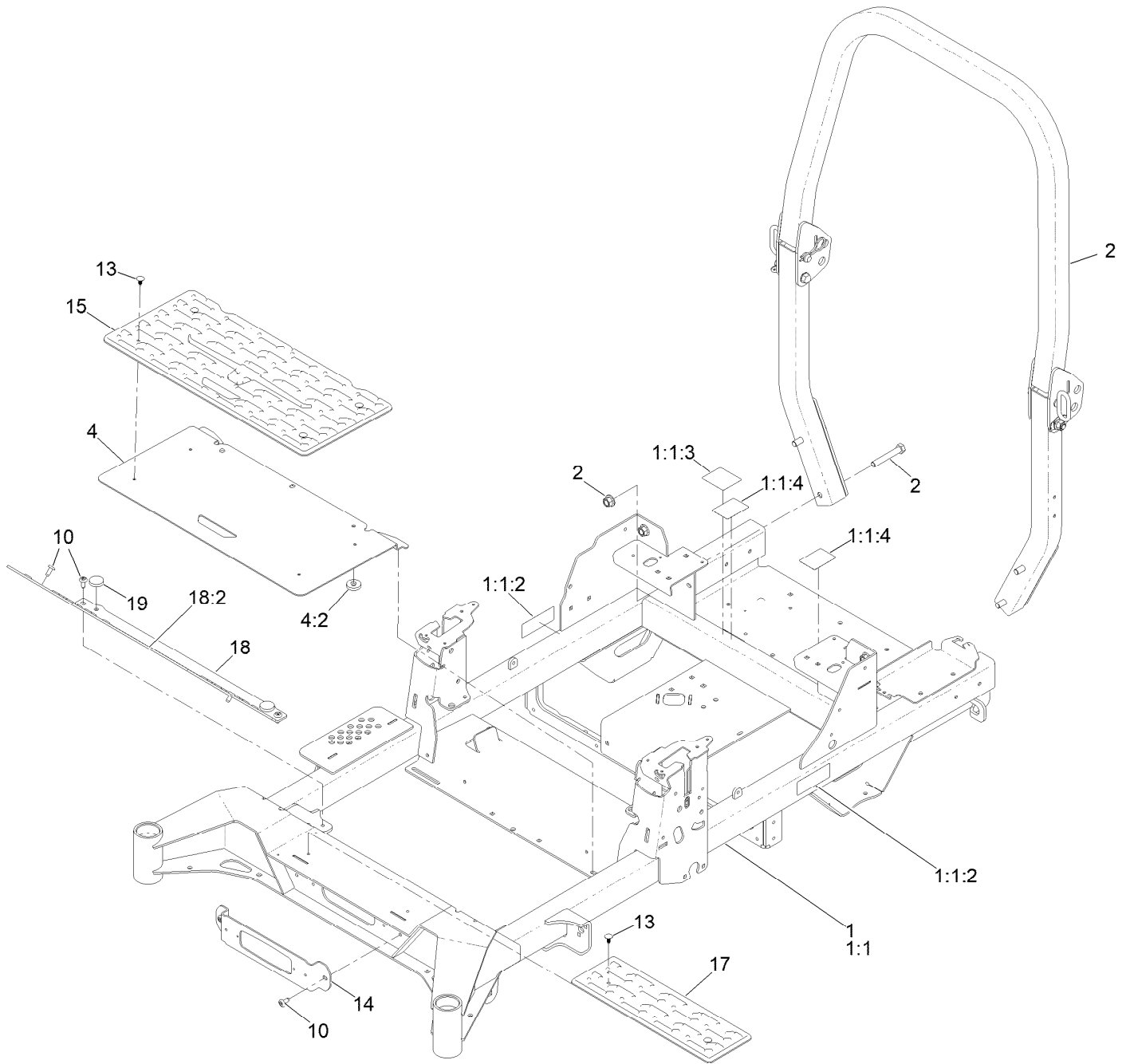
In an illustration, if a reference number indicates more than one part, the reference number has the form nX y. The n represents the quantity of the part, the X is the multiplication symbol, and the y represents the reference number.

For example, in an illustration, the reference number 2X 37 means that two of the parts identified by reference number 37 are indicated.

# Contents

|  |    |
|--|----|
| Frame Assembly . . . . .                                   | 4  |
| Roll-Over Protection System Assembly No. 139-8062. . . . . | 6  |
| Hydro Drive Assembly . . . . .                             | 8  |
| LH Transaxle Assembly No. 145-8424 . . . . .               | 10 |
| RH Transaxle Assembly No. 145-8425 . . . . .               | 12 |
| Throttle, Choke and Guards Assembly . . . . .              | 14 |
| Fuel Assembly . . . . .                                    | 16 |
| Seat Mount Assembly . . . . .                              | 18 |
| Seat Assembly No. 147-2384 . . . . .                       | 20 |
| Motion Control Assembly . . . . .                          | 22 |
| Left and Right Motion Control Assembly. . . . .            | 24 |
| Front Caster Wheel Assembly . . . . .                      | 26 |
| Fork and Caster Assembly . . . . .                         | 28 |
| Rear Drive Wheel Assembly . . . . .                        | 30 |
| Electrical Assembly . . . . .                              | 32 |
| Wire Harness Assembly No. 147-2363. . . . .                | 34 |
| Deck Lift Assembly. . . . .                                | 36 |
| Deck Strut Assembly No. 140-1179 . . . . .                 | 38 |
| Engine, Clutch and Muffler Assembly . . . . .              | 40 |
| Air Cleaner Assembly No. 93-2190 . . . . .                 | 42 |
| Decal Assembly . . . . .                                   | 44 |
| Deck Assembly . . . . .                                    | 46 |
| Deck Decal Assembly No. 147-7371 . . . . .                 | 48 |
| Spindle Assembly No. 139-2357 . . . . .                    | 50 |
| Deflector Assembly No. 144-2635. . . . .                   | 52 |
| Idler Arm Assembly No. 139-1087 . . . . .                  | 54 |
| Attachments and Accessories . . . . .                      | 56 |

# Frame Assembly



## Frame Assembly (continued)

| <i>Ref.</i> | <i>Part Number</i> | <i>Qty.</i> | <i>Description</i>     | <i>Ref.</i> | <i>Part Number</i> | <i>Qty.</i> | <i>Description</i>     |
|-------------|--------------------|-------------|------------------------|-------------|--------------------|-------------|------------------------|
| 1           | 145-8476           | 1           | Frame ASM              | 10          | 138-9753           | 6           | Screw                  |
| 1:1         |                    | 1           | Frame-48/52 ●          | 13          | 117-2382           | 6           | Plug-Plastic           |
| 1:1:2       | 126-4363           | 2           | Decal-Warning          | 14          | 140-4994-01        | 1           | Bracket-Light          |
| 1:1:3       | 109-6014           | 1           | Decal-Routing, Belt    | 15          | 140-7950           | 1           | Floormat-Fixed Seat    |
| 1:1:4       | 147-4982           | 2           | Decal-Bypass           | 17          | 140-4992           | 1           | Step                   |
| 2           | 139-8062           | 1           | ASM-ROPS               | 18          | 140-4995           | 1           | Toeboard               |
| 4           | 138-6098           | 1           | Floor Pan ASM          | 18:2        | 126-8383           | 1           | Decal-Danger           |
| 4:2         | 109-9233           | 2           | Bumper-Push-In, Rubber | 19          | 109-9233           | 2           | Bumper-Push-In, Rubber |

● Not serviced separately

# Roll-Over Protection System Assembly No. 139-8062

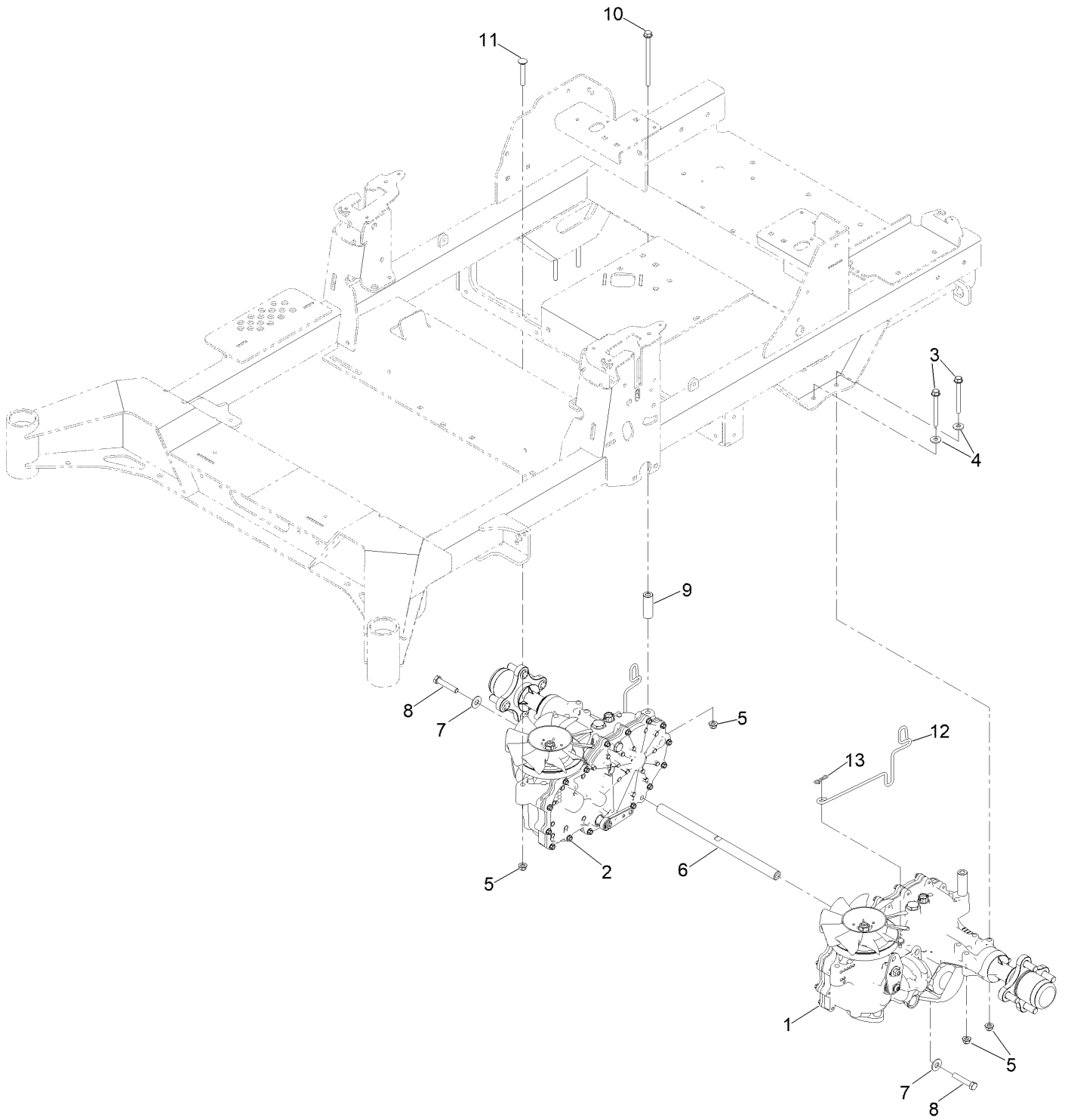


# Roll-Over Protection System Assembly No. 139-8062 (continued)

| <i>Ref.</i> | <i>Part Number</i> | <i>Qty.</i> | <i>Description</i>  | <i>Ref.</i> | <i>Part Number</i> | <i>Qty.</i> | <i>Description</i> |
|-------------|--------------------|-------------|---------------------|-------------|--------------------|-------------|--------------------|
| 1           |                    | 1           | Upper ROPS ASM ●    | 5           | 161-4477           | 2           | Pin-ROPS, ASM      |
| 1:2         | 107-3069           | 1           | Decal-Warning       | 6           | 99-5107            | 6           | Nut-Lock           |
| 2           |                    | 1           | RH Lower ROPS ASM ● | 7           | 109-5337           | 2           | Bumper-ROPS        |
| 3           |                    | 1           | LH Lower ROPS ASM ● | 8           | 109-9505           | 4           | Washer-Spring      |
| 4           | 126-9209           | 2           | Bolt-Shoulder       | 9           | 325-13             | 4           | Screw-HH           |

● Not serviced separately

# Hydro Drive Assembly

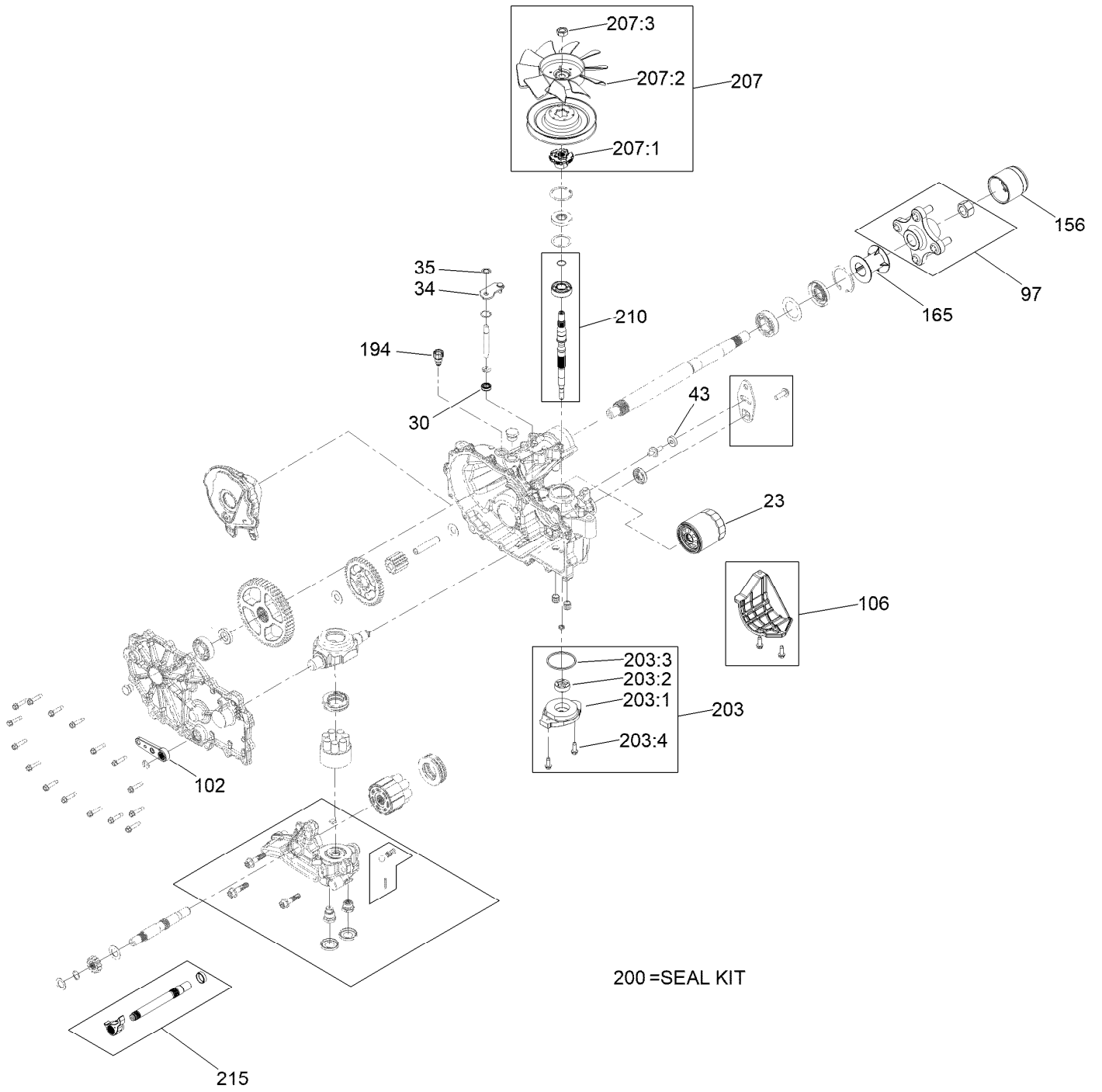




## Hydro Drive Assembly (continued)

| <i>Ref.</i> | <i>Part Number</i> | <i>Qty.</i> | <i>Description</i> | <i>Ref.</i> | <i>Part Number</i> | <i>Qty.</i> | <i>Description</i>  |
|-------------|--------------------|-------------|--------------------|-------------|--------------------|-------------|---------------------|
| 1           | 145-8424           | 1           | Transaxle ASM      | 8           | 94-7972            | 2           | Screw-HH W/Loctite  |
| 2           | 145-8425           | 1           | Transaxle ASM      | 9           | 109-3652           | 2           | Spacer              |
| 3           | 126-4687           | 4           | Screw-HHF          | 10          | 126-5896           | 2           | Screw HHF           |
| 4           | 1-303334           | 4           | Washer-Spring      | 11          | 3230-7             | 2           | Bolt-CARR           |
| 5           | 104-8300           | 8           | Nut-HF, NI         | 12          | 125-8950           | 2           | Rod-Bypass          |
| 6           | 145-5708           | 1           | Shaft-Spacer       | 13          | 119-1415           | 2           | Pin-Cotter, Locking |
| 7           | 3256-4             | 2           | Washer-Flat        |             |                    |             |                     |

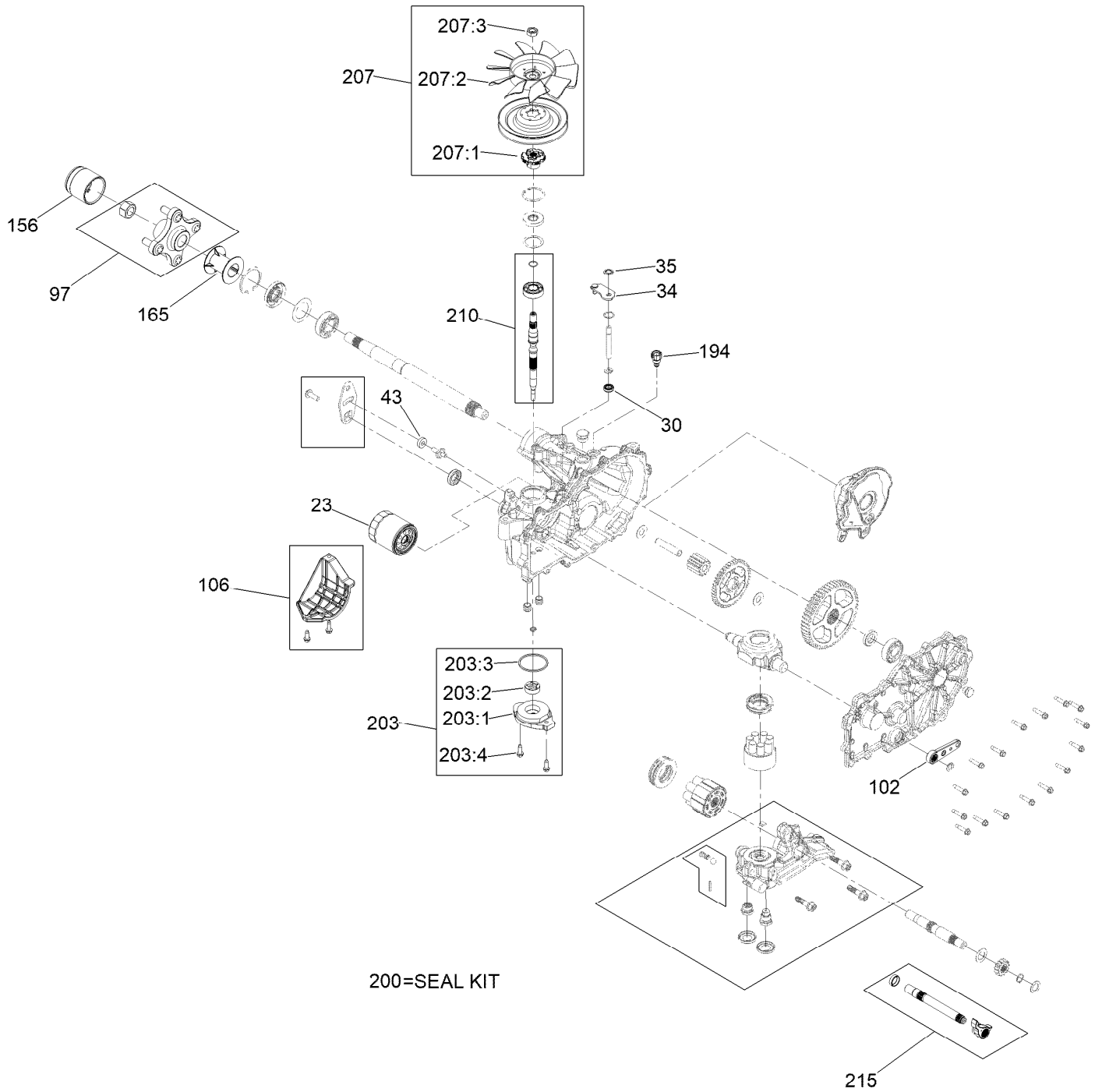
# LH Transaxle Assembly No. 145-8424



## LH Transaxle Assembly No. 145-8424 (continued)

| <i>Ref.</i> | <i>Part Number</i> | <i>Qty.</i> | <i>Description</i>         | <i>Ref.</i> | <i>Part Number</i> | <i>Qty.</i> | <i>Description</i> |
|-------------|--------------------|-------------|----------------------------|-------------|--------------------|-------------|--------------------|
| 23          | 109-3321           | 1           | Element-Oil Filter, HYD    | 203         | 114-8465           | 1           | Charge Kit         |
| 30          | 139-7497           | 1           | Seal-Lip                   | 203:1       | 114-8457           | 1           | Cover-Charge Pump  |
| 34          | 107-2490           | 1           | Arm-Bypass                 | 203:2       | 104-2122           | 1           | Gerotor ASM        |
| 35          | 106-8681           | 1           | Ring-Retaining, External   | 203:3       | 109-3540           | 1           | O Ring-Seal        |
| 43          | 112-9853           | 1           | Puck-Friction              | 203:4       | 104-2120           | 1           | Screw              |
| 97          | 116-3872           | 1           | Hub-Offset                 | 207         | 126-8904           | 1           | Fan And Pulley Kit |
| 102         | 125-0021           | 1           | Handle-Brake               | 207:1       | 126-8905           | 1           | Hub-Fan            |
| 106         | 120-7979           | 1           | Guard-Filter, LH           | 207:2       | 126-0226           | 1           | Fan                |
| 156         | 116-6214           | 1           | Cap-Axle, Long             | 207:3       | 116-9714           | 1           | Nut-HJ             |
| 165         | 116-6213           | 1           | Tube-Axle                  | 210         | 121-3248           | 1           | Input Shaft Kit    |
| 194         | 147-7366           | 1           | Assembly-Fitting, Breather | 215         | 140-8353           | 1           | Inboard Kit        |
| 200         | 121-3243           | 1           | Seal Kit                   |             |                    |             |                    |

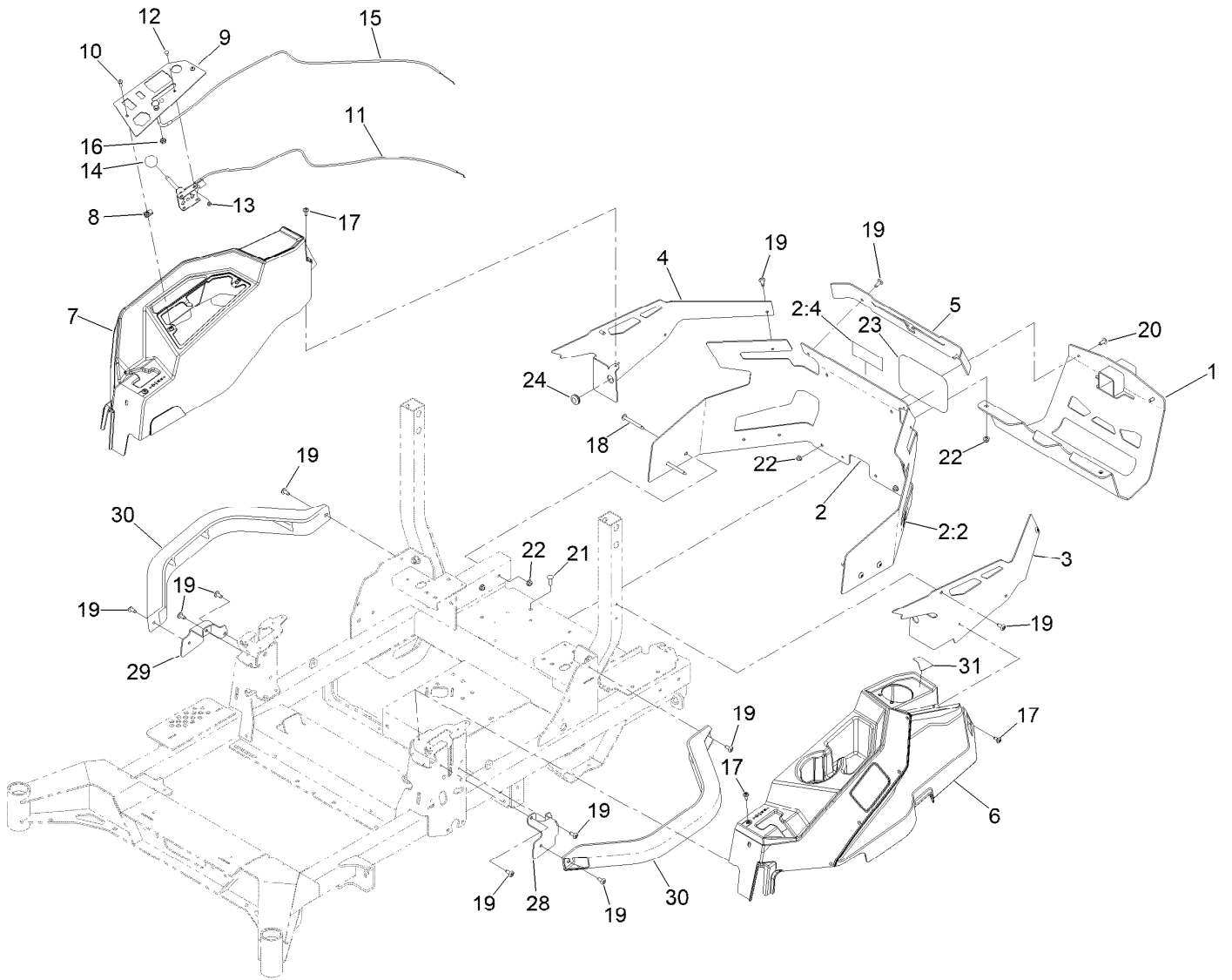
# RH Transaxle Assembly No. 145-8425



## RH Transaxle Assembly No. 145-8425 (continued)

| <i>Ref.</i> | <i>Part Number</i> | <i>Qty.</i> | <i>Description</i>         | <i>Ref.</i> | <i>Part Number</i> | <i>Qty.</i> | <i>Description</i> |
|-------------|--------------------|-------------|----------------------------|-------------|--------------------|-------------|--------------------|
| 23          | 109-3321           | 1           | Element-Oil Filter, HYD    | 203         | 114-8465           | 1           | Charge Kit         |
| 30          | 139-7497           | 1           | Seal-Lip                   | 203:1       | 114-8457           | 1           | Cover-Charge Pump  |
| 34          | 107-2490           | 1           | Arm-Bypass                 | 203:2       | 104-2122           | 1           | Gerotor ASM        |
| 35          | 106-8681           | 1           | Ring-Retaining, External   | 203:3       | 109-3540           | 1           | O Ring-Seal        |
| 43          | 112-9853           | 1           | Puck-Friction              | 203:4       | 104-2120           | 1           | Screw              |
| 97          | 116-3872           | 1           | Hub-Offset                 | 207         | 126-8904           | 1           | Fan And Pulley Kit |
| 102         | 125-0021           | 1           | Handle-Brake               | 207:1       | 126-8905           | 1           | Hub-Fan            |
| 106         | 120-7981           | 1           | Guard-Filter, RH           | 207:2       | 126-0226           | 1           | Fan                |
| 156         | 116-6214           | 1           | Cap-Axle, Long             | 207:3       | 116-9714           | 1           | Nut-HJ             |
| 165         | 116-6213           | 1           | Tube-Axle                  | 210         | 121-3248           | 1           | Input Shaft Kit    |
| 194         | 147-7366           | 1           | Assembly-Fitting, Breather | 215         | 140-8353           | 1           | Inboard Kit        |
| 200         | 121-3243           | 1           | Seal Kit                   |             |                    |             |                    |

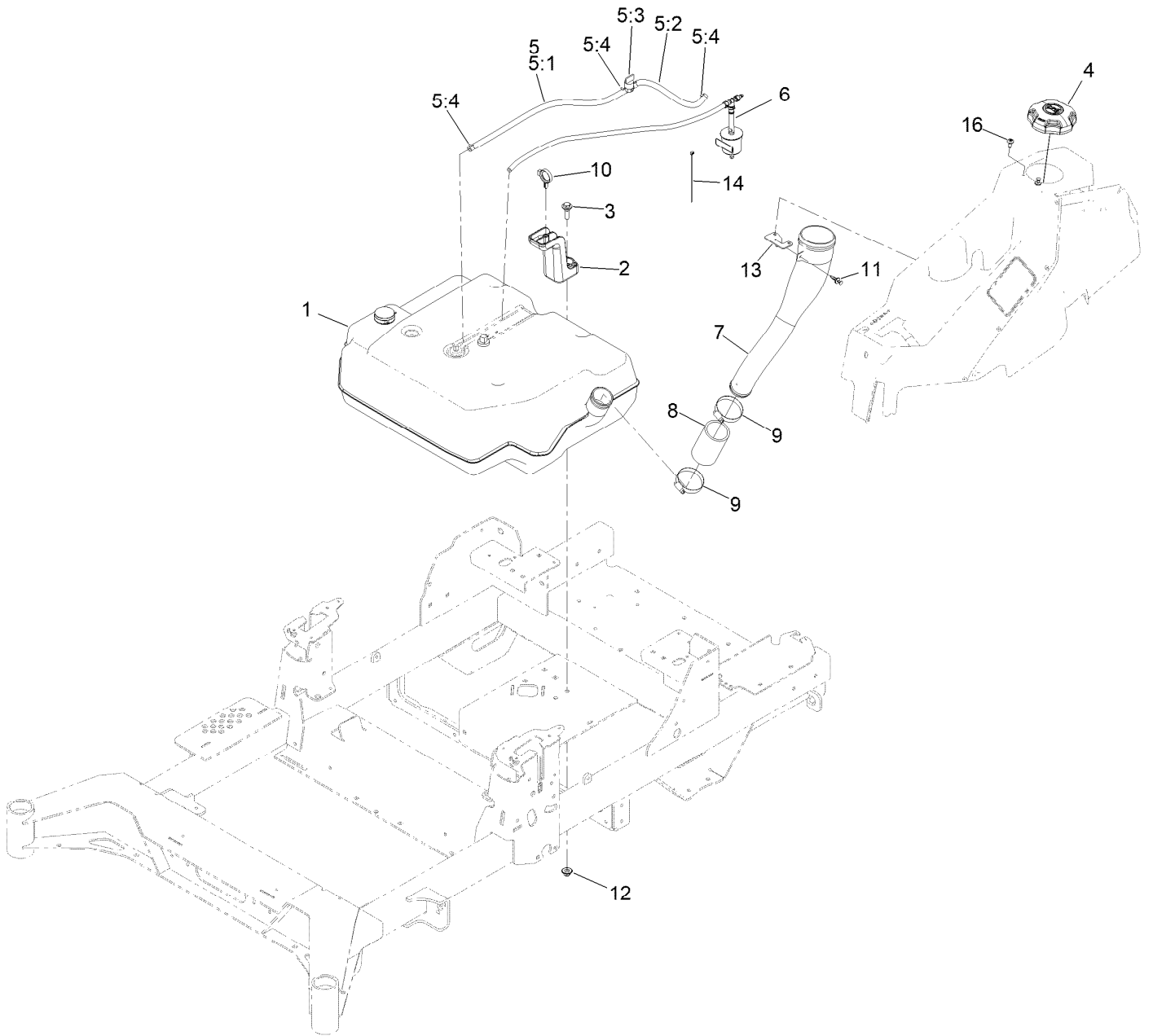
# Throttle, Choke and Guards Assembly



## Throttle, Choke and Guards Assembly (continued)

| <i>Ref.</i> | <i>Part Number</i> | <i>Qty.</i> | <i>Description</i>      | <i>Ref.</i> | <i>Part Number</i> | <i>Qty.</i> | <i>Description</i>   |
|-------------|--------------------|-------------|-------------------------|-------------|--------------------|-------------|----------------------|
| 1           | 147-2408-03        | 1           | Guard-Muffler           | 14          | 1-603175           | 1           | Knob-Ball            |
| 2           | 145-7022           | 1           | Rear Guard ASM          | 15          | 139-6735           | 1           | Cable-Control, Choke |
| 2:2         | 106-5517           | 2           | Decal-Warning           | 16          | 3220-3             | 1           | Nut-HJ               |
| 2:4         | 147-7364           | 1           | Decal-Hitch             | 17          | 120-7950           | 6           | Screw-Torx           |
| 3           | 145-8443-01        | 1           | Guard-Rear, LH          | 18          | 126-6267           | 4           | Screw-TTH            |
| 4           | 145-8444-01        | 1           | Guard-Rear, RH          | 19          | 138-9753           | 14          | Screw                |
| 5           | 145-7007-01        | 1           | Guard-Rear, Top         | 20          | 126-6268           | 2           | Screw-TTH            |
| 6           | 147-2352           | 1           | LH Pod ASM              | 21          | 3230-22            | 2           | Screw-CARR           |
| 7           | 147-2353           | 1           | RH Pod ASM              | 22          | 104-8300           | 8           | Nut-HF, NI           |
| 8           | 107069             | 2           | Clip                    | 23          | 67-7320            | 1           | Decal                |
| 9           | 145-8498-03        | 1           | Panel-Control           | 24          | 112-7069           | 1           | Grommet              |
| 10          | 138-0689           | 2           | Screw-PH                | 28          | 145-8481-01        | 1           | Bracket-Mount, LH    |
| 11          | 139-6734           | 1           | Cable-Control, Throttle | 29          | 145-8484-01        | 1           | Bracket-Mount, RH    |
| 12          | 1-807513           | 2           | Bolt-CARR               | 30          | 147-2385-01        | 2           | Tube-Pod             |
| 13          | 3296-2             | 2           | Nut-Lock, NI            | 31          | 147-2399           | 1           | Decal-Fuel Fill      |

# Fuel Assembly

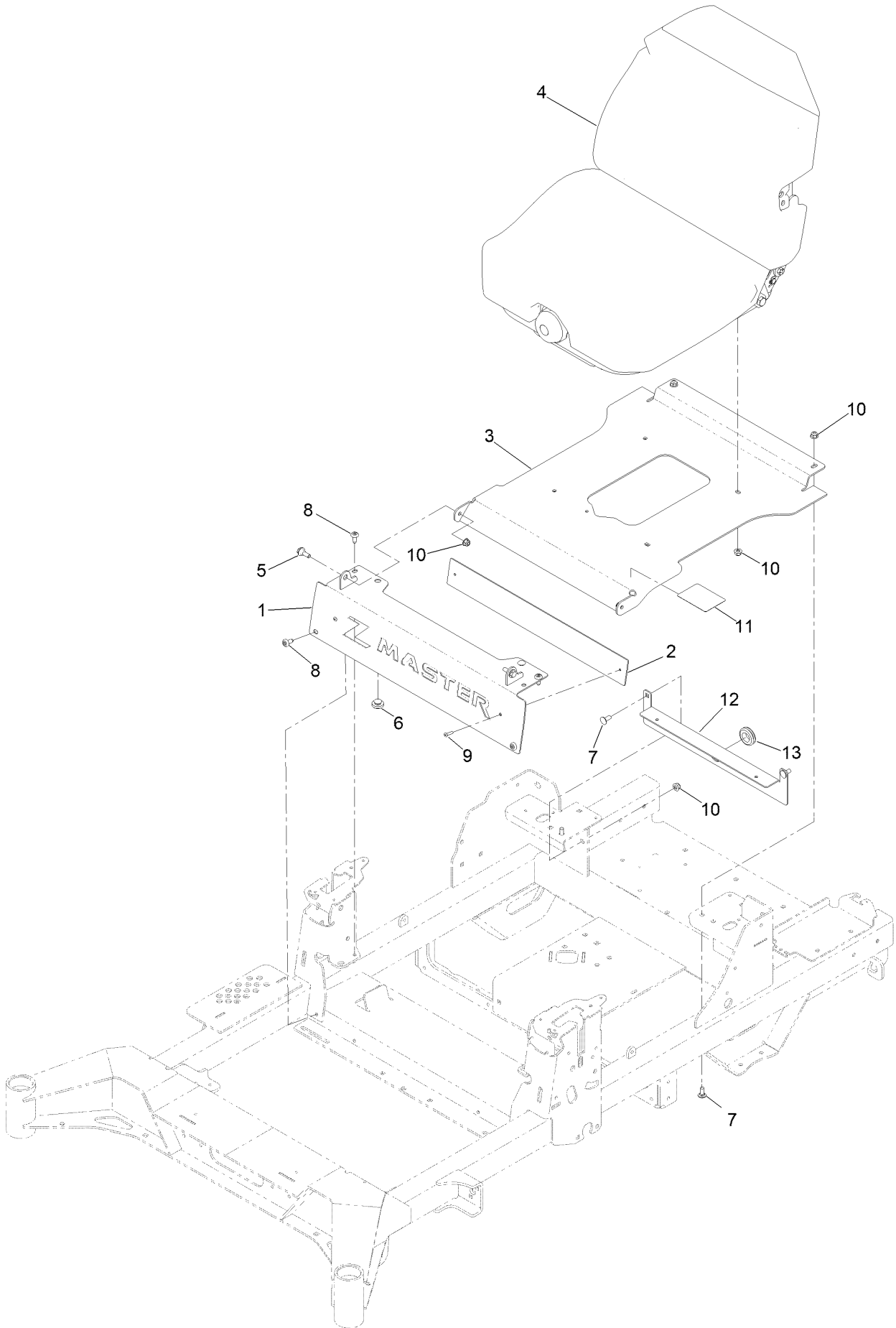




## Fuel Assembly (continued)

| <i>Ref.</i> | <i>Part Number</i> | <i>Qty.</i> | <i>Description</i>                   | <i>Ref.</i> | <i>Part Number</i> | <i>Qty.</i> | <i>Description</i>                |
|-------------|--------------------|-------------|--------------------------------------|-------------|--------------------|-------------|-----------------------------------|
| 1           | 147-2403           | 1           | Tank ASM-Fuel                        | 7           | 147-7350           | 1           | Neck-Filler, Fuel                 |
| 2           | 145-5778           | 1           | Retainer-Tank, Rear                  | 8           | 145-4698           | 1           | Hose-Filler, Fuel                 |
| 3           | 614672             | 1           | Screw-Shoulder, HWH                  | 9           | 2412-130           | 2           | Clamp-Hose                        |
| 4           | 137-4119           | 1           | Cap-Fuel, Ratcheting                 | 10          | 104-2490           | 1           | Clamp-Hose                        |
| 5           | 163-0110           | 1           | Hose Assembly-Fuel/Valve             | 11          | 125-9622           | 1           | Rivet-Blind                       |
| 5:1         | 109-0301           | 1           | Hose-Fuel                            | 12          | 104-8301           | 1           | Nut-HF, NI                        |
| 5:2         | 114-3766           | 1           | Hose-Fuel                            | 13          | 161-2890           | 1           | Bracket-Mounting, Fill            |
| 5:3         | 1-603770           | 1           | Valve-Fuel                           | 14          | 32180-082          | 1           | Clip-Edge W/Tie,<br>Perpendicular |
| 5:4         | 2412-98            | 4           | Clamp-Hose                           |             |                    |             |                                   |
| 6           | 163-0112           | 1           | Hose<br>Assembly-Fuel/Filter/Fitting | 16          | 120-7950           | 2           | Screw-Torx                        |

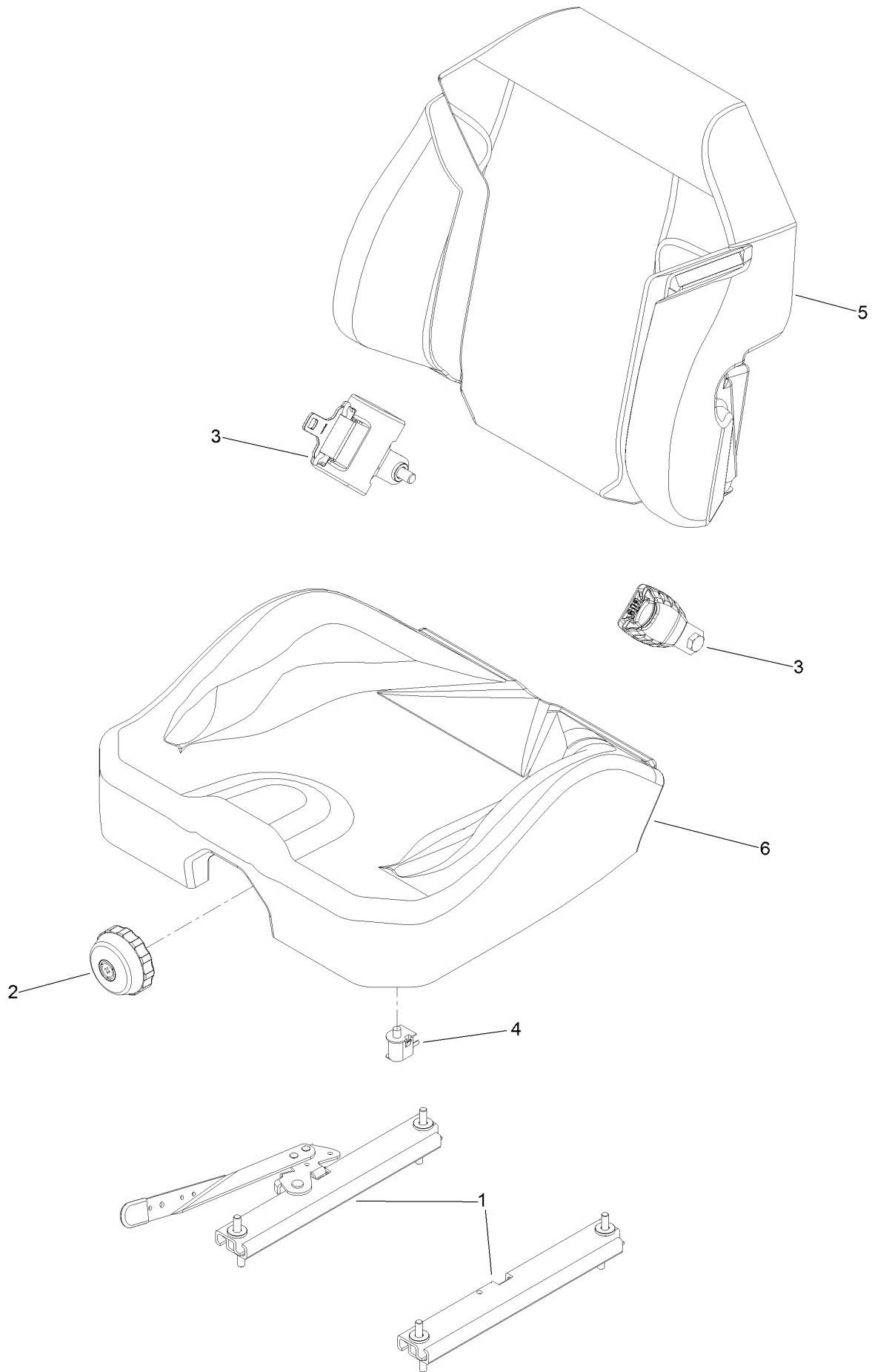
# Seat Mount Assembly



## Seat Mount Assembly (continued)

| <i>Ref.</i> | <i>Part Number</i> | <i>Qty.</i> | <i>Description</i>      | <i>Ref.</i> | <i>Part Number</i> | <i>Qty.</i> | <i>Description</i> |
|-------------|--------------------|-------------|-------------------------|-------------|--------------------|-------------|--------------------|
| 1           | 145-7025-03        | 1           | Badge Plate ASM [black] | 8           | 138-9753           | 4           | Screw              |
| 2           | 147-4954-01        | 1           | Plate-Backer            | 9           | 130-8451           | 2           | Rivet-Trifold      |
| 3           | 147-7354-03        | 1           | Pan-Seat                | 10          | 104-8300           | 10          | Nut-HF, NI         |
| 4           | 147-2384           | 1           | Seat ASM-Suspension     | 11          | 144-2669           | 1           | Decal-Service Aid  |
| 5           | 116-2670           | 2           | Screw-Shoulder          | 12          | 147-2362-03        | 1           | Bracket-Firewall   |
| 6           | 135-0505           | 2           | Bumper-Seat             | 13          | 1-543286           | 1           | Grommet            |
| 7           | 3230-23            | 4           | Bolt-CARR               |             |                    |             |                    |

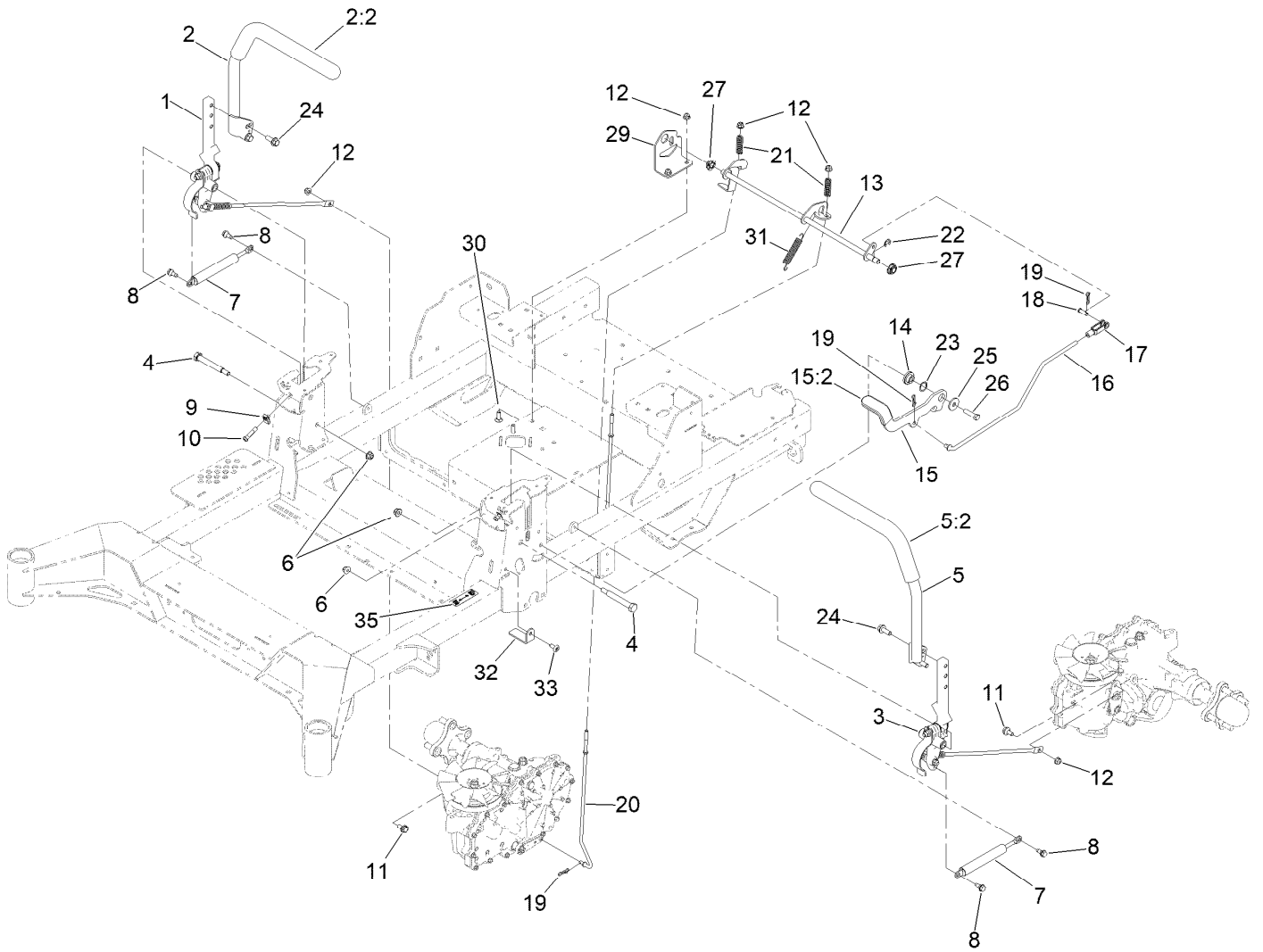
# Seat Assembly No. 147-2384



## Seat Assembly No. 147-2384 (continued)

| <i>Ref.</i> | <i>Part Number</i> | <i>Qty.</i> | <i>Description</i> | <i>Ref.</i> | <i>Part Number</i> | <i>Qty.</i> | <i>Description</i>               |
|-------------|--------------------|-------------|--------------------|-------------|--------------------|-------------|----------------------------------|
| 1           | 126-8558           | 1           | Tracks-4" Travel   | 5           | 147-7367           | 1           | Cover-Back, Seat                 |
| 2           | 116-8911           | 1           | Knob-Adjuster      | 6           | 147-7368           | 1           | Cover-Bottom, Suspension<br>Seat |
| 3           | 146-0595           | 1           | Seat Belt Kit      |             |                    |             |                                  |
| 4           | 82-2190            | 1           | Switch-Bail        |             |                    |             |                                  |

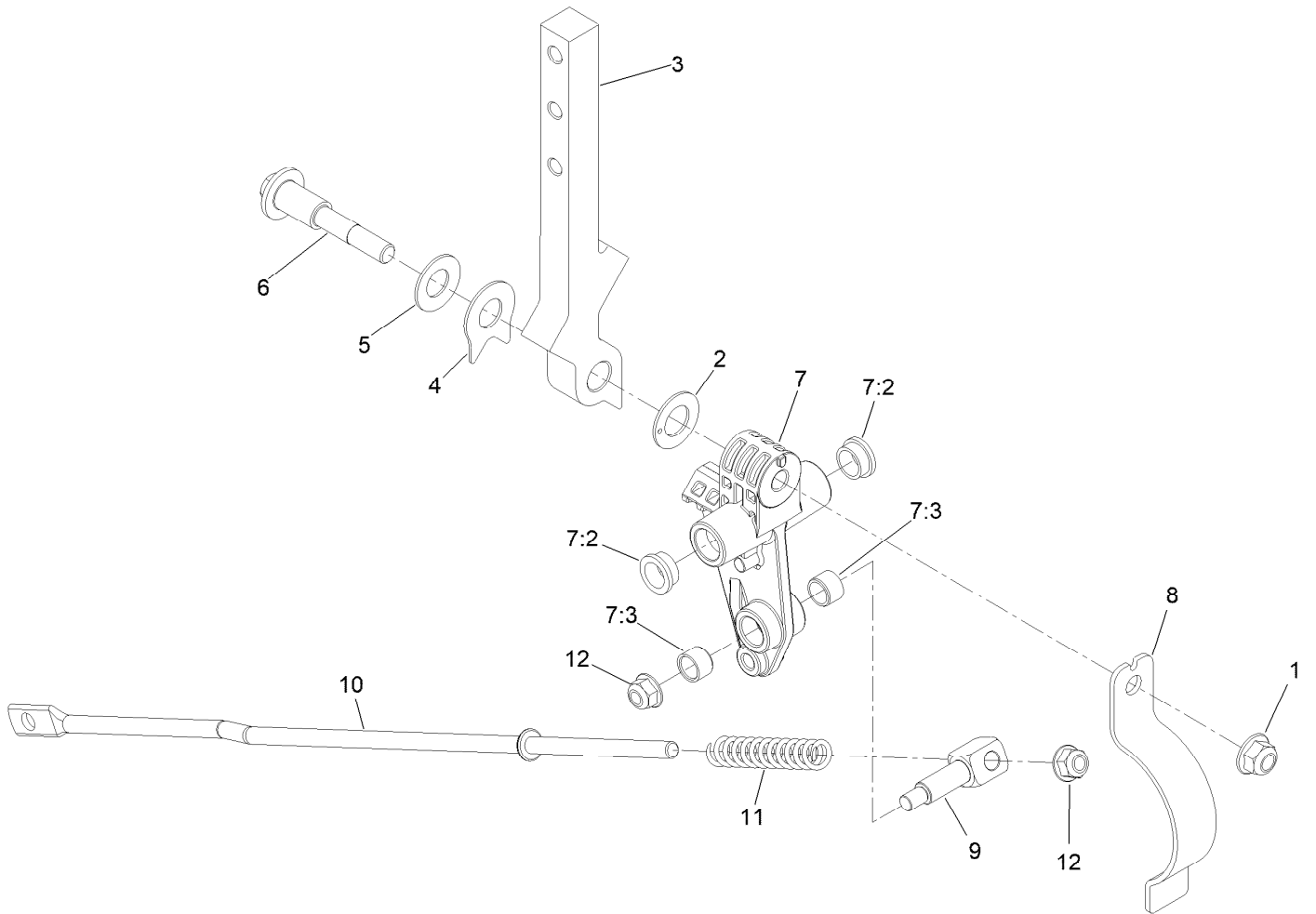
# Motion Control Assembly



## Motion Control Assembly (continued)

| <i>Ref.</i> | <i>Part Number</i> | <i>Qty.</i> | <i>Description</i>    | <i>Ref.</i> | <i>Part Number</i> | <i>Qty.</i> | <i>Description</i>       |
|-------------|--------------------|-------------|-----------------------|-------------|--------------------|-------------|--------------------------|
| 1           | 145-5725           | 1           | Motion Control ASM-RH | 16          | 145-5722           | 1           | Linkage-Brake, Upper     |
| 2           | 147-2390           | 1           | RH Handle ASM         | 17          | 1-303105           | 1           | Yoke-Adjustable          |
| 2:2         | 109-5668           | 1           | Grip-Lever, Control   | 18          | 1-808280           | 1           | Pin-Clevis               |
| 3           | 145-5724           | 1           | Motion Control ASM-LH | 19          | 119-1415           | 4           | Pin-Cotter, Locking      |
| 4           | 115-5099           | 2           | Bolt-Pivot            | 20          | 126-7217           | 2           | Linkage-Brake, Lower     |
| 5           | 147-2391           | 1           | LH Handle ASM         | 21          | 109-7694           | 2           | Spring-Compression       |
| 5:2         | 109-5668           | 1           | Grip-Lever, Control   | 22          | 32120-47           | 1           | Ring-Retaining, External |
| 6           | 104-8301           | 3           | Nut-HF, NI            | 23          | 119-4164           | 1           | Washer-Wave              |
| 7           | 142-6851           | 2           | Damper                | 24          | 110-5052           | 4           | Screw-HHF                |
| 8           | 126-4424           | 4           | Screw-Shoulder        | 25          | 2844               | 1           | Washer                   |
| 9           | 112-3306           | 2           | Nut                   | 26          | 323-8              | 1           | Screw-HH                 |
| 10          | 126-4299           | 2           | Screw-HSBH            | 27          | 126-5820           | 2           | Bearing-Spherical        |
| 11          | 37-8771            | 2           | Bolt-Shoulder, HF     | 29          | 145-5726           | 1           | Bracket-Brake            |
| 12          | 104-8300           | 6           | Nut-HF, NI            | 30          | 3230-22            | 2           | Screw-CARR               |
| 13          | 145-5719           | 1           | Shaft-Brake           | 31          | 109-7124           | 1           | Spring-Extension         |
| 14          | 126-5989           | 1           | Pivot-Flange          | 32          | 145-3685           | 2           | Plate-Stop, Rtn          |
| 15          | 147-7375           | 1           | Lever-Brake           | 33          | 138-9753           | 2           | Screw                    |
| 15:2        | 132-4749           | 1           | Grip-Lever            | 35          | 115-9625           | 1           | Decal-Brake, Parking     |

# Left and Right Motion Control Assembly

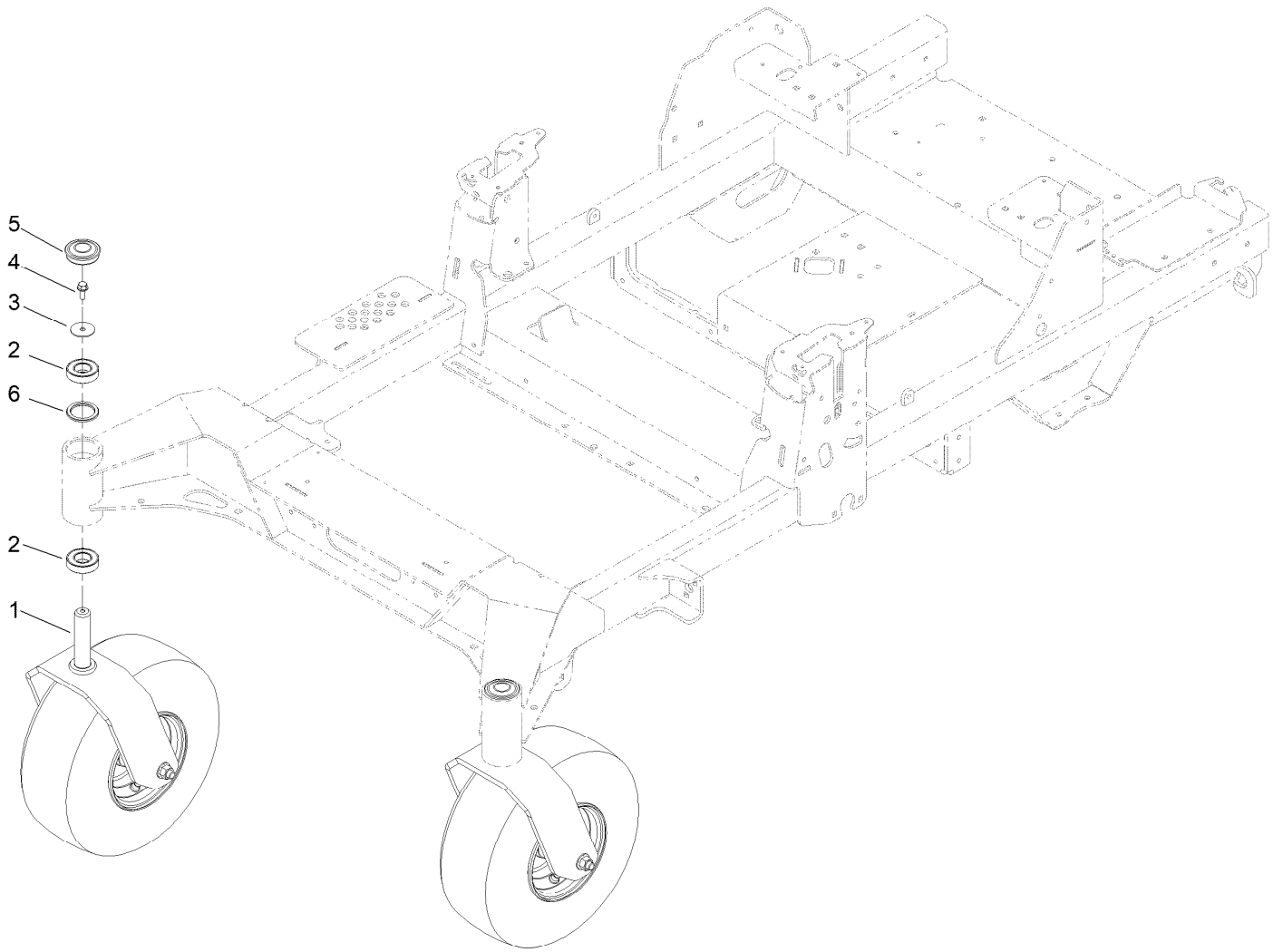




## Left and Right Motion Control Assembly (continued)

| <i>Ref.</i> | <i>Part Number</i> | <i>Qty.</i> | <i>Description</i>    | <i>Ref.</i> | <i>Part Number</i> | <i>Qty.</i> | <i>Description</i>     |
|-------------|--------------------|-------------|-----------------------|-------------|--------------------|-------------|------------------------|
| 1           | 104-8301           | 1           | Nut-HF, NI            | 7:2         | 126-8909           | 2           | Bushing                |
| 2           | 126-7296           | 1           | Washer-Friction       | 7:3         | 1-413152           | 2           | Bushing-Sleeve         |
| 3           | 147-2389           | 1           | Arm-Control           | 8           | 145-5799           | 1           | Spring-Rtn             |
| 4           | 142-8478           | 1           | Spacer, Anti-Rotation | 9           | 126-5434           | 1           | Swivel                 |
| 5           | 119-8925           | 1           | Washer-Belleville     | 10          | 145-5723           | 1           | Link-Control           |
| 6           | 117-1198           | 1           | Bolt-Pivot            | 11          | 126-8195           | 1           | Spring-Return, Neutral |
| 7           | 145-5798           | 1           | ASM-Control Arm       | 12          | 104-8300           | 2           | Nut-HF, NI             |

# Front Caster Wheel Assembly

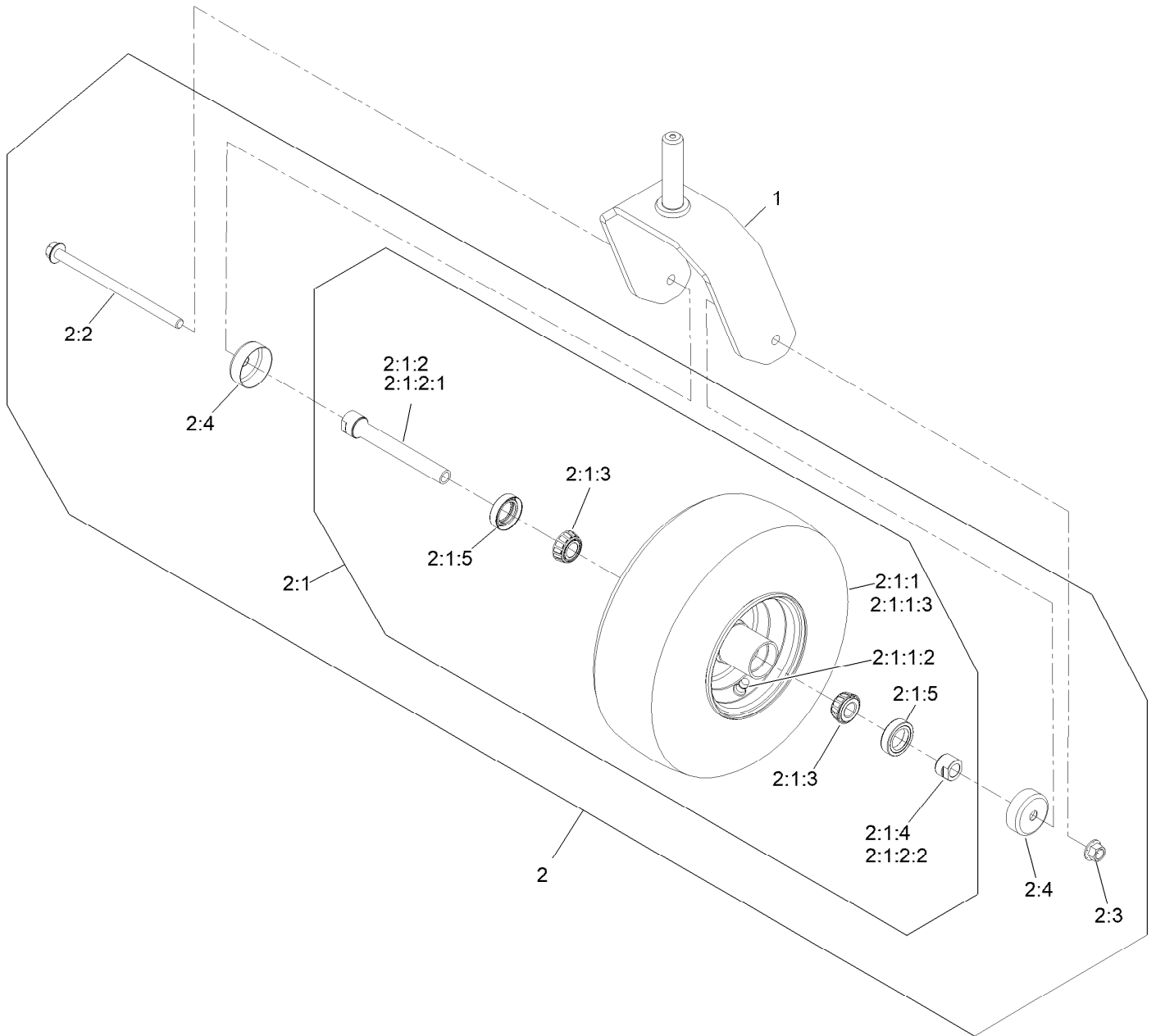


## Front Caster Wheel Assembly (continued)

| <i>Ref.</i> | <i>Part Number</i> | <i>Qty.</i> | <i>Description</i>             | <i>Ref.</i> | <i>Part Number</i> | <i>Qty.</i> | <i>Description</i> |
|-------------|--------------------|-------------|--------------------------------|-------------|--------------------|-------------|--------------------|
| 1           |                    | 2           | ASM, Front Caster W/ Fork<br>● | 4           | 100-1668           | 2           | Screw-HHF          |
| 2           | 109-3678           | 4           | Bearing-Ball                   | 5           | 144-0375           | 2           | Cap, Grease        |
| 3           | 3256-68            | 2           | Washer-Flat                    | 6           | 145-3660           | 2           | Spacer-Bearing     |

● Not serviced separately

# Fork and Caster Assembly

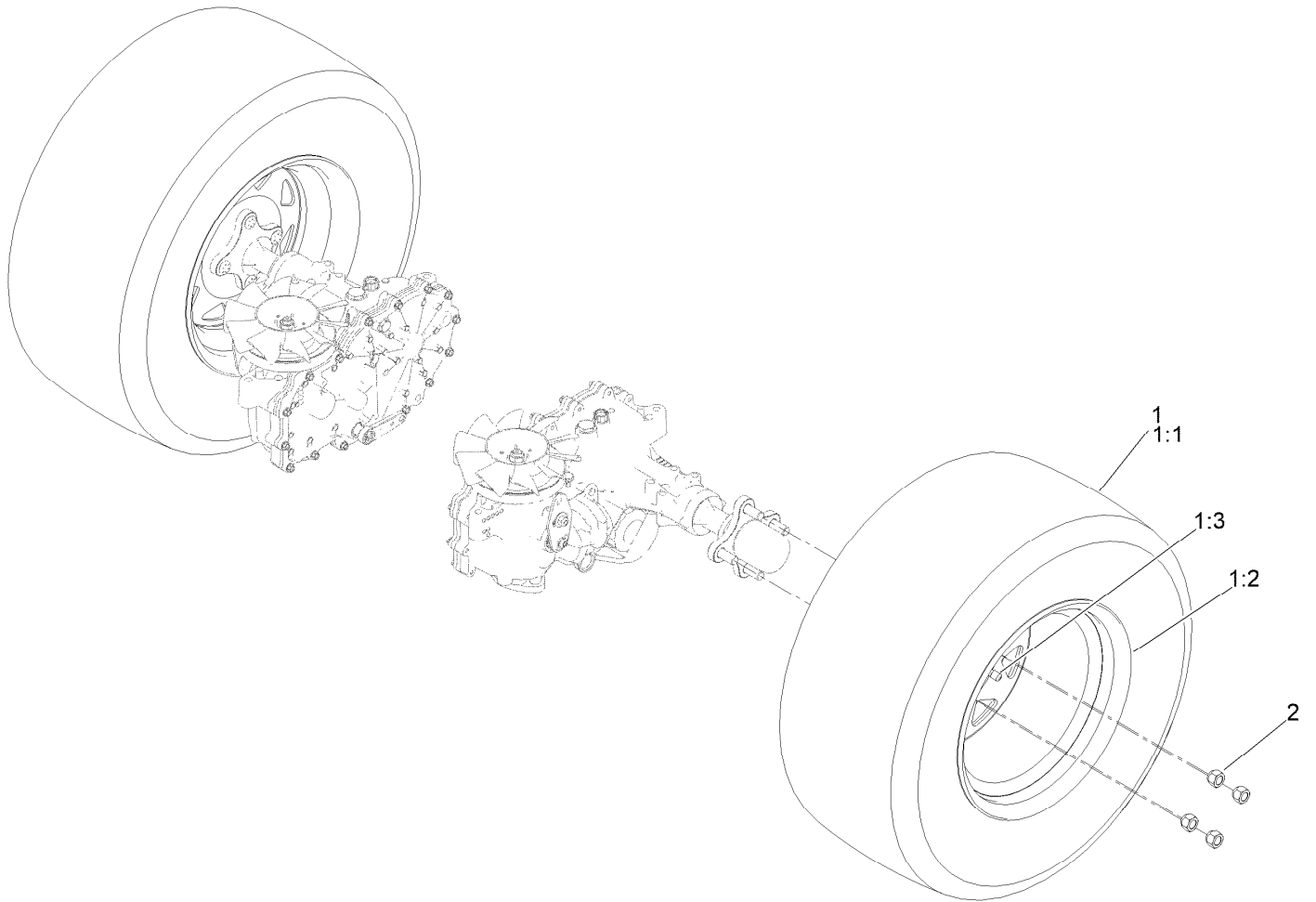


## Fork and Caster Assembly (continued)

| <i>Ref.</i> | <i>Part Number</i> | <i>Qty.</i> | <i>Description</i>               | <i>Ref.</i> | <i>Part Number</i> | <i>Qty.</i> | <i>Description</i>  |
|-------------|--------------------|-------------|----------------------------------|-------------|--------------------|-------------|---------------------|
| 1           | 142-7827-01        | 1           | Fork-Caster                      | 2:1:2:1     | 126-5220           | 1           | Axle-Caster         |
| 2           | 139-3639           | 1           | ASM-Pneumatic 13X6.50-6          | 2:1:2:2     | 103-3051           | 1           | Spacer-Nut          |
| 2:1         |                    | 1           | Wheel And Bearings ASM ●         | 2:1:3       | 1-633585           | 2           | Bearing-Cone, Taper |
| 2:1:1       |                    | 1           | Wheel And Tire ASM<br>13X6.5-6 ● | 2:1:4       | 103-3051           | 1           | Spacer-Nut          |
| 2:1:1:2     | 5108               | 1           | Valve                            | 2:1:5       | 103-0063           | 2           | Seal-Caster         |
| 2:1:1:3     | 126-5959           | 1           | Tire                             | 2:2         | 126-5389           | 1           | Screw-HHF           |
| 2:1:2       | 126-7796           | 1           | Caster Axle ASM                  | 2:3         | 99-5107            | 1           | Nut-Lock            |
|             |                    |             |                                  | 2:4         | 103-2768           | 2           | Guard-Seal          |

● Not serviced separately

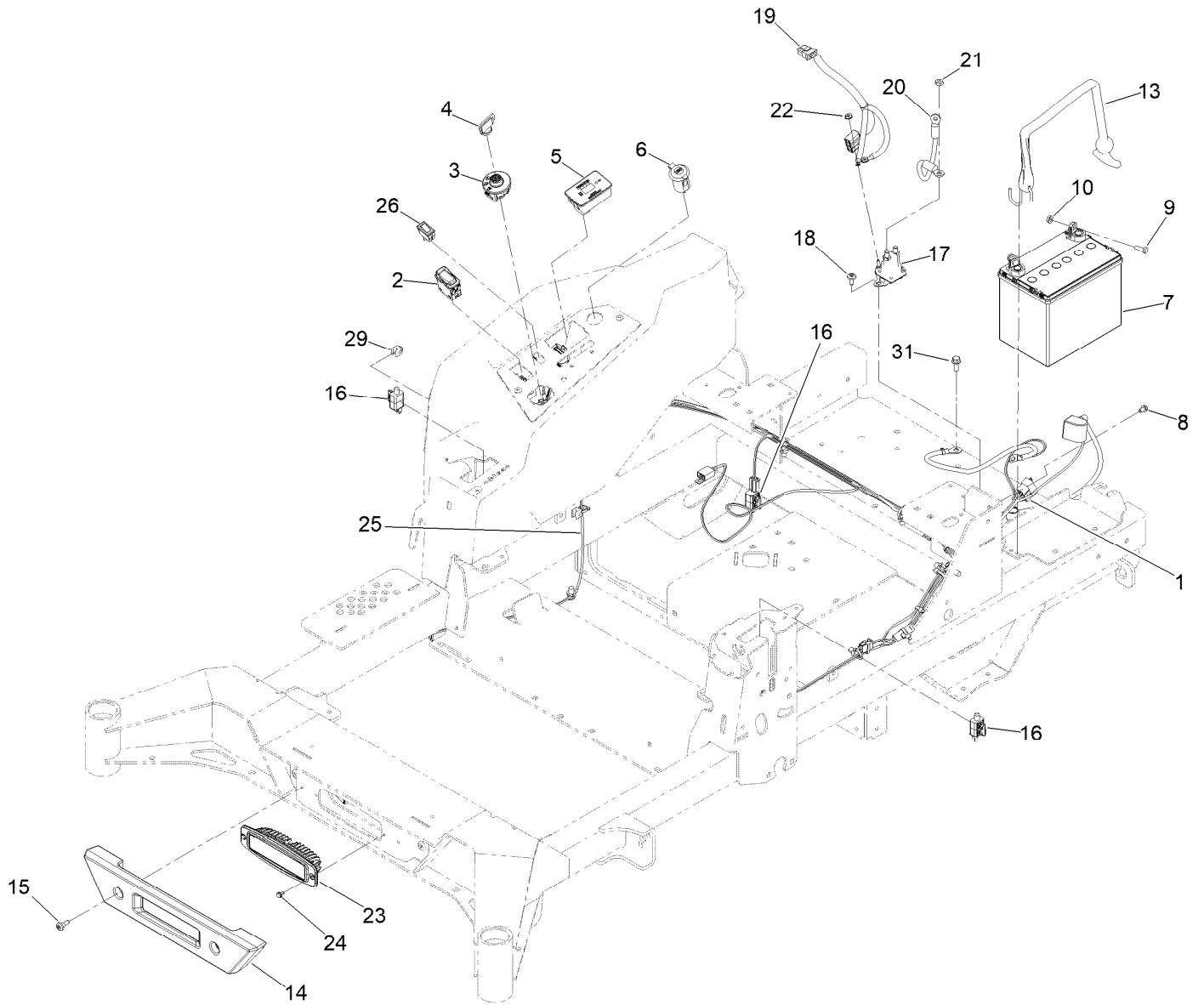
# Rear Drive Wheel Assembly



## Rear Drive Wheel Assembly (continued)

| <i>Ref.</i> | <i>Part Number</i> | <i>Qty.</i> | <i>Description</i>           | <i>Ref.</i> | <i>Part Number</i> | <i>Qty.</i> | <i>Description</i> |
|-------------|--------------------|-------------|------------------------------|-------------|--------------------|-------------|--------------------|
| 1           | 147-5029           | 2           | ASM-Voodoo Trac<br>24X9.5-12 | 1:2         | 140-7967           | 1           | Wheel              |
| 1:1         | 147-5032           | 1           | Tire-Voodoo 24X9.5-12        | 1:3         | 232-27             | 1           | Stem-Valve         |
|             |                    |             |                              | 2           | 139-2564           | 8           | Nut-Lug            |

# Electrical Assembly





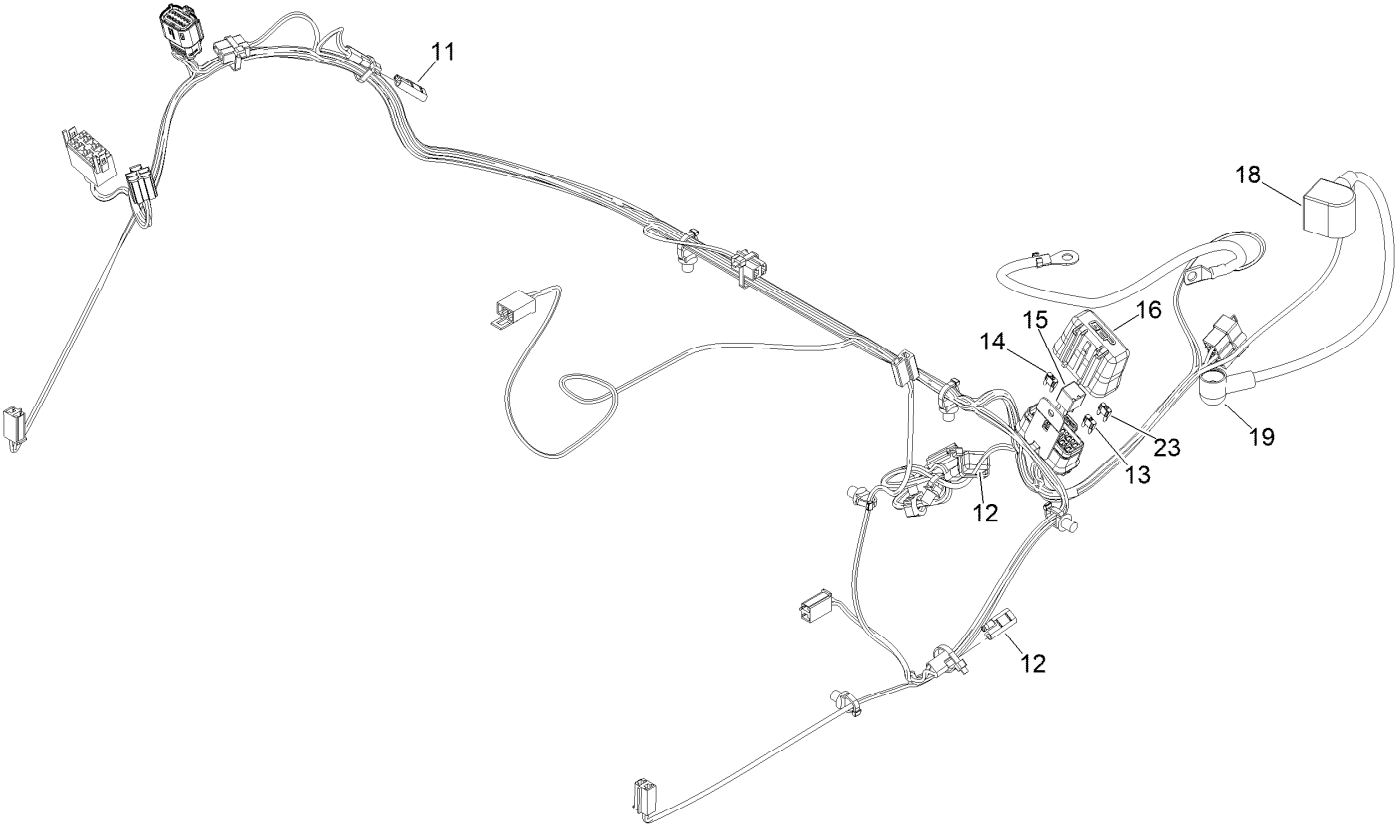
## Electrical Assembly (continued)

| <i>Ref.</i> | <i>Part Number</i> | <i>Qty.</i> | <i>Description</i>           | <i>Ref.</i> | <i>Part Number</i> | <i>Qty.</i> | <i>Description</i>                |
|-------------|--------------------|-------------|------------------------------|-------------|--------------------|-------------|-----------------------------------|
| 1           | 147-2363           | 1           | Harness-Wire, Zmaster        | 17          | 117-1197           | 1           | Solenoid                          |
| 2           | 139-6368           | 1           | Switch-Rocker,<br>On-None-On | 18          | 126-6266           | 2           | Screw-Tph                         |
| 3           | 137-4100           | 1           | Switch-Ignition              | 19          | 126-5036           | 1           | Adapter-Harness, Wire             |
| 4           | 63-8360            | 1           | Key-Ignition                 | 20          | 100-3540           | 1           | Cable-Battery, Positive           |
| 5           | 116-5609           | 1           | Module ASM                   | 21          | 3220-2             | 1           | Nut-Jam                           |
| 6           | 140-7955           | 1           | Port-Power, USB              | 22          | 32149-8            | 2           | Nut-Keps                          |
| 7           | 104-8162           | 1           | Battery                      | 23          | 139-8089           | 1           | Mount-Flush, Light                |
| 8           | 99-8445            | 1           | Screw-HWH                    | 24          | 104-2065           | 2           | Screw-HWH                         |
| 9           | 321-4              | 2           | Screw-HH                     | 25          | 140-1213           | 1           | Harness-Wire, Light Kit           |
| 10          | 32128-33           | 2           | Nut-HF                       | 26          | 92-8875            | 1           | Switch-Rocker                     |
| 13          | 142-8697           | 1           | Strap, Bungee                | 29          | 32180-082          | 1           | Clip-Edge W/Tie,<br>Perpendicular |
| 14          | 147-7853           | 1           | Bumper-Front                 | 31          | 3234-14            | 1           | Screw-HHF                         |
| 15          | 135-2015           | 2           | Screw-Shoulder               | 99          | 1-603511           | 1           | Keys-Ignition (Spare Pair) ●<br>■ |
| 16          | 110-6765           | 3           | Switch                       |             |                    |             |                                   |

● Not illustrated

■ Optional Equipment

# Wire Harness Assembly No. 147-2363

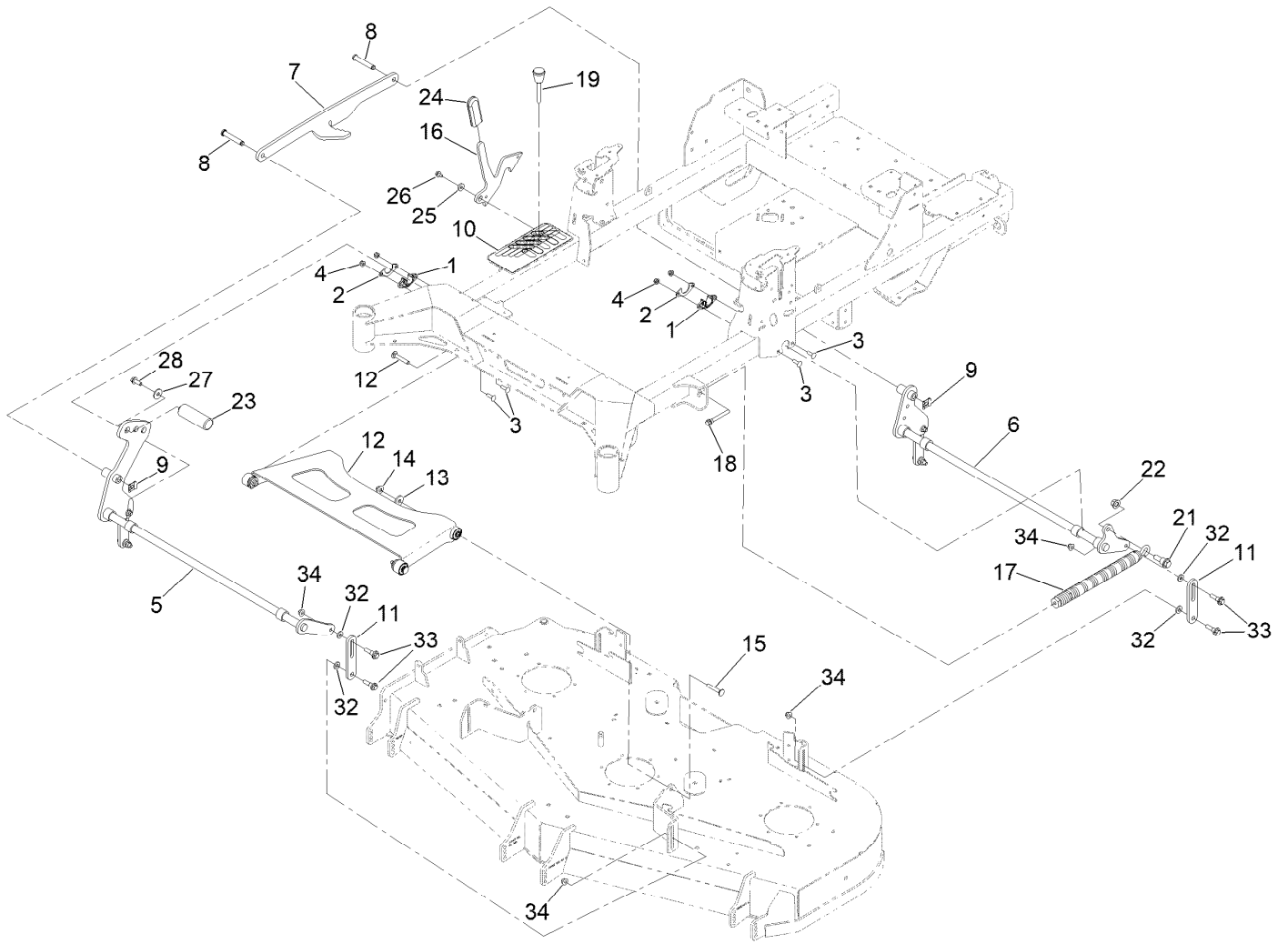


## Wire Harness Assembly No. 147-2363 (continued)

| <i>Ref.</i> | <i>Part Number</i> | <i>Qty.</i> | <i>Description</i>      |
|-------------|--------------------|-------------|-------------------------|
| 11          | 116-0053           | 2           | Cap-Plug                |
| 12          | 103-3895           | 1           | Diode                   |
| 13          | 121-8867           | 1           | Fuse-Mini Blade, 15 Amp |
| 14          | 121-8868           | 1           | Fuse-Mini Blade, 20 Amp |
| 15          | 126-3991           | 1           | Relay-Micro             |

| <i>Ref.</i> | <i>Part Number</i> | <i>Qty.</i> | <i>Description</i>      |
|-------------|--------------------|-------------|-------------------------|
| 16          | 32180-176          | 1           | Cover-Block, Fuse       |
| 18          | 126-8876           | 1           | Insulator-Battery       |
| 19          | 1-543393           | 1           | Insulator-Solenoid      |
| 23          | 121-8869           | 1           | Fuse-Mini Blade, 25 Amp |

# Deck Lift Assembly



## Deck Lift Assembly (continued)

| <i>Ref.</i> | <i>Part Number</i> | <i>Qty.</i> | <i>Description</i>            | <i>Ref.</i> | <i>Part Number</i> | <i>Qty.</i> | <i>Description</i>   |
|-------------|--------------------|-------------|-------------------------------|-------------|--------------------|-------------|----------------------|
| 1           | 139-5872           | 4           | Bearing-Flange                | 16          | 145-8475-03        | 1           | Plate-Transport Lock |
| 2           | 116-2887           | 4           | Gusset-Lift, Deck             | 17          | 116-0886           | 1           | Spring-Extension     |
| 3           | 3230-22            | 8           | Screw-CARR                    | 18          | 92-7674            | 1           | Bolt-Shoulder        |
| 4           | 104-8300           | 8           | Nut-HF, NI                    | 19          | 126-5401           | 1           | Pin-HOC              |
| 5           | 139-8050-03        | 1           | Front Deck Lift Shaft ASM     | 21          | 116-0780           | 1           | Screw-Shoulder, HHF  |
| 6           | 140-4975-03        | 1           | Shaft-Lift, Deck              | 22          | 99-5107            | 1           | Nut-Lock             |
| 7           | 126-4639-03        | 1           | Link-HOC                      | 23          | 140-4959           | 1           | Pedal-Footer Lift    |
| 8           | 126-9181           | 2           | Pin-Clevis                    | 24          | 132-4749           | 1           | Grip-Lever           |
| 9           | 138-8491           | 2           | Clip-Pin                      | 25          | 104-7658           | 1           | Spacer               |
| 10          | 147-2360           | 1           | Decal-HOC                     | 26          | 9266934            | 1           | Screw                |
| 11          | 145-5702-03        | 4           | Link-Lift, Deck               | 27          | 2844               | 1           | Washer               |
| 12          | 140-1179           | 1           | Deck Strut W/ Bushings<br>ASM | 28          | 3234-42            | 1           | Screw-HHF            |
| 13          | 1-373034           | 2           | Washer                        | 32          | 43-0940            | 8           | Spacer               |
| 14          | 109-6658           | 2           | Nut-Flange, NI                | 33          | 130-0742           | 8           | Bolt-Shoulder        |
| 15          | 3231-7             | 2           | Screw-CARR                    | 34          | 104-8301           | 8           | Nut-HF, NI           |

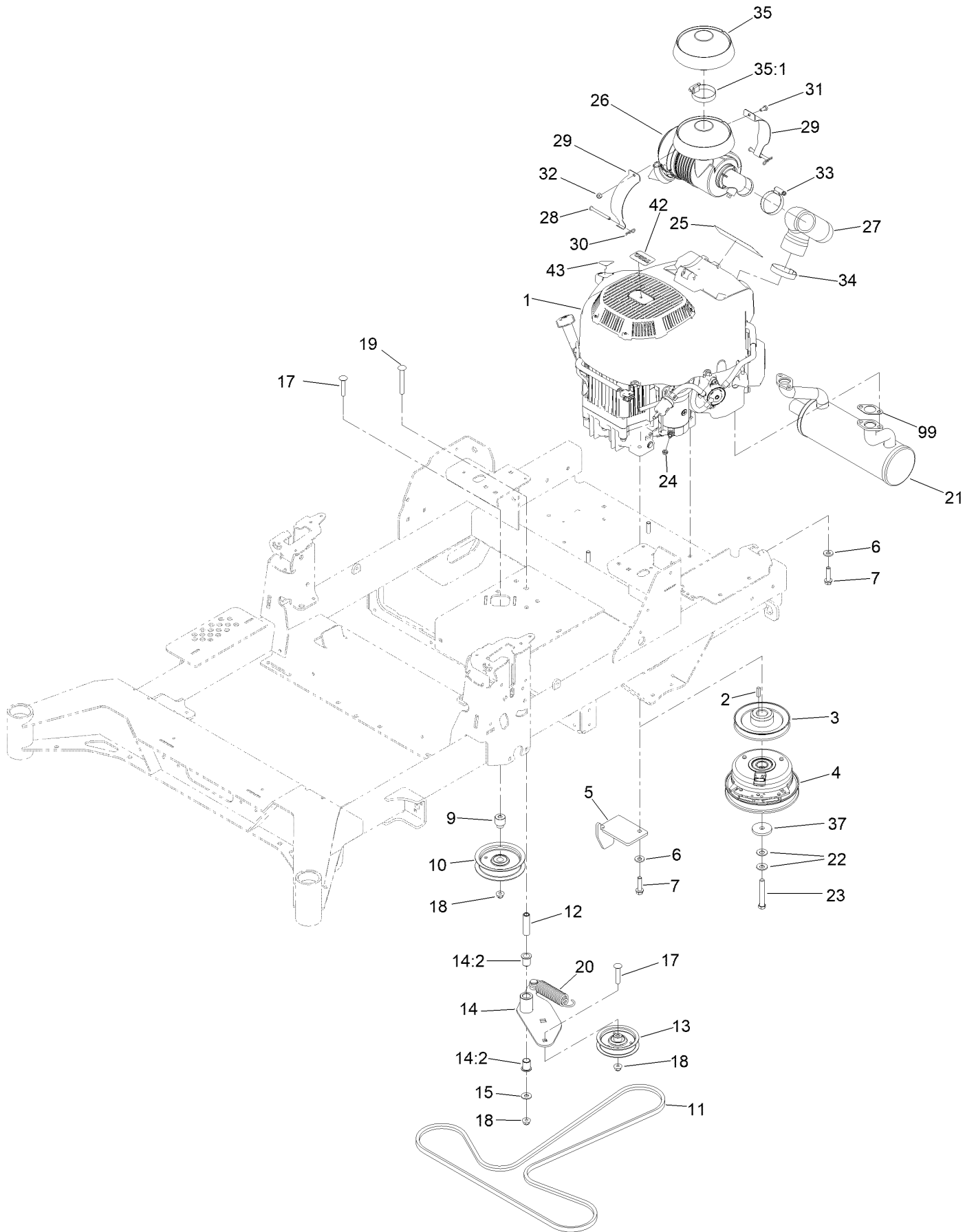
# Deck Strut Assembly No. 140-1179



## Deck Strut Assembly No. 140-1179 (continued)

| <i>Ref.</i> | <i>Part Number</i> | <i>Qty.</i> | <i>Description</i>            | <i>Ref.</i> | <i>Part Number</i> | <i>Qty.</i> | <i>Description</i> |
|-------------|--------------------|-------------|-------------------------------|-------------|--------------------|-------------|--------------------|
| 2           | 126-8360           | 4           | Bushing-Rubber,<br>Suspension | 4           | 3231-7             | 2           | Screw-CARR         |
| 3           | 108-6544           | 4           | Spacer                        | 5           | 2844               | 2           | Washer             |
|             |                    |             |                               | 6           | 104-8301           | 2           | Nut-HF, NI         |

# Engine, Clutch and Muffler Assembly

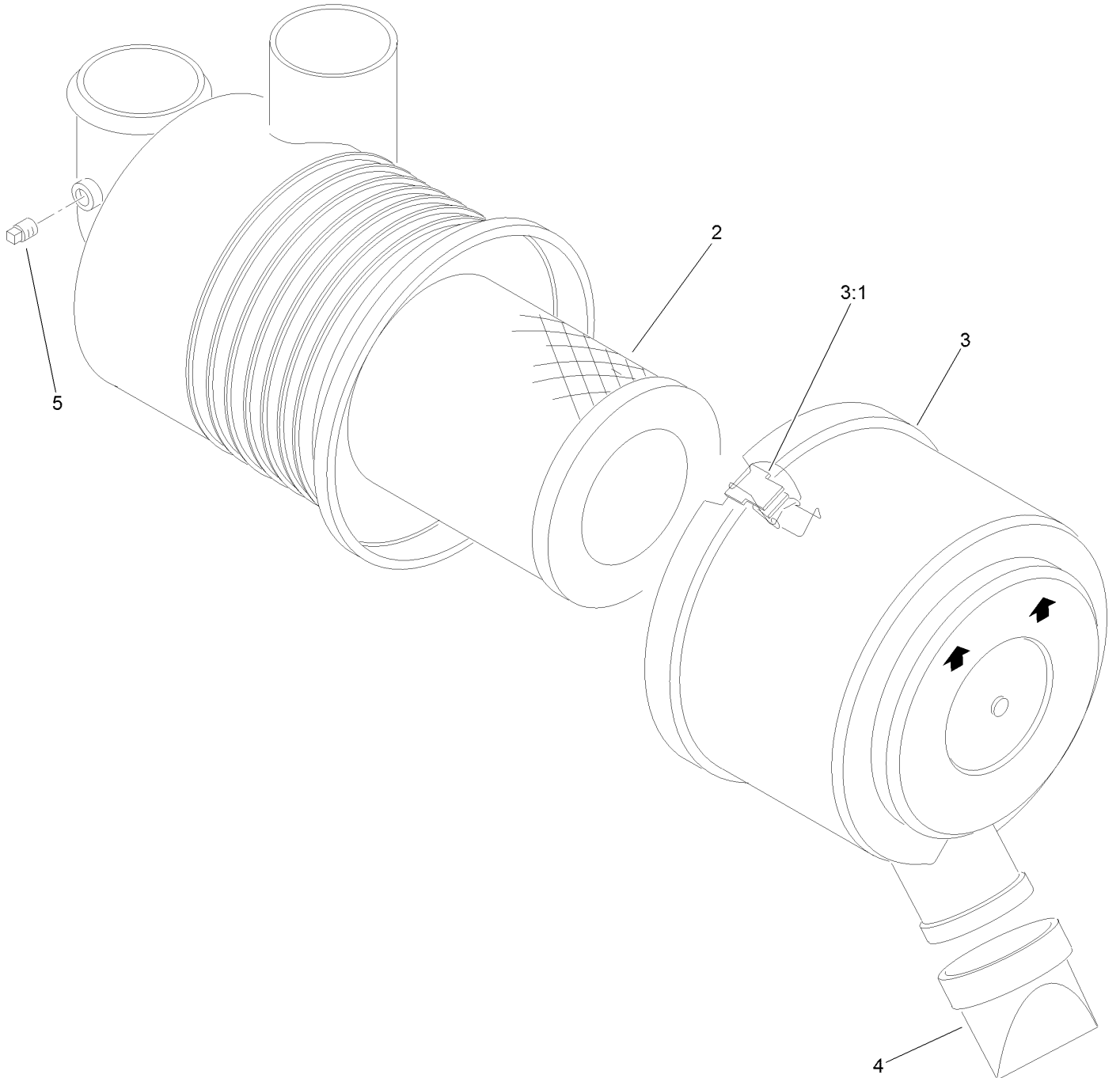




## Engine, Clutch and Muffler Assembly (continued)

| <i>Ref.</i> | <i>Part Number</i> | <i>Qty.</i> | <i>Description</i>             | <i>Ref.</i> | <i>Part Number</i> | <i>Qty.</i> | <i>Description</i>  |
|-------------|--------------------|-------------|--------------------------------|-------------|--------------------|-------------|---------------------|
| 1           | 136-7823           | 1           | Engine-2P77F-HD                | 21          | 126-5864           | 1           | Muffler             |
| 2           | 1-807259           | 1           | Key                            | 22          | 1-603610           | 2           | Washer-Spring       |
| 3           | 138-6007           | 1           | Sheave-Engine                  | 23          | 126-7198           | 1           | Screw-HH W/Loctite  |
| 4           | 147-2400           | 1           | Clutch 6.75, 105 Ftlb, 1.00 Dd | 24          | 33003-00           | 1           | Nut-HF              |
| 5           | 140-1190           | 1           | Anchor-Clutch                  | 25          | 140-2715           | 1           | Decal               |
| 6           | 98-5975            | 4           | Washer-Belleville              | 26          | 93-2190            | 1           | Air Cleaner ASM     |
| 7           | 32144-102          | 4           | Screw-HWH                      | 27          | 136-9242           | 1           | Hose-Intake         |
| 9           | 126-7684           | 1           | Bushing-Idler                  | 28          | 137-2011           | 2           | Pin-Clevis          |
| 10          | 132-4718           | 1           | Pulley-Idler, Flat             | 29          | 136-9243           | 2           | Strap-Canister, Air |
| 11          | 145-5727           | 1           | Belt-V                         | 30          | 1-806003           | 2           | Pin-Cotter          |
| 12          | 139-6690           | 1           | Bushing, Idler Pivot           | 31          | 137-3041           | 1           | Screw-HH            |
| 13          | 140-4964           | 1           | Pulley-Idler, Flat             | 32          | 137-3088           | 1           | Nut-Hex             |
| 14          | 145-5731           | 1           | Idler Arm ASM                  | 33          | 1-643009           | 1           | Clamp-Hose          |
| 14:2        | 138-2573           | 1           | Bushing-Flange                 | 34          | 2412-130           | 1           | Clamp-Hose          |
| 15          | 3256-4             | 1           | Washer-Flat                    | 35          | 136-7859           | 1           | Rain Cap Kit        |
| 17          | 117-9971           | 2           | Bolt-Carriage                  | 35:1        | 1-643009           | 1           | Clamp-Hose          |
| 18          | 104-8301           | 3           | Nut-HF, NI                     | 37          | 109-6919           | 1           | Washer-Plain        |
| 19          | 3231-42            | 1           | Screw-CARR                     | 42          | 110-1136           | 1           | Decal               |
| 20          | 138-7264           | 1           | Spring-Extension               | 43          | 131-1097           | 1           | Decal-Drain, Oil    |
|             |                    |             |                                | 99          | 120-4317           | 2           | Gasket-Exhaust      |

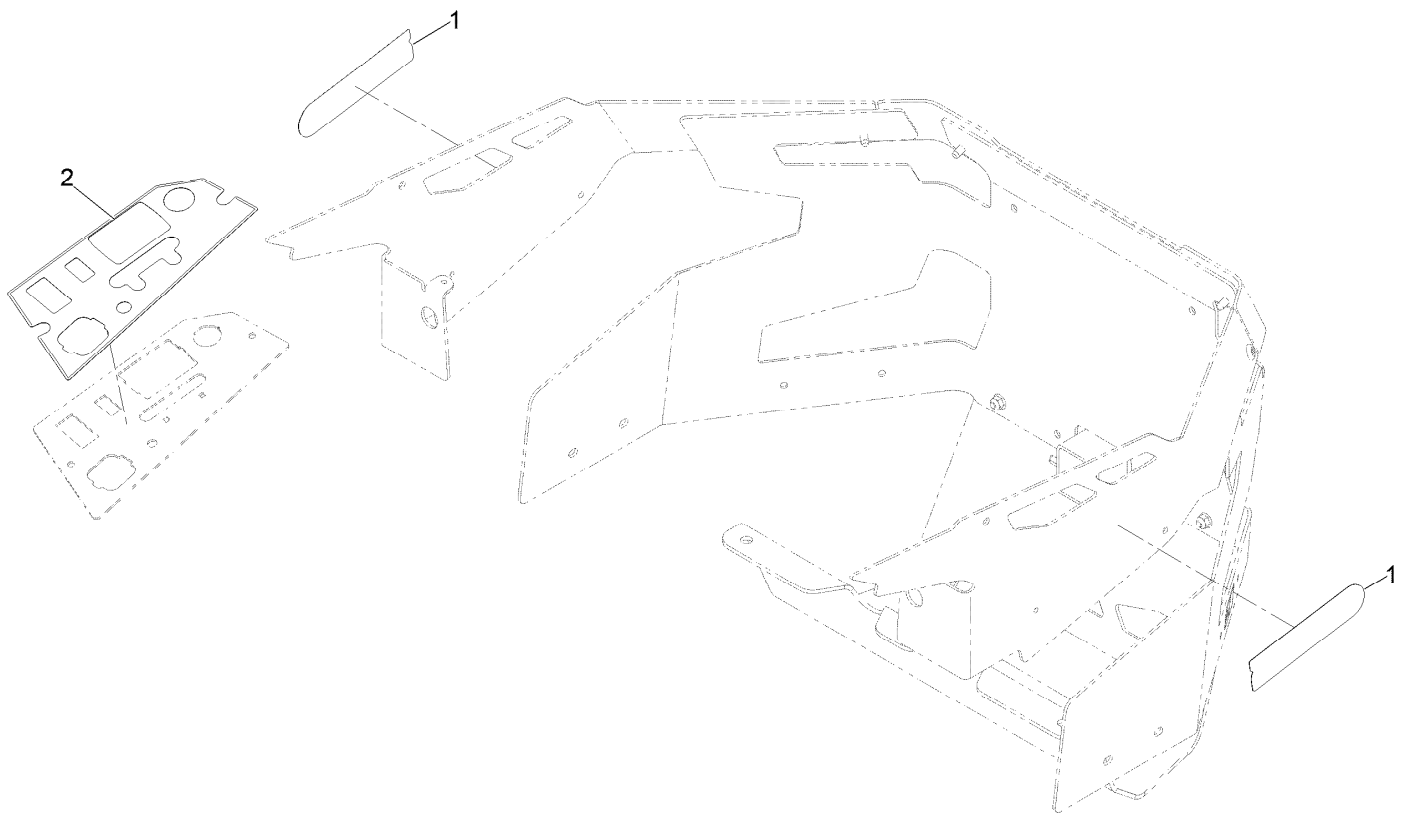
# Air Cleaner Assembly No. 93-2190



## Air Cleaner Assembly No. 93-2190 (continued)

| <i>Ref.</i> | <i>Part Number</i> | <i>Qty.</i> | <i>Description</i>   | <i>Ref.</i> | <i>Part Number</i> | <i>Qty.</i> | <i>Description</i> |
|-------------|--------------------|-------------|----------------------|-------------|--------------------|-------------|--------------------|
| 2           | 108-3811           | 1           | Filter-Air V-Twin HD | 4           | 87-9400            | 1           | Valve-Vacuator     |
| 3           | 94-3652            | 1           | Cover ASM            | 5           | 285-17             | 1           | Plug-Pipe          |
| 3:1         | 1-643283           | 2           | Latch-Cleaner, Air   |             |                    |             |                    |

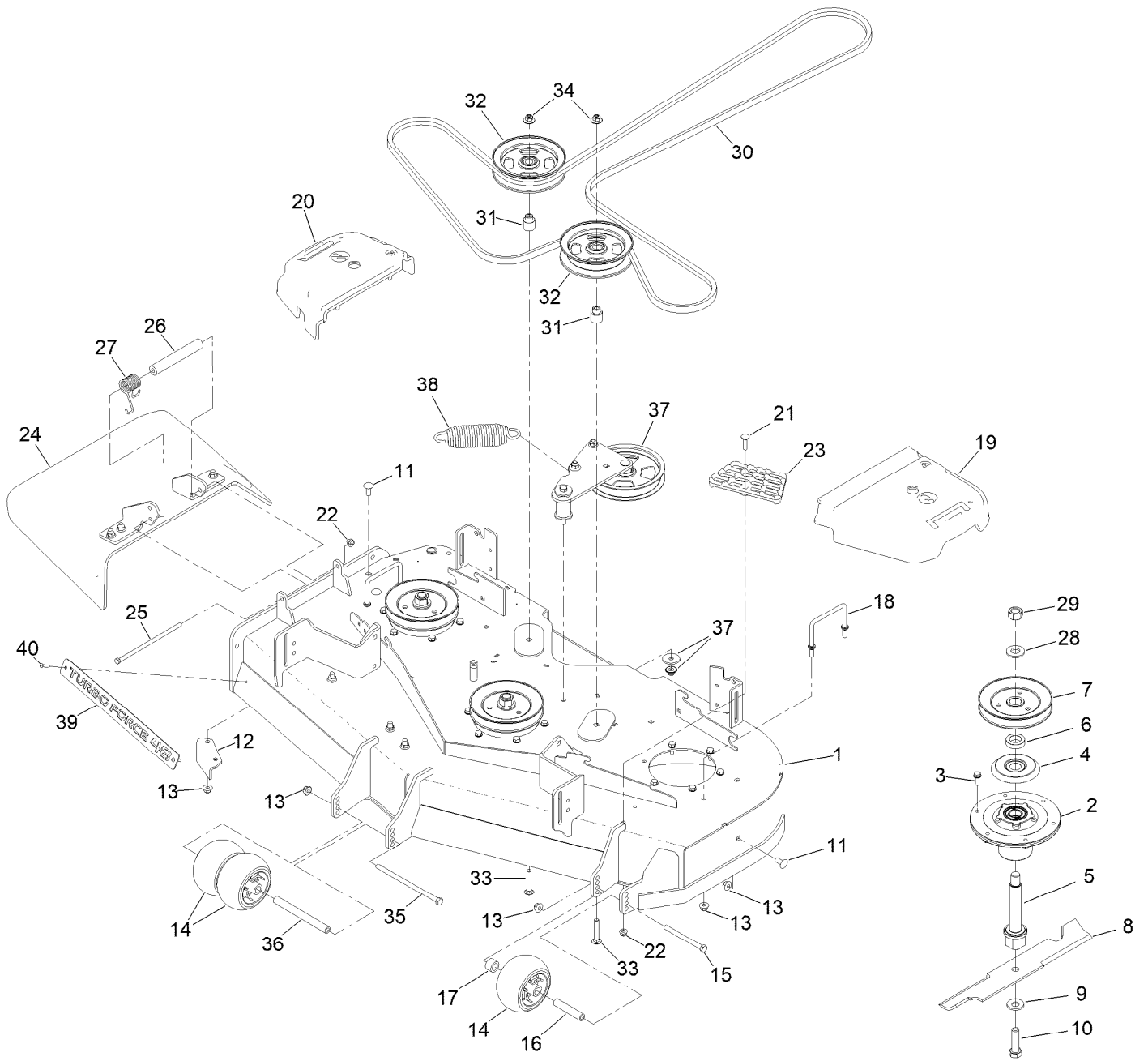
# Decal Assembly



## Decal Assembly (continued)

| <i>Ref.</i> | <i>Part Number</i> | <i>Qty.</i> | <i>Description</i>   |
|-------------|--------------------|-------------|----------------------|
| 1           | 145-8407           | 2           | Decal-2000 Series    |
| 2           | 147-4953           | 1           | Decal-Panel, Control |

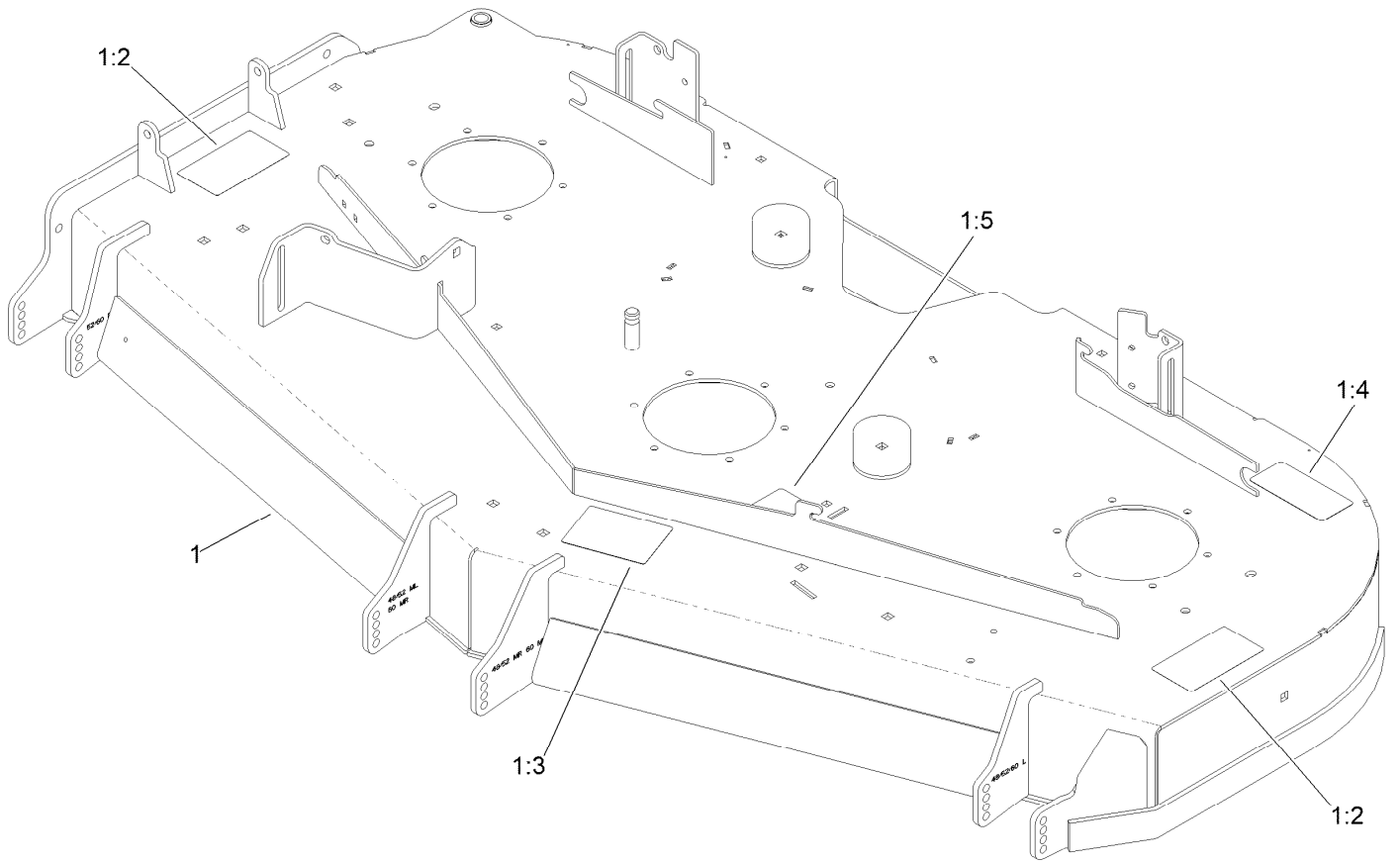
# Deck Assembly



## Deck Assembly (continued)

| <i>Ref.</i> | <i>Part Number</i> | <i>Qty.</i> | <i>Description</i>             | <i>Ref.</i> | <i>Part Number</i> | <i>Qty.</i> | <i>Description</i>        |
|-------------|--------------------|-------------|--------------------------------|-------------|--------------------|-------------|---------------------------|
| 1           | 147-7371           | 1           | Deck Decal ASM                 | 21          | 3230-3             | 1           | Screw-CARR                |
| 2           | 139-2357           | 3           | Spindle ASM                    | 22          | 104-8300           | 2           | Nut-HF, NI                |
| 3           | 32144-41           | 18          | Screw-Taptite                  | 23          | 126-4781-03        | 1           | Step-Deck                 |
| 4           | 117-7210           | 3           | Shield-Bearing                 | 24          | 144-2635           | 1           | Rubber Deflector ASM      |
| 5           | 133-2126           | 3           | Shaft-Spindle                  | 25          | 322-50             | 1           | Screw-HH                  |
| 6           | 147-2381           | 3           | Spacer-Pulley                  | 26          | 105-4622           | 1           | Spacer                    |
| 7           | 138-6065           | 3           | Sheave,Blade Drive 5.91        | 27          | 108-4052           | 1           | Spring-Torsion            |
| 8           | 133-2137           | 3           | Blade-Rotary, 16.5In (Hi Flow) | 28          | 103-2802           | 3           | Washer                    |
| 9           | 125-1736           | 3           | Washer-Belleville              | 29          | 116-7306           | 3           | Nut-Hex                   |
| 10          | 51-4060            | 3           | Screw-Blade                    | 30          | 144-0358           | 1           | Belt-V                    |
| 11          | 3231-27            | 8           | Screw-CARR                     | 31          | 139-8061           | 2           | Bushing, Idler            |
| 12          | 107-8541-01        | 1           | Baffle-Discharge               | 32          | 132-9425           | 2           | Pulley-Idler, Flat        |
| 13          | 104-8301           | 14          | Nut-HF, NI                     | 33          | 3231-7             | 2           | Screw-CARR                |
| 14          | 1-603299           | 3           | Roller-Scalp, Anti             | 34          | 109-6658           | 2           | Nut-Flange, NI            |
| 15          | 323-23             | 1           | Screw-HH                       | 35          | 108-5388           | 1           | Screw-HH                  |
| 16          | 133-2129           | 1           | Tube-Shafting                  | 36          | 98-5967            | 1           | Spacer-Wheel              |
| 17          | 133-2128           | 1           | Tube-Spacer                    | 37          | 139-1087           | 1           | Idler Arm ASM             |
| 18          | 109-6982           | 2           | Wireform-Cover                 | 38          | 116-6317           | 1           | Spring-Extension          |
| 19          | 109-6936           | 1           | Cover-Belt, LH                 | 39          | 147-4976-03        | 1           | Plate-Turbo Force [black] |
| 20          | 109-6935           | 1           | Cover-Belt, RH                 | 40          | 130-8451           | 2           | Rivet-Trifold             |

# Deck Decal Assembly No. 147-7371



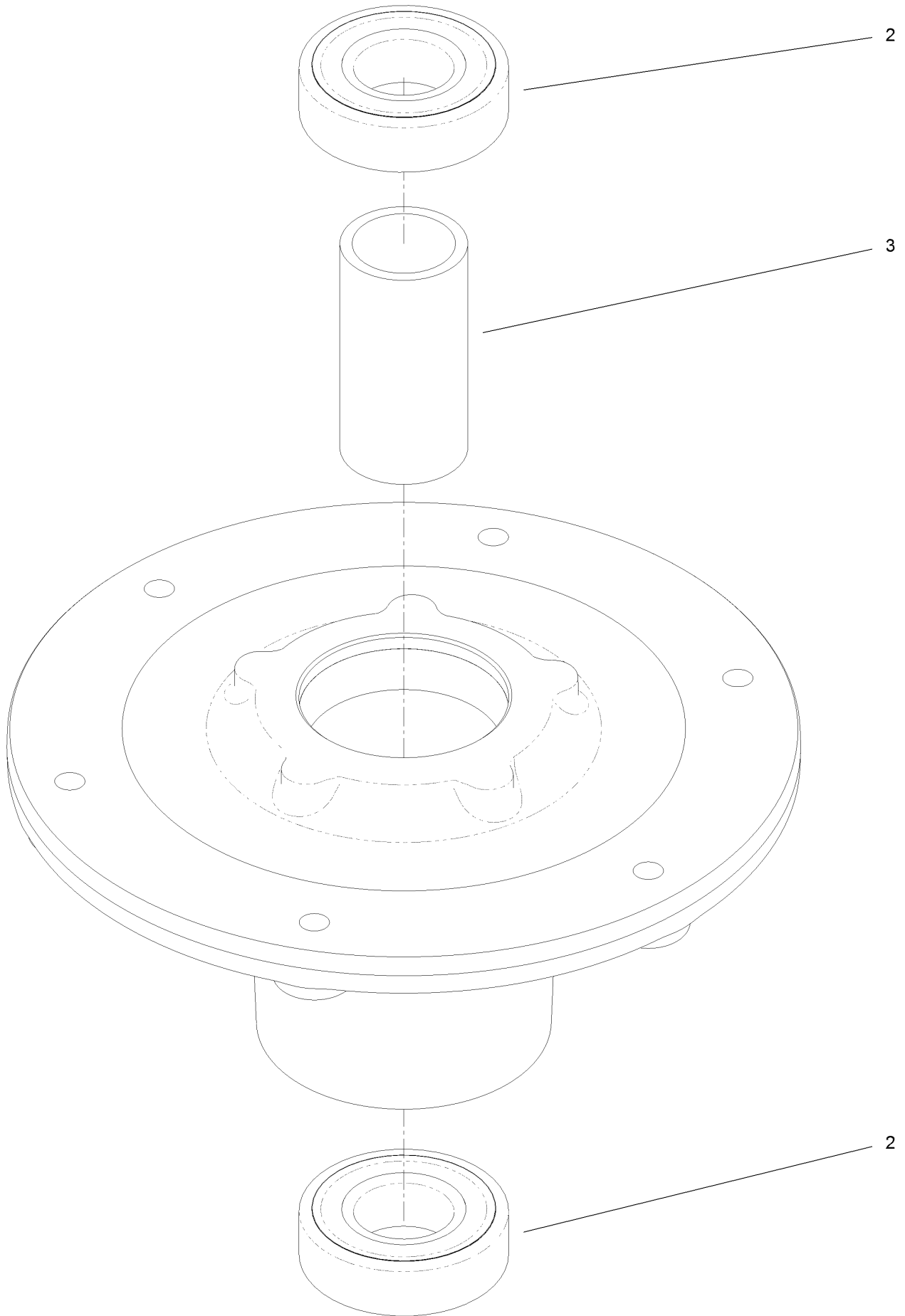


## Deck Decal Assembly No. 147-7371 (continued)

| <i>Ref.</i> | <i>Part Number</i> | <i>Qty.</i> | <i>Description</i>  | <i>Ref.</i> | <i>Part Number</i> | <i>Qty.</i> | <i>Description</i>       |
|-------------|--------------------|-------------|---------------------|-------------|--------------------|-------------|--------------------------|
| 1           |                    | 1           | ASM-Deck W/Decals ● | 1:4         | 93-7818            | 1           | Decal-Torque, Blade Bolt |
| 1:2         | 117-3848           | 2           | Decal-Danger        | 1:5         | 109-6035           | 1           | Decal-Routing, Belt      |
| 1:3         | 127-0326           | 1           | Decal-Scalp, Anti   |             |                    |             |                          |

● Not serviced separately

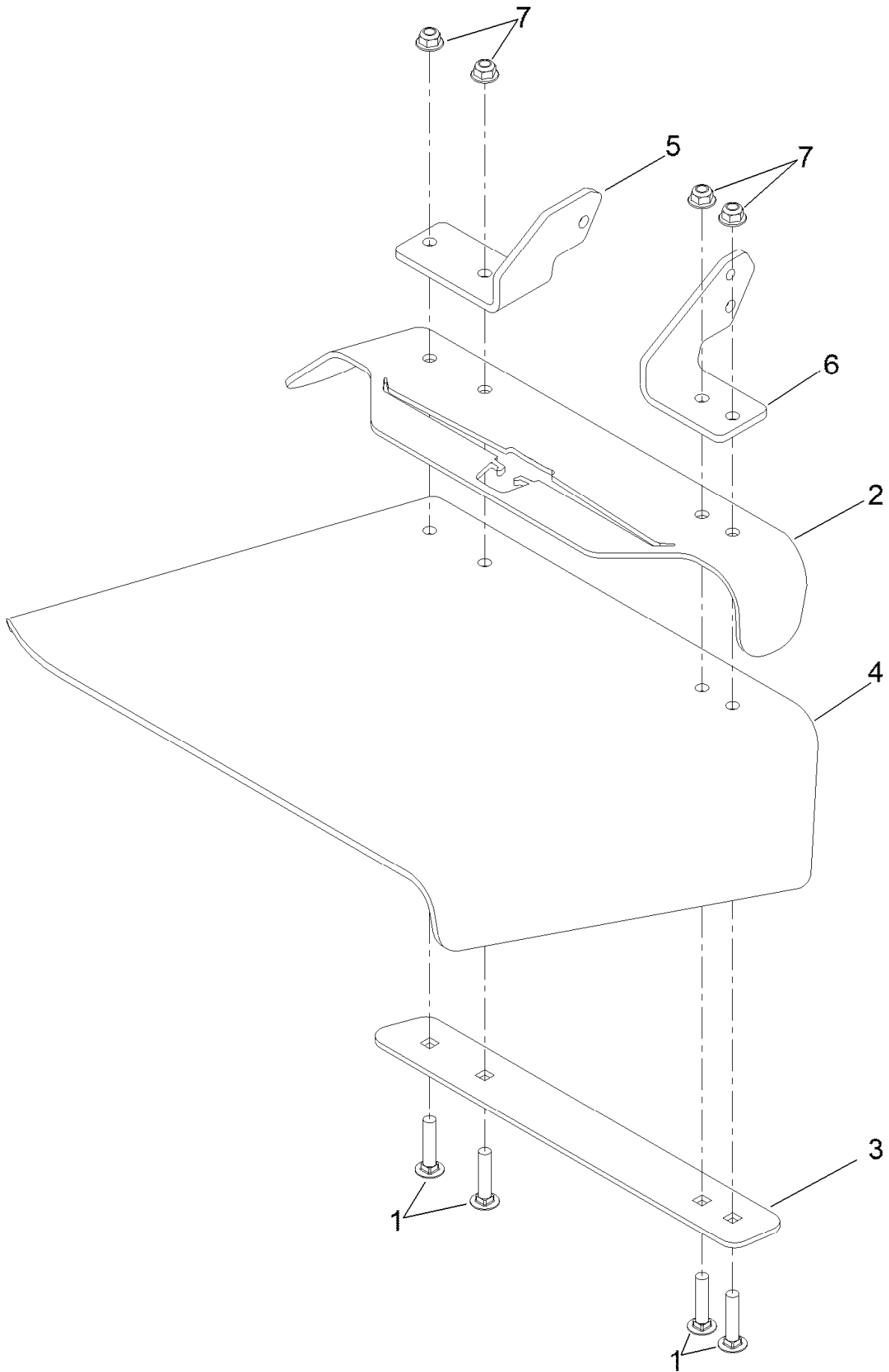
# Spindle Assembly No. 139-2357



## Spindle Assembly No. 139-2357 (continued)

| <i>Ref.</i> | <i>Part Number</i> | <i>Qty.</i> | <i>Description</i> |
|-------------|--------------------|-------------|--------------------|
| 2           | 116-0720           | 2           | Bearing-Ball       |
| 3           | 138-7220           | 1           | Spacer-Bearing     |

# Deflector Assembly No. 144-2635



## Deflector Assembly No. 144-2635 (continued)

| <i>Ref.</i> | <i>Part Number</i> | <i>Qty.</i> | <i>Description</i>     | <i>Ref.</i> | <i>Part Number</i> | <i>Qty.</i> | <i>Description</i> |
|-------------|--------------------|-------------|------------------------|-------------|--------------------|-------------|--------------------|
| 1           | 3231-5             | 4           | Screw-CARR             | 5           | 108-4059-01        | 1           | Plate-Hinge, Rear  |
| 2           | 161-9815-01        | 1           | Plate-Deflector Mount  | 6           | 106-3253-01        | 1           | Plate-Hinge, Front |
| 3           | 106-3248-03        | 1           | Strap-Discharge        | 7           | 104-8301           | 4           | Nut-HF, NI         |
| 4           | 161-3464           | 1           | Deflector-Deck, Rubber |             |                    |             |                    |

# Idler Arm Assembly No. 139-1087



## Idler Arm Assembly No. 139-1087 (continued)

| <i>Ref.</i> | <i>Part Number</i> | <i>Qty.</i> | <i>Description</i>   | <i>Ref.</i> | <i>Part Number</i> | <i>Qty.</i> | <i>Description</i>   |
|-------------|--------------------|-------------|----------------------|-------------|--------------------|-------------|----------------------|
| 1           | 139-1086           | 1           | Idler Arm ASM        | 7           | 109-6658           | 3           | Nut-Flange, NI       |
| 2           | 138-2573           | 2           | Bushing-Flange       | 8           | 323-15             | 1           | Screw-HH             |
| 3           | 139-8060           | 1           | Bushing, Idler       | 9           | 3231-5             | 1           | Screw-CARR           |
| 4           | 132-9424           | 1           | Pulley-Idler, Flat   | 10          | 132-4729           | 1           | Anchor-Spring, Short |
| 5           | 139-6690           | 1           | Bushing, Idler Pivot | 11          | 136-9028           | 1           | Bolt-Shoulder, HWH   |
| 6           | 1-213069           | 3           | Washer               | 12          | 104-8301           | 1           | Nut-HF, NI           |

# Attachments and Accessories

## For 77281 48in Z Master Professional 2000 Series Riding Mower

| <b>Product Name</b>  | <b>Model/Part</b> |
|--|-------------------|
| Hypr-Oil 500 (quart) .....   | 114-4713          |
| Hypr-Oil 500 (gallon).....   | 114-4714          |
| Hypr-Oil 500-5 (5 gallon).....                                       | 114-4715          |
| Striper Kit.....   | 126-7882          |
| Jack Kit.....  | 127-6666          |
| Blade-Rotary, 16.5in (Hi Flow).....                                  | 133-2137          |
| Blade-Rotary, Atomic 16.5.....                                       | 133-2160          |
| Blade-Rotary, Recycling 16.5in.....                                  | 133-2163          |
| Blade (6 Pack) 16.5in Hi Flow.....                                   | 133-2176          |
| Blade (6 Pack) 16.5in Atomic.....                                    | 133-2182          |
| Spark Arrestor, 1.25 I.D. ....                                       | 137-8098          |
| Tweel-Turf Tire.....   | 139-3649          |
| Recycler Kit .....   | 139-6650          |
| Semi Pneumatic Wheel and Tire Assembly, 13x6.50-6 .....              | 140-4896          |
| Wheel And Tire Asm .....   | 140-7958          |
| Trimmer Mount .....  | 144-2665          |
| Jack Mount Kit.....  | 144-2676          |
| Hardtop Sun Canopy .....   | 144-3719          |
| Handle Extension Kit .....   | 145-3615          |
| 13x6.5n6 Caster Tweel Asm.....                                       | 147-6294          |
| Bucket Mount Kit, Z Master 2000 or 4000 Series Riding Mower .....    | 147-6345          |
| Universal Mount Kit, Z Master 2000 or 4000 Series Riding Mower ..... | 147-6346          |
| Kit-Baffle, Turbo Force 48.....                                      | 147-7360          |
| Arm Rest Kit.....  | 147-7397          |
| Kit-Elec Deck Lift .....   | 147-7867          |
| 2in Reciever Hitch Kit.....  | 161-2810          |
| Fuel Pickup with Screen Kit .....                                    | 161-6806          |
| Maintenance Kit Toro V-twin W/ HD AC .....                           | 20295             |
| Bagger Kit, Z Master 2000 / 4000 .....                               | 78439             |
| Z 4000 48in Completion Kit.....                                      | 78464             |



**Notes:**

**Notes:**

**Notes:**



**Count on it.**