



Count on it.

Parts Catalog

**Reelmaster® 5010-H
Traction Unit**

Model No. 03950—Serial No. 417460636 and Up



Ordering Replacement Parts

To order replacement parts, please supply the part number, the quantity, and the description of each part desired.

Understanding Reference Numbers

Each identified part in an illustration has a reference number. The reference number for a part also appears in the parts list, along with other information about the part.

This catalog uses two special reference number formats, one to indicate parts in a service assembly and another to indicate the quantity of a given part in an illustration.

Service Assembly Reference Numbers

Parts in service assemblies have reference numbers in the form a:b. The a represents the reference number of the entire service assembly and the b represents a sequential number unique to each part within the service assembly.

For example, a wheel assembly might be identified by reference number 6, the tire by 6:1, the valve by 6:2, and the wheel by 6:3. When you order the assembly identified by reference number 6, you receive all parts identified by reference numbers 6:1, 6:2, and 6:3. However, you may also order any part individually. Reference numbers of this type appear in illustration and in parts lists.

Reference Numbers Indicating Quantity

In an illustration, if a reference number indicates more than one part, the reference number has the form nX y. The n represents the quantity of the part, the X is the multiplication symbol, and the y represents the reference number.

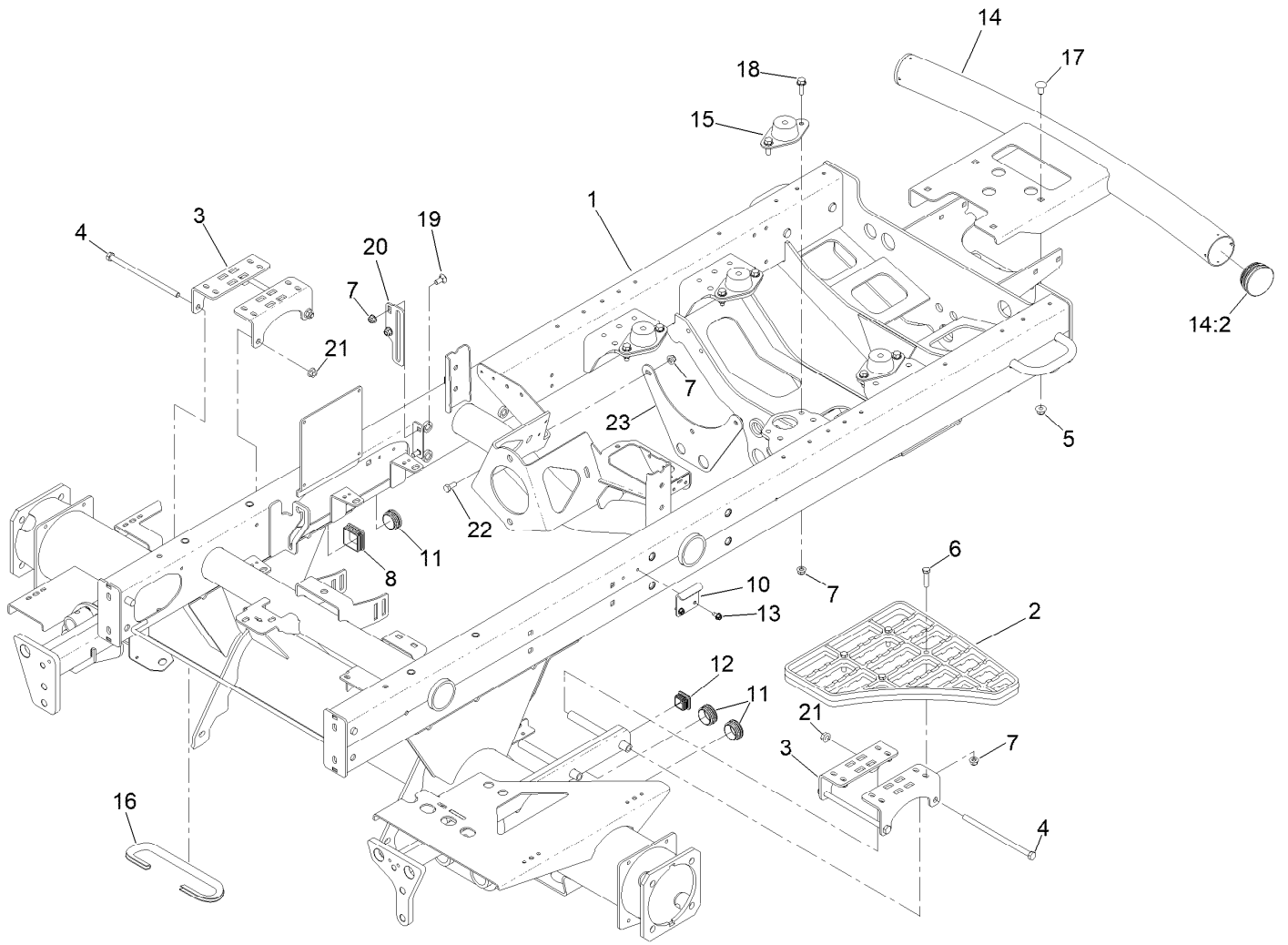
For example, in an illustration, the reference number 2X 37 means that two of the parts identified by reference number 37 are indicated.

Contents

Frame Assembly	5
Platform and Shroud Assembly	6
Pedal Assembly	7
Steering Assembly	8
Steering Tilt Column Assembly No. 106-3622	9
Steering Valve Assembly No. 106-3621	10
Control Panel Assembly	11
Joystick Bracket Assembly No. 120-5280	13
Front Axle Assembly	14
Rear Axle Assembly	15
Tie Rod Assembly No. 139-6029	16
Hub and Spindle Assembly No. 117-8961	17
No. 1, 4 and 5 Lift Arm Assembly	18
No. 2 and 3 Lift Arm Assembly	20
Seat and Control Arm Wiring Harness Assembly	21
Battery Electrical Assembly	22
Electrical Assembly	23
Wire Harness Assembly No. 122-2913	24
Gear Pump Assembly	25
Tandem Gear Pump Assembly No. 125-1530	26
Seat Base Assembly	27
Hood Assembly	28
Radiator Assembly	29
Fuel System Assembly	31
Hydraulic Tank Assembly	32
Seat and Roll-Over Protection System Assembly	33
Seat Assembly No. 139-2700	34
Mechanical Seat Suspension Assembly No. 145-5295	35
Traction Pump Mounting Assembly	36
Hydraulic Pump Assembly No. 144-2060	37
Traction Hydraulic Assembly	39
Hydraulic Motor Assembly No. 139-6038	40
Hydraulic Motor Assembly No. 139-6039	41
Hydraulic Brake Assembly	42
Brake Release Manifold Assembly No. 139-6046	43
Front Lift Hydraulic Assembly	44
Hydraulic Cylinder Assembly No. 138-6999	45
Hydraulic Cylinder Assembly No. 163-3534	46
Hydraulic Manifold Block Assembly No. 105-7577	47
Rear Lift Hydraulic Assembly	48
Steering Hydraulic Assembly	49
Hydraulic Cylinder Assembly No. 110-9035	51
Engine, Air Cleaner and Muffler Assembly	52
Air Cleaner Assembly No. 106-5277	54
48 Volt Battery Assembly	55
48 Volt Contactor Assembly	56
Reel Motor Plumbing Assembly	57
Generator And Drive Shaft Assembly	58
Generator/Controller Assembly No. 127-2655	59
Generator Assembly No. 127-2653	60
Driveshaft Assembly No. 139-6044	61
Crankcase Assembly	62
Oil Pan and Dipstick Assembly	63
Cylinder Head Assembly	64

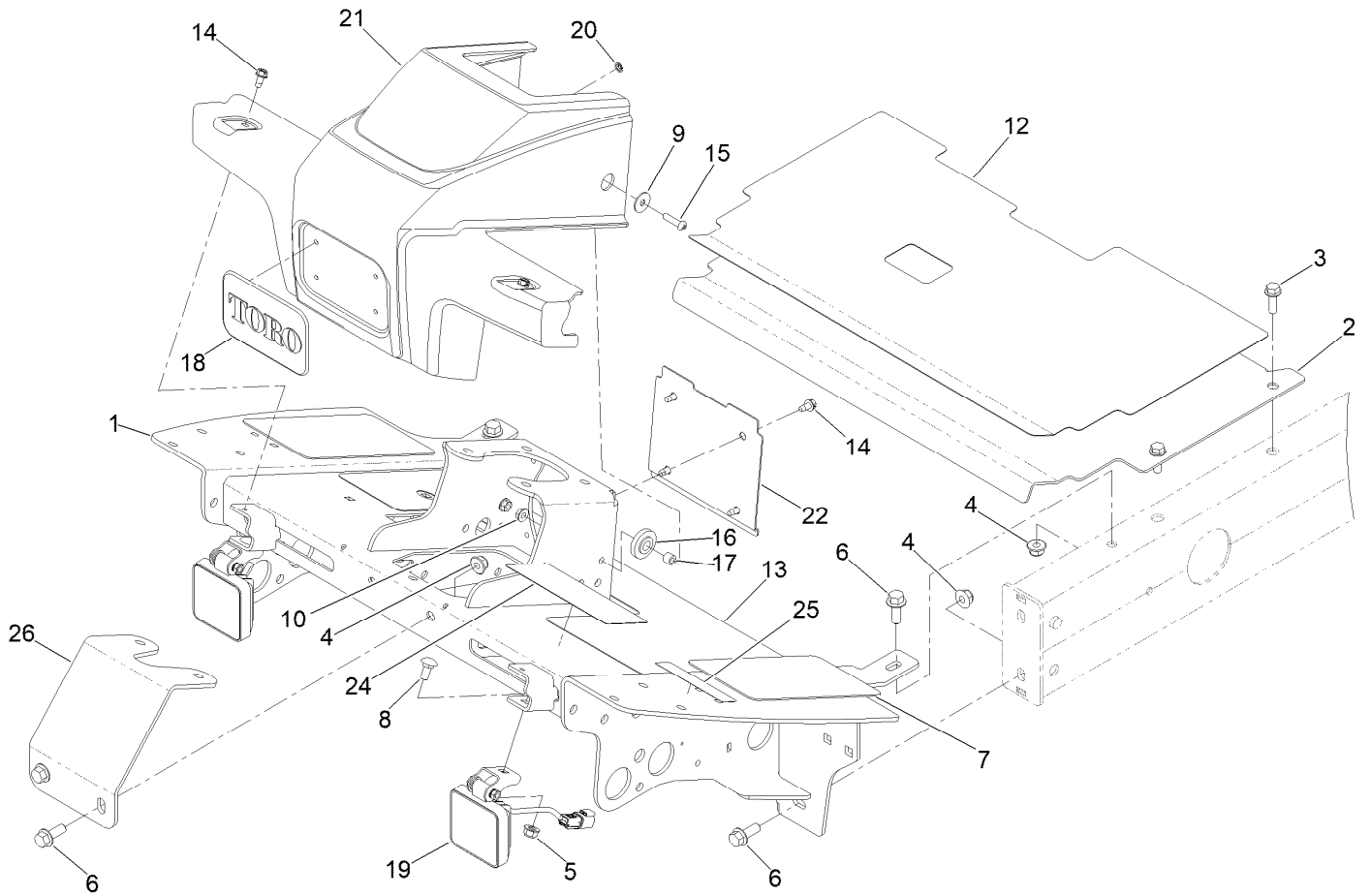
Contents (continued)

Gear Case and Oil Filter Cartridge Assembly	65
Cylinder Head Cover Assembly	66
Main Bearing Case Assembly	67
Camshaft and Idle Gear Shaft Assembly	68
Piston and Crankshaft Assembly	69
Fuel Camshaft and Governor Shaft Assembly	70
Idle Apparatus Assembly	71
Injection Pump Assembly	72
Governor Assembly	73
Speed Control Plate Assembly	74
Nozzle Holder and Glow Plug Assembly	75
Nozzle Holder Assembly	76
Cover Assembly	77
Alternator, Pulley and Fan Assembly	78
Alternator Assembly No. 131-6557	79
Starter and Flywheel Assembly	80
Starter Assembly No. 131-6561	81
Water Flange and Thermostat Assembly	82
Water Pump Assembly	83
Valve and Rocker Arm Assembly	84
Inlet and Exhaust Manifold Assembly	85
Miscellaneous Engine Parts	86
Attachments and Accessories	87



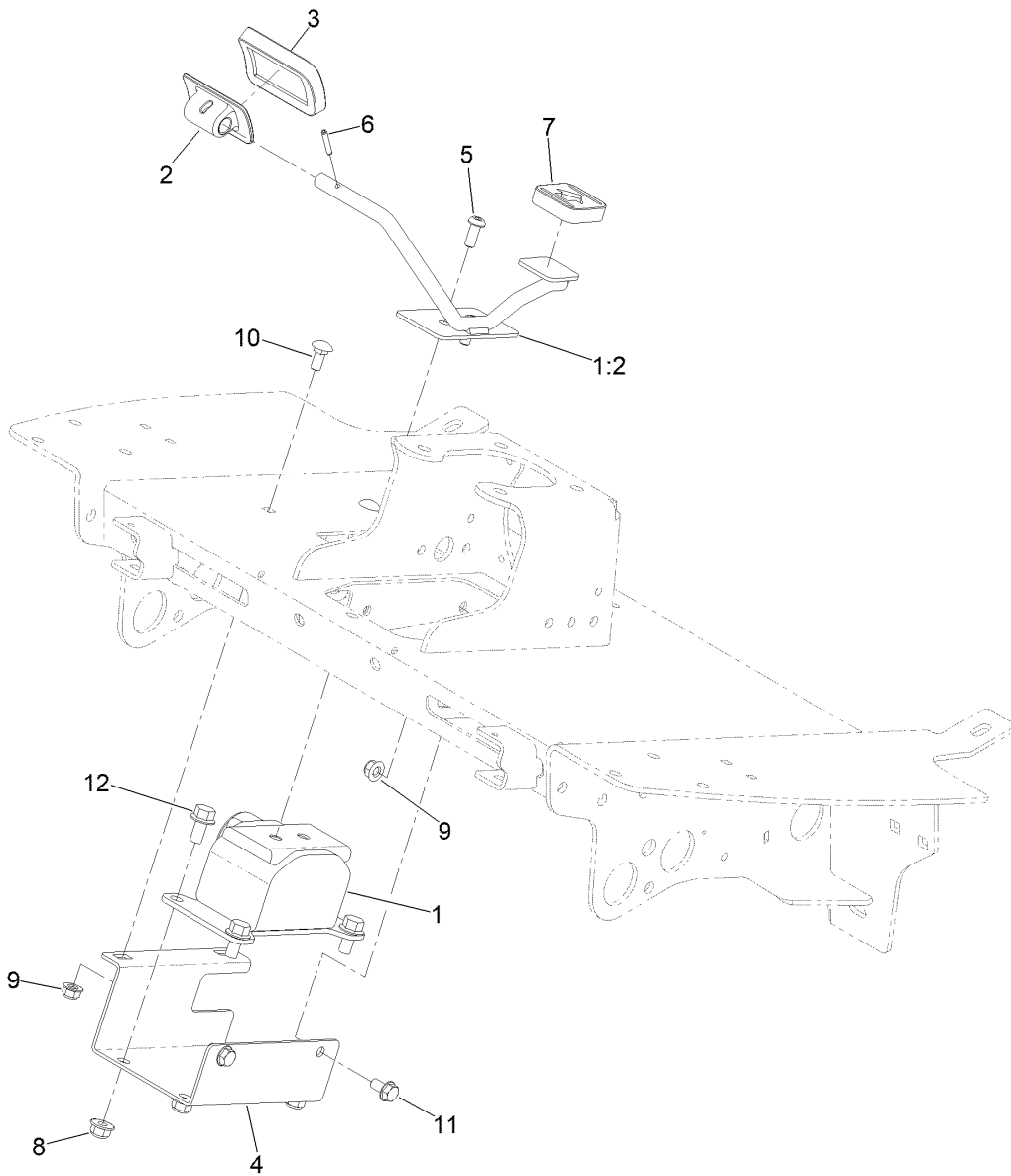
Frame Assembly

<i>Ref.</i>	<i>Part Number</i>	<i>Qty.</i>	<i>Description</i>	<i>Ref.</i>	<i>Part Number</i>	<i>Qty.</i>	<i>Description</i>
1	145-2467	1	Frame ASM-Hybrid	14	147-3550	1	Bumper ASM
2	110-9041	1	Step-Aluminum	14:2	2410-42	2	Cap-End
3	127-2697-01	4	Bracket-Step	15	120-6274	4	Mount-Engine
4	323-36	4	Screw-HH	16	145-2520	1	Trim-Brake Hose
5	104-8301	4	Nut-HF, NI	17	3231-21	4	Screw-CARR
6	322-17	4	Screw-HH	18	3234-29	8	Screw-HHF
7	104-8300	16	Nut-HF, NI	19	3230-1	2	Bolt-CARR
8	95-9495	1	Cap	20	108-7584-01	1	Plate-Guide, Rod
10	110-8972	1	Hook-Latch	21	32128-21	4	Nut-HF Lock
11	110-9012	3	Caplug	22	322-3	2	Screw-HH
12	110-9013	1	Caplug	23	145-2559-01	1	Bracket-Bulkhead
13	32104-17	2	Screw-HWH				



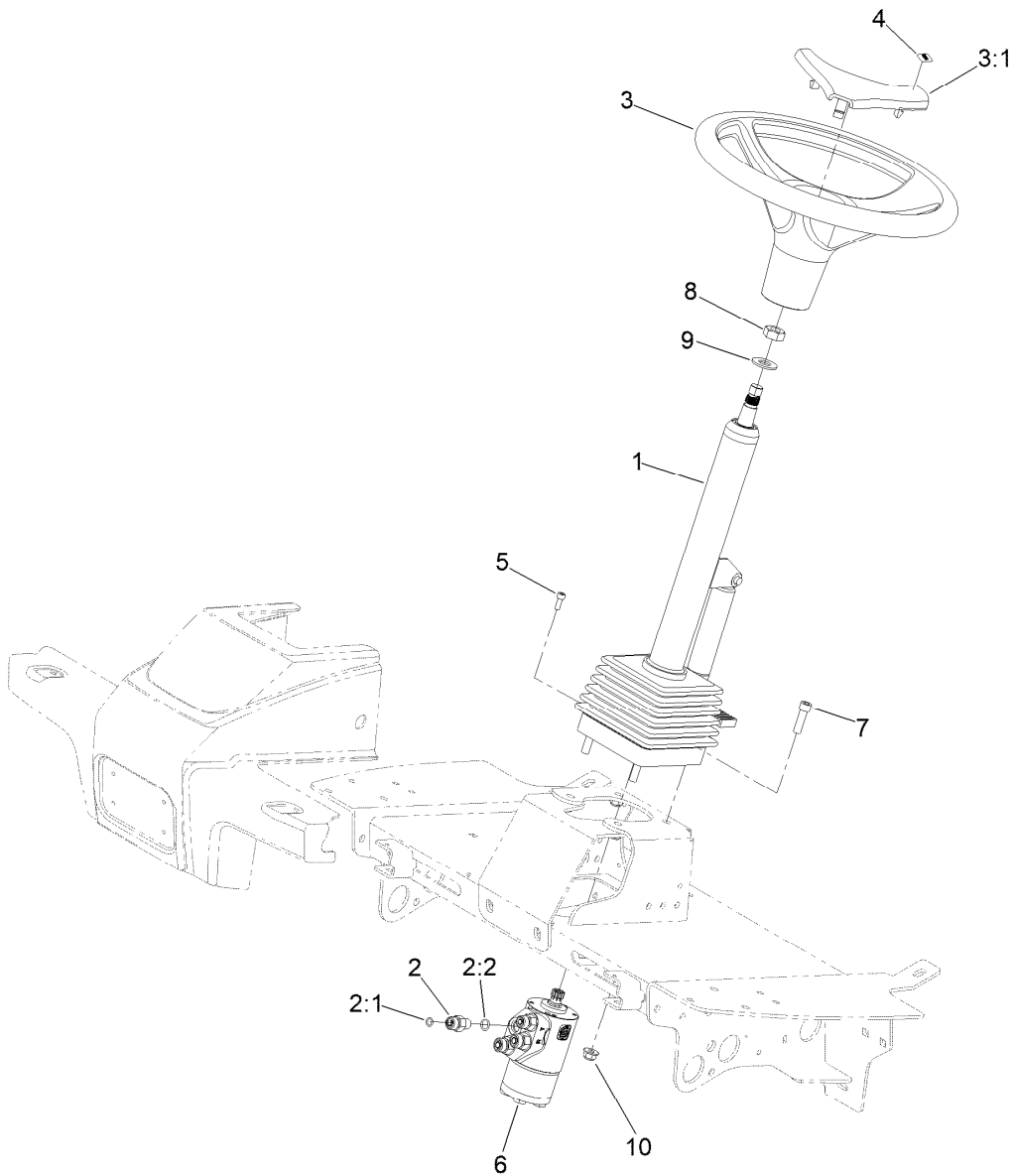
Platform and Shroud Assembly

<i>Ref.</i>	<i>Part Number</i>	<i>Qty.</i>	<i>Description</i>	<i>Ref.</i>	<i>Part Number</i>	<i>Qty.</i>	<i>Description</i>
1	145-2490-01	1	Platform ASM	15	106-9518	2	Screw-PRH
2	115-8064-01	1	Plate-Floor	16	240-11	2	Bushing-Flange
3	3234-17	4	Screw-HHF	17	66-8010	2	Spacer
4	104-8301	6	Nut-HF, NI	18	93-6028	1	Plate-Logo
5	104-8300	2	Nut-HF, NI	19	145-2598	2	Light-Work, LED
6	3234-11	6	Screw-HHF	20	138-6996	4	Nut-Push
7	125-2910	2	Tread-Floor, Side	21	110-0944	1	Shroud-Platform
8	3230-1	2	Bolt-CARR	22	110-0947-03	1	Plate-Cover
9	87-6630	2	Washer-Plain	24	133-2930	1	Decal-Danger
10	32128-33	2	Nut-HF	24	133-2931	1	Decal-Danger (CE)
12	125-2911	1	Tread-Panel, Service	25	133-8062	1	Decal-Spark Arrestor
13	145-2510	1	Tread-Floor Board	26	110-8876-0P	1	Brace-Column
14	32104-17	6	Screw-HWH				



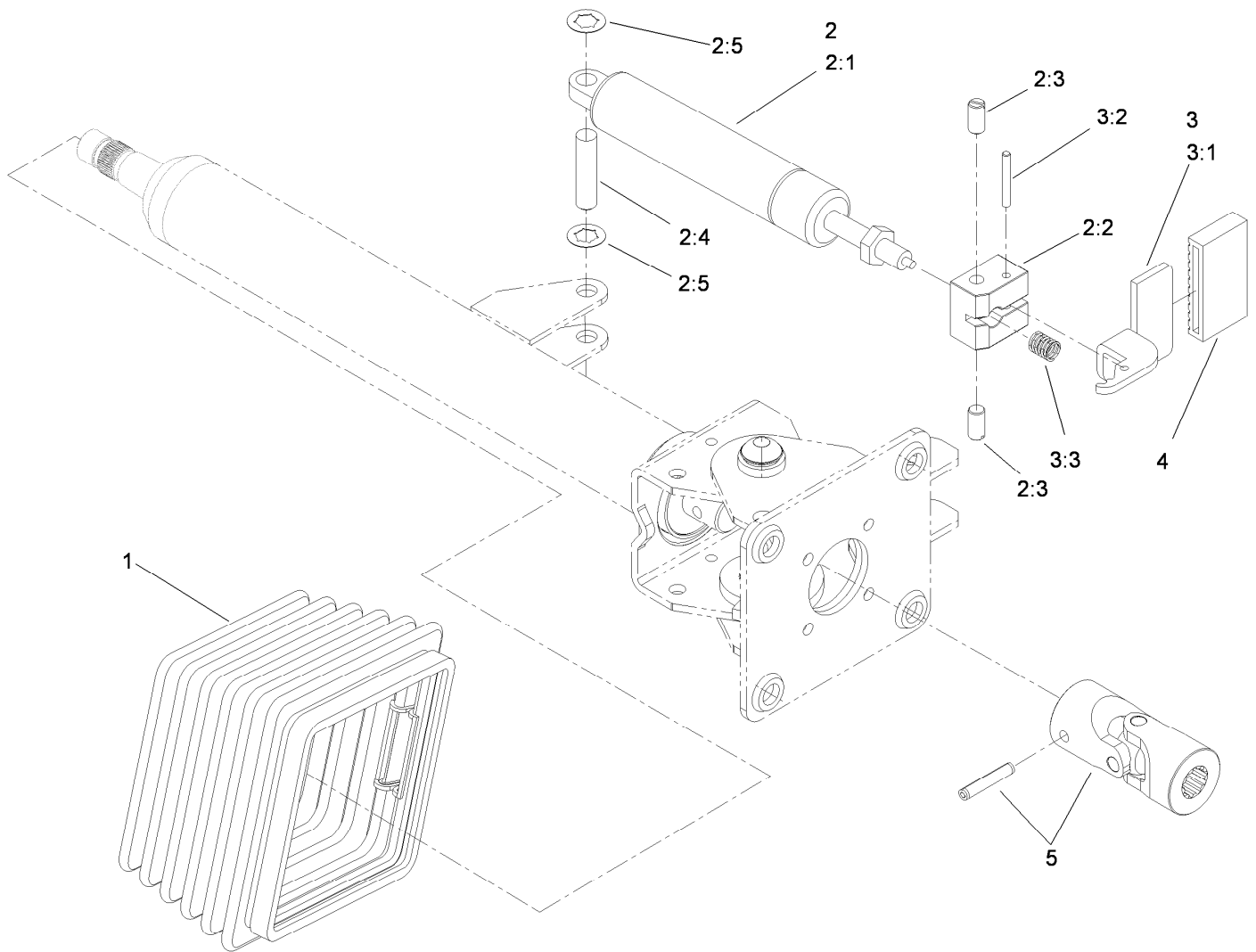
Pedal Assembly

Ref.	Part Number	Qty.	Description
1	145-2545	1	E-Pedal ASM
1:2	145-2521	1	Pedal ASM
2	117-9507	1	Pedal-Accelerator
3	74-9100	1	Pad-Pedal, Forward
4	145-2489-0P	1	Bracket-Pedal, Mount
5	3274-96	2	Screw-HSBH
6	32121-45	1	Pin-Spring
7	74-9110	1	Pad-Pedal, Reverse
8	104-8301	4	Nut-HF, NI
9	104-8300	4	Nut-HF, NI
10	3230-1	2	Bolt-CARR
11	3234-7	2	Screw-HHF
12	3234-1	4	Screw-HHF



Steering Assembly

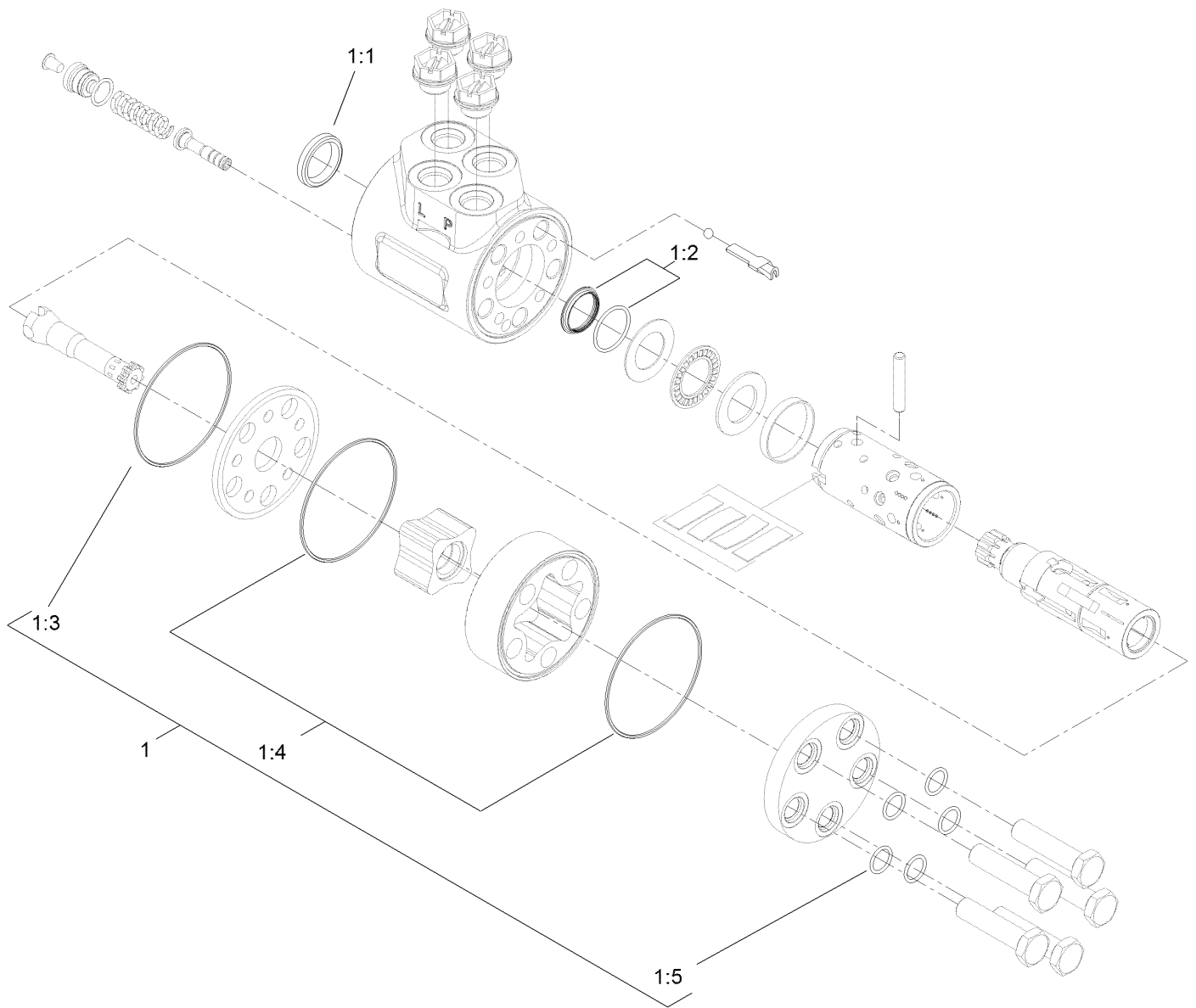
Ref.	Part Number	Qty.	Description
1	106-3622	1	Steering Tilt Column ASM
2	340-2	4	Fitting-Straight
2:1	237-22	1	O-Ring
2:2	237-42	1	O-Ring
3	98-1471	1	Wheel-Steering
3:1	98-1468	1	Cover-Wheel, Steering
4	98-1459	1	Decal
5	105-2409	4	Screw-HSH
6	106-3621	1	Steering Valve ASM
7	3274-1	4	Screw-HSH
8	3296-33	1	Nut-Lock, NI
9	3256-27	1	Washer-Flat
10	104-8301	4	Nut-HF, NI



Steering Tilt Column Assembly No. 106-3622

Ref.	Part Number	Qty.	Description
1	110-6462	1	Bellows-Rubber
2	110-6463	1	Cylinder Service Kit
2:1		1	Cylinder-Gas ●
2:2		1	Block-Pedal ●
2:3		2	Bolt ●
2:4		1	Pin ●
2:5		2	Washer-Lock ●
3	110-6464	1	Pedal Service Kit
3:1		1	Pedal ●
3:2		1	Pin ●
3:3		1	Spring ●
4	110-6465	1	Cover-Pedal
5	120-6256	1	Universal Joint Kit

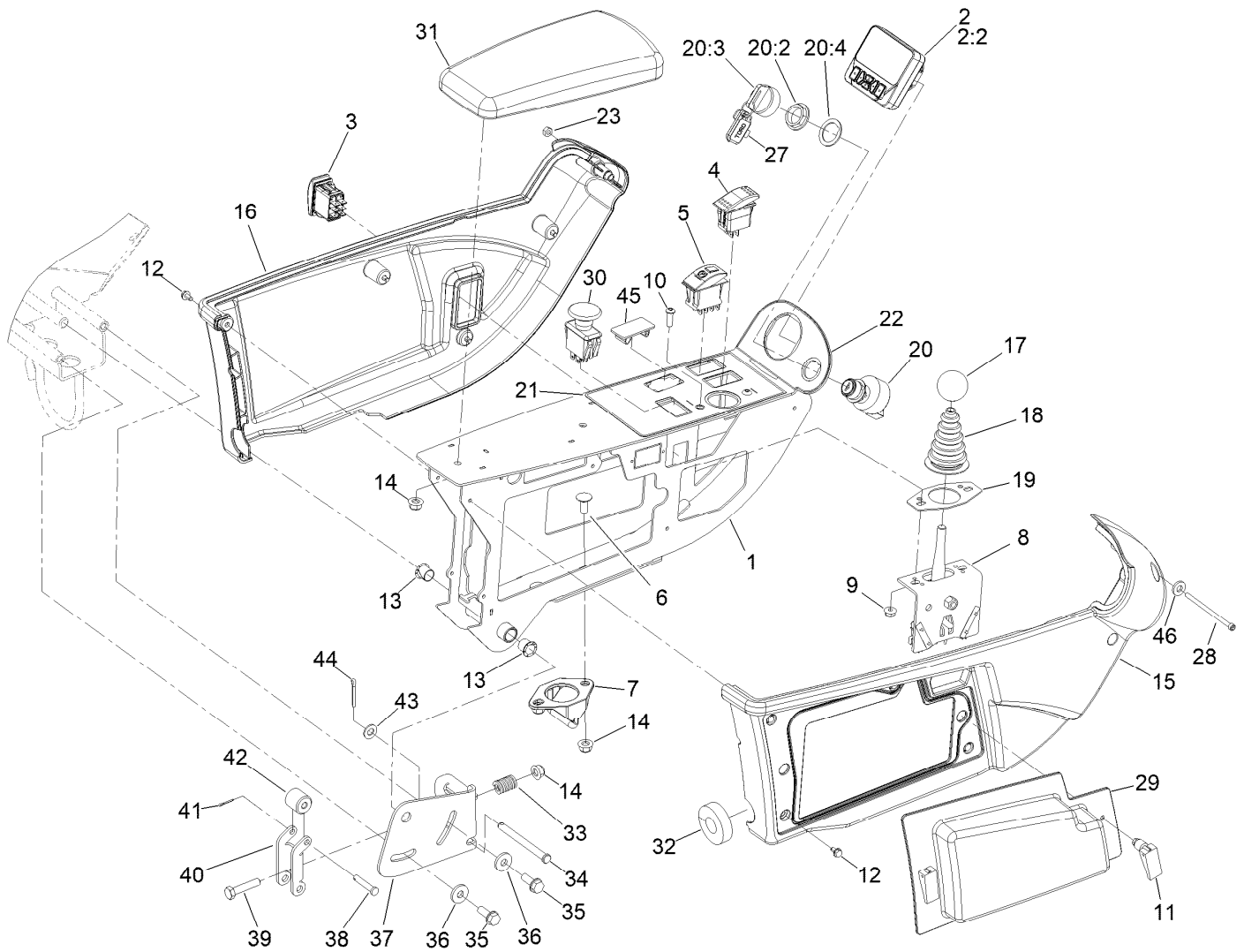
● Not serviced separately



Steering Valve Assembly No. 106-3621

<i>Ref.</i>	<i>Part Number</i>	<i>Qty.</i>	<i>Description</i>
1	106-6716	1	Seal Kit
1:1		1	Ring-Seal, Dust ●
1:2		1	Seal-Shaft ●
1:3		1	O-Ring ●
1:4		2	O-Ring ●
1:5		5	O-Ring ●

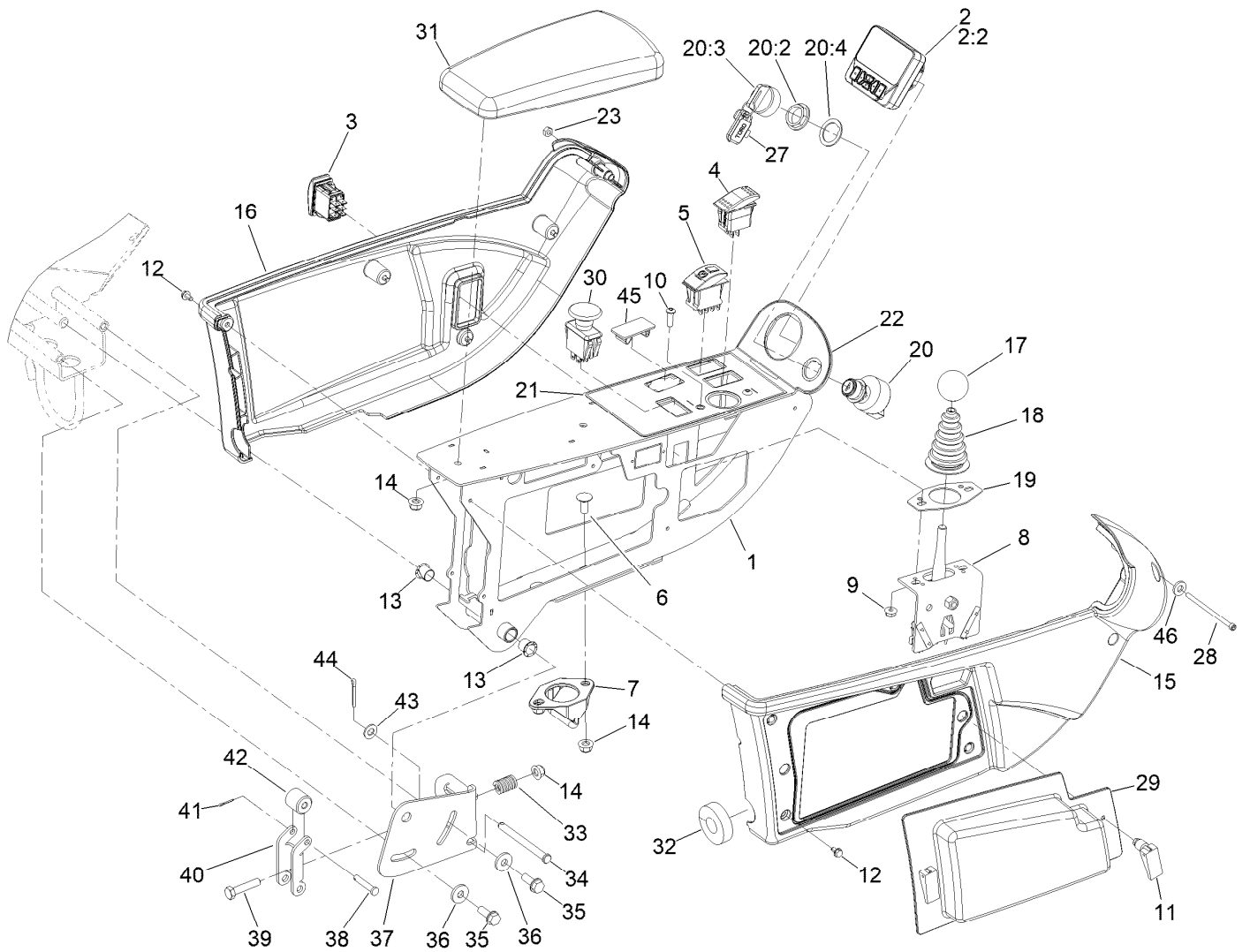
● Not serviced separately



Control Panel Assembly

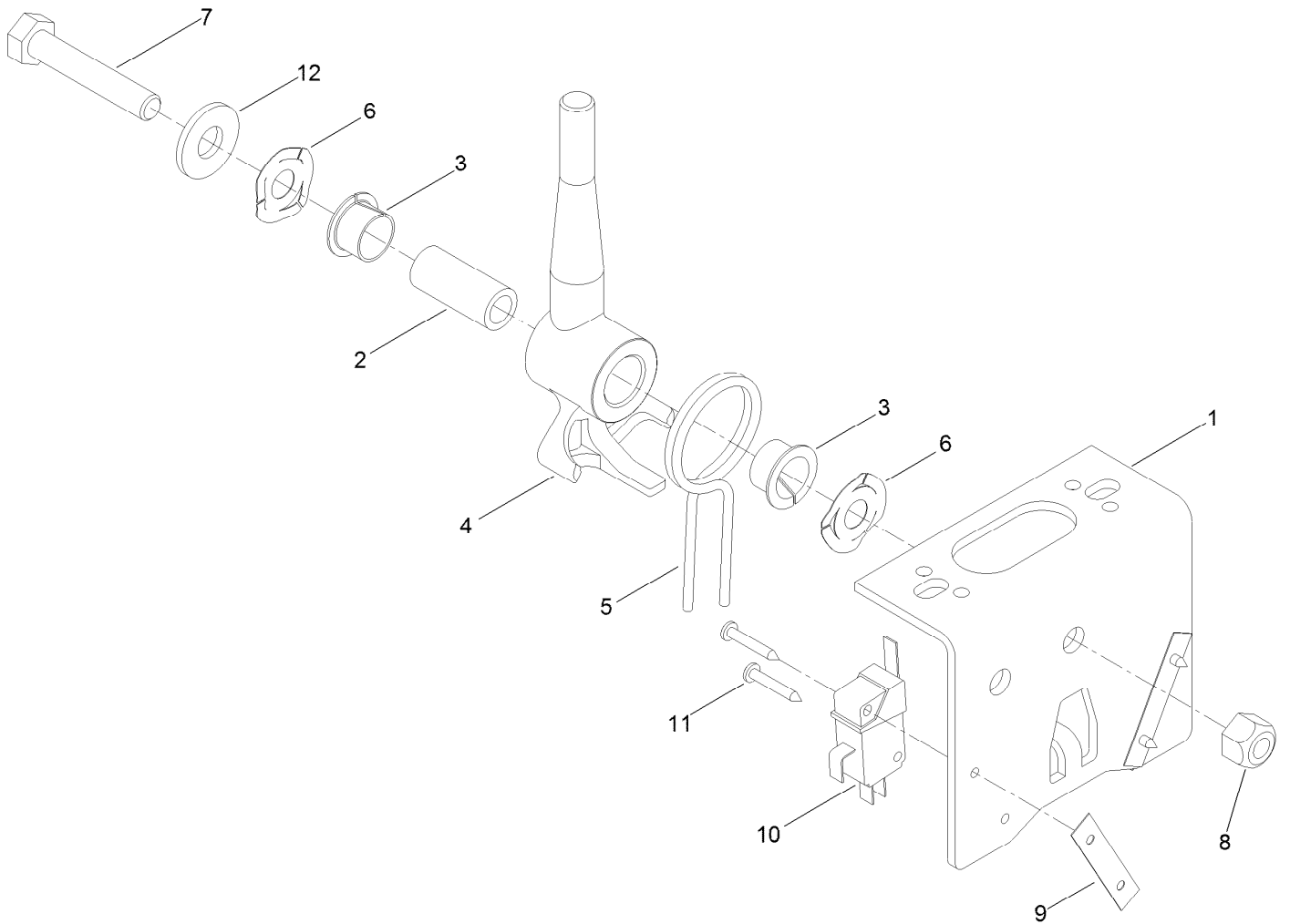
Ref.	Part Number	Qty.	Description
1	145-2474-03	1	Frame ASM, Control Arm [black]
2	161-1700	1	Display-LCD
2:2	161-1723	1	Nut-Display
3	95-8999	1	Switch-Rocker, On-None-On
4	114-3329	1	Switch-Rocker
5	111-2254	1	Switch-Rocker, On-None-On
6	3230-23	2	Bolt-CARR
7	125-1938	1	Latch
8	120-5280	1	Bracket-Joystick
9	104-7201	2	Nut-HF, NI
10	3274-69	2	Screw-HSBH
11	74-5950	2	Latch-Swell
12	104-2065	10	Screw-HWH
13	256-257	2	Bushing-Nyliner
14	104-8300	5	Nut-HF, NI
15	108-7605	1	Cover-RH
16	108-7604	1	Cover-LH
17	233-42	1	Knob

Ref.	Part Number	Qty.	Description
18	93-5961	1	Boot-Lever
19	112-9181	1	Plate-Boot
20	106-5269	1	Ignition Switch ASM
20:2	108-8660	1	Nut-Mounting
20:3	106-5270	1	Ignition Key Set
20:4	108-8659	1	Washer-Backup
21	145-2549	1	Decal-Control Panel
22	120-4158	1	Decal-Console, Upper
23	3296-2	1	Nut-Lock, NI
27	99-8970	1	Key-Latch, Hood
28	161-8374	1	Screw-HSH
29	114-0446	1	Panel-Access
30	93-9999	1	Switch-PTO
31	108-7602	1	Rest-Arm
32	145-2594	1	Seal-Foam
33	110-5331	1	Spring-Compression
34	283-88	1	Pin-Clevis
35	32144-41	2	Screw-Taptite
36	4-2390	2	Washer-Flat
37	110-5313-03	1	Bracket-Retainer
38	283-73	1	Pin-Clevis



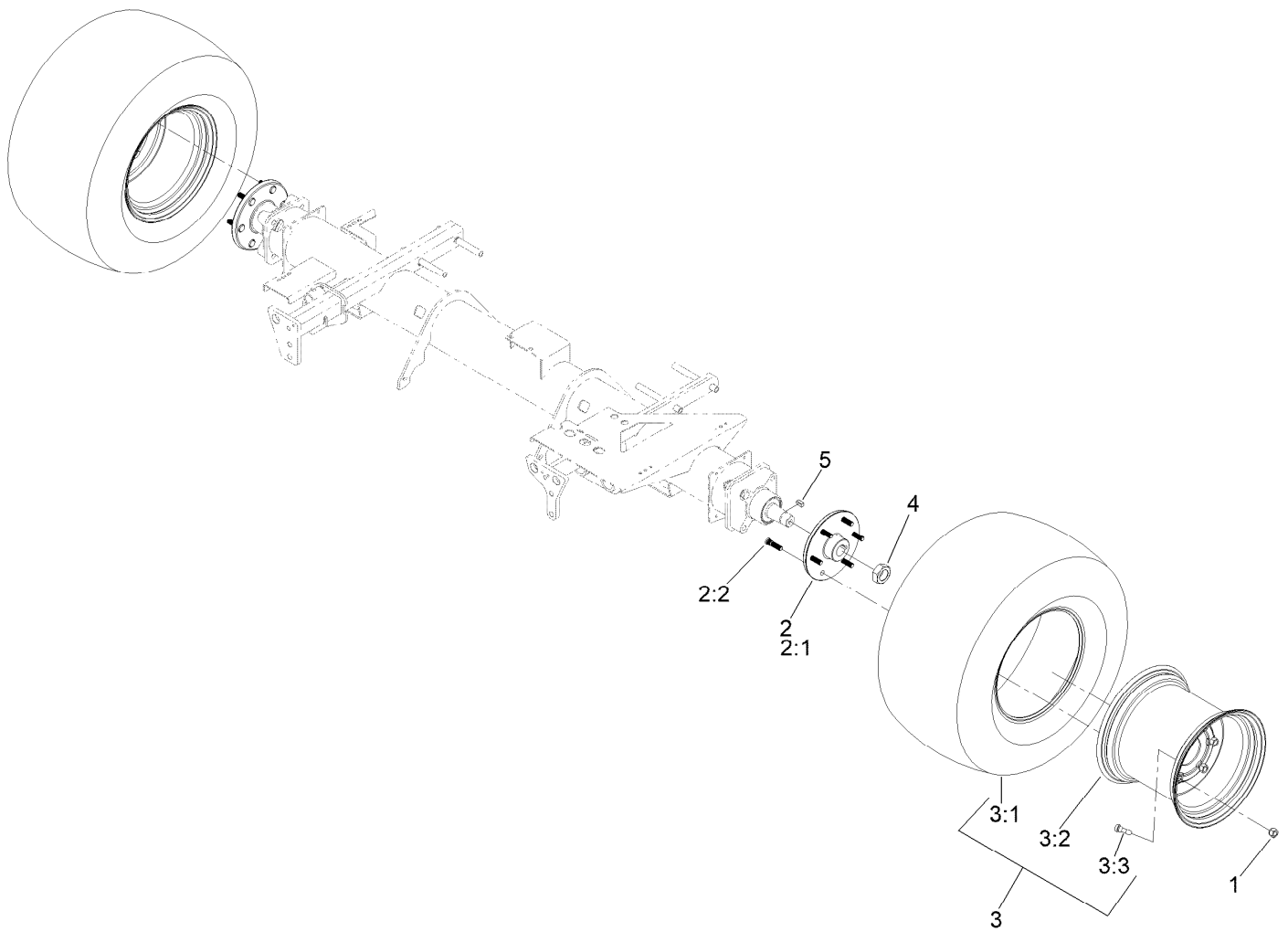
Control Panel Assembly (continued)

<i>Ref.</i>	<i>Part Number</i>	<i>Qty.</i>	<i>Description</i>	<i>Ref.</i>	<i>Part Number</i>	<i>Qty.</i>	<i>Description</i>
39	322-7	1	Screw-HH	44	3272-11	1	Pin-Cotter
40	110-5314	1	Latch	45	100-1535	1	Switch-Rocker, (On)-Off-(On)
41	3272-1	1	Pin-Cotter	46	3256-51	1	Washer-Flat
42	110-8856	1	Spacer				
43	3256-23	1	Washer-Plain				



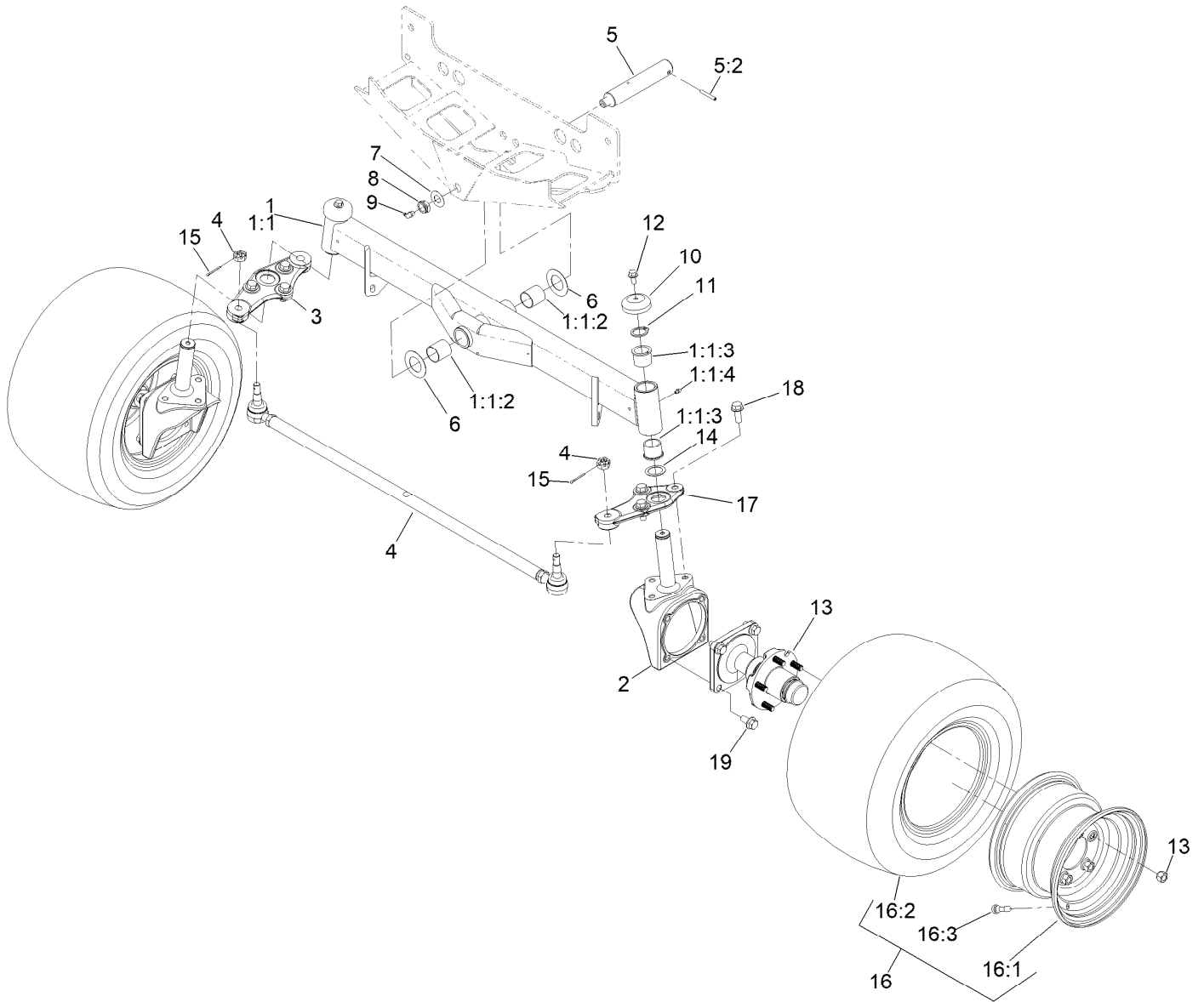
Joystick Bracket Assembly No. 120-5280

<i>Ref.</i>	<i>Part Number</i>	<i>Qty.</i>	<i>Description</i>
1	115-5357-03	1	Bracket-Joystick
2	106-4192	1	Spacer
3	93-5547	2	Bushing-Nylon
4	119-3540	1	Hub-Pivot, Joystick
5	105-8289	1	Spring-Torsion
6	106-4193	2	Washer-Finger, Spring
7	322-9	1	Screw-HH
8	3296-29	1	Nut-Lock, NI
9	3290-354	2	Nut-Speed
10	108-6496	2	Switch (W/Boot)
11	95-3003	4	Screw-PPHTF
12	3256-3	1	Washer-Flat



Front Axle Assembly

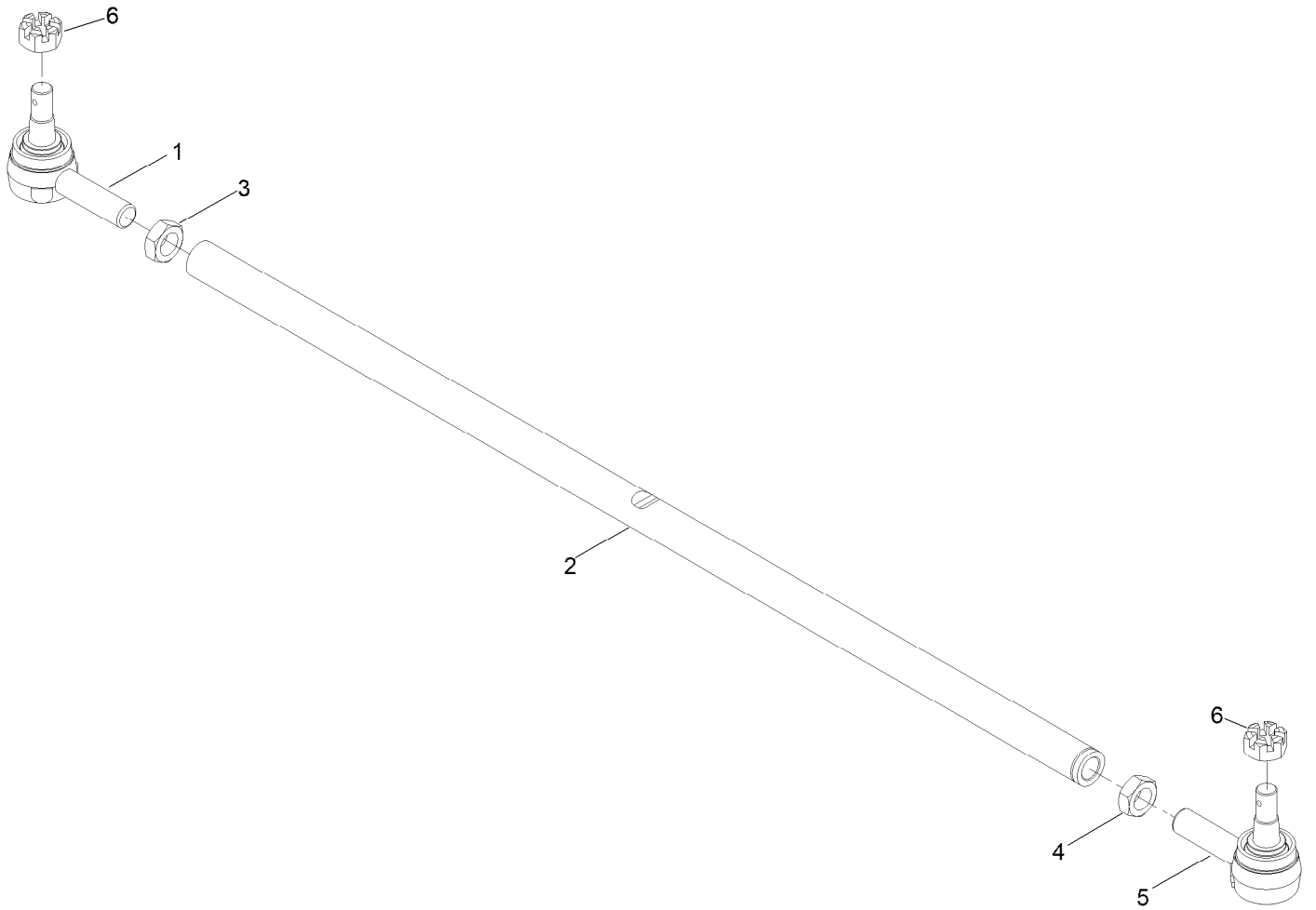
Ref.	Part Number	Qty.	Description
1	139-2564	12	Nut-Lug
2	144-2058	2	Hub ASM (1.50)
2:1	136-7971	1	Hub-Wheel
2:2	114-3918	6	Stud-Wheel
3	139-6048	2	Tire ASM
3:1	133-2724	1	Tire
3:2	139-6049	1	Wheel
3:3	232-27	1	Stem-Valve
4	117-3290	2	Nut-Hex
5	117-5198	2	Key-Square



Rear Axle Assembly

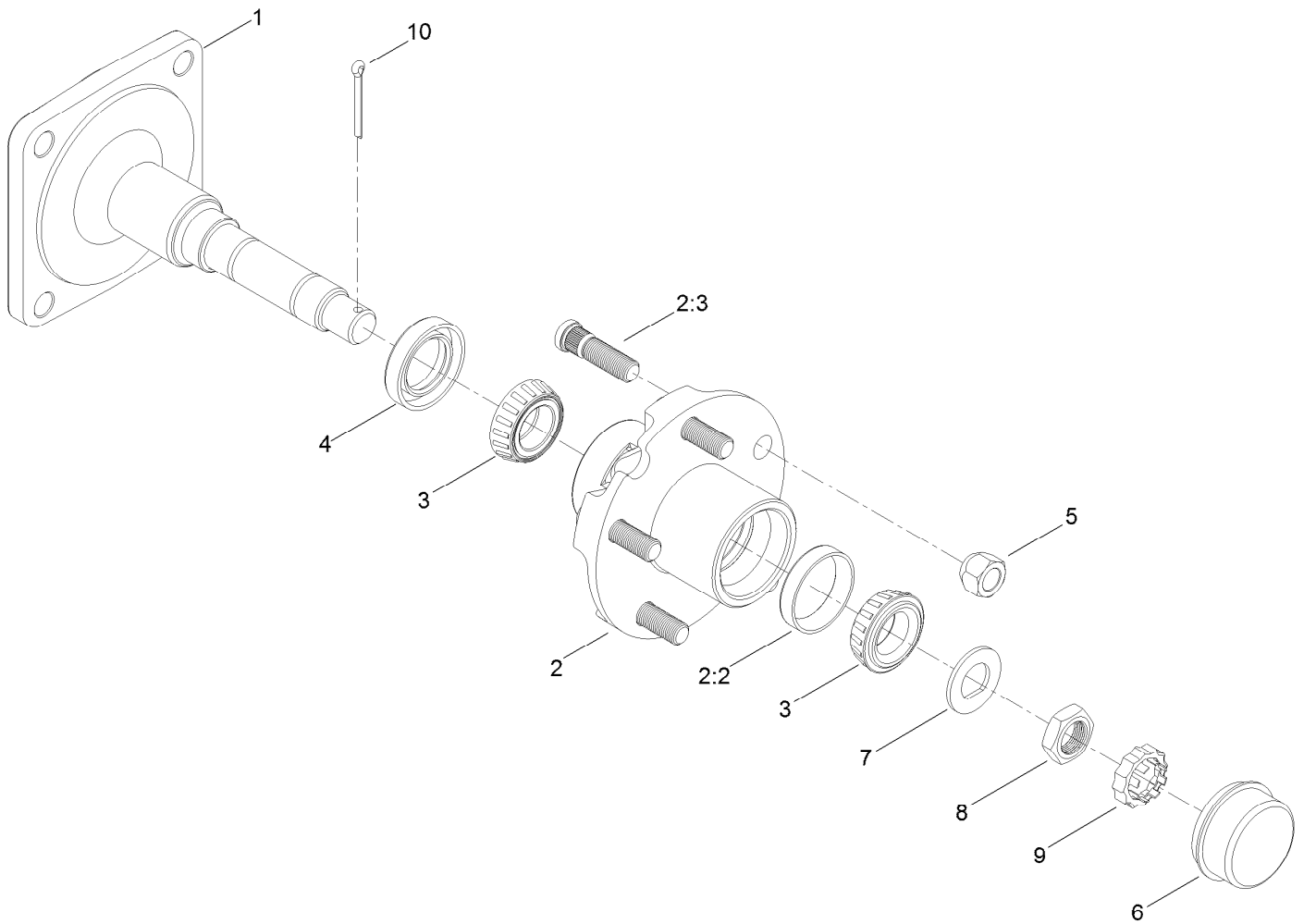
Ref.	Part Number	Qty.	Description	Ref.	Part Number	Qty.	Description
1	107-4546-03	1	Axle ASM	10	69-8890	2	Cap-Spindle
1:1		1	Axle ●	11	32151-77	2	Ring-Retaining, External
1:1:2	99-6964	2	Bushing-Axle	12	3234-1	2	Screw-HHF
1:1:3	104-0015	4	Bushing-Flange	13	117-8961	2	Hub And Spindle ASM
1:1:4	302-5	2	Fitting-Grease	14	76-2980	2	Washer-Thrust
2	107-4517-03	2	Housing-Motor	15	3272-12	2	Pin-Cotter
3	140-3142	1	Link-Drag, RH	16	117-0281	2	Rim And Tire ASM
4	139-6029	1	Tie Rod ASM	16:1	117-0280	1	Rim
5	140-6101	1	Pin ASM-Axle Pivot	16:2	117-5125	1	Tire
5:2	32121-32	1	Pin-Roll	16:3	232-27	1	Stem-Valve
6	99-8432	2	Washer-Thrust	17	140-3144	1	Link-Drag, LH
7	71-4540	1	Washer-Thrust	18	3234-38	6	Screw-HHF
8	3296-15	1	Nut-Lock, NI	19	3234-6	8	Screw-HHF
9	302-33	1	Fitting-Grease				

● Not serviced separately



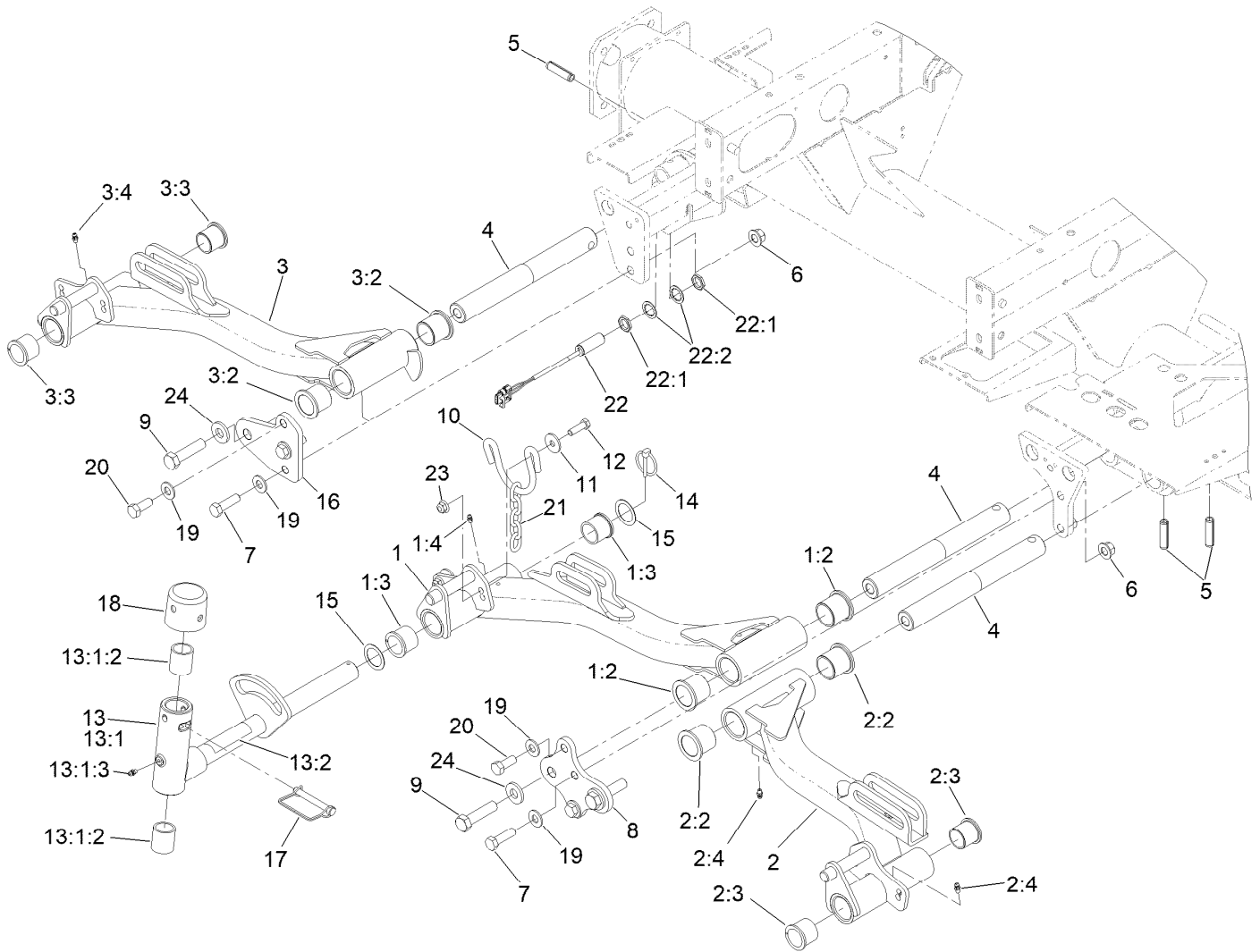
Tie Rod Assembly No. 139-6029

<i>Ref.</i>	<i>Part Number</i>	<i>Qty.</i>	<i>Description</i>
1	144-3901	1	Tie Rod End
2	139-6030	1	Rod-Tie
3	84-5300	1	Nut-Jam
4	110-5337	1	Nut-Jam
5	144-3902	1	Tie Rod End
6	140-6135	2	Nut-Hex, Slotted



Hub and Spindle Assembly No. 117-8961

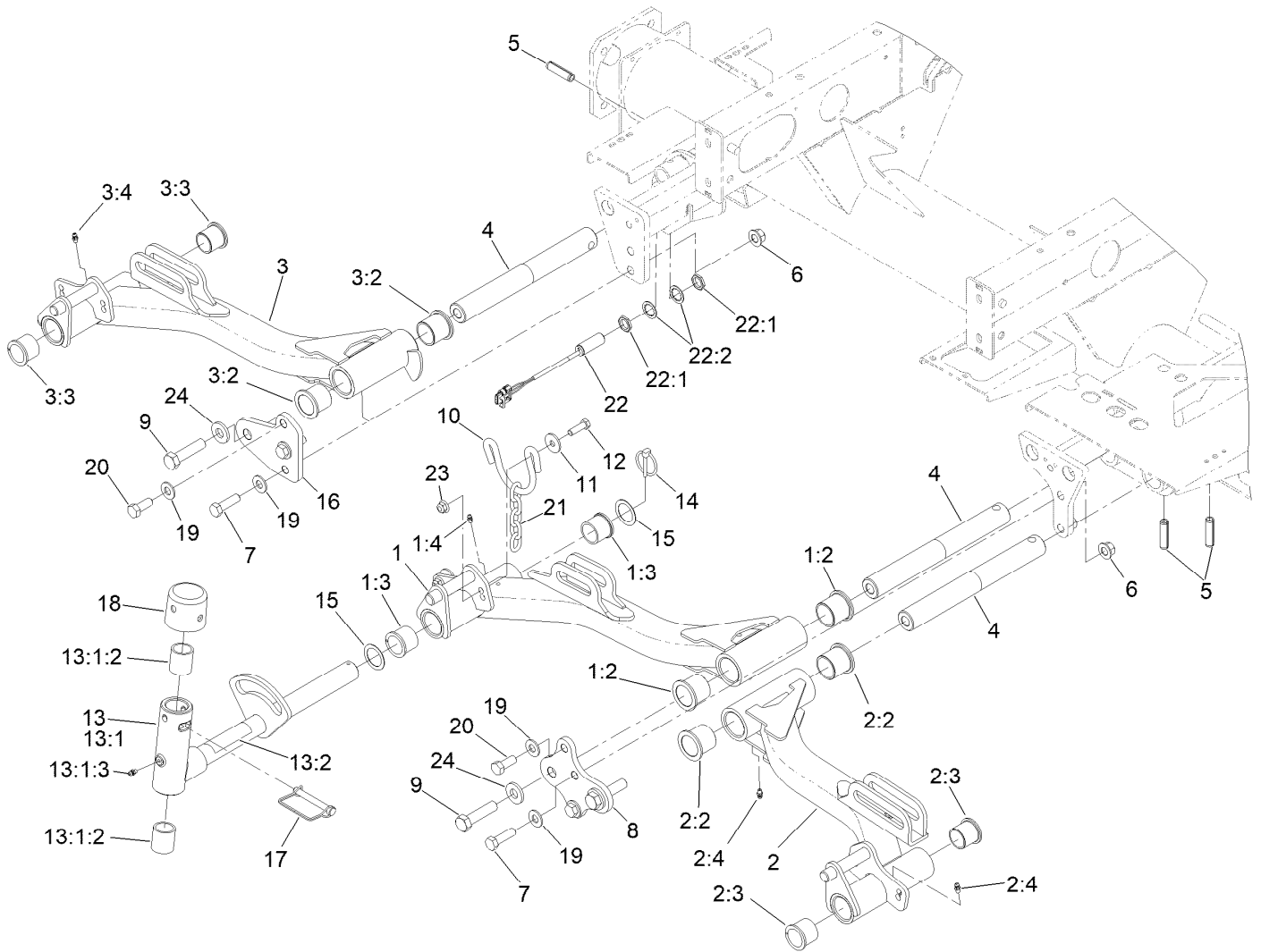
<i>Ref.</i>	<i>Part Number</i>	<i>Qty.</i>	<i>Description</i>
1	117-8958	1	Spindle
2	117-8963	1	Hub ASM
2:2	254-72	2	Bearing-Cup, Tapered
2:3	114-3918	5	Stud-Wheel
3	254-94	2	Bearing-Cone, Tapered
4	112-1690	1	Seal-Oil
5	139-2564	5	Nut-Lug
6	241-119	1	Cap-Dust
7	117-8259	1	Washer-Spindle
8	117-8260	1	Nut
9	93-0307	1	Nut-Lock, Retainer
10	3272-18	1	Pin-Cotter



No. 1, 4 and 5 Lift Arm Assembly

Ref.	Part Number	Qty.	Description	Ref.	Part Number	Qty.	Description
1	133-2911	1	Lift Arm ASM #1	10	110-0922	3	Hoop-Chain
1:2	69-6470	2	Bushing-Caster	11	63-8410	6	Washer
1:3	104-0015	2	Bushing-Flange	12	323-7	6	Screw-HH
1:4	302-5	2	Fitting-Grease	13	138-1248	3	Pivot Yoke ASM
2	133-2914	1	Lift Arm ASM #4	13:1		1	Yoke-Pivot ●
2:2	69-6470	2	Bushing-Caster	13:1:2	121-3187	2	Bushing
2:3	104-0015	2	Bushing-Flange	13:1:3	302-5	1	Fitting-Grease
2:4	302-5	2	Fitting-Grease	13:2	110-9642	1	Decal-Warning
3	133-2915	1	Lift Arm ASM #5	14	92-1298	3	Pin-Lynch
3:2	69-6470	2	Bushing-Caster	15	76-2980	6	Washer-Thrust
3:3	104-0015	2	Bushing-Flange	16	117-5153-01	1	Plate-Bridge 5
3:4	302-5	2	Fitting-Grease	17	107-7400	3	Pin-Lynch
4	117-0208	3	Shaft-Pivot, Liftarm	18	107-4027	3	Cap
5	32121-122	3	Pin-Roll	19	87-7270	6	Washer-Thrust
6	99-5107	4	Nut-Lock	20	325-5	2	Screw-HH
7	325-7	4	Screw-HH	21	84-2451	3	Chain-Straight, 5 Link
8	117-5154-01	1	Plate-Bridge 1 And 4	22	115-5300	1	Proximity Switch ASM
9	327-7	3	Screw-HH	22:1	117-3207	2	Nut-Hex

● Not serviced separately

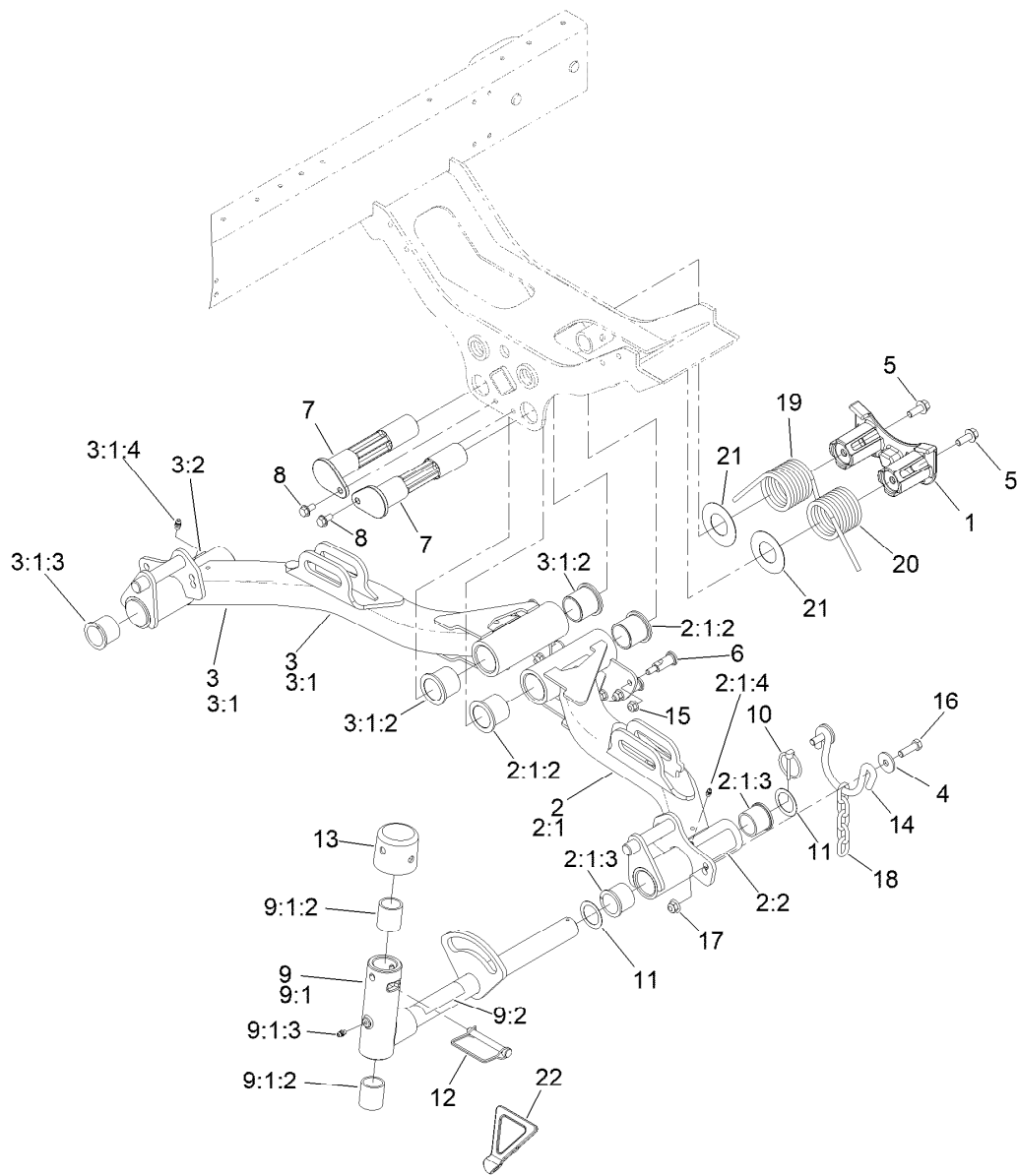


No. 1, 4 and 5 Lift Arm Assembly (continued)

<i>Ref.</i>	<i>Part Number</i>	<i>Qty.</i>	<i>Description</i>
22:2	117-3208	2	Washer-Lock, Internal Tooth

<i>Ref.</i>	<i>Part Number</i>	<i>Qty.</i>	<i>Description</i>
23	104-8301	6	Nut-HF, NI
24	99-7667	3	Washer-Flat

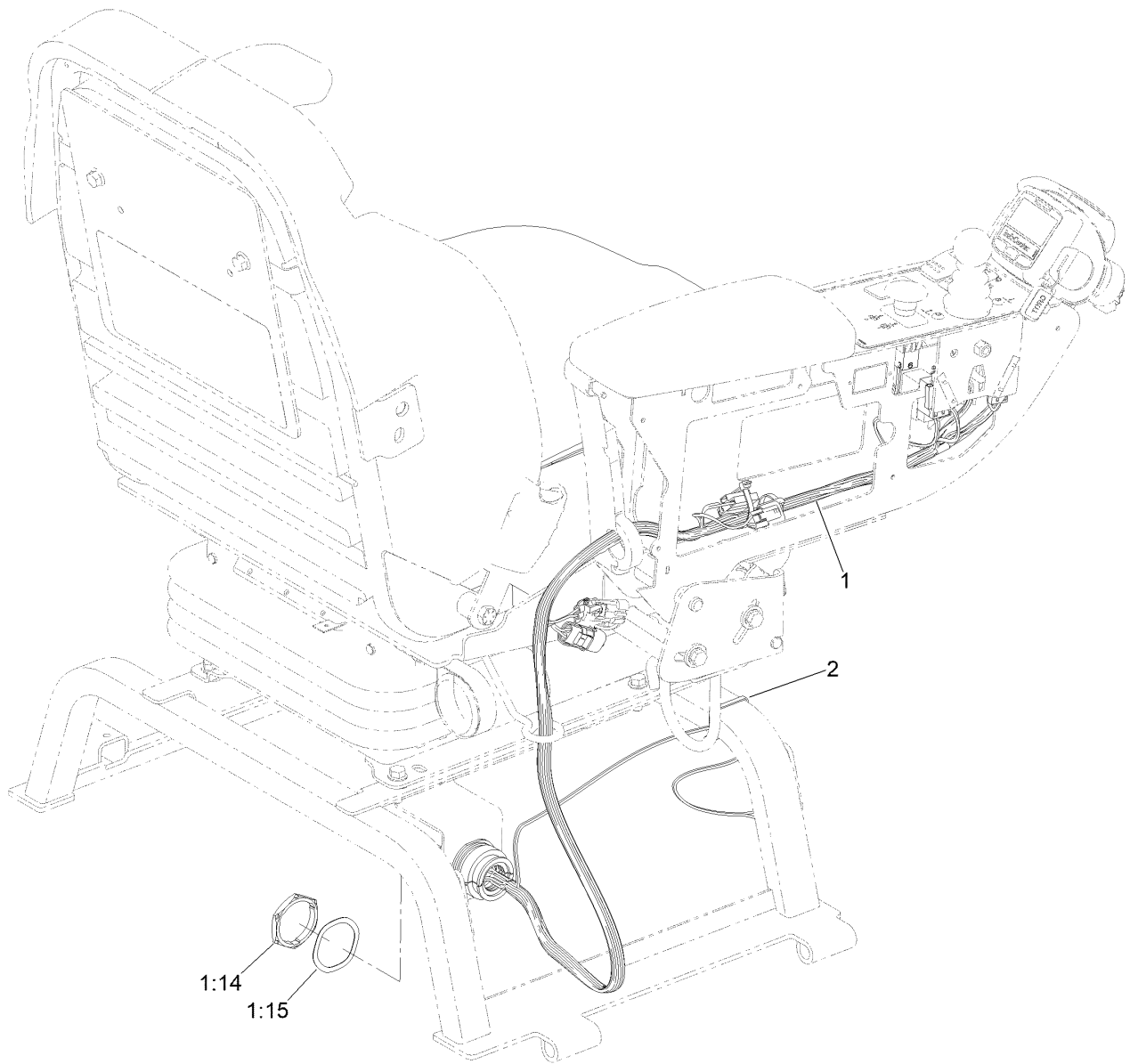
● Not serviced separately



No. 2 and 3 Lift Arm Assembly

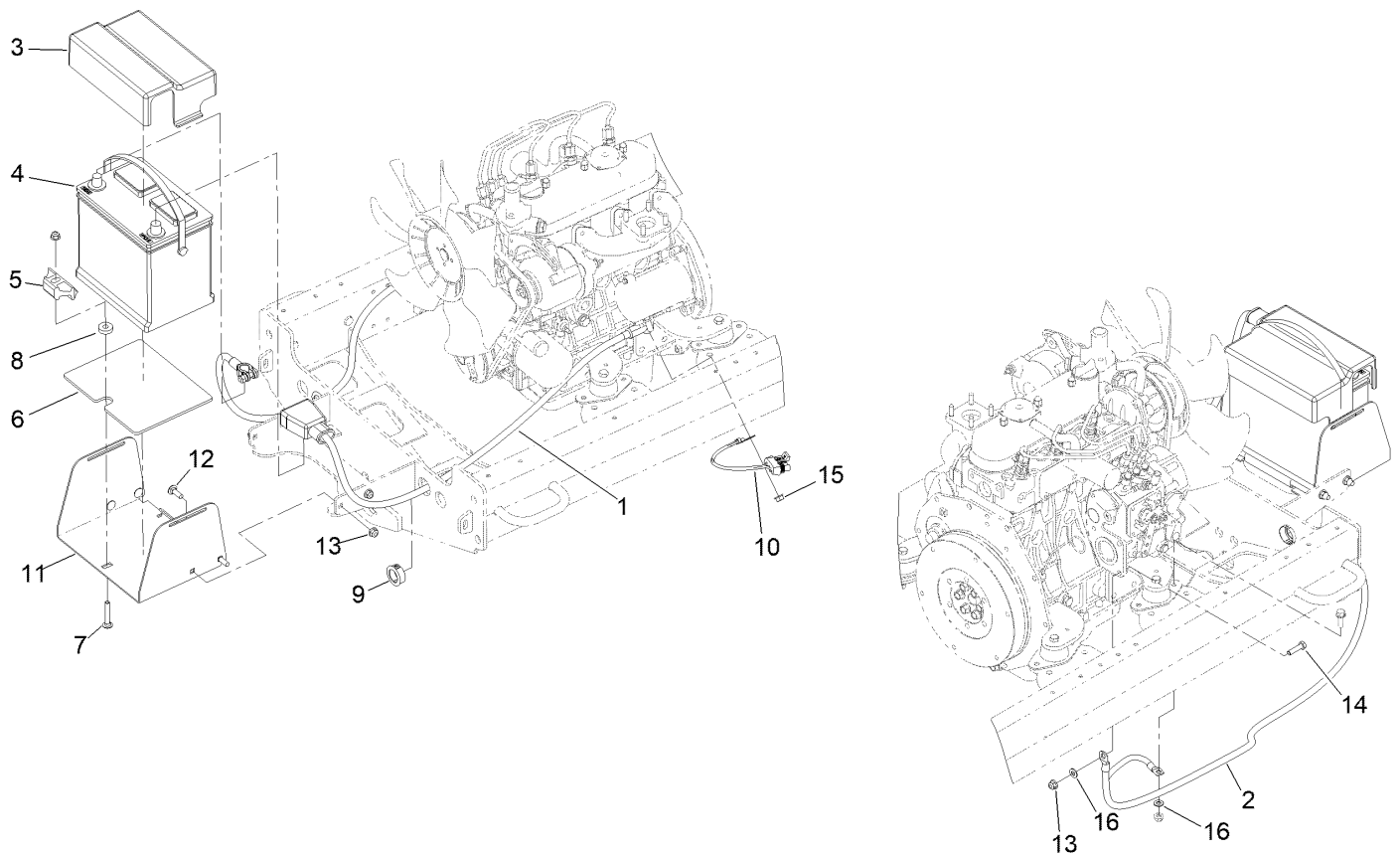
Ref.	Part Number	Qty.	Description	Ref.	Part Number	Qty.	Description
1	125-2018	1	Housing	9	138-1248	2	Pivot Yoke ASM
2	136-8002	1	Lift Arm #2	9:1		1	Yoke-Pivot ●
2:1		1	Lift Arm ASM #2 ●	9:1:2	121-3187	2	Bushing
2:1:2	69-6470	2	Bushing-Caster	9:1:3	302-5	1	Fitting-Grease
2:1:3	104-0015	2	Bushing-Flange	9:2	110-9642	1	Decal-Warning
2:1:4	302-5	2	Fitting-Grease	10	92-1298	2	Pin-Lynch
2:2	93-6696	1	Decal-Warning	11	76-2980	4	Washer-Thrust
3	136-8003	1	Lift Arm #3	12	107-7400	2	Pin-Lynch
3:1		1	Lift Arm ASM #3 ●	13	107-4027	2	Cap
3:1:2	69-6470	2	Bushing-Caster	14	110-0922	2	Hoop-Chain
3:1:3	104-0015	2	Bushing-Flange	15	104-8300	6	Nut-HF, NI
3:1:4	302-5	2	Fitting-Grease	16	323-7	4	Screw-HH
3:2	93-6696	1	Decal-Warning	17	104-8301	4	Nut-HF, NI
4	63-8410	4	Washer	18	84-2451	2	Chain-Straight, 5 Link
5	3234-11	2	Screw-HHF	19	99-5608-03	1	Spring-Torsion, RH
6	120-6283	6	Stud-Shouldered	20	99-5609-03	1	Spring-Torsion, LH
7	125-2037	2	Shaft	21	110-5345	2	Washer
8	32144-14	2	Screw-HWHTF	22	119-8010-03	1	Kickstand

● Not serviced separately



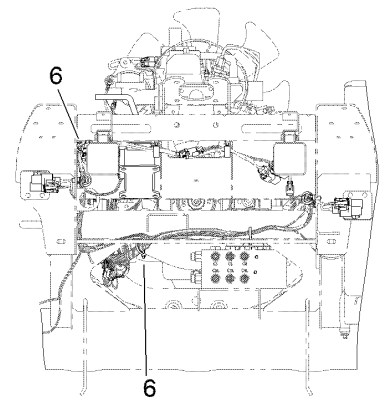
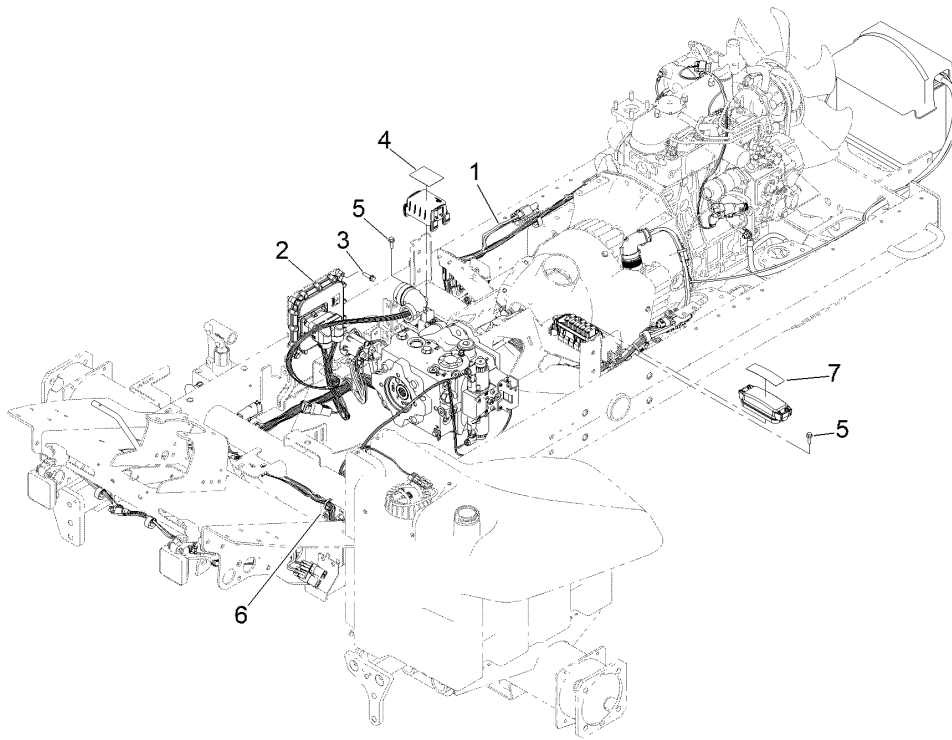
Seat and Control Arm Wiring Harness Assembly

<i>Ref.</i>	<i>Part Number</i>	<i>Qty.</i>	<i>Description</i>
1	122-2126	1	Harness-Wire, Seat
1:14	32180-135	1	Nut-Connector
1:15	32180-143	1	Washer-Lock
2	3290-378	2	Tie-Cable



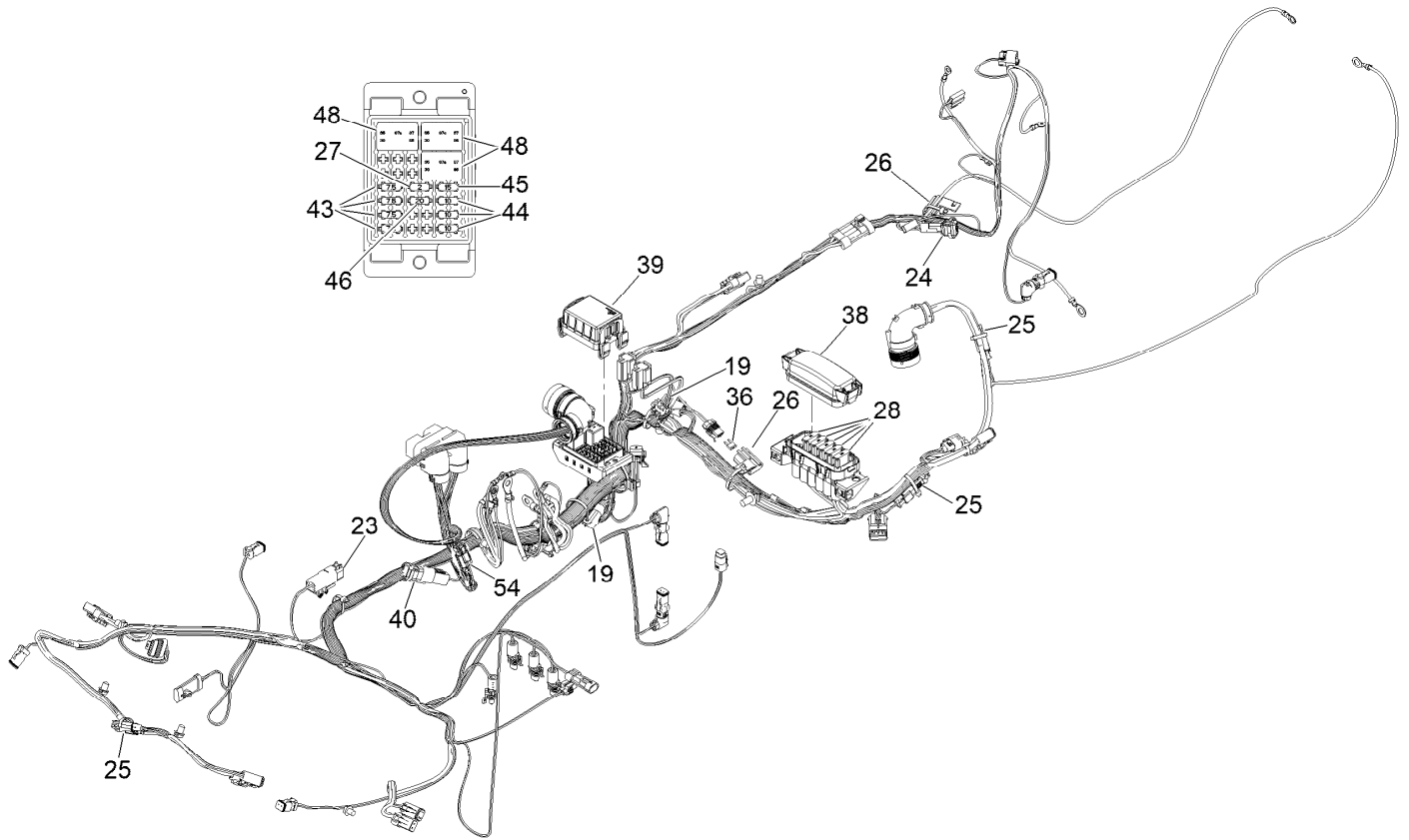
Battery Electrical Assembly

<i>Ref.</i>	<i>Part Number</i>	<i>Qty.</i>	<i>Description</i>	<i>Ref.</i>	<i>Part Number</i>	<i>Qty.</i>	<i>Description</i>
1	120-6398	1	Cable-Battery, Positive	9	32180-570	2	Bushing-Panel Snap,1.00"
2	120-6399	1	Cable-Battery, Negative	10	99-3441	1	Harness-Wire, Fusible Link
3	121-5615	1	Cover-Battery	11	125-1583-03	1	Tray-Battery
4	132-8621	1	Battery - Corrosive	12	3230-2	4	Bolt-CARR
5	138-6335	1	Retainer-Battery	13	104-8300	6	Nut-HF, NI
6	127-2781	1	Mat-Battery	14	322-6	1	Screw-HH
7	3230-6	1	Bolt-CARR	15	33004-00	1	Nut-HF
8	62-6660	1	Spacer	16	120-9683	2	Washer-Plain



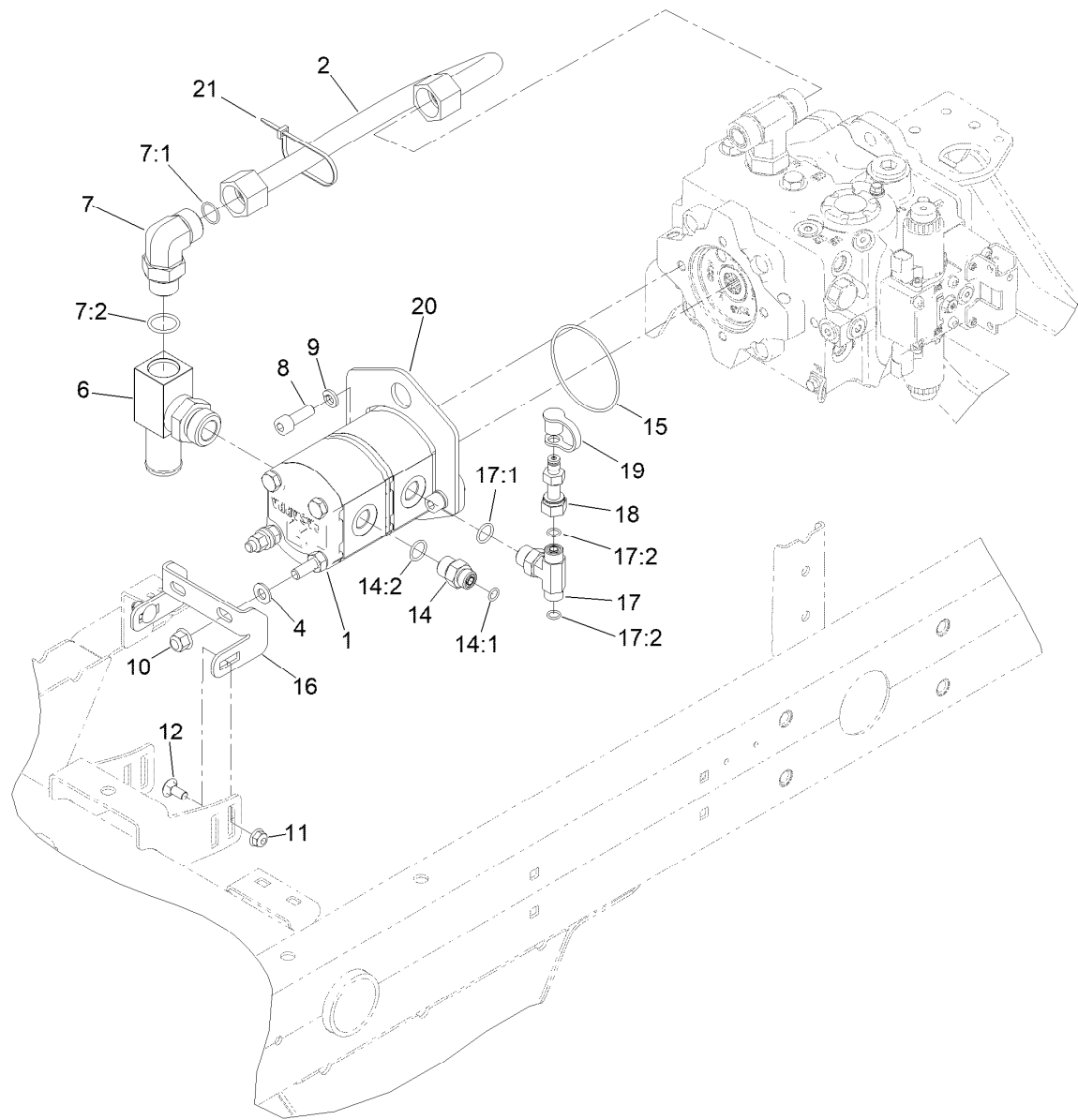
Electrical Assembly

<i>Ref.</i>	<i>Part Number</i>	<i>Qty.</i>	<i>Description</i>
1	122-2913	1	Harness-Wire, Main
2	127-2770	1	Controller
3	32144-86	4	Screw-HWHTF
4	145-2498	1	Decal-Fuse
5	33103-020	4	Screw-HHF
6	3290-378	3	Tie-Cable
7	127-2470	1	Decal-Fuses, Cu



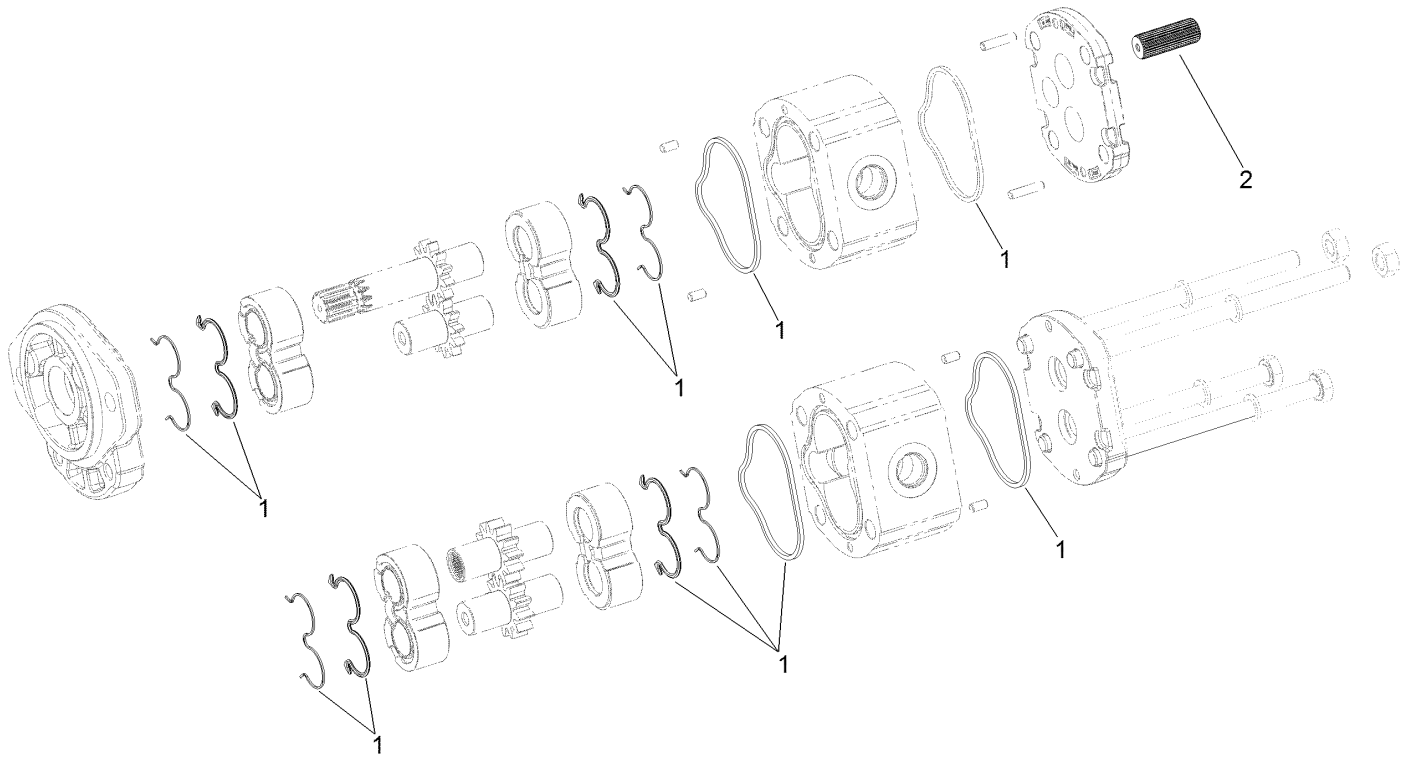
Wire Harness Assembly No. 122-2913

<i>Ref.</i>	<i>Part Number</i>	<i>Qty.</i>	<i>Description</i>	<i>Ref.</i>	<i>Part Number</i>	<i>Qty.</i>	<i>Description</i>
19	32180-156	3	Cap-Plug, 6 Way	39	32180-471	1	Cover-Chief, Bric
23	119-7781	1	Diode-Sealed	40	122-1131	1	Capacitor-Sealed
24	100-4918	1	Diode	43	121-8865	4	Fuse-Mini Blade, 7.5 Amp
25	32180-282	3	Resistor-120 Ohm	44	121-8866	3	Fuse-Mini Blade, 10 Amp
26	32180-019	2	Cover-Fuse, Single	45	121-8867	1	Fuse-Mini Blade, 15 Amp
27	121-8861	1	Fuse-Mini Blade, 2 Amp	46	121-8868	1	Fuse-Mini Blade, 20 Amp
28	122-0255	5	Fuse-Maxi, 35 Amp-58V	48	122-0368	3	Relay-280 ISO
36	122-0409	1	Fuse-Mini Blade, 10 Amp	54	32180-091	1	Cap-Dust, 2 Way
38	32180-146	1	Cover-Fuse				



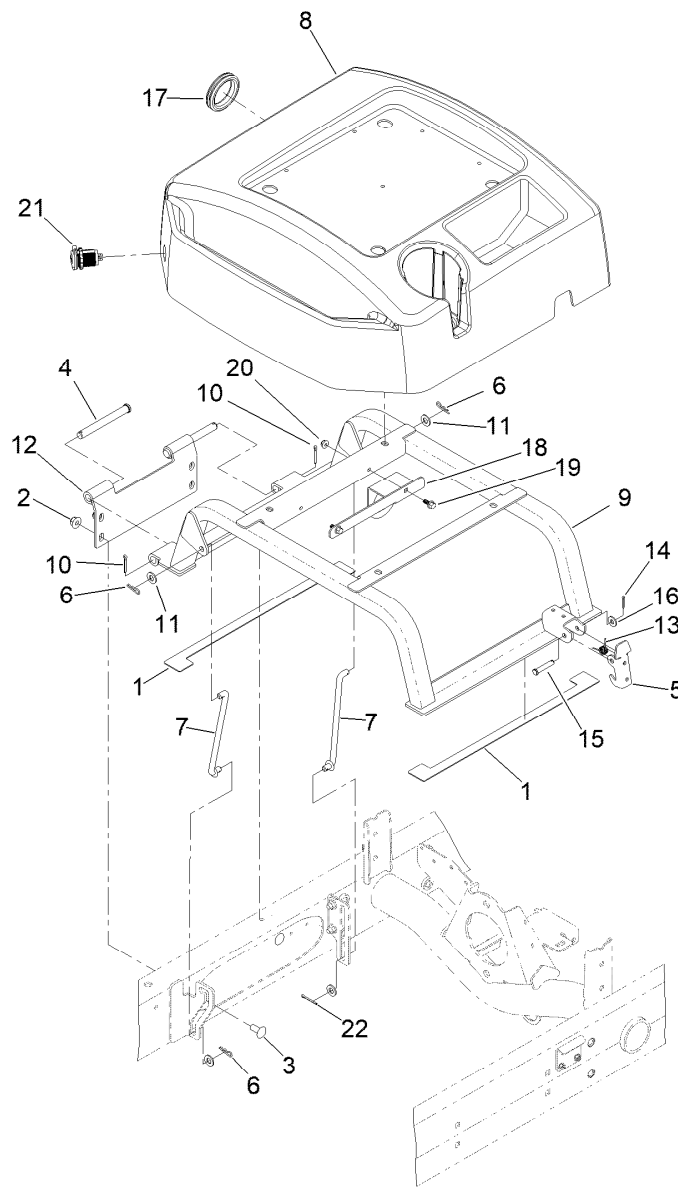
Gear Pump Assembly

<i>Ref.</i>	<i>Part Number</i>	<i>Qty.</i>	<i>Description</i>	<i>Ref.</i>	<i>Part Number</i>	<i>Qty.</i>	<i>Description</i>
1	125-1530	1	Tandem Gear Pump ASM	14	340-3	1	Fitting-Straight
2	145-2556	1	Hydraulic Tube ASM	14:1	237-22	1	O-Ring
4	3256-24	2	Washer-Plain	14:2	237-79	1	O-Ring
6	145-2557	1	Manifold-Tube	15	237-161	1	O-Ring
7	340-142	1	Fitting-Elbow, 90 DEG	16	133-2946-0P	1	Brkt-Gear Pump
7:1	237-58	1	O-Ring	17	92-4799	1	Fitting-Tee, HYD
7:2	237-81	1	O-Ring	17:1	237-79	1	O-Ring
8	ST80801	2	Screw-HSH	17:2	237-22	2	O-Ring
9	48-9590	2	Washer-Lock	18	86-5480	1	Nipple-Test
10	103-9511	2	Nut-Fig	19	354-79	1	Cap-Dust
11	104-8300	2	Nut-HF, NI	20	145-2548-0P	1	Bracket-Lift, Pump
12	3230-1	2	Bolt-CARR	21	3290-378	1	Tie-Cable



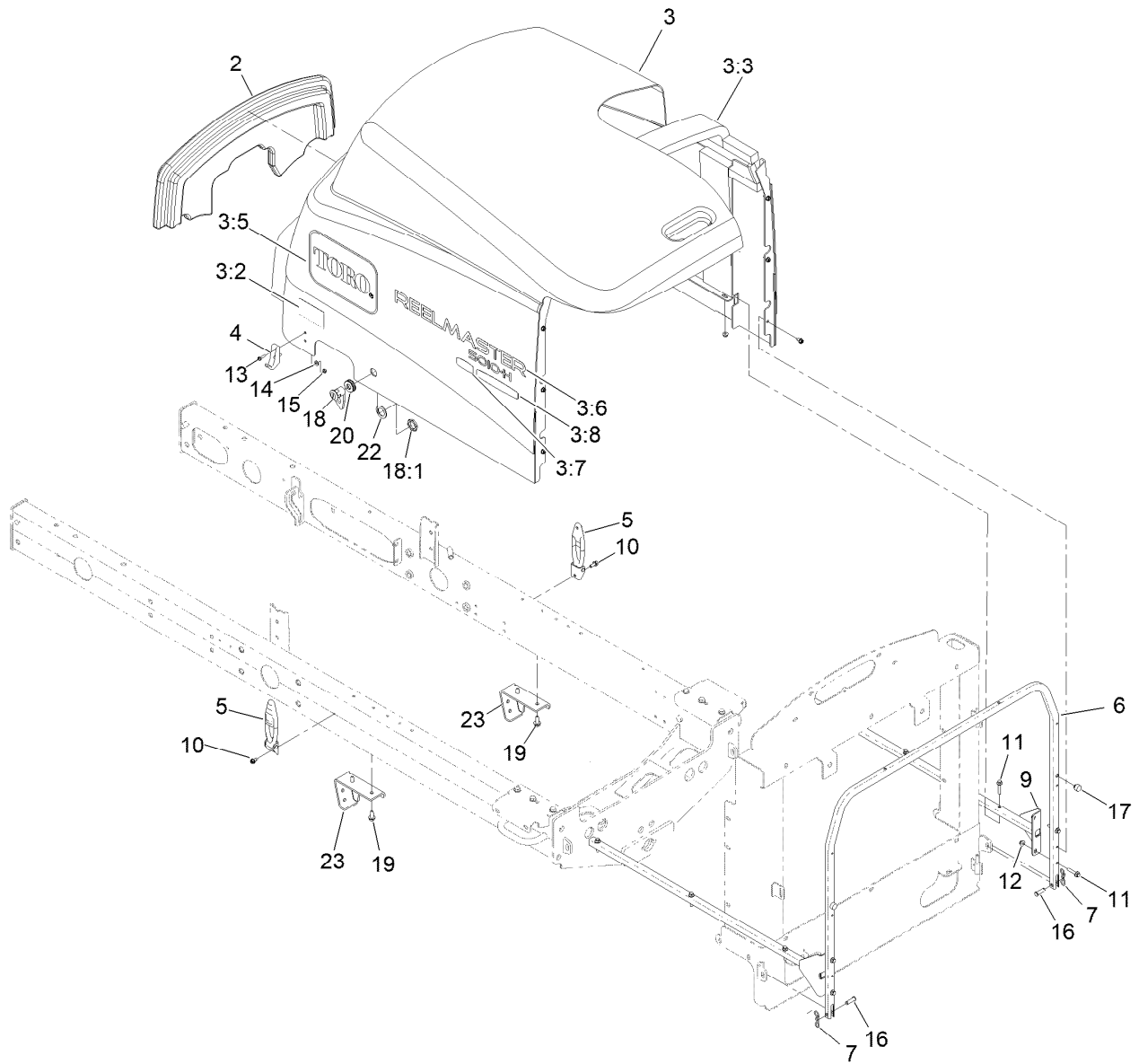
Tandem Gear Pump Assembly No. 125-1530

<i>Ref.</i>	<i>Part Number</i>	<i>Qty.</i>	<i>Description</i>
1	120-5155	1	Seal Kit
2	120-6284	1	Hub-Connecting



Seat Base Assembly

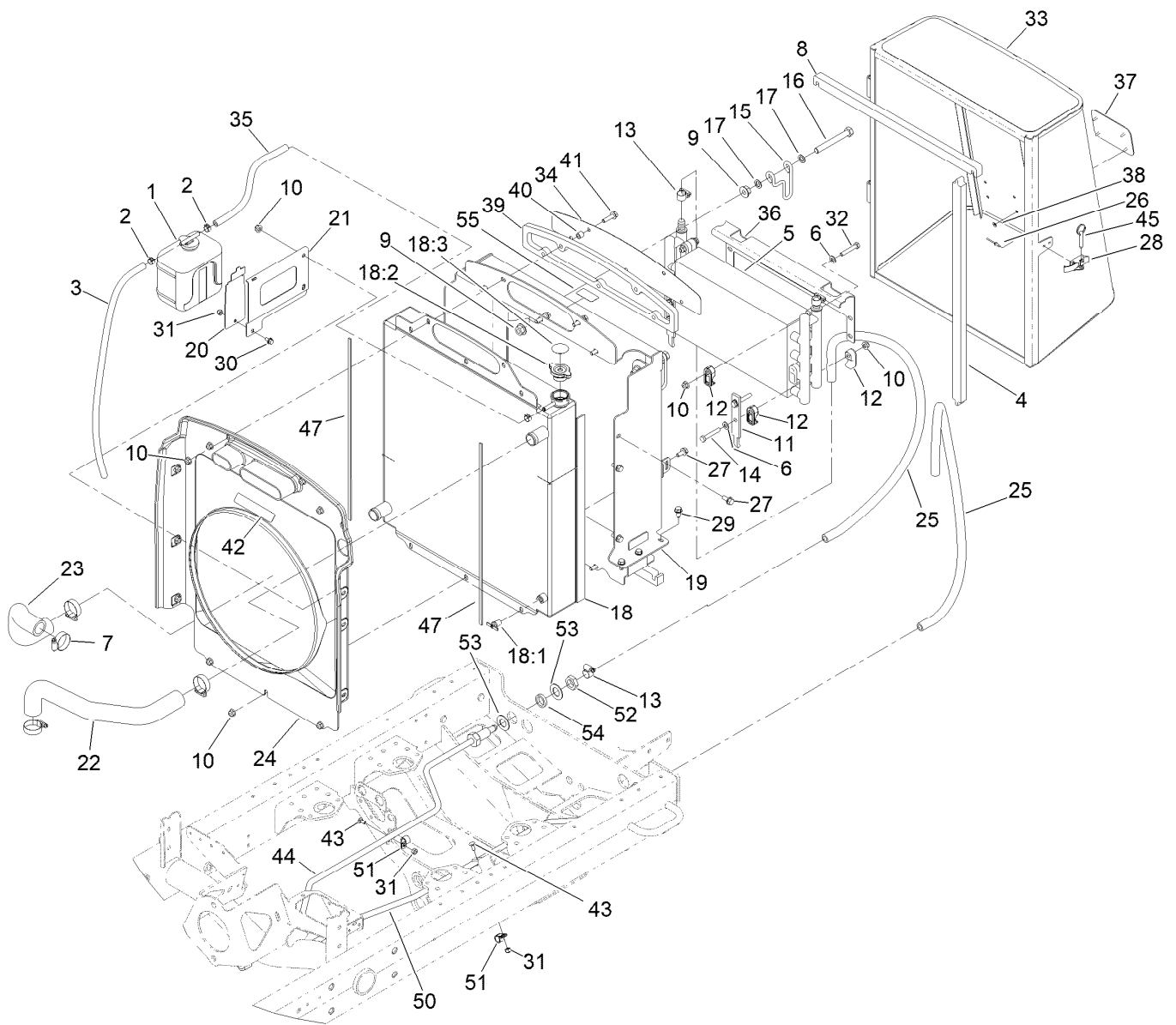
<i>Ref.</i>	<i>Part Number</i>	<i>Qty.</i>	<i>Description</i>	<i>Ref.</i>	<i>Part Number</i>	<i>Qty.</i>	<i>Description</i>
1	110-5255	2	Bumper-Base, Seat	12	125-2121-03	1	Hinge-Seatbase
2	104-8301	4	Nut-HF, NI	13	104-4821	1	Spring-Torsion
3	3231-27	4	Screw-CARR	14	3272-6	1	Pin-Cotter
4	283-83	2	Pin-Clevis	15	94-3829	1	Pin-Clevis
5	110-8971	1	Latch	16	3256-2	1	Washer-Flat
6	3290-307	3	Pin-Cotter	17	240-12	1	Grommet-Rubber
7	98-0917	2	Rod-Prop	18	145-2480-0P	1	Bracket-Harness
8	145-2450	1	Cover-Seatbase	19	99-6810	2	Screw-HHF
9	125-2122-03	1	Seat Base ASM	20	104-7201	2	Nut-HF, NI
10	3272-11	2	Pin-Cotter	21	131-8388	1	Socket-USB
11	3256-24	4	Washer-Plain	22	3272-4	1	Pin-Cotter



Hood Assembly

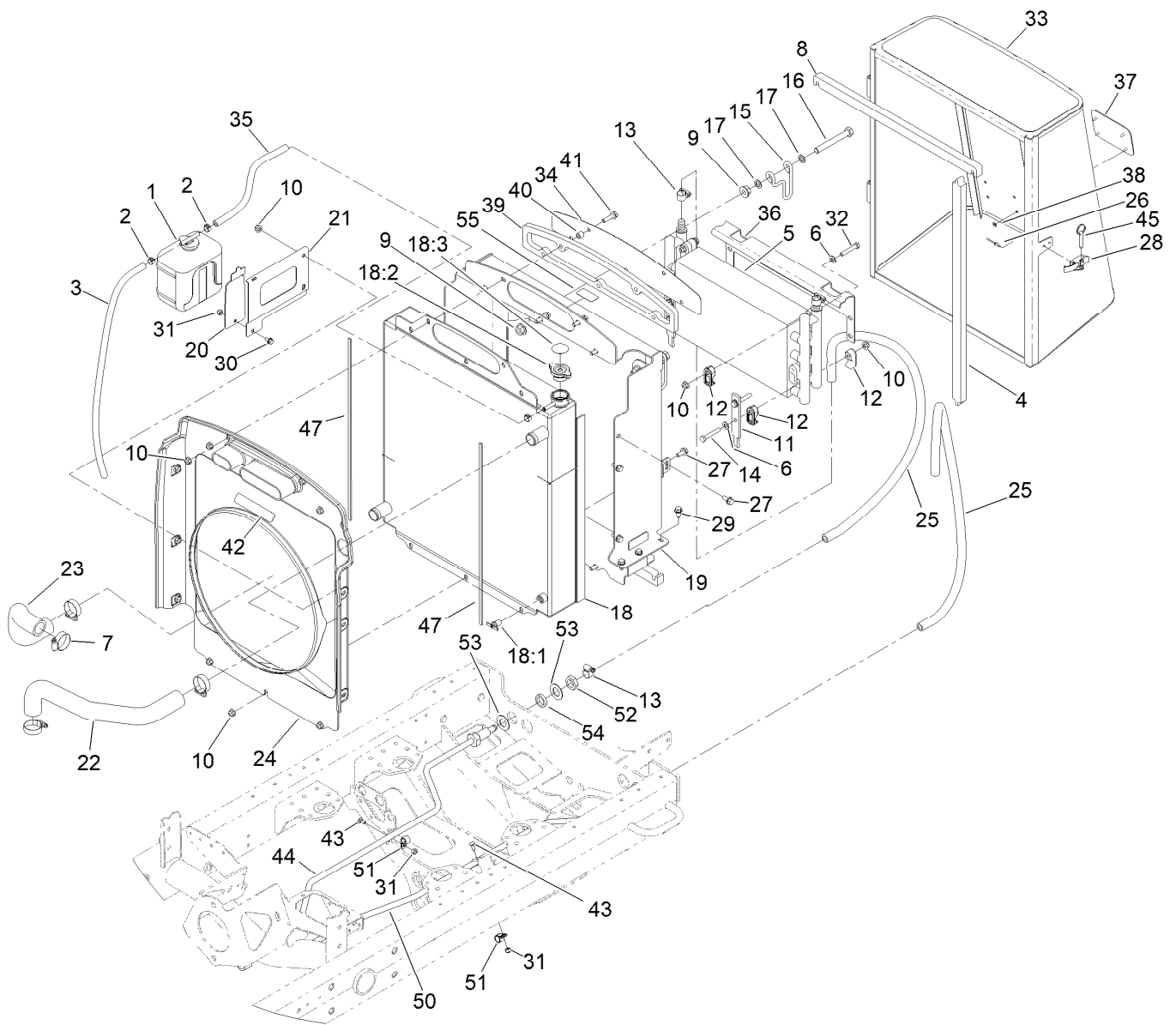
Ref.	Part Number	Qty.	Description	Ref.	Part Number	Qty.	Description
2	145-2456	1	Saddle-Hood	10	32104-17	8	Screw-HWH
3	145-2536	1	Hood ASM (Rm5010-H Service)	11	3234-21	10	Screw-HHF
3:2	106-6754	2	Decal-Danger	12	104-7201	10	Nut-HF, NI
3:3	110-5252	1	Foam-Sealed	13	32105-13	4	Screw-HWH
3:4	110-9002	1	Foil Tape Kit ●	14	3256-14	4	Washer-Flat
3:5	66-6140	2	Decal	15	3296-12	4	Nut-Lock, NI
3:6	127-2304	2	Decal	16	283-61	2	Pin-Yoke
3:7	119-7580	2	Decal-Smart, Energy	17	107-8042	2	Bumper-Rubber
3:8	121-1594	2	Decal-Smart Power	18	98-5398	1	Latch
4	103-2897	2	Latch-Catch	18:1	3218-20	1	Nut-Jam ●
5	103-2898	2	Latch-Rubber	19	32104-32	4	Screw-HWH
6	125-8819-03	1	Tube-Frame, Hood	20	104-1453	1	Grommet
7	105-7512	2	Pin-Tie, Bow	22	99-4958	1	Spacer
9	108-1790-03	2	Tube	23	110-0979-03	2	Bracket-Deflector

● Not illustrated



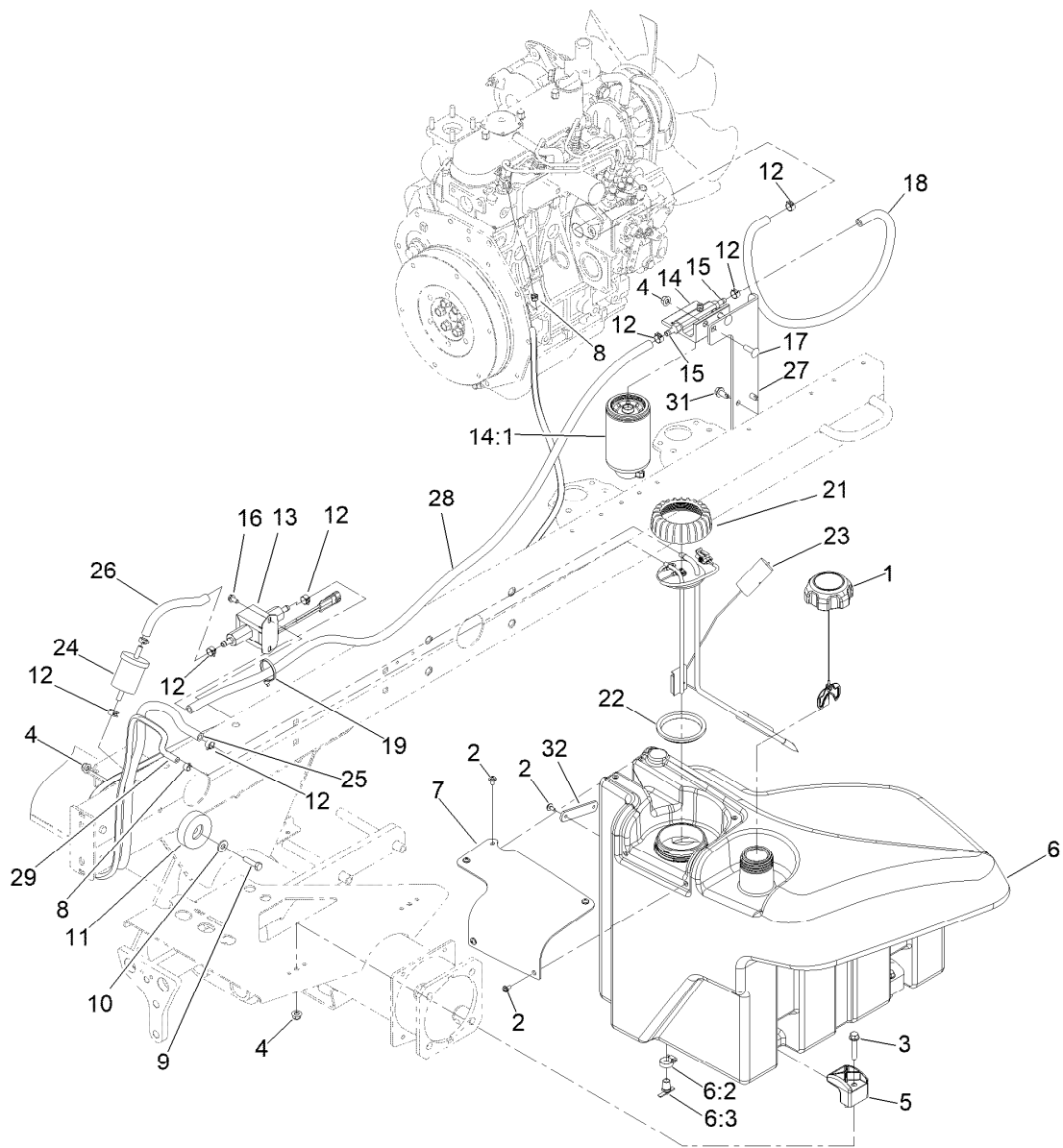
Radiator Assembly

Ref.	Part Number	Qty.	Description	Ref.	Part Number	Qty.	Description
1	108-0638	1	Bottle-Overflow	19	127-2665-03	1	Frame-Support, Radiator
2	92-2379	3	Clamp-Hose	20	108-1665-0P	1	Bracket - Reservoir
3	110-3257	1	Hose-Fuel	21	108-1666-0P	1	Bracket - Reservoir
4	110-0967	2	Seal-Foam	22	108-1696	1	Hose-Formed
5	127-2480	1	Cooler-Oil	23	108-1697	1	Hose-Formed
6	3256-23	8	Washer-Plain	24	127-2474	1	Shroud-Fan
7	2412-3	4	Clamp-Hose	25	127-2346	2	Hose
8	110-0968	2	Seal-Foam	26	3269-15	2	Rivet-Pop
9	32128-49	4	Nut-HHF	27	3234-5	9	Screw-HHF
10	104-8300	22	Nut-HF, NI	28	115-1554	1	Latch-Draw
11	104-5460-03	2	Plate-Mount, Oil Cooler	29	32104-32	6	Screw-HWH
12	105-3943	16	Clamp-Cooler, Oil	30	3234-13	1	Screw-HHF
13	2412-119	4	Clamp-Hose	31	3296-42	3	Nut-Lock, NI
14	322-10	4	Screw-HH	32	322-21	4	Screw-HH
15	104-5429	2	Clamp-Form, Wire	33	110-0952-03	1	Screen ASM
16	325-17	2	Screw-HH	34	108-1843-0P	1	Screen - Air Intake
17	41-8440	4	Washer	35	110-4104	1	Hose-Fuel
18	119-6956	1	Radiator ASM	36	107-2043-03	1	Bracket-Oil Cooler, Top
18:1	304-46	1	Draincock	37	93-6028	1	Plate-Logo
18:2	93-5957	1	Cap-Radiator	38	138-6996	4	Nut-Push
18:3	106-6755	1	Decal-Cap, Radiator	39	110-5324	1	Seal-Foam



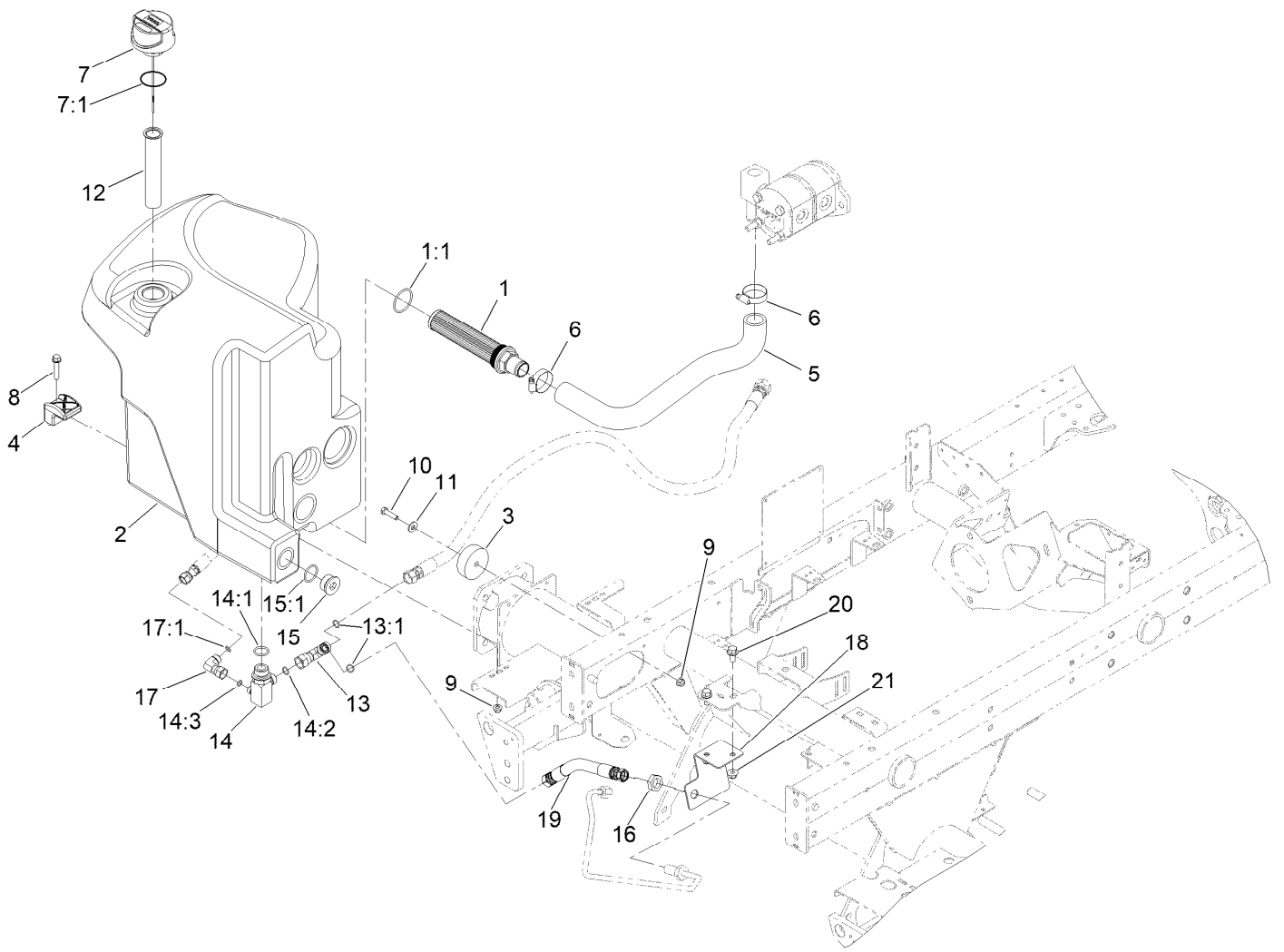
Radiator Assembly (continued)

<i>Ref.</i>	<i>Part Number</i>	<i>Qty.</i>	<i>Description</i>	<i>Ref.</i>	<i>Part Number</i>	<i>Qty.</i>	<i>Description</i>
40	1-603903	5	Spacer	50	127-2475	1	Tube ASM
41	3234-36	5	Screw-HHF	51	2412-73	2	Clamp-R
42	93-7272	1	Decal-Warning	52	340-127	2	Nut-Bulkhead
43	3229-11	2	Screw-CARR	53	69-8930	4	Washer
44	145-2571	1	Hydraulic Tube ASM	54	127-2344	2	Spacer
45	115-1556	1	Pin-Ball, Detent	55	137-8127	1	Decal-No Spray
47	110-0971	2	Seal-Foam				



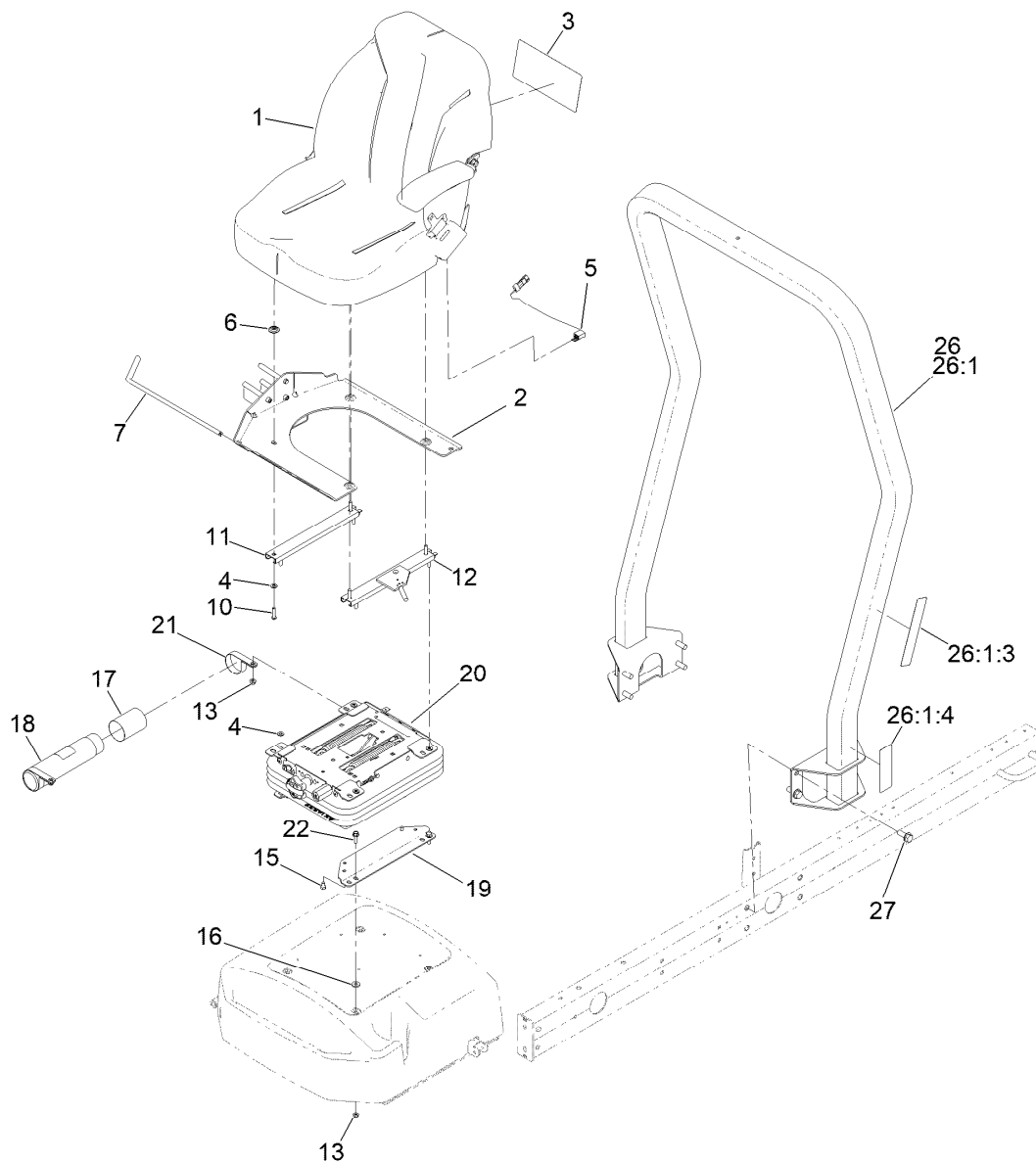
Fuel System Assembly

Ref.	Part Number	Qty.	Description	Ref.	Part Number	Qty.	Description
1	117-5894	1	Fuel Cap ASM	15	353-783	2	Fitting-STR
2	109-2661	7	Screw-PPH	16	32144-4	2	Screw-HWH
3	94-5780	2	Screw-HWH	17	3230-22	2	Screw-CARR
4	104-8300	5	Nut-HF, NI	18	109-0309	1	Hose-Fuel
5	107-4543	2	Clamp	19	3290-378	3	Tie-Cable
6	125-2907	1	Fuel Tank ASM	21	140-6245	1	Cap-Pump, Fuel
6:2	2412-36	1	Clamp-Hose	22	140-6246	1	Gasket-Pump, Fuel,
6:3	304-46	1	Draincock	23	121-5642	1	Sender-Fuel
7	125-2903	1	Cover-Pump/Sender	24	98-7612	1	Filter-Fuel
8	2412-80	2	Clamp-Hose	25	110-3257	1	Hose-Fuel
9	322-6	1	Screw-HH	26	112-2386	1	Hose-Fuel
10	3256-3	1	Washer-Flat	27	110-8968-0P	1	Mount-Water Separator
11	108-1605	1	Bumper-Recess	28	138-4714	1	Hose-Fuel
12	92-2379	8	Clamp-Hose	29	125-8808	1	Hose-Fuel
13	145-3160	1	Pump-Fuel, Electric	31	32104-32	4	Screw-HWH
14	110-9044	1	Separator-Filter	32	125-2945	1	Strap-Cable
14:1	110-9049	1	Filter-Spin On, Fuel/Water				



Hydraulic Tank Assembly

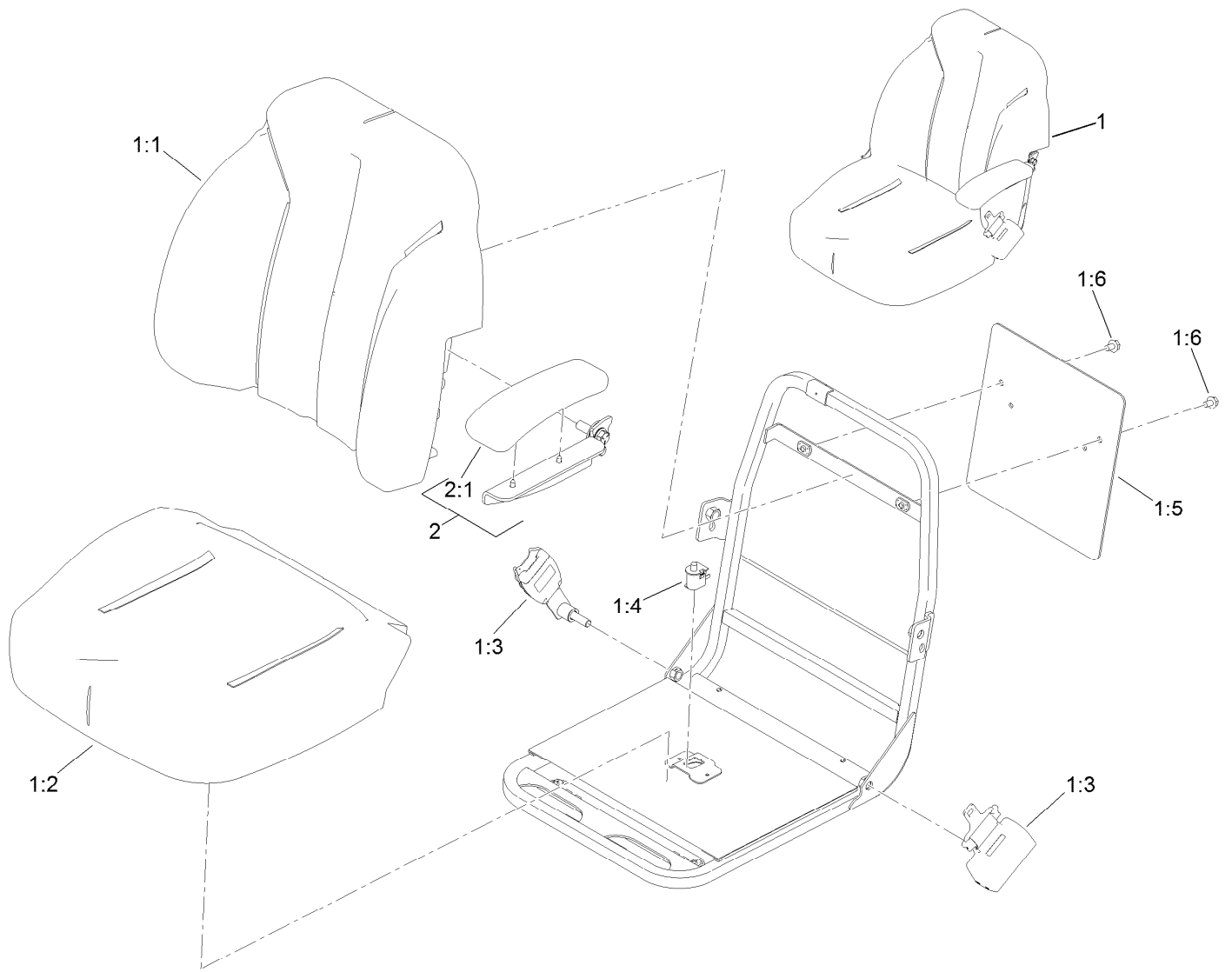
<i>Ref.</i>	<i>Part Number</i>	<i>Qty.</i>	<i>Description</i>	<i>Ref.</i>	<i>Part Number</i>	<i>Qty.</i>	<i>Description</i>
1	145-2463	1	Strainer-Tank, Hydraulic	13	340-104	1	Fitting-Tee
1:1	340-136	1	O-Ring	13:1	237-30	2	O-Ring
2	145-2487	1	Tank-Hydraulic	14	144-2080	1	Fitting-Manifold
3	108-1605	1	Bumper-Recess	14:1	237-81	1	O-Ring
4	107-4543	2	Clamp	14:2	237-30	1	O-Ring
5	144-2076	1	Hose-Suction	14:3	237-22	1	O-Ring
6	2412-3	2	Clamp-Hose	15	105-3921	1	Fitting-Plug
7	117-0193	1	Cap-Hydraulic, Vented Breather	15:1	237-146	1	O-Ring
7:1	237-101	1	O-Ring	16	340-70	1	Nut-Lock
8	94-5780	2	Screw-HWH	17	340-159	1	Elbow-90
9	104-8300	3	Nut-HF, NI	17:1	237-22	2	O-Ring
10	322-6	1	Screw-HH	18	145-2496-0P	1	Bracket-Bulkhead, Return
11	3256-3	1	Washer-Flat	19	145-2488	1	Hose ASM-Hydraulic
12	61-2790	1	Filter-Screen	20	3234-1	2	Screw-HHF
				21	104-8301	2	Nut-HF, NI



Seat and Roll-Over Protection System Assembly

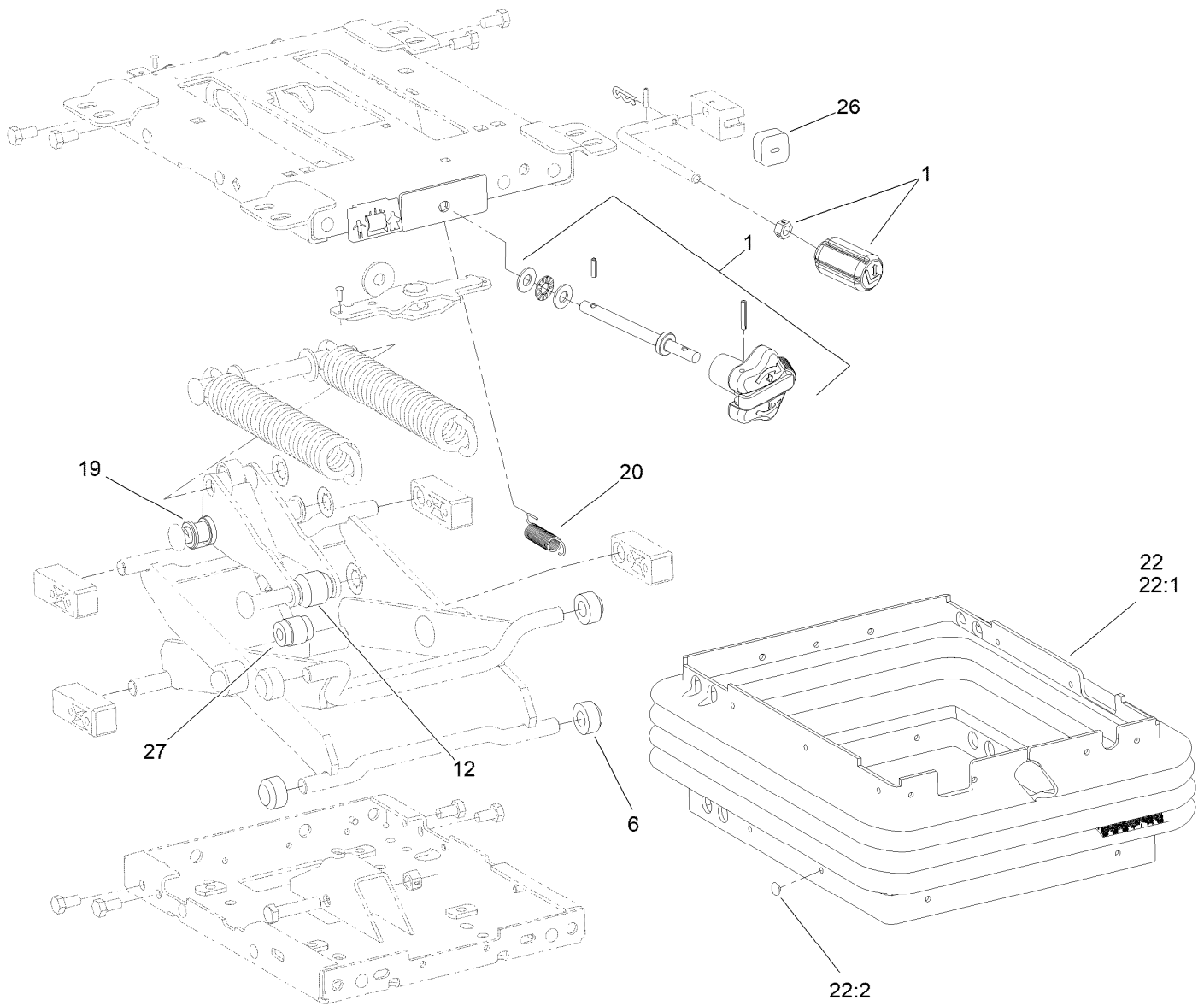
Ref.	Part Number	Qty.	Description	Ref.	Part Number	Qty.	Description
1	139-2700	1	Seat ASM	16	71-9310	4	Spacer
2	138-6985-03	1	Mount-Seat	17	104-7048	1	Cap-Housing
3	145-2572	1	Decal-Service	18	104-7050	1	Tube-Manual
4	3256-23	8	Washer-Plain	19	108-6590-0P	2	Bracket-Seat, Lower
5	108-8657	1	Harness-Wire, Seat	20	145-5295	1	Suspension ASM
6	136-9002	4	Spacer-Mounting	21	2412-133	2	Clamp-R
7	130-7100	1	Trim-Seatbase	22	3234-17	4	Screw-HHF
10	3290-511	4	Screw-HSBH	26	136-7954	1	ROPS ASM
11	92-8990	1	Adjuster-Seat, Non-Locking	26:1		1	ROPS ASM ●
12	92-8991	1	Adjuster (W/Latch)	26:1:3	136-3702	1	Decal-Safety, ROPS
13	104-8300	8	Nut-HF, NI	26:1:4	136-2159	1	Decal-Seat Service
15	48-7680	4	Screw-HH	27	3234-38	8	Screw-HHF

● Not serviced separately



Seat Assembly No. 139-2700

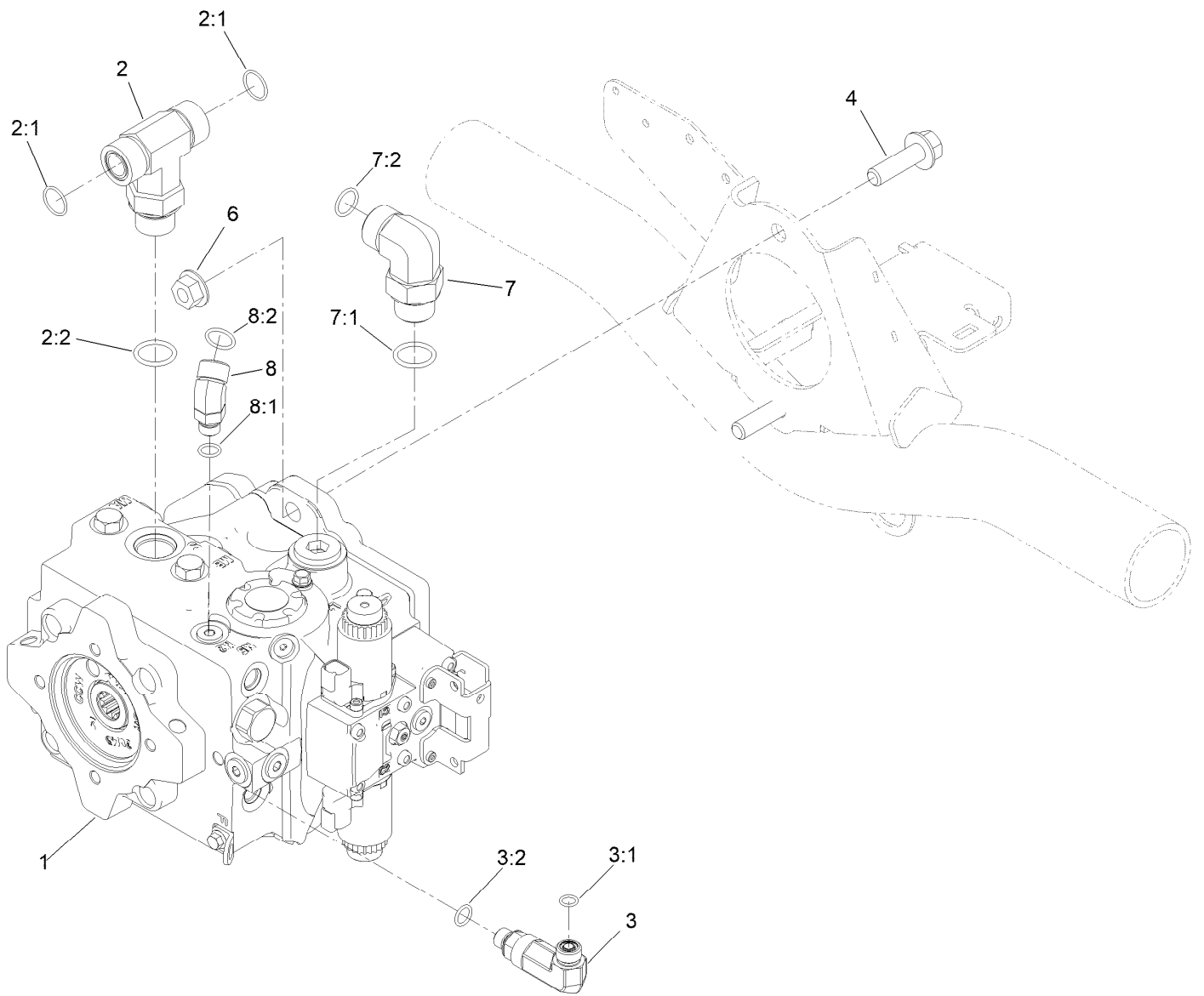
<i>Ref.</i>	<i>Part Number</i>	<i>Qty.</i>	<i>Description</i>
1	139-2680	1	Seat ASM
1:1	145-0083	1	Cover-Seat, Back
1:2	145-0084	1	Cover-Seat, Bottom
1:3	139-2707	1	Seat Belt Kit
1:4	82-2190	1	Switch-Bail
1:5	139-2701	1	Plate-Decal
1:6	3234-30	2	Screw-HHF
2	121-3660	1	LH Arm Rest Kit
2:1	110-4163	1	Cushion-Rest, Arm



Mechanical Seat Suspension Assembly No. 145-5295

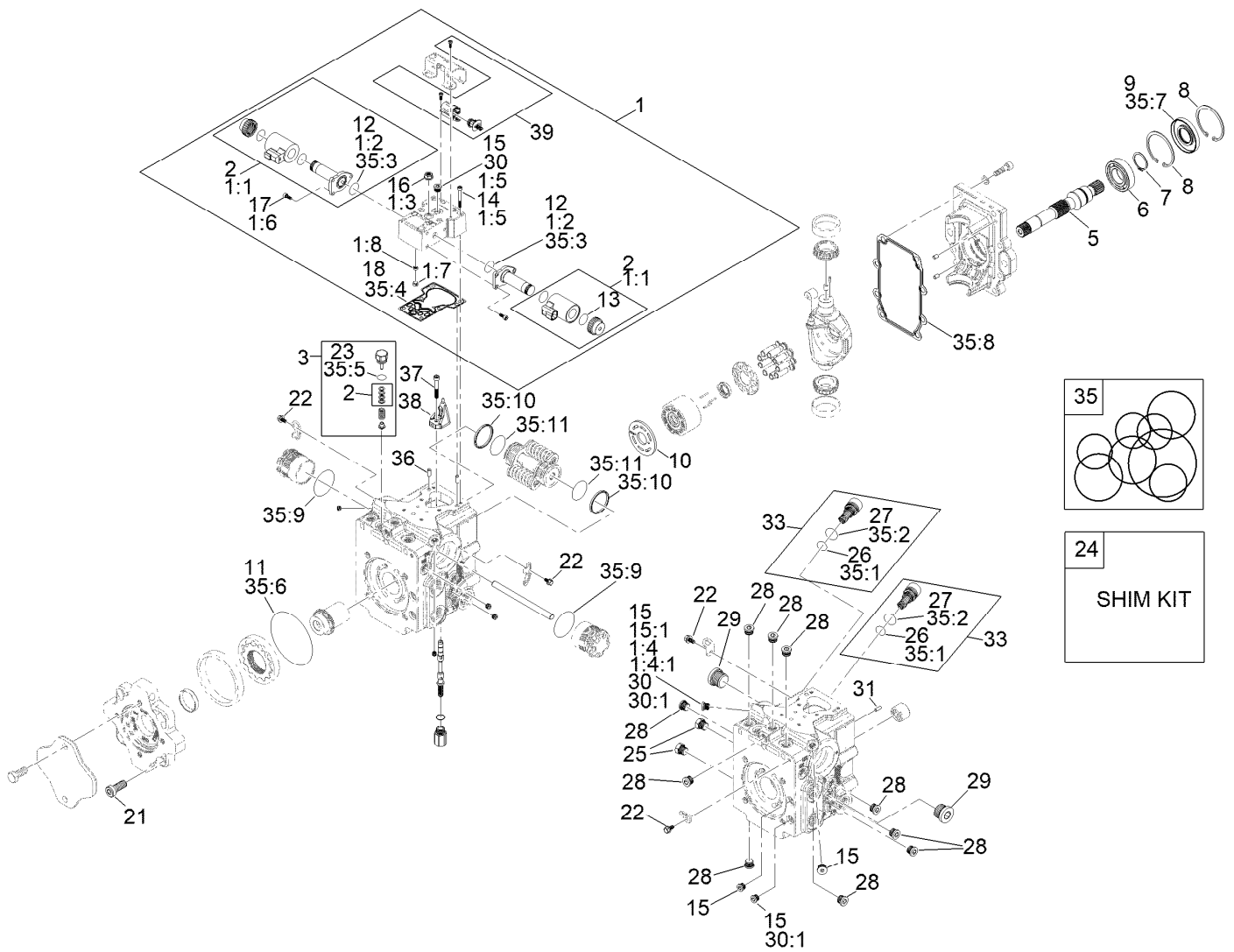
Ref.	Part Number	Qty.	Description
1	145-5296	1	Knob Service Kit
6	108-9632	4	Roller
12	145-5297	1	Roller-Plastic, 36MM
19	108-9622	2	Tube
20	108-9633	1	Spring-Extension
22	112-0164	1	Boot Kit
22:1		1	Boot-Suspension ●
22:2	108-9641	21	Clip-Plug
26	108-9634	1	Bumper
27	108-9614	1	Damper

● Not serviced separately



Traction Pump Mounting Assembly

Ref.	Part Number	Qty.	Description
1	144-2060	1	Pump-Hydraulic
2	104-4836	1	Fitting-Tee
2:1	237-58	2	O-Ring
2:2	237-81	1	O-Ring
3	340-5	1	Fitting-Straight
3:1	237-42	1	O-Ring
3:2	237-30	1	O-Ring
4	130-6481	2	Screw-HHF
6	32128-49	2	Nut-HHF
7	340-139	1	Fitting-Elbow 90
7:1	237-81	1	O-Ring
7:2	237-65	1	O-Ring
8	340-96	1	Adapter
8:1	237-30	1	O-Ring
8:2	237-42	1	O-Ring

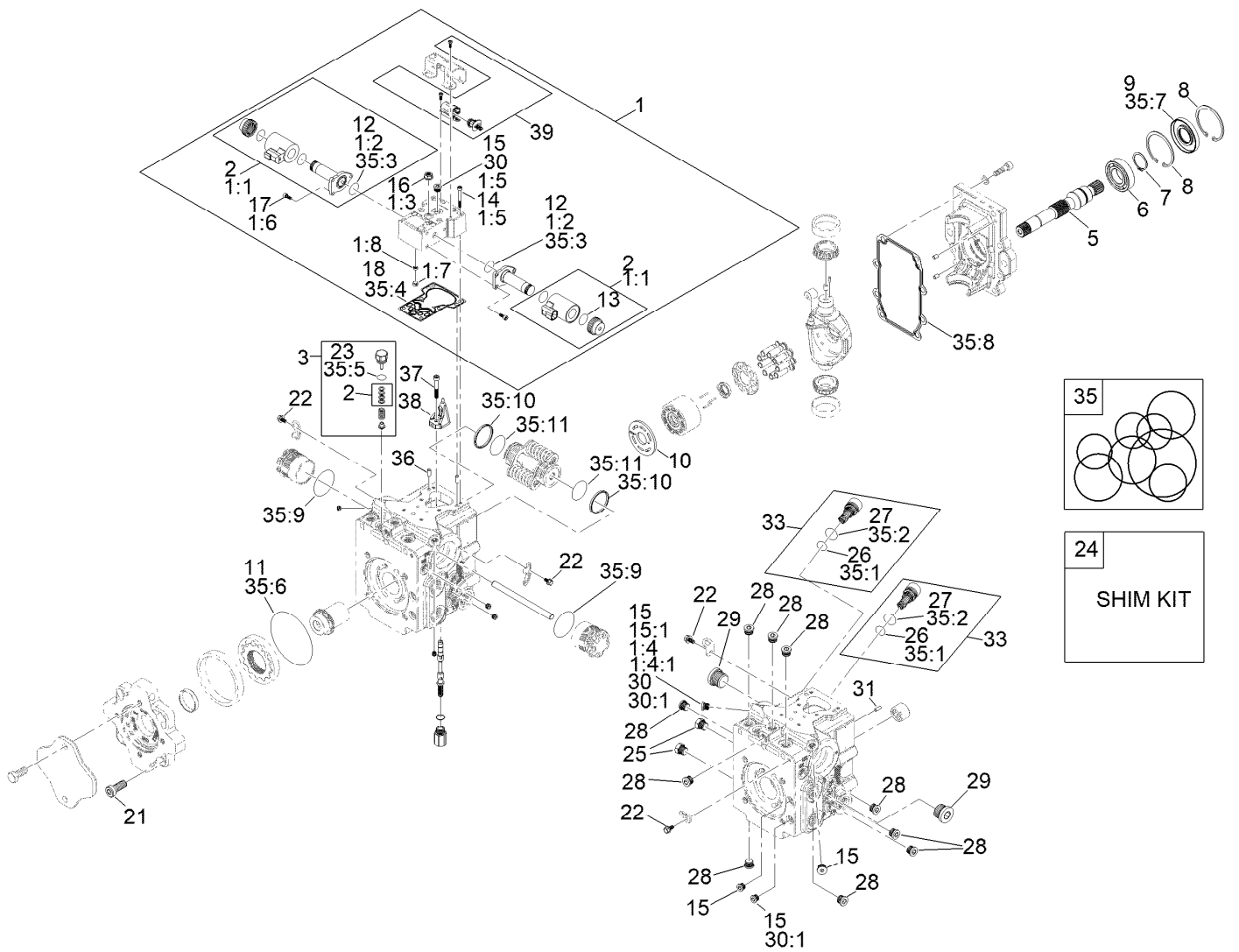


Hydraulic Pump Assembly No. 144-2060

Ref.	Part Number	Qty.	Description	Ref.	Part Number	Qty.	Description
1	136-3209	1	Control Kit (12 Volt)	11	161-7206	1	O-Ring As568-244 Nbr90
1:1	132-6204	2	Coil Kit	12	125-5288	2	O-Ring
1:2	125-5288	2	O-Ring	13	131-7388	2	O-Ring
1:3	125-5273	1	Nut-Seal	14	125-5274	6	Screw
1:4	75-0170	1	Plug-Thread, Straight	15	75-0170	4	Plug-Thread, Straight
1:4:1	92-8777	1	O-Ring	15:1	92-8777	1	O-Ring
1:5	125-5274	6	Screw	16	161-7200	1	Nut-Hex Seal
1:6	125-5272	6	Screw	17	125-5272	6	Screw
1:7	136-3213	1	Gasket-Control	18	125-5283	1	Gasket-Control
1:8	136-3218	1	Sensor Kit	21	125-5282	4	Screw
2	125-5294	2	Coil Kit	22	125-5270	4	Screw
3	161-7203	1	Charge Relief Valve	23	125-5298	1	O-Ring
5	139-4811	1	Shaft-13Tooth	24	92-1353	1	Shim Kit
6	139-4820	1	Bearing-Ball	25	136-1026	1	Plug ASM
7	139-4806	1	Ring-Retaining	26	75-0240	2	O-Ring
8	139-4831	2	Ring-Retaining	27	84-0560	2	O-Ring
9	161-7202	1	Oil Seal-Black	28	69-3080	10	Plug
10	139-4813	1	Plate-Valve	29	69-3130	1	Plug

● Not illustrated

■ Not serviced separately

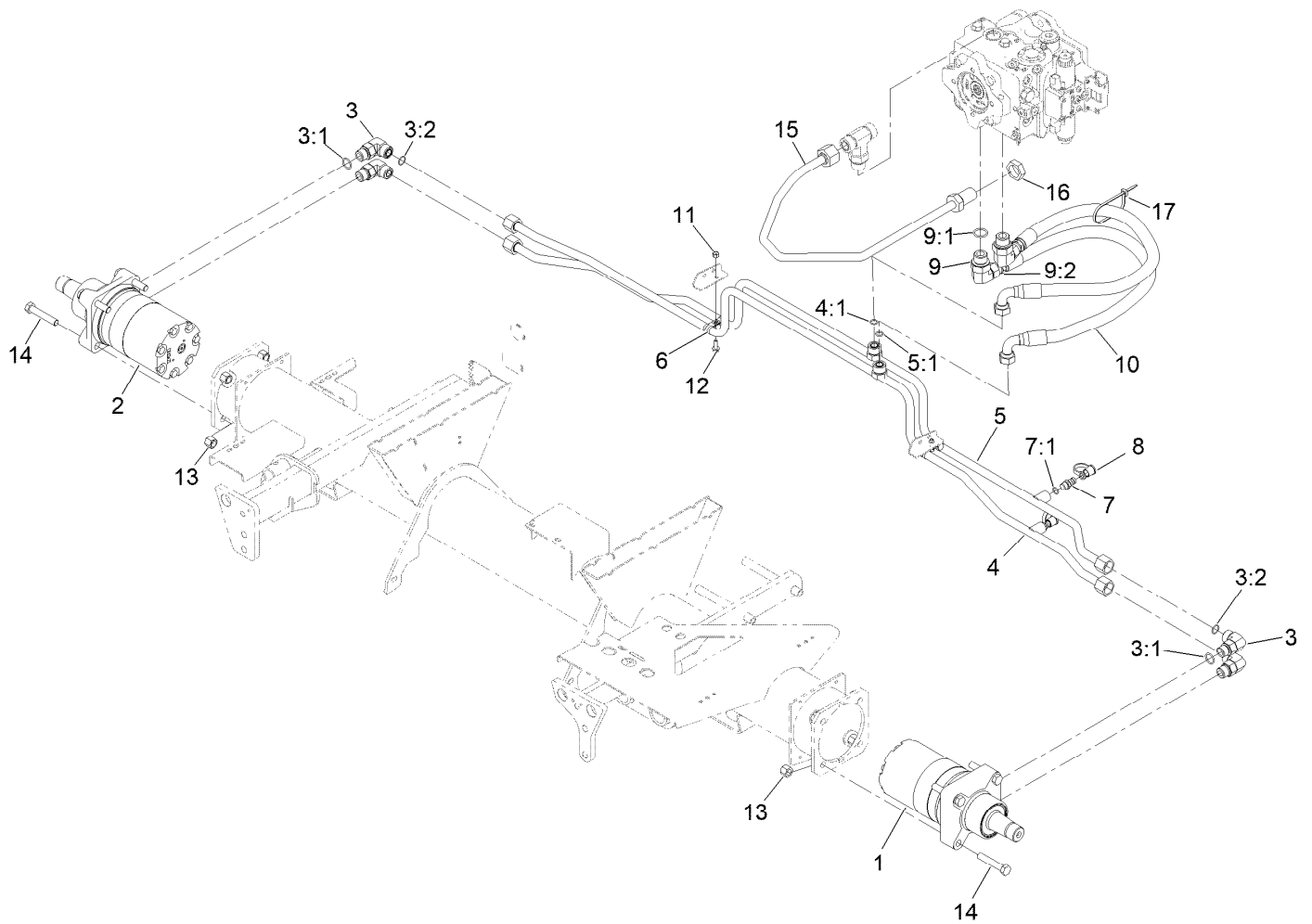


Hydraulic Pump Assembly No. 144-2060 (continued)

Ref.	Part Number	Qty.	Description	Ref.	Part Number	Qty.	Description
30	75-0170	4	Plug-Thread, Straight	35:6	132-6206	1	O-Ring
30:1	92-8777	1	O-Ring	35:7	127-6214	1	Seal-Lip
31	75-0510	1	Pin	35:8		1	Gasket ■
33	161-7204	1	Valve-Scr Assembly 260 Bar (3770 PSI)	35:9		2	O-Ring ■
35	132-6205	1	Overhaul Seal Kit	35:10		2	Piston Ring ■
35:1	75-0240	2	O-Ring	35:11		2	O-Ring ■
35:2	84-0560	2	O-Ring	36	136-3215	2	Pin
35:3	125-5288	2	O-Ring	37	136-3216	1	Screw, M6 X 35
35:4	125-5283	1	Gasket-Control	38	136-3217	1	Link - Swashplate Feedback
35:5	125-5298	1	O-Ring	39	136-3218	1	Sensor Kit ●

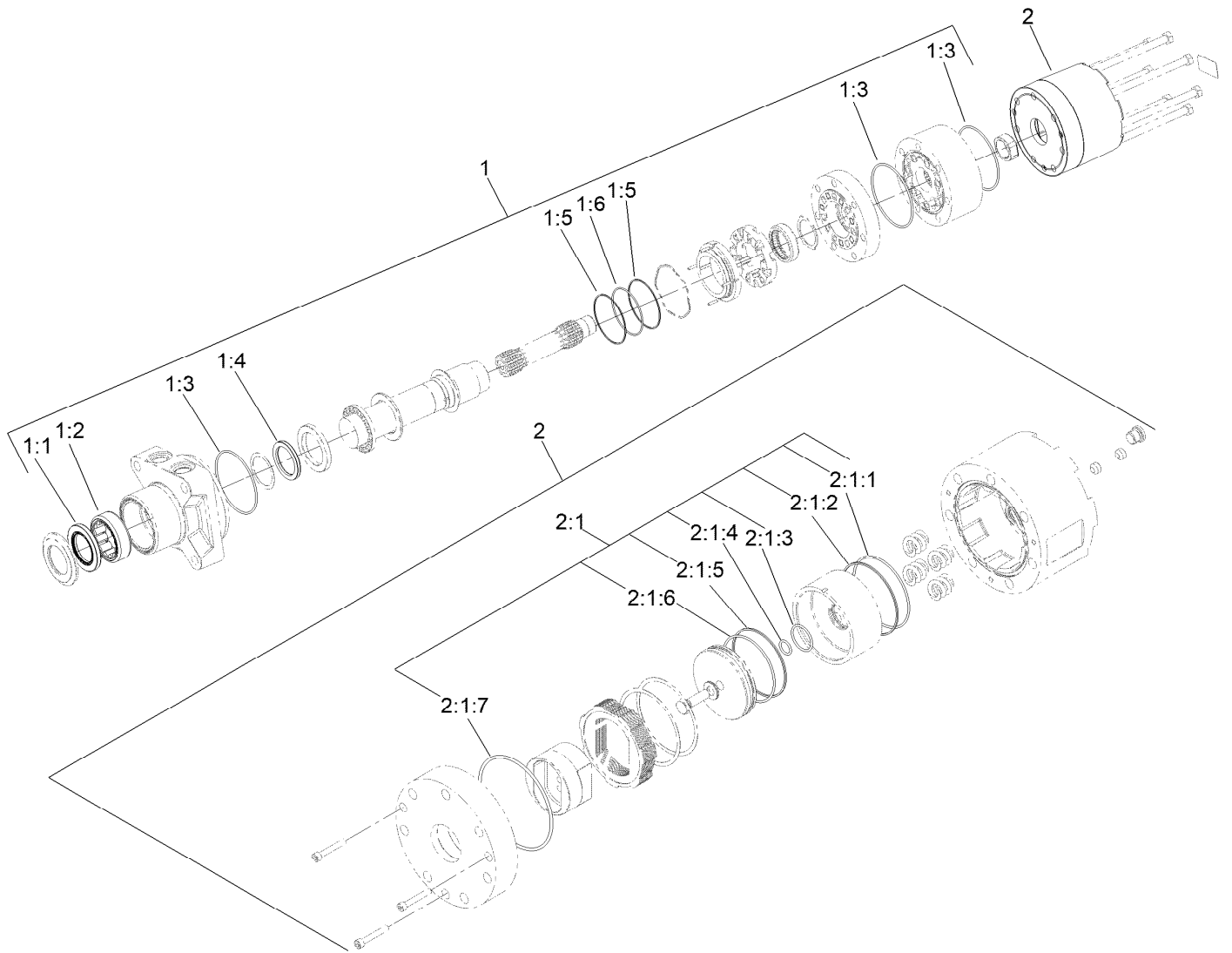
● Not illustrated

■ Not serviced separately



Traction Hydraulic Assembly

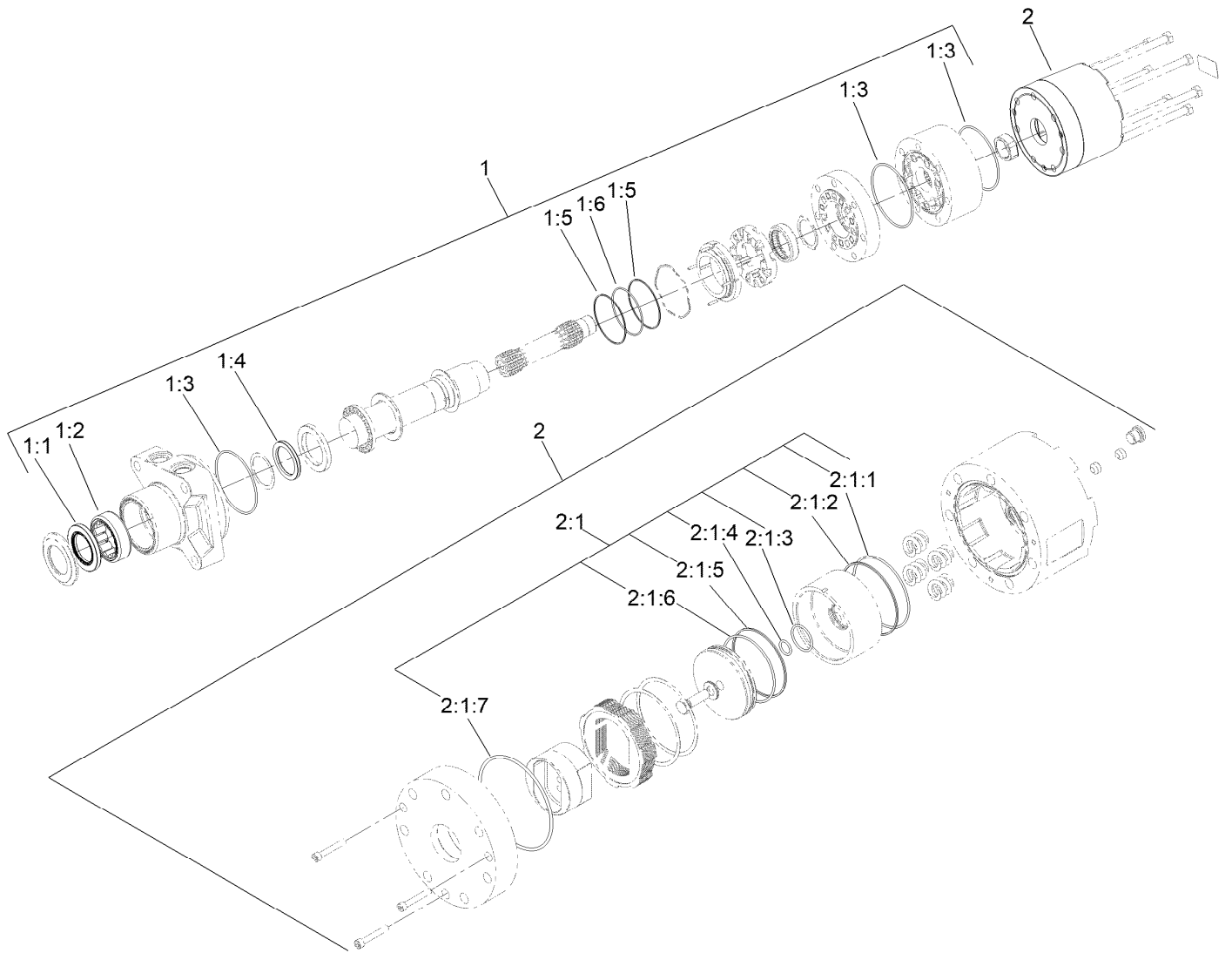
<i>Ref.</i>	<i>Part Number</i>	<i>Qty.</i>	<i>Description</i>	<i>Ref.</i>	<i>Part Number</i>	<i>Qty.</i>	<i>Description</i>
1	139-6038	1	Hydraulic Motor ASM	8	354-79	2	Cap-Dust
2	139-6039	1	Hydraulic Motor ASM	9	340-139	2	Fitting-Elbow 90
3	340-17	4	Fitting-Elbow, 90 DEG	9:1	237-81	1	O-Ring
3:1	237-65	1	O-Ring	9:2	237-65	1	O-Ring
3:2	237-80	1	O-Ring	10	127-2300	2	Hose ASM
4	125-1493	1	Tube ASM	11	3296-42	2	Nut-Lock, NI
4:1	237-65	1	O-Ring	12	3234-4	2	Screw-HHF
5	125-1494	1	Tube ASM	13	3296-23	8	Nut-Lock, NI
5:1	237-65	1	O-Ring	14	325-11	8	Screw-HH
6	2412-134	4	Clamp-R	15	145-2551	1	Hydraulic Tube ASM
7	59-7410	2	Fitting-Diagnostic	16	340-74	1	Nut-Lock, Bulkhead
7:1	237-42	1	O-Ring	17	3334-945	1	Tie-Cable



Hydraulic Motor Assembly No. 139-6038

<i>Ref.</i>	<i>Part Number</i>	<i>Qty.</i>	<i>Description</i>	<i>Ref.</i>	<i>Part Number</i>	<i>Qty.</i>	<i>Description</i>
1	161-7208	1	Seal Kit	2:1:1	161-8367	1	O-Ring
1:1	161-7209	1	Seal, Grease	2:1:2	161-8368	1	Backup Ring
1:2	161-7210	1	Shell, Bearing	2:1:3	161-8369	1	O-Ring
1:3	161-7211	3	O-Ring	2:1:4	161-8370	1	O-Ring
1:4	161-7212	1	Shaft Seal (HP)	2:1:5	161-8371	1	Backup Ring
1:5	161-7213	2	Back-Up Ring	2:1:6	161-8372	1	O-Ring
1:6	161-7214	1	O-Ring	2:1:7	161-7211	1	O-Ring
2	145-2597	1	Brake Housing ASM	2:1:8	161-8373	1	O-Ring ●
2:1	161-8366	1	Seal Kit-Brake ASM				

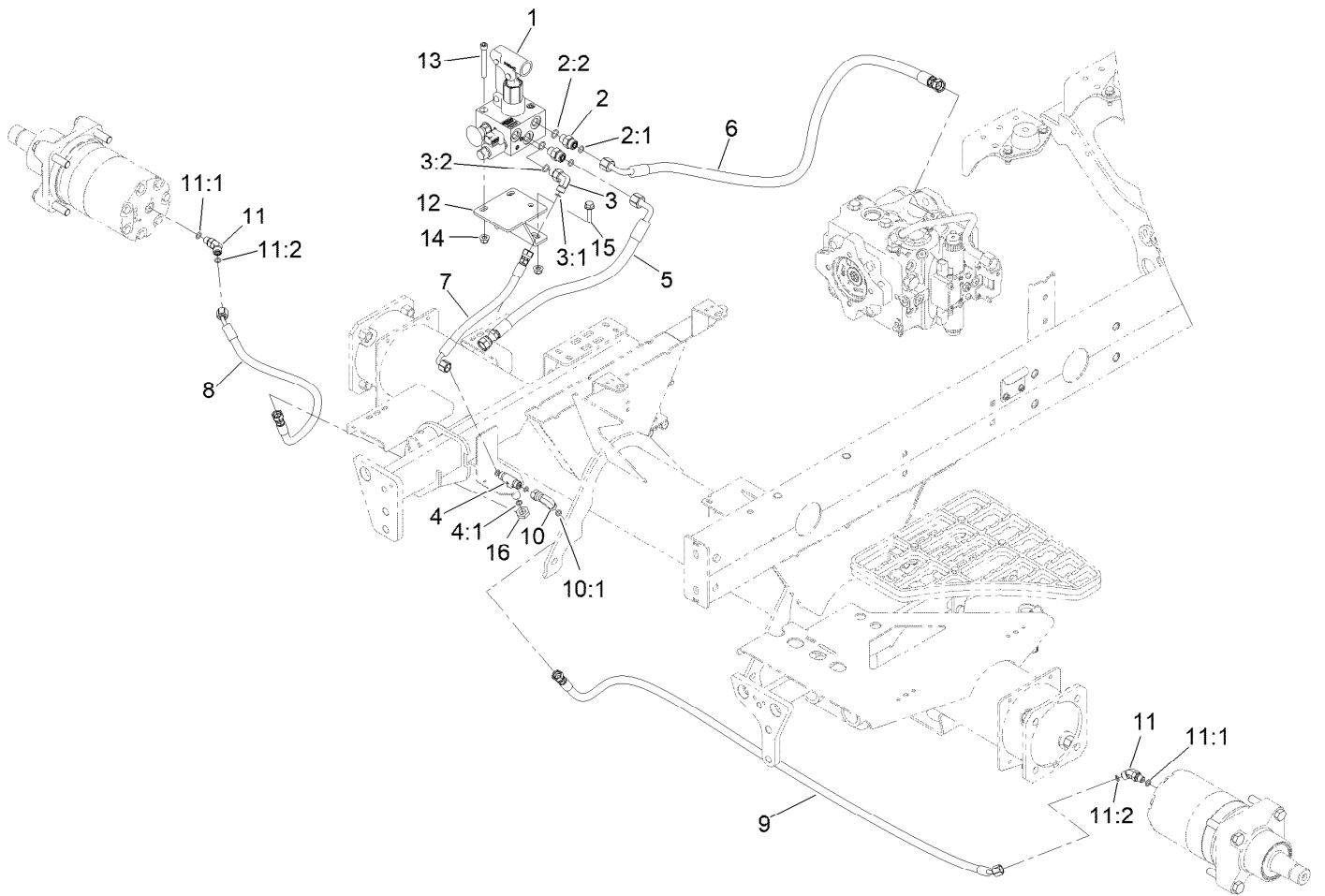
● Not illustrated



Hydraulic Motor Assembly No. 139-6039

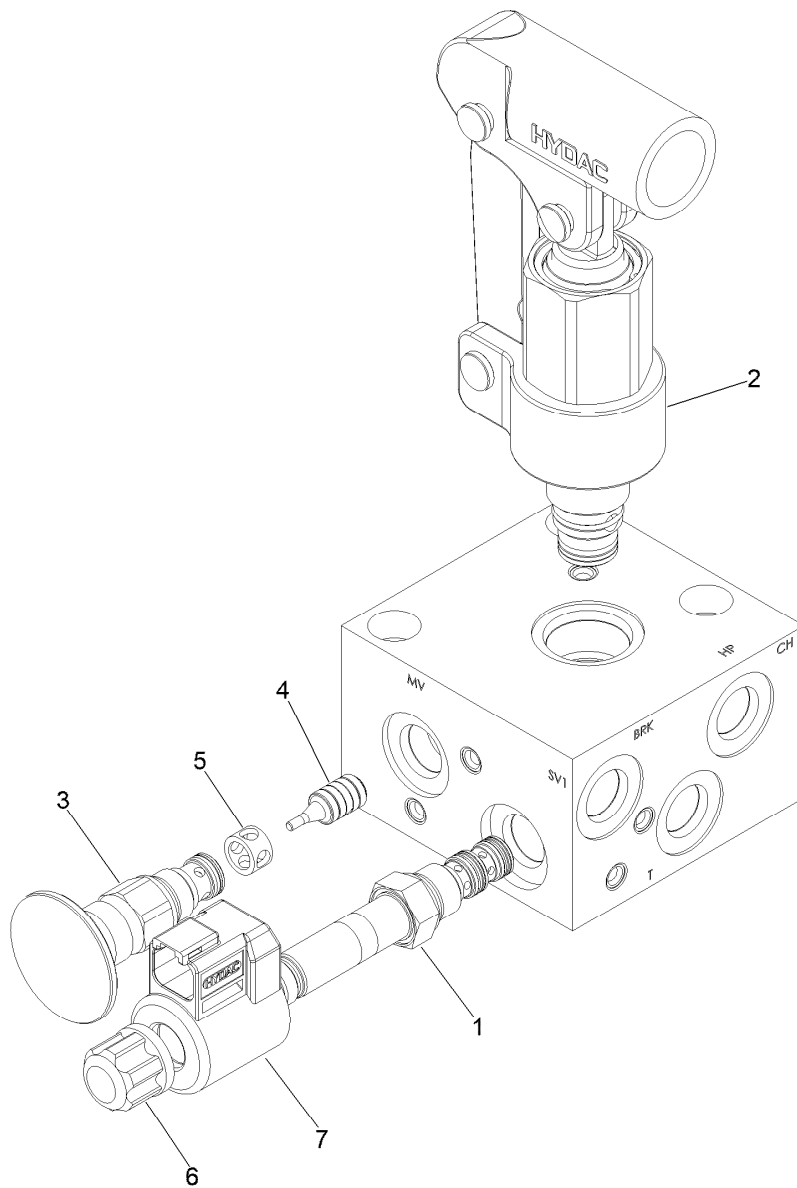
<i>Ref.</i>	<i>Part Number</i>	<i>Qty.</i>	<i>Description</i>	<i>Ref.</i>	<i>Part Number</i>	<i>Qty.</i>	<i>Description</i>
1	161-7208	1	Seal Kit	2:1:1	161-8367	1	O-Ring
1:1	161-7209	1	Seal, Grease	2:1:2	161-8368	1	Backup Ring
1:2	161-7210	1	Shell, Bearing	2:1:3	161-8369	1	O-Ring
1:3	161-7211	3	O-Ring	2:1:4	161-8370	1	O-Ring
1:4	161-7212	1	Shaft Seal (HP)	2:1:5	161-8371	1	Backup Ring
1:5	161-7213	2	Back-Up Ring	2:1:6	161-8372	1	O-Ring
1:6	161-7214	1	O-Ring	2:1:7	161-7211	1	O-Ring
2	145-2597	1	Brake Housing ASM	2:1:8	161-8373	1	O-Ring ●
2:1	161-8366	1	Seal Kit-Brake ASM				

● Not illustrated



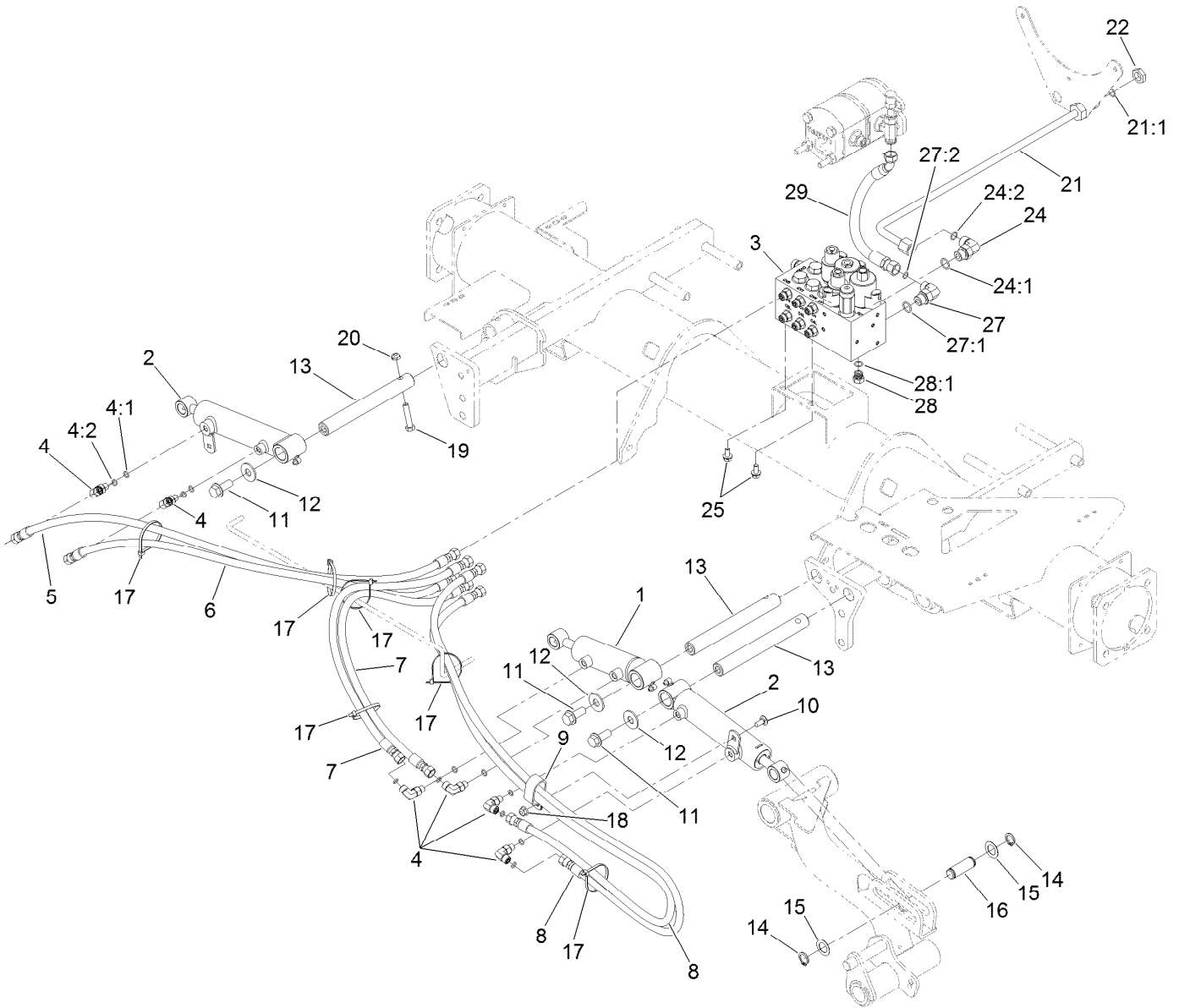
Hydraulic Brake Assembly

Ref.	Part Number	Qty.	Description	Ref.	Part Number	Qty.	Description
1	139-6046	1	Manifold-Brake Release	9	115-2029	1	HYD Hose ASM
2	340-2	2	Fitting-Straight	10	92-2745	1	Elbow-90
2:1	237-22	1	O-Ring	10:1	237-21	1	O-Ring
2:2	237-42	1	O-Ring	11	340-103	2	Fitting-HYD, 45 DEG
3	340-82	1	Fitting-Elbow, 90 DEG	11:1	237-78	1	O-Ring
3:1	237-42	1	O-Ring	11:2	237-21	1	O-Ring
3:2	237-21	1	O-Ring	12	145-2459-03	1	Mount - Brake Release [black]
4	140-7452	1	Fitting-Tee, Bulkhead	13	3274-40	3	Screw-HSH
4:1	237-21	3	O-Ring	14	104-8300	5	Nut-HF, NI
5	139-1151	1	HYD Hose ASM	15	3234-29	2	Screw-HHF
6	144-2078	1	Hose ASM-Hydraulic	16	340-78	1	Nut-Lock
7	121-4455	1	Hose-HYD				
8	145-2599	1	Hose ASM-HYD HP				



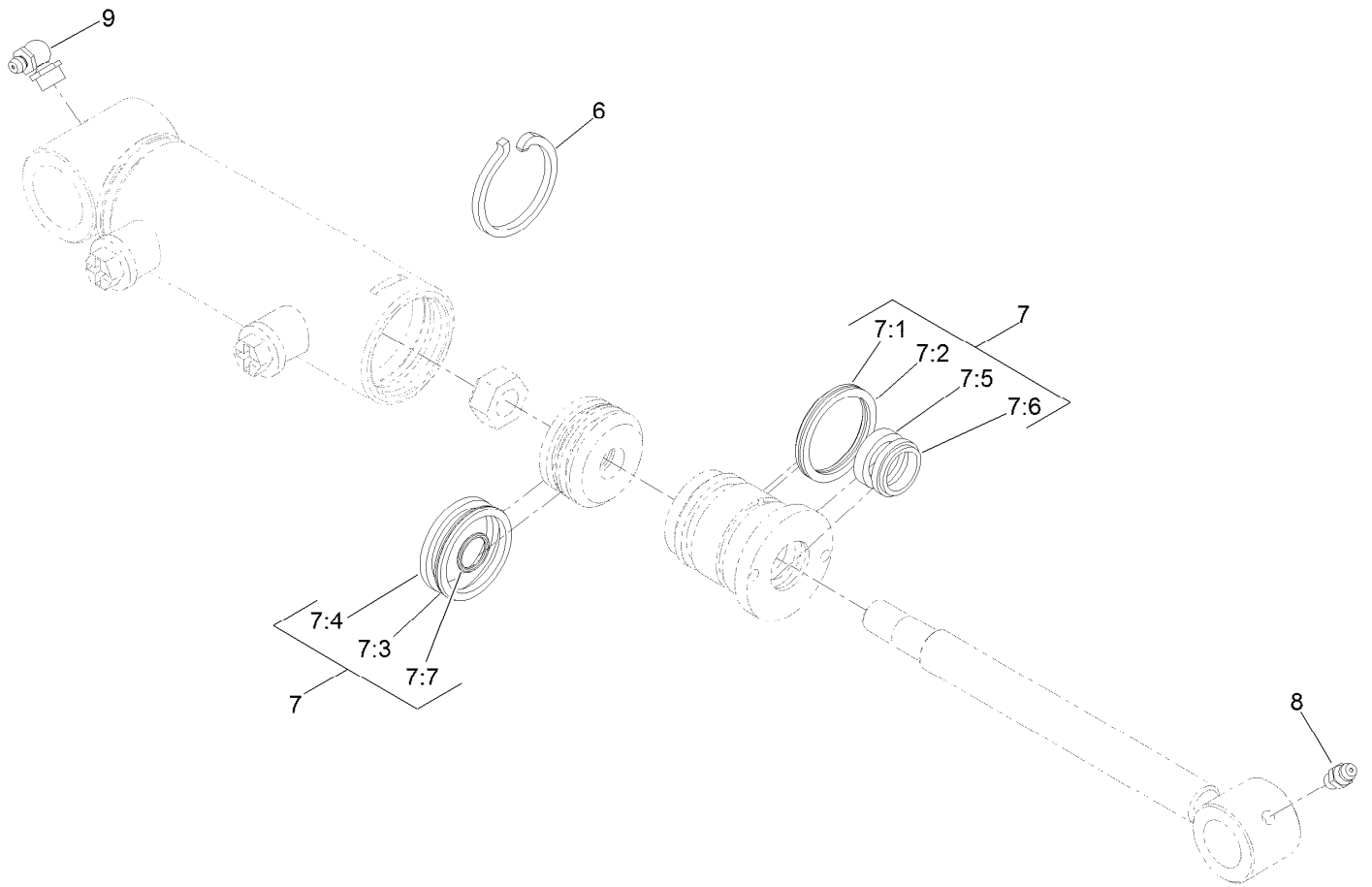
Brake Release Manifold Assembly No. 139-6046

<i>Ref.</i>	<i>Part Number</i>	<i>Qty.</i>	<i>Description</i>
1	145-2563	1	Directional Valve, 3W/2P
2	145-2564	1	Hand Pump
3	145-2565	1	Manual Valve, N.O.
4	145-2566	1	Pilot Piston Assy, Rvs06
5	145-2567	1	Spacer
6	145-2569	1	Coil Nut, Tall (06 Valves)
S1	145-2568	1	*obs* Coil 12Dn01-32-1329



Front Lift Hydraulic Assembly

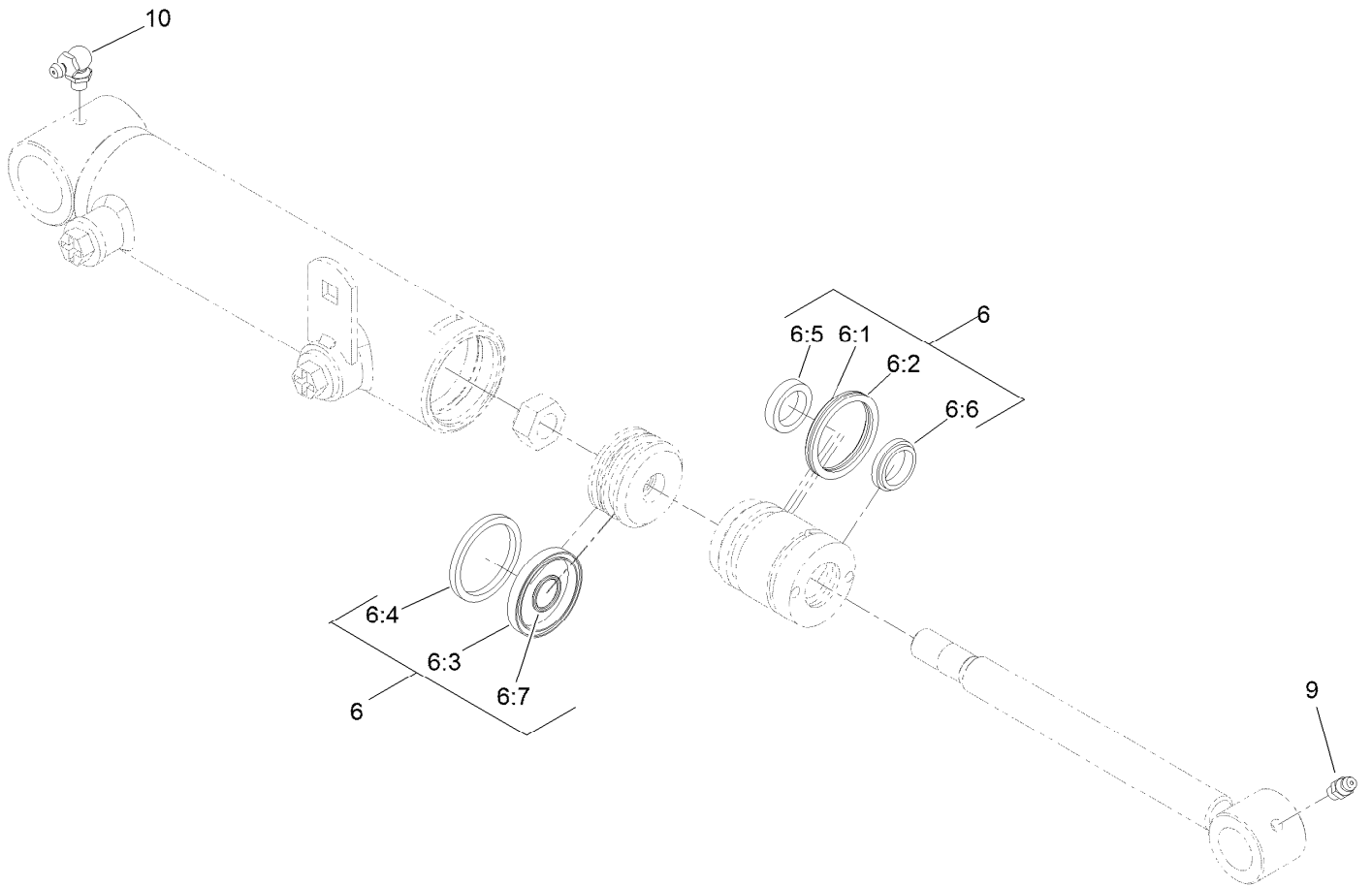
Ref.	Part Number	Qty.	Description	Ref.	Part Number	Qty.	Description
1	138-6999	1	HYD Cylinder ASM	16	104-0046	3	Pin-Slide, Cylinder
2	163-3534	2	Cylinder-Hydraulic	17	3290-379	6	Tie-Cable
3	105-7577	1	HYD Lift Block Manifold ASM	18	104-8300	1	Nut-HF, NI
4	340-132	6	Fitting-Elbow, 90 DEG	19	323-9	3	Screw-HH
4:1	237-78	1	O-Ring	20	3296-59	3	Nut-Lock, NI
4:2	237-21	1	O-Ring	21	127-2477	1	Tube ASM
5	127-2498	1	Hose ASM	21:1	237-30	1	O-Ring
6	127-2499	1	Hose ASM	22	340-127	1	Nut-Bulkhead
7	127-2497	2	Hose ASM	24	340-98	1	Fitting-Elbow, 90 DEG
8	127-2496	2	Hose ASM	24:1	237-79	1	O-Ring
9	2412-137	1	Clamp-R, Double	24:2	237-30	1	O-Ring
10	3230-23	1	Bolt-CARR	25	3234-14	2	Screw-HHF
11	3234-38	3	Screw-HHF	27	340-18	1	Fitting-HYD, 90 DEG
12	3256-6	3	Washer-Flat	27:1	237-79	1	O-Ring
13	117-0148	3	Pin-Cylinder	27:2	237-22	1	O-Ring
14	32120-93	6	Ring-Retaining	28	353-508	1	Plug-HH
15	3-6498	6	Washer-Thrust	28:1	237-42	1	O-Ring
				29	127-2535	1	Hose-ASM



Hydraulic Cylinder Assembly No. 138-6999

Ref.	Part Number	Qty.	Description
6	84-1680	1	Ring-Retaining
7	133-2900	1	Seal Kit
7:1		1	O-Ring ●
7:2		1	Backup ●
7:3		1	Bp Seal ●
7:4		1	Wear Ring-Ht ●
7:5		1	Bt Seal ●
7:6		1	Dust Seal-Dt ●
7:7		1	O-Ring ●
8	302-5	1	Fitting-Grease
9	302-33	1	Fitting-Grease

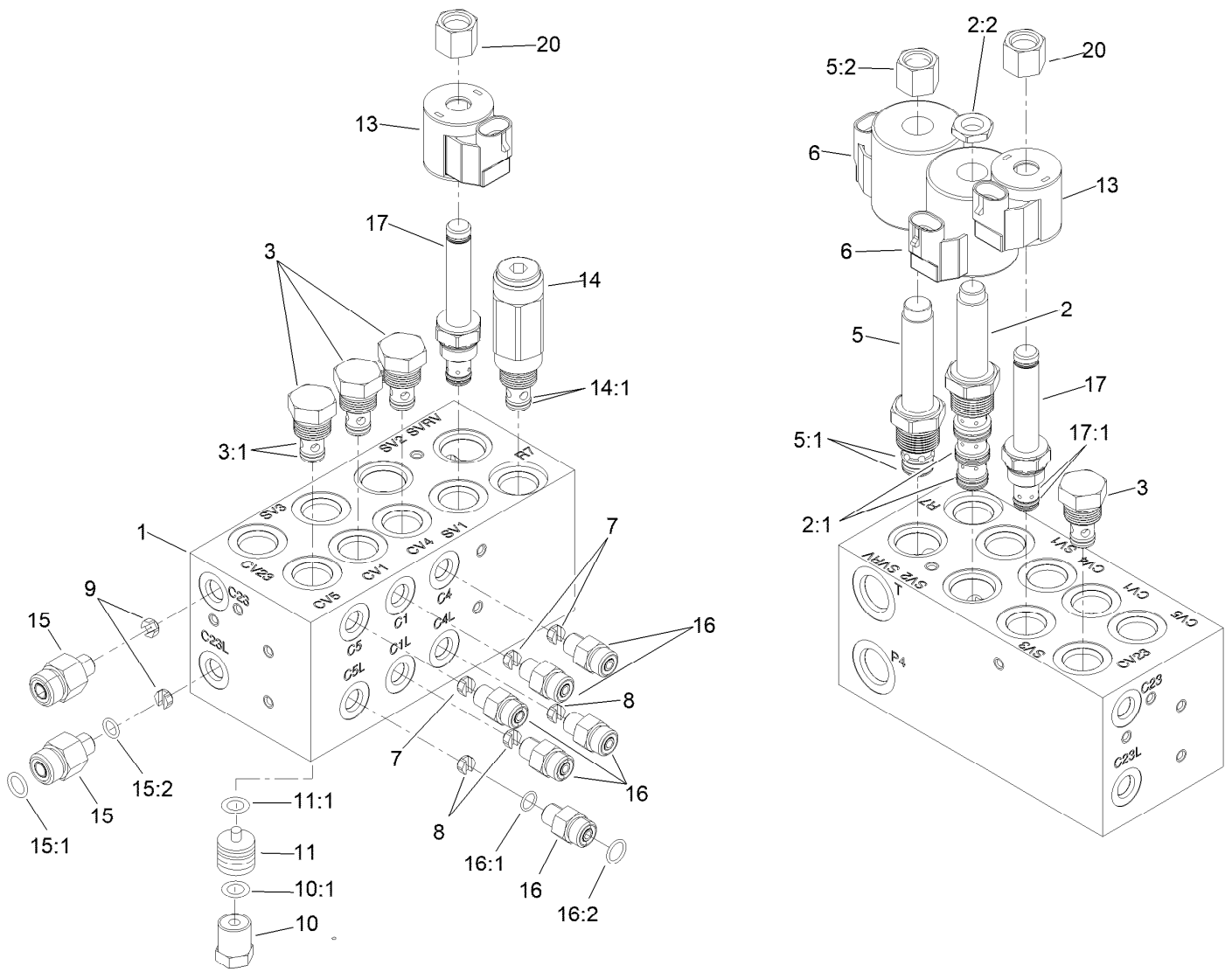
● Not serviced separately



Hydraulic Cylinder Assembly No. 163-3534

<i>Ref.</i>	<i>Part Number</i>	<i>Qty.</i>	<i>Description</i>
6	163-3529	1	Seal Kit
6:1		1	O-Ring ●
6:2		1	Backup ●
6:3		1	Pps Seal ●
6:4		1	Wear Ring-Ht ●
6:5		1	Bt Seal ●
6:6		1	Dust Seal-Dt ●
6:7		1	O-Ring ●
9	302-5	1	Fitting-Grease
10	302-60	1	Fitting-Grease

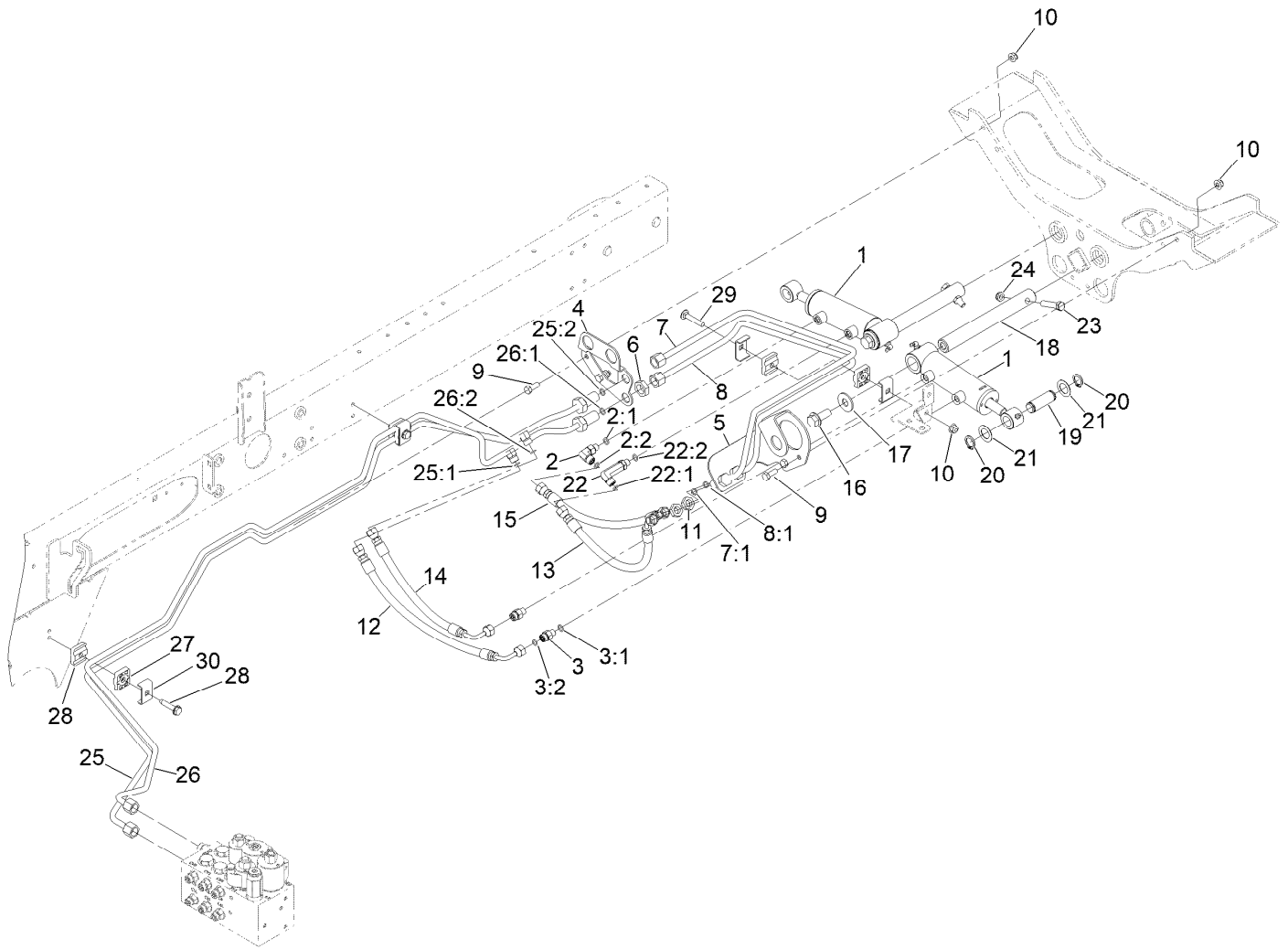
● Not serviced separately



Hydraulic Manifold Block Assembly No. 105-7577

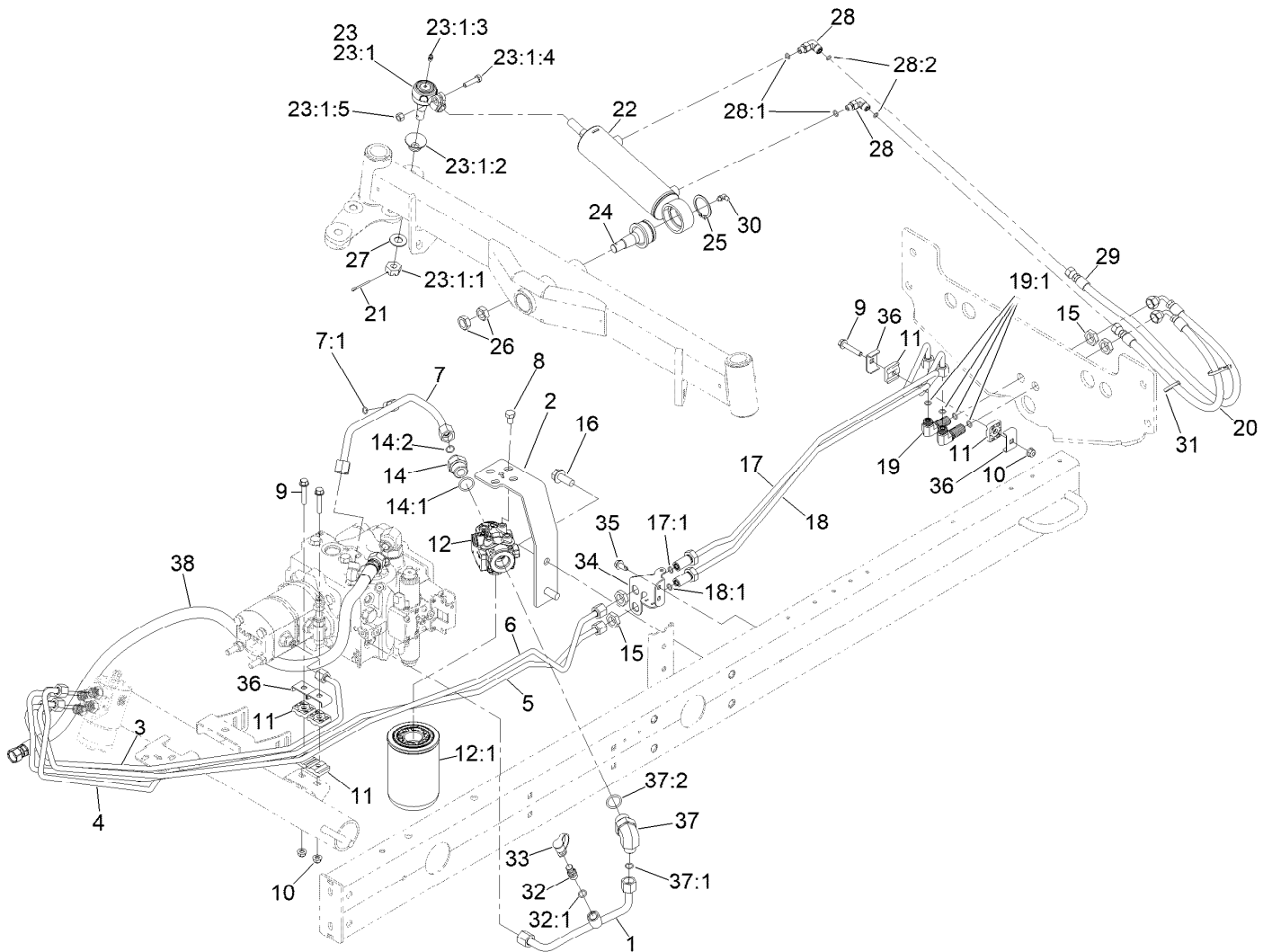
Ref.	Part Number	Qty.	Description	Ref.	Part Number	Qty.	Description
1		1	Block-Manifold ●	11	110-8901	4	Piston-Pilot
2	110-8906	1	Valve-Solenoid	11:1	110-8900	1	O-Ring
2:1	110-8908	1	Spool Valve Seal Kit	13	110-0497	2	Coil-Solenoid
2:2	110-2634	1	Nut-Coil	14	110-8899	1	Valve-Relief
3	110-9006	4	Valve-Check	14:1	105-9156	1	Seal Kit
3:1	105-9156	1	Seal Kit	15	340-88	2	Fitting-Straight
5	110-8905	1	Valve-Relief, Solenoid	15:1	237-22	1	O-Ring
5:1	110-6316	1	Seal Kit	15:2	237-78	1	O-Ring
5:2	130-8180	1	Nut-Coil (9/16-24 Unef-2B)	16	340-92	6	Fitting-Straight
6	110-6344	2	Coil-12V, DC	16:1	237-78	1	O-Ring
7	110-8904	3	Orifice-Control, Flow (0.028)	16:2	237-21	1	O-Ring
8	110-8903	3	Orifice-Control, Flow (0.055)	17	147-3090	2	Valve-Solenoid
9	110-8902	2	Orifice-Control, Flow (0.046)	17:1	107-7527	1	Seal Kit
10	354-70	4	Plug-Hex, Hollow	20	107-7812	2	Nut-Solenoid
10:1	237-80	1	O-Ring				

● Not serviced separately



Rear Lift Hydraulic Assembly

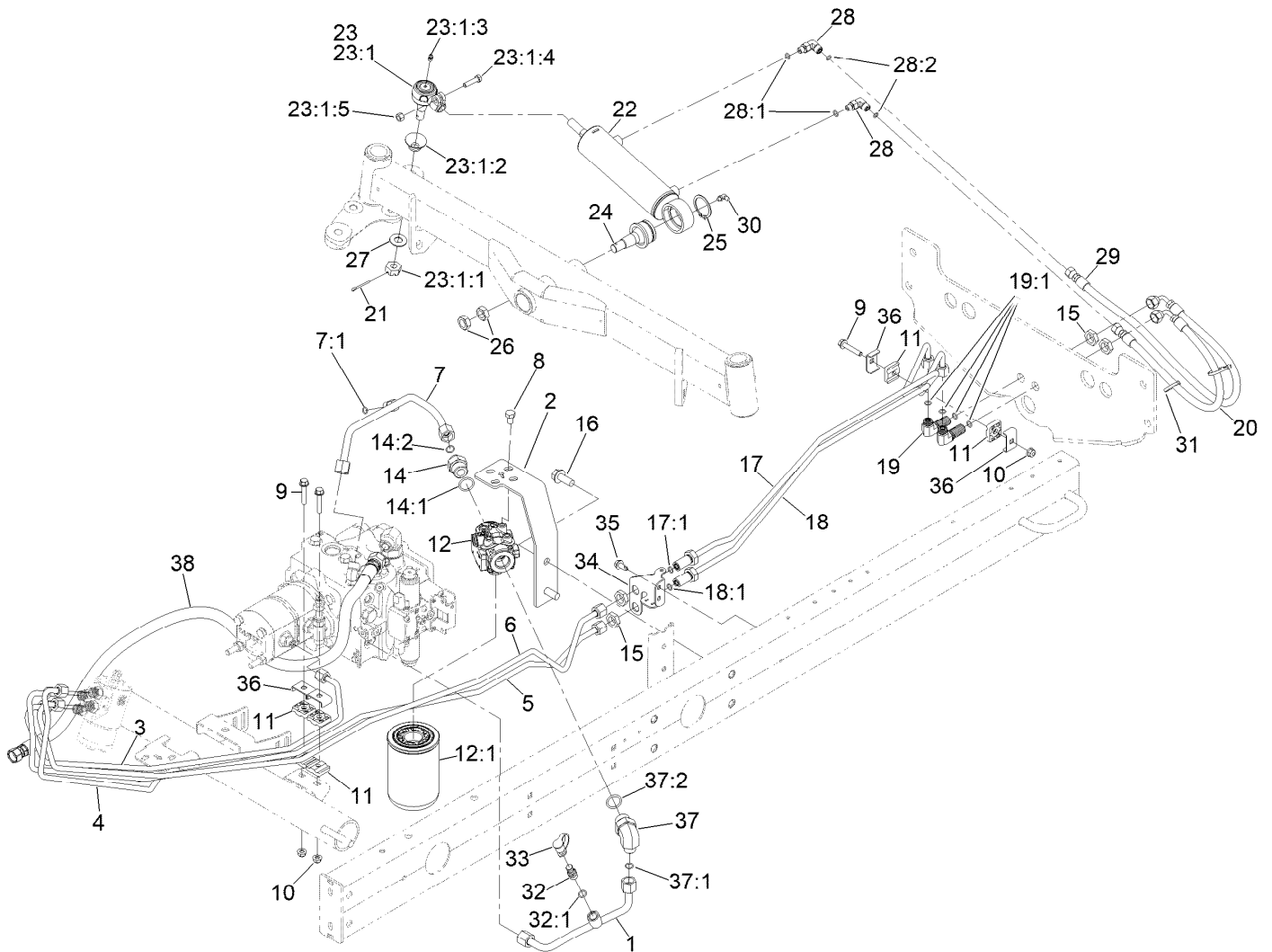
<i>Ref.</i>	<i>Part Number</i>	<i>Qty.</i>	<i>Description</i>	<i>Ref.</i>	<i>Part Number</i>	<i>Qty.</i>	<i>Description</i>
1	138-6999	2	HYD Cylinder ASM	16	3234-38	2	Screw-HHF
2	340-132	1	Fitting-Elbow, 90 DEG	17	3256-6	2	Washer-Flat
2:1	237-78	1	O-Ring	18	117-0148	2	Pin-Cylinder
2:2	237-21	1	O-Ring	19	104-0046	2	Pin-Slide, Cylinder
3	340-92	2	Fitting-Straight	20	32120-93	4	Ring-Retaining
3:1	237-78	1	O-Ring	21	3-6498	4	Washer-Thrust
3:2	237-21	1	O-Ring	22	100-7695	1	Fitting-Elbow 90
4	127-2568-0P	1	Bracket-Bulkhead, RH	22:1	237-78	1	O-Ring
5	127-2567-0P	1	Bracket-Bulkhead, LH	22:2	237-21	1	O-Ring
6	340-70	2	Nut-Lock	23	323-9	2	Screw-HH
7	133-2987	1	Tube-ASM	24	3296-59	2	Nut-Lock, NI
7:1	237-21	1	O-Ring	25	145-2555	1	Hydraulic Tube ASM
8	133-2986	1	Tube-ASM	25:1	237-21	1	O-Ring
8:1	237-21	1	O-Ring	25:2	237-22	1	O-Ring
9	322-4	4	Screw-HH	26	145-2554	1	Hydraulic Tube ASM
10	104-8300	5	Nut-HF, NI	26:1	237-21	1	O-Ring
11	340-78	2	Nut-Lock	26:2	237-22	1	O-Ring
12	110-0930	1	Hose-HYD	27	32144-57	2	Screw
13	110-8966	1	Hose-HYD	28	56-7973	6	Clamp-Tube
14	110-0929	1	Hose-HYD	29	3230-5	1	Bolt-CARR
15	110-0931	1	Hose-HYD	30	119-1418	4	Plate-Clamp, Short



Steering Hydraulic Assembly

Ref.	Part Number	Qty.	Description	Ref.	Part Number	Qty.	Description
1	144-2057	1	Tube ASM-Hydraulic	16	3234-38	2	Screw-HHF
2	144-2086-0P	1	Bracket-Mount, Filter	17	136-3729	1	Hydraulic Tube ASM
3	144-2070	1	Tube ASM-Hydraulic	17:1	237-22	1	O-Ring
4	144-2079	1	Hydraulic Tube ASM	18	127-2338	1	Tube ASM
5	144-2072	1	Tube ASM-Hydraulic	18:1	237-22	1	O-Ring
6	144-2073	1	Tube ASM-Hydraulic	19	340-154	2	Union-Bulkhead
7	139-6047	1	Tube ASM-Hydraulic	19:1	237-22	2	O-Ring
7:1	237-22	1	O-Ring	20	110-0928	1	Hose-HYD
8	33115-016	4	Screw-HH	21	3272-12	1	Pin-Cotter
9	94-5780	3	Screw-HWH	22	110-9035	1	HYD Cylinder ASM
10	104-8300	3	Nut-HF, NI	23	106-6895-03	1	Ball Joint ASM
11	56-7973	6	Clamp-Tube	23:1		1	Joint-Ball ●
12	93-2242	1	Oil Filter ASM	23:1:1	32136-13	1	Nut-SHH
12:1	75-1310	1	Filter-HYD	23:1:2	106-6896	1	Seal
14	100-4240	1	Fitting-STR	23:1:3	302-5	1	Fitting-Grease
14:1	237-30	1	O-Ring	23:1:4	3210-7	1	Screw-HH
14:2	237-81	1	O-Ring	23:1:5	32152-5	1	Nut-Hex
15	340-70	4	Nut-Lock	24	106-6774	1	Joint-Ball

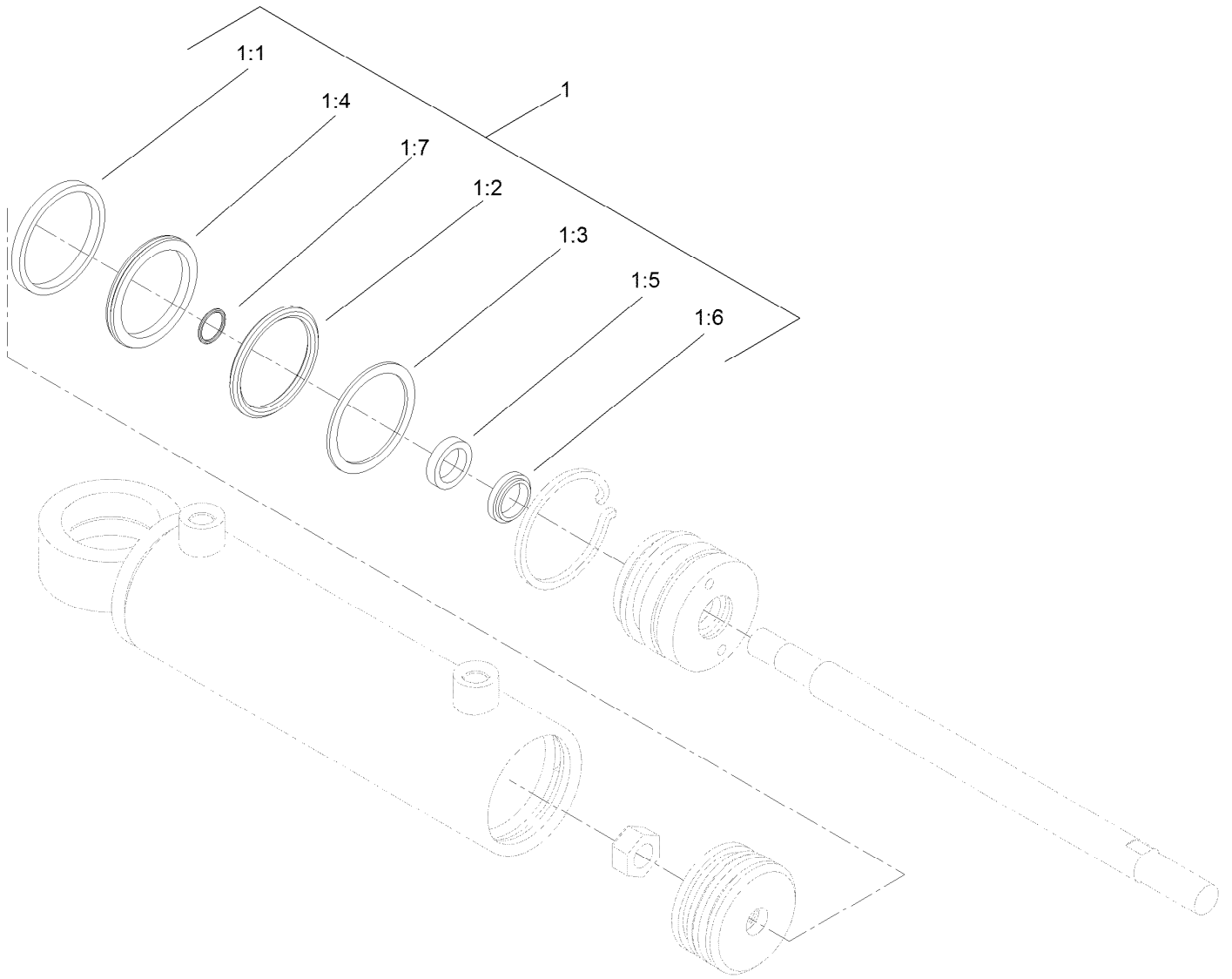
● Not serviced separately



Steering Hydraulic Assembly (continued)

<i>Ref.</i>	<i>Part Number</i>	<i>Qty.</i>	<i>Description</i>	<i>Ref.</i>	<i>Part Number</i>	<i>Qty.</i>	<i>Description</i>
25	32151-104	1	Ring-Retaining, External	32:1	237-42	1	O-Ring
26	3220-6	2	Nut-Jam	33	353-947	1	Cap-Dust, Black
27	69-8980	1	Washer	34	127-2341-0P	1	Brkt-Bulkhead, Steer
28	340-132	2	Fitting-Elbow, 90 DEG	35	32104-32	2	Screw-HWH
28:1	237-78	1	O-Ring	36	119-1418	4	Plate-Clamp, Short
28:2	237-21	1	O-Ring	37	340-131	1	Fitting-HYD, 90 DEG
29	110-0973	1	Hose-HYD	37:1	237-30	1	O-Ring
30	302-40	1	Fitting-Grease, 90 DEG	37:2	237-81	1	O-Ring
31	3290-378	2	Tie-Cable	38	144-2077	1	Hose ASM-Hydraulic
32	59-7410	1	Fitting-Diagnostic				

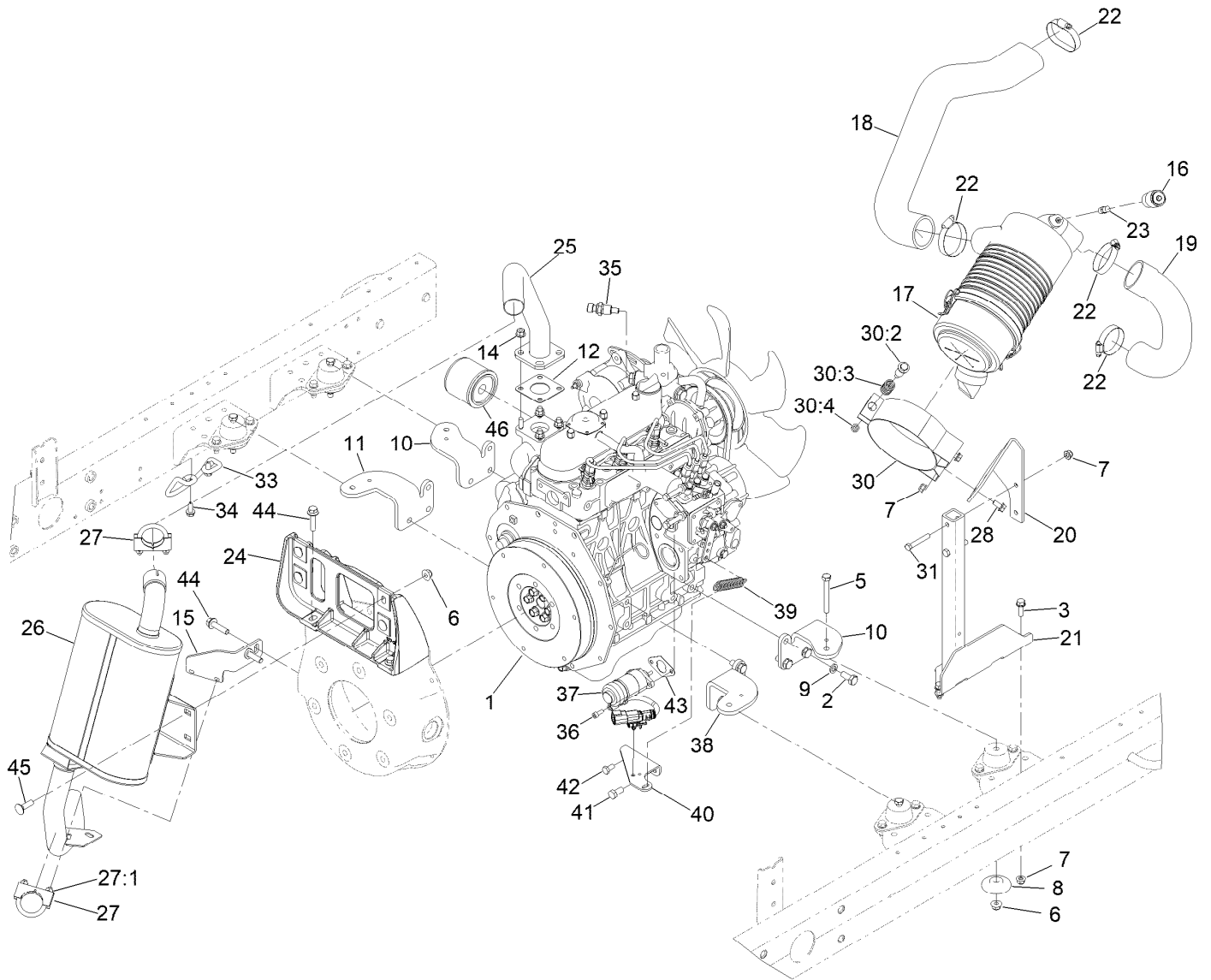
● Not serviced separately



Hydraulic Cylinder Assembly No. 110-9035

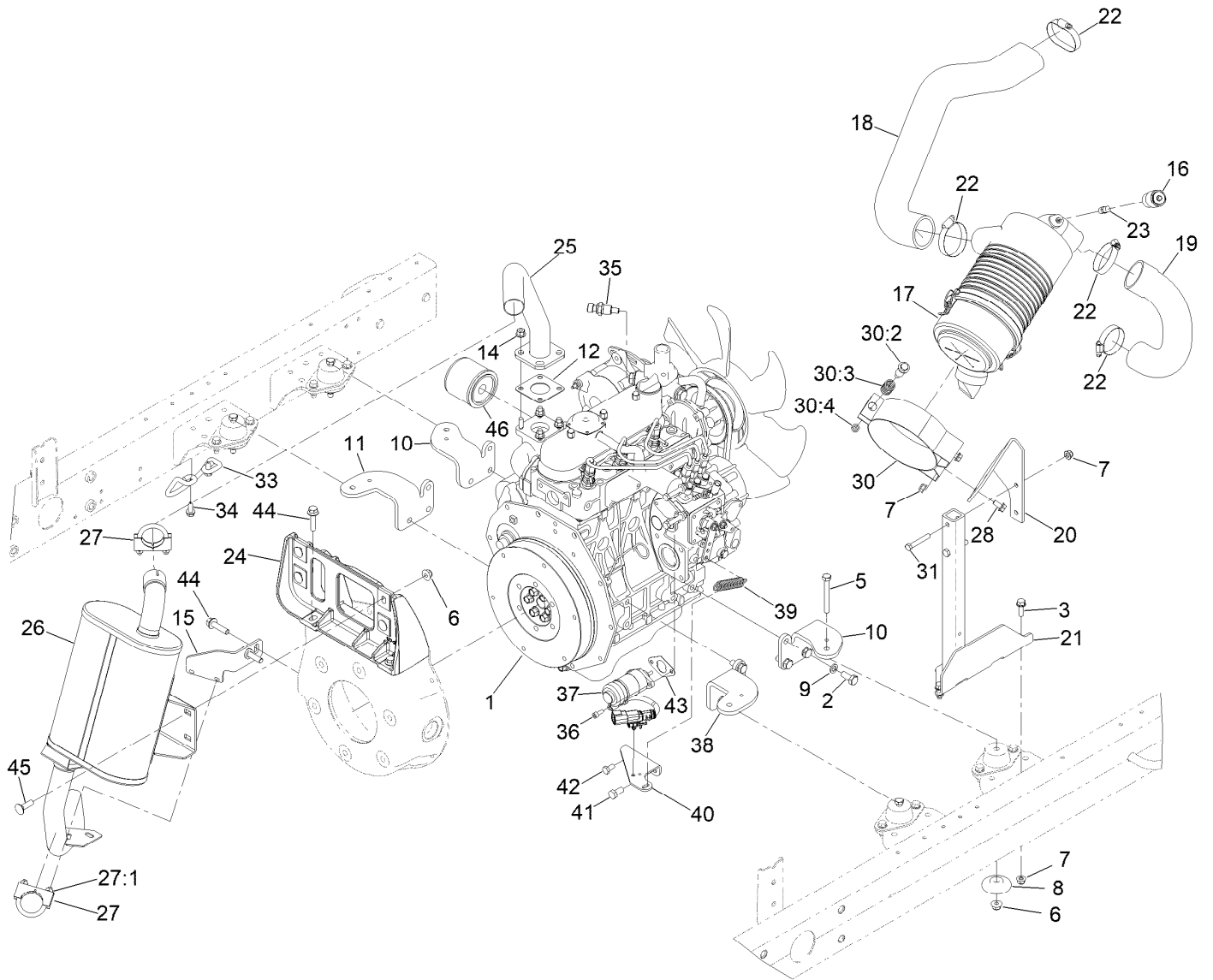
<i>Ref.</i>	<i>Part Number</i>	<i>Qty.</i>	<i>Description</i>
1	114-8875	1	Seal Kit
1:1		1	O-Ring ●
1:2		1	Backup ●
1:3		1	Bp Seal ●
1:4		1	Wear Ring ●
1:5		1	Bt Seal ●
1:6		1	Dust Seal ●
1:7		1	O-Ring ●

● Not serviced separately



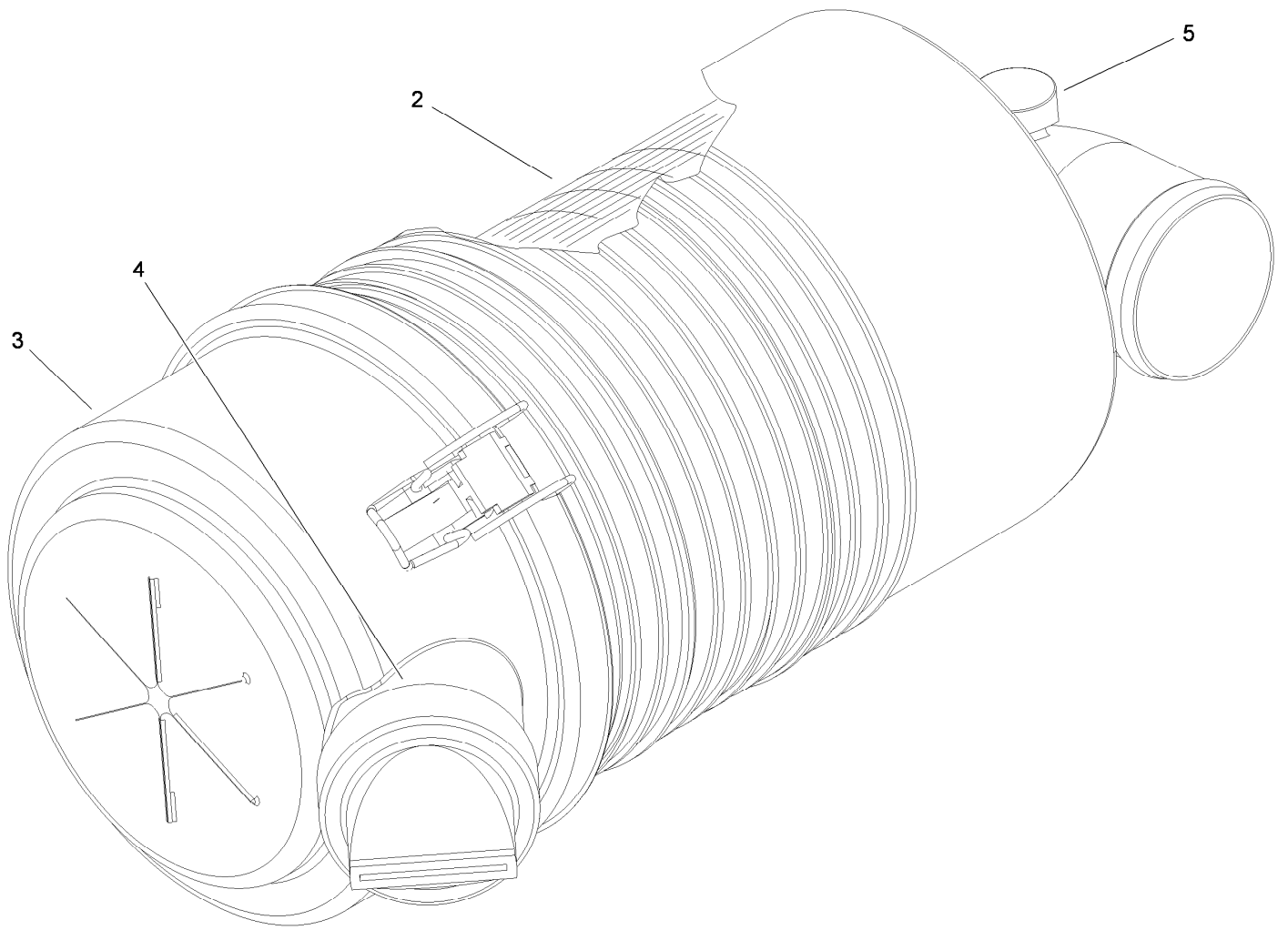
Engine, Air Cleaner and Muffler Assembly

Ref.	Part Number	Qty.	Description	Ref.	Part Number	Qty.	Description
1	138-6909	1	Engine-Kubota, D1105	23	94-1416	1	Adapter-Indicator
2	43-0090	12	Screw-HH	24	127-2550	1	Bracket-Muffler
3	3234-29	3	Screw-HHF	25	127-2698	1	Header-Exhaust
5	323-14	4	Screw-HH	26	127-2503	1	Muffler-Exhaust
6	104-8301	8	Nut-HF, NI	27	2112-9	2	Clamp
7	104-8300	7	Nut-HF, NI	27:1	32128-20	2	Nut-HF
8	138-6462	4	Support-Isolator	28	3234-14	2	Screw-HHF
9	48-9590	12	Washer-Lock	30	100-4825	1	Band-Mounting, Air Cleaner
10	115-8066-0P	2	Mount-Engine	30:2	94-3653	1	Bolt
11	115-8063-0P	1	Mount-Engine RH	30:3	94-3654	1	Spring
12	99-8343	1	Gasket-Muffler	30:4	33024-00	1	Nut-Lock, NI
14	104-2612	4	Nut-HF	31	322-10	2	Screw-HH
15	147-6082-0P	1	Bracket-Tailpipe	33	127-2612	1	Guard-Pipe, Tail
16	93-9164	1	Indicator-Mini	34	32104-32	2	Screw-HWH
17	106-5277	1	Air Cleaner ASM	35	119-4478	1	Sender-Temperature
18	127-2696	1	Hose-Formed	36	105-2409	2	Screw-HSH
19	117-5164	1	Hose-Formed	37	125-1562	1	Actuator-Fuel
20	127-2695-0P	1	Bracket-Air Cleaner	38	115-8068-0P	1	Mount-Engine, LH
21	121-5610-0P	1	Stand W.A. Air Cleaner (Welded)	39	107-1045	1	Spring-Extension
22	2412-130	4	Clamp-Hose	40	125-1472-0P	1	Bracket-Spring, Throttle
				41	63-7790	1	Screw-Cap



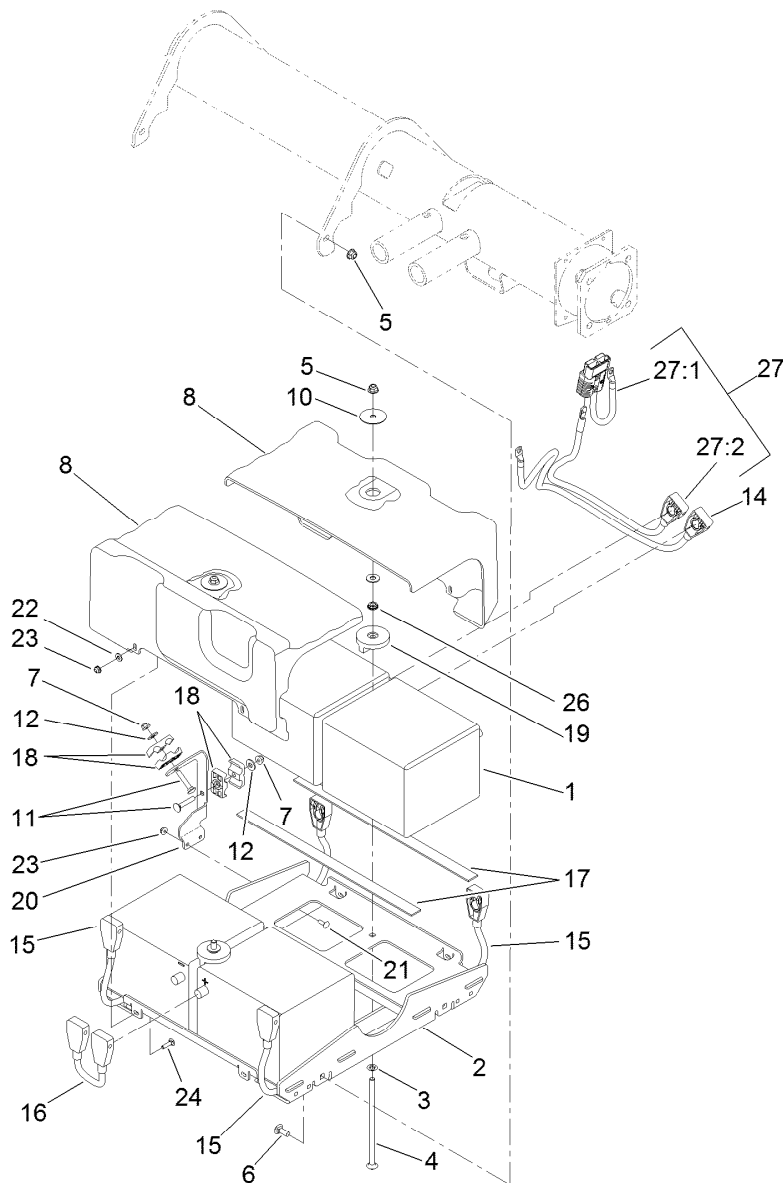
Engine, Air Cleaner and Muffler Assembly (continued)

Ref.	Part Number	Qty.	Description	Ref.	Part Number	Qty.	Description
42	33114-016	1	Screw-HH	44	114-4681	6	Screw-HHF
43	127-2507	1	Gasket-Actuator, Fuel (F/W Actuator)	45	3231-25	4	Bolt-CARR
				46	108-3841	1	Filter-Oil



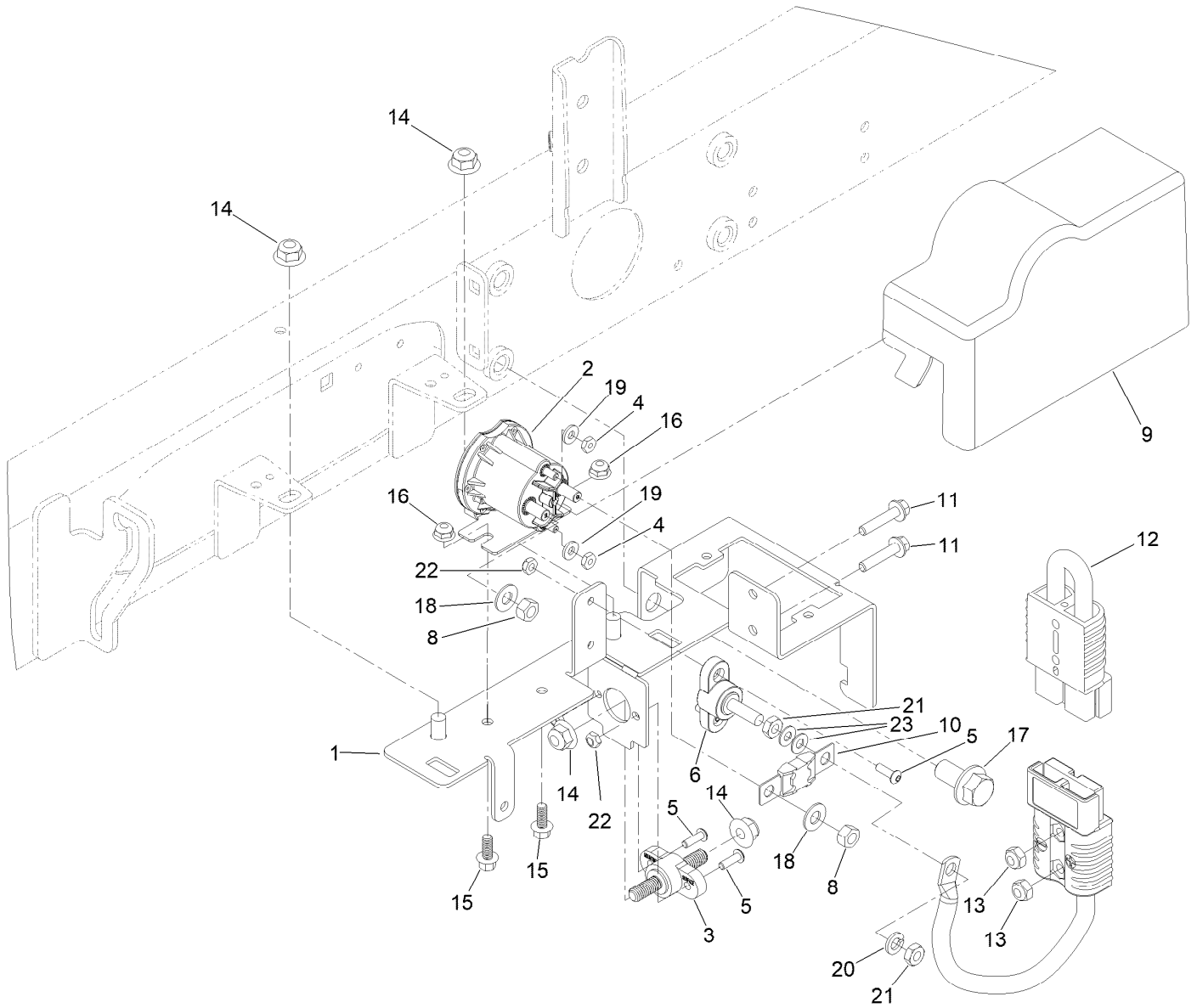
Air Cleaner Assembly No. 106-5277

<i>Ref.</i>	<i>Part Number</i>	<i>Qty.</i>	<i>Description</i>
2	108-3810	1	Filter-Air
3	98-9771	1	Cover ASM
4	87-9400	1	Valve-Vacuator
5	285-17	1	Plug-Pipe



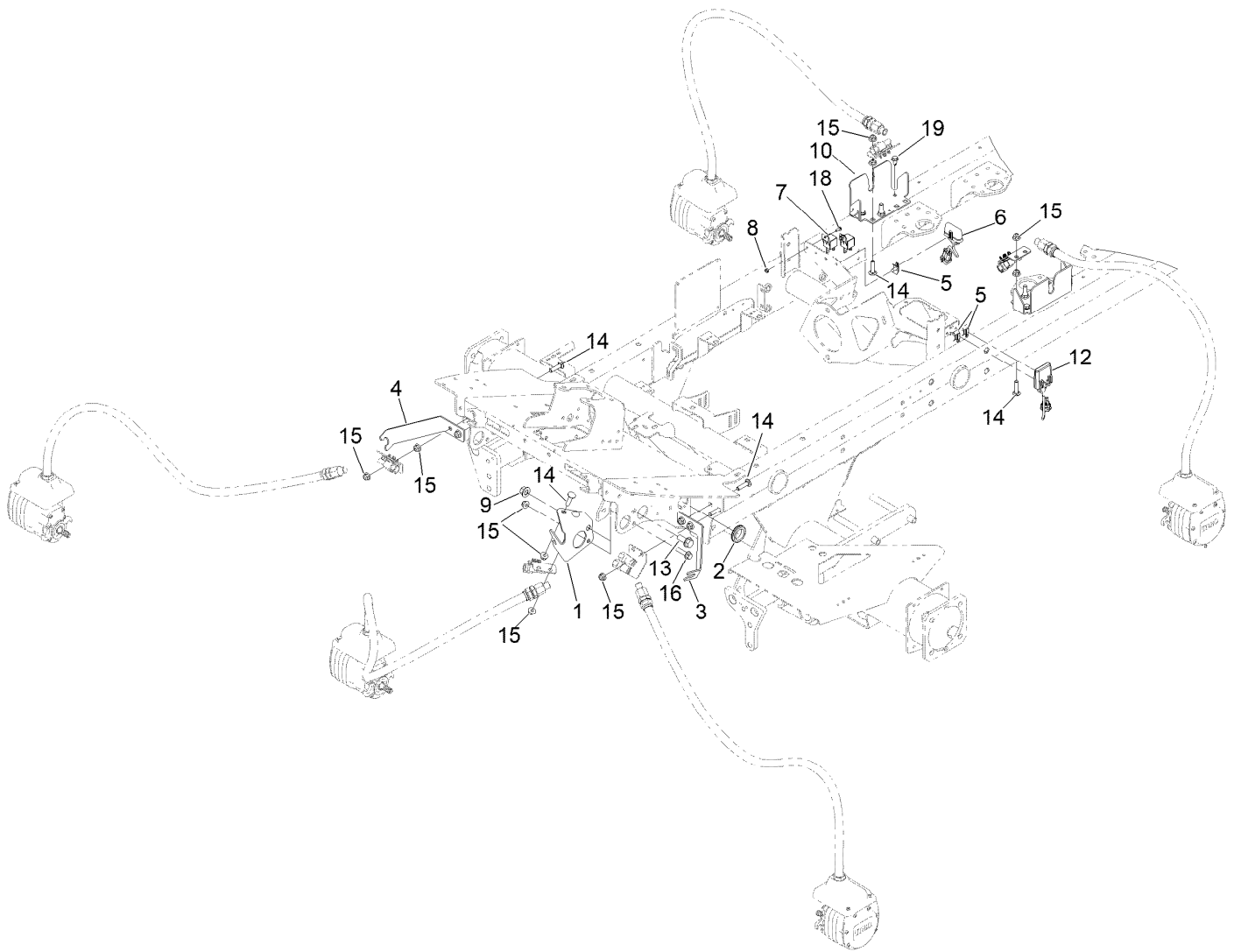
48 Volt Battery Assembly

<i>Ref.</i>	<i>Part Number</i>	<i>Qty.</i>	<i>Description</i>	<i>Ref.</i>	<i>Part Number</i>	<i>Qty.</i>	<i>Description</i>
1	136-3726	4	Battery-12V Agm 35-650	17	127-2306	4	Strip-Foam
2	136-3708-01	1	Tray ASM [red]	18	56-7974	4	Clamp-Tube
3	107-3154	2	Nut-Push	19	127-2393	2	Hold Down-Battery
4	120-4743	2	Screw-CARR	20	127-2517-01	1	Bracket-Cable
5	104-8301	6	Nut-HF, NI	21	3229-1	2	Screw-CARR
6	3231-2	4	Bolt-CARR	22	3256-78	4	Washer-Flat
7	104-8300	2	Nut-HF, NI	23	104-7201	6	Nut-HF, NI
8	136-3709	2	Cover-Battery	24	3229-2	4	Screw-CARR
10	120-2229	2	Washer	26	3217-7	2	Nut-Hex
11	3230-7	2	Bolt-CARR	27	122-3700	1	Cable-Battery
12	3256-3	2	Washer-Flat	27:1	122-0267	1	Positive Battery Cable ASM
14	122-3550	1	Cable-Battery, Bk ASM	27:2	122-3551	1	Cable-Battery, Rd ASM
15	122-0133	2	Positive Battery Cable ASM				
16	122-0134	1	Jumper-Cable-Battery (Positive)				



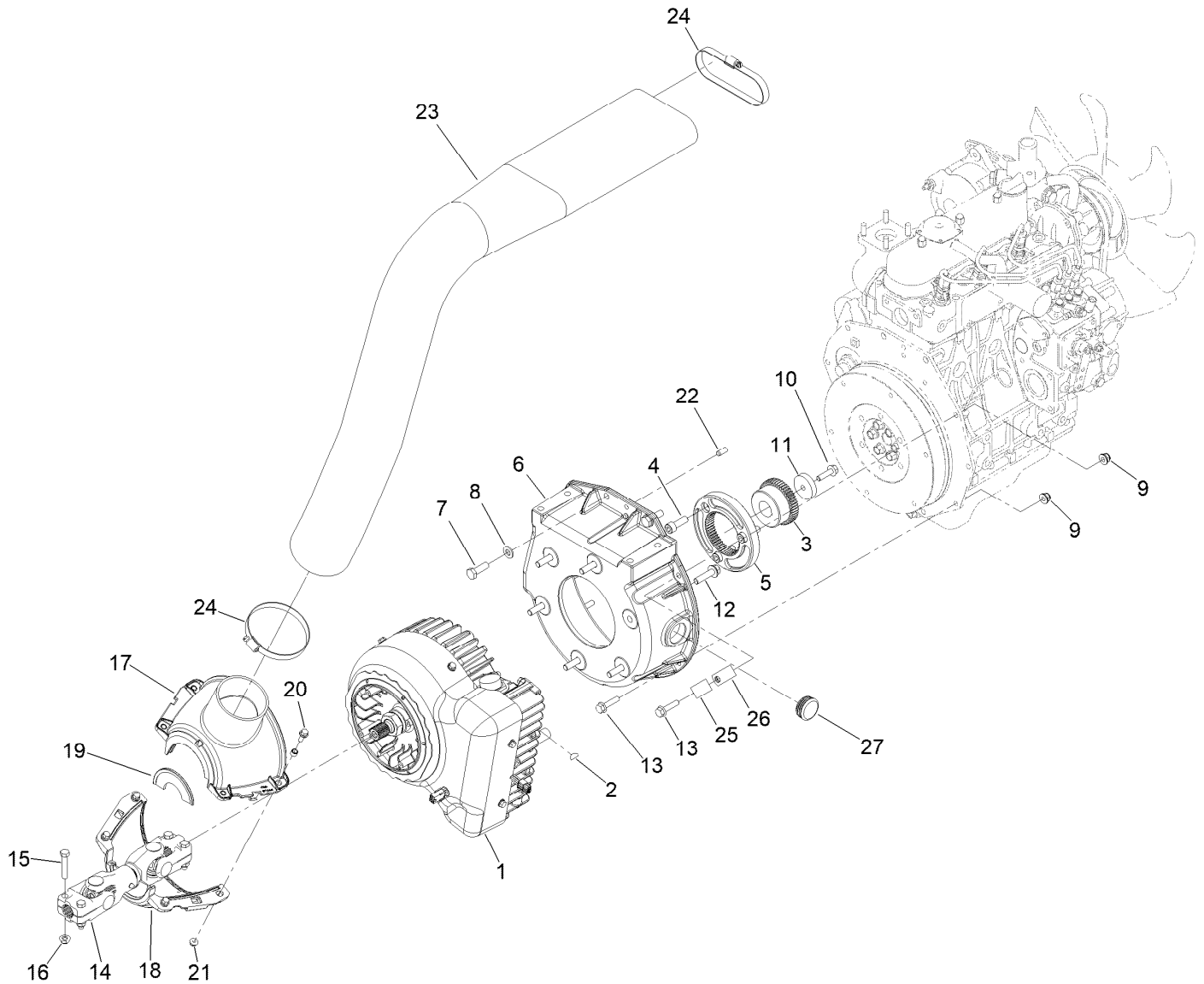
48 Volt Contactor Assembly

<i>Ref.</i>	<i>Part Number</i>	<i>Qty.</i>	<i>Description</i>	<i>Ref.</i>	<i>Part Number</i>	<i>Qty.</i>	<i>Description</i>
1	145-2452	1	Bracket ASM, 48V	13	3296-16	2	Nut-Lock, NI
2	122-2640	1	Contactor-DC, 48V	14	104-8301	4	Nut-HF, NI
3	122-2411	1	Block-Junctn, Black	15	99-6810	2	Screw-HHF
4	3219-14	2	Nut-Hex	16	104-7201	2	Nut-HF, NI
5	3274-39	4	Screw-HSBH	17	3234-6	1	Screw-HHF
6	122-3514	1	Block-Junctn, 5/16-18	18	107-0279	2	Washer
8	3219-2	2	Nut-Hex	19	3256-14	2	Washer-Flat
9	145-2465	1	Cover-Electrical	20	3253-4	1	Washer-Lock
10	127-2305	1	Fuse-250 Amp	21	3218-2	1	Nut-Hex Jam
11	127-8639	2	Screw-HHF	22	3296-12	4	Nut-Lock, NI
12	122-0136	1	Cable-Battery, Positive Jumper ASM	23	120-9683	2	Washer-Plain



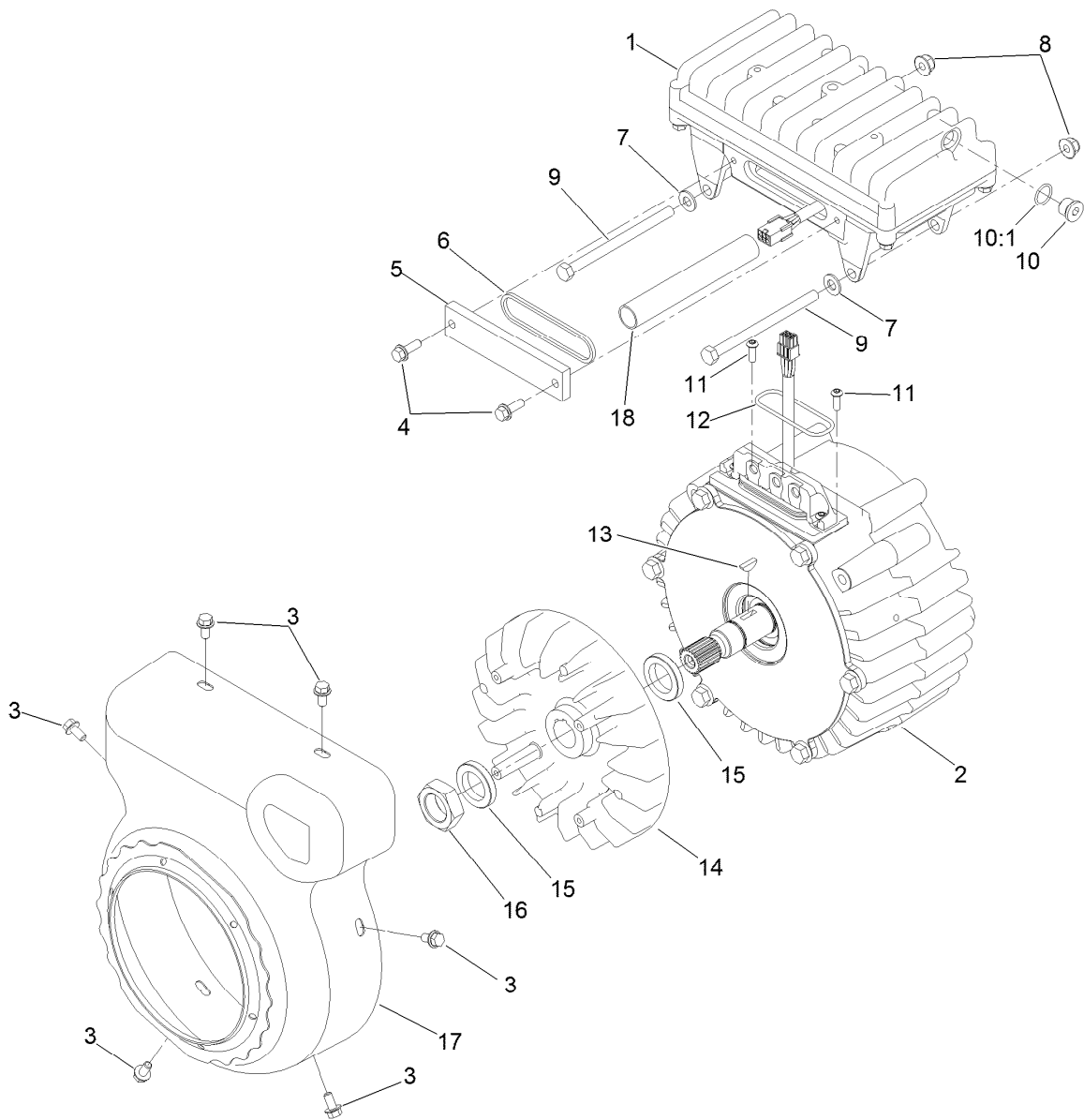
Reel Motor Plumbing Assembly

<i>Ref.</i>	<i>Part Number</i>	<i>Qty.</i>	<i>Description</i>	<i>Ref.</i>	<i>Part Number</i>	<i>Qty.</i>	<i>Description</i>
1	125-1460-01	1	Bracket-Bulkhead, Center	10	125-1458-03	2	Bracket-Bulkhead, Rear
2	240-3	2	Grommet-Rubber	12	119-4330	1	Isolated Can Module ASM
3	127-2314-01	1	Bracket-Bulkhead	13	3234-38	1	Screw-HHF
4	127-2317-01	1	Bracket-Bulkhead	14	127-2351	10	Screw-CARR
5	32180-011	3	Clip-Connector	15	104-8301	16	Nut-HF, NI
6	112-9630	1	Module-Reel, I.D.	16	114-4681	1	Screw-HHF
7	99-7435	2	Relay	18	3290-321	2	Screw-HWH
8	3296-2	2	Nut-Lock, NI	19	32104-32	4	Screw-HWH
9	99-5107	1	Nut-Lock				



Generator And Drive Shaft Assembly

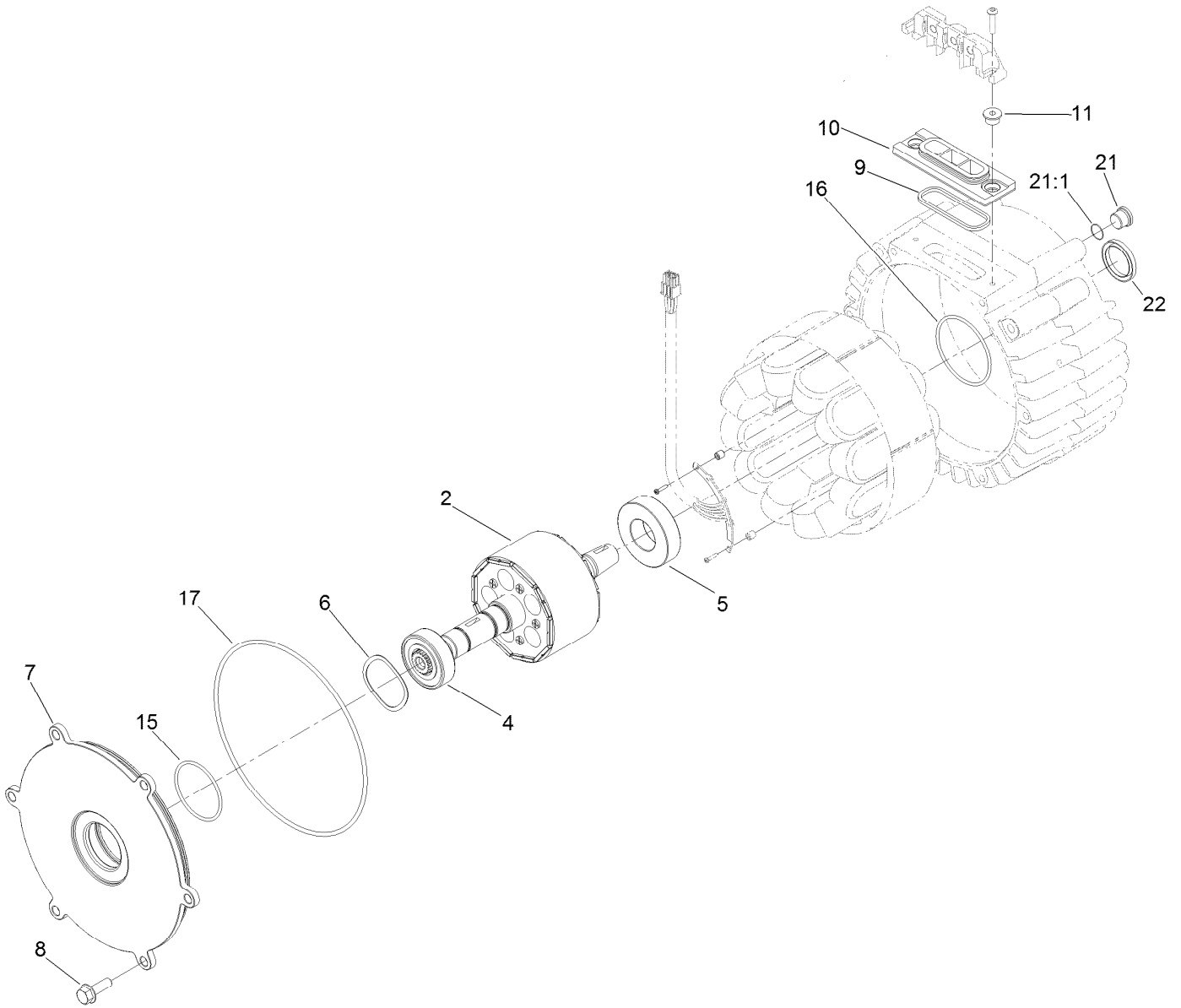
<i>Ref.</i>	<i>Part Number</i>	<i>Qty.</i>	<i>Description</i>	<i>Ref.</i>	<i>Part Number</i>	<i>Qty.</i>	<i>Description</i>
1	127-2655	1	Generator/Controller ASM	15	323-9	4	Screw-HH
2	127-2318	1	Key-Woodruff	16	104-8301	4	Nut-HF, NI
3	127-2635	1	Hub-Coupler	17	127-2465	1	Shroud ASM
4	108-1420	3	Screw-HSH	18	127-2442	1	Shroud-Intake, Bottom
5	125-1179	1	Flange-Coupler	19	127-2434	2	Seal-Brush
6	127-2380	1	Bellhousing	20	120-9678	4	Screw-HHF
7	95-8812	2	Screw-HH	21	104-7201	4	Nut-HF, NI
8	3256-80	2	Washer-Plain	22	87-1910	2	Pin-Dowel
9	104-3082	2	Nut-Lock, HHF	23	161-8388	1	Hose-Intake, Formed
10	AU100874	1	Screw-HHF	24	2412-46	2	Clamp
11	127-2374	1	Collar	25	2412-39	1	Clamp-R
12	114-4681	6	Screw-HHF	26	2412-41	1	Clamp-R
13	33104-035	7	Screw-HHF	27	110-9012	1	Caplug
14	139-6044	1	Driveshaft ASM				



Generator/Controller Assembly No. 127-2655

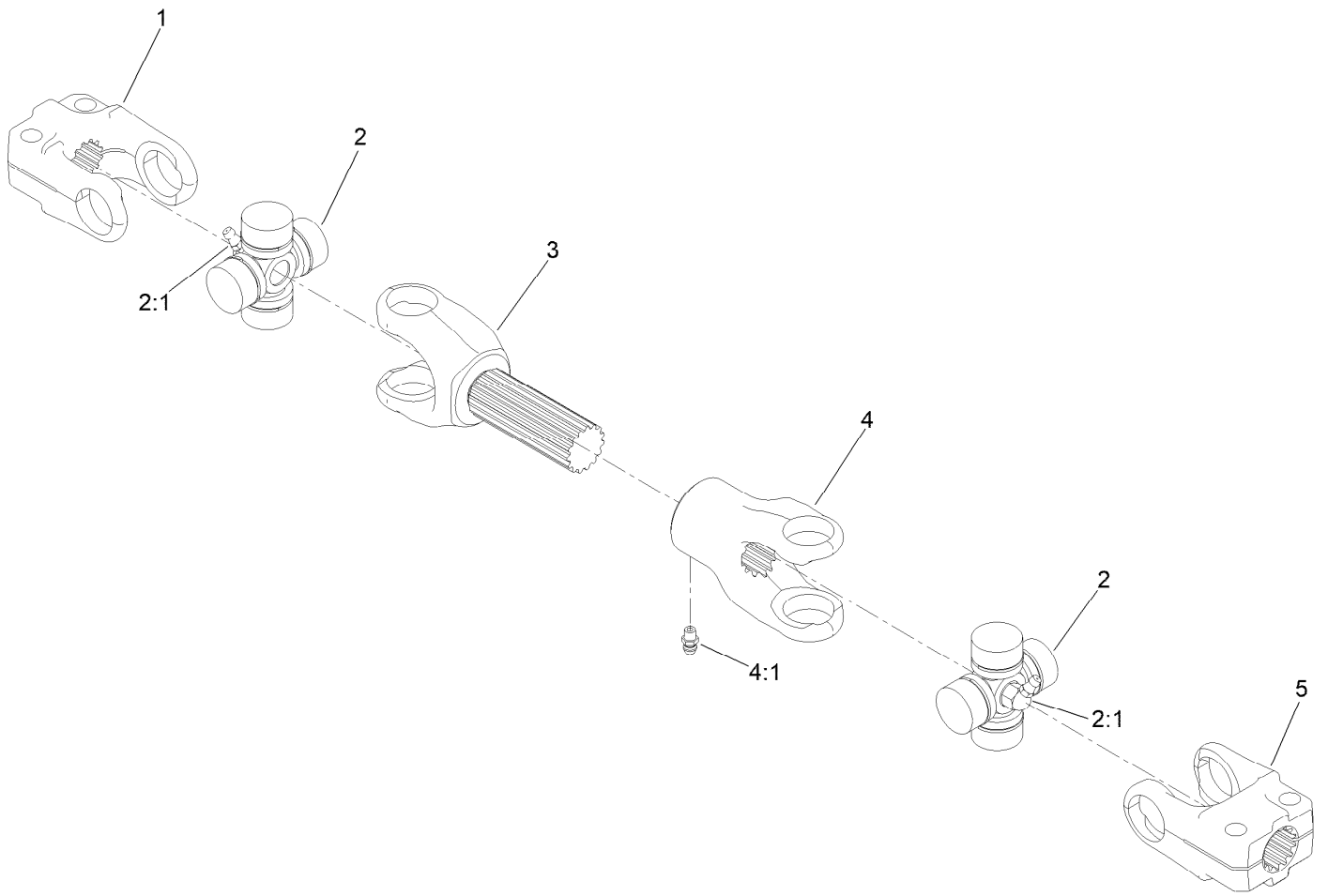
Ref.	Part Number	Qty.	Description
1	117-8181	1	Controller ASM
2	127-2653	1	Generator Service ASM
3	119-1065	6	Screw-Lock, HF
4	119-1138	2	Screw-HHF, Patch
5	120-4511	1	Cover-Access
6	120-4513	1	Gasket-Cover, Access
7	3256-23	2	Washer-Plain
8	104-8300	2	Nut-HF, NI
9	322-38	2	Screw-HH
10	353-989	1	Plug-Hex, Hollow

Ref.	Part Number	Qty.	Description
10:1	237-42	1	O-Ring
11	119-7568	2	Screw-HSBH
12	117-8176	1	O-Ring
13	127-2318	1	Key-Woodruff
14	125-1188	1	Fan-Generator
15	125-1185	2	Spacer
16	125-1187	1	Nut
17	127-2444	1	Cover-Generator
18	127-2747	1	Sleeve-Harness, Expandable



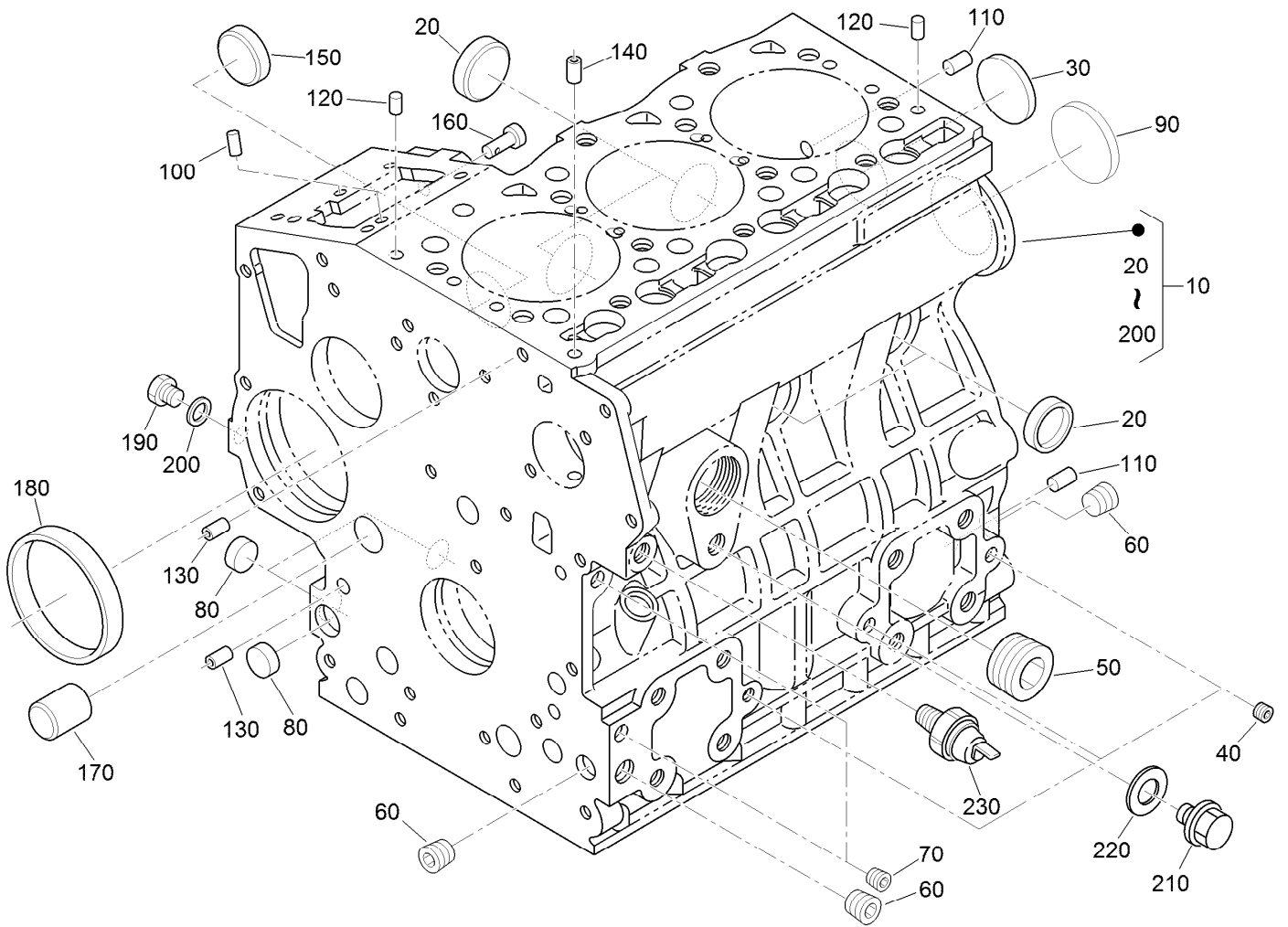
Generator Assembly No. 127-2653

Ref.	Part Number	Qty.	Description
2	127-2651	1	Rotor
4	120-4621	1	Bearing
5	120-4622	1	Bearing
6	117-8148	1	Washer-Wave
7	117-4514	1	Cover-Generator
8	33104-025	6	Screw-HHF
9	120-4518	1	Gasket-Isolator
10	112-5155	1	Isolator-Thermal
11	117-4501	2	Spacer-Shoulder
15	107-3244	1	O-Ring
16	117-8177	1	O-Ring
17	112-5199	1	O-Ring
21	353-989	1	Plug-Hex, Hollow
21:1	237-42	1	O-Ring
22	125-1509	1	Seal



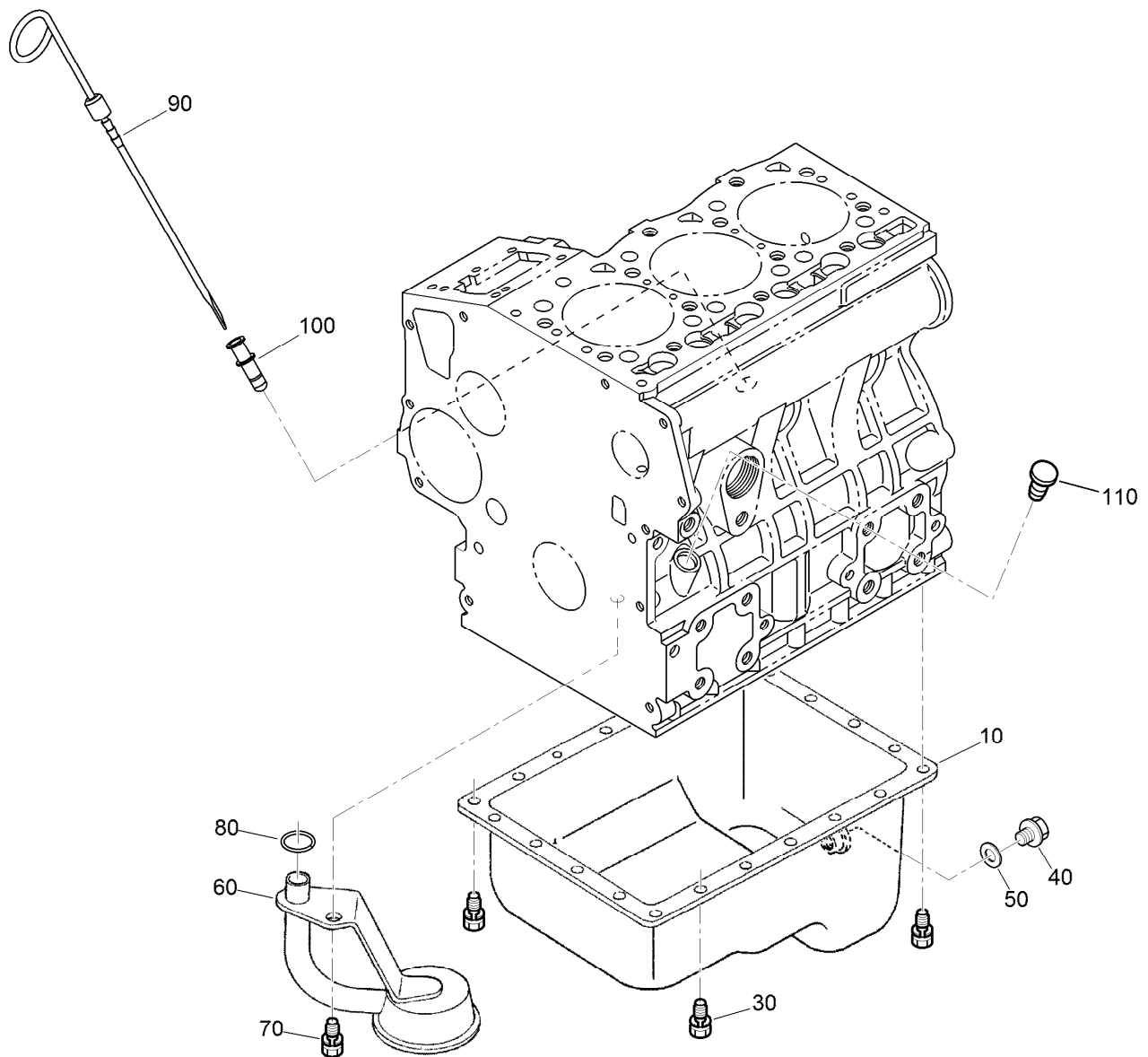
Driveshaft Assembly No. 139-6044

<i>Ref.</i>	<i>Part Number</i>	<i>Qty.</i>	<i>Description</i>
1	54-9040	1	Yoke-End
2	112-1687	2	Cross And Bearing Kit
2:1	62-3820	1	Fitting-Grease
3	127-2553	1	Yoke-Shaft
4	127-2554	1	Yoke-Telescoping
4:1	302-22	1	Fitting-Grease
5	145-2535	1	Yoke-Driveshaft, 13T



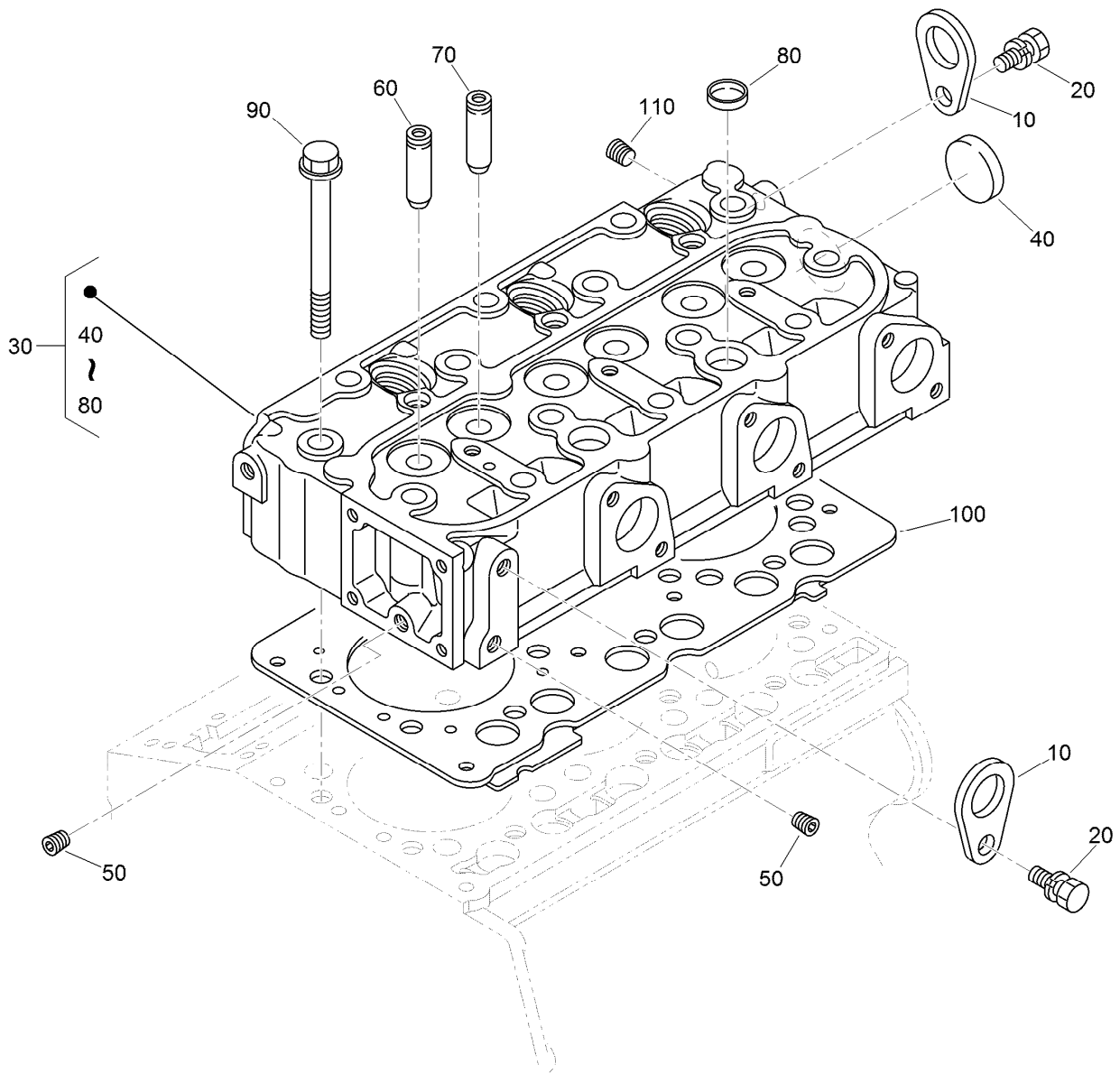
Crankcase Assembly

<i>Ref.</i>	<i>Part Number</i>	<i>Qty.</i>	<i>Description</i>	<i>Ref.</i>	<i>Part Number</i>	<i>Qty.</i>	<i>Description</i>
10	115-3443	1	Crankcase ASM	130	98-9387	2	Pin-Pipe
20	98-9398	4	Cap-Sealing	140	98-9539	1	Pin-Pipe
30	98-7539	1	Cap-Sealing	150	98-9599	1	Plug
40	98-9687	3	Plug	160	98-9630	1	Pin-Spring, Start
50	105-3779	1	Plug	170	98-9675	1	Plug
60	98-9597	3	Plug	180	98-9656	1	Bushing-Governor, Gear
70	98-7487	2	Plug	190	120-2559	1	Plug
80	98-9379	3	Plug-Expansion	200	98-7428	1	Gasket
90	98-9668	1	Plug-Expansion	210	99-3447	1	Plug
100	98-9375	2	Pin-Straight	220	106-7056	1	Gasket
110	98-9377	2	Pin-Straight	230	98-9416	1	Switch-Oil
120	98-9376	2	Pin-Straight				



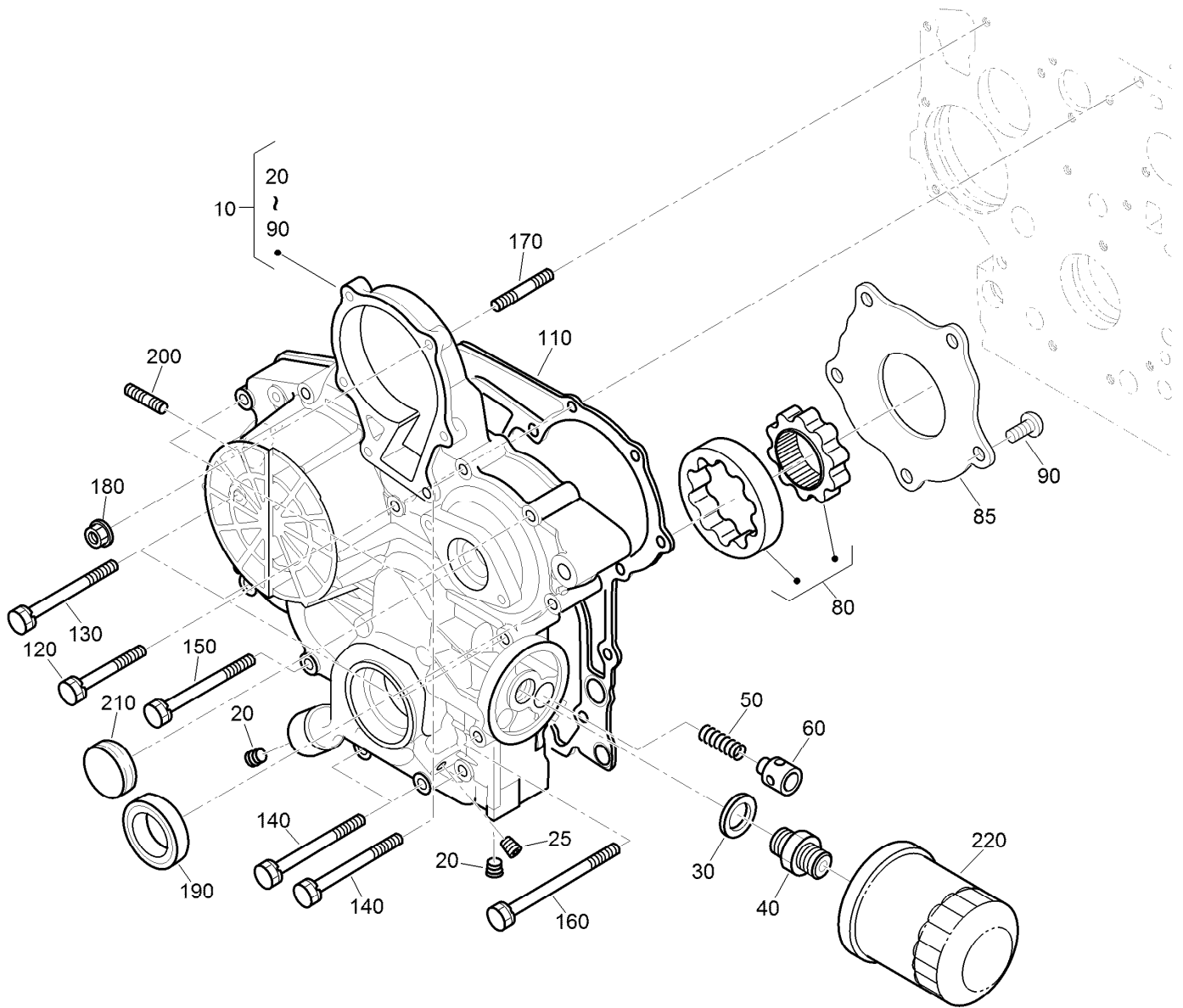
Oil Pan and Dipstick Assembly

Ref.	Part Number	Qty.	Description
10	112-0179	1	Pan-Oil
30	98-9351	22	Bolt
40	114-8151	1	Plug-Drain
50	98-7524	1	Gasket
60	108-1401	1	Base-Filter
70	98-7526	1	Bolt
80	105-3776	1	O-Ring
90	104-9348	1	Gauge-Oil
100	105-4580	1	Guide-Gauge, Oil
110	110-3720	1	Plug-Gauge, Oil



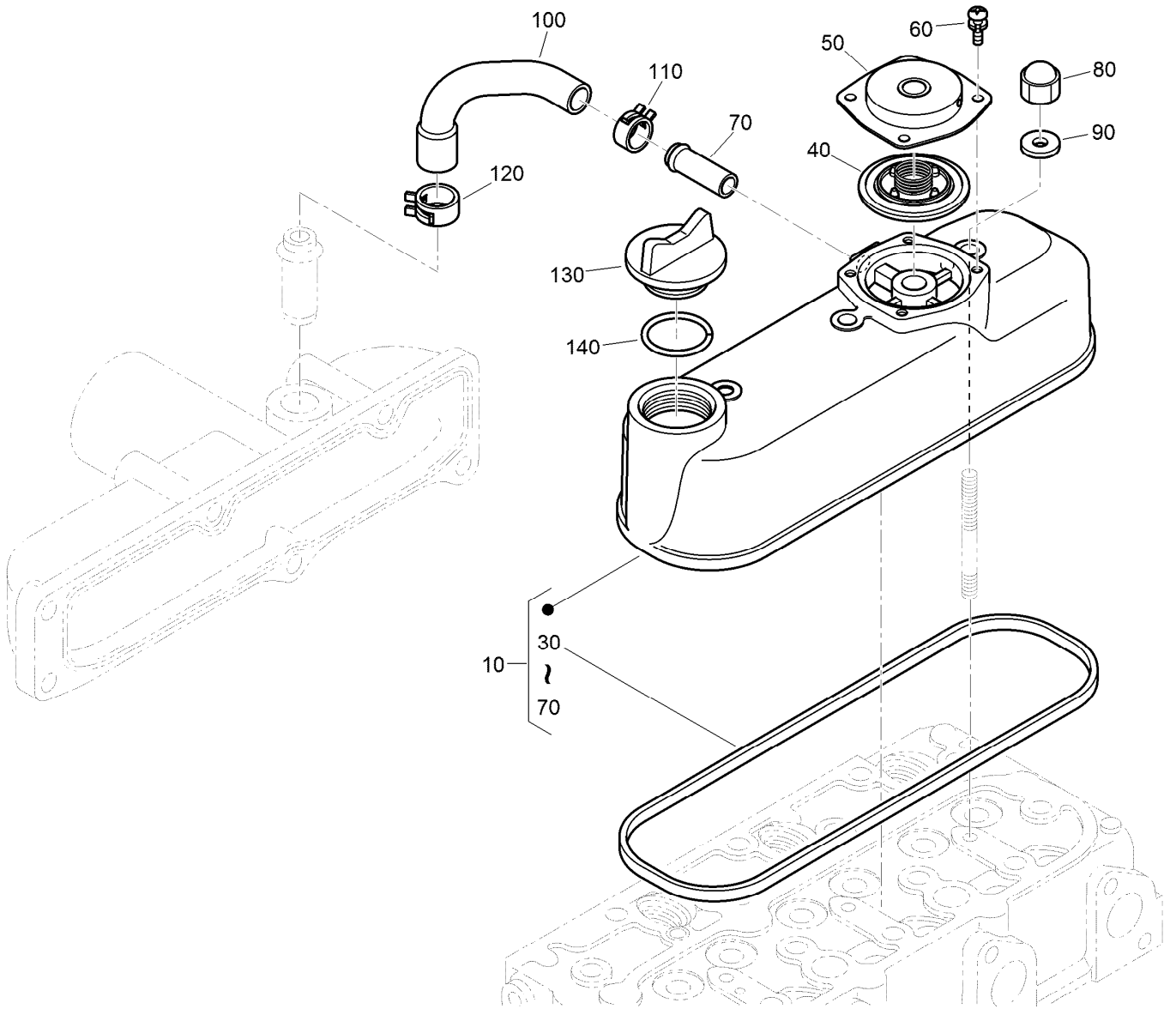
Cylinder Head Assembly

Ref.	Part Number	Qty.	Description
10	98-7531	2	Hook-Engine
20	100-9195	2	Bolt
30	130-1544	1	Cylinder Head ASM
40	105-3705	1	Cap-Sealing
50	98-9687	2	Plug
60	107-9066	3	Guide-Valve, Inlet
70	107-9067	3	Guide-Valve, Exhaust
80	98-9389	2	Cap-Sealing
90	98-9479	14	Bolt-Head, Cylinder
100	108-6573	1	Gasket-Head, Cylinder
110	98-9444	1	Plug



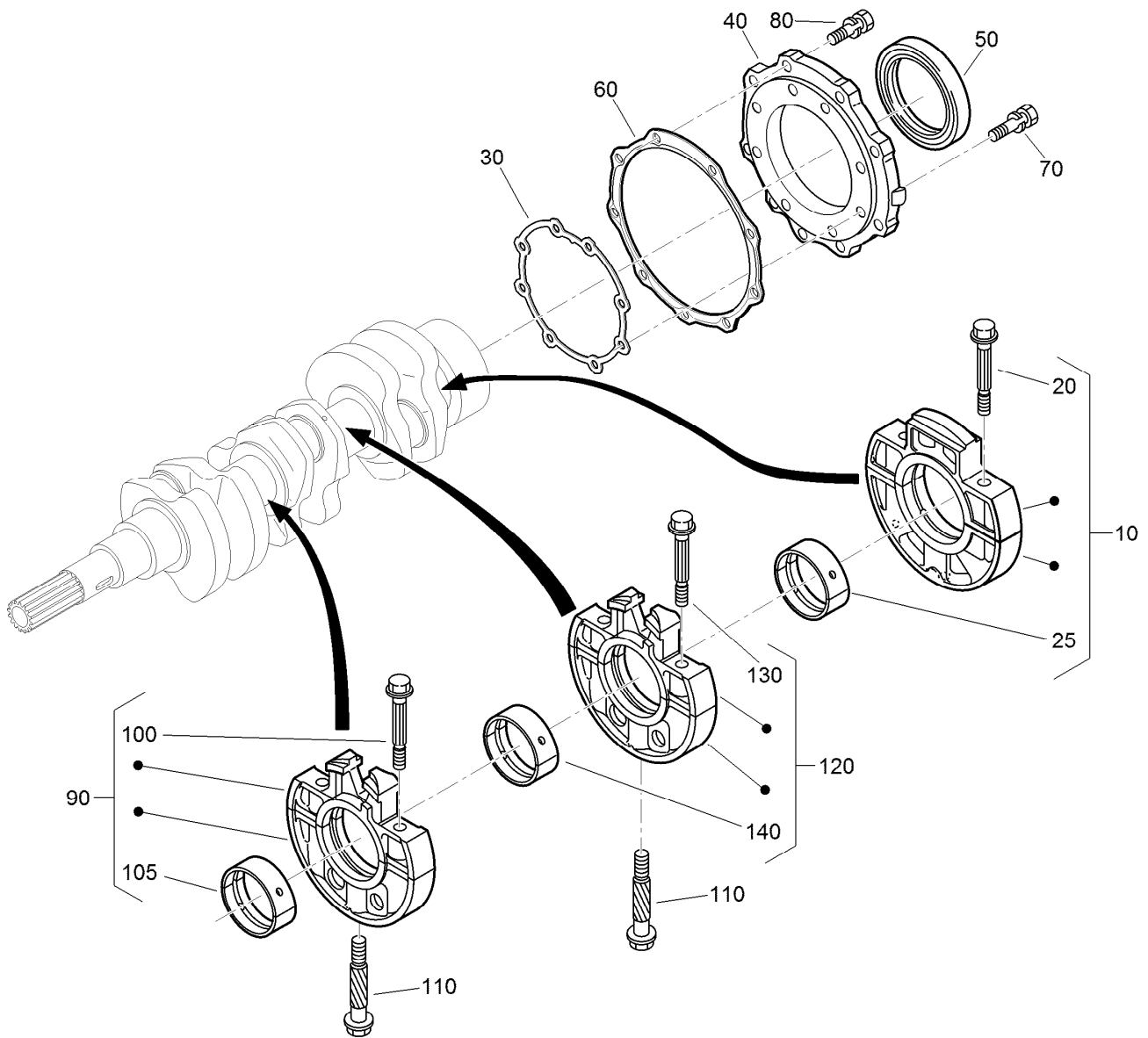
Gear Case and Oil Filter Cartridge Assembly

Ref.	Part Number	Qty.	Description	Ref.	Part Number	Qty.	Description
10	115-4105	1	Gear Case ASM	120	100-1765	3	Bolt
20	127-0425	2	Plug	130	125-9063	4	Bolt-Sems
25	98-7487	1	Plug	140	98-9356	4	Bolt
30	98-7562	1	Washer-Plain	150	107-9074	1	Bolt
40	98-9388	1	Joint-Pipe	160	98-9586	1	Bolt
50	130-1511	1	Spring	170	105-3709	1	Stud
60	130-1510	1	Valve-Relief	180	100-2203	1	Nut-Flange
80	130-1508	1	Rotor ASM	190	119-8038	1	Seal-Oil
85	130-1509	1	Cover-Pump, Oil	200	105-3710	2	Stud
90	130-1164	5	Screw-Binding	210	99-3515	1	Plug-Gearcase
110	98-9633	1	Gasket-Case, Gear	220	127-0511	1	Filter-Oil



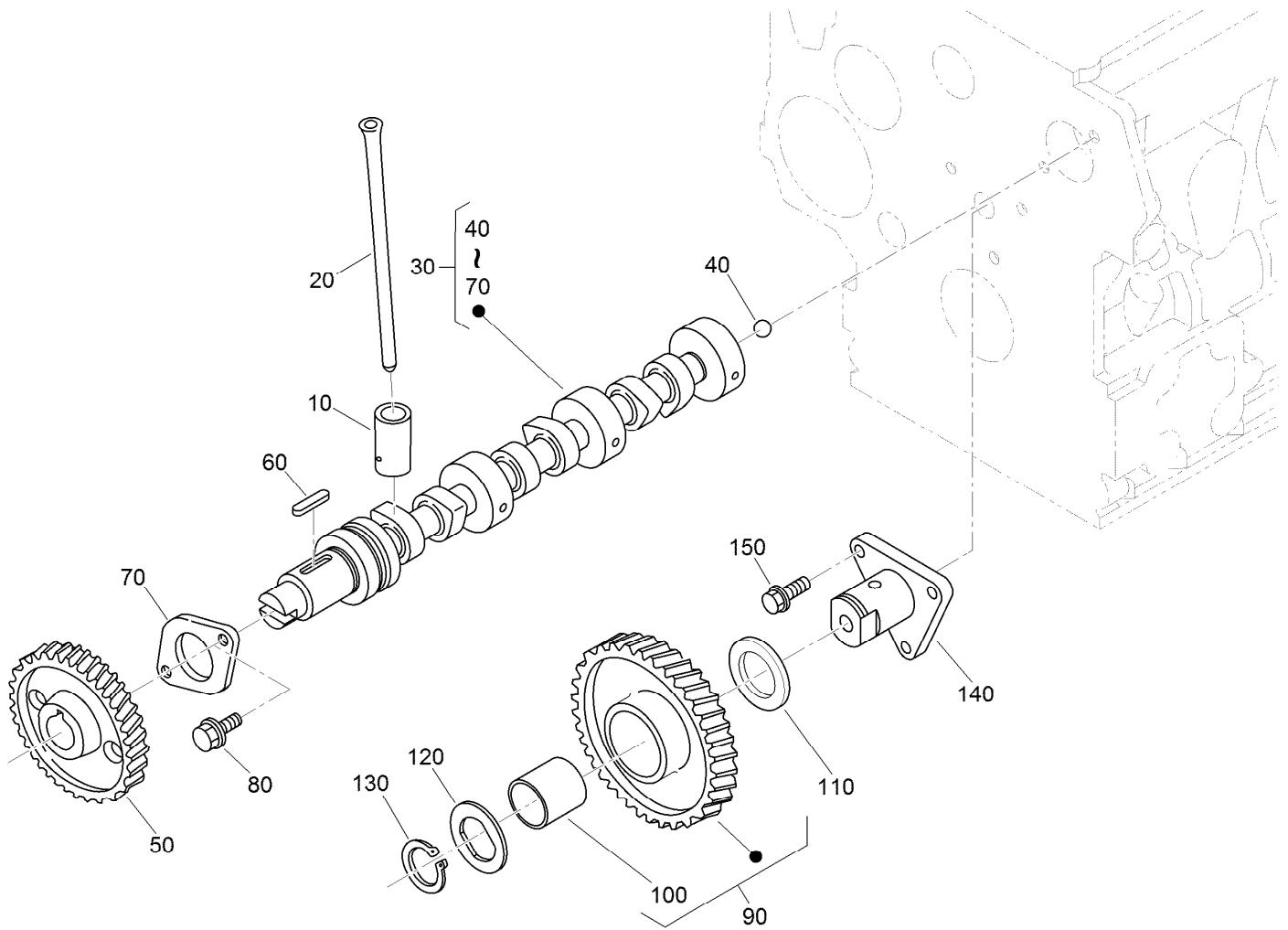
Cylinder Head Cover Assembly

<i>Ref.</i>	<i>Part Number</i>	<i>Qty.</i>	<i>Description</i>
10	130-1372	1	Cylinder Head Cover ASM
30	98-9615	1	Gasket-Cover, Head
40	110-3715	1	Valve-Breather
50	110-3714	1	Cover-Breather
60	98-9364	4	Screw (With Washer)
70	98-7766	1	Pipe-Return, Water
80	98-9455	3	Nut-Cap
90	98-9454	3	Gasket
100	108-2858	1	Tube-Breather
110	108-2859	1	Clamp-Hose
120	108-2860	1	Clamp-Hose
130	107-9075	1	Plug-Filler, Oil
140	99-3446	1	O-Ring



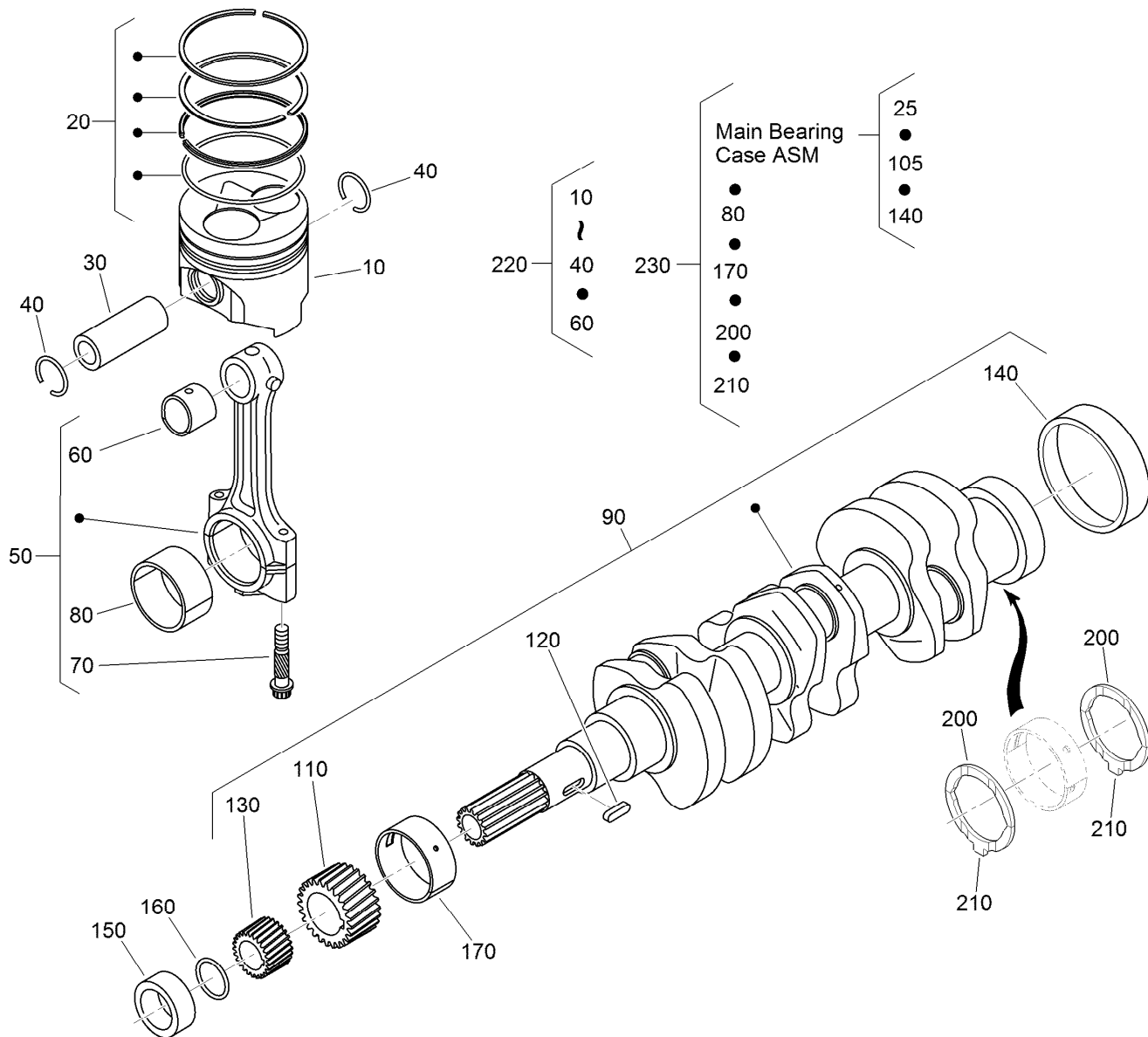
Main Bearing Case Assembly

Ref.	Part Number	Qty.	Description	Ref.	Part Number	Qty.	Description
10	112-7026	1	Wheel Bearing Case ASM	90	115-4106	1	Main Bearing Case ASM
20	98-9484	2	Bolt-Case, Bearing	100	98-9484	2	Bolt-Case, Bearing
25	115-4121	1	Metal-Crankshaft (STD)	105	98-9524	1	Metal-Crankshaft (STD Set)
25	112-7039	1	Metal-Crankshaft (0.2Mm)	105	127-0433	1	Metal-Crankshaft (-0.2MM)
25	112-7040	1	Metal-Crankshaft (-0.4Mm)	110	98-9531	1	Bearing-Main (0.4MM)
30	131-6554	1	Gasket-Case, Bearing	110	98-9485	2	Bolt-Case, Bearing
40	112-7046	1	Cover-Case, Bearing	120	115-4107	1	Main Bearing Case ASM
50	112-0180	1	Seal-Oil	130	98-9484	2	Bolt-Case, Bearing
60	112-7037	1	Gasket-Cover, Case	140	98-9524	1	Metal-Crankshaft (STD Set)
70	127-0441	8	Bolt	140	127-0433	1	Metal-Crankshaft (-0.2MM)
80	127-0442	9	Bolt	140	98-9531	1	Bearing-Main (0.4MM)



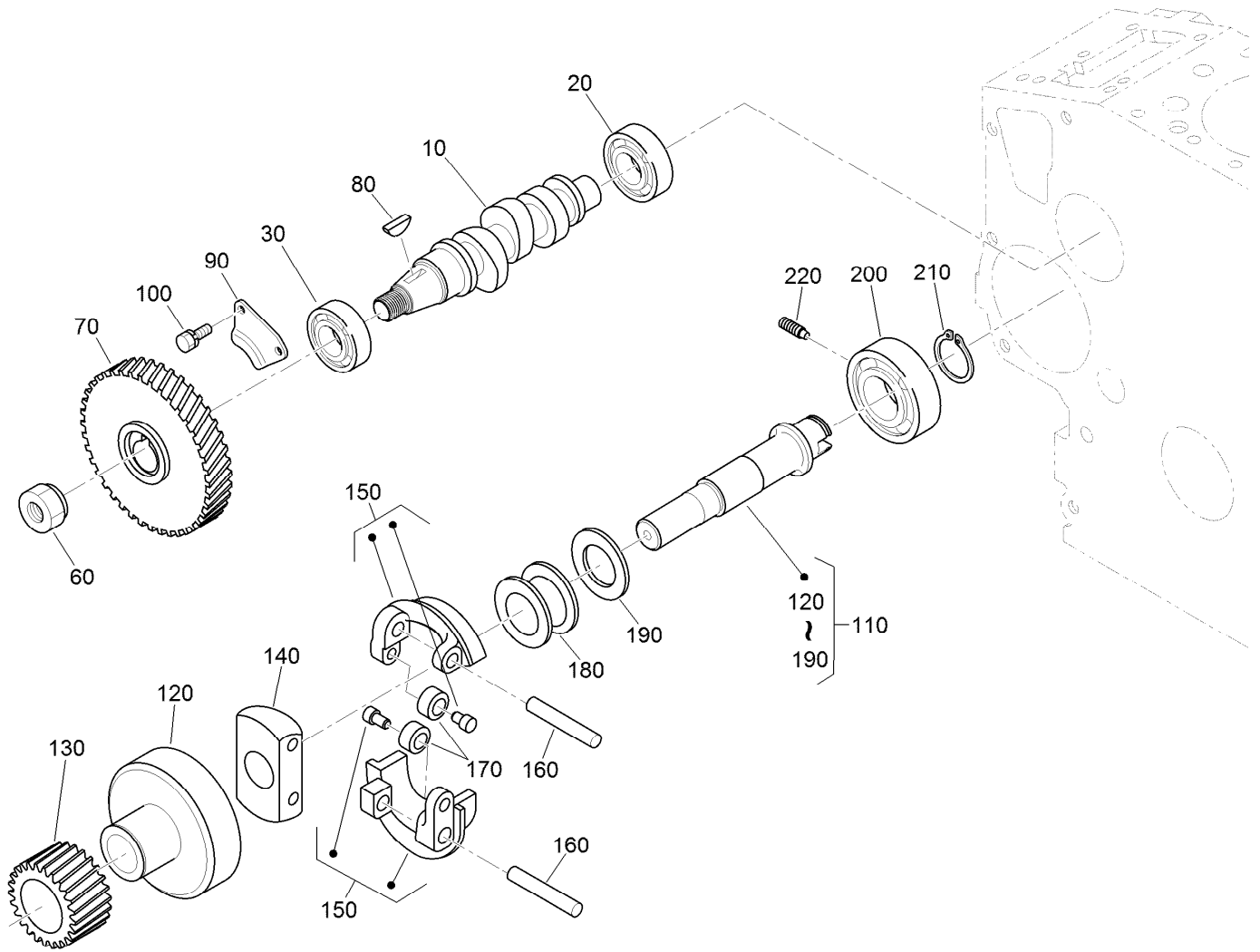
Camshaft and Idle Gear Shaft Assembly

Ref.	Part Number	Qty.	Description
10	112-0185	6	Tappet
20	127-0421	6	Rod-Push
30	130-1545	1	Camshaft ASM
40	110-3729	1	Ball
50	120-3116	1	Camshaft ASM
60	98-9378	1	Key-Feather
70	131-6555	1	Stopper (Camshaft)
80	98-7692	2	Bolt
90	117-7584	1	Idler Gear ASM
100	117-7585	1	Bushing-Gear, Idle
110	98-9535	1	Collar-Gear, Idle
120	98-9536	1	Collar-Gear, Idle
130	98-9534	1	Circlip-Gear, Idle
140	98-9533	1	Shaft-Gear, Idle
150	98-7692	3	Bolt



Piston and Crankshaft Assembly

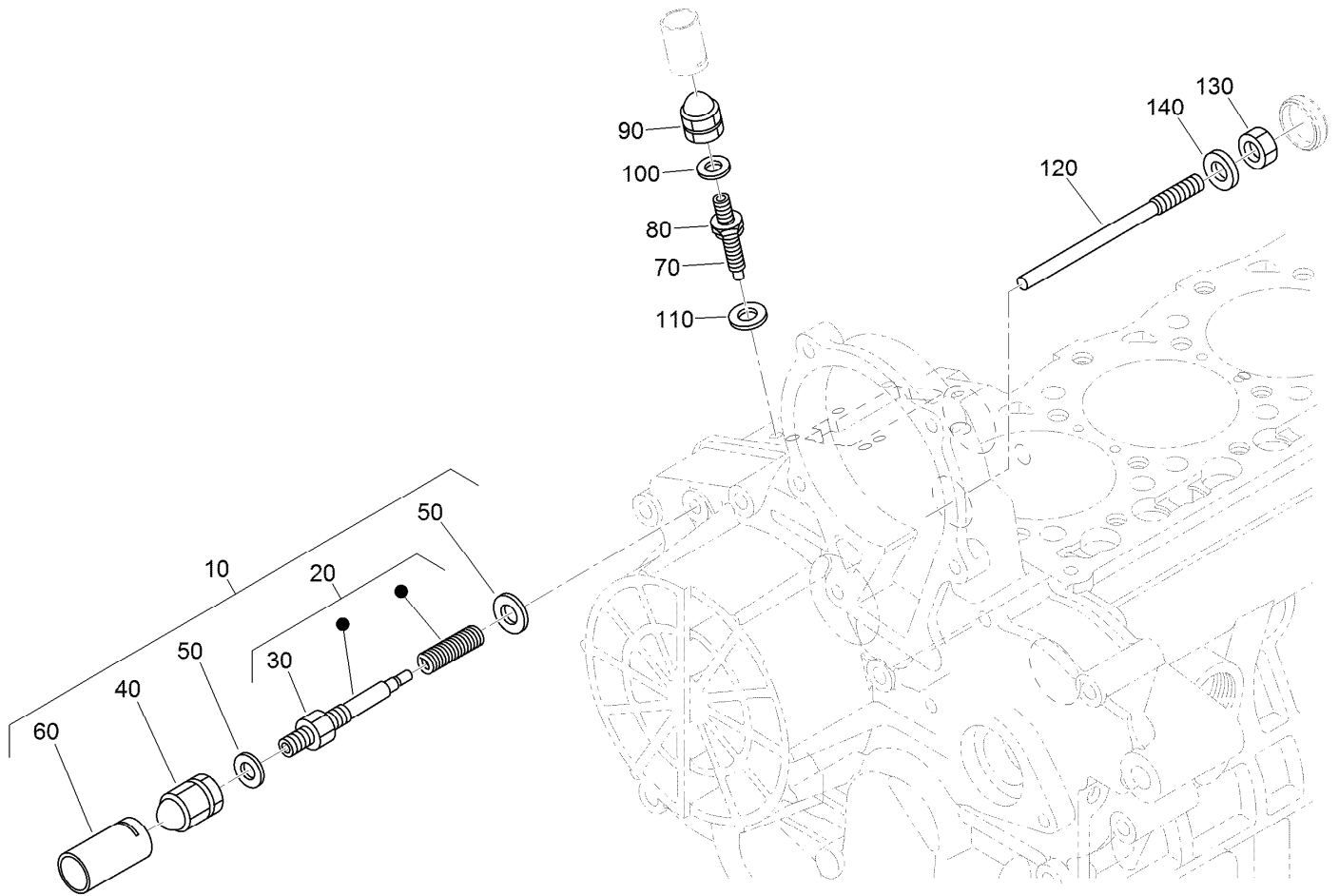
Ref.	Part Number	Qty.	Description	Ref.	Part Number	Qty.	Description
10	130-1546	3	Piston (STD)	160	105-3783	1	O-Ring
10	130-1549	3	Piston (+0.50MM)	170	112-7005	1	Bearing-Main (STD)
20	130-1506	3	Piston Ring ASM (STD)	170	98-9528	1	Bearing-Main (-0.2MM)
20	130-1507	3	Piston Ring ASM (+0.50MM)	170	130-1274	1	Metal-Crankshaft (-0.40Mm)
30	98-9513	3	Pin-Piston	200	98-9413	2	Bearing-Thrust (STD)
40	98-9514	6	Circlip-Pin, Piston	200	127-0416	2	Metal-Side (+0.2Mm)
50	117-7586	3	Connecting Rod ASM	200	127-0417	2	Metal-Side (+0.40Mm)
60	115-3014	3	Bushing-Pin, Piston	210	98-9688	2	Bearing-Thrust (STD)
70	98-9517	6	Bolt-Rod, Connecting	210	127-0437	2	Metal-Side (+0.2MM)
80	98-9553	3	Bearing-Rod (STD)	210	127-0438	2	Metal-Side (+0.40MM)
80	98-9519	3	Bearing-Rod (-0.2MM)	220	130-1547	3	Piston Kit
80	117-7588	3	Metal-Crankpin (-0.4MM)	220	130-1548	3	Piston Kit
90	130-1375	1	Crankshaft ASM	230	130-1501	1	Engine Metal Kit (STD)
110	117-7561	1	Gear-Crankshaft	230	130-1498	1	Engine Metal Kit (-0.20Mm/+0.20Mm)
120	98-9666	1	Key	230	130-1499	1	Engine Metal Kit (-0.40Mm/+0.40Mm)
130	127-0445	1	Gear-Drive, Oil Pump				
140	98-9522	1	Sleeve-Crankshaft				
150	127-0444	1	Collar-Crankshaft				



Fuel Camshaft and Governor Shaft Assembly

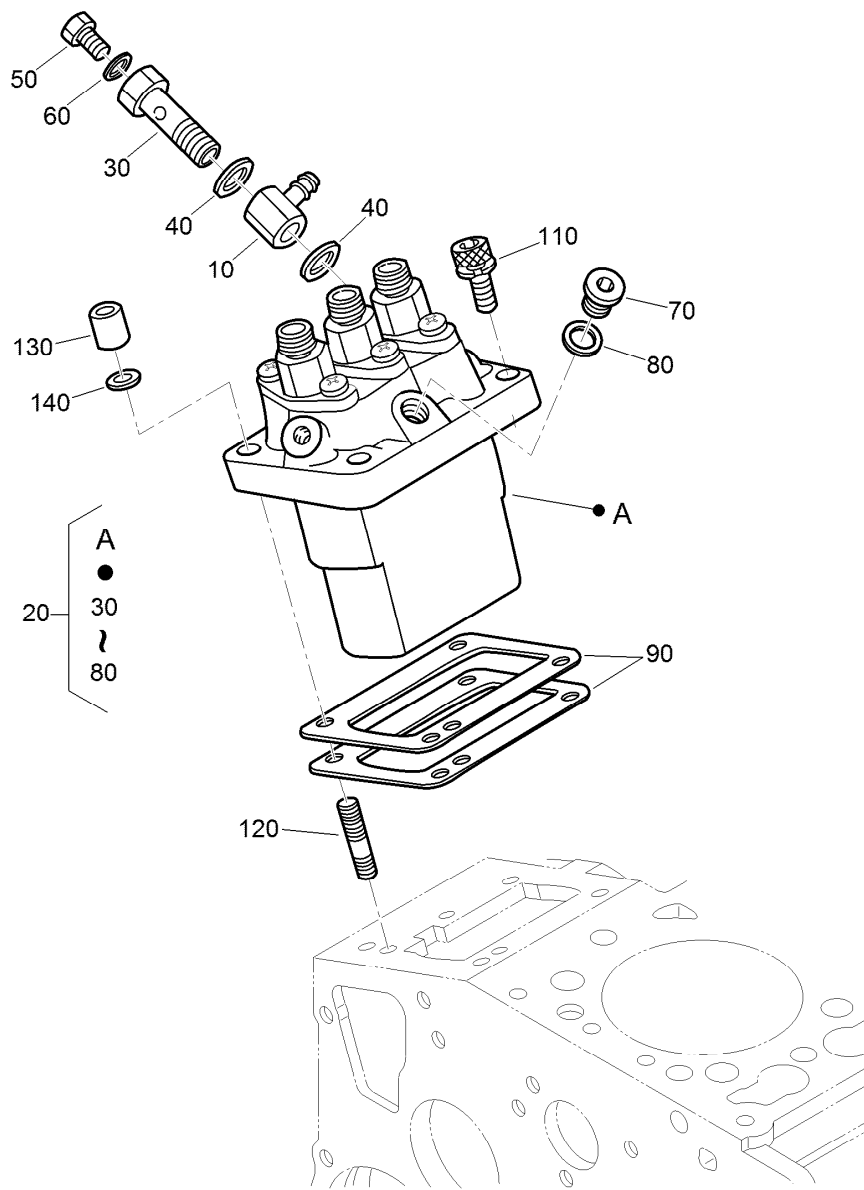
Ref.	Part Number	Qty.	Description
10	98-9459	1	Camshaft-Fuel
20	107-9077	1	Bearing-Ball
30	107-9078	1	Bearing-Ball
60	130-1512	1	Nut
70	120-2562	1	Gear-Pump, Injection
80	98-9595	1	Key-Woodruff
90	98-9511	1	Stopper-Fuel, Camshaft
100	98-7692	2	Bolt
110	130-1255	1	Governor Shaft ASM
120	98-9562	1	Holder-Gear, Governor

Ref.	Part Number	Qty.	Description
130	98-9673	1	Gear-Governor
140	98-9561	1	Holder-Weight, Governor
150	98-9559	2	Governor Weight ASM
160	98-9560	2	Shaft-Weight, Governor
170	98-9692	2	Roller
180	98-9563	1	Sleeve-Governor
190	98-9564	1	Washer-Thrust
200	107-9079	1	Bearing-Ball
210	98-9657	1	Circlip-Shaft, Governor
220	98-9565	1	Screw-Set



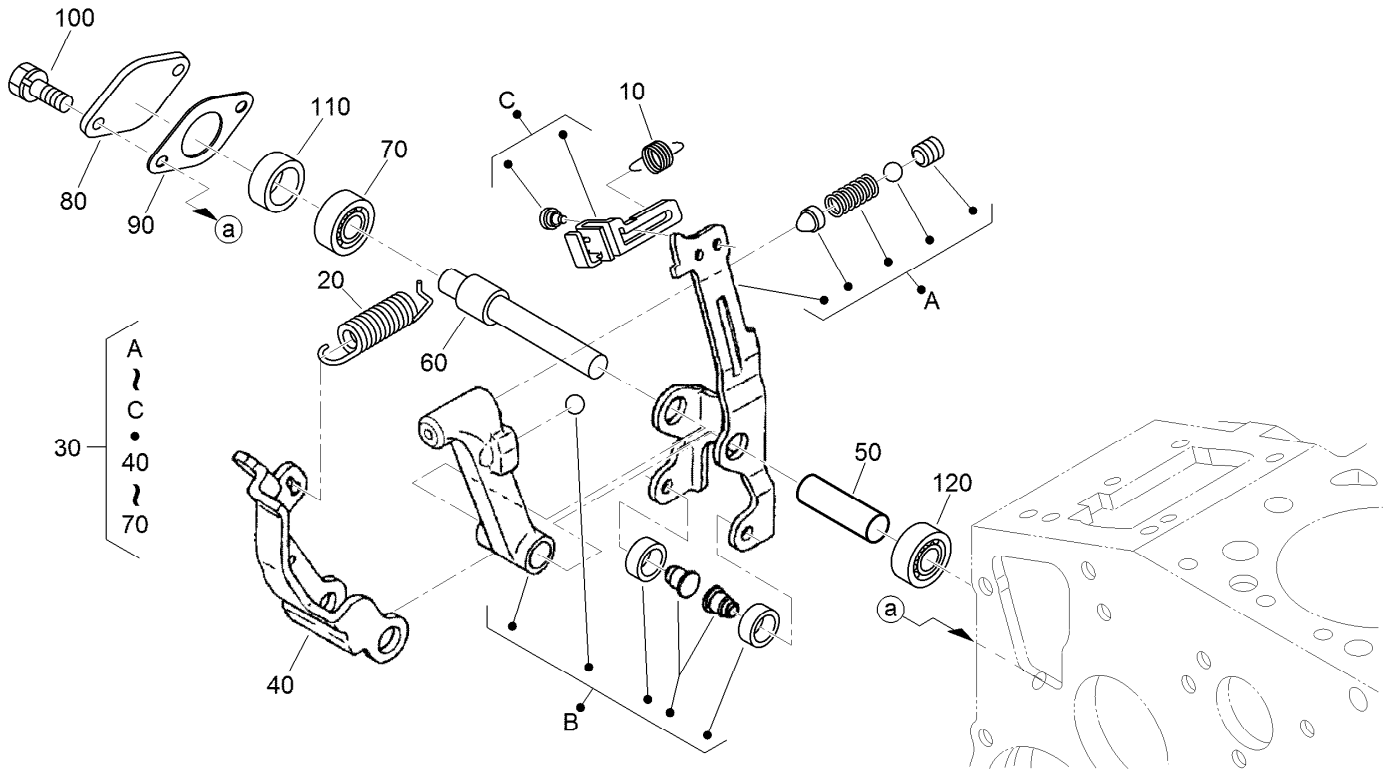
Idle Apparatus Assembly

Ref.	Part Number	Qty.	Description
10	98-9678	1	Idle Apparatus ASM
20	112-7014	1	Adjusting Bolt ASM
30	98-9439	1	Nut
40	112-0181	1	Nut
50	98-7654	2	Gasket
60	98-7656	1	Cap
70	112-7015	1	Bolt-Adjusting
80	100-2175	1	Nut-Lock
90	112-0181	1	Nut
100	98-7654	1	Gasket
110	107-9081	1	Gasket
120	131-6556	1	Bolt
130	98-7572	1	Nut
140	98-7654	1	Gasket



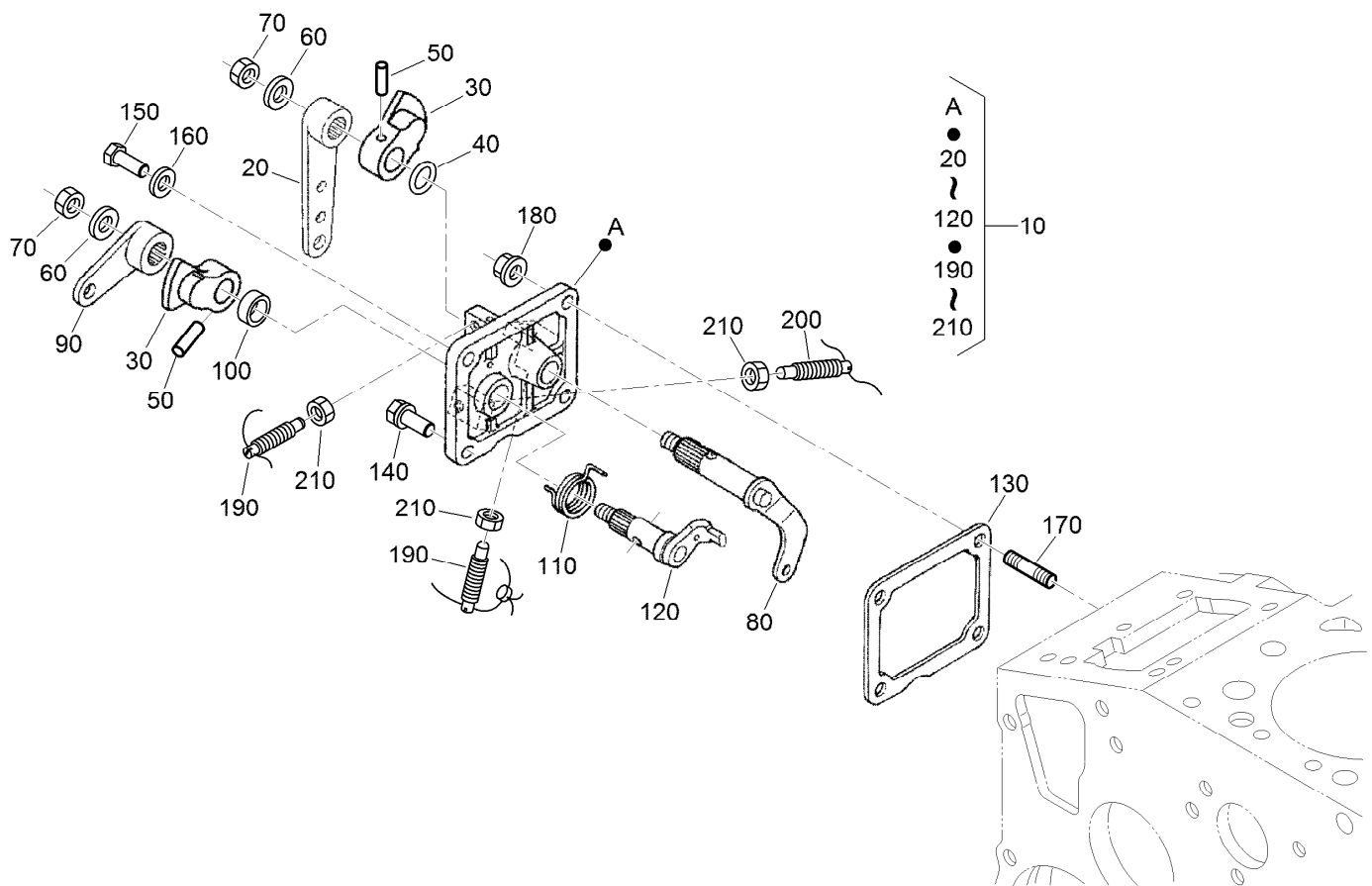
Injection Pump Assembly

<i>Ref.</i>	<i>Part Number</i>	<i>Qty.</i>	<i>Description</i>	<i>Ref.</i>	<i>Part Number</i>	<i>Qty.</i>	<i>Description</i>
10	98-9596	1	Joint-Eye	90	98-9457	1	Shim-Injection (0.25MM)
20	98-9643	1	Injection Pump ASM	90	98-9458	1	Shim-Injection (0.30MM)
30	98-9464	1	Bolt-Joint	90	115-3046	1	Shim-Injection (0.35MM)
40	98-9445	2	Gasket	90	115-3045	1	Shim-Injection (0.175MM)
50	98-9430	1	Screw	110	117-7564	2	Bolt-Hex Soc HD
60	98-9446	1	Gasket	120	98-9438	2	Stud
70	98-9466	1	Plug	130	98-9440	2	Nut-Cap
80	98-9451	1	Gasket	140	98-7699	2	Washer-Spring
90	98-9456	1	Shim-Injection (0.20MM)				



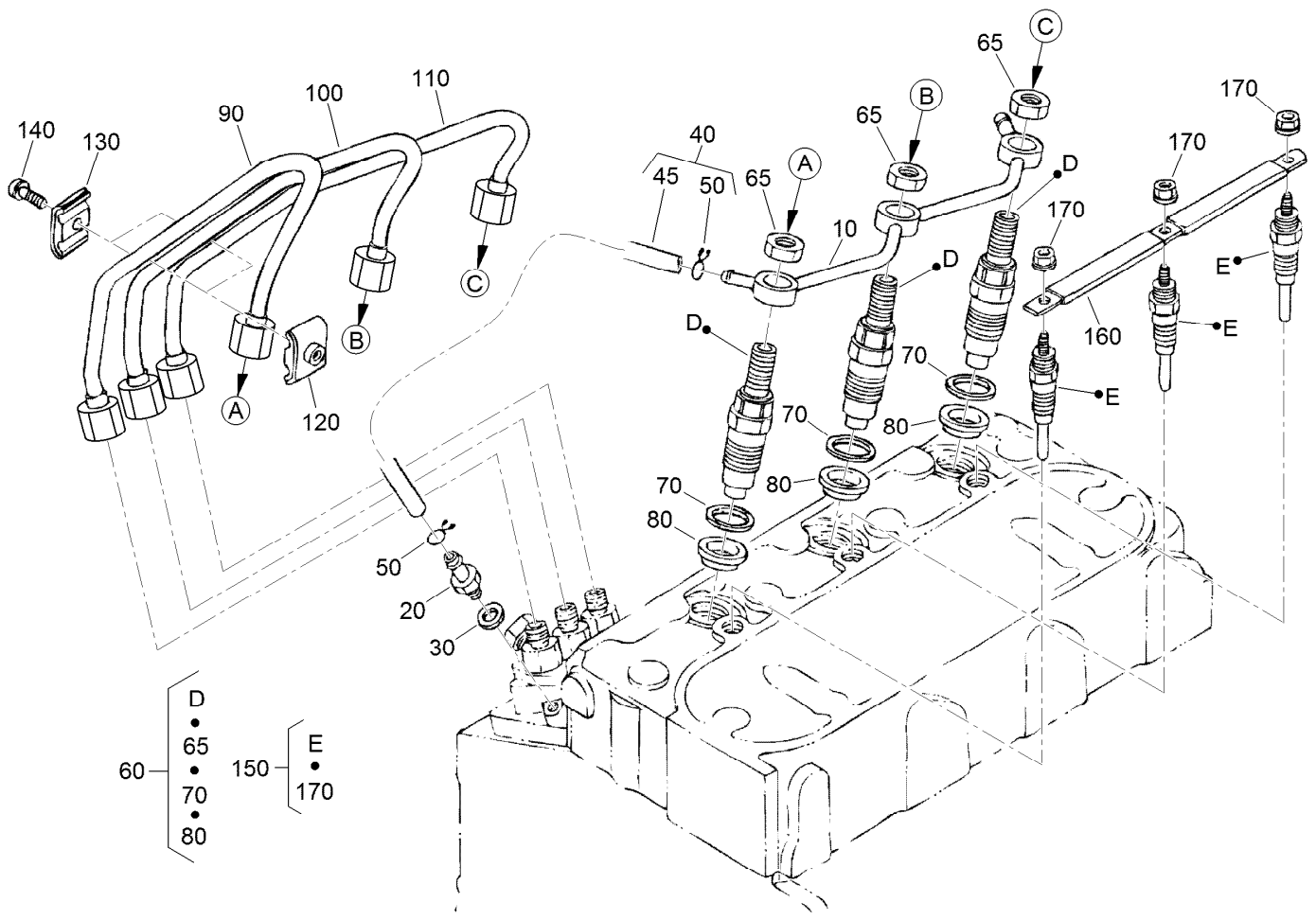
Governor Assembly

Ref.	Part Number	Qty.	Description
10	105-3786	1	Spring-Start
20	98-9681	1	Spring-Governor
30	115-4502	1	Fork Lever ASM
40	107-9084	1	Lever-Fork
50	107-9085	1	Shaft-Lever, Fork
60	107-9086	1	Shaft-Lever, Fork
70	98-9570	1	Bearing-Miniaturize
80	115-4122	1	Cover-Shaft, Fork Lever
90	98-9682	1	Gasket
100	98-9350	2	Bolt
110	98-9567	1	Collar
120	98-9571	1	Bearing-Miniaturize



Speed Control Plate Assembly

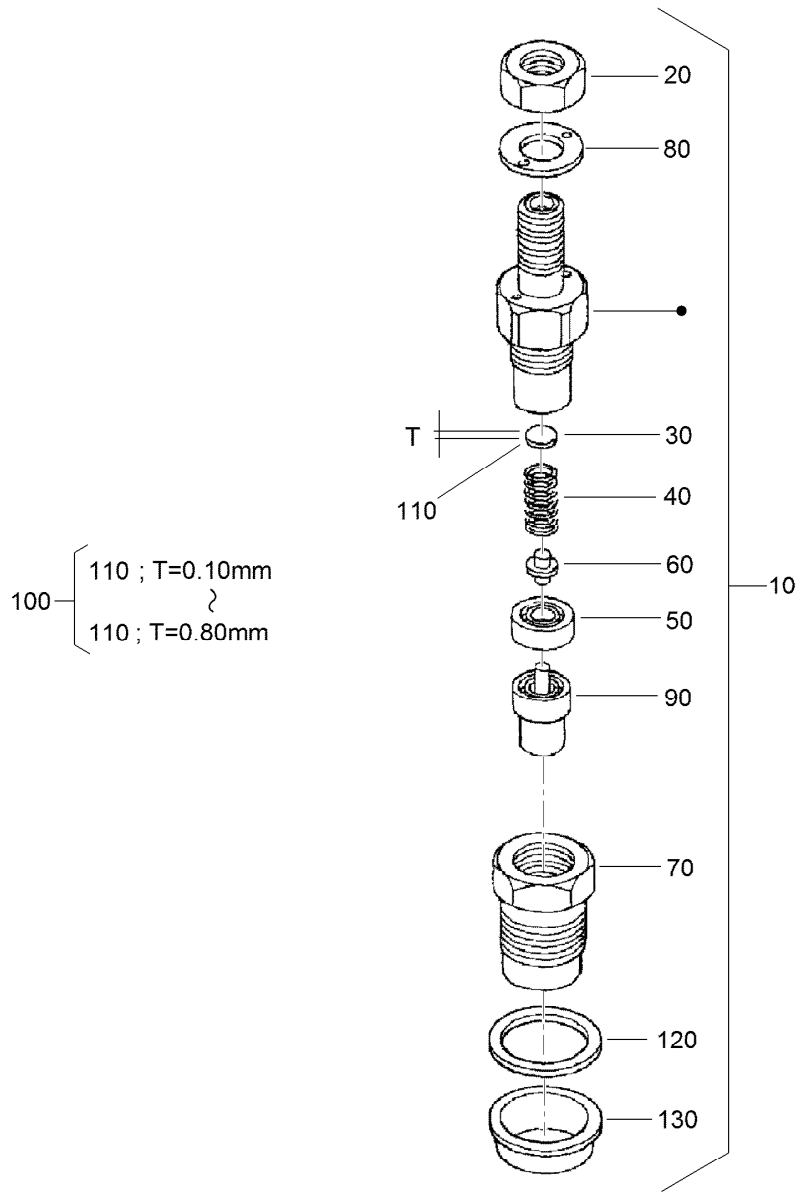
Ref.	Part Number	Qty.	Description	Ref.	Part Number	Qty.	Description
10	105-3735	1	Control Plate ASM	120	98-9664	1	Shaft-Lever, Stop
20	98-9662	1	Lever-Control, Speed	130	98-9637	1	Gasket
30	98-9572	2	Lever-Control, Speed	140	98-7692	1	Bolt
40	105-3788	1	O-Ring	150	127-0401	1	Bolt-Hex
50	98-7602	2	Pin-Spring	160	98-7654	1	Gasket
60	98-9594	2	Washer-Plain	170	105-3710	2	Stud
70	98-9589	2	Nut	180	100-2203	2	Nut-Flange
80	98-9658	1	Governor Lever ASM	190	117-7565	2	Bolt-Adjusting
90	98-9663	1	Lever-Stop, Engine	200	117-7566	1	Bolt-Adjusting
100	98-7601	1	Seal-Oil	210	98-7572	3	Nut
110	98-9472	1	Spring-Return				



Nozzle Holder and Glow Plug Assembly

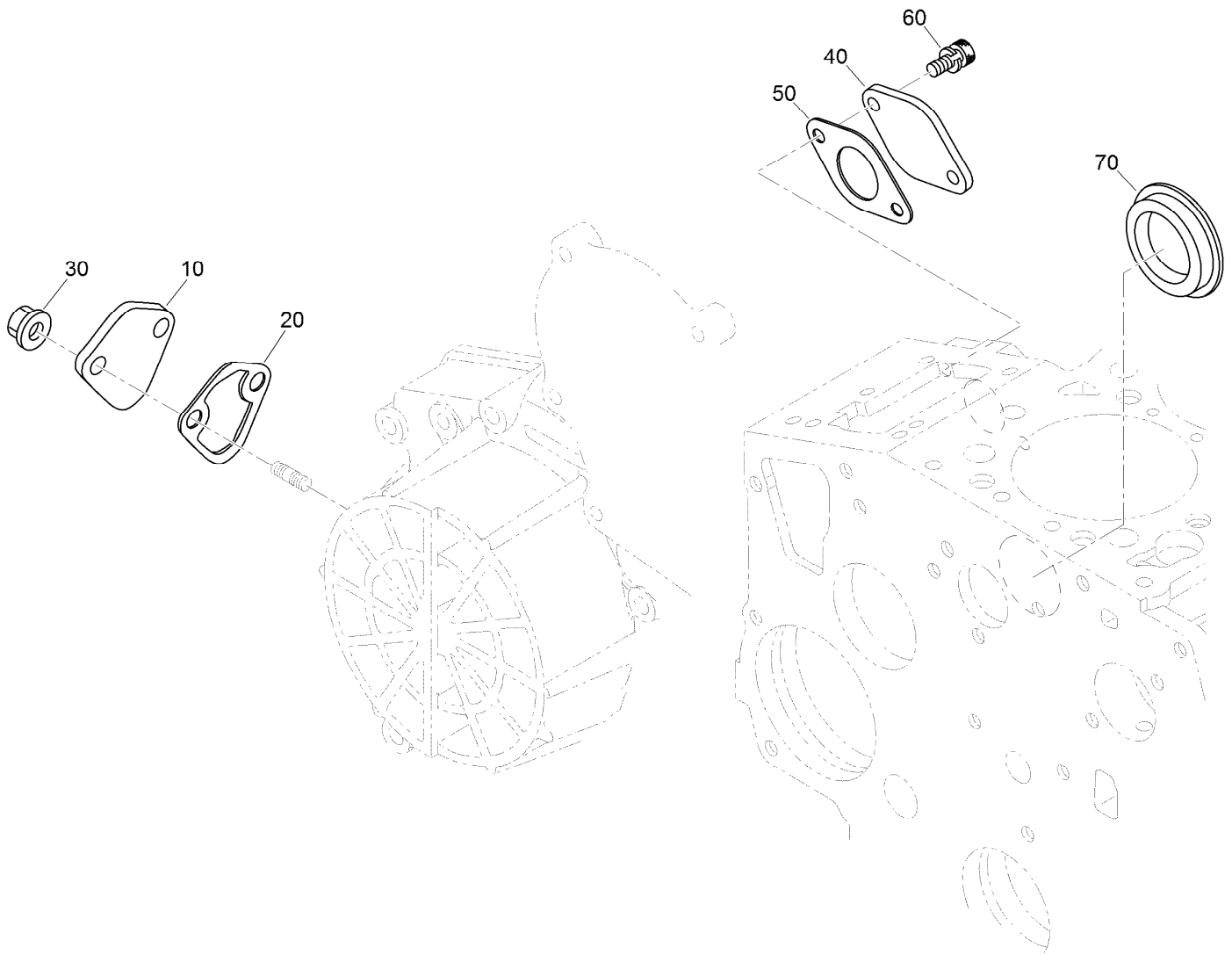
<i>Ref.</i>	<i>Part Number</i>	<i>Qty.</i>	<i>Description</i>
10	98-9620	1	Overflow Pipe ASM
20	98-9431	1	Screw-Bleeder, Air
30	98-7654	1	Gasket
40	98-9420	1	Overflow Pipe ASM
45	112-0182	1	Pipe-Overflow
50	98-7671	2	Clip-Pipe
60	115-3018	3	Nozzle Holder Kit
65	121-2411	3	Nut
70	98-7676	3	Gasket
80	98-7677	3	Seal-Heat

<i>Ref.</i>	<i>Part Number</i>	<i>Qty.</i>	<i>Description</i>
90	98-9653	1	Pipe-Injection
100	98-9654	1	Pipe-Injection
110	98-9655	1	Pipe-Injection
120	98-7682	2	Clamp-Pipe
130	98-7683	2	Clamp-Pipe
140	98-7684	2	Screw (W/Washer)
150	130-1411	3	Plug-Glow
160	98-9631	1	Cord-Plug, Glow
170	99-8377	3	Nut-Flange



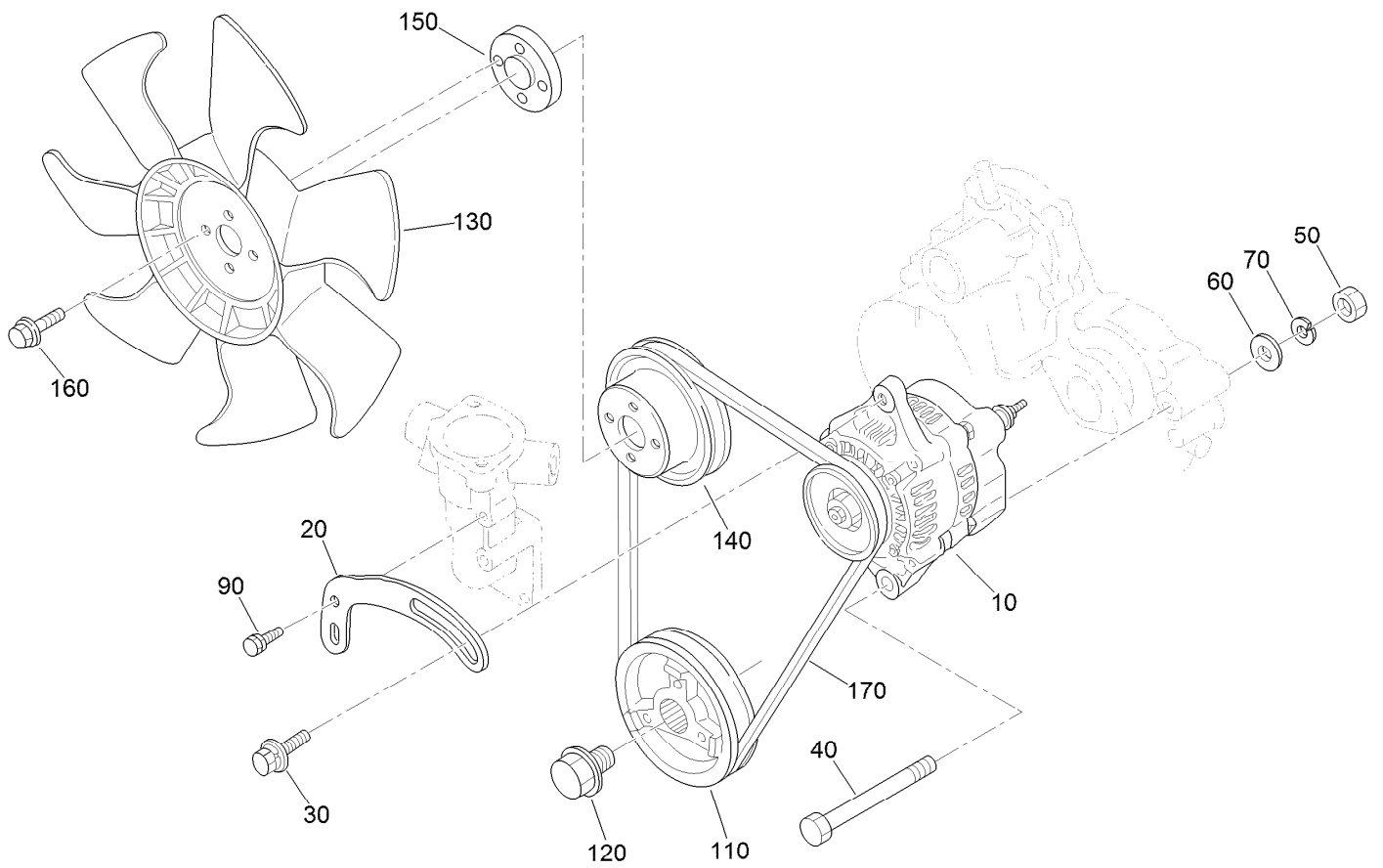
Nozzle Holder Assembly

Ref.	Part Number	Qty.	Description	Ref.	Part Number	Qty.	Description
10	115-3018	3	Nozzle Holder Kit	110	99-8311	3	Washer-Adjust (0.20MM)
20	121-2411	3	Nut	110	99-8312	3	Washer-Adjust (0.30MM)
30	99-8302	3	Washer-Adjusting	110	99-8313	3	Washer-Adjust (0.40MM)
40	99-8303	3	Spring-Nozzle	110	99-8314	3	Washer-Adjust (0.50MM)
50	99-8304	3	Spacer-Distance	110	99-8315	3	Washer-Adjust (0.52MM)
60	99-8305	3	Rod-Push	110	99-8316	3	Washer-Adjust (0.54MM)
70	99-8306	3	Nut-Nozzle	110	99-8317	3	Washer-Adjust (0.56MM)
80	99-8307	3	Washer-Plain	110	99-8318	3	Washer-Adjust (0.58MM)
90	115-3020	3	Piece-Nozzle	110	99-8319	3	Washer-Adjust (0.80MM)
100	99-8309	3	Adjusting Washer ASM	120	98-7676	3	Gasket
110	99-8310	3	Washer-Adjust (0.10MM)	130	98-7677	3	Seal-Heat



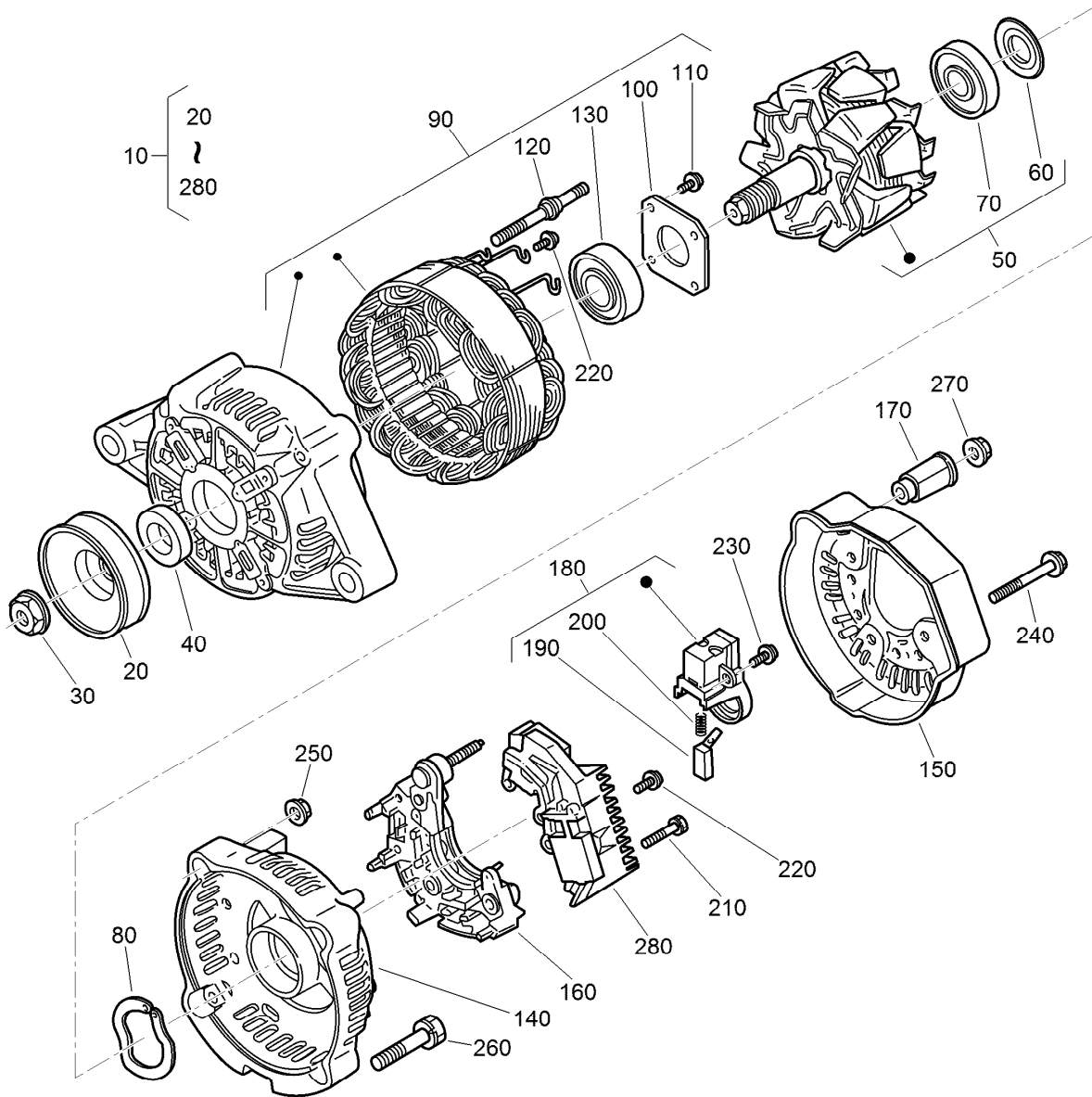
Cover Assembly

<i>Ref.</i>	<i>Part Number</i>	<i>Qty.</i>	<i>Description</i>
10	99-3514	1	Cover
20	117-7562	1	Gasket-Pump, Fuel
30	100-2203	2	Nut-Flange
40	127-0419	1	Cover-Solenoid
50	98-9683	1	Gasket-Cover, Solenoid
60	130-1155	2	Screw-HSH
70	112-7016	1	Cover-Pump



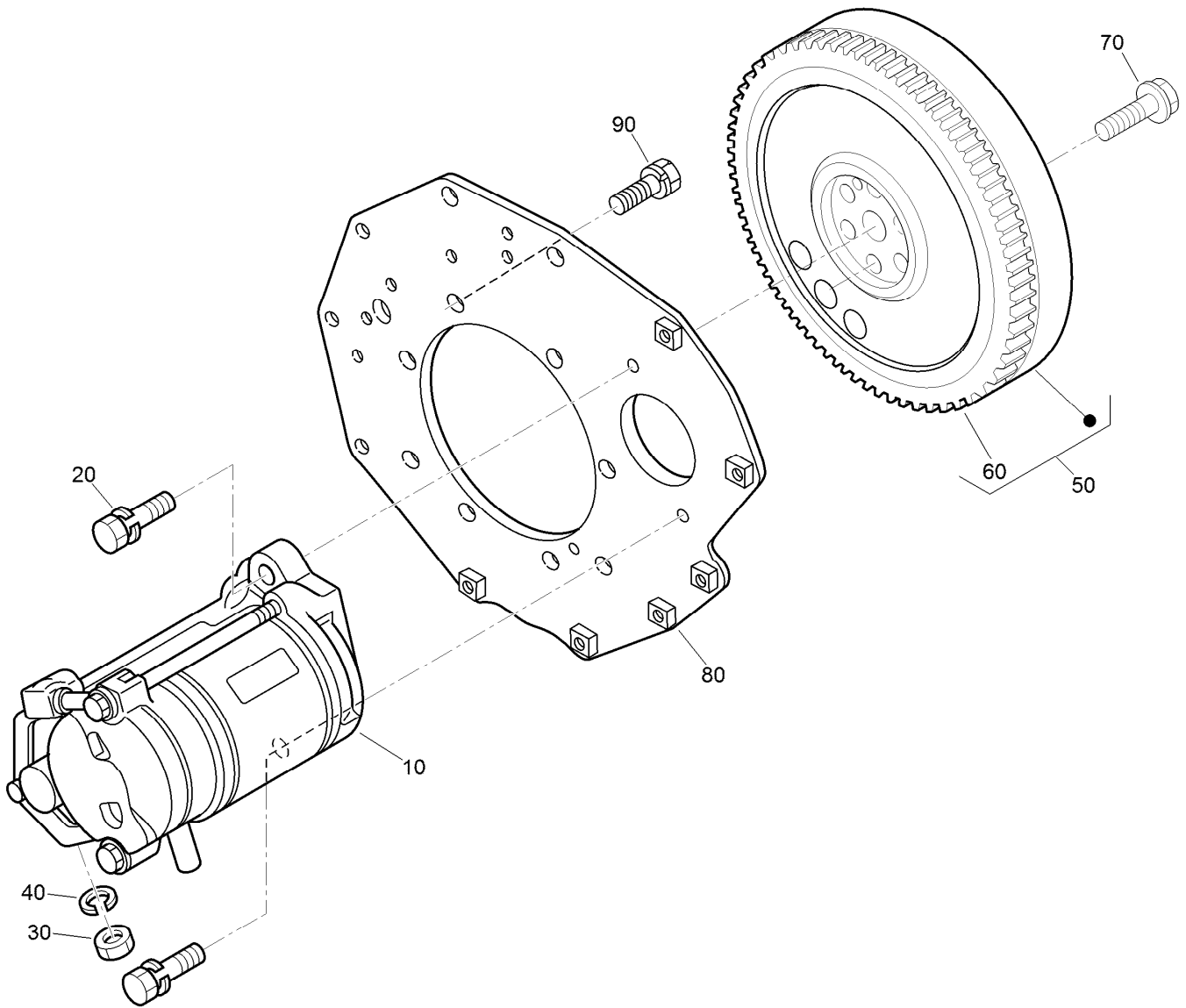
Alternator, Pulley and Fan Assembly

Ref.	Part Number	Qty.	Description
10	131-6557	1	Alternator ASM
20	112-7047	1	Stay-Dynamo
30	108-7088	1	Bolt
40	98-9360	1	Bolt
50	98-7737	1	Nut
60	98-9366	1	Washer-Plain
70	98-7738	1	Washer-Spring
90	98-7692	1	Bolt
110	98-9473	1	Pulley-Drive, Fan
120	98-9585	1	Bolt
130	110-0966	1	Fan-Cooling
140	130-1567	1	Pulley-Fan
150	108-2872	1	Collar-Fan
160	108-2873	4	Bolt-Flange
170	104-3494	1	Belt-V



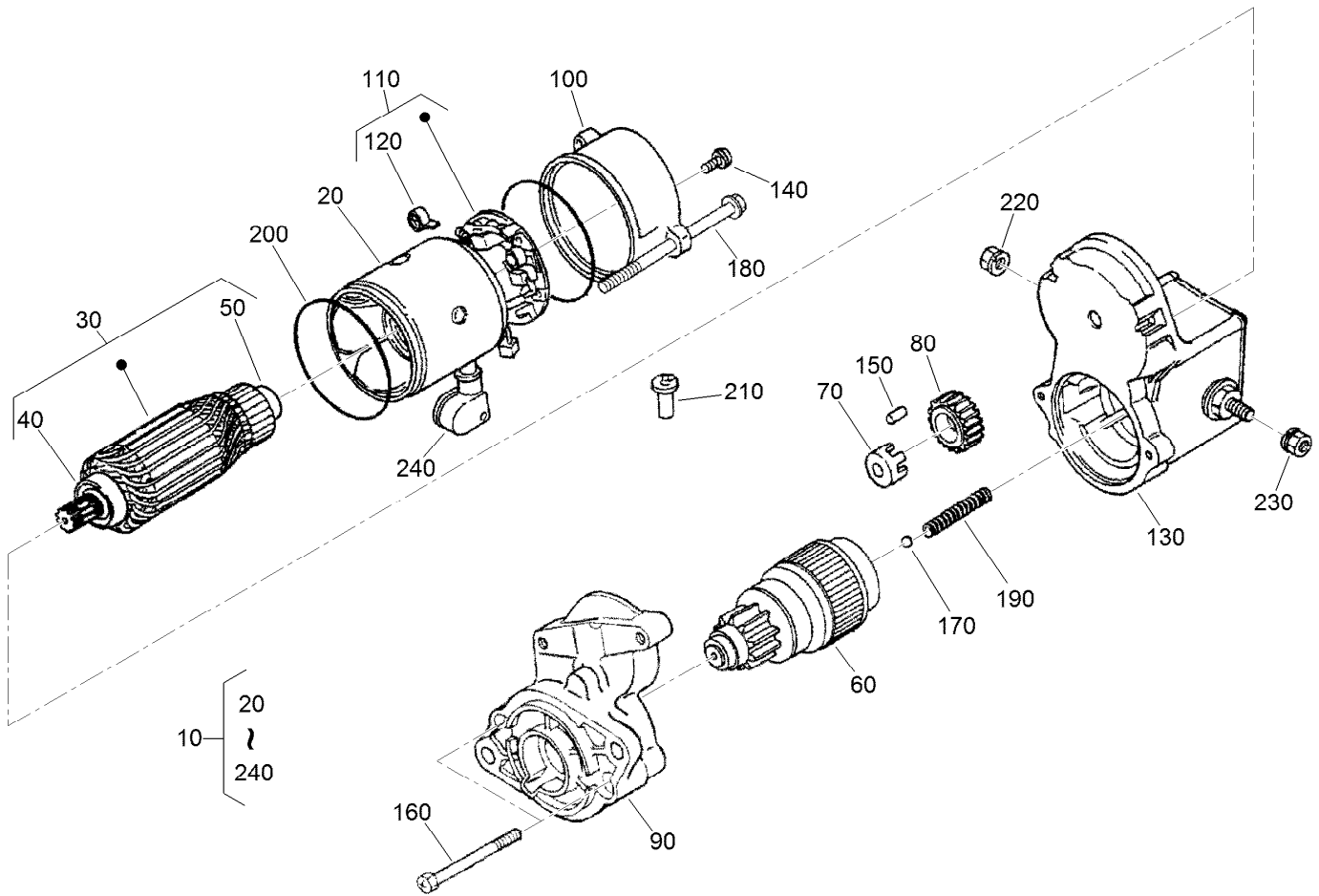
Alternator Assembly No. 131-6557

Ref.	Part Number	Qty.	Description	Ref.	Part Number	Qty.	Description
10	131-6557	1	Alternator ASM	150	107-0140	1	Cover-End
20	98-9453	1	Pulley-Dynamo	160	127-1612	1	Rectifier ASM
30	98-7708	1	Nut	170	98-7722	1	Bushing-Insulation
40	98-7709	1	Collar	180	107-0141	1	Brush Holder ASM
50	107-0136	1	Rotor ASM	190	98-7724	2	Brush
60	98-7711	1	Cover-Bearing	200	98-7725	2	Spring-Brush
70	107-0138	1	Bearing-Ball	210	98-7726	2	Screw-Head, Round
80	98-7713	1	Washer-Thrust	220	98-7727	6	Screw-Head, Round
90	131-6559	1	Frame-End, Drive	230	98-7728	1	Screw-Head, Round
100	98-7715	1	Plate-Retainer	240	98-7729	3	Bolt
110	98-7716	4	Screw-Head, Round	250	98-7730	2	Nut
120	98-7717	2	Bolt-Through	260	98-7731	2	Bolt
130	133-2811	1	Bearing	270	98-7732	1	Nut
140	107-9087	1	Frame-End	280	110-3799	1	Regulator ASM



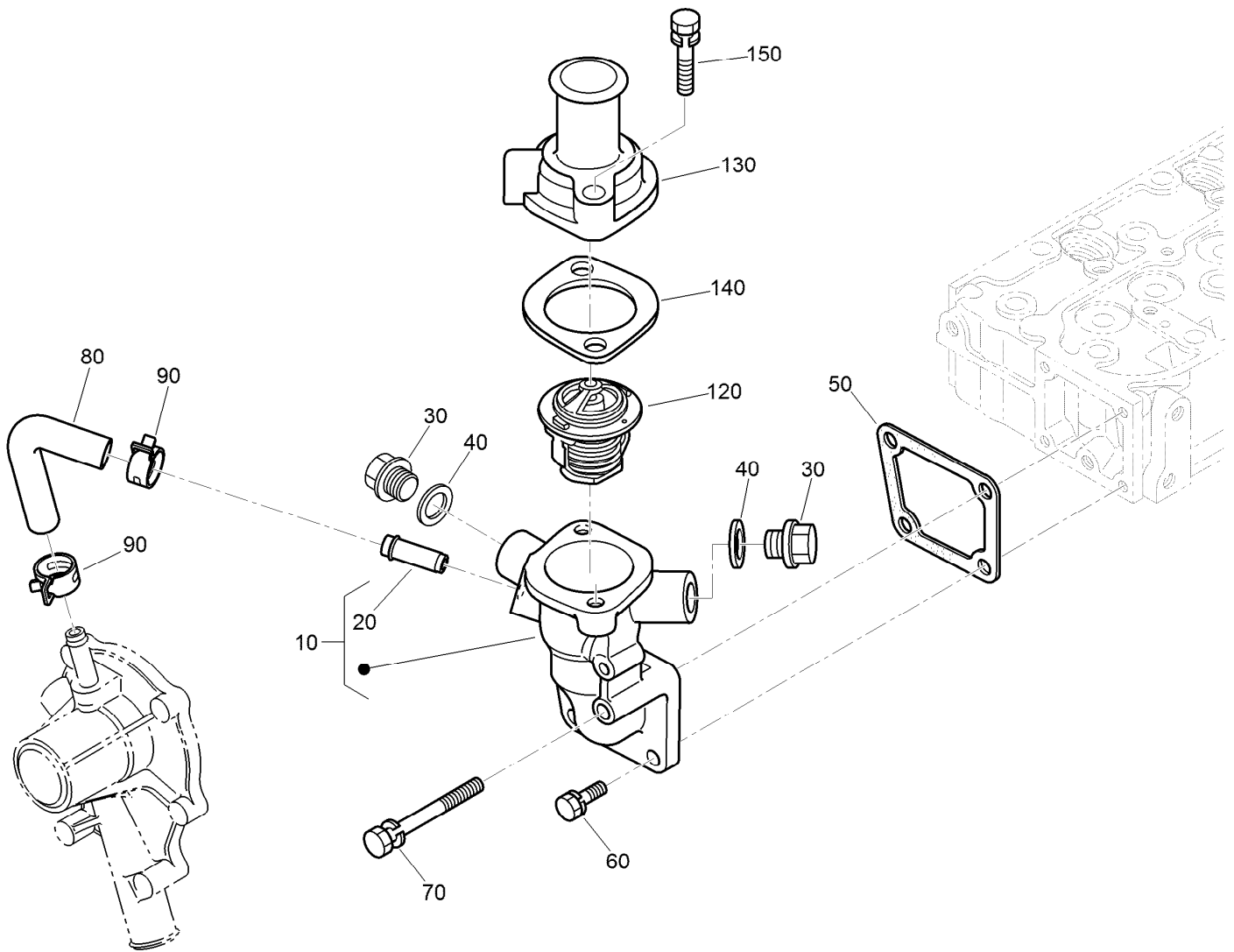
Starter and Flywheel Assembly

<i>Ref.</i>	<i>Part Number</i>	<i>Qty.</i>	<i>Description</i>
10	131-6561	1	Starter ASM
20	98-7697	2	Bolt
30	98-7739	1	Nut
40	105-2893	1	Washer-Spring
50	105-3784	1	Flywheel ASM
60	115-3015	1	Gear-Ring
70	98-9537	6	Bolt-Flywheel
80	98-9486	1	Plate-End, Rear
90	98-9392	8	Bolt



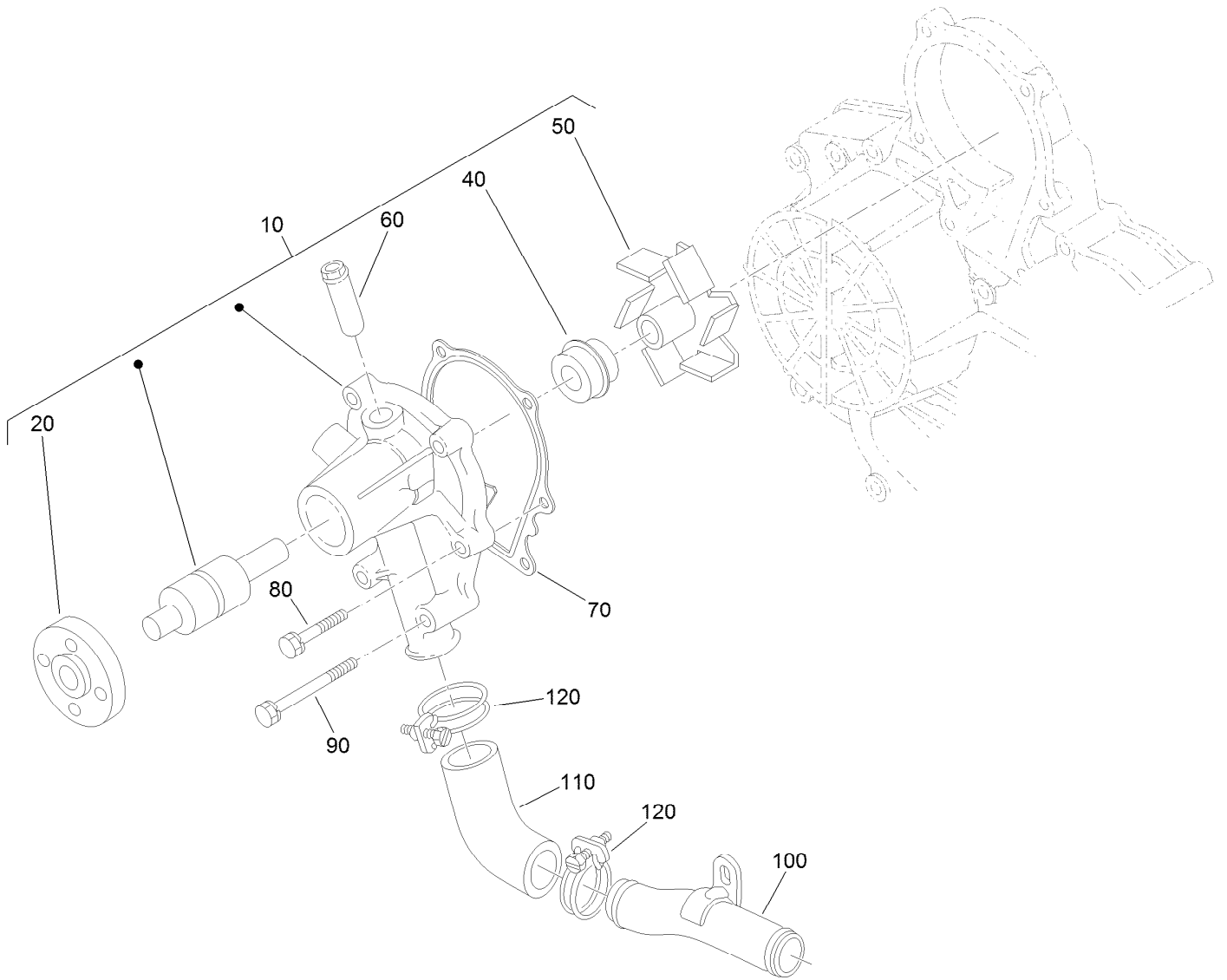
Starter Assembly No. 131-6561

Ref.	Part Number	Qty.	Description	Ref.	Part Number	Qty.	Description
10	131-6561	1	Starter ASM	130	99-8372	1	Magnetic Switch ASM
20	98-7741	1	Yoke ASM	140	98-7758	2	Bolt ASM
30	98-7742	1	Armature ASM	150	98-7753	5	Roller
40	98-7744	1	Bearing	160	98-7756	2	Bolt
50	98-7743	1	Bearing	170	98-7755	1	Ball
60	99-8373	1	Clutch-Running, Over	180	100-9240	2	Bolt
70	98-7752	1	Retainer	190	98-7754	1	Spring
80	98-7751	1	Gear	200	98-7757	2	O-Ring
90	99-8374	1	Frame-End, Drive	210	98-7759	1	Pipe-Drain
100	98-7748	1	Frame-End	220	99-8376	1	Nut-Hex
110	98-7749	1	Brush Holder ASM	230	98-7760	1	Nut-Hex
120	98-7750	4	Spring-Brush	240	110-0020	1	Cover-Terminal



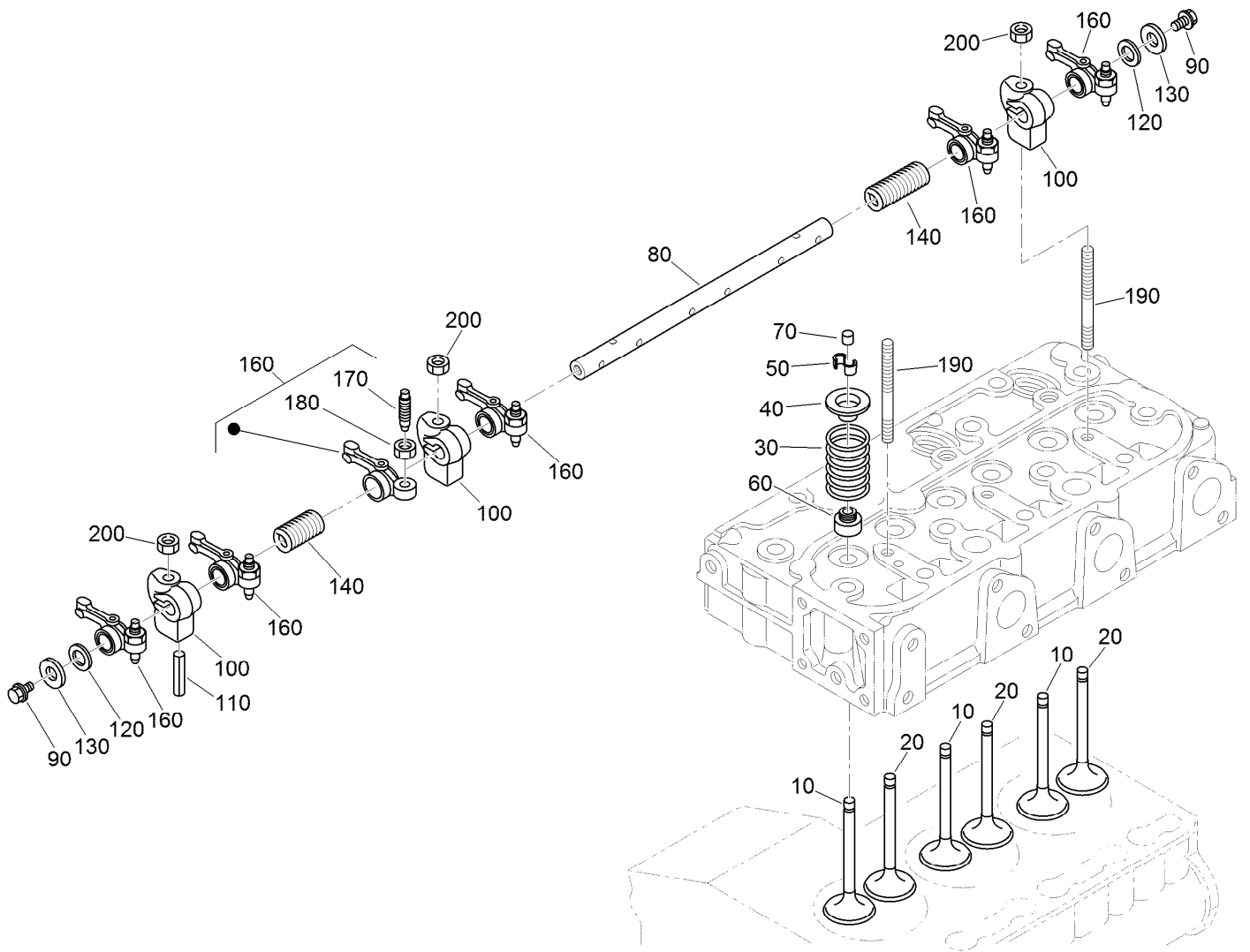
Water Flange and Thermostat Assembly

<i>Ref.</i>	<i>Part Number</i>	<i>Qty.</i>	<i>Description</i>
10	98-9713	1	Water Flange ASM
20	98-9580	1	Pipe-Return, Water
30	105-3747	2	Plug
40	99-3583	2	Gasket
50	98-9638	1	Gasket-Flange, Water
60	98-7692	3	Bolt
70	98-9356	1	Bolt
80	98-9578	1	Pipe-Return, Water
90	125-9078	2	Clamp-Hose
120	98-7778	1	Thermostat ASM
130	98-9471	1	Cover-Thermostat
140	105-3748	1	Gasket-Thermostat
150	98-7777	2	Bolt



Water Pump Assembly

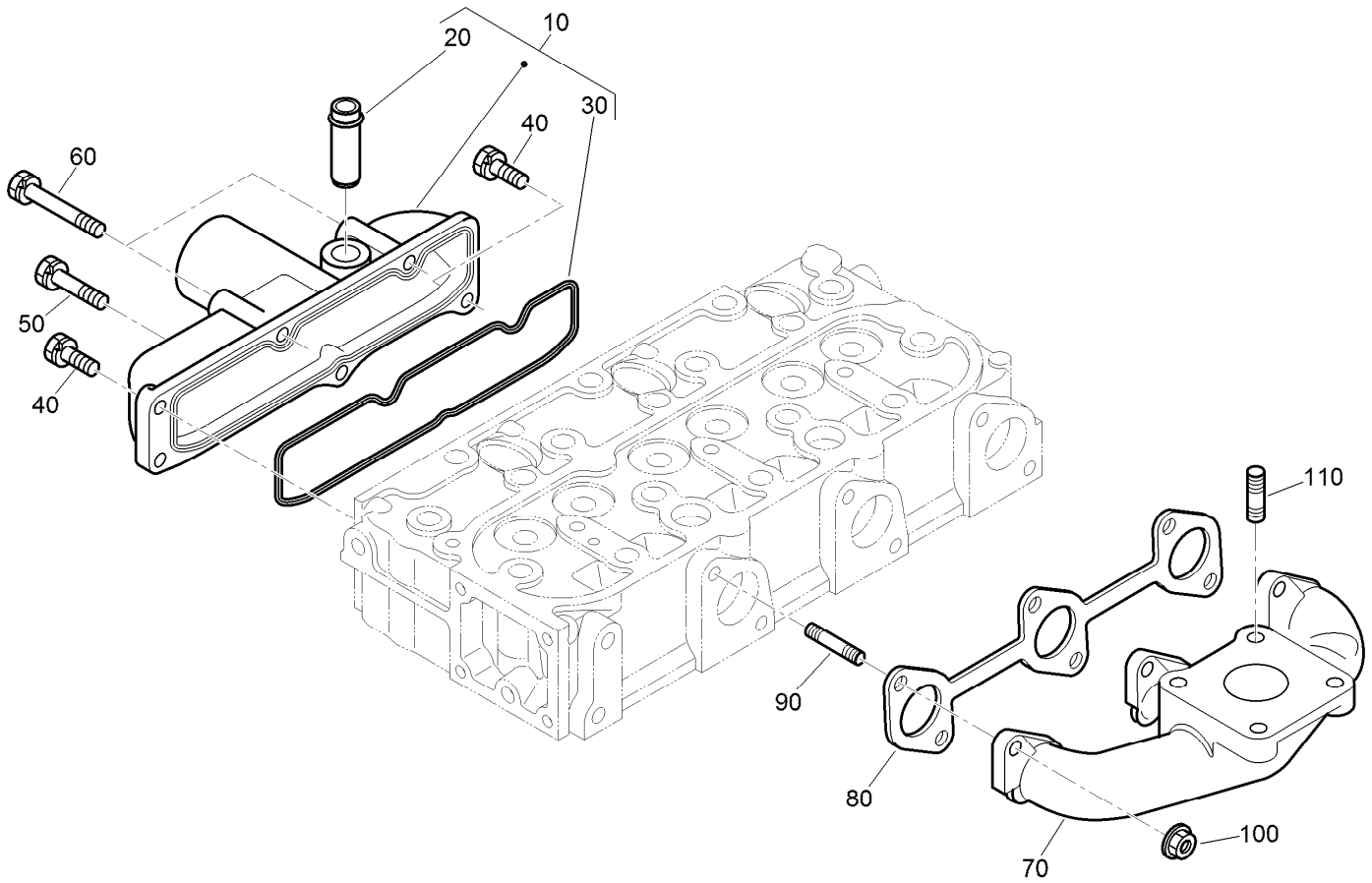
<i>Ref.</i>	<i>Part Number</i>	<i>Qty.</i>	<i>Description</i>
10	107-9089	1	Water Pump ASM
20	99-3516	1	Flange-Pump, Water
40	105-3750	1	Mechanical Seal ASM
50	112-7017	1	Impeller-Pump, Water
60	100-1932	1	Pipe-Return, Water
70	99-3454	1	Gasket-Pump, Water
80	98-9353	4	Bolt
90	107-9090	2	Bolt
100	98-9716	1	Pipe-Water
110	107-9091	1	Pipe-Water
120	127-0439	2	Clamp-Hose



Valve and Rocker Arm Assembly

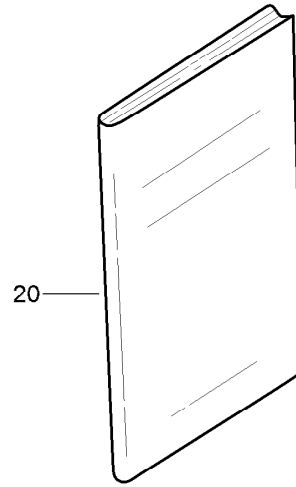
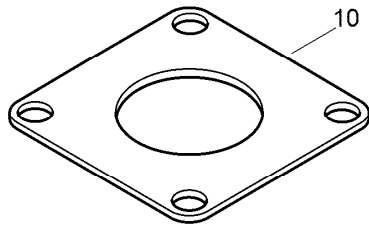
Ref.	Part Number	Qty.	Description
10	112-7018	3	Valve-Inlet
20	120-2564	3	Valve-Exhaust
30	98-9648	6	Spring-Valve
40	107-9092	6	Retainer-Spring
50	117-7572	6	Collet-Spring, Valve
60	99-8385	6	Seal-Stem, Valve
70	98-9497	6	Cap-Valve
80	130-1248	1	Shaft-Arm, Rocker
90	99-8363	2	Bolt-Flange
100	98-9505	3	Bracket-Arm, Rocker

Ref.	Part Number	Qty.	Description
110	105-3758	1	Pin-Spring
120	98-9507	2	Washer-Shaft, Rocker Arm
130	110-3832	2	Washer-Plain
140	98-9504	2	Spring-Arm, Rocker
160	112-7020	6	Rocker Arm ASM
170	98-9502	6	Screw-Adjusting
180	98-9503	6	Nut
190	98-9506	3	Stud
200	131-6563	3	Nut-Flange



Inlet and Exhaust Manifold Assembly

<i>Ref.</i>	<i>Part Number</i>	<i>Qty.</i>	<i>Description</i>
10	108-6577	1	Inlet Manifold ASM
20	98-9492	1	Joint-Pipe, Breather
30	98-9609	1	Gasket-Manifold, Inlet
40	127-0403	3	Bolt-Flange
50	98-9353	1	Bolt
60	125-9063	2	Bolt-Sems
70	107-9093	1	Manifold-Exhaust
80	99-8327	1	Gasket-Manifold, Exhaust
90	98-9588	6	Stud
100	98-9665	6	Nut
110	98-7769	4	Stud



Miscellaneous Engine Parts

<i>Ref.</i>	<i>Part Number</i>	<i>Qty.</i>	<i>Description</i>
10	99-8343	1	Gasket-Muffler
20	130-1543	1	Manual-Operator

Attachments and Accessories

For 03950 Reelmaster 5010-H Traction Unit

Product Name	Model/Part
Operator Cooling Fan	03247
Switch Panel-Universal Sunshade.....	03248
Operator Golf Ball Guard, Reelmaster 3100/3500/5010 or Groundsmaster 3500/4300 Series Traction Unit	03614
5 Inch Reel Verticutter	03618
Verticutter for 7in Reel Cutting Unit.....	03619
8-Blade EdgeSeries Radial Reel DPA Cutting Unit with 5in Reel, Reelmaster 5010 Series Traction Unit	03621
11-Blade EdgeSeries Forward Swept Reel DPA Cutting Unit with 5in Reel, Reelmaster 5010 Series Traction Unit	03623
22in 5in 11 Bld (rr) Dpa Cu (5010).....	03624
8-Blade Radial Reel DPA Cutting Unit with 7in Reel.....	03638
8-Blade Forward Swept Reel DPA Cutting Unit with 7in Reel	03639
11-Blade Forward Swept Reel DPA Cutting Unit with 7in Reel	03641
7-in, 11 Blade ES (RR) DPA Cutting Unit	03643
CrossTrax All-Wheel Drive Kit, Reelmaster 5010-H, 5410-D, or 5510-D Series Traction Unit	03645
Finishing Kit, DPA Cutting Unit with 5in Reel, Reelmaster 5010-H Series Traction Unit	03651
Finishing Kit, DPA Cutting Unit with 7in Reel, Reelmaster 5010-H Series Traction Unit	03653
CrossTrax All-Wheel Drive Finishing Kit	03656
Air Ride Seat Suspension Kit.....	03667
Turf Evaluator	04399
Wheel Weight Kit	104-1478
Premium All Purpose Grease (Tube)	108-1190
Rear Lift Cylinder Limit Kit	110-9604
5in Air Cleaner Safety Element.....	114-4057
Premium Synthetic Bio-Degradable Hydraulic Fluid (5 Gallon Pail)	119-2157
Premium Synthetic Bio-Degradable Hydraulic Fluid (55 Gallon Drum).....	119-2158
Premium Engine Oil 10w30 (55 Gallon Drum)	121-6392
Premium Engine Oil 10w30 (5 Gallon Pail)	121-6393
Smooth Rear Tire	127-2796
Hi-Back Seat Cover	133-1308
Smooth Front Tire	133-2940
PX Hydraulic Fluid (5 Gal)	133-8086
PX Hydraulic Fluid (55 Gal).....	133-8087
Pin and Lanyard Asm	136-8045
Beacon Kit	138-2699
Power Harness Kit (RM5XXX).....	138-2994
Work Lights Kit, Groundsmaster and Reelmaster Traction Units with Universal Sunshade.....	140-1554
MVP Kit-Hyd Hose	145-2576
Mvp Kit 1000 Hour-rm5010-h Kubota D11	145-2581
Brush and Handle Kit.....	29-9100
White Universal Sunshade	30669
Red Universal Sunshade	30671
EU Light Kit.....	31579

Attachments and Accessories (continued)

New Red Paint - Gallon361-11
Dark Metallic Gray Aerosol Paint 361-12
Semi-Gloss Black Spray Paint..... 361-9
Air Dry Red Paint - Qt 5340
Spark Arrestor 98-9099

Notes:

Notes:

Notes:



Count on it.