



Count on it.

Parts Catalog

**122cm Z Master® Revolution®
Series Riding Mower**

Model No. 18740TE—Serial No. 416400000 and Up



Ordering Replacement Parts

To order replacement parts, please supply the part number, the quantity, and the description of each part desired.

Understanding Reference Numbers

Each identified part in an illustration has a reference number. The reference number for a part also appears in the parts list, along with other information about the part.

This catalog uses two special reference number formats, one to indicate parts in a service assembly and another to indicate the quantity of a given part in an illustration.

Service Assembly Reference Numbers

Parts in service assemblies have reference numbers in the form a:b. The a represents the reference number of the entire service assembly and the b represents a sequential number unique to each part within the service assembly.

For example, a wheel assembly might be identified by reference number 6, the tire by 6:1, the valve by 6:2, and the wheel by 6:3. When you order the assembly identified by reference number 6, you receive all parts identified by reference numbers 6:1, 6:2, and 6:3. However, you may also order any part individually. Reference numbers of this type appear in illustration and in parts lists.

Reference Numbers Indicating Quantity

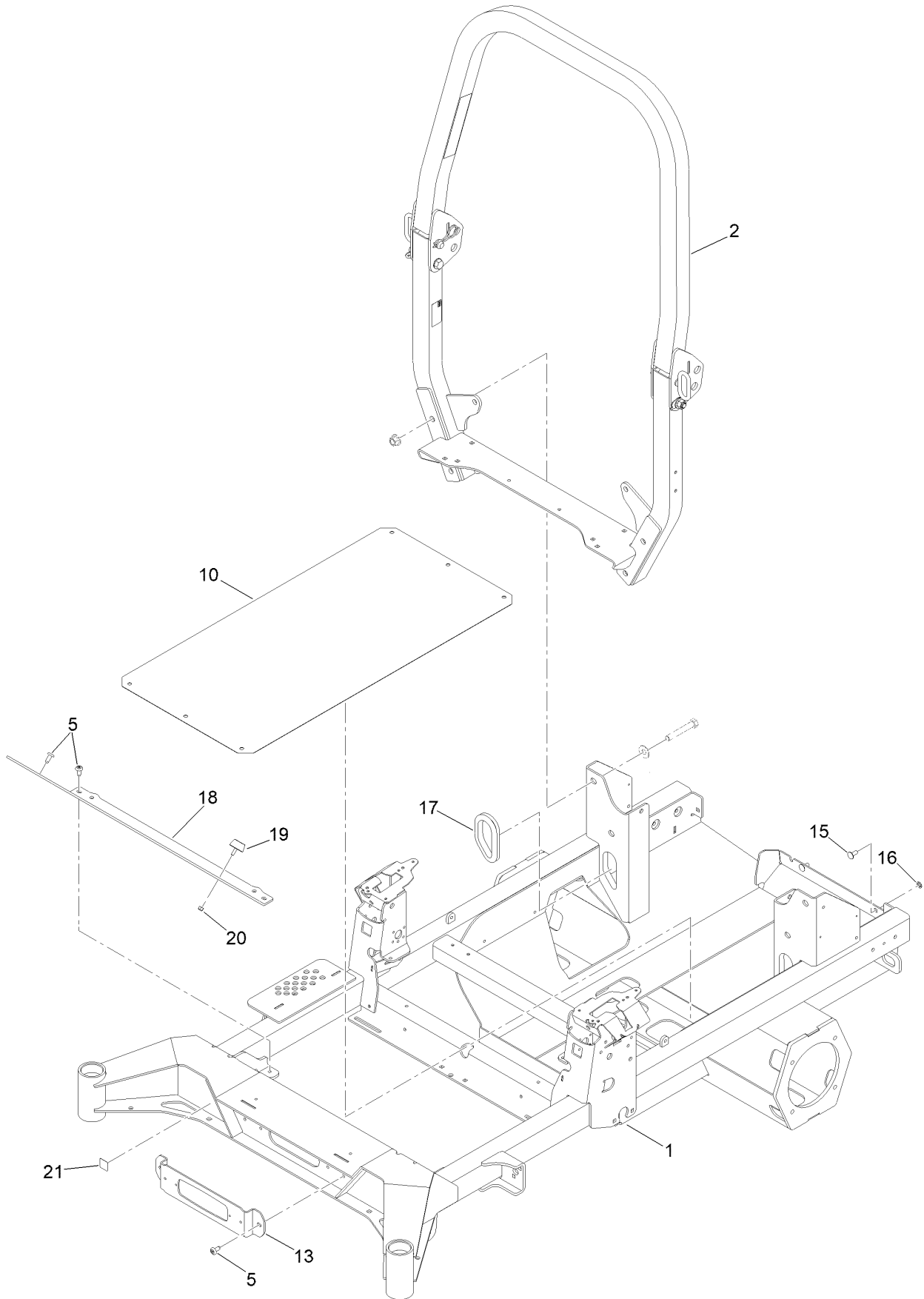
In an illustration, if a reference number indicates more than one part, the reference number has the form nX y. The n represents the quantity of the part, the X is the multiplication symbol, and the y represents the reference number.

For example, in an illustration, the reference number 2X 37 means that two of the parts identified by reference number 37 are indicated.

Contents

Main Frame Assembly	4
Roll-Over Protection System Assembly No. 161-3495	6
Drive Assembly	8
Guards Assembly	10
Battery Assembly	12
Battery Assembly No. 145-5320	14
Seat Mount Assembly	16
Motion Control and Parking Brake Assembly	18
Right Motion Control Assembly No. 146-3655	20
Left Motion Control Assembly No. 146-3656	22
Front Caster Wheel Assembly	24
Caster and Wheel Assembly	26
Rear Wheel Assembly	28
Electrical and Wire Harness Assembly	30
Main Wire Harness Assembly No. 144-2673	32
Deck Lift Assembly	34
Deck Strut Assembly No. 140-1179	36
Electrical Components Assembly	38
Fuse Holder Assembly No. 161-6249	40
Seat Suspension Assembly	42
Seat Assembly No. 145-8421	44
Decal Assembly	46
Deck Assembly	48
Deck Decal Assembly No. 147-7827	50
Deflector Assembly No. 147-1642	52
Attachments and Accessories	54

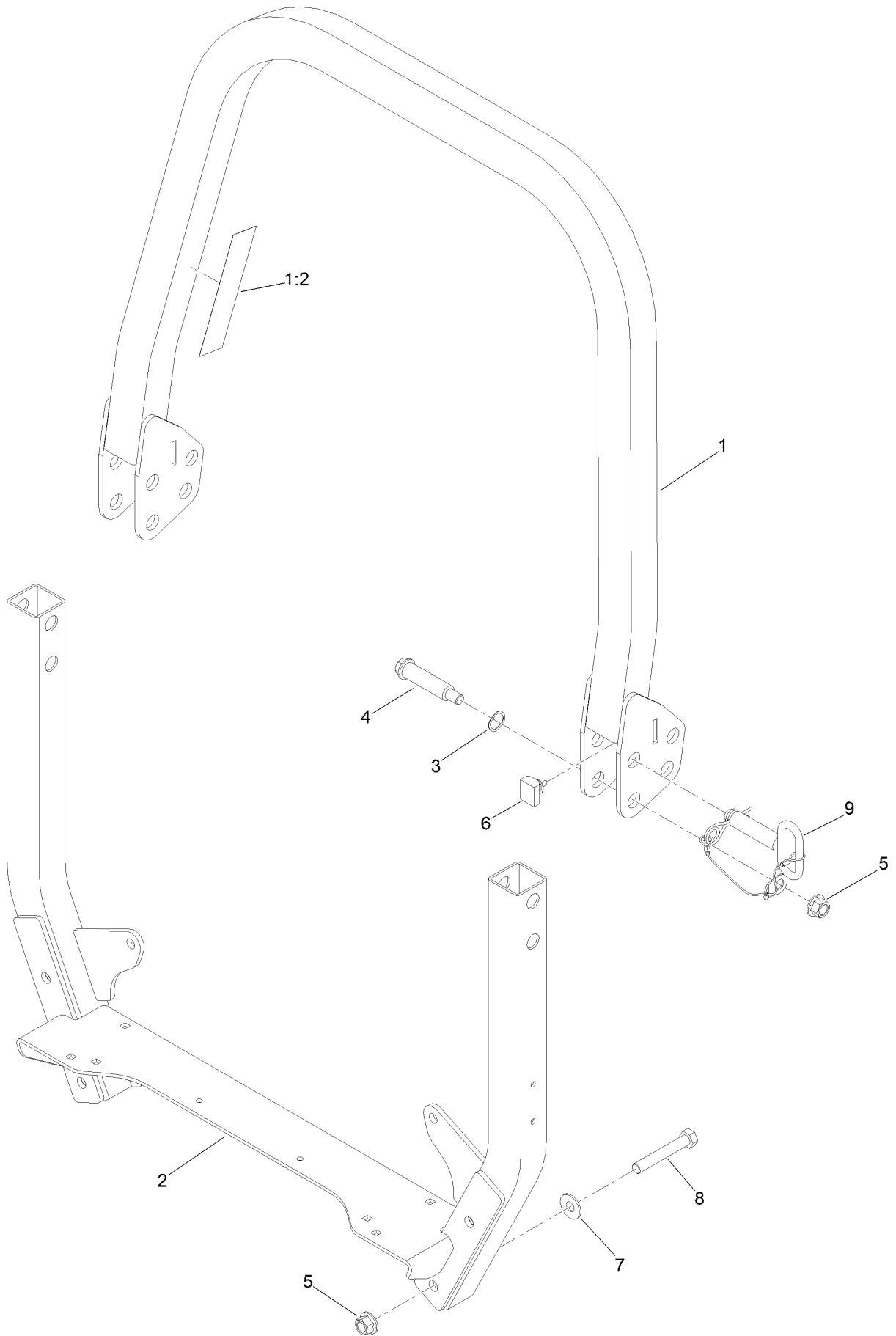
Main Frame Assembly



Main Frame Assembly (continued)

<i>Ref.</i>	<i>Part Number</i>	<i>Qty.</i>	<i>Description</i>	<i>Ref.</i>	<i>Part Number</i>	<i>Qty.</i>	<i>Description</i>
1	145-1307-01	1	Frame	16	117-2749	2	Nut-Push
2	161-3495	1	ROPS ASM	17	144-6568	2	Grommet-Rubber
5	138-9753	6	Screw	18	140-4997-01	1	Toeboard
10	147-7856-01	1	Plate-Skid	19	131-8834	2	Bumper
13	140-4994-01	1	Bracket-Light	20	3296-42	2	Nut-Lock, NI
15	3230-22	2	Screw-CARR	21	147-0290	1	Decal-Light, Warning

Roll-Over Protection System Assembly No. 161-3495

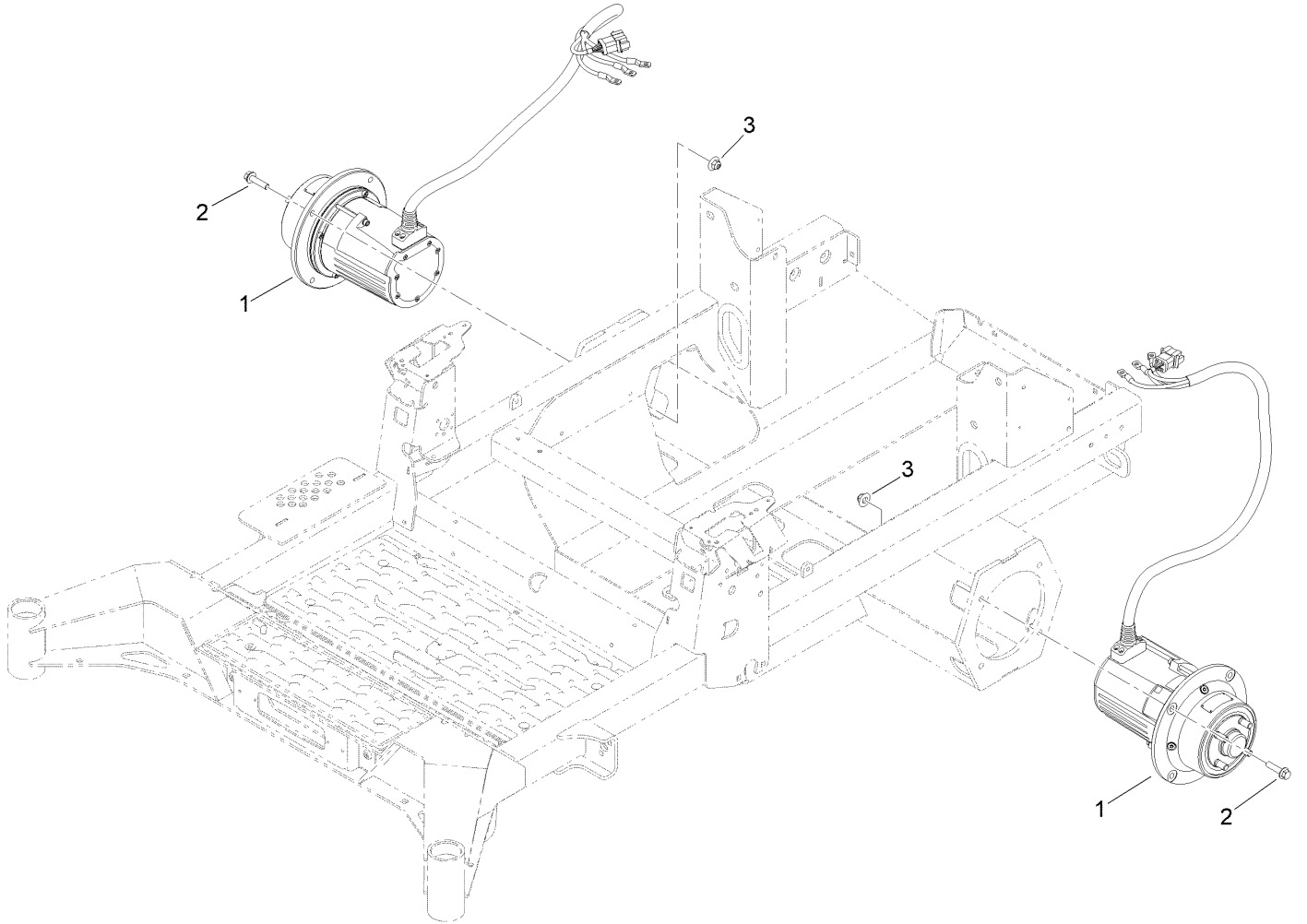


Roll-Over Protection System Assembly

No. 161-3495 (continued)

<i>Ref.</i>	<i>Part Number</i>	<i>Qty.</i>	<i>Description</i>	<i>Ref.</i>	<i>Part Number</i>	<i>Qty.</i>	<i>Description</i>
1	139-6718	1	Upper ROPS ASM	5	99-5107	6	Nut-Lock
1:2	107-3069	1	Decal-Warning	6	109-5337	2	Bumper-ROPS
2	147-7816-03	1	Lower ROPS ASM	7	109-9505	4	Washer-Spring
3	119-4164	2	Washer-Wave	8	325-13	4	Screw-HH
4	126-9209	2	Bolt-Shoulder	9	161-4477	2	Pin-ROPS, ASM

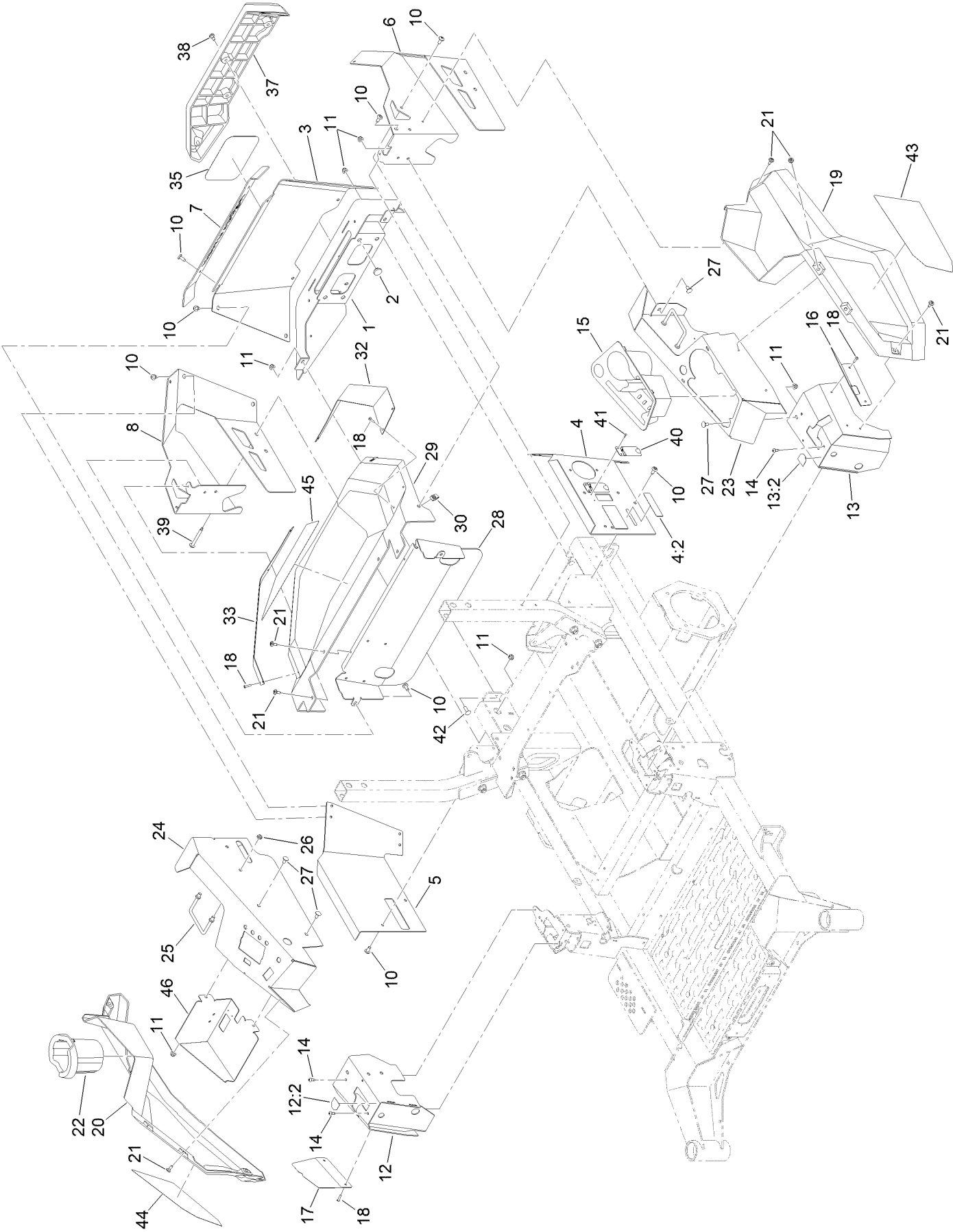
Drive Assembly



Drive Assembly (continued)

<i>Ref.</i>	<i>Part Number</i>	<i>Qty.</i>	<i>Description</i>
1	147-6261	1	Motor/Gearbox ASM
2	114-4681	8	Screw-HHF
3	109-6658	8	Nut-Flange, NI

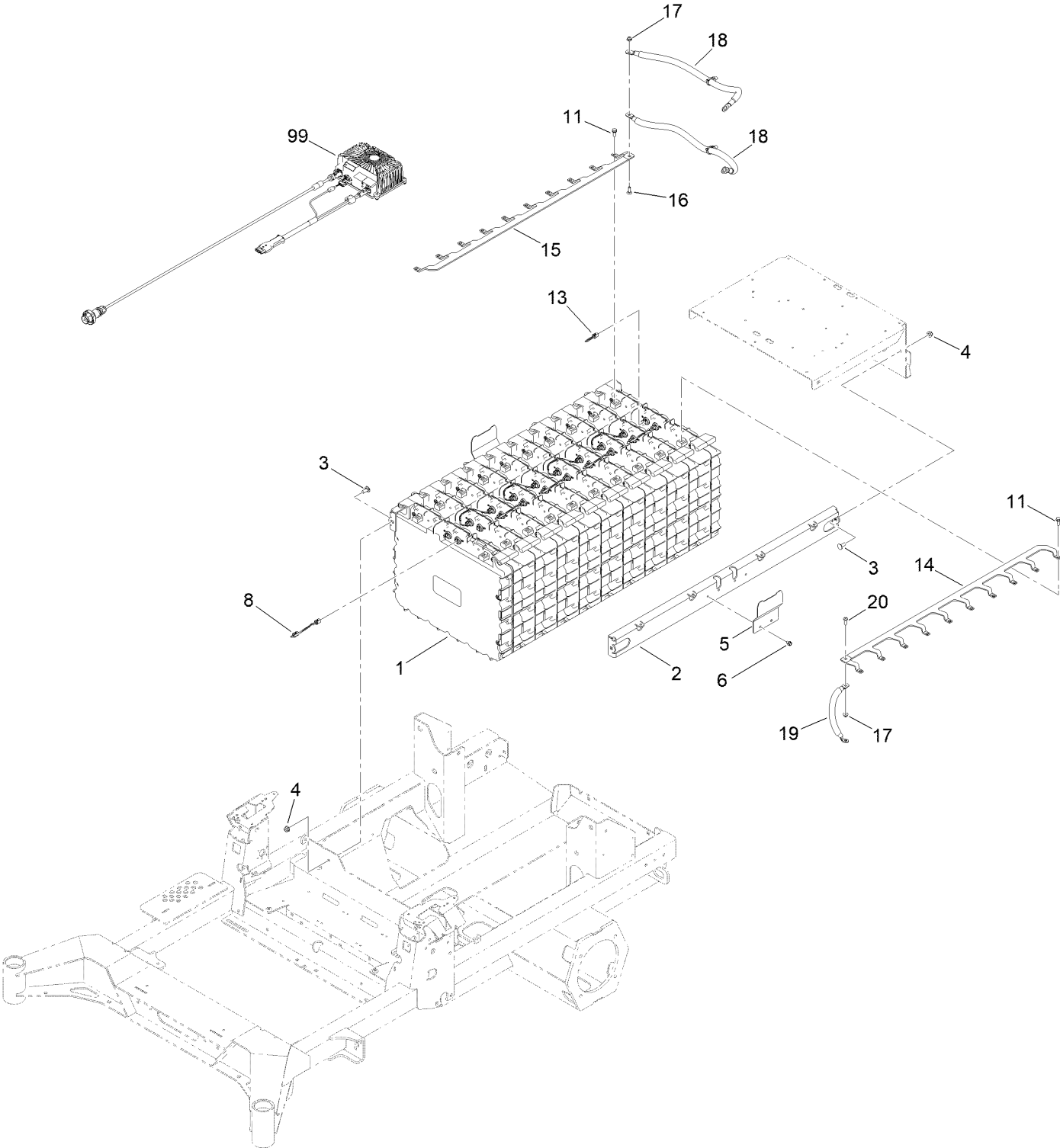
Guards Assembly



Guards Assembly (continued)

<i>Ref.</i>	<i>Part Number</i>	<i>Qty.</i>	<i>Description</i>	<i>Ref.</i>	<i>Part Number</i>	<i>Qty.</i>	<i>Description</i>
1	144-6621-01	1	Guard-Rear	22	140-8019	1	Cupholder-RH
2	135-0505	4	Bumper-Seat	23	145-1287-01	1	Console-LH
3	144-6608	1	Plate-Rear, Upper	24	147-7810-01	1	Console-RH
4	147-4637	1	LH Rear Guard ASM	25	144-2642	2	Rod-Support, Pod
4:2	144-7008	1	Decal-Service, Shut-Off	26	3296-59	4	Nut-Lock, NI
5	147-1608-03	1	Guard-Rear, RH	27	3230-18	6	Screw-CARR
6	144-6624-01	1	Guard-Rear, LH	28	147-1627-03	1	Plate-Cover, Component
7	145-5704-01	1	Guard-Rear, Top	29	145-1253	1	Cover-Rear
8	144-6612-01	1	Guard-Rear, RH	30	112-3306	4	Nut
10	138-9753	26	Screw	32	145-1254	1	Plate-Rear, LH
11	104-8300	14	Nut-HF, NI	33	145-1255	1	Plate-Rear, RH
12	145-1316	1	RH Cover ASM	35	145-1978	1	Decal-Logo, Silver
12:2	161-3501	1	Decal-Control Lever, RH	37	144-6622	1	Bumper-Rear
13	145-1319	1	LH Cover ASM	38	135-2015	5	Screw-Shoulder
13:2	161-3502	1	Decal-Control Lever, LH	39	126-6267	4	Screw-TTH
14	87-6620	4	Screw-Tph Thd Form	40	144-6628	2	Plate-Cover, Spring
15	140-7968	1	Cup Holder	41	923786	4	Rivet
16	140-7996-03	1	Plate-Cover, LH Front	42	3230-22	2	Screw-CARR
17	140-7998-03	1	Plate-Cover, RH Front	43	145-1974	1	Decal-Pod, LH
18	130-8451	12	Rivet-Trifold	44	145-1975	1	Decal-Pod, RH
19	144-2666	1	Side Pod, LH	45	147-7817	1	Decal-Hypercell
20	140-7980	1	Side Pod, RH	46	147-7781-01	1	Plate-Cover, Electrical
21	120-7950	12	Screw-Torx				

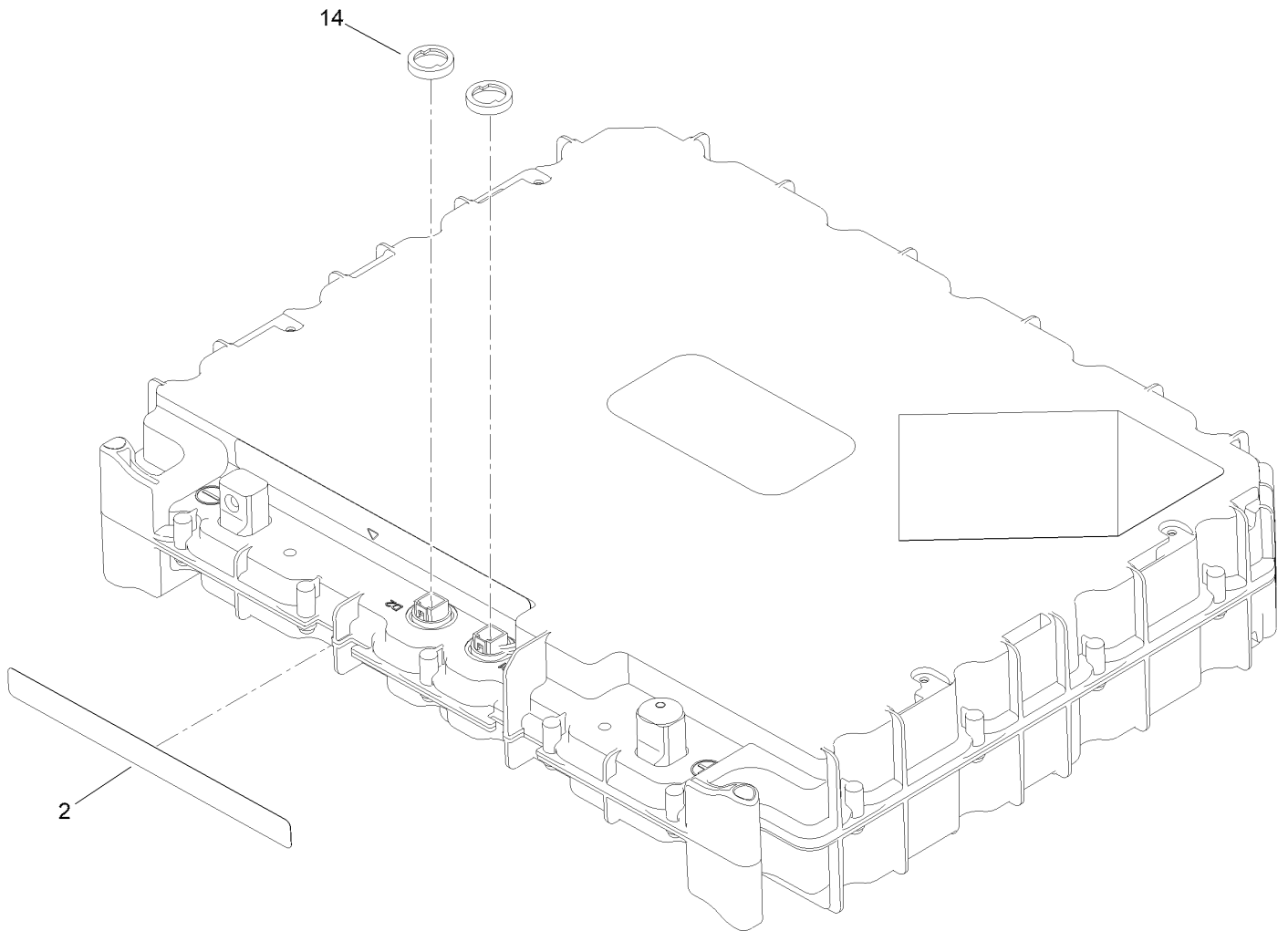
Battery Assembly



Battery Assembly (continued)

<i>Ref.</i>	<i>Part Number</i>	<i>Qty.</i>	<i>Description</i>	<i>Ref.</i>	<i>Part Number</i>	<i>Qty.</i>	<i>Description</i>
1	145-5320	10	Battery ASM	14	147-1666	1	Busbar-10, Bk
2	147-7809-03	2	Plate-Retainer	15	147-1632	1	Busbar-10, Rd
3	3230-23	4	Bolt-CARR	16	1-807512	1	Bolt-CARR
4	104-8300	4	Nut-HF, NI	17	104-7201	2	Nut-HF, NI
5	147-7773-03	2	Plate-Cover	18	147-4560	2	Cable-Battery, Rd ASM
6	99-8445	4	Screw-HWH	19	147-4570	1	Cable-Battery, Bk ASM
8	140-9565	9	Harness-Wire, Data Interface	20	138-0689	1	Screw-PH
11	145-5783	20	Screw-Sems	99	147-7901	1	Charger-3300W
13	122-2323	1	Harness-Wire, Can Terminator				

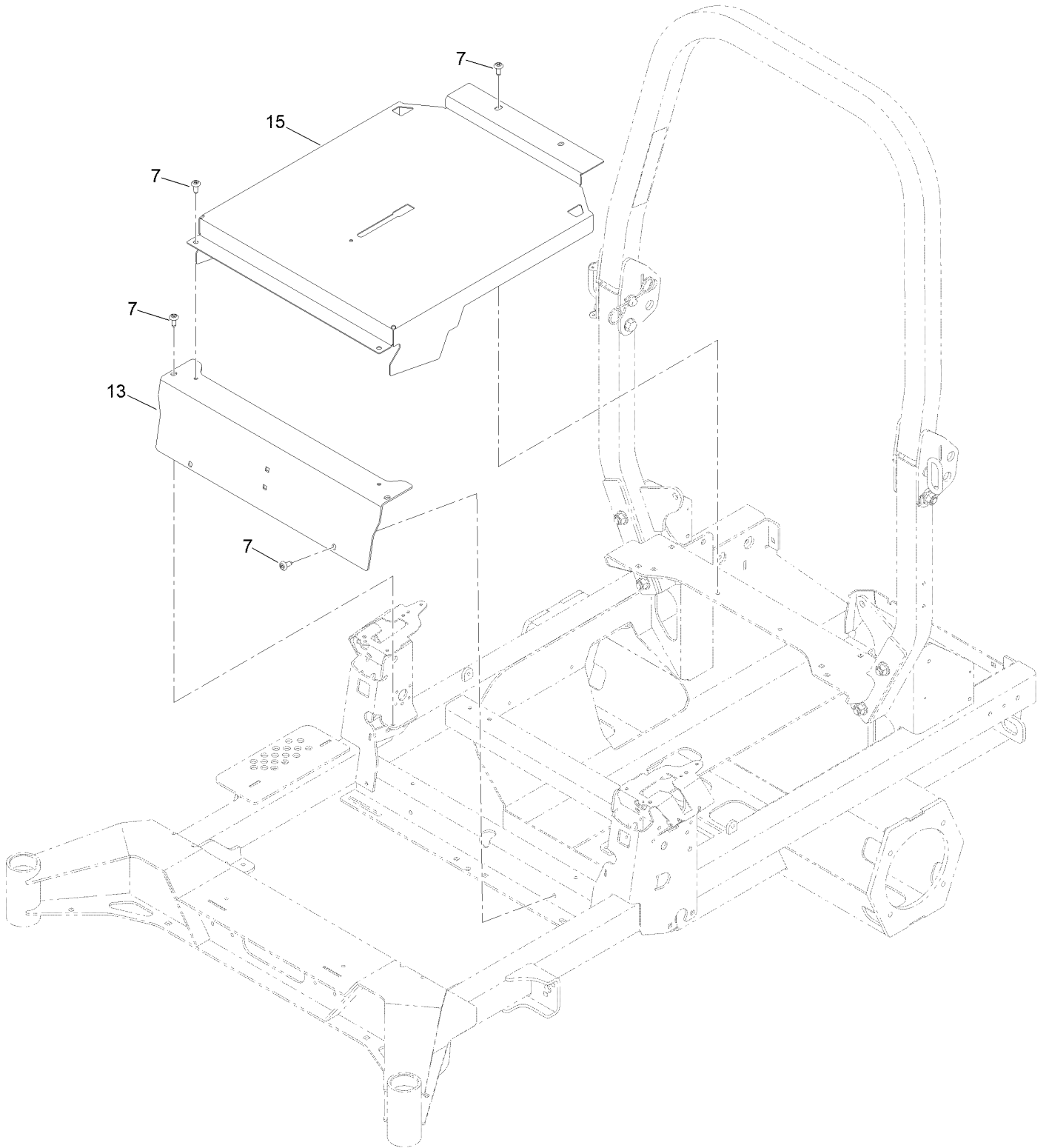
Battery Assembly No. 145-5320



Battery Assembly No. 145-5320 (continued)

<i>Ref.</i>	<i>Part Number</i>	<i>Qty.</i>	<i>Description</i>
2	145-5338	1	Decal-Warning, Battery
14	32180-466	2	Nut-Mounting, Jwpf Panel Lock

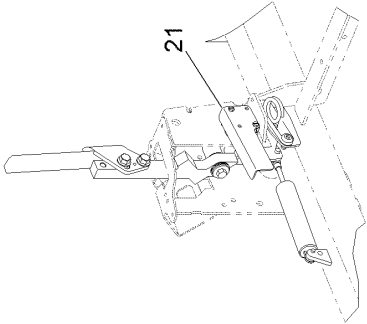
Seat Mount Assembly



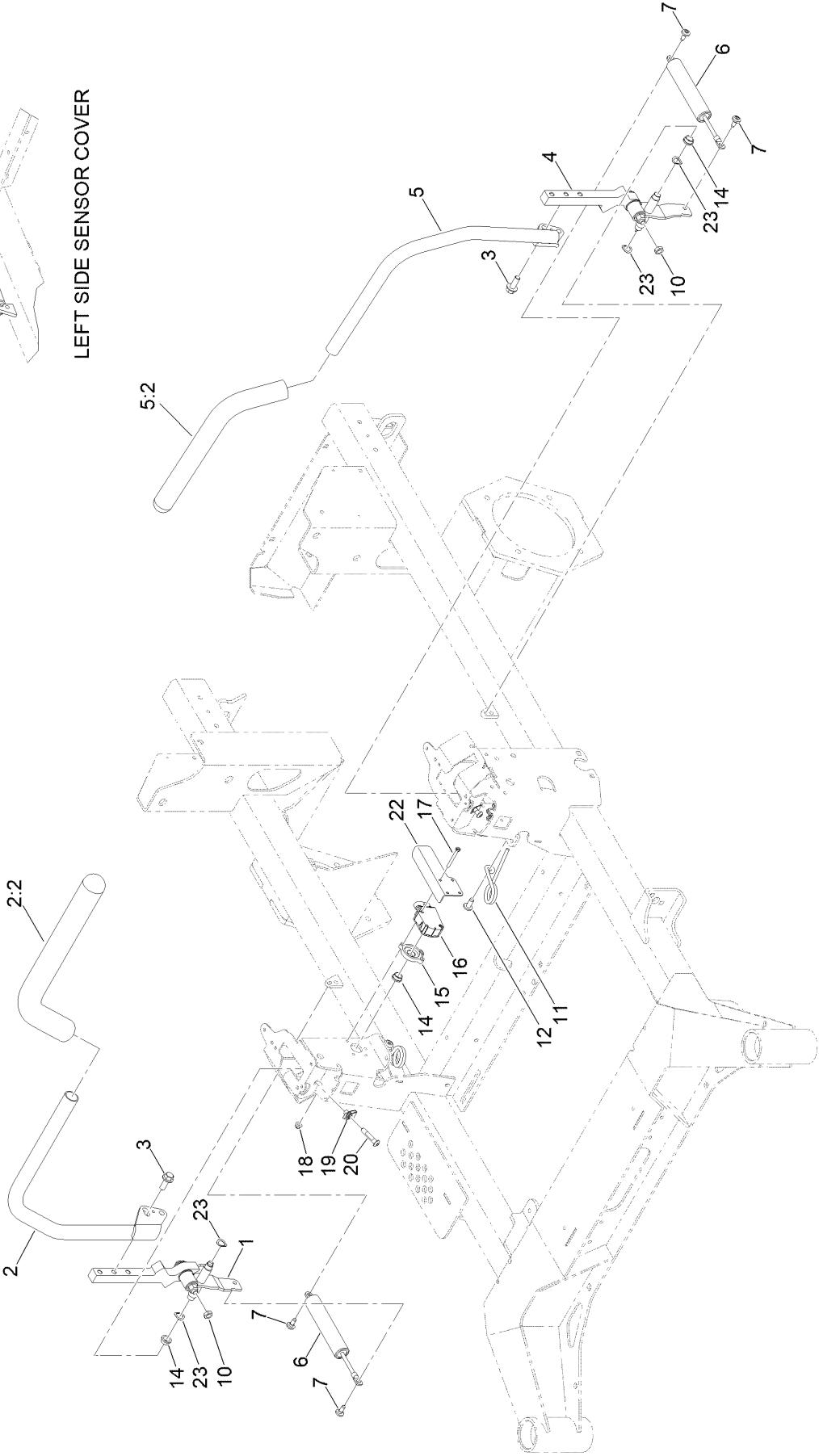
Seat Mount Assembly (continued)

<i>Ref.</i>	<i>Part Number</i>	<i>Qty.</i>	<i>Description</i>
7	138-9753	8	Screw
13	147-7811-03	1	Plate-Shock, Front
15	147-7782-03	1	Plate-Cover, Batteries

Motion Control and Parking Brake Assembly



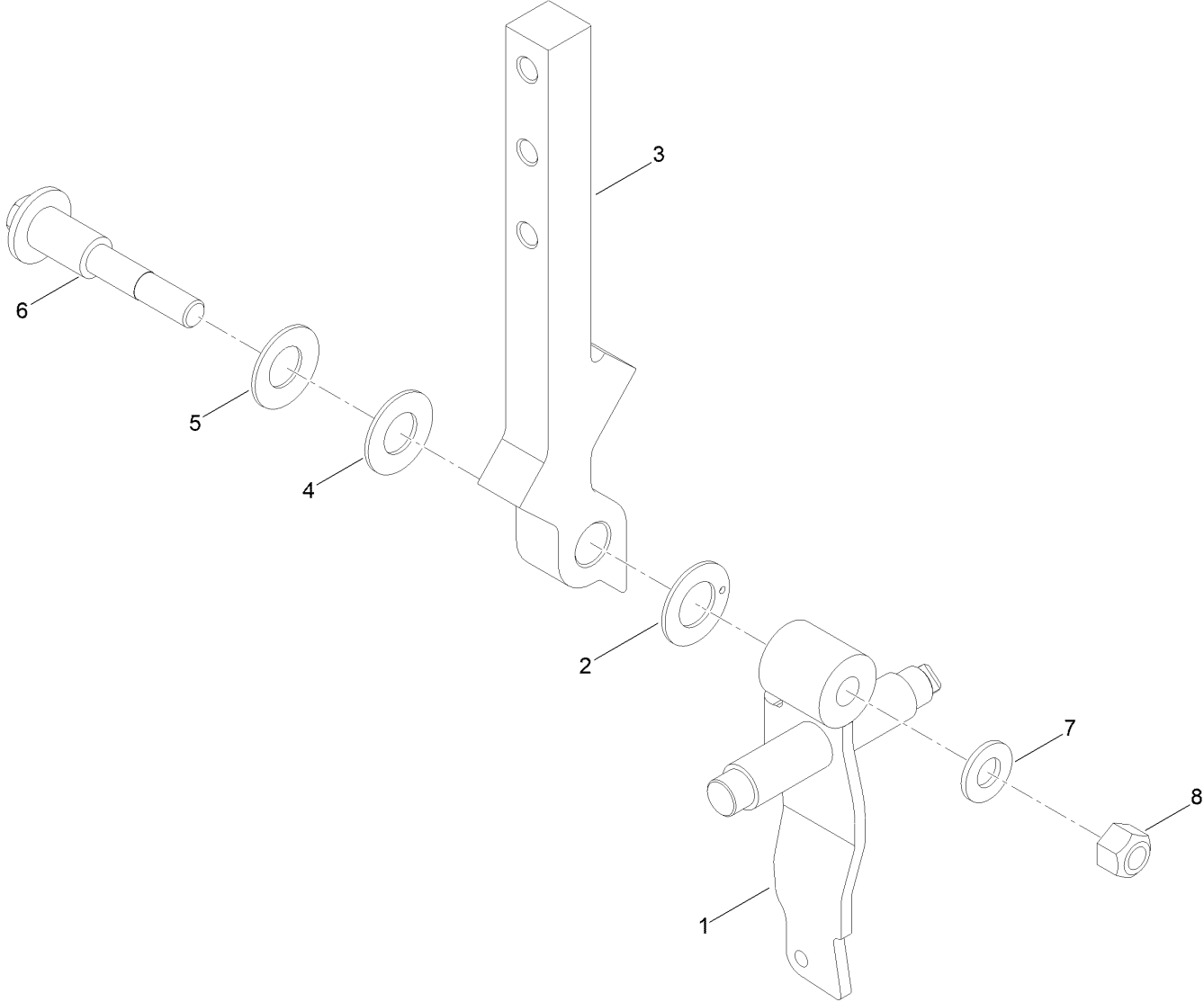
LEFT SIDE SENSOR COVER



Motion Control and Parking Brake Assembly (continued)

<i>Ref.</i>	<i>Part Number</i>	<i>Qty.</i>	<i>Description</i>	<i>Ref.</i>	<i>Part Number</i>	<i>Qty.</i>	<i>Description</i>
1	146-3655	1	RH Motion Control ASM	12	138-9753	2	Screw
2	147-2390	1	RH Handle ASM	14	256-156	4	Bushing-Flange
2:2	109-5668	1	Grip-Lever, Control	15	140-5028	2	Spacer-Sensor
3	110-5052	4	Screw-HHF	16	122-0917	2	Sensor-Position
4	146-3656	1	LH Motion Control ASM	17	3290-424	4	Screw-SHH
5	147-2391	1	LH Handle ASM	18	135-6342	4	Nut-Hex Flange
5:2	109-5668	1	Grip-Lever, Control	19	112-3306	2	Nut
6	132-6853	2	Damper-Non Cavitating	20	126-4299	2	Screw-HSBH
7	120-7950	4	Screw-Torx	21	147-7778-03	1	Plate-Cover, Sensor LH
10	3218-3	2	Nut-Jam	22	147-7779-03	1	Plate-Cover, Sensor RH
11	138-7539	2	Spring-Torsion	23	138-1642	4	Washer-Spring

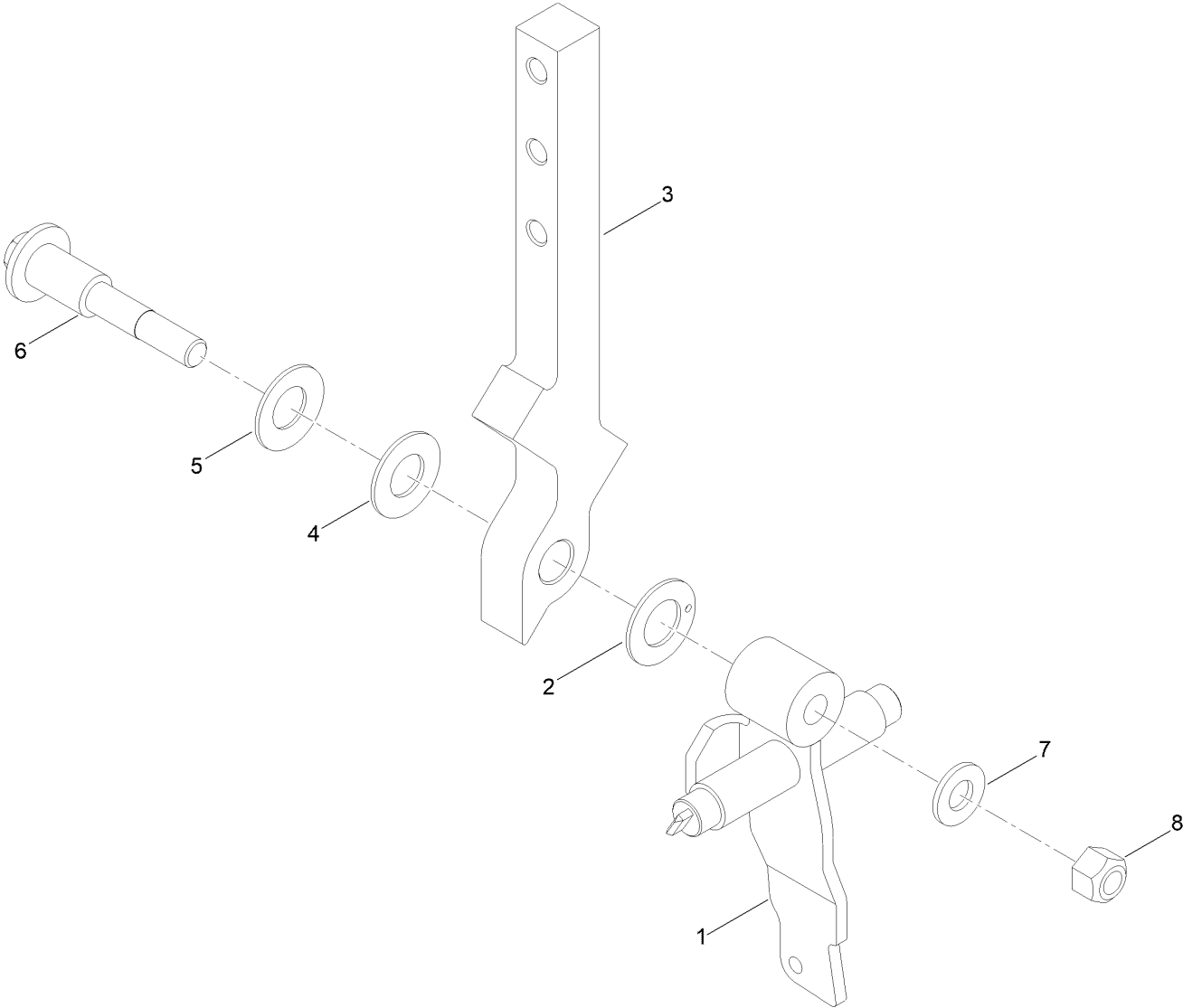
Right Motion Control Assembly No. 146-3655



Right Motion Control Assembly No. 146-3655 (continued)

<i>Ref.</i>	<i>Part Number</i>	<i>Qty.</i>	<i>Description</i>	<i>Ref.</i>	<i>Part Number</i>	<i>Qty.</i>	<i>Description</i>
1	146-3657	1	Arm-Control, RH	5	119-8925	1	Washer-Belleville
2	126-7296	1	Washer-Friction	6	117-1198	1	Bolt-Pivot
3	147-2389	1	Arm-Control	7	3256-24	1	Washer
4	117-1240	1	Washer	8	32152-2	1	Nut-Hex

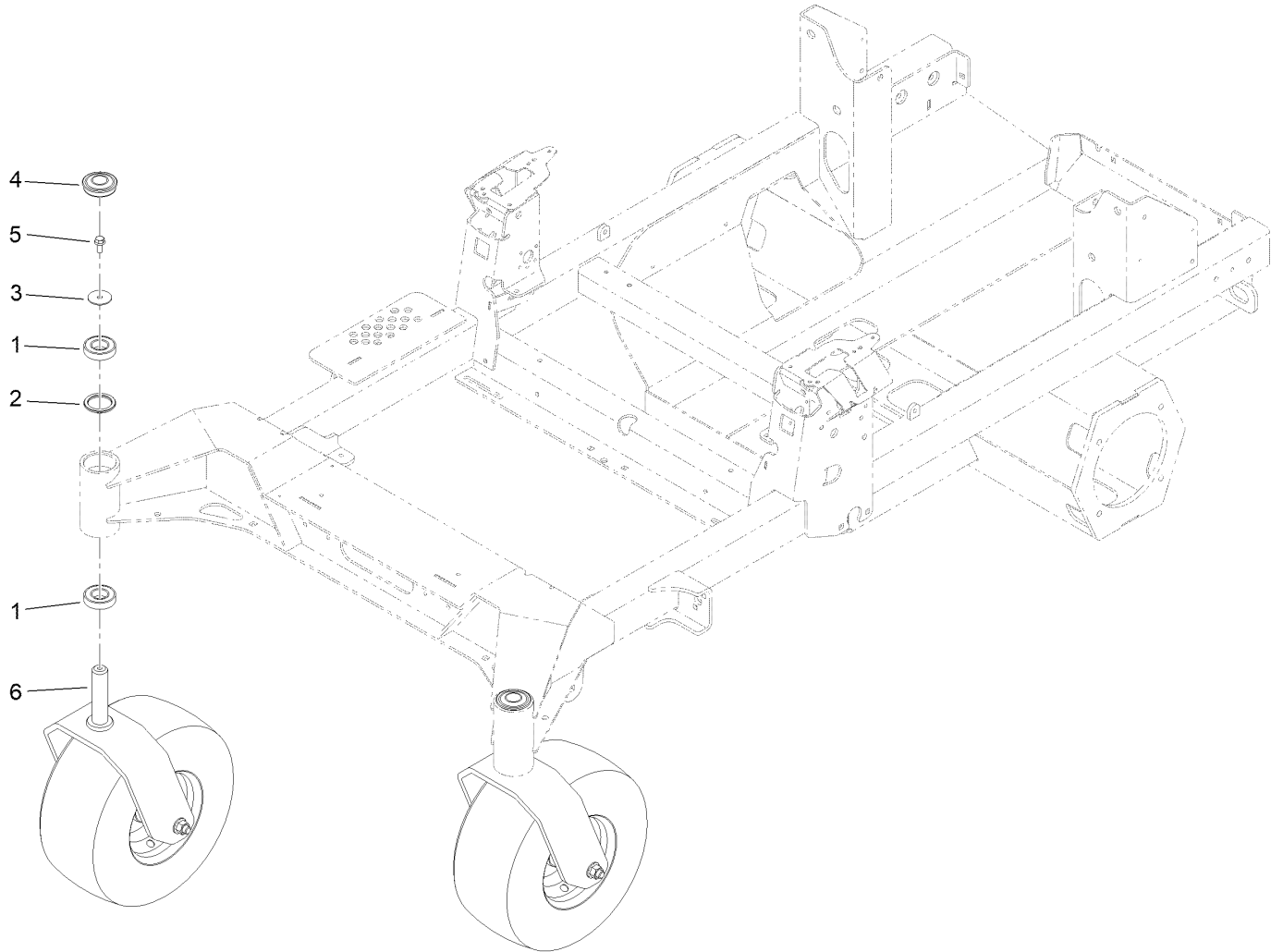
Left Motion Control Assembly No. 146-3656



Left Motion Control Assembly No. 146-3656 (continued)

<i>Ref.</i>	<i>Part Number</i>	<i>Qty.</i>	<i>Description</i>	<i>Ref.</i>	<i>Part Number</i>	<i>Qty.</i>	<i>Description</i>
1	146-3658	1	Arm-Control, LH	5	119-8925	1	Washer-Belleville
2	126-7296	1	Washer-Friction	6	117-1198	1	Bolt-Pivot
3	147-2389	1	Arm-Control	7	3256-24	1	Washer
4	117-1240	1	Washer	8	32152-2	1	Nut-Hex

Front Caster Wheel Assembly

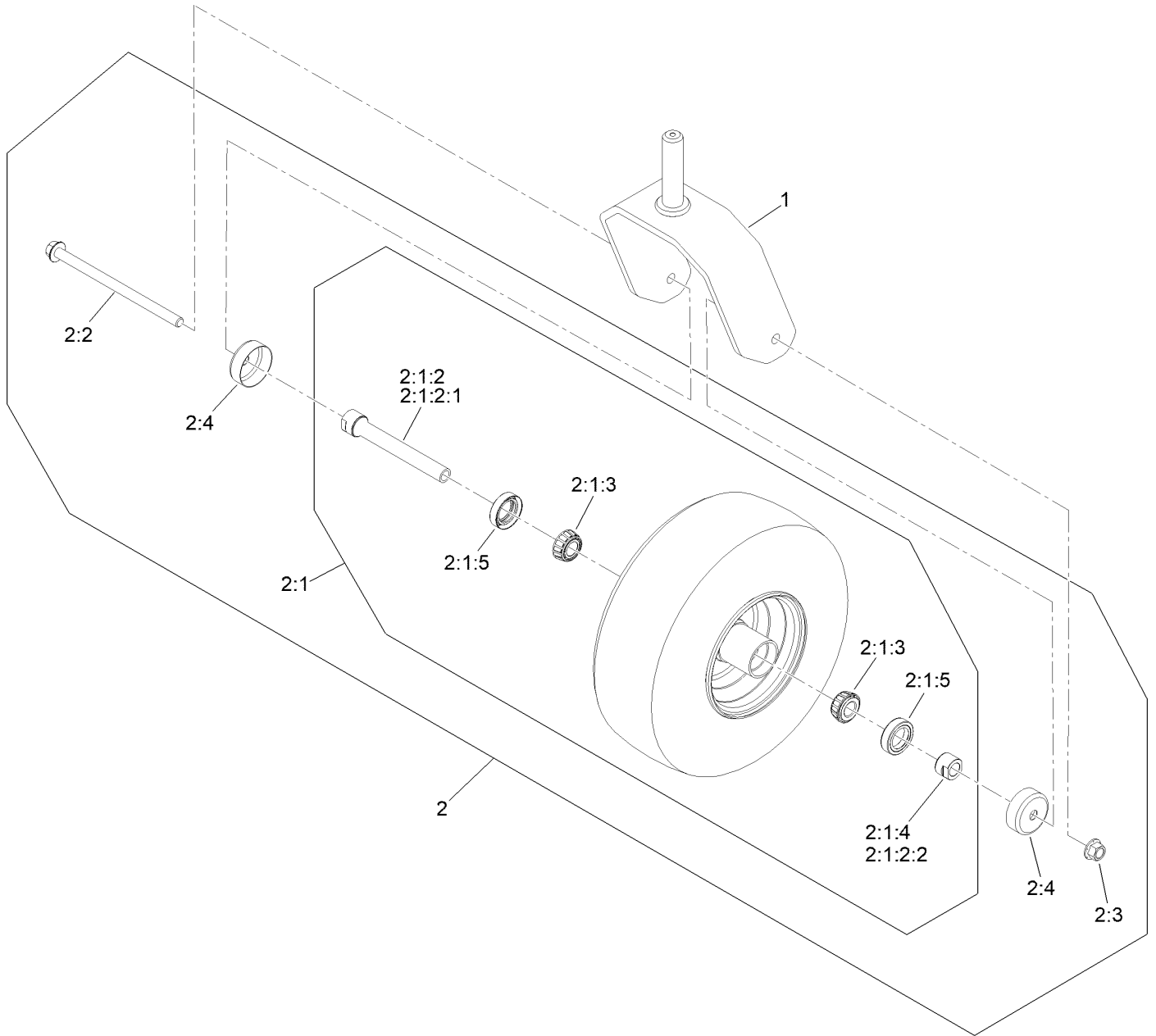


Front Caster Wheel Assembly (continued)

<i>Ref.</i>	<i>Part Number</i>	<i>Qty.</i>	<i>Description</i>	<i>Ref.</i>	<i>Part Number</i>	<i>Qty.</i>	<i>Description</i>
1	109-3678	4	Bearing-Ball	4	144-0375	2	Cap, Grease
2	145-3660	2	Spacer-Bearing	5	100-1668	2	Screw-HHF
3	3256-68	2	Washer-Flat	6		2	Front Caster W/ Fork ASM ●

● Not serviced separately

Caster and Wheel Assembly

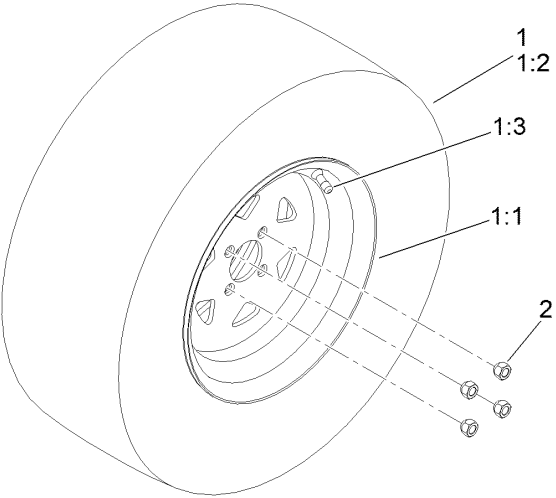
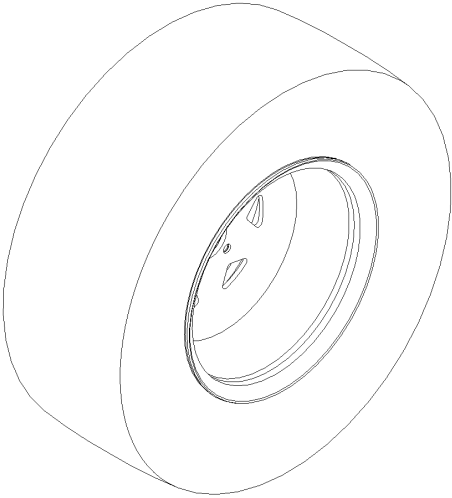


Caster and Wheel Assembly (continued)

<i>Ref.</i>	<i>Part Number</i>	<i>Qty.</i>	<i>Description</i>	<i>Ref.</i>	<i>Part Number</i>	<i>Qty.</i>	<i>Description</i>
1	142-7827-01	1	Fork-Caster	2:1:3	1-633585	2	Bearing-Cone, Taper
2	140-4896	1	Semi Pneumatic ASM 13X6.50-6	2:1:4	103-3051	1	Spacer-Nut
2:1		1	Wheel And Bearings ASM ●	2:1:5	103-0063	2	Seal-Caster
2:1:2	126-7796	1	Caster Axle ASM	2:2	126-5389	1	Screw-HHF
2:1:2:1	126-5220	1	Axle-Caster	2:3	99-5107	1	Nut-Lock
2:1:2:2	103-3051	1	Spacer-Nut	2:4	103-2768	2	Guard-Seal

● Not serviced separately

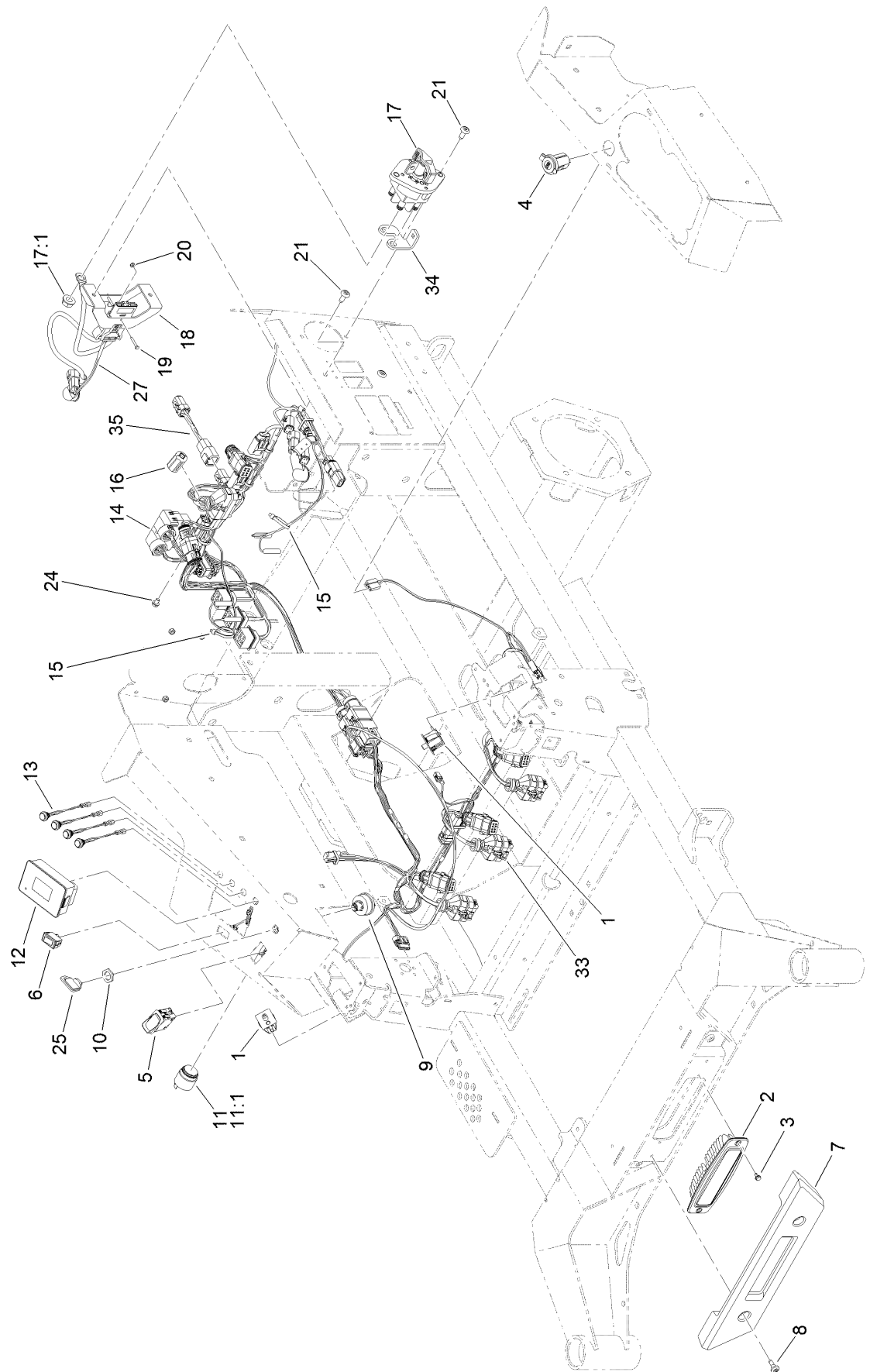
Rear Wheel Assembly



Rear Wheel Assembly (continued)

<i>Ref.</i>	<i>Part Number</i>	<i>Qty.</i>	<i>Description</i>	<i>Ref.</i>	<i>Part Number</i>	<i>Qty.</i>	<i>Description</i>
1	144-6634	2	Wheel And Tire ASM	1:3	232-27	1	Stem-Valve
1:1	145-1260	1	Wheel	2	242-35	8	Nut-Wheel
1:2	140-7973	1	Tire				

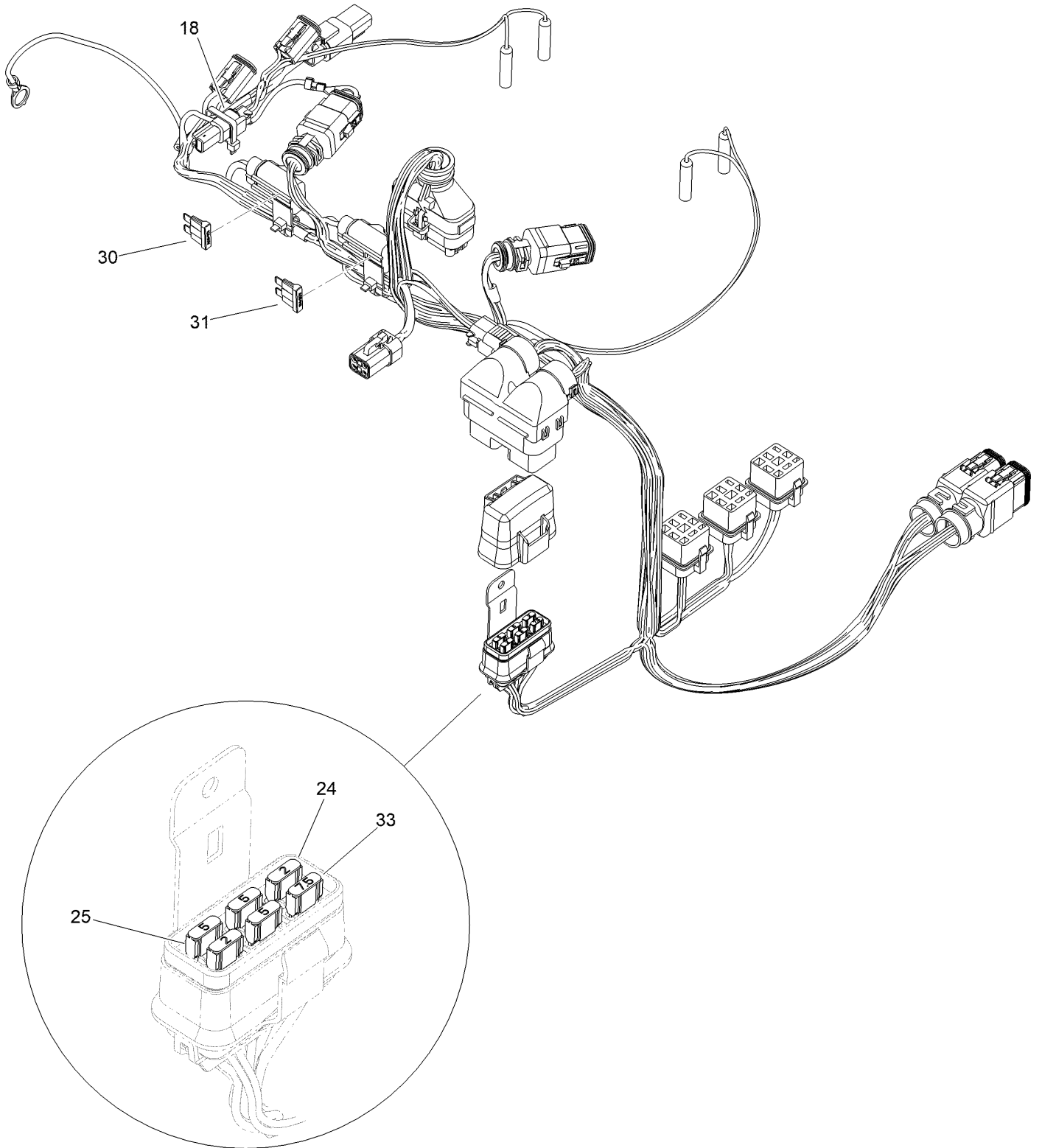
Electrical and Wire Harness Assembly



Electrical and Wire Harness Assembly (continued)

<i>Ref.</i>	<i>Part Number</i>	<i>Qty.</i>	<i>Description</i>	<i>Ref.</i>	<i>Part Number</i>	<i>Qty.</i>	<i>Description</i>
1	145-3520	2	Switch-Plunger, On-(On)	14	144-2673	1	Harness-Wire, Main
2	139-8089	1	Mount-Flush, Light	15	3290-378	2	Tie-Cable
3	104-2065	2	Screw-HWH	16	139-7720	1	Ferrite, Snap-On
4	140-7955	1	Port-Power, USB	17	122-0603	1	Switch-Disconnect
5	139-6368	1	Switch-Rocker, On-None-On	17:1	33006-00	1	Nut-HF
6	92-8875	1	Switch-Rocker	18	145-3597-03	1	Bracket-Charger, Dual
7	147-7853	1	Bumper-Front	19	32105-9	1	Screw-HH
8	135-2015	2	Screw-Shoulder	20	3296-9	1	Nut-Hex
9	139-7716	1	Switch-Key, Spst	21	138-9753	4	Screw
10	101884	1	Nut	24	99-8445	1	Screw-HWH
11	80-9330	1	Audio Alarm ASM	25	63-8360	1	Key-Ignition
11:1	104-5107	1	Nut-Plastic, Knurled	27	145-4800	1	Harness-Wire, Charger Port
12	122-1201	1	Module-Display	33	145-4807	1	Harness-Wire, Deck
13	136-9678	4	Switch-Pushbutton	34	147-0370	1	Busbar-2, Switch
				35	161-3544	1	Harness-Wire, Jumper

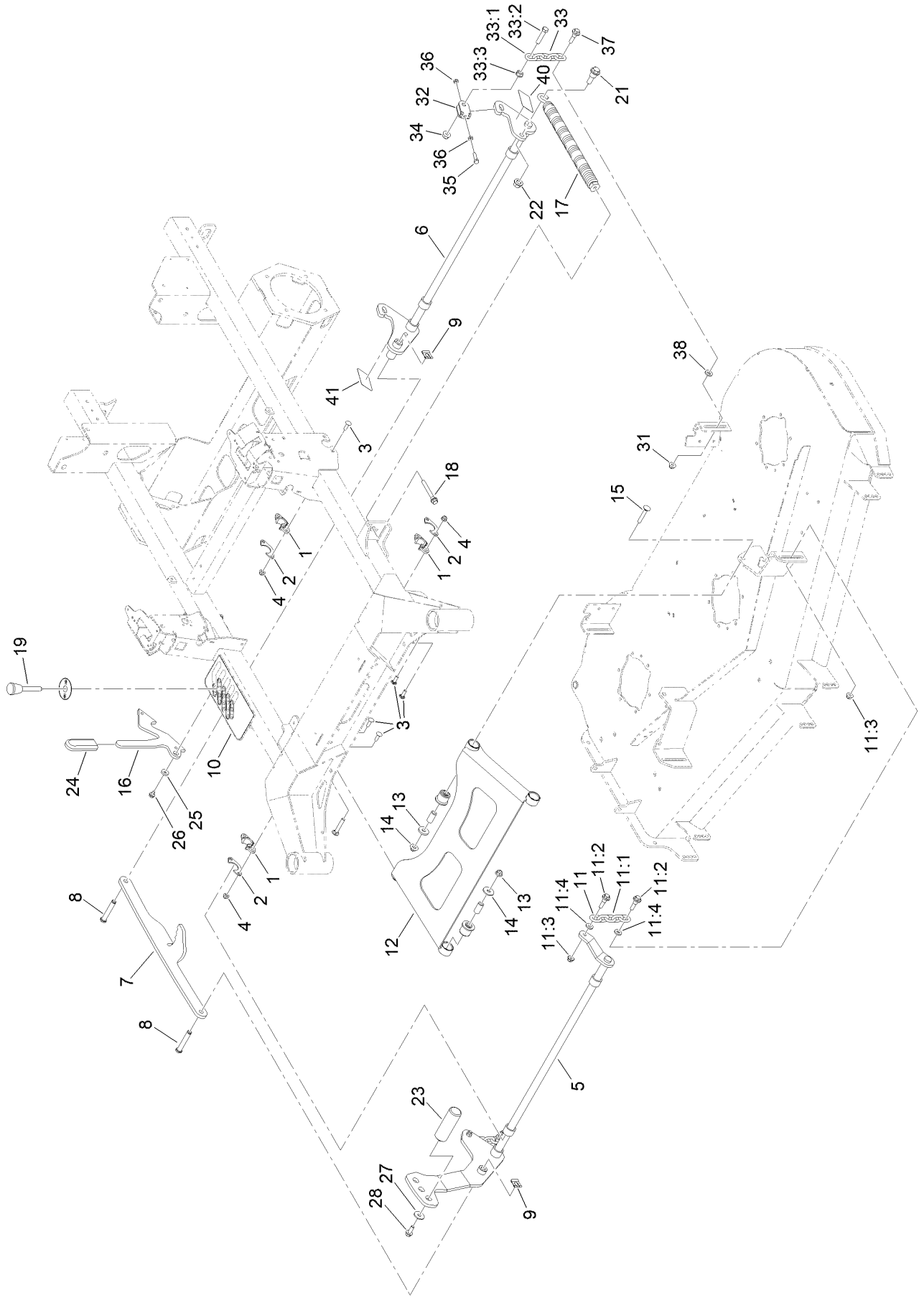
Main Wire Harness Assembly No. 144-2673



Main Wire Harness Assembly No. 144-2673 (continued)

<i>Ref.</i>	<i>Part Number</i>	<i>Qty.</i>	<i>Description</i>	<i>Ref.</i>	<i>Part Number</i>	<i>Qty.</i>	<i>Description</i>
18	32180-282	1	Resistor-120 Ohm	30	117-4724	1	Fuse-Blade, 10A
24	121-8861	2	Fuse-Mini Blade, 2 Amp	31	117-4725	1	Fuse-Blade, 15A
25	121-8864	3	Fuse-Mini Blade, 5 Amp	33	121-8865	1	Fuse-Mini Blade, 7.5 Amp

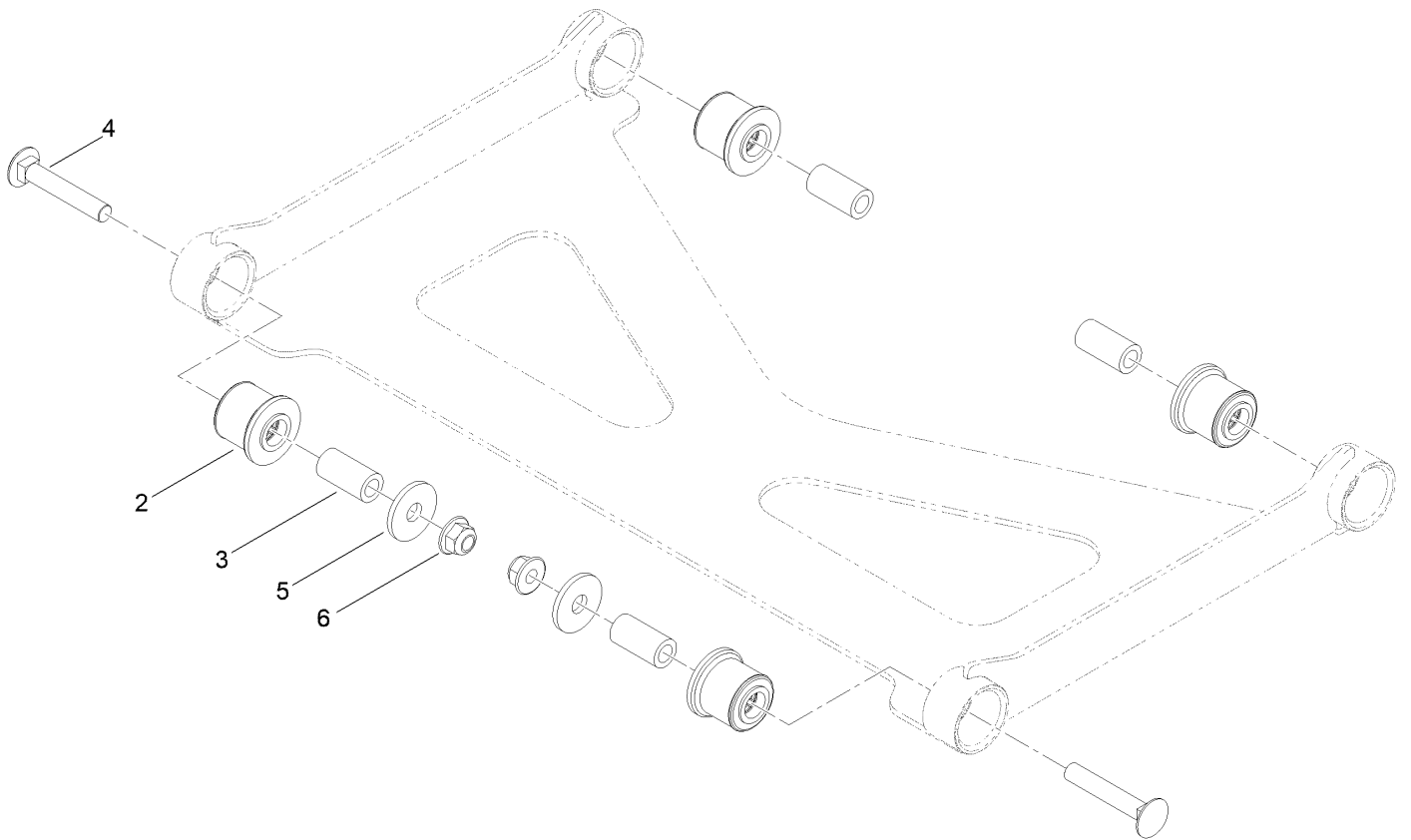
Deck Lift Assembly



Deck Lift Assembly (continued)

<i>Ref.</i>	<i>Part Number</i>	<i>Qty.</i>	<i>Description</i>	<i>Ref.</i>	<i>Part Number</i>	<i>Qty.</i>	<i>Description</i>
1	139-5872	4	Bearing-Flange	19	126-5401	1	Pin-HOC
2	116-2887	4	Gusset-Lift, Deck	21	116-0780	1	Screw-Shoulder, HHF
3	3230-22	8	Screw-CARR	22	99-5107	1	Nut-Lock
4	104-8300	8	Nut-HF, NI	23	147-7949	1	Pedal-Foot Lift
5	147-7389-03	1	Shaft-Lift, Deck	24	132-4749	1	Grip-Lever
6	145-1951-03	1	Adj Deck Lift Shaft ASM	25	104-7658	1	Spacer
7	126-4639-03	1	Link-HOC	26	9266934	1	Screw
8	126-9181	2	Pin-Clevis	27	2844	1	Washer
9	138-8491	2	Clip-Pin	28	3234-42	1	Screw-HHF
10	140-4927	1	Decal-HOC, MM	31	104-8301	2	Nut-HF, NI
11	126-8877	2	Deck Chain ASM	32	109-9066	2	Yoke-Adjust, Deck
11:1	1-633447	1	Chain-Lift, Deck	33	116-0756	2	Deck Lift Chain ASM
11:2	130-0742	2	Bolt-Shoulder	33:1	1-633447	1	Chain-Lift, Deck
11:3	104-8301	2	Nut-HF, NI	33:2	109-9065	1	Screw-HH
11:4	43-0940	2	Spacer	33:3	32128-37	1	Nut-HF
12	140-1179	1	Deck Strut W/ Bushings ASM	34	114-8417	2	Nut-HF, NI
13	1-373034	2	Washer	35	322-47	2	Screw-HH
14	109-6658	2	Nut-Flange, NI	36	3218-2	4	Nut-Hex Jam
15	3231-7	2	Screw-CARR	37	130-0742	2	Bolt-Shoulder
16	145-8475-03	1	Plate-Transport Lock	38	43-0940	2	Spacer
17	116-0886	1	Spring-Extension	40	145-1972	1	Decal-Rake, LH
18	92-7674	1	Bolt-Shoulder	41	145-1973	1	Decal-Rake, RH

Deck Strut Assembly No. 140-1179

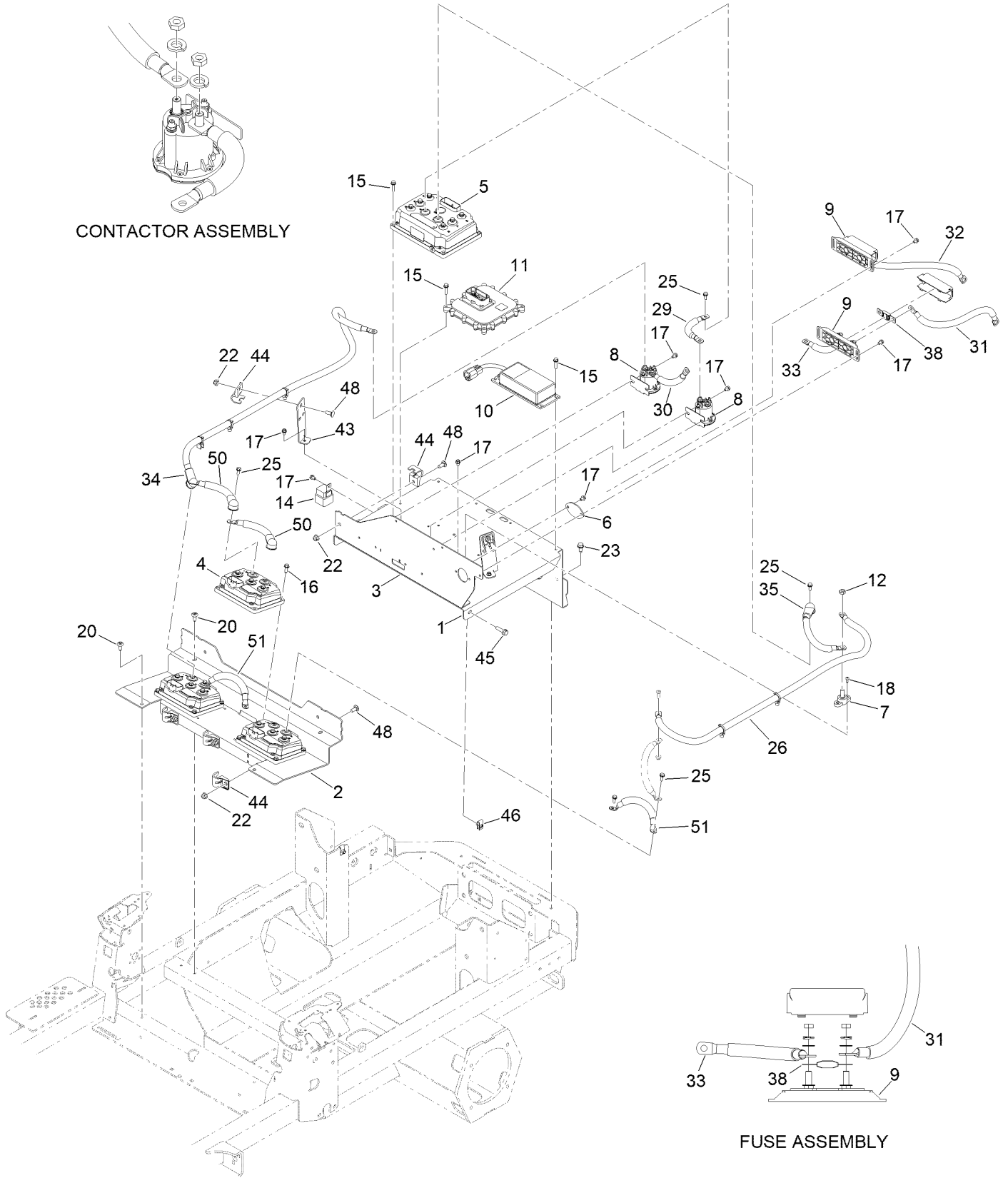


Deck Strut Assembly No. 140-1179 (continued)

<i>Ref.</i>	<i>Part Number</i>	<i>Qty.</i>	<i>Description</i>	<i>Ref.</i>	<i>Part Number</i>	<i>Qty.</i>	<i>Description</i>
2	126-8360	4	Bushing-Rubber, Suspension	4	3231-7	2	Screw-CARR
3	108-6544	4	Spacer	5	2844	2	Washer
				6	104-8301	2	Nut-HF, NI

Electrical Components Assembly

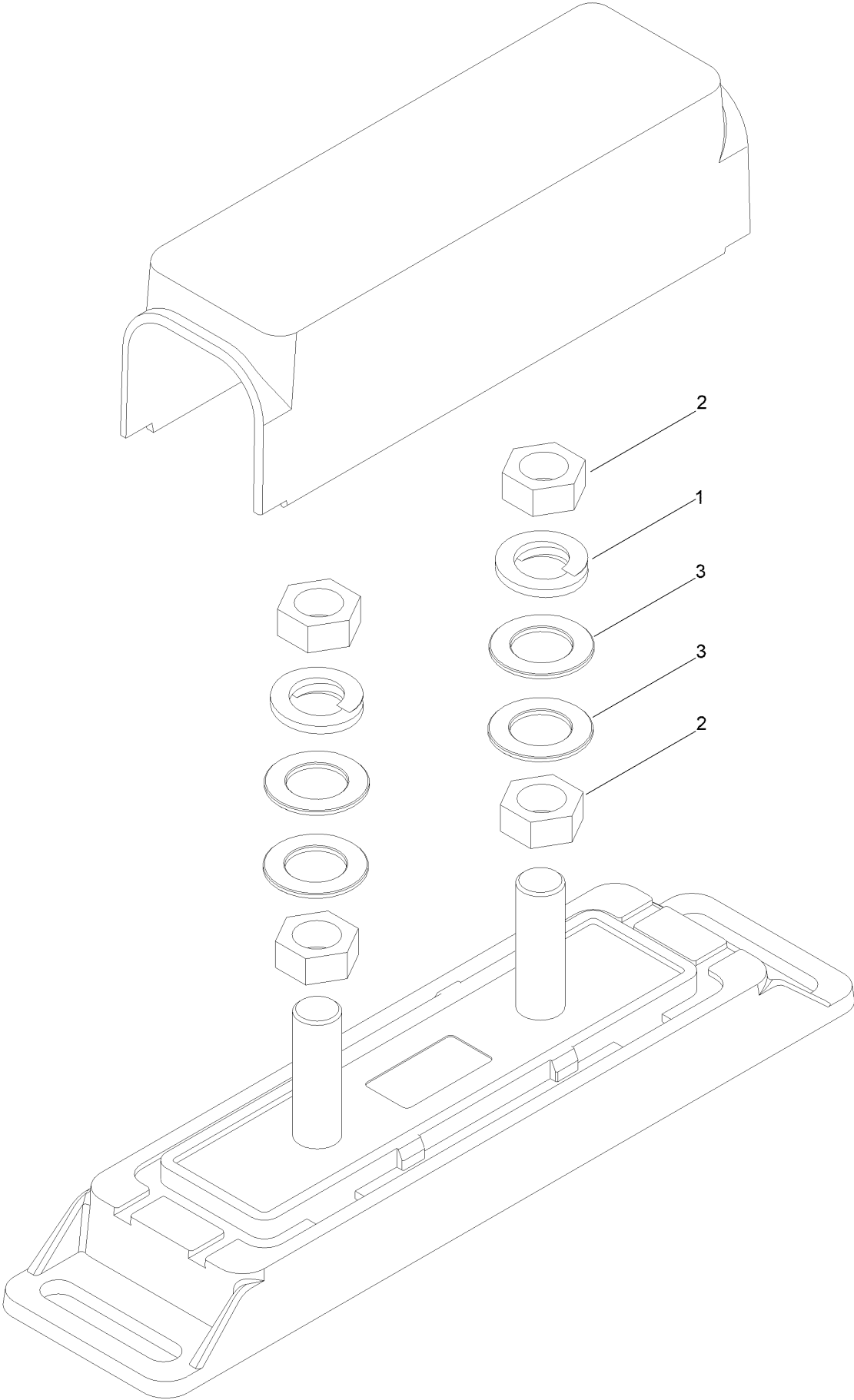
CONTACTOR ASSEMBLY



Electrical Components Assembly (continued)

<i>Ref.</i>	<i>Part Number</i>	<i>Qty.</i>	<i>Description</i>	<i>Ref.</i>	<i>Part Number</i>	<i>Qty.</i>	<i>Description</i>
1	147-1606-03	1	Bracket-Chassis	23	32144-70	2	Screw-HWHTF
2	147-1611-03	1	Plate-Controller, Deck	25	145-5782	23	Screw-Sems
3	161-3577-03	1	Plate-Mount, Fuse	26	147-4567	1	Cable-Battery, Bk ASM
4	145-7270	3	Inv/Ctrlr-48V	29	147-4564	1	Cable-Battery, Rd ASM
5	138-8984	1	Inv/Ctrlr-48V,Dual 94Arms	30	147-4563	1	Cable-Battery, Rd ASM
6	161-3548-03	1	Plate-Cover	31	147-4561	1	Cable-Battery, Rd ASM
7	110-8823	1	Block-Junction	32	147-4562	1	Cable-Battery, Rd ASM
8	145-3542	2	Contactora-DC, 12V	33	147-4563	1	Cable-Battery, Rd ASM
9	161-6249	2	Holder-Fuse	34	147-4565	1	Cable-Battery, Rd ASM
10	144-6975	1	Converter DC-DC	35	147-4568	1	Cable-Battery, Bk ASM
11	127-2770	1	Controller	38	122-2561	2	Fuse-200A
12	3217-7	1	Nut-Hex	43	147-1610-03	2	Bracket-Cable
14	70-1480	3	Relay	44	145-6985	6	Mount-Cable
15	32144-86	12	Screw-HWHTF	45	3234-29	2	Screw-HHF
16	32144-44	12	Screw-HWH, Thread Roll	46	115-7721	2	Nut-Clip, U
17	99-8445	17	Screw-HWH	48	3230-23	6	Bolt-CARR
18	105-6849	2	Screw-Forming, Thread	50	147-0238	2	Cable-Battery, Rd ASM
20	138-9753	4	Screw	51	147-0239	2	Cable-Battery, Bk ASM
22	104-8300	6	Nut-HF, NI				

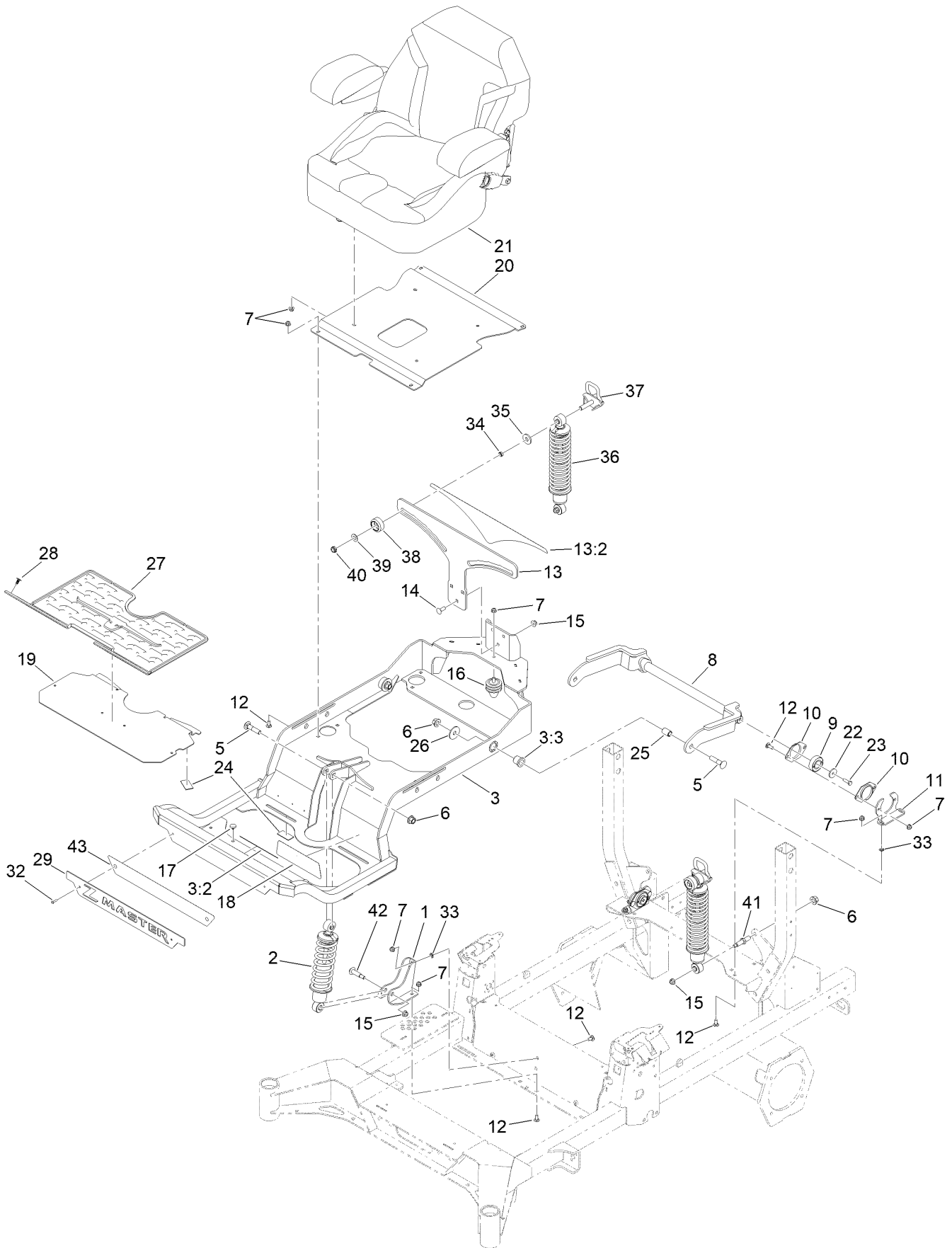
Fuse Holder Assembly No. 161-6249



Fuse Holder Assembly No. 161-6249 (continued)

<i>Ref.</i>	<i>Part Number</i>	<i>Qty.</i>	<i>Description</i>
1	136-8682	4	Washer-Lock
2	3256-74	8	Washer-Flat
3	117-4059	4	Nut-Hex

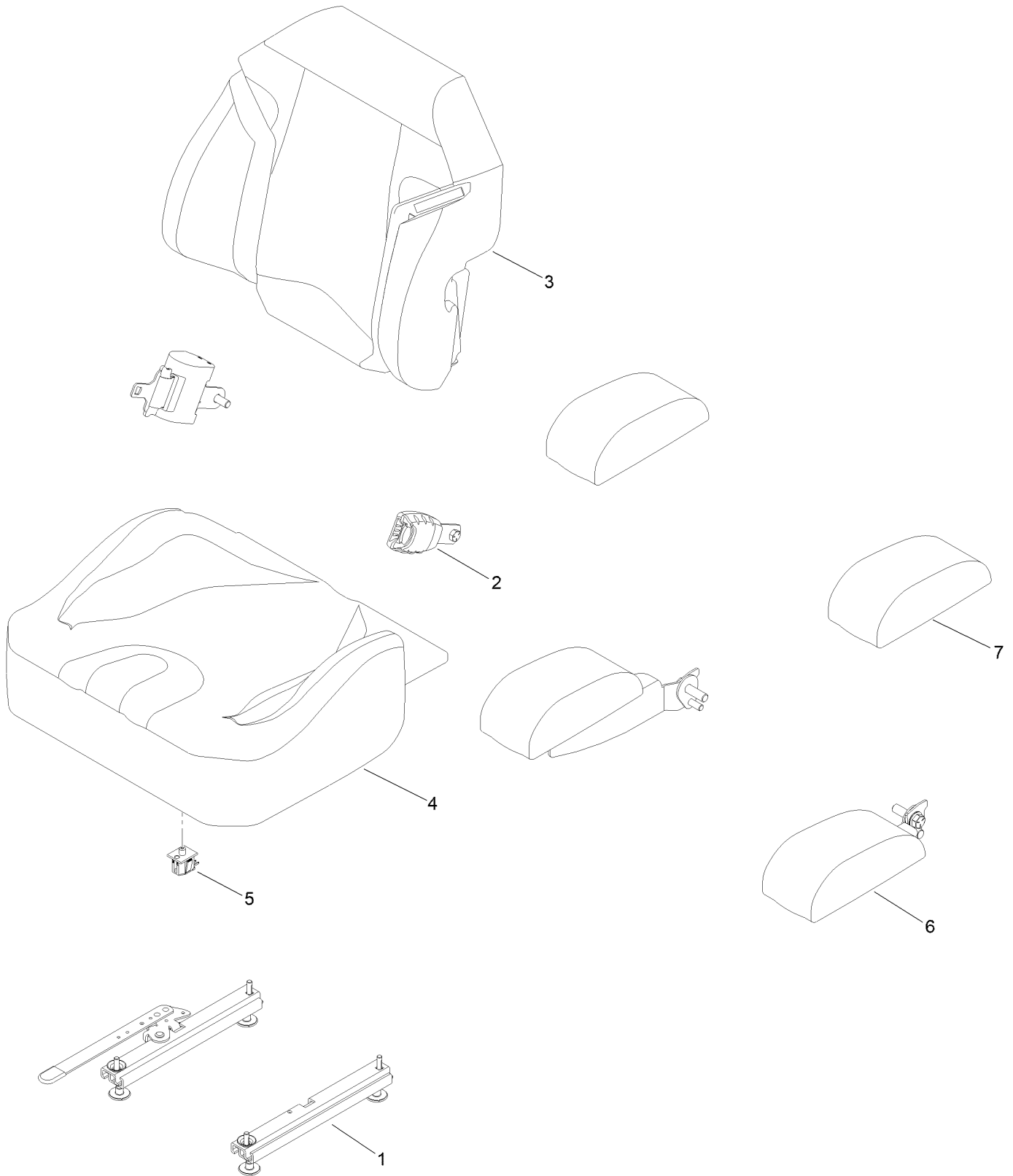
Seat Suspension Assembly



Seat Suspension Assembly (continued)

<i>Ref.</i>	<i>Part Number</i>	<i>Qty.</i>	<i>Description</i>	<i>Ref.</i>	<i>Part Number</i>	<i>Qty.</i>	<i>Description</i>
1	145-1925-03	1	Bracket-Shock, Front Lower	21	145-8421	1	Standard Seat ASM
2	136-9193	1	HD Shock/Spring ASM	22	105-3048	2	Washer-Flat
3	145-3667	1	Subframe ASM W/Decal	23	116-0648	2	Screw-HH, Thd Lock
3:2	145-3665	1	Decal-Danger	24	130-0733	4	Pad-Rubber
3:3	127-6745	2	Bushing-Flange	25	127-6751	2	Spacer-Aluminum
5	127-6768	3	Screw-CARR	26	86-1990	2	Washer
6	99-5107	5	Nut-Lock	27	144-0355	1	Floormat-Myride
7	104-8300	21	Nut-HF, NI	28	117-2382	2	Plug-Plastic
8	127-6754-03	1	Arm-Trailing	29	147-4956-03	1	Plate-Badge
9	1-653346	2	Bearing	32	130-8451	2	Rivet-Trifold
10	127-6743	4	Housing-Bearing, Flange	33	117-2749	6	Nut-Push
11	127-6759-03	2	Bracket-Bearing	34	133-5109	2	Bearing-Sleeve
12	3230-10	16	Bolt-CARR	35	131-4699	2	Washer-Plastic
13	144-2602	1	Bracket-Mounting	36	133-1815	2	Shock/Spring ASM
13:2	132-5067	1	Decal-Adjustment, Ride	37	136-9017	2	Cam Lock ASM
14	3231-22	3	Screw-CARR	38	136-5636	2	Knob-Lock, Cam
15	104-8301	6	Nut-HF, NI	39	3-6803	2	Washer-Adjusting
16	126-5491	1	Isolator	40	3296-45	2	Nut-Hex
17	1-513658	2	Bumper	41	133-4401	2	Bolt-Shoulder
18	144-0437	1	Decal-Myride	42	136-9028	1	Bolt-Shoulder, HWH
19	144-0381-01	1	Floorpan	43	147-4992	1	Decal-Backer Plate
20	140-1197-03	1	Pan-Seat				

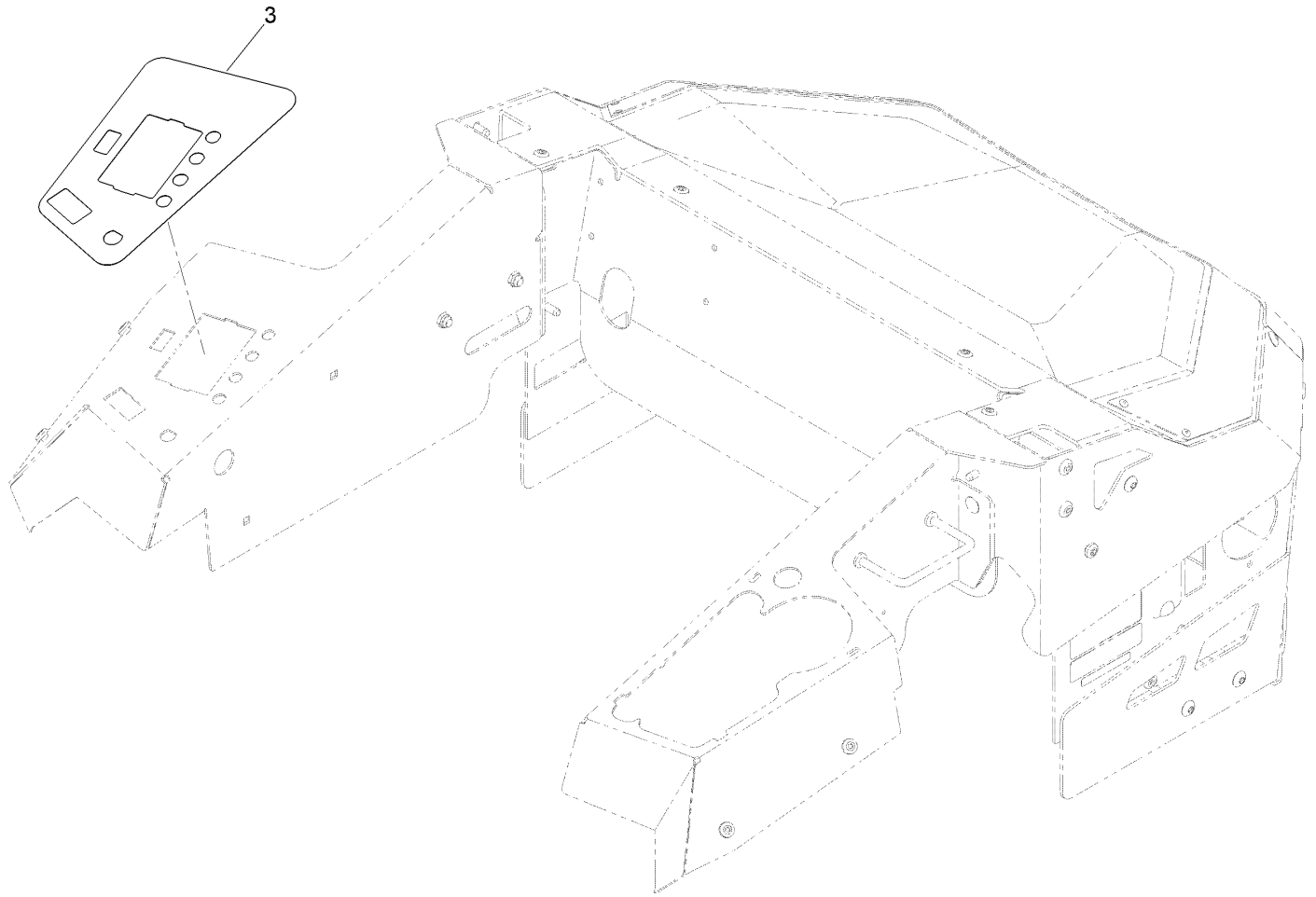
Seat Assembly No. 145-8421



Seat Assembly No. 145-8421 (continued)

<i>Ref.</i>	<i>Part Number</i>	<i>Qty.</i>	<i>Description</i>	<i>Ref.</i>	<i>Part Number</i>	<i>Qty.</i>	<i>Description</i>
1	147-7883	1	Seat Track Kit	5	145-3520	1	Switch-Plunger, On-(On)
2	130-2854	1	Seat Belt Kit	6	147-7925	1	Arm Rest Kit
3	147-7922	1	Cover-Back, Seat	7	147-7926	1	Pads-Armrest W/ Hardware
4	147-7923	1	Cover-Bottom, Seat				

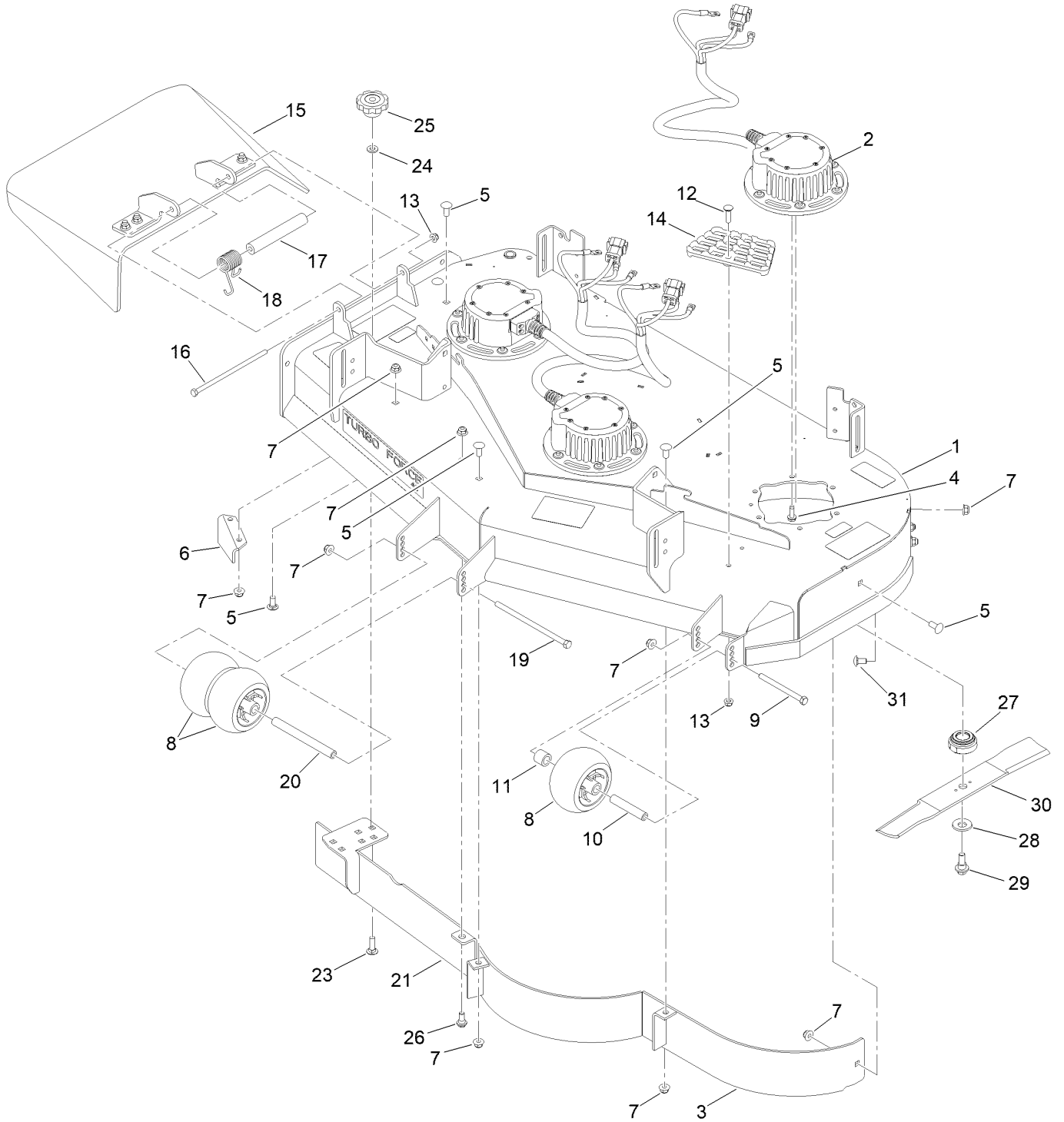
Decal Assembly



Decal Assembly (continued)

<i>Ref.</i>	<i>Part Number</i>	<i>Qty.</i>	<i>Description</i>
3	145-1946	1	Decal-Panel, Control

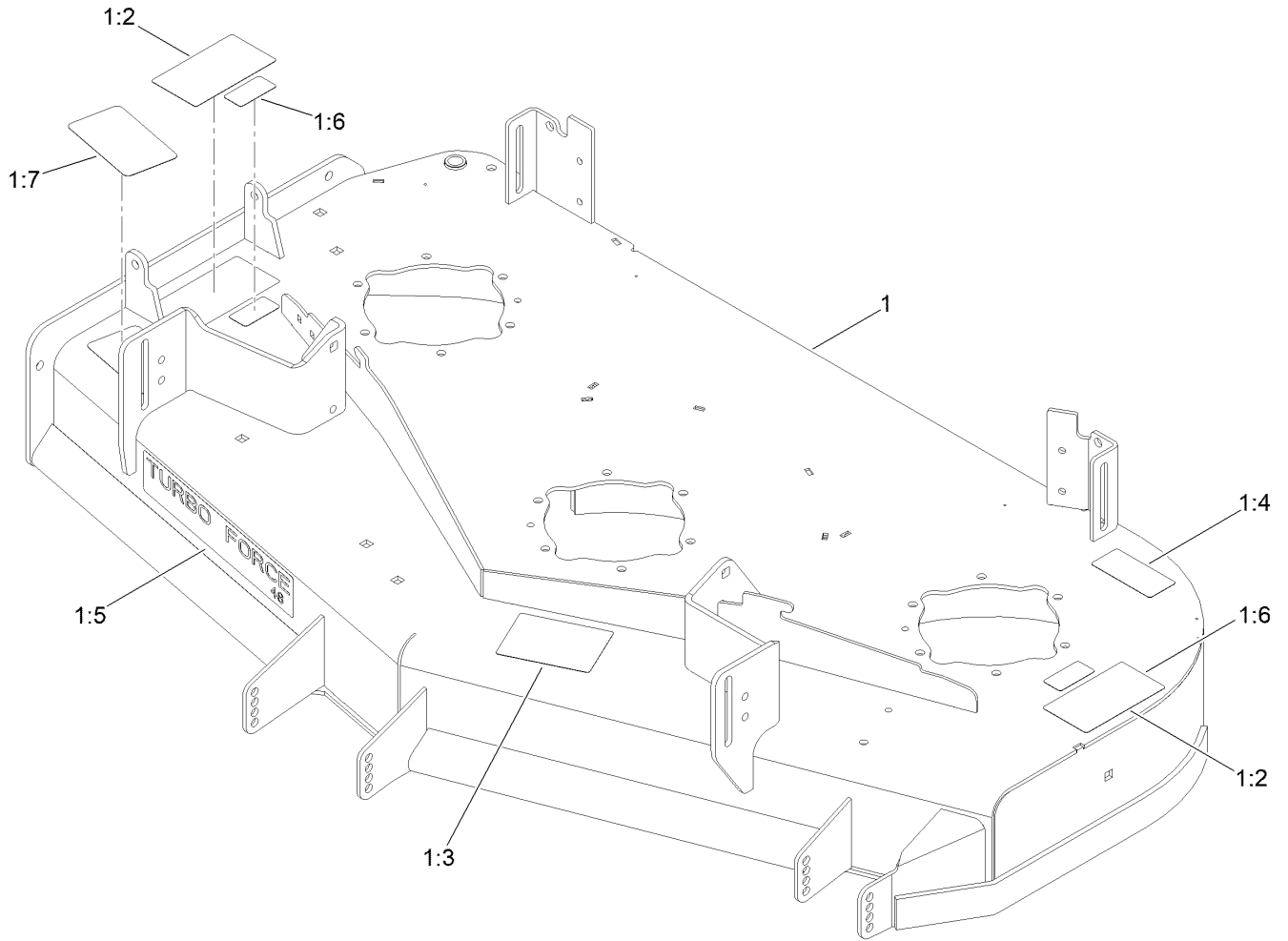
Deck Assembly



Deck Assembly (continued)

<i>Ref.</i>	<i>Part Number</i>	<i>Qty.</i>	<i>Description</i>	<i>Ref.</i>	<i>Part Number</i>	<i>Qty.</i>	<i>Description</i>
1	147-7827	1	Deck ASM-48In	16	322-50	1	Screw-HH
2	147-1689	1	Motor/Gen	17	105-4622	1	Spacer
3	114-5862-01	1	Baffle	18	108-4052	1	Spring-Torsion
4	701243	18	Screw-Thd Roll, HWH	19	108-5388	1	Screw-HH
5	3231-27	6	Screw-CARR	20	98-5967	1	Spacer-Wheel
6	107-8541-01	1	Baffle-Discharge	21	145-3640-01	1	Baffle
7	104-8301	12	Nut-HF, NI	23	3231-25	1	Bolt-CARR
8	1-603299	3	Roller-Scalp, Anti	24	100-4852	1	Washer-Hardened
9	323-23	1	Screw-HH	25	109-1092	1	Knob
10	98-7912	1	Tube-Spanner	26	94-7582	1	Bolt-Shoulder
11	98-7913	1	Tube-Spacer	27	145-3439	3	Retainer-Blade
12	3230-3	1	Screw-CARR	28	125-1736	3	Washer-Belleville
13	104-8300	2	Nut-HF, NI	29	145-3499	3	Screw-Shoulder, HWH
14	126-4781-03	1	Step-Deck	30	145-3503-03	3	Blade-16.5In, Med Sail
15	147-1642	1	Rubber Deflector ASM	31	3231-21	3	Screw-CARR

Deck Decal Assembly No. 147-7827

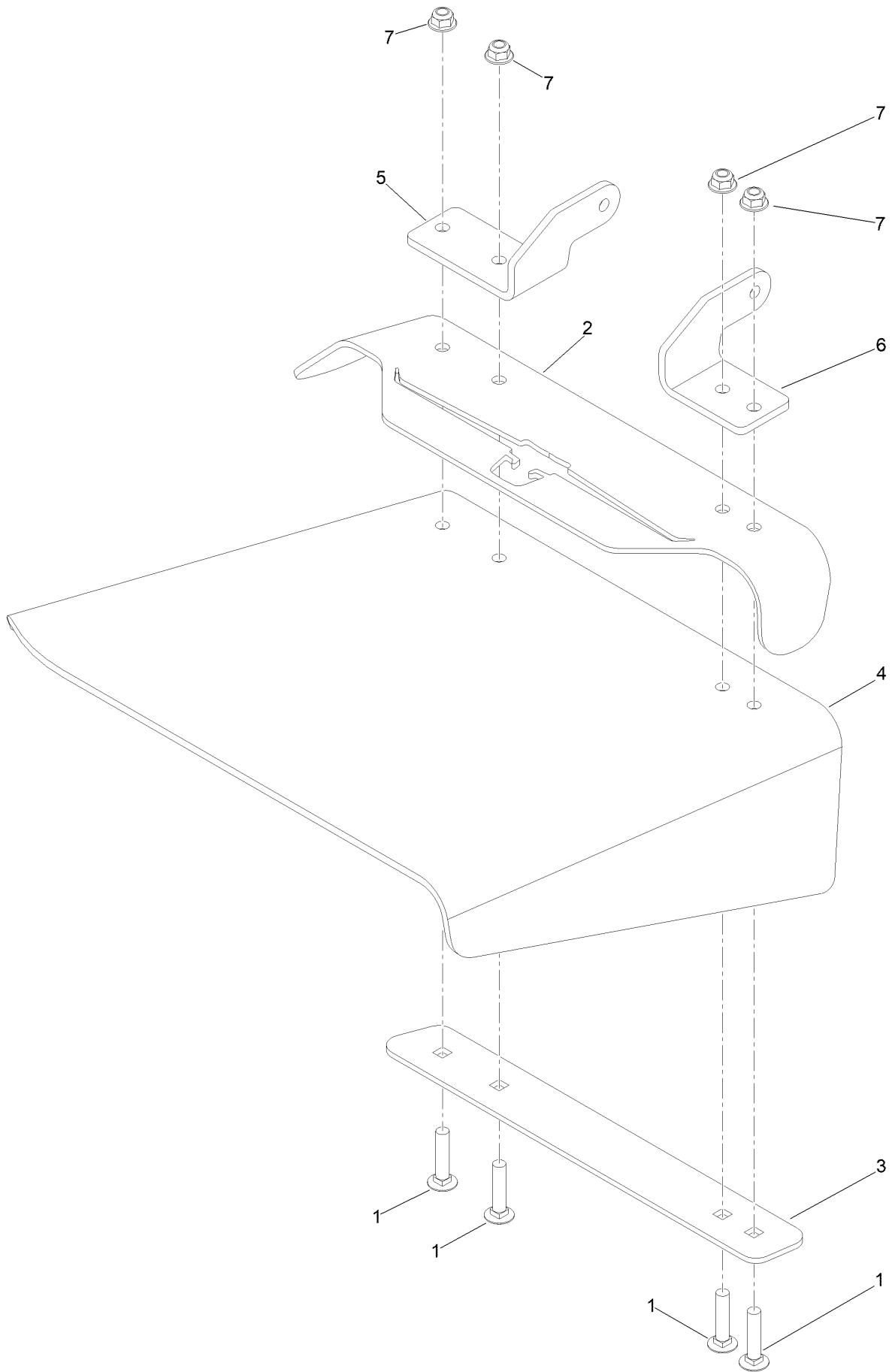


Deck Decal Assembly No. 147-7827 (continued)

<i>Ref.</i>	<i>Part Number</i>	<i>Qty.</i>	<i>Description</i>	<i>Ref.</i>	<i>Part Number</i>	<i>Qty.</i>	<i>Description</i>
1		1	Deck ASM W/Decals 48 ●	1:5	107-1690	1	Decal
1:2	117-3848	2	Decal-Danger	1:6	137-8127	2	Decal-No Spray
1:3	127-0326	1	Decal-Scalp, Anti	1:7	145-8411	1	Decal-Adjustable Baffle
1:4	147-0288	1	Decal-Danger				

● Not serviced separately

Deflector Assembly No. 147-1642



Deflector Assembly No. 147-1642 (continued)

<i>Ref.</i>	<i>Part Number</i>	<i>Qty.</i>	<i>Description</i>	<i>Ref.</i>	<i>Part Number</i>	<i>Qty.</i>	<i>Description</i>
1	3231-5	4	Screw-CARR	5	147-0386-01	1	Plate-Hinge, Rear
2	161-9815-01	1	Plate-Deflector Mount	6	147-0387-01	1	Plate-Hinge, Front
3	106-3248-03	1	Strap-Discharge	7	104-8301	4	Nut-HF, NI
4	161-3464	1	Deflector-Deck, Rubber				

Attachments and Accessories

For 18740TE 122cm Z Master Revolution Series Riding Mower

Product Name	Model/Part
Anti-Scalp Kit (Trim Side).....	108-4140
Jack Kit.....	127-6666
Recycler Kit	139-6650
Trimmer Mount	144-2665
Jack Mount Kit	144-2676
Hardtop Sun Canopy	144-3719
Blade-16.5in, Med Sail.....	145-3503-03
Blade-16.5in, Mulch.....	145-3506-03
Handle Extension Kit	145-3615
Wiring Harness Adapter Kit.....	147-1612
HV Synthetic Electric Motor Drive Oil.....	147-6275

Notes:



Count on it.