



Count on it.

Parts Catalog

**GrandStand® Multi Force® Mower
With 60in TURBO FORCE® Cutting Unit and
Low Flow Hydraulics**

Model No. 72524—Serial No. 417400000 and Up



Ordering Replacement Parts

To order replacement parts, please supply the part number, the quantity, and the description of each part desired.

Understanding Reference Numbers

Each identified part in an illustration has a reference number. The reference number for a part also appears in the parts list, along with other information about the part.

This catalog uses two special reference number formats, one to indicate parts in a service assembly and another to indicate the quantity of a given part in an illustration.

Service Assembly Reference Numbers

Parts in service assemblies have reference numbers in the form a:b. The a represents the reference number of the entire service assembly and the b represents a sequential number unique to each part within the service assembly.

For example, a wheel assembly might be identified by reference number 6, the tire by 6:1, the valve by 6:2, and the wheel by 6:3. When you order the assembly identified by reference number 6, you receive all parts identified by reference numbers 6:1, 6:2, and 6:3. However, you may also order any part individually. Reference numbers of this type appear in illustration and in parts lists.

Reference Numbers Indicating Quantity

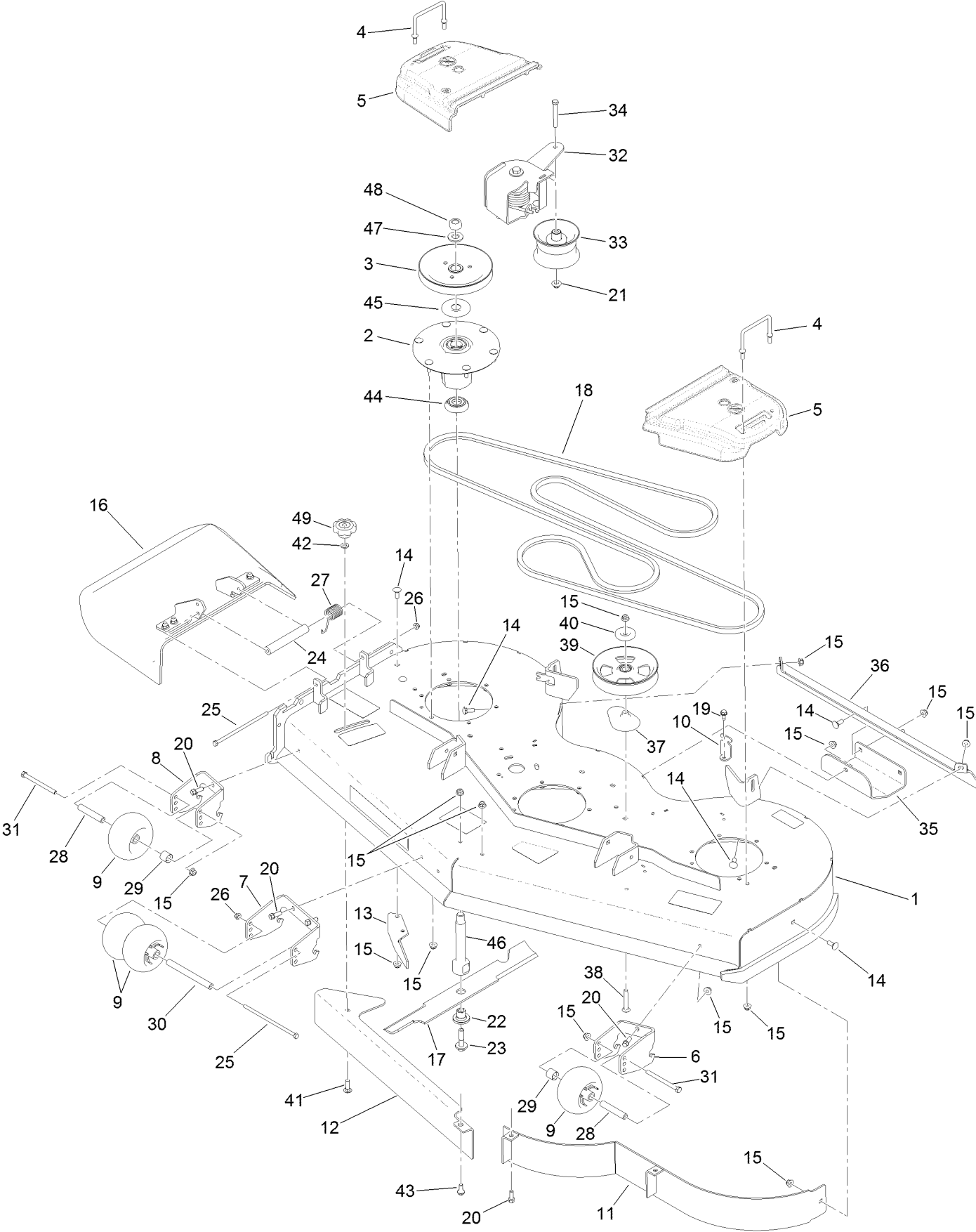
In an illustration, if a reference number indicates more than one part, the reference number has the form nX y. The n represents the quantity of the part, the X is the multiplication symbol, and the y represents the reference number.

For example, in an illustration, the reference number 2X 37 means that two of the parts identified by reference number 37 are indicated.

Contents

60 Inch Deck Assembly	4
Deck Decal Assembly No. 139-8101	6
Spindle Assembly No. 137-9780	8
Deflector Assembly No. 163-4031	10
Ground Drive Assembly	12
LH Transmission Assembly No. 161-6674	14
RH Transmission Assembly No. 138-5839	16
Overflow Hose Assembly	18
Motion Control Assembly	20
Control Handle Assembly No. 132-5157	22
Control Handle Assembly No. 132-5158	24
Parking Brake Assembly	26
Deck Lift Assembly	28
HOC Lever Assembly No. 161-6735	30
HOC Link Assembly No. 130-6615	32
Frame Assembly	34
Wheel and Bearing Assembly	36
Platform Assembly	38
Engine Assembly	40
Fuel Tank Assembly	42
Electrical Assembly	44
Low Flow Hydraulics Assembly	46
Low Flow Manifold Assembly	48
Low Flow Controller Kit Assembly	50
Attachments and Accessories	52

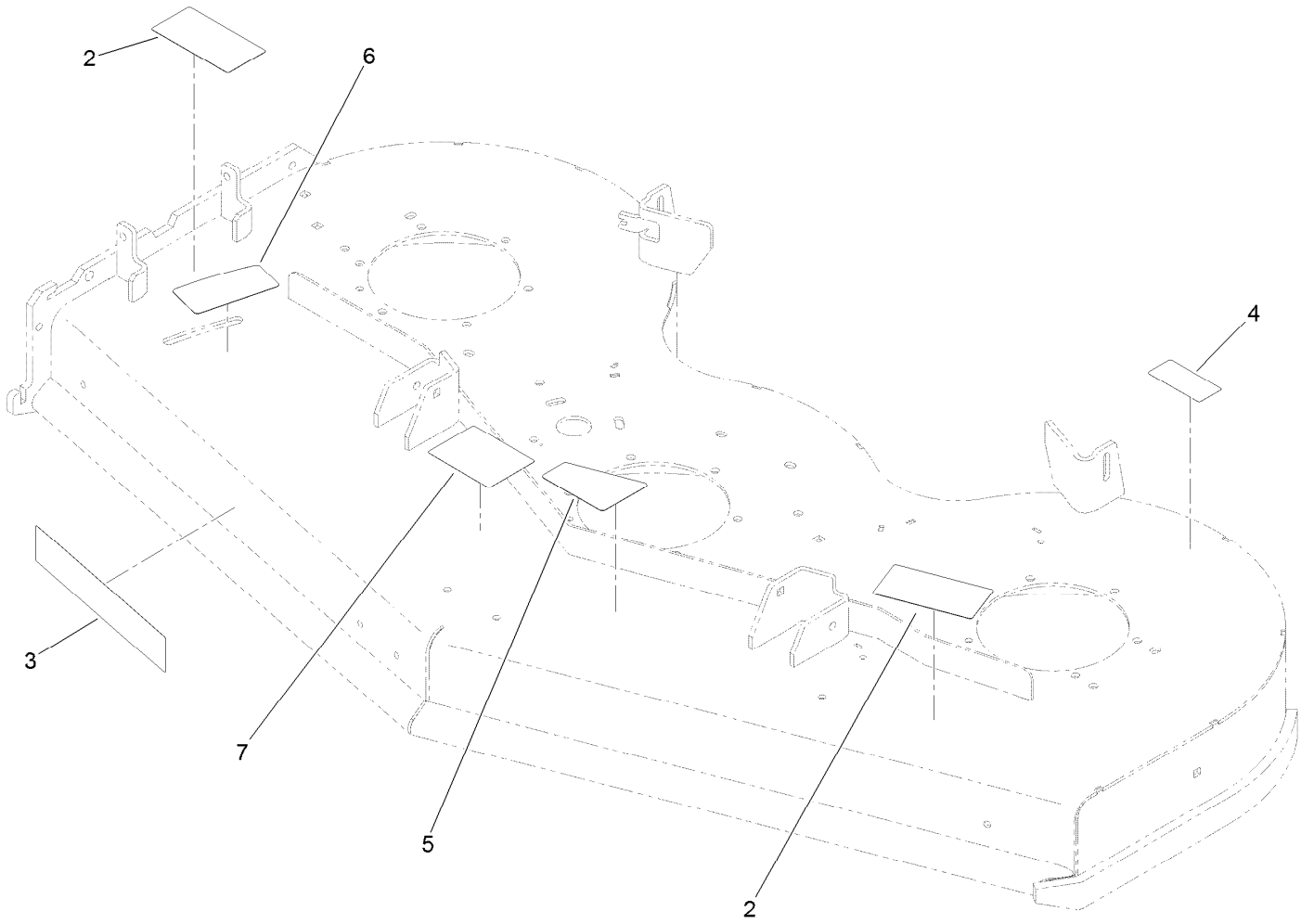
60 Inch Deck Assembly



60 Inch Deck Assembly (continued)

<i>Ref.</i>	<i>Part Number</i>	<i>Qty.</i>	<i>Description</i>	<i>Ref.</i>	<i>Part Number</i>	<i>Qty.</i>	<i>Description</i>
1	139-8101	1	60 Deck ASM	26	104-8300	2	Nut-HF, NI
2	137-9780	3	Spindle ASM	27	108-4052	1	Spring-Torsion
3	138-6059	3	Sheave-Drive, Blade	28	98-7912	2	Tube-Spanner
4	109-6982	4	Wireform-Cover	29	104-0892	2	Spacer-Axle, Rear
5	109-6936	2	Cover-Belt, LH	30	98-5967	1	Spacer-Wheel
6	114-5204-01	1	Bracket-Wheel, LH	31	323-23	2	Screw-HH
7	114-5208-01	1	Bracket-Wheel, Center	32	145-3450	1	Gs Torsion Idler ASM li
8	114-5213-01	1	Bracket-Wheel, RH	33	127-1971	1	Pulley-Idler
9	1-603299	4	Roller-Scalp, Anti	34	323-20	1	Screw-HH
10	117-5758-03	3	Bracket-Cover	35	114-1908-01	1	Skid
11	117-9701-01	1	Baffle ASM	36	130-6647-01	1	Bracket-Skid
12	139-8106-01	1	Plate-Baffle, Formed [red]	37	109-2872	1	Spacer-Pulley
13	130-6594-01	1	Baffle-Discharge	38	3231-44	1	Screw-CARR
14	3231-2	8	Bolt-CARR	39	136-5404	1	Pulley-Idler, Flat
15	104-8301	47	Nut-HF, NI	40	132-5153	1	Shield-Dust
16	163-4031	1	Rubber Deflector ASM	41	3231-25	1	Bolt-CARR
17	140-1240	3	Blade	42	100-4852	1	Washer-Hardened
18	131-1123	1	Belt-V	43	94-7582	1	Bolt-Shoulder
19	32144-70	3	Screw-HWHTF	44	137-9784	3	Guard-Bottom
20	92-1624	6	Screw-HWH Thd Form	45	103-1330	3	Guard-Bearing, Top
21	109-6658	1	Nut-Flange, NI	46	138-6045	3	Shaft-Spindle
22	137-9787	3	Bushing-Hex	47	103-2802	3	Washer
23	109-9220	3	Screw-Sems	48	116-7306	3	Nut-Hex
24	105-4622	1	Spacer	49	109-1092	1	Knob
25	322-50	2	Screw-HH				

Deck Decal Assembly No. 139-8101



Deck Decal Assembly No. 139-8101 (continued)

<i>Ref.</i>	<i>Part Number</i>	<i>Qty.</i>	<i>Description</i>	<i>Ref.</i>	<i>Part Number</i>	<i>Qty.</i>	<i>Description</i>
2	133-4604	2	Decal-Danger	5	131-3507	1	Decal-Belt, Tension (CE)
3	107-1619	1	Decal	6	138-1147	1	Decal - Baffle Adjustment
4	116-8283	1	Decal-Torque, Bolt	7	112-3858	1	Decal-Scalp, Anti

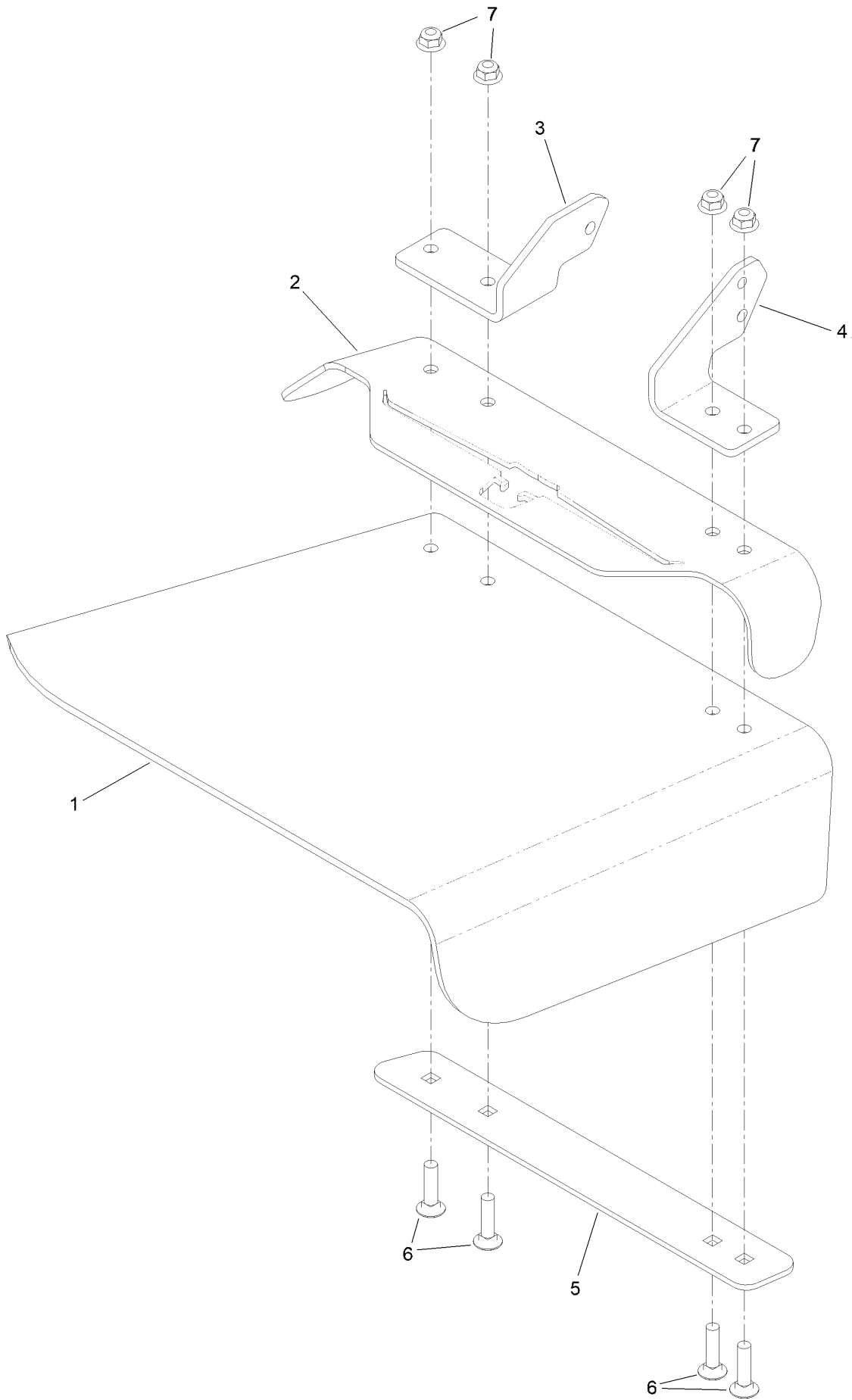
Spindle Assembly No. 137-9780



Spindle Assembly No. 137-9780 (continued)

<i>Ref.</i>	<i>Part Number</i>	<i>Qty.</i>	<i>Description</i>
2	116-0720	2	Bearing-Ball
3	138-6042	1	Spacer-Bearing

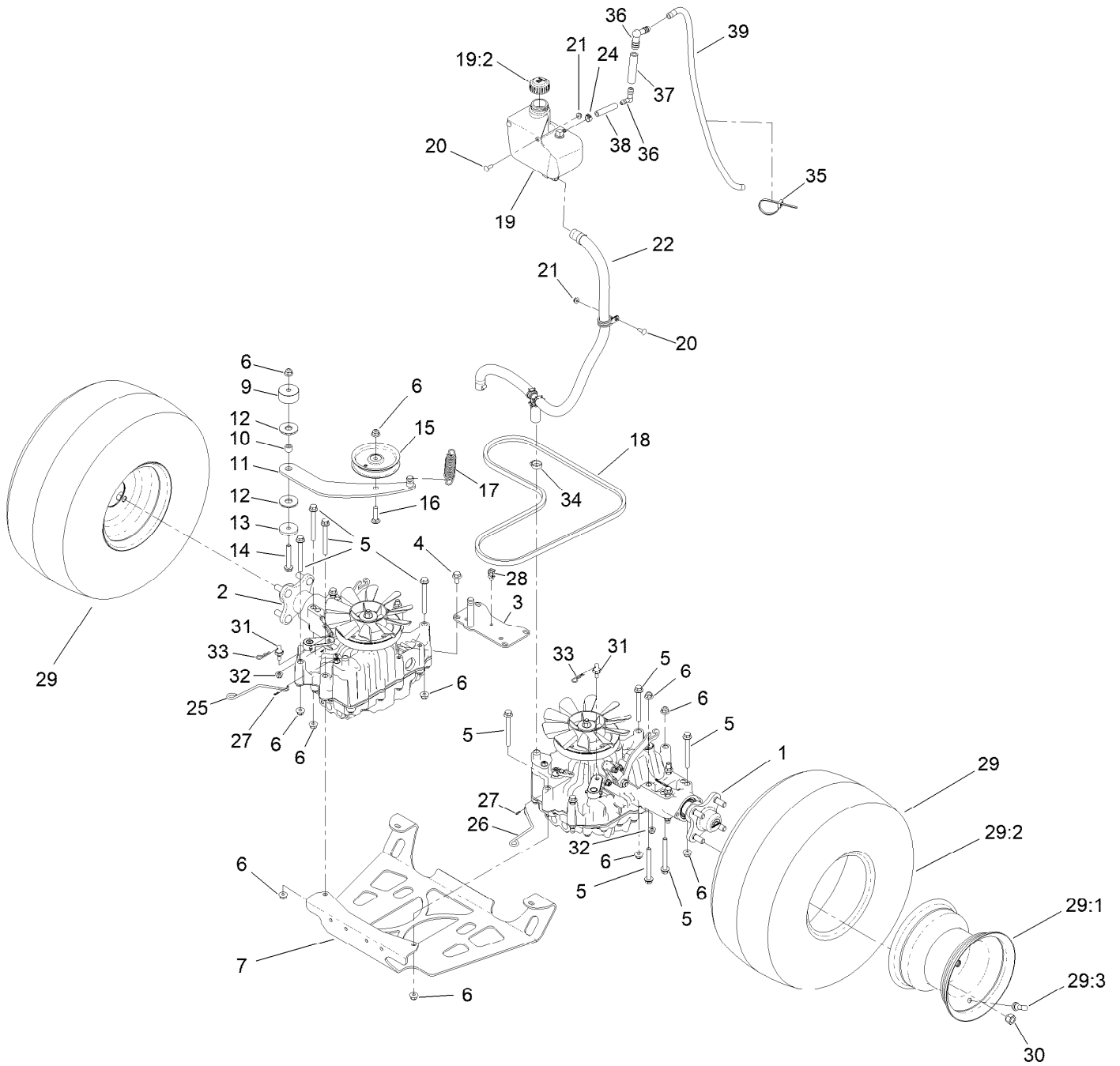
Deflector Assembly No. 163-4031



Deflector Assembly No. 163-4031 (continued)

<i>Ref.</i>	<i>Part Number</i>	<i>Qty.</i>	<i>Description</i>	<i>Ref.</i>	<i>Part Number</i>	<i>Qty.</i>	<i>Description</i>
1	110-0759	1	Deflector-Rubber	5	106-3248-03	1	Strap-Discharge
2	161-9815-01	1	Plate-Deflector Mount	6	3231-5	4	Screw-CARR
3	108-4059-01	1	Plate-Hinge, Rear	7	104-8301	4	Nut-HF, NI
4	106-3253-01	1	Plate-Hinge, Front				

Ground Drive Assembly



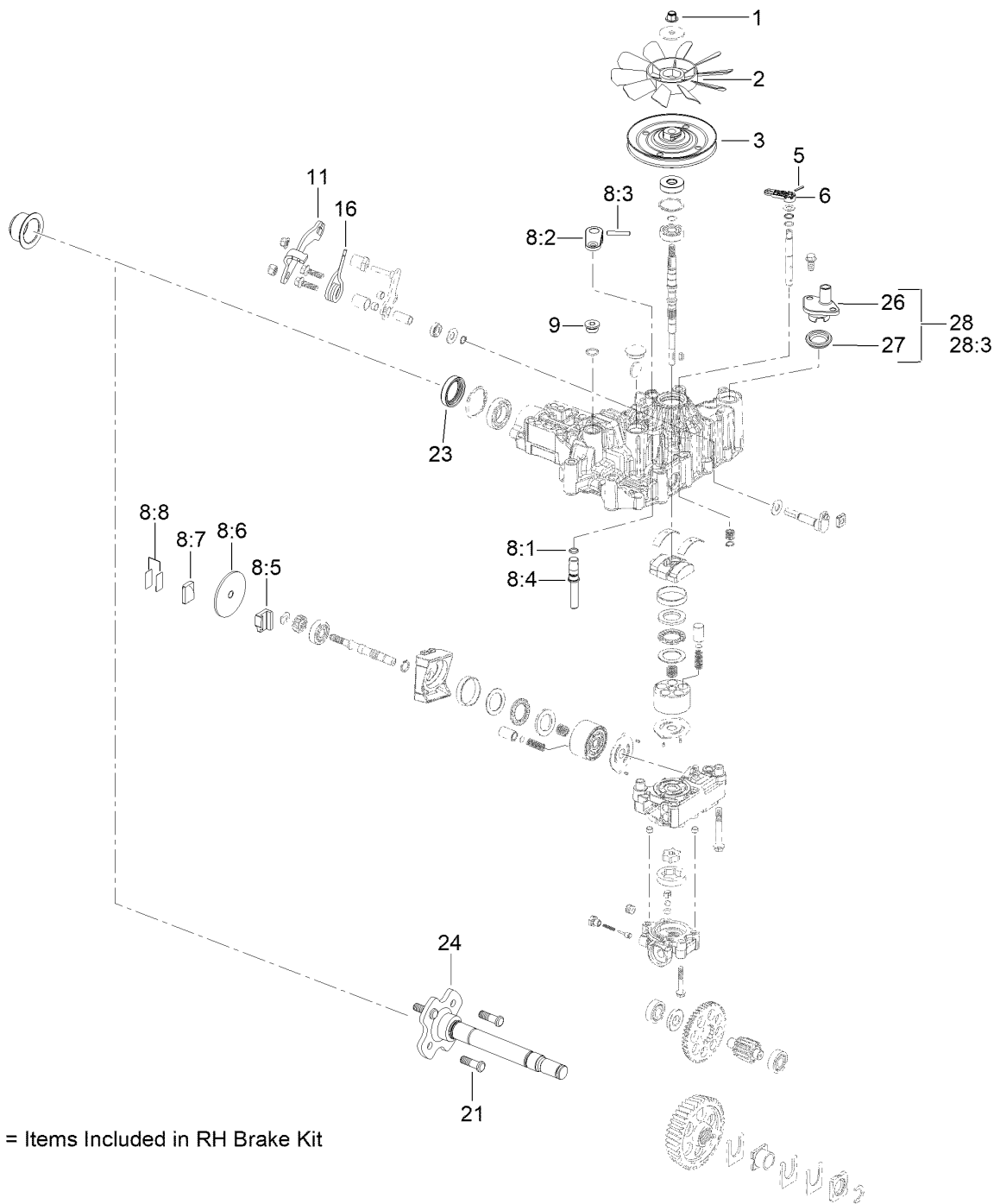
Ground Drive Assembly (continued)

<i>Ref.</i>	<i>Part Number</i>	<i>Qty.</i>	<i>Description</i>	<i>Ref.</i>	<i>Part Number</i>	<i>Qty.</i>	<i>Description</i>
1	161-6674	1	LH Accy Transmission	21	104-7201	3	Nut-HF, NI
2	138-5839	1	RH Transmission ASM	22		1	Gs Overflow Hose ASM ■
3	131-1131-03	1	Support-Transaxle	24	92-2379	1	Clamp-Hose
4	93-2569	4	Screw-HHF	25	131-7469	1	Rod-Bypass, RH
5	116-4701	16	Screw-HHF	26	131-7470	1	Rod-Bypass, LH
6	104-8301	18	Nut-HF, NI	27	108-2992	2	Pin-Hair
7	138-1108-03	1	Plate-Skid	28	32180-030	1	Clip-Tie
9	117-5351	1	Spacer	29	140-1886	2	Wheel And Tire ASM
10	1-413088	1	Bushing-Lever, Lift	29:1	140-1887	1	Rim-8 Inch Black
11	131-1175	1	Arm-Idler	29:2	120-6466	1	Tire
12	114-0463	2	Washer-Friction, Composite	29:3	232-27	1	Stem-Valve
13	110-9981	1	Washer-Plain	30	139-2564	8	Nut-Lug
14	3234-39	1	Screw-HHF	31	132-7584	2	Spacer-Hex
15	93-1622	1	Pulley-Idler	32	104-8300	2	Nut-HF, NI
16	3231-4	1	Screw-CARR	33	3290-250	2	Pin-Cotter
17	138-1104	1	Spring-Extension	34	2412-129	2	Clamp-Hose
18	131-1124	1	Belt-V	35	3290-378	1	Tie-Cable
19	132-1135	1	Tank-HYD	36	136-1290	2	Fitting-Elbow 90
19:2	133-8677	1	Cap-Vented	37	83-2080	1	Hose-Valve, Tank
19:5	140-9463	1	Strainer-Neck, Removable ●	38	133-0223	1	Hose-Fuel
20	3229-25	3	Screw-CARR	39	110-3257	1	Hose-Fuel

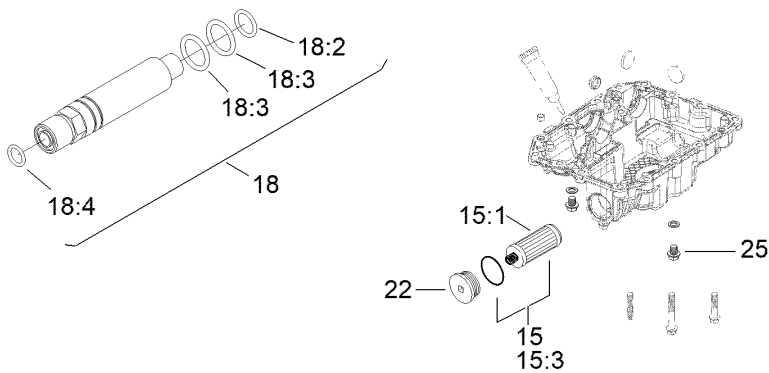
● Not illustrated

■ Not serviced separately

LH Transmission Assembly No. 161-6674



8 = Items Included in RH Brake Kit



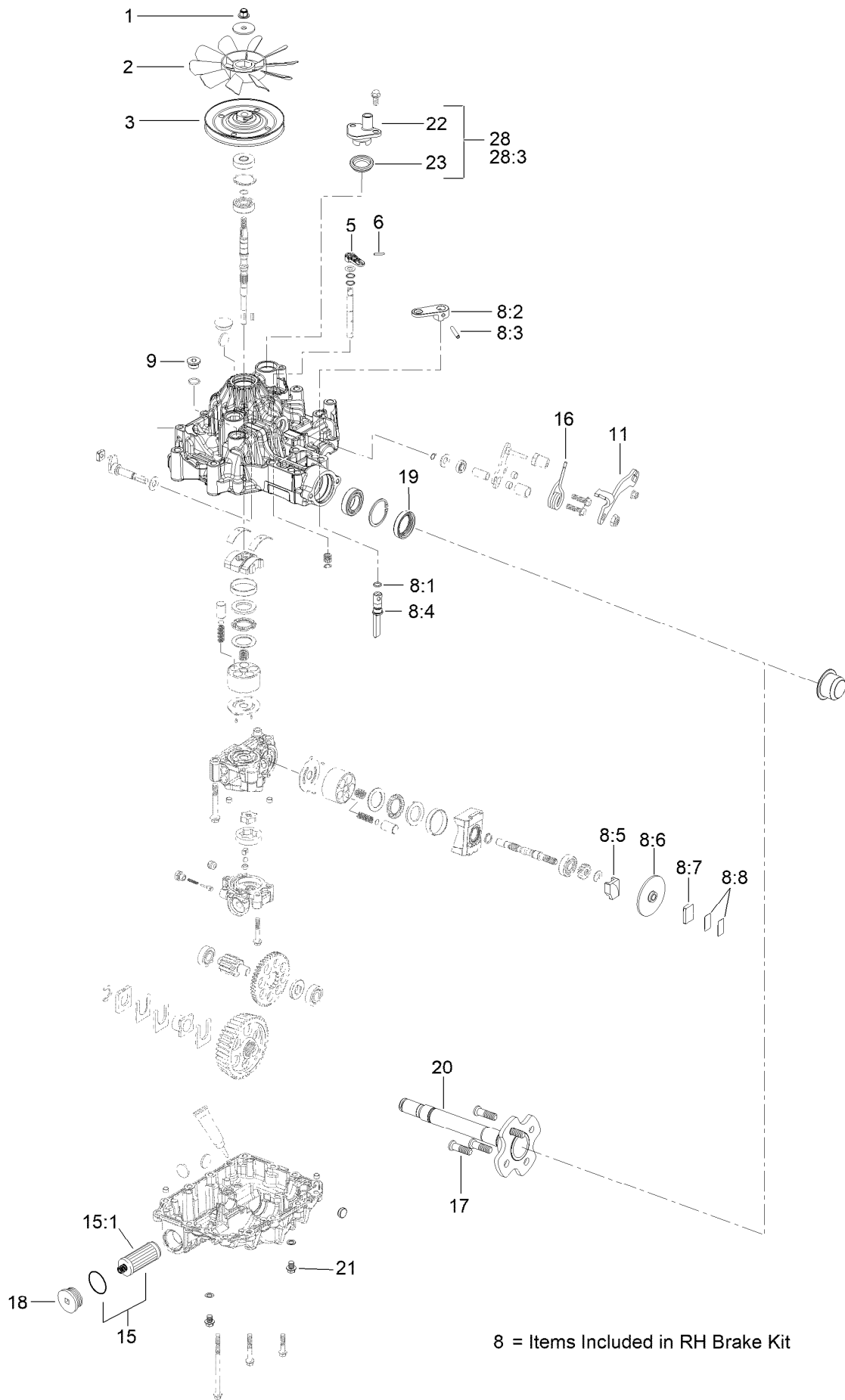
LH Transmission Assembly No. 161-6674 (continued)

<i>Ref.</i>	<i>Part Number</i>	<i>Qty.</i>	<i>Description</i>	<i>Ref.</i>	<i>Part Number</i>	<i>Qty.</i>	<i>Description</i>
1	132-4737	1	Nut-Lock	17	147-0371	1	Aux HYD Kit ●
2	132-4738	1	Fan	18	161-6754	1	#6 Aux HYD Kit
3	132-4739	1	Pulley	18:2	147-0372	1	O-Ring 6.1
5	104-3265	1	Pin	18:3	147-0373	2	O-Ring
6	132-4700	1	Lever-Bypass	18:4	237-22	1	O-Ring
8	133-1468	1	Brake Kit,Left	21	137-9509	4	Stud-Wheel
8:1		1	O-Ring ■	22	138-4613	1	Cap-Oil Filter
8:2		1	Brake Arm ■	23	139-5587	1	Seal-Axle, Ua
8:3		1	Roll Pin ■	24	139-5588	1	Axle
8:4		1	Brake Shaft ■	25	139-5589	2	Drain Bolt
8:5		1	Brake Actuator ■	26	139-5590	1	Expansion Fitting
8:6		1	Brake Disc ■	27	139-5591	1	Grommet Seal, Expansion Fitting
8:7		1	Brake Shoe ■	28	139-7871	1	Expansion Fitting - W/ Seal
8:8		1	Shim Kit ■	28:3		1	M8*20 Flange Bolt ■
9	132-4735	1	Cap-Oil	29	147-0372	2	O-Ring 6.1 ●
11	136-5401	1	Lever-Control, RH	30	147-0373	4	O-Ring ●
15	144-3842	1	2 Transmission Filter Kit	31	147-0374	1	O-Ring (Orfs) ●
15:1		2	Filter (1A6370-26450) ■	32	237-22	1	O-Ring ●
15:3		4	Sealing Washer ■				
16	137-4109	1	Spring-Torsion				

● Not illustrated

■ Not serviced separately

RH Transmission Assembly No. 138-5839



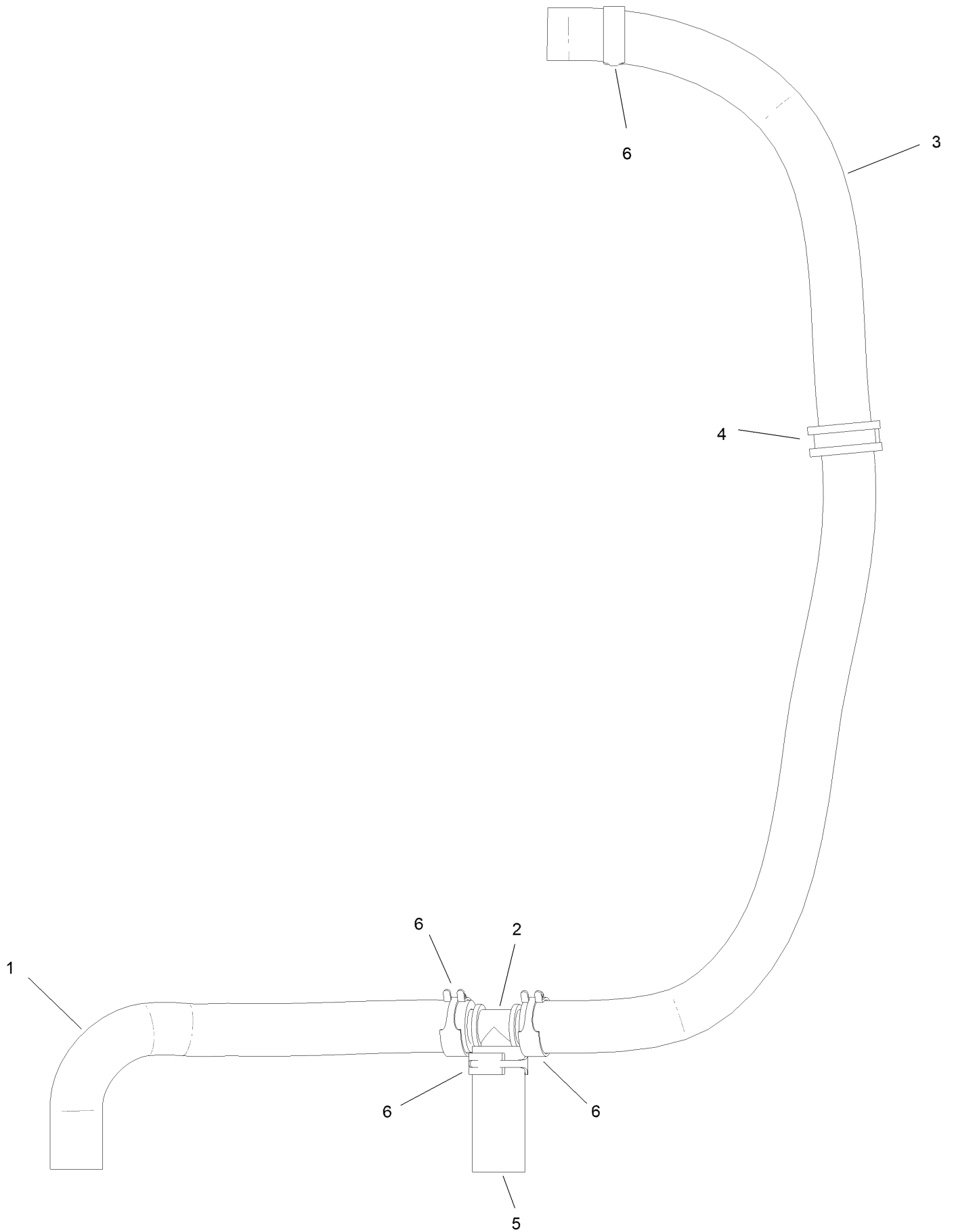
RH Transmission Assembly No. 138-5839 (continued)

<i>Ref.</i>	<i>Part Number</i>	<i>Qty.</i>	<i>Description</i>	<i>Ref.</i>	<i>Part Number</i>	<i>Qty.</i>	<i>Description</i>
1	132-4737	1	Nut-Lock	11	136-5401	1	Lever-Control, RH
2	132-4738	1	Fan	15	144-3842	1	2 Transmission Filter Kit
3	132-4739	1	Pulley	15:1		2	Filter (1A6370-26450) ■
5	104-3265	1	Pin	15:3		4	Sealing Washer ■●
6	132-4700	1	Lever-Bypass	16	137-4109	1	Spring-Torsion
8	133-1462	1	RH Brake Kit	17	137-9509	4	Stud-Wheel
8:1		1	O-Ring ■	18	138-4613	1	Cap-Oil Filter
8:2		1	Arm-Brake ■	19	139-5587	1	Seal-Axle, Ua
8:3		1	Pin-Roll ■	20	139-5588	1	Axle
8:4		1	Shaft-Brake ■	21	139-5589	2	Drain Bolt
8:5		1	Actuator-Brake ■	22	139-5590	1	Expansion Fitting
8:6		1	Disc-Brake ■	23	139-5591	1	Grommet Seal, Expansion Fitting
8:7		1	Shoe-Brake ■	28	139-7871	1	Expansion Fitting - W/ Seal
8:8		1	Shim Kit ■	28:3		1	M8*20 Flange Bolt ■
9	132-4735	1	Cap-Oil				

● Not illustrated

■ Not serviced separately

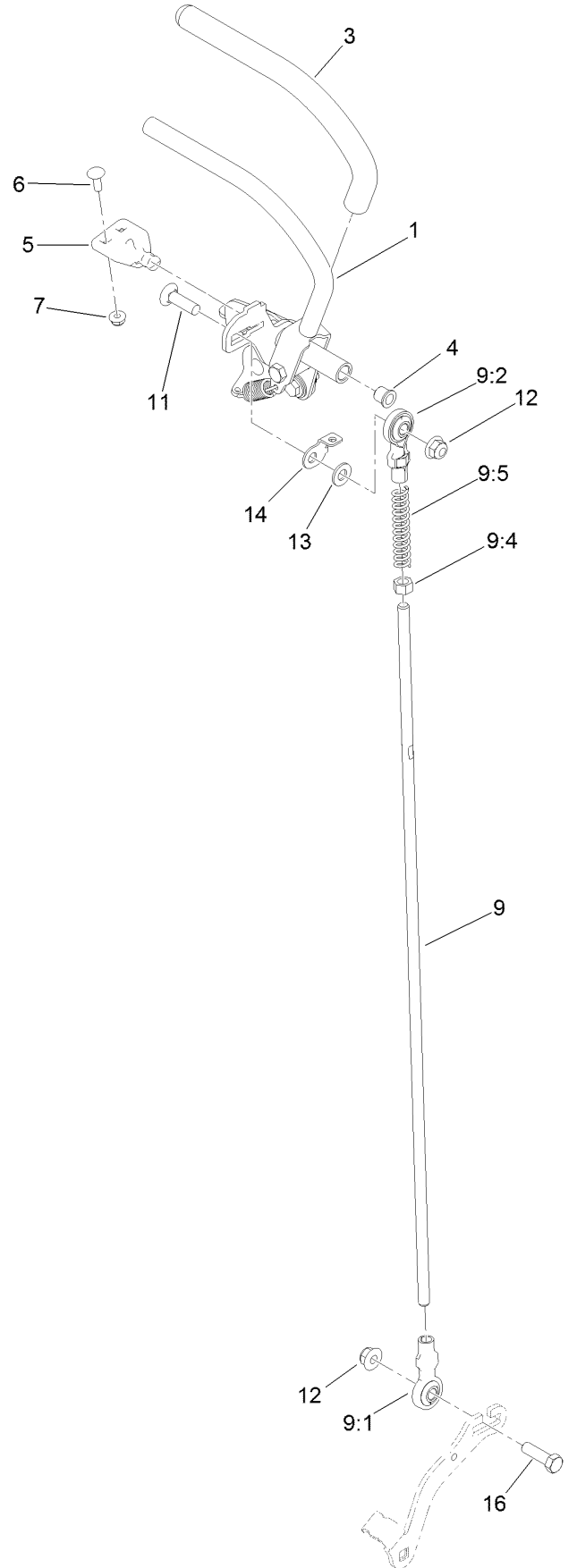
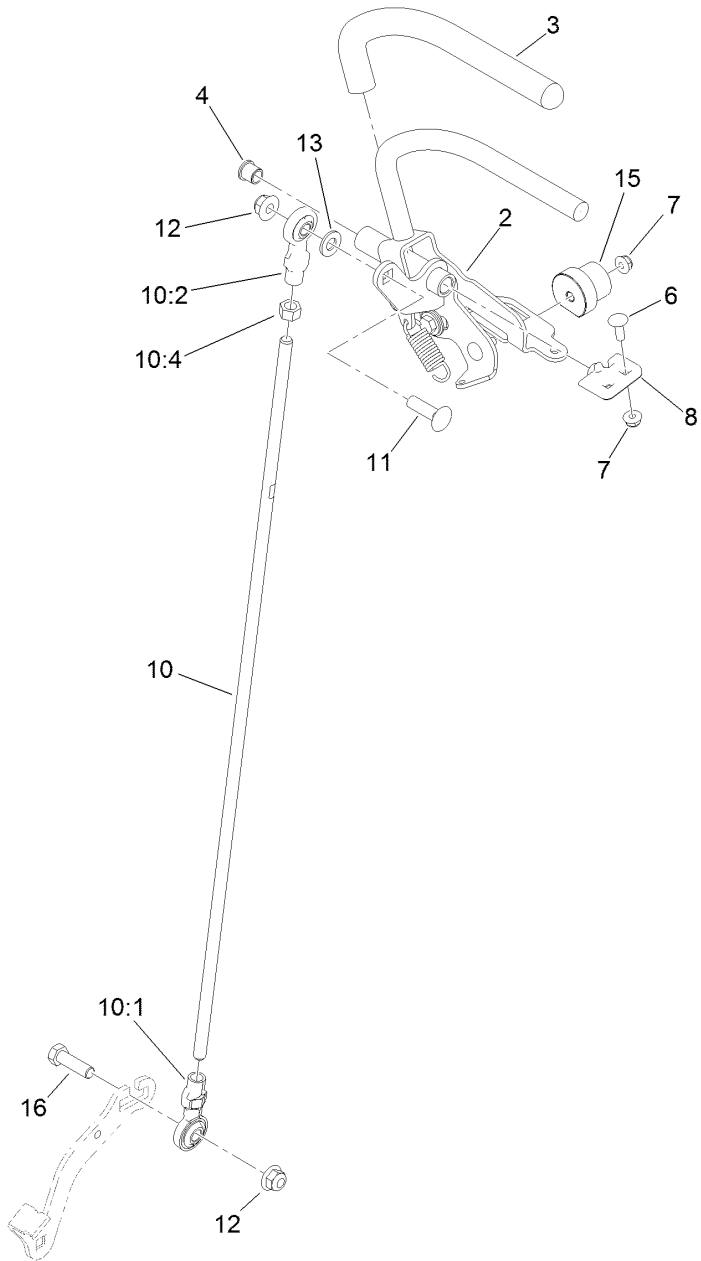
Overflow Hose Assembly



Overflow Hose Assembly (continued)

<i>Ref.</i>	<i>Part Number</i>	<i>Qty.</i>	<i>Description</i>	<i>Ref.</i>	<i>Part Number</i>	<i>Qty.</i>	<i>Description</i>
1	145-3444	1	Hose-Hydraulic	4	147-0201	1	R-Clamp
2	139-4055	1	Fitting Tee	5	147-0204	1	Hydraulic Hose
3	147-0202	1	Hydraulic Hose	6	145-3599	4	Hose Clamp

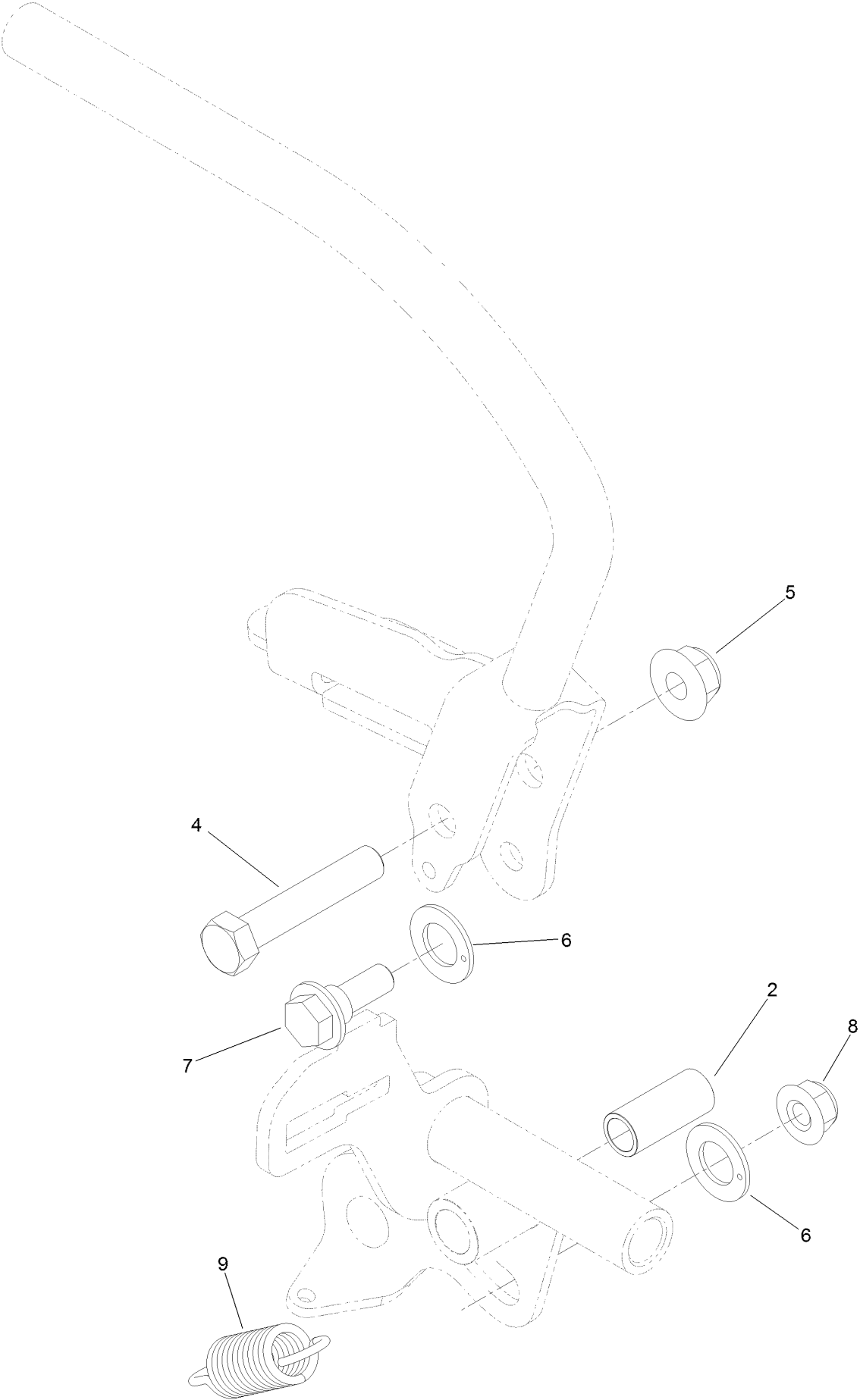
Motion Control Assembly



Motion Control Assembly (continued)

<i>Ref.</i>	<i>Part Number</i>	<i>Qty.</i>	<i>Description</i>	<i>Ref.</i>	<i>Part Number</i>	<i>Qty.</i>	<i>Description</i>
1	132-5157	1	LH Control Handle ASM	9:5	1-603807	1	Spring-Return, Neutral
2	132-5158	1	RH Control Handle ASM	10	138-4620	1	RH Control Rod ASM
3	119-0222	2	Grip	10:1	138-4647	1	Ball Joint-LH
4	103-9928	2	Bearing	10:2	138-4648	1	Ball Joint-RH
5	120-3288	1	Tab-Pivot, LH	10:4	3219-3	1	Nut-Hex
6	3229-1	4	Screw-CARR	11	3231-28	2	Screw-CARR
7	104-7201	6	Nut-HF, NI	12	104-8301	4	Nut-HF, NI
8	120-3287	1	Tab-Pivot, RH	13	3256-24	2	Washer-Plain
9	138-4619	1	LH Control Rod ASM	14	132-7538	1	Bracket-Adjustment, Speed
9:1	138-4647	1	Ball Joint-LH	15	126-1499	2	Cam
9:2	138-4648	1	Ball Joint-RH	16	323-7	2	Screw-HH
9:4	3219-3	1	Nut-Hex				

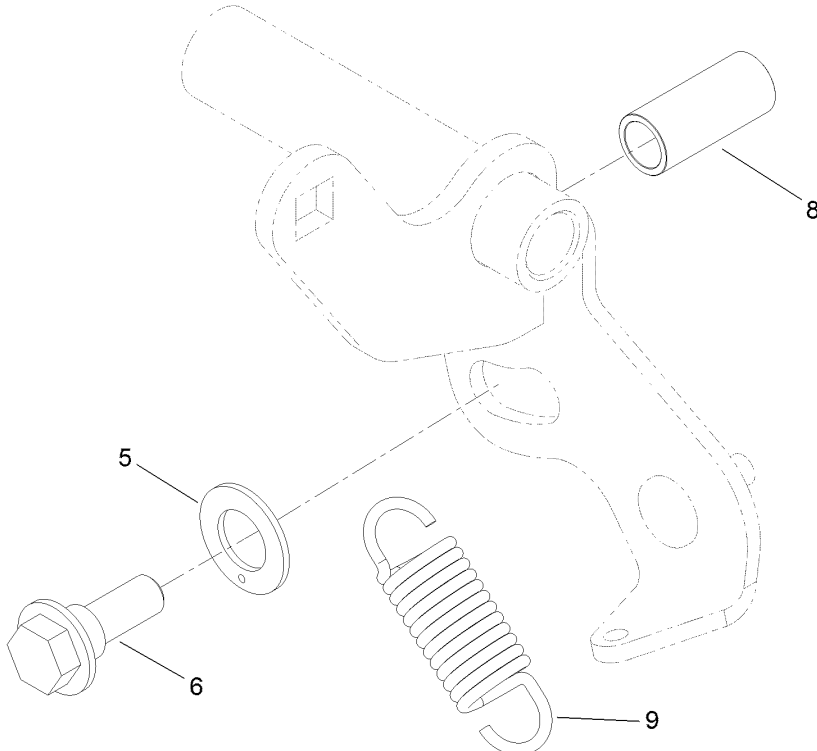
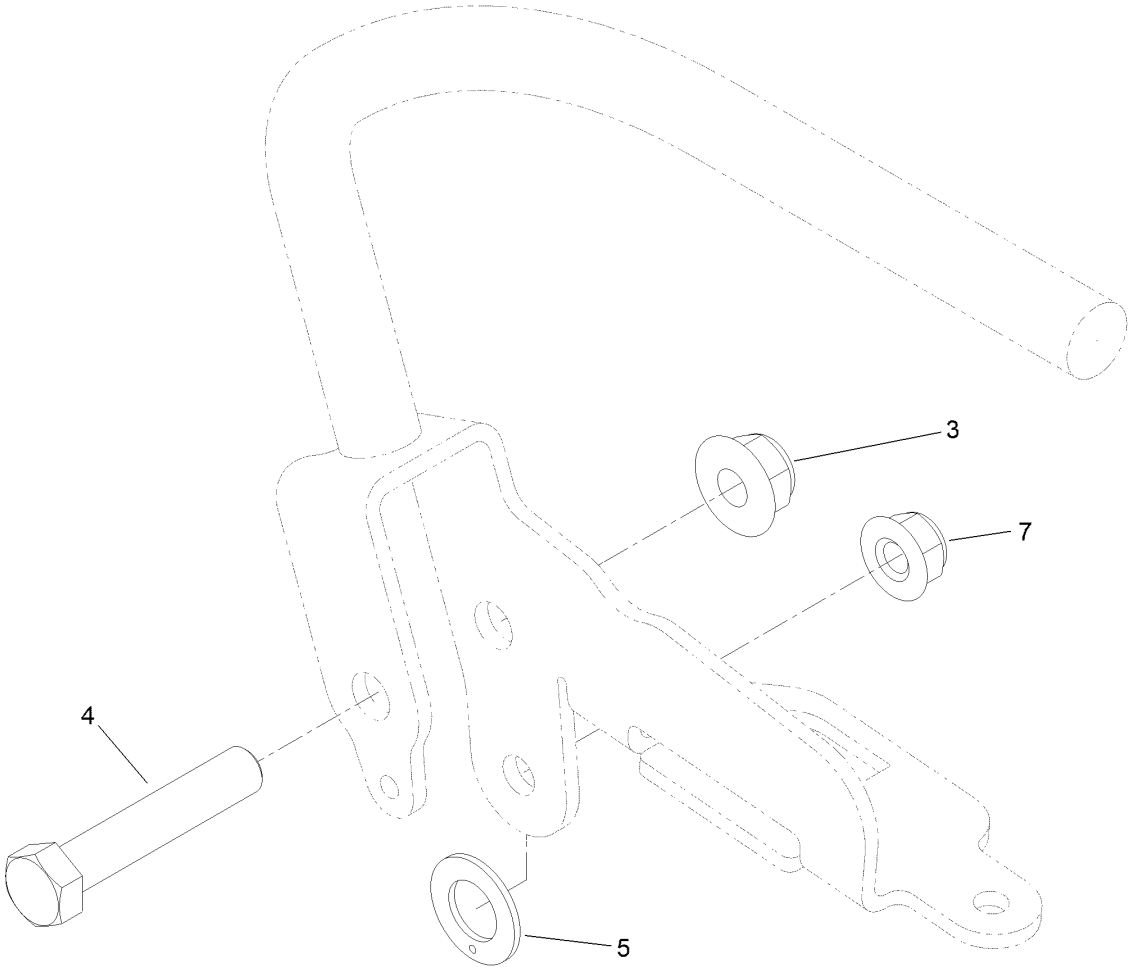
Control Handle Assembly No. 132-5157



Control Handle Assembly No. 132-5157 (continued)

<i>Ref.</i>	<i>Part Number</i>	<i>Qty.</i>	<i>Description</i>	<i>Ref.</i>	<i>Part Number</i>	<i>Qty.</i>	<i>Description</i>
2	131-3562	1	Bearing-Sleeve	7	116-2670	1	Screw-Shoulder
4	323-10	1	Screw-HH	8	104-8300	1	Nut-HF, NI
5	104-8301	1	Nut-HF, NI	9	132-5146	1	Spring-Extension
6	110-7191	2	Washer-Thrust				

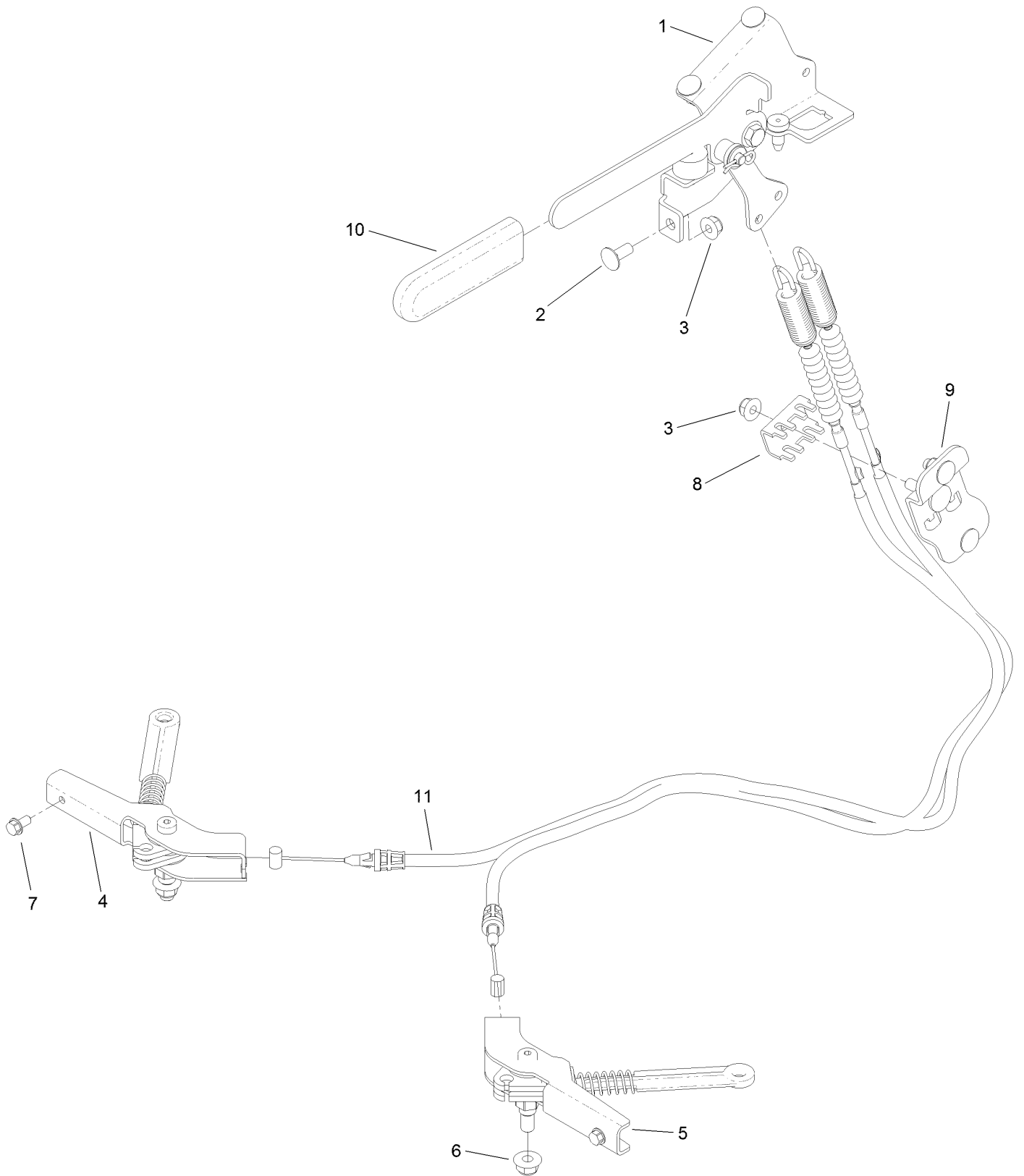
Control Handle Assembly No. 132-5158



Control Handle Assembly No. 132-5158 (continued)

<i>Ref.</i>	<i>Part Number</i>	<i>Qty.</i>	<i>Description</i>	<i>Ref.</i>	<i>Part Number</i>	<i>Qty.</i>	<i>Description</i>
3	104-8301	1	Nut-HF, NI	7	104-8300	1	Nut-HF, NI
4	323-10	1	Screw-HH	8	131-3562	1	Bearing-Sleeve
5	110-7191	2	Washer-Thrust	9	132-5146	1	Spring-Extension
6	116-2670	1	Screw-Shoulder				

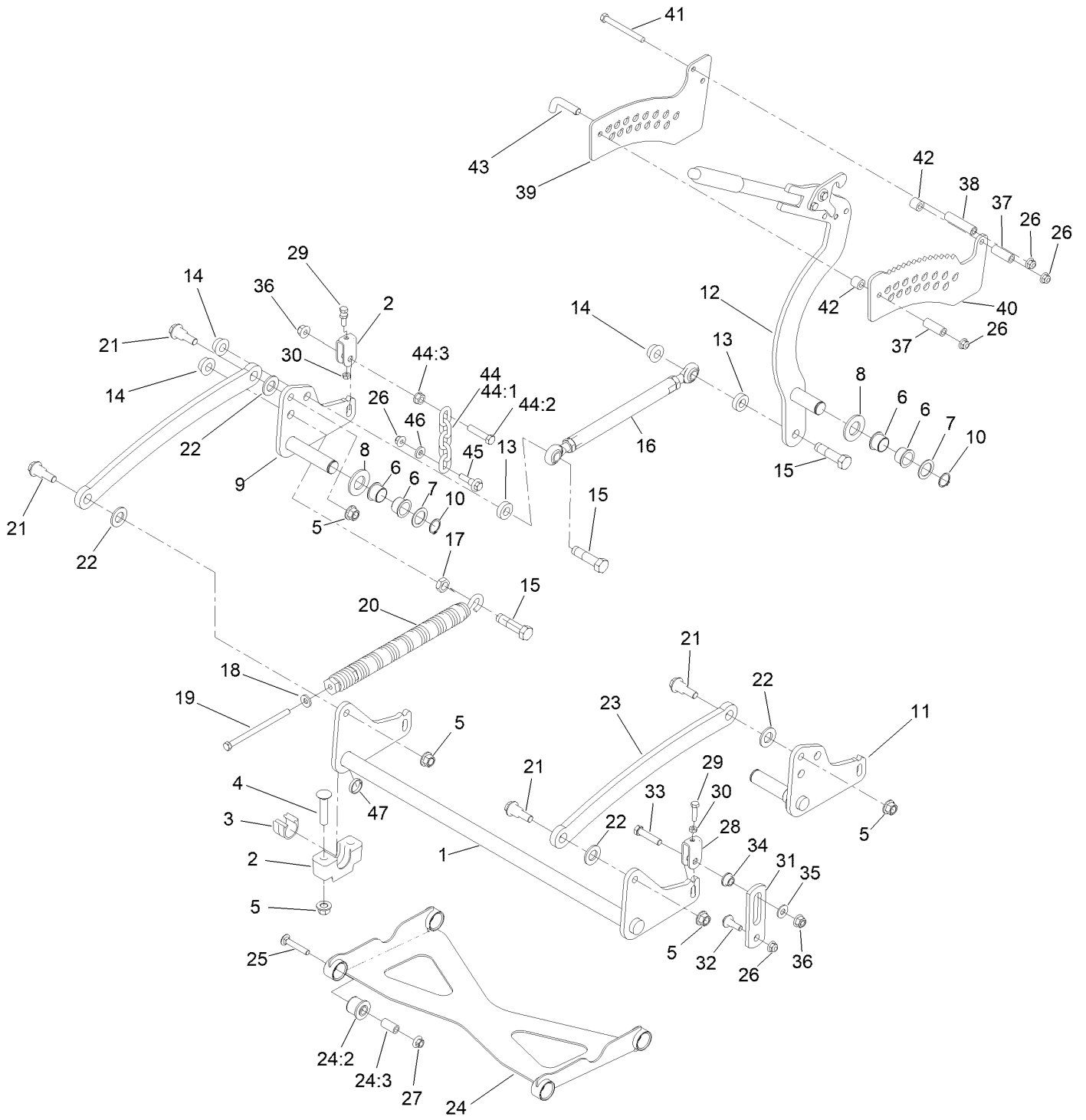
Parking Brake Assembly



Parking Brake Assembly (continued)

<i>Ref.</i>	<i>Part Number</i>	<i>Qty.</i>	<i>Description</i>	<i>Ref.</i>	<i>Part Number</i>	<i>Qty.</i>	<i>Description</i>
1	132-5170	1	Brake Handle ASM	7	32144-4	2	Screw-HWH
2	3230-23	5	Bolt-CARR	8	132-1187	1	Clamp-Cable
3	104-8300	6	Nut-HF, NI	9	132-7582	1	Mount-Cable, Brake
4	132-5168	1	RH Brake Caliper ASM	10	1-633268	1	Grip-Lever
5	132-5169	1	LH Brake Caliper ASM	11	131-1195	2	Cable-Brake
6	104-8301	2	Nut-HF, NI				

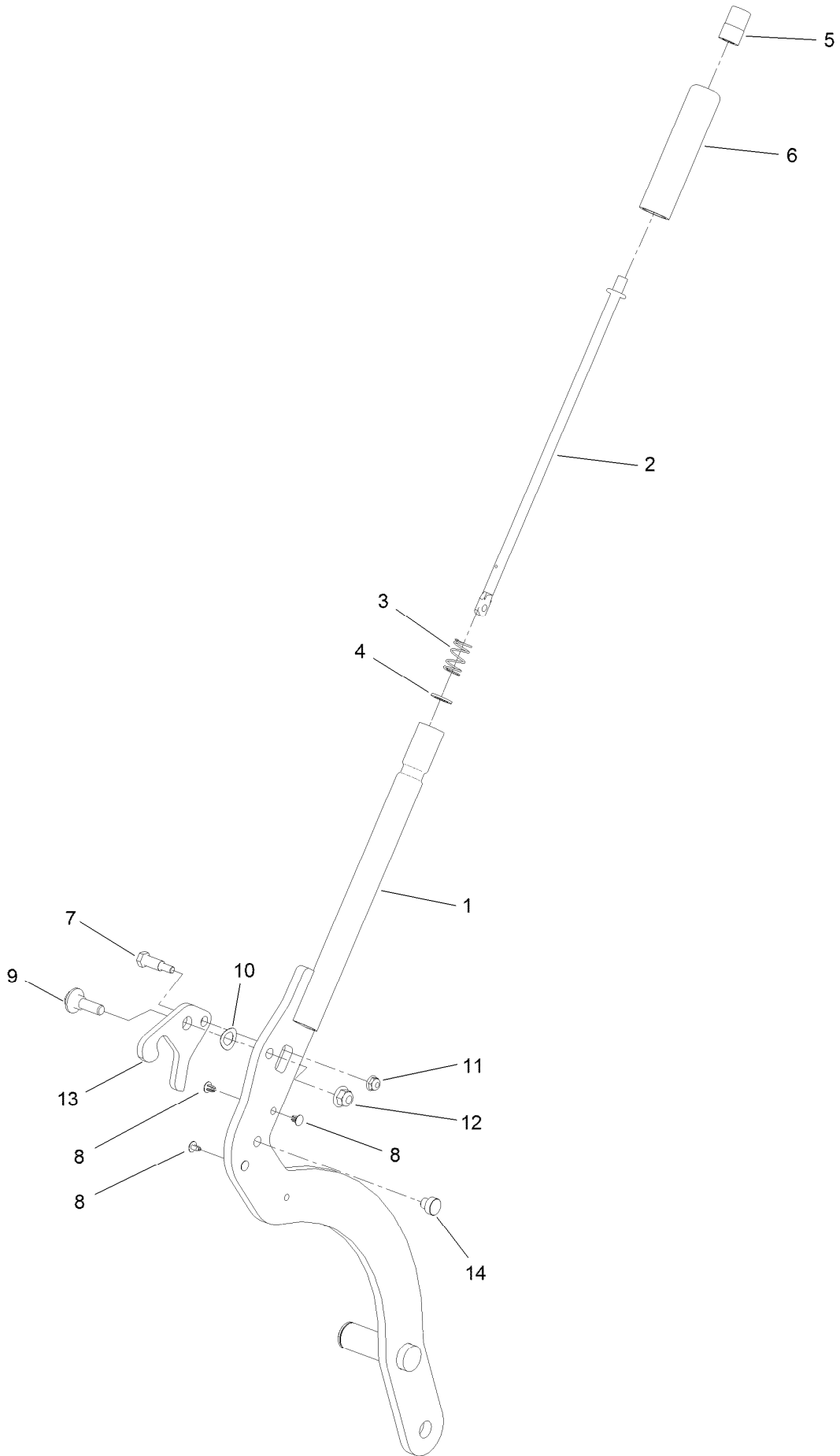
Deck Lift Assembly



Deck Lift Assembly (continued)

<i>Ref.</i>	<i>Part Number</i>	<i>Qty.</i>	<i>Description</i>	<i>Ref.</i>	<i>Part Number</i>	<i>Qty.</i>	<i>Description</i>
1	120-8405-01	1	Shaft-Cross, Front	25	3231-7	4	Screw-CARR
2	109-9409	2	Support-Bearing, Cross Shaft (Front)	26	104-8301	7	Nut-HF, NI
3	109-9410	2	Bearing-Cross Shaft, Front	27	32128-19	4	Nut-HF Lock, Large Flg
4	116-1700	4	Bolt-CARR	28	109-9066	4	Yoke-Adjust, Deck
5	99-5107	8	Nut-Lock	29	322-47	4	Screw-HH
6	127-0369	6	Bushing	30	3218-2	8	Nut-Hex Jam
7	10-8110	3	Washer-Thrust	31	130-6589	2	Link-Lift
8	3256-62	3	Washer-Flat	32	109-9840	2	Screw-Shoulder, HHF
9	127-0616-01	1	Arm-Lift, Rear (RH)	33	109-9065	2	Screw-HH
10	32151-29	3	Ring-Retaining	34	116-2428	2	Bushing-Flanged
11	127-0615-01	1	Arm-Lift, Rear (LH)	35	3256-4	2	Washer-Flat
12	161-6735	1	HOC Lever ASM	36	3296-48	4	Nut-Hex
13	119-6223	2	Washer	37	95-6448	2	Spacer
14	138-4932	3	Nut-Hex Flg	38	138-1111	1	Spacer
15	138-4931	3	Screw-Lock	39	132-7581	1	HOC Plate And Decal ASM
16	130-6615	1	HOC Link ASM	40	138-4887	1	Plate-HOC, Inner
17	3218-6	1	Nut-Jam	41	116-4701	3	Screw-HHF
18	98-5975	1	Washer-Belleville	42	121-1760	2	Spacer
19	323-58	1	Bolt-TAP, HH	43	116-5584	1	Pin-HOC
20	116-0886	1	Spring-Extension	44	116-0756	2	Deck Lift Chain ASM
21	116-0780	4	Screw-Shoulder, HHF	44:1	1-633447	1	Chain-Lift, Deck
22	3256-28	4	Washer-Flat	44:2	109-9065	1	Screw-HH
23	127-1948-03	2	Link-Lift	44:3	32128-37	1	Nut-HF
24	137-4129	1	Deck Strut ASM	45	130-0742	2	Bolt-Shoulder
24:2	137-4108	4	Bushing-Rubber	46	43-0940	2	Spacer
24:3	108-6544	4	Spacer	47	133-1431	1	Spacer-Split

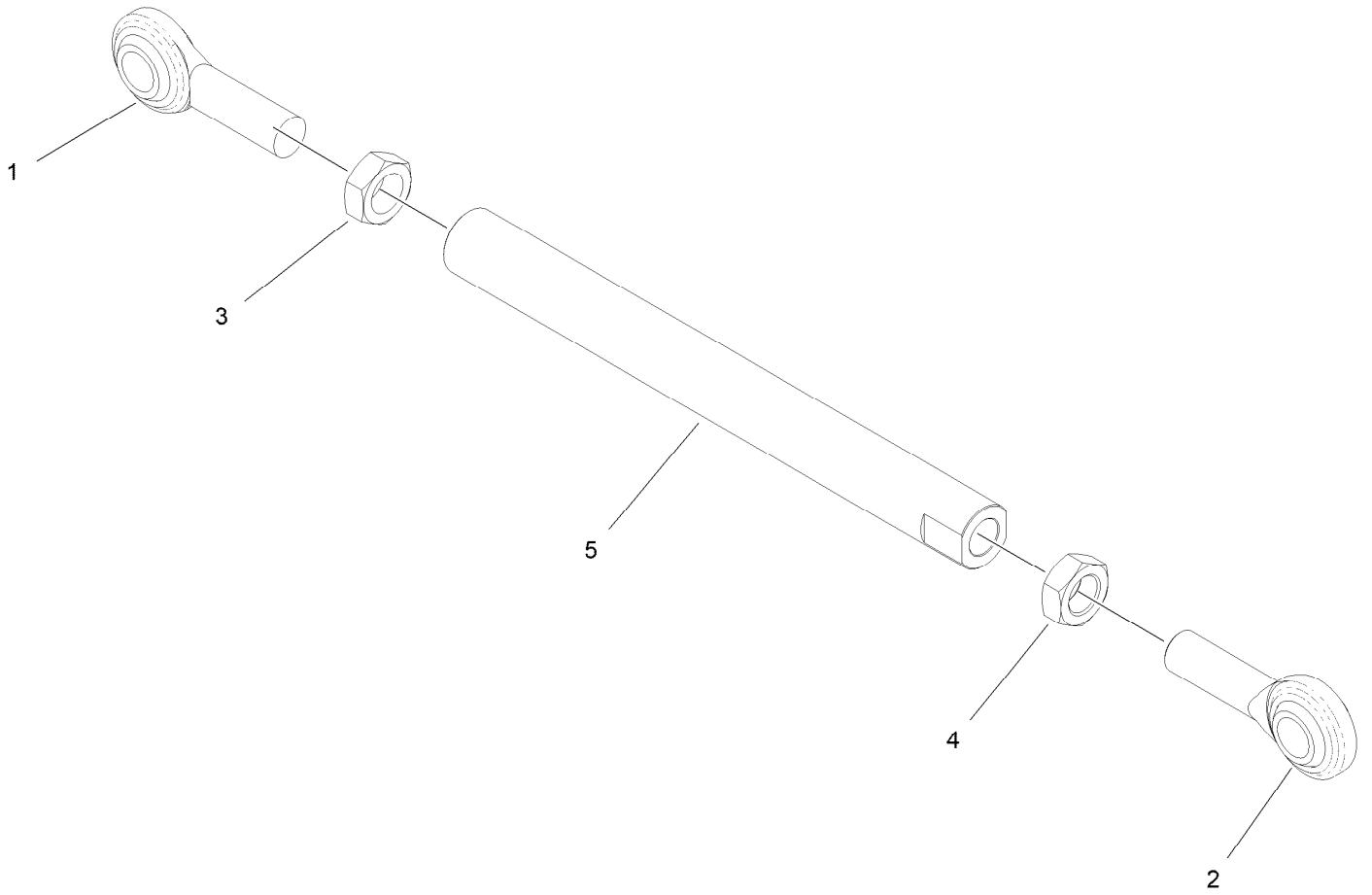
HOC Lever Assembly No. 161-6735



HOC Lever Assembly No. 161-6735 (continued)

<i>Ref.</i>	<i>Part Number</i>	<i>Qty.</i>	<i>Description</i>	<i>Ref.</i>	<i>Part Number</i>	<i>Qty.</i>	<i>Description</i>
1	161-6736-01	1	Lift Lever ASM [red]	8	103-1363	4	Rivet
2	136-0530	1	Rod-Latch, Release	9	614672	1	Screw-Shoulder, HWH
3	114-8187	1	Spring-Compression	10	110-8982	1	Washer-Spring
4	114-1207	1	Washer-Special	11	104-7201	1	Nut-HF, NI
5	115-2750	1	Knob	12	104-8301	1	Nut-HF, NI
6	115-3592	1	Grip	13	138-4888	1	Latch-HOC
7	119-2309	1	Bolt-Shldr,HH	14	138-4863	1	Plug-Wear

HOC Link Assembly No. 130-6615

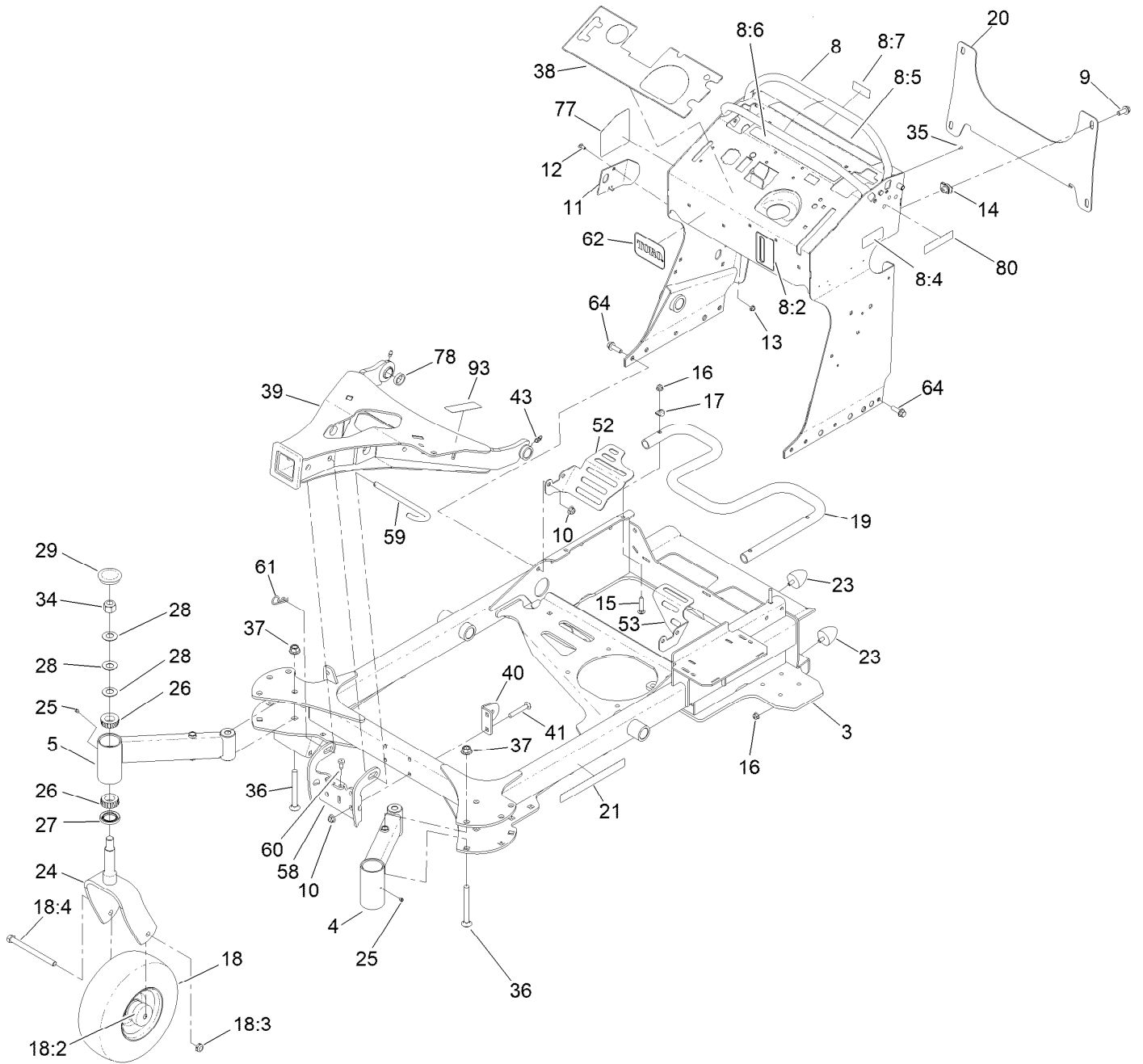


HOC Link Assembly No. 130-6615 (continued)

<i>Ref.</i>	<i>Part Number</i>	<i>Qty.</i>	<i>Description</i>
1	1-633029	1	Balljoint-Spherical
2	117-5291	1	Balljoint-Spherical
3	3220-6	1	Nut-Jam

<i>Ref.</i>	<i>Part Number</i>	<i>Qty.</i>	<i>Description</i>
4	117-5293	1	Nut-Jam
5	130-6614	1	Link-Height Of Cut

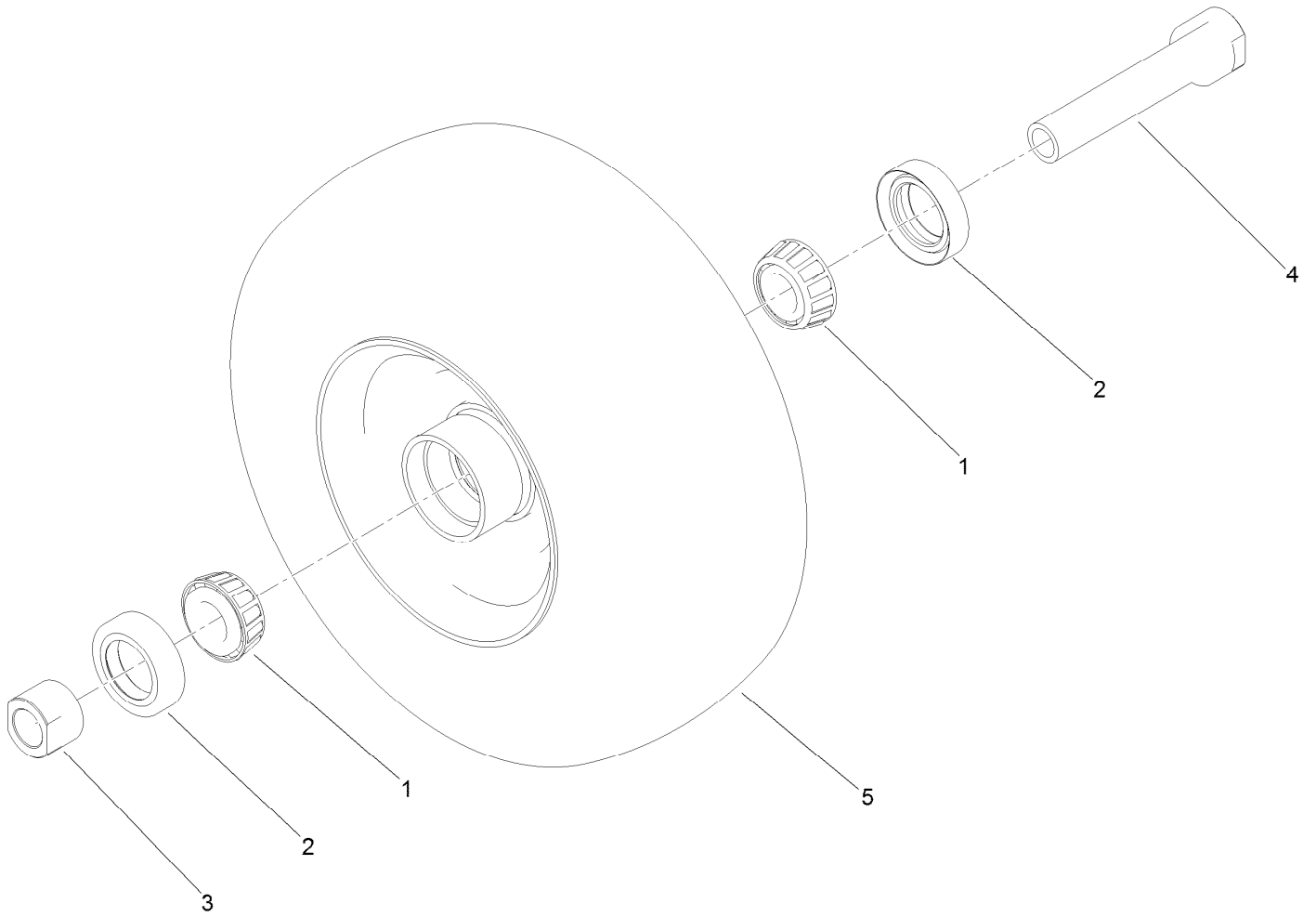
Frame Assembly



Frame Assembly (continued)

<i>Ref.</i>	<i>Part Number</i>	<i>Qty.</i>	<i>Description</i>	<i>Ref.</i>	<i>Part Number</i>	<i>Qty.</i>	<i>Description</i>
3	131-1510-01	1	Frame	25	1-811010	2	Plug
4	131-1521-01	1	Tube-Castor, Short	26	1-543509	4	Bearing-Roller, Tapered
5	131-1522-01	1	Tube-Castor, Long	27	116-5647	2	Seal-Grease
8	140-4283	1	Tower Decal ASM	28	1-633508	6	Washer-Bellville
8:2	147-7921	1	Decal-Oil Level	29	103-4882	2	Cap-Grease
8:4	116-8775	1	Decal-Fill, Fuel	34	3296-51	2	Nut-Lock, NI
8:5	139-2878	1	Decal-Warning	35	3290-271	2	Rivet-Pop
8:6	131-3526	1	Decal-Controls	36	3233-7	4	Screw-CARR
8:7	147-0212	1	Decal - Fuse	37	99-5107	4	Nut-Lock
9	3234-42	4	Screw-HHF	38	140-4260	1	Decal, Multi-Force
10	104-8301	12	Nut-HF, NI	39	133-4662-03	1	A-Frame
11	131-7455	1	Plate-Striker	40	127-0649-01	2	Bracket-Cylinder
12	3229-11	1	Screw-CARR	41	3231-44	4	Screw-CARR
13	104-7201	1	Nut-HF, NI	43	302-40	1	Fitting-Grease, 90 DEG
14	105-4886	4	Nut-Tinnerman	52	132-7578-01	1	Guard-Fan, RH
15	3230-5	3	Bolt-CARR	53	132-7598-01	1	Guard-Fan, LH
16	104-8300	7	Nut-HF, NI	58	133-5320-01	1	Bracket-Lock
17	107-3844	3	Washer	59	133-2021	1	Pin-Hitch
18	140-5485	2	Mf Wheel Tire Bearing ASM	60	87-8460	2	Bumper-Rubber
18:2	103-2768	2	Guard-Seal	61	92-2762	1	Pin-Hair
18:3	3296-45	1	Nut-Hex	62	126-5060	1	Decal-Logo, Toro
18:4	325-20	1	Screw-HH	64	119-4061	8	Screw-HHF
19	132-5161-01	1	Tube-Mount, Fuel Tank	77	133-4648	1	Decal Service-Multiforce
20	132-1145-03	1	Bracket-Cross	78	116-6758	1	Spacer
21	117-3591	2	Decal-Commercial	80	133-8062	1	Decal-Spark Arrestor
23	114-1926	4	Bumper-Rubber	93	115-4855	1	Decal-Caution
24	147-6343-01	2	Caster Fork ASM [red]				

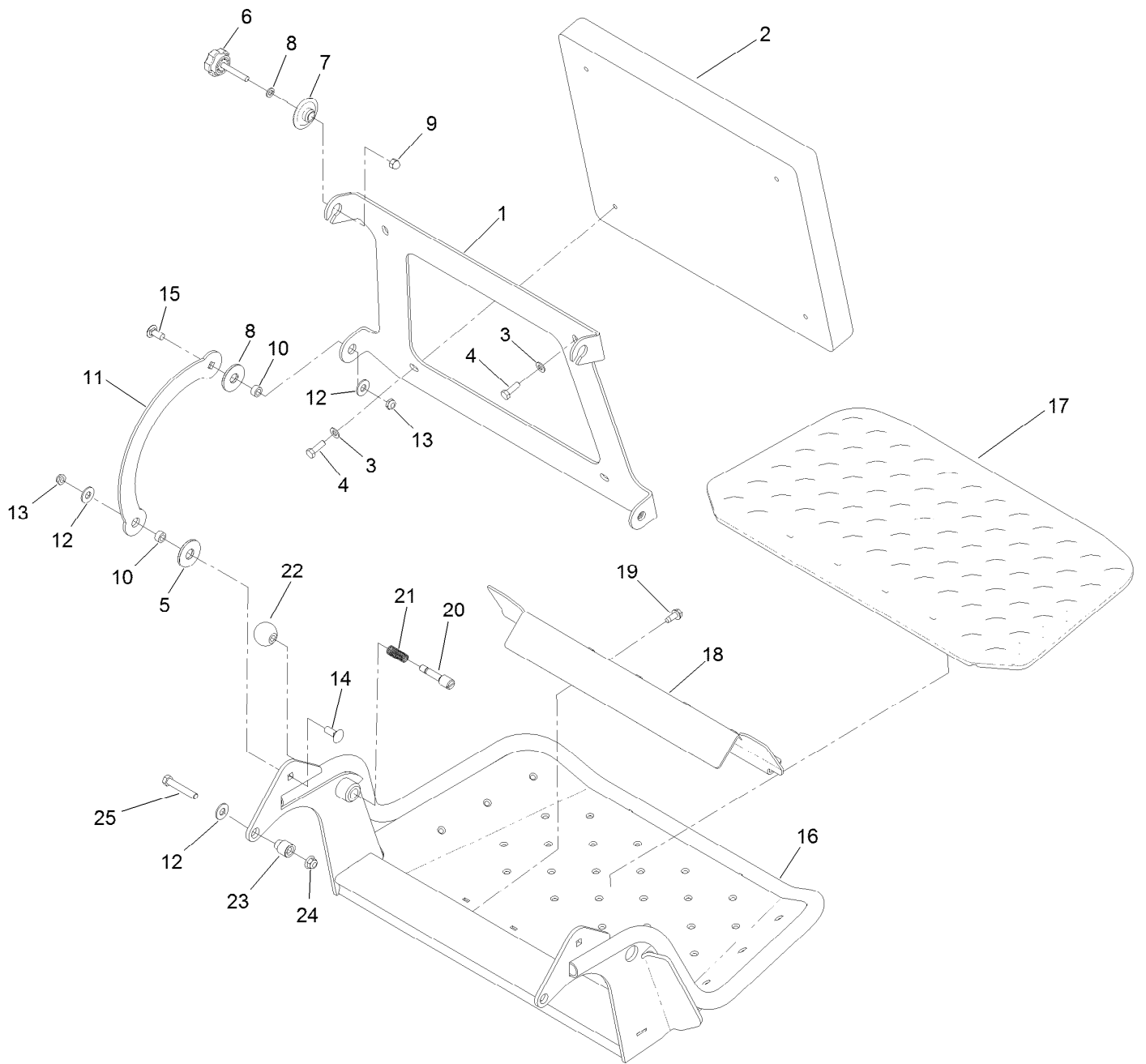
Wheel and Bearing Assembly



Wheel and Bearing Assembly (continued)

<i>Ref.</i>	<i>Part Number</i>	<i>Qty.</i>	<i>Description</i>	<i>Ref.</i>	<i>Part Number</i>	<i>Qty.</i>	<i>Description</i>
1	1-633585	2	Bearing-Cone, Taper	4	126-5359	1	Caster Axle ASM
2	103-0063	2	Seal-Caster	5	140-5483	1	Mf Wheel And Tire ASM
3	103-3051	1	Spacer-Nut				

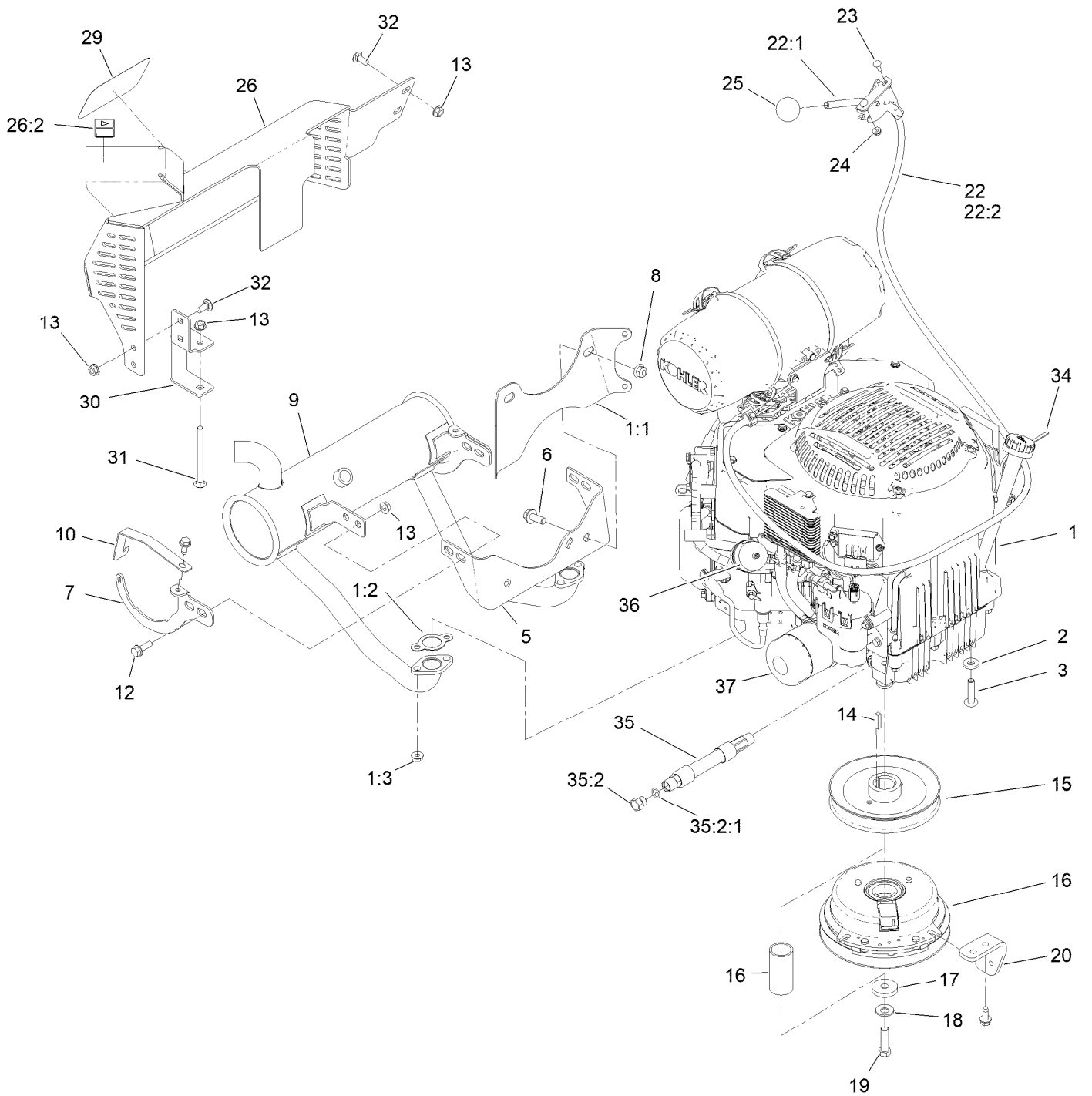
Platform Assembly



Platform Assembly (continued)

<i>Ref.</i>	<i>Part Number</i>	<i>Qty.</i>	<i>Description</i>	<i>Ref.</i>	<i>Part Number</i>	<i>Qty.</i>	<i>Description</i>
1	120-8499-03	1	Hinge-Pad	14	3231-2	2	Bolt-CARR
2	117-9739	1	Pad-Cushion	15	3231-27	2	Screw-CARR
3	3256-23	4	Washer-Plain	16	163-3498-01SP	1	Platform ASM
4	121-7999	4	Screw-HH, Patch	17	126-7157	1	Mat-Platform
5	114-0463	4	Washer-Friction, Composite	18	3345-771	1	Shield Clamp Kit
6	133-1426	2	Knob	19	32144-70	2	Screw-HWHTF
7	116-2886	2	Slide-Bushing	20	119-8650	1	Pin-Latch
8	3253-4	2	Washer-Lock	21	114-5348	1	Spring
9	137-4808	2	Nut-Acorn	22	1-603175	1	Knob-Ball
10	111044	4	Spacer	23	132-7583	2	Bushing-Flanged
11	114-1915-01	2	Link-Pad	24	104-8301	2	Nut-HF, NI
12	3256-4	6	Washer-Flat	25	323-45	2	Screw-HH
13	3296-59	4	Nut-Lock, NI				

Engine Assembly



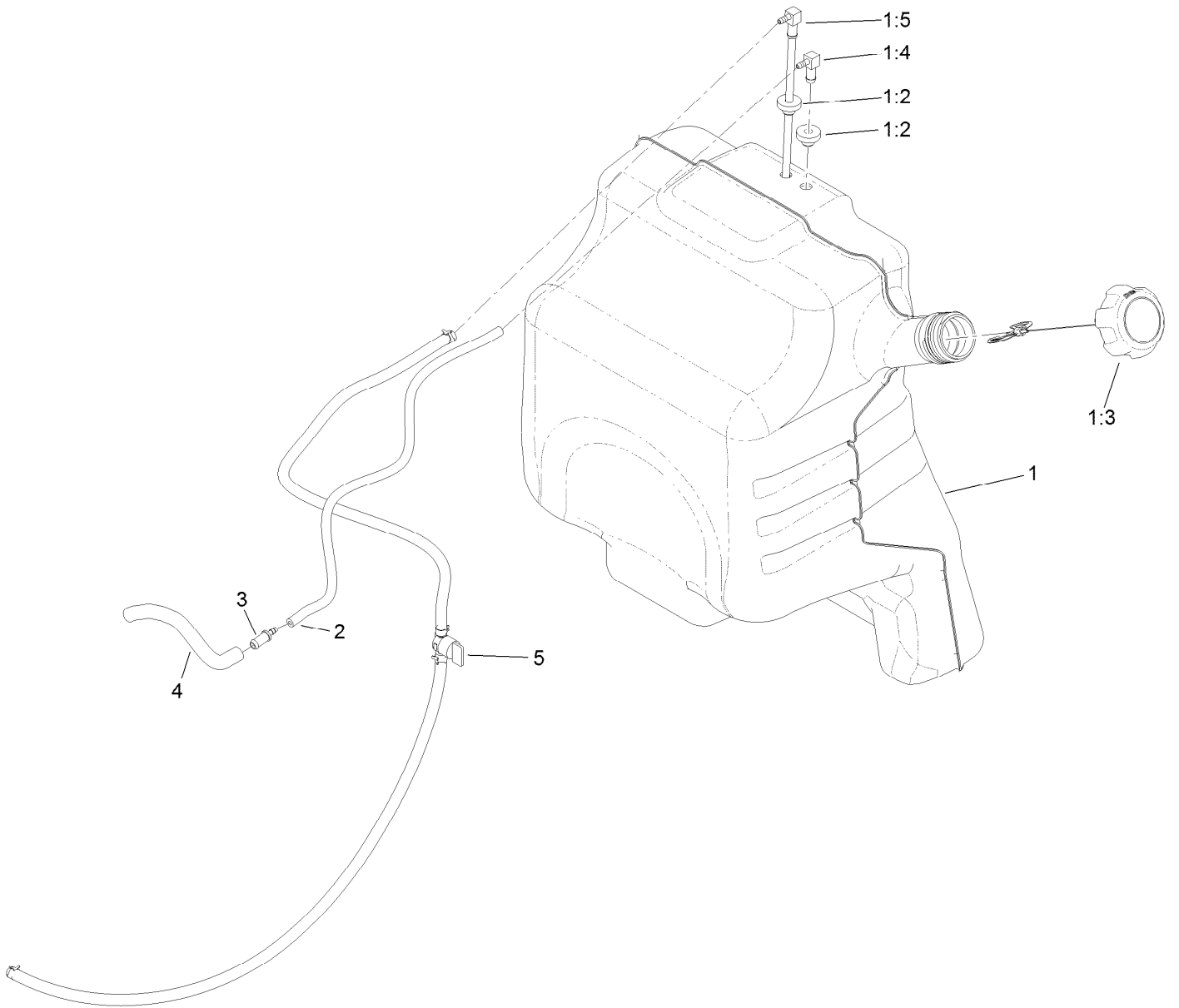
Engine Assembly (continued)

<i>Ref.</i>	<i>Part Number</i>	<i>Qty.</i>	<i>Description</i>	<i>Ref.</i>	<i>Part Number</i>	<i>Qty.</i>	<i>Description</i>
1		1	Engine-Kohler, Ecv749 ●■	20	131-3586-05	1	Stop-Clutch
1:1	131-7400	1	Bracket-Muffler	22	147-1664	1	Throttle ASM
1:2	110-6697	2	Gasket-Exhaust	22:1	145-6187	1	Lever-Control
1:3	68-9400	4	Nut-Flange	22:2	147-1674	1	Cable-Throttle
2	98-5975	4	Washer-Belleville	23	1-807533	2	Bolt-CARR
3	126-0983	4	Screw-BHTF	24	32128-17	2	Nut-Lock, Flange
5	132-1168	1	Bracket-Muffler	25	1-603175	1	Knob-Ball
6	3234-42	2	Screw-HHF	26	163-4101	1	Muffler Guard ASM
7	133-4613	2	Support-Muffler	26:2	106-5517	1	Decal-Warning
8	104-8301	2	Nut-HF, NI	29	94-2579	1	Decal
9	133-4634	1	Muffler-Kohler	30	131-3530-05	1	Bracket-Mounting, Guard
10	133-4639	2	Bracket-Muffler, Koh	31	106-9758	1	Screw-CARR
12	3234-17	4	Screw-HHF	32	3230-23	4	Bolt-CARR
13	32128-25	9	Nut-HF	34	3290-378	1	Tie-Cable
14	1-807259	1	Key	35	133-4657	1	Hose ASM
15	120-8498	1	Pulley	35:2	353-508	1	Plug-HH
16	131-1100	1	Clutch	35:2:1	237-42	1	O-Ring
17	1-543610	1	Washer-Flat	36	94-9695	1	Filter-Fuel
18	1-603610	1	Washer-Spring	37	98020	1	Filter-Oil
19	3212-6	1	Screw-HH				

● Not serviced separately

■ Obtain parts from www.kohlerplus.com

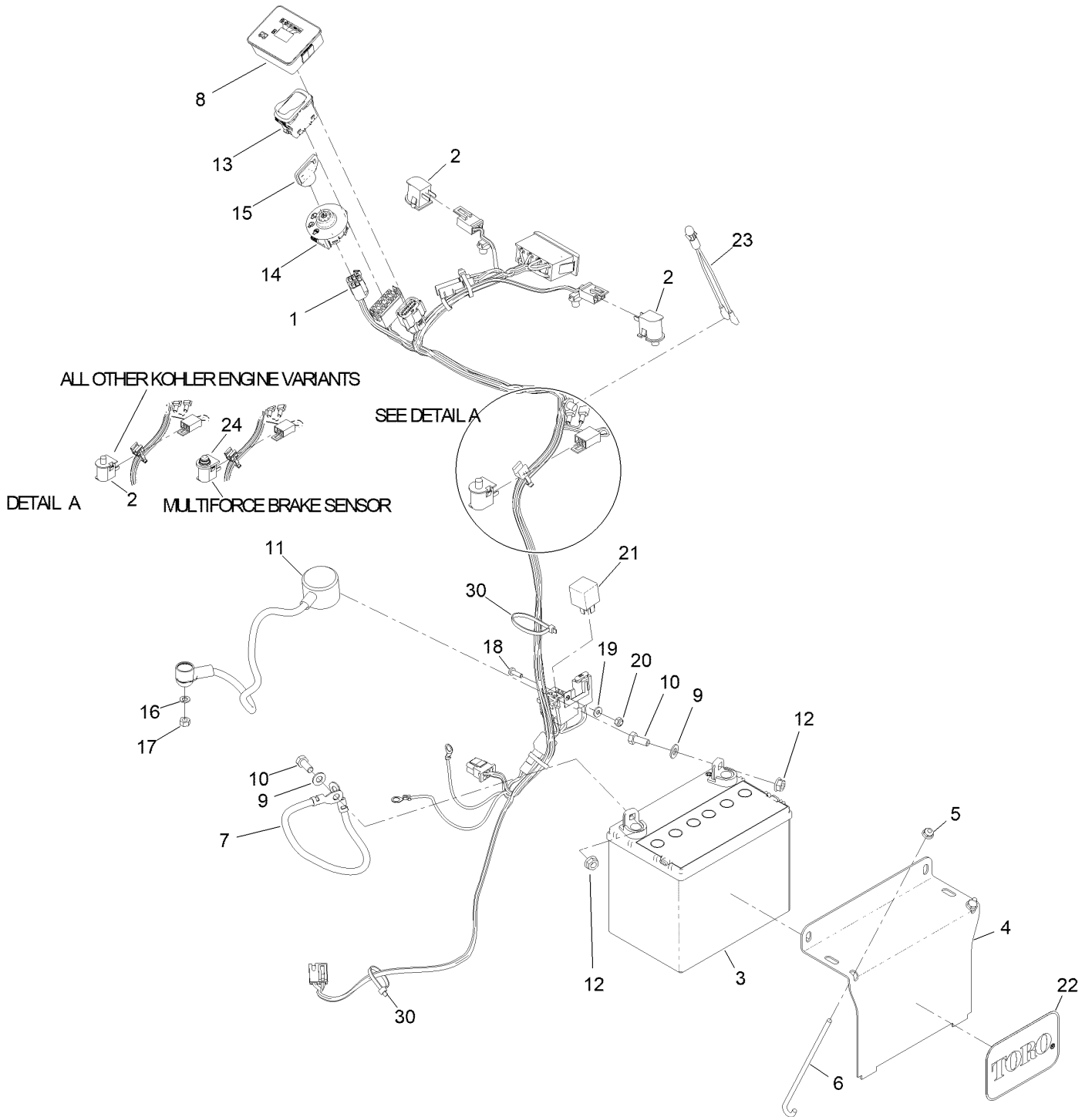
Fuel Tank Assembly



Fuel Tank Assembly (continued)

<i>Ref.</i>	<i>Part Number</i>	<i>Qty.</i>	<i>Description</i>	<i>Ref.</i>	<i>Part Number</i>	<i>Qty.</i>	<i>Description</i>
1	132-7560	1	Fuel Tank ASM	2	110-8255	1	Hose-Fuel
1:2	46-6560	2	Bushing	3	98-2952	1	Fitting-Straight
1:3	137-4127	1	Cap-Fuel	4	132-7576	1	Hose-Fuel
1:4	104-5228	1	Fitting-Elbow, 90 DEG	5	132-7545	1	Fuel Line ASM
1:5	145-6195	1	ASM, Tube-Fuel				

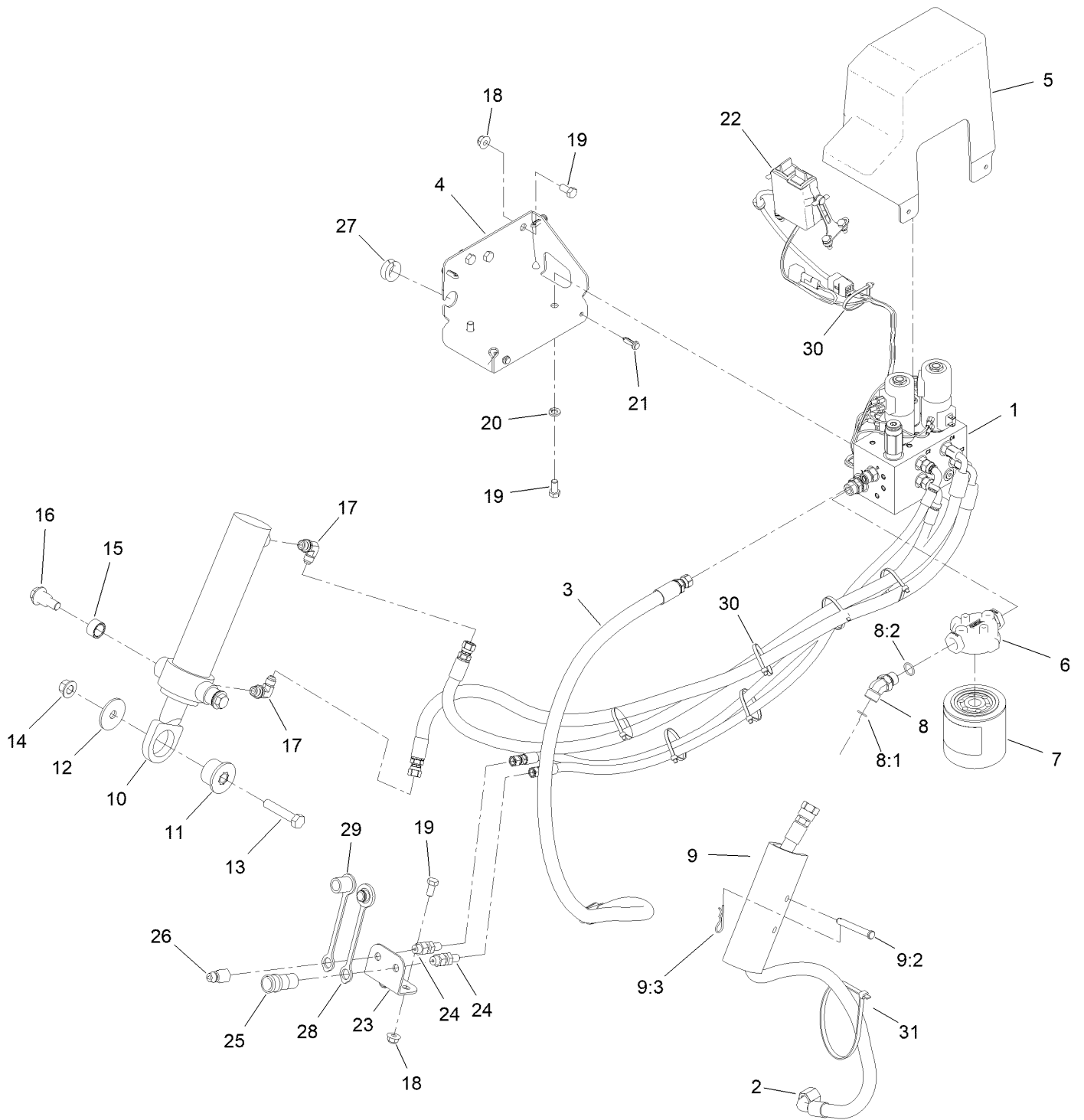
Electrical Assembly



Electrical Assembly (continued)

<i>Ref.</i>	<i>Part Number</i>	<i>Qty.</i>	<i>Description</i>	<i>Ref.</i>	<i>Part Number</i>	<i>Qty.</i>	<i>Description</i>
1	147-7942	1	Harness-Wire, Grandstand	14	137-4101	1	Switch-Ignition
2	82-2190	2	Switch-Bail	15	63-8360	1	Key-Ignition
3	104-8162	1	Battery	16	3253-3	1	Washer-Lock
4	130-6635-01	1	Bracket-Hold Down, Battery	17	3217-5	1	Nut-Hex
5	104-7201	2	Nut-HF, NI	18	3290-500	1	Screw-PPH
6	1-633651	2	Bolt-Holddown	19	3256-14	1	Washer-Flat
7	112-7063	1	Cable-Battery, Black	20	3296-2	1	Nut-Lock, NI
8	140-1884	1	Module-Meter, Hour	21	1-643275	1	Relay
9	3256-23	2	Washer-Plain	22	67-1300	1	Decal
10	322-3	2	Screw-HH	23	1-643267	1	Indicator-LED, Red
11	115-3864	1	Cable-Battery, Positive	24	133-4654	1	Switch-Plunger
12	109-5715	2	Nut-HHF, Smooth	30	3290-378	2	Tie-Cable
13	139-6367	1	Switch-Rocker, (On)-On-Off				

Low Flow Hydraulics Assembly

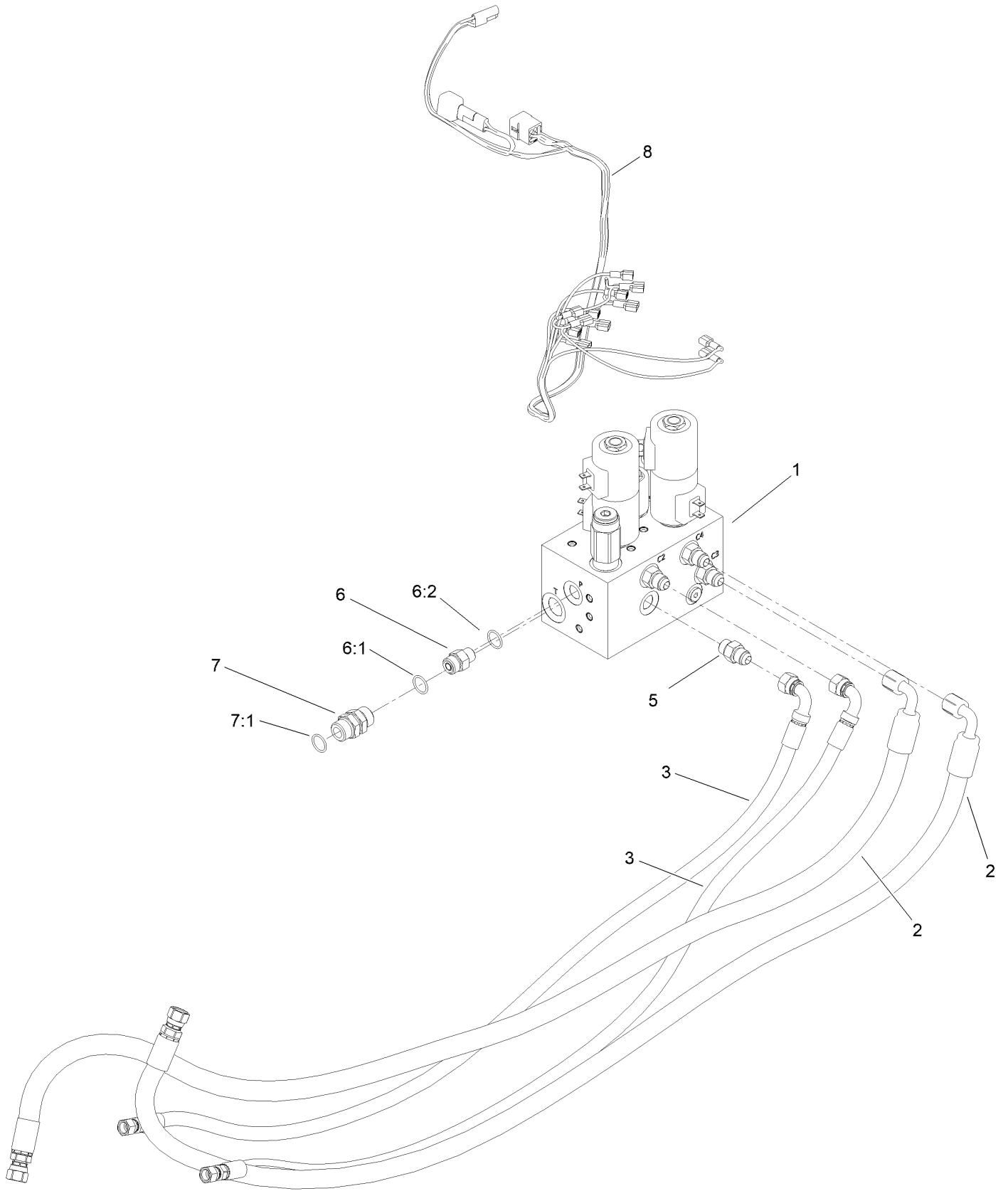


Low Flow Hydraulics Assembly (continued)

<i>Ref.</i>	<i>Part Number</i>	<i>Qty.</i>	<i>Description</i>	<i>Ref.</i>	<i>Part Number</i>	<i>Qty.</i>	<i>Description</i>
1		1	Low Flow Manifold ASM ●	16	HDW13947	2	Bolt,Shoulder,Pivot
2	161-6689	1	Hose ASM-HYD	17	HYD13925	2	Fitting,90,6-MORB X 6-M37JIC
3	161-6688	1	Hose ASM-HYD	18	104-8301	5	Nut-HF, NI
4	HYD13942-03	1	Bracket,HYD MAN,Grandstand	19	323-4	7	Screw-HH
5	HYD13941	1	Cover,Manifold,Grandstand	20	3253-21	2	Washer-Lock
6	HYD14087	1	Grandstand,Head,Filter,-08ORB	21	HDW17303	4	Tuflok Rivet
7	HYD14155	1	Filter,Winter,Spin-On,Grandstand	22		1	Controler Kit, Mf Low Flow ●
8	340-101	1	Fitting-HYD, 45 DEG	23	HYD13943-03	1	Mounting Bracket,Bulkhead
8:1	237-30	1	O-Ring	24	HYD13159	2	Fitting,Bulkhead,1/4MJIC X 1/4MNPT
8:2	237-79	1	O-Ring	25	HYD13160	1	Fitting,Quick Connect,Female,1/4FNPT
9	137-4106	1	Lift Cylinder Lock Kit	26	HYD13161	1	Fitting,Quick Connect,Male,1/4FNPT
9:2	283-52	1	Pin-Clevis	27	TGS05834	1	Grommet,3/4ID X 1OD X 1/4Groove, TGS
9:3	3290-467	1	Pin-Hair	28	353-984	1	Plug-Dust
10	HYD13944	1	Cylinder,Lift,2X8	29	353-985	1	Cap-Dust
11	MSC13350	1	Bushing Assy,Lift Cylinder,Grandstand	30	3290-378	7	Tie-Cable
12	55-7960	1	Washer-Large	31	3334-945	1	Tie-Cable
13	325-10	1	Screw-HH				
14	99-5107	1	Nut-Lock				
15	HDW13948	2	Bushing,.75X.75				

● Not serviced separately

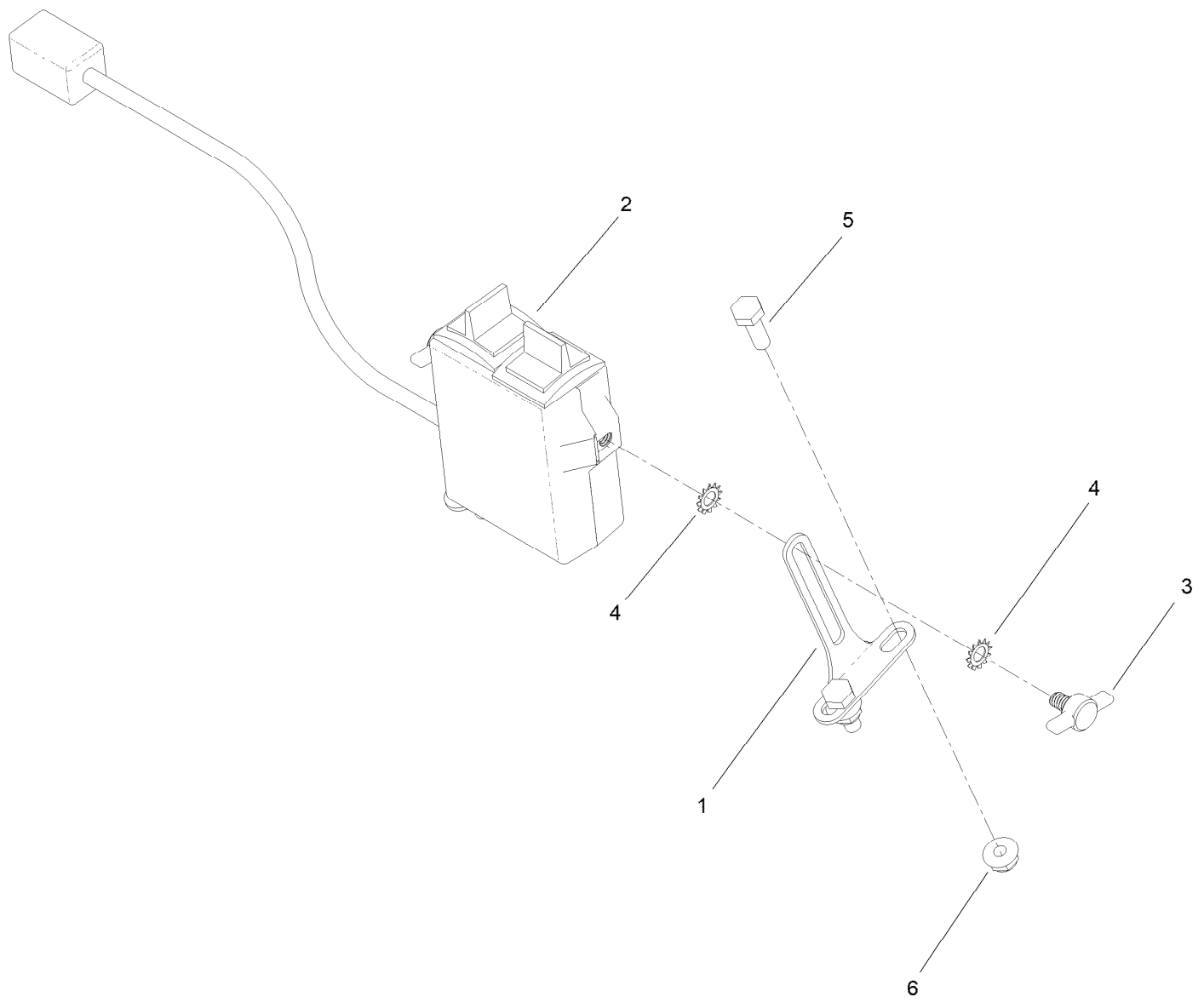
Low Flow Manifold Assembly



Low Flow Manifold Assembly (continued)

<i>Ref.</i>	<i>Part Number</i>	<i>Qty.</i>	<i>Description</i>	<i>Ref.</i>	<i>Part Number</i>	<i>Qty.</i>	<i>Description</i>
1	147-0211	1	Manifold, Gs Low Flow	6:1	237-22	1	O-Ring
2	HYD13940	2	Hose,3/8FJIC X 3/8FJIC90 X 50	6:2	237-42	1	O-Ring
3	HYD13939	2	Hose,1/4FJIC X 3/8FJIC90 X 37	7	95-3209	1	Fitting-Thread, Straight
5	HYD13932	4	Fitting-Straight	7:1	237-79	2	O-Ring
6	340-2	1	Fitting-Straight	8	MSC13819	1	Control Harness, Grandstand

Low Flow Controller Kit Assembly



Low Flow Controller Kit Assembly (continued)

<i>Ref.</i>	<i>Part Number</i>	<i>Qty.</i>	<i>Description</i>	<i>Ref.</i>	<i>Part Number</i>	<i>Qty.</i>	<i>Description</i>
1	MSC13707	2	Bracket,Lg,ATV/UTV CB	4	HDW13711	4	Star Washer 1/4,ATV CB
2	STB13903	1	Control,Switch Box,Grandstand	5	321-4	4	Screw-HH
3	HDW13714	2	Thumb Screw,1/4-20 X 7/16,ATV CB	6	104-7201	4	Nut-HF, NI

Attachments and Accessories

For 72524 GrandStand Multi Force Mower With 60in TURBO FORCE Cutting Unit and Low Flow Hydraulics

Product Name	Model/Part
Air Cleaner Filter.....	100-4556
Filter Air Safety.....	103-1326
Hypr-Oil 500 (quart).....	114-4713
Hypr-Oil 500 (gallon).....	114-4714
Hypr-Oil 500-5 (5 gallon).....	114-4715
Harness Wire Splitter.....	121-5988
Spark Plug.....	130-8380
Fuel Filter.....	130-8381
Toro Premium Fuel Treatment 12oz Bottle.....	131-6572
Speed Setting Tool.....	132-7595
Roller Striper Kit.....	133-1436
Light Kit.....	133-1437
Electric Accessory Port.....	133-1438
HOC Set Blocks.....	133-1439
Trimmer Rack.....	133-1441
Hydro Oil Change Kit.....	133-1457
Strobe Light Kit.....	133-1495
5 Gallon Bucket.....	133-2533
Wheel Weight Kit.....	133-5386
Quick-Attach-Male.....	136-0513
Hydraulic Cap Lock Kit.....	136-5420
Case Drain Kit.....	136-7436
Multiforce EC Float Kit.....	136-8350
Broom Rubber Flap Kit.....	137-3920
Bagger Enhancement Kit.....	139-1529
Idler Kit, Blower Kit for GrandStand Multi Force Mower.....	139-1546
Recycler Kit.....	139-6655
18x8.5n10 X-Tweel Turf.....	139-7890
Blade-20.5 High Flow.....	140-1240
Blade-20.50 Atomic.....	140-1241
Snow Tire Kit.....	140-4310
Pneumatic Castor Wheel Kit.....	140-4311
Blade-20.50 Medium Flow.....	140-4853
Blade-20.50, Low Flow.....	140-4854
Blade-20.50 Recycler.....	140-4855
6 Pack-Blade, 20.5 High Flow.....	140-4877
6 Pack-Blade, 20.5 Med Flow.....	140-4878
6 Pack-Blade, 20.5 Low Flow.....	140-4879
6 Pack-Blade, 20.5 Atomic.....	140-4880
6 Pack-Blade, 20.5 Recycler.....	140-4881
2 Transmission Filter Kit.....	144-3842
Blade-20.50 High Flow.....	147-6252
6 Pack-Blade, 20.50 High Flow.....	147-6256
Kit-pneumatic Caster Tire.....	161-3470
Kit-semi Pneu Caster Tire.....	161-3471

Attachments and Accessories (continued)

Soft Bag (3 Bushel).....	30104
10W30 4-Cycle Engine Oil (32oz Bottle).....	38280
Toro 4-Cycle SAE 30 Oil (32oz Bottle)	38903
Twin Bagger Kit.....	78524
Blower Drive 60-in	78527
Pro Force Blower	78593
Grandstand Multi Force Broom.....	78596
Grandstand Multi Force Mulch Force	78597
Grandstand Multi Force High-Flow Kit	78601
Dethatcher, 46in Multi Force	78690
Dethatcher Mount	78691
Aerator, 38in Multi Force.....	78694
Aerator Mount, Multi Force	78695
Leaf Plow Without Mount.....	78697
Leaf Plow Mount Only, Multi-Force	78698
Spark Arrestor	98-9099
Filter-Oil.....	98020
Kit-Snow Deflector, HTX.....	MSC04587C
Straight Blade, ATV Plow Shoe Kit.....	MSC13040
Blade Extension Kit,6in,stb	MSC13850B
Grandstand Side Plow Kit.....	MSC13960
Blade Crate (Snowplow), ATV Poly S	STB13567B
Urethane Edge Kit	STB13801

Notes:

Notes:



Count on it.