



Count on it.

Parts Catalog

GrandStand® Mower

With 48in TURBO FORCE® Cutting Unit

Model No. 72504—Serial No. 417378074 and Up



Ordering Replacement Parts

To order replacement parts, please supply the part number, the quantity, and the description of each part desired.

Understanding Reference Numbers

Each identified part in an illustration has a reference number. The reference number for a part also appears in the parts list, along with other information about the part.

This catalog uses two special reference number formats, one to indicate parts in a service assembly and another to indicate the quantity of a given part in an illustration.

Service Assembly Reference Numbers

Parts in service assemblies have reference numbers in the form a:b. The a represents the reference number of the entire service assembly and the b represents a sequential number unique to each part within the service assembly.

For example, a wheel assembly might be identified by reference number 6, the tire by 6:1, the valve by 6:2, and the wheel by 6:3. When you order the assembly identified by reference number 6, you receive all parts identified by reference numbers 6:1, 6:2, and 6:3. However, you may also order any part individually. Reference numbers of this type appear in illustration and in parts lists.

Reference Numbers Indicating Quantity

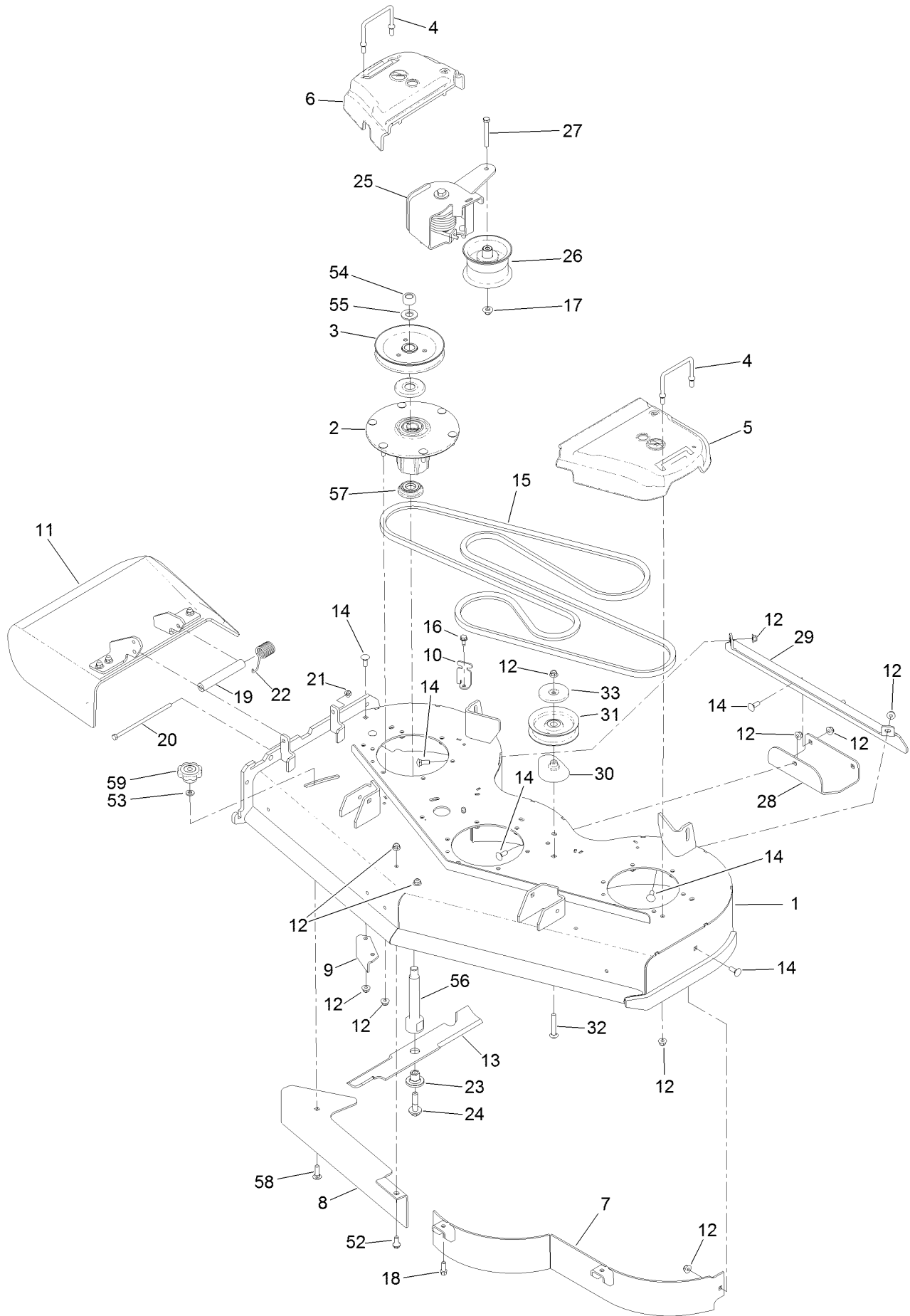
In an illustration, if a reference number indicates more than one part, the reference number has the form nX y. The n represents the quantity of the part, the X is the multiplication symbol, and the y represents the reference number.

For example, in an illustration, the reference number 2X 37 means that two of the parts identified by reference number 37 are indicated.

Contents

| | |
|---------------------------------------|----|
| 48 Inch Deck Assembly | 4 |
| Deck Decal Assembly No. 139-8093 | 6 |
| Spindle Assembly No. 137-9780 | 8 |
| Deflector Assembly No. 163-4031 | 10 |
| Ground Drive Assembly | 12 |
| LH Transmission Assembly No. 138-5838 | 14 |
| RH Transmission Assembly No. 138-5839 | 16 |
| Overflow Hose Assembly | 18 |
| Motion Control Assembly | 20 |
| Control Handle Assembly No. 132-5157 | 22 |
| Control Handle Assembly No. 132-5158 | 24 |
| Parking Brake Assembly | 26 |
| Deck Lift Assembly | 28 |
| HOC Lever Assembly No. 161-6735 | 30 |
| HOC Link Assembly No. 130-6615 | 32 |
| Frame Assembly | 34 |
| Wheel and Bearing Assembly | 36 |
| Platform Assembly | 38 |
| Engine Assembly | 40 |
| Fuel Tank Assembly | 42 |
| Electrical Assembly | 44 |
| Attachments and Accessories | 46 |

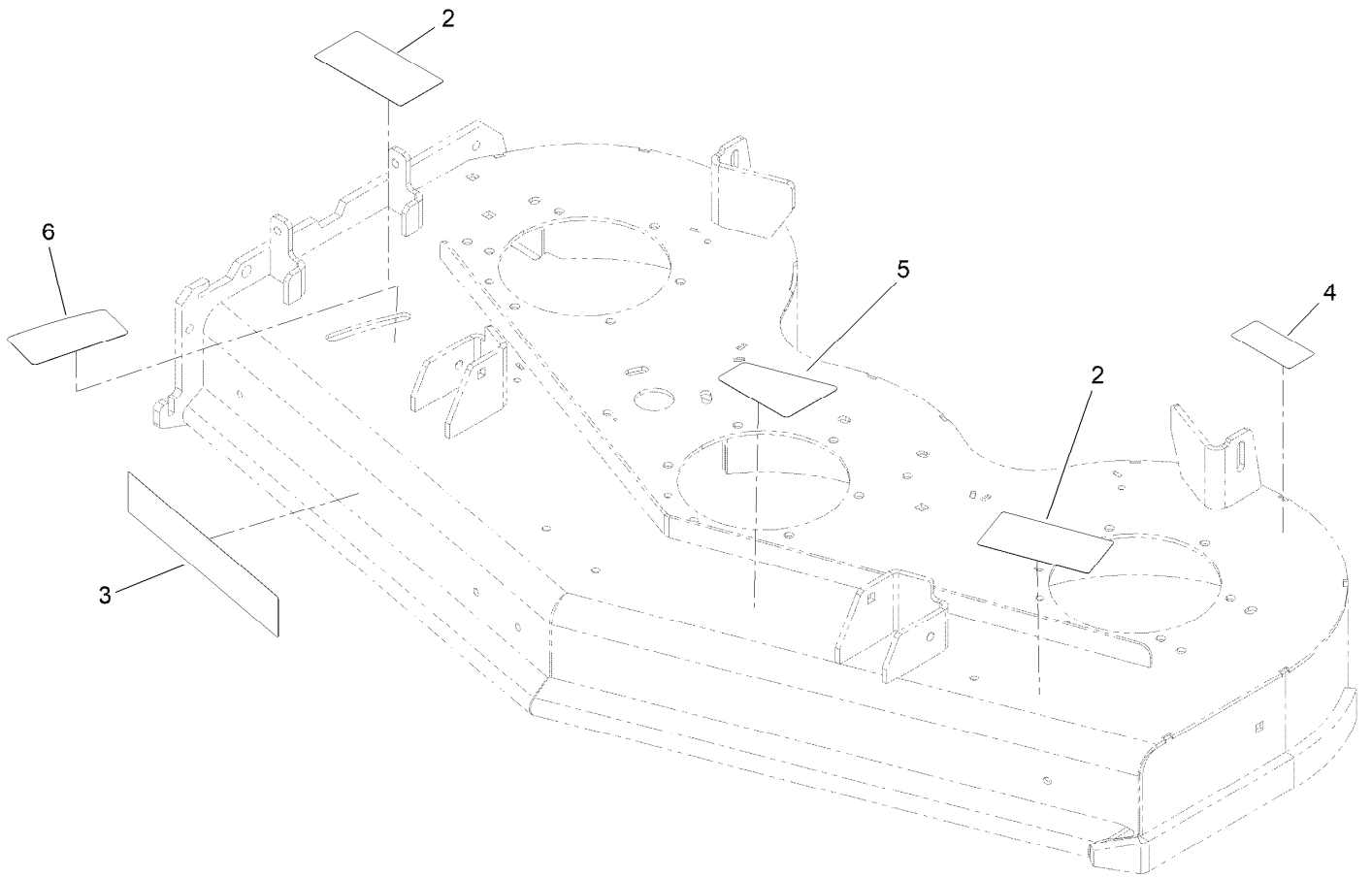
48 Inch Deck Assembly



48 Inch Deck Assembly (continued)

| <i>Ref.</i> | <i>Part Number</i> | <i>Qty.</i> | <i>Description</i> | <i>Ref.</i> | <i>Part Number</i> | <i>Qty.</i> | <i>Description</i> |
|-------------|--------------------|-------------|----------------------------|-------------|--------------------|-------------|-------------------------|
| 1 | 139-8093 | 1 | 48 Deck ASM | 22 | 108-4052 | 1 | Spring-Torsion |
| 2 | 137-9780 | 3 | Spindle ASM | 23 | 137-9787 | 3 | Bushing-Hex |
| 3 | 138-6061 | 3 | Sheave-Blade, Drive | 24 | 109-9220 | 3 | Screw-Sems |
| 4 | 109-6982 | 3 | Wireform-Cover | 25 | 145-3450 | 1 | Gs Torsion Idler ASM li |
| 5 | 109-6936 | 1 | Cover-Belt, LH | 26 | 127-1971 | 1 | Pulley-Idler |
| 6 | 109-6935 | 1 | Cover-Belt, RH | 27 | 323-20 | 1 | Screw-HH |
| 7 | 117-0410-01 | 1 | 48 Inch Baffle ASM | 28 | 114-1908-01 | 1 | Skid |
| 8 | 139-8105-01 | 1 | Plate-Baffle, Formed [red] | 29 | 130-6649-01 | 1 | Bracket-Skid |
| 9 | 107-8541-01 | 1 | Baffle-Discharge | 30 | 109-2872 | 1 | Spacer-Pulley |
| 10 | 117-5758-03 | 4 | Bracket-Cover | 31 | 132-4718 | 1 | Pulley-Idler, Flat |
| 11 | 163-4031 | 1 | Rubber Deflector ASM | 32 | 3231-44 | 1 | Screw-CARR |
| 12 | 104-8301 | 39 | Nut-HF, NI | 33 | 132-5153 | 1 | Shield-Dust |
| 13 | 140-1243 | 3 | Blade-16.50 High Flow | 52 | 94-7582 | 1 | Bolt-Shoulder |
| 14 | 3231-2 | 8 | Bolt-CARR | 53 | 100-4852 | 1 | Washer-Hardened |
| 15 | 131-1121 | 1 | Belt-V | 54 | 116-7306 | 3 | Nut-Hex |
| 16 | 32144-70 | 4 | Screw-HWHTF | 55 | 103-2802 | 3 | Washer |
| 17 | 109-6658 | 1 | Nut-Flange, NI | 56 | 138-6045 | 3 | Shaft-Spindle |
| 18 | 92-1624 | 2 | Screw-HWH Thd Form | 57 | 137-9784 | 3 | Guard-Bottom |
| 19 | 105-4622 | 1 | Spacer | 58 | 3231-25 | 1 | Bolt-CARR |
| 20 | 322-50 | 1 | Screw-HH | 59 | 109-1092 | 1 | Knob |
| 21 | 104-8300 | 1 | Nut-HF, NI | | | | |

Deck Decal Assembly No. 139-8093



Deck Decal Assembly No. 139-8093 (continued)

| <i>Ref.</i> | <i>Part Number</i> | <i>Qty.</i> | <i>Description</i> | <i>Ref.</i> | <i>Part Number</i> | <i>Qty.</i> | <i>Description</i> |
|-------------|--------------------|-------------|--------------------|-------------|--------------------|-------------|---------------------------|
| 2 | 133-4604 | 2 | Decal-Danger | 5 | 131-3507 | 1 | Decal-Belt, Tension (CE) |
| 3 | 107-1690 | 1 | Decal | 6 | 138-1147 | 1 | Decal - Baffle Adjustment |
| 4 | 116-8283 | 1 | Decal-Torque, Bolt | | | | |

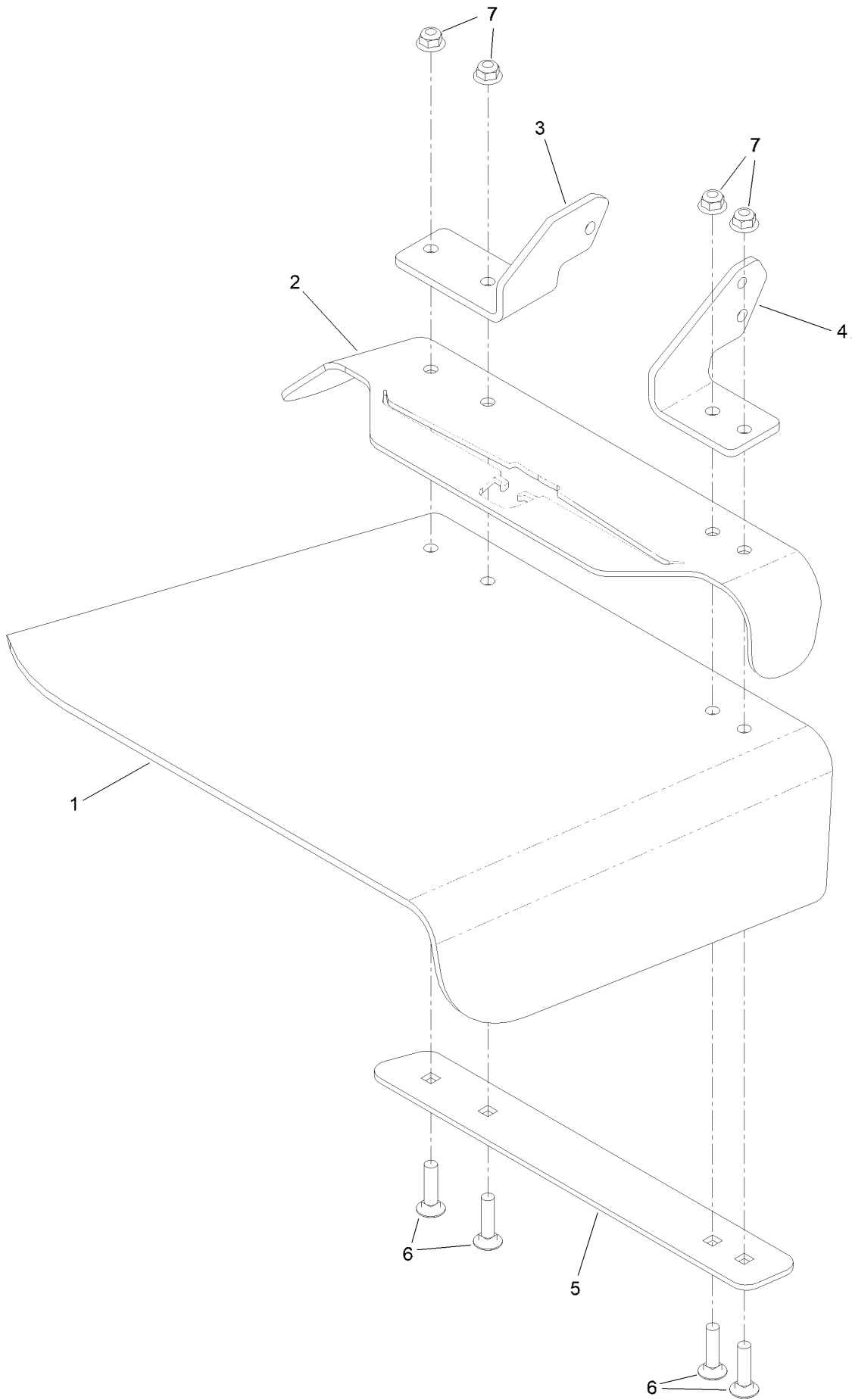
Spindle Assembly No. 137-9780



Spindle Assembly No. 137-9780 (continued)

| <i>Ref.</i> | <i>Part Number</i> | <i>Qty.</i> | <i>Description</i> |
|-------------|--------------------|-------------|--------------------|
| 2 | 116-0720 | 2 | Bearing-Ball |
| 3 | 138-6042 | 1 | Spacer-Bearing |

Deflector Assembly No. 163-4031



Deflector Assembly No. 163-4031 (continued)

| <i>Ref.</i> | <i>Part Number</i> | <i>Qty.</i> | <i>Description</i> | <i>Ref.</i> | <i>Part Number</i> | <i>Qty.</i> | <i>Description</i> |
|-------------|--------------------|-------------|-----------------------|-------------|--------------------|-------------|--------------------|
| 1 | 110-0759 | 1 | Deflector-Rubber | 5 | 106-3248-03 | 1 | Strap-Discharge |
| 2 | 161-9815-01 | 1 | Plate-Deflector Mount | 6 | 3231-5 | 4 | Screw-CARR |
| 3 | 108-4059-01 | 1 | Plate-Hinge, Rear | 7 | 104-8301 | 4 | Nut-HF, NI |
| 4 | 106-3253-01 | 1 | Plate-Hinge, Front | | | | |

Ground Drive Assembly



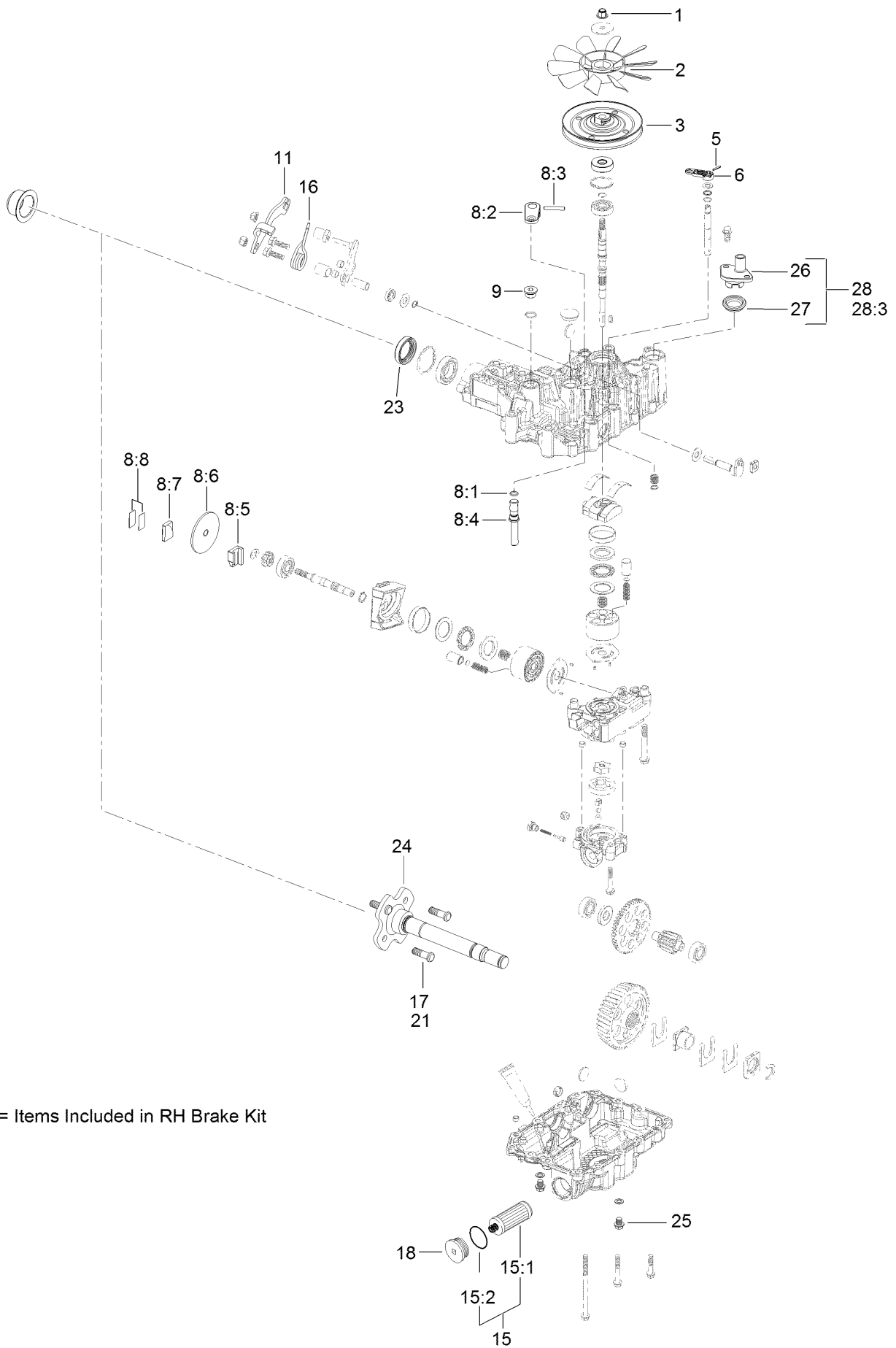
Ground Drive Assembly (continued)

| <i>Ref.</i> | <i>Part Number</i> | <i>Qty.</i> | <i>Description</i> | <i>Ref.</i> | <i>Part Number</i> | <i>Qty.</i> | <i>Description</i> |
|-------------|--------------------|-------------|----------------------------|-------------|--------------------|-------------|------------------------|
| 1 | 138-5838 | 1 | LH Transmission ASM | 20 | 3229-25 | 3 | Screw-CARR |
| 2 | 138-5839 | 1 | RH Transmission ASM | 21 | 104-7201 | 3 | Nut-HF, NI |
| 3 | 131-1131-03 | 1 | Support-Transaxle | 22 | | 1 | Gs Overflow Hose ASM ■ |
| 4 | 93-2569 | 4 | Screw-HHF | 23 | 109-0309 | 1 | Hose-Fuel |
| 5 | 116-4701 | 16 | Screw-HHF | 24 | 92-2379 | 1 | Clamp-Hose |
| 6 | 104-8301 | 18 | Nut-HF, NI | 25 | 131-7469 | 1 | Rod-Bypass, RH |
| 7 | 138-1108-03 | 1 | Plate-Skid | 26 | 131-7470 | 1 | Rod-Bypass, LH |
| 9 | 117-5351 | 1 | Spacer | 27 | 108-2992 | 2 | Pin-Hair |
| 10 | 1-413088 | 1 | Bushing-Lever, Lift | 28 | 32180-030 | 1 | Clip-Tie |
| 11 | 131-1175 | 1 | Arm-Idler | 29 | 140-1888 | 2 | Wheel And Tire ASM |
| 12 | 114-0463 | 2 | Washer-Friction, Composite | 29:1 | 140-1889 | 1 | Rim-8 Inch Black |
| 13 | 110-9981 | 1 | Washer-Plain | 29:2 | 120-6466 | 1 | Tire |
| 14 | 3234-39 | 1 | Screw-HHF | 29:3 | 232-27 | 1 | Stem-Valve |
| 15 | 93-1622 | 1 | Pulley-Idler | 30 | 139-2564 | 8 | Nut-Lug |
| 16 | 3231-4 | 1 | Screw-CARR | 31 | 132-7584 | 2 | Spacer-Hex |
| 17 | 138-1104 | 1 | Spring-Extension | 32 | 104-8300 | 2 | Nut-HF, NI |
| 18 | 131-1124 | 1 | Belt-V | 33 | 3290-250 | 2 | Pin-Cotter |
| 19 | 132-1135 | 1 | Tank-HYD | 34 | 2412-129 | 2 | Clamp-Hose |
| 19:2 | 133-8677 | 1 | Cap-Vented | 35 | 3290-378 | 1 | Tie-Cable |
| 19:5 | 140-9463 | 1 | Strainer-Neck, Removable ● | | | | |

● Not illustrated

■ Not serviced separately

LH Transmission Assembly No. 138-5838



8 = Items Included in RH Brake Kit

LH Transmission Assembly No. 138-5838 (continued)

| <i>Ref.</i> | <i>Part Number</i> | <i>Qty.</i> | <i>Description</i> | <i>Ref.</i> | <i>Part Number</i> | <i>Qty.</i> | <i>Description</i> |
|-------------|--------------------|-------------|--------------------|-------------|--------------------|-------------|---------------------------------|
| 1 | 132-4737 | 1 | Nut-Lock | 15 | 132-4743 | 1 | Hydro Filter Kit |
| 2 | 132-4738 | 1 | Fan | 15:1 | 136-5409 | 2 | Filter |
| 3 | 132-4739 | 1 | Pulley | 15:2 | 136-5410 | 2 | O-Ring |
| 5 | 104-3265 | 1 | Pin | 16 | 137-4109 | 1 | Spring-Torsion |
| 6 | 132-4700 | 1 | Lever-Bypass | 17 | 137-9509 | 4 | Stud-Wheel |
| 8 | 133-1468 | 1 | Brake Kit,Left | 18 | 138-4613 | 1 | Cap-Oil Filter |
| 8:1 | | 1 | O-Ring ● | 21 | 137-9509 | 1 | Stud-Wheel |
| 8:2 | | 1 | Arm-Brake ● | 23 | 139-5587 | 1 | Seal-Axle, Ua |
| 8:3 | | 1 | Pin-Roll ● | 24 | 139-5588 | 1 | Axle |
| 8:4 | | 1 | Shaft-Brake ● | 25 | 139-5589 | 2 | Drain Bolt |
| 8:5 | | 1 | Actuator-Brake ● | 26 | 139-5590 | 1 | Expansion Fitting |
| 8:6 | | 1 | Disc-Brake ● | 27 | 139-5591 | 1 | Grommet Seal, Expansion Fitting |
| 8:7 | | 1 | Shoe-Brake ● | | | | |
| 8:8 | | 1 | Shim Kit ● | 28 | 139-7871 | 1 | Expansion Fitting - W/ Seal |
| 9 | 132-4735 | 1 | Cap-Oil | 28:3 | | 1 | M8*20 Flange Bolt ● |
| 11 | 136-5401 | 1 | Lever-Control, RH | | | | |

● Not serviced separately

RH Transmission Assembly No. 138-5839



RH Transmission Assembly No. 138-5839 (continued)

| <i>Ref.</i> | <i>Part Number</i> | <i>Qty.</i> | <i>Description</i> | <i>Ref.</i> | <i>Part Number</i> | <i>Qty.</i> | <i>Description</i> |
|-------------|--------------------|-------------|--------------------|-------------|--------------------|-------------|---------------------------------|
| 1 | 132-4737 | 1 | Nut-Lock | 11 | 136-5401 | 1 | Lever-Control, RH |
| 2 | 132-4738 | 1 | Fan | 15 | 132-4743 | 1 | Hydro Filter Kit |
| 3 | 132-4739 | 1 | Pulley | 15:1 | 136-5409 | 2 | Filter |
| 5 | 104-3265 | 1 | Pin | 15:2 | 136-5410 | 2 | O-Ring |
| 6 | 132-4700 | 1 | Lever-Bypass | 16 | 137-4109 | 1 | Spring-Torsion |
| 8 | 133-1462 | 1 | RH Brake Kit | 17 | 137-9509 | 4 | Stud-Wheel |
| 8:1 | | 1 | O-Ring ● | 18 | 138-4613 | 1 | Cap-Oil Filter |
| 8:2 | | 1 | Arm-Brake ● | 19 | 139-5587 | 1 | Seal-Axle, Ua |
| 8:3 | | 1 | Pin-Roll ● | 20 | 139-5588 | 1 | Axle |
| 8:4 | | 1 | Shaft-Brake ● | 21 | 139-5589 | 2 | Drain Bolt |
| 8:5 | | 1 | Actuator-Brake ● | 22 | 139-5590 | 1 | Expansion Fitting |
| 8:6 | | 1 | Disc-Brake ● | 23 | 139-5591 | 1 | Grommet Seal, Expansion Fitting |
| 8:7 | | 1 | Shoe-Brake ● | 28 | 139-7871 | 1 | Expansion Fitting - W/ Seal |
| 8:8 | | 1 | Shim Kit ● | 28:3 | | 1 | M8*20 Flange Bolt ● |
| 9 | 132-4735 | 1 | Cap-Oil | | | | |

● Not serviced separately

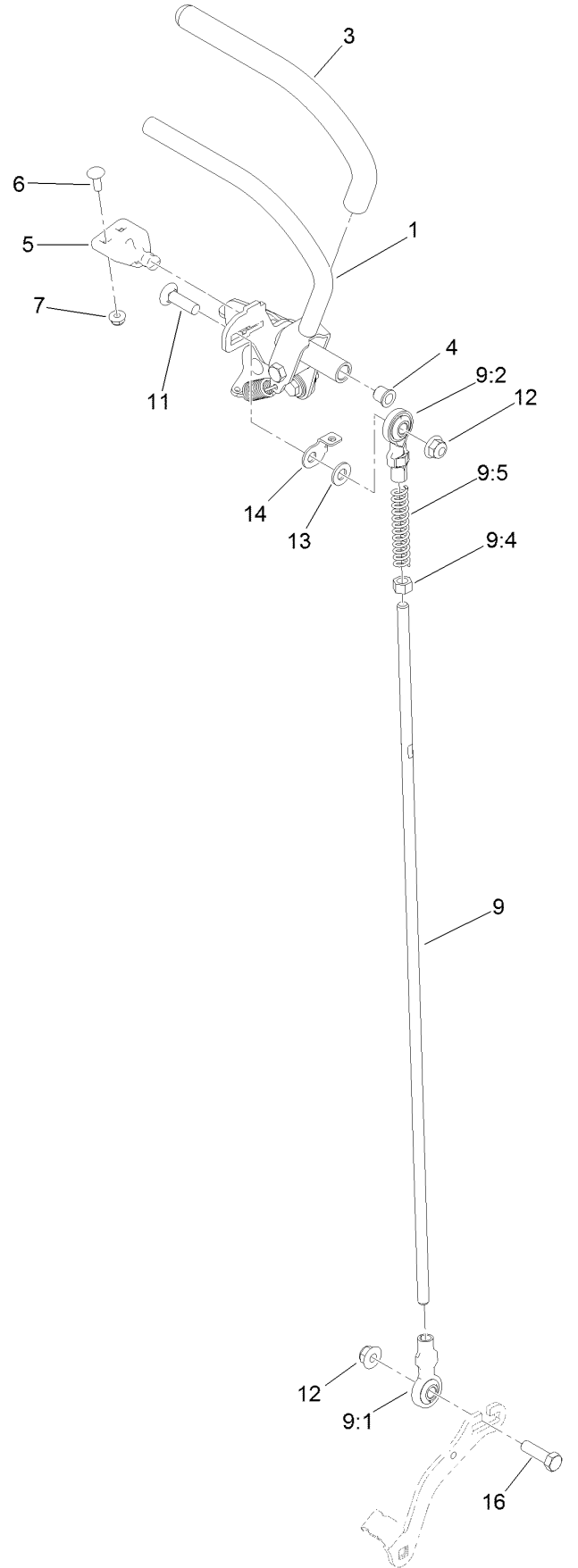
Overflow Hose Assembly



Overflow Hose Assembly (continued)

| <i>Ref.</i> | <i>Part Number</i> | <i>Qty.</i> | <i>Description</i> | <i>Ref.</i> | <i>Part Number</i> | <i>Qty.</i> | <i>Description</i> |
|-------------|--------------------|-------------|--------------------|-------------|--------------------|-------------|--------------------|
| 1 | 145-3444 | 1 | Hose-Hydraulic | 4 | 147-0201 | 1 | R-Clamp |
| 2 | 139-4055 | 1 | Fitting Tee | 5 | 147-0204 | 1 | Hydraulic Hose |
| 3 | 147-0202 | 1 | Hydraulic Hose | 6 | 145-3599 | 4 | Hose Clamp |

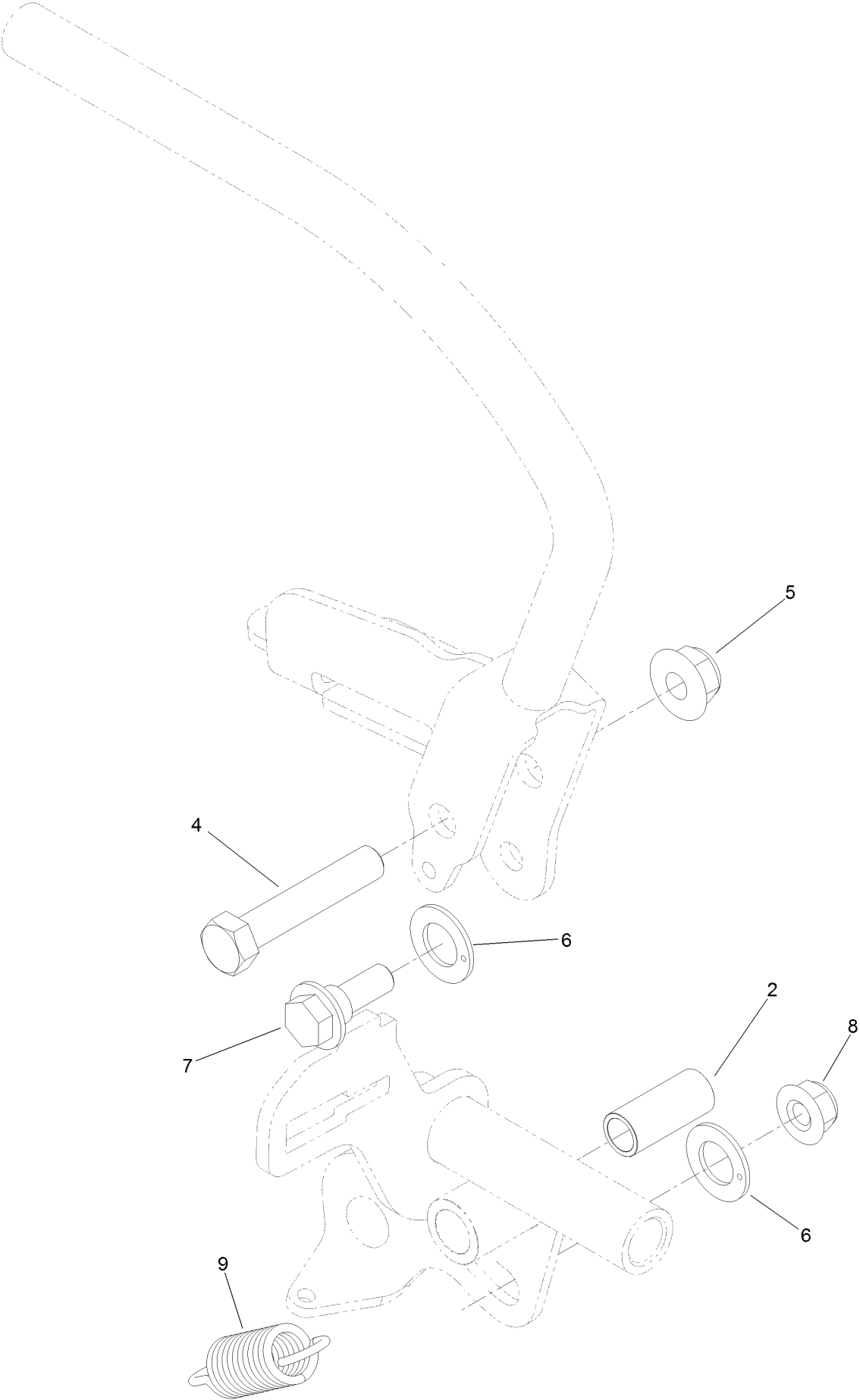
Motion Control Assembly



Motion Control Assembly (continued)

| <i>Ref.</i> | <i>Part Number</i> | <i>Qty.</i> | <i>Description</i> | <i>Ref.</i> | <i>Part Number</i> | <i>Qty.</i> | <i>Description</i> |
|-------------|--------------------|-------------|-----------------------|-------------|--------------------|-------------|---------------------------|
| 1 | 132-5157 | 1 | LH Control Handle ASM | 9:5 | 1-603807 | 1 | Spring-Return, Neutral |
| 2 | 132-5158 | 1 | RH Control Handle ASM | 10 | 138-4620 | 1 | RH Control Rod ASM |
| 3 | 119-0222 | 2 | Grip | 10:1 | 138-4647 | 1 | Ball Joint-LH |
| 4 | 103-9928 | 2 | Bearing | 10:2 | 138-4648 | 1 | Ball Joint-RH |
| 5 | 120-3288 | 1 | Tab-Pivot, LH | 10:4 | 3219-3 | 1 | Nut-Hex |
| 6 | 3229-1 | 4 | Screw-CARR | 11 | 3231-28 | 2 | Screw-CARR |
| 7 | 104-7201 | 6 | Nut-HF, NI | 12 | 104-8301 | 4 | Nut-HF, NI |
| 8 | 120-3287 | 1 | Tab-Pivot, RH | 13 | 3256-24 | 2 | Washer-Plain |
| 9 | 138-4619 | 1 | LH Control Rod ASM | 14 | 132-7538 | 1 | Bracket-Adjustment, Speed |
| 9:1 | 138-4647 | 1 | Ball Joint-LH | 15 | 126-1499 | 2 | Cam |
| 9:2 | 138-4648 | 1 | Ball Joint-RH | 16 | 323-7 | 2 | Screw-HH |
| 9:4 | 3219-3 | 1 | Nut-Hex | | | | |

Control Handle Assembly No. 132-5157



Control Handle Assembly No. 132-5157 (continued)

| <i>Ref.</i> | <i>Part Number</i> | <i>Qty.</i> | <i>Description</i> | <i>Ref.</i> | <i>Part Number</i> | <i>Qty.</i> | <i>Description</i> |
|-------------|--------------------|-------------|--------------------|-------------|--------------------|-------------|--------------------|
| 2 | 131-3562 | 1 | Bearing-Sleeve | 7 | 116-2670 | 1 | Screw-Shoulder |
| 4 | 323-10 | 1 | Screw-HH | 8 | 104-8300 | 1 | Nut-HF, NI |
| 5 | 104-8301 | 1 | Nut-HF, NI | 9 | 132-5146 | 1 | Spring-Extension |
| 6 | 110-7191 | 2 | Washer-Thrust | | | | |

Control Handle Assembly No. 132-5158



Control Handle Assembly No. 132-5158 (continued)

| <i>Ref.</i> | <i>Part Number</i> | <i>Qty.</i> | <i>Description</i> | <i>Ref.</i> | <i>Part Number</i> | <i>Qty.</i> | <i>Description</i> |
|-------------|--------------------|-------------|--------------------|-------------|--------------------|-------------|--------------------|
| 3 | 104-8301 | 1 | Nut-HF, NI | 7 | 104-8300 | 1 | Nut-HF, NI |
| 4 | 323-10 | 1 | Screw-HH | 8 | 131-3562 | 1 | Bearing-Sleeve |
| 5 | 110-7191 | 2 | Washer-Thrust | 9 | 132-5146 | 1 | Spring-Extension |
| 6 | 116-2670 | 1 | Screw-Shoulder | | | | |

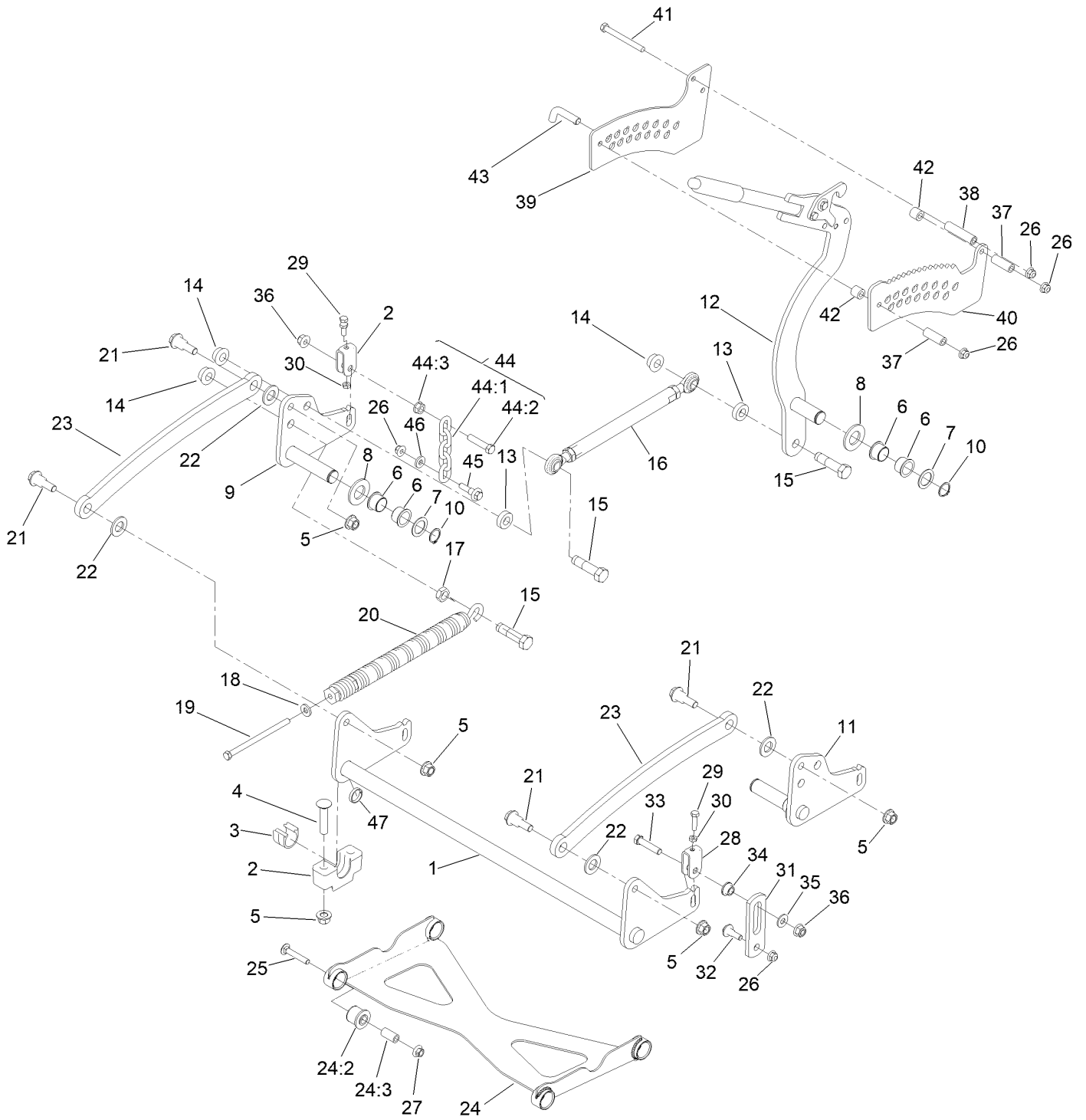
Parking Brake Assembly



Parking Brake Assembly (continued)

| <i>Ref.</i> | <i>Part Number</i> | <i>Qty.</i> | <i>Description</i> | <i>Ref.</i> | <i>Part Number</i> | <i>Qty.</i> | <i>Description</i> |
|-------------|--------------------|-------------|----------------------|-------------|--------------------|-------------|--------------------|
| 1 | 132-5170 | 1 | Brake Handle ASM | 7 | 32144-4 | 2 | Screw-HWH |
| 2 | 3230-23 | 5 | Bolt-CARR | 8 | 132-1187 | 1 | Clamp-Cable |
| 3 | 104-8300 | 6 | Nut-HF, NI | 9 | 132-7582 | 1 | Mount-Cable, Brake |
| 4 | 132-5168 | 1 | RH Brake Caliper ASM | 10 | 1-633268 | 1 | Grip-Lever |
| 5 | 132-5169 | 1 | LH Brake Caliper ASM | 11 | 131-1195 | 2 | Cable-Brake |
| 6 | 104-8301 | 2 | Nut-HF, NI | | | | |

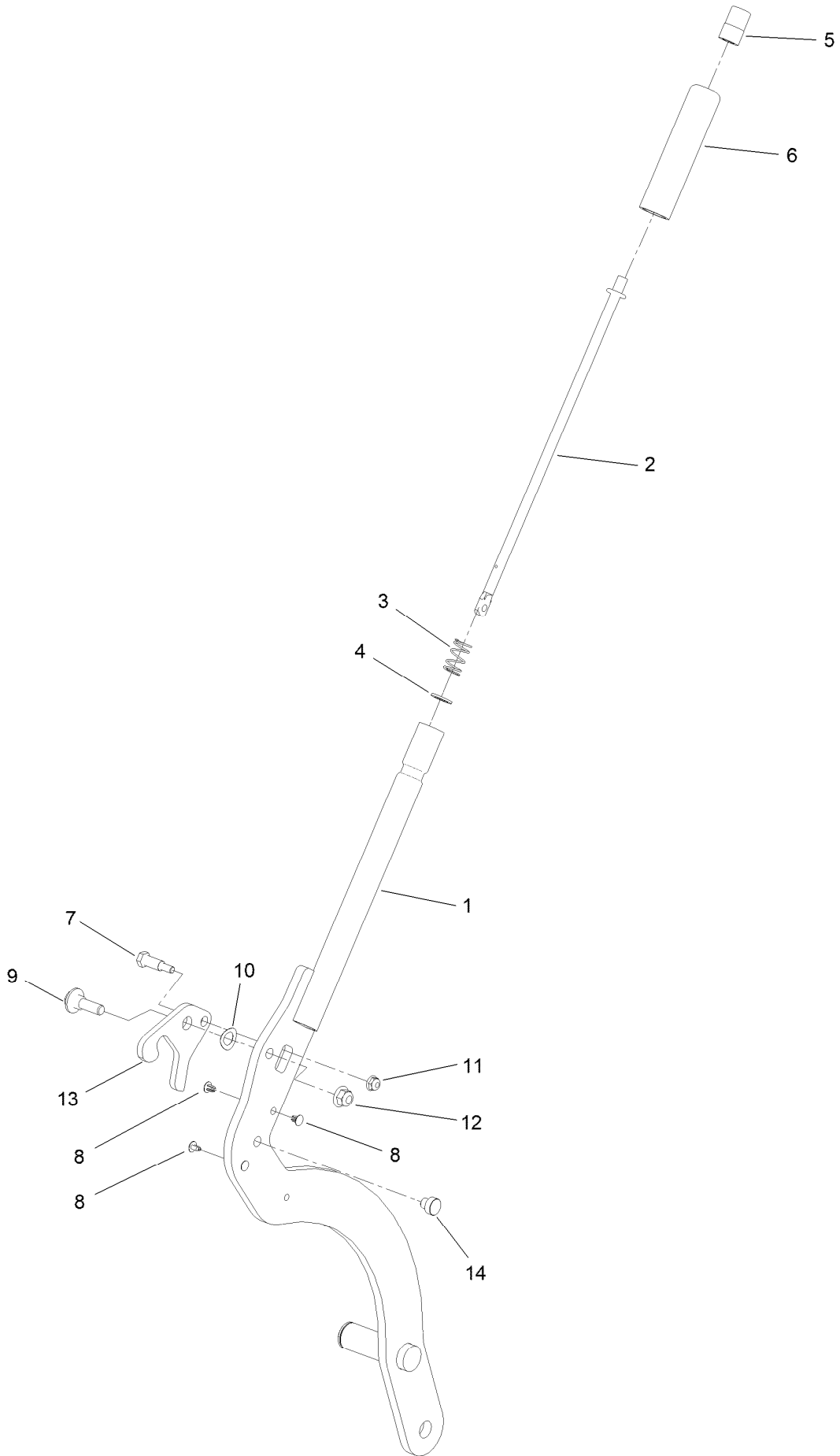
Deck Lift Assembly



Deck Lift Assembly (continued)

| <i>Ref.</i> | <i>Part Number</i> | <i>Qty.</i> | <i>Description</i> | <i>Ref.</i> | <i>Part Number</i> | <i>Qty.</i> | <i>Description</i> |
|-------------|--------------------|-------------|--------------------------------------|-------------|--------------------|-------------|-------------------------|
| 1 | 120-8405-01 | 1 | Shaft-Cross, Front | 25 | 3231-7 | 4 | Screw-CARR |
| 2 | 109-9409 | 2 | Support-Bearing, Cross Shaft (Front) | 26 | 104-8301 | 7 | Nut-HF, NI |
| 3 | 109-9410 | 2 | Bearing-Cross Shaft, Front | 27 | 32128-19 | 4 | Nut-HF Lock, Large Flg |
| 4 | 116-1700 | 4 | Bolt-CARR | 28 | 109-9066 | 4 | Yoke-Adjust, Deck |
| 5 | 99-5107 | 8 | Nut-Lock | 29 | 322-47 | 4 | Screw-HH |
| 6 | 127-0369 | 6 | Bushing | 30 | 3218-2 | 8 | Nut-Hex Jam |
| 7 | 10-8110 | 3 | Washer-Thrust | 31 | 130-6589 | 2 | Link-Lift |
| 8 | 3256-62 | 3 | Washer-Flat | 32 | 109-9840 | 2 | Screw-Shoulder, HHF |
| 9 | 120-8411-01 | 1 | Arm-Lift, RH | 33 | 109-9065 | 2 | Screw-HH |
| 10 | 32151-29 | 3 | Ring-Retaining | 34 | 116-2428 | 2 | Bushing-Flanged |
| 11 | 120-8410-01 | 1 | Arm-Lift, LH | 35 | 3256-4 | 2 | Washer-Flat |
| 12 | 161-6735 | 1 | HOC Lever ASM | 36 | 3296-48 | 4 | Nut-Hex |
| 13 | 119-6223 | 2 | Washer | 37 | 95-6448 | 2 | Spacer |
| 14 | 138-4932 | 3 | Nut-Hex Flg | 38 | 138-1111 | 1 | Spacer |
| 15 | 138-4931 | 3 | Screw-Lock | 39 | 132-7581 | 1 | HOC Plate And Decal ASM |
| 16 | 130-6615 | 1 | HOC Link ASM | 40 | 138-4887 | 1 | Plate-HOC, Inner |
| 17 | 3218-6 | 1 | Nut-Jam | 41 | 116-4701 | 3 | Screw-HHF |
| 18 | 98-5975 | 1 | Washer-Belleville | 42 | 121-1760 | 2 | Spacer |
| 19 | 323-58 | 1 | Bolt-TAP, HH | 43 | 116-5584 | 1 | Pin-HOC |
| 20 | 116-0886 | 1 | Spring-Extension | 44 | 116-0756 | 2 | Deck Lift Chain ASM |
| 21 | 116-0780 | 4 | Screw-Shoulder, HHF | 44:1 | 1-633447 | 1 | Chain-Lift, Deck |
| 22 | 3256-28 | 4 | Washer-Flat | 44:2 | 109-9065 | 1 | Screw-HH |
| 23 | 127-1948-03 | 2 | Link-Lift | 44:3 | 32128-37 | 1 | Nut-HF |
| 24 | 137-4129 | 1 | Deck Strut ASM | 45 | 130-0742 | 2 | Bolt-Shoulder |
| 24:2 | 137-4108 | 4 | Bushing-Rubber | 46 | 43-0940 | 2 | Spacer |
| 24:3 | 108-6544 | 4 | Spacer | 47 | 133-1431 | 1 | Spacer-Split |

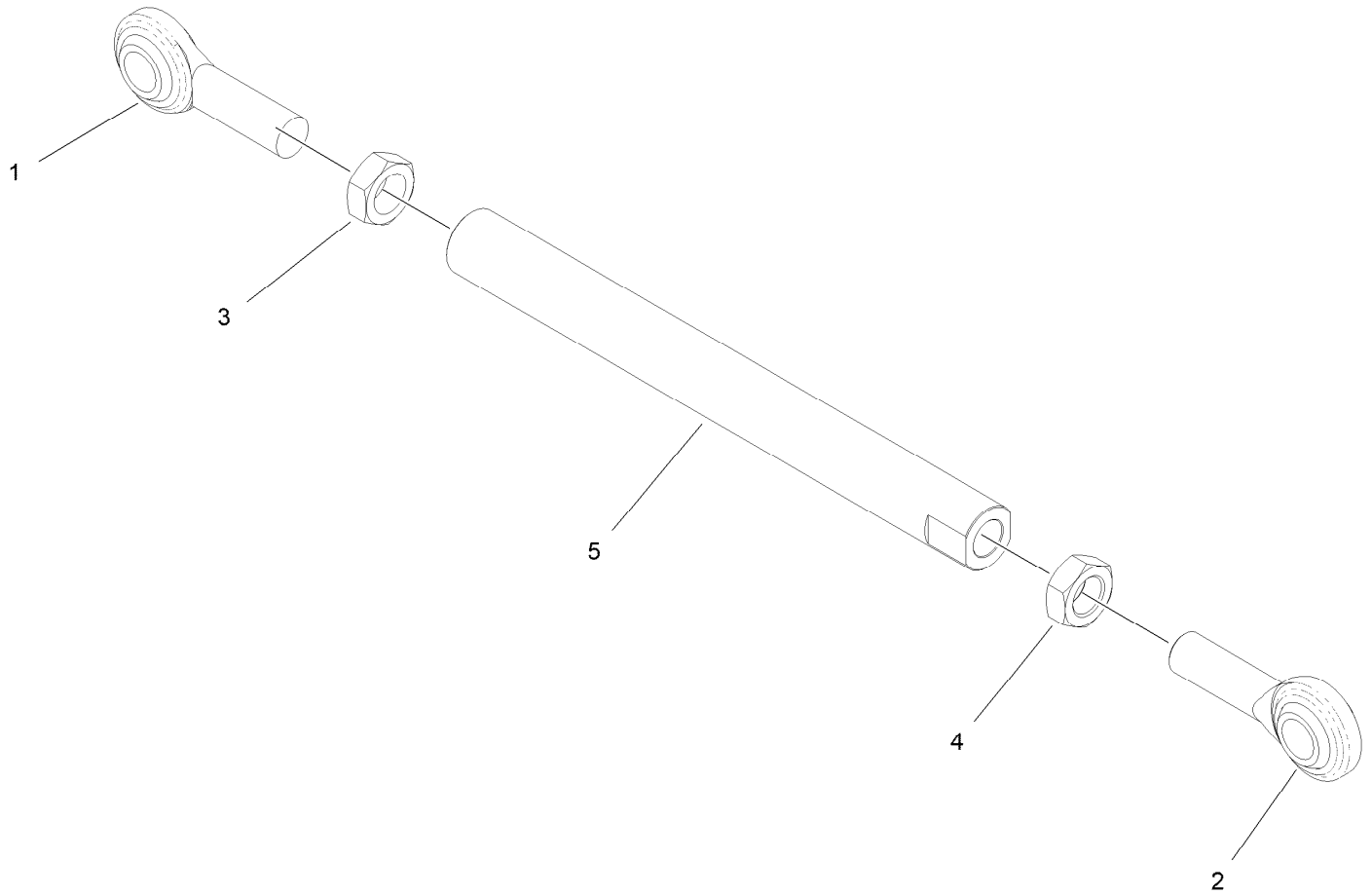
HOC Lever Assembly No. 161-6735



HOC Lever Assembly No. 161-6735 (continued)

| <i>Ref.</i> | <i>Part Number</i> | <i>Qty.</i> | <i>Description</i> | <i>Ref.</i> | <i>Part Number</i> | <i>Qty.</i> | <i>Description</i> |
|-------------|--------------------|-------------|----------------------|-------------|--------------------|-------------|---------------------|
| 1 | 161-6736-01 | 1 | Lift Lever ASM [red] | 8 | 103-1363 | 4 | Rivet |
| 2 | 136-0530 | 1 | Rod-Latch, Release | 9 | 614672 | 1 | Screw-Shoulder, HWH |
| 3 | 114-8187 | 1 | Spring-Compression | 10 | 110-8982 | 1 | Washer-Spring |
| 4 | 114-1207 | 1 | Washer-Special | 11 | 104-7201 | 1 | Nut-HF, NI |
| 5 | 115-2750 | 1 | Knob | 12 | 104-8301 | 1 | Nut-HF, NI |
| 6 | 115-3592 | 1 | Grip | 13 | 138-4888 | 1 | Latch-HOC |
| 7 | 119-2309 | 1 | Bolt-Shldr,HH | 14 | 138-4863 | 1 | Plug-Wear |

HOC Link Assembly No. 130-6615

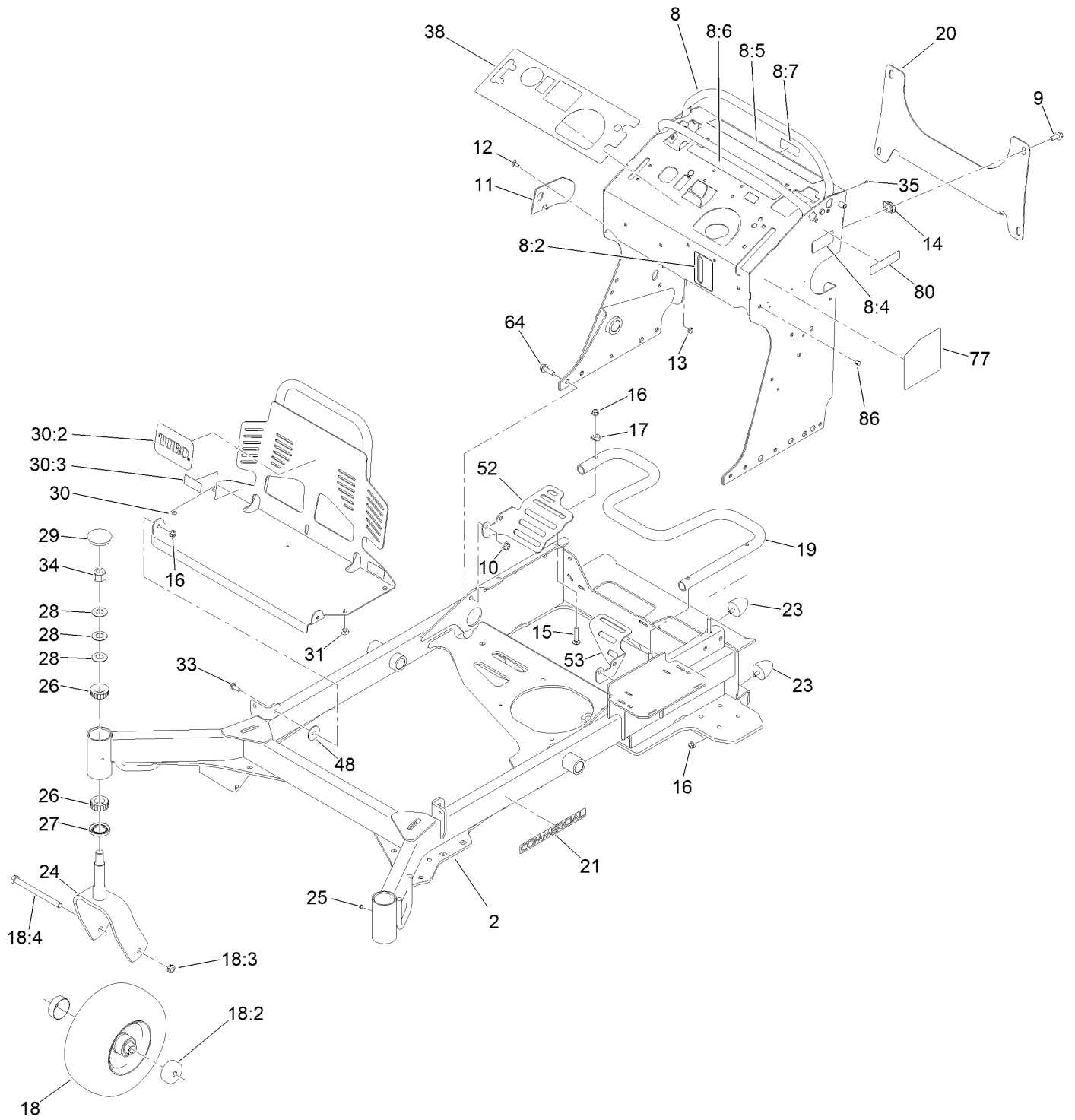


HOC Link Assembly No. 130-6615 (continued)

| <i>Ref.</i> | <i>Part Number</i> | <i>Qty.</i> | <i>Description</i> |
|-------------|--------------------|-------------|---------------------|
| 1 | 1-633029 | 1 | Balljoint-Spherical |
| 2 | 117-5291 | 1 | Balljoint-Spherical |
| 3 | 3220-6 | 1 | Nut-Jam |

| <i>Ref.</i> | <i>Part Number</i> | <i>Qty.</i> | <i>Description</i> |
|-------------|--------------------|-------------|--------------------|
| 4 | 117-5293 | 1 | Nut-Jam |
| 5 | 130-6614 | 1 | Link-Height Of Cut |

Frame Assembly



Frame Assembly (continued)

| <i>Ref.</i> | <i>Part Number</i> | <i>Qty.</i> | <i>Description</i> | <i>Ref.</i> | <i>Part Number</i> | <i>Qty.</i> | <i>Description</i> |
|-------------|--------------------|-------------|---------------------------|-------------|--------------------|-------------|------------------------------|
| 2 | 131-7423-01 | 1 | Frame | 23 | 114-1926 | 4 | Bumper-Rubber |
| 8 | 140-4283 | 1 | Tower Decal ASM | 24 | 147-6343-01 | 2 | Caster Fork ASM [red] |
| 8:2 | 147-7921 | 1 | Decal-Oil Level | 25 | 1-811010 | 2 | Plug |
| 8:4 | 116-8775 | 1 | Decal-Fill, Fuel | 26 | 1-543509 | 4 | Bearing-Roller, Tapered |
| 8:5 | 139-2878 | 1 | Decal-Warning | 27 | 116-5647 | 2 | Seal-Grease |
| 8:6 | 131-3526 | 1 | Decal-Controls | 28 | 1-633508 | 6 | Washer-Bellville |
| 8:7 | 147-0212 | 1 | Decal - Fuse | 29 | 103-4882 | 2 | Cap-Grease |
| 9 | 3234-42 | 4 | Screw-HHF | 30 | 161-3586 | 1 | Engine Guard ASM W/Decals |
| 10 | 104-8301 | 8 | Nut-HF, NI | 30:2 | 105-8278 | 1 | Decal |
| 11 | 131-7455 | 1 | Plate-Striker | 30:3 | 133-4641 | 2 | Decal-Warning, No Riders |
| 12 | 3229-11 | 1 | Screw-CARR | 31 | 1-513658 | 4 | Bumper |
| 13 | 104-7201 | 1 | Nut-HF, NI | 33 | 3230-10 | 2 | Bolt-CARR |
| 14 | 105-4886 | 4 | Nut-Tinnerman | 34 | 3296-51 | 2 | Nut-Lock, NI |
| 15 | 3230-5 | 3 | Bolt-CARR | 35 | 3290-271 | 2 | Rivet-Pop |
| 16 | 104-8300 | 9 | Nut-HF, NI | 38 | 140-4258 | 1 | Decal-Panel, Control |
| 17 | 107-3844 | 3 | Washer | 48 | 107-3002 | 2 | Washer-Nylon |
| 18 | 140-5485 | 2 | Mf Wheel Tire Bearing ASM | 52 | 132-7578-01 | 1 | Guard-Fan, RH |
| 18:2 | 103-2768 | 2 | Guard-Seal | 53 | 132-7598-01 | 1 | Guard-Fan, LH |
| 18:3 | 3296-45 | 1 | Nut-Hex | 64 | 119-4061 | 8 | Screw-HHF |
| 18:4 | 325-20 | 1 | Screw-HH | 77 | 131-3529 | 1 | Decal-Service Aid |
| 19 | 132-5161-01 | 1 | Tube-Mount, Fuel Tank | 80 | 133-8062 | 1 | Decal-Spark Arrestor |
| 20 | 132-1145-03 | 1 | Bracket-Cross | 86 | 145-3595 | 3 | Dome Panel Plug |
| 21 | 117-3591 | 2 | Decal-Commercial | | | | |

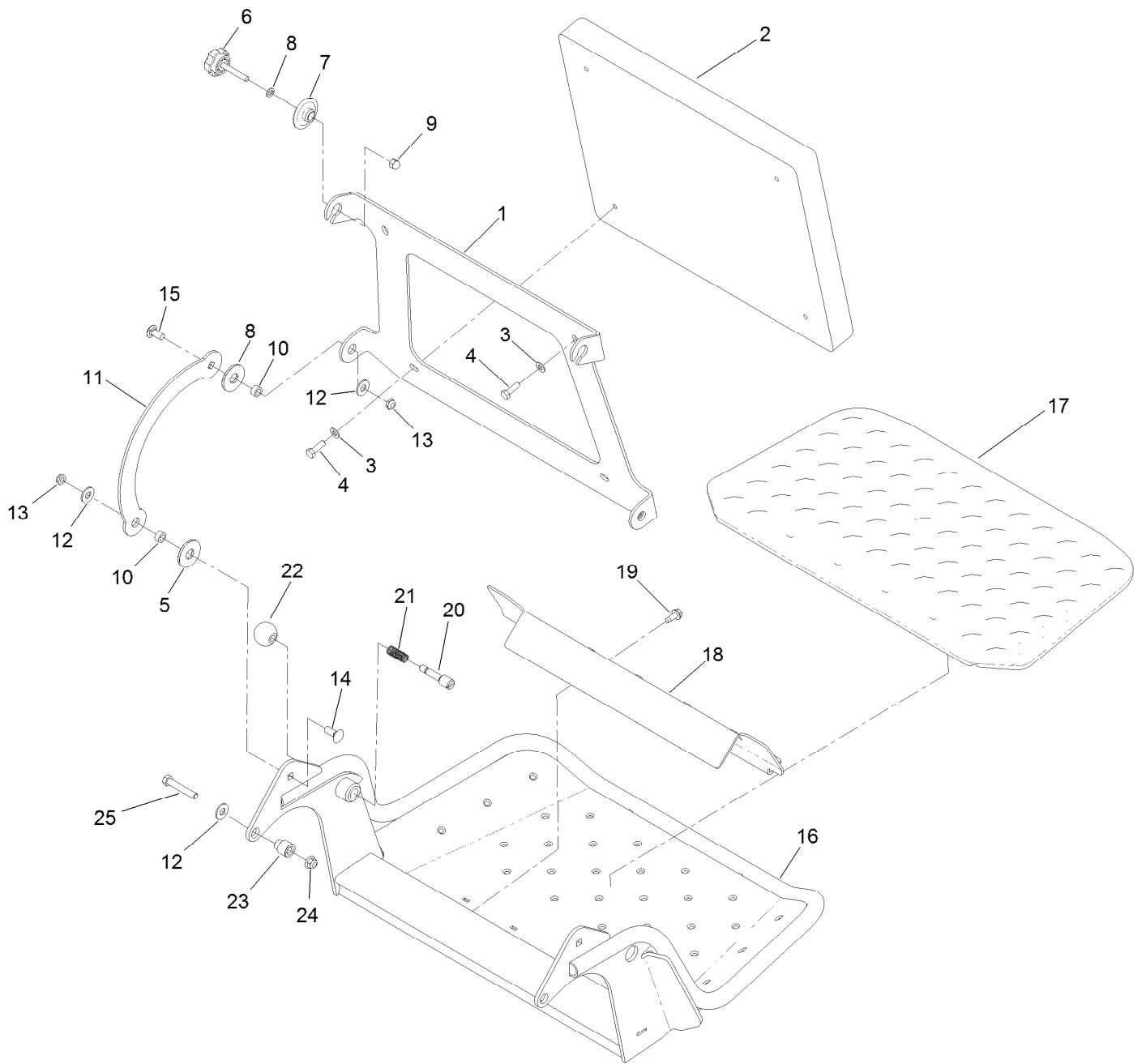
Wheel and Bearing Assembly



Wheel and Bearing Assembly (continued)

| <i>Ref.</i> | <i>Part Number</i> | <i>Qty.</i> | <i>Description</i> | <i>Ref.</i> | <i>Part Number</i> | <i>Qty.</i> | <i>Description</i> |
|-------------|--------------------|-------------|---------------------|-------------|--------------------|-------------|-----------------------|
| 1 | 1-633585 | 2 | Bearing-Cone, Taper | 4 | 126-5359 | 1 | Caster Axle ASM |
| 2 | 103-0063 | 2 | Seal-Caster | 5 | 140-5483 | 1 | Mf Wheel And Tire ASM |
| 3 | 103-3051 | 1 | Spacer-Nut | | | | |

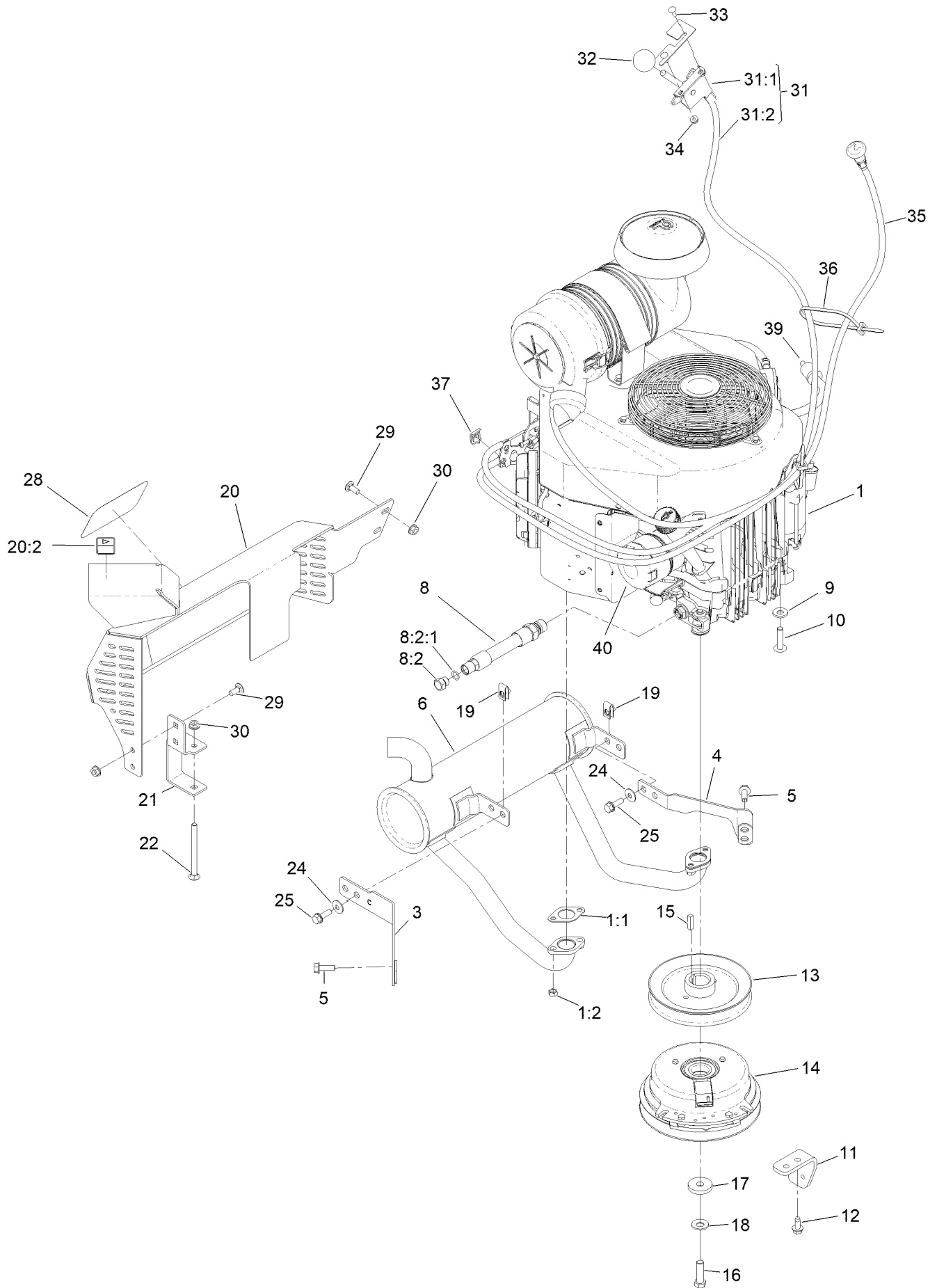
Platform Assembly



Platform Assembly (continued)

| <i>Ref.</i> | <i>Part Number</i> | <i>Qty.</i> | <i>Description</i> | <i>Ref.</i> | <i>Part Number</i> | <i>Qty.</i> | <i>Description</i> |
|-------------|--------------------|-------------|----------------------------|-------------|--------------------|-------------|--------------------|
| 1 | 120-8499-03 | 1 | Hinge-Pad | 14 | 3231-2 | 2 | Bolt-CARR |
| 2 | 117-9739 | 1 | Pad-Cushion | 15 | 3231-27 | 2 | Screw-CARR |
| 3 | 3256-23 | 4 | Washer-Plain | 16 | 161-6796-01 | 1 | Platform ASM [red] |
| 4 | 121-7999 | 4 | Screw-HH, Patch | 17 | 126-7157 | 1 | Mat-Platform |
| 5 | 114-0463 | 4 | Washer-Friction, Composite | 18 | 3345-771 | 1 | Shield Clamp Kit |
| 6 | 133-1426 | 2 | Knob | 19 | 32144-70 | 2 | Screw-HWHTF |
| 7 | 116-2886 | 2 | Slide-Bushing | 20 | 119-8650 | 1 | Pin-Latch |
| 8 | 3253-4 | 2 | Washer-Lock | 21 | 114-5348 | 1 | Spring |
| 9 | 137-4808 | 2 | Nut-Acorn | 22 | 1-603175 | 1 | Knob-Ball |
| 10 | 111044 | 4 | Spacer | 23 | 132-7583 | 2 | Bushing-Flanged |
| 11 | 114-1915-01 | 2 | Link-Pad | 24 | 104-8301 | 2 | Nut-HF, NI |
| 12 | 3256-4 | 6 | Washer-Flat | 25 | 323-45 | 2 | Screw-HH |
| 13 | 3296-59 | 4 | Nut-Lock, NI | | | | |

Engine Assembly



Engine Assembly (continued)

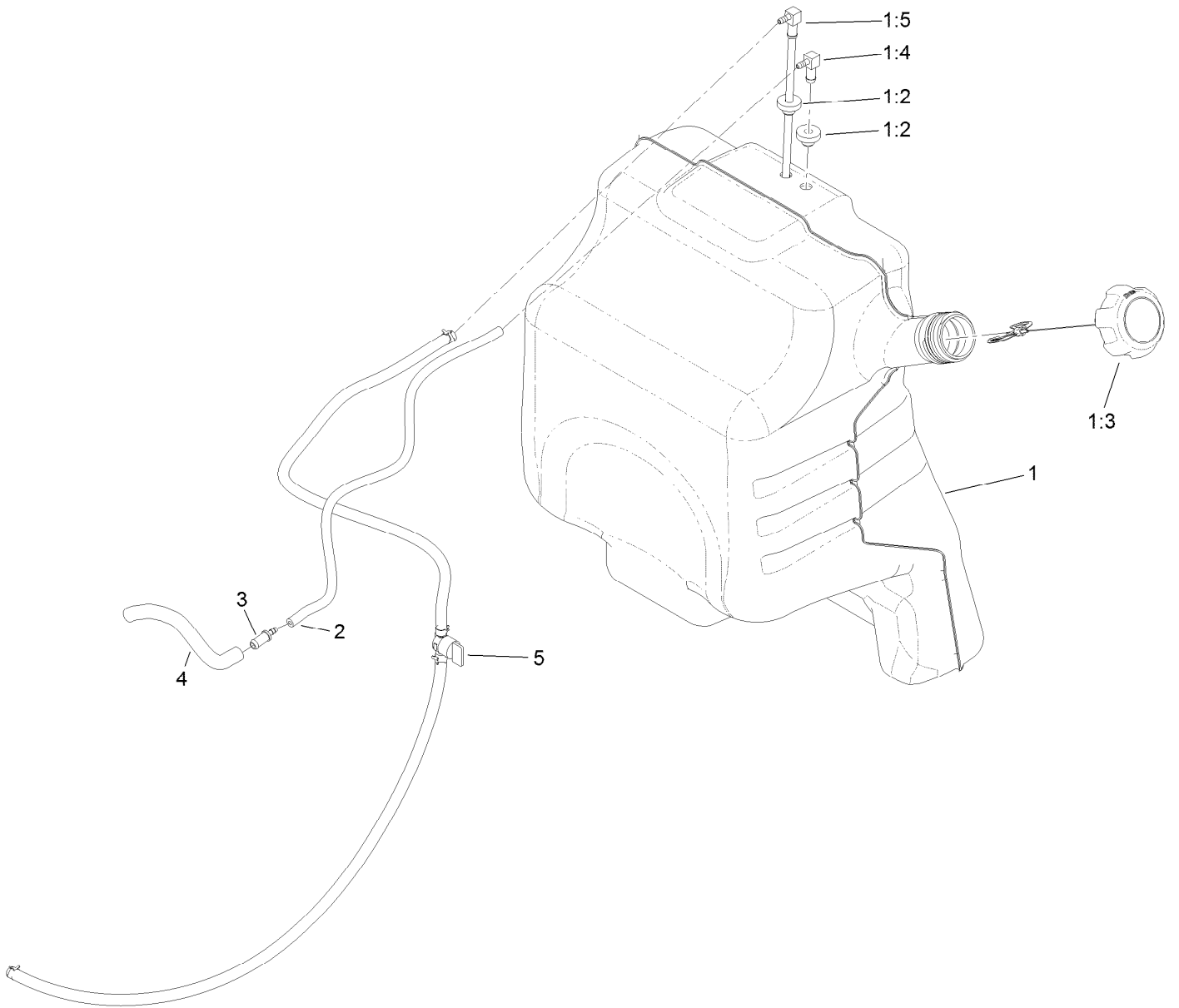
| <i>Ref.</i> | <i>Part Number</i> | <i>Qty.</i> | <i>Description</i> | <i>Ref.</i> | <i>Part Number</i> | <i>Qty.</i> | <i>Description</i> |
|-------------|--------------------|-------------|-------------------------------|-------------|--------------------|-------------|-------------------------|
| 1 | | 1 | Engine Kawasaki, Fx691V ■ | 18 | 1-603610 | 1 | Washer-Spring |
| | | | ▲ | 19 | 94-2413 | 4 | Nut-U |
| 1:1 | 1-653313 | 2 | Gasket-Exhaust | 20 | 131-3550 | 1 | Muffler Guard ASM |
| 1:2 | 114-3549 | 4 | Nut | 20:2 | 106-5517 | 1 | Decal-Warning |
| 1:5 | 119-5945 | 1 | Element-Filter, Air (Inner) ● | 21 | 131-3530-03 | 1 | Bracket-Mounting, Guard |
| 1:6 | 119-5944 | 1 | Element-Filter, Air (Outer) ● | 22 | 106-9758 | 1 | Screw-CARR |
| 1:7 | 95-9853 | 1 | Bolt (5X18) ● | 24 | 3290-456 | 4 | Washer-Belleville |
| 3 | 132-1173 | 1 | Bracket-Muffler, Front | 25 | 3234-29 | 4 | Screw-HHF |
| 4 | 132-1174 | 1 | Bracket-Muffler, Rear | 28 | 94-2579 | 1 | Decal |
| 5 | 33104-025 | 4 | Screw-HHF | 29 | 3230-23 | 4 | Bolt-CARR |
| 6 | 133-4633 | 1 | Muffler | 30 | 32128-25 | 5 | Nut-HF |
| 8 | 133-4659 | 1 | Hose ASM | 31 | 147-1664 | 1 | Throttle ASM |
| 8:2 | 353-508 | 1 | Plug-HH | 31:1 | 145-6187 | 1 | Lever-Control |
| 8:2:1 | 237-42 | 1 | O-Ring | 31:2 | 147-1674 | 1 | Cable-Throttle |
| 9 | 98-5975 | 4 | Washer-Belleville | 32 | 1-603175 | 1 | Knob-Ball |
| 10 | 126-0983 | 4 | Screw-BHTF | 33 | 1-807533 | 2 | Bolt-CARR |
| 11 | 131-3586-03 | 1 | Stop-Clutch | 34 | 32128-17 | 2 | Nut-Lock, Flange |
| 12 | 32144-70 | 2 | Screw-HWHTF | 35 | 132-5140 | 1 | Cable-Choke |
| 13 | 120-8498 | 1 | Pulley | 36 | 3290-378 | 1 | Tie-Cable |
| 14 | 139-7910 | 1 | Clutch-200Cms | 37 | 81-1690 | 1 | Clamp-Cable |
| 15 | 1-807259 | 1 | Key | 39 | 121-4570 | 1 | Filter-Fuel ● |
| 16 | 3212-6 | 1 | Screw-HH | 40 | 119-5852 | 1 | Filter-Oil ● |
| 17 | 1-543610 | 1 | Washer-Flat | | | | |

● Not illustrated

▲ Obtain parts from www.kawpower.com

■ Not serviced separately

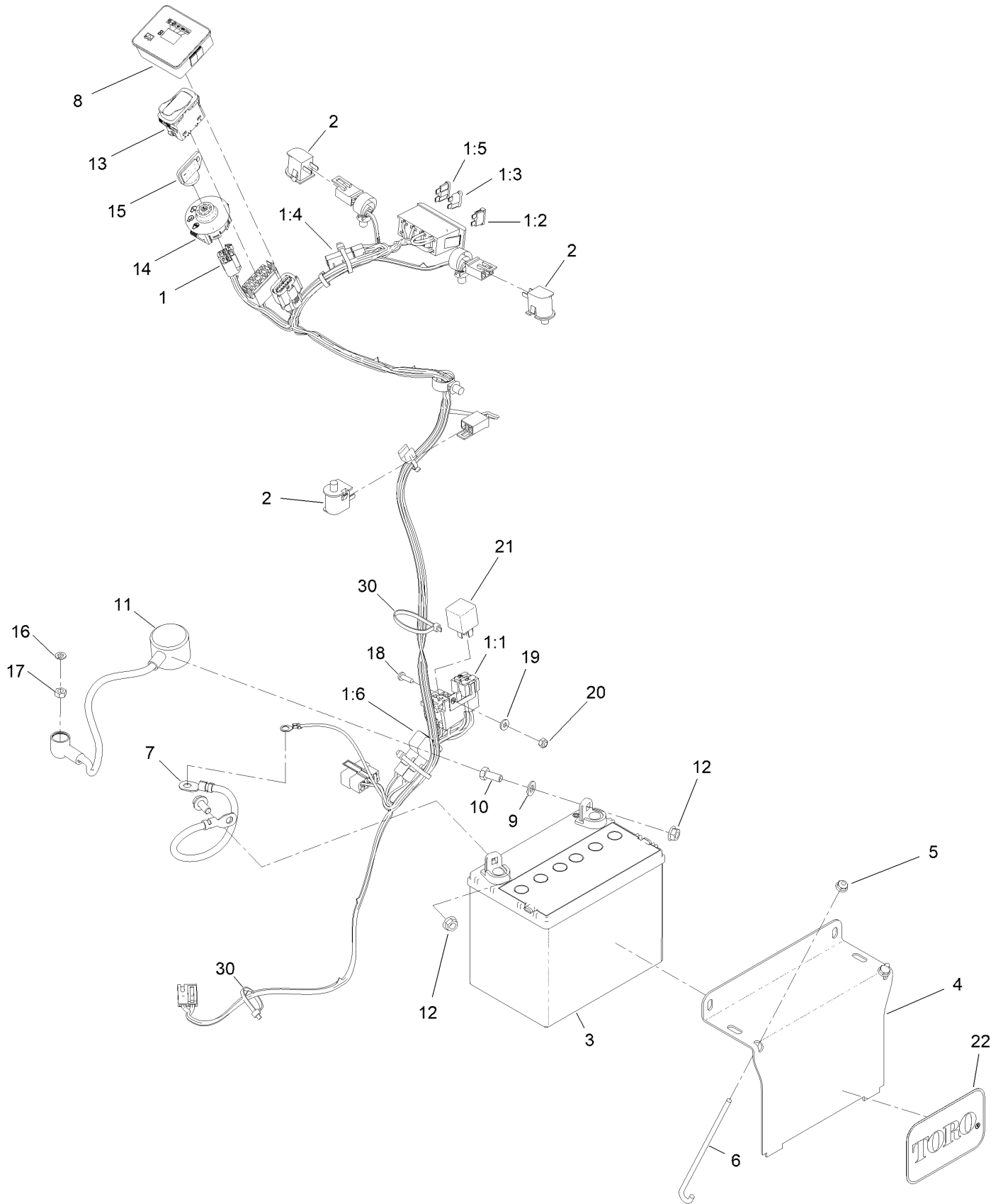
Fuel Tank Assembly



Fuel Tank Assembly (continued)

| <i>Ref.</i> | <i>Part Number</i> | <i>Qty.</i> | <i>Description</i> | <i>Ref.</i> | <i>Part Number</i> | <i>Qty.</i> | <i>Description</i> |
|-------------|--------------------|-------------|-----------------------|-------------|--------------------|-------------|--------------------|
| 1 | 132-7560 | 1 | Fuel Tank ASM | 2 | 110-8255 | 1 | Hose-Fuel |
| 1:2 | 46-6560 | 2 | Bushing | 3 | 98-2952 | 1 | Fitting-Straight |
| 1:3 | 137-4127 | 1 | Cap-Fuel | 4 | 132-7576 | 1 | Hose-Fuel |
| 1:4 | 104-5228 | 1 | Fitting-Elbow, 90 DEG | 5 | 132-7546 | 1 | Fuel Line ASM |
| 1:5 | 145-6195 | 1 | ASM, Tube-Fuel | | | | |

Electrical Assembly



Electrical Assembly (continued)

| <i>Ref.</i> | <i>Part Number</i> | <i>Qty.</i> | <i>Description</i> | <i>Ref.</i> | <i>Part Number</i> | <i>Qty.</i> | <i>Description</i> |
|-------------|--------------------|-------------|----------------------------|-------------|--------------------|-------------|----------------------------|
| 1 | 145-5228 | 1 | Harness-Wire, Grandstand | 10 | 322-3 | 2 | Screw-HH |
| 1:1 | 109101 | 1 | Fuse-Blade, 20 Amp | 11 | 115-3864 | 1 | Cable-Battery, Positive |
| 1:2 | 109355 | 2 | Fuse-Blade, 15 Amp | 12 | 109-5715 | 2 | Nut-HHF, Smooth |
| 1:3 | 218-578 | 1 | Fuse-Blade, 10 Amp | 13 | 139-6367 | 1 | Switch-Rocker, (On)-On-Off |
| 1:4 | 116-0053 | 2 | Cap-Plug | 14 | 137-4101 | 1 | Switch-Ignition |
| 1:5 | 110928 | 1 | Fuse-Blade, 5 Amp | 15 | 63-8360 | 1 | Key-Ignition |
| 1:6 | 109103 | 1 | Fuse-Blade, 30 Amp | 16 | 3253-3 | 1 | Washer-Lock |
| 2 | 82-2190 | 3 | Switch-Bail | 17 | 3217-5 | 1 | Nut-Hex |
| 3 | 104-8162 | 1 | Battery | 18 | 3290-500 | 1 | Screw-PPH |
| 4 | 130-6635-01 | 1 | Bracket-Hold Down, Battery | 19 | 3256-14 | 1 | Washer-Flat |
| 5 | 104-7201 | 2 | Nut-HF, NI | 20 | 3296-2 | 1 | Nut-Lock, NI |
| 6 | 1-633651 | 2 | Bolt-Holddown | 21 | 1-643275 | 1 | Relay |
| 7 | 112-7063 | 1 | Cable-Battery, Black | 22 | 67-1300 | 1 | Decal |
| 8 | 140-1884 | 1 | Module-Meter, Hour | 30 | 3290-378 | 2 | Tie-Cable |
| 9 | 3256-23 | 2 | Washer-Plain | | | | |

Attachments and Accessories

For 72504 GrandStand Mower With 48in TURBO FORCE Cutting Unit

| Product Name | Model/Part |
|--|-------------------|
| Hypr-Oil 500 (quart) | 114-4713 |
| Hypr-Oil 500 (gallon)..... | 114-4714 |
| Hypr-Oil 500-5 (5 gallon)..... | 114-4715 |
| Oil Filter | 119-5852 |
| Element-Filter, Air (Outer)..... | 119-5944 |
| Element-Filter, Air (Inner)..... | 119-5945 |
| Fuel Filter..... | 120-2235 |
| Harness Wire Splitter..... | 121-5988 |
| Toro Premium Fuel Treatment 12oz Bottle..... | 131-6572 |
| Speed Setting Tool..... | 132-7595 |
| Stand-On Weight Kit | 133-1428 |
| Chute Gate Kit W/ Bag..... | 133-1434 |
| Trash Bag Assembly..... | 133-1435 |
| Roller Striper Kit..... | 133-1436 |
| Light Kit..... | 133-1437 |
| Electric Accessory Port..... | 133-1438 |
| HOC Set Blocks..... | 133-1439 |
| Anti-Scalp Kit, 48/52 Grandstand Deck..... | 133-1440 |
| Trimmer Rack | 133-1441 |
| Hydro Oil Change Kit | 133-1457 |
| Strobe Light Kit | 133-1495 |
| 5 Gallon Bucket | 133-2533 |
| Hydraulic Cap Lock Kit..... | 136-5420 |
| Bucket Mount Kit..... | 136-5681 |
| Bagger Enhancement Kit..... | 139-1529 |
| Recycler Kit | 139-6650 |
| 18x8.5n10 X-Tweel Turf..... | 139-7890 |
| Blade-16.50 High Flow | 140-1243 |
| Pneumatic Castor Wheel Kit..... | 140-4311 |
| Blade-16.50 Medium Flow | 140-4860 |
| Blade-16.50 Low Flow | 140-4861 |
| Blade-16.50 Atomic | 140-4862 |
| Blade-16.50 Recycler | 140-4863 |
| 6 Pack-Blade, 16.5 High Flow..... | 140-4887 |
| 6 Pack-Blade, 16.5 Med Flow | 140-4888 |
| 6 Pack-Blade, 16.5 Low Flow | 140-4889 |
| 6 Pack-Blade, 16.5 Atomic..... | 140-4890 |
| 6 Pack-Blade, 16.5 Recycler..... | 140-4891 |
| 2 Transmission Filter Kit | 144-3842 |
| Blade-16.50 High Flow | 147-6250 |
| 6 Pack-Blade, 16.50 High Flow..... | 147-6254 |
| Kit-pneumatic Caster Tire | 161-3470 |
| Kit-semi Pneu Caster Tire..... | 161-3471 |
| Soft Bag (3 Bushel)..... | 30104 |
| 10W30 4-Cycle Engine Oil (32oz Bottle)..... | 38280 |
| Toro 4-Cycle SAE 30 Oil (32oz Bottle) | 38903 |

Attachments and Accessories (continued)

| | |
|-------------------------|---------|
| Twin Bagger Kit..... | 78524 |
| Blower Drive 48In | 78525 |
| Spark Plug | 92-2153 |
| Spark Arrestor | 98-9099 |



Count on it.