



**Count on it.**

**Parts Catalog**

**8-Blade EdgeSeries™ Forward Swept Reel DPA Cutting Unit with 7in Reel**

**Reelmaster® 5010 Series Traction Unit**

Model No. 03639—Serial No. 405375467 and Up



# Ordering Replacement Parts

To order replacement parts, please supply the part number, the quantity, and the description of each part desired.

## Understanding Reference Numbers

Each identified part in an illustration has a reference number. The reference number for a part also appears in the parts list, along with other information about the part.

This catalog uses two special reference number formats, one to indicate parts in a service assembly and another to indicate the quantity of a given part in an illustration.

## Service Assembly Reference Numbers

Parts in service assemblies have reference numbers in the form a:b. The a represents the reference number of the entire service assembly and the b represents a sequential number unique to each part within the service assembly.

For example, a wheel assembly might be identified by reference number 6, the tire by 6:1, the valve by 6:2, and the wheel by 6:3. When you order the assembly identified by reference number 6, you receive all parts identified by reference numbers 6:1, 6:2, and 6:3. However, you may also order any part individually. Reference numbers of this type appear in illustration and in parts lists.

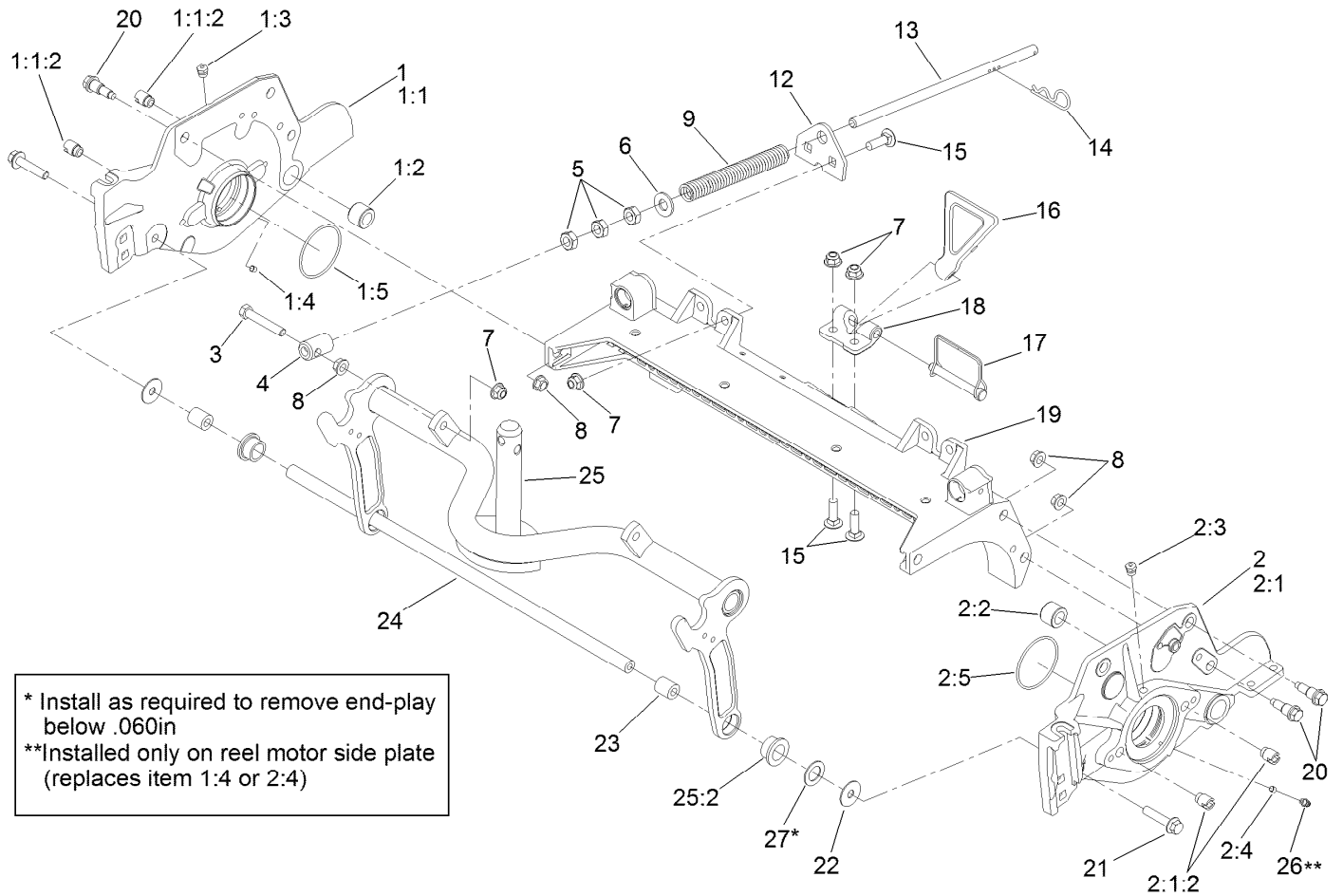
## Reference Numbers Indicating Quantity

In an illustration, if a reference number indicates more than one part, the reference number has the form nX y. The n represents the quantity of the part, the X is the multiplication symbol, and the y represents the reference number.

For example, in an illustration, the reference number 2X 37 means that two of the parts identified by reference number 37 are indicated.

# Contents

Frame Assembly.....	4
Reel and Bedbar Assembly .....	5
Optional 7in EdgeSeries+ 22in Fairway, 5 Blade Radial Reel Assembly No. 137-8444.....	7
7in EdgeSeries+ 22in Fairway, 8 Blade, Low Drag, Forward Swept Reel Assembly No. 137-8446 .....	8
Optional Heavy-Duty MVP Kit No. 120-7230.....	9
Roller Assembly .....	10
3 Inch Diameter Long Roller Assembly No. 114-5415 .....	11
Optional 3 Inch Diameter Short Roller Assembly No. 114-5417 .....	12
Plastic Wiehle Roller Assembly No. 114-5400.....	13
Optional Full Front Roller Assembly No. 114-5412.....	14
Optional Plastic Shoulder Roller Assembly No. 114-5421 .....	15
Optional High Height-of-Cut Assembly No. 137-0890 .....	16
Shield Assembly.....	17
Optional Tool Assembly.....	18
Attachments and Accessories .....	19



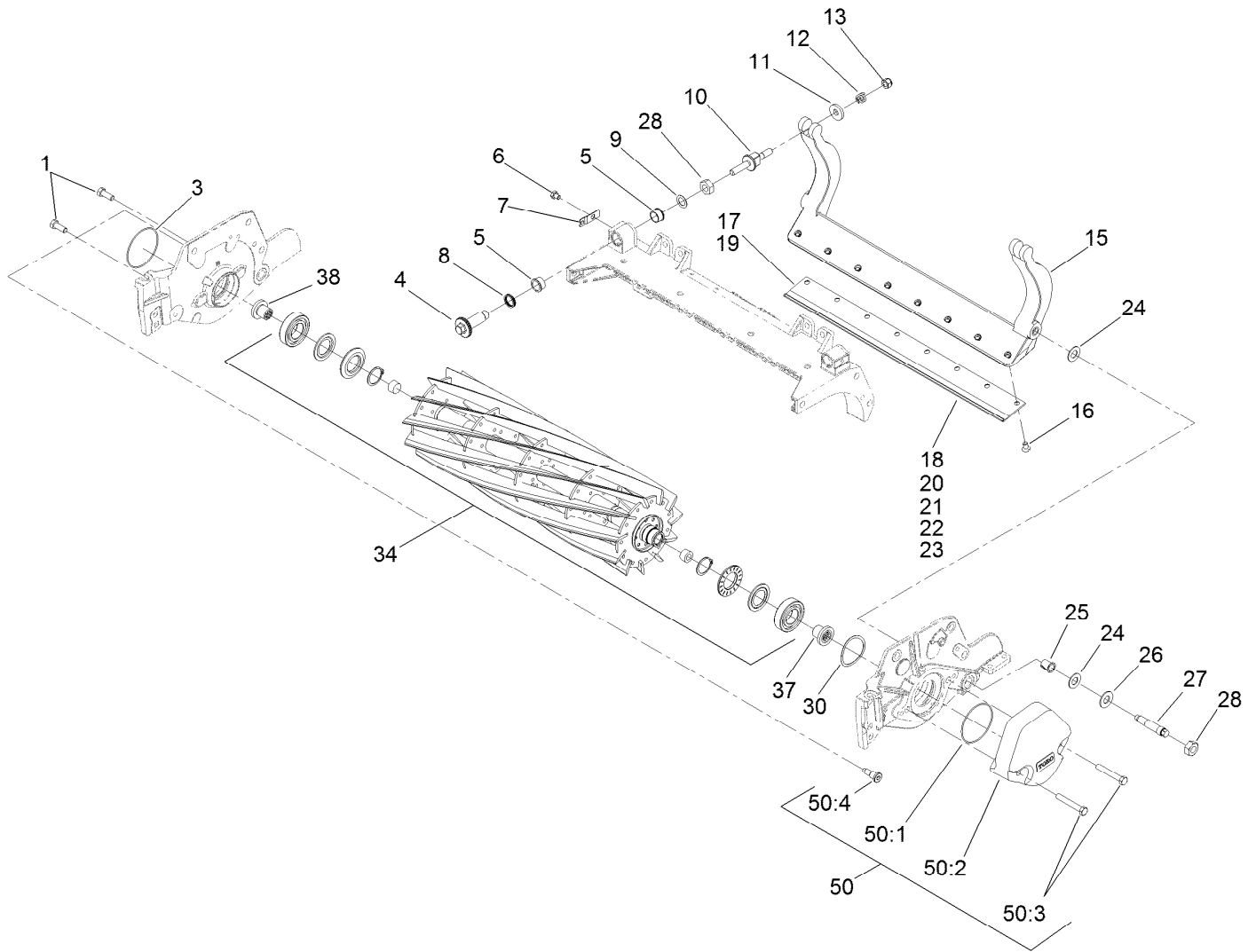
## Frame Assembly

Ref.	Part Number	Qty.	Description
1	137-5967	1	7In RH LD Side Plate ASM
1:1		1	Side Plate-7In, RH ■
1:1:2	127-7149	2	Insert-Threaded, Side Plate
1:2	106-9618	1	Bushing-Rubber
1:3	302-39	1	Fitting-Plug
1:4	3245-35	1	Screw-Set, HSH
1:5	117-8177	1	O-Ring
2	137-5963	1	7In LH LD Side Plate ASM
2:1		1	Side Plate-7In, LH ■
2:1:2	127-7149	2	Insert-Threaded, Side Plate
2:2	106-9618	1	Bushing-Rubber
2:3	302-39	1	Fitting-Plug
2:4	3245-35	1	Screw-Set, HSH
2:5	117-8177	1	O-Ring
3	104-3396	1	Screw-HH
4	99-8662	1	Tube-Spring
5	3218-5	3	Nut-Jam
6	87-7270	1	Washer-Thrust
7	104-8301	5	Nut-HF, NI

Ref.	Part Number	Qty.	Description
8	3290-357	7	Nut-HSF
9	110-4079	1	Spring-Compression
12	110-4069	1	Bracket
13	115-2007	1	Rod-Spring
14	92-2762	1	Pin-Hair
15	3231-25	4	Bolt-CARR
16	119-8010-03	1	Kickstand ●
17	107-7400	1	Pin-Lynch
18	110-4058	1	Bracket-Chain
19	107-3258	1	Frame
20	107-2979	6	Bolt-Shoulder
21	3234-19	2	Screw-HHF
22	130-8094	2	Washer-Plain
23	108-4279	2	Spacer-Frame
24	108-4284	1	Tube-Support
25	107-7433	1	Carrier Frame ASM
25:2	93-2877	2	Bushing
26	302-5	1	Fitting-Grease
27	67-9410	1	Washer

● Optional Equipment

■ Not serviced separately

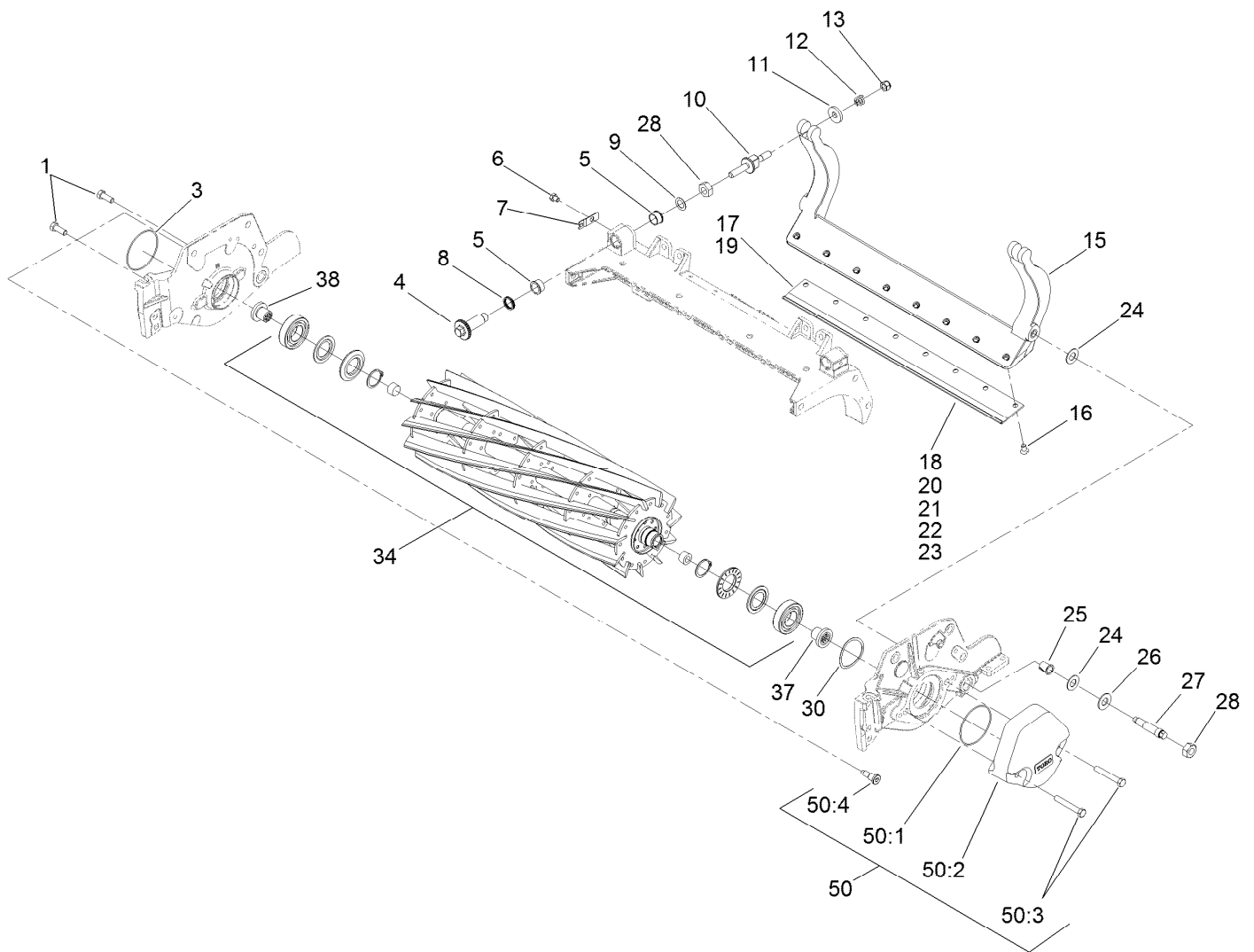


## Reel and Bedbar Assembly

Ref.	Part Number	Qty.	Description	Ref.	Part Number	Qty.	Description
1	323-6	2	Screw-HH	18	108-9096	1	Bedknife-STD (Fairway) ■
3	112-6967	1	O-Ring	19	137-0832	1	Bedknife-Edgemax Lowcut ■
4	120-5118	2	Shaft-Adjuster	20	110-4084	1	Bedknife-Low HOC (Fairway) ■
5	106-5344	4	Bushing-Flange, Keyed	21	119-4280	1	Bedknife-Edgemax Extended Low HOC, Fairw ■
6	119-4067	2	Screw-HH	22	120-1640	1	Bedknife-Low HOC Extended, Fairway ■
7	99-2097	2	Detent	23	110-4074	1	Bedknife-HD (Fairway) ■
8	120-5116	2	Washer-Wave	24	61-1950	4	Washer-Plastic
9	108-0015	2	Washer-Flat	25	56-9520	2	Bushing-Flanged
10	115-7039	2	Screw-Adjuster, Bedbar	26	69-8980	2	Washer
11	119-4155	2	Washer-Hardened	27	106-9623	2	Bolt-Bedbar
12	120-5120	2	Spring-Compression	28	3296-33	4	Nut-Lock, NI
13	119-4039	2	Nut-Hex	30	115-5258	1	Spring-Wire, Flat
15	107-3273-01	1	Bedbar	34	137-8444	1	ES Reel+,7In Fwy(22)5 Bld LD(Rr) ■
15	131-3221-03	1	Bedbar-Aggressive, 7 Inch ● ■				
16	119-4151	8	Screw-Bedknife				
17	137-0833	1	Bedknife-Edgemax (Fairway)				

● Not illustrated

■ Optional Equipment



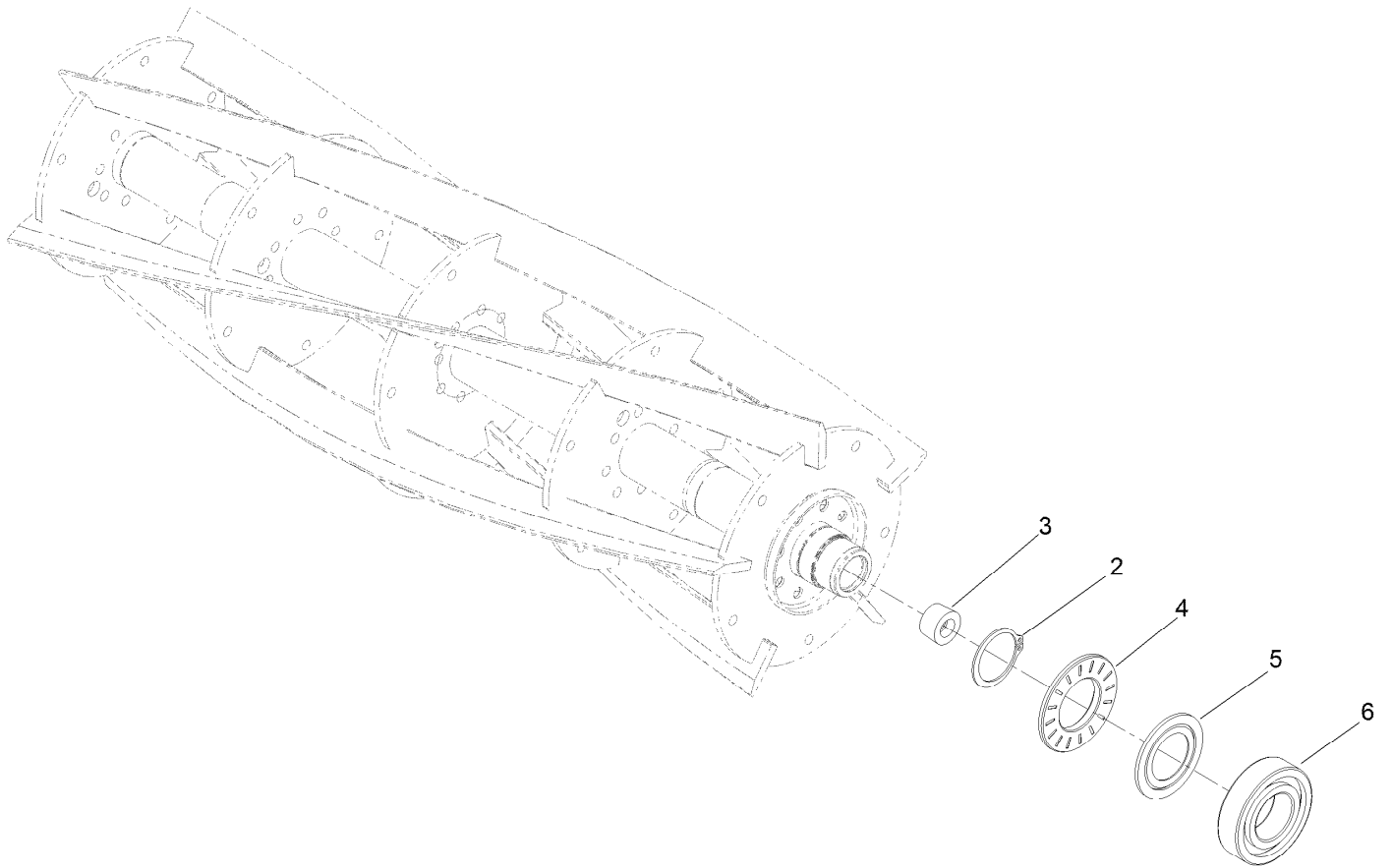
## Reel and Bedbar Assembly (continued)

Ref.	Part Number	Qty.	Description
34	137-8446	1	ES Reel+,7In Fwy(22)8 Bld LD(Fsr)
37	127-7111	1	Insert-Threaded, 7 Inch (LH)
38	127-7109	1	Insert-Threaded, 7 Inch (RH)
45	120-7230	1	Rm HD DPA MVP Kit ●■

Ref.	Part Number	Qty.	Description
50	127-7129	1	Weight Kit ■
50:1	112-6967	5	O-Ring
50:2	108-4269-01	5	Weight
50:3	323-12	10	Screw-HH
50:4	127-7122	5	Bolt-Shoulder, Flange Hex Socket

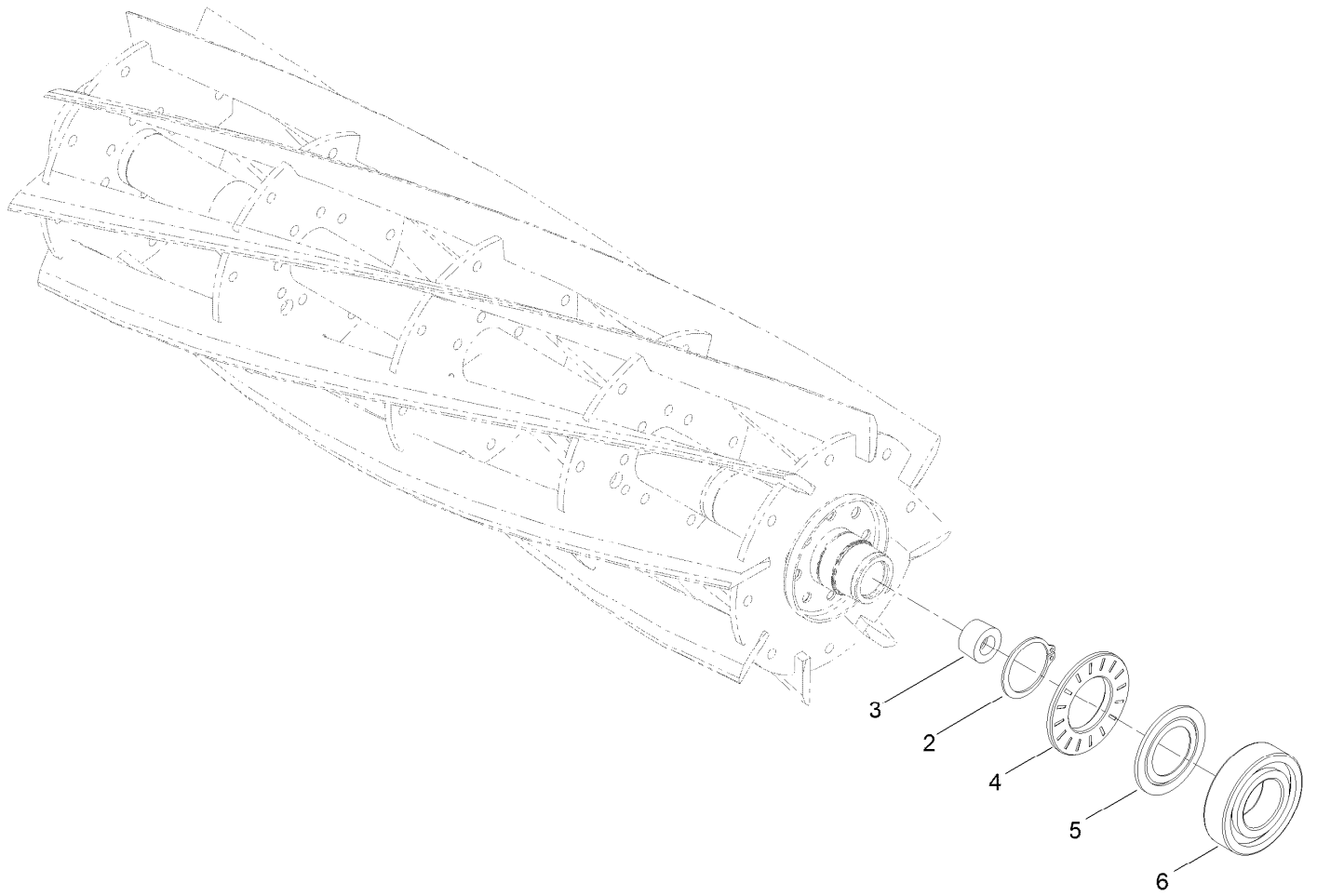
● Not illustrated

■ Optional Equipment



## Optional 7in EdgeSeries+ 22in Fairway, 5 Blade Radial Reel Assembly No. 137-8444

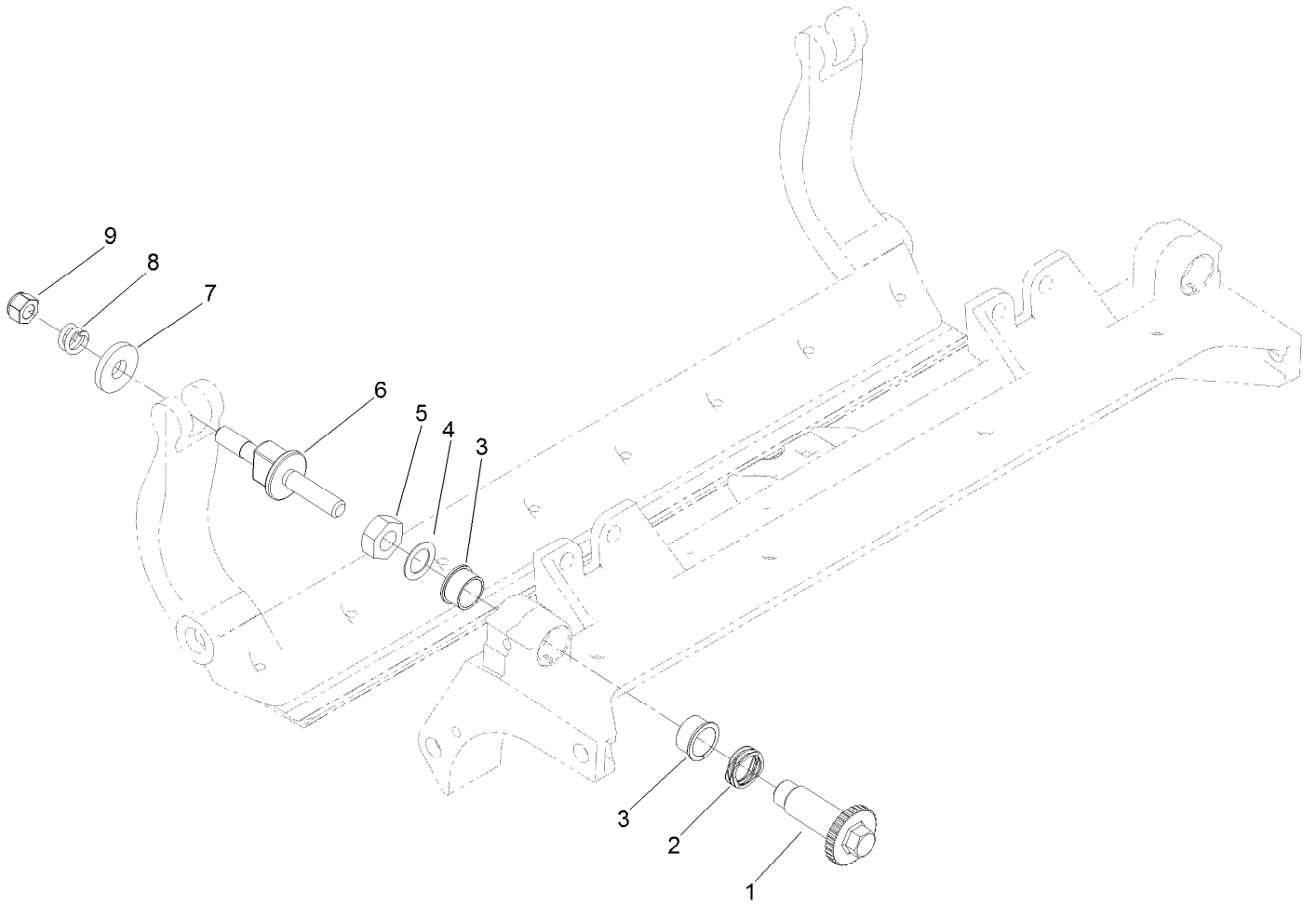
<i>Ref.</i>	<i>Part Number</i>	<i>Qty.</i>	<i>Description</i>
2	92-2601	2	Ring-Retaining
3	127-7118	2	Plug-Shaft, Reel
4	127-4284	2	Washer-Special
5	115-3299	2	Seal-Flocked
6	115-3296	2	Bearing-Sealed



## 7in EdgeSeries+ 22in Fairway, 8 Blade, Low Drag, Forward Swept Reel Assembly No. 137-8446

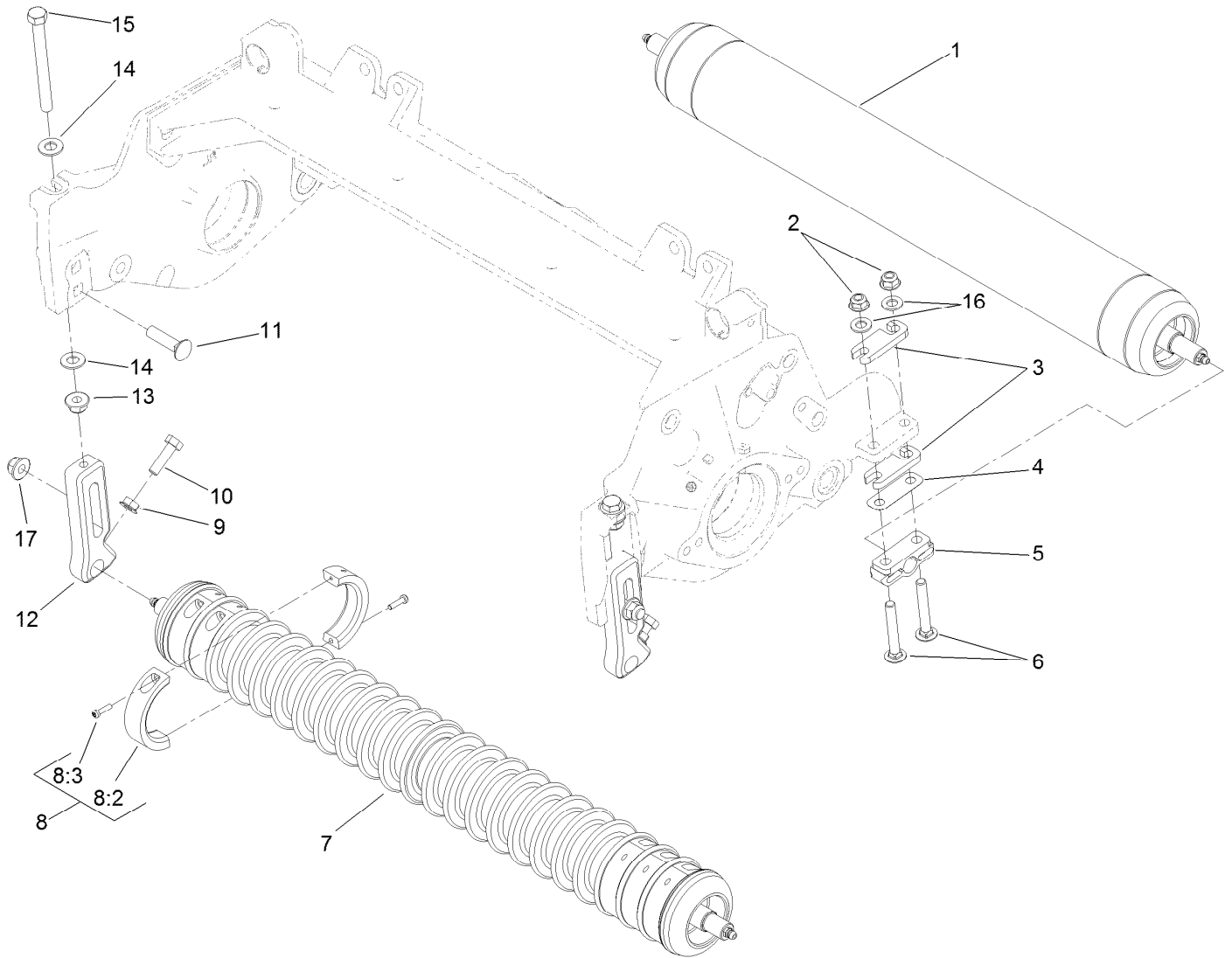
<i>Ref.</i>	<i>Part Number</i>	<i>Qty.</i>	<i>Description</i>
2	92-2601	2	Ring-Retaining
3	127-7118	2	Plug-Shaft, Reel
4	127-4284	2	Washer-Special
5	115-3299	2	Seal-Flocked
6	115-3296	2	Bearing-Sealed





## Optional Heavy-Duty MVP Kit No. 120-7230

<i>Ref.</i>	<i>Part Number</i>	<i>Qty.</i>	<i>Description</i>
1	120-5118	2	Shaft-Adjuster
2	120-5116	2	Washer-Wave
3	106-5344	4	Bushing-Flange, Keyed
4	108-0015	2	Washer-Flat
5	3296-33	2	Nut-Lock, NI
6	115-7039	2	Screw-Adjuster, Bedbar
7	119-4155	2	Washer-Hardened
8	120-5120	2	Spring-Compression
9	119-4039	2	Nut-Hex

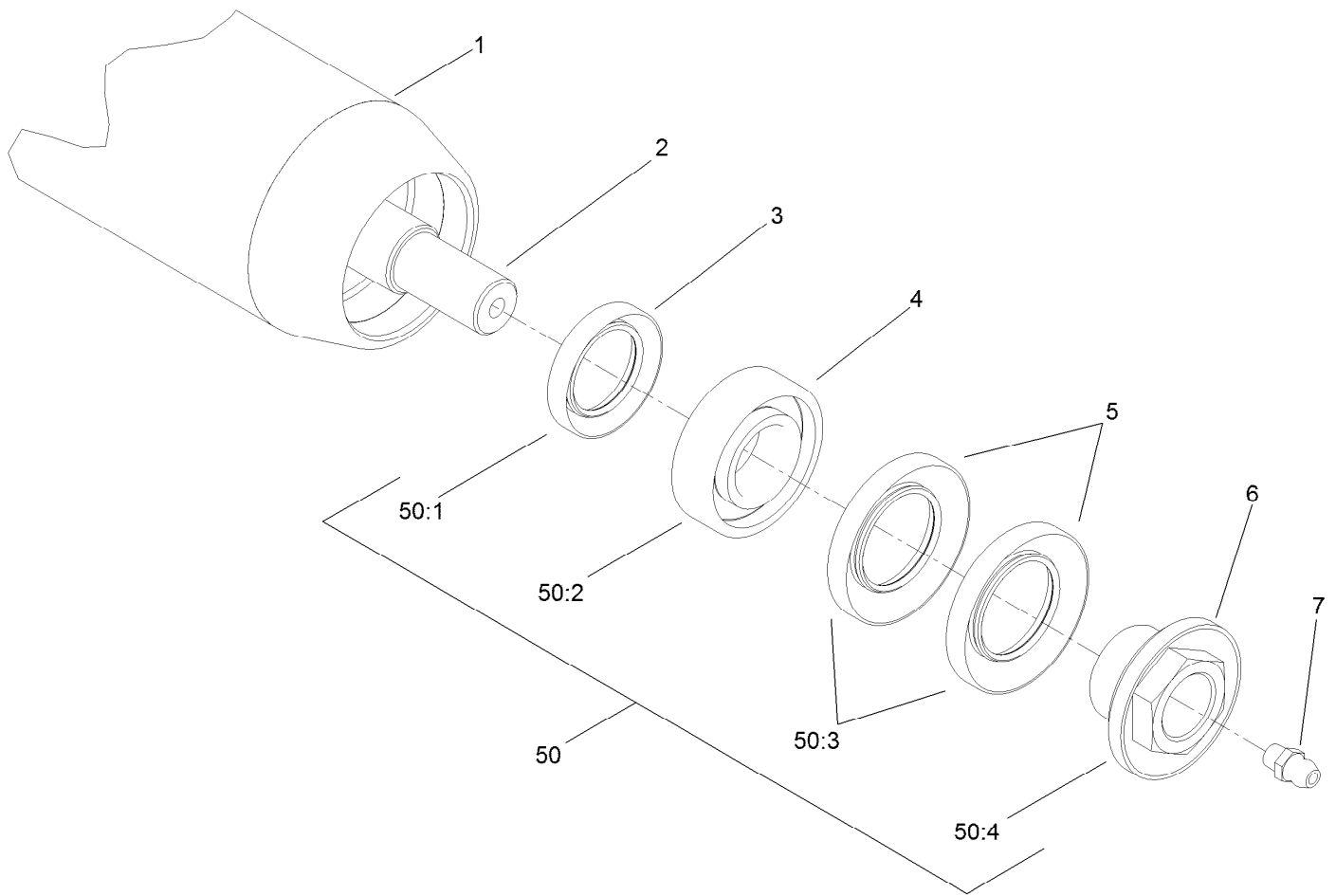


## Roller Assembly

Ref.	Part Number	Qty.	Description	Ref.	Part Number	Qty.	Description
1	114-5415	1	3 Inch DIA Roller ASM (Long)	8	104-8215	6	Collar Kit ■
1	114-5417	1	3 Inch DIA Roller ASM (Short) ● ■	8:2	100-4959	2	Collar
2	104-8300	4	Nut-HF, NI	8:3	104-1835	2	Screw
3	119-0626	8	Shim-Roller	9	32128-20	2	Nut-HF
4	107-4001	2	Shim-Roller (0.01 Inch) ■	10	322-16	2	Screw-HH
5	106-3924	2	Bracket-Roller, Rear	11	3231-4	2	Screw-CARR
6	3230-26	4	Screw-CARR	12	125-2796	2	Bracket-Front HOC
7	114-5400	1	Plastic Wiehle Roller ASM	13	104-8301	2	Nut-HF, NI
7	114-5412	1	Full Front Roller ASM (3In DIA) ● ■	14	48-9220	4	Washer-Flat
7	114-5421	1	Plastic Shoulder Roller ASM ● ■	15	133-7571	2	Screw-HOC, Fairway
				16	94-6936	4	Washer-Hardened
				17	133-7570	2	Nut-Flange, NI
				50	137-0890	1	Rm DPA High HOC Kit (F18 & Up) ● ■

● Not illustrated

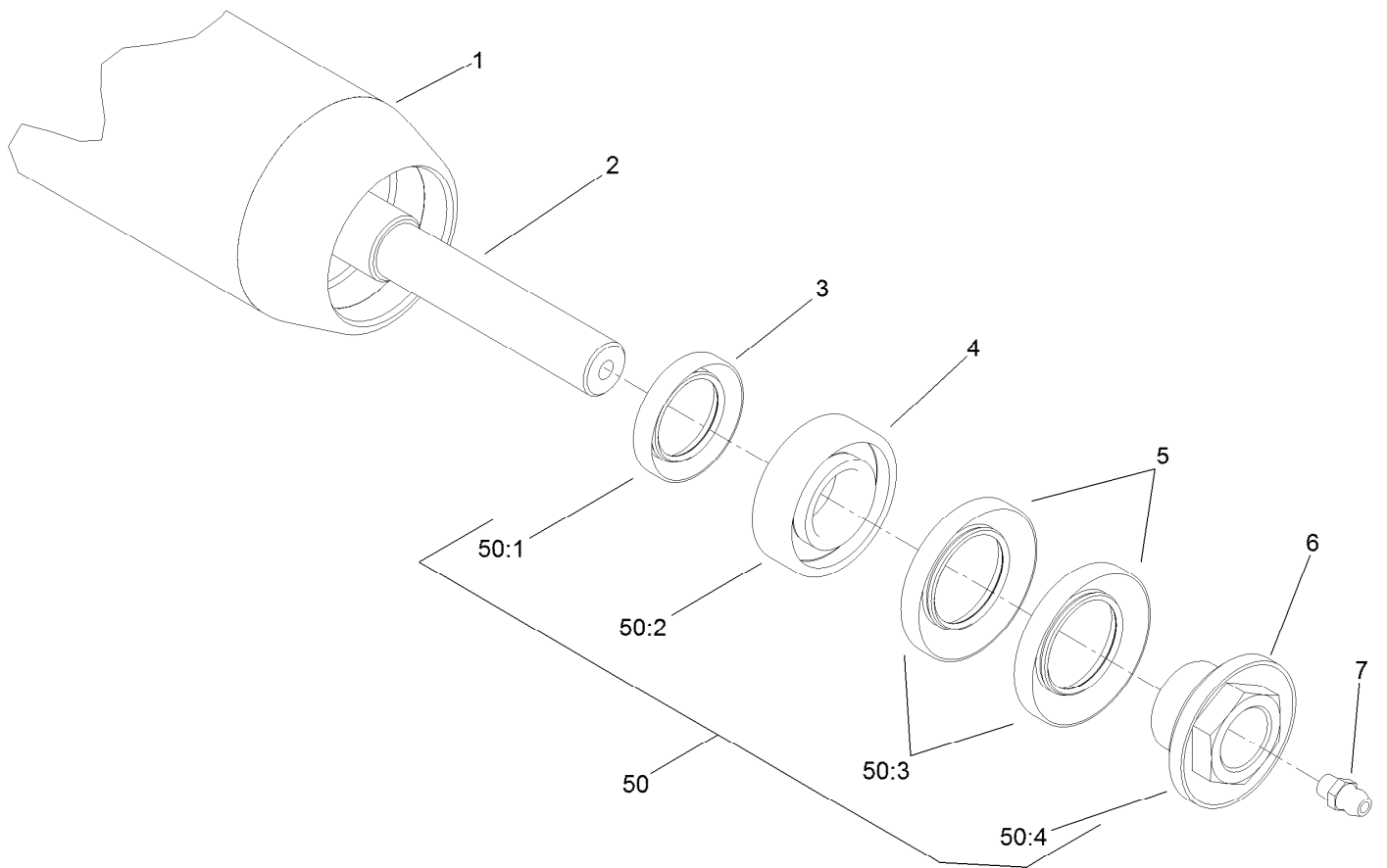
■ Optional Equipment



## 3 Inch Diameter Long Roller Assembly No. 114-5415

<i>Ref.</i>	<i>Part Number</i>	<i>Qty.</i>	<i>Description</i>
1	115-8292-03	1	Tube-Roller (Long)
2	114-5407	1	Shaft-Long, Rear Roller
3	114-3717	2	Seal-Oil
4	112-5290	2	Bearing-Steel, Stainless
5	112-7494	4	Seal
6	114-5411	2	Nut-Lock, Bearing
7	302-5	2	Fitting-Grease
50	114-5430	1	Roller Rebuild Kit ●
50:1	114-3717	2	Seal-Oil
50:2	112-5290	2	Bearing-Steel, Stainless
50:3	112-7494	4	Seal
50:4	114-3745	2	Nut-Lock, Bearing

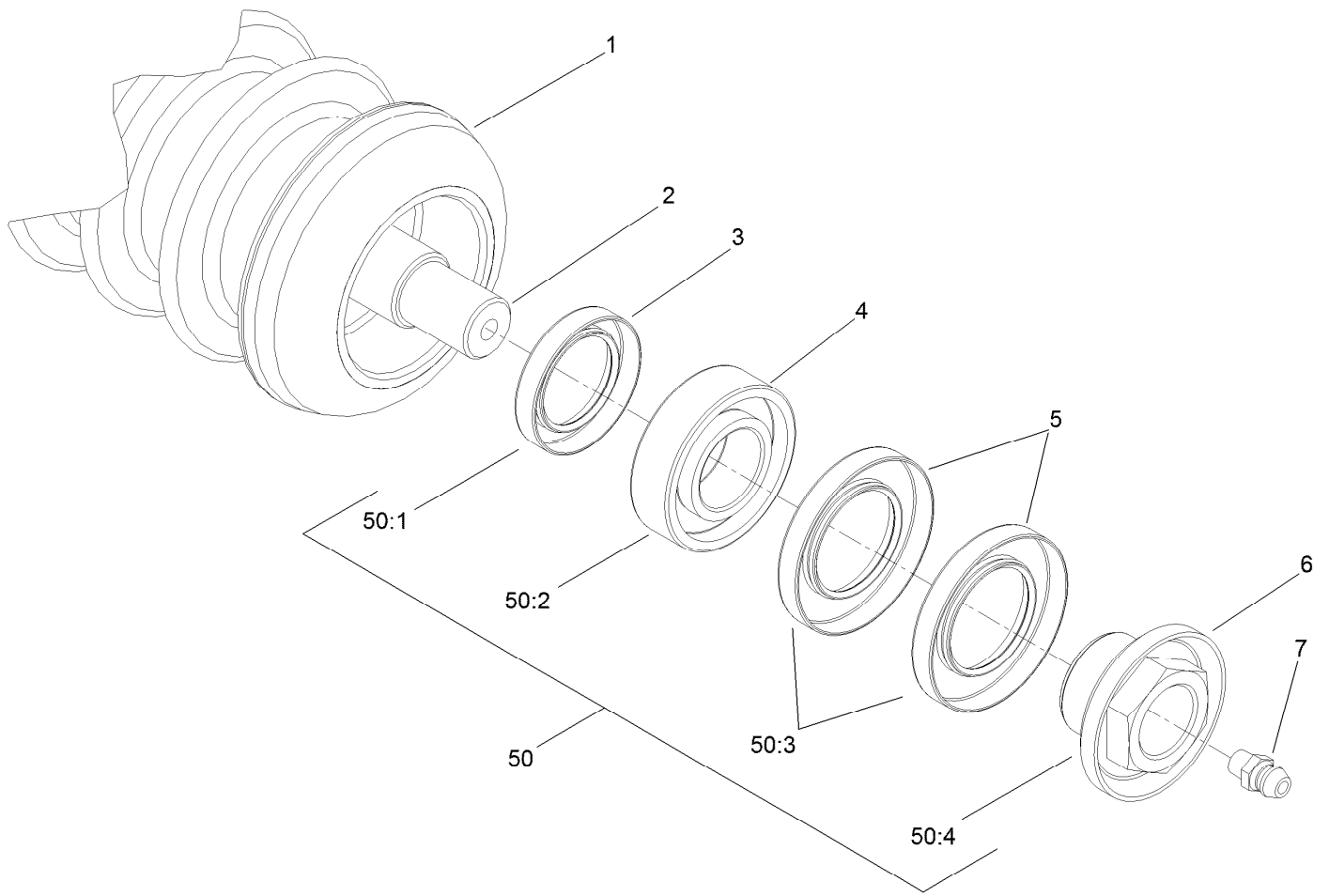
● Optional Equipment



## Optional 3 Inch Diameter Short Roller Assembly No. 114-5417

<i>Ref.</i>	<i>Part Number</i>	<i>Qty.</i>	<i>Description</i>
1	115-8296-03	1	Tube-Roller (Short)
2	114-5410	1	Shaft-Short, Rear Roller
3	114-3717	2	Seal-Oil
4	112-5290	2	Bearing-Steel, Stainless
5	112-7494	4	Seal
6	114-5411	2	Nut-Lock, Bearing
7	302-5	2	Fitting-Grease
50	114-5430	1	Roller Rebuild Kit ●
50:1	114-3717	2	Seal-Oil
50:2	112-5290	2	Bearing-Steel, Stainless
50:3	112-7494	4	Seal
50:4	114-3745	2	Nut-Lock, Bearing

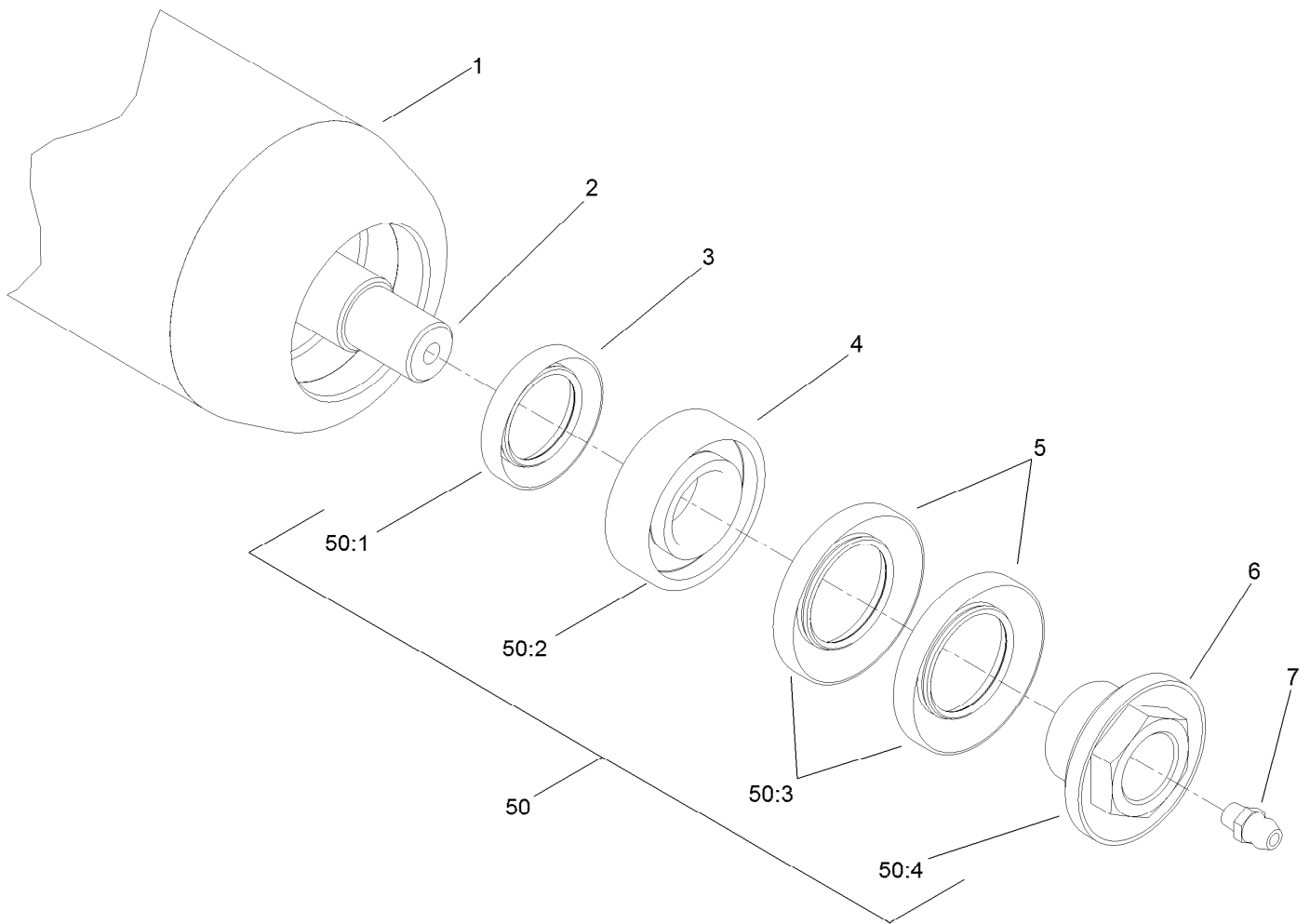
● Optional Equipment



## Plastic Wiehle Roller Assembly No. 114-5400

<i>Ref.</i>	<i>Part Number</i>	<i>Qty.</i>	<i>Description</i>
1	114-5401	1	Wiehle Roller Plastic (22In)
2	114-5403	1	Shaft-Roller, Front
3	114-3717	2	Seal-Oil
4	112-5290	2	Bearing-Steel, Stainless
5	112-7494	4	Seal
6	114-5411	2	Nut-Lock, Bearing
7	302-5	2	Fitting-Grease
50	114-5430	1	Roller Rebuild Kit ●
50:1	114-3717	2	Seal-Oil
50:2	112-5290	2	Bearing-Steel, Stainless
50:3	112-7494	4	Seal
50:4	114-3745	2	Nut-Lock, Bearing

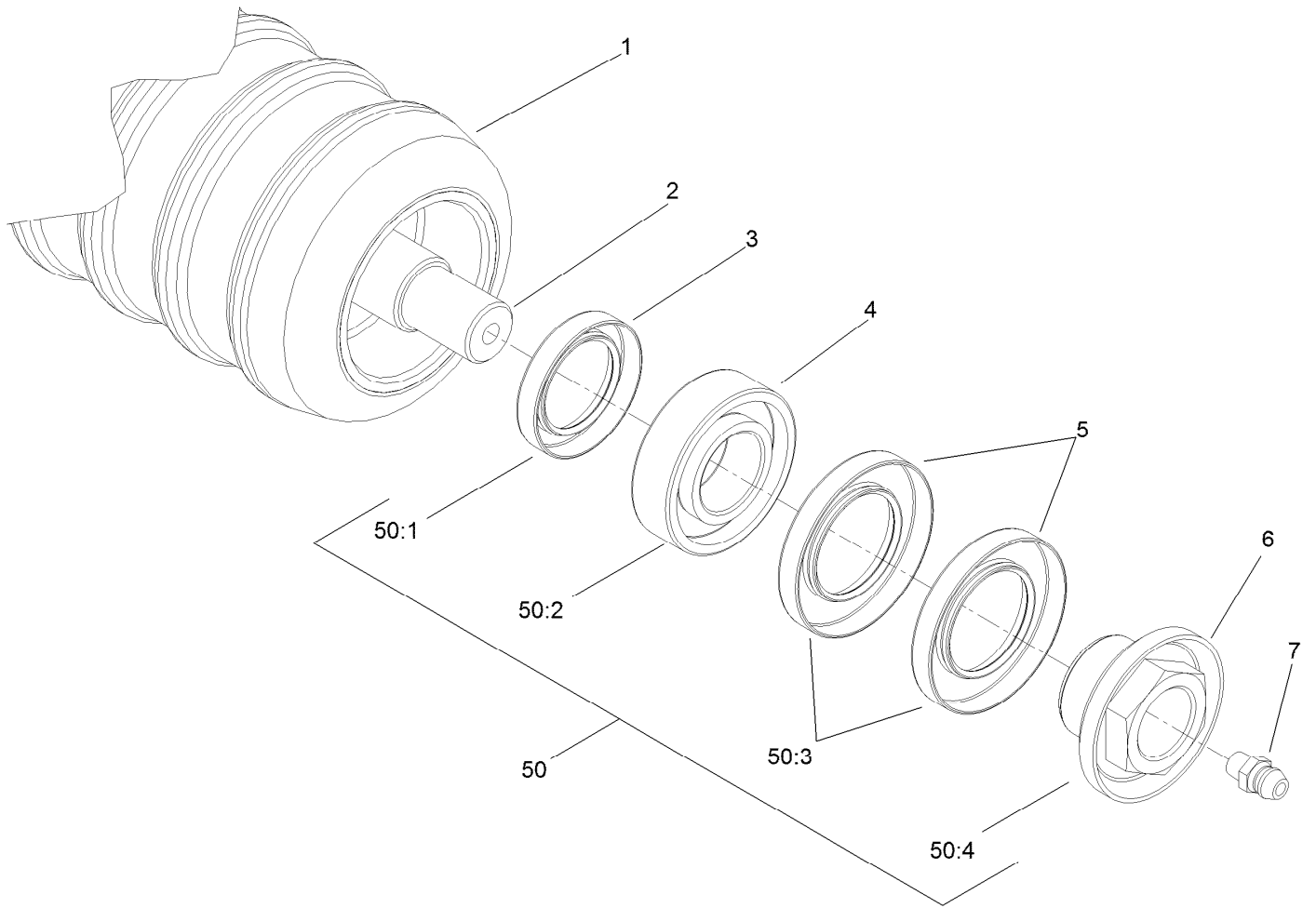
● Optional Equipment



## Optional Full Front Roller Assembly No. 114-5412

<i>Ref.</i>	<i>Part Number</i>	<i>Qty.</i>	<i>Description</i>
1	115-8297-03	1	Tube-Roller, Full
2	114-5403	1	Shaft-Roller, Front
3	114-3717	2	Seal-Oil
4	112-5290	2	Bearing-Steel, Stainless
5	112-7494	4	Seal
6	114-5411	2	Nut-Lock, Bearing
7	302-5	2	Fitting-Grease
50	114-5430	1	Roller Rebuild Kit ●
50:1	114-3717	2	Seal-Oil
50:2	112-5290	2	Bearing-Steel, Stainless
50:3	112-7494	4	Seal
50:4	114-3745	2	Nut-Lock, Bearing

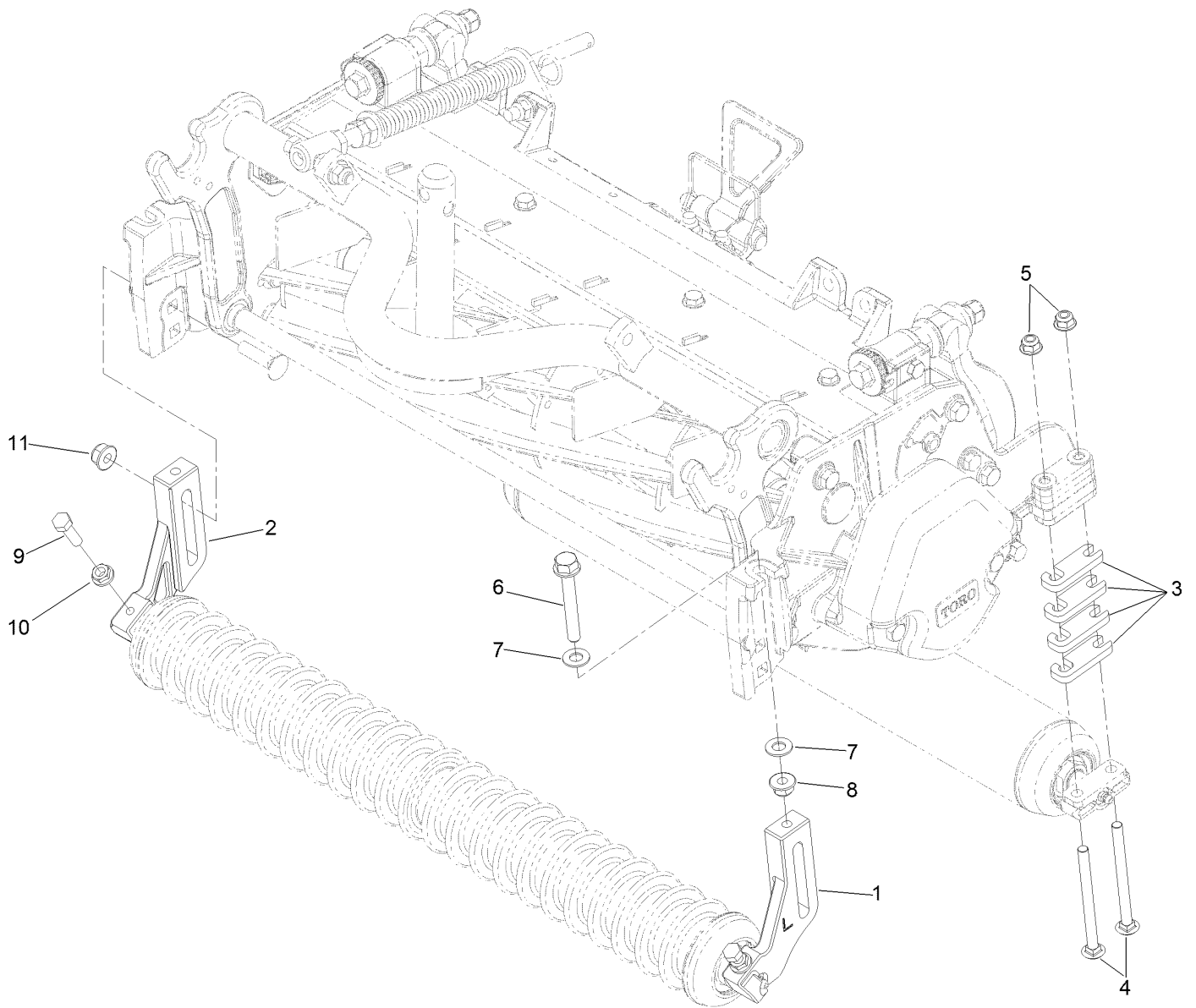
● Optional Equipment



## Optional Plastic Shoulder Roller Assembly No. 114-5421

<i>Ref.</i>	<i>Part Number</i>	<i>Qty.</i>	<i>Description</i>
1	114-5422	1	Roller-Shoulder, Plastic
2	114-5403	1	Shaft-Roller, Front
3	114-3717	2	Seal-Oil
4	112-5290	2	Bearing-Steel, Stainless
5	112-7494	4	Seal
6	114-5411	2	Nut-Lock, Bearing
7	302-5	2	Fitting-Grease
50	114-5430	1	Roller Rebuild Kit ●
50:1	114-3717	2	Seal-Oil
50:2	112-5290	2	Bearing-Steel, Stainless
50:3	112-7494	4	Seal
50:4	114-3745	2	Nut-Lock, Bearing

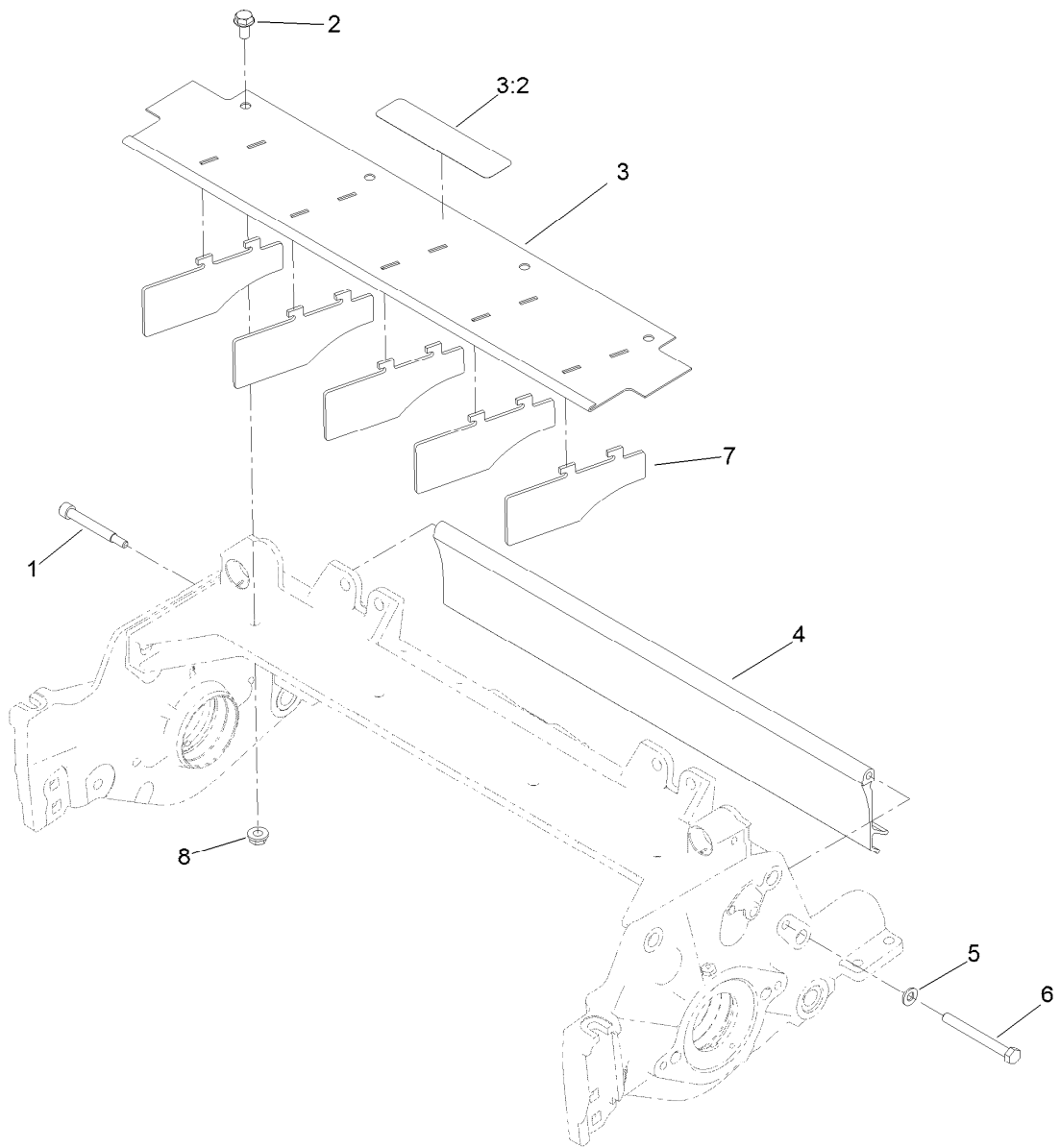
● Optional Equipment



## Optional High Height-of-Cut Assembly No. 137-0890

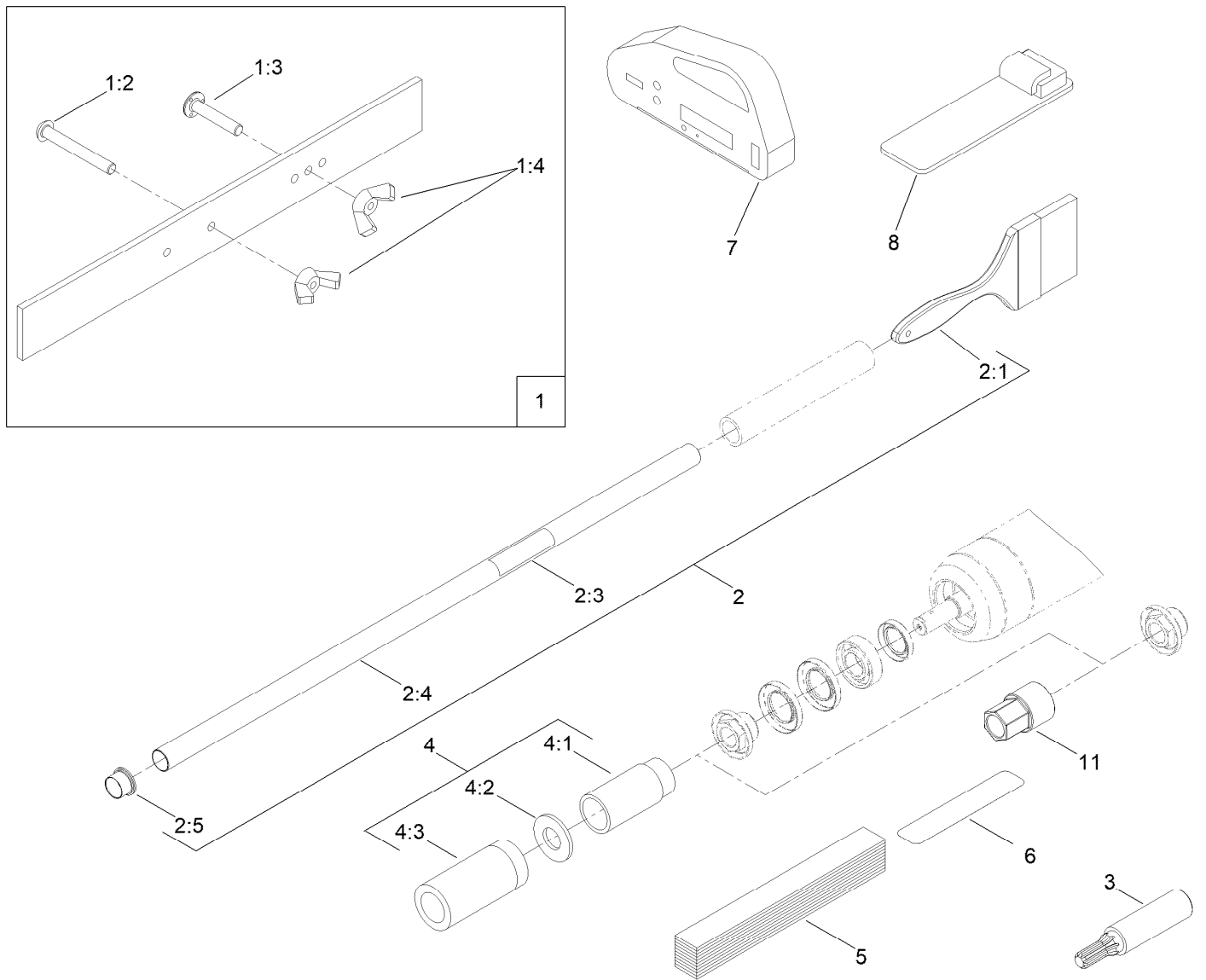
<i>Ref.</i>	<i>Part Number</i>	<i>Qty.</i>	<i>Description</i>
1	120-0404	1	Bracket-High HOC (LH)
2	120-0405	1	Bracket-High HOC (RH)
3	119-0626	8	Shim-Roller
4	106-9758	4	Screw-CARR
4	3230-30	4	Screw-CARR
5	104-8300	4	Nut-HF, NI
6	133-7572	2	Screw-HOC
7	48-9220	4	Washer-Flat
8	104-8301	4	Nut-HF, NI
9	322-16	2	Screw-HH
10	32128-20	2	Nut-HF
11	133-7570	2	Nut-Flange, NI





## Shield Assembly

<b>Ref.</b>	<b>Part Number</b>	<b>Qty.</b>	<b>Description</b>
1	107-7773	1	Screw-HSH
2	3234-7	4	Screw-HHF
3	107-2996	1	Front Glass Shield ASM
3:2	137-9706	1	Decal-Warning
4	125-1978	1	Shield-Glass, Rear
5	3256-74	1	Washer-Flat
6	322-14	1	Screw-HH
7	110-1706	5	Deflector
8	32128-20	4	Nut-HF



## Optional Tool Assembly

Ref.	Part Number	Qty.	Description
1	108-6715	1	Gauge Bar ASM
1:2	32122-54	1	Screw-Head, Truss
1:3	108-6714	1	Stud-Weld
1:4	32103-3	2	Nut-Wing
2	29-9100	1	Brush And Handle ASM
2:1	36-4310	1	Brush
2:3	98-3206	1	Decal
2:4	29-9080	1	Handle
2:5	2410-18	1	Cap-Plastic
3	TOR4074	1	Adapter-Drive, Reel ■
4	115-0803	1	Rm/Gm Roller Rebuild Tool Kit

Ref.	Part Number	Qty.	Description
4:1	115-0852	1	Tool-Inner Seal
4:2	107-8133	1	Washer-Flat
4:3	115-0853	1	Tool-Bearing/Outer Seal
5	125-5610	1	Paper-Reel, Toro (10 Pack)
6	140-5531	1	Shim-Toro Reel (.002In)
7	131-6828	1	Indicator-Angle
8	131-6829	1	Mount-Indicator, Angle
9	137-0924	1	Tool-Hand TAP 7/8-16 (Rm DPA Reel) ●
10	137-0925	1	Tool-Hand TAP 7/8-16, LH (Rm DPA Reel) ●
11	147-1132	1	Tool-Drive, Roller Nut

● Not illustrated

■ Obtain directly from K-Line Industries, Inc. (<https://klineind.com>)

# Attachments and Accessories

## For 03639 8-Blade EdgeSeries Forward Swept Reel DPA Cutting Unit with 7in Reel Reelmaster 5010 Series Traction Unit

<b>Product Name</b>	<b>Model/Part</b>
Weight Kit for 8-Blade or 11-Blade DPA Cutting Unit with 7in Reel Traction Unit .....	03405
Rear Roller Brush Kit (7in Reel) .....	03408
22in Fairway Flex Grass Basket Kit .....	03415
22in Fairway Compact Grass Basket Kit .....	03416
Weight Kit for Units with 5 Inch Electric Reel or 7 Inch Electric or Hydraulic Reel and Universal Groomer Only .....	03418
Weight Kit for Units with 5 Inch Electric Reel or 7 Inch Electric or Hydraulic Reel and Universal Groomer with Rear Roller Brush .....	03419
Verticutter for 7in Reel Cutting Unit .....	03619
Rear Roller Brush Kit for Units with 7in Reel and Universal Groomer (22in) .....	03659
Grooming Brush (22In) .....	03767
Universal Groomer Drive Kit .....	03768
Universal Groomer Cartridge, Reelmaster 3555, 3575, 5010, and 5010-H Series 22-inch EdgeSeries Cutting Units with Universal Groomer .....	03772
3in Dia Collar Kit .....	104-8215
Wiehle Scraper ASM .....	107-2993-03
Rear Roller Scraper Kit .....	107-3280
Gauge Bar Assembly .....	108-6715
Bedknife-STD (Fairway) .....	108-9096
Comb/Scraper Kit .....	110-1735
Brush-Roller (High Height-Of-Cut) .....	110-1740
Bedknife-HD (Fairway) .....	110-4074
Bedknife-Low HOC (Fairway) .....	110-4084
3in Full Front Roller Scraper .....	110-9602-03
Rear Lift Cylinder Limit Kit .....	110-9604
Shoulder Roller Scraper ASM .....	110-9609-03
3in Dia Full Front Roller ASM .....	114-5412
Plastic Shoulder Roller ASM .....	114-5421
Roller Rebuild Kit .....	114-5430
Roller Rebuild Tool Kit .....	115-0803
Bedknife Edgemax Low cut Extended (Fairway) .....	119-4280
Cutting Unit Kickstand .....	119-8010-03
Bedknife-Lowcut Extended (Fairway) .....	120-1640
Heavy-Duty DPA MVP Kit .....	120-7230
Rear Roller Adjustment Kit .....	125-0570
Toro Reel Paper (10 Pack) .....	125-5610
Toro Reel Shim (0.002in) .....	125-5611
7in Aggressive Bedbar .....	131-3221-03
Groomer/RRB Seal Kit .....	131-3233
Angle Indicator .....	131-6828
Angle Indicator Mount .....	131-6829
Groomer Rod Kit .....	131-6845
Broomer Kit (22In) .....	132-7125
Universal Groomer Drive MVP Kit, Reelmaster 3575, 5010, and 5010-H Series 22-inch Cutting Units with 7 Inch Reel .....	133-0151

## Attachments and Accessories (continued)

Rear Roller Brush MVP Kit, Reelmaster 5010-H Series 22-inch Cutting Unit with 7-inch Reel and Universal Groomer .....	133-0154
Rear Roller Brush MVP Kit, Reelmaster 5010-H Series Cutting Unit with 7 Inch Reel .....	133-0158
Bedknife-Edgemax Lowcut .....	137-0832
Bedknife-Edgemax (Fairway) .....	137-0833
22in Rear Roller HD Brush .....	137-0842
High Height-of-Cut Kit, Reelmaster 3000 or 5000 Series DPA Cutting Unit .....	137-0890
LH 7in Heavy Duty Low Drag Side Plate ASM .....	137-5982
RH 7in Heavy Duty Low Drag Side Plate ASM .....	137-5983
EdgeSeries+ Reel 7in Fairway(22in) 5 Blade Low Drag(Radial Reel) .....	137-8444
EdgeSeries+ Reel, 7in Fairway(22in) 8 Blade Low Drag(Forward Swept Reel).....	137-8446
Reel Drive Adapter .....	TOR4074

**Notes:**

**Notes:**

**Notes:**



**Count on it.**