



Count on it.

Parts Catalog

**8-Blade Forward Swept Reel DPA
Cutting Unit with 7in Reel**

Reelmaster® 5010-H Series Traction Unit

Model No. 03639—Serial No. 316000001 and Up



Ordering Replacement Parts

To order replacement parts, please supply the part number, the quantity, and the description of each part desired.

Understanding Reference Numbers

Each identified part in an illustration has a reference number. The reference number for a part also appears in the parts list, along with other information about the part.

This catalog uses two special reference number formats, one to indicate parts in a service assembly and another to indicate the quantity of a given part in an illustration.

Service Assembly Reference Numbers

Parts in service assemblies have reference numbers in the form a:b. The a represents the reference number of the entire service assembly and the b represents a sequential number unique to each part within the service assembly.

For example, a wheel assembly might be identified by reference number 6, the tire by 6:1, the valve by 6:2, and the wheel by 6:3. When you order the assembly identified by reference number 6, you receive all parts identified by reference numbers 6:1, 6:2, and 6:3. However, you may also order any part individually. Reference numbers of this type appear in illustration and in parts lists.

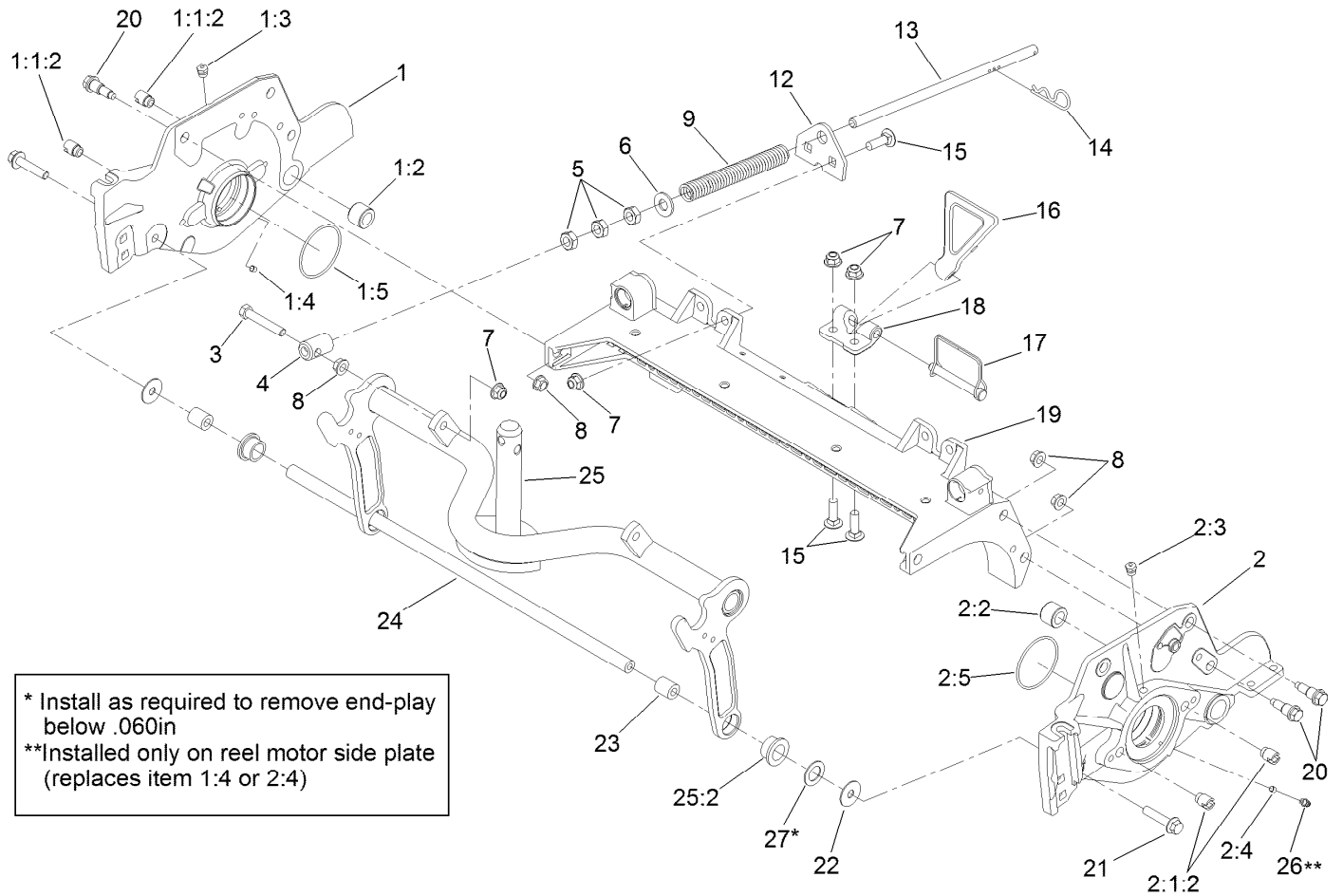
Reference Numbers Indicating Quantity

In an illustration, if a reference number indicates more than one part, the reference number has the form nX y. The n represents the quantity of the part, the X is the multiplication symbol, and the y represents the reference number.

For example, in an illustration, the reference number 2X 37 means that two of the parts identified by reference number 37 are indicated.

Contents

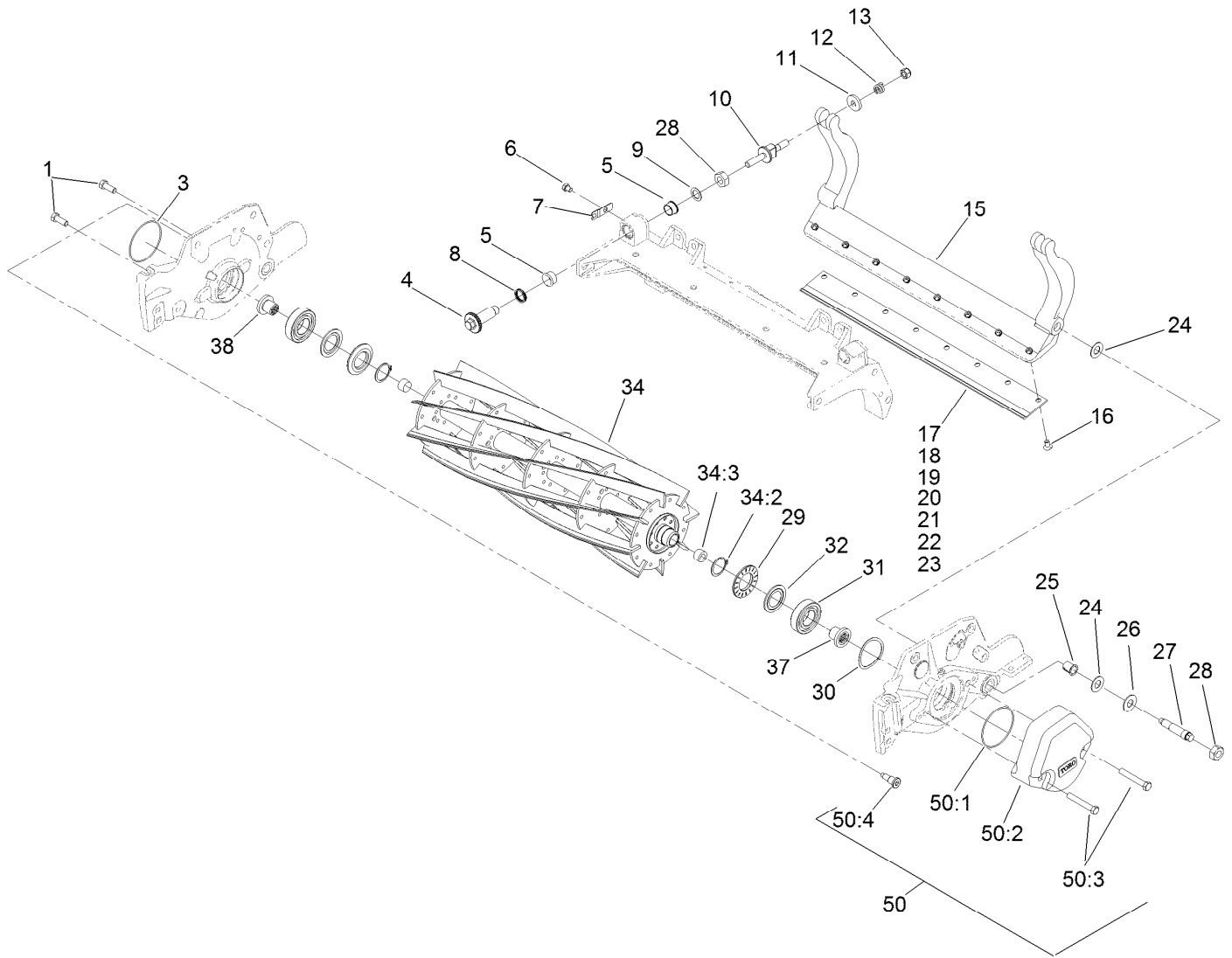
Frame Assembly.....	4
Reel and Bedbar Assembly	5
Optional Heavy-Duty MVP Kit No. 120-7230.....	7
Roller Assembly	8
3 Inch Diameter Long Roller Assembly No. 114-5415	9
Optional 3 Inch Diameter Short Roller Assembly No. 114-5417	10
Plastic Wiehle Roller Assembly No. 114-5400.....	11
Optional Full Front Roller Assembly No. 114-5412.....	12
Optional Plastic Shoulder Roller Assembly No. 114-5421	13
Optional High Height-of-Cut Assembly No. 110-9600	14
Shield Assembly.....	15
Optional Tool Assembly.....	16
Attachments and Accessories	17



Frame Assembly

Ref.	Part Number	Qty.	Description	Ref.	Part Number	Qty.	Description
1	127-4298	1	7 Inch RH Side Plate ASM	9	110-4079	1	Spring-Compression
1:1:2	127-7149	2	Insert-Threaded, Side Plate	12	110-4069	1	Bracket
1:2	106-9618	1	Bushing-Rubber	13	115-2007	1	Rod-Spring
1:3	302-39	1	Fitting-Plug	14	92-2762	1	Pin-Hair
1:4	3245-35	1	Screw-Set, HSH	15	3231-25	4	Bolt-CARR
1:5	117-8177	1	O-Ring	16	119-8010-03	1	Kickstand ●
2	127-4295	1	7 Inch LH Side Plate ASM	17	107-7400	1	Pin-Lynch
2:1:2	127-7149	2	Insert-Threaded, Side Plate	18	110-4058	1	Bracket-Chain
2:2	106-9618	1	Bushing-Rubber	19	107-3258	1	Frame
2:3	302-39	1	Fitting-Plug	20	107-2979	6	Bolt-Shoulder
2:4	3245-35	1	Screw-Set, HSH	21	3234-19	2	Screw-HHF
2:5	117-8177	1	O-Ring	22	130-8094	2	Washer-Plain
3	104-3396	1	Screw-HH	23	108-4279	2	Spacer-Frame
4	99-8662	1	Tube-Spring	24	108-4284	1	Tube-Support
5	3218-5	3	Nut-Jam	25	107-7433	1	Carrier Frame ASM
6	87-7270	1	Washer-Thrust	25:2	93-2877	2	Bushing
7	104-8301	5	Nut-HF, NI	26	302-5	1	Fitting-Grease
8	3290-357	7	Nut-HSF	27	67-9410	1	Washer

● Optional Equipment

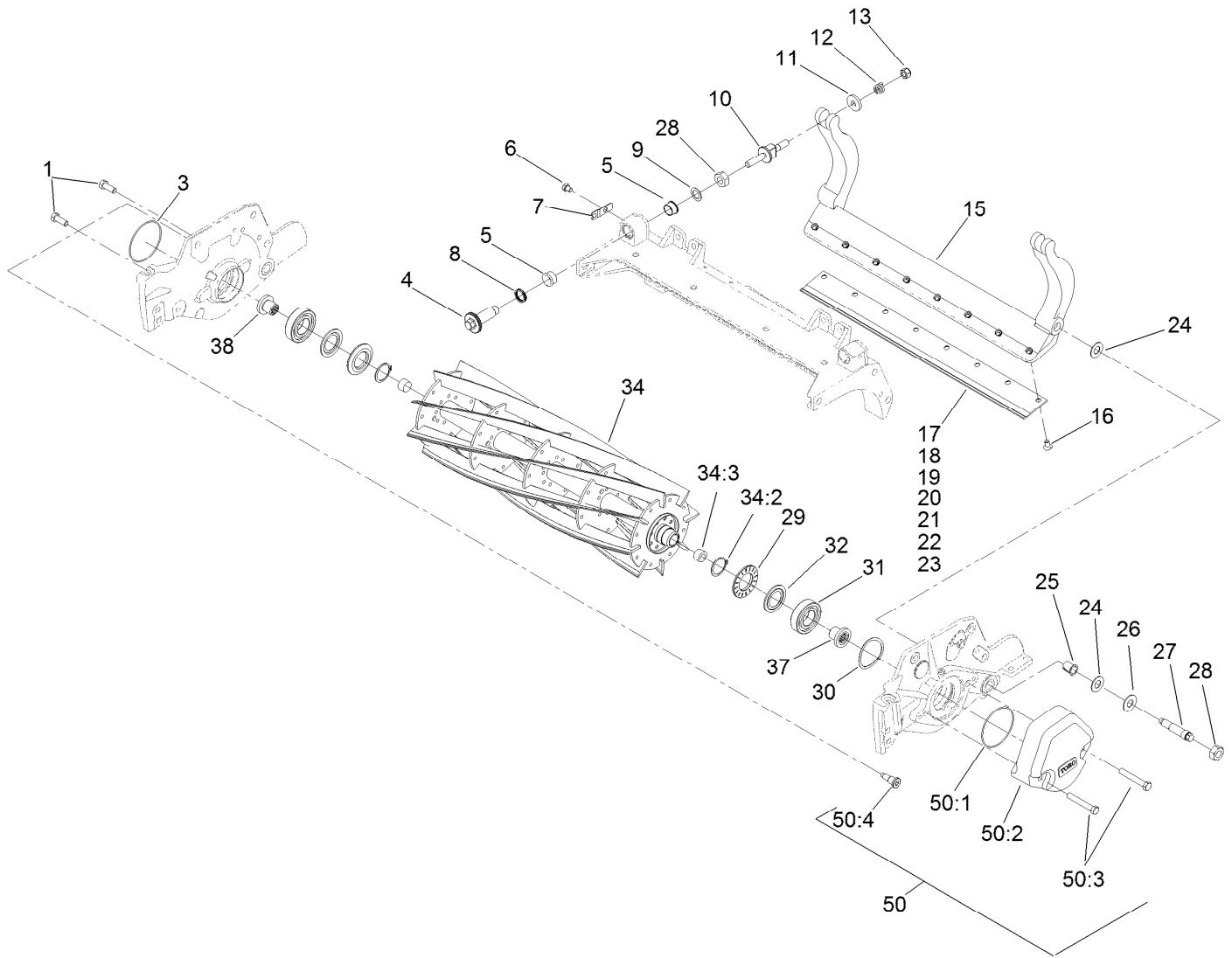


Reel and Bedbar Assembly

Ref.	Part Number	Qty.	Description	Ref.	Part Number	Qty.	Description
1	323-6	2	Screw-HH	18	108-9096	1	Bedknife-STD (Fairway) ■
3	112-6967	1	O-Ring	19	127-7132	1	Bedknife-Edgemax, Lowcut ■
4	120-5118	2	Shaft-Adjuster	20	110-4084	1	Bedknife-Low HOC (Fairway) ■
5	106-5344	4	Bushing-Flange, Keyed	21	119-4280	1	Bedknife-Edgemax Extended Low HOC, Fairw ■
6	119-4067	2	Screw-HH	22	120-1640	1	Bedknife-Low HOC Extended, Fairway ■
7	99-2097	2	Detent	23	110-4074	1	Bedknife-HD (Fairway) ■
8	120-5116	2	Washer-Wave	24	61-1950	4	Washer-Plastic
9	108-0015	2	Washer-Flat	25	56-9520	2	Bushing-Flanged
10	115-7039	2	Screw-Adjuster, Bedbar	26	69-8980	2	Washer
11	119-4155	2	Washer-Hardened	27	106-9623	2	Bolt-Bedbar
12	120-5120	2	Spring-Compression	28	3296-33	4	Nut-Lock, NI
13	119-4039	2	Nut-Hex	29	127-4284	2	Washer-Special
15	107-3273-01	1	Bedbar	30	115-5258	1	Spring-Wire, Flat
15	131-3221-03	1	Bedbar-Aggressive, 7 Inch ● ■	31	115-3296	2	Bearing-Sealed
16	119-4151	8	Screw-Bedknife				
17	108-9095	1	Bedknife-Edgemax (Fairway)				

● Not illustrated

■ Optional Equipment

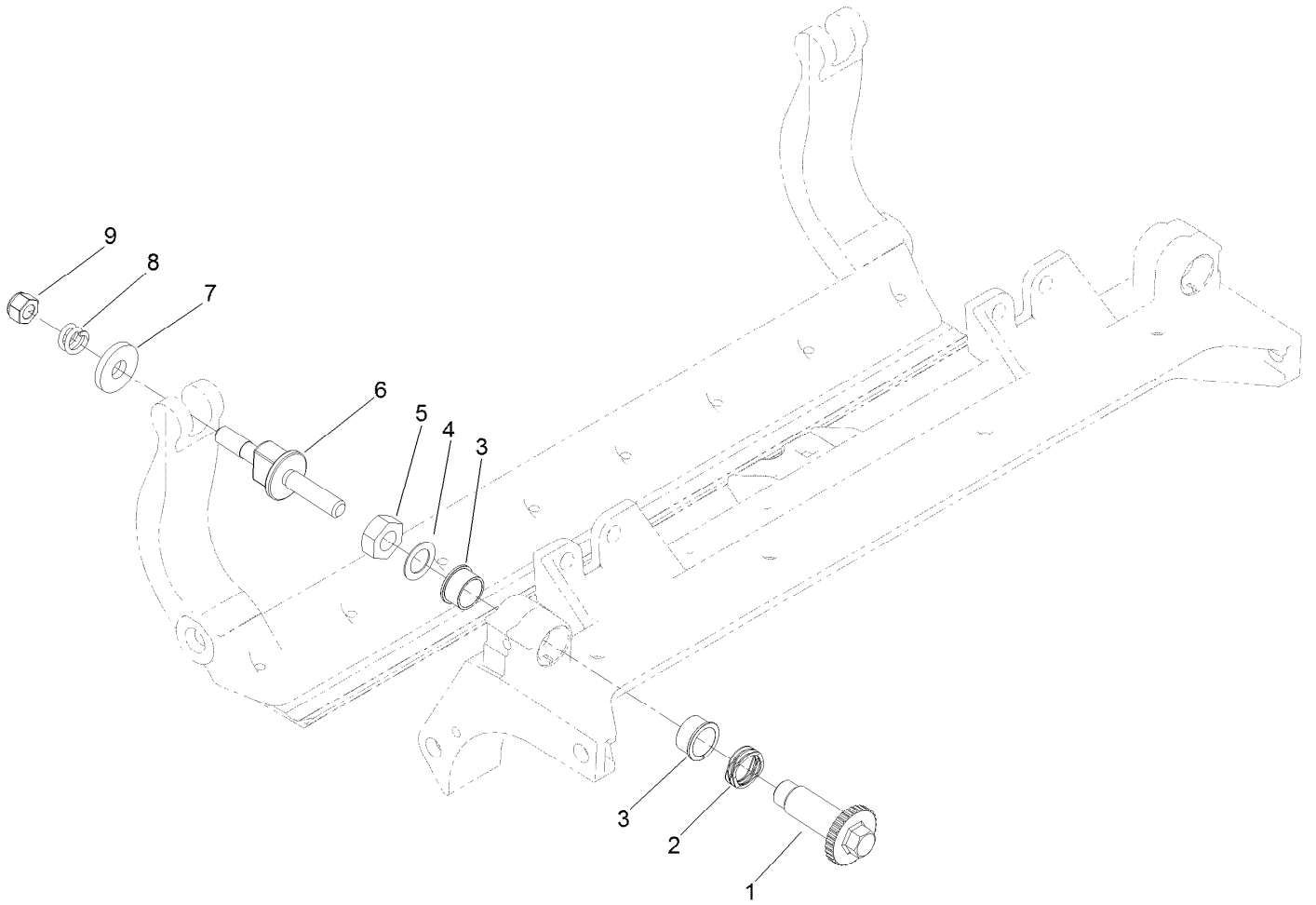


Reel and Bedbar Assembly (continued)

Ref.	Part Number	Qty.	Description	Ref.	Part Number	Qty.	Description
32	115-3299	2	Seal-Flocked	45	120-7230	1	Rm HD DPA MVP Kit ● ■
34	131-6809	1	Reel-7 Inch Fairway (22 Inch) 8 Blade (Forward Swept Reel)	50	127-7129	1	Weight Kit ■
34:2	127-7118	2	Plug-Shaft, Reel	50:1	112-6967	5	O-Ring
34:3	92-2601	2	Ring-Retaining	50:2	108-4269-01	5	Weight
37	127-7111	1	Insert-Threaded, 7 Inch (LH)	50:3	323-12	10	Screw-HH
38	127-7109	1	Insert-Threaded, 7 Inch (RH)	50:4	127-7122	5	Bolt-Shoulder, Flange Hex Socket

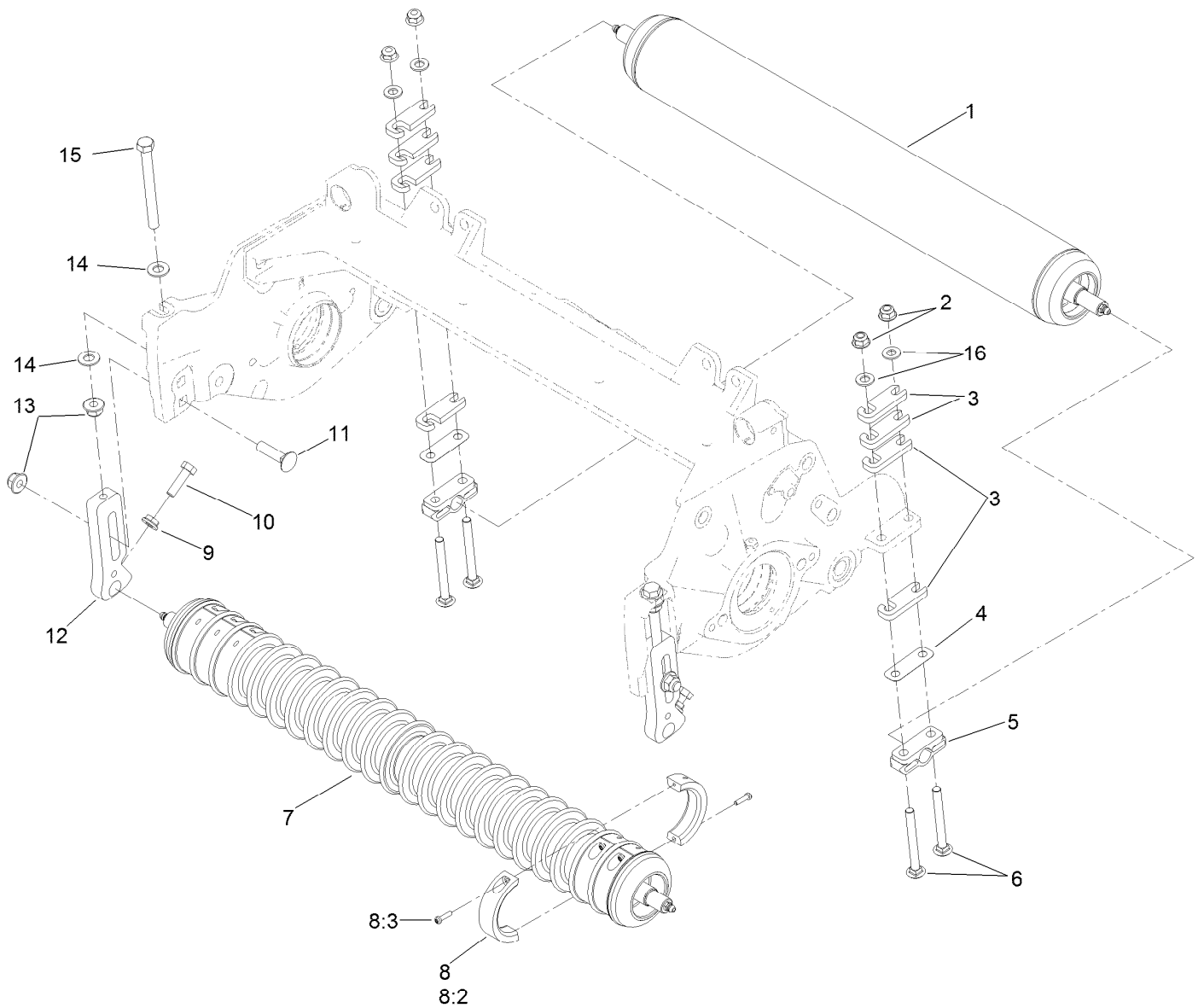
● Not illustrated

■ Optional Equipment



Optional Heavy-Duty MVP Kit No. 120-7230

<i>Ref.</i>	<i>Part Number</i>	<i>Qty.</i>	<i>Description</i>
1	120-5118	2	Shaft-Adjuster
2	120-5116	2	Washer-Wave
3	106-5344	4	Bushing-Flange, Keyed
4	108-0015	2	Washer-Flat
5	3296-33	2	Nut-Lock, NI
6	115-7039	2	Screw-Adjuster, Bedbar
7	119-4155	2	Washer-Hardened
8	120-5120	2	Spring-Compression
9	119-4039	2	Nut-Hex

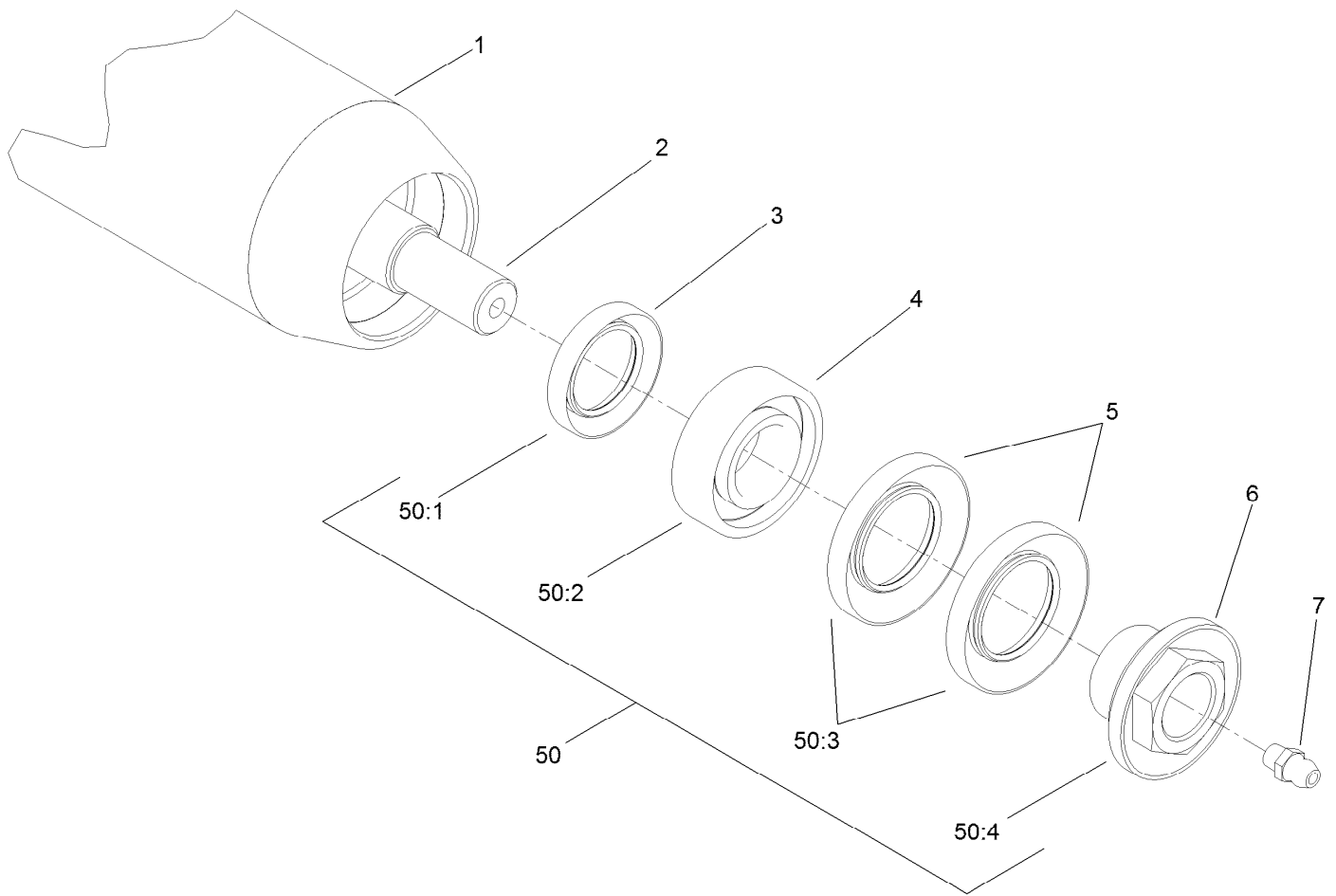


Roller Assembly

Ref.	Part Number	Qty.	Description	Ref.	Part Number	Qty.	Description
1	114-5415	1	3 Inch DIA Roller ASM (Long)	8	104-8215	6	Collar Kit ■
1	114-5417	1	3 Inch DIA Roller ASM (Short) ● ■	8:2	100-4959	2	Collar
2	104-8300	4	Nut-HF, NI	8:3	104-1835	2	Screw
3	119-0626	8	Shim-Roller	9	32128-20	2	Nut-HF
4	107-4001	2	Shim-Roller (0.01 Inch) ■	10	322-16	2	Screw-HH
5	106-3924	2	Bracket-Roller, Rear	11	3231-4	2	Screw-CARR
6	3230-26	4	Screw-CARR	12	125-2796	2	Bracket-Front HOC
7	114-5400	1	Plastic Wiehle Roller ASM	13	104-8301	4	Nut-HF, NI
7	114-5412	1	Full Front Roller ASM (3In DIA) ● ■	14	48-9220	4	Washer-Flat
7	114-5421	1	Plastic Shoulder Roller ASM ● ■	15	107-4026	2	Screw-HH
				16	94-6936	4	Washer-Hardened
				50	110-9600	1	Rm DPA High HOC Kit (F06-F17) ● ■

● Not illustrated

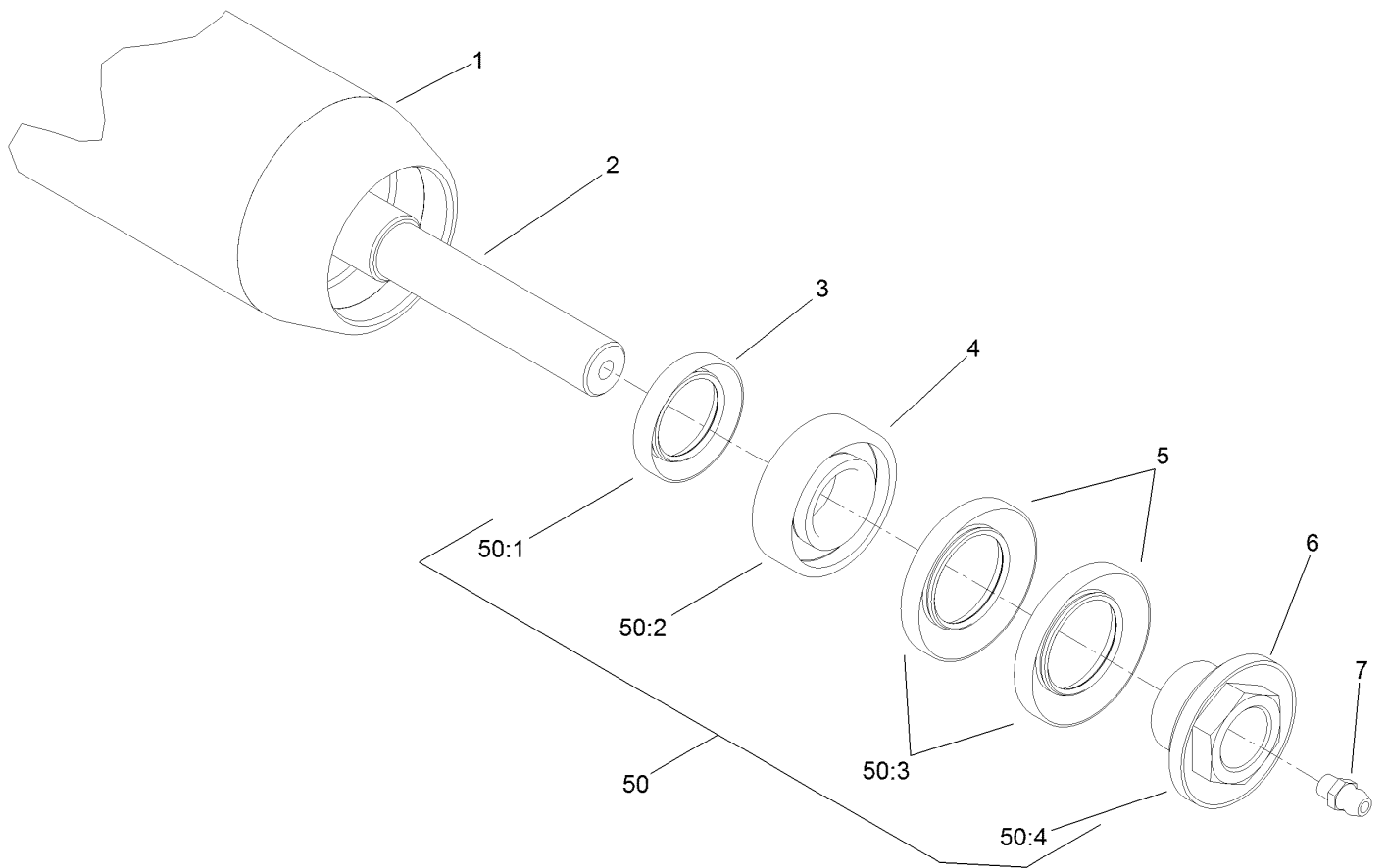
■ Optional Equipment



3 Inch Diameter Long Roller Assembly No. 114-5415

<i>Ref.</i>	<i>Part Number</i>	<i>Qty.</i>	<i>Description</i>
1	115-8292-03	1	Tube-Roller (Long)
2	114-5407	1	Shaft-Long, Rear Roller
3	114-3717	2	Seal-Oil
4	112-5290	2	Bearing-Steel, Stainless
5	112-7494	4	Seal
6	114-5411	2	Nut-Lock, Bearing
7	302-5	2	Fitting-Grease
50	114-5430	1	Roller Rebuild Kit ●
50:1	114-3717	2	Seal-Oil
50:2	112-5290	2	Bearing-Steel, Stainless
50:3	112-7494	4	Seal
50:4	114-5411	2	Nut-Lock, Bearing

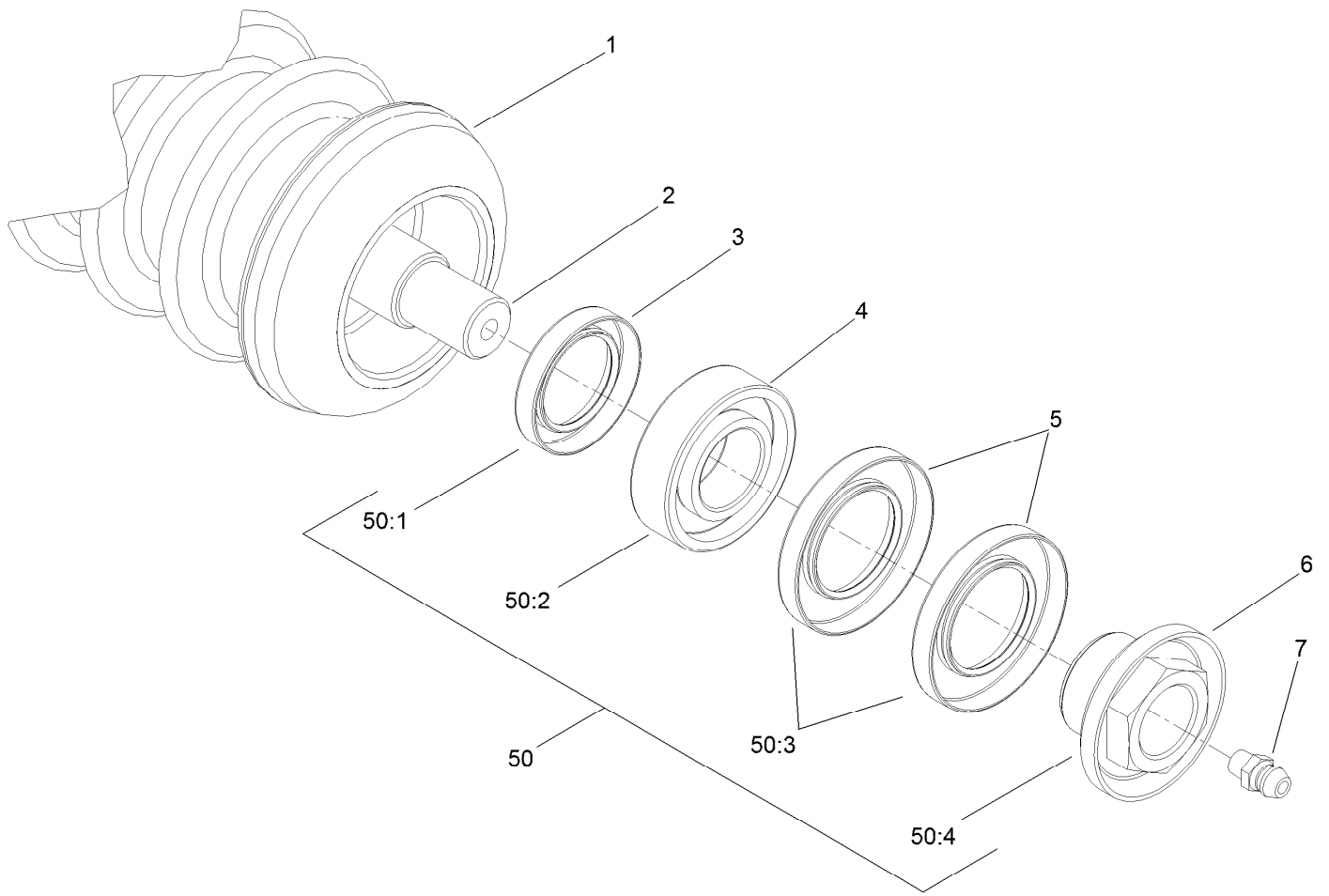
● Optional Equipment



Optional 3 Inch Diameter Short Roller Assembly No. 114-5417

<i>Ref.</i>	<i>Part Number</i>	<i>Qty.</i>	<i>Description</i>
1	115-8296-03	1	Tube-Roller (Short)
2	114-5410	1	Shaft-Short, Rear Roller
3	114-3717	2	Seal-Oil
4	112-5290	2	Bearing-Steel, Stainless
5	112-7494	4	Seal
6	114-5411	2	Nut-Lock, Bearing
7	302-5	2	Fitting-Grease
50	114-5430	1	Roller Rebuild Kit ●
50:1	114-3717	2	Seal-Oil
50:2	112-5290	2	Bearing-Steel, Stainless
50:3	112-7494	4	Seal
50:4	114-5411	2	Nut-Lock, Bearing

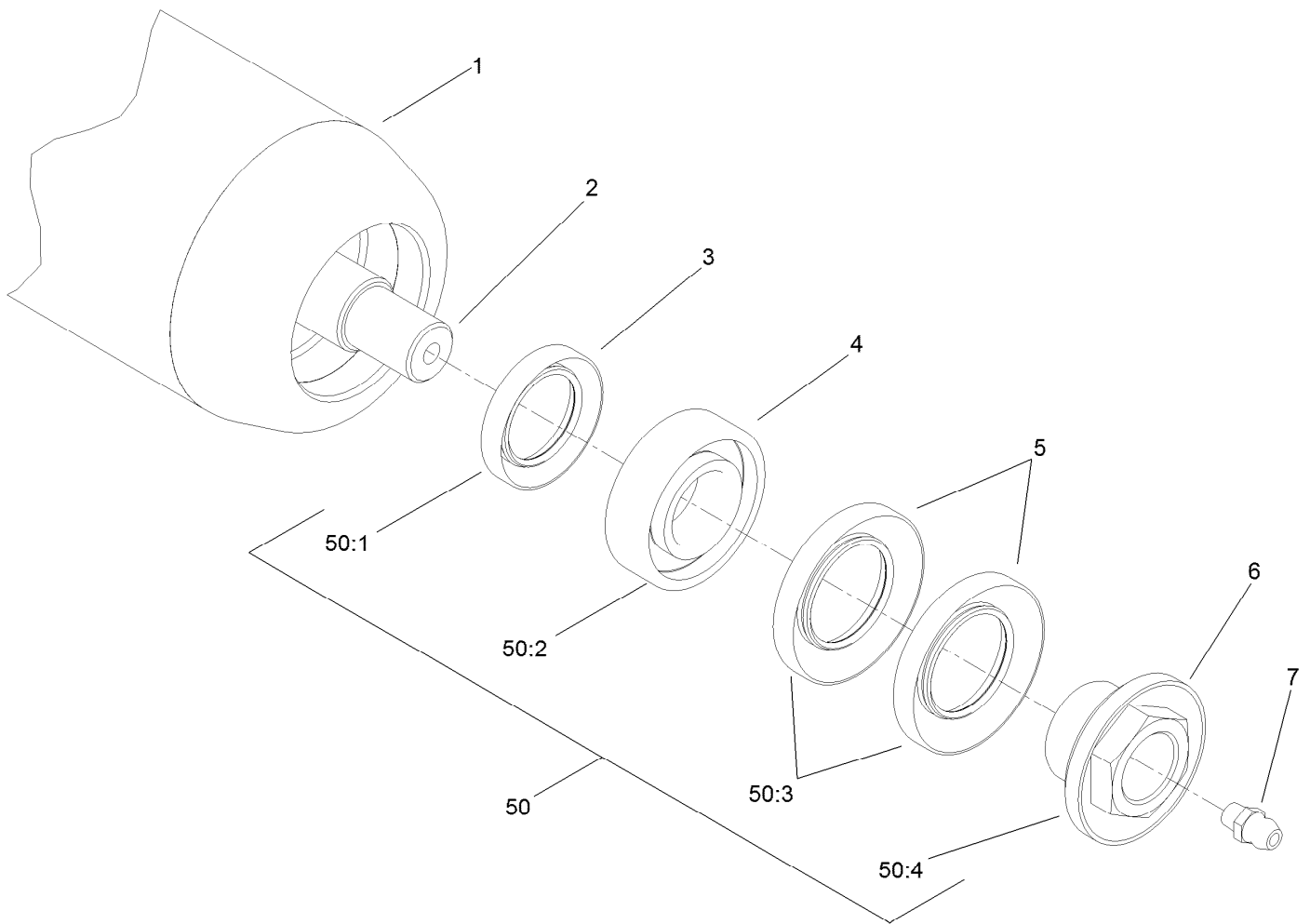
● Optional Equipment



Plastic Wiehle Roller Assembly No. 114-5400

<i>Ref.</i>	<i>Part Number</i>	<i>Qty.</i>	<i>Description</i>
1	114-5401	1	Wiehle Roller Plastic (22In)
2	114-5403	1	Shaft-Roller, Front
3	114-3717	2	Seal-Oil
4	112-5290	2	Bearing-Steel, Stainless
5	112-7494	4	Seal
6	114-5411	2	Nut-Lock, Bearing
7	302-5	2	Fitting-Grease
50	114-5430	1	Roller Rebuild Kit ●
50:1	114-3717	2	Seal-Oil
50:2	112-5290	2	Bearing-Steel, Stainless
50:3	112-7494	4	Seal
50:4	114-5411	2	Nut-Lock, Bearing

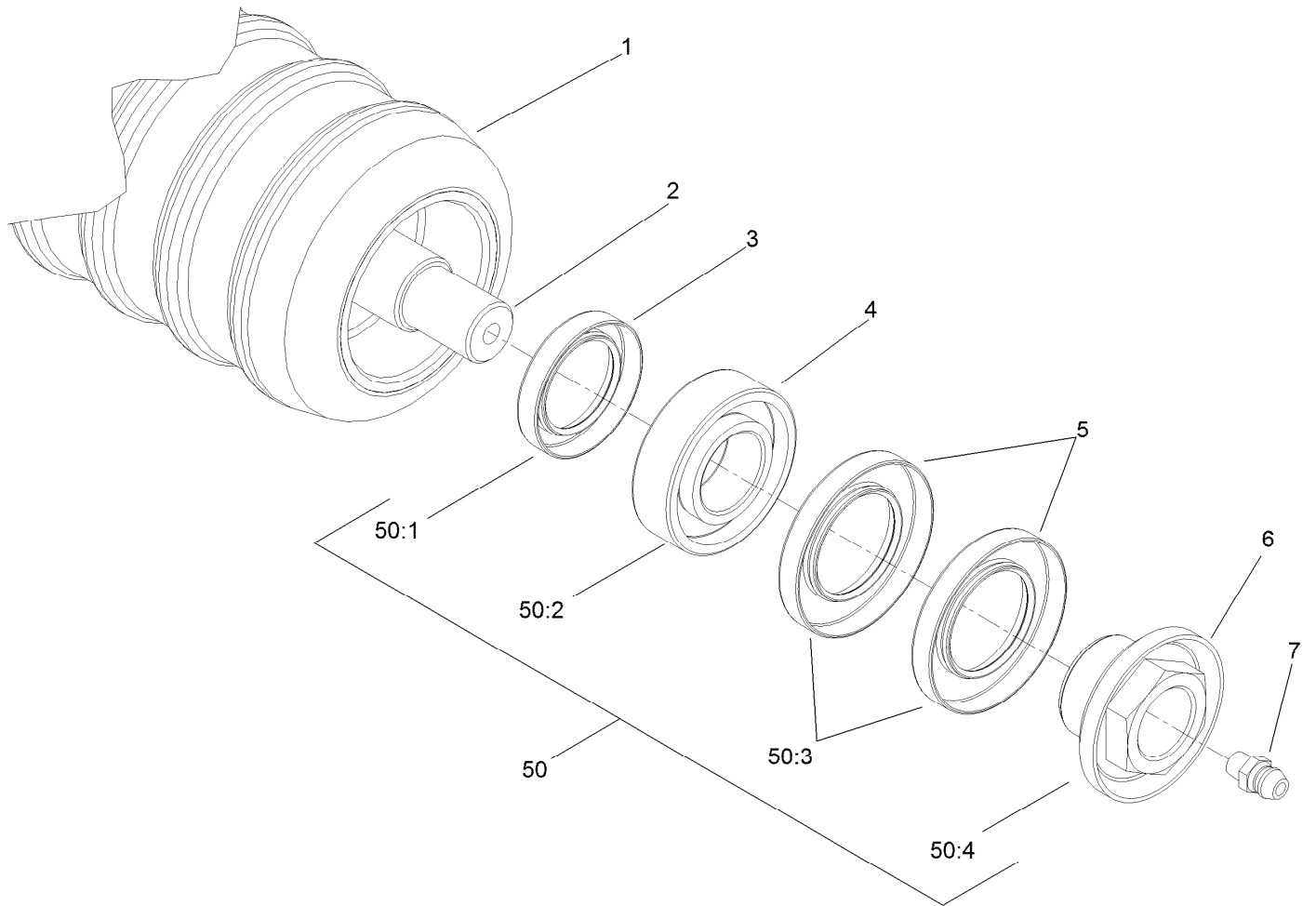
● Optional Equipment



Optional Full Front Roller Assembly No. 114-5412

<i>Ref.</i>	<i>Part Number</i>	<i>Qty.</i>	<i>Description</i>
1	115-8297-03	1	Tube-Roller, Full
2	114-5403	1	Shaft-Roller, Front
3	114-3717	2	Seal-Oil
4	112-5290	2	Bearing-Steel, Stainless
5	112-7494	4	Seal
6	114-5411	2	Nut-Lock, Bearing
7	302-5	2	Fitting-Grease
50	114-5430	1	Roller Rebuild Kit ●
50:1	114-3717	2	Seal-Oil
50:2	112-5290	2	Bearing-Steel, Stainless
50:3	112-7494	4	Seal
50:4	114-5411	2	Nut-Lock, Bearing

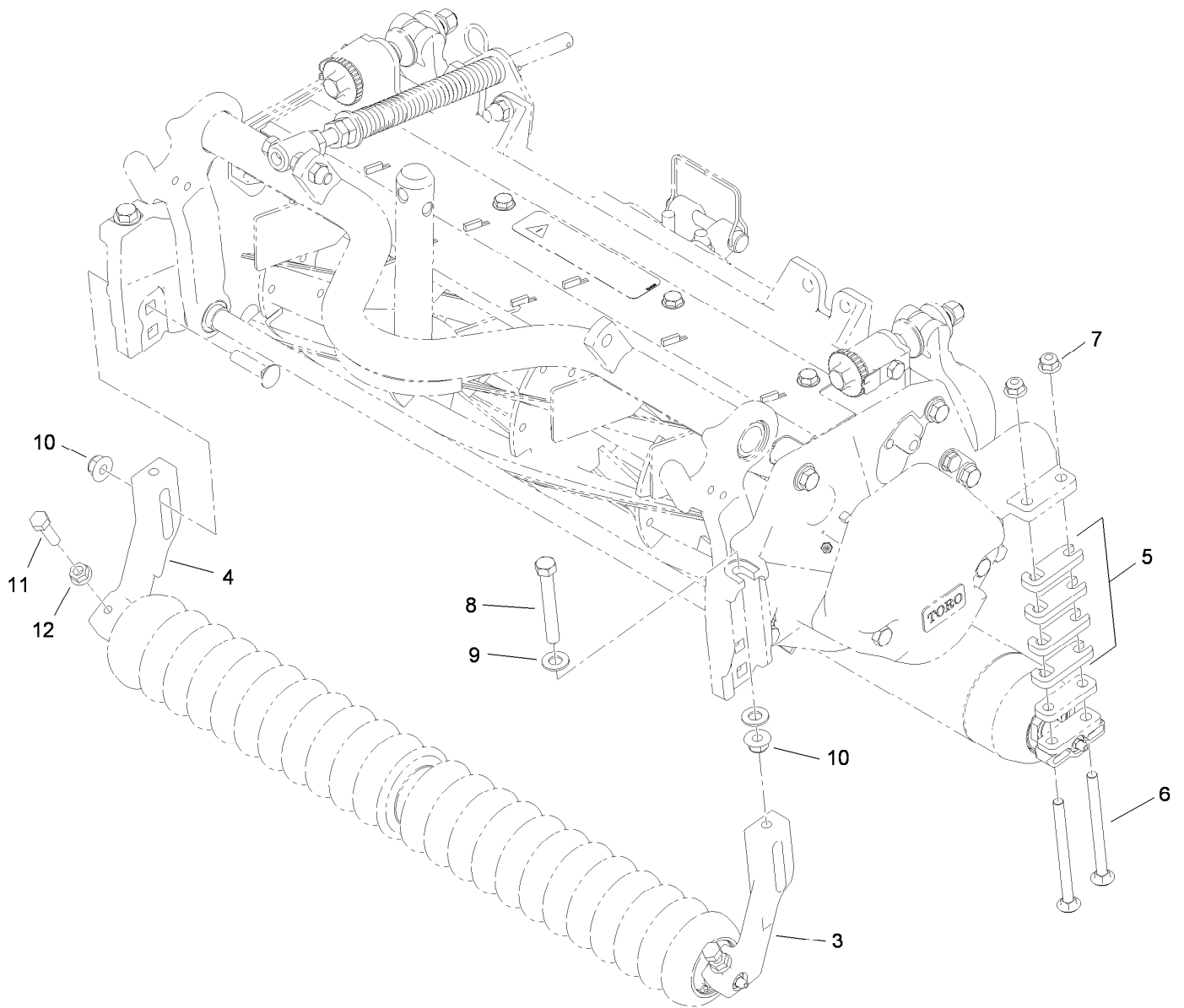
● Optional Equipment



Optional Plastic Shoulder Roller Assembly No. 114-5421

<i>Ref.</i>	<i>Part Number</i>	<i>Qty.</i>	<i>Description</i>
1	114-5422	1	Roller-Shoulder, Plastic
2	114-5403	1	Shaft-Roller, Front
3	114-3717	2	Seal-Oil
4	112-5290	2	Bearing-Steel, Stainless
5	112-7494	4	Seal
6	114-5411	2	Nut-Lock, Bearing
7	302-5	2	Fitting-Grease
50	114-5430	1	Roller Rebuild Kit ●
50:1	114-3717	2	Seal-Oil
50:2	112-5290	2	Bearing-Steel, Stainless
50:3	112-7494	4	Seal
50:4	114-5411	2	Nut-Lock, Bearing

● Optional Equipment

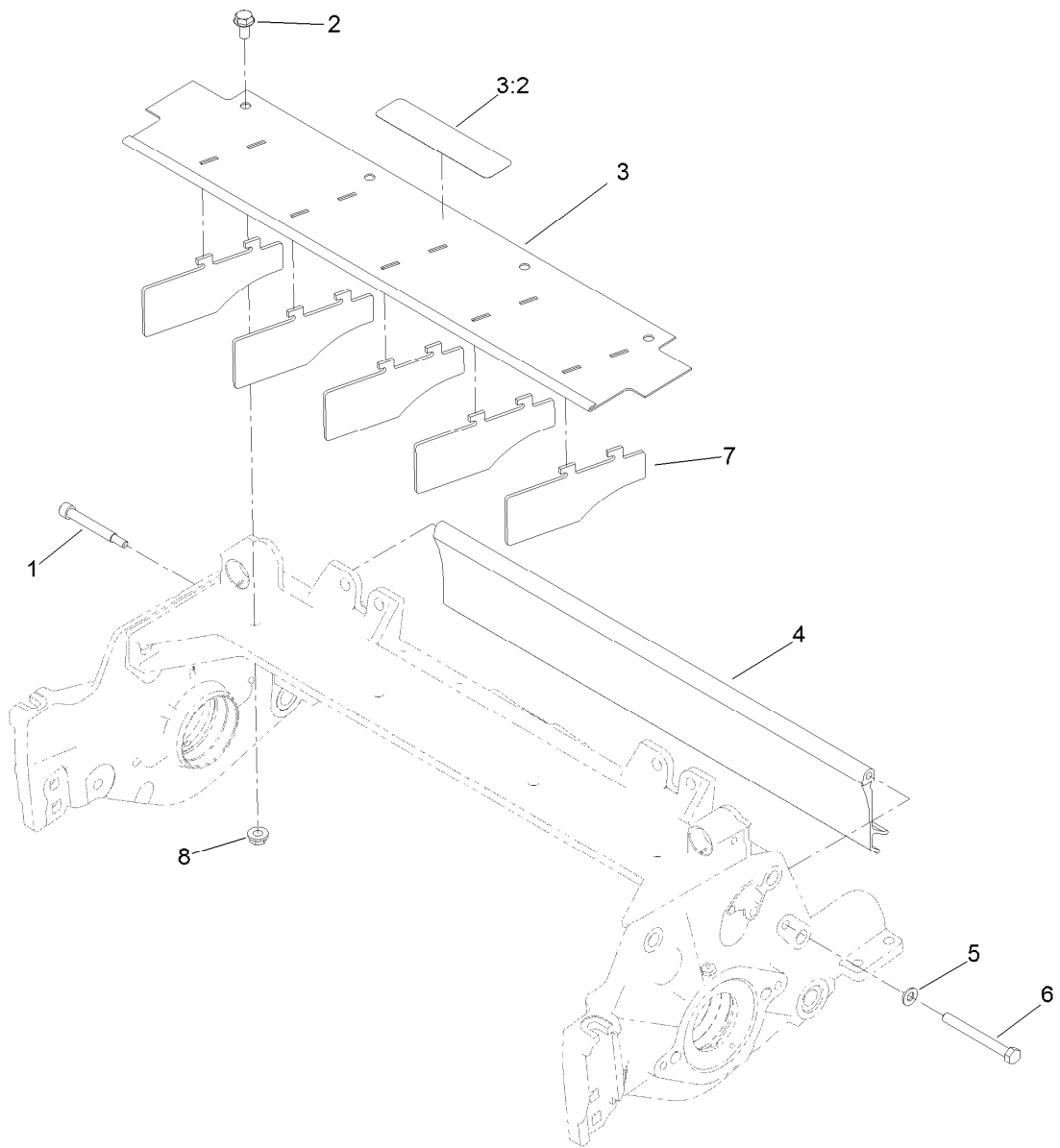


Optional High Height-of-Cut Assembly No. 110-9600

Ref.	Part Number	Qty.	Description
3	120-0404	1	Bracket-High HOC (LH)
4	120-0405	1	Bracket-High HOC (RH)
5	119-0626	8	Shim-Roller
6	106-9758	4	Screw-CARR
6	3230-30	4	Screw-CARR ● ■
7	104-8300	4	Nut-HF, NI
8	112-7451	2	Screw-TAP
9	48-9220	4	Washer-Flat
10	104-8301	4	Nut-HF, NI
11	322-16	2	Screw-HH
12	32128-20	2	Nut-HF

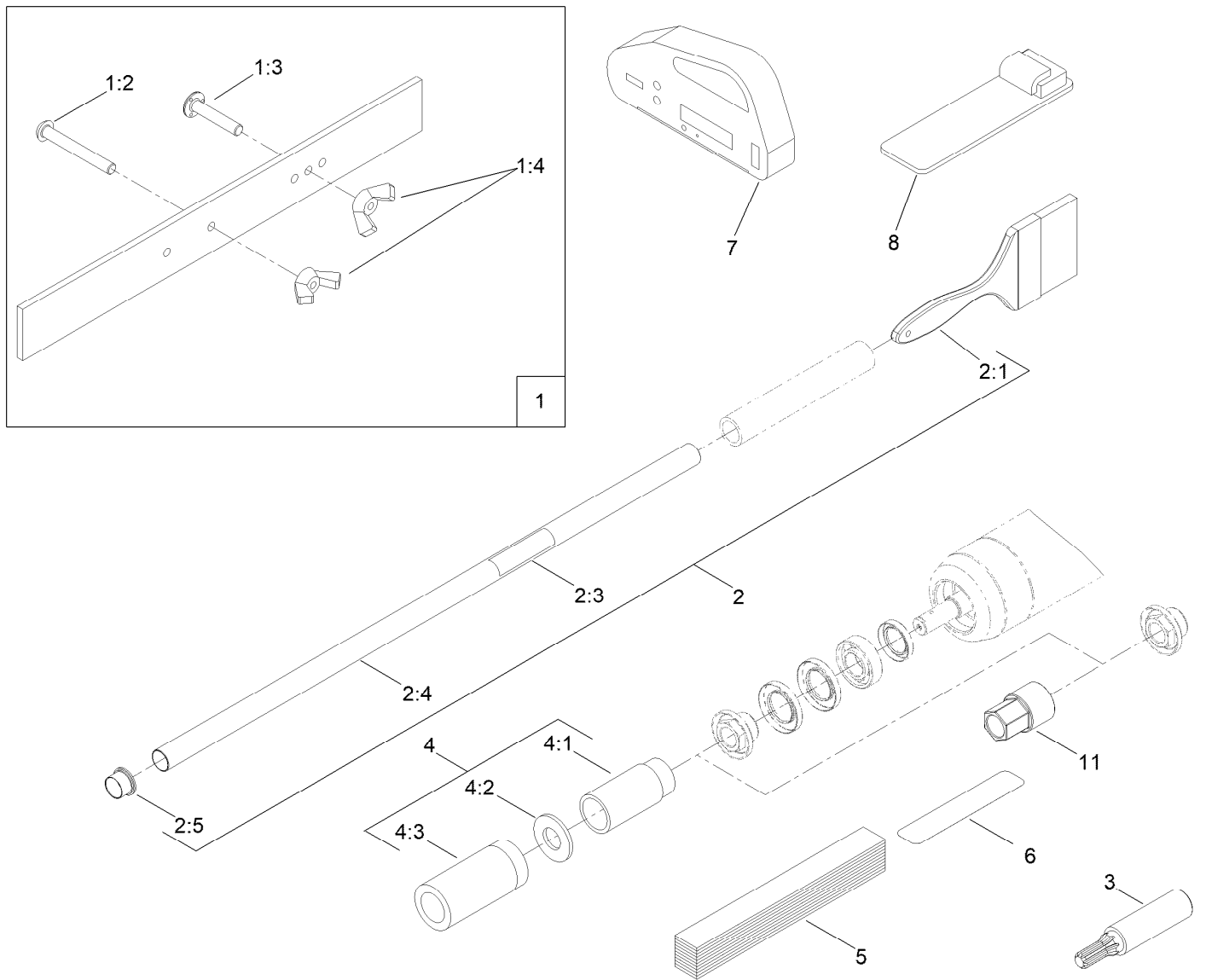
● Not illustrated

■ Optional Equipment



Shield Assembly

Ref.	Part Number	Qty.	Description
1	107-7773	1	Screw-HSH
2	3234-7	4	Screw-HHF
3	107-2996	1	Front Grass Shield ASM
3:2	93-6688	1	Decal-Danger
4	125-1978	1	Shield-Grass, Rear
5	3256-74	1	Washer-Flat
6	322-14	1	Screw-HH
7	110-1706	5	Deflector
8	32128-20	4	Nut-HF



Optional Tool Assembly

Ref.	Part Number	Qty.	Description
1	108-6715	1	Gauge Bar ASM
1:2	32122-54	1	Screw-Head, Truss
1:3	108-6714	1	Stud-Weld
1:4	32103-3	2	Nut-Wing
2	29-9100	1	Brush And Handle ASM
2:1	36-4310	1	Brush
2:3	98-3206	1	Decal
2:4	29-9080	1	Handle
2:5	2410-18	1	Cap-Plastic
3	TOR4074	1	Adapter-Drive, Reel ■
4	115-0803	1	Rm/Gm Roller Rebuild Tool Kit

Ref.	Part Number	Qty.	Description
4:1	115-0852	1	Tool-Inner Seal
4:2	107-8133	1	Washer-Flat
4:3	115-0853	1	Tool-Bearing/Outer Seal
5	125-5610	1	Paper-Reel, Toro (10 Pack)
6	140-5531	1	Shim-Toro Reel (.002In)
7	131-6828	1	Indicator-Angle
8	131-6829	1	Mount-Indicator, Angle
9	137-0924	1	Tool-Hand TAP 7/8-16 (Rm DPA Reel) ●
10	137-0925	1	Tool-Hand TAP 7/8-16, LH (Rm DPA Reel) ●
11	147-1132	1	Tool-Drive, Roller Nut

● Not illustrated

■ Obtain directly from K-Line Industries, Inc. (<https://klineind.com>)

Attachments and Accessories

For 03639 8-Blade Forward Swept Reel DPA Cutting Unit with 7in Reel Reelmaster 5010-H Series Traction Unit

Product Name	Model/Part
Left-Hand Groomer Kit.....	03403
Right-Hand Groomer Kit	03404
Weight Kit for 8-Blade or 11-Blade DPA Cutting Unit with 7in Reel Traction Unit	03405
Rear Roller Brush Kit (7in Reel)	03408
Rear Roller Brush Kit (7 Inch Cutting Unit Reel and Groomer)	03409
22in Fairway Flex Grass Basket Kit	03415
22in Fairway Compact Grass Basket Kit.....	03416
Weight Kit for Units with 5 Inch Electric Reel or 7 Inch Electric or Hydraulic Reel and Universal Groomer Only	03418
Weight Kit for Units with 5 Inch Electric Reel or 7 Inch Electric or Hydraulic Reel and Universal Groomer with Rear Roller Brush	03419
Verticutter for 7in Reel Cutting Unit.....	03619
Rear Roller Brush Kit for Units with 7in Reel and Universal Groomer (22in)	03659
22 Inch Fairway Grooming Brush Kit.....	03719
Universal Groomer Cartridge (22in).....	03765
Grooming Brush (22In)	03767
Universal Groomer Drive Kit	03768
3in Dia Collar Kit	104-8215
Wiehle Scraper ASM	107-2993-03
Rear Roller Scraper Kit.....	107-3280
Gauge Bar Assembly.....	108-6715
Bedknife-Edgemax (Fairway)	108-9095
Bedknife-STD (Fairway)	108-9096
Comb/Scraper Kit	110-1735
Brush-Roller (High Height-Of-Cut).....	110-1740
Bedknife-HD (Fairway)	110-4074
Bedknife-Low HOC (Fairway)	110-4084
High Height-of-Cut Kit.....	110-9600
3in Full Front Roller Scraper	110-9602-03
Rear Lift Cylinder Limit Kit	110-9604
Shoulder Roller Scraper ASM.....	110-9609-03
3in Dia Full Front Roller ASM.....	114-5412
Plastic Shoulder Roller ASM.....	114-5421
Roller Rebuild Kit	114-5430
Roller Rebuild Tool Kit.....	115-0803
Bedknife Edgemax Low cut Extended (Fairway).....	119-4280
Cutting Unit Kickstand	119-8010-03
Bedknife-Lowcut Extended (Fairway)	120-1640
Heavy-Duty DPA MVP Kit.....	120-7230
Rear Roller Adjustment Kit.....	125-0570
Toro Reel Paper (10 Pack).....	125-5610
Toro Reel Shim (0.002in)	125-5611
Fairway Broomer Kit	127-7120
Bedknife-Edgemax Lowcut.....	127-7132
7in Aggressive Bedbar.....	131-3221-03

Attachments and Accessories (continued)

Groomer/RRB Seal Kit..... 131-3233

7in Fairway 8 Blade, 22in EdgeSeries Reel 131-6809

Angle Indicator..... 131-6828

Angle Indicator Mount..... 131-6829

Groomer Rod Kit..... 131-6845

Broomer Kit (22In) 132-7125

Universal Groomer Drive MVP Kit, Reelmaster 3575, 5010, and 5010-H Series 22-inch Cutting Units with 7 Inch Reel 133-0151

Rear Roller Brush MVP Kit, Reelmaster 5010-H Series 22-inch Cutting Unit with 7-inch Reel and Universal Groomer 133-0154

Rear Roller Brush MVP Kit, Reelmaster 5010-H Series Cutting Unit with 7 Inch Reel 133-0158

7 Inch Fairway EdgeSeries Reel 5 Blade, 22 Inch Low drag, Rear Roller 133-8205

Reel Drive Adapter TOR4074

Notes:



Count on it.