



Count on it.

Parts Catalog

Greensmaster® 1018 Mower

Model No. 04820—Serial No. 417300000 and Up



Ordering Replacement Parts

To order replacement parts, please supply the part number, the quantity, and the description of each part desired.

Understanding Reference Numbers

Each identified part in an illustration has a reference number. The reference number for a part also appears in the parts list, along with other information about the part.

This catalog uses two special reference number formats, one to indicate parts in a service assembly and another to indicate the quantity of a given part in an illustration.

Service Assembly Reference Numbers

Parts in service assemblies have reference numbers in the form a:b. The a represents the reference number of the entire service assembly and the b represents a sequential number unique to each part within the service assembly.

For example, a wheel assembly might be identified by reference number 6, the tire by 6:1, the valve by 6:2, and the wheel by 6:3. When you order the assembly identified by reference number 6, you receive all parts identified by reference numbers 6:1, 6:2, and 6:3. However, you may also order any part individually. Reference numbers of this type appear in illustration and in parts lists.

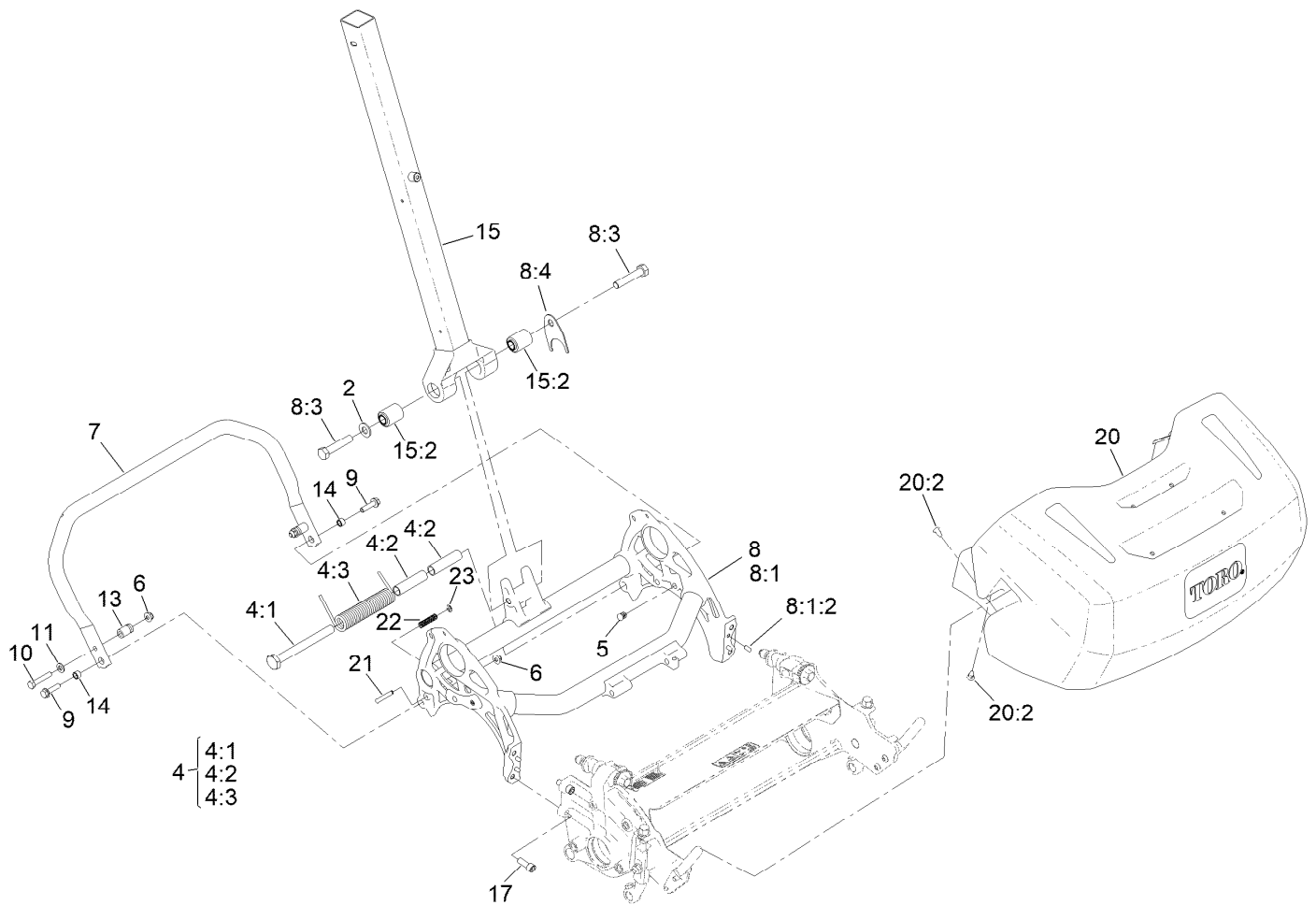
Reference Numbers Indicating Quantity

In an illustration, if a reference number indicates more than one part, the reference number has the form nX y. The n represents the quantity of the part, the X is the multiplication symbol, and the y represents the reference number.

For example, in an illustration, the reference number 2X 37 means that two of the parts identified by reference number 37 are indicated.

Contents

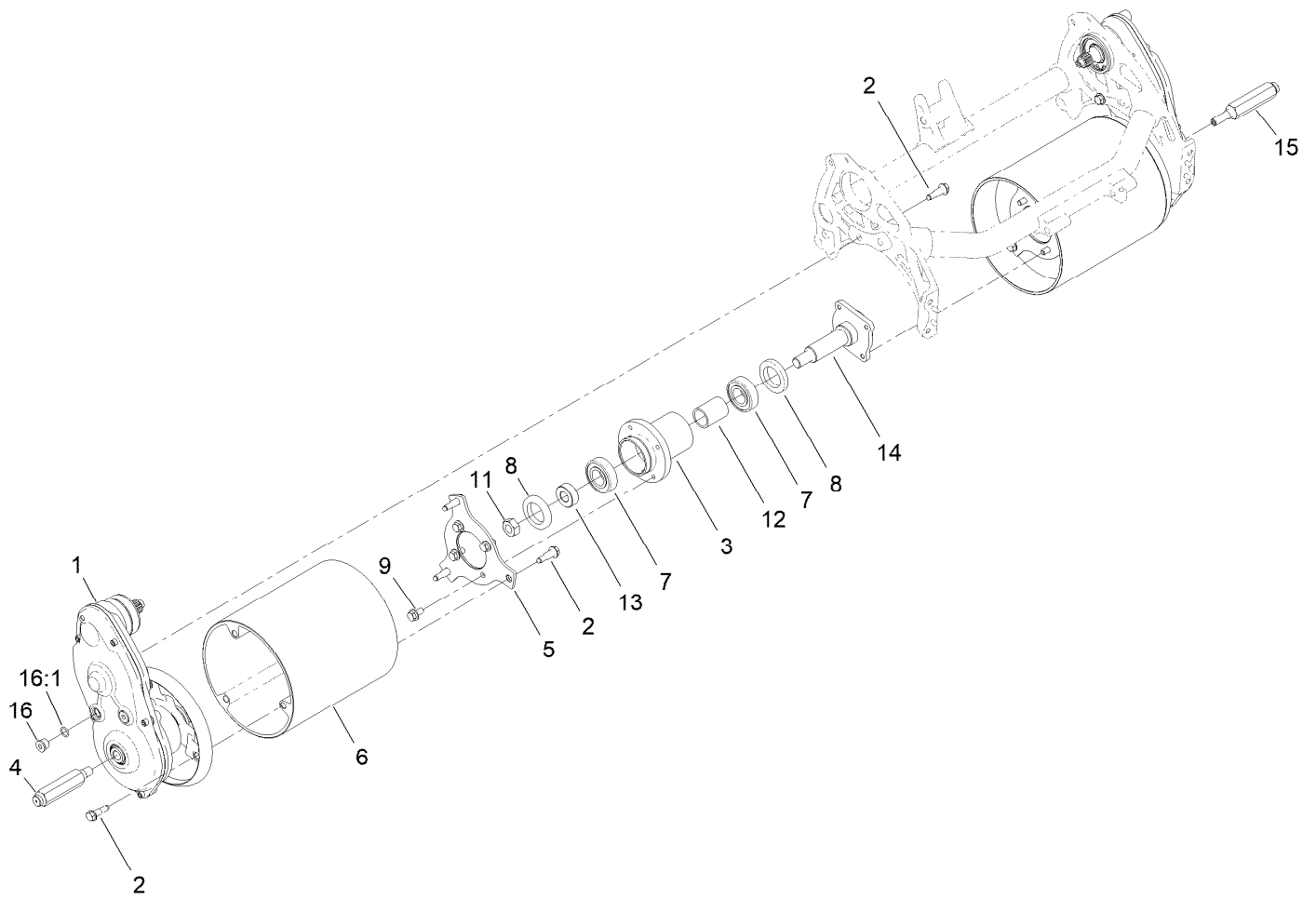
Frame and Handle Mount Assembly	4
Drum Drive Assembly	5
Drum Drive Replacement Kit Assembly No. 147-2345	6
Drum Drive Gear Box Assembly	7
Transmission Assembly	8
Transmission Replacement Kit Assembly No. 140-9324	9
Transmission Gearbox Assembly No. 140-9324 Transmission Case Assembly	10
Transmission Gearbox Assembly No. 140-9324 Reel Drive Assembly	11
Transmission Gearbox Assembly No. 140-9324 Traction Drive Assembly	12
Differential Assembly No. 132-4555	13
Engine Assembly	14
Engine Assembly No. 161-7372	15
Reel Controls and Covers Assembly	16
Upper Receiver Assembly No. 147-2288	17
Upper Handle Assembly	18
Traction Bail Assembly	19
Miscellaneous Parts Assembly	20
Attachments and Accessories	21



Frame and Handle Mount Assembly

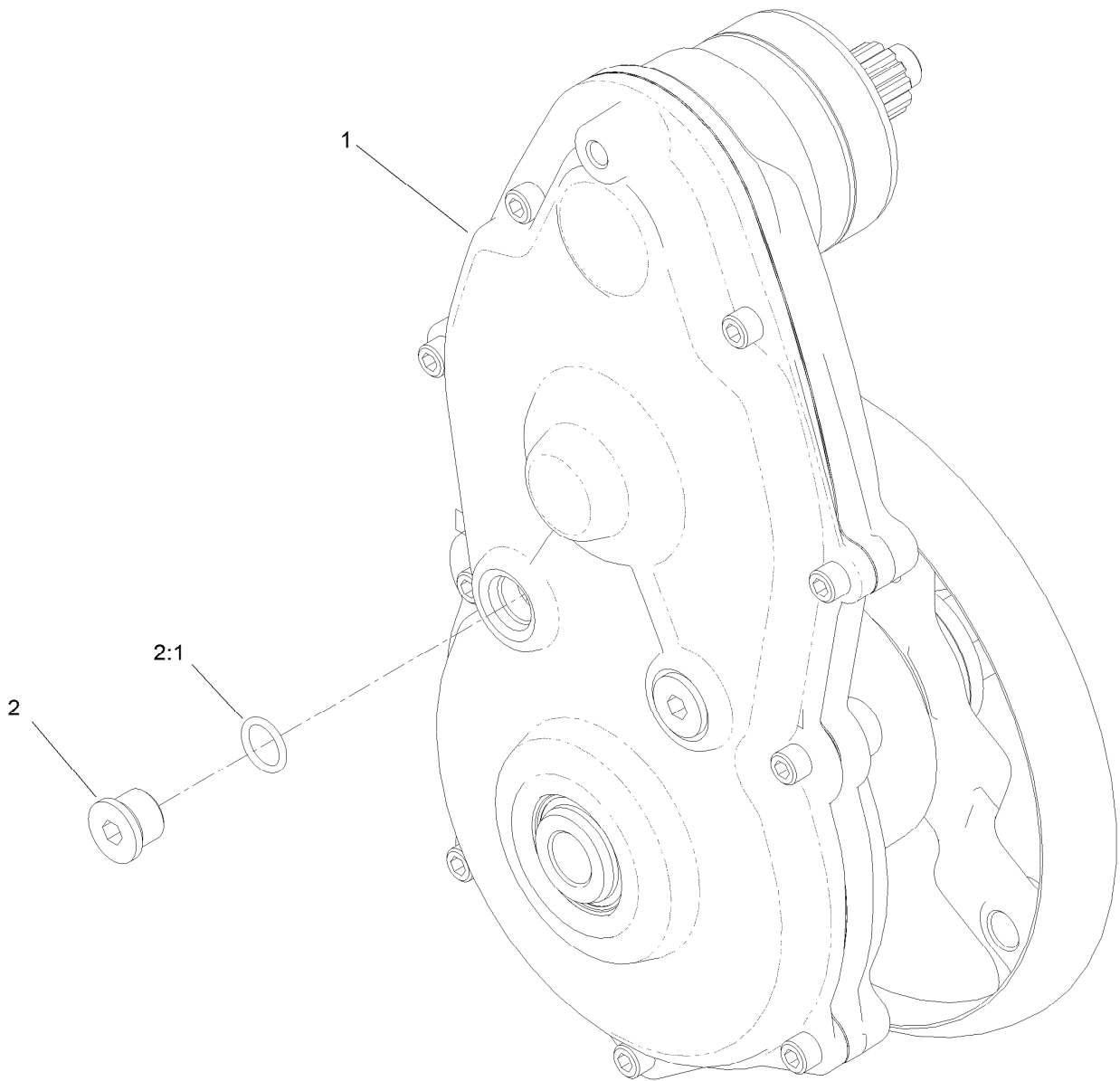
Ref.	Part Number	Qty.	Description	Ref.	Part Number	Qty.	Description
2	3256-26	1	Washer-Flat	9	112-6913	2	Screw-HF
4	147-2290	1	Kit-Kickstand Spring Replacement	10	322-9	2	Screw-HH
4:1	147-2285	1	Pin-Mount, Spring	11	3256-23	2	Washer-Plain
4:2	147-2286	2	Sleeve, Spring-Mount	13	65-7900	2	Retainer-Spring
4:3	147-2268	1	Spring-Torsion, LH	14	65-7910	2	Spacer
5	139-4326	2	Plug-Plastic	15	137-0292	1	Lower Handle ASM
6	119-4041	3	Nut-HF	15:2	138-1469	2	Bushing-Straight
7	147-2273	1	Kickstand, 18 Inch	17	3274-7	4	Screw-HSH
8	140-9347	1	Frame ASM, 18"	20	140-9292	1	Basket-Grass, GR1018
8:1		1	Frame ASM, 18" ●	20:2	121-4729	4	Plug
8:1:2	95-0715	4	Pin-Dowel	21	139-7431	1	Pin-Kickstand, Lock
8:3	325-10	2	Screw-HH	22	73-3450	1	Spring-Compression
8:4	140-9333	1	Washer, Anti-Rotation	23	32151-86	1	E-Ring

● Not serviced separately



Drum Drive Assembly

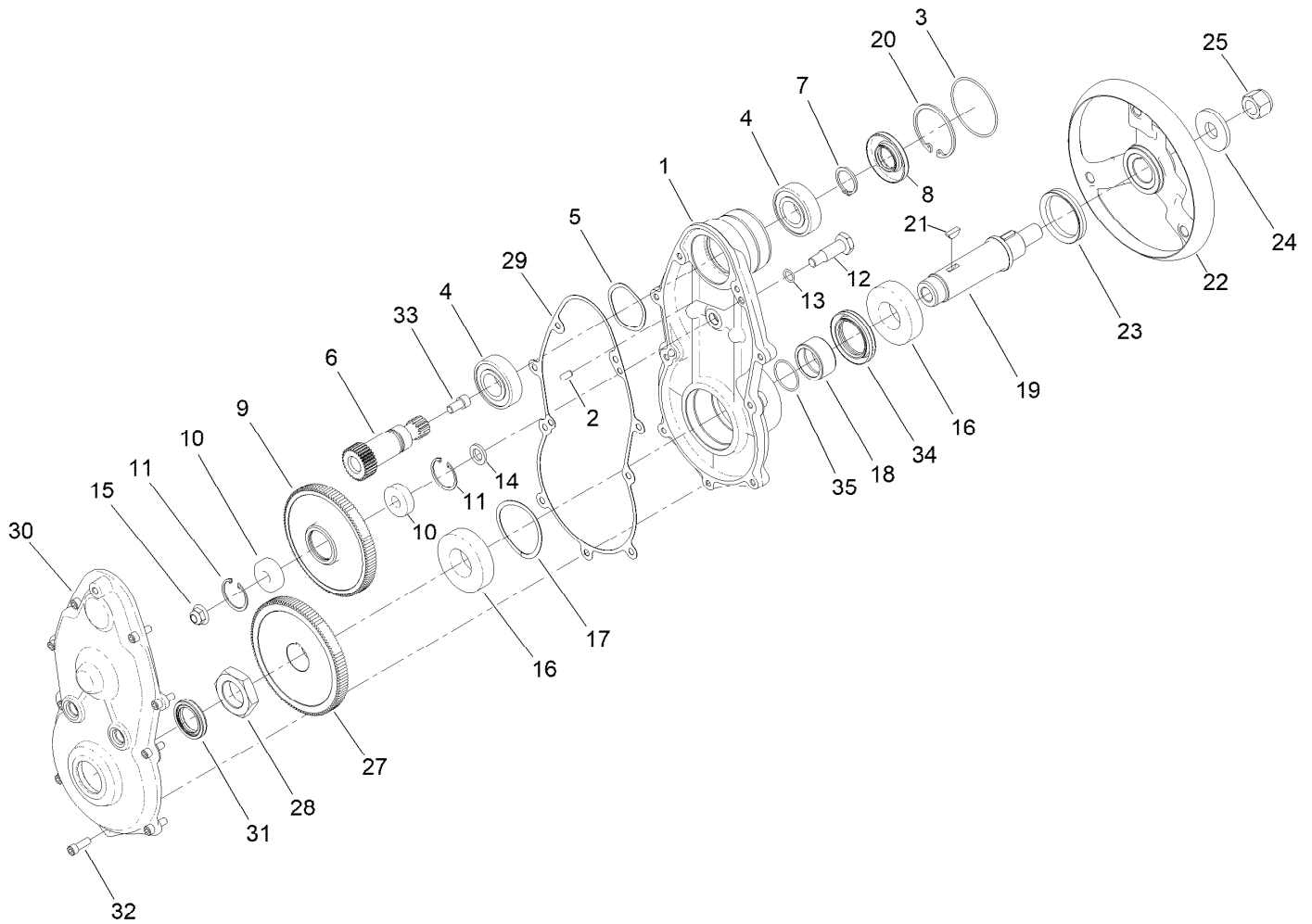
<i>Ref.</i>	<i>Part Number</i>	<i>Qty.</i>	<i>Description</i>	<i>Ref.</i>	<i>Part Number</i>	<i>Qty.</i>	<i>Description</i>
1	147-2345	1	Kit-Drum Drive Replacement	9	114-7728	8	Screw-HHF, Patch
2	132-4607	14	Bolt-Shoulder, Flange	11	3296-33	1	Nut-Lock, NI
3	132-6971	1	Hub-Drum	12	65-6520	1	Spacer
4	132-4605	1	Shaft-Hex, RH	13	65-6530	1	Spacer
5	147-2257	2	Plate-Drum, Hub	14	94-5850	1	Spindle-Drum
6	138-1527	2	Drum-Traction, 18 Inch	15	132-4606	1	Shaft-Hex, LH
7	251-82	2	Bearing-Ball	16	353-989	4	Plug-Hex, Hollow
8	253-159	2	Seal	16:1	237-42	1	O-Ring



Drum Drive Replacement Kit Assembly No. 147-2345

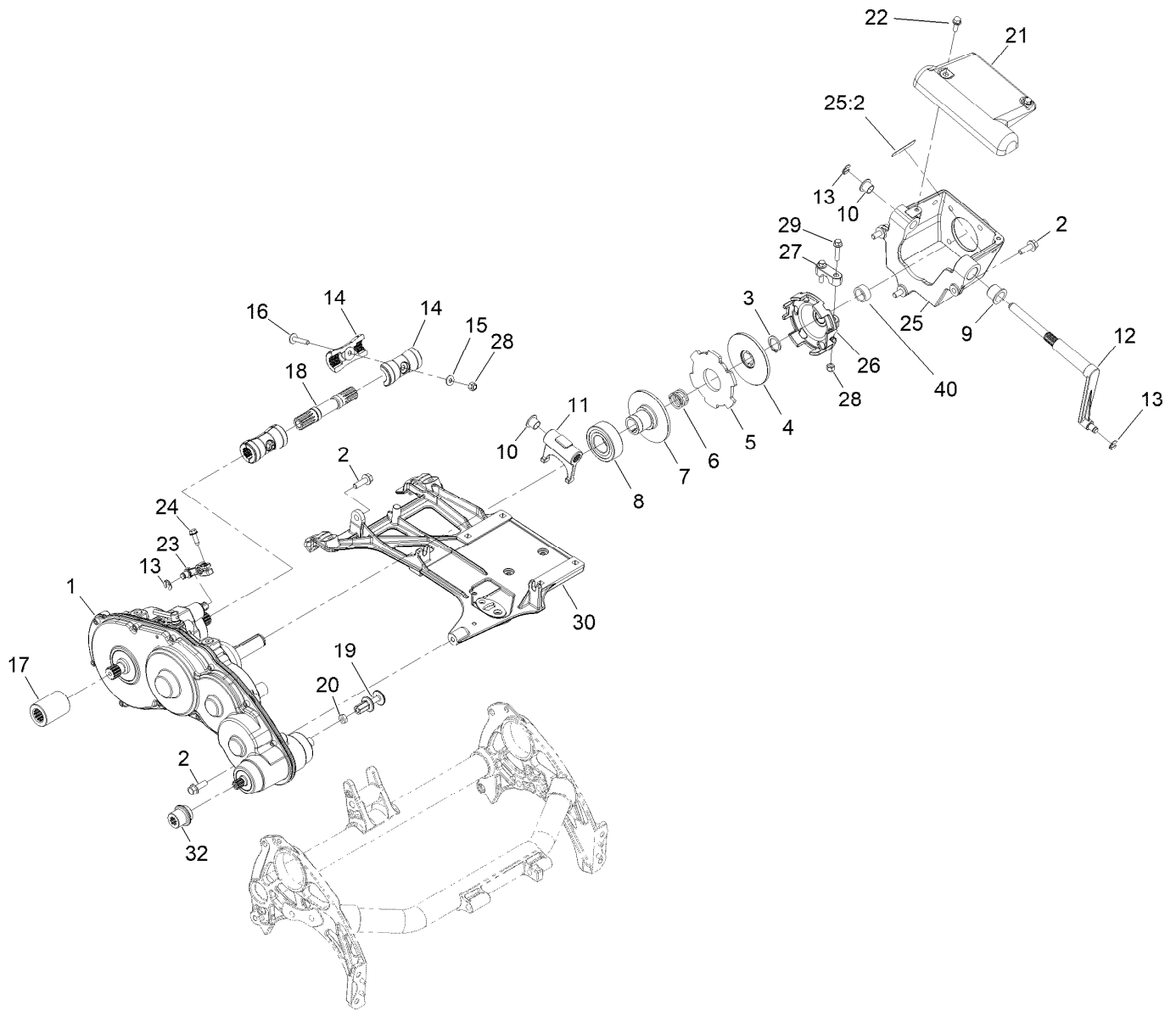
<i>Ref.</i>	<i>Part Number</i>	<i>Qty.</i>	<i>Description</i>
1		1	Drum Drive Gear Box ASM ●
2	353-989	2	Plug-Hex, Hollow
2:1	237-42	1	O-Ring

● Not serviced separately



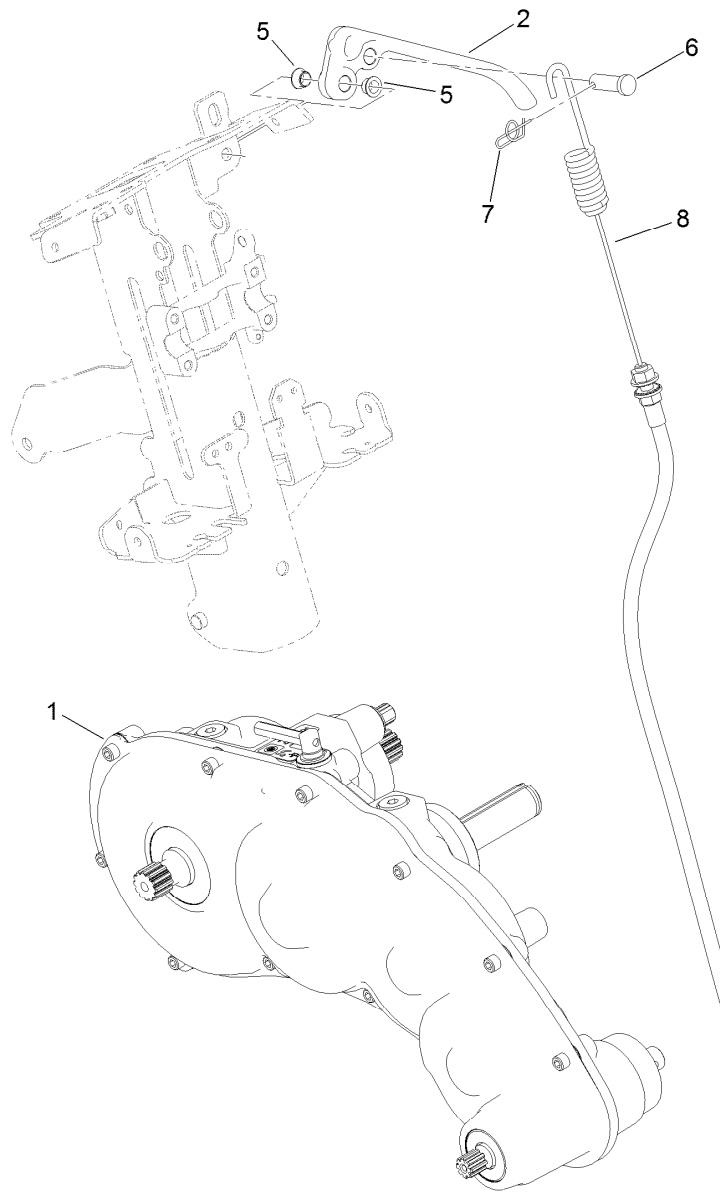
Drum Drive Gear Box Assembly

Ref.	Part Number	Qty.	Description	Ref.	Part Number	Qty.	Description
1	147-2321	1	Housing-Drive, Drum	18	147-2348	1	Spacer
2	133-4591	2	Pin-Dowel	19	133-4562	1	Shaft-Drum, Drive
3	133-9082	1	O-Ring	20	138-1480	1	Ring-Retaining, Int (52MM)
4	251-82	2	Bearing-Ball	21	138-1504	2	Key-Woodruff, 5MM
5	3290-485	1	Washer-Wave	22	133-9244	1	Hub-Drum, Outer
6	132-4565	1	Gear-Spur, 30T	23	253-161	1	Seal-V-Ring
7	138-1507	1	Ring-Retaining, EXT (25MM)	24	104-9216	1	Washer-Hardened
8	138-1491	1	Seal-Oil	25	126-3841	1	Nut-Hex, NI
9	137-0274	1	Gear-Spur, 108T	27	147-2349	1	Gear-Spur, 114T
10	49-2410	2	Bearing-Ball	28	133-9078	1	Nut-Hex
11	138-1506	2	Ring-Retaining, Int (32MM)	29	147-2324	1	Gasket-Drum Drive
12	133-4558	1	Pin-Bearing, Short	30	147-2323	1	Cover-Drive, Drum
13	80-8460	1	O-Ring	31	133-4559	1	Seal-Oil
14	133-4553	1	Spacer-Bearing	32	140-9233	9	Screw-HSH
15	119-4042	1	Nut-HF, NI	33	3274-12	1	Screw-HSH
16	251-312	2	Bearing-Ball	34	147-2346	1	Seal-Oil
17	115-5258	1	Spring-Wire, Flat	35	147-2347	1	O-Ring



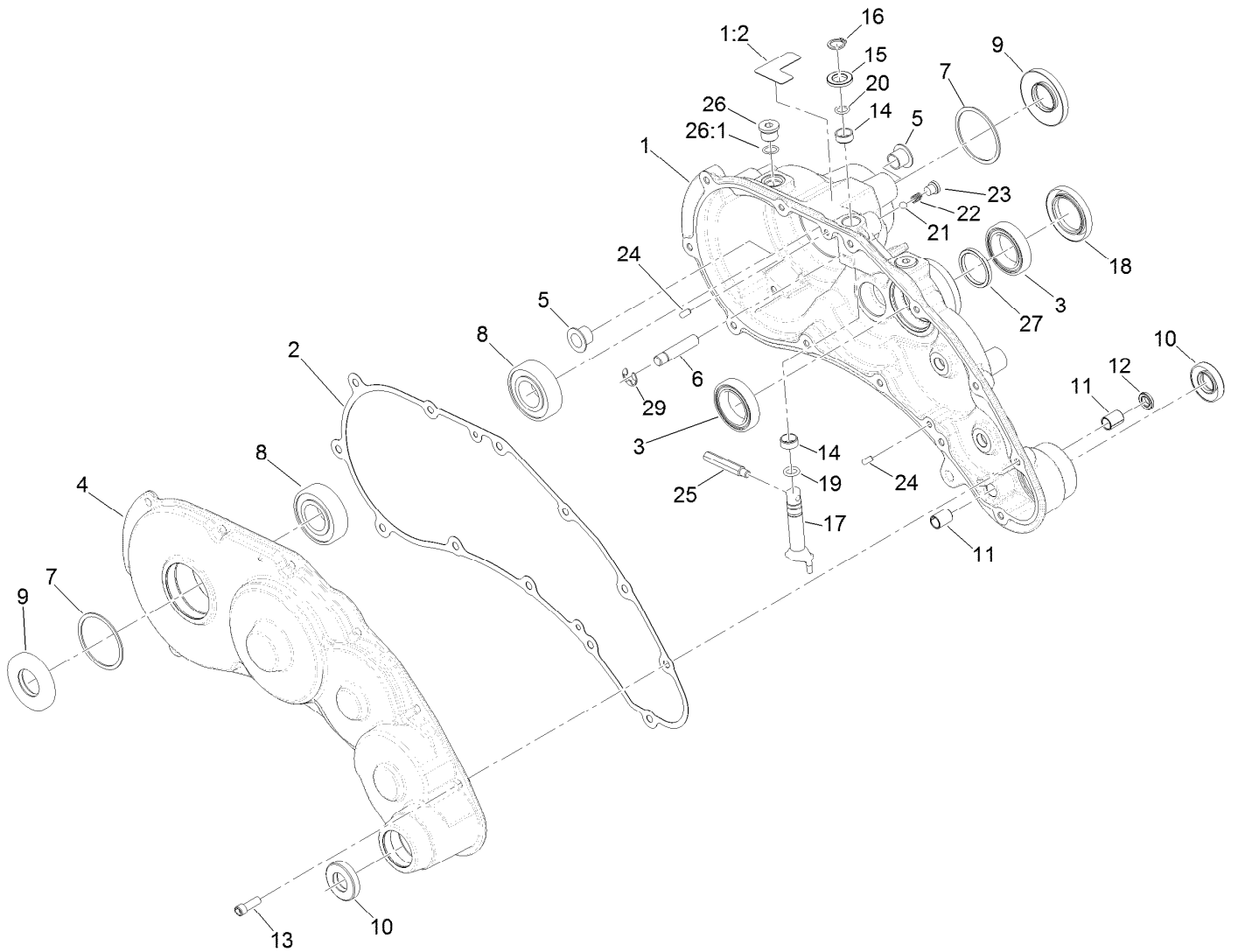
Transmission Assembly

Ref.	Part Number	Qty.	Description	Ref.	Part Number	Qty.	Description
1	140-9324	1	Kit-Transmission Replacement	17	138-1615	1	Tube-Drive
2	115-5142	5	Screw-HHF, Patch	18	139-4327	1	Shaft-Drive, 18 Inch
3	32151-33	1	Ring-Retaining, EXT	19	133-9207	1	Adapter-Slider
4	133-9095	1	Disc-Clutch	20	120-9638	1	Nut-Jam
5	133-9094	1	Plate-Friction	21	138-5545	1	Cover-Clutch
6	133-9123	1	Spring-Compression, Clutch	22	119-1138	2	Screw-HHF, Patch
7	138-1508	1	Disc-Clutch, Slider	23	133-9117	1	Lever-Brake, Cable
8	138-1505	1	Bearing-Sealed, Self Aligning	24	131-6150	1	Screw-HWHTF
9	132-4089	1	Bushing	25	139-4301	1	Bell Housing ASM
10	125-5239	2	Bushing-Flange	25:2	120-9570	1	Decal-Warning
11	138-3548	1	Fork-Clutch	26	138-3542	1	Hub-Clutch, External
12	138-3549	1	Shaft-Fork	27	138-5522	1	Clamp-Hub, Clutch
13	32151-47	3	Ring-Retaining	28	3296-42	4	Nut-Lock, NI
14	133-9100	4	Coupler-Splined, 4 Tooth	29	127-8639	2	Screw-HHF
15	119-8952	2	Washer-Spcl	30	138-5517	1	Base-Engine
16	126-8232	2	Screw-Truss Hex Skt	32	140-9380	1	Tube-Drive, Reel
				40	147-2265	1	Spacer-Clutch



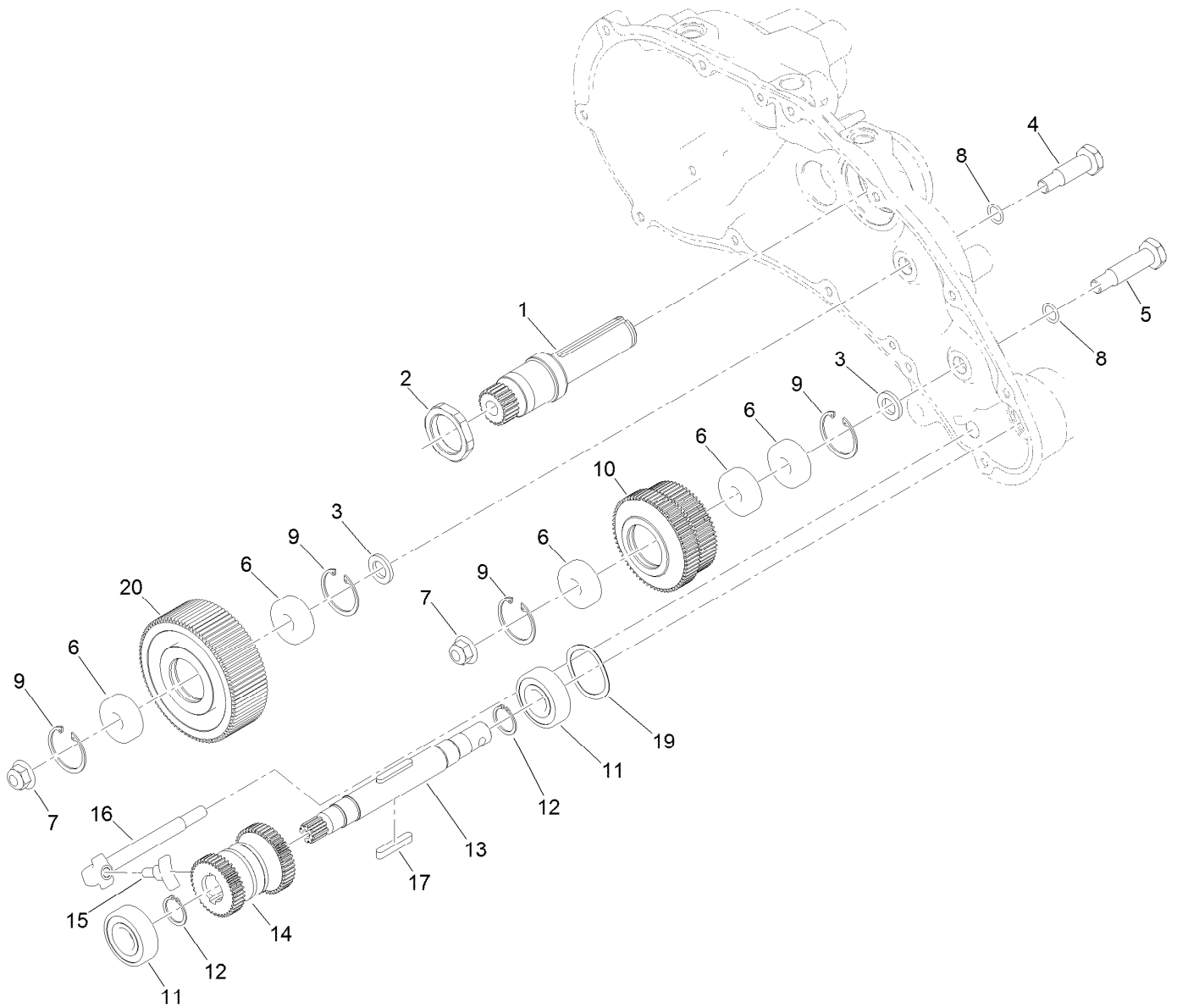
Transmission Replacement Kit Assembly No. 140-9324

<i>Ref.</i>	<i>Part Number</i>	<i>Qty.</i>	<i>Description</i>
1	130-6820	1	Transmission Gear Box ASM
2	140-9298	1	Lever-Brake
5	138-5538	2	Bushing-Flange
6	1-808285	1	Pin-Clevis
7	140-9312	1	Pin-Cotter, Locking
8	140-9318	1	Cable ASM, Brake



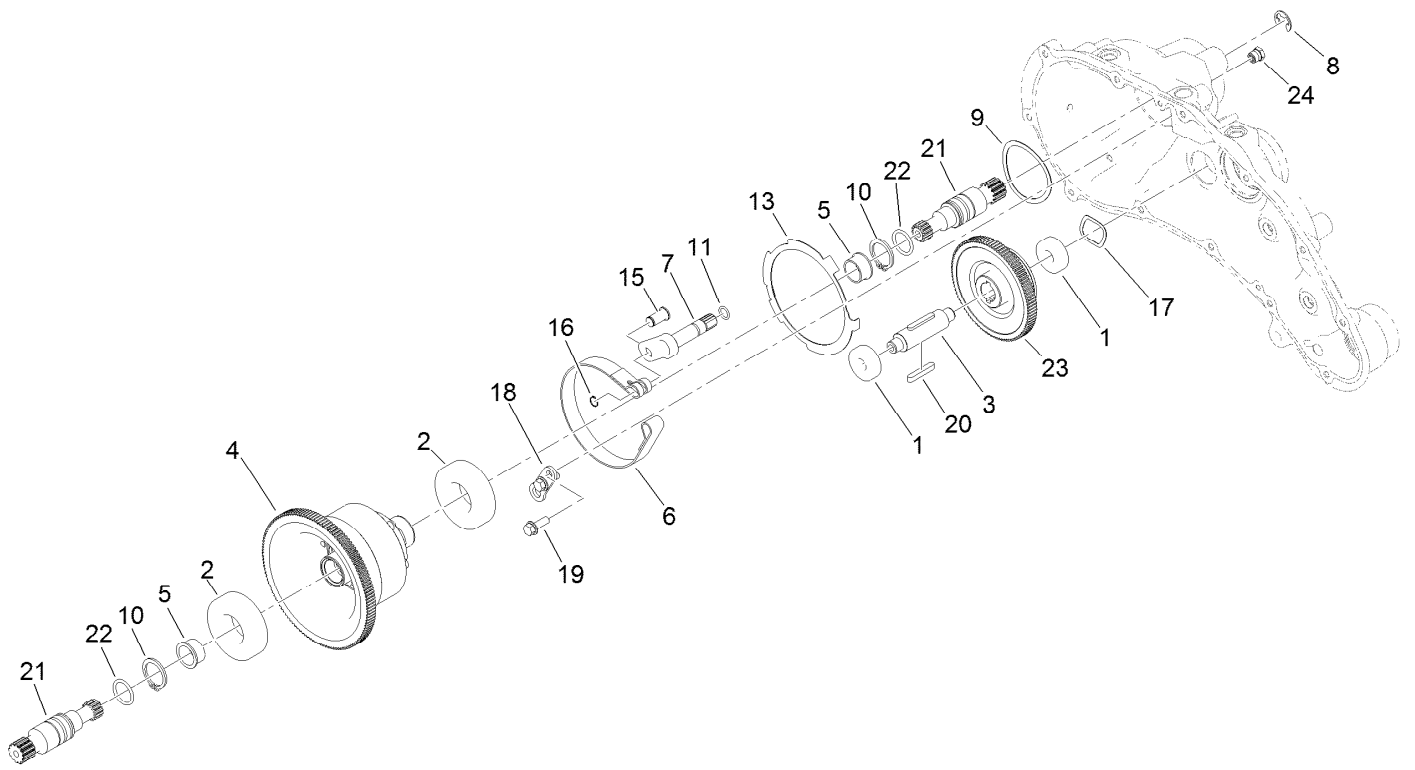
Transmission Gearbox Assembly No. 140-9324 Transmission Case Assembly

<i>Ref.</i>	<i>Part Number</i>	<i>Qty.</i>	<i>Description</i>	<i>Ref.</i>	<i>Part Number</i>	<i>Qty.</i>	<i>Description</i>
1	139-4306	1	Transmission Housing ASM	15	108-5059	1	Spacer-Bushing
1:2	138-1644	1	Decal-Release, Traction	16	32151-61	1	Ring-Retaining
2	132-4551	1	Gasket-Transmission	17	130-6816	1	Shaft-Selector, Traction
3	121-9281	2	Bearing-Ball	18	140-9325	1	Seal-Grease, High Temp
4	138-1603	1	Transmission Cover ASM	19	131-1879	1	O-Ring Seal
5	125-5239	2	Bushing-Flange	20	237-22	1	O-Ring
6	133-9122	1	Pin-Mount, Brake	21	105-2442	1	Ball-Detent
7	32151-92	2	Ring-Retaining	22	105-2443	1	Spring-Detent
8	251-82	2	Bearing-Ball	23	131-1825	2	Plug-ORB
9	133-9075	2	Seal-Oil	24	121-9249	2	Pin-Dowel
10	130-9463	2	Seal-Oil	25	133-9149	1	Pin-Groomer
11	131-3038	2	Bushing-Sleeve	26	353-989	2	Plug-Hex, Hollow
12	131-3126	1	Seal-Oil	26:1	237-42	1	O-Ring
13	140-9233	12	Screw-HSH	27	138-1496	1	Spacer
14	121-4738	2	Bushing-Straight	29	105-7004	1	E-Ring



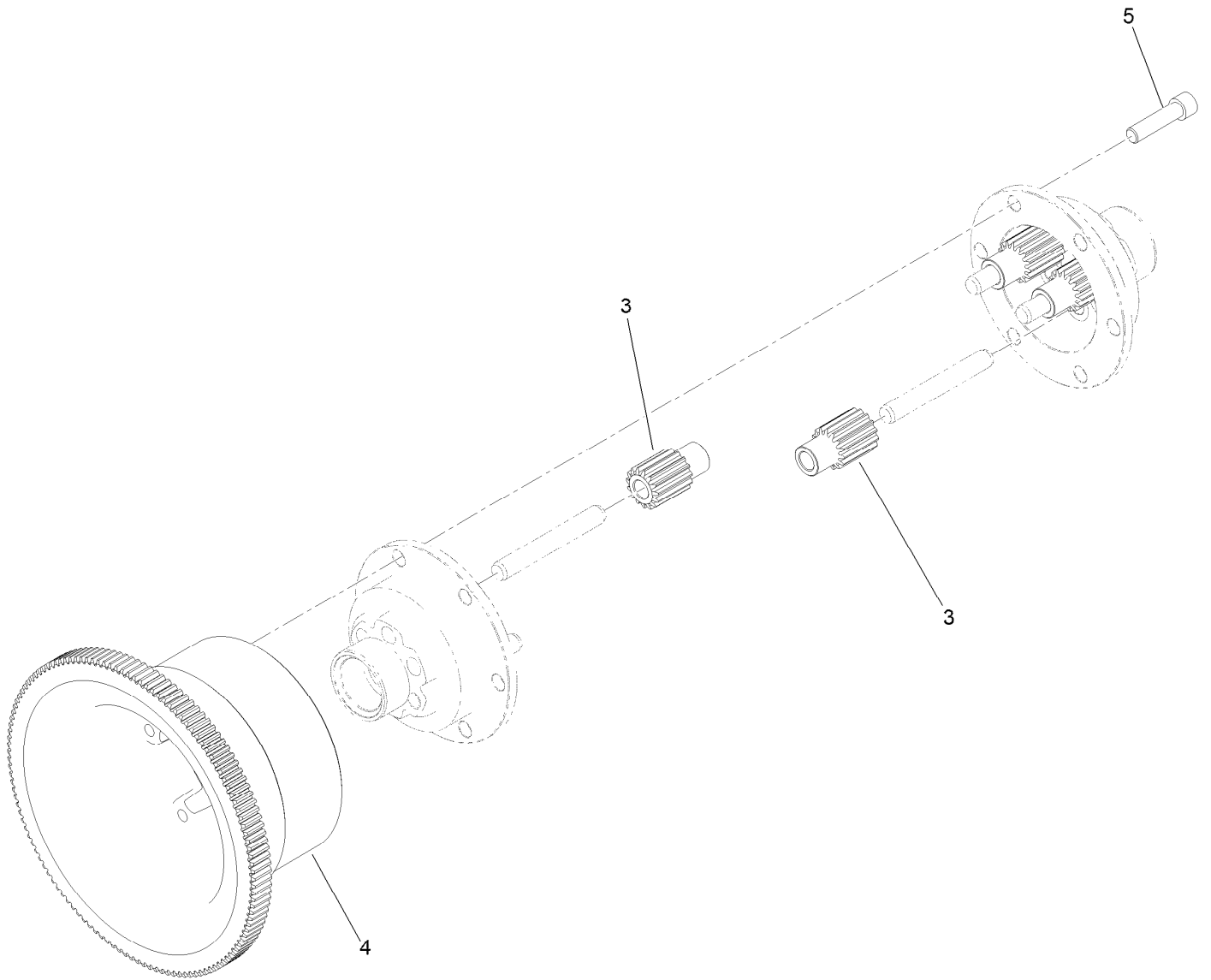
Transmission Gearbox Assembly No. 140-9324 Reel Drive Assembly

<i>Ref.</i>	<i>Part Number</i>	<i>Qty.</i>	<i>Description</i>	<i>Ref.</i>	<i>Part Number</i>	<i>Qty.</i>	<i>Description</i>
1	138-1509	1	Shaft-Input, 22T	11	38-7820	2	Bearing-Ball
2	138-1495	1	Nut-Lock, Thin	12	138-1629	2	Ring-Retaining, EXT (17MM)
3	133-4553	2	Spacer-Bearing	13	139-4359	1	Shaft-Drive, Reel
4	133-4558	1	Pin-Bearing, Short	14	130-6834	1	Gear-Spur, Slider
5	133-4557	1	Pin-Bearing, Long	15	133-9120	1	Shoe-Clutch, Reel
6	49-2410	5	Bearing-Ball	16	133-9121	1	Actuator-Clutch, Reel
7	104-8301	2	Nut-HF, NI	17	103-2739	2	Key
8	80-8460	2	O-Ring	19	131-3170	1	Spring-Wave
9	138-1506	4	Ring-Retaining, Int (32MM)	20	137-0273	1	Gear-Spur, 85T
10	137-0272	1	Gear-Spur, 60T/65T				



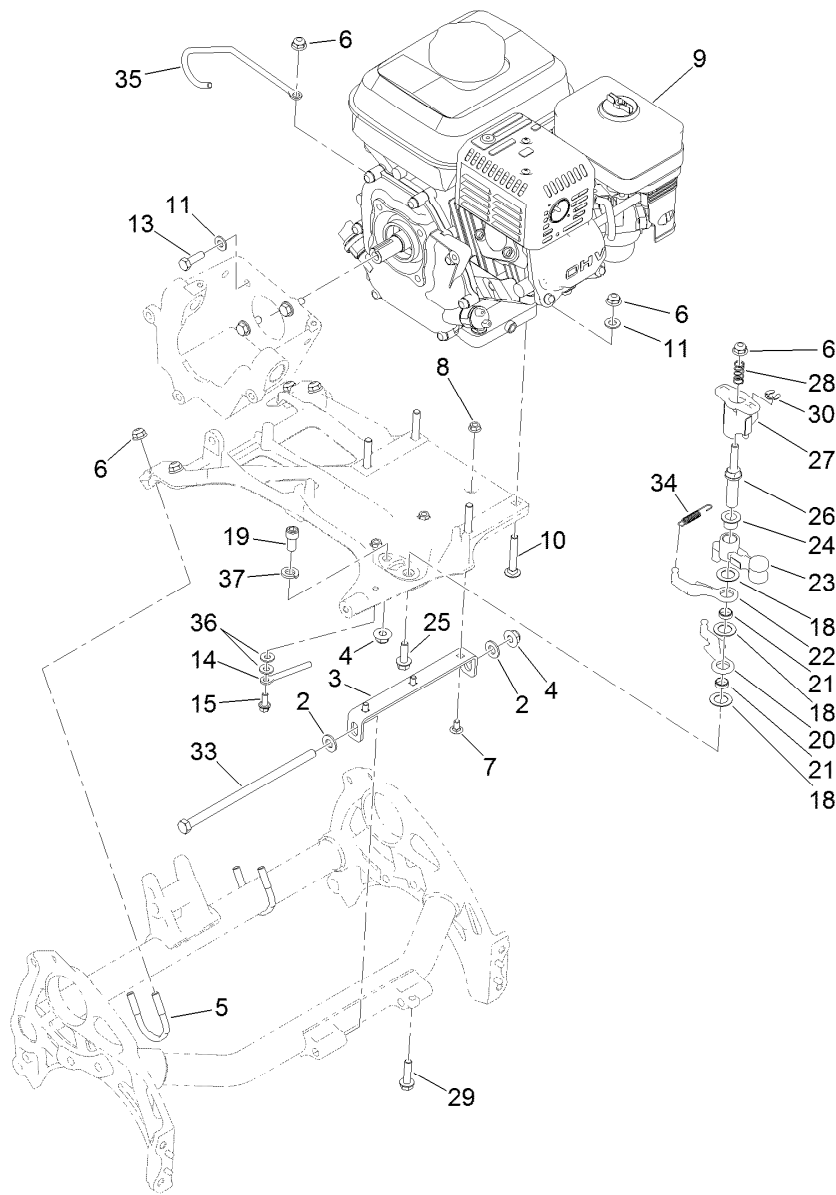
Transmission Gearbox Assembly No. 140-9324 Traction Drive Assembly

<i>Ref.</i>	<i>Part Number</i>	<i>Qty.</i>	<i>Description</i>	<i>Ref.</i>	<i>Part Number</i>	<i>Qty.</i>	<i>Description</i>
1	49-2410	2	Bearing-Ball	13	140-9236	1	Plate-Retainer, Brake
2	251-312	2	Bearing-Ball	15	120-9687	1	Pin-Clevis, Brake
3	137-0236	1	Shaft-Slider, Neutral	16	32120-46	1	Ring-Retaining
4	132-4555	1	Differential ASM	17	112-5163	1	Washer-Wave
5	256-252	2	Bearing-Flange	18	140-9279	1	Plate-Retainer, Pin
6	140-9277	1	Band-Brake	19	119-1138	2	Screw-HHF, Patch
7	132-4550	1	Lever-Brake	20	103-2739	2	Key
8	32120-47	1	Ring-Retaining, External	21	130-6841	2	Shaft-Differential
9	115-5258	1	Spring-Wire, Flat	22	237-159	2	O-Ring
10	32151-36	2	Ring-Retaining	23	137-0276	1	Gear-Spur, Neutral (93T)
11	237-22	1	O-Ring	24	133-4589	1	Fitting-Plug



Differential Assembly No. 132-4555

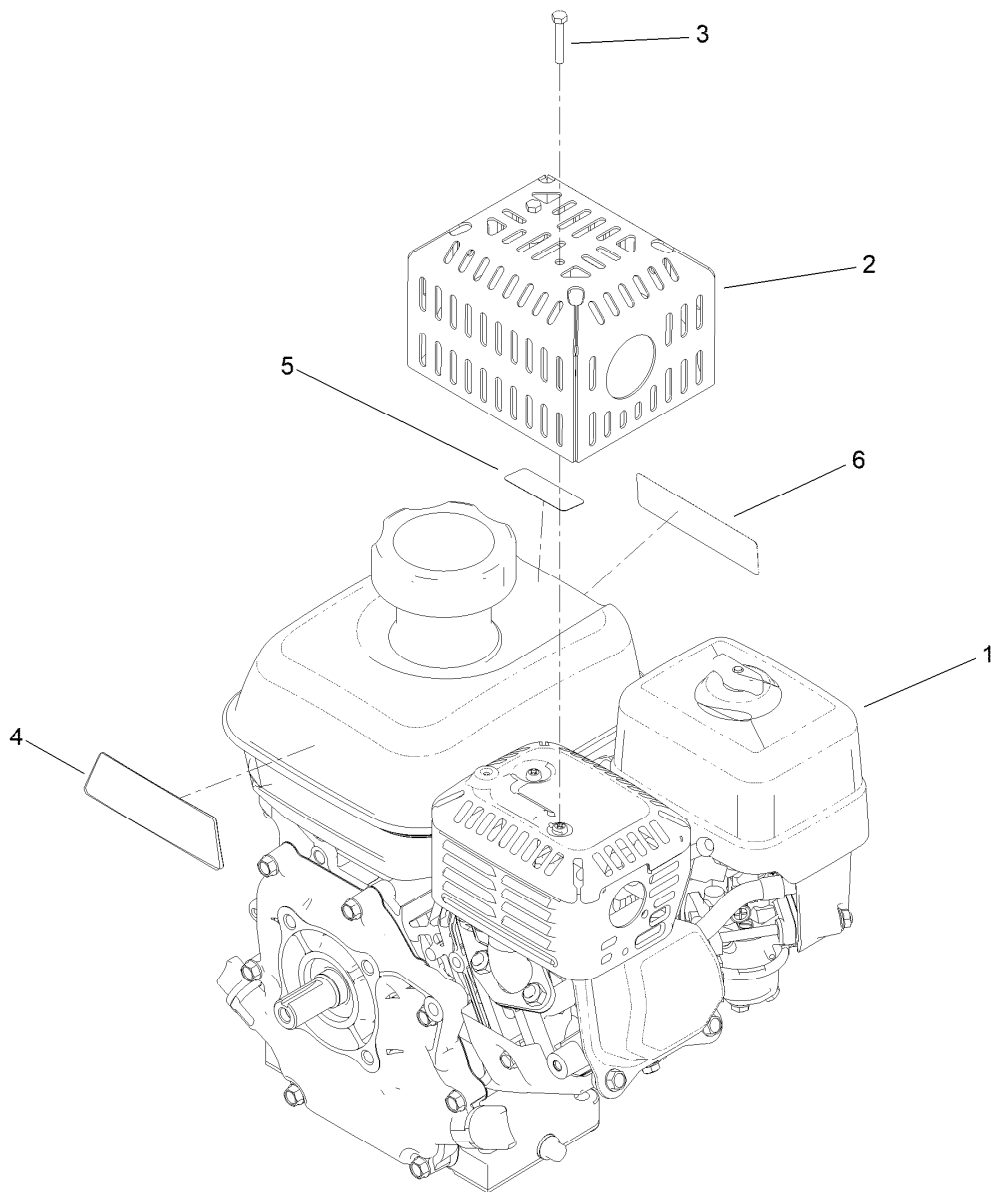
<i>Ref.</i>	<i>Part Number</i>	<i>Qty.</i>	<i>Description</i>
3	130-6840	6	Gear-Spur, Differential
4	137-0294	1	Gear-Differential, 127T
5	3274-26	6	Screw-HSH



Engine Assembly

Ref.	Part Number	Qty.	Description	Ref.	Part Number	Qty.	Description
2	3256-24	2	Washer-Plain	20	138-1523	1	Reel Lever
3	138-1623-01	1	Bracket-Mount, Engine	21	133-9226	2	Bushing-Straight
4	119-4042	2	Nut-HF, NI	22	138-1524	1	Lever-Reel
5	137-0301	2	Clamp-Tube	23	133-9206	1	Bellcrank-Reel
6	119-4041	9	Nut-HF	24	125-5239	1	Bushing-Flange
7	116-5611	3	Bolt-Carriage 1/4-20 X 1/2 Short Neck	25	115-5142	1	Screw-HHF, Patch
8	32128-10	3	Nut-Lock, HHF	26	137-0298	1	Shaft-Selector, Reel
9	161-7372	1	Engine ASM, Honda ●	27	137-0299	1	Hub-Selector, Reel
10	3230-6	4	Bolt-CARR	28	117-1031	1	Spring-Compression
11	3256-23	8	Washer-Plain	29	112-6913	1	Screw-HF
13	131-5919	4	Screw-HH, Patch	30	32151-47	1	Ring-Retaining
14	138-1591	1	Guide-Cable	33	323-30	1	Screw-HH
15	3234-33	1	Screw-HHF	34	119-4609	1	Spring-Extension
18	139-7362	3	Washer-Poly	35	139-4309	1	Guide-Cable
19	131-8573	1	Screw-HSH	36	3256-22	2	Washer-Flat
				37	3253-21	1	Washer-Lock

● Obtain parts from www.honda-engines.com

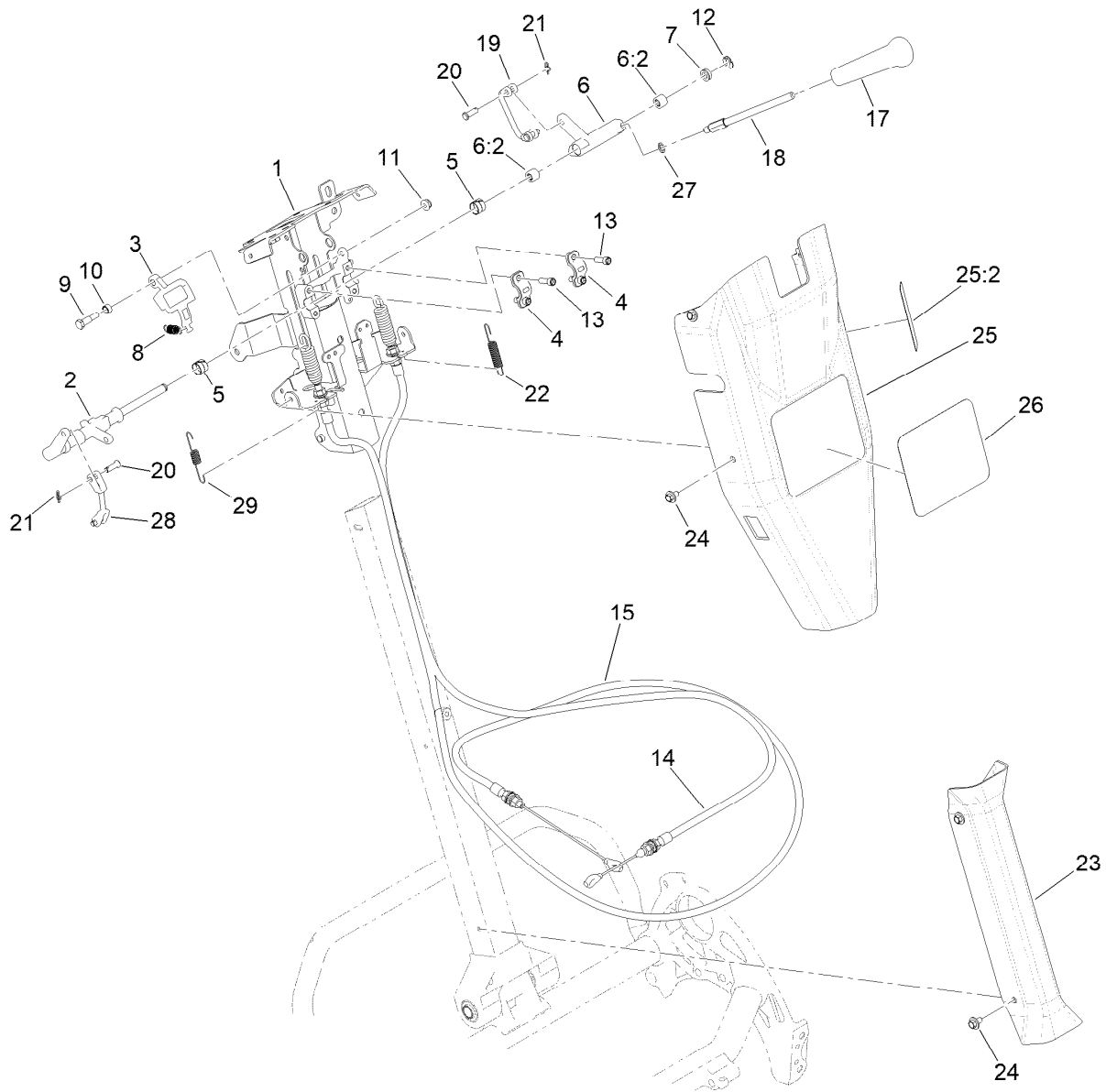


Engine Assembly No. 161-7372

Ref.	Part Number	Qty.	Description
1		1	Engine ASM, Honda ●■
2	138-2128-03	1	Guard-Muffler
3	87-5150	2	Screw-HH
4	138-2138	1	Decal-Warning, Engine
5	130-8322	1	Decal-Warning, Ethanol
6	133-8062	1	Decal-Spark Arrestor

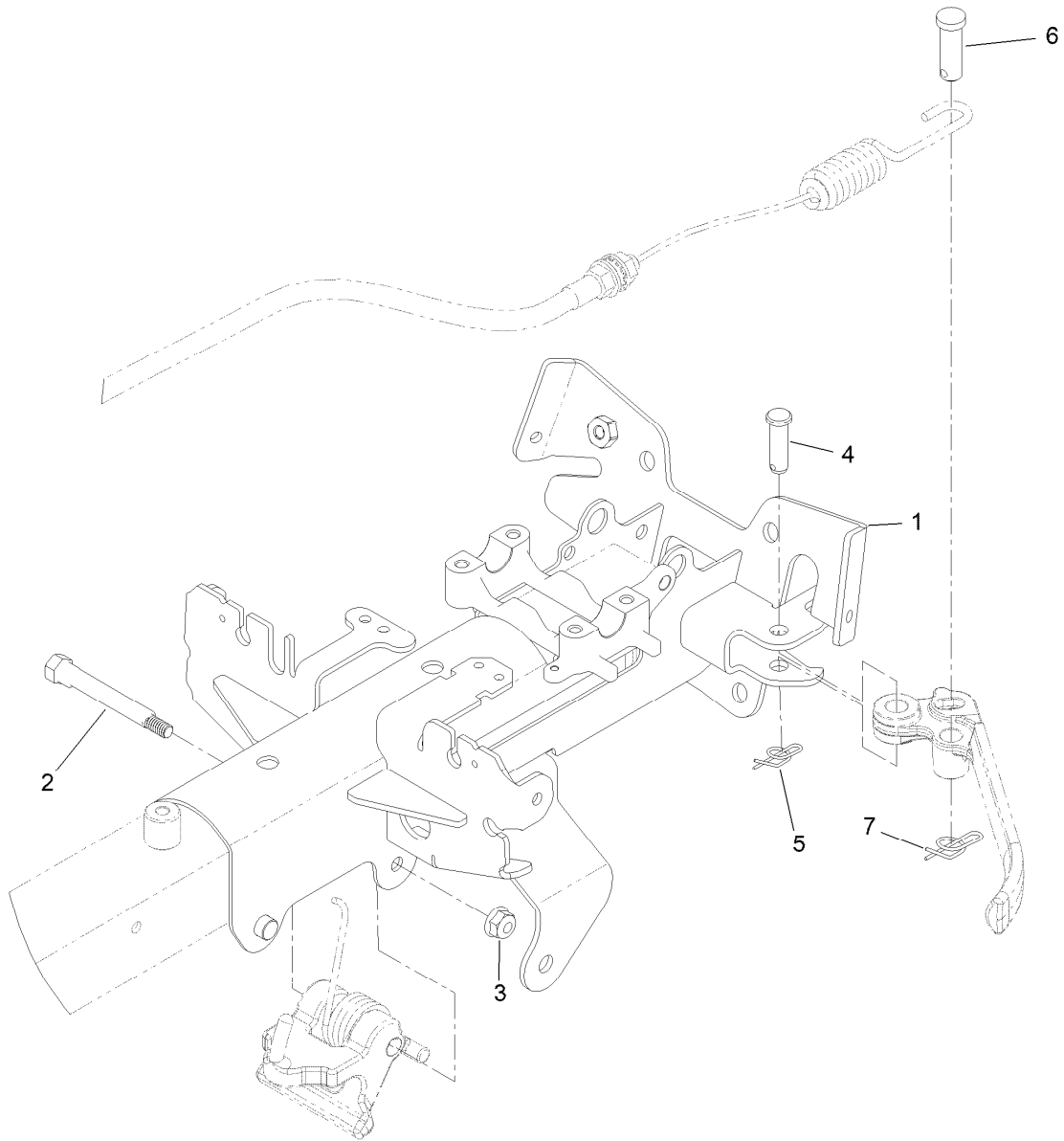
● Not serviced separately

■ Obtain parts from www.honda-engines.com



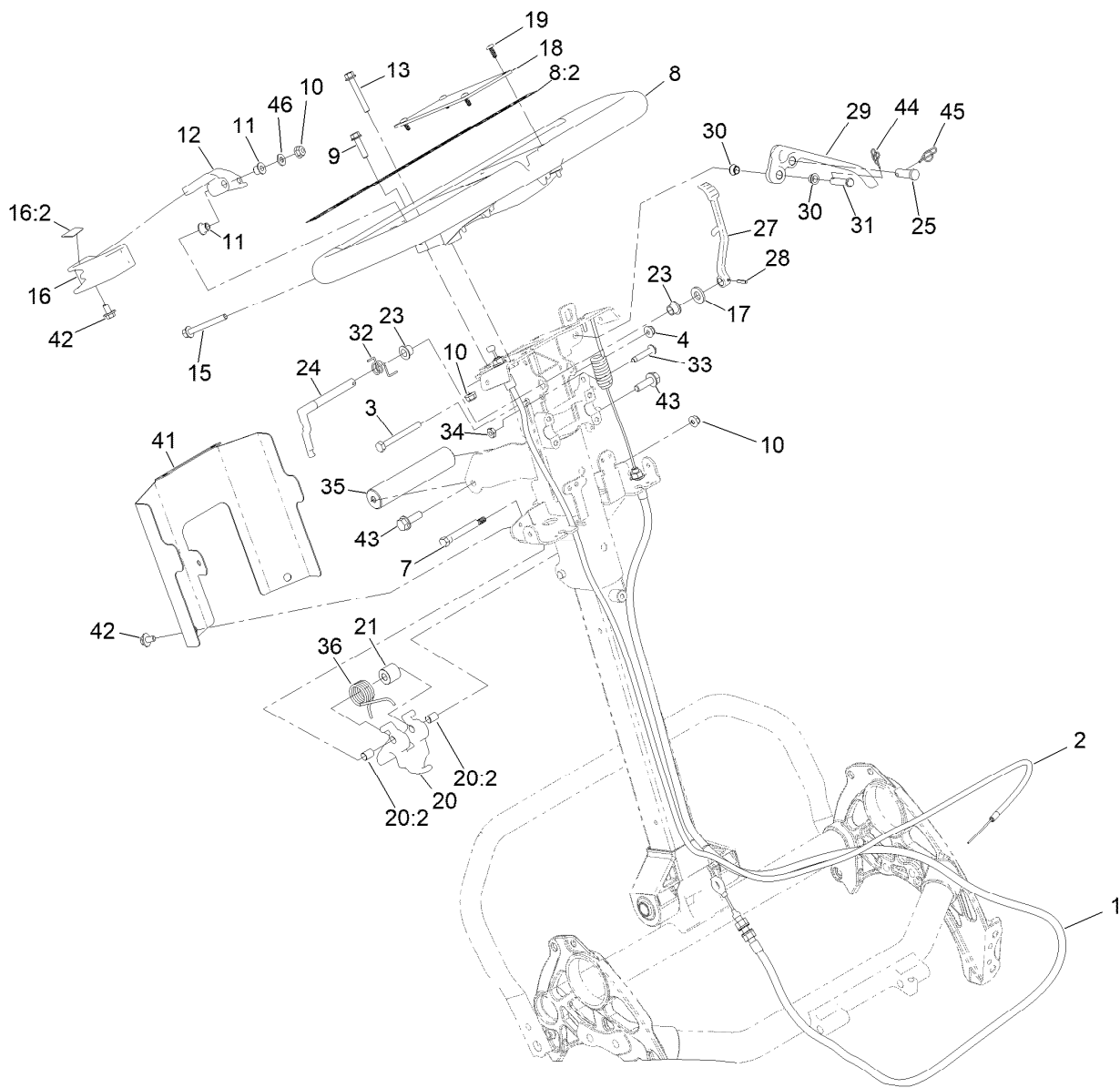
Reel Controls and Covers Assembly

Ref.	Part Number	Qty.	Description	Ref.	Part Number	Qty.	Description
1	147-2288	1	Kit- Upper Receiver Replacement	15	140-9330	1	Cable-Reel Engagement
2	140-9305	1	Shaft-Main, Controls	17	104-9760	1	Knob-Black
3	137-0266	1	Cam-Latch, Upper	18	137-0190	1	Rod-Handle, Reel Lever
4	138-1513	2	Clamp-Shaft, Control	19	137-0232	1	Connector-Clevis
5	137-0263	2	Bushing-Split	20	1-808265	4	Pin-Clevis
6	137-0312	1	Reel Lever ASM	21	138-1587	2	Clip-Pin, Cotter
6:2	138-1637	2	Bearing-Needle	22	138-1536	1	Spring-Extension
7	131-3187	1	Seal-V-Ring	23	138-1479	1	Cover-Handle, Lower
8	140-3410	1	Spring-Extension	24	46-6810	8	Screw And Washer ASM
9	137-0313	1	Screw-Shoulder	25	139-4304	1	Control Upper Cover ASM
10	137-0346	1	Spacer-Latch, Bail	25:2	138-1589	1	Decal-Reel Drive Engagement
11	104-7201	1	Nut-HF, NI	26	138-1582	1	Decal-Greensmaster 1018
12	32151-47	1	Ring-Retaining	27	75-5470	1	Spacer-Bearing
13	140-9233	4	Screw-HSH	28	138-1592	1	Connector-Clevis
14	137-0180	1	Cable-Clutch	29	140-3417	1	Spring-Extension



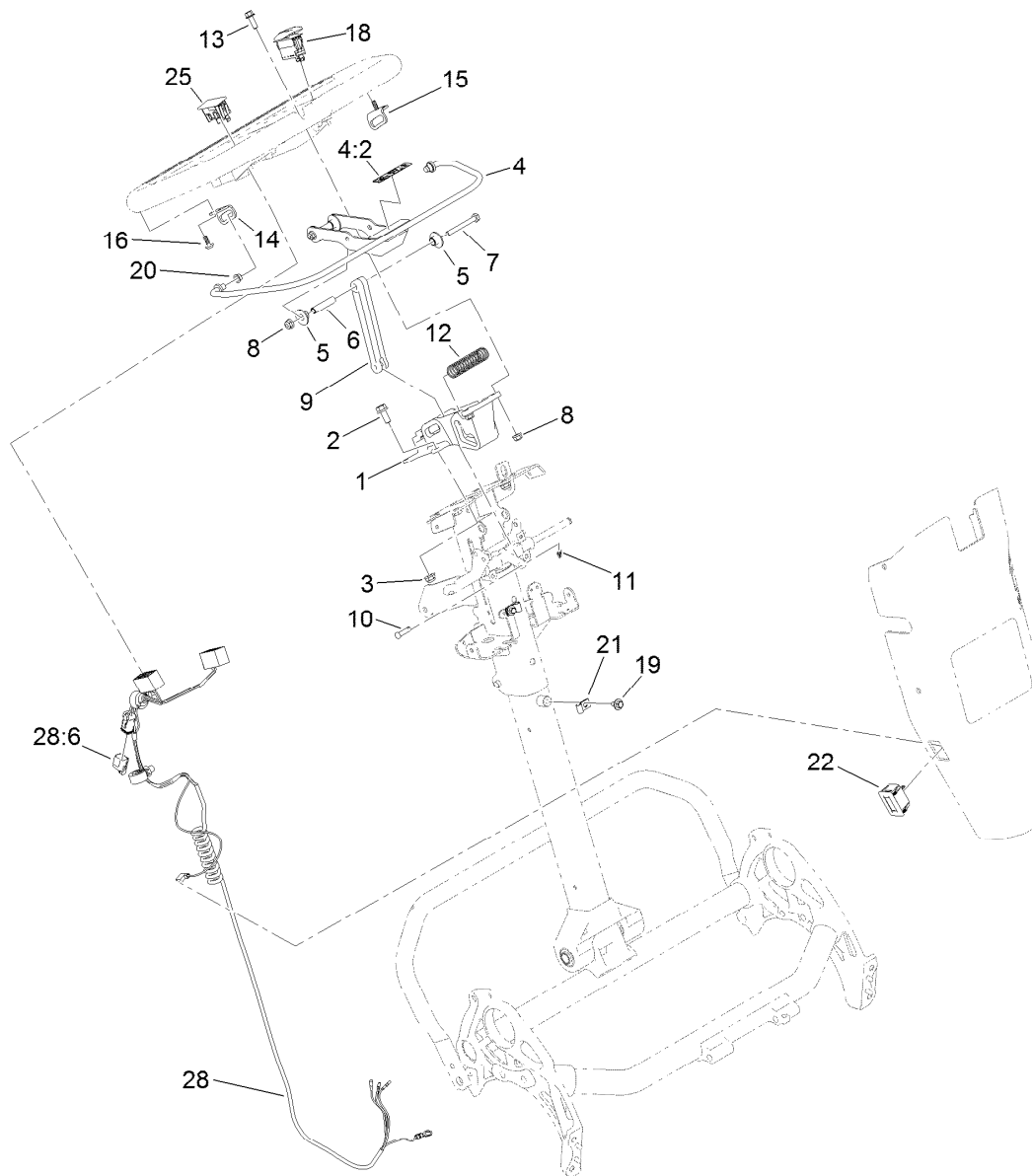
Upper Receiver Assembly No. 147-2288

<i>Ref.</i>	<i>Part Number</i>	<i>Qty.</i>	<i>Description</i>
1	147-2284-0P	1	Upper Receiver, Welded
2	147-2269	1	Cam-Handle, Pivot
3	119-4040	1	Nut-HF, NI
4	283-61	1	Pin-Yoke
5	116-6639	1	Pin-Cotter, Locking
6	1-808285	1	Pin-Clevis
7	140-9312	1	Pin-Cotter, Locking



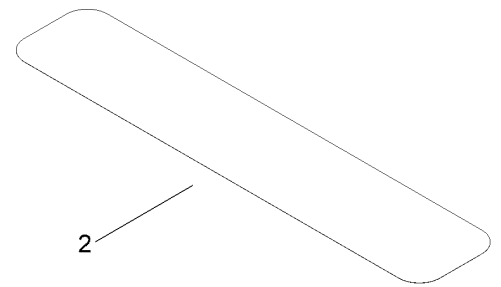
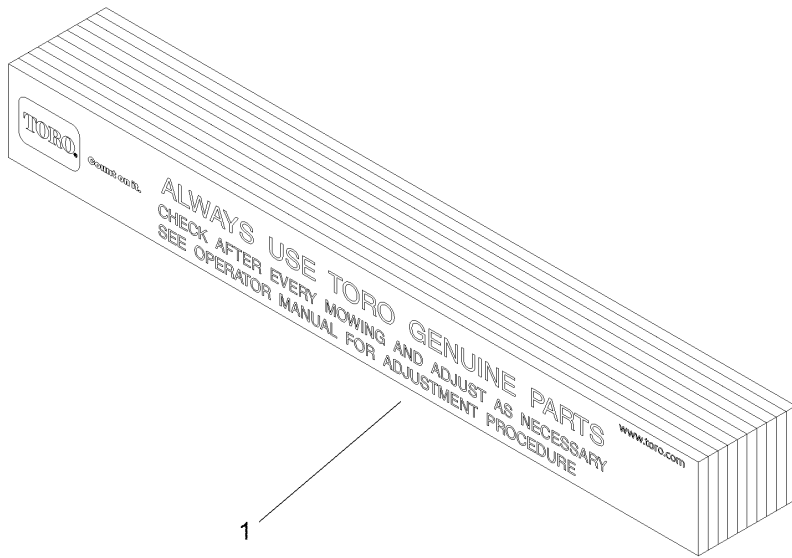
Upper Handle Assembly

Ref.	Part Number	Qty.	Description	Ref.	Part Number	Qty.	Description
1	140-9318	1	Cable ASM, Brake	21	140-9335	1	Spacer-Spring
2	137-0182	1	Cable-Throttle	23	138-1514	2	Bushing-Flange
3	321-15	1	Screw-HH	24	138-1573	1	Latch-Brake
4	104-7201	1	Nut-HF, NI	25	1-808285	1	Pin-Clevis
7	147-2269	1	Cam-Handle, Pivot	27	140-3377	1	Lever-Lock, Brake
8	138-1645	1	Handle ASM	28	32121-73	1	Pin-Roll
8:2	138-5532	1	Decal-Warning, General	29	140-9298	1	Lever-Brake
9	120-4654	2	Screw-HHF	30	138-5538	2	Bushing-Flange
10	119-4040	4	Nut-HF, NI	31	283-6	1	Pin-Clevis
11	138-3538	2	Bushing-Flange	32	138-1518	1	Spring-Brake, Torsion
12	138-1636	1	Arm-Throttle	33	132-6777	1	Screw-Twh Thd Roll
13	138-5527	1	Screw-HHF	34	120-9695	1	Nut-Jam
15	140-9317	1	Screw-HHF,Lock	35	138-1535	1	Handle-Assist, Lift
16	139-4303	1	Throttle Lever ASM	36	140-9334	1	Spring-Handle, Torsion
16:2	138-5534	1	Decal-Throttle	41	138-5530-03	1	Cover-Bottom, Controls
17	100-4852	1	Washer-Hardened	42	46-6810	3	Screw And Washer ASM
18	138-5514	1	Plate-Notepad, Handle	43	115-5142	2	Screw-HHF, Patch
19	127-6843	4	Screw-Plastite, Torx Pan	44	116-6639	1	Pin-Cotter, Locking
20	137-0317	1	Handle Adjuster ASM	45	140-9312	1	Pin-Cotter, Locking
20:2	137-0308	2	Bushing-Igus	46	139-1323	2	Washer-Spcl



Traction Bail Assembly

<i>Ref.</i>	<i>Part Number</i>	<i>Qty.</i>	<i>Description</i>	<i>Ref.</i>	<i>Part Number</i>	<i>Qty.</i>	<i>Description</i>
1	138-5524	1	Mount-Handle	13	120-9678	2	Screw-HHF
2	3234-47	2	Screw-HHF	14	138-3539	1	Bracket-Bail, RH
3	119-4041	2	Nut-HF	15	138-3540	1	Bracket-Bail, LH
4	139-4302	1	Clutch Bail ASM	16	138-5775	2	Screw-Delta Point
4:2	138-5533	1	Decal-Bail, Traction	18	122-1497	1	Switch-Rocker, On-None-Off
5	138-3466	4	Bushing-Flange	19	46-6810	2	Screw And Washer ASM
6	138-3465	2	Spacer-Tube	20	138-5538	2	Bushing-Flange
7	321-18	2	Screw-HH	21	2412-91	2	Clamp
8	119-4040	4	Nut-HF, NI	22	119-1347	1	Meter-Hour
9	138-5515	1	Link-Bail, Clutch	25	119-7791	1	Plug-Hole
10	353-322	1	Pin-Clevis	28	122-1416	1	Harness-Wire
11	138-1587	1	Clip-Pin, Cotter	28:6	32180-091	1	Cap-Dust, 2 Way
12	138-3468	1	Spring-Compression				



Miscellaneous Parts Assembly

<i>Ref.</i>	<i>Part Number</i>	<i>Qty.</i>	<i>Description</i>
1	125-5610	1	Paper-Reel, Toro (10 Pack)
2	140-5531	1	Shim-Toro Reel (.002In)

Attachments and Accessories

For 04820 Greensmaster 1018 Mower

Product Name	Model/Part
Wheel Kit	04123
Light Kit (2019+)	04135
Push Broom Kit, Walk Greensmower (2019+)	04136
CU Light Kit Mount.....	04138
Extended Narrow Wiehle Roller Asm (18 Inch)	04148
Wheel Loading Kit, Tp200	04219
Rail Loading Kit, Tp200	04229
Trans Pro 80 Tow-Behind Trailer.....	04238
TRANS PRO 200.....	04239
Flat Ramp	04245
Rail Ramp Kit (Update).....	04247
18in Soft Grooming Brush.....	04268
18in Stiff Grooming Brush.....	04269
Turf Evaluator	04399
Universal Groomer Drive	04707
18in Twin Tip Groomer Reel	04801
Interlace Narrow Wiehle Roller Asm (18 Inch)	04804
Full Front Roller Asm (18 Inch)	04814
14-Blade 18in Fixed EDGESERIES Cutting Unit	04824
Bedknife-Microcut, Extended.....	110-2300
Bedknife-Low Cut	110-2301
18in Rail Conversion Kit.....	110-7345
Roller Extension Kit	115-7361
Bedknife-EDGEMAX, Microcut.....	117-1530
Bedknife-EDGEMAX, Tournament	117-1532
Front Scraper Kit for Wide Wiehle Roller.....	120-9616
Front Scraper Kit for Full Roller.....	120-9617
Front Brush Kit for Wide Wiehle Roller.....	120-9622
Front Brush Kit for Full Roller	120-9623
MVP Kit-Cutting Unit Re-Build	121-2637
Premium Engine Oil 10w30 (55 Gallon Drum)	121-6392
Premium Engine Oil 10w30 (5 Gallon Pail)	121-6393
Toro Reel Paper (10 Pack).....	125-5610
18in Soft Grooming Brush Kit.....	127-1545
18in Stiff Grooming Brush Kit.....	127-1546
Angle Indicator.....	131-6828
Angle Indicator Mount.....	131-6829
Grease-Synthetic.....	136-8595
Bedbar-18in	138-1520-01
Rail Ramp Kit TP100	138-5011
Bedknife-EDGEMAX, Microcut Short	139-4318
Bedknife-EDGEMAX, Tournament Short	139-4319
Access Backlap Kit	139-4342
Wireless Hour Meter Kit.....	139-4369
Rod Replacement Kit, Greensmaster 1018 Series Traction Unit with Trans Pro 100 Tow-Behind Trailer	139-6470

Attachments and Accessories (continued)

Retention Straps Kit.....	139-6477
Interlaced Roller Scraper Asm (18 Inch)	139-7411
Interlaced Roller Scraper Brush Asm (18 Inch)	139-7412
Wiehle Roller ASM, 18 Inch	140-3362
Roller ASM, Wide Wiehle.....	140-3441
Shim-TORO Reel (.002in)	140-5531
Blade-GR Groomer, Twin Tip (0.032in).....	140-5580
Blade-GR Groomer, Helix (0.028in)	140-5581
Blade-GR Groomer, Helix (0.015" in).....	140-5582
Height-of-Cut Bar.....	94-9010
Bedknife-Tournament	98-7260
Bedknife-Microcut.....	98-7261
Extended HOC Arm.....	99-4286

Notes:



Count on it.