



**Count on it.**

**Parts Catalog**

**TimeCutter® Max 50in Zero Turn  
Riding Mower**

Model No. 77505—Serial No. 417473180 and Up



# Ordering Replacement Parts

To order replacement parts, please supply the part number, the quantity, and the description of each part desired.

## Understanding Reference Numbers

Each identified part in an illustration has a reference number. The reference number for a part also appears in the parts list, along with other information about the part.

This catalog uses two special reference number formats, one to indicate parts in a service assembly and another to indicate the quantity of a given part in an illustration.

## Service Assembly Reference Numbers

Parts in service assemblies have reference numbers in the form a:b. The a represents the reference number of the entire service assembly and the b represents a sequential number unique to each part within the service assembly.

For example, a wheel assembly might be identified by reference number 6, the tire by 6:1, the valve by 6:2, and the wheel by 6:3. When you order the assembly identified by reference number 6, you receive all parts identified by reference numbers 6:1, 6:2, and 6:3. However, you may also order any part individually. Reference numbers of this type appear in illustration and in parts lists.

## Reference Numbers Indicating Quantity

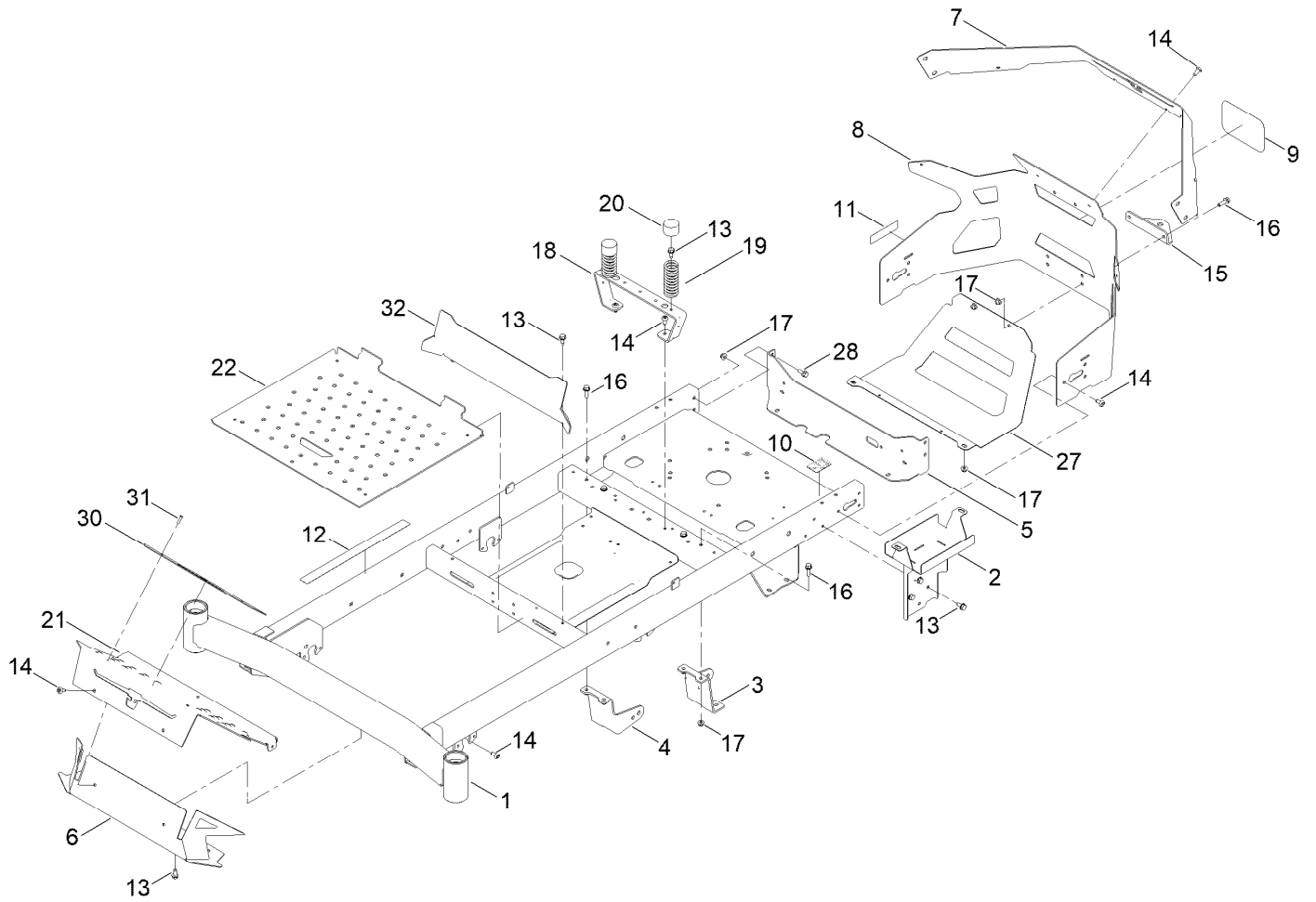
In an illustration, if a reference number indicates more than one part, the reference number has the form nX y. The n represents the quantity of the part, the X is the multiplication symbol, and the y represents the reference number.

For example, in an illustration, the reference number 2X 37 means that two of the parts identified by reference number 37 are indicated.

# Contents

Frame Assembly	4
Decklift Assembly	6
Caster Wheel Assembly	8
Wheel Assembly No. 145-4692	10
Traction Drive Assembly	12
LH Transaxle Assembly No. 139-7470	14
RH Transaxle Assembly No. 139-7471	16
Brake Assembly	18
Tire Assembly	20
Seat Pan Assembly	22
Motion Control Assembly	24
Engine and Muffler Assembly	26
Fuel Tank Assembly	28
Electrical Assembly	30
Main Wire Harness Assembly No. 145-6382	32
50in Deck and Decal Assembly	34
Model Specific Assembly	36
Clutch Assembly	38
Attachments and Accessories	40

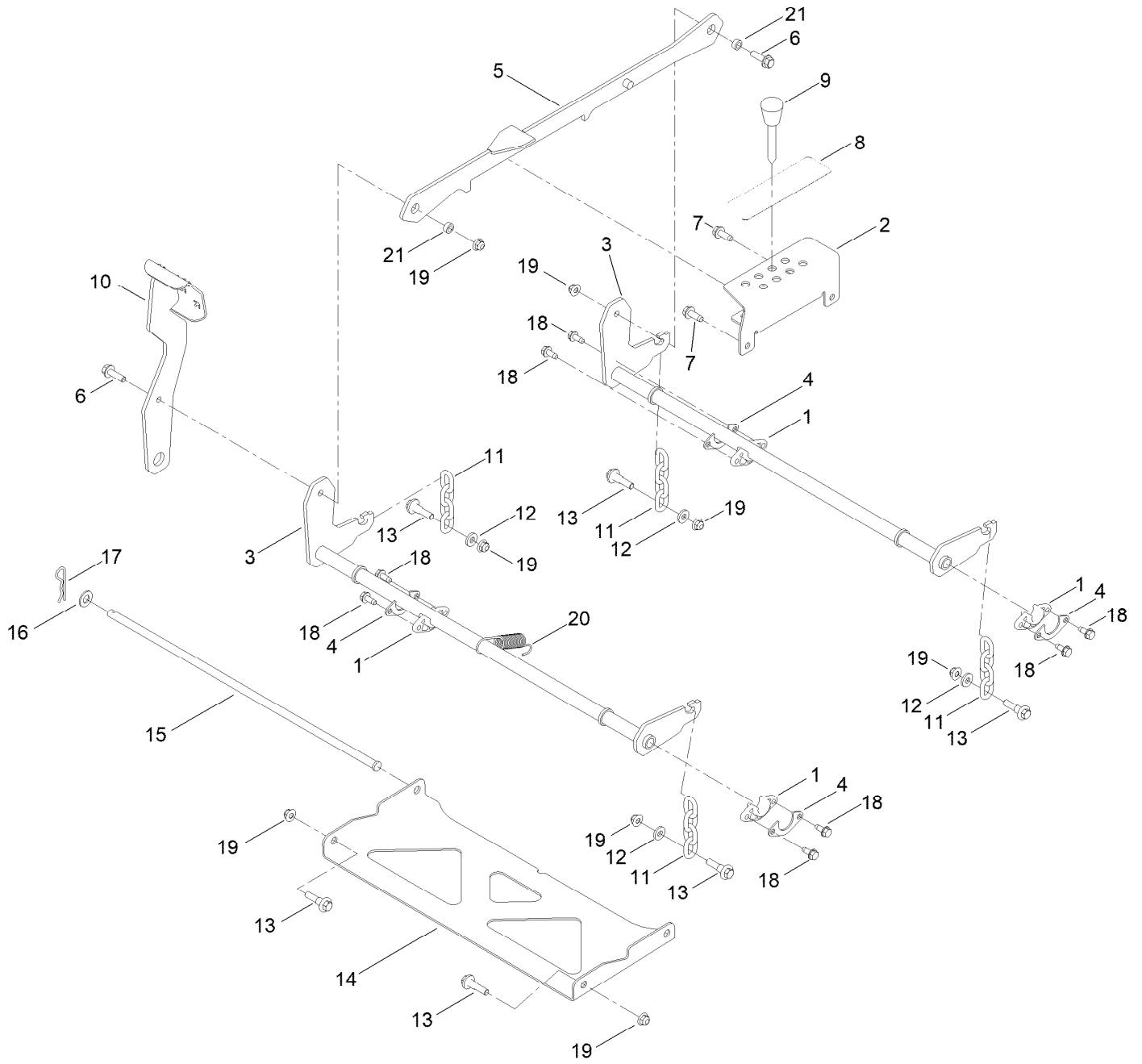
# Frame Assembly



## Frame Assembly (continued)

<i>Ref.</i>	<i>Part Number</i>	<i>Qty.</i>	<i>Description</i>	<i>Ref.</i>	<i>Part Number</i>	<i>Qty.</i>	<i>Description</i>
1	161-6613	1	Service ASM-Frame, Tc	15	117-1232-03	1	Bracket-Hitch
2	145-6283-01	1	Wa-Battery Mount	16	139-2596	6	Screw-HHF
3	161-6506-01	1	Mount-Drive, LH	17	119-4041	12	Nut-HF
4	161-6507-01	1	Mount-Drive, RH	18	145-6315-03	1	Support-Seat
5	147-8709-03	1	Plate-Mount	19	138-2548	2	Spring-Compression
6	147-2966-03	1	Footrest-Top	20	701178	2	Cap-Protector
7	147-2995-01	1	Plate-Rear Cladding Tc	21	145-6368-01	1	Plate-Kick
8	147-2994-03	1	Guard-Engine Tc	22	145-6370-01	1	Pan-Floor
9	99-4693	1	Decal	27	147-7717-03	1	Guard-Muffler [black]
10	161-6207	1	Decal-Bypass	28	139-2598	4	Screw-HHF
11	142-5864	1	Decal-Spark Arrester	30	147-8716-05	1	Plate- Toeboard
12	144-5288	1	Decal-Warning	31	130-8451	2	Rivet-Trifold
13	32144-70	9	Screw-HWHTF	32	147-5170-03	1	Plate-Kick
14	138-9753	16	Screw				

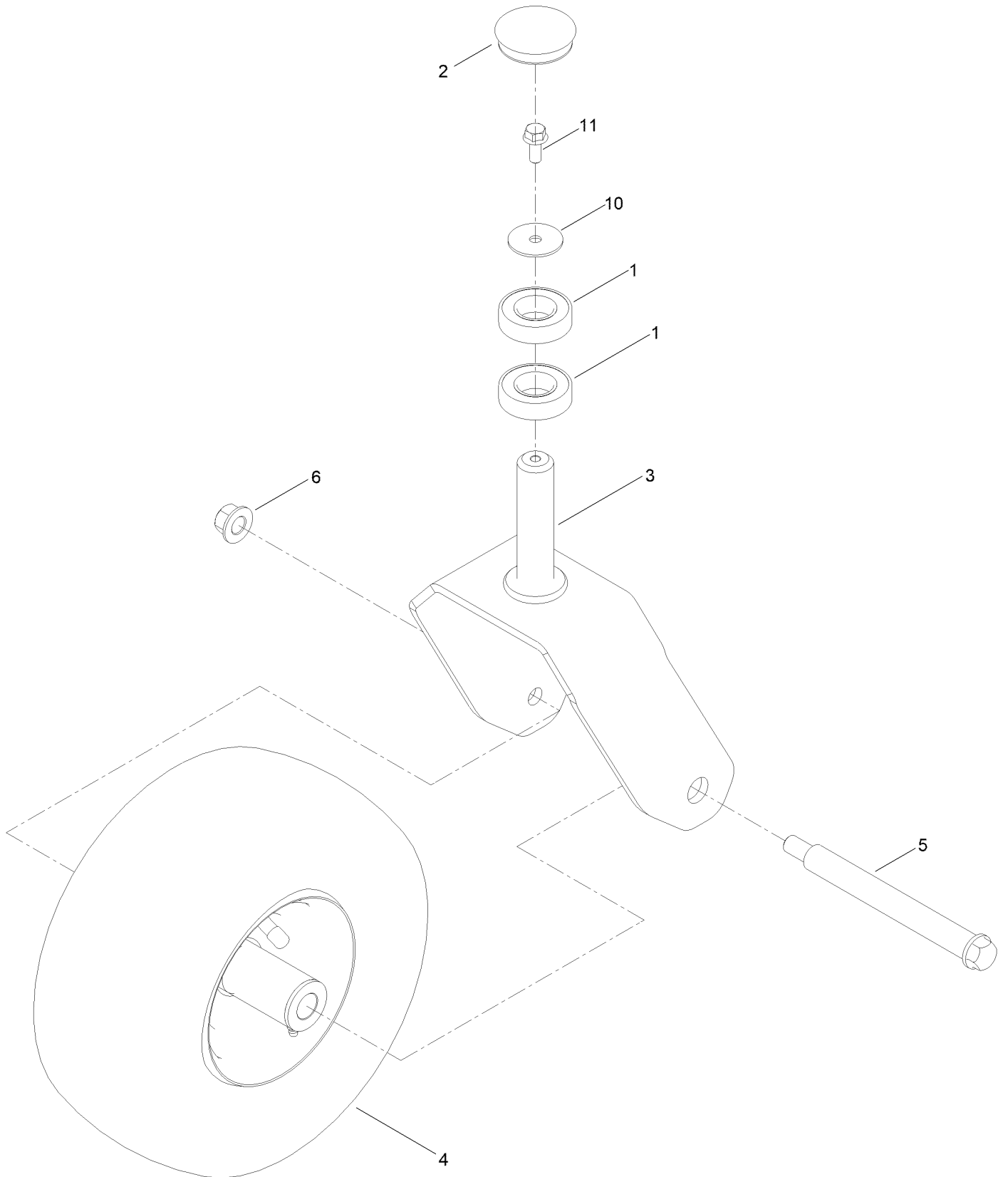
# Decklift Assembly



## Decklift Assembly (continued)

<i>Ref.</i>	<i>Part Number</i>	<i>Qty.</i>	<i>Description</i>	<i>Ref.</i>	<i>Part Number</i>	<i>Qty.</i>	<i>Description</i>
1	139-5872	4	Bearing-Flange	12	138-7207	4	Spacer-Hub, Blower
2	145-6257-01	1	Bracket-HOC	13	130-0742	6	Bolt-Shoulder
3	145-4645-01	2	Pivot ASM-Decklift [red]	14	145-6248-03	1	Pan-Deck Pivot
4	138-7204	4	Gusset-Deck Lift	15	145-6288	1	Pin-Deck
5	145-0557-01	1	Link ASM-HOC [red]	16	139-2611	1	Washer-Flat
6	119-4061	2	Screw-HHF	17	139-2562	1	Pin-Hair
7	139-2428	2	Screw-HWH	18	32144-70	8	Screw-HWHTF
8	147-2866	1	Decal-HOC, Tc	19	119-4042	8	Nut-HF, NI
9	140-2146	1	HOC Pin ASM	20	138-7206	1	Spring-Extension
10	145-6278-01	1	Pedal ASM [red]	21	140-2093	2	Spacer
11	138-7205	4	Chain-Decklift, 4-Link				

# Caster Wheel Assembly

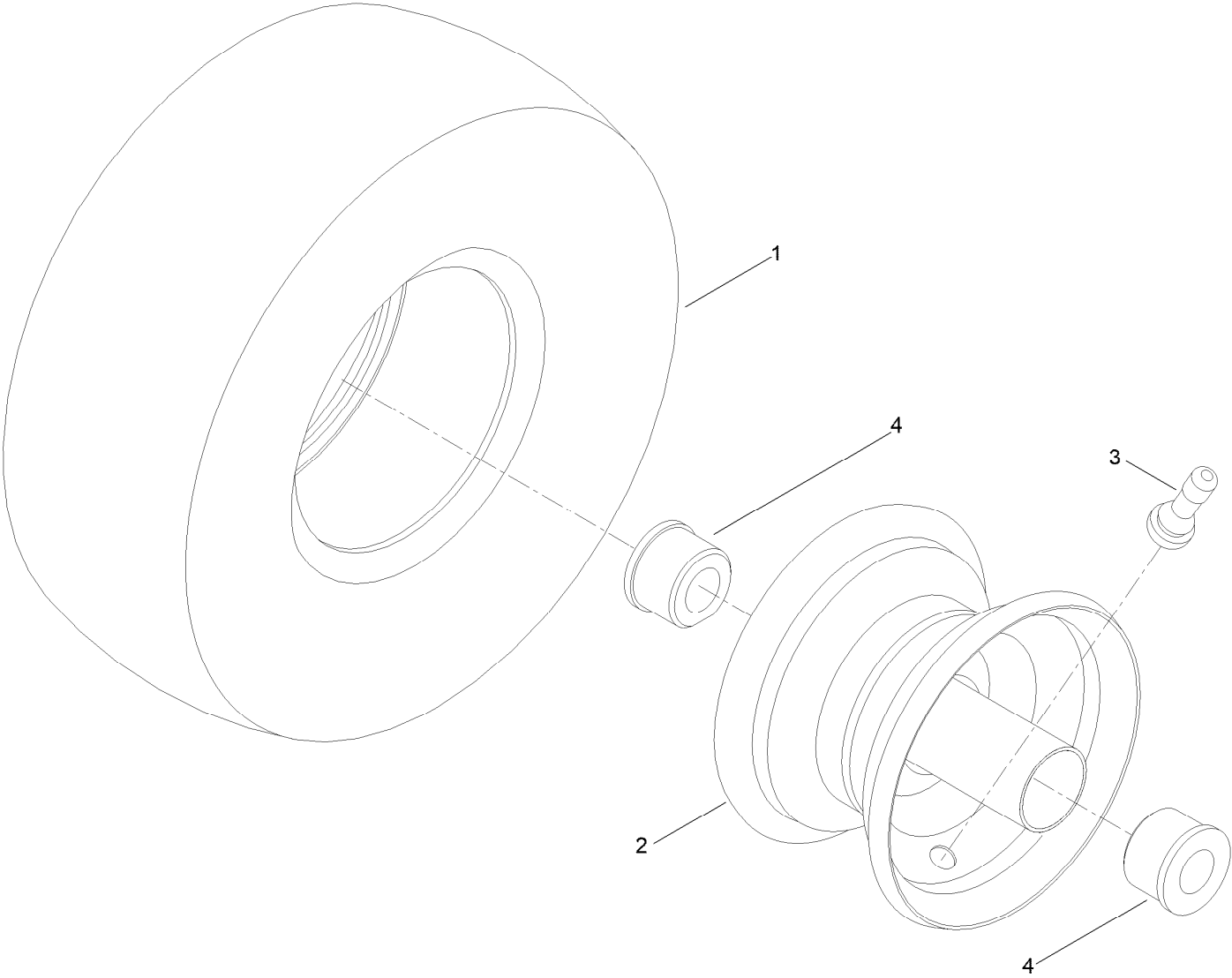




## Caster Wheel Assembly (continued)

<i>Ref.</i>	<i>Part Number</i>	<i>Qty.</i>	<i>Description</i>	<i>Ref.</i>	<i>Part Number</i>	<i>Qty.</i>	<i>Description</i>
1	109-3678	4	Bearing-Ball	5	145-4649	2	Screw-Shoulder HHF
2	144-0375	2	Cap, Grease	6	99-5107	2	Nut-Lock
3	145-4674-01	2	Fork	10	115-1151	2	Washer-Flat
4	145-4692	2	Wheel ASM - Caster 12X6-5	11	100-1668	2	Screw-HHF

# Wheel Assembly No. 145-4692

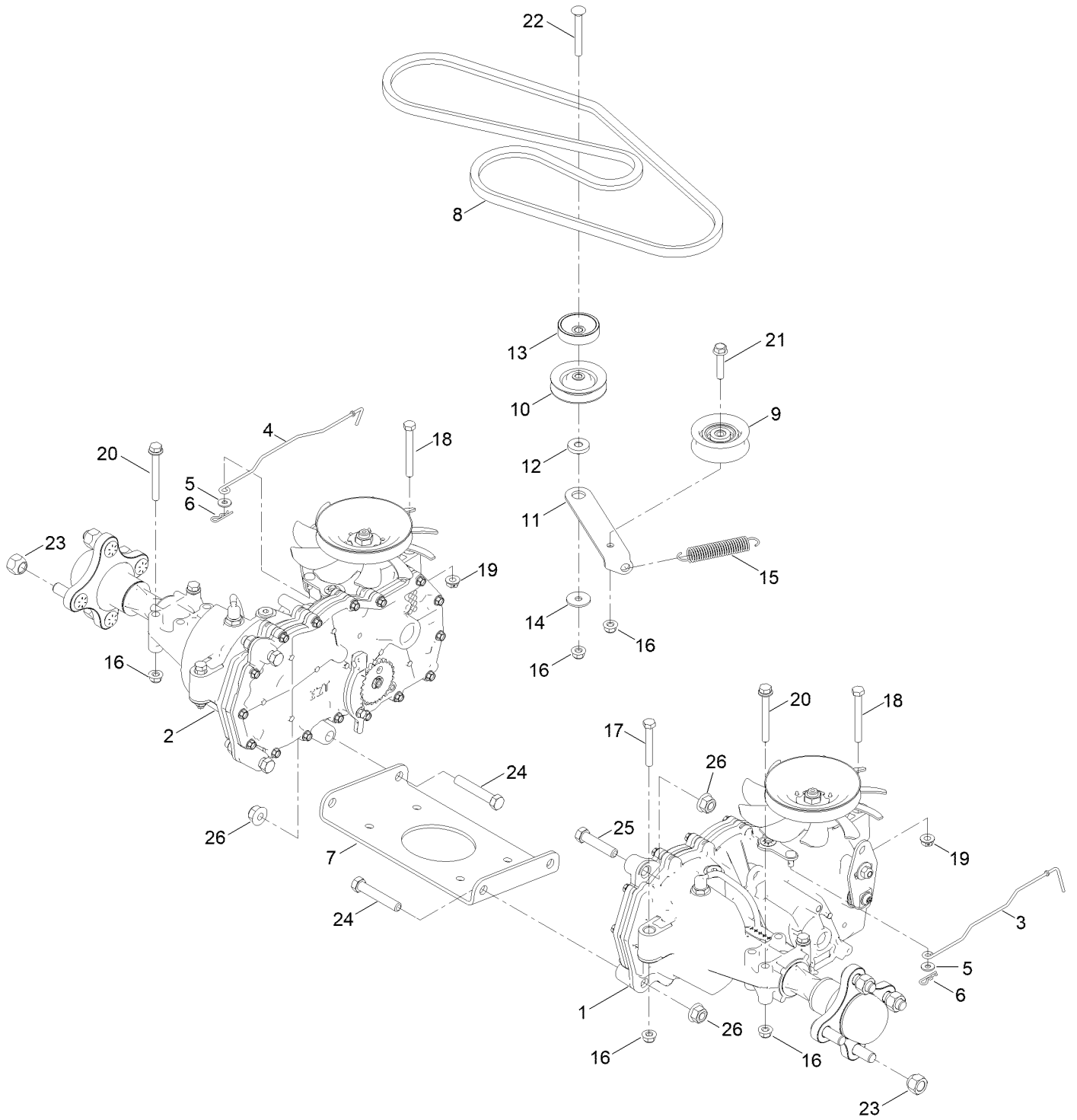


## Wheel Assembly No. 145-4692 (continued)

<i>Ref.</i>	<i>Part Number</i>	<i>Qty.</i>	<i>Description</i>
1	145-4672	1	Tire 12X6-5
2	145-4673	1	Wheel (W/ Zerk And Bushings)

<i>Ref.</i>	<i>Part Number</i>	<i>Qty.</i>	<i>Description</i>
3	232-27	1	Stem-Valve
4	114-1640	2	Bushing-Flange

# Traction Drive Assembly



## Traction Drive Assembly (continued)

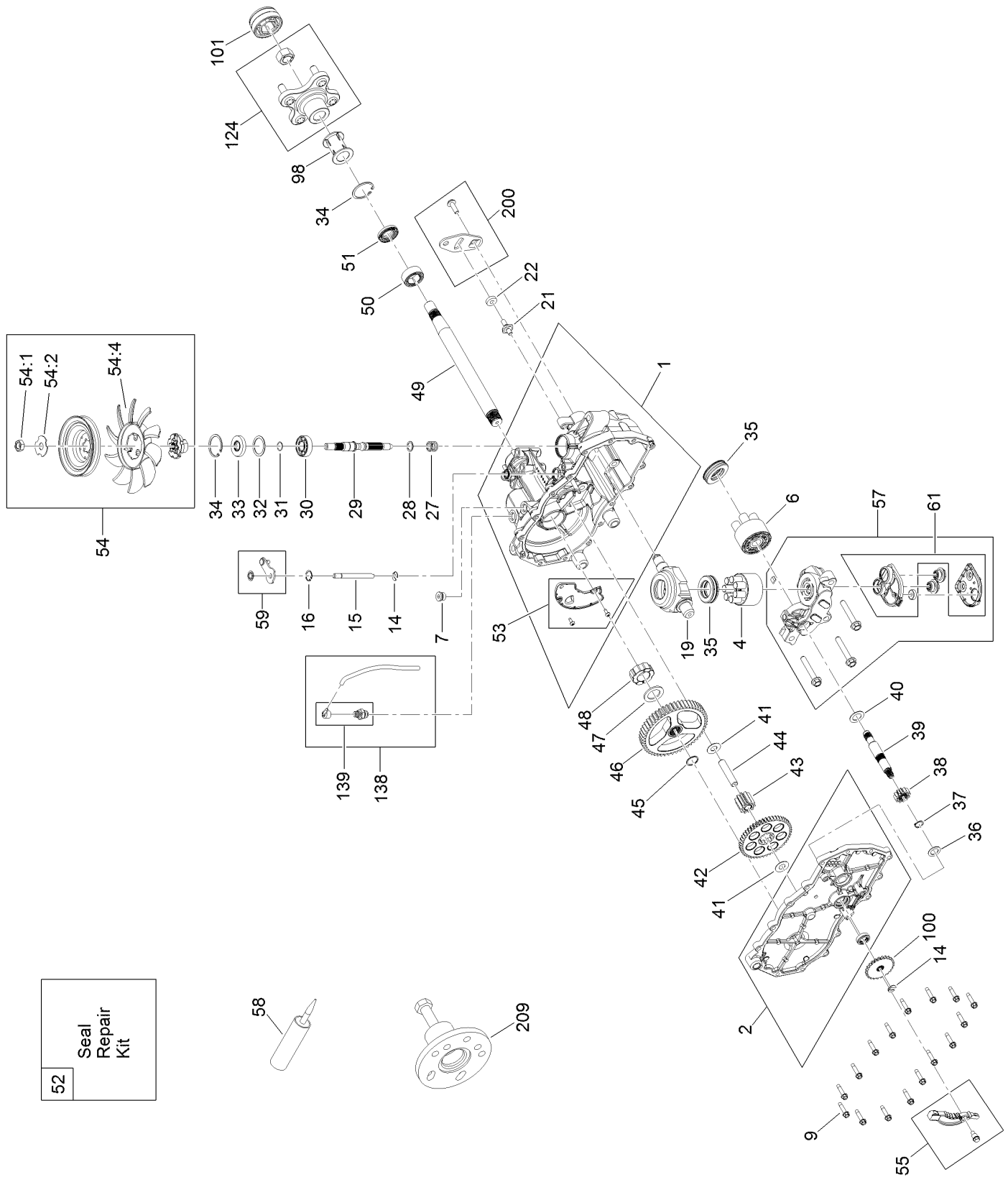
<i>Ref.</i>	<i>Part Number</i>	<i>Qty.</i>	<i>Description</i>	<i>Ref.</i>	<i>Part Number</i>	<i>Qty.</i>	<i>Description</i>
1	139-7470	1	LH Hydro Transaxle ASM	14	5-4460	1	Washer-Pivot
2	139-7471	1	RH Hydro Transaxle ASM	15	137-7040	1	Spring-Return, Pedal
3	147-2988	1	Rod-Bypass, LH	16	104-8300	8	Nut-HF, NI
4	147-2989	1	Rod-Bypass, RH	17	322-11	2	Screw-HH
5	119-8952	2	Washer-Spcl	18	145-6388	2	Screw-HH Spcl
6	3290-307	2	Pin-Cotter	19	139-2574	2	Nut-HF
7	145-6390-03	1	Plate-Cross Hydro	20	138-7590	4	Screw-HHF
8	145-6361	1	V-Belt (A Sec 63.8 EI)	21	115-1794	1	Screw-HHF
9	138-7597	1	Pulley-Idler, Flat	22	3230-8	1	Screw-CARR
10	68-0030	1	Idler	23	139-2564	8	Nut-Lug
11	147-2925	1	Arm-Idler	24	324-10	4	Screw-HH
12	138-7277	1	Spacer-Arm, Idler	25	324-8	2	Screw-HH
13	138-9809	1	Spacer	26	114-8417	6	Nut-HF, NI



## LH Transaxle Assembly No. 139-7470 (continued)

<i>Ref.</i>	<i>Part Number</i>	<i>Qty.</i>	<i>Description</i>	<i>Ref.</i>	<i>Part Number</i>	<i>Qty.</i>	<i>Description</i>
1	106-8695	1	Main Housing ASM	41	94-1933	2	Washer
2	106-8696	1	Side ASM	42	132-0911	1	Gear-49T
4	110-8561	1	Pump Block ASM	43	104-5318	1	Gear-Jackshaft, 10T
6	103-2666	1	Cylinder Block Kit	44	104-5329	1	Pin-Jackshaft
7	104-2189	1	Plug-Thread, Straight	45	112-9854	1	Ring-Spiral, Retaining
9	117-5359	16	Screw-HHF	46	112-9855	1	Gear-52T, Bull
14	106-8677	2	Ring-Retaining, External	47	112-9856	1	Washer
15	106-8678	1	Rod-Bypass	48	112-9857	1	Bearing-Sleeve
16	106-8679	1	Ring-Retaining, Internal	49	120-7104	1	Shaft-Axle
19	104-5304	1	Swashplate-Trunnion	50	112-9859	1	Bushing-Axle
21	104-2116	1	Stud	51	112-9860	1	Seal-Lip
22	112-9853	1	Puck-Friction	52	106-8686	1	Seal Kit
27	94-1936	1	Spring-Block	53	106-8697	1	Expansion Plate Kit
28	94-1937	1	Washer-Thrust	54	135-7349	1	Fan And Pulley Kit
29	104-5306	1	Shaft-Input	55	106-8688	1	Brake Arm Kit
30	104-5311	1	Bearing-Ball	57	112-9861	1	Center Section Filter Kit
31	104-5307	1	Ring-Retaining	59	120-5549	1	Bypass Kit
32	104-5308	1	Spacer	61	114-1634	1	Filter Kit
33	104-5310	1	Seal-Lip	98	120-7109	1	Tube-Axle
34	104-5309	2	Ring-Retaining	100	106-8694	1	Disc-Brake, Cog
35	94-6922	2	Bearing-Thrust	101	115-5057	1	Cover-Nut, Axle
36	104-5339	1	Washer-Flat	124	109-5939	1	Hub Kit
37	104-5340	1	Ring-Retaining	138	112-9866	1	Breather Kit
38	132-0912	1	Gear-12T	139	114-1635	1	Breather ASM
39	106-8683	1	Shaft-Motor	200	117-5362	1	Control Arm Kit
40	104-5360	1	Washer	209	114-8467	1	Puller-Hub, 4 Bolt

# RH Transaxle Assembly No. 139-7471

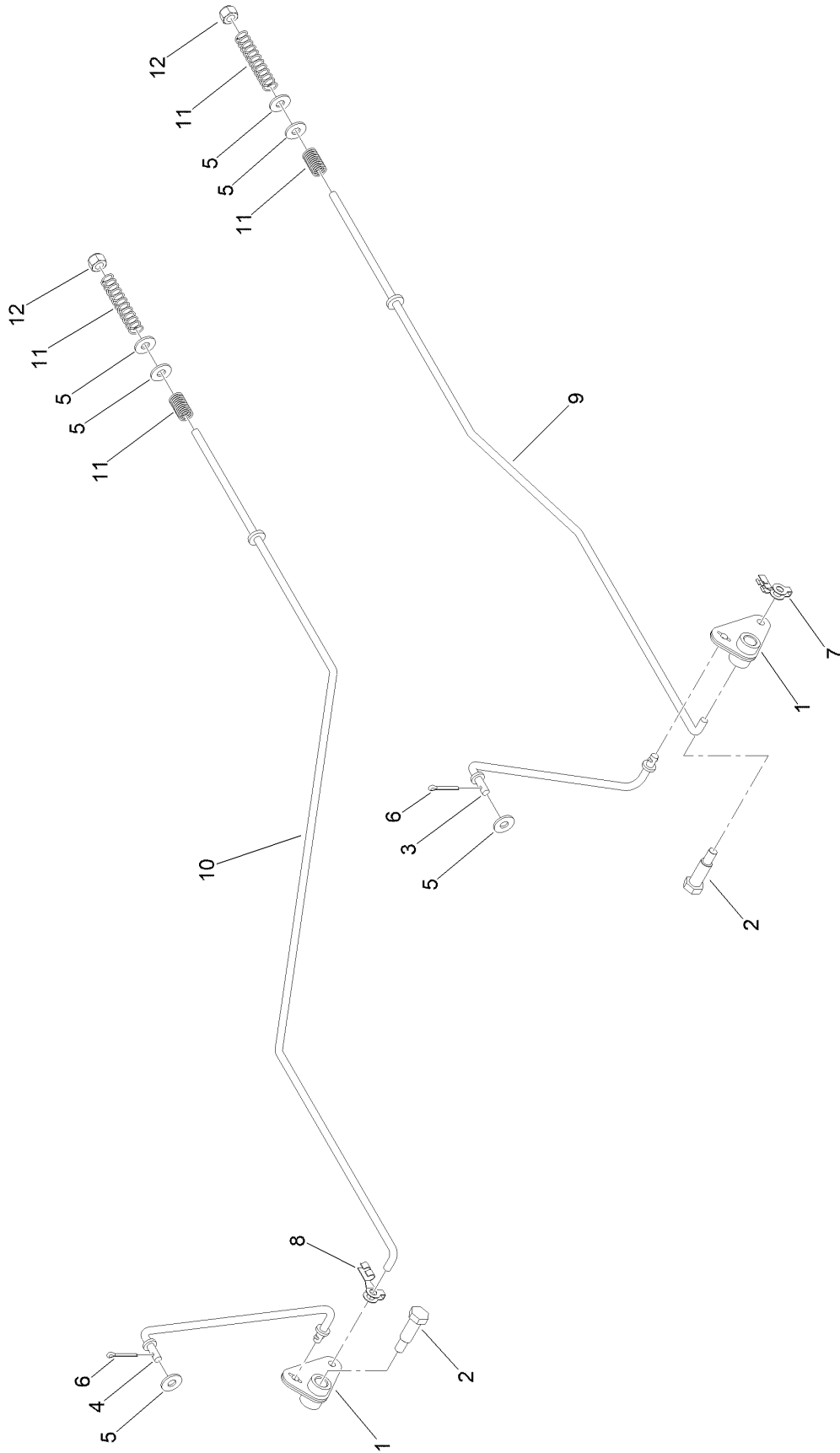




## RH Transaxle Assembly No. 139-7471 (continued)

<i>Ref.</i>	<i>Part Number</i>	<i>Qty.</i>	<i>Description</i>	<i>Ref.</i>	<i>Part Number</i>	<i>Qty.</i>	<i>Description</i>
1	106-8674	1	Main Housing ASM	41	94-1933	2	Washer
2	106-8675	1	Side ASM	42	132-0911	1	Gear-49T
4	110-8561	1	Pump Block ASM	43	104-5318	1	Gear-Jackshaft, 10T
6	103-2666	1	Cylinder Block Kit	44	104-5329	1	Pin-Jackshaft
7	104-2189	1	Plug-Thread, Straight	45	112-9854	1	Ring-Spiral, Retaining
9	117-5359	16	Screw-HHF	46	112-9855	1	Gear-52T, Bull
14	106-8677	2	Ring-Retaining, External	47	112-9856	1	Washer
15	106-8678	1	Rod-Bypass	48	112-9857	1	Bearing-Sleeve
16	106-8679	1	Ring-Retaining, Internal	49	120-7104	1	Shaft-Axle
19	104-5304	1	Swashplate-Trunnion	50	112-9859	1	Bushing-Axle
21	104-2116	1	Stud	51	112-9860	1	Seal-Lip
22	112-9853	1	Puck-Friction	52	106-8686	1	Seal Kit
27	94-1936	1	Spring-Block	53	106-8687	1	Expansion Plate Kit
28	94-1937	1	Washer-Thrust	54	135-7349	1	Fan And Pulley Kit
29	104-5306	1	Shaft-Input	55	106-8688	1	Brake Arm Kit
30	104-5311	1	Bearing-Ball	57	112-9862	1	Center Section Filter Kit
31	104-5307	1	Ring-Retaining	59	107-2489	1	Bypass Arm Kit
32	104-5308	1	Spacer	61	114-1634	1	Filter Kit
33	104-5310	1	Seal-Lip	98	120-7109	1	Tube-Axle
34	104-5309	2	Ring-Retaining	100	106-8694	1	Disc-Brake, Cog
35	94-6922	2	Bearing-Thrust	101	115-5057	1	Cover-Nut, Axle
36	104-5339	1	Washer-Flat	124	109-5939	1	Hub Kit
37	104-5340	1	Ring-Retaining	138	112-9866	1	Breather Kit
38	132-0912	1	Gear-12T	139	114-1635	1	Breather ASM
39	106-8683	1	Shaft-Motor	200	117-5362	1	Control Arm Kit
40	104-5360	1	Washer	209	114-8467	1	Puller-Hub, 4 Bolt

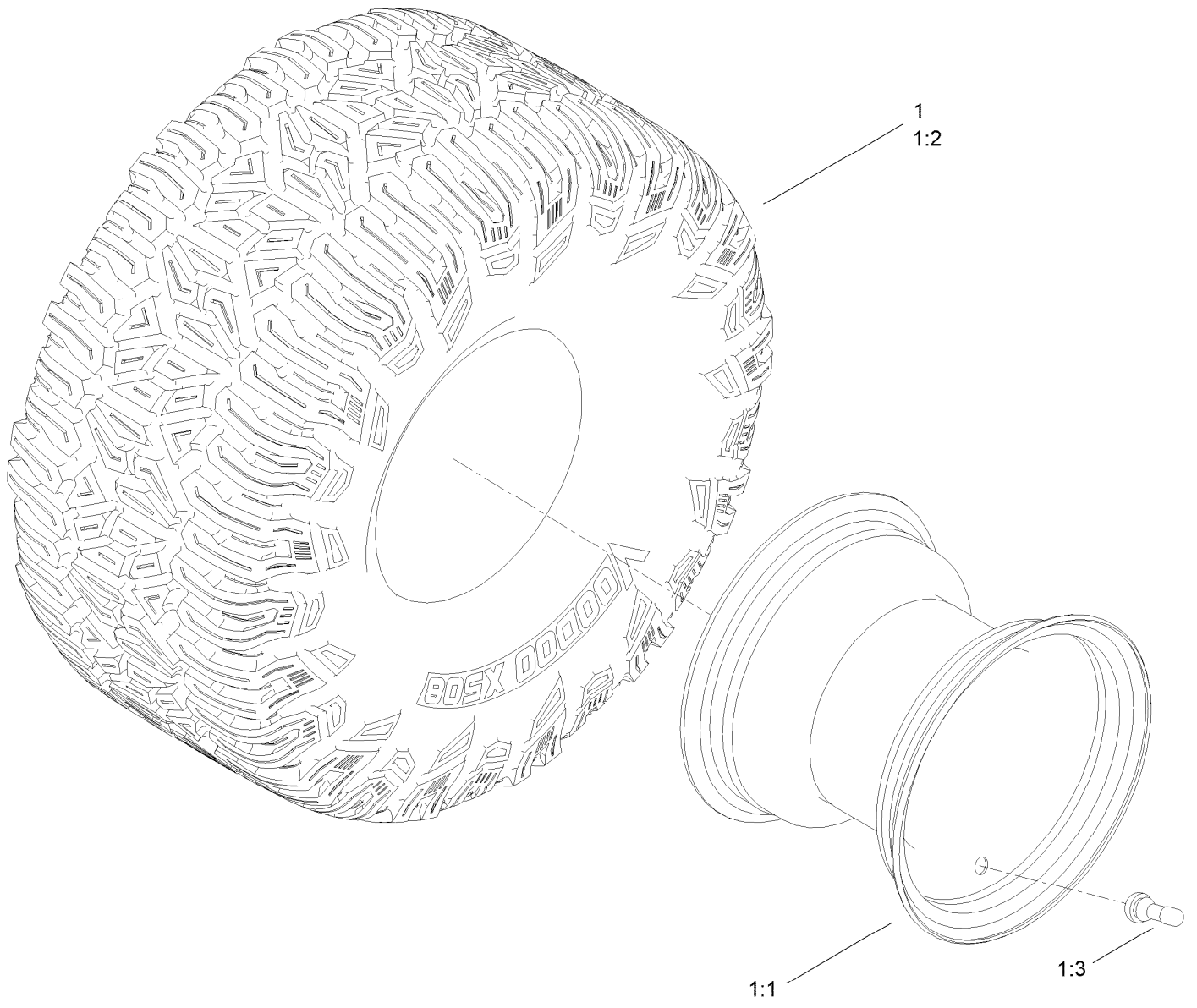
# Brake Assembly



## Brake Assembly (continued)

<i>Ref.</i>	<i>Part Number</i>	<i>Qty.</i>	<i>Description</i>	<i>Ref.</i>	<i>Part Number</i>	<i>Qty.</i>	<i>Description</i>
1	161-6420	2	Bellcrank	7	144-1816	1	Clip-Rod, LH (7L, 1/4In)
2	145-6364	2	Bolt-Shoulder	8	144-1815	1	Clip-Rod, RH (7R, 1/4In)
3	145-4607	1	Link-Brake, LH	9	144-1860	1	Rod-Brake, LH
4	145-6238	1	Link-Brake, RH	10	144-1851	1	Rod-Brake, RH
5	119-8952	6	Washer-Spcl	11	117-1169	4	Spring-Compression
6	120-9716	2	Pin-Cotter	12	3296-42	2	Nut-Lock, NI

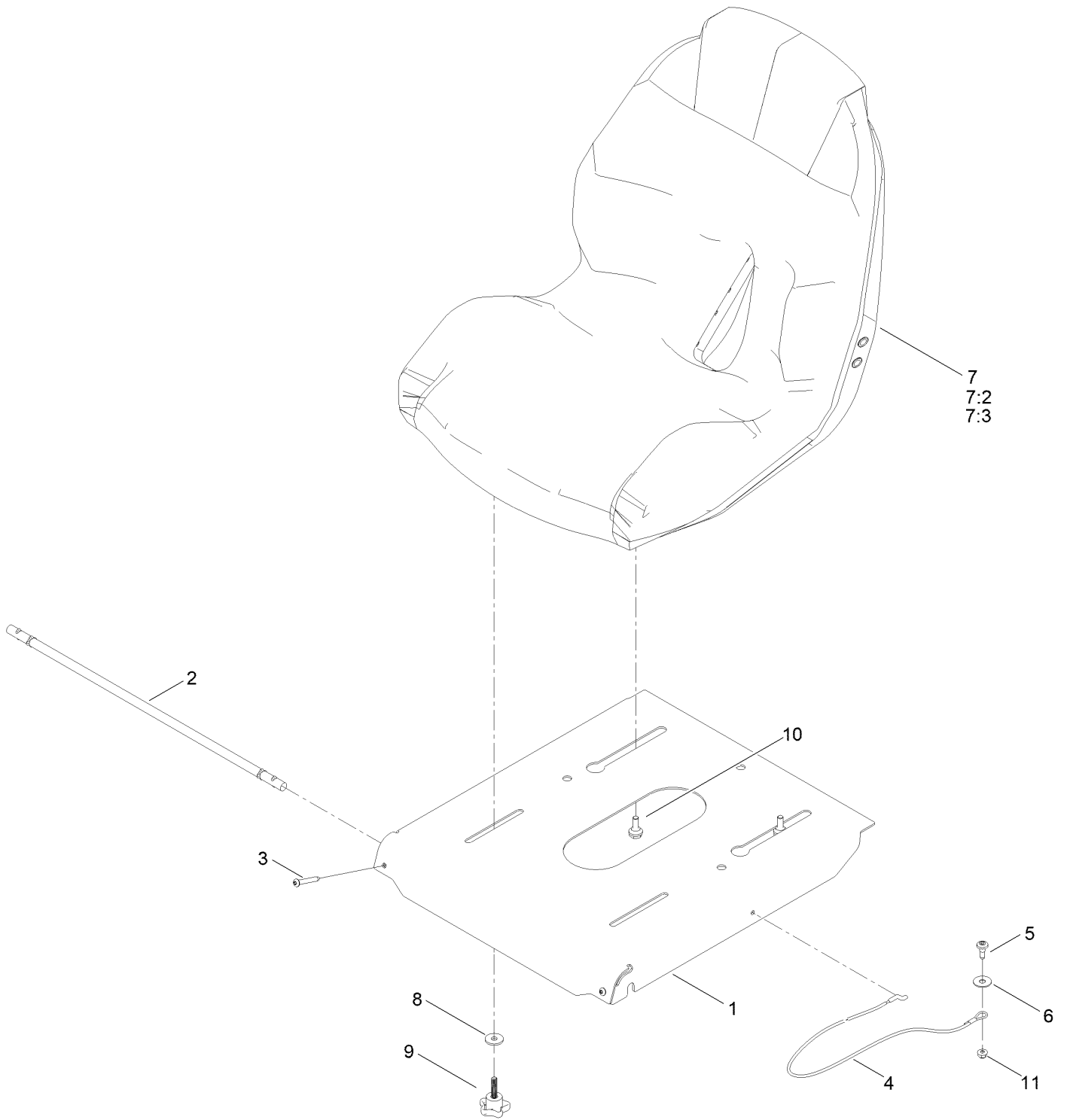
# Tire Assembly



## Tire Assembly (continued)

<i>Ref.</i>	<i>Part Number</i>	<i>Qty.</i>	<i>Description</i>	<i>Ref.</i>	<i>Part Number</i>	<i>Qty.</i>	<i>Description</i>
1	145-6391	2	Tire ASM	1:2	147-5179	1	Tire
1:1	147-5180	1	Rim	1:3	232-27	1	Stem-Valve

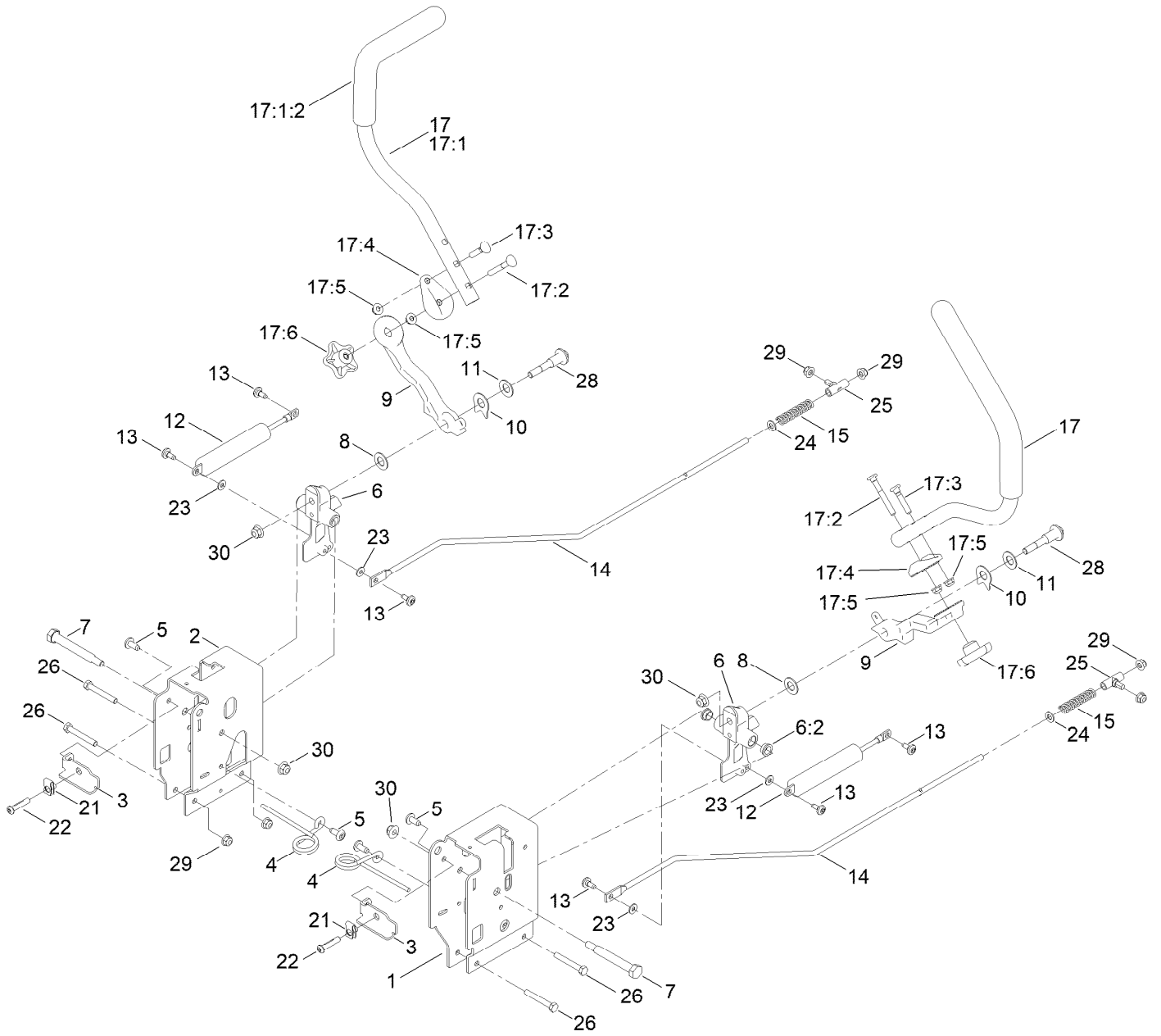
# Seat Pan Assembly



## Seat Pan Assembly (continued)

<i>Ref.</i>	<i>Part Number</i>	<i>Qty.</i>	<i>Description</i>	<i>Ref.</i>	<i>Part Number</i>	<i>Qty.</i>	<i>Description</i>
1	147-3002-03	1	Pan-Seat	7:2	147-8752	1	Cover-Seat
2	147-5169	1	Rod-Pivot	7:3	82-2190	1	Switch-Bail
3	147-5175	2	Screw-Tbh,Thd Roll	8	1-603716	2	Washer-Friction
4	161-4452	1	Cable-Lanyard, 26.75In	9	139-2401	2	Knob
5	135-2015	1	Screw-Shoulder	10	147-5174	2	Bolt-Shoulder,Hfh
6	147-5287	1	Washer-Flat	11	119-4040	1	Nut-HF, NI
7	147-8732	1	Seat ASM - Seat King Sk130				

# Motion Control Assembly



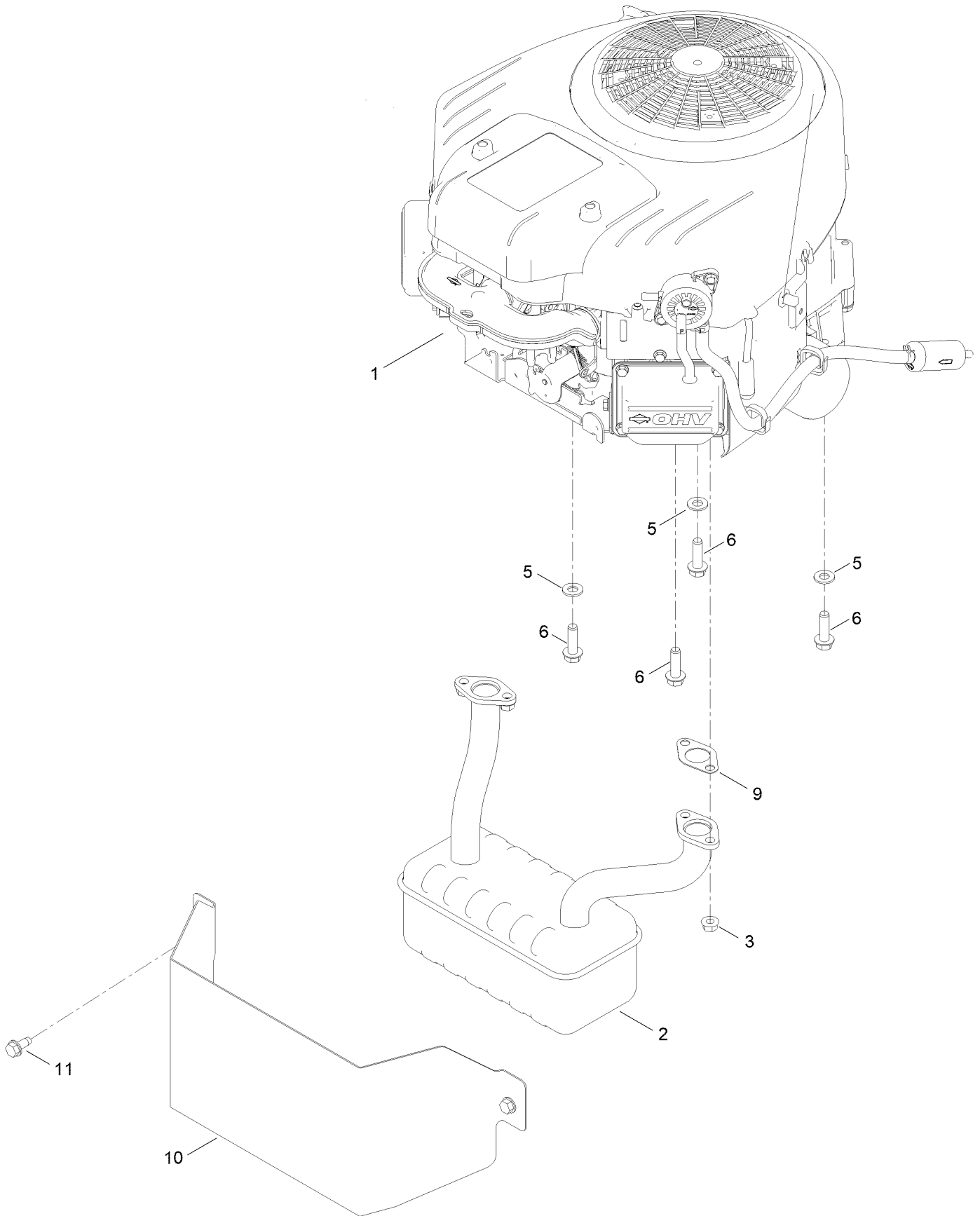


## Motion Control Assembly (continued)

<i>Ref.</i>	<i>Part Number</i>	<i>Qty.</i>	<i>Description</i>	<i>Ref.</i>	<i>Part Number</i>	<i>Qty.</i>	<i>Description</i>
1	145-4615-03	1	Control Box - LH G7	17:1		1	Handle-Control, ●
2	145-4647-03	1	Control Box - RH G7	17:1:2	147-3029	1	Grip
3	147-7580-03	2	Adjustment Plate-Control Box	17:2	145-6366	1	Screw-Handle
4	145-6253	2	Spring-Torsion	17:3	137-3008	1	Screw-Handle
5	138-9753	4	Screw	17:4	147-5192-05	1	Disc-Adjustment Handle, 32 Teeth
6	145-4648	2	Pivot Arm ASM	17:5	138-8401	2	Nut-HF
6:2	256-156	2	Bushing-Flange	17:6	117-5976	1	Knob-Handle
7	115-5099	2	Bolt-Pivot	21	112-3306	2	Nut
8	120-2273	2	Washer-Nylon	22	126-4299	2	Screw-HSBH
9	147-5191-05	2	Arm-Control, 32 Teeth	23	119-8952	4	Washer-Spcl
10	142-8478	2	Spacer, Anti-Rotation	24	120-9683	2	Washer-Plain
11	119-8925	2	Washer-Belleville	25	138-7218	2	Mount-Rod, Hydro
12	161-6514	2	Damper - Non Cavitating	26	322-11	4	Screw-HH
13	120-7950	6	Screw-Torx	28	117-1198	2	Bolt-Pivot
14	145-4699	2	Rod - Hydro, LH	29	104-8300	8	Nut-HF, NI
15	138-7252	2	Spring-Compression	30	104-8301	4	Nut-HF, NI
17	161-6523	2	Handle-Control, ASM				

● Not serviced separately

# Engine and Muffler Assembly



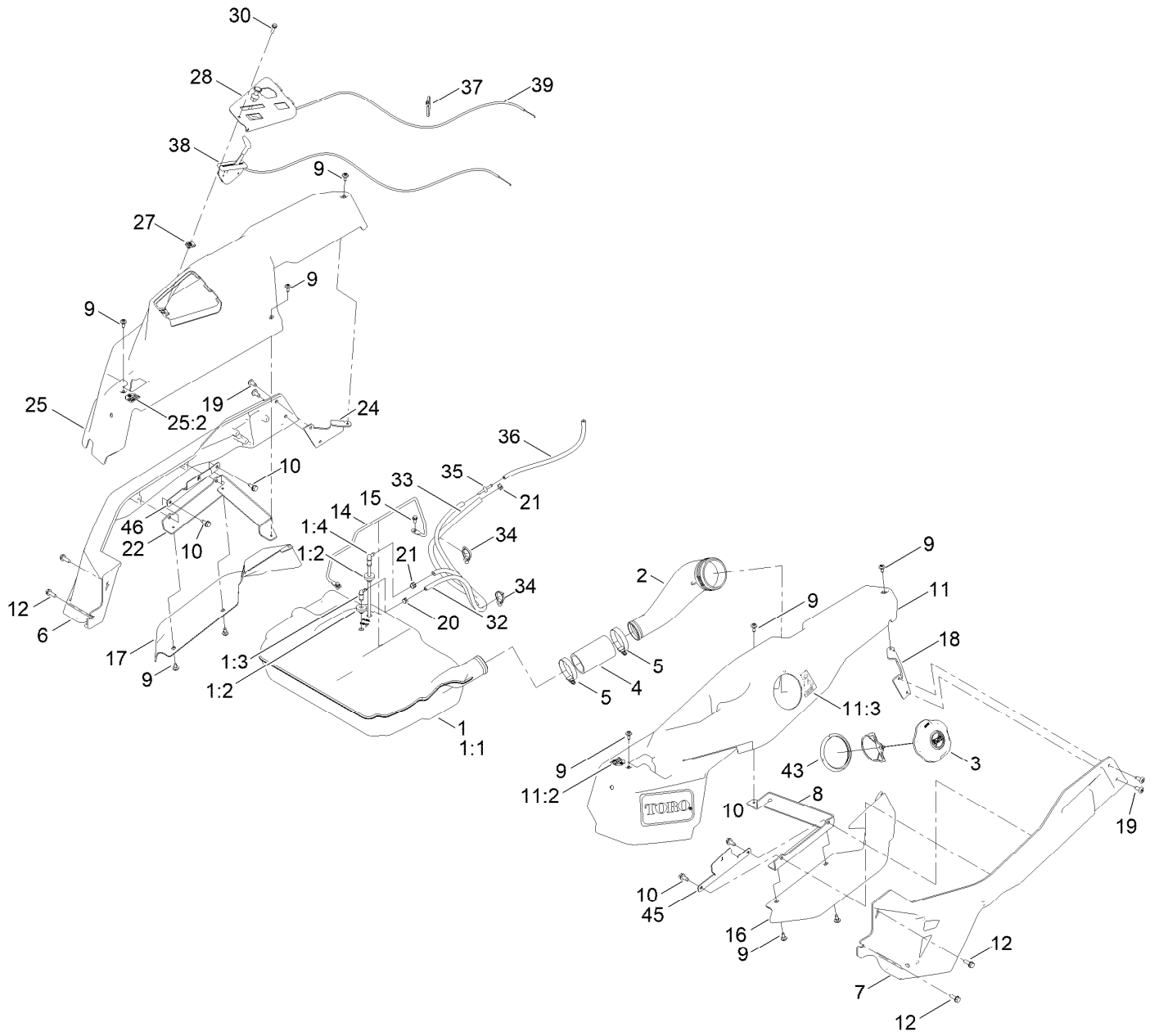
## Engine and Muffler Assembly (continued)

<i>Ref.</i>	<i>Part Number</i>	<i>Qty.</i>	<i>Description</i>	<i>Ref.</i>	<i>Part Number</i>	<i>Qty.</i>	<i>Description</i>
1		1	Engine - B&s Exi ■	6	139-2576	4	Screw-HWH
1:1	147-5158	2	Gasket-Exhaust, Briggs Twin ●	9	147-5158	2	Gasket-Exhaust, Briggs Twin
2	145-6318	1	Muffler	10	161-6221-03	1	Heat Shield-Muffler
3	33004-00	4	Nut-HF	11	32144-70	2	Screw-HWHTF
5	115-1166	3	Washer-Plain				

● Not illustrated

■ Not serviced separately

# Fuel Tank Assembly

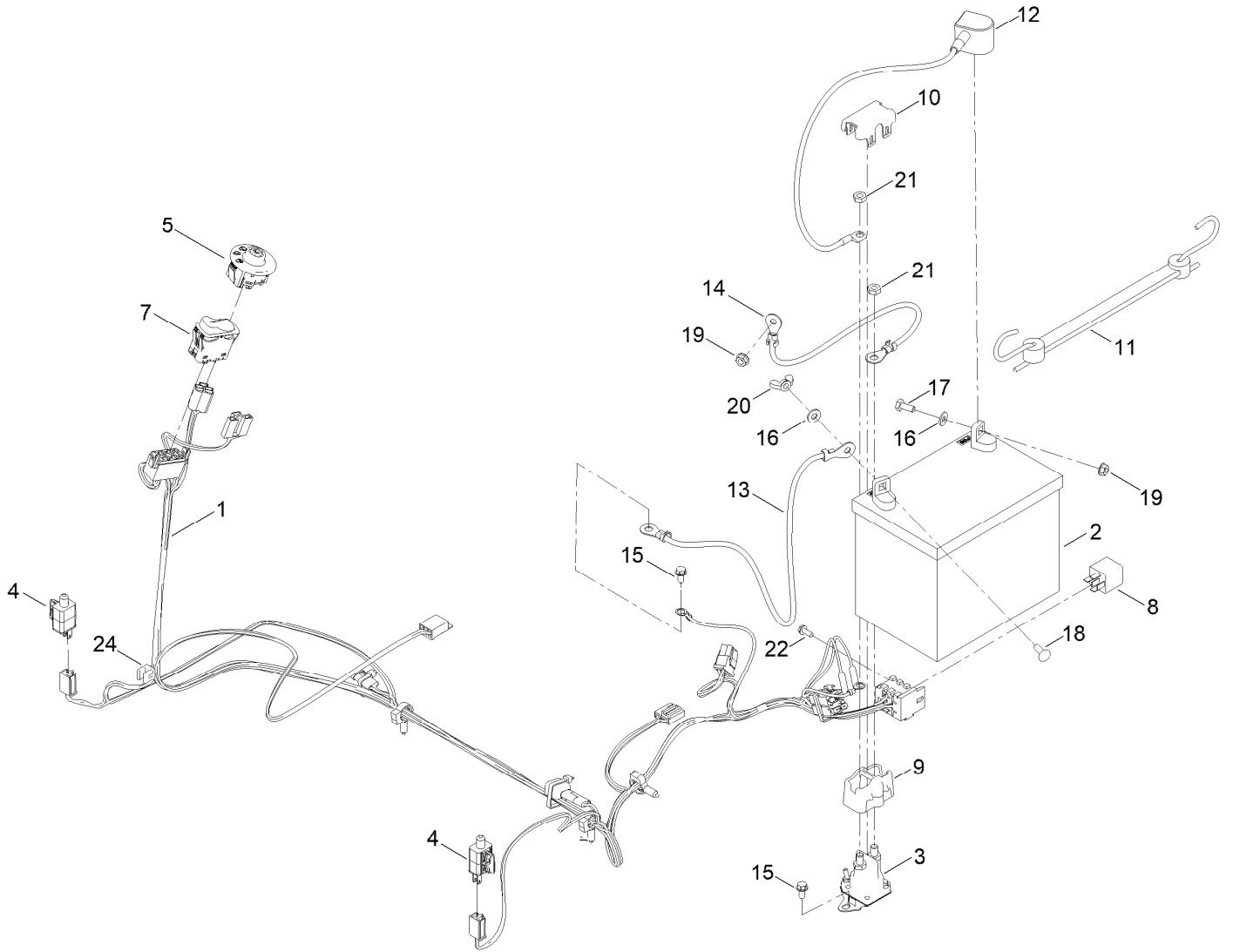


## Fuel Tank Assembly (continued)

<i>Ref.</i>	<i>Part Number</i>	<i>Qty.</i>	<i>Description</i>	<i>Ref.</i>	<i>Part Number</i>	<i>Qty.</i>	<i>Description</i>
1	161-6588	1	Fuel Tank ASM	18	147-2976-03	1	Bracket-Rear Pod, LH
1:1		1	Tank-Fuel ●	19	138-9753	4	Screw
1:2	46-6560	2	Bushing	20	2412-80	1	Clamp-Hose
1:3	161-6609	1	Fitting-Elbow 90	21	2412-98	2	Clamp-Hose
1:4	147-2934	1	Fitting-Pickup, Fuel	22	147-2975-03	1	Mount-Pod Bracket RH
2	147-2852	1	Neck-Filler, Fuel	24	147-2977-03	1	Mount-Pod Bracket RH
3	137-4119	1	Cap-Fuel, Ratcheting	25	147-8742	1	Pod ASM - RH W/Decals
4	145-4698	1	Hose-Filler, Fuel	25:2	139-2394	1	Decal-Control Lever, RH
5	2412-130	2	Clamp-Hose	27	107069	1	Clip
6	147-2973-01	1	Cast-Tube, RH [red]	28	147-2990-03	1	Panel-Control
7	147-2972-01	1	Cast-Tube, LH [red]	30	32105-15	1	Screw-HWH
8	147-2974-03	1	Mount-Pod Bracket LH	32	110-3254	1	Hose-Fuel
9	120-7950	10	Screw-Torx	33	109-3491	1	Hose-Fuel
10	32144-70	4	Screw-HWHTF	34	32180-030	2	Clip-Tie
11	147-8741	1	Pod ASM - LH W/Decals	35	144-1983	1	Adapter Orifice
11:2	139-2395	1	Decal-Control Lever, LH	36	115-4735	1	Hose-Fuel
11:3	147-2399	1	Decal-Fuel Fill	37	614249	1	Tie-Cable
12	32144-41	4	Screw-Taptite	38	139-2403	1	Cable-Throttle
14	147-5176	1	Rod-Hold Down	39	139-2402	1	Cable-Choke
15	32144-4	2	Screw-HWH	43	147-7712	1	Ring-Retaining
16	147-2978	1	Fender-Time Cutter, LH	45	161-4609-03	1	Bracket-Alignment, Pod LH
17	147-2979	1	Fender-Time Cutter, RH	46	161-4610-03	1	Bracket-Alignment, Pod RH

● Not serviced separately

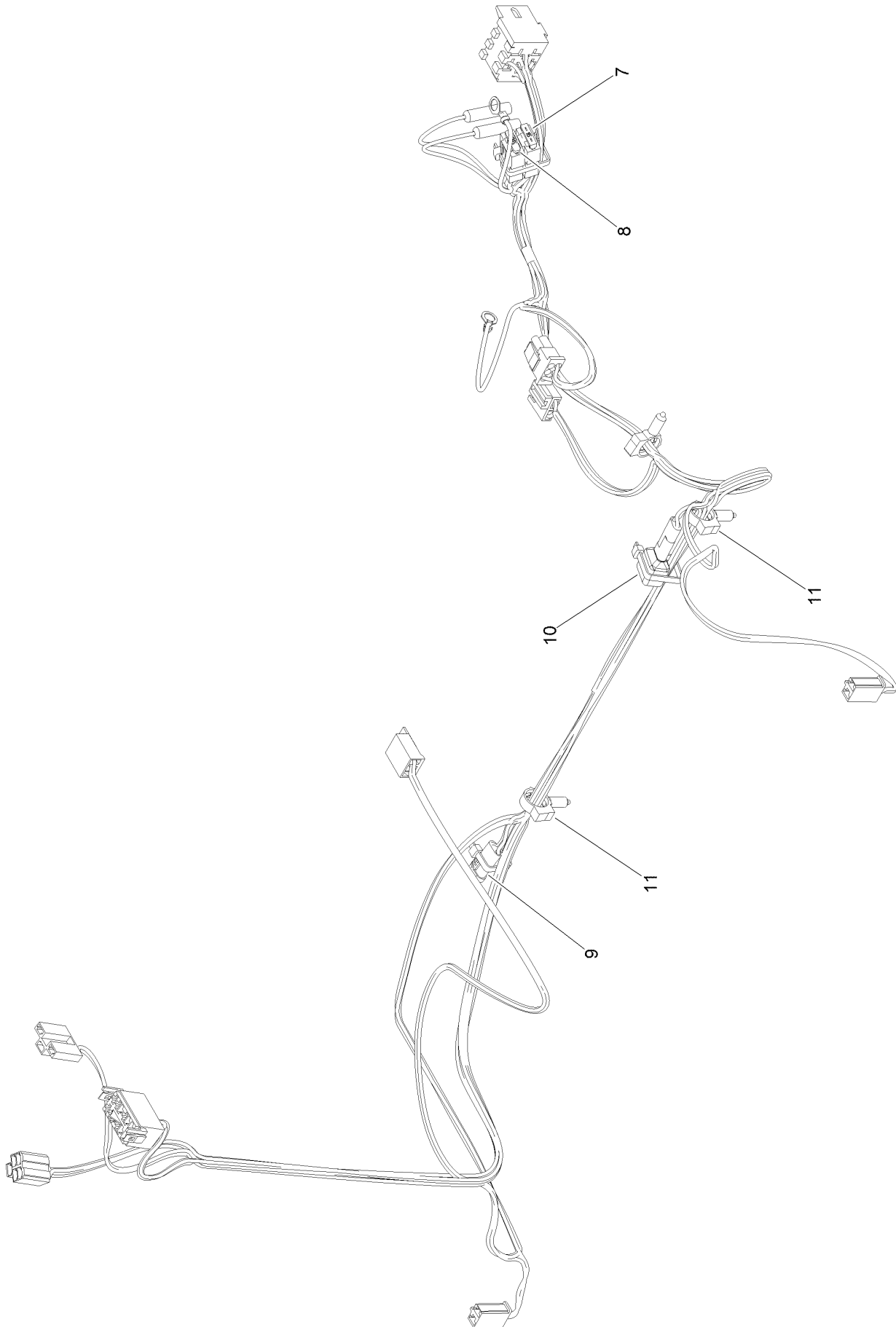
# Electrical Assembly



## Electrical Assembly (continued)

<i>Ref.</i>	<i>Part Number</i>	<i>Qty.</i>	<i>Description</i>	<i>Ref.</i>	<i>Part Number</i>	<i>Qty.</i>	<i>Description</i>
1	145-6382	1	Harness-Wire, Main	13	119-8899	1	Cable-Battery, Black
2	140-2076	1	Battery - Wet	14	121-0711	1	Cable-Battery, Positive
3	117-1197	1	Solenoid	15	32144-4	3	Screw-HWH
4	110-6765	2	Switch	16	3256-22	2	Washer-Flat
5	137-4100	1	Switch-Ignition	17	321-3	1	Screw-HH
7	139-6368	1	Switch-Rocker, On-None-On	18	3229-1	1	Screw-CARR
8	1-643275	1	Relay	19	32128-33	2	Nut-HF
9	140-2080	1	Cover-Solenoid	20	32103-22	1	Nut-Wing
10	140-2081	1	Cap-Solenoid	21	3220-2	2	Nut-Jam
11	104-2466	1	Holddown-Battery	22	139-1713	1	Screw-Thd Roll
12	147-2941	1	Cable-Battery,Red	24	32180-082	1	Clip-Edge W/Tie, Perpendicular

# Main Wire Harness Assembly No. 145-6382



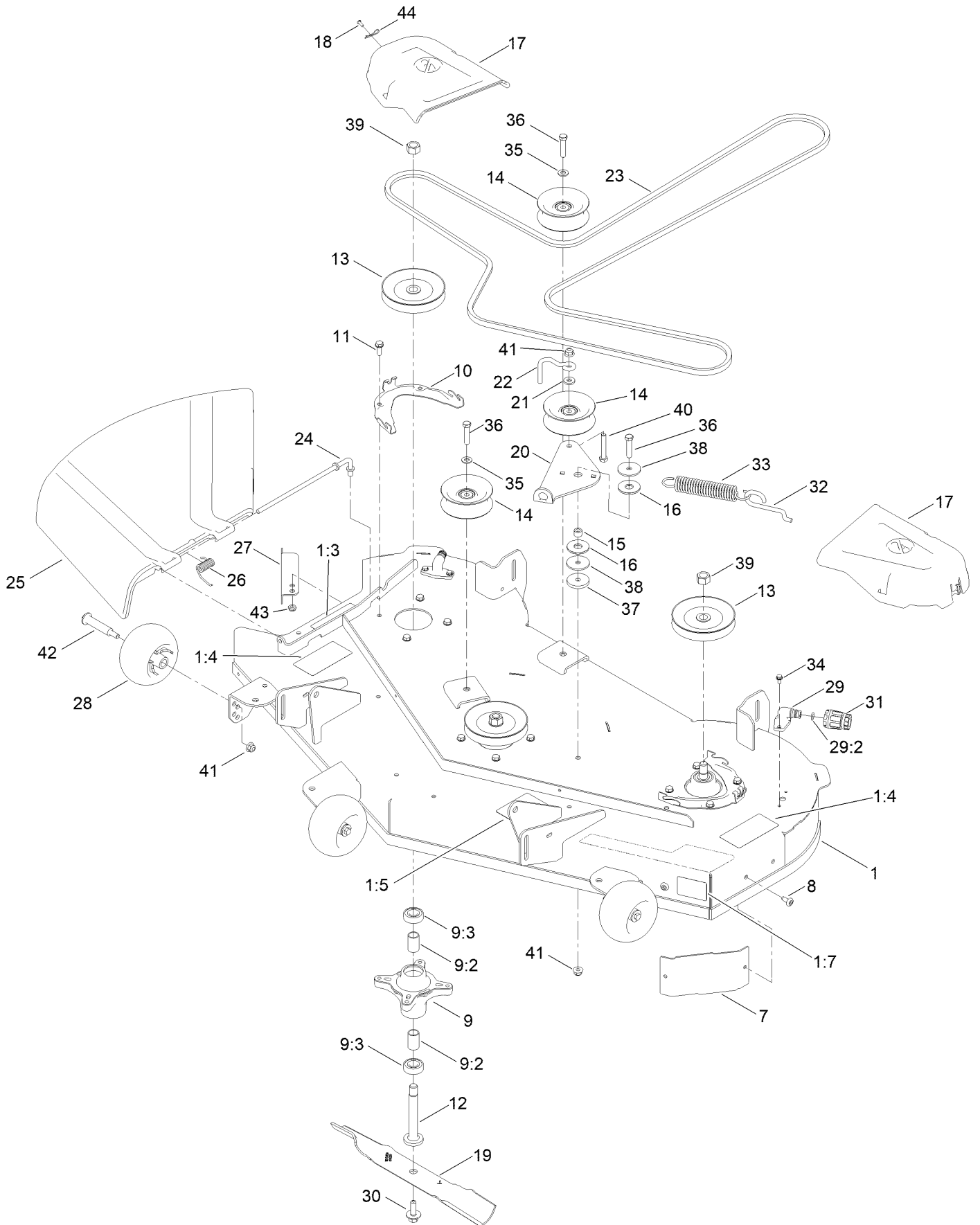


# Main Wire Harness

## Assembly No. 145-6382 (continued)

<i>Ref.</i>	<i>Part Number</i>	<i>Qty.</i>	<i>Description</i>	<i>Ref.</i>	<i>Part Number</i>	<i>Qty.</i>	<i>Description</i>
7	109355	1	Fuse-Blade, 15 Amp	10	100-4918	1	Diode
8	109102	1	Fuse-Blade, 25 Amp	11	32180-047	3	Clip-Tubing, Harness
9	32180-435	1	Cap-Over Mold, 1M/1F				

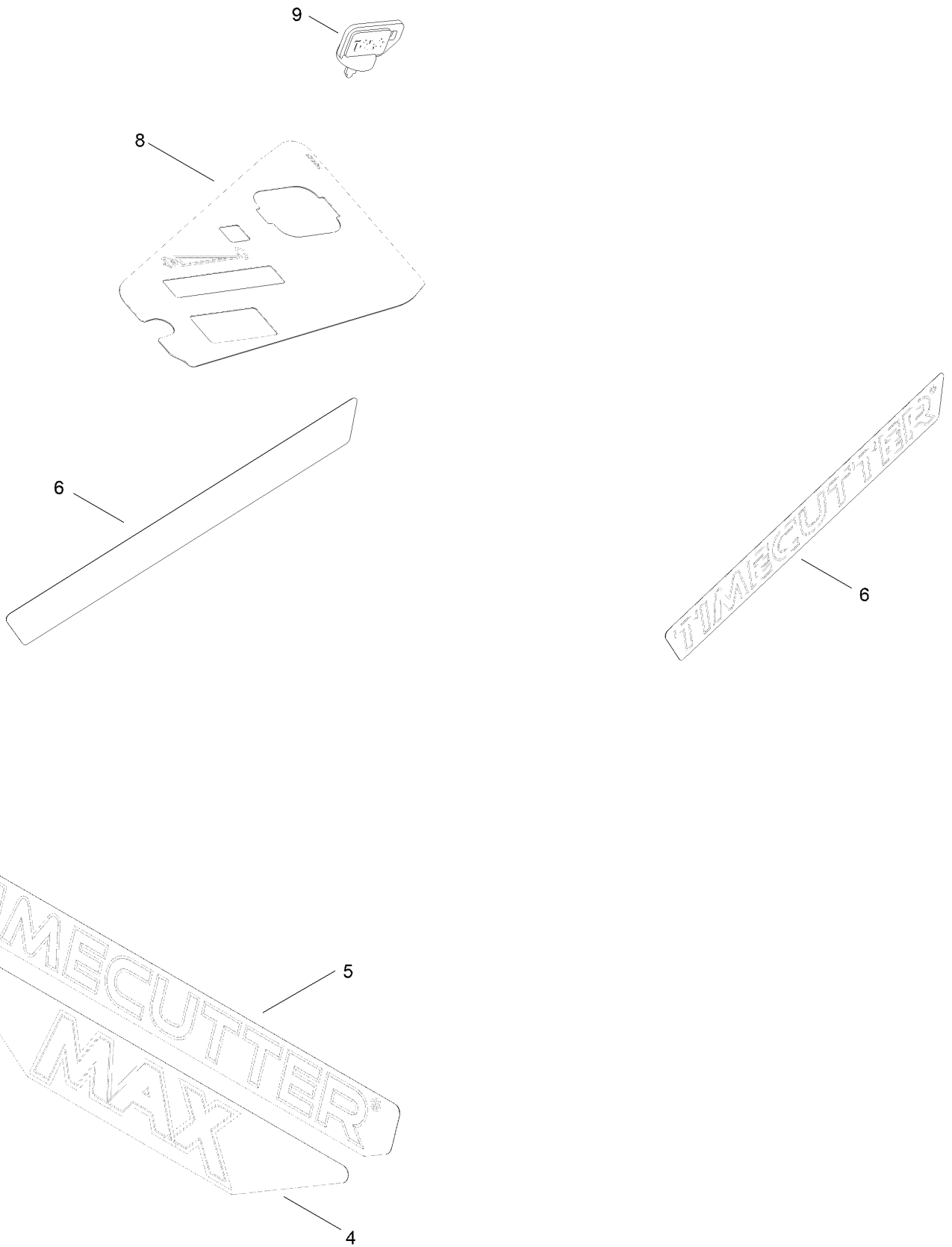
# 50in Deck and Decal Assembly



## 50in Deck and Decal Assembly (continued)

<i>Ref.</i>	<i>Part Number</i>	<i>Qty.</i>	<i>Description</i>	<i>Ref.</i>	<i>Part Number</i>	<i>Qty.</i>	<i>Description</i>
1	147-8745	1	50 In Deck & Decal ASM	23	147-2909	1	V Belt (A Sec 142.06 EI)
1:3	130-0731	1	Decal-Danger	24	137-2019	1	Rod-Pivot
1:4	132-0872	2	Decal-Danger, Deck	25	138-7502	1	Deflector-Discharge
1:5	99-3943	1	Decal-Routing, Belt	26	138-7268	1	Spring-Torsion
1:7	112-9840	1	Decal-Scalp, Anti	27	138-9800-03	1	Baffle-Cutoff
7	139-2448-03	1	Baffle-Corner	28	1-603299	3	Roller-Scalp, Anti
8	138-9753	2	Screw	29	133-9289	2	Fitting-Washout
9	139-3214	3	Spindle ASM	29:2	133-9290	1	O-Ring
9:2	120-7935	2	Spacer	30	145-0411	3	Bolt-Blade, Sems
9:3	138-9770	2	Bearing-Ball	31	95-3270	1	Connector-Hose
10	139-3272-03	2	Bracket-Cover, Belt	32	138-7266	1	Spring-Return, Hook
11	32144-41	12	Screw-Taptite	33	138-7264	1	Spring-Extension
12	117-7268	3	Shaft-Spindle	34	32144-4	4	Screw-HWH
13	139-7454	3	Pulley	35	3256-24	2	Washer-Plain
14	132-9420	3	Pulley-Idler, Flat	36	323-9	3	Screw-HH
15	115-4986	1	Spacer	37	110-9981	1	Washer-Plain
16	114-0463	2	Washer-Friction, Composite	38	63-7400	2	Washer-Rebound
17	144-1906	2	Cover-Belt	39	3219-6	3	Nut-Hex
18	94-6961	2	Screw	40	323-11	1	Screw-HH
19	115-5059-03	3	Blade-Hi Lift	41	104-8301	5	Nut-HF, NI
20	138-7262	1	Arm-Idler	42	112-3977	3	Bolt-Shoulder
21	138-7207	1	Spacer-Hub, Blower	43	3296-59	1	Nut-Lock, NI
22	138-7270	1	Guide-Belt, Idler	44	144-1944	2	Pin-Hair

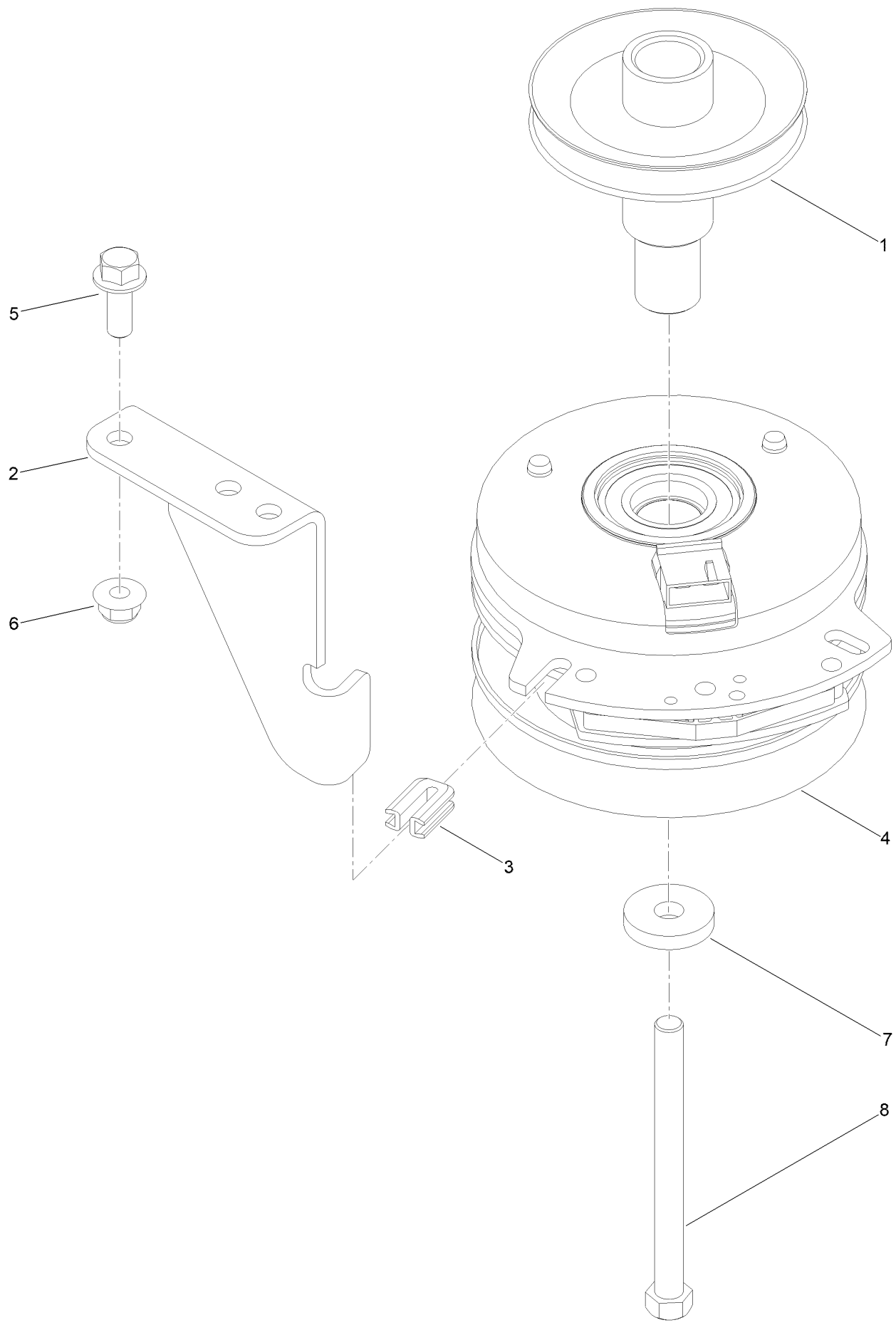
# Model Specific Assembly



## Model Specific Assembly (continued)

<i>Ref.</i>	<i>Part Number</i>	<i>Qty.</i>	<i>Description</i>	<i>Ref.</i>	<i>Part Number</i>	<i>Qty.</i>	<i>Description</i>
4	147-7573	1	Decal-Max	8	147-8753	1	Decal - Control Panel W/Out Hour Meter
5	147-7561	1	Decal-Timecutter	9	63-8360	1	Key-Ignition
6	147-7560	2	Decal-Timecutter				

# Clutch Assembly



## Clutch Assembly (continued)

<i>Ref.</i>	<i>Part Number</i>	<i>Qty.</i>	<i>Description</i>	<i>Ref.</i>	<i>Part Number</i>	<i>Qty.</i>	<i>Description</i>
1	138-9792	1	Pulley-Engine	5	3234-42	1	Screw-HHF
2	137-7000	1	Stop-Clutch (Wide)	6	104-8301	1	Nut-HF, NI
3	120-2217	1	Isolator-Clutch	7	112843	1	Washer
4	127-3410	1	Clutch-PTO	8	3212-19	1	Screw-HH

# Attachments and Accessories

## For 77505 TimeCutter Max 50in Zero Turn Riding Mower

<b>Product Name</b>	<b>Model/Part</b>
Residential Z Max 50in Bagger .....	79501
50 Inch Recycler Kit .....	139-3240
50 Inch Bagging Enhancement Kit .....	139-7459
Kit-Striping, 50" .....	147-8779
ROPS Kit .....	79487
Floormat Kit .....	147-8765
Assist Bar Kit .....	161-4450
Mount, Jack TC.....	147-8836
Transport Lock Kit.....	161-4510
Kit-Caster Wheel .....	147-8772
Arm Rest Kit.....	147-8774
Toro Deluxe Rider Cover.....	490-7319
Led Light Kit.....	147-8757
Kit-Slope Sensor.....	79489
Kit, Hour Meter.....	147-8791
4-Cycle Fuel, Snow And Lawn 32oz Can .....	131-3823
Toro Premium Fuel Treatment 12oz Bottle.....	131-6572
Oil-30/10W-30 Synthetic (Quart).....	138-6053
10W30 4-Cycle Engine Oil (32oz Bottle).....	38280
Toro 4-Cycle SAE 30 Oil (32oz Bottle) .....	38903
Blade Kit .....	79016P
Belt-Deck, 50 TCSS.....	79006
Jack Kit.....	127-6666



**Notes:**

**Notes:**

**Notes:**



**Count on it.**