



Count on it.

Parts Catalog

MH-400SH2 Material Handler

Model No. 44931—Serial No. 312000001 and Up



Ordering Replacement Parts

To order replacement parts, please supply the part number, the quantity, and the description of each part desired.

Understanding Reference Numbers

Each identified part in an illustration has a reference number. The reference number for a part also appears in the parts list, along with other information about the part.

This catalog uses two special reference number formats, one to indicate parts in a service assembly and another to indicate the quantity of a given part in an illustration.

Service Assembly Reference Numbers

Parts in service assemblies have reference numbers in the form a:b. The a represents the reference number of the entire service assembly and the b represents a sequential number unique to each part within the service assembly.

For example, a wheel assembly might be identified by reference number 6, the tire by 6:1, the valve by 6:2, and the wheel by 6:3. When you order the assembly identified by reference number 6, you receive all parts identified by reference numbers 6:1, 6:2, and 6:3. However, you may also order any part individually. Reference numbers of this type appear in illustration and in parts lists.

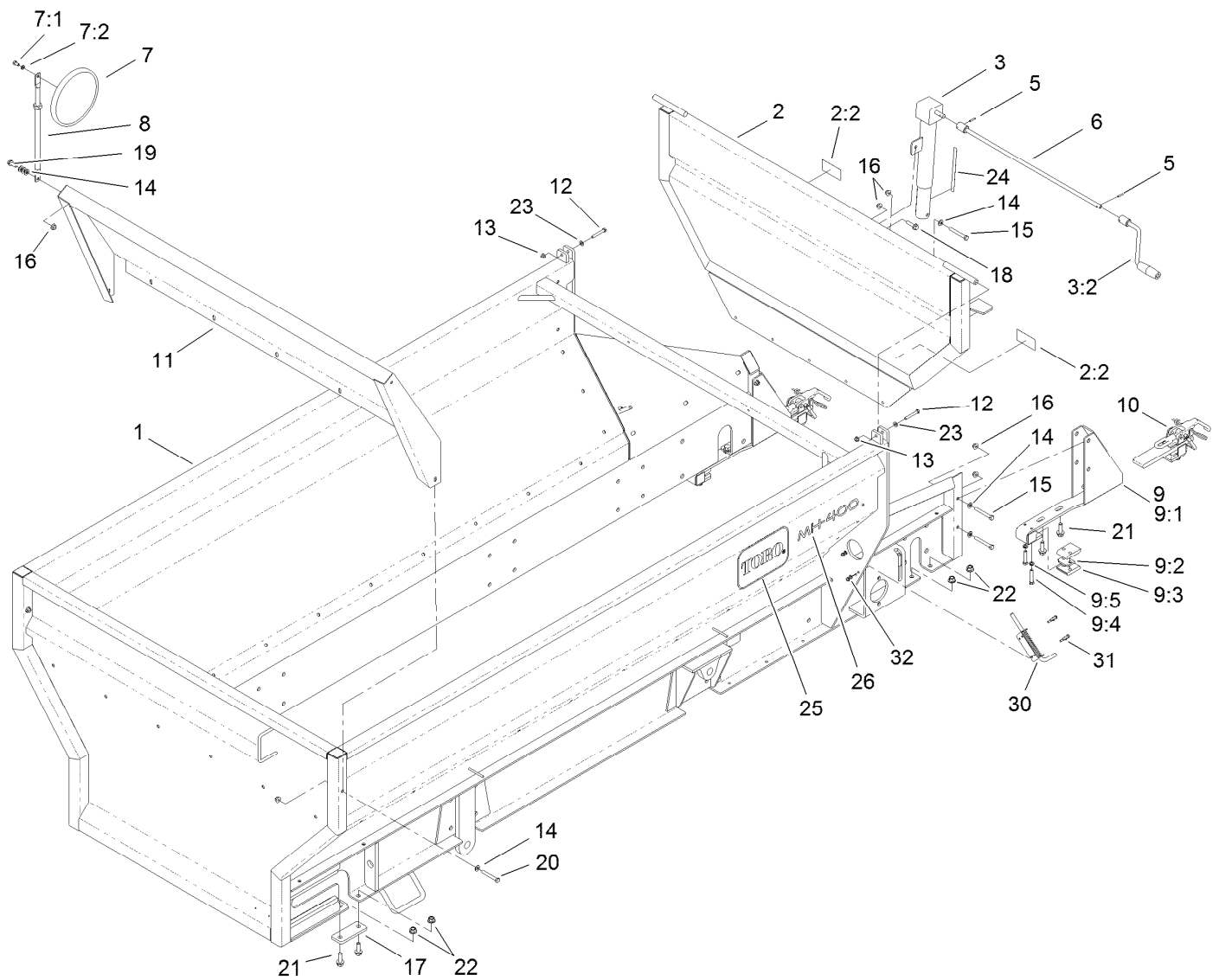
Reference Numbers Indicating Quantity

In an illustration, if a reference number indicates more than one part, the reference number has the form nX y. The n represents the quantity of the part, the X is the multiplication symbol, and the y represents the reference number.

For example, in an illustration, the reference number 2X 37 means that two of the parts identified by reference number 37 are indicated.

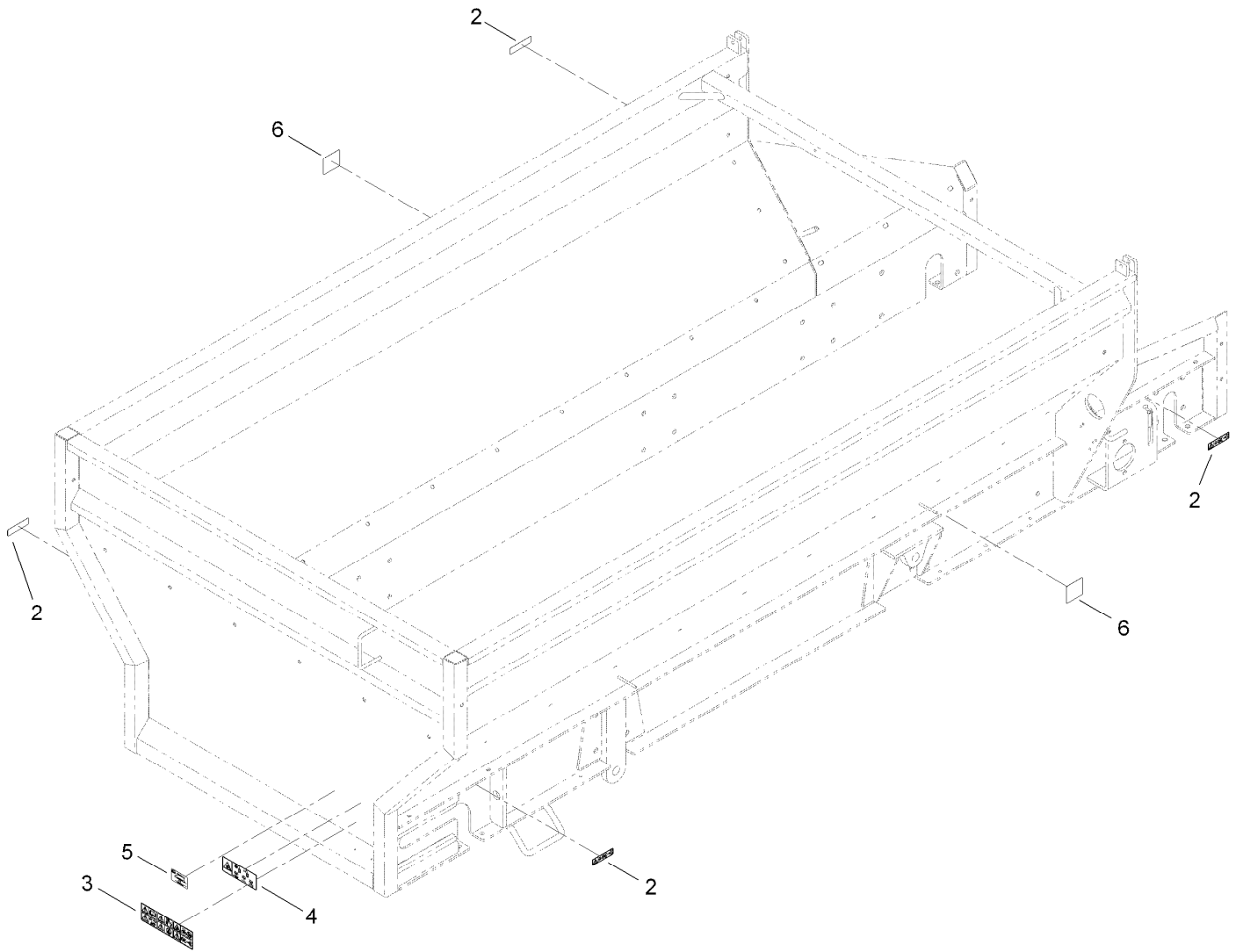
Contents

Box Frame Assembly	4
Box Frame Decal Assembly No. 120-0890	5
Attachment Clamp Assembly No. T36015800	6
Guard Assembly	7
Hitch Assembly	8
Belt and Skirting Assembly	9
Skirting Assembly	10
Conveyor Assembly	11
Chain Drive Assembly	12
Wheel Assembly	13
RH Shaft Assembly No. 120-9401	14
LH Brake Assembly No. 120-9437	15
Hub Assembly No. 120-9404	16
LH Shaft Assembly No. 120-9402	17
RH Brake Assembly No. 120-9436	18
Hydraulic Valve and Manifold Assembly	19
Hydraulic Valve Assembly No. 120-0850	21
Hydraulic Hose and Clamp Assembly	22
Hydraulic Cylinder and Junction Box Manifold Assembly	23
Hydraulic Hose Assembly	24
Hydraulic Guard Box Assembly	25
Hydraulic Motor Assembly No. T0000-5303	26
Electrical Assembly	27
Brake Electric Assembly	28



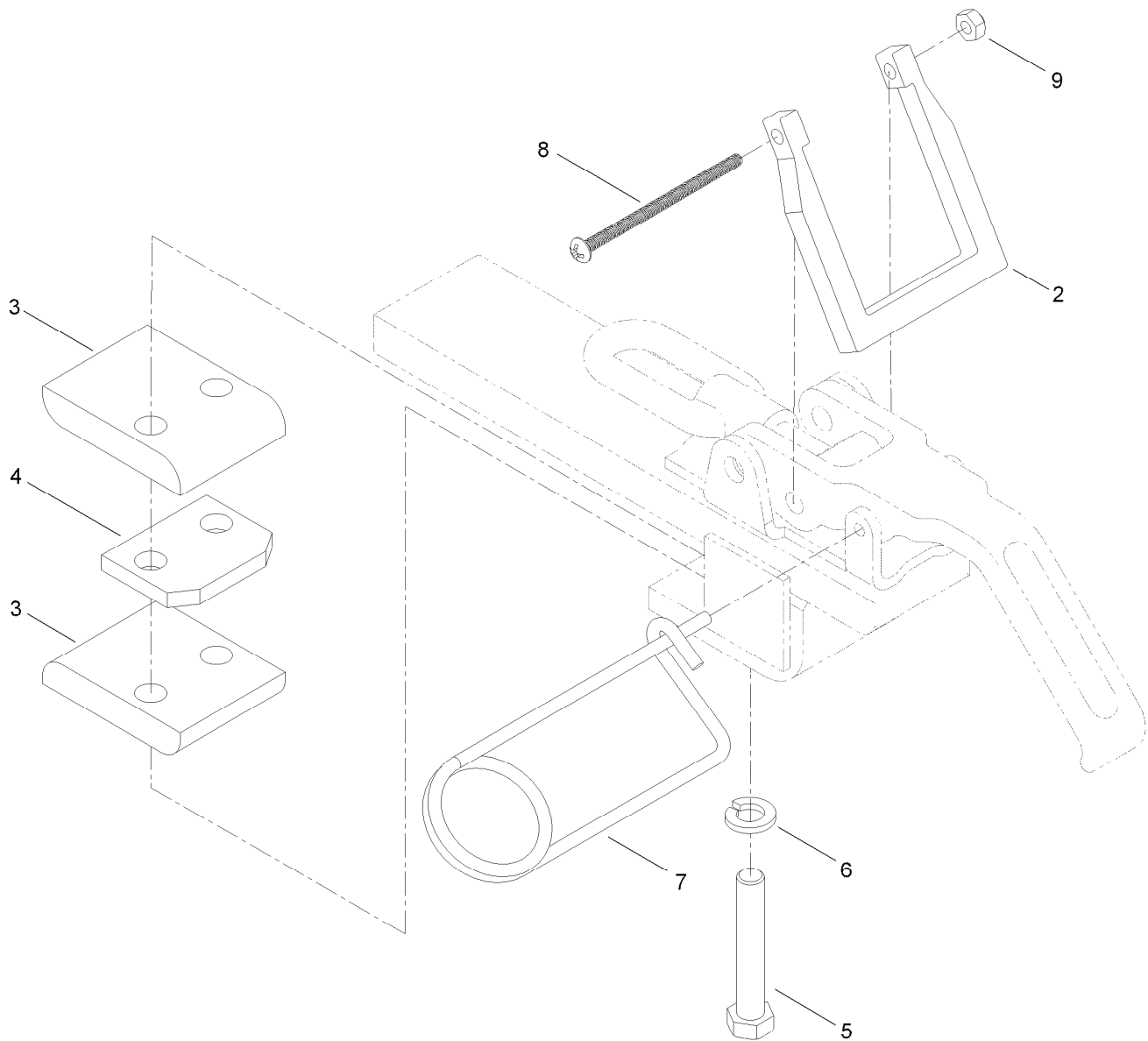
Box Frame Assembly

Ref.	Part Number	Qty.	Description	Ref.	Part Number	Qty.	Description
1	120-0890	1	Box Frame ASM	12	322-11	2	Screw-HH
2	120-0891	1	Tailgate ASM	13	104-8300	2	Nut-HF, NI
2:2	119-6838	2	Decal-Warning, Conveyor	14	3256-24	10	Washer-Plain
3	T36031200	1	Tailgate Jack ASM	15	323-14	5	Screw-HH
3:2	T36031210	1	Handle-Crank	16	104-8301	14	Nut-HF, NI
5	32121-45	2	Pin-Spring	17	T36011650	2	Bar-Bridge
6	T36011220-01	1	Crank-Jack	18	114-4681	1	Screw-HHF
7	92-2678	1	Convex Mirror ASM	19	3234-42	6	Screw-HHF
7:1	322-2	1	Screw-HH	20	323-13	2	Screw-HH
7:2	3253-4	1	Washer-Lock	21	100-6116	8	Screw-HHF
8	T36011560	1	Arm-Mirror	22	99-5107	8	Nut-Lock
9	T36015790	2	Attachment Bracket ASM	23	3256-23	2	Washer-Plain
9:1	119-6872-01	1	Bracket-Attachment	24	119-6869	1	Decal-Adjustment, Tailgate
9:2	T01-13489B	1	Tab-Spacer	25	66-6140	3	Decal
9:3	T36015200	2	Bar-Bearing	26	119-6802	3	Decal
9:4	323-10	2	Screw-HH	30	T62021030	2	Latch-Spring
9:5	3253-21	2	Washer-Lock	31	321-6	8	Screw-HH
10	T36015800	2	Attachment Clamp ASM	32	104-7201	8	Nut-HF, NI
11	T36011550-01	1	Panel-Sloped				



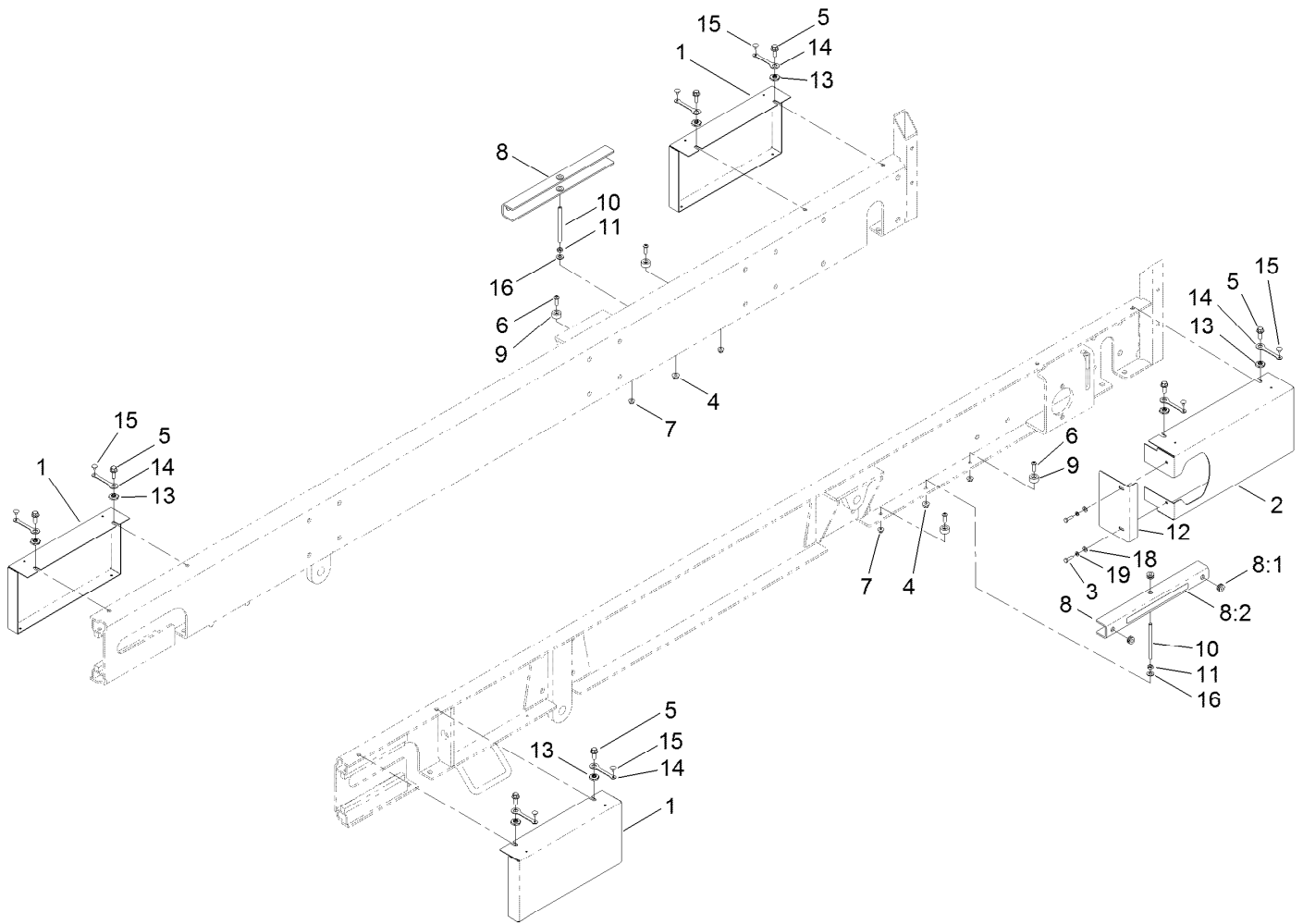
Box Frame Decal Assembly No. 120-0890

<i>Ref.</i>	<i>Part Number</i>	<i>Qty.</i>	<i>Description</i>
2	119-0217	4	Decal-Danger
3	119-6806	1	Decal-Danger
4	119-6812	1	Decal-Warning, Tipping Hazard
5	119-6833	1	Decal-Max Load
6	93-9899	2	Decal-Warning



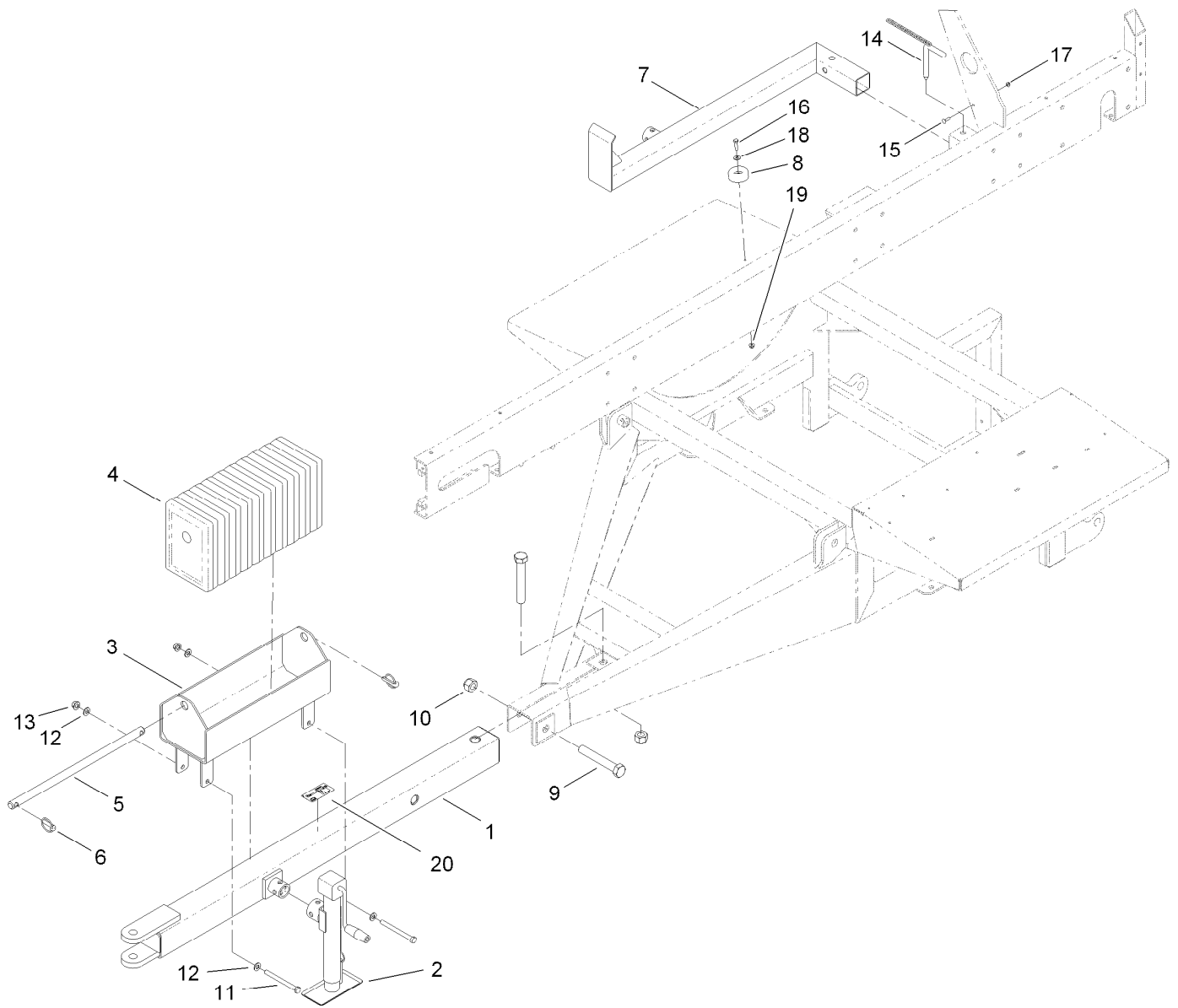
Attachment Clamp Assembly No. T36015800

<i>Ref.</i>	<i>Part Number</i>	<i>Qty.</i>	<i>Description</i>
2	T36015794	1	Lock-Clamp, Attachment
3	T36015200	2	Bar-Bearing
4	T01-13489B	1	Tab-Spacer
5	323-11	2	Screw-HH
6	3253-21	2	Washer-Lock
7	T0000-3247	1	Pin-Lock
8	120-0884	1	Screw-PRH
9	3296-2	1	Nut-Lock, NI



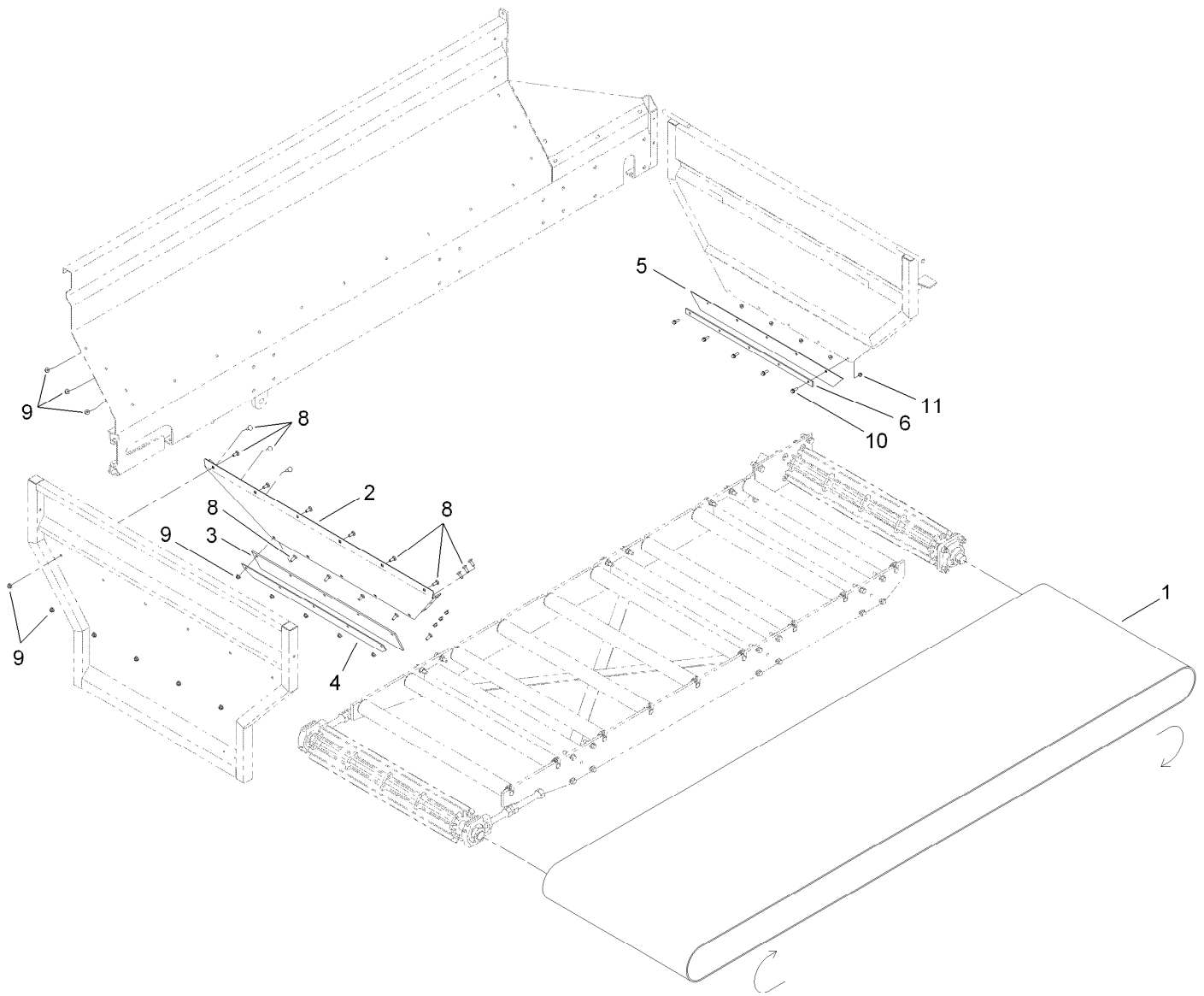
Guard Assembly

<i>Ref.</i>	<i>Part Number</i>	<i>Qty.</i>	<i>Description</i>	<i>Ref.</i>	<i>Part Number</i>	<i>Qty.</i>	<i>Description</i>
1	T36011630-03	3	Guard-Idler	9	T0001-3570	4	Spacer-Stop, Lift Cylinder
2	T36011640-03	1	Guard-Drive	10	T36011590	2	Pin-Stop, Lift Cylinder
3	321-5	2	Screw-HH	11	3218-3	2	Nut-Jam
4	104-8301	2	Nut-HF, NI	12	T0000-5529-03	1	Guard-Motor, Drive
5	3234-42	8	Screw-HHF	13	117-8347	8	Nut-Shoulder
6	3274-104	4	Screw-HSBH	14	117-8339	8	Lanyard-3 Inch
7	104-8300	4	Nut-HF, NI	15	146489	8	Rivet
8	T36011580	2	Lift Cylinder Stop ASM	16	3256-24	2	Washer-Plain
8:1	92-5972	4	Grommet-Rubber	18	3256-22	2	Washer-Flat
8:2	93-9852	1	Decal-Warning	19	3253-3	2	Washer-Lock



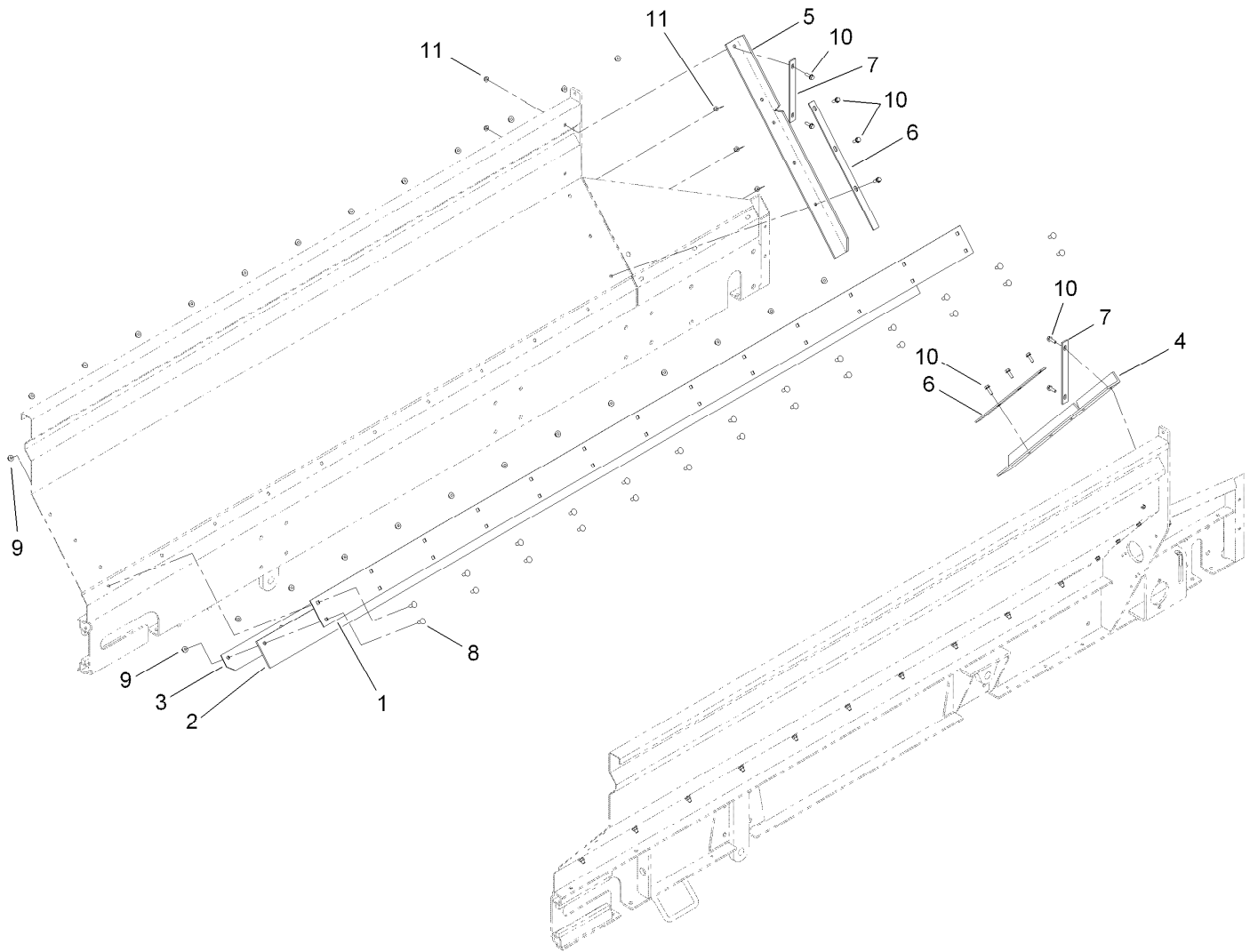
Hitch Assembly

<i>Ref.</i>	<i>Part Number</i>	<i>Qty.</i>	<i>Description</i>	<i>Ref.</i>	<i>Part Number</i>	<i>Qty.</i>	<i>Description</i>
1	T36012112-01	1	Tube-Hitch	11	325-22	2	Screw-HH
2	T0000-3423	1	Jack-Sidewind	12	3256-26	4	Washer-Flat
3	T36028000-01	1	Box-Weight	13	99-5107	2	Nut-Lock
4	119-6860-01	10	Casting-Counterweight	14	T36011195	1	Pin
5	T36028010-01	1	Shaft-Weight Box	15	3229-2	1	Screw-CARR
6	283-71	2	Pin-Lynch	16	322-6	1	Screw-HH
7	T36011190-01	1	Leg-Jack	17	104-7201	1	Nut-HF, NI
8	108-1605	1	Bumper-Recess	18	3256-3	1	Washer-Flat
9	120-0887	2	Screw-HH	19	104-8300	1	Nut-HF, NI
10	120-0888	2	Nut-HH	20	119-6836	1	Decal-Weight Case



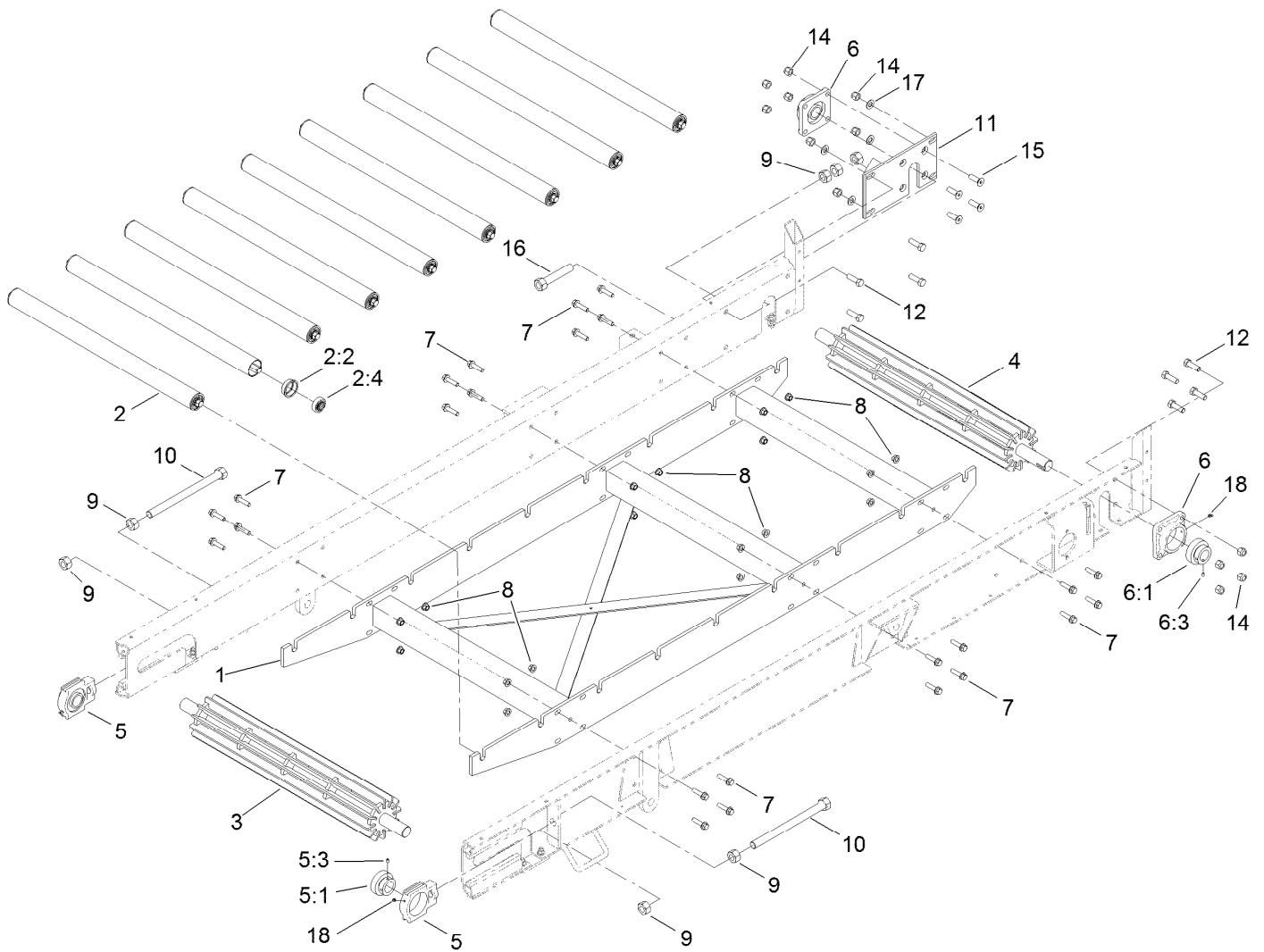
Belt and Skirting Assembly

<i>Ref.</i>	<i>Part Number</i>	<i>Qty.</i>	<i>Description</i>
1	T60191215	1	Belt-Endless
2	T36011525-01	1	Panel-Sloped
3	T01-22002B	1	Skirt-Front Seal, Rubber
4	T36011535-01	1	Bar-Front Seal
5	T36013010	1	Seal-Belt
6	T36011230-01	1	Seal-Retainer, Belt
8	3231-22	17	Screw-CARR
9	104-8301	17	Nut-HF, NI
10	3234-29	5	Screw-HHF
11	104-8300	5	Nut-HF, NI



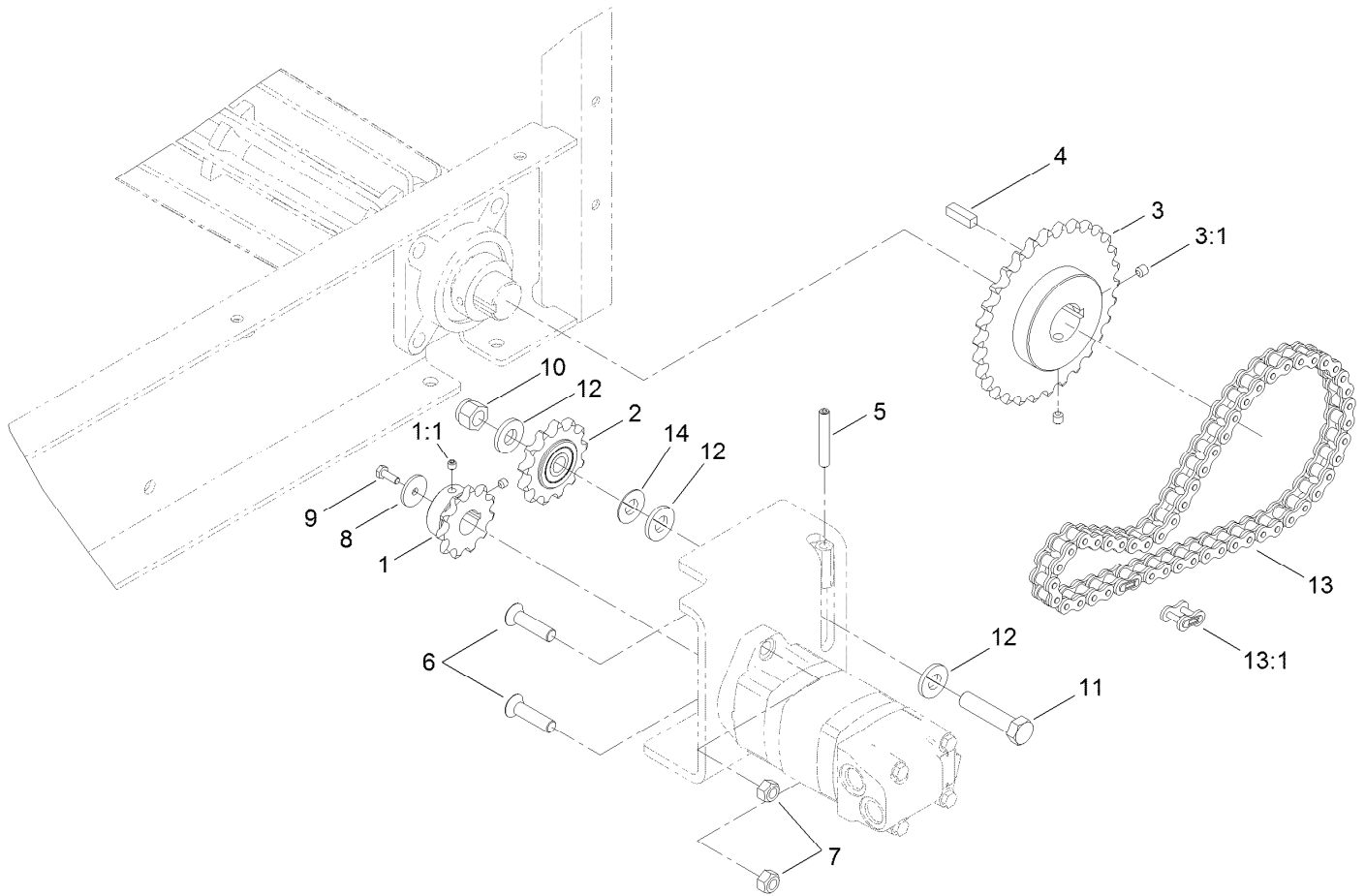
Skirting Assembly

Ref.	Part Number	Qty.	Description
1	T36011520-01	2	Seal-Panel, Side
2	T01-22000B	2	Seal-Rubber, Side
3	T36011530-01	2	Seal-Bar, Side
4	T36011260	1	Seal-Tailgate, LH
5	T36011270	1	Seal-Tailgate, RH
6	T36011280-01	2	Seal-Bar, Lower
7	T36011290-01	2	Seal-Bar, Upper
8	3231-22	52	Screw-CARR
9	104-8301	52	Nut-HF, NI
10	3234-29	10	Screw-HHF
11	104-8300	10	Nut-HF, NI



Conveyor Assembly

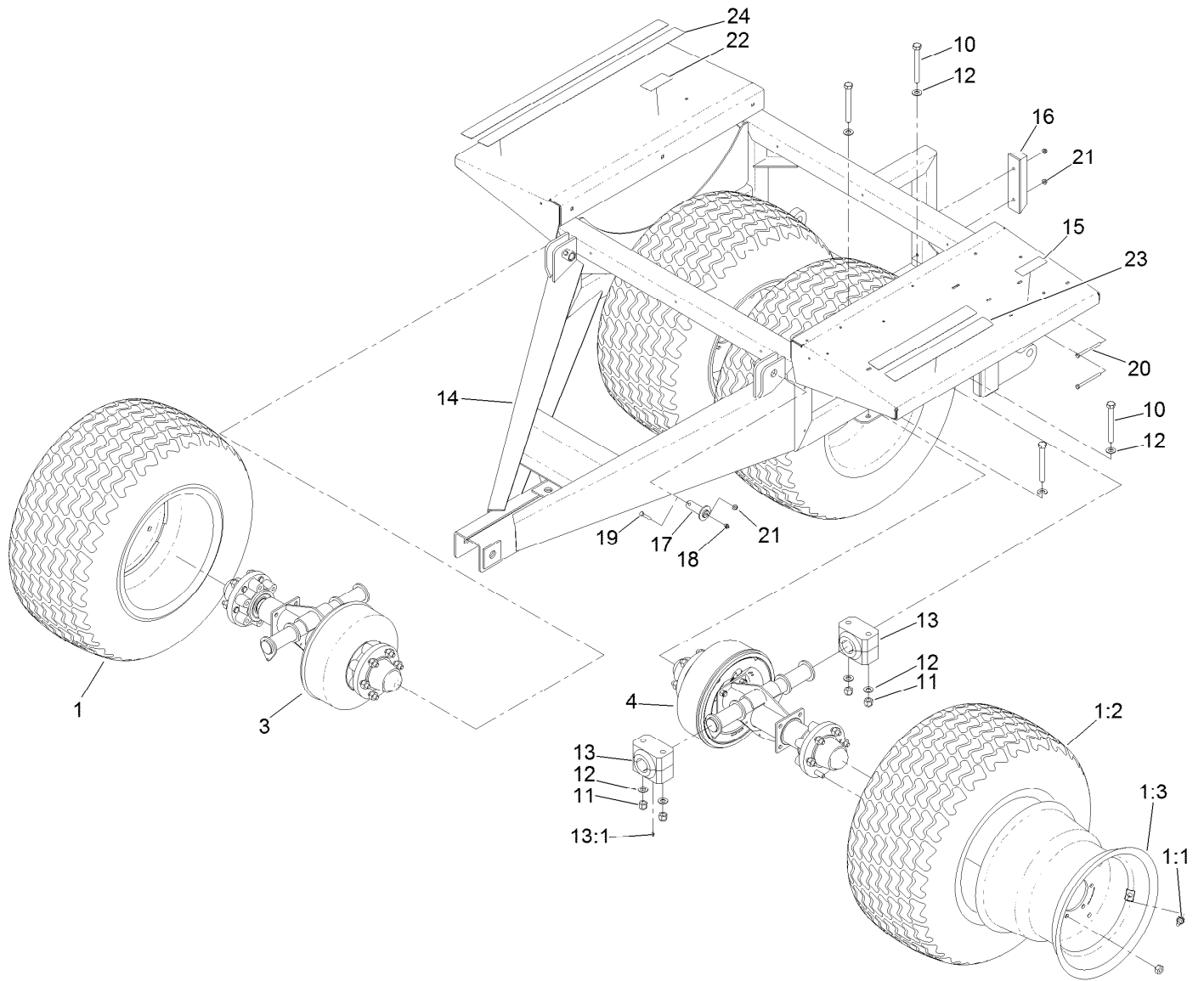
<i>Ref.</i>	<i>Part Number</i>	<i>Qty.</i>	<i>Description</i>	<i>Ref.</i>	<i>Part Number</i>	<i>Qty.</i>	<i>Description</i>
1	T36011600-01	1	Frame-Roller	7	3234-27	24	Screw-HHF
2	T36011680	9	Belt Roller ASM	8	99-5107	24	Nut-Lock
2:2	T36011685	2	Insert-Roller	9	SG330081	7	Nut-Hex
2:4	T60111000	2	Bearing-Ball	10	T36011670	2	Rod-Tensioner
3	T36011620-03	1	Idler Roller ASM	11	T36011690	1	Mounting Plate ASM
4	119-6892-03	1	Roller-Drive	12	327-6	8	Screw-HH
5	T60114305	2	Take-Up Bearing ASM	14	3296-53	12	Nut-Lock, NI
5:1	120-0817	1	Bearing-Collar, Lock	15	120-0904	4	Screw-HSH
5:3	3246-17	1	Setscrew-HSH	16	T36011675	1	Rod-Lock
6	T60116355	2	4-Bolt Bearing ASM	17	3256-27	4	Washer-Flat
6:1	120-0817	1	Bearing-Collar, Lock	18	302-61	4	Fitting-Grease
6:3	3246-17	1	Setscrew-HSH				



Chain Drive Assembly

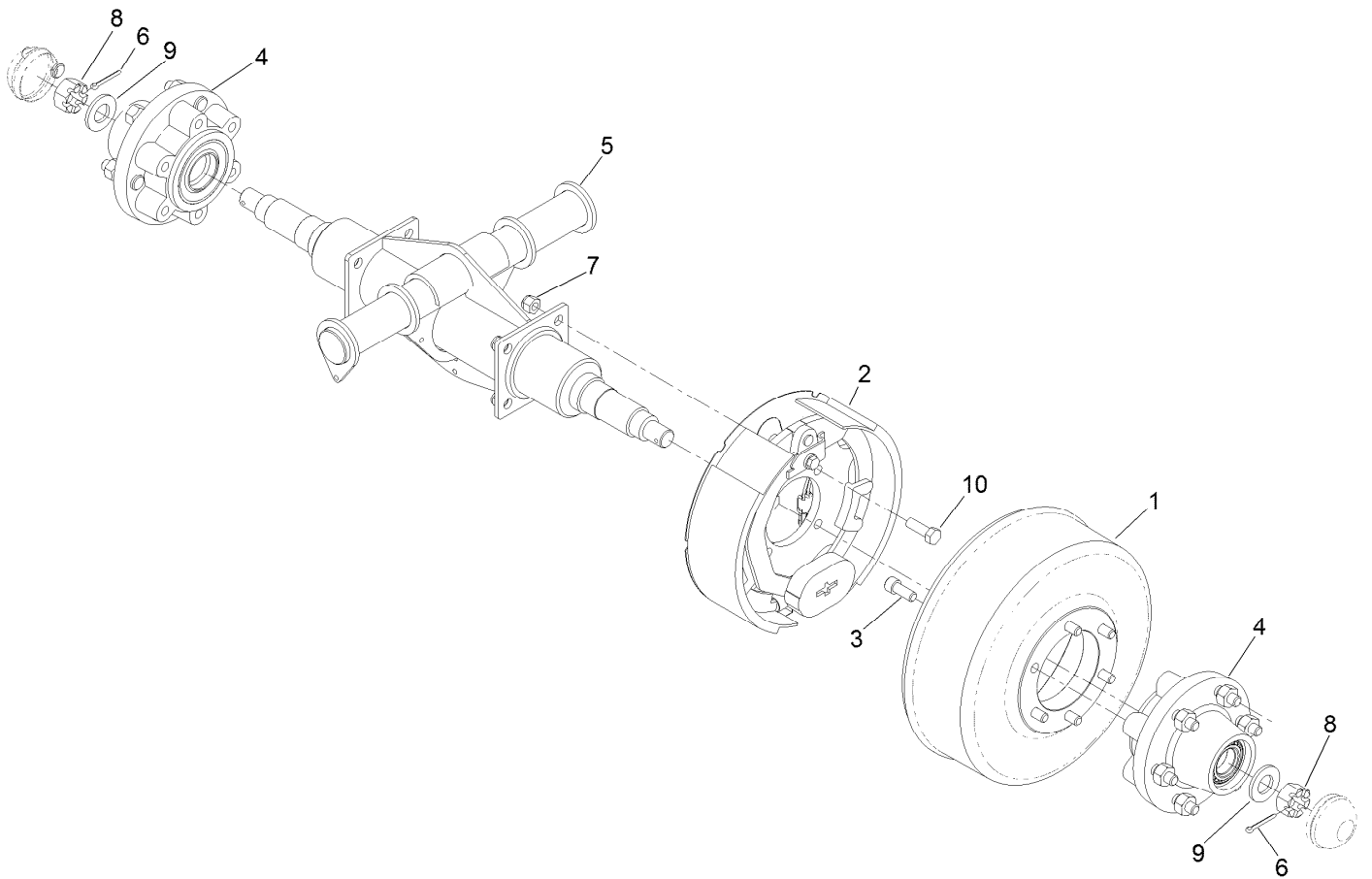
<i>Ref.</i>	<i>Part Number</i>	<i>Qty.</i>	<i>Description</i>
1	T60135010	1	Sprocket
1:1	3246-2	2	Screw-Set, HSH
2	T60134090	1	Sprocket
3	T60135750	1	Sprocket
3:1	3247-2	2	Screw-Set, HSH
4	T36011810	1	Key
5	120-0909	1	Screw-HSH
6	120-0898	2	Screw-Fhhs
7	97-1206	2	Locknut

<i>Ref.</i>	<i>Part Number</i>	<i>Qty.</i>	<i>Description</i>
8	103995	1	Washer
9	321-4	1	Screw-HH
10	3296-53	1	Nut-Lock, NI
11	327-8	1	Screw-HH
12	99-7667	3	Washer-Flat
13	T36011800	1	Chain-Drive, 39 Inch
13:1	T60151016	1	Link-Connecting, #60
14	3256-27	1	Washer-Flat



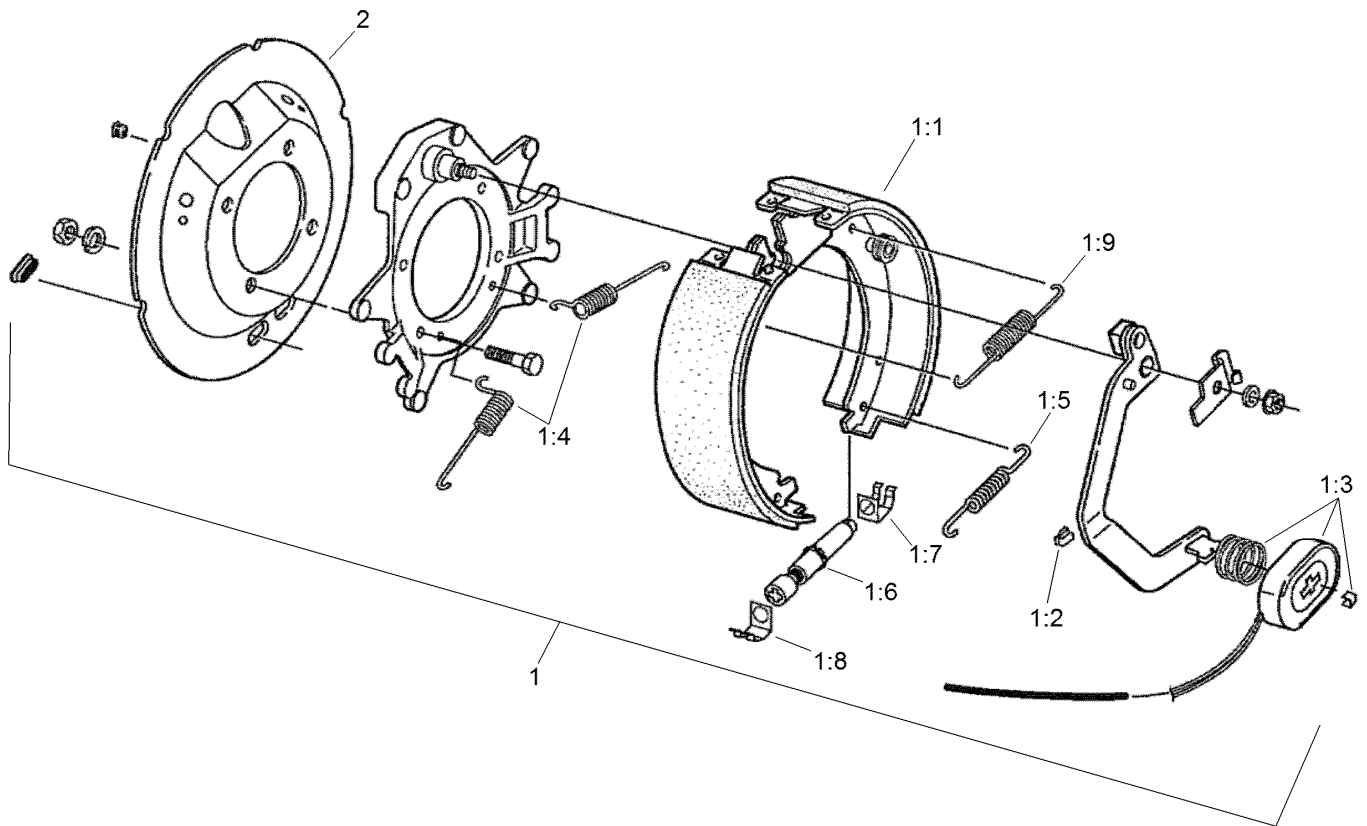
Wheel Assembly

Ref.	Part Number	Qty.	Description	Ref.	Part Number	Qty.	Description
1	T0000-6872	4	Wheel And Tire ASM	14	T01-43164D-01	1	Frame
1:1	T54011022	1	Wheel-Turf	15	119-6823	1	Decal-Hydraulic Control
1:2	T68021100	1	Tire-Turf	16	T62011021	1	Bumper-Rubber
1:3	232-24	1	Stem-Valve	17	T36012070-01	2	Pin-Hinge
3	120-9401	1	RH Shaft ASM	18	302-2	2	Fitting-Grease
4	120-9402	1	LH Shaft ASM	19	322-10	2	Screw-HH
10	120-0923	8	Screw-HH	20	322-19	2	Screw-HH
11	120-0924	8	Nut-Hex	21	104-8300	4	Nut-HF, NI
12	119-1868	16	Washer	22	119-6835	1	Decal-Jack
13	T60111196	4	Bearing-Polyurethane	23	T36013050	2	Thread-Walk, Safety
13:1	302-19	1	Fitting-Grease	24	T36013052	2	Thread-Walk, Safety



RH Shaft Assembly No. 120-9401

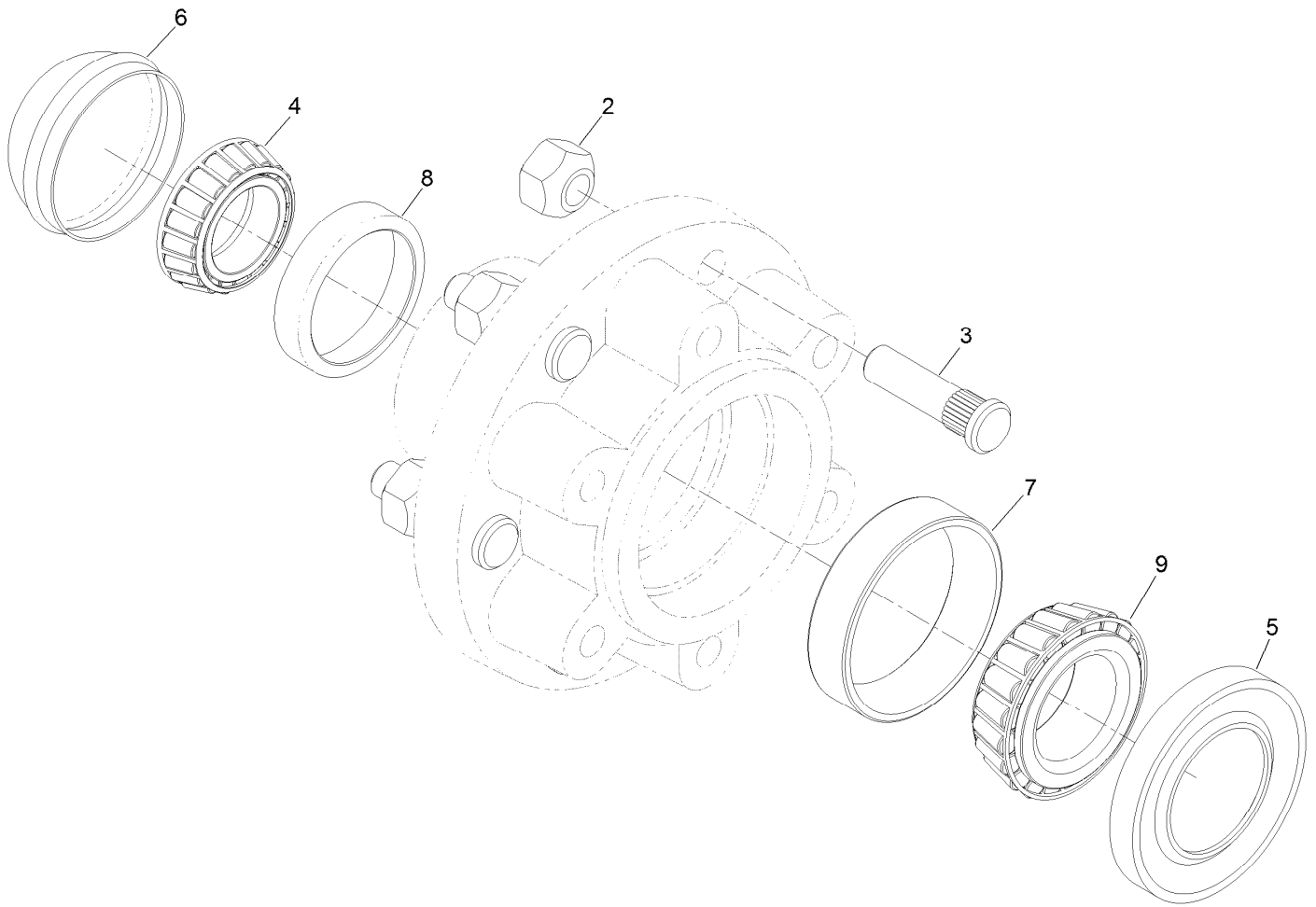
Ref.	Part Number	Qty.	Description
1	119-6871	1	Drum-Brake
2	120-9437	1	LH Brake ASM
3	120-0940	6	Screw-HSH
4	120-9404	2	Hub ASM
5	120-9405-03	1	Beam-Walking
6	3272-23	2	Pin-Cotter
7	3296-19	4	Nut-Hex
8	32136-11	2	Nut-Hex, Slot
9	T54051068	2	Washer-Spindle
10	325-6	4	Screw-HH



LH Brake Assembly No. 120-9437

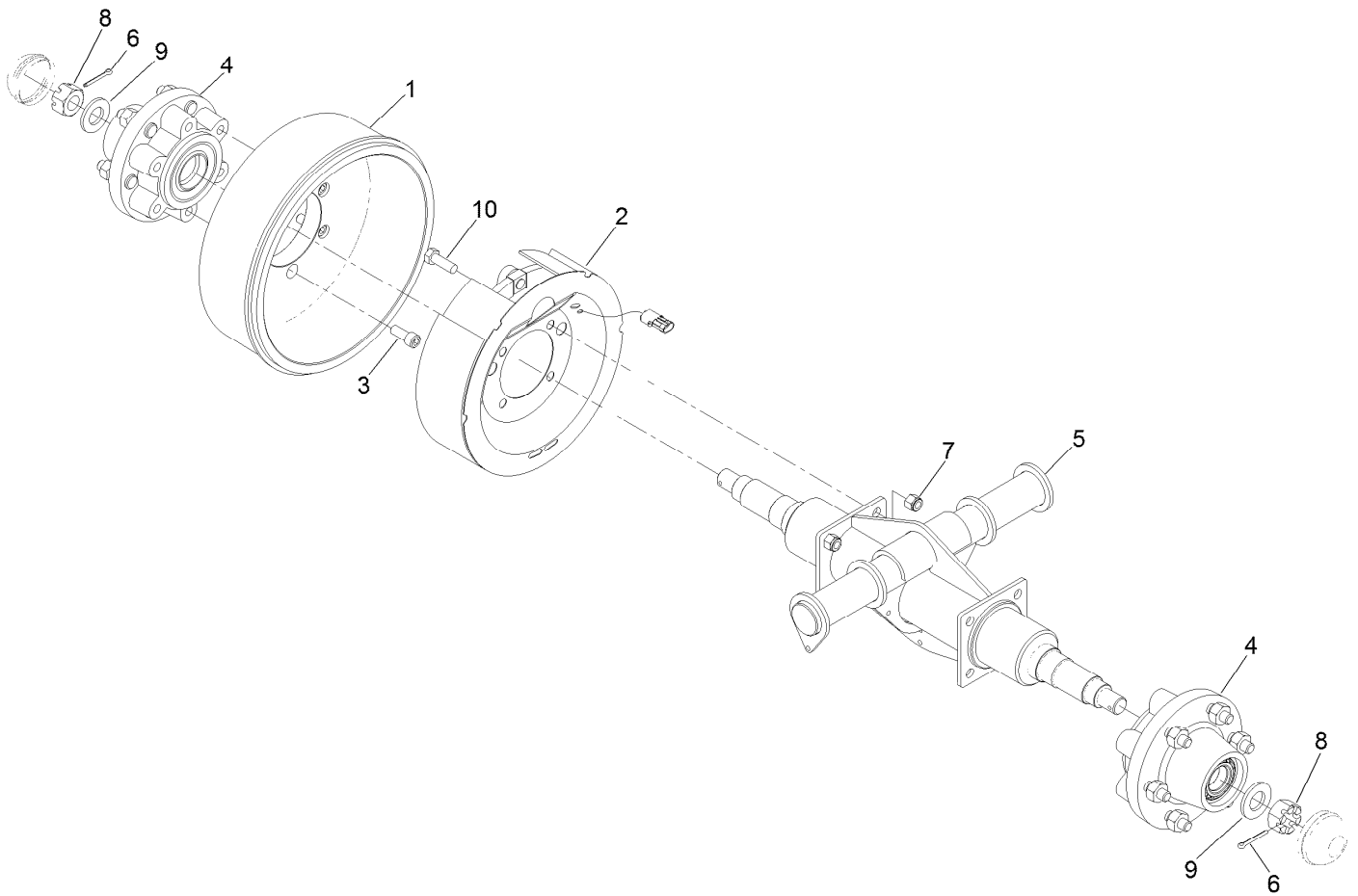
Ref.	Part Number	Qty.	Description
1		1	Brake-LH ●
1:1	120-9441	1	LH Shoe And Lining Kit
1:2	120-9443	1	Clip-Wire
1:3	120-9444	1	Magnet Kit
1:4	120-9445	2	Spring-Centering
1:5	120-9446	1	Spring-Adjuster
1:6	120-9447	1	Adjuster Assembly
1:7	120-9448	1	Clip-Adjuster
1:8	120-9449	1	Clip-Adjuster
1:9	120-9396	1	Spring-Return
2	120-9433	1	Cover-Dust, Brake

● Not serviced separately



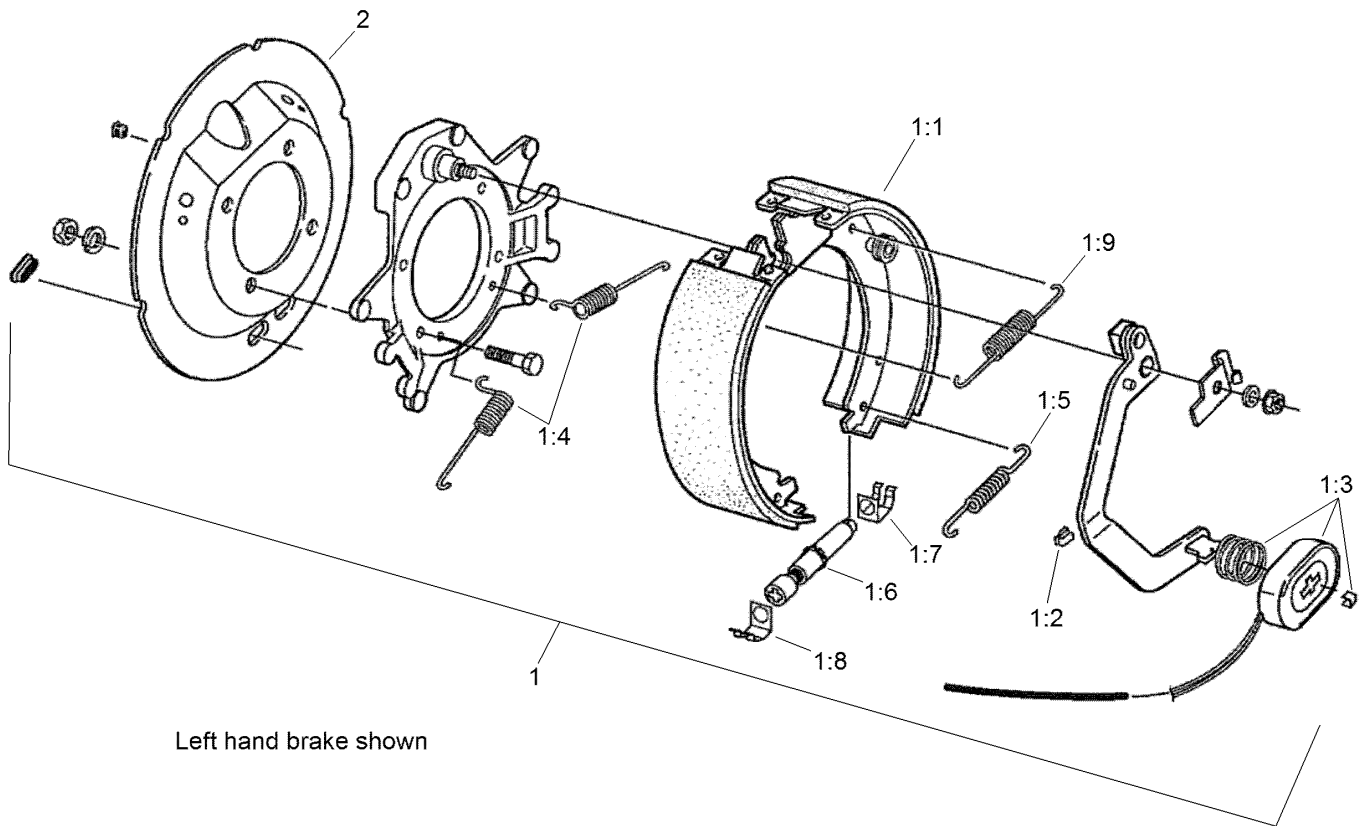
Hub Assembly No. 120-9404

<i>Ref.</i>	<i>Part Number</i>	<i>Qty.</i>	<i>Description</i>
2	T54031040	6	Nut-Wheel
3	T54031042	6	Stud-Wheel
4	T54051010	1	Bearing-Hub, Outer
5	T54051019	1	Seal-Bearing
6	T54051026	1	Cap-Hub (5000/6000 Lb)
7	T54051037	1	Race-Bearing, Inner
8	T54051042	1	Races-Bearing, Outer
9	T54051100	1	Bearing-Hub, Inner



LH Shaft Assembly No. 120-9402

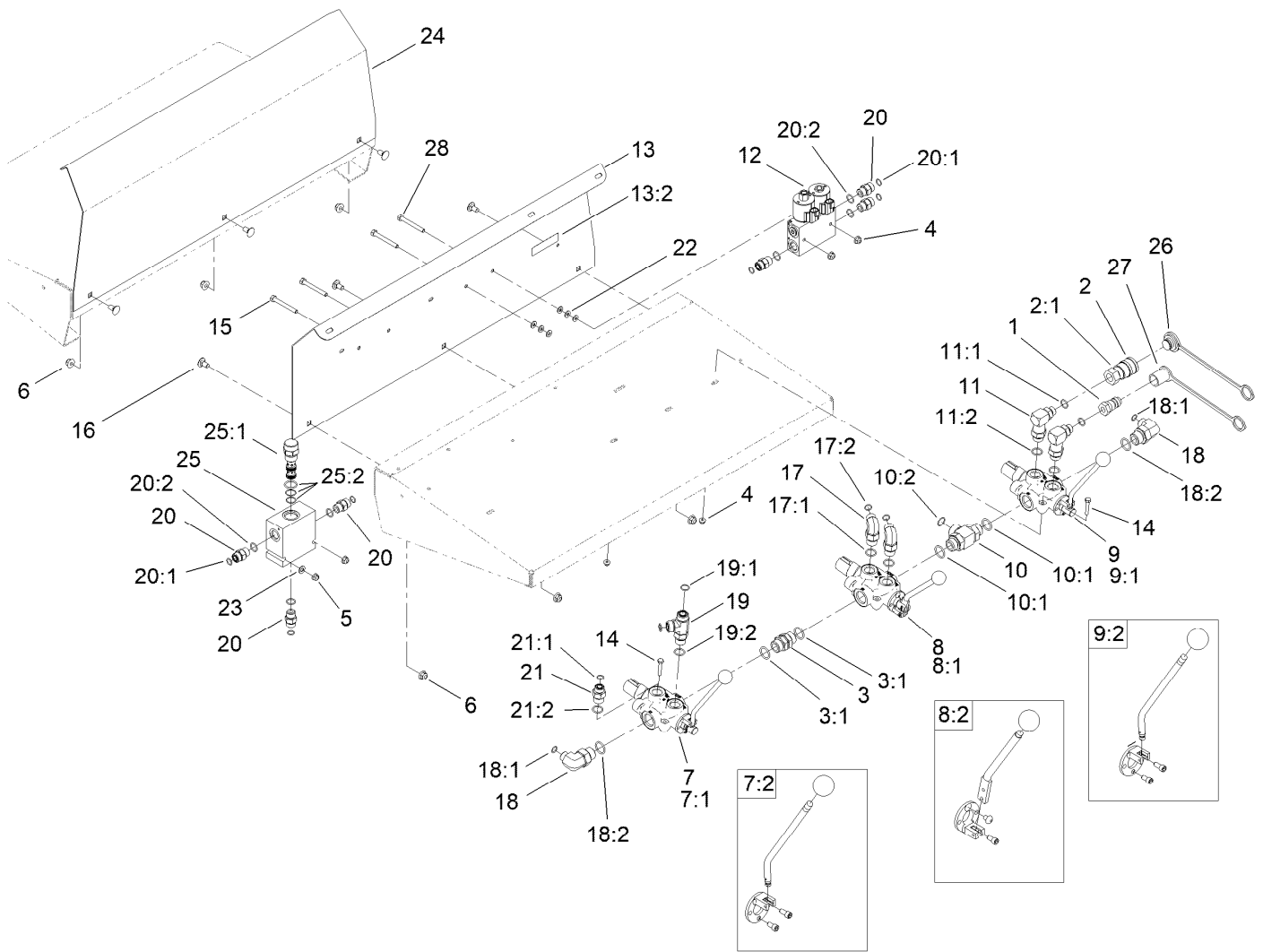
<i>Ref.</i>	<i>Part Number</i>	<i>Qty.</i>	<i>Description</i>
1	119-6871	1	Drum-Brake
2	120-9436	1	RH Brake ASM
3	120-0940	6	Screw-HSH
4	120-9404	2	Hub ASM
5	120-9405-03	1	Beam-Walking
6	3272-23	2	Pin-Cotter
7	3296-19	4	Nut-Hex
8	32136-11	2	Nut-Hex, Slot
9	T54051068	2	Washer-Spindle
10	325-6	4	Screw-HH



RH Brake Assembly No. 120-9436

Ref.	Part Number	Qty.	Description
1		1	Brake-RH ●
1:1	120-9442	1	RH Shoe And Lining Kit
1:2	120-9443	1	Clip-Wire
1:3	120-9444	1	Magnet Kit
1:4	120-9445	2	Spring-Centering
1:5	120-9446	1	Spring-Adjuster
1:6	120-9447	1	Adjuster Assembly
1:7	120-9448	1	Clip-Adjuster
1:8	120-9449	1	Clip-Adjuster
1:9	120-9396	1	Spring-Return
2	120-9433	1	Cover-Dust, Brake

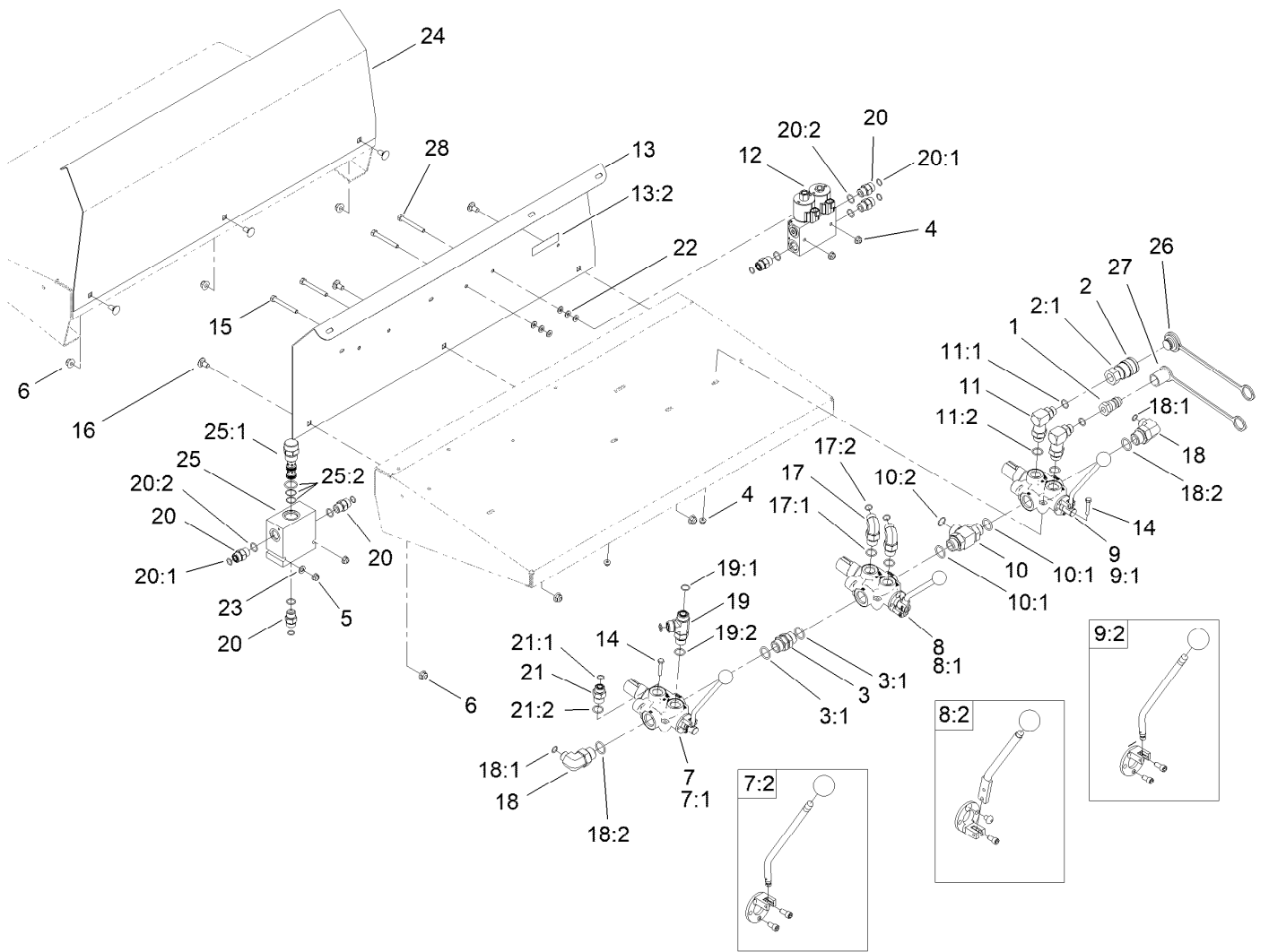
● Not serviced separately



Hydraulic Valve and Manifold Assembly

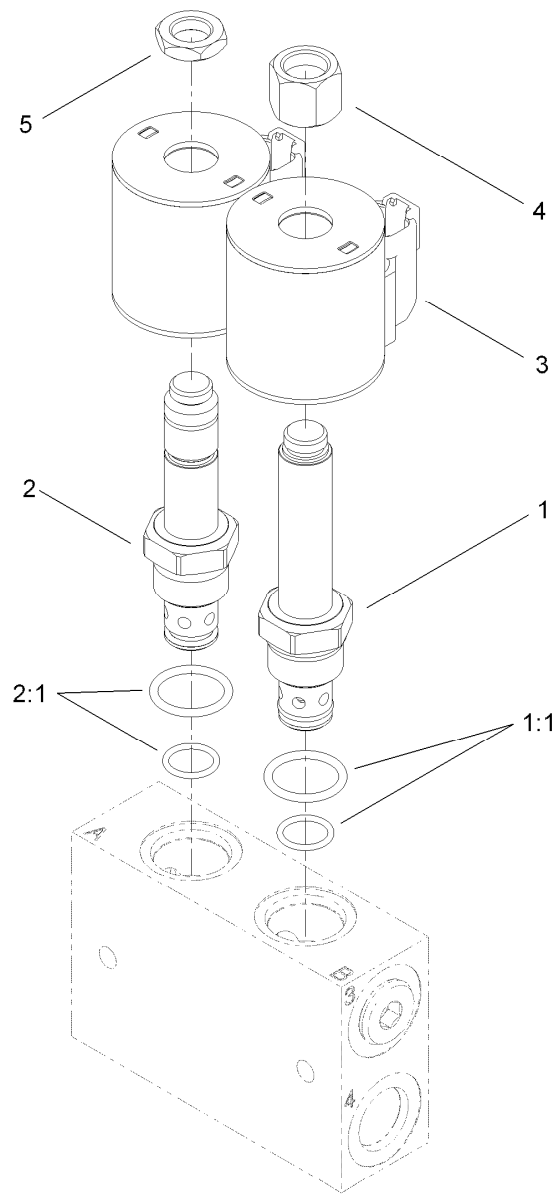
Ref.	Part Number	Qty.	Description
1	98-4698	1	Male-Disconnect, Quick
2	98-4699	1	Female-Disconnect, Quick
2:1	100-4165	1	Seal Kit
3	98-9906	1	Fitting-Thread, Straight
3:1	237-81	2	O-Ring
4	104-7201	4	Nut-HF, NI
5	104-8300	4	Nut-HF, NI
6	104-8301	6	Nut-HF, NI
7	161-8381	1	Hydraulic Valve ASM
7:1	125-0119	1	Kit-Seal
7:2	161-8384	1	Kit-Lever, Valve
8	161-8382	1	Hydraulic Valve ASM
8:1	125-0119	1	Kit-Seal
8:2	161-8385	1	Kit-Lever, Valve
9	161-8383	1	Hydraulic Valve ASM
9:1	125-0119	1	Kit-Seal
9:2	161-8384	1	Kit-Lever, Valve
10	120-0844	1	Fitting-Tee
10:1	237-81	2	O-Ring
10:2	237-58	1	O-Ring
11	120-0847	2	Fitting-Elbow-90

Ref.	Part Number	Qty.	Description
11:1	237-79	1	O-Ring
11:2	237-80	1	O-Ring
12	125-0149	1	Conveyor Belt Manifold ASM
13	120-0921	1	LH Fender Guard ASM
13:2	119-0217	1	Decal-Danger
14	321-43	2	Capscrew
15	322-13	2	Screw-HH
16	3231-1	6	Screw-CARR
17	340-105	2	Fitting-Elbow, 90 DEG
17:1	237-80	1	O-Ring
17:2	237-30	1	O-Ring
18	340-131	2	Fitting-HYD, 90 DEG
18:1	237-30	1	O-Ring
18:2	237-81	1	O-Ring
19	340-22	1	Fitting-Tee
19:1	237-65	2	O-Ring
19:2	237-80	1	O-Ring
20	340-4	6	Fitting-Straight
20:1	237-30	1	O-Ring
20:2	237-79	1	O-Ring



Hydraulic Valve and Manifold Assembly (continued)

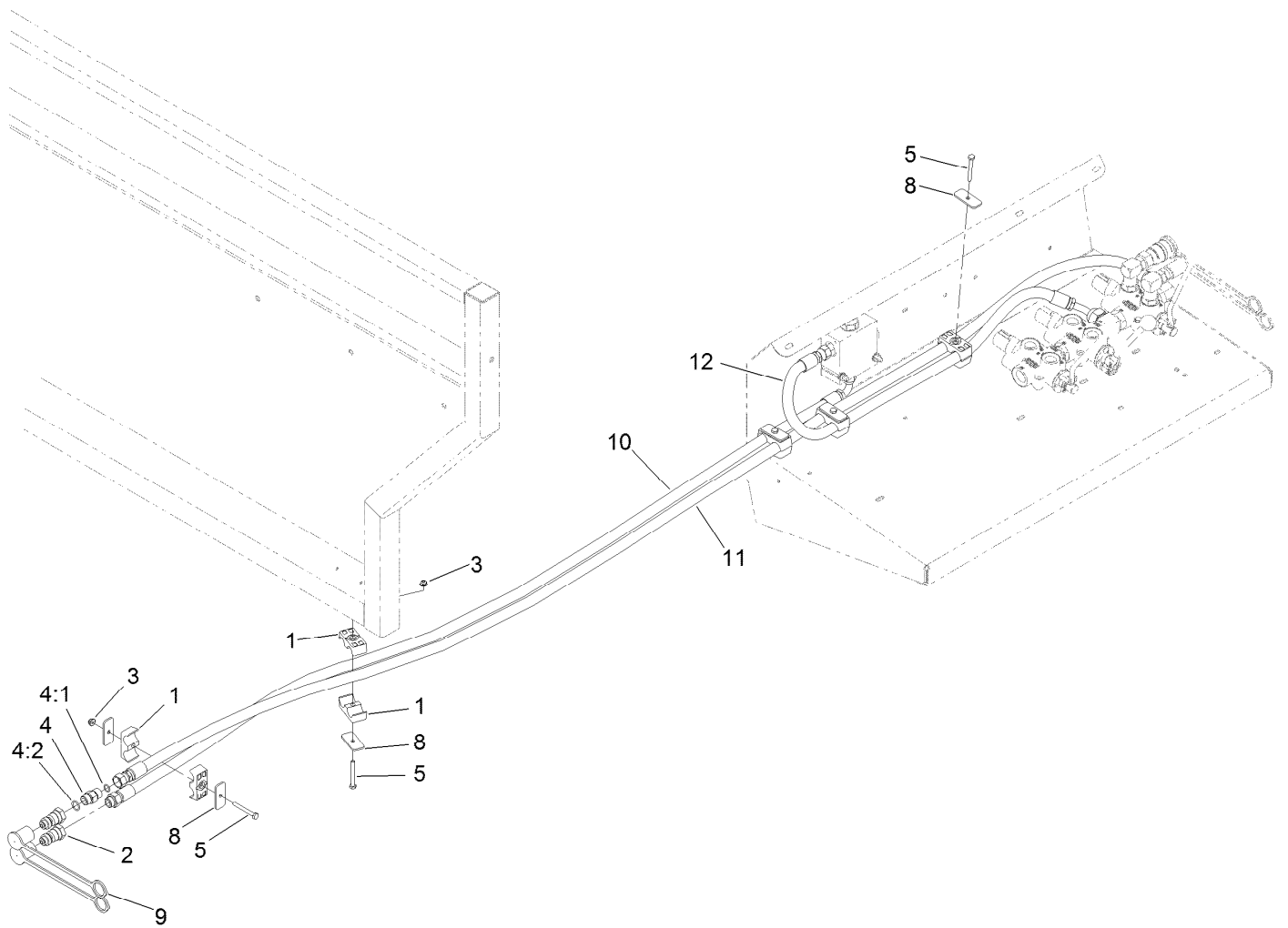
<i>Ref.</i>	<i>Part Number</i>	<i>Qty.</i>	<i>Description</i>	<i>Ref.</i>	<i>Part Number</i>	<i>Qty.</i>	<i>Description</i>
21	340-6	1	Fitting-Straight	25:1	120-0851	1	Valve-Cartridge, Pressure Comp
21:1	237-30	1	O-Ring	25:2	114-5515	1	Seal Kit
21:2	237-80	1	O-Ring	26	T56152150	1	Plug-Quick Connect
22	3256-22	6	Washer-Flat	27	T56152152	1	Cap-Connect, Quick
23	3256-23	2	Washer-Plain	28	321-18	2	Screw-HH
24	T36011720-01	1	Guard-Fender, RH				
25	T56051020	1	Valve-HYD				



Hydraulic Valve Assembly No. 120-0850

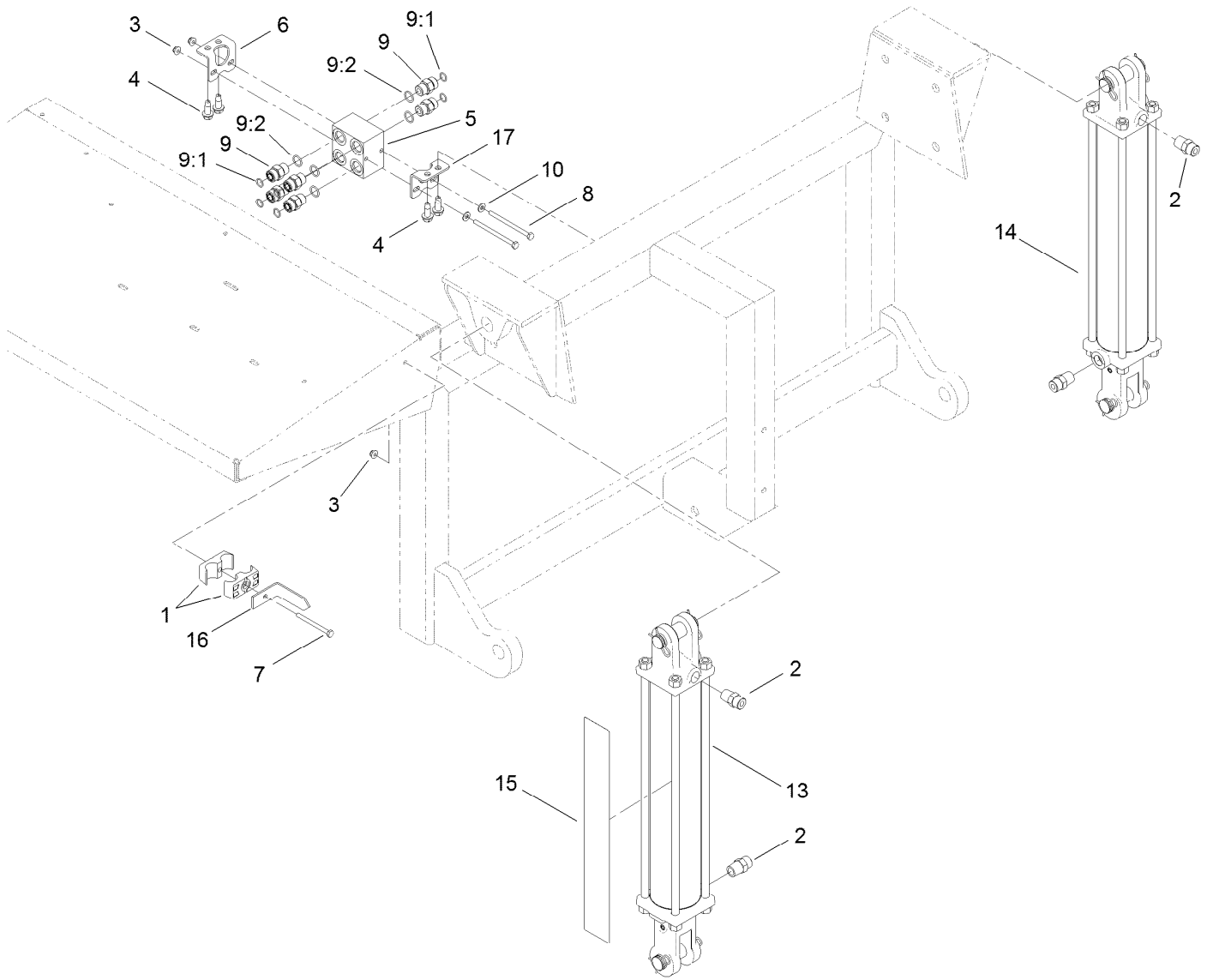
<i>Ref.</i>	<i>Part Number</i>	<i>Qty.</i>	<i>Description</i>
1	105-9158	1	Valve-Solenoid, N.O.
1:1	105-9159	1	Seal Kit ●
2	120-0913	1	Valve-Solenoid
2:1	105-9159	1	Seal Kit
3	115-3021	2	Coil-12V
4	110-2635	1	Nut-Coil
5	110-2634	1	Nut-Coil

● Not illustrated



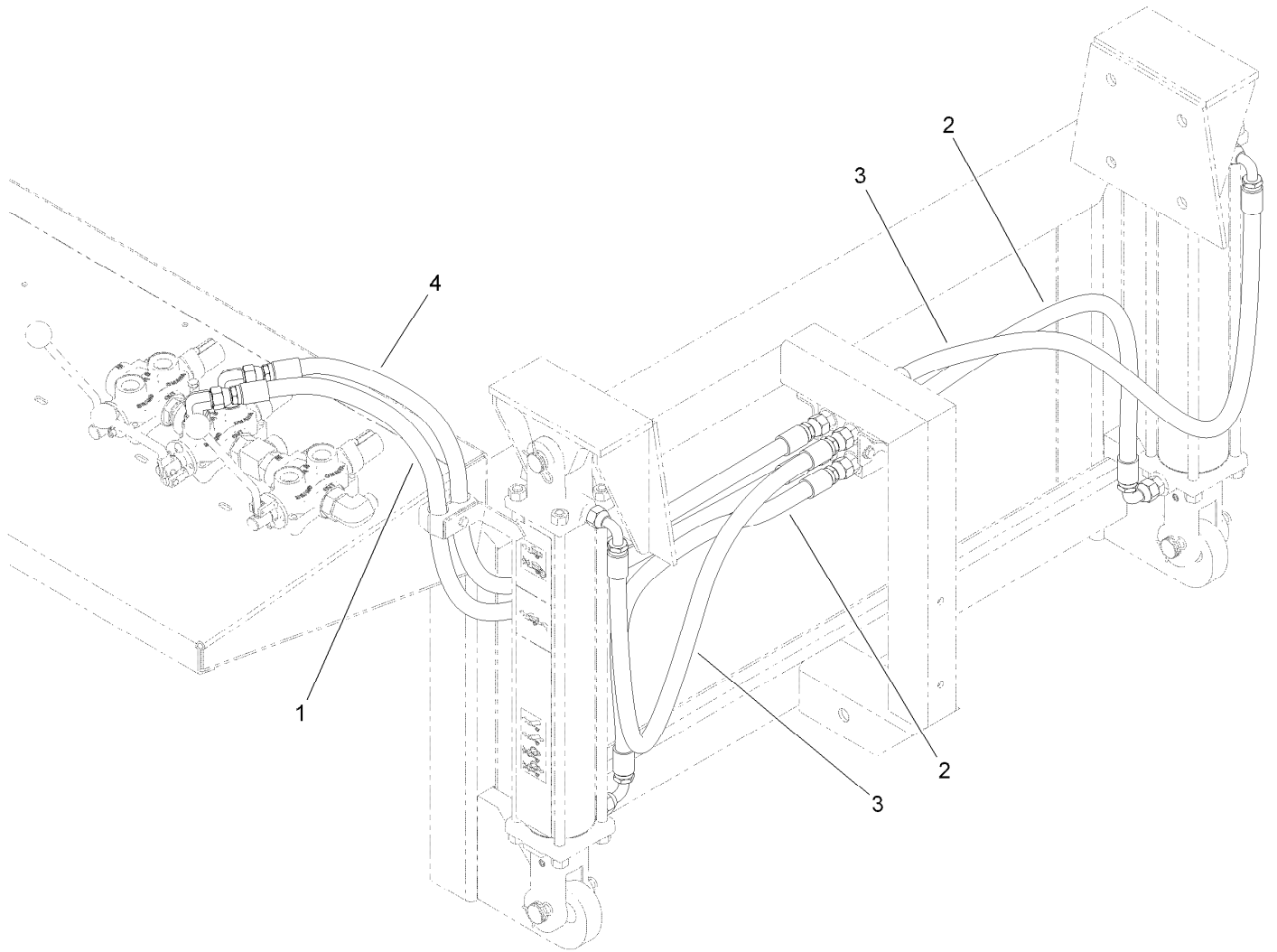
Hydraulic Hose and Clamp Assembly

<i>Ref.</i>	<i>Part Number</i>	<i>Qty.</i>	<i>Description</i>
1	56-7974	10	Clamp-Tube
2	98-4698	2	Male-Disconnect, Quick
3	104-7201	5	Nut-HF, NI
4	119-6898	1	Valve-Check, HYD
4:1	237-30	1	O-Ring
4:2	237-79	1	O-Ring
5	321-18	5	Screw-HH
8	T36033040	6	Plate-Clamp
9	T56152152	2	Cap-Connect, Quick
10	120-0862	1	Hose-HYD
11	120-0863	1	Hose-HYD
12	120-0874	1	Hose-HYD



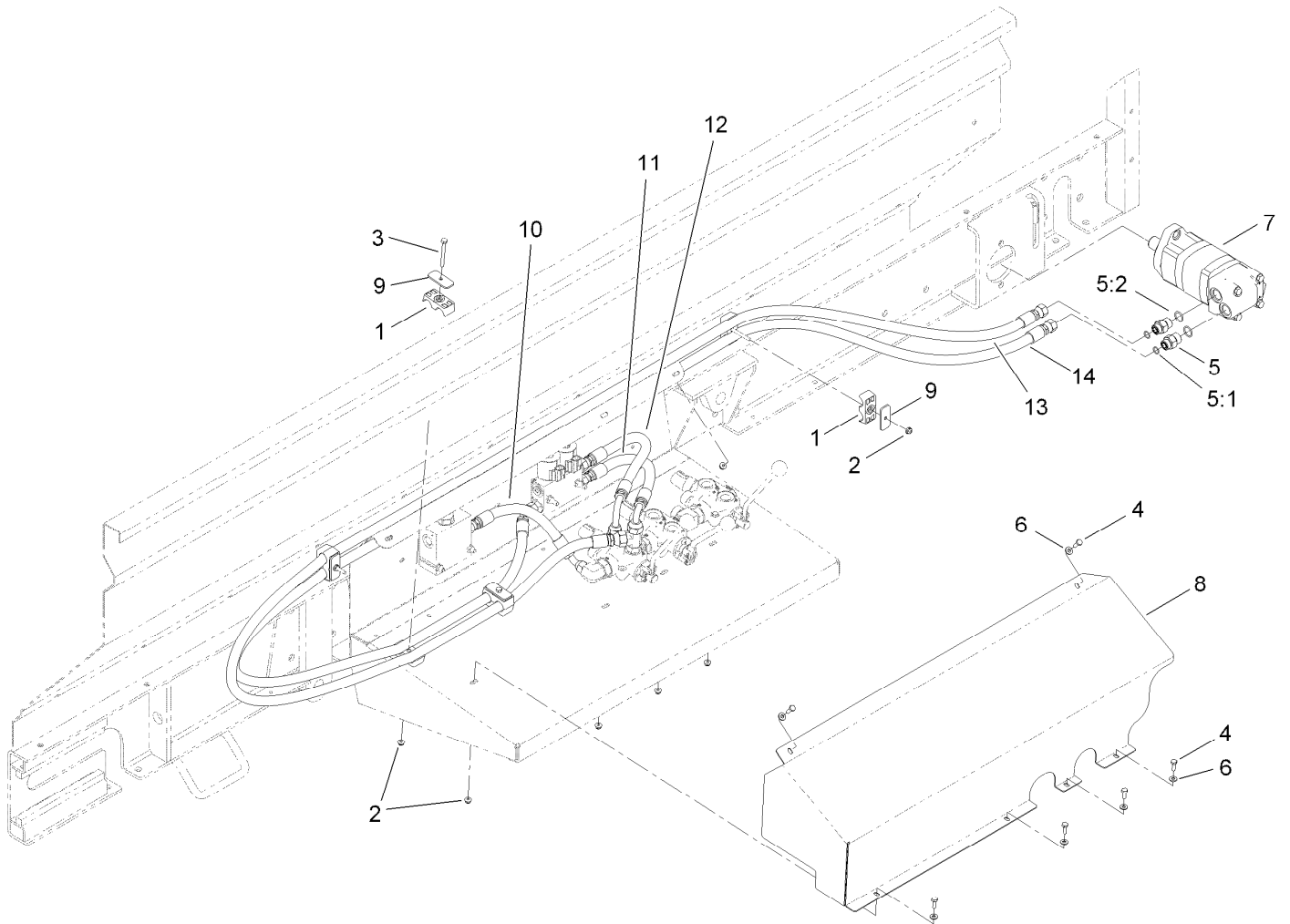
Hydraulic Cylinder and Junction Box Manifold Assembly

<i>Ref.</i>	<i>Part Number</i>	<i>Qty.</i>	<i>Description</i>	<i>Ref.</i>	<i>Part Number</i>	<i>Qty.</i>	<i>Description</i>
1	56-7974	2	Clamp-Tube	9:1	237-30	1	O-Ring
2	93-5107	4	Fitting-Adapter	9:2	237-79	1	O-Ring
3	104-7201	3	Nut-HF, NI	10	3256-22	2	Washer-Flat
4	105-6245	4	Screw-Tapping	13	T56071160	1	HYD Cylinder ASM
5	120-0848	1	Manifold-Junction Block	14	T56071170	1	HYD Cylinder ASM
6	120-0875-03	1	Bracket-Mounting, Manifold	15	119-6863	1	Decal-Load Range
7	321-18	1	Screw-HH	16	T36011570	1	Bar-Indicator, Lift
8	321-28	2	Screw-HH	17	120-0983-03	1	Bracket-Manifold
9	340-4	6	Fitting-Straight				



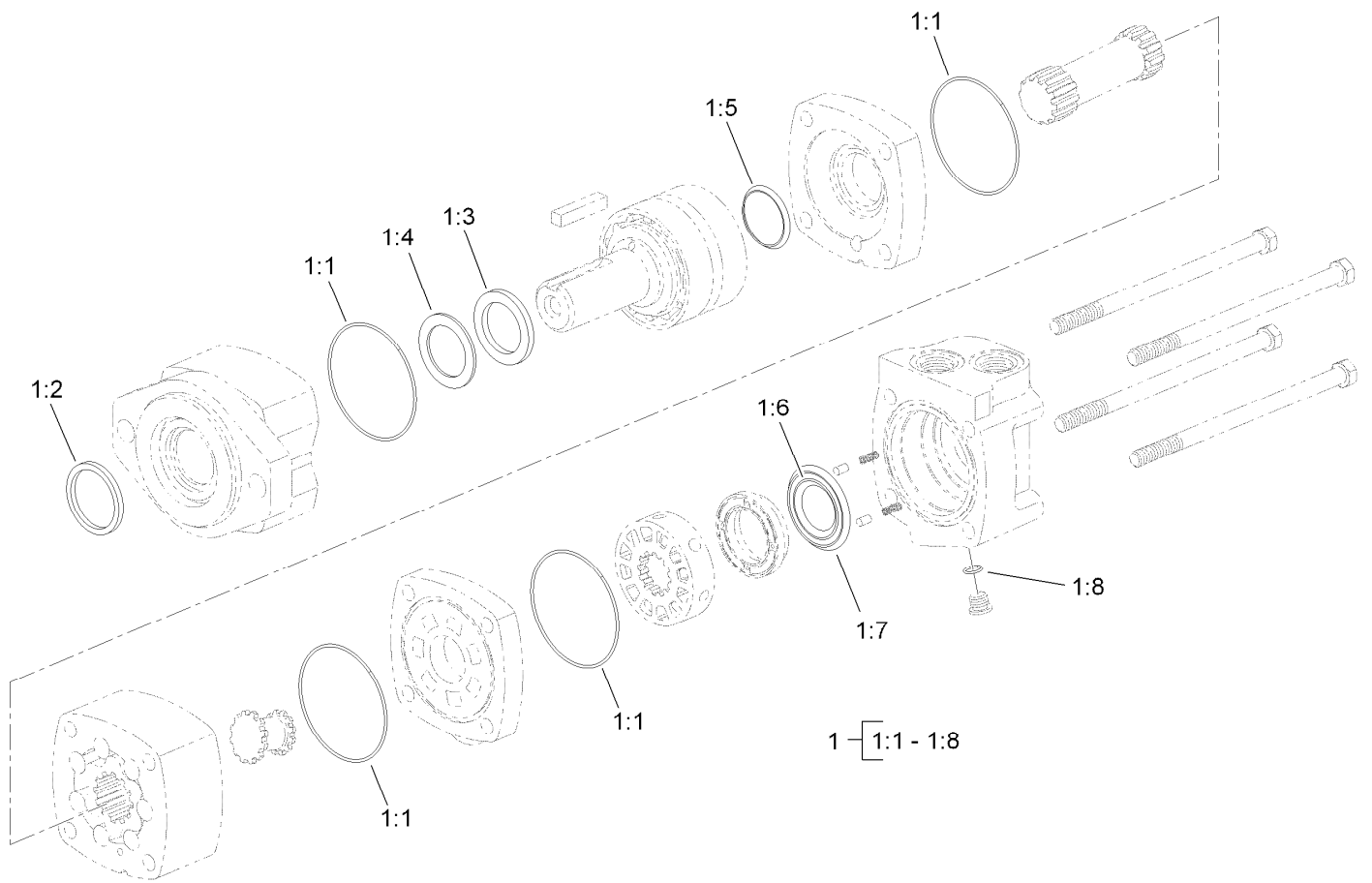
Hydraulic Hose Assembly

<i>Ref.</i>	<i>Part Number</i>	<i>Qty.</i>	<i>Description</i>
1	120-0980	1	Hose-HYD
2	120-0869	2	Hose-HYD
3	120-0870	2	Hose-HYD
4	120-0981	1	Hose-HYD



Hydraulic Guard Box Assembly

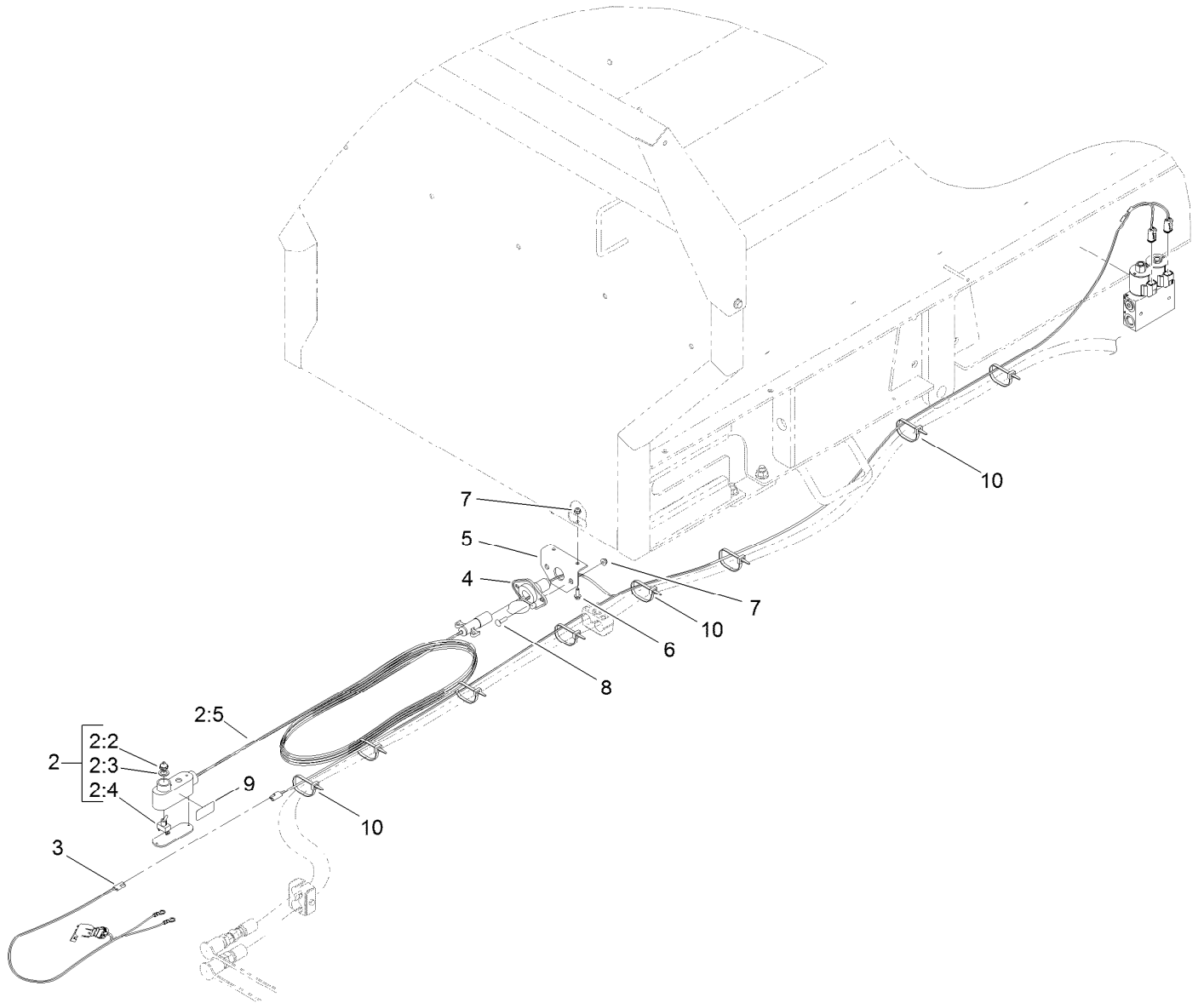
<i>Ref.</i>	<i>Part Number</i>	<i>Qty.</i>	<i>Description</i>	<i>Ref.</i>	<i>Part Number</i>	<i>Qty.</i>	<i>Description</i>
1	56-7974	8	Clamp-Tube	7	T0000-5303	1	HYD Motor ASM
2	104-7201	10	Nut-HF, NI	8	T36011770-01	1	Guard-Hydraulic
3	321-18	2	Screw-HH	9	T36033040	4	Plate-Clamp
4	321-4	6	Screw-HH	10	120-0858	1	Hose-HYD
5	340-6	3	Fitting-Straight	11	120-0860	1	Hose-HYD
5:1	237-30	1	O-Ring	12	120-0861	1	Hose-HYD
5:2	237-80	1	O-Ring	13	120-0864	1	Hose-HYD
6	3256-22	6	Washer-Flat	14	119-4591	1	Hose-HYD



Hydraulic Motor Assembly No. T0000-5303

Ref.	Part Number	Qty.	Description
1	56-6890	1	Seal Kit
1:1		4	O-Ring ●
1:2		1	Seal-Exclusion, Shaft ●
1:3		1	Seal-Shaft ●
1:4		1	Ring-Back-Up ●
1:5		1	Seal-Face, Shaft ●
1:6		1	Seal-Face, Inner ●
1:7		1	Seal-Face, Outer ●
1:8		1	O-Ring ●

● Not serviced separately



Electrical Assembly

Ref.	Part Number	Qty.	Description
2	120-0801	1	Pendant ASM
2:2	119-7554	1	Boot-Toggle Switch, Weatherproof
2:3	41-8440	1	Washer
2:4	119-7551	1	Switch-Toggle, 2-Way
2:5	120-0988	1	Harness-Wire
3	120-0852	1	Harness-Wire, Battery
4	120-0853	1	Harness-Wire, Rear
5	T36016086-01	1	Bracket-Socket
6	115-5103	2	Screw-HHF
7	104-7201	4	Nut-HF, NI
8	3229-2	2	Screw-CARR
9	119-6822	1	Decal-Floor Conveyor
10	3290-378	10	Tie-Cable

Notes:

Notes:

Notes:



Count on it.