



Count on it.

Parts Catalog

**Tine Head Adapter Kits
ProCore® SR Series Aerator**

Model No. 117-7190

Model No. 117-7191

Model No. 117-7192

Model No. 117-7193

Model No. 117-7194

Model No. 117-7195

Model No. 117-7196

Model No. 117-7197

Model No. 117-7198

Model No. 117-7199



Ordering Replacement Parts

To order replacement parts, please supply the part number, the quantity, and the description of each part desired.

Understanding Reference Numbers

Each identified part in an illustration has a reference number. The reference number for a part also appears in the parts list, along with other information about the part.

This catalog uses two special reference number formats, one to indicate parts in a service assembly and another to indicate the quantity of a given part in an illustration.

Service Assembly Reference Numbers

Parts in service assemblies have reference numbers in the form a:b. The a represents the reference number of the entire service assembly and the b represents a sequential number unique to each part within the service assembly.

For example, a wheel assembly might be identified by reference number 6, the tire by 6:1, the valve by 6:2, and the wheel by 6:3. When you order the assembly identified by reference number 6, you receive all parts identified by reference numbers 6:1, 6:2, and 6:3. However, you may also order any part individually. Reference numbers of this type appear in illustration and in parts lists.

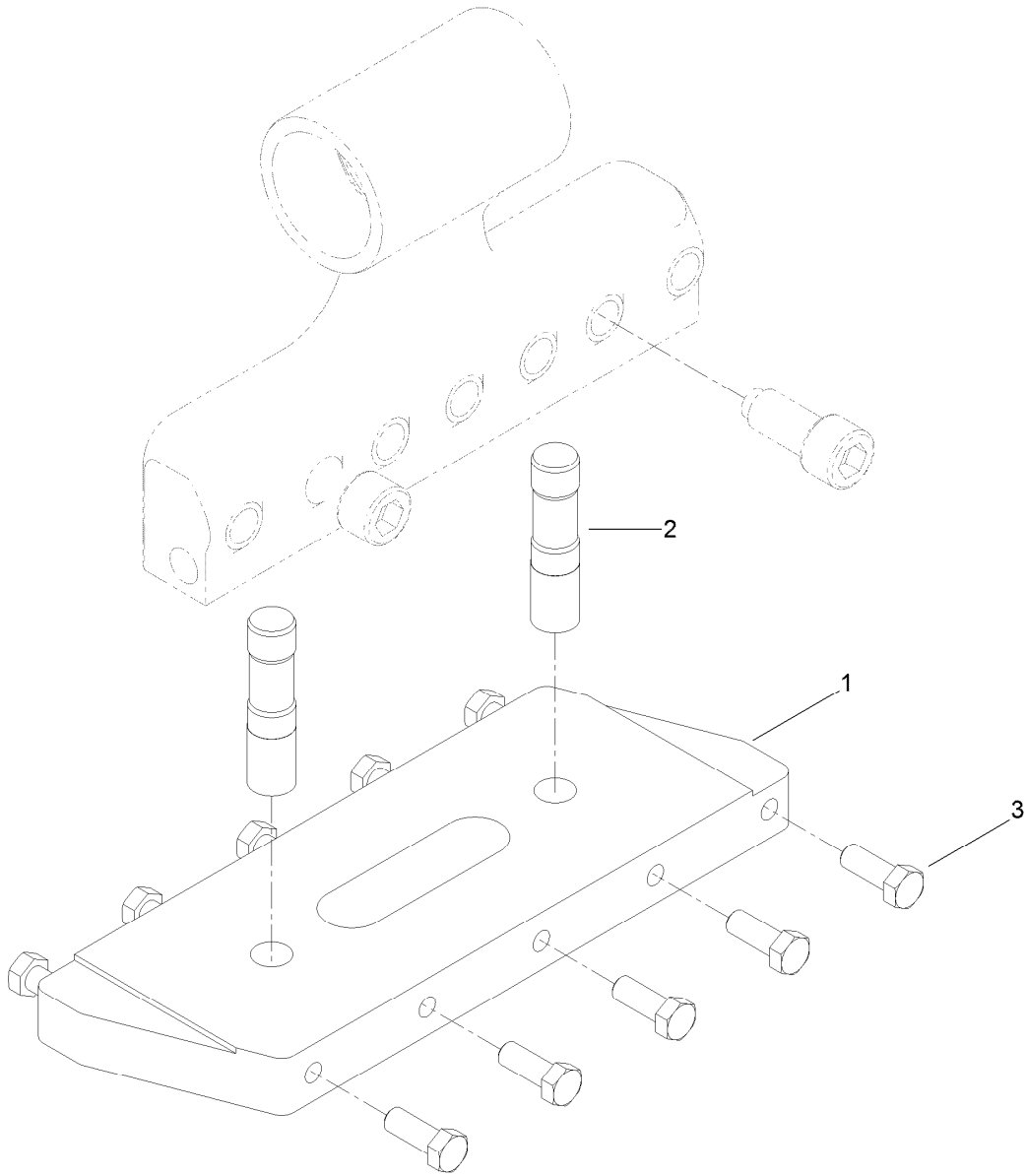
Reference Numbers Indicating Quantity

In an illustration, if a reference number indicates more than one part, the reference number has the form nX y. The n represents the quantity of the part, the X is the multiplication symbol, and the y represents the reference number.

For example, in an illustration, the reference number 2X 37 means that two of the parts identified by reference number 37 are indicated.

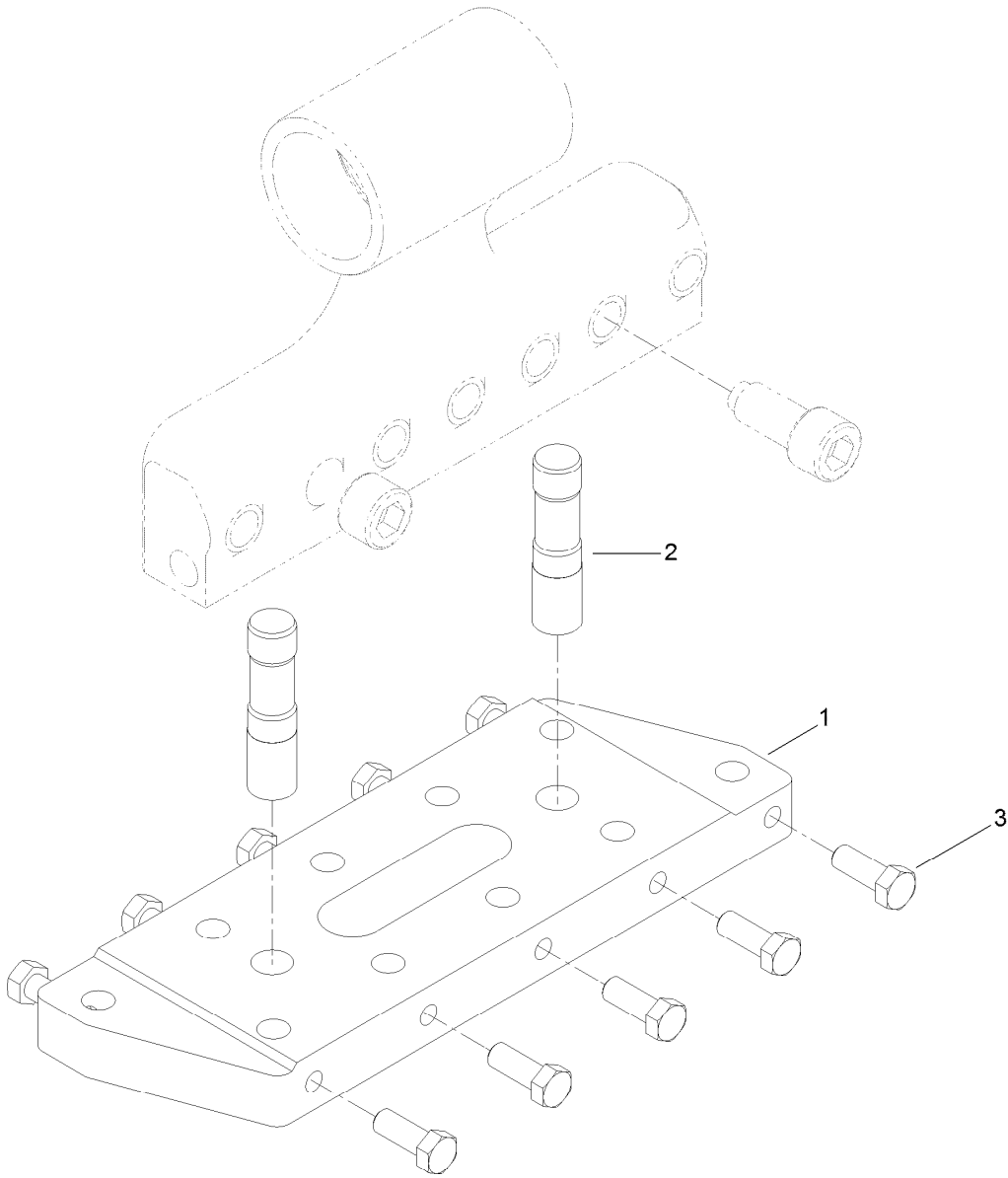
Contents

10-5/16 Tine Head Adapter Kit No. 117-7190	4
10-12mm Tine Head Adapter Kit No. 117-7191	5
8-5/16 Tine Head Adapter Kit No. 117-7192	6
6-5/16, 6-3/8 Tine Head Adapter Kit No. 117-7193	7
2-18mm Tine Head Adapter Kit No. 117-7194	8
2-12mm or 5/16 Tine Head Adapter Kit No. 117-7195	9
4-3/8 or 5/16 Tine Head Adapter Kit No. 117-7196	10
3-12mm or 5/16 Tine Head Adapter Kit No. 117-7197	11
4-12mm or 3-18mm Tine Head Adapter Kit No. 117-7198	12
8-3/8 Tine Head Adapter Kit No. 117-7199	13
Attachments and Accessories	14



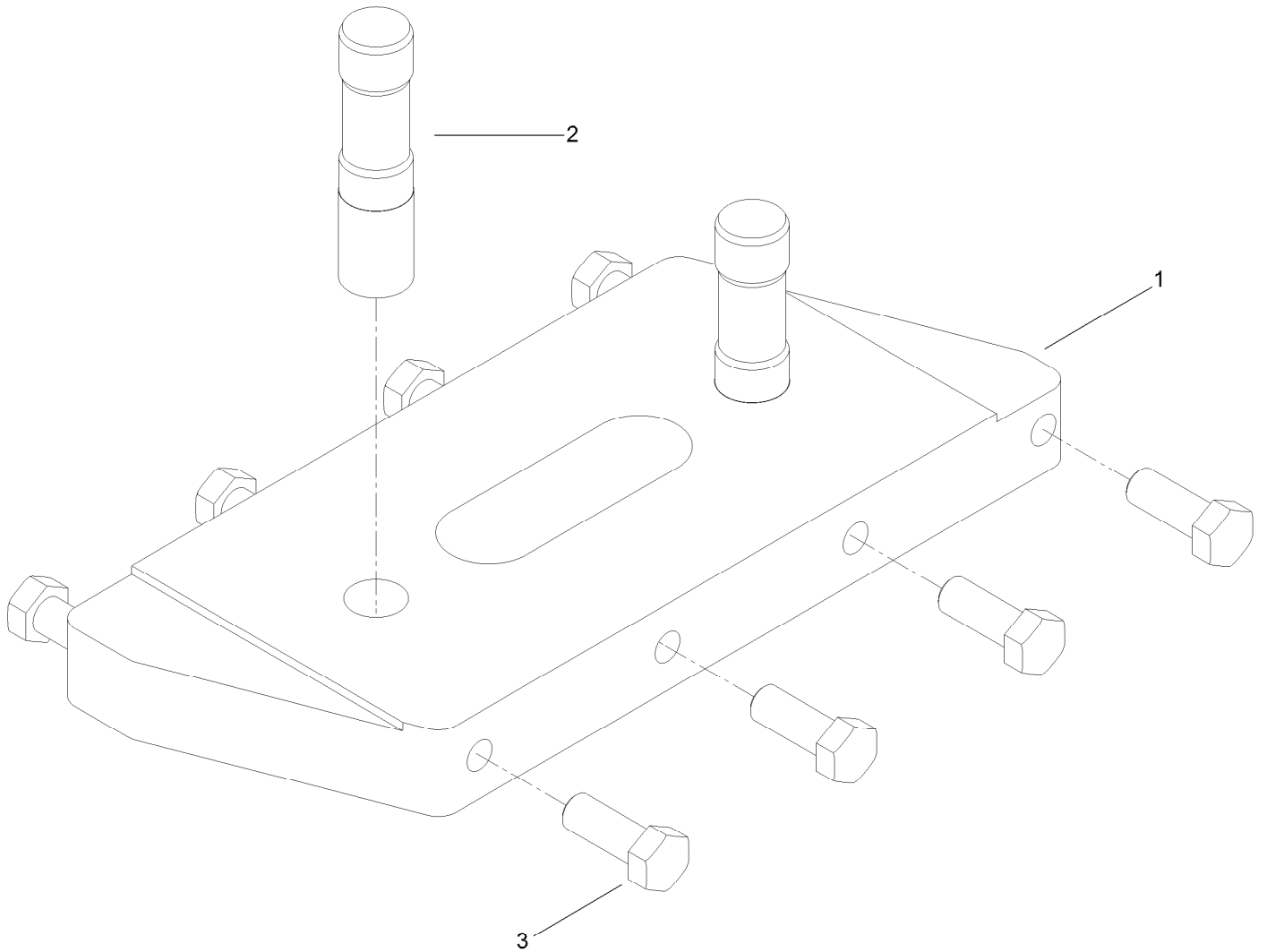
10-5/16 Tine Head Adapter Kit No. 117-7190

<i>Ref.</i>	<i>Part Number</i>	<i>Qty.</i>	<i>Description</i>
1	SGH08010-03	1	Head-Tine, Adapter
2	SG715706	2	Shank-Adapter
3	3211-4	10	Screw-HH



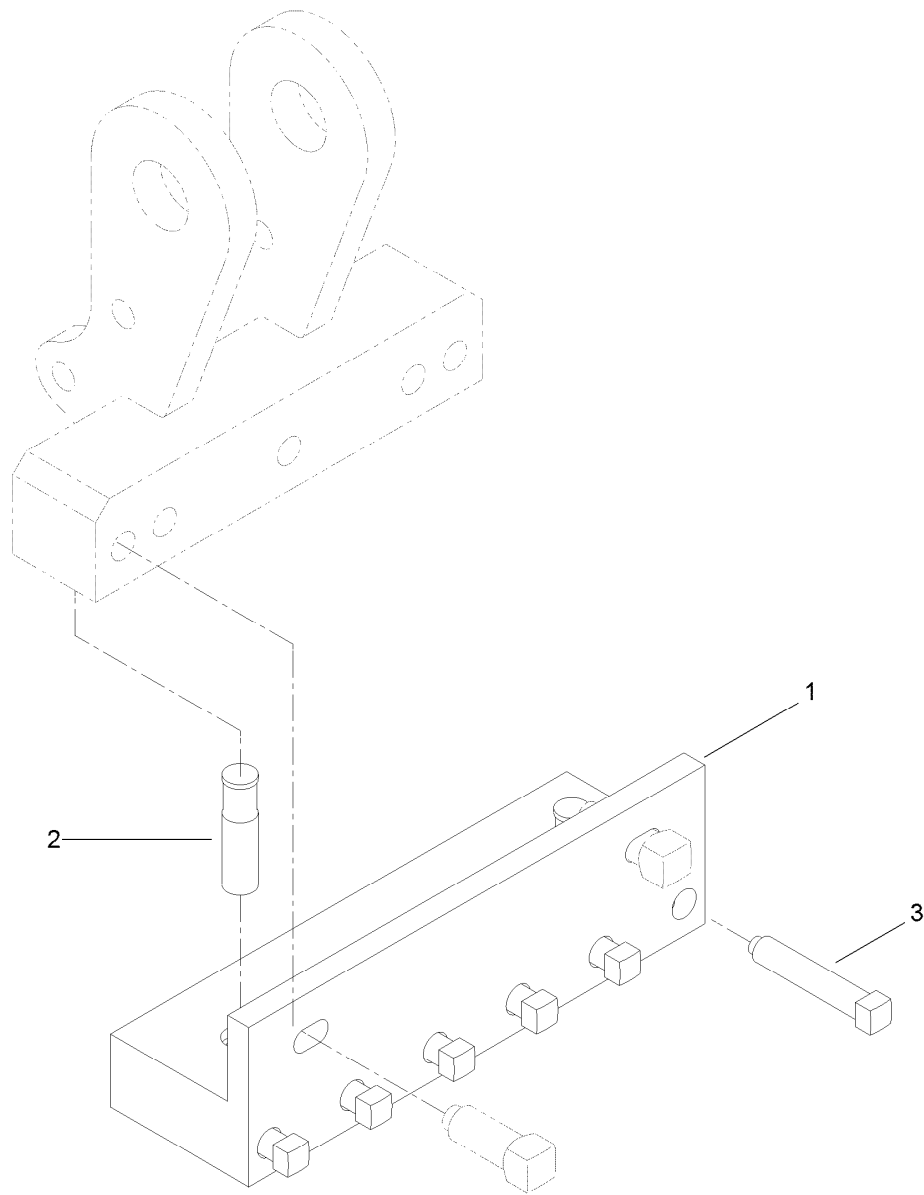
10-12mm Tine Head Adapter Kit No. 117-7191

<i>Ref.</i>	<i>Part Number</i>	<i>Qty.</i>	<i>Description</i>
1	SGH08011-03	1	Head-Tine, Adapter
2	SG715706	2	Shank-Adapter
3	SG461125	10	Screw-HH



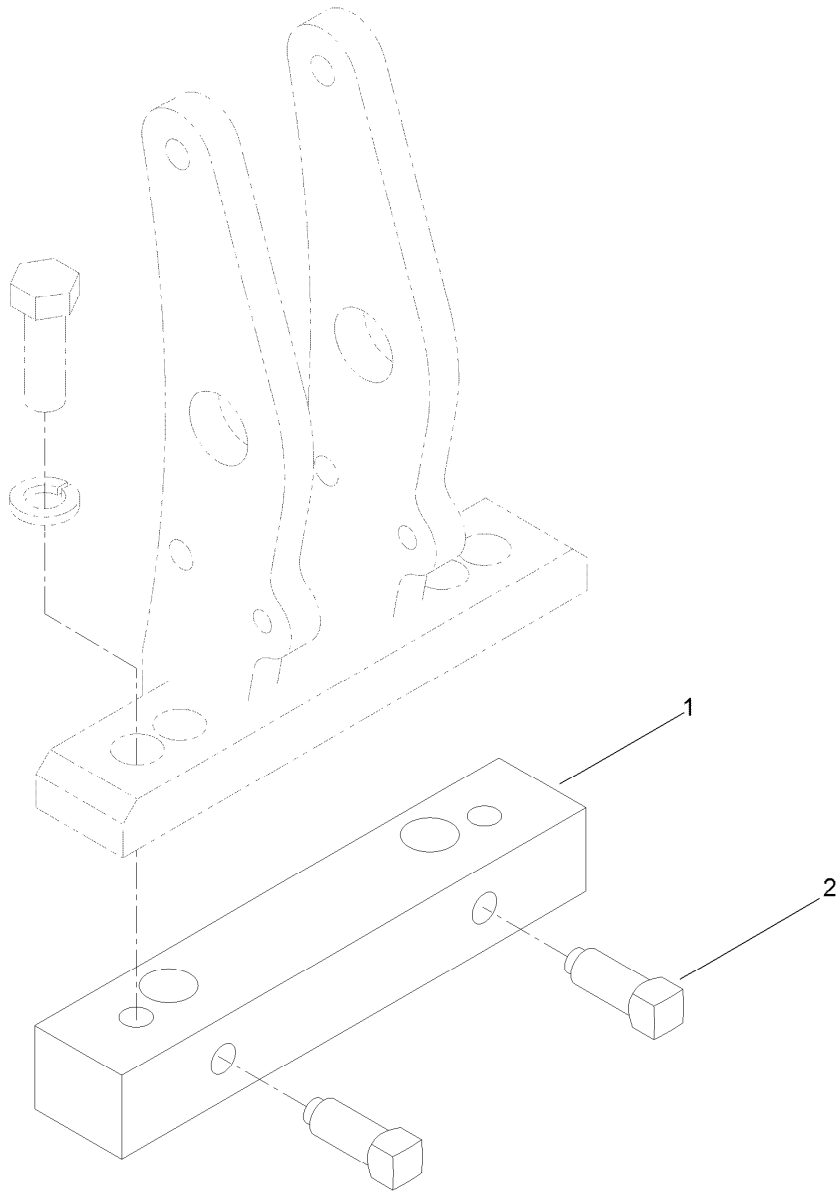
8-5/16 Tine Head Adapter Kit No. 117-7192

<i>Ref.</i>	<i>Part Number</i>	<i>Qty.</i>	<i>Description</i>
1	SGH08313-03	1	Head-Tine, Adapter
2	SG715706	2	Shank-Adapter
3	SG461125	8	Screw-HH



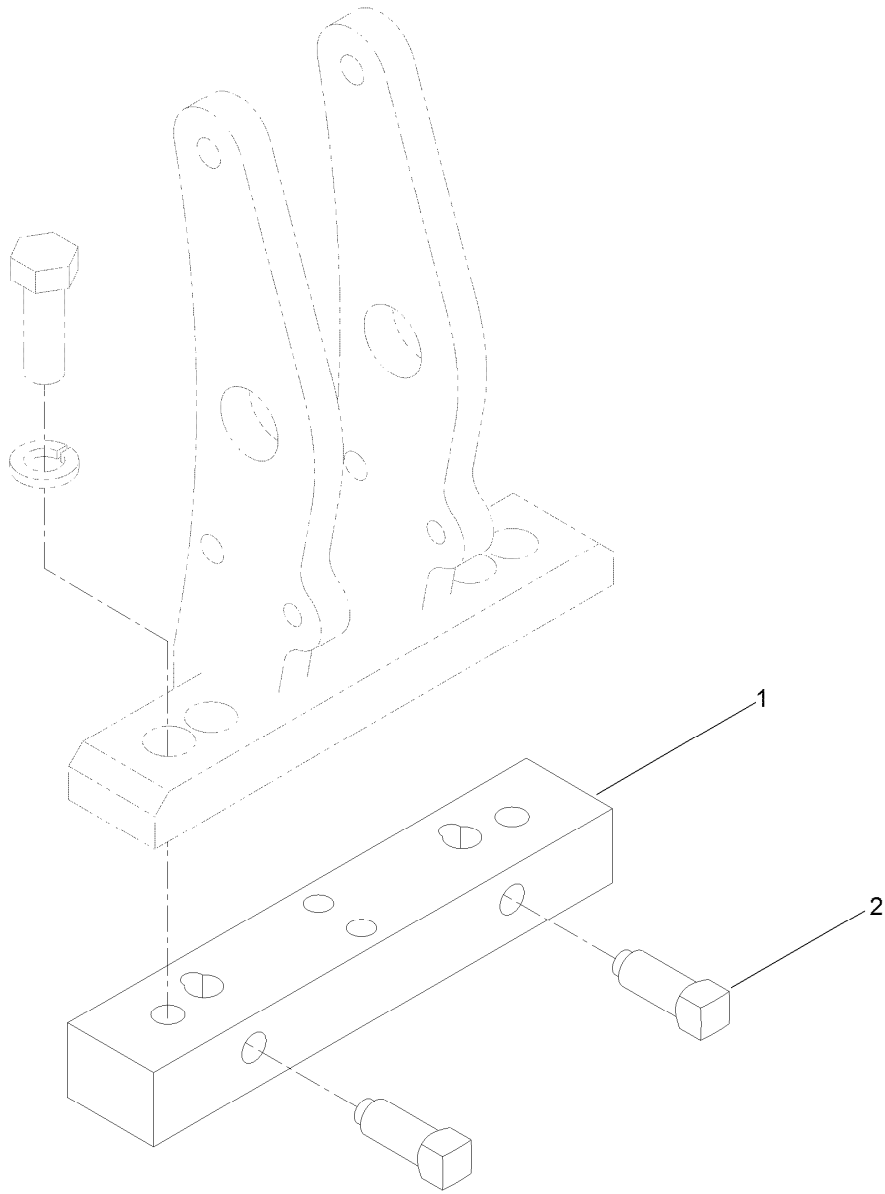
6-5/16, 6-3/8 Tine Head Adapter Kit No. 117-7193

<i>Ref.</i>	<i>Part Number</i>	<i>Qty.</i>	<i>Description</i>
1	SGH08454	1	Head-Tine, Adapter
2	SG715754	2	Shank-Adapter
3	SG715756	6	Screw-Set, SQH



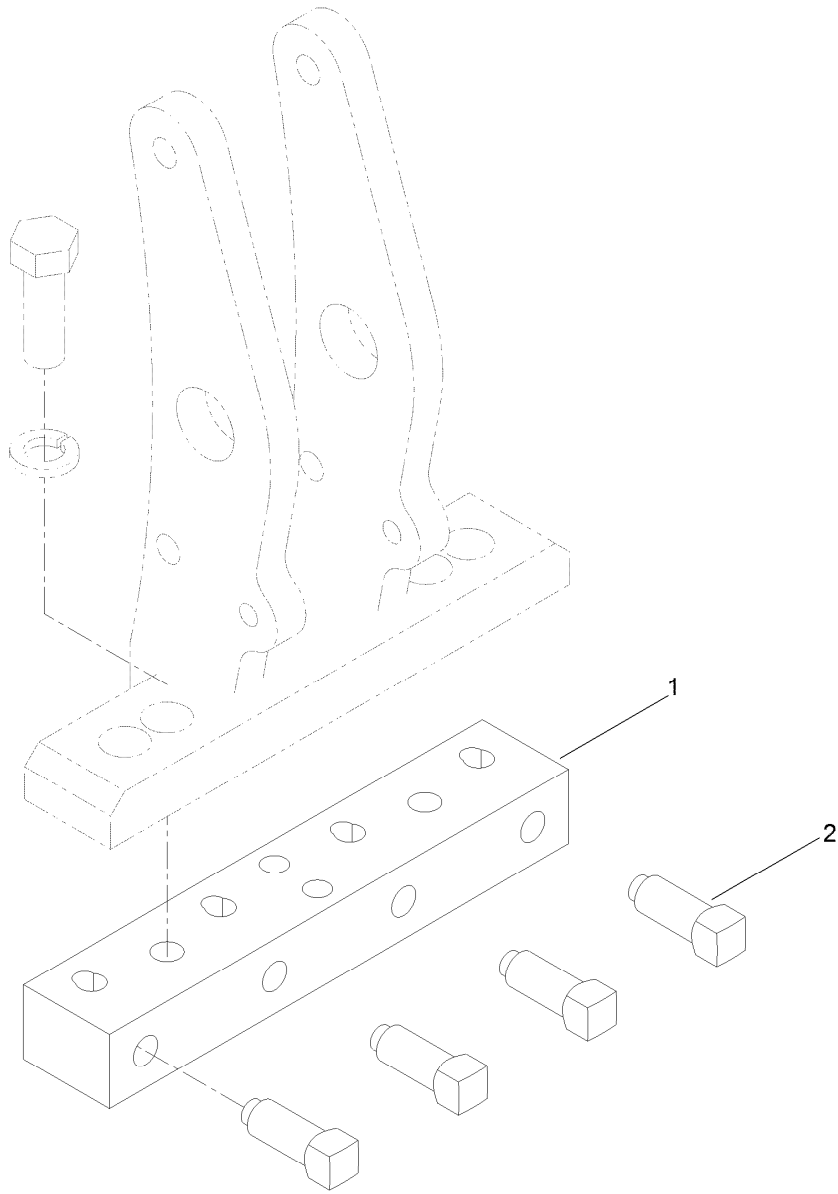
2-18mm Tine Head Adapter Kit No. 117-7194

<i>Ref.</i>	<i>Part Number</i>	<i>Qty.</i>	<i>Description</i>
1	SGH08701-03	1	Head-Tine, Adapter
2	SG477125	2	Screw-Set, SQH



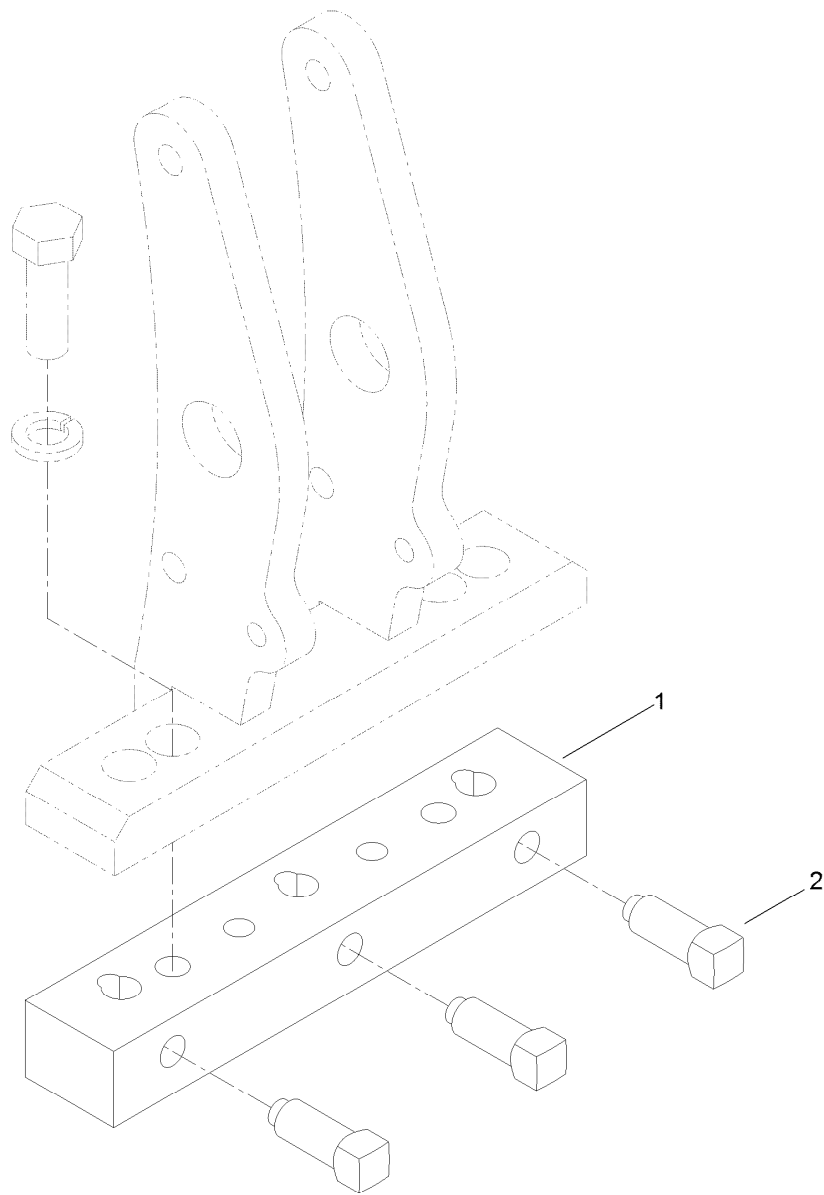
2-12mm or 5/16 Tine Head Adapter Kit No. 117-7195

<i>Ref.</i>	<i>Part Number</i>	<i>Qty.</i>	<i>Description</i>
1	SGH08702-03	1	Head-Tine, Adapter
2	SG477125	2	Screw-Set, SQH



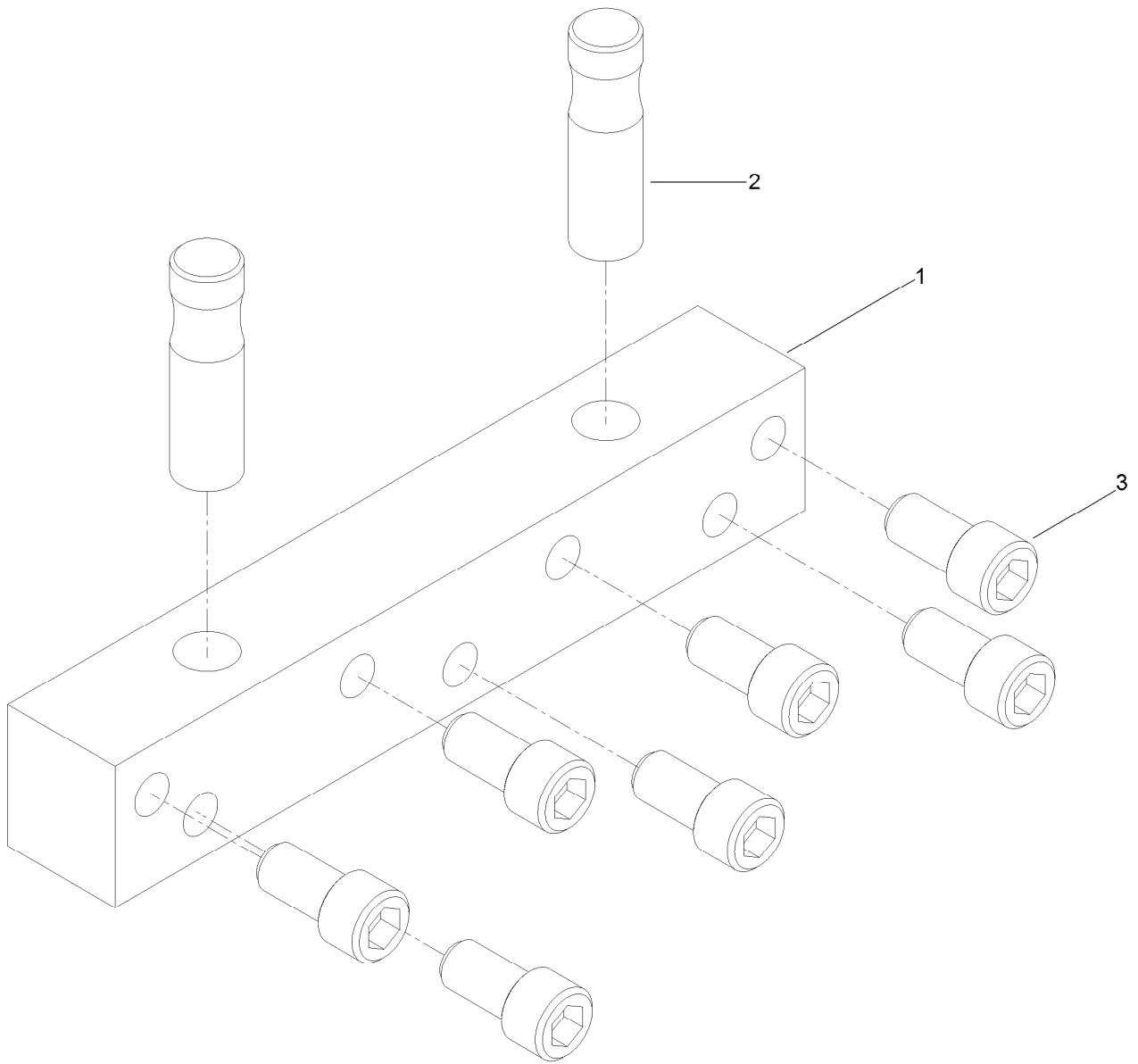
4-3/8 or 5/16 Tine Head Adapter Kit No. 117-7196

<i>Ref.</i>	<i>Part Number</i>	<i>Qty.</i>	<i>Description</i>
1	SGH08703-03	1	Head-Tine, Adapter
2	SG477125	4	Screw-Set, SQH



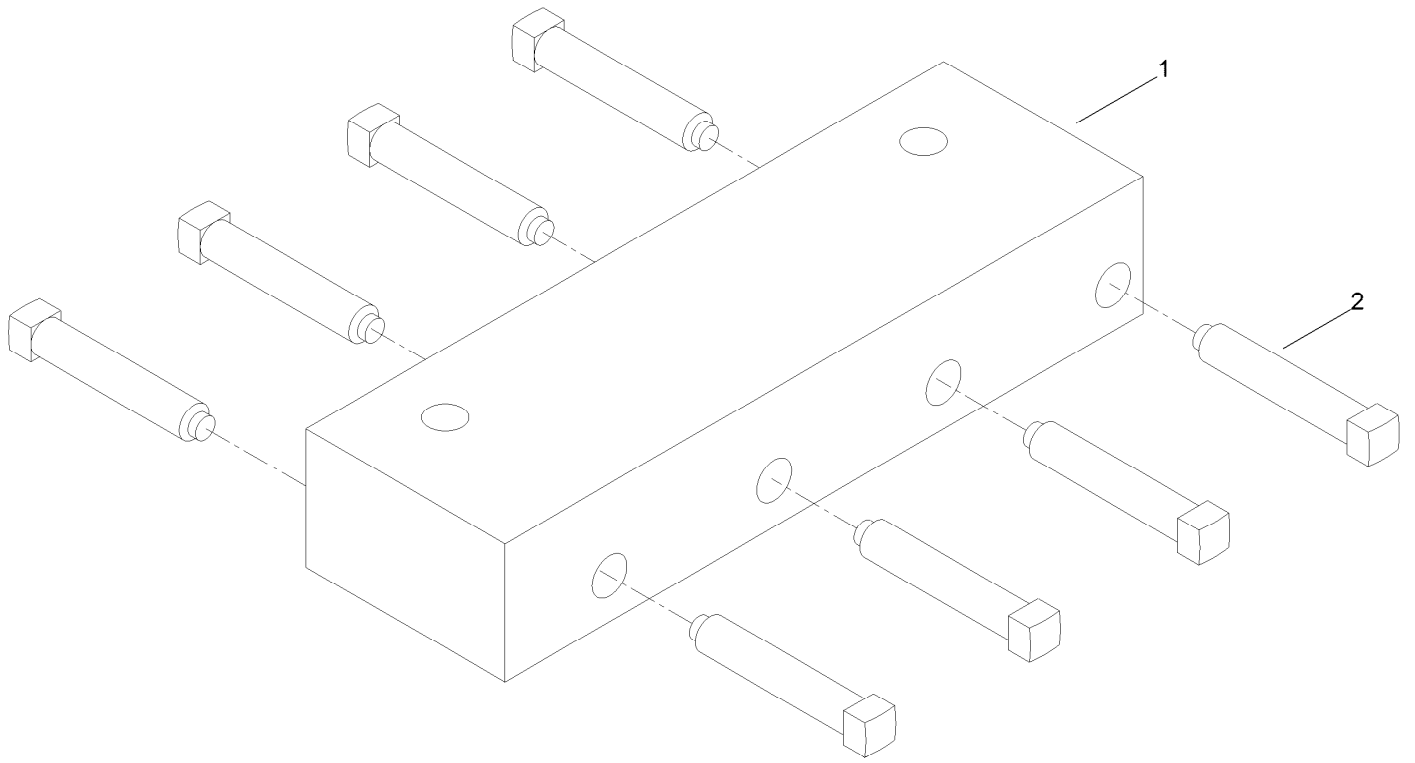
3-12mm or 5/16 Tine Head Adapter Kit No. 117-7197

<i>Ref.</i>	<i>Part Number</i>	<i>Qty.</i>	<i>Description</i>
1	SGH08704-03	1	Head-Tine, Adapter
2	SG477125	3	Screw-Set, SQH



4-12mm or 3-18mm Tine Head Adapter Kit No. 117-7198

<i>Ref.</i>	<i>Part Number</i>	<i>Qty.</i>	<i>Description</i>
1	SGH08750-03	1	Head-Tine, Adapter
2	SG715775	2	Shank-Adapter
3	SG471620	7	Head-Tine, Bolt (Long)



8-3/8 Tine Head Adapter Kit No. 117-7199

<i>Ref.</i>	<i>Part Number</i>	<i>Qty.</i>	<i>Description</i>
1	SGH08705	1	Head-Tine Adapter
2	SG715756	8	Screw-Set, SQH

Attachments and Accessories

For 117-7190 Tine Head Adapter Kits ProCore SR Series Aerator

Product Name	Model/Part
TINE-SOLID 5/16" X 8.50"	SGS07313
TINE-SOLID 5/16" X 10"	SGS08313

For 117-7191 Tine Head Adapter Kits ProCore SR Series Aerator

Product Name	Model/Part
TINE-SIDE EJECT	139-8616
TINE-SIDE EJECT	139-8620
TINE-SIDE EJECT	139-8625
TINE-SOLID 12MM X 8.00"	SGS08500
TINE-SOLID 12MM X 12.20"	SGS10500
TINE-SOLID 12MM X 10.75"	SGS10504
TINE-SOLID 12MM X 14.25"	SGS12500
TINE-SOLID 12MM X 16.18"	SGS14500

For 117-7193 Tine Head Adapter Kits ProCore SR Series Aerator

Product Name	Model/Part
TINE-SIDE EJECT	139-8618
TINE-SOLID 5/16" X 8.50"	SGS07313
TINE-SOLID 5/16" X 10"	SGS08313
TINE-SOLID 3/8" X 9.00"	SGS08375
TINE-SOLID 3/8" X 10.75"	SGS10374
TINE-SOLID 3/8" X 12.15"	SGS10375

For 117-7194 Tine Head Adapter Kits ProCore SR Series Aerator

Product Name	Model/Part
TINE-SOLID 18MM X 12.25"	SGS10750

For 117-7195 Tine Head Adapter Kits ProCore SR Series Aerator

Product Name	Model/Part
TINE-SIDE EJECT	139-8616
TINE-SIDE EJECT	139-8620
TINE-SIDE EJECT	139-8625
TINE-SOLID 5/16" X 8.50"	SGS07313
TINE-SOLID 5/16" X 10"	SGS08313
TINE-SOLID 12MM X 8.00"	SGS08500
TINE-SOLID 12MM X 10.75"	SGS10504

For 117-7196 Tine Head Adapter Kits ProCore SR Series Aerator

Attachments and Accessories (continued)

Product Name	Model/Part
TINE-SIDE EJECT	139-8618
TINE-SOLID 5/16" X 8.50"	SGS07313
TINE-SOLID 5/16" X 10"	SGS08313
TINE-SOLID 3/8" X 9.00"	SGS08375
TINE-SOLID 3/8" X 10.75"	SGS10374

For 117-7197 Tine Head Adapter Kits ProCore SR Series Aerator

Product Name	Model/Part
TINE-SIDE EJECT	139-8616
TINE-SIDE EJECT	139-8620
TINE-SIDE EJECT	139-8625
TINE-SOLID 5/16" X 8.50"	SGS07313
TINE-SOLID 5/16" X 10"	SGS08313
TINE-SOLID 12MM X 8.00"	SGS08500
TINE-SOLID 12MM X 10.75"	SGS10504

For 117-7198 Tine Head Adapter Kits ProCore SR Series Aerator

Product Name	Model/Part
TINE-SIDE EJECT	139-8613
TINE-SIDE EJECT	139-8614
TINE-SIDE EJECT	139-8615
TINE-SIDE EJECT	139-8617
TINE-SIDE EJECT	139-8619
TINE-SIDE EJECT	139-8622
TINE-SIDE EJECT	139-8623
TINE-SIDE EJECT	139-8624
TINE-SIDE EJECT	139-8627
TINE-SIDE EJECT	139-8628
TINE-SOLID 12MM X 8.00"	SGS08500
TINE-SOLID 12MM X 12.20"	SGS10500
TINE-SOLID 12MM X 10.75"	SGS10504
TINE-SOLID 18MM X 12.25"	SGS10750
TINE-SOLID 7/8" X 12.50"	SGS10875
TINE-SOLID 12MM X 14.25"	SGS12500
TINE-SOLID 18MM X 14.25"	SGS12750
TINE-SOLID 7/8" X 14.00"	SGS12875
TINE-SOLID 12MM X 16.18"	SGS14500
TINE-SOLID 18MM X 16.25"	SGS14750
TINE-SOLID 7/8" X 16.00"	SGS14875

For 117-7199 Tine Head Adapter Kits ProCore SR Series Aerator

Product Name	Model/Part
TINE-SIDE EJECT	139-8618

Attachments and Accessories (continued)

TINE-SOLID 3/8" X 9.00"	SGS08375
TINE-SOLID 3/8" X 10.75"	SGS10374

Notes:

Notes:

Notes:



Count on it.