



Count on it.

Parts Catalog

Pro Force®

Debris Blower

Model No. 44552—Serial No. 418130590 and Up



Ordering Replacement Parts

To order replacement parts, please supply the part number, the quantity, and the description of each part desired.

Understanding Reference Numbers

Each identified part in an illustration has a reference number. The reference number for a part also appears in the parts list, along with other information about the part.

This catalog uses two special reference number formats, one to indicate parts in a service assembly and another to indicate the quantity of a given part in an illustration.

Service Assembly Reference Numbers

Parts in service assemblies have reference numbers in the form a:b. The a represents the reference number of the entire service assembly and the b represents a sequential number unique to each part within the service assembly.

For example, a wheel assembly might be identified by reference number 6, the tire by 6:1, the valve by 6:2, and the wheel by 6:3. When you order the assembly identified by reference number 6, you receive all parts identified by reference numbers 6:1, 6:2, and 6:3. However, you may also order any part individually. Reference numbers of this type appear in illustration and in parts lists.

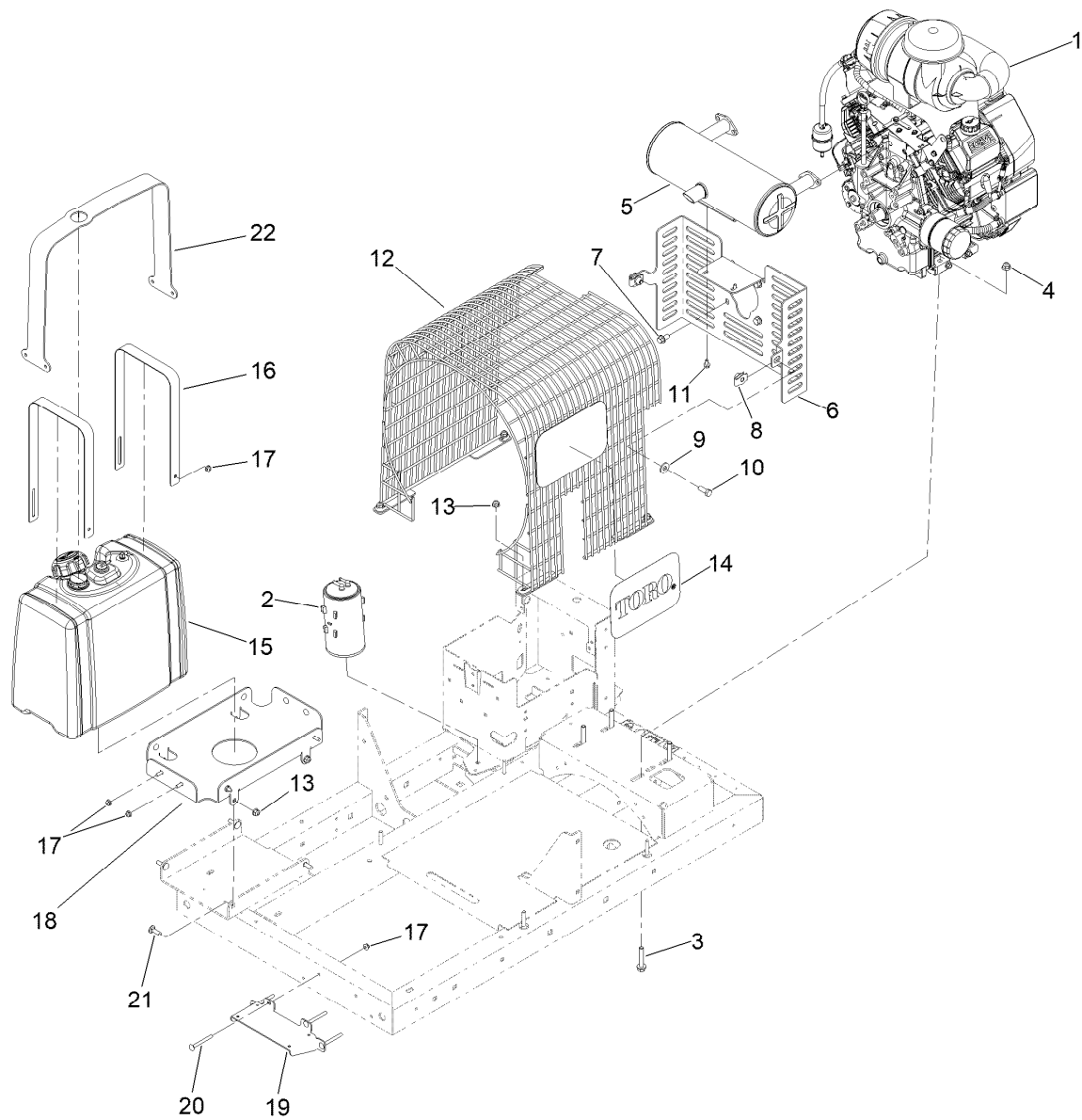
Reference Numbers Indicating Quantity

In an illustration, if a reference number indicates more than one part, the reference number has the form nX y. The n represents the quantity of the part, the X is the multiplication symbol, and the y represents the reference number.

For example, in an illustration, the reference number 2X 37 means that two of the parts identified by reference number 37 are indicated.

Contents

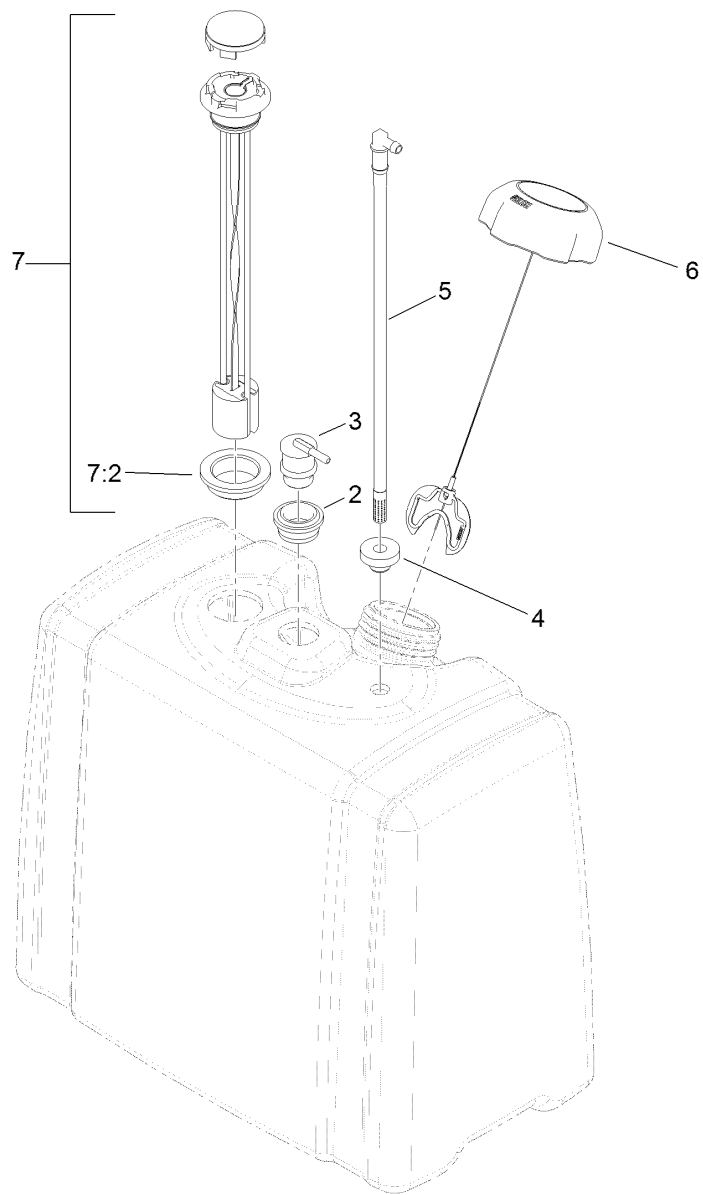
Engine, Muffler and Fuel Tank Assembly	4
Fuel Tank Assembly No. 115-9048	5
Fuel Delivery Assembly	6
Electrical System Assembly	7
Wire Harness Assembly No. 122-1747	8
Frame, Wheel, Axle and Hitch Assembly	9
Hub and Axle Assembly No. 144-3630	11
Frame Assembly	12
Axle Assembly No. 119-2966	13
Hitch Assembly No. 119-3005	14
Turbine Mounting Assembly	15
Turbine Assembly No. 140-6946SP	16
Nozzle Assembly	17
Driveshaft and Battery Assembly	18
Attachments and Accessories	19



Engine, Muffler and Fuel Tank Assembly

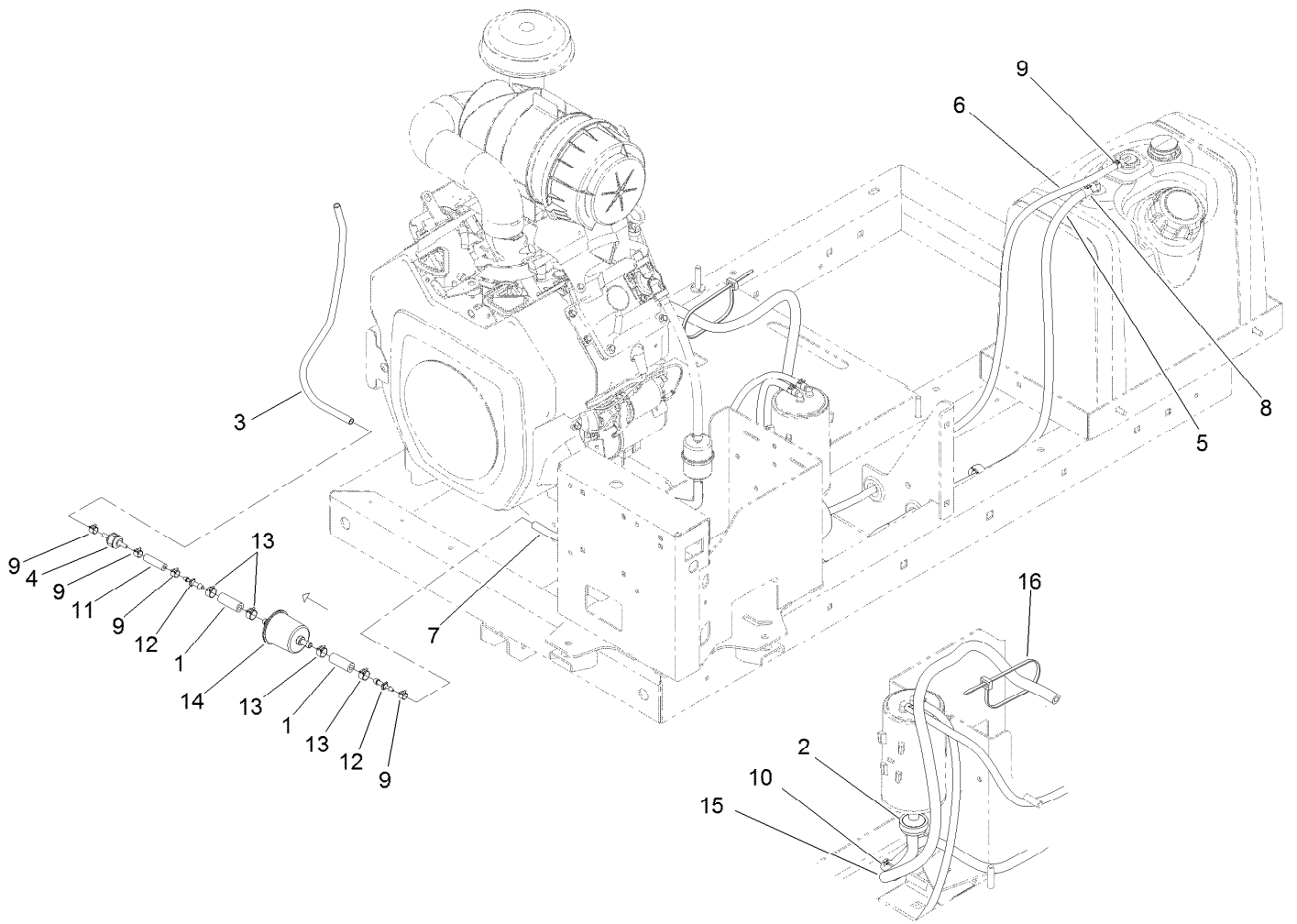
Ref.	Part Number	Qty.	Description
1	138-9295	1	Engine-Kohler, Ch740-3370
1	145-7468	1	Engine-Kohler
2	127-8685	1	Canister-Carbon
3	66-9302	4	Screw-HHF Lock
4	104-8301	4	Nut-HF, NI
5	112-6862	1	Muffler
6	119-6171-03	1	Mount-Muffler
7	110-1718	4	Screw-HHSF,Patch
8	105-4886	2	Nut-Tinnerman
9	80-6990	2	Washer-Hardened
10	323-6	2	Screw-HH
11	33103-012	2	Screw-HHF

Ref.	Part Number	Qty.	Description
12	112-6876	1	Grill-Top
13	104-8300	8	Nut-HF, NI
14	92-1242	2	Decal
15	115-9048	1	Fuel Tank ASM
16	119-6285	2	Strap-Hold Down, Tank
17	104-7201	12	Nut-HF, NI
18	145-7461-01	1	Mount-Tank, 5GA [red]
19	140-6766-01	1	Plate-Mount
20	3229-8	4	Screw-CARR
21	3230-2	4	Bolt-CARR
22	144-3629-03	1	Guard-Gauges



Fuel Tank Assembly No. 115-9048

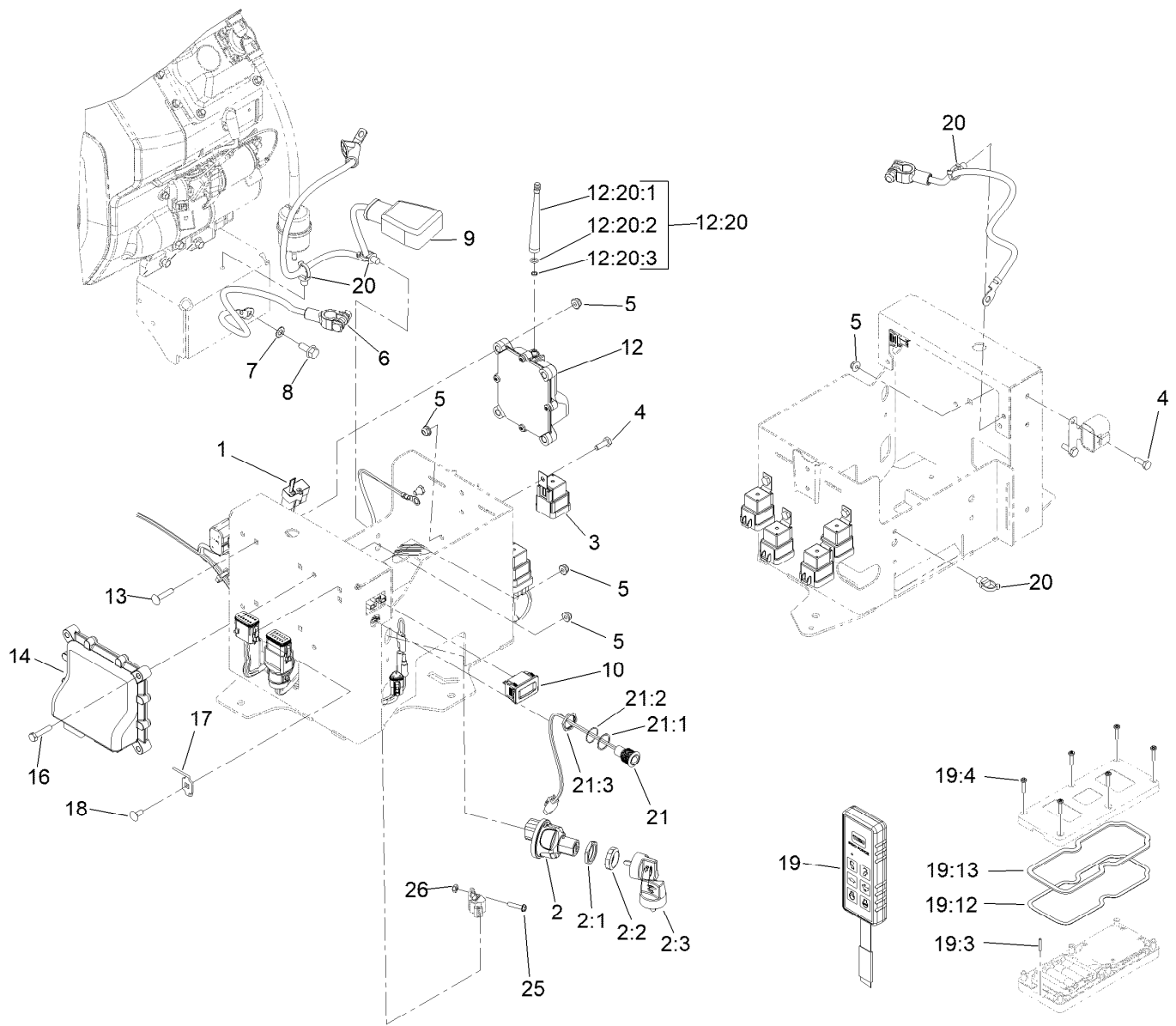
<i>Ref.</i>	<i>Part Number</i>	<i>Qty.</i>	<i>Description</i>
2	114-0284	1	Grommet
3	114-0285	1	Valve-Rollover
4	46-6560	1	Bushing
5	115-9044	1	Pipe-Stand
6	137-4127	1	Cap-Fuel
7	119-0509	1	Gauge ASM
7:2	119-0508	1	Seal



Fuel Delivery Assembly

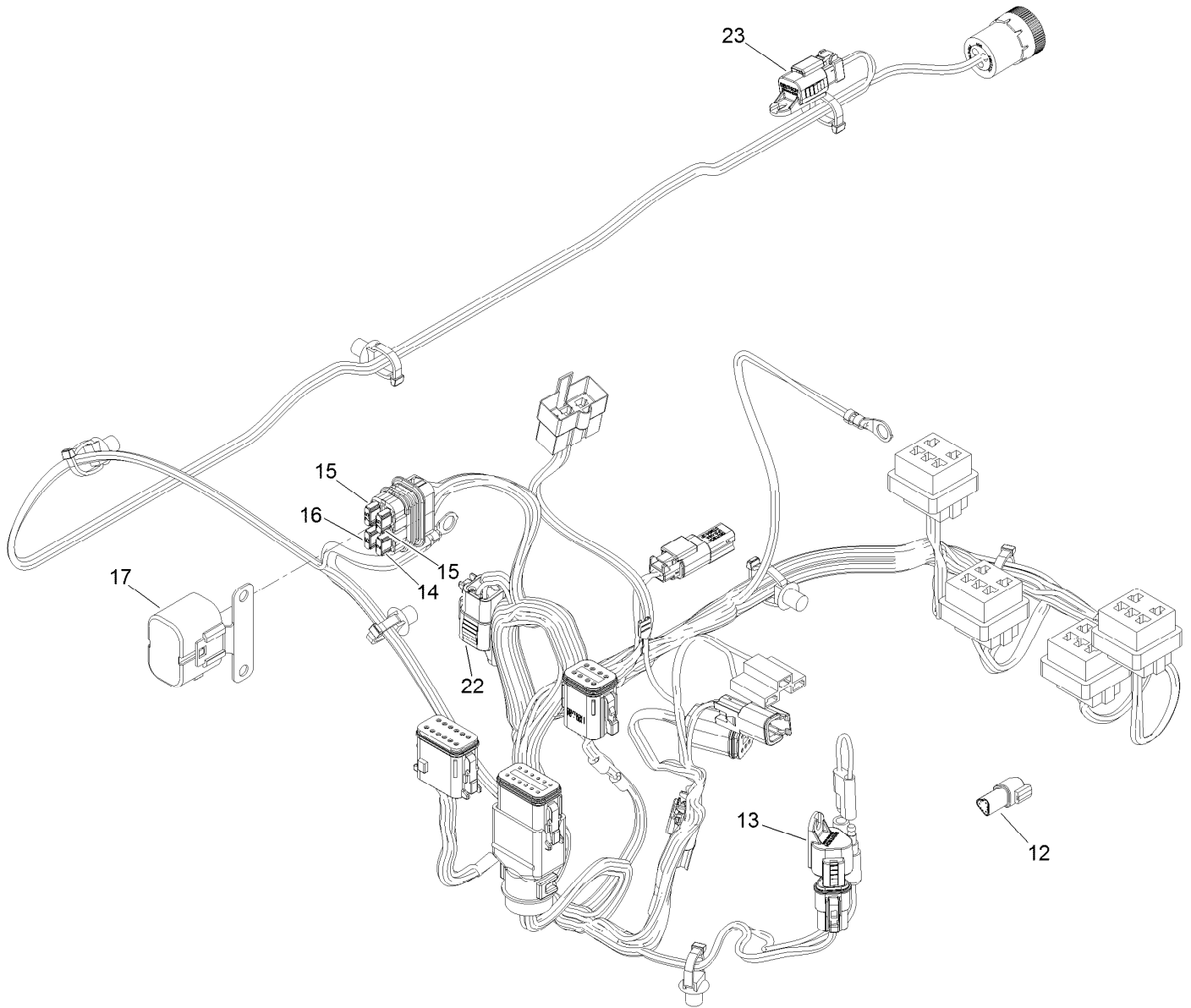
Ref.	Part Number	Qty.	Description
1	106-5317	3	Hose-Fuel
2	115-7854	1	Filter-Fuel, Inline
3	119-8150	1	Hose-Fuel
4	133-8499	1	Valve-Check, Vacuum
5	107-9298	1	Hose-Fuel
6	119-6073	1	Hose-Fuel
7	110-3254	1	Hose-Fuel
8	2412-98	2	Clamp-Hose

Ref.	Part Number	Qty.	Description
9	2412-80	5	Clamp-Hose
10	32180-030	6	Clip-Tie
11	119-8561	1	Hose-Fuel
12	106-8150	2	Fitting-Straight
13	92-2379	4	Clamp-Hose
14	120-2235	1	Filter-Fuel
15	110-4109	1	Hose-Fuel
16	3290-378	1	Tie-Cable



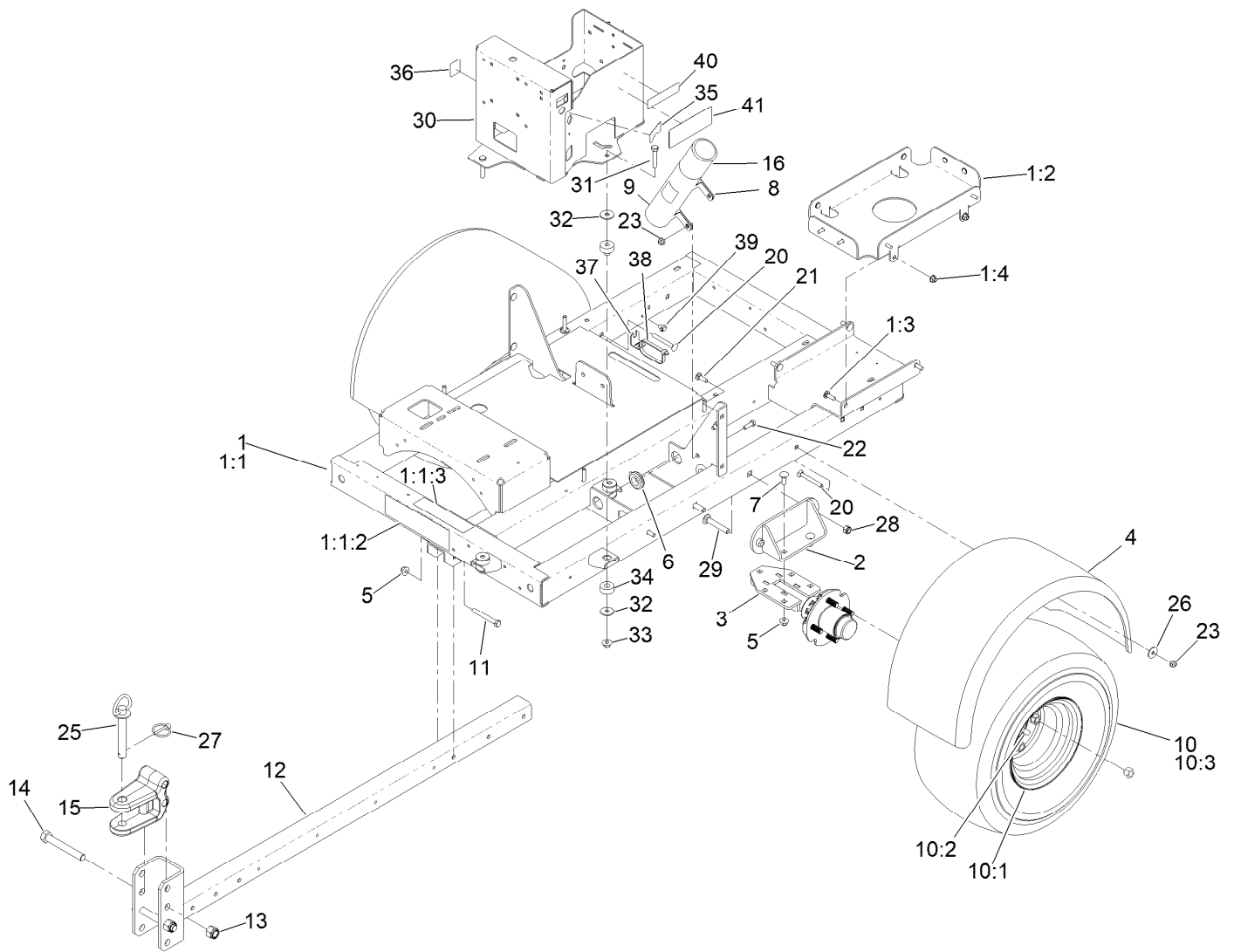
Electrical System Assembly

Ref.	Part Number	Qty.	Description	Ref.	Part Number	Qty.	Description
1	122-1747	1	Harness-Wire, Proforce Blower Rf2Can	13	3229-3	4	Screw-CARR
2	121-5159	1	Switch-Ignition	14	125-1360	1	Controller
2:1	121-5160	1	Nut-Hex	16	321-8	4	Screw-HH
2:2	122-2704	1	Nut-Face, M22 (Plastic)	17	121-2761	1	Mount-Transmitter
2:3	121-5162	1	Set-Key, Ignition	18	3229-11	1	Screw-CARR
3	99-7430	4	Relay-Mini	19	125-1270	1	Remote ASM
4	321-4	6	Screw-HH	19:3	121-2906	1	Pin-Lanyard
5	104-7201	15	Nut-HF, NI	19:4	121-2908	6	Screw-PPH
6	125-5966	1	Cable-Battery, Negative	19:12	125-1294	1	Backer-Gasket
7	3255-8	1	Washer-Lock	19:13	163-0307	1	Gasket-HH
8	33104-020	1	Screw-HHF	20	32180-030	3	Clip-Tie
9	122-0629	1	Cable-Battery, Positive	21	122-0630	1	Red LED Indicator Lamp ASM
10	120-2244	1	Hourmeter	21:1	122-0634	1	Gasket-LED
12	132-9600	1	Controller	21:2	122-0633	1	Washer-Locking
12:20	140-6605	1	Antenna Service Kit	21:3	122-0632	1	Nut-Fixing
12:20:1	125-1567	1	Antenna	25	106-9169	1	Screw-HWH
12:20:2	127-2323	1	O-Ring	26	3296-12	1	Nut-Lock, NI
12:20:3	127-2506	1	Spacer				



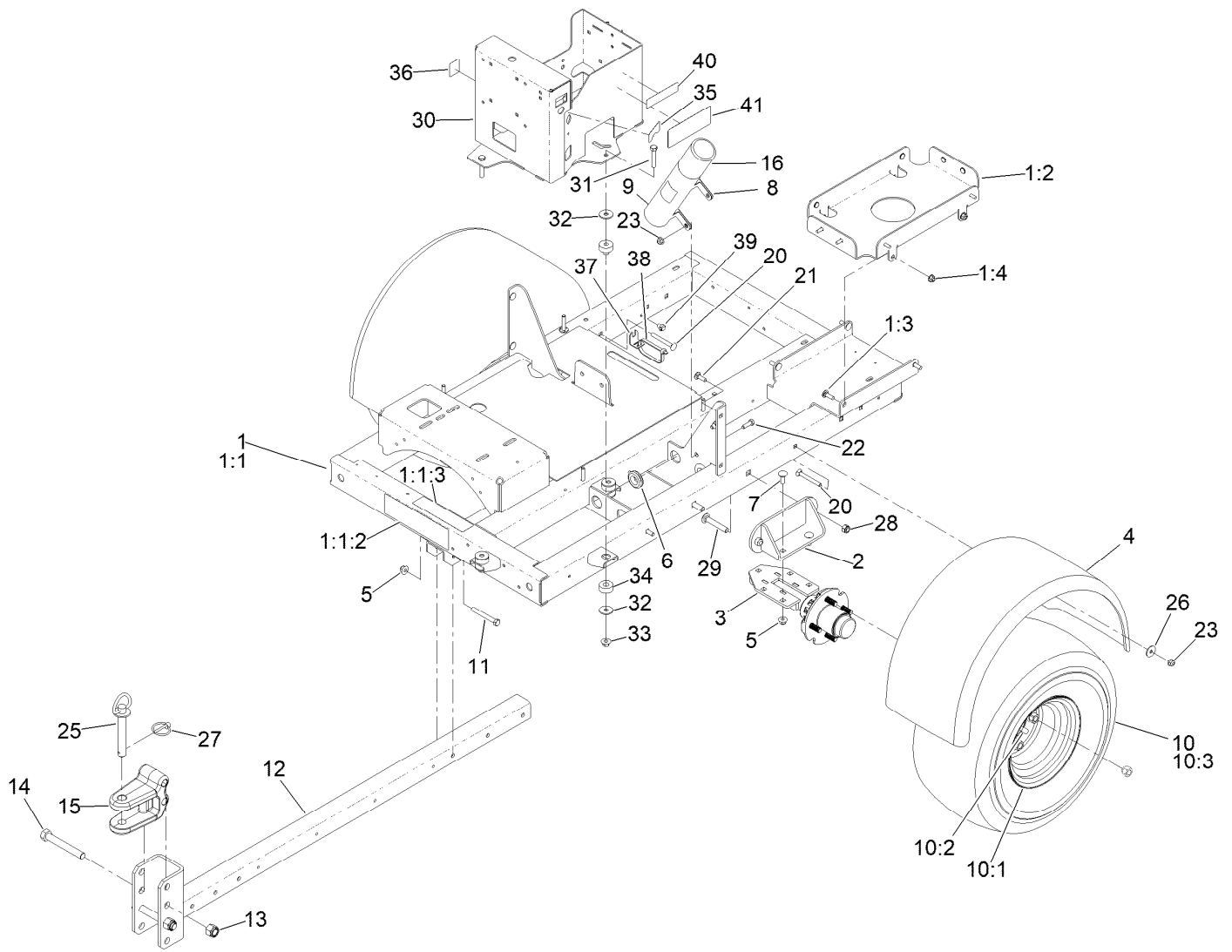
Wire Harness Assembly No. 122-1747

<i>Ref.</i>	<i>Part Number</i>	<i>Qty.</i>	<i>Description</i>
12	32180-043	2	Resistor-120 Ohm
13	32180-089	1	Cap-Plug, 3 Way
14	121-8861	1	Fuse-Mini Blade, 2 Amp
15	121-8865	2	Fuse-Mini Blade, 7.5 Amp
16	121-8867	1	Fuse-Mini Blade, 15 Amp
17	32180-179	1	Cover-Bussman
22	32180-156	1	Cap-Plug, 6 Way
23	32180-091	1	Cap-Dust, 2 Way



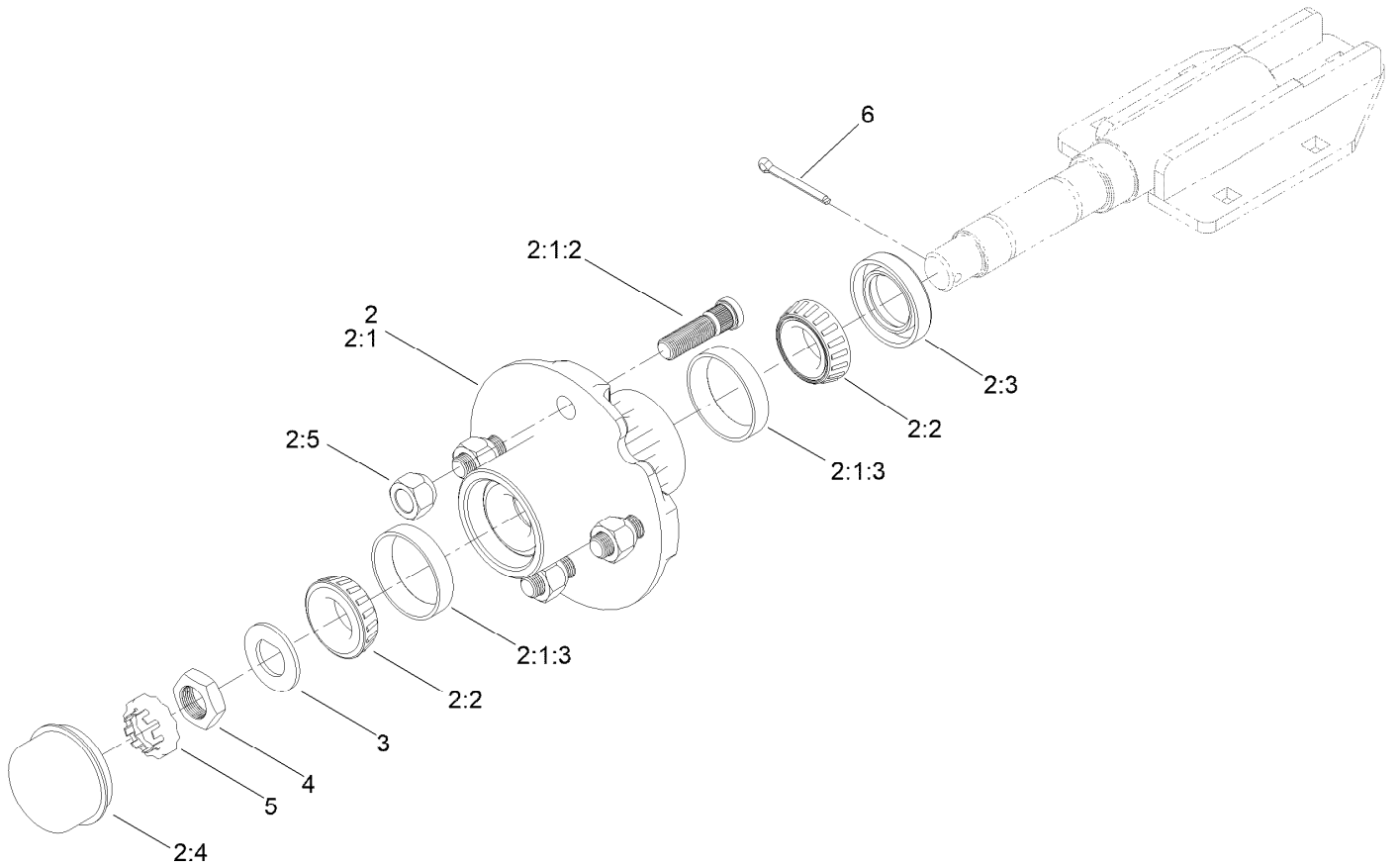
Frame, Wheel, Axle and Hitch Assembly

Ref.	Part Number	Qty.	Description	Ref.	Part Number	Qty.	Description
1	161-7874	1	Frame ASM Service Kit	12	112-6942-01	1	Hitch
1:1	144-3212	1	Frame ASM, Service	13	3296-53	2	Nut-Lock, NI
1:1:2	140-6767	1	Decal-Warning,Db	14	327-23	2	Screw-HH
1:1:3	115-5113	1	Decal-Protection, Eye And Ear	15	131-4381-01	1	Hitch-Clevis
1:2	145-7461-01	1	Mount-Tank, 5GA [red]	16	104-7048	1	Cap-Housing
1:3	3230-2	4	Bolt-CARR	20	3230-9	4	Screw-CARR
1:4	104-8300	4	Nut-HF, NI	21	3230-2	4	Bolt-CARR
2	119-2958-01	2	Mount-Axle	22	322-5	2	Screw-HH
3	144-3630	2	Hub Axle Assembly	23	104-8300	10	Nut-HF, NI
4	112-6852	2	Fender	25	13-6200	1	Pin-Hitch, Pointed
5	104-8301	8	Nut-HF, NI	26	3256-82	8	Washer-Flat
6	1-543286	2	Grommet	27	92-1298	1	Pin-Lynch
7	3231-2	6	Bolt-CARR	28	3296-48	4	Nut-Hex
8	2412-133	2	Clamp-R	29	3232-17	4	Screw-CARR
9	104-7050	1	Tube-Manual	30	125-6055-01	1	Tower-Control, Wa
10	144-3664	2	Wheel-Assembly	31	323-10	3	Screw-HH
10:1	137-2597	1	Rim	32	93-8806	6	Washer-Hardened
10:2	232-27	1	Stem-Valve	33	32128-19	3	Nut-HF Lock, Large Flg
10:3	144-3665	1	Tire	34	121-2870	3	Mount-2 Piece
11	323-14	2	Screw-HH	35	119-6165	1	Decal-Ignition
				36	131-6766	1	Decal-Fuses



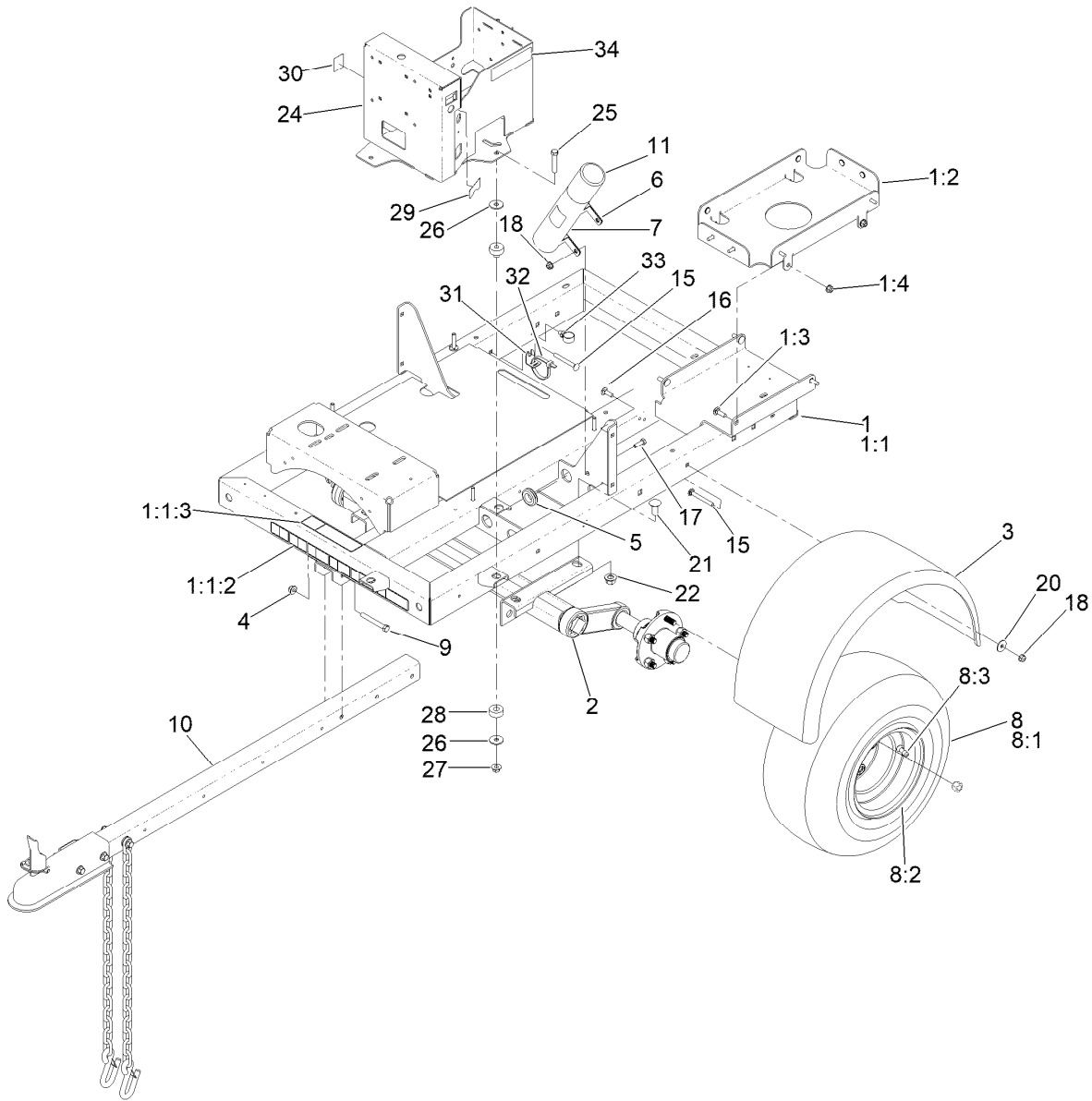
Frame, Wheel, Axle and Hitch Assembly (continued)

<i>Ref.</i>	<i>Part Number</i>	<i>Qty.</i>	<i>Description</i>	<i>Ref.</i>	<i>Part Number</i>	<i>Qty.</i>	<i>Description</i>
37	131-6703	1	Bracket-Hold Down, Electrical	39	32180-030	1	Clip-Tie
38	3334-945	1	Tie-Cable	40	133-8062	1	Decal-Spark Arrestor
				41	140-6843	1	Decal - Proforce Frame



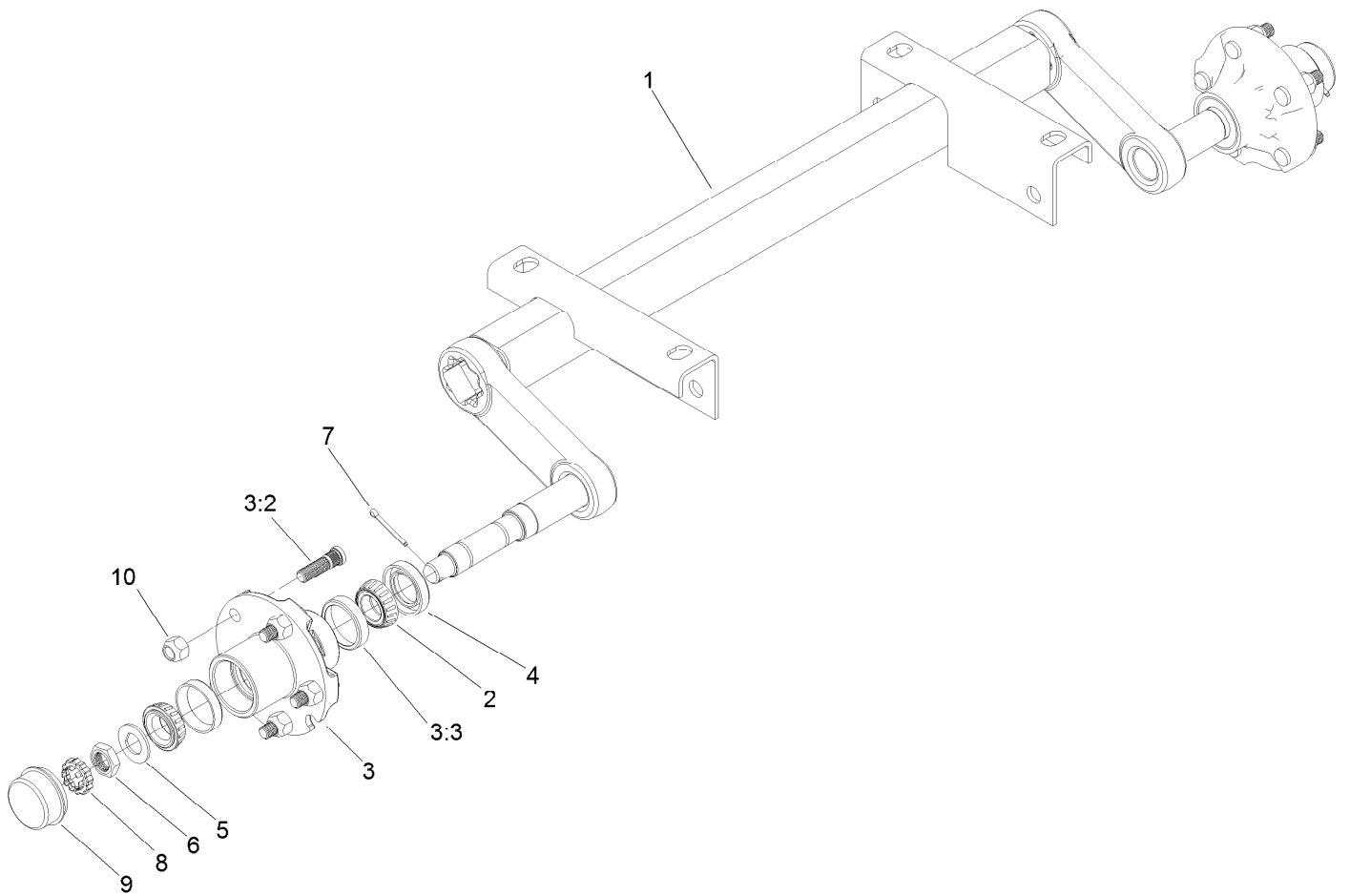
Hub and Axle Assembly No. 144-3630

<i>Ref.</i>	<i>Part Number</i>	<i>Qty.</i>	<i>Description</i>
2	117-5115	1	Hub And Bearing ASM
2:1	117-8251	1	Hub ASM
2:1:2	114-3918	4	Stud-Wheel
2:1:3	254-72	2	Bearing-Cup, Tapered
2:2	254-94	2	Bearing-Cone, Tapered
2:3	112-1690	1	Seal-Oil
2:4	241-119	1	Cap-Dust
2:5	139-2564	4	Nut-Lug
3	117-8259	1	Washer-Spindle
4	117-8260	1	Nut
5	93-0307	1	Nut-Lock, Retainer
6	3272-18	1	Pin-Cotter



Frame Assembly

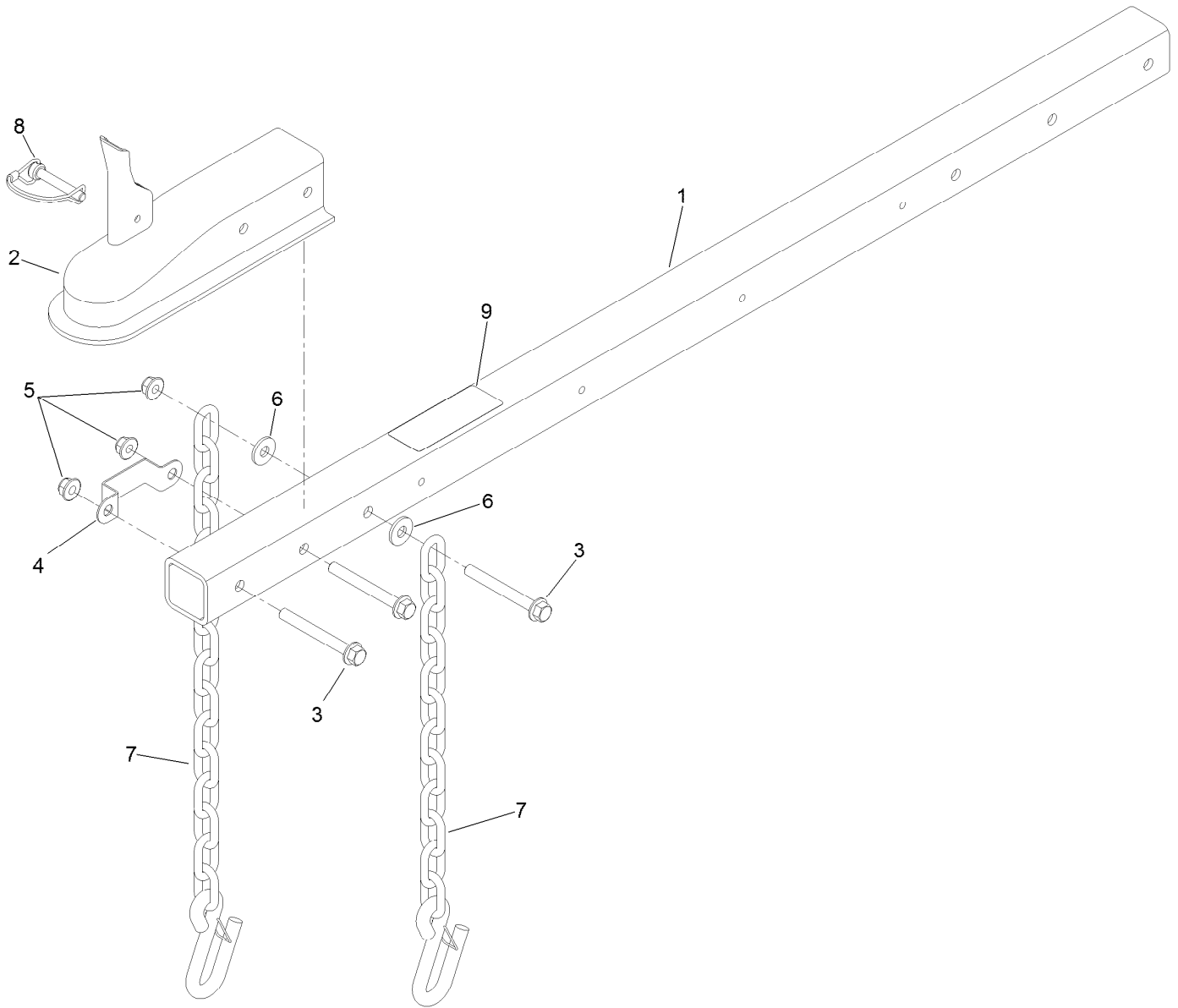
Ref.	Part Number	Qty.	Description	Ref.	Part Number	Qty.	Description
1	161-7874	1	Frame ASM Service Kit	11	104-7048	1	Cap-Housing
1:1	144-3212	1	Frame ASM, Service	15	3230-9	4	Screw-CARR
1:1:2	140-6767	1	Decal-Warning,Db	16	3230-2	4	Bolt-CARR
1:1:3	115-5113	1	Decal-Protection, Eye And Ear	17	322-5	2	Screw-HH
1:2	145-7461-01	1	Mount-Tank, 5GA [red]	18	104-8300	10	Nut-HF, NI
1:3	3230-2	4	Bolt-CARR	20	3256-82	8	Washer-Flat
1:4	104-8300	4	Nut-HF, NI	21	3233-26	4	Screw-CARR,Shortneck
2	119-2966	1	Axle ASM	22	99-5107	4	Nut-Lock
3	112-6852	2	Fender	24	125-6055-01	1	Tower-Control, Wa
4	104-8301	2	Nut-HF, NI	25	323-10	3	Screw-HH
5	1-543286	2	Grommet	26	93-8806	6	Washer-Hardened
6	2412-133	2	Clamp-R	27	32128-19	3	Nut-HF Lock, Large Fig
7	104-7050	1	Tube-Manual	28	121-2870	3	Mount-2 Piece
8	119-3013	2	Wheel And Tire ASM	29	119-6165	1	Decal-Ignition
8:1	119-3009	1	Tire	30	131-6766	1	Decal-Fuses
8:2	119-3010	1	Rim	31	131-6703	1	Bracket-Hold Down, Electrical
8:3	232-27	1	Stem-Valve	32	3334-945	1	Tie-Cable
9	323-14	2	Screw-HH	33	32180-030	1	Clip-Tie
10	119-3005	1	Hitch ASM	34	133-8062	1	Decal-Spark Arrestor



Axle Assembly No. 119-2966

Ref.	Part Number	Qty.	Description
1		1	Axle-Torsion ●
2	254-94	4	Bearing-Cone, Tapered
3	119-3016	1	Hub ASM
3:2	114-3918	5	Stud-Wheel
3:3	254-72	2	Bearing-Cup, Tapered
4	112-1690	2	Seal-Oil
5	117-8259	2	Washer-Spindle
6	117-8260	2	Nut
7	3272-18	2	Pin-Cotter
8	93-0307	2	Nut-Lock, Retainer
9	241-119	2	Cap-Dust
10	139-2564	10	Nut-Lug

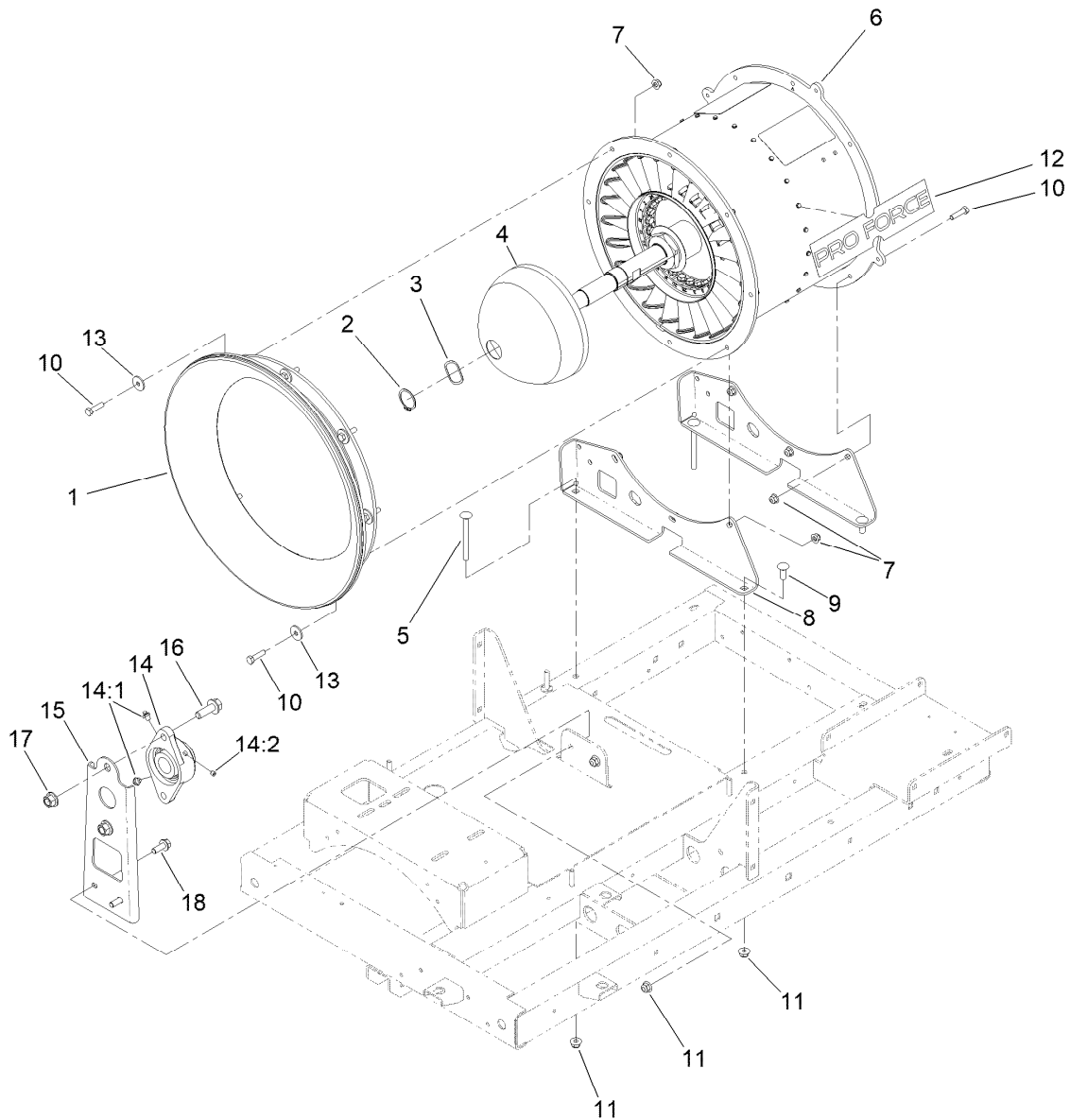
● Not serviced separately



Hitch Assembly No. 119-3005

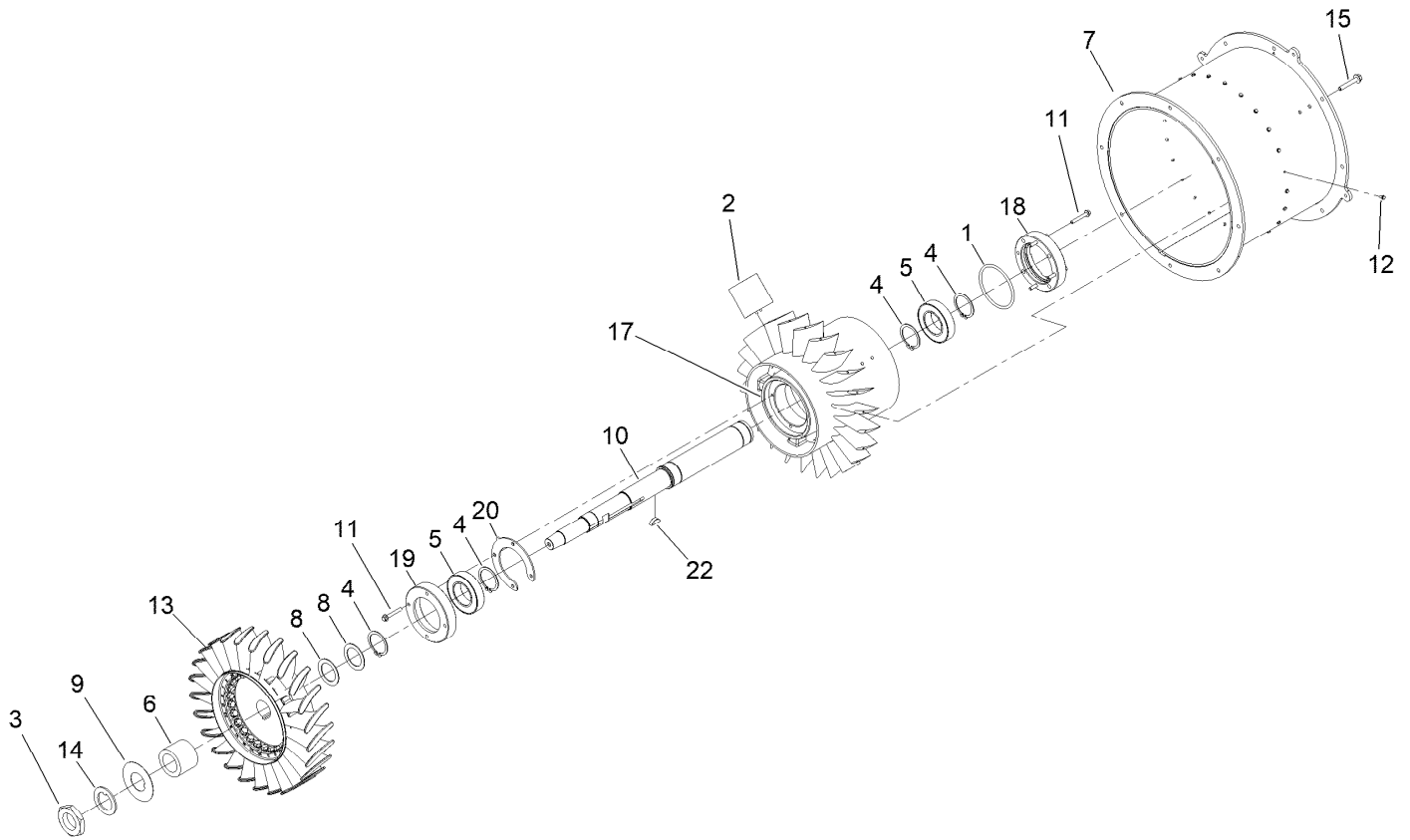
Ref.	Part Number	Qty.	Description
1		1	Tube-Hitch ●
2	117-8371	1	Receiver-Hitch, Ball
3	3234-41	3	Screw-HHF
4	119-3006	1	Hook-Light
5	104-8301	3	Nut-HF, NI
6	80-6990	2	Washer-Hardened
7	119-3045	2	Chain-Safety, Trailer
8	105-9245	1	Pin-Lock
9	119-6162	1	Decal-Tire

● Not serviced separately



Turbine Mounting Assembly

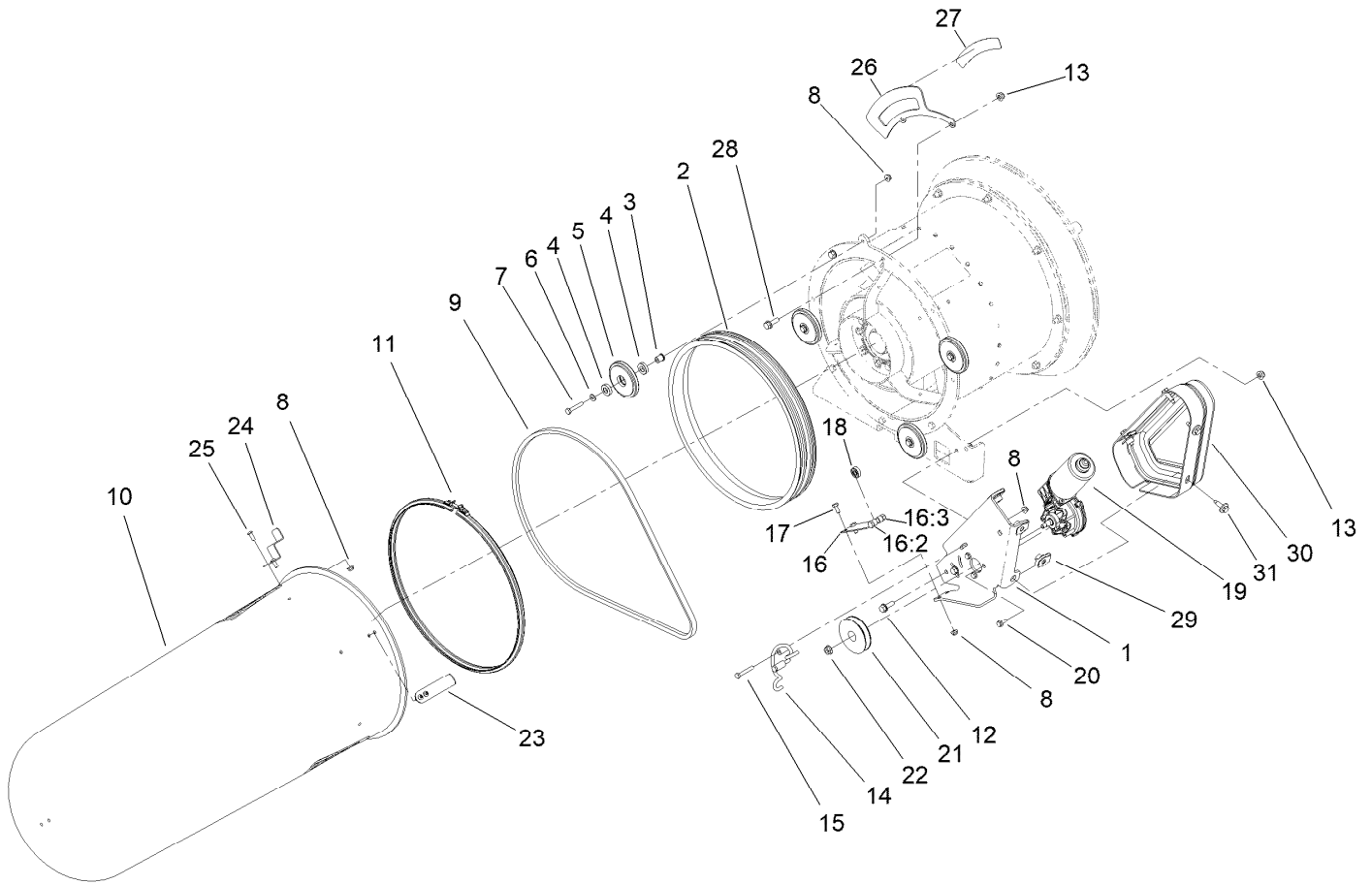
<i>Ref.</i>	<i>Part Number</i>	<i>Qty.</i>	<i>Description</i>	<i>Ref.</i>	<i>Part Number</i>	<i>Qty.</i>	<i>Description</i>
1	117-8329	1	Bell-Inlet	11	104-8301	4	Nut-HF, NI
2	112-1952	1	Ring-Snap, EXT	12	115-5102	2	Decal
3	93-4632	1	Washer-Wavey	13	115-7109	8	Washer-Flat
4	131-9440	1	Cap-Front	14	94-7484	1	Bearing
5	3231-24	2	Screw-CARR	14:1	302-2	2	Fitting-Grease
6	140-6946SP	1	Turbine ASM-Horizontal	14:2	106-9662	1	Screw-Set, HSH
7	104-8300	11	Nut-HF, NI	15	144-3316-01	1	Mount-Bearing
8	140-6983-01	2	Mount-Housing	16	100-6116	2	Screw-HHF
9	3231-22	2	Screw-CARR	17	99-5107	2	Nut-Lock
10	322-6	11	Screw-HH	18	3234-42	2	Screw-HHF



Turbine Assembly No. 140-6946SP

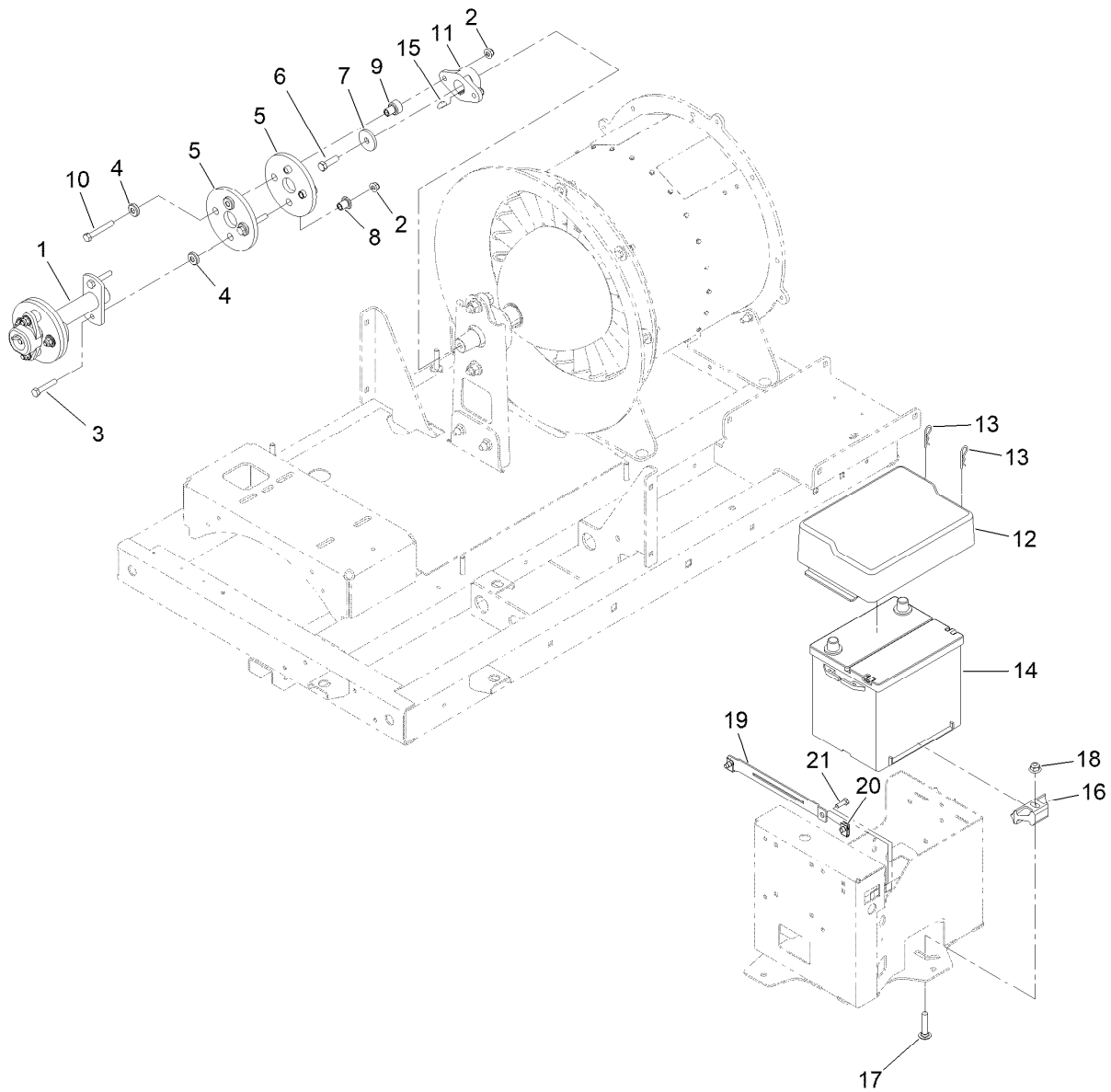
<i>Ref.</i>	<i>Part Number</i>	<i>Qty.</i>	<i>Description</i>
1	92-9533	1	O-Ring
2	112-1871	24	Vane-Stator
3	112-1899	1	Nut
4	112-1951	4	Ring-Snap, EXT
5	112-6764	2	Bearing-Ball
6	114-2164	1	Spacer
7	140-6945	1	Housing-Horizontal, Service ASM
8	115-5131	2	Washer
9	115-9005	1	Washer-Tab
10	140-6997	1	Shaft-Fan Long

<i>Ref.</i>	<i>Part Number</i>	<i>Qty.</i>	<i>Description</i>
11	125-4287	8	Screw-HHF
12	117-8303	24	Screw-HWH
13	117-8356	1	Rotor
14	119-6202	1	Washer-Tab
15	161-7875	4	Screw-HHSF
17	145-7583	1	Inner Housing
18	140-6933	1	End-Oring
19	120-6061	1	Bearing-Cap
20	120-6063	1	End-Cap
22	3257-42	1	Key-Woodruff



Nozzle Assembly

<i>Ref.</i>	<i>Part Number</i>	<i>Qty.</i>	<i>Description</i>	<i>Ref.</i>	<i>Part Number</i>	<i>Qty.</i>	<i>Description</i>
1	140-6849-01	1	Bracket-Motor, Covered	16:3	3296-42	1	Nut-Lock, NI
2	112-1874	1	Pulley-Nozzle	17	321-3	2	Screw-HH
3	140-6982	4	Spacer-Bearing	18	251-259	1	Bearing-Ball
4	115-6870	8	Bearing-Ball, Sealed	19	144-3274	1	Motor-Reversible
5	140-6979	4	Roller-Bearing	20	114-8414	3	Screw-HHF
6	120-9679	4	Washer-Flat	21	115-5147	1	Pulley
7	321-9	4	Screw-HH	22	98-0668	1	Nut
8	104-7201	12	Nut-HF, NI	23	140-2220-01	1	Indicator
9	112-1853	1	Belt-V	24	140-6685-07	1	Indicator
10	144-3382	1	Nozzle-Toro Proforce Trailer	25	119-6906	4	Screw-HSBH
11	112-6899	1	Clamp-Nozzle	26	140-6814-03	1	Gauge-Rotation
12	3234-29	2	Screw-HHF	27	140-2247	1	Decal-Position, Chute
13	104-8300	2	Nut-HF, NI	28	3234-17	2	Screw-HHF
14	112-6924	1	Guard-Belt, Drive	29	105-4886	4	Nut-Tinnerman
15	321-37	2	Screw-HH	30	140-6848	1	Motor-Cover
16	110-9650	1	Leaf Spring ASM	31	3234-42	4	Screw-HHF
16:2	36-2250	1	Bolt-Shoulder				



Driveshaft and Battery Assembly

Ref.	Part Number	Qty.	Description
1	140-6936-03	1	Drive-Shaft, Short [black]
2	104-8300	8	Nut-HF, NI
3	322-39	4	Screw-HH
4	131-6761	8	Washer
5	115-5129	4	Coupling-Rubber
6	323-7	2	Screw-HH
7	114-2120	2	Washer
8	131-6763	4	Spacer-Coupling, Rubber
9	131-6762	4	Spacer-Coupling, Rubber
10	322-32	4	Screw-HH
11	114-2122	2	Hub-Engine

Ref.	Part Number	Qty.	Description
12	130-8569	1	Cover-Battery
13	3290-467	2	Pin-Hair
14	106-5187	1	Battery- Dry, 12V, 525 CCA
15	3257-5	2	Key-Woodruff
16	138-6335	1	Retainer-Battery
17	3231-5	1	Screw-CARR
18	104-8301	1	Nut-HF, NI
19	130-0932-01	1	Bracket-Cover
20	107069	2	Clip
21	321-4	2	Screw-HH

Attachments and Accessories

For 44552 Pro Force Debris Blower

Product Name	Model/Part
Tapered Nozzle Kit.....	119-6280
Rectangular Nozzle Kit	119-6281
10 Gallon Kit, Pro Force Debris Blower.....	130-4371
Safety Chain Kit.....	139-3179
Chute Position Indicator Kit.....	140-2257
Service-Turbine, Kit	145-7489
Kit-Service, Nozzle Roller Conversion	145-7630
ALIGNMENT TOOL ASM	161-7891
Toro Red 12oz Aerosol Can	361-10
New Red Paint - Gallon	361-11
Semi-Gloss Black Spray Paint.....	361-9
LED Light Kit, Pro Force Debris Blower	44559
Spark Arrestor Screen	94-8157



Count on it.