



Count on it.

Parts Catalog

Groundsmaster® 4010

Rotary Mower

Model No. 30636—Serial No. 31500001 and Up



Ordering Replacement Parts

To order replacement parts, please supply the part number, the quantity, and the description of each part desired.

Understanding Reference Numbers

Each identified part in an illustration has a reference number. The reference number for a part also appears in the parts list, along with other information about the part.

This catalog uses two special reference number formats, one to indicate parts in a service assembly and another to indicate the quantity of a given part in an illustration.

Service Assembly Reference Numbers

Parts in service assemblies have reference numbers in the form a:b. The a represents the reference number of the entire service assembly and the b represents a sequential number unique to each part within the service assembly.

For example, a wheel assembly might be identified by reference number 6, the tire by 6:1, the valve by 6:2, and the wheel by 6:3. When you order the assembly identified by reference number 6, you receive all parts identified by reference numbers 6:1, 6:2, and 6:3. However, you may also order any part individually. Reference numbers of this type appear in illustration and in parts lists.

Reference Numbers Indicating Quantity

In an illustration, if a reference number indicates more than one part, the reference number has the form nX y. The n represents the quantity of the part, the X is the multiplication symbol, and the y represents the reference number.

For example, in an illustration, the reference number 2X 37 means that two of the parts identified by reference number 37 are indicated.

Contents

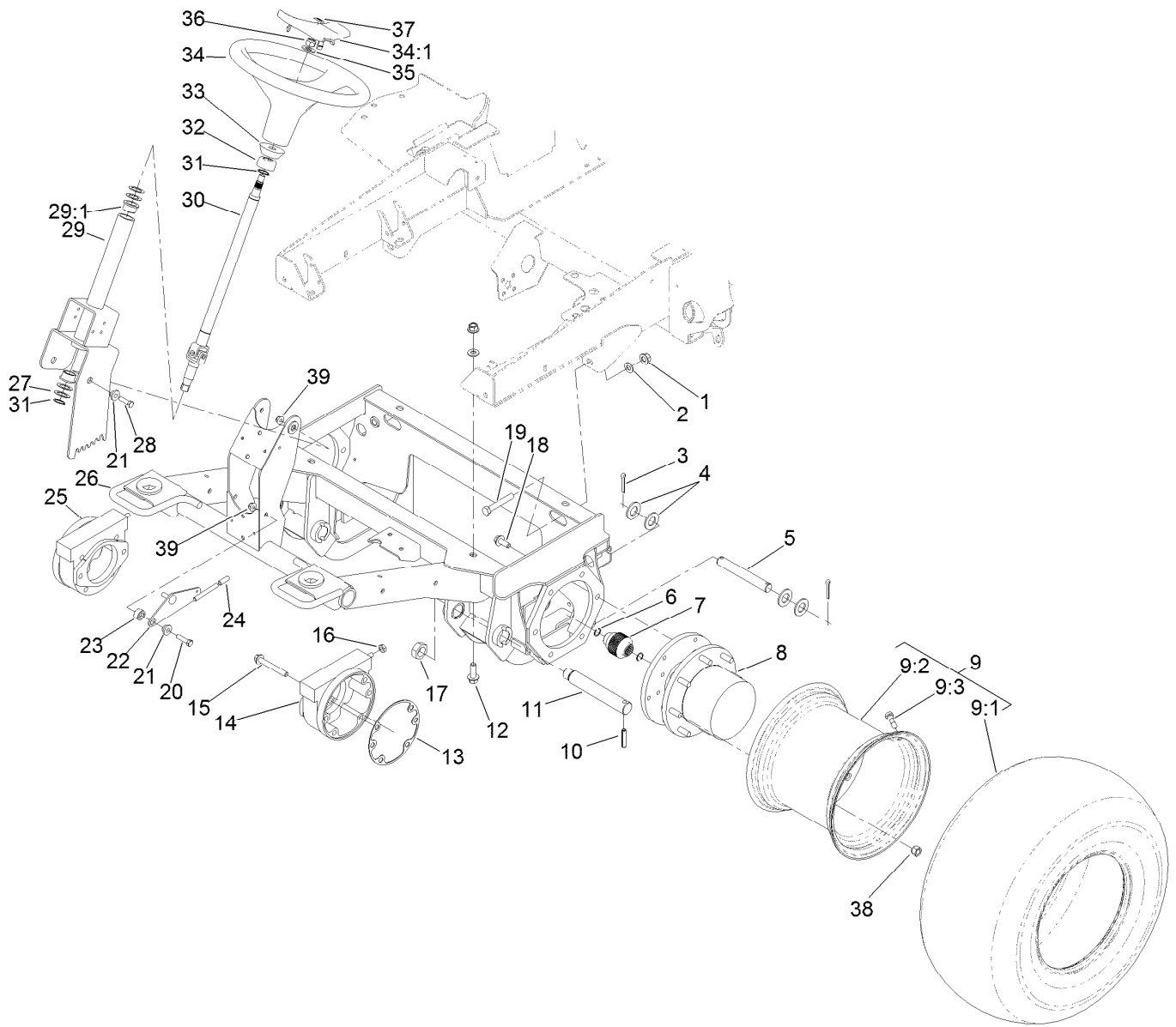
| | |
|-------------------------------------------------------------|----|
| Front Frame and Steering Assembly | 6 |
| Planetary Assembly No. 105-4500 | 8 |
| LH Brake Assembly No. 100-3070-03 | 9 |
| RH Brake Assembly No. 100-3069-03 | 10 |
| Battery, Rear Cover and Steer Valve Mount Assembly | 11 |
| Wing Lift Arm Assembly | 12 |
| Hydraulic Cylinder Assembly No. 107-4303 | 14 |
| Impact Arm Assembly | 15 |
| Frame, Bumper and Proximity Sensor Assembly | 17 |
| Flywheel and Motor Mount Assembly | 18 |
| Radiator and Fan Assembly | 19 |
| Fan Mounting and Hardline Assembly | 21 |
| Hydraulic Motor Assembly No. 117-4769 | 22 |
| Engine and Controller Assembly | 23 |
| Air Conditioner Compressor Mount Assembly | 24 |
| Washer Fluid Bottle Assembly | 25 |
| Rear Axle and Steering Cylinder Assembly | 26 |
| Bevel Pinion Shaft Assembly Rear Axle Assembly No. 110-4750 | 28 |
| Differential Assembly Rear Axle Assembly No. 110-4750 | 29 |
| Axle Support Assembly Rear Axle Assembly No. 110-4750 | 30 |
| Bevel Gear Case Assembly Rear Axle Assembly No. 110-4750 | 31 |
| Bevel Gear Shaft Assembly Rear Axle Assembly No. 110-4750 | 32 |
| Axle Case Assembly Rear Axle Assembly No. 110-4750 | 33 |
| Axle Assembly Rear Axle Assembly No. 110-4750 | 34 |
| Hydraulic Motor Assembly No. 120-8814 | 35 |
| Steering Cylinder Assembly No. 121-1534 | 36 |
| Hydraulic Fitting Assembly | 37 |
| Hose and Tube Routing Assembly | 38 |
| Fuel Tank and Air Cleaner Assembly | 39 |
| Air Cleaner Assembly No. 99-5410 | 40 |
| Hood Assembly | 41 |
| Fuel/Water Separator Assembly | 42 |
| Front Deck Installation Assembly | 43 |
| Hydraulic Motor Assembly No. 127-3694 | 45 |
| Lift Cylinder Assembly No. 120-8802 | 46 |
| Front Deck Hydraulic Fitting Assembly | 47 |
| Front Deck Hose Routing Assembly | 48 |
| Right Deck Mount Assembly | 49 |
| Left Deck Hydraulic Fitting Assembly | 50 |
| Left Deck Hose Assembly | 51 |
| Left Deck Mount Assembly | 52 |
| Left Deck Hydraulic Fitting Assembly | 53 |
| Left Deck Hose Assembly | 54 |
| Traction Pedal and Platform Assembly | 55 |
| Brake Pedal Assembly | 57 |
| Seat Base and Seat Assembly | 58 |
| Cloth Premium Seat Assembly No. 117-9429 | 59 |
| Air Ride Seat Suspension Assembly No. 108-1488 | 60 |
| Parking Brake, Steering Tower and Power Center Assembly | 62 |
| Fender, Tool Box and Cover Assembly | 63 |
| Fender Assembly | 64 |
| Acoustic Foam Assembly | 65 |
| Platform Harness and Fuse Assembly | 66 |
| Rear Wire Harness Assembly | 67 |

Contents (continued)

| | |
|----------------------------------------------------------------------|-----|
| Battery Cable and Ground Assembly | 68 |
| Engine Harness Assembly | 69 |
| Piston Pump and Gear Pump Assembly..... | 70 |
| Piston Pump Assembly No. 120-9059 | 72 |
| 4-Section Gear Pump Assembly No. 120-8904..... | 74 |
| Combination Manifold Assembly | 75 |
| Combination Manifold Assembly No. 127-3650 | 76 |
| Manifold Block Assembly | 78 |
| Left Power-Take-Off Manifold Assembly No. 121-1536 | 80 |
| Rear Traction Manifold Assembly No. 121-1530..... | 81 |
| Center and Right Power-Take-Off Manifold Assembly No. 121-1537 | 82 |
| Flow Divider Manifold Assembly No. 121-1550..... | 83 |
| Drive Motor, Steer Valve and Filter Head Assembly | 84 |
| Hydraulic Motor Assembly No. 120-8812..... | 85 |
| Steering Valve Assembly No. 130-7949..... | 86 |
| Hydraulic Reservoir Assembly | 87 |
| Lift, Steer and Fan Hydraulic Assembly | 88 |
| Traction Hydraulic Assembly | 90 |
| Oil Cooler Hydraulic Assembly..... | 92 |
| Armrest Control Panel Assembly..... | 93 |
| Cab Step, Pad and Flooring Assembly..... | 95 |
| Deck Pad and Hardware Assembly | 96 |
| Front Deck, Idler and Skid Assembly | 97 |
| Double Driven Spindle Assembly No. 119-4548 | 98 |
| High Driven Spindle Assembly No. 119-4549 | 99 |
| Front Deck Caster Arm and Wheel Assembly | 100 |
| Driving Spindle Assembly | 101 |
| Driving Spindle Assembly No. 119-4547 | 102 |
| Front Deck Chamber and Cover Assembly | 103 |
| Right Deck, Idler and Skid Assembly | 104 |
| Low Driven Spindle Assembly No. 119-4776..... | 106 |
| Right Hand and Left Hand Castor Arm and Wheel Assembly | 107 |
| Deck Driving Spindle Assembly | 108 |
| Right Deck Discharge Chamber and Cover Assembly | 109 |
| Left Deck Discharge Chamber and Cover Assembly | 110 |
| Left Deck Idler and Skid Assembly | 112 |
| Frame Mount and Seal Assembly | 114 |
| Headliner Assembly | 116 |
| Window, Door and Striker Assembly | 118 |
| RH Door Assembly..... | 120 |
| LH Door Assembly | 121 |
| Engine Hose Routing Assembly..... | 122 |
| Interior Foam Assembly | 124 |
| Mixing Box and Vent Hose Assembly | 125 |
| Headliner Wire Harness and Control Assembly..... | 126 |
| Mixing Box Mounting Bracket and Water Tray Assembly | 127 |
| Blower Fan and Evaporator Core Assembly | 128 |
| Heat/Air Conditioner Housing Assembly..... | 129 |
| Air Diverter and Expansion Valve Assembly | 130 |
| Air Diverter Assembly No. 121-8369..... | 131 |
| Cylinder Block Assembly..... | 132 |
| Cylinder Head and Cover Assembly | 134 |
| Gear Housing Assembly | 136 |
| Suction Manifold Assembly..... | 137 |

Contents (continued)

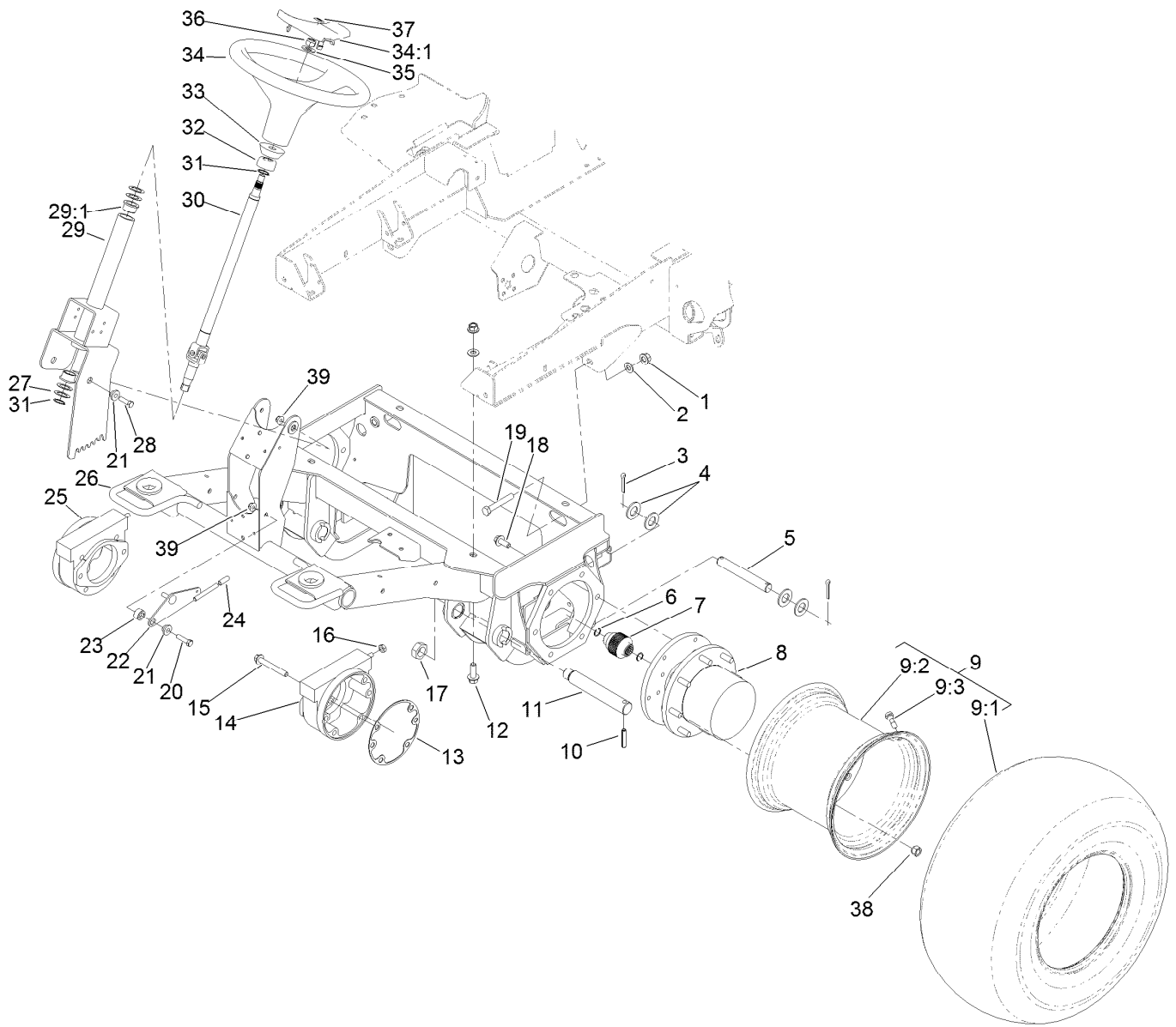
| | |
|--------------------------------------------------|-----|
| Exhaust Manifold Assembly | 138 |
| Flywheel Housing and Oil Sump Assembly | 139 |
| Camshaft and Driving Gear Assembly | 140 |
| Turbine Assembly | 141 |
| Crankshaft and Piston Assembly | 142 |
| Lubrication and Oil System Assembly | 143 |
| Lubrication Oil Line Assembly | 144 |
| Cooling Water System Assembly | 145 |
| Fuel System Assembly | 146 |
| Fuel Injection Valve Assembly | 147 |
| Fuel Line Assembly | 148 |
| Starting Motor Assembly | 149 |
| Generator Assembly | 150 |
| Electric Parts Assembly | 151 |
| Diesel Particulate Filter Assembly | 152 |
| Gasket Set | 154 |
| Attachments and Accessories | 156 |



Front Frame and Steering Assembly

| Ref. | Part Number | Qty. | Description | Ref. | Part Number | Qty. | Description |
|------|-------------|------|--------------------------|------|-------------|------|---------------------|
| 1 | 99-5107 | 6 | Nut-Lock | 16 | 3218-4 | 2 | Nut-Jam |
| 2 | 3256-26 | 6 | Washer-Flat | 17 | 3296-49 | 2 | Nut-Lock, NI |
| 3 | 3272-30 | 4 | Pin-Cotter | 18 | 33106-030 | 12 | Screw-HHF |
| 4 | 3256-29 | 8 | Washer-Flat | 19 | 325-13 | 2 | Screw-HH |
| 5 | 110-6006 | 2 | Pin-Clevis | 20 | 323-8 | 1 | Screw-HH |
| 6 | 93-7972 | 4 | Ring-Retaining, Internal | 21 | 93-5988 | 3 | Hub-Pivot |
| 7 | 100-3046 | 2 | Shaft-Brake, Splined | 22 | 114-5907-03 | 1 | Lever-Tilt |
| 8 | 105-4500 | 2 | Planetary ASM | 23 | 114-4854 | 1 | Spacer-Cup |
| 9 | | 2 | Wheel And Tire ASM ● | 24 | 93-5446 | 1 | Cap-Vinyl |
| 9:1 | 119-8313 | 1 | Tire | 25 | 100-3069-03 | 1 | Brake ASM |
| 9:2 | 120-4175 | 1 | Rim | 26 | 120-4085-03 | 1 | Frame-Front |
| 9:3 | 232-27 | 1 | Stem-Valve | 27 | 9547 | 4 | Washer-Thrust |
| 10 | 32121-110 | 2 | Pin-Roll, Slotted | 28 | 323-7 | 2 | Screw-HH |
| 11 | 100-3017 | 2 | *obs Pin-Lift Arm | 29 | 114-0167 | 1 | Steering Column ASM |
| 12 | 100-6116 | 4 | Screw-HHF | 29:1 | 256-132 | 2 | Bushing-Flange |
| 13 | 93-7984 | 2 | Gasket | 30 | 93-5428 | 1 | Shaft-Steering |
| 14 | 100-3070-03 | 1 | Brake ASM | 31 | 32151-29 | 2 | Ring-Retaining |
| 15 | 33106-090 | 8 | Screw-HHF | 32 | 93-5439 | 1 | Seal-Steering |

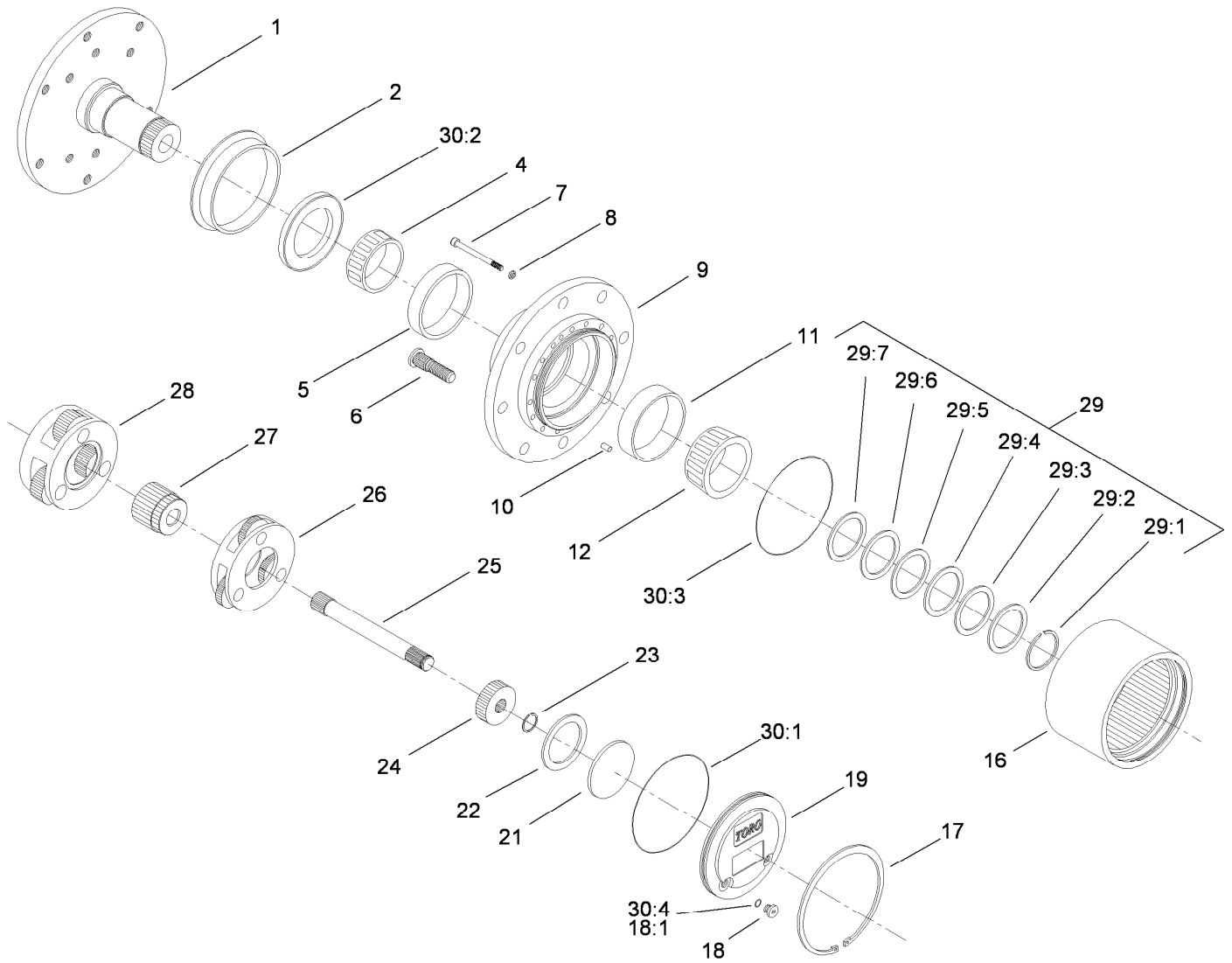
● Not serviced separately



Front Frame and Steering Assembly (continued)

| <i>Ref.</i> | <i>Part Number</i> | <i>Qty.</i> | <i>Description</i> | <i>Ref.</i> | <i>Part Number</i> | <i>Qty.</i> | <i>Description</i> |
|-------------|--------------------|-------------|-----------------------|-------------|--------------------|-------------|--------------------|
| 33 | 93-5429 | 1 | Collar-Foam | 36 | 108-9342 | 1 | Nut-Hex |
| 34 | 98-1471 | 1 | Wheel-Steering | 37 | 98-1459 | 1 | Decal |
| 34:1 | 98-1468 | 1 | Cover-Wheel, Steering | 38 | 242-50 | 16 | Nut-Lug |
| 35 | 3256-27 | 1 | Washer-Flat | 39 | 104-8301 | 3 | Nut-HF, NI |

● Not serviced separately

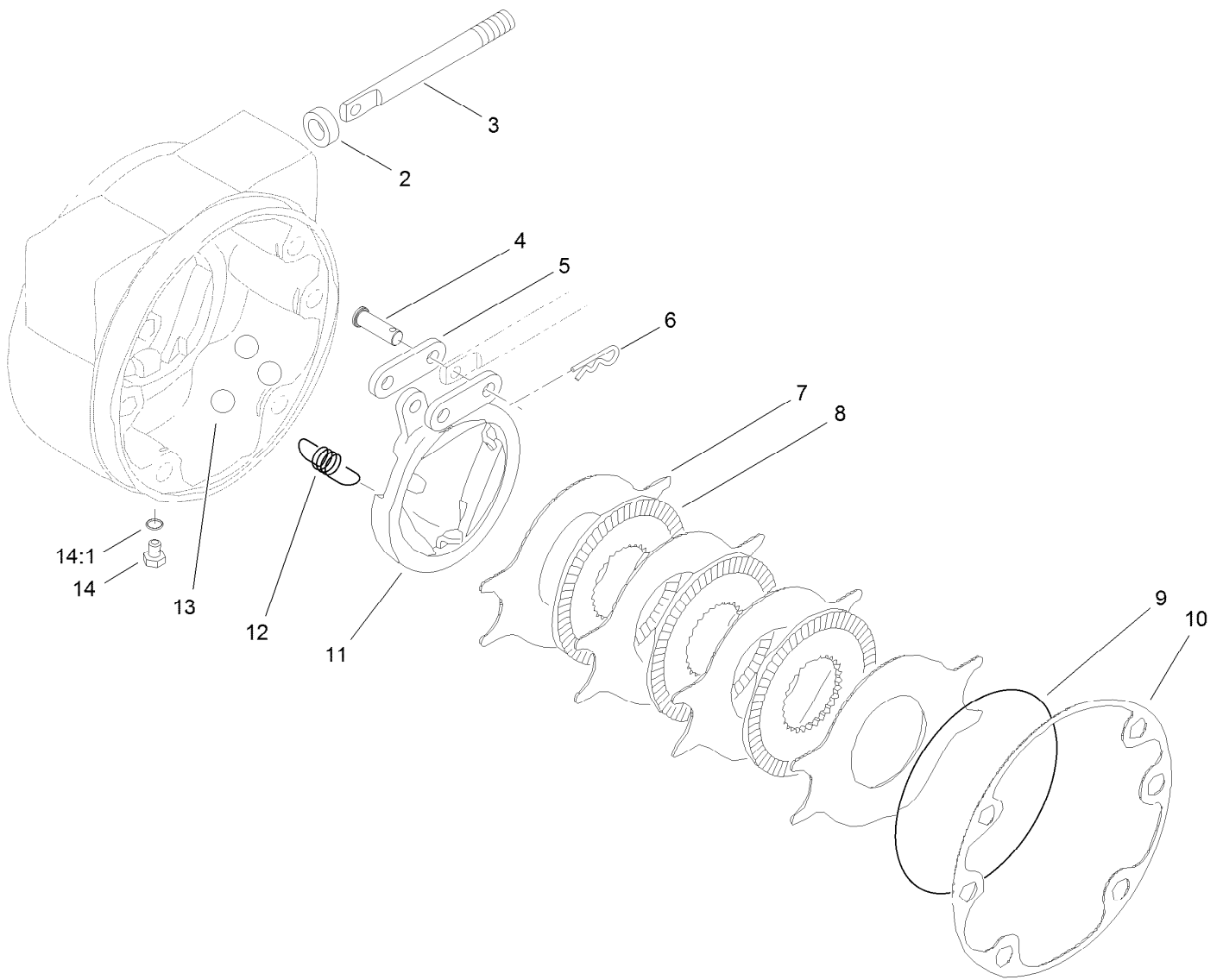


Planetary Assembly No. 105-4500

| Ref. | Part Number | Qty. | Description | Ref. | Part Number | Qty. | Description |
|------|-------------|------|-------------------|------|-------------|------|-----------------------|
| 1 | | 1 | Spindle ■ | 24 | 105-8114 | 1 | Gear-Primary |
| 2 | 105-8122 | 1 | Seal-Boot | 25 | 105-8115 | 1 | Shaft-Drive |
| 4 | 105-8120 | 1 | Bearing-Cone | 26 | 105-8129 | 1 | Carrier-Primary |
| 5 | 105-8119 | 1 | Bearing-Cup | 27 | 105-8139 | 1 | Gear-Secondary |
| 6 | 105-8124 | 8 | Stud-Wheel | 28 | 105-8130 | 1 | Carrier-Secondary |
| 7 | 105-8125 | 16 | Bolt-Head, Socket | 29 | 105-8136 | 1 | Shim Kit |
| 8 | 3253-18 | 16 | Washer-Lock | 29:1 | | 1 | Ring-Snap ■ |
| 9 | | 1 | Housing ■ | 29:2 | | 1 | Shim-Bearing, 2.9Mm ■ |
| 10 | 105-8121 | 1 | Pin-Dowel | 29:3 | | 1 | Shim-Bearing, 2.8Mm ■ |
| 11 | 105-8117 | 1 | Bearing-Cup | 29:4 | | 1 | Shim-Bearing, 2.7Mm ■ |
| 12 | 105-8118 | 1 | Bearing-Cone | 29:5 | | 1 | Shim-Bearing, 2.6Mm ■ |
| 16 | 105-8113 | 1 | Gear-Ring | 29:6 | | 1 | Shim-Bearing, 2.5Mm ■ |
| 17 | 105-8132 | 1 | Ring-Retaining | 29:7 | | 1 | Shim-Bearing, 2.4Mm ■ |
| 18 | 353-990 | 2 | Plug ASM | 30 | 105-8137 | 1 | Seal Kit ● |
| 18:1 | 237-78 | 1 | O-Ring | 30:1 | | 1 | O Ring-Flange Cap ■ |
| 19 | 105-8138 | 1 | Cap-End | 30:2 | | 1 | Seal-Oil ■ |
| 21 | 105-8133 | 1 | Plug-Thrust | 30:3 | | 2 | O Ring-End Cap ■ |
| 22 | 105-8123 | 1 | Washer-Thrust | 30:4 | 237-78 | 2 | O-Ring |
| 23 | 105-8131 | 1 | Ring-Retaining | | | | |

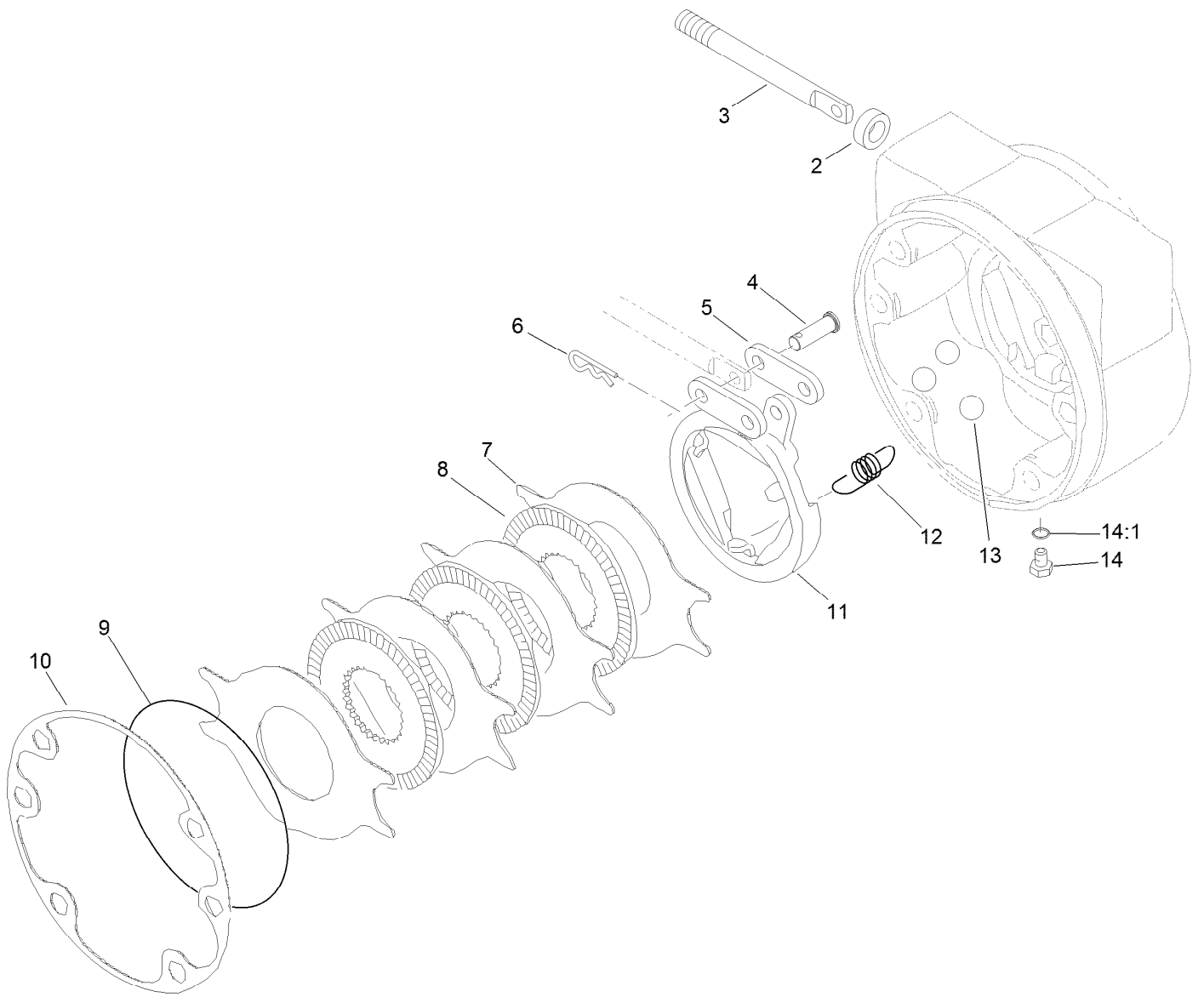
● Not illustrated

■ Not serviced separately



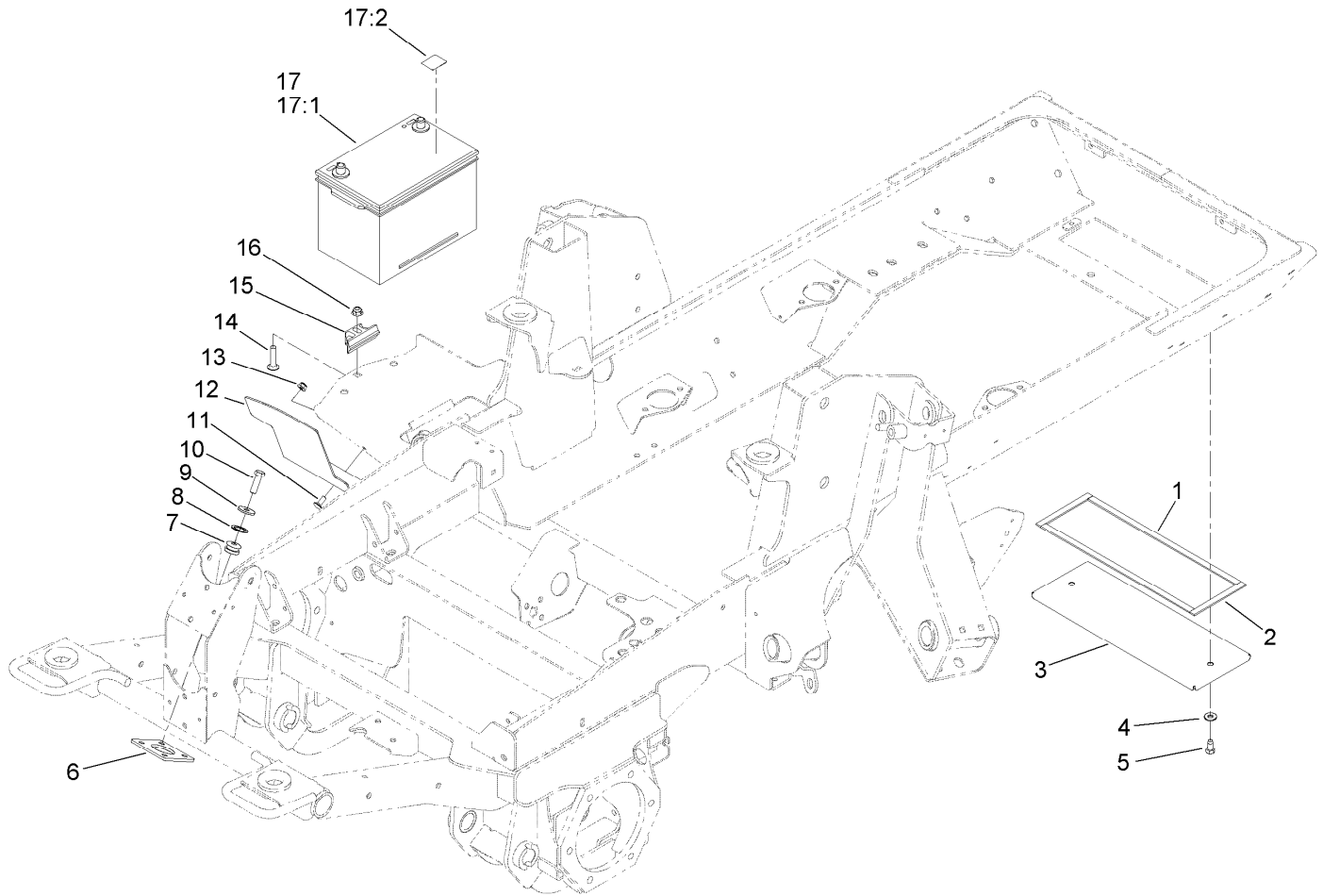
LH Brake Assembly No. 100-3070-03

| <i>Ref.</i> | <i>Part Number</i> | <i>Qty.</i> | <i>Description</i> |
|-------------|--------------------|-------------|--------------------|
| 2 | 93-7977 | 1 | Seal |
| 3 | 93-7978 | 1 | Rod-Pull |
| 4 | 93-7983 | 2 | Pin-Clevis |
| 5 | 93-7980 | 2 | Link |
| 6 | 93-7979 | 2 | Pin-Hitch |
| 7 | 93-7986 | 4 | Disc-Stationary |
| 8 | 104-4278 | 3 | Disc-Rotating |
| 9 | 93-7976 | 1 | Ring-Retaining |
| 10 | 93-7984 | 1 | Gasket |
| 11 | 104-4279 | 1 | Actuator-Rotating |
| 12 | 93-7987 | 3 | Spring-Extension |
| 13 | 93-7985 | 3 | Ball |
| 14 | 353-990 | 2 | Plug ASM |
| 14:1 | 237-78 | 1 | O-Ring |



RH Brake Assembly No. 100-3069-03

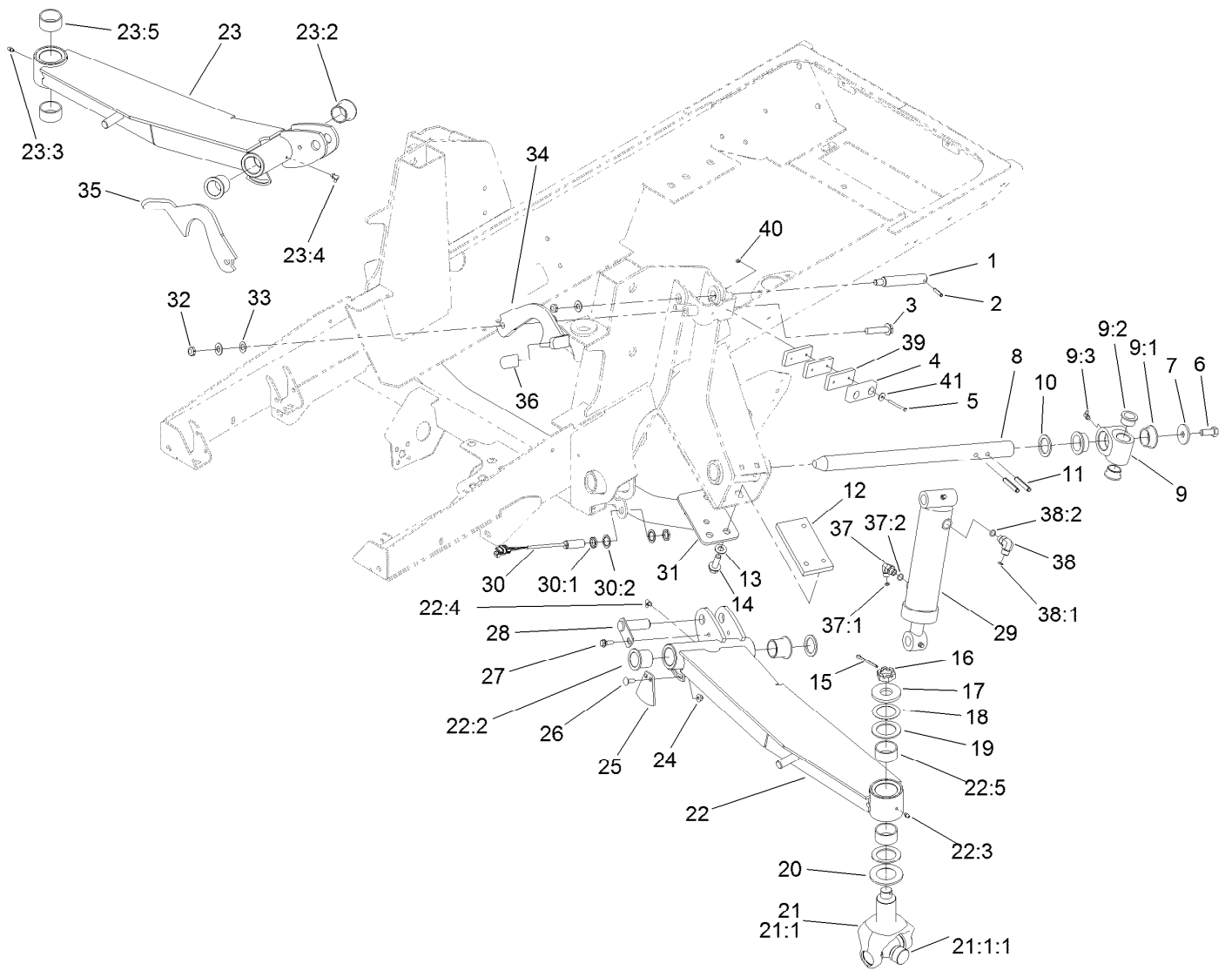
| <i>Ref.</i> | <i>Part Number</i> | <i>Qty.</i> | <i>Description</i> |
|-------------|--------------------|-------------|--------------------|
| 2 | 93-7977 | 1 | Seal |
| 3 | 93-7978 | 1 | Rod-Pull |
| 4 | 93-7983 | 2 | Pin-Clevis |
| 5 | 93-7980 | 2 | Link |
| 6 | 93-7979 | 2 | Pin-Hitch |
| 7 | 93-7986 | 4 | Disc-Stationary |
| 8 | 104-4278 | 3 | Disc-Rotating |
| 9 | 93-7976 | 1 | Ring-Retaining |
| 10 | 93-7984 | 1 | Gasket |
| 11 | 104-4280 | 1 | Actuator-Rotating |
| 12 | 93-7987 | 3 | Spring-Extension |
| 13 | 93-7985 | 3 | Ball |
| 14 | 353-990 | 2 | Plug ASM |
| 14:1 | 237-78 | 1 | O-Ring |



Battery, Rear Cover and Steer Valve Mount Assembly

| Ref. | Part Number | Qty. | Description |
|------|-------------|------|-----------------------|
| 1 | 105-0777 | 2 | Strip-Foam |
| 2 | 105-0778 | 2 | Strip-Foam |
| 3 | 104-2287-03 | 1 | Cover-Frame |
| 4 | 3256-3 | 2 | Washer-Flat |
| 5 | 32104-6 | 2 | Screw-HH, TAP |
| 6 | 120-4118-03 | 1 | Plate-Mounting, Valve |
| 7 | 63-9750 | 4 | Mount |
| 8 | 1-303352 | 4 | Washer-Spindle |
| 9 | 63-8410 | 4 | Washer |
| 10 | 33115-035 | 4 | Screw-HH |

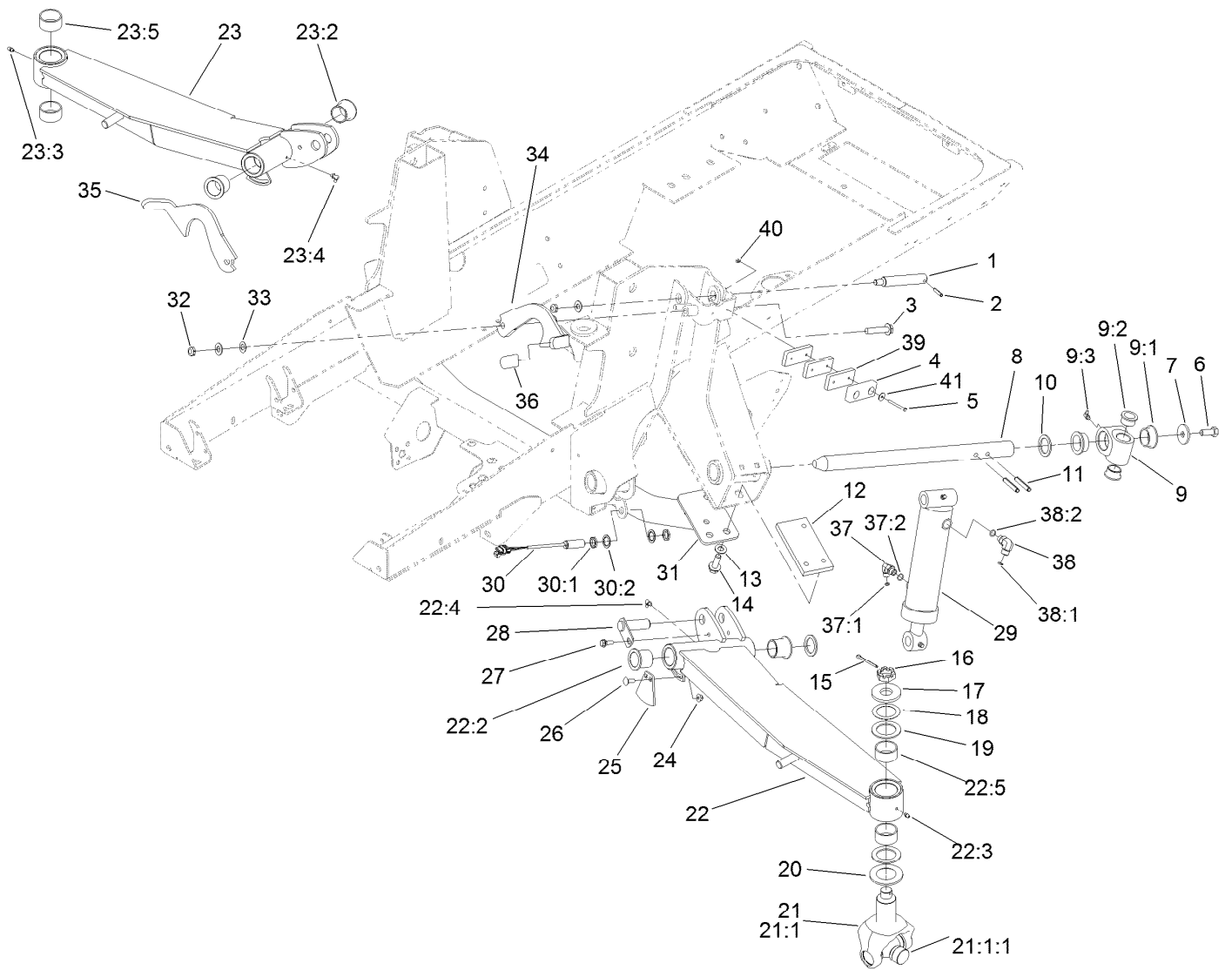
| Ref. | Part Number | Qty. | Description |
|------|-------------|------|------------------|
| 11 | 3230-23 | 2 | Bolt-CARR |
| 12 | 121-1512-03 | 1 | Shield-Battery |
| 13 | 104-8300 | 2 | Nut-HF, NI |
| 14 | 3231-5 | 1 | Screw-CARR |
| 15 | 138-6335 | 1 | Retainer-Battery |
| 16 | 104-8301 | 1 | Nut-HF, NI |
| 17 | 139-1005 | 1 | Battery Kit |
| 17:1 | 127-7507 | 1 | Battery |
| 17:2 | 139-1006 | 1 | Decal |



Wing Lift Arm Assembly

| Ref. | Part Number | Qty. | Description | Ref. | Part Number | Qty. | Description |
|------|-------------|------|-----------------------|--------|-------------|------|-----------------------|
| 1 | 104-3537 | 2 | Pin-Cylinder | 16 | 99-3139 | 2 | Nut-Slotted |
| 2 | 32121-9 | 2 | Pin-Roll, Slotted | 17 | 104-0719 | 2 | Washer-Hardened |
| 3 | 3234-46 | 2 | Screw-HHF | 18 | 114-5641 | 2 | Washer-Thrust |
| 4 | 86-5350 | 2 | Bumper-Rubber | 19 | 104-0721 | 4 | Washer-Thrust |
| 5 | 32105-20 | 4 | Screw-HH | 20 | 104-0720 | 2 | Spacer |
| 6 | 325-5 | 2 | Screw-HH | 21 | 114-5640-03 | 2 | Joint Yoke ASM |
| 7 | 106-2008 | 2 | Washer-Thrust | 21:1 | | 1 | Yoke-Joint ● |
| 8 | 121-3882 | 2 | Shaft-Pivot, Lift Arm | 21:1:1 | 104-4299 | 1 | Cross And Bearing Kit |
| 9 | 115-5468 | 2 | Pivot Hub ASM | 22 | 119-0089 | 1 | LH Lift Arm ASM |
| 9:1 | 115-5469 | 2 | Bushing-Flange | 22:2 | 69-6470 | 2 | Bushing-Caster |
| 9:2 | 114-5680 | 2 | Bushing-Flange | 22:3 | 302-5 | 1 | Fitting-Grease |
| 9:3 | 302-60 | 1 | Fitting-Grease | 22:4 | 302-60 | 1 | Fitting-Grease |
| 10 | 256-304 | 4 | Washer-Thrust | 22:5 | 114-5596 | 2 | Bushing-Straight |
| 11 | 117-5479 | 4 | Pin-Spring | 23 | 119-0087 | 1 | RH Lift Arm ASM |
| 12 | 120-8859-03 | 2 | Block-Tapped | 23:2 | 69-6470 | 2 | Bushing-Caster |
| 13 | 3256-26 | 10 | Washer-Flat | 23:3 | 302-5 | 1 | Fitting-Grease |
| 14 | 100-6116 | 6 | Screw-HHF | 23:4 | 302-60 | 1 | Fitting-Grease |
| 15 | 3272-25 | 2 | Pin-Cotter | 23:5 | 114-5596 | 2 | Bushing-Straight |

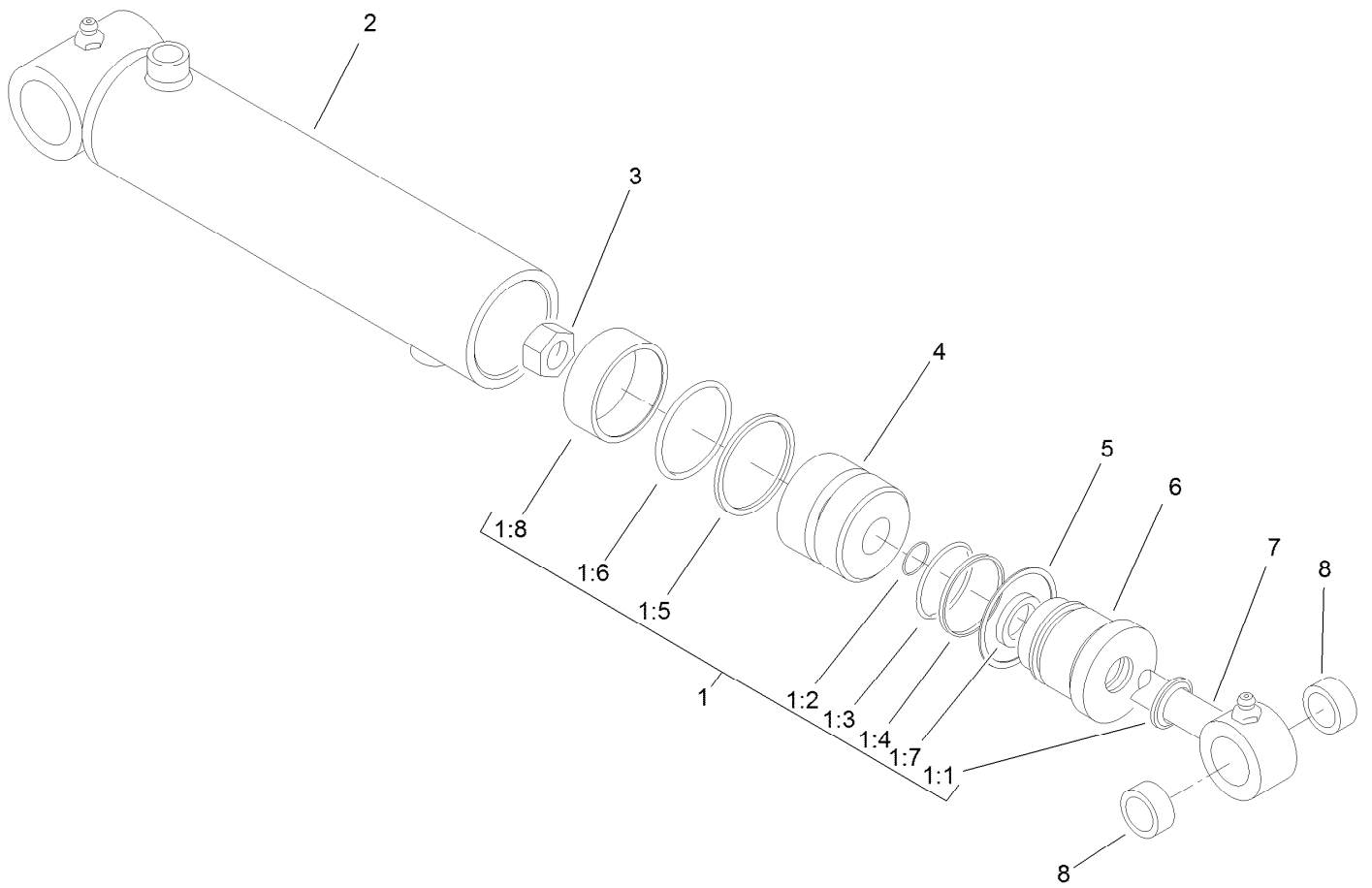
● Not serviced separately



Wing Lift Arm Assembly (continued)

| Ref. | Part Number | Qty. | Description | Ref. | Part Number | Qty. | Description |
|------|-------------|------|-----------------------------|------|-------------|------|-----------------------|
| 24 | 104-8300 | 6 | Nut-HF, NI | 34 | 130-5640-03 | 1 | Latch-Deck, LH |
| 25 | 119-0077 | 2 | Plate-Sensing, Wing | 35 | 130-5641-03 | 1 | Latch-Deck, RH |
| 26 | 3230-16 | 4 | Screw-CARR | 36 | 48-7081 | 2 | Grip-Plastic |
| 27 | 27-0410 | 2 | Screw-Shoulder | 37 | 340-82 | 2 | Fitting-Elbow, 90 DEG |
| 28 | 100-5674 | 2 | Pin | 37:1 | 237-42 | 1 | O-Ring |
| 29 | 107-4303 | 2 | HYD Cylinder ASM | 37:2 | 237-21 | 1 | O-Ring |
| 30 | 115-5300 | 2 | Proximity Switch ASM | 38 | 340-77 | 2 | Fitting-Elbow, 90 DEG |
| 30:1 | 117-3207 | 2 | Nut-Hex | 38:1 | 237-22 | 1 | O-Ring |
| 30:2 | 117-3208 | 2 | Washer-Lock, Internal Tooth | 38:2 | 237-42 | 1 | O-Ring |
| 31 | 120-9000-03 | 1 | Crossmember | 39 | 119-8308-03 | 6 | Plate |
| 32 | 3296-45 | 4 | Nut-Hex | 40 | 3296-2 | 4 | Nut-Lock, NI |
| 33 | 104-3577 | 4 | Washer | 41 | 3256-61 | 4 | Washer-Flat |

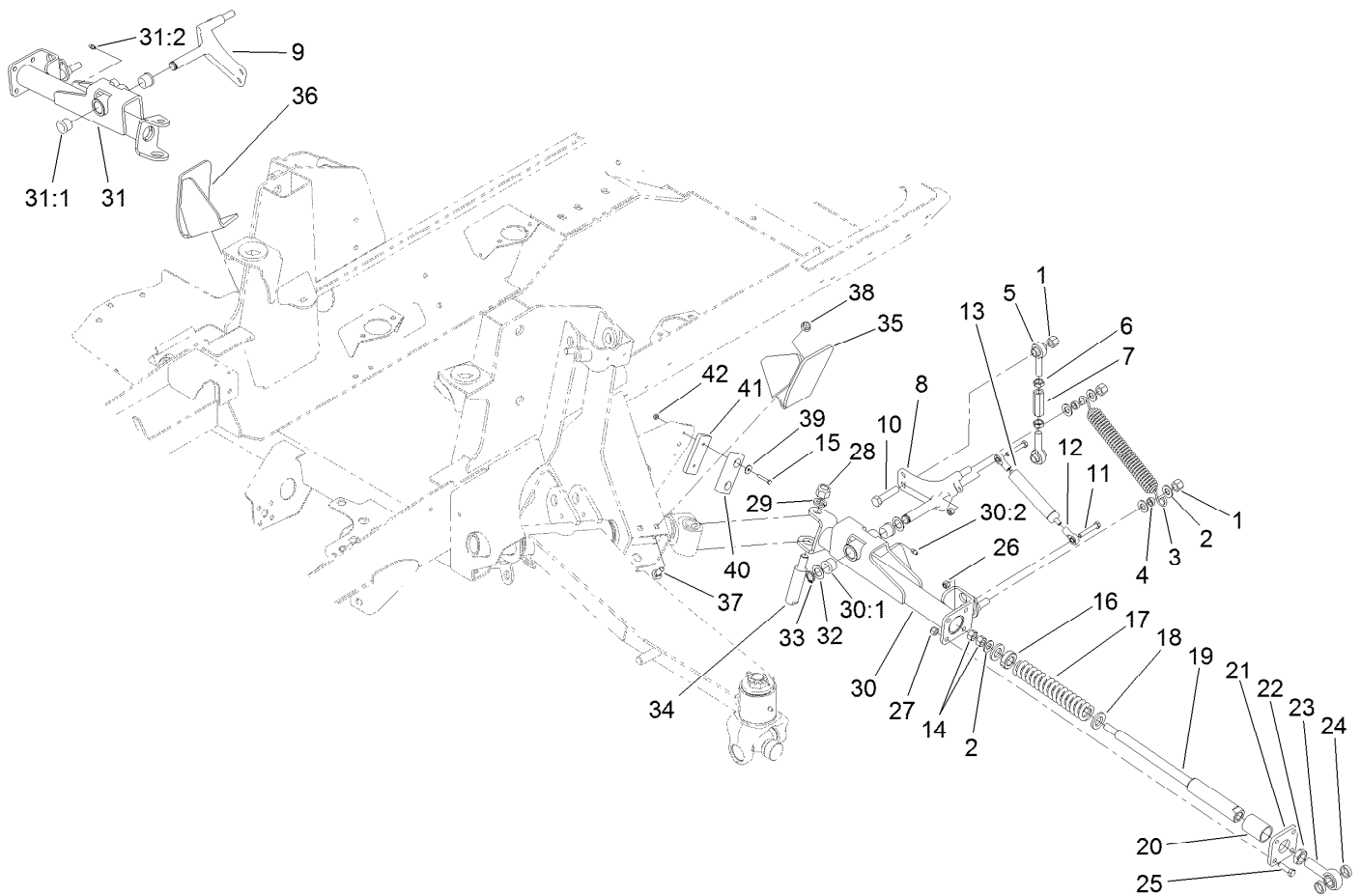
● Not serviced separately



Hydraulic Cylinder Assembly No. 107-4303

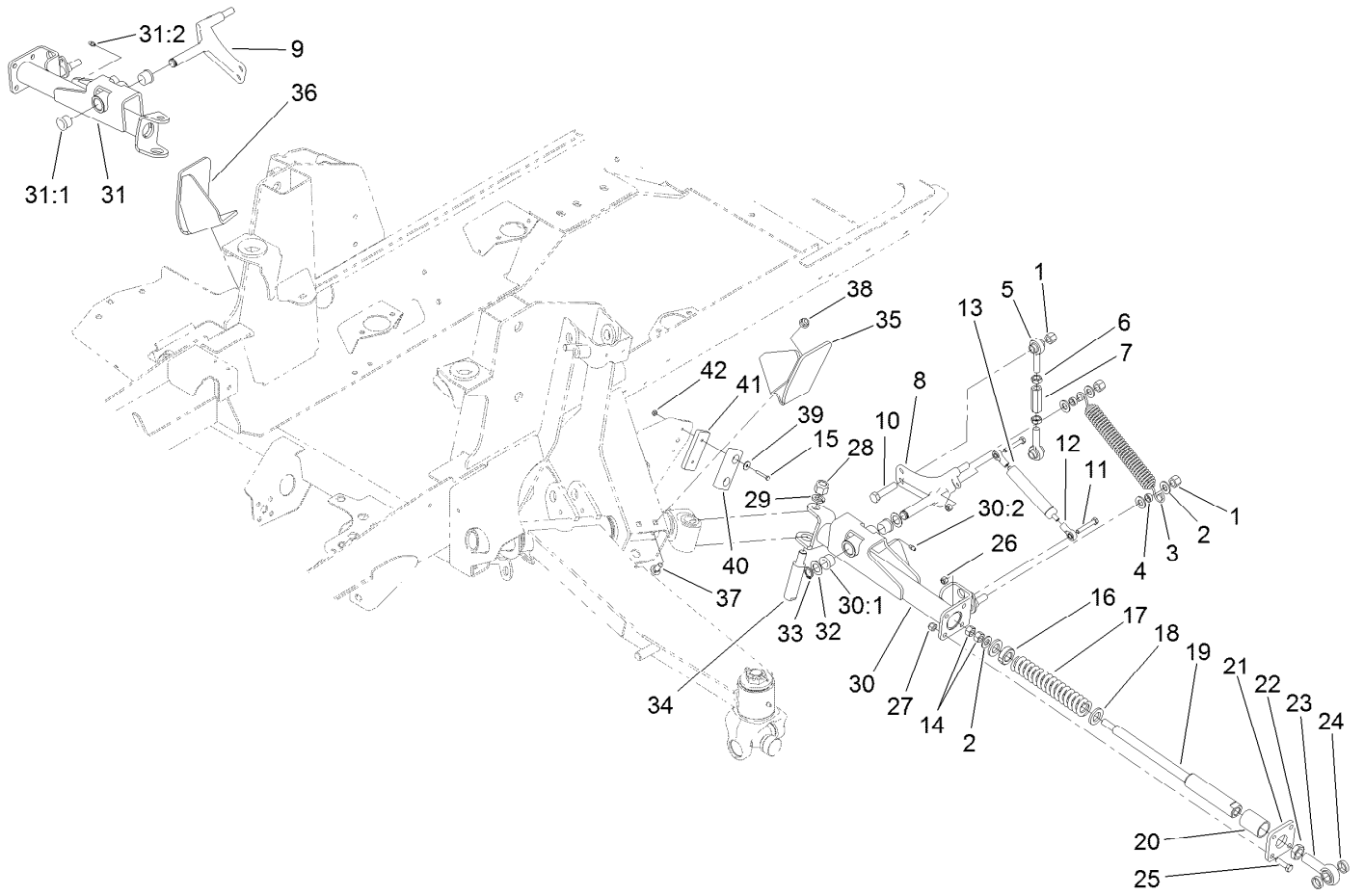
| <i>Ref.</i> | <i>Part Number</i> | <i>Qty.</i> | <i>Description</i> | <i>Ref.</i> | <i>Part Number</i> | <i>Qty.</i> | <i>Description</i> |
|-------------|--------------------|-------------|--------------------|-------------|--------------------|-------------|--------------------|
| 1 | 107-0249 | 1 | Seal Kit | 1:8 | | 1 | Wear Ring ● |
| 1:1 | | 1 | Wiper ● | 2 | | 1 | Barrel ASM ● |
| 1:2 | | 1 | O-Ring ● | 3 | | 1 | Locknut ● |
| 1:3 | | 1 | O-Ring ● | 4 | | 1 | Piston ● |
| 1:4 | | 1 | Back-Up ● | 5 | | 1 | Ring, Retaining ● |
| 1:5 | | 1 | Seal ● | 6 | | 1 | Head ● |
| 1:6 | | 1 | O-Ring ● | 7 | | 1 | Rod ASM ● |
| 1:7 | | 1 | Seal ● | 8 | 104-4281 | 2 | Bushing |

● Not serviced separately



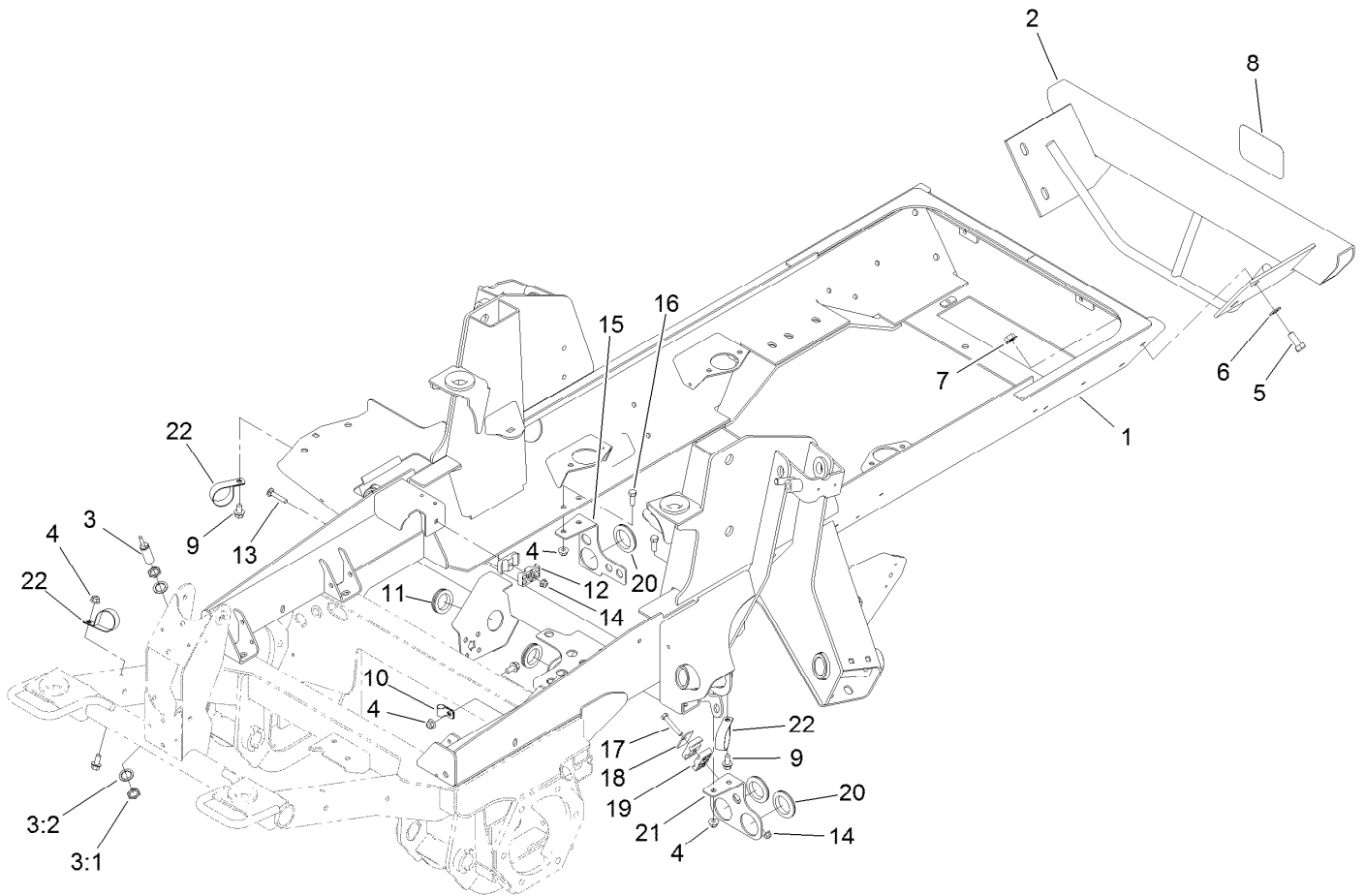
Impact Arm Assembly

| Ref. | Part Number | Qty. | Description | Ref. | Part Number | Qty. | Description |
|------|-------------|------|--------------------|------|-------------|------|--------------------|
| 1 | 3296-23 | 6 | Nut-Lock, NI | 22 | 3220-7 | 2 | Nut-Jam |
| 2 | 3256-26 | 10 | Washer-Flat | 23 | 105-2806 | 2 | End-Rod |
| 3 | 104-7520 | 2 | Spring-Damper | 24 | 105-0756 | 4 | Spacer |
| 4 | 104-7521 | 4 | Bushing | 25 | 323-7 | 8 | Screw-HH |
| 5 | 105-2808 | 4 | End-Rod | 26 | 3296-29 | 4 | Nut-Lock, NI |
| 6 | 3220-5 | 4 | Nut-Jam | 27 | 3296-39 | 8 | Nut-Lock, NI |
| 7 | 105-2809 | 2 | Tube-Link | 28 | 3296-53 | 2 | Nut-Lock, NI |
| 8 | 114-2717 | 1 | Crank-Bell, LH | 29 | 3253-8 | 2 | Washer-Lock |
| 9 | 114-2716 | 1 | Crank-Bell, RH | 30 | 120-8884 | 1 | LH Rear Arm ASM |
| 10 | 325-9 | 2 | Screw-HH | 30:1 | 256-113 | 2 | Bushing-Flange |
| 11 | 322-10 | 4 | Screw-HH | 30:2 | 302-5 | 1 | Fitting-Grease |
| 12 | 104-8331 | 4 | End-Rod, Spherical | 31 | 120-8883 | 1 | RH Rear Arm ASM |
| 13 | 105-3249 | 2 | Damper | 31:1 | 256-113 | 2 | Bushing-Flange |
| 14 | 3217-9 | 4 | Nut-HH | 31:2 | 302-5 | 1 | Fitting-Grease |
| 15 | 3290-360 | 4 | Screw-HH | 32 | 3-6498 | 4 | Washer-Thrust |
| 16 | 105-4552 | 2 | Bearing-Plastic | 33 | 32120-93 | 2 | Ring-Retaining |
| 17 | 100-8138 | 2 | Spring-Compression | 34 | 104-2281 | 2 | Shaft-Pivot |
| 18 | 105-4551 | 4 | Washer-Flat | 35 | 120-8856-03 | 1 | Bracket-Roller, LH |
| 19 | 105-4548 | 2 | Shaft-Spring | 36 | 120-8874-03 | 1 | Bracket-Roller, RH |
| 20 | 105-4550 | 2 | Bushing-Straight | 37 | 3231-2 | 4 | Bolt-CARR |
| 21 | 105-2807-03 | 2 | Plate | 38 | 104-8301 | 4 | Nut-HF, NI |



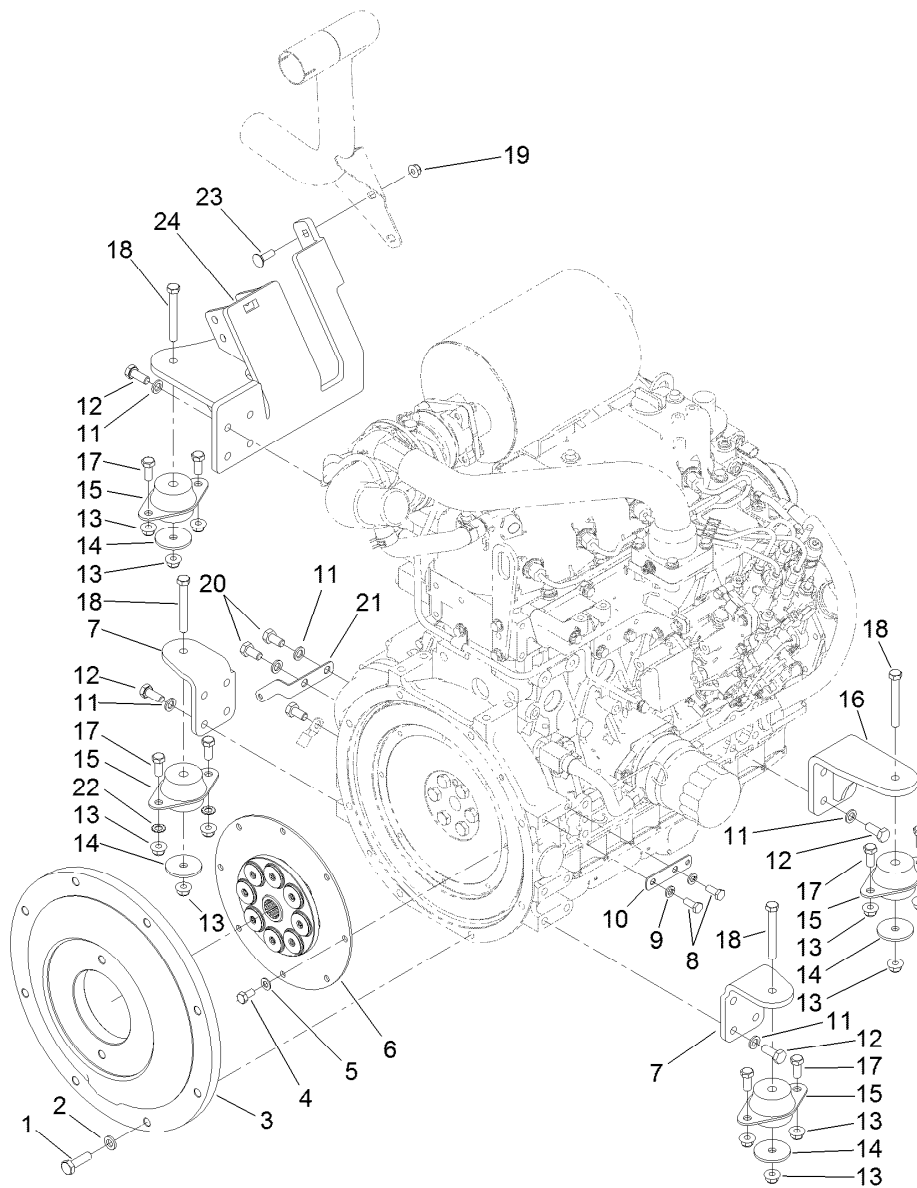
Impact Arm Assembly (continued)

| <i>Ref.</i> | <i>Part Number</i> | <i>Qty.</i> | <i>Description</i> | <i>Ref.</i> | <i>Part Number</i> | <i>Qty.</i> | <i>Description</i> |
|-------------|--------------------|-------------|--------------------|-------------|--------------------|-------------|--------------------|
| 39 | 3256-61 | 4 | Washer-Flat | 41 | 119-8308-03 | 2 | Plate |
| 40 | 86-5350 | 2 | Bumper-Rubber | 42 | 3296-2 | 4 | Nut-Lock, NI |



Frame, Bumper and Proximity Sensor Assembly

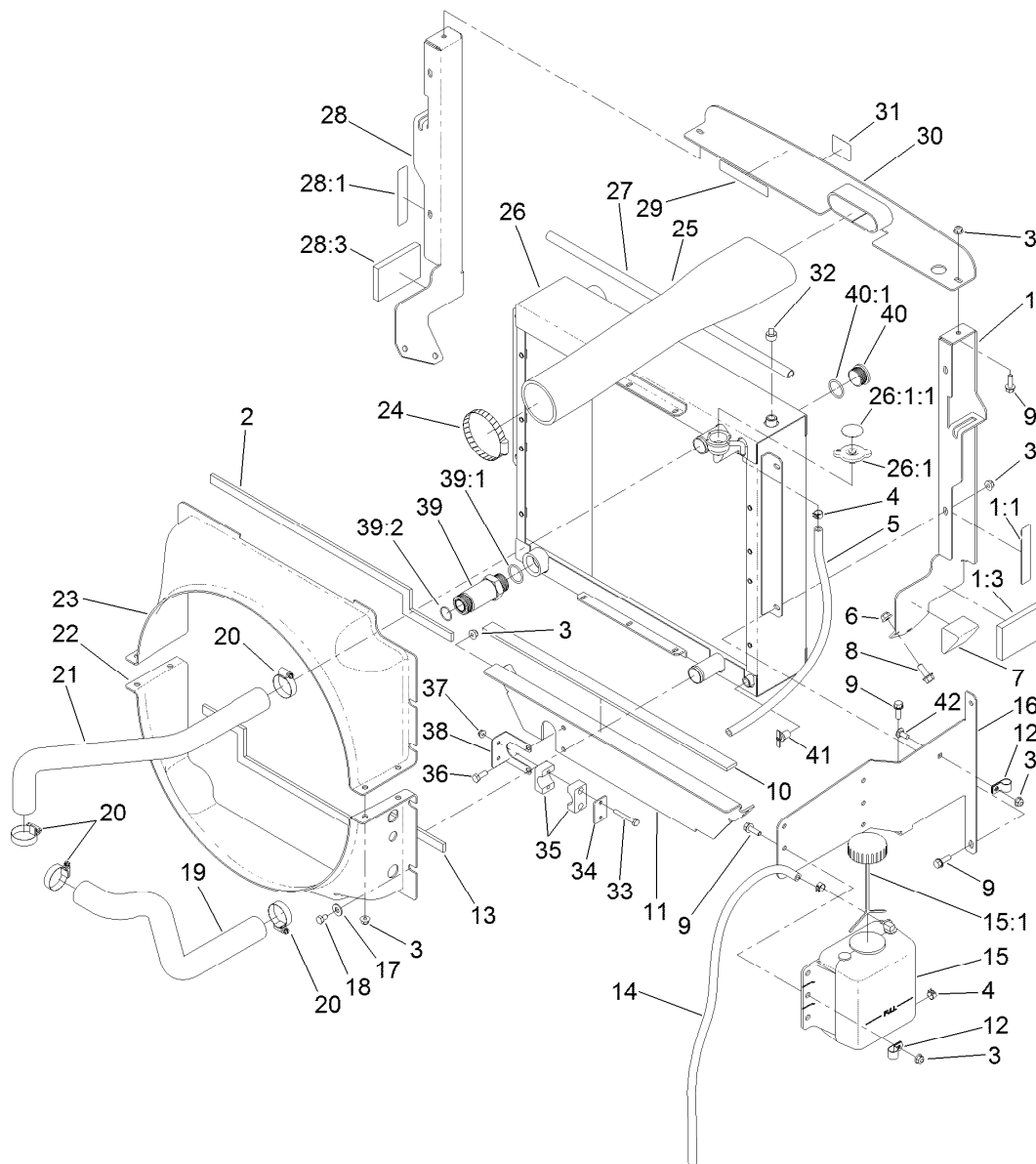
| <i>Ref.</i> | <i>Part Number</i> | <i>Qty.</i> | <i>Description</i> | <i>Ref.</i> | <i>Part Number</i> | <i>Qty.</i> | <i>Description</i> |
|-------------|--------------------|-------------|-----------------------------|-------------|--------------------|-------------|----------------------------|
| 1 | 120-4010-03 | 1 | Frame | 11 | 240-7 | 2 | Grommet-Rubber |
| 2 | 120-8919-03 | 1 | Bumper | 12 | 56-7971 | 2 | Clamp-Tube |
| 3 | 115-0282 | 1 | Proximity Sensor ASM | 13 | 3230-5 | 1 | Bolt-CARR |
| 3:1 | 117-3207 | 2 | Nut-Hex | 14 | 104-8300 | 2 | Nut-HF, NI |
| 3:2 | 117-3208 | 2 | Washer-Lock, Internal Tooth | 15 | 121-1508-03 | 1 | Bracket-Bulkhead |
| 4 | 104-8301 | 6 | Nut-HF, NI | 16 | 323-6 | 4 | Screw-HH |
| 5 | 325-5 | 4 | Screw-HH | 17 | 322-10 | 1 | Screw-HH |
| 6 | 3256-26 | 4 | Washer-Flat | 18 | 69-9760 | 1 | Plate-Cover |
| 7 | 32128-23 | 4 | Nut-HF | 19 | 56-7976 | 2 | Clamp-Tube |
| 8 | 105-8278 | 1 | Decal | 20 | 240-2 | 3 | Grommet-Rubber |
| 9 | 3234-1 | 4 | Screw-HHF | 21 | 121-1481-03 | 1 | Plate-Mount, Bulkhead (LH) |
| 10 | 2412-138 | 1 | R-Clamp | 22 | 2412-147 | 3 | Clamp-R |



Flywheel and Motor Mount Assembly

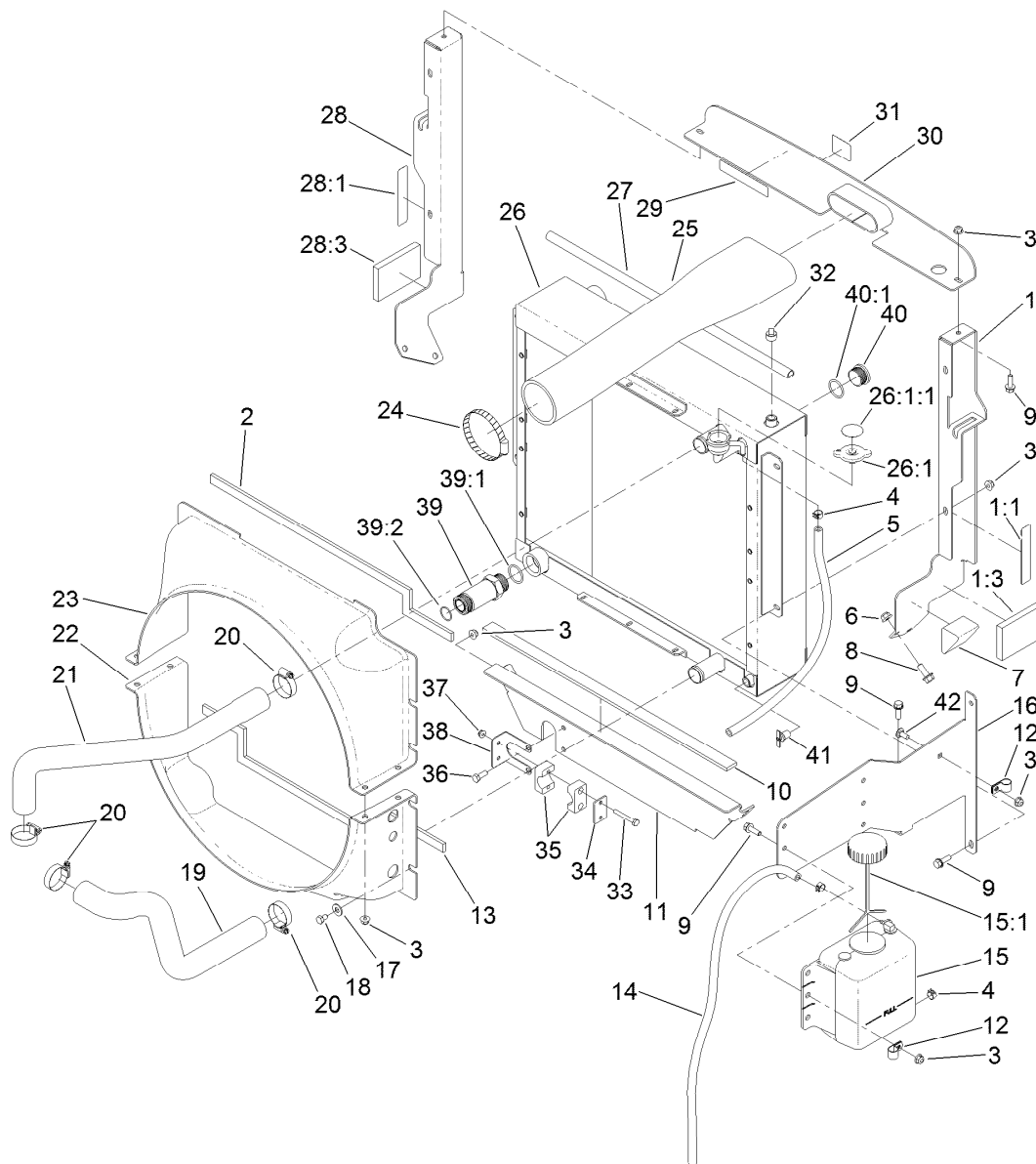
| Ref. | Part Number | Qty. | Description |
|------|-------------|------|---------------------------|
| 1 | 117-5663 | 8 | Screw-HH |
| 2 | 107-1413 | 8 | Washer-Hardened |
| 3 | 115-6657-03 | 1 | Plate-Flywheel |
| 4 | 99-5132 | 8 | Bolt |
| 5 | 87-7510 | 8 | Washer-Flat |
| 6 | 120-4176 | 1 | Coupling-Spring, Flywheel |
| 7 | 120-4066-03 | 2 | Mount-Motor, Front |
| 8 | 33114-020 | 2 | Screw-HH |
| 9 | 3253-4 | 2 | Washer-Lock |
| 10 | 121-5636 | 1 | Tab-Harness |
| 11 | 48-9590 | 18 | Washer-Lock |
| 12 | 33115-025 | 16 | Screw-HH |

| Ref. | Part Number | Qty. | Description |
|------|-------------|------|-----------------|
| 13 | 104-8301 | 12 | Nut-HF, NI |
| 14 | 63-7400 | 4 | Washer-Rebound |
| 15 | 53-9682 | 4 | Mount-Engine |
| 16 | 120-4068-03 | 1 | Mount-Motor |
| 17 | 323-5 | 8 | Screw-HH |
| 18 | 323-14 | 4 | Screw-HH |
| 19 | 104-8300 | 2 | Nut-HF, NI |
| 20 | 33115-020 | 3 | Screw-HH |
| 21 | 121-6580 | 1 | Bracket-Harness |
| 22 | 3255-9 | 2 | Washer-Lock |
| 23 | 3230-2 | 2 | Bolt-CARR |
| 24 | 127-3722-03 | 1 | Mount-Motor |



Radiator and Fan Assembly

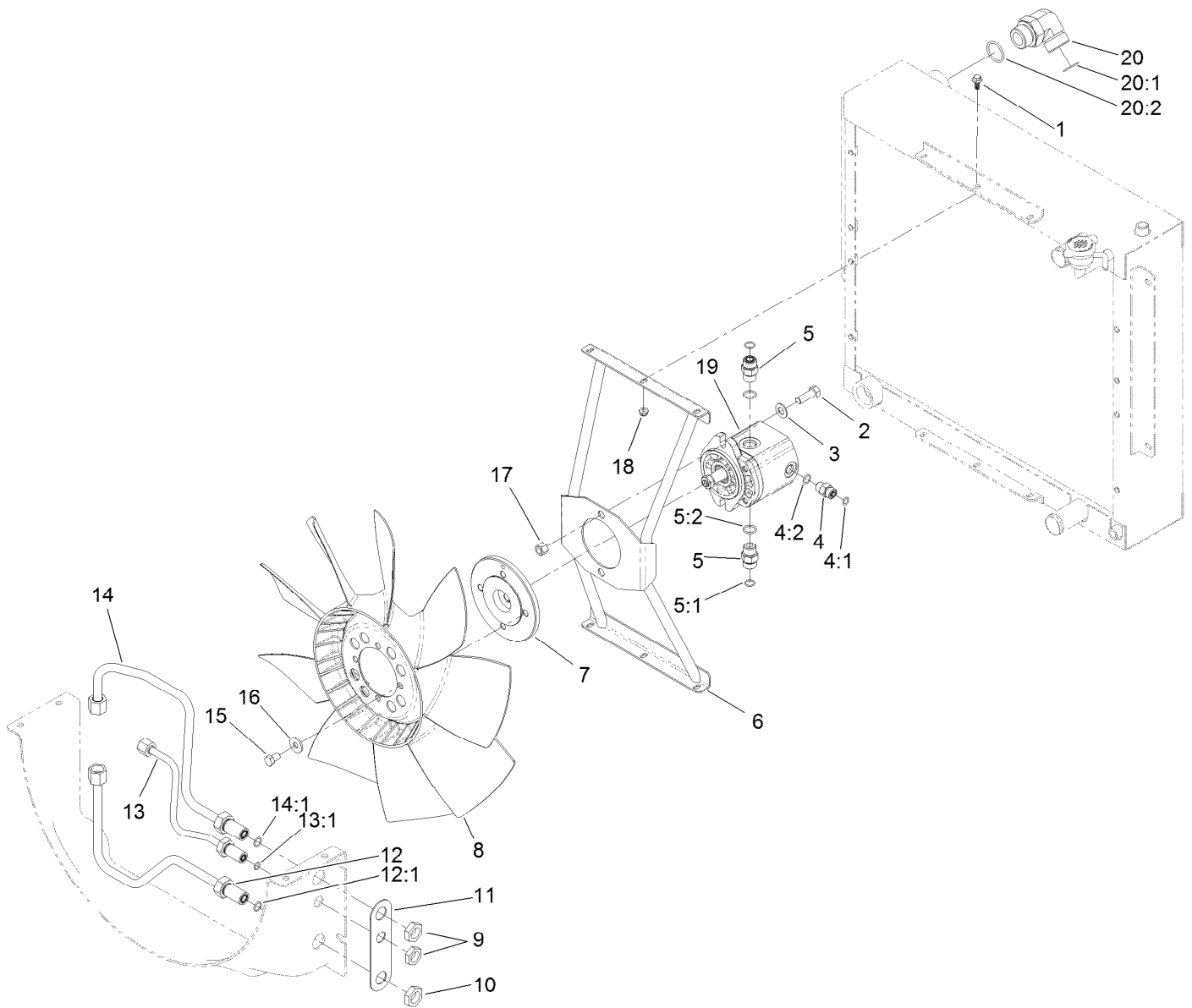
| Ref. | Part Number | Qty. | Description | Ref. | Part Number | Qty. | Description |
|------|-------------|------|-------------------------|--------|-------------|------|-------------------------|
| 1 | 121-1479 | 1 | LH Radiator Support ASM | 19 | 121-1746 | 1 | Hose-Radiator, Lower |
| 1:1 | 93-7272 | 1 | Decal-Warning | 20 | 2412-111 | 4 | Clamp-Hose, W/Liner |
| 1:3 | 100-2196 | 1 | Pad-Foam | 21 | 121-1747 | 1 | Hose-Radiator, Upper |
| 2 | 121-1684 | 1 | Foam-Radiator | 22 | 121-1517 | 1 | Shroud-Radiator, Lower |
| 3 | 104-8300 | 13 | Nut-HF, NI | 23 | 121-1515 | 1 | Shroud-Radiator, Upper |
| 4 | 92-2379 | 3 | Clamp-Hose | 24 | 2412-110 | 1 | Clamp-Band/Screw |
| 5 | 110-4112 | 1 | Hose-Fuel | 25 | 121-1474 | 1 | Hose-Inlet, Air Cleaner |
| 6 | 104-8301 | 6 | Nut-HF, NI | 26 | 121-3080 | 1 | Radiator/Oil Cooler |
| 7 | 93-5954 | 2 | Plug-Foam | 26:1 | 115-7766 | 1 | Cap-Radiator |
| 8 | 3234-11 | 6 | Screw-HHF | 26:1:1 | 106-6755 | 1 | Decal-Cap, Radiator |
| 9 | 3234-29 | 12 | Screw-HHF | 27 | 114-3828 | 1 | Seal-Bulb |
| 10 | 104-2226 | 1 | Strip-Foam | 28 | 121-1478 | 1 | RH Radiator Support ASM |
| 11 | 120-8968-03 | 1 | Bracket-Hose | 28:1 | 93-7272 | 1 | Decal-Warning |
| 12 | 92-6064 | 2 | Clamp-R | 28:3 | 100-2196 | 1 | Pad-Foam |
| 13 | 121-1685 | 1 | Foam-Radiator, Lower | 29 | 93-7272 | 1 | Decal-Warning |
| 14 | 110-9662 | 1 | Hose-Fuel | 30 | 120-9025-03 | 1 | Bracket-Intake |
| 15 | 120-5571 | 1 | Coolant Reservoir ASM | 31 | 93-7275 | 1 | Decal-Fluid, Starting |
| 15:1 | 87-7050 | 1 | Cap-Reservoir | 32 | 281-13 | 1 | Plug-Pipe |
| 16 | 130-0603-03 | 1 | Bracket-Mount, Bottle | 33 | 321-11 | 2 | Screw-HH |
| 17 | 3256-3 | 8 | Washer-Flat | 34 | 114-4902 | 1 | Plate-Cover |
| 18 | 322-1 | 8 | Screw-HH | 35 | 114-4901 | 1 | Clamp |



Radiator and Fan Assembly (continued)

| <i>Ref.</i> | <i>Part Number</i> | <i>Qty.</i> | <i>Description</i> |
|-------------|--------------------|-------------|--------------------|
| 36 | 322-4 | 2 | Screw-HH |
| 37 | 104-7201 | 2 | Nut-HF, NI |
| 38 | 120-8984 | 1 | Bracket-Clamp |
| 39 | 100-5565 | 1 | Fitting-STR |
| 39:1 | 237-146 | 1 | O-Ring |

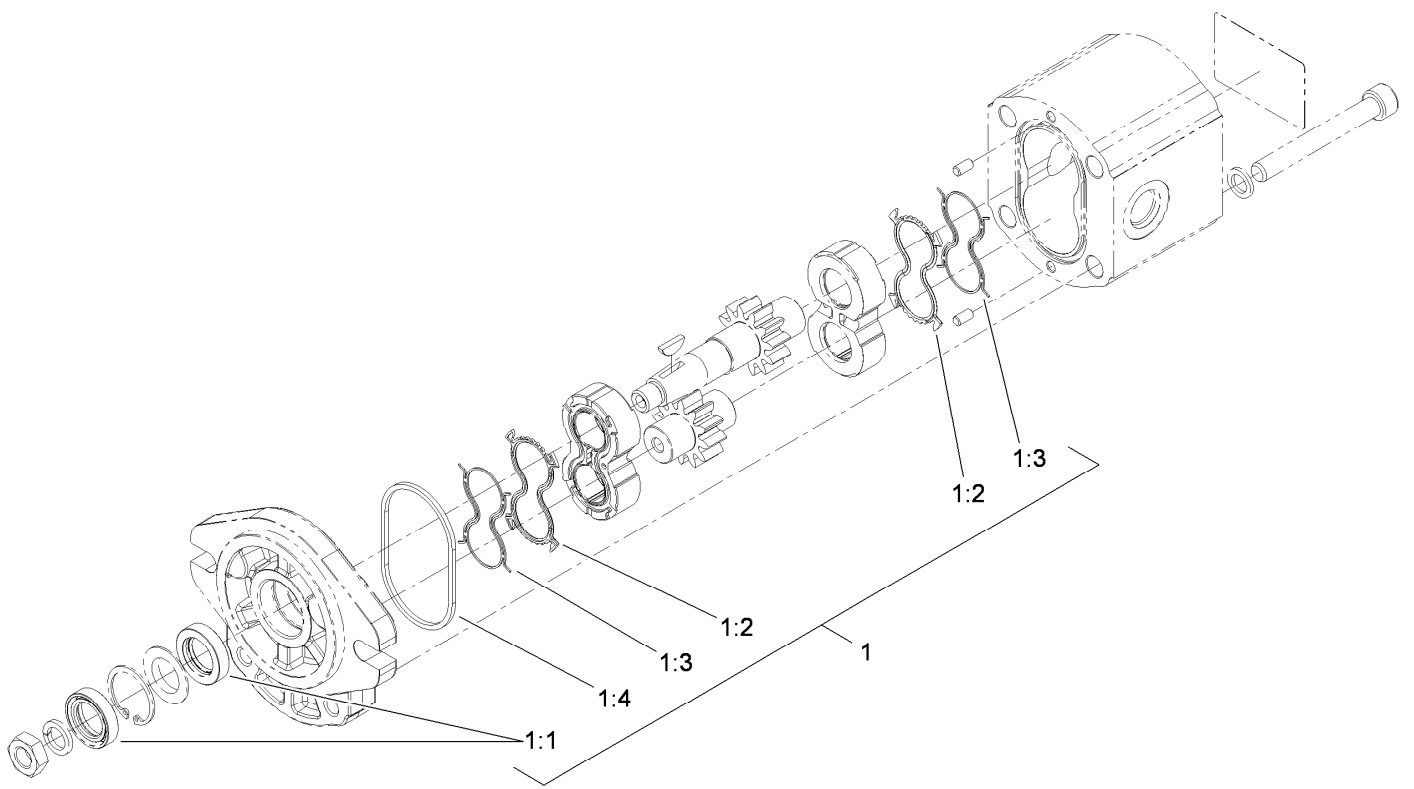
| <i>Ref.</i> | <i>Part Number</i> | <i>Qty.</i> | <i>Description</i> |
|-------------|--------------------|-------------|--------------------|
| 39:2 | 340-65 | 1 | O-Ring |
| 40 | 106-2030 | 1 | Plug-Hex, Hollow |
| 40:1 | 237-146 | 1 | O-Ring |
| 41 | 304-46 | 1 | Draincock |
| 42 | 3230-23 | 1 | Bolt-CARR |



Fan Mounting and Hardline Assembly

| Ref. | Part Number | Qty. | Description |
|------|-------------|------|------------------|
| 1 | 99-6810 | 6 | Screw-HHF |
| 2 | 324-5 | 2 | Screw-HH |
| 3 | 3256-25 | 2 | Washer-Flat |
| 4 | 340-2 | 1 | Fitting-Straight |
| 4:1 | 237-22 | 1 | O-Ring |
| 4:2 | 237-42 | 1 | O-Ring |
| 5 | 340-4 | 2 | Fitting-Straight |
| 5:1 | 237-30 | 1 | O-Ring |
| 5:2 | 237-79 | 1 | O-Ring |
| 6 | 120-8935-03 | 1 | Bracket-Fan |
| 7 | 117-2364 | 1 | Hub-Fan |
| 8 | 114-3825 | 1 | Fan |
| 9 | 340-70 | 1 | Nut-Lock |
| 10 | 340-127 | 2 | Nut-Bulkhead |
| 11 | 121-1518 | 1 | Shim-Support |

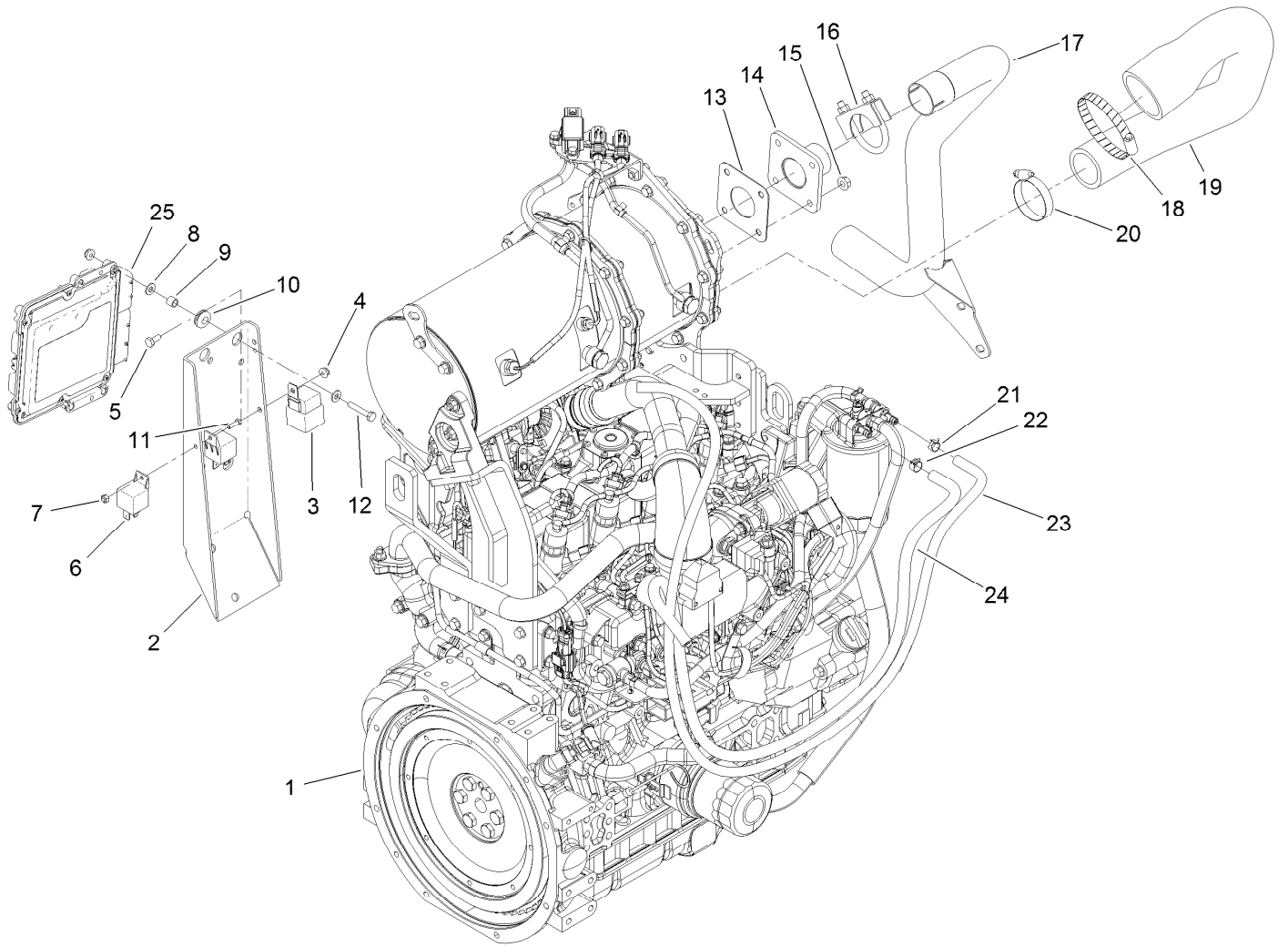
| Ref. | Part Number | Qty. | Description |
|------|-------------|------|-----------------------|
| 12 | 121-1554 | 1 | Tube-HYD |
| 12:1 | 237-30 | 1 | O-Ring |
| 13 | 121-1555 | 1 | Tube ASM |
| 13:1 | 237-22 | 1 | O-Ring |
| 14 | 121-1553 | 1 | Tube-HYD |
| 14:1 | 237-30 | 1 | O-Ring |
| 15 | 115-8486 | 4 | Screw-HH |
| 16 | 80-6990 | 4 | Washer-Hardened |
| 17 | 3296-48 | 2 | Nut-Hex |
| 18 | 104-7201 | 6 | Nut-HF, NI |
| 19 | 117-4769 | 1 | HYD Motor ASM |
| 20 | 340-129 | 1 | Fitting-Elbow, 90 DEG |
| 20:1 | 237-146 | 1 | O-Ring |
| 20:2 | 340-65 | 1 | O-Ring |



Hydraulic Motor Assembly No. 117-4769

| <i>Ref.</i> | <i>Part Number</i> | <i>Qty.</i> | <i>Description</i> |
|-------------|--------------------|-------------|-------------------------|
| 1 | 115-4110 | 1 | Seal Kit |
| 1:1 | | 2 | Seal-Shaft ● |
| 1:2 | | 2 | Seal-Plate, Balancing ● |
| 1:3 | | 2 | Seal-Anti Extrusion ● |
| 1:4 | | 2 | O-Ring (Housing) ● |

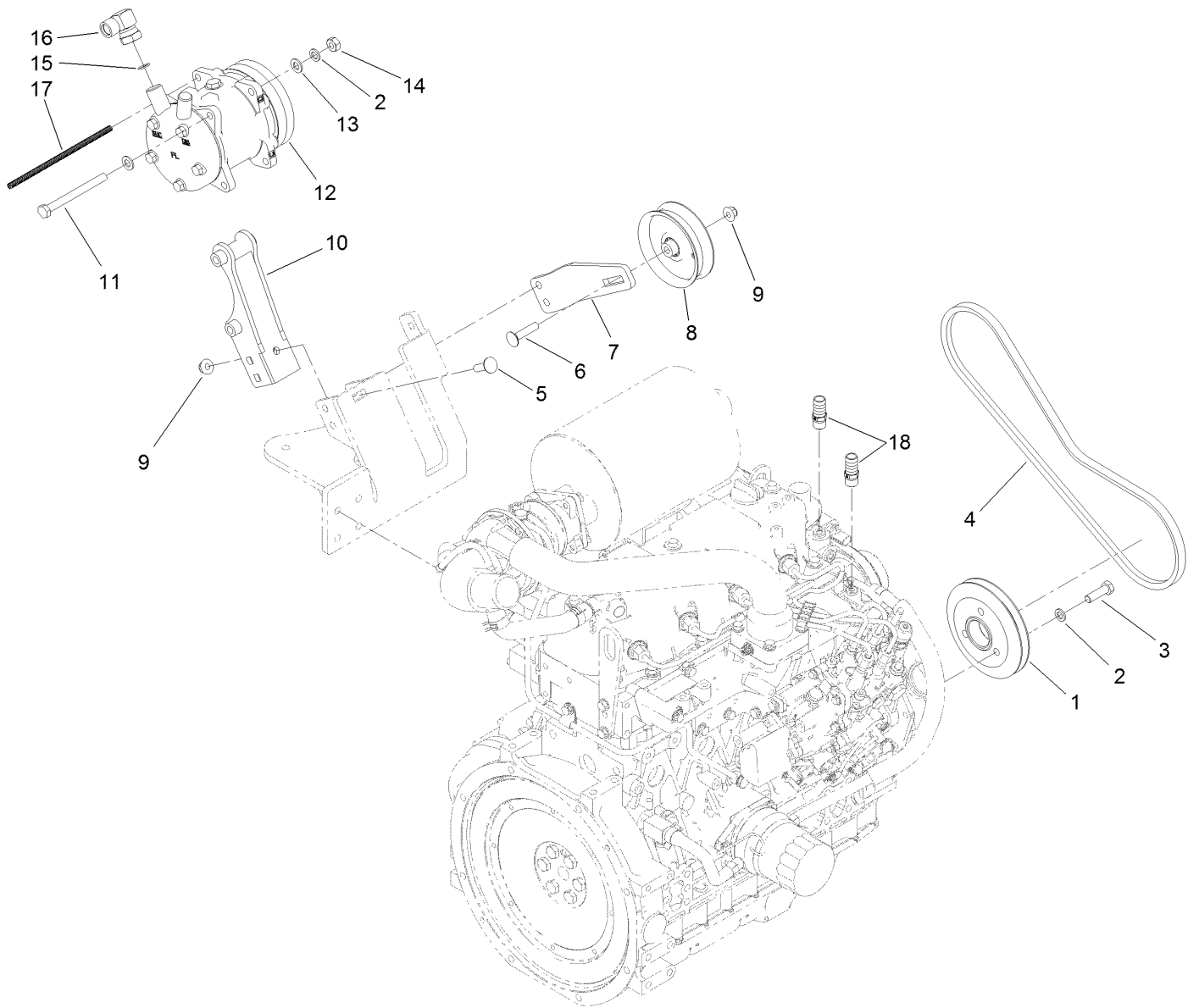
● Not serviced separately



Engine and Controller Assembly

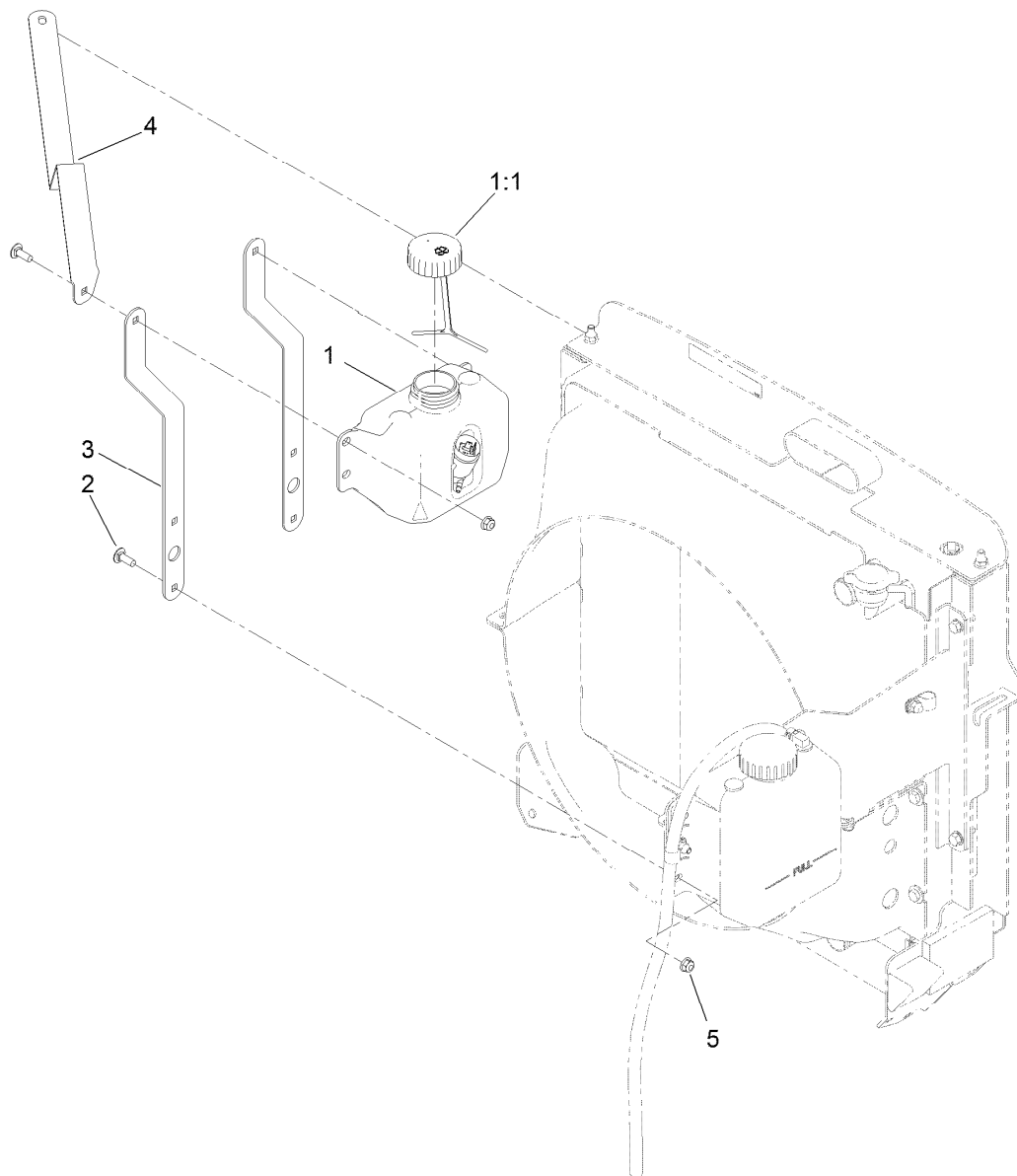
| <i>Ref.</i> | <i>Part Number</i> | <i>Qty.</i> | <i>Description</i> |
|-------------|--------------------|-------------|--------------------|
| 1 | 120-4111 | 1 | Engine ASM |
| 2 | 120-8916-03 | 1 | Mount-Controller |
| 3 | 99-7430 | 1 | Relay-Mini |
| 4 | 104-7201 | 5 | Nut-HF, NI |
| 5 | 321-3 | 1 | Screw-HH |
| 6 | 99-7435 | 2 | Relay |
| 7 | 3296-2 | 1 | Nut-Lock, NI |
| 8 | 3256-22 | 8 | Washer-Flat |
| 9 | 1-633545 | 4 | Spacer |
| 10 | 1-633630 | 4 | Grommet |
| 11 | 3290-134 | 1 | Screw |
| 12 | 321-9 | 4 | Screw-HH |
| 13 | 121-3058 | 1 | Gasket-Exhaust |

| <i>Ref.</i> | <i>Part Number</i> | <i>Qty.</i> | <i>Description</i> |
|-------------|--------------------|-------------|--------------------------|
| 14 | 121-3060 | 1 | Flange-Exhaust |
| 15 | 33004-00 | 4 | Nut-HF |
| 16 | 18-2130 | 1 | Clamp |
| 17 | 121-1613 | 1 | Pipe-Exhaust |
| 18 | 2412-110 | 1 | Clamp-Band/Screw |
| 19 | 121-1475 | 1 | Hose-Outlet, Air Cleaner |
| 20 | 2412-130 | 1 | Clamp-Hose |
| 21 | 2412-98 | 1 | Clamp-Hose |
| 22 | 92-2379 | 1 | Clamp-Hose |
| 23 | 115-2368 | 1 | Hose-Fuel |
| 24 | 110-4007 | 1 | Hose-Fuel |
| 25 | 121-5592 | 1 | Electronic Control Unit |



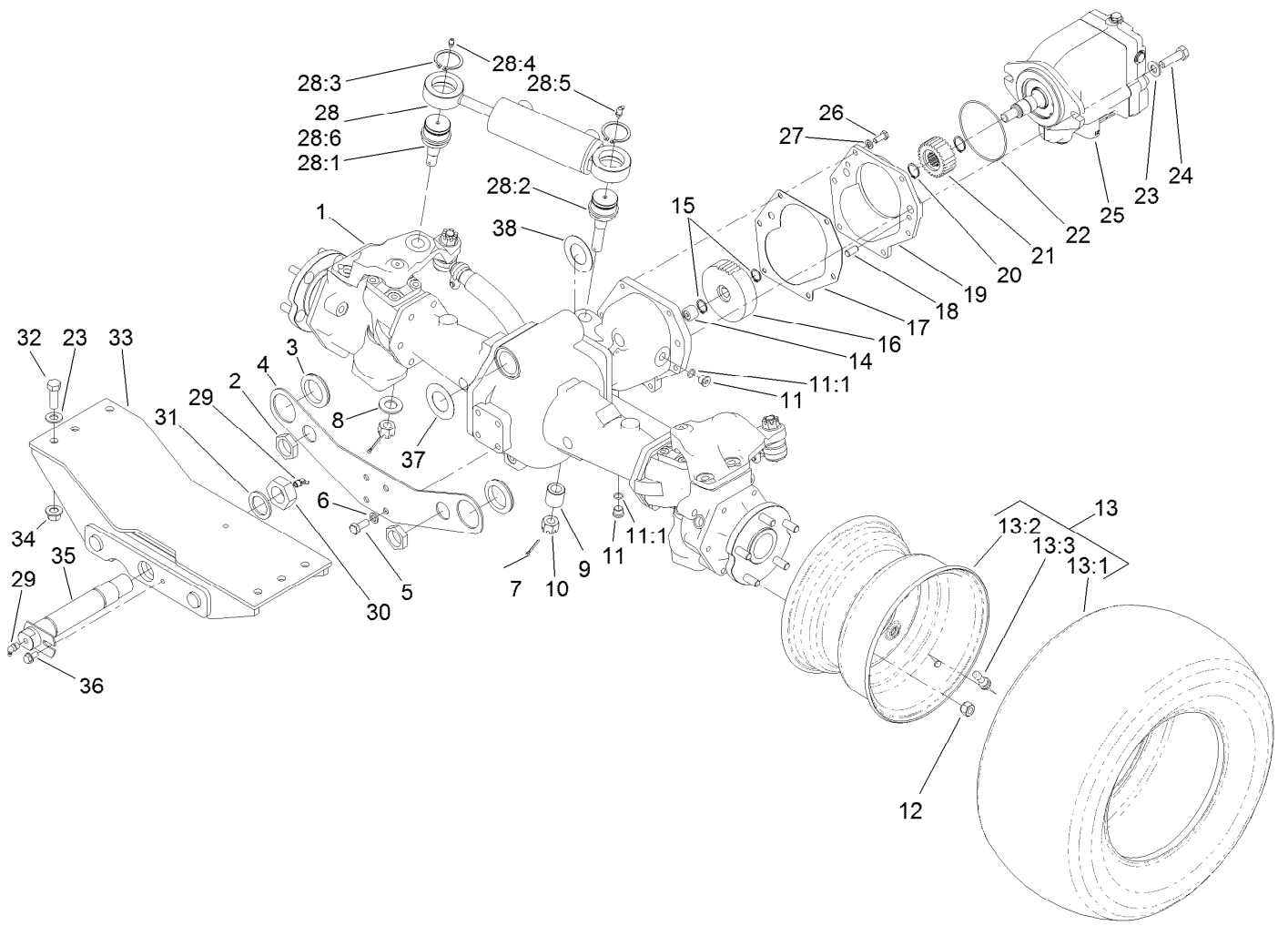
Air Conditioner Compressor Mount Assembly

| <i>Ref.</i> | <i>Part Number</i> | <i>Qty.</i> | <i>Description</i> | <i>Ref.</i> | <i>Part Number</i> | <i>Qty.</i> | <i>Description</i> |
|-------------|--------------------|-------------|--------------------|-------------|--------------------|-------------|-----------------------|
| 1 | 121-8177 | 1 | Pulley-Single | 10 | 127-3726-03 | 1 | Mount-Compressor |
| 2 | 48-9590 | 5 | Washer-Lock | 11 | 33115-110 | 2 | Screw-HH |
| 3 | 33115-035 | 3 | Screw-HH | 12 | 119-0103 | 1 | Compressor |
| 4 | 110-6254 | 1 | Belt-V | 13 | 33095-00 | 4 | Washer-Flat |
| 5 | 3231-25 | 5 | Bolt-CARR | 14 | 33015-00 | 2 | Nut-Hex |
| 6 | 3231-5 | 1 | Screw-CARR | 15 | 117-2780 | 1 | O-Ring |
| 7 | 127-3727-03 | 1 | Mount-Pulley | 16 | 119-0128 | 1 | Fitting-Elbow, 90 DEG |
| 8 | 98-3095 | 1 | Pulley-Idler | 17 | 115-8882 | 1 | Conduit-Convolutod |
| 9 | 104-8301 | 6 | Nut-HF, NI | 18 | 117-9410 | 2 | Fitting-Straight |



Washer Fluid Bottle Assembly

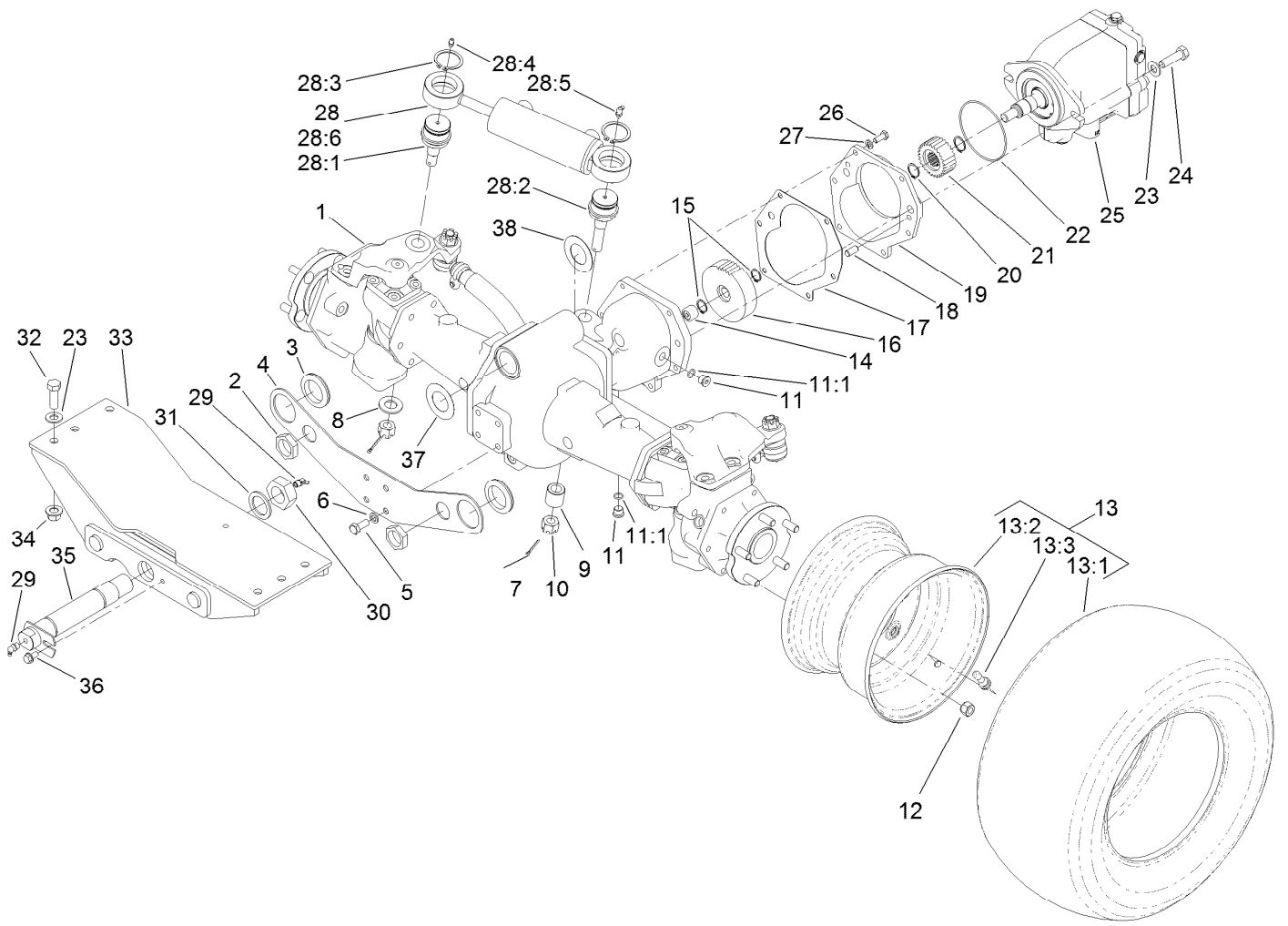
| <i>Ref.</i> | <i>Part Number</i> | <i>Qty.</i> | <i>Description</i> |
|-------------|--------------------|-------------|------------------------------|
| 1 | 125-5257 | 1 | Tank-Fluid, Washer |
| 1:1 | 125-5258 | 1 | Lid-Tank, Washer Fluid |
| 2 | 3230-10 | 6 | Bolt-CARR |
| 3 | 130-0604-03 | 2 | Strap-Bottle, Washer Fluid |
| 4 | 130-0605-03 | 1 | Support-Bottle, Washer Fluid |
| 5 | 104-8300 | 6 | Nut-HF, NI |



Rear Axle and Steering Cylinder Assembly

| Ref. | Part Number | Qty. | Description | Ref. | Part Number | Qty. | Description |
|------|-------------|------|------------------------|------|-------------|------|--------------------------|
| 1 | 110-4750 | 1 | Drive Axle ASM | 15 | 32120-15 | 2 | Ring-Snap, EXT |
| 2 | 340-126 | 2 | Nut-Bulkhead | 16 | 100-3053 | 1 | Gear-45 Tooth |
| 3 | 240-2 | 2 | Grommet-Rubber | 17 | 106-1140 | 1 | Gasket |
| 4 | 120-9069-03 | 1 | Plate-Mount, Bulkhead | 18 | 104-2353 | 2 | Pin-Dowel |
| 5 | 43-0090 | 4 | Screw-HH | 19 | 95-7541 | 1 | Plate-Cover |
| 6 | 48-9590 | 4 | Washer-Lock | 20 | 32120-76 | 2 | Ring-Snap, EXT |
| 7 | 3272-12 | 2 | Pin-Cotter | 21 | 104-0755 | 1 | Pinion-27 Tooth |
| 8 | 92-5836 | 1 | Washer | 22 | 237-166 | 1 | O-Ring |
| 9 | 100-3796 | 1 | Spacer-Joint, Ball | 23 | 3256-26 | 8 | Washer-Flat |
| 10 | 32136-14 | 2 | Nut-Hst | 24 | 325-7 | 2 | Screw-HH |
| 11 | 353-989 | 2 | Plug-Hex, Hollow | 25 | 120-8814 | 1 | HYD Motor ASM |
| 11:1 | 237-42 | 1 | O-Ring | 26 | 33114-020 | 6 | Screw-HH |
| 12 | 93-5268 | 10 | Nut-Lug | 27 | 3253-4 | 6 | Washer-Lock |
| 13 | | 2 | Tire And Wheel ASM ● | 28 | 121-1535 | 1 | Steering Cylinder ASM |
| 13:1 | 120-8910 | 1 | Tire-Off Road | 28:1 | 106-6774 | 1 | Joint-Ball |
| 13:2 | 120-8909 | 1 | Rim | 28:2 | 100-3795 | 1 | Joint-Ball |
| 13:3 | 232-27 | 1 | Stem-Valve | 28:3 | 32151-104 | 2 | Ring-Retaining, External |
| 14 | 74-5700 | 1 | Bearing-Needle, Roller | 28:4 | 302-5 | 1 | Fitting-Grease |

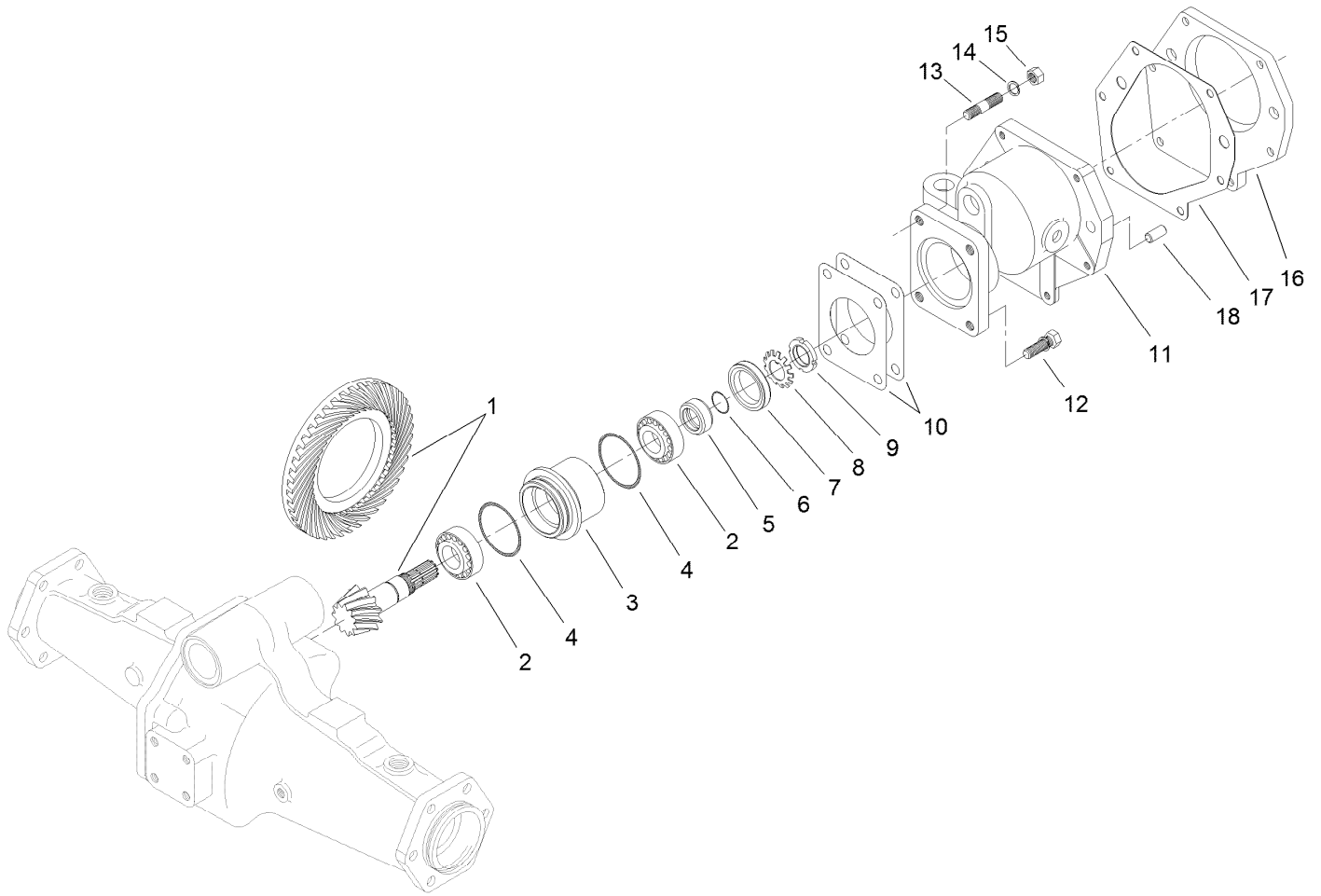
● Not serviced separately



Rear Axle and Steering Cylinder Assembly (continued)

| <i>Ref.</i> | <i>Part Number</i> | <i>Qty.</i> | <i>Description</i> | <i>Ref.</i> | <i>Part Number</i> | <i>Qty.</i> | <i>Description</i> |
|-------------|--------------------|-------------|---------------------------|-------------|--------------------|-------------|--------------------|
| 28:5 | 302-60 | 1 | Fitting-Grease | 33 | 120-8895-03 | 1 | Mount-Rear |
| 28:6 | 121-1534 | 1 | HYD Steering Cylinder ASM | 34 | 99-5107 | 6 | Nut-Lock |
| 29 | 302-33 | 2 | Fitting-Grease | 35 | 98-7077 | 1 | Pin-Axle, Rear |
| 30 | 3296-68 | 1 | Nut-Lock, NI | 36 | 32144-14 | 1 | Screw-HWHTF |
| 31 | 92-1765 | 1 | Washer-Thrust | 37 | 99-8431 | 2 | Washer-Thrust |
| 32 | 325-6 | 6 | Screw-HH | 38 | 99-8432 | 2 | Washer-Thrust |

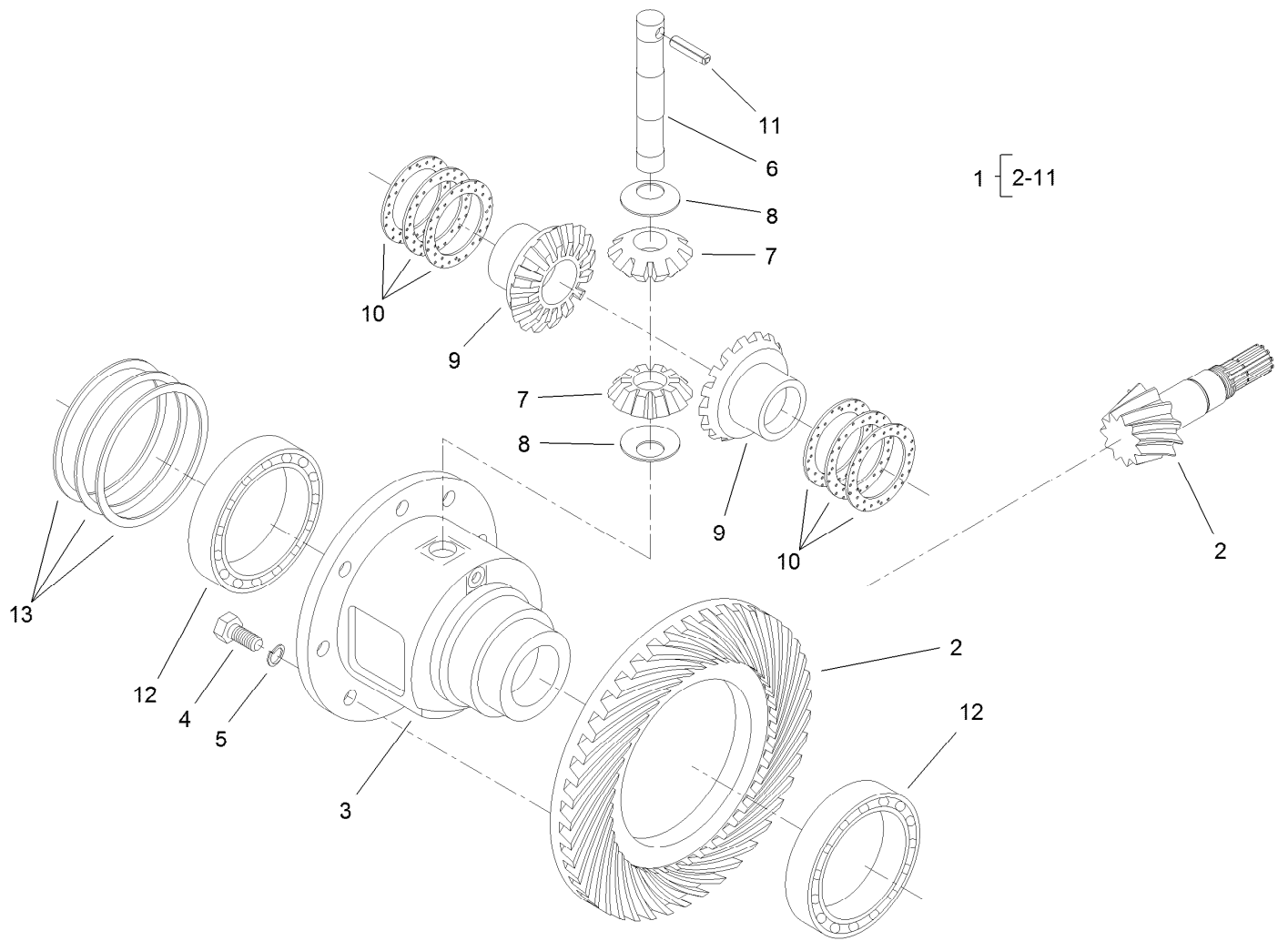
● Not serviced separately



Bevel Pinion Shaft Assembly Rear Axle Assembly No. 110-4750

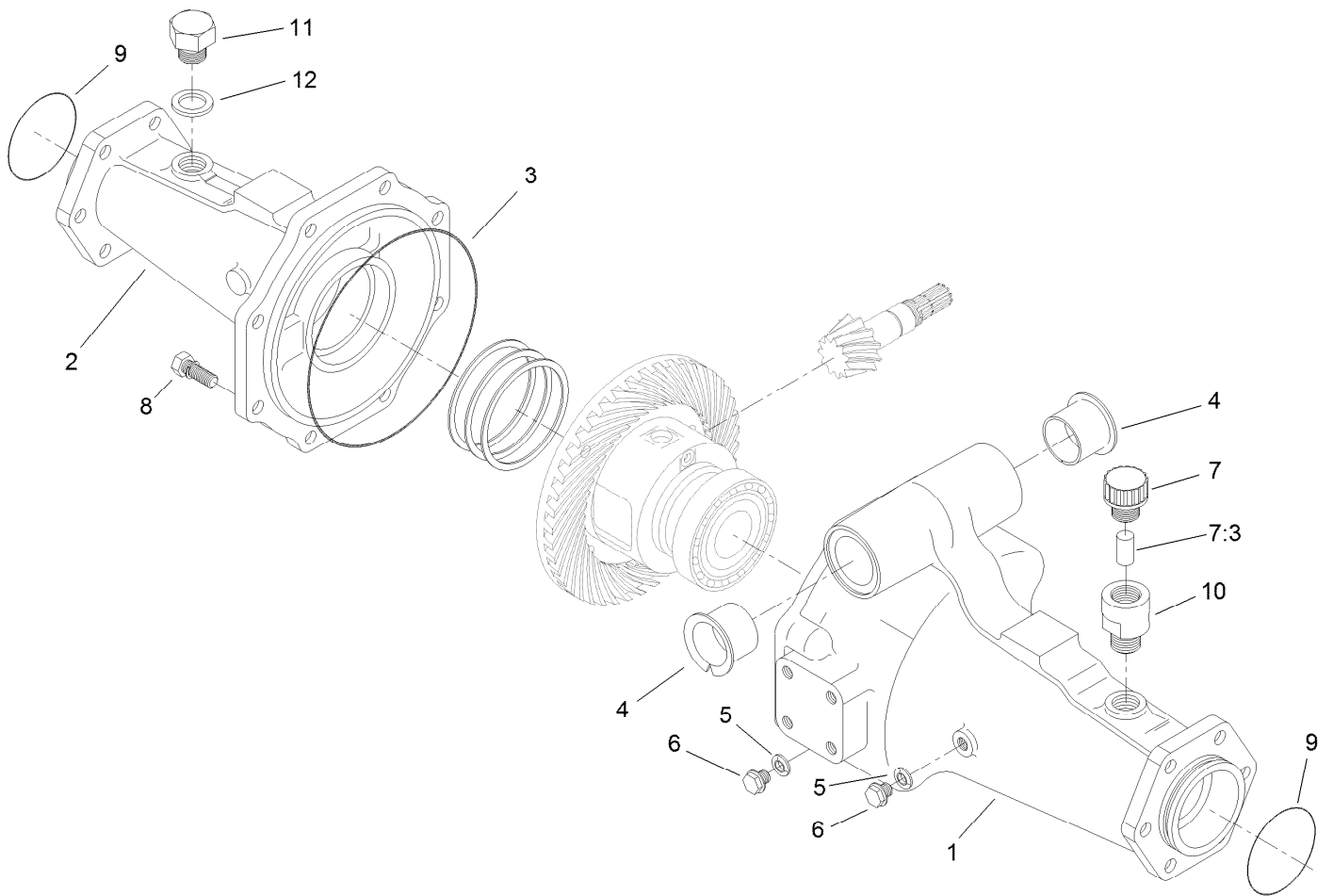
| <i>Ref.</i> | <i>Part Number</i> | <i>Qty.</i> | <i>Description</i> |
|-------------|--------------------|-------------|-----------------------|
| 1 | 106-1093 | 1 | Ring And Pinion Set |
| 2 | 99-7570 | 2 | Bearing-Roller, Taper |
| 3 | 95-7534 | 1 | Case-Bearing |
| 4 | 106-1065 | 2 | O-Ring |
| 5 | 99-7572 | 1 | Collar-Seal, Oil |
| 6 | 106-1066 | 1 | O-Ring |
| 7 | 99-7574 | 1 | Seal-Oil |
| 8 | 99-7559 | 1 | Washer-Lock |
| 9 | 99-7560 | 1 | Nut-Lock |
| 10 | 99-7550 | 2 | Shim 0.1 |

| <i>Ref.</i> | <i>Part Number</i> | <i>Qty.</i> | <i>Description</i> |
|-------------|--------------------|-------------|--------------------|
| 10 | 99-7551 | 2 | Shim 0.2 |
| 11 | 95-7533 | 1 | Case-Gear |
| 12 | 99-7575 | 2 | Bolt |
| 13 | 98-7735 | 2 | Stud |
| 14 | 99-7527 | 2 | Washer-Spring |
| 15 | 99-7526 | 2 | Nut |
| 16 | 95-7541 | 1 | Plate-Cover |
| 17 | 106-1140 | 1 | Gasket |
| 18 | 104-2353 | 2 | Pin-Dowel |



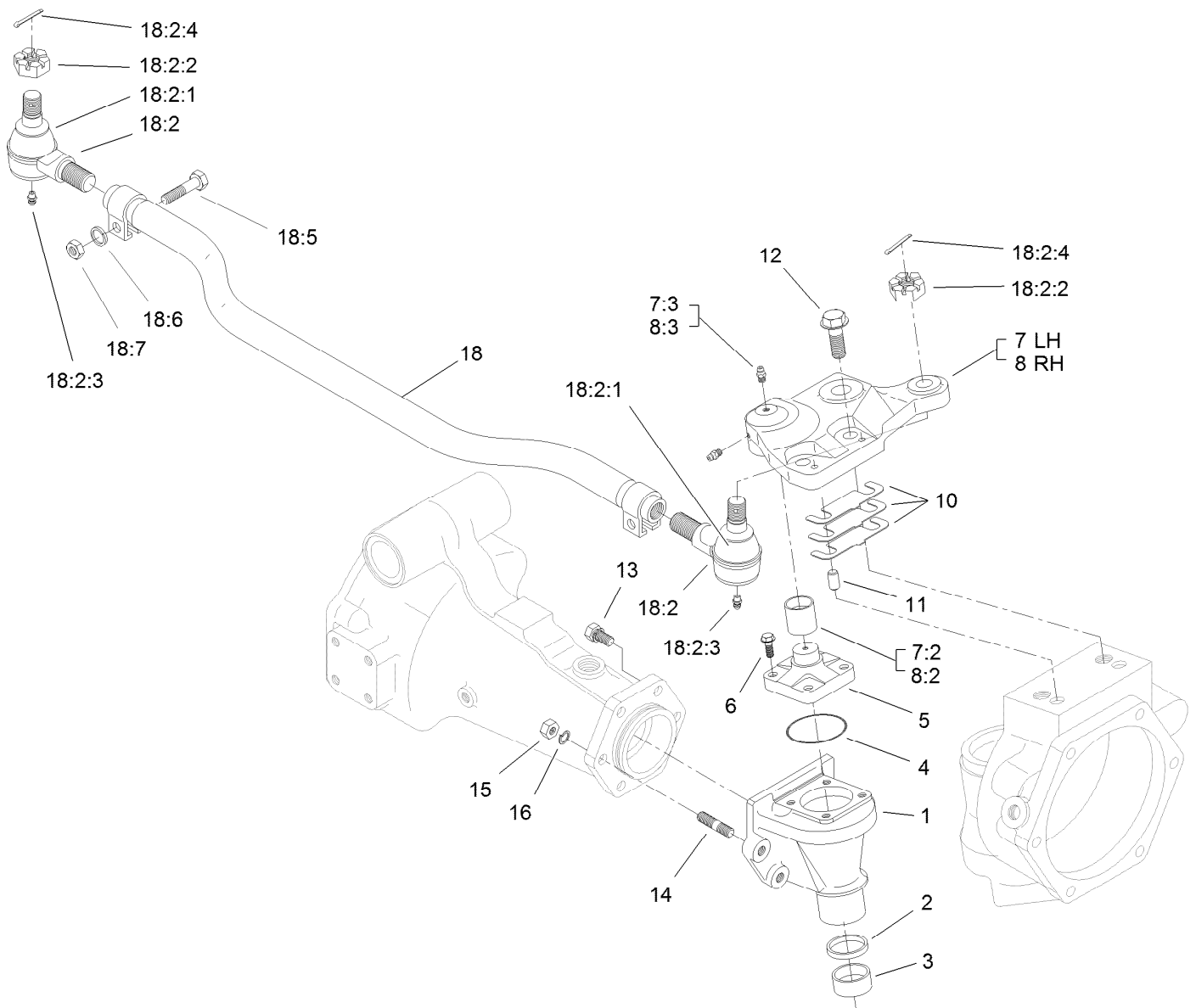
Differential Assembly Rear Axle Assembly No. 110-4750

| <i>Ref.</i> | <i>Part Number</i> | <i>Qty.</i> | <i>Description</i> | <i>Ref.</i> | <i>Part Number</i> | <i>Qty.</i> | <i>Description</i> |
|-------------|--------------------|-------------|---------------------|-------------|--------------------|-------------|---------------------|
| 1 | 95-7503 | 1 | Differential ASM | 10 | 99-7582 | 2 | Washer-Differential |
| 2 | 106-1093 | 1 | Ring And Pinion Set | 10 | 99-7583 | 2 | Washer-Differential |
| 3 | 95-7502 | 1 | Case-Differential | 10 | 99-7584 | 2 | Washer-Differential |
| 4 | 99-7576 | 8 | Bolt | 11 | 99-7588 | 1 | Pin-Spring |
| 5 | 3253-4 | 8 | Washer-Lock | 12 | 99-7562 | 2 | Bearing-Ball |
| 6 | 99-7578 | 1 | Shaft-Differential | 13 | 99-7585 | 2 | Shim 0.1 |
| 7 | 99-7579 | 2 | Pinion-Differential | 13 | 99-7586 | 2 | Shim 0.2 |
| 8 | 99-7580 | 2 | Washer-Differential | 13 | 99-7587 | 2 | Shim 0.4 |
| 9 | 99-7581 | 2 | Gear-Differential | | | | |



Axle Support Assembly Rear Axle Assembly No. 110-4750

| <i>Ref.</i> | <i>Part Number</i> | <i>Qty.</i> | <i>Description</i> |
|-------------|--------------------|-------------|---------------------|
| 1 | 95-7508 | 1 | Support-Axle |
| 2 | 95-7506 | 1 | Support-Axle |
| 3 | 106-1067 | 1 | O-Ring |
| 4 | 95-7537 | 2 | Bushing-Flanged |
| 5 | 99-7590 | 2 | Washer-Seal |
| 6 | 99-7589 | 2 | Plug |
| 7 | 110-4812 | 1 | Axle Vent ASM |
| 7:3 | 110-4815 | 1 | Insert-Filter, Foam |
| 8 | 99-7592 | 8 | Bolt |
| 9 | 106-1068 | 2 | O-Ring |
| 10 | 104-2377 | 1 | Extension-Vent |
| 11 | 104-8643 | 1 | Plug |
| 12 | 104-8644 | 1 | O-Ring |



Bevel Gear Case Assembly Rear Axle Assembly No. 110-4750

| Ref. | Part Number | Qty. | Description | Ref. | Part Number | Qty. | Description |
|------|-------------|------|---------------------|--------|-------------|------|--------------------------------|
| 1 | 110-4752 | 2 | Case-Gear, Bevel | 12 | 104-2375 | 4 | Bolt |
| 2 | 110-4754 | 2 | Seal-Oil | 13 | 99-7599 | 8 | Bolt |
| 3 | 104-2378 | 2 | Bushing | 14 | 99-7525 | 4 | Stud |
| 4 | 106-1069 | 2 | O-Ring | 15 | 99-7526 | 4 | Nut |
| 5 | 104-2373 | 2 | Knuckle | 16 | 99-7527 | 4 | Washer-Spring |
| 6 | 104-2374 | 8 | Bolt | 18 | 106-1141 | 1 | Steering Tie Rod ASM |
| 7 | 100-3768 | 1 | LH Steering Arm ASM | 18:2 | 106-1113 | 2 | Tie Rod End ASM - RH Thread |
| 7:2 | 104-8634 | 1 | Bushing | 18:2:1 | 100-3853 | 1 | Cover-Dust |
| 7:3 | 106-1104 | 2 | Fitting-Grease | 18:2:2 | 100-3854 | 1 | Nut-Castle |
| 8 | 100-3766 | 1 | RH Steering Arm ASM | 18:2:3 | 110-4755 | 1 | Fitting-Grease |
| 8:2 | 104-8634 | 1 | Bushing | 18:2:4 | 3272-11 | 1 | Pin-Cotter |
| 8:3 | 106-1104 | 2 | Fitting-Grease | 18:5 | 100-3855 | 2 | Bolt |
| 10 | 95-7547 | 2 | Shim 0.1 | 18:6 | 99-7527 | 2 | Washer-Spring |
| 10 | 95-7548 | 2 | Shim 0.2 | 18:7 | 99-7526 | 2 | Nut |
| 10 | 95-7549 | 2 | Shim 0.3 | | | | |
| 11 | 99-7597 | 4 | Pin-Dowel | | | | |



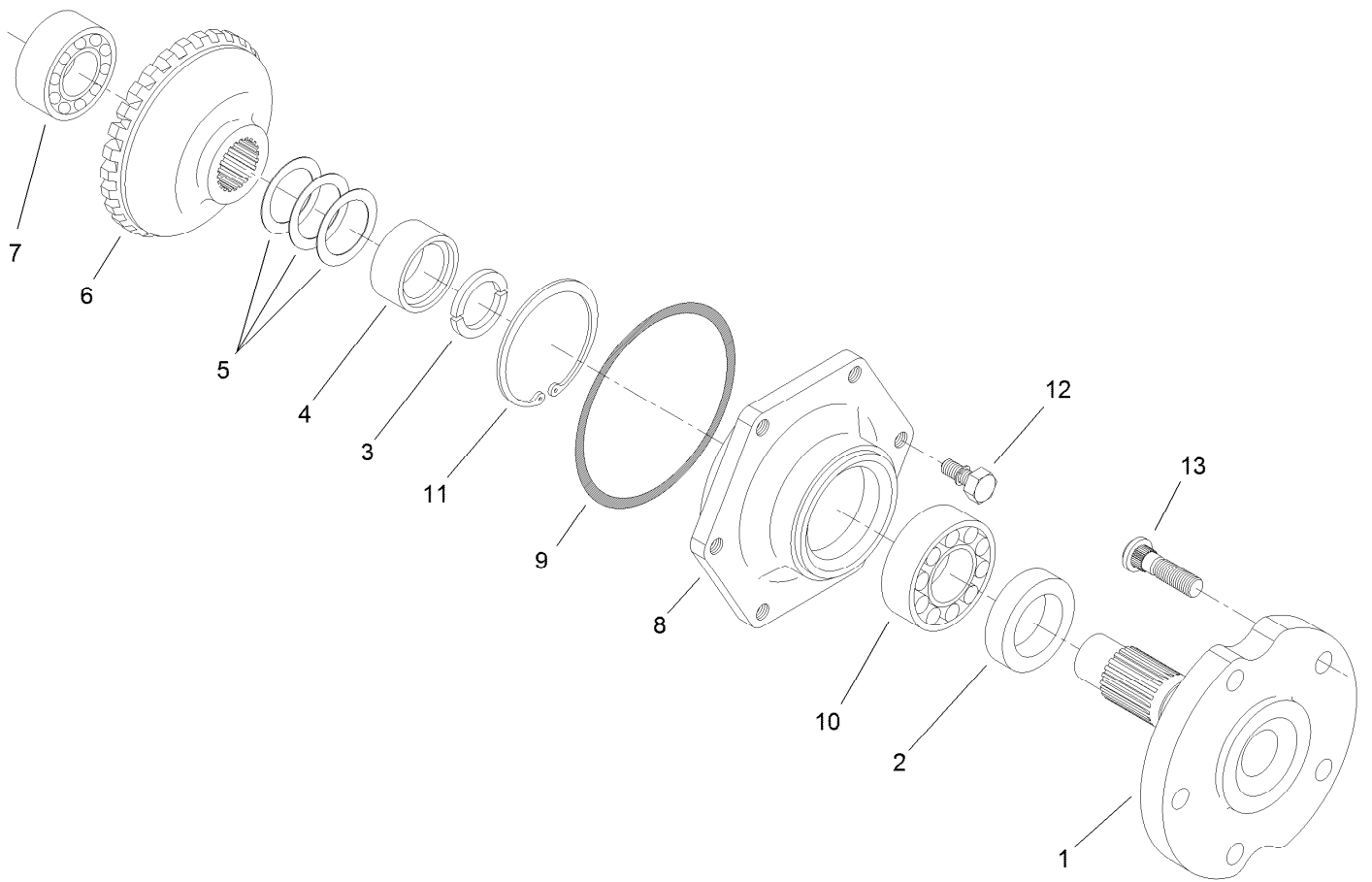
Bevel Gear Shaft Assembly Rear Axle Assembly No. 110-4750

| <i>Ref.</i> | <i>Part Number</i> | <i>Qty.</i> | <i>Description</i> |
|-------------|--------------------|-------------|--------------------------|
| 1 | 95-7509 | 1 | Shaft-Gear, Differential |
| 2 | 95-7512 | 1 | Shaft-Gear, Differential |
| 3 | 95-7517 | 2 | Gear-Bevel, 15 Tooth |
| 4 | 99-7530 | 4 | Bearing-Ball |
| 5 | 99-7552 | 2 | Shim 0.1 |
| 5 | 99-7553 | 2 | Shim 0.2 |
| 5 | 99-7554 | 2 | Shim 0.5 |
| 6 | 99-7531 | 2 | Clip |
| 7 | 110-4753 | 2 | Shaft-Gear, Bevel |
| 8 | 95-7519 | 2 | Gear-Bevel, 17 Tooth |
| 9 | 99-7532 | 2 | Bearing-Roller, Taper |
| 10 | 99-7558 | 2 | Collar |



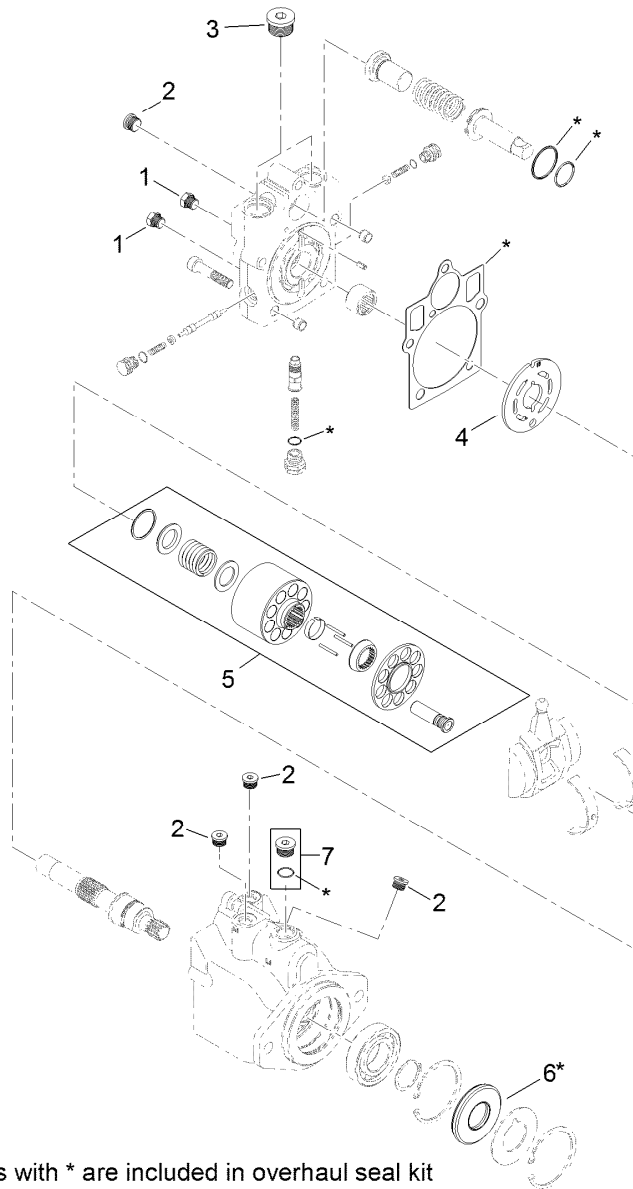
Axle Case Assembly Rear Axle Assembly No. 110-4750

| <i>Ref.</i> | <i>Part Number</i> | <i>Qty.</i> | <i>Description</i> |
|-------------|--------------------|-------------|-----------------------|
| 1 | 110-4751 | 2 | Case-Axle |
| 2 | 99-7535 | 2 | Plug |
| 3 | 99-7536 | 2 | Washer-Seal |
| 4 | 95-7527 | 2 | Gear-Bevel, 17 Tooth |
| 5 | 99-7532 | 2 | Bearing-Roller, Taper |
| 6 | 100-2560 | 2 | Cover |
| 7 | 106-1070 | 2 | O-Ring |
| 8 | 99-7589 | 2 | Plug |
| 9 | 99-7590 | 2 | Washer-Seal |
| 10 | 100-2562 | 8 | Bolt |
| 11 | 106-1102 | 2 | Bolt-Stop |
| 12 | 106-1103 | 2 | Nut |



Axle Assembly Rear Axle Assembly No. 110-4750

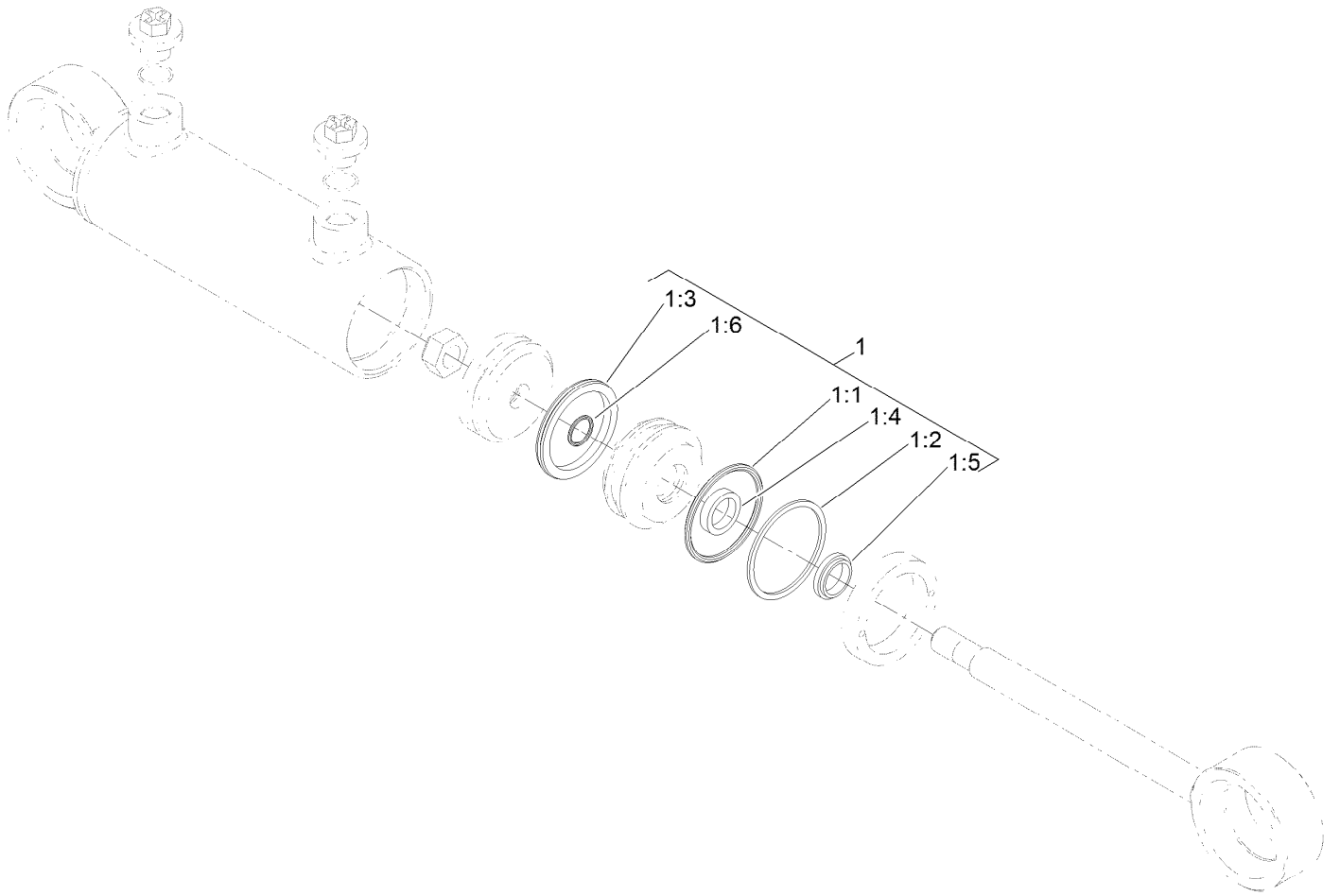
| <i>Ref.</i> | <i>Part Number</i> | <i>Qty.</i> | <i>Description</i> |
|-------------|--------------------|-------------|----------------------|
| 1 | 95-7522 | 2 | Axle |
| 2 | 99-7564 | 2 | Seal-Oil |
| 3 | 95-7544 | 4 | Clip |
| 4 | 95-7523 | 2 | Spacer |
| 5 | 99-7555 | 2 | Shim 0.3 |
| 5 | 99-7556 | 2 | Shim 0.2 |
| 5 | 99-7557 | 2 | Shim 0.5 |
| 6 | 95-7524 | 2 | Gear-Bevel, 29 Tooth |
| 7 | 99-7534 | 2 | Bearing-Ball |
| 8 | 95-7521 | 2 | Cover-Axle |
| 9 | 106-1071 | 2 | O-Ring |
| 10 | 99-7561 | 2 | Bearing-Ball |
| 11 | 99-7539 | 2 | Clip |
| 12 | 99-7596 | 12 | Bolt |
| 13 | 99-7563 | 10 | Stud |



8 = all items with * are included in overhaul seal kit

Hydraulic Motor Assembly No. 120-8814

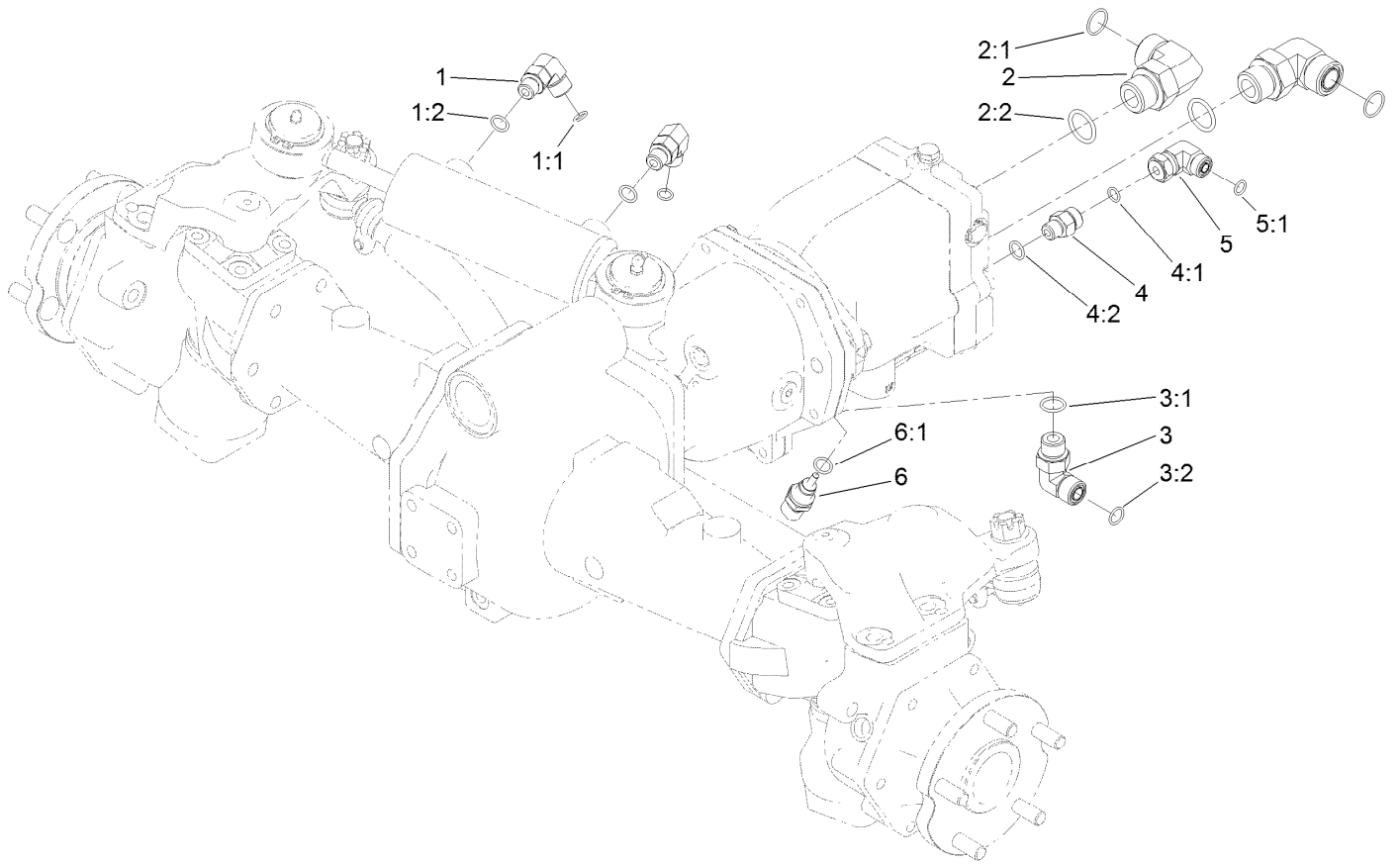
| <i>Ref.</i> | <i>Part Number</i> | <i>Qty.</i> | <i>Description</i> |
|-------------|--------------------|-------------|------------------------|
| 1 | 92-1352 | 2 | Plug |
| 2 | 69-3080 | 5 | Plug |
| 3 | 69-3130 | 2 | Plug |
| 4 | 121-1734 | 1 | Plate-Valve |
| 5 | 110-6472 | 1 | Cylinder Block Kit ASM |
| 6 | 69-3190 | 1 | Seal-Lip |
| 7 | 67-9090 | 1 | Plug |
| 8 | 121-1736 | 1 | Overhaul Seal Kit |



Steering Cylinder Assembly No. 121-1534

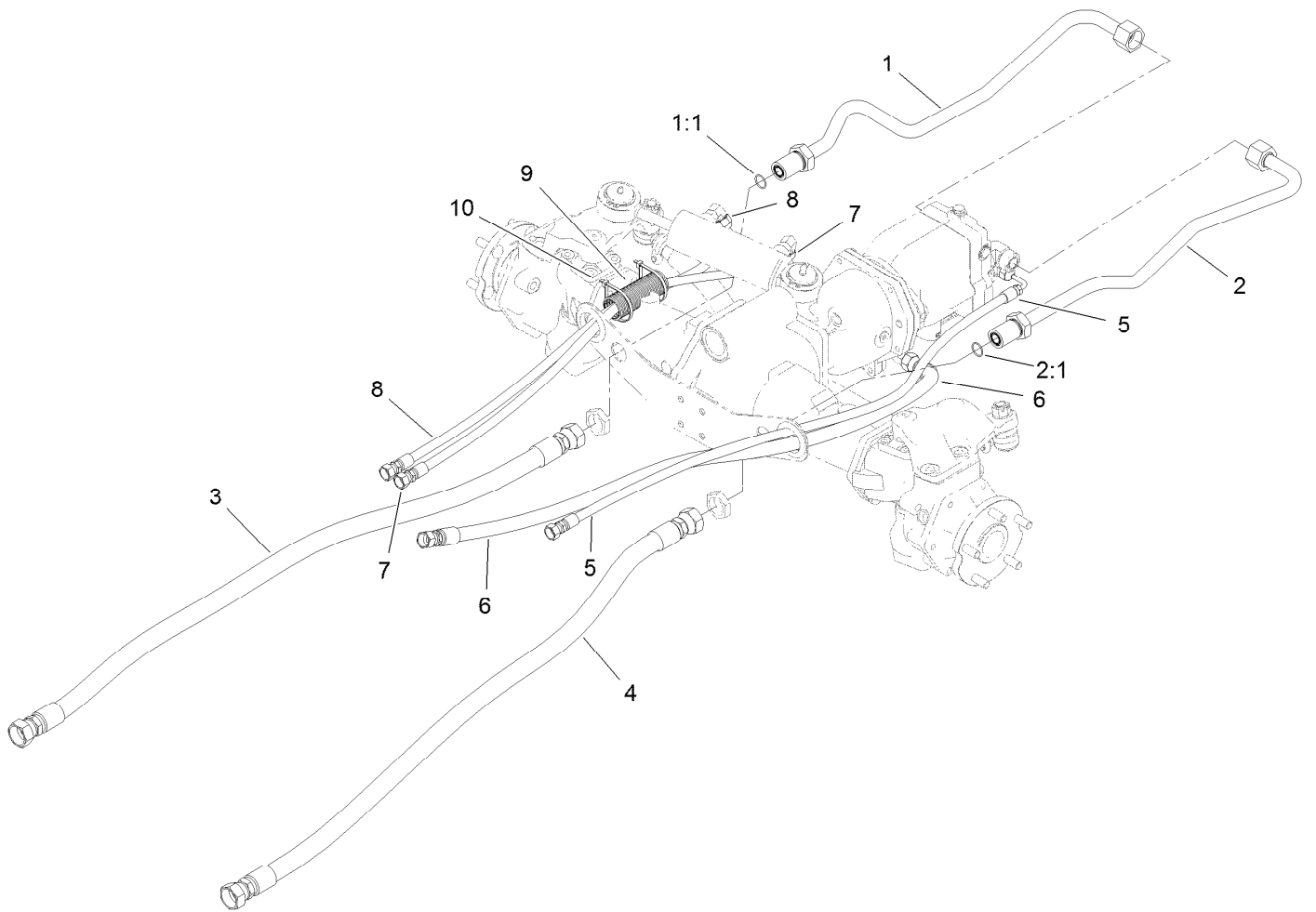
| <i>Ref.</i> | <i>Part Number</i> | <i>Qty.</i> | <i>Description</i> |
|-------------|--------------------|-------------|--------------------|
| 1 | 125-4302 | 1 | Seal Kit |
| 1:1 | | 1 | O-Ring ● |
| 1:2 | | 1 | Backup ● |
| 1:3 | | 1 | Bp Seal ● |
| 1:4 | | 1 | Bt Seal ● |
| 1:5 | | 1 | Dust Seal ● |
| 1:6 | | 1 | O-Ring ● |

● Not serviced separately



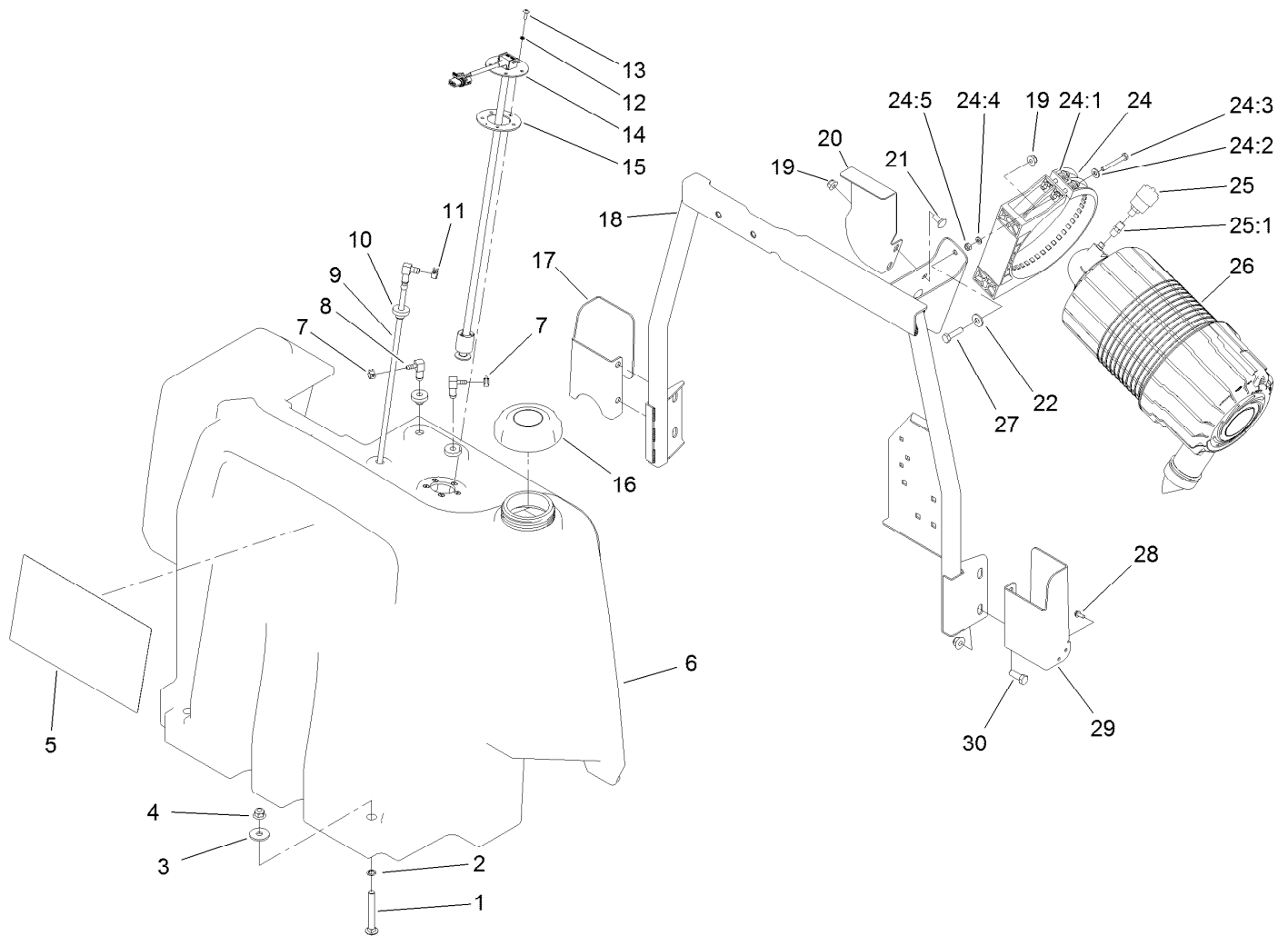
Hydraulic Fitting Assembly

| <i>Ref.</i> | <i>Part Number</i> | <i>Qty.</i> | <i>Description</i> | <i>Ref.</i> | <i>Part Number</i> | <i>Qty.</i> | <i>Description</i> |
|-------------|--------------------|-------------|-----------------------|-------------|--------------------|-------------|--------------------|
| 1 | 340-77 | 2 | Fitting-Elbow, 90 DEG | 3:2 | 237-30 | 1 | O-Ring |
| 1:1 | 237-22 | 1 | O-Ring | 4 | 340-2 | 1 | Fitting-Straight |
| 1:2 | 237-42 | 1 | O-Ring | 4:1 | 237-22 | 1 | O-Ring |
| 2 | 340-142 | 2 | Fitting-Elbow, 90 DEG | 4:2 | 237-42 | 1 | O-Ring |
| 2:1 | 237-58 | 1 | O-Ring | 5 | 340-159 | 1 | Elbow-90 |
| 2:2 | 237-81 | 1 | O-Ring | 5:1 | 237-22 | 2 | O-Ring |
| 3 | 340-98 | 1 | Fitting-Elbow, 90 DEG | 6 | 110-8829 | 1 | Sender-Temperature |
| 3:1 | 237-79 | 1 | O-Ring | 6:1 | 237-42 | 1 | O-Ring |
| | | | | | | | |



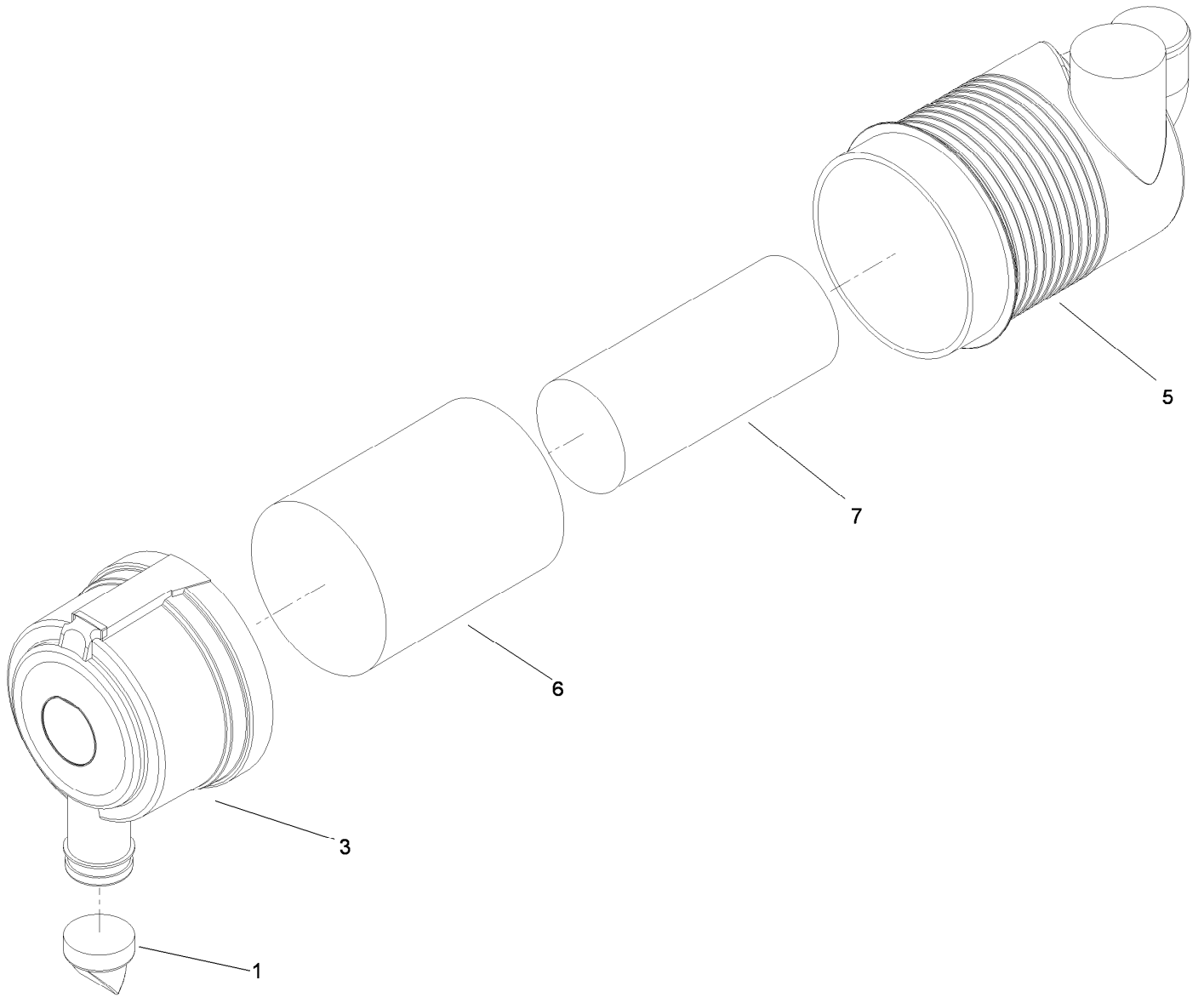
Hose and Tube Routing Assembly

| <i>Ref.</i> | <i>Part Number</i> | <i>Qty.</i> | <i>Description</i> |
|-------------|--------------------|-------------|--------------------|
| 1 | 120-9067 | 1 | HYD Tube ASM |
| 1:1 | 237-58 | 1 | O-Ring |
| 2 | 120-9068 | 1 | Tube ASM |
| 2:1 | 237-58 | 1 | O-Ring |
| 3 | 121-1502 | 1 | Hose-HYD |
| 4 | 114-0024 | 1 | Hose-HYD |
| 5 | 121-1459 | 1 | Hose-HYD |
| 6 | 121-1458 | 1 | Hose-HYD |
| 7 | 121-1500 | 1 | Hose-HYD |
| 8 | 121-1501 | 1 | Hose-HYD |
| 9 | 121-1544 | 2 | Cover-Hose |
| 10 | 3290-379 | 4 | Tie-Cable |



Fuel Tank and Air Cleaner Assembly

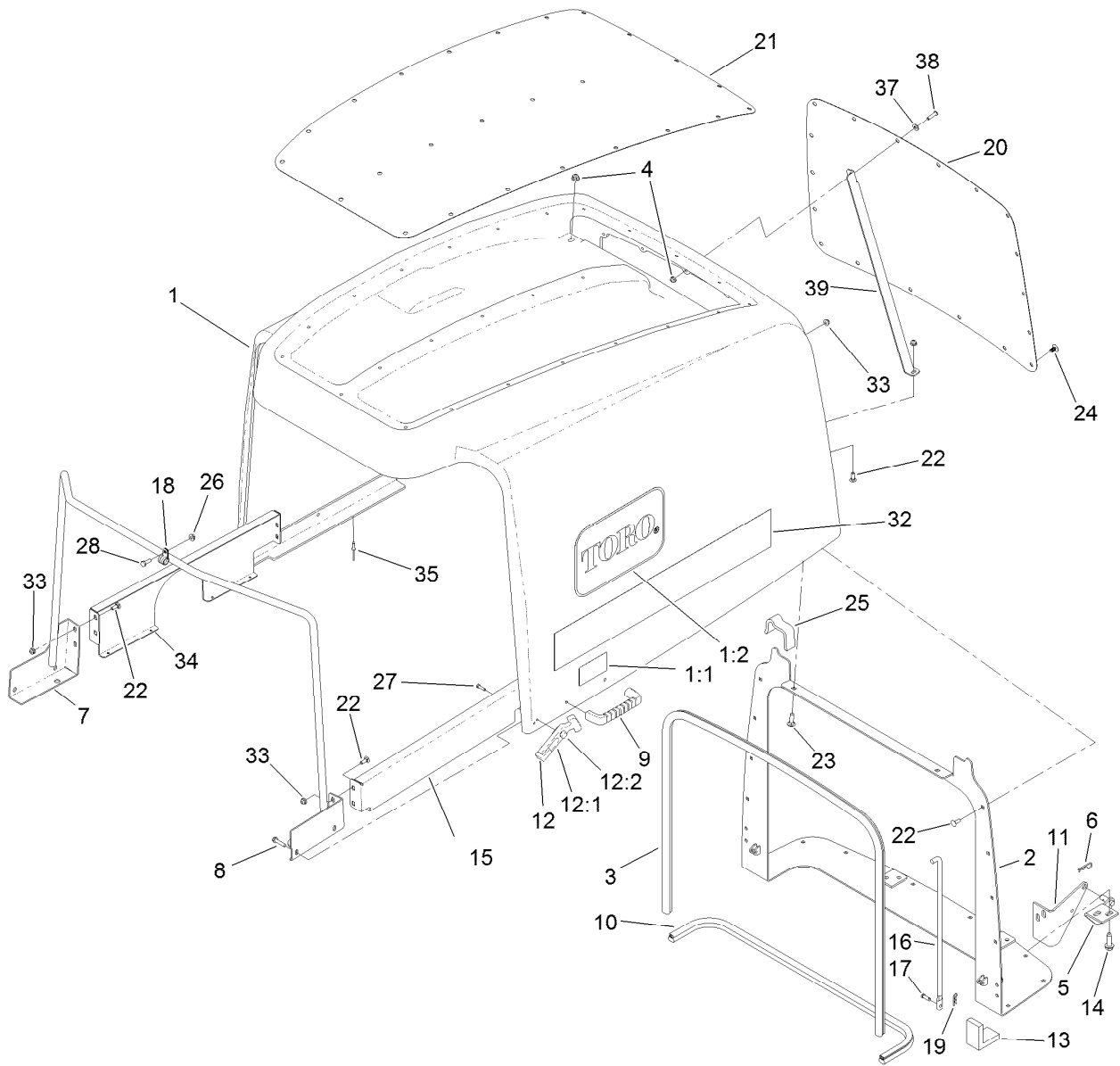
| Ref. | Part Number | Qty. | Description | Ref. | Part Number | Qty. | Description |
|------|-------------|------|-----------------------|------|-------------|------|--------------------|
| 1 | 3231-10 | 2 | Screw-CARR | 19 | 104-8300 | 4 | Nut-HF, NI |
| 2 | 32151-72 | 2 | Ring-Retaining | 20 | 120-4193-03 | 1 | Bracket-Fuel Tank |
| 3 | 63-8410 | 2 | Washer | 21 | 3230-1 | 2 | Bolt-CARR |
| 4 | 104-8301 | 6 | Nut-HF, NI | 22 | 3256-3 | 2 | Washer-Flat |
| 5 | 130-6043 | 1 | Decal-Service | 24 | 99-5414 | 1 | Strap-Cleaner, Air |
| 6 | 120-4195 | 1 | Tank-Fuel | 24:1 | 108-1512 | 2 | Spring |
| 7 | 2412-98 | 2 | Clamp-Hose | 24:2 | 3256-22 | 2 | Washer-Flat |
| 8 | 104-5228 | 2 | Fitting-Elbow, 90 DEG | 24:3 | 33113-050 | 2 | Screw-HH |
| 9 | 120-8908 | 1 | Pipe-Stand | 24:4 | 33093-00 | 2 | Washer-Flat |
| 10 | 46-6560 | 3 | Bushing | 24:5 | 33023-00 | 2 | Nut-Lock |
| 11 | 92-2379 | 1 | Clamp-Hose | 25 | 104-3563 | 1 | Indicator |
| 12 | 3253-15 | 5 | Washer-Lock | 25:1 | 94-1416 | 1 | Adapter-Indicator |
| 13 | 32122-24 | 5 | Screw-PTH | 26 | 99-5410 | 1 | Air Cleaner ASM |
| 14 | 121-1688 | 1 | Gauge-Fuel | 27 | 322-6 | 2 | Screw-HH |
| 15 | 121-1707 | 1 | Gasket-Fuel, Viton | 28 | 32144-1 | 4 | Screw-Taptite |
| 16 | 125-9171 | 1 | Cap-Fuel | 29 | 121-1513-03 | 1 | Bracket-Latch, LH |
| 17 | 121-1514-03 | 1 | Bracket-Latch, RH | 30 | 323-6 | 4 | Screw-HH |
| 18 | 120-4190-03 | 1 | Support-Tank | | | | |



Air Cleaner Assembly No. 99-5410

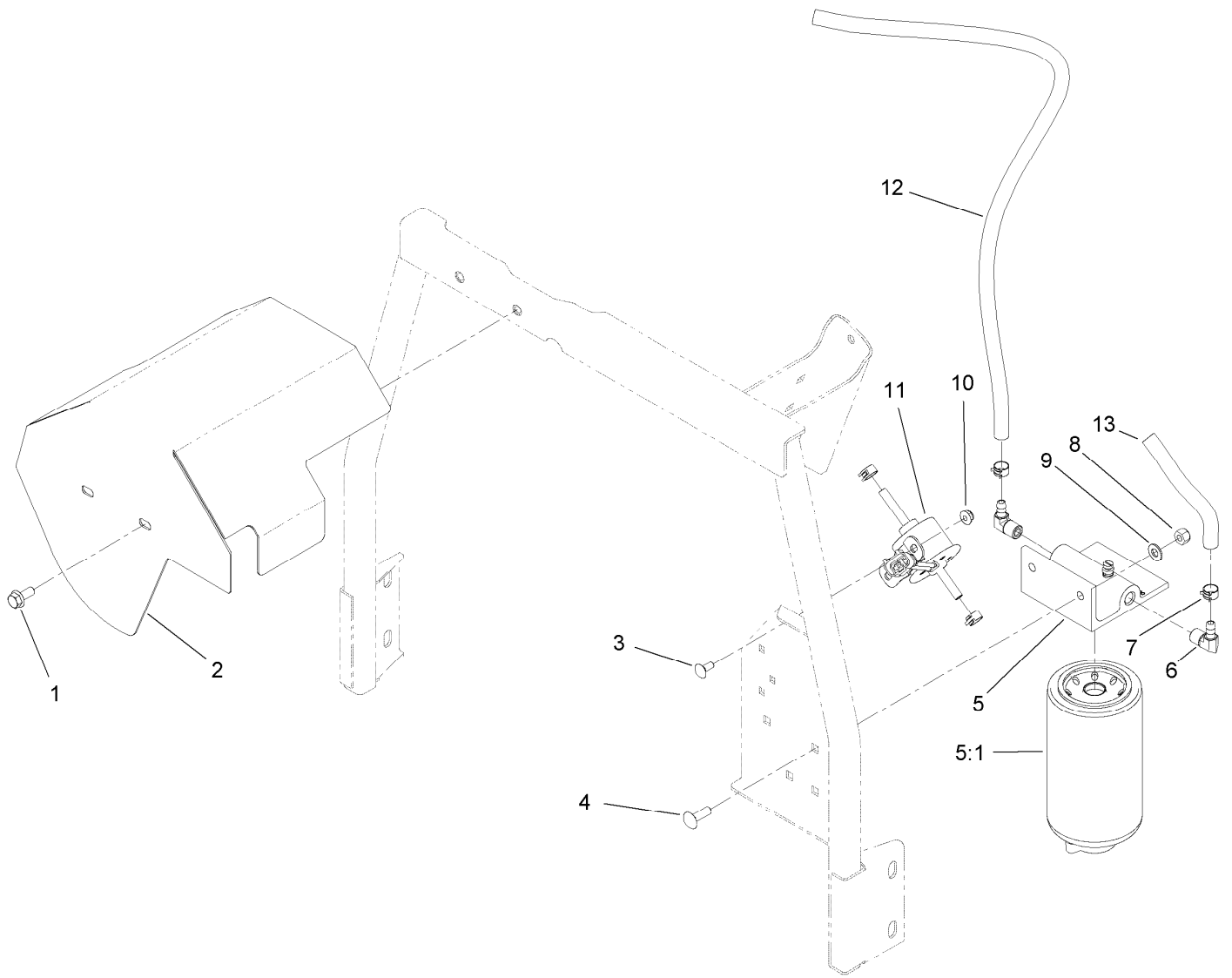
| <i>Ref.</i> | <i>Part Number</i> | <i>Qty.</i> | <i>Description</i> |
|-------------|--------------------|-------------|--------------------|
| 1 | 104-4258 | 1 | Valve-Vacuator |
| 3 | 104-4259 | 1 | Cover |
| 5 | | 1 | Body ASM ● |
| 6 | 108-3814 | 1 | Filter-Air |
| 7 | 108-3816 | 1 | Filter-Air |

● Not serviced separately



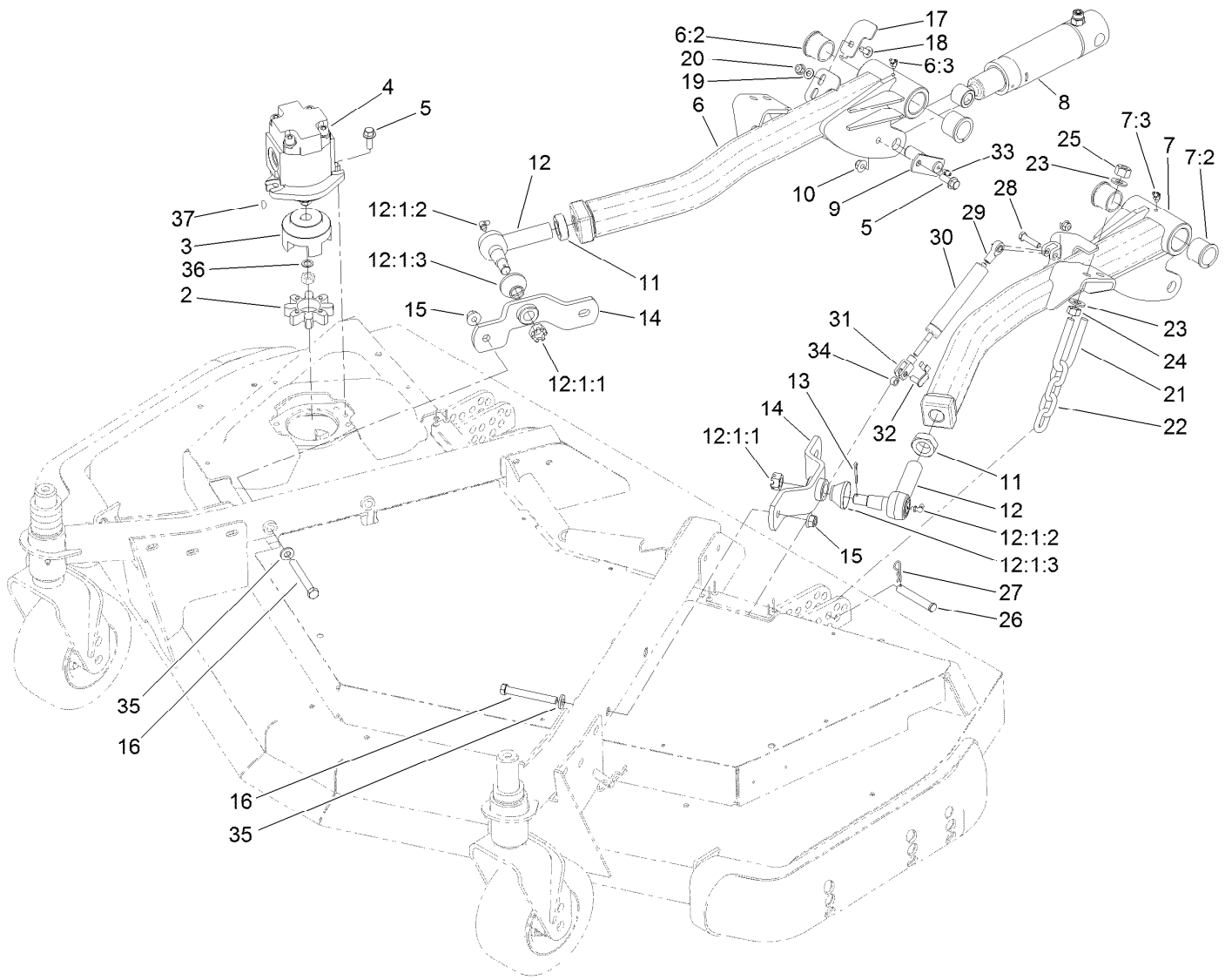
Hood Assembly

| Ref. | Part Number | Qty. | Description | Ref. | Part Number | Qty. | Description |
|------|-------------|------|-------------------------|------|-------------|------|-------------------|
| 1 | 120-9090 | 1 | Hood ASM | 17 | 283-67 | 2 | Pin-Clevis |
| 1:1 | 106-6754 | 1 | Decal-Danger | 18 | 2412-134 | 2 | Clamp-R |
| 1:2 | 66-1210 | 2 | Decal | 19 | 3290-307 | 2 | Pin-Cotter |
| 2 | 120-9099-03 | 1 | Pivot-Hood | 20 | 120-9096-03 | 1 | Screen-Hood, Rear |
| 3 | 114-3823 | 1 | Seal-Bulb | 21 | 120-9097-03 | 1 | Screen-Hood, Top |
| 4 | 104-8300 | 2 | Nut-HF, NI | 22 | 3229-1 | 24 | Screw-CARR |
| 5 | 121-1470 | 2 | Pivot-Screen | 23 | 3230-2 | 2 | Bolt-CARR |
| 6 | 3290-467 | 2 | Pin-Hair | 24 | 117-2382 | 42 | Plug-Plastic |
| 7 | 120-4196-03 | 1 | Support-Hood | 25 | 120-9087 | 2 | Seal-Foam |
| 8 | 46-8092 | 4 | Screw-Plastite | 26 | 32128-33 | 2 | Nut-HF |
| 9 | 65-5100 | 2 | Handle-Door | 27 | 32104-4 | 2 | Screw |
| 10 | 104-3590 | 1 | Seal-Bulb | 28 | 321-4 | 2 | Screw-HH |
| 11 | 104-3588-03 | 2 | Pivot-Screen | 32 | 119-0054 | 2 | Decal-Hood |
| 12 | 94-5626 | 2 | Flexible Draw Latch ASM | 33 | 104-7201 | 25 | Nut-HF, NI |
| 12:1 | 103-4080 | 1 | Latch-Rubber | 34 | 120-8948-03 | 1 | Support-Hood, RH |
| 12:2 | 103-4081 | 1 | Latch-Keeper | 35 | 3269-4 | 8 | Rivet-Pop |
| 13 | 104-3580 | 2 | Seal-Corner, Screen | 37 | 3256-1 | 1 | Washer-Flat |
| 14 | 32144-109 | 8 | Screw-Thd | 38 | 3274-65 | 1 | Screw-HSBH |
| 15 | 120-8949-03 | 1 | Support-Hood, LH | 39 | 127-3707-03 | 1 | Support-Hood |
| 16 | 104-8313 | 2 | Rod-Hood | | | | |



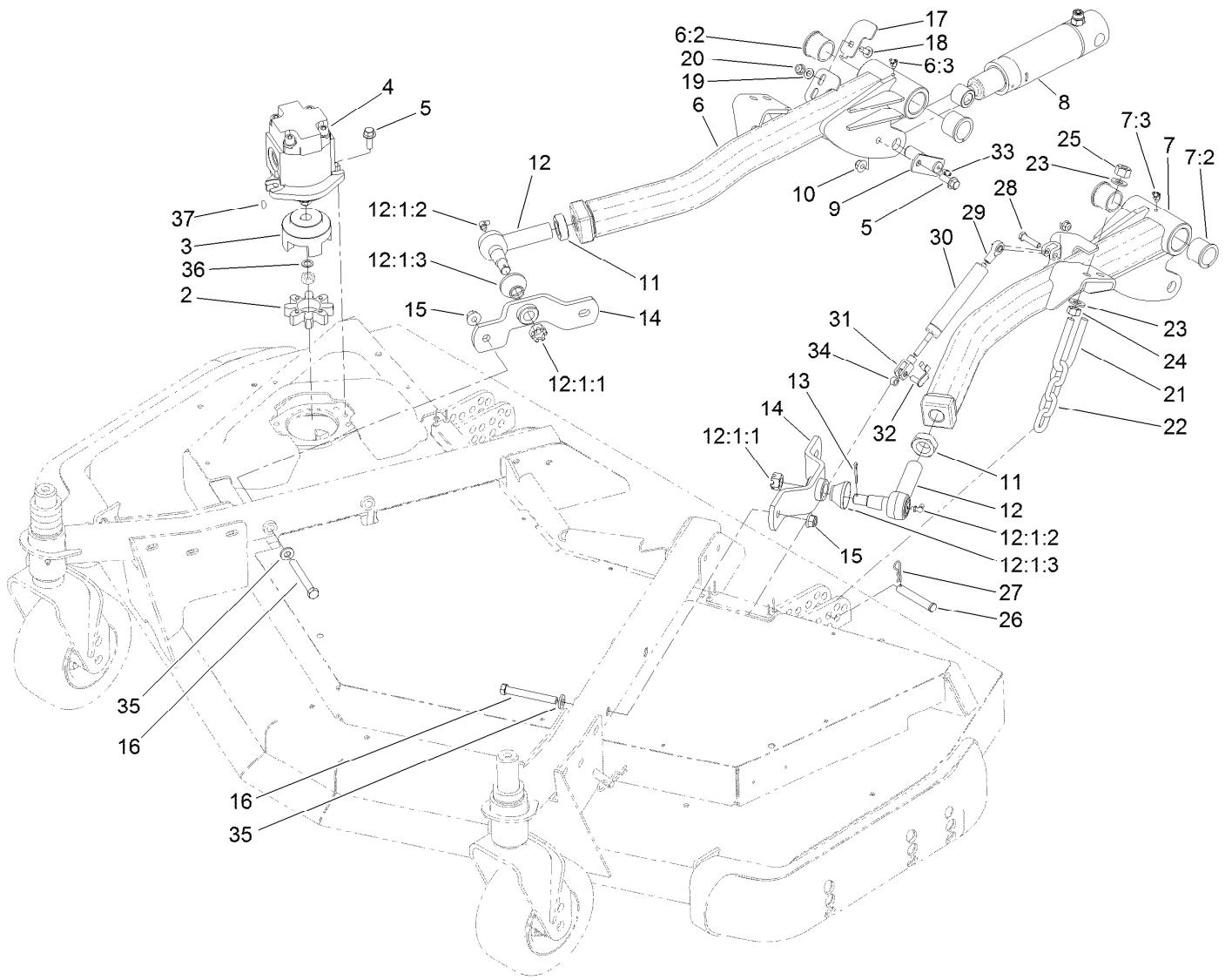
Fuel/Water Separator Assembly

| Ref. | Part Number | Qty. | Description |
|------|-------------|------|-----------------------------|
| 1 | 3234-47 | 2 | Screw-HHF |
| 2 | 120-4188-03 | 1 | Bracket-Guard, Fuel Tank |
| 3 | 3229-11 | 2 | Screw-CARR |
| 4 | 3230-22 | 2 | Screw-CARR |
| 5 | 125-2914 | 1 | Filter-Separator |
| 5:1 | 125-2915 | 1 | Filter-Fuel/Water Separator |
| 6 | 353-781 | 2 | Fitting-HYD, 90 |
| 7 | 92-2379 | 4 | Clamp-Hose |
| 8 | 3296-29 | 2 | Nut-Lock, NI |
| 9 | 3256-23 | 2 | Washer-Plain |
| 10 | 104-7201 | 2 | Nut-HF, NI |
| 11 | 121-5613 | 1 | Pump-Fuel, Electric |
| 12 | 109-0309 | 1 | Hose-Fuel |
| 13 | 110-3256 | 1 | Hose-Fuel |



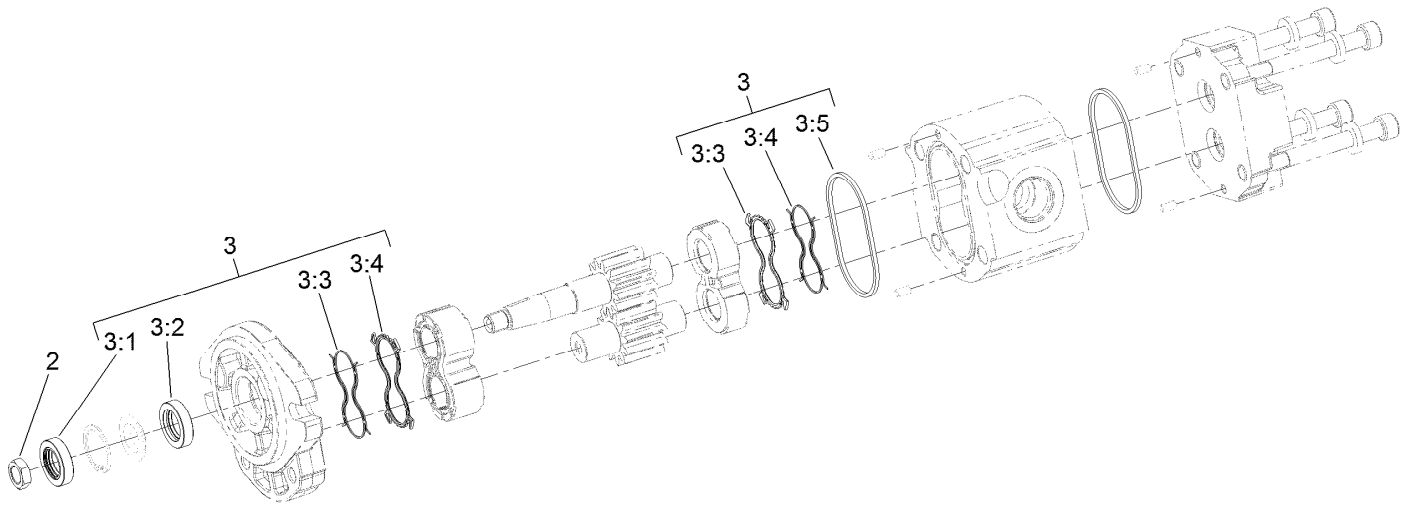
Front Deck Installation Assembly

| Ref. | Part Number | Qty. | Description | Ref. | Part Number | Qty. | Description |
|--------|-------------|------|------------------------|------|-------------|------|--------------------|
| 2 | 104-3542 | 1 | Spider | 16 | 324-19 | 4 | Screw-HH |
| 3 | 104-3541 | 1 | Hub-Spider | 17 | 120-8893 | 1 | Plate-Sensor |
| 4 | 127-3694 | 1 | HYD Motor ASM | 18 | 3230-23 | 1 | Bolt-CARR |
| 5 | 3234-42 | 4 | Screw-HHF | 19 | 3256-23 | 1 | Washer-Plain |
| 6 | 120-8878 | 1 | RH Lift Arm ASM | 20 | 104-8300 | 2 | Nut-HF, NI |
| 6:2 | 104-0015 | 2 | Bushing-Flange | 21 | 104-0108 | 2 | U-Bolt |
| 6:3 | 302-11 | 1 | Fitting-Lube, 45 DEG | 22 | 95-6231 | 2 | Chain-HOC |
| 7 | 120-8879 | 1 | LH Lift Arm ASM | 23 | 3256-26 | 8 | Washer-Flat |
| 7:2 | 104-0015 | 2 | Bushing-Flange | 24 | 3217-9 | 4 | Nut-HH |
| 7:3 | 302-11 | 1 | Fitting-Lube, 45 DEG | 25 | 3296-25 | 4 | Nut-Lock, NI |
| 8 | 120-8802 | 2 | HYD Cylinder ASM | 26 | 283-55 | 2 | Pin-Clevis |
| 9 | 100-3020 | 2 | Pin | 27 | 3290-467 | 2 | Pin-Hair |
| 10 | 104-8301 | 2 | Nut-HF, NI | 28 | 322-17 | 1 | Screw-HH |
| 11 | 21-3001 | 2 | Nut-Jam | 29 | 104-8331 | 1 | End-Rod, Spherical |
| 12 | 86-8101-01 | 2 | Joint-Ball, LH | 30 | 105-3249 | 1 | Damper |
| 12:1:1 | 32136-2 | 1 | Nut-SHH | 31 | 115-5455 | 1 | End-Rod, Clevis |
| 12:1:2 | 302-40 | 1 | Fitting-Grease, 90 DEG | 32 | 115-5454 | 1 | Pin-Spring |
| 12:1:3 | 114-2874 | 1 | Seal-Ball Joint | 33 | 302-5 | 2 | Fitting-Grease |
| 13 | 3272-12 | 2 | Pin-Cotter | 34 | 115-2142 | 1 | Spacer |
| 14 | 93-4583-01 | 2 | Mount-Joint, Ball | 35 | 87-7480 | 4 | Washer |
| 15 | 114-8417 | 4 | Nut-HF, NI | | | | |



Front Deck Installation Assembly (continued)

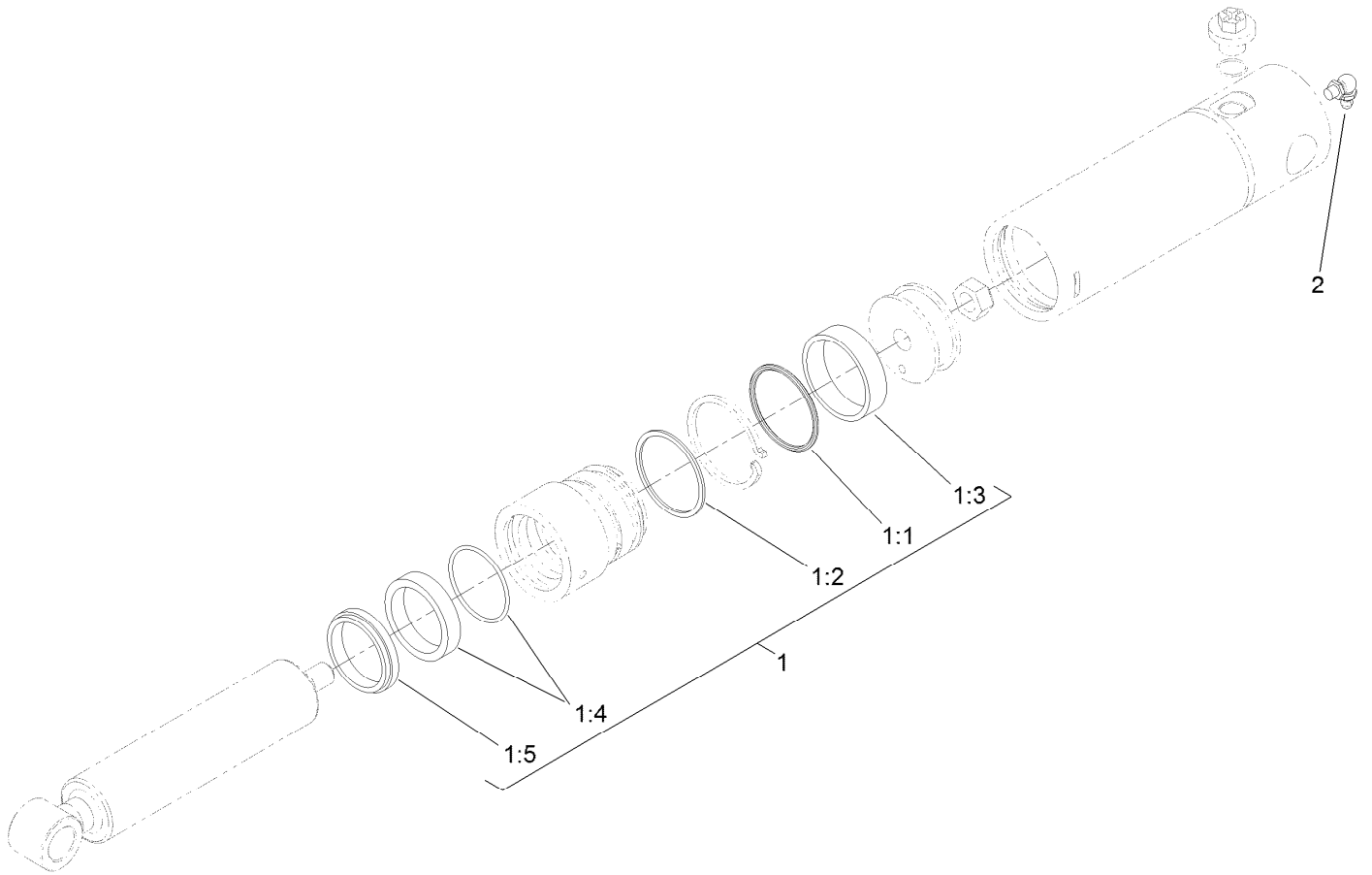
| <i>Ref.</i> | <i>Part Number</i> | <i>Qty.</i> | <i>Description</i> |
|-------------|--------------------|-------------|--------------------|
| 36 | 112-6957 | 1 | Washer-Hardened |
| 37 | 3257-3 | 1 | Key-Woodruff |



Hydraulic Motor Assembly No. 127-3694

| Ref. | Part Number | Qty. | Description |
|------|-------------|------|-------------------------|
| 2 | 110-8815 | 1 | Nut-Hex |
| 3 | 114-5620 | 1 | Seal Kit |
| 3:1 | | 1 | Seal-Shaft ● |
| 3:2 | | 1 | Seal-Shaft ● |
| 3:3 | | 2 | Seal-Anti Extrusion ● |
| 3:4 | | 2 | Seal-Plate, Balancing ● |
| 3:5 | | 2 | O Ring-Housing ● |

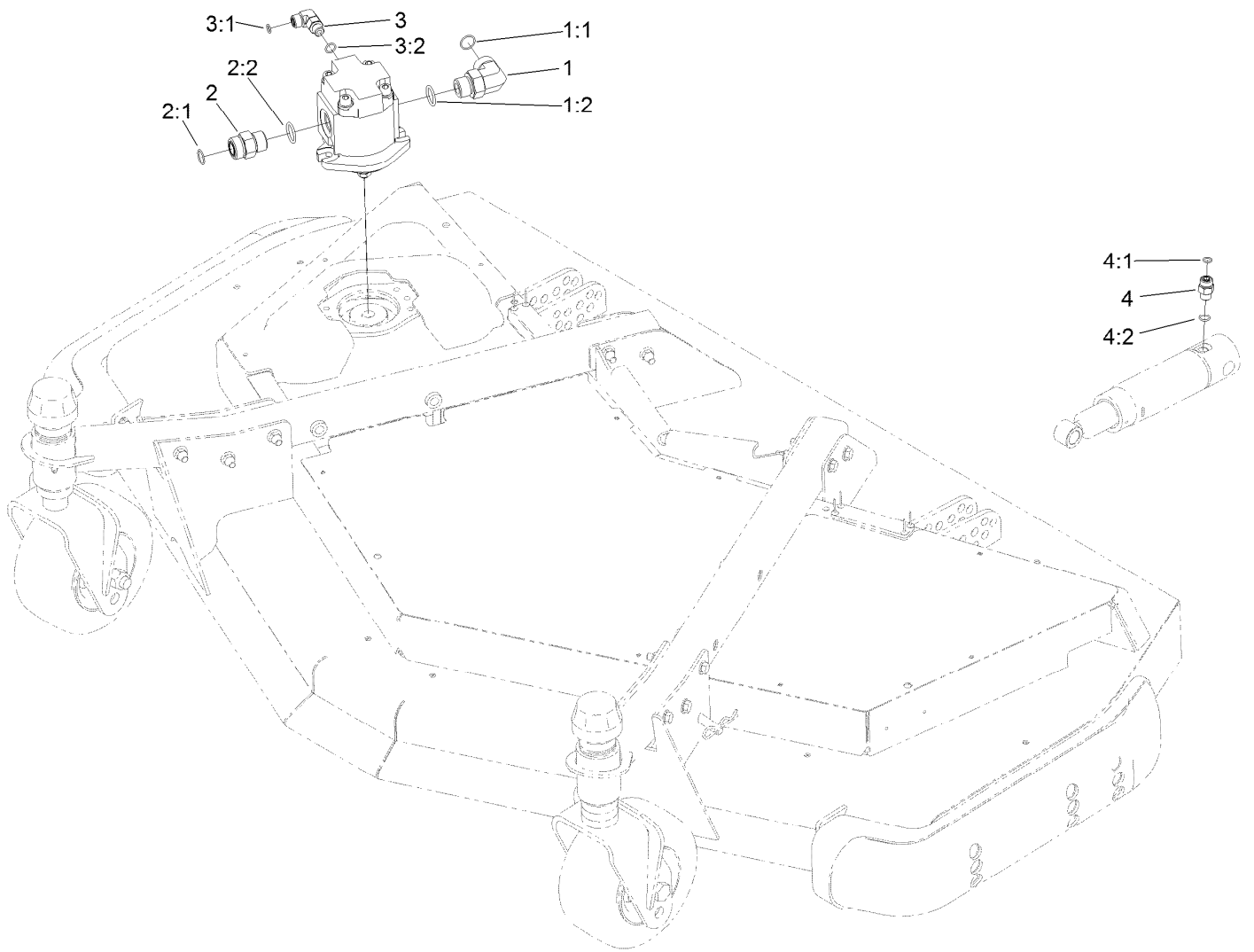
● Not serviced separately



Lift Cylinder Assembly No. 120-8802

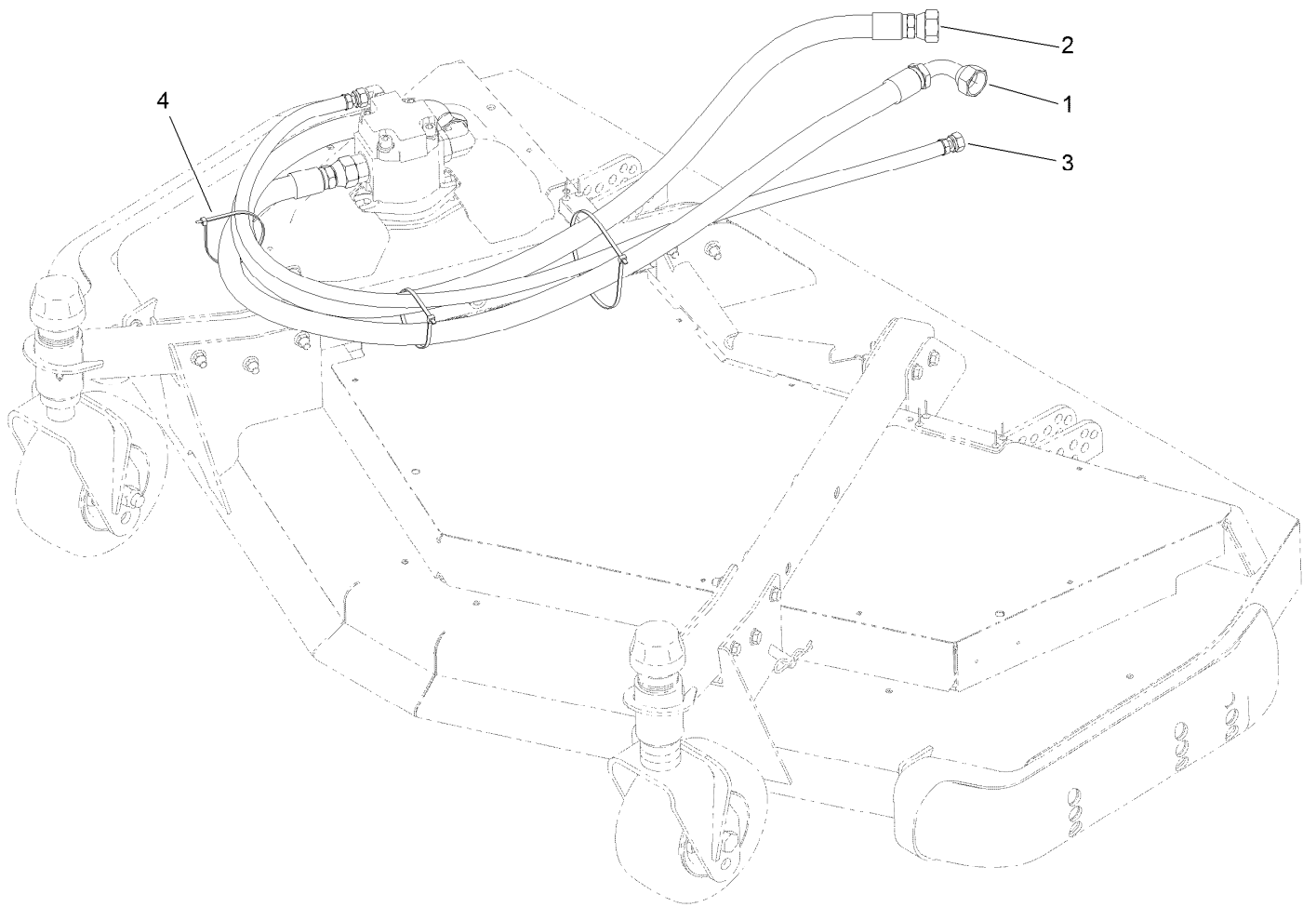
| <i>Ref.</i> | <i>Part Number</i> | <i>Qty.</i> | <i>Description</i> |
|-------------|--------------------|-------------|--------------------|
| 1 | 125-4301 | 1 | Seal Kit |
| 1:1 | | 1 | O-Ring ● |
| 1:2 | | 1 | Backup ● |
| 1:3 | | 1 | Wear Ring ● |
| 1:4 | | 1 | Bds Seal ● |
| 1:5 | | 1 | Dust Seal ● |
| 2 | 302-60 | 1 | Fitting-Grease |

● Not serviced separately



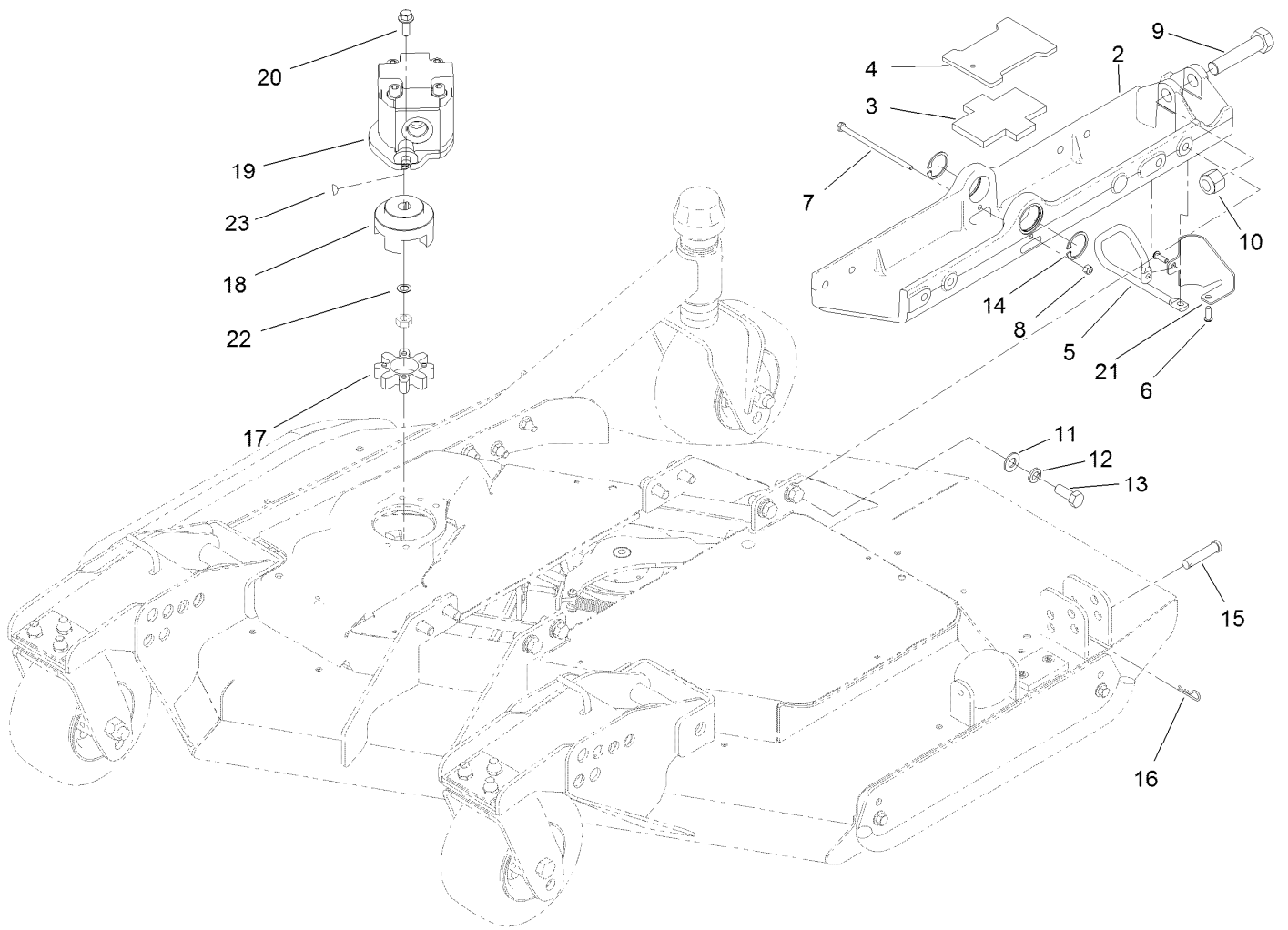
Front Deck Hydraulic Fitting Assembly

| Ref. | Part Number | Qty. | Description |
|------|-------------|------|-----------------------|
| 1 | 340-142 | 1 | Fitting-Elbow, 90 DEG |
| 1:1 | 237-58 | 1 | O-Ring |
| 1:2 | 237-81 | 1 | O-Ring |
| 2 | 340-9 | 1 | Fitting-STR |
| 2:1 | 237-58 | 1 | O-Ring |
| 2:2 | 237-81 | 1 | O-Ring |
| 3 | 340-77 | 1 | Fitting-Elbow, 90 DEG |
| 3:1 | 237-22 | 1 | O-Ring |
| 3:2 | 237-42 | 1 | O-Ring |
| 4 | 340-2 | 2 | Fitting-Straight |
| 4:1 | 237-22 | 1 | O-Ring |
| 4:2 | 237-42 | 1 | O-Ring |



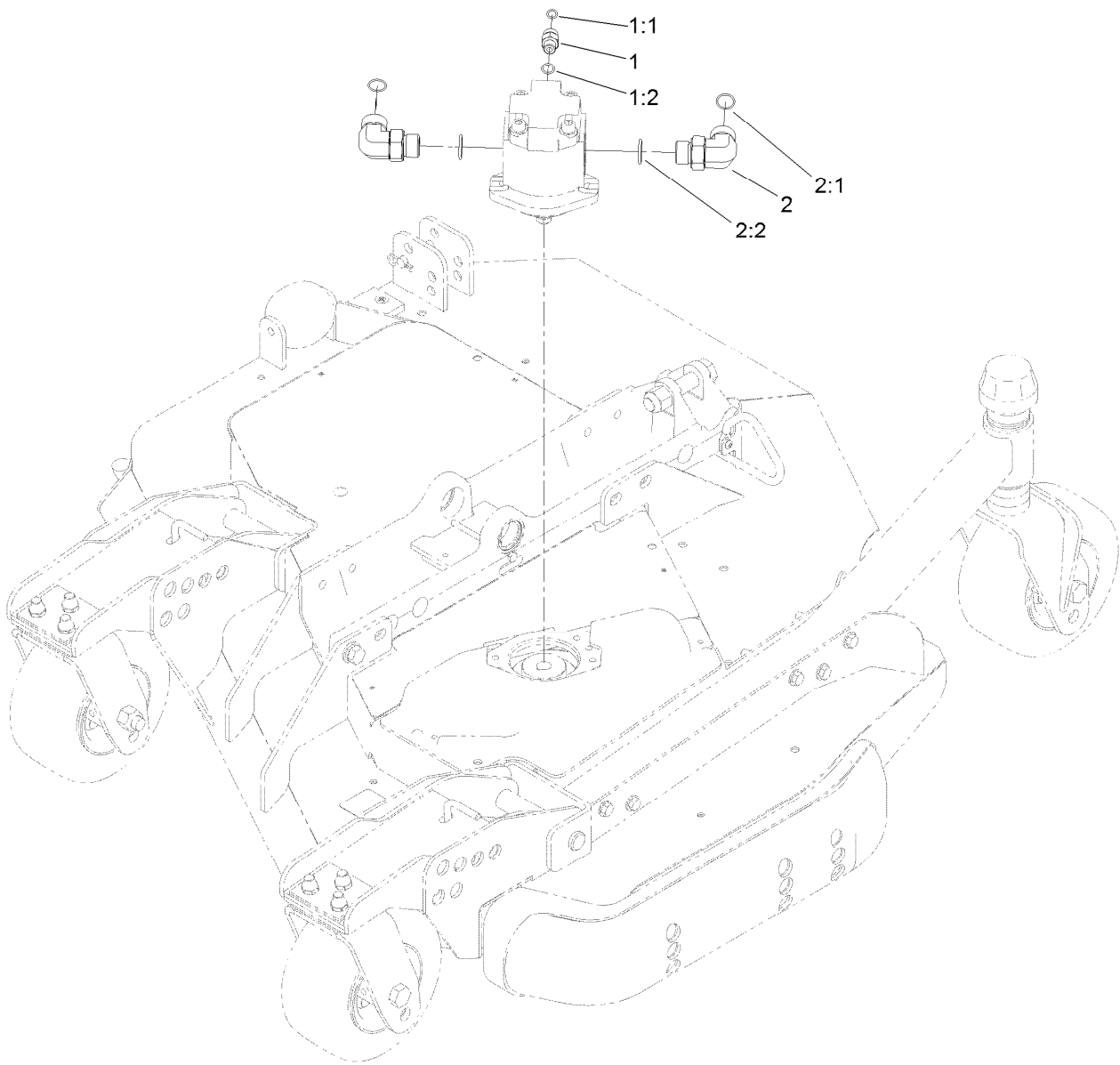
Front Deck Hose Routing Assembly

| <i>Ref.</i> | <i>Part Number</i> | <i>Qty.</i> | <i>Description</i> |
|-------------|--------------------|-------------|--------------------|
| 1 | 120-8987 | 1 | Hose-HYD |
| 2 | 120-8988 | 1 | Hose-HYD |
| 3 | 120-8989 | 1 | Hose-HYD |
| 4 | 3290-379 | 3 | Tie-Cable |



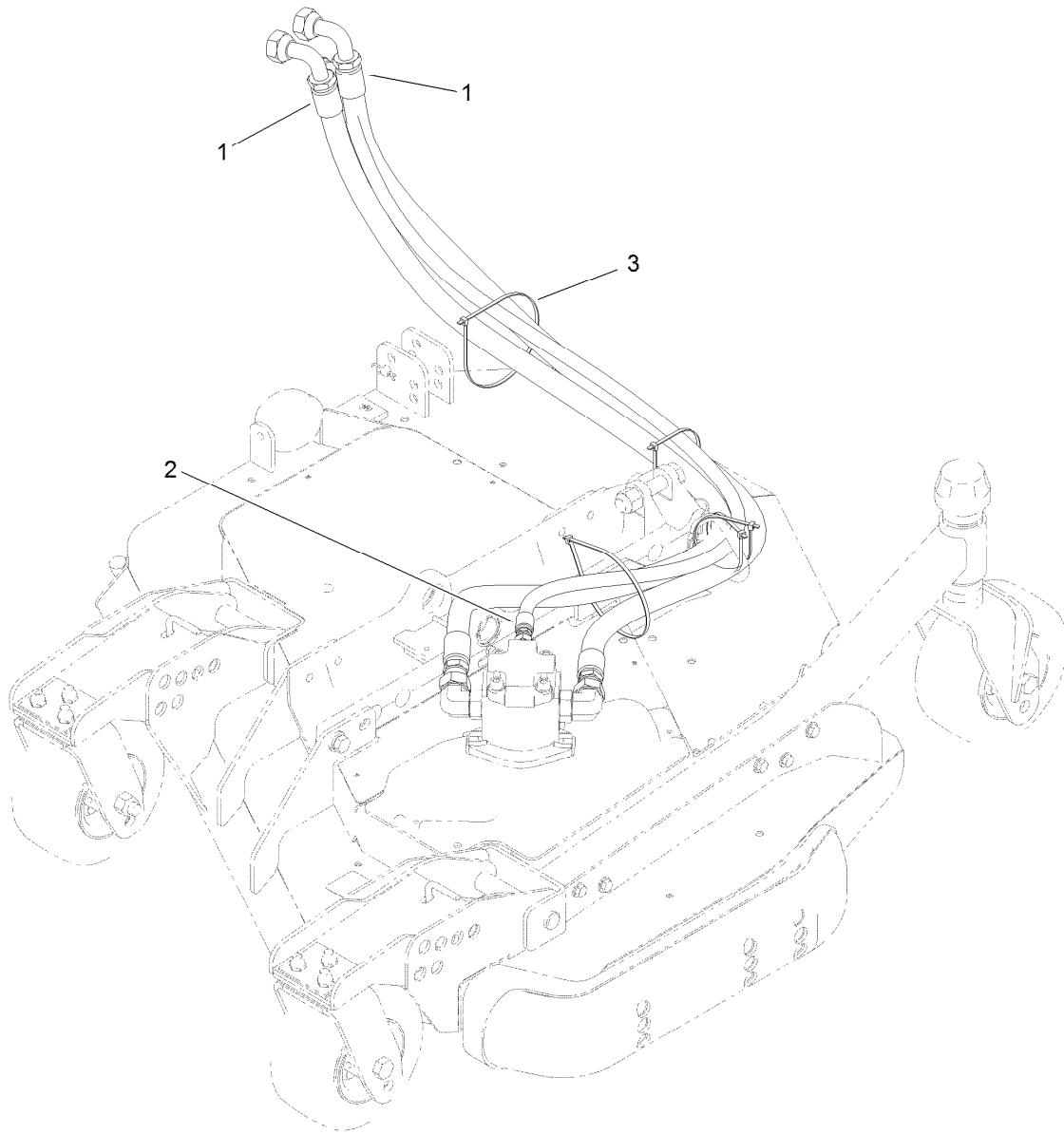
Right Deck Mount Assembly

| <i>Ref.</i> | <i>Part Number</i> | <i>Qty.</i> | <i>Description</i> | <i>Ref.</i> | <i>Part Number</i> | <i>Qty.</i> | <i>Description</i> |
|-------------|--------------------|-------------|--------------------|-------------|--------------------|-------------|--------------------|
| 2 | 107-4348-03 | 1 | Mount-Deck, RH | 13 | 325-5 | 8 | Screw-HH |
| 3 | 104-8348 | 1 | Plate-Rubber | 14 | 32120-42 | 2 | Ring-Retaining |
| 4 | 108-1528-03 | 1 | Plate | 15 | 92-2739 | 1 | Pin-Clevis |
| 5 | 108-1529 | 1 | Support-Hose | 16 | 3290-467 | 1 | Pin-Hair |
| 6 | 3274-69 | 2 | Screw-HSBH | 17 | 104-3542 | 1 | Spider |
| 7 | 321-47 | 1 | Screw-HH | 18 | 104-3541 | 1 | Hub-Spider |
| 8 | 3296-42 | 1 | Nut-Lock, NI | 19 | 127-3694 | 1 | HYD Motor ASM |
| 9 | 328-5 | 1 | Screw-HH | 20 | 3234-42 | 2 | Screw-HHF |
| 10 | 3296-51 | 1 | Nut-Lock, NI | 21 | 120-0480-03 | 1 | Guide-Hose, RH |
| 11 | 3256-26 | 8 | Washer-Flat | 22 | 112-6957 | 1 | Washer-Hardened |
| 12 | 3253-7 | 8 | Washer-Lock | 23 | 3257-3 | 1 | Key-Woodruff |



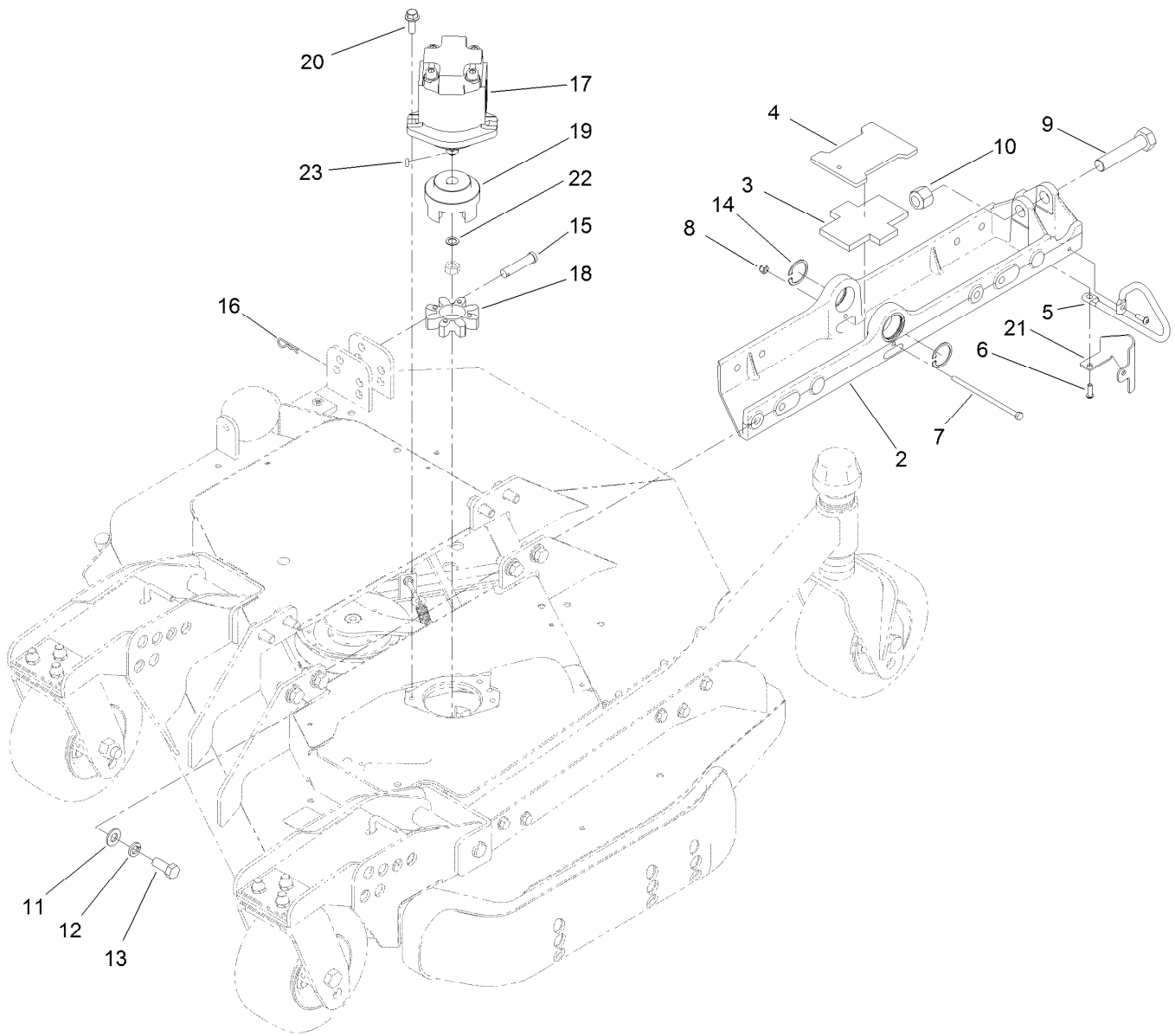
Left Deck Hydraulic Fitting Assembly

| <i>Ref.</i> | <i>Part Number</i> | <i>Qty.</i> | <i>Description</i> |
|-------------|--------------------|-------------|-----------------------|
| 1 | 340-2 | 1 | Fitting-Straight |
| 1:1 | 237-22 | 1 | O-Ring |
| 1:2 | 237-42 | 1 | O-Ring |
| 2 | 340-142 | 2 | Fitting-Elbow, 90 DEG |
| 2:1 | 237-58 | 1 | O-Ring |
| 2:2 | 237-81 | 1 | O-Ring |



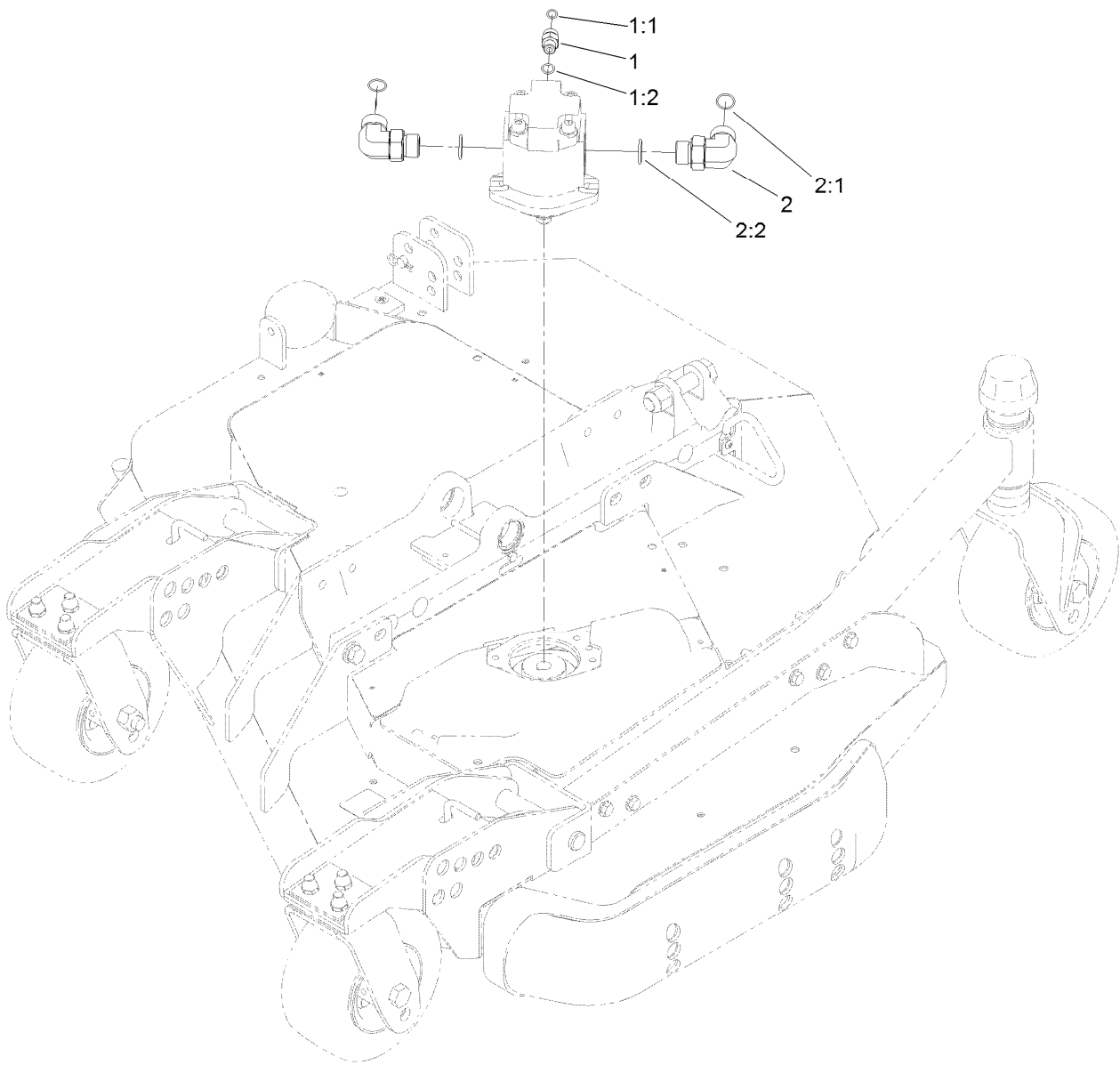
Left Deck Hose Assembly

| <i>Ref.</i> | <i>Part Number</i> | <i>Qty.</i> | <i>Description</i> |
|-------------|--------------------|-------------|--------------------|
| 1 | 120-8959 | 2 | Hose-HYD |
| 2 | 104-2265 | 1 | Hose-HYD |
| 3 | 3290-379 | 5 | Tie-Cable |



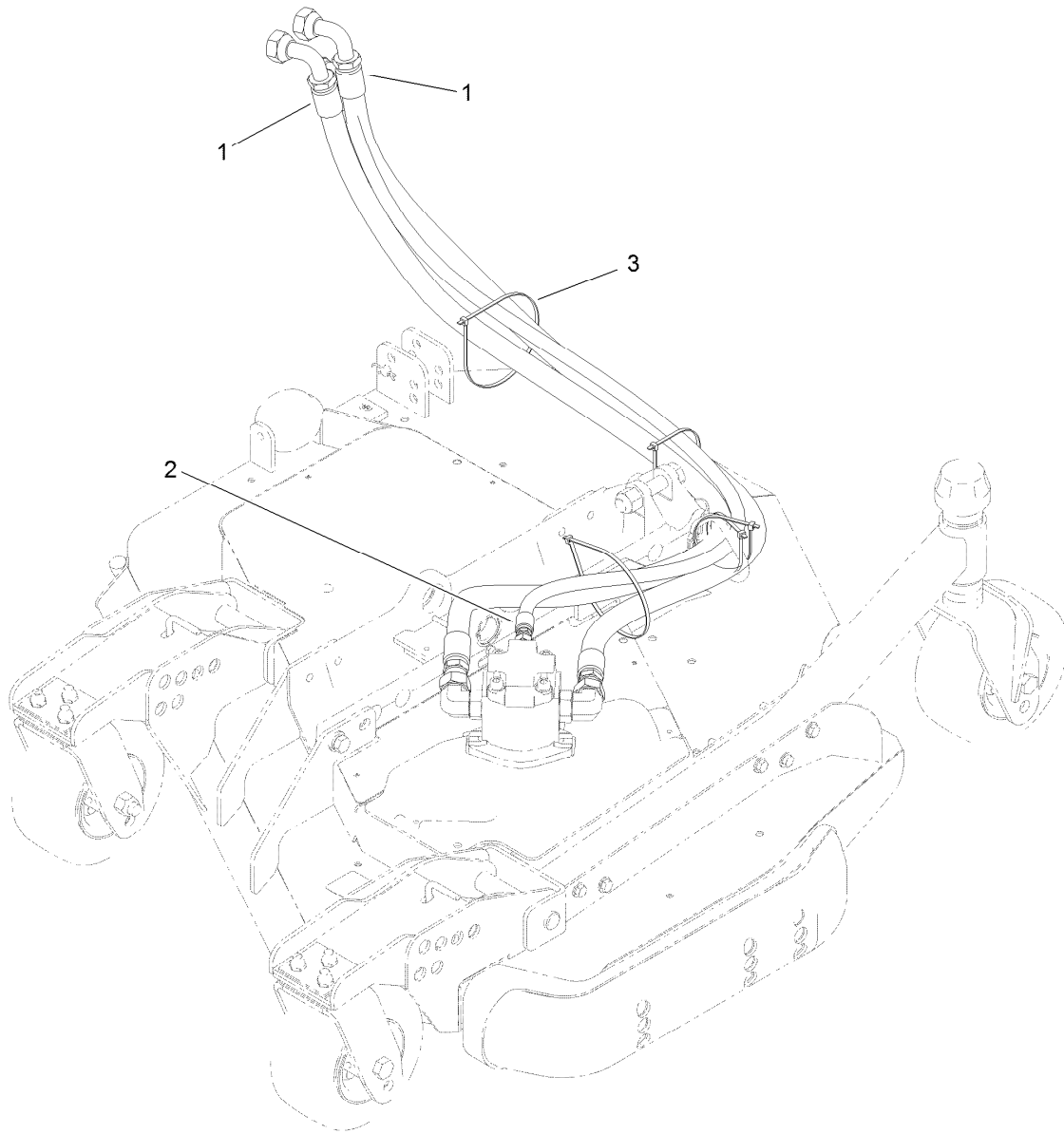
Left Deck Mount Assembly

| Ref. | Part Number | Qty. | Description | Ref. | Part Number | Qty. | Description |
|------|-------------|------|----------------|------|-------------|------|-----------------|
| 2 | 107-4349-03 | 1 | Mount-Deck, LH | 13 | 325-5 | 8 | Screw-HH |
| 3 | 104-8348 | 1 | Plate-Rubber | 14 | 32120-42 | 2 | Ring-Retaining |
| 4 | 108-1528-03 | 1 | Plate | 15 | 92-2739 | 1 | Pin-Clevis |
| 5 | 108-1529 | 1 | Support-Hose | 16 | 3290-467 | 1 | Pin-Hair |
| 6 | 3274-69 | 2 | Screw-HSBH | 17 | 127-3694 | 1 | HYD Motor ASM |
| 7 | 321-47 | 1 | Screw-HH | 18 | 104-3542 | 1 | Spider |
| 8 | 3296-42 | 1 | Nut-Lock, NI | 19 | 104-3541 | 1 | Hub-Spider |
| 9 | 328-5 | 1 | Screw-HH | 20 | 3234-42 | 2 | Screw-HHF |
| 10 | 3296-51 | 1 | Nut-Lock, NI | 21 | 120-0481-03 | 1 | Guide-Hose, LH |
| 11 | 3256-26 | 8 | Washer-Flat | 22 | 112-6957 | 1 | Washer-Hardened |
| 12 | 3253-7 | 8 | Washer-Lock | 23 | 3257-3 | 1 | Key-Woodruff |



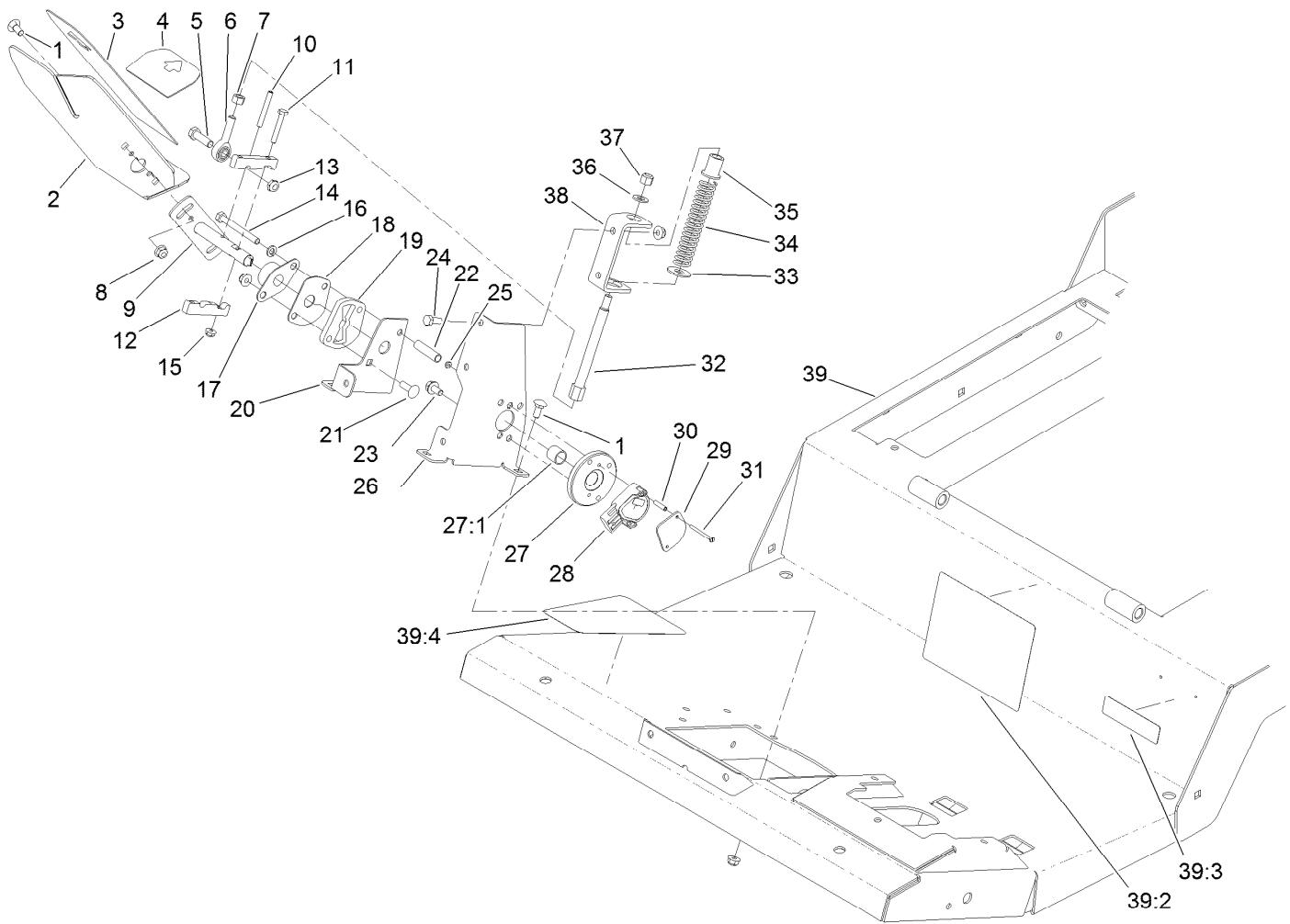
Left Deck Hydraulic Fitting Assembly

| <i>Ref.</i> | <i>Part Number</i> | <i>Qty.</i> | <i>Description</i> |
|-------------|--------------------|-------------|-----------------------|
| 1 | 340-2 | 1 | Fitting-Straight |
| 1:1 | 237-22 | 1 | O-Ring |
| 1:2 | 237-42 | 1 | O-Ring |
| 2 | 340-142 | 2 | Fitting-Elbow, 90 DEG |
| 2:1 | 237-58 | 1 | O-Ring |
| 2:2 | 237-81 | 1 | O-Ring |



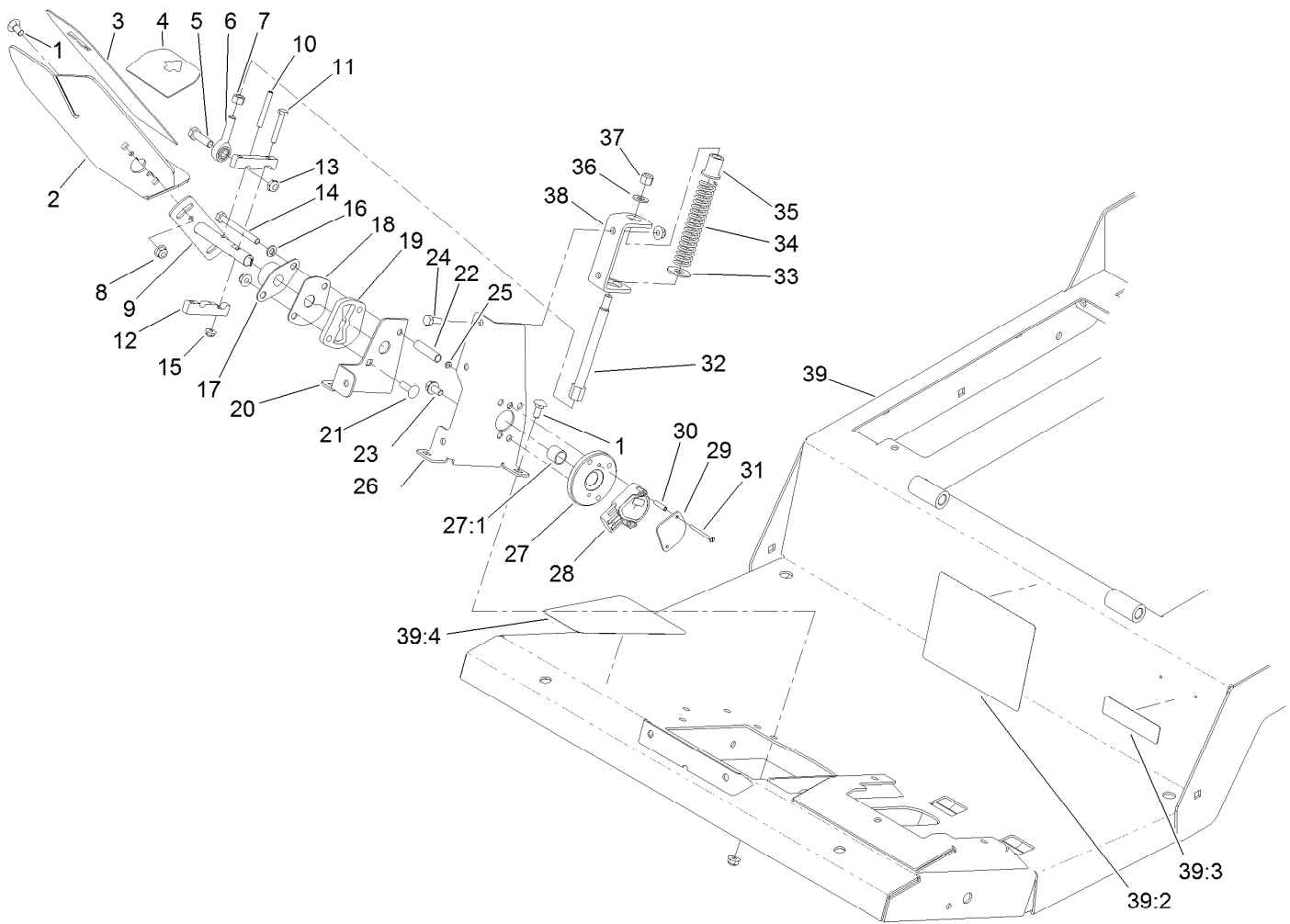
Left Deck Hose Assembly

| <i>Ref.</i> | <i>Part Number</i> | <i>Qty.</i> | <i>Description</i> |
|-------------|--------------------|-------------|--------------------|
| 1 | 120-8959 | 2 | Hose-HYD |
| 2 | 104-2265 | 1 | Hose-HYD |
| 3 | 3290-379 | 5 | Tie-Cable |



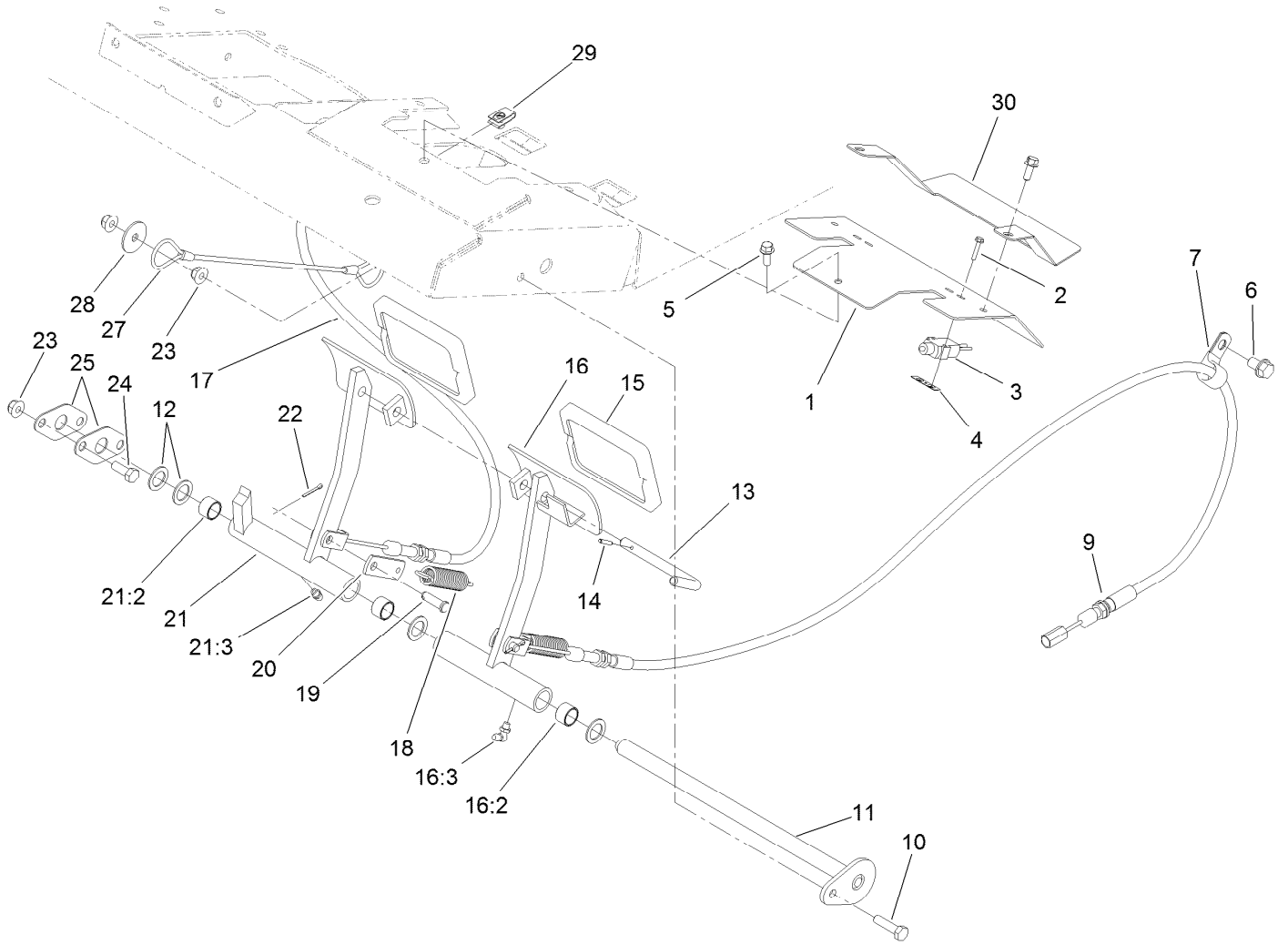
Traction Pedal and Platform Assembly

| <i>Ref.</i> | <i>Part Number</i> | <i>Qty.</i> | <i>Description</i> | <i>Ref.</i> | <i>Part Number</i> | <i>Qty.</i> | <i>Description</i> |
|-------------|--------------------|-------------|-----------------------|-------------|--------------------|-------------|-------------------------------|
| 1 | 3230-1 | 6 | Bolt-CARR | 22 | 93-7960 | 1 | Spacer |
| 2 | 110-5986-01 | 1 | Pedal-Traction | 23 | 114-7728 | 2 | Screw-HHF, Patch |
| 3 | 93-5347 | 1 | Abrasive-Pedal | 24 | 322-3 | 3 | Screw-HH |
| 4 | 93-5368 | 1 | Abrasive-Pedal | 25 | 3296-9 | 2 | Nut-Hex |
| 5 | 323-7 | 1 | Screw-HH | 26 | 117-5451-01 | 1 | Bracket-Sensor |
| 6 | 2411-36 | 1 | Bearing-End, Rod | 27 | 117-5445 | 1 | Bushing Hub ASM |
| 7 | 3219-3 | 1 | Nut-Hex | 27:1 | 95-7497 | 1 | Bushing-Wheel |
| 8 | 104-8300 | 10 | Nut-HF, NI | 28 | 114-5609 | 1 | Sensor-Position |
| 9 | 117-5450 | 1 | Shaft-Pedal, Traction | 29 | 114-5595 | 1 | Plate-Capture |
| 10 | 32121-78 | 1 | Pin-Roll | 30 | 114-5608 | 2 | Spacer-Standoff |
| 11 | 321-37 | 2 | Screw-HH | 31 | 32105-25 | 2 | Screw-SHH |
| 12 | 117-5459 | 2 | Block-Clamp | 32 | 117-5446 | 1 | Shaft-Spring |
| 13 | 3296-59 | 1 | Nut-Lock, NI | 33 | 3256-5 | 1 | Washer-Flat |
| 14 | 322-14 | 1 | Screw-HH | 34 | 84-9100 | 1 | Spring |
| 15 | 104-7201 | 2 | Nut-HF, NI | 35 | 92-7610 | 1 | Retainer-Spring |
| 16 | 3253-4 | 1 | Washer-Lock | 36 | 3256-24 | 1 | Washer-Plain |
| 17 | 256-236 | 1 | Bearing-Mount, Flange | 37 | 3296-6 | 1 | Nut-Lock |
| 18 | 117-5455 | 1 | Plate-Cover | 38 | 117-5452-01 | 1 | Bracket-Spring |
| 19 | 117-5454 | 1 | Plate-Butterfly | 39 | 120-4087 | 1 | Platform ASM |
| 20 | 117-5453-01 | 1 | Bracket-Butterfly | 39:2 | 114-0846 | 1 | Decal-Instructions, Operating |
| 21 | 3230-22 | 1 | Screw-CARR | | | | |



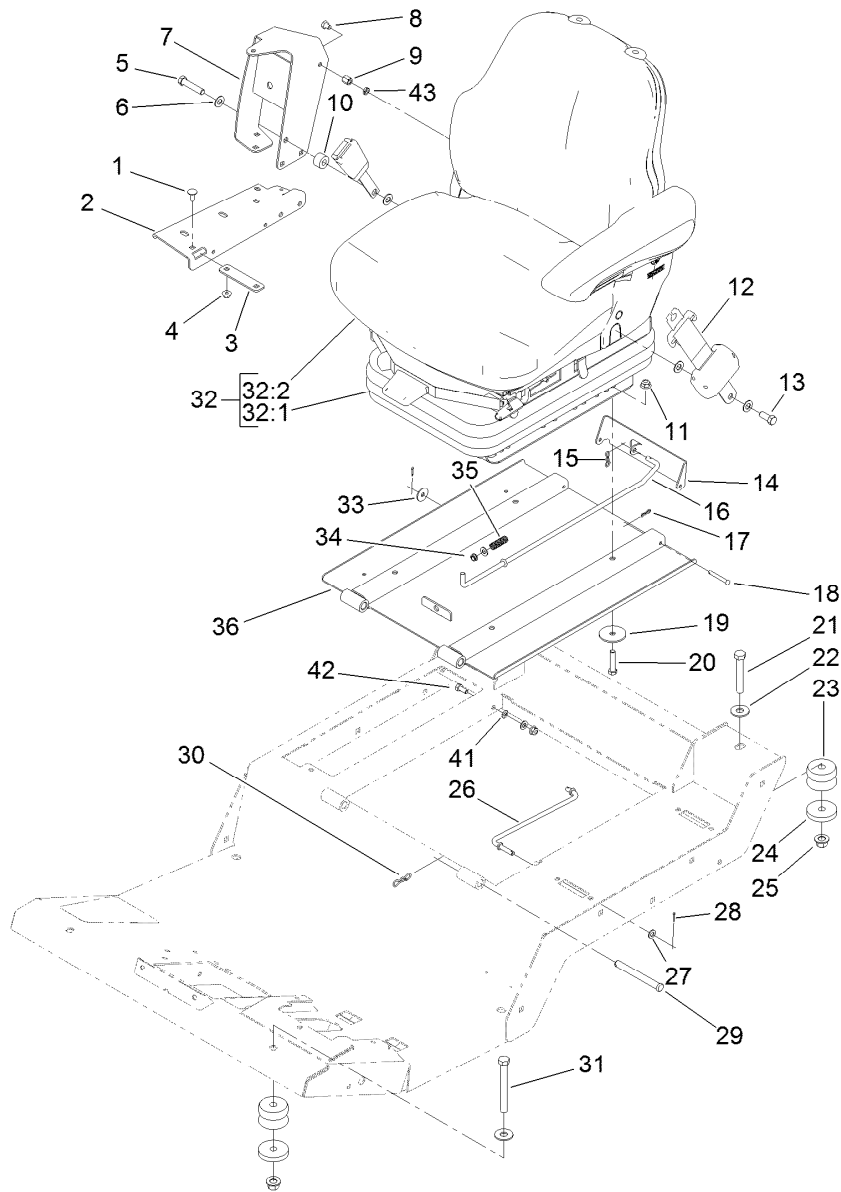
Traction Pedal and Platform Assembly (continued)

| <i>Ref.</i> | <i>Part Number</i> | <i>Qty.</i> | <i>Description</i> |
|-------------|--------------------|-------------|-----------------------|
| 39:3 | 117-2718 | 1 | Decal-Arrester, Spark |
| 39:4 | 114-0849 | 1 | Decal-Pedal, Traction |



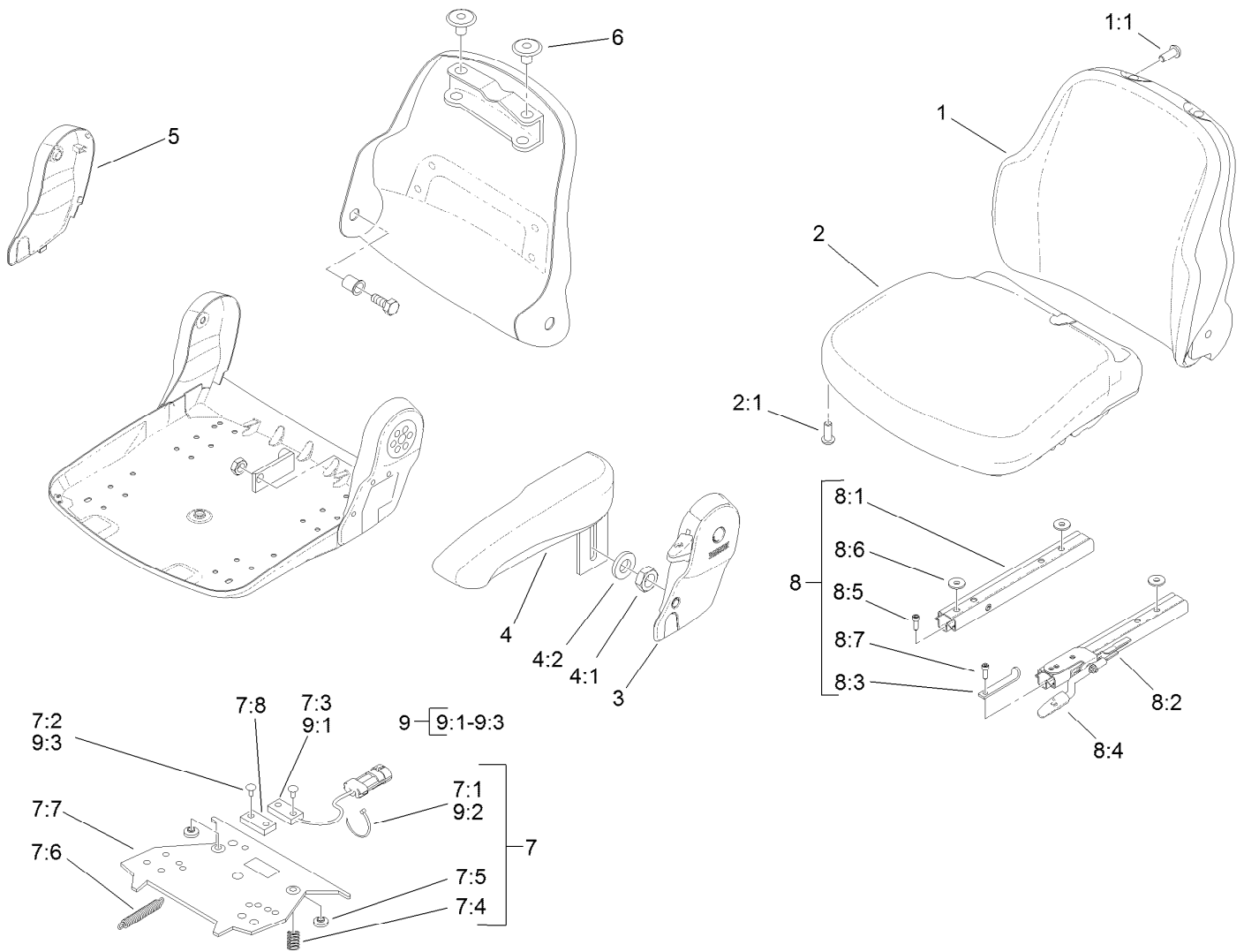
Brake Pedal Assembly

| Ref. | Part Number | Qty. | Description | Ref. | Part Number | Qty. | Description |
|------|-------------|------|--------------------|------|-------------|------|--------------------|
| 1 | 120-4163-01 | 1 | Cover-Brake | 16:3 | 302-60 | 1 | Fitting-Grease |
| 2 | 117-5458 | 4 | Screw-HHF | 17 | 120-8898 | 1 | Cable-Brake, RH |
| 3 | 99-3410 | 2 | Switch | 18 | 93-5262 | 2 | Spring-Extension |
| 4 | 108-9824 | 2 | Nut-Switch | 19 | 283-61 | 2 | Pin-Yoke |
| 5 | 3234-33 | 3 | Screw-HHF | 20 | 100-5540 | 2 | Strap-Brake |
| 6 | 32144-69 | 2 | Screw-HWHTF | 21 | 75-1430 | 1 | RH Brake Pedal ASM |
| 7 | 2412-4 | 2 | Clamp-R | 21:2 | 256-42 | 2 | Bushing |
| 9 | 120-8899 | 1 | Cable-Brake, LH | 21:3 | 302-5 | 1 | Fitting-Grease |
| 10 | 322-6 | 1 | Screw-HH | 22 | 3272-6 | 2 | Pin-Cotter |
| 11 | 120-4167 | 1 | Pin-Flag | 23 | 104-8300 | 4 | Nut-HF, NI |
| 12 | 3256-69 | 4 | Washer-Flat | 24 | 322-4 | 2 | Screw-HH |
| 13 | 63-7880 | 1 | Pin-Latch, Brake | 25 | 120-4168 | 2 | Plate-Support |
| 14 | 32121-50 | 1 | Pin-Spring | 27 | 110-4896 | 1 | Lanyard |
| 15 | 93-8742 | 2 | Footpad-Brake | 28 | 3256-57 | 1 | Washer-Flat |
| 16 | 120-4170 | 1 | LH Brake Pedal ASM | 29 | 107069 | 3 | Clip |
| 16:2 | 256-42 | 2 | Bushing | 30 | 121-1596-01 | 1 | Cover-Brakes |



Seat Base and Seat Assembly

| Ref. | Part Number | Qty. | Description | Ref. | Part Number | Qty. | Description |
|------|-------------|------|----------------------|------|-------------|------|-----------------------|
| 1 | 3230-23 | 6 | Bolt-CARR | 22 | 3256-6 | 4 | Washer-Flat |
| 2 | 119-0000-03 | 1 | Channel-Support | 23 | 110-5954 | 4 | Mount-Center, Bonded |
| 3 | 112-7449-03 | 1 | Bracket-Support | 24 | 115-5519 | 4 | Washer-Plain |
| 4 | 104-8300 | 7 | Nut-HF, NI | 25 | 99-5107 | 4 | Nut-Lock |
| 5 | 3212-8 | 1 | Screw-HH | 26 | 93-5338 | 1 | Rod-Prop |
| 6 | 3256-25 | 4 | Washer-Flat | 27 | 3256-23 | 3 | Washer-Plain |
| 7 | 117-4798-03 | 1 | Arm-Support | 28 | 3272-5 | 2 | Pin-Cotter |
| 8 | 108-8646 | 1 | Screw-HH, Lock | 29 | 283-83 | 2 | Pin-Clevis |
| 9 | 112-7405 | 1 | Nut-Hex, Coupling | 30 | 119-1416 | 2 | Pin-Cotter, Locking |
| 10 | 17-7190 | 1 | Spacer-Finger | 31 | 702093 | 2 | Screw-HH |
| 11 | 104-8301 | 4 | Nut-HF, NI | 32 | 117-9428 | 1 | Seat / Suspension ASM |
| 12 | 110-0413 | 1 | Seatbelt-Retractable | 32:1 | 108-1488 | 1 | Seat Suspension ASM |
| 13 | 3212-4 | 1 | Screw-HH | 32:2 | 117-9429 | 1 | Matrix Cloth Seat ASM |
| 14 | 120-9017-03 | 1 | Latch-Seat | 33 | 3256-82 | 1 | Washer-Flat |
| 15 | 119-1415 | 1 | Pin-Cotter, Locking | 34 | 5979 | 1 | Bushing-Nyliner |
| 16 | 120-9018 | 1 | Rod-Latch | 35 | 95-1821-03 | 1 | Spring-Compression |
| 17 | 119-1414 | 2 | Pin-Cotter, Locking | 36 | 120-4078-03 | 1 | Plate-Seat |
| 18 | 283-57 | 2 | Pin-Clevis | 41 | 3255-8 | 1 | Washer-Lock |
| 19 | 83-1040 | 4 | Washer-Flat | 42 | 322-3 | 1 | Screw-HH |
| 20 | 323-9 | 4 | Screw-HH | 43 | 117-4059 | 1 | Nut-Hex |
| 21 | 112-7264 | 2 | Screw-HH | | | | |

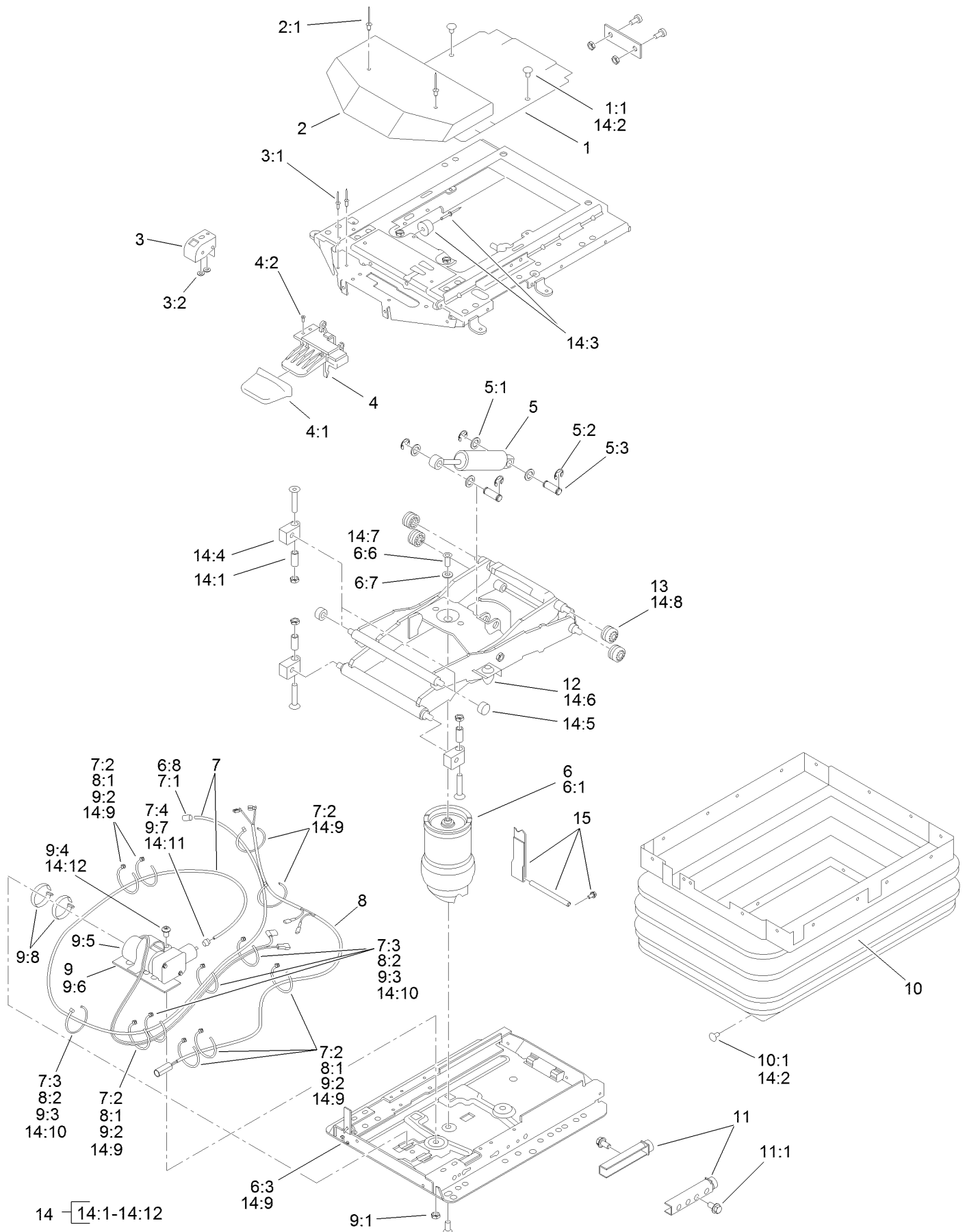


Cloth Premium Seat Assembly No. 117-9429

| Ref. | Part Number | Qty. | Description | Ref. | Part Number | Qty. | Description |
|------|-------------|------|-----------------------------------|------|-------------|------|-------------------------|
| 1 | 117-9415 | 1 | Backrest Cushion ASM Matrix Cloth | 7:5 | | 2 | Bumper-Pressure Plate ● |
| 1:1 | 119-7742 | 4 | Screw-Cushion | 7:6 | | 1 | Spring-Extension ● |
| 2 | 117-9416 | 1 | Seat Cushion ASM Matrix Cloth | 7:7 | | 1 | Plate-Mounting ● |
| 2:1 | 119-7742 | 3 | Screw-Cushion | 7:8 | | 1 | Magnet ● |
| 3 | 108-8018 | 1 | Cover-Armrest | 8 | 108-8025 | 1 | Adjustment Rail Set |
| 4 | 108-8019 | 1 | LH Armrest ASM | 8:1 | | 1 | Rail-Adjustment, RH ● |
| 4:1 | 82-9650 | 1 | Nut | 8:2 | | 1 | Rail-Adjustment, LH ● |
| 4:2 | 107-1198 | 1 | Washer | 8:3 | | 1 | Stop-Rail ● |
| 5 | 108-8021 | 1 | Cover-Armrest | 8:4 | | 1 | Handle ● |
| 6 | 108-8022 | 2 | Cover-Black | 8:5 | | 3 | Screw ● |
| 7 | 108-8024 | 1 | Switch Kit | 8:6 | | 3 | Washer ● |
| 7:1 | | 3 | Wire Tie ● | 8:7 | | 1 | Screw ● |
| 7:2 | | 4 | Rivet ● | 9 | 110-6189 | 1 | Switch Kit |
| 7:3 | | 1 | Sensor-Seat Switch ● | 9:1 | | 1 | Switch ● |
| 7:4 | | 2 | Spring-Compression ● | 9:2 | | 3 | Wire Tie ● |
| | | | | 9:3 | | 2 | Rivet ● |

● Not serviced separately

Air Ride Seat Suspension Assembly No. 108-1488

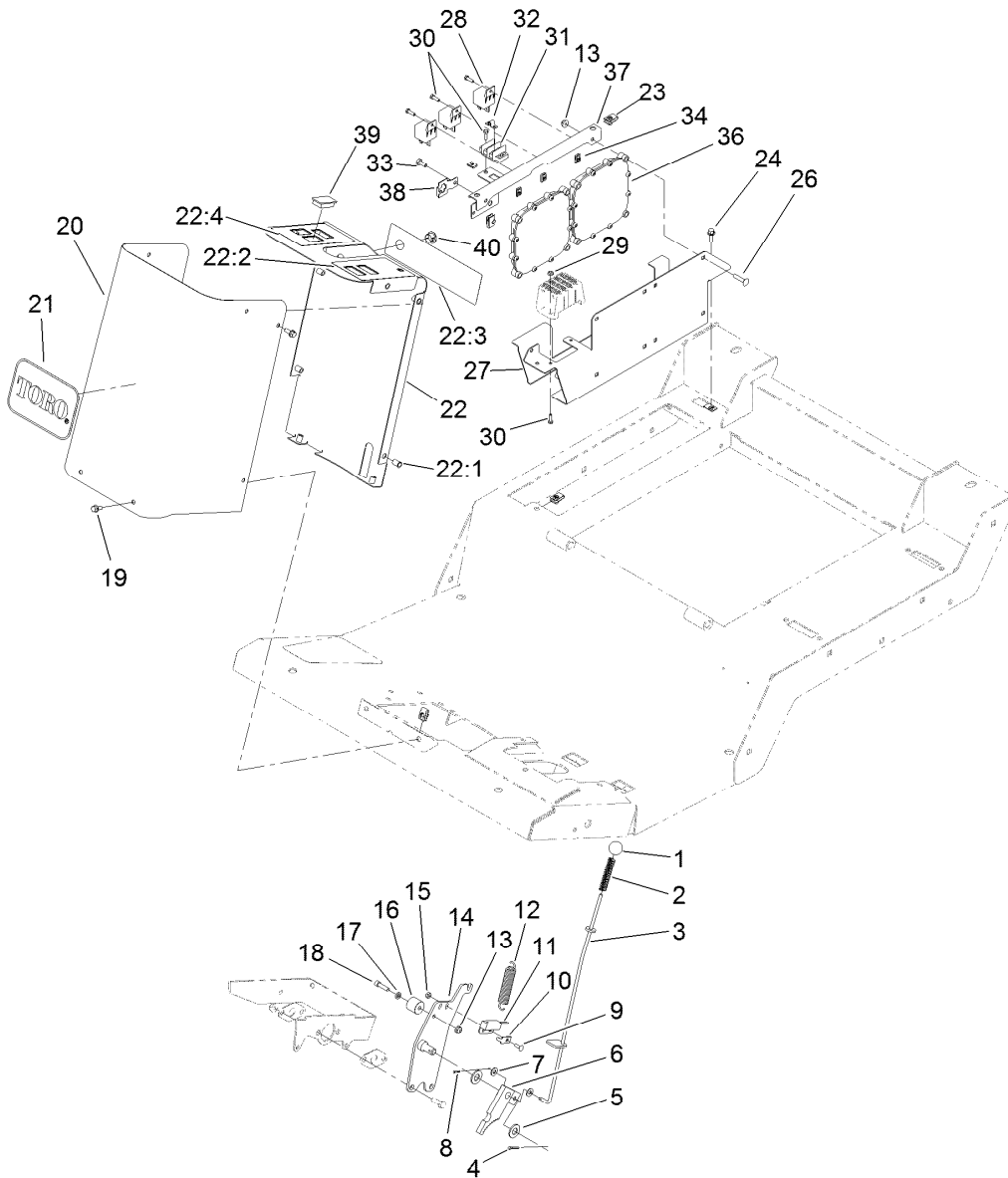


Air Ride Seat Suspension Assembly No. 108-1488 (continued)

| <i>Ref.</i> | <i>Part Number</i> | <i>Qty.</i> | <i>Description</i> | <i>Ref.</i> | <i>Part Number</i> | <i>Qty.</i> | <i>Description</i> |
|-------------|--------------------|-------------|----------------------|-------------|--------------------|-------------|--------------------|
| 1 | 108-8026 | 1 | Cover ASM | 9:1 | | 1 | Nut ■ |
| 1:1 | 39-5710 | 2 | Plug-Plastic | 9:2 | | 5 | Tie-Wire ■ |
| 2 | 108-8027 | 1 | Cover | 9:3 | | 4 | Tie-Wire ■ |
| 2:1 | | 2 | Rivet ■ | 9:4 | | 1 | Screw ■ |
| 3 | 108-8028 | 1 | Level Indicator Kit | 9:5 | | 1 | Compressor ■ |
| 3:1 | | 2 | Rivet ■ | 9:6 | | 1 | Plate-Mounting ■ |
| 3:2 | | 2 | Washer ■ | 9:7 | | 1 | Nipple-Hose ■ |
| 4 | 108-8029 | 1 | Valve-Control, Air | 9:8 | | 2 | Clamp ■ |
| 4:1 | | 1 | Handle ■ | 10 | 108-8035 | 1 | Bellows ASM |
| 4:2 | | 3 | Screw ■ | 10:1 | 39-5710 | 23 | Plug-Plastic |
| 5 | 108-8030 | 1 | Shock Absorber Kit | 11 | 108-8036 | 1 | Stop Kit |
| 5:1 | | 4 | Washer ■ | 11:1 | | 2 | Screw ■ |
| 5:2 | | 4 | C-Clip ■ | 12 | 107-1213 | 2 | Bumper Set |
| 5:3 | | 2 | Pin ■ | 13 | 108-8037 | 4 | Roller |
| 6 | 108-8031 | 1 | Air Spring Kit | 14 | 108-8038 | 1 | Wear Parts Kit ● |
| 6:1 | | 1 | Air Spring ■ | 14:1 | | 4 | Spacer ■ |
| 6:3 | | 2 | Cable Tie ■ | 14:2 | 39-5710 | 2 | Plug-Plastic |
| 6:6 | | 2 | Screw ■ | 14:3 | | 1 | Bumper ■ |
| 6:7 | | 1 | Washer ■ | 14:4 | | 4 | Support-Housing ■ |
| 6:8 | | 1 | Nipple-Hose ■ | 14:5 | | 2 | Roller ■ |
| 7 | 108-8032 | 1 | Air Tube ASM | 14:6 | 107-1213 | 2 | Bumper Set |
| 7:1 | | 1 | Nipple-Hose ■ | 14:7 | | 2 | Screw ■ |
| 7:2 | | 7 | Tie-Wire ■ | 14:8 | 108-8037 | 4 | Roller |
| 7:3 | | 4 | Tie-Wire ■ | 14:9 | | 9 | Tie-Wire ■ |
| 7:4 | | 1 | Nipple-Hose ■ | 14:10 | | 4 | Tie-Wire ■ |
| 8 | 108-8033 | 1 | Connecting Cable ASM | 14:11 | | 1 | Nipple-Hose ■ |
| 8:1 | | 8 | Tie-Wire ■ | 14:12 | | 1 | Screw ■ |
| 8:2 | | 4 | Tie-Wire ■ | 15 | 119-2161 | 1 | Tether Kit |
| 9 | 108-8034 | 1 | Compressor Kit | | | | |

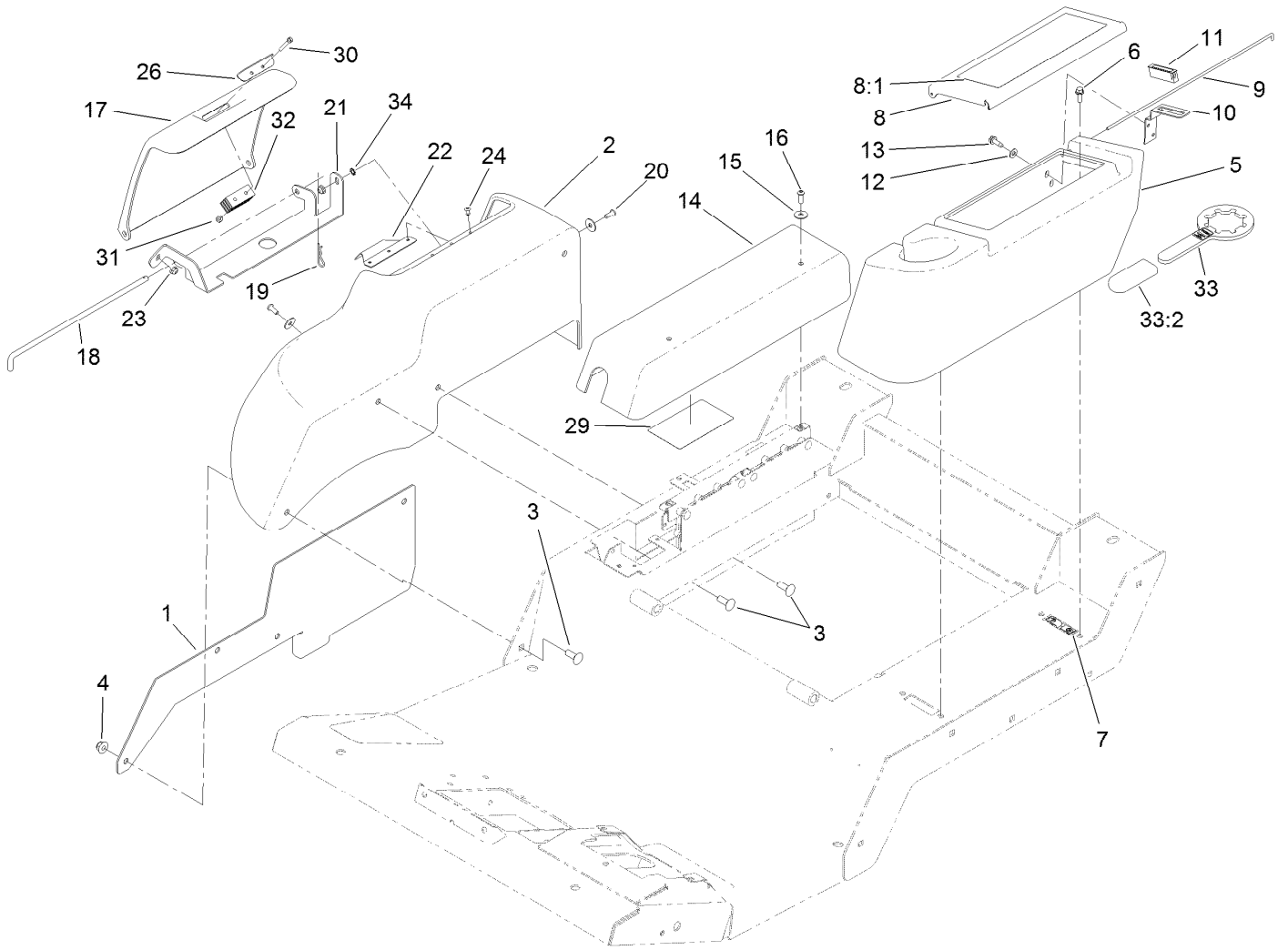
● Not illustrated

■ Not serviced separately



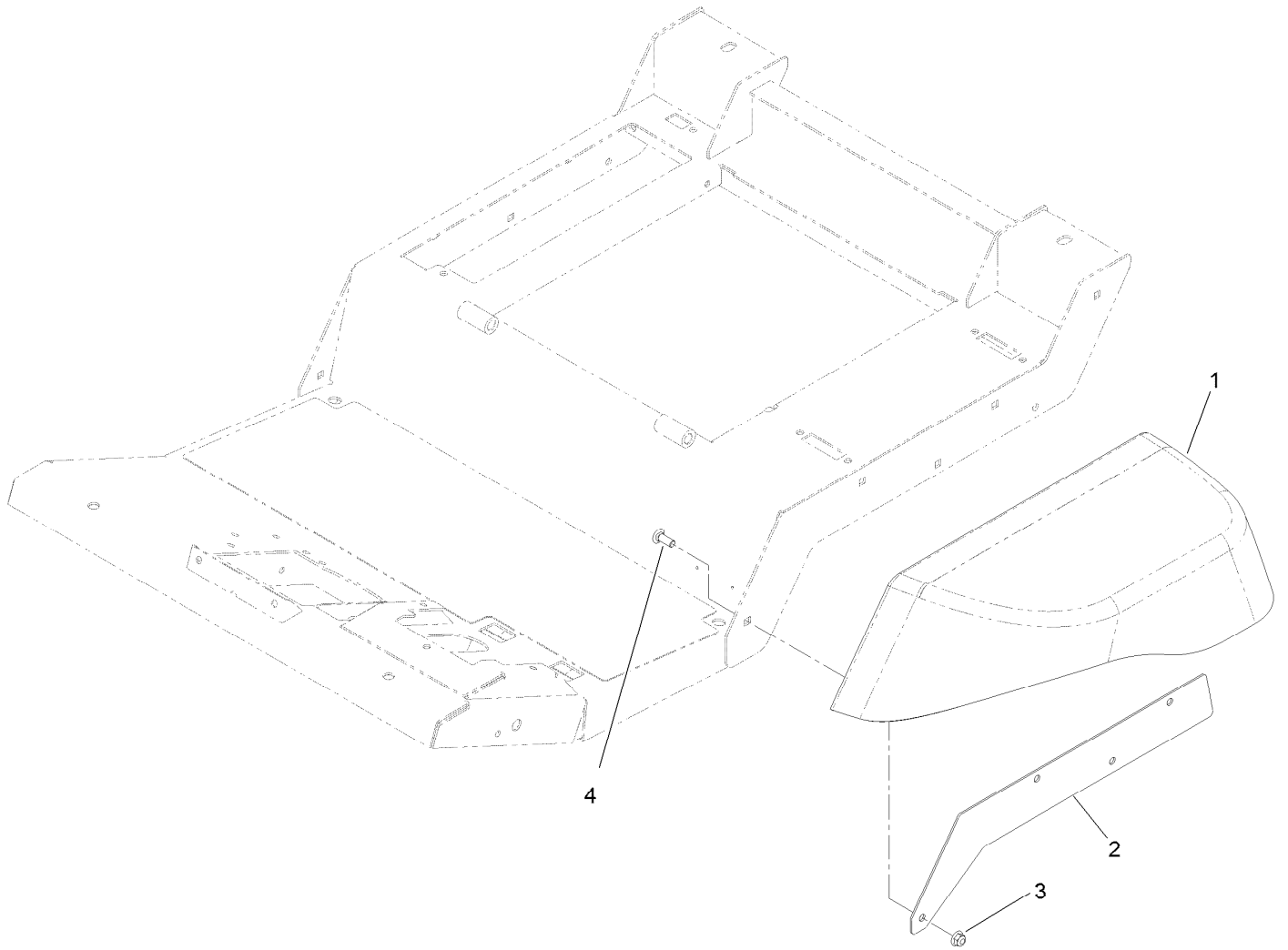
Parking Brake, Steering Tower and Power Center Assembly

| Ref. | Part Number | Qty. | Description | Ref. | Part Number | Qty. | Description |
|------|-------------|------|-----------------------------|------|-------------|------|--------------------------|
| 1 | 233-17 | 1 | Knob | 22 | 120-4165 | 1 | Steering Tower ASM |
| 2 | 71-8310 | 1 | Spring-Compression | 22:1 | 32148-6 | 8 | Nut-Clinch |
| 3 | 114-0195 | 1 | Rod-Parking, Brake | 22:2 | 120-4130 | 1 | Decal-Steering Tower, LH |
| 4 | 3272-10 | 1 | Pin-Cotter | 22:3 | 114-0845 | 1 | Decal-Column, Steering |
| 5 | 3256-26 | 2 | Washer-Flat | 22:4 | 120-4129 | 1 | Decal-Steering Tower, RH |
| 6 | 63-7900-03 | 1 | Rack | 23 | 107069 | 7 | Clip |
| 7 | 3256-22 | 2 | Washer-Flat | 24 | 3234-4 | 2 | Screw-HHF |
| 8 | 3272-5 | 1 | Pin-Cotter | 26 | 3229-3 | 8 | Screw-CARR |
| 9 | 3229-34 | 1 | Screw-CARR | 27 | 120-4093-03 | 1 | Mount-Power |
| 10 | 100-4872 | 1 | Plate-Switch, Neutral | 28 | 99-7435 | 3 | Relay |
| 11 | 100-1270 | 1 | Switch-Proximity | 29 | 3296-12 | 2 | Nut-Lock, NI |
| 12 | 13-0480 | 1 | Spring | 30 | 3290-134 | 7 | Screw |
| 13 | 104-7201 | 9 | Nut-HF, NI | 31 | 42862 | 1 | Block-Terminal, Ground |
| 14 | 114-0190-03 | 1 | Pivot-Parking, Brake | 32 | 42863 | 1 | Strip-Jumper |
| 15 | 3296-2 | 1 | Nut-Lock, NI | 33 | 321-3 | 1 | Screw-HH |
| 16 | 117-5499 | 1 | Spacer-Deflector | 34 | 107-1013 | 5 | Nut-Speed |
| 17 | 55-9620 | 1 | Spacer-Plate, Pivot | 36 | 114-3321 | 2 | Controller-Tec |
| 18 | 3274-9 | 1 | Screw-HSH | 37 | 120-4127-03 | 1 | Mount-Relay |
| 19 | 3234-33 | 10 | Screw-HHF | 38 | 114-5502 | 1 | Clip-Fuse |
| 20 | 120-4136-01 | 1 | Cover-Steering Tower, Front | 39 | 99-7420 | 5 | Plug-Hole |
| 21 | 62-5550 | 1 | Decal | 40 | 94-5627 | 1 | Plug |



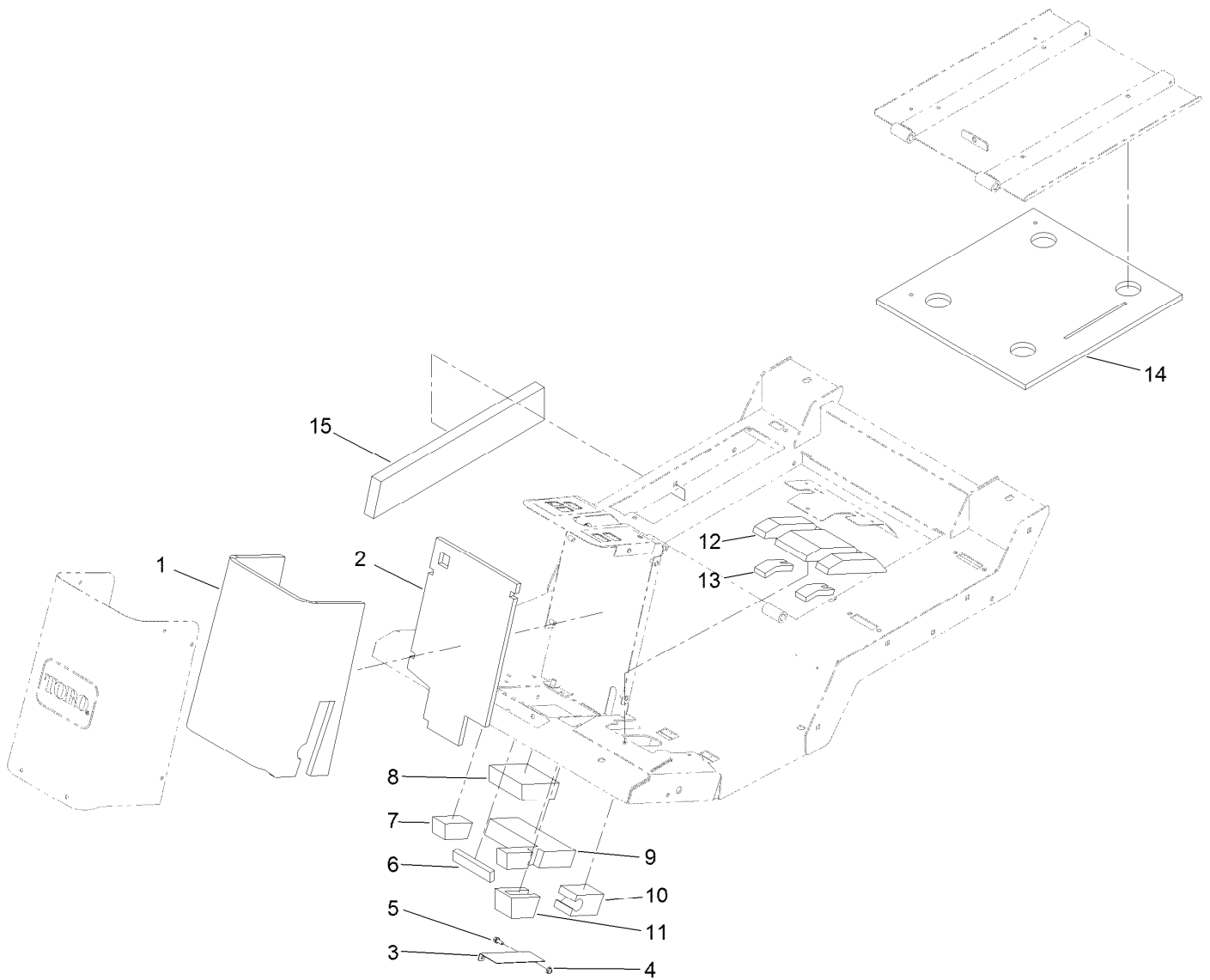
Fender, Tool Box and Cover Assembly

| Ref. | Part Number | Qty. | Description | Ref. | Part Number | Qty. | Description |
|------|-------------|------|--------------------|------|-------------|------|-----------------|
| 1 | 121-1579-03 | 1 | Plate-Fender, RH | 16 | 3274-69 | 2 | Screw-HSBH |
| 2 | 120-4113 | 1 | Fender-RH | 17 | 120-4115 | 1 | Cover-Battery |
| 3 | 3231-22 | 4 | Screw-CARR | 18 | 121-1588 | 1 | Rod-Hinge |
| 4 | 104-8301 | 4 | Nut-HF, NI | 19 | 3290-467 | 1 | Pin-Hair |
| 5 | 120-4125 | 1 | Housing-Tool Box | 20 | 3274-31 | 2 | Screw-HSBH |
| 6 | 3234-4 | 4 | Screw-HHF | 21 | 121-1586-03 | 1 | Mount-Cover |
| 7 | 107069 | 4 | Clip | 22 | 127-3706 | 1 | Plate-Cover |
| 8 | 120-4124 | 1 | Tool Box Cover ASM | 23 | 104-7201 | 2 | Nut-HF, NI |
| 8:1 | 117-2754 | 1 | Decal-Warning | 24 | 3269-23 | 3 | Rivet-Pop |
| 8:1 | 117-2766 | 1 | Decal-Warning, CE | 26 | 127-3705 | 1 | Plate-Cover |
| 9 | 120-4122 | 1 | Rod-Hinge | 29 | 121-1599 | 1 | Decal-Fuses |
| 10 | 104-7545 | 1 | Bracket-Latch | 30 | 32105-1 | 2 | Screw-SHH |
| 11 | 58-4250 | 1 | Catch-Magnetic | 31 | 3296-2 | 2 | Nut-Lock, NI |
| 12 | 3256-22 | 2 | Washer-Flat | 32 | 69-6260 | 1 | Magnet |
| 13 | 32104-95 | 2 | Screw-HWH | 33 | 121-3874 | 1 | Wrench ASM |
| 14 | 120-4126 | 1 | Cover-Controllers | 33:2 | 119-1846 | 1 | Grip |
| 15 | 87-6630 | 4 | Washer-Plain | 34 | 3255-7 | 1 | Washer-Lock/EXT |



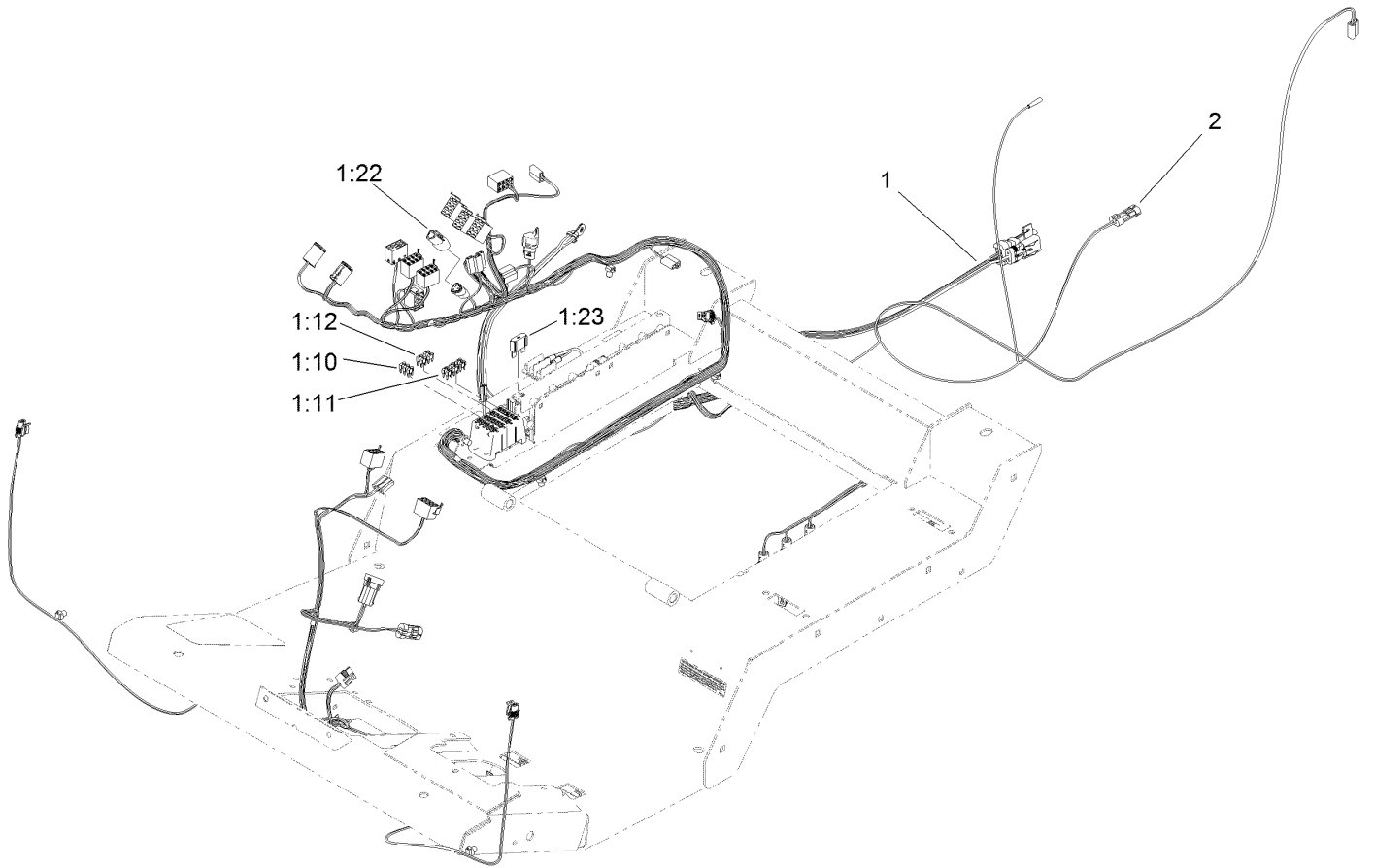
Fender Assembly

| <i>Ref.</i> | <i>Part Number</i> | <i>Qty.</i> | <i>Description</i> |
|-------------|--------------------|-------------|--------------------|
| 1 | 120-4114 | 1 | Fender-LH |
| 2 | 121-1580-03 | 1 | Plate-Fender, LH |
| 3 | 104-8301 | 4 | Nut-HF, NI |
| 4 | 3231-22 | 4 | Screw-CARR |



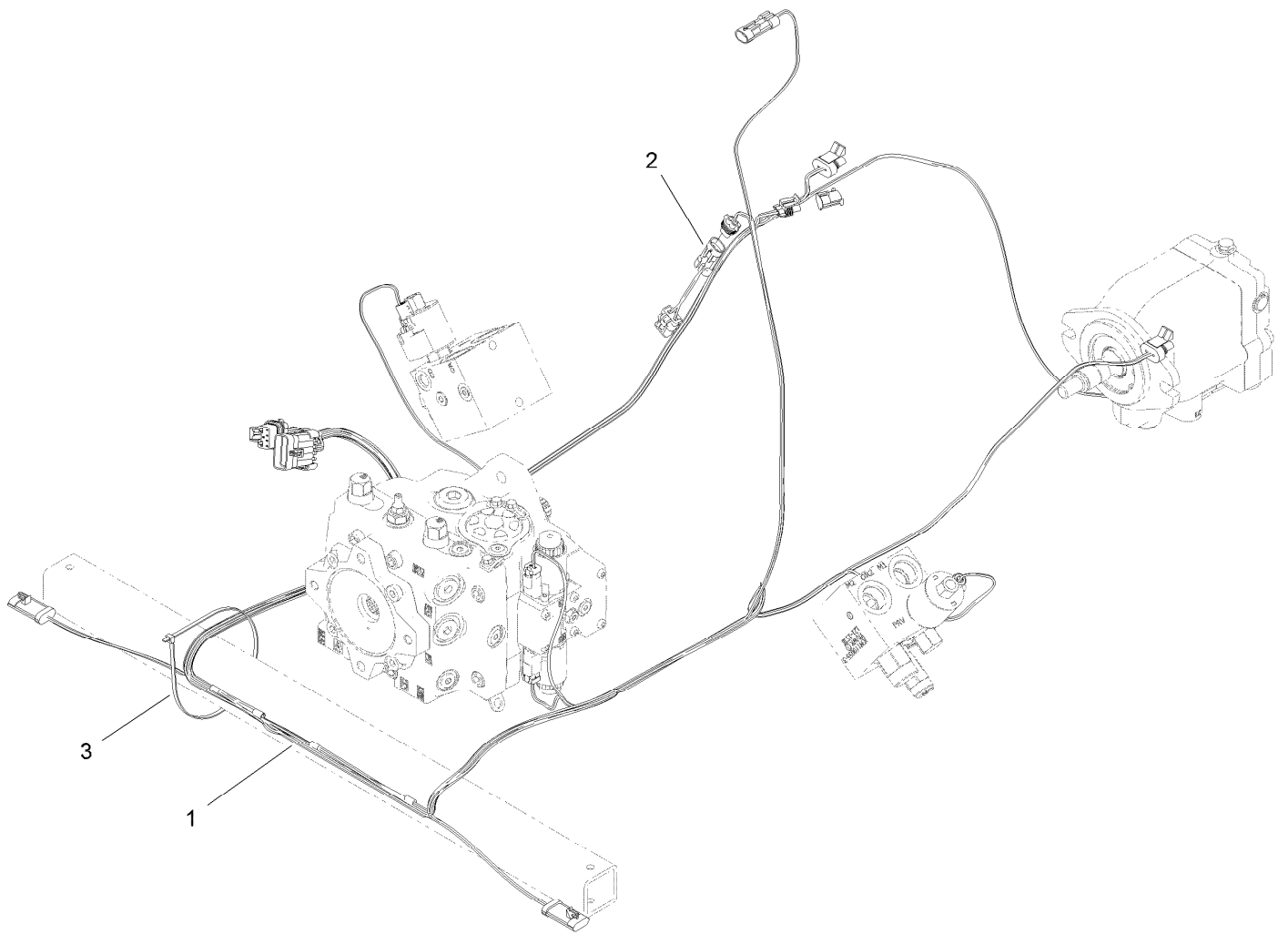
Acoustic Foam Assembly

| <i>Ref.</i> | <i>Part Number</i> | <i>Qty.</i> | <i>Description</i> |
|-------------|--------------------|-------------|----------------------|
| 1 | 121-1666 | 1 | Foam-Column, Front |
| 2 | 115-8813 | 1 | Foam-Column, Rear |
| 3 | 115-8841-01 | 1 | Bracket-Foam, Pawl |
| 4 | 104-7201 | 2 | Nut-HF, NI |
| 5 | 3234-33 | 2 | Screw-HHF |
| 6 | 115-8808 | 1 | Foam-Strip, Front |
| 7 | 115-8809 | 1 | Foam-Plug, RH |
| 8 | 121-1681 | 1 | Foam-Steering, Front |
| 9 | 121-1680 | 1 | Foam-Steering, Rear |
| 10 | 115-8815 | 1 | Foam-Plug, Brake |
| 11 | 115-8814 | 1 | Foam-Pawl, Brake |
| 12 | 121-1675 | 1 | Foam-Brake, Center |
| 13 | 121-1674 | 2 | Foam-Plug, Brakes |
| 14 | 127-3696 | 1 | Foam-Seat |
| 15 | 127-3708 | 1 | Foam-Right |



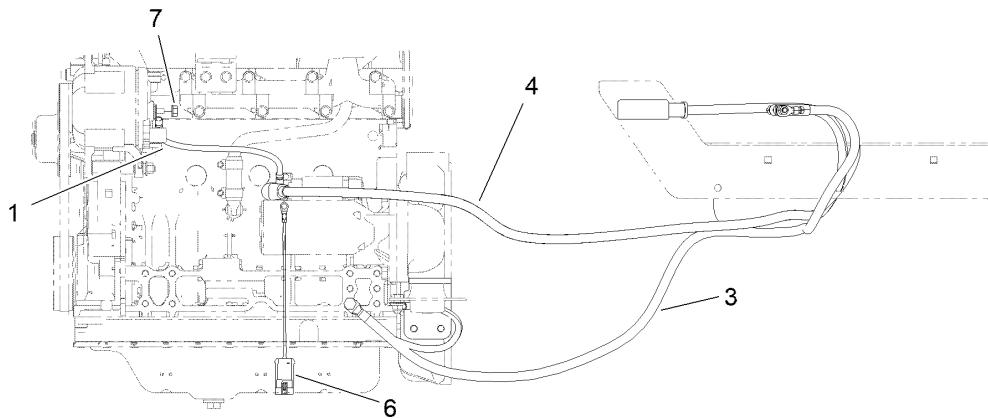
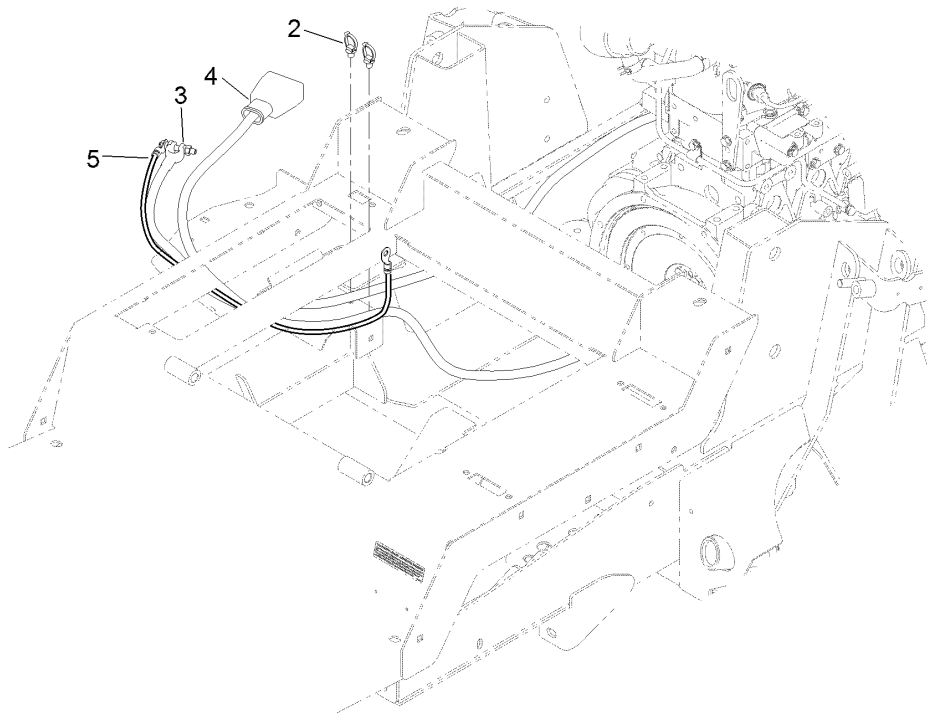
Platform Harness and Fuse Assembly

| <i>Ref.</i> | <i>Part Number</i> | <i>Qty.</i> | <i>Description</i> |
|-------------|--------------------|-------------|--------------------------|
| 1 | 122-0227 | 1 | Harness-Wire, Platform |
| 1:10 | 121-8861 | 3 | Fuse-Mini Blade, 2 Amp |
| 1:11 | 121-8865 | 6 | Fuse-Mini Blade, 7.5 Amp |
| 1:12 | 121-8866 | 4 | Fuse-Mini Blade, 10 Amp |
| 1:22 | 32180-043 | 1 | Resistor-120 Ohm |
| 1:23 | 114-3342 | 1 | Fuse-Maxi, 60 Amp |
| 2 | 122-0353 | 1 | Harness-Wire |



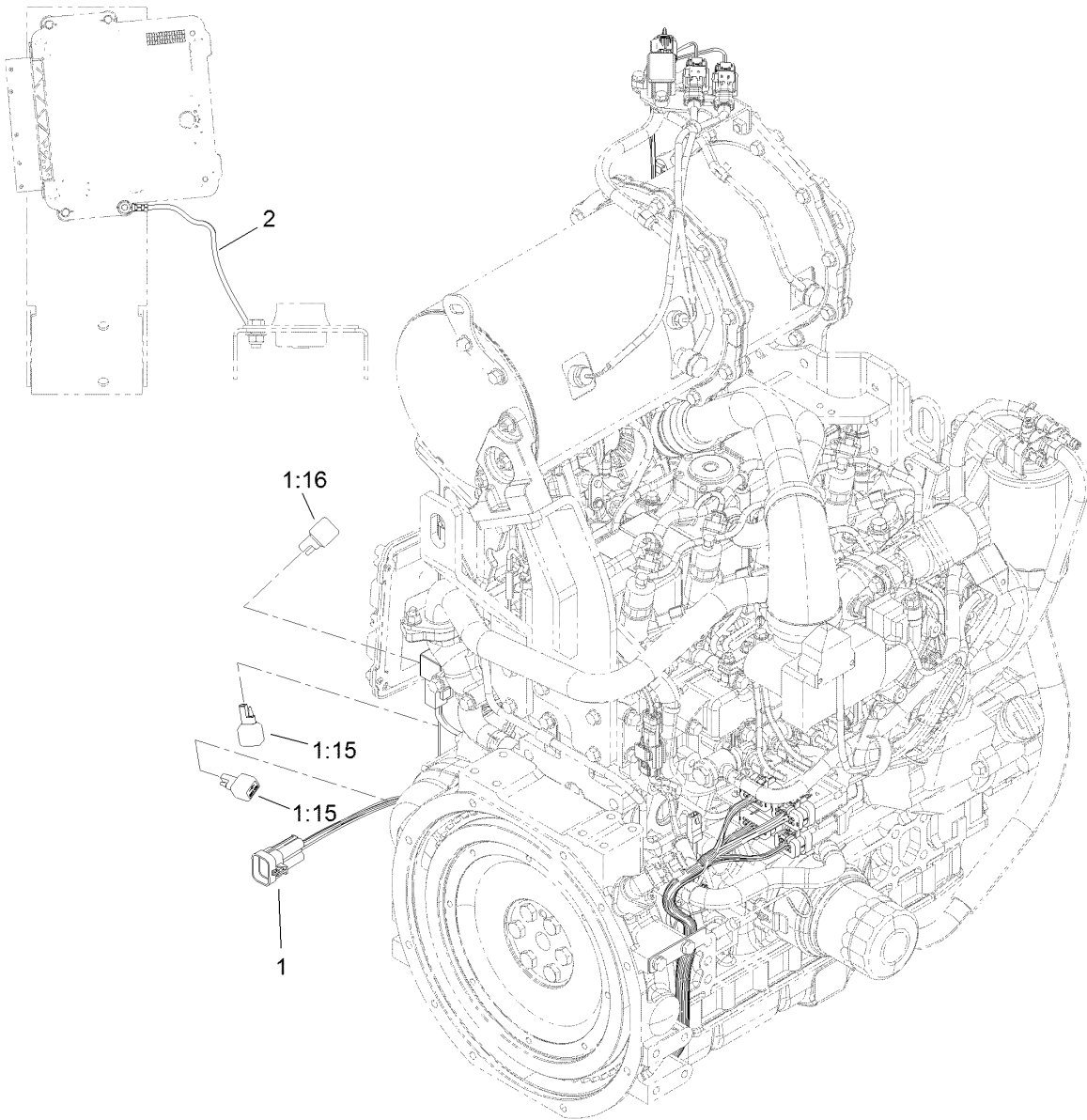
Rear Wire Harness Assembly

| <i>Ref.</i> | <i>Part Number</i> | <i>Qty.</i> | <i>Description</i> |
|-------------|--------------------|-------------|---------------------------------|
| 1 | 122-0228 | 1 | Harness-Wire, Rear |
| 2 | 115-1931 | 1 | Harness-Wire, Fuel Pump Adapter |
| 3 | 3290-379 | 1 | Tie-Cable |



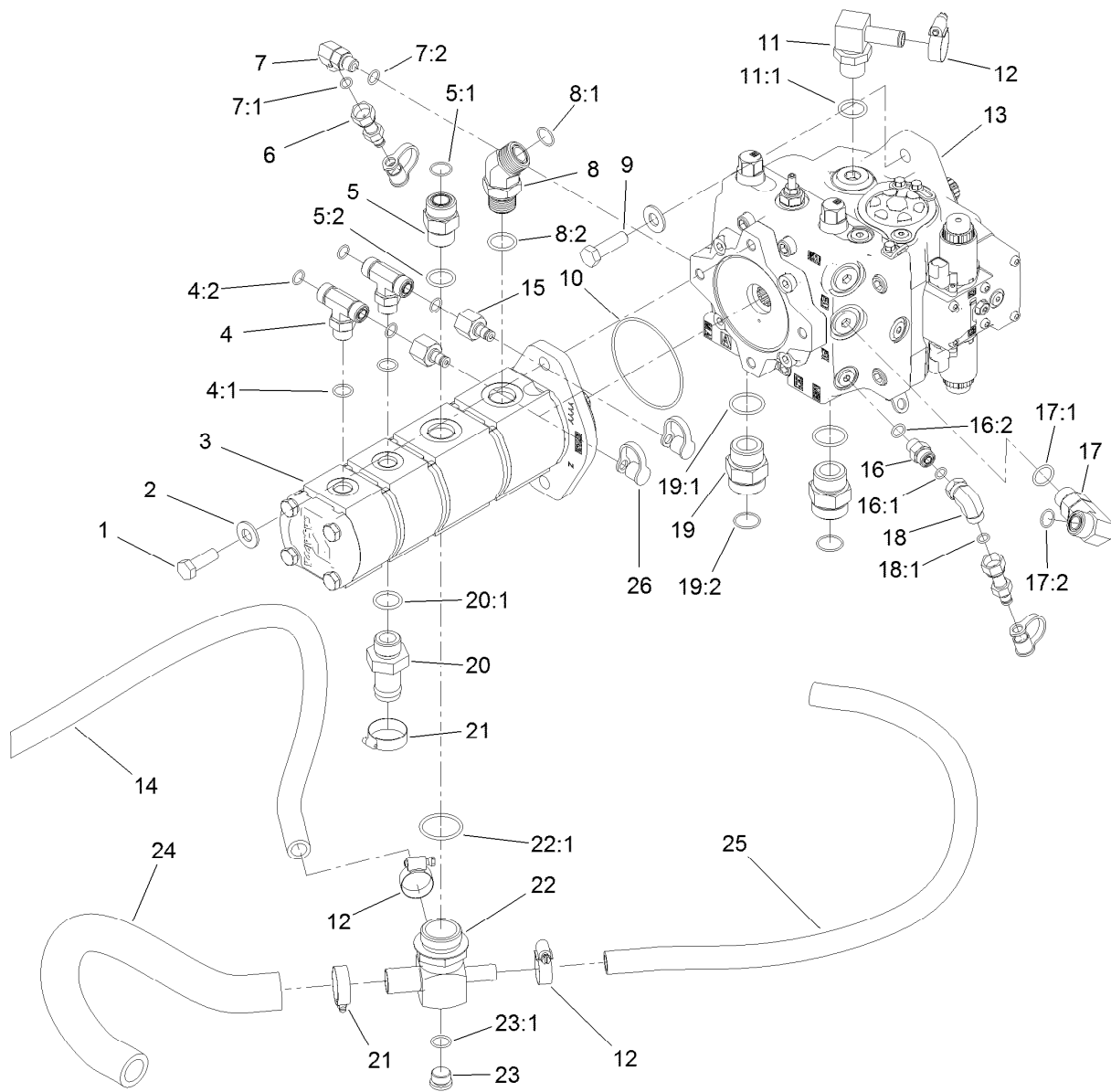
Battery Cable and Ground Assembly

| Ref. | Part Number | Qty. | Description |
|------|-------------|------|----------------------------|
| 1 | 122-0071 | 1 | Cable-Battery, Positive |
| 2 | 32180-030 | 2 | Clip-Tie |
| 3 | 121-8898 | 1 | Cable-Battery, Negative |
| 4 | 121-8897 | 1 | Cable-Battery, Positive |
| 5 | 54-3094 | 1 | Cable |
| 6 | 108-9470 | 1 | Harness-Wire, Fusible Link |
| 7 | 33004-00 | 2 | Nut-HF |



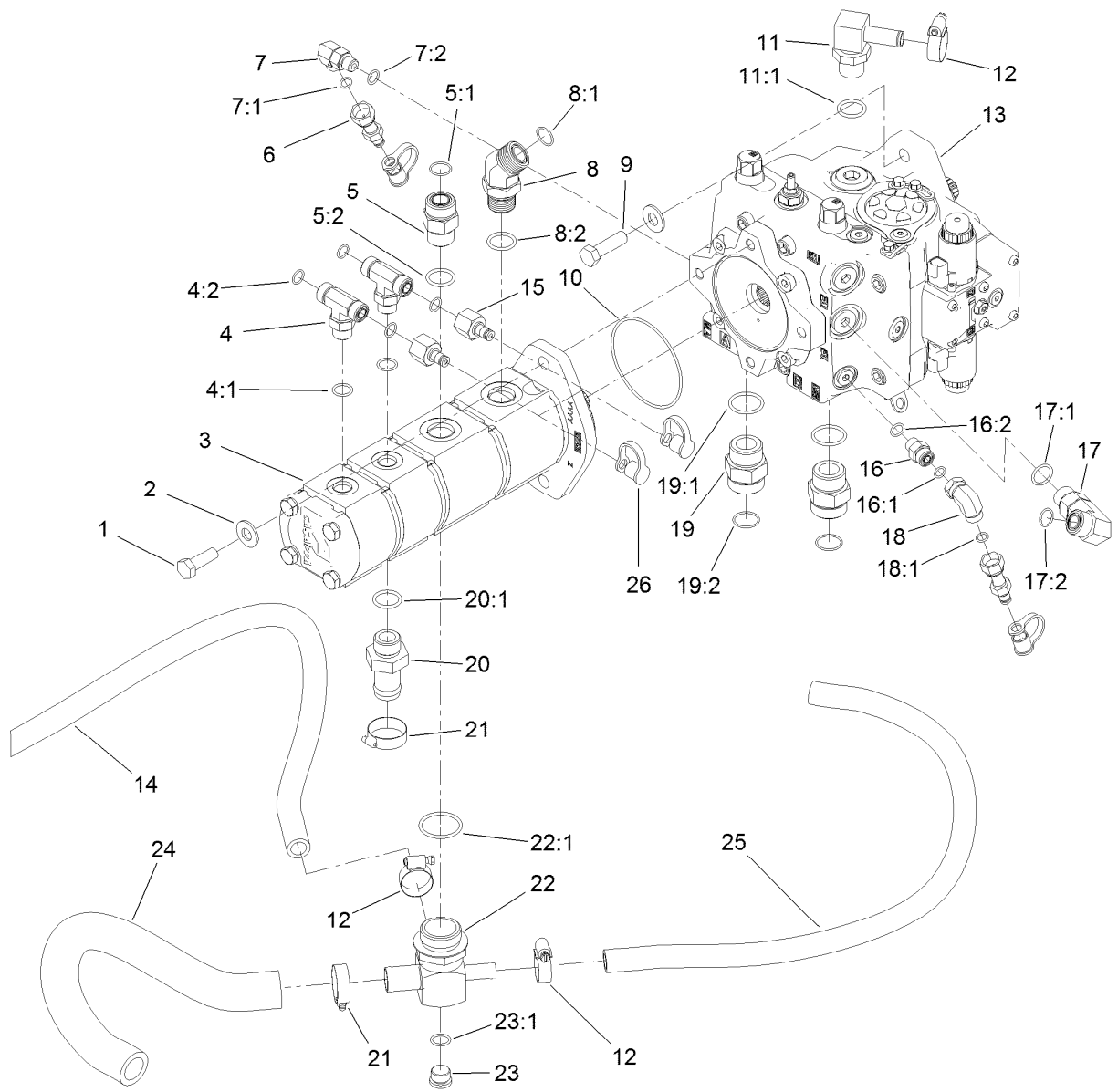
Engine Harness Assembly

| <i>Ref.</i> | <i>Part Number</i> | <i>Qty.</i> | <i>Description</i> |
|-------------|--------------------|-------------|----------------------|
| 1 | 122-0229 | 1 | Harness-Wire, Engine |
| 1:15 | 100-4918 | 2 | Diode |
| 1:16 | 121-8891 | 1 | Resistor (1.6K Ohm) |
| 2 | 122-0057 | 1 | Harness-Wire, Ground |



Piston Pump and Gear Pump Assembly

| Ref. | Part Number | Qty. | Description | Ref. | Part Number | Qty. | Description |
|------|-------------|------|-------------------------|------|-------------|------|------------------|
| 1 | 121-1525 | 2 | Screw-HH | 13 | 120-9059 | 1 | Piston Pump ASM |
| 2 | 87-7270 | 4 | Washer-Thrust | 14 | 121-1647 | 1 | Hose-HYD |
| 3 | 120-8904 | 1 | 4-Section Gear Pump ASM | 15 | 100-5616 | 2 | Fitting |
| 4 | 340-157 | 2 | Fitting-HYD, Tee | 16 | 340-2 | 1 | Fitting-Straight |
| 4:1 | 237-79 | 1 | O-Ring | 16:1 | 237-22 | 1 | O-Ring |
| 4:2 | 237-30 | 2 | O-Ring | 16:2 | 237-42 | 1 | O-Ring |
| 5 | 340-9 | 1 | Fitting-STR | 17 | 121-1492 | 1 | Fitting-90 |
| 5:1 | 237-58 | 1 | O-Ring | 17:1 | 237-80 | 1 | O-Ring |
| 5:2 | 237-81 | 1 | O-Ring | 17:2 | 237-65 | 1 | O-Ring |
| 6 | 86-5480 | 2 | Nipple-Test | 18 | 340-159 | 1 | Elbow-90 |
| 7 | 340-77 | 1 | Fitting-Elbow, 90 DEG | 18:1 | 237-22 | 2 | O-Ring |
| 7:1 | 237-22 | 1 | O-Ring | 19 | 104-3797 | 2 | Fitting-Straight |
| 7:2 | 237-42 | 1 | O-Ring | 19:1 | 237-146 | 1 | O-Ring |
| 8 | 100-5530 | 1 | Fitting-45 DEG | 19:2 | 340-65 | 1 | O-Ring |
| 8:1 | 237-58 | 1 | O-Ring | 20 | 99-3017 | 1 | Fitting |
| 8:2 | 237-81 | 1 | O-Ring | 20:1 | 237-81 | 1 | O-Ring |
| 9 | 121-1524 | 2 | Screw-HH | 21 | 2412-34 | 2 | Clamp-Hose |
| 10 | 107-9447 | 1 | O-Ring | 22 | 121-1682 | 1 | Fitting-Tee |
| 11 | 117-3681 | 1 | Fitting-Elb 90 | 22:1 | 237-101 | 1 | O-Ring |
| 11:1 | 237-81 | 1 | O-Ring | 23 | 353-988 | 1 | Plug-Hex |
| 12 | 2412-129 | 3 | Clamp-Hose | 23:1 | 237-79 | 1 | O-Ring |

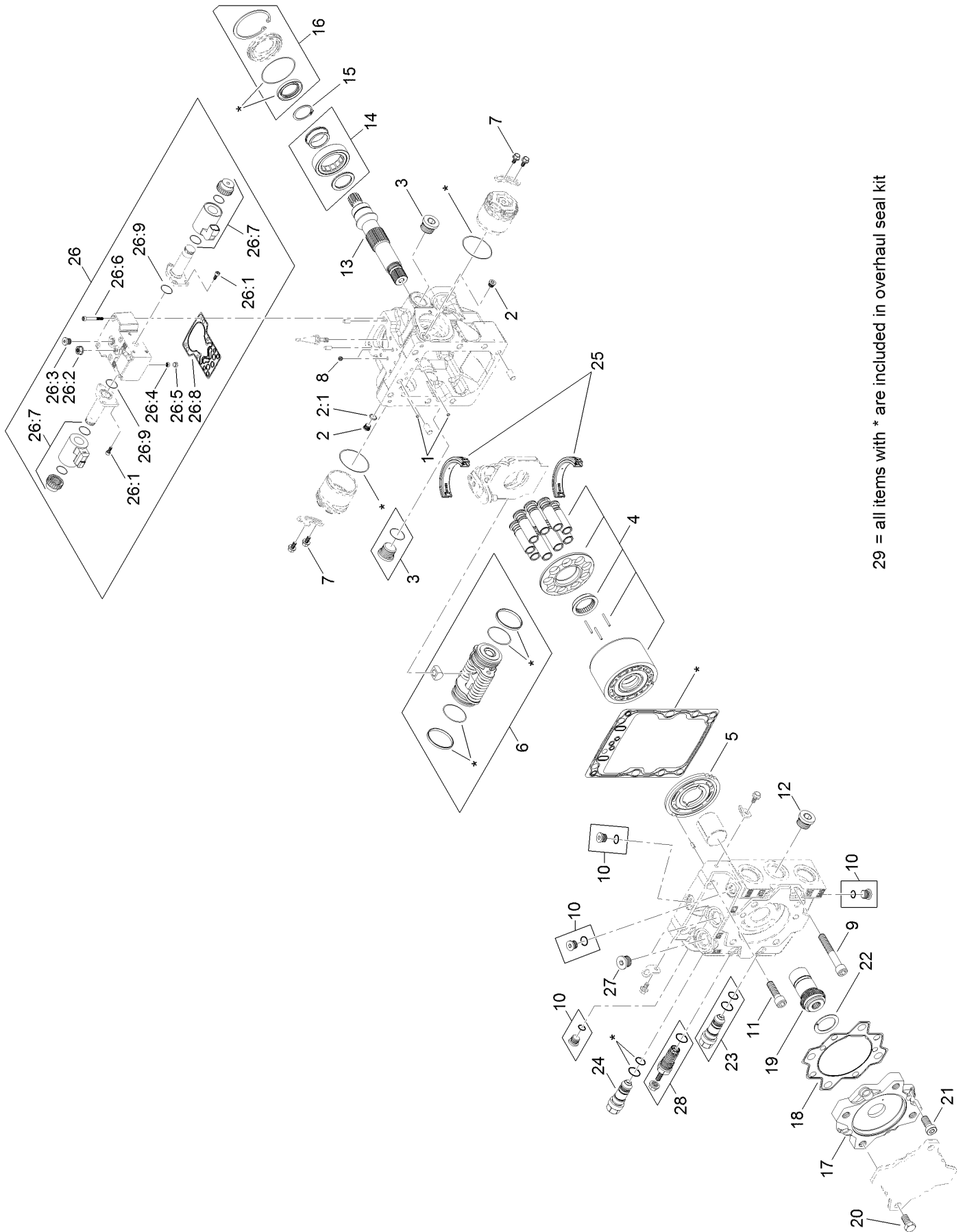


Piston Pump and Gear Pump Assembly (continued)

| Ref. | Part Number | Qty. | Description |
|------|-------------|------|--------------|
| 24 | 120-8815 | 1 | Hose-Suction |

| Ref. | Part Number | Qty. | Description |
|------|-------------|------|-------------|
| 25 | 120-9050 | 1 | Hose-HYD |
| 26 | 354-79 | 4 | Cap-Dust |

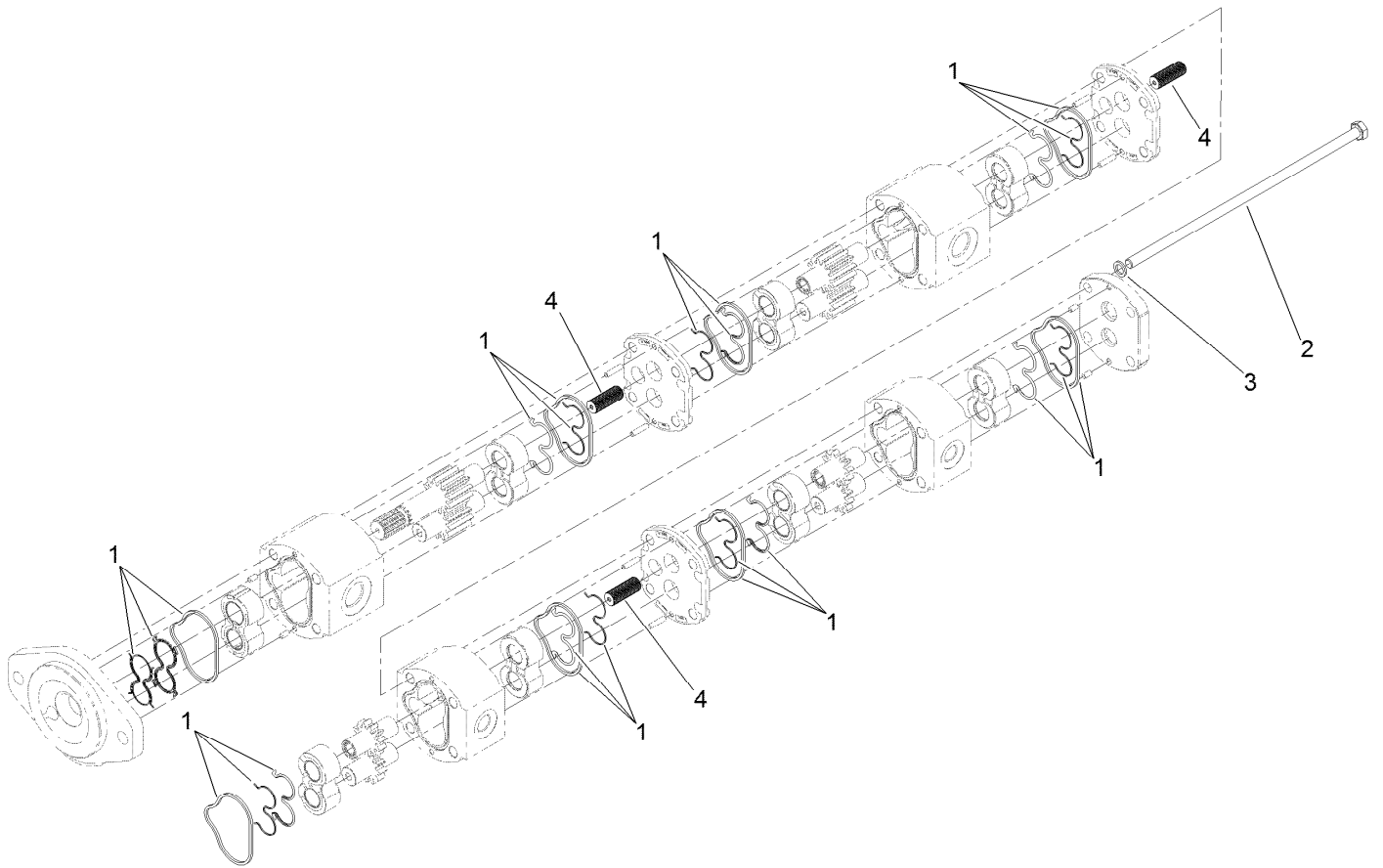
Piston Pump Assembly No. 120-9059



29 = all items with * are included in overhaul seal kit

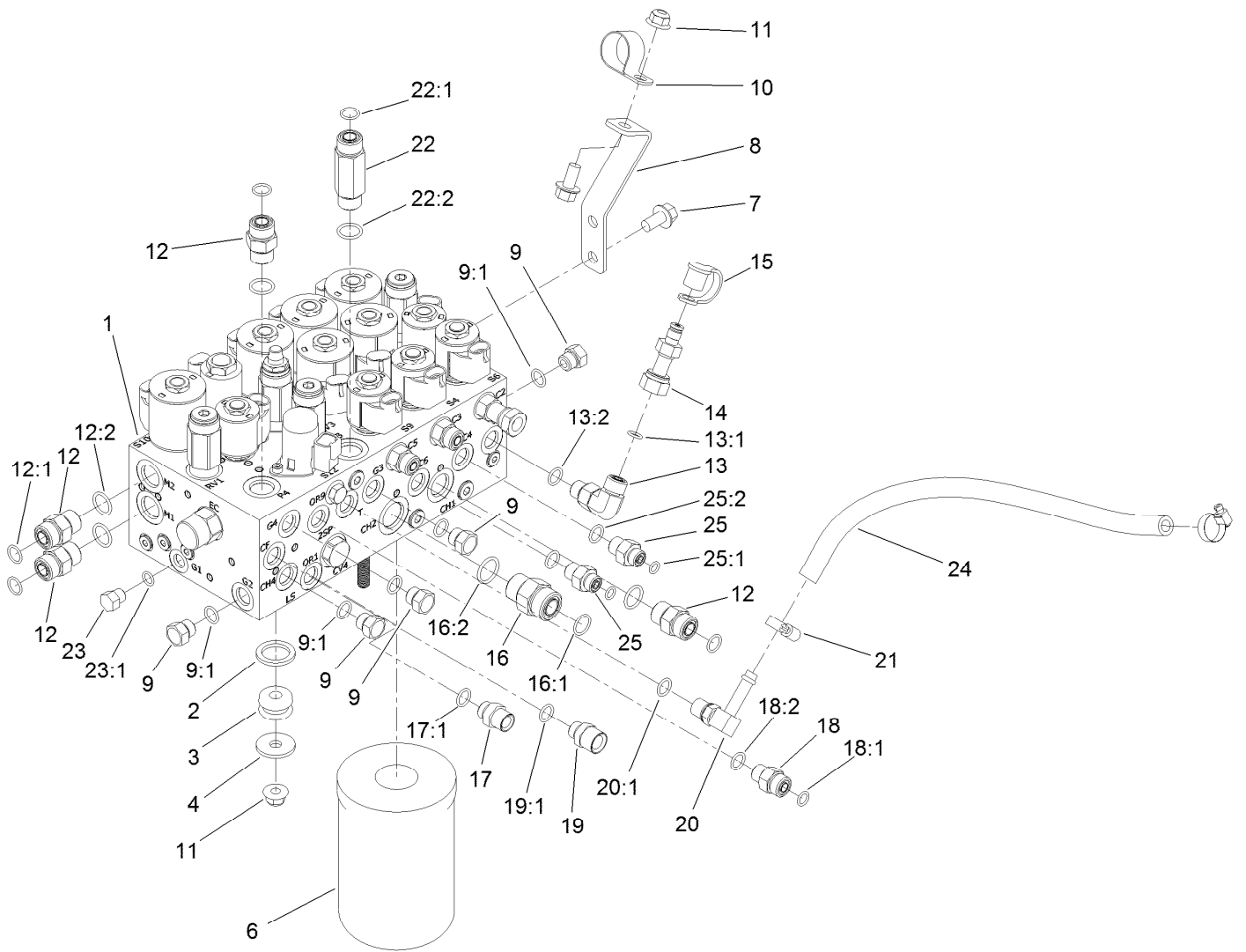
Piston Pump Assembly No. 120-9059 (continued)

| <i>Ref.</i> | <i>Part Number</i> | <i>Qty.</i> | <i>Description</i> | <i>Ref.</i> | <i>Part Number</i> | <i>Qty.</i> | <i>Description</i> |
|-------------|--------------------|-------------|-----------------------|-------------|--------------------|-------------|-----------------------------|
| 1 | 125-5266 | 2 | Screen | 20 | 125-5281 | 4 | Screw |
| 2 | 75-0170 | 2 | Plug-Thread, Straight | 21 | 125-5282 | 4 | Screw |
| 2:1 | 92-8777 | 1 | O-Ring | 22 | 125-5287 | 1 | Plate-Thrust |
| 3 | 107-4352 | 2 | Plug | 23 | 121-1731 | 1 | Valve-Relief, High Pressure |
| 4 | 121-1723 | 1 | Cylinder Block Kit | 24 | 125-5291 | 1 | Valve-Relief, High Pressure |
| 5 | 121-1724 | 1 | Plate-Valve, CW | 25 | 121-1732 | 1 | Swash Plate Bearing Kit |
| 6 | 121-1725 | 1 | Servo Piston ASM | 26 | 125-5295 | 1 | Control Kit (12 Volt) |
| 7 | 125-5270 | 6 | Screw | 26:1 | 125-5272 | 6 | Screw |
| 8 | 125-5276 | 2 | Orifice (0.8) | 26:2 | 125-5273 | 1 | Nut-Seal |
| 9 | 121-1726 | 4 | Screw | 26:3 | 125-5302 | 1 | Plug |
| 10 | 125-5300 | 4 | Plug ASM | 26:4 | 125-5266 | 1 | Screen |
| 11 | 121-1727 | 2 | Screw | 26:5 | 125-5269 | 1 | Ring-Locking |
| 12 | 125-5301 | 1 | Plug | 26:6 | 125-5274 | 6 | Screw |
| 13 | 121-1728 | 1 | Shaft | 26:7 | 125-5294 | 2 | Coil Kit |
| 14 | 125-5279 | 1 | Bearing-Roller | 26:8 | 125-5283 | 1 | Gasket-Control |
| 15 | 125-5280 | 1 | Ring-Retaining | 26:9 | 125-5288 | 2 | O-Ring |
| 16 | 121-1729 | 1 | Shaft Seal Kit | 27 | 125-5303 | 2 | Plug ASM |
| 17 | 125-5284 | 1 | Adapter | 28 | 125-5297 | 1 | Charge Relief Kit |
| 18 | 125-5285 | 1 | Seal-Adapter | 29 | 121-1733 | 1 | Overhaul Seal Kit |
| 19 | 121-1730 | 1 | Coupling | | | | |



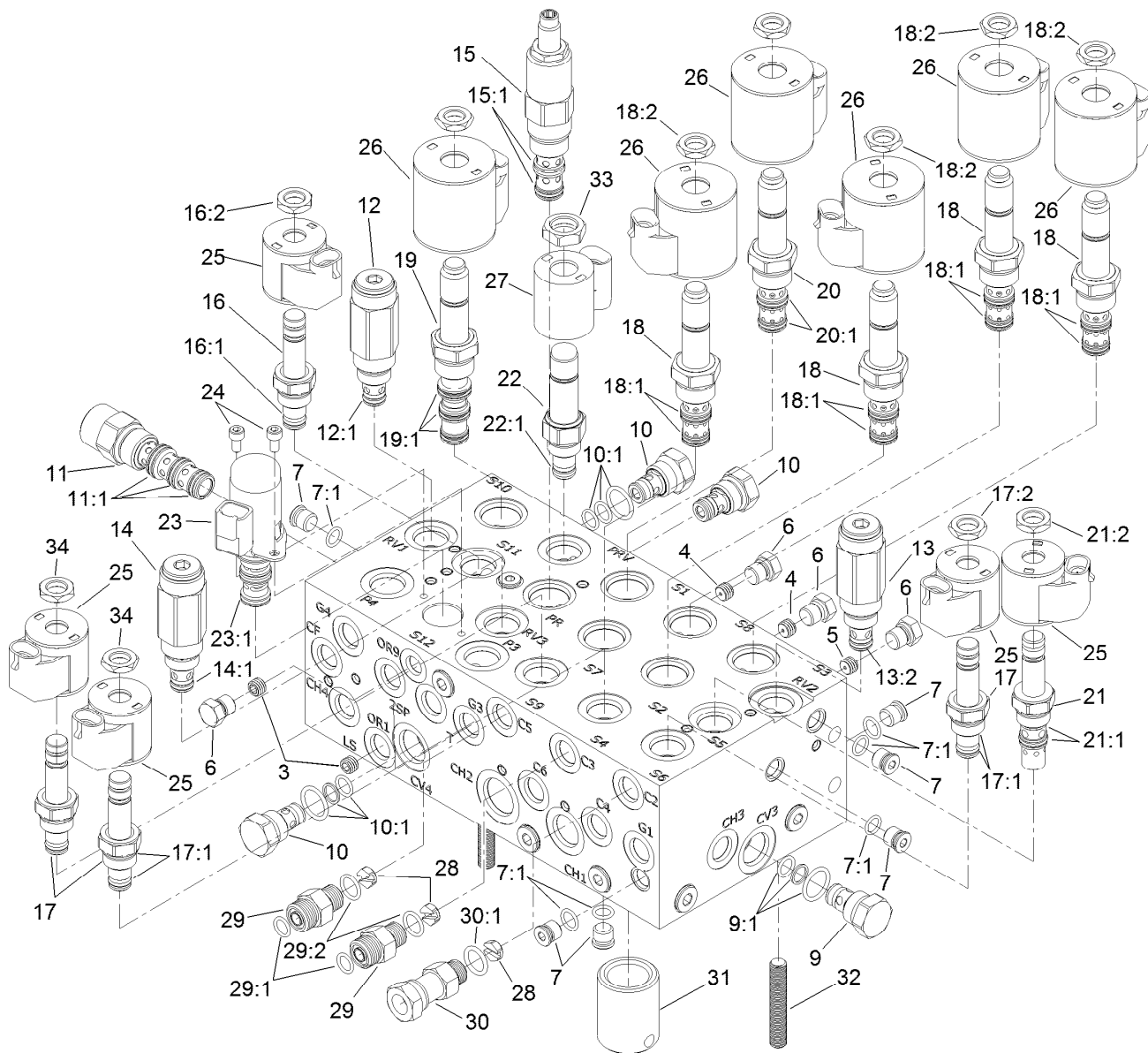
4-Section Gear Pump Assembly No. 120-8904

| <i>Ref.</i> | <i>Part Number</i> | <i>Qty.</i> | <i>Description</i> |
|-------------|--------------------|-------------|--------------------|
| 1 | 115-3776 | 1 | Seal Kit |
| 2 | 121-1721 | 4 | Bolt |
| 3 | 121-1722 | 4 | Washer |
| 4 | 120-6284 | 3 | Hub-Connecting |



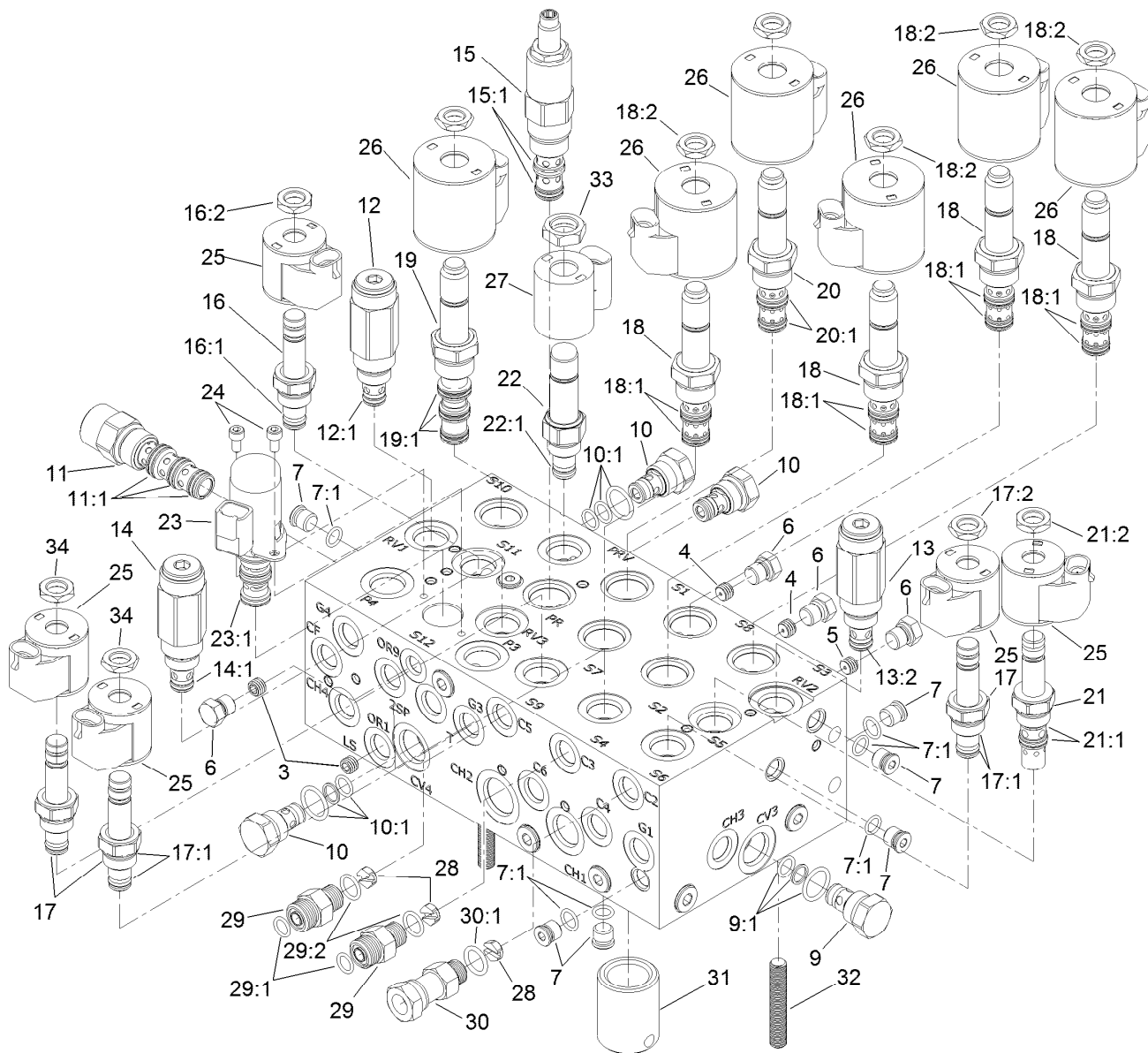
Combination Manifold Assembly

| Ref. | Part Number | Qty. | Description | Ref. | Part Number | Qty. | Description |
|------|-------------|------|------------------------------|------|-------------|------|-------------------|
| 1 | 127-3650 | 1 | HYD Combination Manifold ASM | 16:1 | 237-65 | 1 | O-Ring |
| 2 | 92-2650 | 3 | Spacer-Clutch | 16:2 | 237-80 | 1 | O-Ring |
| 3 | 63-9750 | 3 | Mount | 17 | 120-8975 | 1 | Fitting-Straight |
| 4 | 63-8410 | 3 | Washer | 17:1 | 237-42 | 1 | O-Ring |
| 6 | 75-1310 | 1 | Filter-HYD | 18 | 340-2 | 1 | Fitting-Straight |
| 7 | 3234-1 | 3 | Screw-HHF | 18:1 | 237-22 | 1 | O-Ring |
| 8 | 121-1542 | 1 | Plate-Mount, Hose | 18:2 | 237-42 | 1 | O-Ring |
| 9 | 353-508 | 5 | Plug-HH | 19 | 120-8979 | 1 | Fitting-Straight |
| 9:1 | 237-42 | 1 | O-Ring | 19:1 | 237-42 | 1 | O-Ring |
| 10 | 2412-126 | 1 | R-Clamp | 20 | 100-4887 | 1 | Fitting-Elbow, 90 |
| 11 | 104-8301 | 4 | Nut-HF, NI | 20:1 | 237-42 | 1 | O-Ring |
| 12 | 340-4 | 4 | Fitting-Straight | 21 | 2412-36 | 2 | Clamp-Hose |
| 12:1 | 237-30 | 1 | O-Ring | 22 | 119-4854 | 1 | Fitting-STR |
| 12:2 | 237-79 | 1 | O-Ring | 22:1 | 237-30 | 1 | O-Ring |
| 13 | 340-77 | 1 | Fitting-Elbow, 90 DEG | 22:2 | 237-79 | 1 | O-Ring |
| 13:1 | 237-22 | 1 | O-Ring | 23 | 353-512 | 1 | Plug |
| 13:2 | 237-42 | 1 | O-Ring | 23:1 | 237-78 | 1 | O-Ring |
| 14 | 86-5480 | 1 | Nipple-Test | 24 | 87-5730 | 1 | Hose |
| 15 | 354-79 | 1 | Cap-Dust | 25 | 340-1 | 2 | Fitting-Straight |
| 16 | 340-7 | 1 | Fitting-Straight | 25:1 | 237-21 | 1 | O-Ring |
| | | | | 25:2 | 237-42 | 1 | O-Ring |



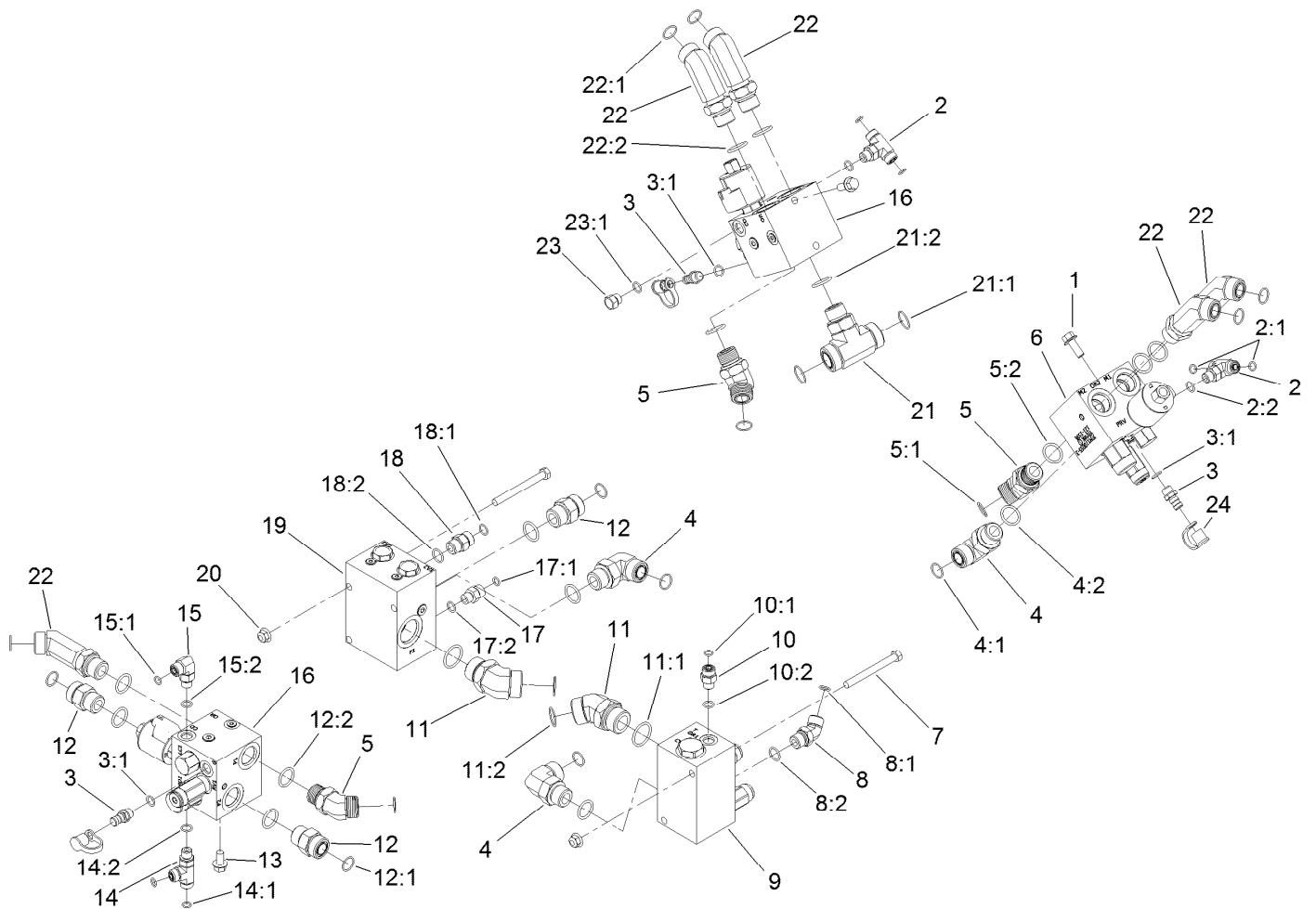
Combination Manifold Assembly No. 127-3650

| Ref. | Part Number | Qty. | Description | Ref. | Part Number | Qty. | Description |
|------|-------------|------|-------------------------|------|-------------|------|-------------------------------|
| 3 | 110-5973 | 2 | Orifice-0.030 | 16:1 | 105-9156 | 1 | Seal Kit |
| 4 | 112-6538 | 2 | Orifice (.063 Inch) | 16:2 | 110-2634 | 1 | Nut-Coil |
| 5 | 110-8883 | 1 | Plug-Orifice (0.040) | 17 | 112-9206 | 3 | Solenoid Valve ASM |
| 6 | 117-0115 | 4 | Plug | 17:1 | 105-9156 | 1 | Seal Kit |
| 7 | 353-990 | 14 | Plug ASM | 17:2 | 110-2634 | 1 | Nut-Coil |
| 7:1 | 237-78 | 1 | O-Ring | 18 | 115-5400 | 4 | Solenoid Valve ASM |
| 9 | 114-2873 | 1 | Check Valve ASM | 18:1 | 107-7813 | 1 | Seal Kit |
| 9:1 | 105-9156 | 1 | Seal Kit | 18:2 | 110-2634 | 1 | Nut-Coil |
| 10 | 105-9321 | 3 | Check Valve ASM | 19 | 115-3023 | 1 | Solenoid Valve ASM |
| 10:1 | 105-9156 | 1 | Seal Kit | 19:1 | 110-8908 | 1 | Spool Valve Seal Kit |
| 11 | 115-5409 | 1 | Compensator ASM | 20 | 125-7556 | 1 | Solenoid Valve ASM |
| 11:1 | 110-8908 | 1 | Spool Valve Seal Kit | 20:1 | 107-7813 | 1 | Seal Kit |
| 12 | 125-7560 | 1 | Relief Valve ASM | 21 | 115-5405 | 1 | Solenoid Valve ASM |
| 12:1 | 105-9156 | 1 | Seal Kit | 21:1 | 115-5413 | 1 | Seal Kit |
| 13 | 105-9844 | 1 | Valve-Relief | 21:2 | 110-2634 | 1 | Nut-Coil |
| 13:2 | 105-9156 | 1 | Seal Kit | 22 | 125-7555 | 1 | Proportional Relief Valve ASM |
| 14 | 125-7558 | 1 | Relief Valve ASM | 22:1 | 110-6316 | 1 | Seal Kit |
| 14:1 | 105-9156 | 1 | Seal Kit | 23 | 125-7554 | 1 | Valve-Solenoid |
| 15 | 127-3663 | 1 | Valve-Pressure Reducing | 23:1 | 125-7561 | 1 | Seal Kit |
| 15:1 | 105-9154 | 1 | Seal Kit | 24 | 115-8733 | 2 | Screw-HSH |
| 16 | 107-7516 | 1 | Solenoid Valve ASM | | | | |



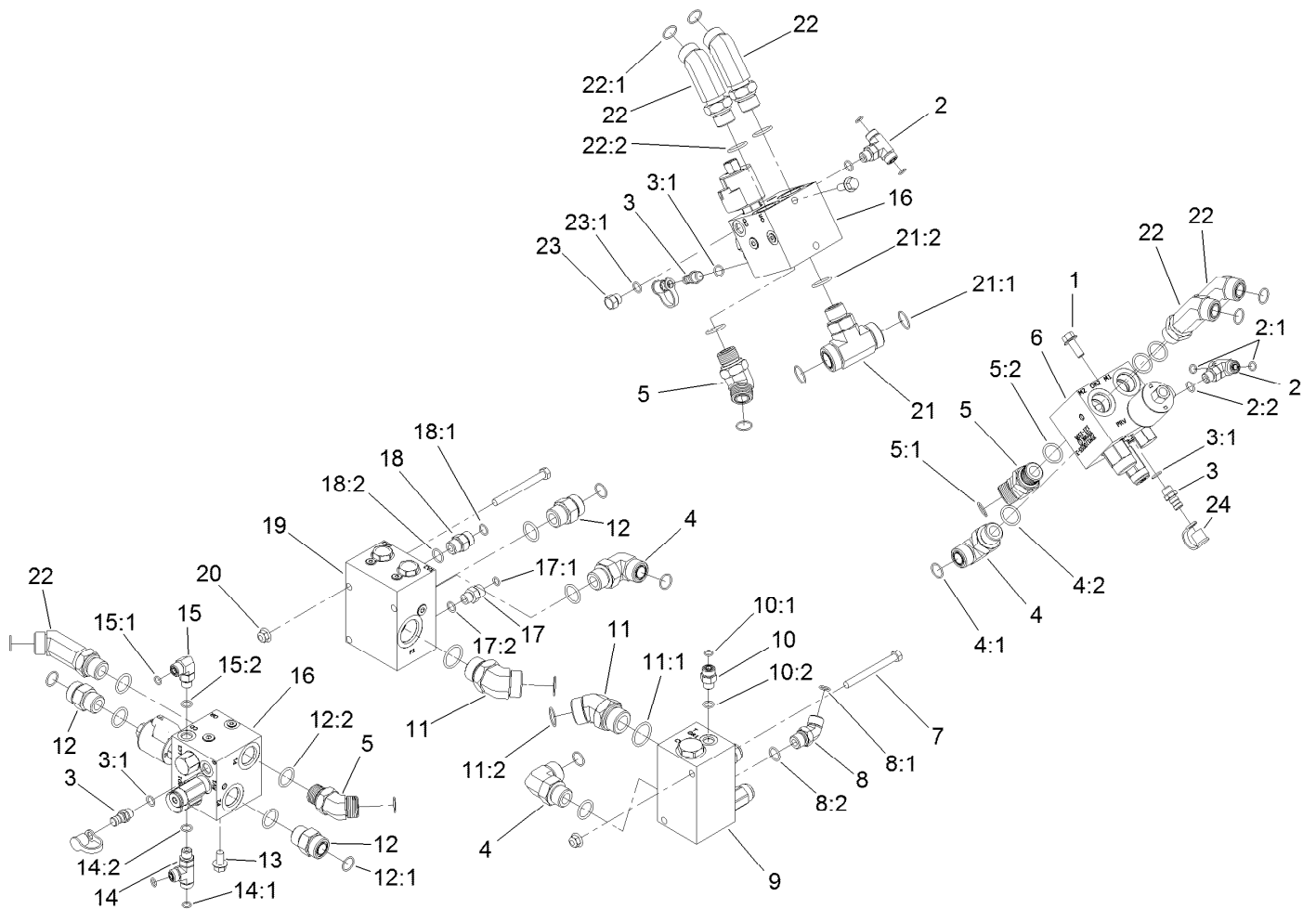
Combination Manifold Assembly No. 127-3650 (continued)

| Ref. | Part Number | Qty. | Description | Ref. | Part Number | Qty. | Description |
|------|-------------|------|-------------------------|------|-------------|------|----------------------------|
| 25 | 110-0497 | 5 | Coil-Solenoid | 30 | 104-3779 | 1 | Connector-Swivel, Straight |
| 26 | 110-6344 | 6 | Coil-12V, DC | 30:1 | 237-42 | 1 | O-Ring |
| 27 | 125-7553 | 1 | E-Coil, 12Vdc | 31 | 125-7551 | 1 | Nipple-Filter |
| 28 | 125-7552 | 3 | Orifice-Check, .070 DIA | 32 | 130-2661 | 3 | Stud-Manifold |
| 29 | 340-2 | 2 | Fitting-Straight | 33 | 125-7550 | 1 | Nut-Coil |
| 29:1 | 237-22 | 1 | O-Ring | 34 | 110-2634 | 11 | Nut-Coil |
| 29:2 | 237-42 | 1 | O-Ring | | | | |



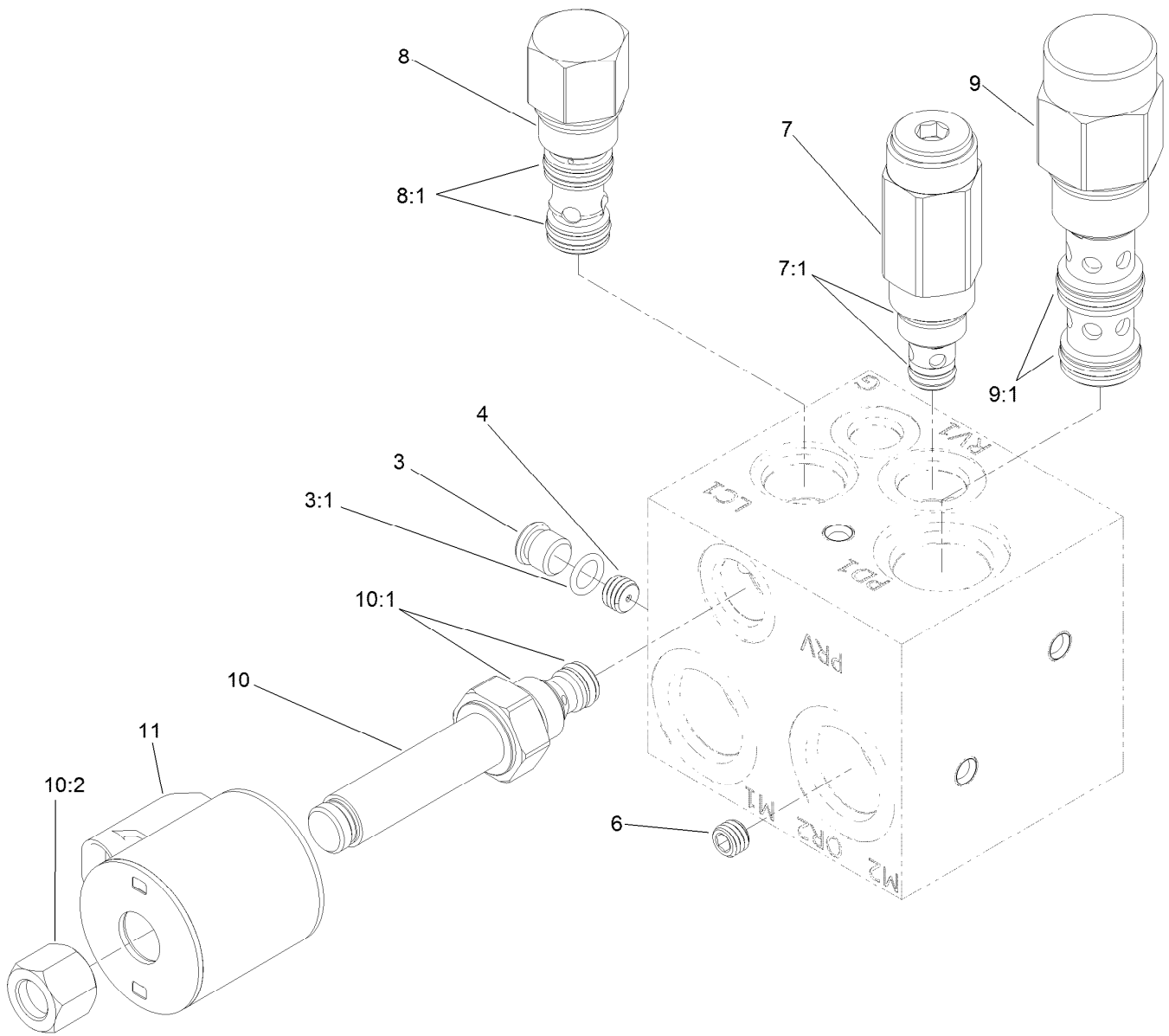
Manifold Block Assembly

| Ref. | Part Number | Qty. | Description | Ref. | Part Number | Qty. | Description |
|------|-------------|------|-------------------------|------|-------------|------|--------------------------------|
| 1 | 3234-11 | 4 | Screw-HHF | 11 | 104-3509 | 2 | Fitting-HYD, 45 DEG |
| 2 | 340-94 | 2 | Adapter | 11:1 | 237-146 | 1 | O-Ring |
| 2:1 | 237-22 | 2 | O-Ring | 11:2 | 340-65 | 1 | O-Ring |
| 2:2 | 237-42 | 1 | O-Ring | 12 | 340-9 | 3 | Fitting-STR |
| 3 | 59-7410 | 3 | Fitting-Diagnostic | 12:1 | 237-58 | 1 | O-Ring |
| 3:1 | 237-42 | 1 | O-Ring | 12:2 | 237-81 | 1 | O-Ring |
| 4 | 340-142 | 3 | Fitting-Elbow, 90 DEG | 13 | 3234-1 | 2 | Screw-HHF |
| 4:1 | 237-58 | 1 | O-Ring | 14 | 340-86 | 1 | Fitting-Tee |
| 4:2 | 237-81 | 1 | O-Ring | 14:1 | 237-22 | 2 | O-Ring |
| 5 | 100-5530 | 3 | Fitting-45 DEG | 14:2 | 237-42 | 1 | O-Ring |
| 5:1 | 237-58 | 1 | O-Ring | 15 | 340-77 | 1 | Fitting-Elbow, 90 DEG |
| 5:2 | 237-81 | 1 | O-Ring | 15:1 | 237-22 | 1 | O-Ring |
| 6 | 121-1536 | 1 | Manifold-PTO, Left | 15:2 | 237-42 | 1 | O-Ring |
| 7 | 323-42 | 4 | Screw-HH | 16 | 121-1537 | 2 | Manifold-PTO, Center And Right |
| 8 | 340-101 | 1 | Fitting-HYD, 45 DEG | 17 | 92-9258 | 1 | Adapter-Check |
| 8:1 | 237-30 | 1 | O-Ring | 17:1 | 237-22 | 1 | O-Ring |
| 8:2 | 237-79 | 1 | O-Ring | 17:2 | 237-42 | 1 | O-Ring |
| 9 | 121-1530 | 1 | Manifold-Traction, Rear | 18 | 100-4890 | 1 | Fitting-Check |
| 10 | 340-2 | 1 | Fitting-Straight | 18:1 | 237-79 | 1 | O-Ring |
| 10:1 | 237-22 | 1 | O-Ring | 18:2 | 237-30 | 1 | O-Ring |
| 10:2 | 237-42 | 1 | O-Ring | | | | |



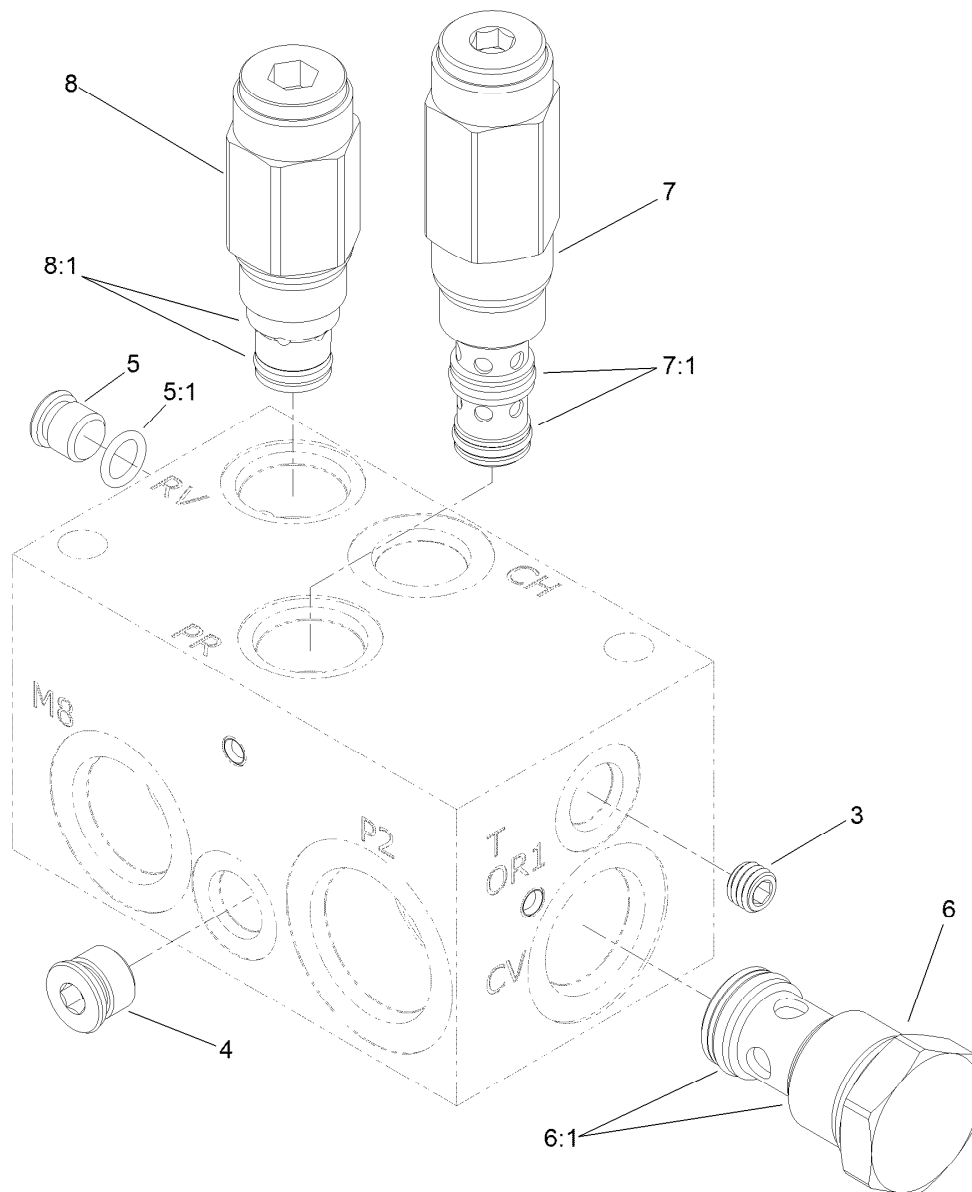
Manifold Block Assembly (continued)

| <i>Ref.</i> | <i>Part Number</i> | <i>Qty.</i> | <i>Description</i> | <i>Ref.</i> | <i>Part Number</i> | <i>Qty.</i> | <i>Description</i> |
|-------------|--------------------|-------------|---------------------------|-------------|--------------------|-------------|--------------------|
| 19 | 121-1550 | 1 | Flow Divider Manifold ASM | 22:1 | 237-58 | 1 | O-Ring |
| 20 | 104-8301 | 4 | Nut-HF, NI | 22:2 | 237-81 | 1 | O-Ring |
| 21 | 120-8825 | 1 | Fitting-Tee | 23 | 353-508 | 1 | Plug-HH |
| 21:1 | 340-65 | 2 | O-Ring | 23:1 | 237-42 | 1 | O-Ring |
| 21:2 | 237-81 | 1 | O-Ring | 24 | 354-79 | 3 | Cap-Dust |
| 22 | 120-8982 | 5 | Fitting-45 DEG | | | | |



Left Power-Take-Off Manifold Assembly No. 121-1536

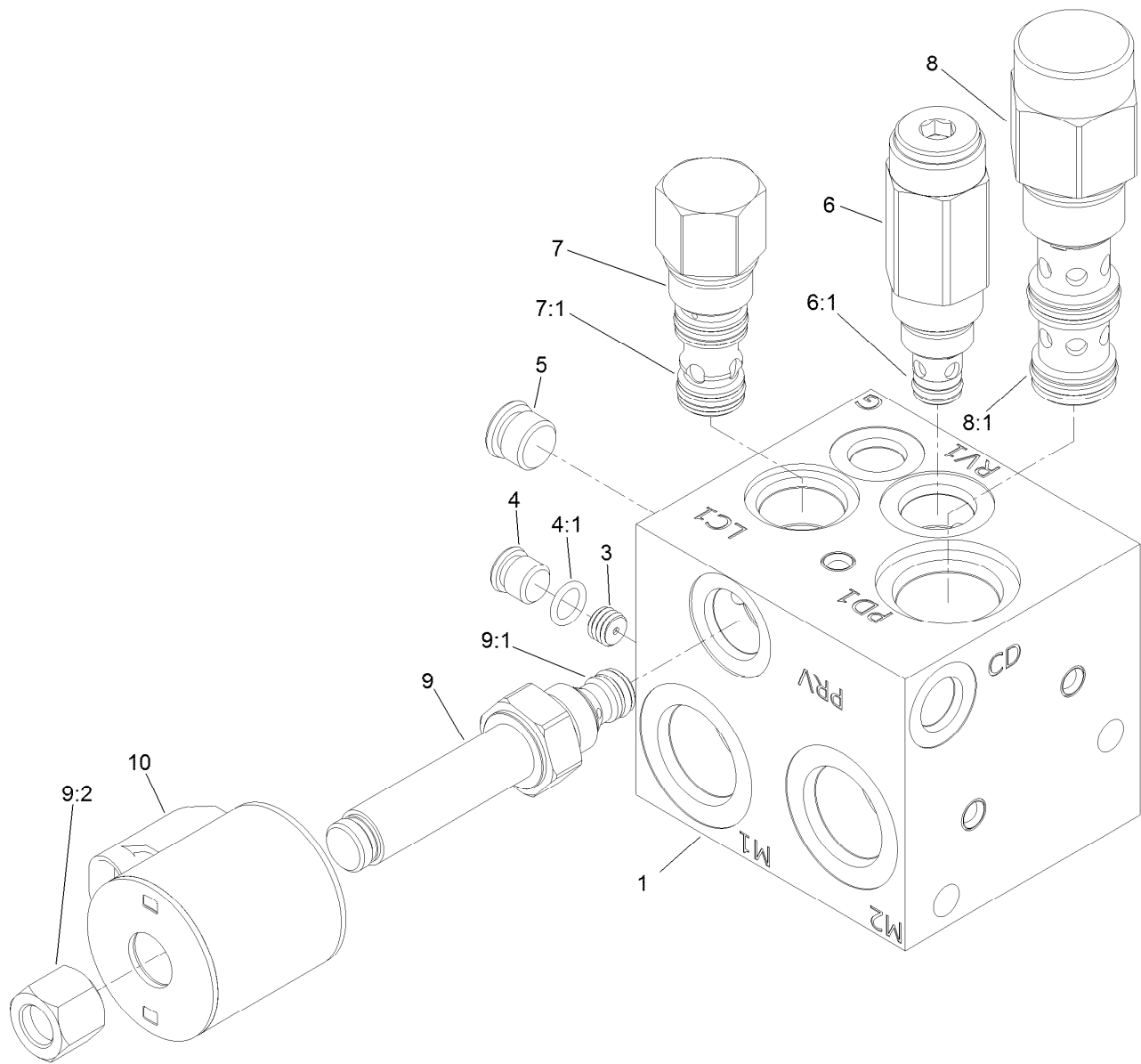
| <i>Ref.</i> | <i>Part Number</i> | <i>Qty.</i> | <i>Description</i> |
|-------------|--------------------|-------------|----------------------------|
| 3 | 353-990 | 1 | Plug ASM |
| 3:1 | 237-78 | 1 | O-Ring |
| 4 | 117-8315 | 1 | Orifice (.025 Inch) |
| 6 | 112-6538 | 1 | Orifice (.063 Inch) |
| 7 | 114-5512 | 1 | Valve-Relief, 600 PSI |
| 7:1 | 105-9156 | 1 | Seal Kit |
| 8 | 105-9153 | 1 | Element-Logic, Vented |
| 8:1 | 119-2159 | 1 | Seal Kit |
| 9 | 125-4327 | 1 | Valve-Directional, Pilot |
| 9:1 | 114-5515 | 1 | Seal Kit |
| 10 | 117-0227 | 1 | Valve-Relief, Proportional |
| 10:1 | 105-9156 | 1 | Seal Kit |
| 10:2 | 119-2160 | 1 | Nut-Coil |
| 11 | 110-6344 | 1 | Coil-12V, DC |



Rear Traction Manifold Assembly No. 121-1530

| <i>Ref.</i> | <i>Part Number</i> | <i>Qty.</i> | <i>Description</i> |
|-------------|--------------------|-------------|--------------------------|
| 3 | 107-7525 | 1 | Plug-Orifice (.050 Inch) |
| 4 | | 1 | Plug ● |
| 5 | 353-990 | 1 | Plug ASM |
| 5:1 | 237-78 | 1 | O-Ring |
| 6 | 125-4328 | 1 | Valve-Check |
| 6:1 | 125-4336 | 1 | Seal Kit |
| 7 | 125-4329 | 1 | Valve-Reducing |
| 7:1 | 125-4334 | 1 | Seal Kit |
| 8 | 125-4331 | 1 | Valve-Relief |
| 8:1 | 110-6316 | 1 | Seal Kit |

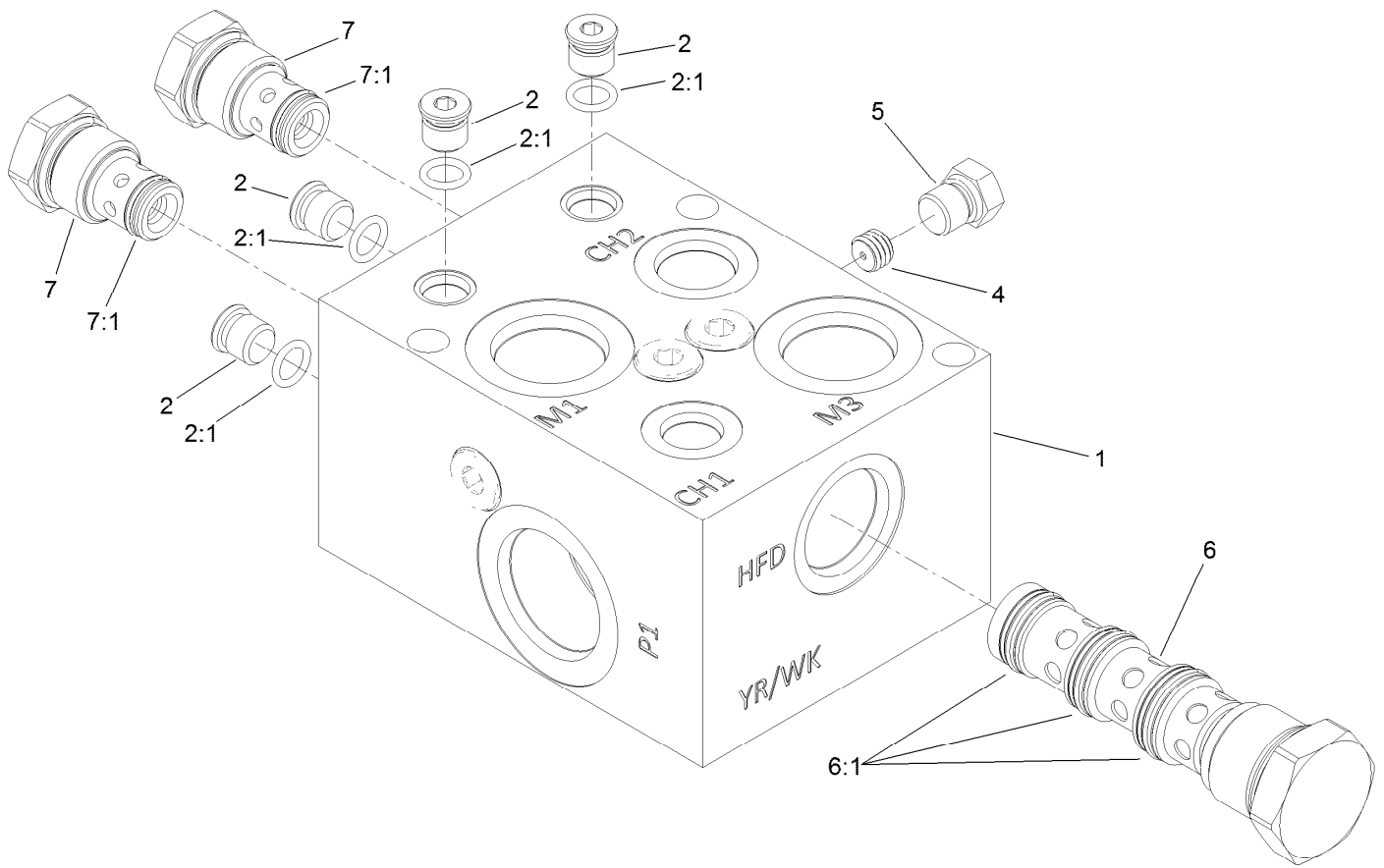
● Not serviced separately



Center and Right Power-Take-Off Manifold Assembly No. 121-1537

| <i>Ref.</i> | <i>Part Number</i> | <i>Qty.</i> | <i>Description</i> |
|-------------|--------------------|-------------|----------------------------|
| 1 | | 1 | Manifold Block ● |
| 3 | 117-8315 | 1 | Orifice (.025 Inch) |
| 4 | 353-990 | 1 | Plug ASM |
| 4:1 | 237-78 | 1 | O-Ring |
| 5 | | 1 | Plug ● |
| 6 | 114-5512 | 1 | Valve-Relief, 600 PSI |
| 6:1 | 105-9156 | 1 | Seal Kit |
| 7 | 105-9153 | 1 | Element-Logic, Vented |
| 7:1 | 119-2159 | 1 | Seal Kit |
| 8 | 125-4327 | 1 | Valve-Directional, Pilot |
| 8:1 | 114-5515 | 1 | Seal Kit |
| 9 | 117-0227 | 1 | Valve-Relief, Proportional |
| 9:1 | 105-9156 | 1 | Seal Kit |
| 9:2 | 119-2160 | 1 | Nut-Coil |
| 10 | 110-6344 | 1 | Coil-12V, DC |

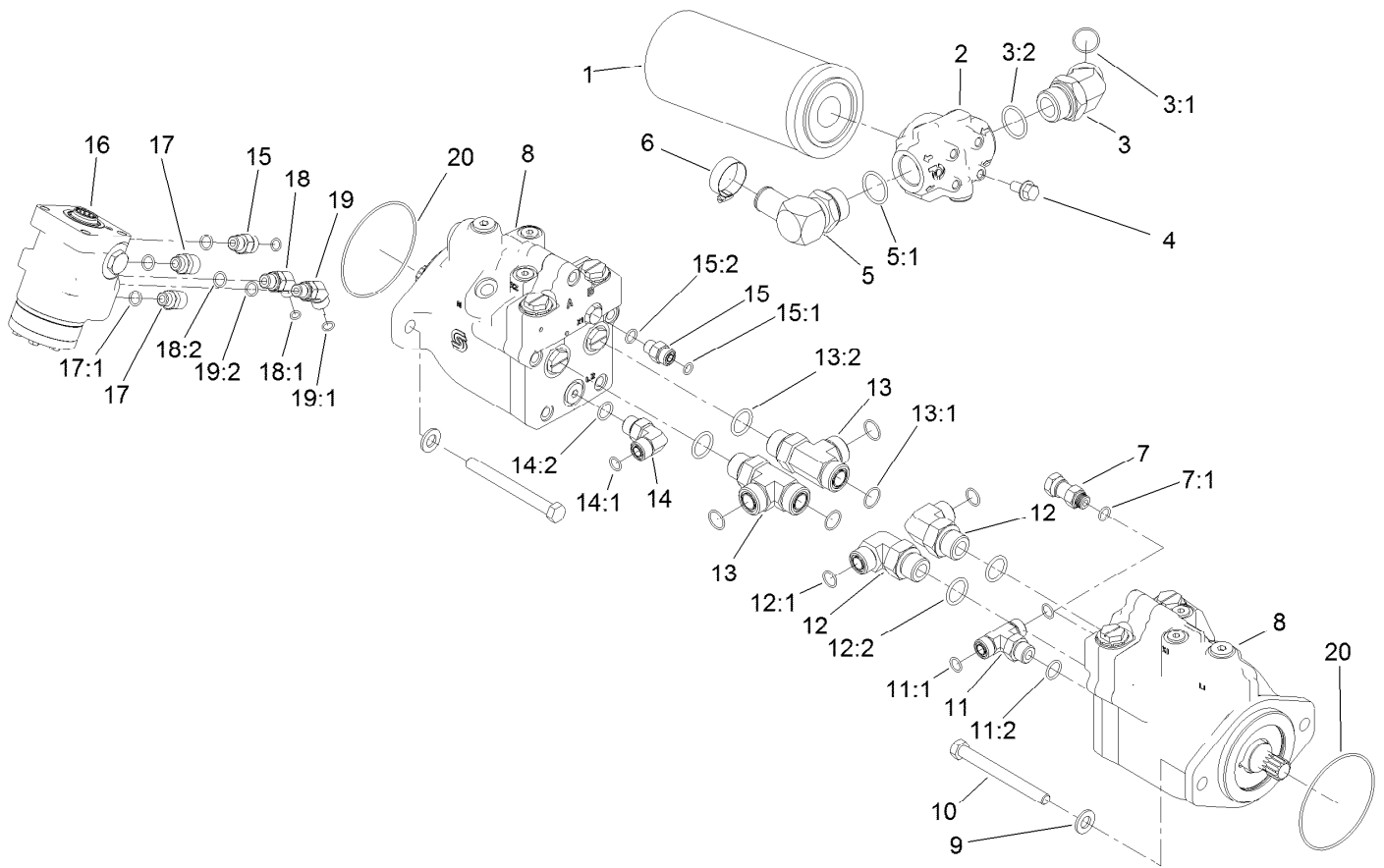
● Not serviced separately



Flow Divider Manifold Assembly No. 121-1550

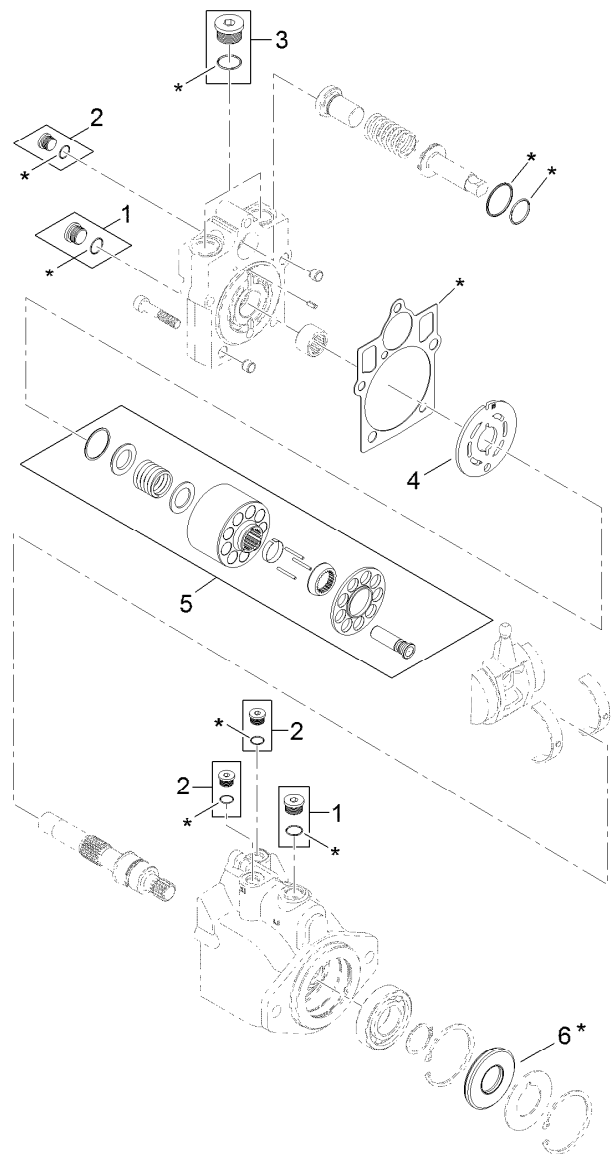
| Ref. | Part Number | Qty. | Description |
|------|-------------|------|---------------------|
| 1 | | 1 | Manifold Block ● |
| 2 | 353-990 | 4 | Plug ASM |
| 2:1 | 237-78 | 1 | O-Ring |
| 4 | 112-6538 | 1 | Orifice (.063 Inch) |
| 5 | 117-0115 | 1 | Plug |
| 6 | 125-4332 | 1 | Valve-Flow Divider |
| 6:1 | 125-4338 | 1 | Seal Kit |
| 7 | 125-4333 | 2 | Valve-Check |
| 7:1 | 125-4337 | 1 | Seal Kit |

● Not serviced separately



Drive Motor, Steer Valve and Filter Head Assembly

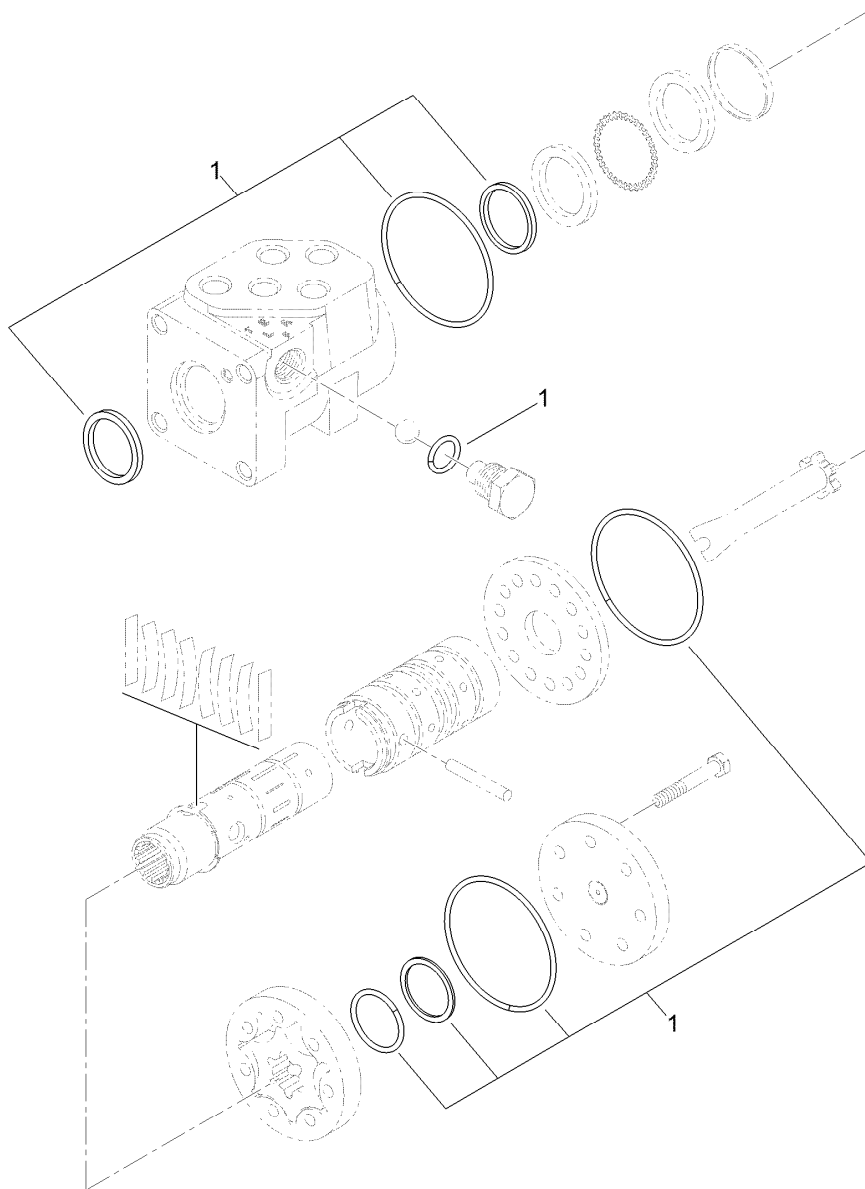
| Ref. | Part Number | Qty. | Description | Ref. | Part Number | Qty. | Description |
|------|-------------|------|----------------------------|------|-------------|------|----------------------------|
| 1 | 94-2621 | 1 | Element-Filter | 13 | 340-148 | 2 | Fitting-Tee |
| 2 | 121-1577 | 1 | Head-Filter | 13:1 | 237-81 | 1 | O-Ring |
| 3 | 104-3509 | 1 | Fitting-HYD, 45 DEG | 13:2 | 237-58 | 2 | O-Ring |
| 3:1 | 237-146 | 1 | O-Ring | 14 | 340-98 | 1 | Fitting-Elbow, 90 DEG |
| 3:2 | 340-65 | 1 | O-Ring | 14:1 | 237-79 | 1 | O-Ring |
| 4 | 3234-1 | 4 | Screw-HHF | 14:2 | 237-30 | 1 | O-Ring |
| 5 | 23-8910 | 1 | Stem-Barb-90 | 15 | 340-2 | 2 | Fitting-Straight |
| 5:1 | 237-146 | 1 | O-Ring | 15:1 | 237-22 | 1 | O-Ring |
| 6 | 2412-34 | 1 | Clamp-Hose | 15:2 | 237-42 | 1 | O-Ring |
| 7 | 104-3779 | 1 | Connector-Swivel, Straight | 16 | 130-7949 | 1 | Steering Control Valve ASM |
| 7:1 | 237-42 | 1 | O-Ring | 17 | 120-8979 | 2 | Fitting-Straight |
| 8 | 120-8812 | 2 | HYD Motor ASM | 17:1 | 237-42 | 1 | O-Ring |
| 9 | 106-9888 | 4 | Washer-Flat | 18 | 340-137 | 1 | Fitting |
| 10 | 33116-120 | 4 | Screw-HH | 18:1 | 237-21 | 1 | O-Ring |
| 11 | 340-157 | 1 | Fitting-HYD, Tee | 18:2 | 237-42 | 1 | O-Ring |
| 11:1 | 237-79 | 1 | O-Ring | 19 | 340-87 | 1 | Fitting-Elbow, 45 DEG |
| 11:2 | 237-30 | 2 | O-Ring | 19:1 | 237-22 | 1 | O-Ring |
| 12 | 340-139 | 2 | Fitting-Elbow 90 | 19:2 | 237-42 | 1 | O-Ring |
| 12:1 | 237-81 | 1 | O-Ring | 20 | 237-166 | 2 | O-Ring |
| 12:2 | 237-65 | 1 | O-Ring | | | | |



7 = all items with * are included in overhaul seal kit

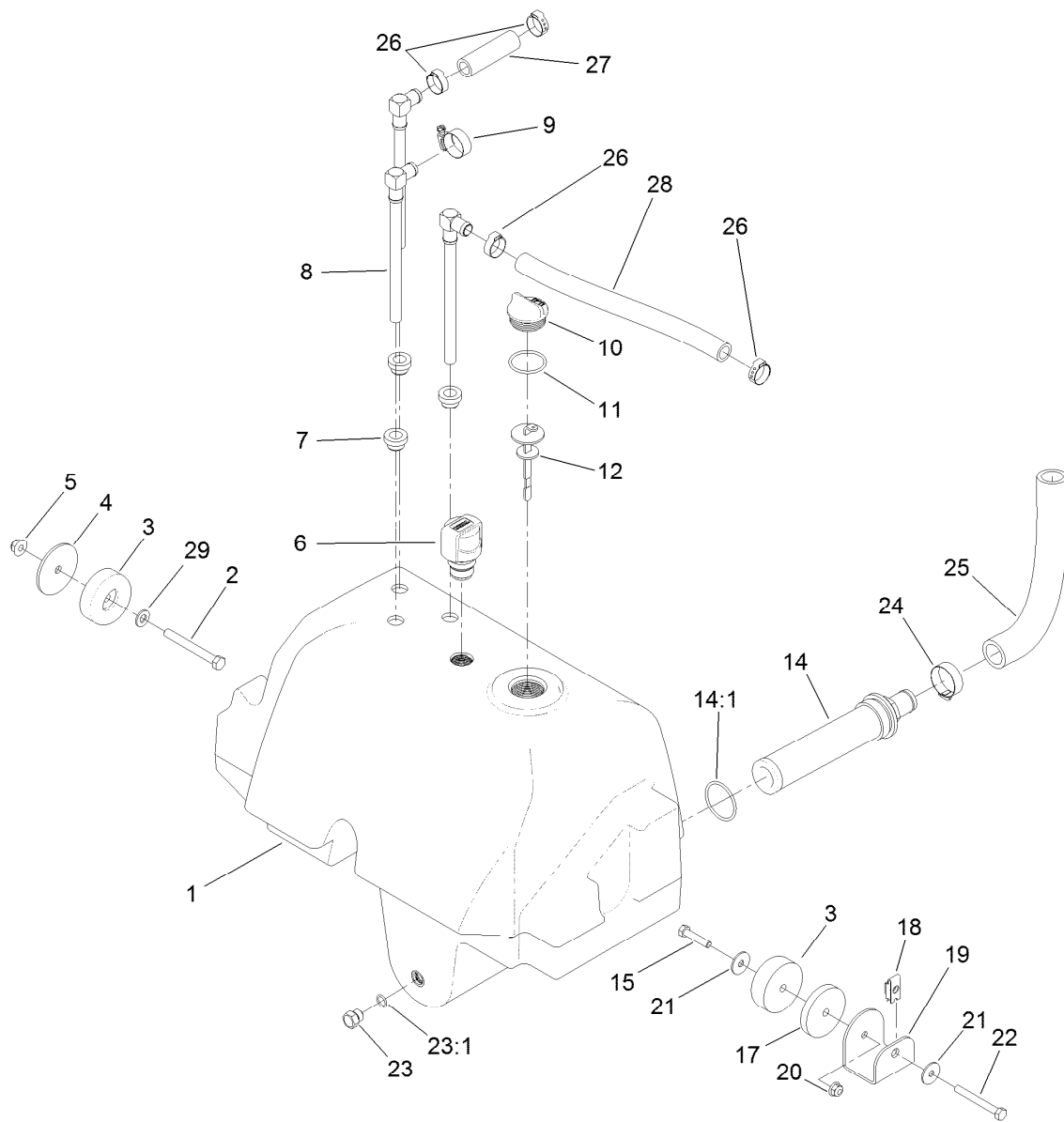
Hydraulic Motor Assembly No. 120-8812

| <i>Ref.</i> | <i>Part Number</i> | <i>Qty.</i> | <i>Description</i> |
|-------------|--------------------|-------------|--------------------|
| 1 | 67-9090 | 2 | Plug |
| 2 | 75-0070 | 3 | Plug |
| 3 | 107-4352 | 1 | Plug |
| 4 | 121-1734 | 1 | Plate-Valve |
| 5 | 121-1735 | 1 | Cylinder Block Kit |
| 6 | 69-3190 | 1 | Seal-Lip |
| 7 | 121-1736 | 1 | Overhaul Seal Kit |



Steering Valve Assembly No. 130-7949

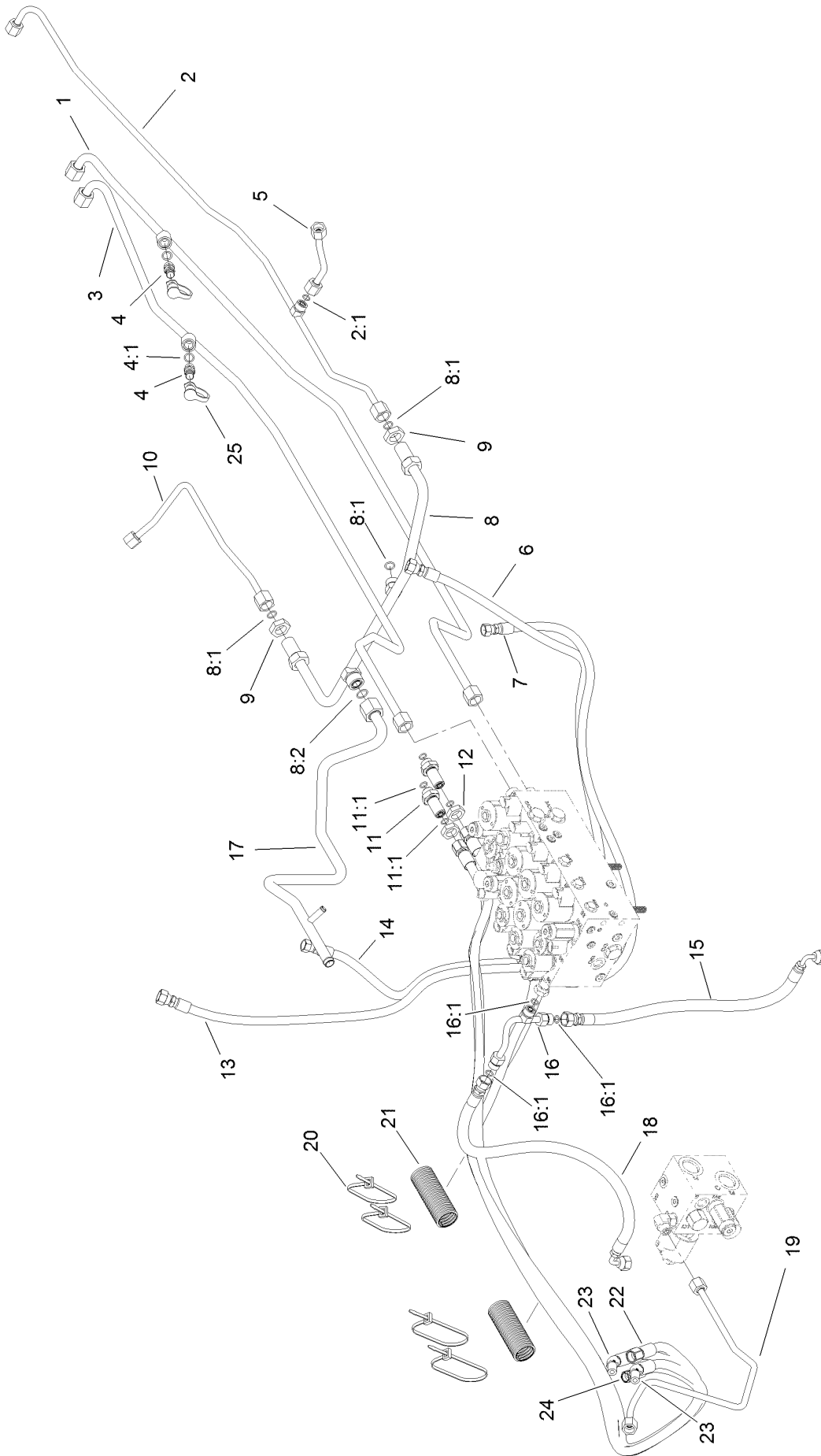
| <i>Ref.</i> | <i>Part Number</i> | <i>Qty.</i> | <i>Description</i> |
|-------------|--------------------|-------------|--------------------|
| 1 | 130-8358 | 1 | Seal Kit |



Hydraulic Reservoir Assembly

| <i>Ref.</i> | <i>Part Number</i> | <i>Qty.</i> | <i>Description</i> | <i>Ref.</i> | <i>Part Number</i> | <i>Qty.</i> | <i>Description</i> |
|-------------|--------------------|-------------|--------------------|-------------|--------------------|-------------|--------------------|
| 1 | 120-9077 | 1 | Reservoir-HYD | 17 | 121-1533 | 1 | Spacer-Thick |
| 2 | 323-20 | 1 | Screw-HH | 18 | 110-3510 | 1 | Nut-Retainer |
| 3 | 108-1605 | 2 | Bumper-Recess | 19 | 121-1557-03 | 1 | Mount-Tank |
| 4 | 121-1456 | 1 | Spacer-Thin | 20 | 104-8300 | 1 | Nut-HF, NI |
| 5 | 104-8301 | 1 | Nut-HF, NI | 21 | 3256-82 | 2 | Washer-Flat |
| 6 | 115-9793 | 1 | Breather | 22 | 322-13 | 1 | Screw-HH |
| 7 | 104-0790 | 3 | Bushing | 23 | 353-508 | 1 | Plug-HH |
| 8 | 114-0002 | 3 | Pipe-Stand | 23:1 | 237-42 | 1 | O-Ring |
| 9 | 2412-129 | 1 | Clamp-Hose | 24 | 2412-34 | 1 | Clamp-Hose |
| 10 | 93-7498 | 1 | Plug-Plastic | 25 | 120-8810 | 1 | Hose-Strainer |
| 11 | 237-101 | 1 | O-Ring | 26 | 115-5436 | 4 | Clamp-Hose, Crimp |
| 12 | 112-6365 | 1 | Dipstick | 27 | 114-4920 | 1 | Hose |
| 14 | 104-7546 | 1 | Tank Strainer ASM | 28 | 121-1521 | 1 | Hose |
| 14:1 | 340-136 | 1 | O-Ring | 29 | 3256-24 | 1 | Washer-Plain |
| 15 | 322-7 | 1 | Screw-HH | | | | |

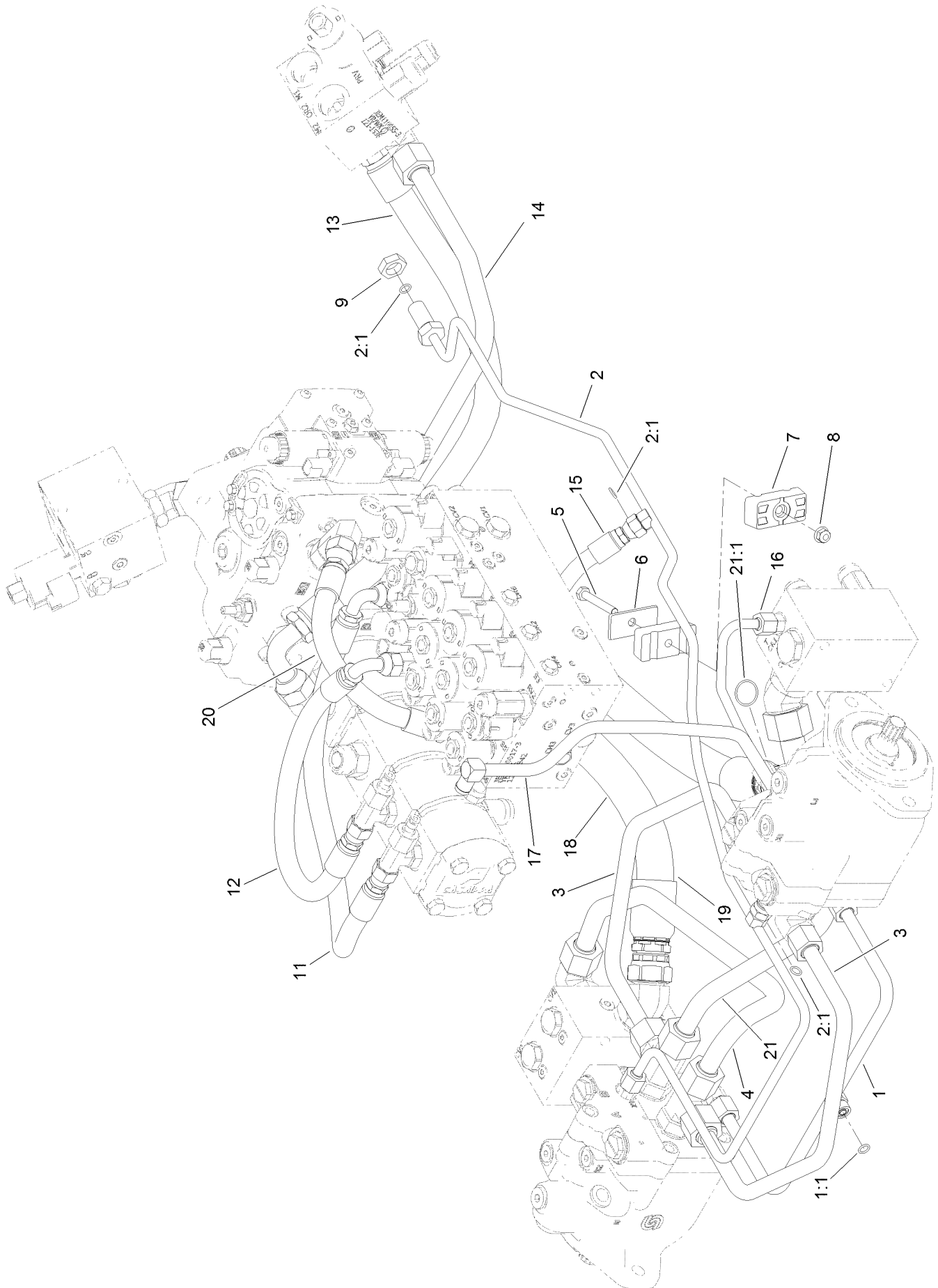
Lift, Steer and Fan Hydraulic Assembly



Lift, Steer and Fan Hydraulic Assembly (continued)

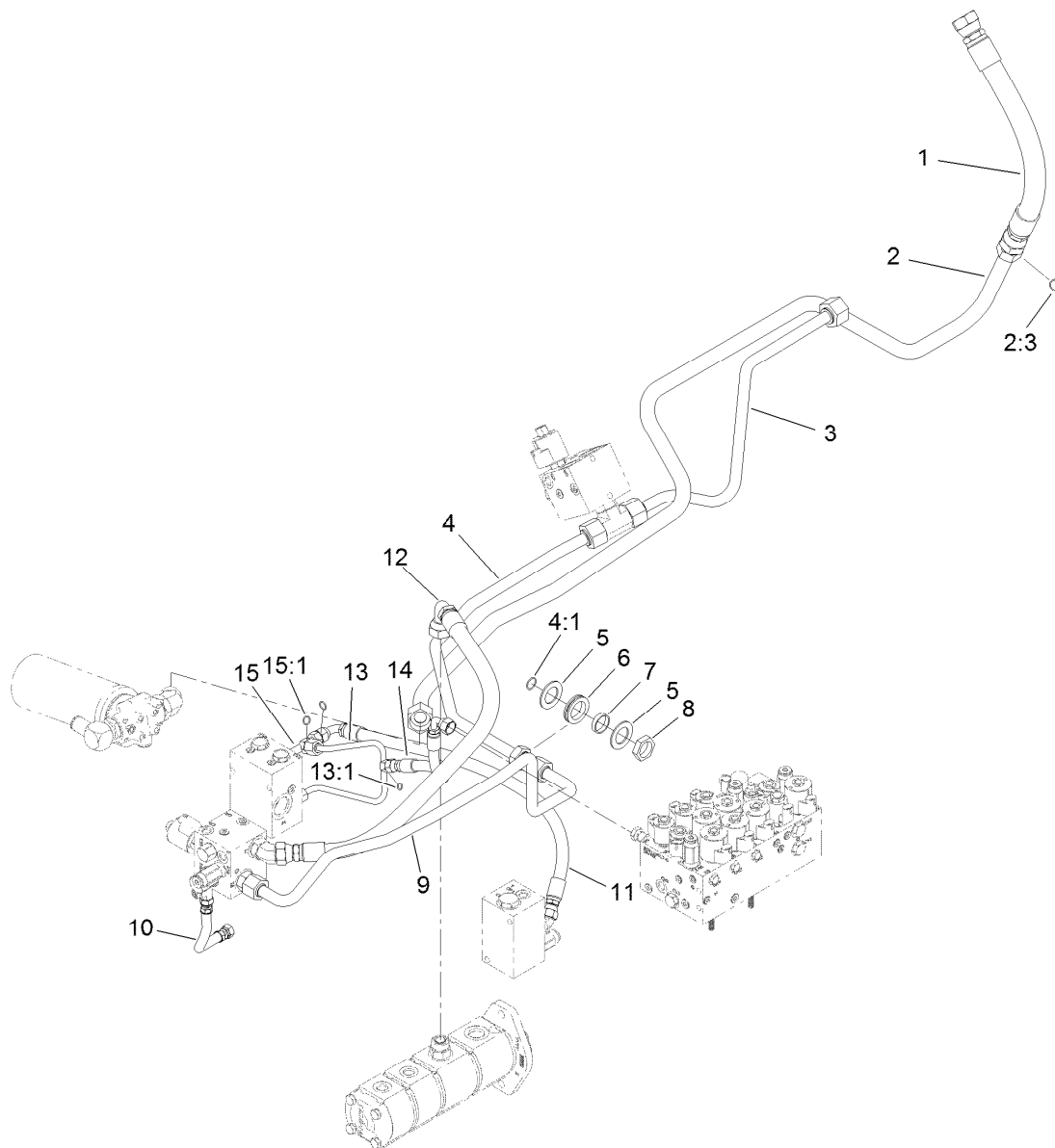
| <i>Ref.</i> | <i>Part Number</i> | <i>Qty.</i> | <i>Description</i> | <i>Ref.</i> | <i>Part Number</i> | <i>Qty.</i> | <i>Description</i> |
|-------------|--------------------|-------------|----------------------------|-------------|--------------------|-------------|--------------------|
| 1 | 120-9074 | 1 | Tube-Fan | 12 | 340-70 | 2 | Nut-Lock |
| 2 | 120-8966 | 1 | Tube-Drain, Fan | 13 | 127-3736 | 1 | Hose-HYD |
| 2:1 | 237-22 | 1 | O-Ring | 14 | 100-3833 | 1 | Hose-HYD |
| 3 | 120-9075 | 1 | Tube-Fan | 15 | 121-1567 | 1 | Hose-HYD |
| 4 | 59-7410 | 2 | Fitting-Diagnostic | 16 | 121-1565 | 1 | Tube-Tee |
| 4:1 | 237-42 | 1 | O-Ring | 16:1 | 237-22 | 3 | O-Ring |
| 5 | 121-1523 | 1 | Tube-HYD | 17 | 121-1510 | 1 | Tube-HYD |
| 6 | 127-3737 | 1 | Hose-HYD | 18 | 121-1566 | 1 | Hose-HYD |
| 7 | 127-3738 | 1 | Hose-HYD | 19 | 120-8848 | 1 | Tube-HYD |
| 8 | 121-1509 | 1 | Tube-HYD | 20 | 3290-378 | 4 | Tie-Cable |
| 8:1 | 237-30 | 3 | O-Ring | 21 | 121-1544 | 2 | Cover-Hose |
| 8:2 | 237-65 | 1 | O-Ring | 22 | 121-1504 | 1 | Hose-HYD |
| 9 | 340-127 | 2 | Nut-Bulkhead | 23 | 121-1491 | 2 | Hose-HYD |
| 10 | 121-1522 | 1 | Tube-HYD | 24 | 121-1503 | 1 | Hose-HYD |
| 11 | 340-71 | 2 | Fitting-Straight, Bulkhead | 25 | 354-79 | 2 | Cap-Dust |
| 11:1 | 237-22 | 2 | O-Ring | | | | |

Traction Hydraulic Assembly



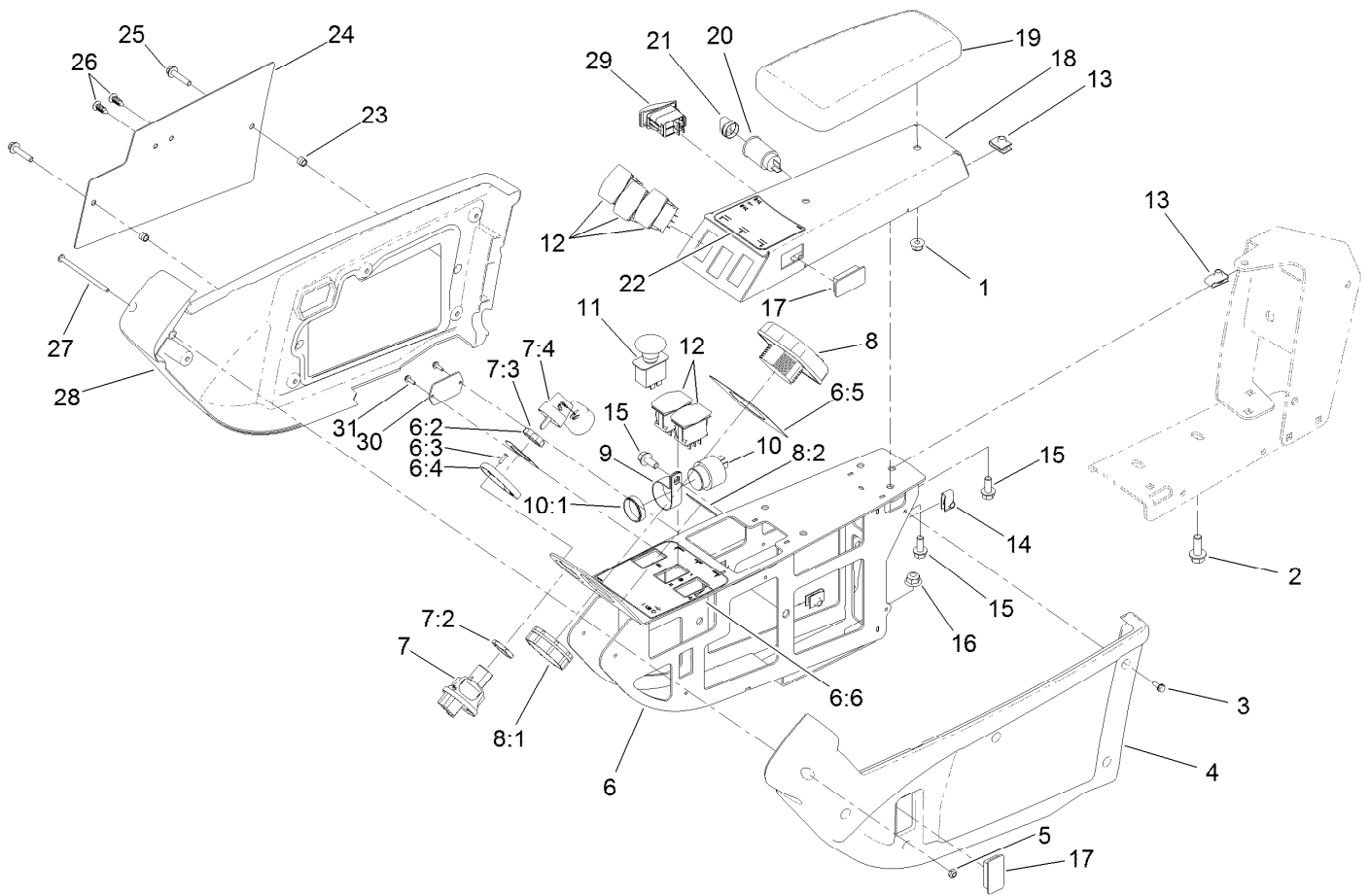
Traction Hydraulic Assembly (continued)

| <i>Ref.</i> | <i>Part Number</i> | <i>Qty.</i> | <i>Description</i> | <i>Ref.</i> | <i>Part Number</i> | <i>Qty.</i> | <i>Description</i> |
|-------------|--------------------|-------------|--------------------|-------------|--------------------|-------------|--------------------|
| 1 | 120-9080 | 1 | Tube ASM | 12 | 104-4584 | 1 | Hose-HYD |
| 1:1 | 237-22 | 1 | O-Ring | 13 | 115-4384 | 1 | Hose-HYD |
| 2 | 121-1552 | 1 | Tube ASM | 14 | 120-8834 | 1 | Tube-PTO, LH To RH |
| 2:1 | 237-22 | 3 | O-Ring | 15 | 104-2234 | 1 | Hose-HYD |
| 3 | 120-9079 | 2 | Tube-HYD | 16 | 121-1480 | 1 | Tube-HYD |
| 4 | 121-1546 | 1 | Tube-HYD | 17 | 120-8961 | 1 | Tube-Return, Front |
| 5 | 322-11 | 1 | Screw-HH | 18 | 121-1564 | 1 | Hose-HYD |
| 6 | 69-9761 | 1 | Plate-Cover | 19 | 121-1563 | 1 | Hose-HYD |
| 7 | 120-3200 | 2 | Clamp-Tube | 20 | 121-1505 | 1 | Hose-HYD |
| 8 | 104-8300 | 1 | Nut-HF, NI | 21 | 121-1581 | 1 | Tube-Tee |
| 9 | 340-70 | 1 | Nut-Lock | 21:1 | 340-65 | 1 | O-Ring |
| 11 | 104-2807 | 1 | Hose-HYD | | | | |



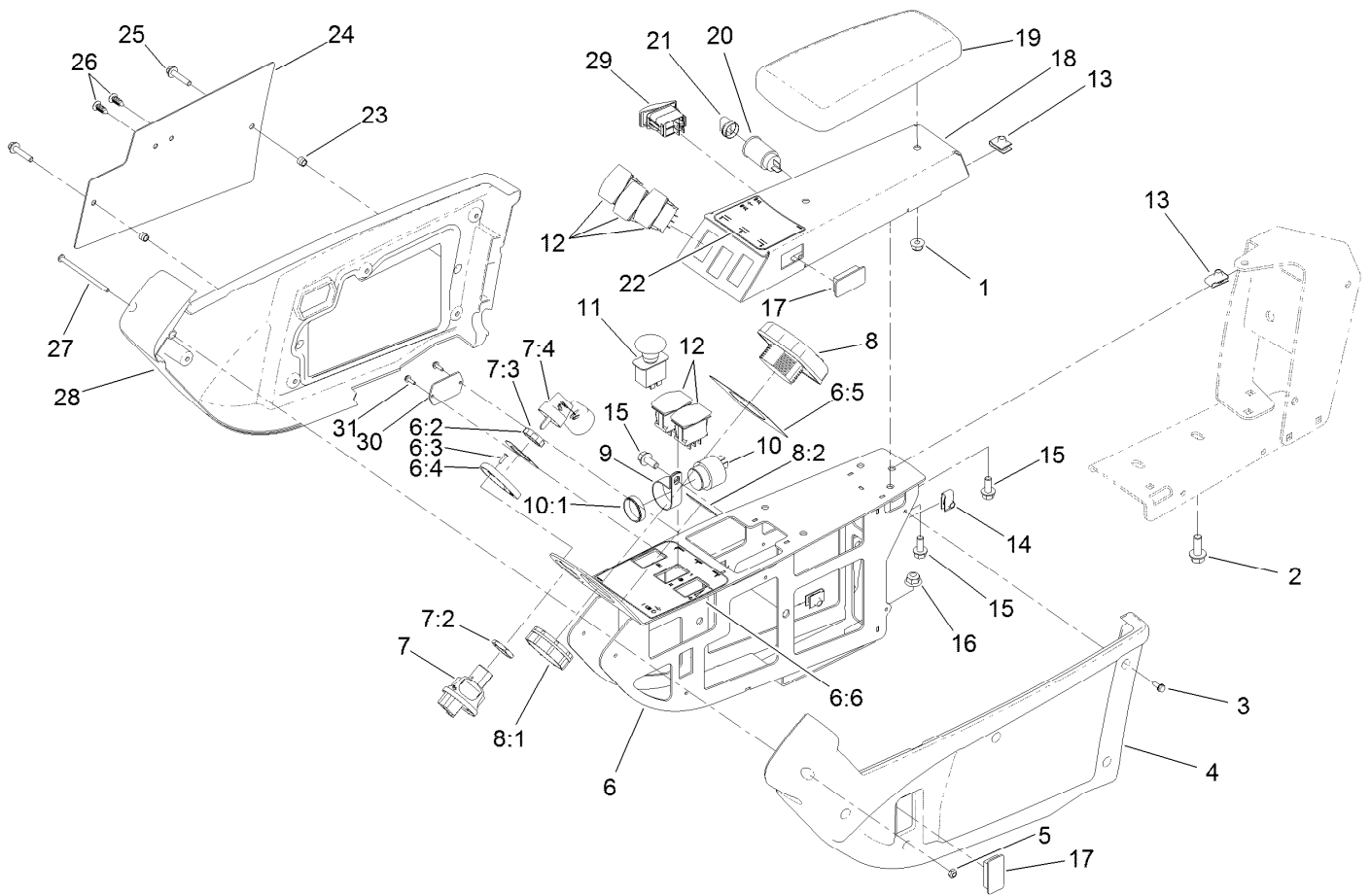
Oil Cooler Hydraulic Assembly

| <i>Ref.</i> | <i>Part Number</i> | <i>Qty.</i> | <i>Description</i> | <i>Ref.</i> | <i>Part Number</i> | <i>Qty.</i> | <i>Description</i> |
|-------------|--------------------|-------------|--------------------|-------------|--------------------|-------------|------------------------|
| 1 | 120-9060 | 1 | Hose-HYD | 9 | 120-8838 | 1 | Tube-PTO, Front Return |
| 2 | 121-1612 | 1 | Tube ASM | 10 | 121-1572 | 1 | Hose-HYD |
| 2:3 | 340-65 | 1 | O-Ring | 11 | 121-1559 | 1 | Hose-HYD |
| 3 | 121-1626 | 1 | Tube-HYD | 12 | 115-4384 | 1 | Hose-HYD |
| 4 | 121-1507 | 1 | Tube ASM | 13 | 121-1584 | 1 | Tube-HYD |
| 4:1 | 237-58 | 1 | O-Ring | 13:1 | 237-22 | 1 | O-Ring |
| 5 | 69-8910 | 2 | Washer | 14 | 121-1583 | 1 | Hose-HYD |
| 6 | 240-7 | 1 | Grommet-Rubber | 15 | 121-1558 | 1 | Fitting-Tee |
| 7 | 69-8900 | 1 | Spacer | 15:1 | 237-30 | 2 | O-Ring |
| 8 | 340-126 | 1 | Nut-Bulkhead | | | | |



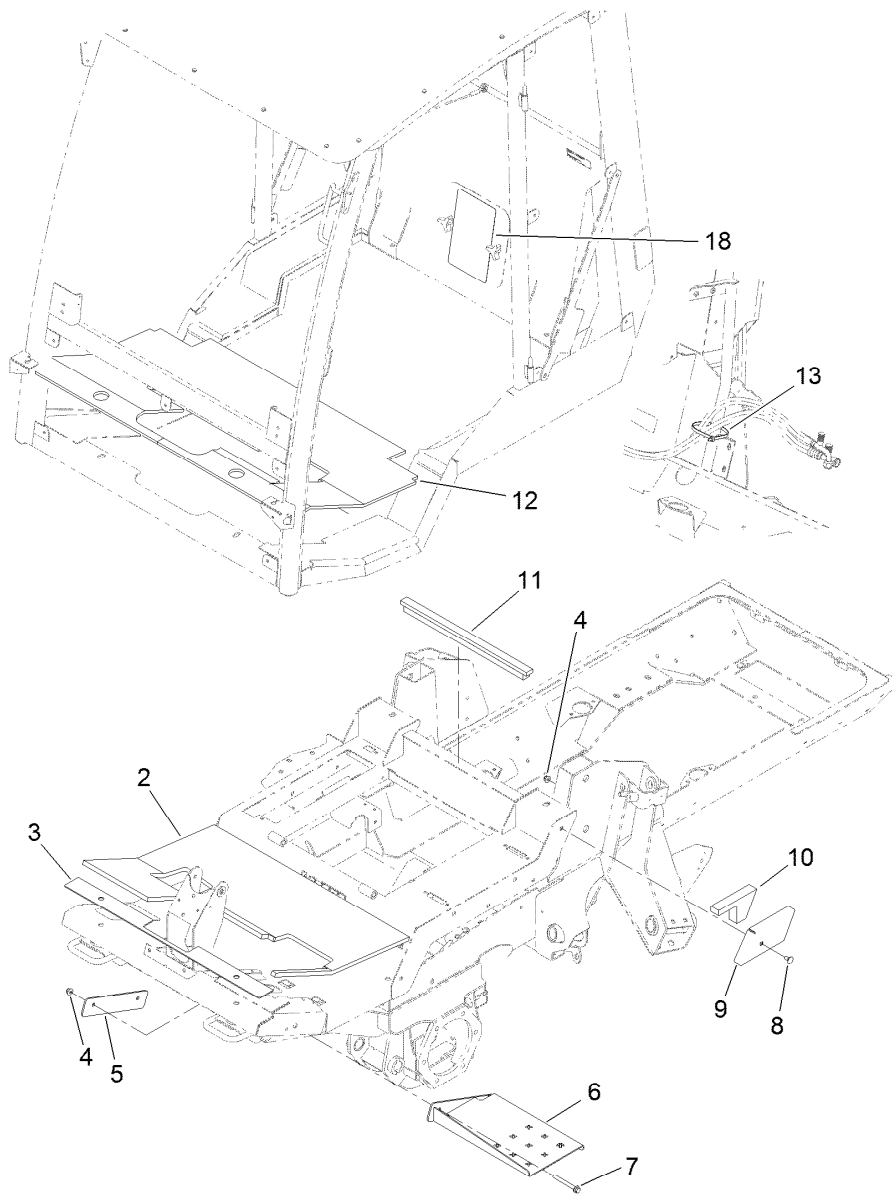
Armrest Control Panel Assembly

| Ref. | Part Number | Qty. | Description | Ref. | Part Number | Qty. | Description |
|------|-------------|------|------------------------------|------|-------------|------|------------------------------|
| 1 | 104-8300 | 2 | Nut-HF, NI | 10:1 | 104-5107 | 1 | Nut-Plastic, Knurled |
| 2 | 3234-42 | 2 | Screw-HHF | 11 | 93-9999 | 1 | Switch-PTO |
| 3 | 32144-112 | 10 | Screw-HWH | 12 | 100-1535 | 5 | Switch-Rocker, (On)-Off-(On) |
| 4 | 108-7604 | 1 | Cover-LH | 13 | 94-2413 | 6 | Nut-U |
| 5 | 3296-12 | 1 | Nut-Lock, NI | 14 | 107069 | 2 | Clip |
| 6 | 120-4155 | 1 | Panel ASM | 15 | 3234-5 | 6 | Screw-HHF |
| 6:2 | 121-3884 | 1 | Decal-Console, Upper | 16 | 104-8301 | 2 | Nut-HF, NI |
| 6:3 | 3269-17 | 2 | Rivet-Pop | 17 | 99-7420 | 2 | Plug-Hole |
| 6:4 | 121-3889 | 1 | Step-Elevated, Switch | 18 | 125-4646-03 | 1 | Panel-Control |
| 6:5 | 121-3887 | 1 | Decal-Console, Display | 19 | 108-7602 | 1 | Rest-Arm |
| 6:6 | 120-4159 | 1 | Decal-Console, Lower | 20 | 99-7411 | 1 | Point-Power |
| 7 | 121-5159 | 1 | Switch-Ignition | 21 | 99-7416 | 1 | Cap |
| 7:2 | 121-5160 | 1 | Nut-Hex | 22 | 127-3700 | 1 | Decal-Lift |
| 7:3 | 121-5161 | 1 | Nut-Face | 23 | 110-0542 | 2 | Spacer-Flange |
| 7:4 | 121-5162 | 1 | Set-Key, Ignition | 24 | 115-8849-03 | 1 | Plate-Cover |
| 8 | 120-6310 | 1 | LCD Display ASM Kantrak 1700 | 25 | 3234-21 | 2 | Screw-HHF |
| 8:1 | 120-4630 | 1 | Nut-Display | 26 | 114-4899 | 2 | Rivet-Push |
| 8:2 | 120-6311 | 1 | Decal-Display | 27 | 3250-22 | 1 | Screw-PPH |
| 9 | 2412-74 | 1 | R-Clamp | 28 | 108-7605 | 1 | Cover-RH |
| 10 | 80-9330 | 1 | Audio Alarm ASM | 29 | 114-3329 | 1 | Switch-Rocker |



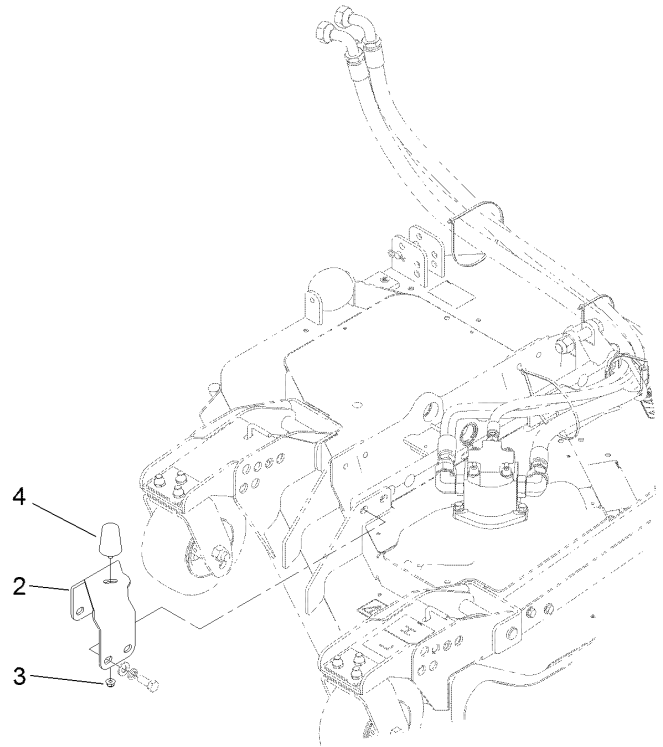
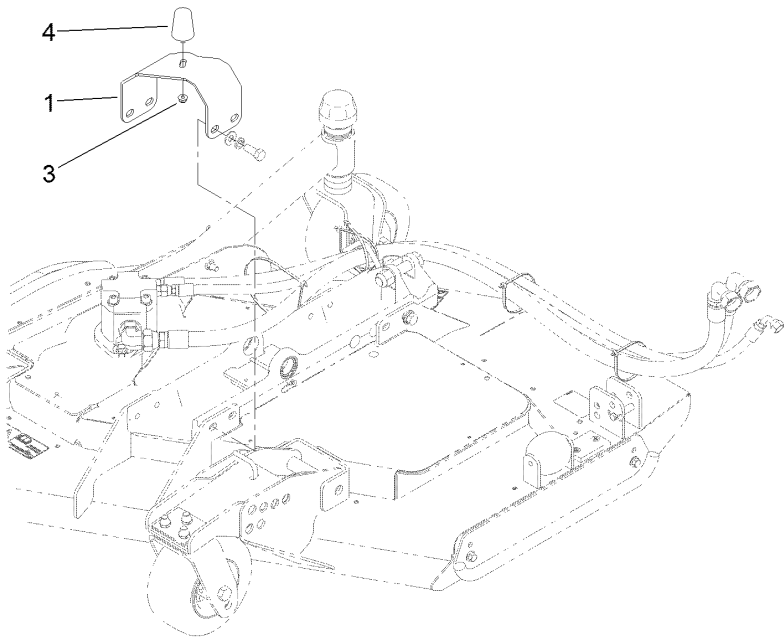
Armrest Control Panel Assembly (continued)

| <i>Ref.</i> | <i>Part Number</i> | <i>Qty.</i> | <i>Description</i> |
|-------------|--------------------|-------------|--------------------|
| 30 | 121-1630 | 1 | Plate-Cover |
| 31 | 32144-18 | 2 | Screw-HWH |



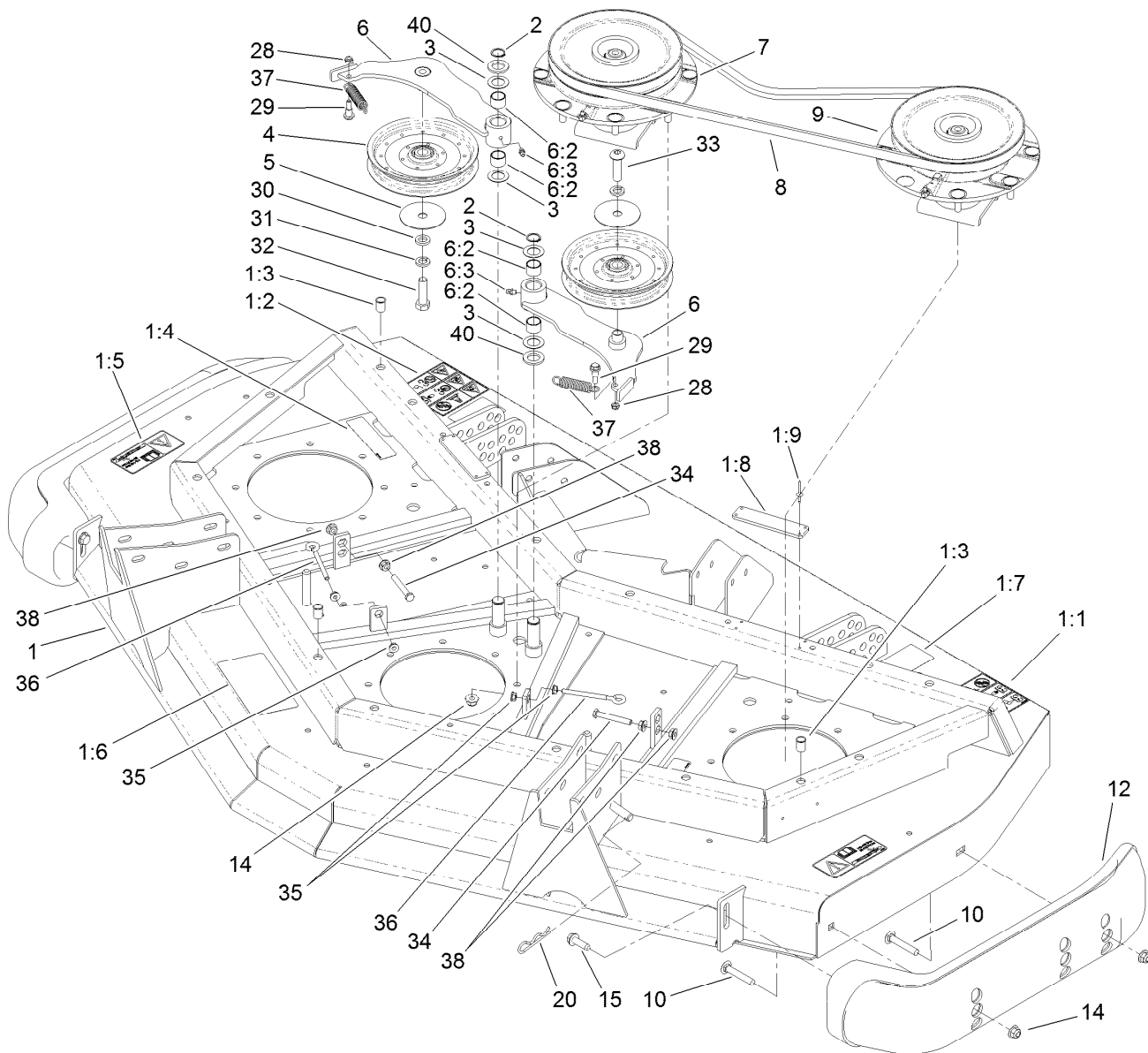
Cab Step, Pad and Flooring Assembly

| <i>Ref.</i> | <i>Part Number</i> | <i>Qty.</i> | <i>Description</i> |
|-------------|--------------------|-------------|--------------------|
| 2 | 121-8543 | 1 | Foam-Tread |
| 3 | 121-8544 | 1 | Gasket-Front |
| 4 | 104-8301 | 3 | Nut-HF, NI |
| 5 | 120-9022-03 | 1 | Support-Step |
| 6 | 121-1739-03 | 1 | Step |
| 7 | 116-4701 | 2 | Screw-HHF |
| 8 | 3231-1 | 1 | Screw-CARR |
| 9 | 130-5747-03 | 1 | Cover-Mount |
| 10 | 127-9861 | 1 | Foam-Corner |
| 11 | 121-8548 | 1 | Foam-Seal, Rear |
| 12 | 130-5979 | 1 | Tread-Floor |
| 13 | 3334-945 | 1 | Tie-Cable |
| 18 | 130-6046 | 1 | Decal-Service |



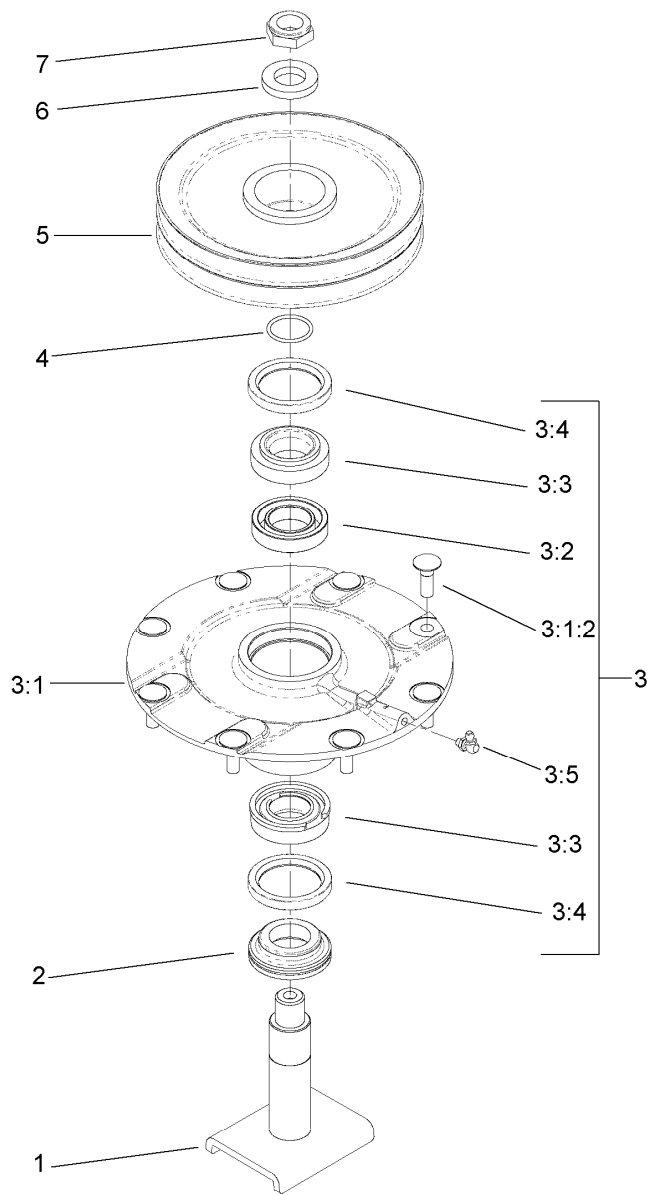
Deck Pad and Hardware Assembly

| <i>Ref.</i> | <i>Part Number</i> | <i>Qty.</i> | <i>Description</i> |
|-------------|--------------------|-------------|--------------------|
| 1 | 130-5966-03 | 1 | Bracket-Bumper, RH |
| 2 | 130-5965-03 | 1 | Bracket-Bumper, LH |
| 3 | 104-8300 | 2 | Nut-HF, NI |
| 4 | 110-5070 | 2 | Bumper |



Front Deck, Idler and Skid Assembly

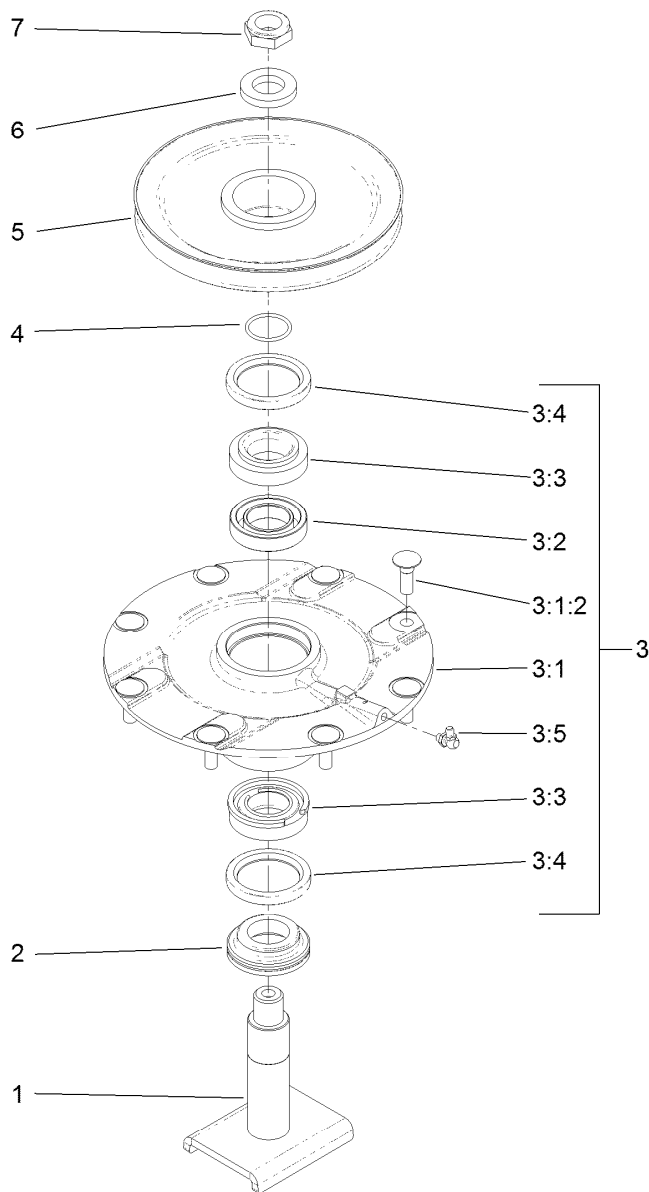
| Ref. | Part Number | Qty. | Description | Ref. | Part Number | Qty. | Description |
|------|-------------|------|---------------------------|------|-------------|------|-------------------------|
| 1 | 120-4052 | 1 | Front Deck ASM | 9 | 119-4549 | 1 | High-Driven Spindle ASM |
| 1:1 | 120-6604 | 2 | Decal-Danger | 10 | 3231-33 | 4 | Screw-CARR |
| 1:2 | 100-5624 | 1 | Decal-HOC, RH | 12 | 112-1479 | 2 | Skid-Bumper, Deck |
| 1:3 | 32148-9 | 3 | Nut-Clinch | 14 | 104-8301 | 24 | Nut-HF, NI |
| 1:4 | 100-6578 | 4 | Decal-Danger | 15 | 9136144 | 2 | Screw-HWHTF |
| 1:5 | 93-7818 | 2 | Decal-Torque, Blade Bolt | 20 | 3290-355 | 1 | Pin-Hair |
| 1:6 | 100-5622 | 1 | Decal-HOC | 28 | 3296-56 | 2 | Nut-Lock, NI |
| 1:7 | 104-3578 | 1 | Decal-HOC, LH | 29 | 104-0858 | 2 | Bolt-Shoulder |
| 1:8 | 105-0786 | 2 | Pad-Plastic | 30 | 9202424 | 1 | Spacer |
| 1:9 | 3269-8 | 8 | Rivet-Blind | 31 | 3253-7 | 2 | Washer-Lock |
| 2 | 32120-72 | 2 | Ring-Snap | 32 | 325-7 | 1 | Screw-HH |
| 3 | 3-6498 | 4 | Washer-Thrust | 33 | 108-1993 | 1 | Screw-HSBH |
| 4 | 110-9596 | 2 | Pulley-Idler | 34 | 9114524 | 2 | Bolt-TAP, HH |
| 5 | 100-3102 | 2 | Washer-Flat | 35 | 32128-14 | 4 | Nut-HF |
| 6 | 110-6128 | 2 | Idler Arm ASM | 36 | 68-0090 | 2 | Screw-Adjusting |
| 6:2 | 256-76 | 2 | Bushing | 37 | 107938 | 2 | Spring-Extension |
| 6:3 | 302-5 | 1 | Fitting-Grease | 38 | 32128-26 | 4 | Nut-HF |
| 7 | 119-4548 | 1 | Double Driven Spindle ASM | 40 | 70-1160 | 2 | Washer |
| 8 | 108-8076 | 2 | V-Belt, Deck | | | | |



Double Driven Spindle Assembly No. 119-4548

| <i>Ref.</i> | <i>Part Number</i> | <i>Qty.</i> | <i>Description</i> |
|-------------|--------------------|-------------|-----------------------|
| 1 | 104-3554 | 1 | Shaft-Spindle |
| 2 | 69-6950 | 1 | Spacer-Shaft, Spindle |
| 3 | 119-4775 | 1 | Spindle Housing ASM |
| 3:1 | | 1 | Spindle ASM ● |
| 3:1:2 | 114-8195 | 8 | Bolt-Neck, Ribbed |
| 3:2 | 120-5577 | 1 | Bearing Spacer Set |
| 3:3 | 110-8297 | 1 | Bearing ASM |
| 3:4 | 253-154 | 2 | Seal-Oil |
| 3:5 | 302-60 | 1 | Fitting-Grease |
| 4 | 106-7159 | 1 | O-Ring |
| 5 | 104-3547 | 1 | Pulley-Driven, Double |
| 6 | 120-5576 | 1 | Washer-Hardened |
| 7 | 3296-60 | 1 | Nut-Lock, NI |

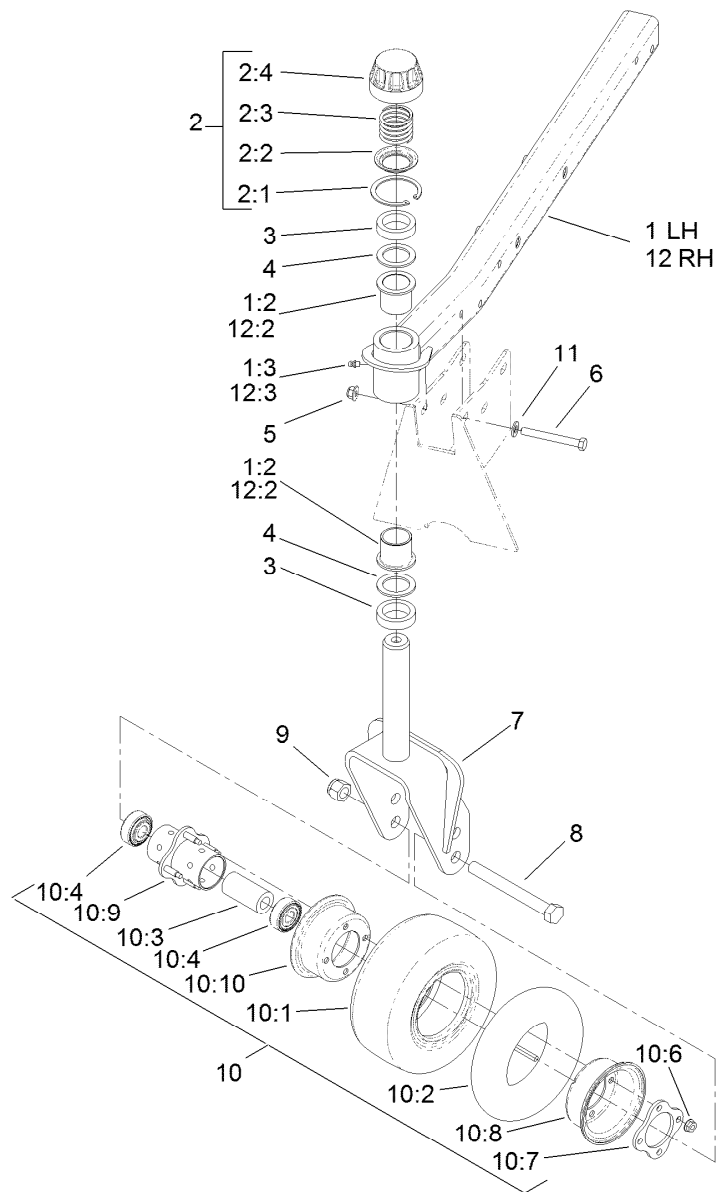
● Not serviced separately



High Driven Spindle Assembly No. 119-4549

| Ref. | Part Number | Qty. | Description |
|-------|-------------|------|-----------------------|
| 1 | 104-3554 | 1 | Shaft-Spindle |
| 2 | 69-6950 | 1 | Spacer-Shaft, Spindle |
| 3 | 119-4775 | 1 | Spindle Housing ASM |
| 3:1 | | 1 | Spindle ASM ● |
| 3:1:2 | 114-8195 | 8 | Bolt-Neck, Ribbed |
| 3:2 | 120-5577 | 1 | Bearing Spacer Set |
| 3:3 | 110-8297 | 1 | Bearing ASM |
| 3:4 | 253-154 | 2 | Seal-Oil |
| 3:5 | 302-60 | 1 | Fitting-Grease |
| 4 | 106-7159 | 1 | O-Ring |
| 5 | 104-3548 | 1 | Pulley-Driven, High |
| 6 | 120-5576 | 1 | Washer-Hardened |
| 7 | 3296-60 | 1 | Nut-Lock, NI |

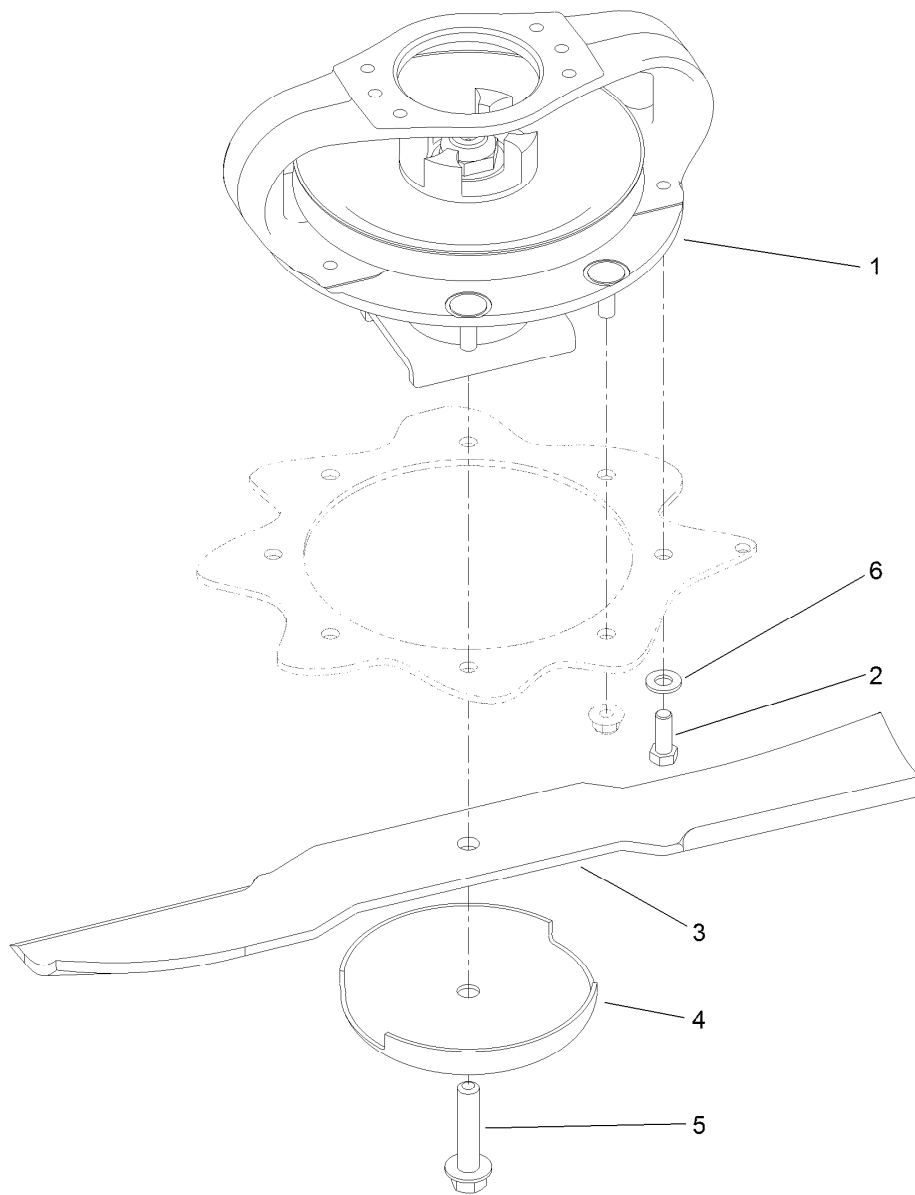
● Not serviced separately



Front Deck Caster Arm and Wheel Assembly

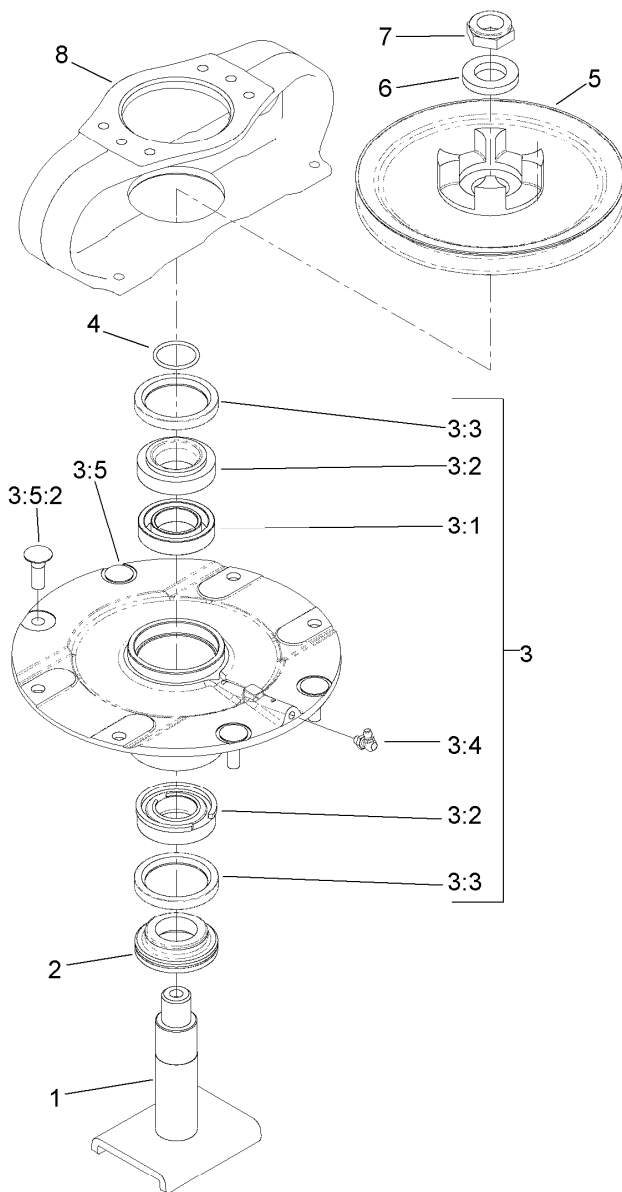
| Ref. | Part Number | Qty. | Description | Ref. | Part Number | Qty. | Description |
|------|-------------|------|--------------------------------|-------|-------------|------|-----------------------|
| 1 | 127-3730 | 1 | LH Castor Arm ASM | 10 | 93-9938 | 2 | Wheel ASM |
| 1:2 | 69-6470 | 2 | Bushing-Caster | 10:1 | 93-9939 | 1 | Tire |
| 1:3 | 302-5 | 1 | Fitting-Grease | 10:2 | 68-8950 | 1 | Tube-Inner (W/Valve) |
| 2 | 92-9727 | 2 | HOC Cap ASM | 10:3 | 93-4241 | 1 | Spacer-Bearing, Inner |
| 2:1 | 92-5581 | 1 | Ring-Rtng, Snap, Int, Flat | 10:4 | 120-3366 | 2 | Bearing |
| 2:2 | 92-5583 | 1 | Washer-Cap | 10:6 | 32128-16 | 4 | Nut-HHF |
| 2:3 | 92-9726 | 1 | Spring-Compression | 10:7 | 93-4242 | 1 | Plate |
| 2:4 | 92-8861 | 1 | Cap-HOC | 10:8 | 93-4239 | 1 | Rim-Wheel, Half |
| 3 | 69-1510 | 10 | Spacer | 10:9 | 93-5980 | 1 | Hub |
| 4 | 69-6860 | 6 | Washer-Thrust | 10:10 | 95-2741 | 1 | Rim-Wheel, Half |
| 5 | 104-8301 | 10 | Nut-HF, NI | 11 | 3256-24 | 10 | Washer-Plain |
| 6 | 323-20 | 10 | Screw-HH | 12 | 127-3720 | 1 | RH Castor Arm ASM |
| 7 | 104-0762-01 | 2 | Fork-Castor | 12:2 | 69-6470 | 2 | Bushing-Caster |
| 8 | 327-24 | 2 | Screw-HH | 12:3 | 302-5 | 1 | Fitting-Grease |
| 9 | 3296-53 | 2 | Nut-Lock, NI | | | | |
| 10 | 93-5974 | 2 | 8 Inch Foam Filled Wheel ASM ● | | | | |

● Optional Equipment



Driving Spindle Assembly

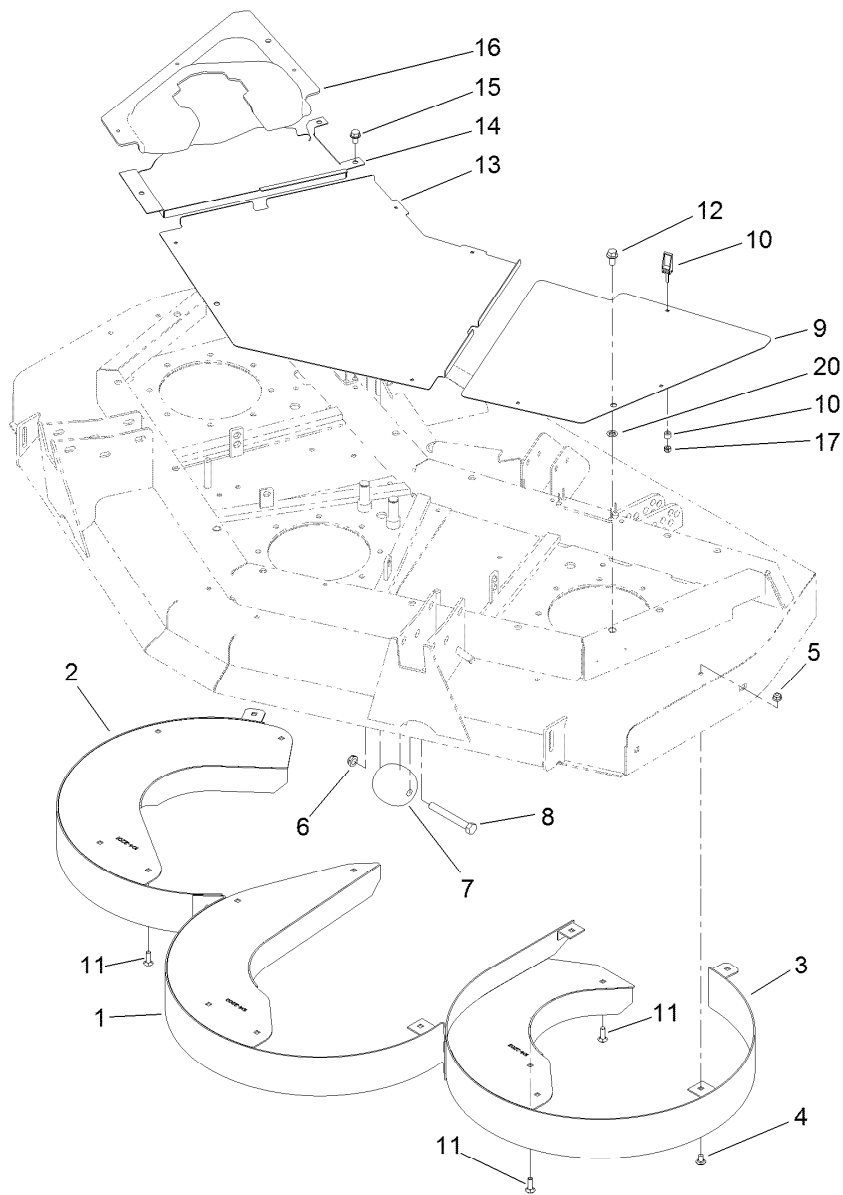
| <i>Ref.</i> | <i>Part Number</i> | <i>Qty.</i> | <i>Description</i> |
|-------------|--------------------|-------------|---------------------|
| 1 | 119-4547 | 1 | Driving Spindle ASM |
| 2 | 323-6 | 4 | Screw-HH |
| 3 | 92-5608-03 | 3 | Blade |
| 4 | 72-9361 | 3 | Cup-Scalp, Anti |
| 5 | 92-5816 | 3 | Bolt-Blade |
| 6 | 3256-24 | 4 | Washer-Plain |



Driving Spindle Assembly No. 119-4547

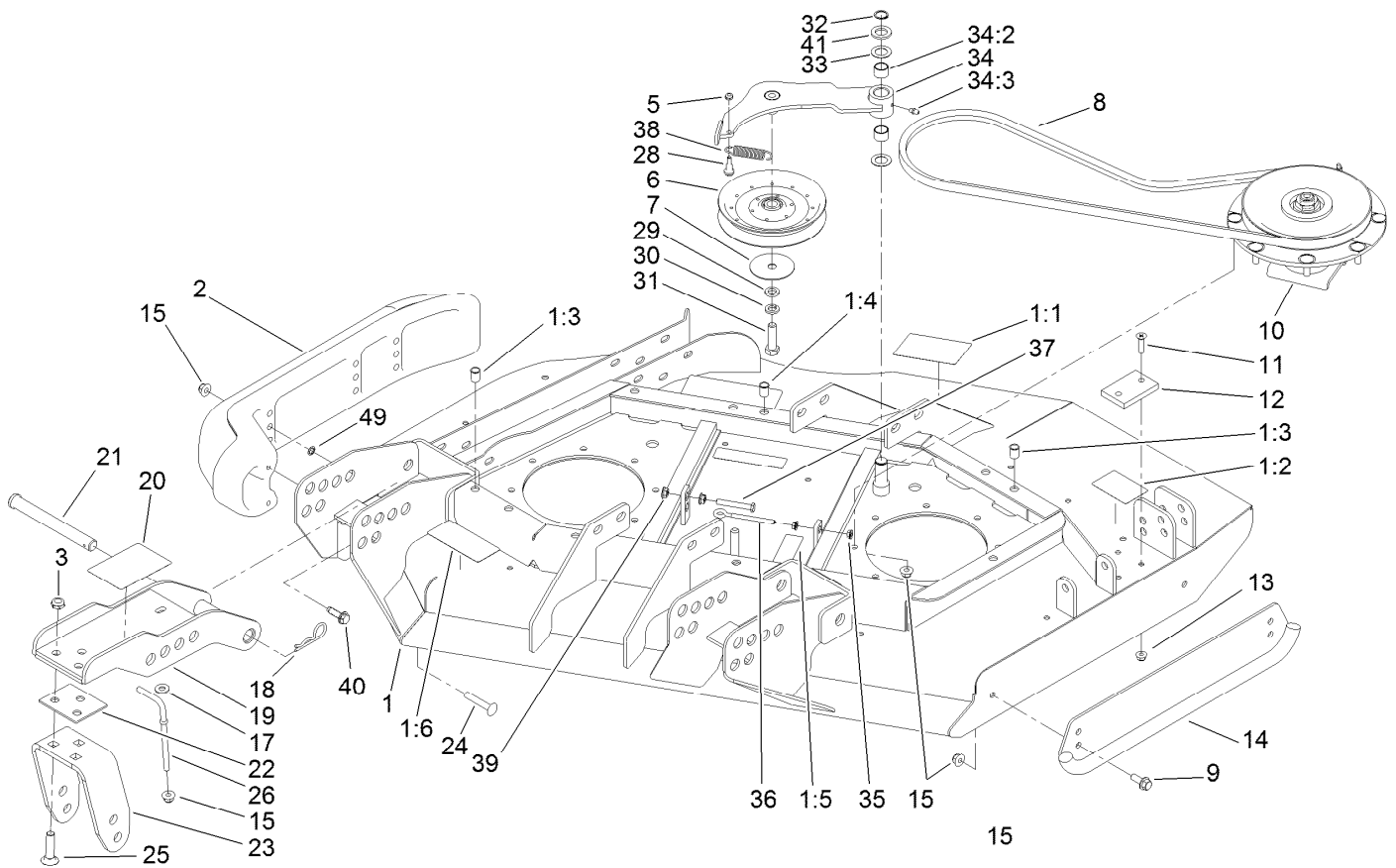
| Ref. | Part Number | Qty. | Description |
|-------|-------------|------|-----------------------|
| 1 | 104-3554 | 1 | Shaft-Spindle |
| 2 | 69-6950 | 1 | Spacer-Shaft, Spindle |
| 3 | 119-4546 | 1 | Spindle Housing ASM |
| 3:1 | 120-5577 | 1 | Bearing Spacer Set |
| 3:2 | 110-8297 | 1 | Bearing ASM |
| 3:3 | 253-154 | 2 | Seal-Oil |
| 3:4 | 302-60 | 1 | Fitting-Grease |
| 3:5 | | 1 | Spindle Assembly ● |
| 3:5:2 | 114-8195 | 4 | Bolt-Neck, Ribbed |
| 4 | 106-7159 | 1 | O-Ring |
| 5 | 104-3545 | 1 | Pulley-Driving |
| 6 | 120-5576 | 1 | Washer-Hardened |
| 7 | 3296-60 | 1 | Nut-Lock, NI |
| 8 | 104-3544 | 1 | Mount-Motor, Drive |

● Not serviced separately



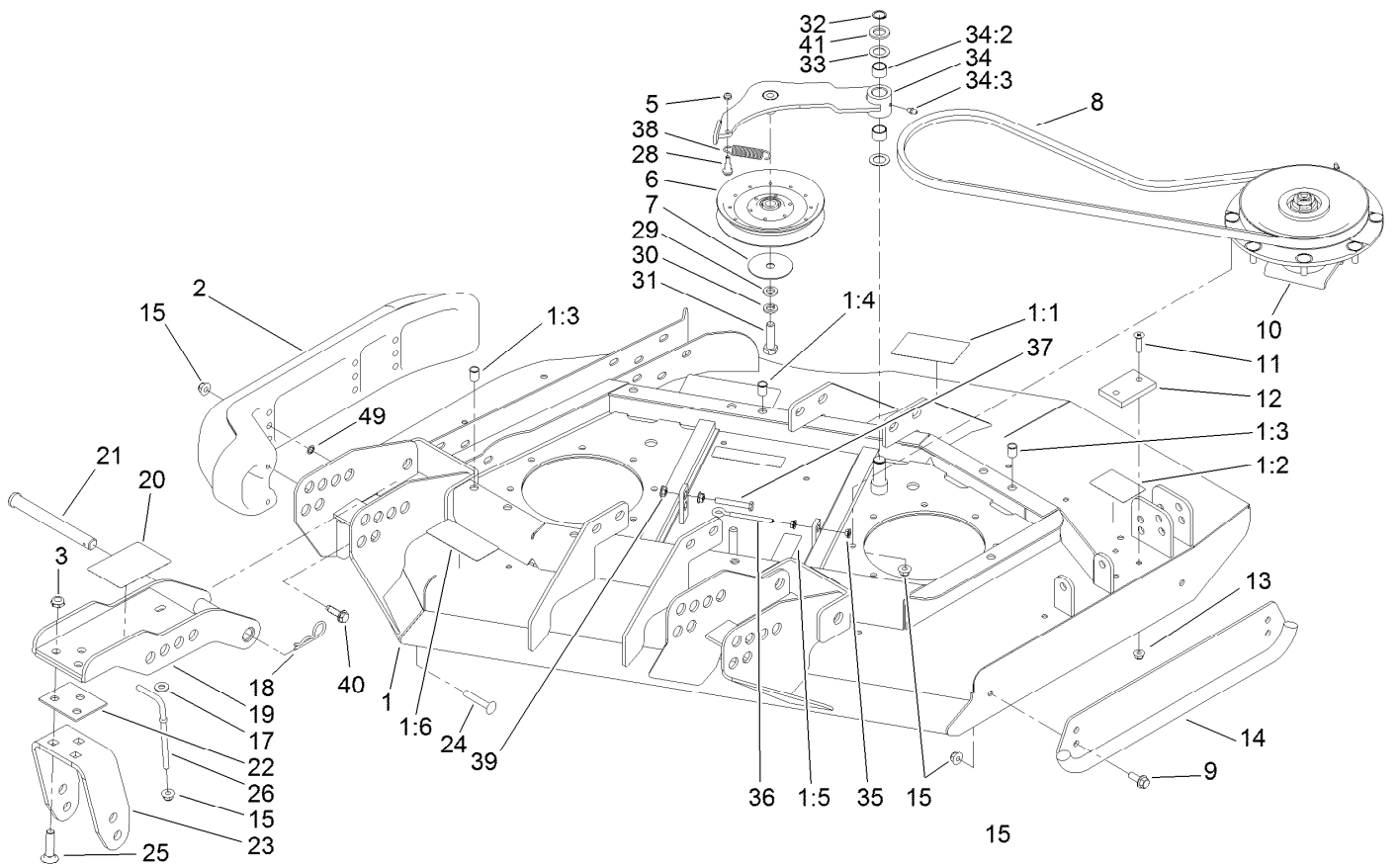
Front Deck Chamber and Cover Assembly

| <i>Ref.</i> | <i>Part Number</i> | <i>Qty.</i> | <i>Description</i> | <i>Ref.</i> | <i>Part Number</i> | <i>Qty.</i> | <i>Description</i> |
|-------------|--------------------|-------------|--------------------|-------------|--------------------|-------------|---------------------|
| 1 | 104-2200-01 | 1 | Chamber-Center | 10 | 74-5950 | 10 | Latch-Swell |
| 2 | 104-2201-01 | 1 | Chamber-RH | 11 | 3230-22 | 3 | Screw-CARR |
| 3 | 104-2202-01 | 1 | Chamber-LH | 12 | 3234-1 | 3 | Screw-HHF |
| 4 | 3230-18 | 15 | Screw-CARR | 13 | 100-5660-03 | 1 | Cover-Front, Center |
| 5 | 104-8300 | 18 | Nut-HF, NI | 14 | 100-5662-03 | 1 | Cover-Front, RH |
| 6 | 3296-45 | 2 | Nut-Hex | 15 | 32144-69 | 3 | Screw-HWHTF |
| 7 | 29-4820 | 2 | Roller | 16 | 100-5661 | 1 | Cover-Front, Center |
| 8 | 325-17 | 2 | Screw-HH | 17 | 1-804254 | 10 | Nut-Lock, HH |
| 9 | 100-5663-03 | 1 | Cover-Front, LH | 20 | 107-3154 | 3 | Nut-Push |



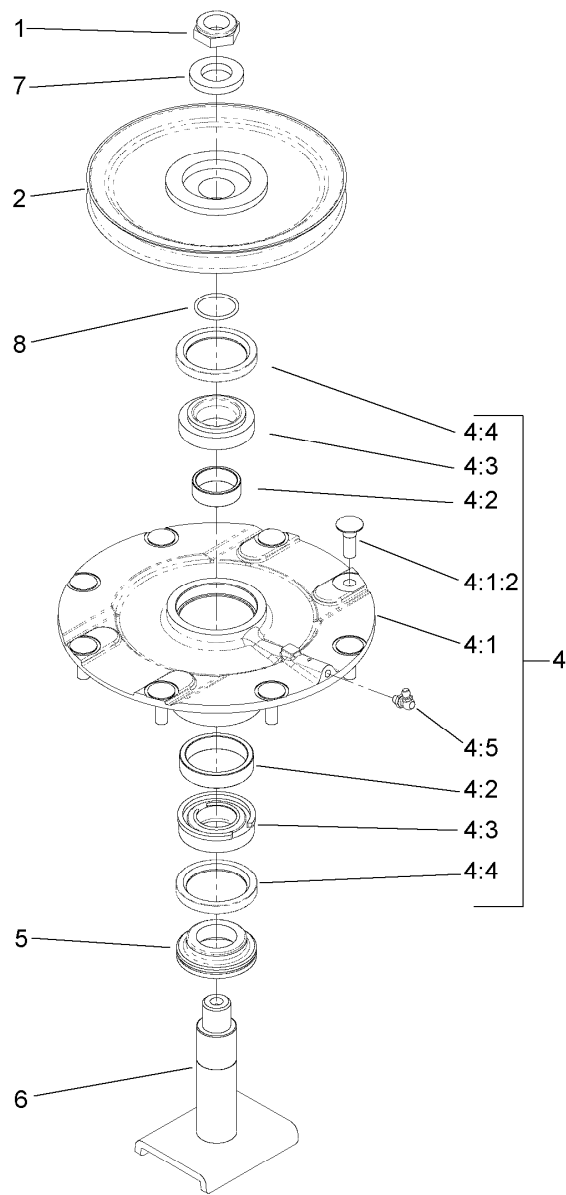
Right Deck, Idler and Skid Assembly

| Ref. | Part Number | Qty. | Description | Ref. | Part Number | Qty. | Description |
|------|-------------|------|--------------------------|------|-------------|------|-----------------|
| 1 | 120-4062 | 1 | Right Deck ASM | 18 | 3290-343 | 4 | Pin-Hair |
| 1:1 | 120-6604 | 1 | Decal-Danger | 19 | 104-7529-01 | 2 | Bracket-Castor |
| 1:2 | 100-5694 | 1 | Decal-Rear HOC, RH | 20 | 100-5623 | 1 | Decal-HOC |
| 1:3 | 32148-9 | 3 | Nut-Clinch | 21 | 100-5569 | 4 | Pin-Clevis |
| 1:4 | 100-5622 | 1 | Decal-HOC | 22 | 104-7524 | 8 | Shim |
| 1:5 | 100-6578 | 3 | Decal-Danger | 23 | 121-1720-01 | 2 | Bracket-Fork |
| 1:6 | 93-7818 | 1 | Decal-Torque, Blade Bolt | 24 | 3231-33 | 2 | Screw-CARR |
| 2 | 112-1479 | 1 | Skid-Bumper, Deck | 25 | 3233-4 | 6 | Screw-CARR |
| 3 | 3296-45 | 6 | Nut-Hex | 26 | 106-2047 | 2 | Rod-Tension |
| 5 | 3296-56 | 1 | Nut-Lock, NI | 28 | 104-0858 | 1 | Bolt-Shoulder |
| 6 | 110-9596 | 1 | Pulley-Idler | 29 | 9202424 | 1 | Spacer |
| 7 | 100-3102 | 1 | Washer-Flat | 30 | 3253-7 | 1 | Washer-Lock |
| 8 | 108-8076 | 1 | V-Belt, Deck | 31 | 325-7 | 1 | Screw-HH |
| 9 | 3234-42 | 2 | Screw-HHF | 32 | 32120-72 | 1 | Ring-Snap |
| 10 | 119-4776 | 1 | Low-Driven Spindle ASM | 33 | 3-6498 | 2 | Washer-Thrust |
| 11 | 32108-103 | 2 | Screw-FH | 34 | 110-6128 | 1 | Idler Arm ASM |
| 12 | 69-9290 | 1 | Pad-Bumper | 34:2 | 256-76 | 2 | Bushing |
| 13 | 104-8300 | 2 | Nut-HF, NI | 34:3 | 302-5 | 1 | Fitting-Grease |
| 14 | 104-2250-01 | 1 | Skid-Side | 35 | 32128-14 | 2 | Nut-HF |
| 15 | 104-8301 | 18 | Nut-HF, NI | 36 | 68-0090 | 1 | Screw-Adjusting |
| 17 | 3256-3 | 2 | Washer-Flat | 37 | 9114524 | 1 | Bolt-TAP, HH |



Right Deck, Idler and Skid Assembly (continued)

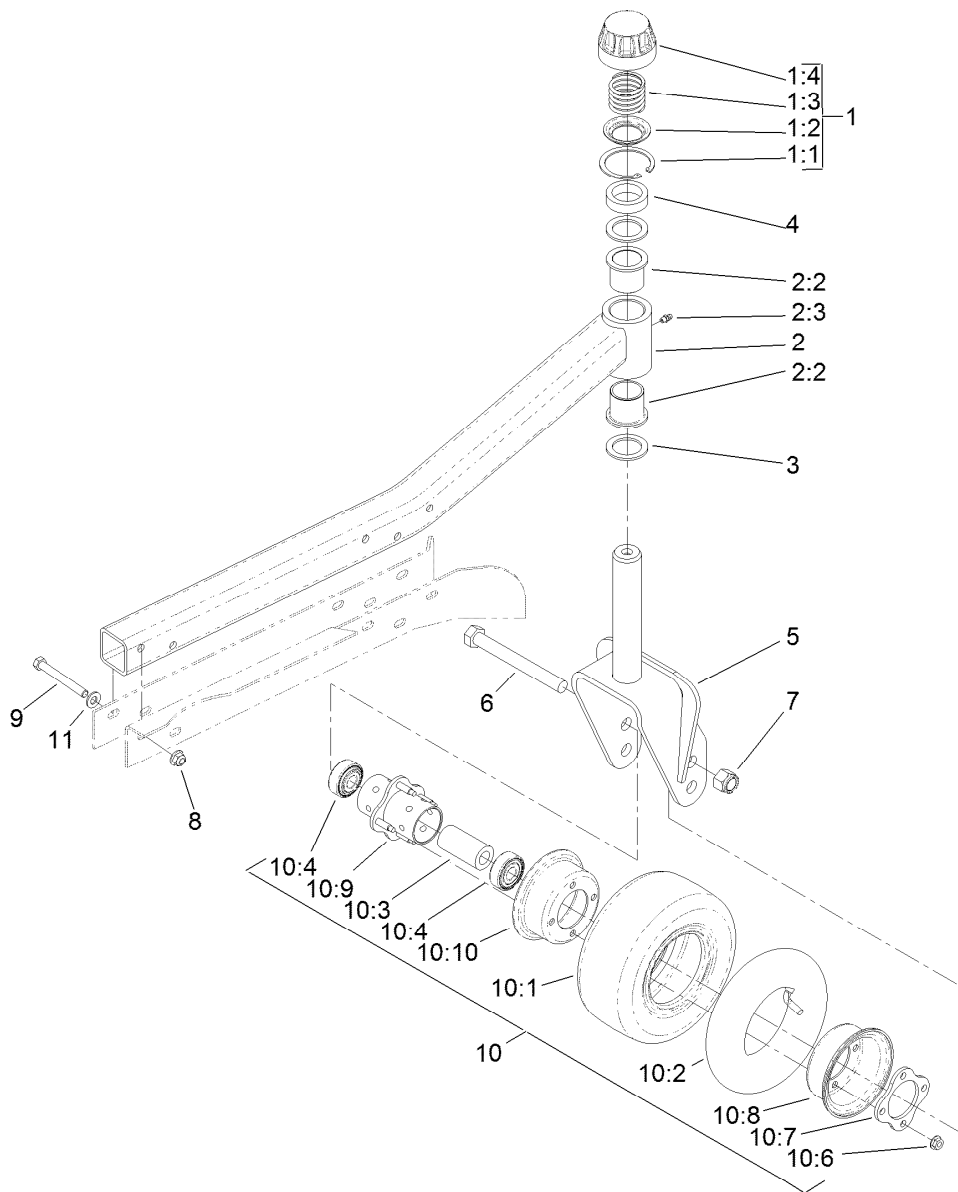
| <i>Ref.</i> | <i>Part Number</i> | <i>Qty.</i> | <i>Description</i> | <i>Ref.</i> | <i>Part Number</i> | <i>Qty.</i> | <i>Description</i> |
|-------------|--------------------|-------------|--------------------|-------------|--------------------|-------------|--------------------|
| 38 | 107938 | 1 | Spring-Extension | 41 | 70-1160 | 1 | Washer |
| 39 | 32128-26 | 2 | Nut-HF | 49 | 32151-72 | 2 | Ring-Retaining |
| 40 | 9136144 | 1 | Screw-HWHTF | | | | |



Low Driven Spindle Assembly No. 119-4776

| <i>Ref.</i> | <i>Part Number</i> | <i>Qty.</i> | <i>Description</i> |
|-------------|--------------------|-------------|-----------------------|
| 1 | 3296-60 | 1 | Nut-Lock, NI |
| 2 | 104-3546 | 1 | Pulley-Driven, Low |
| 4 | 119-4775 | 1 | Spindle Housing ASM |
| 4:1 | | 1 | Spindle ASM ● |
| 4:1:2 | 114-8195 | 8 | Bolt-Neck, Ribbed |
| 4:2 | 120-5577 | 1 | Bearing Spacer Set |
| 4:3 | 110-8297 | 1 | Bearing ASM |
| 4:4 | 253-154 | 2 | Seal-Oil |
| 4:5 | 302-60 | 1 | Fitting-Grease |
| 5 | 69-6950 | 1 | Spacer-Shaft, Spindle |
| 6 | 104-3554 | 1 | Shaft-Spindle |
| 7 | 120-5576 | 1 | Washer-Hardened |
| 8 | 106-7159 | 1 | O-Ring |

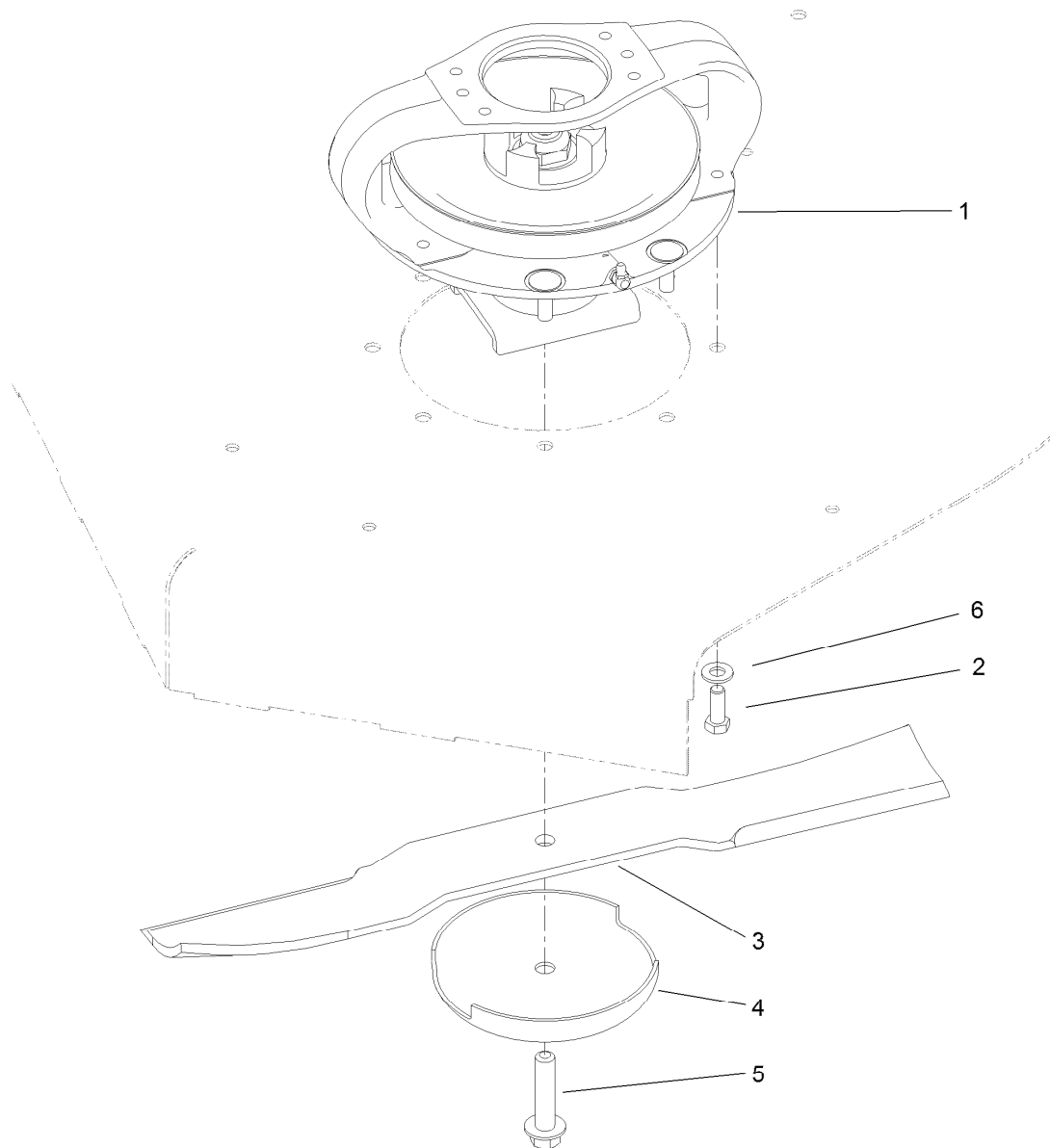
● Not serviced separately



Right Hand and Left Hand Castor Arm and Wheel Assembly

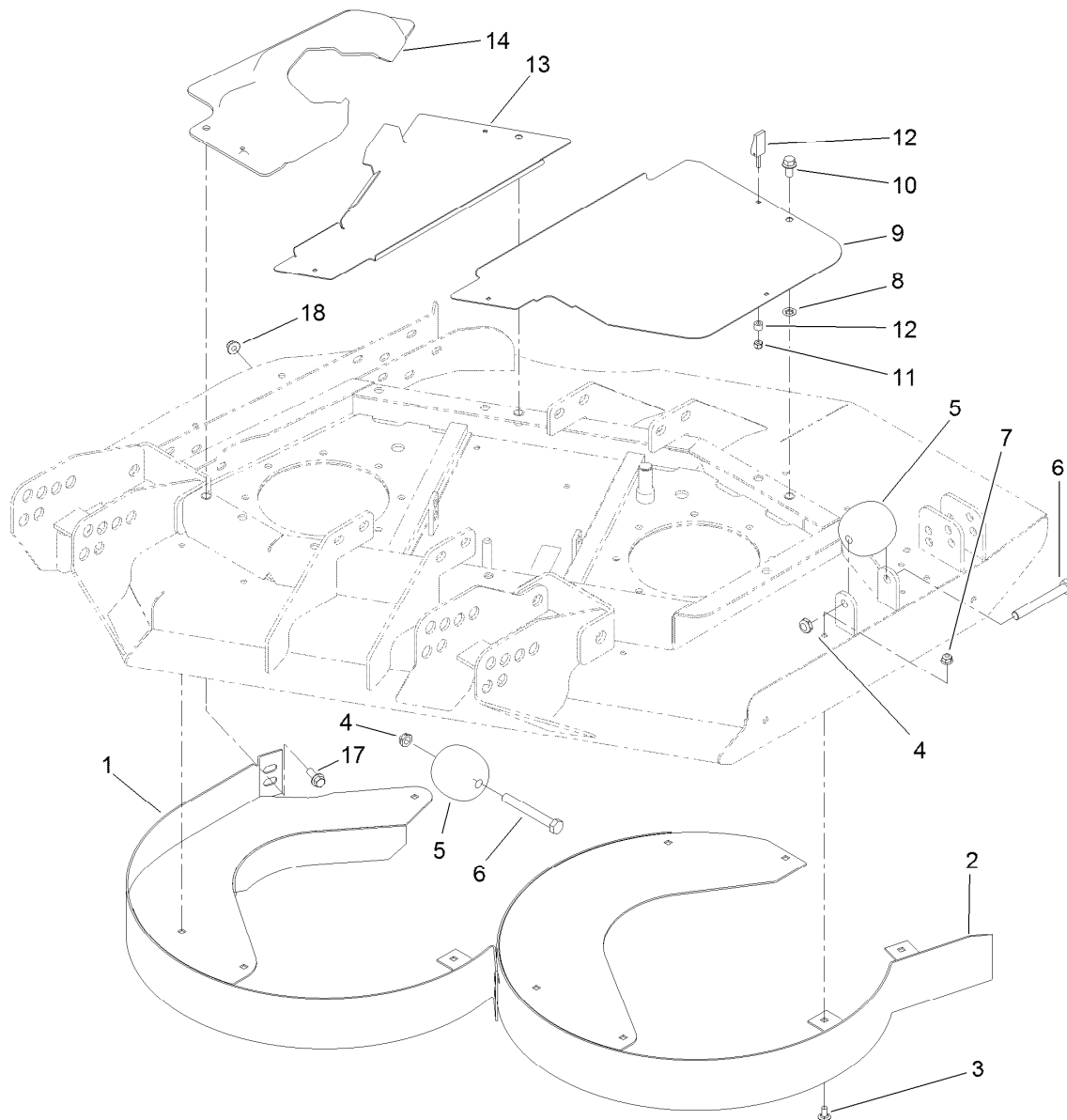
| Ref. | Part Number | Qty. | Description | Ref. | Part Number | Qty. | Description |
|------|-------------|------|----------------------------|-------|-------------|------|-----------------------------------|
| 1 | 92-9727 | 1 | HOC Cap ASM | 9 | 323-20 | 5 | Screw-HH |
| 1:1 | 92-5581 | 1 | Ring-Rtng, Snap, Int, Flat | 10 | 93-5974 | 3 | 8 Inch Foam Filled Wheel ASM ● |
| 1:2 | 92-5583 | 1 | Washer-Cap | 10 | 93-9938 | 3 | Wheel ASM |
| 1:3 | 92-9726 | 1 | Spring-Compression | 10:1 | 93-9939 | 1 | Tire |
| 1:4 | 92-8861 | 1 | Cap-HOC | 10:2 | 68-8950 | 1 | Tube-Inner (W/Valve) |
| 2 | 127-3740 | 1 | Castor Arm ASM | 10:3 | 93-4241 | 1 | Spacer-Bearing, Inner |
| 2:2 | 69-6470 | 2 | Bushing-Caster | 10:4 | 120-3366 | 2 | Bearing |
| 2:3 | 302-5 | 1 | Fitting-Grease | 10:6 | 32128-16 | 4 | Nut-HHF |
| 3 | 69-6860 | 3 | Washer-Thrust | 10:7 | 93-4242 | 1 | Plate |
| 4 | 69-1510 | 5 | Spacer | 10:8 | 93-4239 | 1 | Rim-Wheel, Half |
| 5 | 104-0762-01 | 1 | Fork-Castor | 10:9 | 93-5980 | 1 | Hub |
| 6 | 327-24 | 3 | Screw-HH | 10:10 | 95-2741 | 1 | Rim-Wheel, Half |
| 7 | 3296-53 | 3 | Nut-Lock, NI | 11 | 3256-24 | 5 | Washer-Plain |
| 8 | 104-8301 | 5 | Nut-HF, NI | | | | |

● Optional Equipment



Deck Driving Spindle Assembly

| Ref. | Part Number | Qty. | Description |
|------|-------------|------|---------------------|
| 1 | 119-4547 | 1 | Driving Spindle ASM |
| 2 | 323-6 | 4 | Screw-HH |
| 3 | 92-5608-03 | 2 | Blade |
| 4 | 72-9361 | 2 | Cup-Scalp, Anti |
| 5 | 92-5816 | 2 | Bolt-Blade |
| 6 | 3256-24 | 4 | Washer-Plain |

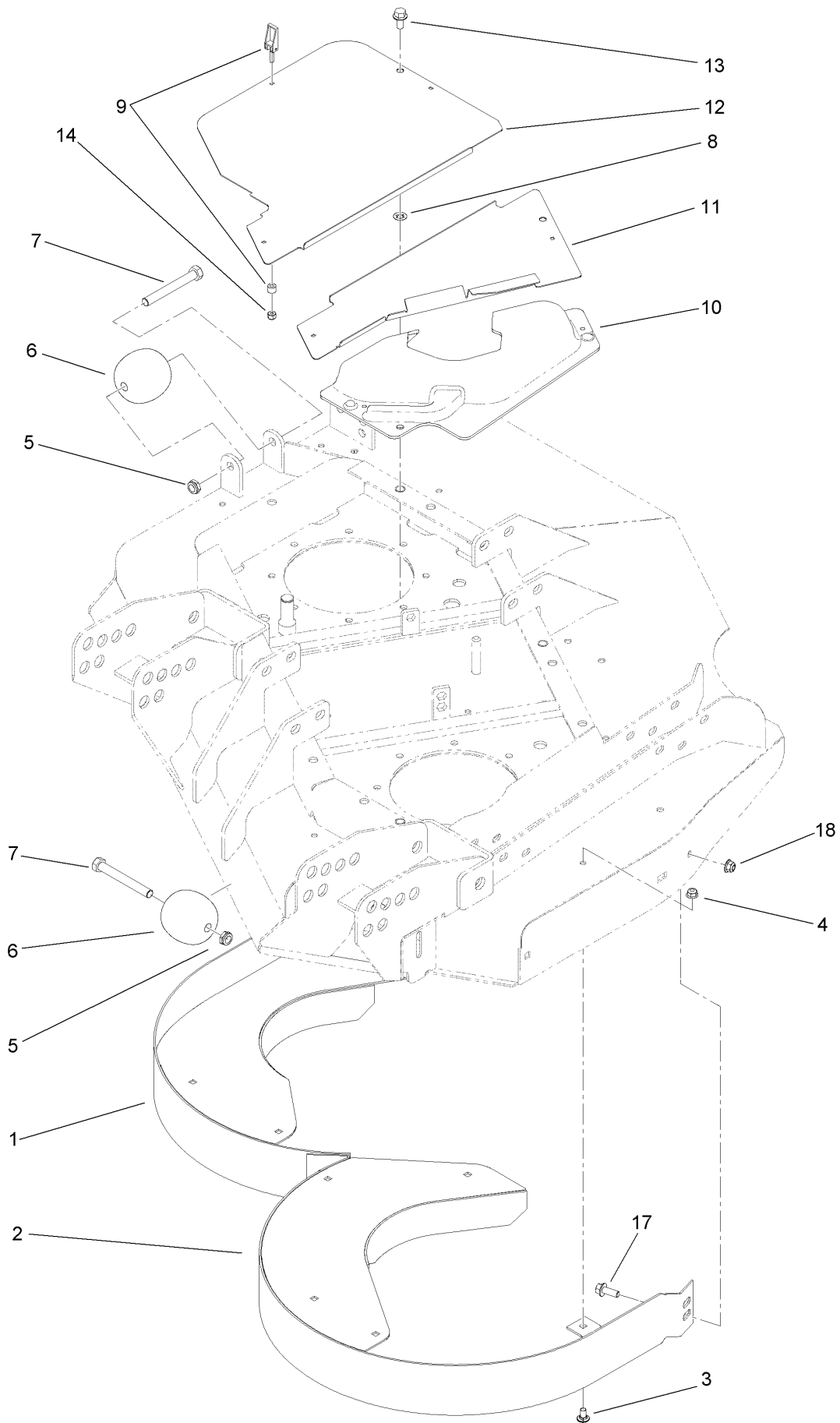


Right Deck Discharge Chamber and Cover Assembly

| Ref. | Part Number | Qty. | Description |
|------|-------------|------|---------------|
| 1 | 120-4131-01 | 1 | Chamber-Outer |
| 2 | 104-2204-01 | 1 | Chamber-Inner |
| 3 | 3230-18 | 11 | Screw-CARR |
| 4 | 3296-45 | 2 | Nut-Hex |
| 5 | 29-4820 | 2 | Roller |
| 6 | 325-17 | 2 | Screw-HH |
| 7 | 104-8300 | 11 | Nut-HF, NI |
| 8 | 107-3154 | 3 | Nut-Push |

| Ref. | Part Number | Qty. | Description |
|------|-------------|------|----------------------|
| 9 | 100-5668-03 | 1 | Plate-Cover, RH Side |
| 10 | 3234-1 | 3 | Screw-HHF |
| 11 | 1-804254 | 7 | Nut-Lock, HH |
| 12 | 74-5950 | 7 | Latch-Swell |
| 13 | 100-5665-03 | 1 | Plate-Cover, RH |
| 14 | 100-5666 | 1 | Cover-Motor, RH Deck |
| 17 | 3234-42 | 1 | Screw-HHF |
| 18 | 104-8301 | 1 | Nut-HF, NI |

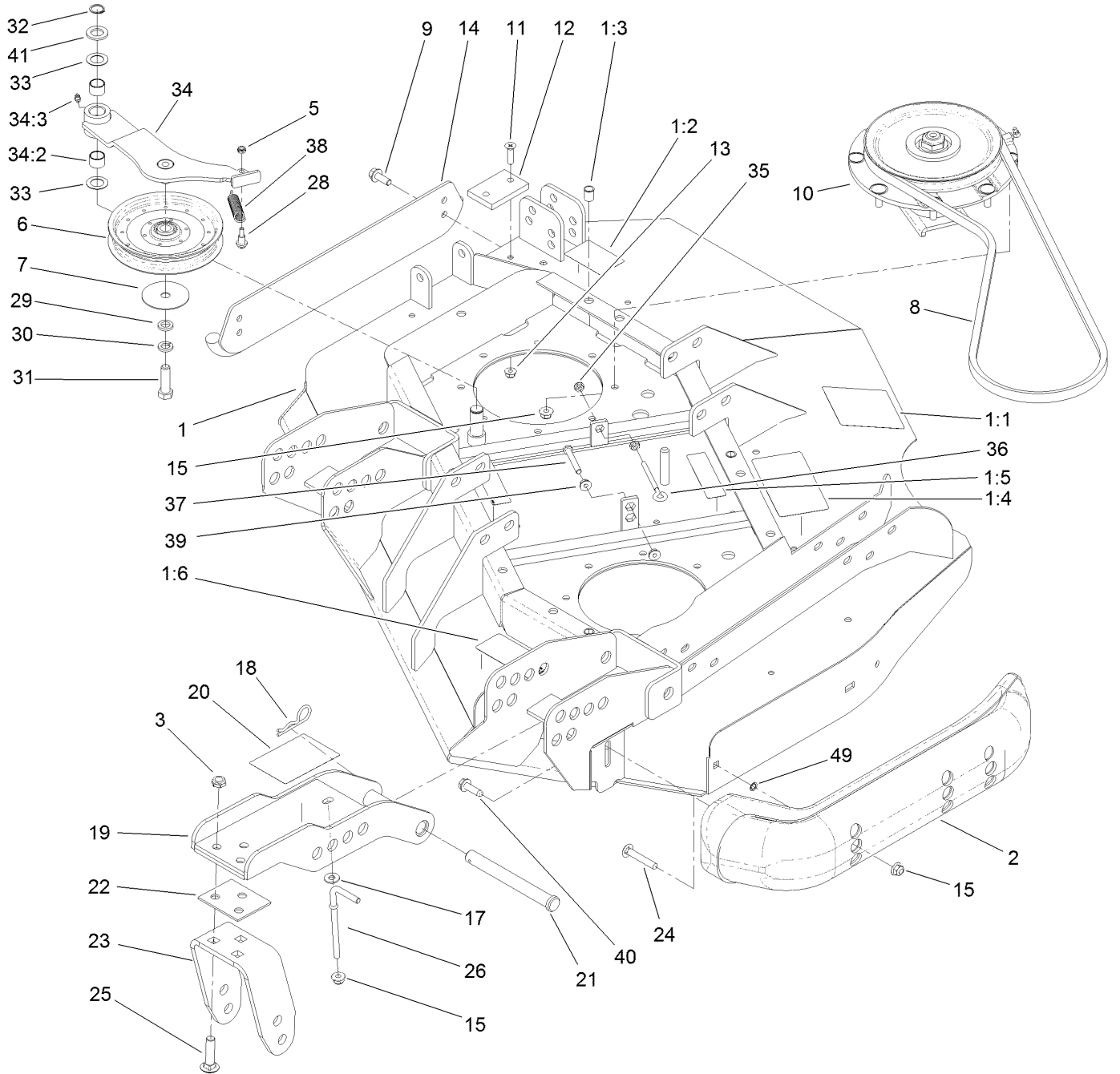
Left Deck Discharge Chamber and Cover Assembly



Left Deck Discharge Chamber and Cover Assembly (continued)

| <i>Ref.</i> | <i>Part Number</i> | <i>Qty.</i> | <i>Description</i> | <i>Ref.</i> | <i>Part Number</i> | <i>Qty.</i> | <i>Description</i> |
|-------------|--------------------|-------------|--------------------|-------------|--------------------|-------------|----------------------|
| 1 | 104-2205-01 | 1 | Chamber-Inner | 9 | 74-5950 | 7 | Latch-Swell |
| 2 | 120-4132-01 | 1 | Chamber-Outer | 10 | 100-5669 | 1 | Cover-Motor, LH Deck |
| 3 | 3230-18 | 9 | Screw-CARR | 11 | 100-5664-03 | 1 | Plate-Cover, LH |
| 4 | 104-8300 | 9 | Nut-HF, NI | 12 | 100-5667-03 | 1 | Plate-Cover, LH Side |
| 5 | 3296-45 | 2 | Nut-Hex | 13 | 3234-1 | 3 | Screw-HHF |
| 6 | 29-4820 | 2 | Roller | 14 | 1-804254 | 7 | Nut-Lock, HH |
| 7 | 325-17 | 2 | Screw-HH | 17 | 3234-42 | 1 | Screw-HHF |
| 8 | 107-3154 | 3 | Nut-Push | 18 | 104-8301 | 1 | Nut-HF, NI |

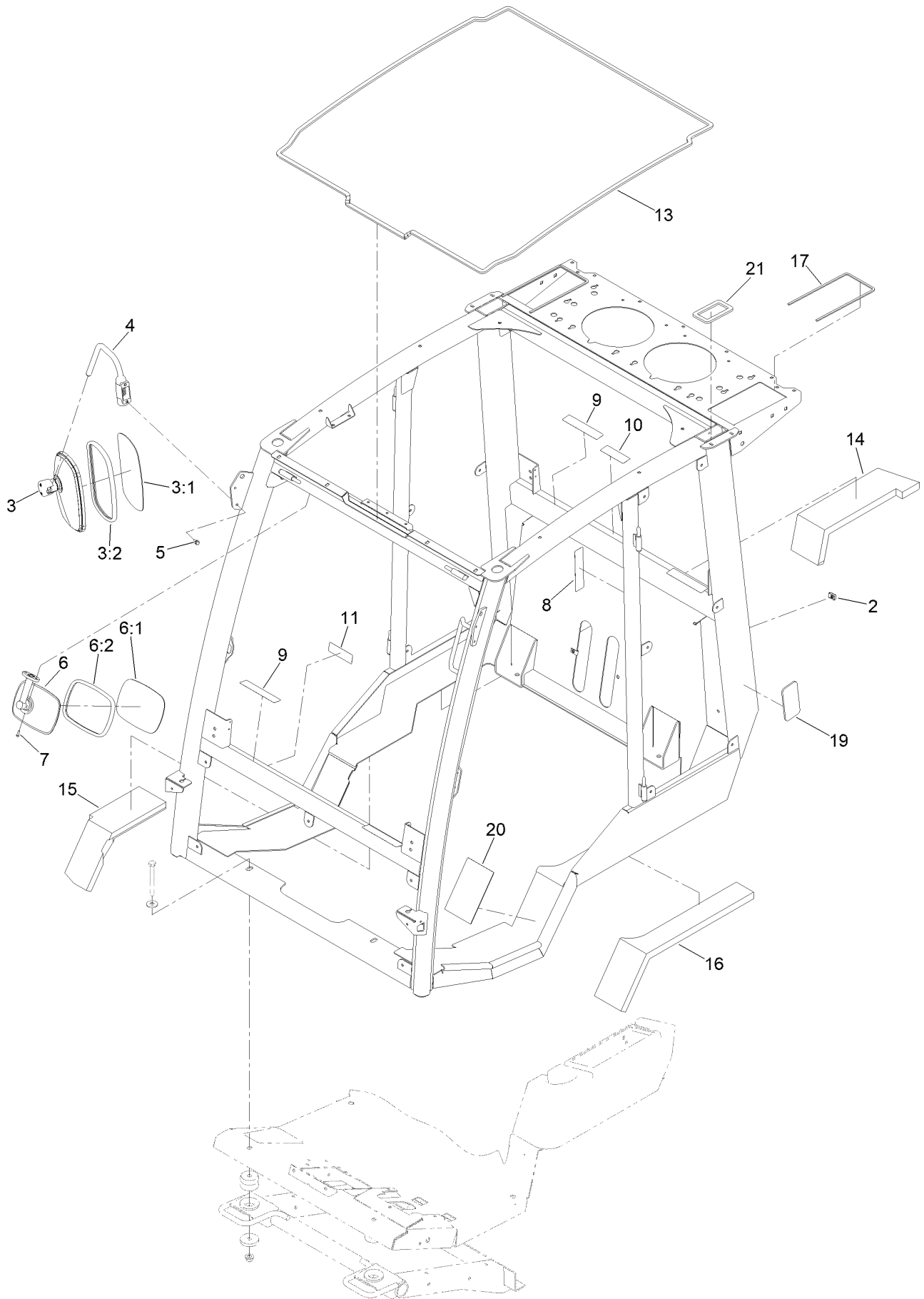
Left Deck Idler and Skid Assembly



Left Deck Idler and Skid Assembly (continued)

| <i>Ref.</i> | <i>Part Number</i> | <i>Qty.</i> | <i>Description</i> | <i>Ref.</i> | <i>Part Number</i> | <i>Qty.</i> | <i>Description</i> |
|-------------|--------------------|-------------|--------------------------|-------------|--------------------|-------------|--------------------|
| 1 | 120-4072 | 1 | Left Deck ASM | 21 | 100-5569 | 4 | Pin-Clevis |
| 1:1 | 120-6604 | 1 | Decal-Danger | 22 | 104-7524 | 8 | Shim |
| 1:2 | 100-5693 | 1 | Decal-Rear HOC, LH | 23 | 121-1720-01 | 2 | Bracket-Fork |
| 1:3 | 32148-9 | 3 | Nut-Clinch | 24 | 3231-33 | 2 | Screw-CARR |
| 1:4 | 100-5622 | 1 | Decal-HOC | 25 | 3233-4 | 6 | Screw-CARR |
| 1:5 | 100-6578 | 3 | Decal-Danger | 26 | 106-2047 | 2 | Rod-Tension |
| 1:6 | 93-7818 | 1 | Decal-Torque, Blade Bolt | 28 | 104-0858 | 1 | Bolt-Shoulder |
| 2 | 112-1479 | 1 | Skid-Bumper, Deck | 29 | 9202424 | 1 | Spacer |
| 3 | 3296-45 | 6 | Nut-Hex | 30 | 3253-7 | 1 | Washer-Lock |
| 5 | 3296-56 | 1 | Nut-Lock, NI | 31 | 325-7 | 1 | Screw-HH |
| 6 | 110-9596 | 1 | Pulley-Idler | 32 | 32120-72 | 1 | Ring-Snap |
| 7 | 100-3102 | 1 | Washer-Flat | 33 | 3-6498 | 2 | Washer-Thrust |
| 8 | 108-8076 | 1 | V-Belt, Deck | 34 | 110-6128 | 1 | Idler Arm ASM |
| 9 | 3234-42 | 2 | Screw-HHF | 34:2 | 256-76 | 2 | Bushing |
| 10 | 119-4776 | 1 | Low-Driven Spindle ASM | 34:3 | 302-5 | 1 | Fitting-Grease |
| 11 | 32108-103 | 2 | Screw-FH | 35 | 32128-14 | 2 | Nut-HF |
| 12 | 69-9290 | 1 | Pad-Bumper | 36 | 68-0090 | 1 | Screw-Adjusting |
| 13 | 104-8300 | 2 | Nut-HF, NI | 37 | 9114524 | 1 | Bolt-TAP, HH |
| 14 | 104-2250-01 | 1 | Skid-Side | 38 | 107938 | 1 | Spring-Extension |
| 15 | 104-8301 | 18 | Nut-HF, NI | 39 | 32128-26 | 2 | Nut-HF |
| 17 | 3256-3 | 2 | Washer-Flat | 40 | 9136144 | 1 | Screw-HWHTF |
| 18 | 3290-343 | 4 | Pin-Hair | 41 | 70-1160 | 1 | Washer |
| 19 | 104-7529-01 | 2 | Bracket-Castor | 49 | 32151-72 | 2 | Ring-Retaining |
| 20 | 104-3579 | 1 | Decal-HOC | | | | |

Frame Mount and Seal Assembly

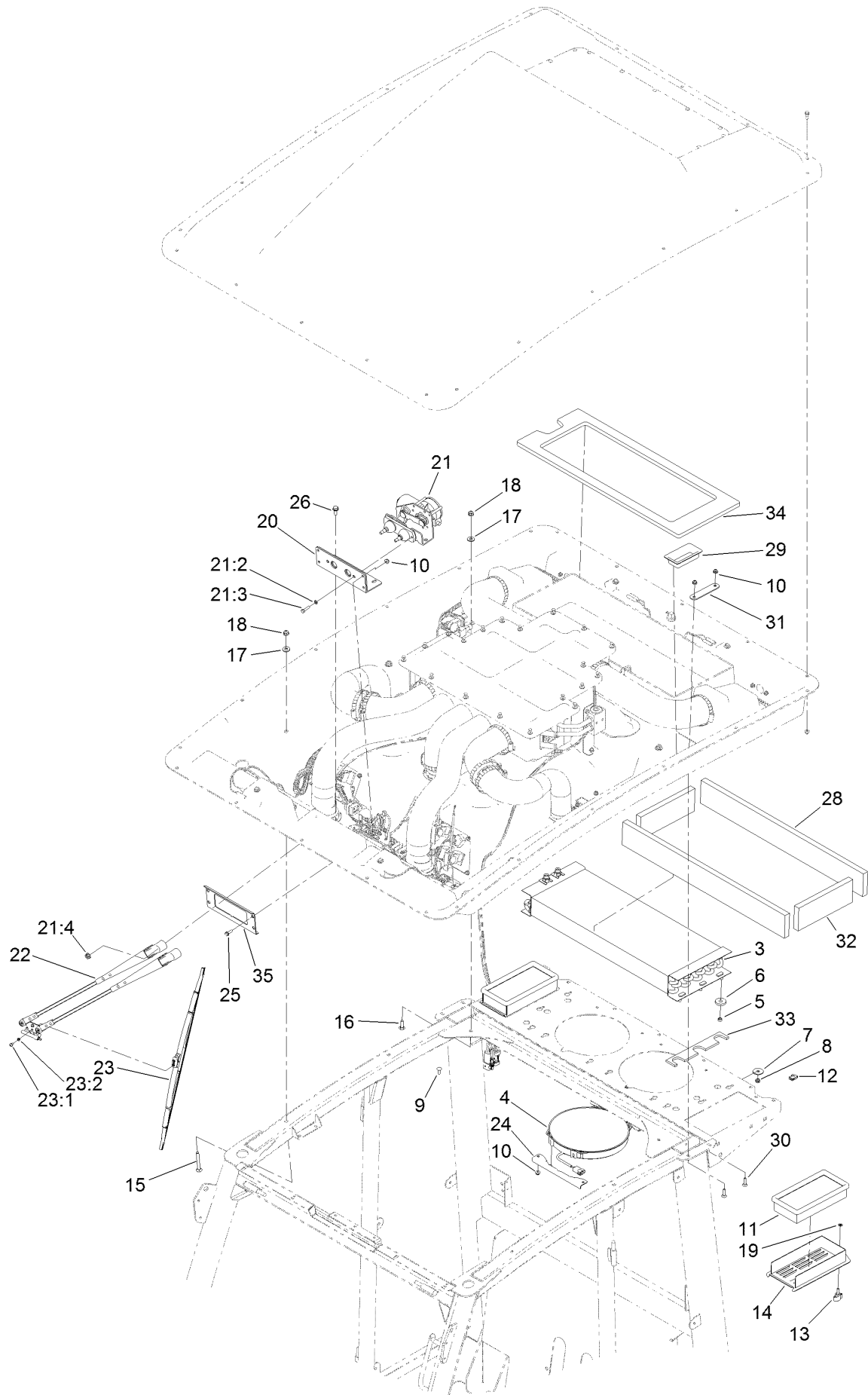


Frame Mount and Seal Assembly (continued)

| <i>Ref.</i> | <i>Part Number</i> | <i>Qty.</i> | <i>Description</i> | <i>Ref.</i> | <i>Part Number</i> | <i>Qty.</i> | <i>Description</i> |
|-------------|--------------------|-------------|---------------------|-------------|--------------------|-------------|----------------------------|
| 2 | 94-2413 | 2 | Nut-U | 9 | 130-0611 | 4 | Decal-Window, Pin |
| 3 | 121-8341 | 2 | Side Mirror ASM | 10 | 130-5355 | 1 | Decal-Window, Hood |
| 3:1 | | 1 | Mirror-Glass ● | 11 | 130-5356 | 1 | Decal-Traction Pedal |
| 3:2 | | 1 | Gasket ● | 13 | 130-0586 | 1 | Seal-Foam, Frame Roof |
| 4 | 121-8275 | 2 | Arm-Mirror, Side | 14 | 121-8545 | 1 | Seal-Foam, RH-Upper |
| 5 | 33103-016 | 4 | Screw-HHF | 15 | 121-8546 | 1 | Seal-Foam, RH |
| 6 | 121-8343 | 1 | Interior Mirror ASM | 16 | 121-8508 | 1 | Foam-Seal, LH |
| 6:1 | | 1 | Mirror ● | 17 | 130-0587 | 2 | Seal-Foam, Roof Air Filter |
| 6:2 | | 1 | Gasket ● | 19 | 130-5923 | 2 | Pad |
| 7 | 32144-32 | 2 | Screw-PPH | 20 | 130-5978 | 2 | Patch-Tread |
| 8 | 130-0594 | 1 | Decal-Warning | 21 | 130-5855 | 2 | Seal-Tube, Rear |

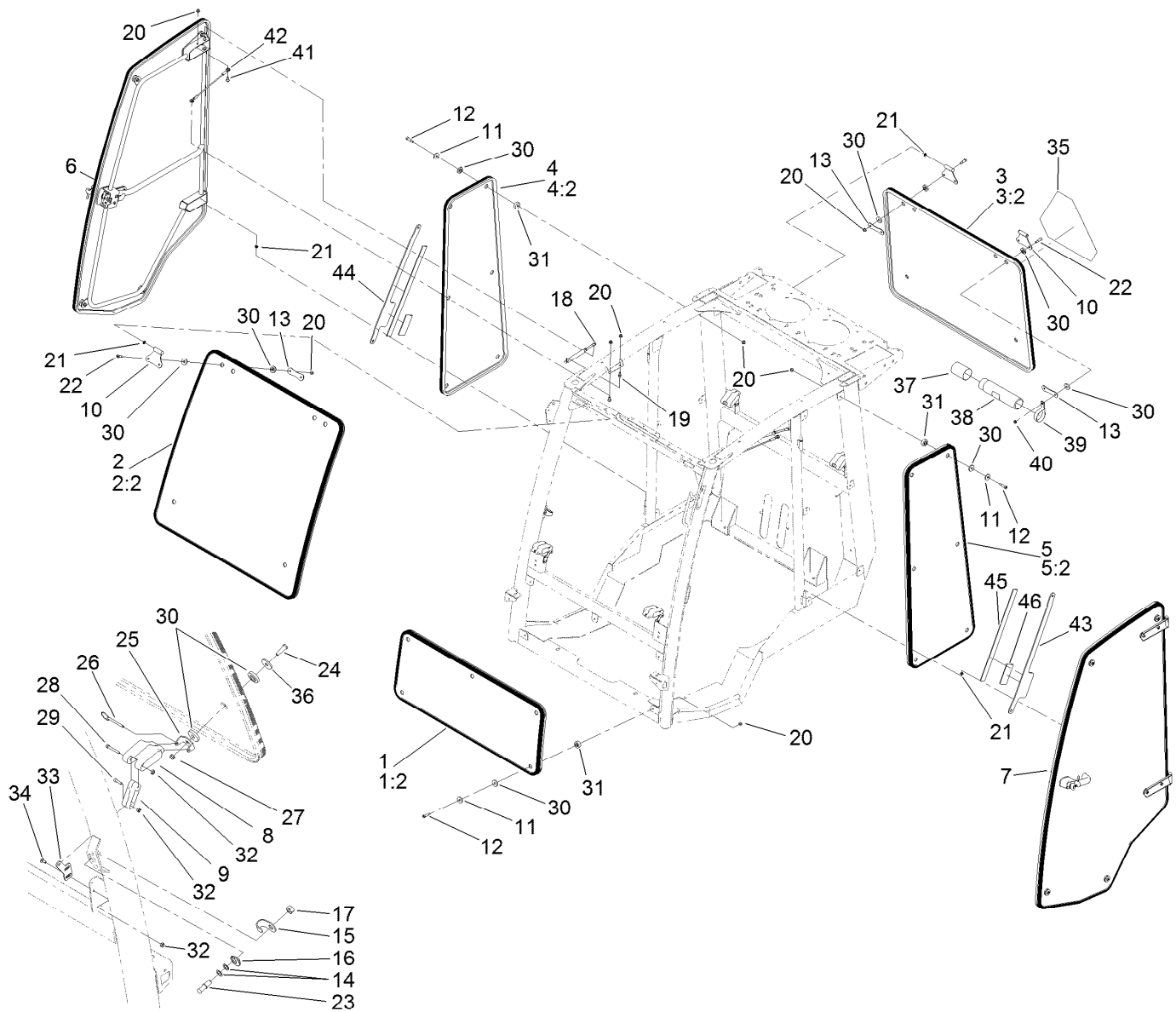
● Not serviced separately

Headliner Assembly



Headliner Assembly (continued)

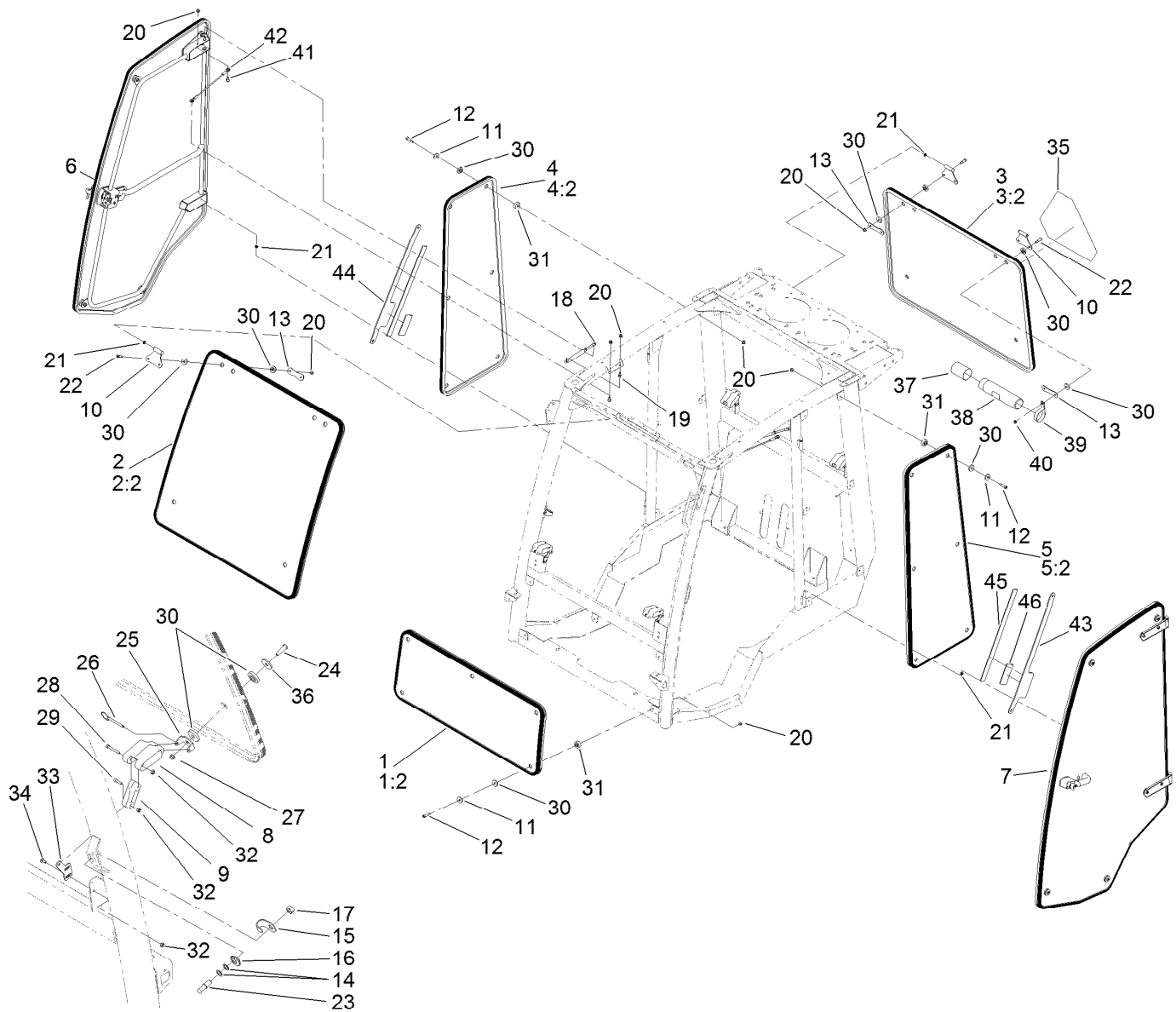
| <i>Ref.</i> | <i>Part Number</i> | <i>Qty.</i> | <i>Description</i> | <i>Ref.</i> | <i>Part Number</i> | <i>Qty.</i> | <i>Description</i> |
|-------------|--------------------|-------------|--------------------|-------------|--------------------|-------------|---------------------------|
| 3 | 121-8447 | 1 | Core-Condenser | 21:2 | 3253-3 | 1 | Washer-Lock |
| 4 | 121-8459 | 2 | Fan-Condenser | 21:3 | 33113-025 | 1 | Screw-HH |
| 5 | 106-8489 | 6 | Bushing-Sleeve | 21:4 | 112-2844 | 2 | Nut-HF |
| 6 | 125-9982 | 6 | Bushing-Flange | 22 | 125-7453 | 1 | Arm-Wiper |
| 7 | 3256-57 | 6 | Washer-Flat | 23 | 125-7454 | 1 | Blade-Wiper |
| 8 | 3296-47 | 6 | Nut-Lock,NI | 23:1 | 47-2830 | 2 | Screw |
| 9 | 1-807512 | 8 | Bolt-CARR | 23:2 | 43-5920 | 2 | Washer-Lock, Spring |
| 10 | 104-7201 | 16 | Nut-HF, NI | 24 | 125-9621-03 | 4 | Bracket-Mount, Fan |
| 11 | 121-8457 | 2 | Filter-Air | 25 | 32105-15 | 4 | Screw-HWH |
| 12 | 107069 | 2 | Clip | 26 | 32144-11 | 2 | Screw-HWH |
| 13 | 98-8332 | 2 | Knob | 28 | 130-5649 | 2 | Seal-Foam, Long |
| 14 | 125-9825-03 | 2 | Cover-Air, Fresh | 29 | 130-5661 | 2 | Tube-Sleeve |
| 15 | 3230-9 | 4 | Screw-CARR | 30 | 3229-30 | 4 | Screw-CARR |
| 16 | 3230-22 | 13 | Screw-CARR | 31 | 130-5854 | 2 | Brace-Seal |
| 17 | 3256-3 | 17 | Washer-Flat | 32 | 130-5650 | 2 | Seal-Foam, Short |
| 18 | 104-8300 | 17 | Nut-HF, NI | 33 | 130-5931 | 2 | Seal-Condenser |
| 19 | 106-8737 | 2 | Nut-Retainer | 34 | 130-5647 | 1 | Gasket-Foam, Condenser |
| 20 | 130-5871 | 1 | Bracket-Wiper | 35 | 130-6068-03 | 1 | Plate-Washer, Wiper Motor |
| 21 | 125-7452 | 1 | Wiper Motor ASM | | | | |



Window, Door and Striker Assembly

| Ref. | Part Number | Qty. | Description | Ref. | Part Number | Qty. | Description |
|------|-------------|------|------------------------|------|-------------|------|---------------------|
| 1 | 130-5681 | 1 | Lower Front Window ASM | 14 | 73-0040 | 2 | Washer-Thrust |
| 1:2 | 121-8211 | 1 | Trim-Window, Front | 15 | 121-8393 | 2 | Guard-Striker |
| 2 | 130-5680 | 1 | Upper Front Window ASM | 16 | 125-9992 | 2 | Adjuster-Stud |
| 2:2 | 121-8212 | 1 | Seal-Trim | 17 | 106-0327 | 2 | Nut-Hex |
| 3 | 130-5682 | 1 | Rear Window ASM | 18 | 130-6083 | 2 | Spring-Gas, Door |
| 3:2 | 130-0637 | 1 | Seal-Trim | 19 | 98-3104 | 2 | Stud-Ball |
| 4 | 130-5676 | 1 | RH-Side Window ASM | 20 | 104-8300 | 29 | Nut-HF, NI |
| 4:2 | 121-8215 | 1 | Seal-Trim | 21 | 121-8441 | 8 | Washer-Spacer |
| 5 | 130-5677 | 1 | LH-Side Window ASM | 22 | 125-9520 | 8 | Screw-Shoulder, HSH |
| 5:2 | 121-8215 | 1 | Seal-Trim | 23 | 125-9993 | 2 | Striker-Stud |
| 6 | | 1 | RH Door ASM ● | 24 | 119-9812 | 4 | Bolt-Shoulder |
| 7 | | 1 | LH Door ASM ● | 25 | 125-9987 | 4 | Mount-Latch |
| 8 | 125-9792 | 4 | Handle-Window | 26 | 127-9850 | 4 | Pin-Release, Quick |
| 9 | 125-9793 | 4 | Link-Window | 27 | 104-7201 | 4 | Nut-HF, NI |
| 10 | 121-8535-03 | 4 | Hinge-Window | 28 | 3274-59 | 4 | Screw-HSH |
| 11 | 130-5815 | 13 | Washer-Backup | 29 | 3274-14 | 4 | Screw-HSH |
| 12 | 125-9521 | 17 | Screw-Shldr HSH | 30 | 125-9982 | 41 | Bushing-Flange |
| 13 | 127-9933-03 | 4 | *obs* Plate-Backer | 31 | 125-9537 | 17 | Bushing-Flange |

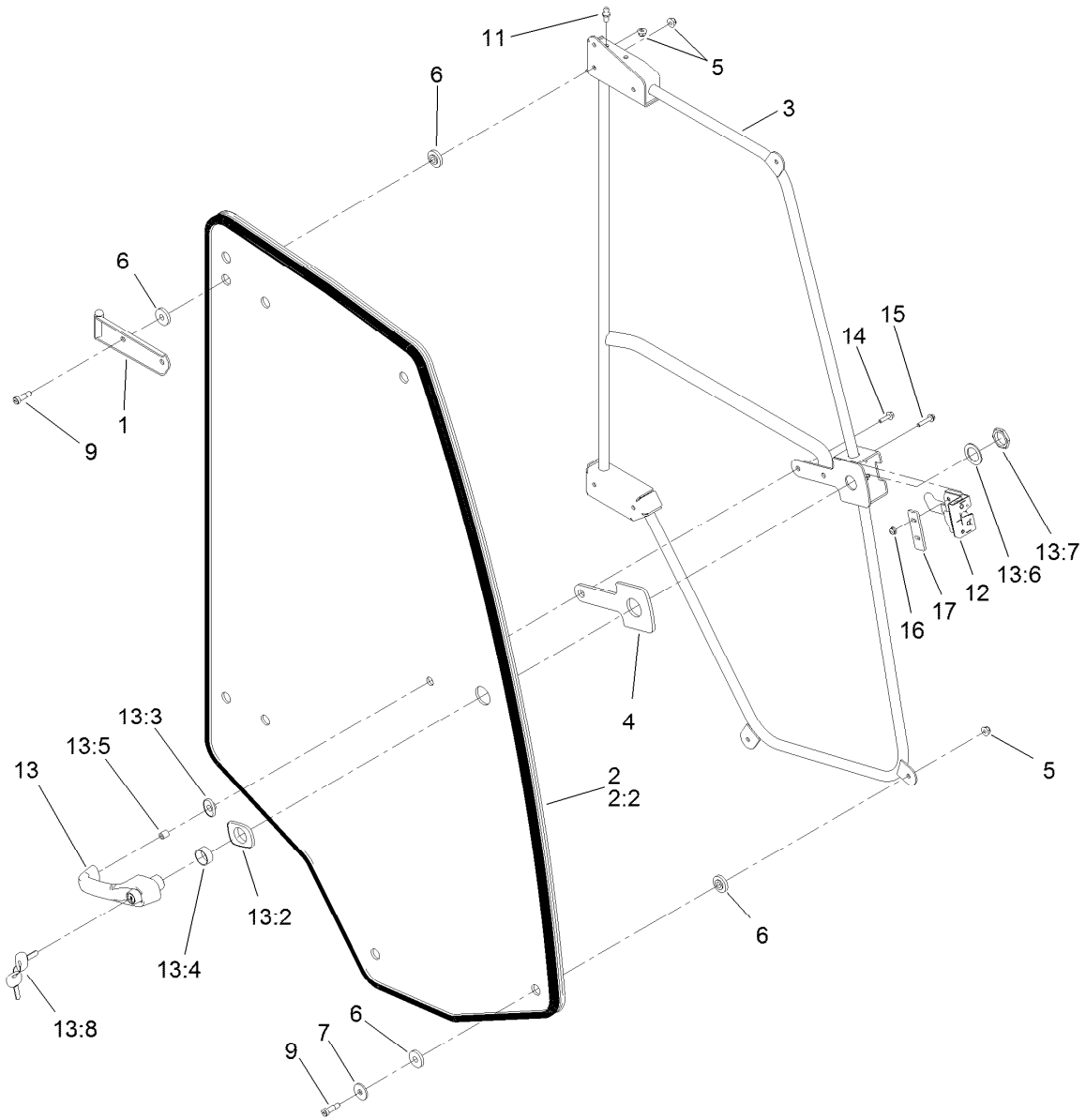
● Not serviced separately



Window, Door and Striker Assembly (continued)

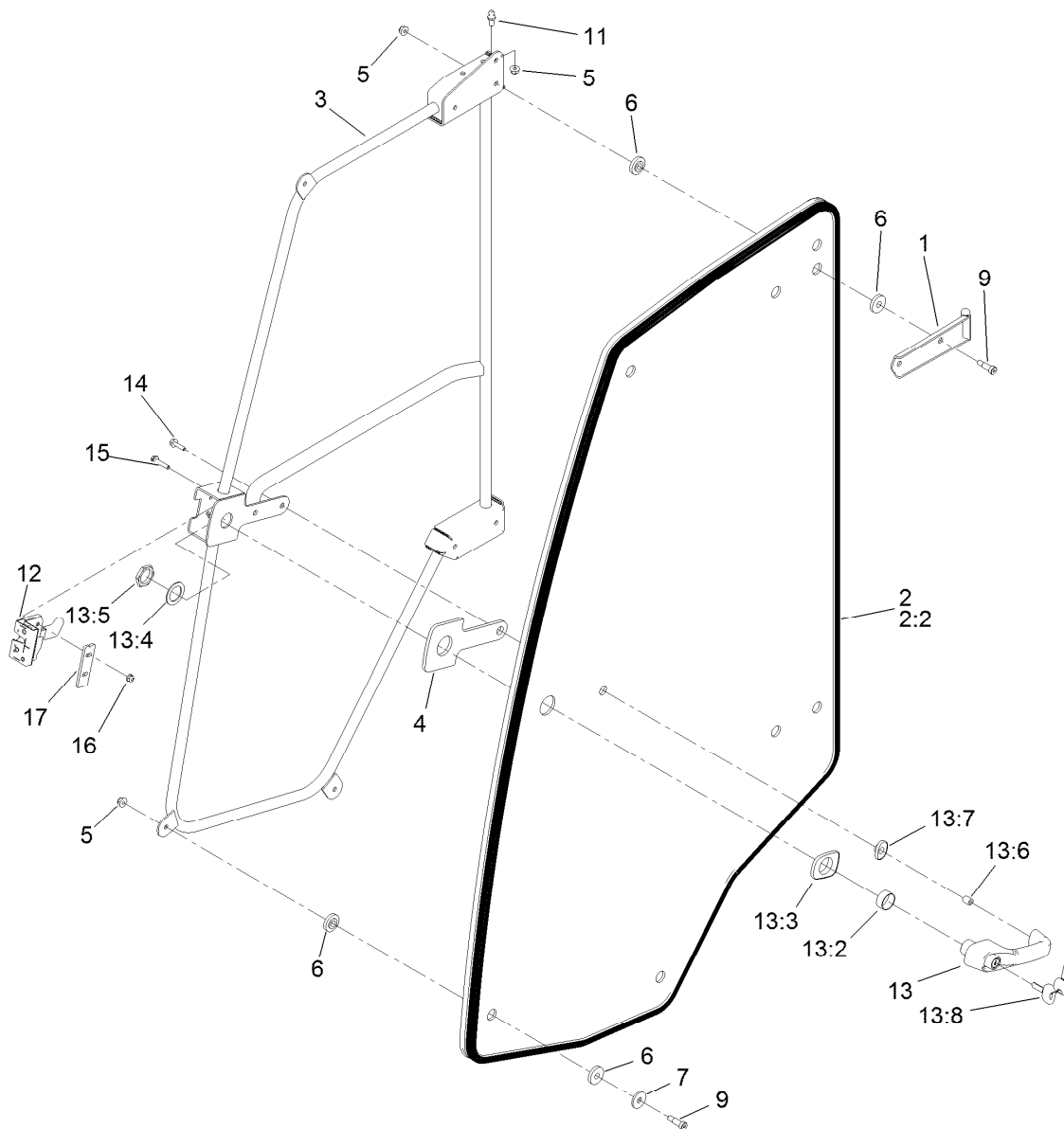
| Ref. | Part Number | Qty. | Description | Ref. | Part Number | Qty. | Description |
|------|-------------|------|---------------|------|-------------|------|-----------------------|
| 32 | 120-9681 | 16 | Nut-Lock, NI | 40 | 3296-47 | 2 | Nut-Lock,NI |
| 33 | 130-0590 | 4 | Mount-Tab | 41 | 120-9471 | 4 | Bolt-Shoulder |
| 34 | 1-807513 | 8 | Bolt-CARR | 42 | 130-5726 | 2 | Lanyard |
| 35 | 120-0250 | 1 | Decal-Warning | 43 | 130-6095-03 | 1 | Strap-Support, Left |
| 36 | 125-9676 | 4 | Washer-Backup | 44 | 130-6091-03 | 1 | Strap-Support |
| 37 | 104-7048 | 1 | Cap-Housing | 45 | 130-6096 | 2 | Strap-Foam, 19.5 Inch |
| 38 | 104-7050 | 1 | Tube-Manual | 46 | 130-6097 | 2 | Strap-Foam, 4.25 Inch |
| 39 | 2412-133 | 2 | Clamp-R | | | | |

● Not serviced separately



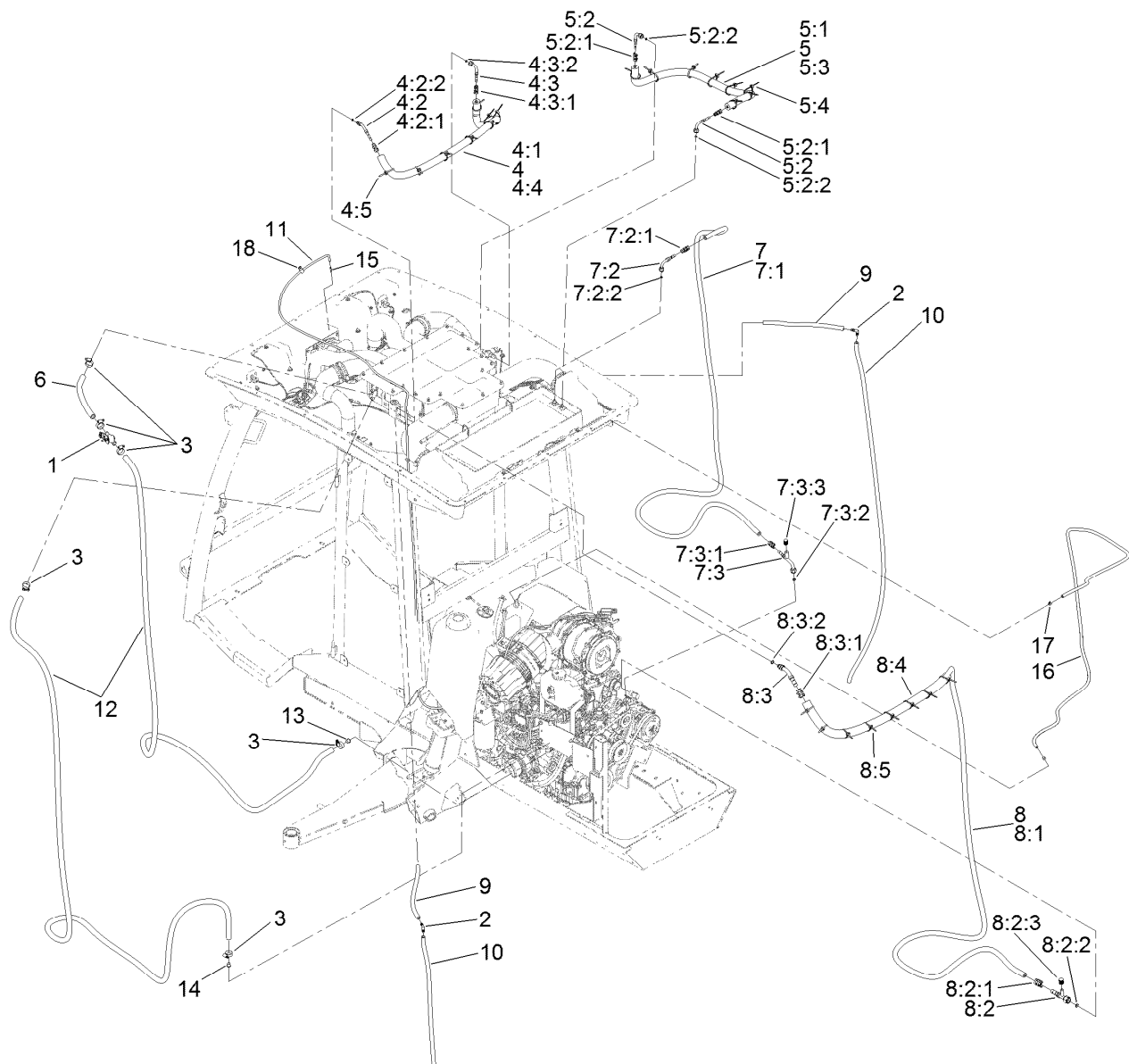
RH Door Assembly

| <i>Ref.</i> | <i>Part Number</i> | <i>Qty.</i> | <i>Description</i> | <i>Ref.</i> | <i>Part Number</i> | <i>Qty.</i> | <i>Description</i> |
|-------------|--------------------|-------------|---------------------|-------------|--------------------|-------------|-------------------------|
| 1 | 125-9618-03 | 2 | Hinge-Door, RH | 13:2 | 121-8628 | 1 | Cylinder-Mounting, Key |
| 2 | 130-5678 | 1 | RH Door ASM | 13:3 | 121-8322 | 1 | Grommet-Mounting, Large |
| 2:2 | 125-9799 | 1 | Trim-Door | 13:4 | 121-8327 | 1 | Washer |
| 3 | 121-8570-03 | 1 | Frame-Door, RH | 13:5 | 121-8328 | 1 | Nut |
| 4 | 121-8331 | 1 | Gasket-Handle | 13:6 | 121-8627 | 1 | Cylinder-Mounting, End |
| 5 | 104-8300 | 9 | Nut-HF, NI | 13:7 | 121-8323 | 1 | Grommet-Mounting, Small |
| 6 | 125-9982 | 16 | Bushing-Flange | 13:8 | 125-9531 | 1 | Key-Set |
| 7 | 125-9676 | 4 | Washer-Backup | 14 | 33103-025 | 1 | Screw-HHF |
| 9 | 125-9520 | 8 | Screw-Shoulder, HSH | 15 | 3234-21 | 2 | Screw-HHF |
| 11 | 98-3104 | 1 | Stud-Ball | 16 | 104-7201 | 2 | Nut-HF, NI |
| 12 | 121-8390 | 1 | Latch-RH | 17 | 121-8395 | 1 | Plate-Support, Latch |
| 13 | 121-8630 | 1 | Handle ASM | | | | |



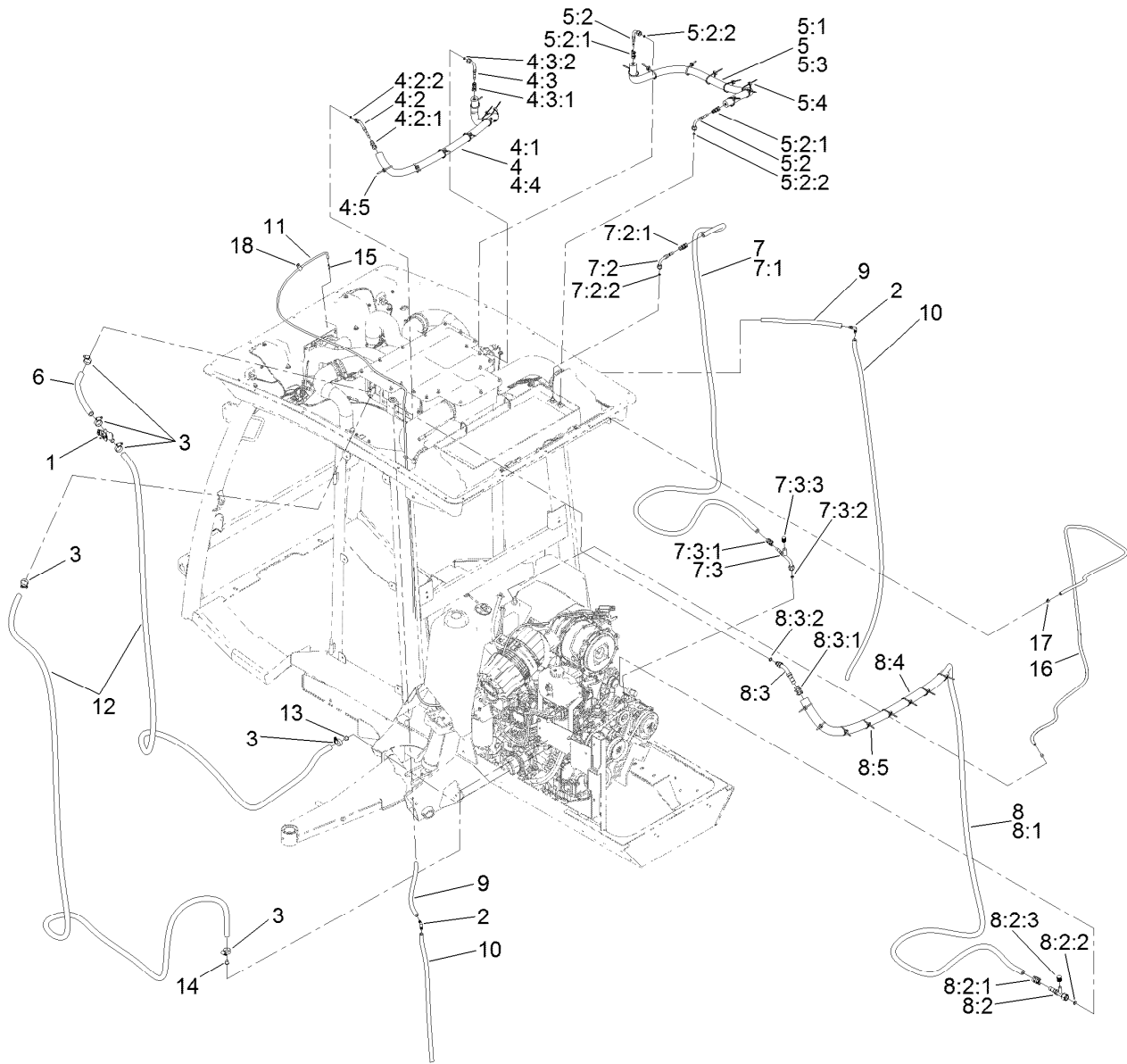
LH Door Assembly

| Ref. | Part Number | Qty. | Description | Ref. | Part Number | Qty. | Description |
|------|-------------|------|---------------------|------|-------------|------|-------------------------|
| 1 | 125-9619-03 | 2 | Hinge-Door, LH | 13:2 | 121-8628 | 1 | Cylinder-Mounting, Key |
| 2 | 130-5679 | 1 | LH Door ASM | 13:3 | 121-8322 | 1 | Grommet-Mounting, Large |
| 2:2 | 121-8216 | 1 | Trim-Window | 13:4 | 121-8327 | 1 | Washer |
| 3 | 121-8571-03 | 1 | Frame-Door, LH | 13:5 | 121-8328 | 1 | Nut |
| 4 | 121-8331 | 1 | Gasket-Handle | 13:6 | 121-8627 | 1 | Cylinder-Mounting, End |
| 5 | 104-8300 | 9 | Nut-HF, NI | 13:7 | 121-8323 | 1 | Grommet-Mounting, Small |
| 6 | 125-9982 | 16 | Bushing-Flange | 13:8 | 125-9531 | 1 | Key-Set |
| 7 | 125-9676 | 4 | Washer-Backup | 14 | 33103-025 | 1 | Screw-HHF |
| 9 | 125-9520 | 8 | Screw-Shoulder, HSH | 15 | 3234-21 | 2 | Screw-HHF |
| 11 | 98-3104 | 1 | Stud-Ball | 16 | 104-7201 | 2 | Nut-HF, NI |
| 12 | 121-8391 | 1 | Latch-LH | 17 | 121-8395 | 1 | Plate-Support, Latch |
| 13 | 121-8630 | 1 | Handle ASM | | | | |



Engine Hose Routing Assembly

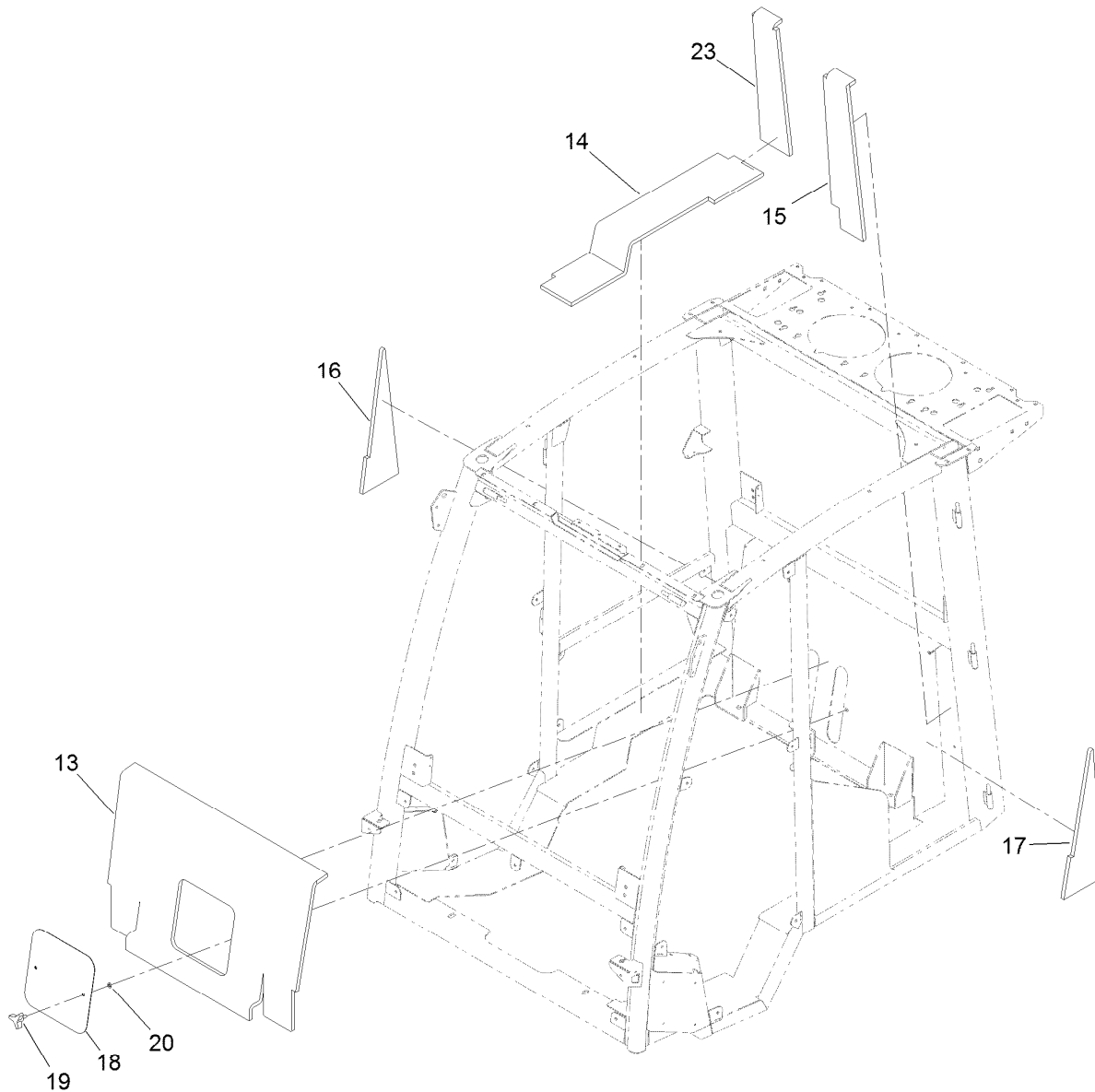
| Ref. | Part Number | Qty. | Description | Ref. | Part Number | Qty. | Description |
|-------|-------------|------|------------------------|-------|-------------|------|--------------------------|
| 1 | 120-4947 | 1 | Valve-Heater | 7 | 125-9861 | 1 | Hose ASM |
| 2 | 130-0578 | 2 | Fitting-Barb, 90 DEG | 7:1 | 130-0418 | 1 | Hose |
| 3 | 2412-129 | 6 | Clamp-Hose | 7:2 | 130-5752 | 1 | Fitting-Female, 90 DEG |
| 4 | 125-9702 | 1 | Hose ASM | 7:2:1 | 130-5773 | 1 | Fitting Kit |
| 4:1 | 130-0417 | 1 | Hose | 7:2:2 | 117-2778 | 1 | O-Ring |
| 4:2 | 130-5753 | 1 | Fitting-45 DEG | 7:3 | 130-5758 | 1 | Fitting-Female, 90 DEG |
| 4:2:1 | 130-5772 | 1 | Fitting Kit | 7:3:1 | 130-5773 | 1 | Fitting Kit |
| 4:2:2 | 117-2778 | 1 | O-Ring | 7:3:2 | 117-2779 | 1 | O-Ring |
| 4:3 | 130-5751 | 1 | Fitting-Female, 90 DEG | 7:3:3 | 117-2783 | 1 | Cap-Side, High |
| 4:3:1 | 130-5772 | 1 | Fitting Kit | 8 | 125-9862 | 1 | Hose ASM |
| 4:3:2 | 117-2778 | 1 | O-Ring | 8:1 | 130-0419 | 1 | Hose |
| 4:4 | 130-5958 | 1 | Cover-Foam | 8:2 | 130-5755 | 1 | Fitting-Female, Straight |
| 4:5 | 3290-378 | 8 | Tie-Cable | 8:2:1 | 130-5775 | 1 | Fitting Kit |
| 5 | 125-9703 | 1 | Hose ASM | 8:2:2 | 117-2780 | 1 | O-Ring |
| 5:1 | 130-0417 | 1 | Hose | 8:2:3 | 117-2784 | 1 | Cap-Side, Low |
| 5:2 | 130-5751 | 2 | Fitting-Female, 90 DEG | 8:3 | 130-5754 | 1 | Fitting-Male, 45 DEG |
| 5:2:1 | 130-5772 | 1 | Fitting Kit | 8:3:1 | 130-5775 | 1 | Fitting Kit |
| 5:2:2 | 117-2778 | 1 | O-Ring | 8:3:2 | 117-2780 | 1 | O-Ring |
| 5:3 | 130-5958 | 1 | Cover-Foam | 8:4 | 130-5959 | 1 | Cover-Foam |
| 5:4 | 3290-378 | 8 | Tie-Cable | 8:5 | 3290-378 | 8 | Tie-Cable |
| 6 | 125-9706 | 1 | Hose-Heater | 9 | 125-9865 | 2 | Hose-Drain |



Engine Hose Routing Assembly (continued)

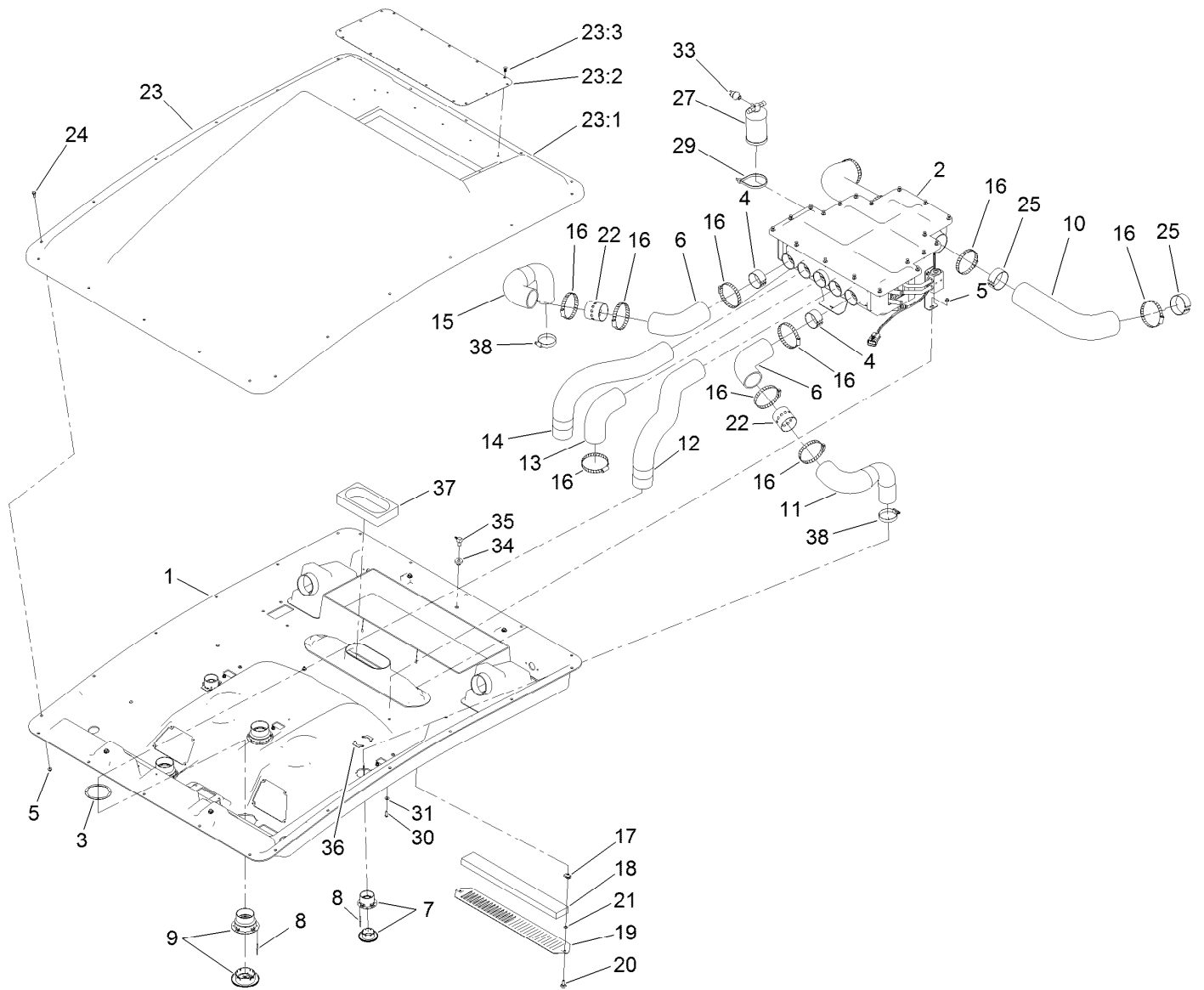
| Ref. | Part Number | Qty. | Description |
|------|-------------|------|----------------------|
| 10 | 125-9866 | 2 | Hose-Drain |
| 11 | 127-9901 | 1 | Hose-Washer Fluid |
| 12 | 125-9864 | 2 | Hose-Heater |
| 13 | 130-0581 | 1 | Plug-Tapered (Red) |
| 14 | 130-0582 | 1 | Plug-Tapered (Green) |

| Ref. | Part Number | Qty. | Description |
|------|-------------|------|--------------------|
| 15 | 127-9905 | 1 | Fitting-Hose, Barb |
| 16 | 130-5813 | 1 | Hose-Fuel |
| 17 | 2412-98 | 1 | Clamp-Hose |
| 18 | 2412-73 | 1 | Clamp-R |



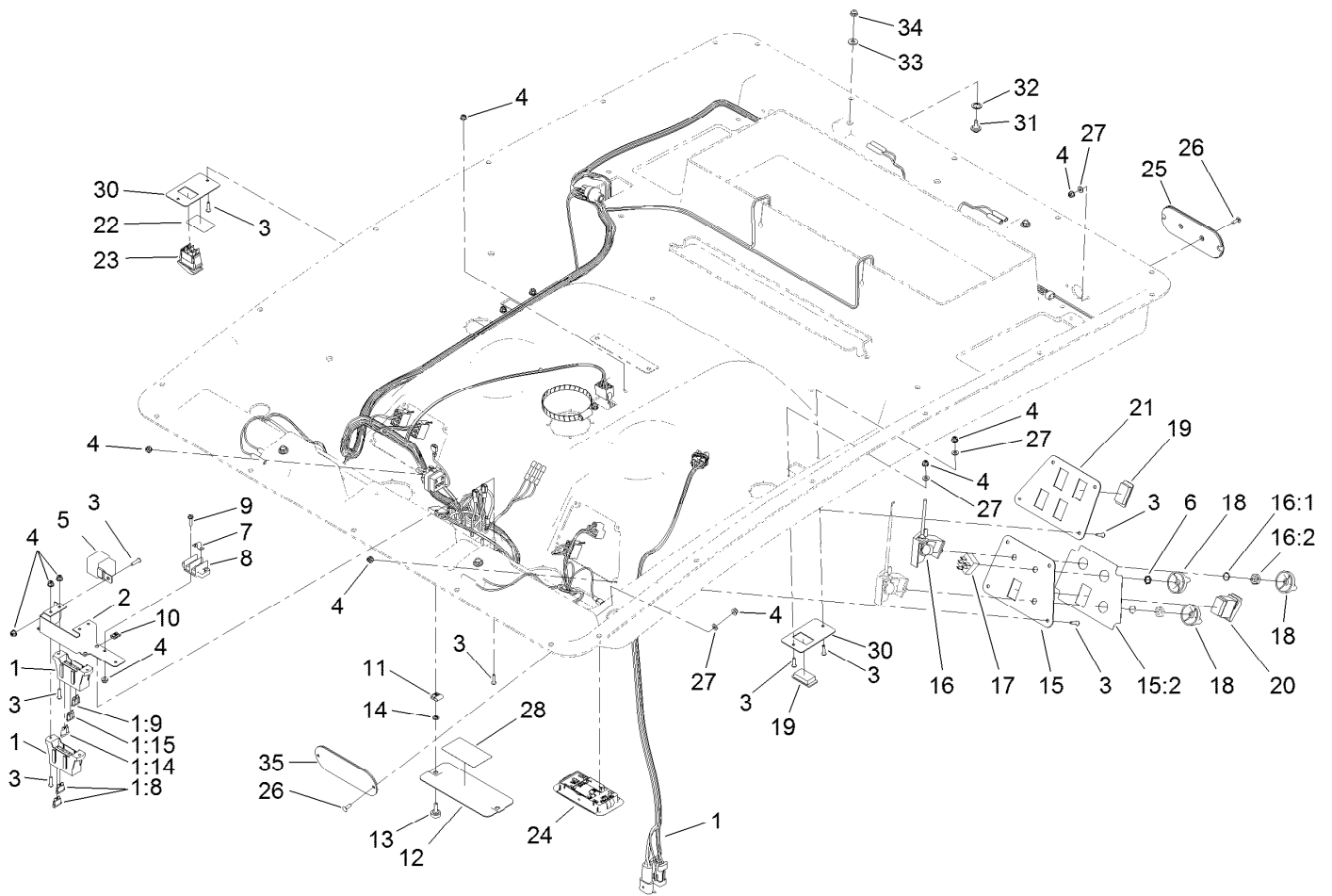
Interior Foam Assembly

| <i>Ref.</i> | <i>Part Number</i> | <i>Qty.</i> | <i>Description</i> |
|-------------|--------------------|-------------|----------------------------|
| 13 | 130-0564 | 1 | Foam-Upholstery, Rear |
| 14 | 130-5837 | 1 | Foam-Interior, RH-Lower |
| 15 | 130-0563 | 1 | Foam-Upholstery, Rear-LH |
| 16 | 130-0561 | 1 | Foam-Upholstery, Side (RH) |
| 17 | 130-0570 | 1 | Foam-Upholstery, Rear (LH) |
| 18 | 121-8161-03 | 1 | Plate-Panel, Access |
| 19 | 700806 | 2 | Knob |
| 20 | 109-5667 | 2 | Nut-Push |
| 23 | 130-5838 | 1 | Foam-Interior, RH (Upper) |



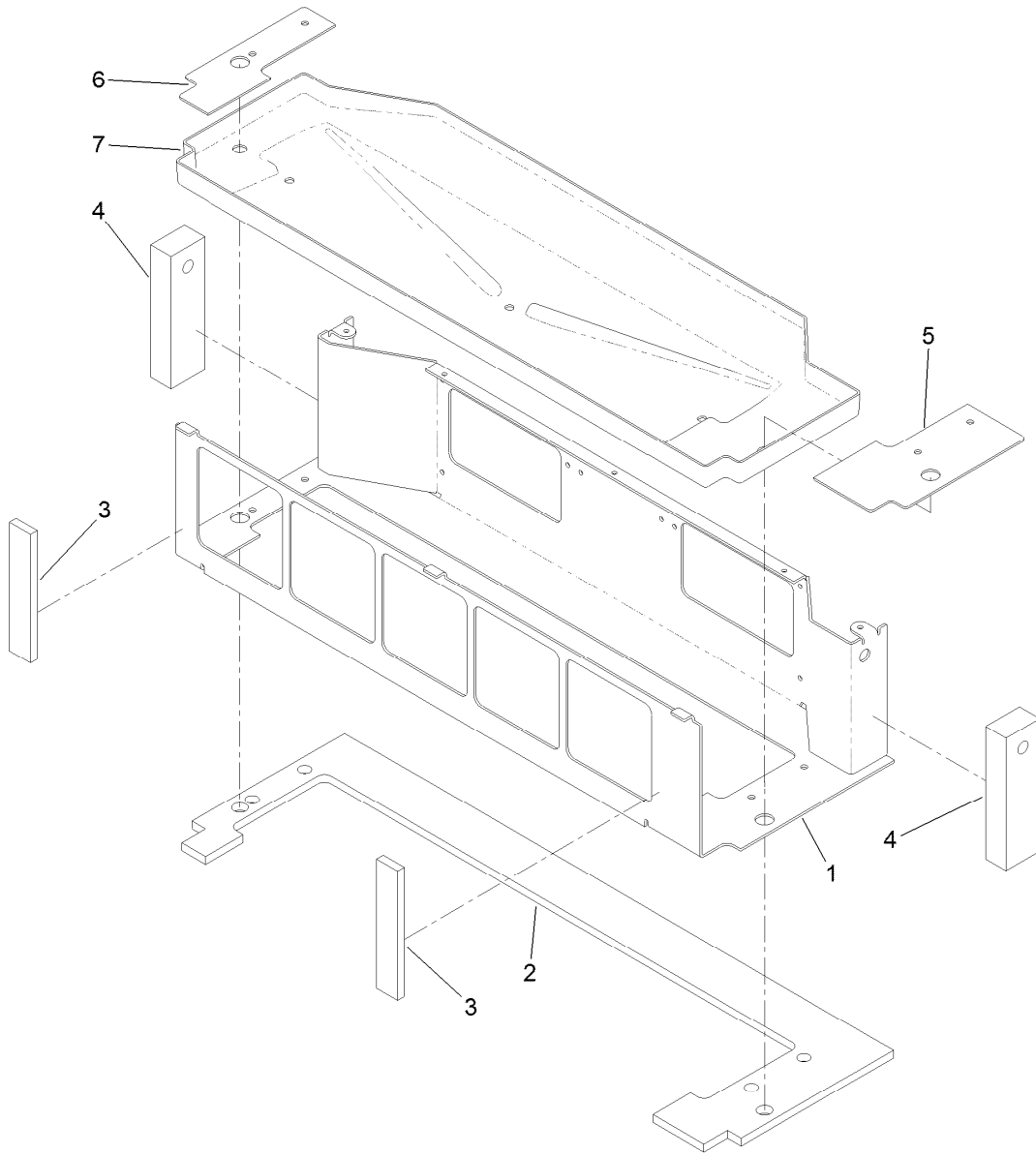
Mixing Box and Vent Hose Assembly

| Ref. | Part Number | Qty. | Description | Ref. | Part Number | Qty. | Description |
|------|-------------|------|--------------------------------|------|-------------|------|-----------------------|
| 1 | 121-8470 | 1 | Headliner | 20 | 125-7438 | 2 | Knob-Screw, Thumb |
| 2 | 121-8495 | 1 | Box-Mixing, Heater A/C | 21 | 106-8737 | 2 | Nut-Retainer |
| 3 | 130-0558 | 3 | Backplate-Rivet | 22 | 130-5927 | 2 | Adapter-Bleed |
| 4 | 130-5938 | 2 | Tube-Support | 23 | 130-0459 | 1 | Roof ASM |
| 5 | 104-7201 | 24 | Nut-HF, NI | 23:1 | 125-9607 | 1 | Roof |
| 6 | 130-5860 | 2 | Hose-Vent | 23:2 | 121-8472-03 | 1 | Screen-Roof |
| 7 | 130-0455 | 2 | Louver-Round, Snap-In | 23:3 | 114-4899 | 16 | Rivet-Push |
| 8 | 125-7503 | 20 | Rivet-Pop | 24 | 119-4161 | 22 | Bolt-Shoulder |
| 9 | 130-0465 | 3 | Louver-Round, Snap-In (4 Inch) | 25 | 130-5939 | 4 | Tube-Support |
| 10 | 121-8473 | 2 | Hose-Intake, Fresh Air | 27 | 119-4502 | 1 | Drier-Receiver |
| 11 | 130-5861 | 1 | Hose-Vent, Outer (LH) | 29 | 3334-945 | 2 | Tie-Cable |
| 12 | 121-8477 | 1 | Hose-Vent, Defrost (LH) | 30 | 3274-69 | 2 | Screw-HSBH |
| 13 | 130-0437 | 1 | Hose-Vent, Center | 31 | 3256-1 | 2 | Washer-Flat |
| 14 | 121-8478 | 1 | Hose-Vent, Defrost (RH) | 33 | 119-4501 | 1 | Switch-Function, Dual |
| 15 | 130-5862 | 1 | Hose-Vent, Outer (RH) | 34 | 46-6560 | 1 | Bushing |
| 16 | 2412-110 | 11 | Clamp-Band/Screw | 35 | 104-5228 | 1 | Fitting-Elbow, 90 DEG |
| 17 | 107069 | 2 | Clip | 36 | 130-0445 | 4 | Backplate-Rivet |
| 18 | 125-9532 | 1 | Filter-Cab, Inside | 37 | 130-0444 | 1 | Foam-Inlet, Airbox |
| 19 | 125-9604-03 | 1 | Plate-Cover, Recirculation | 38 | 2412-130 | 2 | Clamp-Hose |



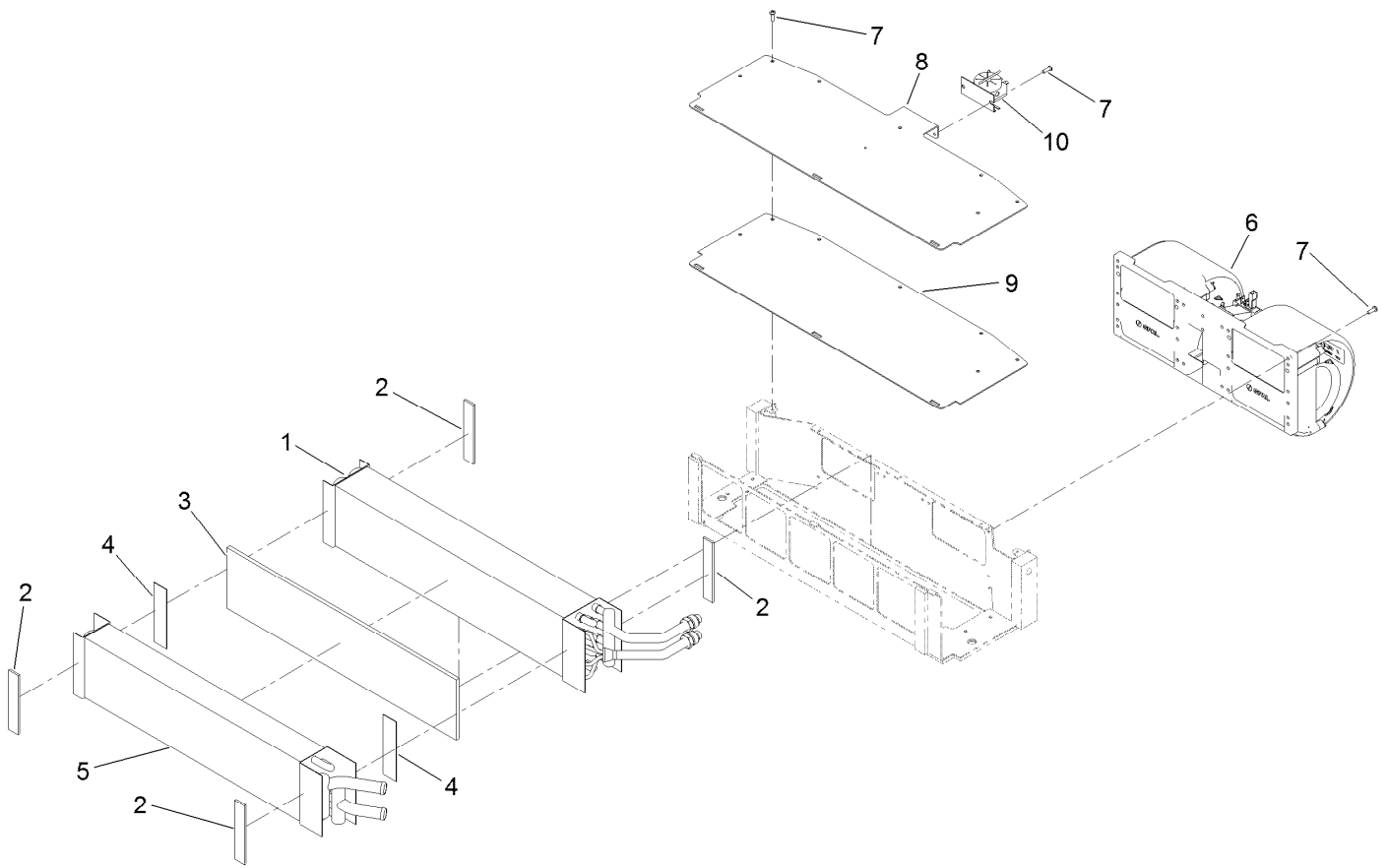
Headliner Wire Harness and Control Assembly

| Ref. | Part Number | Qty. | Description | Ref. | Part Number | Qty. | Description |
|------|-------------|------|-------------------------|------|-------------|------|---------------------------|
| 1 | 119-4387 | 1 | Harness-Wire, Headliner | 16:1 | 3254-20 | 1 | Washer-Lock, Int |
| 1:8 | 109355 | 2 | Fuse-Blade, 15 Amp | 16:2 | 3220-4 | 1 | Nut-Jam |
| 1:9 | 109103 | 1 | Fuse-Blade, 30 Amp | 17 | 122-0150 | 1 | Switch, Rotary |
| 1:14 | 109101 | 1 | Fuse-Blade, 20 Amp | 18 | 125-9510 | 3 | Knob-Control |
| 1:15 | 109102 | 1 | Fuse-Blade, 25 Amp | 19 | 99-7420 | 6 | Plug-Hole |
| 2 | 125-9606-03 | 1 | Bracket-Fuse Block | 20 | 95-8999 | 1 | Switch-Rocker, On-None-On |
| 3 | 104-2408 | 23 | Screw-HSBH | 21 | 125-9691-03 | 1 | Panel-Switch, Lights |
| 4 | 120-4578 | 29 | Nut-HF | 22 | 125-9688 | 1 | Decal-Washer |
| 5 | 99-7430 | 1 | Relay-Mini | 23 | 119-8355 | 1 | Switch-Rocker |
| 6 | 130-0588 | 1 | Nut-Switch | 24 | 125-7437 | 1 | Light-Dome |
| 7 | 42863 | 1 | Strip-Jumper | 25 | 130-5867 | 2 | Cover-Light, Rear |
| 8 | 42862 | 1 | Block-Terminal, Ground | 26 | 3229-34 | 8 | Screw-CARR |
| 9 | 32105-13 | 2 | Screw-HWH | 27 | 3256-14 | 13 | Washer-Flat |
| 10 | 107-1013 | 4 | Nut-Speed | 28 | 130-0458 | 1 | Decal-Panel, Fuse |
| 11 | 609900 | 2 | Nut-Speed | 30 | 130-0436-03 | 3 | Panel-Switch |
| 12 | 125-9603-03 | 1 | Plate-Cover, Fuse | 31 | 92-9698 | 4 | Screw-Shoulder |
| 13 | 125-7438 | 2 | Knob-Screw, Thumb | 32 | 94-8196 | 4 | Washer-Nylon |
| 14 | 106-8737 | 2 | Nut-Retainer | 33 | 3256-2 | 4 | Washer-Flat |
| 15 | 121-8481 | 1 | Panel-Air/Heat | 34 | 104-7201 | 4 | Nut-HF, NI |
| 15:2 | 121-8378 | 1 | Decal, Air/Heat | 35 | 130-5868 | 2 | Cover-Light, Front |
| 16 | 125-9677 | 1 | Control-Rotary, Linear | | | | |



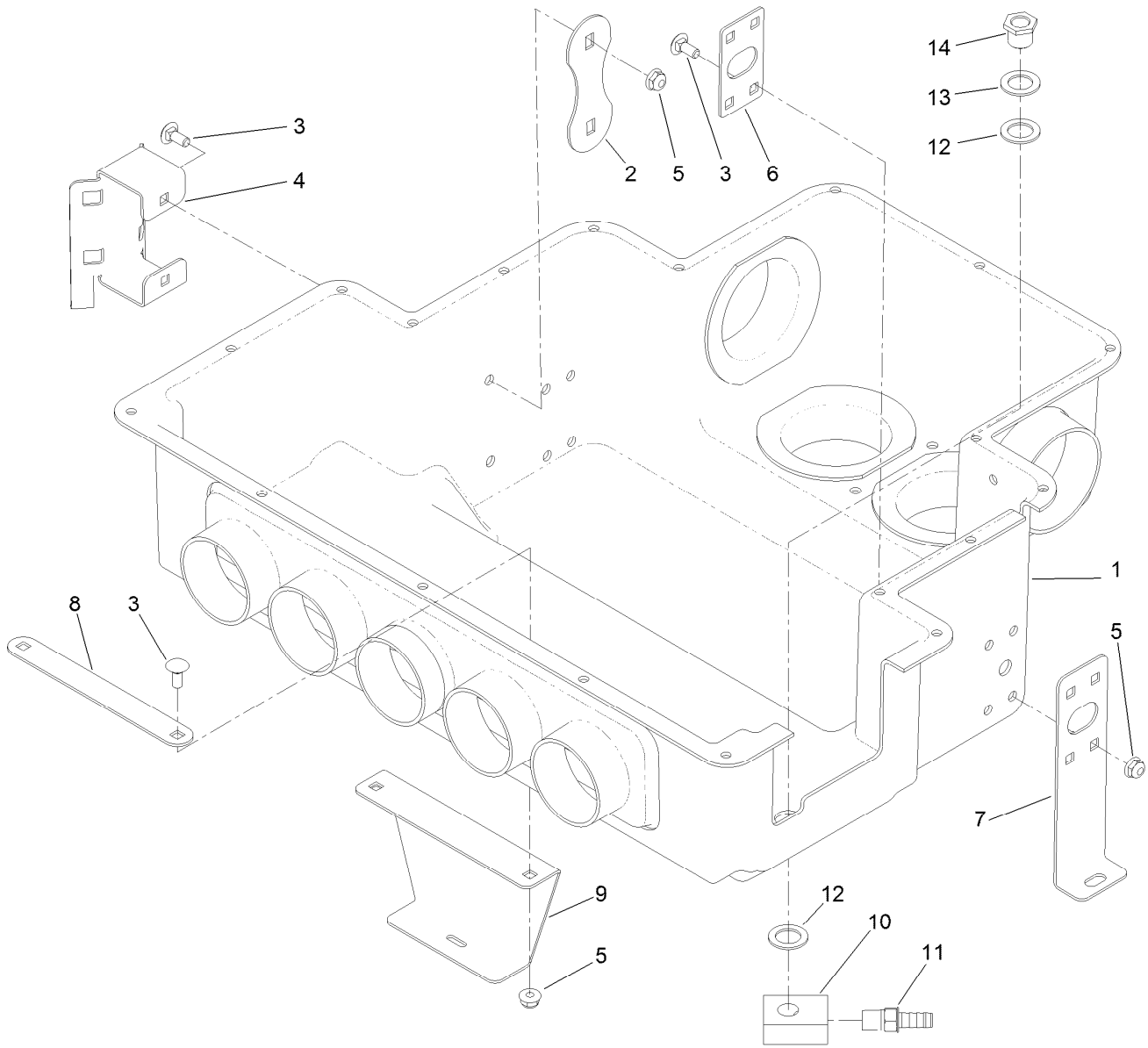
Mixing Box Mounting Bracket and Water Tray Assembly

| <i>Ref.</i> | <i>Part Number</i> | <i>Qty.</i> | <i>Description</i> |
|-------------|--------------------|-------------|--------------------------|
| 1 | 130-5655-03 | 1 | Bracket-Mount |
| 2 | 130-5659 | 1 | Seal-Foam |
| 3 | 130-5808 | 2 | Seal-Foam, Front |
| 4 | 130-0602 | 2 | Seal-End |
| 5 | 130-5653 | 1 | Gasket-Mount, LH Bracket |
| 6 | 130-5654 | 1 | Gasket-Mount, RH Bracket |
| 7 | 130-5660 | 1 | Tray-Water |



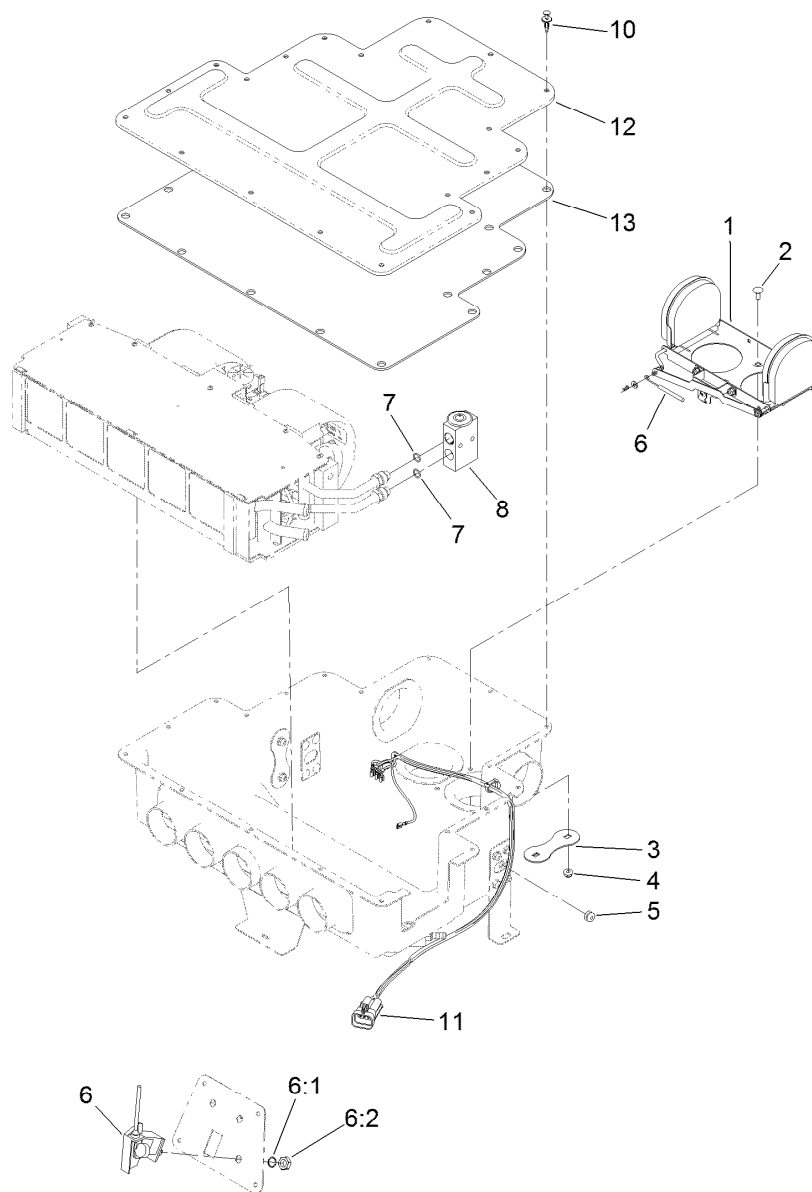
Blower Fan and Evaporator Core Assembly

| <i>Ref.</i> | <i>Part Number</i> | <i>Qty.</i> | <i>Description</i> |
|-------------|--------------------|-------------|-----------------------------|
| 1 | 130-5392 | 1 | Core-Evaporator |
| 2 | 130-5658 | 4 | Gasket-Coil |
| 3 | 130-5807 | 1 | Foam |
| 4 | 130-5806 | 2 | Tape, Double-Sided |
| 5 | 127-9915 | 1 | Core-Heater |
| 6 | 121-8451 | 1 | Fan-Blower |
| 7 | 363-8245 | 13 | Screw-TAP |
| 8 | 130-5656-03 | 1 | Cover, Bracket-Mount |
| 9 | 130-5652 | 1 | Gasket-Mount, Cover Bracket |
| 10 | 121-8385 | 1 | Thermostat-Switch, Freeze |



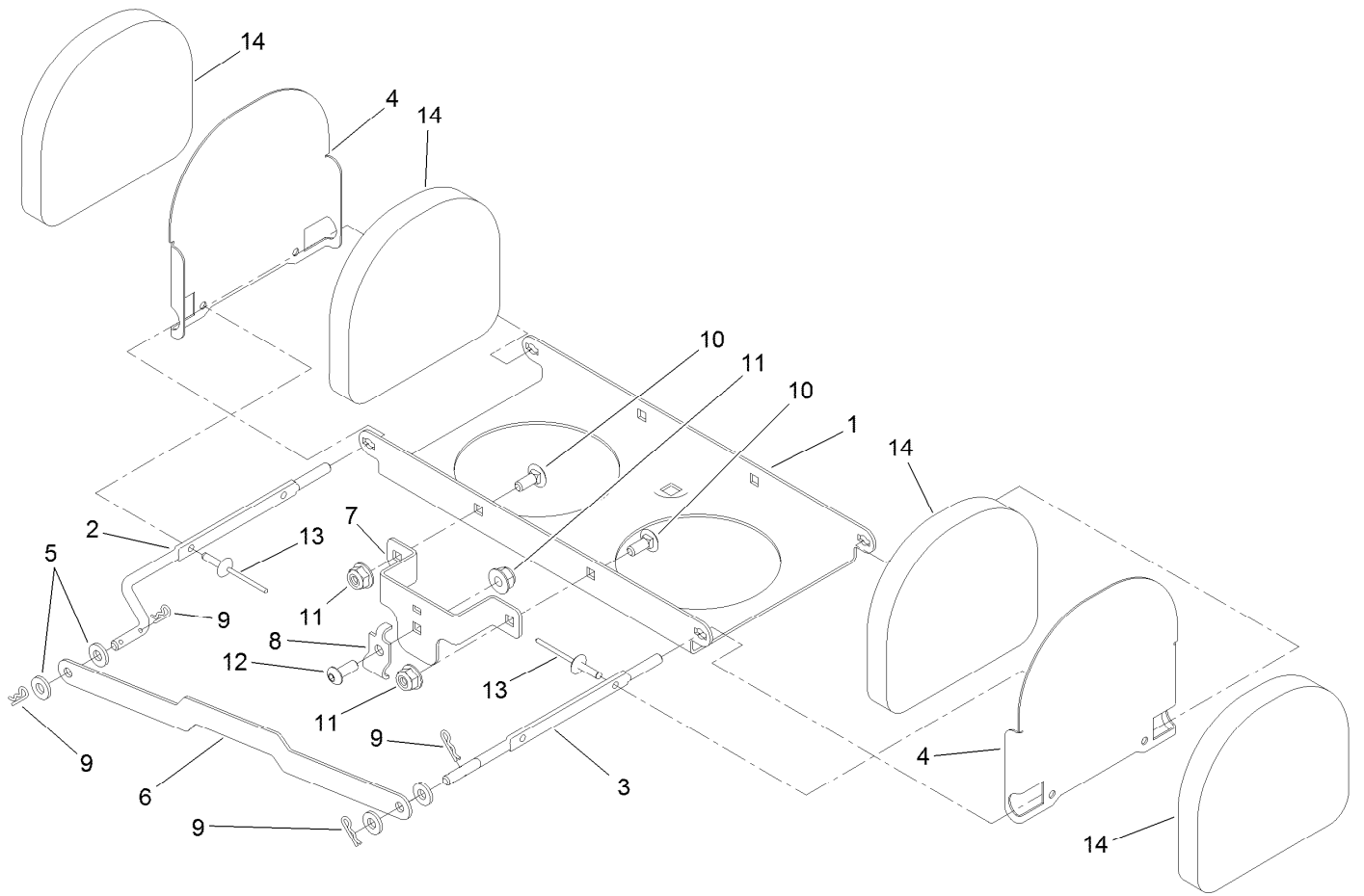
Heat/Air Conditioner Housing Assembly

| Ref. | Part Number | Qty. | Description |
|------|-------------|------|------------------------|
| 1 | 130-5830 | 1 | Housing-Heat/AC |
| 2 | 121-8491 | 1 | Plate-Support |
| 3 | 3229-11 | 12 | Screw-CARR |
| 4 | 121-8490 | 1 | Bracket-Mount, Drier |
| 5 | 104-7201 | 12 | Nut-HF, NI |
| 6 | 130-5834 | 2 | Bracket-Support |
| 7 | 130-5821 | 2 | Bracket-Airbox, Side |
| 8 | 125-7504 | 1 | Plate-Backer, Center |
| 9 | 130-0554 | 1 | Bracket-Airbox, Center |
| 10 | 130-5601 | 2 | Drain-Lower |
| 11 | 108-0342 | 2 | Fitting-Straight |
| 12 | 121-6840 | 4 | Washer-Rubber |
| 13 | 107-3041 | 2 | Washer-Flat |
| 14 | 130-0293 | 2 | Drain-Upper |



Air Diverter and Expansion Valve Assembly

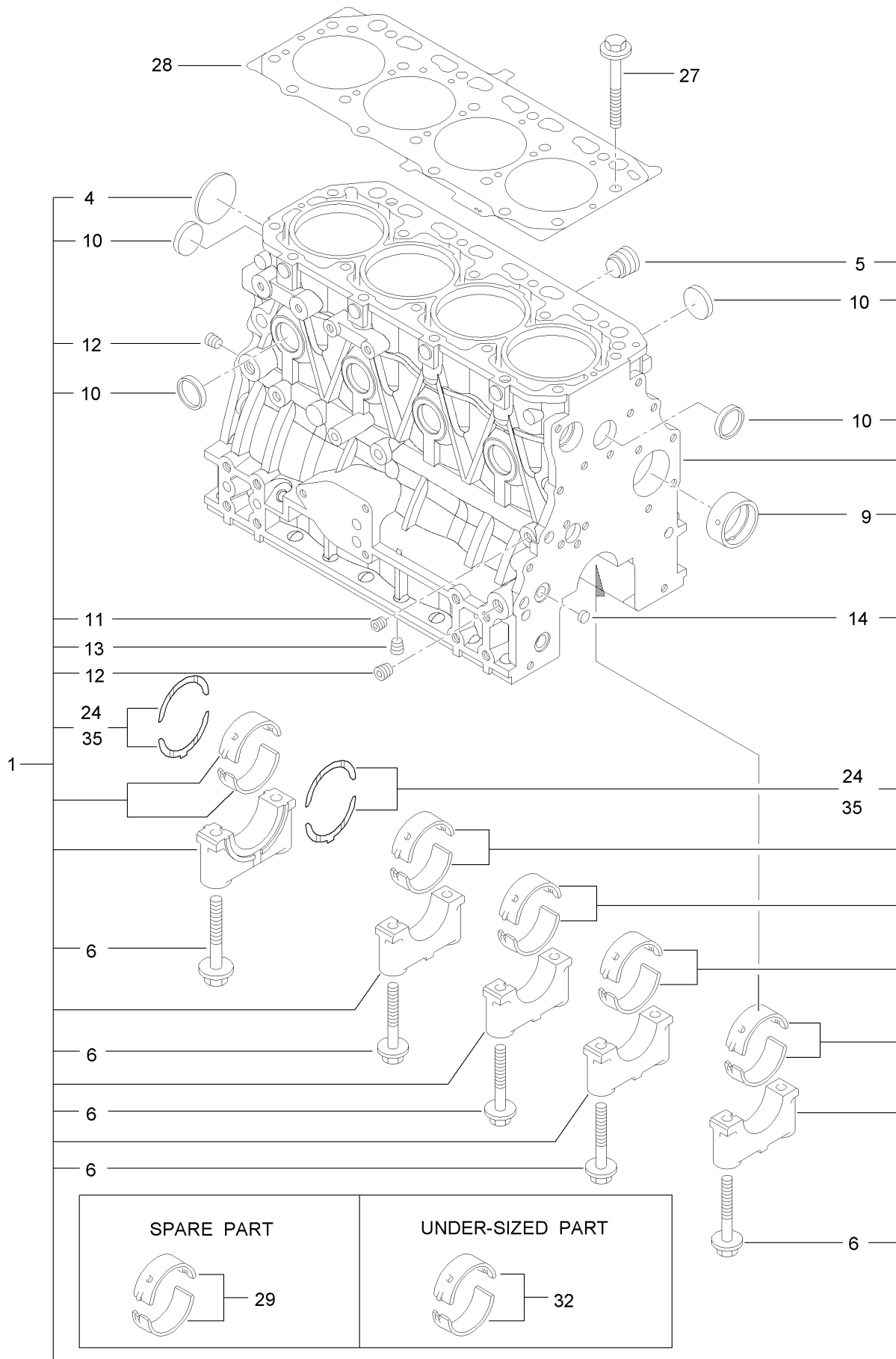
| <i>Ref.</i> | <i>Part Number</i> | <i>Qty.</i> | <i>Description</i> |
|-------------|--------------------|-------------|------------------------------|
| 1 | 121-8369 | 1 | Air Diverter ASM |
| 2 | 3229-11 | 2 | Screw-CARR |
| 3 | 121-8491 | 1 | Plate-Support |
| 4 | 104-7201 | 2 | Nut-HF, NI |
| 5 | 125-7528 | 1 | Grommet-Cable |
| 6 | 125-9678 | 1 | Control-Rotary, Linear |
| 6:1 | 3254-20 | 1 | Washer-Lock, Int |
| 6:2 | 3220-4 | 1 | Nut-Jam |
| 7 | 125-9524 | 2 | O-Ring |
| 8 | 121-8384 | 1 | Valve-Expansion |
| 10 | 125-9622 | 19 | Rivet-Blind |
| 11 | 122-0153 | 1 | Harness-Wire, Heat/AC Blower |
| 12 | 121-8449 | 1 | Housing-Ventilation, Upper |
| 13 | 130-5614 | 1 | Insulation-Cover |



Air Diverter Assembly No. 121-8369

| <i>Ref.</i> | <i>Part Number</i> | <i>Qty.</i> | <i>Description</i> |
|-------------|--------------------|-------------|--------------------|
| 1 | 125-9697 | 1 | Base-Mount |
| 2 | 121-8381 | 1 | Shaft-Baffle, RH |
| 3 | 121-8382 | 1 | Shaft-Baffle, LH |
| 4 | 125-9698 | 2 | Baffle-Air |
| 5 | 3256-51 | 4 | Washer-Flat |
| 6 | 125-9696 | 1 | Link-Baffle |
| 7 | 121-8374 | 1 | Mount-Cable |
| 8 | 121-8256 | 1 | Clamp-Conduit |
| 9 | 108-2992 | 4 | Pin-Hair |
| 10 | 1-807513 | 2 | Bolt-CARR |
| 11 | 120-4578 | 3 | Nut-HF |
| 12 | 115-9830 | 1 | Screw-HSBH |
| 13 | 3290-271 | 4 | Rivet-Pop |
| 14 | 125-9699 | 4 | Damper-Foam |

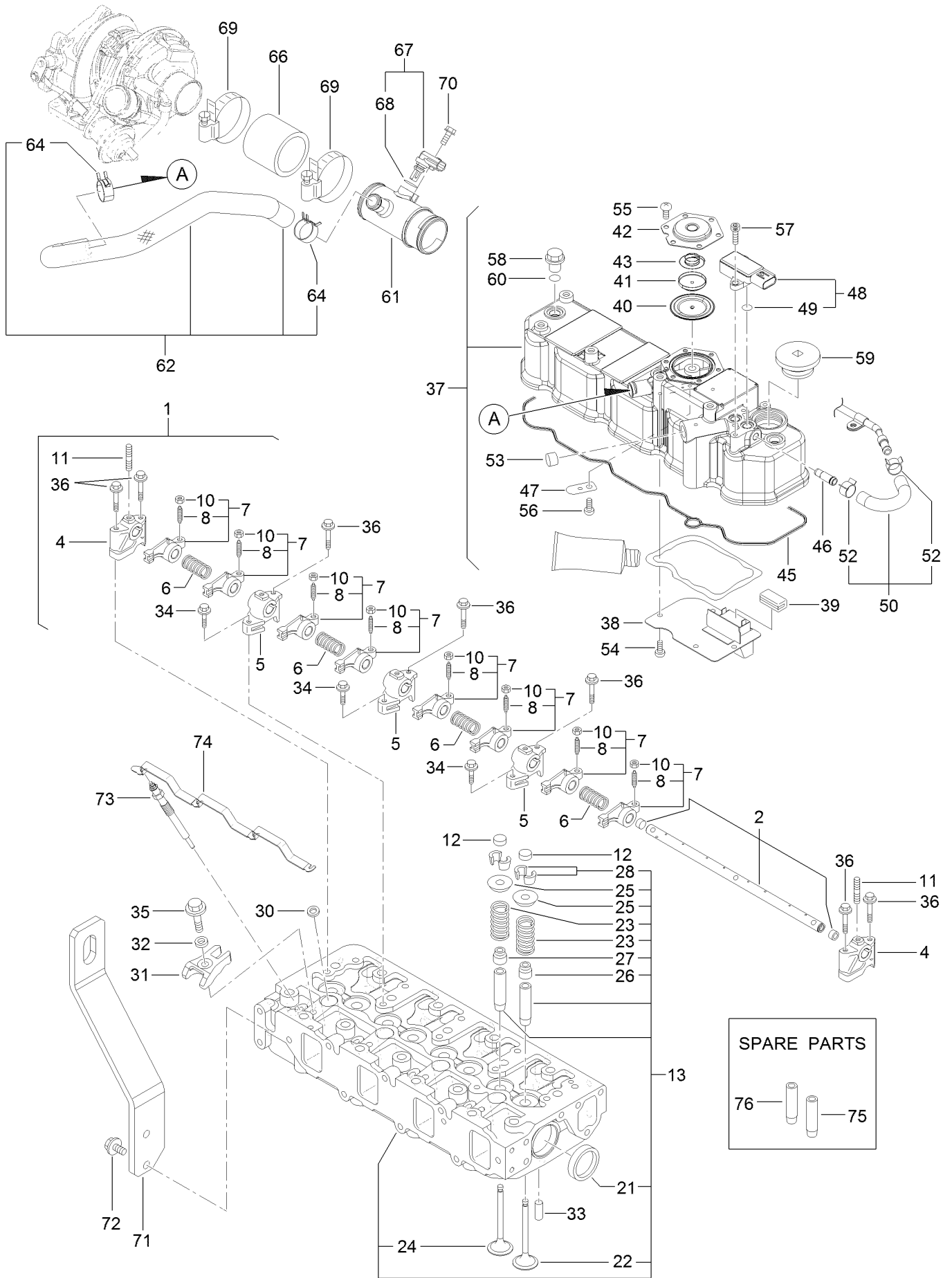
Cylinder Block Assembly



Cylinder Block Assembly (continued)

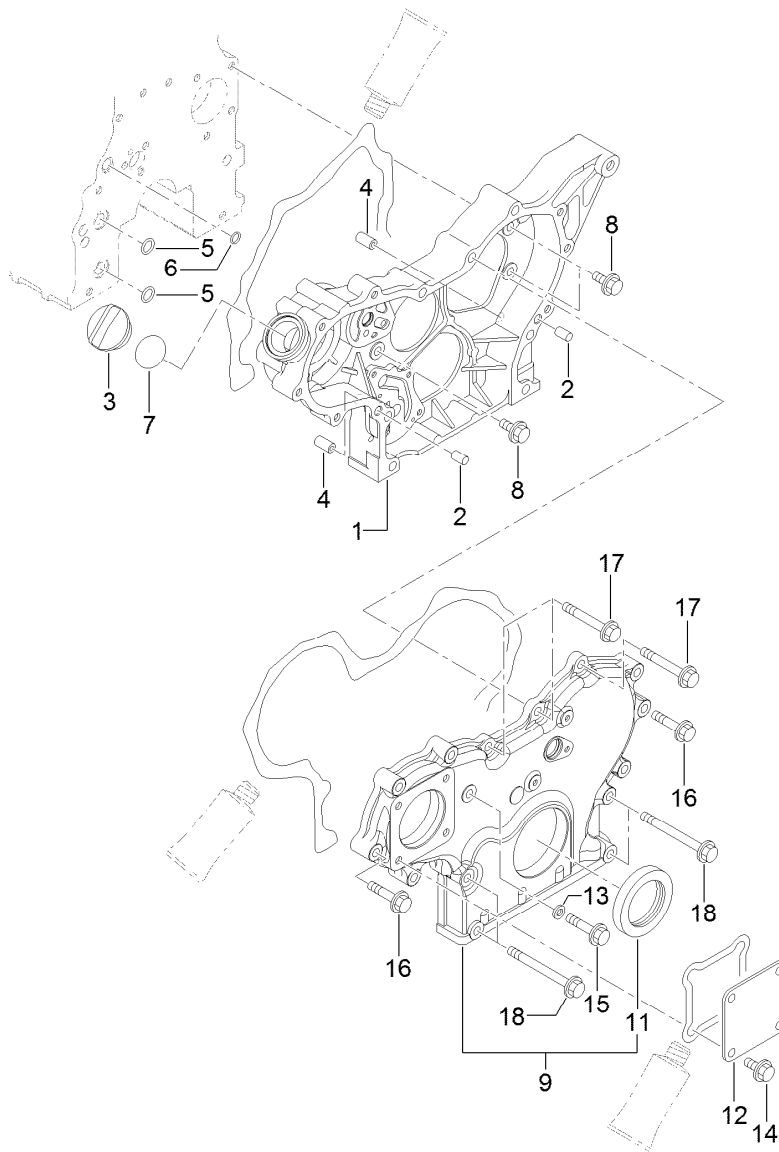
| <i>Ref.</i> | <i>Part Number</i> | <i>Qty.</i> | <i>Description</i> | <i>Ref.</i> | <i>Part Number</i> | <i>Qty.</i> | <i>Description</i> |
|-------------|--------------------|-------------|--------------------|-------------|--------------------|-------------|-----------------------|
| 1 | 127-3127 | 1 | Cylinder Block ASM | 13 | 125-6973 | 1 | Plug |
| 4 | 125-6980 | 1 | Plug | 14 | 125-7237 | 1 | Plug |
| 5 | 125-7170 | 1 | Plug | 24 | 125-7010 | 2 | Metal-Thrust |
| 6 | 125-7007 | 10 | Bolt | 27 | 125-7006 | 18 | Bolt |
| 9 | 125-7108 | 1 | Bushing | 28 | 127-3126 | 1 | Gasket-Head, Cylinder |
| 10 | 125-7239 | 8 | Plug | 29 | 125-6981 | 5 | Metal-Main |
| 11 | 125-6969 | 1 | Plug | 32 | 125-7009 | 5 | Metal-Main (0.25) |
| 12 | 125-6973 | 2 | Plug | 35 | 125-7011 | 1 | Metal-Thrust (0.25) |

Cylinder Head and Cover Assembly



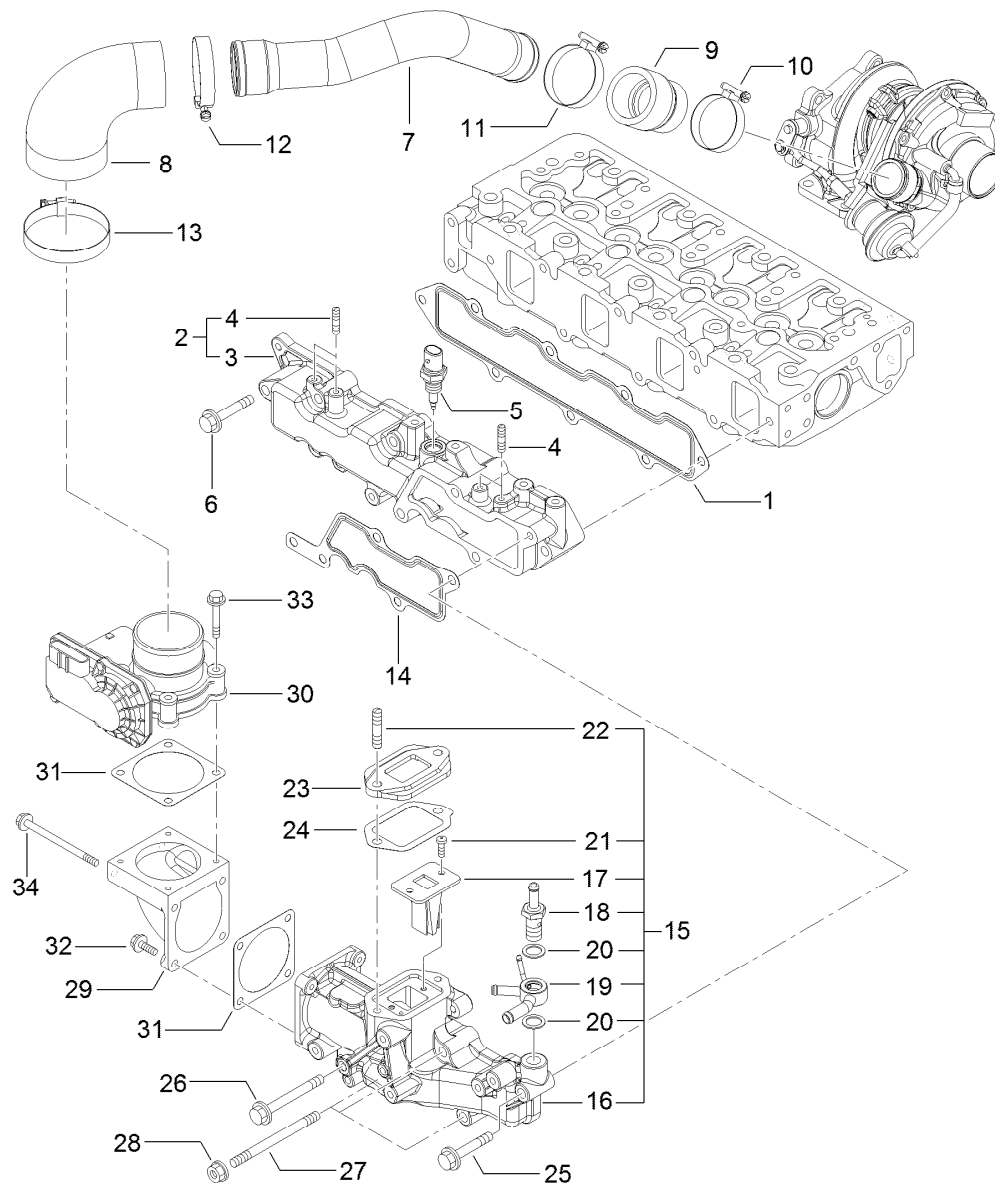
Cylinder Head and Cover Assembly (continued)

| <i>Ref.</i> | <i>Part Number</i> | <i>Qty.</i> | <i>Description</i> | <i>Ref.</i> | <i>Part Number</i> | <i>Qty.</i> | <i>Description</i> |
|-------------|--------------------|-------------|-------------------------|-------------|--------------------|-------------|-------------------------|
| 1 | 127-3005 | 1 | Shaft ASM | 42 | 125-6961 | 1 | Plate-Breather |
| 2 | 127-3006 | 1 | Shaft | 43 | 125-6962 | 1 | Spring-Diaphragm |
| 4 | 127-2974 | 2 | Support | 45 | 127-3106 | 1 | Gasket-Cover |
| 5 | 127-2975 | 3 | Support | 46 | 127-3026 | 1 | Joint |
| 6 | 127-2995 | 4 | Spring | 47 | 125-6994 | 1 | Spring |
| 7 | 127-2989 | 8 | Arm-Rocker | 48 | 127-3029 | 1 | Sensor-Pressure |
| 8 | 125-7013 | 8 | Screw-Adjust, Valve | 49 | 127-3032 | 2 | O Ring-Sensor, Pressure |
| 10 | 125-7014 | 8 | Nut | 50 | 127-3040 | 1 | Hose ASM |
| 11 | 127-3183 | 3 | Stud | 52 | 127-3041 | 2 | Clip-Hose |
| 12 | 127-2996 | 8 | Cap-Valve | 53 | 125-6913 | 1 | Plug |
| 13 | 127-3132 | 1 | Cylinder Head ASM | 54 | 125-7186 | 4 | Screw |
| 21 | 125-7240 | 2 | Plug | 55 | 125-7186 | 6 | Screw |
| 22 | 127-2990 | 4 | Valve | 56 | 125-7186 | 1 | Screw |
| 23 | 127-3012 | 8 | Spring | 57 | 127-3184 | 2 | Bolt |
| 24 | 127-2994 | 4 | Valve | 58 | 125-6974 | 3 | Knob |
| 25 | 127-3013 | 8 | Retainer-Spring | 59 | 127-2978 | 1 | Plug |
| 26 | 127-2986 | 4 | Seal-Stem, Valve | 60 | 93-0418 | 3 | O-Ring |
| 27 | 127-3027 | 4 | Seal-Stem, Valve | 61 | 127-3128 | 1 | Joint-Breather |
| 28 | 127-3186 | 8 | Pin-Cotter | 62 | 127-3129 | 1 | Breather Hose ASM |
| 30 | 127-3021 | 4 | Gasket-Injector | 64 | 125-7040 | 2 | Clip-Hose |
| 31 | 127-3028 | 4 | Retainer-Injector | 66 | 127-3133 | 1 | Hose-Intake |
| 32 | 127-2980 | 4 | Washer-Injector | 67 | 127-3030 | 1 | Sensor-Temp, Air |
| 33 | 125-7184 | 2 | Pin-Spring | 68 | 127-3033 | 1 | O-Ring |
| 34 | 125-7215 | 3 | Bolt | 69 | 125-7190 | 2 | Clamp-Hose |
| 35 | 125-7217 | 4 | Bolt | 70 | 125-7208 | 1 | Bolt |
| 36 | 125-7220 | 7 | Bolt | 71 | 127-3130 | 1 | Lifter-Engine |
| 37 | 127-3131 | 1 | Cylinder Head Cover ASM | 72 | 125-7214 | 2 | Bolt |
| 38 | 127-2988 | 1 | Plate | 73 | 127-2991 | 4 | Plug-Glow |
| 39 | 125-7012 | 1 | Baffle | 74 | 127-3123 | 1 | Connector-Glow Plug |
| 40 | 125-6959 | 1 | Diaphragm | 75 | 127-2979 | 4 | Guide |
| 41 | 125-6960 | 1 | Plate | 76 | 127-2997 | 4 | Guide-Valve |



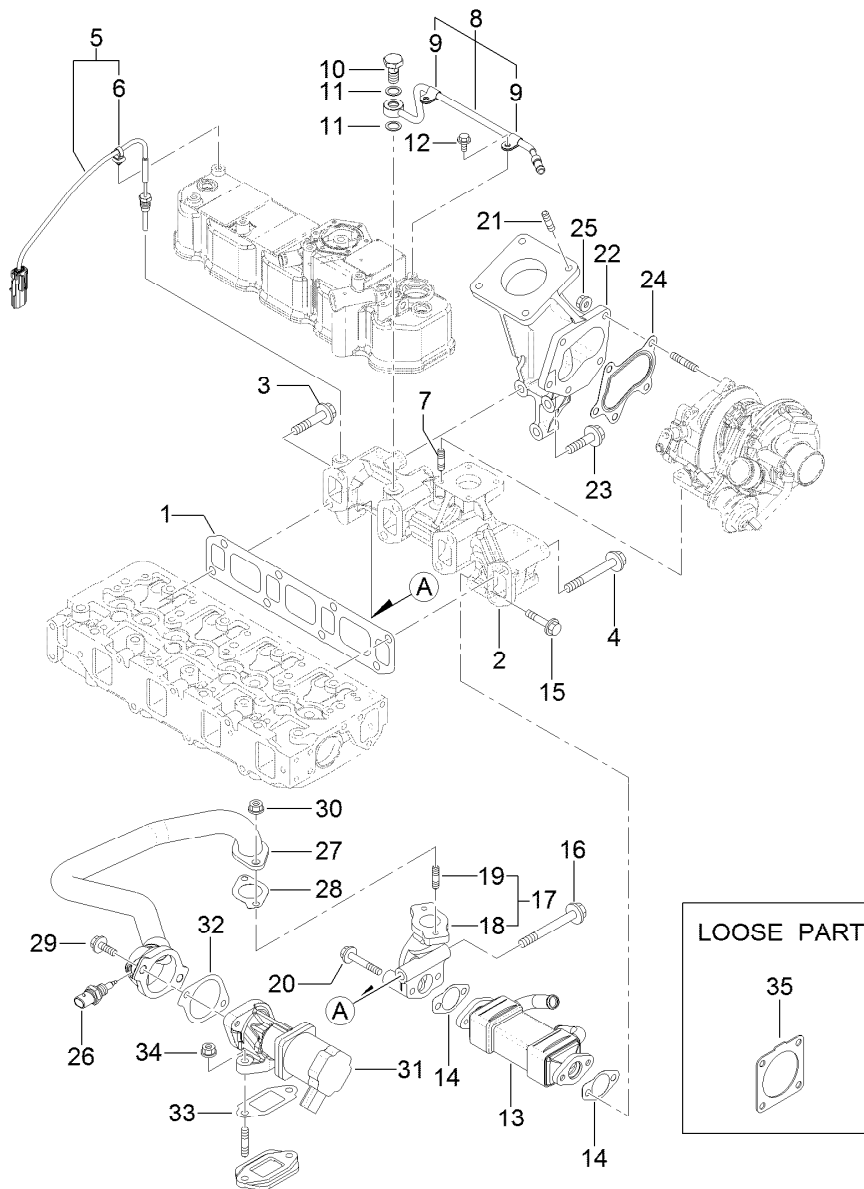
Gear Housing Assembly

| <i>Ref.</i> | <i>Part Number</i> | <i>Qty.</i> | <i>Description</i> | <i>Ref.</i> | <i>Part Number</i> | <i>Qty.</i> | <i>Description</i> |
|-------------|--------------------|-------------|--------------------|-------------|--------------------|-------------|--------------------|
| 1 | 127-3023 | 1 | Case-Gear | 11 | 125-6944 | 1 | Seal-Oil |
| 2 | 125-6995 | 2 | Pin | 12 | 125-6977 | 1 | Cover |
| 3 | 125-6972 | 1 | Cover-Filler | 13 | 125-7174 | 1 | Washer-Seal |
| 4 | 125-7107 | 2 | Pipe | 14 | 125-7214 | 4 | Bolt |
| 5 | 125-6909 | 2 | O-Ring | 15 | 125-7217 | 1 | Bolt |
| 6 | 127-2973 | 1 | O-Ring | 16 | 125-7218 | 7 | Bolt |
| 7 | 125-7197 | 1 | O-Ring | 17 | 125-7222 | 3 | Bolt |
| 8 | 125-7214 | 3 | Bolt | 18 | 125-7224 | 4 | Bolt |
| 9 | 127-3024 | 1 | Gearcase Cover ASM | | | | |



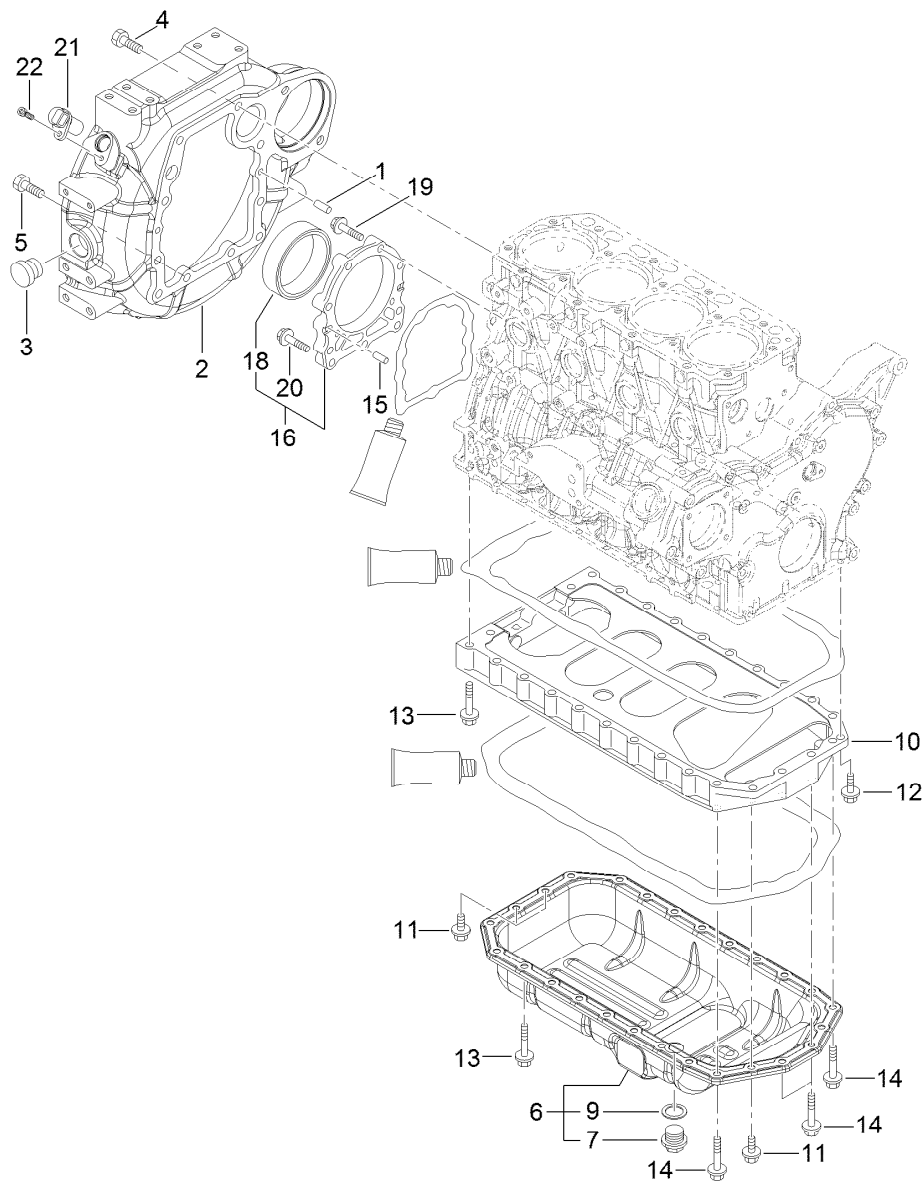
Suction Manifold Assembly

| Ref. | Part Number | Qty. | Description | Ref. | Part Number | Qty. | Description |
|------|-------------|------|-------------------------|------|-------------|------|---------------------|
| 1 | 127-3107 | 1 | Gasket-Manifold, Intake | 18 | 127-3080 | 1 | Joint-Hose |
| 2 | 127-3135 | 1 | Intake Manifold ASM | 19 | 127-3081 | 1 | Joint-Hose |
| 3 | 127-3134 | 1 | Manifold-Intake | 20 | 127-3166 | 2 | Washer-Seal |
| 4 | 127-3180 | 4 | Stud | 21 | 127-3168 | 2 | Screw |
| 5 | 127-3031 | 1 | Sensor-Temp, Air | 22 | 127-3181 | 2 | Stud |
| 6 | 125-7220 | 5 | Bolt | 23 | 127-3045 | 1 | Spacer-Valve, E G R |
| 7 | 127-3152 | 1 | Duct-Suction | 24 | 127-3046 | 1 | Gasket-E G R |
| 8 | 127-3096 | 1 | Joint-Rubber | 25 | 125-7220 | 1 | Bolt |
| 9 | 127-3153 | 1 | Joint-Rubber | 26 | 127-3178 | 1 | Bolt |
| 10 | 125-7189 | 1 | Clamp-Hose | 27 | 127-3182 | 3 | Stud |
| 11 | 127-3170 | 1 | Clamp-Hose | 28 | 125-7229 | 3 | Nut |
| 12 | 125-7190 | 1 | Clamp-Hose | 29 | 127-3035 | 1 | Bend-Inlet |
| 13 | 127-3171 | 1 | Clamp-Hose | 30 | 127-3036 | 1 | Body-Throttle |
| 14 | 127-3034 | 1 | Gasket-Collector | 31 | 127-3037 | 2 | Gasket-Throttle |
| 15 | 127-3093 | 1 | Intake Collector ASM | 32 | 125-7209 | 2 | Gasket |
| 16 | 127-3092 | 1 | Collector-Intake | 33 | 125-7211 | 4 | Bolt |
| 17 | 127-3139 | 1 | Valve-Reed | 34 | 127-3177 | 2 | Bolt |



Exhaust Manifold Assembly

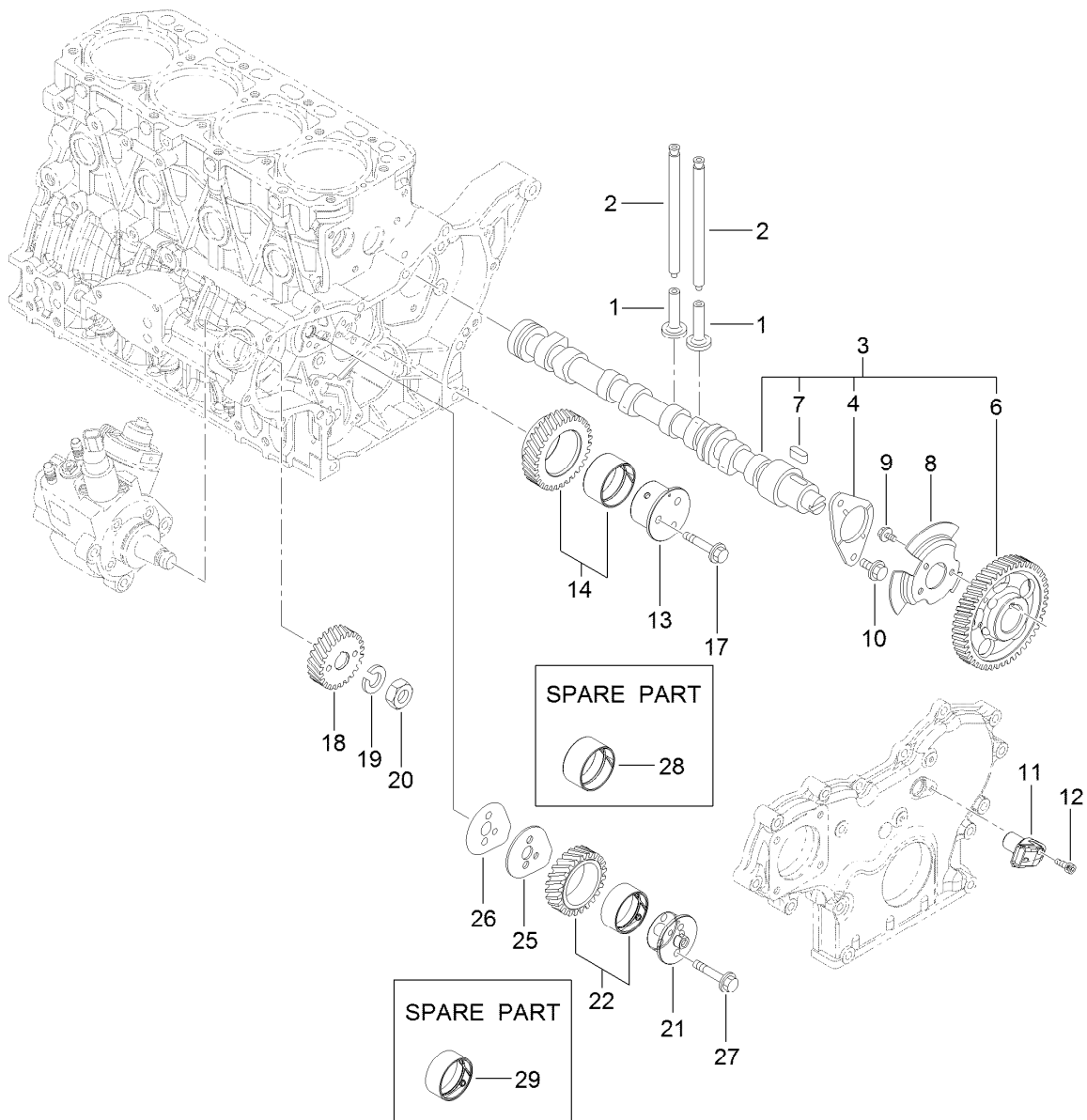
| Ref. | Part Number | Qty. | Description | Ref. | Part Number | Qty. | Description |
|------|-------------|------|--------------------------|------|-------------|------|----------------------------|
| 1 | 127-3108 | 1 | Gasket-Manifold, Exhaust | 19 | 125-7043 | 2 | Stud |
| 2 | 127-3136 | 1 | Manifold-Exhaust | 20 | 125-7220 | 2 | Bolt |
| 3 | 127-3094 | 1 | Bolt | 21 | 127-2984 | 4 | Stud |
| 4 | 127-3044 | 7 | Bolt-M10 | 22 | 127-3137 | 1 | Pipe-Exhaust |
| 5 | 127-3140 | 1 | Sensor-Temp, Exhaust | 23 | 127-3138 | 3 | Bolt-Flange |
| 6 | 127-3087 | 1 | Band-Clip | 24 | 125-7071 | 1 | Gasket |
| 7 | 125-7043 | 4 | Stud | 25 | 125-7229 | 5 | Nut |
| 8 | 127-3038 | 1 | Exhaust Pipe ASM | 26 | 127-3047 | 1 | Sensor-Gas Temp, E G R |
| 9 | 127-3173 | 2 | Clamp | 27 | 127-3109 | 1 | E G R Pipe ASM |
| 10 | 127-3039 | 1 | Bolt-Joint, Pipe | 28 | 127-3016 | 1 | Gasket |
| 11 | 127-3174 | 2 | Gasket | 29 | 125-7215 | 2 | Bolt |
| 12 | 125-7206 | 2 | Bolt | 30 | 125-7229 | 2 | Nut |
| 13 | 127-3042 | 1 | Cooler-E G R | 31 | 127-3110 | 1 | Valve-E G R |
| 14 | 127-3043 | 2 | Gasket-Cooler, E G R | 32 | 127-3050 | 1 | Gasket-Intake Valve, E G R |
| 15 | 127-2976 | 2 | Bolt | 33 | 127-3051 | 1 | Gasket-Out Valve, E G R |
| 16 | 127-3022 | 1 | Bolt-Flange | 34 | 125-7229 | 2 | Nut |
| 17 | 127-3048 | 1 | E G R Pipe ASM | 35 | 127-3019 | 1 | Gasket |
| 18 | 127-3049 | 1 | Pipe-Out, E G R | | | | |



Flywheel Housing and Oil Sump Assembly

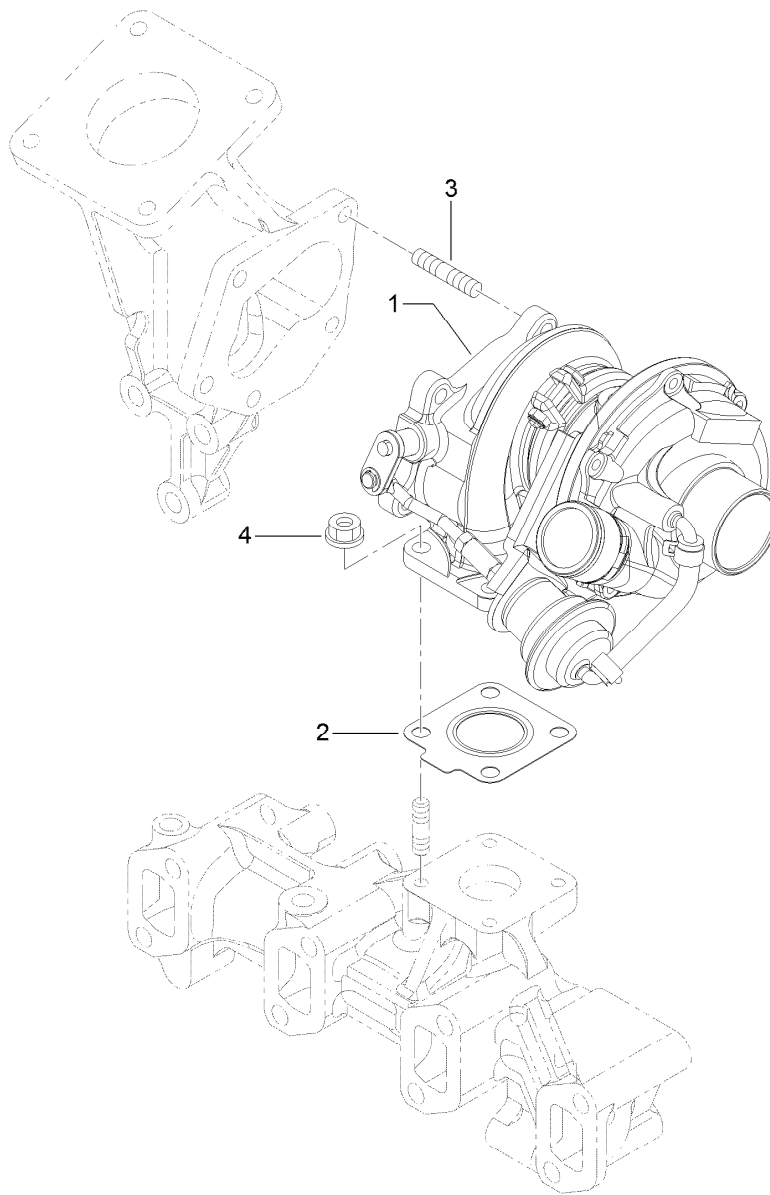
| <i>Ref.</i> | <i>Part Number</i> | <i>Qty.</i> | <i>Description</i> |
|-------------|--------------------|-------------|--------------------|
| 1 | 125-6995 | 2 | Pin |
| 2 | 127-3025 | 1 | Housing-Flywheel |
| 3 | 125-6910 | 1 | Cap |
| 4 | 125-7226 | 6 | Bolt |
| 5 | 125-7227 | 4 | Bolt |
| 6 | 125-7241 | 1 | Oil Sump ASM |
| 7 | 125-6912 | 1 | Plug-Drain |
| 9 | 125-7177 | 1 | Washer-Seal |
| 10 | 125-7035 | 1 | Spacer |
| 11 | 125-7214 | 4 | Bolt |

| <i>Ref.</i> | <i>Part Number</i> | <i>Qty.</i> | <i>Description</i> |
|-------------|--------------------|-------------|----------------------|
| 12 | 125-7215 | 2 | Bolt |
| 13 | 125-7219 | 20 | Bolt |
| 14 | 125-7220 | 4 | Bolt |
| 15 | 125-6995 | 2 | Pin |
| 16 | 125-6996 | 1 | Case ASM |
| 18 | 125-7106 | 1 | Seal-Oil |
| 19 | 125-7045 | 6 | Bolt |
| 20 | 125-7217 | 3 | Bolt |
| 21 | 127-3062 | 1 | Sensor-Rev, Flywheel |
| 22 | 127-3184 | 1 | Bolt |



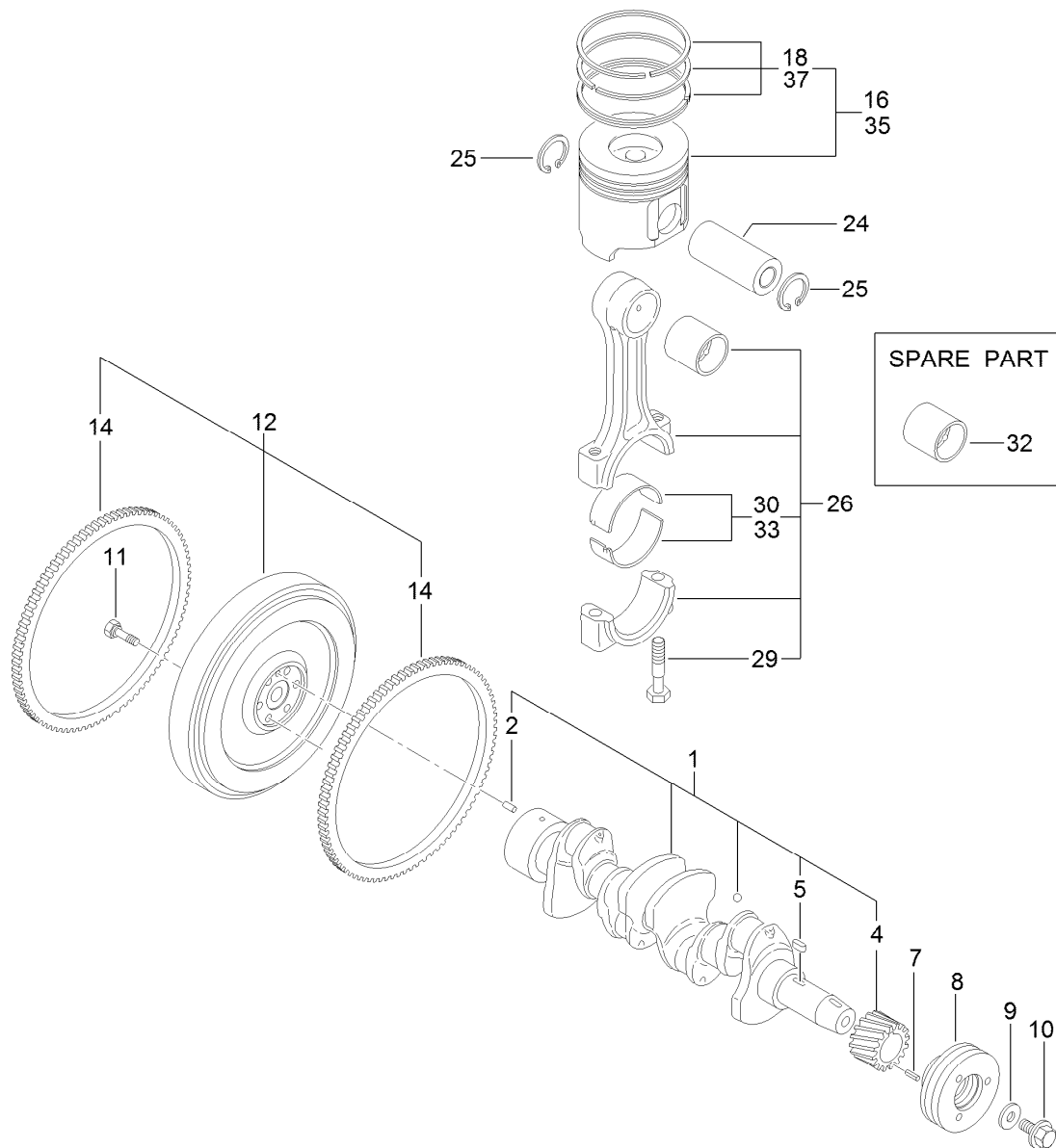
Camshaft and Driving Gear Assembly

| <i>Ref.</i> | <i>Part Number</i> | <i>Qty.</i> | <i>Description</i> | <i>Ref.</i> | <i>Part Number</i> | <i>Qty.</i> | <i>Description</i> |
|-------------|--------------------|-------------|--------------------|-------------|--------------------|-------------|----------------------|
| 1 | 125-7016 | 8 | Tappet | 14 | 127-3066 | 1 | Idle Gear A ASM |
| 2 | 125-7017 | 8 | Rod-Push | 17 | 125-7219 | 3 | Bolt |
| 3 | 127-3113 | 1 | Camshaft ASM | 18 | 127-3070 | 1 | Gear-Pump, Supply |
| 4 | 125-7008 | 1 | Metal-Thrust | 19 | 127-3167 | 1 | Washer-Spring |
| 6 | 127-3052 | 1 | Gear-Camshaft | 20 | 127-3185 | 1 | Nut-Lock |
| 7 | 125-7185 | 1 | Key | 21 | 127-3064 | 1 | Shaft-Idle, Gear B |
| 8 | 127-3053 | 1 | Pulser-Camshaft | 22 | 127-3067 | 1 | Idle Gear B ASM |
| 9 | 125-7205 | 3 | Bolt | 25 | 127-3068 | 1 | Plate-Idle, Shaft |
| 10 | 125-7213 | 2 | Bolt | 26 | 127-3069 | 1 | Gasket-Idle, Shaft B |
| 11 | 127-3054 | 1 | Sensor-Rev, Gear | 27 | 125-7218 | 2 | Bolt |
| 12 | 127-3184 | 1 | Bolt | 28 | 125-6927 | 1 | Bushing |
| 13 | 127-3063 | 1 | Shaft-Idle, Gear A | 29 | 127-3065 | 1 | Bushing |



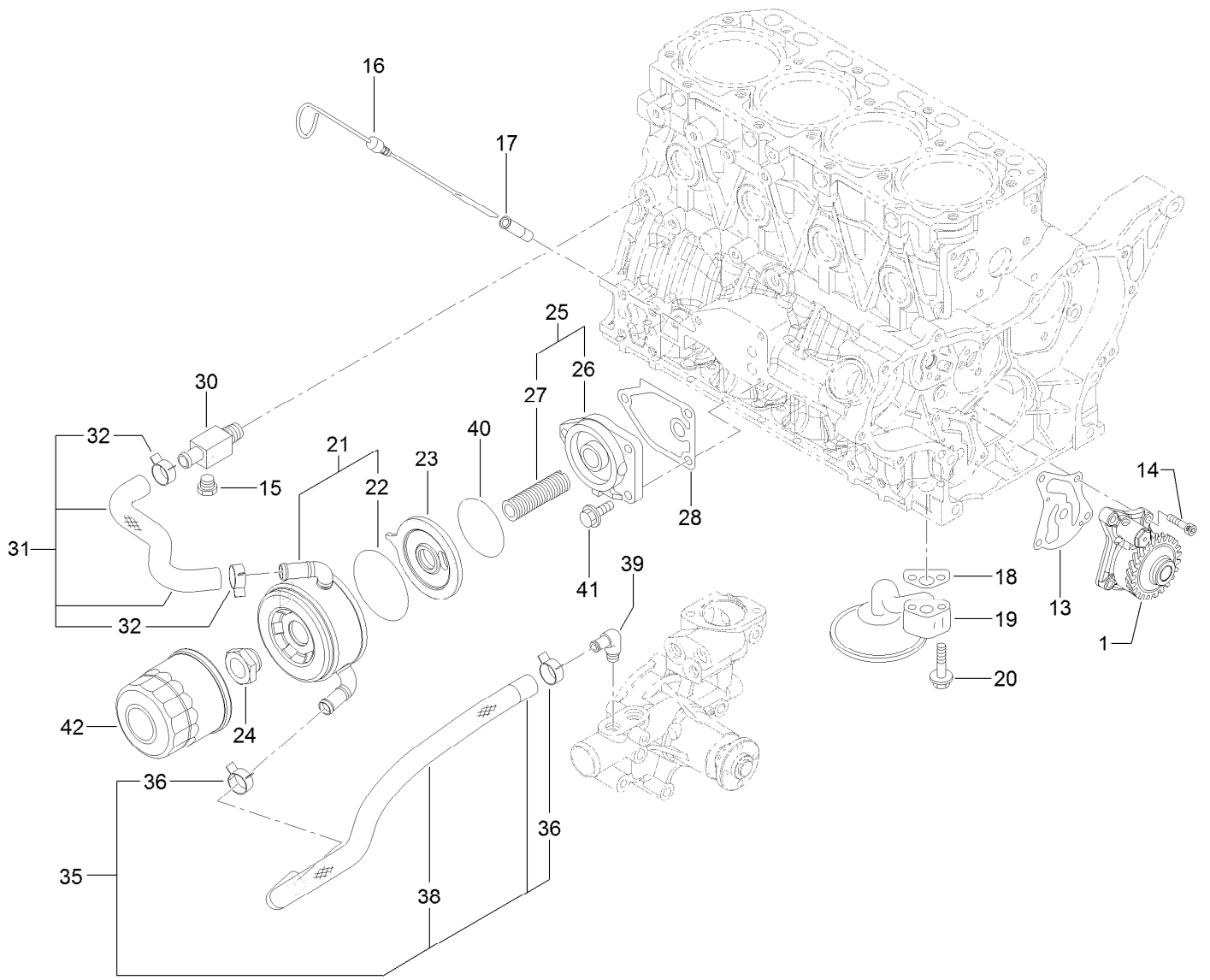
Turbine Assembly

| <i>Ref.</i> | <i>Part Number</i> | <i>Qty.</i> | <i>Description</i> |
|-------------|--------------------|-------------|--------------------|
| 1 | 127-3151 | 1 | Turbine ASM |
| 2 | 125-7070 | 1 | Gasket |
| 3 | 125-6906 | 5 | Stud |
| 4 | 125-7229 | 4 | Nut |



Crankshaft and Piston Assembly

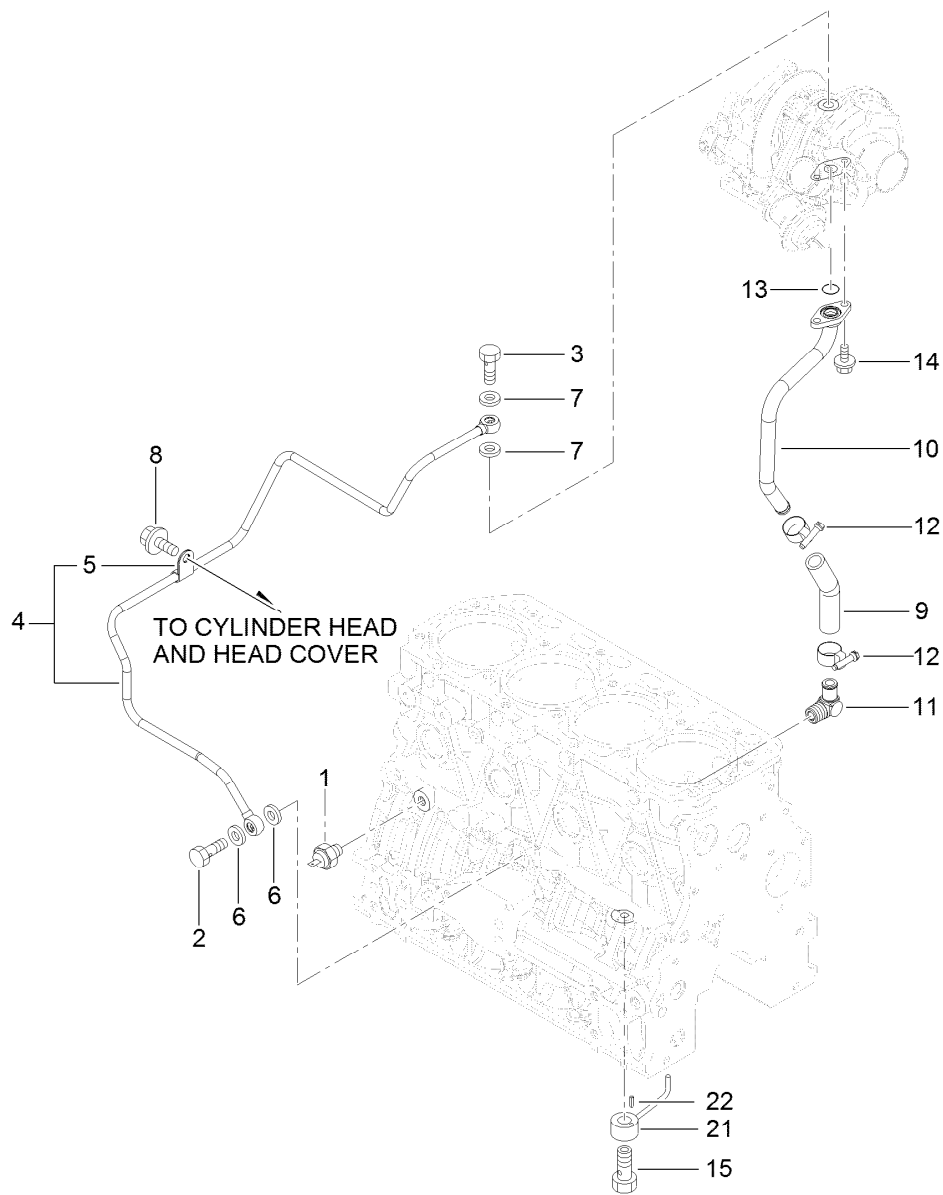
| <i>Ref.</i> | <i>Part Number</i> | <i>Qty.</i> | <i>Description</i> | <i>Ref.</i> | <i>Part Number</i> | <i>Qty.</i> | <i>Description</i> |
|-------------|--------------------|-------------|--------------------|-------------|--------------------|-------------|-----------------------------|
| 1 | 125-7091 | 1 | Crankshaft ASM | 16 | 127-3097 | 4 | Piston ASM |
| 2 | 125-6995 | 1 | Pin | 18 | 127-3098 | 4 | Piston Ring ASM |
| 4 | 125-6937 | 1 | Gear | 24 | 125-7030 | 4 | Pin |
| 5 | 125-7185 | 1 | Key | 25 | 125-7180 | 8 | Ring |
| 7 | 125-7182 | 1 | Pin-Spring | 26 | 125-7242 | 4 | Connecting Rod ASM |
| 8 | 125-6925 | 1 | V-Pulley | 29 | 125-6955 | 8 | Bolt |
| 9 | 125-7109 | 1 | Washer | 30 | 125-7018 | 4 | Pin-Crank |
| 10 | 125-6956 | 1 | Bolt | 32 | 125-6997 | 4 | Pin-Piston |
| 11 | 125-6951 | 6 | Bolt | 33 | 125-7019 | 4 | Pin-Crank (.25) |
| 12 | 127-3160 | 1 | Flywheel ASM | 35 | 127-3099 | 4 | Piston ASM (0.25 O.S.) |
| 14 | 125-6943 | 1 | Gear | 37 | 127-3100 | 4 | Piston Ring ASM (0.25 O.S.) |



Lubrication and Oil System Assembly

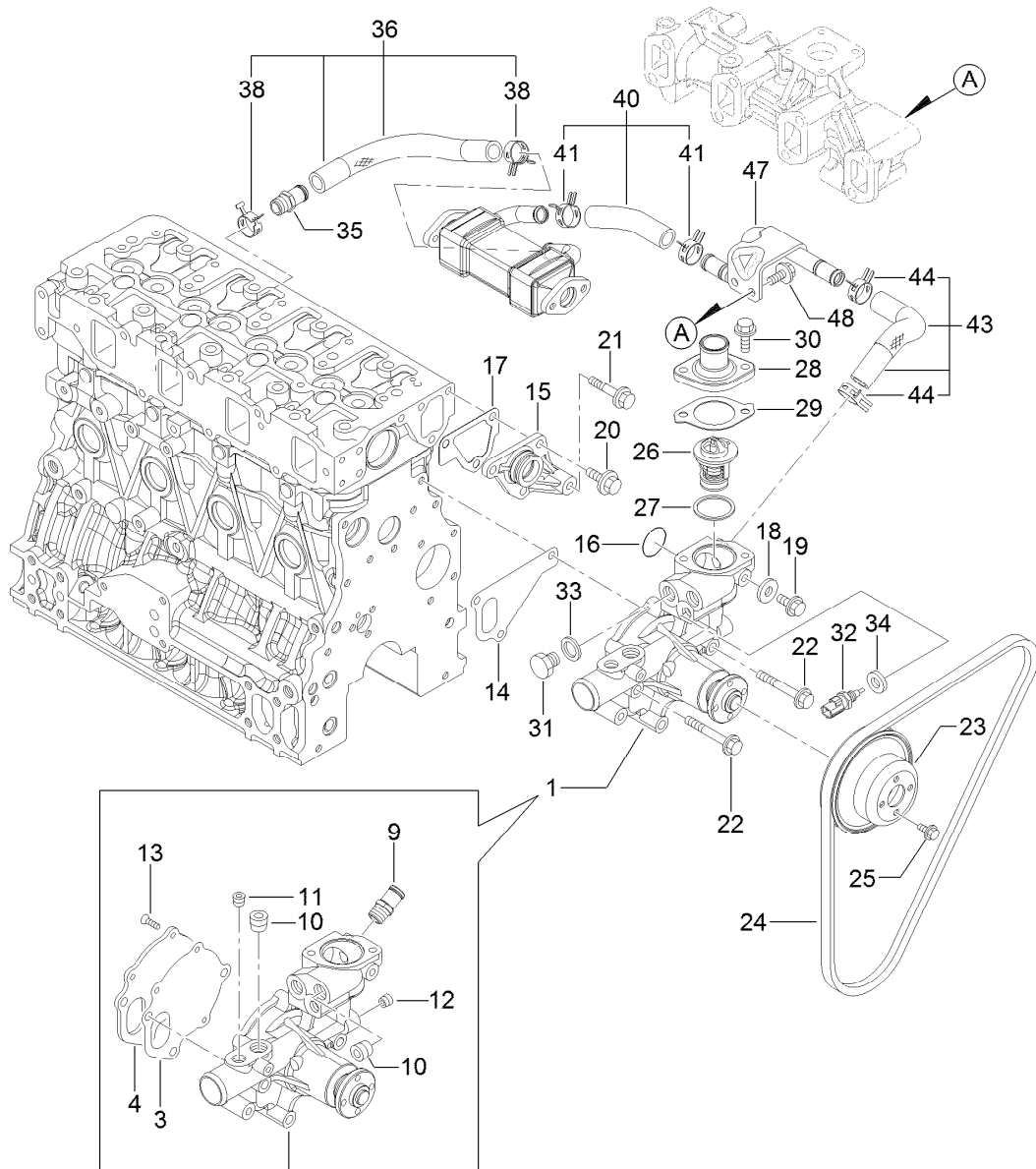
| Ref. | Part Number | Qty. | Description |
|------|-------------|------|-------------------|
| 1 | 127-3101 | 1 | Oil Lube Pump ASM |
| 13 | 127-3004 | 1 | Gasket |
| 14 | 125-7232 | 4 | Bolt |
| 15 | 125-7171 | 1 | Plug-Drain |
| 16 | 125-6987 | 1 | Dipstick |
| 17 | 125-6954 | 1 | Guide-Dipstick |
| 18 | 125-7022 | 1 | Gasket |
| 19 | 125-7023 | 1 | Pipe ASM |
| 20 | 125-7217 | 2 | Bolt |
| 21 | 127-3014 | 1 | Cooler ASM |
| 22 | 127-2985 | 1 | O-Ring |
| 23 | 127-3015 | 1 | Bracket-Cooler |
| 24 | 125-7041 | 1 | Nut-Cooler, Oil |
| 25 | 127-3009 | 1 | Bracket ASM |

| Ref. | Part Number | Qty. | Description |
|------|-------------|------|---------------------|
| 26 | 125-6930 | 1 | Bracket |
| 27 | 127-3010 | 1 | Stud |
| 28 | 125-7024 | 1 | Gasket |
| 30 | 125-6990 | 1 | Joint |
| 31 | 127-3102 | 1 | Pipe-Cooling, Water |
| 32 | 125-7162 | 2 | Clip |
| 33 | 125-7162 | 2 | Clip |
| 34 | 127-3103 | 1 | Hose-Cooling, Water |
| 35 | 127-3103 | 1 | Hose-Cooling, Water |
| 36 | 125-7162 | 2 | Clip |
| 37 | 127-3007 | 1 | Tube |
| 38 | 127-3007 | 1 | Tube |
| 39 | 125-7001 | 1 | Elbow |
| 40 | 127-3176 | 1 | O-Ring |
| 41 | 125-7595 | 3 | Bolt |
| 42 | 125-7025 | 1 | Filter-Engine, Oil |



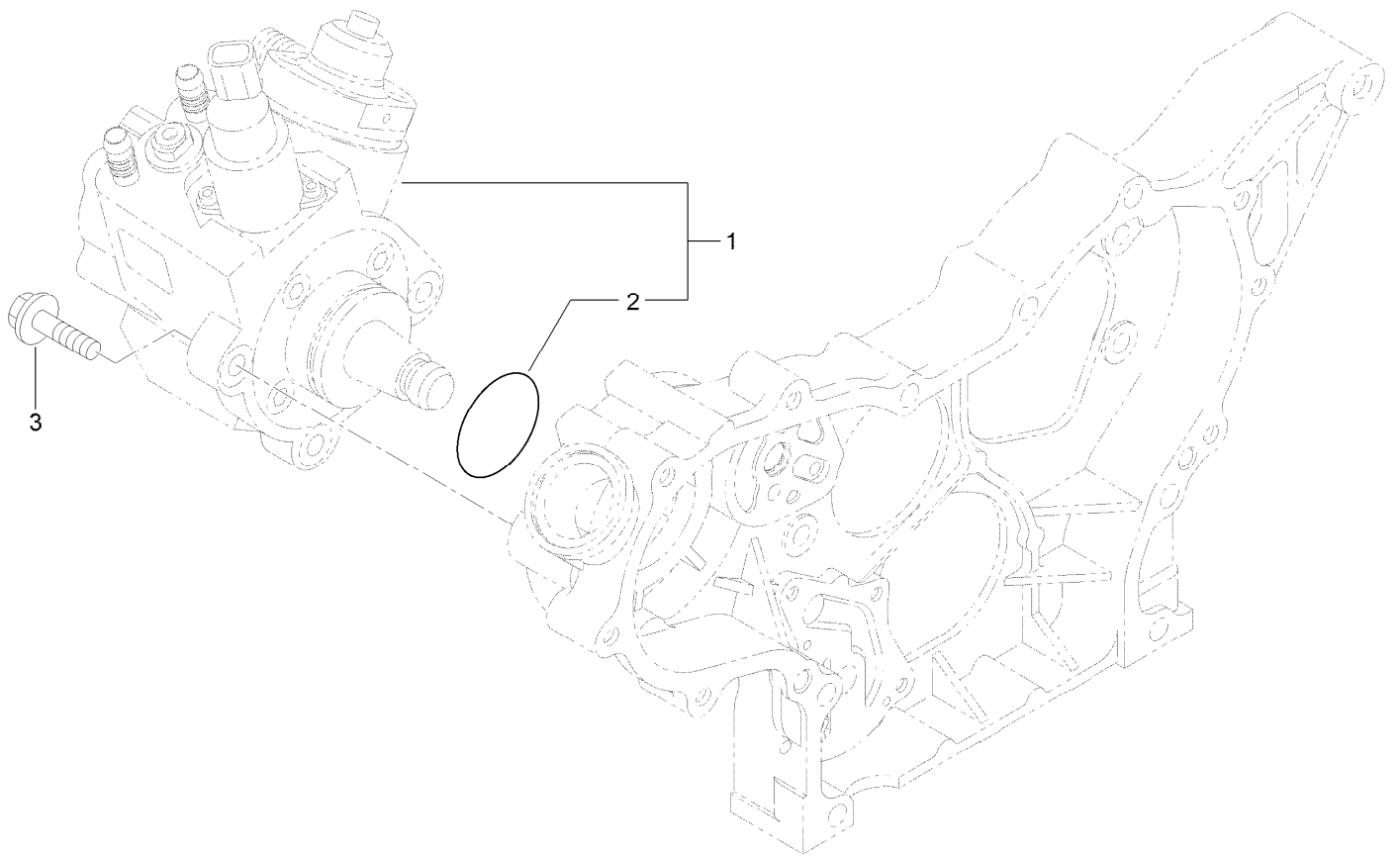
Lubrication Oil Line Assembly

| <i>Ref.</i> | <i>Part Number</i> | <i>Qty.</i> | <i>Description</i> | <i>Ref.</i> | <i>Part Number</i> | <i>Qty.</i> | <i>Description</i> |
|-------------|--------------------|-------------|--------------------|-------------|--------------------|-------------|--------------------|
| 1 | 125-6918 | 1 | Switch-Oil | 10 | 127-3155 | 1 | Pipe-Lube, Oil |
| 2 | 125-6975 | 1 | Bolt-Joint, Pipe | 11 | 127-3003 | 1 | Elbow |
| 3 | 125-6952 | 1 | Bolt-Joint, Pipe | 12 | 127-3169 | 2 | Clamp-Hose |
| 4 | 127-3154 | 1 | Lube Oil Pipe ASM | 13 | 125-7198 | 1 | O-Ring |
| 5 | 125-6976 | 1 | Retainer | 14 | 125-7208 | 2 | Bolt |
| 6 | 125-7175 | 2 | Washer-Seal | 15 | 125-7105 | 4 | Check Valve ASM |
| 7 | 125-7193 | 2 | Gasket | 21 | 125-7098 | 4 | Nozzle |
| 8 | 93-0362 | 1 | Bolt | 22 | 125-7182 | 4 | Pin-Spring |
| 9 | 127-2992 | 1 | Joint | | | | |



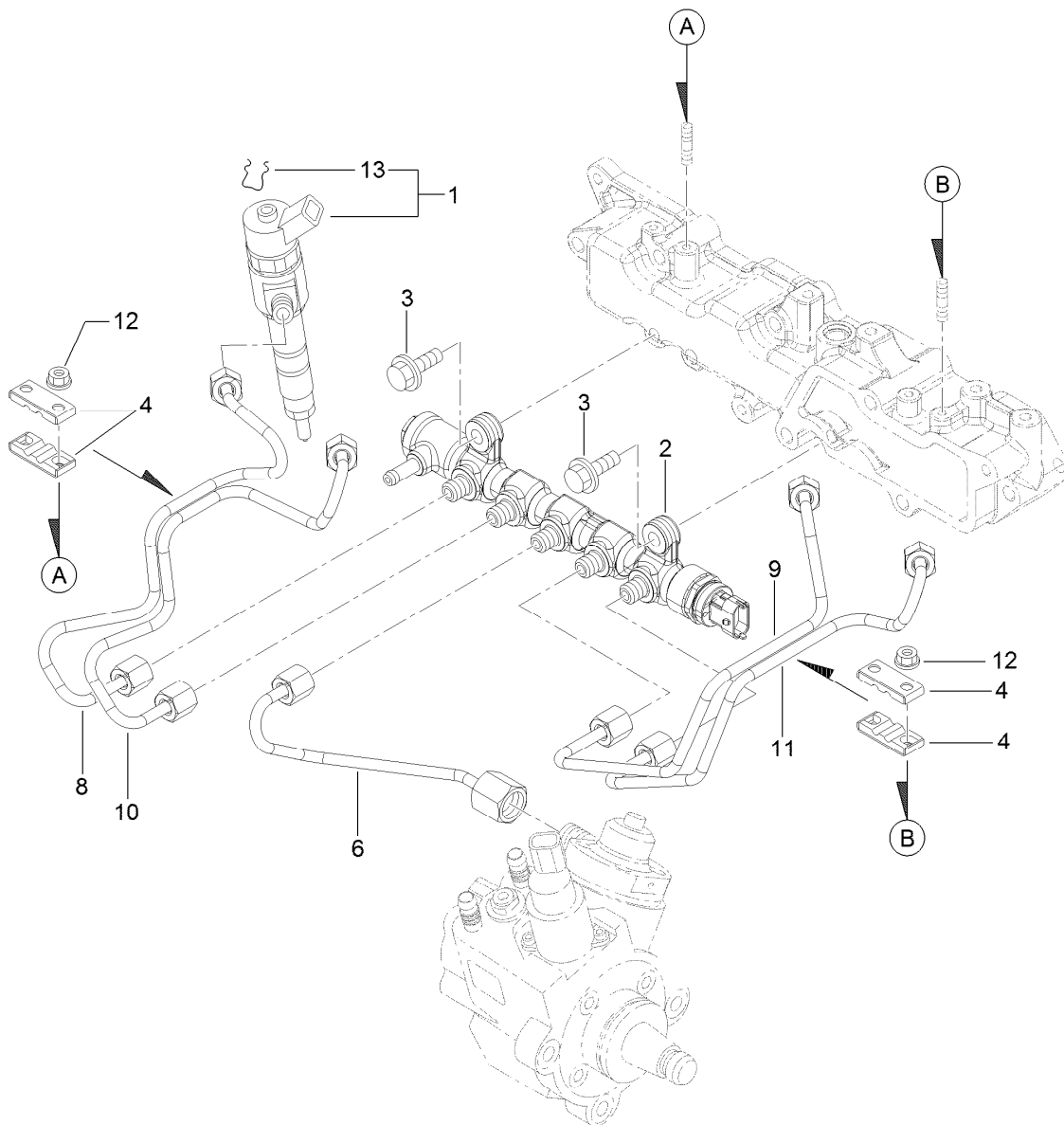
Cooling Water System Assembly

| Ref. | Part Number | Qty. | Description | Ref. | Part Number | Qty. | Description |
|------|-------------|------|----------------|------|-------------|------|-----------------------|
| 1 | 127-3071 | 1 | Water Pump ASM | 25 | 125-7206 | 4 | Bolt |
| 3 | 125-6998 | 1 | Gasket | 26 | 125-7029 | 1 | Thermostat |
| 4 | 125-6999 | 1 | Plate | 27 | 125-7026 | 1 | Gasket |
| 9 | 127-3017 | 1 | Joint | 28 | 125-7034 | 1 | Cover |
| 10 | 125-7123 | 2 | Plug | 29 | 125-7110 | 1 | Gasket |
| 11 | 127-3175 | 1 | Plug | 30 | 125-7594 | 2 | Bolt |
| 12 | 125-7195 | 1 | Plug | 31 | 125-6953 | 1 | Plug |
| 13 | 125-7234 | 3 | Screw | 32 | 125-7124 | 1 | Sensor-Thermostat, CW |
| 14 | 125-7047 | 1 | Gasket | 33 | 125-6979 | 1 | Gasket |
| 15 | 125-6986 | 1 | Joint | 34 | 125-7176 | 1 | Washer-Seal |
| 16 | 125-7048 | 1 | O-Ring | 35 | 127-3017 | 1 | Joint |
| 17 | 125-6978 | 1 | Gasket | 36 | 127-3072 | 1 | Water In Pipe ASM |
| 18 | 125-7192 | 1 | Gasket | 38 | 127-3020 | 2 | Clip-Hose |
| 19 | 93-0362 | 1 | Bolt | 40 | 127-3115 | 1 | Water Out Pipe ASM |
| 20 | 125-7214 | 3 | Bolt | 41 | 127-3020 | 2 | Clip-Hose |
| 21 | 125-7219 | 1 | Bolt | 43 | 127-3116 | 1 | Water Out Pipe ASM |
| 22 | 125-7222 | 3 | Bolt | 44 | 127-3020 | 2 | Clip-Hose |
| 23 | 125-7039 | 1 | V-Pulley | 47 | 127-3117 | 1 | Pipe-Out, CW |
| 24 | 127-2998 | 1 | V-Belt | 48 | 125-7214 | 2 | Bolt |



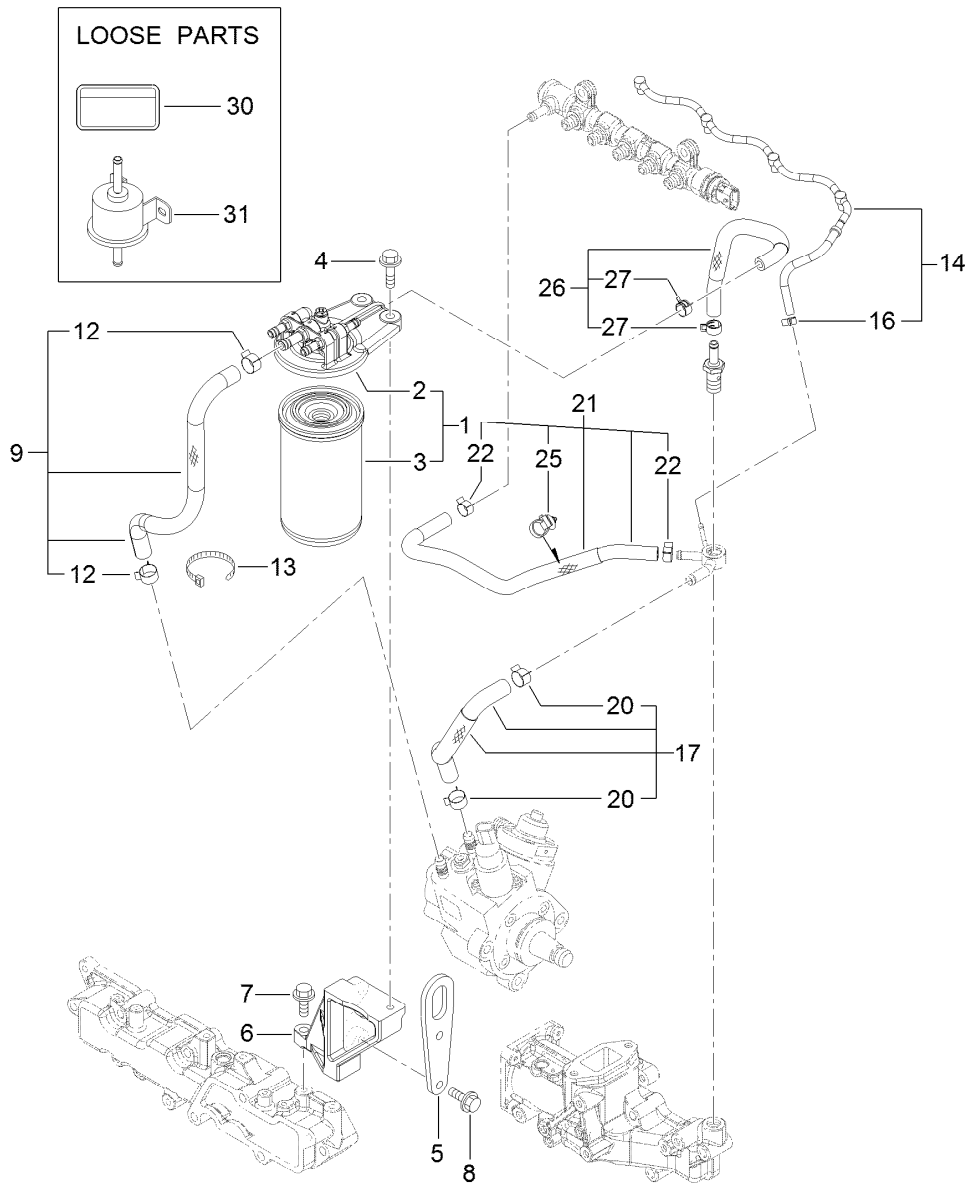
Fuel System Assembly

| <i>Ref.</i> | <i>Part Number</i> | <i>Qty.</i> | <i>Description</i> |
|-------------|--------------------|-------------|--------------------|
| 1 | 127-3073 | 1 | Fuel Pump ASM |
| 2 | 127-3074 | 1 | O-Ring |
| 3 | 125-7216 | 3 | Bolt |



Fuel Injection Valve Assembly

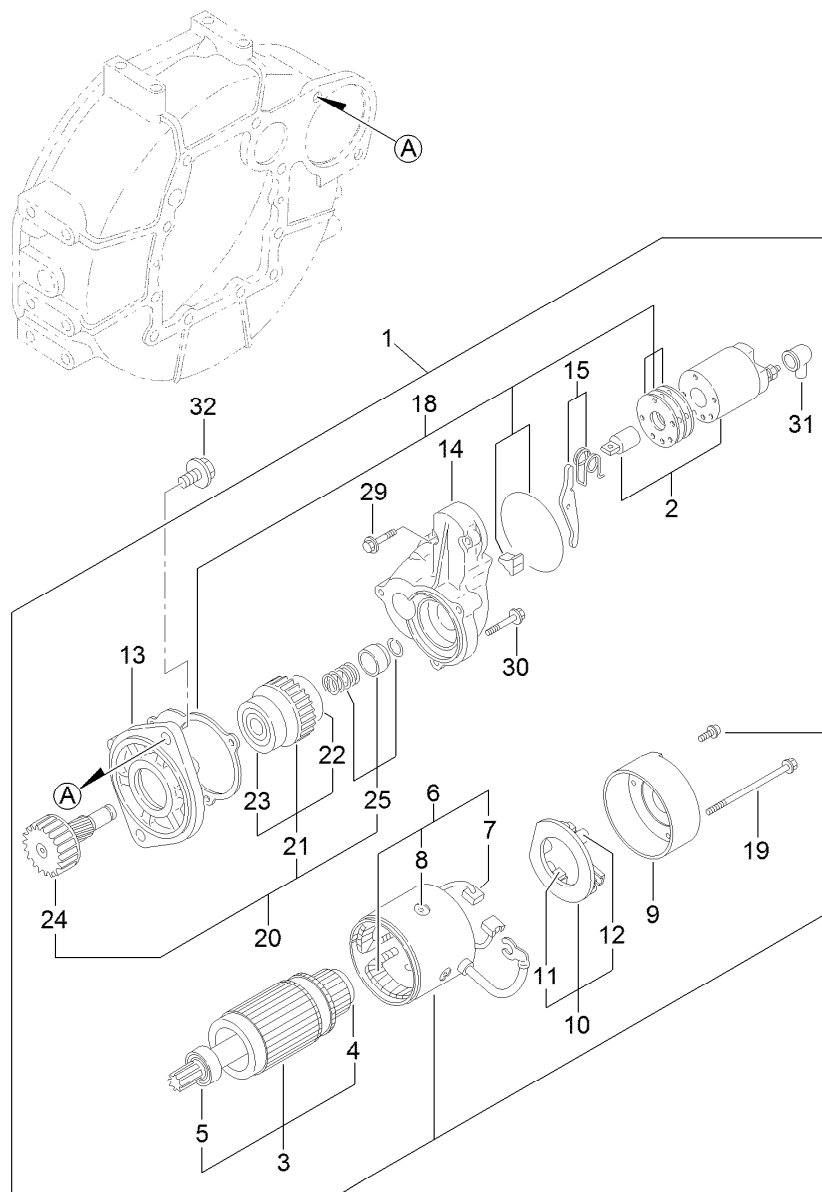
| Ref. | Part Number | Qty. | Description |
|------|-------------|------|--------------------|
| 1 | 127-3104 | 4 | Injector ASM |
| 2 | 127-3118 | 1 | Rail ASM |
| 3 | 125-7215 | 2 | Bolt |
| 4 | 127-2982 | 4 | Retainer |
| 6 | 127-3082 | 1 | Rail In Pipe ASM |
| 8 | 127-3121 | 1 | Injection Pipe ASM |
| 9 | 127-3083 | 1 | Injection Pipe ASM |
| 10 | 127-3122 | 1 | Injection Pipe ASM |
| 11 | 127-3084 | 1 | Injection Pipe ASM |
| 12 | 125-7231 | 4 | Nut |
| 13 | 130-7430 | 4 | Ring-Retaining |



Fuel Line Assembly

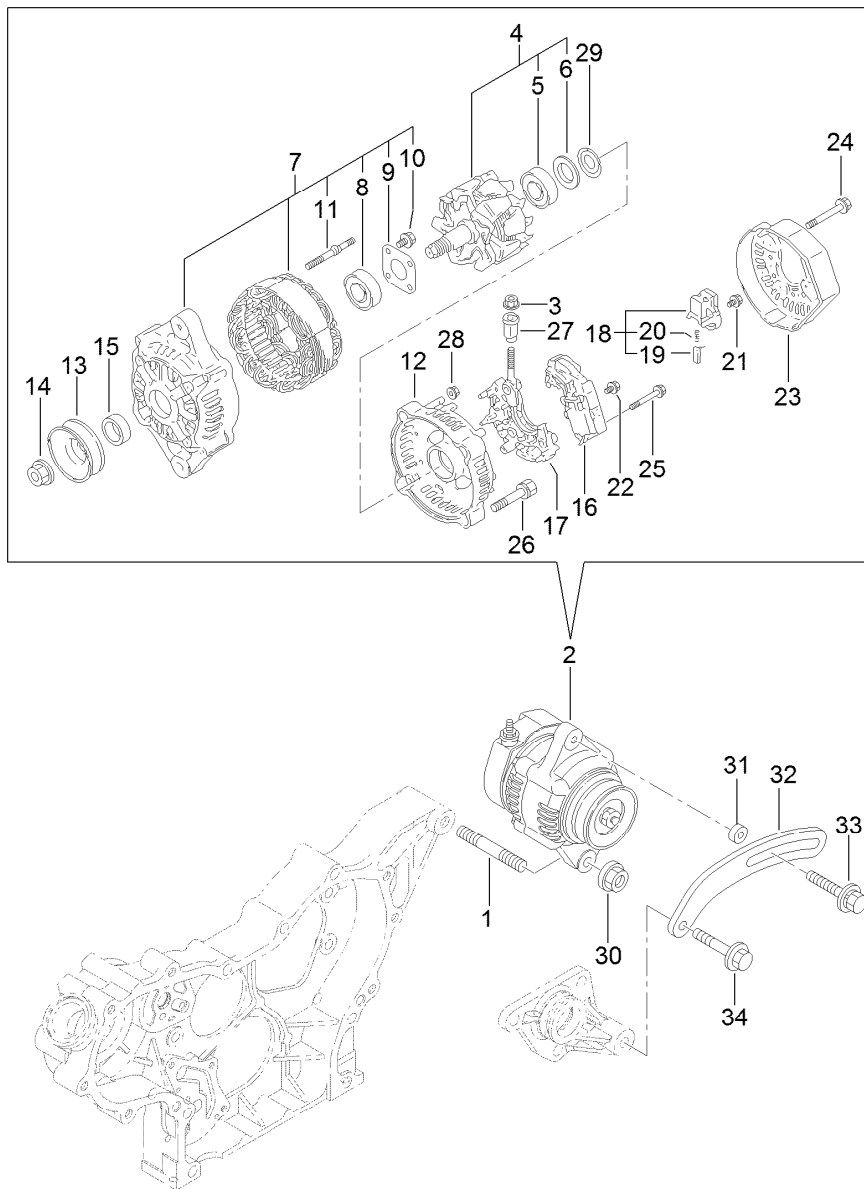
| Ref. | Part Number | Qty. | Description |
|------|-------------|------|-----------------------------|
| 1 | 127-3075 | 1 | Fuel/Oil Filter ASM |
| 2 | 127-3076 | 1 | Fuel/Oil Filter Bracket ASM |
| 3 | 125-8752 | 1 | Filter-Fuel/Oil |
| 4 | 125-7216 | 2 | Bolt |
| 5 | 127-3091 | 1 | Lifter-Engine |
| 6 | 127-3105 | 1 | Stay-Bracket, Filter |
| 7 | 125-7215 | 1 | Bolt |
| 8 | 125-7216 | 2 | Bolt |
| 9 | 127-3077 | 1 | Fuel Pipe ASM |
| 12 | 125-7191 | 2 | Clamp-Hose |
| 13 | 127-2981 | 1 | Band |

| Ref. | Part Number | Qty. | Description |
|------|-------------|------|-------------------------|
| 14 | 127-3120 | 1 | Fuel Pipe ASM |
| 16 | 127-3172 | 1 | Clamp-Hose |
| 17 | 127-3078 | 1 | Fuel Pipe ASM |
| 20 | 125-7191 | 2 | Clamp-Hose |
| 21 | 127-3119 | 1 | Fuel Pipe ASM |
| 22 | 127-2950 | 2 | Clip-Hose |
| 25 | 127-3087 | 1 | Band-Clip |
| 26 | 127-3079 | 1 | Fuel Pipe ASM |
| 27 | 127-2950 | 2 | Clip-Hose |
| 30 | 125-6900 | 1 | Label-Caution, Fuel Oil |
| 31 | 127-3008 | 1 | Fuel Feed Pump ASM |



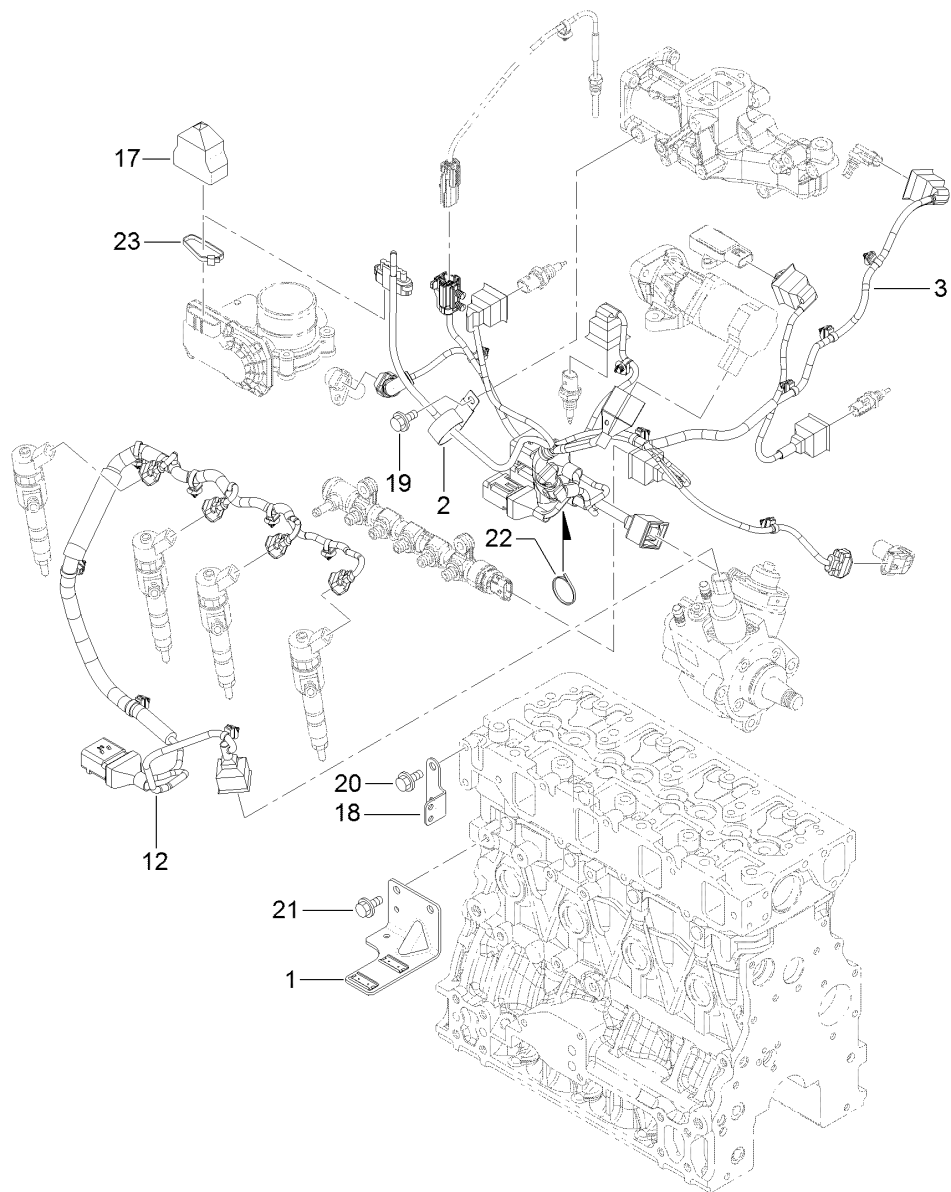
Starting Motor Assembly

| <i>Ref.</i> | <i>Part Number</i> | <i>Qty.</i> | <i>Description</i> | <i>Ref.</i> | <i>Part Number</i> | <i>Qty.</i> | <i>Description</i> |
|-------------|--------------------|-------------|--------------------|-------------|--------------------|-------------|--------------------|
| 1 | 125-7003 | 1 | Starter | 15 | 125-7165 | 1 | Lever Set |
| 2 | 125-7004 | 1 | Switch ASM | 18 | 125-7037 | 1 | Dust Cover ASM |
| 3 | 125-7112 | 1 | Armature ASM | 19 | 125-7117 | 2 | Bolt-Through |
| 4 | 125-7252 | 1 | Bearing-Ball | 20 | 125-7166 | 1 | Pinion ASM |
| 5 | 125-7249 | 1 | Bearing, Ball | 21 | 125-7250 | 1 | Clutch ASM |
| 6 | 125-7113 | 1 | Field Coil ASM | 22 | 125-7251 | 1 | Bearing-Ball |
| 7 | 125-7114 | 2 | Brush | 23 | 125-7253 | 1 | Bearing-Ball |
| 8 | 125-7163 | 4 | Screw | 24 | 125-7167 | 1 | Shaft |
| 9 | 125-7115 | 1 | Cover | 25 | 125-7168 | 1 | Stopper Set |
| 10 | 125-7116 | 1 | Brush Holder ASM | 29 | 125-7210 | 2 | Bolt |
| 11 | 125-7114 | 2 | Brush | 30 | 125-7211 | 3 | Bolt |
| 12 | 125-7036 | 4 | Spring | 31 | 125-7169 | 1 | Cover |
| 13 | 125-7164 | 1 | Case-Gear | 32 | 125-7225 | 2 | Bolt |
| 14 | 125-7005 | 1 | Housing | | | | |



Generator Assembly

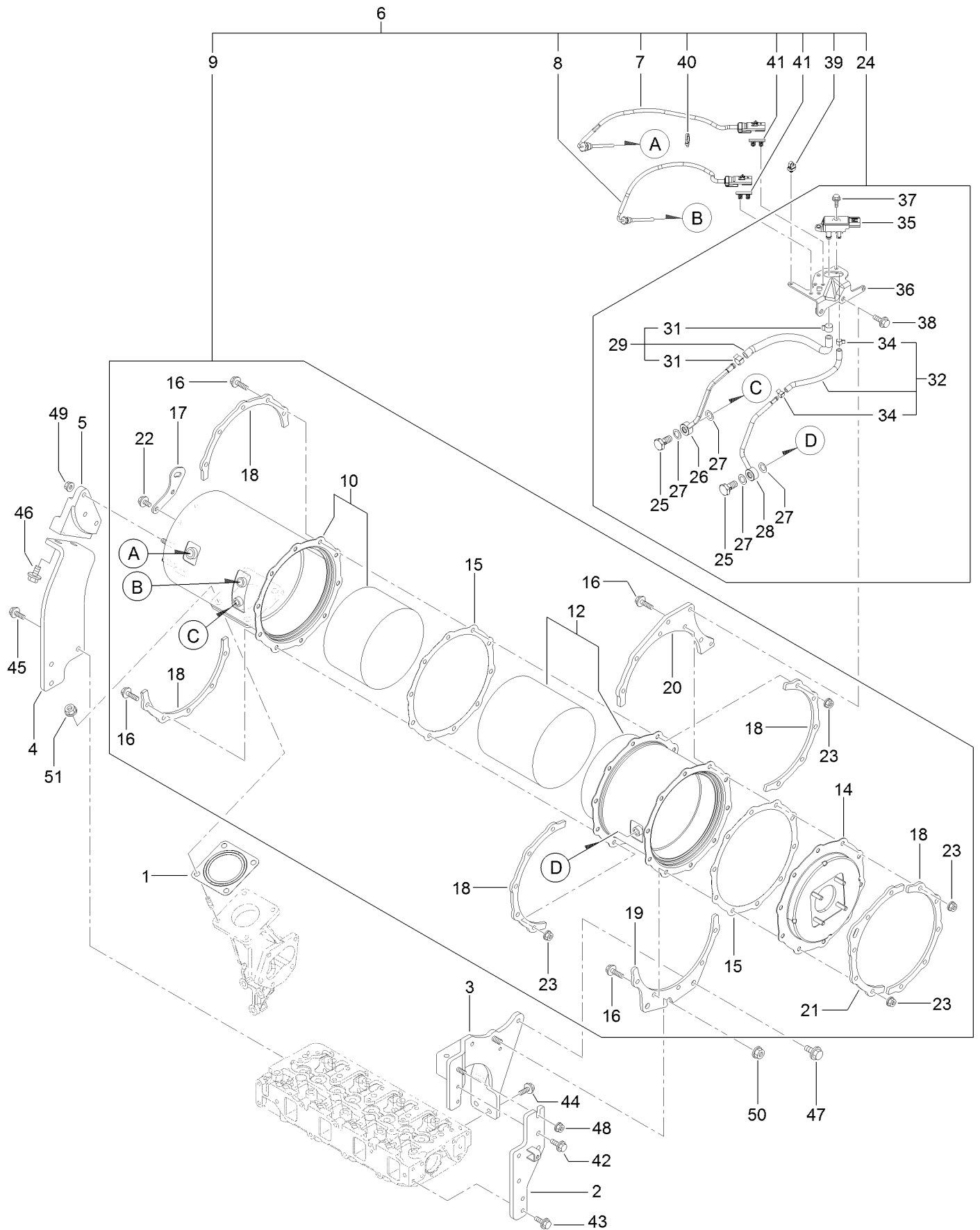
| Ref. | Part Number | Qty. | Description | Ref. | Part Number | Qty. | Description |
|------|-------------|------|----------------|------|-------------|------|--------------------|
| 1 | 127-3011 | 1 | Stud | 18 | 127-2993 | 1 | Holder |
| 2 | 127-3001 | 1 | Generator | 19 | 127-2956 | 2 | Brush ASM |
| 3 | 127-3190 | 1 | Nut | 20 | 127-2964 | 2 | Spring |
| 4 | 127-2951 | 1 | Rotor ASM | 21 | 127-2965 | 6 | Screw |
| 5 | 127-2983 | 1 | Bearing-Ball | 22 | 127-2966 | 1 | Screw |
| 6 | 127-2962 | 1 | Cover | 23 | 127-2999 | 1 | Cover |
| 7 | 127-2952 | 1 | Frame ASM | 24 | 127-2967 | 3 | Bolt |
| 8 | 127-2958 | 1 | Bearing-Ball | 25 | 127-2968 | 2 | Screw |
| 9 | 127-2959 | 1 | Plate-Retainer | 26 | 127-2969 | 2 | Bolt |
| 10 | 127-2960 | 4 | Screw | 27 | 127-2970 | 1 | Bushing-Insulation |
| 11 | 127-2961 | 2 | Stud | 28 | 127-2971 | 2 | Nut |
| 12 | 127-2953 | 1 | Frame ASM | 29 | 127-2972 | 1 | Washer |
| 13 | 127-2954 | 1 | Pulley | 30 | 125-7230 | 1 | Nut |
| 14 | 127-2955 | 1 | Nut | 31 | 125-6947 | 1 | Spacer |
| 15 | 127-2957 | 1 | Collar | 32 | 127-2977 | 1 | Adjuster |
| 16 | 127-3002 | 1 | Regulator ASM | 33 | 125-7134 | 1 | Bolt |
| 17 | 127-2963 | 1 | Holder | 34 | 125-7219 | 1 | Bolt |



Electric Parts Assembly

| Ref. | Part Number | Qty. | Description |
|-------------|--------------------|-------------|-------------------------|
| 1 | 127-3086 | 1 | Bracket-Connector |
| 2 | 127-3018 | 1 | Clip |
| 3 | 127-3156 | 1 | Harness B-E C O, Engine |
| 12 | 127-3125 | 1 | Harness C |
| 17 | 127-3089 | 1 | Boot-Type, Cap |
| 18 | 127-3090 | 1 | Bracket-Harness |
| 19 | 93-0362 | 1 | Bolt |
| 20 | 93-0362 | 2 | Bolt |
| 21 | 93-0362 | 2 | Bolt |
| 22 | 127-3187 | 1 | Band |
| 23 | 127-3188 | 1 | Band |

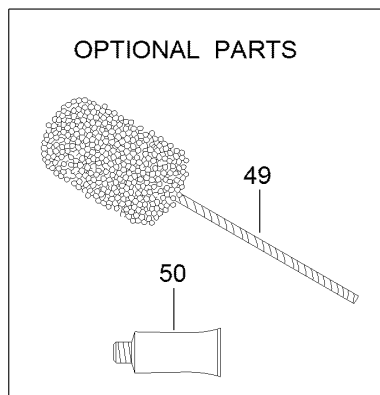
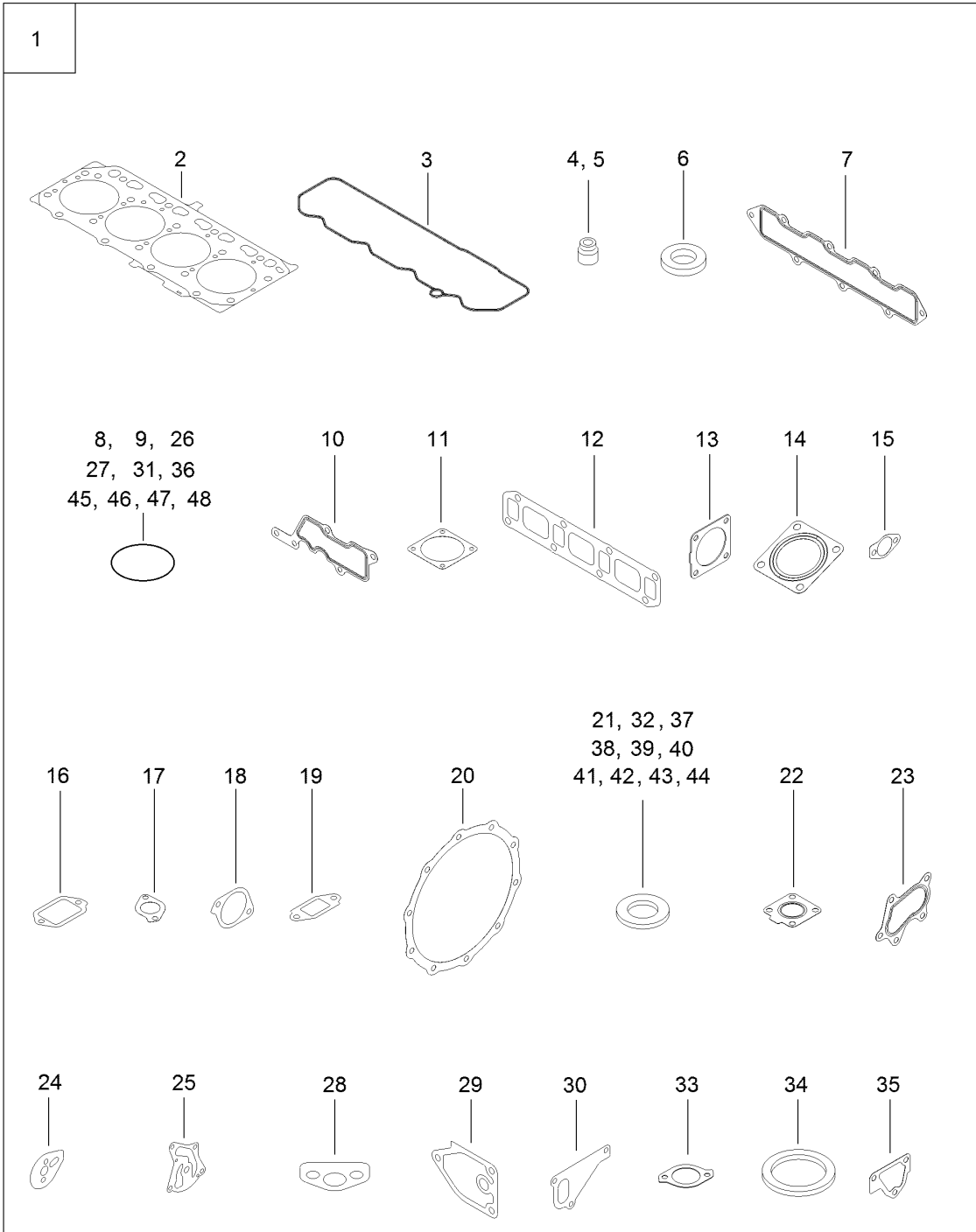
Diesel Particulate Filter Assembly



Diesel Particulate Filter Assembly (continued)

| <i>Ref.</i> | <i>Part Number</i> | <i>Qty.</i> | <i>Description</i> | <i>Ref.</i> | <i>Part Number</i> | <i>Qty.</i> | <i>Description</i> |
|-------------|--------------------|-------------|---------------------------|-------------|--------------------|-------------|------------------------------|
| 1 | 127-2987 | 1 | Gasket-Silencer | 27 | 127-3056 | 4 | Gasket-Sensor |
| 2 | 127-3095 | 1 | Stay-D P F | 28 | 127-3165 | 1 | Exhaust Pressure Pipe ASM |
| 3 | 127-3148 | 1 | Stay- D P F | 29 | 127-3114 | 1 | Exhaust Hose ASM |
| 4 | 127-3149 | 1 | Stay-D P F | 31 | 127-3057 | 2 | Clip-Hose |
| 5 | 127-3150 | 1 | Stay-D P F | 32 | 127-3059 | 1 | Exhaust Pressure Hose ASM |
| 6 | 127-3159 | 1 | D P F Unit | 34 | 127-3058 | 2 | Clip-Hose |
| 7 | 127-3111 | 1 | Sensor-Temp, Exhaust | 35 | 127-3060 | 1 | Sensor-Pressure |
| 8 | 127-3112 | 1 | Sensor-Temp, Exhaust | 36 | 127-3061 | 1 | Bracket-Sensor, Pressure |
| 9 | 127-3157 | 1 | D P F ASM | 37 | 125-7208 | 2 | Bolt |
| 10 | 127-3141 | 1 | Case-Doc | 38 | 125-7595 | 2 | Bolt |
| 12 | 127-3142 | 1 | Case-Filter, Soot | 39 | 127-3087 | 1 | Band-Clip |
| 14 | 127-3143 | 1 | Flange-Outlet | 40 | 127-3124 | 1 | Band |
| 15 | 127-3162 | 2 | Gasket-D P F | 41 | 127-3088 | 2 | Clip-Connector |
| 16 | 127-3055 | 20 | Bolt | 42 | 125-7595 | 2 | Bolt |
| 17 | 127-3144 | 1 | Lifter-D P F | 43 | 125-7595 | 2 | Bolt |
| 18 | 127-3145 | 5 | Stiffener-D P F, A | 44 | 125-7595 | 2 | Bolt |
| 19 | 127-3146 | 1 | Stiffener-D P F, B | 45 | 125-7595 | 3 | Bolt |
| 20 | 127-3158 | 1 | Stiffener-D P F, D | 46 | 127-3179 | 2 | Bolt |
| 21 | 127-3147 | 1 | Stiffener-D P F, C | 47 | 127-3179 | 2 | Bolt |
| 22 | 125-7213 | 2 | Bolt | 48 | 125-7229 | 1 | Nut |
| 23 | 125-7229 | 20 | Nut | 49 | 125-7229 | 3 | Nut |
| 24 | 127-3163 | 1 | Pressure Sensor Unit | 50 | 125-7230 | 1 | Nut |
| 25 | 127-3039 | 2 | Bolt-Joint, Pipe | 51 | 125-7230 | 4 | Nut |
| 26 | 127-3164 | 1 | Exhaust Pressure Pipe ASM | | | | |

Gasket Set



Gasket Set (continued)

| <i>Ref.</i> | <i>Part Number</i> | <i>Qty.</i> | <i>Description</i> | <i>Ref.</i> | <i>Part Number</i> | <i>Qty.</i> | <i>Description</i> |
|-------------|--------------------|-------------|----------------------------|-------------|--------------------|-------------|--------------------|
| 1 | 127-3189 | 1 | Gasket Kit | 26 | 125-6909 | 2 | O-Ring |
| 2 | 127-3126 | 1 | Gasket-Head, Cylinder | 27 | 127-2973 | 1 | O-Ring |
| 3 | 127-3106 | 1 | Gasket-Cover | 28 | 125-7022 | 1 | Gasket |
| 4 | 127-2986 | 4 | Seal-Stem, Valve | 29 | 125-7024 | 1 | Gasket |
| 5 | 127-3027 | 4 | Seal-Stem, Valve | 30 | 125-7047 | 1 | Gasket |
| 6 | 127-3021 | 4 | Gasket-Injector | 31 | 125-7048 | 1 | O-Ring |
| 7 | 127-3107 | 1 | Gasket-Manifold, Intake | 32 | 125-6979 | 1 | Gasket |
| 8 | 127-3032 | 2 | O Ring-Sensor, Pressure | 33 | 125-7110 | 1 | Gasket |
| 9 | 127-3033 | 1 | O-Ring | 34 | 125-7026 | 1 | Gasket |
| 10 | 127-3034 | 1 | Gasket-Collector | 35 | 125-6978 | 1 | Gasket |
| 11 | 127-3037 | 2 | Gasket-Throttle | 36 | 127-3074 | 1 | O-Ring |
| 12 | 127-3108 | 1 | Gasket-Manifold, Exhaust | 37 | 125-7174 | 1 | Washer-Seal |
| 13 | 127-3019 | 1 | Gasket | 38 | 125-7175 | 2 | Washer-Seal |
| 14 | 127-2987 | 1 | Gasket-Silencer | 39 | 125-7176 | 1 | Washer-Seal |
| 15 | 127-3043 | 2 | Gasket-Cooler, E G R | 40 | 127-3166 | 2 | Washer-Seal |
| 16 | 127-3046 | 1 | Gasket-E G R | 41 | 125-7177 | 1 | Washer-Seal |
| 17 | 127-3016 | 1 | Gasket | 42 | 125-7192 | 1 | Gasket |
| 18 | 127-3050 | 1 | Gasket-Intake Valve, E G R | 43 | 125-7193 | 2 | Gasket |
| 19 | 127-3051 | 1 | Gasket-Out Valve, E G R | 44 | 127-3174 | 2 | Gasket |
| 20 | 127-3162 | 2 | Gasket-D P F | 45 | 93-0418 | 3 | O-Ring |
| 21 | 127-3056 | 4 | Gasket-Sensor | 46 | 125-7197 | 1 | O-Ring |
| 22 | 125-7070 | 1 | Gasket | 47 | 125-7198 | 1 | O-Ring |
| 23 | 125-7071 | 1 | Gasket | 48 | 127-3176 | 1 | O-Ring |
| 24 | 127-3069 | 1 | Gasket-Idle, Shaft B | 49 | 127-3000 | 1 | Hone |
| 25 | 127-3004 | 1 | Gasket | 50 | 125-7248 | 1 | Gasket-Liquid |

Attachments and Accessories

For 30636 Groundsmaster 4010 Rotary Mower

| Product Name | Model/Part |
|-----------------------------------------------------------|-------------------|
| Bumper Weight Assembly | 106-4278-03 |
| Blade-Atomic (21.75in) | 107-0214-03 |
| Premium All Season Hydraulic Fluid (55 Gallon Drum) | 108-1177 |
| Premium All Season Hydraulic Fluid (5 Gallon Pail) | 108-1178 |
| Atomic Blade Service Pack (7 Pack) | 108-1450 |
| Blade-Flat Sail (21.75in) | 110-6115-03 |
| Flat Blade Service Pack (7 Pack) | 110-6130 |
| MVP Blade Kit | 117-2722 |
| Backrest Extension Kit | 119-7719 |
| Large Seat Cover | 120-5179 |
| Premium Engine Oil 10w30 (55 Gallon Drum) | 121-6392 |
| Premium Engine Oil 10w30 (5 Gallon Pail) | 121-6393 |
| Premium Engine Oil 15w40 (55 Gallon Drum) | 121-6394 |
| Premium Engine Oil 15w40 (5 Gallon Pail) | 121-6395 |
| 400 Hour MVP Kit | 30408 |
| Guardian Recycler Conversion Kit | 30420 |
| Leaf Mulcher Kit | 30422 |
| CE Kit | 30453 |
| Right-Hand Replacement Mower | 30476 |
| Left-Hand Replacement Mower | 30477 |
| CE Light Kit | 30660 |
| Beacon Kit | 30661 |
| License Plate Kit | 30664 |
| Blade (21.75in) | 92-5608-03 |
| 8in Foam Filled Wheel ASM | 93-5974 |

Notes:

Notes:

Notes:



Count on it.