



**Count on it.**

**Parts Catalog**

**Groundsmaster® 4110**

**Rotary Mower**

Model No. 30644—Serial No. 315000001 and Up



# Ordering Replacement Parts

To order replacement parts, please supply the part number, the quantity, and the description of each part desired.

## Understanding Reference Numbers

Each identified part in an illustration has a reference number. The reference number for a part also appears in the parts list, along with other information about the part.

This catalog uses two special reference number formats, one to indicate parts in a service assembly and another to indicate the quantity of a given part in an illustration.

## Service Assembly Reference Numbers

Parts in service assemblies have reference numbers in the form a:b. The a represents the reference number of the entire service assembly and the b represents a sequential number unique to each part within the service assembly.

For example, a wheel assembly might be identified by reference number 6, the tire by 6:1, the valve by 6:2, and the wheel by 6:3. When you order the assembly identified by reference number 6, you receive all parts identified by reference numbers 6:1, 6:2, and 6:3. However, you may also order any part individually. Reference numbers of this type appear in illustration and in parts lists.

## Reference Numbers Indicating Quantity

In an illustration, if a reference number indicates more than one part, the reference number has the form nX y. The n represents the quantity of the part, the X is the multiplication symbol, and the y represents the reference number.

For example, in an illustration, the reference number 2X 37 means that two of the parts identified by reference number 37 are indicated.

# Contents

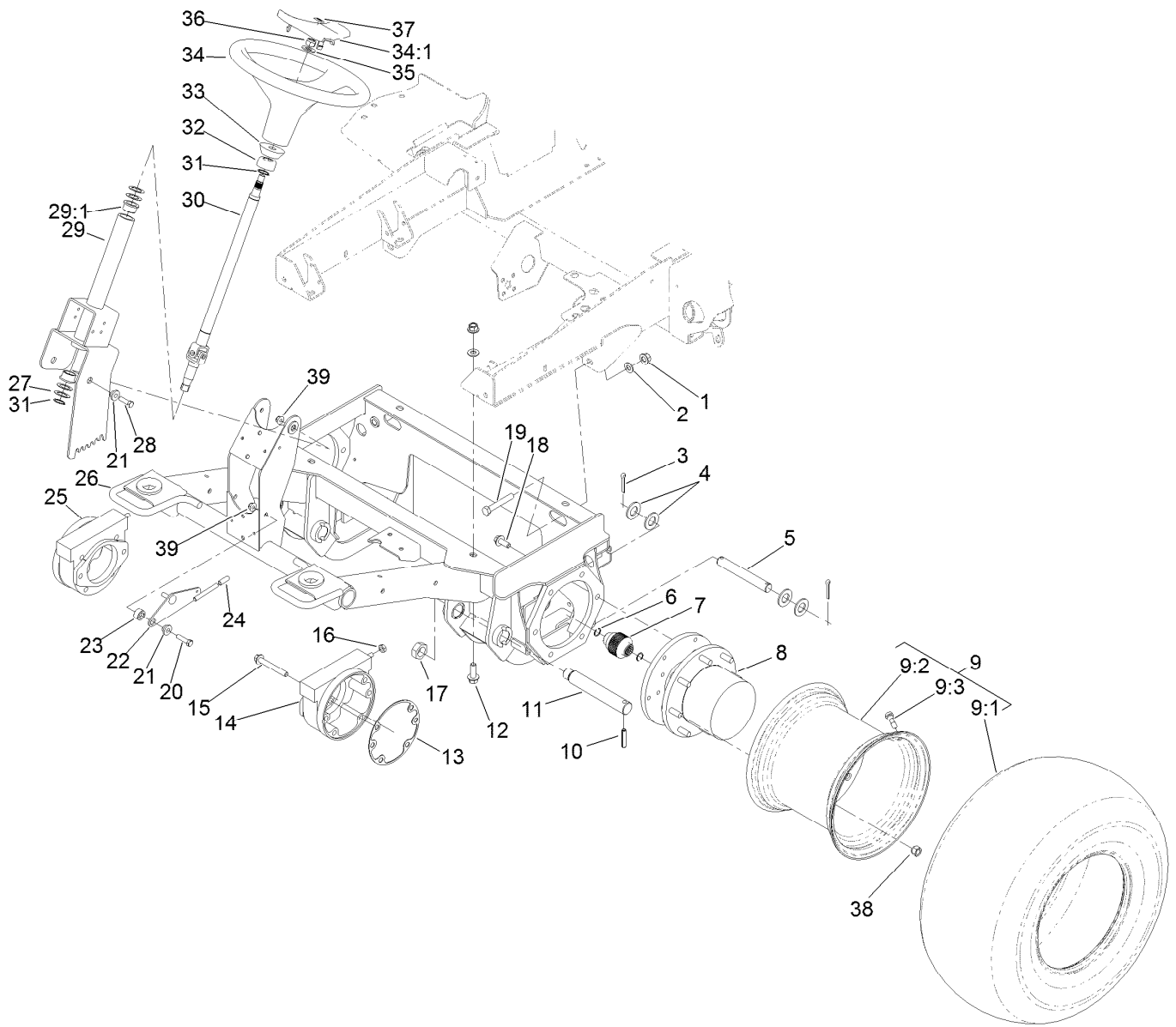
Front Frame and Steering Assembly	6
Planetary Assembly No. 105-4500	8
LH Brake Assembly No. 100-3070-03	9
RH Brake Assembly No. 100-3069-03	10
Battery, Rear Cover and Steer Valve Mount Assembly	11
Frame and Bumper Assembly	12
Flywheel and Motor Mount Assembly	13
Radiator and Fan Assembly	14
Fan Mounting and Hardline Assembly	16
Hydraulic Motor Assembly No. 117-4769	17
Engine and Controller Assembly	18
Air Conditioner Compressor Mount Assembly	19
Washer Fluid Bottle Assembly	20
Piston Pump and Gear Pump Assembly	21
Four-Section Gear Pump Assembly No. 120-8906	23
Piston Pump Assembly No. 120-9059	24
Combination Manifold Assembly	26
Combination Manifold Assembly No. 120-8842	27
Manifold Block Assembly	29
Left Power-Take-Off Manifold Assembly No. 121-1536	31
Rear Traction Manifold Assembly No. 121-1530	32
Center and Right Power-Take-Off Manifold Assembly No. 121-1537	33
Drive Motor, Steer Valve and Filter Head Assembly	34
Hydraulic Motor Assembly No. 120-8913	35
Steering Valve Assembly No. 130-7949	36
Hydraulic Reservoir Assembly	37
Lift, Steer and Fan Hydraulic Assembly	38
Oil Cooler Hydraulic Assembly	40
Traction Hydraulic Assembly	42
Rear Axle and Steering Cylinder Assembly	43
Bevel Pinion Shaft Assembly Rear Axle Assembly No. 110-4750	45
Differential Assembly Rear Axle Assembly No. 110-4750	46
Axle Support Assembly Rear Axle Assembly No. 110-4750	47
Bevel Gear Case Assembly Rear Axle Assembly No. 110-4750	48
Bevel Gear Shaft Assembly Rear Axle Assembly No. 110-4750	49
Axle Case Assembly Rear Axle Assembly No. 110-4750	50
Axle Assembly Rear Axle Assembly No. 110-4750	51
Hydraulic Motor Assembly No. 120-8814	52
Steering Cylinder Assembly No. 121-1534	53
Hydraulic Fitting Assembly	54
Hose and Tube Routing Assembly	55
Fuel Tank and Air Cleaner Assembly	56
Air Cleaner Assembly No. 99-5410	57
Hood Assembly	58
Fuel/Water Separator Assembly	59
Traction Pedal and Platform Assembly	60
Brake Pedal Assembly	62
Seat Base and Seat Assembly	63
Air Ride Seat Suspension Assembly No. 108-1488	64
Cloth Premium Seat Assembly No. 117-9429	66
Parking Brake, Steering Tower and Power Center Assembly	67
Fender, Tool Box and Cover Assembly	68
Fender and Step Support Assembly	69
Acoustic Foam Assembly	70

# Contents (continued)

Front Deck Lift Arm Assembly	71
Hydraulic Motor Assembly No. 127-3694	73
Hydraulic Cylinder Assembly No. 120-8822	74
Front Deck Hydraulic Fitting Assembly	75
Front Deck Hose Routing Assembly	76
Platform Harness and Fuse Assembly	78
Rear Wire Harness Assembly	79
Battery Cable and Ground Assembly	80
Engine Harness Assembly	81
Armrest Control Panel Assembly	82
Cab Step and Flooring Assembly	84
Rear Weight Assembly	85
Deck Pad Assembly	86
Center Deck Assembly	87
Low Driven Spindle Assembly No. 119-4776	89
Wing Lift Cylinder Assembly No. 107-0190	90
High Driven Spindle Assembly No. 119-4549	91
Right Hand and Left Hand Deck Installation Assembly	92
Caster Wheel Assembly	94
Spindle and Blade Assembly	96
Driving Spindle Assembly No. 119-4547	97
Double Driven Spindle Assembly No. 119-5298	98
Deck Cover Assembly	99
Rear Discharge Baffle Assembly	100
Frame Mount and Seal Assembly	102
Headliner Assembly	104
Engine Hose Routing Assembly	106
Interior Foam, Trash Bag and Cup Holder Assembly	108
Window, Door and Striker Assembly	109
LH Door Assembly	111
Mixing Box and Vent Hose Assembly	112
Headliner Wire Harness and Control Assembly	113
Mixing Box Mounting Bracket and Water Tray Assembly	114
Blower Fan and Evaporator Core Assembly	115
Heat/Air Conditioner Housing Assembly	116
Air Diverter and Expansion Valve Assembly	117
Air Diverter Assembly No. 121-8369	118
Cylinder Block Assembly	119
Gear Housing Assembly	120
Flywheel Housing and Oil Sump Assembly	121
Cylinder Head and Cover Assembly	122
Suction Manifold Assembly	124
Exhaust Manifold Assembly	125
Diesel Particulate Filter Assembly	126
Camshaft and Driving Gear Assembly	128
Turbine Assembly	129
Crankshaft and Piston Assembly	130
Lubrication and Oil System Assembly	131
Lubrication Oil Line Assembly	132
Cooling Water System Assembly	133
Fuel System Assembly	134
Fuel Injection Valve Assembly	135
Fuel Line Assembly	136
Starting Motor Assembly	137

# Contents (continued)

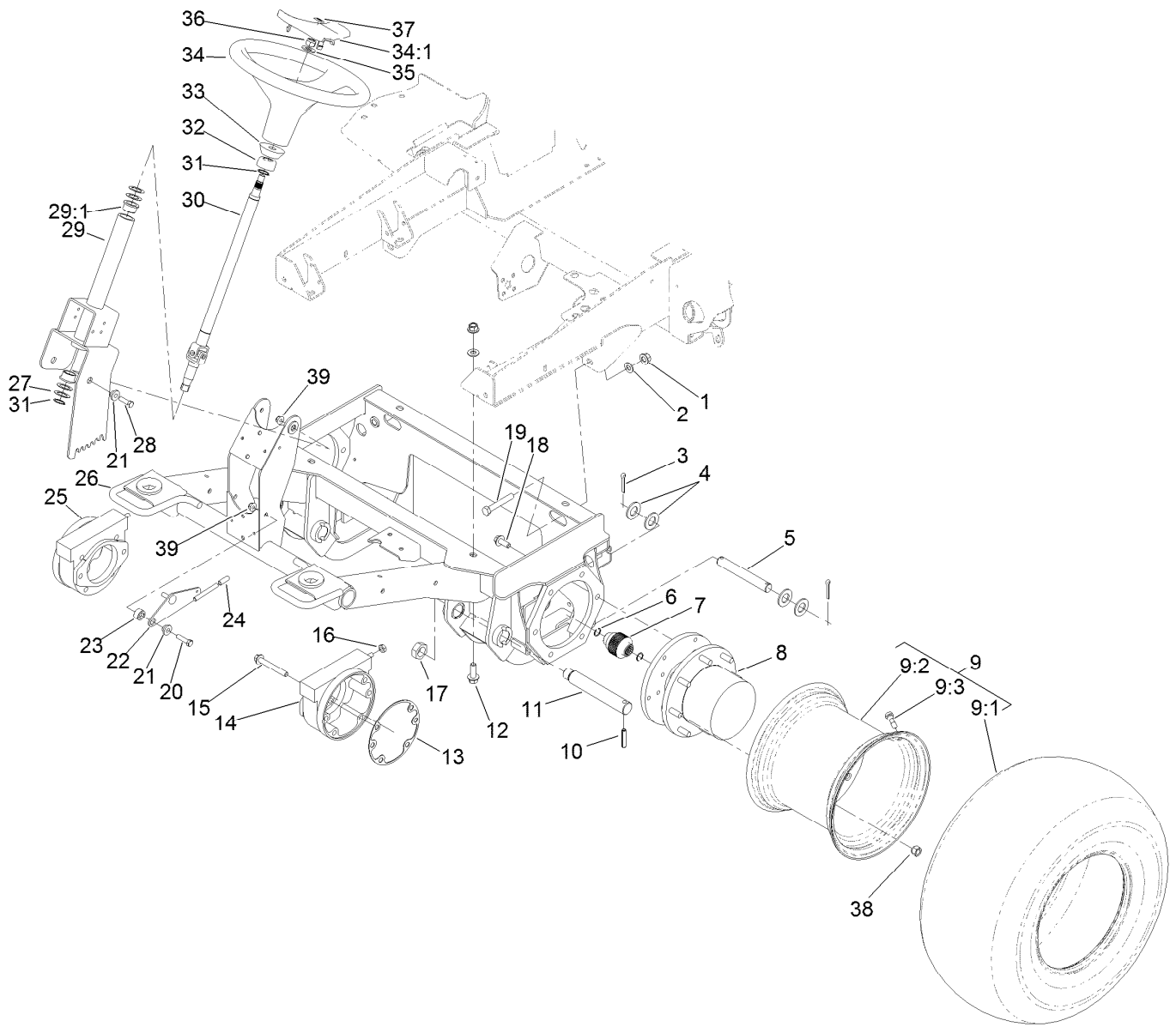
Generator Assembly ..... 138  
Electric Parts Assembly..... 139  
Gasket Set..... 140  
Attachments and Accessories ..... 142



## Front Frame and Steering Assembly

Ref.	Part Number	Qty.	Description	Ref.	Part Number	Qty.	Description
1	99-5107	6	Nut-Lock	16	3218-4	2	Nut-Jam
2	3256-26	6	Washer-Flat	17	3296-49	2	Nut-Lock, NI
3	3272-30	4	Pin-Cotter	18	33106-030	12	Screw-HHF
4	3256-29	8	Washer-Flat	19	325-13	2	Screw-HH
5	110-6006	2	Pin-Clevis	20	323-8	1	Screw-HH
6	93-7972	4	Ring-Retaining, Internal	21	93-5988	3	Hub-Pivot
7	100-3046	2	Shaft-Brake, Splined	22	114-5907-03	1	Lever-Tilt
8	105-4500	2	Planetary ASM	23	114-4854	1	Spacer-Cup
9		2	Wheel And Tire ASM ●	24	93-5446	1	Cap-Vinyl
9:1	119-8313	1	Tire	25	100-3069-03	1	Brake ASM
9:2	120-4175	1	Rim	26	120-4085-03	1	Frame-Front
9:3	232-27	1	Stem-Valve	27	9547	4	Washer-Thrust
10	32121-110	2	Pin-Roll, Slotted	28	323-7	2	Screw-HH
11	100-3017	2	*obs Pin-Lift Arm	29	114-0167	1	Steering Column ASM
12	100-6116	4	Screw-HHF	29:1	256-132	2	Bushing-Flange
13	93-7984	2	Gasket	30	93-5428	1	Shaft-Steering
14	100-3070-03	1	Brake ASM	31	32151-29	2	Ring-Retaining
15	33106-090	8	Screw-HHF	32	93-5439	1	Seal-Steering

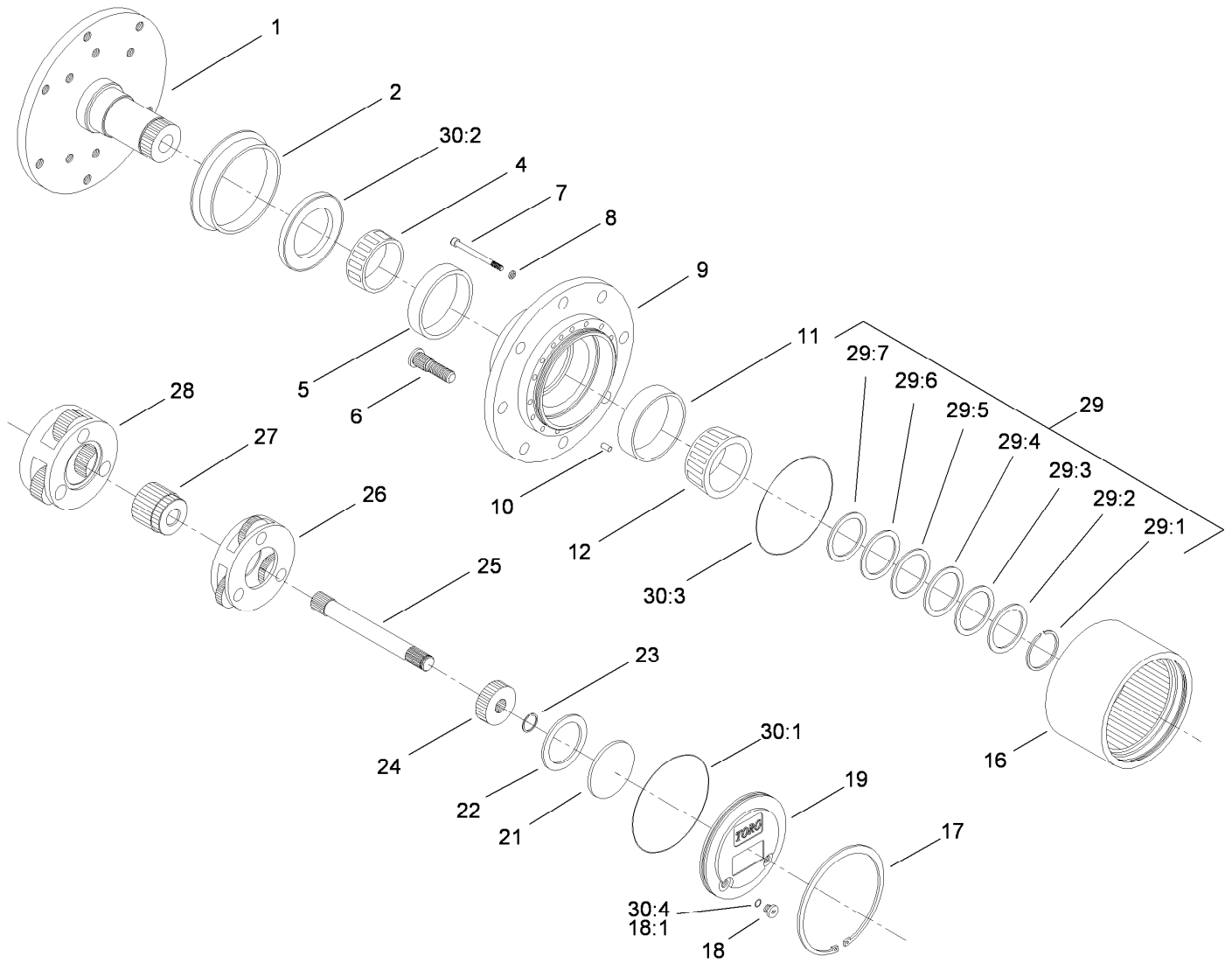
● Not serviced separately



## Front Frame and Steering Assembly (continued)

<i>Ref.</i>	<i>Part Number</i>	<i>Qty.</i>	<i>Description</i>	<i>Ref.</i>	<i>Part Number</i>	<i>Qty.</i>	<i>Description</i>
33	93-5429	1	Collar-Foam	36	108-9342	1	Nut-Hex
34	98-1471	1	Wheel-Steering	37	98-1459	1	Decal
34:1	98-1468	1	Cover-Wheel, Steering	38	242-50	16	Nut-Lug
35	3256-27	1	Washer-Flat	39	104-8301	3	Nut-HF, NI

● Not serviced separately



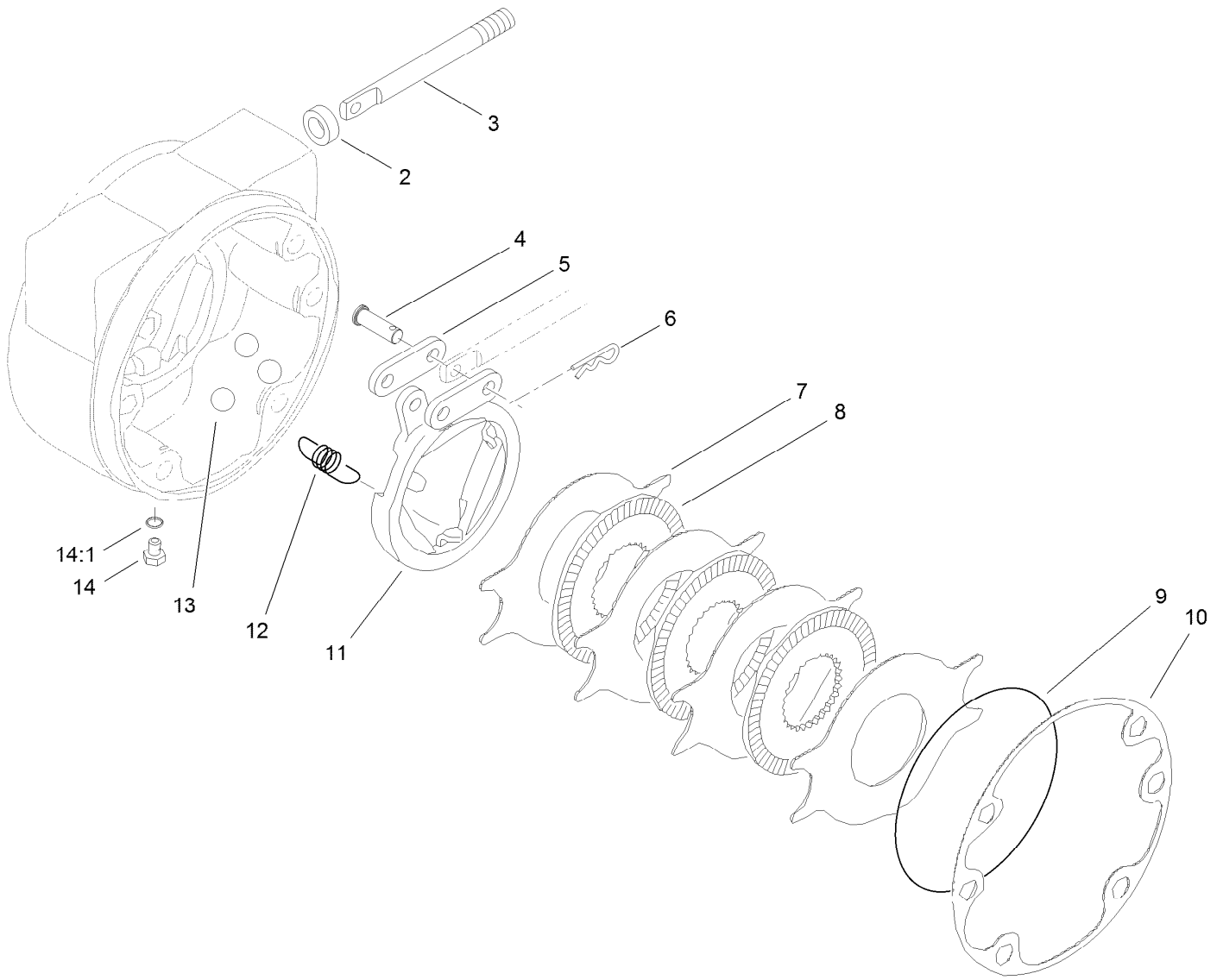
## Planetary Assembly No. 105-4500

Ref.	Part Number	Qty.	Description	Ref.	Part Number	Qty.	Description
1		1	Spindle ■	24	105-8114	1	Gear-Primary
2	105-8122	1	Seal-Boot	25	105-8115	1	Shaft-Drive
4	105-8120	1	Bearing-Cone	26	105-8129	1	Carrier-Primary
5	105-8119	1	Bearing-Cup	27	105-8139	1	Gear-Secondary
6	105-8124	8	Stud-Wheel	28	105-8130	1	Carrier-Secondary
7	105-8125	16	Bolt-Head, Socket	29	105-8136	1	Shim Kit
8	3253-18	16	Washer-Lock	29:1		1	Ring-Snap ■
9		1	Housing ■	29:2		1	Shim-Bearing, 2.9Mm ■
10	105-8121	1	Pin-Dowel	29:3		1	Shim-Bearing, 2.8Mm ■
11	105-8117	1	Bearing-Cup	29:4		1	Shim-Bearing, 2.7Mm ■
12	105-8118	1	Bearing-Cone	29:5		1	Shim-Bearing, 2.6Mm ■
16	105-8113	1	Gear-Ring	29:6		1	Shim-Bearing, 2.5Mm ■
17	105-8132	1	Ring-Retaining	29:7		1	Shim-Bearing, 2.4Mm ■
18	353-990	2	Plug ASM	30	105-8137	1	Seal Kit ●
18:1	237-78	1	O-Ring	30:1		1	O Ring-Flange Cap ■
19	105-8138	1	Cap-End	30:2		1	Seal-Oil ■
21	105-8133	1	Plug-Thrust	30:3		2	O Ring-End Cap ■
22	105-8123	1	Washer-Thrust	30:4	237-78	2	O-Ring
23	105-8131	1	Ring-Retaining				

● Not illustrated

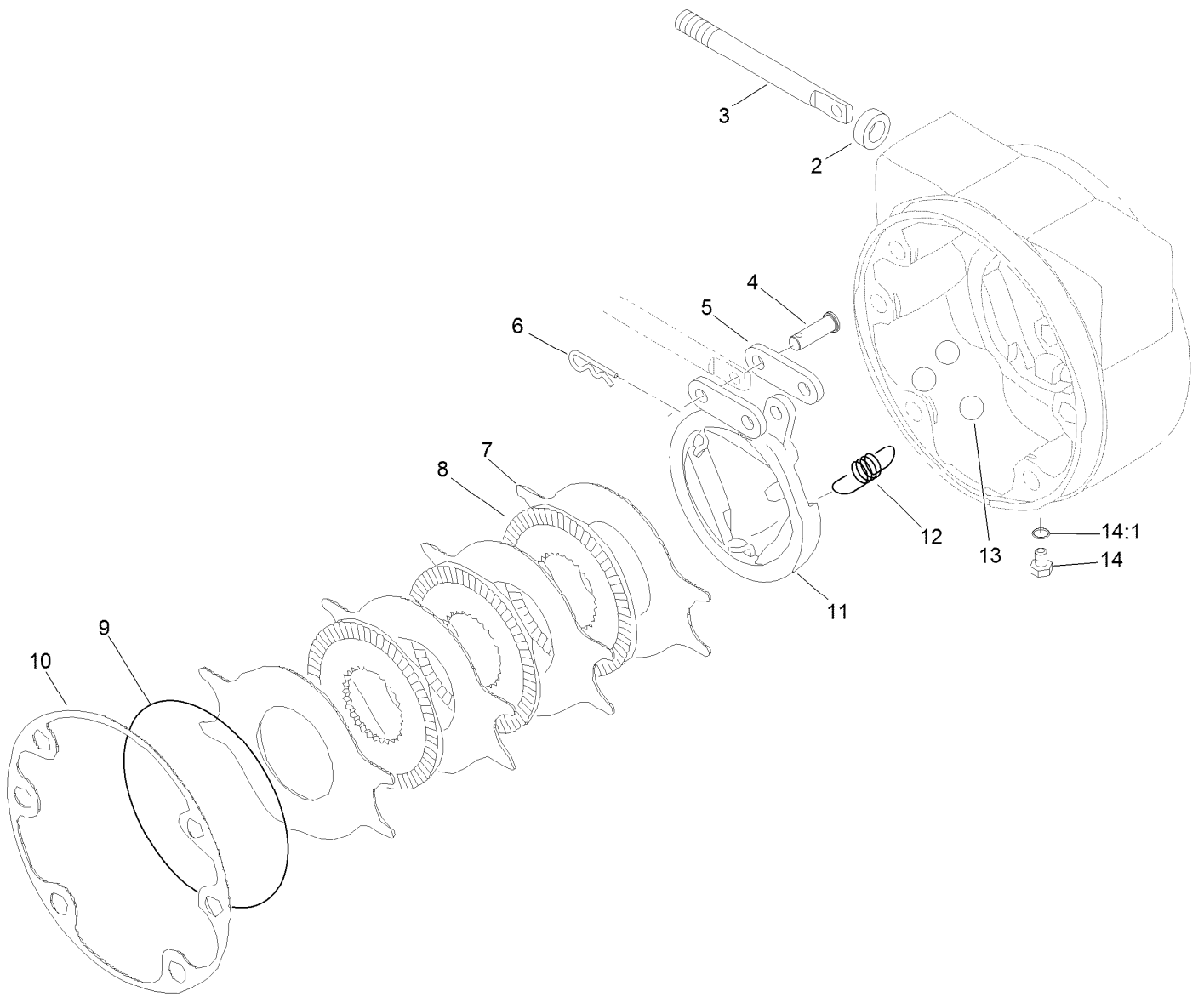
■ Not serviced separately





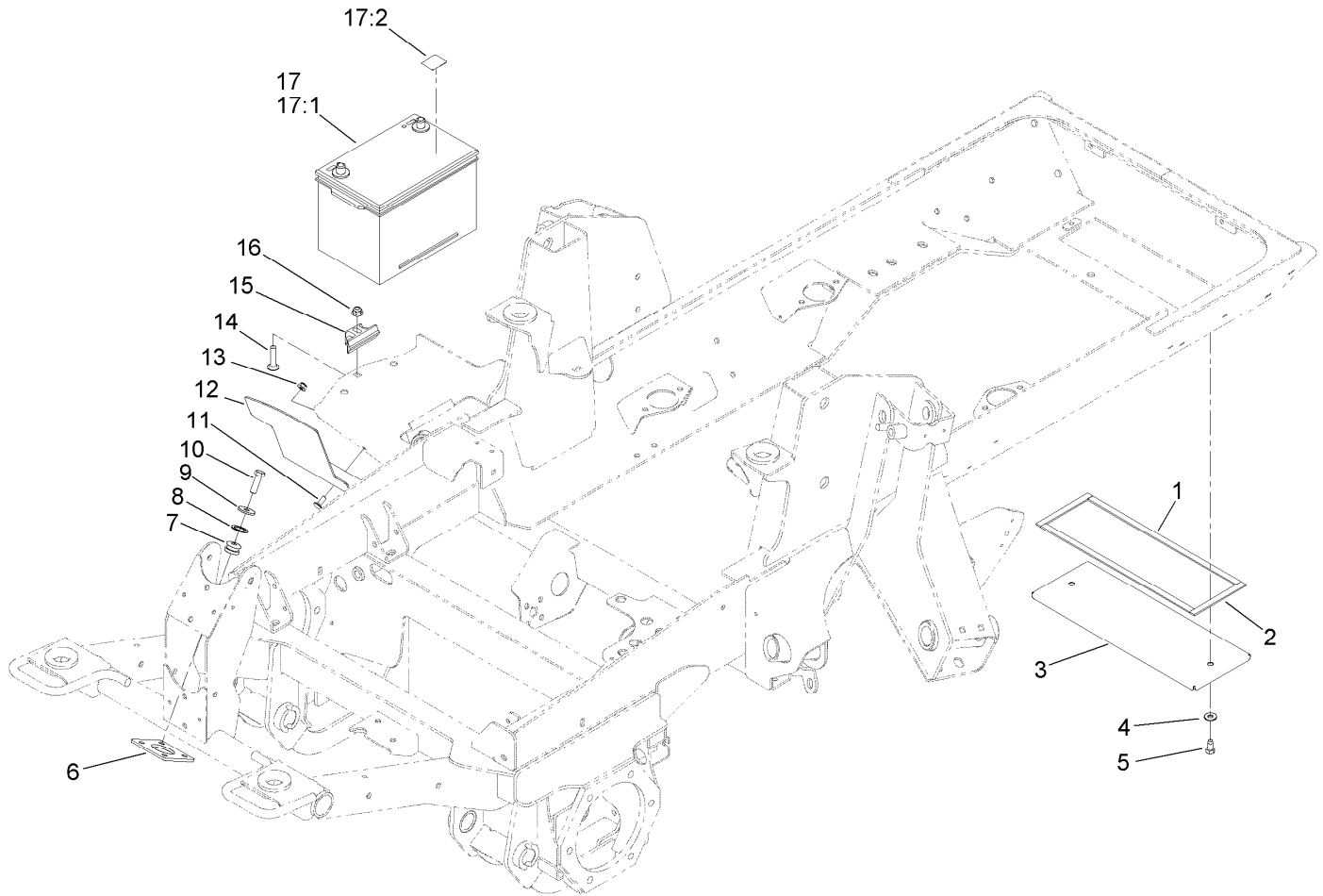
## LH Brake Assembly No. 100-3070-03

<i>Ref.</i>	<i>Part Number</i>	<i>Qty.</i>	<i>Description</i>
2	93-7977	1	Seal
3	93-7978	1	Rod-Pull
4	93-7983	2	Pin-Clevis
5	93-7980	2	Link
6	93-7979	2	Pin-Hitch
7	93-7986	4	Disc-Stationary
8	104-4278	3	Disc-Rotating
9	93-7976	1	Ring-Retaining
10	93-7984	1	Gasket
11	104-4279	1	Actuator-Rotating
12	93-7987	3	Spring-Extension
13	93-7985	3	Ball
14	353-990	2	Plug ASM
14:1	237-78	1	O-Ring



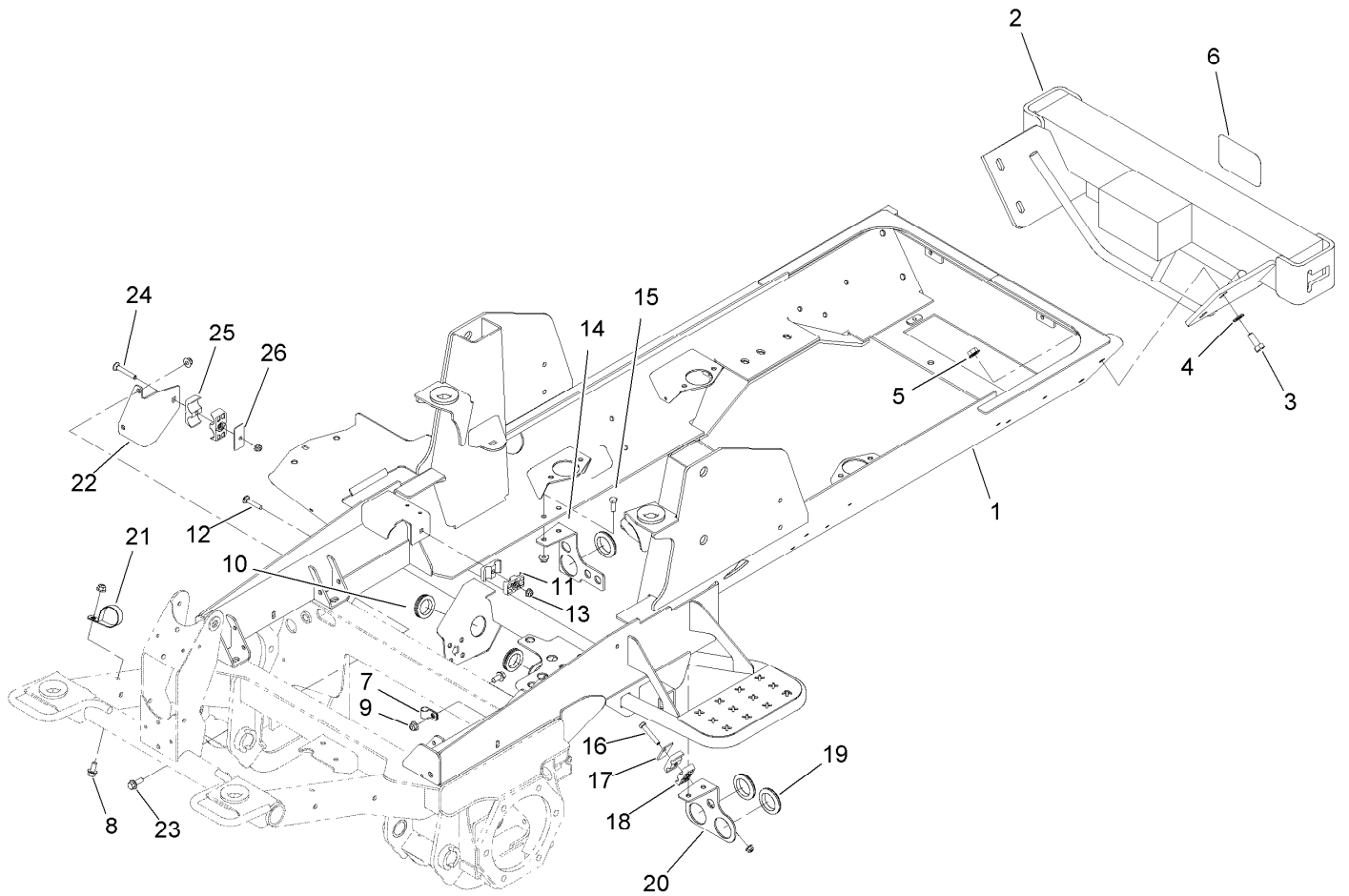
## RH Brake Assembly No. 100-3069-03

<i>Ref.</i>	<i>Part Number</i>	<i>Qty.</i>	<i>Description</i>
2	93-7977	1	Seal
3	93-7978	1	Rod-Pull
4	93-7983	2	Pin-Clevis
5	93-7980	2	Link
6	93-7979	2	Pin-Hitch
7	93-7986	4	Disc-Stationary
8	104-4278	3	Disc-Rotating
9	93-7976	1	Ring-Retaining
10	93-7984	1	Gasket
11	104-4280	1	Actuator-Rotating
12	93-7987	3	Spring-Extension
13	93-7985	3	Ball
14	353-990	2	Plug ASM
14:1	237-78	1	O-Ring



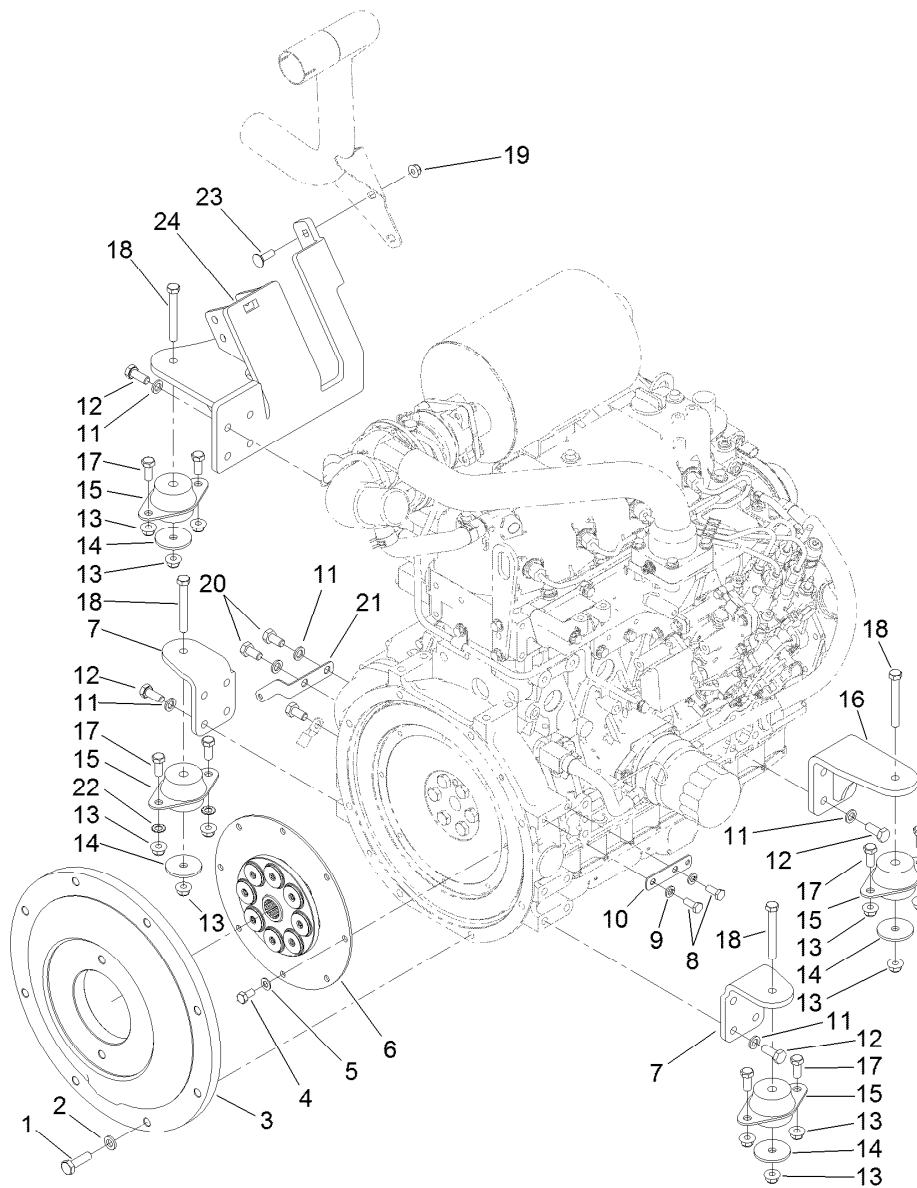
## Battery, Rear Cover and Steer Valve Mount Assembly

<i>Ref.</i>	<i>Part Number</i>	<i>Qty.</i>	<i>Description</i>	<i>Ref.</i>	<i>Part Number</i>	<i>Qty.</i>	<i>Description</i>
1	105-0777	2	Strip-Foam	11	3230-23	2	Bolt-CARR
2	105-0778	2	Strip-Foam	12	121-1512-03	1	Shield-Battery
3	104-2287-03	1	Cover-Frame	13	104-8300	2	Nut-HF, NI
4	3256-3	2	Washer-Flat	14	3231-5	1	Screw-CARR
5	32104-6	2	Screw-HH, TAP	15	138-6335	1	Retainer-Battery
6	120-4118-03	1	Plate-Mounting, Valve	16	104-8301	1	Nut-HF, NI
7	63-9750	4	Mount	17	139-1005	1	Battery Kit
8	1-303352	4	Washer-Spindle	17:1	127-7507	1	Battery
9	63-8410	4	Washer	17:2	139-1006	1	Decal
10	33115-035	4	Screw-HH				



## Frame and Bumper Assembly

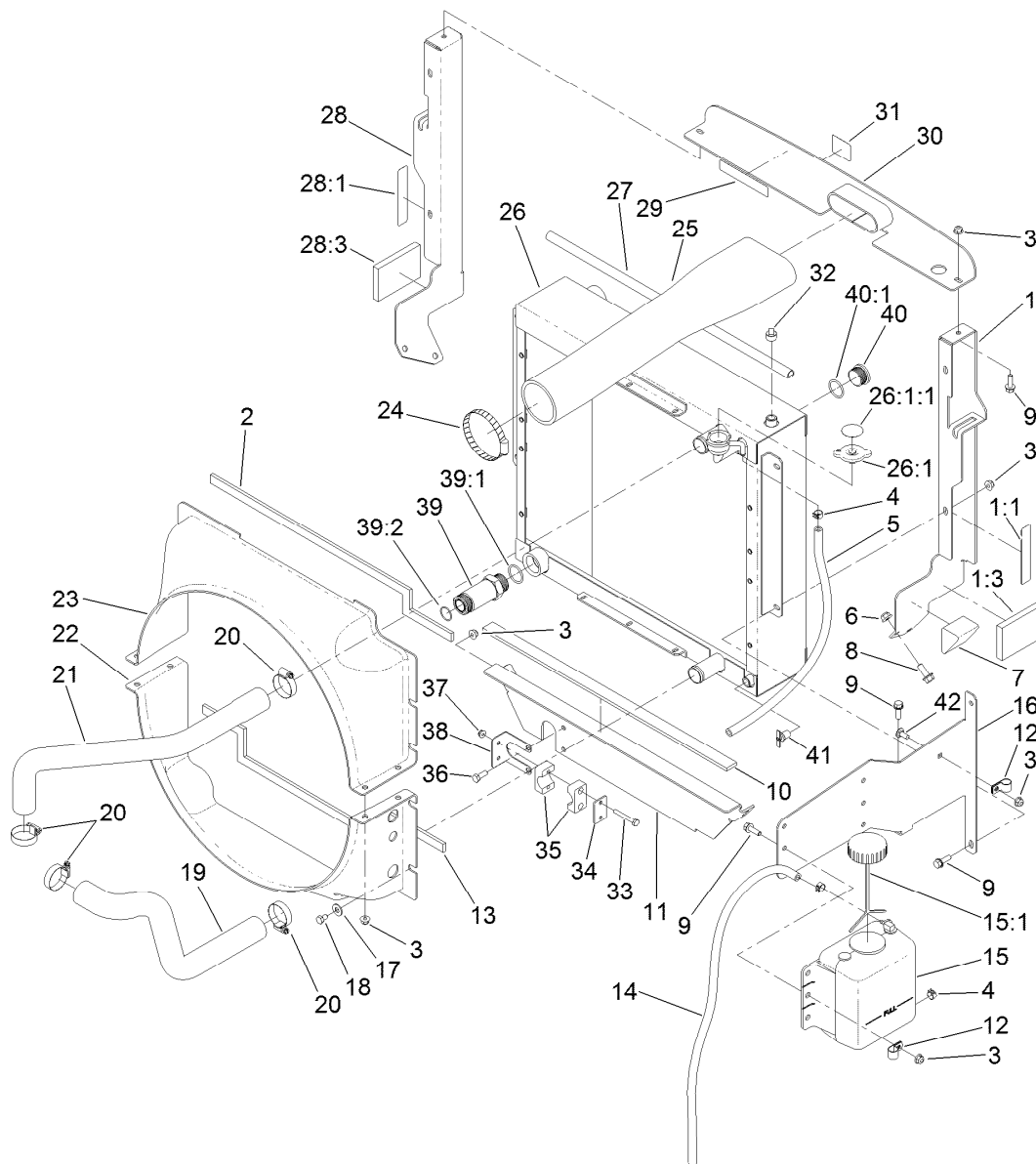
<i>Ref.</i>	<i>Part Number</i>	<i>Qty.</i>	<i>Description</i>	<i>Ref.</i>	<i>Part Number</i>	<i>Qty.</i>	<i>Description</i>
1	120-4110-03	1	Frame	14	121-1508-03	1	Bracket-Bulkhead
2	106-4278-03	1	Gm4000 Bumper-Weight ASM	15	323-6	4	Screw-HH
3	325-5	4	Screw-HH	16	322-10	1	Screw-HH
4	3256-26	4	Washer-Flat	17	69-9760	1	Plate-Cover
5	32128-23	4	Nut-HF	18	56-7976	2	Clamp-Tube
6	105-8278	1	Decal	19	240-2	3	Grommet-Rubber
7	2412-138	1	R-Clamp	20	121-1481-03	1	Plate-Mount, Bulkhead (LH)
8	3234-1	2	Screw-HHF	21	2412-147	1	Clamp-R
9	104-8301	8	Nut-HF, NI	22	120-9086-03	1	Plate-Mount, Tube
10	240-7	2	Grommet-Rubber	23	3234-11	2	Screw-HHF
11	56-7971	2	Clamp-Tube	24	3230-7	1	Bolt-CARR
12	3230-5	1	Bolt-CARR	25	56-7974	2	Clamp-Tube
13	104-8300	3	Nut-HF, NI	26	69-9761	1	Plate-Cover



## Flywheel and Motor Mount Assembly

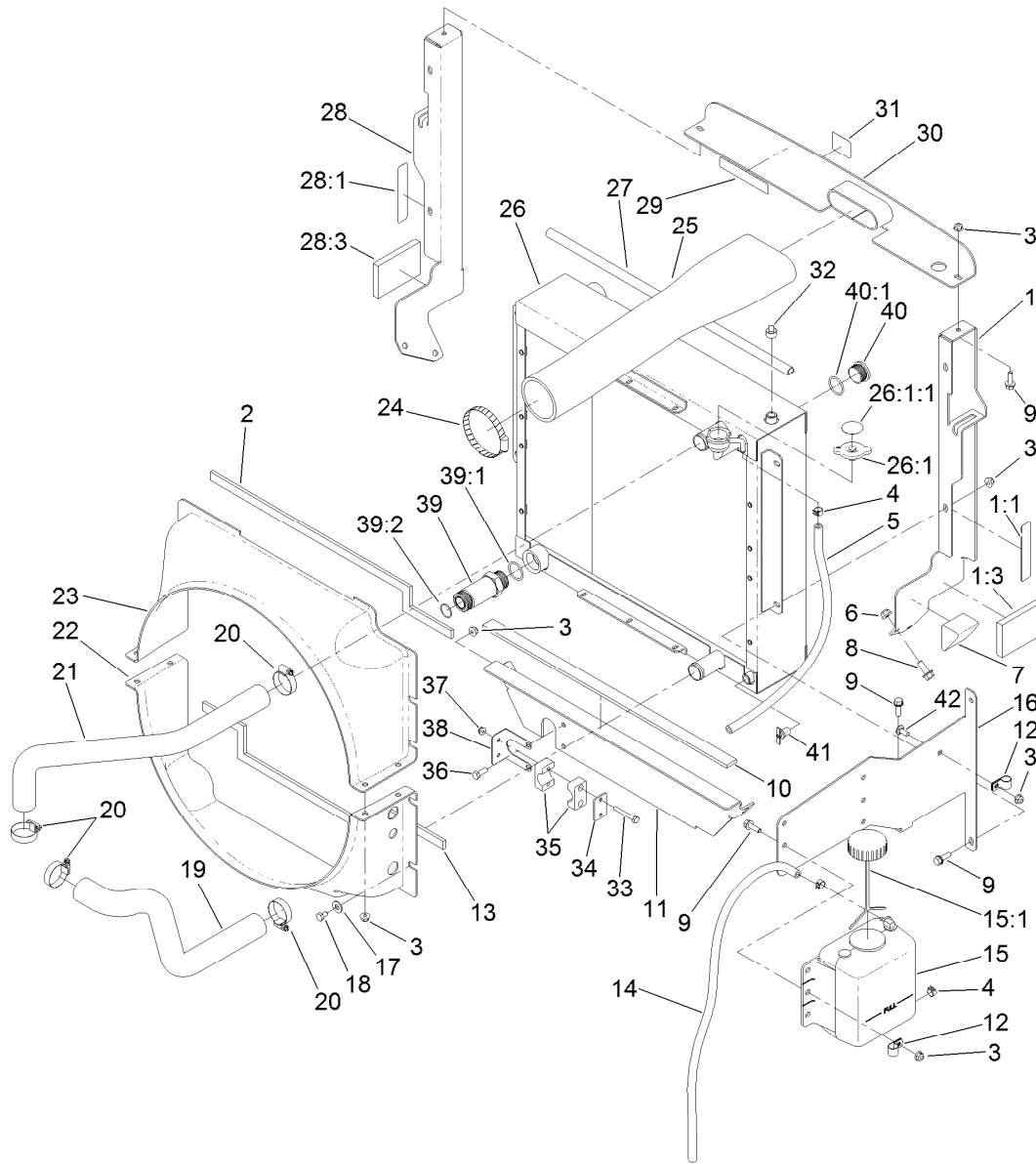
Ref.	Part Number	Qty.	Description
1	117-5663	8	Screw-HH
2	107-1413	8	Washer-Hardened
3	115-6657-03	1	Plate-Flywheel
4	99-5132	8	Bolt
5	87-7510	8	Washer-Flat
6	120-4176	1	Coupling-Spring, Flywheel
7	120-4066-03	2	Mount-Motor, Front
8	33114-020	2	Screw-HH
9	3253-4	2	Washer-Lock
10	121-5636	1	Tab-Harness
11	48-9590	18	Washer-Lock
12	33115-025	16	Screw-HH

Ref.	Part Number	Qty.	Description
13	104-8301	12	Nut-HF, NI
14	63-7400	4	Washer-Rebound
15	53-9682	4	Mount-Engine
16	120-4068-03	1	Mount-Motor
17	323-5	8	Screw-HH
18	323-14	4	Screw-HH
19	104-8300	2	Nut-HF, NI
20	33115-020	3	Screw-HH
21	121-6580	1	Bracket-Harness
22	3255-9	2	Washer-Lock
23	3230-2	2	Bolt-CARR
24	127-3722-03	1	Mount-Motor



## Radiator and Fan Assembly

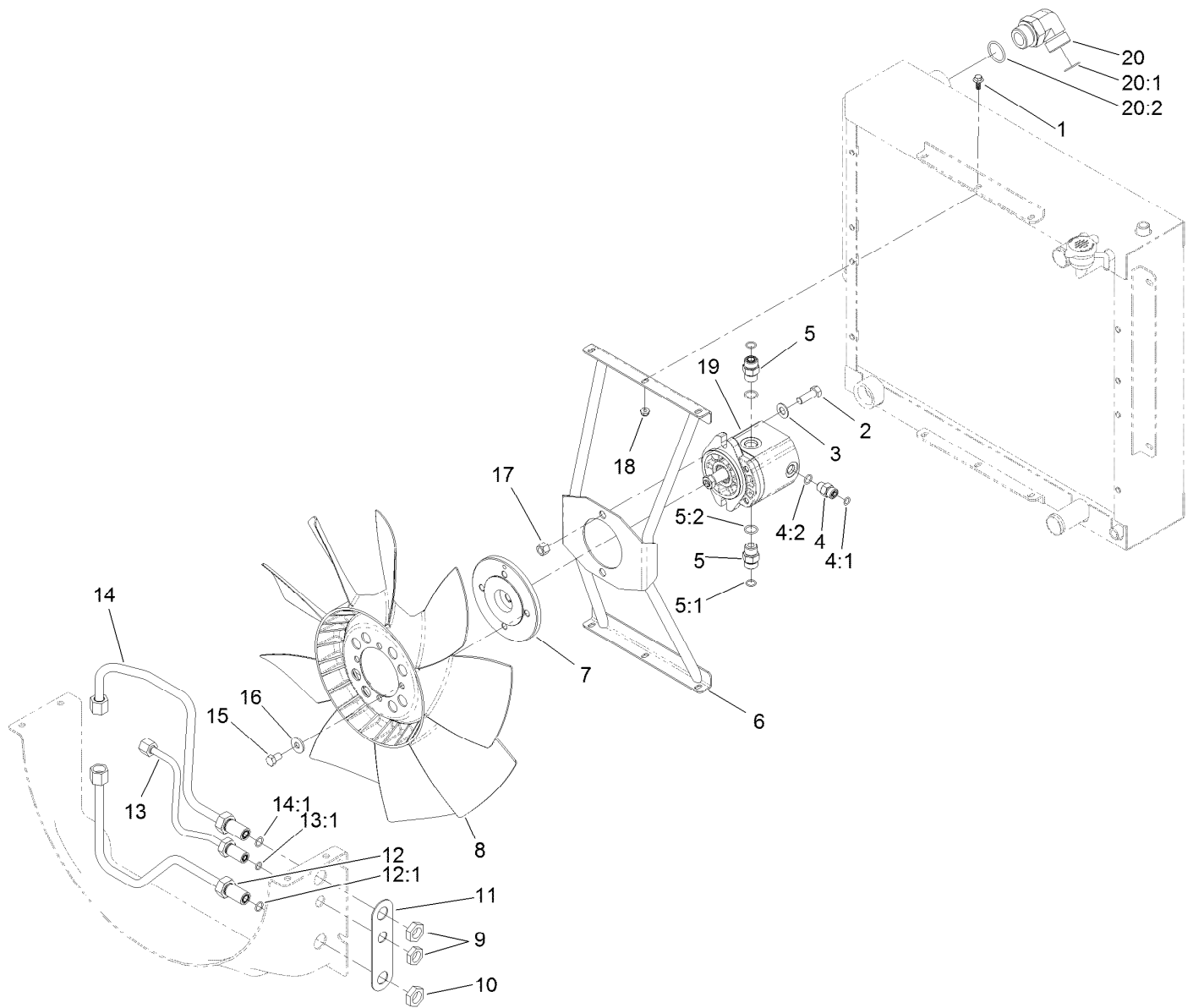
Ref.	Part Number	Qty.	Description	Ref.	Part Number	Qty.	Description
1	121-1479	1	LH Radiator Support ASM	19	121-1746	1	Hose-Radiator, Lower
1:1	93-7272	1	Decal-Warning	20	2412-111	4	Clamp-Hose, W/Liner
1:3	100-2196	1	Pad-Foam	21	121-1747	1	Hose-Radiator, Upper
2	121-1684	1	Foam-Radiator	22	121-1517	1	Shroud-Radiator, Lower
3	104-8300	13	Nut-HF, NI	23	121-1515	1	Shroud-Radiator, Upper
4	92-2379	3	Clamp-Hose	24	2412-110	1	Clamp-Band/Screw
5	110-4112	1	Hose-Fuel	25	121-1474	1	Hose-Inlet, Air Cleaner
6	104-8301	6	Nut-HF, NI	26	121-3080	1	Radiator/Oil Cooler
7	93-5954	2	Plug-Foam	26:1	115-7766	1	Cap-Radiator
8	3234-11	6	Screw-HHF	26:1:1	106-6755	1	Decal-Cap, Radiator
9	3234-29	12	Screw-HHF	27	114-3828	1	Seal-Bulb
10	104-2226	1	Strip-Foam	28	121-1478	1	RH Radiator Support ASM
11	120-8968-03	1	Bracket-Hose	28:1	93-7272	1	Decal-Warning
12	92-6064	2	Clamp-R	28:3	100-2196	1	Pad-Foam
13	121-1685	1	Foam-Radiator, Lower	29	93-7272	1	Decal-Warning
14	110-9662	1	Hose-Fuel	30	120-9025-03	1	Bracket-Intake
15	120-5571	1	Coolant Reservoir ASM	31	93-7275	1	Decal-Fluid, Starting
15:1	87-7050	1	Cap-Reservoir	32	281-13	1	Plug-Pipe
16	130-0603-03	1	Bracket-Mount, Bottle	33	321-11	2	Screw-HH
17	3256-3	8	Washer-Flat	34	114-4902	1	Plate-Cover
18	322-1	8	Screw-HH	35	114-4901	1	Clamp



## Radiator and Fan Assembly (continued)

<i>Ref.</i>	<i>Part Number</i>	<i>Qty.</i>	<i>Description</i>
36	322-4	2	Screw-HH
37	104-7201	2	Nut-HF, NI
38	120-8984	1	Bracket-Clamp
39	100-5565	1	Fitting-STR
39:1	237-146	1	O-Ring

<i>Ref.</i>	<i>Part Number</i>	<i>Qty.</i>	<i>Description</i>
39:2	340-65	1	O-Ring
40	106-2030	1	Plug-Hex, Hollow
40:1	237-146	1	O-Ring
41	304-46	1	Draincock
42	3230-23	1	Bolt-CARR

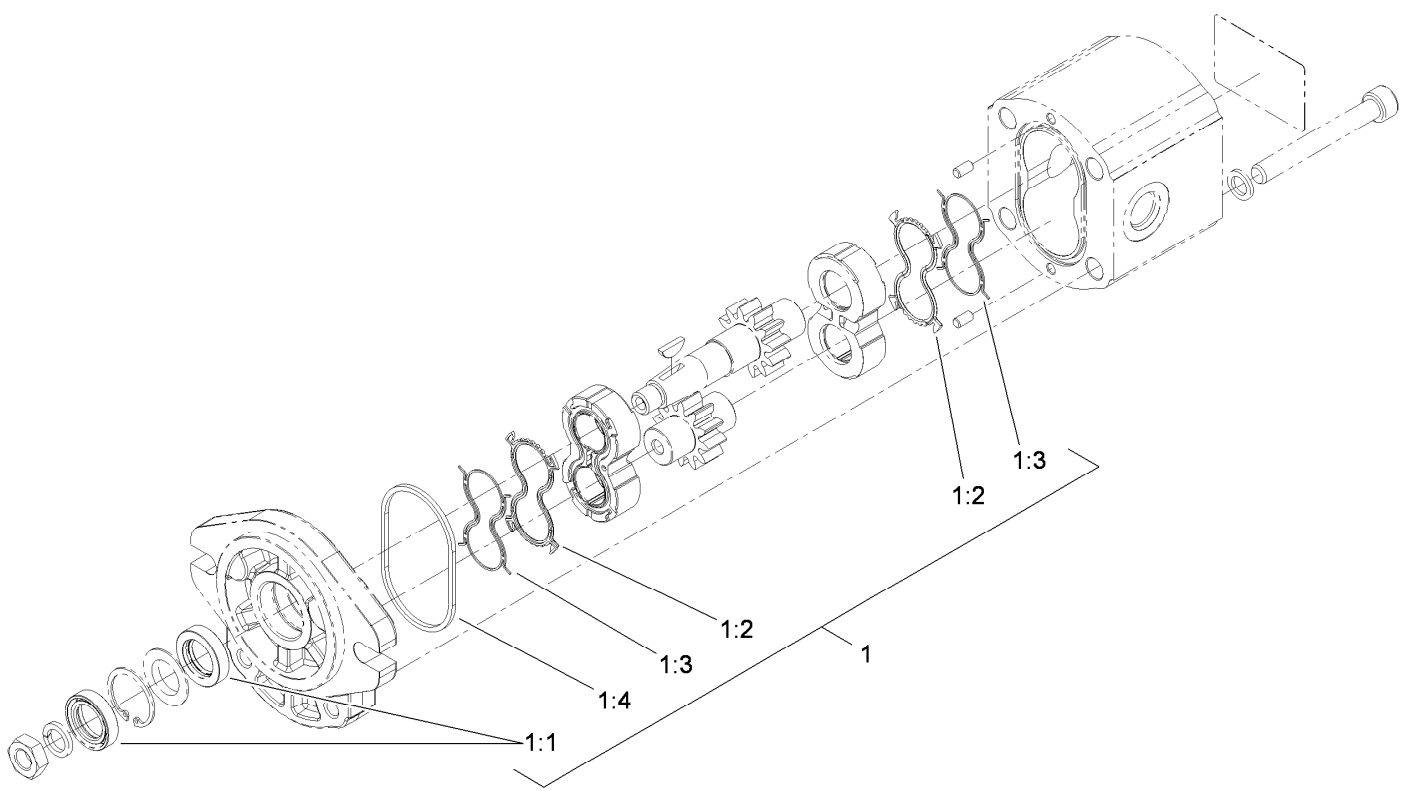


## Fan Mounting and Hardline Assembly

Ref.	Part Number	Qty.	Description
1	99-6810	6	Screw-HHF
2	324-5	2	Screw-HH
3	3256-25	2	Washer-Flat
4	340-2	1	Fitting-Straight
4:1	237-22	1	O-Ring
4:2	237-42	1	O-Ring
5	340-4	2	Fitting-Straight
5:1	237-30	1	O-Ring
5:2	237-79	1	O-Ring
6	120-8935-03	1	Bracket-Fan
7	117-2364	1	Hub-Fan
8	114-3825	1	Fan
9	340-70	1	Nut-Lock
10	340-127	2	Nut-Bulkhead
11	121-1518	1	Shim-Support

Ref.	Part Number	Qty.	Description
12	121-1554	1	Tube-HYD
12:1	237-30	1	O-Ring
13	121-1555	1	Tube ASM
13:1	237-22	1	O-Ring
14	121-1553	1	Tube-HYD
14:1	237-30	1	O-Ring
15	115-8486	4	Screw-HH
16	80-6990	4	Washer-Hardened
17	3296-48	2	Nut-Hex
18	104-7201	6	Nut-HF, NI
19	117-4769	1	HYD Motor ASM
20	340-129	1	Fitting-Elbow, 90 DEG
20:1	237-146	1	O-Ring
20:2	340-65	1	O-Ring

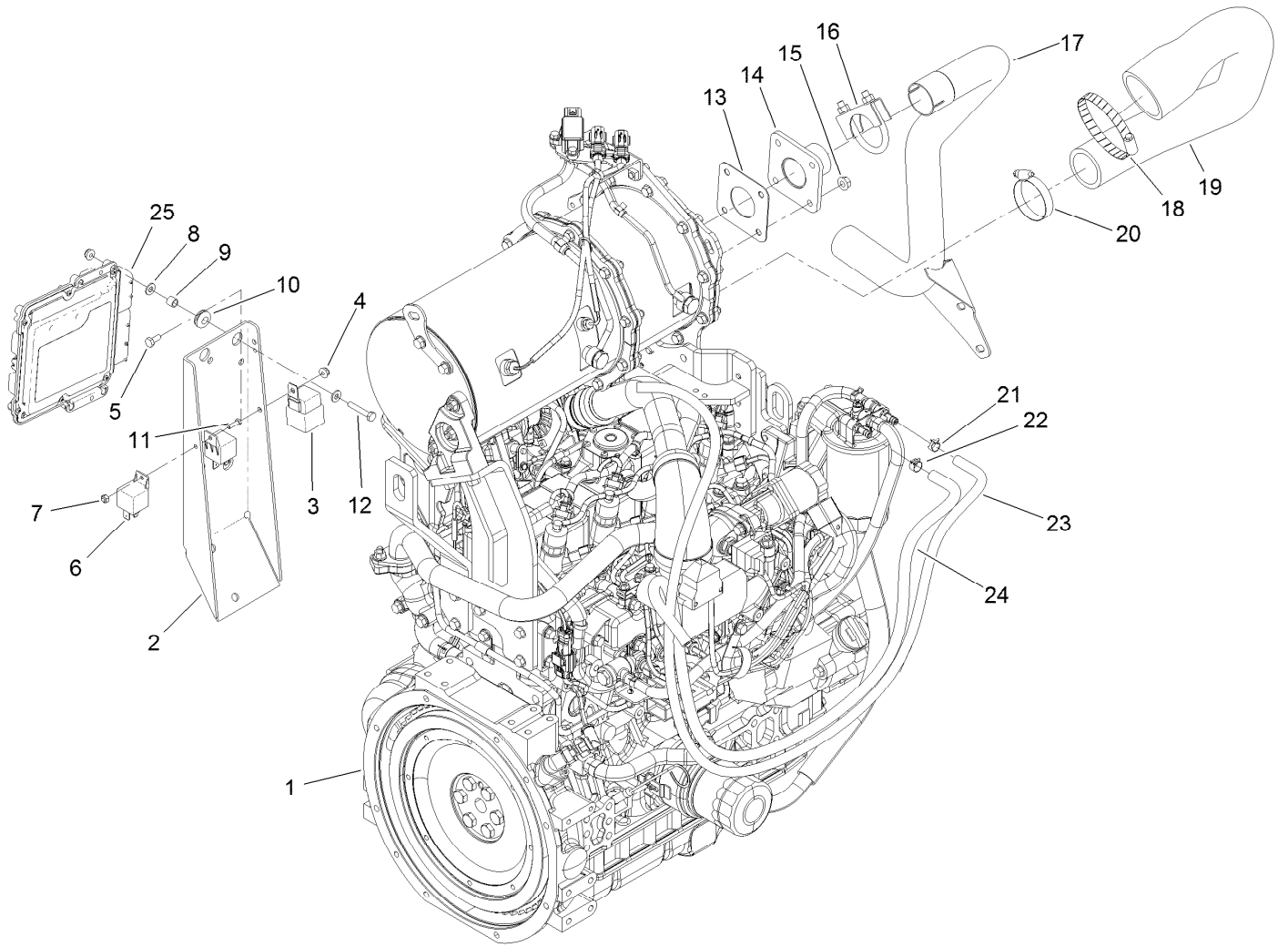




## Hydraulic Motor Assembly No. 117-4769

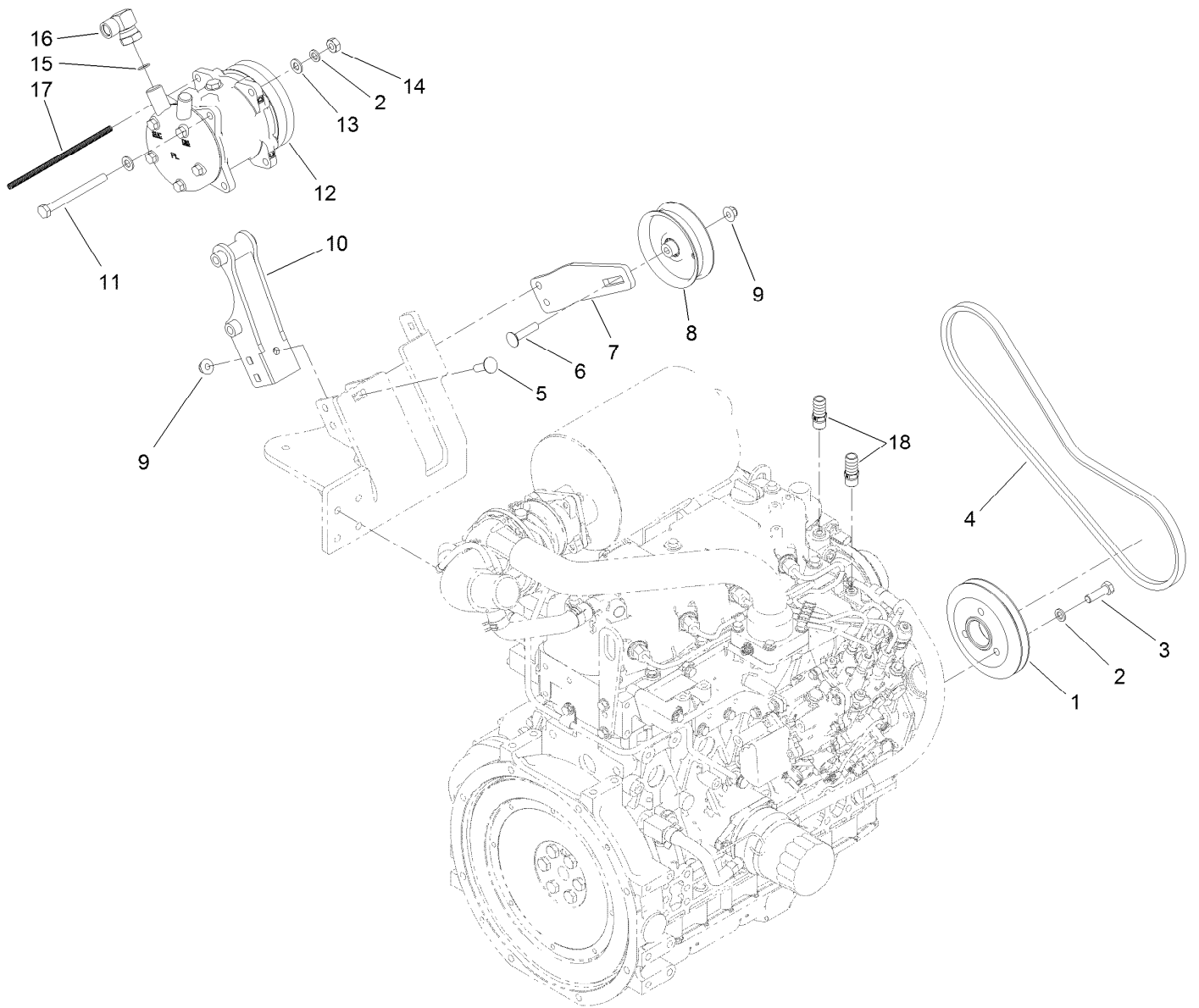
<i>Ref.</i>	<i>Part Number</i>	<i>Qty.</i>	<i>Description</i>
1	115-4110	1	Seal Kit
1:1		2	Seal-Shaft ●
1:2		2	Seal-Plate, Balancing ●
1:3		2	Seal-Anti Extrusion ●
1:4		2	O-Ring (Housing) ●

● Not serviced separately



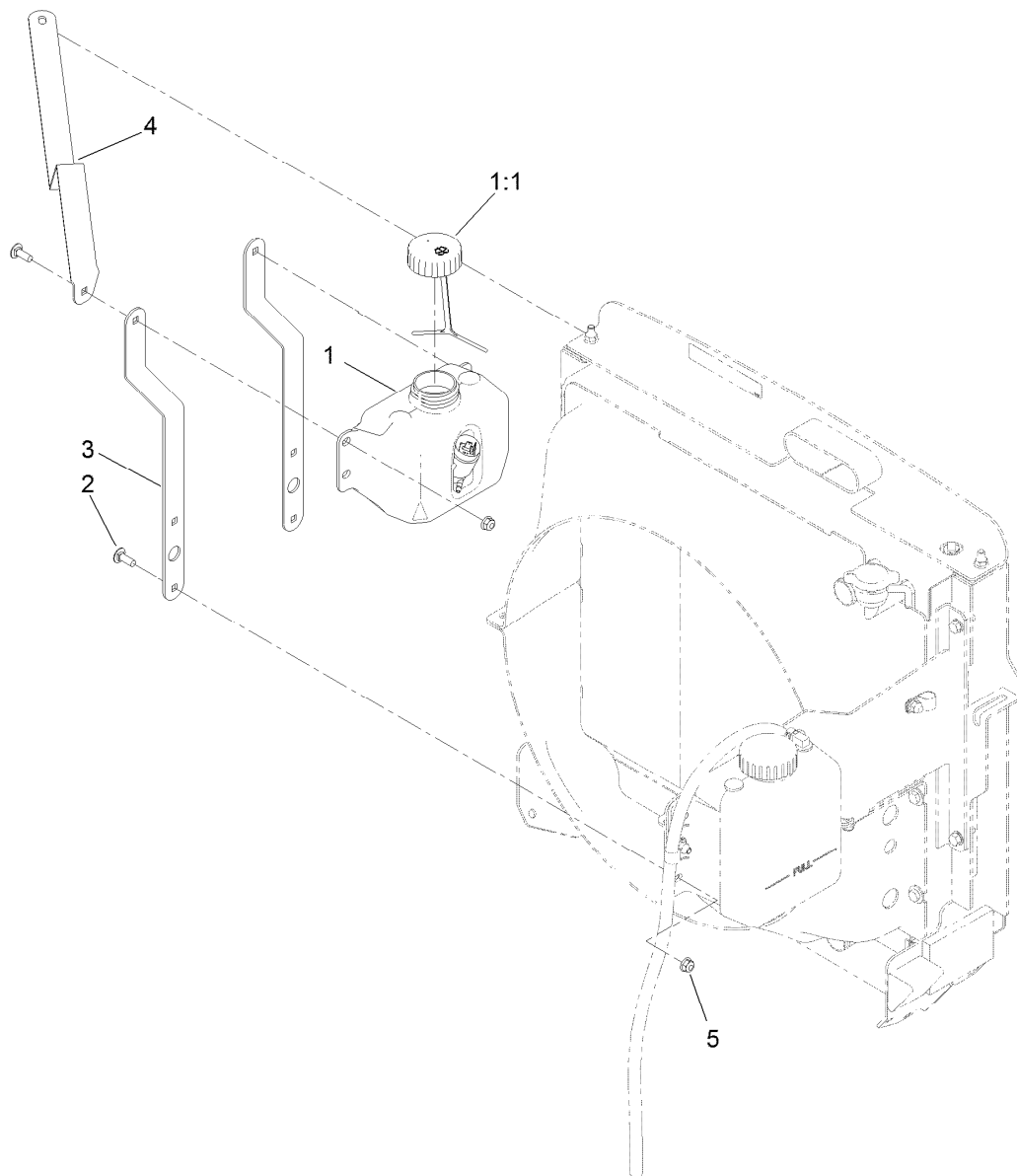
## Engine and Controller Assembly

<i>Ref.</i>	<i>Part Number</i>	<i>Qty.</i>	<i>Description</i>	<i>Ref.</i>	<i>Part Number</i>	<i>Qty.</i>	<i>Description</i>
1	120-4111	1	Engine ASM	14	121-3060	1	Flange-Exhaust
2	120-8916-03	1	Mount-Controller	15	33004-00	4	Nut-HF
3	99-7430	1	Relay-Mini	16	18-2130	1	Clamp
4	104-7201	5	Nut-HF, NI	17	121-1613	1	Pipe-Exhaust
5	321-3	1	Screw-HH	18	2412-110	1	Clamp-Band/Screw
6	99-7435	2	Relay	19	121-1475	1	Hose-Outlet, Air Cleaner
7	3296-2	1	Nut-Lock, NI	20	2412-130	1	Clamp-Hose
8	3256-22	8	Washer-Flat	21	2412-98	1	Clamp-Hose
9	1-633545	4	Spacer	22	92-2379	1	Clamp-Hose
10	1-633630	4	Grommet	23	115-2368	1	Hose-Fuel
11	3290-134	1	Screw	24	110-4007	1	Hose-Fuel
12	321-9	4	Screw-HH	25	121-5592	1	Electronic Control Unit
13	121-3058	1	Gasket-Exhaust				



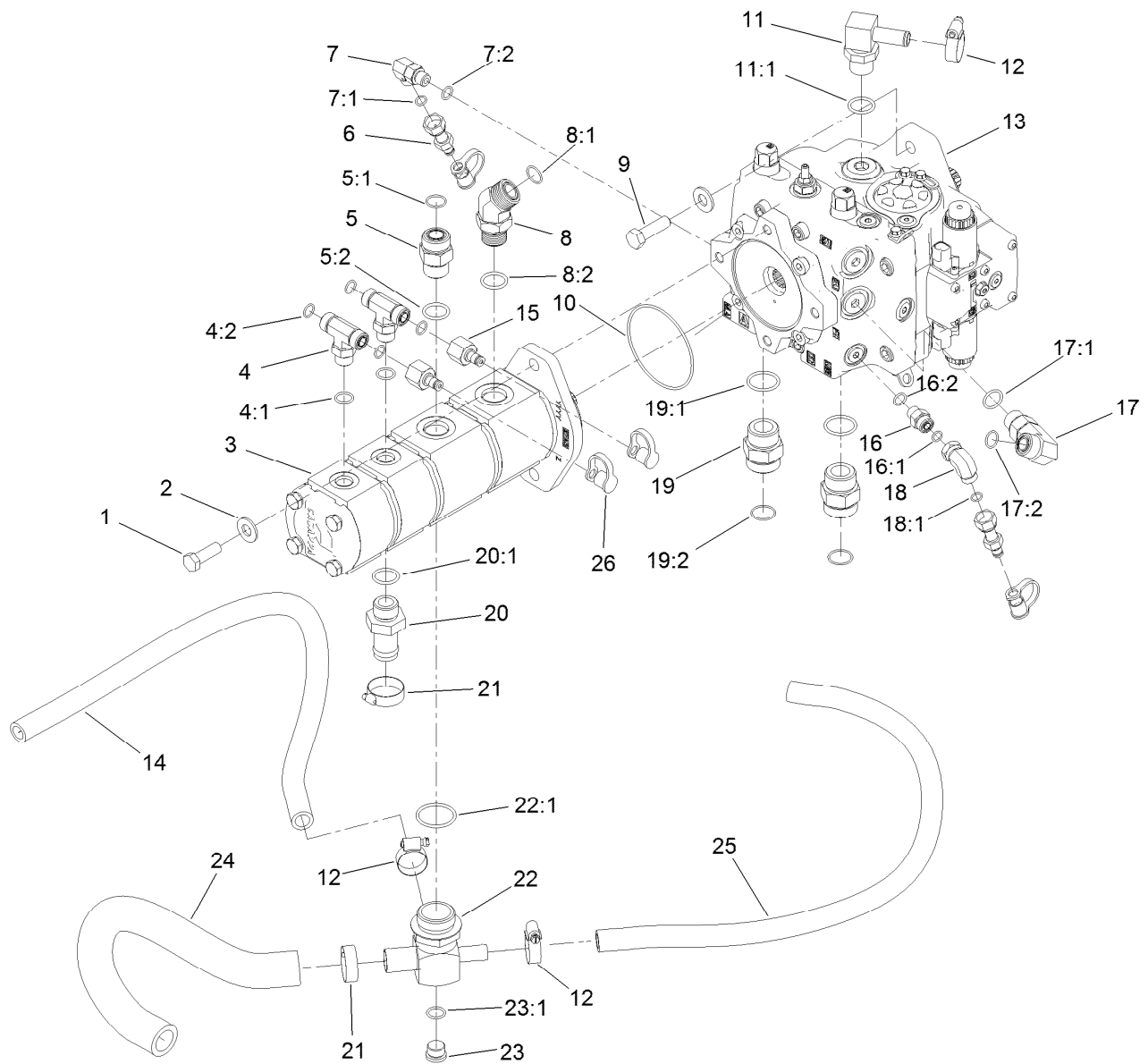
## Air Conditioner Compressor Mount Assembly

<i>Ref.</i>	<i>Part Number</i>	<i>Qty.</i>	<i>Description</i>	<i>Ref.</i>	<i>Part Number</i>	<i>Qty.</i>	<i>Description</i>
1	121-8177	1	Pulley-Single	10	127-3726-03	1	Mount-Compressor
2	48-9590	5	Washer-Lock	11	33115-110	2	Screw-HH
3	33115-035	3	Screw-HH	12	119-0103	1	Compressor
4	110-6254	1	Belt-V	13	33095-00	4	Washer-Flat
5	3231-25	5	Bolt-CARR	14	33015-00	2	Nut-Hex
6	3231-5	1	Screw-CARR	15	117-2780	1	O-Ring
7	127-3727-03	1	Mount-Pulley	16	119-0128	1	Fitting-Elbow, 90 DEG
8	98-3095	1	Pulley-Idler	17	115-8882	1	Conduit-Convolutod
9	104-8301	6	Nut-HF, NI	18	117-9410	2	Fitting-Straight



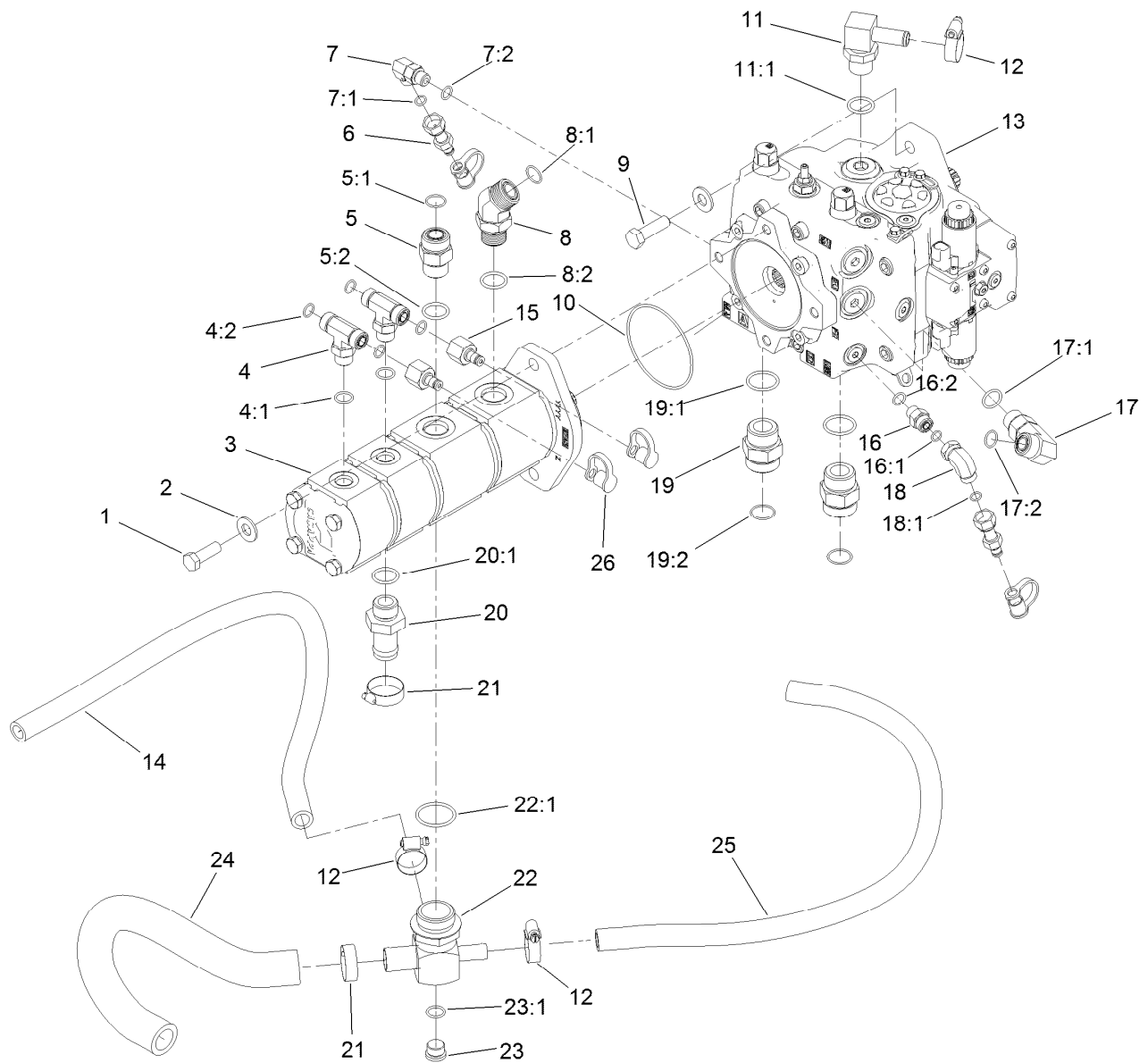
## Washer Fluid Bottle Assembly

<i>Ref.</i>	<i>Part Number</i>	<i>Qty.</i>	<i>Description</i>
1	125-5257	1	Tank-Fluid, Washer
1:1	125-5258	1	Lid-Tank, Washer Fluid
2	3230-10	6	Bolt-CARR
3	130-0604-03	2	Strap-Bottle, Washer Fluid
4	130-0605-03	1	Support-Bottle, Washer Fluid
5	104-8300	6	Nut-HF, NI



## Piston Pump and Gear Pump Assembly

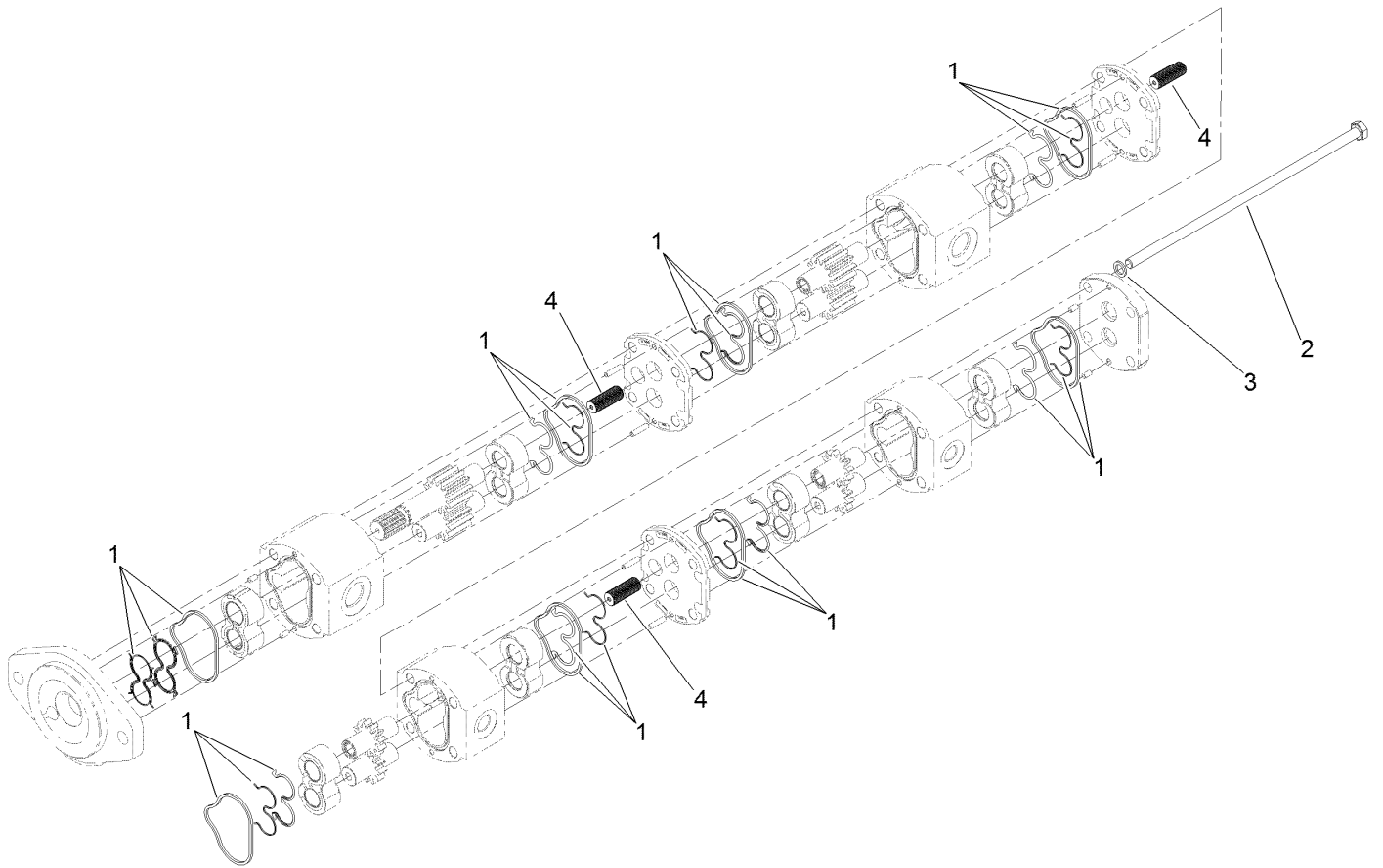
Ref.	Part Number	Qty.	Description	Ref.	Part Number	Qty.	Description
1	121-1525	2	Screw-HH	13	120-9059	1	Piston Pump ASM
2	87-7270	4	Washer-Thrust	14	121-1647	1	Hose-HYD
3	120-8906	1	Pump-Gear, 4-Section	15	100-5616	2	Fitting
4	340-157	2	Fitting-HYD, Tee	16	340-2	1	Fitting-Straight
4:1	237-79	1	O-Ring	16:1	237-22	1	O-Ring
4:2	237-30	2	O-Ring	16:2	237-42	1	O-Ring
5	340-9	1	Fitting-STR	17	121-1492	1	Fitting-90
5:1	237-58	1	O-Ring	17:1	237-80	1	O-Ring
5:2	237-81	1	O-Ring	17:2	237-65	1	O-Ring
6	86-5480	2	Nipple-Test	18	340-159	1	Elbow-90
7	340-77	1	Fitting-Elbow, 90 DEG	18:1	237-22	2	O-Ring
7:1	237-22	1	O-Ring	19	104-3797	2	Fitting-Straight
7:2	237-42	1	O-Ring	19:1	237-146	1	O-Ring
8	100-5530	1	Fitting-45 DEG	19:2	340-65	1	O-Ring
8:1	237-58	1	O-Ring	20	99-3017	1	Fitting
8:2	237-81	1	O-Ring	20:1	237-81	1	O-Ring
9	121-1524	2	Screw-HH	21	2412-34	2	Clamp-Hose
10	107-9447	1	O-Ring	22	121-1682	1	Fitting-Tee
11	117-3681	1	Fitting-Elb 90	22:1	237-101	1	O-Ring
11:1	237-81	1	O-Ring	23	353-988	1	Plug-Hex
12	2412-129	3	Clamp-Hose	23:1	237-79	1	O-Ring



## Piston Pump and Gear Pump Assembly (continued)

Ref.	Part Number	Qty.	Description
24	120-8815	1	Hose-Suction

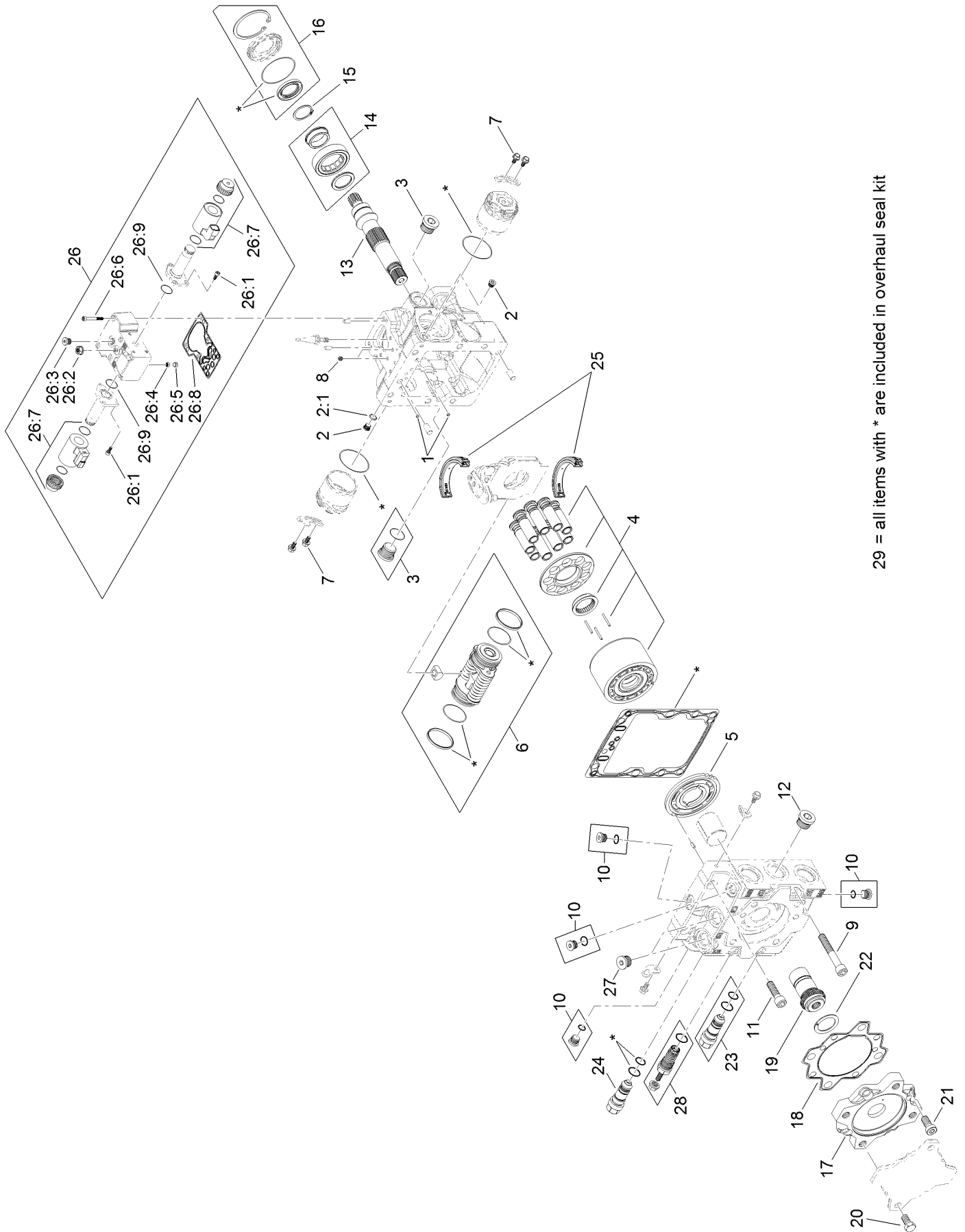
Ref.	Part Number	Qty.	Description
25	120-9050	1	Hose-HYD
26	354-79	4	Cap-Dust



## Four-Section Gear Pump Assembly No. 120-8906

<i>Ref.</i>	<i>Part Number</i>	<i>Qty.</i>	<i>Description</i>
1	115-3776	1	Seal Kit
2	115-3775	4	Bolt
3	121-1722	4	Washer
4	120-6284	3	Hub-Connecting

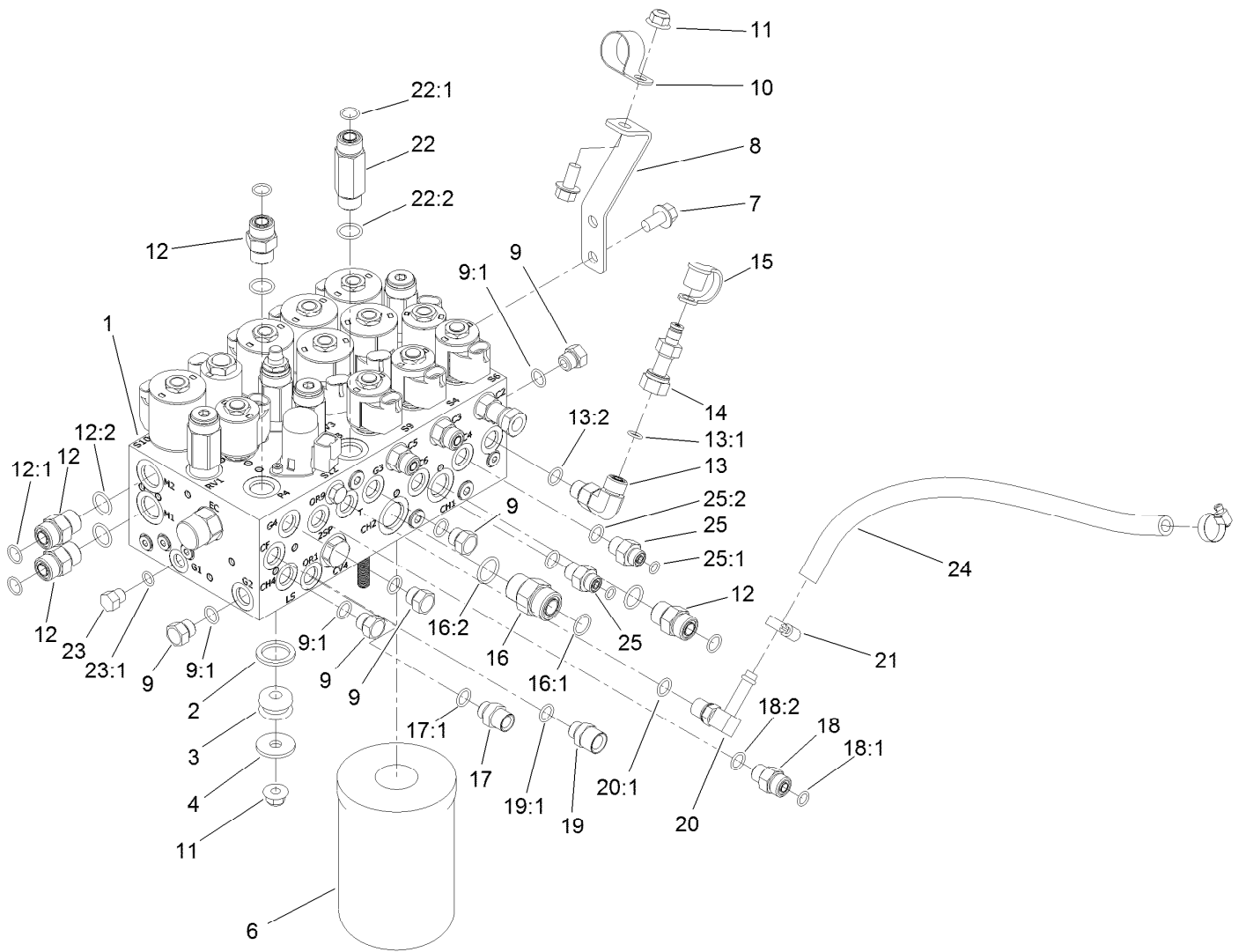
# Piston Pump Assembly No. 120-9059





## Piston Pump Assembly No. 120-9059 (continued)

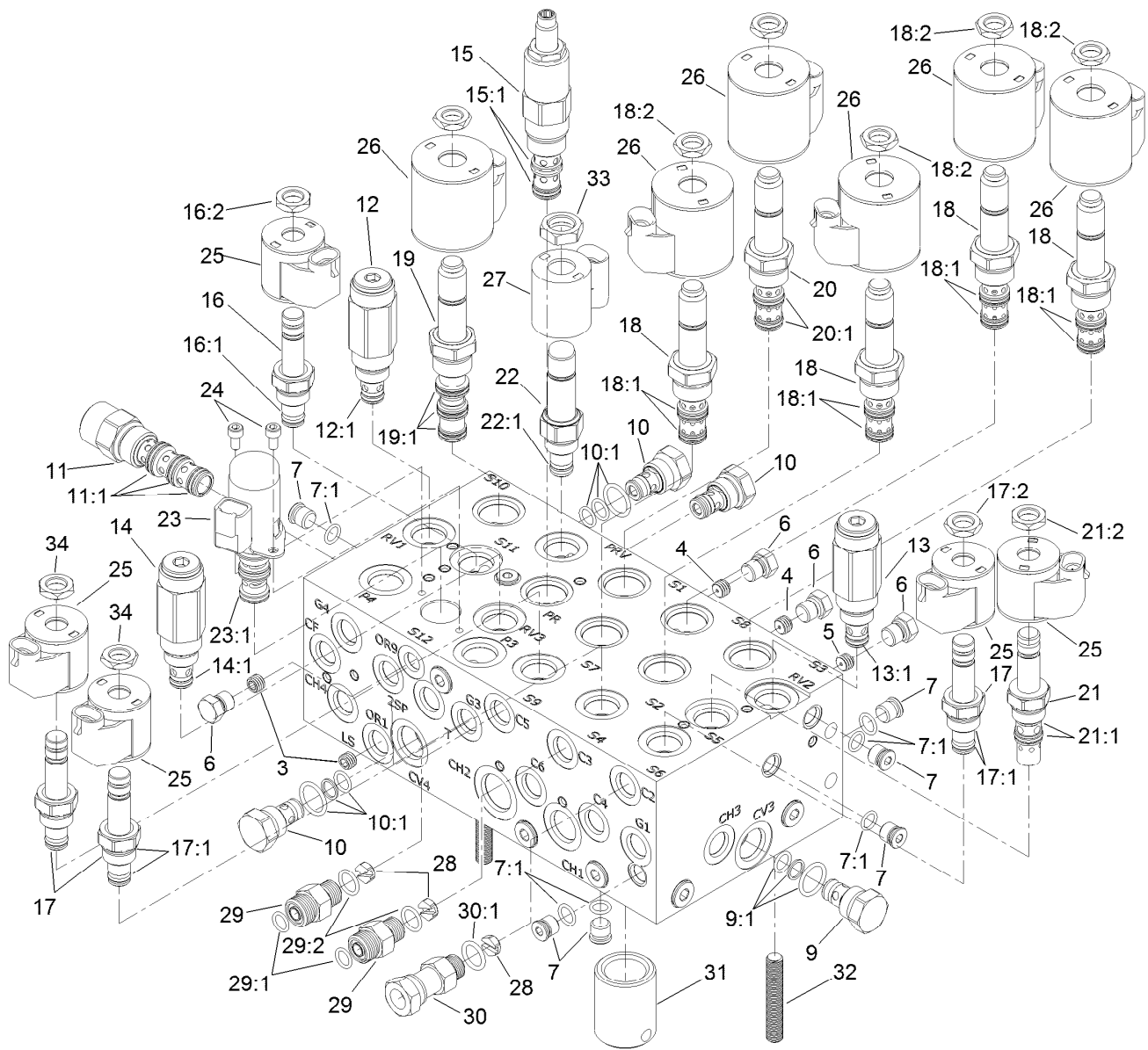
<i>Ref.</i>	<i>Part Number</i>	<i>Qty.</i>	<i>Description</i>	<i>Ref.</i>	<i>Part Number</i>	<i>Qty.</i>	<i>Description</i>
1	125-5266	2	Screen	20	125-5281	4	Screw
2	75-0170	2	Plug-Thread, Straight	21	125-5282	4	Screw
2:1	92-8777	1	O-Ring	22	125-5287	1	Plate-Thrust
3	107-4352	2	Plug	23	121-1731	1	Valve-Relief, High Pressure
4	121-1723	1	Cylinder Block Kit	24	125-5291	1	Valve-Relief, High Pressure
5	121-1724	1	Plate-Valve, CW	25	121-1732	1	Swash Plate Bearing Kit
6	121-1725	1	Servo Piston ASM	26	125-5295	1	Control Kit (12 Volt)
7	125-5270	6	Screw	26:1	125-5272	6	Screw
8	125-5276	2	Orifice (0.8)	26:2	125-5273	1	Nut-Seal
9	121-1726	4	Screw	26:3	125-5302	1	Plug
10	125-5300	4	Plug ASM	26:4	125-5266	1	Screen
11	121-1727	2	Screw	26:5	125-5269	1	Ring-Locking
12	125-5301	1	Plug	26:6	125-5274	6	Screw
13	121-1728	1	Shaft	26:7	125-5294	2	Coil Kit
14	125-5279	1	Bearing-Roller	26:8	125-5283	1	Gasket-Control
15	125-5280	1	Ring-Retaining	26:9	125-5288	2	O-Ring
16	121-1729	1	Shaft Seal Kit	27	125-5303	2	Plug ASM
17	125-5284	1	Adapter	28	125-5297	1	Charge Relief Kit
18	125-5285	1	Seal-Adapter	29	121-1733	1	Overhaul Seal Kit
19	121-1730	1	Coupling				



## Combination Manifold Assembly

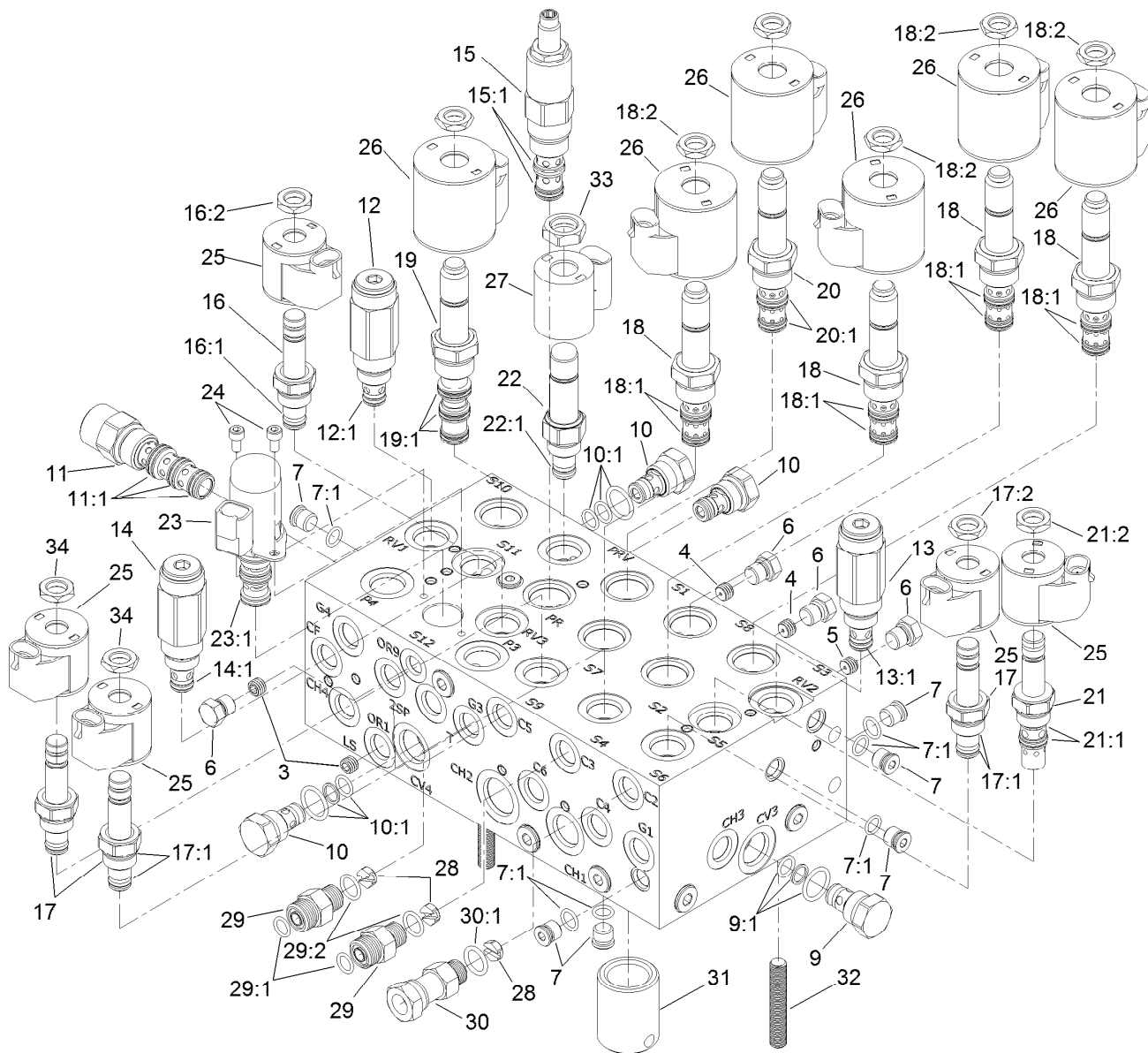
Ref.	Part Number	Qty.	Description
1	120-8842	1	HYD Combination Manifold ASM
2	92-2650	3	Spacer-Clutch
3	63-9750	3	Mount
4	63-8410	3	Washer
6	75-1310	1	Filter-HYD
7	3234-1	3	Screw-HHF
8	121-1542	1	Plate-Mount, Hose
9	353-508	5	Plug-HH
9:1	237-42	1	O-Ring
10	2412-126	1	R-Clamp
11	104-8301	4	Nut-HF, NI
12	340-4	4	Fitting-Straight
12:1	237-30	1	O-Ring
12:2	237-79	1	O-Ring
13	340-77	1	Fitting-Elbow, 90 DEG
13:1	237-22	1	O-Ring
13:2	237-42	1	O-Ring
14	86-5480	1	Nipple-Test
15	354-79	1	Cap-Dust
16	340-7	1	Fitting-Straight

Ref.	Part Number	Qty.	Description
16:1	237-65	1	O-Ring
16:2	237-80	1	O-Ring
17	120-8975	1	Fitting-Straight
17:1	237-42	1	O-Ring
18	340-2	1	Fitting-Straight
18:1	237-22	1	O-Ring
18:2	237-42	1	O-Ring
19	120-8979	1	Fitting-Straight
19:1	237-42	1	O-Ring
20	100-4887	1	Fitting-Elbow, 90
20:1	237-42	1	O-Ring
21	2412-36	2	Clamp-Hose
22	119-4854	1	Fitting-STR
22:1	237-30	1	O-Ring
22:2	237-79	1	O-Ring
23	353-512	1	Plug
23:1	237-78	1	O-Ring
24	87-5730	1	Hose
25	340-1	2	Fitting-Straight
25:1	237-21	1	O-Ring
25:2	237-42	1	O-Ring



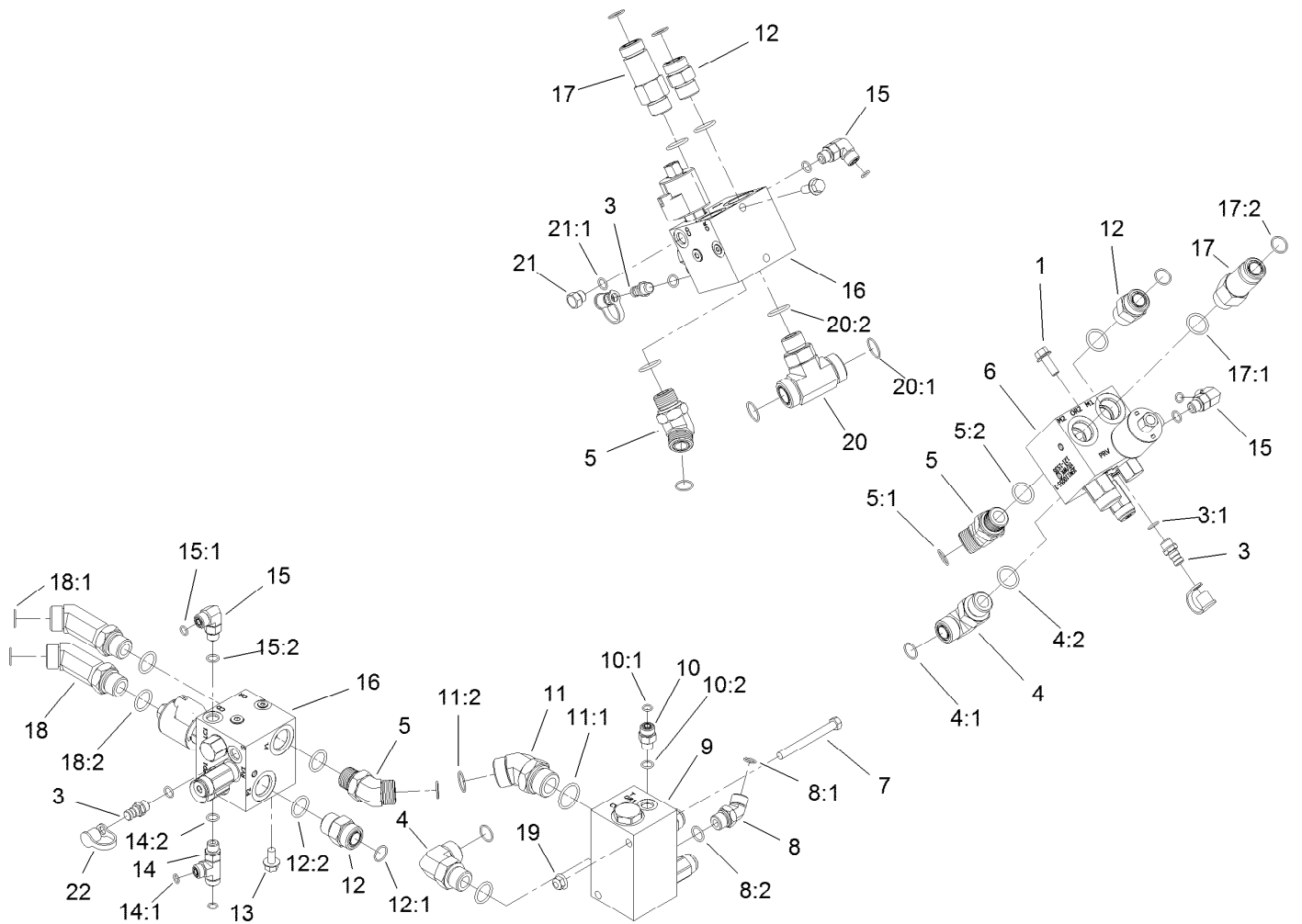
## Combination Manifold Assembly No. 120-8842

Ref.	Part Number	Qty.	Description	Ref.	Part Number	Qty.	Description
3	110-5973	2	Orifice-0.030	16:1	105-9156	1	Seal Kit
4	112-6538	2	Orifice (.063 Inch)	16:2	110-2634	1	Nut-Coil
5	110-8883	1	Plug-Orifice (0.040)	17	112-9206	3	Solenoid Valve ASM
6	117-0115	4	Plug	17:1	105-9156	1	Seal Kit
7	353-990	14	Plug ASM	17:2	110-2634	1	Nut-Coil
7:1	237-78	1	O-Ring	18	115-5400	4	Solenoid Valve ASM
9	114-2873	1	Check Valve ASM	18:1	107-7813	1	Seal Kit
9:1	105-9156	1	Seal Kit	18:2	110-2634	1	Nut-Coil
10	105-9321	3	Check Valve ASM	19	115-3023	1	Solenoid Valve ASM
10:1	105-9156	1	Seal Kit	19:1	110-8908	1	Spool Valve Seal Kit
11	115-5409	1	Compensator ASM	20	125-7556	1	Solenoid Valve ASM
11:1	110-8908	1	Spool Valve Seal Kit	20:1	107-7813	1	Seal Kit
12	125-7560	1	Relief Valve ASM	21	115-5405	1	Solenoid Valve ASM
12:1	105-9156	1	Seal Kit	21:1	115-5413	1	Seal Kit
13	125-7559	1	Relief Valve ASM	21:2	110-2634	1	Nut-Coil
13:1	105-9156	1	Seal Kit	22	125-7555	1	Proportional Relief Valve ASM
14	125-7558	1	Relief Valve ASM	22:1	110-6316	1	Seal Kit
14:1	105-9156	1	Seal Kit	23	125-7554	1	Valve-Solenoid
15	127-3663	1	Valve-Pressure Reducing	23:1	125-7561	1	Seal Kit
15:1	105-9154	1	Seal Kit	24	115-8733	2	Screw-HSH
16	107-7516	1	Solenoid Valve ASM				



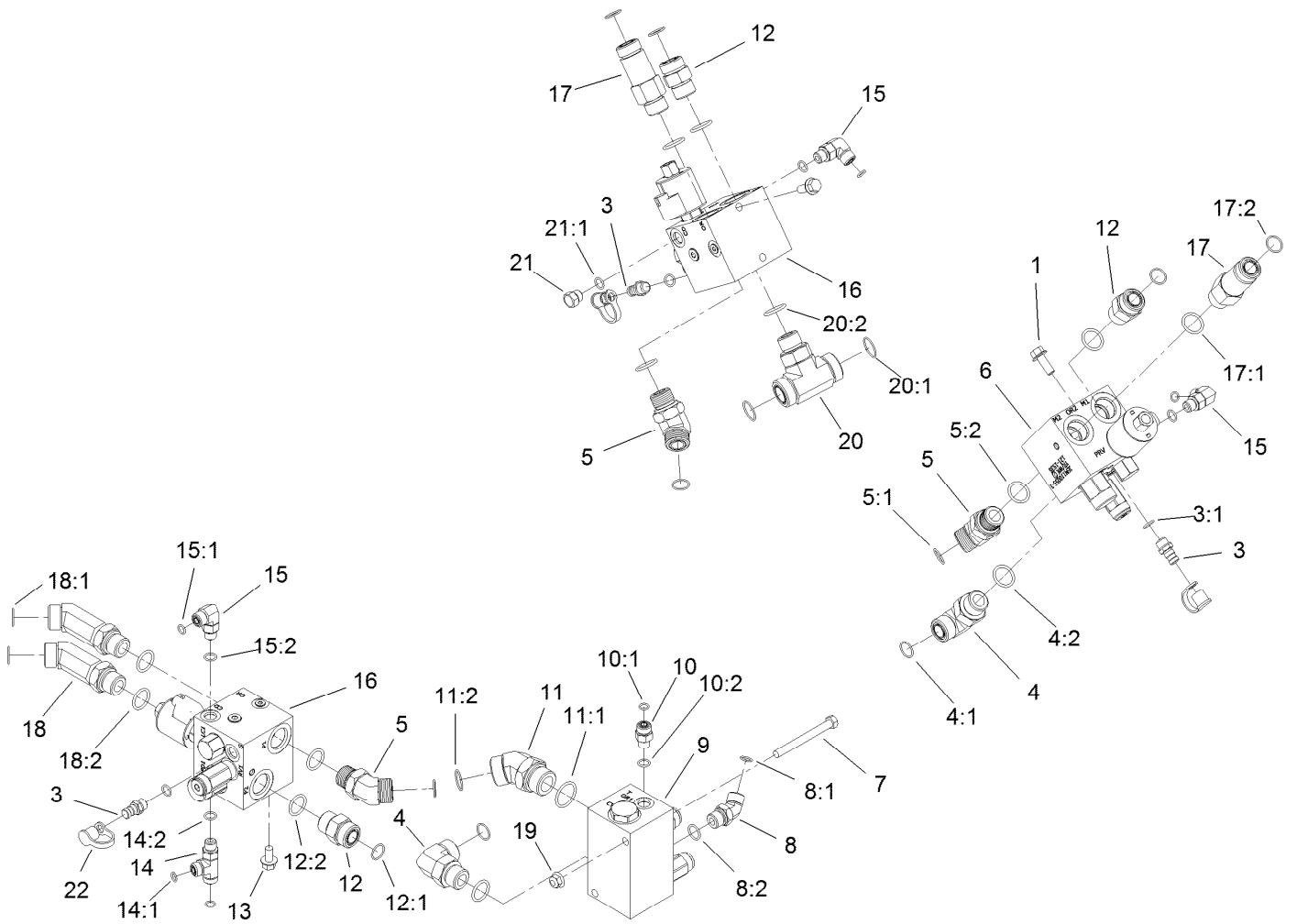
## Combination Manifold Assembly No. 120-8842 (continued)

Ref.	Part Number	Qty.	Description	Ref.	Part Number	Qty.	Description
25	110-0497	5	Coil-Solenoid	30	104-3779	1	Connector-Swivel, Straight
26	110-6344	6	Coil-12V, DC	30:1	237-42	1	O-Ring
27	125-7553	1	E-Coil, 12Vdc	31	125-7551	1	Nipple-Filter
28	125-7552	3	Orifice-Check, .070 DIA	32	130-2661	3	Stud-Manifold
29	340-2	2	Fitting-Straight	33	125-7550	1	Nut-Coil
29:1	237-22	1	O-Ring	34	110-2634	11	Nut-Coil
29:2	237-42	1	O-Ring				



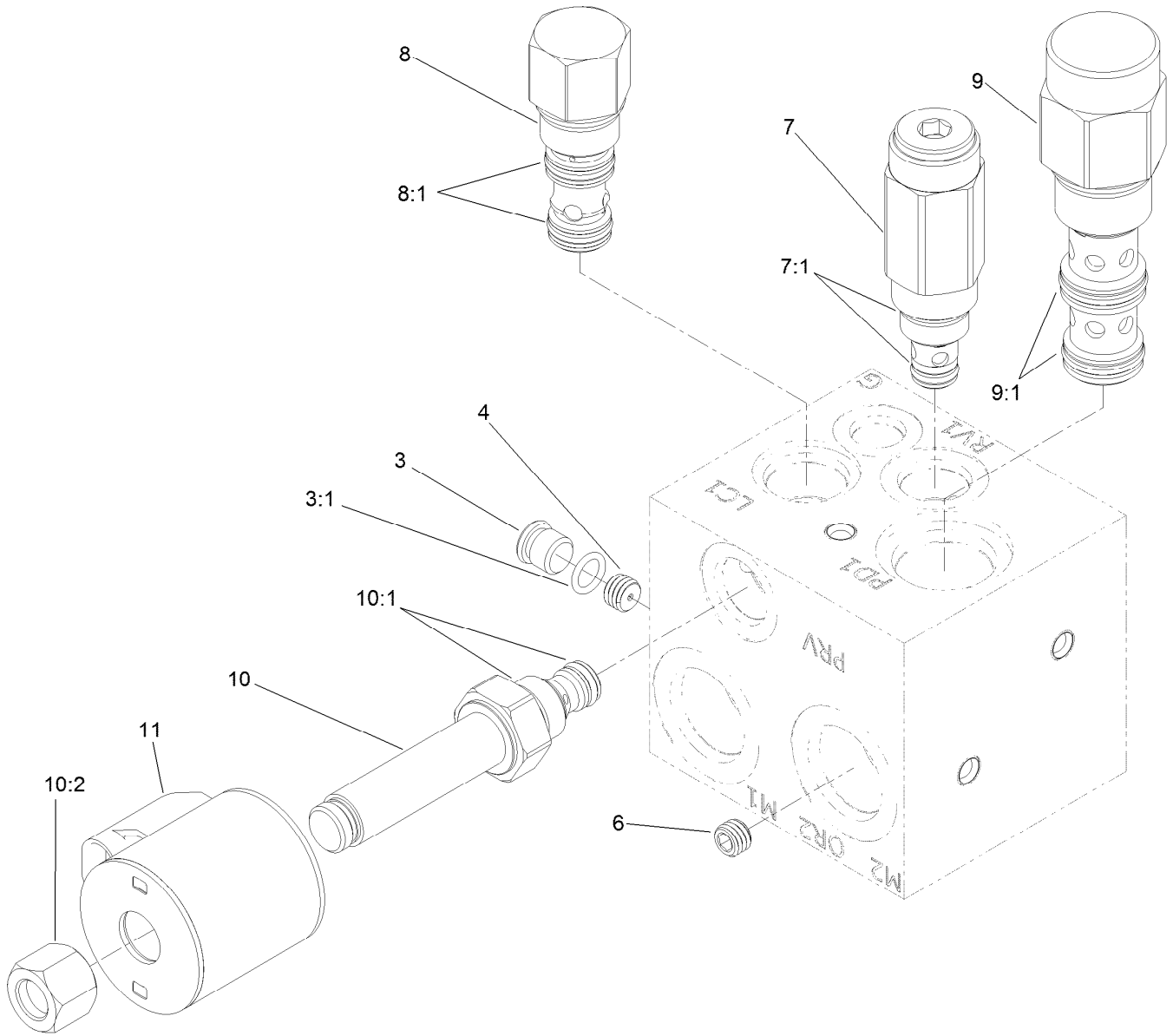
## Manifold Block Assembly

Ref.	Part Number	Qty.	Description	Ref.	Part Number	Qty.	Description
1	3234-11	4	Screw-HHF	12	340-9	3	Fitting-STR
3	59-7410	3	Fitting-Diagnostic	12:1	237-58	1	O-Ring
3:1	237-42	1	O-Ring	12:2	237-81	1	O-Ring
4	340-142	2	Fitting-Elbow, 90 DEG	13	3234-1	2	Screw-HHF
4:1	237-58	1	O-Ring	14	340-86	1	Fitting-Tee
4:2	237-81	1	O-Ring	14:1	237-22	2	O-Ring
5	100-5530	3	Fitting-45 DEG	14:2	237-42	1	O-Ring
5:1	237-58	1	O-Ring	15	340-77	3	Fitting-Elbow, 90 DEG
5:2	237-81	1	O-Ring	15:1	237-22	1	O-Ring
6	121-1536	1	Manifold-PTO, Left	15:2	237-42	1	O-Ring
7	323-42	2	Screw-HH	16	121-1537	2	Manifold-PTO, Center And Right
8	340-101	1	Fitting-HYD, 45 DEG	17	92-6058	2	Fitting-STR
8:1	237-30	1	O-Ring	17:1	237-81	1	O-Ring
8:2	237-79	1	O-Ring	17:2	237-58	1	O-Ring
9	121-1530	1	Manifold-Traction, Rear	18	120-8982	2	Fitting-45 DEG
10	340-2	1	Fitting-Straight	18:1	237-58	1	O-Ring
10:1	237-22	1	O-Ring	18:2	237-81	1	O-Ring
10:2	237-42	1	O-Ring	19	104-8301	2	Nut-HF, NI
11	104-3509	1	Fitting-HYD, 45 DEG	20	120-8825	1	Fitting-Tee
11:1	237-146	1	O-Ring	20:1	340-65	2	O-Ring
11:2	340-65	1	O-Ring				



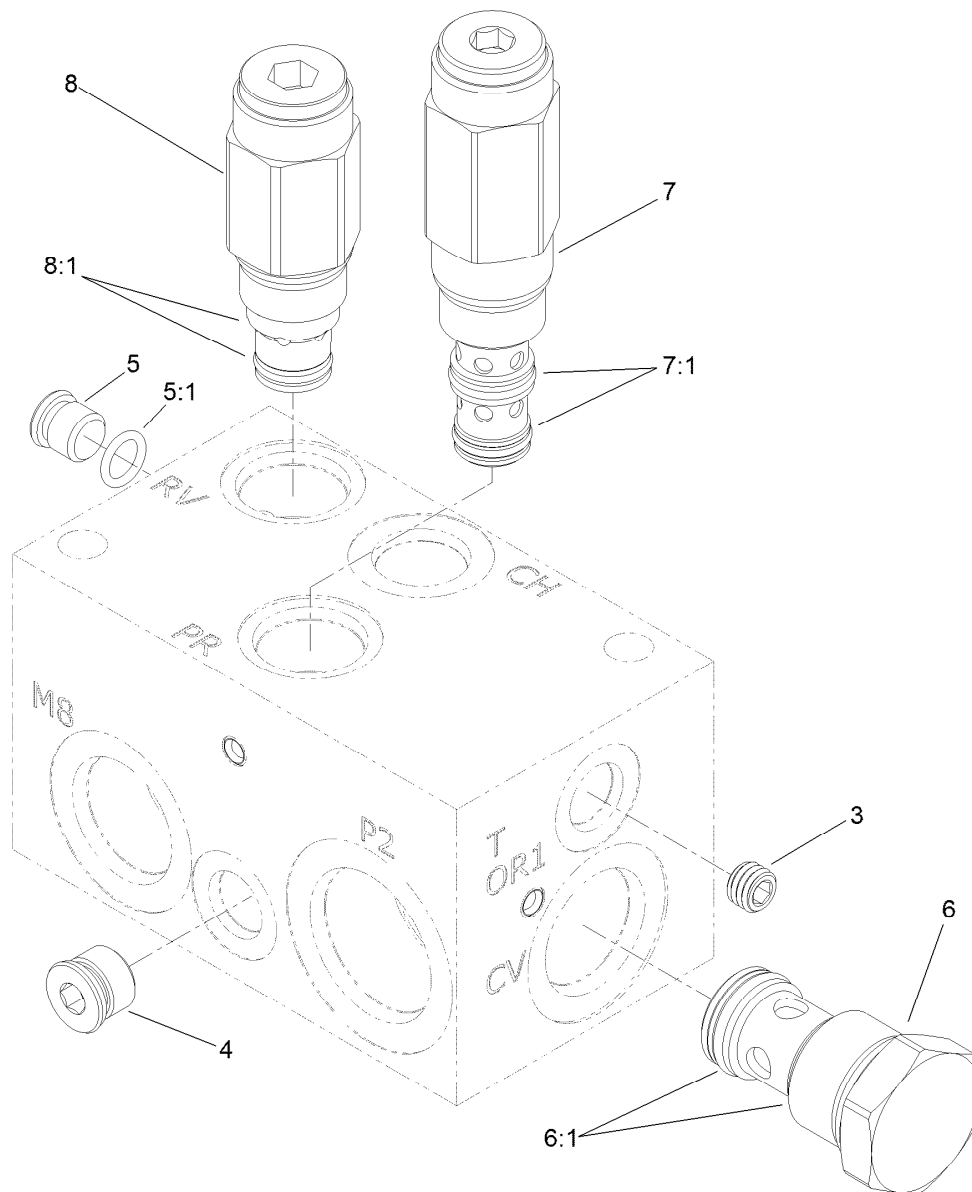
## Manifold Block Assembly (continued)

<i>Ref.</i>	<i>Part Number</i>	<i>Qty.</i>	<i>Description</i>	<i>Ref.</i>	<i>Part Number</i>	<i>Qty.</i>	<i>Description</i>
20:2	237-81	1	O-Ring	21:1	237-42	1	O-Ring
21	353-508	1	Plug-HH	22	354-79	3	Cap-Dust



## Left Power-Take-Off Manifold Assembly No. 121-1536

<i>Ref.</i>	<i>Part Number</i>	<i>Qty.</i>	<i>Description</i>
3	353-990	1	Plug ASM
3:1	237-78	1	O-Ring
4	117-8315	1	Orifice (.025 Inch)
6	112-6538	1	Orifice (.063 Inch)
7	114-5512	1	Valve-Relief, 600 PSI
7:1	105-9156	1	Seal Kit
8	105-9153	1	Element-Logic, Vented
8:1	119-2159	1	Seal Kit
9	125-4327	1	Valve-Directional, Pilot
9:1	114-5515	1	Seal Kit
10	117-0227	1	Valve-Relief, Proportional
10:1	105-9156	1	Seal Kit
10:2	119-2160	1	Nut-Coil
11	110-6344	1	Coil-12V, DC

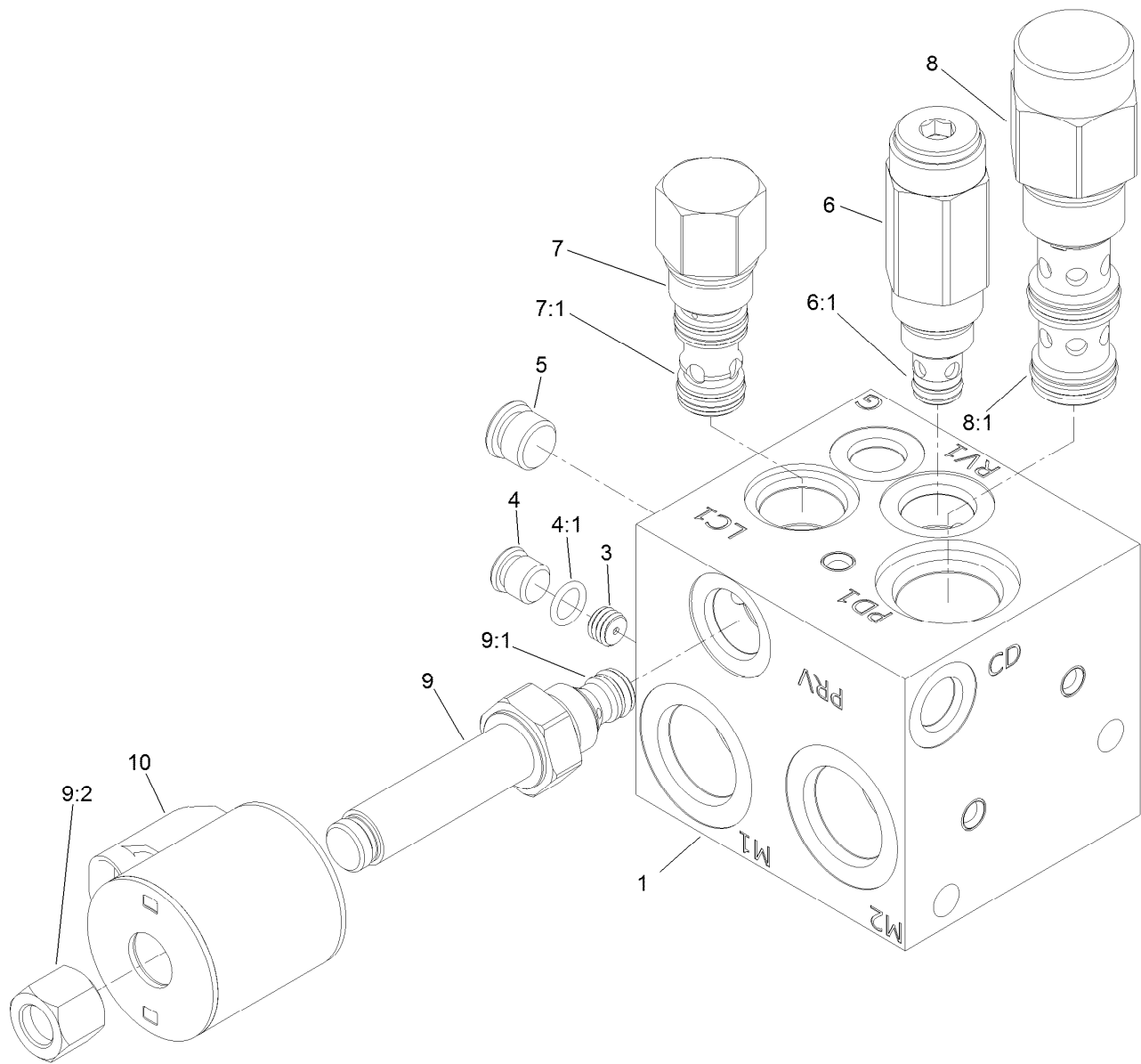


## Rear Traction Manifold Assembly No. 121-1530

<i>Ref.</i>	<i>Part Number</i>	<i>Qty.</i>	<i>Description</i>
3	107-7525	1	Plug-Orifice (.050 Inch)
4		1	Plug ●
5	353-990	1	Plug ASM
5:1	237-78	1	O-Ring
6	125-4328	1	Valve-Check
6:1	125-4336	1	Seal Kit
7	125-4329	1	Valve-Reducing
7:1	125-4334	1	Seal Kit
8	125-4331	1	Valve-Relief
8:1	110-6316	1	Seal Kit

● Not serviced separately

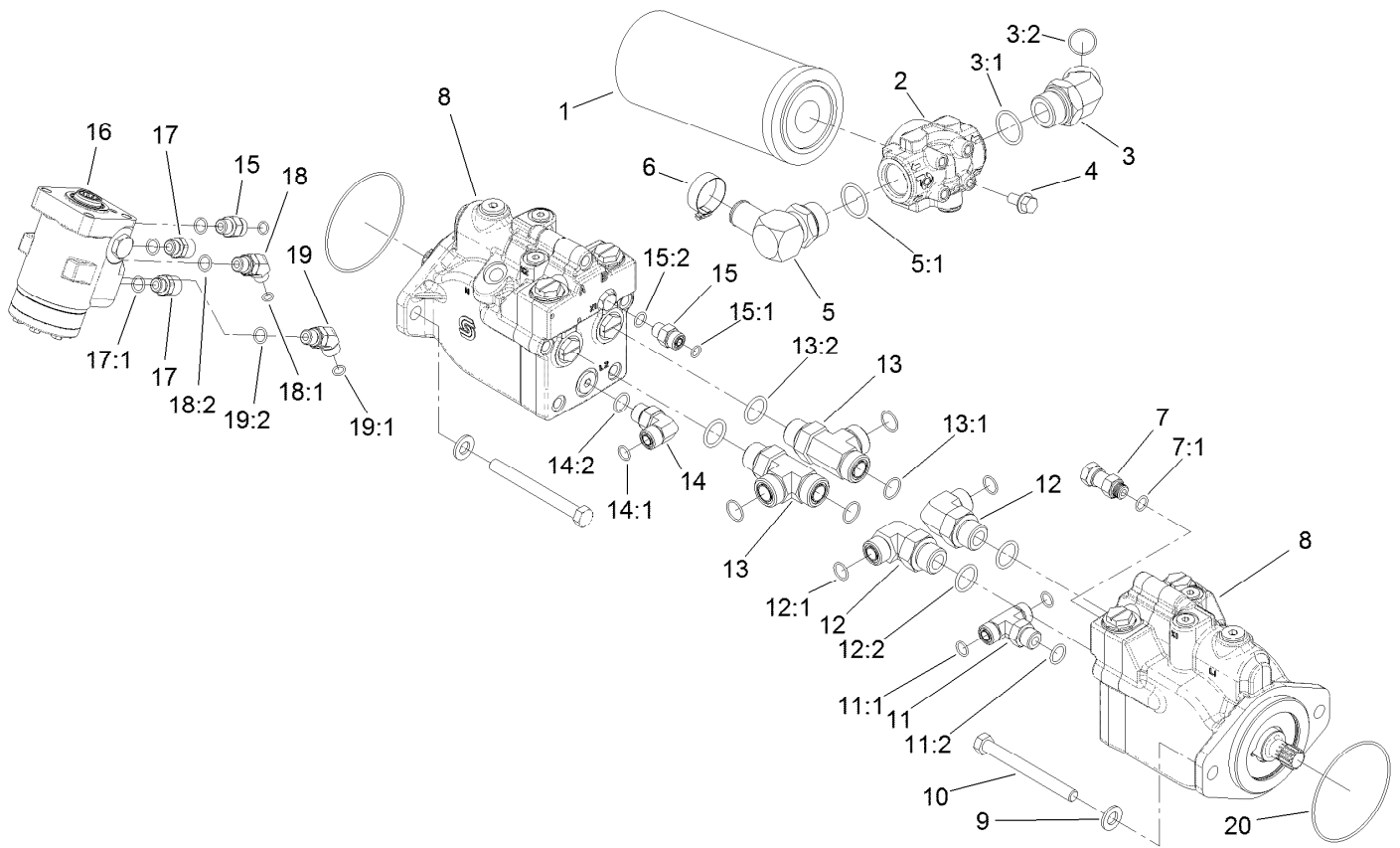




## Center and Right Power-Take-Off Manifold Assembly No. 121-1537

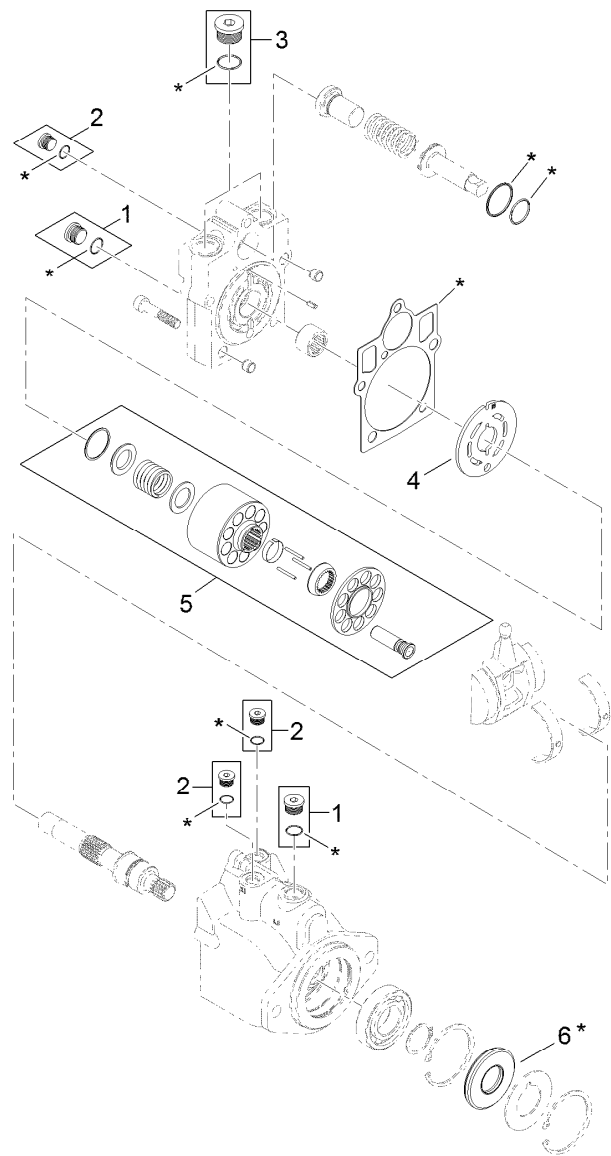
<i>Ref.</i>	<i>Part Number</i>	<i>Qty.</i>	<i>Description</i>
1		1	Manifold Block ●
3	117-8315	1	Orifice (.025 Inch)
4	353-990	1	Plug ASM
4:1	237-78	1	O-Ring
5		1	Plug ●
6	114-5512	1	Valve-Relief, 600 PSI
6:1	105-9156	1	Seal Kit
7	105-9153	1	Element-Logic, Vented
7:1	119-2159	1	Seal Kit
8	125-4327	1	Valve-Directional, Pilot
8:1	114-5515	1	Seal Kit
9	117-0227	1	Valve-Relief, Proportional
9:1	105-9156	1	Seal Kit
9:2	119-2160	1	Nut-Coil
10	110-6344	1	Coil-12V, DC

● Not serviced separately



## Drive Motor, Steer Valve and Filter Head Assembly

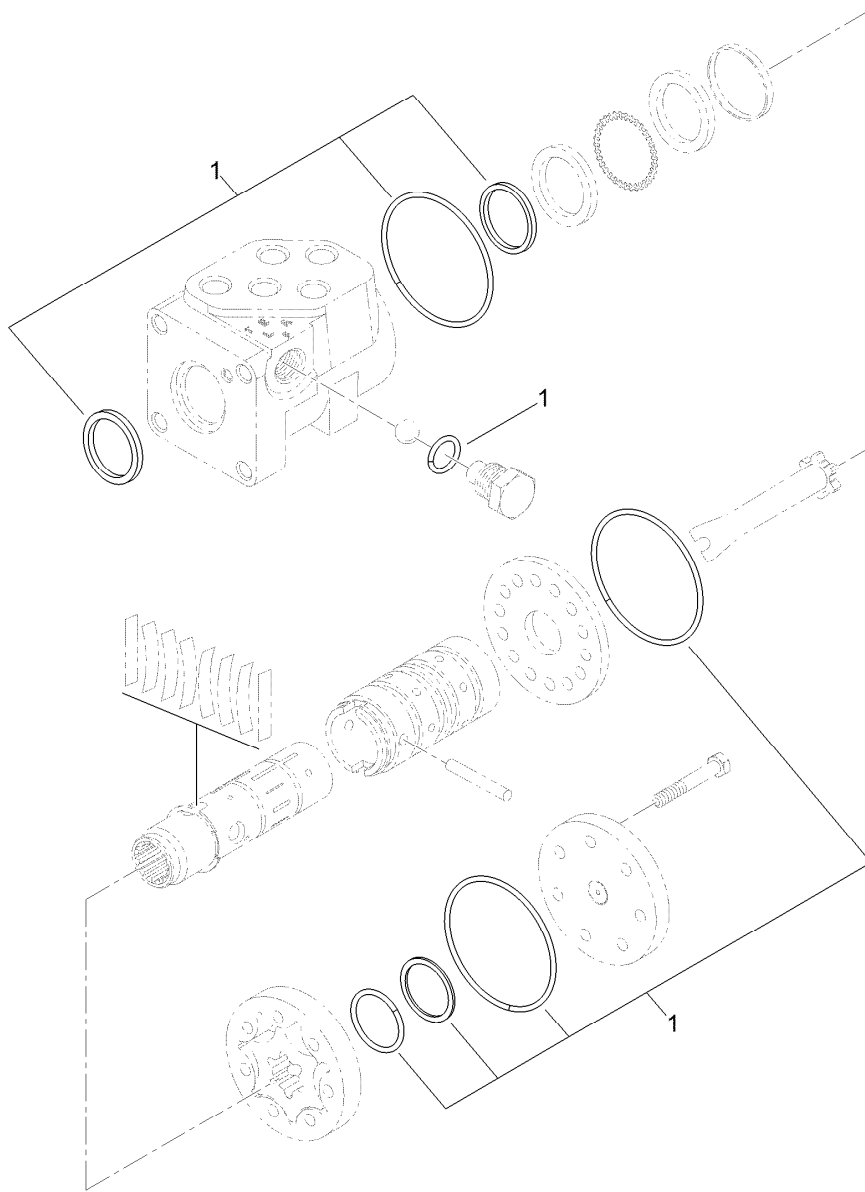
Ref.	Part Number	Qty.	Description	Ref.	Part Number	Qty.	Description
1	94-2621	1	Element-Filter	13	340-148	2	Fitting-Tee
2	121-1577	1	Head-Filter	13:1	237-81	1	O-Ring
3	104-3509	1	Fitting-HYD, 45 DEG	13:2	237-58	2	O-Ring
3:1	237-146	1	O-Ring	14	340-98	1	Fitting-Elbow, 90 DEG
3:2	340-65	1	O-Ring	14:1	237-79	1	O-Ring
4	3234-1	4	Screw-HHF	14:2	237-30	1	O-Ring
5	23-8910	1	Stem-Barb-90	15	340-2	2	Fitting-Straight
5:1	237-146	1	O-Ring	15:1	237-22	1	O-Ring
6	2412-34	1	Clamp-Hose	15:2	237-42	1	O-Ring
7	104-3779	1	Connector-Swivel, Straight	16	130-7949	1	Steering Control Valve ASM
7:1	237-42	1	O-Ring	17	120-8979	2	Fitting-Straight
8	120-8913	2	HYD Motor ASM	17:1	237-42	1	O-Ring
9	106-9888	4	Washer-Flat	18	340-137	1	Fitting
10	33116-120	4	Screw-HH	18:1	237-21	1	O-Ring
11	340-157	1	Fitting-HYD, Tee	18:2	237-42	1	O-Ring
11:1	237-79	1	O-Ring	19	340-87	1	Fitting-Elbow, 45 DEG
11:2	237-30	2	O-Ring	19:1	237-22	1	O-Ring
12	340-139	2	Fitting-Elbow 90	19:2	237-42	1	O-Ring
12:1	237-81	1	O-Ring	20	237-166	2	O-Ring
12:2	237-65	1	O-Ring				



7 = all items with \* are included in overhaul seal kit

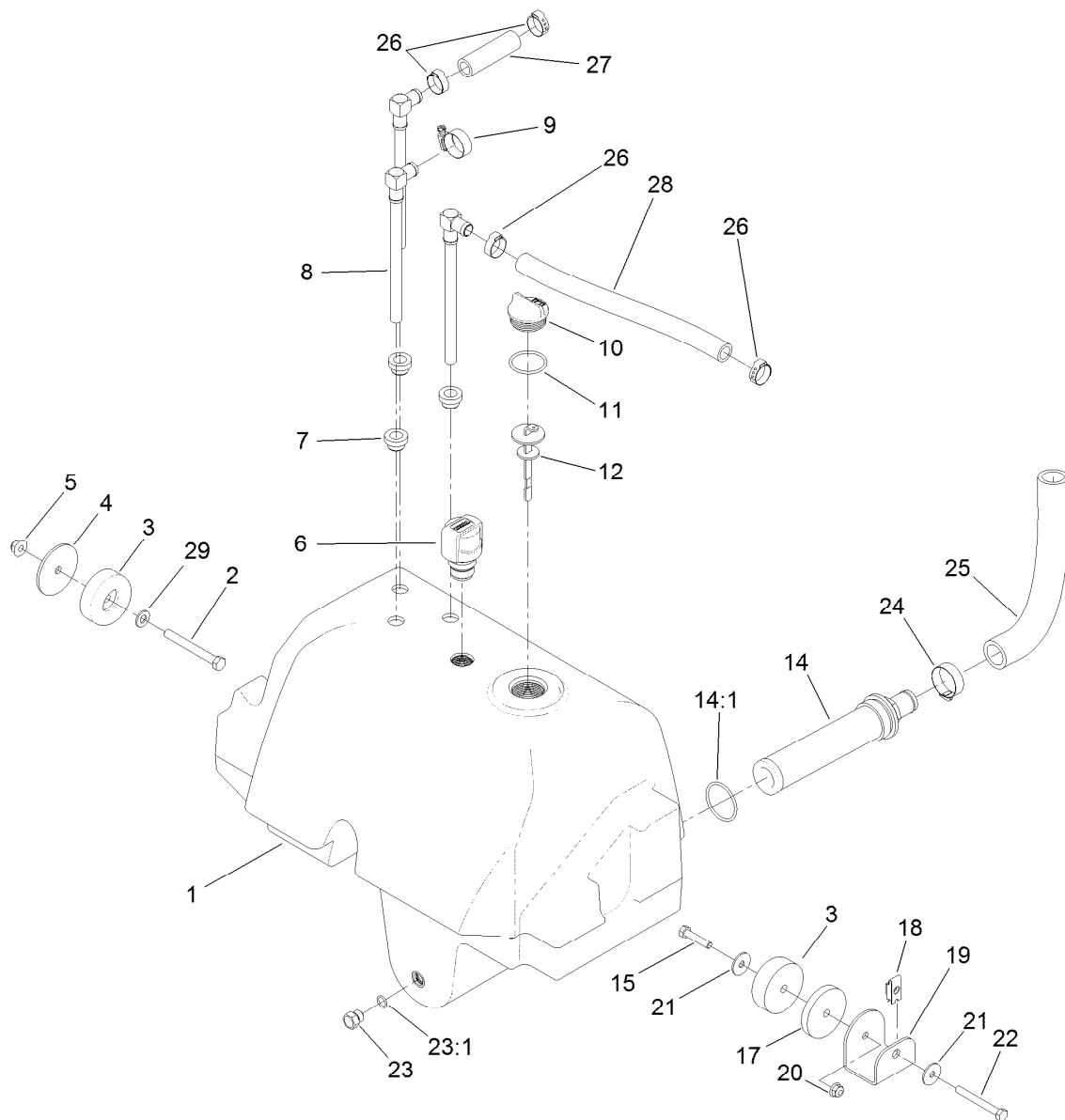
## Hydraulic Motor Assembly No. 120-8913

<i>Ref.</i>	<i>Part Number</i>	<i>Qty.</i>	<i>Description</i>
1	67-9090	2	Plug
2	75-0070	3	Plug
3	107-4352	1	Plug
4	121-1734	1	Plate-Valve
5	121-1735	1	Cylinder Block Kit
6	69-3190	1	Seal-Lip
7	121-1736	1	Overhaul Seal Kit



## Steering Valve Assembly No. 130-7949

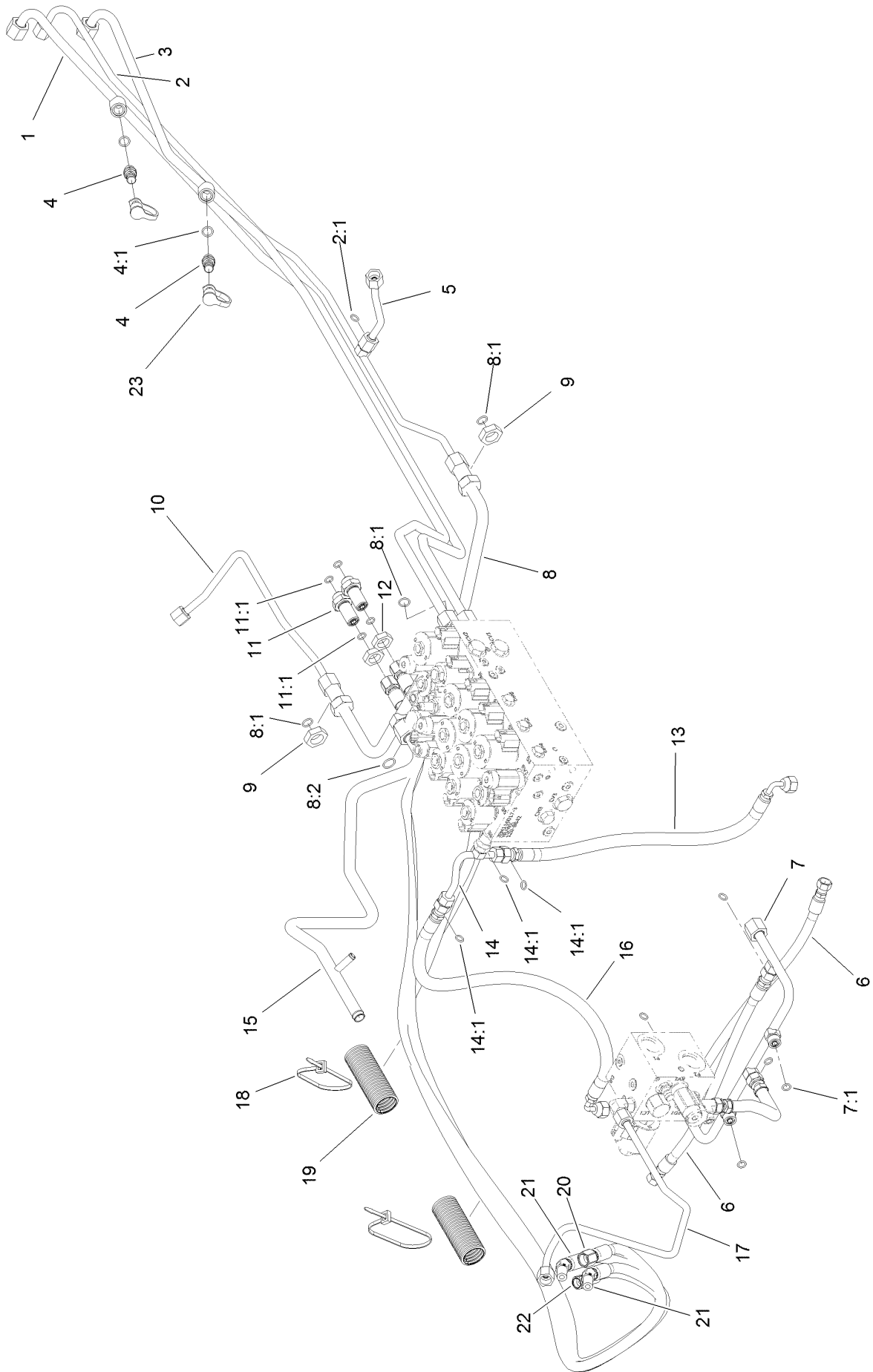
<i>Ref.</i>	<i>Part Number</i>	<i>Qty.</i>	<i>Description</i>
1	130-8358	1	Seal Kit



## Hydraulic Reservoir Assembly

<i>Ref.</i>	<i>Part Number</i>	<i>Qty.</i>	<i>Description</i>	<i>Ref.</i>	<i>Part Number</i>	<i>Qty.</i>	<i>Description</i>
1	120-9077	1	Reservoir-HYD	17	121-1533	1	Spacer-Thick
2	323-20	1	Screw-HH	18	110-3510	1	Nut-Retainer
3	108-1605	2	Bumper-Recess	19	121-1557-03	1	Mount-Tank
4	121-1456	1	Spacer-Thin	20	104-8300	1	Nut-HF, NI
5	104-8301	1	Nut-HF, NI	21	3256-82	2	Washer-Flat
6	115-9793	1	Breather	22	322-13	1	Screw-HH
7	104-0790	3	Bushing	23	353-508	1	Plug-HH
8	114-0002	3	Pipe-Stand	23:1	237-42	1	O-Ring
9	2412-129	1	Clamp-Hose	24	2412-34	1	Clamp-Hose
10	93-7498	1	Plug-Plastic	25	120-8810	1	Hose-Strainer
11	237-101	1	O-Ring	26	115-5436	4	Clamp-Hose, Crimp
12	112-6365	1	Dipstick	27	114-4920	1	Hose
14	104-7546	1	Tank Strainer ASM	28	121-1521	1	Hose
14:1	340-136	1	O-Ring	29	3256-24	1	Washer-Plain
15	322-7	1	Screw-HH				

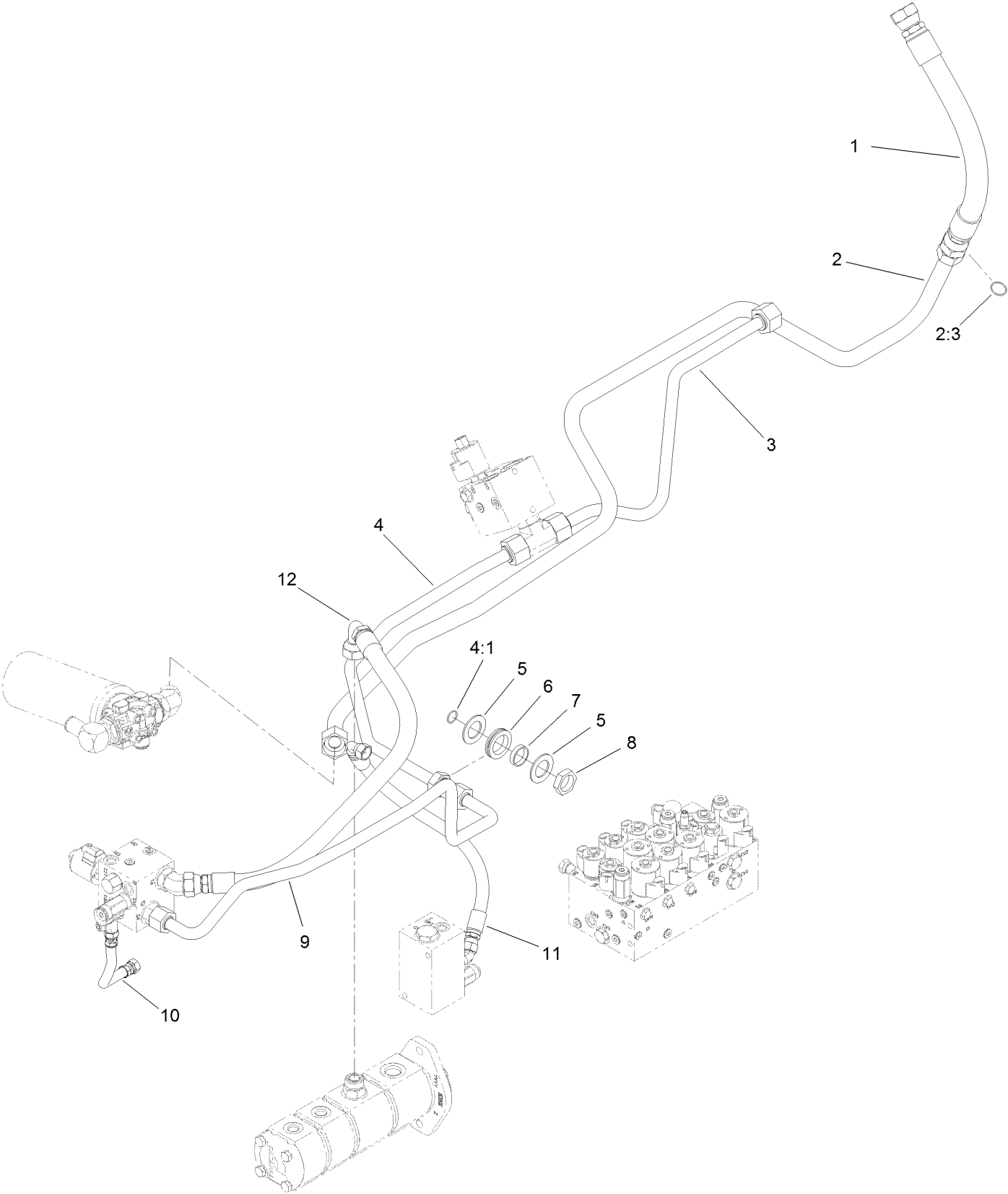
# Lift, Steer and Fan Hydraulic Assembly



## Lift, Steer and Fan Hydraulic Assembly (continued)

<i>Ref.</i>	<i>Part Number</i>	<i>Qty.</i>	<i>Description</i>	<i>Ref.</i>	<i>Part Number</i>	<i>Qty.</i>	<i>Description</i>
1	120-9074	1	Tube-Fan	11	340-71	2	Fitting-Straight, Bulkhead
2	120-8966	1	Tube-Drain, Fan	11:1	237-22	2	O-Ring
2:1	237-22	1	O-Ring	12	340-70	2	Nut-Lock
3	120-9075	1	Tube-Fan	13	121-1567	1	Hose-HYD
4	59-7410	2	Fitting-Diagnostic	14	121-1565	1	Tube-Tee
4:1	237-42	1	O-Ring	14:1	237-22	3	O-Ring
5	121-1523	1	Tube-HYD	15	121-1510	1	Tube-HYD
6	117-3123	2	HYD Hose ASM	16	121-1566	1	Hose-HYD
7	120-9078	1	Tube-HYD	17	120-8848	1	Tube-HYD
7:1	237-22	5	O-Ring	18	3290-378	4	Tie-Cable
8	121-1509	1	Tube-HYD	19	121-1544	2	Cover-Hose
8:1	237-30	3	O-Ring	20	121-1504	1	Hose-HYD
8:2	237-65	1	O-Ring	21	121-1491	2	Hose-HYD
9	340-127	2	Nut-Bulkhead	22	121-1503	1	Hose-HYD
10	121-1522	1	Tube-HYD	23	354-79	2	Cap-Dust

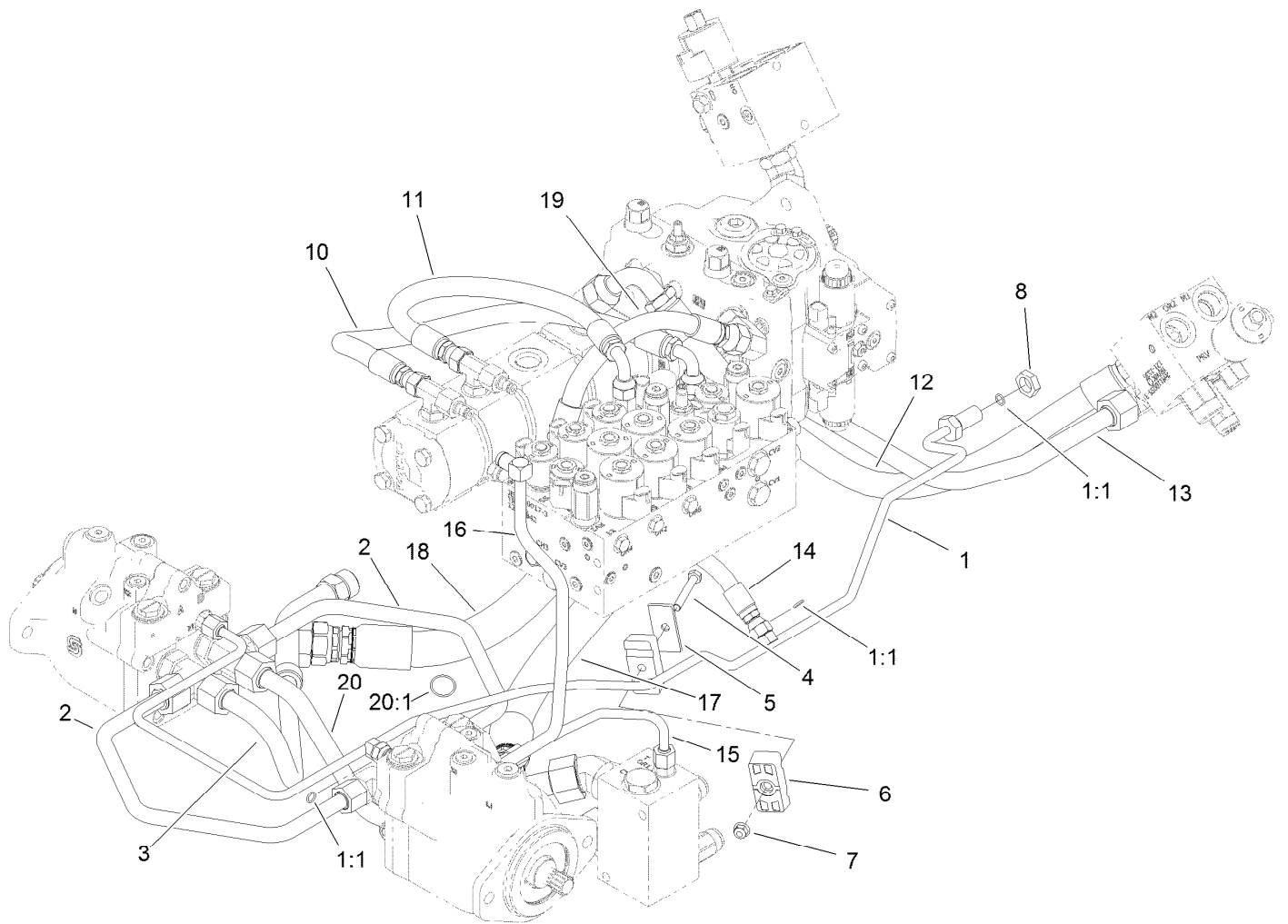
# Oil Cooler Hydraulic Assembly





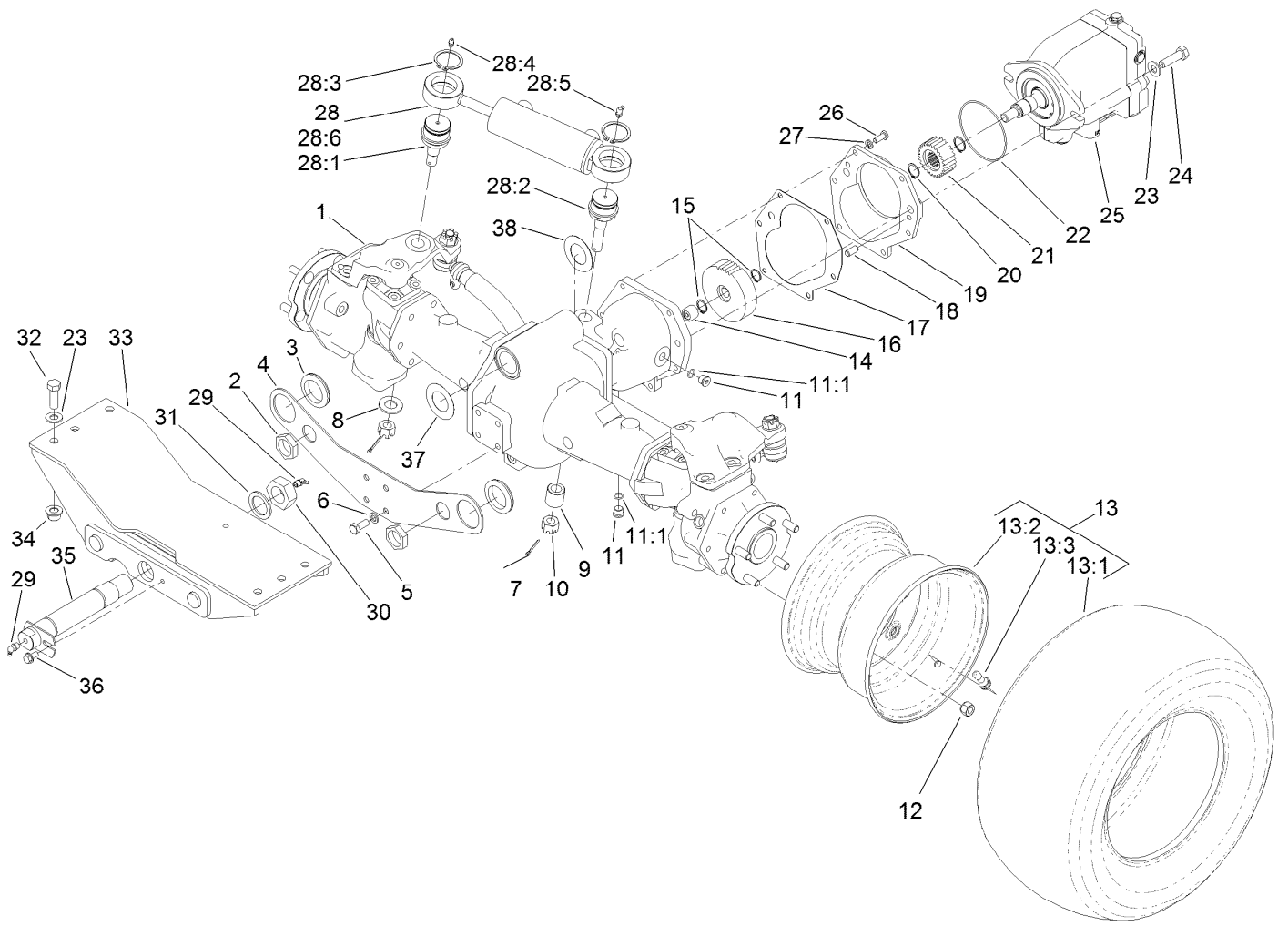
## Oil Cooler Hydraulic Assembly (continued)

<i>Ref.</i>	<i>Part Number</i>	<i>Qty.</i>	<i>Description</i>	<i>Ref.</i>	<i>Part Number</i>	<i>Qty.</i>	<i>Description</i>
1	120-9060	1	Hose-HYD	6	240-7	1	Grommet-Rubber
2	121-1612	1	Tube ASM	7	69-8900	1	Spacer
2:3	340-65	1	O-Ring	8	340-126	1	Nut-Bulkhead
3	121-1626	1	Tube-HYD	9	120-8838	1	Tube-PTO, Front Return
4	121-1507	1	Tube ASM	10	121-1572	1	Hose-HYD
4:1	237-58	1	O-Ring	11	117-0686	1	Hose-HYD
5	69-8910	2	Washer	12	115-4384	1	Hose-HYD



## Traction Hydraulic Assembly

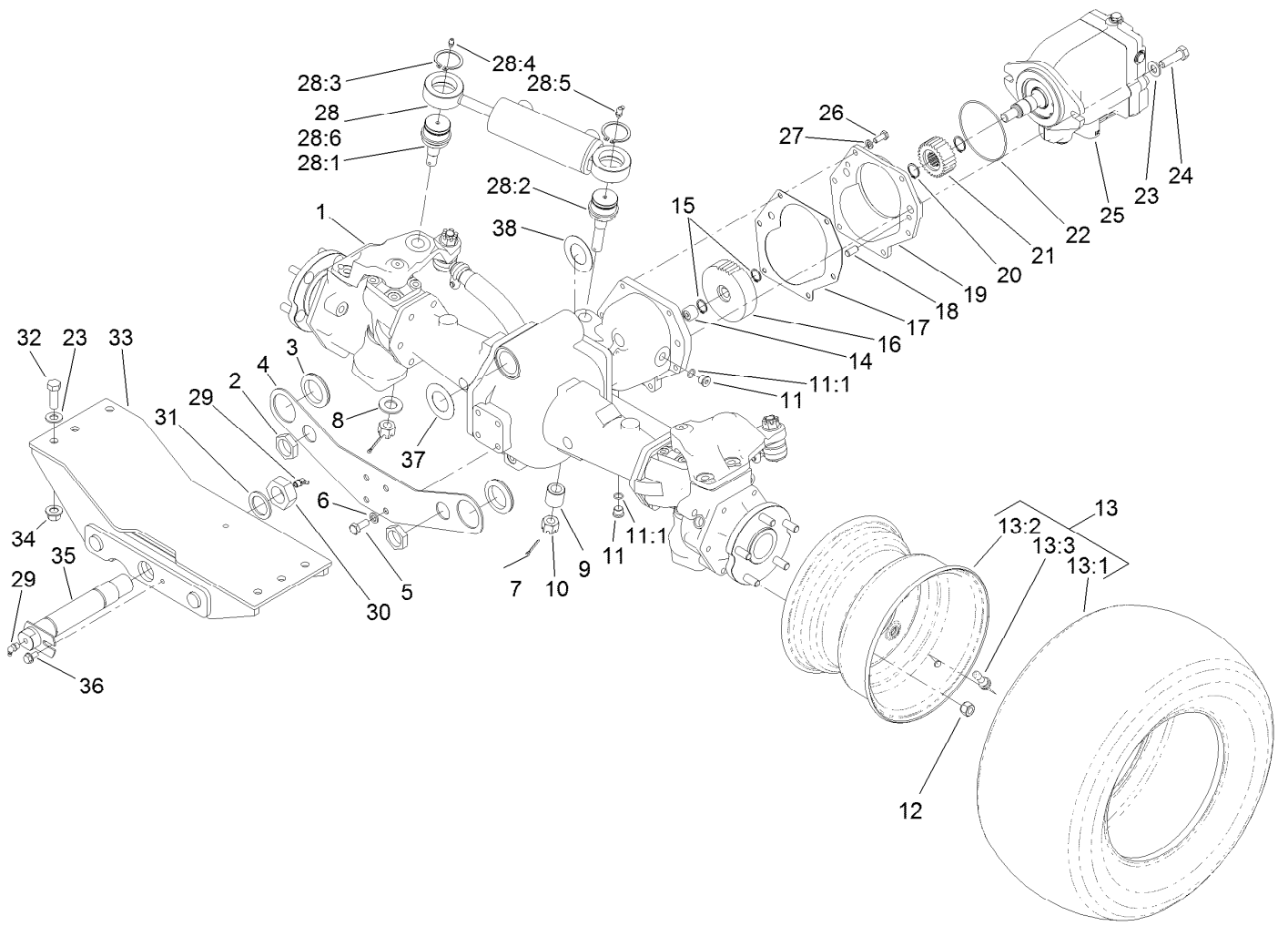
<i>Ref.</i>	<i>Part Number</i>	<i>Qty.</i>	<i>Description</i>	<i>Ref.</i>	<i>Part Number</i>	<i>Qty.</i>	<i>Description</i>
1	121-1552	1	Tube ASM	12	115-4384	1	Hose-HYD
1:1	237-22	3	O-Ring	13	120-8834	1	Tube-PTO, LH To RH
2	120-9079	2	Tube-HYD	14	104-2234	1	Hose-HYD
3	121-1624	1	Tube-HYD	15	121-1480	1	Tube-HYD
4	322-11	1	Screw-HH	16	120-8961	1	Tube-Return, Front
5	69-9761	1	Plate-Cover	17	121-1564	1	Hose-HYD
6	120-3200	2	Clamp-Tube	18	121-1563	1	Hose-HYD
7	104-8300	1	Nut-HF, NI	19	121-1505	1	Hose-HYD
8	340-70	1	Nut-Lock	20	121-1581	1	Tube-Tee
10	104-2807	1	Hose-HYD	20:1	340-65	1	O-Ring
11	104-4584	1	Hose-HYD				



## Rear Axle and Steering Cylinder Assembly

Ref.	Part Number	Qty.	Description	Ref.	Part Number	Qty.	Description
1	110-4750	1	Drive Axle ASM	15	32120-15	2	Ring-Snap, EXT
2	340-126	2	Nut-Bulkhead	16	100-3053	1	Gear-45 Tooth
3	240-2	2	Grommet-Rubber	17	106-1140	1	Gasket
4	120-9069-03	1	Plate-Mount, Bulkhead	18	104-2353	2	Pin-Dowel
5	43-0090	4	Screw-HH	19	95-7541	1	Plate-Cover
6	48-9590	4	Washer-Lock	20	32120-76	2	Ring-Snap, EXT
7	3272-12	2	Pin-Cotter	21	104-0755	1	Pinion-27 Tooth
8	92-5836	1	Washer	22	237-166	1	O-Ring
9	100-3796	1	Spacer-Joint, Ball	23	3256-26	8	Washer-Flat
10	32136-14	2	Nut-Hst	24	325-7	2	Screw-HH
11	353-989	2	Plug-Hex, Hollow	25	120-8814	1	HYD Motor ASM
11:1	237-42	1	O-Ring	26	33114-020	6	Screw-HH
12	93-5268	10	Nut-Lug	27	3253-4	6	Washer-Lock
13		2	Tire And Wheel ASM ●	28	121-1535	1	Steering Cylinder ASM
13:1	120-8910	1	Tire-Off Road	28:1	106-6774	1	Joint-Ball
13:2	120-8909	1	Rim	28:2	100-3795	1	Joint-Ball
13:3	232-27	1	Stem-Valve	28:3	32151-104	2	Ring-Retaining, External
14	74-5700	1	Bearing-Needle, Roller	28:4	302-5	1	Fitting-Grease

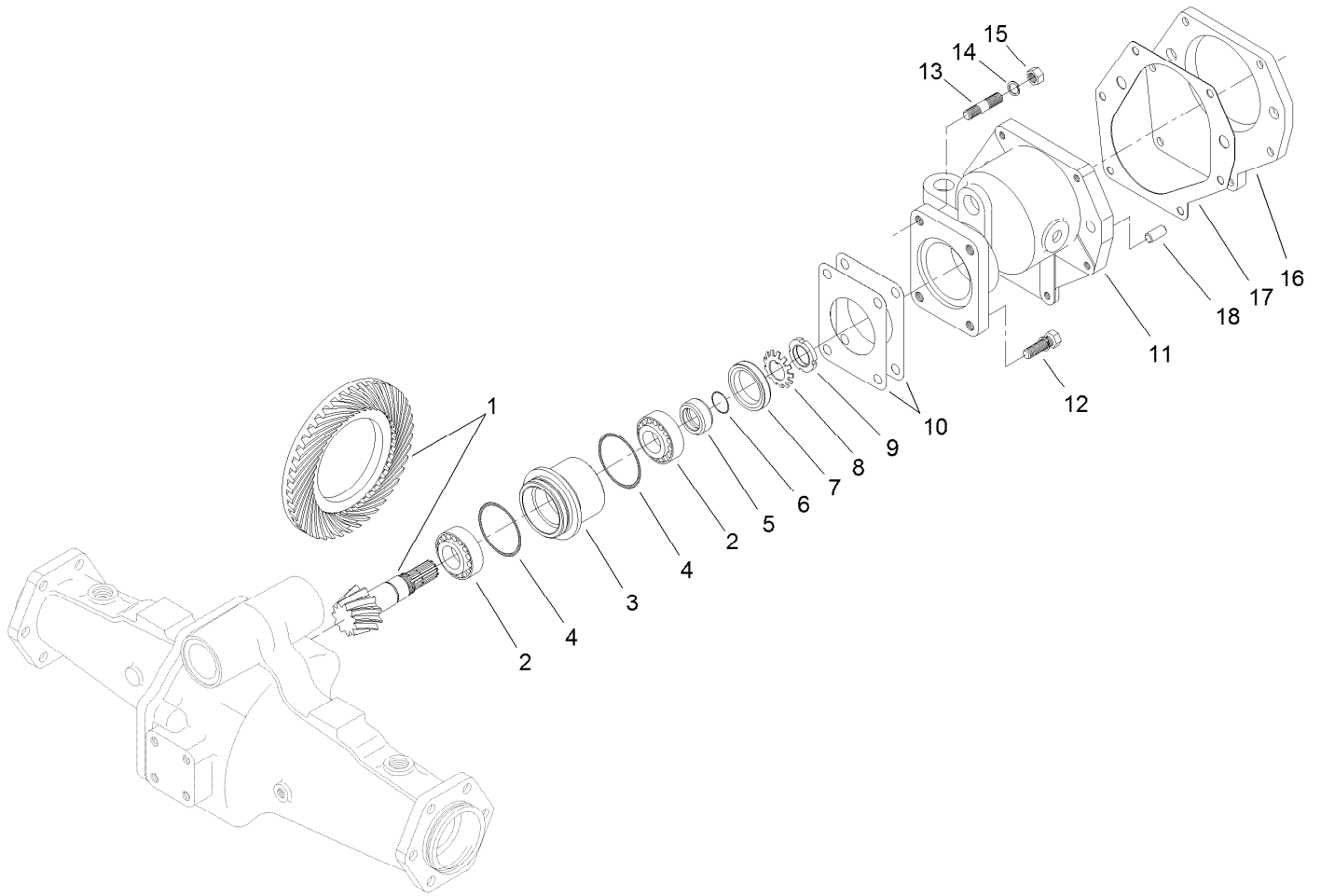
● Not serviced separately



## Rear Axle and Steering Cylinder Assembly (continued)

<i>Ref.</i>	<i>Part Number</i>	<i>Qty.</i>	<i>Description</i>	<i>Ref.</i>	<i>Part Number</i>	<i>Qty.</i>	<i>Description</i>
28:5	302-60	1	Fitting-Grease	33	120-8895-03	1	Mount-Rear
28:6	121-1534	1	HYD Steering Cylinder ASM	34	99-5107	6	Nut-Lock
29	302-33	2	Fitting-Grease	35	98-7077	1	Pin-Axle, Rear
30	3296-68	1	Nut-Lock, NI	36	32144-14	1	Screw-HWHTF
31	92-1765	1	Washer-Thrust	37	99-8431	2	Washer-Thrust
32	325-6	6	Screw-HH	38	99-8432	2	Washer-Thrust

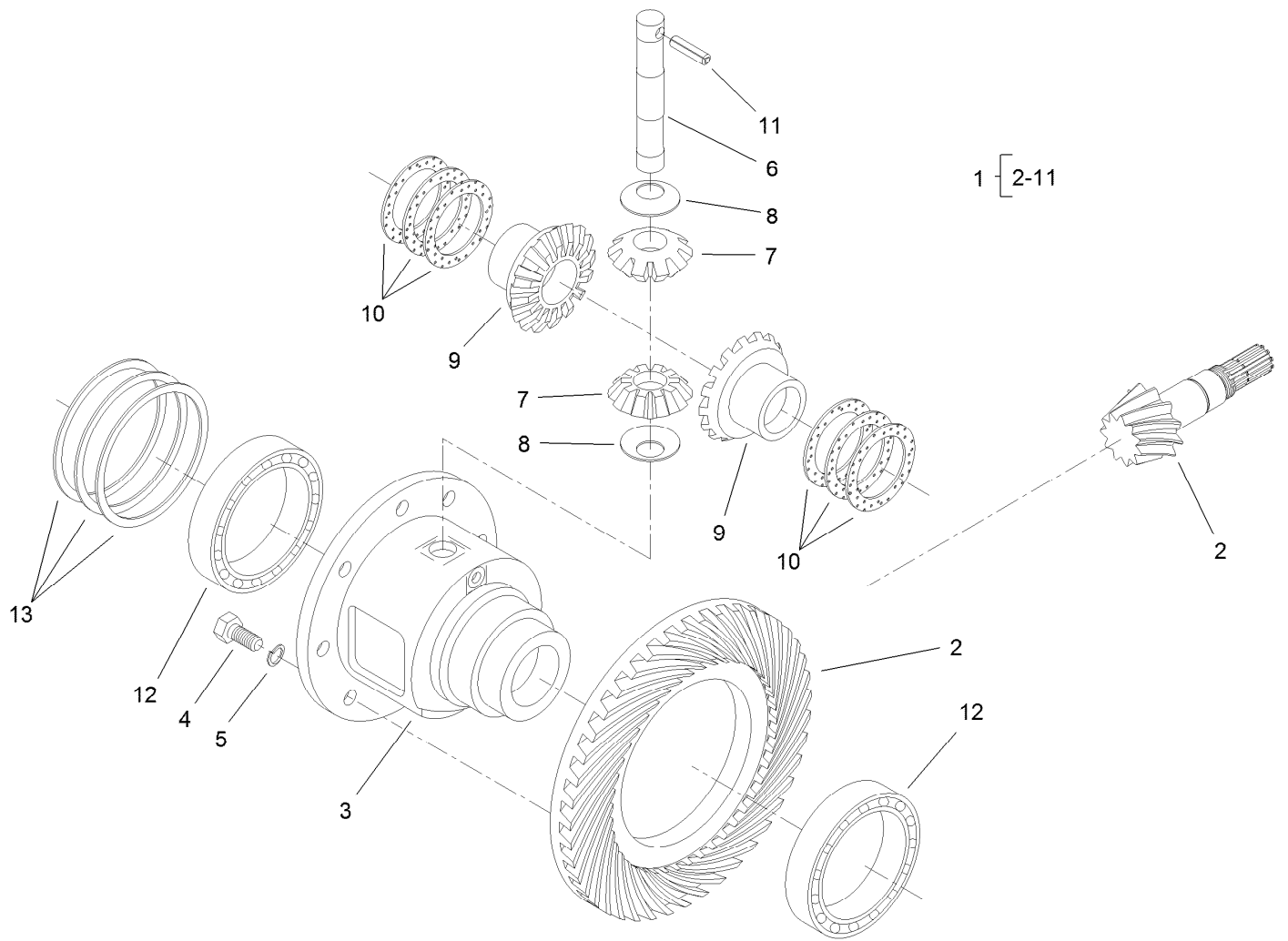
● Not serviced separately



## Bevel Pinion Shaft Assembly Rear Axle Assembly No. 110-4750

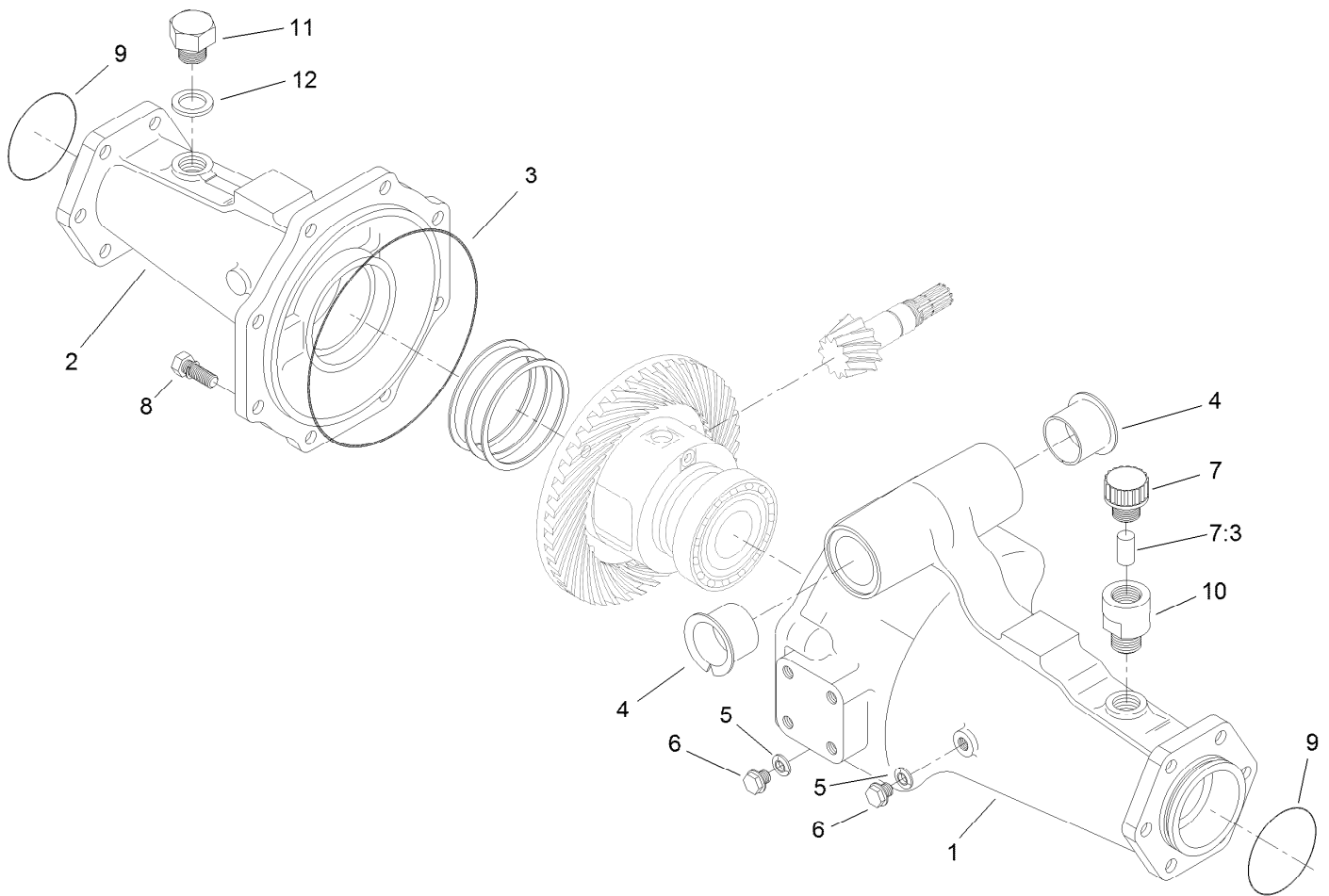
<i>Ref.</i>	<i>Part Number</i>	<i>Qty.</i>	<i>Description</i>
1	106-1093	1	Ring And Pinion Set
2	99-7570	2	Bearing-Roller, Taper
3	95-7534	1	Case-Bearing
4	106-1065	2	O-Ring
5	99-7572	1	Collar-Seal, Oil
6	106-1066	1	O-Ring
7	99-7574	1	Seal-Oil
8	99-7559	1	Washer-Lock
9	99-7560	1	Nut-Lock
10	99-7550	2	Shim 0.1

<i>Ref.</i>	<i>Part Number</i>	<i>Qty.</i>	<i>Description</i>
10	99-7551	2	Shim 0.2
11	95-7533	1	Case-Gear
12	99-7575	2	Bolt
13	98-7735	2	Stud
14	99-7527	2	Washer-Spring
15	99-7526	2	Nut
16	95-7541	1	Plate-Cover
17	106-1140	1	Gasket
18	104-2353	2	Pin-Dowel



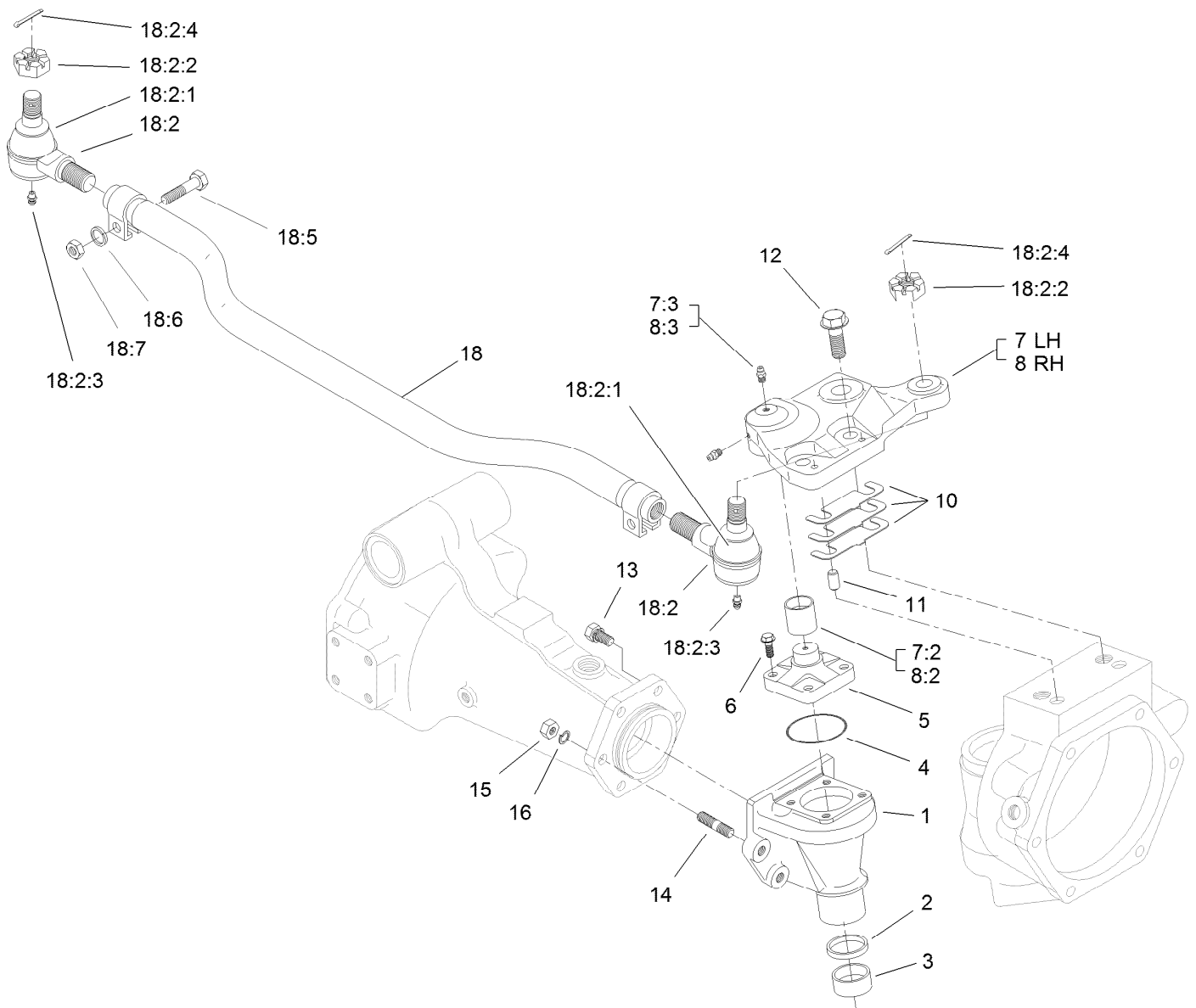
## Differential Assembly Rear Axle Assembly No. 110-4750

<i>Ref.</i>	<i>Part Number</i>	<i>Qty.</i>	<i>Description</i>	<i>Ref.</i>	<i>Part Number</i>	<i>Qty.</i>	<i>Description</i>
1	95-7503	1	Differential ASM	10	99-7582	2	Washer-Differential
2	106-1093	1	Ring And Pinion Set	10	99-7583	2	Washer-Differential
3	95-7502	1	Case-Differential	10	99-7584	2	Washer-Differential
4	99-7576	8	Bolt	11	99-7588	1	Pin-Spring
5	3253-4	8	Washer-Lock	12	99-7562	2	Bearing-Ball
6	99-7578	1	Shaft-Differential	13	99-7585	2	Shim 0.1
7	99-7579	2	Pinion-Differential	13	99-7586	2	Shim 0.2
8	99-7580	2	Washer-Differential	13	99-7587	2	Shim 0.4
9	99-7581	2	Gear-Differential				



## Axle Support Assembly Rear Axle Assembly No. 110-4750

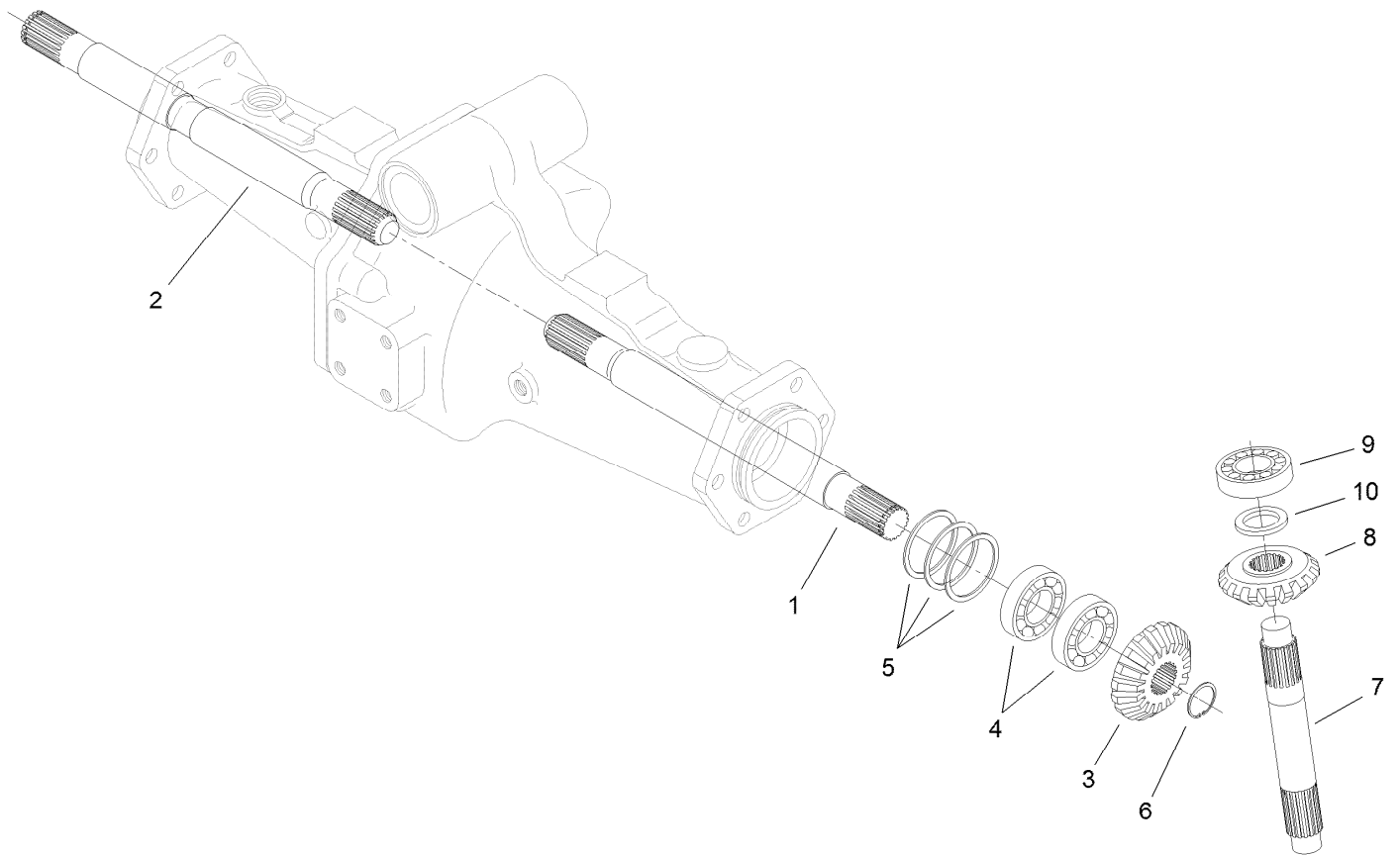
<i>Ref.</i>	<i>Part Number</i>	<i>Qty.</i>	<i>Description</i>
1	95-7508	1	Support-Axle
2	95-7506	1	Support-Axle
3	106-1067	1	O-Ring
4	95-7537	2	Bushing-Flanged
5	99-7590	2	Washer-Seal
6	99-7589	2	Plug
7	110-4812	1	Axle Vent ASM
7:3	110-4815	1	Insert-Filter, Foam
8	99-7592	8	Bolt
9	106-1068	2	O-Ring
10	104-2377	1	Extension-Vent
11	104-8643	1	Plug
12	104-8644	1	O-Ring



## Bevel Gear Case Assembly Rear Axle Assembly No. 110-4750

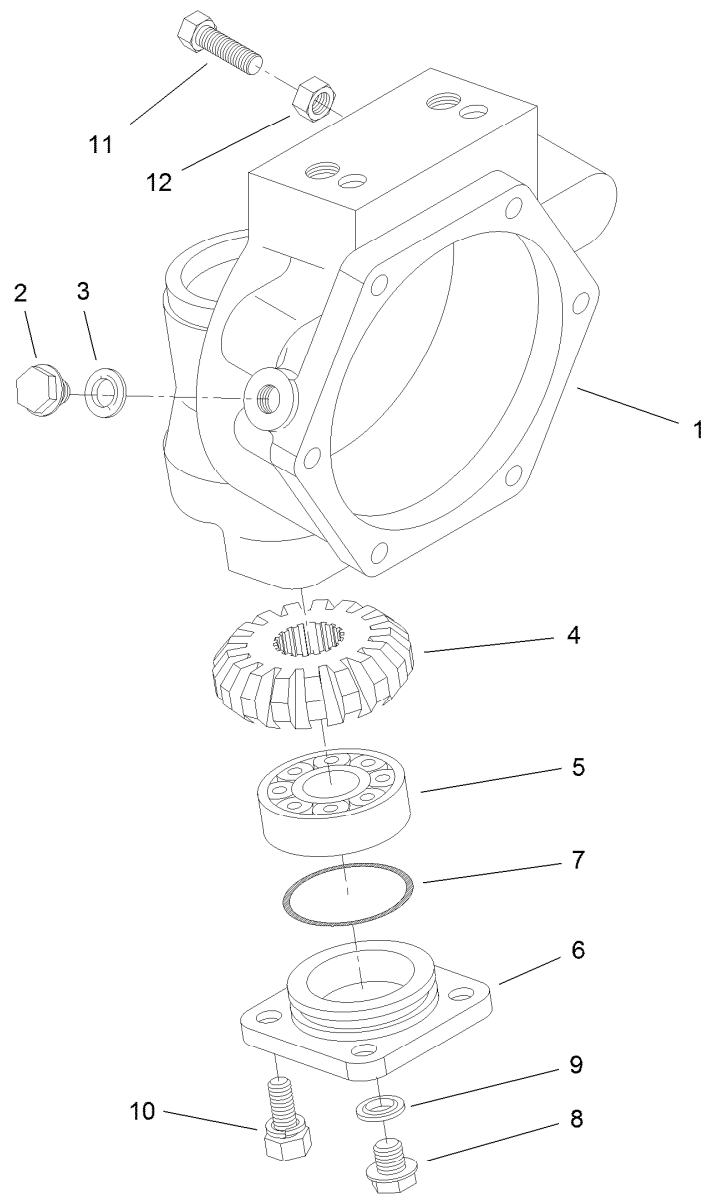
Ref.	Part Number	Qty.	Description	Ref.	Part Number	Qty.	Description
1	110-4752	2	Case-Gear, Bevel	12	104-2375	4	Bolt
2	110-4754	2	Seal-Oil	13	99-7599	8	Bolt
3	104-2378	2	Bushing	14	99-7525	4	Stud
4	106-1069	2	O-Ring	15	99-7526	4	Nut
5	104-2373	2	Knuckle	16	99-7527	4	Washer-Spring
6	104-2374	8	Bolt	18	106-1141	1	Steering Tie Rod ASM
7	100-3768	1	LH Steering Arm ASM	18:2	106-1113	2	Tie Rod End ASM - RH Thread
7:2	104-8634	1	Bushing	18:2:1	100-3853	1	Cover-Dust
7:3	106-1104	2	Fitting-Grease	18:2:2	100-3854	1	Nut-Castle
8	100-3766	1	RH Steering Arm ASM	18:2:3	110-4755	1	Fitting-Grease
8:2	104-8634	1	Bushing	18:2:4	3272-11	1	Pin-Cotter
8:3	106-1104	2	Fitting-Grease	18:5	100-3855	2	Bolt
10	95-7547	2	Shim 0.1	18:6	99-7527	2	Washer-Spring
10	95-7548	2	Shim 0.2	18:7	99-7526	2	Nut
10	95-7549	2	Shim 0.3				
11	99-7597	4	Pin-Dowel				





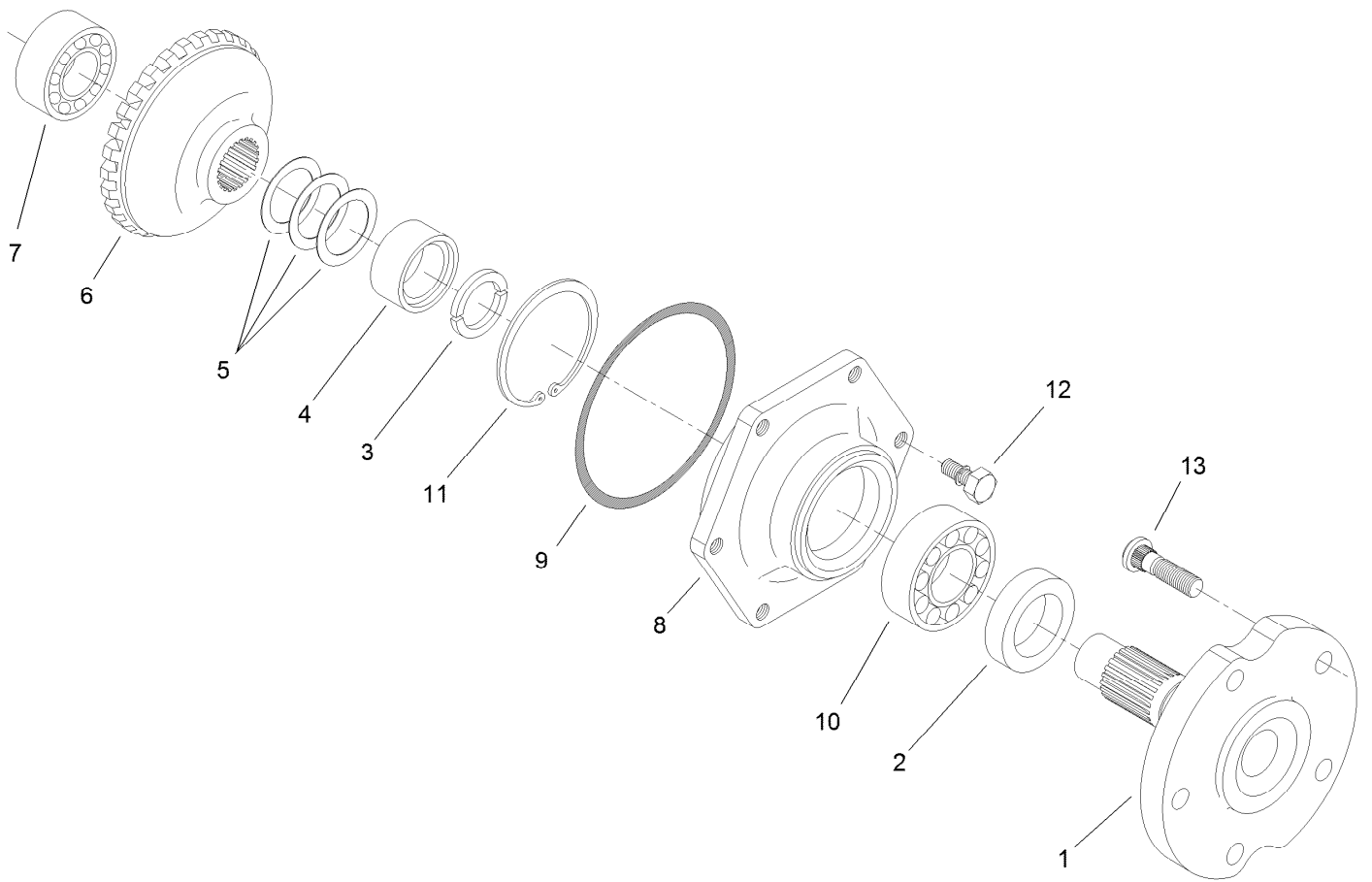
## Bevel Gear Shaft Assembly Rear Axle Assembly No. 110-4750

<i>Ref.</i>	<i>Part Number</i>	<i>Qty.</i>	<i>Description</i>
1	95-7509	1	Shaft-Gear, Differential
2	95-7512	1	Shaft-Gear, Differential
3	95-7517	2	Gear-Bevel, 15 Tooth
4	99-7530	4	Bearing-Ball
5	99-7552	2	Shim 0.1
5	99-7553	2	Shim 0.2
5	99-7554	2	Shim 0.5
6	99-7531	2	Clip
7	110-4753	2	Shaft-Gear, Bevel
8	95-7519	2	Gear-Bevel, 17 Tooth
9	99-7532	2	Bearing-Roller, Taper
10	99-7558	2	Collar



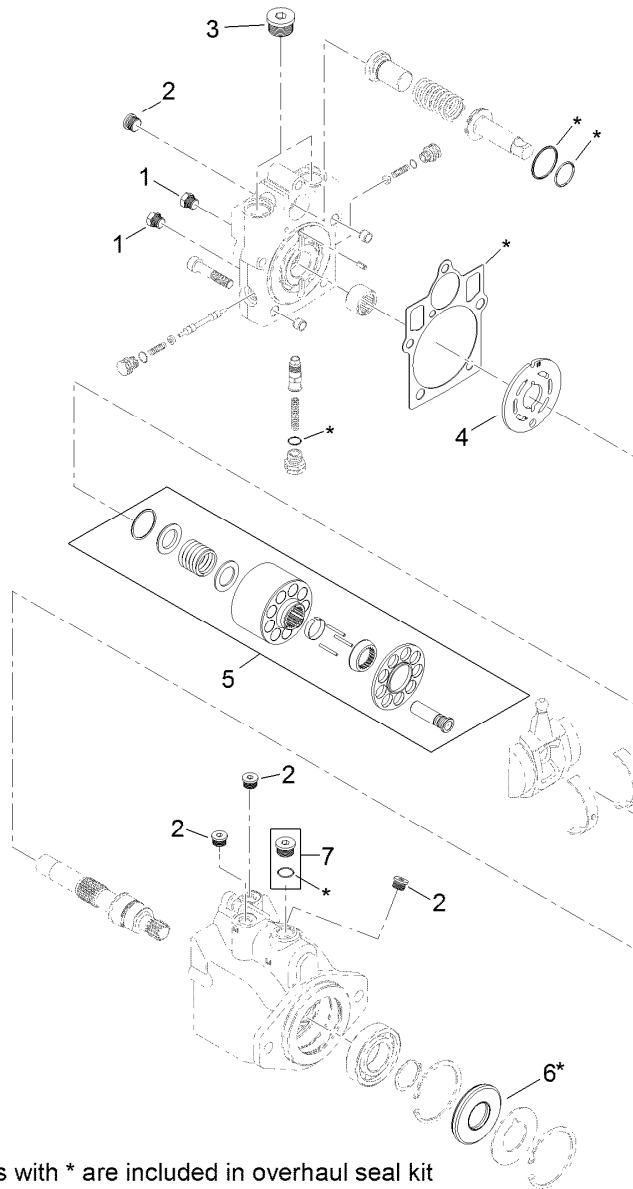
## Axle Case Assembly Rear Axle Assembly No. 110-4750

<i>Ref.</i>	<i>Part Number</i>	<i>Qty.</i>	<i>Description</i>
1	110-4751	2	Case-Axle
2	99-7535	2	Plug
3	99-7536	2	Washer-Seal
4	95-7527	2	Gear-Bevel, 17 Tooth
5	99-7532	2	Bearing-Roller, Taper
6	100-2560	2	Cover
7	106-1070	2	O-Ring
8	99-7589	2	Plug
9	99-7590	2	Washer-Seal
10	100-2562	8	Bolt
11	106-1102	2	Bolt-Stop
12	106-1103	2	Nut



## Axle Assembly Rear Axle Assembly No. 110-4750

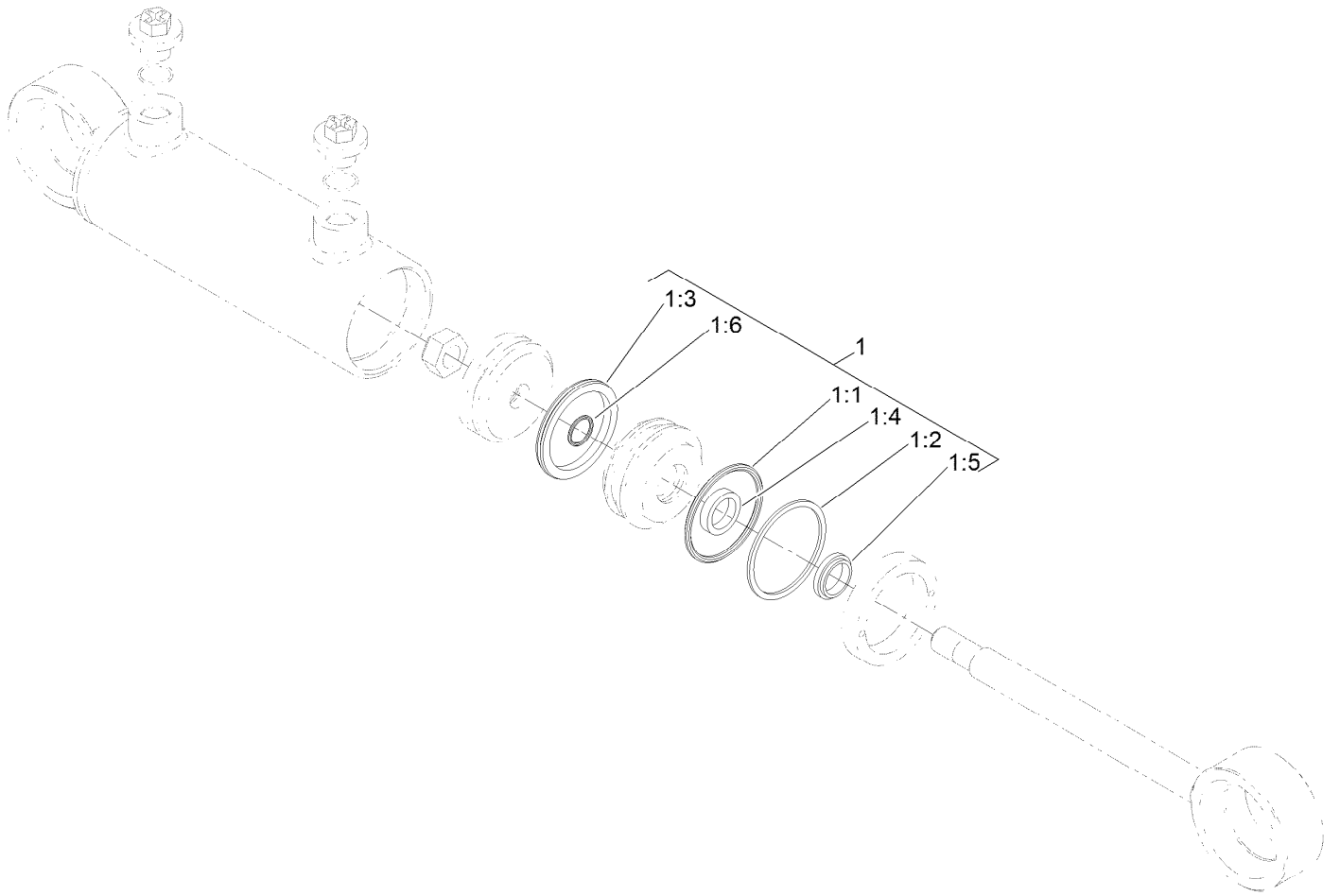
<i>Ref.</i>	<i>Part Number</i>	<i>Qty.</i>	<i>Description</i>
1	95-7522	2	Axle
2	99-7564	2	Seal-Oil
3	95-7544	4	Clip
4	95-7523	2	Spacer
5	99-7555	2	Shim 0.3
5	99-7556	2	Shim 0.2
5	99-7557	2	Shim 0.5
6	95-7524	2	Gear-Bevel, 29 Tooth
7	99-7534	2	Bearing-Ball
8	95-7521	2	Cover-Axle
9	106-1071	2	O-Ring
10	99-7561	2	Bearing-Ball
11	99-7539	2	Clip
12	99-7596	12	Bolt
13	99-7563	10	Stud



8 = all items with \* are included in overhaul seal kit

## Hydraulic Motor Assembly No. 120-8814

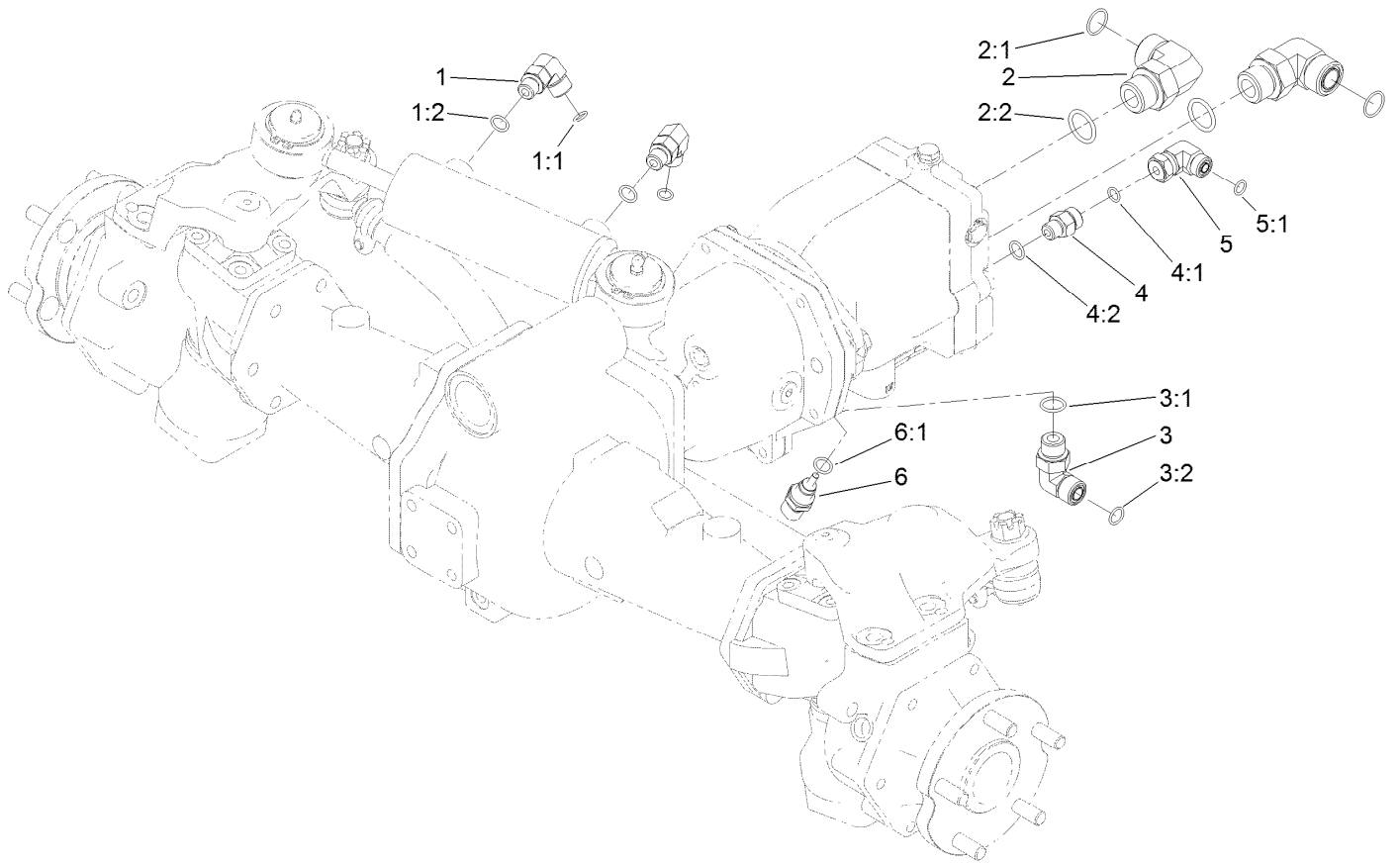
<i>Ref.</i>	<i>Part Number</i>	<i>Qty.</i>	<i>Description</i>
1	92-1352	2	Plug
2	69-3080	5	Plug
3	69-3130	2	Plug
4	121-1734	1	Plate-Valve
5	110-6472	1	Cylinder Block Kit ASM
6	69-3190	1	Seal-Lip
7	67-9090	1	Plug
8	121-1736	1	Overhaul Seal Kit



## Steering Cylinder Assembly No. 121-1534

<i>Ref.</i>	<i>Part Number</i>	<i>Qty.</i>	<i>Description</i>
1	125-4302	1	Seal Kit
1:1		1	O-Ring ●
1:2		1	Backup ●
1:3		1	Bp Seal ●
1:4		1	Bt Seal ●
1:5		1	Dust Seal ●
1:6		1	O-Ring ●

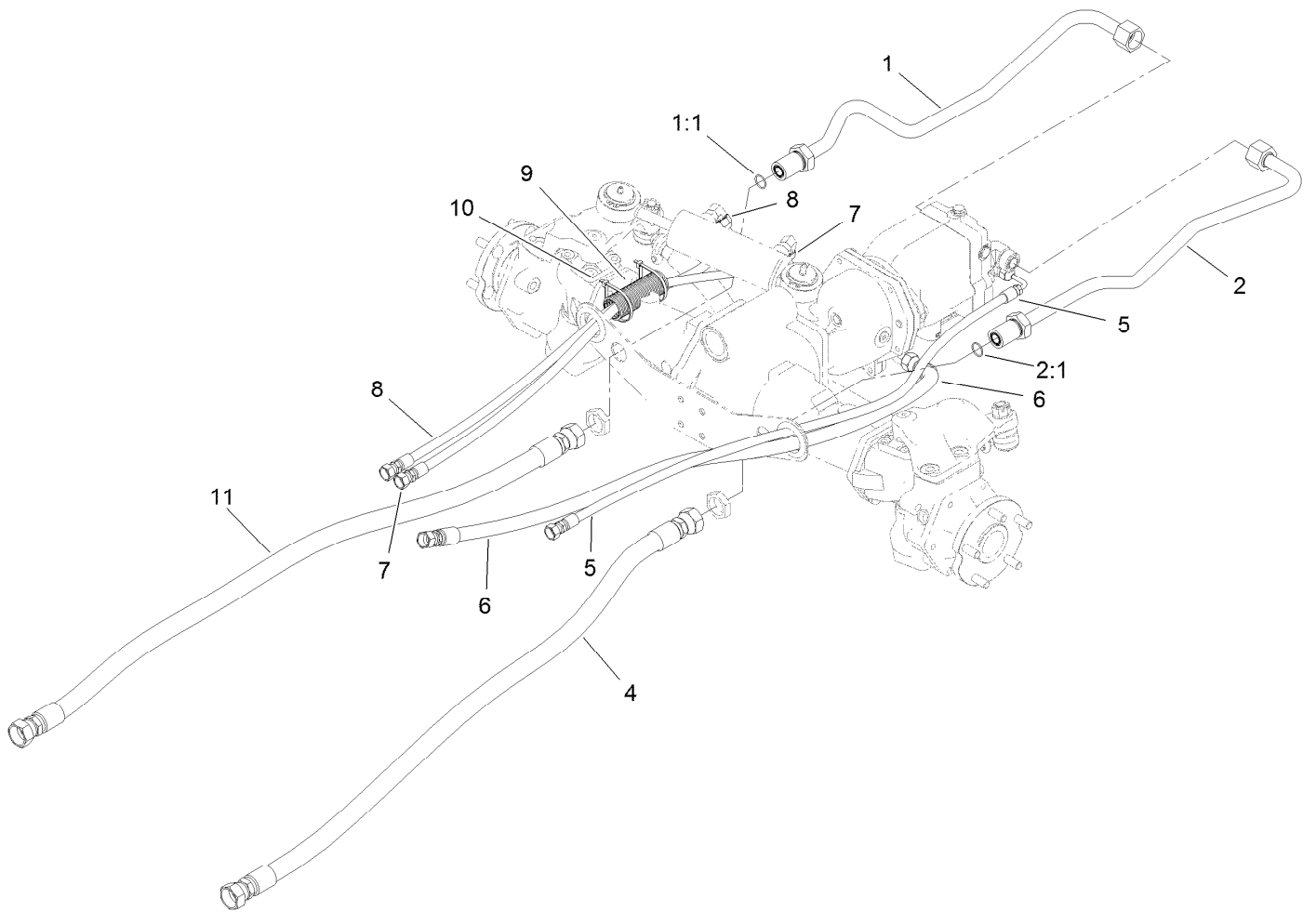
● Not serviced separately



## Hydraulic Fitting Assembly

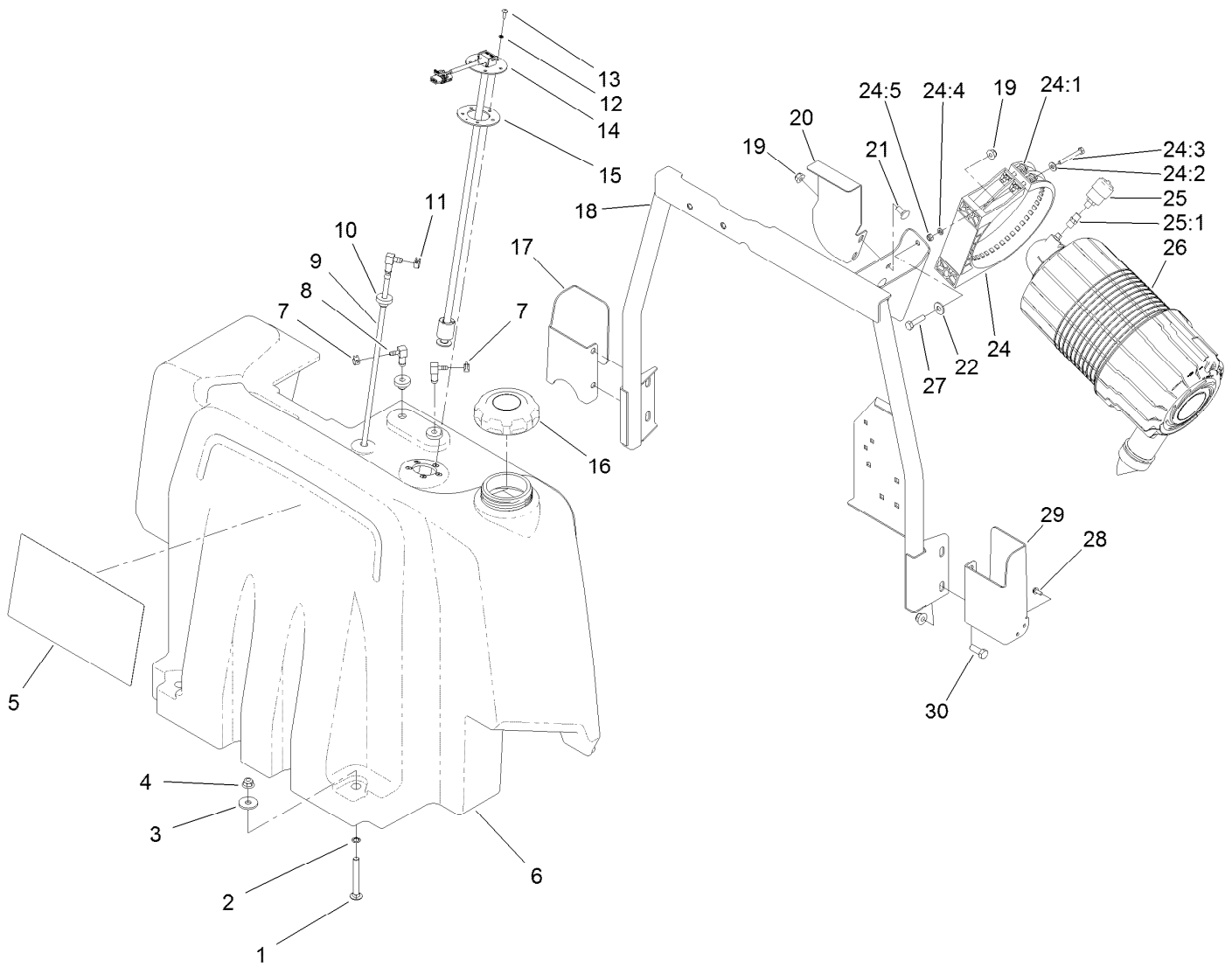
<i>Ref.</i>	<i>Part Number</i>	<i>Qty.</i>	<i>Description</i>
1	340-77	2	Fitting-Elbow, 90 DEG
1:1	237-22	1	O-Ring
1:2	237-42	1	O-Ring
2	340-142	2	Fitting-Elbow, 90 DEG
2:1	237-58	1	O-Ring
2:2	237-81	1	O-Ring
3	340-98	1	Fitting-Elbow, 90 DEG
3:1	237-79	1	O-Ring

<i>Ref.</i>	<i>Part Number</i>	<i>Qty.</i>	<i>Description</i>
3:2	237-30	1	O-Ring
4	340-2	1	Fitting-Straight
4:1	237-22	1	O-Ring
4:2	237-42	1	O-Ring
5	340-159	1	Elbow-90
5:1	237-22	2	O-Ring
6	110-8829	1	Sender-Temperature
6:1	237-42	1	O-Ring



## Hose and Tube Routing Assembly

<i>Ref.</i>	<i>Part Number</i>	<i>Qty.</i>	<i>Description</i>
1	120-9067	1	HYD Tube ASM
1:1	237-58	1	O-Ring
2	120-9068	1	Tube ASM
2:1	237-58	1	O-Ring
4	114-0024	1	Hose-HYD
5	121-1459	1	Hose-HYD
6	121-1458	1	Hose-HYD
7	121-1500	1	Hose-HYD
8	121-1501	1	Hose-HYD
9	121-1544	2	Cover-Hose
10	3290-379	4	Tie-Cable
11	121-1683	1	Hose-HYD

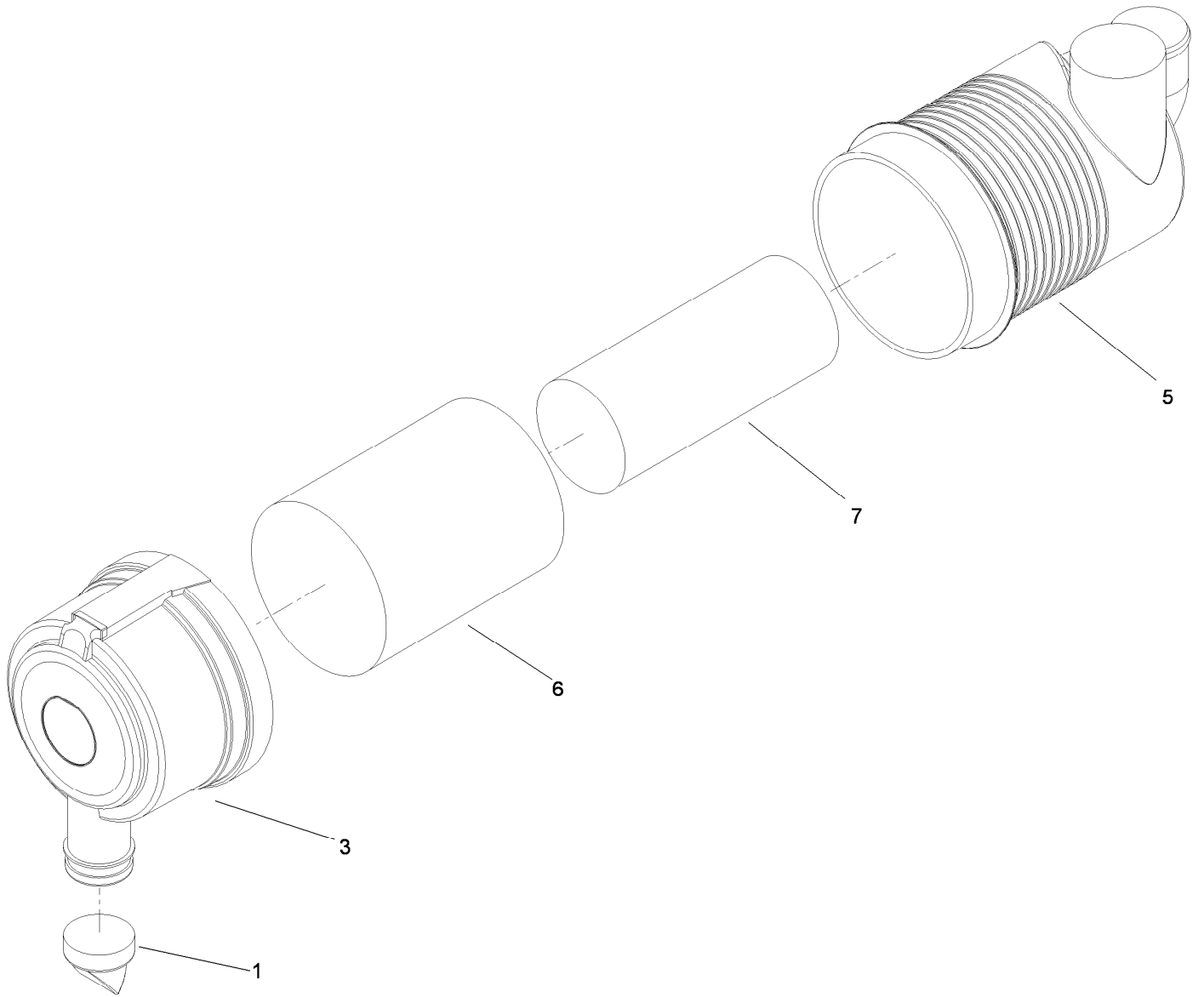


## Fuel Tank and Air Cleaner Assembly

Ref.	Part Number	Qty.	Description
1	3231-10	2	Screw-CARR
2	32151-72	2	Ring-Retaining
3	63-8410	2	Washer
4	104-8301	6	Nut-HF, NI
5	130-6042	1	Decal-Service
6	120-4195	1	Tank-Fuel
7	2412-98	2	Clamp-Hose
8	104-5228	2	Fitting-Elbow, 90 DEG
9	120-8908	1	Pipe-Stand
10	46-6560	3	Bushing
11	92-2379	1	Clamp-Hose
12	3253-15	5	Washer-Lock
13	32122-24	5	Screw-PTH
14	121-1688	1	Gauge-Fuel
15	121-1707	1	Gasket-Fuel, Viton
16	125-9171	1	Cap-Fuel
17	121-1514-03	1	Bracket-Latch, RH
18	120-4190-03	1	Support-Tank

Ref.	Part Number	Qty.	Description
19	104-8300	4	Nut-HF, NI
20	120-4193-03	1	Bracket-Fuel Tank
21	3230-1	2	Bolt-CARR
22	3256-3	2	Washer-Flat
24	99-5414	1	Strap-Cleaner, Air
24:1	108-1512	2	Spring
24:2	3256-22	2	Washer-Flat
24:3	33113-050	2	Screw-HH
24:4	33093-00	2	Washer-Flat
24:5	33023-00	2	Nut-Lock
25	104-3563	1	Indicator
25:1	94-1416	1	Adapter-Indicator
26	99-5410	1	Air Cleaner ASM
27	322-6	2	Screw-HH
28	32144-1	4	Screw-Taptite
29	121-1513-03	1	Bracket-Latch, LH
30	323-6	4	Screw-HH

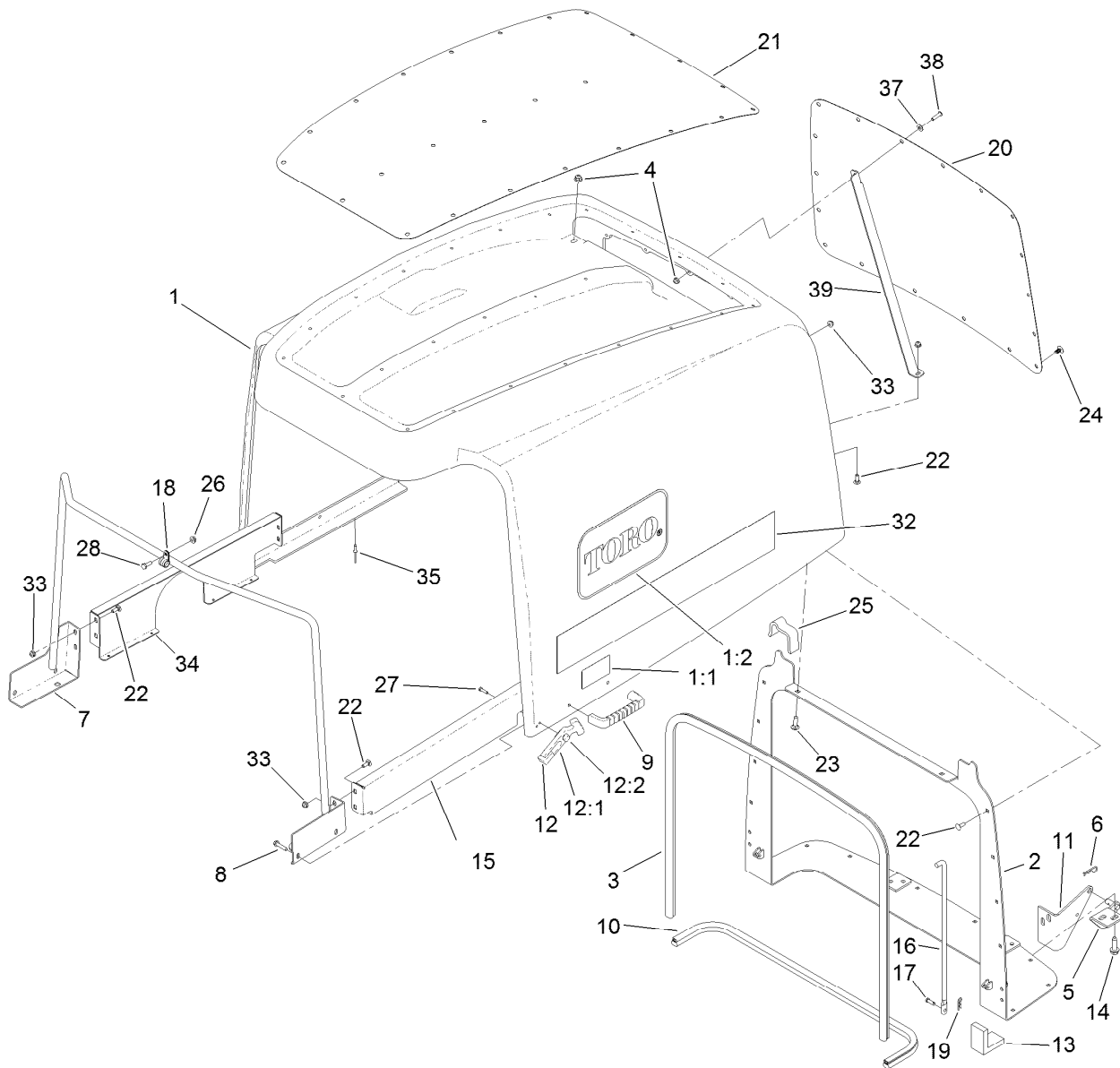




## Air Cleaner Assembly No. 99-5410

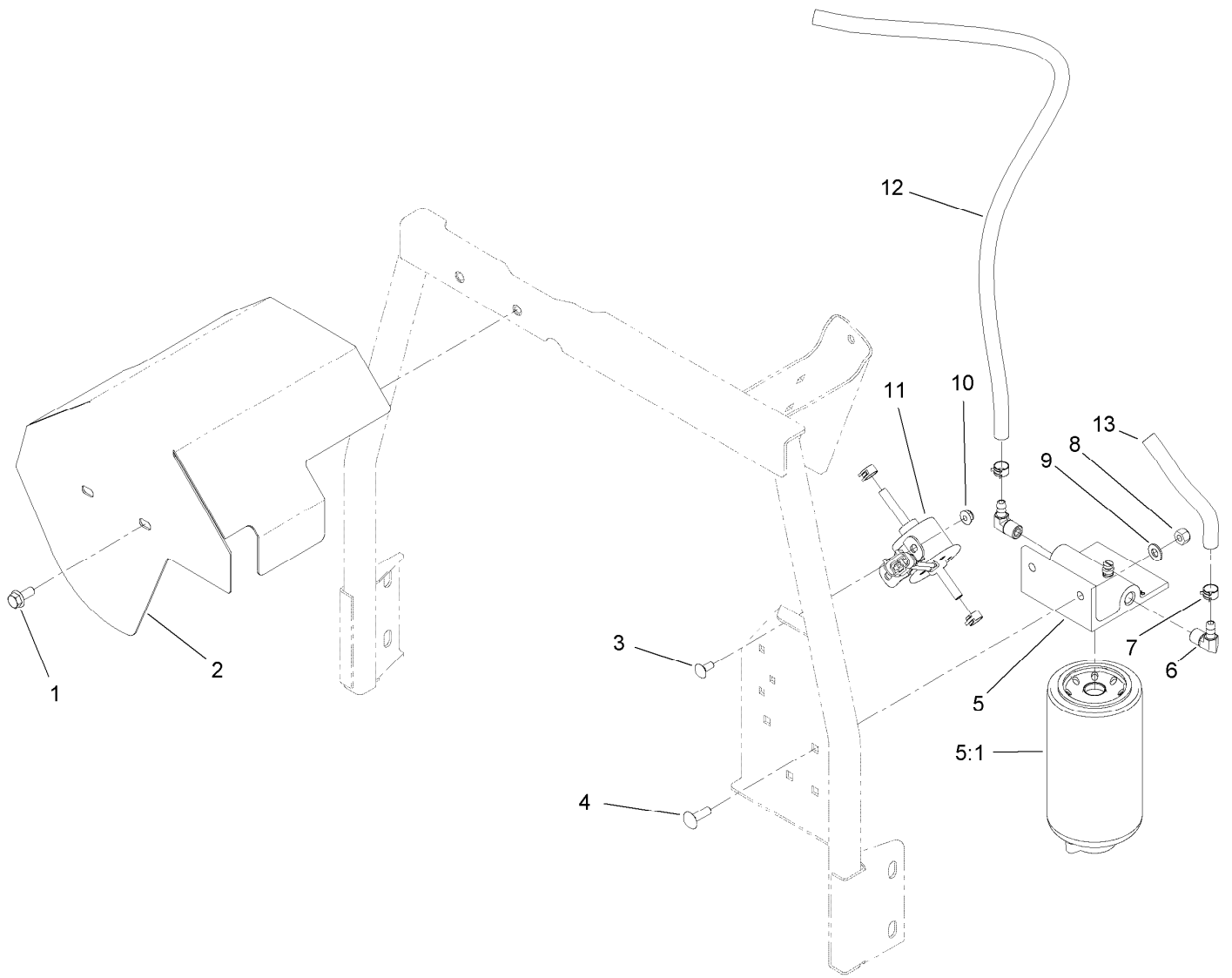
<i>Ref.</i>	<i>Part Number</i>	<i>Qty.</i>	<i>Description</i>
1	104-4258	1	Valve-Vacuator
3	104-4259	1	Cover
5		1	Body ASM ●
6	108-3814	1	Filter-Air
7	108-3816	1	Filter-Air

● Not serviced separately



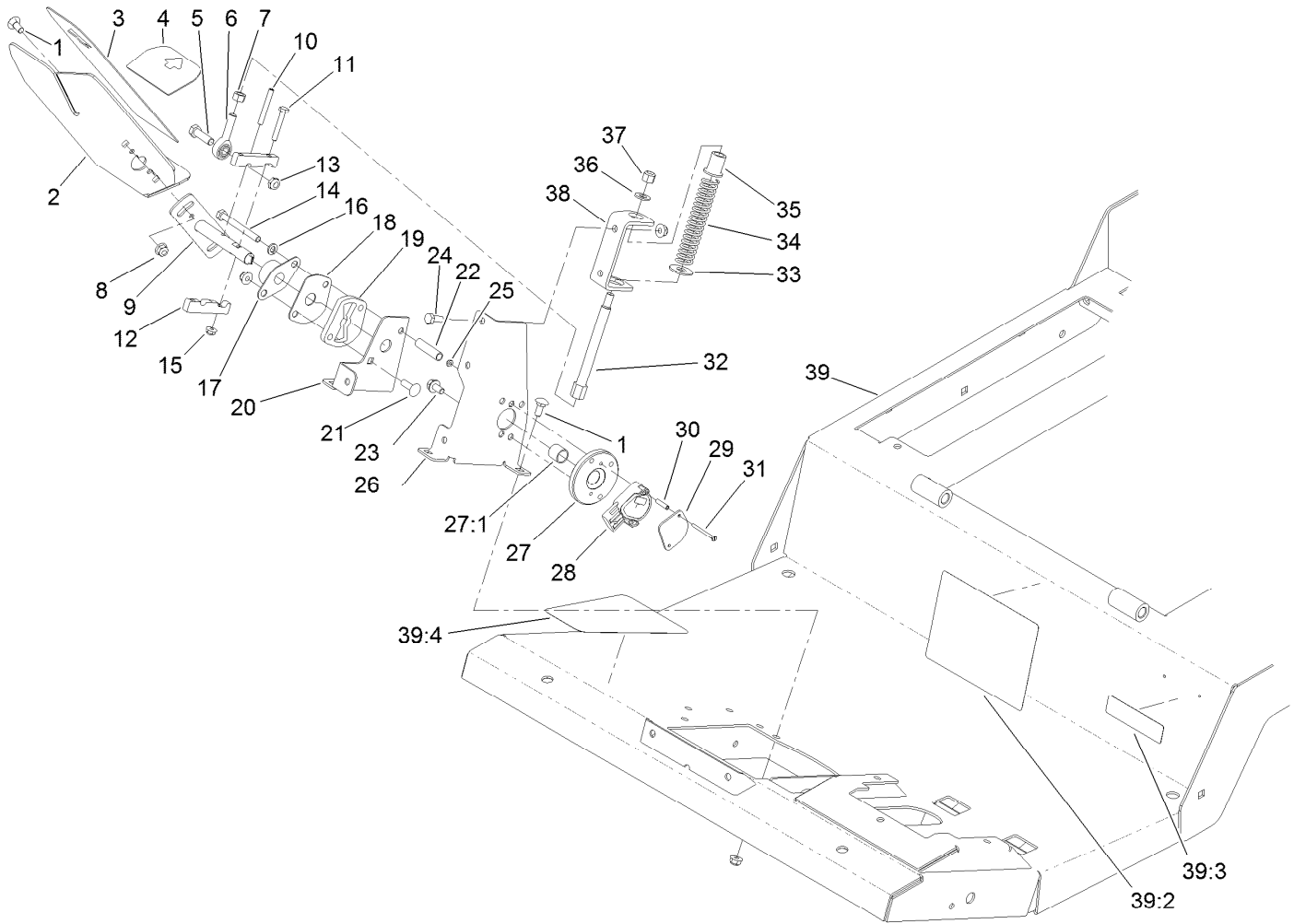
## Hood Assembly

Ref.	Part Number	Qty.	Description	Ref.	Part Number	Qty.	Description
1	120-9090	1	Hood ASM	17	283-67	2	Pin-Clevis
1:1	106-6754	1	Decal-Danger	18	2412-134	2	Clamp-R
1:2	66-1210	2	Decal	19	3290-307	2	Pin-Cotter
2	120-9099-03	1	Pivot-Hood	20	120-9096-03	1	Screen-Hood, Rear
3	114-3823	1	Seal-Bulb	21	120-9097-03	1	Screen-Hood, Top
4	104-8300	2	Nut-HF, NI	22	3229-1	24	Screw-CARR
5	121-1470	2	Pivot-Screen	23	3230-2	2	Bolt-CARR
6	3290-467	2	Pin-Hair	24	117-2382	42	Plug-Plastic
7	120-4196-03	1	Support-Hood	25	120-9087	2	Seal-Foam
8	46-8092	4	Screw-Plastite	26	32128-33	2	Nut-HF
9	65-5100	2	Handle-Door	27	32104-4	2	Screw
10	104-3590	1	Seal-Bulb	28	321-4	2	Screw-HH
11	104-3588-03	2	Pivot-Screen	32	119-0055	2	Decal-Hood
12	94-5626	2	Flexible Draw Latch ASM	33	104-7201	25	Nut-HF, NI
12:1	103-4080	1	Latch-Rubber	34	120-8948-03	1	Support-Hood, RH
12:2	103-4081	1	Latch-Keeper	35	3269-4	8	Rivet-Pop
13	104-3580	2	Seal-Corner, Screen	37	3256-1	1	Washer-Flat
14	32144-109	8	Screw-Thd	38	3274-65	1	Screw-HSBH
15	120-8949-03	1	Support-Hood, LH	39	127-3707-03	1	Support-Hood
16	104-8313	2	Rod-Hood				



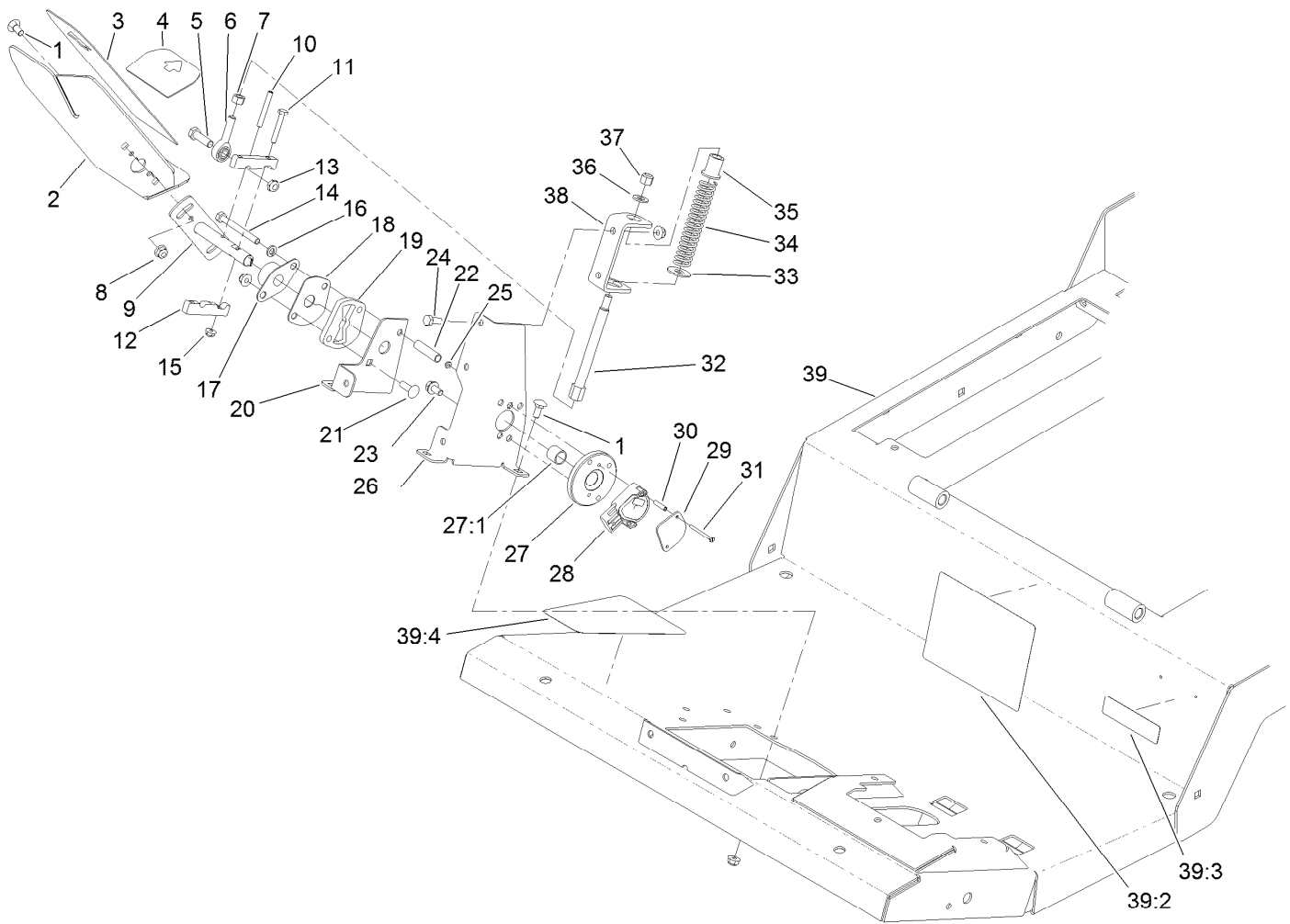
## Fuel/Water Separator Assembly

<i>Ref.</i>	<i>Part Number</i>	<i>Qty.</i>	<i>Description</i>
1	3234-47	2	Screw-HHF
2	120-4188-03	1	Bracket-Guard, Fuel Tank
3	3229-11	2	Screw-CARR
4	3230-22	2	Screw-CARR
5	125-2914	1	Filter-Separator
5:1	125-2915	1	Filter-Fuel/Water Separator
6	353-781	2	Fitting-HYD, 90
7	92-2379	4	Clamp-Hose
8	3296-29	2	Nut-Lock, NI
9	3256-23	2	Washer-Plain
10	104-7201	2	Nut-HF, NI
11	121-5613	1	Pump-Fuel, Electric
12	109-0309	1	Hose-Fuel
13	110-3256	1	Hose-Fuel



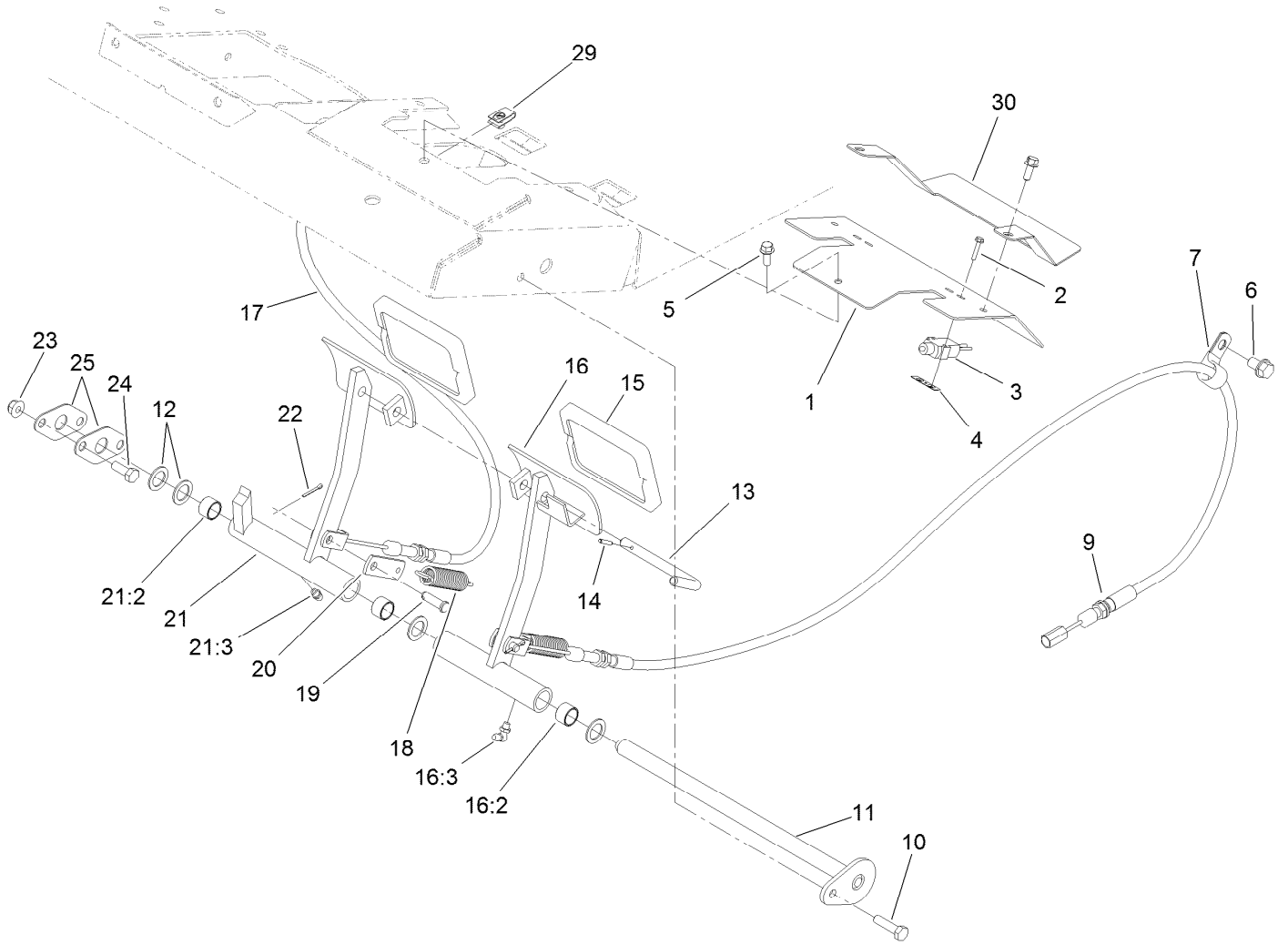
## Traction Pedal and Platform Assembly

<i>Ref.</i>	<i>Part Number</i>	<i>Qty.</i>	<i>Description</i>	<i>Ref.</i>	<i>Part Number</i>	<i>Qty.</i>	<i>Description</i>
1	3230-1	6	Bolt-CARR	22	93-7960	1	Spacer
2	110-5986-01	1	Pedal-Traction	23	114-7728	2	Screw-HHF, Patch
3	93-5347	1	Abrasive-Pedal	24	322-3	3	Screw-HH
4	93-5368	1	Abrasive-Pedal	25	3296-9	2	Nut-Hex
5	323-7	1	Screw-HH	26	117-5451-01	1	Bracket-Sensor
6	2411-36	1	Bearing-End, Rod	27	117-5445	1	Bushing Hub ASM
7	3219-3	1	Nut-Hex	27:1	95-7497	1	Bushing-Wheel
8	104-8300	10	Nut-HF, NI	28	114-5609	1	Sensor-Position
9	117-5450	1	Shaft-Pedal, Traction	29	114-5595	1	Plate-Capture
10	32121-78	1	Pin-Roll	30	114-5608	2	Spacer-Standoff
11	321-37	2	Screw-HH	31	32105-25	2	Screw-SHH
12	117-5459	2	Block-Clamp	32	117-5446	1	Shaft-Spring
13	3296-59	1	Nut-Lock, NI	33	3256-5	1	Washer-Flat
14	322-14	1	Screw-HH	34	84-9100	1	Spring
15	104-7201	2	Nut-HF, NI	35	92-7610	1	Retainer-Spring
16	3253-4	1	Washer-Lock	36	3256-24	1	Washer-Plain
17	256-236	1	Bearing-Mount, Flange	37	3296-6	1	Nut-Lock
18	117-5455	1	Plate-Cover	38	117-5452-01	1	Bracket-Spring
19	117-5454	1	Plate-Butterfly	39	120-4087	1	Platform ASM
20	117-5453-01	1	Bracket-Butterfly	39:2	114-0846	1	Decal-Instructions, Operating
21	3230-22	1	Screw-CARR				



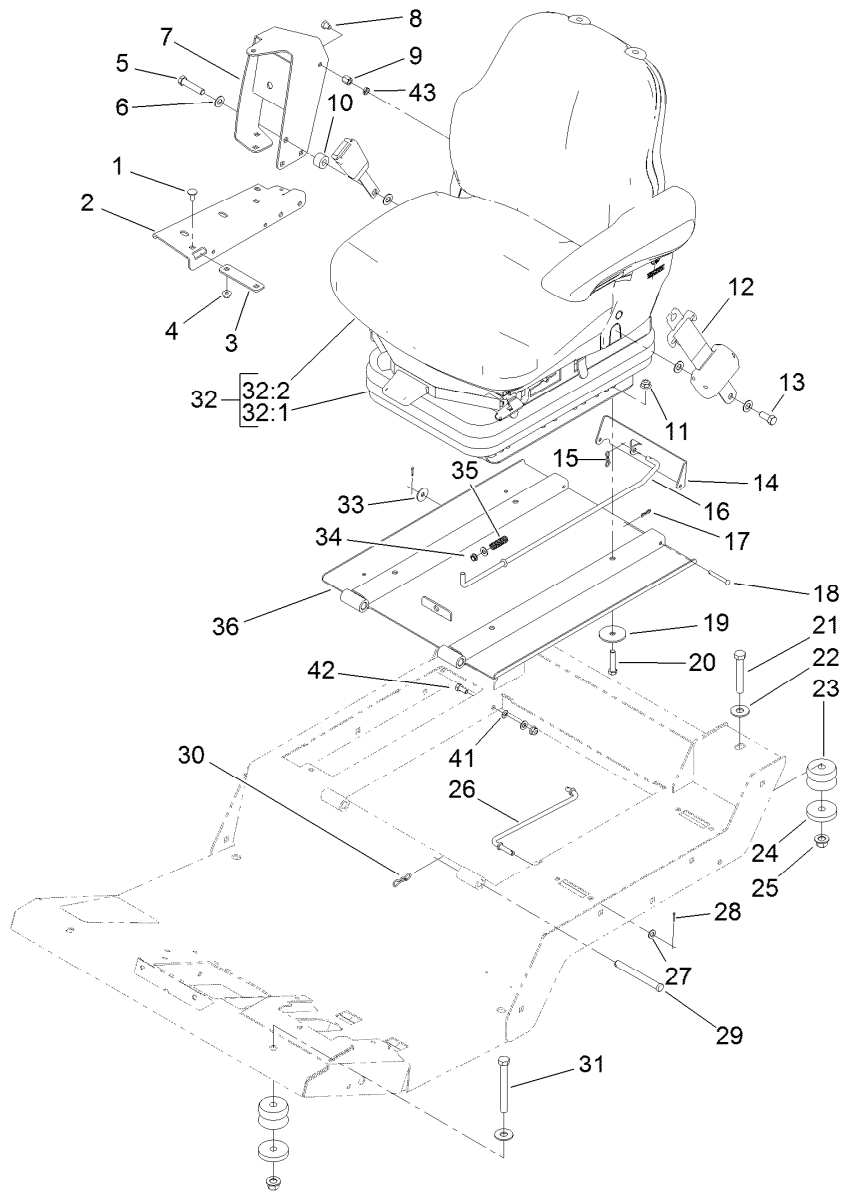
## Traction Pedal and Platform Assembly (continued)

<i>Ref.</i>	<i>Part Number</i>	<i>Qty.</i>	<i>Description</i>
39:3	117-2718	1	Decal-Arrester, Spark
39:4	114-0849	1	Decal-Pedal, Traction



## Brake Pedal Assembly

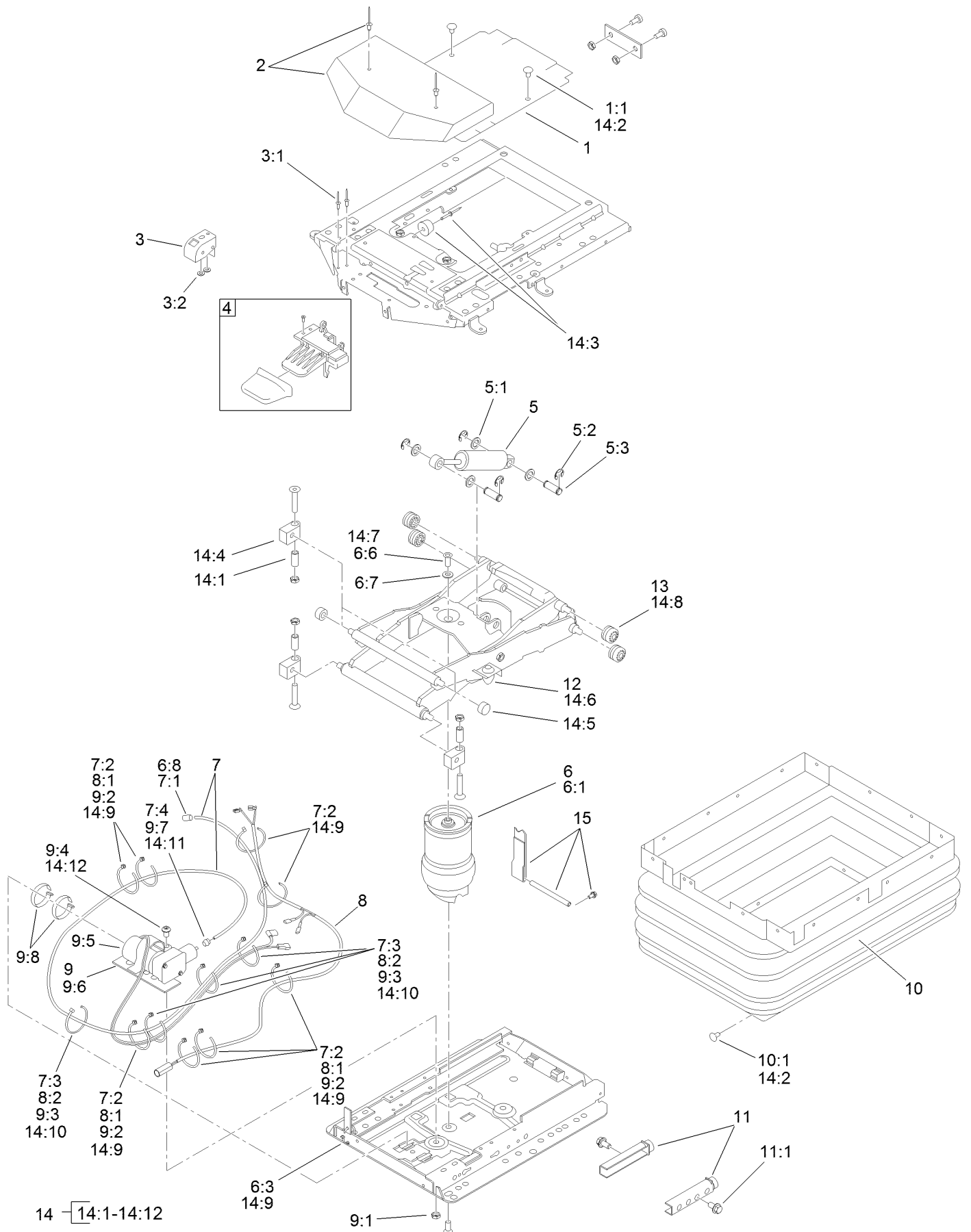
<i>Ref.</i>	<i>Part Number</i>	<i>Qty.</i>	<i>Description</i>	<i>Ref.</i>	<i>Part Number</i>	<i>Qty.</i>	<i>Description</i>
1	120-4163-01	1	Cover-Brake	16:2	256-42	2	Bushing
2	117-5458	4	Screw-HHF	16:3	302-60	1	Fitting-Grease
3	99-3410	2	Switch	17	120-8898	1	Cable-Brake, RH
4	108-9824	2	Nut-Switch	18	93-5262	2	Spring-Extension
5	3234-33	3	Screw-HHF	19	283-61	2	Pin-Yoke
6	32144-69	2	Screw-HWHTF	20	100-5540	2	Strap-Brake
7	2412-4	2	Clamp-R	21	75-1430	1	RH Brake Pedal ASM
9	120-8899	1	Cable-Brake, LH	21:2	256-42	2	Bushing
10	322-6	1	Screw-HH	21:3	302-5	1	Fitting-Grease
11	120-4167	1	Pin-Flag	22	3272-6	2	Pin-Cotter
12	3256-69	4	Washer-Flat	23	104-8300	3	Nut-HF, NI
13	63-7880	1	Pin-Latch, Brake	24	322-4	2	Screw-HH
14	32121-50	1	Pin-Spring	25	120-4168	2	Plate-Support
15	93-8742	2	Footpad-Brake	29	107069	3	Clip
16	120-4170	1	LH Brake Pedal ASM	30	121-1596-01	1	Cover-Brakes



## Seat Base and Seat Assembly

Ref.	Part Number	Qty.	Description	Ref.	Part Number	Qty.	Description
1	3230-23	6	Bolt-CARR	22	3256-6	4	Washer-Flat
2	119-0000-03	1	Channel-Support	23	110-5954	4	Mount-Center, Bonded
3	112-7449-03	1	Bracket-Support	24	115-5519	4	Washer-Plain
4	104-8300	7	Nut-HF, NI	25	99-5107	4	Nut-Lock
5	3212-8	1	Screw-HH	26	93-5338	1	Rod-Prop
6	3256-25	4	Washer-Flat	27	3256-23	3	Washer-Plain
7	117-4798-03	1	Arm-Support	28	3272-5	2	Pin-Cotter
8	108-8646	1	Screw-HH, Lock	29	283-83	2	Pin-Clevis
9	112-7405	1	Nut-Hex, Coupling	30	119-1416	2	Pin-Cotter, Locking
10	17-7190	1	Spacer-Finger	31	702093	2	Screw-HH
11	104-8301	4	Nut-HF, NI	32	117-9428	1	Seat / Suspension ASM
12	110-0413	1	Seatbelt-Retractable	32:1	108-1488	1	Seat Suspension ASM
13	3212-4	1	Screw-HH	32:2	117-9429	1	Matrix Cloth Seat ASM
14	120-9017-03	1	Latch-Seat	33	3256-82	1	Washer-Flat
15	119-1415	1	Pin-Cotter, Locking	34	5979	1	Bushing-Nyliner
16	120-9018	1	Rod-Latch	35	95-1821-03	1	Spring-Compression
17	119-1414	2	Pin-Cotter, Locking	36	120-4078-03	1	Plate-Seat
18	283-57	2	Pin-Clevis	41	3255-8	1	Washer-Lock
19	83-1040	4	Washer-Flat	42	322-3	1	Screw-HH
20	323-9	4	Screw-HH	43	117-4059	1	Nut-Hex
21	112-7264	2	Screw-HH				

# Air Ride Seat Suspension Assembly No. 108-1488



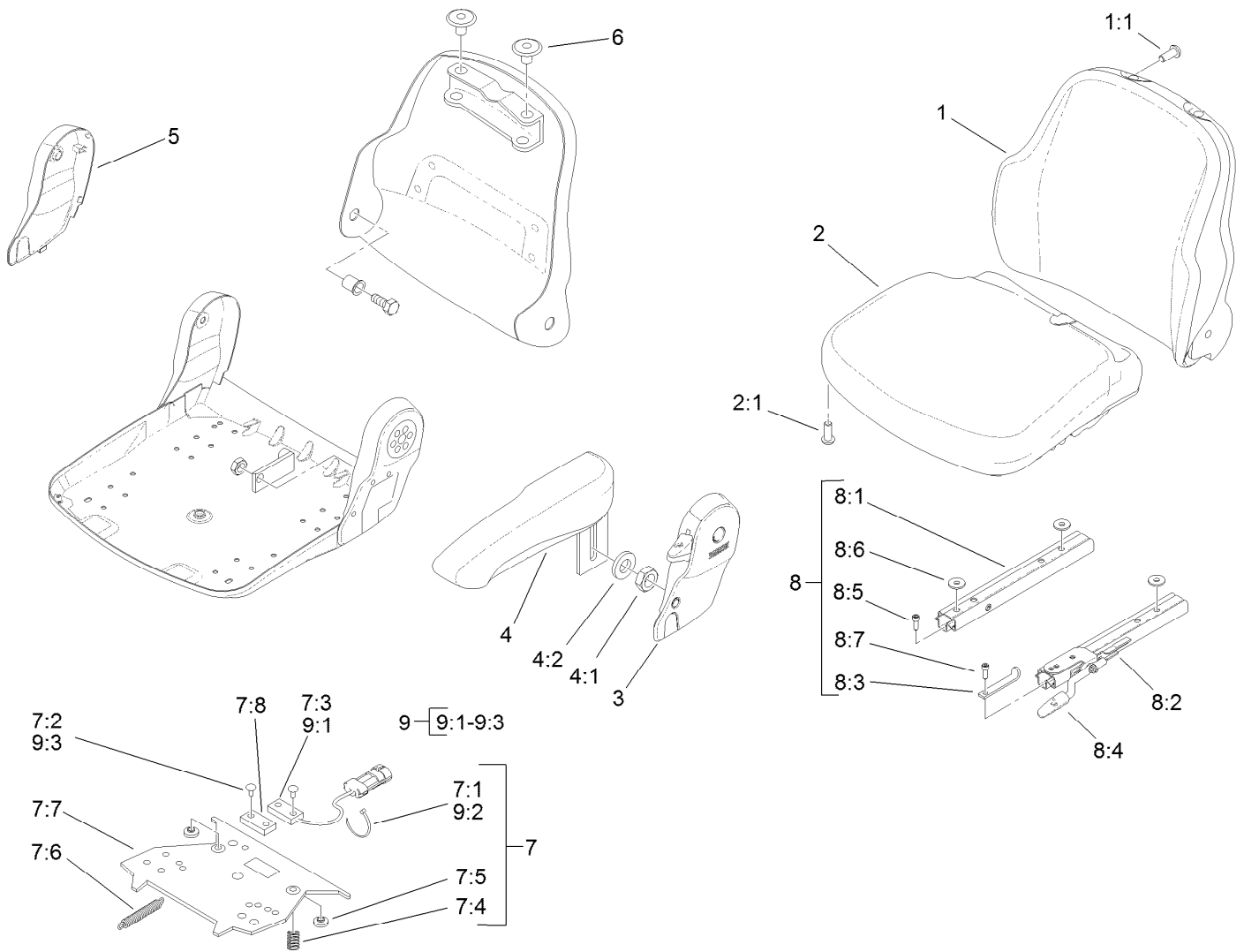


# Air Ride Seat Suspension Assembly No. 108-1488 (continued)

<i>Ref.</i>	<i>Part Number</i>	<i>Qty.</i>	<i>Description</i>	<i>Ref.</i>	<i>Part Number</i>	<i>Qty.</i>	<i>Description</i>
1	108-8026	1	Cover ASM	9:2		5	Tie-Wire ■
1:1	39-5710	2	Plug-Plastic	9:3		4	Tie-Wire ■
2	108-8027	1	Cover	9:4		1	Screw ■
3	108-8028	1	Level Indicator Kit	9:5		1	Compressor ■
3:1		2	Rivet ■	9:6		1	Plate-Mounting ■
3:2		2	Washer ■	9:7		1	Nipple-Hose ■
4	108-8029	1	Valve-Control, Air	9:8		2	Clamp ■
5	108-8030	1	Shock Absorber Kit	10	108-8035	1	Bellows ASM
5:1		4	Washer ■	10:1	39-5710	23	Plug-Plastic
5:2		4	C-Clip ■	11	108-8036	1	Stop Kit
5:3		2	Pin ■	11:1		2	Screw ■
6	108-8031	1	Air Spring Kit	12	107-1213	2	Bumper Set
6:1		1	Air Spring ■	13	108-8037	4	Roller
6:3		2	Cable Tie ■	14	108-8038	1	Wear Parts Kit ●
6:6		2	Screw ■	14:1		4	Spacer ■
6:7		1	Washer ■	14:2	39-5710	2	Plug-Plastic
6:8		1	Nipple-Hose ■	14:3		1	Bumper ■
7	108-8032	1	Air Tube ASM	14:4		4	Support-Housing ■
7:1		1	Nipple-Hose ■	14:5		2	Roller ■
7:2		7	Tie-Wire ■	14:6	107-1213	2	Bumper Set
7:3		4	Tie-Wire ■	14:7		2	Screw ■
7:4		1	Nipple-Hose ■	14:8	108-8037	4	Roller
8	108-8033	1	Connecting Cable ASM	14:9		9	Tie-Wire ■
8:1		8	Tie-Wire ■	14:10		4	Tie-Wire ■
8:2		4	Tie-Wire ■	14:11		1	Nipple-Hose ■
9	108-8034	1	Compressor Kit	14:12		1	Screw ■
9:1		1	Nut ■	15	119-2161	1	Tether Kit

● Not illustrated

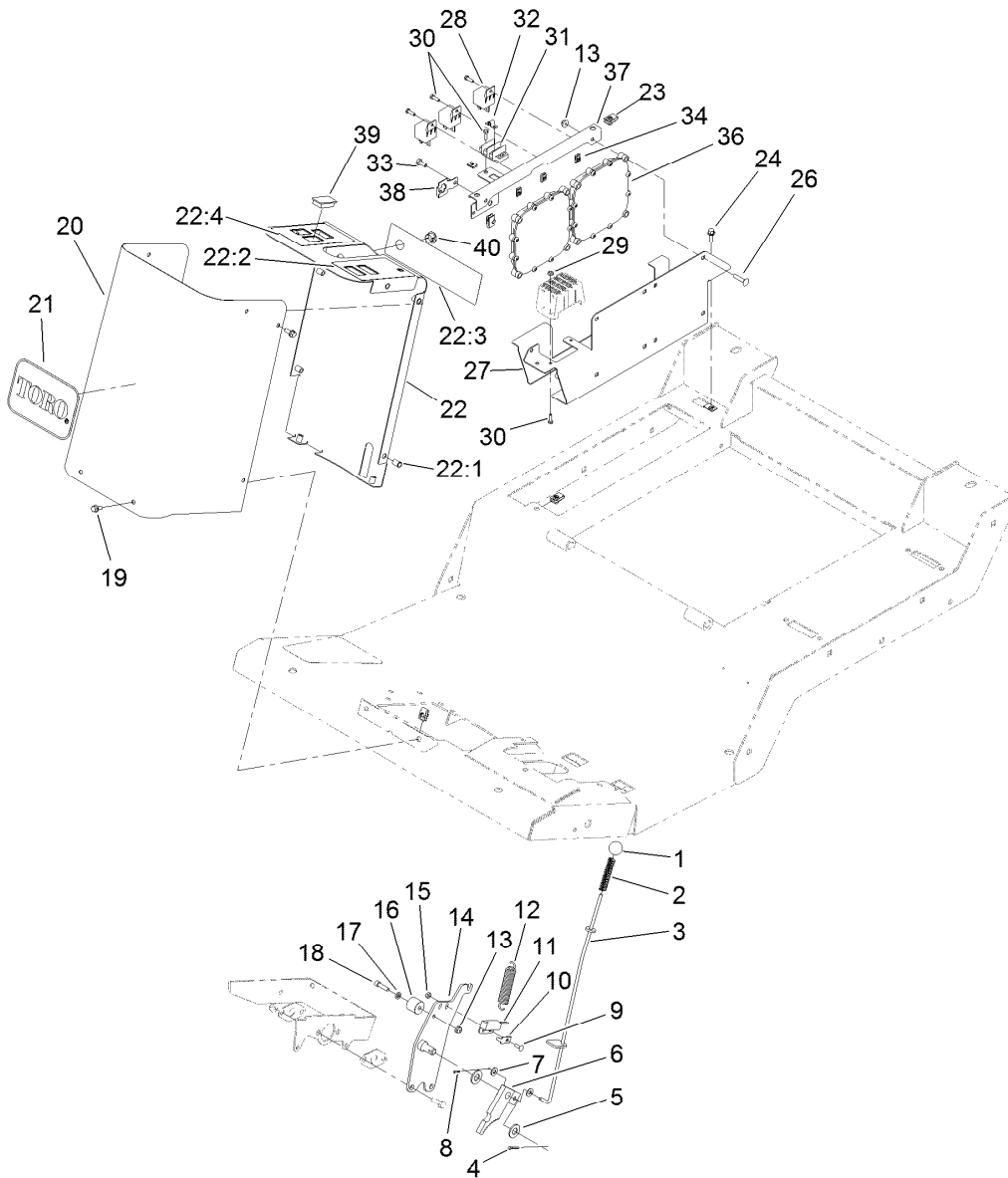
■ Not serviced separately



## Cloth Premium Seat Assembly No. 117-9429

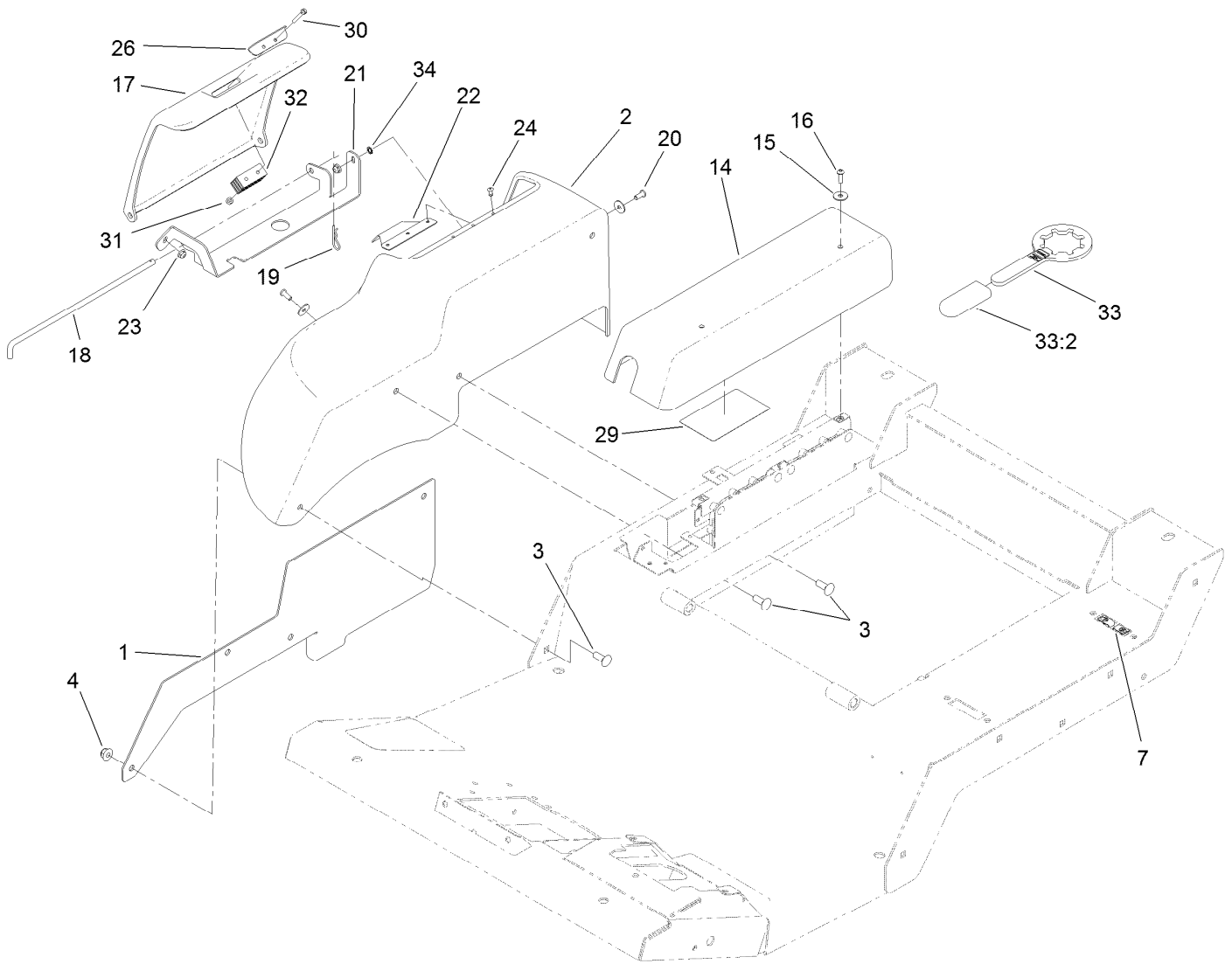
Ref.	Part Number	Qty.	Description	Ref.	Part Number	Qty.	Description
1	117-9415	1	Backrest Cushion ASM Matrix Cloth	7:5		2	Bumper-Pressure Plate ●
1:1	119-7742	4	Screw-Cushion	7:6		1	Spring-Extension ●
2	117-9416	1	Seat Cushion ASM Matrix Cloth	7:7		1	Plate-Mounting ●
2:1	119-7742	3	Screw-Cushion	7:8		1	Magnet ●
3	108-8018	1	Cover-Armrest	8	108-8025	1	Adjustment Rail Set
4	108-8019	1	LH Armrest ASM	8:1		1	Rail-Adjustment, RH ●
4:1	82-9650	1	Nut	8:2		1	Rail-Adjustment, LH ●
4:2	107-1198	1	Washer	8:3		1	Stop-Rail ●
5	108-8021	1	Cover-Armrest	8:4		1	Handle ●
6	108-8022	2	Cover-Black	8:5		3	Screw ●
7	108-8024	1	Switch Kit	8:6		3	Washer ●
7:1		3	Wire Tie ●	8:7		1	Screw ●
7:2		4	Rivet ●	9	110-6189	1	Switch Kit
7:3		1	Sensor-Seat Switch ●	9:1		1	Switch ●
7:4		2	Spring-Compression ●	9:2		3	Wire Tie ●
				9:3		2	Rivet ●

● Not serviced separately



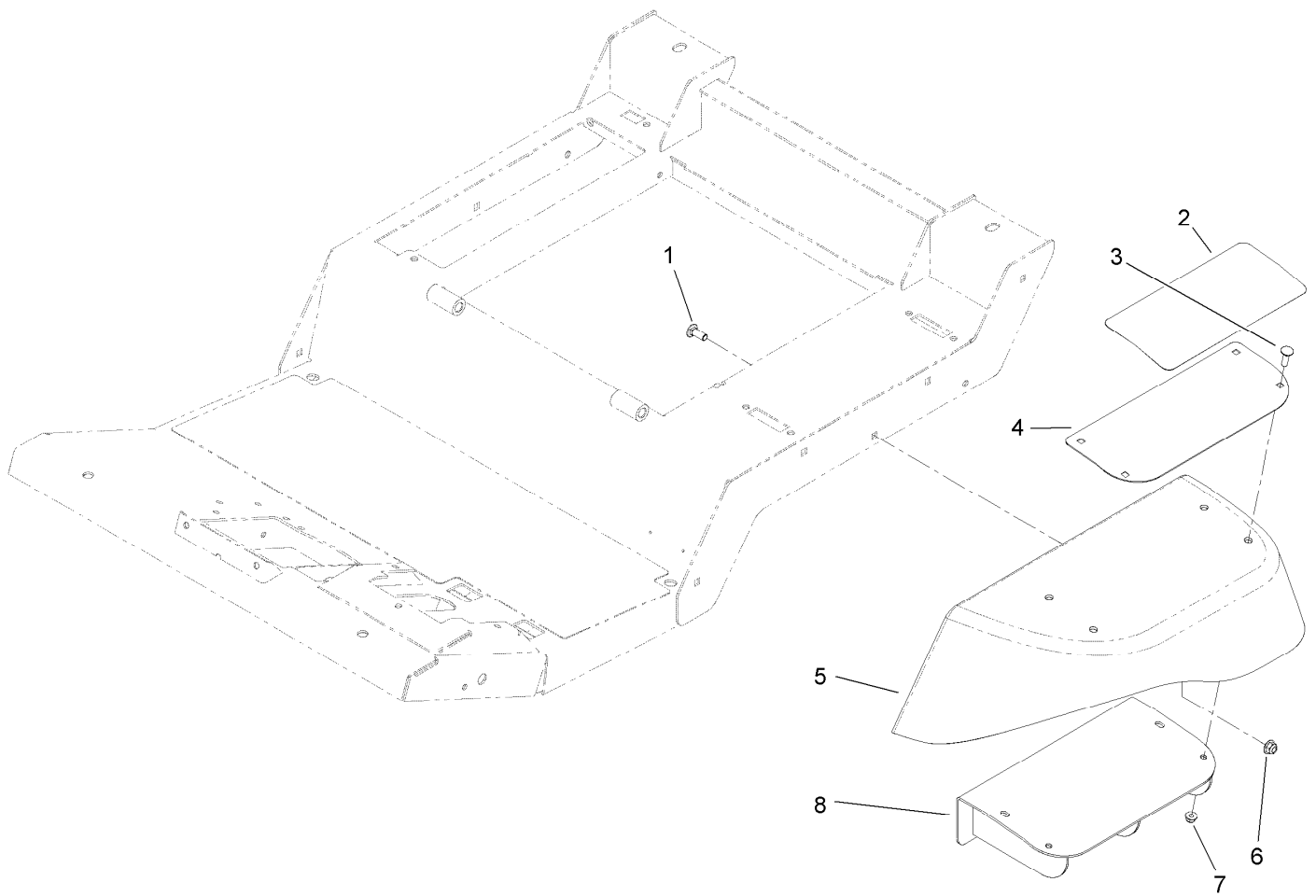
## Parking Brake, Steering Tower and Power Center Assembly

Ref.	Part Number	Qty.	Description	Ref.	Part Number	Qty.	Description
1	233-17	1	Knob	22	120-4165	1	Steering Tower ASM
2	71-8310	1	Spring-Compression	22:1	32148-6	8	Nut-Clinch
3	114-0195	1	Rod-Parking, Brake	22:2	120-4130	1	Decal-Steering Tower, LH
4	3272-10	1	Pin-Cotter	22:3	114-0845	1	Decal-Column, Steering
5	3256-26	2	Washer-Flat	22:4	120-4129	1	Decal-Steering Tower, RH
6	63-7900-03	1	Rack	23	107069	7	Clip
7	3256-22	2	Washer-Flat	24	3234-4	2	Screw-HHF
8	3272-5	1	Pin-Cotter	26	3229-3	8	Screw-CARR
9	3229-34	1	Screw-CARR	27	120-4093-03	1	Mount-Power
10	100-4872	1	Plate-Switch, Neutral	28	99-7435	3	Relay
11	100-1270	1	Switch-Proximity	29	3296-12	2	Nut-Lock, NI
12	13-0480	1	Spring	30	3290-134	7	Screw
13	104-7201	9	Nut-HF, NI	31	42862	1	Block-Terminal, Ground
14	114-0190-03	1	Pivot-Parking, Brake	32	42863	1	Strip-Jumper
15	3296-2	1	Nut-Lock, NI	33	321-3	1	Screw-HH
16	117-5499	1	Spacer-Deflector	34	107-1013	5	Nut-Speed
17	55-9620	1	Spacer-Plate, Pivot	36	114-3321	2	Controller-Tec
18	3274-9	1	Screw-HSH	37	120-4127-03	1	Mount-Relay
19	3234-33	10	Screw-HHF	38	114-5502	1	Clip-Fuse
20	120-4136-01	1	Cover-Steering Tower, Front	39	99-7420	5	Plug-Hole
21	62-5550	1	Decal	40	94-5627	1	Plug



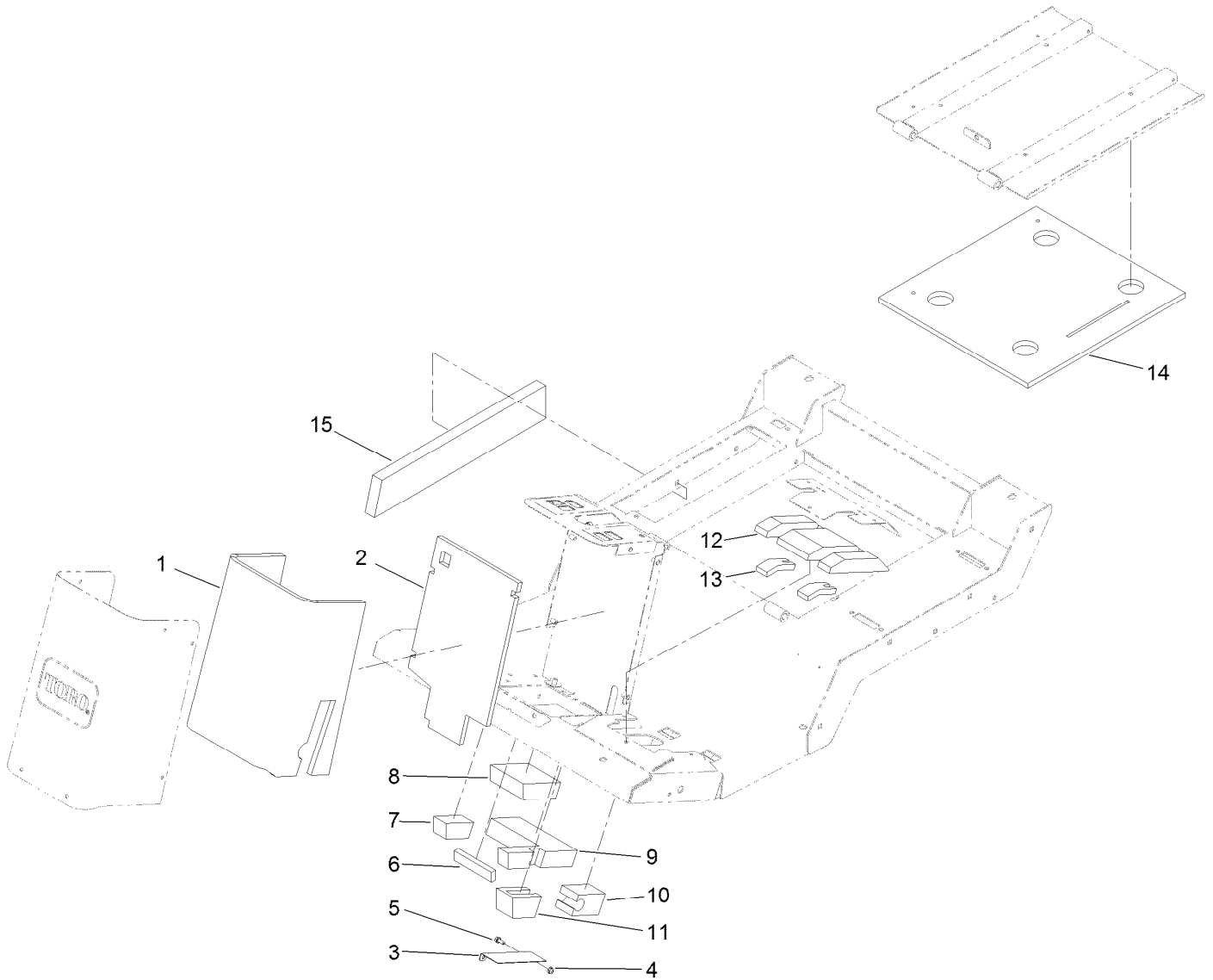
## Fender, Tool Box and Cover Assembly

<i>Ref.</i>	<i>Part Number</i>	<i>Qty.</i>	<i>Description</i>	<i>Ref.</i>	<i>Part Number</i>	<i>Qty.</i>	<i>Description</i>
1	121-1579-03	1	Plate-Fender, RH	21	121-1586-03	1	Mount-Cover
2	120-4113	1	Fender-RH	22	127-3706	1	Plate-Cover
3	3231-22	4	Screw-CARR	23	104-7201	2	Nut-HF, NI
4	104-8301	4	Nut-HF, NI	24	3269-23	3	Rivet-Pop
7	107069	4	Clip	26	127-3705	1	Plate-Cover
14	120-4126	1	Cover-Controllers	29	121-1599	1	Decal-Fuses
15	87-6630	4	Washer-Plain	30	32105-1	2	Screw-SHH
16	3274-69	2	Screw-HSBH	31	3296-2	2	Nut-Lock, NI
17	120-4115	1	Cover-Battery	32	69-6260	1	Magnet
18	121-1588	1	Rod-Hinge	33	121-3874	1	Wrench ASM
19	3290-467	1	Pin-Hair	33:2	119-1846	1	Grip
20	3274-31	2	Screw-HSBH	34	3255-7	1	Washer-Lock/EXT



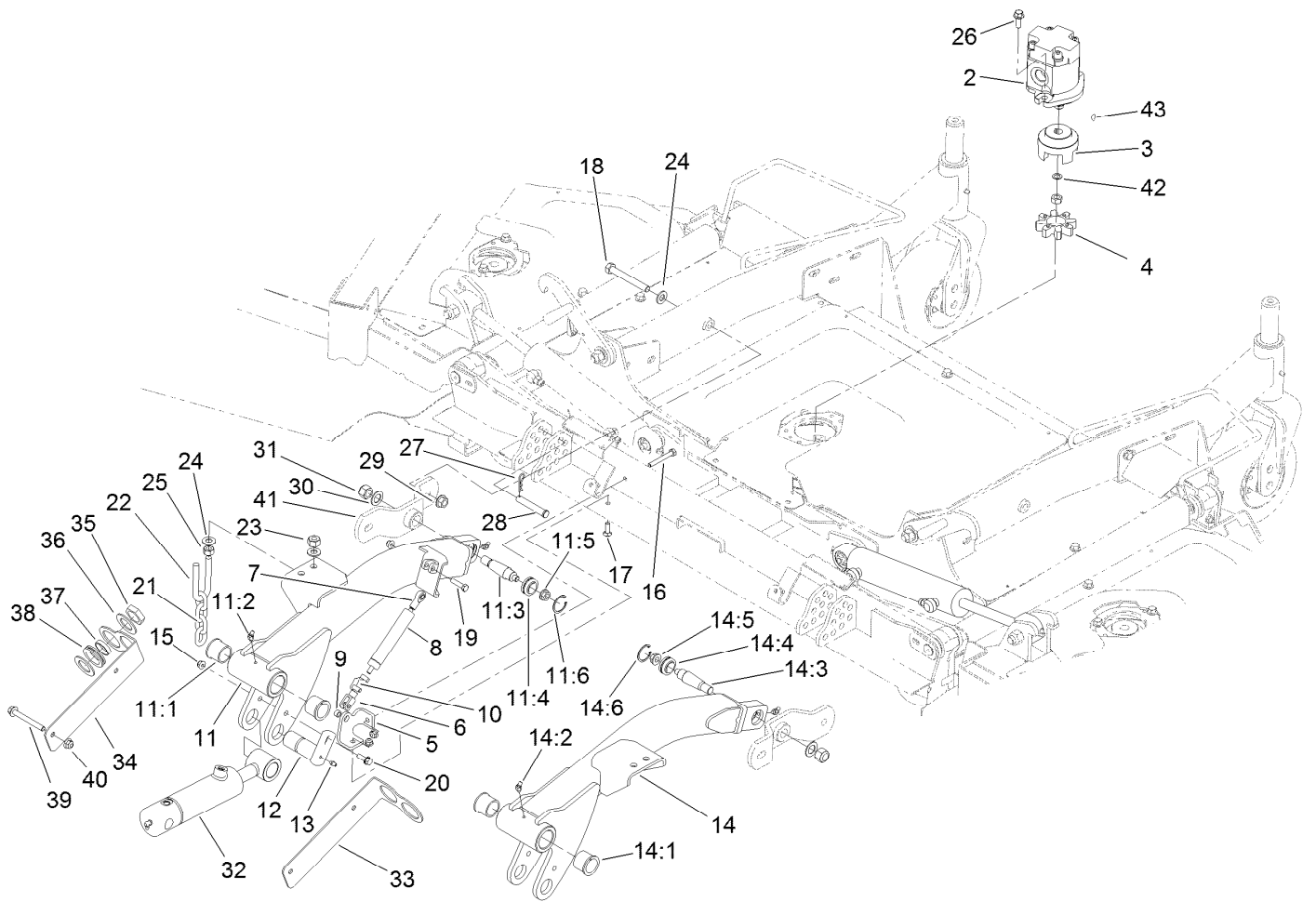
## Fender and Step Support Assembly

Ref.	Part Number	Qty.	Description
1	3231-22	4	Screw-CARR
2	120-4116	1	Pad-Step, Abrasive
3	3230-28	4	Screw-CARR
4	120-4117-03	1	Plate-Step
5	121-1585	1	Fender-LH
6	104-8301	4	Nut-HF, NI
7	104-8300	4	Nut-HF, NI
8	120-8900-03	1	Support-Step



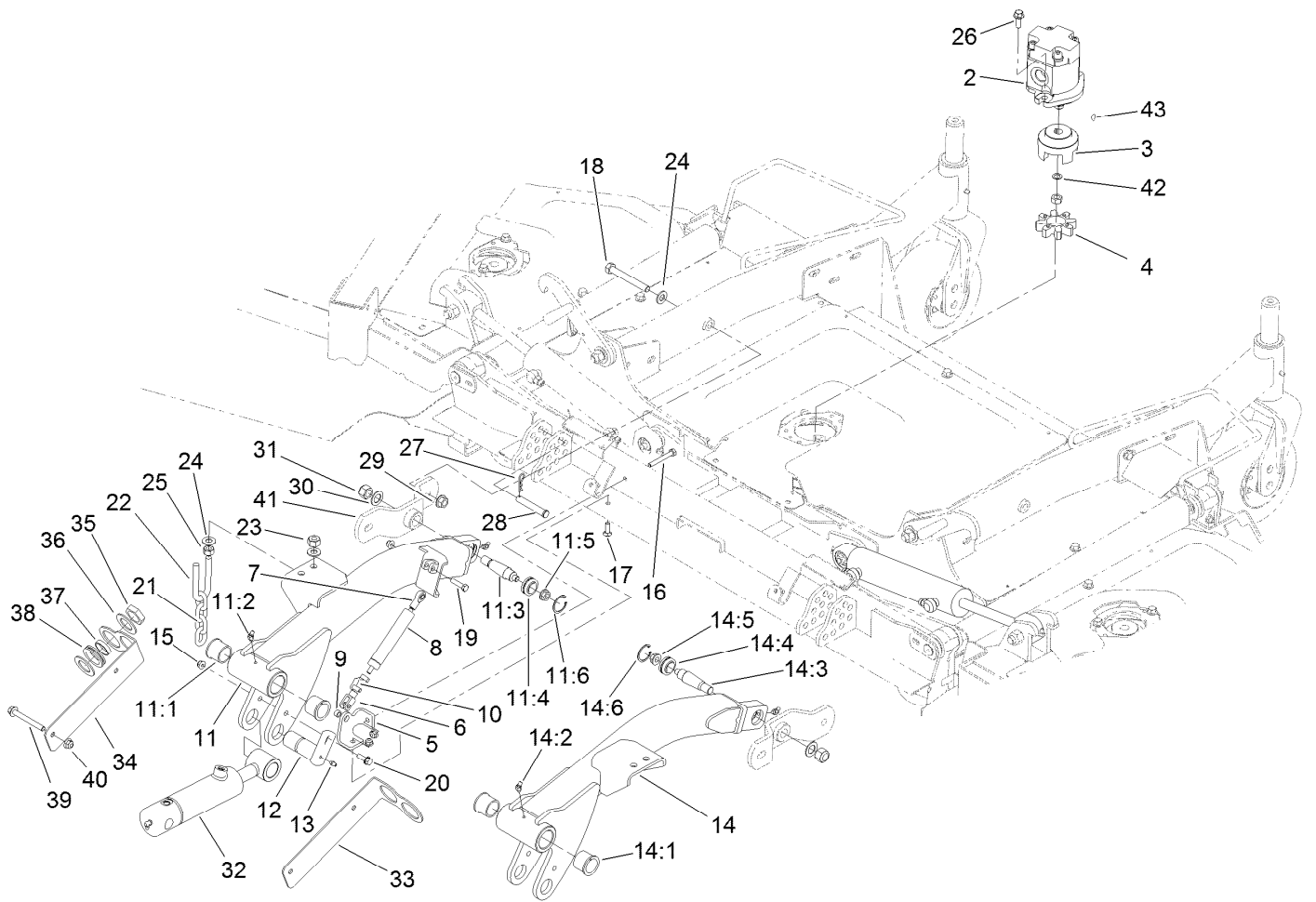
## Acoustic Foam Assembly

<i>Ref.</i>	<i>Part Number</i>	<i>Qty.</i>	<i>Description</i>
1	121-1666	1	Foam-Column, Front
2	115-8813	1	Foam-Column, Rear
3	115-8841-01	1	Bracket-Foam, Pawl
4	104-7201	2	Nut-HF, NI
5	3234-33	2	Screw-HHF
6	115-8808	1	Foam-Strip, Front
7	115-8809	1	Foam-Plug, RH
8	121-1681	1	Foam-Steering, Front
9	121-1680	1	Foam-Steering, Rear
10	115-8815	1	Foam-Plug, Brake
11	115-8814	1	Foam-Pawl, Brake
12	121-1675	1	Foam-Brake, Center
13	121-1674	2	Foam-Plug, Brakes
14	127-3696	1	Foam-Seat
15	127-3708	1	Foam-Right



## Front Deck Lift Arm Assembly

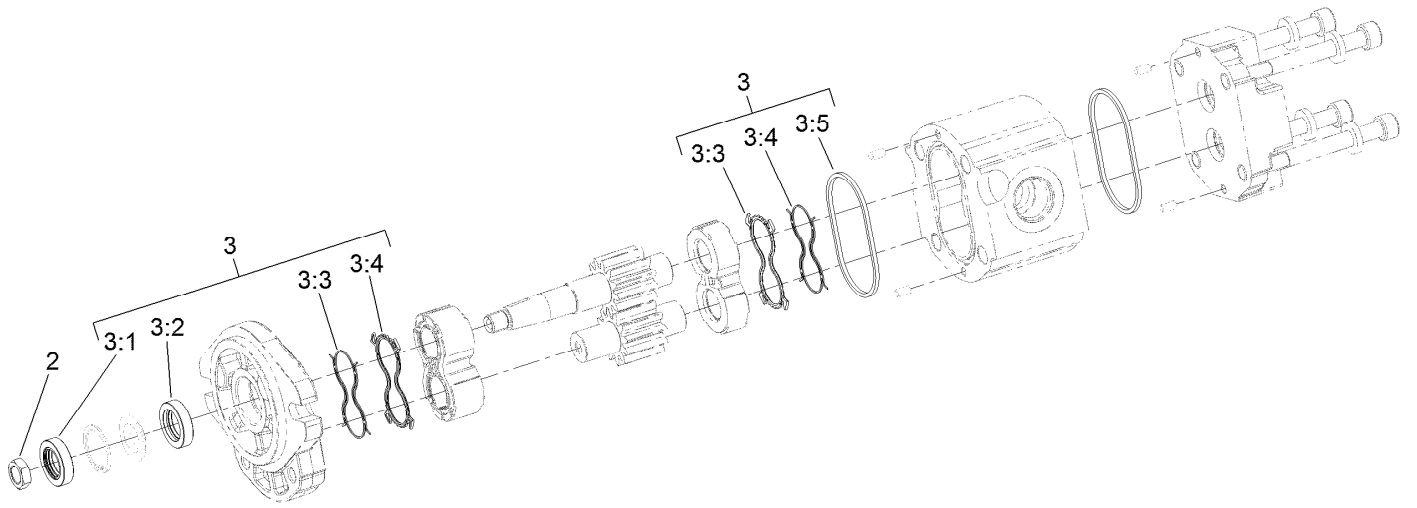
Ref.	Part Number	Qty.	Description	Ref.	Part Number	Qty.	Description
2	127-3694	3	HYD Motor ASM	14:3	105-7468	1	Stud-Tapered
3	104-3541	3	Hub-Spider	14:4	105-7441	1	Bearing-Spherical
4	104-3542	3	Spider	14:5	32128-42	1	Nut-HF
5	120-9015-01	1	Support-Damper	14:6	32151-34	1	Ring-Retaining
6	115-5455	1	End-Rod, Clevis	15	104-8300	5	Nut-HF, NI
7	104-8331	1	End-Rod, Spherical	16	322-12	1	Screw-HH
8	105-3249	1	Damper	17	3230-22	1	Screw-CARR
9	115-2142	1	Spacer	18	325-17	4	Screw-HH
10	115-5454	1	Pin-Spring	19	322-17	1	Screw-HH
11	120-9013	1	LH Lift Arm ASM	20	3234-29	2	Screw-HHF
11:1	104-0015	2	Bushing-Flange	21	95-6231	2	Chain-HOC
11:2	302-11	2	Fitting-Lube, 45 DEG	22	104-0108	2	U-Bolt
11:3	105-7468	1	Stud-Tapered	23	3296-25	4	Nut-Lock, NI
11:4	105-7441	1	Bearing-Spherical	24	3256-26	12	Washer-Flat
11:5	32128-42	1	Nut-HF	25	3217-9	4	Nut-HH
11:6	32151-34	1	Ring-Retaining	26	3234-42	6	Screw-HHF
12	125-1912	2	Pin-Pivot	27	3290-467	2	Pin-Hair
13	302-5	2	Fitting-Grease	28	283-55	2	Pin-Clevis
14	120-9012	1	RH Lift Arm ASM	29	32128-23	4	Nut-HF
14:1	104-0015	2	Bushing-Flange	30	86-1440	2	Washer-Flat
14:2	302-11	2	Fitting-Lube, 45 DEG	31	3296-41	2	Nut-Lock NI



## Front Deck Lift Arm Assembly (continued)

<i>Ref.</i>	<i>Part Number</i>	<i>Qty.</i>	<i>Description</i>	<i>Ref.</i>	<i>Part Number</i>	<i>Qty.</i>	<i>Description</i>
32	120-8822	2	HYD Cylinder ASM	38	240-7	4	Grommet-Rubber
33	121-1499-03	1	Plate-Mount, Bulkhead, RH	39	3234-41	4	Screw-HHF
34	121-1494-03	1	Plate-Mount, Bulkhead, LH	40	104-8301	4	Nut-HF, NI
35	340-126	4	Nut-Bulkhead	41	115-5442-01	2	Support-Hub
36	69-8910	8	Washer	42	112-6957	3	Washer-Hardened
37	69-8900	4	Spacer	43	3257-3	3	Key-Woodruff

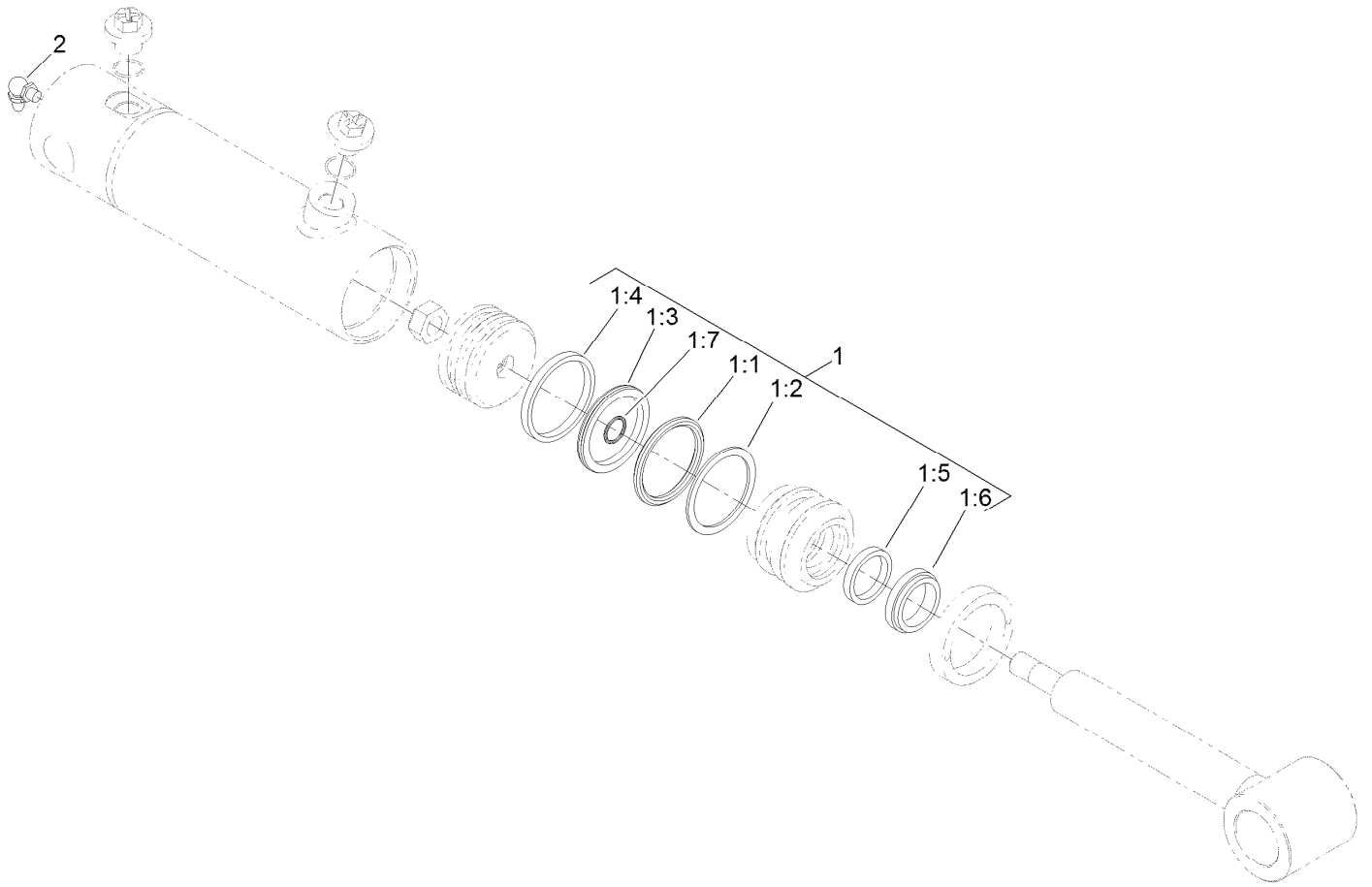




## Hydraulic Motor Assembly No. 127-3694

Ref.	Part Number	Qty.	Description
2	110-8815	1	Nut-Hex
3	114-5620	1	Seal Kit
3:1		1	Seal-Shaft ●
3:2		1	Seal-Shaft ●
3:3		2	Seal-Anti Extrusion ●
3:4		2	Seal-Plate, Balancing ●
3:5		2	O Ring-Housing ●

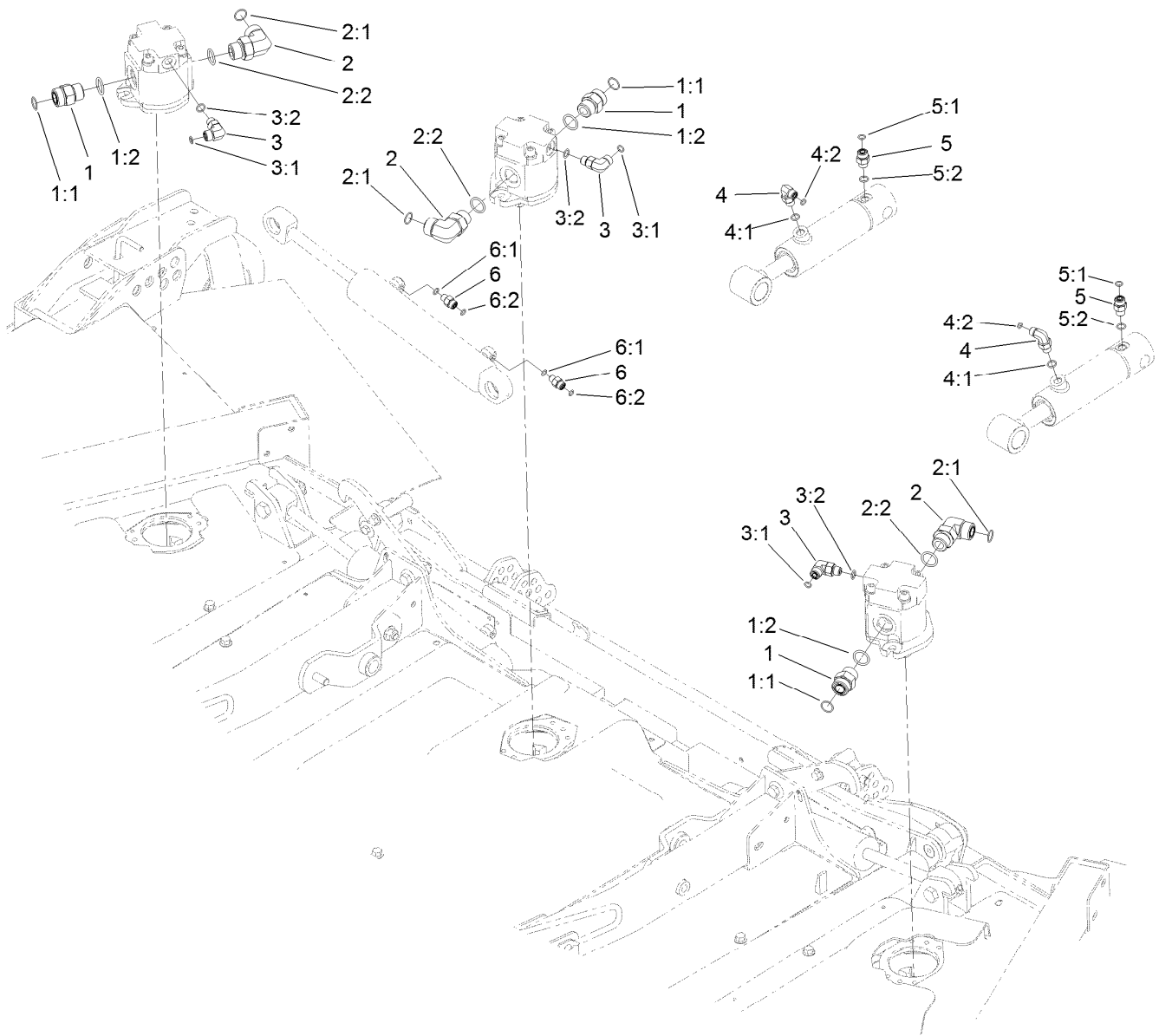
● Not serviced separately



## Hydraulic Cylinder Assembly No. 120-8822

<i>Ref.</i>	<i>Part Number</i>	<i>Qty.</i>	<i>Description</i>
1	125-4300	1	Seal Kit
1:1		1	O-Ring ●
1:2		1	Backup ●
1:3		1	Bp Seal ●
1:4		1	Wear Ring ●
1:5		1	Bt Seal ●
1:6		1	Dust Seal ●
1:7		1	O-Ring ●
2	302-60	1	Fitting-Grease

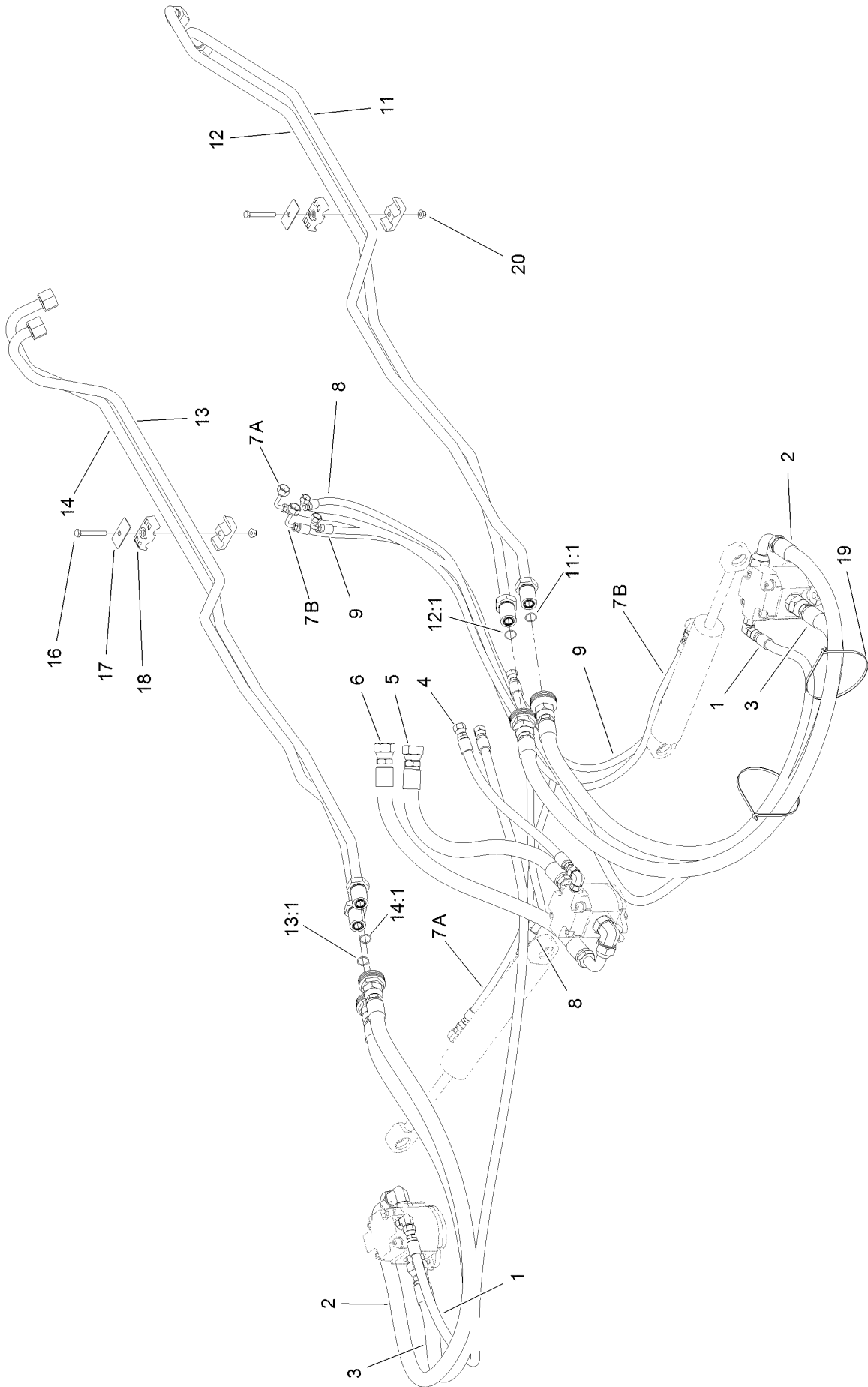
● Not serviced separately



## Front Deck Hydraulic Fitting Assembly

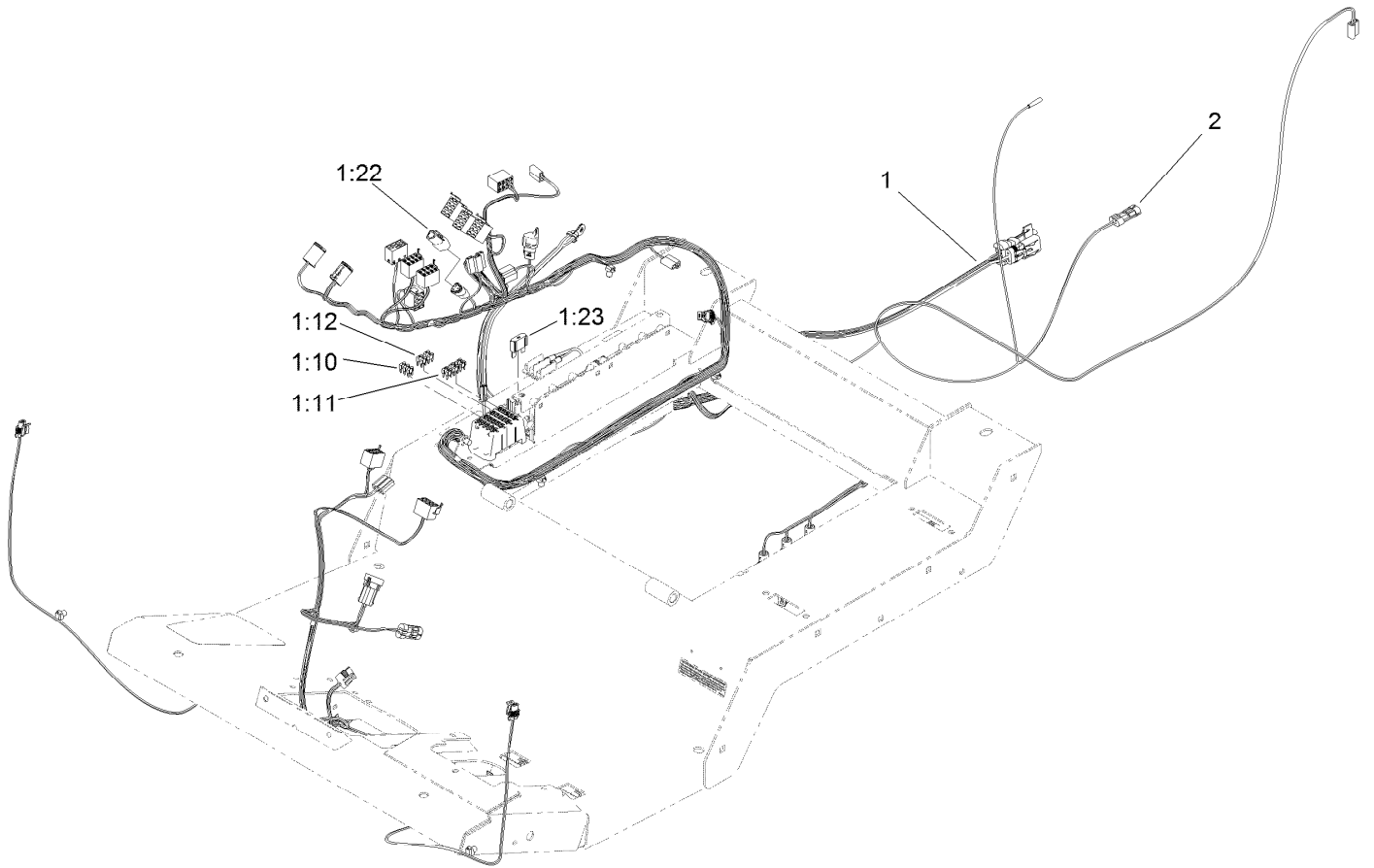
<i>Ref.</i>	<i>Part Number</i>	<i>Qty.</i>	<i>Description</i>	<i>Ref.</i>	<i>Part Number</i>	<i>Qty.</i>	<i>Description</i>
1	340-9	3	Fitting-STR	4	340-82	2	Fitting-Elbow, 90 DEG
1:1	237-58	1	O-Ring	4:1	237-42	1	O-Ring
1:2	237-81	1	O-Ring	4:2	237-21	1	O-Ring
2	340-142	3	Fitting-Elbow, 90 DEG	5	340-2	2	Fitting-Straight
2:1	237-58	1	O-Ring	5:1	237-22	1	O-Ring
2:2	237-81	1	O-Ring	5:2	237-42	1	O-Ring
3	340-77	3	Fitting-Elbow, 90 DEG	6	340-92	4	Fitting-Straight
3:1	237-22	1	O-Ring	6:1	237-78	1	O-Ring
3:2	237-42	1	O-Ring	6:2	237-21	1	O-Ring

# Front Deck Hose Routing Assembly



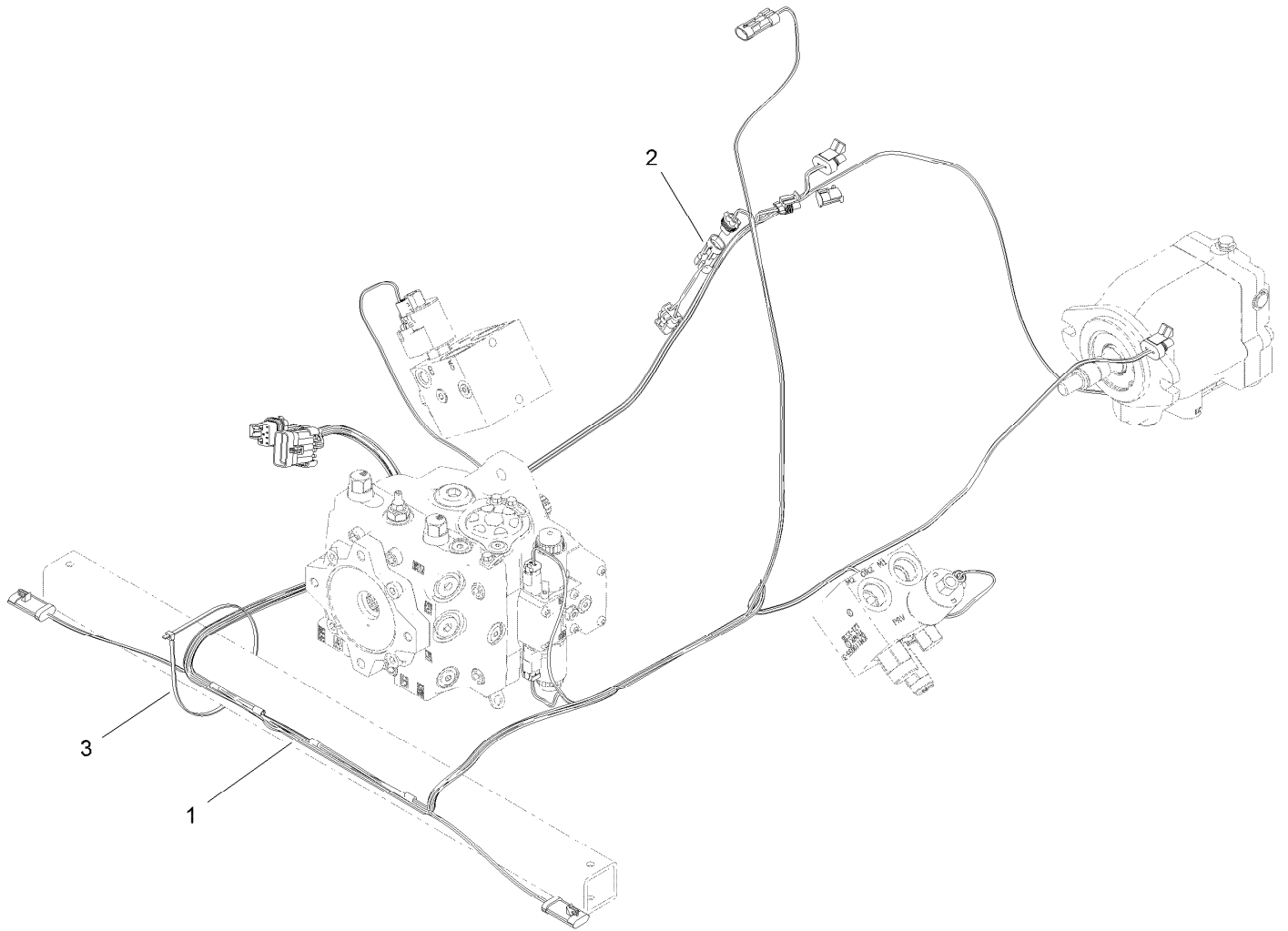
## Front Deck Hose Routing Assembly (continued)

<i>Ref.</i>	<i>Part Number</i>	<i>Qty.</i>	<i>Description</i>	<i>Ref.</i>	<i>Part Number</i>	<i>Qty.</i>	<i>Description</i>
1	95-8843	2	Hose-HYD	12	121-1496	1	Tube-HYD
2	120-8987	2	Hose-HYD	12:1	237-58	1	O-Ring
3	121-1457	2	Hose-HYD	13	121-1497	1	Tube-HYD
4	76-6550	1	Hose-HYD	13:1	237-58	1	O-Ring
5	121-1540	1	Hose-HYD	14	121-1498	1	Tube-HYD
6	121-1541	1	Hose-HYD	14:1	237-58	1	O-Ring
7	120-9054	2	Hose-HYD	16	322-12	2	Screw-HH
8	106-3691	1	Hose-HYD	17	69-9761	2	Plate-Cover
9	85-4940	1	Hose-HYD	18	94-8105	4	Clamp-Tube
11	121-1495	1	Tube-HYD	19	3290-379	8	Tie-Cable
11:1	237-58	1	O-Ring	20	104-8300	2	Nut-HF, NI



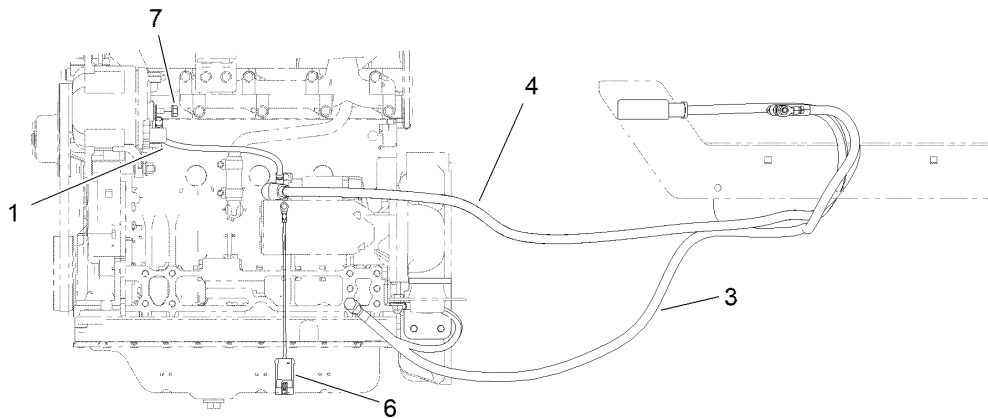
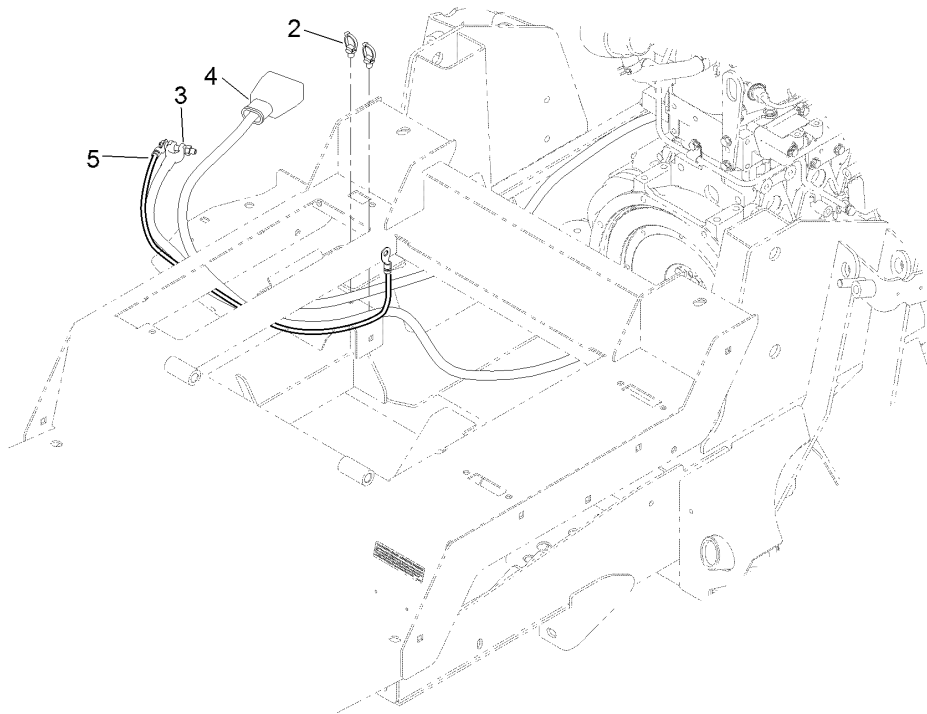
## Platform Harness and Fuse Assembly

<i>Ref.</i>	<i>Part Number</i>	<i>Qty.</i>	<i>Description</i>
1	122-0227	1	Harness-Wire, Platform
1:10	121-8861	3	Fuse-Mini Blade, 2 Amp
1:11	121-8865	6	Fuse-Mini Blade, 7.5 Amp
1:12	121-8866	4	Fuse-Mini Blade, 10 Amp
1:22	32180-043	1	Resistor-120 Ohm
1:23	114-3342	1	Fuse-Maxi, 60 Amp
2	122-0353	1	Harness-Wire



## Rear Wire Harness Assembly

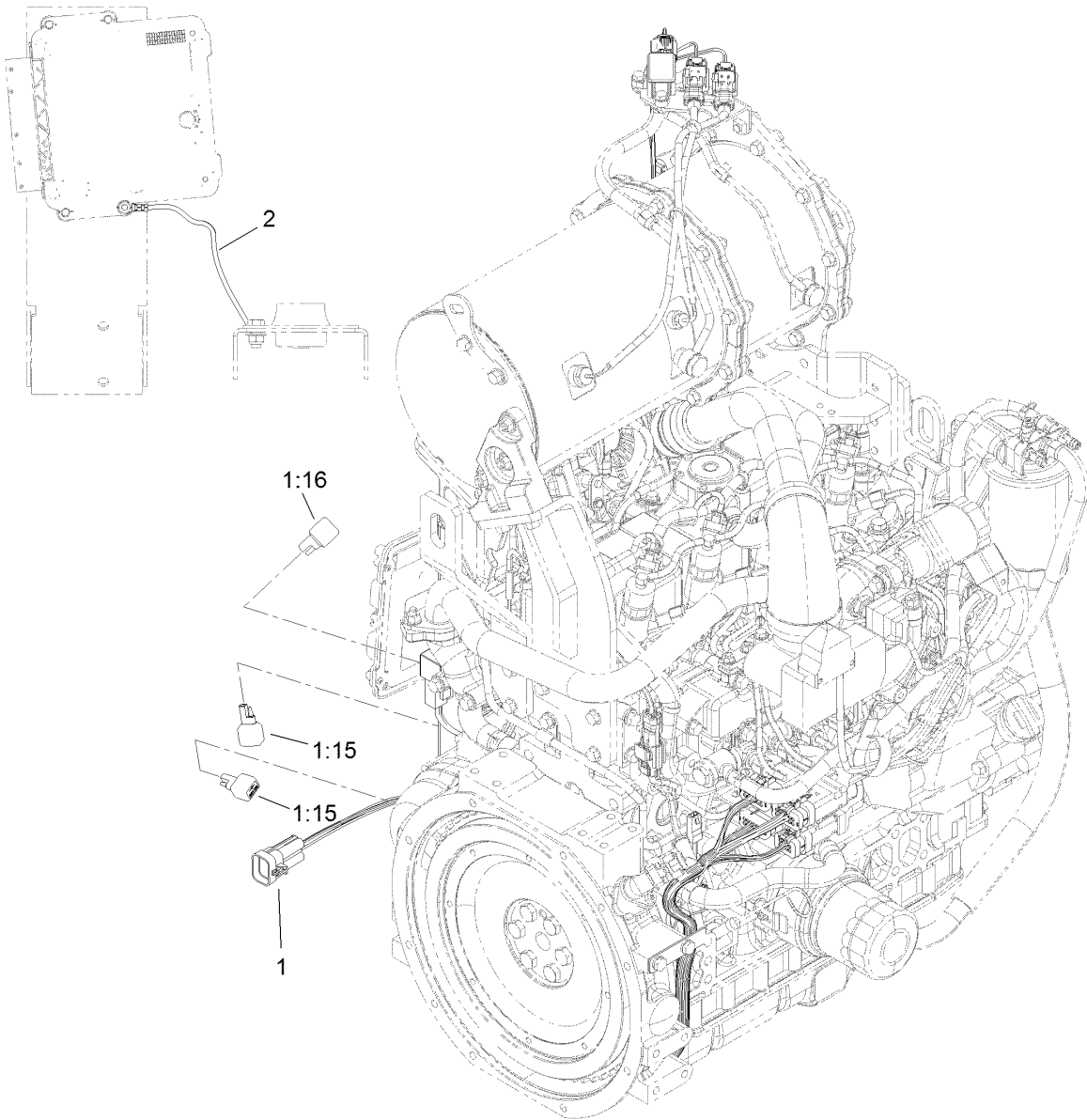
<i>Ref.</i>	<i>Part Number</i>	<i>Qty.</i>	<i>Description</i>
1	122-0228	1	Harness-Wire, Rear
2	115-1931	1	Harness-Wire, Fuel Pump Adapter
3	3290-379	1	Tie-Cable



## Battery Cable and Ground Assembly

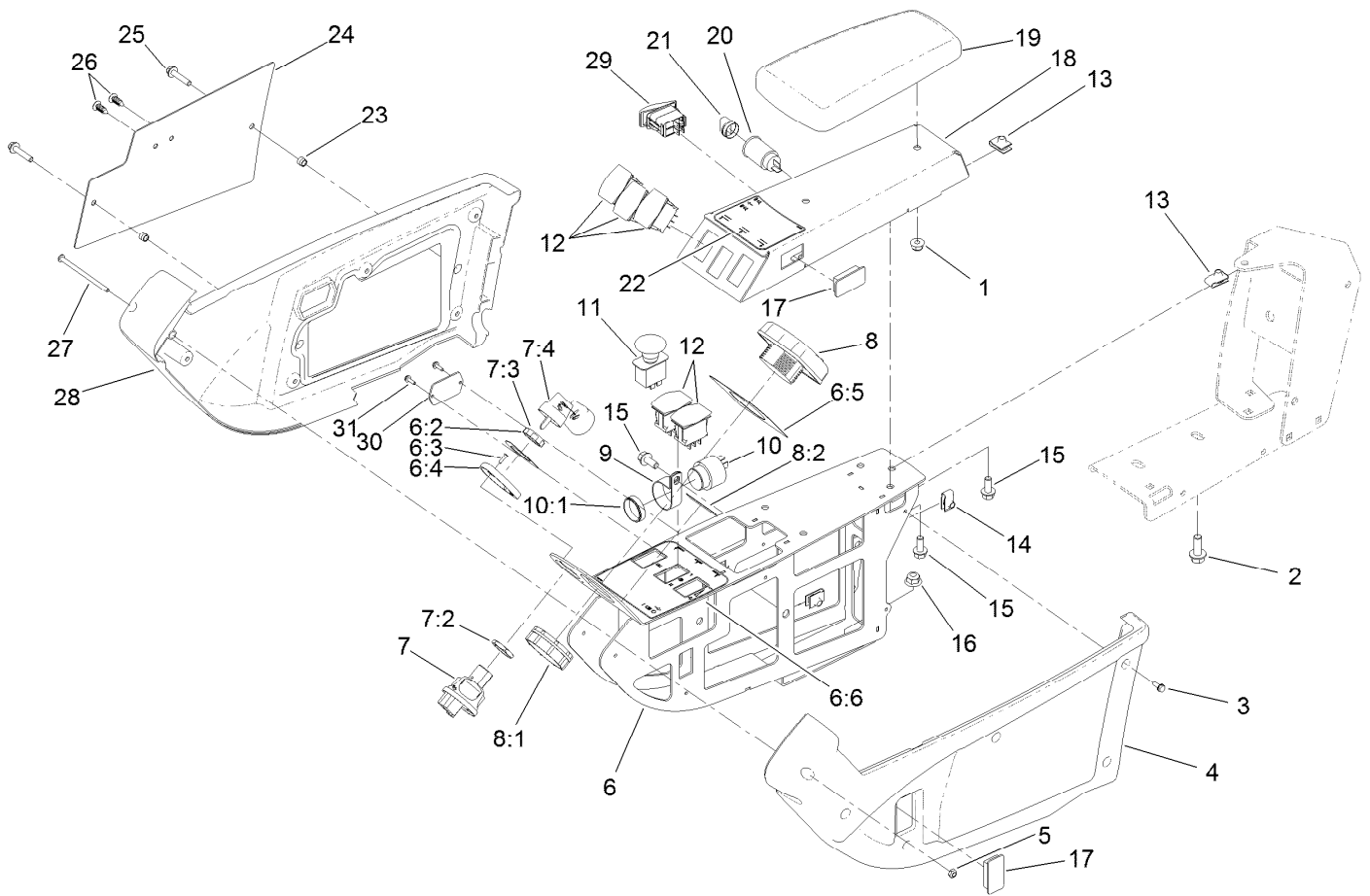
Ref.	Part Number	Qty.	Description
1	122-0071	1	Cable-Battery, Positive
2	32180-030	2	Clip-Tie
3	121-8898	1	Cable-Battery, Negative
4	121-8897	1	Cable-Battery, Positive
5	54-3094	1	Cable
6	108-9470	1	Harness-Wire, Fusible Link
7	33004-00	2	Nut-HF





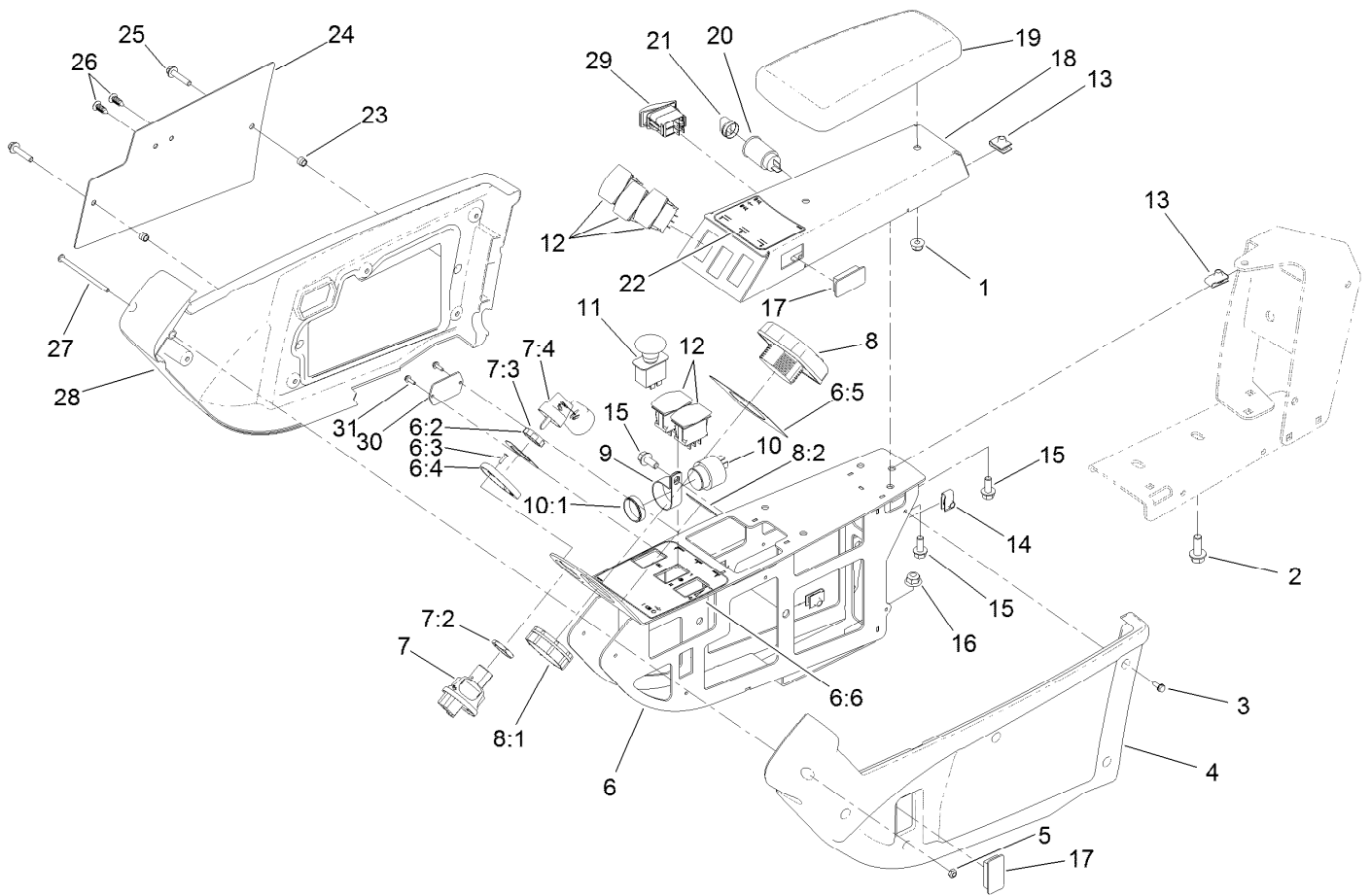
## Engine Harness Assembly

<i>Ref.</i>	<i>Part Number</i>	<i>Qty.</i>	<i>Description</i>
1	122-0229	1	Harness-Wire, Engine
1:15	100-4918	2	Diode
1:16	121-8891	1	Resistor (1.6K Ohm)
2	122-0057	1	Harness-Wire, Ground



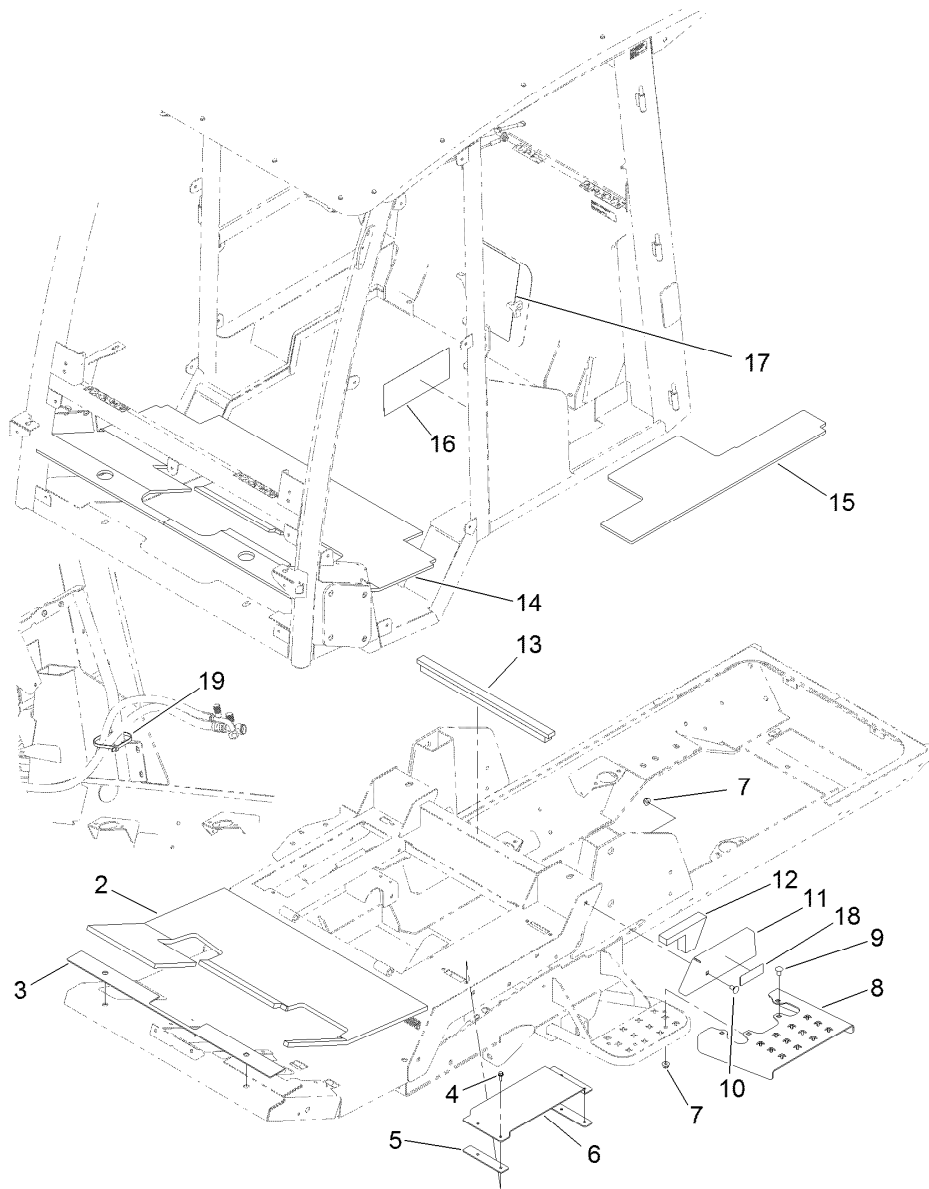
## Armrest Control Panel Assembly

Ref.	Part Number	Qty.	Description	Ref.	Part Number	Qty.	Description
1	104-8300	2	Nut-HF, NI	10:1	104-5107	1	Nut-Plastic, Knurled
2	3234-42	2	Screw-HHF	11	93-9999	1	Switch-PTO
3	32144-112	10	Screw-HWH	12	100-1535	5	Switch-Rocker, (On)-Off-(On)
4	108-7604	1	Cover-LH	13	94-2413	6	Nut-U
5	3296-12	1	Nut-Lock, NI	14	107069	2	Clip
6	120-4155	1	Panel ASM	15	3234-5	6	Screw-HHF
6:2	121-3884	1	Decal-Console, Upper	16	104-8301	2	Nut-HF, NI
6:3	3269-17	2	Rivet-Pop	17	99-7420	2	Plug-Hole
6:4	121-3889	1	Step-Elevated, Switch	18	125-4646-03	1	Panel-Control
6:5	121-3887	1	Decal-Console, Display	19	108-7602	1	Rest-Arm
6:6	120-4159	1	Decal-Console, Lower	20	99-7411	1	Point-Power
7	121-5159	1	Switch-Ignition	21	99-7416	1	Cap
7:2	121-5160	1	Nut-Hex	22	127-3700	1	Decal-Lift
7:3	121-5161	1	Nut-Face	23	110-0542	2	Spacer-Flange
7:4	121-5162	1	Set-Key, Ignition	24	115-8849-03	1	Plate-Cover
8	120-6310	1	LCD Display ASM Kantrak 1700	25	3234-21	2	Screw-HHF
8:1	120-4630	1	Nut-Display	26	114-4899	2	Rivet-Push
8:2	120-6311	1	Decal-Display	27	3250-22	1	Screw-PPH
9	2412-74	1	R-Clamp	28	108-7605	1	Cover-RH
10	80-9330	1	Audio Alarm ASM	29	114-3329	1	Switch-Rocker



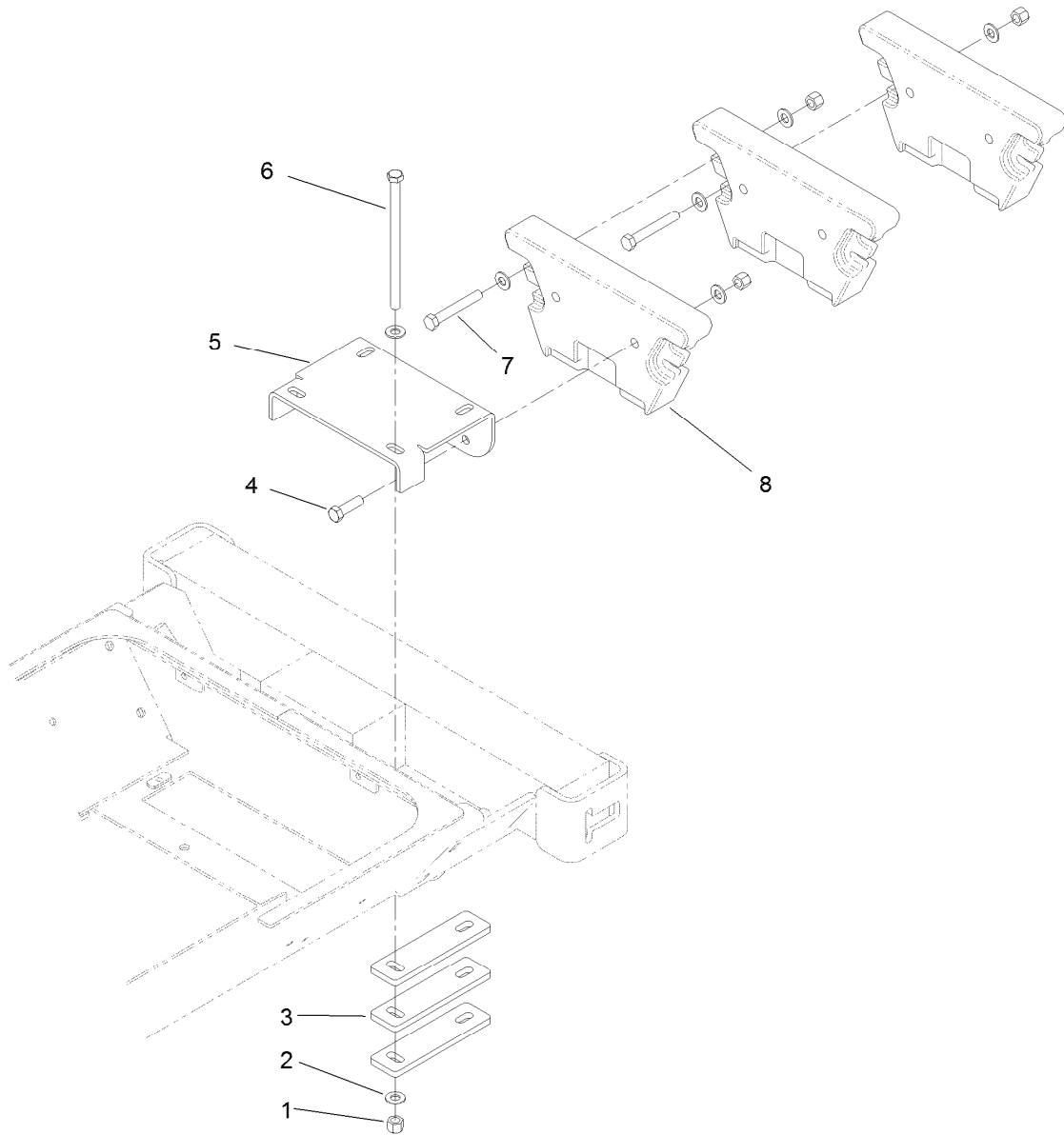
## Armrest Control Panel Assembly (continued)

<i>Ref.</i>	<i>Part Number</i>	<i>Qty.</i>	<i>Description</i>
30	121-1630	1	Plate-Cover
31	32144-18	2	Screw-HWH



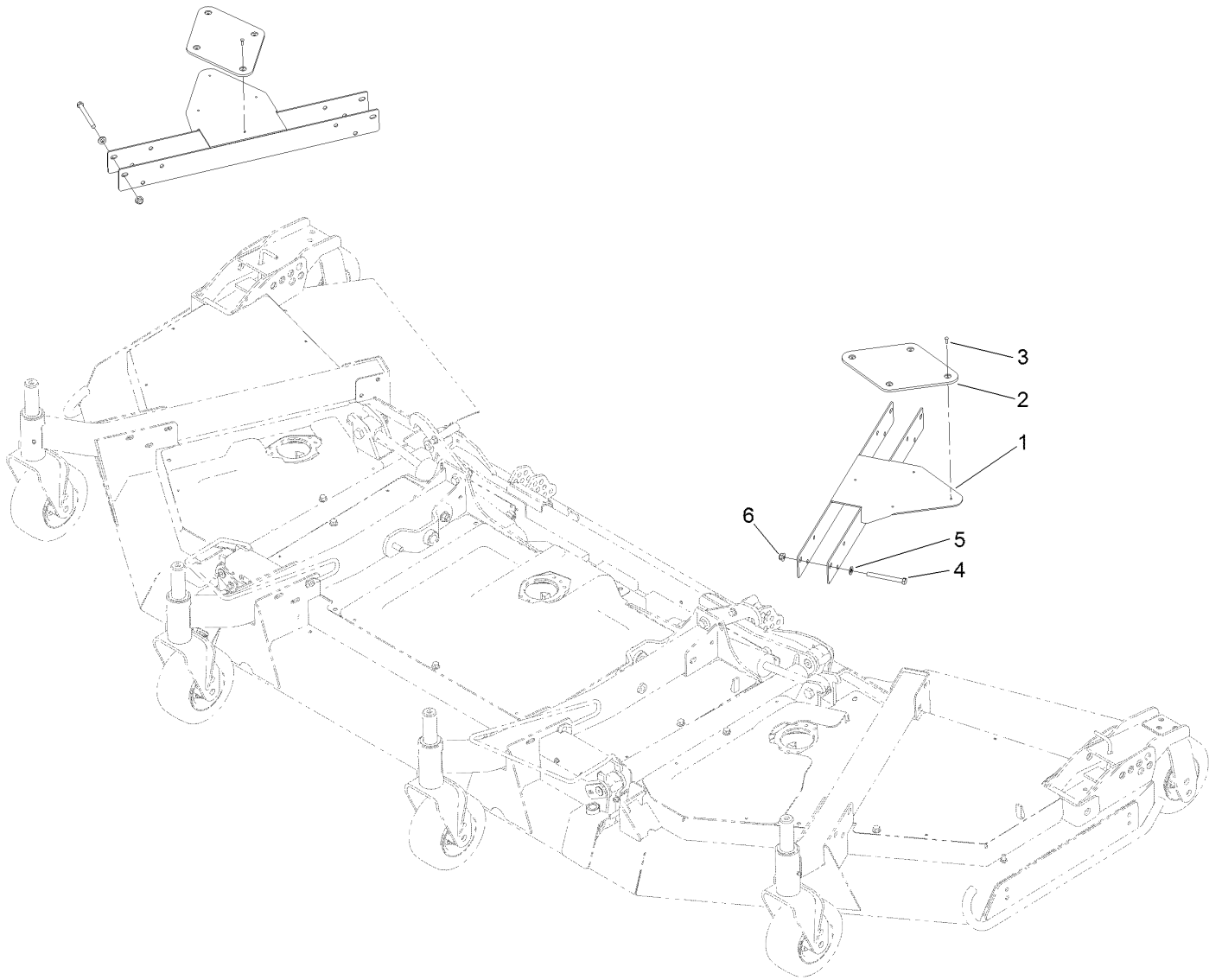
## Cab Step and Flooring Assembly

<i>Ref.</i>	<i>Part Number</i>	<i>Qty.</i>	<i>Description</i>	<i>Ref.</i>	<i>Part Number</i>	<i>Qty.</i>	<i>Description</i>
2	121-8543	1	Foam-Tread	12	127-9861	1	Foam-Corner
3	121-8544	1	Gasket-Front	13	121-8548	1	Foam-Seal, Rear
4	3234-4	4	Screw-HHF	14	130-5979	1	Tread-Floor
5	125-9748	2	Gasket-Step	15	125-9749	1	Tread-Door
6	125-9747-01	1	Bracket-Step	16	117-2754	1	Decal-Warning
7	104-8301	5	Nut-HF, NI	16	117-2766	1	Decal-Warning, CE
8	127-9976-03	1	Plate-Step	17	130-6048	1	Decal-Service
9	3231-21	4	Screw-CARR	18	130-5733	1	Decal-Instruction
10	3231-1	1	Screw-CARR	19	3334-945	1	Tie-Cable
11	130-5748-03	1	Cover-Mount				



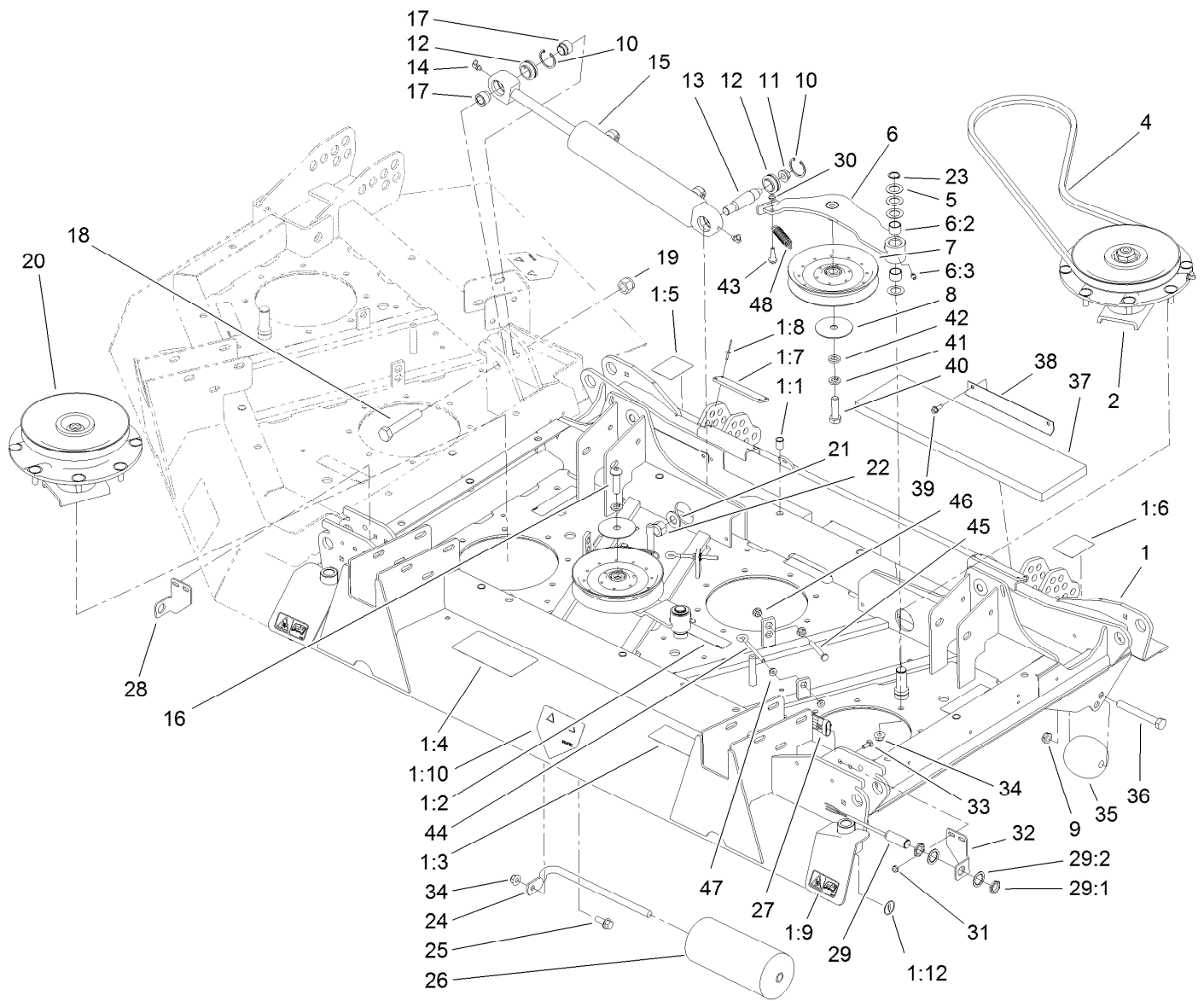
## Rear Weight Assembly

<i>Ref.</i>	<i>Part Number</i>	<i>Qty.</i>	<i>Description</i>
1	3296-23	10	Nut-Lock, NI
2	3256-26	18	Washer-Flat
3	119-0131-03	6	Plate-Weight
4	325-7	2	Screw-HH
5	119-0130-03	1	Mount-Weight
6	9114314	4	Screw-HH
7	325-14	4	Screw-HH
8	24-5790-03	3	Weight-Rear



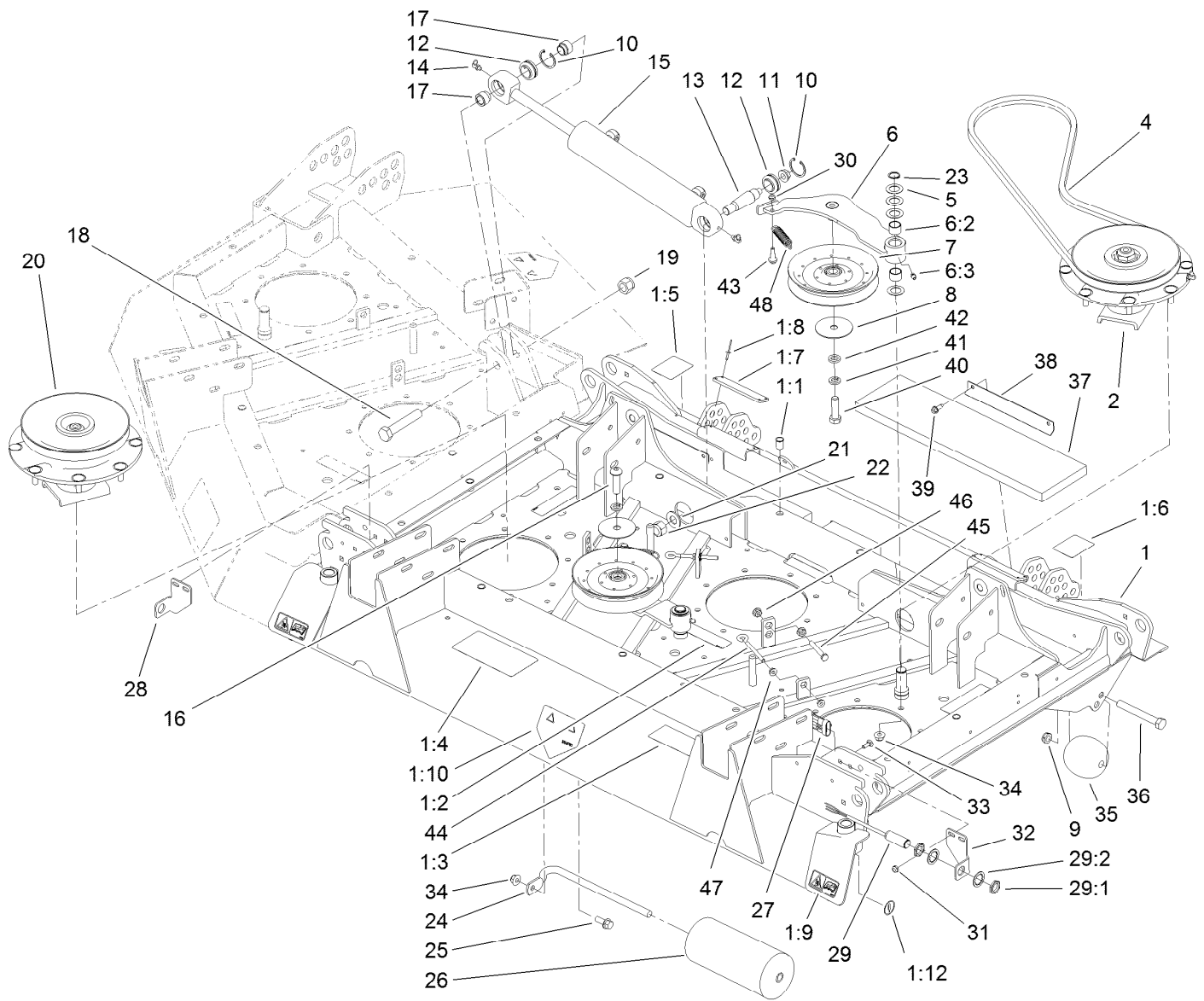
## Deck Pad Assembly

<i>Ref.</i>	<i>Part Number</i>	<i>Qty.</i>	<i>Description</i>
1	130-5788-01	2	Bumper
2	130-5789	2	Pad-Bumper
3	3269-4	8	Rivet-Pop
4	323-42	10	Screw-HH
5	3256-24	10	Washer-Plain
6	104-8301	10	Nut-HF, NI



## Center Deck Assembly

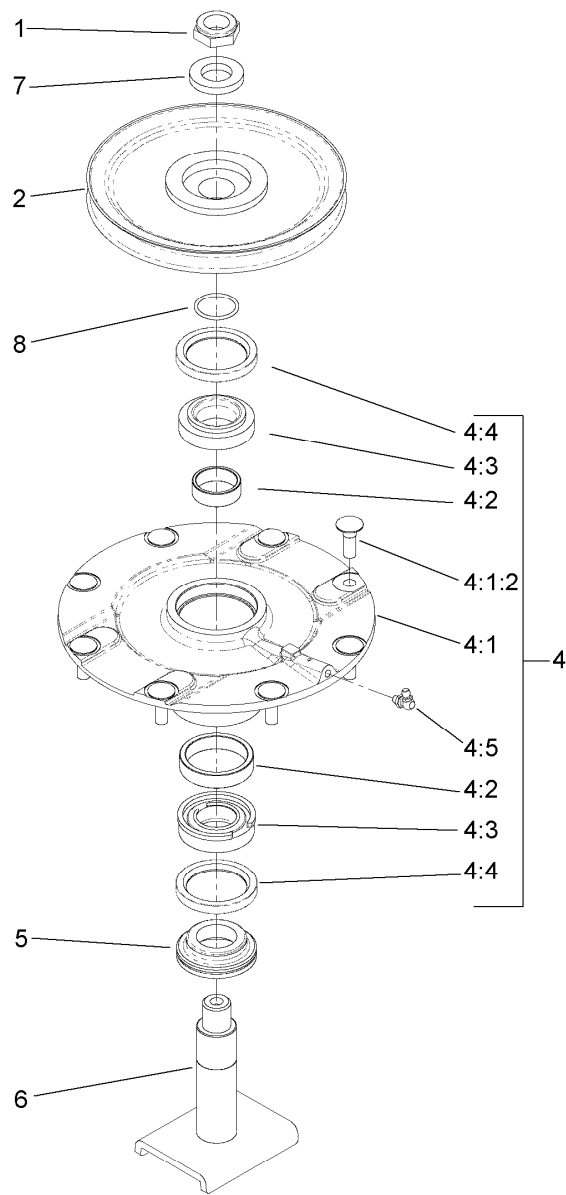
Ref.	Part Number	Qty.	Description	Ref.	Part Number	Qty.	Description
1	110-3297	1	Center Deck ASM	10	32151-34	4	Ring-Retaining
1:1	32148-9	9	Nut-Clinch	11	32128-42	2	Nut-HF
1:2	100-6578	3	Decal-Danger	12	105-7441	4	Bearing-Spherical
1:3	93-7818	1	Decal-Torque, Blade Bolt	13	105-7468	2	Stud-Tapered
1:4	100-5622	1	Decal-HOC	14	302-60	4	Fitting-Grease
1:5	106-4250	1	Decal-HOC, RH	15	107-0190	2	HYD Cylinder ASM
1:6	106-4251	1	Decal-HOC, LH	16	108-1993	1	Screw-HSBH
1:7	105-0786	2	Pad-Plastic	17	105-7443	4	Spacer-Pilot
1:8	3269-8	8	Rivet-Blind	18	327-14	2	Screw-HH
1:9	93-6674	2	Decal-Warning	19	3296-53	2	Nut-Lock, NI
1:10	120-6604	1	Decal-Danger	20	119-4549	1	High-Driven Spindle ASM
1:12	58-6520	2	Decal-Grease	21	3256-27	2	Washer-Flat
2	119-4776	3	Low-Driven Spindle ASM	22	3296-41	2	Nut-Lock NI
4	108-8077	4	V-Belt, Deck	23	32120-72	4	Ring-Snap
5	3-6498	16	Washer-Thrust	24	68-6840	1	Shaft-Roller
6	110-6128	4	Idler Arm ASM	25	3234-11	1	Screw-HHF
6:2	256-76	2	Bushing	26	68-6710	1	Roller
6:3	302-5	1	Fitting-Grease	27	117-5717	1	Harness-Wire, Deck
7	110-9596	4	Pulley-Idler	28	119-0081	1	Mount-Switch, RH
8	100-3102	4	Washer-Flat	29	115-5300	2	Proximity Switch ASM
9	3296-45	2	Nut-Hex	29:1	117-3207	2	Nut-Hex



## Center Deck Assembly (continued)

<i>Ref.</i>	<i>Part Number</i>	<i>Qty.</i>	<i>Description</i>	<i>Ref.</i>	<i>Part Number</i>	<i>Qty.</i>	<i>Description</i>
29:2	117-3208	2	Washer-Lock, Internal Tooth	39	32104-95	8	Screw-HWH
30	3296-56	4	Nut-Lock, NI	40	325-7	3	Screw-HH
31	104-7201	4	Nut-HF, NI	41	3253-7	4	Washer-Lock
32	119-0080	1	Mount-Switch, LH	42	9202424	3	Spacer
33	3229-1	4	Screw-CARR	43	104-0858	4	Bolt-Shoulder
34	104-8301	45	Nut-HF, NI	44	68-0090	4	Screw-Adjusting
35	29-4820	2	Roller	45	9114524	4	Bolt-TAP, HH
36	325-17	2	Screw-HH	46	32128-26	8	Nut-HF
37	106-7179	2	Pad-Foam	47	32128-14	8	Nut-HF
38	106-7227	4	Support-Pad	48	107938	4	Spring-Extension

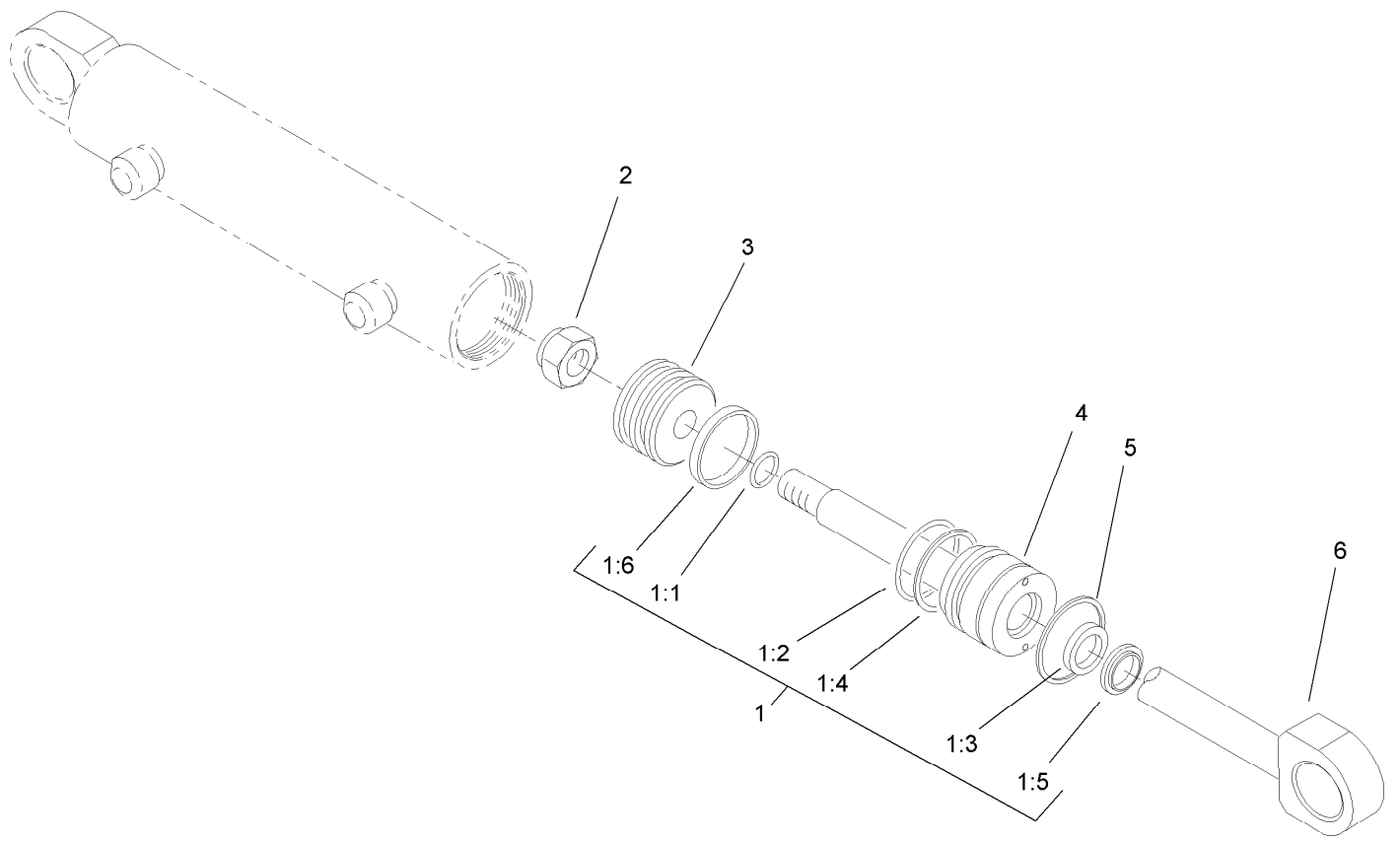




## Low Driven Spindle Assembly No. 119-4776

<i>Ref.</i>	<i>Part Number</i>	<i>Qty.</i>	<i>Description</i>
1	3296-60	1	Nut-Lock, NI
2	104-3546	1	Pulley-Driven, Low
4	119-4775	1	Spindle Housing ASM
4:1		1	Spindle ASM ●
4:1:2	114-8195	8	Bolt-Neck, Ribbed
4:2	120-5577	1	Bearing Spacer Set
4:3	110-8297	1	Bearing ASM
4:4	253-154	2	Seal-Oil
4:5	302-60	1	Fitting-Grease
5	69-6950	1	Spacer-Shaft, Spindle
6	104-3554	1	Shaft-Spindle
7	120-5576	1	Washer-Hardened
8	106-7159	1	O-Ring

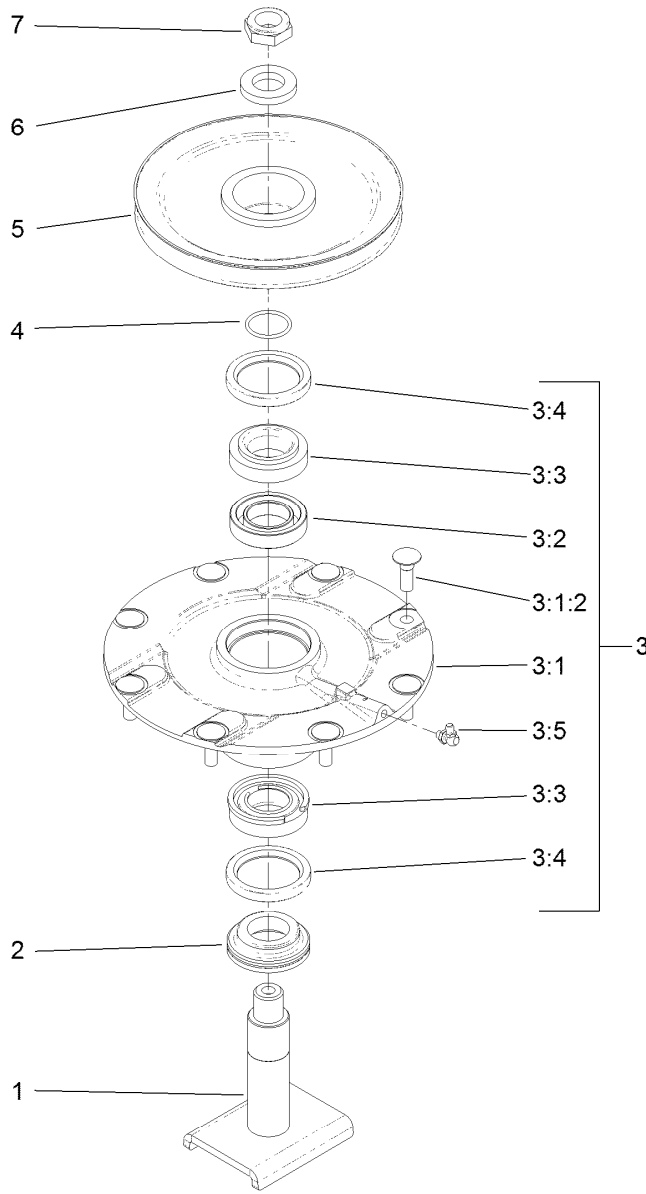
● Not serviced separately



## Wing Lift Cylinder Assembly No. 107-0190

<i>Ref.</i>	<i>Part Number</i>	<i>Qty.</i>	<i>Description</i>
1	107-0247	1	Seal Kit
1:1		1	O-Ring ●
1:2		1	O-Ring ●
1:3		1	Seal ●
1:4		1	Back-Up ●
1:5		1	Wiper ●
1:6		1	Seal W/O-Ring ●
2		1	Locknut ●
3		1	Piston ●
4		1	Head ●
5		1	Ring-Retaining ●
6		1	Rod ASM ●

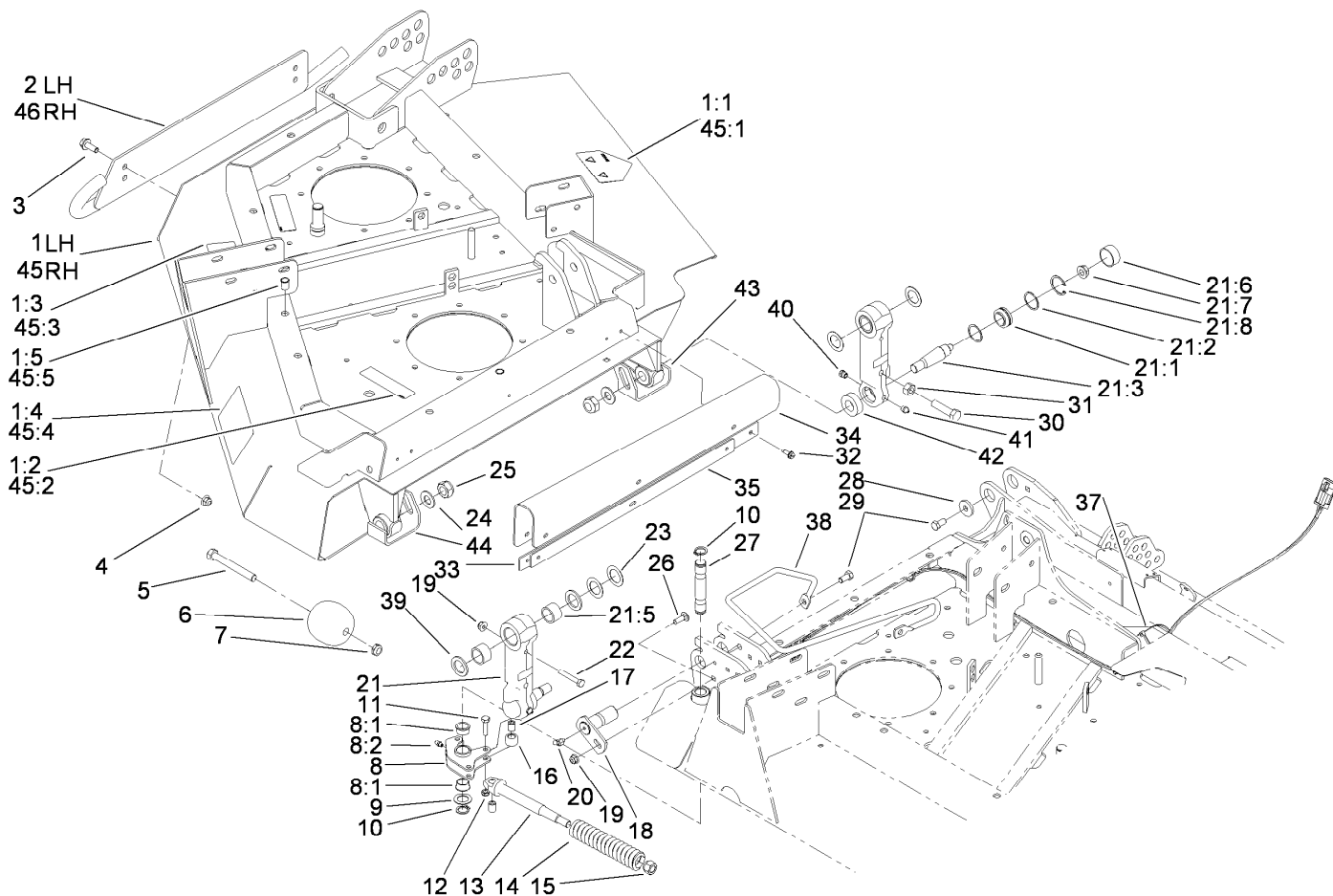
● Not serviced separately



## High Driven Spindle Assembly No. 119-4549

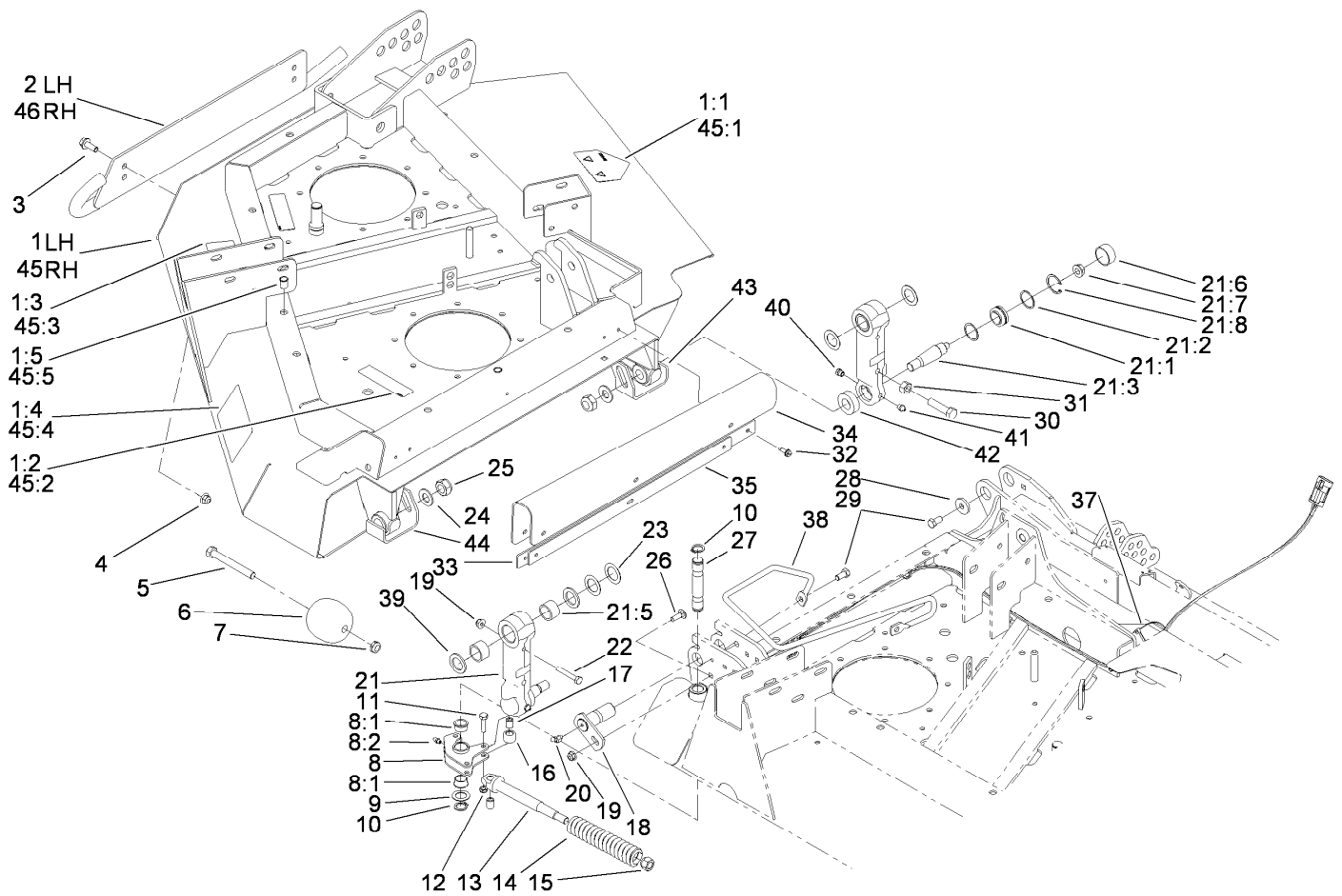
Ref.	Part Number	Qty.	Description
1	104-3554	1	Shaft-Spindle
2	69-6950	1	Spacer-Shaft, Spindle
3	119-4775	1	Spindle Housing ASM
3:1		1	Spindle ASM ●
3:1:2	114-8195	8	Bolt-Neck, Ribbed
3:2	120-5577	1	Bearing Spacer Set
3:3	110-8297	1	Bearing ASM
3:4	253-154	2	Seal-Oil
3:5	302-60	1	Fitting-Grease
4	106-7159	1	O-Ring
5	104-3548	1	Pulley-Driven, High
6	120-5576	1	Washer-Hardened
7	3296-60	1	Nut-Lock, NI

● Not serviced separately



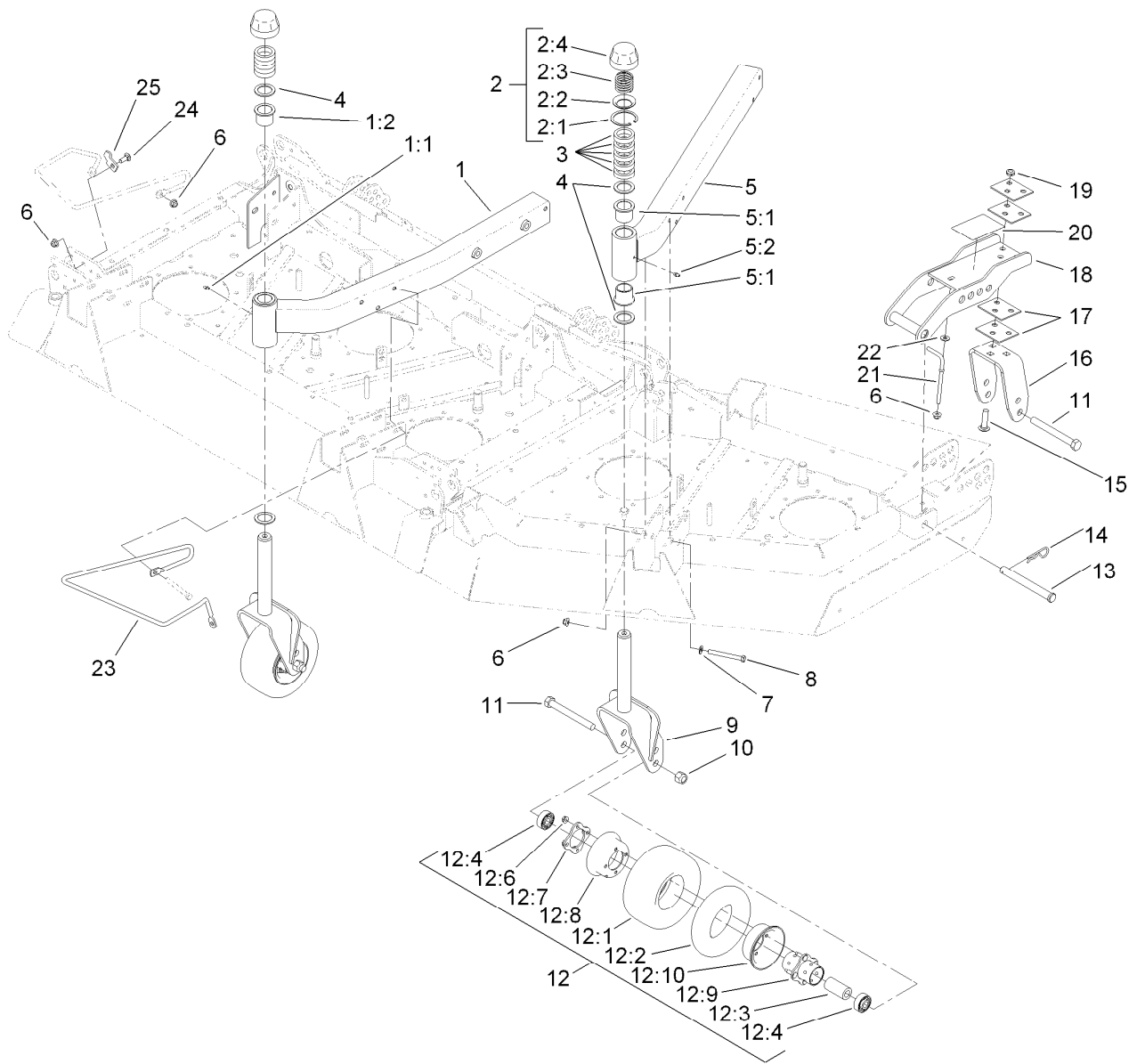
## Right Hand and Left Hand Deck Installation Assembly

Ref.	Part Number	Qty.	Description	Ref.	Part Number	Qty.	Description
1	110-3298	1	RH Deck ASM	13	106-4317	2	Support-Spring
1:1	120-6604	1	Decal-Danger	14	86-2560	2	Spring-Comp
1:2	100-6578	2	Decal-Danger	15	242-50	2	Nut-Lug
1:3	93-7818	1	Decal-Torque, Blade Bolt	16	86-2120	4	Roller-Lock
1:4	100-5622	1	Decal-HOC	17	86-2090	6	Bushing
1:5	32148-9	4	Nut-Clinch	18	106-7171	4	Pin Pivot ASM
2	105-7430-01	1	RH Skid ASM	19	104-8300	6	Nut-HF, NI
3	3234-42	4	Screw-HHF	20	302-11	4	Fitting-Lube, 45 DEG
4	104-8301	4	Nut-HF, NI	21	112-9116	4	Link ASM
5	325-17	2	Screw-HH	21:1	105-7441	1	Bearing-Spherical
6	29-4820	2	Roller	21:2	110-6198	2	Washer-Flat
7	3296-45	2	Nut-Hex	21:3	105-7468	1	Stud-Tapered
8	105-7469	2	Latch ASM	21:5	106-7248	2	Bushing
8:1	256-252	2	Bearing-Flange	21:6	110-6197	1	Cap-Dust
8:2	302-5	1	Fitting-Grease	21:7	32128-42	1	Nut-HF
9	1278	2	Washer	21:8	32151-34	1	Ring-Retaining
10	32120-93	4	Ring-Retaining	22	322-10	2	Screw-HH
11	322-6	6	Screw-HH	23	9547	8	Washer-Thrust
12	3296-47	6	Nut-Lock,NI	24	3256-27	4	Washer-Flat



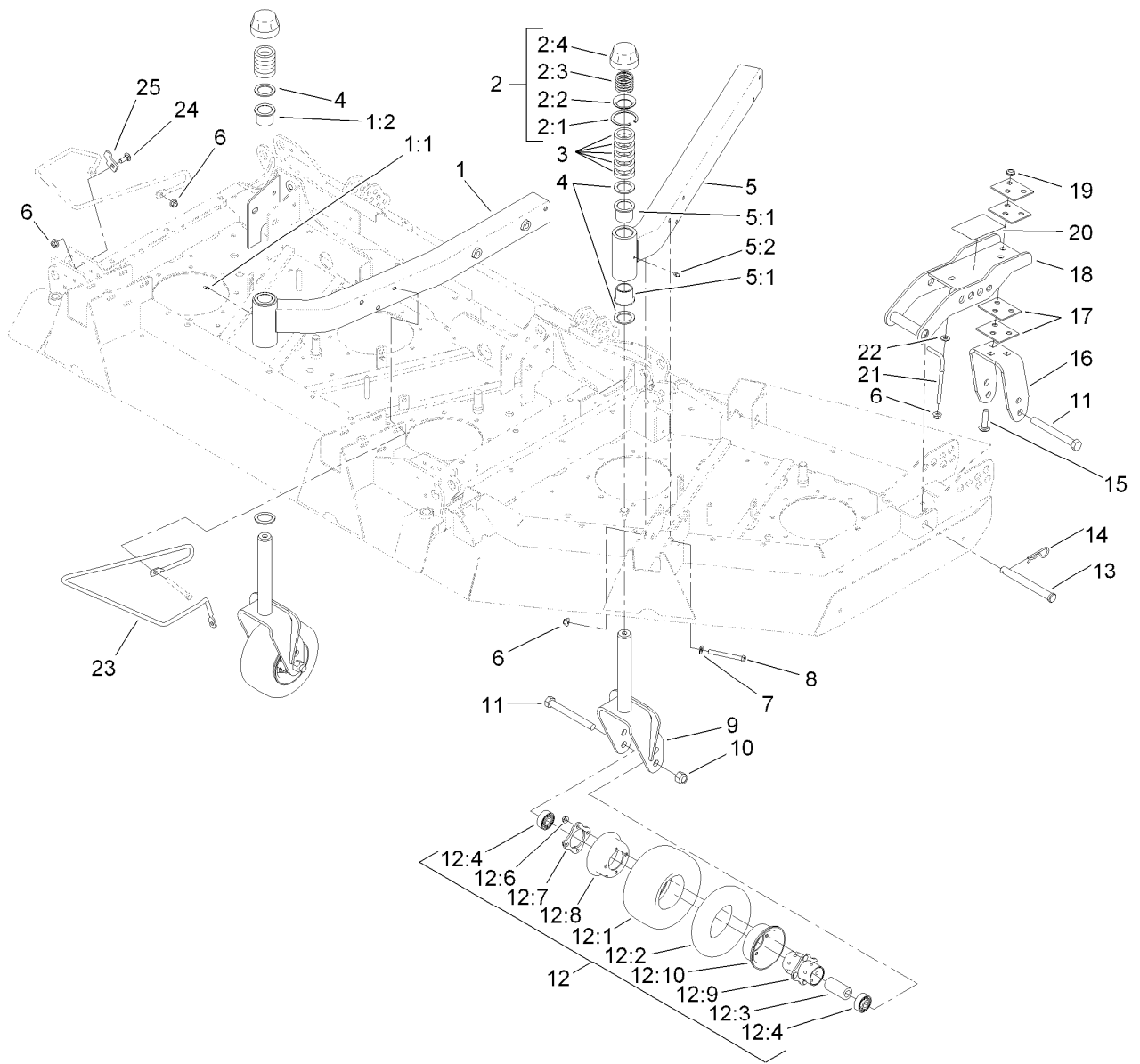
## Right Hand and Left Hand Deck Installation Assembly (continued)

<i>Ref.</i>	<i>Part Number</i>	<i>Qty.</i>	<i>Description</i>	<i>Ref.</i>	<i>Part Number</i>	<i>Qty.</i>	<i>Description</i>
25	112-9119	4	Nut-Lock, NI	40	302-39	4	Fitting-Plug
26	3230-2	4	Bolt-CARR	41	302-52	4	Fitting-Grease
27	105-7482	2	Pin-Latch	42	110-6196	4	Washer-Foam
28	53-6380	2	Washer-Flat	43	112-9106-01	2	Skid-Link (Left Front, Right Rear)
29	323-4	4	Screw-HH	44	112-9105-01	2	Skid-Link (Right Front, Left Rear)
30	325-8	2	Screw-HH	45	110-3299	1	LH Deck ASM
31	3217-9	2	Nut-HH	45:1	120-6604	1	Decal-Danger
32	32104-95	12	Screw-HWH	45:2	100-6578	2	Decal-Danger
33	107-0170-03	2	Strap-Wing	45:3	93-7818	1	Decal-Torque, Blade Bolt
34	106-4334	2	Shield-Flex	45:4	100-5622	1	Decal-HOC
35	107-0171-03	2	Strap-Shield	45:5	32148-9	4	Nut-Clinch
37	3290-379	4	Tie-Cable	46	105-7437-01	1	LH Skid ASM
38	107-0182	1	Guide-Hose, RH				
39	92-7845	4	Spacer-Hardened				



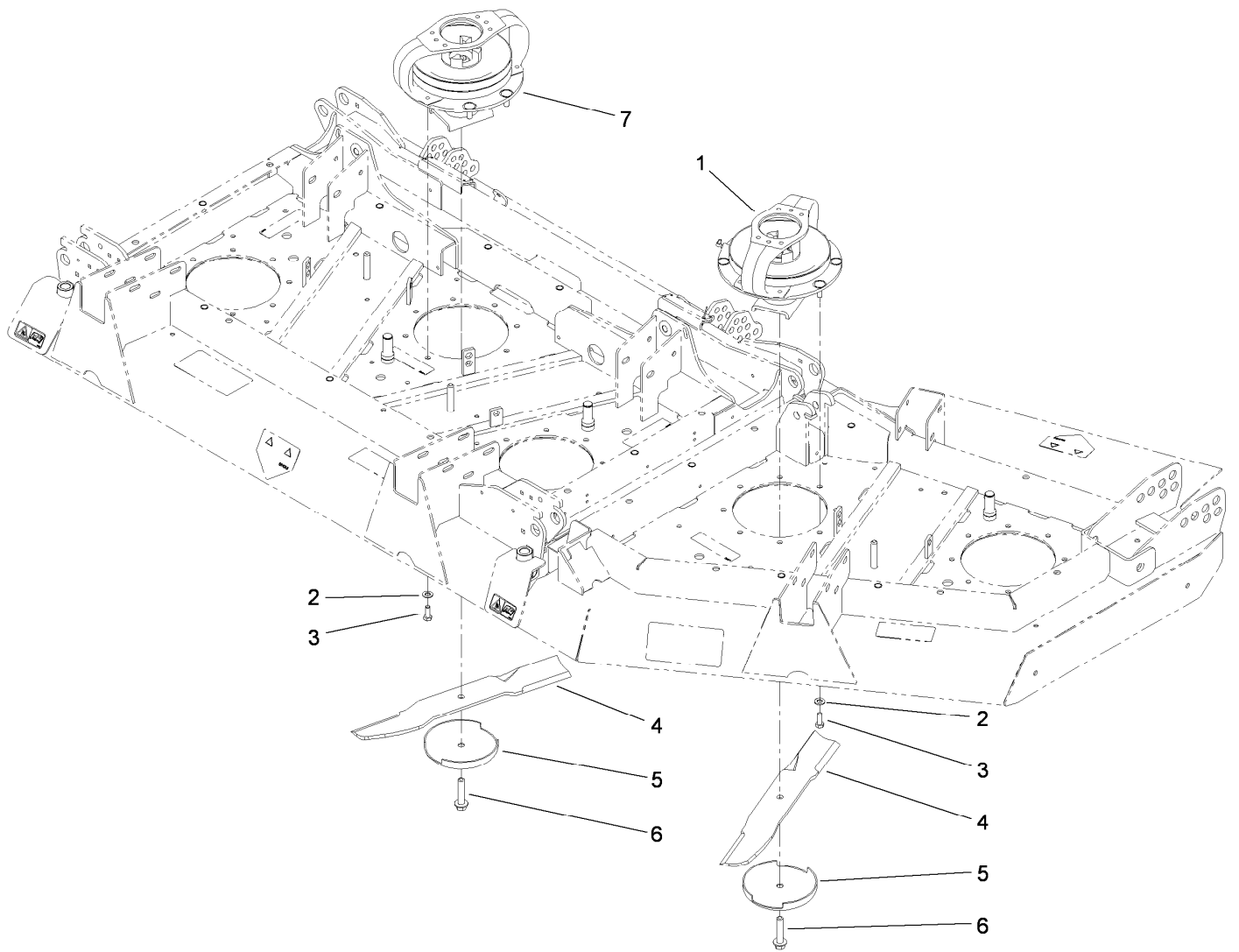
## Caster Wheel Assembly

Ref.	Part Number	Qty.	Description	Ref.	Part Number	Qty.	Description
1	105-7414	2	Center Castor Arm ASM	12:2	68-8950	1	Tube-Inner (W/Valve)
1:1	69-6470	2	Bushing-Caster	12:3	93-4241	1	Spacer-Bearing, Inner
1:2	302-5	1	Fitting-Grease	12:4	120-3366	2	Bearing
2	92-9727	4	HOC Cap ASM	12:6	32128-16	4	Nut-HHF
2:1	92-5581	1	Ring-Rtng, Snap, Int, Flat	12:7	93-4242	1	Plate
2:2	92-5583	1	Washer-Cap	12:8	93-4239	1	Rim-Wheel, Half
2:3	92-9726	1	Spring-Compression	12:9	93-5980	1	Hub
2:4	92-8861	1	Cap-HOC	12:10	95-2741	1	Rim-Wheel, Half
3	69-1510	20	Spacer	13	100-5569	4	Pin-Clevis
4	69-6860	8	Washer-Thrust	14	3290-343	4	Pin-Hair
5	105-7429	2	Side Castor Arm ASM	15	3233-4	6	Screw-CARR
5:1	69-6470	2	Bushing-Caster	16	105-7457-01	2	Fork-Rear
5:2	302-5	1	Fitting-Grease	17	104-7524	8	Shim
6	104-8301	24	Nut-HF, NI	18	104-7529-01	2	Bracket-Castor
7	3256-24	18	Washer-Plain	19	3296-45	6	Nut-Hex
8	323-15	20	Screw-HH	20	100-5623	1	Decal-HOC
9	92-7750-01	4	Fork-Castor	20	104-3579	1	Decal-HOC
10	3296-53	6	Nut-Lock, NI	21	106-2047	2	Rod-Tension
11	327-24	6	Screw-HH	22	3256-3	2	Washer-Flat
12	93-9938	6	Wheel ASM	23	107-0183	1	Guide-Hose, LH
12:1	93-9939	1	Tire				



## Caster Wheel Assembly (continued)

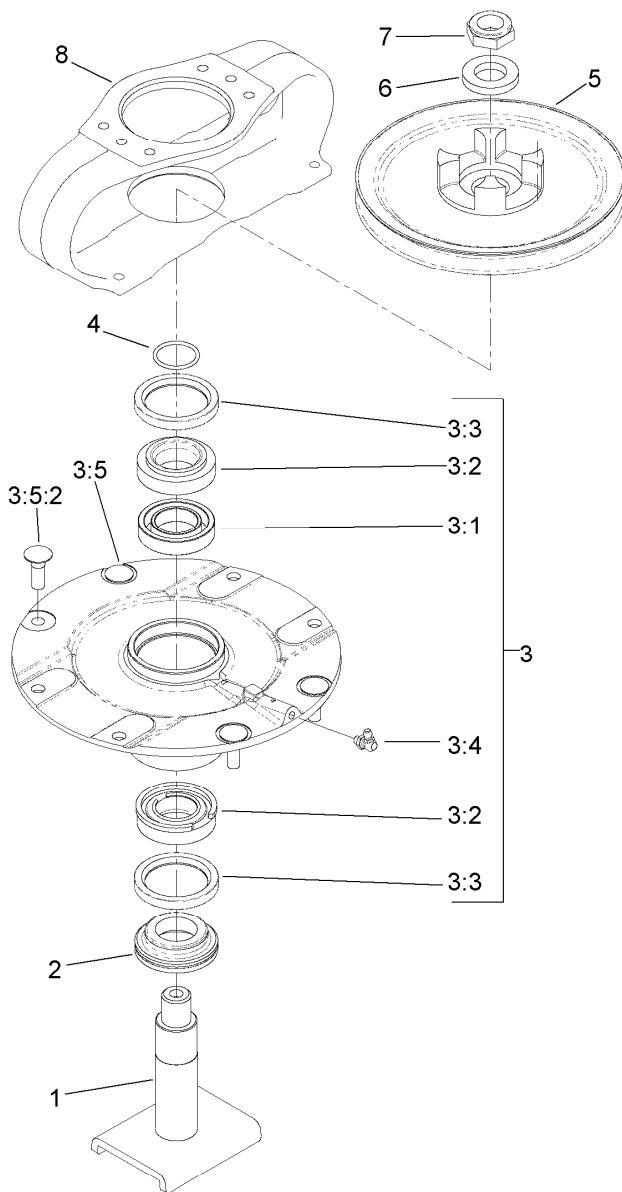
Ref.	Part Number	Qty.	Description
24	3231-2	2	Bolt-CARR
25	107-0229	2	Tab-Guide



## Spindle and Blade Assembly

Ref.	Part Number	Qty.	Description
1	119-4547	2	Driving Spindle ASM
2	3256-24	12	Washer-Plain
3	323-6	12	Screw-HH
4	106-7166-03	7	Blade-Combination (19 Inch)
5	72-9361	7	Cup-Scalp, Anti
6	92-5816	7	Bolt-Blade
7	119-5298	1	Double-Driven Spindle ASM

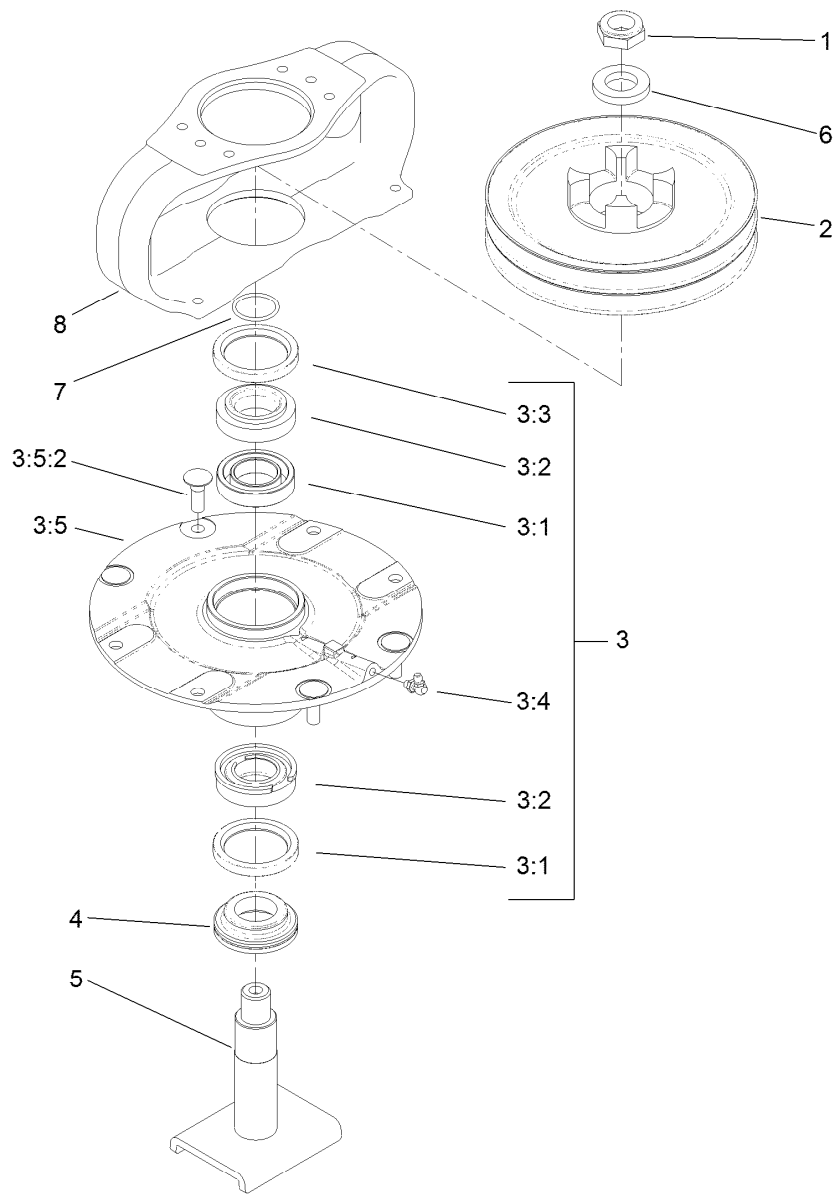




## Driving Spindle Assembly No. 119-4547

Ref.	Part Number	Qty.	Description
1	104-3554	1	Shaft-Spindle
2	69-6950	1	Spacer-Shaft, Spindle
3	119-4546	1	Spindle Housing ASM
3:1	120-5577	1	Bearing Spacer Set
3:2	110-8297	1	Bearing ASM
3:3	253-154	2	Seal-Oil
3:4	302-60	1	Fitting-Grease
3:5		1	Spindle Assembly ●
3:5:2	114-8195	4	Bolt-Neck, Ribbed
4	106-7159	1	O-Ring
5	104-3545	1	Pulley-Driving
6	120-5576	1	Washer-Hardened
7	3296-60	1	Nut-Lock, NI
8	104-3544	1	Mount-Motor, Drive

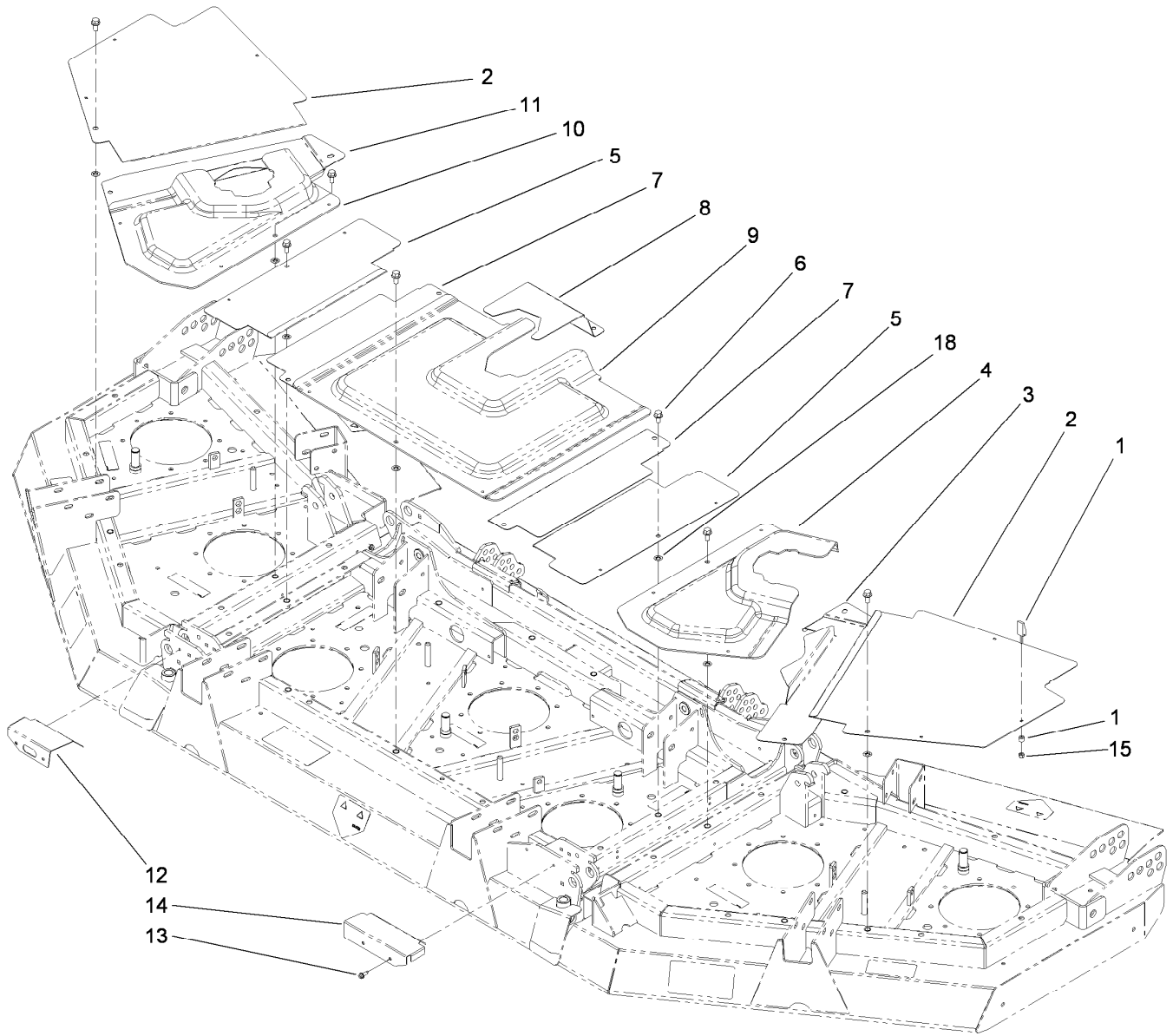
● Not serviced separately



## Double Driven Spindle Assembly No. 119-5298

Ref.	Part Number	Qty.	Description
1	3296-60	1	Nut-Lock, NI
2	106-4269	1	Pulley-Drive, Double
3	119-4546	1	Spindle Housing ASM
3:1	120-5577	1	Bearing Spacer Set
3:2	110-8297	1	Bearing ASM
3:3	253-154	2	Seal-Oil
3:4	302-60	1	Fitting-Grease
3:5		1	Spindle Assembly ●
3:5:2	114-8195	4	Bolt-Neck, Ribbed
4	69-6950	1	Spacer-Shaft, Spindle
5	104-3554	1	Shaft-Spindle
6	120-5576	1	Washer-Hardened
7	106-7159	1	O-Ring
8	106-4268	1	Mount-Motor, Drive

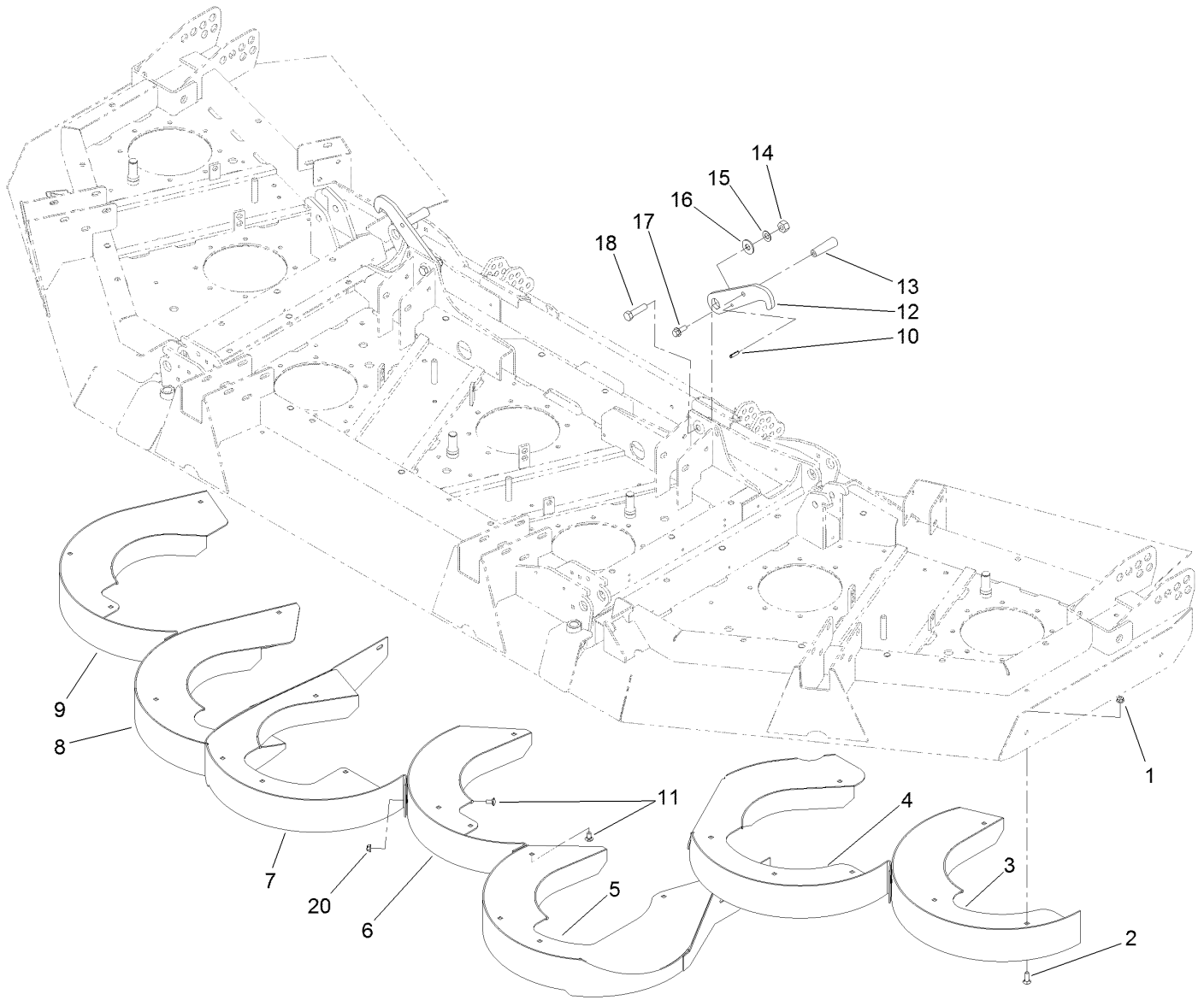
● Not serviced separately



## Deck Cover Assembly

<i>Ref.</i>	<i>Part Number</i>	<i>Qty.</i>	<i>Description</i>	<i>Ref.</i>	<i>Part Number</i>	<i>Qty.</i>	<i>Description</i>
1	74-5950	18	Latch-Swell	9	106-4254	1	Cover-Front, Center
2	106-4256-03	2	Cover-Outer, Wing	10	106-4259	1	Cover-Mount, RH
3	106-4258-03	1	Cover-Inner, LH	11	106-4257-03	1	Cover-Inner, RH
4	106-4260	1	Cover-Mount, LH	12	106-7173-01	1	Shield-RH
5	106-4252-03	2	Cover-Outer, Center	13	32104-95	4	Screw-HWH
6	3234-1	17	Screw-HHF	14	106-7174-01	1	Shield-LH
7	106-4255-03	2	Cover-Inner, Center	15	1-804254	18	Nut-Lock, HH
8	106-4253-03	1	Cover-Rear, Center	18	107-3154	7	Nut-Push

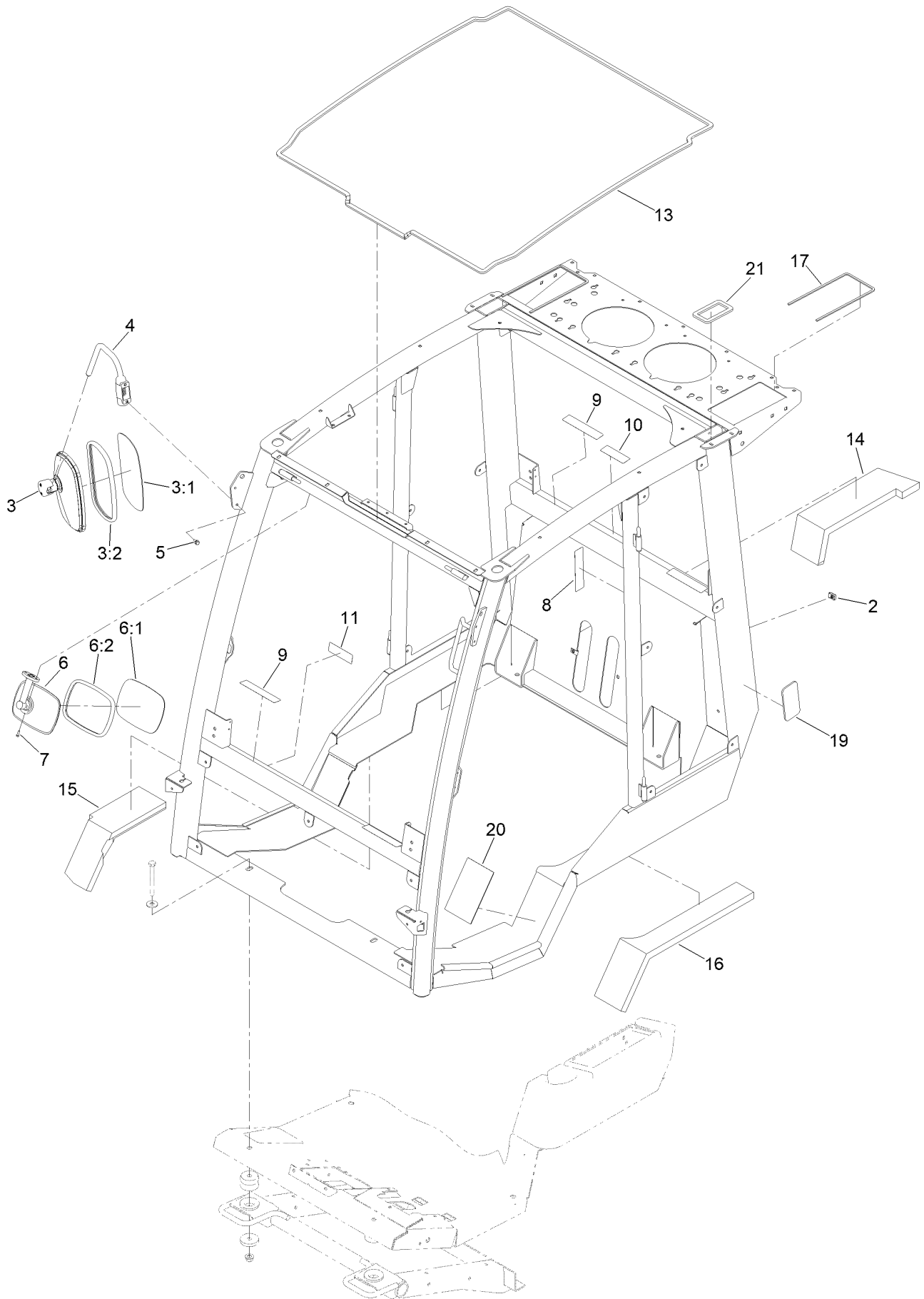
# Rear Discharge Baffle Assembly



## Rear Discharge Baffle Assembly (continued)

<i>Ref.</i>	<i>Part Number</i>	<i>Qty.</i>	<i>Description</i>	<i>Ref.</i>	<i>Part Number</i>	<i>Qty.</i>	<i>Description</i>
1	104-8300	24	Nut-HF, NI	11	3230-18	5	Screw-CARR
2	3230-22	23	Screw-CARR	12	106-4340-01	2	Latch-Wing
3	106-4308-01	1	LH Out Chamber ASM	13	233-39	2	Knob-Control
4	106-4304-01	1	LH Inside Chamber ASM	14	3296-25	2	Nut-Lock, NI
5	106-4291-01	1	LH Center Chamber ASM	15	3290-483	2	Washer-Conical
6	106-4294-01	1	Center Chamber ASM	16	3256-6	2	Washer-Flat
7	106-4286-01	1	RH Center Chamber ASM	17	3234-11	2	Screw-HHF
8	106-4298-01	1	RH Inside Chamber ASM	18	325-8	2	Screw-HH
9	106-4301-01	1	RH Out Chamber ASM	20	104-8300	4	Nut-HF, NI
10	32121-24	2	Pin-Spring				

# Frame Mount and Seal Assembly

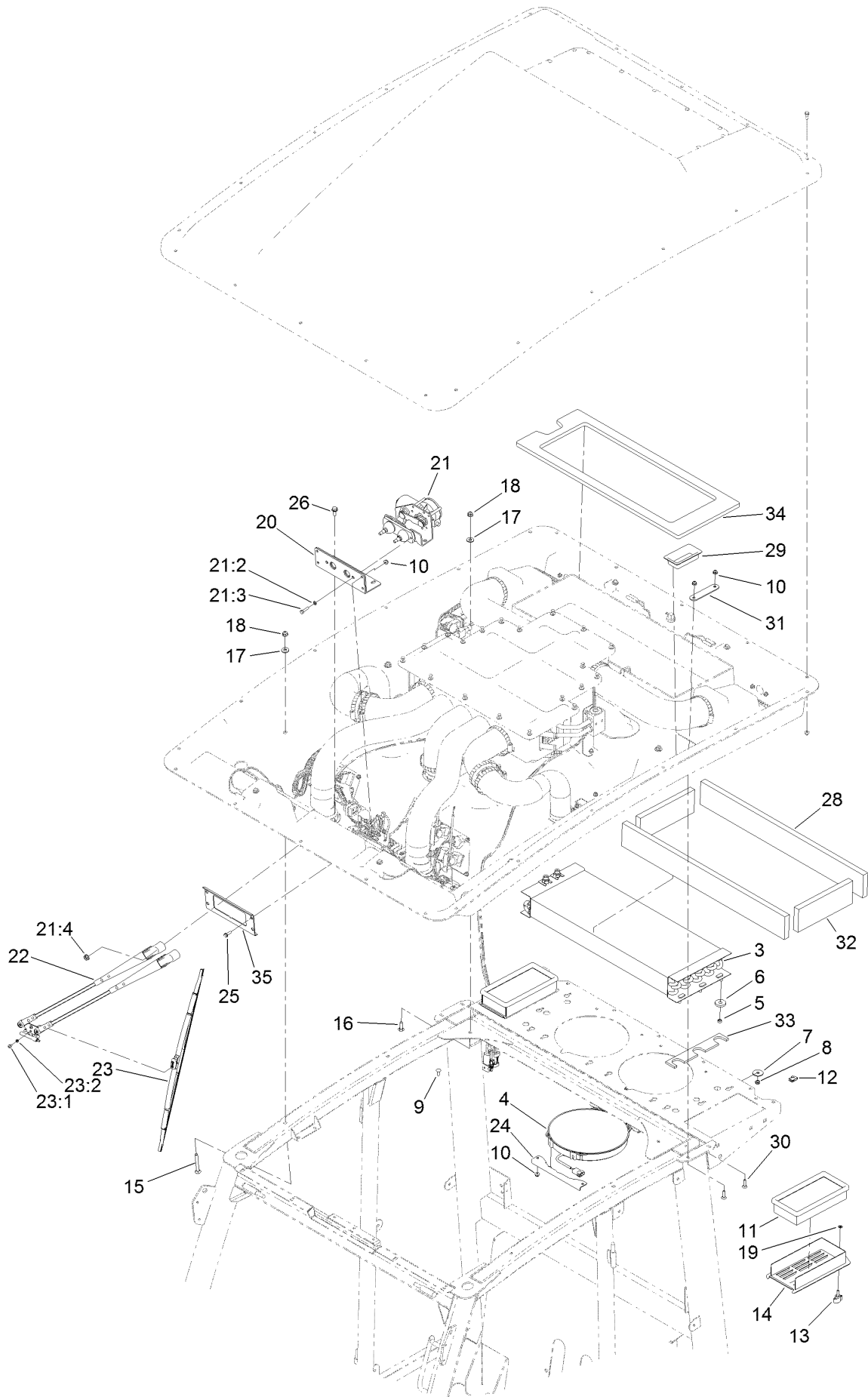


## Frame Mount and Seal Assembly (continued)

<i>Ref.</i>	<i>Part Number</i>	<i>Qty.</i>	<i>Description</i>	<i>Ref.</i>	<i>Part Number</i>	<i>Qty.</i>	<i>Description</i>
2	94-2413	2	Nut-U	9	130-0611	4	Decal-Window, Pin
3	121-8341	2	Side Mirror ASM	10	130-5355	1	Decal-Window, Hood
3:1		1	Mirror-Glass ●	11	130-5356	1	Decal-Traction Pedal
3:2		1	Gasket ●	13	130-0586	1	Seal-Foam, Frame Roof
4	121-8275	2	Arm-Mirror, Side	14	121-8545	1	Seal-Foam, RH-Upper
5	33103-016	4	Screw-HHF	15	121-8546	1	Seal-Foam, RH
6	121-8343	1	Interior Mirror ASM	16	121-8508	1	Foam-Seal, LH
6:1		1	Mirror ●	17	130-0587	2	Seal-Foam, Roof Air Filter
6:2		1	Gasket ●	19	130-5923	2	Pad
7	32144-32	2	Screw-PPH	20	130-5978	2	Patch-Tread
8	130-0594	1	Decal-Warning	21	130-5855	2	Seal-Tube, Rear

● Not serviced separately

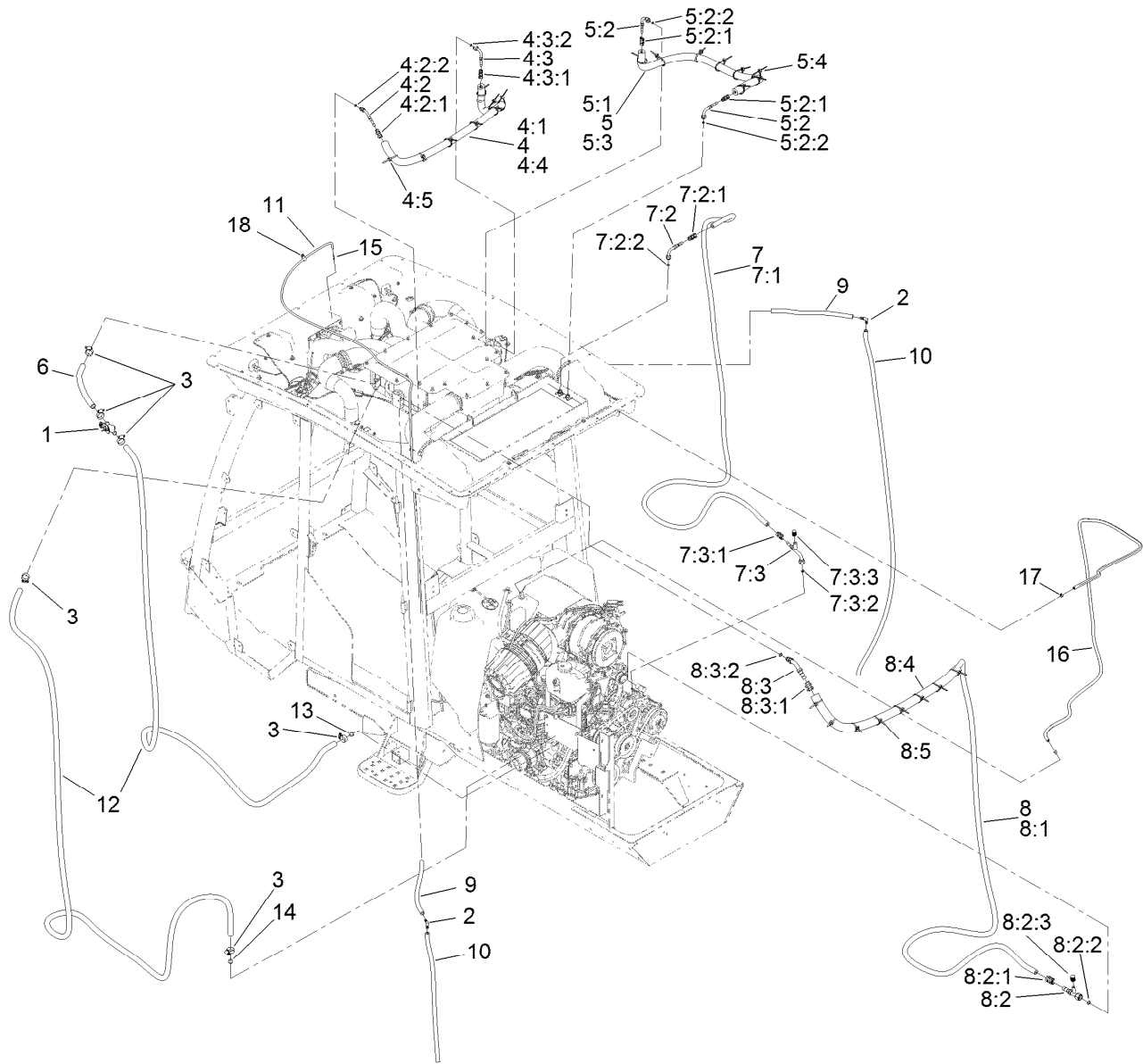
# Headliner Assembly





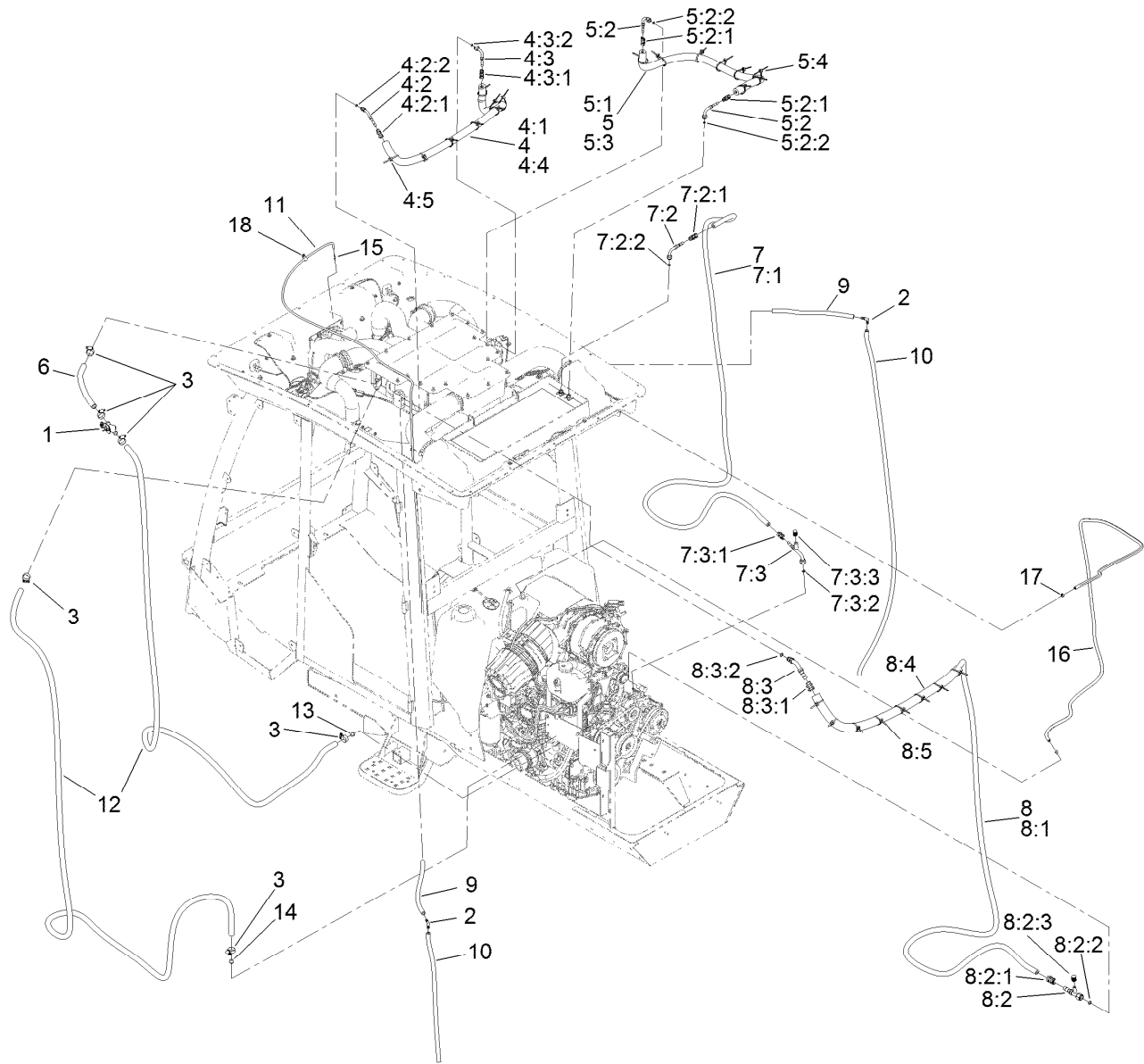
## Headliner Assembly (continued)

<i>Ref.</i>	<i>Part Number</i>	<i>Qty.</i>	<i>Description</i>	<i>Ref.</i>	<i>Part Number</i>	<i>Qty.</i>	<i>Description</i>
3	121-8447	1	Core-Condenser	21:2	3253-3	1	Washer-Lock
4	121-8459	2	Fan-Condenser	21:3	33113-025	1	Screw-HH
5	106-8489	6	Bushing-Sleeve	21:4	112-2844	2	Nut-HF
6	125-9982	6	Bushing-Flange	22	125-7453	1	Arm-Wiper
7	3256-57	6	Washer-Flat	23	125-7454	1	Blade-Wiper
8	3296-47	6	Nut-Lock,NI	23:1	47-2830	2	Screw
9	1-807512	8	Bolt-CARR	23:2	43-5920	2	Washer-Lock, Spring
10	104-7201	16	Nut-HF, NI	24	125-9621-03	4	Bracket-Mount, Fan
11	121-8457	2	Filter-Air	25	32105-15	4	Screw-HWH
12	107069	2	Clip	26	32144-11	2	Screw-HWH
13	98-8332	2	Knob	28	130-5649	2	Seal-Foam, Long
14	125-9825-03	2	Cover-Air, Fresh	29	130-5661	2	Tube-Sleeve
15	3230-9	4	Screw-CARR	30	3229-30	4	Screw-CARR
16	3230-22	13	Screw-CARR	31	130-5854	2	Brace-Seal
17	3256-3	17	Washer-Flat	32	130-5650	2	Seal-Foam, Short
18	104-8300	17	Nut-HF, NI	33	130-5931	2	Seal-Condenser
19	106-8737	2	Nut-Retainer	34	130-5647	1	Gasket-Foam, Condenser
20	130-5871	1	Bracket-Wiper	35	130-6068-03	1	Plate-Washer, Wiper Motor
21	125-7452	1	Wiper Motor ASM				



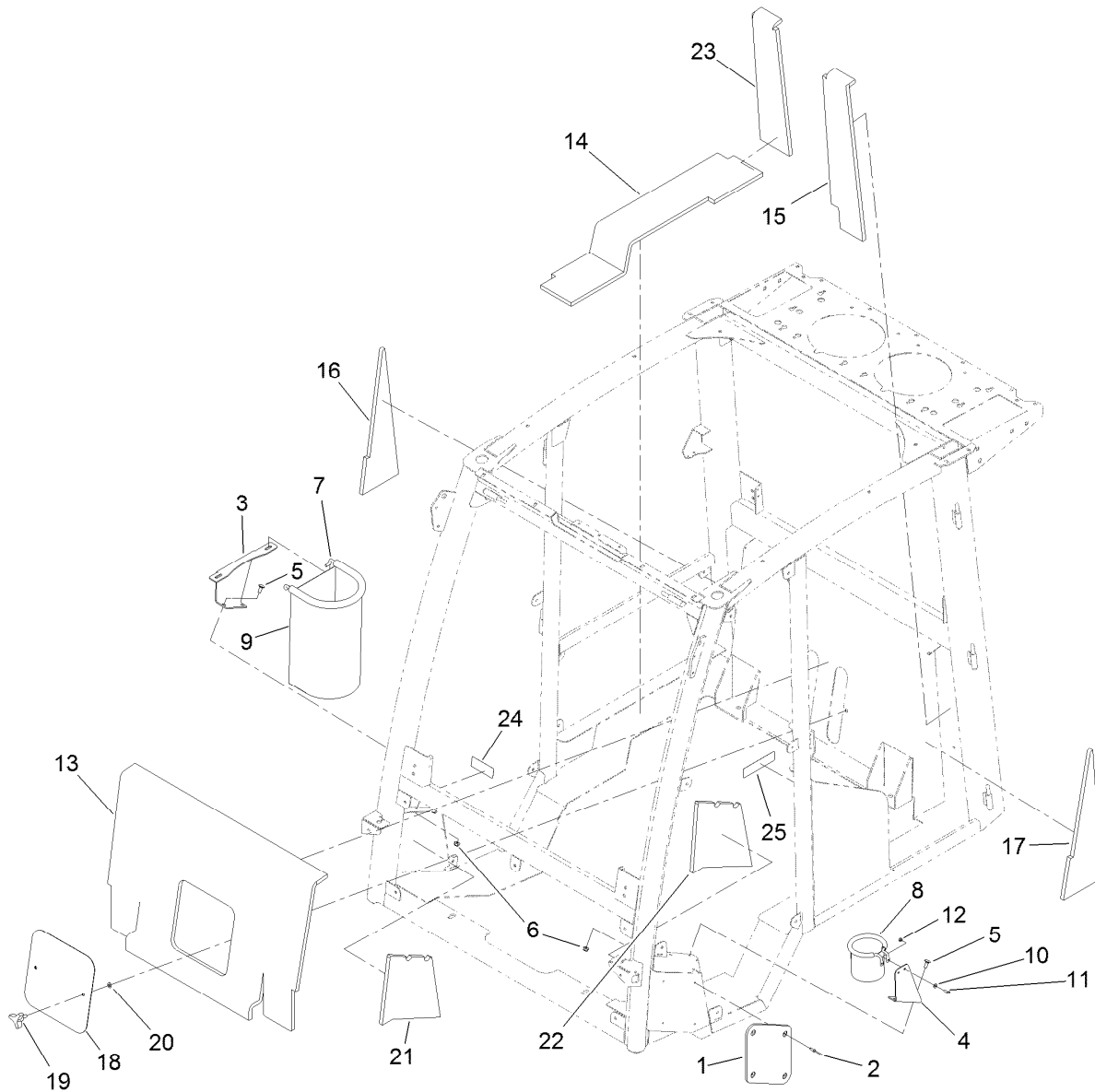
## Engine Hose Routing Assembly

Ref.	Part Number	Qty.	Description	Ref.	Part Number	Qty.	Description
1	120-4947	1	Valve-Heater	7	125-9861	1	Hose ASM
2	130-0578	2	Fitting-Barb, 90 DEG	7:1	130-0418	1	Hose
3	2412-129	6	Clamp-Hose	7:2	130-5752	1	Fitting-Female, 90 DEG
4	125-9702	1	Hose ASM	7:2:1	130-5773	1	Fitting Kit
4:1	130-0417	1	Hose	7:2:2	117-2778	1	O-Ring
4:2	130-5753	1	Fitting-45 DEG	7:3	130-5758	1	Fitting-Female, 90 DEG
4:2:1	130-5772	1	Fitting Kit	7:3:1	130-5773	1	Fitting Kit
4:2:2	117-2778	1	O-Ring	7:3:2	117-2779	1	O-Ring
4:3	130-5751	1	Fitting-Female, 90 DEG	7:3:3	117-2783	1	Cap-Side, High
4:3:1	130-5772	1	Fitting Kit	8	125-9862	1	Hose ASM
4:3:2	117-2778	1	O-Ring	8:1	130-0419	1	Hose
4:4	130-5958	1	Cover-Foam	8:2	130-5755	1	Fitting-Female, Straight
4:5	3290-378	8	Tie-Cable	8:2:1	130-5775	1	Fitting Kit
5	125-9703	1	Hose ASM	8:2:2	117-2780	1	O-Ring
5:1	130-0417	1	Hose	8:2:3	117-2784	1	Cap-Side, Low
5:2	130-5751	2	Fitting-Female, 90 DEG	8:3	130-5754	1	Fitting-Male, 45 DEG
5:2:1	130-5772	1	Fitting Kit	8:3:1	130-5775	1	Fitting Kit
5:2:2	117-2778	1	O-Ring	8:3:2	117-2780	1	O-Ring
5:3	130-5958	1	Cover-Foam	8:4	130-5959	1	Cover-Foam
5:4	3290-378	8	Tie-Cable	8:5	3290-378	8	Tie-Cable
6	125-9706	1	Hose-Heater	9	125-9865	2	Hose-Drain



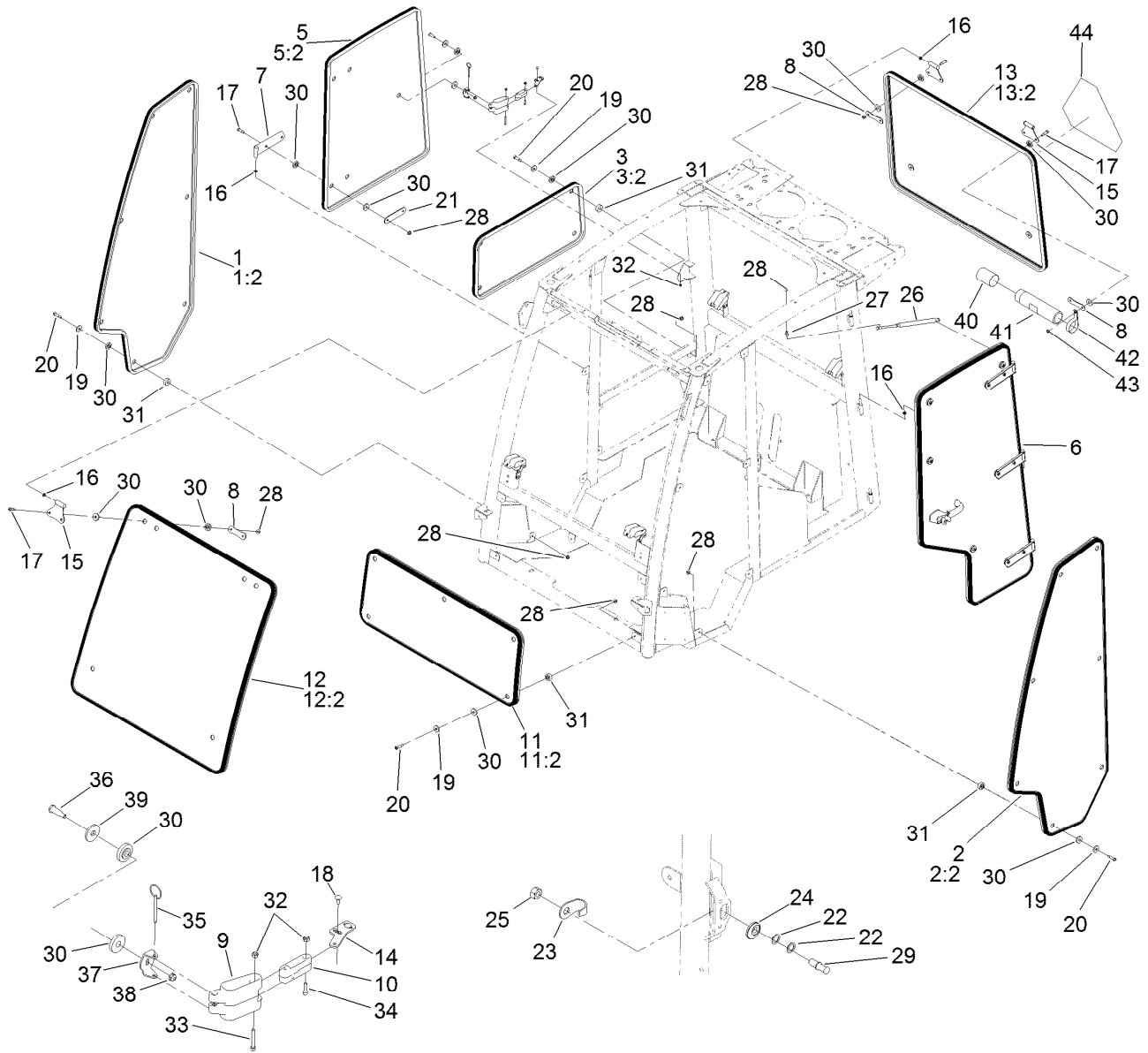
## Engine Hose Routing Assembly (continued)

Ref.	Part Number	Qty.	Description	Ref.	Part Number	Qty.	Description
10	125-9866	2	Hose-Drain	15	127-9905	1	Fitting-Hose, Barb
11	127-9901	1	Hose-Washer Fluid	16	130-5813	1	Hose-Fuel
12	125-9864	2	Hose-Heater	17	2412-98	1	Clamp-Hose
13	130-0581	1	Plug-Tapered (Red)	18	2412-73	1	Clamp-R
14	130-0582	1	Plug-Tapered (Green)				



## Interior Foam, Trash Bag and Cup Holder Assembly

<i>Ref.</i>	<i>Part Number</i>	<i>Qty.</i>	<i>Description</i>	<i>Ref.</i>	<i>Part Number</i>	<i>Qty.</i>	<i>Description</i>
1	130-5789	2	Pad-Bumper	14	130-5839	1	Foam-Interior, RH-Lower
2	3269-4	8	Rivet-Pop	15	130-0566	1	Foam-Upholstery, Rear-LH
3	127-9982-03	1	Bracket-Mount, Trash Bag	16	130-0568	1	Foam-Upholstery, Side-RH
4	127-9983-03	1	Bracket-Mount, Cup Holder	17	130-0569	1	Foam-Upholstery, Rear-LH
5	3230-23	4	Bolt-CARR	18	121-8161-03	1	Plate-Panel, Access
6	104-8300	4	Nut-HF, NI	19	700806	2	Knob
7	117-0546	1	Rod-Bag, Storage	20	109-5667	2	Nut-Push
8	117-2378	1	Holder-Bag	21	130-0620	1	Foam-Interior, RH-Front
9	103-5971	1	Bag-Storage	22	130-0621	1	Foam-Interior, LH-Front
10	3256-14	2	Washer-Flat	23	130-5840	1	Foam-Interior, RH-Upper
11	3290-134	2	Screw	24	130-5733	1	Decal-Instruction
12	3296-2	2	Nut-Lock, NI	25	130-5980	1	Decal-Deck Down
13	130-0564	1	Foam-Upholstery, Rear				

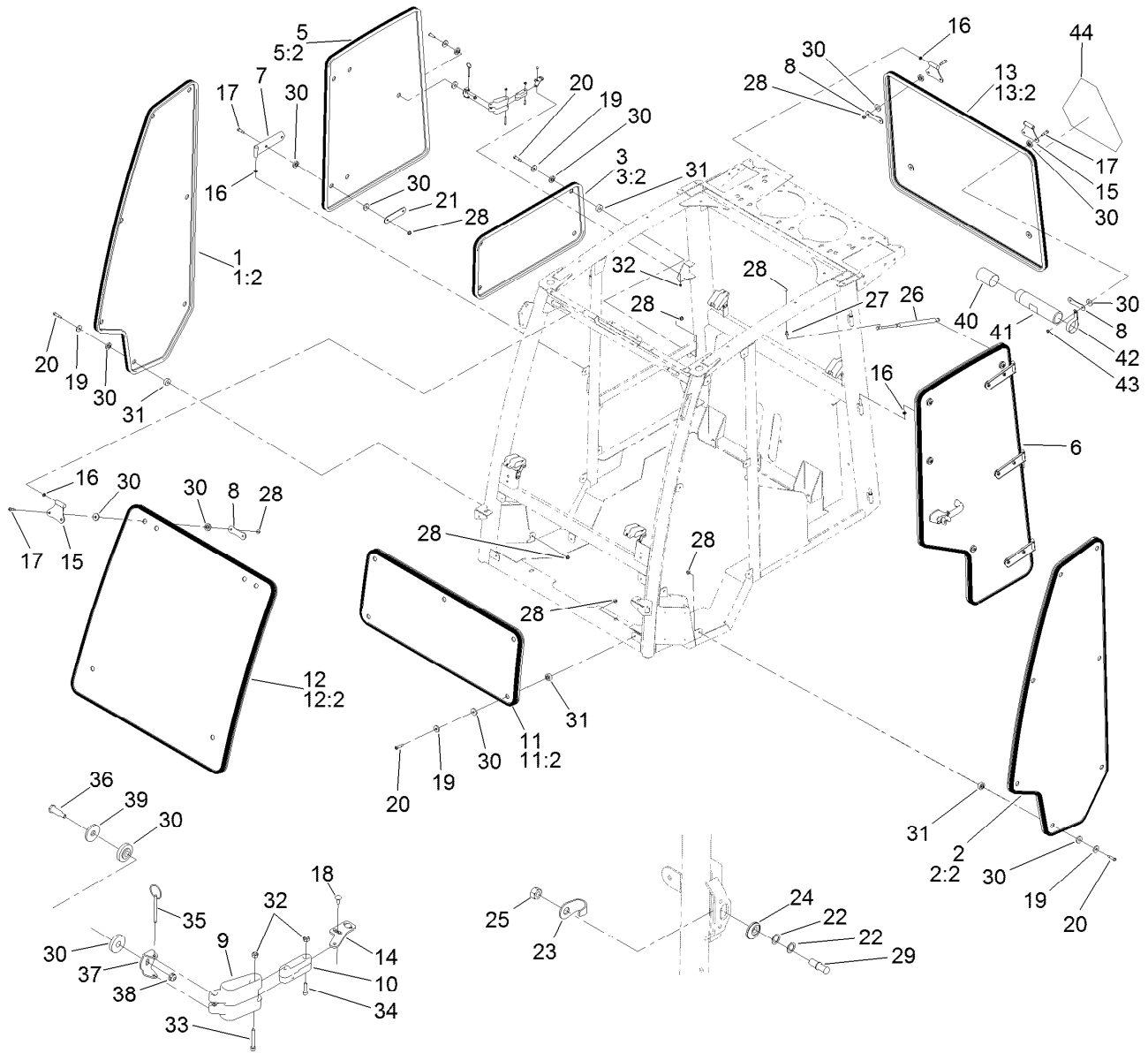


## Window, Door and Striker Assembly

Ref.	Part Number	Qty.	Description
1	130-5683	1	RH Side Window ASM
1:2	121-8214	1	Trim-Window
2	130-5684	1	LH-Side Window ASM
2:2	121-8214	1	Trim-Window
3	130-5685	1	RH Lower Window ASM
3:2	121-8218	1	Trim-Window, Rear
5	130-5686	1	RH-Upper Window ASM
5:2	121-8217	1	Trim-Window
6		1	Door Assembly ●
7	125-9619-03	2	Hinge-Door, LH
8	127-9933-03	4	*obs* Plate-Backer
9	125-9792	5	Handle-Window
10	125-9793	5	Link-Window
11	130-5681	1	Lower Front Window ASM
11:2	121-8211	1	Trim-Window, Front
12	130-5680	1	Upper Front Window ASM
12:2	121-8212	1	Seal-Trim
13	130-5682	1	Rear Window ASM

Ref.	Part Number	Qty.	Description
13:2	130-0637	1	Seal-Trim
14	130-0590	5	Mount-Tab
15	121-8535-03	4	Hinge-Window
16	121-8441	9	Washer-Spacer
17	125-9520	12	Screw-Shoulder, HSH
18	1-807513	10	Bolt-CARR
19	130-5815	23	Washer-Backup
20	125-9521	23	Screw-Shldr HSH
21	127-9934-03	2	Plate-Backer, Window
22	73-0040	2	Washer-Thrust
23	121-8393	1	Guard-Striker
24	125-9992	1	Adjuster-Stud
25	106-0327	1	Nut-Hex
26	130-6080	1	Spring-Gas, Door
27	98-3104	1	Stud-Ball
28	104-8300	34	Nut-HF, NI
29	125-9993	1	Striker-Stud
30	125-9982	57	Bushing-Flange

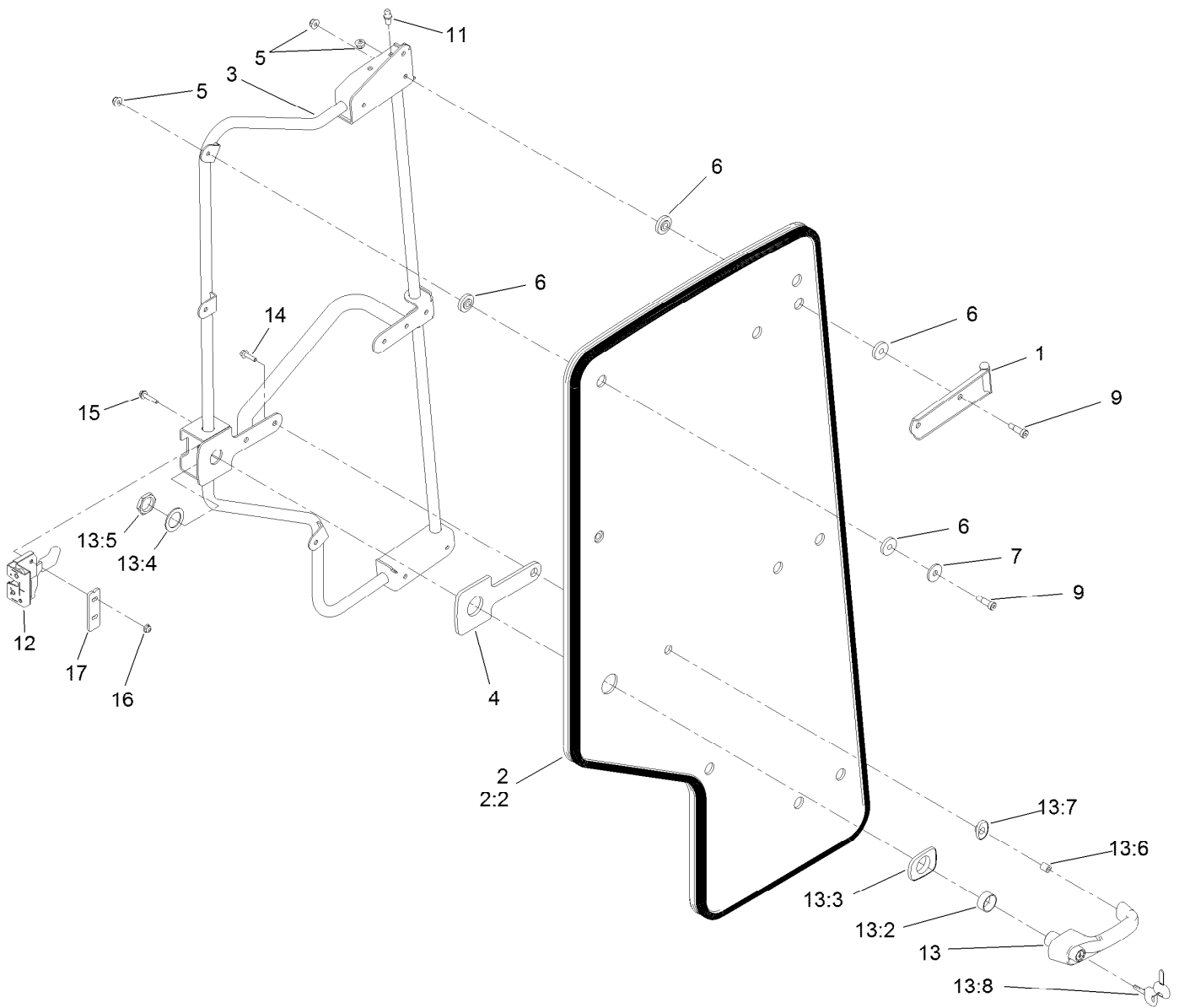
● Not serviced separately



## Window, Door and Striker Assembly (continued)

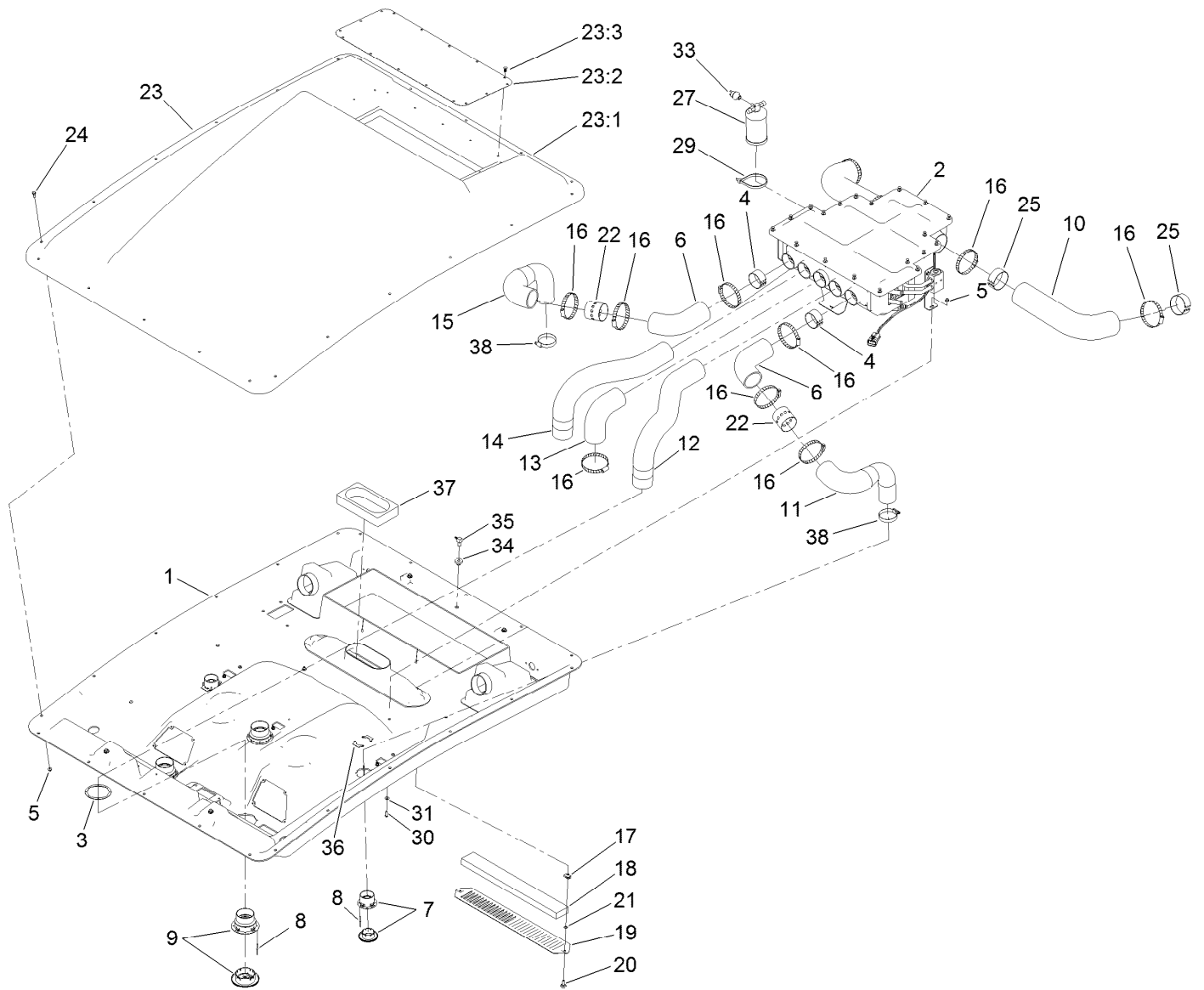
Ref.	Part Number	Qty.	Description	Ref.	Part Number	Qty.	Description
31	125-9537	23	Bushing-Flange	38	104-7201	5	Nut-HF, NI
32	120-9681	20	Nut-Lock, NI	39	125-9676	5	Washer-Backup
33	3274-59	5	Screw-HSH	40	104-7048	1	Cap-Housing
34	3274-14	5	Screw-HSH	41	104-7050	1	Tube-Manual
35	127-9850	5	Pin-Release, Quick	42	2412-133	2	Clamp-R
36	119-9812	5	Bolt-Shoulder	43	3296-47	2	Nut-Lock,NI
37	125-9987	5	Mount-Latch	44	120-0250	1	Decal-Warning

● Not serviced separately



## LH Door Assembly

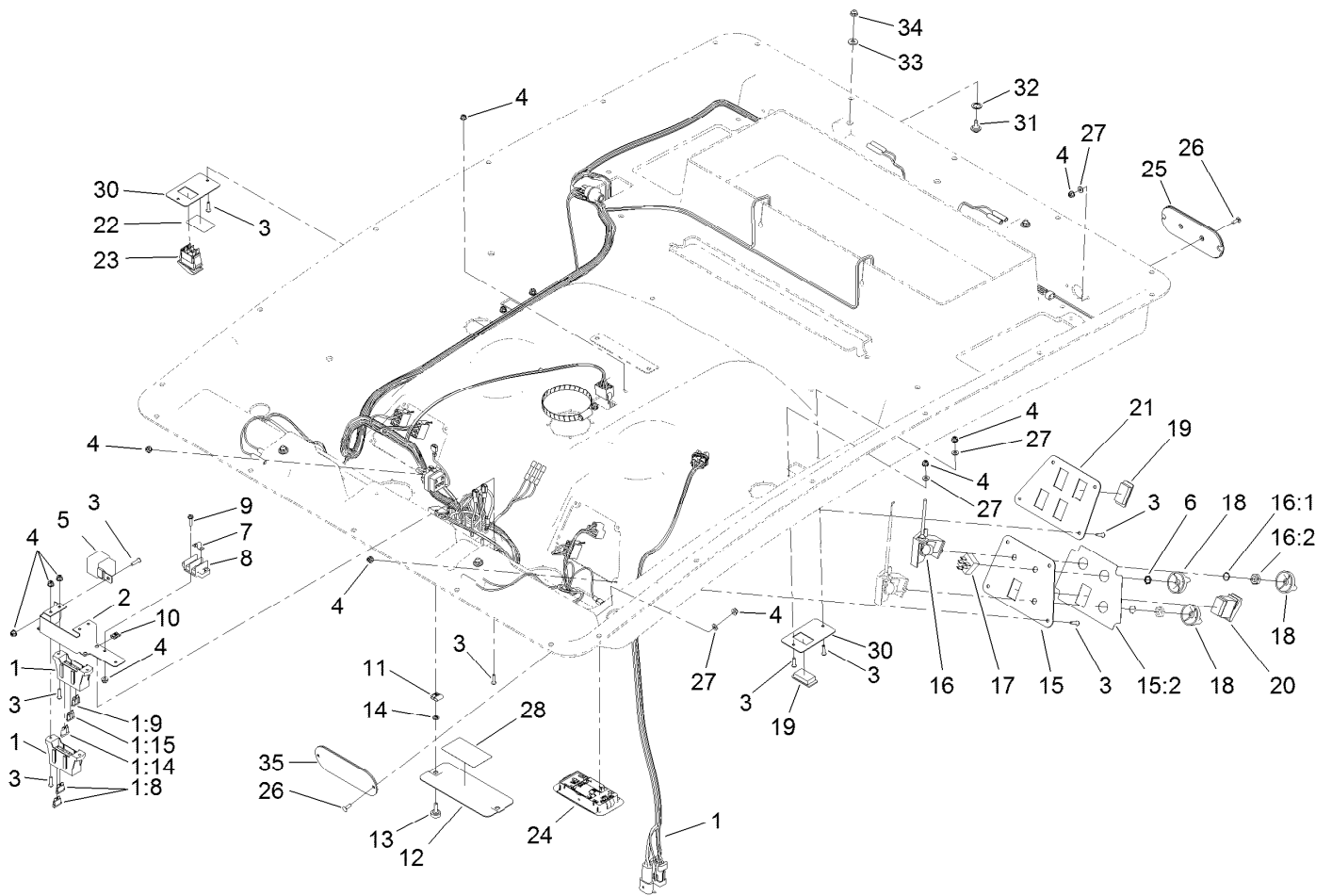
<i>Ref.</i>	<i>Part Number</i>	<i>Qty.</i>	<i>Description</i>	<i>Ref.</i>	<i>Part Number</i>	<i>Qty.</i>	<i>Description</i>
1	125-9619-03	3	Hinge-Door, LH	13:2	121-8628	1	Cylinder-Mounting, Key
2	130-5687	1	LH Door ASM	13:3	121-8322	1	Grommet-Mounting, Large
2:2	130-0623	1	Trim-Door	13:4	121-8327	1	Washer
3	125-9730-03	1	Frame-Door, LH	13:5	121-8328	1	Nut
4	121-8331	1	Gasket-Handle	13:6	121-8627	1	Cylinder-Mounting, End
5	104-8300	11	Nut-HF, NI	13:7	121-8323	1	Grommet-Mounting, Small
6	125-9982	20	Bushing-Flange	13:8	125-9531	1	Key-Set
7	125-9676	4	Washer-Backup	14	33103-025	1	Screw-HHF
9	125-9520	10	Screw-Shoulder, HSH	15	3234-21	2	Screw-HHF
11	98-3104	1	Stud-Ball	16	104-7201	2	Nut-HF, NI
12	121-8391	1	Latch-LH	17	121-8395	1	Plate-Support, Latch
13	121-8630	1	Handle ASM				



## Mixing Box and Vent Hose Assembly

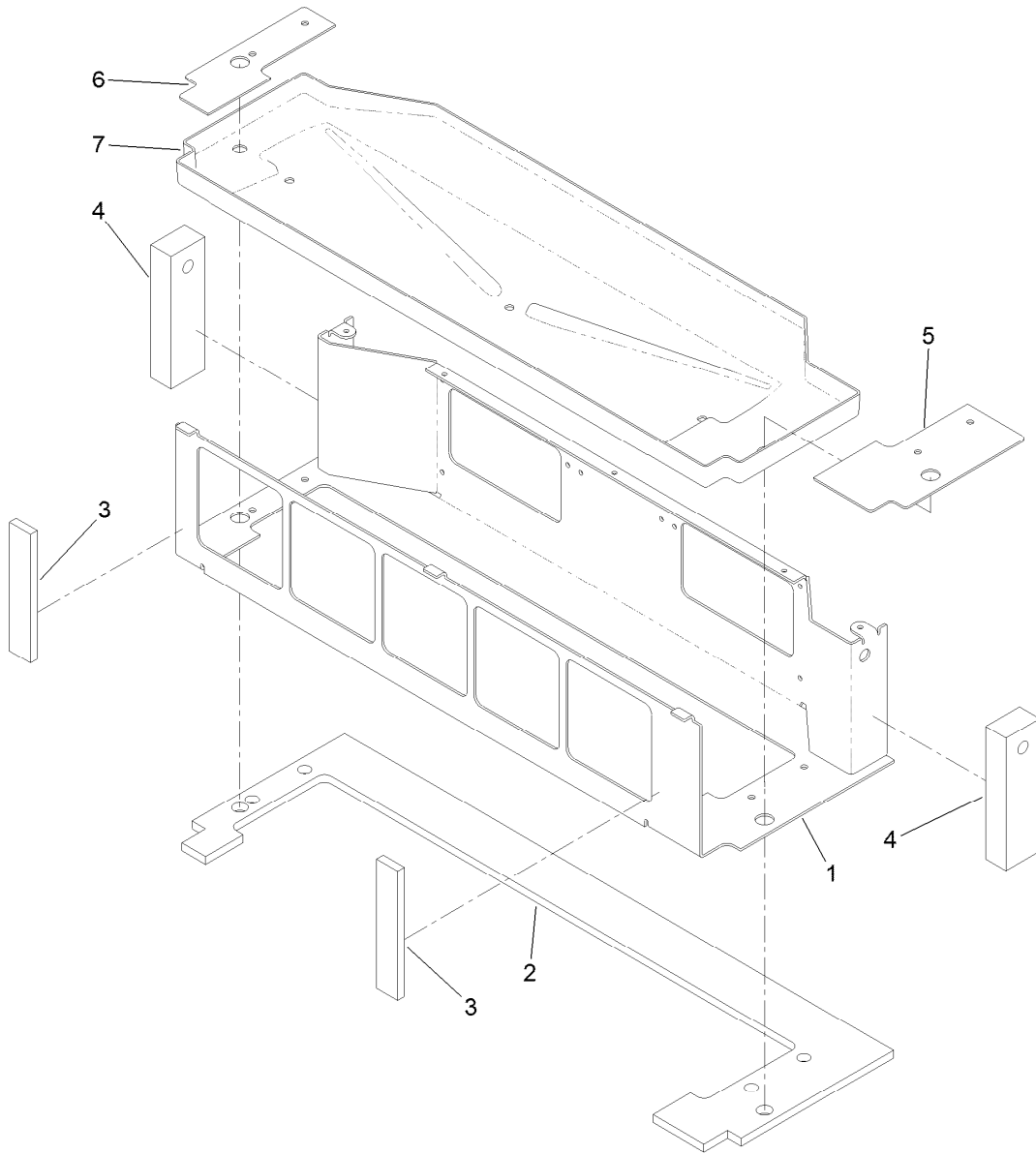
Ref.	Part Number	Qty.	Description	Ref.	Part Number	Qty.	Description
1	121-8470	1	Headliner	20	125-7438	2	Knob-Screw, Thumb
2	121-8495	1	Box-Mixing, Heater A/C	21	106-8737	2	Nut-Retainer
3	130-0558	3	Backplate-Rivet	22	130-5927	2	Adapter-Bleed
4	130-5938	2	Tube-Support	23	130-0459	1	Roof ASM
5	104-7201	24	Nut-HF, NI	23:1	125-9607	1	Roof
6	130-5860	2	Hose-Vent	23:2	121-8472-03	1	Screen-Roof
7	130-0455	2	Louver-Round, Snap-In	23:3	114-4899	16	Rivet-Push
8	125-7503	20	Rivet-Pop	24	119-4161	22	Bolt-Shoulder
9	130-0465	3	Louver-Round, Snap-In (4 Inch)	25	130-5939	4	Tube-Support
10	121-8473	2	Hose-Intake, Fresh Air	27	119-4502	1	Drier-Receiver
11	130-5861	1	Hose-Vent, Outer (LH)	29	3334-945	2	Tie-Cable
12	121-8477	1	Hose-Vent, Defrost (LH)	30	3274-69	2	Screw-HSBH
13	130-0437	1	Hose-Vent, Center	31	3256-1	2	Washer-Flat
14	121-8478	1	Hose-Vent, Defrost (RH)	33	119-4501	1	Switch-Function, Dual
15	130-5862	1	Hose-Vent, Outer (RH)	34	46-6560	1	Bushing
16	2412-110	11	Clamp-Band/Screw	35	104-5228	1	Fitting-Elbow, 90 DEG
17	107069	2	Clip	36	130-0445	4	Backplate-Rivet
18	125-9532	1	Filter-Cab, Inside	37	130-0444	1	Foam-Inlet, Airbox
19	125-9604-03	1	Plate-Cover, Recirculation	38	2412-130	2	Clamp-Hose





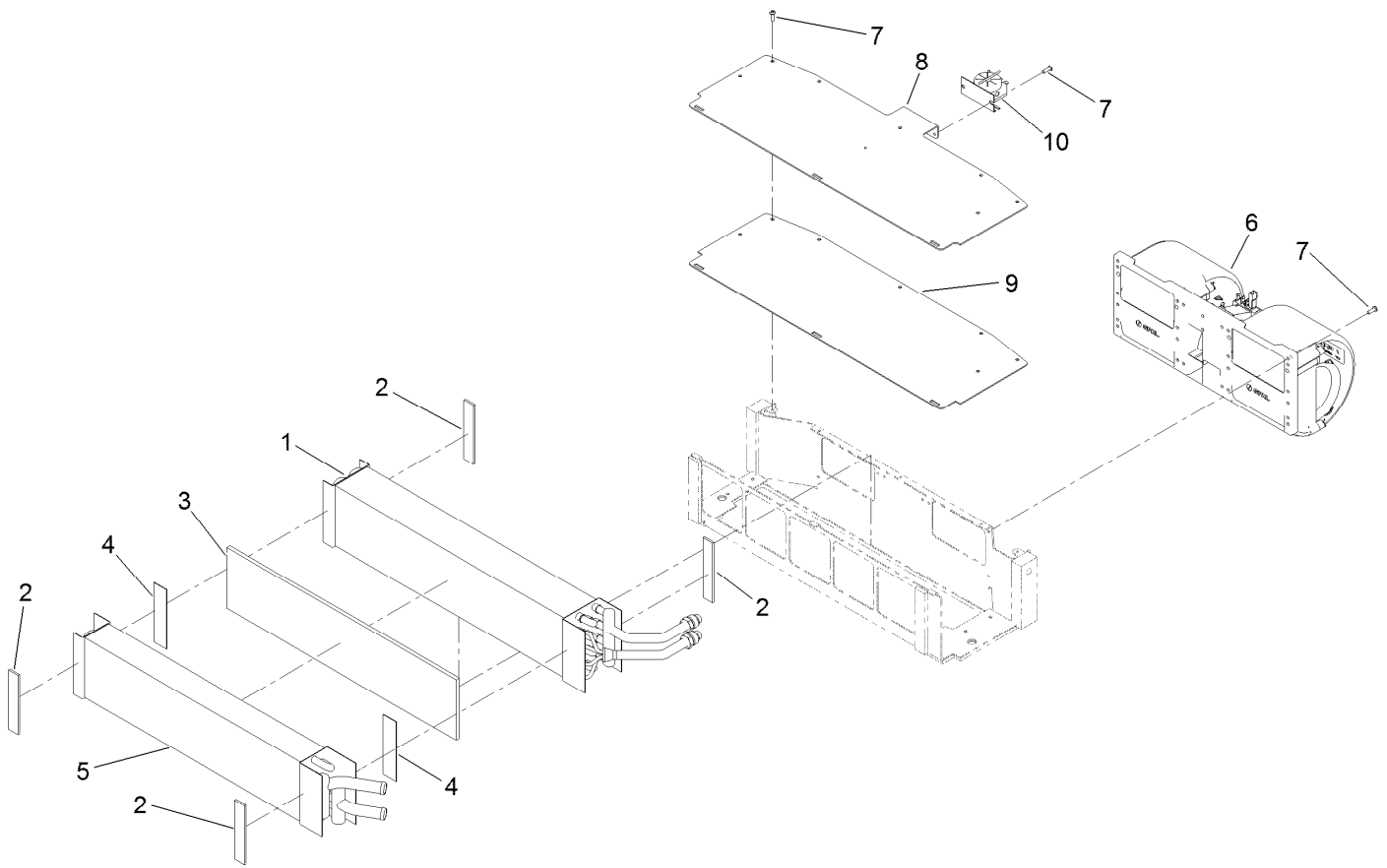
## Headliner Wire Harness and Control Assembly

Ref.	Part Number	Qty.	Description	Ref.	Part Number	Qty.	Description
1	119-4387	1	Harness-Wire, Headliner	16:1	3254-20	1	Washer-Lock, Int
1:8	109355	2	Fuse-Blade, 15 Amp	16:2	3220-4	1	Nut-Jam
1:9	109103	1	Fuse-Blade, 30 Amp	17	122-0150	1	Switch, Rotary
1:14	109101	1	Fuse-Blade, 20 Amp	18	125-9510	3	Knob-Control
1:15	109102	1	Fuse-Blade, 25 Amp	19	99-7420	6	Plug-Hole
2	125-9606-03	1	Bracket-Fuse Block	20	95-8999	1	Switch-Rocker, On-None-On
3	104-2408	23	Screw-HSBH	21	125-9691-03	1	Panel-Switch, Lights
4	120-4578	29	Nut-HF	22	125-9688	1	Decal-Washer
5	99-7430	1	Relay-Mini	23	119-8355	1	Switch-Rocker
6	130-0588	1	Nut-Switch	24	125-7437	1	Light-Dome
7	42863	1	Strip-Jumper	25	130-5867	2	Cover-Light, Rear
8	42862	1	Block-Terminal, Ground	26	3229-34	8	Screw-CARR
9	32105-13	2	Screw-HWH	27	3256-14	13	Washer-Flat
10	107-1013	4	Nut-Speed	28	130-0458	1	Decal-Panel, Fuse
11	609900	2	Nut-Speed	30	130-0436-03	3	Panel-Switch
12	125-9603-03	1	Plate-Cover, Fuse	31	92-9698	4	Screw-Shoulder
13	125-7438	2	Knob-Screw, Thumb	32	94-8196	4	Washer-Nylon
14	106-8737	2	Nut-Retainer	33	3256-2	4	Washer-Flat
15	121-8481	1	Panel-Air/Heat	34	104-7201	4	Nut-HF, NI
15:2	121-8378	1	Decal, Air/Heat	35	130-5868	2	Cover-Light, Front
16	125-9677	1	Control-Rotary, Linear				



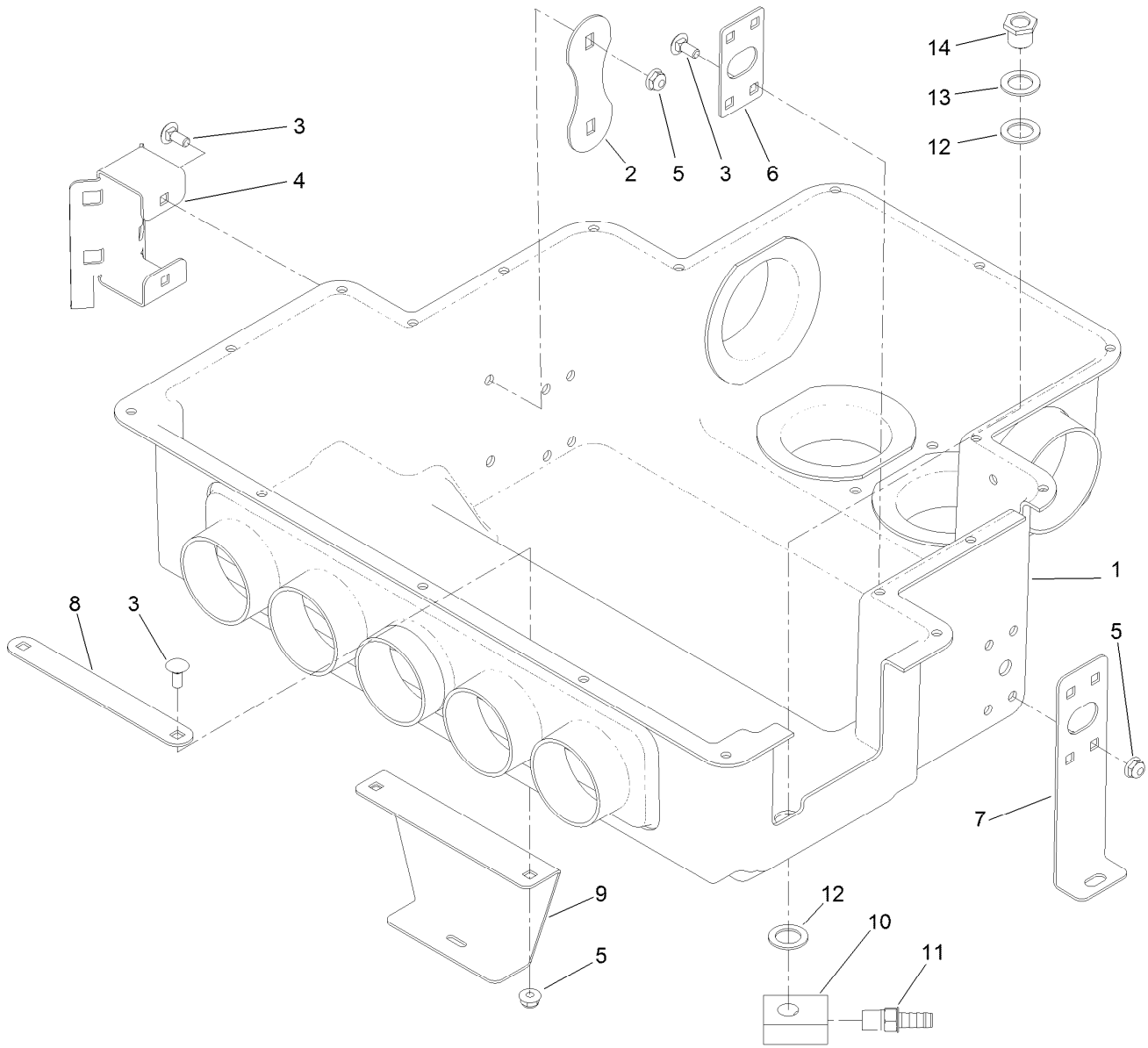
## Mixing Box Mounting Bracket and Water Tray Assembly

<i>Ref.</i>	<i>Part Number</i>	<i>Qty.</i>	<i>Description</i>
1	130-5655-03	1	Bracket-Mount
2	130-5659	1	Seal-Foam
3	130-5808	2	Seal-Foam, Front
4	130-0602	2	Seal-End
5	130-5653	1	Gasket-Mount, LH Bracket
6	130-5654	1	Gasket-Mount, RH Bracket
7	130-5660	1	Tray-Water



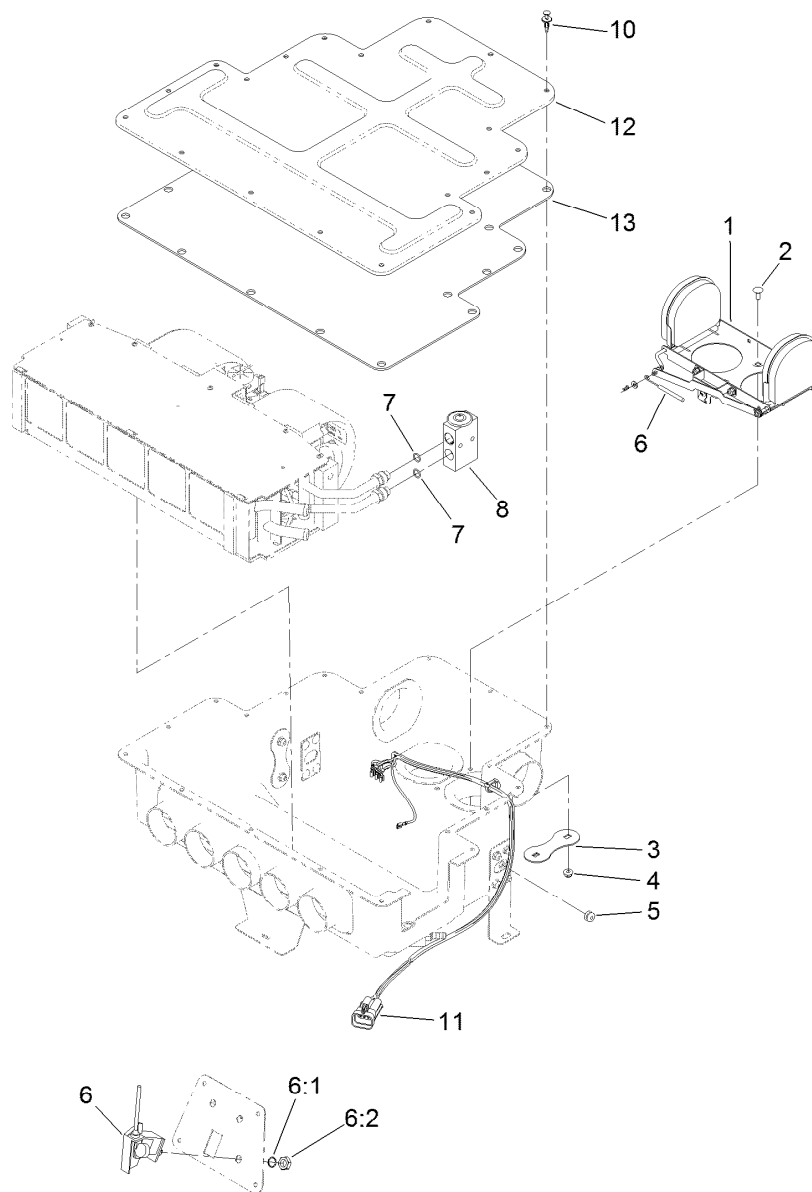
## Blower Fan and Evaporator Core Assembly

Ref.	Part Number	Qty.	Description
1	130-5392	1	Core-Evaporator
2	130-5658	4	Gasket-Coil
3	130-5807	1	Foam
4	130-5806	2	Tape, Double-Sided
5	127-9915	1	Core-Heater
6	121-8451	1	Fan-Blower
7	363-8245	13	Screw-TAP
8	130-5656-03	1	Cover, Bracket-Mount
9	130-5652	1	Gasket-Mount, Cover Bracket
10	121-8385	1	Thermostat-Switch, Freeze



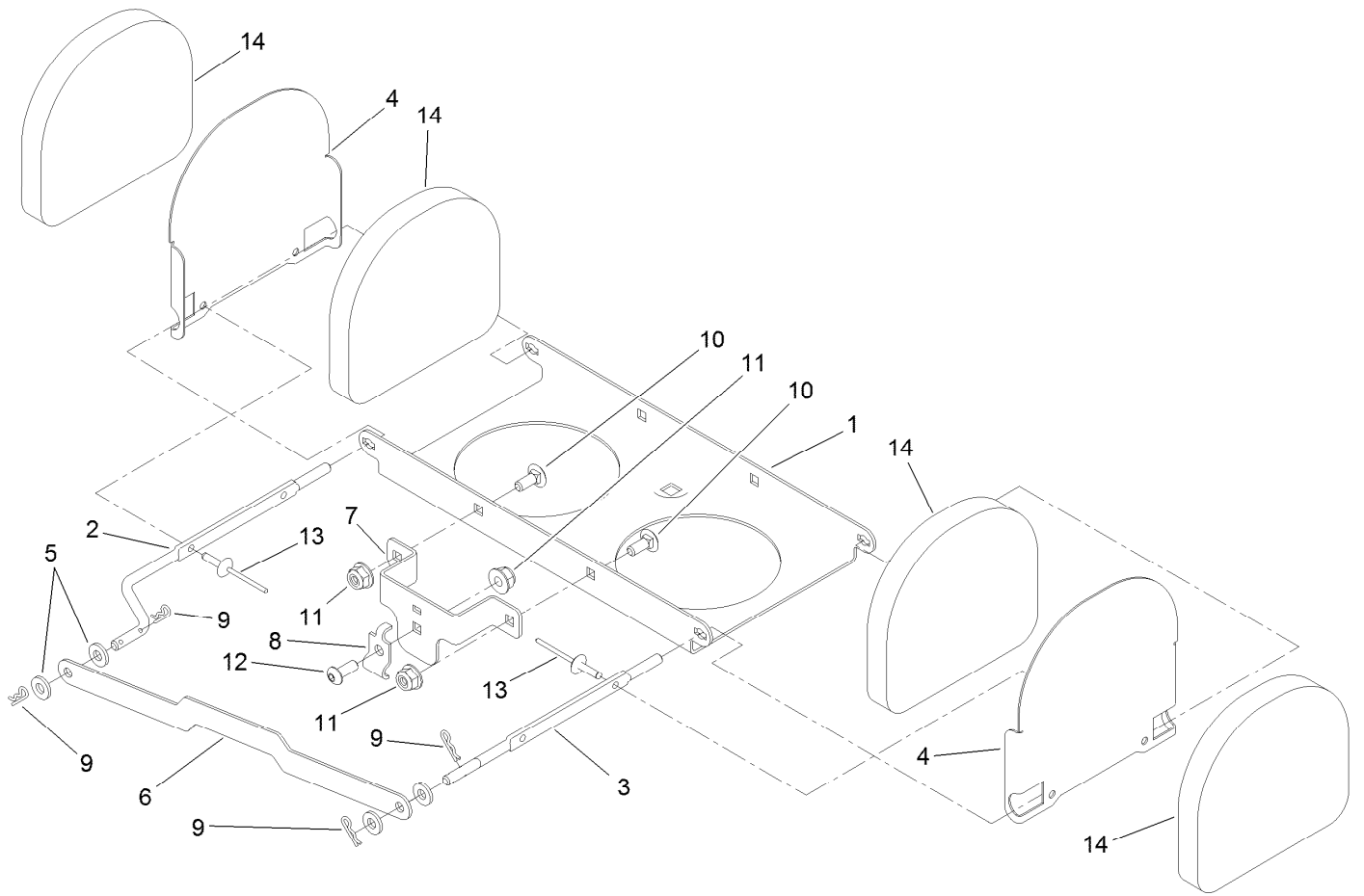
## Heat/Air Conditioner Housing Assembly

Ref.	Part Number	Qty.	Description
1	130-5830	1	Housing-Heat/AC
2	121-8491	1	Plate-Support
3	3229-11	12	Screw-CARR
4	121-8490	1	Bracket-Mount, Drier
5	104-7201	12	Nut-HF, NI
6	130-5834	2	Bracket-Support
7	130-5821	2	Bracket-Airbox, Side
8	125-7504	1	Plate-Backer, Center
9	130-0554	1	Bracket-Airbox, Center
10	130-5601	2	Drain-Lower
11	108-0342	2	Fitting-Straight
12	121-6840	4	Washer-Rubber
13	107-3041	2	Washer-Flat
14	130-0293	2	Drain-Upper



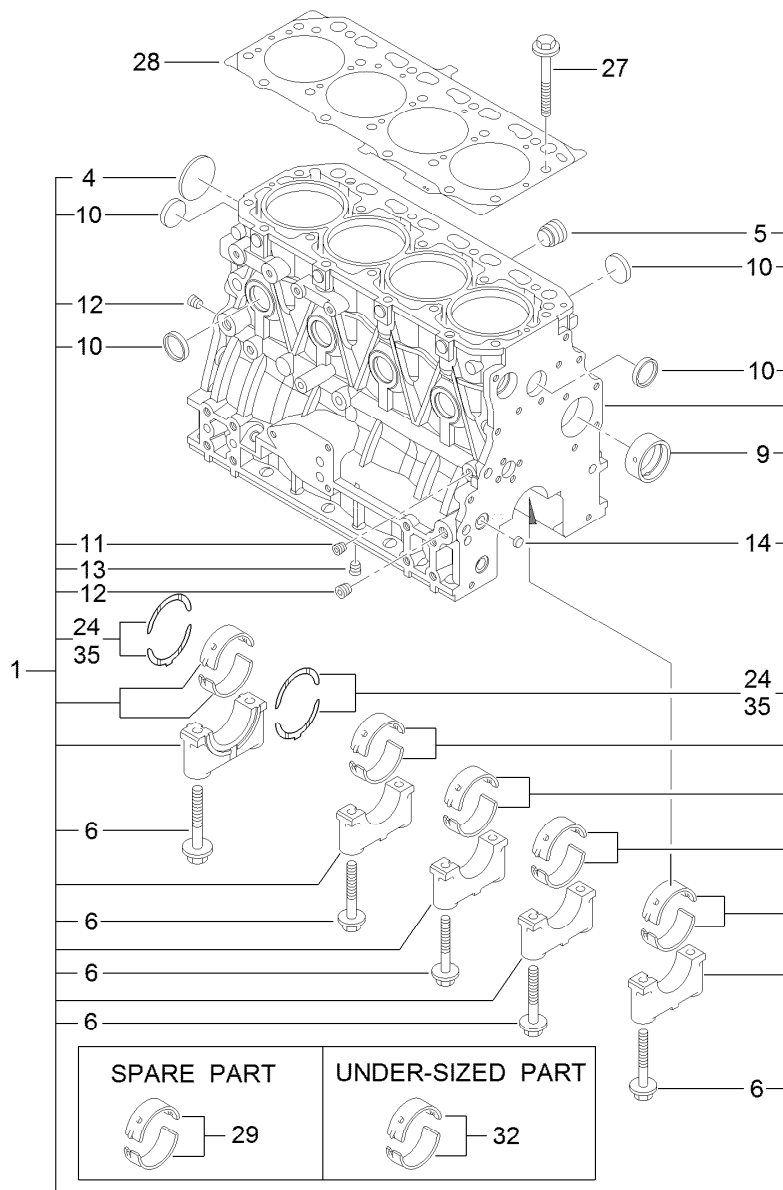
## Air Diverter and Expansion Valve Assembly

<i>Ref.</i>	<i>Part Number</i>	<i>Qty.</i>	<i>Description</i>
1	121-8369	1	Air Diverter ASM
2	3229-11	2	Screw-CARR
3	121-8491	1	Plate-Support
4	104-7201	2	Nut-HF, NI
5	125-7528	1	Grommet-Cable
6	125-9678	1	Control-Rotary, Linear
6:1	3254-20	1	Washer-Lock, Int
6:2	3220-4	1	Nut-Jam
7	125-9524	2	O-Ring
8	121-8384	1	Valve-Expansion
10	125-9622	19	Rivet-Blind
11	122-0153	1	Harness-Wire, Heat/AC Blower
12	121-8449	1	Housing-Ventilation, Upper
13	130-5614	1	Insulation-Cover



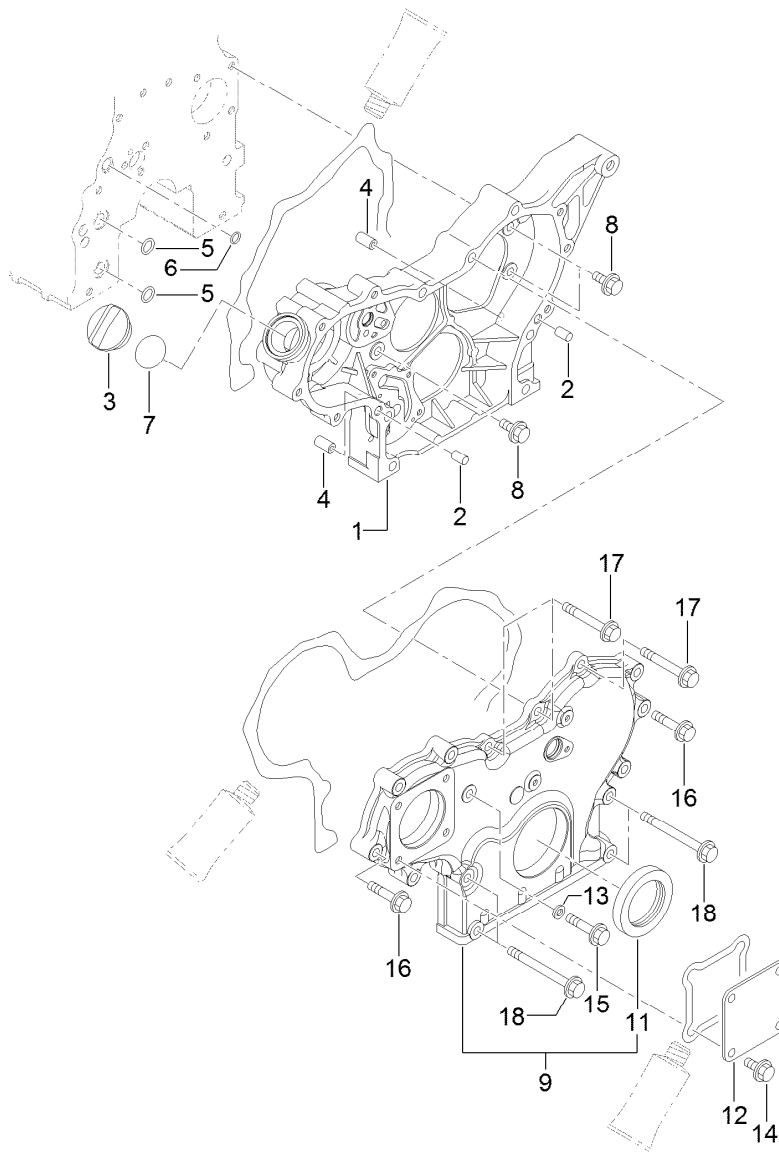
## Air Diverter Assembly No. 121-8369

<i>Ref.</i>	<i>Part Number</i>	<i>Qty.</i>	<i>Description</i>
1	125-9697	1	Base-Mount
2	121-8381	1	Shaft-Baffle, RH
3	121-8382	1	Shaft-Baffle, LH
4	125-9698	2	Baffle-Air
5	3256-51	4	Washer-Flat
6	125-9696	1	Link-Baffle
7	121-8374	1	Mount-Cable
8	121-8256	1	Clamp-Conduit
9	108-2992	4	Pin-Hair
10	1-807513	2	Bolt-CARR
11	120-4578	3	Nut-HF
12	115-9830	1	Screw-HSBH
13	3290-271	4	Rivet-Pop
14	125-9699	4	Damper-Foam



## Cylinder Block Assembly

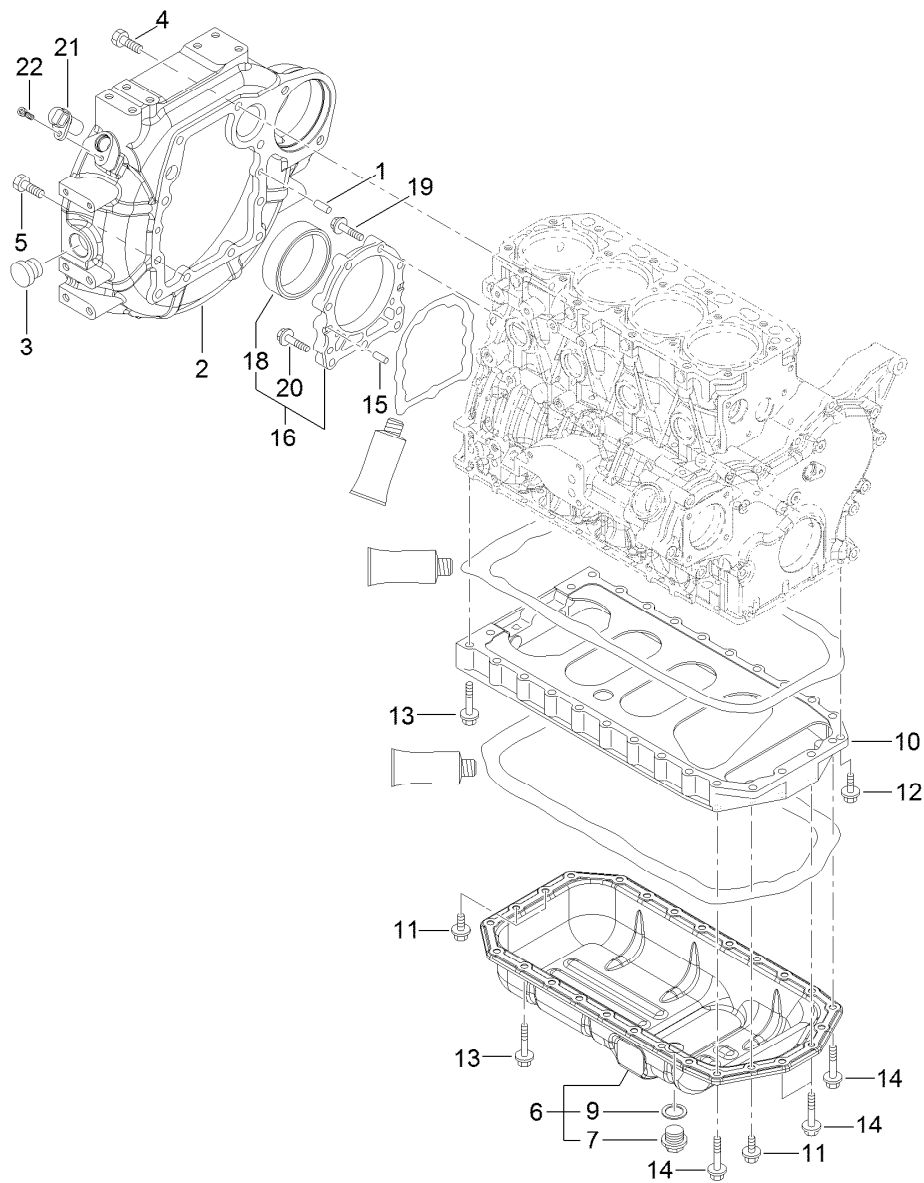
<i>Ref.</i>	<i>Part Number</i>	<i>Qty.</i>	<i>Description</i>	<i>Ref.</i>	<i>Part Number</i>	<i>Qty.</i>	<i>Description</i>
1	127-3127	1	Cylinder Block ASM	13	125-6973	1	Plug
4	125-6980	1	Plug	14	125-7237	1	Plug
5	125-7170	1	Plug	24	125-7010	2	Metal-Thrust
6	125-7007	10	Bolt	27	125-7006	18	Bolt
9	125-7108	1	Bushing	28	127-3126	1	Gasket-Head, Cylinder
10	125-7239	8	Plug	29	125-6981	5	Metal-Main
11	125-6969	1	Plug	32	125-7009	5	Metal-Main (0.25)
12	125-6973	2	Plug	35	125-7011	1	Metal-Thrust (0.25)



## Gear Housing Assembly

<i>Ref.</i>	<i>Part Number</i>	<i>Qty.</i>	<i>Description</i>	<i>Ref.</i>	<i>Part Number</i>	<i>Qty.</i>	<i>Description</i>
1	127-3023	1	Case-Gear	11	125-6944	1	Seal-Oil
2	125-6995	2	Pin	12	125-6977	1	Cover
3	125-6972	1	Cover-Filler	13	125-7174	1	Washer-Seal
4	125-7107	2	Pipe	14	125-7214	4	Bolt
5	125-6909	2	O-Ring	15	125-7217	1	Bolt
6	127-2973	1	O-Ring	16	125-7218	7	Bolt
7	125-7197	1	O-Ring	17	125-7222	3	Bolt
8	125-7214	3	Bolt	18	125-7224	4	Bolt
9	127-3024	1	Gearcase Cover ASM				

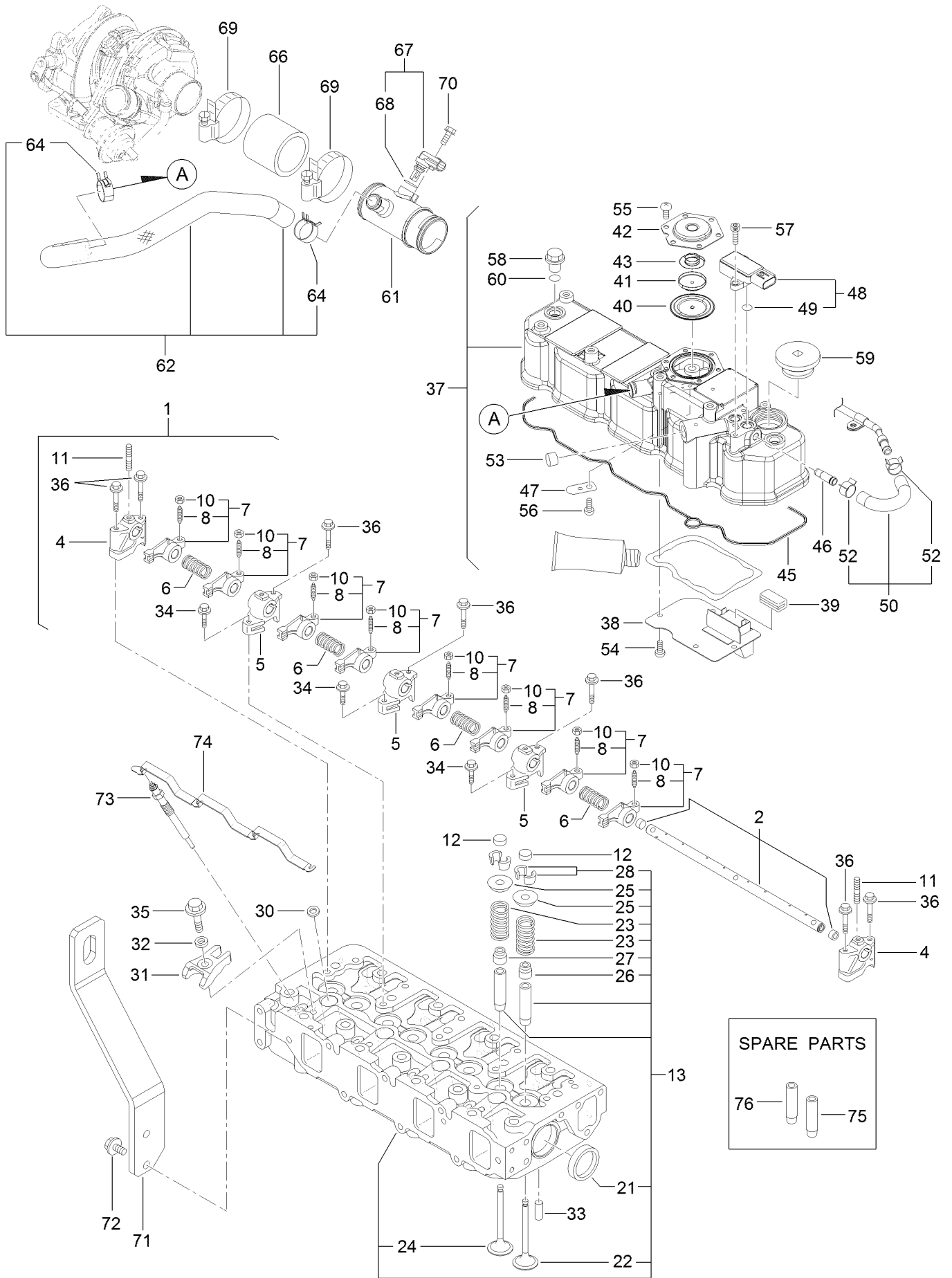




## Flywheel Housing and Oil Sump Assembly

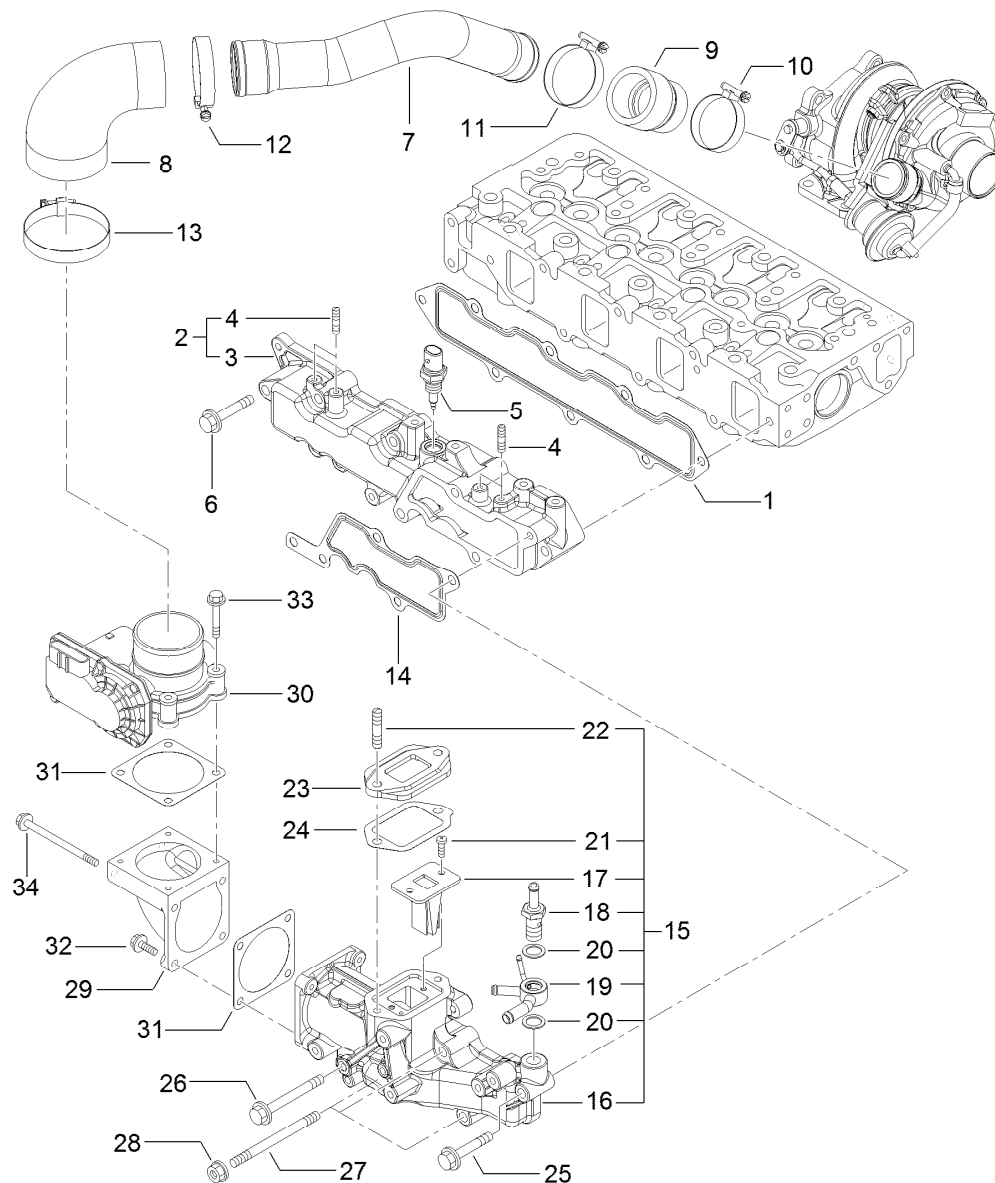
<i>Ref.</i>	<i>Part Number</i>	<i>Qty.</i>	<i>Description</i>	<i>Ref.</i>	<i>Part Number</i>	<i>Qty.</i>	<i>Description</i>
1	125-6995	2	Pin	12	125-7215	2	Bolt
2	127-3025	1	Housing-Flywheel	13	125-7219	20	Bolt
3	125-6910	1	Cap	14	125-7220	4	Bolt
4	125-7226	6	Bolt	15	125-6995	2	Pin
5	125-7227	4	Bolt	16	125-6996	1	Case ASM
6	125-7241	1	Oil Sump ASM	18	125-7106	1	Seal-Oil
7	125-6912	1	Plug-Drain	19	125-7045	6	Bolt
9	125-7177	1	Washer-Seal	20	125-7217	3	Bolt
10	125-7035	1	Spacer	21	127-3062	1	Sensor-Rev, Flywheel
11	125-7214	4	Bolt	22	127-3184	1	Bolt

# Cylinder Head and Cover Assembly



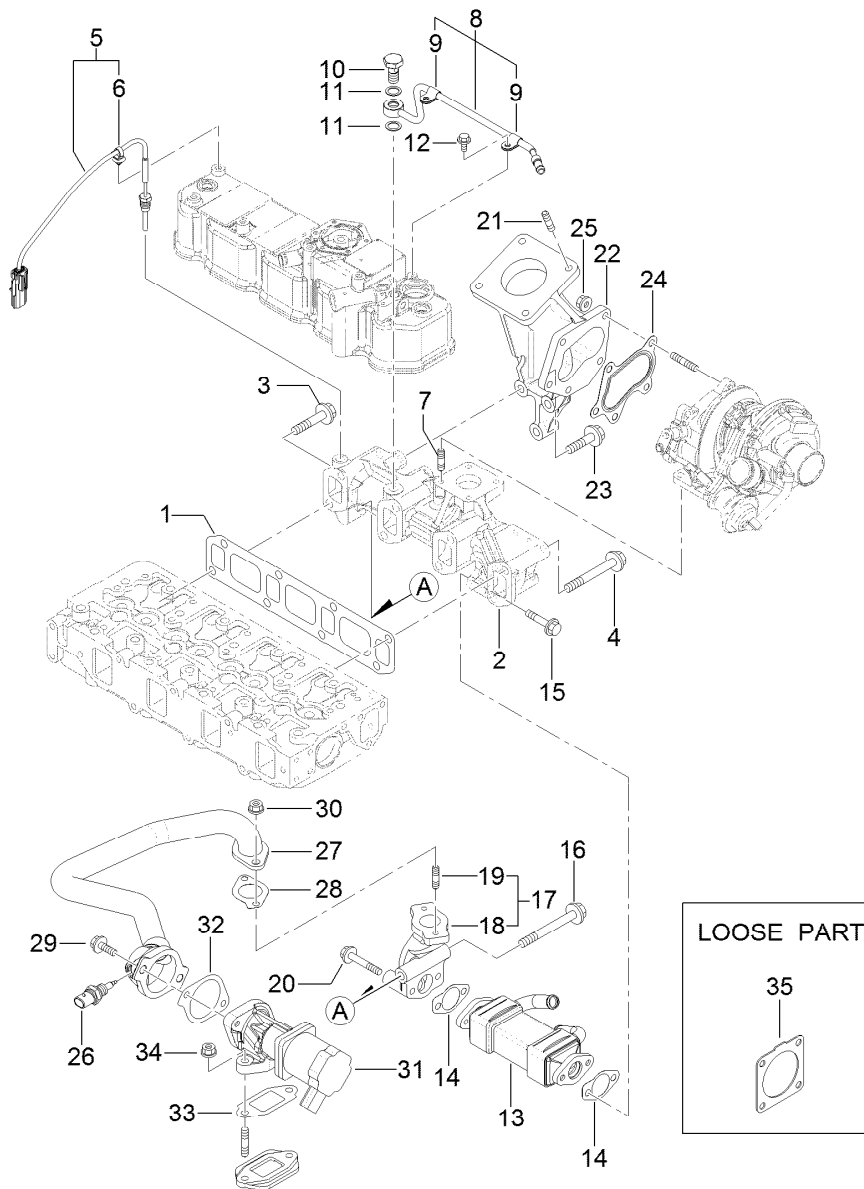
## Cylinder Head and Cover Assembly (continued)

<i>Ref.</i>	<i>Part Number</i>	<i>Qty.</i>	<i>Description</i>	<i>Ref.</i>	<i>Part Number</i>	<i>Qty.</i>	<i>Description</i>
1	127-3005	1	Shaft ASM	42	125-6961	1	Plate-Breather
2	127-3006	1	Shaft	43	125-6962	1	Spring-Diaphragm
4	127-2974	2	Support	45	127-3106	1	Gasket-Cover
5	127-2975	3	Support	46	127-3026	1	Joint
6	127-2995	4	Spring	47	125-6994	1	Spring
7	127-2989	8	Arm-Rocker	48	127-3029	1	Sensor-Pressure
8	125-7013	8	Screw-Adjust, Valve	49	127-3032	2	O Ring-Sensor, Pressure
10	125-7014	8	Nut	50	127-3040	1	Hose ASM
11	127-3183	3	Stud	52	127-3041	2	Clip-Hose
12	127-2996	8	Cap-Valve	53	125-6913	1	Plug
13	127-3132	1	Cylinder Head ASM	54	125-7186	4	Screw
21	125-7240	2	Plug	55	125-7186	6	Screw
22	127-2990	4	Valve	56	125-7186	1	Screw
23	127-3012	8	Spring	57	127-3184	2	Bolt
24	127-2994	4	Valve	58	125-6974	3	Knob
25	127-3013	8	Retainer-Spring	59	127-2978	1	Plug
26	127-2986	4	Seal-Stem, Valve	60	93-0418	3	O-Ring
27	127-3027	4	Seal-Stem, Valve	61	127-3128	1	Joint-Breather
28	127-3186	8	Pin-Cotter	62	127-3129	1	Breather Hose ASM
30	127-3021	4	Gasket-Injector	64	125-7040	2	Clip-Hose
31	127-3028	4	Retainer-Injector	66	127-3133	1	Hose-Intake
32	127-2980	4	Washer-Injector	67	127-3030	1	Sensor-Temp, Air
33	125-7184	2	Pin-Spring	68	127-3033	1	O-Ring
34	125-7215	3	Bolt	69	125-7190	2	Clamp-Hose
35	125-7217	4	Bolt	70	125-7208	1	Bolt
36	125-7220	7	Bolt	71	127-3130	1	Lifter-Engine
37	127-3131	1	Cylinder Head Cover ASM	72	125-7214	2	Bolt
38	127-2988	1	Plate	73	127-2991	4	Plug-Glow
39	125-7012	1	Baffle	74	127-3123	1	Connector-Glow Plug
40	125-6959	1	Diaphragm	75	127-2979	4	Guide
41	125-6960	1	Plate	76	127-2997	4	Guide-Valve



## Suction Manifold Assembly

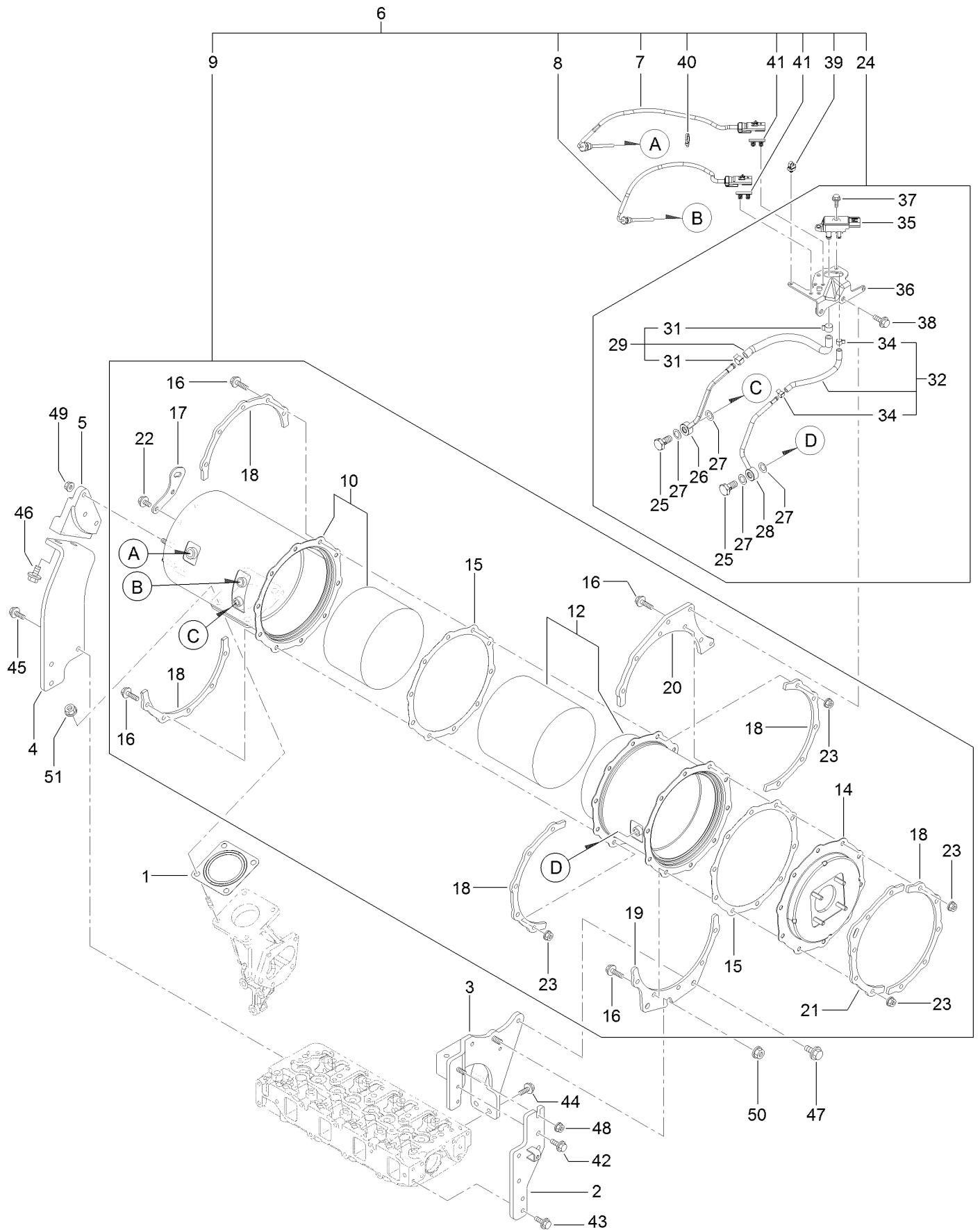
Ref.	Part Number	Qty.	Description	Ref.	Part Number	Qty.	Description
1	127-3107	1	Gasket-Manifold, Intake	18	127-3080	1	Joint-Hose
2	127-3135	1	Intake Manifold ASM	19	127-3081	1	Joint-Hose
3	127-3134	1	Manifold-Intake	20	127-3166	2	Washer-Seal
4	127-3180	4	Stud	21	127-3168	2	Screw
5	127-3031	1	Sensor-Temp, Air	22	127-3181	2	Stud
6	125-7220	5	Bolt	23	127-3045	1	Spacer-Valve, E G R
7	127-3152	1	Duct-Suction	24	127-3046	1	Gasket-E G R
8	127-3096	1	Joint-Rubber	25	125-7220	1	Bolt
9	127-3153	1	Joint-Rubber	26	127-3178	1	Bolt
10	125-7189	1	Clamp-Hose	27	127-3182	3	Stud
11	127-3170	1	Clamp-Hose	28	125-7229	3	Nut
12	125-7190	1	Clamp-Hose	29	127-3035	1	Bend-Inlet
13	127-3171	1	Clamp-Hose	30	127-3036	1	Body-Throttle
14	127-3034	1	Gasket-Collector	31	127-3037	2	Gasket-Throttle
15	127-3093	1	Intake Collector ASM	32	125-7209	2	Gasket
16	127-3092	1	Collector-Intake	33	125-7211	4	Bolt
17	127-3139	1	Valve-Reed	34	127-3177	2	Bolt



## Exhaust Manifold Assembly

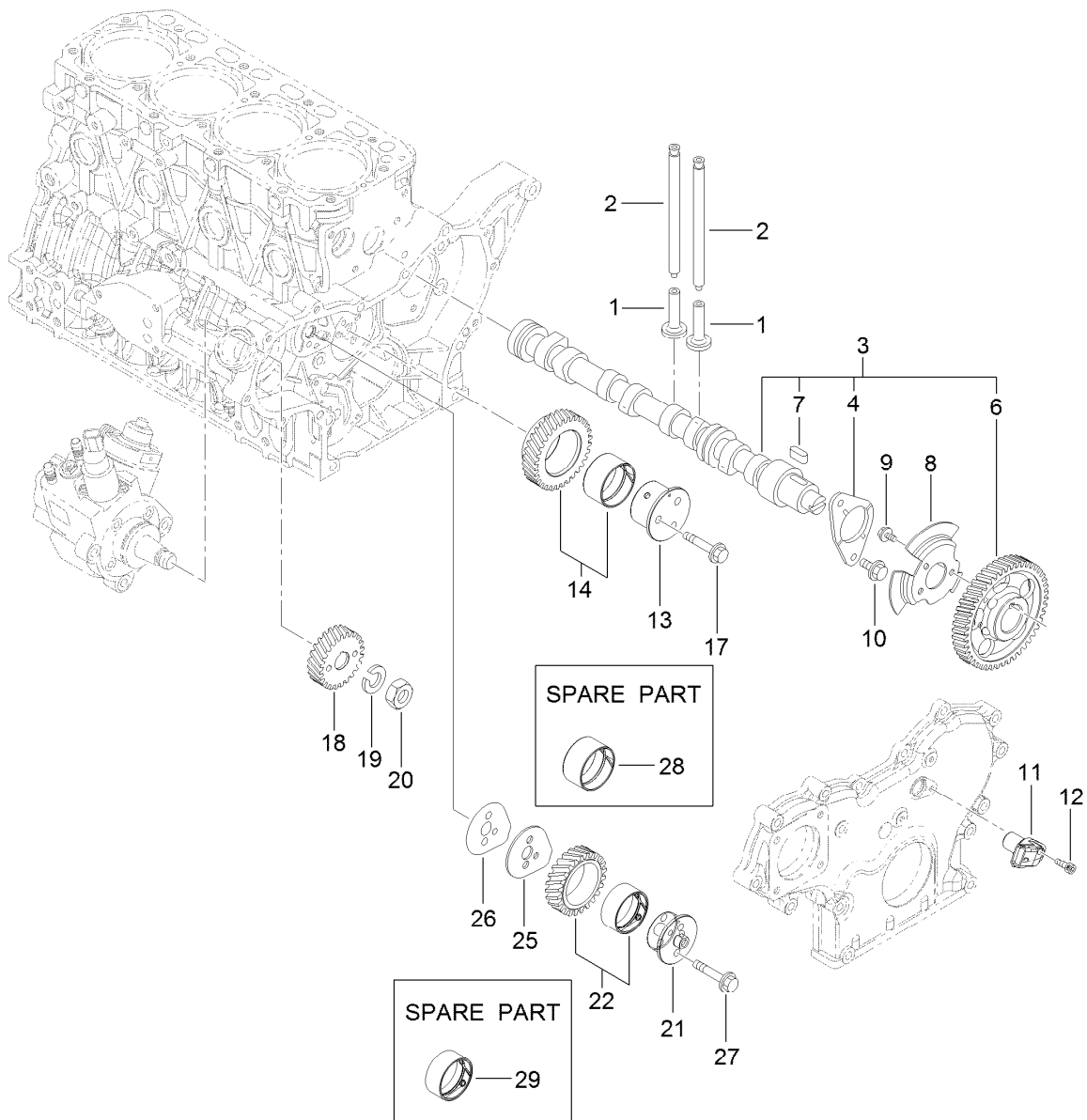
Ref.	Part Number	Qty.	Description	Ref.	Part Number	Qty.	Description
1	127-3108	1	Gasket-Manifold, Exhaust	19	125-7043	2	Stud
2	127-3136	1	Manifold-Exhaust	20	125-7220	2	Bolt
3	127-3094	1	Bolt	21	127-2984	4	Stud
4	127-3044	7	Bolt-M10	22	127-3137	1	Pipe-Exhaust
5	127-3140	1	Sensor-Temp, Exhaust	23	127-3138	3	Bolt-Flange
6	127-3087	1	Band-Clip	24	125-7071	1	Gasket
7	125-7043	4	Stud	25	125-7229	5	Nut
8	127-3038	1	Exhaust Pipe ASM	26	127-3047	1	Sensor-Gas Temp, E G R
9	127-3173	2	Clamp	27	127-3109	1	E G R Pipe ASM
10	127-3039	1	Bolt-Joint, Pipe	28	127-3016	1	Gasket
11	127-3174	2	Gasket	29	125-7215	2	Bolt
12	125-7206	2	Bolt	30	125-7229	2	Nut
13	127-3042	1	Cooler-E G R	31	127-3110	1	Valve-E G R
14	127-3043	2	Gasket-Cooler, E G R	32	127-3050	1	Gasket-Intake Valve, E G R
15	127-2976	2	Bolt	33	127-3051	1	Gasket-Out Valve, E G R
16	127-3022	1	Bolt-Flange	34	125-7229	2	Nut
17	127-3048	1	E G R Pipe ASM	35	127-3019	1	Gasket
18	127-3049	1	Pipe-Out, E G R				

# Diesel Particulate Filter Assembly



## Diesel Particulate Filter Assembly (continued)

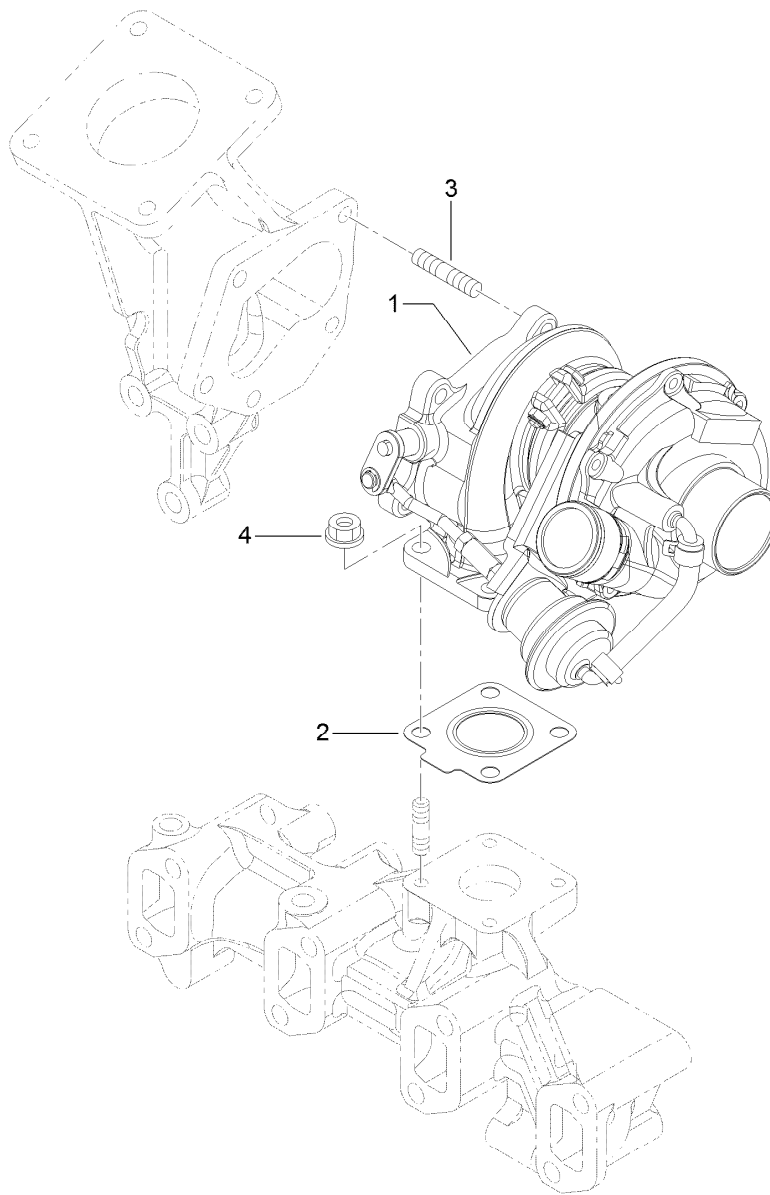
<i>Ref.</i>	<i>Part Number</i>	<i>Qty.</i>	<i>Description</i>	<i>Ref.</i>	<i>Part Number</i>	<i>Qty.</i>	<i>Description</i>
1	127-2987	1	Gasket-Silencer	27	127-3056	4	Gasket-Sensor
2	127-3095	1	Stay-D P F	28	127-3165	1	Exhaust Pressure Pipe ASM
3	127-3148	1	Stay- D P F	29	127-3114	1	Exhaust Hose ASM
4	127-3149	1	Stay-D P F	31	127-3057	2	Clip-Hose
5	127-3150	1	Stay-D P F	32	127-3059	1	Exhaust Pressure Hose ASM
6	127-3159	1	D P F Unit	34	127-3058	2	Clip-Hose
7	127-3111	1	Sensor-Temp, Exhaust	35	127-3060	1	Sensor-Pressure
8	127-3112	1	Sensor-Temp, Exhaust	36	127-3061	1	Bracket-Sensor, Pressure
9	127-3157	1	D P F ASM	37	125-7208	2	Bolt
10	127-3141	1	Case-Doc	38	125-7595	2	Bolt
12	127-3142	1	Case-Filter, Soot	39	127-3087	1	Band-Clip
14	127-3143	1	Flange-Outlet	40	127-3124	1	Band
15	127-3162	2	Gasket-D P F	41	127-3088	2	Clip-Connector
16	127-3055	20	Bolt	42	125-7595	2	Bolt
17	127-3144	1	Lifter-D P F	43	125-7595	2	Bolt
18	127-3145	5	Stiffener-D P F, A	44	125-7595	2	Bolt
19	127-3146	1	Stiffener-D P F, B	45	125-7595	3	Bolt
20	127-3158	1	Stiffener-D P F, D	46	127-3179	2	Bolt
21	127-3147	1	Stiffener-D P F, C	47	127-3179	2	Bolt
22	125-7213	2	Bolt	48	125-7229	1	Nut
23	125-7229	20	Nut	49	125-7229	3	Nut
24	127-3163	1	Pressure Sensor Unit	50	125-7230	1	Nut
25	127-3039	2	Bolt-Joint, Pipe	51	125-7230	4	Nut
26	127-3164	1	Exhaust Pressure Pipe ASM				



## Camshaft and Driving Gear Assembly

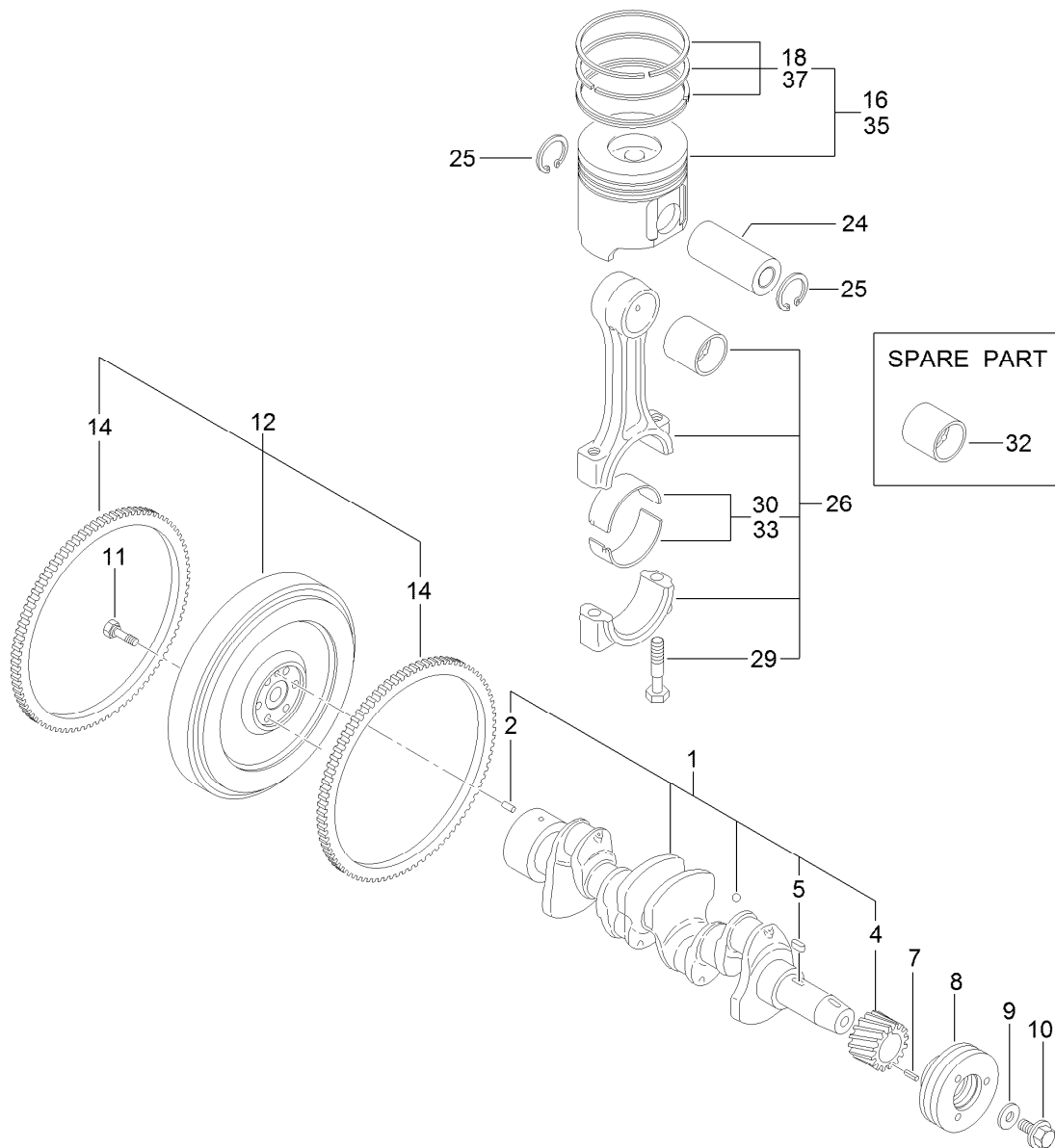
Ref.	Part Number	Qty.	Description	Ref.	Part Number	Qty.	Description
1	125-7016	8	Tappet	14	127-3066	1	Idle Gear A ASM
2	125-7017	8	Rod-Push	17	125-7219	3	Bolt
3	127-3113	1	Camshaft ASM	18	127-3070	1	Gear-Pump, Supply
4	125-7008	1	Metal-Thrust	19	127-3167	1	Washer-Spring
6	127-3052	1	Gear-Camshaft	20	127-3185	1	Nut-Lock
7	125-7185	1	Key	21	127-3064	1	Shaft-Idle, Gear B
8	127-3053	1	Pulser-Camshaft	22	127-3067	1	Idle Gear B ASM
9	125-7205	3	Bolt	25	127-3068	1	Plate-Idle, Shaft
10	125-7213	2	Bolt	26	127-3069	1	Gasket-Idle, Shaft B
11	127-3054	1	Sensor-Rev, Gear	27	125-7218	2	Bolt
12	127-3184	1	Bolt	28	125-6927	1	Bushing
13	127-3063	1	Shaft-Idle, Gear A	29	127-3065	1	Bushing





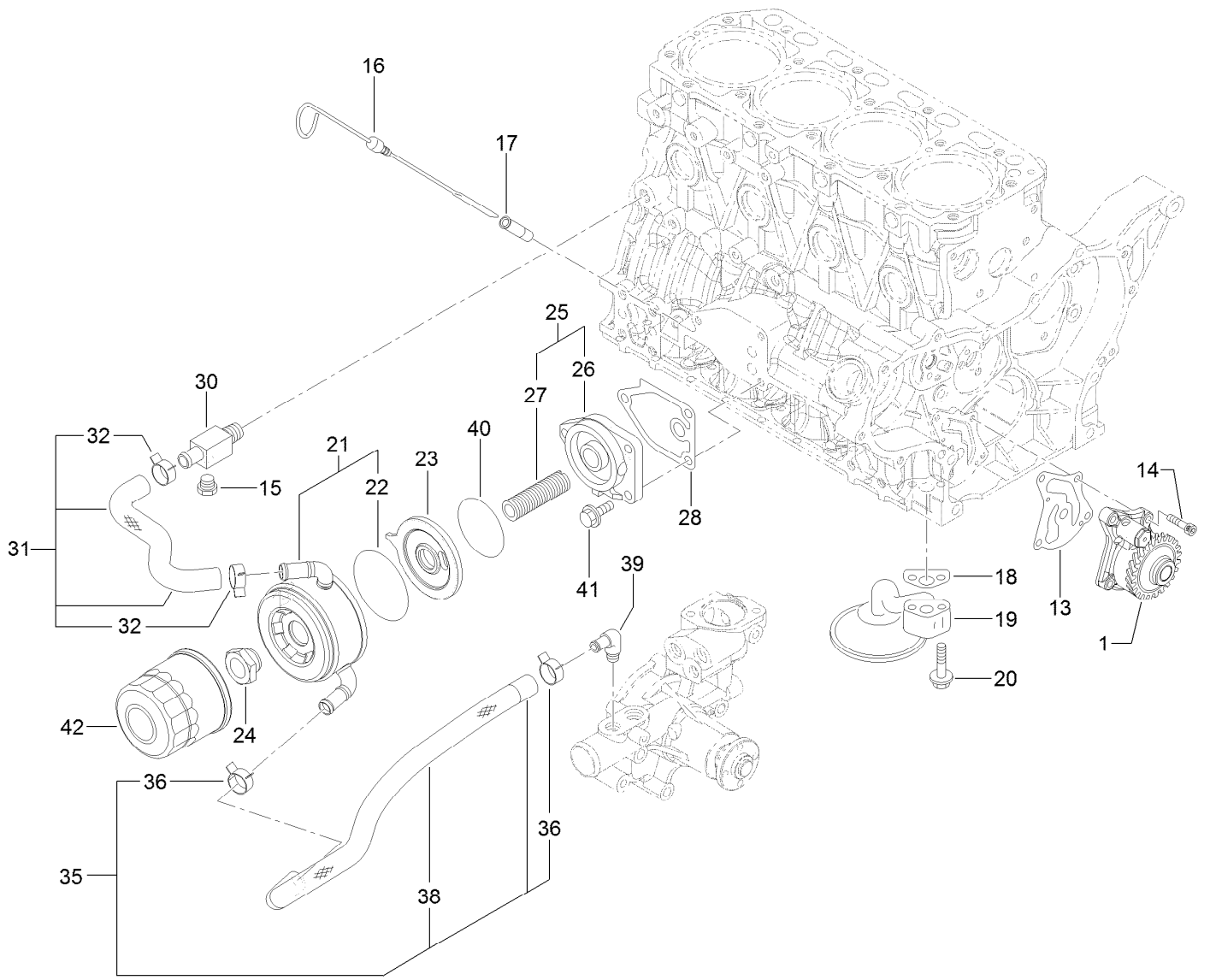
## Turbine Assembly

<i>Ref.</i>	<i>Part Number</i>	<i>Qty.</i>	<i>Description</i>
1	127-3151	1	Turbine ASM
2	125-7070	1	Gasket
3	125-6906	5	Stud
4	125-7229	4	Nut



## Crankshaft and Piston Assembly

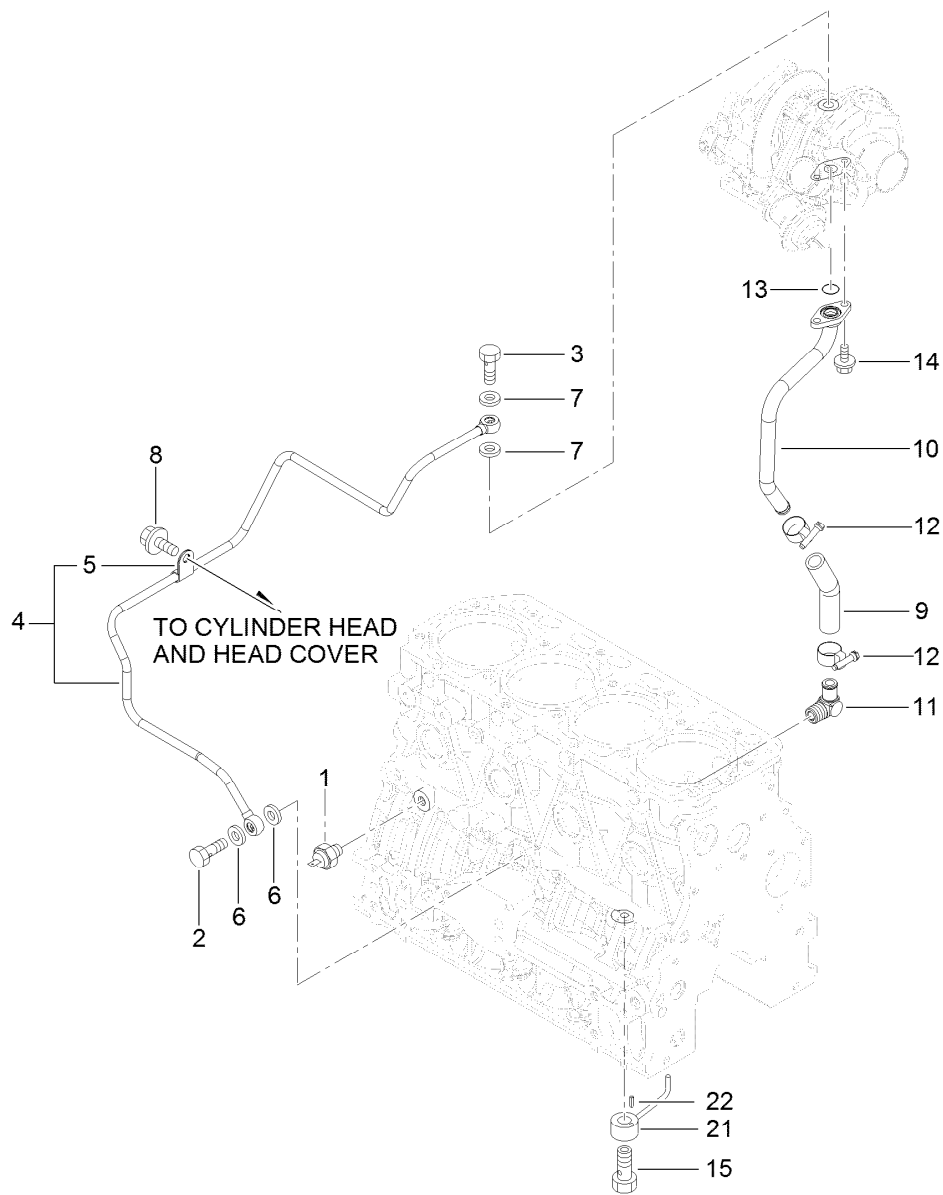
<i>Ref.</i>	<i>Part Number</i>	<i>Qty.</i>	<i>Description</i>	<i>Ref.</i>	<i>Part Number</i>	<i>Qty.</i>	<i>Description</i>
1	125-7091	1	Crankshaft ASM	16	127-3097	4	Piston ASM
2	125-6995	1	Pin	18	127-3098	4	Piston Ring ASM
4	125-6937	1	Gear	24	125-7030	4	Pin
5	125-7185	1	Key	25	125-7180	8	Ring
7	125-7182	1	Pin-Spring	26	125-7242	4	Connecting Rod ASM
8	125-6925	1	V-Pulley	29	125-6955	8	Bolt
9	125-7109	1	Washer	30	125-7018	4	Pin-Crank
10	125-6956	1	Bolt	32	125-6997	4	Pin-Piston
11	125-6951	6	Bolt	33	125-7019	4	Pin-Crank (.25)
12	127-3160	1	Flywheel ASM	35	127-3099	4	Piston ASM (0.25 O.S.)
14	125-6943	1	Gear	37	127-3100	4	Piston Ring ASM (0.25 O.S.)



## Lubrication and Oil System Assembly

Ref.	Part Number	Qty.	Description
1	127-3101	1	Oil Lube Pump ASM
13	127-3004	1	Gasket
14	125-7232	4	Bolt
15	125-7171	1	Plug-Drain
16	125-6987	1	Dipstick
17	125-6954	1	Guide-Dipstick
18	125-7022	1	Gasket
19	125-7023	1	Pipe ASM
20	125-7217	2	Bolt
21	127-3014	1	Cooler ASM
22	127-2985	1	O-Ring
23	127-3015	1	Bracket-Cooler
24	125-7041	1	Nut-Cooler, Oil
25	127-3009	1	Bracket ASM

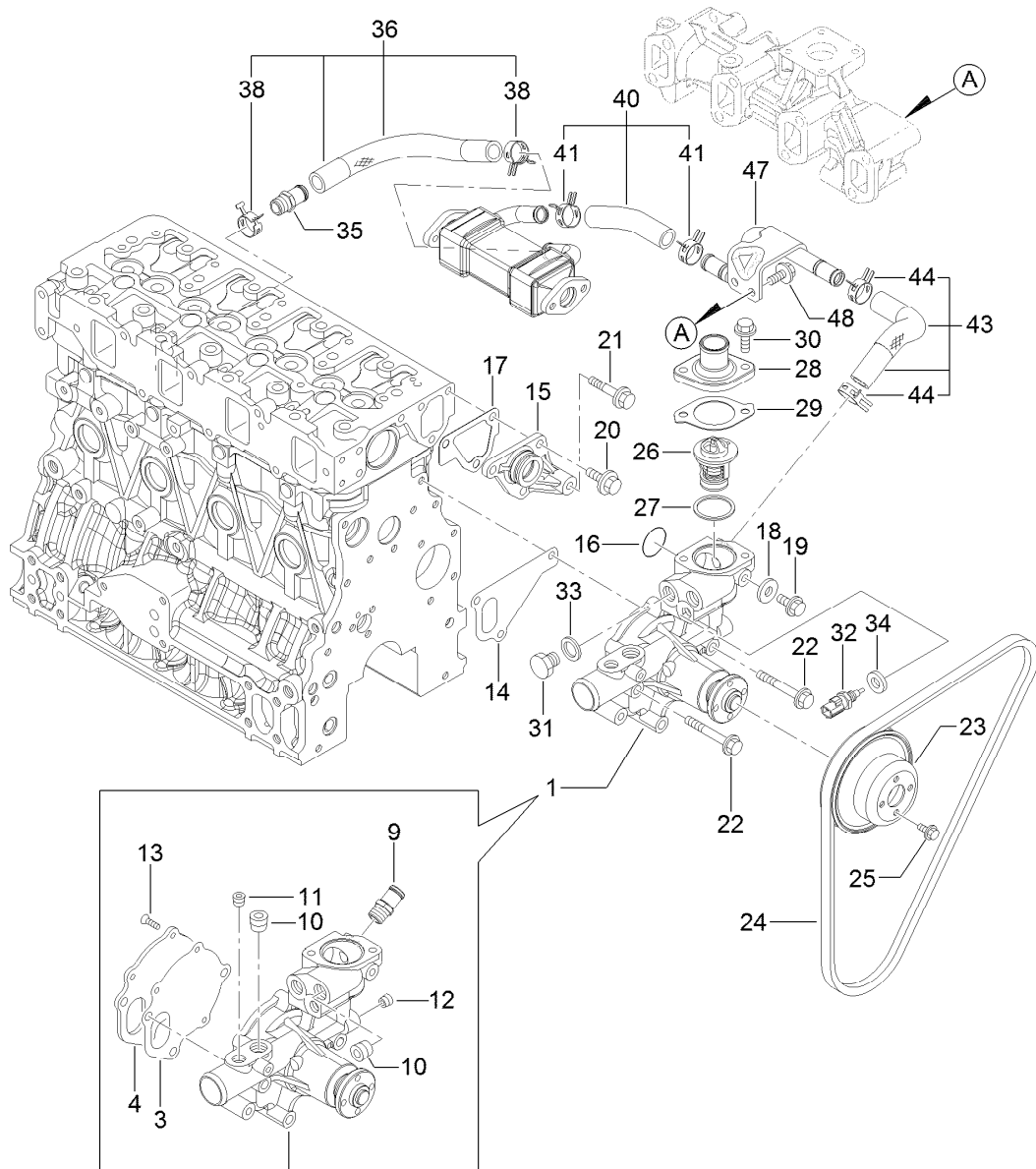
Ref.	Part Number	Qty.	Description
26	125-6930	1	Bracket
27	127-3010	1	Stud
28	125-7024	1	Gasket
30	125-6990	1	Joint
31	127-3102	1	Pipe-Cooling, Water
32	125-7162	2	Clip
35	127-3103	1	Hose-Cooling, Water
36	125-7162	2	Clip
38	127-3007	1	Tube
39	125-7001	1	Elbow
40	127-3176	1	O-Ring
41	125-7595	3	Bolt
42	125-7025	1	Filter-Engine, Oil



## Lubrication Oil Line Assembly

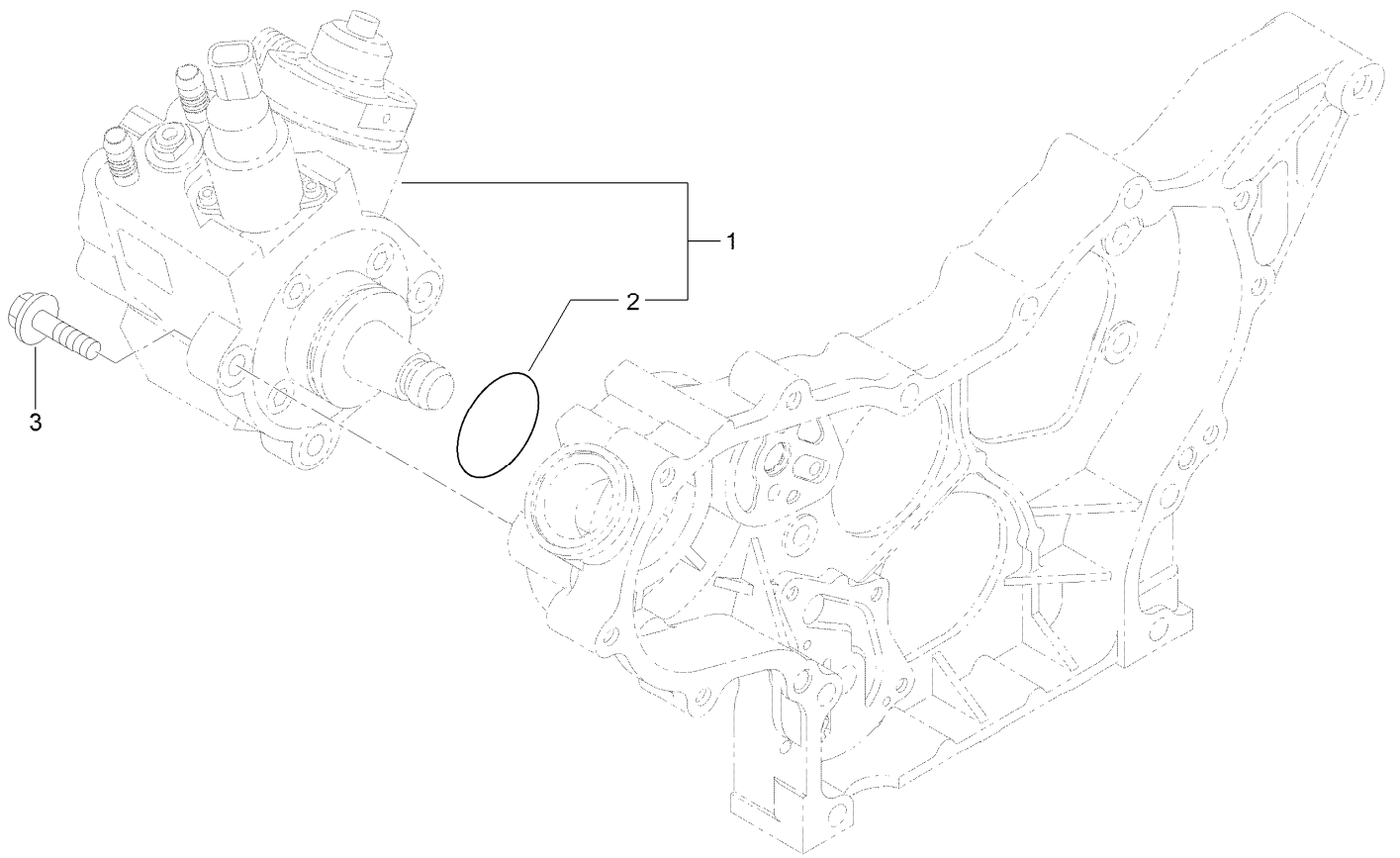
Ref.	Part Number	Qty.	Description
1	125-6918	1	Switch-Oil
2	125-6975	1	Bolt-Joint, Pipe
3	125-6952	1	Bolt-Joint, Pipe
4	127-3154	1	Lube Oil Pipe ASM
5	125-6976	1	Retainer
6	125-7175	2	Washer-Seal
7	125-7193	2	Gasket
8	93-0362	1	Bolt
9	127-2992	1	Joint

Ref.	Part Number	Qty.	Description
10	127-3155	1	Pipe-Lube, Oil
11	127-3003	1	Elbow
12	127-3169	2	Clamp-Hose
13	125-7198	1	O-Ring
14	125-7208	2	Bolt
15	125-7105	4	Check Valve ASM
21	125-7098	4	Nozzle
22	125-7182	4	Pin-Spring



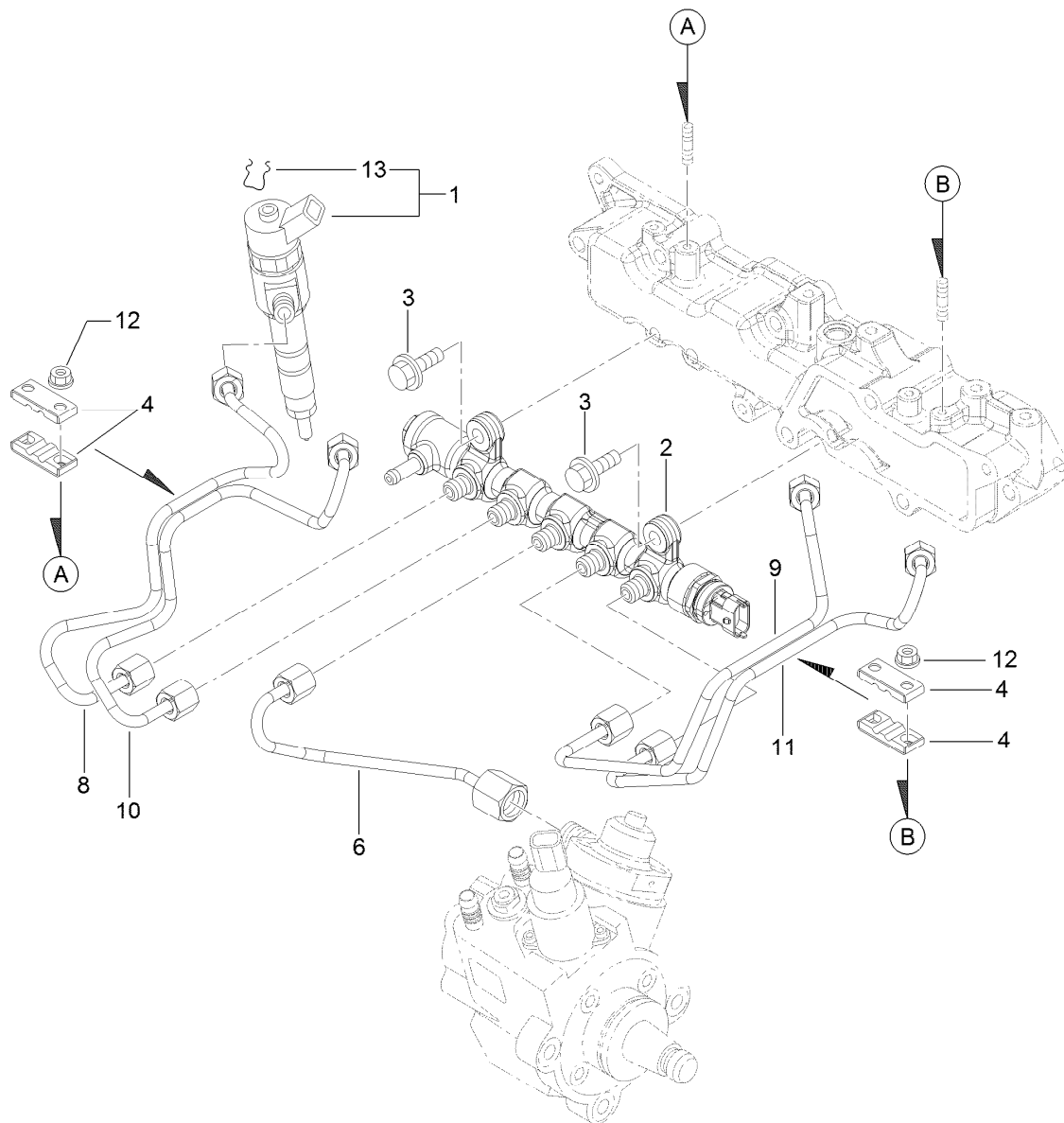
## Cooling Water System Assembly

Ref.	Part Number	Qty.	Description	Ref.	Part Number	Qty.	Description
1	127-3071	1	Water Pump ASM	25	125-7206	4	Bolt
3	125-6998	1	Gasket	26	125-7029	1	Thermostat
4	125-6999	1	Plate	27	125-7026	1	Gasket
9	127-3017	1	Joint	28	125-7034	1	Cover
10	125-7123	2	Plug	29	125-7110	1	Gasket
11	127-3175	1	Plug	30	125-7594	2	Bolt
12	125-7195	1	Plug	31	125-6953	1	Plug
13	125-7234	3	Screw	32	125-7124	1	Sensor-Thermostat, CW
14	125-7047	1	Gasket	33	125-6979	1	Gasket
15	125-6986	1	Joint	34	125-7176	1	Washer-Seal
16	125-7048	1	O-Ring	35	127-3017	1	Joint
17	125-6978	1	Gasket	36	127-3072	1	Water In Pipe ASM
18	125-7192	1	Gasket	38	127-3020	2	Clip-Hose
19	93-0362	1	Bolt	40	127-3115	1	Water Out Pipe ASM
20	125-7214	3	Bolt	41	127-3020	2	Clip-Hose
21	125-7219	1	Bolt	43	127-3116	1	Water Out Pipe ASM
22	125-7222	3	Bolt	44	127-3020	2	Clip-Hose
23	125-7039	1	V-Pulley	47	127-3117	1	Pipe-Out, CW
24	127-2998	1	V-Belt	48	125-7214	2	Bolt



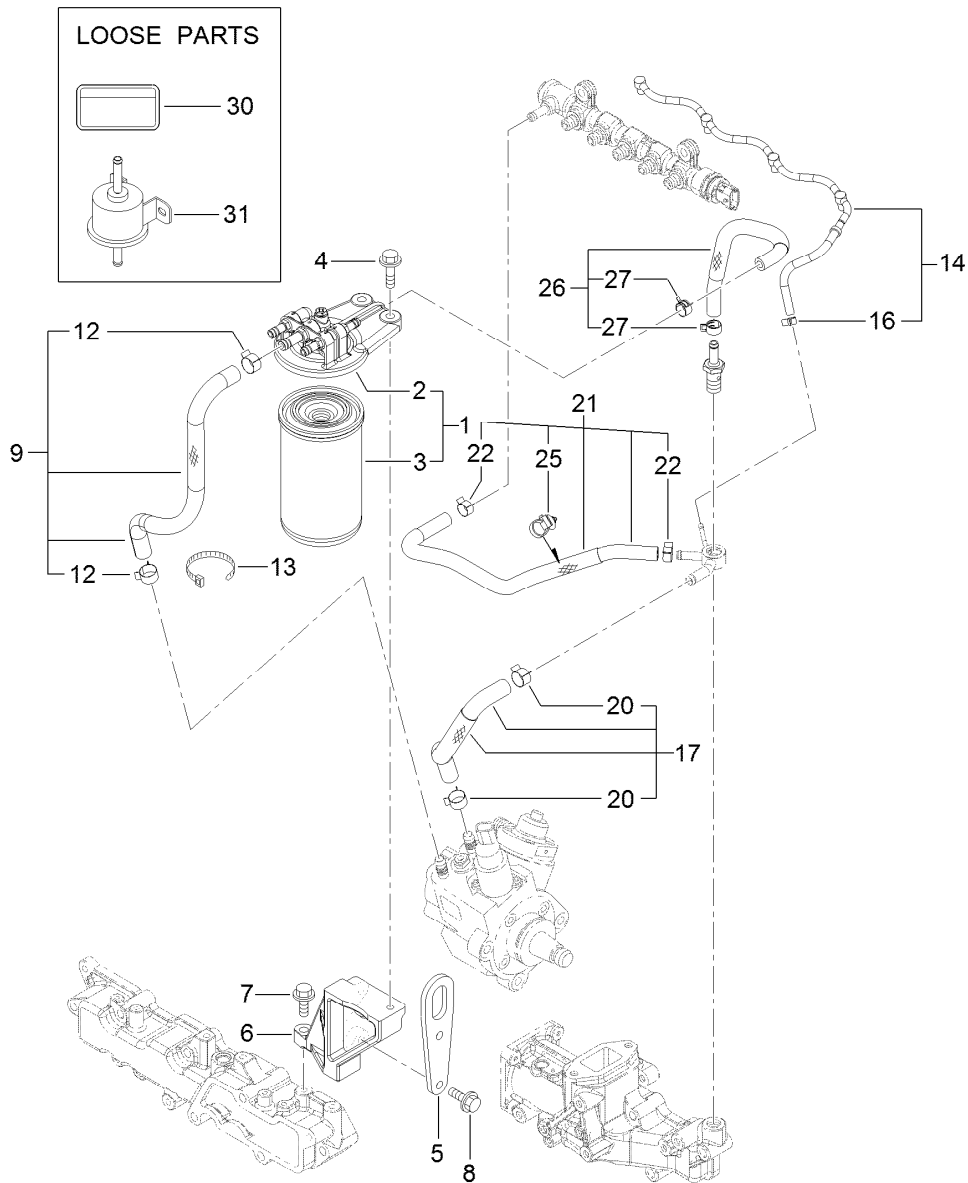
## Fuel System Assembly

<i>Ref.</i>	<i>Part Number</i>	<i>Qty.</i>	<i>Description</i>
1	127-3073	1	Fuel Pump ASM
2	127-3074	1	O-Ring
3	125-7216	3	Bolt



## Fuel Injection Valve Assembly

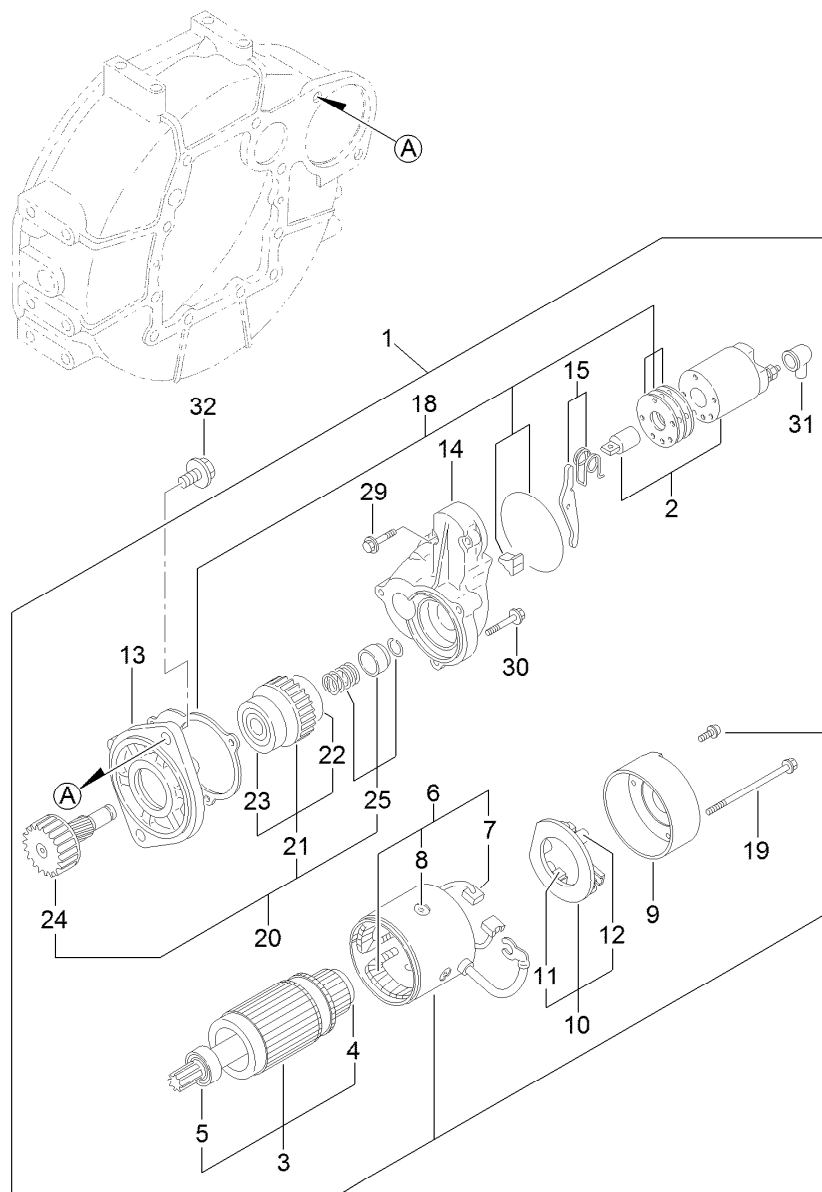
Ref.	Part Number	Qty.	Description
1	127-3104	4	Injector ASM
2	127-3118	1	Rail ASM
3	125-7215	2	Bolt
4	127-2982	4	Retainer
6	127-3082	1	Rail In Pipe ASM
8	127-3121	1	Injection Pipe ASM
9	127-3083	1	Injection Pipe ASM
10	127-3122	1	Injection Pipe ASM
11	127-3084	1	Injection Pipe ASM
12	125-7231	4	Nut
13	130-7430	4	Ring-Retaining



## Fuel Line Assembly

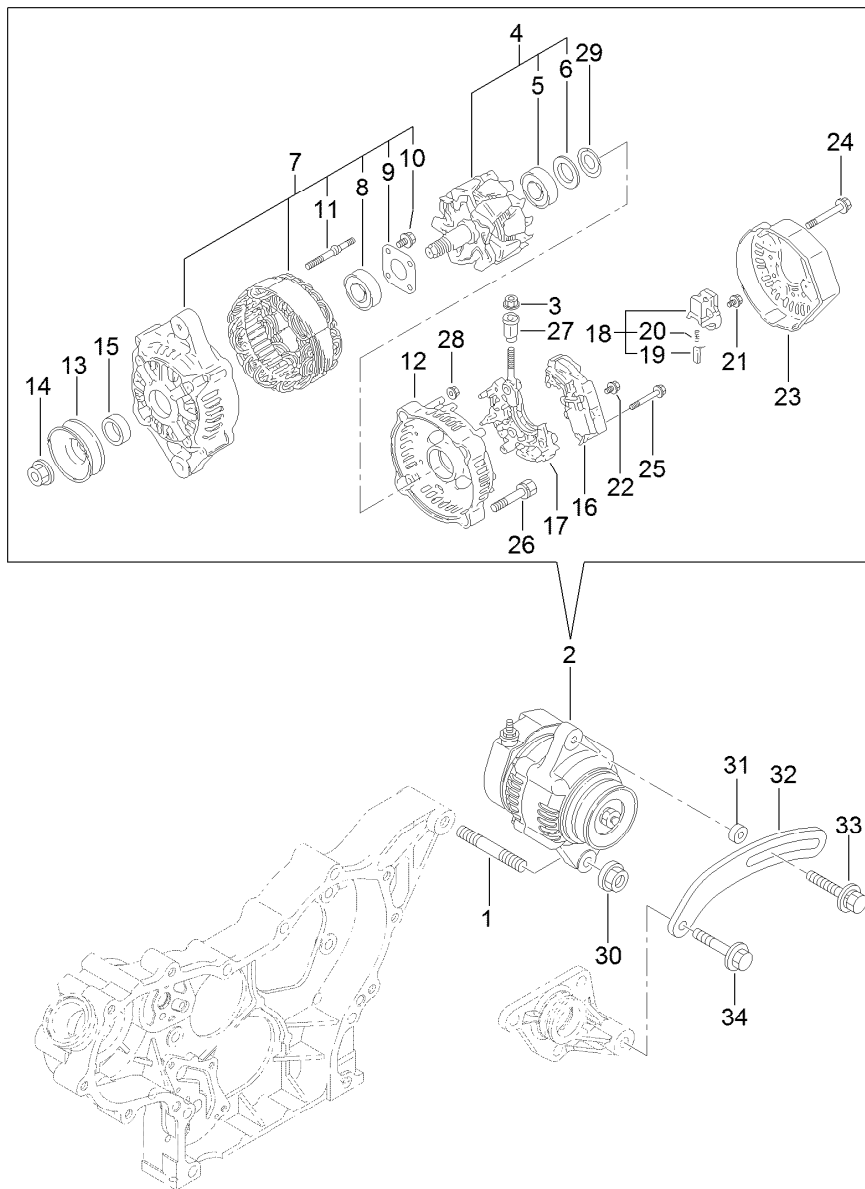
Ref.	Part Number	Qty.	Description	Ref.	Part Number	Qty.	Description
1	127-3075	1	Fuel/Oil Filter ASM	14	127-3120	1	Fuel Pipe ASM
2	127-3076	1	Fuel/Oil Filter Bracket ASM	16	127-3172	1	Clamp-Hose
3	125-8752	1	Filter-Fuel/Oil	17	127-3078	1	Fuel Pipe ASM
4	125-7216	2	Bolt	20	125-7191	2	Clamp-Hose
5	127-3091	1	Lifter-Engine	21	127-3119	1	Fuel Pipe ASM
6	127-3105	1	Stay-Bracket, Filter	22	127-2950	2	Clip-Hose
7	125-7215	1	Bolt	25	127-3087	1	Band-Clip
8	125-7216	2	Bolt	26	127-3079	1	Fuel Pipe ASM
9	127-3077	1	Fuel Pipe ASM	27	127-2950	2	Clip-Hose
12	125-7191	2	Clamp-Hose	30	125-6900	1	Label-Caution, Fuel Oil
13	127-2981	1	Band	31	127-3008	1	Fuel Feed Pump ASM





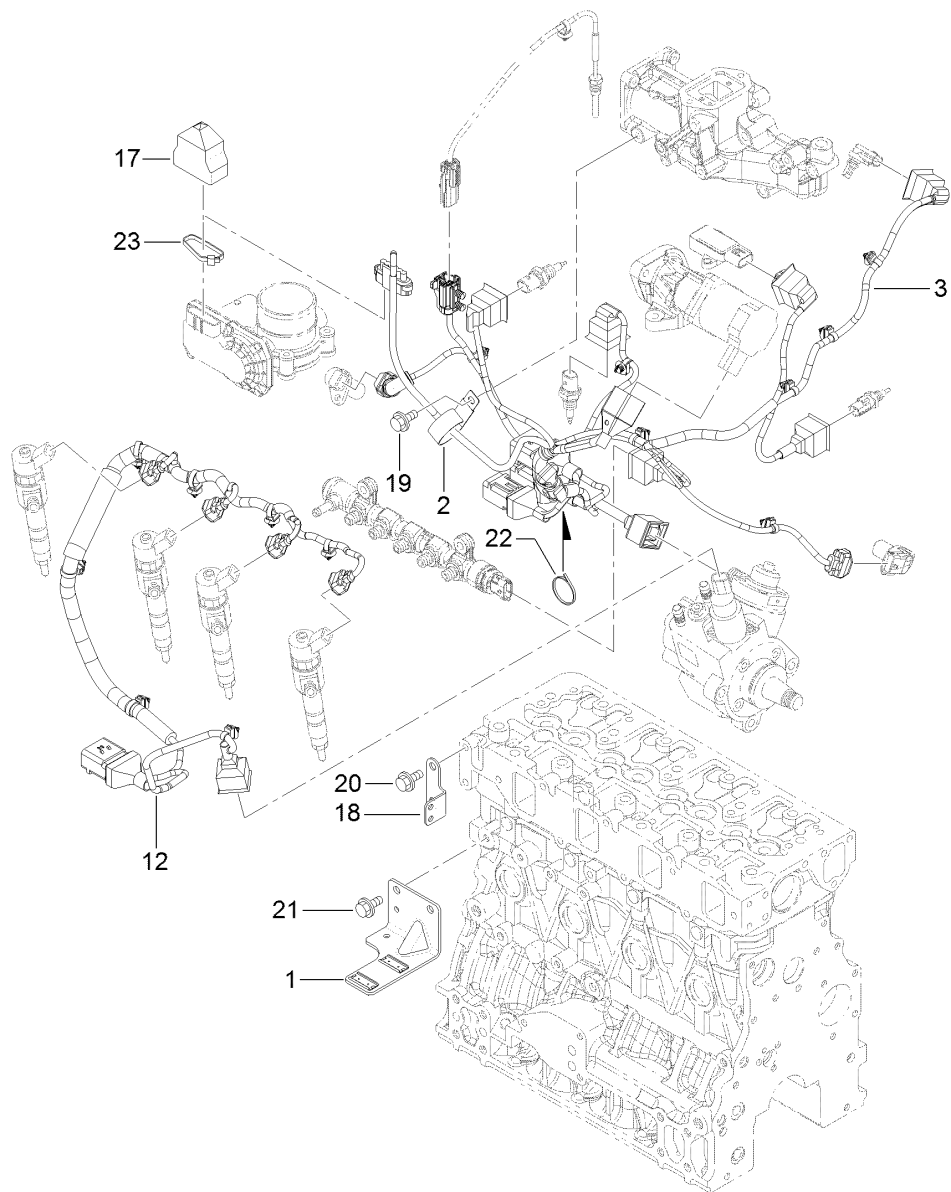
## Starting Motor Assembly

<i>Ref.</i>	<i>Part Number</i>	<i>Qty.</i>	<i>Description</i>	<i>Ref.</i>	<i>Part Number</i>	<i>Qty.</i>	<i>Description</i>
1	125-7003	1	Starter	15	125-7165	1	Lever Set
2	125-7004	1	Switch ASM	18	125-7037	1	Dust Cover ASM
3	125-7112	1	Armature ASM	19	125-7117	2	Bolt-Through
4	125-7252	1	Bearing-Ball	20	125-7166	1	Pinion ASM
5	125-7249	1	Bearing, Ball	21	125-7250	1	Clutch ASM
6	125-7113	1	Field Coil ASM	22	125-7251	1	Bearing-Ball
7	125-7114	2	Brush	23	125-7253	1	Bearing-Ball
8	125-7163	4	Screw	24	125-7167	1	Shaft
9	125-7115	1	Cover	25	125-7168	1	Stopper Set
10	125-7116	1	Brush Holder ASM	29	125-7210	2	Bolt
11	125-7114	2	Brush	30	125-7211	3	Bolt
12	125-7036	4	Spring	31	125-7169	1	Cover
13	125-7164	1	Case-Gear	32	125-7225	2	Bolt
14	125-7005	1	Housing				



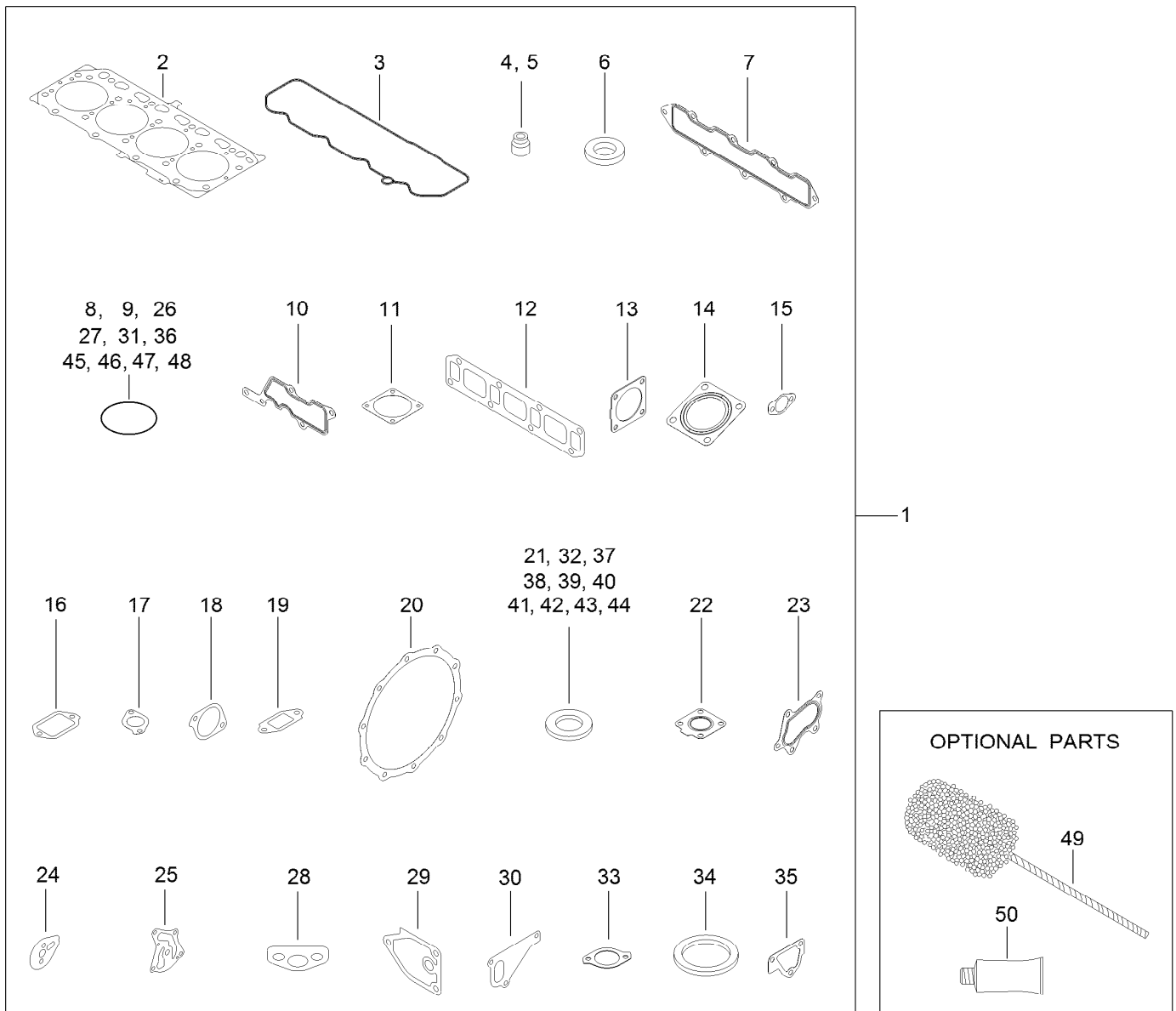
## Generator Assembly

Ref.	Part Number	Qty.	Description	Ref.	Part Number	Qty.	Description
1	127-3011	1	Stud	18	127-2993	1	Holder
2	127-3001	1	Generator	19	127-2956	2	Brush ASM
3	127-3190	1	Nut	20	127-2964	2	Spring
4	127-2951	1	Rotor ASM	21	127-2965	6	Screw
5	127-2983	1	Bearing-Ball	22	127-2966	1	Screw
6	127-2962	1	Cover	23	127-2999	1	Cover
7	127-2952	1	Frame ASM	24	127-2967	3	Bolt
8	127-2958	1	Bearing-Ball	25	127-2968	2	Screw
9	127-2959	1	Plate-Retainer	26	127-2969	2	Bolt
10	127-2960	4	Screw	27	127-2970	1	Bushing-Insulation
11	127-2961	2	Stud	28	127-2971	2	Nut
12	127-2953	1	Frame ASM	29	127-2972	1	Washer
13	127-2954	1	Pulley	30	125-7230	1	Nut
14	127-2955	1	Nut	31	125-6947	1	Spacer
15	127-2957	1	Collar	32	127-2977	1	Adjuster
16	127-3002	1	Regulator ASM	33	125-7134	1	Bolt
17	127-2963	1	Holder	34	125-7219	1	Bolt



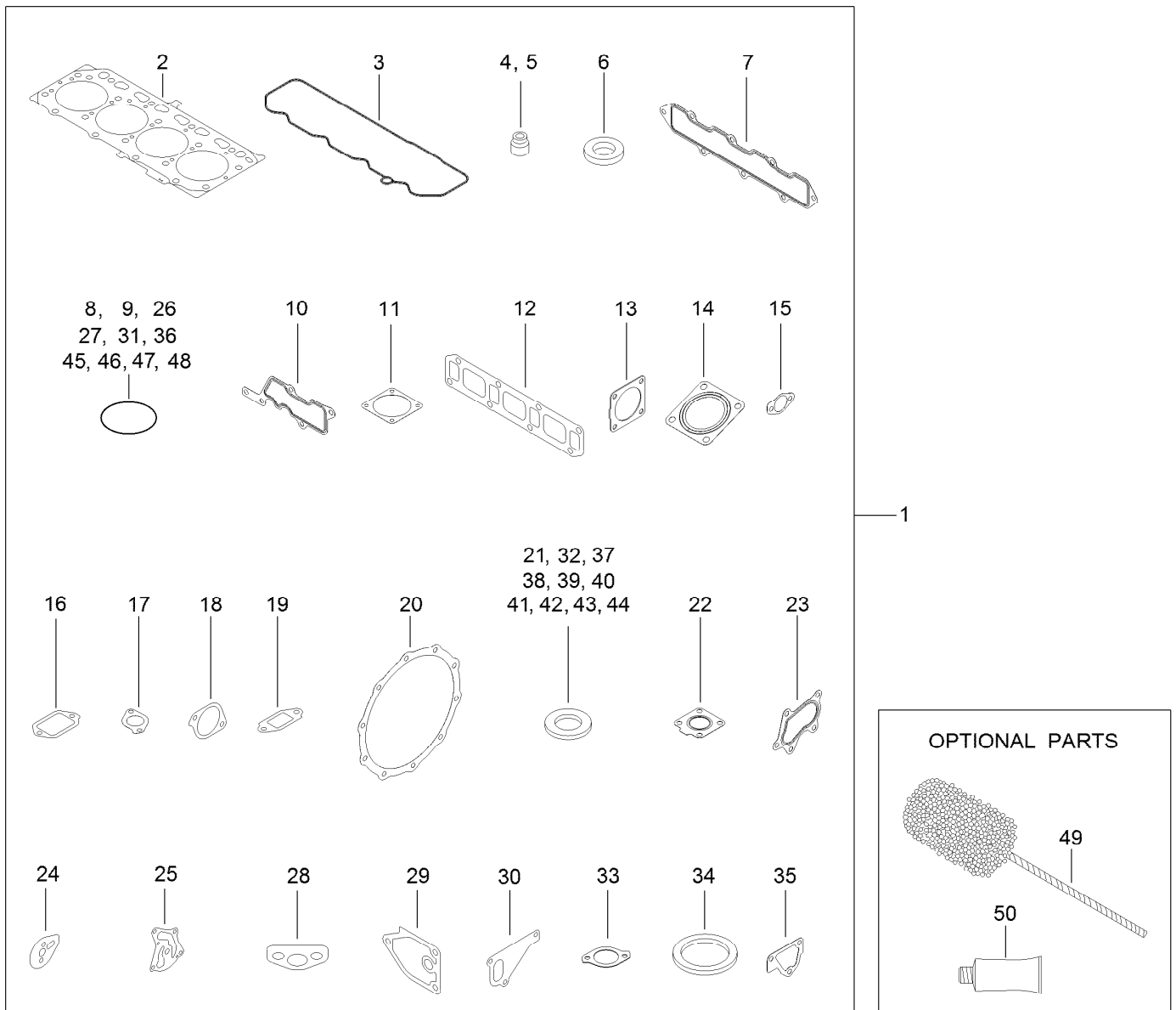
## Electric Parts Assembly

<b>Ref.</b>	<b>Part Number</b>	<b>Qty.</b>	<b>Description</b>
1	127-3086	1	Bracket-Connector
2	127-3018	1	Clip
3	127-3156	1	Harness B-E C O, Engine
12	127-3125	1	Harness C
17	127-3089	1	Boot-Type, Cap
18	127-3090	1	Bracket-Harness
19	93-0362	1	Bolt
20	93-0362	2	Bolt
21	93-0362	2	Bolt
22	127-3187	1	Band
23	127-3188	1	Band



## Gasket Set

Ref.	Part Number	Qty.	Description	Ref.	Part Number	Qty.	Description
1	127-3189	1	Gasket Kit	22	125-7070	1	Gasket
2	127-3126	1	Gasket-Head, Cylinder	23	125-7071	1	Gasket
3	127-3106	1	Gasket-Cover	24	127-3069	1	Gasket-Idle, Shaft B
4	127-2986	4	Seal-Stem, Valve	25	127-3004	1	Gasket
5	127-3027	4	Seal-Stem, Valve	26	125-6909	2	O-Ring
6	127-3021	4	Gasket-Injector	27	127-2973	1	O-Ring
7	127-3107	1	Gasket-Manifold, Intake	28	125-7022	1	Gasket
8	127-3032	2	O Ring-Sensor, Pressure	29	125-7024	1	Gasket
9	127-3033	1	O-Ring	30	125-7047	1	Gasket
10	127-3034	1	Gasket-Collector	31	125-7048	1	O-Ring
11	127-3037	2	Gasket-Throttle	32	125-6979	1	Gasket
12	127-3108	1	Gasket-Manifold, Exhaust	33	125-7110	1	Gasket
13	127-3019	1	Gasket	34	125-7026	1	Gasket
14	127-2987	1	Gasket-Silencer	35	125-6978	1	Gasket
15	127-3043	2	Gasket-Cooler, E G R	36	127-3074	1	O-Ring
16	127-3046	1	Gasket-E G R	37	125-7174	1	Washer-Seal
17	127-3016	1	Gasket	38	125-7175	2	Washer-Seal
18	127-3050	1	Gasket-Intake Valve, E G R	39	125-7176	1	Washer-Seal
19	127-3051	1	Gasket-Out Valve, E G R	40	127-3166	2	Washer-Seal
20	127-3162	2	Gasket-D P F	41	125-7177	1	Washer-Seal
21	127-3056	4	Gasket-Sensor	42	125-7192	1	Gasket



## Gasket Set (continued)

<i>Ref.</i>	<i>Part Number</i>	<i>Qty.</i>	<i>Description</i>	<i>Ref.</i>	<i>Part Number</i>	<i>Qty.</i>	<i>Description</i>
43	125-7193	2	Gasket	47	125-7198	1	O-Ring
44	127-3174	2	Gasket	48	127-3176	1	O-Ring
45	93-0418	3	O-Ring	49	127-3000	1	Hone
46	125-7197	1	O-Ring	50	125-7248	1	Gasket-Liquid

# Attachments and Accessories

## For 30644 Groundsmaster 4110 Rotary Mower

<b>Product Name</b>	<b>Model/Part</b>
Blade-Combination (19in).....	106-7166-03
Blade-Atomic (19in).....	107-0215-03
Premium All Season Hydraulic Fluid (55 Gallon Drum).....	108-1177
Premium All Season Hydraulic Fluid (5 Gallon Pail).....	108-1178
Atomic Blade Service Pack.....	108-1451
Blade-Flat Sail (19in).....	110-6116-03
Flat Blade Service Pack (19in).....	110-6140
Work Light Kit.....	114-5610
Backrest Extension Kit.....	119-7719
Large Seat Cover.....	120-5179
Premium Engine Oil 10w30 (55 Gallon Drum).....	121-6392
Premium Engine Oil 10w30 (5 Gallon Pail).....	121-6393
Premium Engine Oil 15w40 (55 Gallon Drum).....	121-6394
Premium Engine Oil 15w40 (5 Gallon Pail).....	121-6395
MVP Blade Kit.....	130-2660
Flow Divider Kit.....	30407
400 Hour MVP Kit.....	30408
Leaf Mulcher Kit.....	30419
Replacement Cutting Unit.....	30451
CE Kit.....	30453
CE Light Kit.....	30660
Beacon Kit.....	30661
License Plate Kit.....	30664
8in Foam Filled Wheel ASM.....	93-5974

**Notes:**



**Count on it.**