



Count on it.

Parts Catalog

Groundsmaster® 4010

Rotary Mower

Model No. 30636—Serial No. 401420001 and Up



Ordering Replacement Parts

To order replacement parts, please supply the part number, the quantity, and the description of each part desired.

Understanding Reference Numbers

Each identified part in an illustration has a reference number. The reference number for a part also appears in the parts list, along with other information about the part.

This catalog uses two special reference number formats, one to indicate parts in a service assembly and another to indicate the quantity of a given part in an illustration.

Service Assembly Reference Numbers

Parts in service assemblies have reference numbers in the form a:b. The a represents the reference number of the entire service assembly and the b represents a sequential number unique to each part within the service assembly.

For example, a wheel assembly might be identified by reference number 6, the tire by 6:1, the valve by 6:2, and the wheel by 6:3. When you order the assembly identified by reference number 6, you receive all parts identified by reference numbers 6:1, 6:2, and 6:3. However, you may also order any part individually. Reference numbers of this type appear in illustration and in parts lists.

Reference Numbers Indicating Quantity

In an illustration, if a reference number indicates more than one part, the reference number has the form nX y. The n represents the quantity of the part, the X is the multiplication symbol, and the y represents the reference number.

For example, in an illustration, the reference number 2X 37 means that two of the parts identified by reference number 37 are indicated.

Contents

Front Frame and Steering Assembly	6
Planetary Assembly No. 136-2913	7
LH Brake Assembly No. 100-3070-03	8
RH Brake Assembly No. 100-3069-03	9
Battery, Shield and Rear Cover Assembly	10
Wing Lift Arm Assembly	11
Hydraulic Cylinder Assembly No. 107-4303	13
Impact Arm Assembly	14
Frame, Bumper and Proximity Sensor Assembly	16
Cab Step Assembly	17
Flywheel and Motor Mount Assembly	18
Radiator Assembly	19
Fan Mounting and Hardline Assembly	21
Hydraulic Motor Assembly No. 117-4769	22
Engine and Controller Assembly	23
Air Conditioner Compressor Assembly	24
Washer Fluid Bottle Assembly	25
Rear Axle and Steering Cylinder Assembly	26
Bevel Pinion Shaft Assembly Rear Axle Assembly No. 110-4750	28
Differential Assembly Rear Axle Assembly No. 110-4750	29
Axle Support Assembly Rear Axle Assembly No. 110-4750	30
Bevel Gear Case Assembly Rear Axle Assembly No. 110-4750	31
Bevel Gear Shaft Assembly Rear Axle Assembly No. 110-4750	32
Axle Case Assembly Rear Axle Assembly No. 110-4750	33
Axle Assembly Rear Axle Assembly No. 110-4750	34
Hydraulic Motor Assembly No. 120-8814	35
Steering Cylinder Assembly No. 121-1534	36
Hydraulic Fitting Assembly	37
Hose and Tube Routing Assembly	38
Fuel Tank and Air Cleaner Assembly	39
Air Cleaner Assembly No. 99-5410	40
Hood Assembly	41
Fuel/Water Separator and Shield Assembly	42
Front Deck Installation Assembly	43
Hydraulic Motor Assembly No. 127-3694	45
Lift Cylinder Assembly No. 120-8802	46
Front Deck Hydraulic Fitting Assembly	47
Front Deck Hose Routing Assembly	48
Front Deck Idler and Skid Assembly	50
Double Driven Spindle Assembly No. 119-4548	52
High Driven Spindle Assembly No. 119-4549	53
Front Deck Caster Arm and Wheel Assembly	54
Driving Spindle Assembly	55
Driven Spindle Assembly No. 119-4547	56
Cutting Chamber, Cover and Roller Assembly	58
Right Deck Mount Assembly	60
Right Deck Hydraulic Fitting Assembly	61
Right Deck Hose Assembly	62
Right Deck, Idler and Skid Assembly	63
Low Driven Spindle Assembly No. 119-4776	65
Right Hand and Left Hand Castor Arm and Wheel Assembly	66
LH and RH Deck Driving Spindle Assembly	68
Right Deck Discharge Chamber and Cover Assembly	70
Left Deck Mount Assembly	72

Contents (continued)

Left Deck Hydraulic Fitting Assembly	73
Left Deck Hose Assembly	74
Left Deck, Idler and Skid Assembly	75
Left Deck Discharge Chamber and Cover Assembly	77
Traction Pedal and Platform Assembly	78
Brake Pedal Assembly	80
Seat Base and Seat Assembly	81
Cloth Premium Seat Assembly No. 117-9429	83
Seat Suspension Assembly No. 130-2702	84
Steering and Controller Assembly	86
Steering Column Assembly No. 132-6230	88
RH Fender Assembly	89
Fender Assembly	90
Acoustic Foam, Panel and Cover Assembly	91
Platform Wire Harness and Fuse Assembly	92
Rear Wire Harness Assembly	93
Battery Cable and Ground Assembly	94
Engine Harness Assembly	95
Piston Pump and Gear Pump Assembly	96
4-Section Gear Pump Assembly No. 120-8904	97
Hydraulic Pump Assembly No. 132-6100	98
Combination Manifold Assembly	100
Combination Manifold Assembly No. 127-3650	101
Manifold Block Assembly	103
Left PTO Manifold Assembly No. 131-1249	105
Rear Traction Manifold Assembly No. 121-1530	106
Center and Right PTO Manifold Assembly No. 131-1248	107
Flow Divider Manifold Assembly No. 121-1550	108
Drive Motor, Steer Valve and Filter Head Assembly	109
Hydraulic Motor Assembly No. 120-8812	110
Steering Valve Assembly No. 132-6256	111
Lift, Steer and Fan Hydraulic Assembly	112
Traction Hydraulic Assembly	114
Hydraulic Reservoir Assembly	116
Oil Cooler Hydraulic Assembly	117
Armrest Control Panel Assembly	118
Cab, Tool Box and Flooring Assembly	120
Frame, Mount and Seal Assembly	122
Cab Headliner Assembly	124
Air Conditioning Duct Assembly No. 132-3468	126
Fan Panel Assembly No. 132-3488	128
Window, Door and Striker Assembly	130
RH Door Assembly	132
LH Door Assembly	133
Engine Hose Routing Assembly	134
Pre-Filter Screen Assembly	136
Interior Foam Assembly	138
Roof and Headliner Assembly	140
Headliner Wire Harness and Control Assembly	142
Mixing Box Mounting Bracket and Water Tray Assembly	144
Blower Fan and Evaporator Core Assembly	146
Heat/Air Conditioner Housing Assembly	148
Air Diverter and Expansion Valve Assembly	150
Air Diverter Assembly No. 121-8369	152

Contents (continued)

Cylinder Block Assembly	154
Gear Housing Assembly	155
Cylinder Head and Cover Assembly	156
Flywheel Housing and Oil Sump Assembly	158
Diesel Particulate Filter Assembly	160
Suction Manifold Assembly	162
Exhaust Manifold Assembly	163
Camshaft and Driving Gear Assembly	164
Turbine Assembly	165
Crankshaft and Piston Assembly	166
Lubrication and Oil System Assembly	167
Lubrication Oil Line Assembly	168
Cooling Water System Assembly	169
Fuel System Assembly	170
Fuel Injection Valve Assembly	171
Fuel Line Assembly	172
Starting Motor Assembly	173
Generator Assembly	174
Electric Parts Assembly	175
Gasket Set	176
Attachments and Accessories	178



Front Frame and Steering Assembly

Ref.	Part Number	Qty.	Description	Ref.	Part Number	Qty.	Description
1	99-5107	6	Nut-Lock	11	100-3017	2	*obs Pin-Lift Arm
2	3256-26	6	Washer-Flat	12	100-6116	4	Screw-HHF
3	3272-30	4	Pin-Cotter	13	93-7984	2	Gasket
4	3256-29	8	Washer-Flat	14	100-3070-03	1	Brake ASM
5	110-6006	2	Pin-Clevis	15	33106-080	8	Screw-HHF
6	93-7972	4	Ring-Retaining, Internal	16	3218-4	2	Nut-Jam
7	100-3046	2	Shaft-Brake, Splined	17	3296-49	2	Nut-Lock, NI
8	136-2913	2	Planetary ASM	18	33106-030	12	Screw-HHF
9		2	Wheel And Tire ASM ●	19	325-13	2	Screw-HH
9:1	119-8313	1	Tire	25	100-3069-03	1	Brake ASM
9:2	136-4391	1	Rim	26	132-6250-03	1	Frame-Front
9:3	232-27	1	Stem-Valve	38	242-50	16	Nut-Lug
10	32121-110	2	Pin-Roll, Slotted				

● Not serviced separately

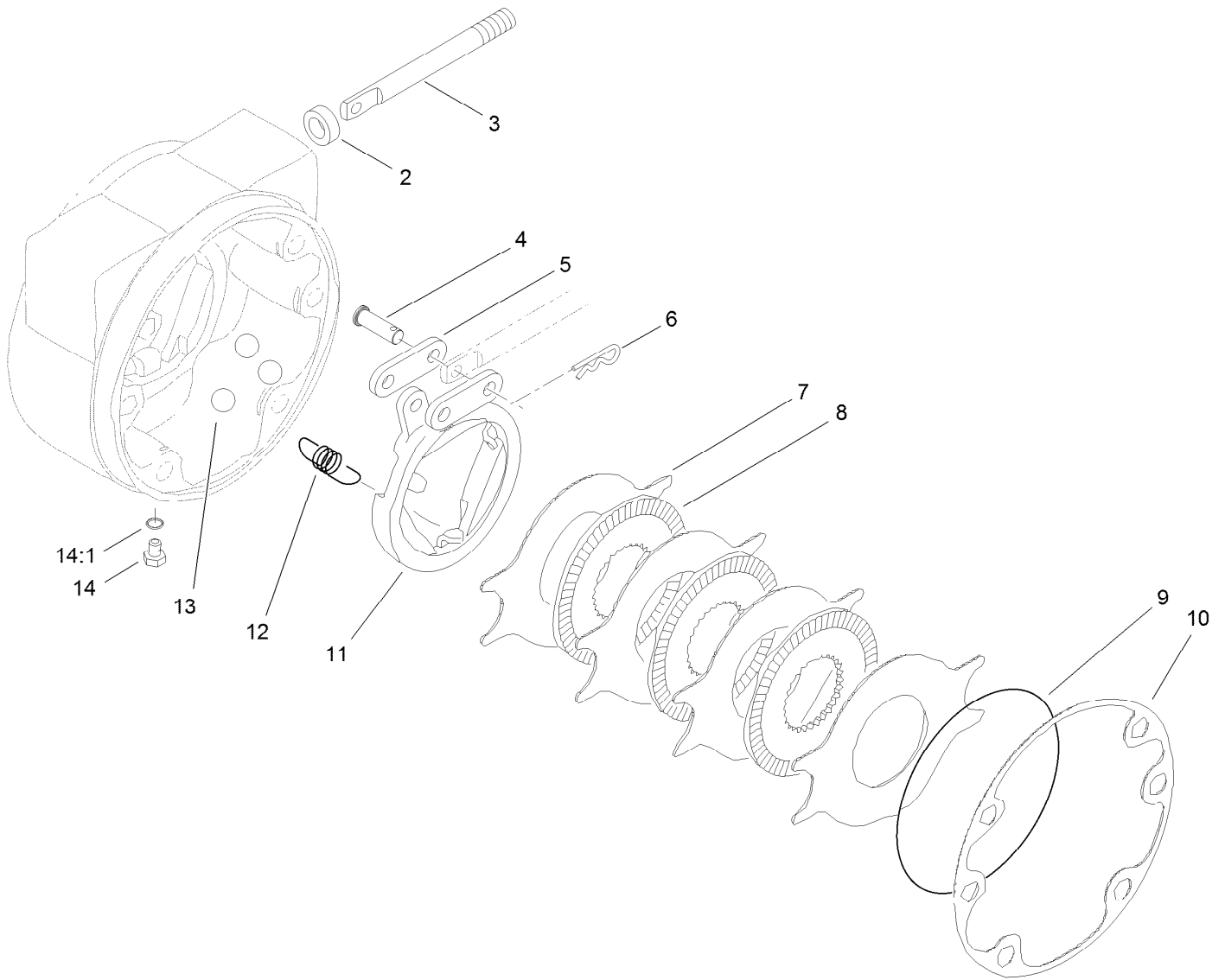


29 = Items Included in Seal Kit

Planetary Assembly No. 136-2913

Ref.	Part Number	Qty.	Description	Ref.	Part Number	Qty.	Description
1		1	Spindle ●	18	237-78	1	O-Ring
2	138-1204	1	Seal-Boot	19	138-1211	2	Plug-Flange, Magnetic
3		1	Seal-Lip ●	20	138-1212	2	O-Ring
4	138-1205	2	Bearing-Cup	21	138-1213	1	Cap-End
5	138-1206	2	Bearing-Cone	22	138-1214	1	Washer-Thrust, Sun
6	105-8124	8	Stud-Wheel	23	105-8131	2	Ring-Retaining
7	138-1207	8	Screw-Socket Head	24		1	O-Ring ●
8	138-1208	8	Washer-Lock	25	138-1215	1	Gear-Primary, Sun
9		1	Housing ●	26	138-1216	1	Shaft-Drive
10	105-8121	4	Pin-Dowel	27	138-1217	1	Primary Carrier ASM
11		1	O-Ring ●	28	138-1218	1	Secondary Carrier ASM
12	138-6928	1	Spacer	29	138-1219	1	Seal Kit
13	138-6929	1	Washer	29:1		1	Seal-Lip ●
14	138-6930	1	Nut-Lock	29:2		1	O-Ring ●
15	138-1209	1	Gear-Ring	29:3		1	O-Ring ●
16	138-1210	1	Ring-Snap	29:4		1	O-Ring ●
17	353-990	1	Plug ASM	29:5		1	O-Ring ●
17:1	237-78	1	O-Ring				

● Not serviced separately



LH Brake Assembly No. 100-3070-03

<i>Ref.</i>	<i>Part Number</i>	<i>Qty.</i>	<i>Description</i>
2	93-7977	1	Seal
3	93-7978	1	Rod-Pull
4	93-7983	2	Pin-Clevis
5	93-7980	2	Link
6	93-7979	2	Pin-Hitch
7	93-7986	4	Disc-Stationary
8	104-4278	3	Disc-Rotating
9	93-7976	1	Ring-Retaining
10	93-7984	1	Gasket
11	104-4279	1	Actuator-Rotating
12	93-7987	3	Spring-Extension
13	93-7985	3	Ball
14	353-990	2	Plug ASM
14:1	237-78	1	O-Ring



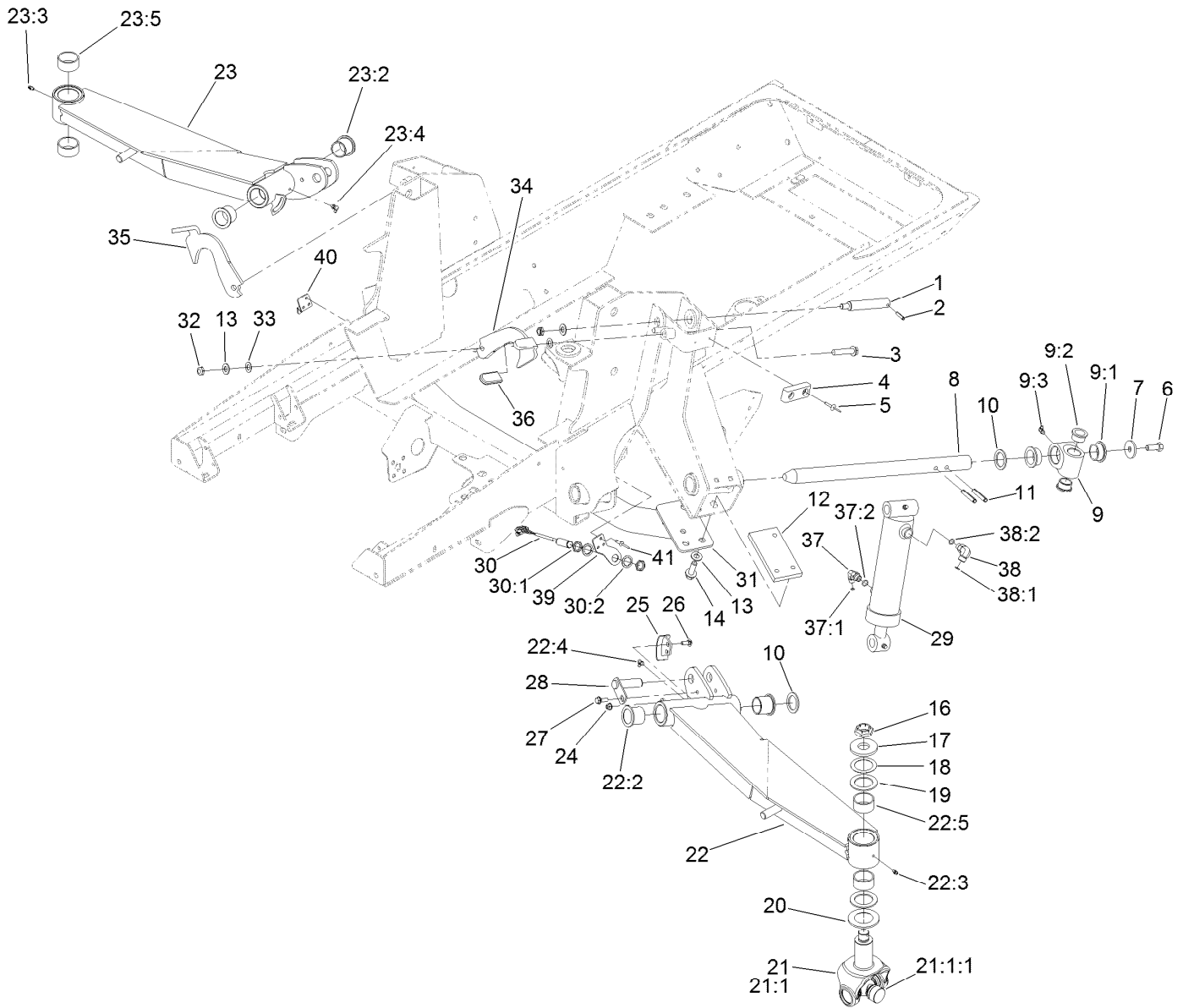
RH Brake Assembly No. 100-3069-03

<i>Ref.</i>	<i>Part Number</i>	<i>Qty.</i>	<i>Description</i>
2	93-7977	1	Seal
3	93-7978	1	Rod-Pull
4	93-7983	2	Pin-Clevis
5	93-7980	2	Link
6	93-7979	2	Pin-Hitch
7	93-7986	4	Disc-Stationary
8	104-4278	3	Disc-Rotating
9	93-7976	1	Ring-Retaining
10	93-7984	1	Gasket
11	104-4280	1	Actuator-Rotating
12	93-7987	3	Spring-Extension
13	93-7985	3	Ball
14	353-990	2	Plug ASM
14:1	237-78	1	O-Ring



Battery, Shield and Rear Cover Assembly

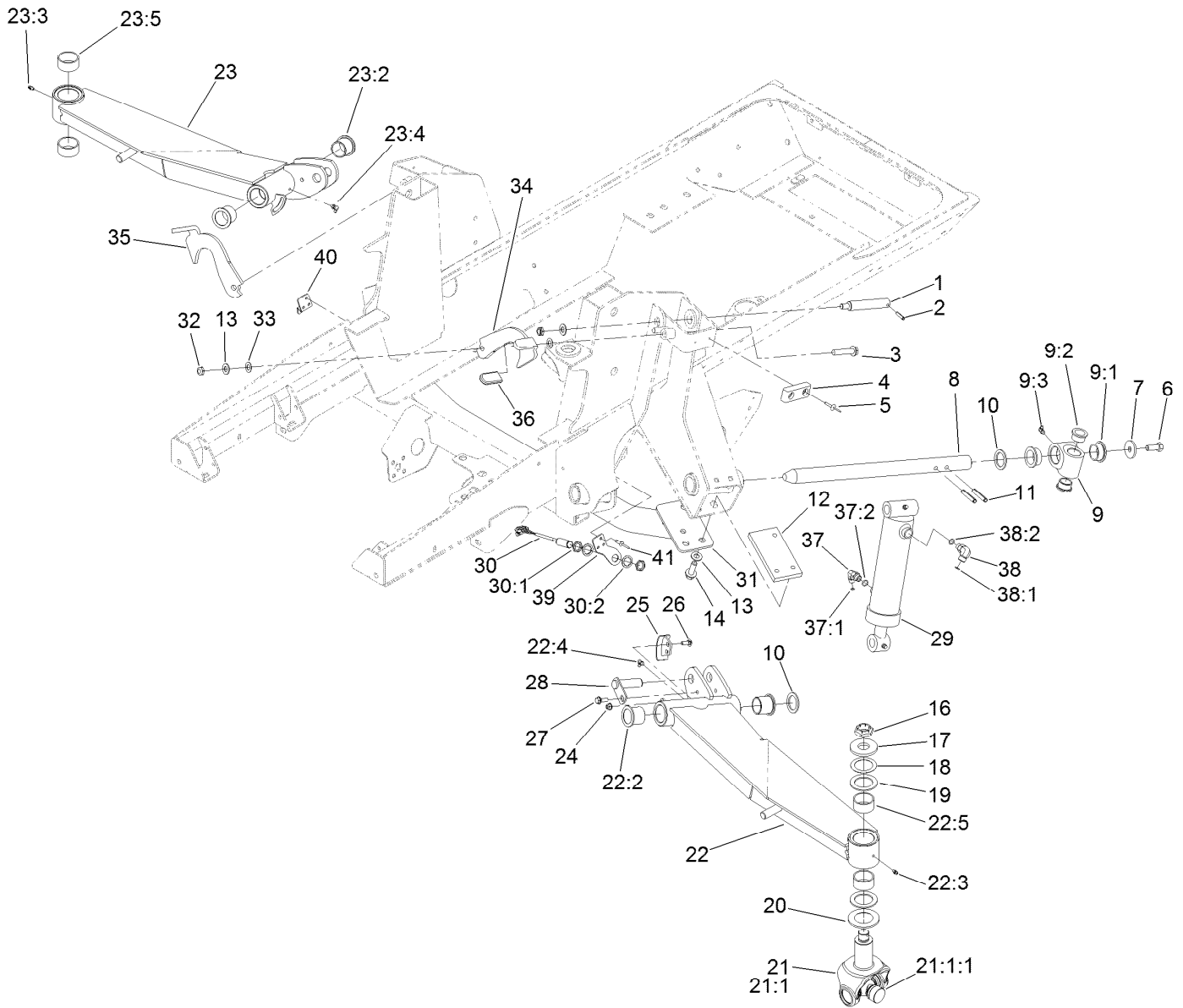
<i>Ref.</i>	<i>Part Number</i>	<i>Qty.</i>	<i>Description</i>
3	131-1246-03	1	Plate-Cover
4	3256-3	2	Washer-Flat
5	32104-6	2	Screw-HH, TAP
11	3230-23	2	Bolt-CARR
12	121-1512-03	1	Shield-Battery
13	104-8300	2	Nut-HF, NI
14	3231-5	1	Screw-CARR
15	138-6335	1	Retainer-Battery
16	104-8301	1	Nut-HF, NI
17	139-1005	1	Battery Kit
17:1	127-7507	1	Battery
17:2	139-1006	1	Decal



Wing Lift Arm Assembly

Ref.	Part Number	Qty.	Description	Ref.	Part Number	Qty.	Description
1	104-3537	2	Pin-Cylinder	17	104-0719	2	Washer-Hardened
2	32121-9	2	Pin-Roll, Slotted	18	114-5641	2	Washer-Thrust
3	3234-46	2	Screw-HHF	19	104-0721	4	Washer-Thrust
4	86-5350	2	Bumper-Rubber	20	104-0720	2	Spacer
5	3269-11	4	Rivet-Pop	21	114-5640-03	2	Joint Yoke ASM
6	325-5	2	Screw-HH	21:1		1	Yoke-Joint ●
7	106-2008	2	Washer-Thrust	21:1:1	104-4299	1	Cross And Bearing Kit
8	121-3882	2	Shaft-Pivot, Lift Arm	22	132-6210	1	LH Lift Arm ASM
9	115-5468	2	Pivot Hub ASM	22:2	69-6470	2	Bushing-Caster
9:1	115-5469	2	Bushing-Flange	22:3	302-5	1	Fitting-Grease
9:2	114-5680	2	Bushing-Flange	22:4	302-60	1	Fitting-Grease
9:3	302-60	1	Fitting-Grease	22:5	114-5596	2	Bushing-Straight
10	256-304	4	Washer-Thrust	23	132-6217	1	RH Lift Arm ASM
11	117-5479	4	Pin-Spring	23:2	69-6470	2	Bushing-Caster
12	120-8859-03	2	Block-Tapped	23:3	302-5	1	Fitting-Grease
13	3256-26	10	Washer-Flat	23:4	302-60	1	Fitting-Grease
14	100-6116	6	Screw-HHF	23:5	114-5596	2	Bushing-Straight
16	116-1399	2	Locknut	24	104-8300	6	Nut-HF, NI

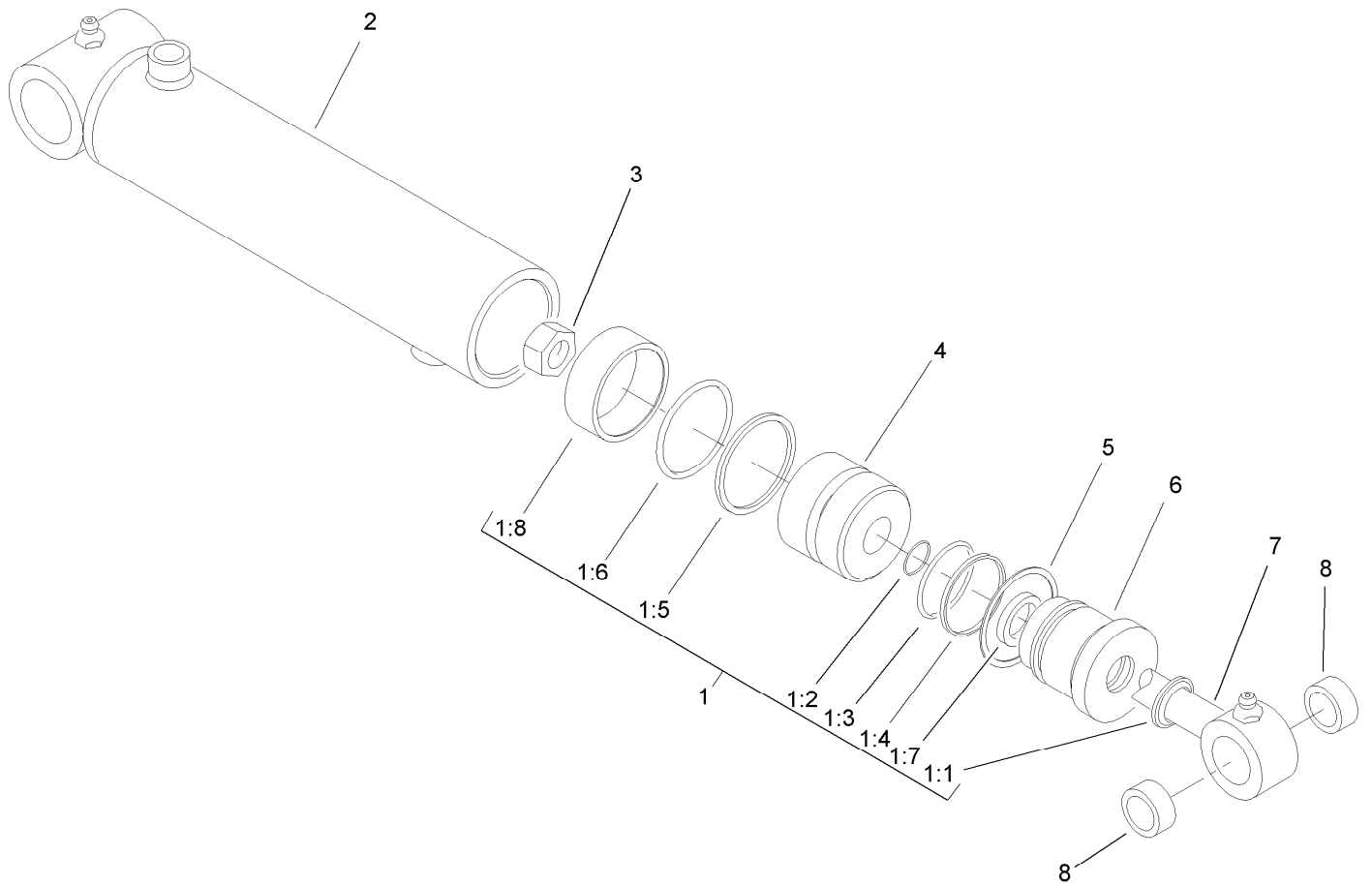
● Not serviced separately



Wing Lift Arm Assembly (continued)

Ref.	Part Number	Qty.	Description	Ref.	Part Number	Qty.	Description
25	132-1429	2	Sensor-Trigger	35	136-4394-03	1	Latch-Deck, RH
26	3230-16	4	Screw-CARR	36	48-7081	2	Grip-Plastic
27	27-0410	2	Screw-Shoulder	37	340-82	2	Fitting-Elbow, 90 DEG
28	131-4305	2	Pin	37:1	237-42	1	O-Ring
29	107-4303	2	HYD Cylinder ASM	37:2	237-21	1	O-Ring
30	115-5300	2	Proximity Switch ASM	38	340-77	2	Fitting-Elbow, 90 DEG
30:1	117-3207	2	Nut-Hex	38:1	237-22	1	O-Ring
30:2	117-3208	2	Washer-Lock, Internal Tooth	38:2	237-42	1	O-Ring
31	120-9000-03	1	Crossmember	39	132-1421	1	Plate-Pivot, LH
32	3296-45	4	Nut-Hex	40	132-1422	1	Plate-Pivot, RH
33	104-3577	4	Washer	41	3290-412	6	Rivet-Blind
34	136-4395-03	1	Latch-Deck, LH				

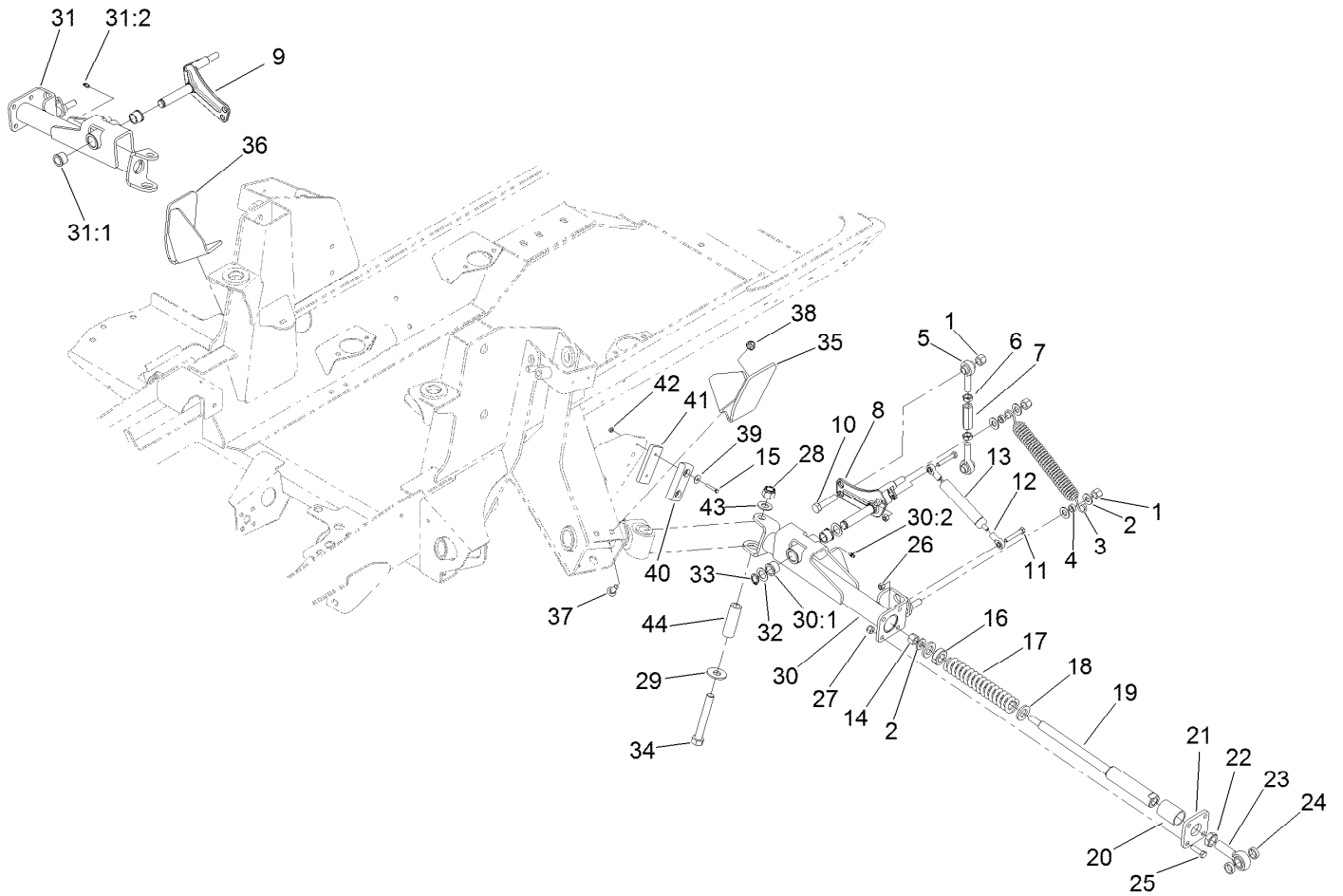
● Not serviced separately



Hydraulic Cylinder Assembly No. 107-4303

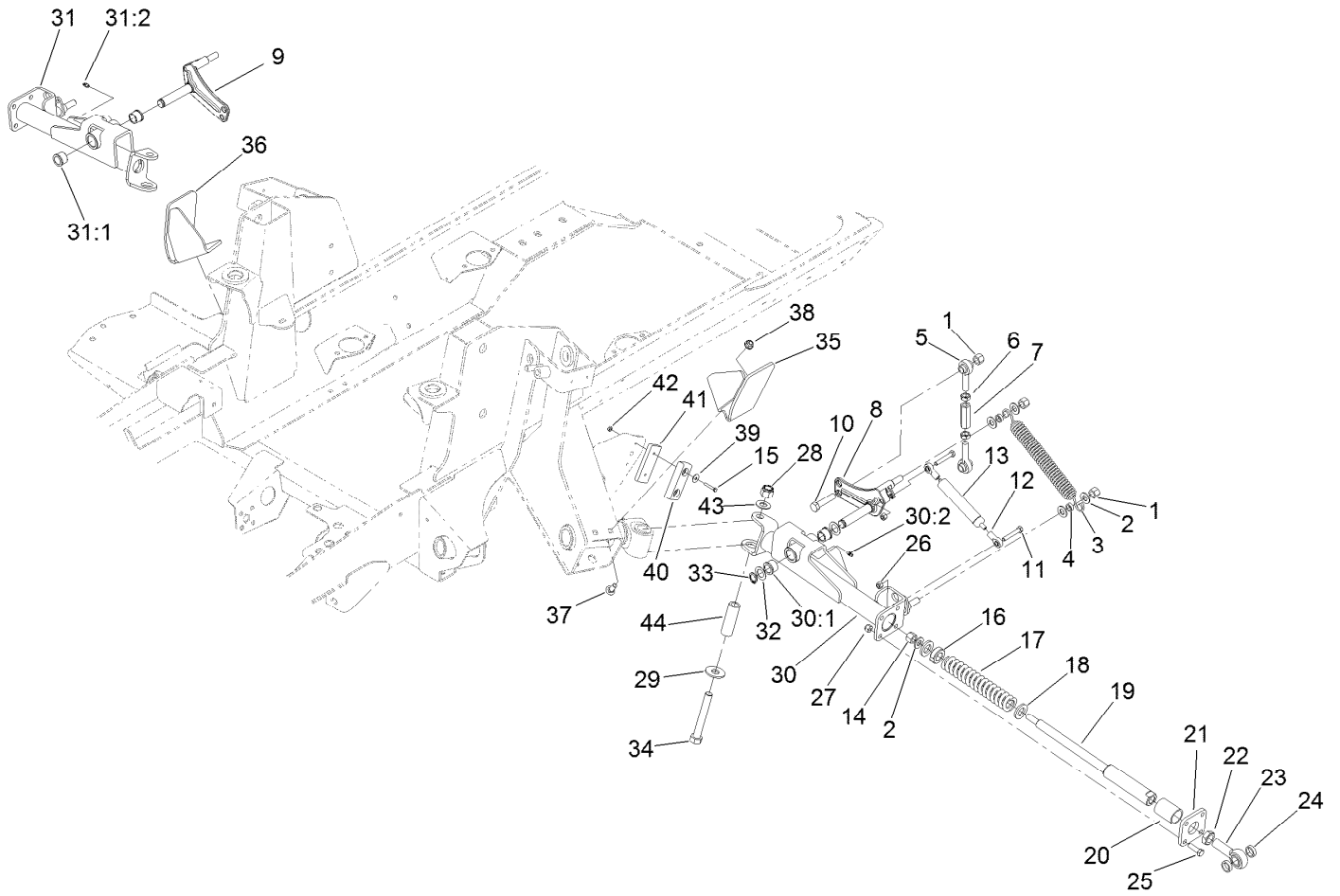
Ref.	Part Number	Qty.	Description
1	107-0249	1	Seal Kit
1:1		1	Wiper ●
1:2		1	O-Ring ●
1:3		1	O-Ring ●
1:4		1	Back-Up ●
1:5		1	Seal ●
1:6		1	O-Ring ●
1:7		1	Seal ●
1:8		1	Wear Ring ●
2		1	Barrel ASM ●
3		1	Locknut ●
4		1	Piston ●
5		1	Ring, Retaining ●
6		1	Head ●
7		1	Rod ASM ●
8	104-4281	2	Bushing

● Not serviced separately



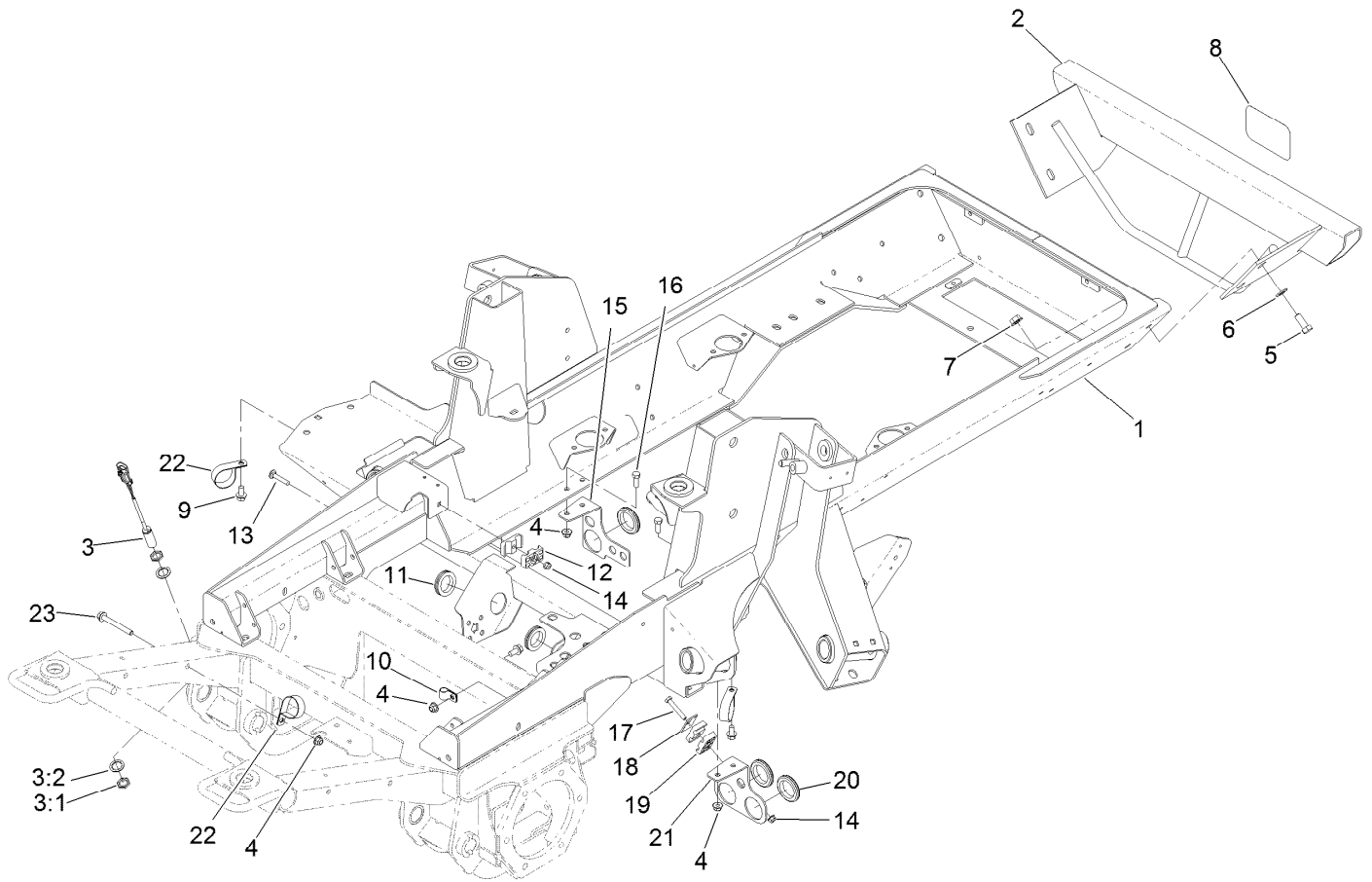
Impact Arm Assembly

Ref.	Part Number	Qty.	Description	Ref.	Part Number	Qty.	Description
1	3296-23	6	Nut-Lock, NI	22	3220-7	2	Nut-Jam
2	3256-26	10	Washer-Flat	23	105-2806	2	End-Rod
3	104-7520	2	Spring-Damper	24	105-0756	4	Spacer
4	104-7521	4	Bushing	25	323-7	8	Screw-HH
5	105-2808	4	End-Rod	26	3296-29	4	Nut-Lock, NI
6	3220-5	4	Nut-Jam	27	3296-39	8	Nut-Lock, NI
7	105-2809	2	Tube-Link	28	3296-53	2	Nut-Lock, NI
8	114-2717	1	Crank-Bell, LH	29	3256-7	2	Washer-Flat
9	114-2716	1	Crank-Bell, RH	30	120-8884	1	LH Rear Arm ASM
10	325-9	2	Screw-HH	30:1	256-113	2	Bushing-Flange
11	322-10	4	Screw-HH	30:2	302-5	1	Fitting-Grease
12	104-8331	4	End-Rod, Spherical	31	120-8883	1	RH Rear Arm ASM
13	105-3249	2	Damper	31:1	256-113	2	Bushing-Flange
14	3296-23	2	Nut-Lock, NI	31:2	302-5	1	Fitting-Grease
15	3290-360	4	Screw-HH	32	3-6498	4	Washer-Thrust
16	105-4552	2	Bearing-Plastic	33	32120-93	2	Ring-Retaining
17	100-8138	2	Spring-Compression	34	327-23	2	Screw-HH
18	105-4551	4	Washer-Flat	35	120-8856-03	1	Bracket-Roller, LH
19	105-4548	2	Shaft-Spring	36	120-8874-03	1	Bracket-Roller, RH
20	105-4550	2	Bushing-Straight	37	3231-2	4	Bolt-CARR
21	105-2807-03	2	Plate	38	104-8301	4	Nut-HF, NI



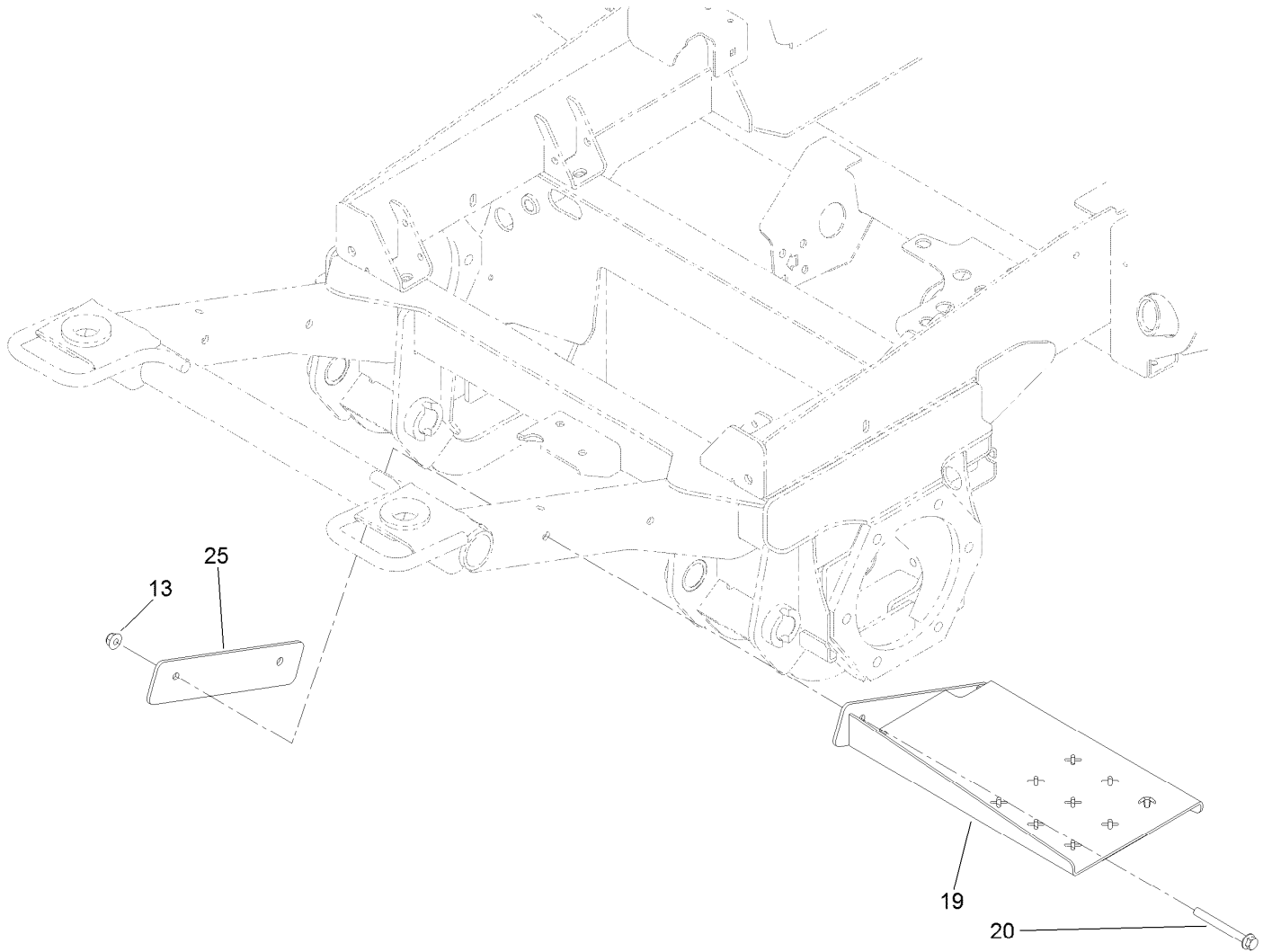
Impact Arm Assembly (continued)

<i>Ref.</i>	<i>Part Number</i>	<i>Qty.</i>	<i>Description</i>	<i>Ref.</i>	<i>Part Number</i>	<i>Qty.</i>	<i>Description</i>
39	3256-61	4	Washer-Flat	42	3296-2	4	Nut-Lock, NI
40	86-5350	2	Bumper-Rubber	43	3256-27	2	Washer-Flat
41	119-8308-03	2	Plate	44	94-6604	2	Tube-Spacer



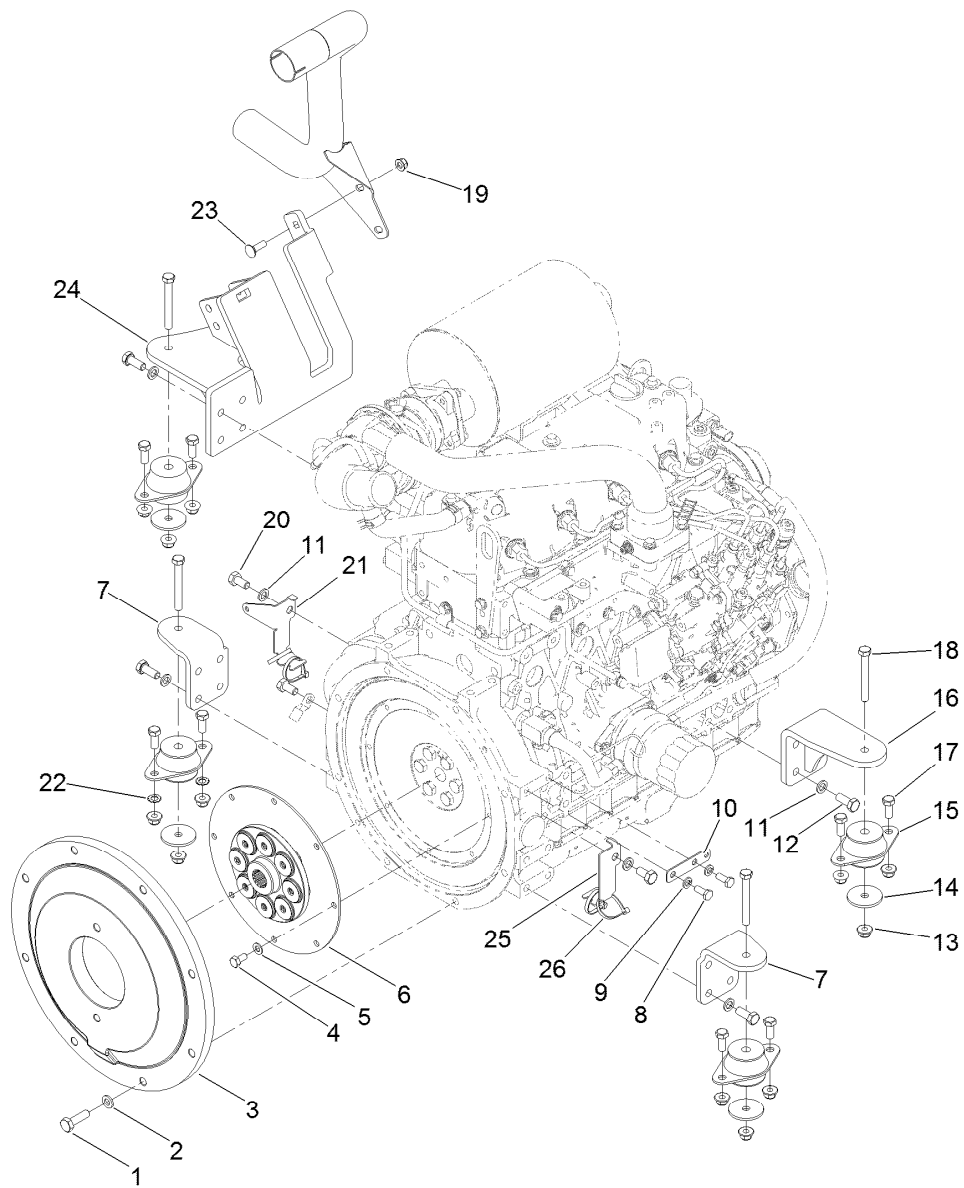
Frame, Bumper and Proximity Sensor Assembly

<i>Ref.</i>	<i>Part Number</i>	<i>Qty.</i>	<i>Description</i>	<i>Ref.</i>	<i>Part Number</i>	<i>Qty.</i>	<i>Description</i>
1	120-4010-03	1	Frame	12	56-7971	2	Clamp-Tube
2	120-8919-03	1	Bumper	13	3230-5	1	Bolt-CARR
3	115-0282	1	Proximity Sensor ASM	14	104-8300	2	Nut-HF, NI
3:1	117-3207	2	Nut-Hex	15	121-1508-03	1	Bracket-Bulkhead
3:2	117-3208	2	Washer-Lock, Internal Tooth	16	323-6	4	Screw-HH
4	104-8301	6	Nut-HF, NI	17	322-10	1	Screw-HH
5	325-5	4	Screw-HH	18	69-9760	1	Plate-Cover
6	3256-26	4	Washer-Flat	19	56-7976	2	Clamp-Tube
7	32128-23	4	Nut-HF	20	240-2	3	Grommet-Rubber
8	105-8278	1	Decal	21	121-1481-03	1	Plate-Mount, Bulkhead (LH)
9	3234-1	3	Screw-HHF	22	2412-147	3	Clamp-R
10	2412-138	1	R-Clamp	23	3234-41	1	Screw-HHF
11	240-7	2	Grommet-Rubber				



Cab Step Assembly

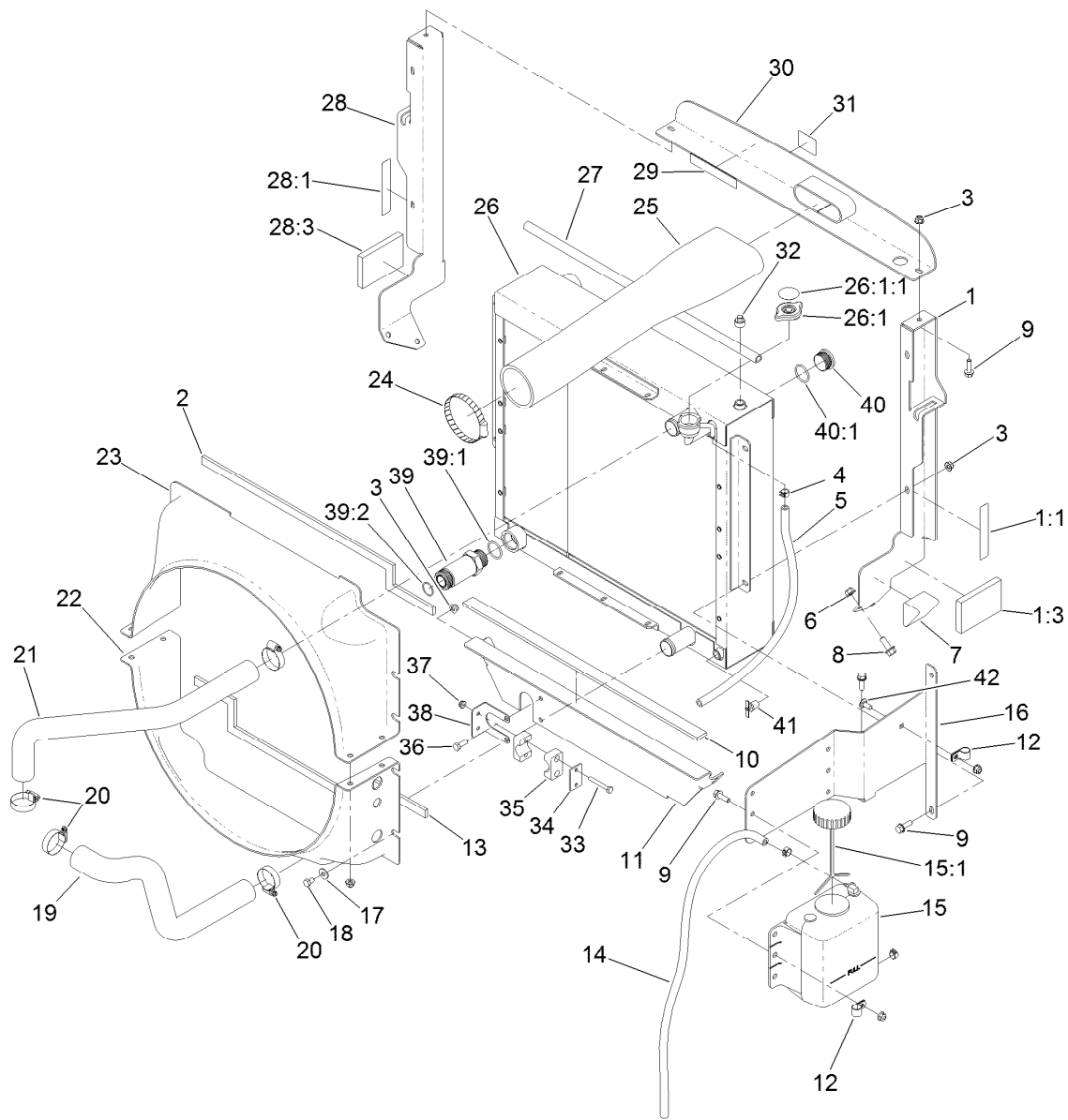
<i>Ref.</i>	<i>Part Number</i>	<i>Qty.</i>	<i>Description</i>
13	104-8301	2	Nut-HF, NI
19	121-1739-03	1	Step
20	116-4701	2	Screw-HHF
25	120-9022-03	1	Support-Step



Flywheel and Motor Mount Assembly

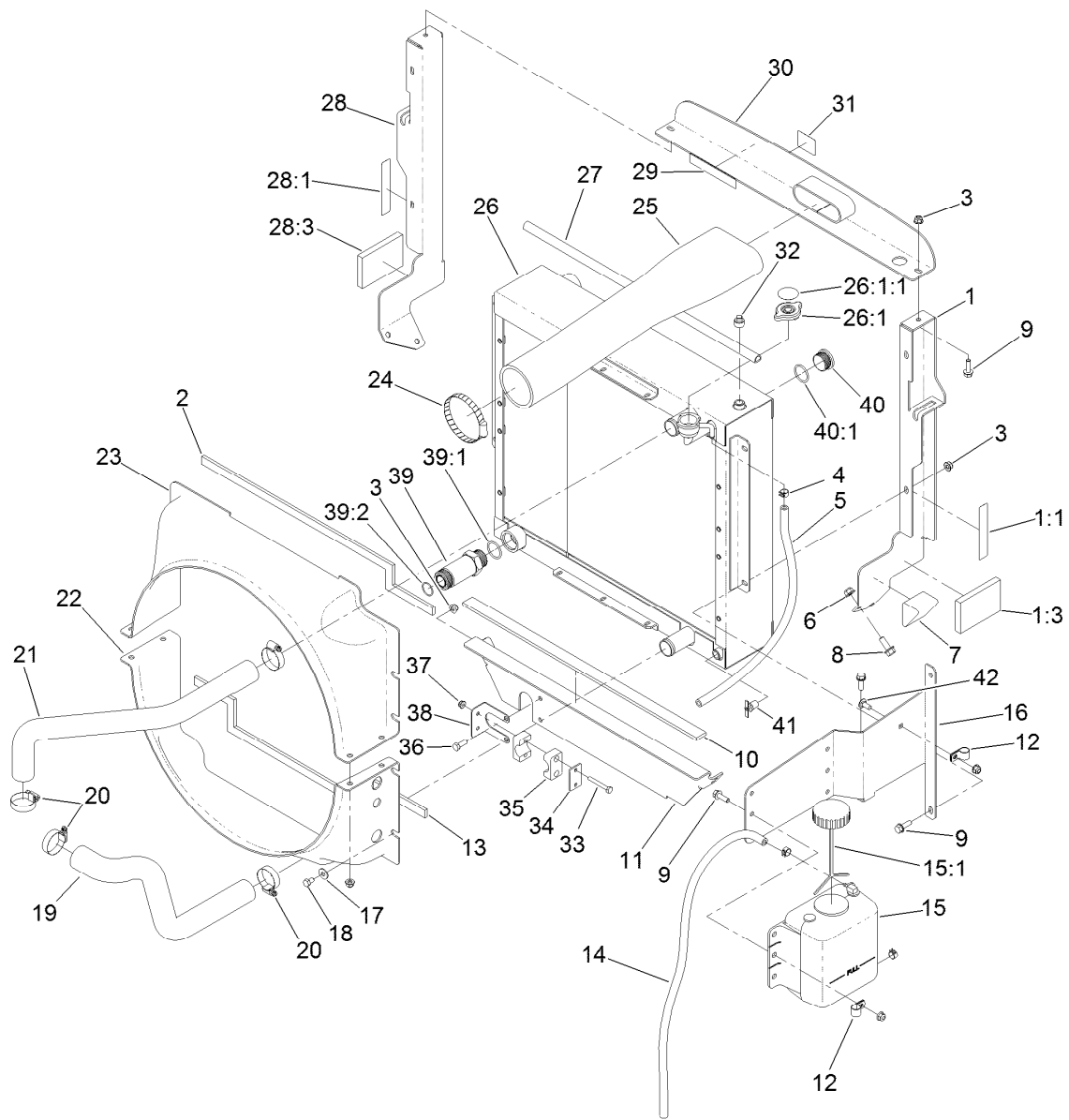
<i>Ref.</i>	<i>Part Number</i>	<i>Qty.</i>	<i>Description</i>
1	117-5663	8	Screw-HH
2	107-1413	8	Washer-Hardened
3	132-6120-03	1	Plate-Flywheel
4	99-5132	8	Bolt
5	87-7510	8	Washer-Flat
6	132-6121	1	Coupling-Flywheel
7	120-4066-03	2	Mount-Motor, Front
8	33114-020	2	Screw-HH
9	3253-4	2	Washer-Lock
10	121-5636	1	Tab-Harness
11	48-9590	18	Washer-Lock
12	33115-025	16	Screw-HH
13	104-8301	12	Nut-HF, NI

<i>Ref.</i>	<i>Part Number</i>	<i>Qty.</i>	<i>Description</i>
14	63-7400	4	Washer-Rebound
15	53-9682	4	Mount-Engine
16	120-4068-03	1	Mount-Motor
17	323-5	8	Screw-HH
18	323-14	4	Screw-HH
19	104-8300	2	Nut-HF, NI
20	33115-020	3	Screw-HH
21	127-2774	1	Bracket-Harness, RH
22	3255-9	2	Washer-Lock
23	3230-2	2	Bolt-CARR
24	127-3722-03	1	Mount-Motor
25	127-2773	1	Bracket-Harness, LH
26	3290-378	4	Tie-Cable



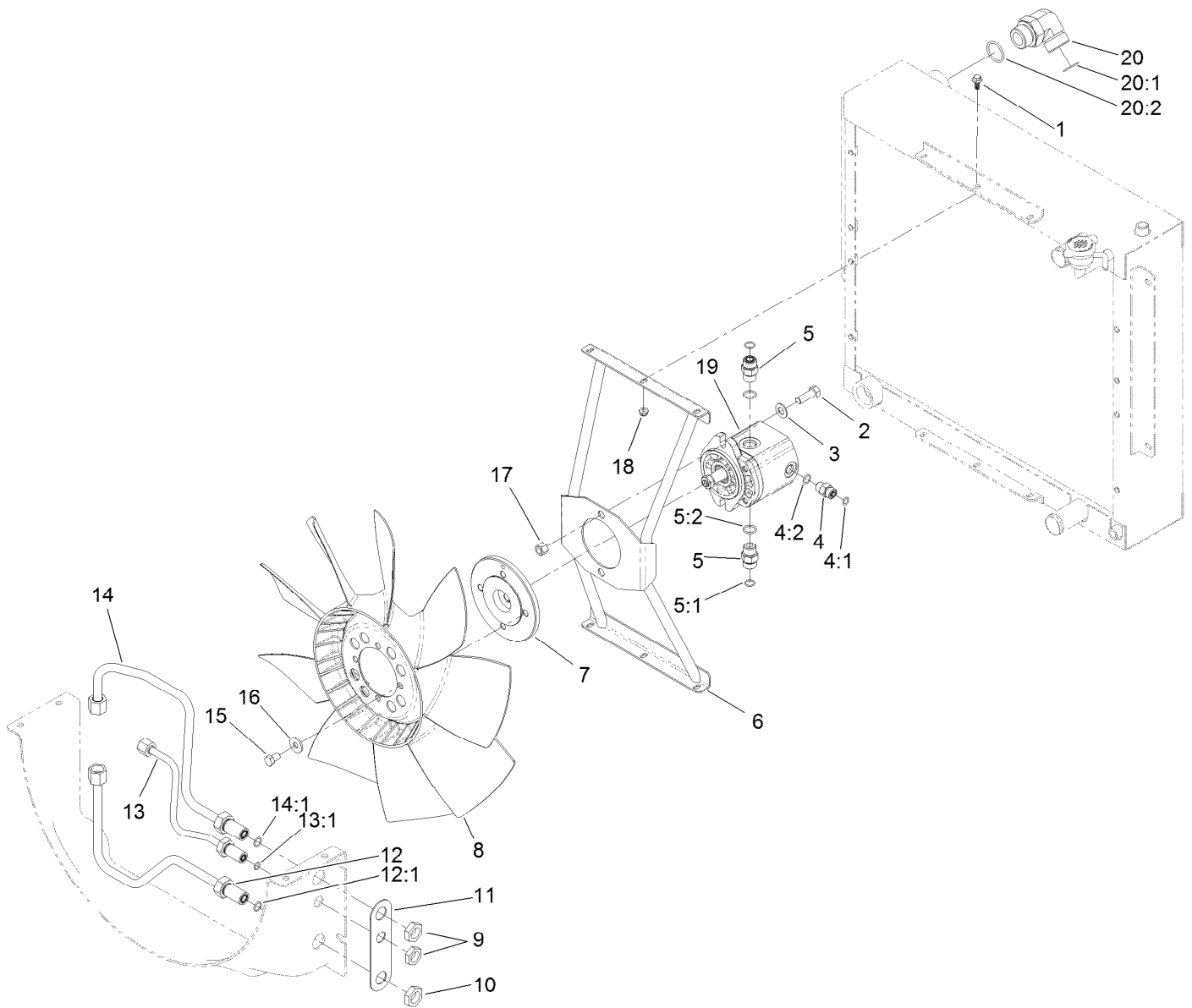
Radiator Assembly

Ref.	Part Number	Qty.	Description	Ref.	Part Number	Qty.	Description
1	121-1479	1	LH Radiator Support ASM	19	121-1746	1	Hose-Radiator, Lower
1:1	93-7272	1	Decal-Warning	20	2412-111	4	Clamp-Hose, W/Liner
1:3	100-2196	1	Pad-Foam	21	121-1747	1	Hose-Radiator, Upper
2	121-1684	1	Foam-Radiator	22	121-1517	1	Shroud-Radiator, Lower
3	104-8300	15	Nut-HF, NI	23	121-1515	1	Shroud-Radiator, Upper
4	92-2379	3	Clamp-Hose	24	2412-110	1	Clamp-Band/Screw
5	110-4112	1	Hose-Fuel	25	121-1474	1	Hose-Inlet, Air Cleaner
6	104-8301	6	Nut-HF, NI	26	132-6161	1	Radiator/Oil Cooler
7	93-5954	2	Plug-Foam	26:1	115-7766	1	Cap-Radiator
8	3234-11	6	Screw-HHF	26:1:1	106-6755	1	Decal-Cap, Radiator
9	3234-29	12	Screw-HHF	27	114-3828	1	Seal-Bulb
10	104-2226	1	Strip-Foam	28	121-1478	1	RH Radiator Support ASM
11	120-8968-03	1	Bracket-Hose	28:1	93-7272	1	Decal-Warning
12	92-6064	2	Clamp-R	28:3	100-2196	1	Pad-Foam
13	121-1685	1	Foam-Radiator, Lower	29	93-7272	1	Decal-Warning
14	110-9662	1	Hose-Fuel	30	136-4364-03	1	Bracket-Intake
15	120-5571	1	Coolant Reservoir ASM	31	117-4765	1	Decal-Starting Fluid
15:1	87-7050	1	Cap-Reservoir	32	281-13	1	Plug-Pipe
16	130-0603-03	1	Bracket-Mount, Bottle	33	321-11	2	Screw-HH
17	3256-3	8	Washer-Flat	34	114-4902	1	Plate-Cover
18	322-1	8	Screw-HH	35	114-4901	1	Clamp



Radiator Assembly (continued)

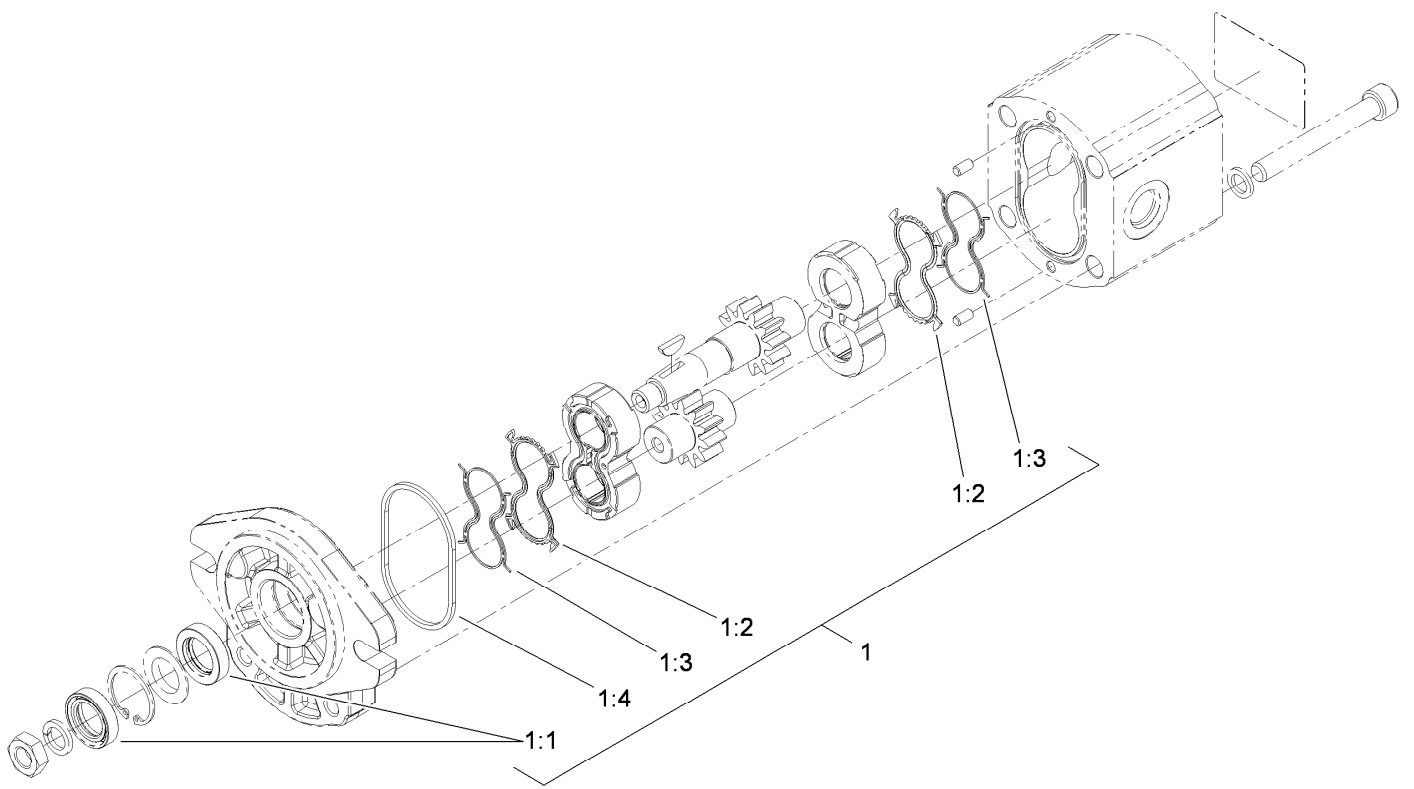
<i>Ref.</i>	<i>Part Number</i>	<i>Qty.</i>	<i>Description</i>	<i>Ref.</i>	<i>Part Number</i>	<i>Qty.</i>	<i>Description</i>
36	322-4	2	Screw-HH	39:2	340-65	1	O-Ring
37	104-7201	2	Nut-HF, NI	40	106-2030	1	Plug-Hex, Hollow
38	120-8984	1	Bracket-Clamp	40:1	237-146	1	O-Ring
39	100-5565	1	Fitting-STR	41	304-46	1	Draincock
39:1	237-146	1	O-Ring	42	3230-23	1	Bolt-CARR



Fan Mounting and Hardline Assembly

Ref.	Part Number	Qty.	Description
1	99-6810	6	Screw-HHF
2	324-5	2	Screw-HH
3	3256-25	2	Washer-Flat
4	340-2	1	Fitting-Straight
4:1	237-22	1	O-Ring
4:2	237-42	1	O-Ring
5	340-4	2	Fitting-Straight
5:1	237-30	1	O-Ring
5:2	237-79	1	O-Ring
6	120-8935-03	1	Bracket-Fan
7	117-2364	1	Hub-Fan
8	114-3825	1	Fan
9	340-70	1	Nut-Lock
10	340-127	2	Nut-Bulkhead
11	121-1518	1	Shim-Support

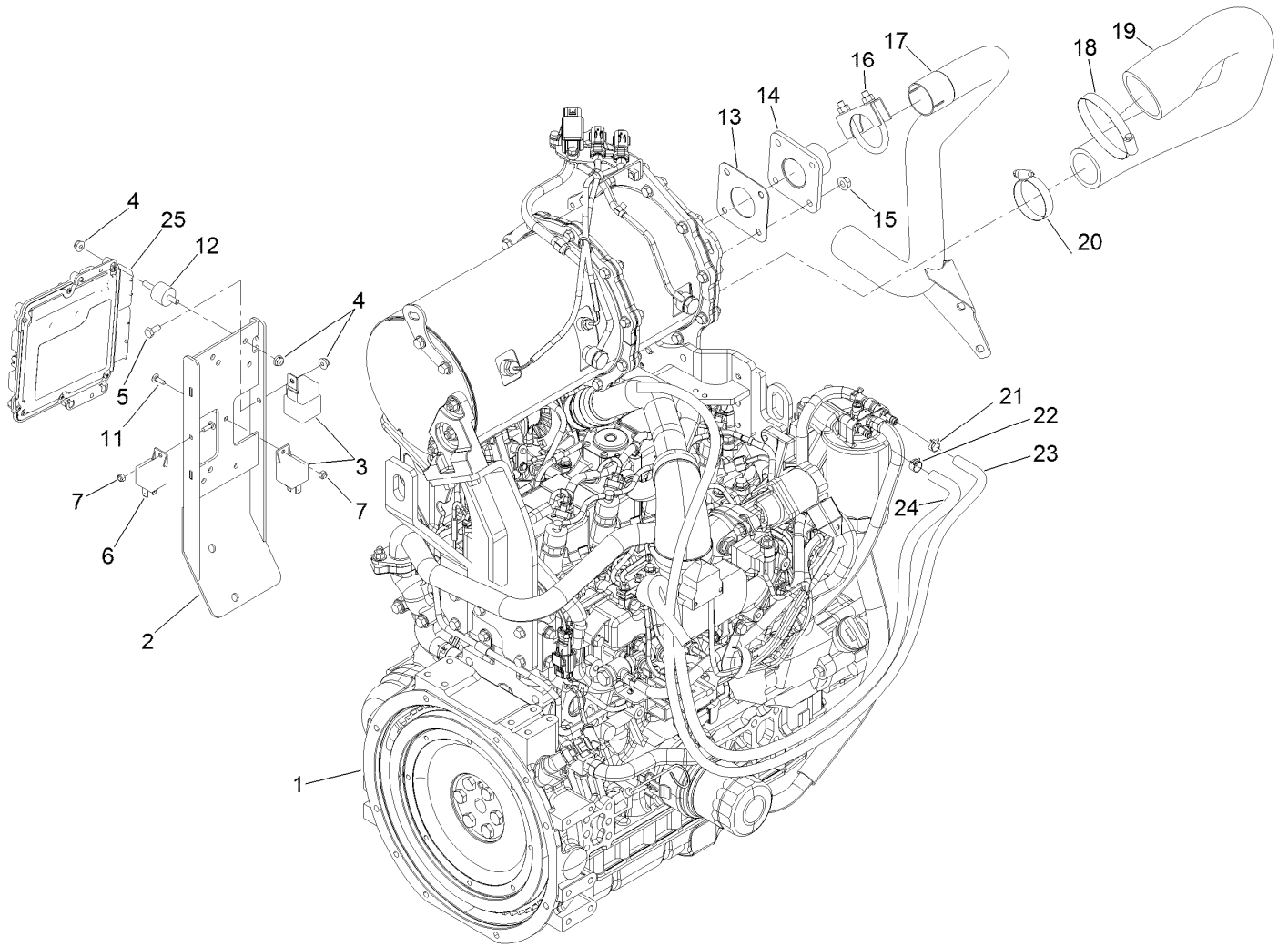
Ref.	Part Number	Qty.	Description
12	121-1554	1	Tube-HYD
12:1	237-30	1	O-Ring
13	121-1555	1	Tube ASM
13:1	237-22	1	O-Ring
14	121-1553	1	Tube-HYD
14:1	237-30	1	O-Ring
15	115-8486	4	Screw-HH
16	80-6990	4	Washer-Hardened
17	3296-48	2	Nut-Hex
18	104-7201	6	Nut-HF, NI
19	117-4769	1	HYD Motor ASM
20	340-129	1	Fitting-Elbow, 90 DEG
20:1	237-146	1	O-Ring
20:2	340-65	1	O-Ring



Hydraulic Motor Assembly No. 117-4769

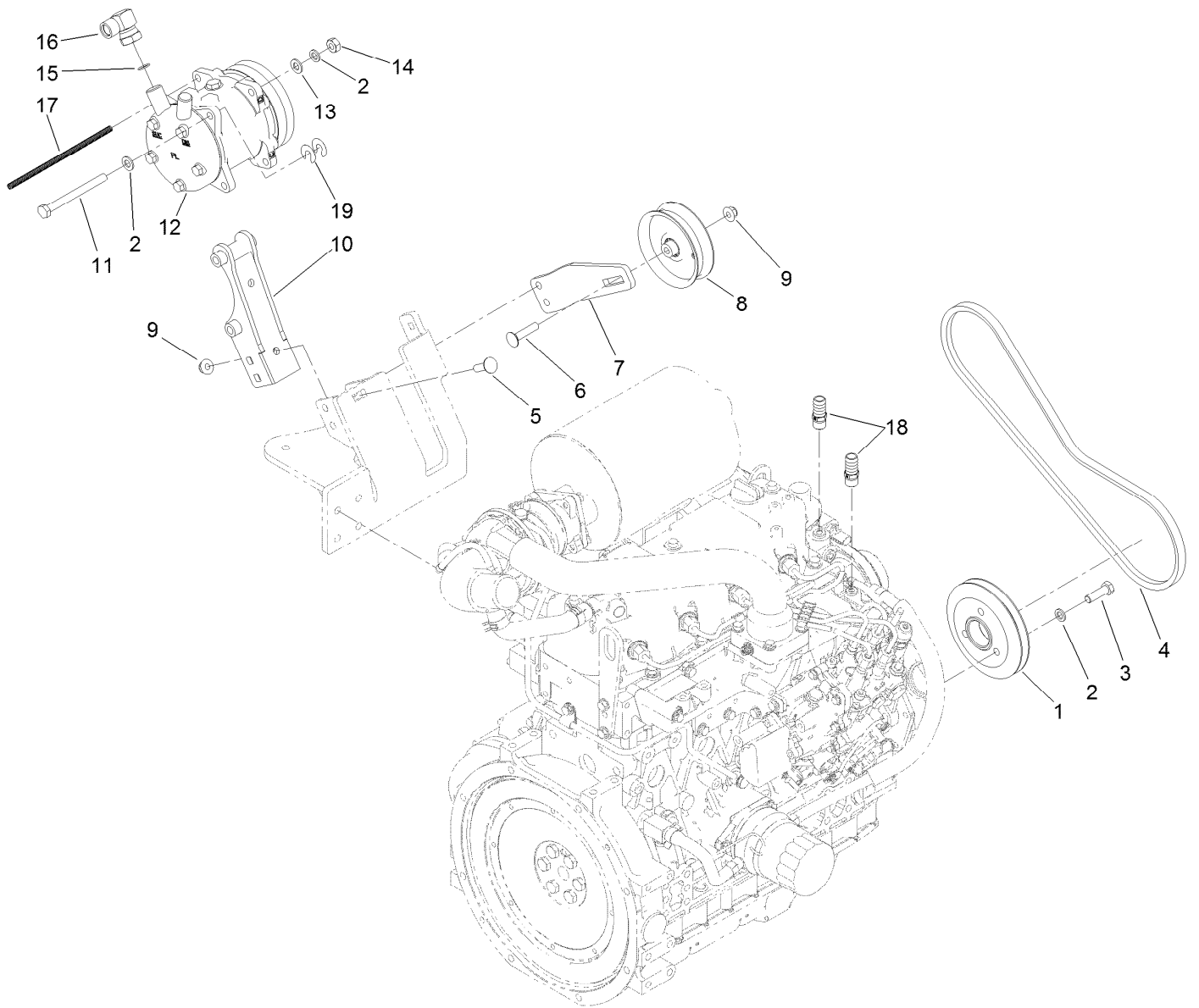
<i>Ref.</i>	<i>Part Number</i>	<i>Qty.</i>	<i>Description</i>
1	115-4110	1	Seal Kit
1:1		2	Seal-Shaft ●
1:2		2	Seal-Plate, Balancing ●
1:3		2	Seal-Anti Extrusion ●
1:4		2	O-Ring (Housing) ●

● Not serviced separately



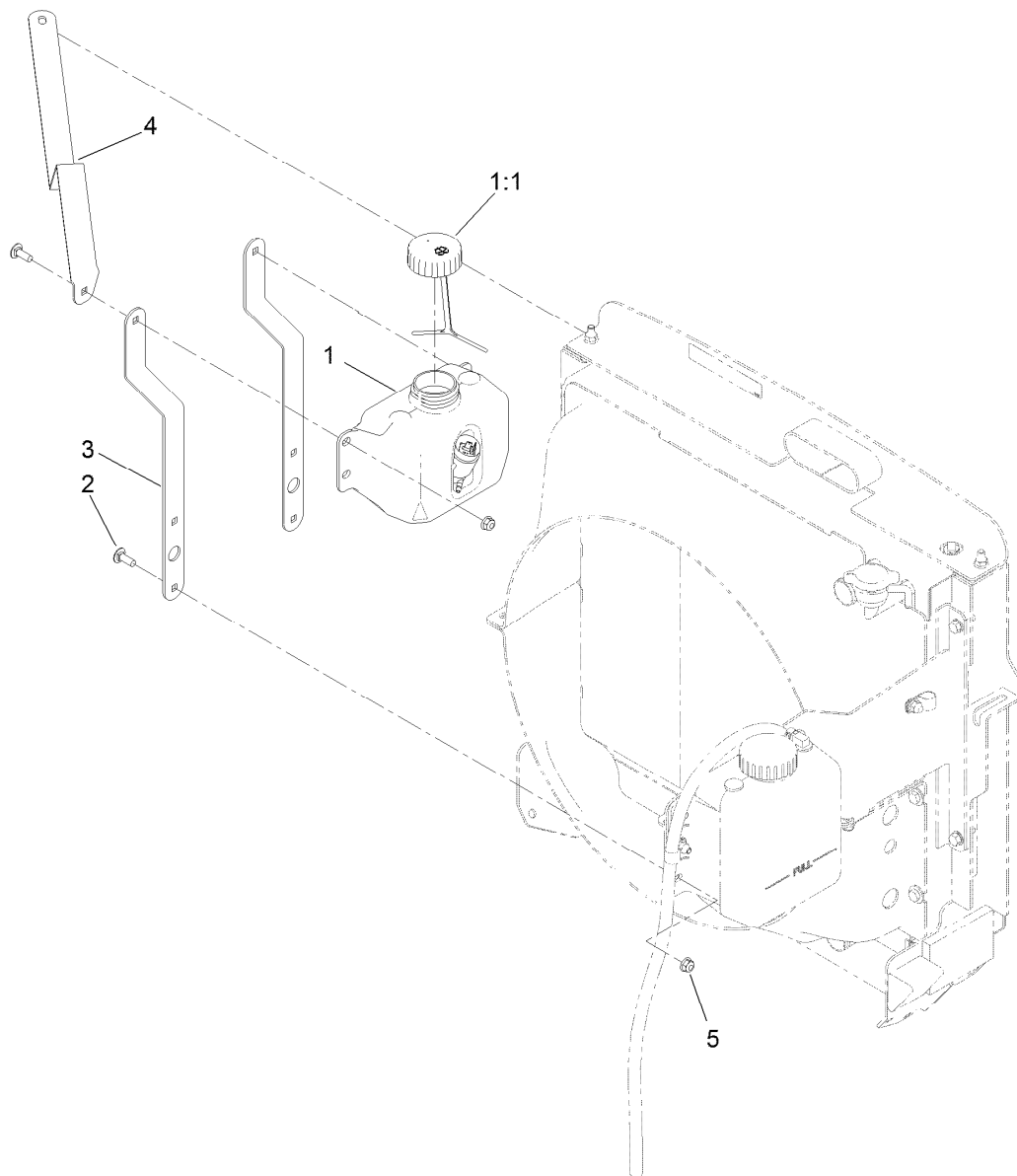
Engine and Controller Assembly

<i>Ref.</i>	<i>Part Number</i>	<i>Qty.</i>	<i>Description</i>	<i>Ref.</i>	<i>Part Number</i>	<i>Qty.</i>	<i>Description</i>
1	120-4111	1	Engine ASM	15	33004-00	4	Nut-HF
2	136-4430-03	1	Mount-Controller	16	18-2130	1	Clamp
3	99-7430	1	Relay-Mini	17	121-1613	1	Pipe-Exhaust
4	104-7201	9	Nut-HF, NI	18	2412-110	1	Clamp-Band/Screw
5	321-3	1	Screw-HH	19	121-1475	1	Hose-Outlet, Air Cleaner
6	99-7435	2	Relay	20	2412-130	1	Clamp-Hose
7	3296-2	2	Nut-Lock, NI	21	2412-98	1	Clamp-Hose
11	1-807533	2	Bolt-CARR	22	92-2379	1	Clamp-Hose
12	132-1356	4	Mount-Isolator	23	115-2368	1	Hose-Fuel
13	121-3058	1	Gasket-Exhaust	24	110-4007	1	Hose-Fuel
14	121-3060	1	Flange-Exhaust	25	121-5592	1	Electronic Control Unit



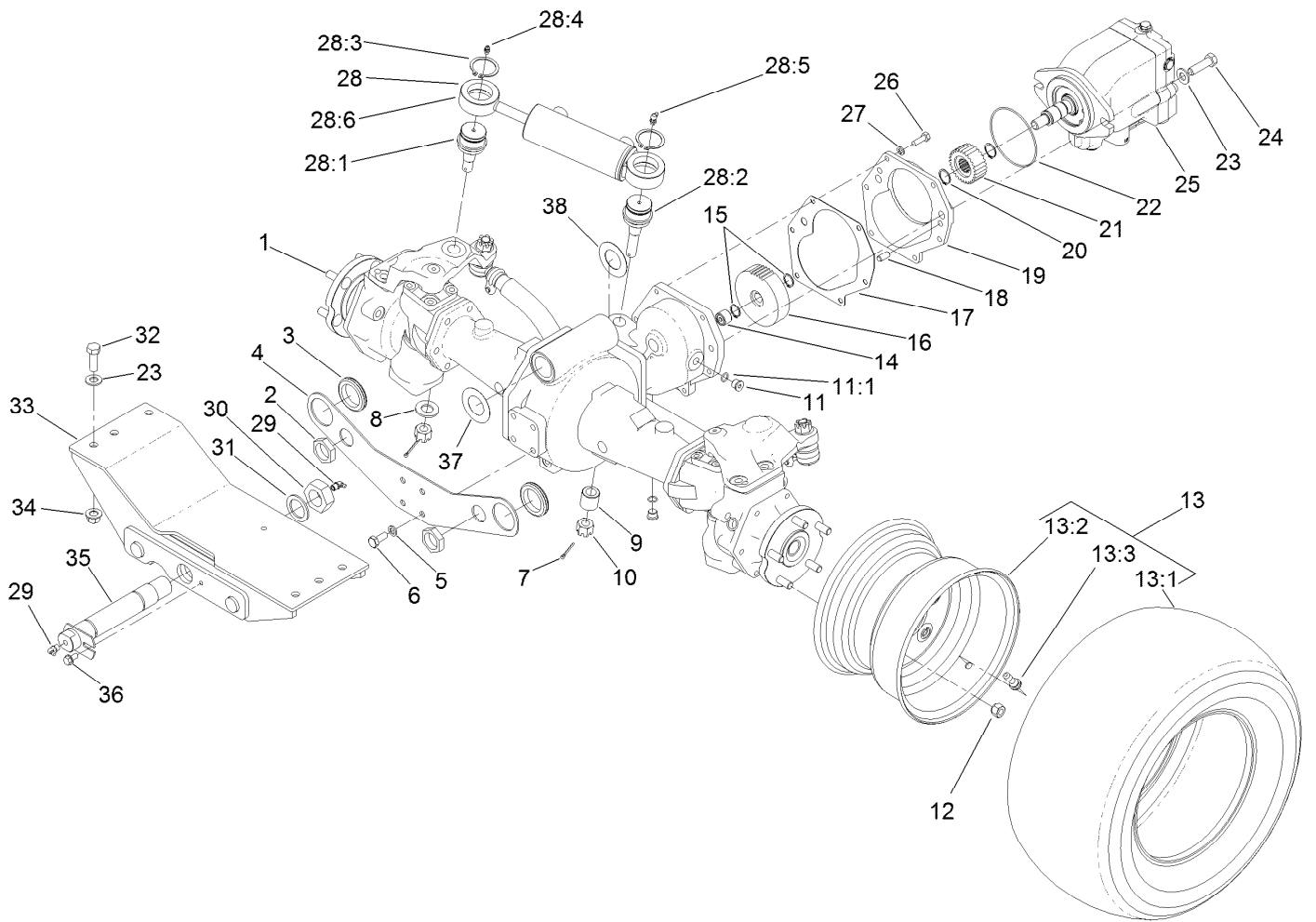
Air Conditioner Compressor Assembly

<i>Ref.</i>	<i>Part Number</i>	<i>Qty.</i>	<i>Description</i>	<i>Ref.</i>	<i>Part Number</i>	<i>Qty.</i>	<i>Description</i>
1	121-8177	1	Pulley-Single	11	33115-110	2	Screw-HH
2	48-9590	5	Washer-Lock	12	119-0103	1	Compressor
3	33115-035	3	Screw-HH	13	33095-00	4	Washer-Flat
4	110-6254	1	Belt-V	14	33015-00	2	Nut-Hex
5	3231-25	5	Bolt-CARR	15	117-2780	1	O-Ring
6	3231-5	1	Screw-CARR	16	119-0128	1	Fitting-Elbow, 90 DEG
7	127-3727-03	1	Mount-Pulley	17	115-8882	1	Conduit-Convolute
8	98-3095	1	Pulley-Idler	18	117-9410	2	Fitting-Straight
9	104-8301	6	Nut-HF, NI	19	119-7734	4	Shim
10	127-3726-03	1	Mount-Compressor				



Washer Fluid Bottle Assembly

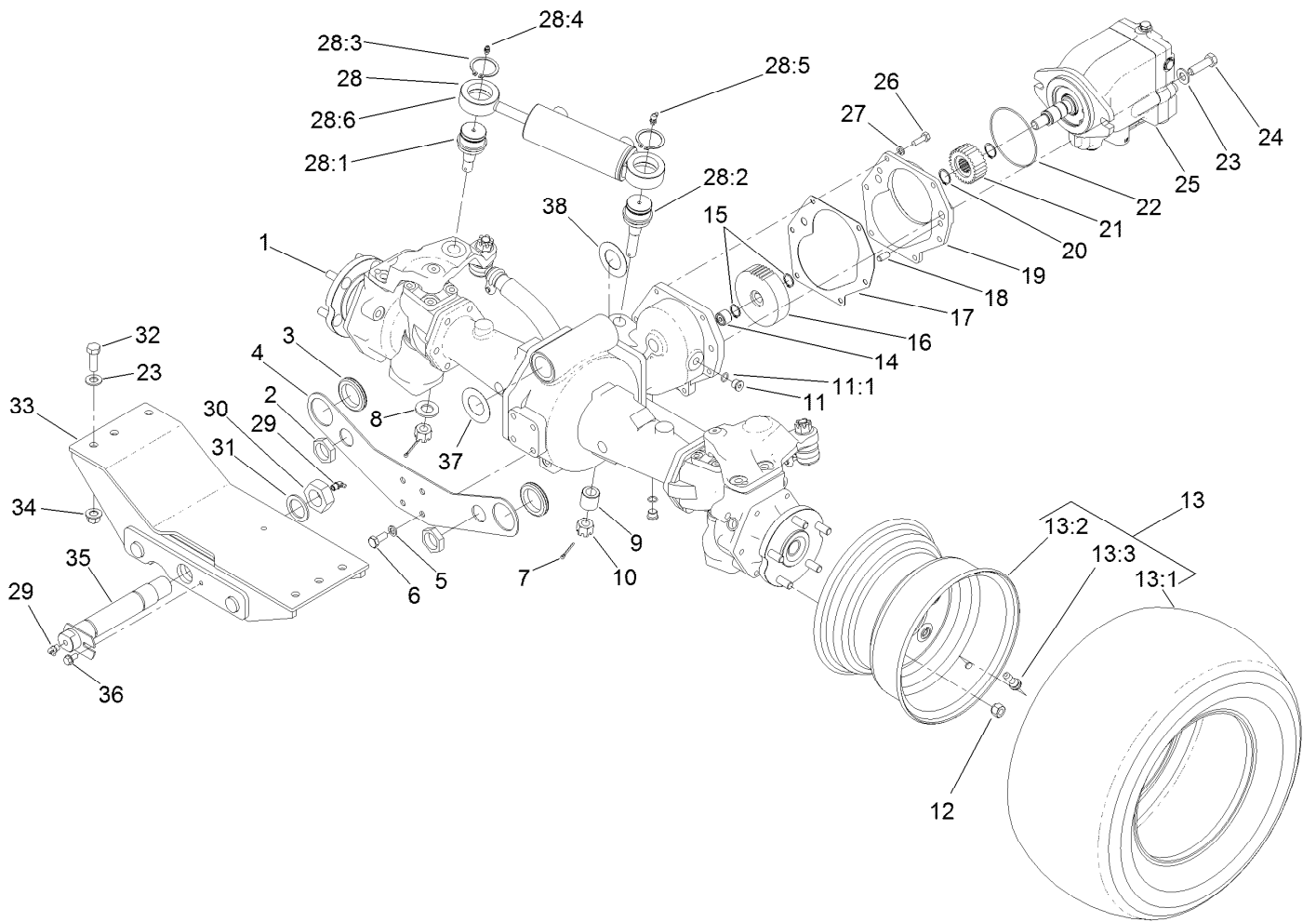
<i>Ref.</i>	<i>Part Number</i>	<i>Qty.</i>	<i>Description</i>
1	138-2702	1	Tank-Fluid, Washer
1:1	125-5258	1	Lid-Tank, Washer Fluid
2	3230-10	6	Bolt-CARR
3	130-0604-03	2	Strap-Bottle, Washer Fluid
4	130-0605-03	1	Support-Bottle, Washer Fluid
5	104-8300	6	Nut-HF, NI



Rear Axle and Steering Cylinder Assembly

Ref.	Part Number	Qty.	Description	Ref.	Part Number	Qty.	Description
1	110-4750	1	Drive Axle ASM	15	32120-15	2	Ring-Snap, EXT
2	340-126	2	Nut-Bulkhead	16	100-3053	1	Gear-45 Tooth
3	240-2	2	Grommet-Rubber	17	106-1140	1	Gasket
4	120-9069-03	1	Plate-Mount, Bulkhead	18	104-2353	2	Pin-Dowel
5	43-0090	4	Screw-HH	19	95-7541	1	Plate-Cover
6	48-9590	4	Washer-Lock	20	32120-76	2	Ring-Snap, EXT
7	3272-12	2	Pin-Cotter	21	104-0755	1	Pinion-27 Tooth
8	92-5836	1	Washer	22	237-166	1	O-Ring
9	100-3796	1	Spacer-Joint, Ball	23	3256-26	8	Washer-Flat
10	32136-14	2	Nut-Hst	24	325-7	2	Screw-HH
11	353-989	2	Plug-Hex, Hollow	25	120-8814	1	HYD Motor ASM
11:1	237-42	1	O-Ring	26	33114-025	6	Screw-HH
12	93-5268	10	Nut-Lug	27	3253-4	6	Washer-Lock
13		2	Tire And Wheel ASM ●	28	121-1535	1	Steering Cylinder ASM
13:1	120-8910	1	Tire-Off Road	28:1	106-6774	1	Joint-Ball
13:2	120-8909	1	Rim	28:2	100-3795	1	Joint-Ball
13:3	232-27	1	Stem-Valve	28:3	32151-104	2	Ring-Retaining, External
14	74-5700	1	Bearing-Needle, Roller	28:4	302-5	1	Fitting-Grease

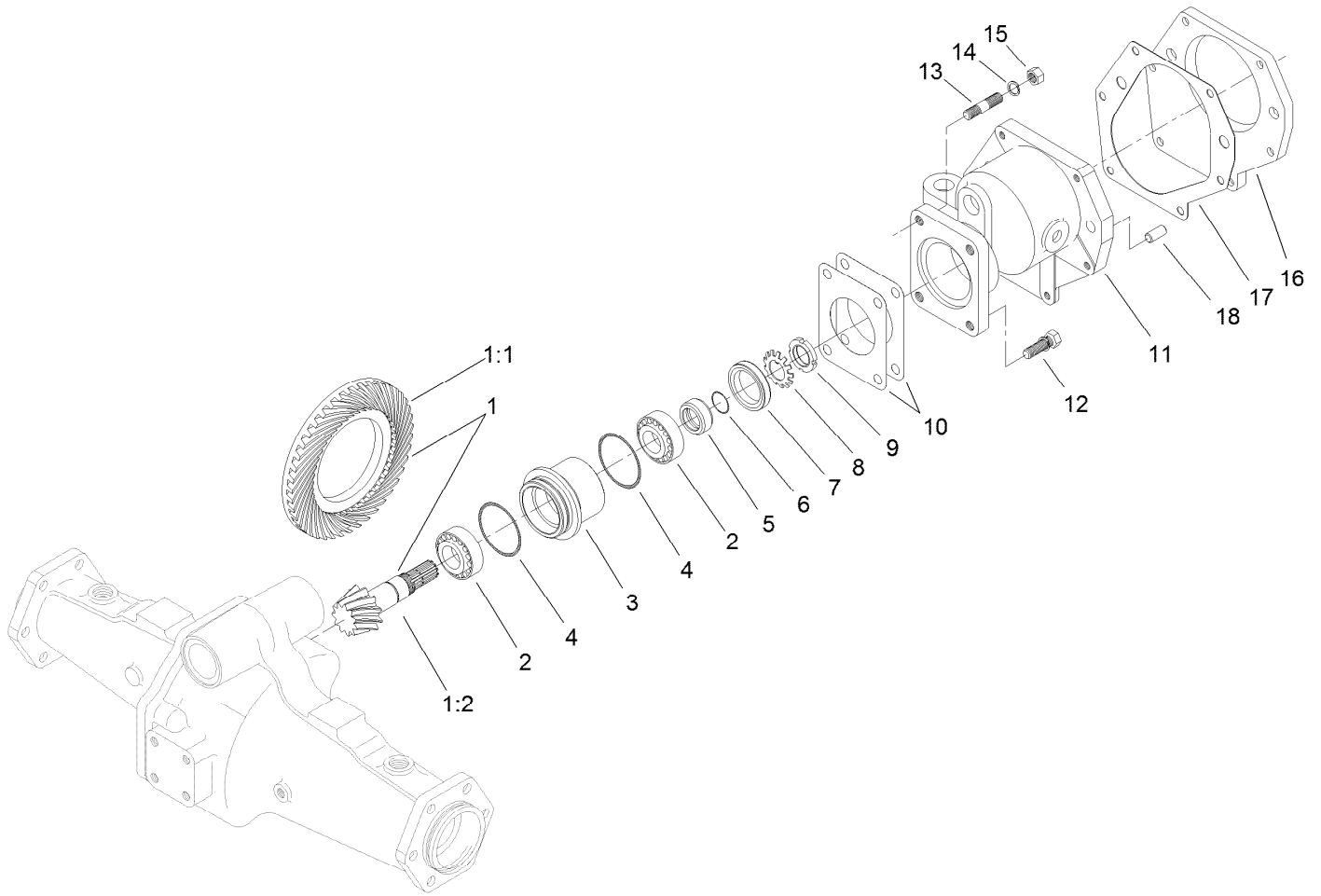
● Not serviced separately



Rear Axle and Steering Cylinder Assembly (continued)

<i>Ref.</i>	<i>Part Number</i>	<i>Qty.</i>	<i>Description</i>	<i>Ref.</i>	<i>Part Number</i>	<i>Qty.</i>	<i>Description</i>
28:5	302-60	1	Fitting-Grease	33	130-2744-03	1	Mount-Rear
28:6	121-1534	1	HYD Steering Cylinder ASM	34	99-5107	6	Nut-Lock
29	302-33	2	Fitting-Grease	35	98-7077	1	Pin-Axle, Rear
30	3296-68	1	Nut-Lock, NI	36	32144-14	1	Screw-HWHTF
31	92-1765	1	Washer-Thrust	37	99-8431	2	Washer-Thrust
32	325-6	6	Screw-HH	38	99-8432	2	Washer-Thrust

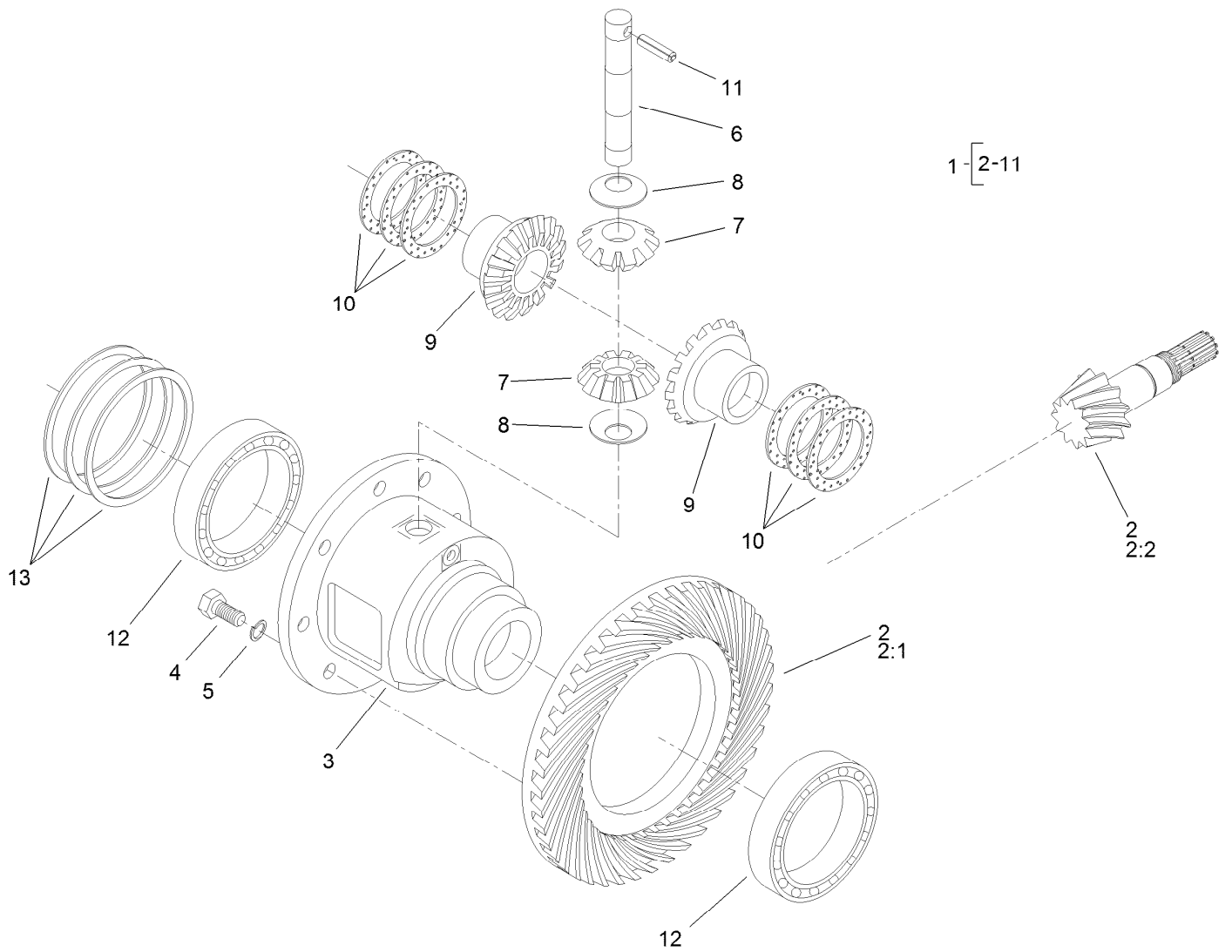
● Not serviced separately



Bevel Pinion Shaft Assembly Rear Axle Assembly No. 110-4750

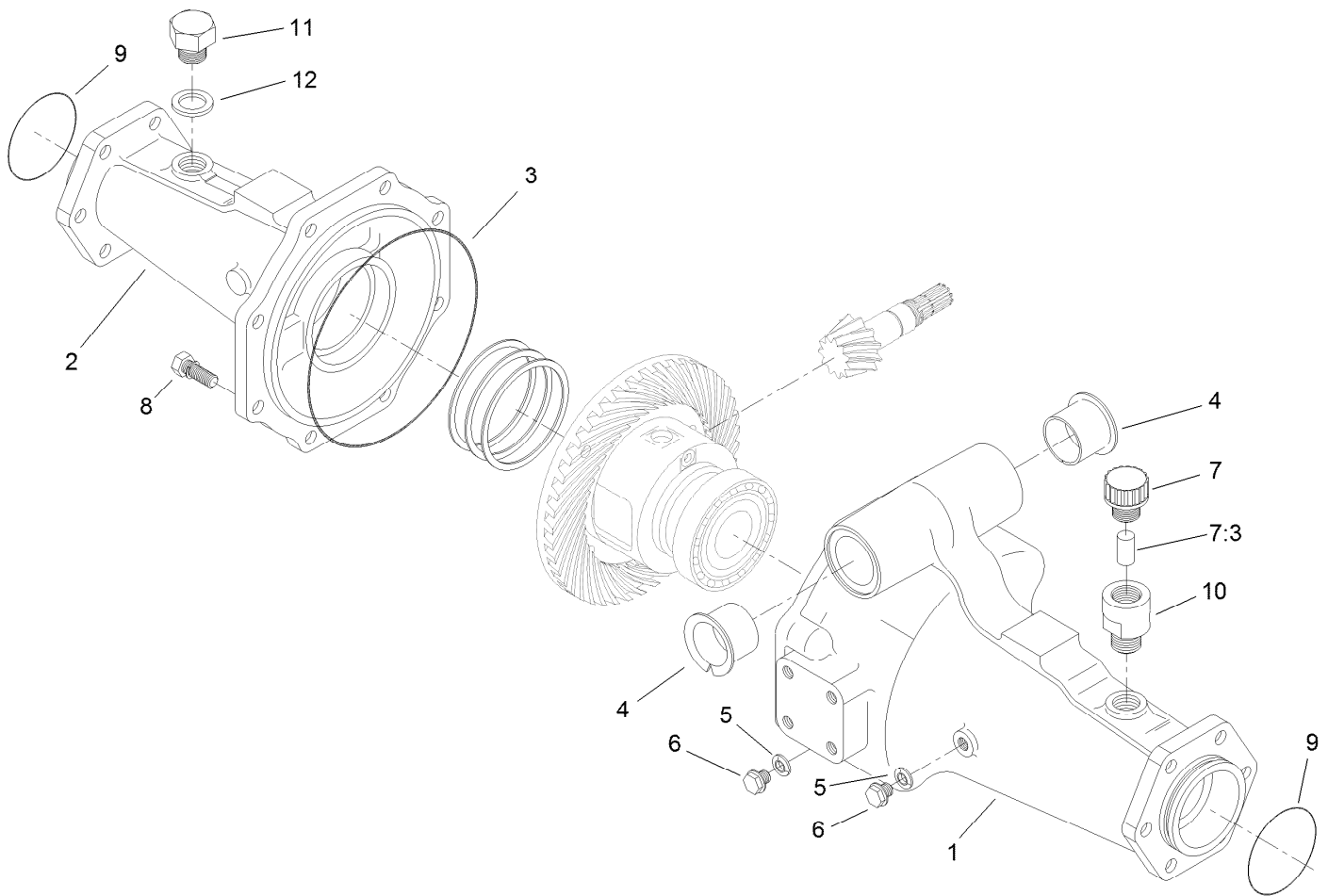
<i>Ref.</i>	<i>Part Number</i>	<i>Qty.</i>	<i>Description</i>
1	106-1093	1	Ring And Pinion Set
1:1	95-7504	1	Gear-43 Tooth, Bevel Spiral
1:2	106-1092	1	Pinion-Spiral, Bevel
2	99-7570	2	Bearing-Roller, Taper
3	95-7534	1	Case-Bearing
4	106-1065	2	O-Ring
5	99-7572	1	Collar-Seal, Oil
6	106-1066	1	O-Ring
7	99-7574	1	Seal-Oil
8	99-7559	1	Washer-Lock
9	99-7560	1	Nut-Lock

<i>Ref.</i>	<i>Part Number</i>	<i>Qty.</i>	<i>Description</i>
10	99-7550	2	Shim 0.1
10	99-7551	2	Shim 0.2
11	95-7533	1	Case-Gear
12	99-7575	2	Bolt
13	98-7735	2	Stud
14	99-7527	2	Washer-Spring
15	99-7526	2	Nut
16	95-7541	1	Plate-Cover
17	106-1140	1	Gasket
18	104-2353	2	Pin-Dowel



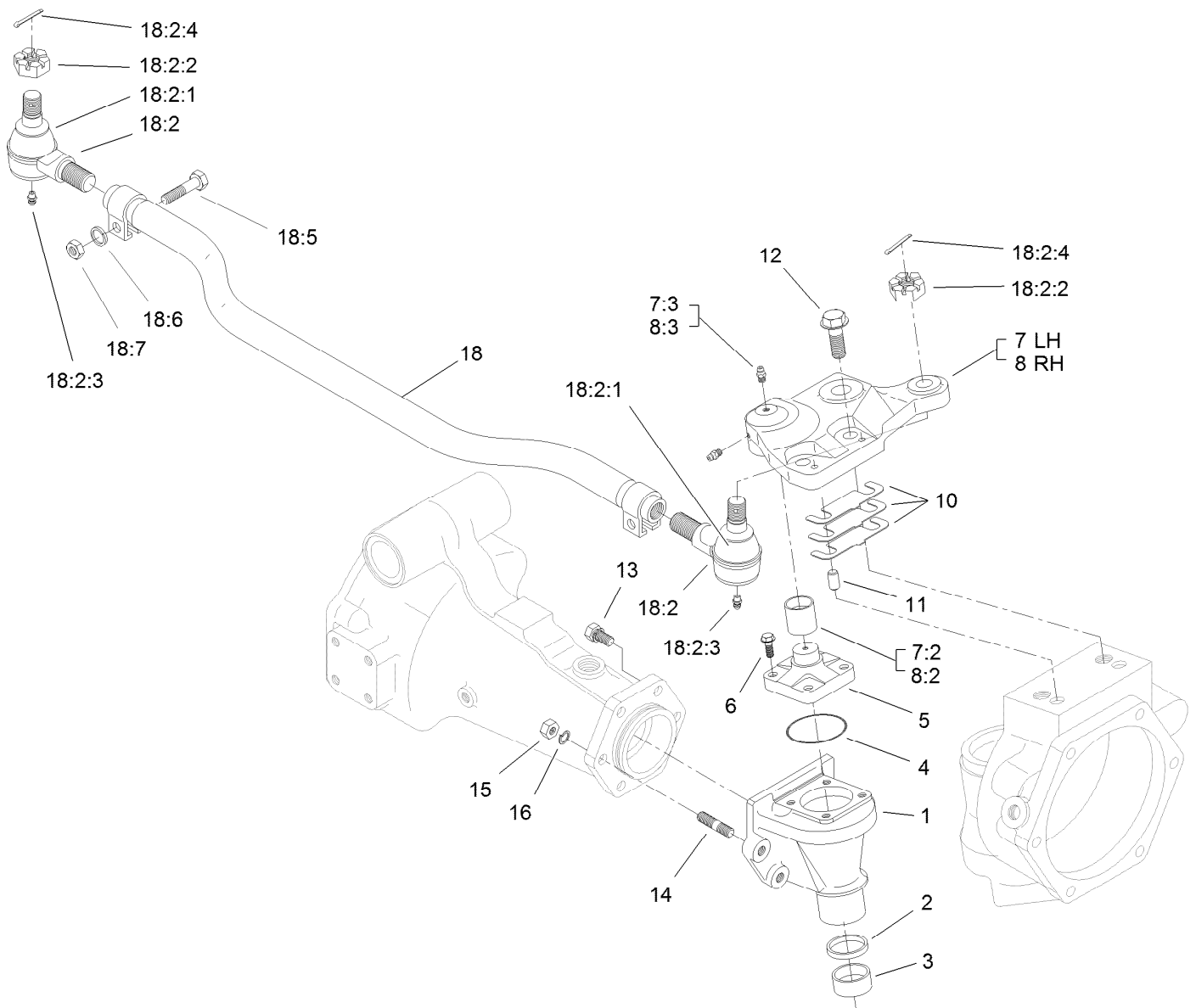
Differential Assembly Rear Axle Assembly No. 110-4750

<i>Ref.</i>	<i>Part Number</i>	<i>Qty.</i>	<i>Description</i>	<i>Ref.</i>	<i>Part Number</i>	<i>Qty.</i>	<i>Description</i>
1	95-7503	1	Differential ASM	9	99-7581	2	Gear-Differential
2	106-1093	1	Ring And Pinion Set	10	99-7582	2	Washer-Differential
2:1	95-7504	1	Gear-43 Tooth, Bevel Spiral	10	99-7583	2	Washer-Differential
2:2	106-1092	1	Pinion-Spiral, Bevel	10	99-7584	2	Washer-Differential
3	95-7502	1	Case-Differential	11	99-7588	1	Pin-Spring
4	99-7576	8	Bolt	12	99-7562	2	Bearing-Ball
5	3253-4	8	Washer-Lock	13	99-7585	2	Shim 0.1
6	99-7578	1	Shaft-Differential	13	99-7586	2	Shim 0.2
7	99-7579	2	Pinion-Differential	13	99-7587	2	Shim 0.4
8	99-7580	2	Washer-Differential				



Axle Support Assembly Rear Axle Assembly No. 110-4750

<i>Ref.</i>	<i>Part Number</i>	<i>Qty.</i>	<i>Description</i>
1	95-7508	1	Support-Axle
2	95-7506	1	Support-Axle
3	106-1067	1	O-Ring
4	95-7537	2	Bushing-Flanged
5	99-7590	2	Washer-Seal
6	99-7589	2	Plug
7	110-4812	1	Axle Vent ASM
7:3	110-4815	1	Insert-Filter, Foam
8	99-7592	8	Bolt
9	106-1068	2	O-Ring
10	104-2377	1	Extension-Vent
11	104-8643	1	Plug
12	104-8644	1	O-Ring



Bevel Gear Case Assembly Rear Axle Assembly No. 110-4750

<i>Ref.</i>	<i>Part Number</i>	<i>Qty.</i>	<i>Description</i>	<i>Ref.</i>	<i>Part Number</i>	<i>Qty.</i>	<i>Description</i>
1	110-4752	2	Case-Gear, Bevel	12	104-2375	4	Bolt
2	110-4754	2	Seal-Oil	13	99-7599	8	Bolt
3	104-2378	2	Bushing	14	99-7525	4	Stud
4	106-1069	2	O-Ring	15	99-7526	4	Nut
5	104-2373	2	Knuckle	16	99-7527	4	Washer-Spring
6	104-2374	8	Bolt	18	106-1141	1	Steering Tie Rod ASM
7	100-3768	1	LH Steering Arm ASM	18:2	106-1113	2	Tie Rod End ASM - RH Thread
7:2	104-8634	1	Bushing	18:2:1	100-3853	1	Cover-Dust
7:3	106-1104	2	Fitting-Grease	18:2:2	100-3854	1	Nut-Castle
8	100-3766	1	RH Steering Arm ASM	18:2:3	110-4755	1	Fitting-Grease
8:2	104-8634	1	Bushing	18:2:4	3272-11	1	Pin-Cotter
8:3	106-1104	2	Fitting-Grease	18:5	100-3855	2	Bolt
10	95-7547	2	Shim 0.1	18:6	99-7527	2	Washer-Spring
10	95-7548	2	Shim 0.2	18:7	99-7526	2	Nut
10	95-7549	2	Shim 0.3				
11	99-7597	4	Pin-Dowel				



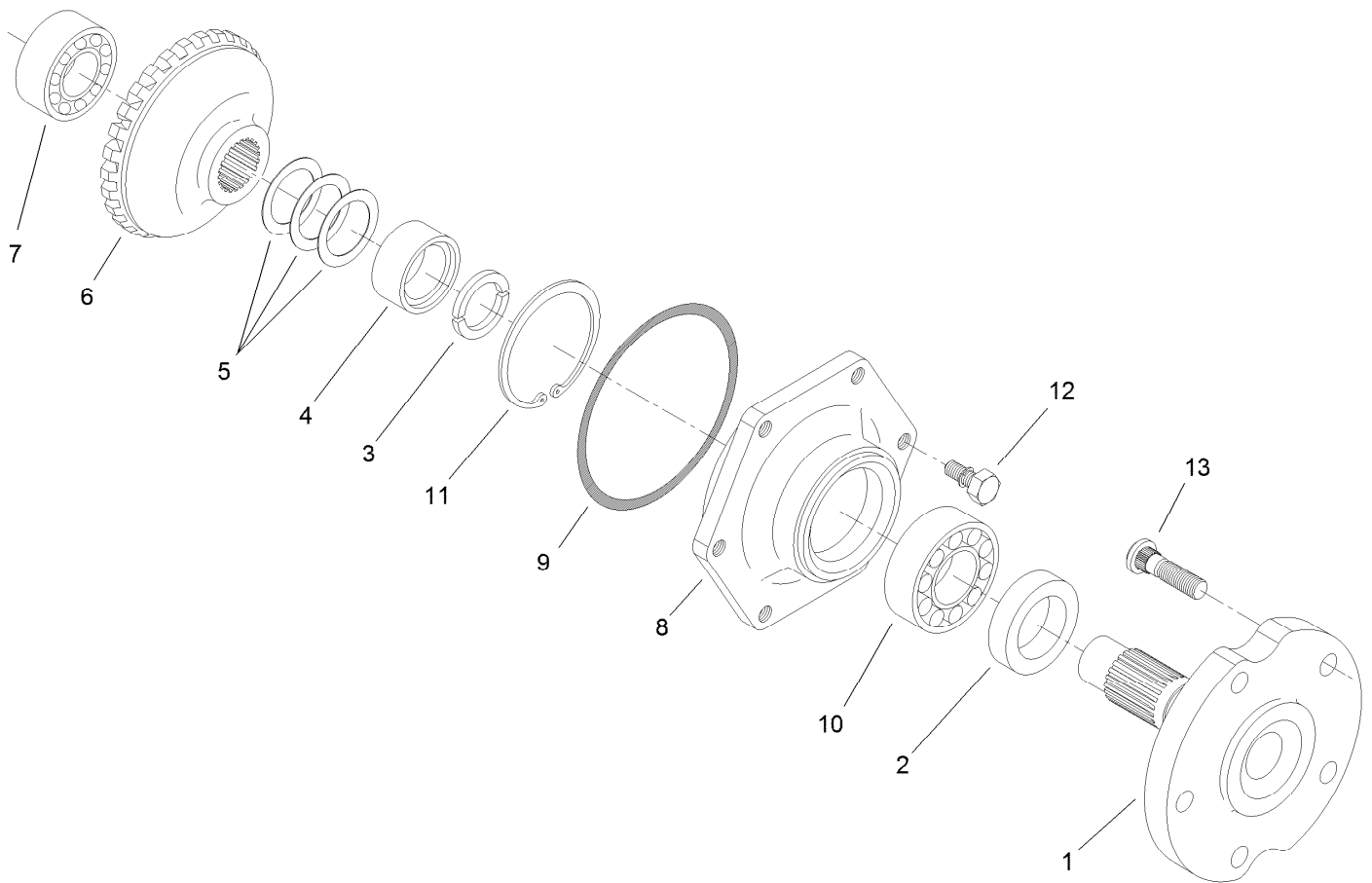
Bevel Gear Shaft Assembly Rear Axle Assembly No. 110-4750

<i>Ref.</i>	<i>Part Number</i>	<i>Qty.</i>	<i>Description</i>
1	95-7509	1	Shaft-Gear, Differential
2	95-7512	1	Shaft-Gear, Differential
3	95-7517	2	Gear-Bevel, 15 Tooth
4	99-7530	4	Bearing-Ball
5	99-7552	2	Shim 0.1
5	99-7553	2	Shim 0.2
5	99-7554	2	Shim 0.5
6	99-7531	2	Clip
7	110-4753	2	Shaft-Gear, Bevel
8	95-7519	2	Gear-Bevel, 17 Tooth
9	99-7532	2	Bearing-Roller, Taper
10	99-7558	2	Collar



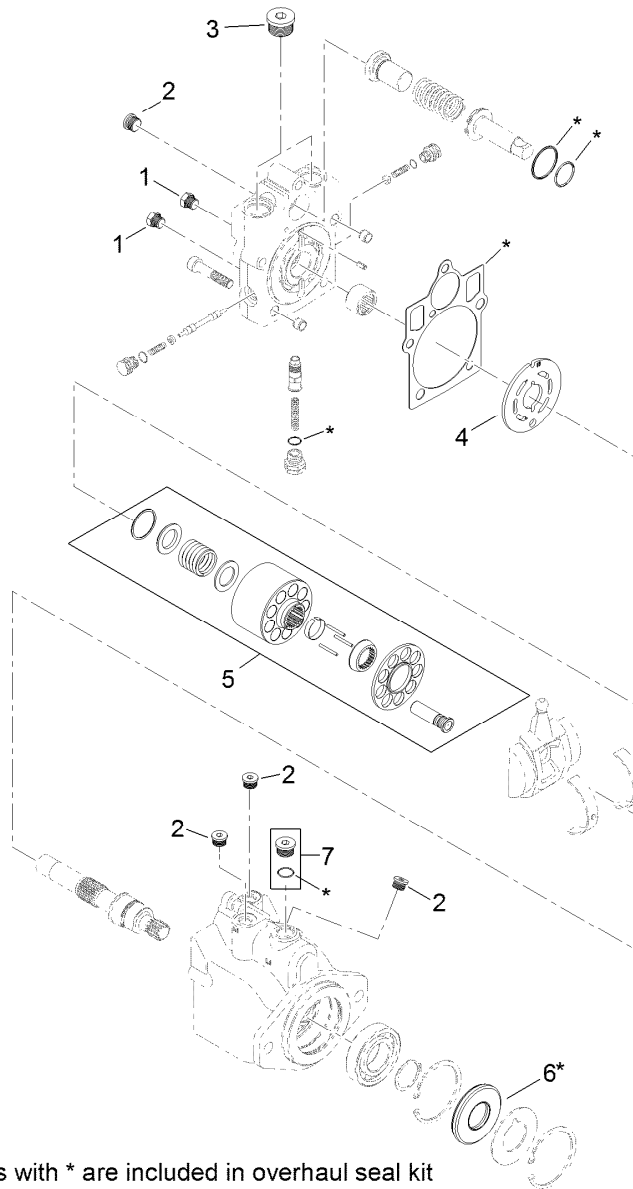
Axle Case Assembly Rear Axle Assembly No. 110-4750

<i>Ref.</i>	<i>Part Number</i>	<i>Qty.</i>	<i>Description</i>
1	110-4751	2	Case-Axle
2	99-7535	2	Plug
3	99-7536	2	Washer-Seal
4	95-7527	2	Gear-Bevel, 17 Tooth
5	99-7532	2	Bearing-Roller, Taper
6	100-2560	2	Cover
7	106-1070	2	O-Ring
8	99-7589	2	Plug
9	99-7590	2	Washer-Seal
10	100-2562	8	Bolt
11	106-1102	2	Bolt-Stop
12	106-1103	2	Nut



Axle Assembly Rear Axle Assembly No. 110-4750

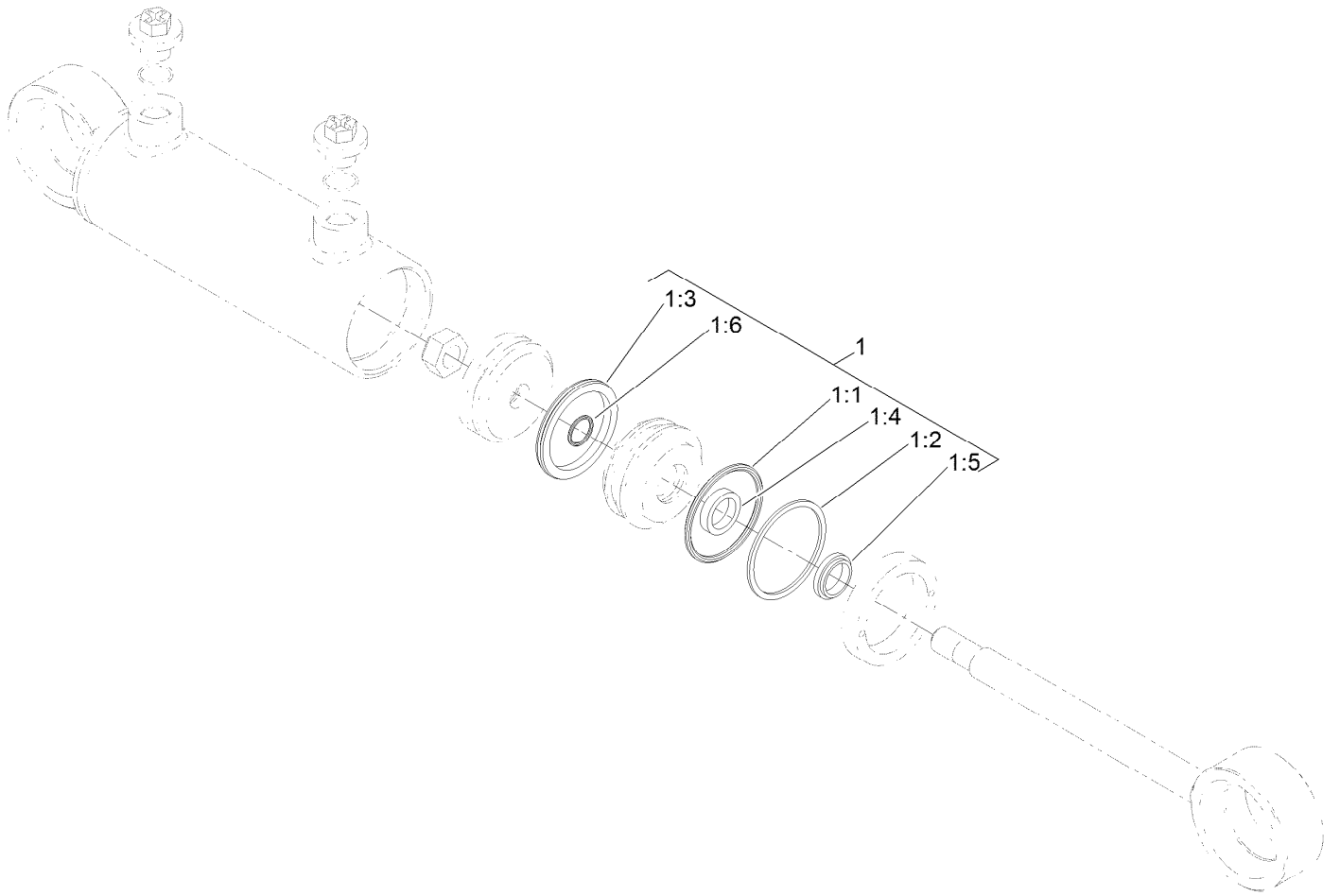
<i>Ref.</i>	<i>Part Number</i>	<i>Qty.</i>	<i>Description</i>
1	95-7522	2	Axle
2	99-7564	2	Seal-Oil
3	95-7544	4	Clip
4	95-7523	2	Spacer
5	99-7555	2	Shim 0.3
5	99-7556	2	Shim 0.2
5	99-7557	2	Shim 0.5
6	95-7524	2	Gear-Bevel, 29 Tooth
7	99-7534	2	Bearing-Ball
8	95-7521	2	Cover-Axle
9	106-1071	2	O-Ring
10	99-7561	2	Bearing-Ball
11	99-7539	2	Clip
12	99-7596	12	Bolt
13	99-7563	10	Stud



8 = all items with * are included in overhaul seal kit

Hydraulic Motor Assembly No. 120-8814

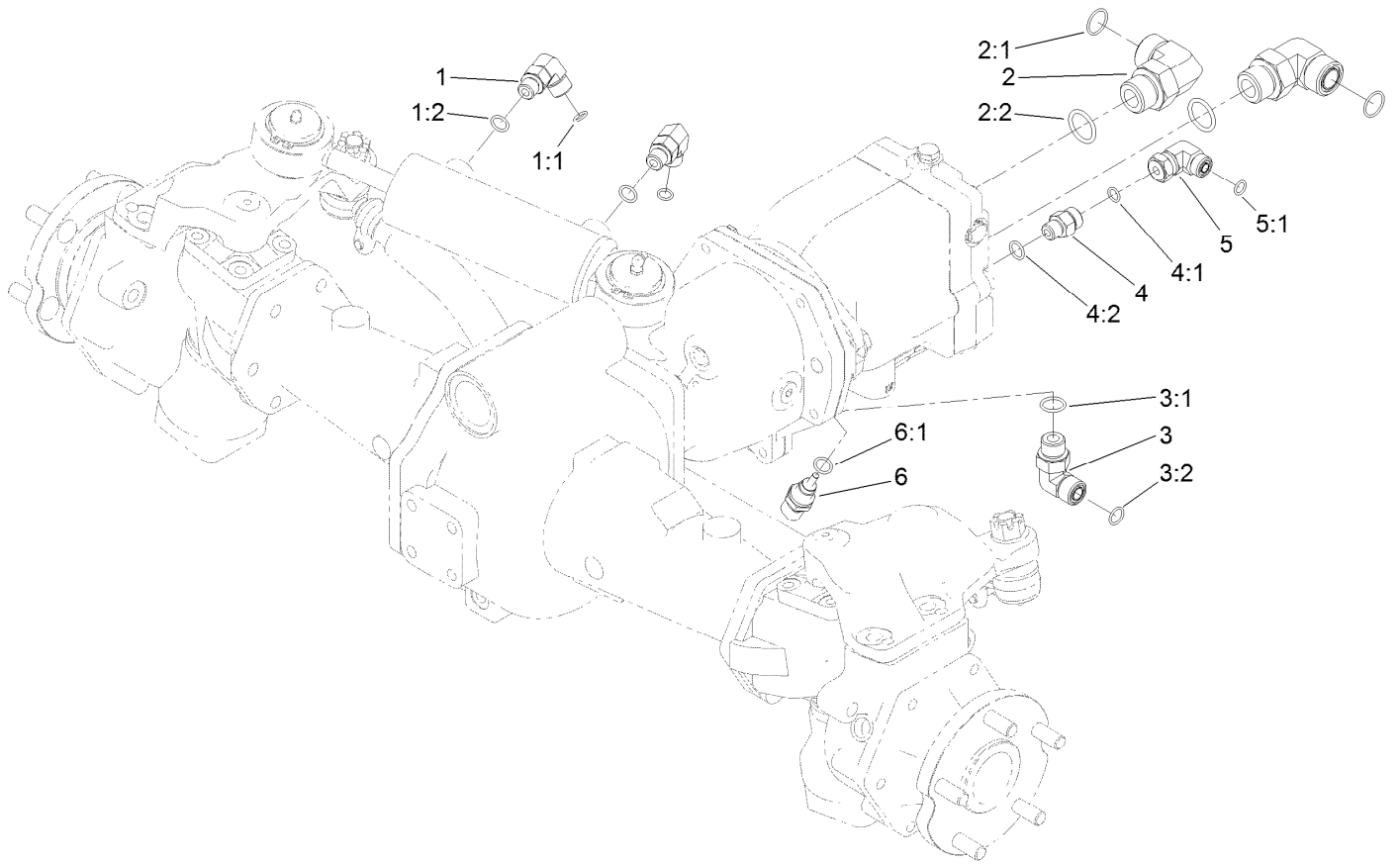
Ref.	Part Number	Qty.	Description
1	92-1352	2	Plug
2	69-3080	5	Plug
3	69-3130	2	Plug
4	121-1734	1	Plate-Valve
5	110-6472	1	Cylinder Block Kit ASM
6	69-3190	1	Seal-Lip
7	67-9090	1	Plug
8	121-1736	1	Overhaul Seal Kit



Steering Cylinder Assembly No. 121-1534

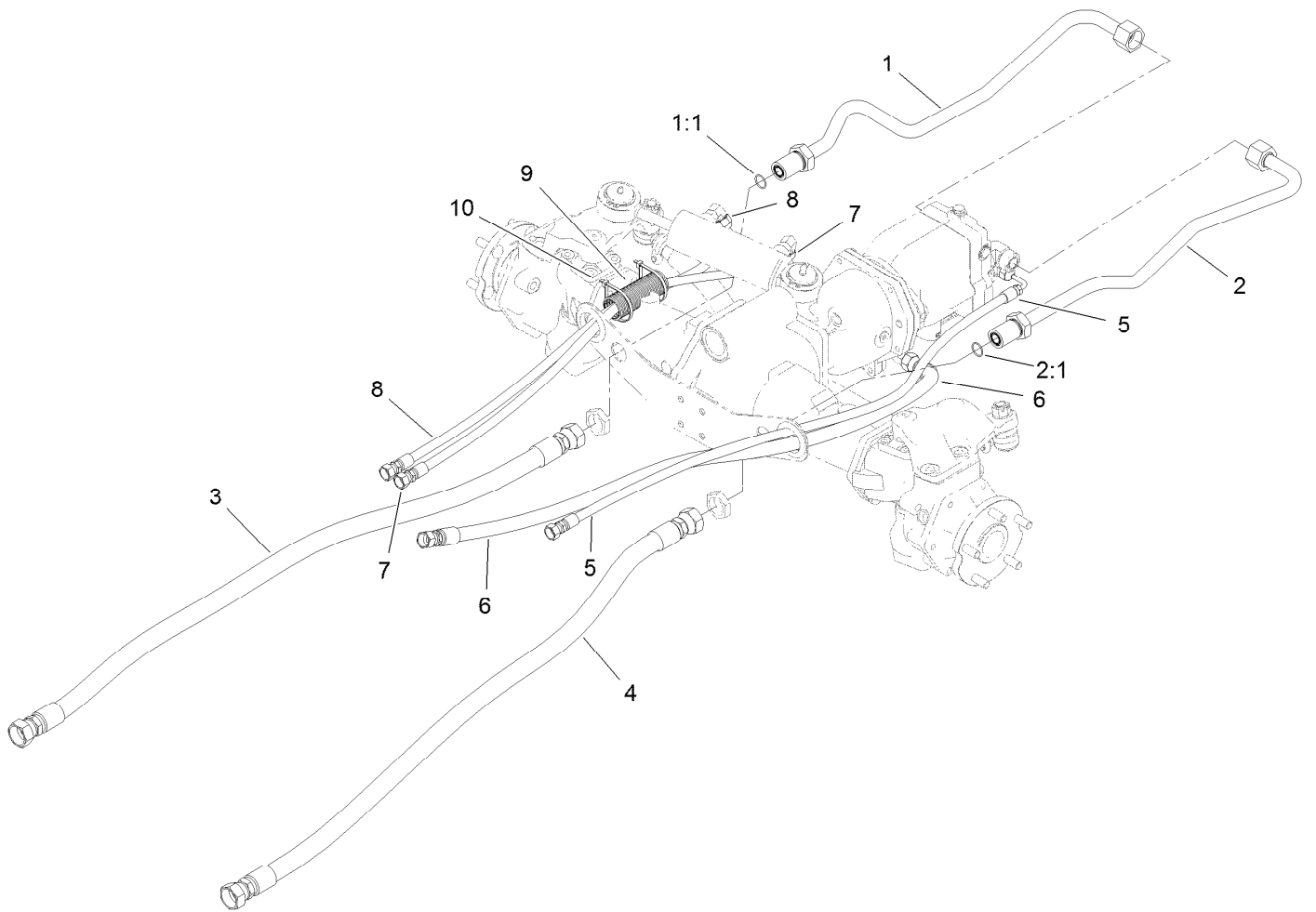
<i>Ref.</i>	<i>Part Number</i>	<i>Qty.</i>	<i>Description</i>
1	125-4302	1	Seal Kit
1:1		1	O-Ring ●
1:2		1	Backup ●
1:3		1	Bp Seal ●
1:4		1	Bt Seal ●
1:5		1	Dust Seal ●
1:6		1	O-Ring ●

● Not serviced separately



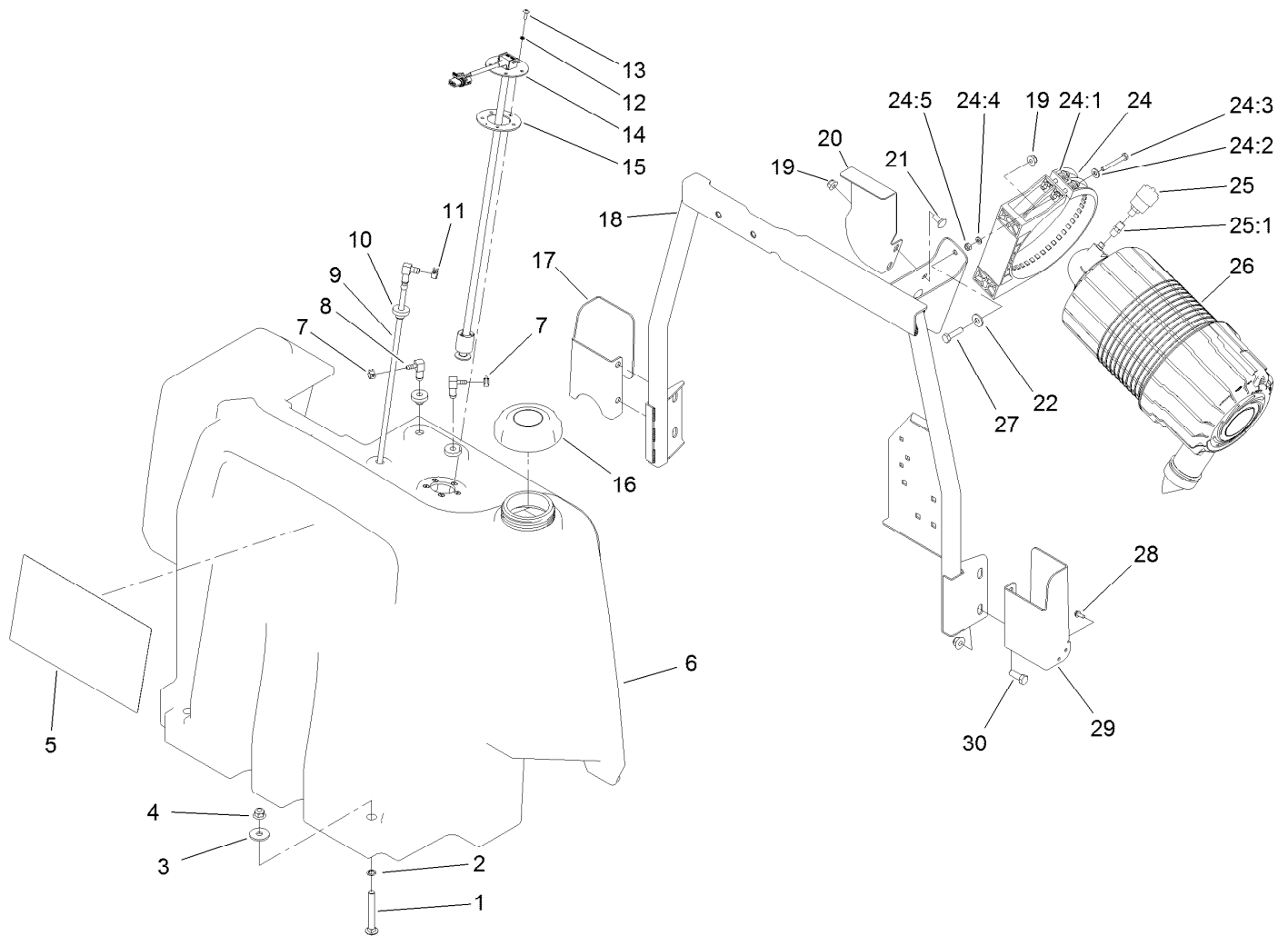
Hydraulic Fitting Assembly

<i>Ref.</i>	<i>Part Number</i>	<i>Qty.</i>	<i>Description</i>	<i>Ref.</i>	<i>Part Number</i>	<i>Qty.</i>	<i>Description</i>
1	340-77	2	Fitting-Elbow, 90 DEG	3:2	237-30	1	O-Ring
1:1	237-22	1	O-Ring	4	340-2	1	Fitting-Straight
1:2	237-42	1	O-Ring	4:1	237-22	1	O-Ring
2	340-142	2	Fitting-Elbow, 90 DEG	4:2	237-42	1	O-Ring
2:1	237-58	1	O-Ring	5	340-159	1	Elbow-90
2:2	237-81	1	O-Ring	5:1	237-22	2	O-Ring
3	340-98	1	Fitting-Elbow, 90 DEG	6	110-8829	1	Sender-Temperature
3:1	237-79	1	O-Ring	6:1	237-42	1	O-Ring



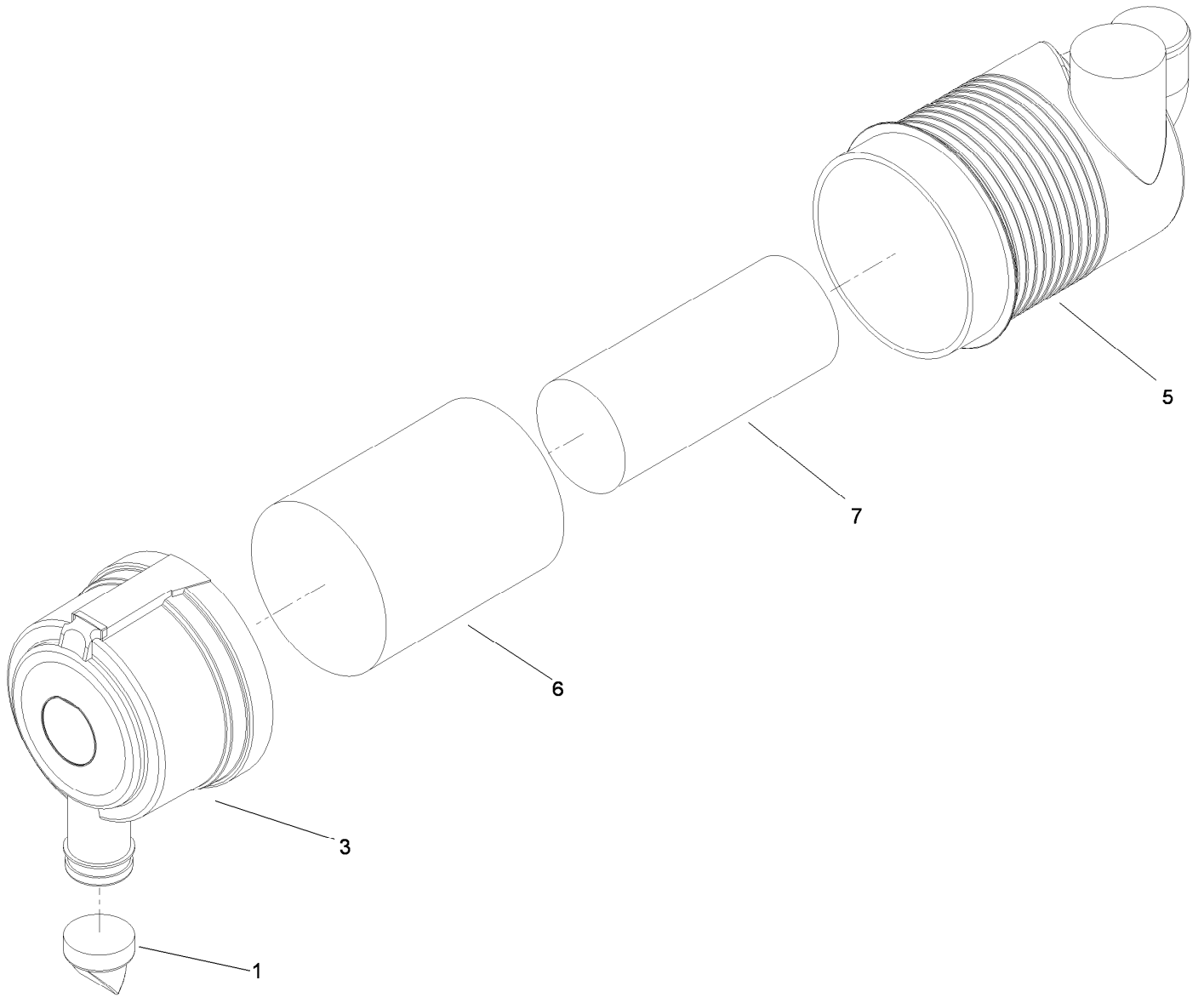
Hose and Tube Routing Assembly

<i>Ref.</i>	<i>Part Number</i>	<i>Qty.</i>	<i>Description</i>
1	120-9067	1	HYD Tube ASM
1:1	237-58	1	O-Ring
2	120-9068	1	Tube ASM
2:1	237-58	1	O-Ring
3	121-1502	1	Hose-HYD
4	114-0024	1	Hose-HYD
5	121-1459	1	Hose-HYD
6	121-1458	1	Hose-HYD
7	121-1500	1	Hose-HYD
8	121-1501	1	Hose-HYD
9	121-1544	2	Cover-Hose
10	3290-379	4	Tie-Cable



Fuel Tank and Air Cleaner Assembly

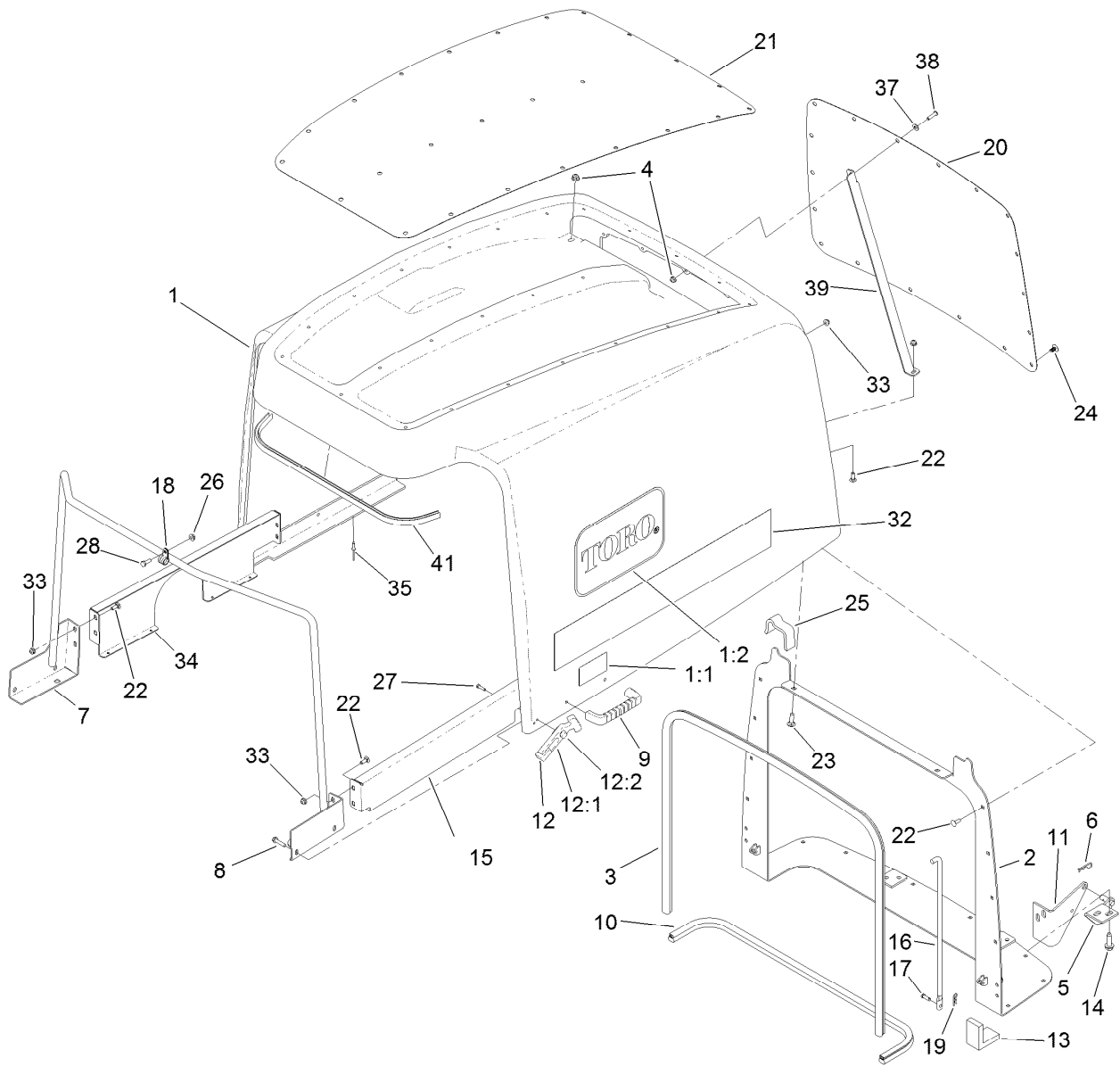
Ref.	Part Number	Qty.	Description	Ref.	Part Number	Qty.	Description
1	3231-10	2	Screw-CARR	19	104-8300	4	Nut-HF, NI
2	32151-72	2	Ring-Retaining	20	120-4193-03	1	Bracket-Fuel Tank
3	63-8410	2	Washer	21	3230-1	2	Bolt-CARR
4	104-8301	6	Nut-HF, NI	22	3256-3	2	Washer-Flat
5	130-6043	1	Decal-Service	24	99-5414	1	Strap-Cleaner, Air
6	120-4195	1	Tank-Fuel	24:1	108-1512	2	Spring
7	2412-98	2	Clamp-Hose	24:2	3256-22	2	Washer-Flat
8	104-5228	2	Fitting-Elbow, 90 DEG	24:3	33113-050	2	Screw-HH
9	120-8908	1	Pipe-Stand	24:4	33093-00	2	Washer-Flat
10	46-6560	3	Bushing	24:5	33023-00	2	Nut-Lock
11	92-2379	1	Clamp-Hose	25	104-3563	1	Indicator
12	3253-15	5	Washer-Lock	25:1	94-1416	1	Adapter-Indicator
13	32122-24	5	Screw-PTH	26	99-5410	1	Air Cleaner ASM
14	121-1688	1	Gauge-Fuel	27	322-6	2	Screw-HH
15	121-1707	1	Gasket-Fuel, Viton	28	32144-1	4	Screw-Taptite
16	125-9171	1	Cap-Fuel	29	121-1513-03	1	Bracket-Latch, LH
17	121-1514-03	1	Bracket-Latch, RH	30	323-6	4	Screw-HH
18	120-4190-03	1	Support-Tank				



Air Cleaner Assembly No. 99-5410

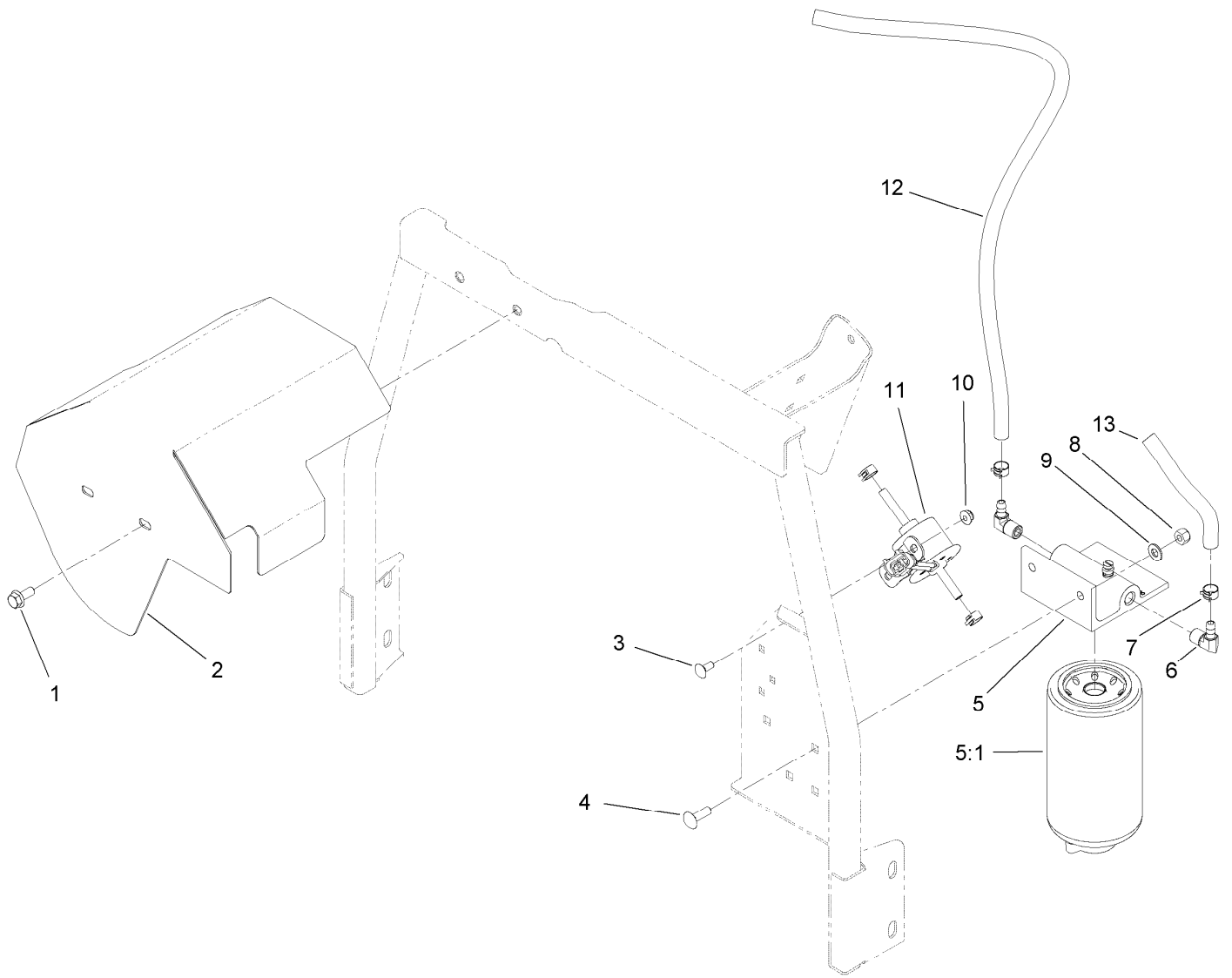
<i>Ref.</i>	<i>Part Number</i>	<i>Qty.</i>	<i>Description</i>
1	104-4258	1	Valve-Vacuator
3	104-4259	1	Cover
5		1	Body ASM ●
6	108-3814	1	Filter-Air
7	108-3816	1	Filter-Air

● Not serviced separately



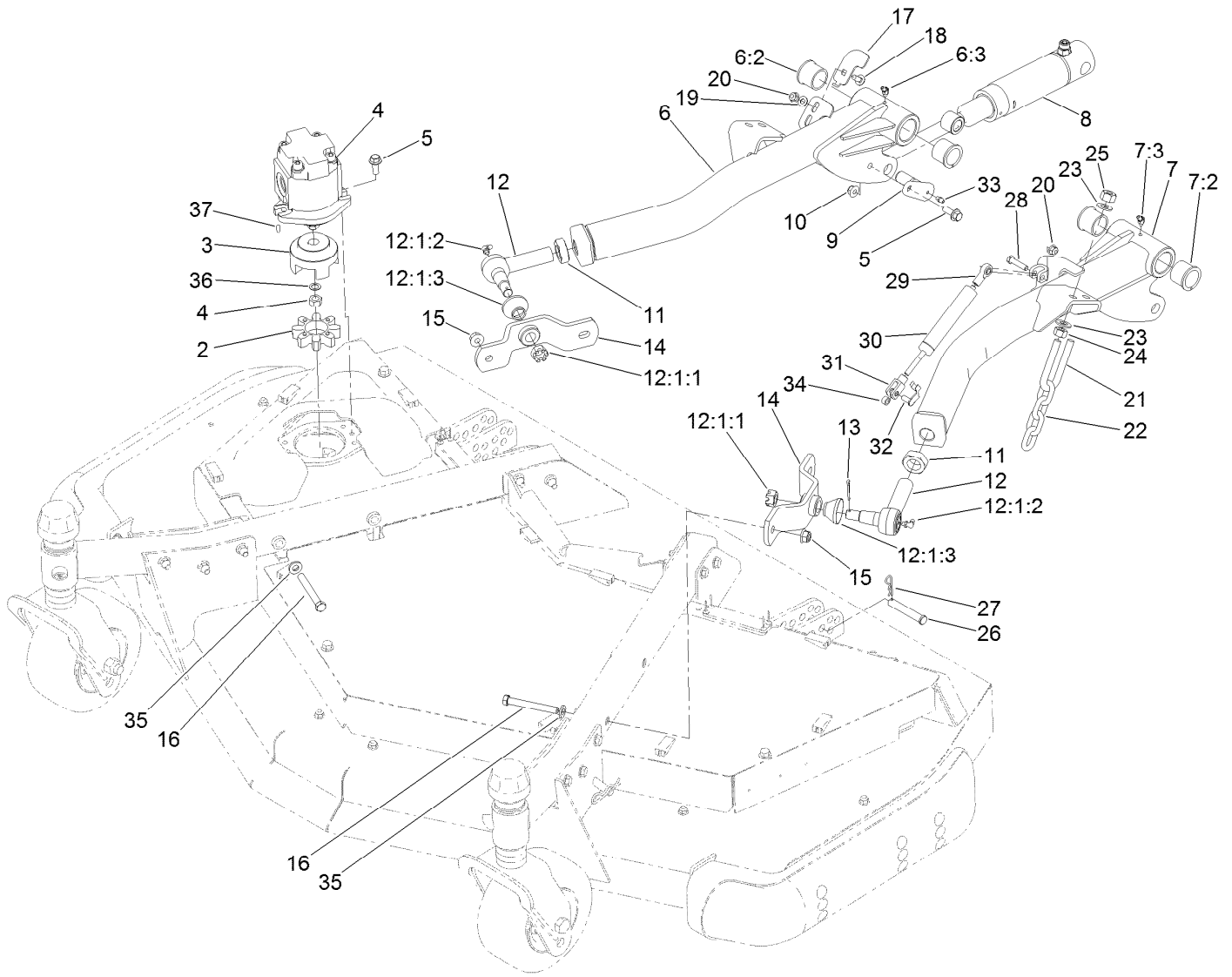
Hood Assembly

Ref.	Part Number	Qty.	Description	Ref.	Part Number	Qty.	Description
1	120-9090	1	Hood ASM	17	283-67	2	Pin-Clevis
1:1	106-6754	2	Decal-Danger	18	2412-134	2	Clamp-R
1:2	66-1210	2	Decal	19	3290-307	2	Pin-Cotter
2	120-9099-03	1	Pivot-Hood	20	120-9096-03	1	Screen-Hood, Rear
3	114-3823	1	Seal-Bulb	21	120-9097-03	1	Screen-Hood, Top
4	104-8300	2	Nut-HF, NI	22	3229-1	24	Screw-CARR
5	121-1470	2	Pivot-Screen	23	3230-2	2	Bolt-CARR
6	3290-467	2	Pin-Hair	24	117-2382	42	Plug-Plastic
7	120-4196-03	1	Support-Hood	25	120-9087	2	Seal-Foam
8	46-8092	4	Screw-Plastite	26	32128-33	2	Nut-HF
9	65-5100	2	Handle-Door	27	32104-4	2	Screw
10	104-3590	1	Seal-Bulb	28	321-4	2	Screw-HH
11	104-3588-03	2	Pivot-Screen	32	119-0054	2	Decal-Hood
12	94-5626	2	Flexible Draw Latch ASM	33	104-7201	25	Nut-HF, NI
12:1	103-4080	1	Latch-Rubber	34	120-8948-03	1	Support-Hood, RH
12:2	103-4081	1	Latch-Keeper	35	3269-4	8	Rivet-Pop
13	104-3580	2	Seal-Corner, Screen	37	3256-1	1	Washer-Flat
14	32144-109	8	Screw-Thd	38	3274-65	1	Screw-HSBH
15	120-8949-03	1	Support-Hood, LH	39	127-3707-03	1	Support-Hood
16	104-8313	2	Rod-Hood	41	132-6181	1	Trim



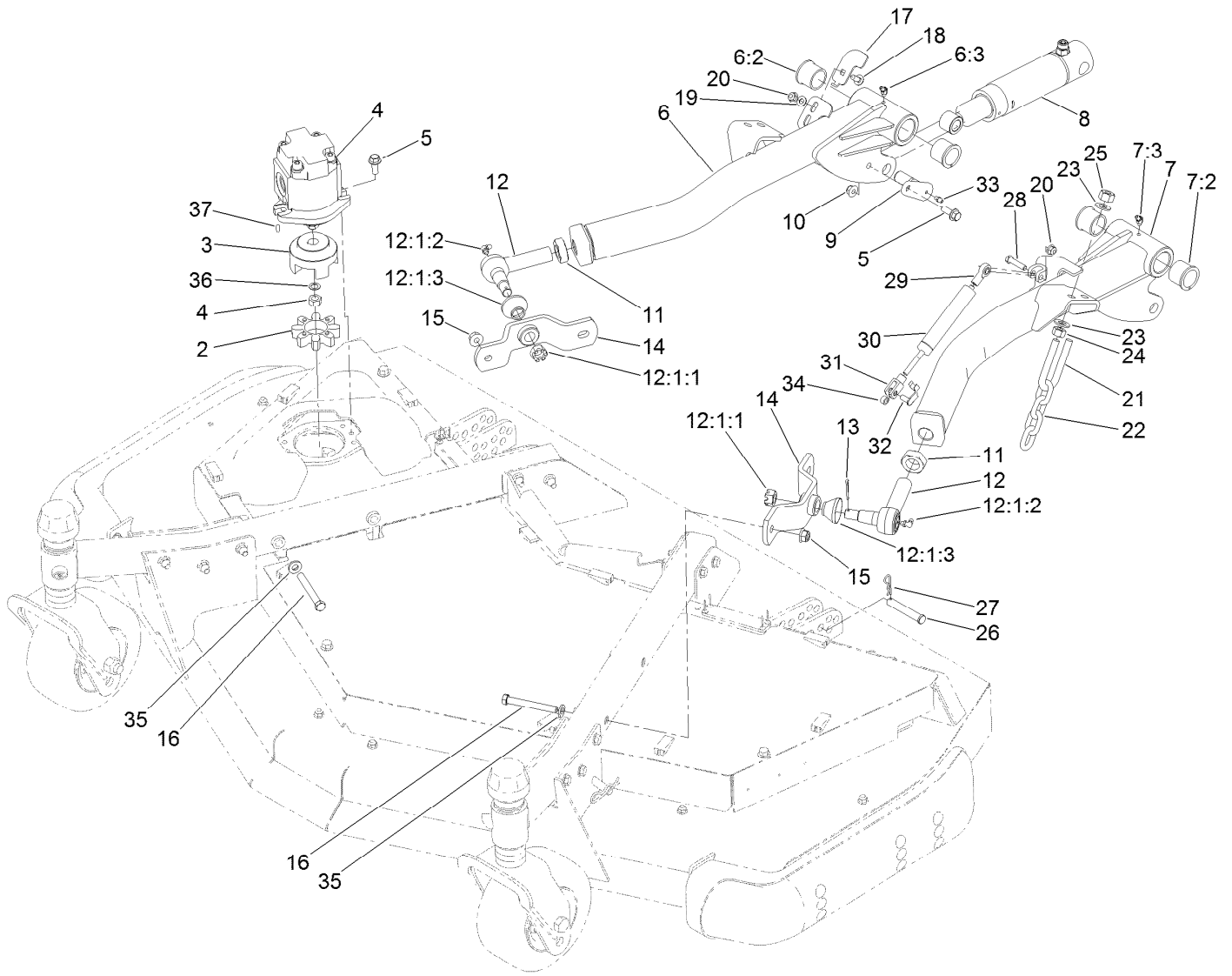
Fuel/Water Separator and Shield Assembly

Ref.	Part Number	Qty.	Description
1	3234-47	2	Screw-HHF
2	120-4188-03	1	Bracket-Guard, Fuel Tank
3	3229-11	2	Screw-CARR
4	3230-22	2	Screw-CARR
5	125-2914	1	Filter-Separator
5:1	125-2915	1	Filter-Fuel/Water Separator
6	353-781	2	Fitting-HYD, 90
7	92-2379	4	Clamp-Hose
8	3296-29	2	Nut-Lock, NI
9	3256-23	2	Washer-Plain
10	104-7201	2	Nut-HF, NI
11	121-5613	1	Pump-Fuel, Electric
12	109-0309	1	Hose-Fuel
13	110-3256	1	Hose-Fuel



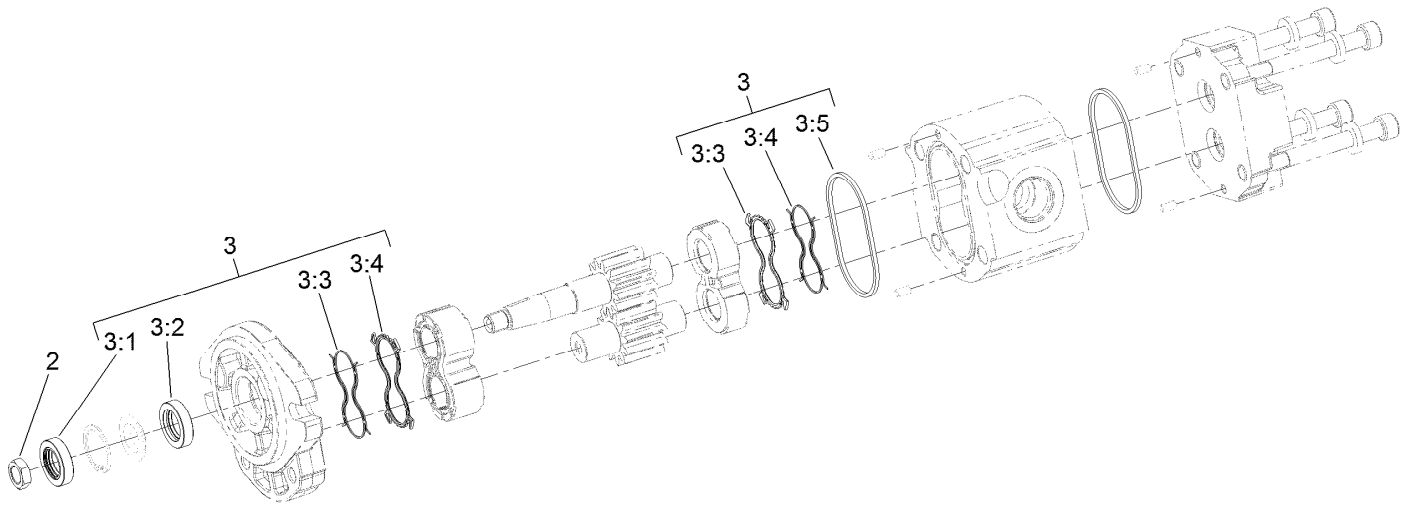
Front Deck Installation Assembly

Ref.	Part Number	Qty.	Description	Ref.	Part Number	Qty.	Description
2	104-3542	1	Spider	16	324-19	4	Screw-HH
3	104-3541	1	Hub-Spider	17	120-8893	1	Plate-Sensor
4	127-3694	1	HYD Motor ASM	18	3230-23	1	Bolt-CARR
5	3234-42	4	Screw-HHF	19	3256-23	1	Washer-Plain
6	120-8878	1	RH Lift Arm ASM	20	104-8300	2	Nut-HF, NI
6:2	104-0015	2	Bushing-Flange	21	104-0108	2	U-Bolt
6:3	302-11	1	Fitting-Lube, 45 DEG	22	95-6231	2	Chain-HOC
7	120-8879	1	LH Lift Arm ASM	23	3256-26	8	Washer-Flat
7:2	104-0015	2	Bushing-Flange	24	3217-9	4	Nut-HH
7:3	302-11	1	Fitting-Lube, 45 DEG	25	3296-25	4	Nut-Lock, NI
8	120-8802	2	HYD Cylinder ASM	26	283-55	2	Pin-Clevis
9	120-5575	2	Pin	27	3290-467	2	Pin-Hair
10	104-8301	2	Nut-HF, NI	28	322-17	1	Screw-HH
11	21-3001	2	Nut-Jam	29	104-8331	1	End-Rod, Spherical
12	86-8101-01	2	Joint-Ball, LH	30	105-3249	1	Damper
12:1:1	32136-2	1	Nut-SHH	31	115-5455	1	End-Rod, Clevis
12:1:2	302-40	1	Fitting-Grease, 90 DEG	32	115-5454	1	Pin-Spring
12:1:3	114-2874	1	Seal-Ball Joint	33	302-5	2	Fitting-Grease
13	3272-12	2	Pin-Cotter	34	115-2142	1	Spacer
14	93-4583-01	2	Mount-Joint, Ball	35	87-7480	4	Washer
15	114-8417	4	Nut-HF, NI				



Front Deck Installation Assembly (continued)

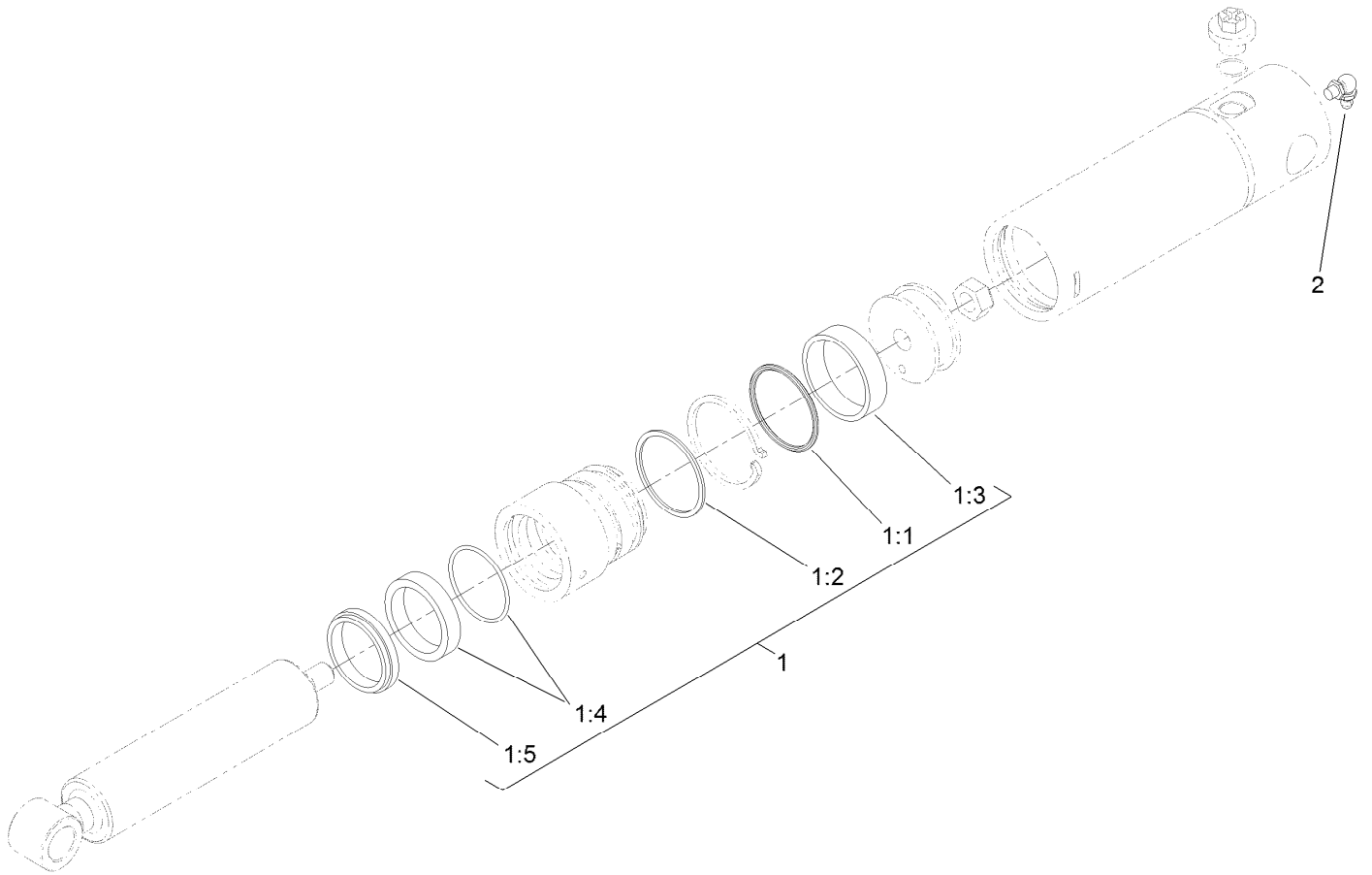
<i>Ref.</i>	<i>Part Number</i>	<i>Qty.</i>	<i>Description</i>
36	112-6957	1	Washer-Hardened
37	3257-3	1	Key-Woodruff



Hydraulic Motor Assembly No. 127-3694

<i>Ref.</i>	<i>Part Number</i>	<i>Qty.</i>	<i>Description</i>
2	110-8815	1	Nut-Hex
3	114-5620	1	Seal Kit
3:1		1	Seal-Shaft ●
3:2		1	Seal-Shaft ●
3:3		2	Seal-Anti Extrusion ●
3:4		2	Seal-Plate, Balancing ●
3:5		2	O Ring-Housing ●

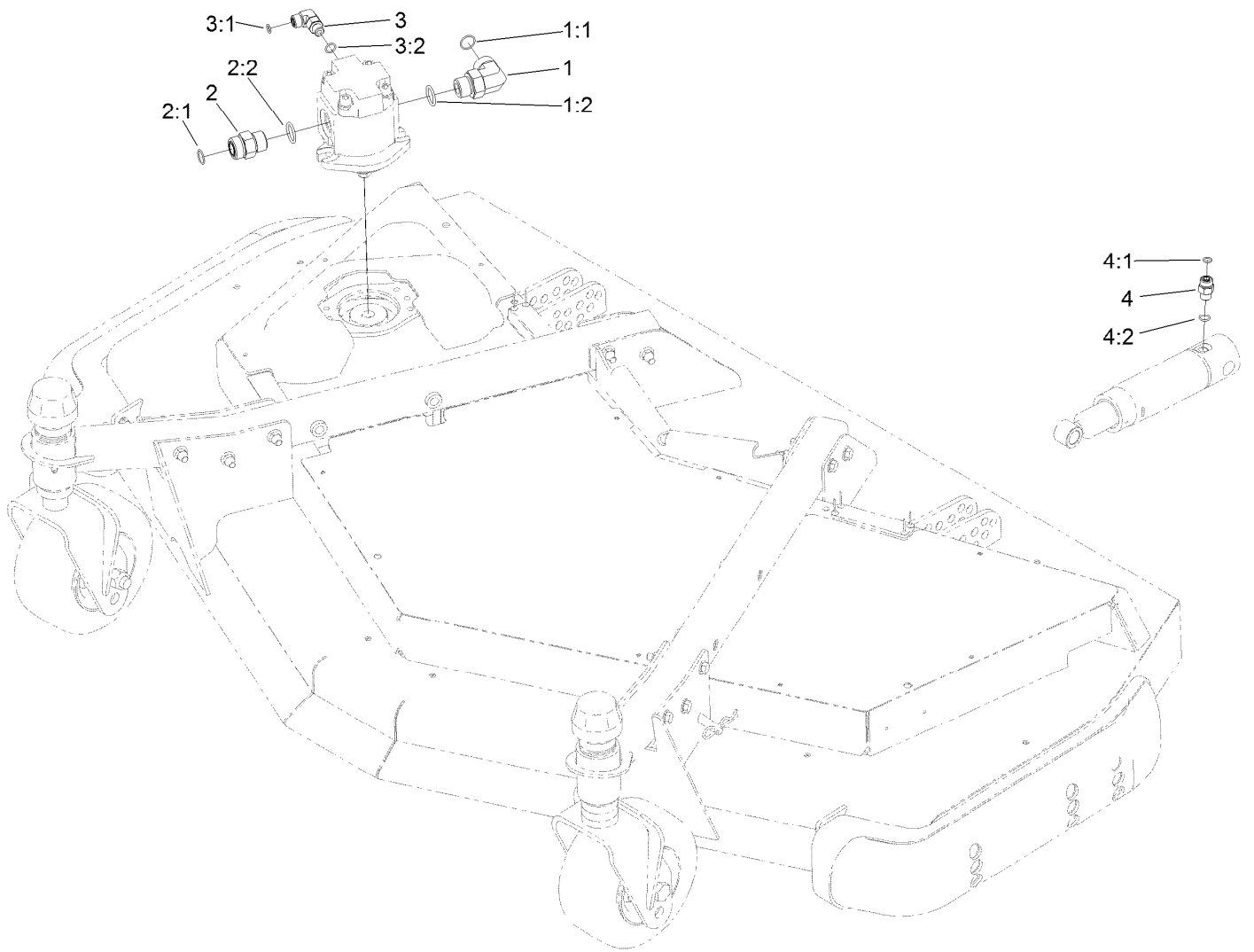
● Not serviced separately



Lift Cylinder Assembly No. 120-8802

<i>Ref.</i>	<i>Part Number</i>	<i>Qty.</i>	<i>Description</i>
1	125-4301	1	Seal Kit
1:1		1	O-Ring ●
1:2		1	Backup ●
1:3		1	Wear Ring ●
1:4		1	Bds Seal ●
1:5		1	Dust Seal ●
2	302-60	1	Fitting-Grease

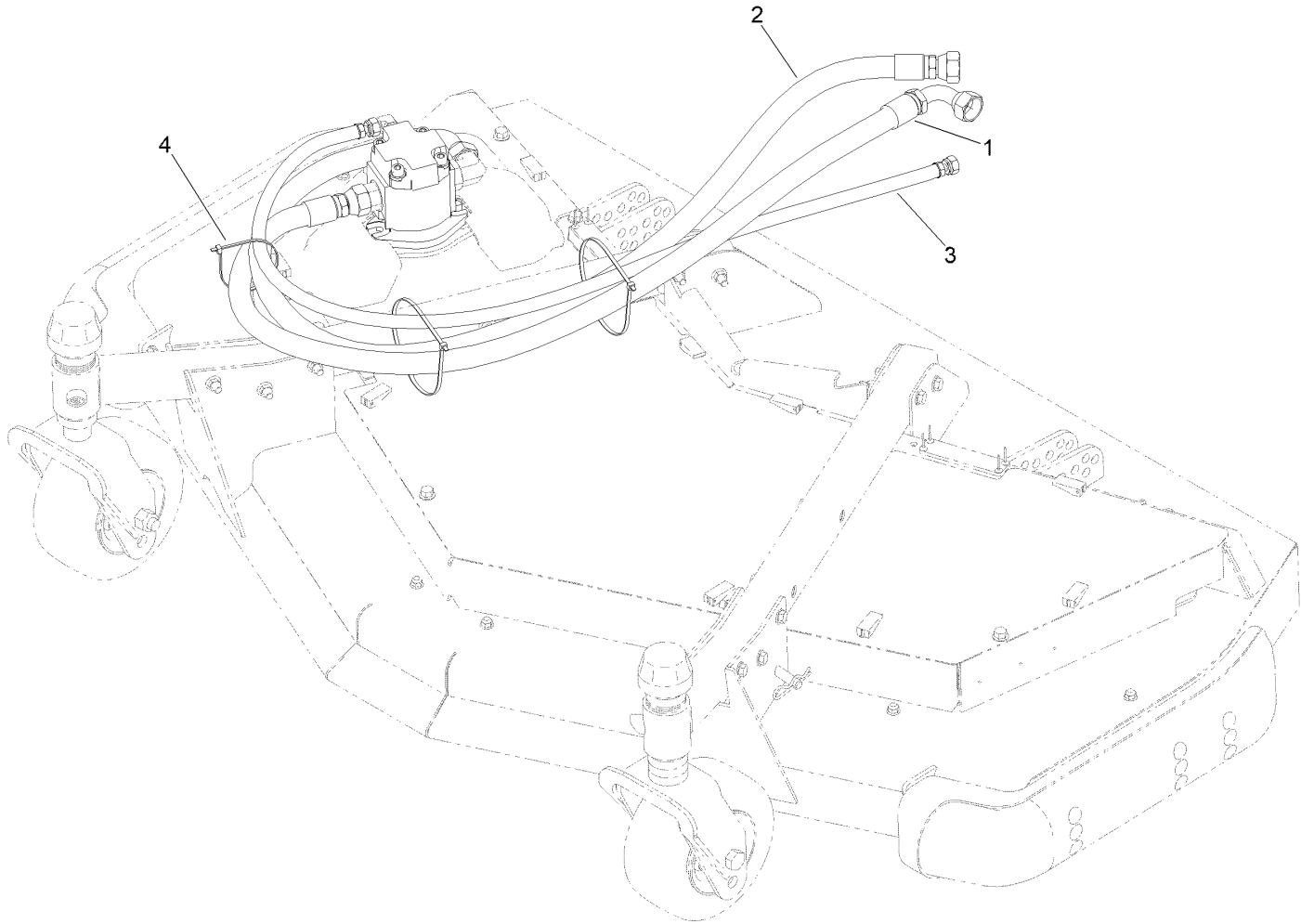
● Not serviced separately



Front Deck Hydraulic Fitting Assembly

Ref.	Part Number	Qty.	Description
1	340-142	1	Fitting-Elbow, 90 DEG
1:1	237-58	1	O-Ring
1:2	237-81	1	O-Ring
2	340-9	1	Fitting-STR
2:1	237-58	1	O-Ring
2:2	237-81	1	O-Ring
3	340-77	1	Fitting-Elbow, 90 DEG
3:1	237-22	1	O-Ring
3:2	237-42	1	O-Ring
4	340-2	2	Fitting-Straight
4:1	237-22	1	O-Ring
4:2	237-42	1	O-Ring

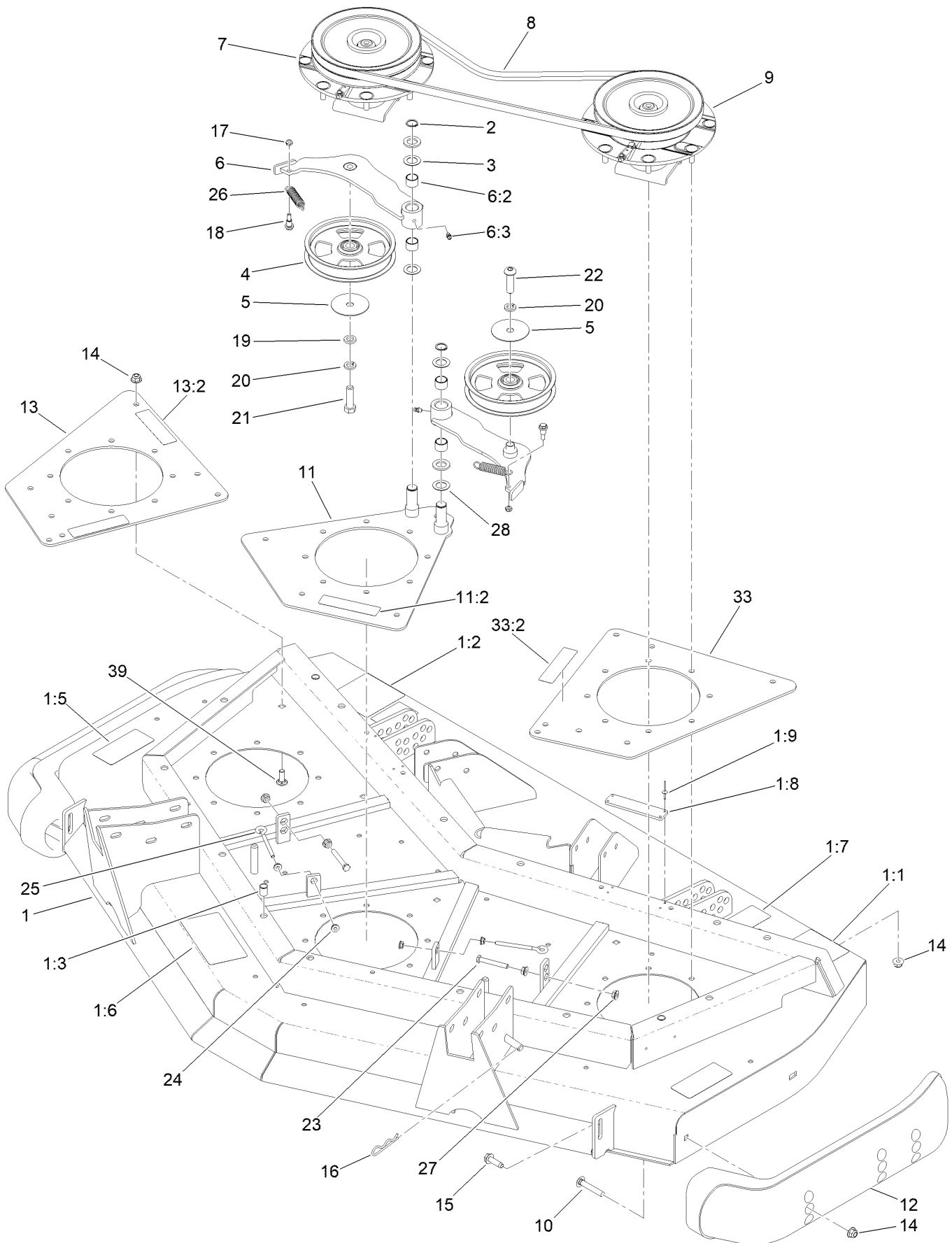
Front Deck Hose Routing Assembly



Front Deck Hose Routing Assembly (continued)

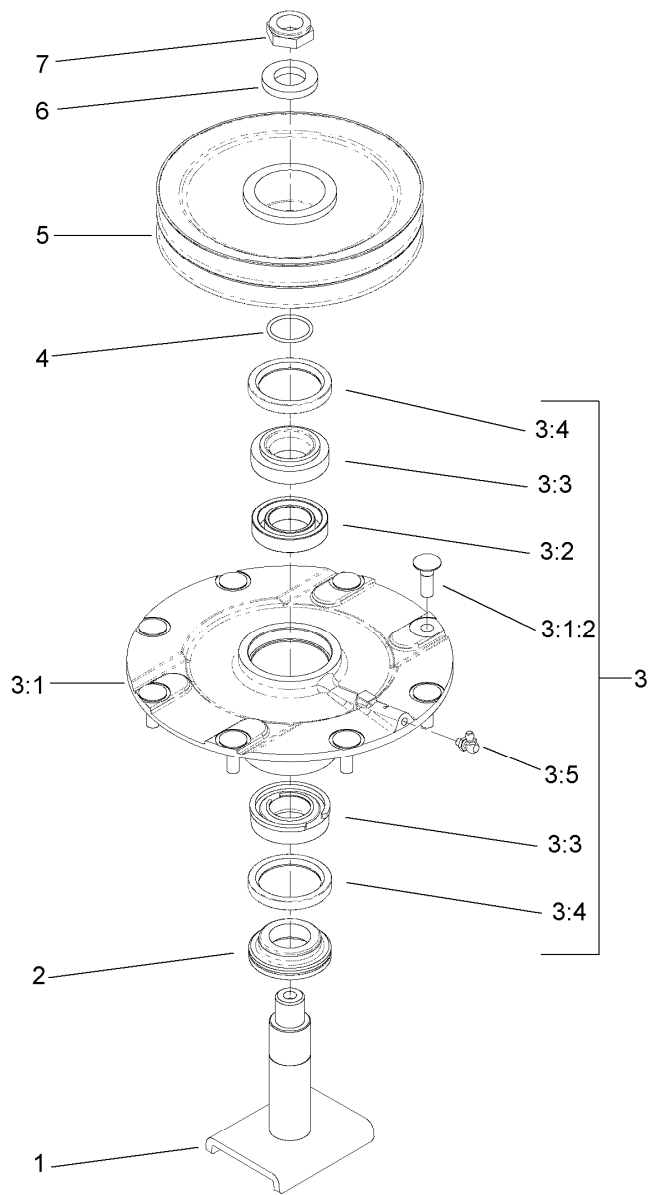
<i>Ref.</i>	<i>Part Number</i>	<i>Qty.</i>	<i>Description</i>	<i>Ref.</i>	<i>Part Number</i>	<i>Qty.</i>	<i>Description</i>
1	120-8987	1	Hose-HYD	3	120-8989	1	Hose-HYD
2	120-8988	1	Hose-HYD	4	3290-379	3	Tie-Cable

Front Deck Idler and Skid Assembly



Front Deck Idler and Skid Assembly (continued)

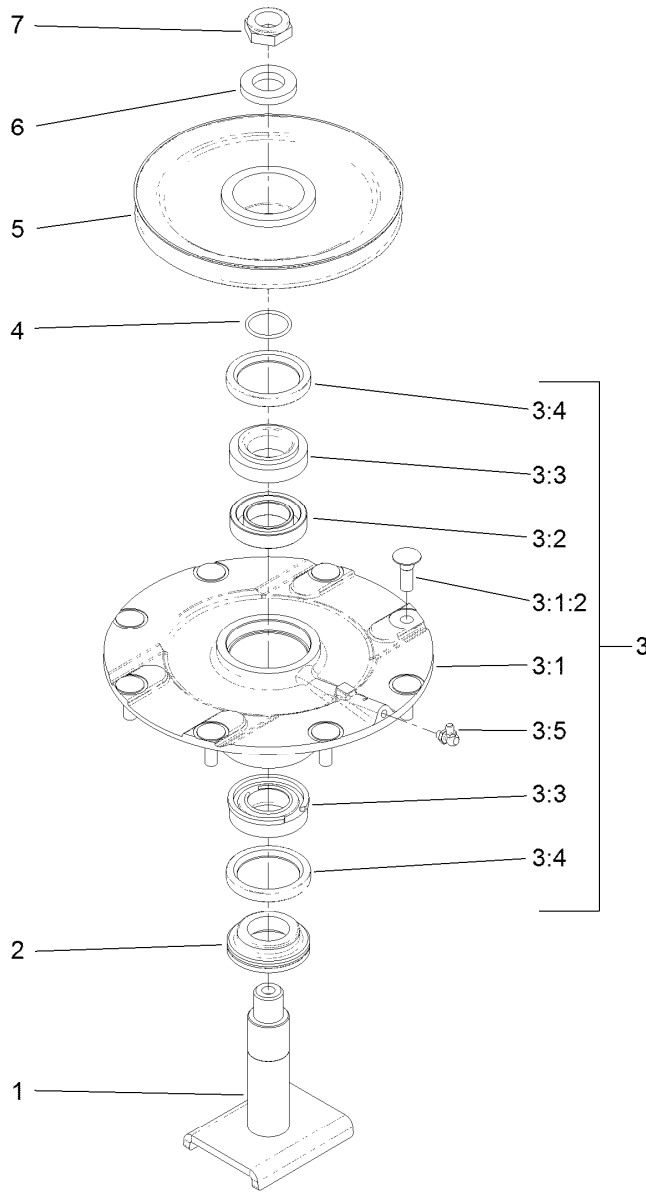
<i>Ref.</i>	<i>Part Number</i>	<i>Qty.</i>	<i>Description</i>	<i>Ref.</i>	<i>Part Number</i>	<i>Qty.</i>	<i>Description</i>
1	131-1234	1	Front Deck ASM	12	112-1479	2	Skid-Bumper, Deck
1:1	120-6604	2	Decal-Danger	13	131-1238	1	Plate-Spindle, Front Right
1:2	100-5624	1	Decal-HOC, RH	13:2	100-6578	2	Decal-Danger
1:3	32148-9	3	Nut-Clinch	14	104-8301	36	Nut-HF, NI
1:5	93-7818	2	Decal-Torque, Blade Bolt	15	9136144	2	Screw-HWHTF
1:6	100-5622	1	Decal-HOC	16	3290-355	1	Pin-Hair
1:7	104-3578	1	Decal-HOC, LH	17	3296-56	2	Nut-Lock, NI
1:8	105-0786	2	Pad-Plastic	18	104-0858	2	Bolt-Shoulder
1:9	3269-8	8	Rivet-Blind	19	9202424	1	Spacer
2	32120-72	2	Ring-Snap	20	3253-7	2	Washer-Lock
3	3-6498	4	Washer-Thrust	21	325-7	1	Screw-HH
4	132-9421	2	Pulley-Idler, Flat	22	108-1993	1	Screw-HSBH
5	100-3102	2	Washer-Flat	23	9114524	2	Bolt-TAP, HH
6	110-6128	2	Idler Arm ASM	24	32128-14	4	Nut-HF
6:2	256-76	2	Bushing	25	68-0090	2	Screw-Adjusting
6:3	302-5	1	Fitting-Grease	26	107938	2	Spring-Extension
7	119-4548	1	Double Driven Spindle ASM	27	32128-26	4	Nut-HF
8	108-8076	2	V-Belt, Deck	28	70-1160	2	Washer
9	119-4549	1	High-Driven Spindle ASM	33	131-1239	1	Plate-Spindle, Front Left
10	3231-33	4	Screw-CARR	33:2	100-6578	1	Decal-Danger
11	131-1237	1	Plate-Spindle, Front Center	39	3231-22	12	Screw-CARR
11:2	100-6578	1	Decal-Danger				



Double Driven Spindle Assembly No. 119-4548

<i>Ref.</i>	<i>Part Number</i>	<i>Qty.</i>	<i>Description</i>
1	104-3554	1	Shaft-Spindle
2	69-6950	1	Spacer-Shaft, Spindle
3	119-4775	1	Spindle Housing ASM
3:1		1	Spindle ASM ●
3:1:2	114-8195	8	Bolt-Neck, Ribbed
3:2	120-5577	1	Bearing Spacer Set
3:3	110-8297	1	Bearing ASM
3:4	253-154	2	Seal-Oil
3:5	302-60	1	Fitting-Grease
4	106-7159	1	O-Ring
5	104-3547	1	Pulley-Driven, Double
6	120-5576	1	Washer-Hardened
7	3296-60	1	Nut-Lock, NI

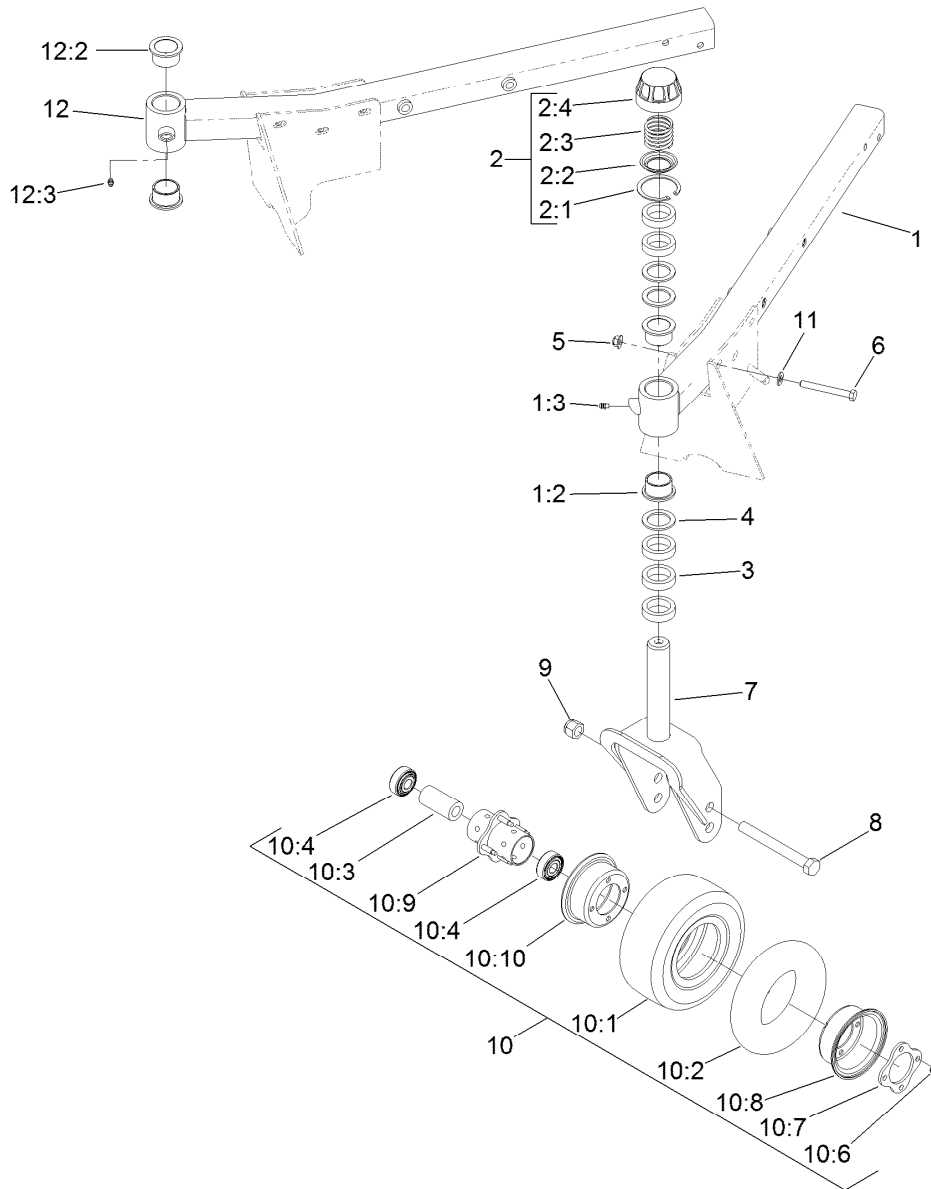
● Not serviced separately



High Driven Spindle Assembly No. 119-4549

Ref.	Part Number	Qty.	Description
1	104-3554	1	Shaft-Spindle
2	69-6950	1	Spacer-Shaft, Spindle
3	119-4775	1	Spindle Housing ASM
3:1		1	Spindle ASM ●
3:1:2	114-8195	8	Bolt-Neck, Ribbed
3:2	120-5577	1	Bearing Spacer Set
3:3	110-8297	1	Bearing ASM
3:4	253-154	2	Seal-Oil
3:5	302-60	1	Fitting-Grease
4	106-7159	1	O-Ring
5	104-3548	1	Pulley-Driven, High
6	120-5576	1	Washer-Hardened
7	3296-60	1	Nut-Lock, NI

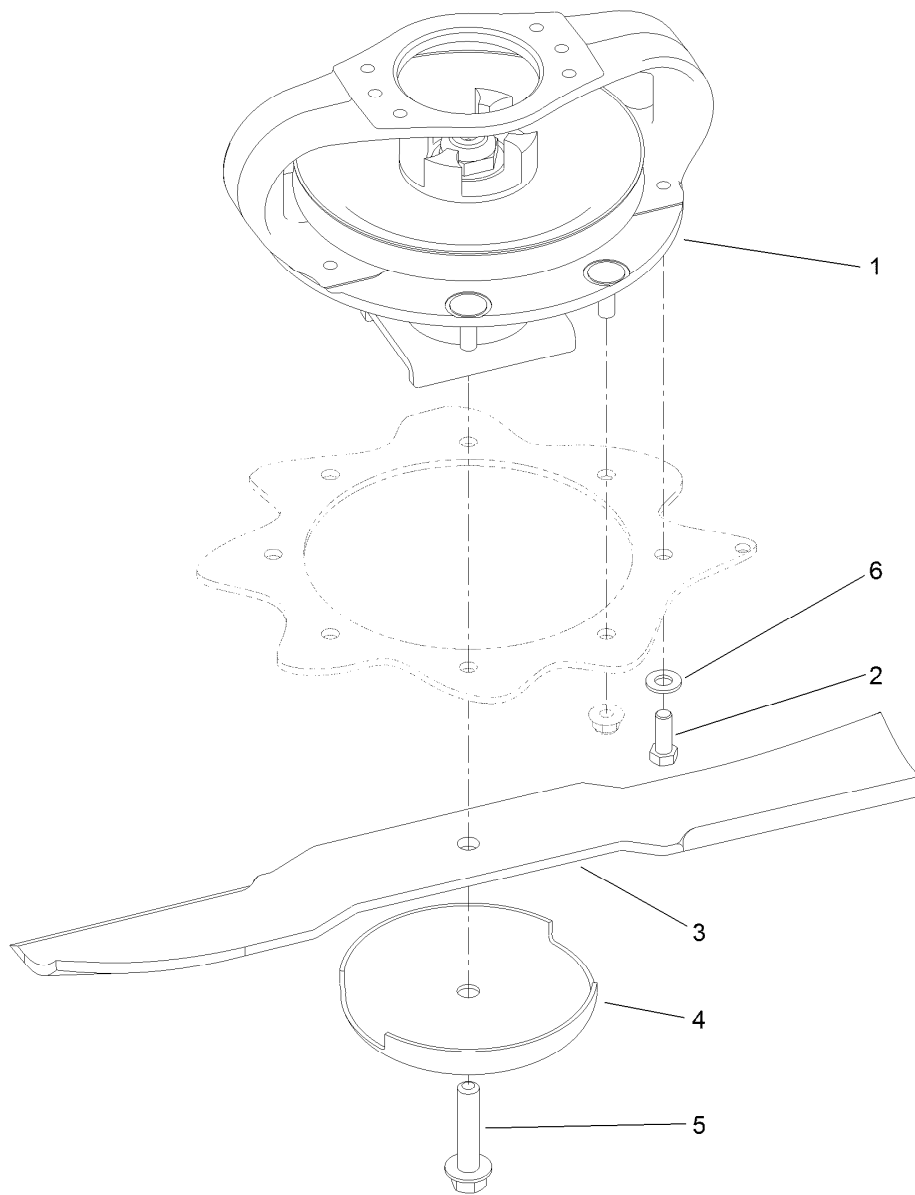
● Not serviced separately



Front Deck Caster Arm and Wheel Assembly

Ref.	Part Number	Qty.	Description	Ref.	Part Number	Qty.	Description
1	132-6169	1	LH Caster Arm ASM	10	93-9938	2	Wheel ASM
1:2	69-6470	2	Bushing-Caster	10:1	93-9939	1	Tire
1:3	302-5	1	Fitting-Grease	10:2	68-8950	1	Tube-Inner (W/Valve)
2	92-9727	2	HOC Cap ASM	10:3	93-4241	1	Spacer-Bearing, Inner
2:1	92-5581	1	Ring-Rtng, Snap, Int, Flat	10:4	120-3366	2	Bearing
2:2	92-5583	1	Washer-Cap	10:6	32128-16	4	Nut-HHF
2:3	92-9726	1	Spring-Compression	10:7	93-4242	1	Plate
2:4	92-8861	1	Cap-HOC	10:8	93-4239	1	Rim-Wheel, Half
3	69-1510	10	Spacer	10:9	93-5980	1	Hub
4	69-6860	6	Washer-Thrust	10:10	95-2741	1	Rim-Wheel, Half
5	104-8301	10	Nut-HF, NI	11	3256-24	10	Washer-Plain
6	323-20	10	Screw-HH	12	132-6176	1	RH Caster Arm ASM
7	130-2736-01	2	Fork-Caster	12:2	69-6470	2	Bushing-Caster
8	327-24	2	Screw-HH	12:3	302-5	1	Fitting-Grease
9	3296-53	2	Nut-Lock, NI				
10	93-5974	2	8 Inch Foam Filled Wheel ASM ●				

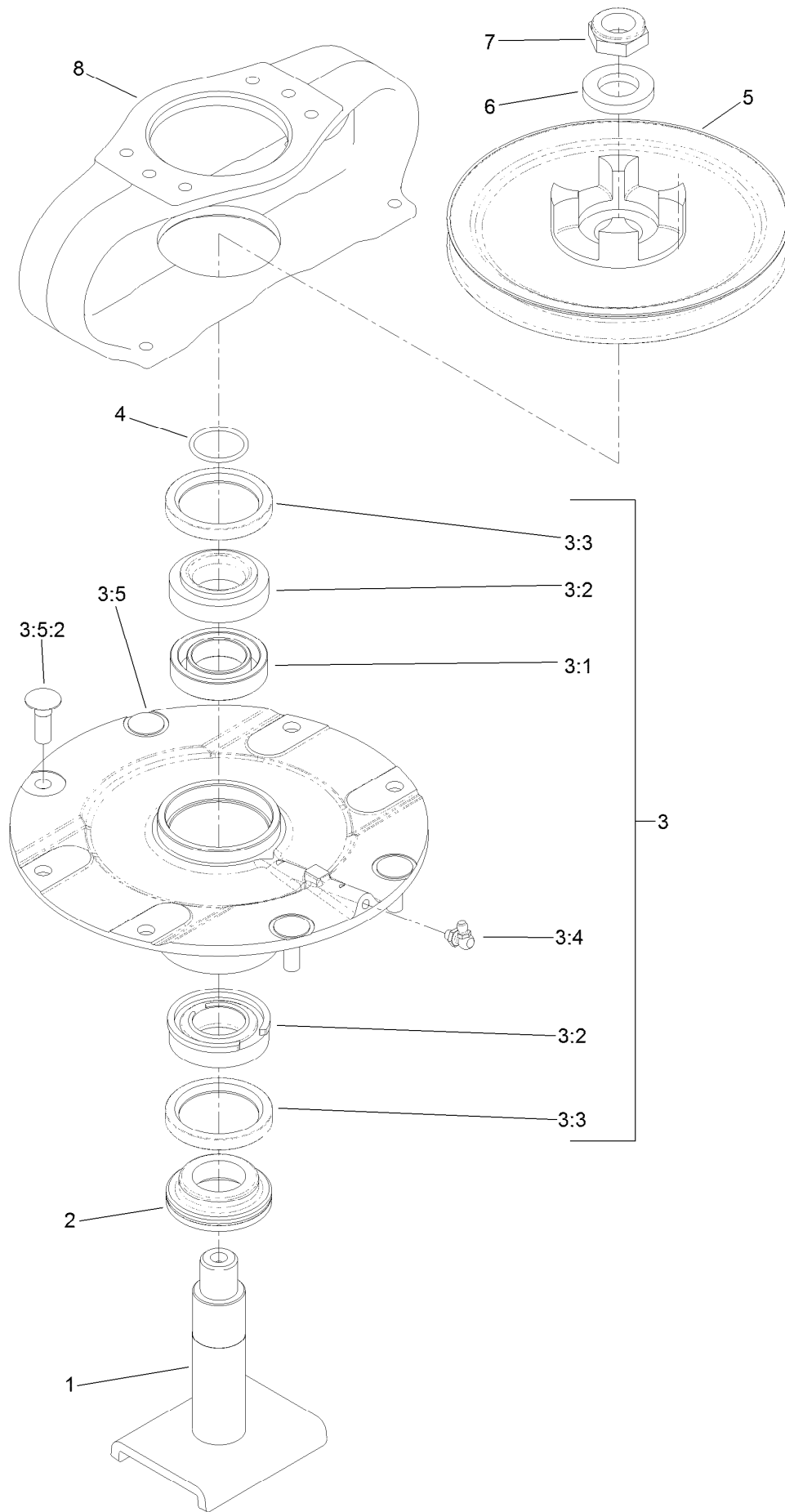
● Optional Equipment



Driving Spindle Assembly

<i>Ref.</i>	<i>Part Number</i>	<i>Qty.</i>	<i>Description</i>
1	119-4547	1	Driving Spindle ASM
2	323-6	4	Screw-HH
3	92-5608-03	3	Blade
4	72-9361	3	Cup-Scalp, Anti
5	92-5816	3	Bolt-Blade
6	3256-24	4	Washer-Plain

Driven Spindle Assembly No. 119-4547

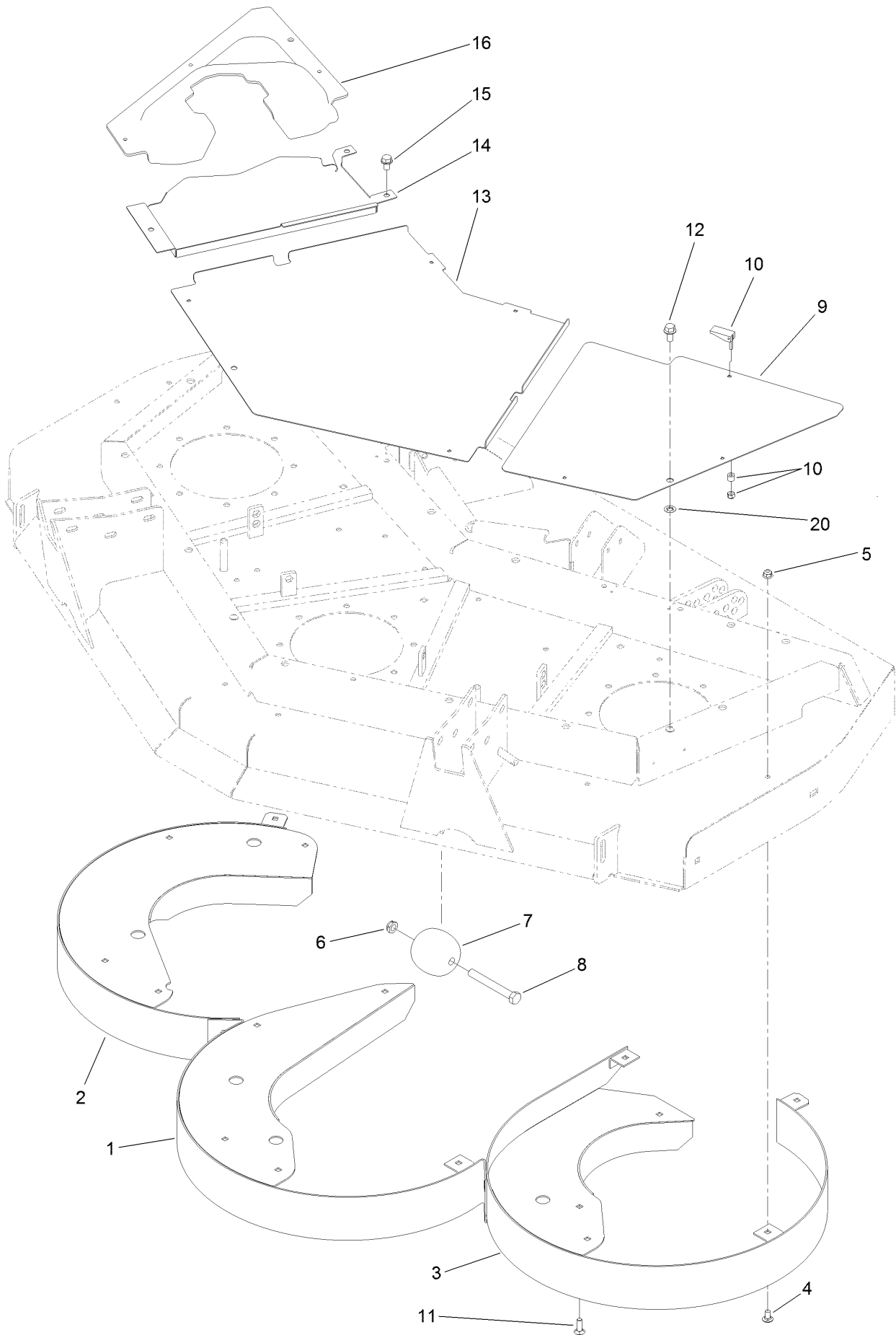


Driven Spindle Assembly No. 119-4547 (continued)

<i>Ref.</i>	<i>Part Number</i>	<i>Qty.</i>	<i>Description</i>	<i>Ref.</i>	<i>Part Number</i>	<i>Qty.</i>	<i>Description</i>
1	104-3554	1	Shaft-Spindle	3:5		1	Spindle ASM ●
2	69-6950	1	Spacer-Shaft, Spindle	3:5:2	114-8195	4	Bolt-Neck, Ribbed
3	119-4546	1	Spindle Housing ASM	4	106-7159	1	O-Ring
3:1	120-5577	1	Bearing Spacer Set	5	104-3545	1	Pulley-Driving
3:2	110-8297	1	Bearing ASM	6	120-5576	1	Washer-Hardened
3:3	253-154	2	Seal-Oil	7	3296-60	1	Nut-Lock, NI
3:4	302-60	1	Fitting-Grease	8	104-3544	1	Mount-Motor, Drive

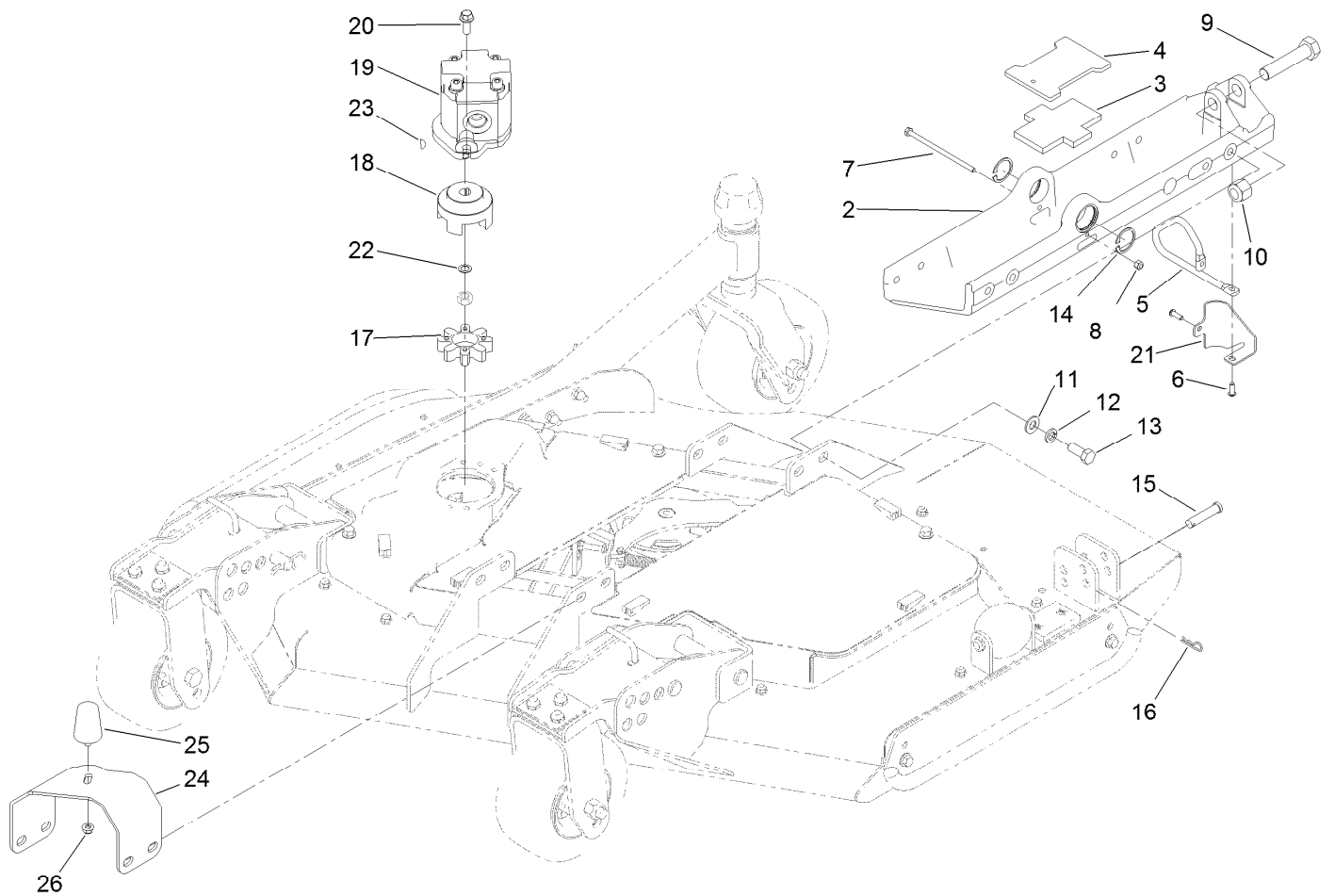
● Not serviced separately

Cutting Chamber, Cover and Roller Assembly



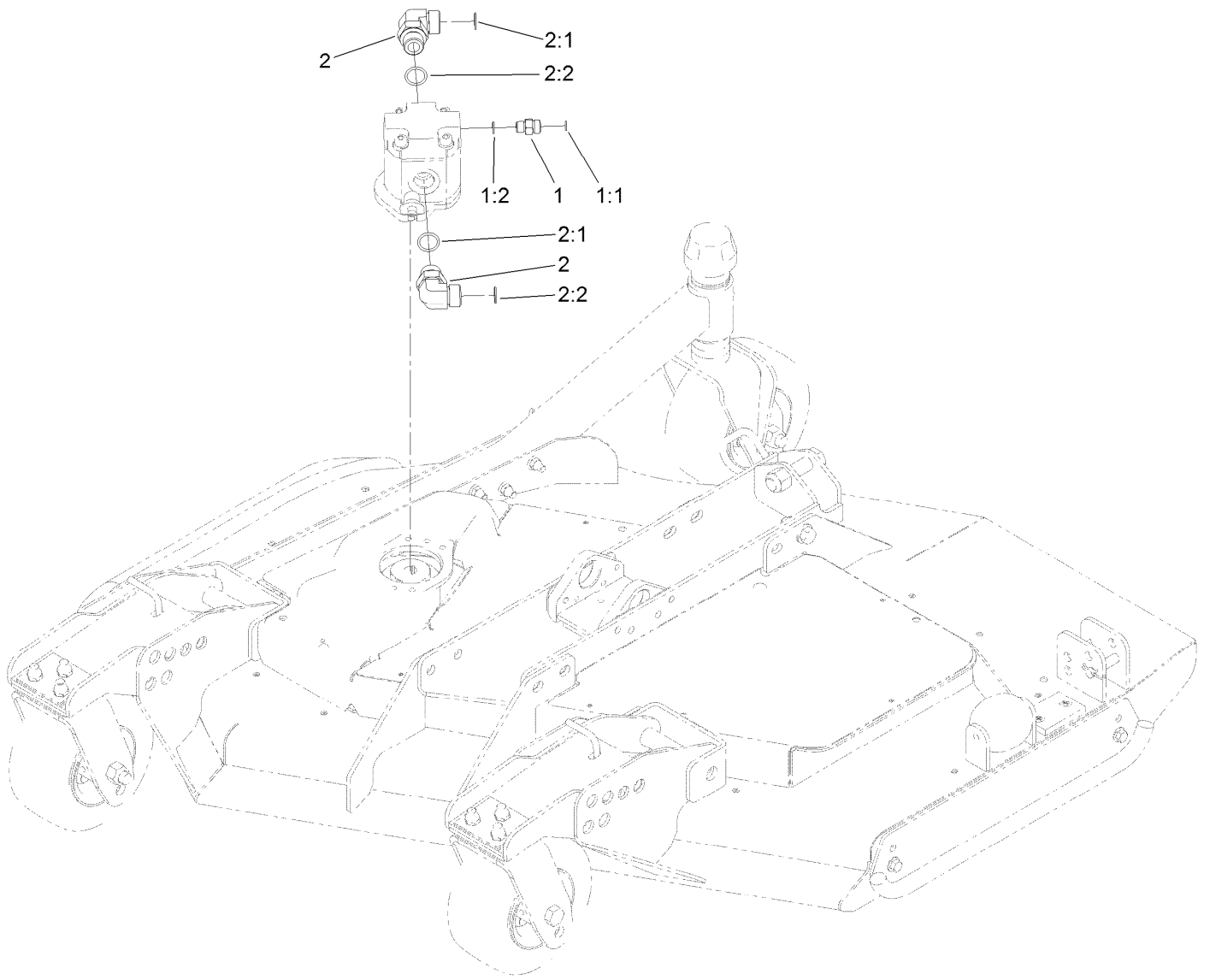
Cutting Chamber, Cover and Roller Assembly (continued)

<i>Ref.</i>	<i>Part Number</i>	<i>Qty.</i>	<i>Description</i>	<i>Ref.</i>	<i>Part Number</i>	<i>Qty.</i>	<i>Description</i>
1	130-2650-01	1	Chamber-Center	10	74-5950	10	Latch-Swell
2	130-2674-01	1	Chamber-RH	11	3230-22	3	Screw-CARR
3	130-2675-01	1	Chamber-LH	12	3234-1	3	Screw-HHF
4	3230-18	15	Screw-CARR	13	100-5660-03	1	Cover-Front, Center
5	104-8300	18	Nut-HF, NI	14	100-5662-03	1	Cover-Front, RH
6	3296-45	2	Nut-Hex	15	32144-69	3	Screw-HWHTF
7	29-4820	2	Roller	16	100-5661	1	Cover-Front, Center
8	325-17	2	Screw-HH	20	107-3154	3	Nut-Push
9	100-5663-03	1	Cover-Front, LH				



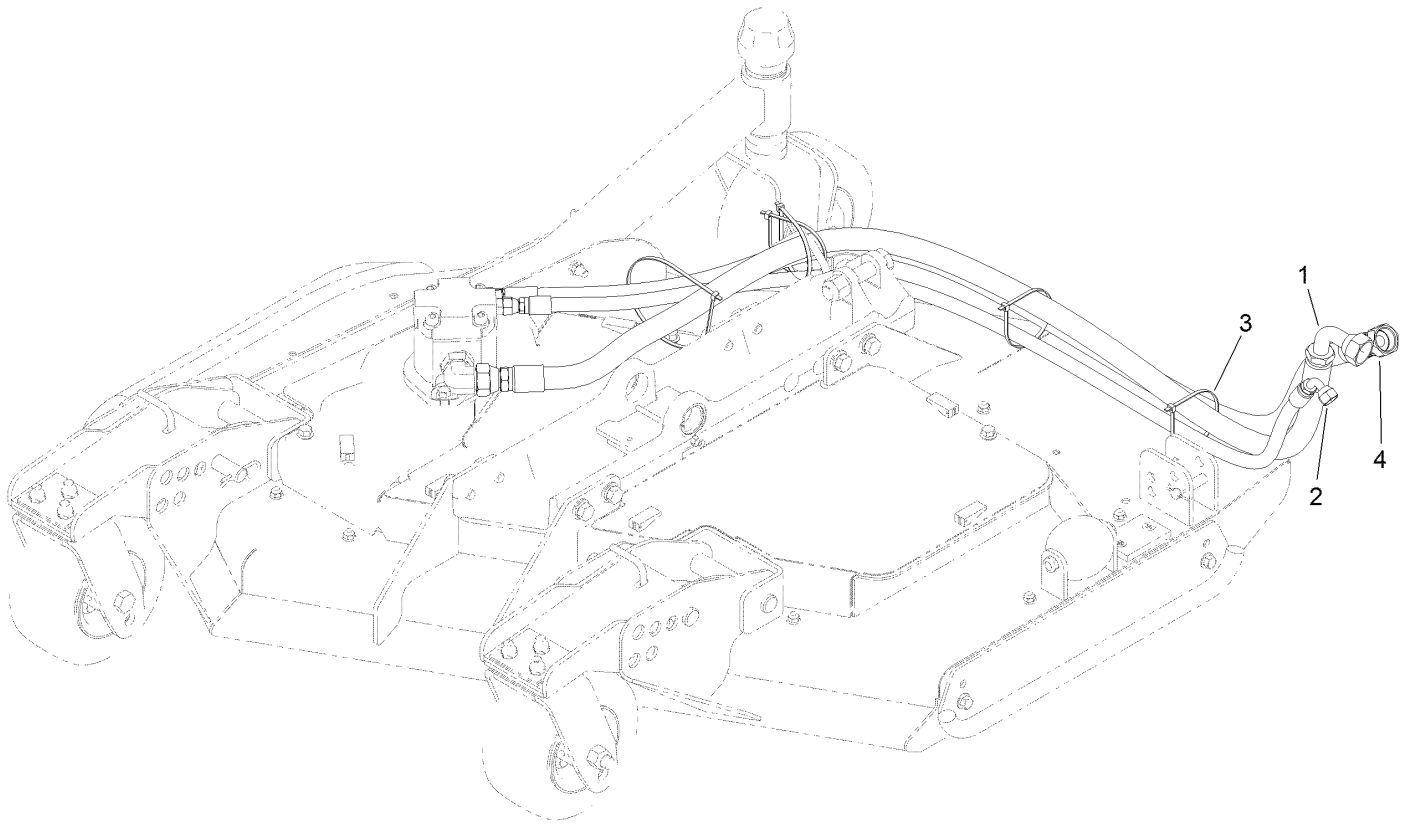
Right Deck Mount Assembly

<i>Ref.</i>	<i>Part Number</i>	<i>Qty.</i>	<i>Description</i>	<i>Ref.</i>	<i>Part Number</i>	<i>Qty.</i>	<i>Description</i>
2	107-4348-03	1	Mount-Deck, RH	15	92-2739	1	Pin-Clevis
3	104-8348	1	Plate-Rubber	16	3290-467	1	Pin-Hair
4	108-1528-03	1	Plate	17	104-3542	1	Spider
5	108-1529	1	Support-Hose	18	104-3541	1	Hub-Spider
6	3274-69	2	Screw-HSBH	19	127-3694	1	HYD Motor ASM
7	321-47	1	Screw-HH	20	3234-42	2	Screw-HHF
8	3296-42	1	Nut-Lock, NI	21	120-0480-03	1	Guide-Hose, RH
9	328-5	1	Screw-HH	22	112-6957	1	Washer-Hardened
10	3296-51	1	Nut-Lock, NI	23	3257-3	1	Key-Woodruff
11	3256-26	8	Washer-Flat	24	130-5966-03	1	Bracket-Bumper, RH
12	3253-7	8	Washer-Lock	25	110-5070	1	Bumper
13	325-5	8	Screw-HH	26	104-8300	1	Nut-HF, NI
14	32120-42	2	Ring-Retaining				



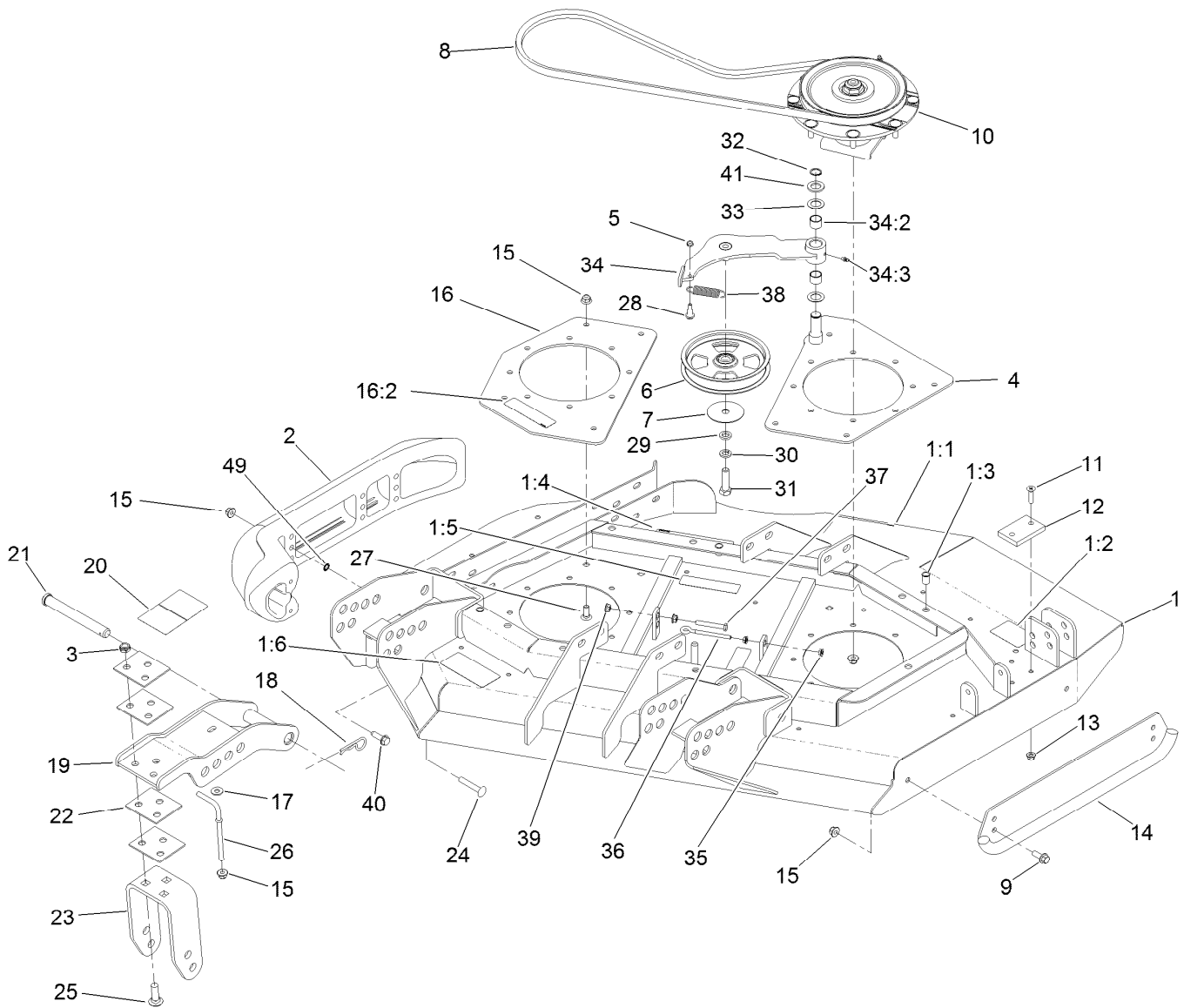
Right Deck Hydraulic Fitting Assembly

<i>Ref.</i>	<i>Part Number</i>	<i>Qty.</i>	<i>Description</i>
1	340-2	1	Fitting-Straight
1:1	237-22	1	O-Ring
1:2	237-42	1	O-Ring
2	340-142	2	Fitting-Elbow, 90 DEG
2:1	237-58	1	O-Ring
2:2	237-81	1	O-Ring



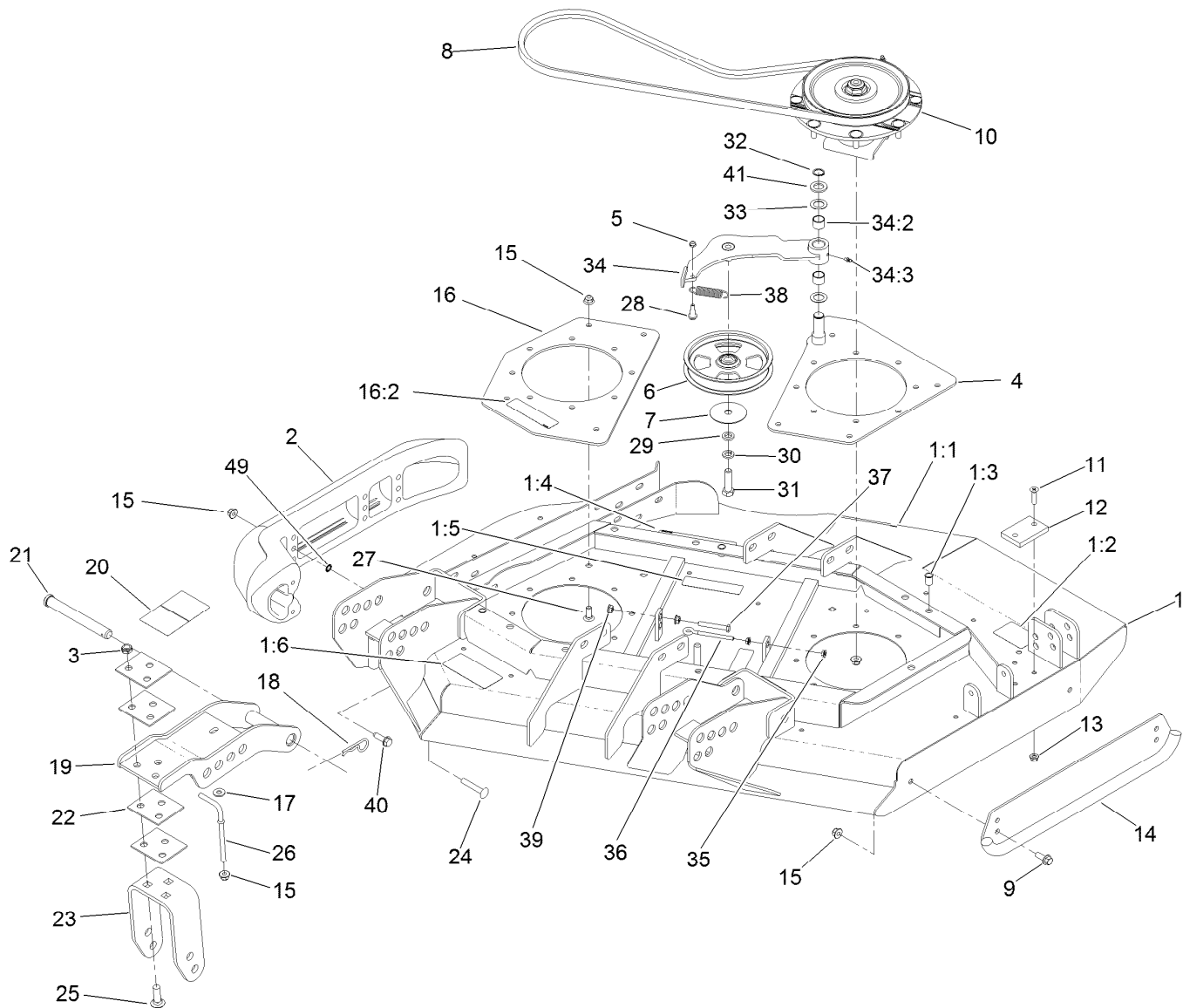
Right Deck Hose Assembly

<i>Ref.</i>	<i>Part Number</i>	<i>Qty.</i>	<i>Description</i>
1	120-8959	1	Hose-HYD
2	104-2265	1	Hose-HYD
3	3290-379	5	Tie-Cable
4	132-6116	1	Hose-HYD



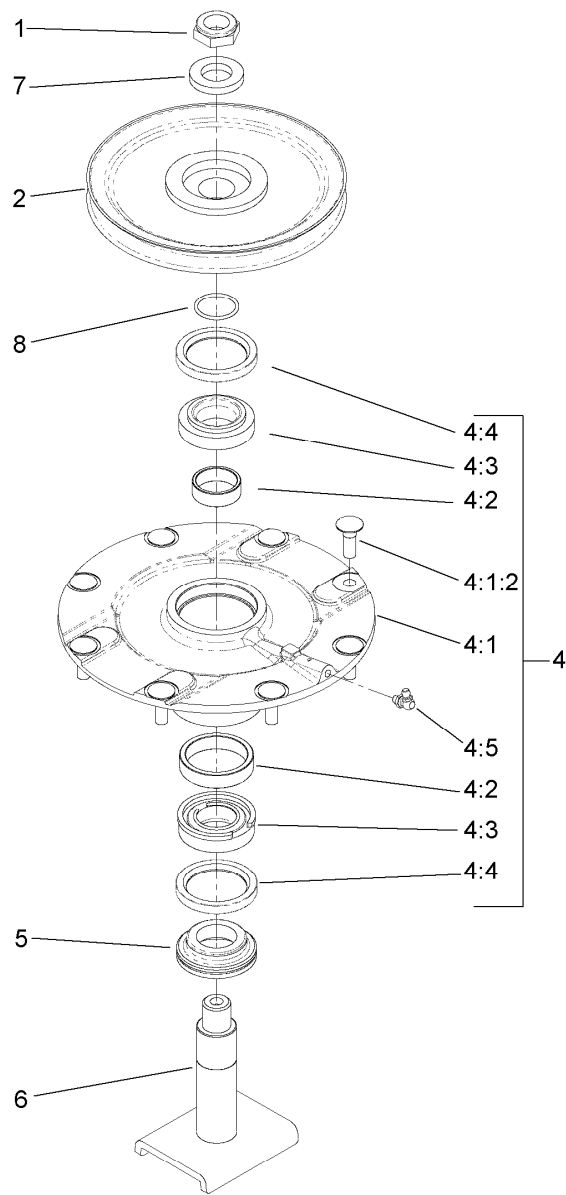
Right Deck, Idler and Skid Assembly

Ref.	Part Number	Qty.	Description	Ref.	Part Number	Qty.	Description
1	131-1235	1	Right Deck ASM	16	131-1243	1	Plate-Spindle
1:1	120-6604	1	Decal-Danger	16:2	100-6578	1	Decal-Danger
1:2	100-5694	1	Decal-Rear HOC, RH	17	3256-3	2	Washer-Flat
1:3	32148-9	3	Nut-Clinch	18	3290-343	4	Pin-Hair
1:4	100-5622	1	Decal-HOC	19	132-6150-01	2	Bracket-Caster
1:5	100-6578	2	Decal-Danger	20	100-5623	1	Decal-HOC
1:6	93-7818	1	Decal-Torque, Blade Bolt	21	120-5587	4	Pin-Clevis
2	112-1479	1	Skid-Bumper, Deck	22	104-7524	8	Shim
3	3296-45	6	Nut-Hex	23	132-6157-01	2	Bracket-Fork
4	131-1231-01	1	Plate-Stiffener	24	3231-33	2	Screw-CARR
5	3296-56	1	Nut-Lock, NI	25	3233-2	6	Screw-CARR
6	132-9421	1	Pulley-Idler, Flat	26	106-2047	2	Rod-Tension
7	100-3102	1	Washer-Flat	27	3231-22	8	Screw-CARR
8	108-8076	1	V-Belt, Deck	28	104-0858	1	Bolt-Shoulder
9	3234-42	2	Screw-HHF	29	9202424	1	Spacer
10	119-4776	1	Low-Driven Spindle ASM	30	3253-7	1	Washer-Lock
11	32108-103	2	Screw-FH	31	325-7	1	Screw-HH
12	69-9290	1	Pad-Bumper	32	32120-72	1	Ring-Snap
13	104-8300	2	Nut-HF, NI	33	3-6498	2	Washer-Thrust
14	104-2250-01	1	Skid-Side	34	110-6128	1	Idler Arm ASM
15	104-8301	26	Nut-HF, NI	34:2	256-76	2	Bushing



Right Deck, Idler and Skid Assembly (continued)

<i>Ref.</i>	<i>Part Number</i>	<i>Qty.</i>	<i>Description</i>	<i>Ref.</i>	<i>Part Number</i>	<i>Qty.</i>	<i>Description</i>
34:3	302-5	1	Fitting-Grease	39	32128-26	2	Nut-HF
35	32128-14	2	Nut-HF	40	9136144	1	Screw-HWHTF
36	68-0090	1	Screw-Adjusting	41	70-1160	1	Washer
37	9114524	1	Bolt-TAP, HH	49	32151-72	2	Ring-Retaining
38	107938	1	Spring-Extension				

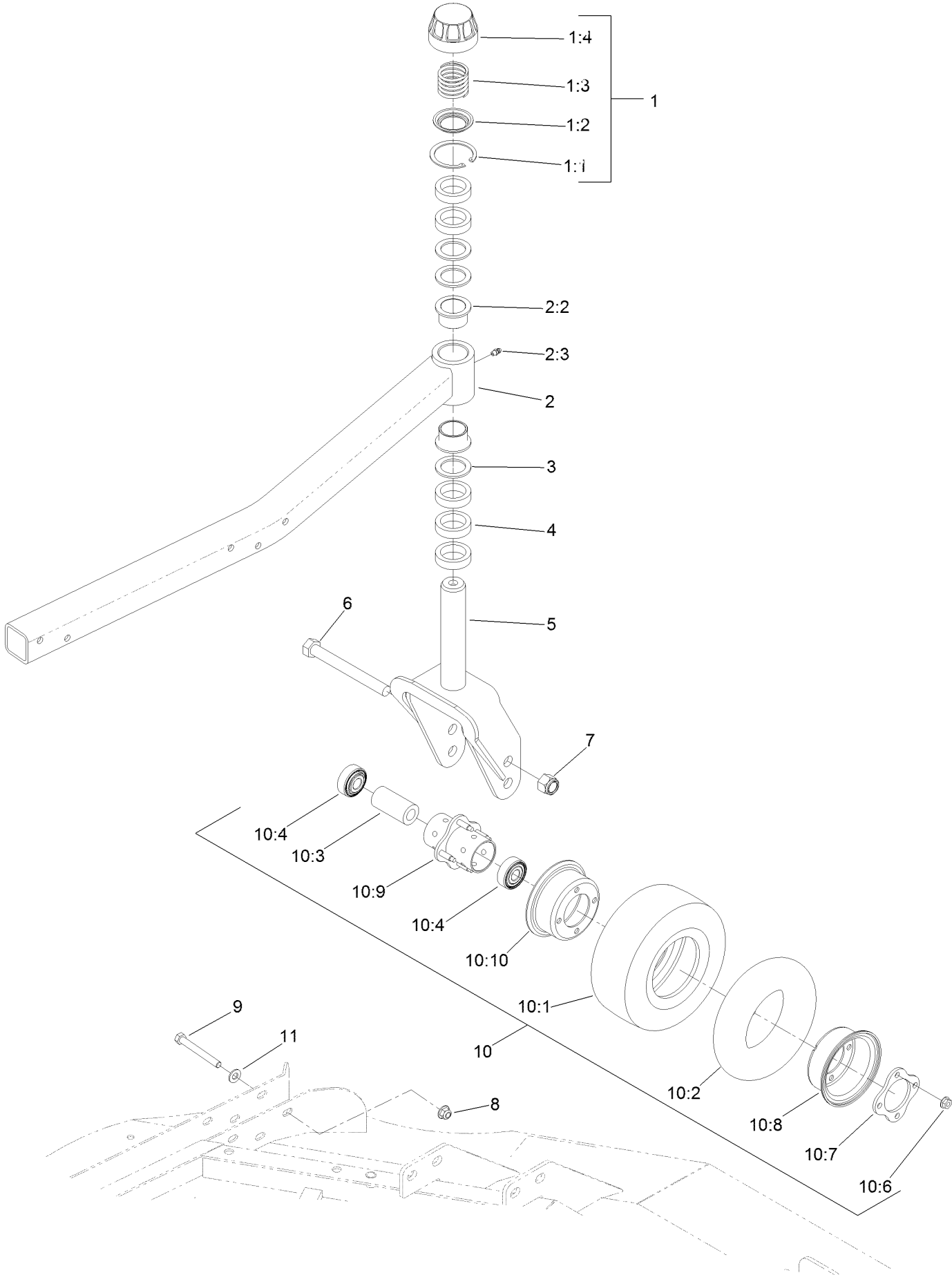


Low Driven Spindle Assembly No. 119-4776

Ref.	Part Number	Qty.	Description
1	3296-60	1	Nut-Lock, NI
2	104-3546	1	Pulley-Driven, Low
4	119-4775	1	Spindle Housing ASM
4:1		1	Spindle ASM ●
4:1:2	114-8195	8	Bolt-Neck, Ribbed
4:2	120-5577	1	Bearing Spacer Set
4:3	110-8297	1	Bearing ASM
4:4	253-154	2	Seal-Oil
4:5	302-60	1	Fitting-Grease
5	69-6950	1	Spacer-Shaft, Spindle
6	104-3554	1	Shaft-Spindle
7	120-5576	1	Washer-Hardened
8	106-7159	1	O-Ring

● Not serviced separately

Right Hand and Left Hand Castor Arm and Wheel Assembly

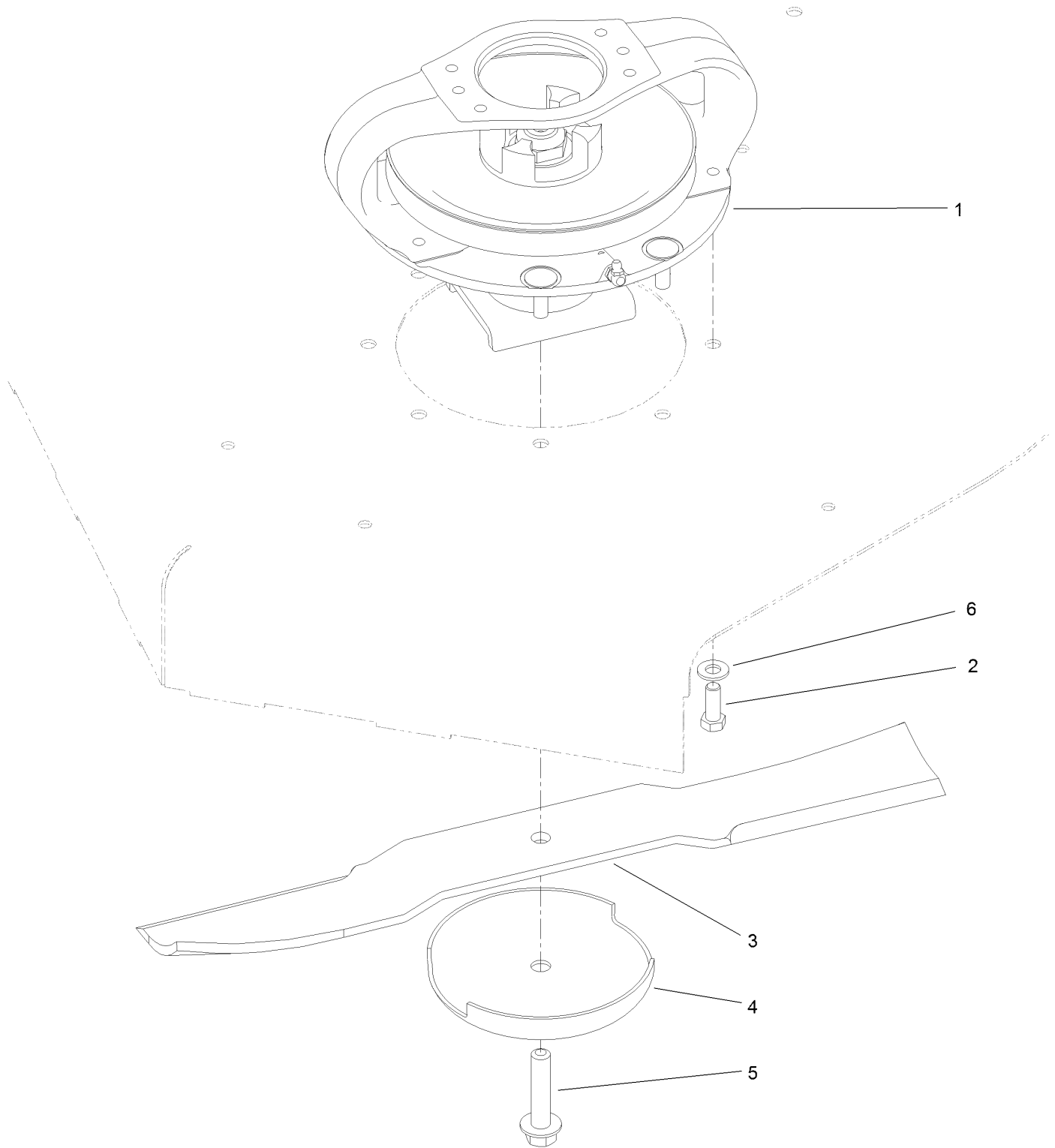


Right Hand and Left Hand Castor Arm and Wheel Assembly (continued)

<i>Ref.</i>	<i>Part Number</i>	<i>Qty.</i>	<i>Description</i>	<i>Ref.</i>	<i>Part Number</i>	<i>Qty.</i>	<i>Description</i>
1	92-9727	1	HOC Cap ASM	9	323-20	5	Screw-HH
1:1	92-5581	1	Ring-Rtng, Snap, Int, Flat	10	93-5974	3	8 Inch Foam Filled Wheel ASM ●
1:2	92-5583	1	Washer-Cap				
1:3	92-9726	1	Spring-Compression	10	93-9938	3	Wheel ASM
1:4	92-8861	1	Cap-HOC	10:1	93-9939	1	Tire
2	132-6167	1	Caster Arm ASM	10:2	68-8950	1	Tube-Inner (W/Valve)
2:2	69-6470	2	Bushing-Caster	10:3	93-4241	1	Spacer-Bearing, Inner
2:3	302-5	1	Fitting-Grease	10:4	120-3366	2	Bearing
3	69-6860	3	Washer-Thrust	10:6	32128-16	4	Nut-HHF
4	69-1510	5	Spacer	10:7	93-4242	1	Plate
5	130-2736-01	1	Fork-Caster	10:8	93-4239	1	Rim-Wheel, Half
6	327-24	3	Screw-HH	10:9	93-5980	1	Hub
7	3296-53	3	Nut-Lock, NI	10:10	95-2741	1	Rim-Wheel, Half
8	104-8301	5	Nut-HF, NI	11	3256-24	5	Washer-Plain

● Optional Equipment

LH and RH Deck Driving Spindle Assembly

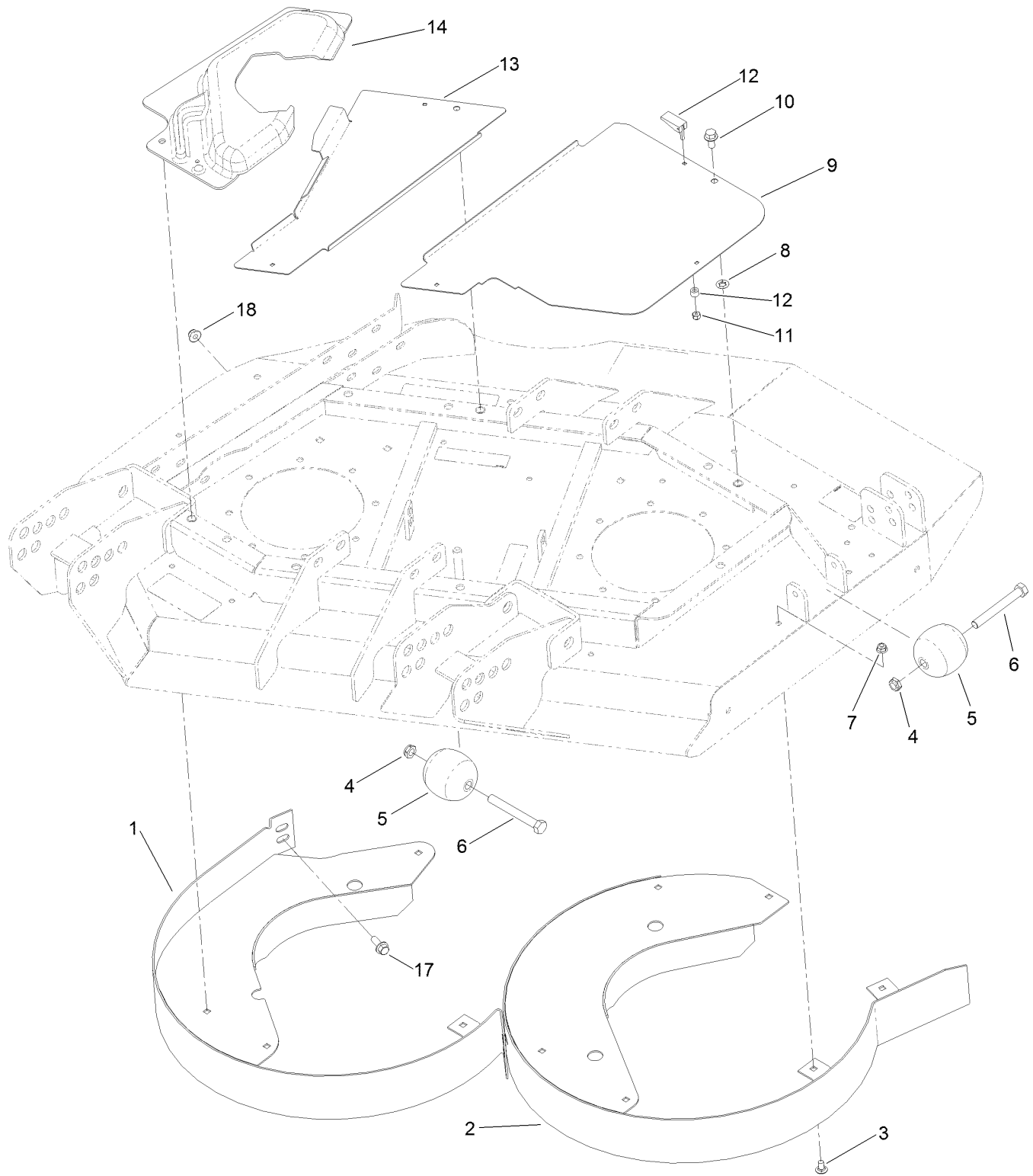


LH and RH Deck Driving Spindle Assembly (continued)

<i>Ref.</i>	<i>Part Number</i>	<i>Qty.</i>	<i>Description</i>
1	119-4547	1	Driving Spindle ASM
2	323-6	4	Screw-HH
3	92-5608-03	2	Blade

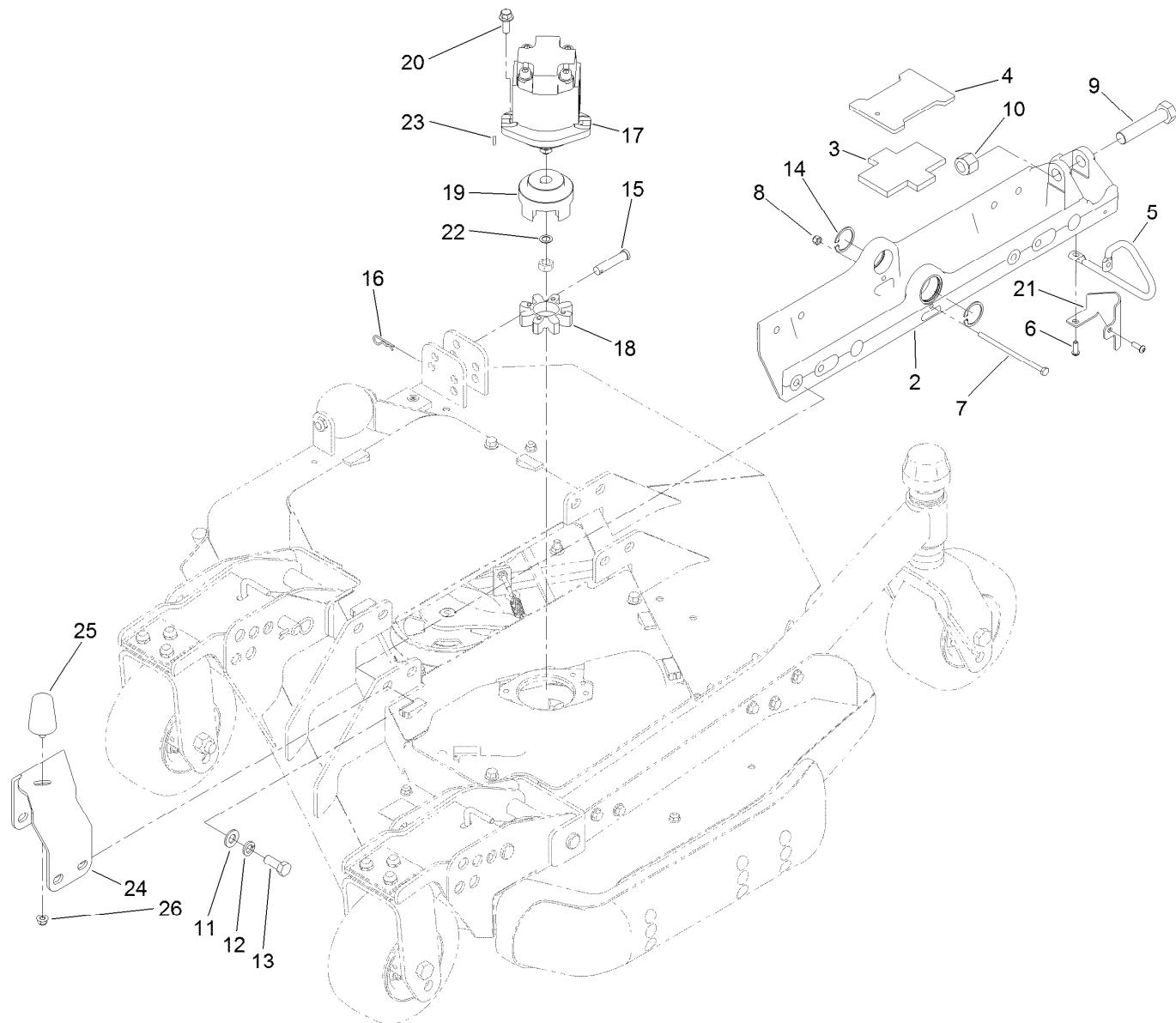
<i>Ref.</i>	<i>Part Number</i>	<i>Qty.</i>	<i>Description</i>
4	72-9361	2	Cup-Scalp, Anti
5	92-5816	2	Bolt-Blade
6	3256-24	4	Washer-Plain

Right Deck Discharge Chamber and Cover Assembly



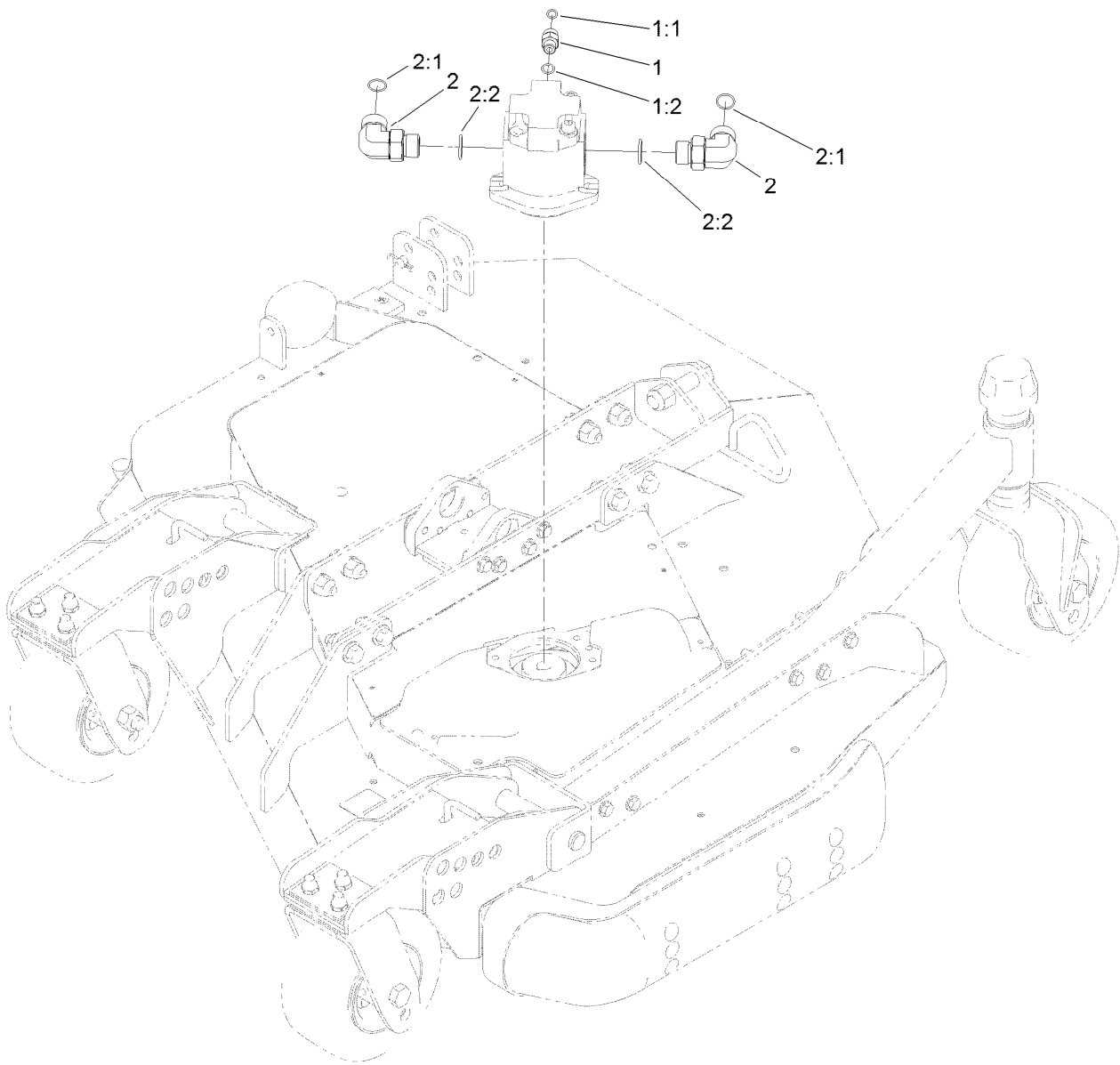
Right Deck Discharge Chamber and Cover Assembly (continued)

<i>Ref.</i>	<i>Part Number</i>	<i>Qty.</i>	<i>Description</i>	<i>Ref.</i>	<i>Part Number</i>	<i>Qty.</i>	<i>Description</i>
1	130-2680-01	1	Chamber-Outer	9	100-5668-03	1	Plate-Cover, RH Side
2	130-2681-01	1	Chamber-Inner	10	3234-1	3	Screw-HHF
3	3230-18	11	Screw-CARR	11	1-804254	7	Nut-Lock, HH
4	3296-45	2	Nut-Hex	12	74-5950	7	Latch-Swell
5	29-4820	2	Roller	13	100-5665-03	1	Plate-Cover, RH
6	325-17	2	Screw-HH	14	100-5666	1	Cover-Motor, RH Deck
7	104-8300	11	Nut-HF, NI	17	3234-42	1	Screw-HHF
8	107-3154	3	Nut-Push	18	104-8301	1	Nut-HF, NI



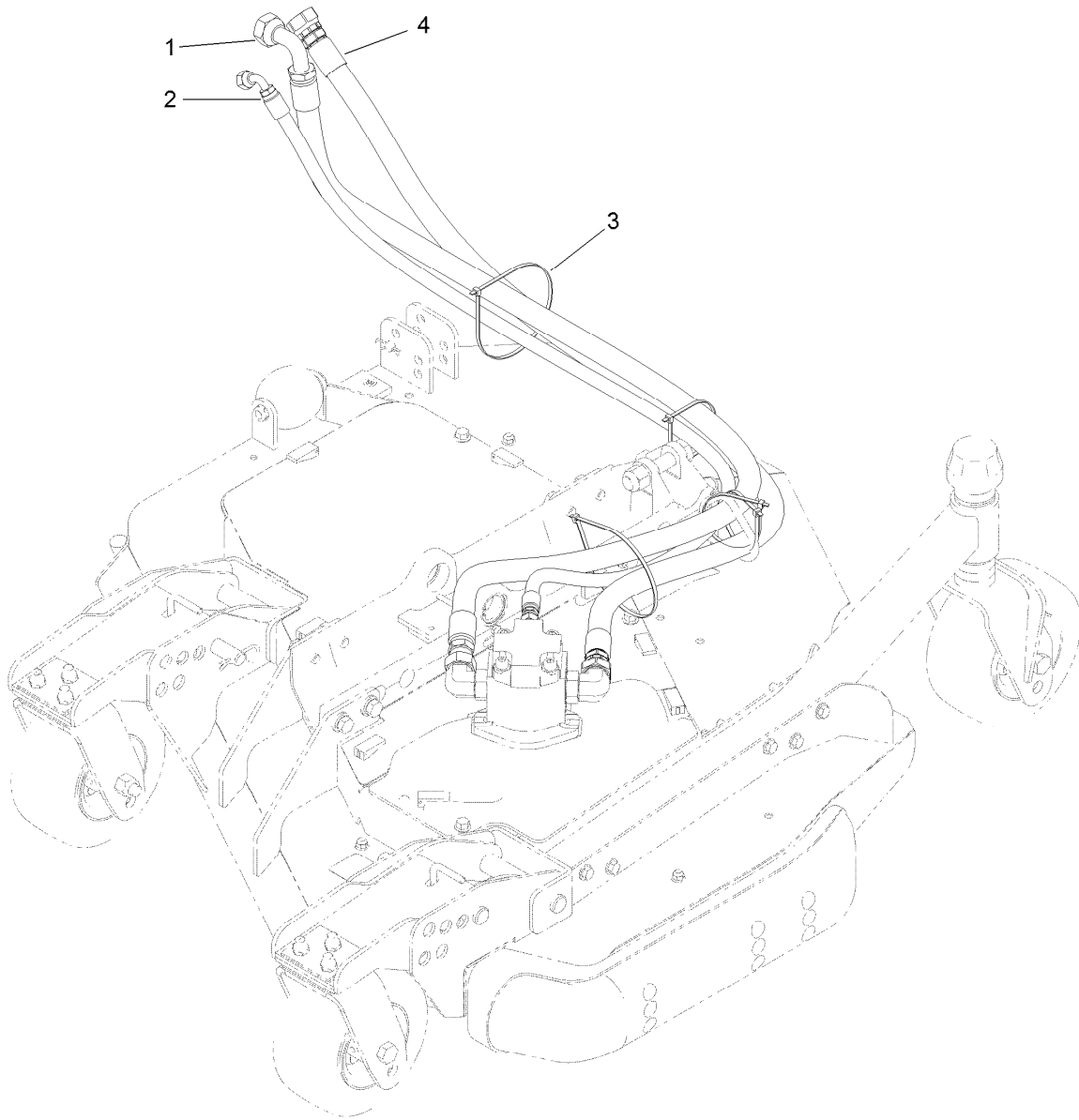
Left Deck Mount Assembly

<i>Ref.</i>	<i>Part Number</i>	<i>Qty.</i>	<i>Description</i>	<i>Ref.</i>	<i>Part Number</i>	<i>Qty.</i>	<i>Description</i>
2	107-4349-03	1	Mount-Deck, LH	15	92-2739	1	Pin-Clevis
3	104-8348	1	Plate-Rubber	16	3290-467	1	Pin-Hair
4	108-1528-03	1	Plate	17	127-3694	1	HYD Motor ASM
5	108-1529	1	Support-Hose	18	104-3542	1	Spider
6	3274-69	2	Screw-HSBH	19	104-3541	1	Hub-Spider
7	321-47	1	Screw-HH	20	3234-42	2	Screw-HHF
8	3296-42	1	Nut-Lock, NI	21	120-0481-03	1	Guide-Hose, LH
9	328-5	1	Screw-HH	22	112-6957	1	Washer-Hardened
10	3296-51	1	Nut-Lock, NI	23	3257-3	1	Key-Woodruff
11	3256-26	8	Washer-Flat	24	130-5965-03	1	Bracket-Bumper, LH
12	3253-7	8	Washer-Lock	25	110-5070	1	Bumper
13	325-5	8	Screw-HH	26	104-8300	1	Nut-HF, NI
14	32120-42	2	Ring-Retaining				



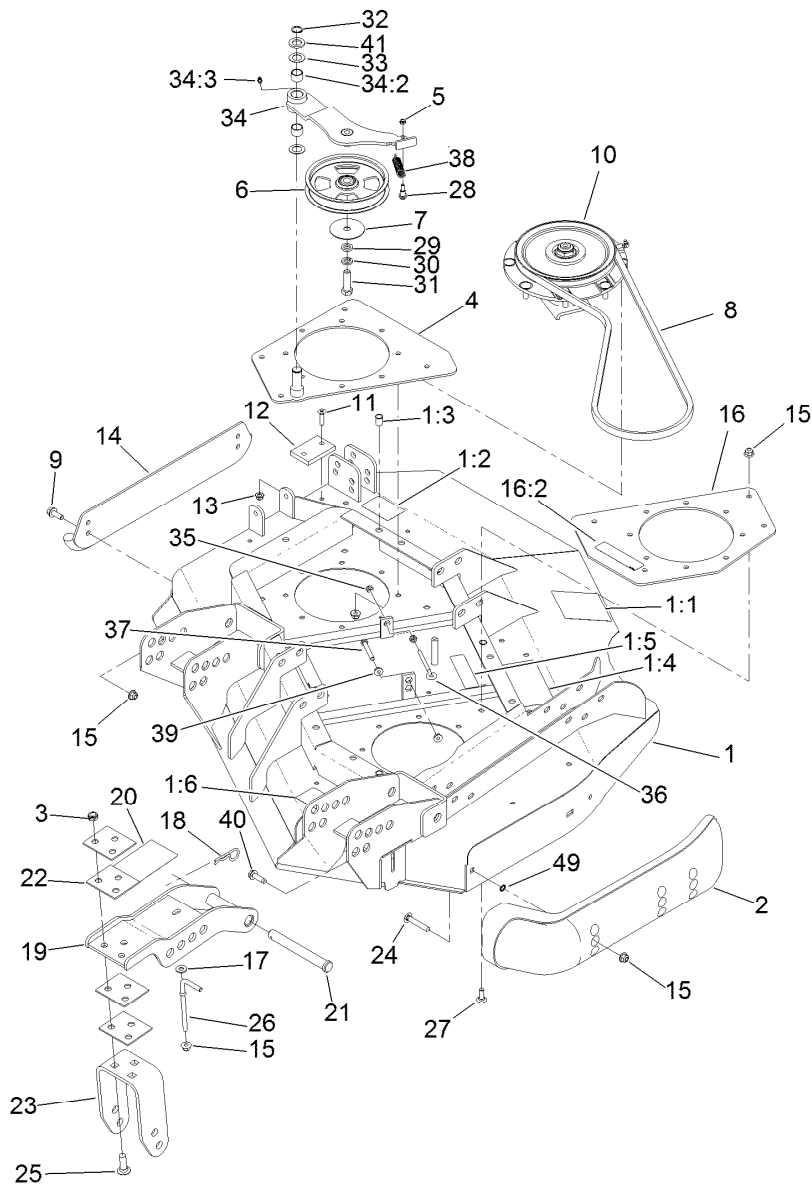
Left Deck Hydraulic Fitting Assembly

<i>Ref.</i>	<i>Part Number</i>	<i>Qty.</i>	<i>Description</i>
1	340-2	1	Fitting-Straight
1:1	237-22	1	O-Ring
1:2	237-42	1	O-Ring
2	340-142	2	Fitting-Elbow, 90 DEG
2:1	237-58	1	O-Ring
2:2	237-81	1	O-Ring



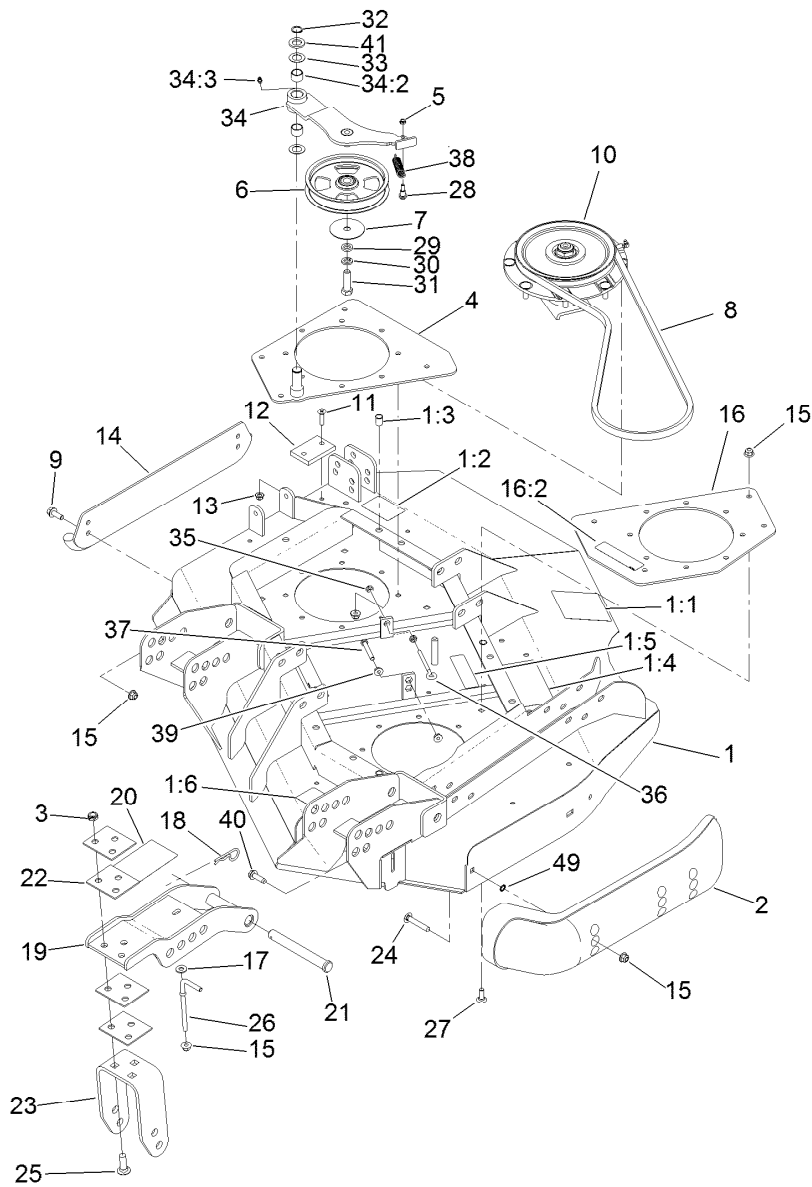
Left Deck Hose Assembly

<i>Ref.</i>	<i>Part Number</i>	<i>Qty.</i>	<i>Description</i>
1	120-8959	1	Hose-HYD
2	104-2265	1	Hose-HYD
3	3290-379	5	Tie-Cable
4	132-6116	1	Hose-HYD



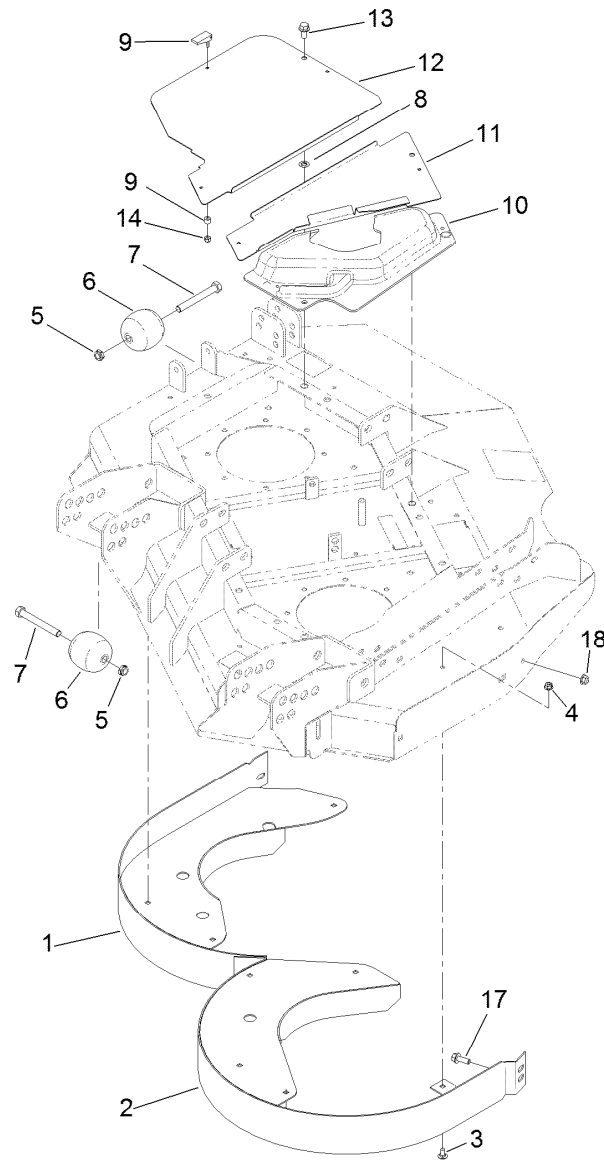
Left Deck, Idler and Skid Assembly

Ref.	Part Number	Qty.	Description	Ref.	Part Number	Qty.	Description
1	131-1236	1	Left Deck ASM	16	131-1244	1	Plate-Spindle
1:1	120-6604	1	Decal-Danger	16:2	100-6578	1	Decal-Danger
1:2	100-5693	1	Decal-Rear HOC, LH	17	3256-3	2	Washer-Flat
1:3	32148-9	3	Nut-Clinch	18	3290-343	4	Pin-Hair
1:4	100-5622	1	Decal-HOC	19	132-6150-01	2	Bracket-Caster
1:5	100-6578	2	Decal-Danger	20	104-3579	1	Decal-HOC
1:6	93-7818	1	Decal-Torque, Blade Bolt	21	120-5587	4	Pin-Clevis
2	112-1479	1	Skid-Bumper, Deck	22	104-7524	8	Shim
3	3296-45	6	Nut-Hex	23	132-6157-01	2	Bracket-Fork
4	131-1233-01	1	Plate-Stiffener	24	3231-33	2	Screw-CARR
5	3296-56	1	Nut-Lock, NI	25	3233-2	6	Screw-CARR
6	132-9421	1	Pulley-Idler, Flat	26	106-2047	2	Rod-Tension
7	100-3102	1	Washer-Flat	27	3231-22	8	Screw-CARR
8	108-8076	1	V-Belt, Deck	28	104-0858	1	Bolt-Shoulder
9	3234-42	2	Screw-HHF	29	9202424	1	Spacer
10	119-4776	1	Low-Driven Spindle ASM	30	3253-7	1	Washer-Lock
11	32108-103	2	Screw-FH	31	325-7	1	Screw-HH
12	69-9290	1	Pad-Bumper	32	32120-72	1	Ring-Snap
13	104-8300	2	Nut-HF, NI	33	3-6498	2	Washer-Thrust
14	104-2250-01	1	Skid-Side	34	110-6128	1	Idler Arm ASM
15	104-8301	26	Nut-HF, NI	34:2	256-76	2	Bushing



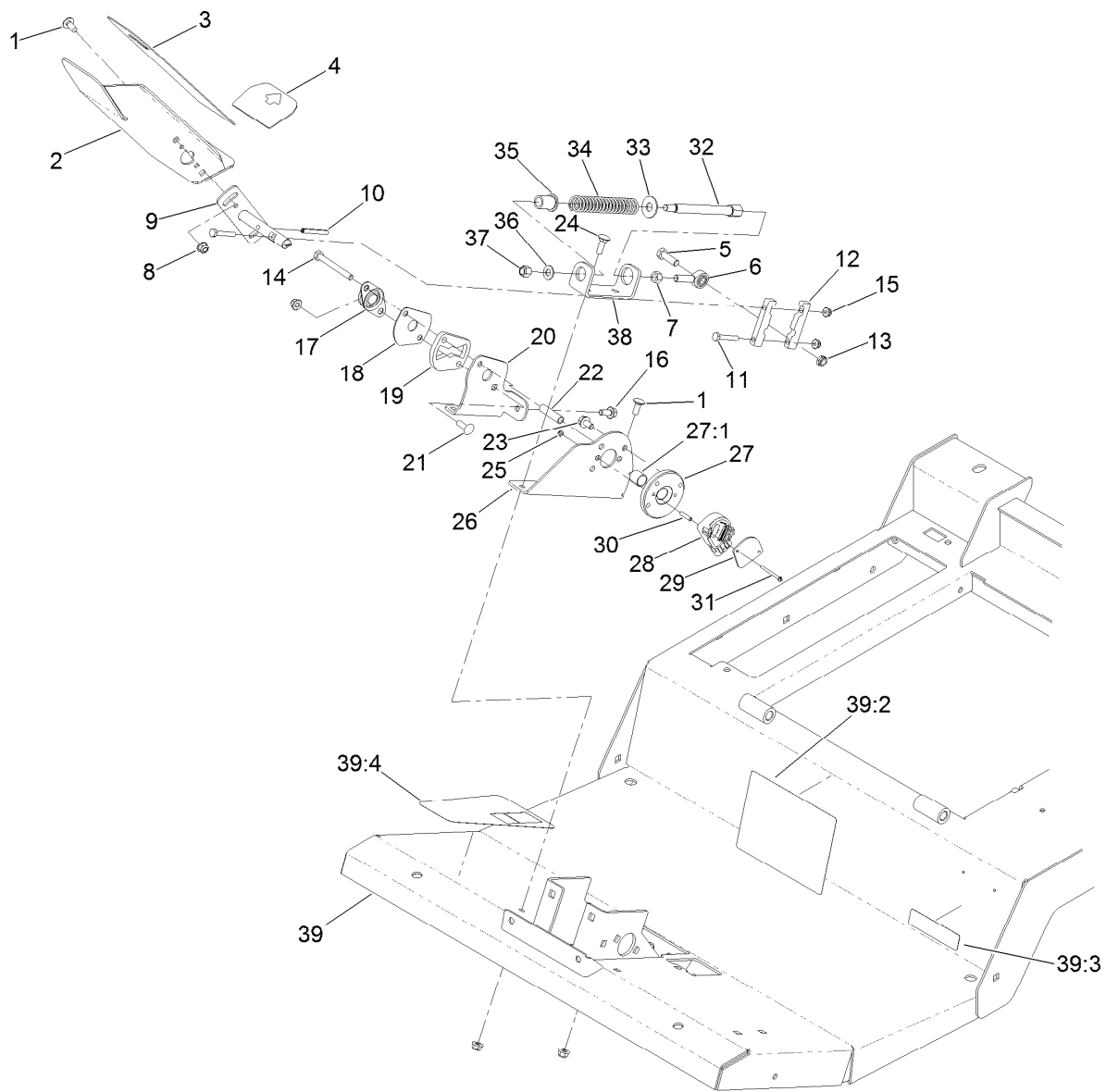
Left Deck, Idler and Skid Assembly (continued)

<i>Ref.</i>	<i>Part Number</i>	<i>Qty.</i>	<i>Description</i>	<i>Ref.</i>	<i>Part Number</i>	<i>Qty.</i>	<i>Description</i>
34:3	302-5	1	Fitting-Grease	39	32128-26	2	Nut-HF
35	32128-14	2	Nut-HF	40	9136144	1	Screw-HWHTF
36	68-0090	1	Screw-Adjusting	41	70-1160	1	Washer
37	9114524	1	Bolt-TAP, HH	49	32151-72	2	Ring-Retaining
38	107938	1	Spring-Extension				



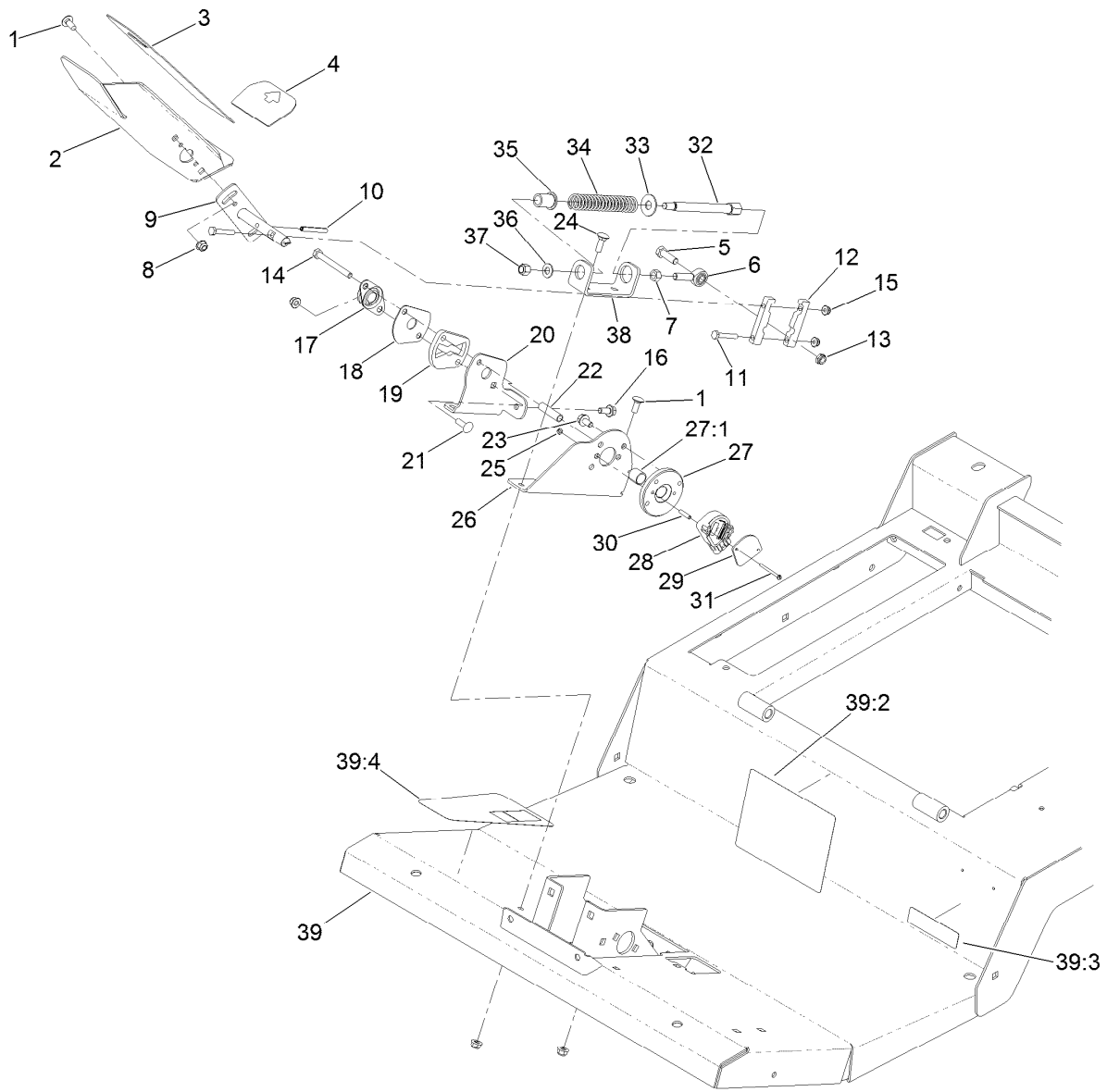
Left Deck Discharge Chamber and Cover Assembly

<i>Ref.</i>	<i>Part Number</i>	<i>Qty.</i>	<i>Description</i>	<i>Ref.</i>	<i>Part Number</i>	<i>Qty.</i>	<i>Description</i>
1	130-2682-01	1	Chamber-Outer	9	74-5950	7	Latch-Swell
2	130-2683-01	1	Chamber-Inner	10	100-5669	1	Cover-Motor, LH Deck
3	3230-18	9	Screw-CARR	11	100-5664-03	1	Plate-Cover, LH
4	104-8300	9	Nut-HF, NI	12	100-5667-03	1	Plate-Cover, LH Side
5	3296-45	2	Nut-Hex	13	3234-1	3	Screw-HHF
6	29-4820	2	Roller	14	1-804254	7	Nut-Lock, HH
7	325-17	2	Screw-HH	17	3234-42	1	Screw-HHF
8	107-3154	3	Nut-Push	18	104-8301	1	Nut-HF, NI



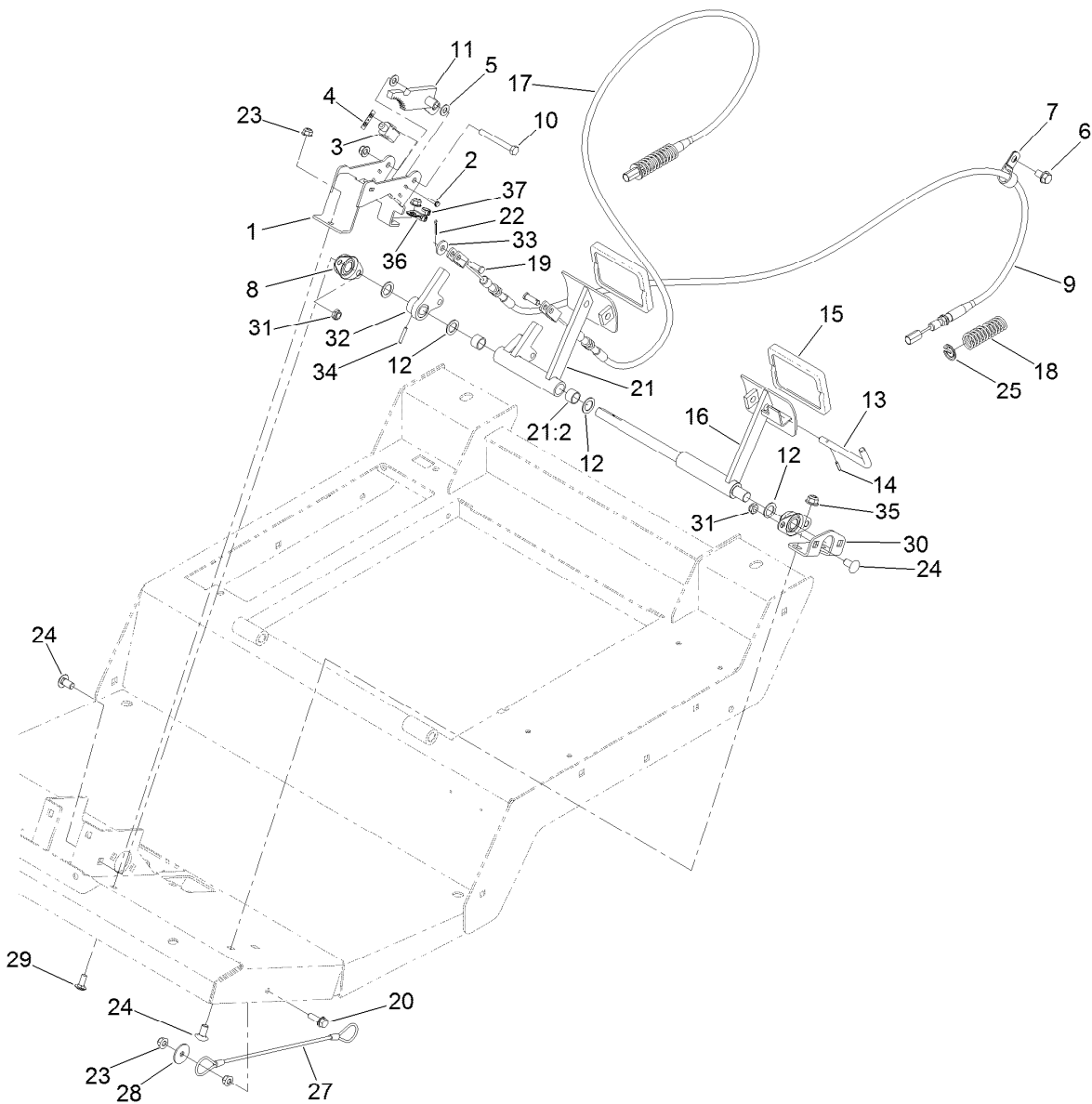
Traction Pedal and Platform Assembly

Ref.	Part Number	Qty.	Description	Ref.	Part Number	Qty.	Description
1	3230-23	5	Bolt-CARR	22	93-7960	1	Spacer
2	136-4368-01	1	Pedal-Traction	23	114-7728	2	Screw-HHF, Patch
3	93-5347	1	Abrasive-Pedal	24	3230-2	2	Bolt-CARR
4	93-5368	1	Abrasive-Pedal	25	3296-9	2	Nut-Hex
5	323-7	1	Screw-HH	26	136-4384-01	1	Bracket-Sender
6	2411-36	1	Bearing-End, Rod	27	117-5445	1	Bushing Hub ASM
7	3219-3	1	Nut-Hex	27:1	95-7497	1	Bushing-Wheel
8	104-8300	9	Nut-HF, NI	28	114-5609	1	Sensor-Position
9	131-2245	1	Shaft-Pedal, Traction	29	114-5595	1	Plate-Capture
10	32121-78	1	Pin-Roll	30	114-5608	2	Spacer-Standoff
11	321-37	2	Screw-HH	31	32105-25	2	Screw-SHH
12	117-5459	2	Block-Clamp	32	117-5446	1	Shaft-Spring
13	3296-59	1	Nut-Lock, NI	33	3256-5	1	Washer-Flat
14	322-14	1	Screw-HH	34	84-9100	1	Spring
15	104-7201	2	Nut-HF, NI	35	92-7610	1	Retainer-Spring
16	3234-47	1	Screw-HHF	36	3256-24	1	Washer-Plain
17	256-236	1	Bearing-Mount, Flange	37	3296-6	1	Nut-Lock
18	117-5455	1	Plate-Cover	38	131-2252-01	1	Bracket-Spring
19	117-5454	1	Plate-Butterfly	39	132-6251	1	Platform ASM
20	131-2250-01	1	Bracket-Butterfly	39:2	114-0846	1	Decal-Instructions, Operating
21	3230-22	1	Screw-CARR				



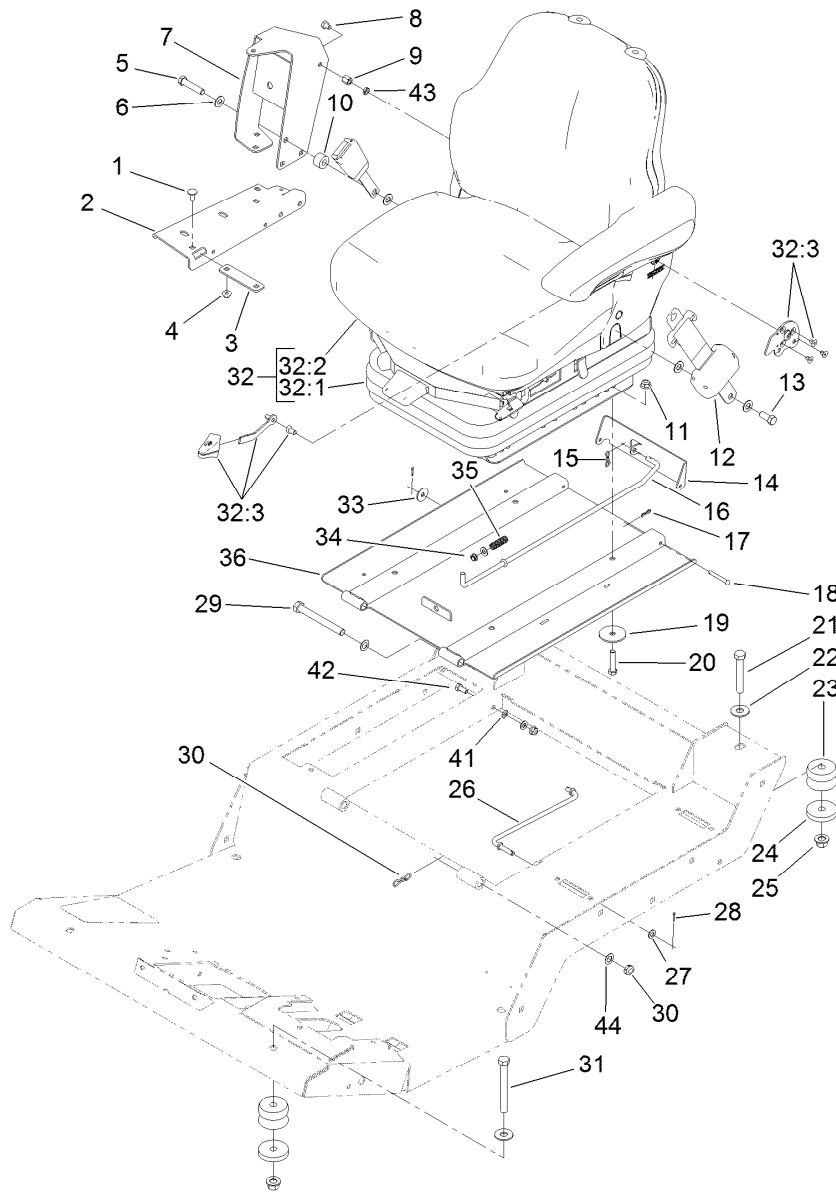
Traction Pedal and Platform Assembly (continued)

<i>Ref.</i>	<i>Part Number</i>	<i>Qty.</i>	<i>Description</i>
39:3	133-5618	1	Decal-Arrester, Spark
39:4	114-0849	1	Decal-Pedal, Traction



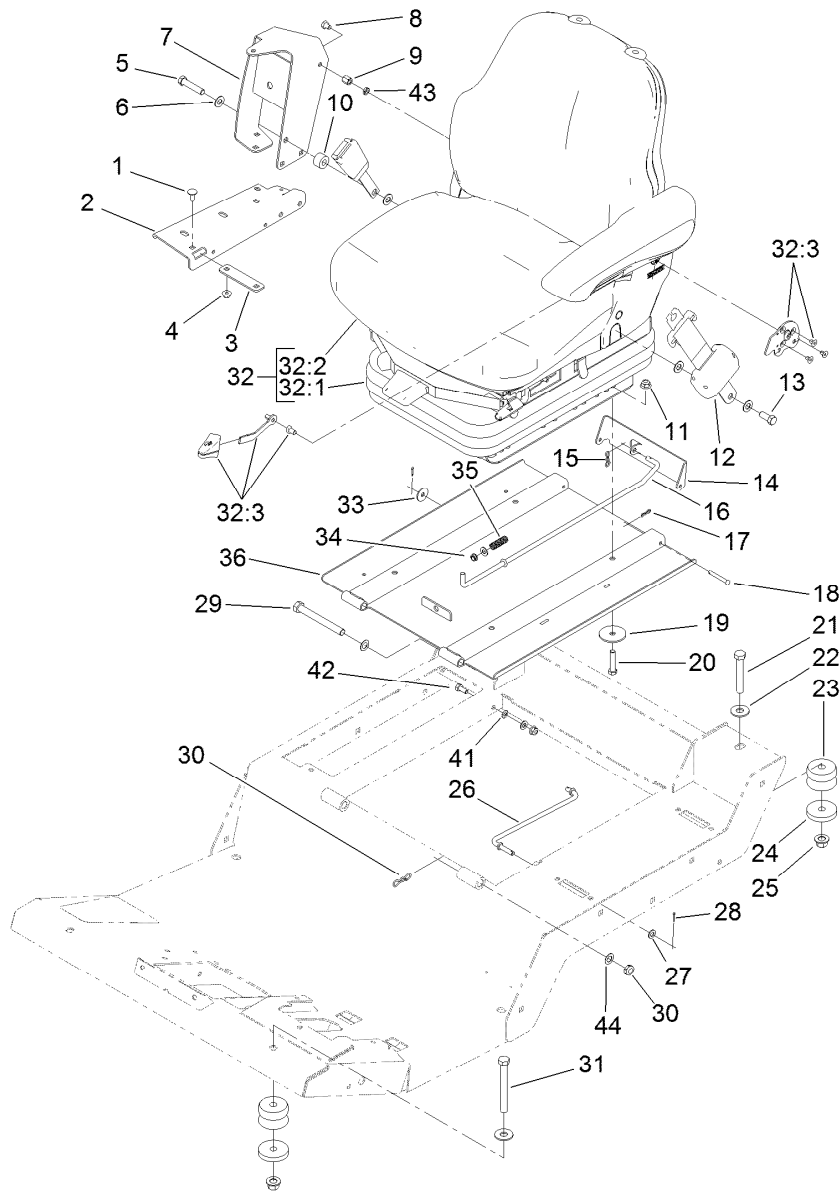
Brake Pedal Assembly

Ref.	Part Number	Qty.	Description	Ref.	Part Number	Qty.	Description
1	132-6259-03	1	Mount-Switch	20	3234-29	1	Screw-HHF
2	117-5458	4	Screw-HHF	21	132-6252	1	Pedal-Brake, RH
3	99-3410	2	Switch	21:2	256-42	2	Bushing
4	108-9824	2	Nut-Switch	22	3272-6	2	Pin-Cotter
5	3256-23	2	Washer-Plain	23	104-8300	5	Nut-HF, NI
6	32144-69	2	Screw-HWHTF	24	3231-21	6	Screw-CARR
7	2412-4	2	Clamp-R	25	94-3050	2	Plate-Spring
8	256-236	2	Bearing-Mount, Flange	27	110-4896	1	Lanyard
9	120-8899	1	Cable-Brake, LH	28	3256-57	1	Washer-Flat
10	322-13	1	Screw-HH	29	3230-23	2	Bolt-CARR
11	132-6290-03	1	Rack	30	132-6247-01	1	Mount-Bearing
12	3256-69	4	Washer-Flat	31	3296-59	4	Nut-Lock, NI
13	63-7880	1	Pin-Latch, Brake	32	132-6229	1	Arm-Cable, Brake
14	32121-50	1	Pin-Spring	33	4-2390	2	Washer-Flat
15	93-8742	2	Footpad-Brake	34	32121-125	1	Pin-Roll
16	132-6288-01	1	Pedal-Brake, LH	35	104-8301	2	Nut-HF, NI
17	120-8898	1	Cable-Brake, RH	36	88-7970	1	Clip
18	94-3088	2	Spring-Compression	37	1-303287	2	Tie-Cable
19	120-9694	2	Pin-Clevis				



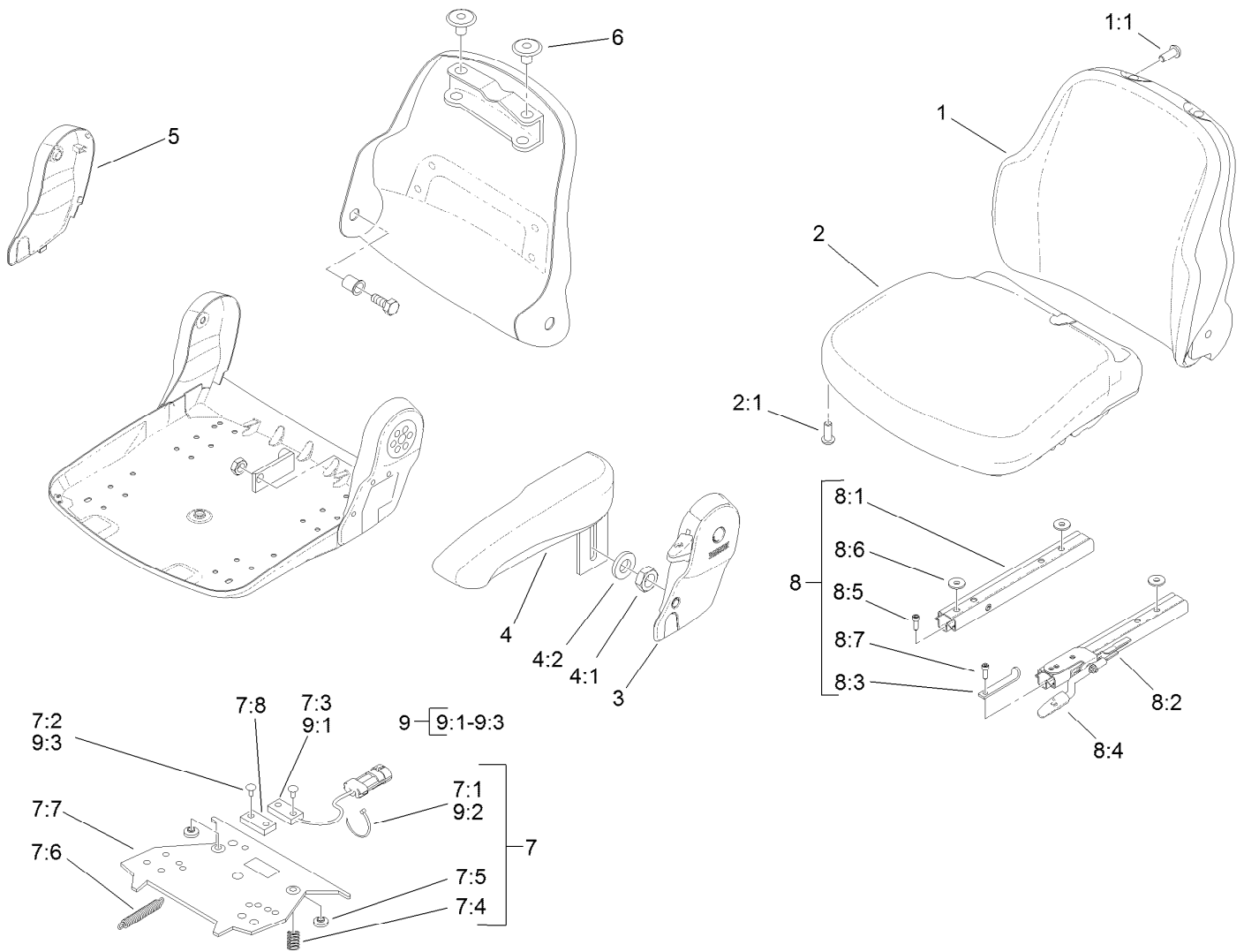
Seat Base and Seat Assembly

<i>Ref.</i>	<i>Part Number</i>	<i>Qty.</i>	<i>Description</i>	<i>Ref.</i>	<i>Part Number</i>	<i>Qty.</i>	<i>Description</i>
1	3230-23	6	Bolt-CARR	22	3256-6	4	Washer-Flat
2	119-0000-03	1	Channel-Support	23	110-5954	4	Mount-Center, Bonded
3	112-7449-03	1	Bracket-Support	24	115-5519	4	Washer-Plain
4	104-8300	7	Nut-HF, NI	25	99-5107	4	Nut-Lock
5	3212-8	1	Screw-HH	26	93-5338	1	Rod-Prop
6	3256-25	4	Washer-Flat	27	3256-23	3	Washer-Plain
7	117-4798-03	1	Arm-Support	28	3272-5	2	Pin-Cotter
8	108-8646	1	Screw-HH, Lock	29	325-18	2	Screw-HH
9	112-7405	1	Nut-Hex, Coupling	30	3296-45	2	Nut-Hex
10	17-7190	1	Spacer-Finger	31	702093	2	Screw-HH
11	104-8301	4	Nut-HF, NI	32	130-2700	1	Seat And Suspension ASM
12	110-0413	1	Seatbelt-Retractable	32:1	130-2702	1	Air Ride Seat Suspension
13	3212-4	1	Screw-HH	32:2	117-9429	1	Matrix Cloth Seat ASM
14	120-9017-03	1	Latch-Seat	32:3	132-1304	1	Backrest Adjustment Kit
15	119-1415	1	Pin-Cotter, Locking	33	3256-82	1	Washer-Flat
16	120-9018	1	Rod-Latch	34	5979	1	Bushing-Nyliner
17	119-1414	2	Pin-Cotter, Locking	35	95-1821-03	1	Spring-Compression
18	283-57	2	Pin-Clevis	36	137-5475-03	1	Plate-Seat
19	83-1040	4	Washer-Flat	41	3255-8	1	Washer-Lock
20	323-9	4	Screw-HH	42	322-3	1	Screw-HH
21	112-7264	2	Screw-HH				



Seat Base and Seat Assembly (continued)

<i>Ref.</i>	<i>Part Number</i>	<i>Qty.</i>	<i>Description</i>
43	117-4059	1	Nut-Hex
44	36-4780	4	Washer-Plain

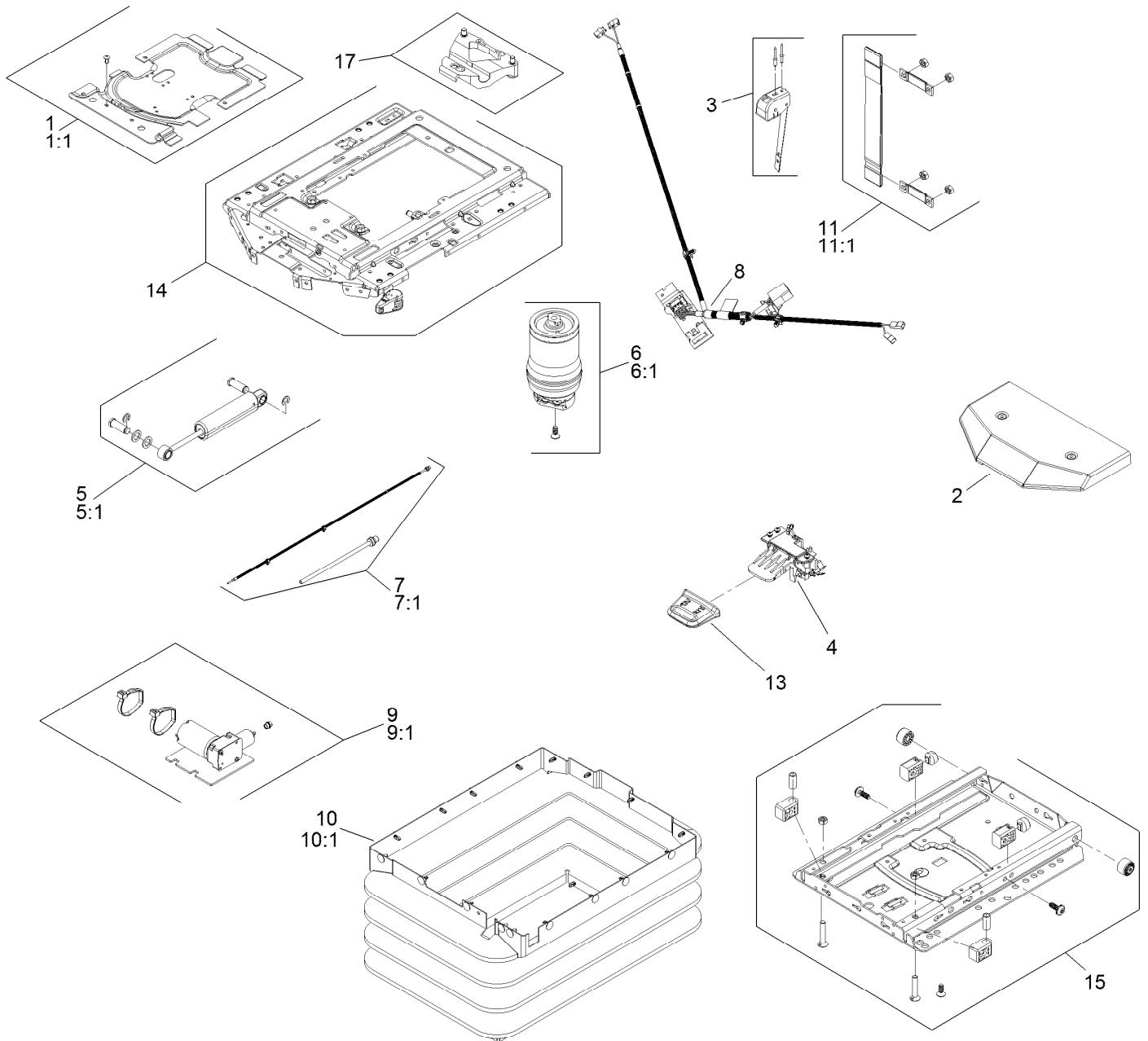


Cloth Premium Seat Assembly No. 117-9429

Ref.	Part Number	Qty.	Description	Ref.	Part Number	Qty.	Description
1	117-9415	1	Backrest Cushion ASM Matrix Cloth	7:5		2	Bumper-Pressure Plate ●
1:1	119-7742	4	Screw-Cushion	7:6		1	Spring-Extension ●
2	117-9416	1	Seat Cushion ASM Matrix Cloth	7:7		1	Plate-Mounting ●
2:1	119-7742	3	Screw-Cushion	7:8		1	Magnet ●
3	108-8018	1	Cover-Armrest	8	108-8025	1	Adjustment Rail Set
4	108-8019	1	LH Armrest ASM	8:1		1	Rail-Adjustment, RH ●
4:1	82-9650	1	Nut	8:2		1	Rail-Adjustment, LH ●
4:2	107-1198	1	Washer	8:3		1	Stop-Rail ●
5	108-8021	1	Cover-Armrest	8:4		1	Handle ●
6	108-8022	2	Cover-Black	8:5		3	Screw ●
7	108-8024	1	Switch Kit	8:6		3	Washer ●
7:1		3	Wire Tie ●	8:7		1	Screw ●
7:2		4	Rivet ●	9	110-6189	1	Switch Kit
7:3		1	Sensor-Seat Switch ●	9:1		1	Switch ●
7:4		2	Spring-Compression ●	9:2		3	Wire Tie ●
				9:3		2	Rivet ●

● Not serviced separately

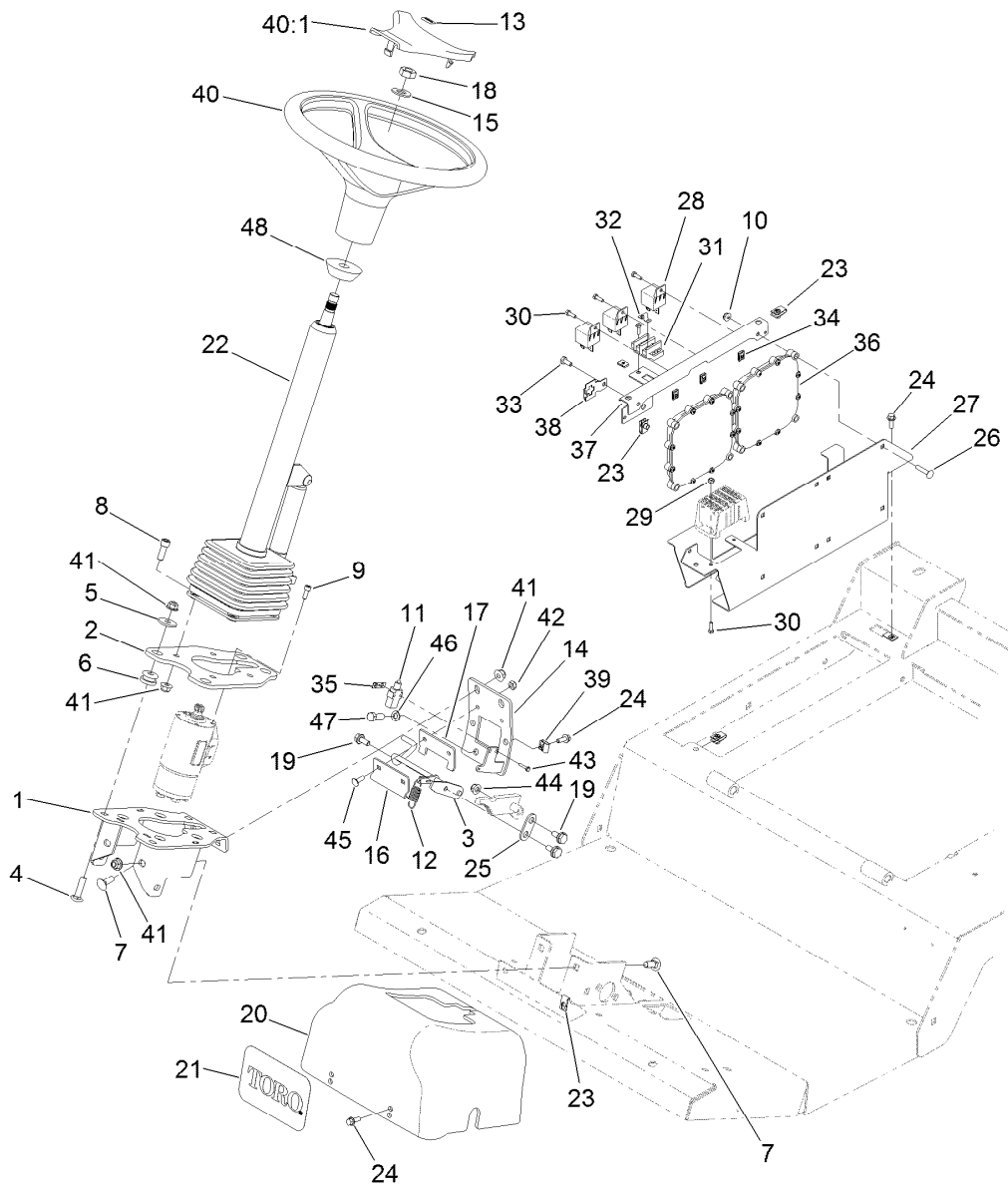
Seat Suspension Assembly No. 130-2702



Seat Suspension Assembly No. 130-2702 (continued)

<i>Ref.</i>	<i>Part Number</i>	<i>Qty.</i>	<i>Description</i>	<i>Ref.</i>	<i>Part Number</i>	<i>Qty.</i>	<i>Description</i>
1	130-2709	1	Cover ASM	9	130-2719	1	Compressor
1:1	130-2710	1	Cover Kit	9:1	130-2720	1	Compressor Kit
2	108-8027	1	Cover	10	130-2721	1	Bellows ASM
3	130-2711	1	Control-Level	10:1	130-2722	1	Bellows Kit
4	108-8029	1	Valve-Control, Air	11	130-2723	1	Tether
5	130-2712	1	Shock Absorber ASM	11:1	130-2724	1	Tether Kit
5:1	130-2713	1	Shock Absorber Kit	12	130-2725	1	Wear Parts Kit ●
6	130-2714	1	Air Spring ASM	13	130-2726	1	Handle
6:1	130-2715	1	Air Spring Kit	14	130-2727	1	Upper Suspension Kit
7	130-2716	1	Air Tube ASM	15	130-2728	1	Lower Suspension Kit
7:1	130-2717	1	Air Tube Kit	16	130-2729	1	Adjuster Mounting Kit ●
8	130-2718	1	Harness-Wire	17	130-2730	1	Limiters-Thrust

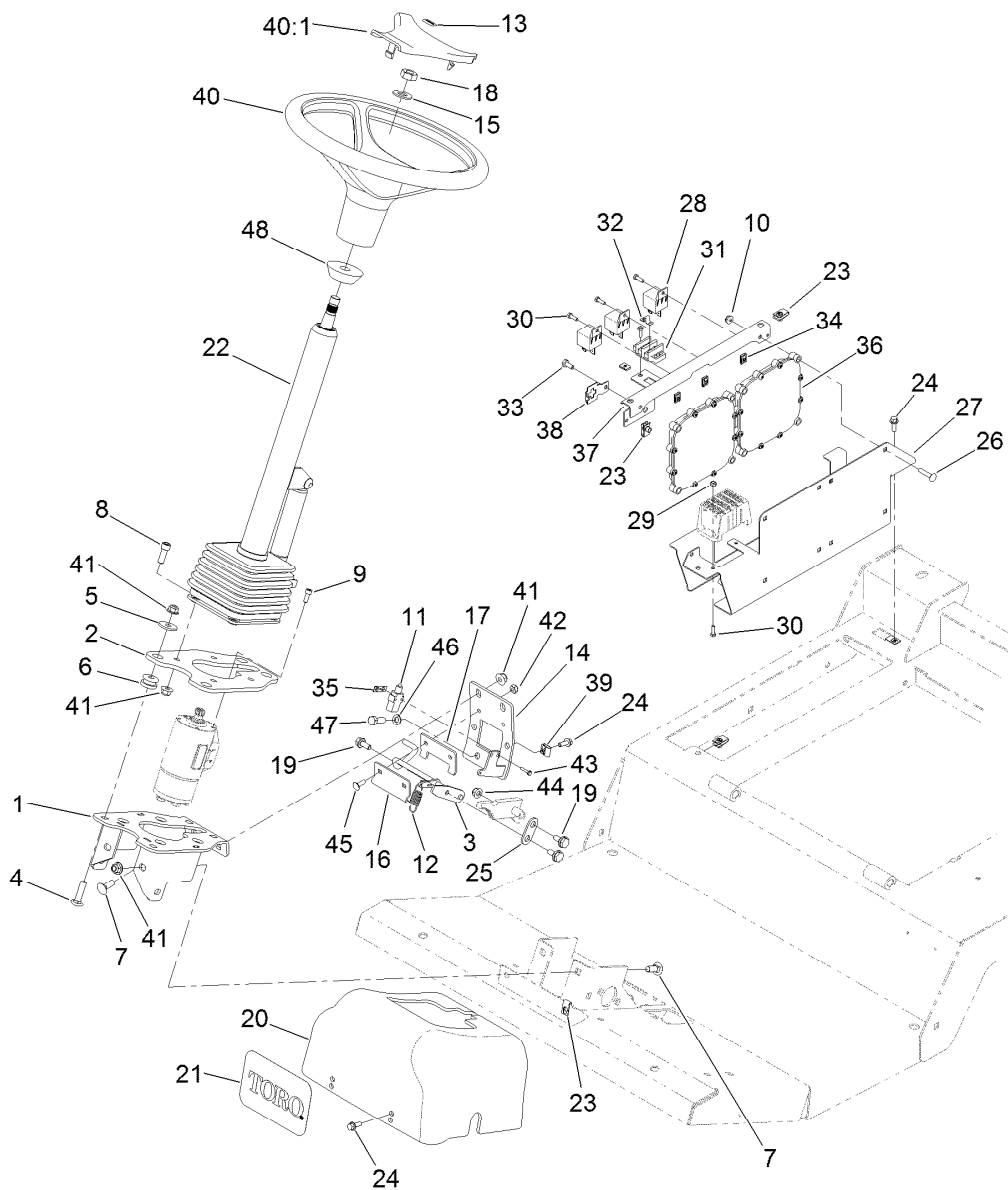
● Not illustrated



Steering and Controller Assembly

Ref.	Part Number	Qty.	Description
1	132-6260-03	1	Mount
2	132-6266-03	1	Plate-Mount, Column
3	132-6285	1	Rod-Brake
4	3231-26	4	Screw-CARR
5	63-8410	4	Washer
6	63-9750	4	Mount
7	3231-2	6	Bolt-CARR
8	3274-7	4	Screw-HSH
9	105-2409	4	Screw-HSH
10	104-7201	8	Nut-HF, NI
11	99-3410	1	Switch
12	136-7153	1	Spring-Extension
13	98-1459	1	Decal
14	132-6225-03	1	Support-Rear
15	3256-27	1	Washer-Flat
16	132-6283	1	Plate-Brake
17	132-6284	1	Plate-Brake
18	3296-33	1	Nut-Lock, NI
19	37-8771	2	Bolt-Shoulder, HF
20	132-6244	1	Cover-Steering
21	105-1217	1	Decal

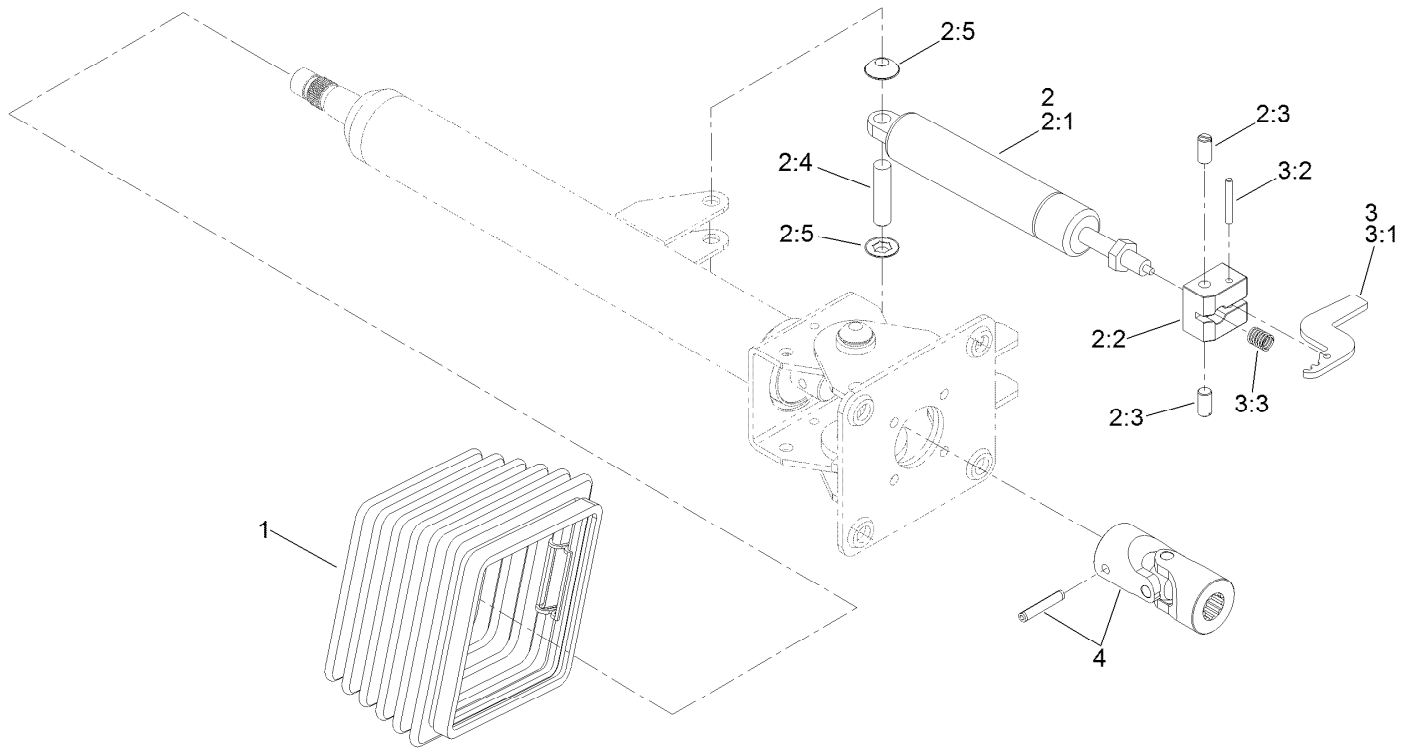
Ref.	Part Number	Qty.	Description
22	132-6230	1	Steering Tilt Column ASM
23	107069	7	Clip
24	3234-4	6	Screw-HHF
25	137-5548	1	Link-Brake
26	3229-3	8	Screw-CARR
27	120-4093-03	1	Mount-Power
28	99-7435	3	Relay
29	3296-12	2	Nut-Lock, NI
30	3290-134	7	Screw
31	42862	1	Block-Terminal, Ground
32	42863	1	Strip-Jumper
33	321-3	1	Screw-HH
34	107-1013	5	Nut-Speed
35	108-9824	1	Nut-Switch
36	114-3321	2	Controller-Tec
37	120-4127-03	1	Mount-Relay
38	114-5502	1	Clip-Fuse
39	609900	2	Nut-Speed
40	98-1471	1	Wheel-Steering
40:1	98-1468	1	Cover-Wheel, Steering
41	104-8301	14	Nut-HF, NI



Steering and Controller Assembly (continued)

Ref.	Part Number	Qty.	Description
42	3296-16	2	Nut-Lock, NI
43	117-5458	2	Screw-HHF
44	104-8300	2	Nut-HF, NI
45	1-807512	2	Bolt-CARR

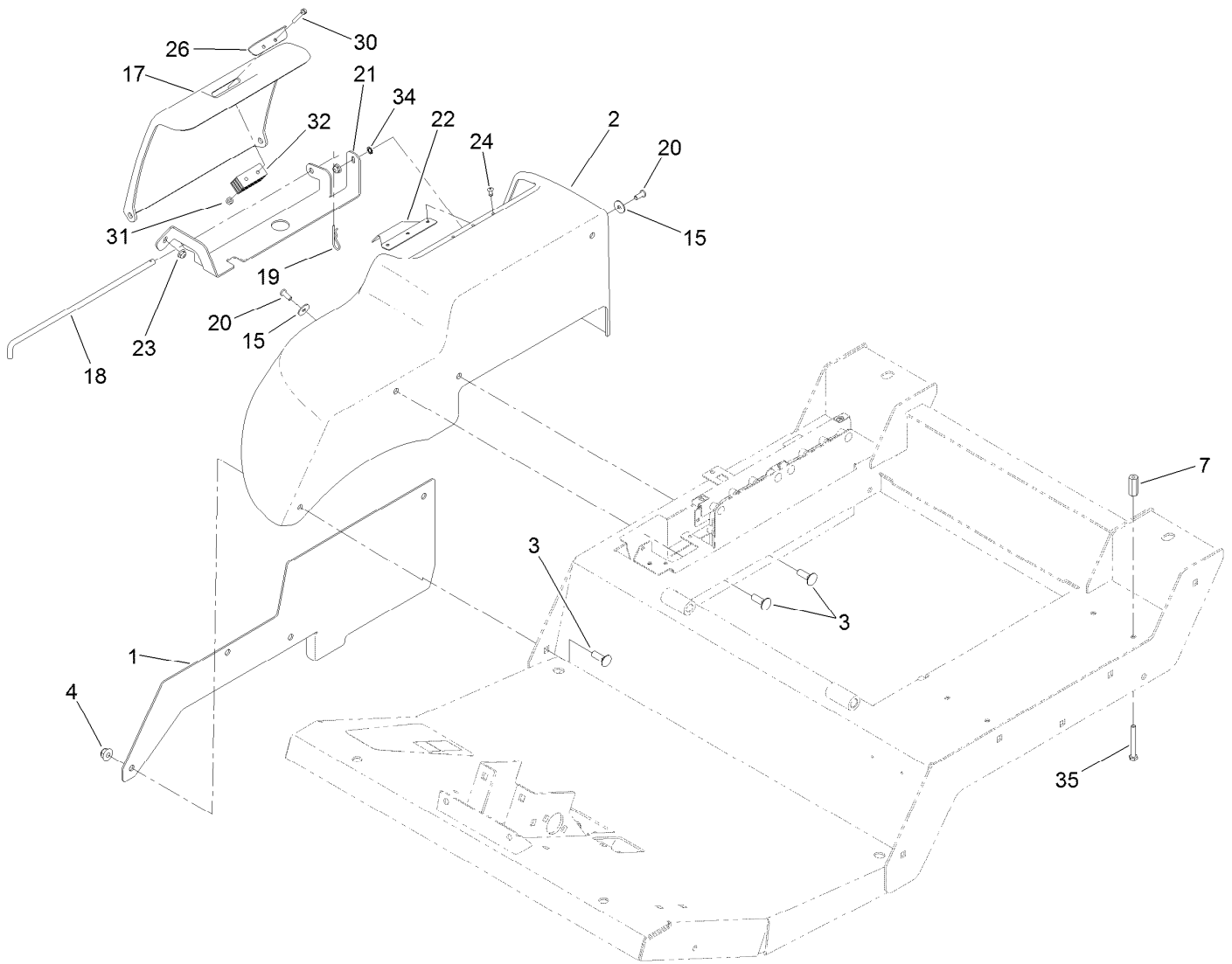
Ref.	Part Number	Qty.	Description
46	3253-21	2	Washer-Lock
47	323-6	2	Screw-HH
48	93-5429	1	Collar-Foam



Steering Column Assembly No. 132-6230

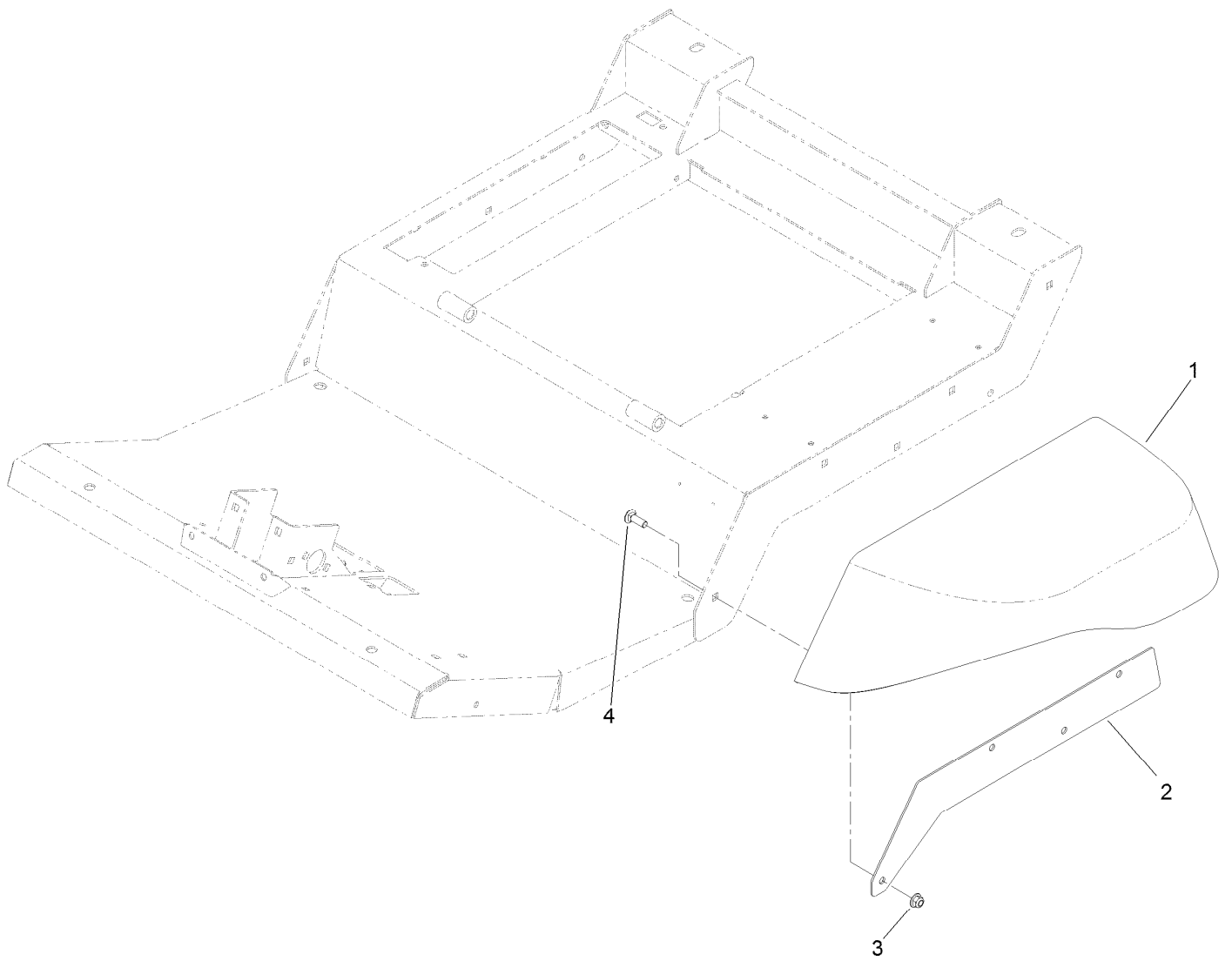
Ref.	Part Number	Qty.	Description
1	110-6462	1	Bellows-Rubber
2	110-6463	1	Cylinder Service Kit
2:1		1	Cylinder-Gas ●
2:2		1	Block-Pedal ●
2:3		2	Bolt ●
2:4		1	Pin ●
2:5		2	Washer-Lock ●
3	136-4385	1	Pedal Service Kit
3:1		1	Pedal ●
3:2		1	Pin ●
3:3		1	Spring ●
4	120-6256	1	Universal Joint Kit

● Not serviced separately



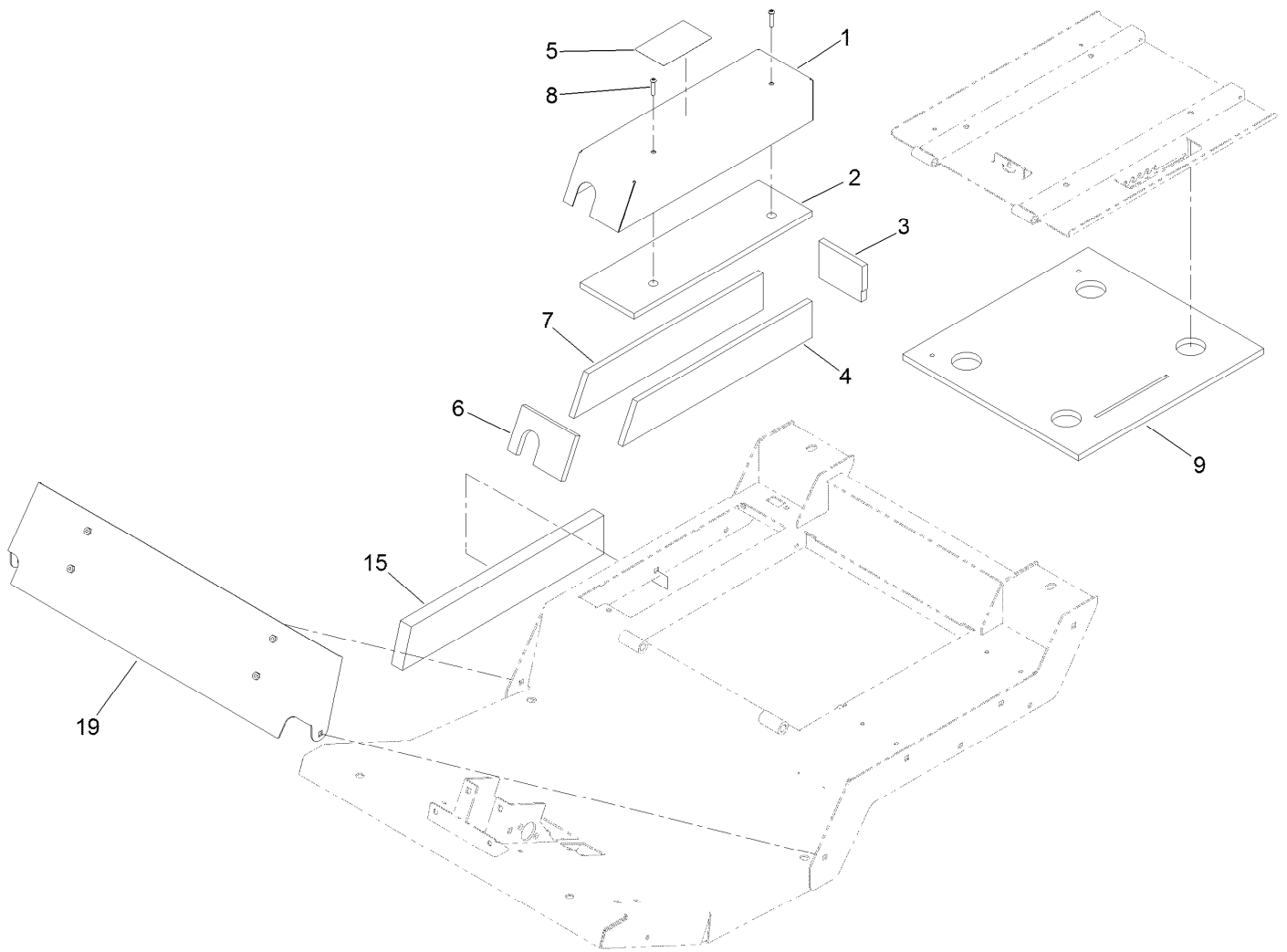
RH Fender Assembly

<i>Ref.</i>	<i>Part Number</i>	<i>Qty.</i>	<i>Description</i>	<i>Ref.</i>	<i>Part Number</i>	<i>Qty.</i>	<i>Description</i>
1	121-1579-03	1	Plate-Fender, RH	21	121-1586-03	1	Mount-Cover
2	120-4113	1	Fender-RH	22	127-3706	1	Plate-Cover
3	3231-25	4	Bolt-CARR	23	104-7201	2	Nut-HF, NI
4	104-8301	4	Nut-HF, NI	24	3269-23	3	Rivet-Pop
7	136-4358	4	Nut-Coupling	26	127-3705	1	Plate-Cover
15	87-6630	2	Washer-Plain	30	32105-1	2	Screw-SHH
17	120-4115	1	Cover-Battery	31	3296-2	2	Nut-Lock, NI
18	121-1588	1	Rod-Hinge	32	69-6260	1	Magnet
19	3290-467	1	Pin-Hair	34	3255-7	1	Washer-Lock/EXT
20	3274-31	2	Screw-HSBH	35	100-5858	4	Screw-HH



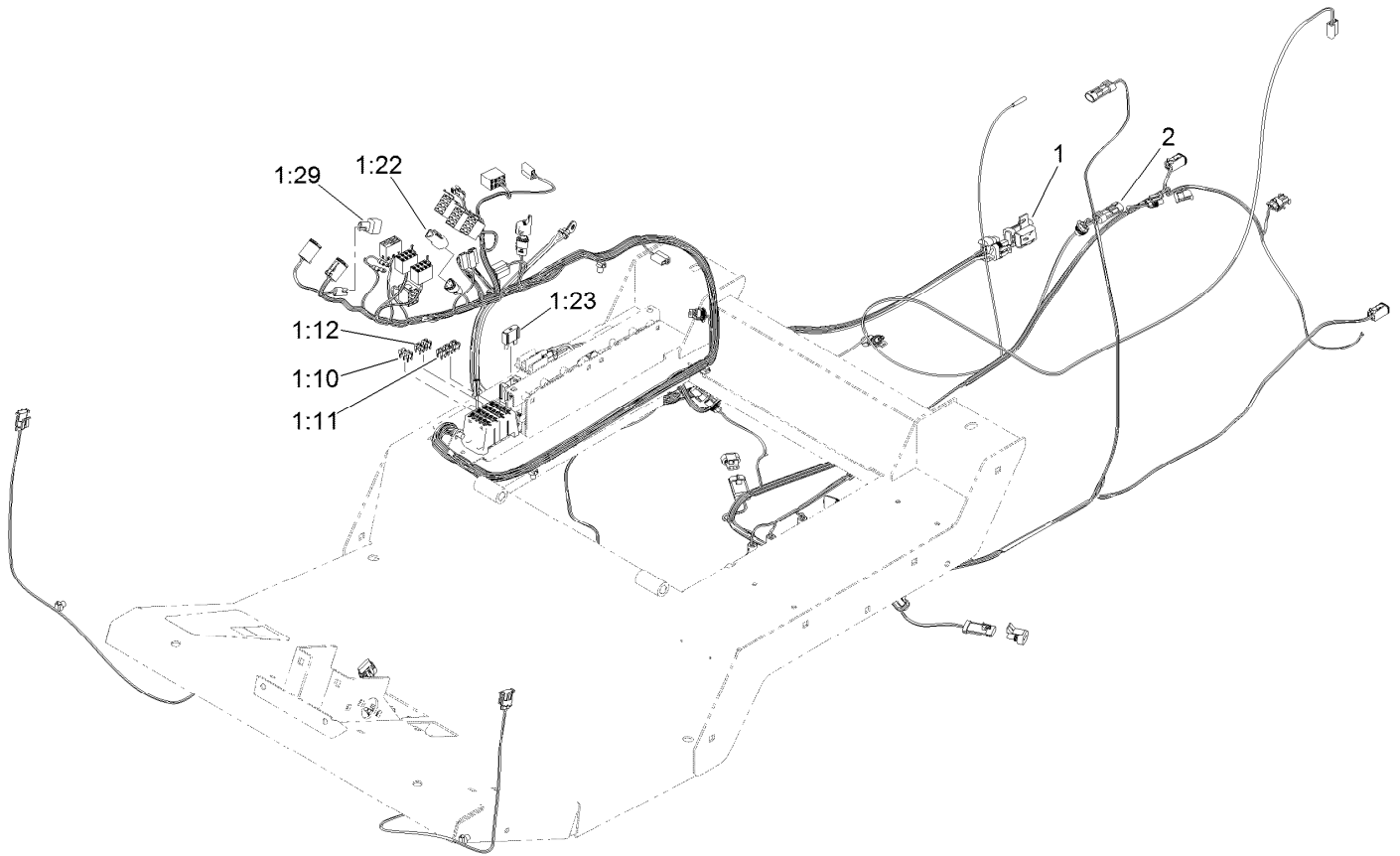
Fender Assembly

<i>Ref.</i>	<i>Part Number</i>	<i>Qty.</i>	<i>Description</i>
1	120-4114	1	Fender-LH
2	121-1580-03	1	Plate-Fender, LH
3	104-8301	4	Nut-HF, NI
4	3231-25	4	Bolt-CARR



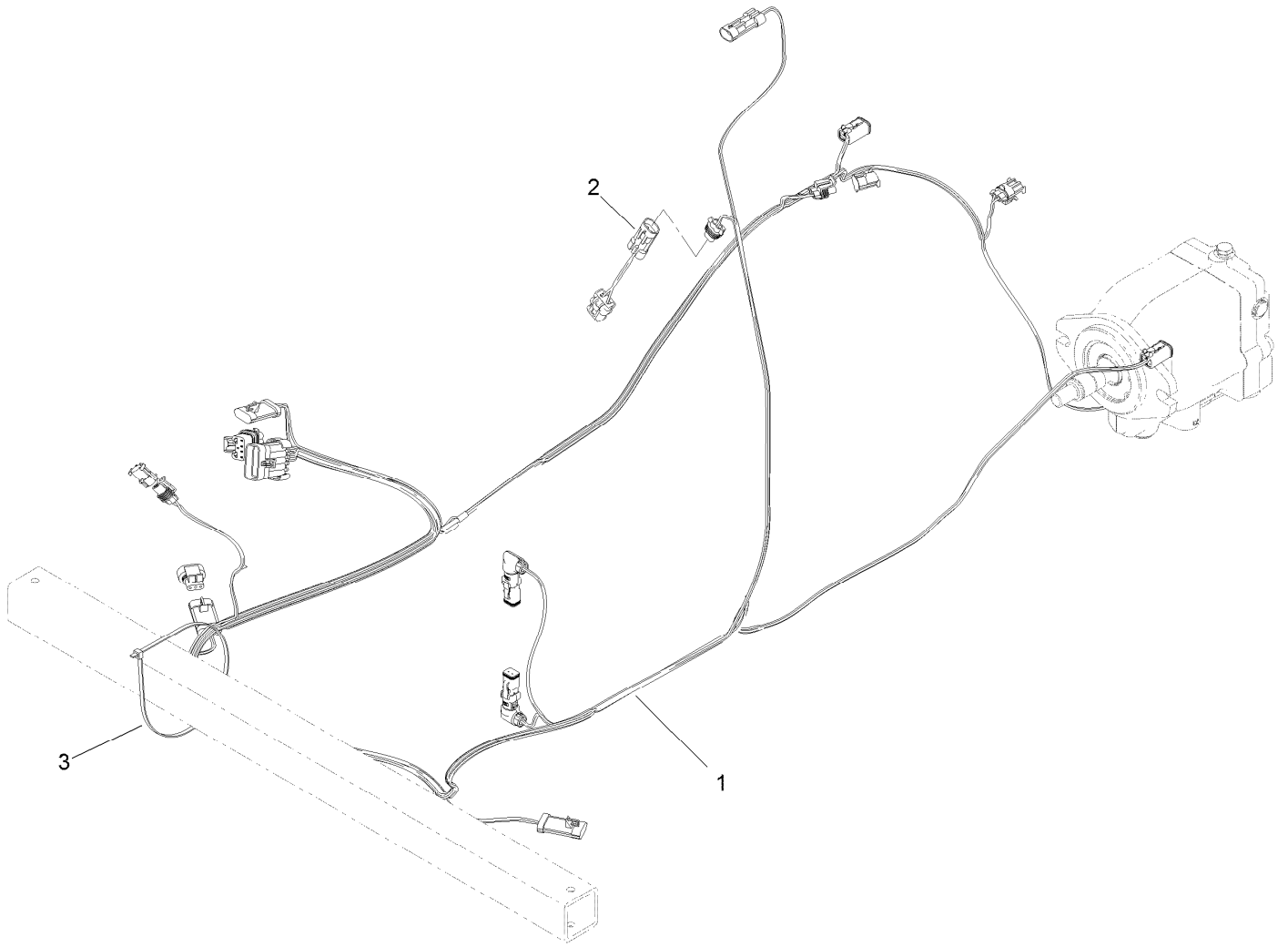
Acoustic Foam, Panel and Cover Assembly

<i>Ref.</i>	<i>Part Number</i>	<i>Qty.</i>	<i>Description</i>
1	136-4386-03	1	Cover-Controller
2	136-4378	1	Foam-Cover, Top
3	136-4375	1	Foam-Cover, Rear
4	136-4376	1	Foam-Cover, Left
5	136-4436	1	Decal-Fuses
6	136-4374	1	Foam-Cover, Front
7	136-4377	1	Foam-Cover, Right
8	120-0834	2	Screw-HSBH
9	127-3696	1	Foam-Seat
15	127-3708	1	Foam-Right
19	136-4373-01	1	Plate-Foot



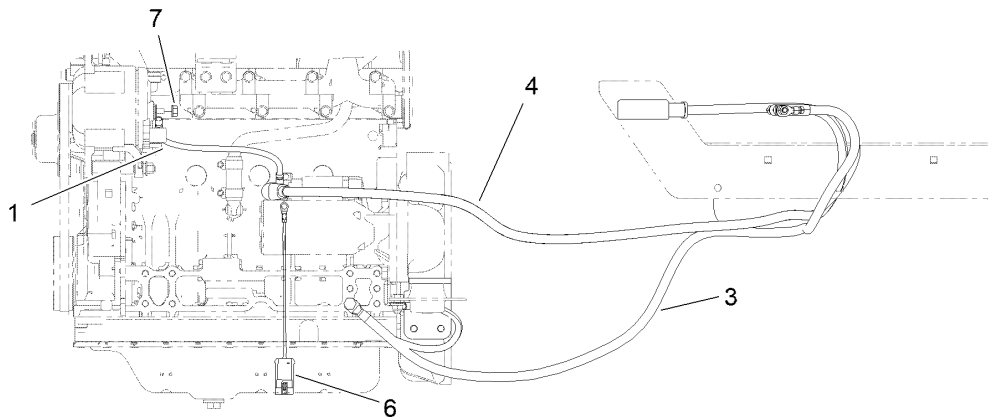
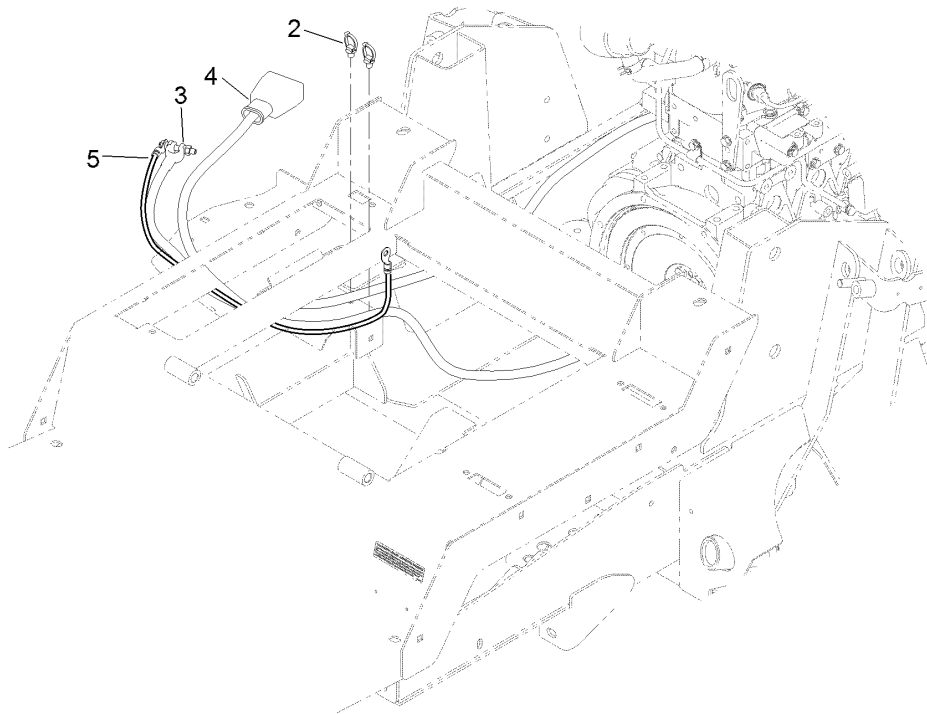
Platform Wire Harness and Fuse Assembly

<i>Ref.</i>	<i>Part Number</i>	<i>Qty.</i>	<i>Description</i>
1	122-0973	1	Harness-Wire, Platform
1:10	121-8861	3	Fuse-Mini Blade, 2 Amp
1:11	121-8865	6	Fuse-Mini Blade, 7.5 Amp
1:12	121-8866	4	Fuse-Mini Blade, 10 Amp
1:22	32180-043	1	Resistor-120 Ohm
1:23	114-3342	1	Fuse-Maxi, 60 Amp
1:29	104-4022	1	Resistor-75 Ohm
2	122-0353	1	Harness-Wire



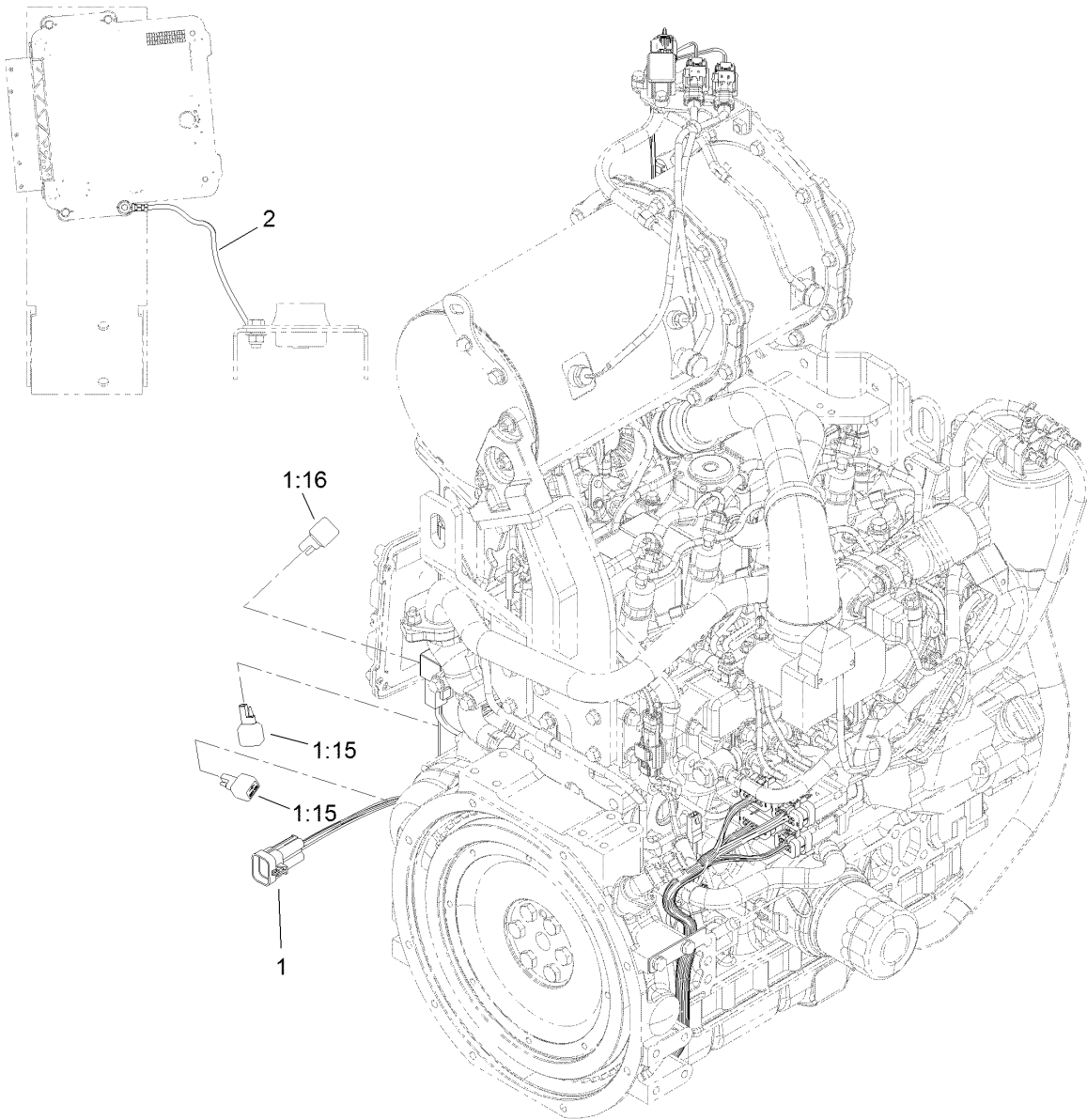
Rear Wire Harness Assembly

<i>Ref.</i>	<i>Part Number</i>	<i>Qty.</i>	<i>Description</i>
1	122-0974	1	Harness-Wire, Rear
2	115-1931	1	Harness-Wire, Fuel Pump Adapter
3	3290-379	1	Tie-Cable



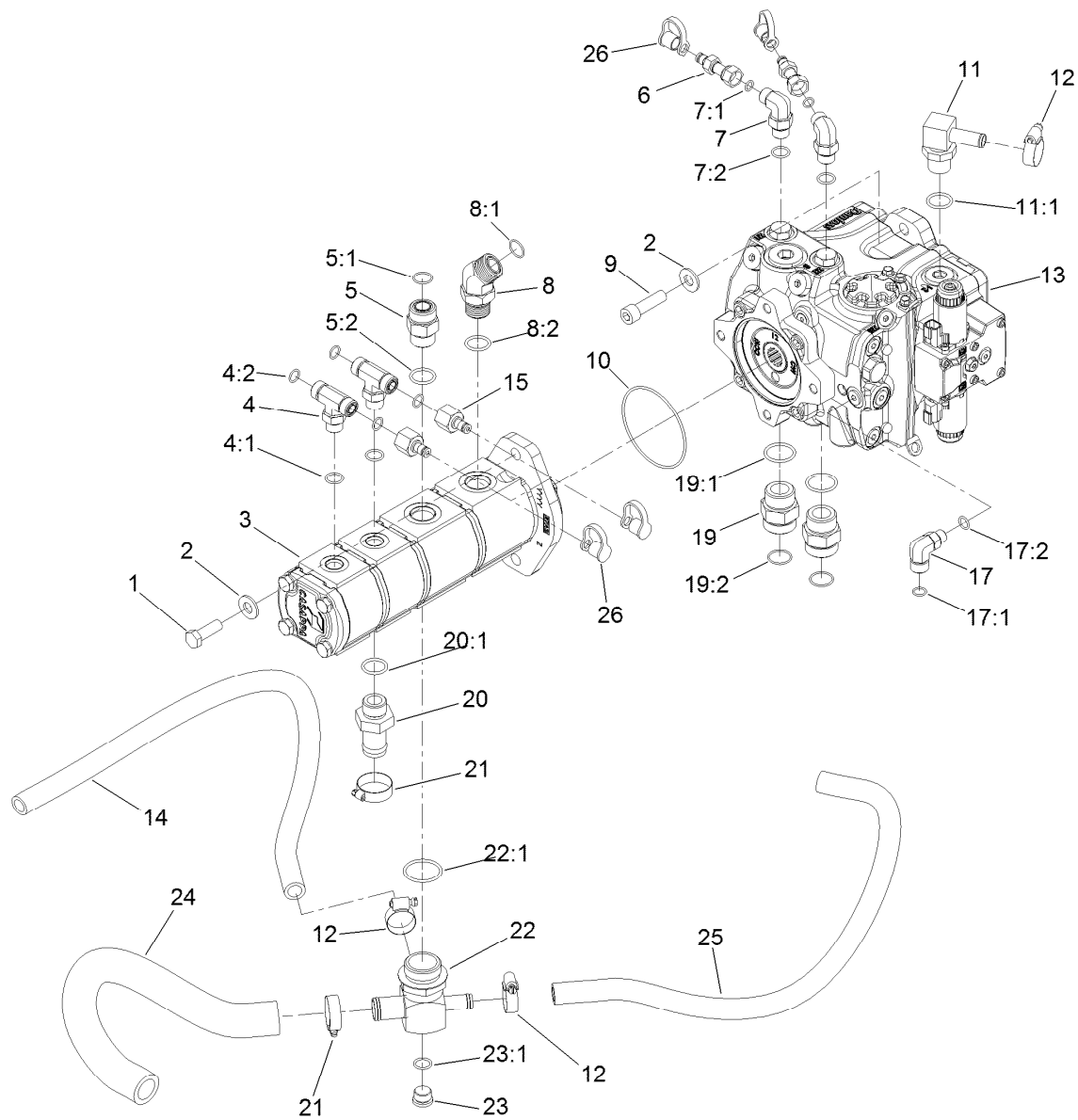
Battery Cable and Ground Assembly

Ref.	Part Number	Qty.	Description
1	122-0071	1	Cable-Battery, Positive
2	32180-030	2	Clip-Tie
3	121-8898	1	Cable-Battery, Negative
4	121-8897	1	Cable-Battery, Positive
5	54-3094	1	Cable
6	108-9470	1	Harness-Wire, Fusible Link
7	33004-00	2	Nut-HF



Engine Harness Assembly

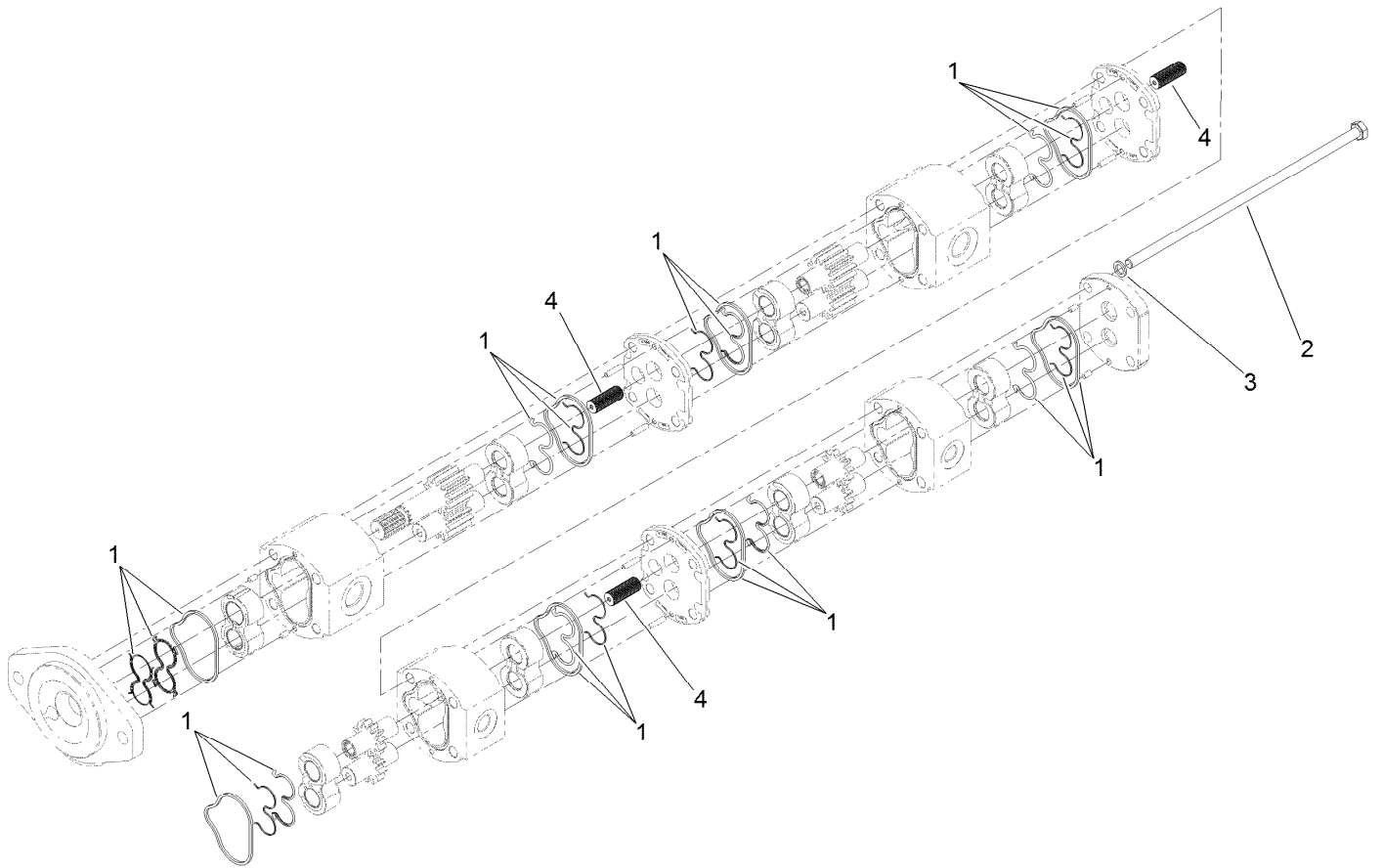
<i>Ref.</i>	<i>Part Number</i>	<i>Qty.</i>	<i>Description</i>
1	122-0229	1	Harness-Wire, Engine
1:15	100-4918	2	Diode
1:16	121-8891	1	Resistor (1.6K Ohm)
2	122-0057	1	Harness-Wire, Ground



Piston Pump and Gear Pump Assembly

Ref.	Part Number	Qty.	Description
1	121-1525	2	Screw-HH
2	87-7270	4	Washer-Thrust
3	120-8904	1	4-Section Gear Pump ASM
4	340-157	2	Fitting-HYD, Tee
4:1	237-79	1	O-Ring
4:2	237-30	2	O-Ring
5	340-9	1	Fitting-STR
5:1	237-58	1	O-Ring
5:2	237-81	1	O-Ring
6	86-5480	2	Nipple-Test
7	340-18	2	Fitting-HYD, 90 DEG
7:1	237-79	1	O-Ring
7:2	237-22	1	O-Ring
8	100-5530	1	Fitting-45 DEG
8:1	237-58	1	O-Ring
8:2	237-81	1	O-Ring
9	131-0661	2	Screw-HSH
10	107-9447	1	O-Ring
11	136-4439	1	Fitting-HYD, 90
11:1	237-81	1	O-Ring

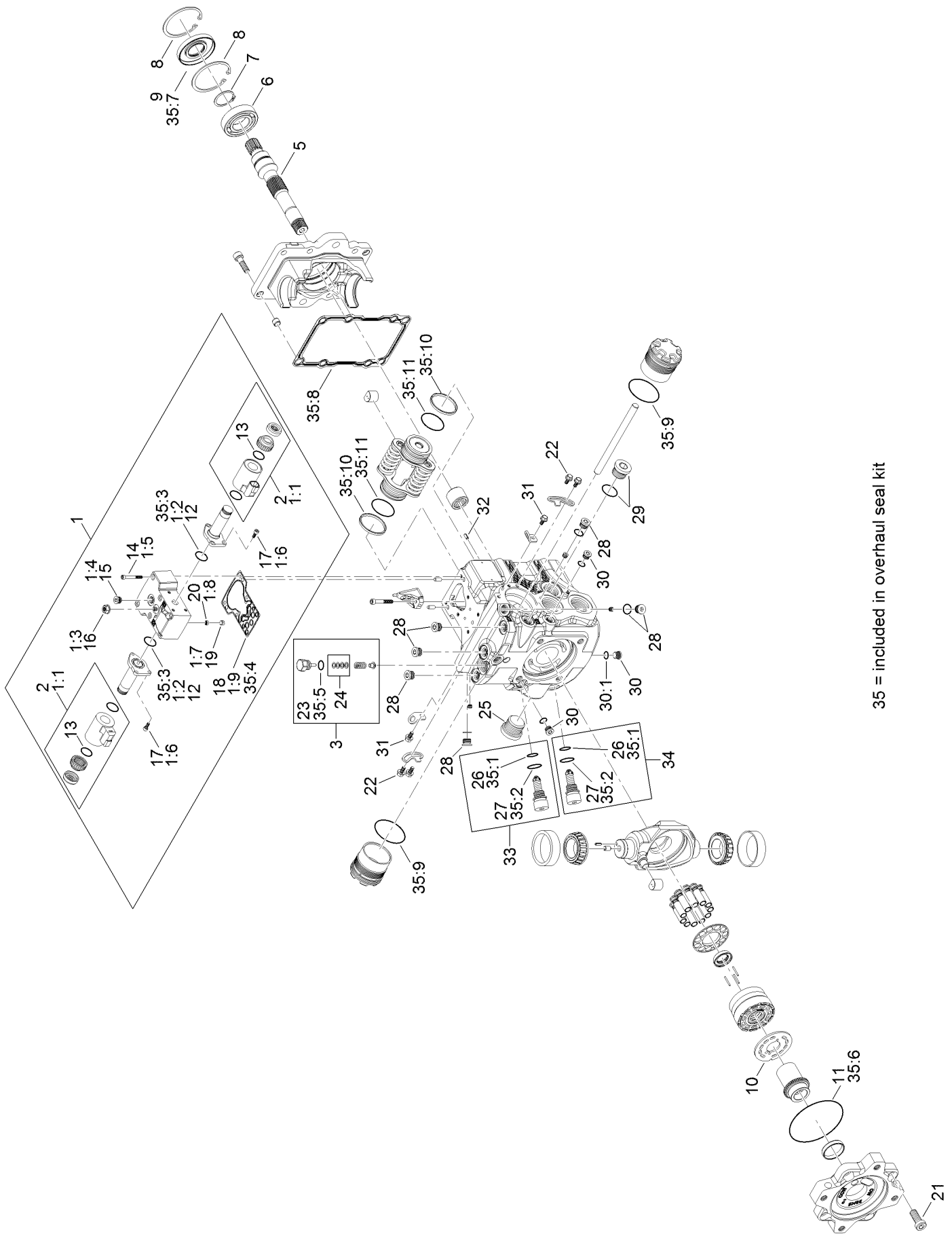
Ref.	Part Number	Qty.	Description
12	2412-129	3	Clamp-Hose
13	132-6100	1	Pump-Piston
14	121-1647	1	Hose-HYD
15	100-5616	2	Fitting
17	340-99	1	Fitting-HYD, 90 DEG
17:1	237-30	1	O-Ring
17:2	237-42	1	O-Ring
19	104-3797	2	Fitting-Straight
19:1	237-146	1	O-Ring
19:2	340-65	1	O-Ring
20	99-3017	1	Fitting
20:1	237-81	1	O-Ring
21	2412-34	2	Clamp-Hose
22	121-1682	1	Fitting-Tee
22:1	237-101	1	O-Ring
23	353-988	1	Plug-Hex
23:1	237-79	1	O-Ring
24	120-8815	1	Hose-Suction
25	120-9050	1	Hose-HYD
26	354-79	4	Cap-Dust



4-Section Gear Pump Assembly No. 120-8904

<i>Ref.</i>	<i>Part Number</i>	<i>Qty.</i>	<i>Description</i>
1	115-3776	1	Seal Kit
2	121-1721	4	Bolt
3	121-1722	4	Washer
4	120-6284	3	Hub-Connecting

Hydraulic Pump Assembly No. 132-6100

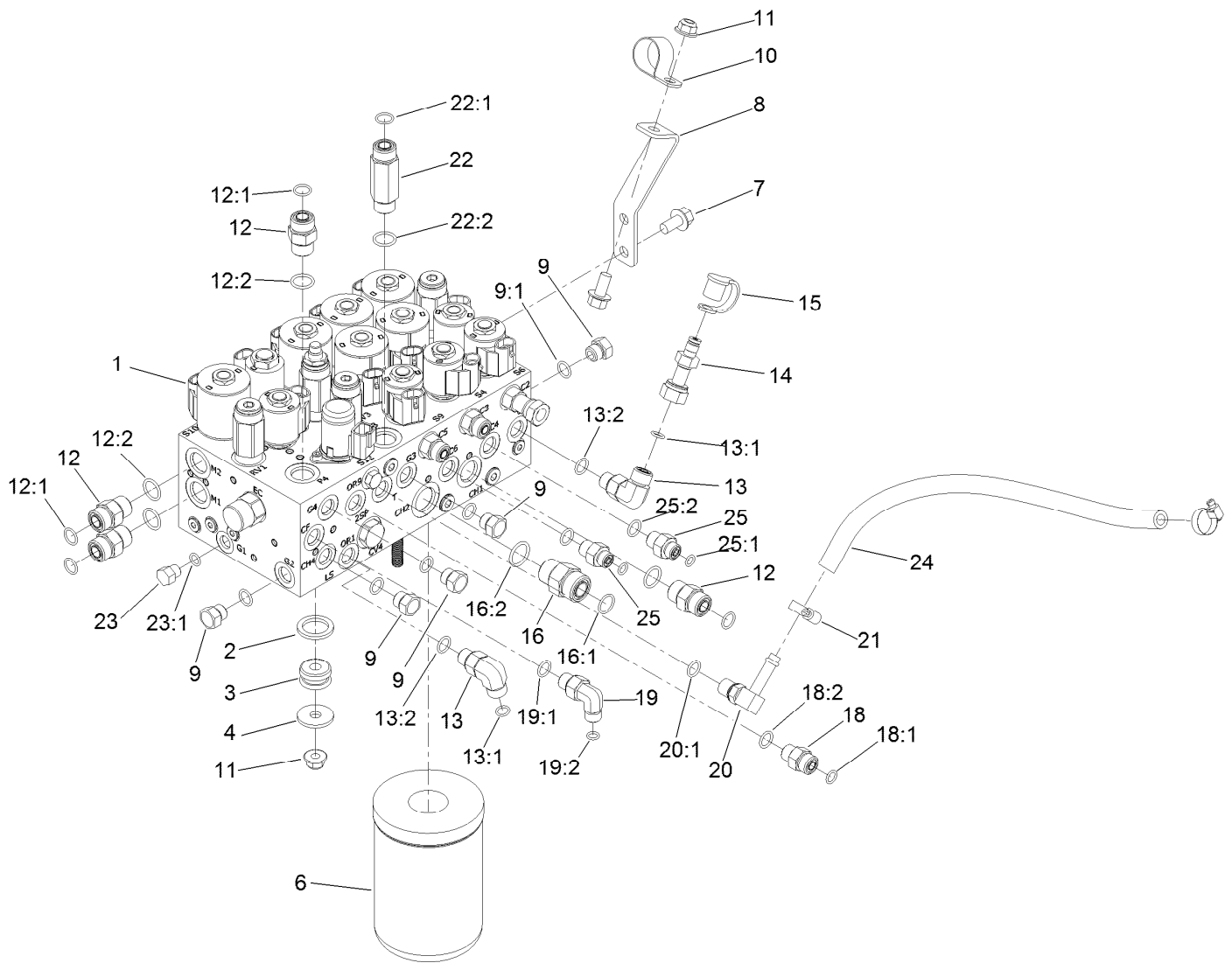


35 = included in overhaul seal kit

Hydraulic Pump Assembly No. 132-6100 (continued)

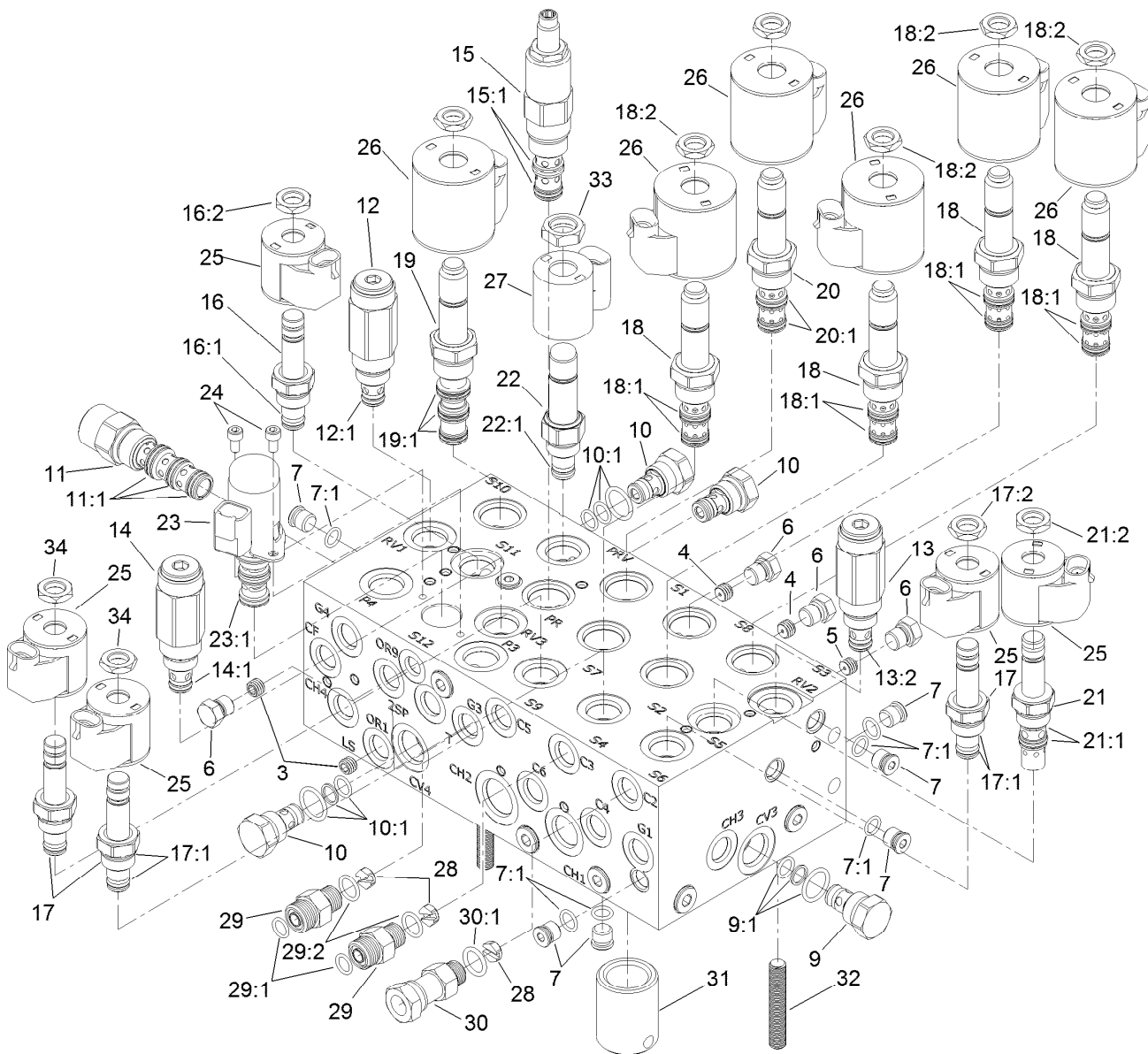
<i>Ref.</i>	<i>Part Number</i>	<i>Qty.</i>	<i>Description</i>	<i>Ref.</i>	<i>Part Number</i>	<i>Qty.</i>	<i>Description</i>
1	132-6203	1	Control Kit	21	125-5282	4	Screw
1:1	132-6204	2	Coil Kit	22	125-5270	4	Screw
1:2	125-5288	2	O-Ring	23	125-5298	1	O-Ring
1:3	125-5273	1	Nut-Seal	24	92-1353	1	Shim Kit
1:4	125-5302	1	Plug	25	125-5301	1	Plug
1:5	125-5274	6	Screw	26	75-0240	2	O-Ring
1:6	125-5272	6	Screw	27	84-0560	2	O-Ring
1:7	125-5269	1	Ring-Locking	28	69-3080	6	Plug
1:8	125-5266	1	Screen	29	69-3130	1	Plug
1:9	125-5283	1	Gasket-Control	30	75-0170	3	Plug-Thread, Straight
2	132-6204	2	Coil Kit	30:1	92-8777	1	O-Ring
3	136-4397	1	Charge Relief Kit	31	125-5270	2	Screw
5	136-4399	1	Shaft	32	110-6485	1	Pin-Slotted
6	75-0460	1	Bearing-Ball	33	136-4393	1	Valve-Relief, High Pressure
7	125-5280	1	Ring-Retaining	34	136-4392	1	Valve-Relief, High Pressure
8	131-8616	2	Ring-Retaining	35	132-6205	1	Overhaul Seal Kit
9	127-6214	1	Seal-Lip	35:1	75-0240	2	O-Ring
10	136-4398	1	Valve Plate	35:2	84-0560	2	O-Ring
11	132-6206	1	O-Ring	35:3	125-5288	2	O-Ring
12	125-5288	2	O-Ring	35:4	125-5283	1	Gasket-Control
13	131-7388	2	O-Ring	35:5	125-5298	1	O-Ring
14	125-5274	6	Screw	35:6	132-6206	1	O-Ring
15	125-5302	1	Plug	35:7	127-6214	1	Seal-Lip
16	125-5273	1	Nut-Seal	35:8		1	Gasket ●
17	125-5272	6	Screw	35:9		2	O-Ring ●
18	125-5283	1	Gasket-Control	35:10		2	Piston Ring ●
19	125-5269	1	Ring-Locking	35:11		2	O-Ring ●
20	125-5266	1	Screen				

● Not serviced separately



Combination Manifold Assembly

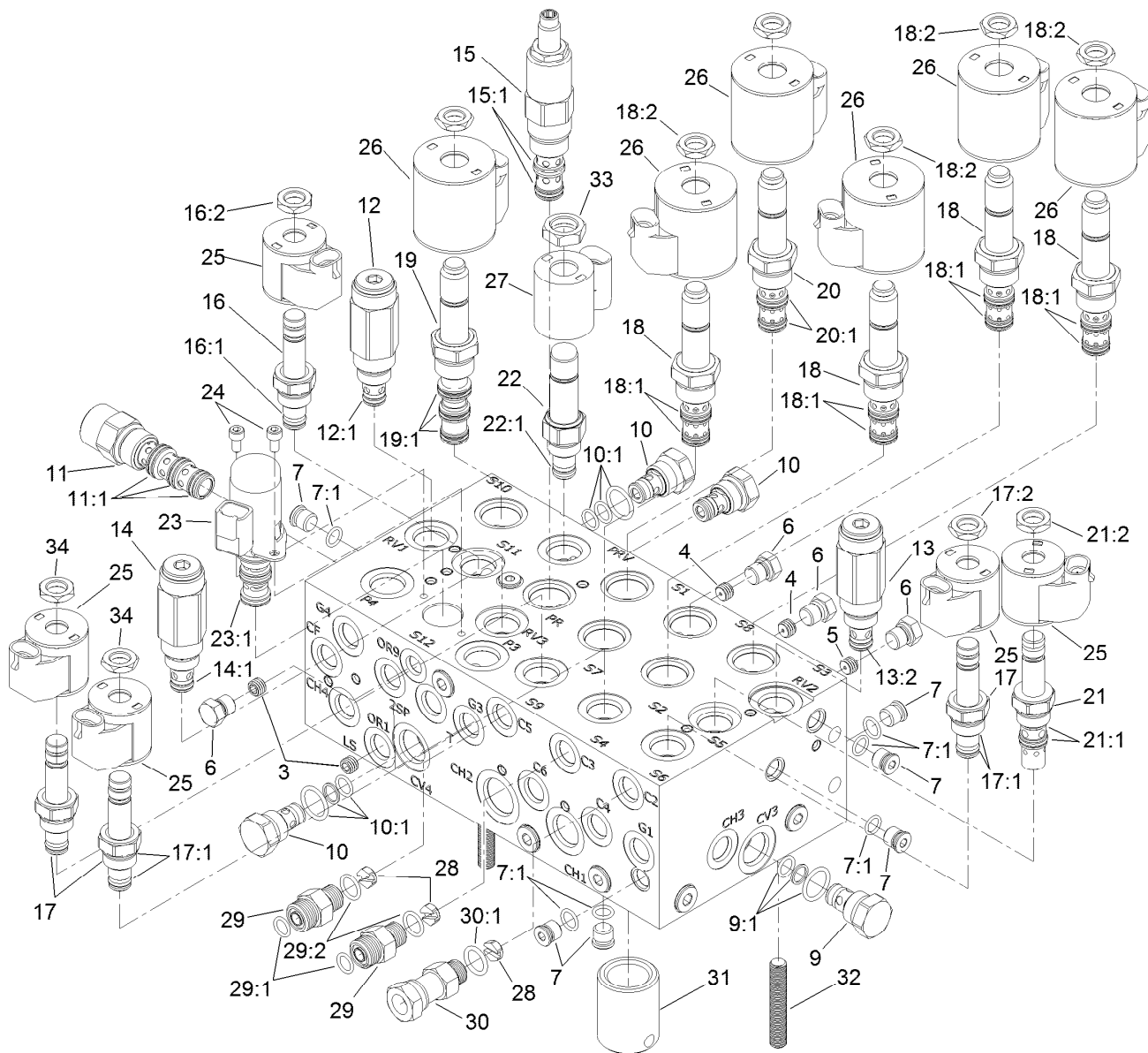
Ref.	Part Number	Qty.	Description	Ref.	Part Number	Qty.	Description
1	127-3650	1	HYD Combination Manifold ASM	16:1	237-65	1	O-Ring
2	92-2650	3	Spacer-Clutch	16:2	237-80	1	O-Ring
3	63-9750	3	Mount	18	340-2	1	Fitting-Straight
4	63-8410	3	Washer	18:1	237-22	1	O-Ring
6	75-1310	1	Filter-HYD	18:2	237-42	1	O-Ring
7	3234-1	3	Screw-HHF	19	340-82	1	Fitting-Elbow, 90 DEG
8	121-1542	1	Plate-Mount, Hose	19:1	237-42	1	O-Ring
9	353-508	5	Plug-HH	19:2	237-21	1	O-Ring
9:1	237-42	1	O-Ring	20	100-4887	1	Fitting-Elbow, 90
10	2412-126	1	R-Clamp	20:1	237-42	1	O-Ring
11	104-8301	4	Nut-HF, NI	21	2412-36	2	Clamp-Hose
12	340-4	4	Fitting-Straight	22	119-4854	1	Fitting-STR
12:1	237-30	1	O-Ring	22:1	237-30	1	O-Ring
12:2	237-79	1	O-Ring	22:2	237-79	1	O-Ring
13	340-77	2	Fitting-Elbow, 90 DEG	23	353-512	1	Plug
13:1	237-22	1	O-Ring	23:1	237-78	1	O-Ring
13:2	237-42	1	O-Ring	24	87-5730	1	Hose
14	86-5480	1	Nipple-Test	25	340-1	2	Fitting-Straight
15	354-79	1	Cap-Dust	25:1	237-21	1	O-Ring
16	340-7	1	Fitting-Straight	25:2	237-42	1	O-Ring



Combination Manifold Assembly No. 127-3650

Ref.	Part Number	Qty.	Description	Ref.	Part Number	Qty.	Description
3	136-4363	2	Orifice-0.028	15	127-3663	1	Valve-Pressure Reducing
4	112-6538	2	Orifice (.063 Inch)	15:1	105-9154	1	Seal Kit
5	110-8883	1	Plug-Orifice (0.040)	16	107-7516	1	Solenoid Valve ASM
6	117-0115	4	Plug	16:1	105-9156	1	Seal Kit
7	353-990	14	Plug ASM	16:2	110-2634	1	Nut-Coil
7:1	237-78	1	O-Ring	17	112-9206	3	Solenoid Valve ASM
9	114-2873	1	Check Valve ASM	17:1	105-9156	1	Seal Kit
9:1	105-9156	1	Seal Kit	17:2	110-2634	1	Nut-Coil
10	105-9321	3	Check Valve ASM	18	115-5400	4	Solenoid Valve ASM
10:1	105-9156	1	Seal Kit	18:1	107-7813	1	Seal Kit
11	115-5409	1	Compensator ASM	18:2	110-2634	1	Nut-Coil
11:1	110-8908	1	Spool Valve Seal Kit	19	115-3023	1	Solenoid Valve ASM
12	125-7560	1	Relief Valve ASM	19:1	110-8908	1	Spool Valve Seal Kit
12:1	105-9156	1	Seal Kit	20	125-7556	1	Solenoid Valve ASM
13	105-9844	1	Valve-Relief	20:1	107-7813	1	Seal Kit
13:2	105-9156	1	Seal Kit	21	115-5405	1	Solenoid Valve ASM
14	125-7558	1	Relief Valve ASM	21:1	115-5413	1	Seal Kit
14:1	105-9156	1	Seal Kit	21:2	110-2634	1	Nut-Coil

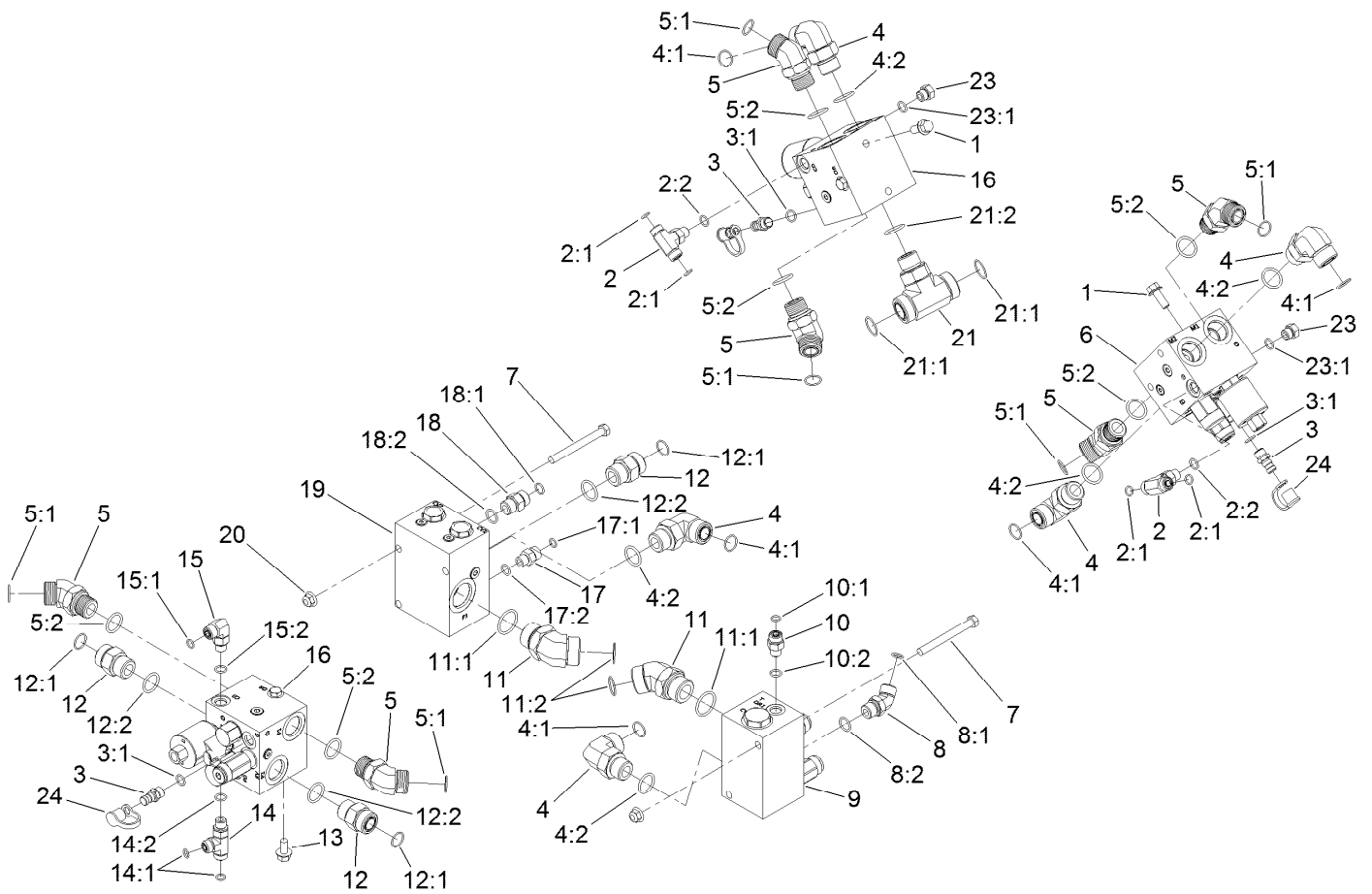
● Not illustrated



Combination Manifold Assembly No. 127-3650 (continued)

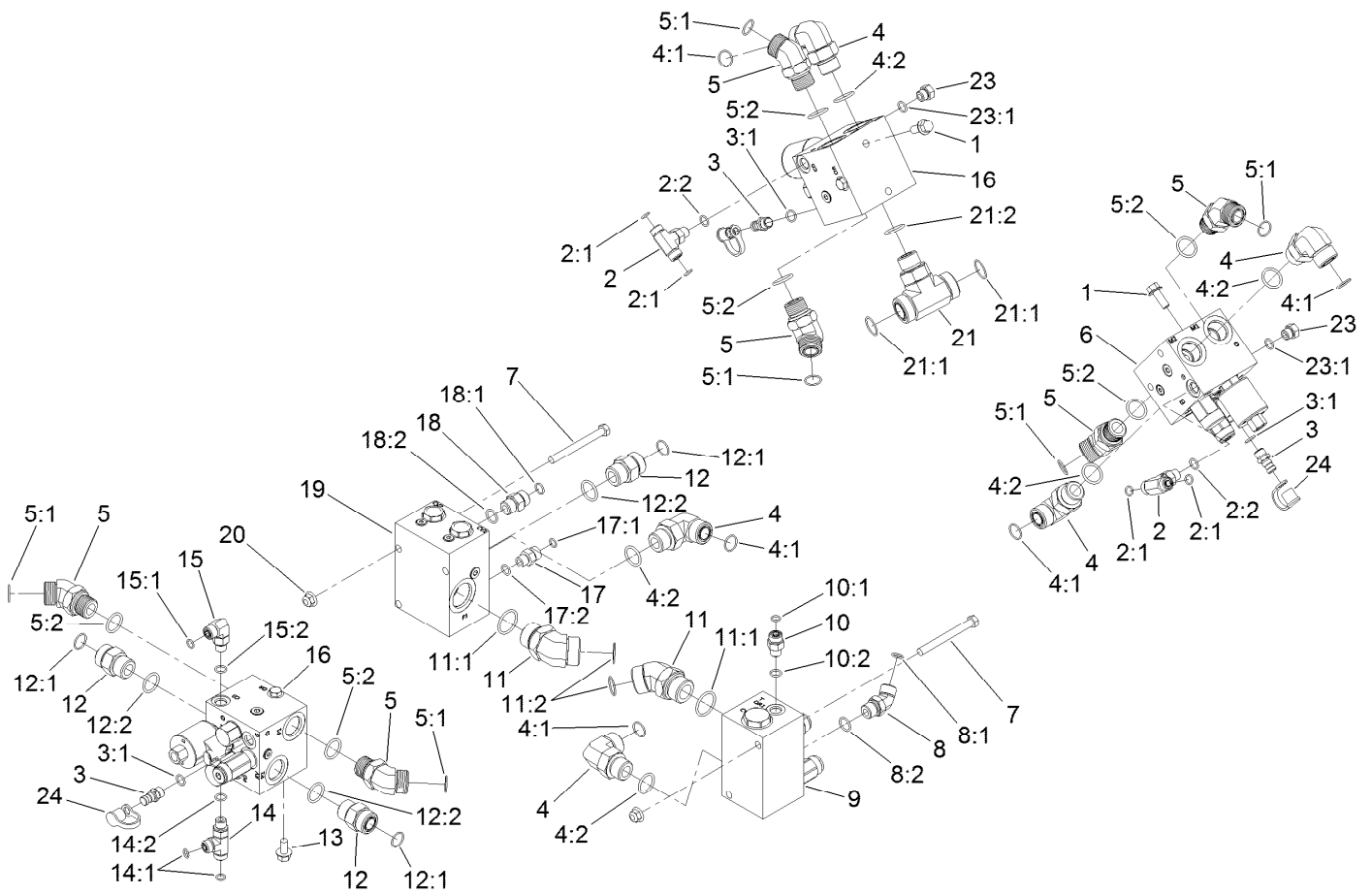
Ref.	Part Number	Qty.	Description	Ref.	Part Number	Qty.	Description
22	125-7555	1	Proportional Relief Valve ASM	29	340-2	2	Fitting-Straight
22:1	110-6316	1	Seal Kit	29:1	237-22	1	O-Ring
23	125-7554	1	Valve-Solenoid	29:2	237-42	1	O-Ring
23:1	125-7561	1	Seal Kit ●	30	104-3779	1	Connector-Swivel, Straight
24	115-8733	2	Screw-HSH	30:1	237-42	1	O-Ring
25	110-0497	5	Coil-Solenoid	31	125-7551	1	Nipple-Filter
26	110-6344	6	Coil-12V, DC	32	130-2661	3	Stud-Manifold
27	125-7553	1	E-Coil, 12Vdc	33	125-7550	1	Nut-Coil
28	125-7552	3	Orifice-Check, .070 DIA	34	110-2634	11	Nut-Coil

● Not illustrated



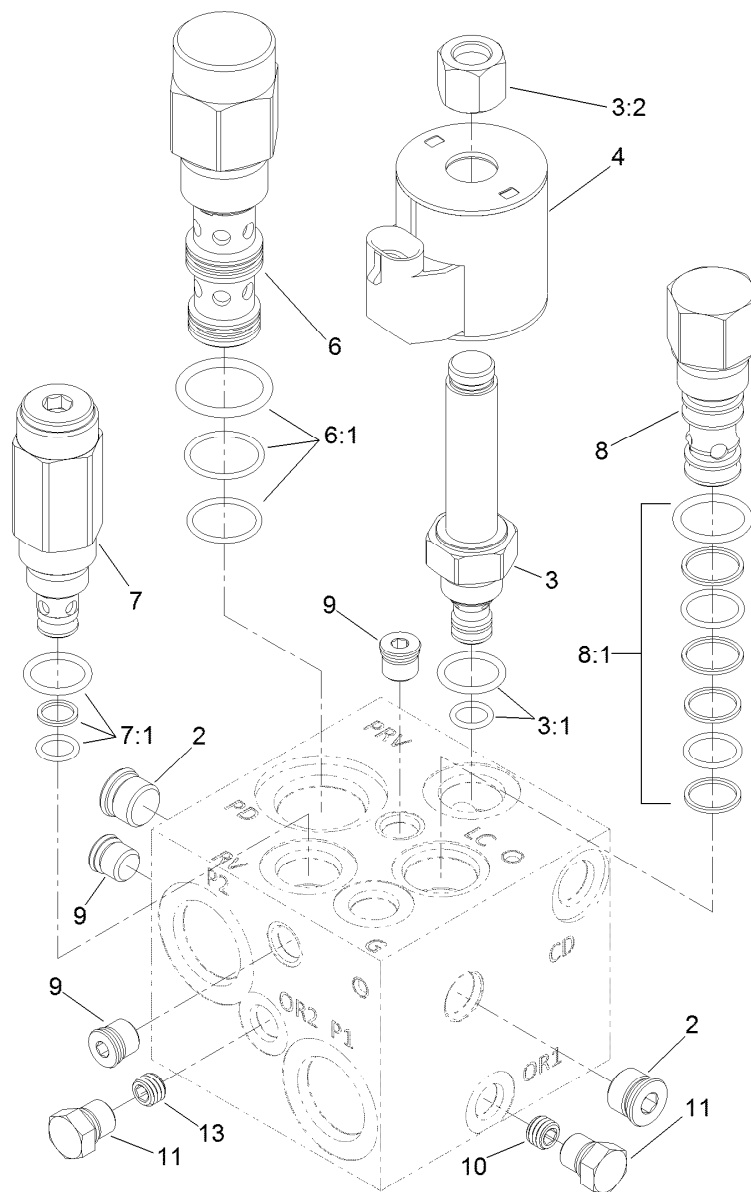
Manifold Block Assembly

Ref.	Part Number	Qty.	Description	Ref.	Part Number	Qty.	Description
1	3234-11	4	Screw-HHF	11	104-3509	2	Fitting-HYD, 45 DEG
2	340-94	2	Adapter	11:1	237-146	1	O-Ring
2:1	237-22	2	O-Ring	11:2	340-65	1	O-Ring
2:2	237-42	1	O-Ring	12	340-9	3	Fitting-STR
3	59-7410	3	Fitting-Diagnostic	12:1	237-58	1	O-Ring
3:1	237-42	1	O-Ring	12:2	237-81	1	O-Ring
4	340-142	5	Fitting-Elbow, 90 DEG	13	3234-1	2	Screw-HHF
4:1	237-58	1	O-Ring	14	340-86	1	Fitting-Tee
4:2	237-81	1	O-Ring	14:1	237-22	2	O-Ring
5	100-5530	6	Fitting-45 DEG	14:2	237-42	1	O-Ring
5:1	237-58	1	O-Ring	15	340-77	1	Fitting-Elbow, 90 DEG
5:2	237-81	1	O-Ring	15:1	237-22	1	O-Ring
6	131-1249	1	Manifold-PTO, Left	15:2	237-42	1	O-Ring
7	323-42	4	Screw-HH	16	131-1248	2	Center And Right PTO Manifold ASM
8	340-101	1	Fitting-HYD, 45 DEG	17	92-9258	1	Adapter-Check
8:1	237-30	1	O-Ring	17:1	237-22	1	O-Ring
8:2	237-79	1	O-Ring	17:2	237-42	1	O-Ring
9	121-1530	1	Manifold-Traction, Rear	18	100-4890	1	Fitting-Check
10	340-2	1	Fitting-Straight	18:1	237-79	1	O-Ring
10:1	237-22	1	O-Ring	18:2	237-30	1	O-Ring
10:2	237-42	1	O-Ring				



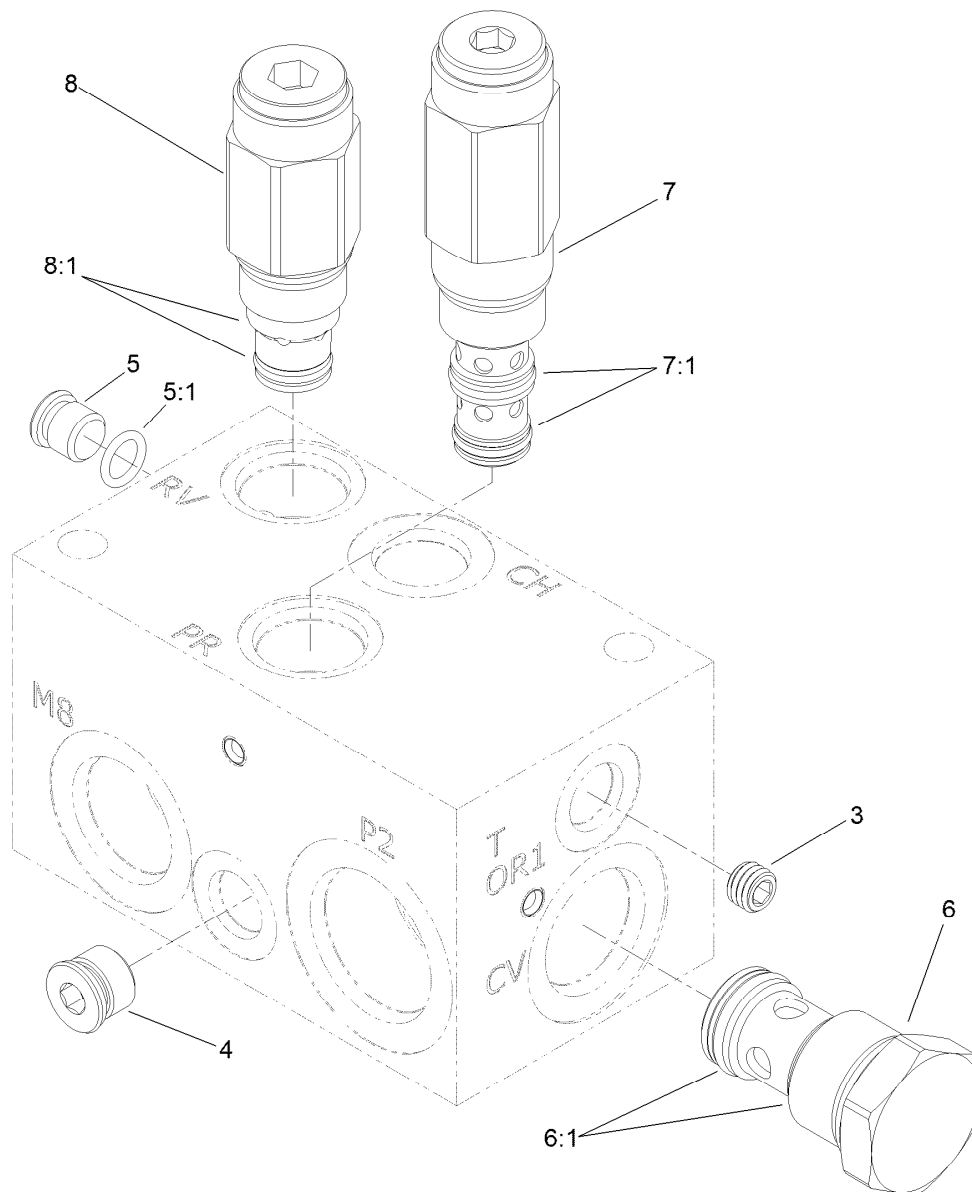
Manifold Block Assembly (continued)

<i>Ref.</i>	<i>Part Number</i>	<i>Qty.</i>	<i>Description</i>	<i>Ref.</i>	<i>Part Number</i>	<i>Qty.</i>	<i>Description</i>
19	121-1550	1	Flow Divider Manifold ASM	21:2	237-81	1	O-Ring
20	104-8301	4	Nut-HF, NI	23	353-508	2	Plug-HH
21	120-8825	1	Fitting-Tee	23:1	237-42	1	O-Ring
21:1	340-65	2	O-Ring	24	354-79	3	Cap-Dust



Left PTO Manifold Assembly No. 131-1249

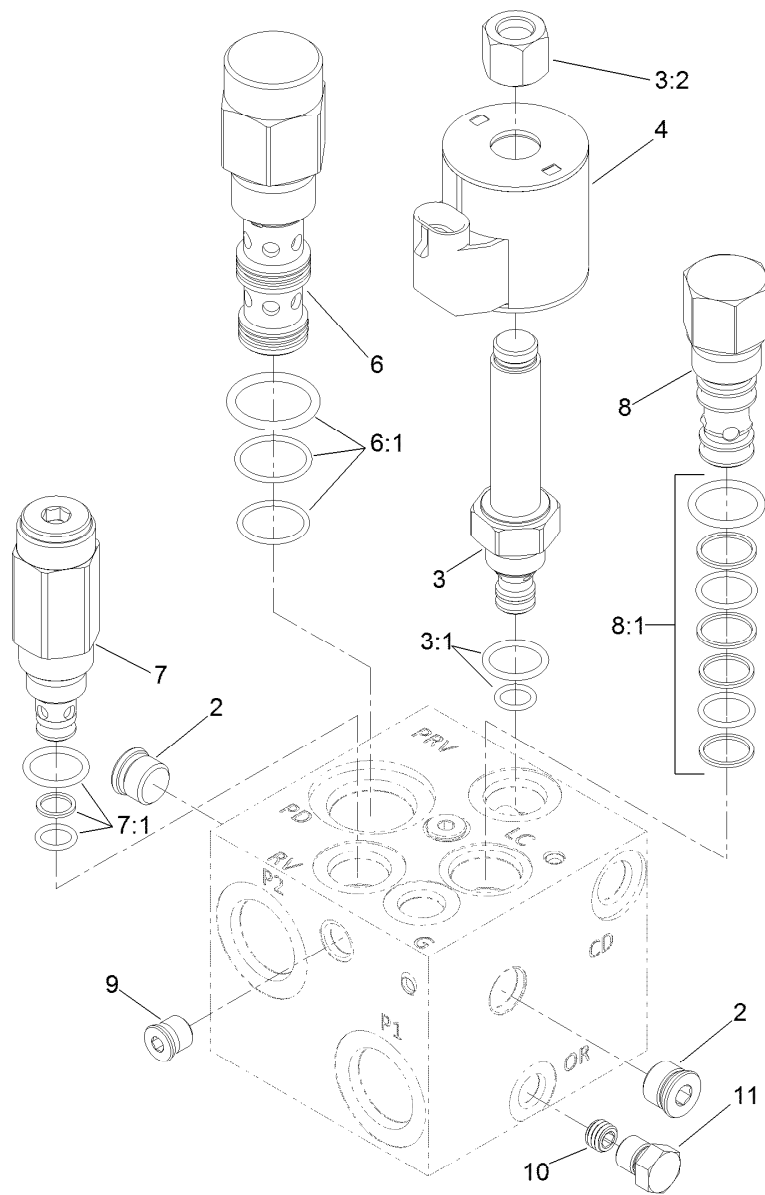
Ref.	Part Number	Qty.	Description
2	112-9213	2	Plug
3	117-0227	1	Valve-Relief, Proportional
3:1	105-9156	1	Seal Kit
3:2	130-8180	1	Nut-Coil (9/16-24 Unef-2B)
4	110-6344	1	Coil-12V, DC
6	125-4327	1	Valve-Directional, Pilot
6:1	114-5515	1	Seal Kit
7	114-5512	1	Valve-Relief, 600 PSI
7:1	105-9156	1	Seal Kit
8	105-9153	1	Element-Logic, Vented
8:1	119-2159	1	Seal Kit
9	112-9212	3	Plug
10	117-8315	1	Orifice (.025 Inch)
11	117-0115	2	Plug
13	112-6538	1	Orifice (.063 Inch)



Rear Traction Manifold Assembly No. 121-1530

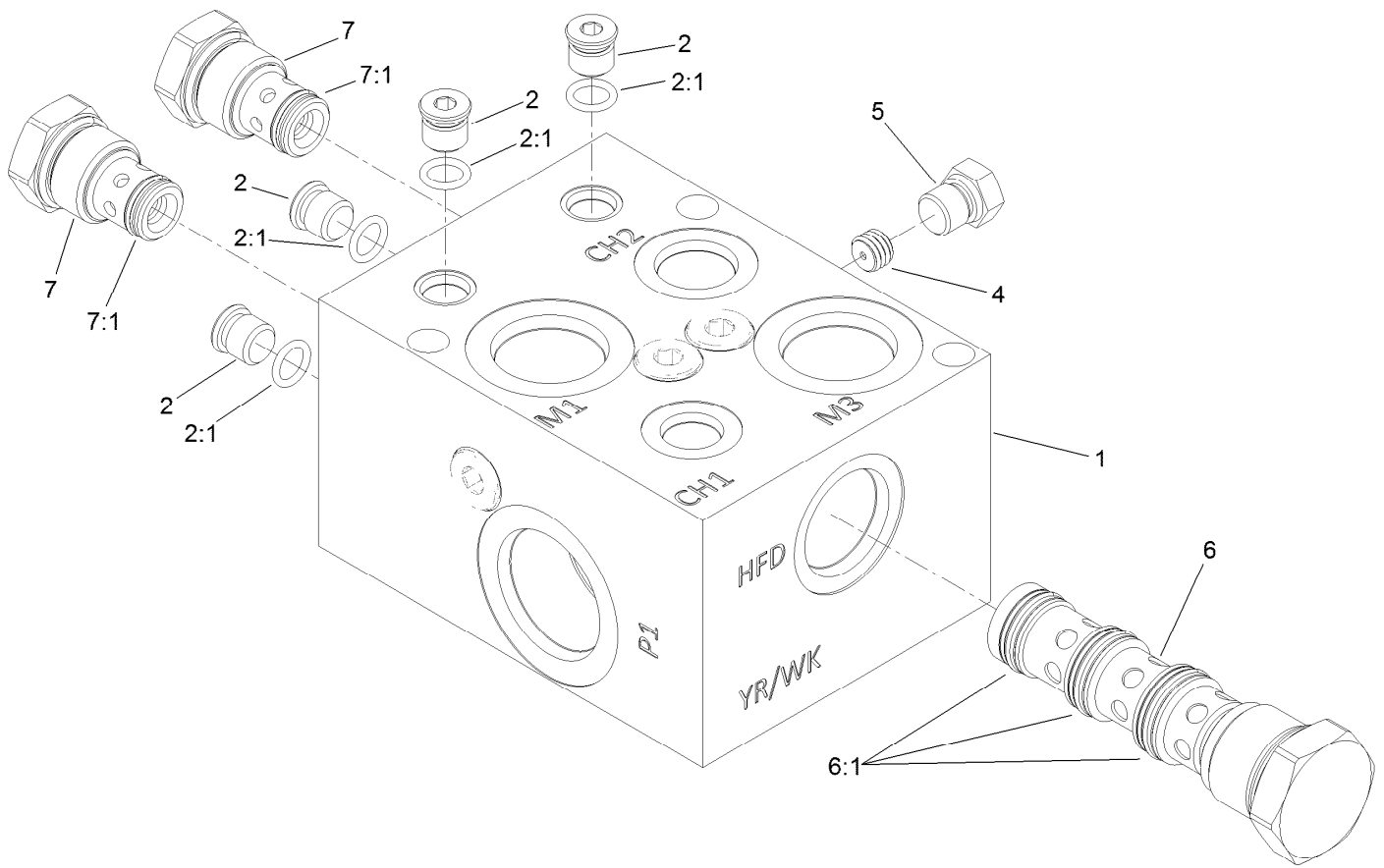
<i>Ref.</i>	<i>Part Number</i>	<i>Qty.</i>	<i>Description</i>
3	110-0495	1	Plug-Orifice (0.050 Inch)
4		1	Plug ●
5	353-990	1	Plug ASM
5:1	237-78	1	O-Ring
6	125-4328	1	Valve-Check
6:1	125-4336	1	Seal Kit
7	136-4362	1	Valve-Reducing
7:1	136-4361	1	Seal Kit
8	125-4331	1	Valve-Relief
8:1	110-6316	1	Seal Kit

● Not serviced separately



Center and Right PTO Manifold Assembly No. 131-1248

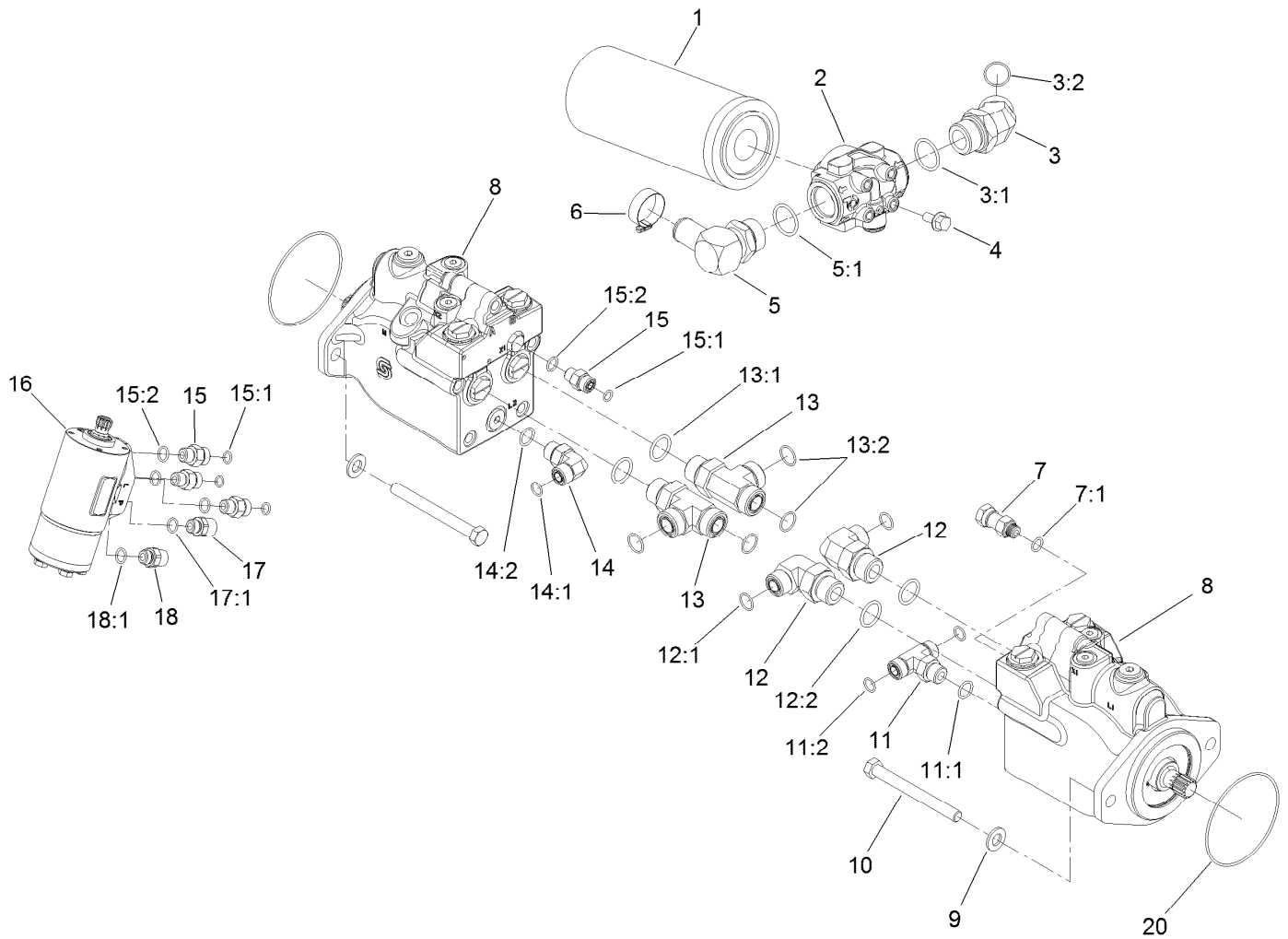
Ref.	Part Number	Qty.	Description
2	112-9213	2	Plug
3	117-0227	1	Valve-Relief, Proportional
3:1	105-9156	1	Seal Kit
3:2	130-8180	1	Nut-Coil (9/16-24 Unef-2B)
4	110-6344	1	Coil-12V, DC
6	125-4327	1	Valve-Directional, Pilot
6:1	114-5515	1	Seal Kit
7	114-5512	1	Valve-Relief, 600 PSI
7:1	105-9156	1	Seal Kit
8	105-9153	1	Element-Logic, Vented
8:1	119-2159	1	Seal Kit
9	112-9212	3	Plug
10	117-8315	1	Orifice (.025 Inch)
11	117-0115	1	Plug



Flow Divider Manifold Assembly No. 121-1550

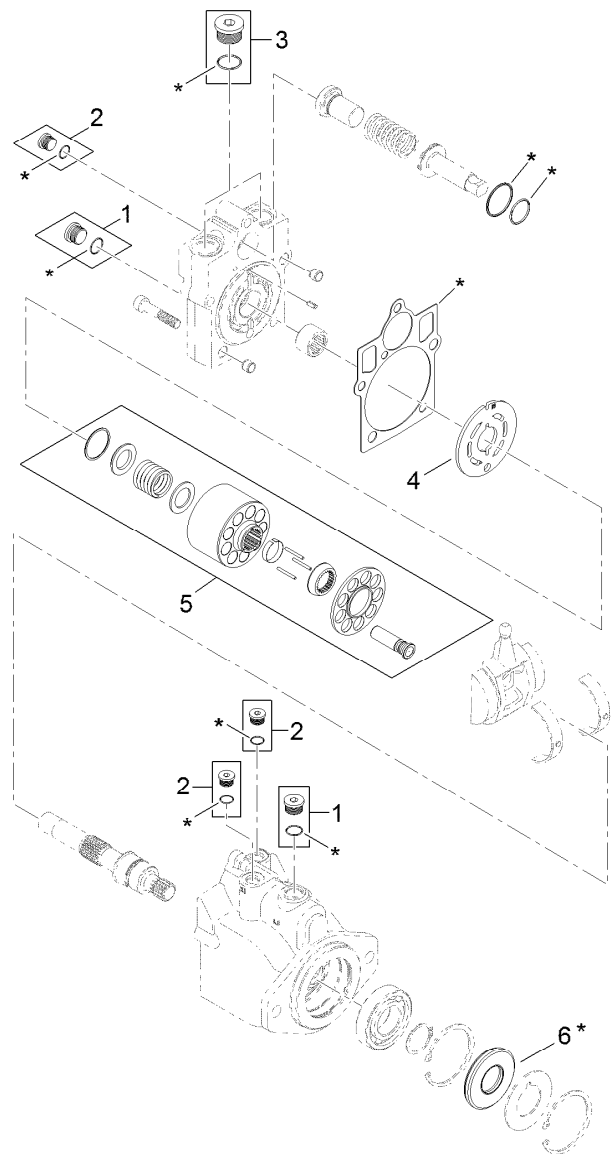
Ref.	Part Number	Qty.	Description
1		1	Manifold Block ●
2	353-990	4	Plug ASM
2:1	237-78	1	O-Ring
4	112-6538	1	Orifice (.063 Inch)
5	117-0115	1	Plug
6	125-4332	1	Valve-Flow Divider
6:1	125-4338	1	Seal Kit
7	125-4333	2	Valve-Check
7:1	125-4337	1	Seal Kit

● Not serviced separately



Drive Motor, Steer Valve and Filter Head Assembly

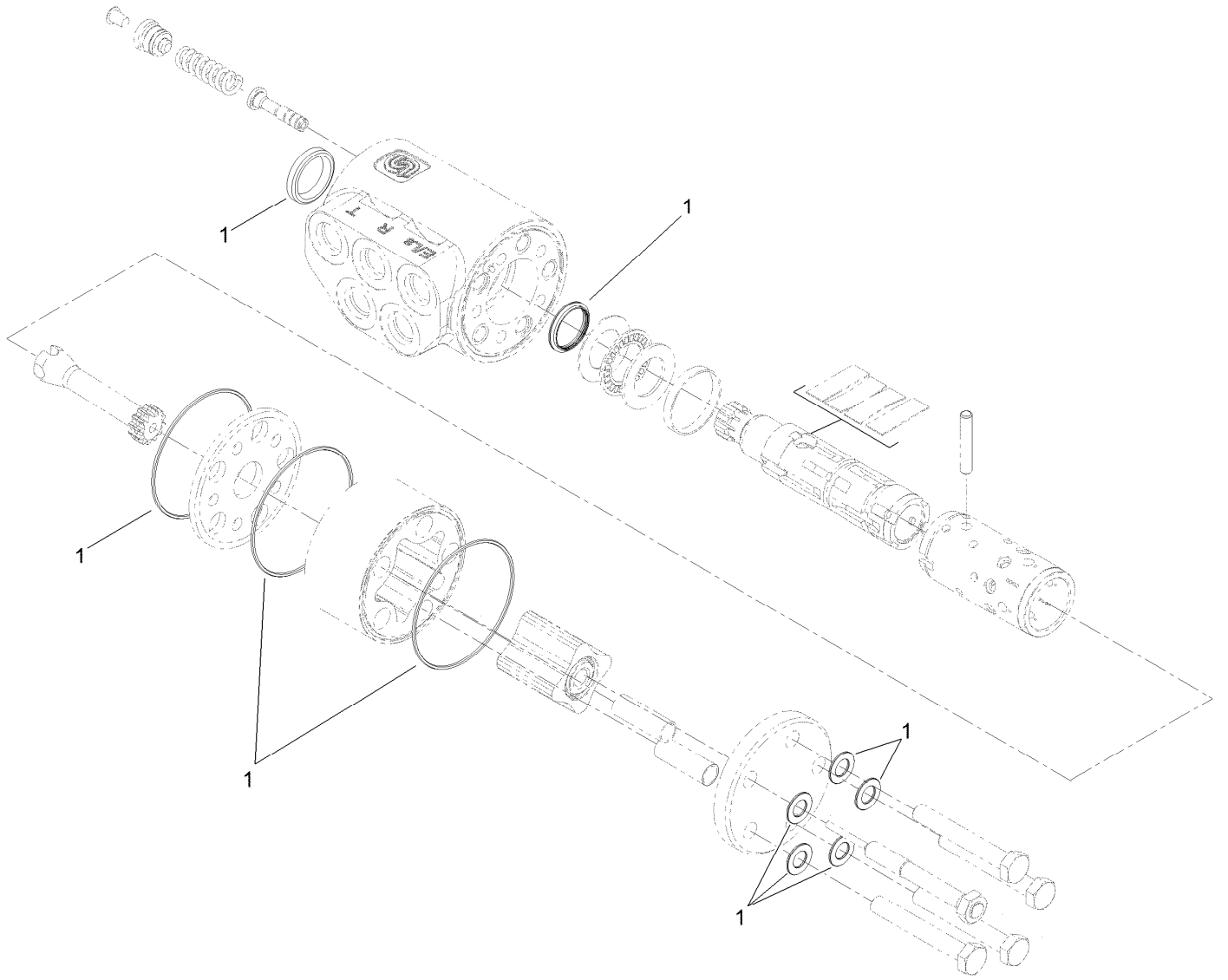
Ref.	Part Number	Qty.	Description	Ref.	Part Number	Qty.	Description
1	94-2621	1	Element-Filter	12:1	237-81	1	O-Ring
2	121-1577	1	Head-Filter	12:2	237-65	1	O-Ring
3	104-3509	1	Fitting-HYD, 45 DEG	13	340-148	2	Fitting-Tee
3:1	237-146	1	O-Ring	13:1	237-81	1	O-Ring
3:2	340-65	1	O-Ring	13:2	237-58	2	O-Ring
4	3234-1	4	Screw-HHF	14	340-98	1	Fitting-Elbow, 90 DEG
5	23-8910	1	Stem-Barb-90	14:1	237-79	1	O-Ring
5:1	237-146	1	O-Ring	14:2	237-30	1	O-Ring
6	2412-34	1	Clamp-Hose	15	340-2	4	Fitting-Straight
7	104-3779	1	Connector-Swivel, Straight	15:1	237-22	1	O-Ring
7:1	237-42	1	O-Ring	15:2	237-42	1	O-Ring
8	120-8812	2	HYD Motor ASM	16	132-6256	1	Valve-Steer
9	106-9888	4	Washer-Flat	17	120-8979	1	Fitting-Straight
10	33116-110	4	Screw-HH	17:1	237-42	1	O-Ring
11	340-157	1	Fitting-HYD, Tee	18	120-8975	1	Fitting-Straight
11:1	237-79	1	O-Ring	18:1	237-42	1	O-Ring
11:2	237-30	2	O-Ring	20	237-166	2	O-Ring
12	340-139	2	Fitting-Elbow 90				



7 = all items with * are included in overhaul seal kit

Hydraulic Motor Assembly No. 120-8812

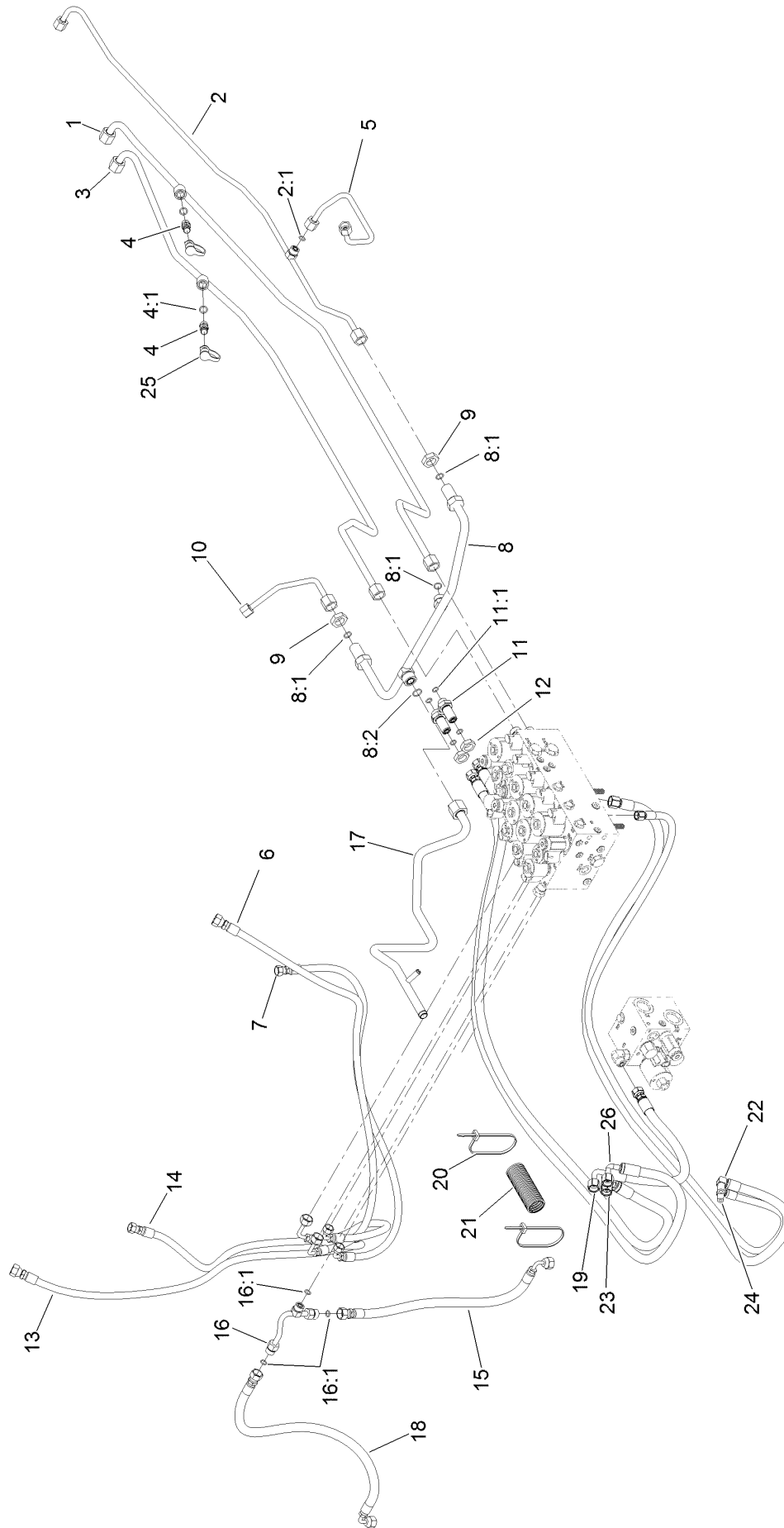
<i>Ref.</i>	<i>Part Number</i>	<i>Qty.</i>	<i>Description</i>
1	67-9090	2	Plug
2	75-0070	3	Plug
3	107-4352	1	Plug
4	121-1734	1	Plate-Valve
5	121-1735	1	Cylinder Block Kit
6	69-3190	1	Seal-Lip
7	121-1736	1	Overhaul Seal Kit



Steering Valve Assembly No. 132-6256

<i>Ref.</i>	<i>Part Number</i>	<i>Qty.</i>	<i>Description</i>
1	106-6716	1	Seal Kit

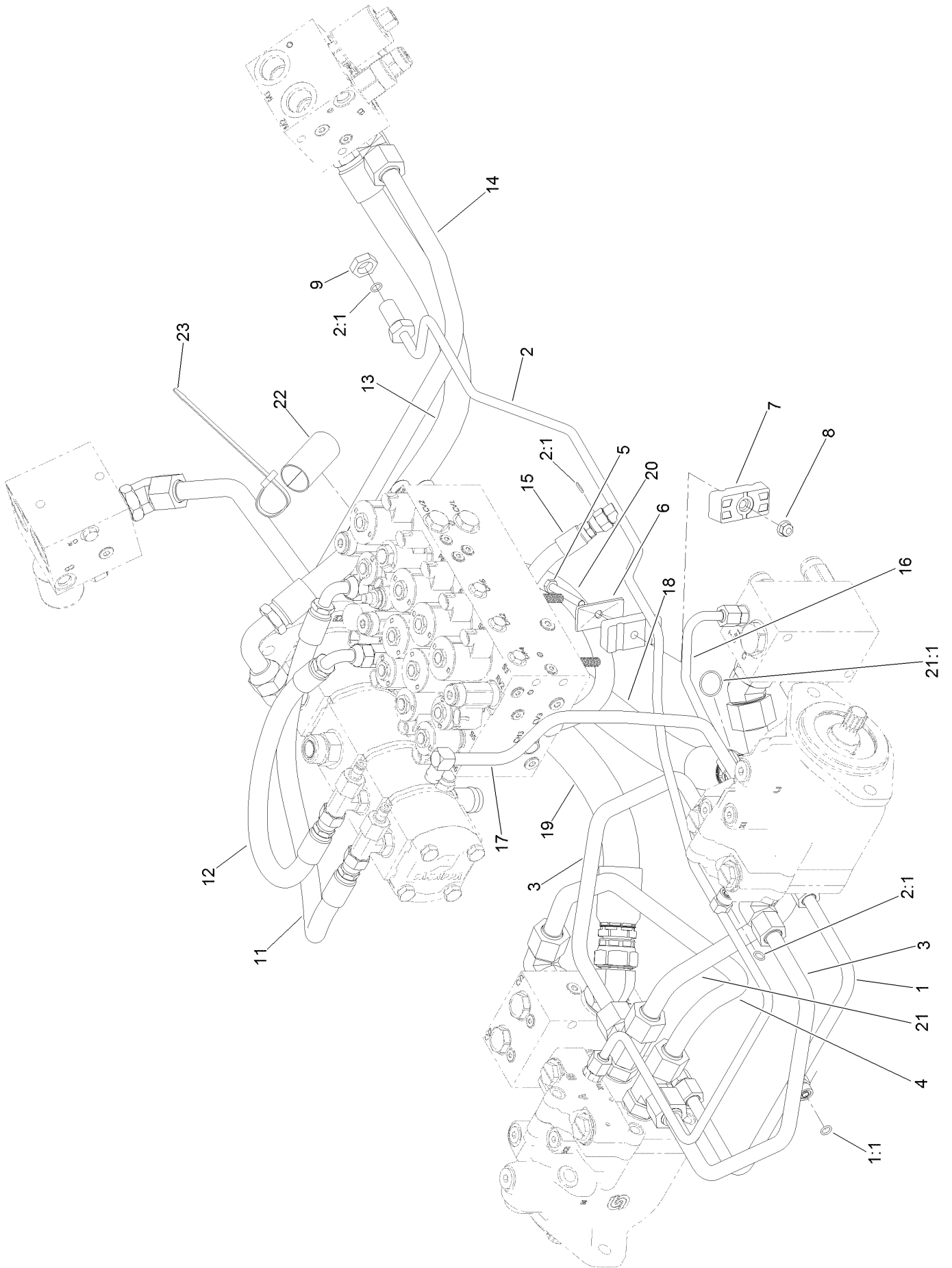
Lift, Steer and Fan Hydraulic Assembly



Lift, Steer and Fan Hydraulic Assembly (continued)

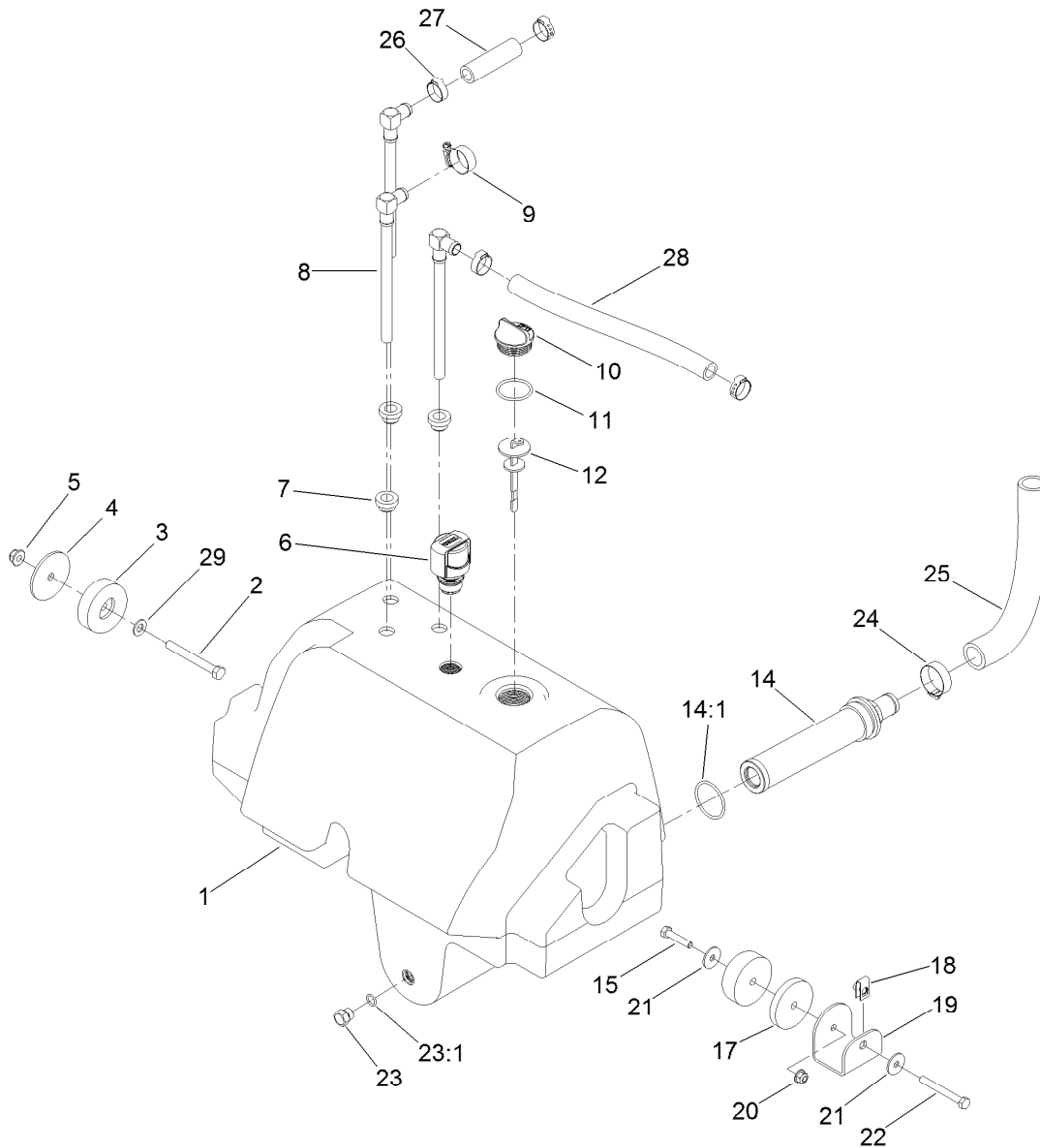
<i>Ref.</i>	<i>Part Number</i>	<i>Qty.</i>	<i>Description</i>	<i>Ref.</i>	<i>Part Number</i>	<i>Qty.</i>	<i>Description</i>
1	120-9074	1	Tube-Fan	12	340-70	2	Nut-Lock
2	120-8966	1	Tube-Drain, Fan	13	127-3736	1	Hose-HYD
2:1	237-22	1	O-Ring	14	100-3833	1	Hose-HYD
3	120-9075	1	Tube-Fan	15	121-1567	1	Hose-HYD
4	59-7410	2	Fitting-Diagnostic	16	121-1565	1	Tube-Tee
4:1	237-42	1	O-Ring	16:1	237-22	3	O-Ring
5	132-6145	1	Tube-HYD	17	121-1510	1	Tube-HYD
6	127-3737	1	Hose-HYD	18	121-1566	1	Hose-HYD
7	127-3738	1	Hose-HYD	19	86-2440	1	Hose-HYD
8	121-1509	1	Tube-HYD	20	3290-378	7	Tie-Cable
8:1	237-30	3	O-Ring	21	121-1544	3	Cover-Hose
8:2	237-65	1	O-Ring	22	121-1504	1	Hose-HYD
9	340-127	2	Nut-Bulkhead	23	127-9632	1	Hose-HYD
10	132-6146	1	Tube-HYD	24	121-1503	1	Hose-HYD
11	340-71	2	Fitting-Straight, Bulkhead	25	354-79	2	Cap-Dust
11:1	237-22	2	O-Ring	26	114-7702	1	Hose-HYD

Traction Hydraulic Assembly



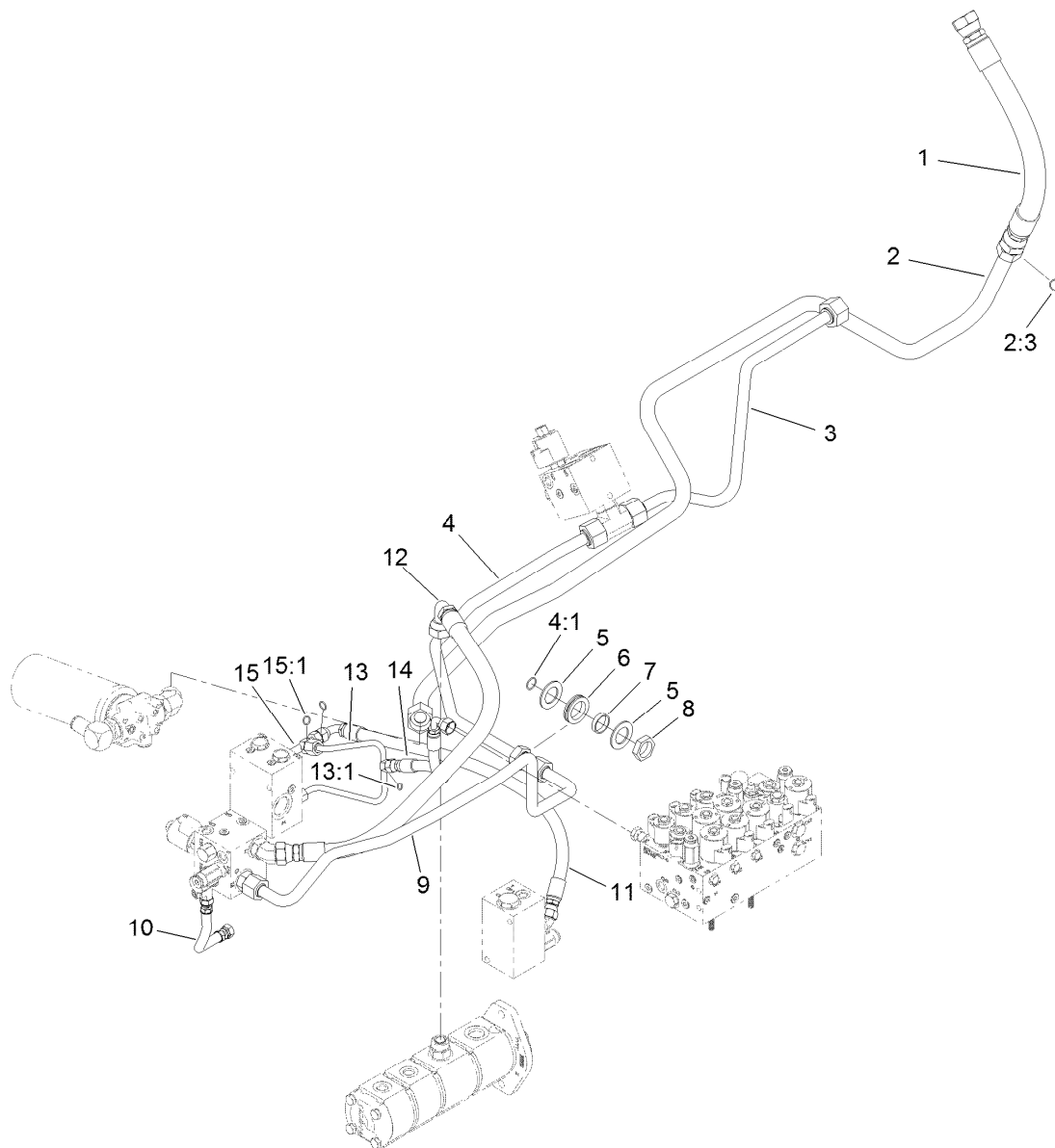
Traction Hydraulic Assembly (continued)

<i>Ref.</i>	<i>Part Number</i>	<i>Qty.</i>	<i>Description</i>	<i>Ref.</i>	<i>Part Number</i>	<i>Qty.</i>	<i>Description</i>
1	120-9080	1	Tube ASM	13	115-4384	1	Hose-HYD
1:1	237-22	1	O-Ring	14	120-8834	1	Tube-PTO, LH To RH
2	121-1552	1	Tube ASM	15	104-2234	1	Hose-HYD
2:1	237-22	3	O-Ring	16	121-1480	1	Tube-HYD
3	120-9079	2	Tube-HYD	17	120-8961	1	Tube-Return, Front
4	121-1546	1	Tube-HYD	18	132-6142	1	Hose-HYD
5	322-11	1	Screw-HH	19	132-6141	1	Hose-HYD
6	69-9761	1	Plate-Cover	20	132-6241	1	Hose-HYD
7	120-3200	2	Clamp-Tube	21	121-1581	1	Tube-Tee
8	104-8300	1	Nut-HF, NI	21:1	340-65	1	O-Ring
9	340-70	1	Nut-Lock	22	AU112950	1	Protector-Hose
11	104-2807	1	Hose-HYD	23	3290-378	3	Tie-Cable
12	104-4584	1	Hose-HYD				



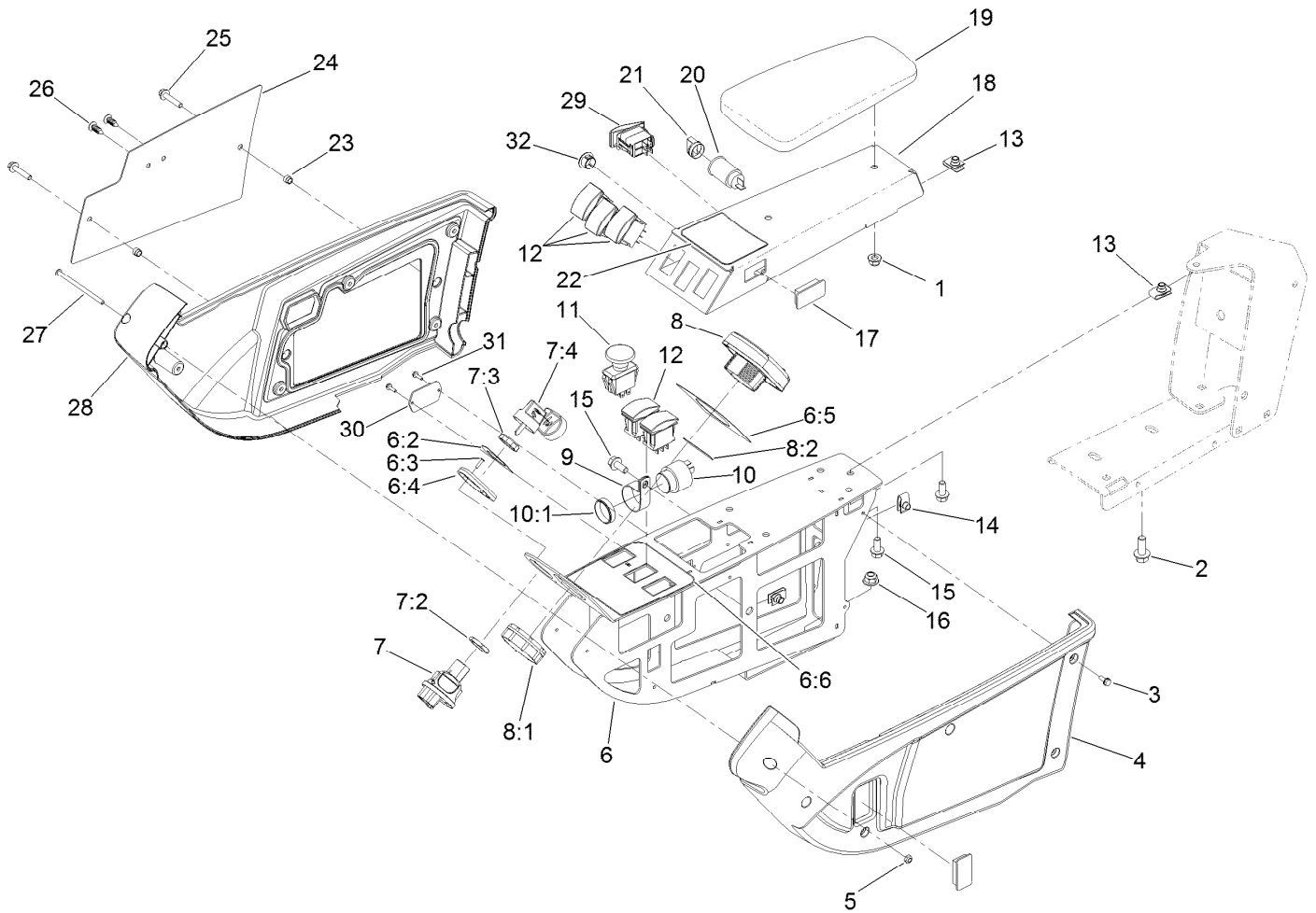
Hydraulic Reservoir Assembly

<i>Ref.</i>	<i>Part Number</i>	<i>Qty.</i>	<i>Description</i>	<i>Ref.</i>	<i>Part Number</i>	<i>Qty.</i>	<i>Description</i>
1	120-9077	1	Reservoir-HYD	17	121-1533	1	Spacer-Thick
2	323-20	1	Screw-HH	18	115-7721	1	Nut-Clip, U
3	108-1605	2	Bumper-Recess	19	121-1557-03	1	Mount-Tank
4	121-1456	1	Spacer-Thin	20	104-8300	1	Nut-HF, NI
5	104-8301	1	Nut-HF, NI	21	3256-82	2	Washer-Flat
6	115-9793	1	Breather	22	322-13	1	Screw-HH
7	104-0790	3	Bushing	23	353-508	1	Plug-HH
8	114-0002	3	Pipe-Stand	23:1	237-42	1	O-Ring
9	2412-129	1	Clamp-Hose	24	2412-34	1	Clamp-Hose
10	93-7498	1	Plug-Plastic	25	120-8810	1	Hose-Strainer
11	237-101	1	O-Ring	26	115-5436	4	Clamp-Hose, Crimp
12	112-6365	1	Dipstick	27	114-4920	1	Hose
14	104-7546	1	Tank Strainer ASM	28	121-1521	1	Hose
14:1	340-136	1	O-Ring	29	3256-24	1	Washer-Plain
15	322-7	1	Screw-HH				



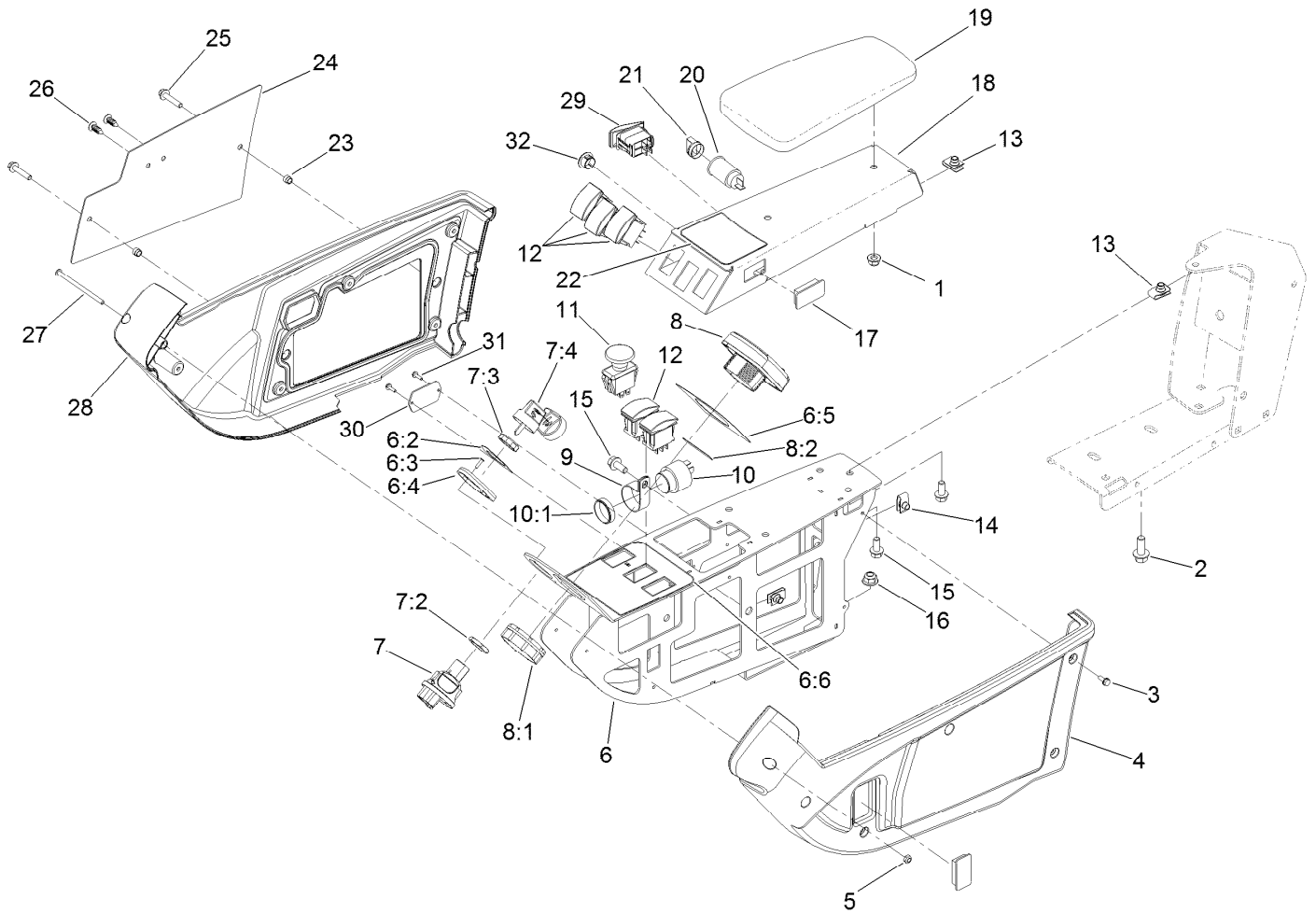
Oil Cooler Hydraulic Assembly

<i>Ref.</i>	<i>Part Number</i>	<i>Qty.</i>	<i>Description</i>	<i>Ref.</i>	<i>Part Number</i>	<i>Qty.</i>	<i>Description</i>
1	120-9060	1	Hose-HYD	9	120-8838	1	Tube-PTO, Front Return
2	121-1612	1	Tube ASM	10	121-1572	1	Hose-HYD
2:3	340-65	1	O-Ring	11	121-1559	1	Hose-HYD
3	121-1626	1	Tube-HYD	12	115-4384	1	Hose-HYD
4	121-1507	1	Tube ASM	13	121-1584	1	Tube-HYD
4:1	237-58	1	O-Ring	13:1	237-22	1	O-Ring
5	69-8910	2	Washer	14	121-1583	1	Hose-HYD
6	240-7	1	Grommet-Rubber	15	121-1558	1	Fitting-Tee
7	69-8900	1	Spacer	15:1	237-30	2	O-Ring
8	340-126	1	Nut-Bulkhead				



Armrest Control Panel Assembly

Ref.	Part Number	Qty.	Description	Ref.	Part Number	Qty.	Description
1	104-8300	2	Nut-HF, NI	10:1	104-5107	1	Nut-Plastic, Knurled
2	3234-42	2	Screw-HHF	11	93-9999	1	Switch-PTO
3	32144-112	10	Screw-HWH	12	100-1535	5	Switch-Rocker, (On)-Off-(On)
4	108-7604	1	Cover-LH	13	94-2413	6	Nut-U
5	3296-12	1	Nut-Lock, NI	14	107069	2	Clip
6	120-4155	1	Panel ASM	15	3234-5	6	Screw-HHF
6:2	121-3884	1	Decal-Console, Upper	16	104-8301	2	Nut-HF, NI
6:3	3269-17	2	Rivet-Pop	17	99-7420	2	Plug-Hole
6:4	121-3889	1	Step-Elevated, Switch	18	136-4389-03	1	Panel-Control
6:5	121-3887	1	Decal-Console, Display	19	108-7602	1	Rest-Arm
6:6	120-4159	1	Decal-Console, Lower	20	99-7411	1	Point-Power
7	121-5159	1	Switch-Ignition	21	99-7416	1	Cap
7:2	121-5160	1	Nut-Hex	22	127-3700	1	Decal-Lift
7:3	121-5161	1	Nut-Face	23	110-0542	2	Spacer-Flange
7:4	121-5162	1	Set-Key, Ignition	24	115-8849-03	1	Plate-Cover
8	120-6310	1	LCD Display ASM Kantrak 1700	25	3234-21	2	Screw-HHF
8:1	120-4630	1	Nut-Display	26	114-4899	2	Rivet-Push
8:2	120-6311	1	Decal-Display	27	3250-22	1	Screw-PPH
9	2412-74	1	R-Clamp	28	108-7605	1	Cover-RH
10	80-9330	1	Audio Alarm ASM	29	114-3329	1	Switch-Rocker

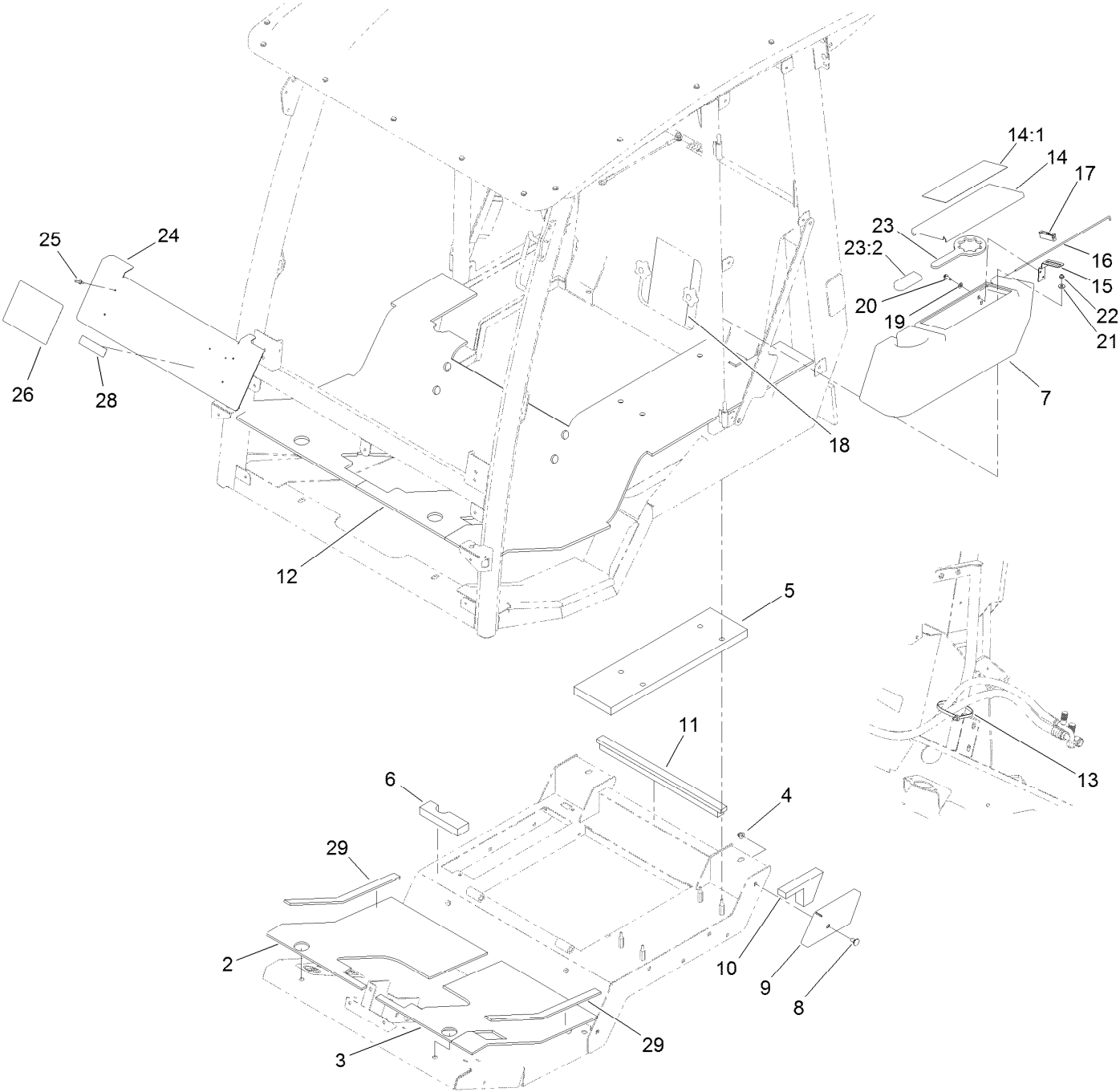


Armrest Control Panel Assembly (continued)

Ref.	Part Number	Qty.	Description
30	121-1630	1	Plate-Cover

Ref.	Part Number	Qty.	Description
31	32144-18	2	Screw-HWH
32	94-5627	1	Plug

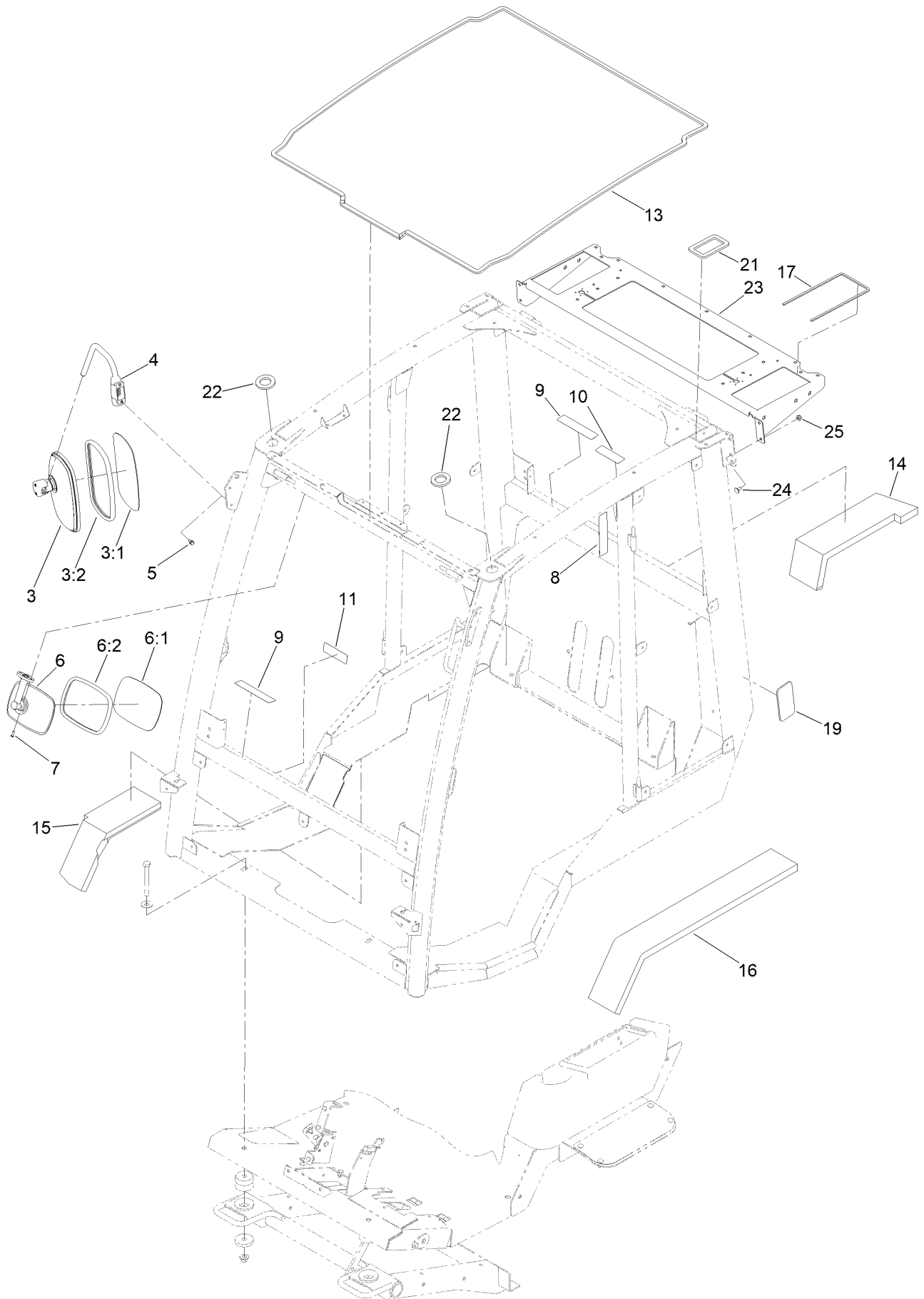
Cab, Tool Box and Flooring Assembly



Cab, Tool Box and Flooring Assembly (continued)

<i>Ref.</i>	<i>Part Number</i>	<i>Qty.</i>	<i>Description</i>	<i>Ref.</i>	<i>Part Number</i>	<i>Qty.</i>	<i>Description</i>
2	136-2167	1	Tread-Floor, RH	16	120-4122	1	Rod-Hinge
3	136-2166	1	Tread-Floor, LH	17	58-4250	1	Catch-Magnetic
4	104-8301	1	Nut-HF, NI	18	130-6046	1	Decal-Service
5	136-2124	1	Foam-Fill, LH	19	3256-22	2	Washer-Flat
6	136-2125	1	Foam-Fill, RH	20	32104-95	2	Screw-HWH
7	120-4125	1	Housing-Tool Box	21	3256-2	4	Washer-Flat
8	3231-1	1	Screw-CARR	22	104-7201	4	Nut-HF, NI
9	130-5747-03	1	Cover-Mount	23	121-3874	1	Wrench ASM
10	127-9861	1	Foam-Corner	23:2	119-1846	1	Grip
11	121-8548	1	Foam-Seal, Rear	24	136-2123-03	1	Plate-Decal
12	136-2122	1	Tread-Floor	25	3269-22	4	Rivet-Pop
13	3334-945	1	Tie-Cable	26	114-0846	1	Decal-Instructions, Operating
14	120-4124	1	Tool Box Cover ASM	28	133-5618	1	Decal-Arrester, Spark
14:1	117-2754	1	Decal-Warning	29	136-2165	2	Tread-Floor, Edge
15	104-7545	1	Bracket-Latch				

Frame, Mount and Seal Assembly

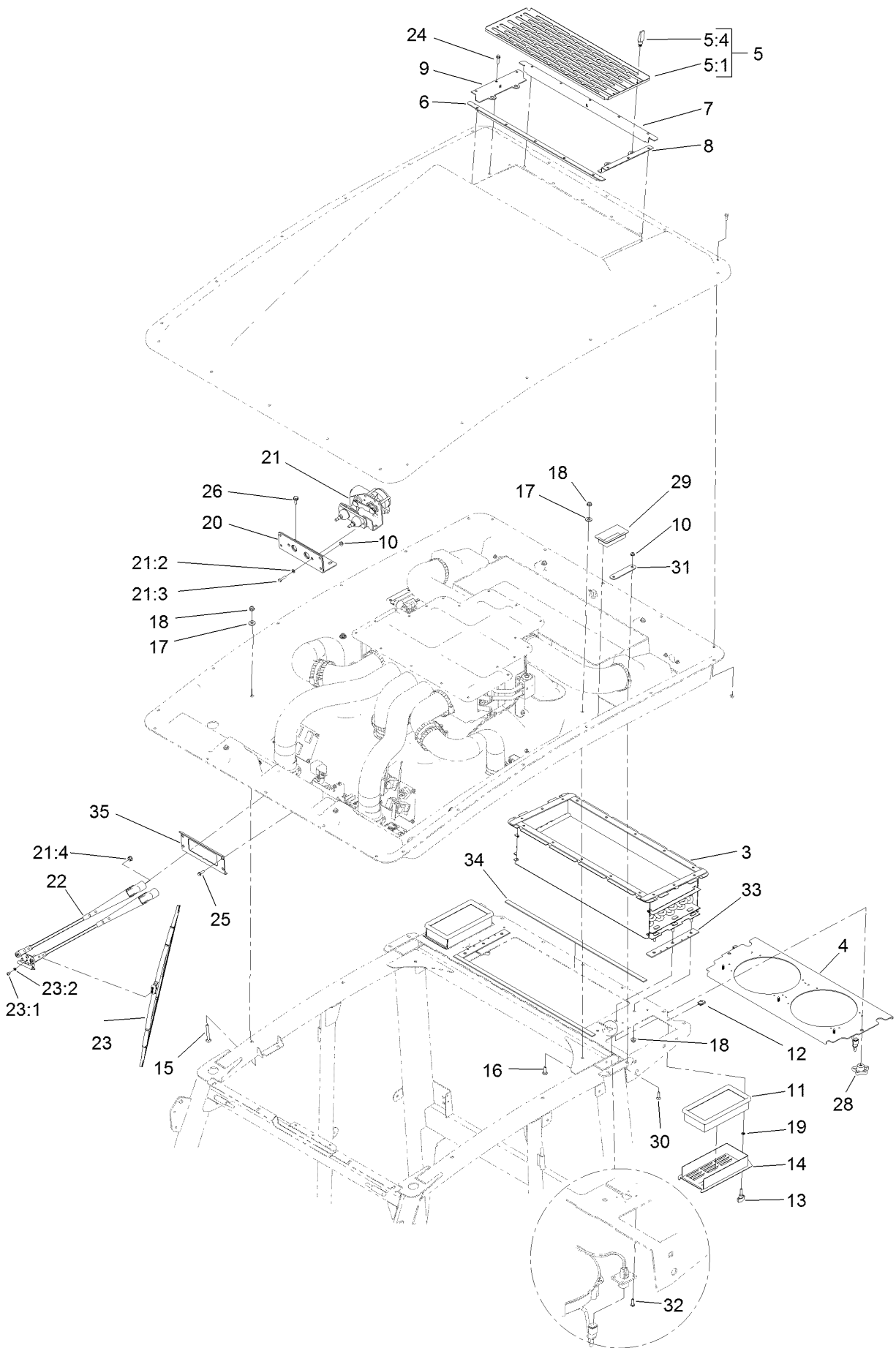


Frame, Mount and Seal Assembly (continued)

<i>Ref.</i>	<i>Part Number</i>	<i>Qty.</i>	<i>Description</i>	<i>Ref.</i>	<i>Part Number</i>	<i>Qty.</i>	<i>Description</i>
3	121-8341	2	Side Mirror ASM	11	130-5356	1	Decal-Traction Pedal
3:1		1	Mirror-Glass ●	13	130-0586	1	Seal-Foam, Frame Roof
3:2		1	Gasket ●	14	121-8545	1	Seal-Foam, RH-Upper
4	121-8275	2	Arm-Mirror, Side	15	121-8546	1	Seal-Foam, RH
5	33103-016	4	Screw-HHF	16	136-2182	1	Foam-Seal, LH
6	121-8343	1	Interior Mirror ASM	17	130-0587	2	Seal-Foam, Roof Air Filter
6:1		1	Mirror ●	19	130-5923	2	Pad
6:2		1	Gasket ●	21	130-5855	2	Seal-Tube, Rear
7	32144-32	2	Screw-PPH	22	133-0982	2	Tube-Seal, Front
8	130-0594	1	Decal-Warning	23	136-1768-03	1	Shelf-Mount, Fan
9	130-0611	4	Decal-Window, Pin	24	3230-18	4	Screw-CARR
10	130-5355	1	Decal-Window, Hood	25	104-8300	4	Nut-HF, NI

● Not serviced separately

Cab Headliner Assembly

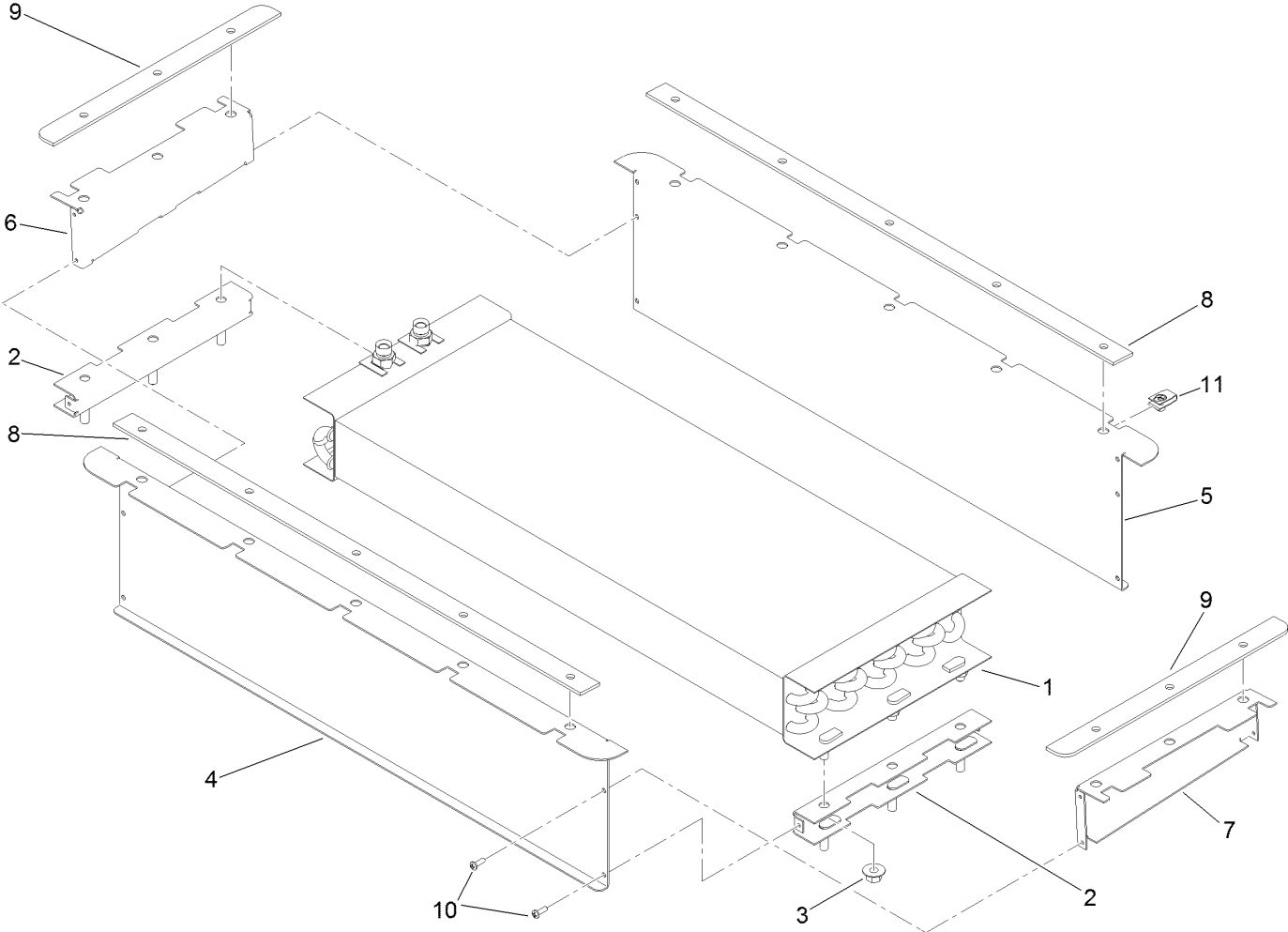


Cab Headliner Assembly (continued)

<i>Ref.</i>	<i>Part Number</i>	<i>Qty.</i>	<i>Description</i>	<i>Ref.</i>	<i>Part Number</i>	<i>Qty.</i>	<i>Description</i>
3	132-3468	1	A/C Duct ASM	21	125-7452	1	Wiper Motor ASM
4	132-3488	1	Panel-Fan	21:2	3253-3	1	Washer-Lock
5		1	Screen ASM ●	21:3	33113-025	1	Screw-HH
5:1	132-3530-03	1	Screen	21:4	112-2844	2	Nut-HF
5:4	74-5950	4	Latch-Swell	22	125-7453	1	Arm-Wiper
6	132-3531-03	1	Seal-Front	23	125-7454	1	Blade-Wiper
7	132-3532-03	1	Seal-Rear	23:1	47-2830	2	Screw
8	132-3533-03	1	Seal-Side, Left	23:2	43-5920	2	Washer-Lock, Spring
9	132-3534-03	1	Seal-Side, Right	24	120-4654	16	Screw-HHF
10	104-7201	8	Nut-HF, NI	25	32105-15	4	Screw-HWH
11	121-8457	2	Filter-Air	26	32144-11	2	Screw-HWH
12	107069	2	Clip	28	117-5976	2	Knob-Handle
13	126-5846	2	Knob-T	29	130-5661	2	Tube-Sleeve
14	125-9825-03	2	Cover-Air, Fresh	30	3229-30	4	Screw-CARR
15	3230-9	4	Screw-CARR	31	130-5854	2	Brace-Seal
16	3230-22	13	Screw-CARR	32	363-8245	8	Screw-TAP
17	3256-3	17	Washer-Flat	33	132-3608	2	Seal-Edge
18	104-8300	21	Nut-HF, NI	34	132-3609	2	Seal-Strip
19	106-8737	2	Nut-Retainer	35	130-6068-03	1	Plate-Washer, Wiper Motor
20	130-5871	1	Bracket-Wiper				

● Not serviced separately

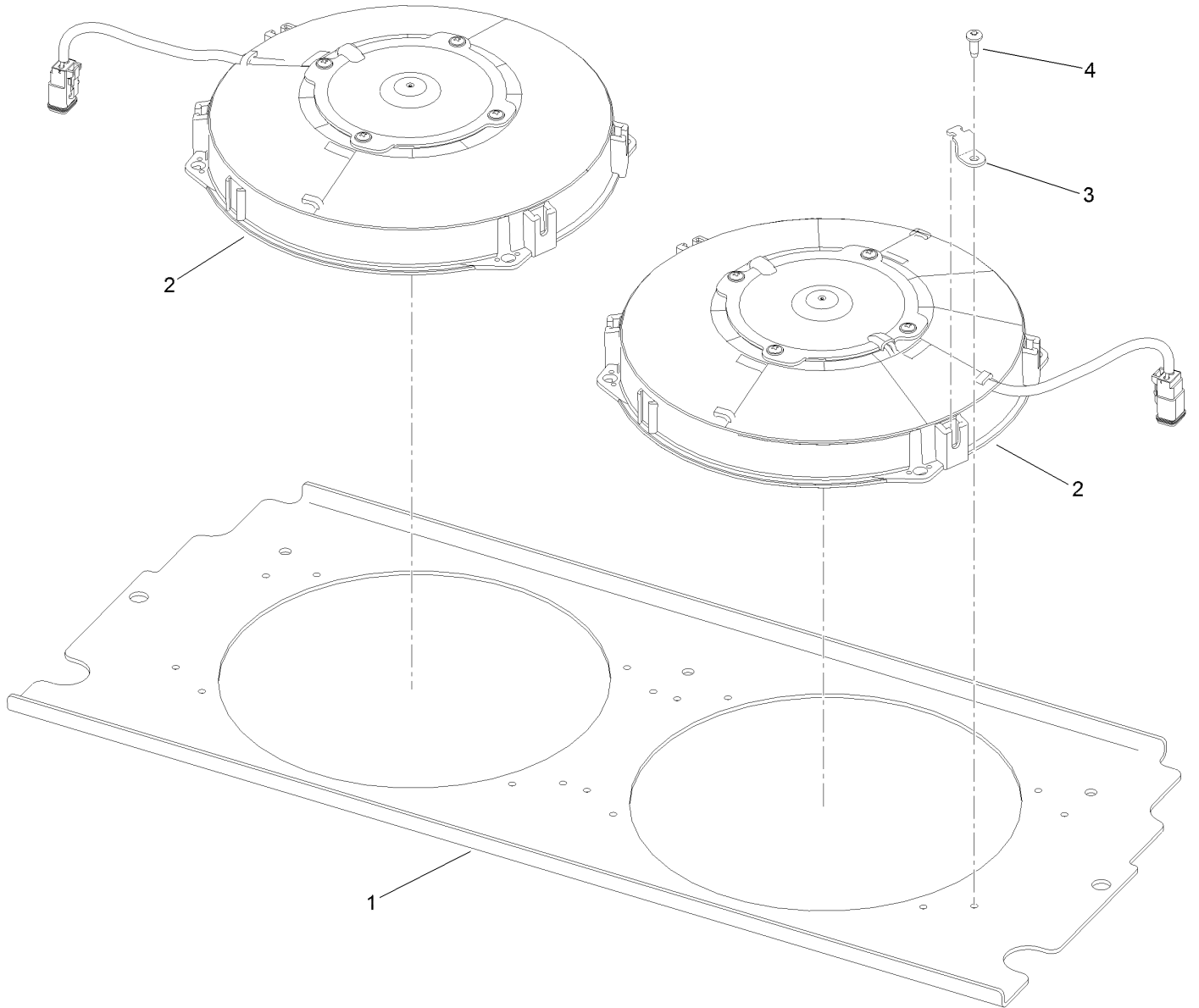
Air Conditioning Duct Assembly No. 132-3468



Air Conditioning Duct Assembly No. 132-3468 (continued)

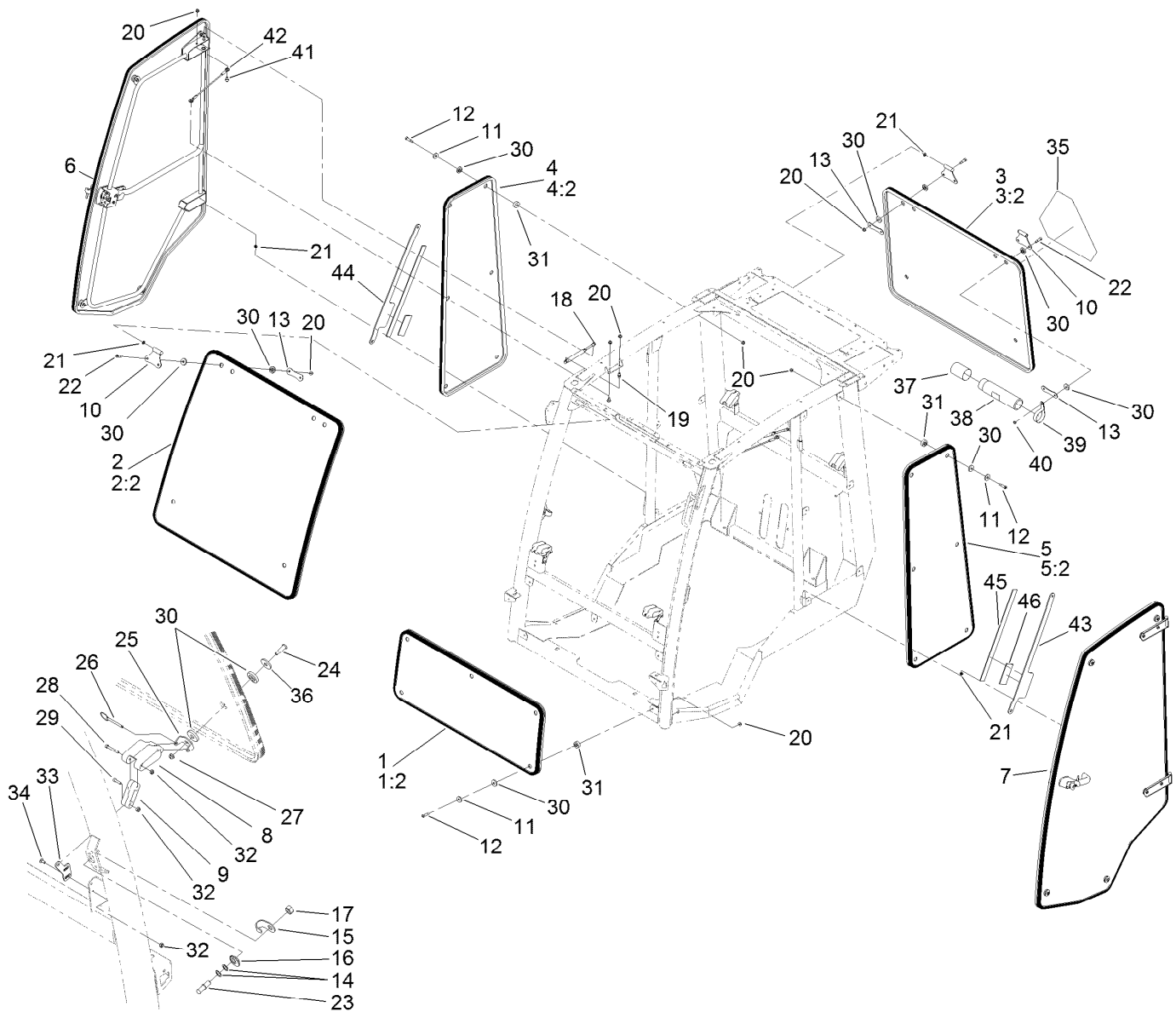
<i>Ref.</i>	<i>Part Number</i>	<i>Qty.</i>	<i>Description</i>	<i>Ref.</i>	<i>Part Number</i>	<i>Qty.</i>	<i>Description</i>
1	121-8447	1	Core-Condenser	7	132-3465-03	1	Wall-Side, Left
2	132-3469-03	2	Leg-Lower	8	132-3466	2	Seal-Strip
3	32128-44	6	Nut	9	132-3467	2	Seal-Edge
4	132-3462-03	1	Wall-Front	10	363-8245	12	Screw-TAP
5	132-3463-03	1	Wall-Back	11	107069	16	Clip
6	132-3464-03	1	Wall-Side, Right				

Fan Panel Assembly No. 132-3488



Fan Panel Assembly No. 132-3488 (continued)

<i>Ref.</i>	<i>Part Number</i>	<i>Qty.</i>	<i>Description</i>	<i>Ref.</i>	<i>Part Number</i>	<i>Qty.</i>	<i>Description</i>
1	132-3486-03	1	Plate-Mount, Fan	3	132-3606	8	Tab-Fan
2	132-3607	2	Fan-Condenser	4	105-6849	8	Screw-Forming, Thread

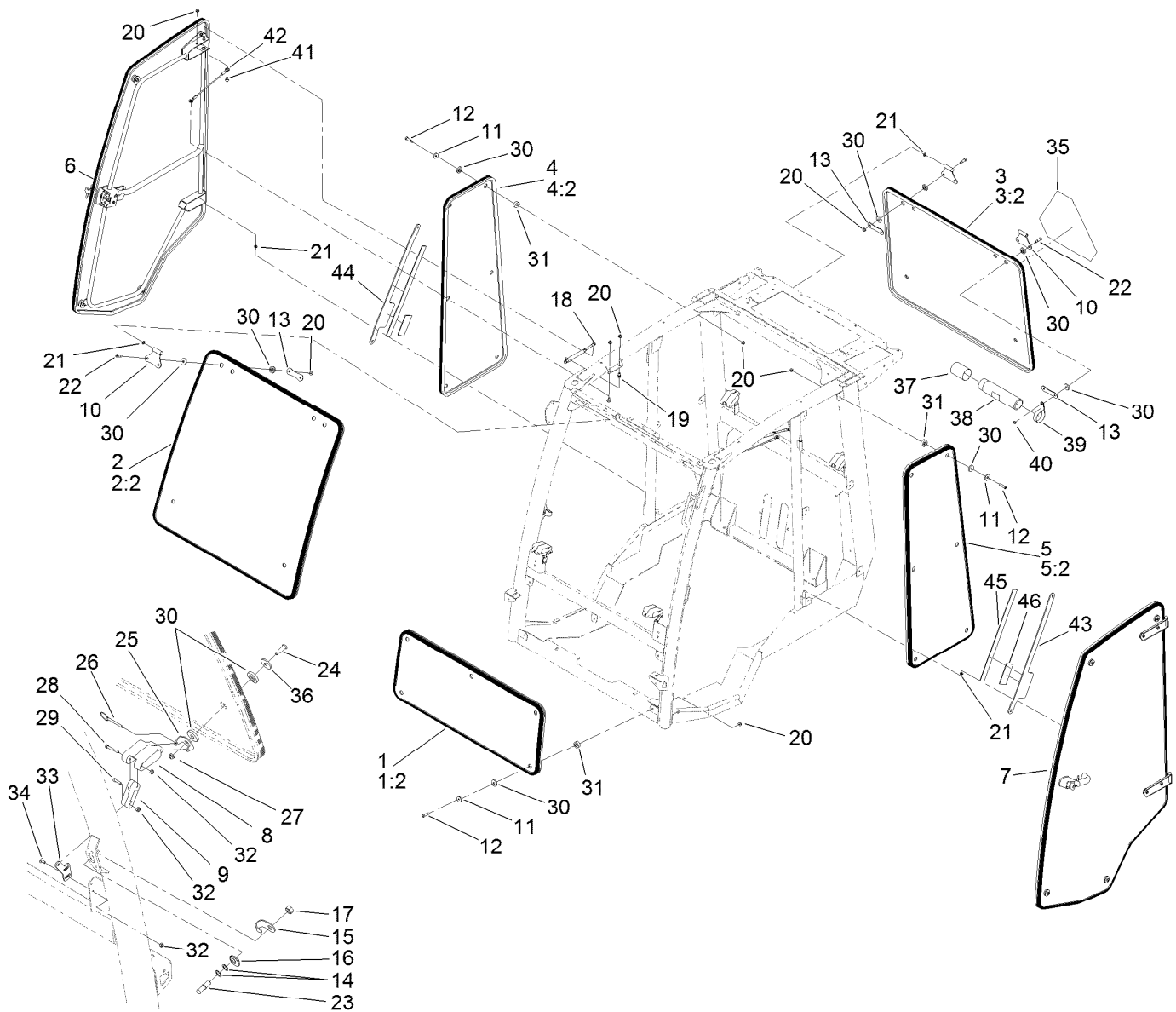


Window, Door and Striker Assembly

Ref.	Part Number	Qty.	Description	Ref.	Part Number	Qty.	Description
1	130-5681	1	Lower Front Window ASM	14	73-0040	2	Washer-Thrust
1:2	121-8211	1	Trim-Window, Front	15	121-8393	2	Guard-Striker
2	130-5680	1	Upper Front Window ASM	16	125-9992	2	Adjuster-Stud
2:2	121-8212	1	Seal-Trim	17	106-0327	2	Nut-Hex
3	130-5682	1	Rear Window ASM	18	130-6083	2	Spring-Gas, Door
3:2	130-0637	1	Seal-Trim	19	98-3104	2	Stud-Ball
4	130-5676	1	RH-Side Window ASM	20	104-8300	29	Nut-HF, NI
4:2	121-8215	1	Seal-Trim	21	121-8441	8	Washer-Spacer
5	130-5677	1	LH-Side Window ASM	22	125-9520	8	Screw-Shoulder, HSH
5:2	121-8215	1	Seal-Trim	23	125-9993	2	Striker-Stud
6		1	RH Door ASM ■	24	119-9812	4	Bolt-Shoulder
7		1	LH Door ASM ■	25	125-9987	4	Mount-Latch
8	125-9792	4	Handle-Window	26	127-9850	4	Pin-Release, Quick
9	125-9793	4	Link-Window	27	104-7201	4	Nut-HF, NI
10	121-8535-03	4	Hinge-Window	28	3274-59	4	Screw-HSH
11	130-5815	13	Washer-Backup	29	3274-14	4	Screw-HSH
12	125-9521	17	Screw-Shldr HSH	30	125-9982	41	Bushing-Flange
13	127-9933	4	Plate-Backer, Windshield	31	125-9537	17	Bushing-Flange

● Not illustrated

■ Not serviced separately

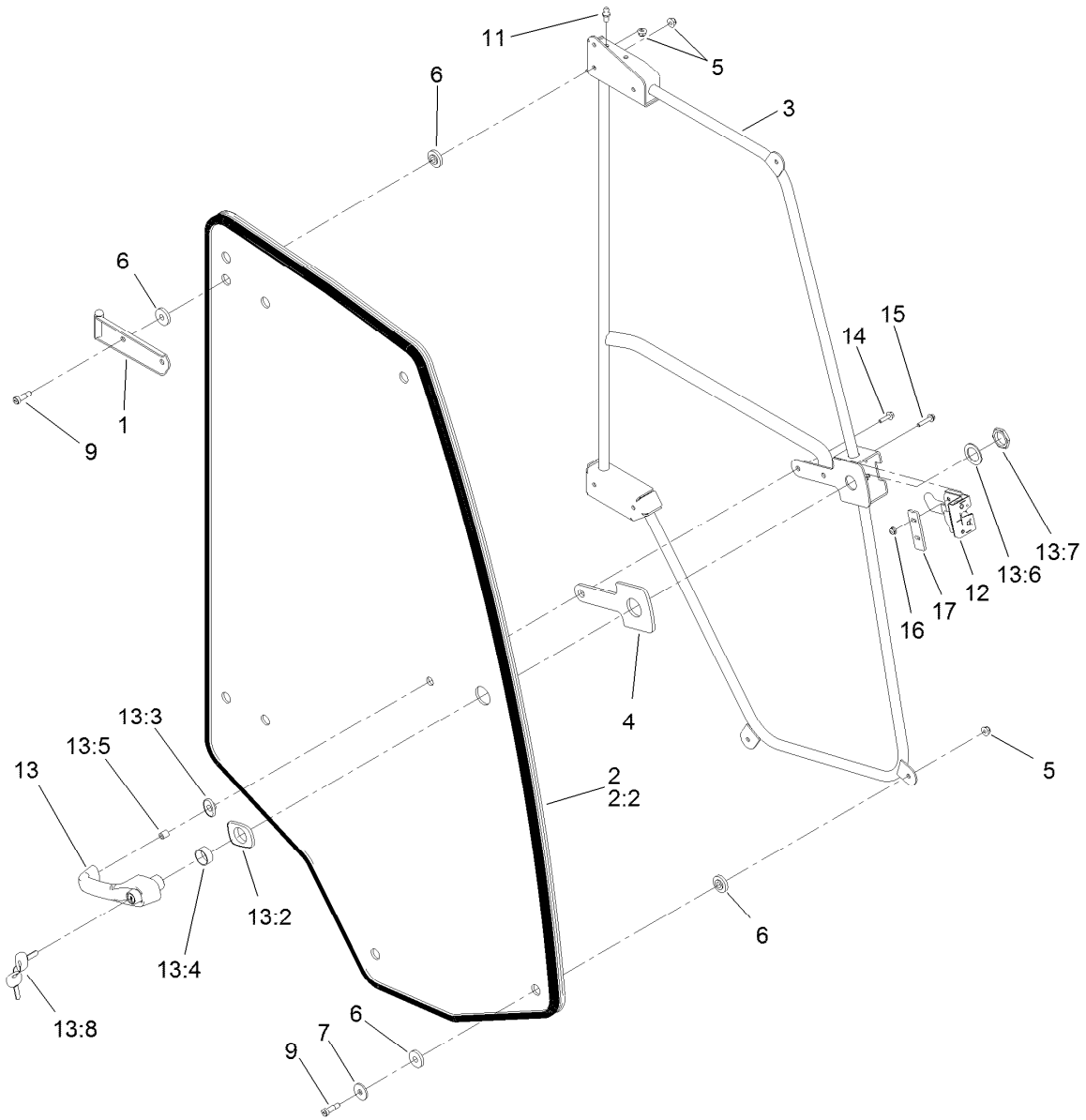


Window, Door and Striker Assembly (continued)

Ref.	Part Number	Qty.	Description	Ref.	Part Number	Qty.	Description
32	120-9681	16	Nut-Lock, NI	41	120-9471	4	Bolt-Shoulder
33	130-0590	4	Mount-Tab	42	130-5726	2	Lanyard
34	1-807513	8	Bolt-CARR	43	130-6095-03	1	Strap-Support, Left
35	120-0250	1	Decal-Warning	44	130-6091-03	1	Strap-Support
36	125-9676	4	Washer-Backup	45	130-6096	2	Strap-Foam, 19.5 Inch
37	104-7048	1	Cap-Housing	46	130-6097	2	Strap-Foam, 4.25 Inch
38	104-7050	1	Tube-Manual	48	133-1110	1	Pin-Hinge ●
39	2412-133	2	Clamp-R	49	121-8439	1	Receiver-Pivot, Hinge ●
40	3296-47	2	Nut-Lock, NI	50	121-4880	1	Bracket-Mount, Cable ●

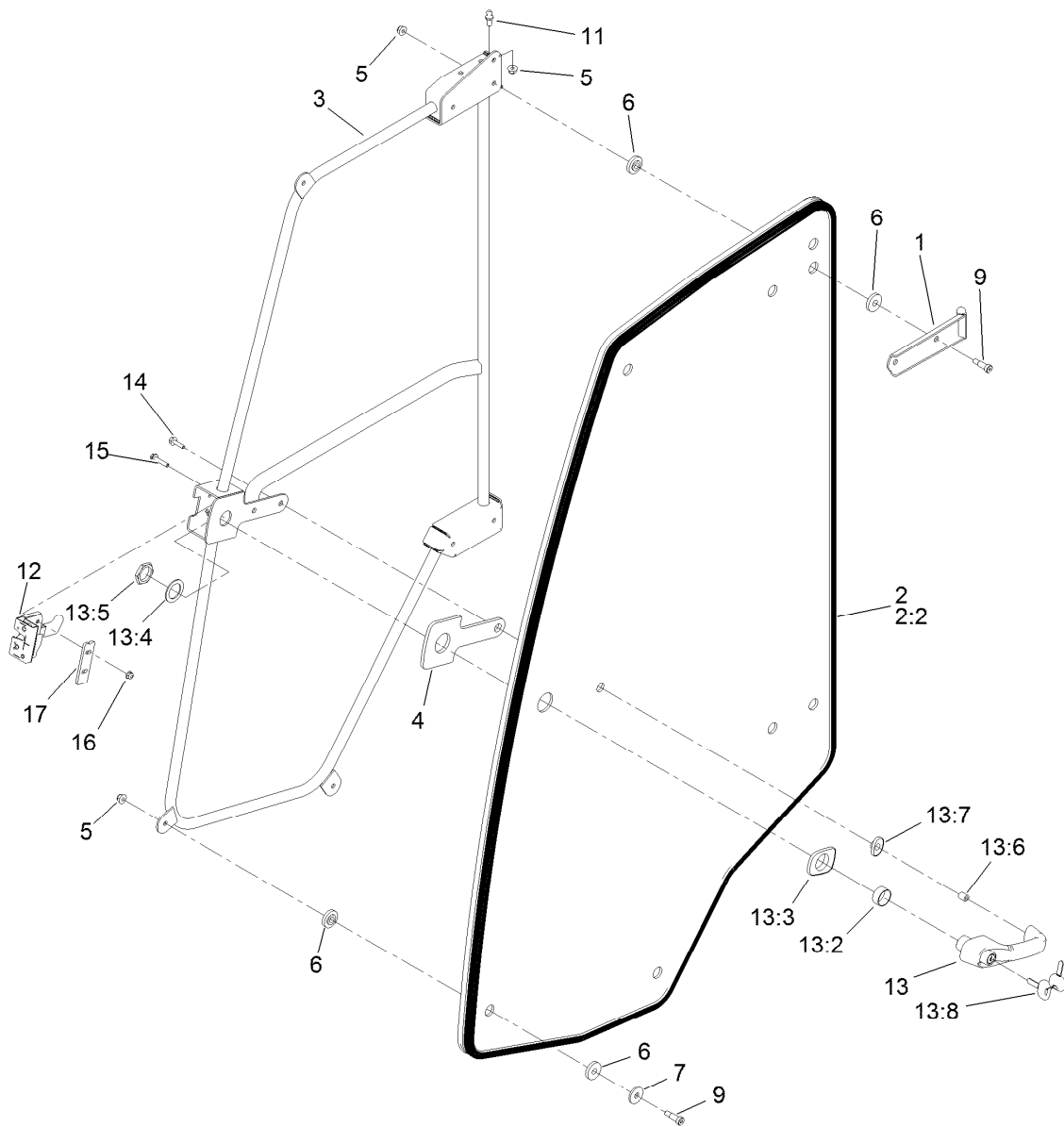
● Not illustrated

■ Not serviced separately



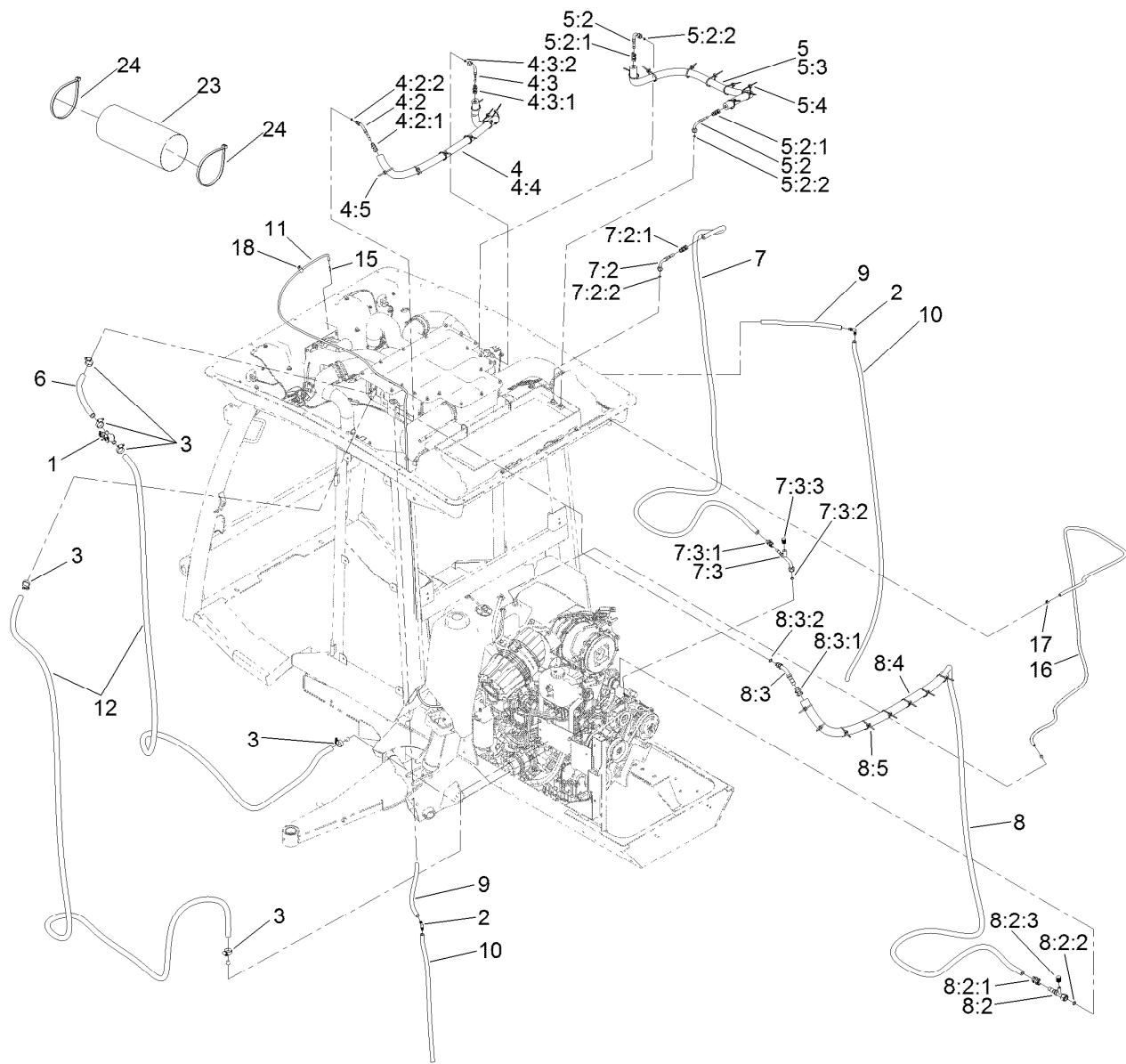
RH Door Assembly

<i>Ref.</i>	<i>Part Number</i>	<i>Qty.</i>	<i>Description</i>	<i>Ref.</i>	<i>Part Number</i>	<i>Qty.</i>	<i>Description</i>
1	125-9618-03	2	Hinge-Door, RH	13:2	121-8628	1	Cylinder-Mounting, Key
2	130-5678	1	RH Door ASM	13:3	121-8322	1	Grommet-Mounting, Large
2:2	125-9799	1	Trim-Door	13:4	121-8327	1	Washer
3	121-8570-03	1	Frame-Door, RH	13:5	121-8328	1	Nut
4	121-8331	1	Gasket-Handle	13:6	121-8627	1	Cylinder-Mounting, End
5	104-8300	9	Nut-HF, NI	13:7	121-8323	1	Grommet-Mounting, Small
6	125-9982	16	Bushing-Flange	13:8	125-9531	1	Key-Set
7	125-9676	4	Washer-Backup	14	33103-025	1	Screw-HHF
9	125-9520	8	Screw-Shoulder, HSH	15	3234-21	2	Screw-HHF
11	98-3104	1	Stud-Ball	16	104-7201	2	Nut-HF, NI
12	121-8390	1	Latch-RH	17	121-8395	1	Plate-Support, Latch
13	121-8630	1	Handle ASM				



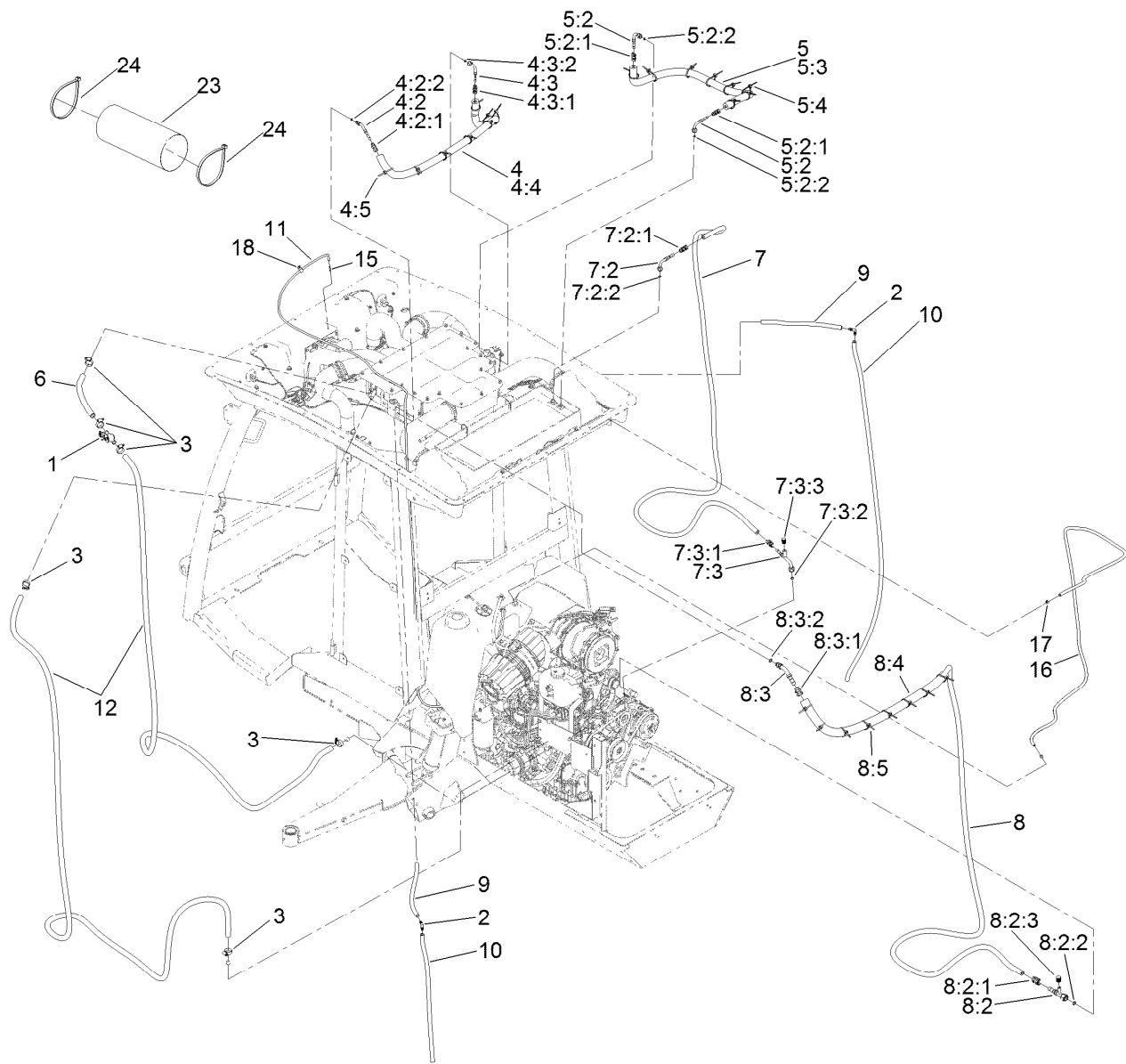
LH Door Assembly

<i>Ref.</i>	<i>Part Number</i>	<i>Qty.</i>	<i>Description</i>	<i>Ref.</i>	<i>Part Number</i>	<i>Qty.</i>	<i>Description</i>
1	125-9619-03	2	Hinge-Door, LH	13:2	121-8628	1	Cylinder-Mounting, Key
2	130-5679	1	LH Door ASM	13:3	121-8322	1	Grommet-Mounting, Large
2:2	121-8216	1	Trim-Window	13:4	121-8327	1	Washer
3	121-8571-03	1	Frame-Door, LH	13:5	121-8328	1	Nut
4	121-8331	1	Gasket-Handle	13:6	121-8627	1	Cylinder-Mounting, End
5	104-8300	9	Nut-HF, NI	13:7	121-8323	1	Grommet-Mounting, Small
6	125-9982	16	Bushing-Flange	13:8	125-9531	1	Key-Set
7	125-9676	4	Washer-Backup	14	33103-025	1	Screw-HHF
9	125-9520	8	Screw-Shoulder, HSH	15	3234-21	2	Screw-HHF
11	98-3104	1	Stud-Ball	16	104-7201	2	Nut-HF, NI
12	121-8391	1	Latch-LH	17	121-8395	1	Plate-Support, Latch
13	121-8630	1	Handle ASM				



Engine Hose Routing Assembly

Ref.	Part Number	Qty.	Description	Ref.	Part Number	Qty.	Description
1	120-4947	1	Valve-Heater	7:2:1	130-5773	1	Fitting Kit
2	130-0578	2	Fitting-Barb, 90 DEG	7:2:2	117-2778	1	O-Ring
3	2412-129	6	Clamp-Hose	7:3	130-5758	1	Fitting-Female, 90 DEG
4	125-9702	1	Hose ASM	7:3:1	130-5773	1	Fitting Kit
4:2	130-5753	1	Fitting-45 DEG	7:3:2	117-2779	1	O-Ring
4:2:1	130-5772	1	Fitting Kit	7:3:3	117-2783	1	Cap-Side, High
4:2:2	117-2778	1	O-Ring	8	125-9862	1	Hose ASM
4:3	130-5751	1	Fitting-Female, 90 DEG	8:2	130-5755	1	Fitting-Female, Straight
4:3:1	130-5772	1	Fitting Kit	8:2:1	130-5775	1	Fitting Kit
4:3:2	117-2778	1	O-Ring	8:2:2	117-2780	1	O-Ring
4:4	130-5958	1	Cover-Foam	8:2:3	117-2784	1	Cap-Side, Low
4:5	3290-378	8	Tie-Cable	8:3	130-5754	1	Fitting-Male, 45 DEG
5	125-9703	1	Hose ASM	8:3:1	130-5775	1	Fitting Kit
5:2	130-5751	2	Fitting-Female, 90 DEG	8:3:2	117-2780	1	O-Ring
5:2:1	130-5772	1	Fitting Kit	8:4	130-5959	1	Cover-Foam
5:2:2	117-2778	1	O-Ring	8:5	3290-378	16	Tie-Cable
5:3	130-5958	1	Cover-Foam	9	125-9865	2	Hose-Drain
5:4	3290-378	8	Tie-Cable	10	125-9866	2	Hose-Drain
6	125-9706	1	Hose-Heater	11	127-9901	1	Hose-Washer Fluid
7	125-9861	1	Hose ASM	12	125-9864	2	Hose-Heater
7:2	130-5752	1	Fitting-Female, 90 DEG	15	127-9905	1	Fitting-Hose, Barb

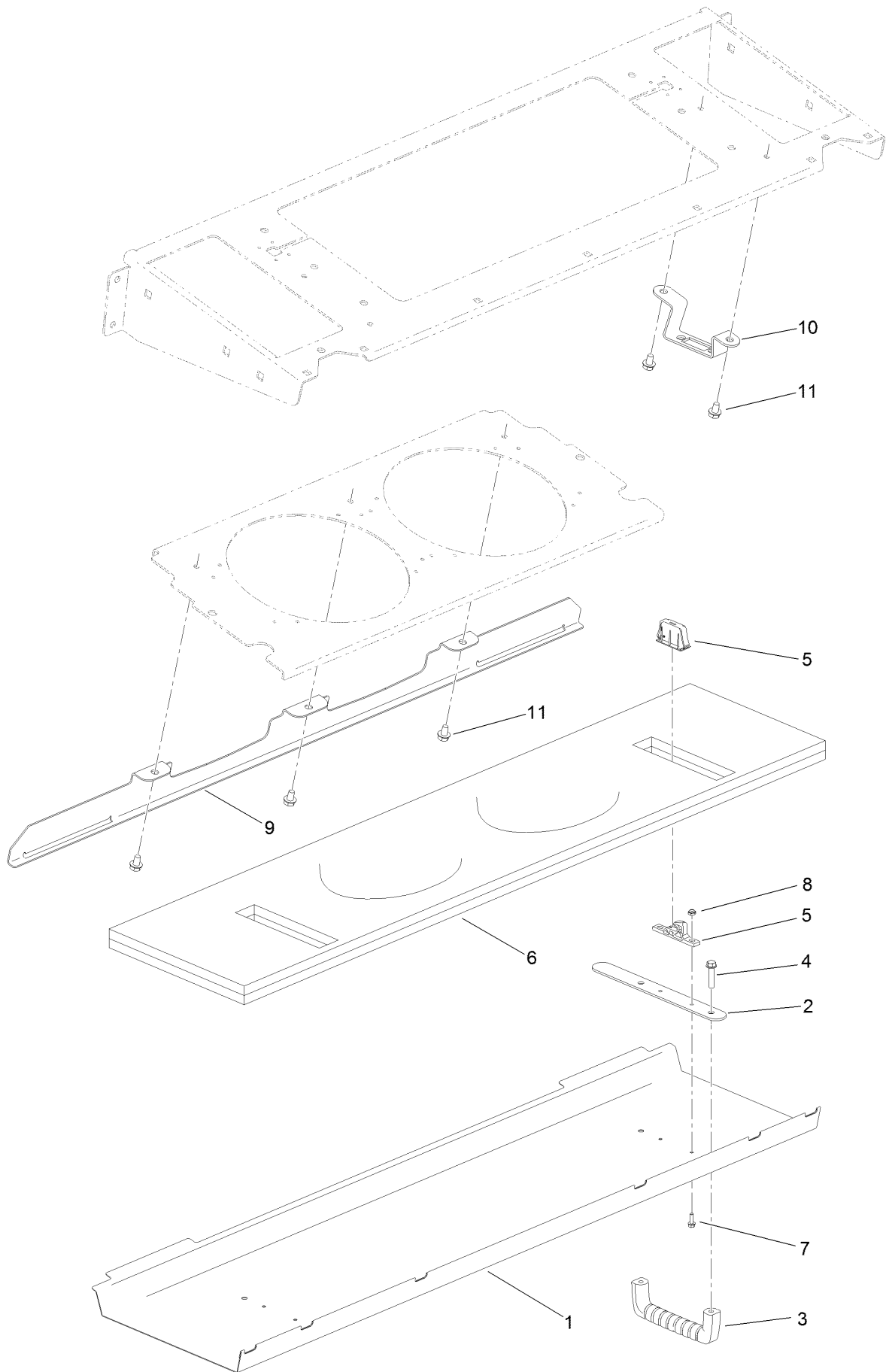


Engine Hose Routing Assembly (continued)

<i>Ref.</i>	<i>Part Number</i>	<i>Qty.</i>	<i>Description</i>
16	130-5813	1	Hose-Fuel
17	2412-98	1	Clamp-Hose
18	2412-73	1	Clamp-R

<i>Ref.</i>	<i>Part Number</i>	<i>Qty.</i>	<i>Description</i>
23	133-1025	1	Wrap-Abrasion
24	94-3890	2	Tie-Cable

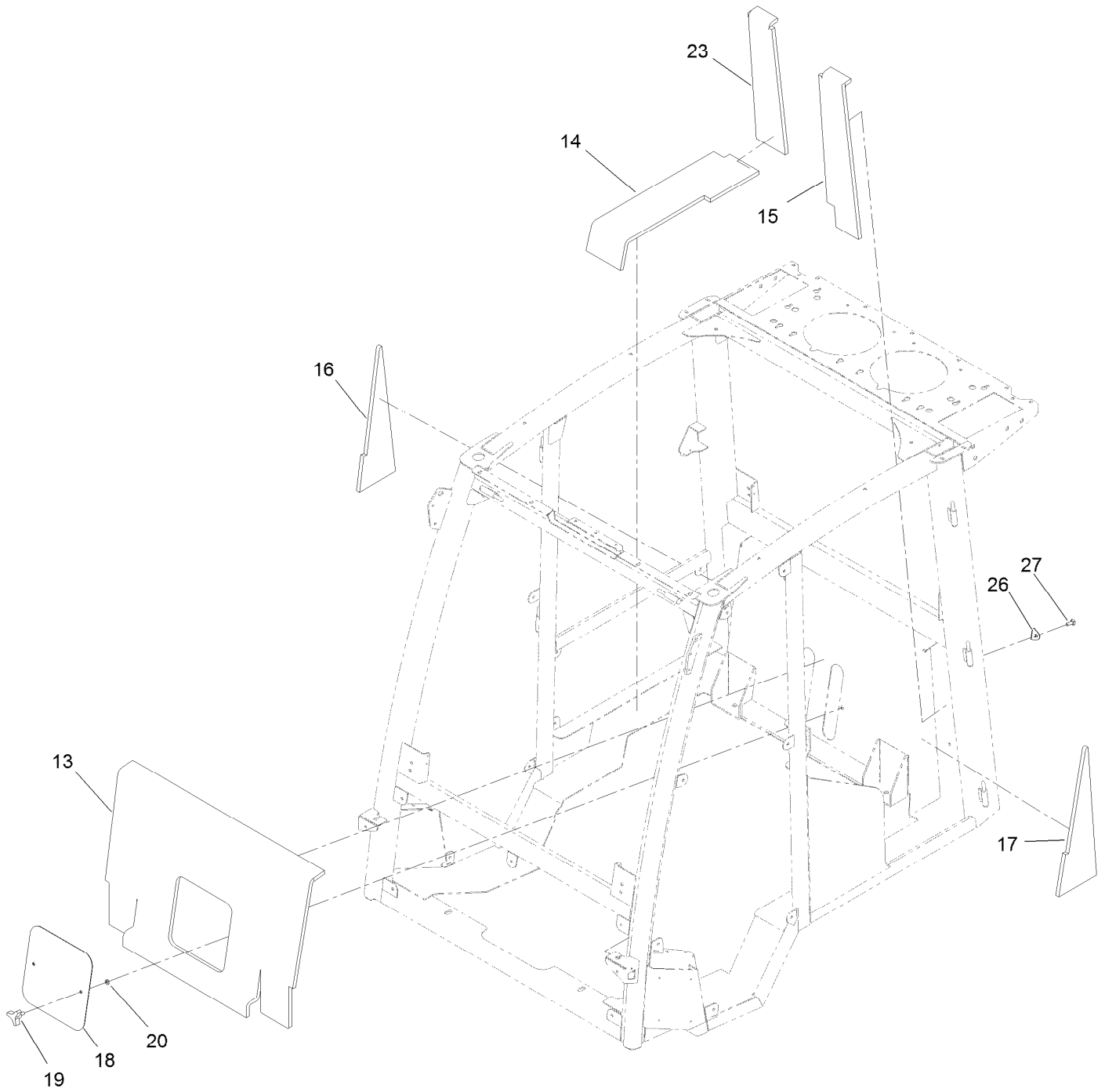
Pre-Filter Screen Assembly



Pre-Filter Screen Assembly (continued)

<i>Ref.</i>	<i>Part Number</i>	<i>Qty.</i>	<i>Description</i>	<i>Ref.</i>	<i>Part Number</i>	<i>Qty.</i>	<i>Description</i>
1	130-0640-03	1	Screen	7	112-3169	4	Screw-HHF, Serrated
2	130-0642-03	2	Backplate	8	3296-54	4	Nut-Lock
3	65-5100	2	Handle-Door	9	132-3630-03	1	Screen-Mount, Front
4	46-8092	4	Screw-Plastite	10	136-2171	2	Mount-Latch
5	130-0643	2	Latch-Push To Close	11	32104-82	7	Screw-HHF
6	130-5875	1	Pre-Filter				

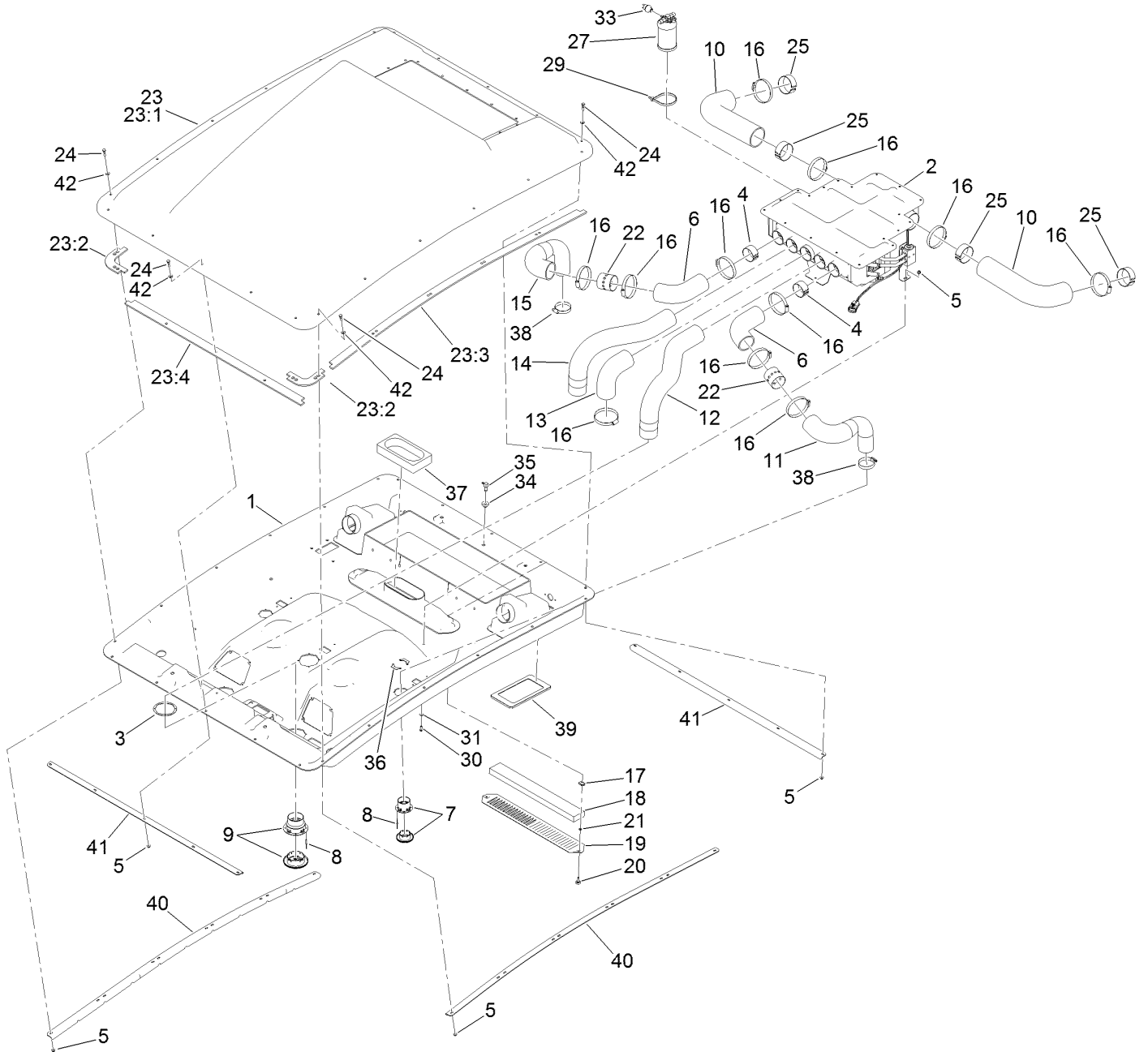
Interior Foam Assembly



Interior Foam Assembly (continued)

<i>Ref.</i>	<i>Part Number</i>	<i>Qty.</i>	<i>Description</i>	<i>Ref.</i>	<i>Part Number</i>	<i>Qty.</i>	<i>Description</i>
13	130-0564	1	Foam-Upholstery, Rear	19	117-5976	2	Knob-Handle
14	136-2179	1	Foam-Interior, RH (Lower)	20	3296-47	2	Nut-Lock,NI
15	136-2178	1	Foam-Upholstery, Rear (LH)	23	130-5838	1	Foam-Interior, RH (Upper)
16	130-0561	1	Foam-Upholstery, Side (RH)	26	132-3495	2	Retainer-Cover
17	130-0570	1	Foam-Upholstery, Rear (LH)	27	3230-22	2	Screw-CARR
18	121-8161-03	1	Plate-Panel, Access				

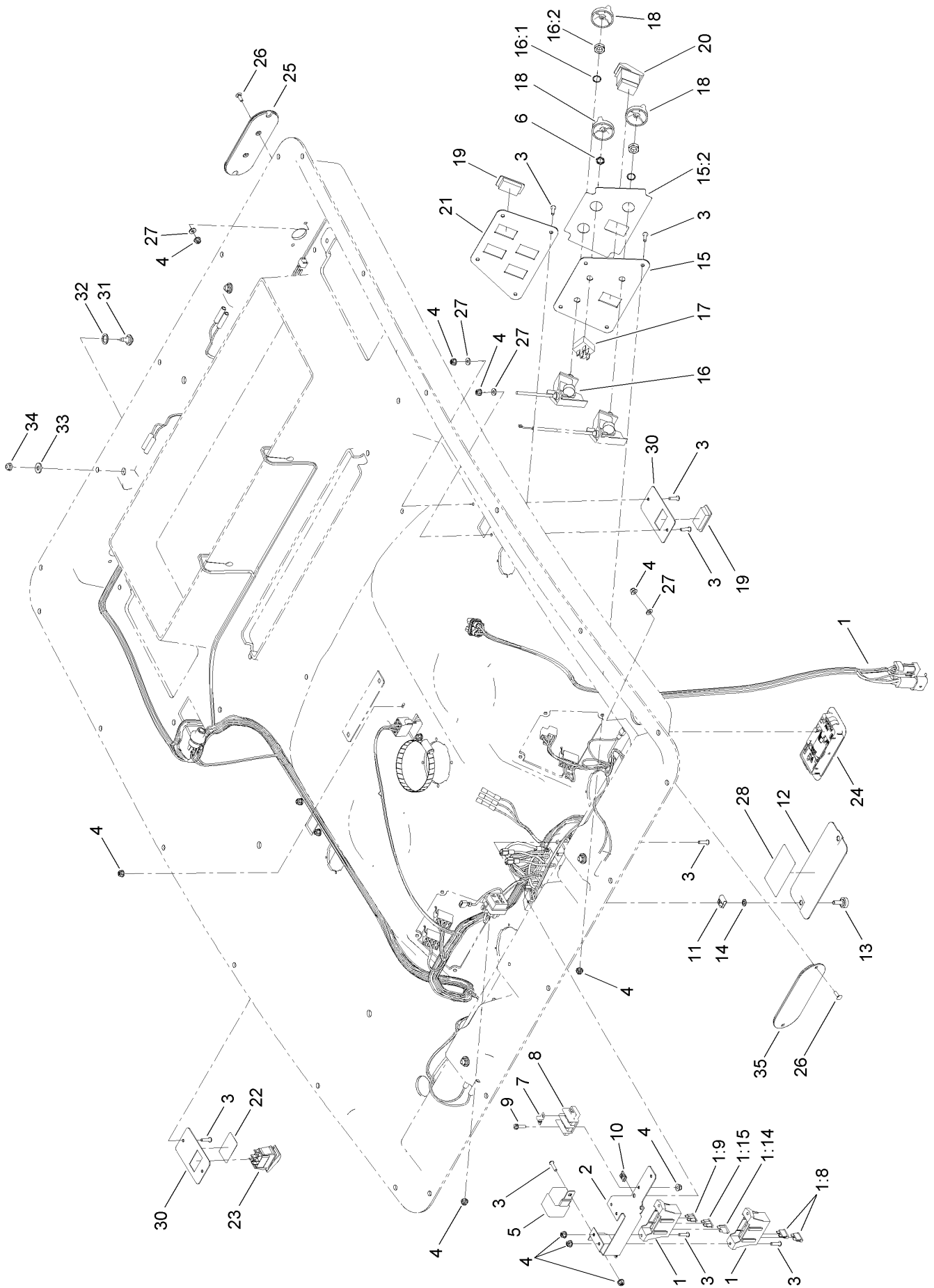
Roof and Headliner Assembly



Roof and Headliner Assembly (continued)

<i>Ref.</i>	<i>Part Number</i>	<i>Qty.</i>	<i>Description</i>	<i>Ref.</i>	<i>Part Number</i>	<i>Qty.</i>	<i>Description</i>
1	121-8470	1	Headliner	22	130-5927	2	Adapter-Bleed
2	121-8495	1	Box-Mixing, Heater A/C	23	132-3601	1	Roof ASM
3	130-0558	3	Backplate-Rivet	23:1	132-3602	1	Roof
4	130-5938	2	Tube-Support	23:2	130-5961	4	Seal-Corner
5	104-7201	24	Nut-HF, NI	23:3	130-5960	2	Seal-Side
6	130-5860	2	Hose-Vent	23:4	130-5962	2	Seal-Front, Rear
7	130-0455	2	Louver-Round, Snap-In	24	136-8674	22	Bolt-Pivot, Eccentric
8	125-7503	20	Rivet-Pop	25	130-5939	4	Tube-Support
9	130-0465	3	Louver-Round, Snap-In (4 Inch)	27	130-5999	1	Drier-Receiver
10	121-8473	2	Hose-Intake, Fresh Air	29	3334-945	2	Tie-Cable
11	130-5861	1	Hose-Vent, Outer (LH)	30	3274-69	2	Screw-HSBH
12	121-8477	1	Hose-Vent, Defrost (LH)	31	3256-1	2	Washer-Flat
13	130-0437	1	Hose-Vent, Center	33	119-4501	1	Switch-Function, Dual
14	121-8478	1	Hose-Vent, Defrost (RH)	34	46-6560	1	Bushing
15	130-5862	1	Hose-Vent, Outer (RH)	35	104-5228	1	Fitting-Elbow, 90 DEG
16	2412-110	11	Clamp-Band/Screw	36	130-0445	4	Backplate-Rivet
17	107069	2	Clip	37	130-0444	1	Foam-Inlet, Airbox
18	125-9532	1	Filter-Cab, Inside	38	2412-130	2	Clamp-Hose
19	125-9604-03	1	Plate-Cover, Recirculation	39	132-3474	2	Insert-Seal, Filter
20	125-7438	2	Knob-Screw, Thumb	40	132-1461-03	2	Strap-Cab, Side
21	106-8737	2	Nut-Retainer	41	132-1462-03	2	Strap-Cab
				42	3256-74	22	Washer-Flat

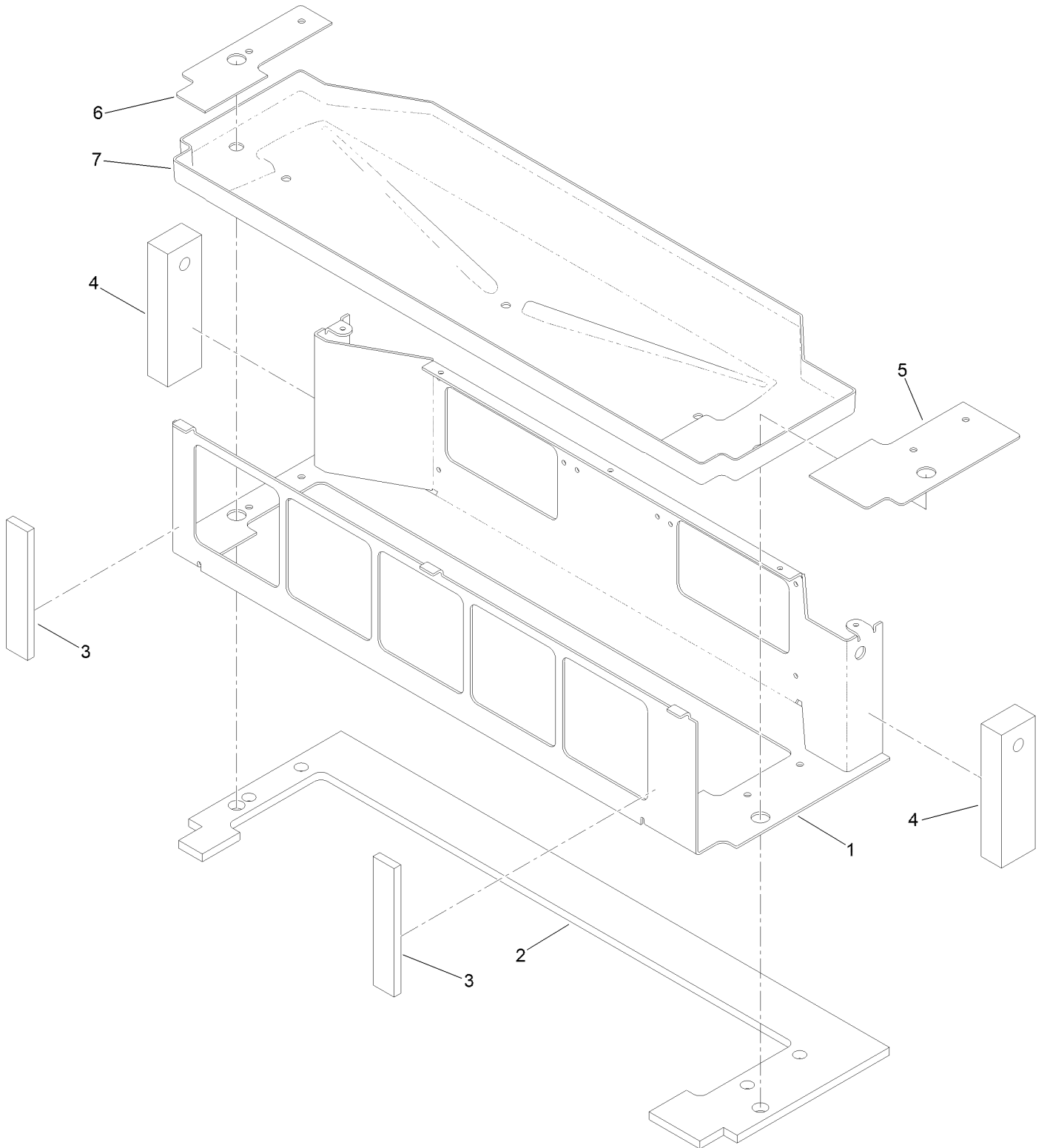
Headliner Wire Harness and Control Assembly



Headliner Wire Harness and Control Assembly (continued)

<i>Ref.</i>	<i>Part Number</i>	<i>Qty.</i>	<i>Description</i>	<i>Ref.</i>	<i>Part Number</i>	<i>Qty.</i>	<i>Description</i>
1	122-0723	1	Harness-Wire, Headliner	16:1	3254-20	1	Washer-Lock, Int
1:8	109355	2	Fuse-Blade, 15 Amp	16:2	3220-4	1	Nut-Jam
1:9	109103	1	Fuse-Blade, 30 Amp	17	122-0150	1	Switch, Rotary
1:14	109101	1	Fuse-Blade, 20 Amp	18	125-9510	3	Knob-Control
1:15	109102	1	Fuse-Blade, 25 Amp	19	99-7420	6	Plug-Hole
2	125-9606-03	1	Bracket-Fuse Block	20	95-8999	1	Switch-Rocker, On-None-On
3	104-2408	22	Screw-HSBH	21	125-9691-03	1	Panel-Switch, Lights
4	120-4578	29	Nut-HF	22	125-9688	1	Decal-Washer
5	99-7430	1	Relay-Mini	23	119-8355	1	Switch-Rocker
6	130-0588	1	Nut-Switch	24	125-7437	1	Light-Dome
7	42863	1	Strip-Jumper	25	130-5867	2	Cover-Light, Rear
8	42862	1	Block-Terminal, Ground	26	3229-34	8	Screw-CARR
9	32105-13	3	Screw-HWH	27	3256-14	14	Washer-Flat
10	107-1013	4	Nut-Speed	28	132-3600	1	Decal-Panel, Fuse
11	609900	2	Nut-Speed	30	130-0436	3	Panel-Switch
12	125-9603-03	1	Plate-Cover, Fuse	31	92-9698	4	Screw-Shoulder
13	125-7438	2	Knob-Screw, Thumb	32	94-8196	4	Washer-Nylon
14	106-8737	2	Nut-Retainer	33	3256-2	4	Washer-Flat
15	121-8481	1	Panel-Air/Heat	34	104-7201	4	Nut-HF, NI
15:2	121-8378	1	Decal, Air/Heat	35	130-5868	2	Cover-Light, Front
16	125-9677	1	Control-Rotary, Linear				

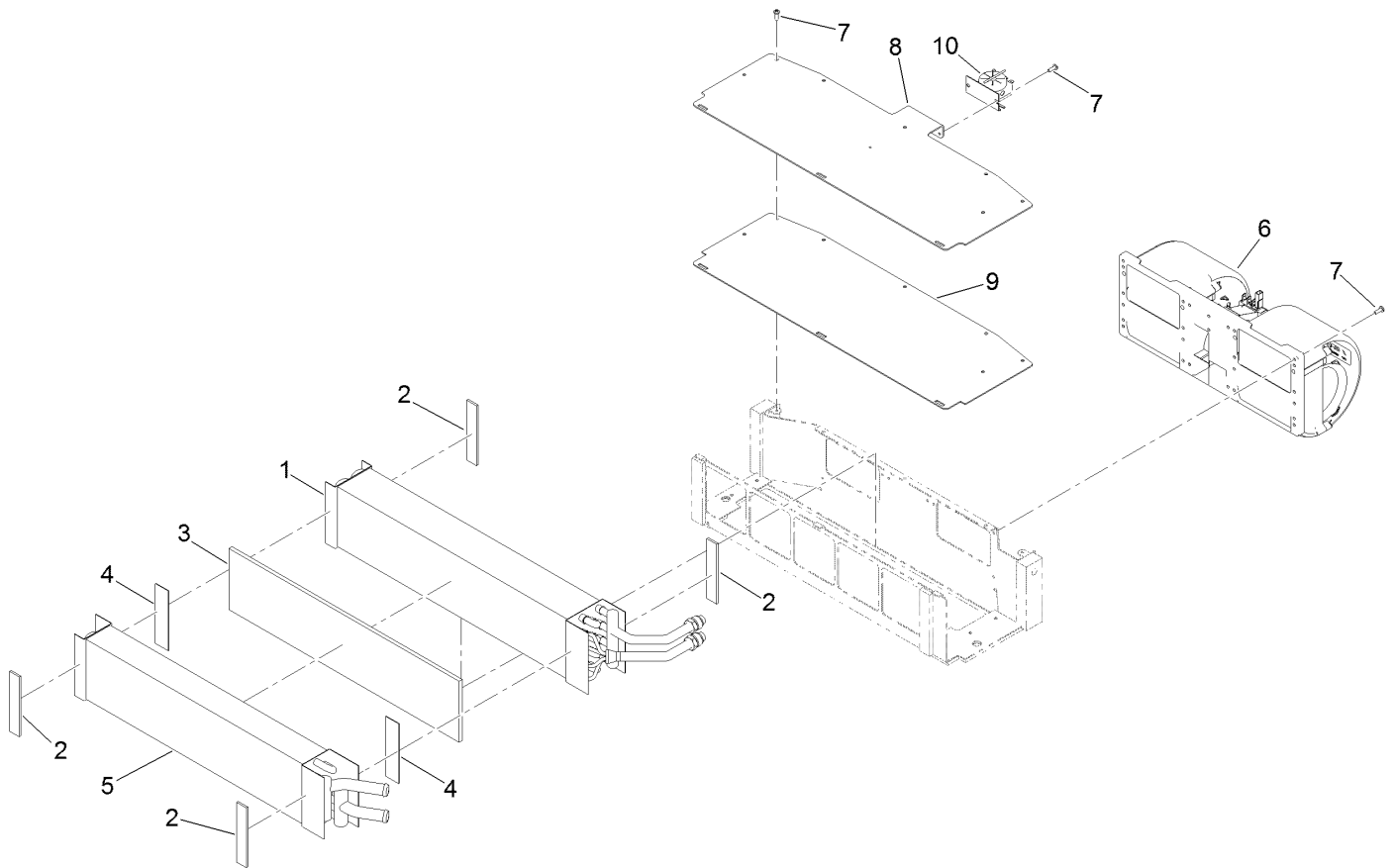
Mixing Box Mounting Bracket and Water Tray Assembly



Mixing Box Mounting Bracket and Water Tray Assembly (continued)

<i>Ref.</i>	<i>Part Number</i>	<i>Qty.</i>	<i>Description</i>	<i>Ref.</i>	<i>Part Number</i>	<i>Qty.</i>	<i>Description</i>
1	130-5655-03	1	Bracket-Mount	5	130-5653	1	Gasket-Mount, LH Bracket
2	130-5659	1	Seal-Foam	6	130-5654	1	Gasket-Mount, RH Bracket
3	130-5808	2	Seal-Foam, Front	7	130-5660	1	Tray-Water
4	130-0602	2	Seal-End				

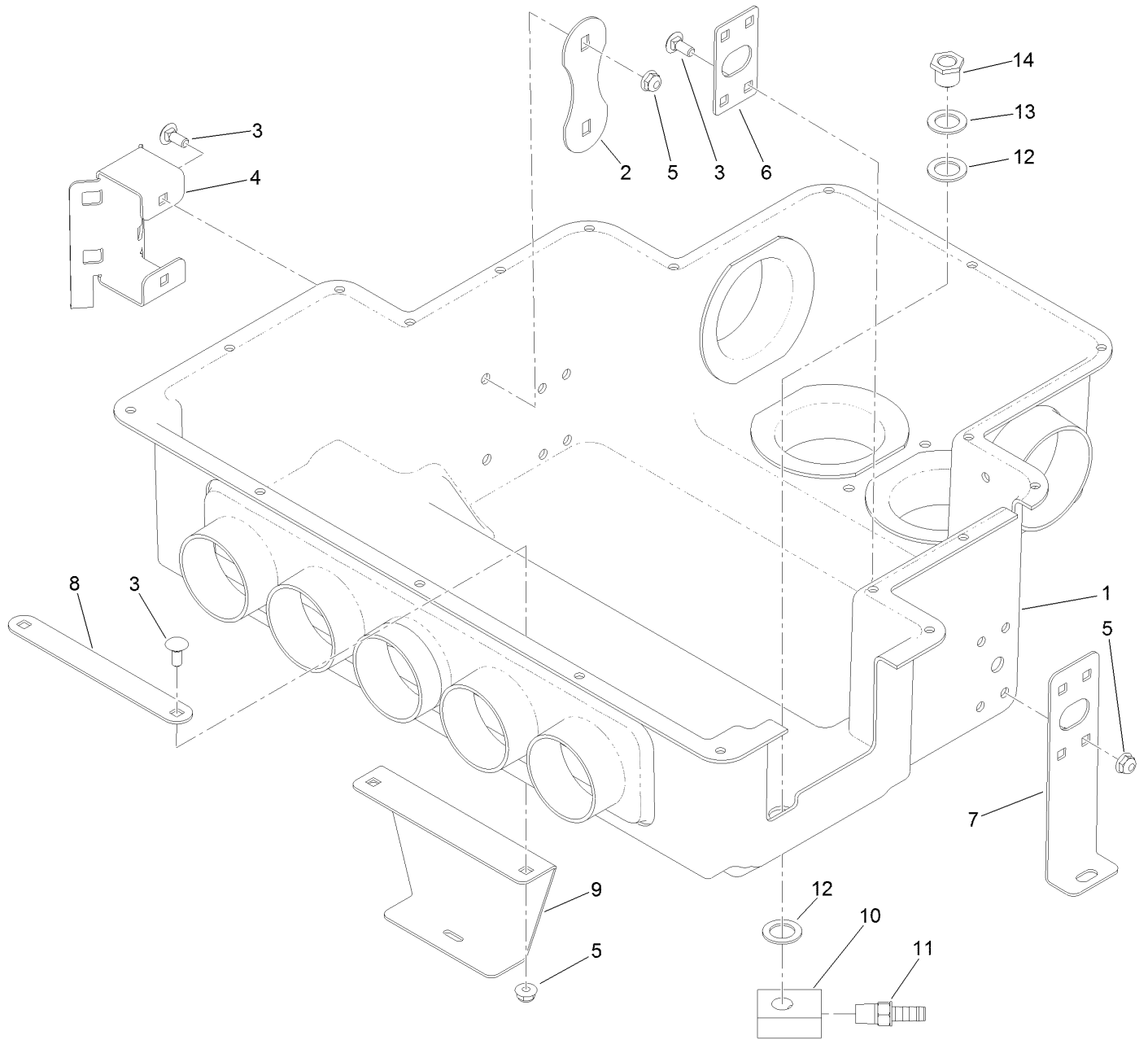
Blower Fan and Evaporator Core Assembly



Blower Fan and Evaporator Core Assembly (continued)

<i>Ref.</i>	<i>Part Number</i>	<i>Qty.</i>	<i>Description</i>	<i>Ref.</i>	<i>Part Number</i>	<i>Qty.</i>	<i>Description</i>
1	130-5392	1	Core-Evaporator	7	363-8245	13	Screw-TAP
2	130-5658	4	Gasket-Coil	8	130-5656-03	1	Cover, Bracket-Mount
3	130-5807	1	Foam	9	130-5652	1	Gasket-Mount, Cover Bracket
4	130-5806	2	Tape, Double-Sided	10	121-8385	1	Thermostat-Switch, Freeze
5	127-9915	1	Core-Heater				
6	121-8451	1	Fan-Blower				

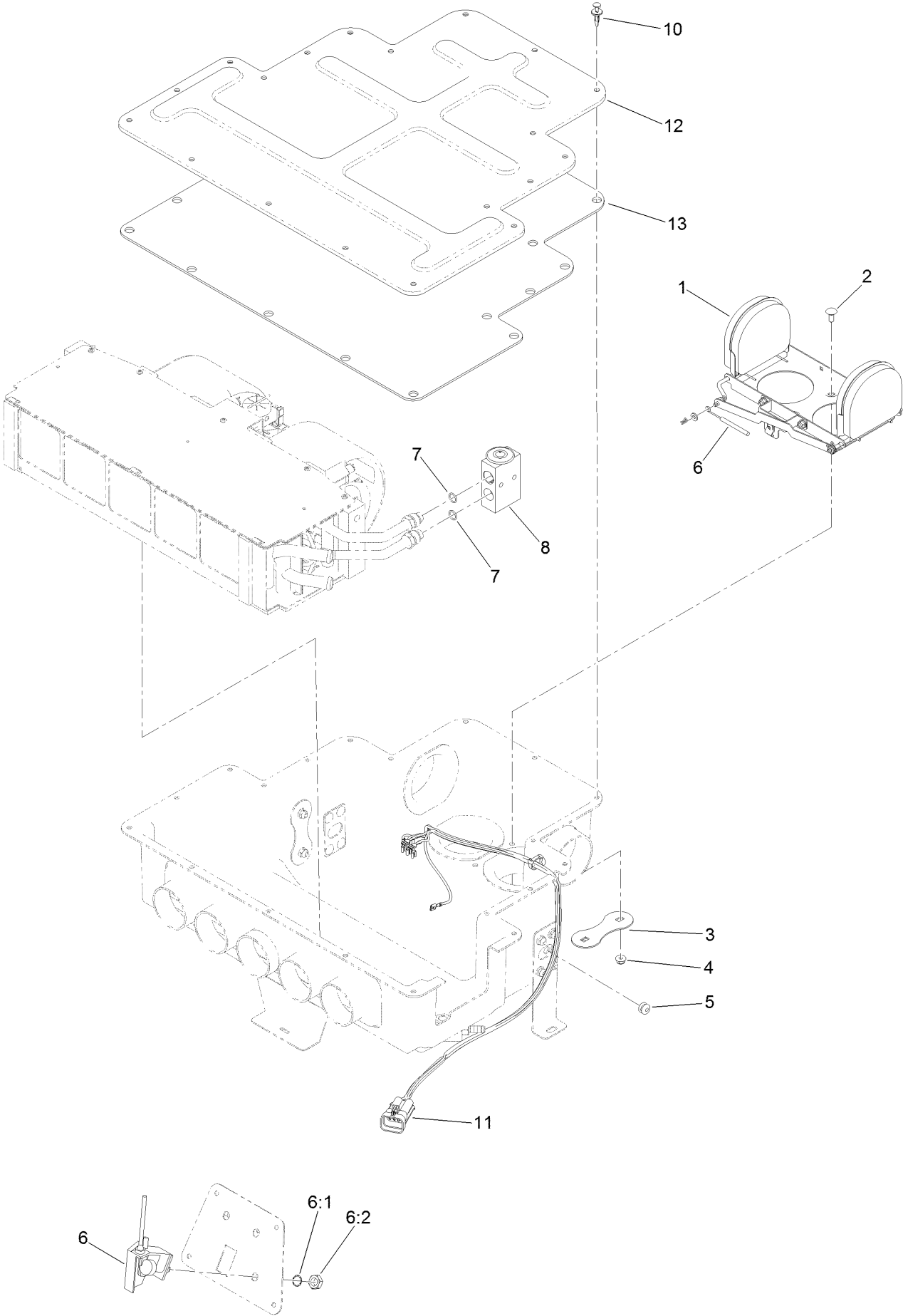
Heat/Air Conditioner Housing Assembly



Heat/Air Conditioner Housing Assembly (continued)

<i>Ref.</i>	<i>Part Number</i>	<i>Qty.</i>	<i>Description</i>	<i>Ref.</i>	<i>Part Number</i>	<i>Qty.</i>	<i>Description</i>
1	130-5830	1	Housing-Heat/AC	8	125-7504	1	Plate-Backer, Center
2	121-8491	1	Plate-Support	9	130-0554	1	Bracket-Airbox, Center
3	3229-11	12	Screw-CARR	10	130-5601	2	Drain-Lower
4	121-8490	1	Bracket-Mount, Drier	11	108-0342	2	Fitting-Straight
5	104-7201	12	Nut-HF, NI	12	121-6840	4	Washer-Rubber
6	130-5834	2	Bracket-Support	13	107-3041	2	Washer-Flat
7	130-5821	2	Bracket-Airbox, Side	14	130-0293	2	Drain-Upper

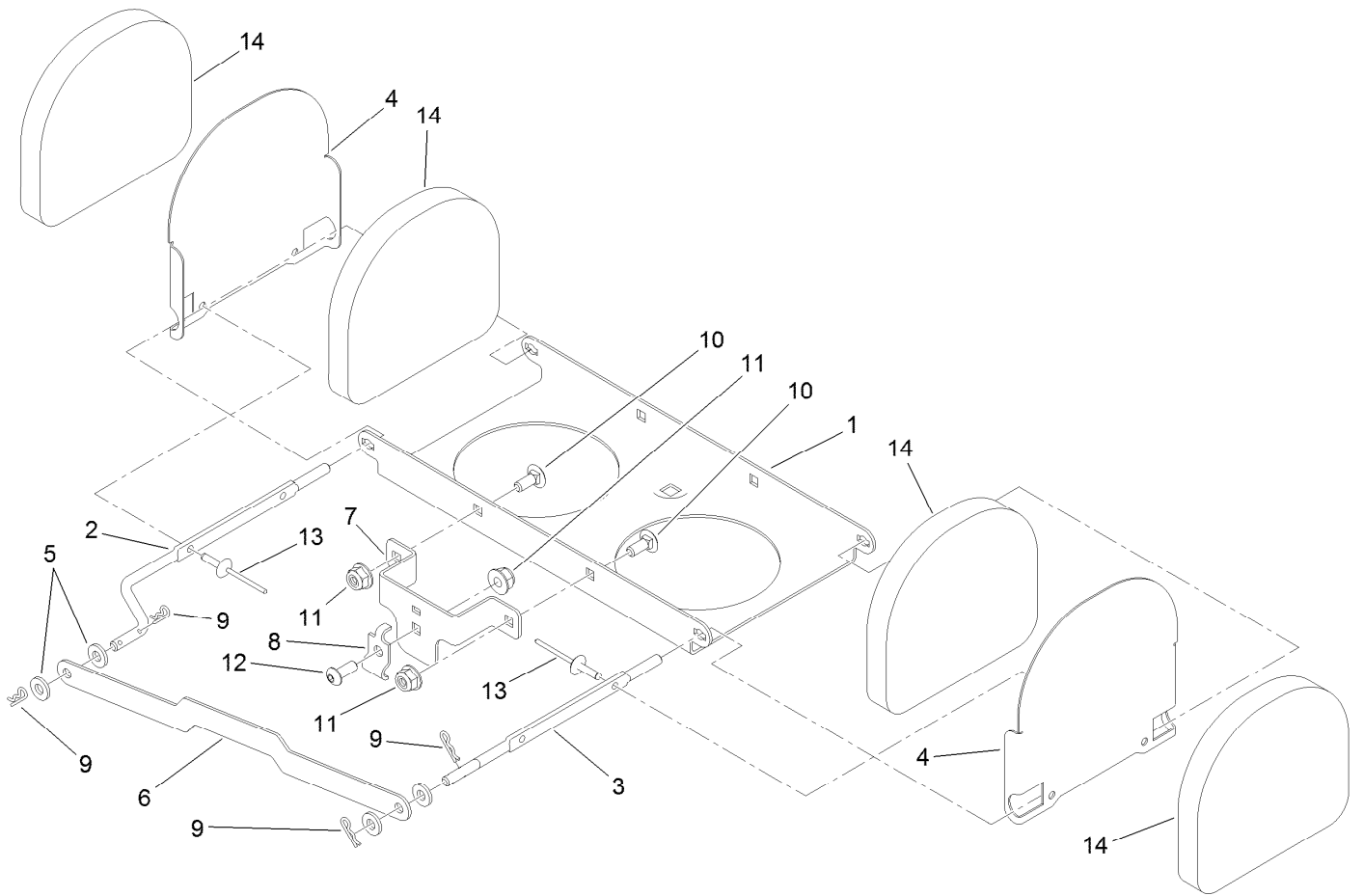
Air Diverter and Expansion Valve Assembly



Air Diverter and Expansion Valve Assembly (continued)

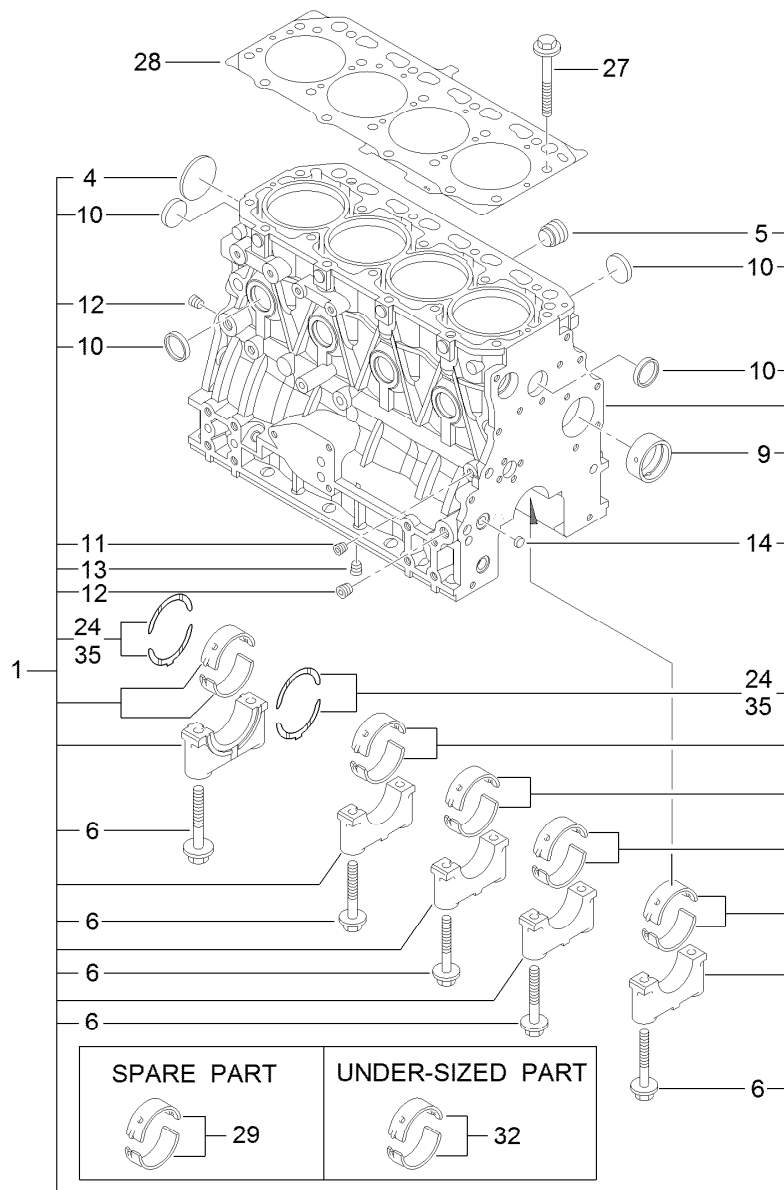
<i>Ref.</i>	<i>Part Number</i>	<i>Qty.</i>	<i>Description</i>	<i>Ref.</i>	<i>Part Number</i>	<i>Qty.</i>	<i>Description</i>
1	121-8369	1	Air Diverter ASM	7	125-9524	2	O-Ring
2	3229-11	2	Screw-CARR	8	121-8384	1	Valve-Expansion
3	121-8491	1	Plate-Support	10	125-9622	19	Rivet-Blind
4	104-7201	2	Nut-HF, NI	11	122-0153	1	Harness-Wire, Heat/AC Blower
5	125-7528	1	Grommet-Cable	12	121-8449	1	Housing-Ventilation, Upper
6	125-9678	1	Control-Rotary, Linear	13	130-5614	1	Insulation-Cover
6:1	3254-20	1	Washer-Lock, Int				
6:2	3220-4	1	Nut-Jam				

Air Diverter Assembly No. 121-8369



Air Diverter Assembly No. 121-8369 (continued)

<i>Ref.</i>	<i>Part Number</i>	<i>Qty.</i>	<i>Description</i>	<i>Ref.</i>	<i>Part Number</i>	<i>Qty.</i>	<i>Description</i>
1	125-9697	1	Base-Mount	8	121-8256	1	Clamp-Conduit
2	121-8381	1	Shaft-Baffle, RH	9	108-2992	4	Pin-Hair
3	121-8382	1	Shaft-Baffle, LH	10	1-807513	2	Bolt-CARR
4	125-9698	2	Baffle-Air	11	120-4578	3	Nut-HF
5	3256-51	4	Washer-Flat	12	115-9830	1	Screw-HSBH
6	125-9696	1	Link-Baffle	13	3290-271	4	Rivet-Pop
7	121-8374	1	Mount-Cable	14	125-9699	4	Damper-Foam



Cylinder Block Assembly

<i>Ref.</i>	<i>Part Number</i>	<i>Qty.</i>	<i>Description</i>	<i>Ref.</i>	<i>Part Number</i>	<i>Qty.</i>	<i>Description</i>
1	127-3127	1	Cylinder Block ASM	13	125-6973	1	Plug
4	125-6980	1	Plug	14	125-7237	1	Plug
5	125-7170	1	Plug	24	125-7010	2	Metal-Thrust
6	125-7007	10	Bolt	27	125-7006	18	Bolt
9	125-7108	1	Bushing	28	127-3126	1	Gasket-Head, Cylinder
10	125-7239	8	Plug	29	125-6981	5	Metal-Main
11	125-6969	1	Plug	32	125-7009	5	Metal-Main (0.25)
12	125-6973	2	Plug	35	125-7011	1	Metal-Thrust (0.25)



Gear Housing Assembly

<i>Ref.</i>	<i>Part Number</i>	<i>Qty.</i>	<i>Description</i>	<i>Ref.</i>	<i>Part Number</i>	<i>Qty.</i>	<i>Description</i>
1	127-3023	1	Case-Gear	11	125-6944	1	Seal-Oil
2	125-6995	2	Pin	12	125-6977	1	Cover
3	125-6972	1	Cover-Filler	13	125-7174	1	Washer-Seal
4	125-7107	2	Pipe	14	125-7214	4	Bolt
5	125-6909	2	O-Ring	15	125-7217	1	Bolt
6	127-2973	1	O-Ring	16	125-7218	7	Bolt
7	125-7197	1	O-Ring	17	125-7222	3	Bolt
8	125-7214	3	Bolt	18	125-7224	4	Bolt
9	127-3024	1	Gearcase Cover ASM				

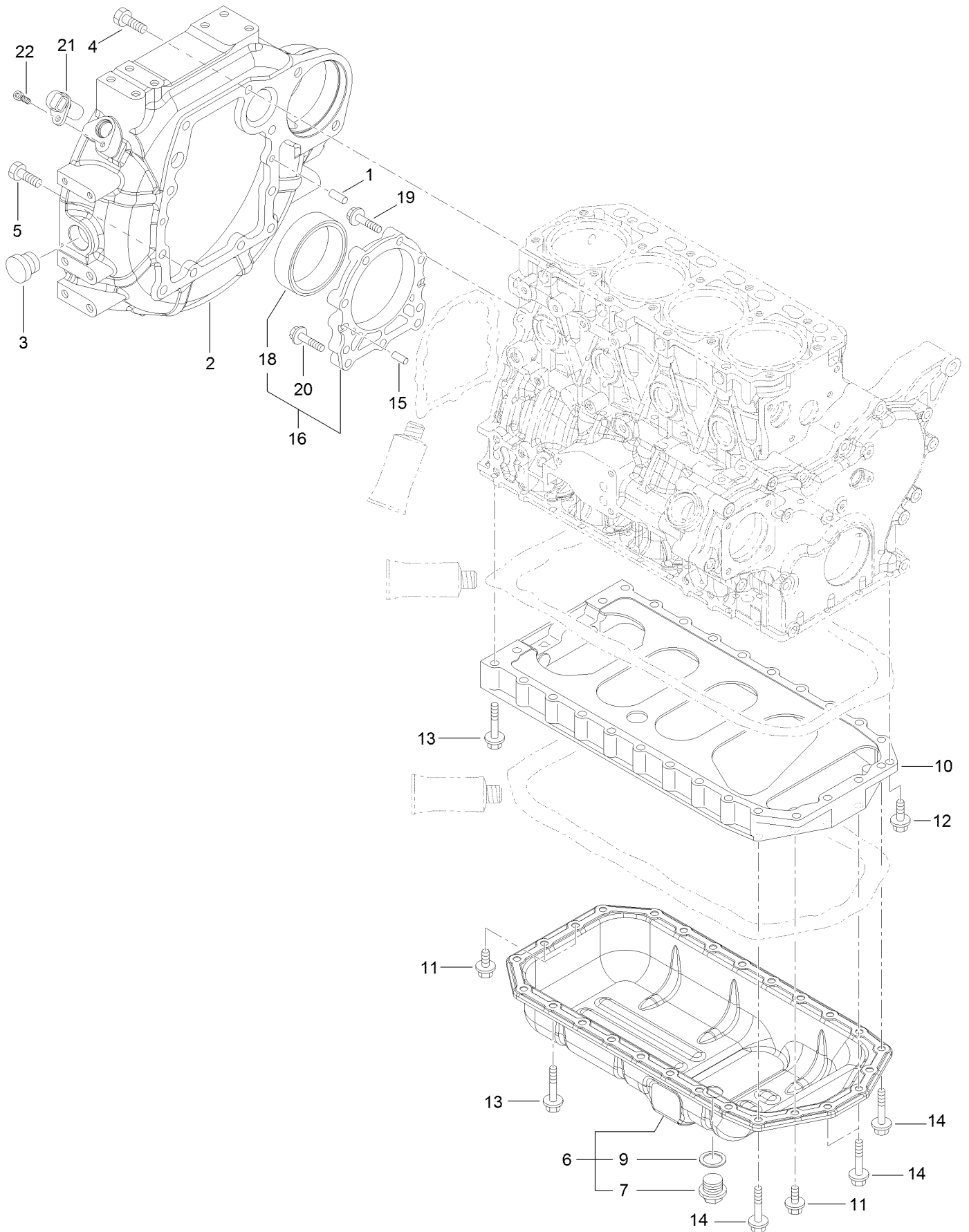
Cylinder Head and Cover Assembly



Cylinder Head and Cover Assembly (continued)

<i>Ref.</i>	<i>Part Number</i>	<i>Qty.</i>	<i>Description</i>	<i>Ref.</i>	<i>Part Number</i>	<i>Qty.</i>	<i>Description</i>
1	127-3005	1	Shaft ASM	42	125-6961	1	Plate-Breather
2	127-3006	1	Shaft	43	125-6962	1	Spring-Diaphragm
4	127-2974	2	Support	45	127-3106	1	Gasket-Cover
5	127-2975	3	Support	46	127-3026	1	Joint
6	127-2995	4	Spring	47	125-6994	1	Spring
7	127-2989	8	Arm-Rocker	48	127-3029	1	Sensor-Pressure
8	125-7013	8	Screw-Adjust, Valve	49	127-3032	2	O Ring-Sensor, Pressure
10	125-7014	8	Nut	50	127-3040	1	Hose ASM
11	127-3183	3	Stud	52	127-3041	2	Clip-Hose
12	127-2996	8	Cap-Valve	53	125-6913	1	Plug
13	127-3132	1	Cylinder Head ASM	54	125-7186	4	Screw
21	125-7240	2	Plug	55	125-7186	6	Screw
22	127-2990	4	Valve	56	125-7186	1	Screw
23	127-3012	8	Spring	57	127-3184	2	Bolt
24	127-2994	4	Valve	58	125-6974	3	Knob
25	127-3013	8	Retainer-Spring	59	127-2978	1	Plug
26	127-2986	4	Seal-Stem, Valve	60	93-0418	3	O-Ring
27	127-3027	4	Seal-Stem, Valve	61	127-3128	1	Joint-Breather
28	127-3186	8	Pin-Cotter	62	127-3129	1	Breather Hose ASM
30	127-3021	4	Gasket-Injector	64	125-7040	2	Clip-Hose
31	127-3028	4	Retainer-Injector	66	127-3133	1	Hose-Intake
32	127-2980	4	Washer-Injector	67	127-3030	1	Sensor-Temp, Air
33	125-7184	2	Pin-Spring	68	127-3033	1	O-Ring
34	125-7215	3	Bolt	69	125-7190	2	Clamp-Hose
35	125-7217	4	Bolt	70	125-7208	1	Bolt
36	125-7220	7	Bolt	71	127-3130	1	Lifter-Engine
37	127-3131	1	Cylinder Head Cover ASM	72	125-7214	2	Bolt
38	127-2988	1	Plate	73	127-2991	4	Plug-Glow
39	125-7012	1	Baffle	74	127-3123	1	Connector-Glow Plug
40	125-6959	1	Diaphragm	75	127-2979	4	Guide
41	125-6960	1	Plate	76	127-2997	4	Guide-Valve

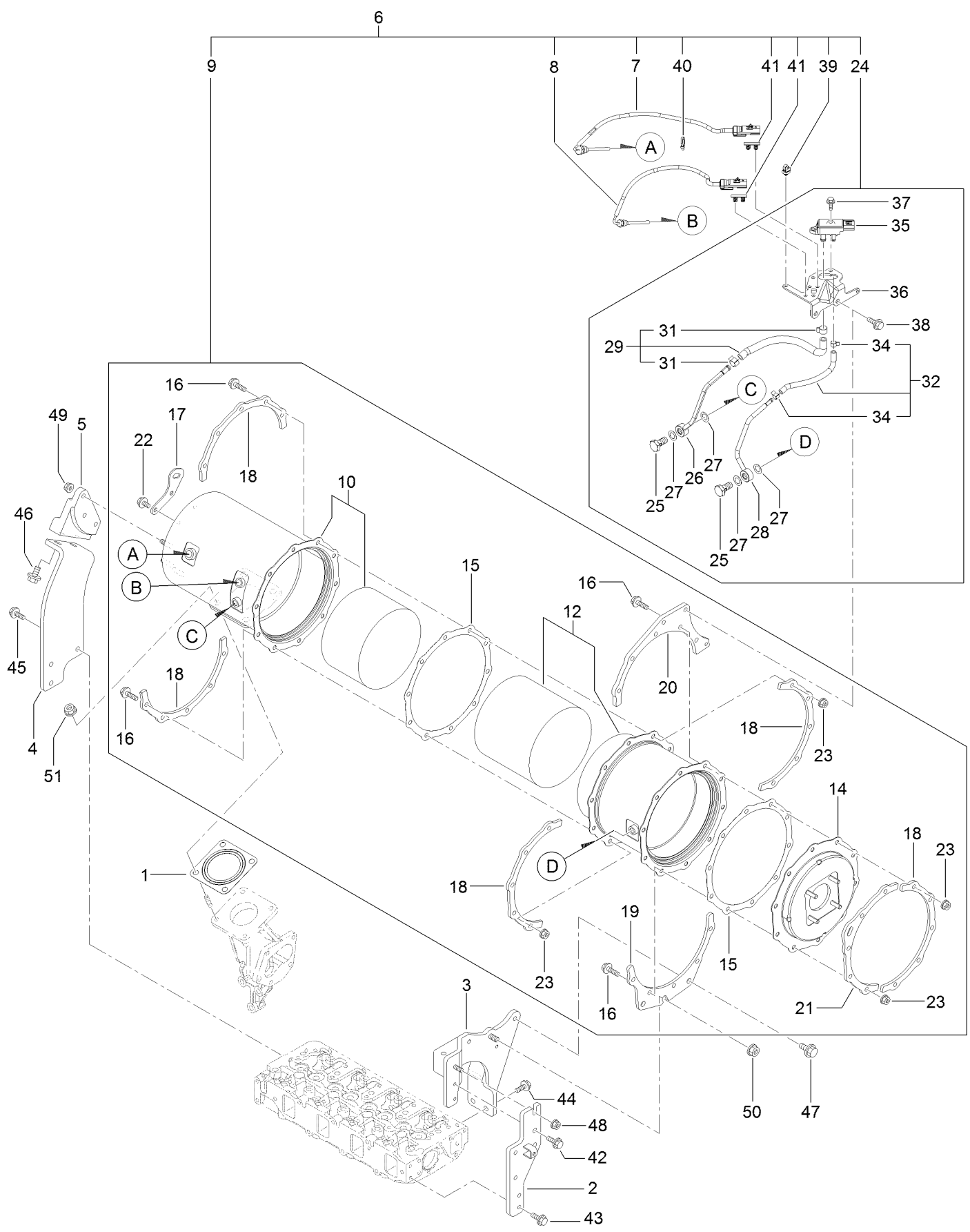
Flywheel Housing and Oil Sump Assembly



Flywheel Housing and Oil Sump Assembly (continued)

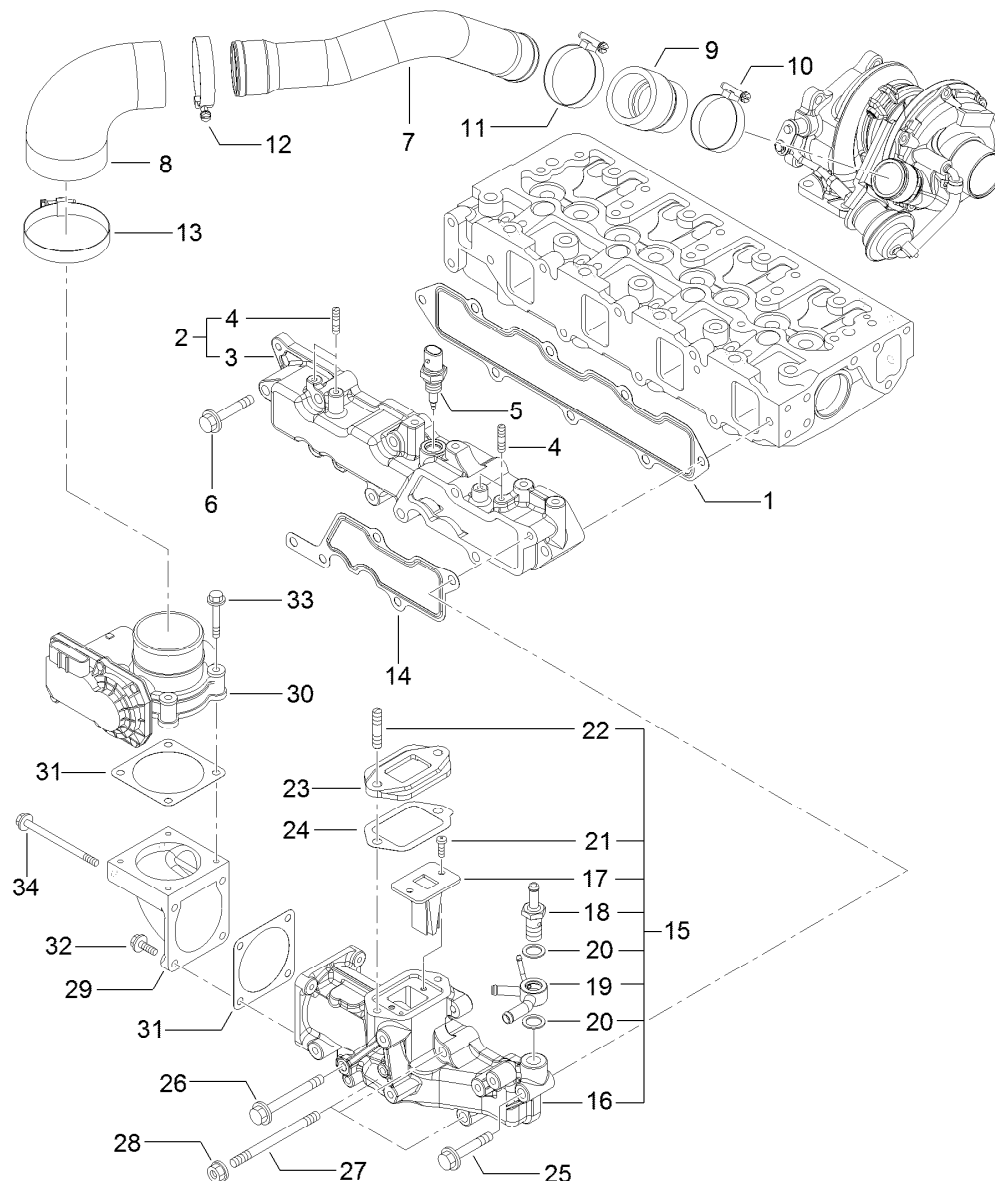
<i>Ref.</i>	<i>Part Number</i>	<i>Qty.</i>	<i>Description</i>	<i>Ref.</i>	<i>Part Number</i>	<i>Qty.</i>	<i>Description</i>
1	125-6995	2	Pin	12	125-7215	2	Bolt
2	127-3025	1	Housing-Flywheel	13	125-7219	20	Bolt
3	125-6910	1	Cap	14	125-7220	4	Bolt
4	125-7226	6	Bolt	15	125-6995	2	Pin
5	125-7227	4	Bolt	16	125-6996	1	Case ASM
6	125-7241	1	Oil Sump ASM	18	125-7106	1	Seal-Oil
7	125-6912	1	Plug-Drain	19	125-7045	6	Bolt
9	125-7177	1	Washer-Seal	20	125-7217	3	Bolt
10	125-7035	1	Spacer	21	127-3062	1	Sensor-Rev, Flywheel
11	125-7214	4	Bolt	22	127-3184	1	Bolt

Diesel Particulate Filter Assembly



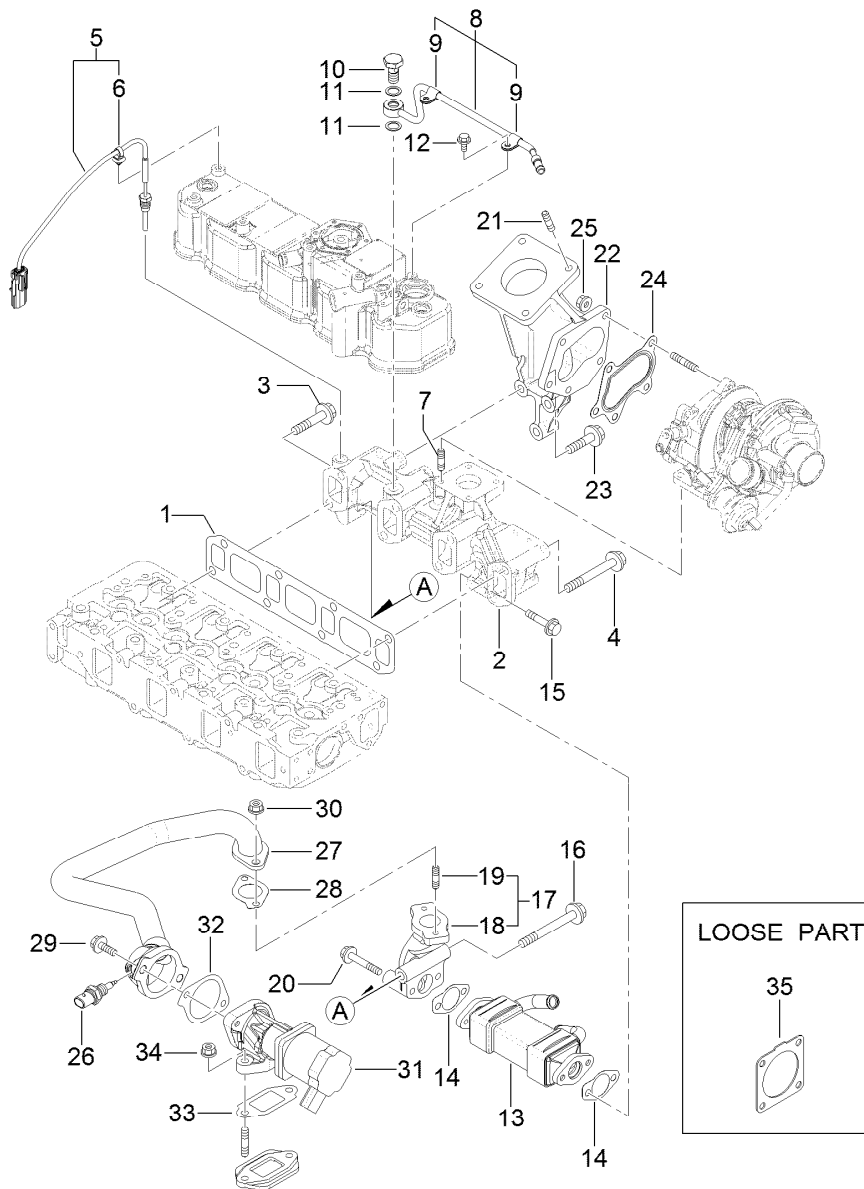
Diesel Particulate Filter Assembly (continued)

<i>Ref.</i>	<i>Part Number</i>	<i>Qty.</i>	<i>Description</i>	<i>Ref.</i>	<i>Part Number</i>	<i>Qty.</i>	<i>Description</i>
1	127-2987	1	Gasket-Silencer	27	127-3056	4	Gasket-Sensor
2	127-3095	1	Stay-D P F	28	127-3165	1	Exhaust Pressure Pipe ASM
3	127-3148	1	Stay- D P F	29	127-3114	1	Exhaust Hose ASM
4	127-3149	1	Stay-D P F	31	127-3057	2	Clip-Hose
5	127-3150	1	Stay-D P F	32	127-3059	1	Exhaust Pressure Hose ASM
6	127-3159	1	D P F Unit	34	127-3058	2	Clip-Hose
7	127-4764	1	Sensor-Temp, Exhaust	35	127-3060	1	Sensor-Pressure
8	127-3112	1	Sensor-Temp, Exhaust	36	127-3061	1	Bracket-Sensor, Pressure
9	127-3157	1	D P F ASM	37	125-7208	2	Bolt
10	127-3141	1	Case-Doc	38	125-7595	2	Bolt
12	127-3142R	1	Case-Filter, Soot-Recon	39	127-3087	1	Band-Clip
12	127-3142	1	Case-Filter, Soot	40	127-3124	1	Band
14	127-3143	1	Flange-Outlet	41	127-3088	2	Clip-Connector
15	127-3162	2	Gasket-D P F	42	125-7595	2	Bolt
16	127-3055	20	Bolt	43	125-7595	2	Bolt
17	127-3144	1	Lifter-D P F	44	125-7595	2	Bolt
18	127-3145	5	Stiffener-D P F, A	45	125-7595	3	Bolt
19	127-3146	1	Stiffener-D P F, B	46	127-3179	2	Bolt
20	127-3158	1	Stiffener-D P F, D	47	127-3179	2	Bolt
21	127-3147	1	Stiffener-D P F, C	48	125-7229	1	Nut
22	125-7213	2	Bolt	49	125-7229	3	Nut
23	125-7229	20	Nut	50	125-7230	1	Nut
24	127-3163	1	Pressure Sensor Unit	51	125-7230	4	Nut
25	127-3039	2	Bolt-Joint, Pipe				
26	127-3164	1	Exhaust Pressure Pipe ASM				



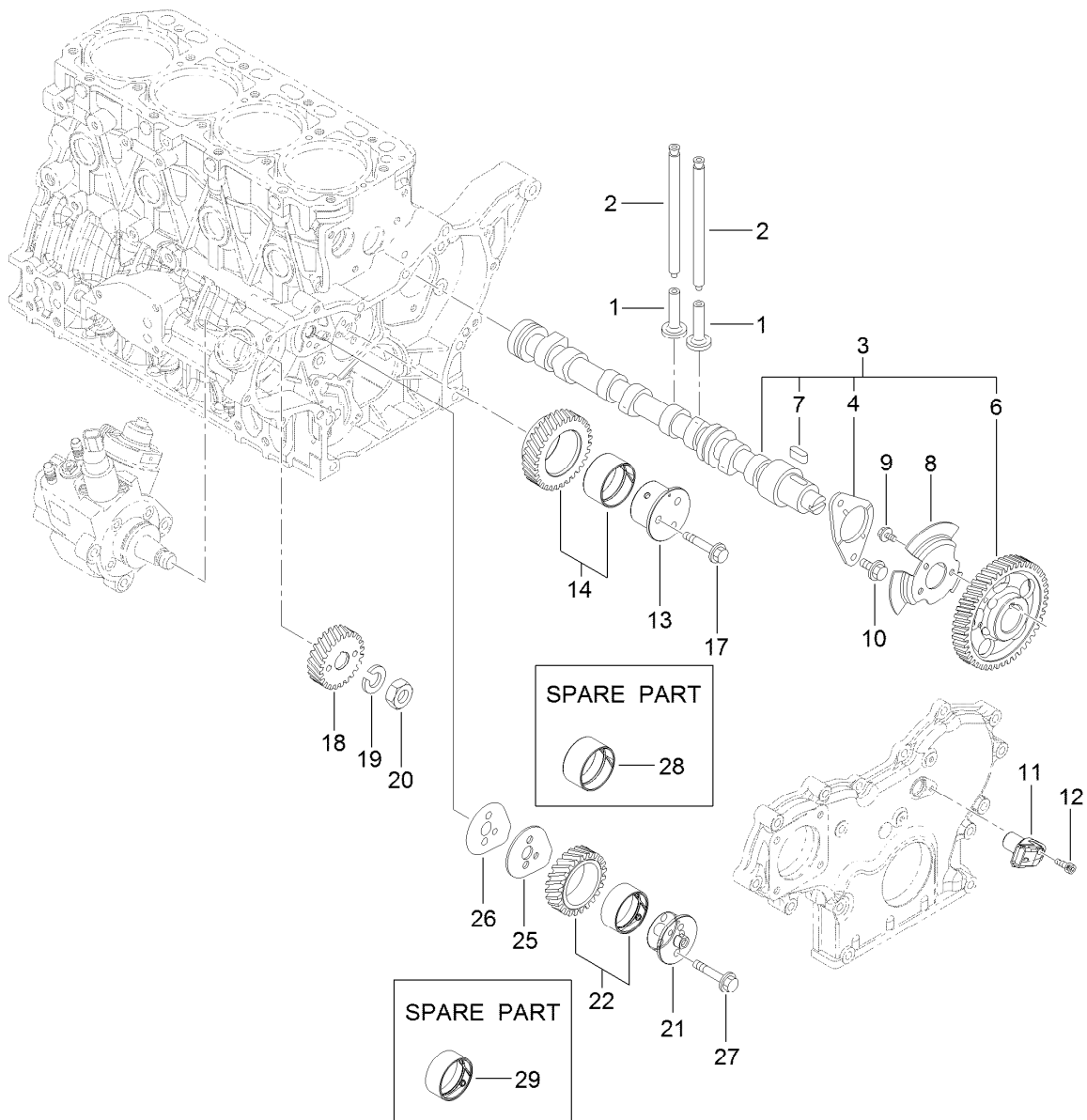
Suction Manifold Assembly

Ref.	Part Number	Qty.	Description	Ref.	Part Number	Qty.	Description
1	127-3107	1	Gasket-Manifold, Intake	18	127-3080	1	Joint-Hose
2	127-3135	1	Intake Manifold ASM	19	127-3081	1	Joint-Hose
3	127-3134	1	Manifold-Intake	20	127-3166	2	Washer-Seal
4	127-3180	4	Stud	21	127-3168	2	Screw
5	127-3031	1	Sensor-Temp, Air	22	127-3181	2	Stud
6	125-7220	5	Bolt	23	127-3045	1	Spacer-Valve, E G R
7	127-3152	1	Duct-Suction	24	127-3046	1	Gasket-E G R
8	127-3096	1	Joint-Rubber	25	125-7220	1	Bolt
9	127-3153	1	Joint-Rubber	26	127-3178	1	Bolt
10	125-7189	1	Clamp-Hose	27	127-3182	3	Stud
11	127-3170	1	Clamp-Hose	28	125-7229	3	Nut
12	125-7190	1	Clamp-Hose	29	127-3035	1	Bend-Inlet
13	127-3171	1	Clamp-Hose	30	127-3036	1	Body-Throttle
14	127-3034	1	Gasket-Collector	31	127-3037	2	Gasket-Throttle
15	127-3093	1	Intake Collector ASM	32	125-7209	2	Bolt
16	127-3092	1	Collector-Intake	33	125-7211	4	Bolt
17	127-3139	1	Valve-Reed	34	127-3177	2	Bolt



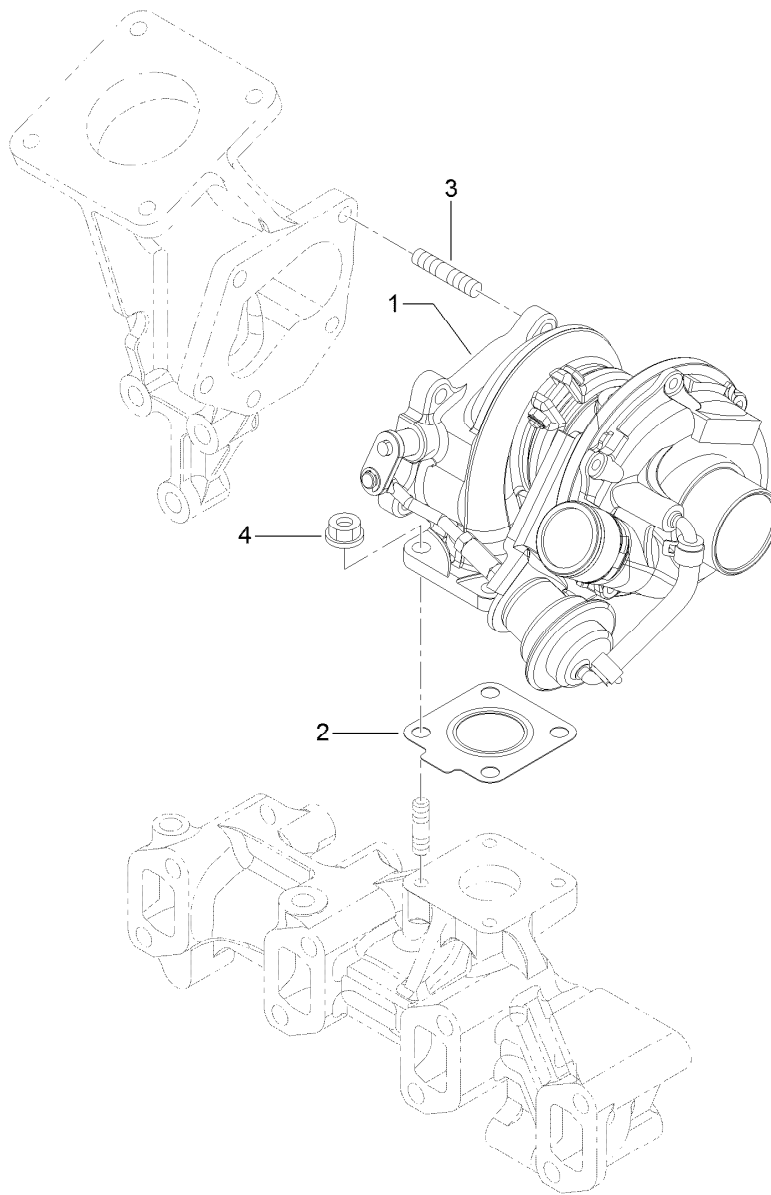
Exhaust Manifold Assembly

Ref.	Part Number	Qty.	Description	Ref.	Part Number	Qty.	Description
1	127-3108	1	Gasket-Manifold, Exhaust	19	125-7043	2	Stud
2	127-3136	1	Manifold-Exhaust	20	125-7220	2	Bolt
3	127-3094	1	Bolt	21	127-2984	4	Stud
4	127-3044	7	Bolt-M10	22	127-3137	1	Pipe-Exhaust
5	127-3140	1	Sensor-Temp, Exhaust	23	127-3138	3	Bolt-Flange
6	127-3087	1	Band-Clip	24	125-7071	1	Gasket
7	125-7043	4	Stud	25	125-7229	5	Nut
8	127-3038	1	Exhaust Pipe ASM	26	127-3047	1	Sensor-Gas Temp, E G R
9	127-3173	2	Clamp	27	127-3109	1	E G R Pipe ASM
10	127-3039	1	Bolt-Joint, Pipe	28	127-3016	1	Gasket
11	127-3174	2	Gasket	29	125-7215	2	Bolt
12	125-7206	2	Bolt	30	125-7229	2	Nut
13	127-3042	1	Cooler-E G R	31	127-3110	1	Valve-E G R
14	127-3043	2	Gasket-Cooler, E G R	32	127-3050	1	Gasket-Intake Valve, E G R
15	127-2976	2	Bolt	33	127-3051	1	Gasket-Out Valve, E G R
16	127-3022	1	Bolt-Flange	34	125-7229	2	Nut
17	127-3048	1	E G R Pipe ASM	35	127-3019	1	Gasket
18	127-3049	1	Pipe-Out, E G R				



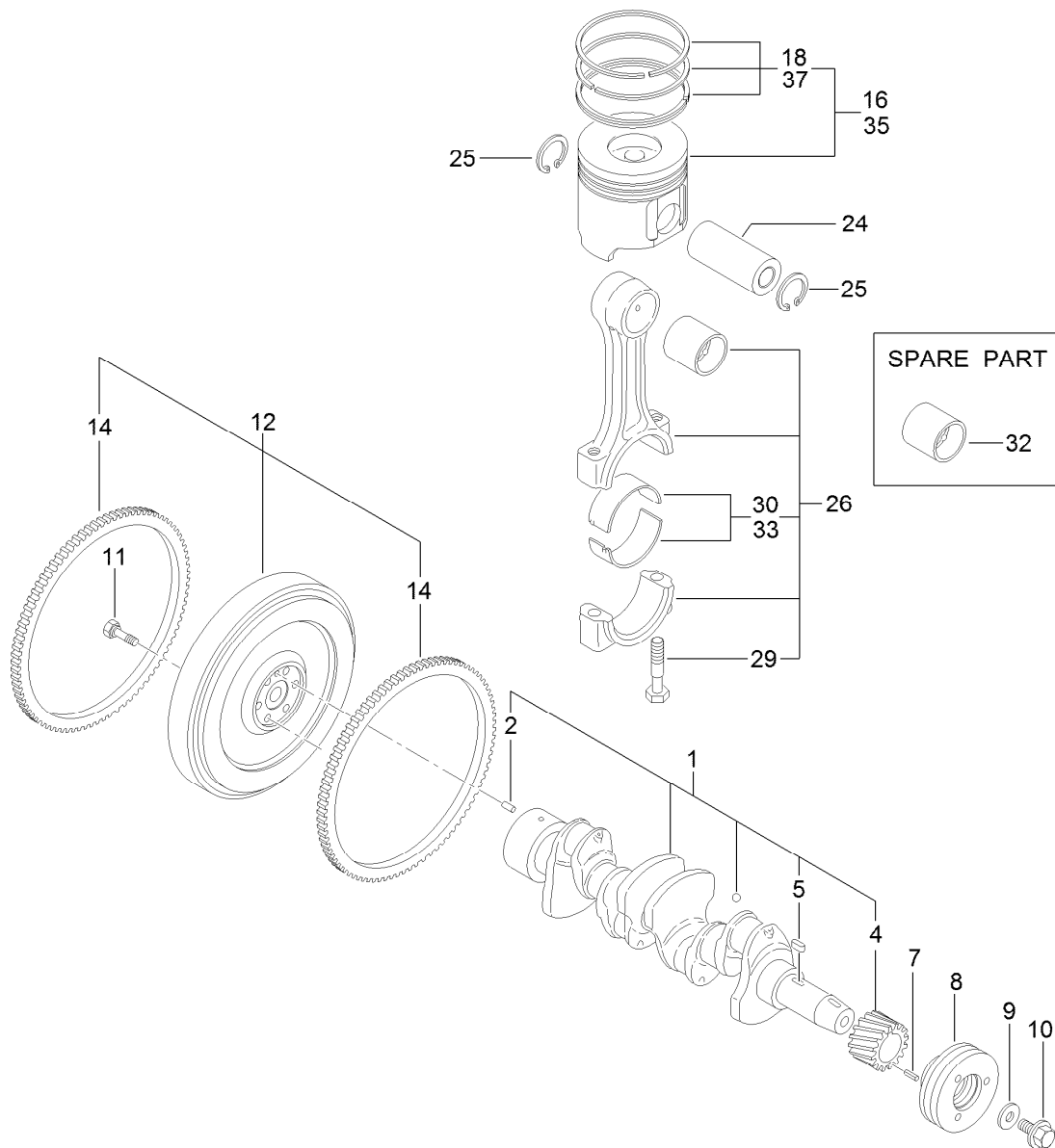
Camshaft and Driving Gear Assembly

Ref.	Part Number	Qty.	Description	Ref.	Part Number	Qty.	Description
1	125-7016	8	Tappet	14	127-3066	1	Idle Gear A ASM
2	125-7017	8	Rod-Push	17	125-7219	3	Bolt
3	127-3113	1	Camshaft ASM	18	127-3070	1	Gear-Pump, Supply
4	125-7008	1	Metal-Thrust	19	127-3167	1	Washer-Spring
6	127-3052	1	Gear-Camshaft	20	127-3185	1	Nut-Lock
7	125-7185	1	Key	21	127-3064	1	Shaft-Idle, Gear B
8	127-3053	1	Pulser-Camshaft	22	127-3067	1	Idle Gear B ASM
9	125-7205	3	Bolt	25	127-3068	1	Plate-Idle, Shaft
10	125-7213	2	Bolt	26	127-3069	1	Gasket-Idle, Shaft B
11	127-3054	1	Sensor-Rev, Gear	27	125-7218	2	Bolt
12	127-3184	1	Bolt	28	125-6927	1	Bushing
13	127-3063	1	Shaft-Idle, Gear A	29	127-3065	1	Bushing



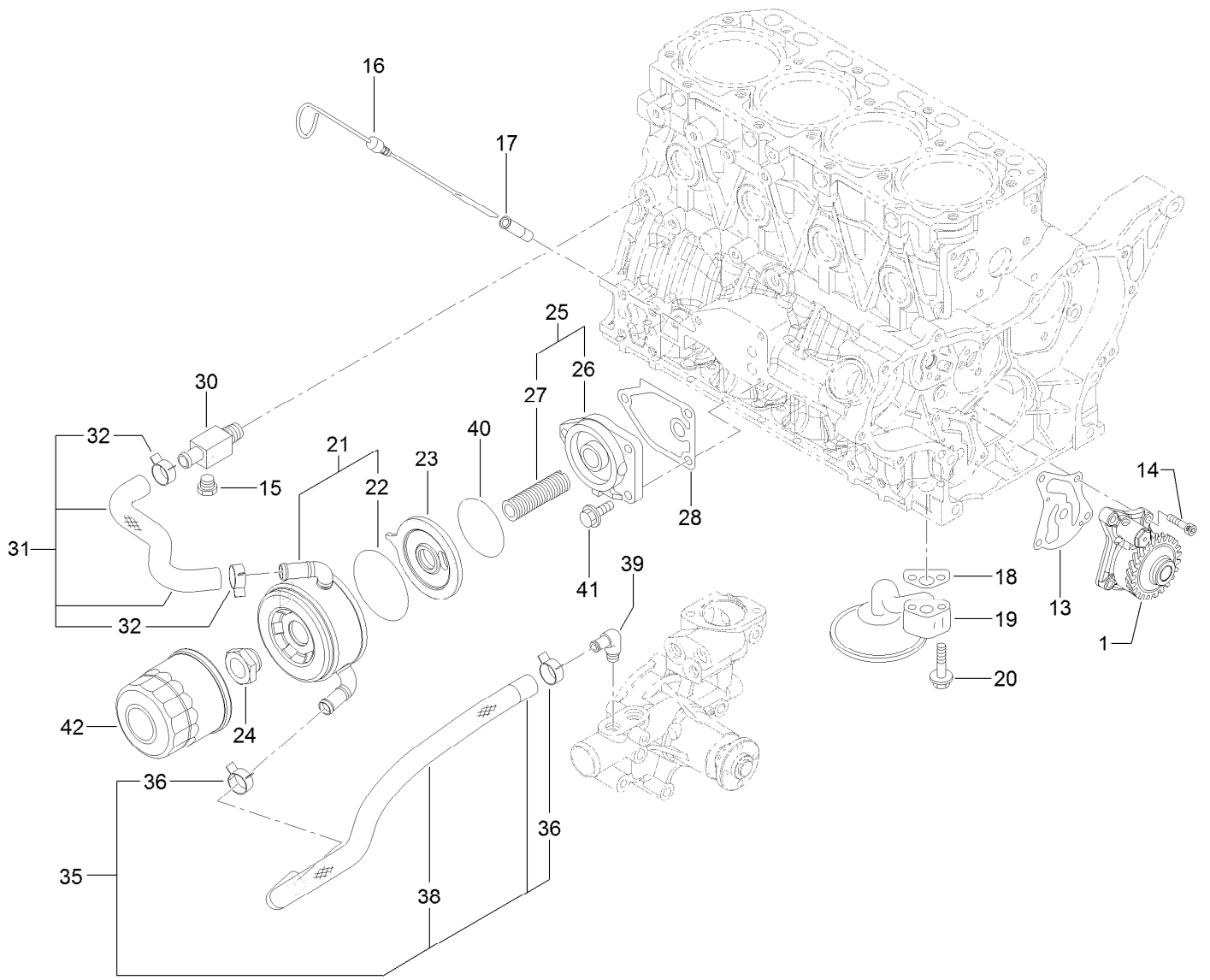
Turbine Assembly

<i>Ref.</i>	<i>Part Number</i>	<i>Qty.</i>	<i>Description</i>
1	127-3151	1	Turbine ASM
2	125-7070	1	Gasket
3	125-6906	5	Stud
4	125-7229	4	Nut



Crankshaft and Piston Assembly

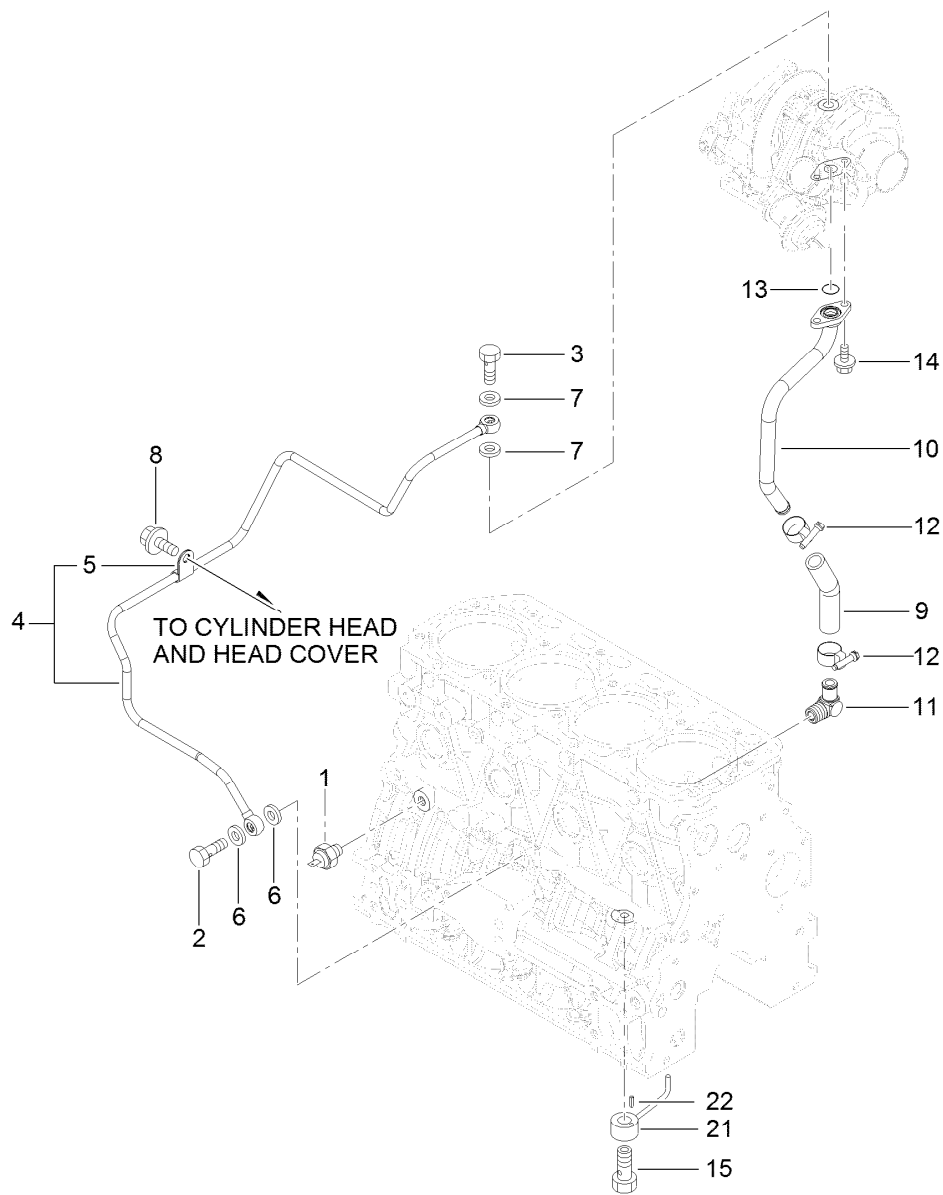
<i>Ref.</i>	<i>Part Number</i>	<i>Qty.</i>	<i>Description</i>	<i>Ref.</i>	<i>Part Number</i>	<i>Qty.</i>	<i>Description</i>
1	125-7091	1	Crankshaft ASM	16	127-3097	4	Piston ASM
2	125-6995	1	Pin	18	127-3098	4	Piston Ring ASM
4	125-6937	1	Gear	24	125-7030	4	Pin
5	125-7185	1	Key	25	125-7180	8	Ring
7	125-7182	1	Pin-Spring	26	125-7242	4	Connecting Rod ASM
8	125-6925	1	V-Pulley	29	125-6955	8	Bolt
9	125-7109	1	Washer	30	125-7018	4	Pin-Crank
10	125-6956	1	Bolt	32	125-6997	4	Pin-Piston
11	125-6951	6	Bolt	33	125-7019	4	Pin-Crank (.25)
12	127-3160	1	Flywheel ASM	35	127-3099	4	Piston ASM (0.25 O.S.)
14	125-6943	1	Gear	37	127-3100	4	Piston Ring ASM (0.25 O.S.)



Lubrication and Oil System Assembly

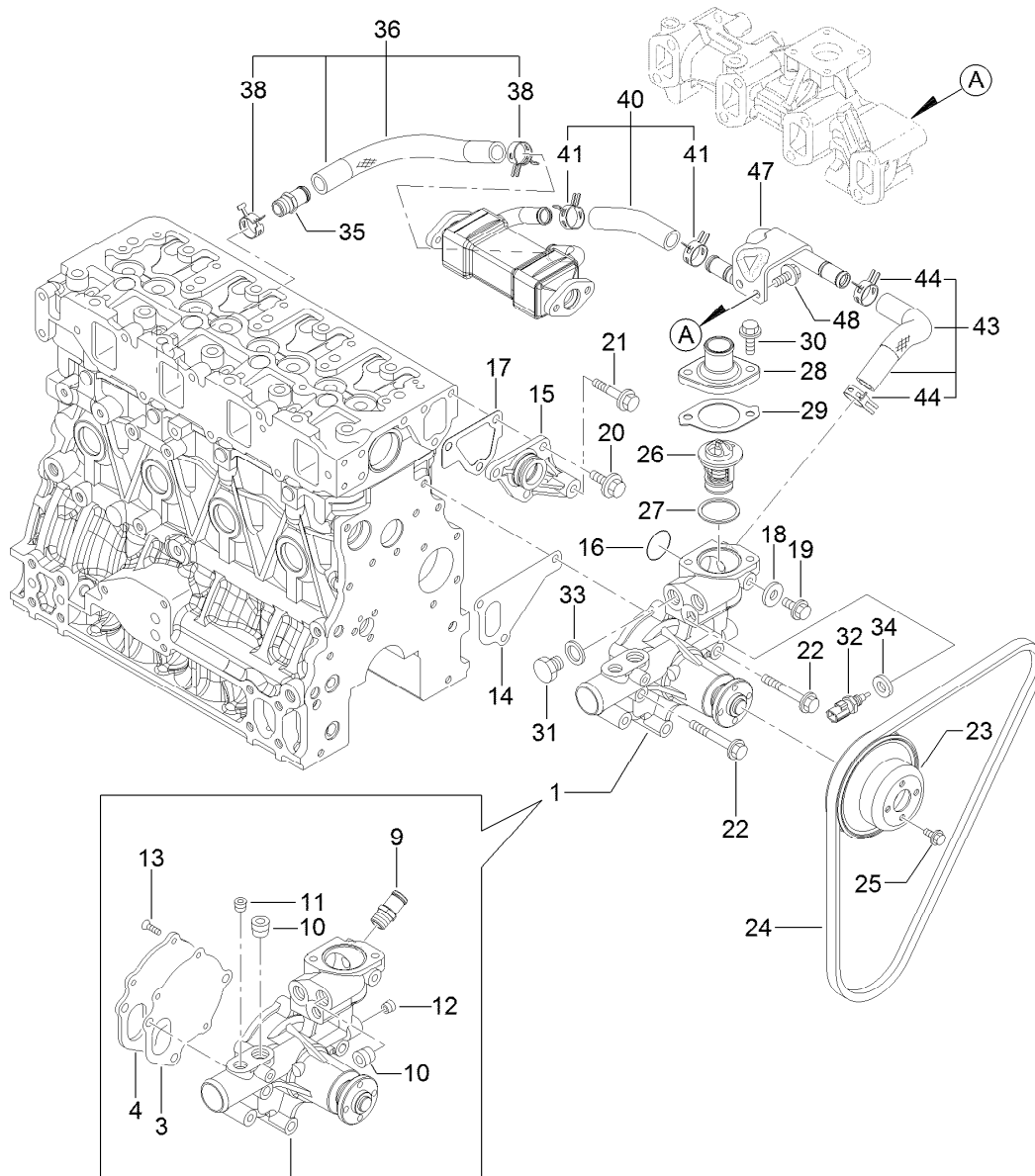
Ref.	Part Number	Qty.	Description
1	127-3101	1	Oil Lube Pump ASM
13	127-3004	1	Gasket
14	125-7232	4	Bolt
15	125-7171	1	Plug-Drain
16	125-6987	1	Dipstick
17	125-6954	1	Guide-Dipstick
18	125-7022	1	Gasket
19	125-7023	1	Pipe ASM
20	125-7217	2	Bolt
21	127-3014	1	Cooler ASM
22	127-2985	1	O-Ring
23	127-3015	1	Bracket-Cooler
24	125-7041	1	Nut-Cooler, Oil
25	127-3009	1	Bracket ASM

Ref.	Part Number	Qty.	Description
26	125-6930	1	Bracket
27	127-3010	1	Stud
28	125-7024	1	Gasket
30	125-6990	1	Joint
31	127-3102	1	Pipe-Cooling, Water
32	125-7162	2	Clip
35	127-3103	1	Hose-Cooling, Water
36	125-7162	2	Clip
38	127-3007	1	Tube
39	125-7001	1	Elbow
40	127-3176	1	O-Ring
41	125-7595	3	Bolt
42	125-7025	1	Filter-Engine, Oil



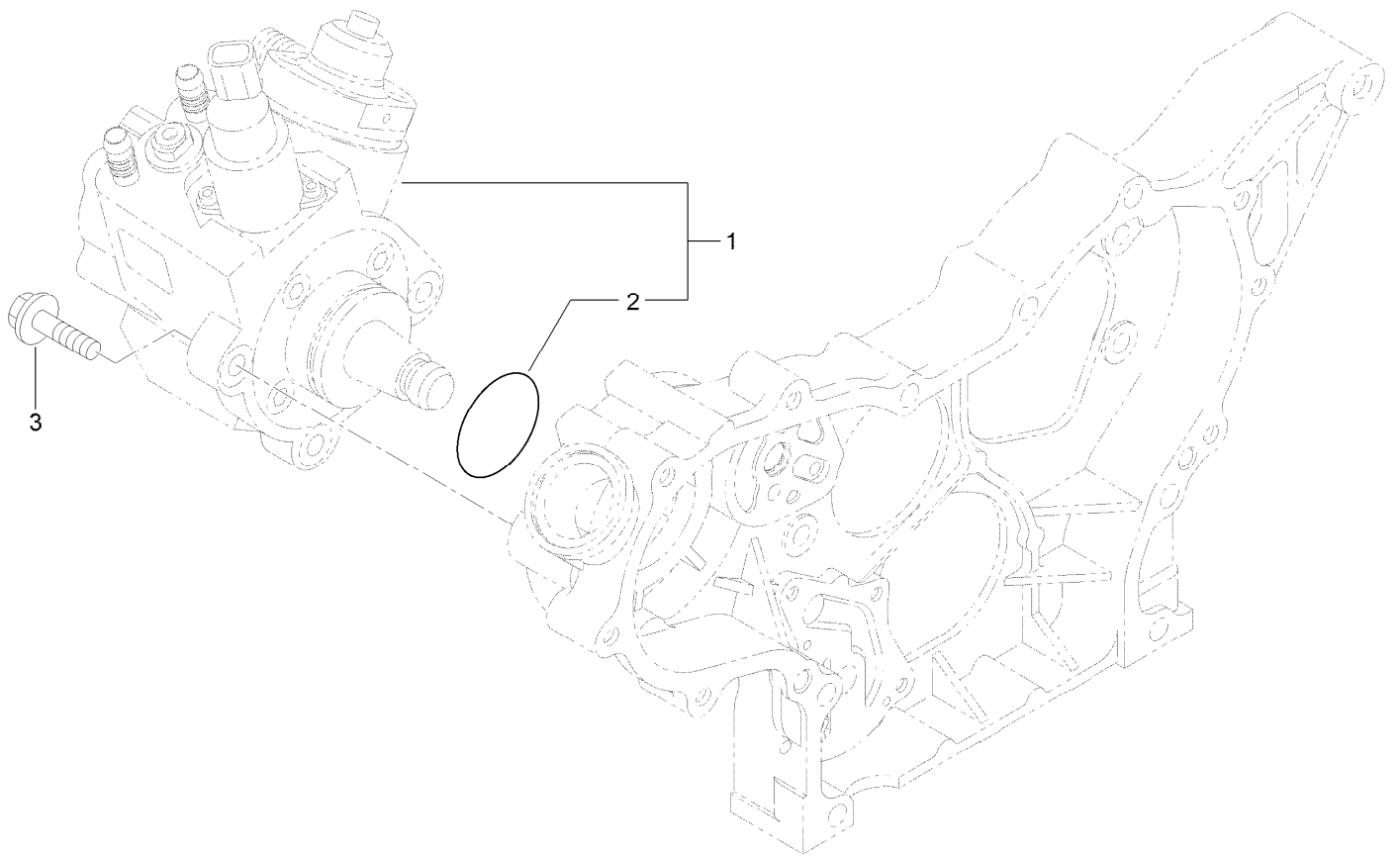
Lubrication Oil Line Assembly

<i>Ref.</i>	<i>Part Number</i>	<i>Qty.</i>	<i>Description</i>	<i>Ref.</i>	<i>Part Number</i>	<i>Qty.</i>	<i>Description</i>
1	125-6918	1	Switch-Oil	10	127-3155	1	Pipe-Lube, Oil
2	125-6975	1	Bolt-Joint, Pipe	11	127-3003	1	Elbow
3	125-6952	1	Bolt-Joint, Pipe	12	127-3169	2	Clamp-Hose
4	127-3154	1	Lube Oil Pipe ASM	13	125-7198	1	O-Ring
5	125-6976	1	Retainer	14	125-7208	2	Bolt
6	125-7175	2	Washer-Seal	15	125-7105	4	Check Valve ASM
7	125-7193	2	Gasket	21	125-7098	4	Nozzle
8	93-0362	1	Bolt	22	125-7182	4	Pin-Spring
9	127-2992	1	Joint				



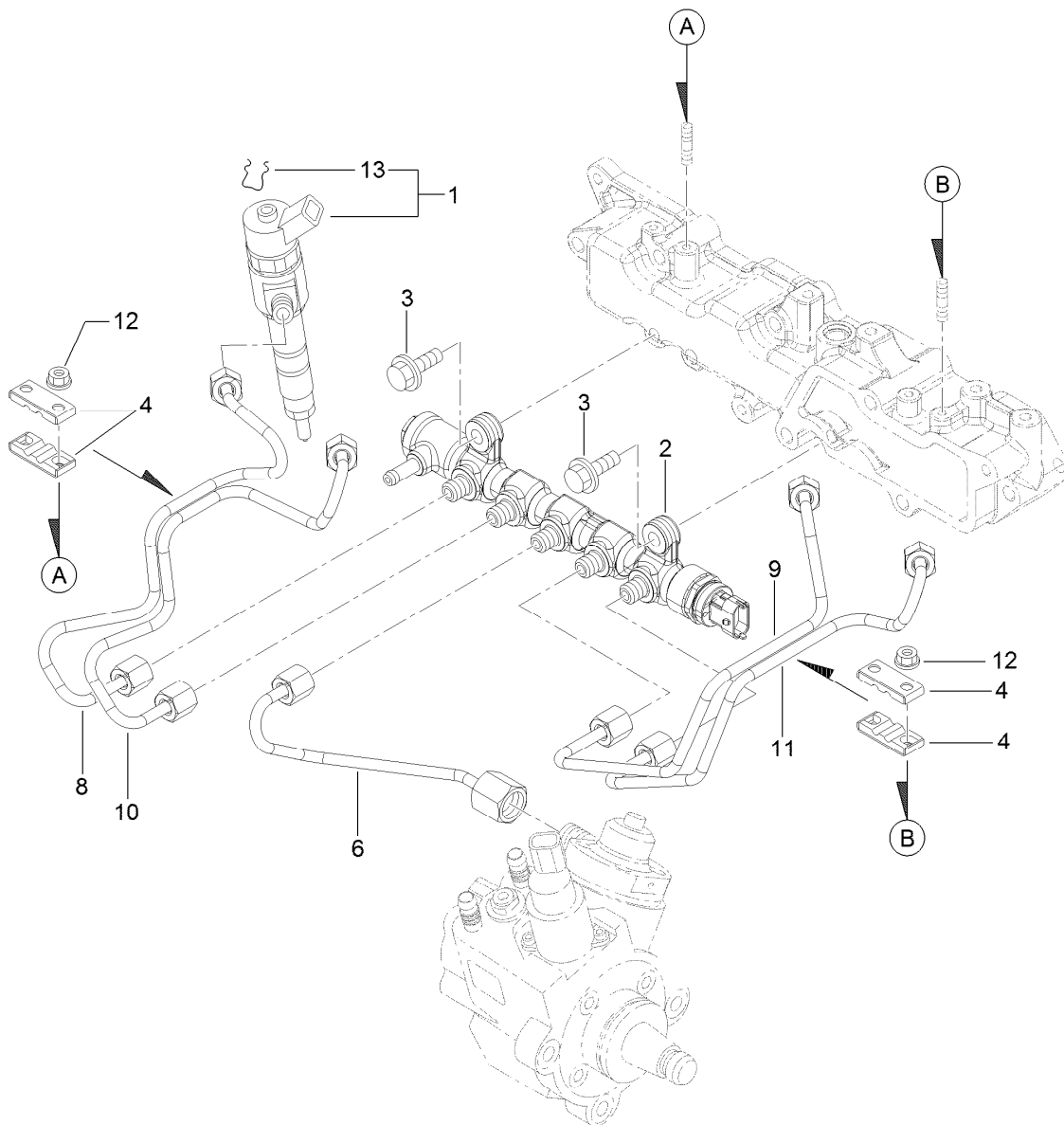
Cooling Water System Assembly

Ref.	Part Number	Qty.	Description	Ref.	Part Number	Qty.	Description
1	127-3071	1	Water Pump ASM	25	125-7206	4	Bolt
3	125-6998	1	Gasket	26	125-7029	1	Thermostat
4	125-6999	1	Plate	27	125-7026	1	Gasket
9	127-3017	1	Joint	28	125-7034	1	Cover
10	125-7123	2	Plug	29	125-7110	1	Gasket
11	127-3175	1	Plug	30	125-7594	2	Bolt
12	125-7195	1	Plug	31	125-6953	1	Plug
13	125-7234	3	Screw	32	125-7124	1	Sensor-Thermostat, CW
14	125-7047	1	Gasket	33	125-6979	1	Gasket
15	125-6986	1	Joint	34	125-7176	1	Washer-Seal
16	125-7048	1	O-Ring	35	127-3017	1	Joint
17	125-6978	1	Gasket	36	127-3072	1	Water In Pipe ASM
18	125-7192	1	Gasket	38	127-3020	2	Clip-Hose
19	93-0362	1	Bolt	40	127-3115	1	Water Out Pipe ASM
20	125-7214	3	Bolt	41	127-3020	2	Clip-Hose
21	125-7219	1	Bolt	43	127-3116	1	Water Out Pipe ASM
22	125-7222	3	Bolt	44	127-3020	2	Clip-Hose
23	125-7039	1	V-Pulley	47	127-3117	1	Pipe-Out, CW
24	127-2998	1	V-Belt	48	125-7214	2	Bolt



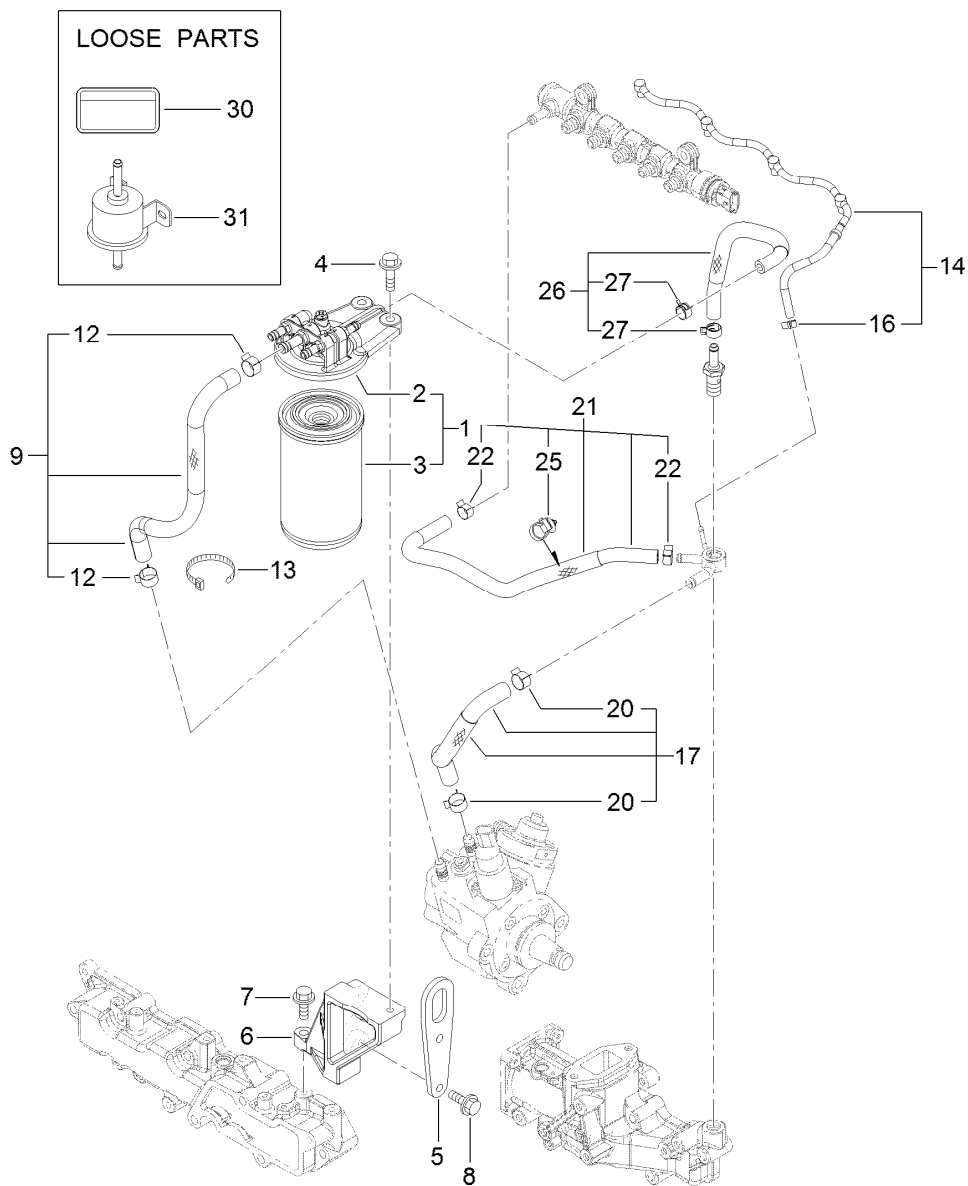
Fuel System Assembly

<i>Ref.</i>	<i>Part Number</i>	<i>Qty.</i>	<i>Description</i>
1	127-3073	1	Fuel Pump ASM
2	127-3074	1	O-Ring
3	125-7216	3	Bolt



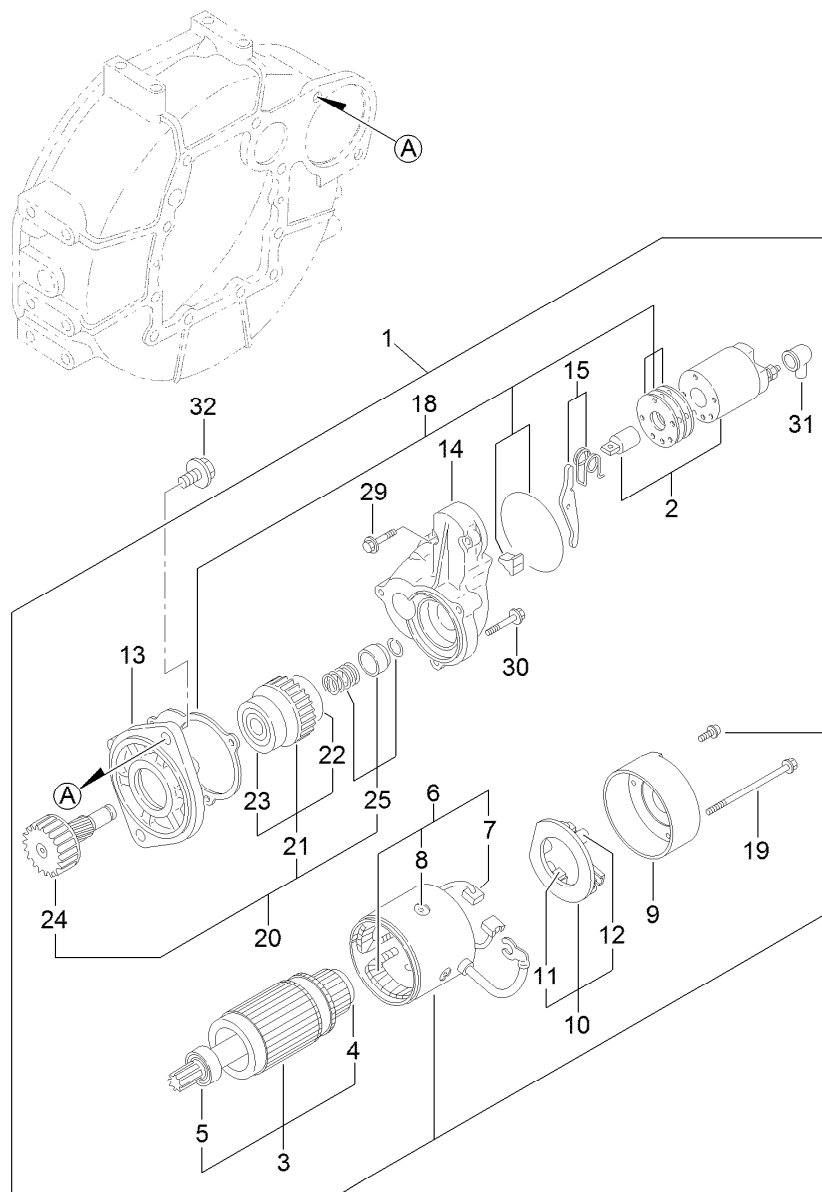
Fuel Injection Valve Assembly

Ref.	Part Number	Qty.	Description
1	127-3104	4	Injector ASM
2	127-3118	1	Rail ASM
3	125-7215	2	Bolt
4	127-2982	4	Retainer
6	127-3082	1	Rail In Pipe ASM
8	127-3121	1	Injection Pipe ASM
9	127-3083	1	Injection Pipe ASM
10	127-3122	1	Injection Pipe ASM
11	127-3084	1	Injection Pipe ASM
12	125-7231	4	Nut
13	130-7430	4	Ring-Retaining



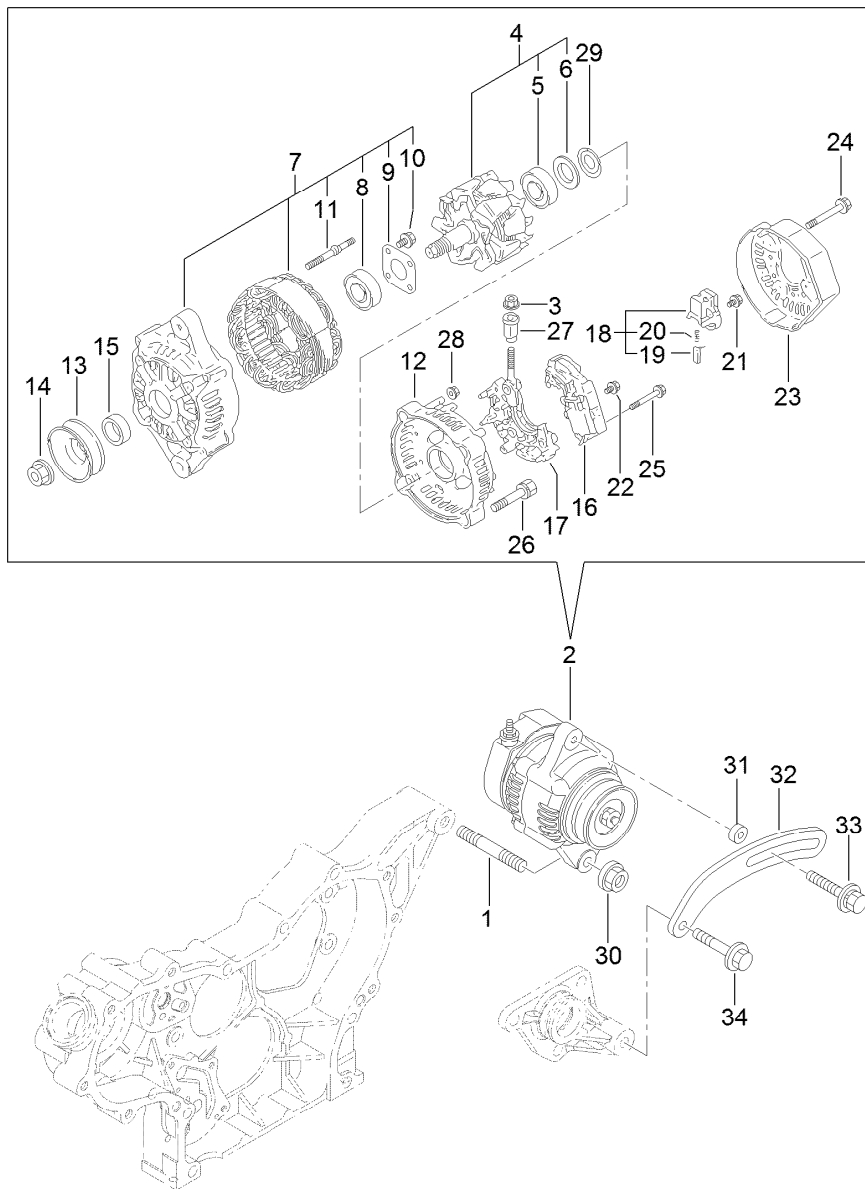
Fuel Line Assembly

Ref.	Part Number	Qty.	Description	Ref.	Part Number	Qty.	Description
1	127-3075	1	Fuel/Oil Filter ASM	14	127-3120	1	Fuel Pipe ASM
2	127-3076	1	Fuel/Oil Filter Bracket ASM	16	127-3172	1	Clamp-Hose
3	125-8752	1	Filter-Fuel/Oil	17	127-3078	1	Fuel Pipe ASM
4	125-7216	2	Bolt	20	125-7191	2	Clamp-Hose
5	127-3091	1	Lifter-Engine	21	127-3119	1	Fuel Pipe ASM
6	127-3105	1	Stay-Bracket, Filter	22	127-2950	2	Clip-Hose
7	125-7215	1	Bolt	25	127-3087	1	Band-Clip
8	125-7216	2	Bolt	26	127-3079	1	Fuel Pipe ASM
9	127-3077	1	Fuel Pipe ASM	27	127-2950	2	Clip-Hose
12	125-7191	2	Clamp-Hose	30	125-6900	1	Label-Caution, Fuel Oil
13	127-2981	1	Band	31	127-3008	1	Fuel Feed Pump ASM



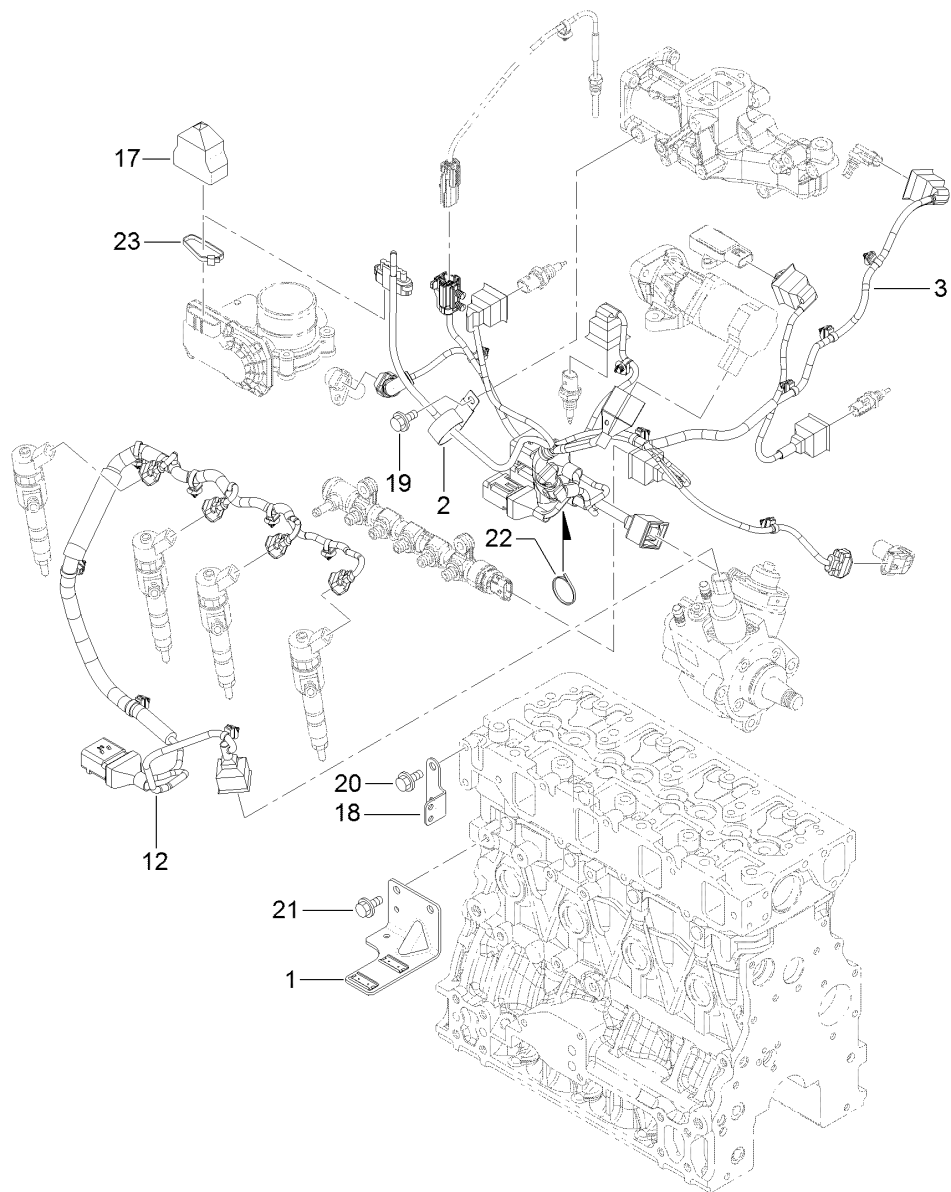
Starting Motor Assembly

<i>Ref.</i>	<i>Part Number</i>	<i>Qty.</i>	<i>Description</i>	<i>Ref.</i>	<i>Part Number</i>	<i>Qty.</i>	<i>Description</i>
1	125-7003	1	Starter	15	125-7165	1	Lever Set
2	125-7004	1	Switch ASM	18	125-7037	1	Dust Cover ASM
3	125-7112	1	Armature ASM	19	125-7117	2	Bolt-Through
4	125-7252	1	Bearing-Ball	20	125-7166	1	Pinion ASM
5	125-7249	1	Bearing, Ball	21	125-7250	1	Clutch ASM
6	125-7113	1	Field Coil ASM	22	125-7251	1	Bearing-Ball
7	125-7114	2	Brush	23	125-7253	1	Bearing-Ball
8	125-7163	4	Screw	24	125-7167	1	Shaft
9	125-7115	1	Cover	25	125-7168	1	Stopper Set
10	125-7116	1	Brush Holder ASM	29	125-7210	2	Bolt
11	125-7114	2	Brush	30	125-7211	3	Bolt
12	125-7036	4	Spring	31	125-7169	1	Cover
13	125-7164	1	Case-Gear	32	125-7225	2	Bolt
14	125-7005	1	Housing				



Generator Assembly

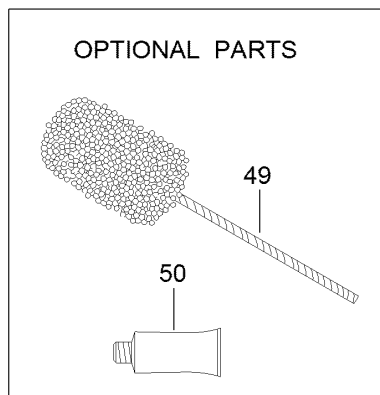
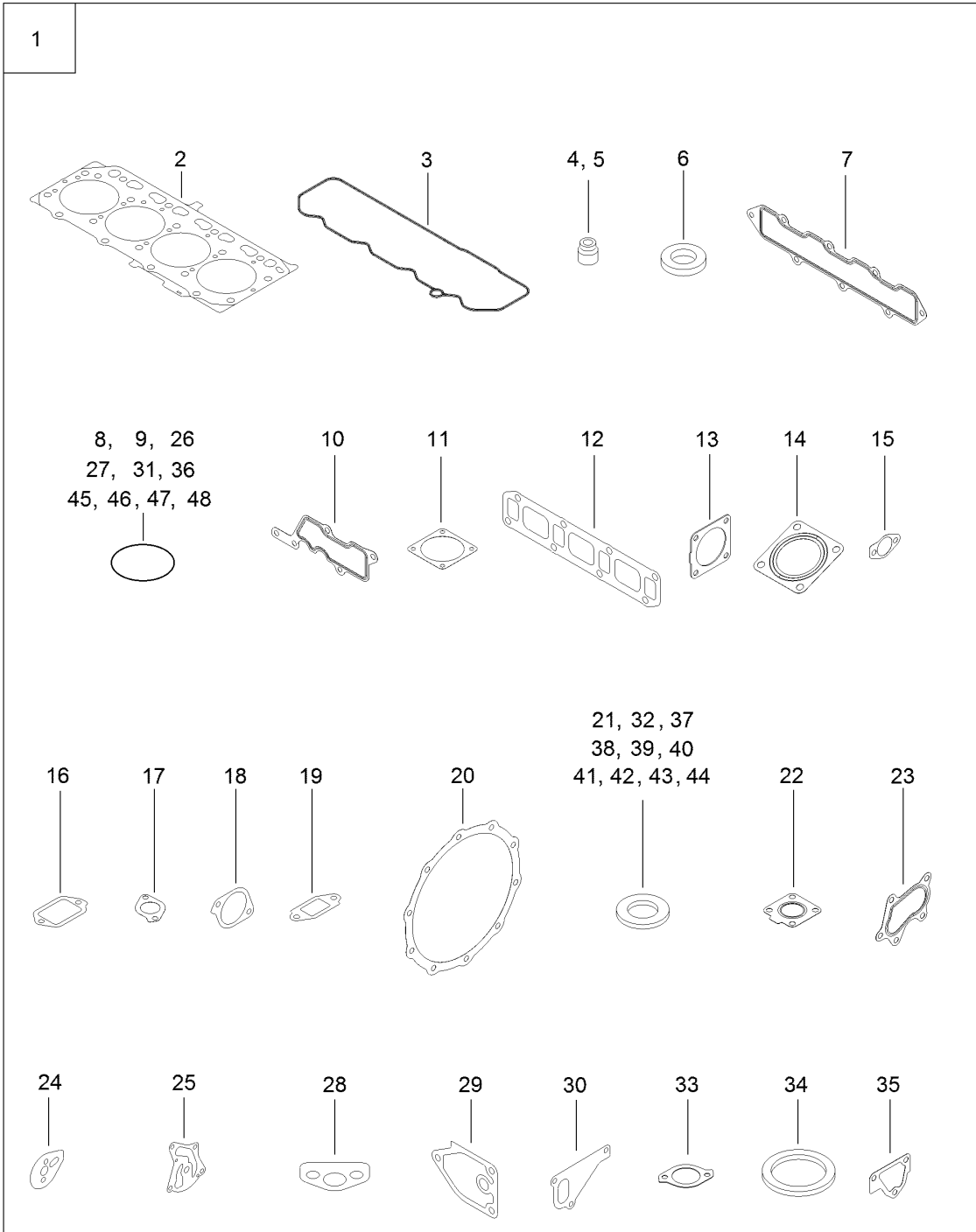
Ref.	Part Number	Qty.	Description	Ref.	Part Number	Qty.	Description
1	127-3011	1	Stud	18	127-2993	1	Holder
2	125-7120	1	Alternator-12V	19	127-2956	2	Brush ASM
3	127-3190	1	Nut	20	127-2964	2	Spring
4	127-2951	1	Rotor ASM	21	127-2965	6	Screw
5	127-2983	1	Bearing-Ball	22	127-2966	1	Screw
6	127-2962	1	Cover	23	127-2999	1	Cover
7	127-2952	1	Frame ASM	24	127-2967	3	Bolt
8	127-2958	1	Bearing-Ball	25	127-2968	2	Screw
9	127-2959	1	Plate-Retainer	26	127-2969	2	Bolt
10	127-2960	4	Screw	27	127-2970	1	Bushing-Insulation
11	127-2961	2	Stud	28	127-2971	2	Nut
12	127-2953	1	Frame ASM	29	127-2972	1	Washer
13	127-2954	1	Pulley	30	125-7230	1	Nut
14	127-2955	1	Nut	31	125-6947	1	Spacer
15	127-2957	1	Collar	32	127-2977	1	Adjuster
16	127-3002	1	Regulator ASM	33	125-7134	1	Bolt
17	127-2963	1	Holder	34	125-7219	1	Bolt



Electric Parts Assembly

Ref.	Part Number	Qty.	Description
1	127-3086	1	Bracket-Connector
2	127-3018	1	Clip
3	127-3156	1	Harness B-E C O, Engine
12	127-3125	1	Harness C
17	127-3089	1	Boot-Type, Cap
18	127-3090	1	Bracket-Harness
19	93-0362	1	Bolt
20	93-0362	2	Bolt
21	93-0362	2	Bolt
22	127-3187	1	Band
23	127-3188	1	Band

Gasket Set



Gasket Set (continued)

<i>Ref.</i>	<i>Part Number</i>	<i>Qty.</i>	<i>Description</i>	<i>Ref.</i>	<i>Part Number</i>	<i>Qty.</i>	<i>Description</i>
1	127-3189	1	Gasket Kit	26	125-6909	2	O-Ring
2	127-3126	1	Gasket-Head, Cylinder	27	127-2973	1	O-Ring
3	127-3106	1	Gasket-Cover	28	125-7022	1	Gasket
4	127-2986	4	Seal-Stem, Valve	29	125-7024	1	Gasket
5	127-3027	4	Seal-Stem, Valve	30	125-7047	1	Gasket
6	127-3021	4	Gasket-Injector	31	125-7048	1	O-Ring
7	127-3107	1	Gasket-Manifold, Intake	32	125-6979	1	Gasket
8	127-3032	2	O Ring-Sensor, Pressure	33	125-7110	1	Gasket
9	127-3033	1	O-Ring	34	125-7026	1	Gasket
10	127-3034	1	Gasket-Collector	35	125-6978	1	Gasket
11	127-3037	2	Gasket-Throttle	36	127-3074	1	O-Ring
12	127-3108	1	Gasket-Manifold, Exhaust	37	125-7174	1	Washer-Seal
13	127-3019	1	Gasket	38	125-7175	2	Washer-Seal
14	127-2987	1	Gasket-Silencer	39	125-7176	1	Washer-Seal
15	127-3043	2	Gasket-Cooler, E G R	40	127-3166	2	Washer-Seal
16	127-3046	1	Gasket-E G R	41	125-7177	1	Washer-Seal
17	127-3016	1	Gasket	42	125-7192	1	Gasket
18	127-3050	1	Gasket-Intake Valve, E G R	43	125-7193	2	Gasket
19	127-3051	1	Gasket-Out Valve, E G R	44	127-3174	2	Gasket
20	127-3162	2	Gasket-D P F	45	93-0418	3	O-Ring
21	127-3056	4	Gasket-Sensor	46	125-7197	1	O-Ring
22	125-7070	1	Gasket	47	125-7198	1	O-Ring
23	125-7071	1	Gasket	48	127-3176	1	O-Ring
24	127-3069	1	Gasket-Idle, Shaft B	49	127-3000	1	Hone
25	127-3004	1	Gasket	50	125-7248	1	Gasket-Liquid

Attachments and Accessories

For 30636 Groundsmaster 4010 Rotary Mower

Product Name	Model/Part
Bumper Weight Assembly	106-4278-03
Blade-Atomic (21.75in)	107-0214-03
Premium All Season Hydraulic Fluid (55 Gallon Drum)	108-1177
Premium All Season Hydraulic Fluid (5 Gallon Pail)	108-1178
Atomic Blade Service Pack (7 Pack)	108-1450
Blade-Flat Sail (21.75in)	110-6115-03
Flat Blade Service Pack (7 Pack)	110-6130
MVP Blade Kit	117-2722
Backrest Extension Kit	119-7719
Large Seat Cover	120-5179
Castor Wrench	121-3874
Premium Engine Oil 10w30 (55 Gallon Drum)	121-6392
Premium Engine Oil 10w30 (5 Gallon Pail)	121-6393
Premium Engine Oil 15w40 (55 Gallon Drum)	121-6394
Premium Engine Oil 15w40 (5 Gallon Pail)	121-6395
Roller Assembly	132-6113
Pivot Caster Scraper Kit	132-6114
Skid Plate Kit	136-4360
Blade-Rotary, Medium Sail	136-4370-03
Tire-High Traction (20x10-10)	136-4440
Tire-High Traction (26x12-12)	136-4442
MVP Blade Kit	137-5500
400 Hour MVP Kit	30408
Guardian Recycler Conversion Kit	30420
Leaf Mulcher Kit	30422
CE Kit	30453
Right-Hand Replacement Mower	30476
Left-Hand Replacement Mower	30477
Front Deck	30479
Beacon Kit	30661
Light Adapter Kit	30691
North American Cab Light Kit, 2015 and After Groundsmaster 5910/4010/4110 Series Traction Unit	30706
4WD Manual Override Kit	31510
Horn Kit	31511
Backup Alarm Kit	31512
4WD Manual Override Kit	31522
Blade (21.75in)	92-5608-03
8in Foam Filled Wheel ASM	93-5974

Notes:



Count on it.