



Count on it.

Parts Catalog

Groundsmaster® 4010

Rotary Mower

Model No. 30635—Serial No. 315001501 and Up



Ordering Replacement Parts

To order replacement parts, please supply the part number, the quantity, and the description of each part desired.

Understanding Reference Numbers

Each identified part in an illustration has a reference number. The reference number for a part also appears in the parts list, along with other information about the part.

This catalog uses two special reference number formats, one to indicate parts in a service assembly and another to indicate the quantity of a given part in an illustration.

Service Assembly Reference Numbers

Parts in service assemblies have reference numbers in the form a:b. The a represents the reference number of the entire service assembly and the b represents a sequential number unique to each part within the service assembly.

For example, a wheel assembly might be identified by reference number 6, the tire by 6:1, the valve by 6:2, and the wheel by 6:3. When you order the assembly identified by reference number 6, you receive all parts identified by reference numbers 6:1, 6:2, and 6:3. However, you may also order any part individually. Reference numbers of this type appear in illustration and in parts lists.

Reference Numbers Indicating Quantity

In an illustration, if a reference number indicates more than one part, the reference number has the form nX y. The n represents the quantity of the part, the X is the multiplication symbol, and the y represents the reference number.

For example, in an illustration, the reference number 2X 37 means that two of the parts identified by reference number 37 are indicated.

Contents

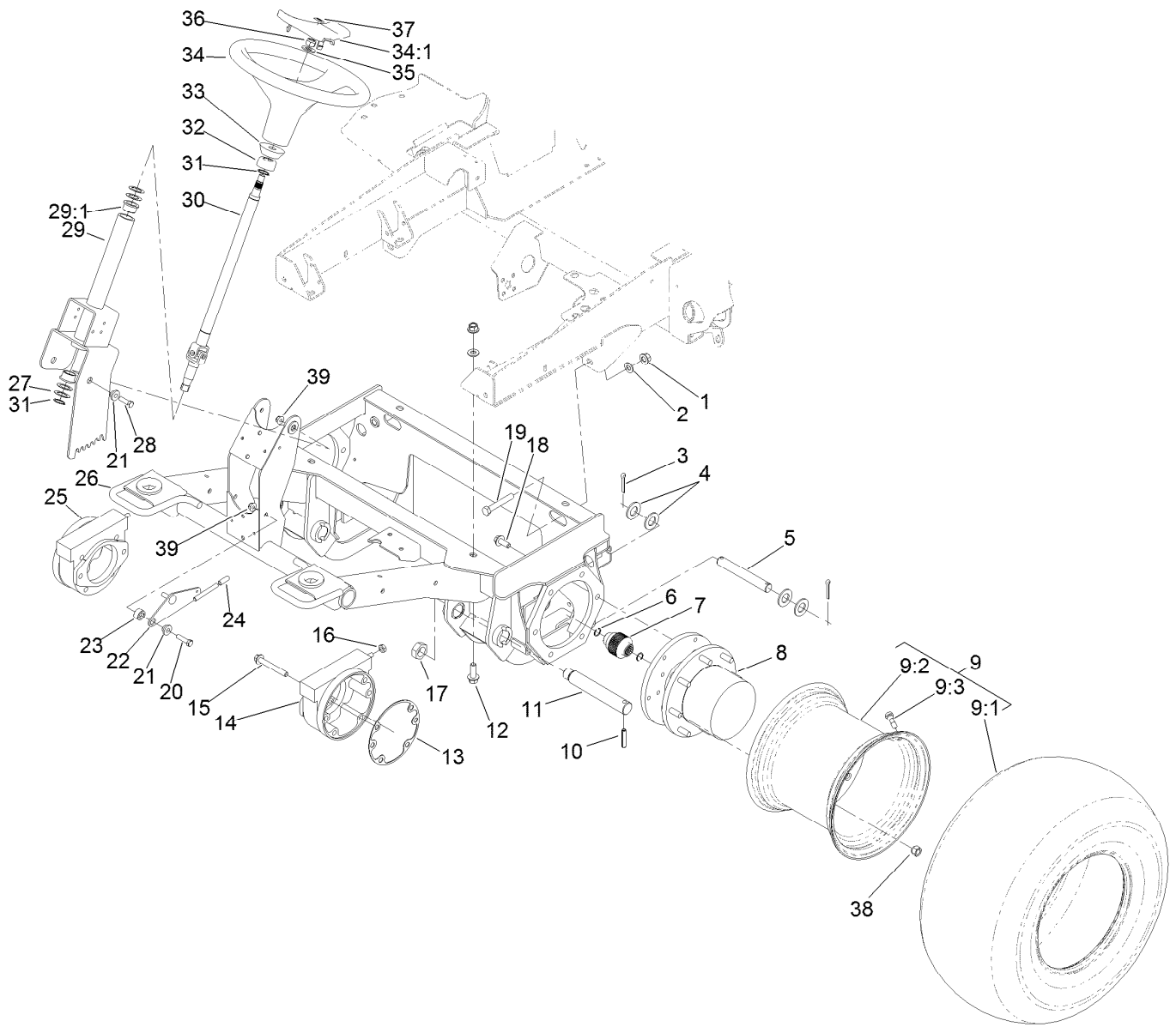
Front Frame and Steering Assembly	6
Planetary Assembly No. 105-4500	8
LH Brake Assembly No. 100-3070-03	9
RH Brake Assembly No. 100-3069-03	10
Battery, Rear Cover and Steer Valve Mount Assembly	11
Wing Lift Arm Assembly	12
Hydraulic Cylinder Assembly No. 107-4303	14
Impact Arm Assembly	15
Frame, Bumper and Proximity Sensor Assembly	17
Flywheel and Motor Mount Assembly	18
Radiator Assembly	19
Fan Mounting and Hardline Assembly	21
Hydraulic Motor Assembly No. 117-4769	22
Engine, Intake and Exhaust Assembly	23
Rear Axle and Steering Cylinder Assembly	24
Bevel Pinion Shaft Assembly Rear Axle Assembly No. 110-4750	26
Differential Assembly Rear Axle Assembly No. 110-4750	27
Axle Support Assembly Rear Axle Assembly No. 110-4750	28
Bevel Gear Case Assembly Rear Axle Assembly No. 110-4750	29
Bevel Gear Shaft Assembly Rear Axle Assembly No. 110-4750	30
Axle Case Assembly Rear Axle Assembly No. 110-4750	31
Axle Assembly Rear Axle Assembly No. 110-4750	32
Hydraulic Motor Assembly No. 120-8814	33
Steering Cylinder Assembly No. 121-1534	34
Hydraulic Fitting Assembly	35
Hose and Tube Routing Assembly	36
Fuel Tank and Air Cleaner Assembly	37
Air Cleaner Assembly No. 99-5410	38
Hood Assembly	39
Fuel/Water Separator Assembly	40
Front Deck Installation Assembly	41
Hydraulic Motor Assembly No. 127-3694	43
Lift Cylinder Assembly No. 120-8802	44
Front Deck Hydraulic Fitting Assembly	45
Front Deck Hose Routing Assembly	46
Front Deck Idler and Skid Assembly	47
Double Driven Spindle Assembly No. 119-4548	48
High Driven Spindle Assembly No. 119-4549	49
Front Deck Caster Arm and Wheel Assembly	50
Driving Spindle Assembly	51
Cutting Chamber, Cover and Roller Assembly	52
Driven Spindle Assembly No. 119-4547	54
Right Deck Mount Assembly	55
Right Deck Hydraulic Fitting Assembly	56
Right Deck Hose Assembly	57
Right Deck, Idler and Skid Assembly	58
RH and LH Castor Arm and Wheel Assembly	60
Low Driven Spindle Assembly No. 119-4776	62
Deck Driving Spindle Assembly	63
Right Deck Discharge Chamber and Cover Assembly	64
Left Deck Mount Assembly	66
Left Deck Hydraulic Fitting Assembly	67
Left Deck Hose Assembly	68
Left Deck, Idler and Skid Assembly	70

Contents (continued)

Left Deck Discharge Chamber and Cover Assembly	72
Traction Pedal and Platform Assembly	74
Brake Pedal Assembly	76
Seat Base and Seat Assembly	77
Seat Suspension Assembly No. 130-2702	78
Cloth Premium Seat Assembly No. 117-9429	80
Parking Brake, Steering Tower and Power Center Assembly	82
Fender, Tool Box and Cover Assembly	84
Fender Assembly	85
Acoustic Foam Assembly	86
Platform Harness and Fuse Assembly	87
Rear Wire Harness Assembly	88
Battery Cable and Ground Assembly	89
Engine Harness Assembly	90
Piston Pump and Gear Pump Assembly	92
4-Section Gear Pump Assembly No. 120-8904	94
Piston Pump Assembly No. 120-9059	96
Combination Manifold Assembly	98
Combination Manifold Assembly No. 127-3650	100
Manifold Block Assembly	102
Left Power-Take-Off Manifold Assembly No. 121-1536	104
Rear Traction Manifold Assembly No. 121-1530	105
Center and Right Power-Take-Off Manifold Assembly No. 121-1537	106
Flow Divider Manifold Assembly No. 121-1550	107
Drive Motor, Steer Valve and Filter Head Assembly	108
Hydraulic Motor Assembly No. 120-8812	109
Steering Valve Assembly No. 130-7949	110
Hydraulic Reservoir Assembly	111
Oil Cooler Hydraulic Assembly	112
Lift, Steer and Fan Hydraulic Assembly	114
Traction Hydraulic Assembly	116
Armrest Control Panel Assembly	118
Air Conditioner Compressor Mount Assembly	120
Washer Fluid Bottle Assembly	122
Deck Pad and Hardware Assembly	123
Cab Step, Pad and Flooring Assembly	124
Frame Mount and Seal Assembly	126
Cab Headliner Assembly	128
Window, Door and Striker Assembly	130
RH Door Assembly	132
LH Door Assembly	133
Engine Hose Routing Assembly	134
Interior Foam Assembly	136
Mixing Box and Vent Hose Assembly	138
Headliner Wire Harness and Control Assembly	140
Mixing Box Mounting Bracket and Water Tray Assembly	142
Blower Fan and Evaporator Core Assembly	144
Heat/Air Conditioner Housing Assembly	146
Air Diverter and Expansion Valve Assembly	148
Air Diverter Assembly No. 121-8369	150
Cylinder Block Assembly	152
Gear Housing Assembly	153
Flywheel Housing and Oil Sump Assembly	154
Suction Manifold Assembly	155

Contents (continued)

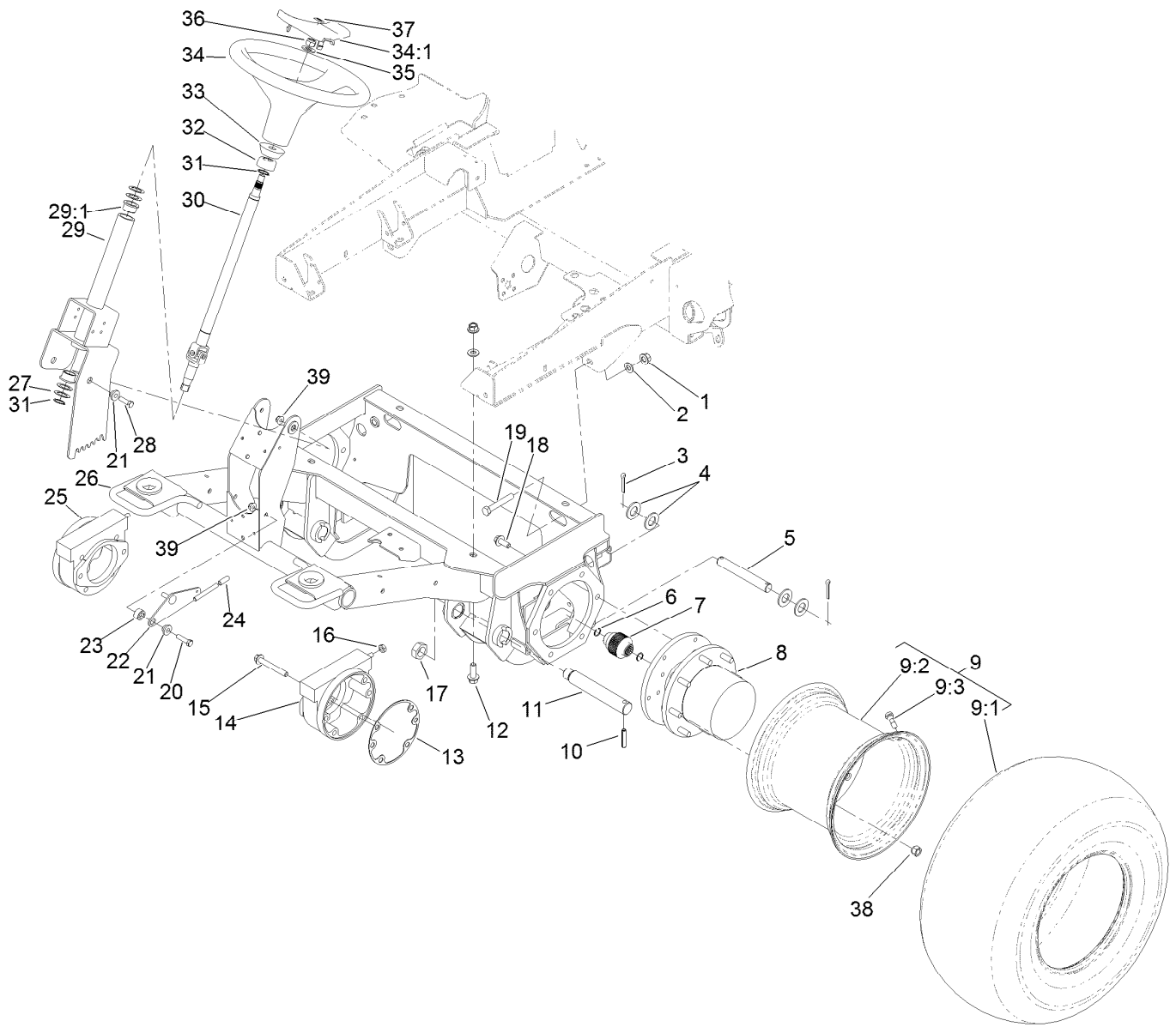
Cylinder Head and Bonnet Assembly	156
Exhaust Manifold and Silencer Assembly	158
Camshaft and Driving Gear Assembly	159
Turbine Assembly	160
Crankshaft and Piston Assembly	161
Lubrication and Oil System Assembly	162
Lubrication Oil Line Assembly	163
Cooling Water System Assembly	164
Governor Assembly	165
Fuel Injection Pump Assembly	166
Fuel Injection Valve Assembly	168
Starting Motor Assembly	169
Generator Assembly	170
Electronic Control Unit Assembly	171
Gasket Set	172
Attachments and Accessories	174



Front Frame and Steering Assembly

Ref.	Part Number	Qty.	Description	Ref.	Part Number	Qty.	Description
1	99-5107	6	Nut-Lock	16	3218-4	2	Nut-Jam
2	3256-26	6	Washer-Flat	17	3296-49	2	Nut-Lock, NI
3	3272-30	4	Pin-Cotter	18	33106-030	12	Screw-HHF
4	3256-29	8	Washer-Flat	19	325-13	2	Screw-HH
5	110-6006	2	Pin-Clevis	20	323-8	1	Screw-HH
6	93-7972	4	Ring-Retaining, Internal	21	93-5988	3	Hub-Pivot
7	100-3046	2	Shaft-Brake, Splined	22	114-5907-03	1	Lever-Tilt
8	105-4500	2	Planetary ASM	23	114-4854	1	Spacer-Cup
9		2	Wheel And Tire ASM ●	24	93-5446	1	Cap-Vinyl
9:1	119-8313	1	Tire	25	100-3069-03	1	Brake ASM
9:2	120-4175	1	Rim	26	120-4085-03	1	Frame-Front
9:3	232-27	1	Stem-Valve	27	9547	4	Washer-Thrust
10	32121-110	2	Pin-Roll, Slotted	28	323-7	2	Screw-HH
11	100-3017	2	*obs Pin-Lift Arm	29	114-0167	1	Steering Column ASM
12	100-6116	4	Screw-HHF	29:1	256-132	2	Bushing-Flange
13	93-7984	2	Gasket	30	93-5428	1	Shaft-Steering
14	100-3070-03	1	Brake ASM	31	32151-29	2	Ring-Retaining
15	33106-090	8	Screw-HHF	32	93-5439	1	Seal-Steering

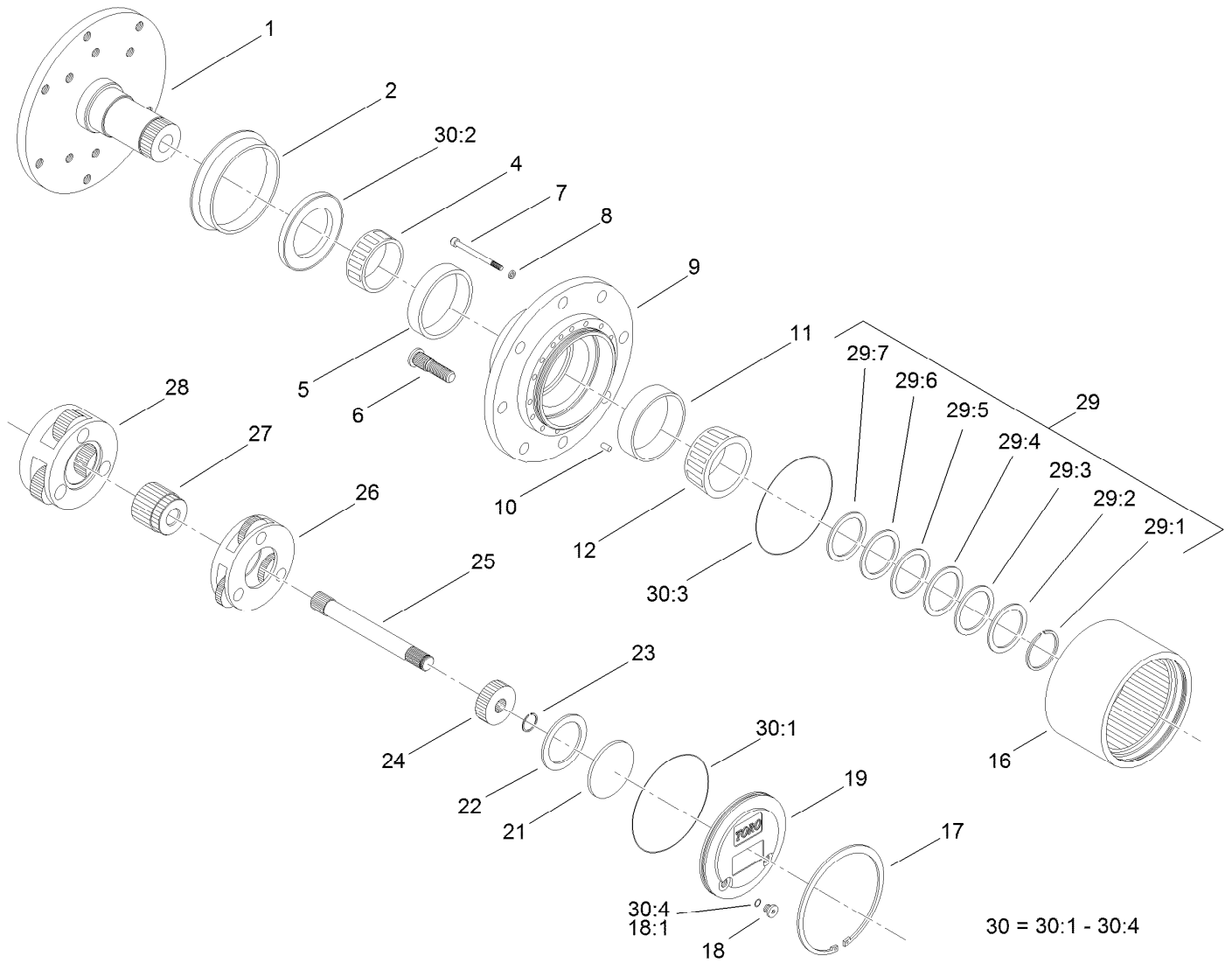
● Not serviced separately



Front Frame and Steering Assembly (continued)

<i>Ref.</i>	<i>Part Number</i>	<i>Qty.</i>	<i>Description</i>	<i>Ref.</i>	<i>Part Number</i>	<i>Qty.</i>	<i>Description</i>
33	93-5429	1	Collar-Foam	36	108-9342	1	Nut-Hex
34	98-1471	1	Wheel-Steering	37	98-1459	1	Decal
34:1	98-1468	1	Cover-Wheel, Steering	38	242-50	16	Nut-Lug
35	3256-27	1	Washer-Flat	39	104-8301	3	Nut-HF, NI

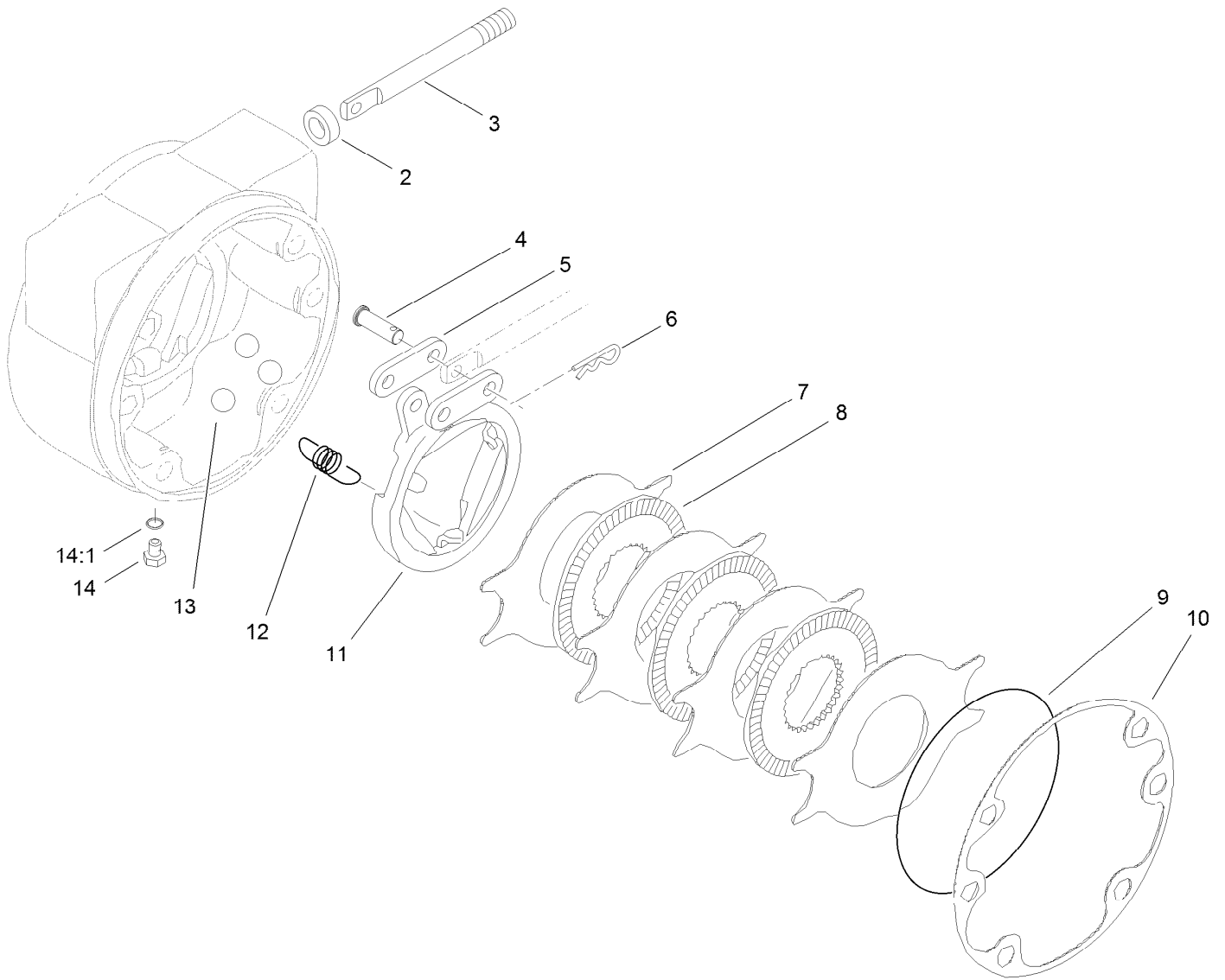
● Not serviced separately



Planetary Assembly No. 105-4500

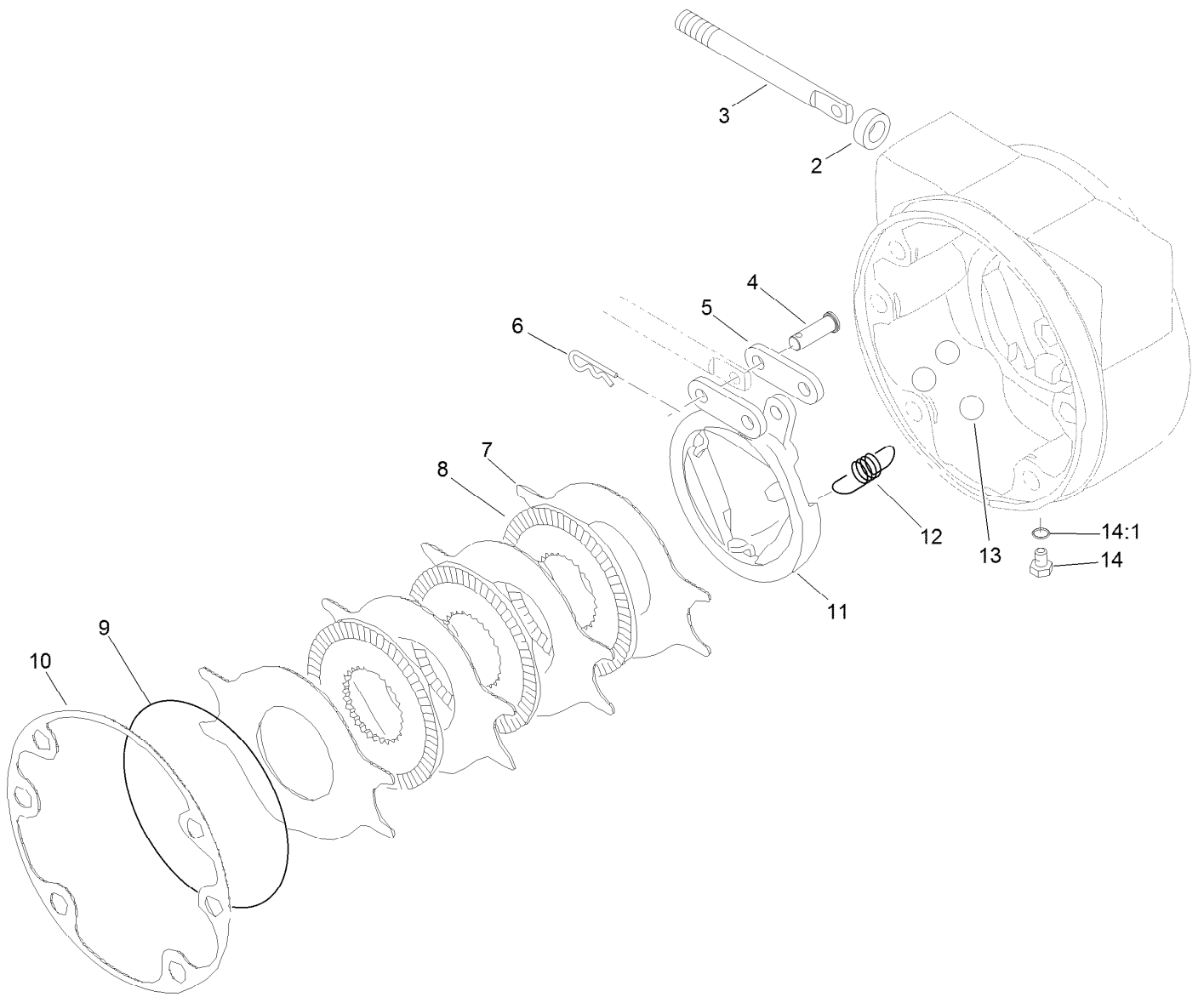
Ref.	Part Number	Qty.	Description	Ref.	Part Number	Qty.	Description
1		1	Spindle ●	24	105-8114	1	Gear-Primary
2	105-8122	1	Seal-Boot	25	105-8115	1	Shaft-Drive
4	105-8120	1	Bearing-Cone	26	105-8129	1	Carrier-Primary
5	105-8119	1	Bearing-Cup	27	105-8139	1	Gear-Secondary
6	105-8124	8	Stud-Wheel	28	105-8130	1	Carrier-Secondary
7	105-8125	16	Bolt-Head, Socket	29	105-8136	1	Shim Kit
8	3253-18	16	Washer-Lock	29:1		1	Ring-Snap ●
9		1	Housing ●	29:2		1	Shim-Bearing, 2.9Mm ●
10	105-8121	1	Pin-Dowel	29:3		1	Shim-Bearing, 2.8Mm ●
11	105-8117	1	Bearing-Cup	29:4		1	Shim-Bearing, 2.7Mm ●
12	105-8118	1	Bearing-Cone	29:5		1	Shim-Bearing, 2.6Mm ●
16	105-8113	1	Gear-Ring	29:6		1	Shim-Bearing, 2.5Mm ●
17	105-8132	1	Ring-Retaining	29:7		1	Shim-Bearing, 2.4Mm ●
18	353-990	2	Plug ASM	30	105-8137	1	Seal Kit
18:1	237-78	1	O-Ring	30:1		1	O Ring-Flange Cap ●
19	105-8138	1	Cap-End	30:2		1	Seal-Oil ●
21	105-8133	1	Plug-Thrust	30:3		2	O Ring-End Cap ●
22	105-8123	1	Washer-Thrust	30:4	237-78	2	O-Ring
23	105-8131	1	Ring-Retaining				

● Not serviced separately



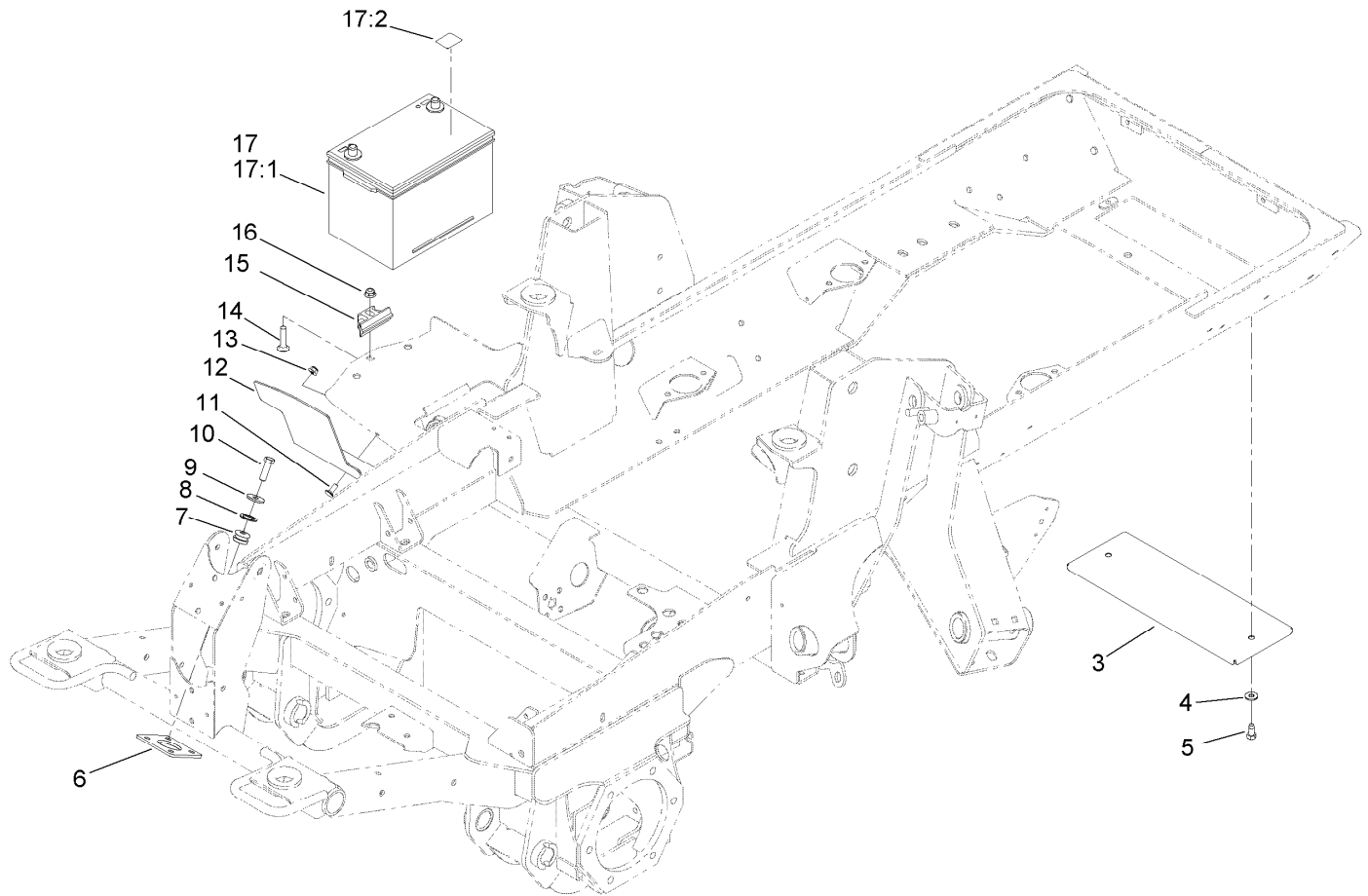
LH Brake Assembly No. 100-3070-03

<i>Ref.</i>	<i>Part Number</i>	<i>Qty.</i>	<i>Description</i>
2	93-7977	1	Seal
3	93-7978	1	Rod-Pull
4	93-7983	2	Pin-Clevis
5	93-7980	2	Link
6	93-7979	2	Pin-Hitch
7	93-7986	4	Disc-Stationary
8	104-4278	3	Disc-Rotating
9	93-7976	1	Ring-Retaining
10	93-7984	1	Gasket
11	104-4279	1	Actuator-Rotating
12	93-7987	3	Spring-Extension
13	93-7985	3	Ball
14	353-990	2	Plug ASM
14:1	237-78	1	O-Ring



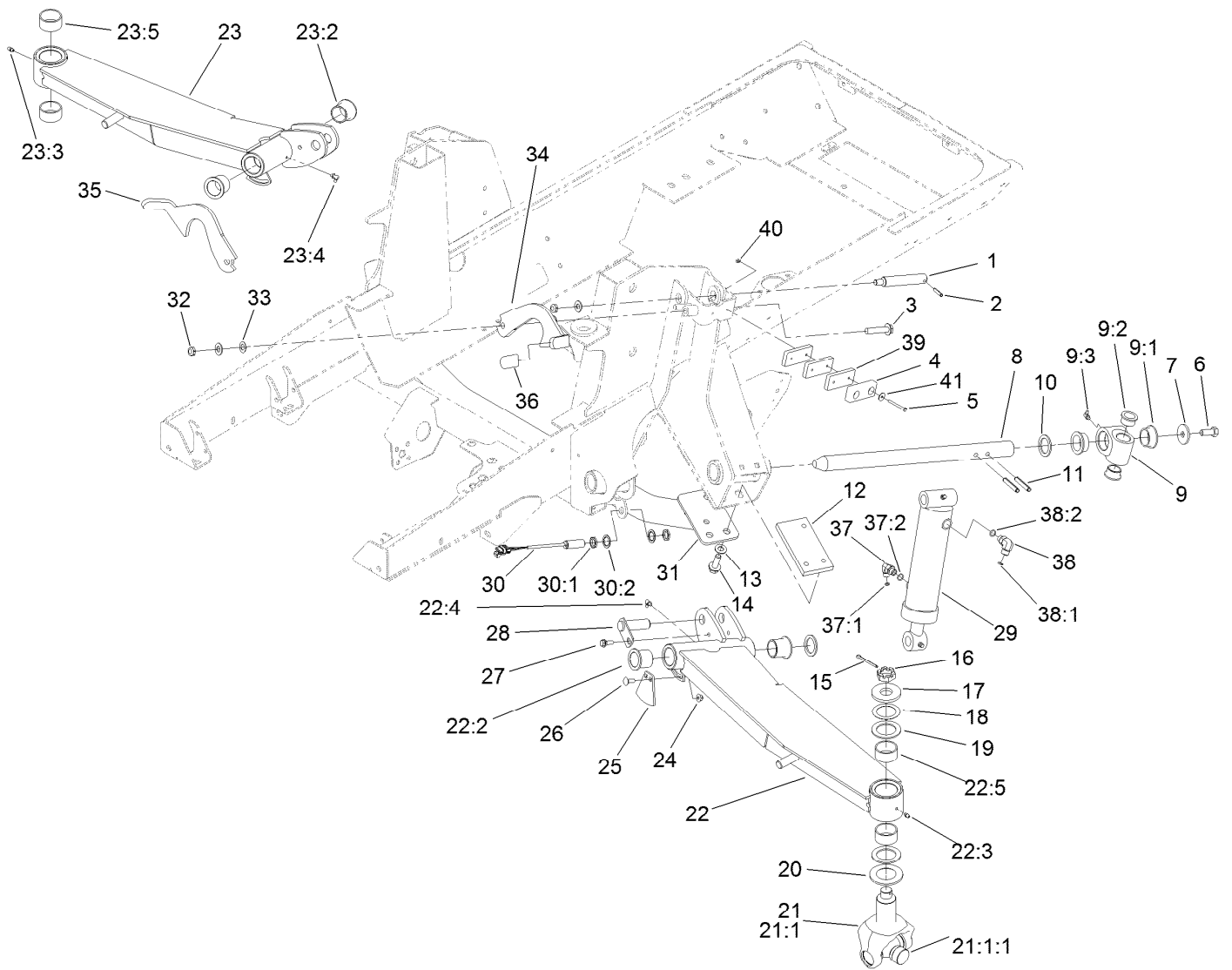
RH Brake Assembly No. 100-3069-03

<i>Ref.</i>	<i>Part Number</i>	<i>Qty.</i>	<i>Description</i>
2	93-7977	1	Seal
3	93-7978	1	Rod-Pull
4	93-7983	2	Pin-Clevis
5	93-7980	2	Link
6	93-7979	2	Pin-Hitch
7	93-7986	4	Disc-Stationary
8	104-4278	3	Disc-Rotating
9	93-7976	1	Ring-Retaining
10	93-7984	1	Gasket
11	104-4280	1	Actuator-Rotating
12	93-7987	3	Spring-Extension
13	93-7985	3	Ball
14	353-990	2	Plug ASM
14:1	237-78	1	O-Ring



Battery, Rear Cover and Steer Valve Mount Assembly

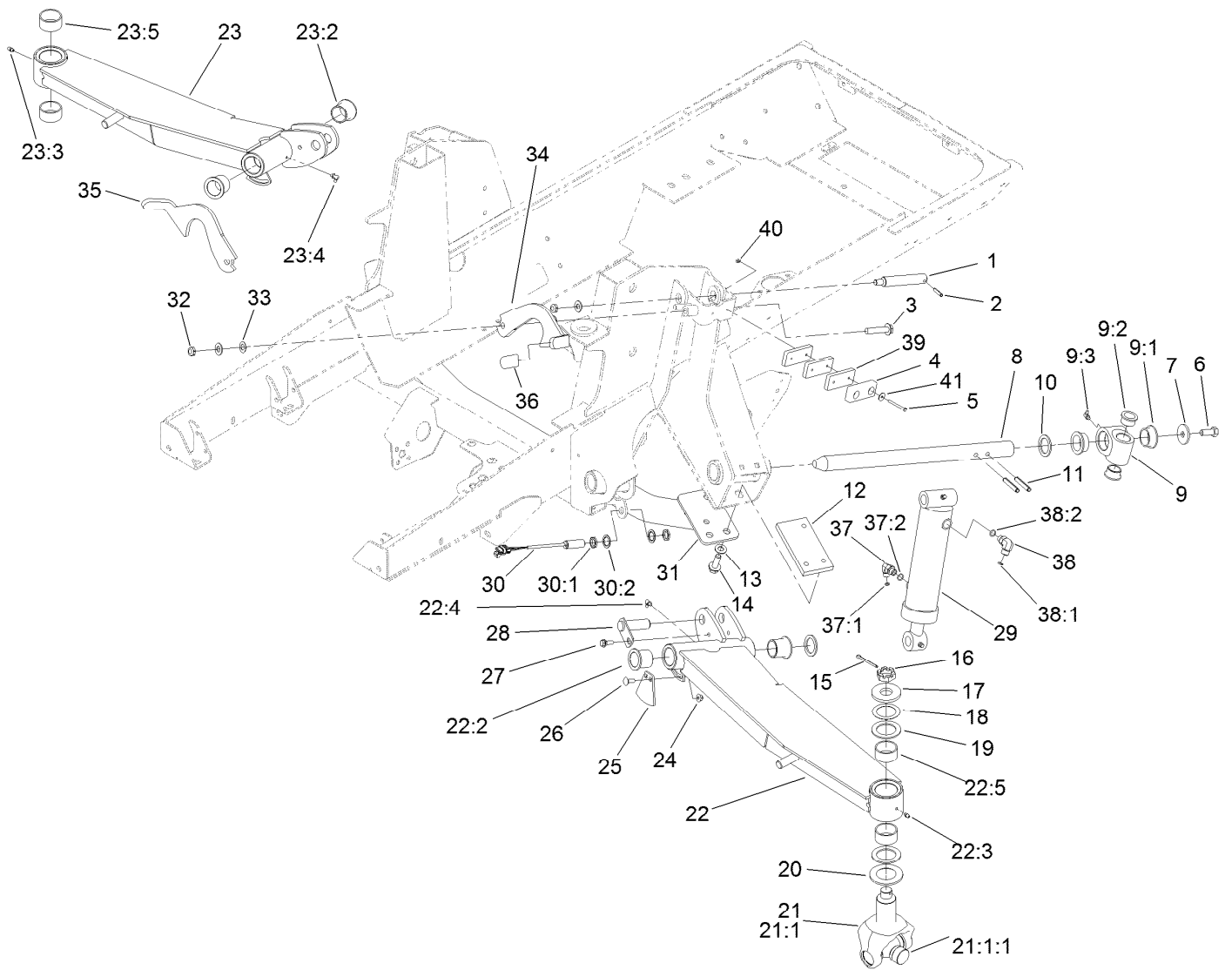
<i>Ref.</i>	<i>Part Number</i>	<i>Qty.</i>	<i>Description</i>	<i>Ref.</i>	<i>Part Number</i>	<i>Qty.</i>	<i>Description</i>
3	131-1246-03	1	Plate-Cover	12	121-1512-03	1	Shield-Battery
4	3256-3	2	Washer-Flat	13	104-8300	2	Nut-HF, NI
5	32104-6	2	Screw-HH, TAP	14	3231-5	1	Screw-CARR
6	120-4118-03	1	Plate-Mounting, Valve	15	138-6335	1	Retainer-Battery
7	63-9750	4	Mount	16	104-8301	1	Nut-HF, NI
8	1-303352	4	Washer-Spindle	17	139-1005	1	Battery Kit
9	63-8410	4	Washer	17:1	127-7507	1	Battery
10	33115-035	4	Screw-HH	17:2	139-1006	1	Decal
11	3230-23	2	Bolt-CARR				



Wing Lift Arm Assembly

Ref.	Part Number	Qty.	Description	Ref.	Part Number	Qty.	Description
1	104-3537	2	Pin-Cylinder	16	99-3139	2	Nut-Slotted
2	32121-9	2	Pin-Roll, Slotted	17	104-0719	2	Washer-Hardened
3	3234-46	2	Screw-HHF	18	114-5641	2	Washer-Thrust
4	86-5350	2	Bumper-Rubber	19	104-0721	4	Washer-Thrust
5	32105-20	4	Screw-HH	20	104-0720	2	Spacer
6	325-5	2	Screw-HH	21	114-5640-03	2	Joint Yoke ASM
7	106-2008	2	Washer-Thrust	21:1		1	Yoke-Joint ●
8	121-3882	2	Shaft-Pivot, Lift Arm	21:1:1	104-4299	1	Cross And Bearing Kit
9	115-5468	2	Pivot Hub ASM	22	119-0089	1	LH Lift Arm ASM
9:1	115-5469	2	Bushing-Flange	22:2	69-6470	2	Bushing-Caster
9:2	114-5680	2	Bushing-Flange	22:3	302-5	1	Fitting-Grease
9:3	302-60	1	Fitting-Grease	22:4	302-60	1	Fitting-Grease
10	256-304	4	Washer-Thrust	22:5	114-5596	2	Bushing-Straight
11	117-5479	4	Pin-Spring	23	119-0087	1	RH Lift Arm ASM
12	120-8859-03	2	Block-Tapped	23:2	69-6470	2	Bushing-Caster
13	3256-26	10	Washer-Flat	23:3	302-5	1	Fitting-Grease
14	100-6116	6	Screw-HHF	23:4	302-60	1	Fitting-Grease
15	3272-25	2	Pin-Cotter	23:5	114-5596	2	Bushing-Straight

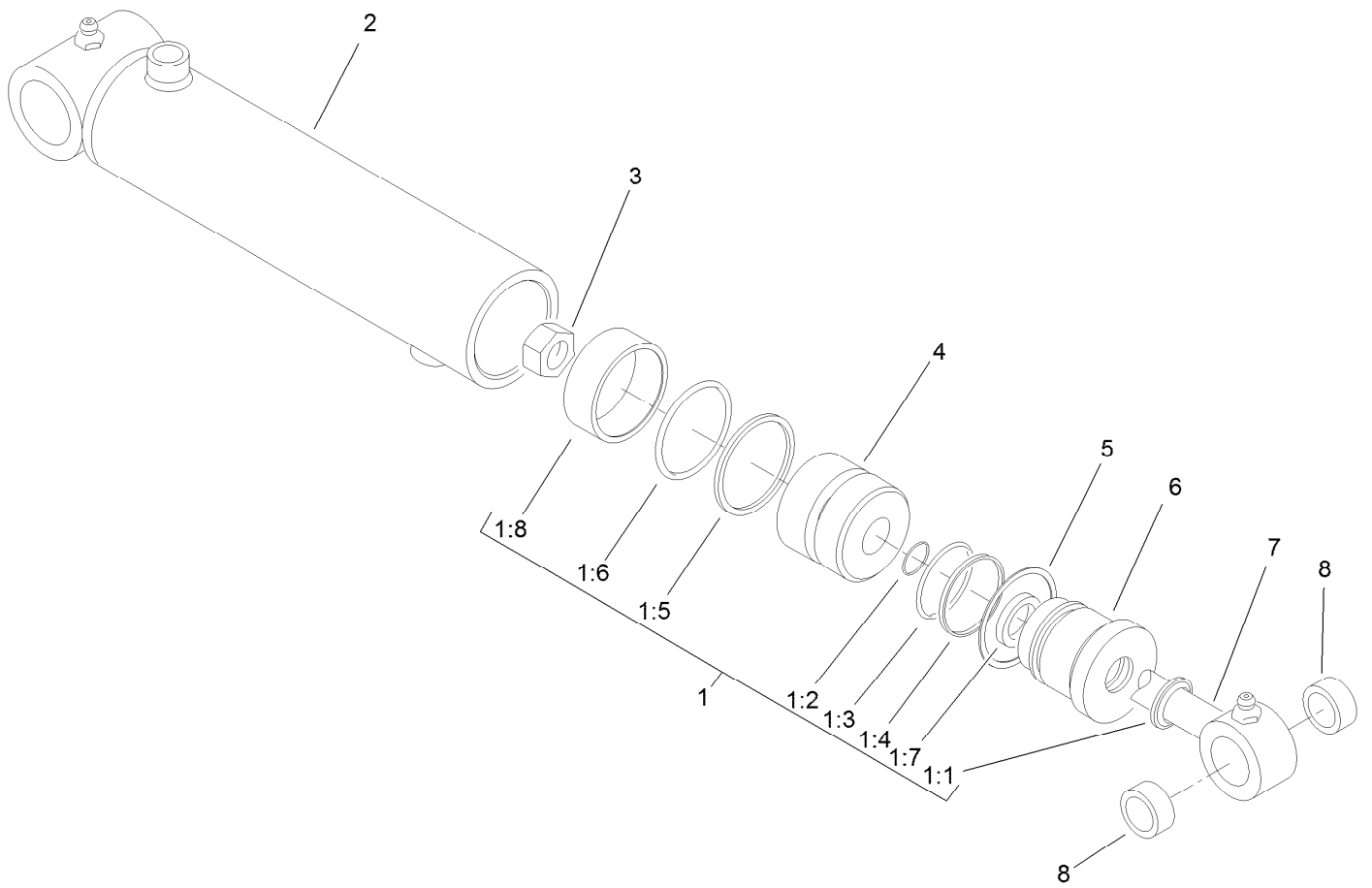
● Not serviced separately



Wing Lift Arm Assembly (continued)

Ref.	Part Number	Qty.	Description	Ref.	Part Number	Qty.	Description
24	104-8300	6	Nut-HF, NI	34	130-5640-03	1	Latch-Deck, LH
25	119-0077	2	Plate-Sensing, Wing	35	130-5641-03	1	Latch-Deck, RH
26	3230-16	4	Screw-CARR	36	48-7081	2	Grip-Plastic
27	27-0410	2	Screw-Shoulder	37	340-82	2	Fitting-Elbow, 90 DEG
28	100-5674	2	Pin	37:1	237-42	1	O-Ring
29	107-4303	2	HYD Cylinder ASM	37:2	237-21	1	O-Ring
30	115-5300	2	Proximity Switch ASM	38	340-77	2	Fitting-Elbow, 90 DEG
30:1	117-3207	2	Nut-Hex	38:1	237-22	1	O-Ring
30:2	117-3208	2	Washer-Lock, Internal Tooth	38:2	237-42	1	O-Ring
31	120-9000-03	1	Crossmember	39	119-8308-03	6	Plate
32	3296-45	4	Nut-Hex	40	3296-2	4	Nut-Lock, NI
33	104-3577	4	Washer	41	3256-61	4	Washer-Flat

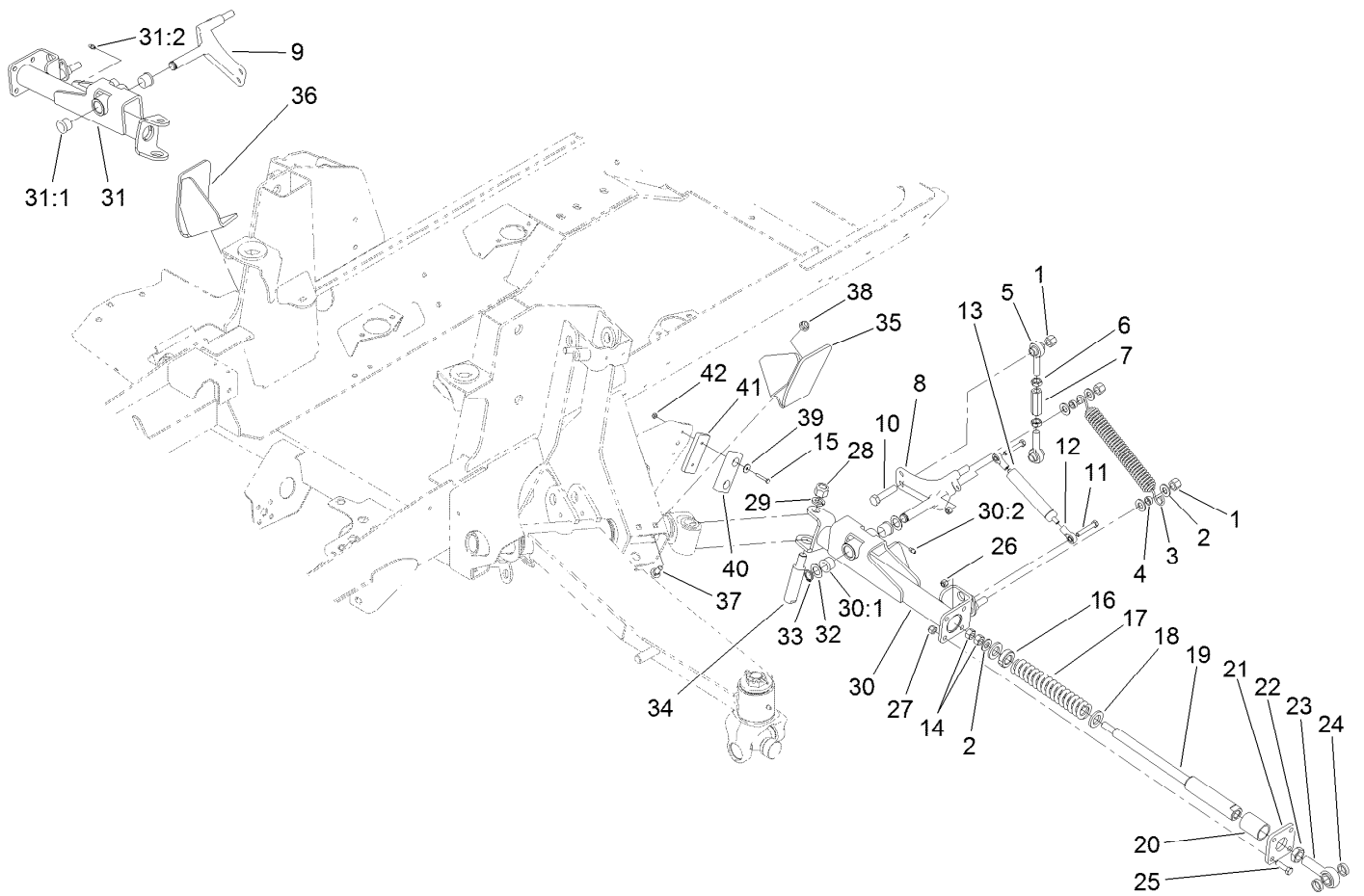
● Not serviced separately



Hydraulic Cylinder Assembly No. 107-4303

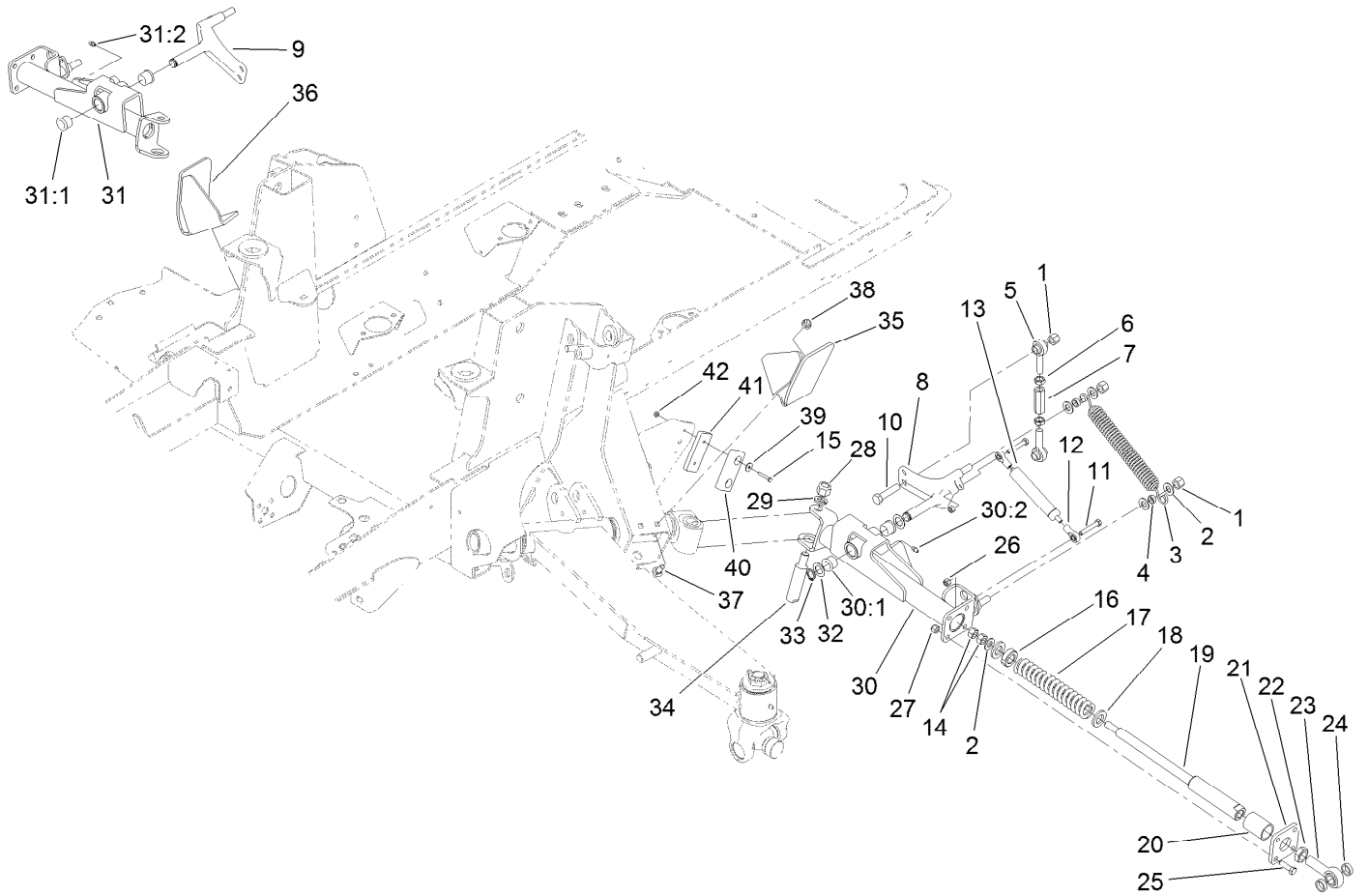
<i>Ref.</i>	<i>Part Number</i>	<i>Qty.</i>	<i>Description</i>	<i>Ref.</i>	<i>Part Number</i>	<i>Qty.</i>	<i>Description</i>
1	107-0249	1	Seal Kit	1:8		1	Wear Ring ●
1:1		1	Wiper ●	2		1	Barrel ASM ●
1:2		1	O-Ring ●	3		1	Locknut ●
1:3		1	O-Ring ●	4		1	Piston ●
1:4		1	Back-Up ●	5		1	Ring, Retaining ●
1:5		1	Seal ●	6		1	Head ●
1:6		1	O-Ring ●	7		1	Rod ASM ●
1:7		1	Seal ●	8	104-4281	2	Bushing

● Not serviced separately



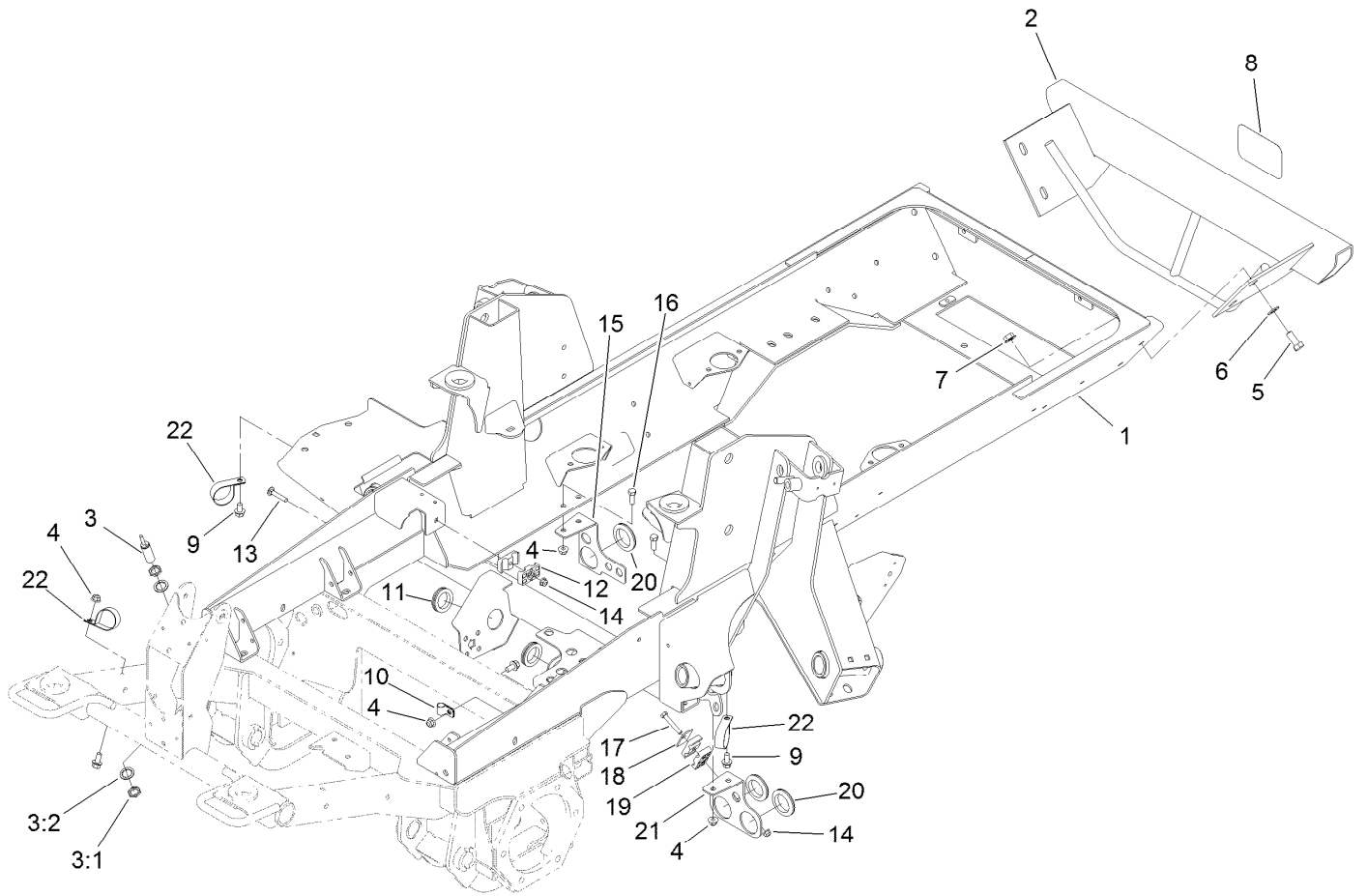
Impact Arm Assembly

Ref.	Part Number	Qty.	Description	Ref.	Part Number	Qty.	Description
1	3296-23	6	Nut-Lock, NI	22	3220-7	2	Nut-Jam
2	3256-26	10	Washer-Flat	23	105-2806	2	End-Rod
3	104-7520	2	Spring-Damper	24	105-0756	4	Spacer
4	104-7521	4	Bushing	25	323-7	8	Screw-HH
5	105-2808	4	End-Rod	26	3296-29	4	Nut-Lock, NI
6	3220-5	4	Nut-Jam	27	3296-39	8	Nut-Lock, NI
7	105-2809	2	Tube-Link	28	3296-53	2	Nut-Lock, NI
8	114-2717	1	Crank-Bell, LH	29	3253-8	2	Washer-Lock
9	114-2716	1	Crank-Bell, RH	30	120-8884	1	LH Rear Arm ASM
10	325-9	2	Screw-HH	30:1	256-113	2	Bushing-Flange
11	322-10	4	Screw-HH	30:2	302-5	1	Fitting-Grease
12	104-8331	4	End-Rod, Spherical	31	120-8883	1	RH Rear Arm ASM
13	105-3249	2	Damper	31:1	256-113	2	Bushing-Flange
14	3217-9	4	Nut-HH	31:2	302-5	1	Fitting-Grease
15	3290-360	4	Screw-HH	32	3-6498	4	Washer-Thrust
16	105-4552	2	Bearing-Plastic	33	32120-93	2	Ring-Retaining
17	100-8138	2	Spring-Compression	34	104-2281	2	Shaft-Pivot
18	105-4551	4	Washer-Flat	35	120-8856-03	1	Bracket-Roller, LH
19	105-4548	2	Shaft-Spring	36	120-8874-03	1	Bracket-Roller, RH
20	105-4550	2	Bushing-Straight	37	3231-2	4	Bolt-CARR
21	105-2807-03	2	Plate	38	104-8301	4	Nut-HF, NI



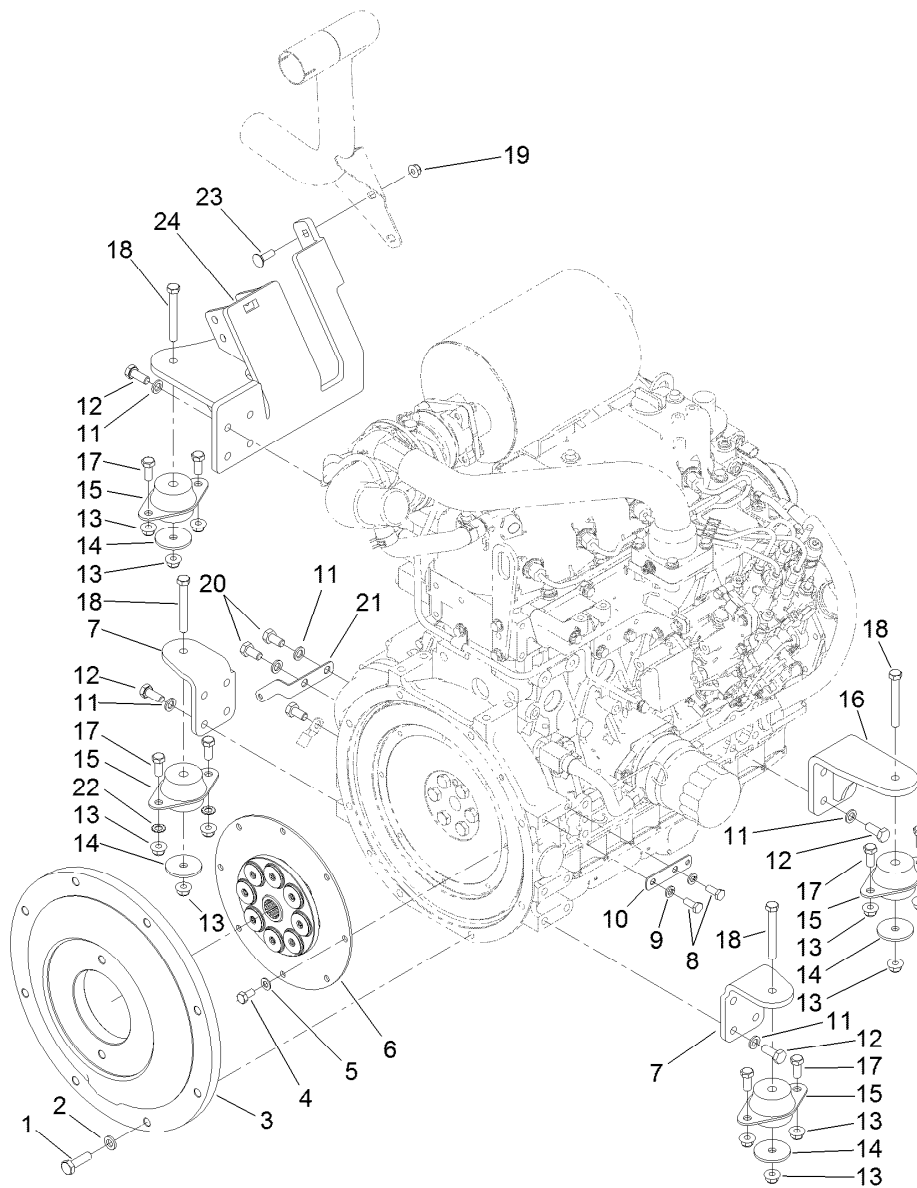
Impact Arm Assembly (continued)

<i>Ref.</i>	<i>Part Number</i>	<i>Qty.</i>	<i>Description</i>	<i>Ref.</i>	<i>Part Number</i>	<i>Qty.</i>	<i>Description</i>
39	3256-61	4	Washer-Flat	41	119-8308-03	2	Plate
40	86-5350	2	Bumper-Rubber	42	3296-2	4	Nut-Lock, NI



Frame, Bumper and Proximity Sensor Assembly

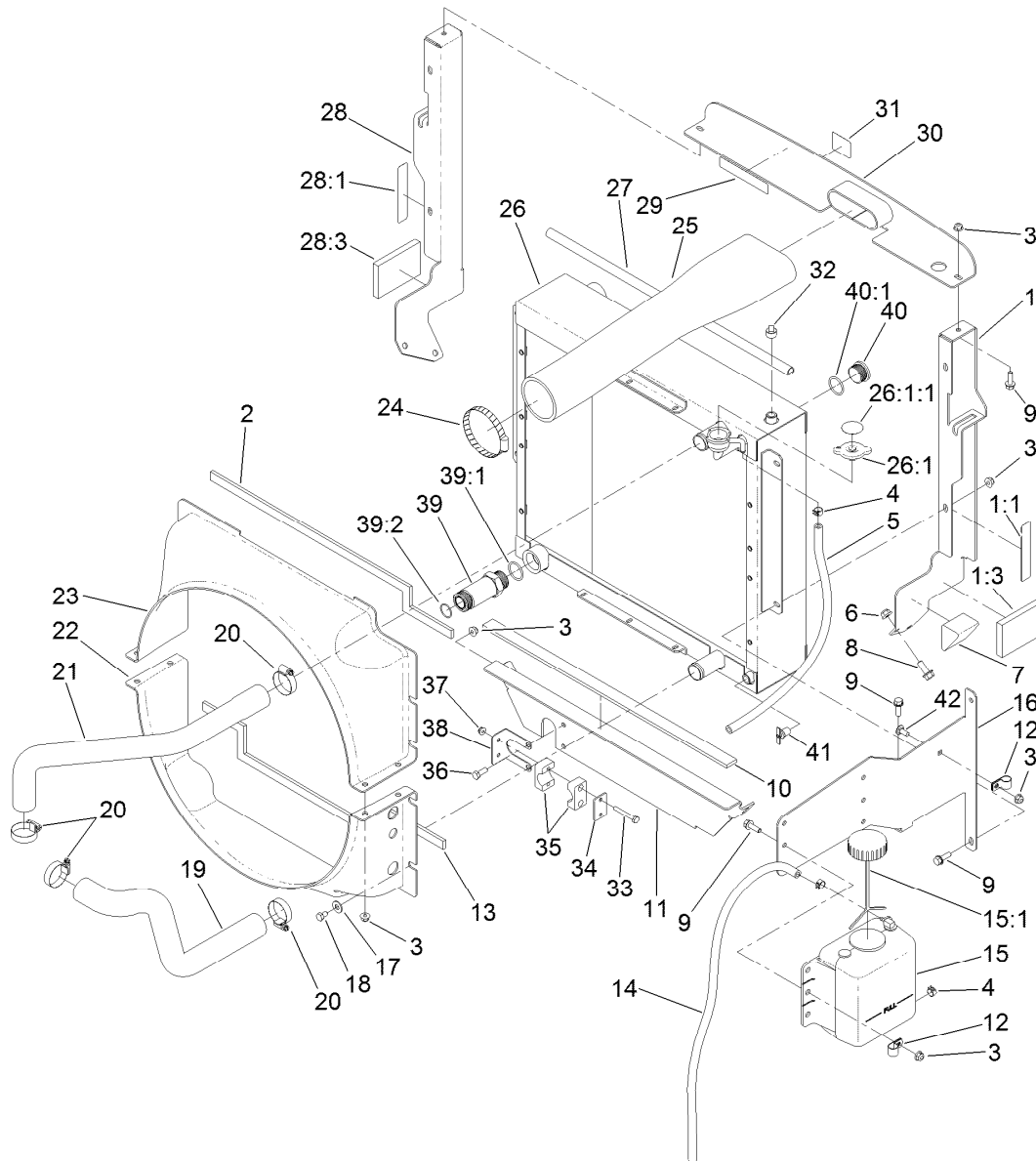
<i>Ref.</i>	<i>Part Number</i>	<i>Qty.</i>	<i>Description</i>	<i>Ref.</i>	<i>Part Number</i>	<i>Qty.</i>	<i>Description</i>
1	120-4010-03	1	Frame	11	240-7	2	Grommet-Rubber
2	120-8919-03	1	Bumper	12	56-7971	2	Clamp-Tube
3	115-0282	1	Proximity Sensor ASM	13	3230-5	1	Bolt-CARR
3:1	117-3207	2	Nut-Hex	14	104-8300	2	Nut-HF, NI
3:2	117-3208	2	Washer-Lock, Internal Tooth	15	121-1508-03	1	Bracket-Bulkhead
4	104-8301	6	Nut-HF, NI	16	323-6	4	Screw-HH
5	325-5	4	Screw-HH	17	322-10	1	Screw-HH
6	3256-26	4	Washer-Flat	18	69-9760	1	Plate-Cover
7	32128-23	4	Nut-HF	19	56-7976	2	Clamp-Tube
8	105-8278	1	Decal	20	240-2	3	Grommet-Rubber
9	3234-1	4	Screw-HHF	21	121-1481-03	1	Plate-Mount, Bulkhead (LH)
10	2412-138	1	R-Clamp	22	2412-147	3	Clamp-R



Flywheel and Motor Mount Assembly

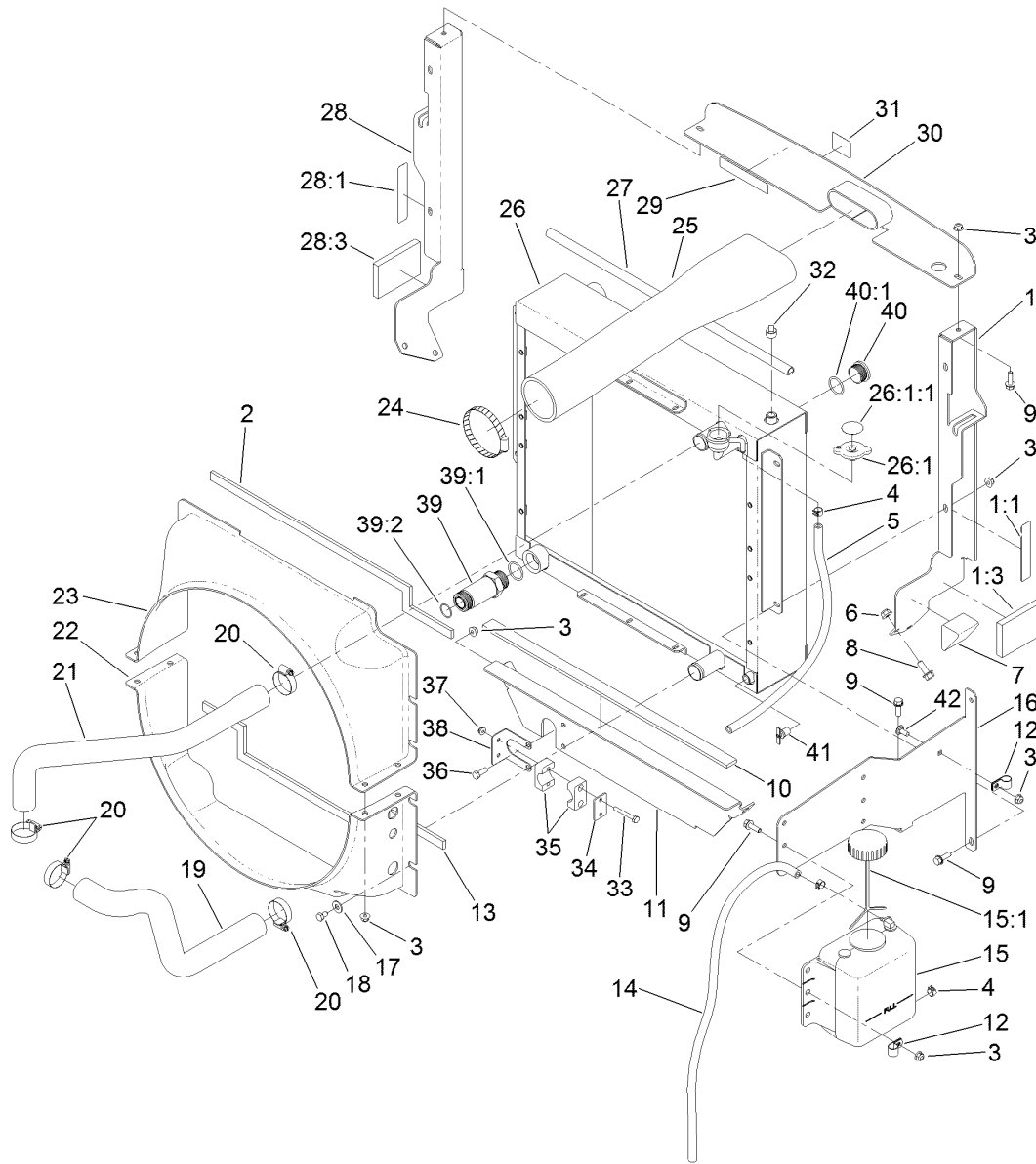
Ref.	Part Number	Qty.	Description
1	117-5663	8	Screw-HH
2	107-1413	8	Washer-Hardened
3	115-6657-03	1	Plate-Flywheel
4	99-5132	8	Bolt
5	87-7510	8	Washer-Flat
6	120-4176	1	Coupling-Spring, Flywheel
7	120-4066-03	2	Mount-Motor, Front
8	33114-020	2	Screw-HH
9	3253-4	2	Washer-Lock
10	121-5636	1	Tab-Harness
11	48-9590	18	Washer-Lock
12	33115-025	16	Screw-HH

Ref.	Part Number	Qty.	Description
13	104-8301	12	Nut-HF, NI
14	63-7400	4	Washer-Rebound
15	53-9682	4	Mount-Engine
16	120-4068-03	1	Mount-Motor
17	323-5	8	Screw-HH
18	323-14	4	Screw-HH
19	104-8300	2	Nut-HF, NI
20	33115-020	3	Screw-HH
21	121-6580	1	Bracket-Harness
22	3255-9	2	Washer-Lock
23	3230-2	2	Bolt-CARR
24	127-3722-03	1	Mount-Motor



Radiator Assembly

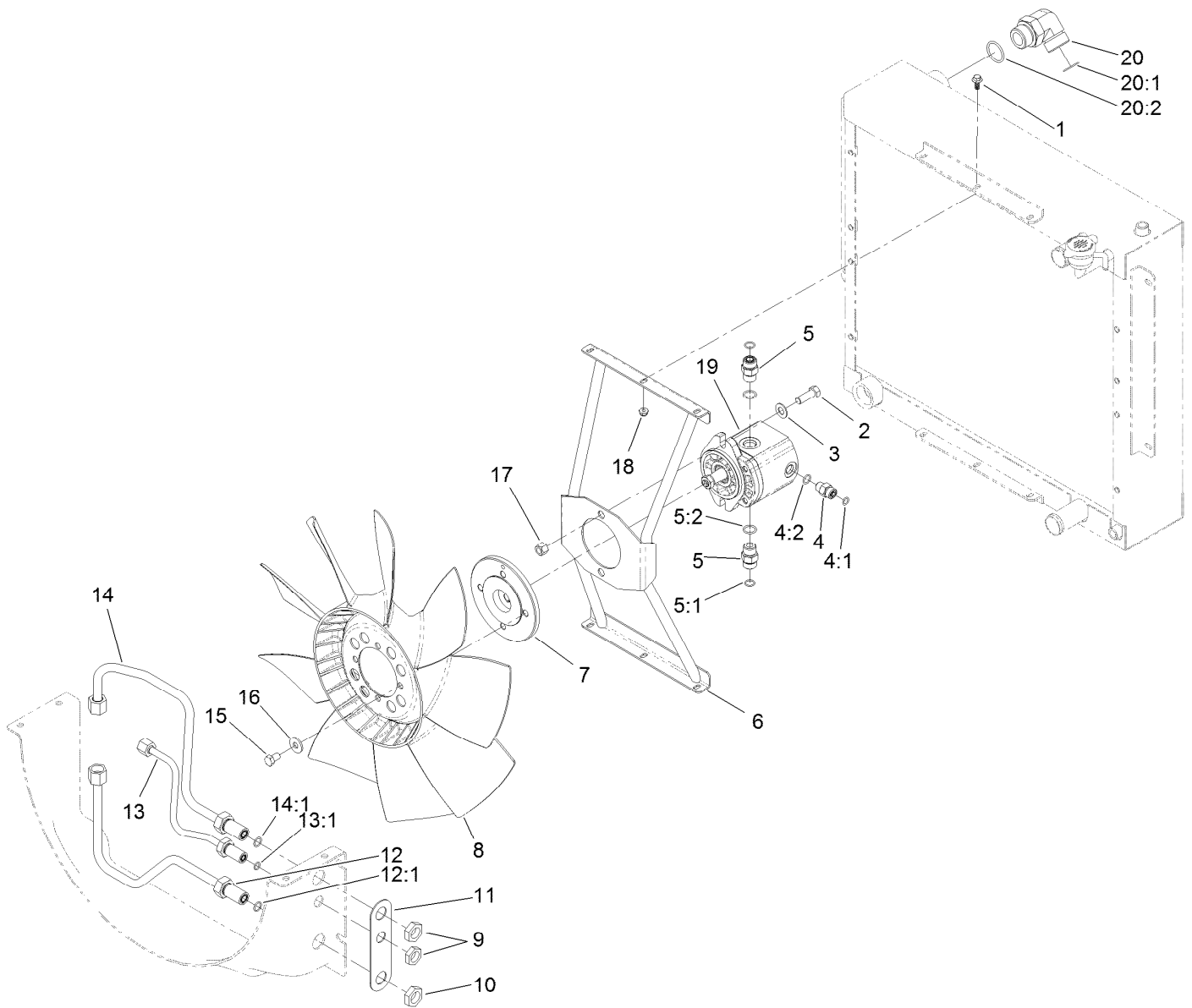
Ref.	Part Number	Qty.	Description	Ref.	Part Number	Qty.	Description
1	121-1479	1	LH Radiator Support ASM	19	121-1746	1	Hose-Radiator, Lower
1:1	93-7272	1	Decal-Warning	20	2412-111	4	Clamp-Hose, W/Liner
1:3	100-2196	1	Pad-Foam	21	121-1747	1	Hose-Radiator, Upper
2	121-1684	1	Foam-Radiator	22	121-1517	1	Shroud-Radiator, Lower
3	104-8300	13	Nut-HF, NI	23	121-1515	1	Shroud-Radiator, Upper
4	92-2379	3	Clamp-Hose	24	2412-110	1	Clamp-Band/Screw
5	110-4112	1	Hose-Fuel	25	121-1474	1	Hose-Inlet, Air Cleaner
6	104-8301	6	Nut-HF, NI	26	121-3080	1	Radiator/Oil Cooler
7	93-5954	2	Plug-Foam	26:1	115-7766	1	Cap-Radiator
8	3234-11	6	Screw-HHF	26:1:1	106-6755	1	Decal-Cap, Radiator
9	3234-29	12	Screw-HHF	27	114-3828	1	Seal-Bulb
10	104-2226	1	Strip-Foam	28	121-1478	1	RH Radiator Support ASM
11	120-8968-03	1	Bracket-Hose	28:1	93-7272	1	Decal-Warning
12	92-6064	2	Clamp-R	28:3	100-2196	1	Pad-Foam
13	121-1685	1	Foam-Radiator, Lower	29	93-7272	1	Decal-Warning
14	110-9662	1	Hose-Fuel	30	120-9025-03	1	Bracket-Intake
15	120-5571	1	Coolant Reservoir ASM	31	93-7275	1	Decal-Fluid, Starting
15:1	87-7050	1	Cap-Reservoir	32	281-13	1	Plug-Pipe
16	130-0603-03	1	Bracket-Mount, Bottle	33	321-11	2	Screw-HH
17	3256-3	8	Washer-Flat	34	114-4902	1	Plate-Cover
18	322-1	8	Screw-HH	35	114-4901	1	Clamp



Radiator Assembly (continued)

<i>Ref.</i>	<i>Part Number</i>	<i>Qty.</i>	<i>Description</i>
36	322-4	2	Screw-HH
37	104-7201	2	Nut-HF, NI
38	120-8984	1	Bracket-Clamp
39	100-5565	1	Fitting-STR
39:1	237-146	1	O-Ring

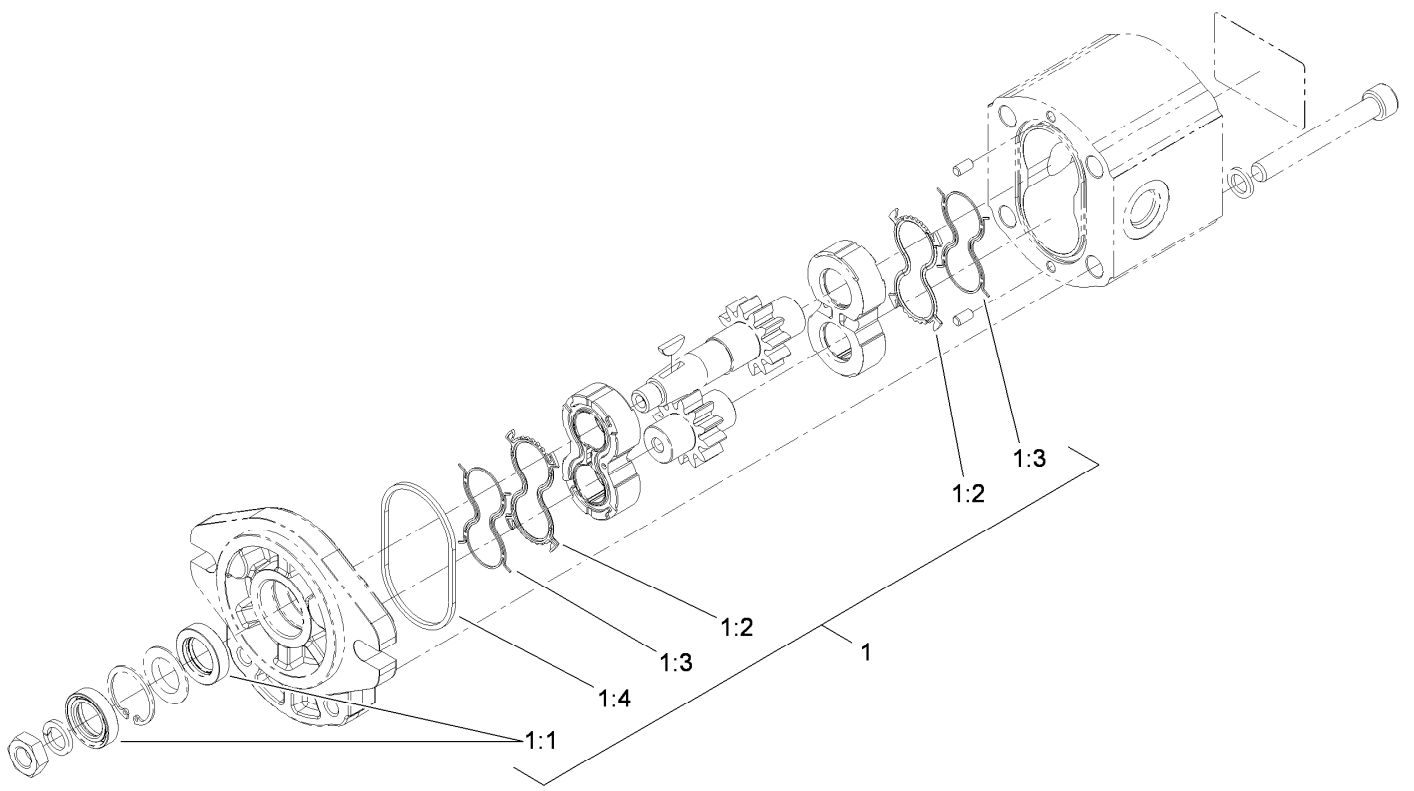
<i>Ref.</i>	<i>Part Number</i>	<i>Qty.</i>	<i>Description</i>
39:2	340-65	1	O-Ring
40	106-2030	1	Plug-Hex, Hollow
40:1	237-146	1	O-Ring
41	304-46	1	Draincock
42	3230-23	1	Bolt-CARR



Fan Mounting and Hardline Assembly

Ref.	Part Number	Qty.	Description
1	99-6810	6	Screw-HHF
2	324-5	2	Screw-HH
3	3256-25	2	Washer-Flat
4	340-2	1	Fitting-Straight
4:1	237-22	1	O-Ring
4:2	237-42	1	O-Ring
5	340-4	2	Fitting-Straight
5:1	237-30	1	O-Ring
5:2	237-79	1	O-Ring
6	120-8935-03	1	Bracket-Fan
7	117-2364	1	Hub-Fan
8	114-3825	1	Fan
9	340-70	1	Nut-Lock
10	340-127	2	Nut-Bulkhead
11	121-1518	1	Shim-Support

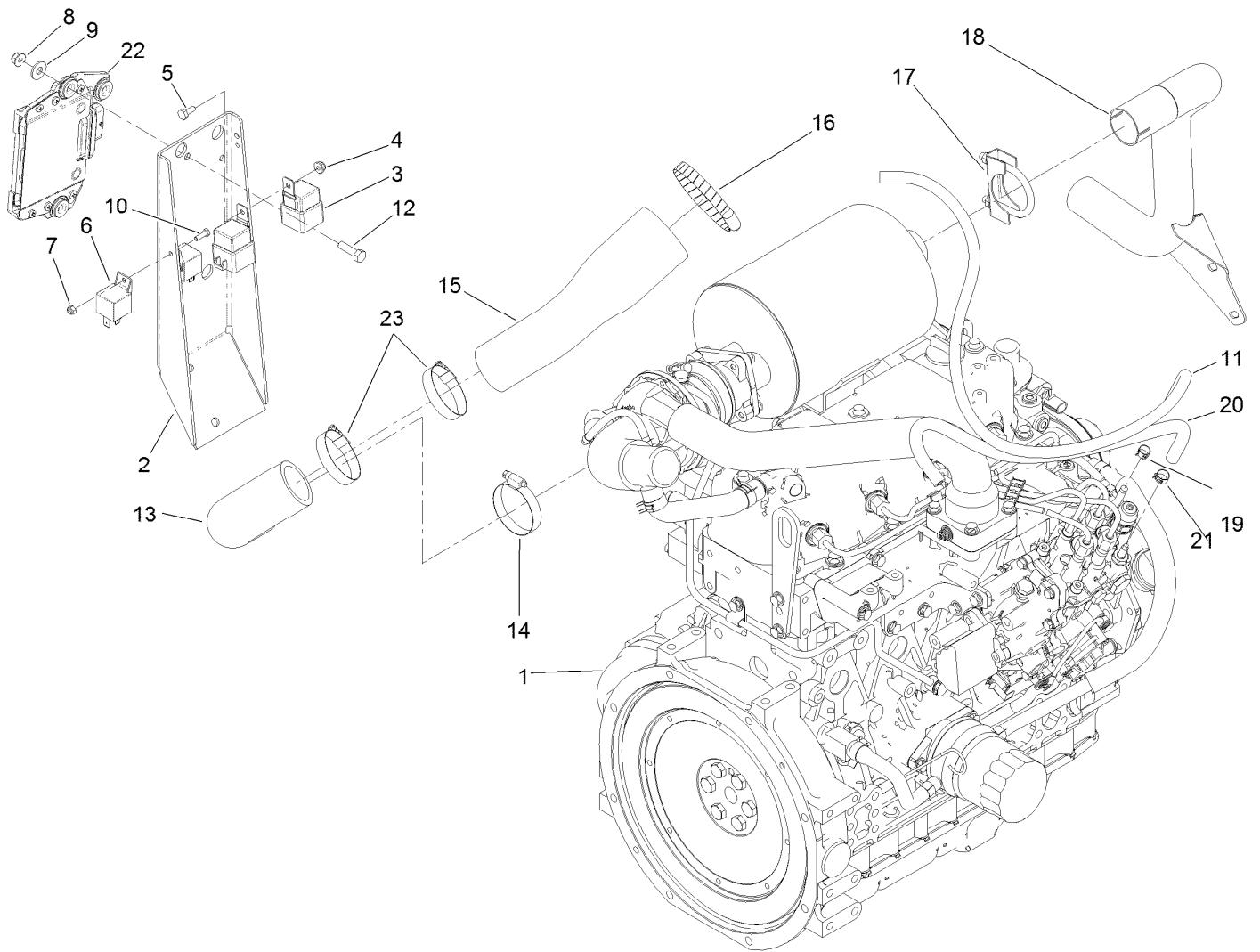
Ref.	Part Number	Qty.	Description
12	121-1554	1	Tube-HYD
12:1	237-30	1	O-Ring
13	121-1555	1	Tube ASM
13:1	237-22	1	O-Ring
14	121-1553	1	Tube-HYD
14:1	237-30	1	O-Ring
15	115-8486	4	Screw-HH
16	80-6990	4	Washer-Hardened
17	3296-48	2	Nut-Hex
18	104-7201	6	Nut-HF, NI
19	117-4769	1	HYD Motor ASM
20	340-129	1	Fitting-Elbow, 90 DEG
20:1	237-146	1	O-Ring
20:2	340-65	1	O-Ring



Hydraulic Motor Assembly No. 117-4769

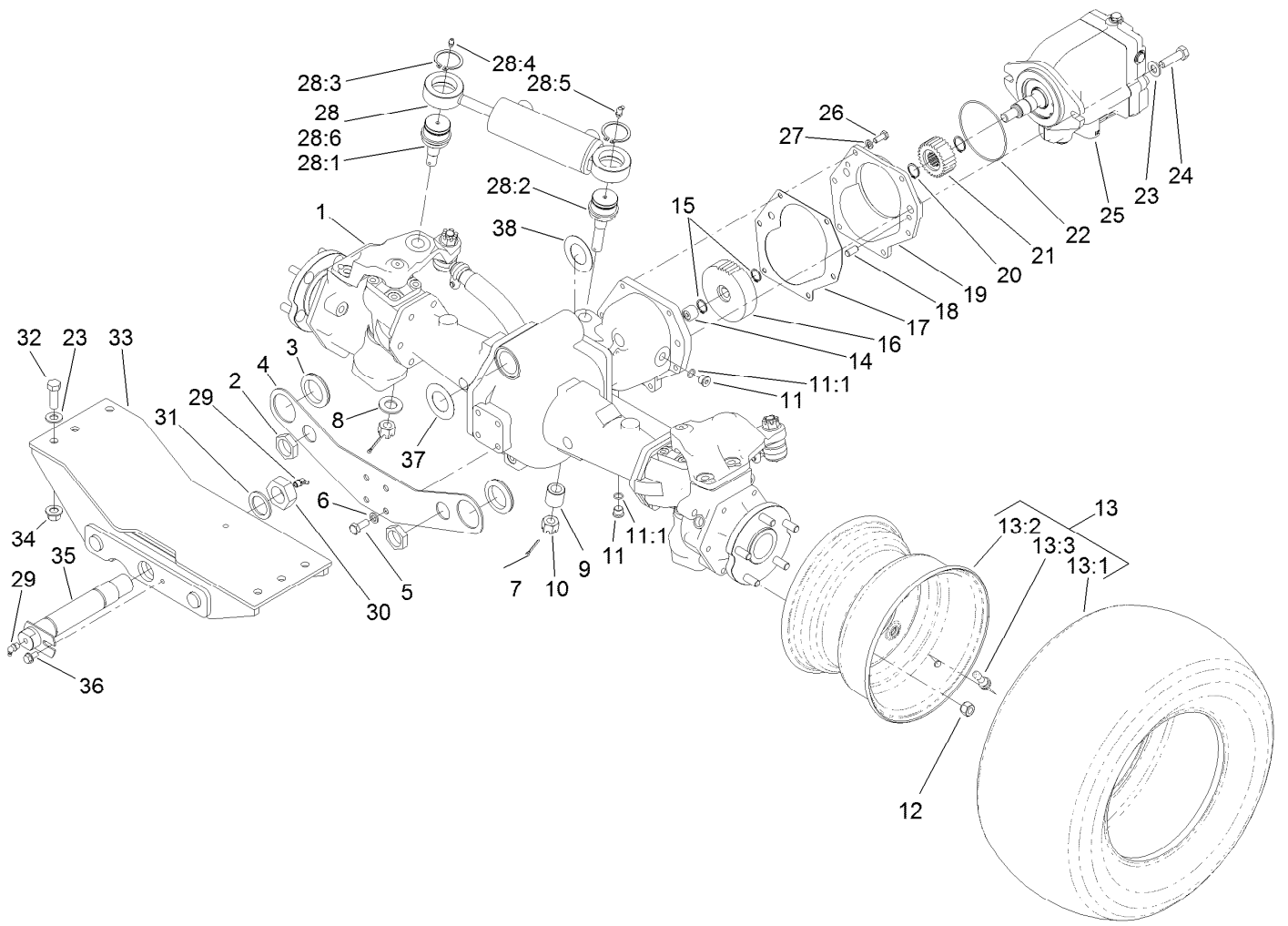
<i>Ref.</i>	<i>Part Number</i>	<i>Qty.</i>	<i>Description</i>
1	115-4110	1	Seal Kit
1:1		2	Seal-Shaft ●
1:2		2	Seal-Plate, Balancing ●
1:3		2	Seal-Anti Extrusion ●
1:4		2	O-Ring (Housing) ●

● Not serviced separately



Engine, Intake and Exhaust Assembly

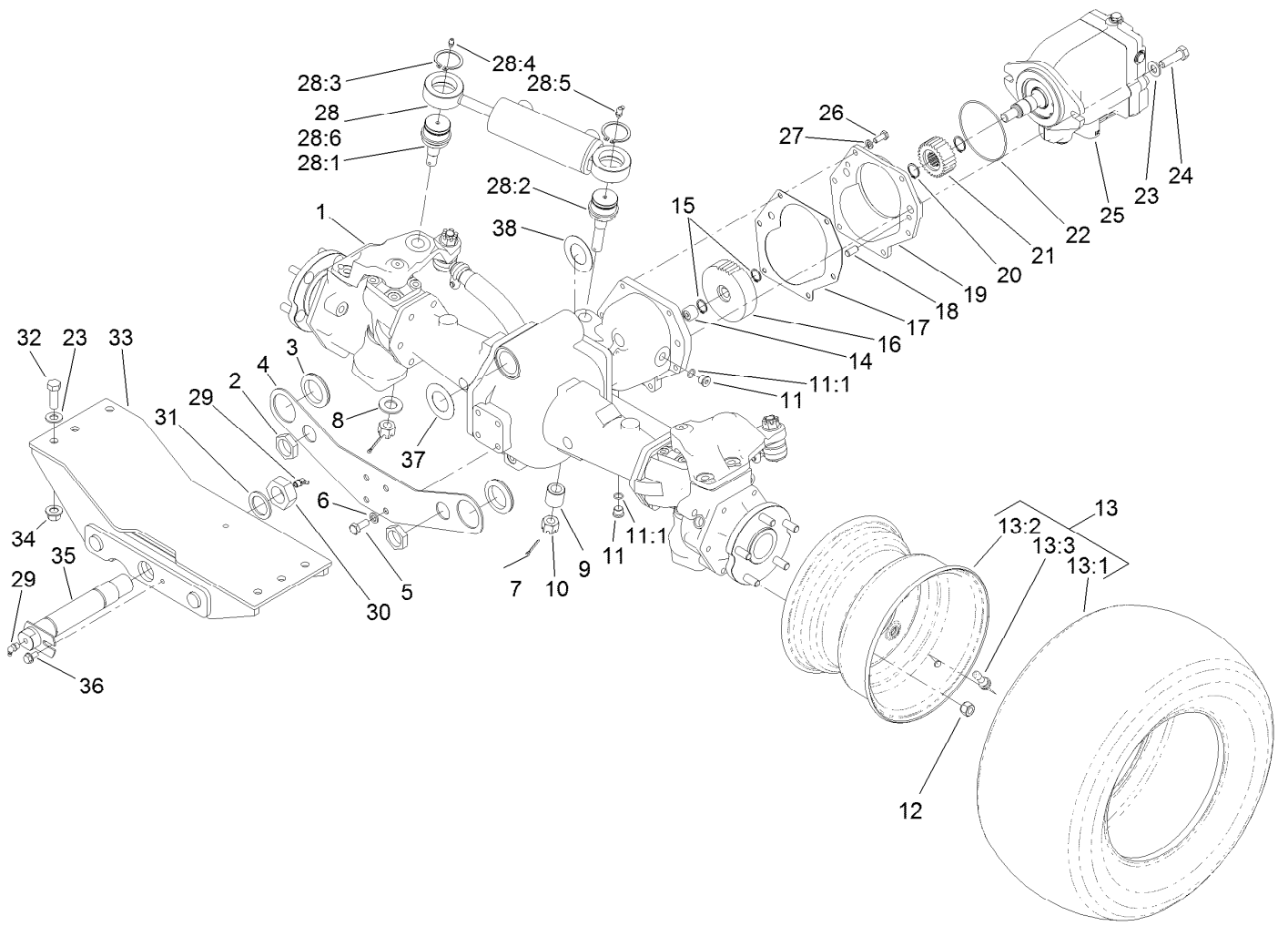
<i>Ref.</i>	<i>Part Number</i>	<i>Qty.</i>	<i>Description</i>	<i>Ref.</i>	<i>Part Number</i>	<i>Qty.</i>	<i>Description</i>
1	120-4112	1	Engine-Yanmar, T4l	13	121-1589	1	Hose-Outlet, Air Cleaner
2	120-8916-03	1	Mount-Controller	14	2412-130	1	Clamp-Hose
3	99-7430	2	Relay-Mini	15	121-1590	1	Hose-Outlet, Air Cleaner
4	104-7201	1	Nut-HF, NI	16	2412-110	1	Clamp-Band/Screw
5	321-3	1	Screw-HH	17	18-2130	1	Clamp
6	99-7435	2	Relay	18	121-1616	1	Pipe-Exhaust
7	3296-2	1	Nut-Lock, NI	19	2412-98	1	Clamp-Hose
8	104-8300	3	Nut-HF, NI	20	108-3284	1	Hose-Fuel
9	3256-3	3	Washer-Flat	21	92-2379	1	Clamp-Hose
10	3290-134	1	Screw	22	121-1591	1	Controller-Engine
11	110-5702	1	Hose-Fuel	23	2412-130	2	Clamp-Hose
12	322-16	3	Screw-HH				



Rear Axle and Steering Cylinder Assembly

Ref.	Part Number	Qty.	Description	Ref.	Part Number	Qty.	Description
1	110-4750	1	Drive Axle ASM	15	32120-15	2	Ring-Snap, EXT
2	340-126	2	Nut-Bulkhead	16	100-3053	1	Gear-45 Tooth
3	240-2	2	Grommet-Rubber	17	106-1140	1	Gasket
4	120-9069-03	1	Plate-Mount, Bulkhead	18	104-2353	2	Pin-Dowel
5	43-0090	4	Screw-HH	19	95-7541	1	Plate-Cover
6	48-9590	4	Washer-Lock	20	32120-76	2	Ring-Snap, EXT
7	3272-12	2	Pin-Cotter	21	104-0755	1	Pinion-27 Tooth
8	92-5836	1	Washer	22	237-166	1	O-Ring
9	100-3796	1	Spacer-Joint, Ball	23	3256-26	8	Washer-Flat
10	32136-14	2	Nut-Hst	24	325-7	2	Screw-HH
11	353-989	2	Plug-Hex, Hollow	25	120-8814	1	HYD Motor ASM
11:1	237-42	1	O-Ring	26	33114-020	6	Screw-HH
12	93-5268	10	Nut-Lug	27	3253-4	6	Washer-Lock
13		2	Tire And Wheel ASM ●	28	121-1535	1	Steering Cylinder ASM
13:1	120-8910	1	Tire-Off Road	28:1	106-6774	1	Joint-Ball
13:2	120-8909	1	Rim	28:2	100-3795	1	Joint-Ball
13:3	232-27	1	Stem-Valve	28:3	32151-104	2	Ring-Retaining, External
14	74-5700	1	Bearing-Needle, Roller	28:4	302-5	1	Fitting-Grease

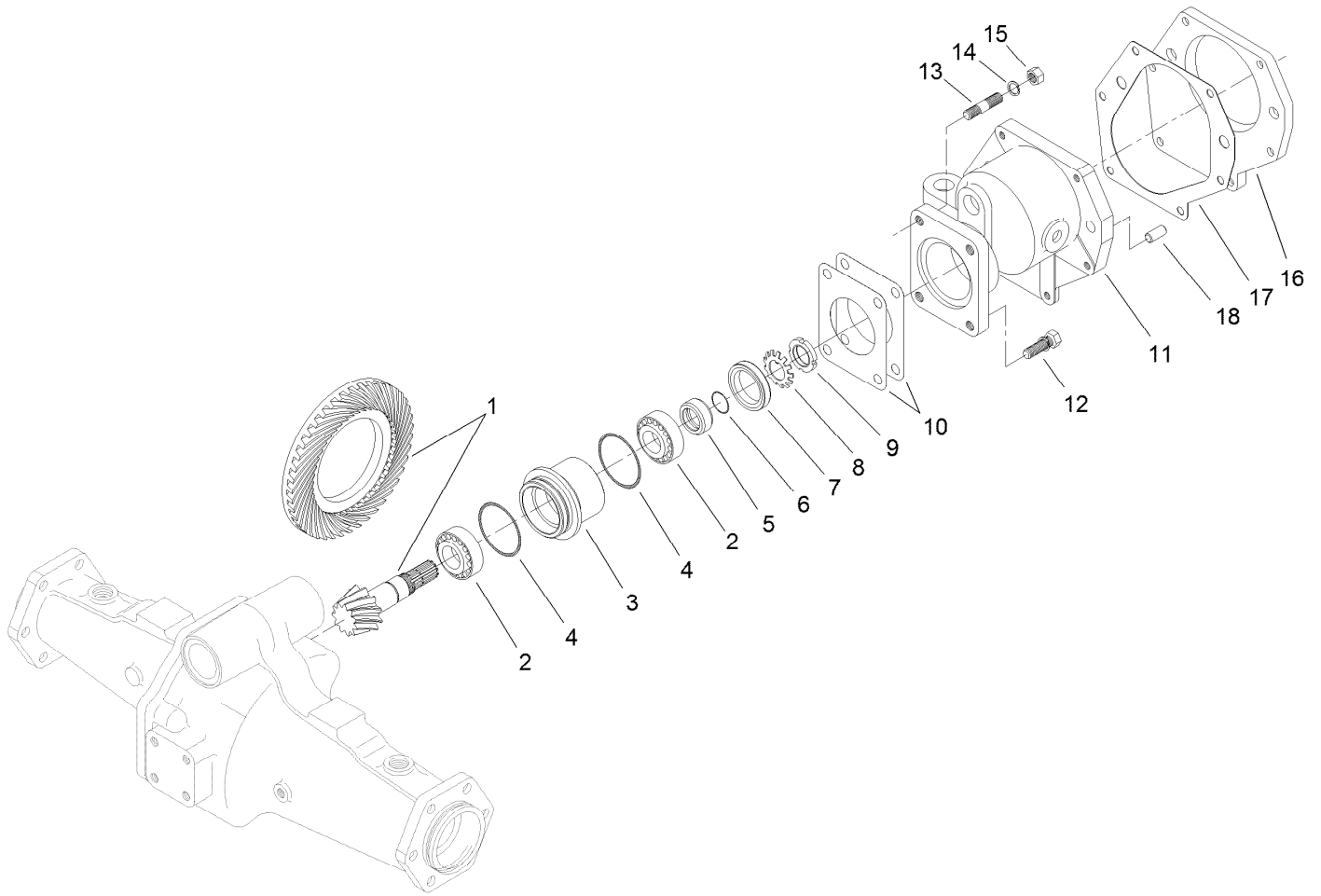
● Not serviced separately



Rear Axle and Steering Cylinder Assembly (continued)

<i>Ref.</i>	<i>Part Number</i>	<i>Qty.</i>	<i>Description</i>	<i>Ref.</i>	<i>Part Number</i>	<i>Qty.</i>	<i>Description</i>
28:5	302-60	1	Fitting-Grease	33	120-8895-03	1	Mount-Rear
28:6	121-1534	1	HYD Steering Cylinder ASM	34	99-5107	6	Nut-Lock
29	302-33	2	Fitting-Grease	35	98-7077	1	Pin-Axle, Rear
30	3296-68	1	Nut-Lock, NI	36	32144-14	1	Screw-HWHTF
31	92-1765	1	Washer-Thrust	37	99-8431	2	Washer-Thrust
32	325-6	6	Screw-HH	38	99-8432	2	Washer-Thrust

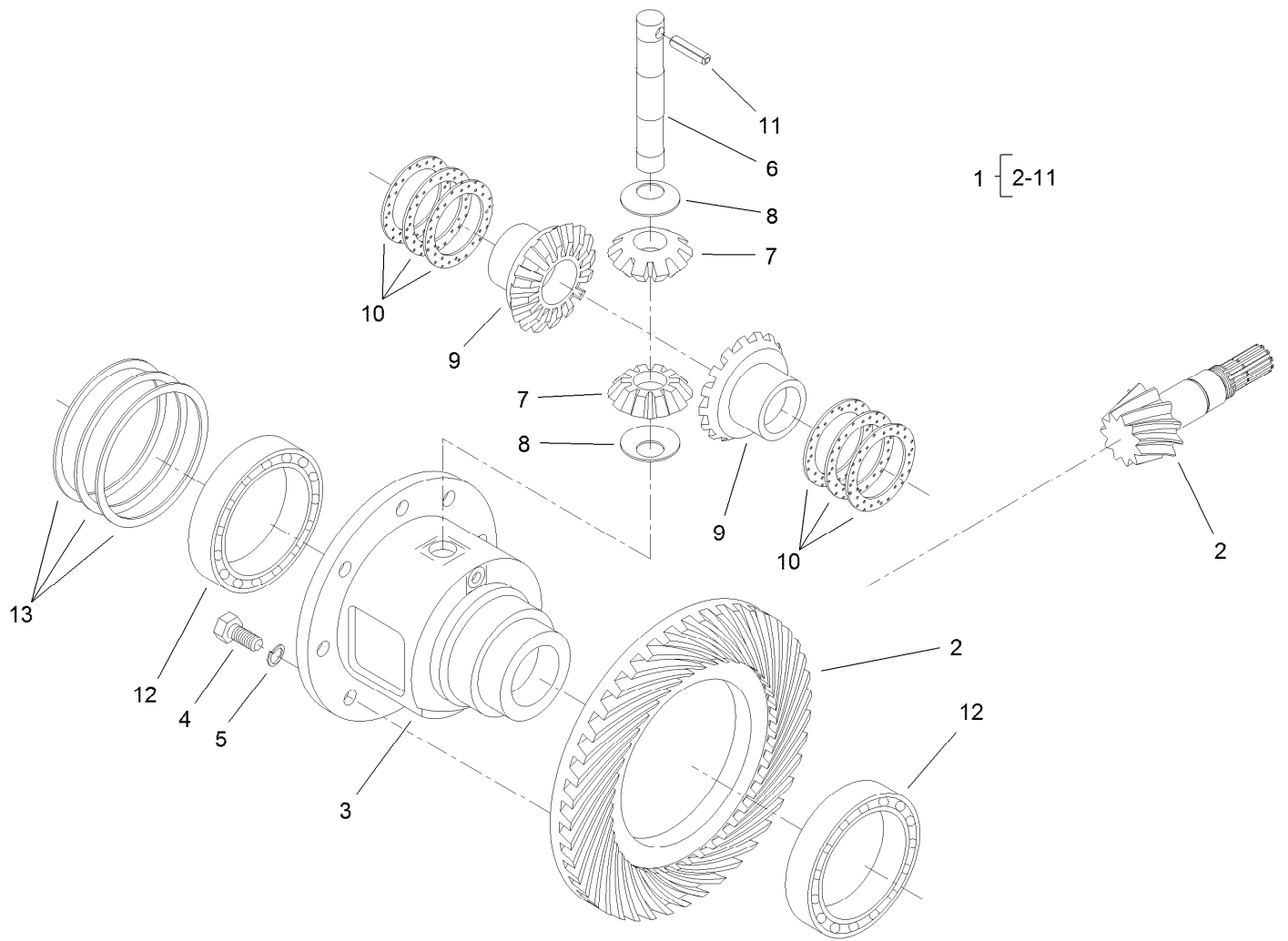
● Not serviced separately



Bevel Pinion Shaft Assembly Rear Axle Assembly No. 110-4750

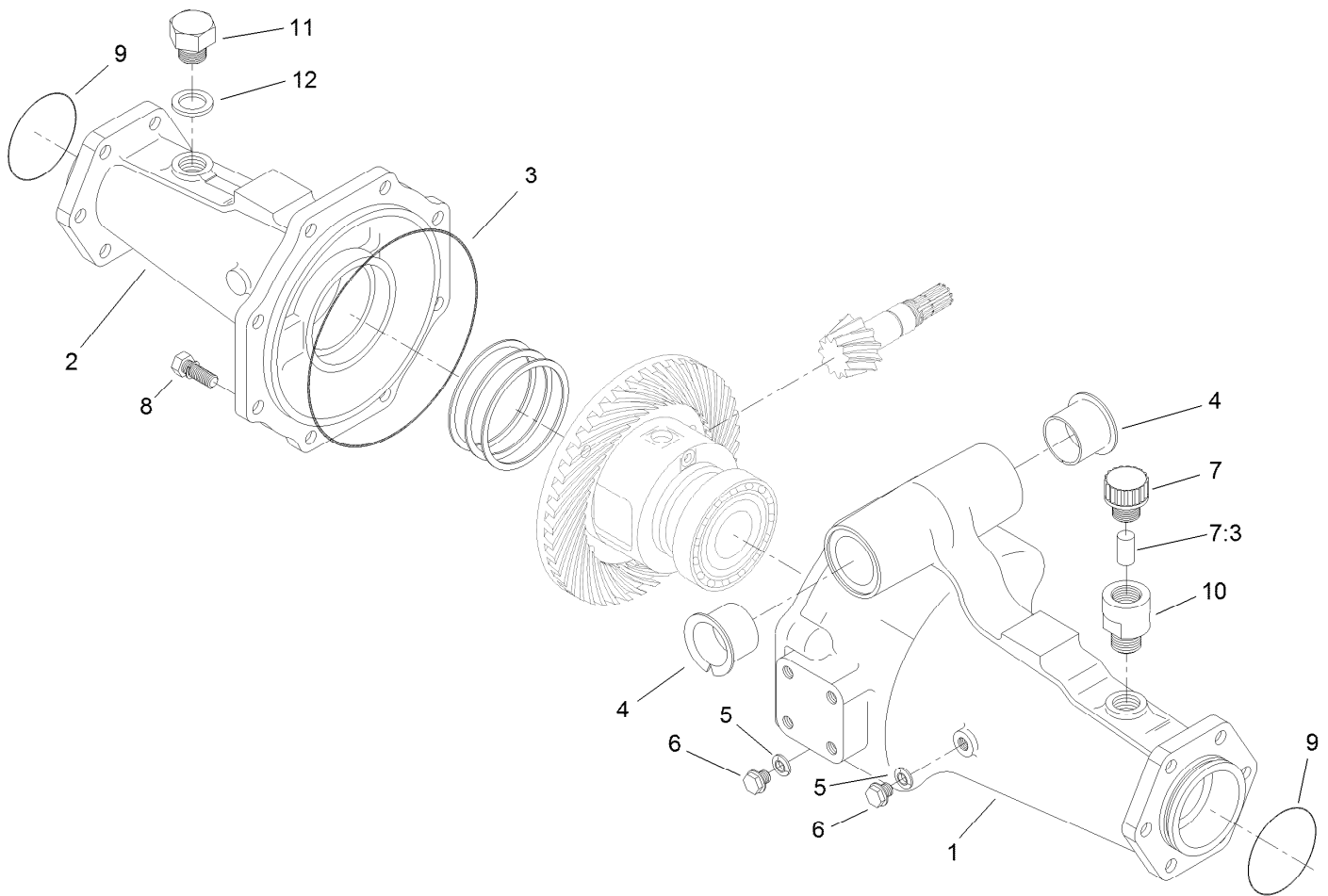
<i>Ref.</i>	<i>Part Number</i>	<i>Qty.</i>	<i>Description</i>
1	106-1093	1	Ring And Pinion Set
2	99-7570	2	Bearing-Roller, Taper
3	95-7534	1	Case-Bearing
4	106-1065	2	O-Ring
5	99-7572	1	Collar-Seal, Oil
6	106-1066	1	O-Ring
7	99-7574	1	Seal-Oil
8	99-7559	1	Washer-Lock
9	99-7560	1	Nut-Lock
10	99-7550	2	Shim 0.1

<i>Ref.</i>	<i>Part Number</i>	<i>Qty.</i>	<i>Description</i>
10	99-7551	2	Shim 0.2
11	95-7533	1	Case-Gear
12	99-7575	2	Bolt
13	98-7735	2	Stud
14	99-7527	2	Washer-Spring
15	99-7526	2	Nut
16	95-7541	1	Plate-Cover
17	106-1140	1	Gasket
18	104-2353	2	Pin-Dowel



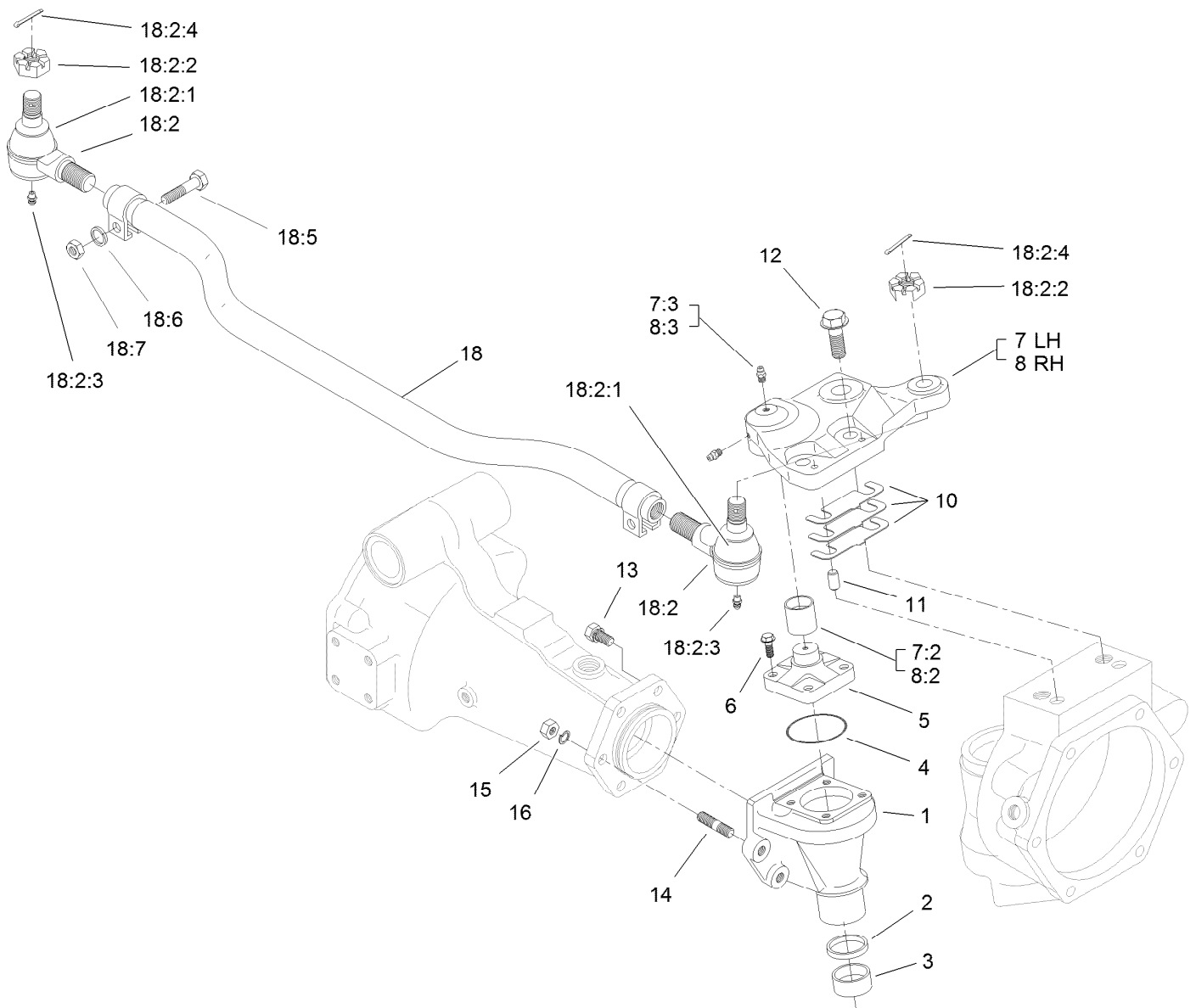
Differential Assembly Rear Axle Assembly No. 110-4750

<i>Ref.</i>	<i>Part Number</i>	<i>Qty.</i>	<i>Description</i>	<i>Ref.</i>	<i>Part Number</i>	<i>Qty.</i>	<i>Description</i>
1	95-7503	1	Differential ASM	10	99-7582	2	Washer-Differential
2	106-1093	1	Ring And Pinion Set	10	99-7583	2	Washer-Differential
3	95-7502	1	Case-Differential	10	99-7584	2	Washer-Differential
4	99-7576	8	Bolt	11	99-7588	1	Pin-Spring
5	3253-4	8	Washer-Lock	12	99-7562	2	Bearing-Ball
6	99-7578	1	Shaft-Differential	13	99-7585	2	Shim 0.1
7	99-7579	2	Pinion-Differential	13	99-7586	2	Shim 0.2
8	99-7580	2	Washer-Differential	13	99-7587	2	Shim 0.4
9	99-7581	2	Gear-Differential				



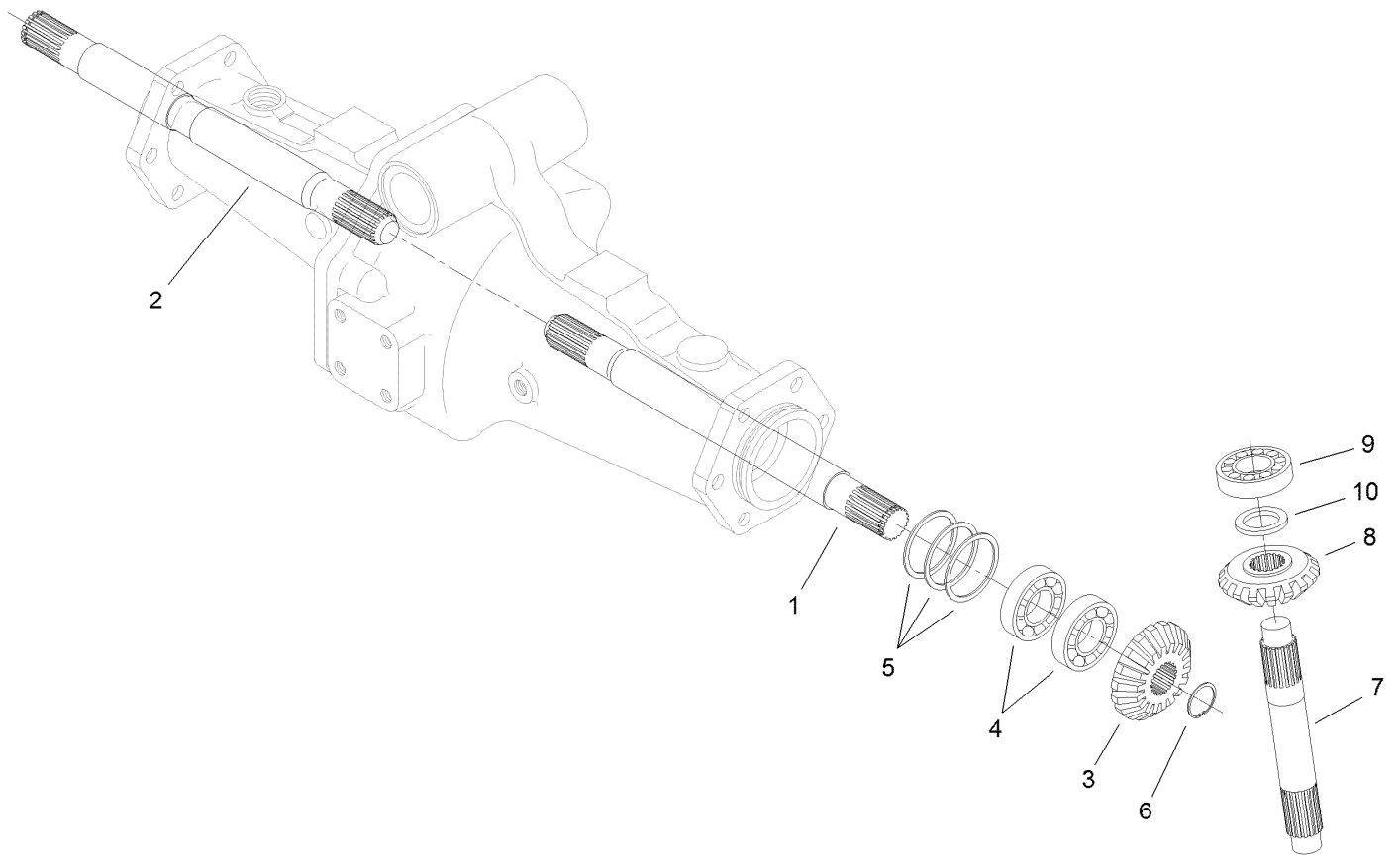
Axle Support Assembly Rear Axle Assembly No. 110-4750

<i>Ref.</i>	<i>Part Number</i>	<i>Qty.</i>	<i>Description</i>
1	95-7508	1	Support-Axle
2	95-7506	1	Support-Axle
3	106-1067	1	O-Ring
4	95-7537	2	Bushing-Flanged
5	99-7590	2	Washer-Seal
6	99-7589	2	Plug
7	110-4812	1	Axle Vent ASM
7:3	110-4815	1	Insert-Filter, Foam
8	99-7592	8	Bolt
9	106-1068	2	O-Ring
10	104-2377	1	Extension-Vent
11	104-8643	1	Plug
12	104-8644	1	O-Ring



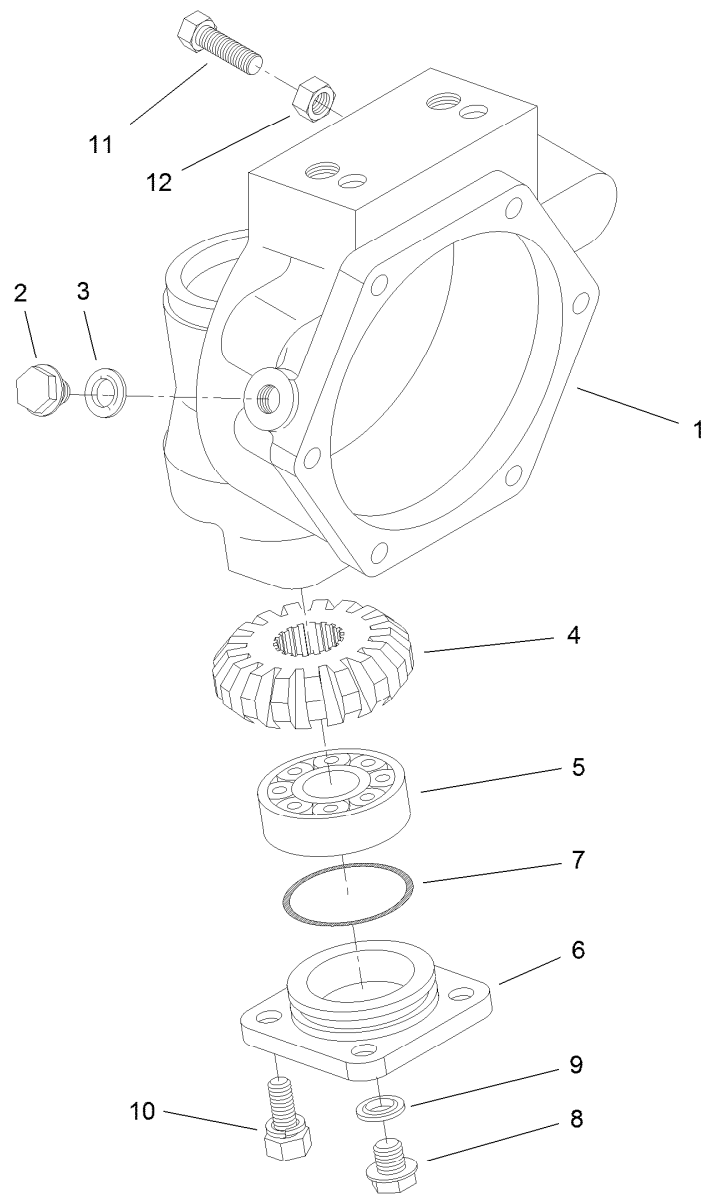
Bevel Gear Case Assembly Rear Axle Assembly No. 110-4750

Ref.	Part Number	Qty.	Description	Ref.	Part Number	Qty.	Description
1	110-4752	2	Case-Gear, Bevel	12	104-2375	4	Bolt
2	110-4754	2	Seal-Oil	13	99-7599	8	Bolt
3	104-2378	2	Bushing	14	99-7525	4	Stud
4	106-1069	2	O-Ring	15	99-7526	4	Nut
5	104-2373	2	Knuckle	16	99-7527	4	Washer-Spring
6	104-2374	8	Bolt	18	106-1141	1	Steering Tie Rod ASM
7	100-3768	1	LH Steering Arm ASM	18:2	106-1113	2	Tie Rod End ASM - RH Thread
7:2	104-8634	1	Bushing	18:2:1	100-3853	1	Cover-Dust
7:3	106-1104	2	Fitting-Grease	18:2:2	100-3854	1	Nut-Castle
8	100-3766	1	RH Steering Arm ASM	18:2:3	110-4755	1	Fitting-Grease
8:2	104-8634	1	Bushing	18:2:4	3272-11	1	Pin-Cotter
8:3	106-1104	2	Fitting-Grease	18:5	100-3855	2	Bolt
10	95-7547	2	Shim 0.1	18:6	99-7527	2	Washer-Spring
10	95-7548	2	Shim 0.2	18:7	99-7526	2	Nut
10	95-7549	2	Shim 0.3				
11	99-7597	4	Pin-Dowel				



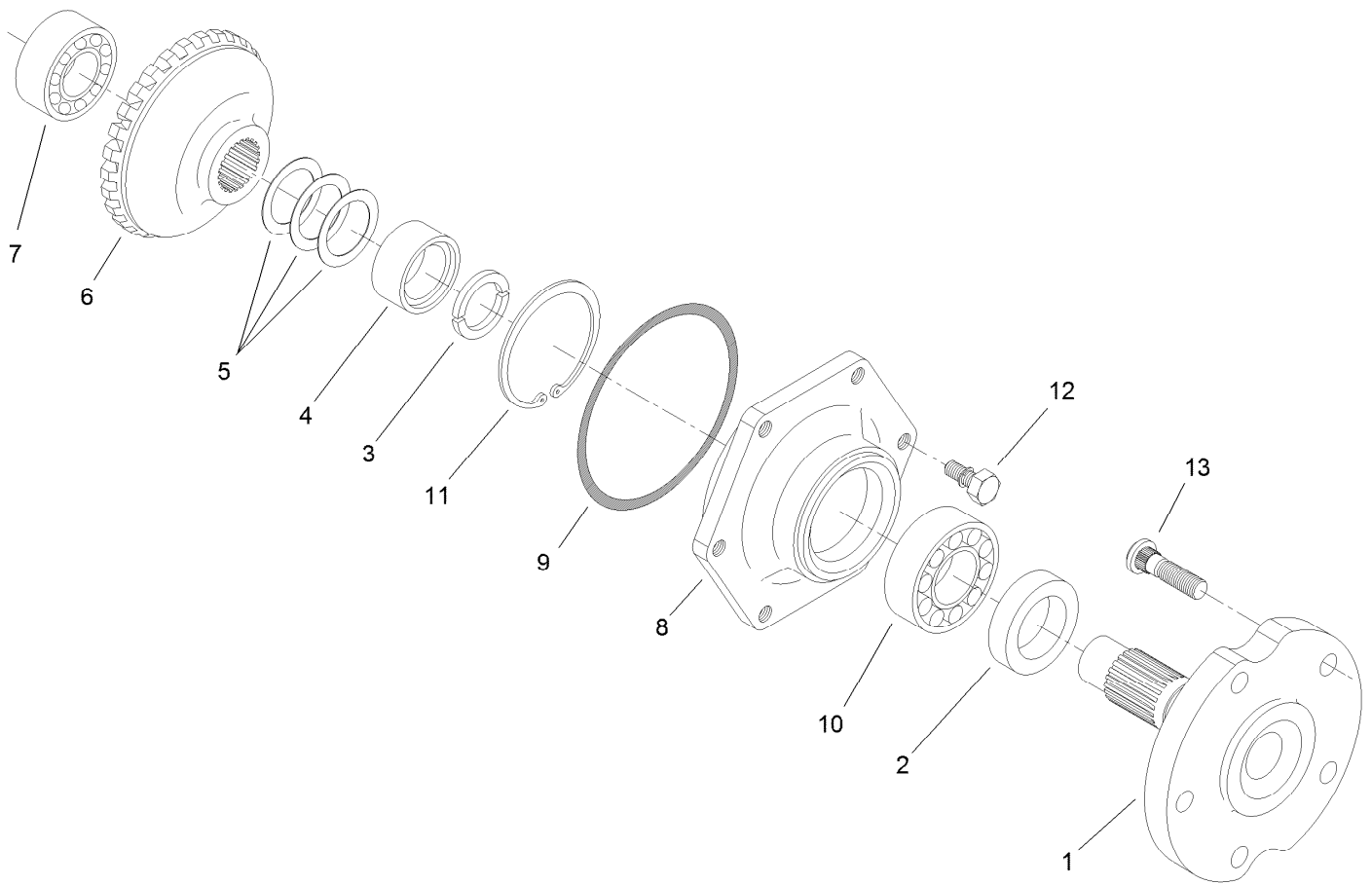
Bevel Gear Shaft Assembly Rear Axle Assembly No. 110-4750

<i>Ref.</i>	<i>Part Number</i>	<i>Qty.</i>	<i>Description</i>
1	95-7509	1	Shaft-Gear, Differential
2	95-7512	1	Shaft-Gear, Differential
3	95-7517	2	Gear-Bevel, 15 Tooth
4	99-7530	4	Bearing-Ball
5	99-7552	2	Shim 0.1
5	99-7553	2	Shim 0.2
5	99-7554	2	Shim 0.5
6	99-7531	2	Clip
7	110-4753	2	Shaft-Gear, Bevel
8	95-7519	2	Gear-Bevel, 17 Tooth
9	99-7532	2	Bearing-Roller, Taper
10	99-7558	2	Collar



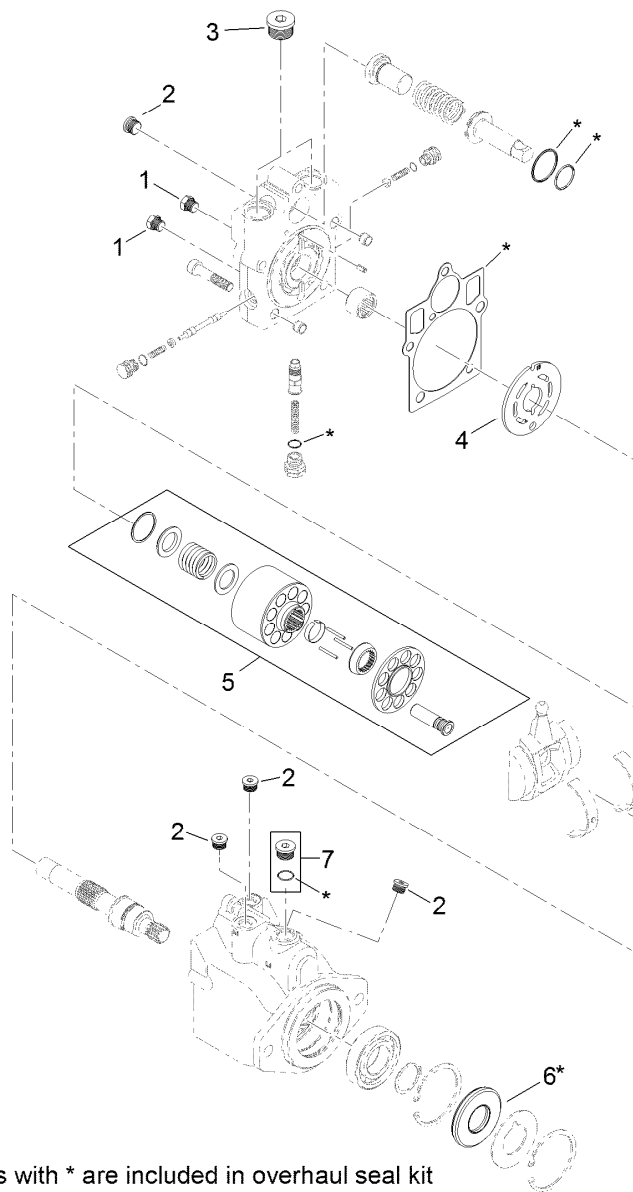
Axle Case Assembly Rear Axle Assembly No. 110-4750

<i>Ref.</i>	<i>Part Number</i>	<i>Qty.</i>	<i>Description</i>
1	110-4751	2	Case-Axle
2	99-7535	2	Plug
3	99-7536	2	Washer-Seal
4	95-7527	2	Gear-Bevel, 17 Tooth
5	99-7532	2	Bearing-Roller, Taper
6	100-2560	2	Cover
7	106-1070	2	O-Ring
8	99-7589	2	Plug
9	99-7590	2	Washer-Seal
10	100-2562	8	Bolt
11	106-1102	2	Bolt-Stop
12	106-1103	2	Nut



Axle Assembly Rear Axle Assembly No. 110-4750

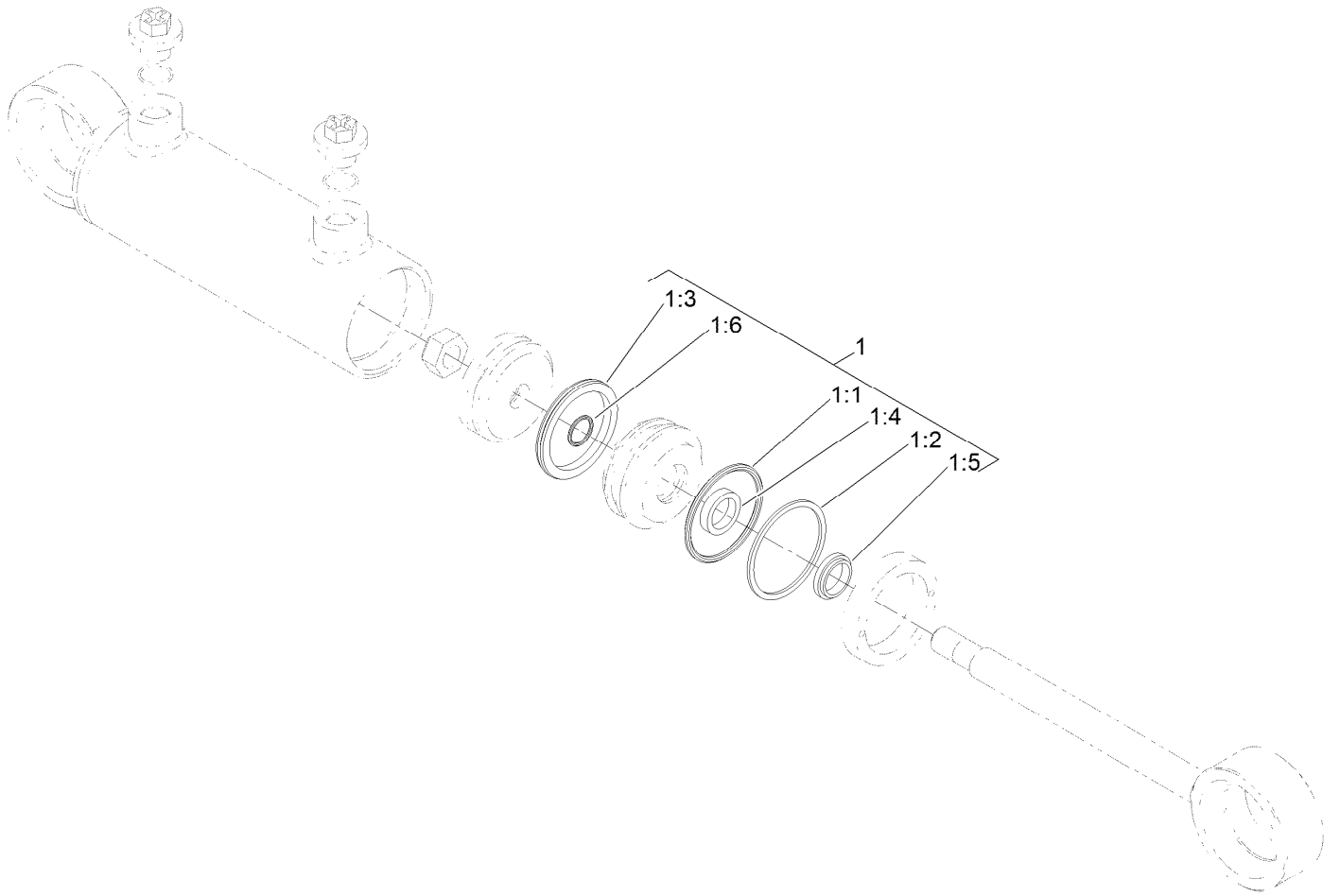
<i>Ref.</i>	<i>Part Number</i>	<i>Qty.</i>	<i>Description</i>
1	95-7522	2	Axle
2	99-7564	2	Seal-Oil
3	95-7544	4	Clip
4	95-7523	2	Spacer
5	99-7555	2	Shim 0.3
5	99-7556	2	Shim 0.2
5	99-7557	2	Shim 0.5
6	95-7524	2	Gear-Bevel, 29 Tooth
7	99-7534	2	Bearing-Ball
8	95-7521	2	Cover-Axle
9	106-1071	2	O-Ring
10	99-7561	2	Bearing-Ball
11	99-7539	2	Clip
12	99-7596	12	Bolt
13	99-7563	10	Stud



8 = all items with * are included in overhaul seal kit

Hydraulic Motor Assembly No. 120-8814

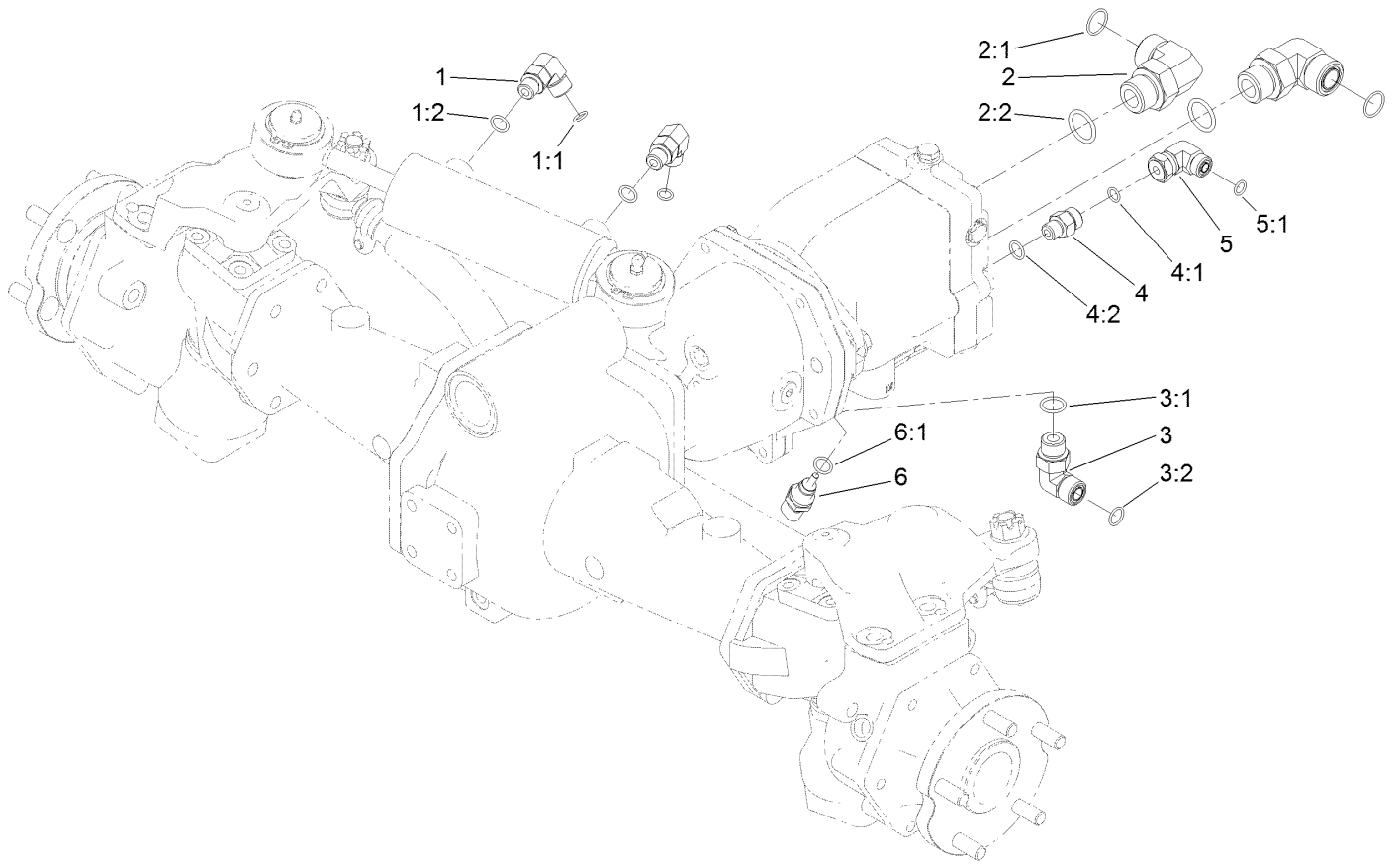
<i>Ref.</i>	<i>Part Number</i>	<i>Qty.</i>	<i>Description</i>
1	92-1352	2	Plug
2	69-3080	5	Plug
3	69-3130	2	Plug
4	121-1734	1	Plate-Valve
5	110-6472	1	Cylinder Block Kit ASM
6	69-3190	1	Seal-Lip
7	67-9090	1	Plug
8	121-1736	1	Overhaul Seal Kit



Steering Cylinder Assembly No. 121-1534

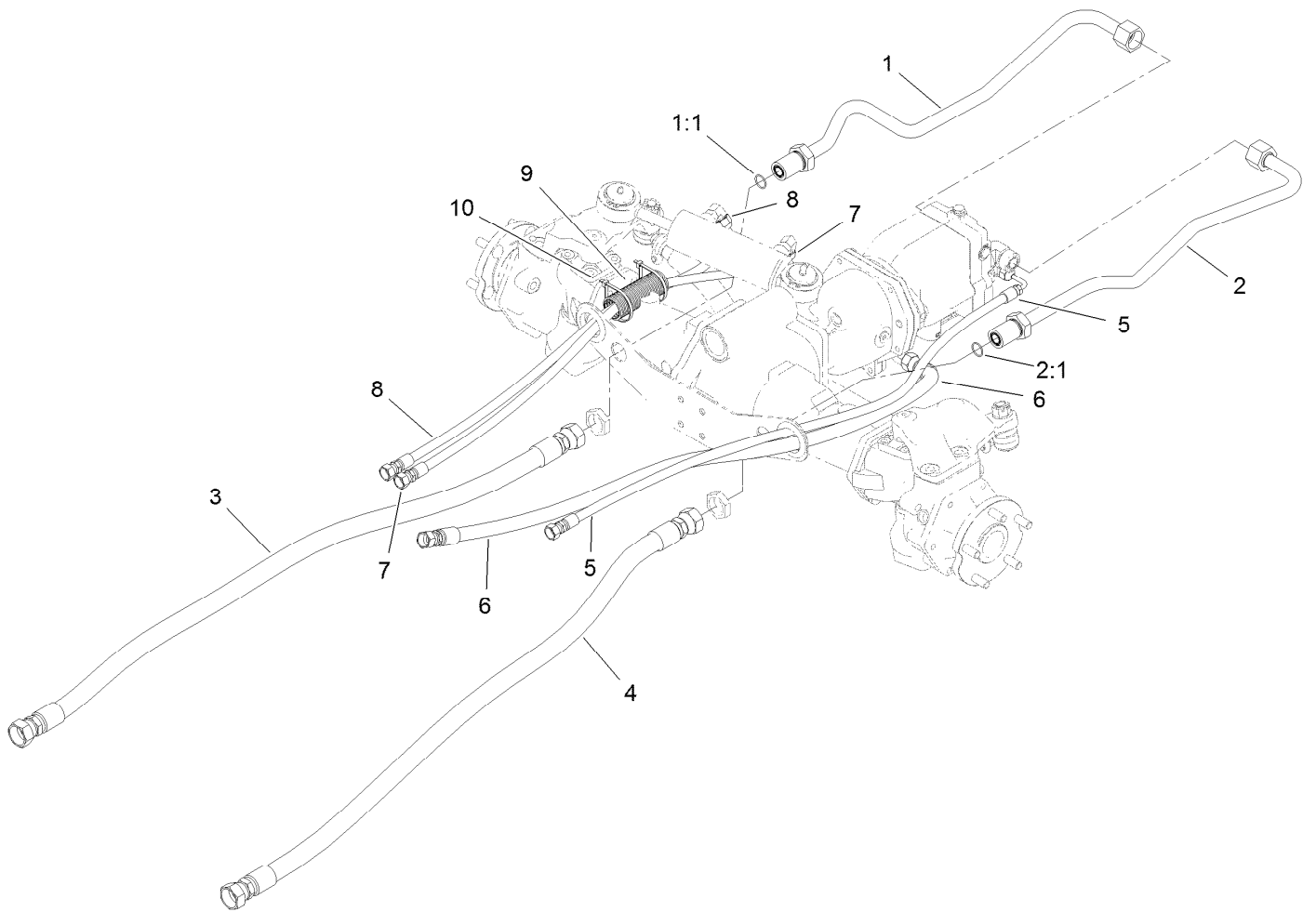
<i>Ref.</i>	<i>Part Number</i>	<i>Qty.</i>	<i>Description</i>
1	125-4302	1	Seal Kit
1:1		1	O-Ring ●
1:2		1	Backup ●
1:3		1	Bp Seal ●
1:4		1	Bt Seal ●
1:5		1	Dust Seal ●
1:6		1	O-Ring ●

● Not serviced separately



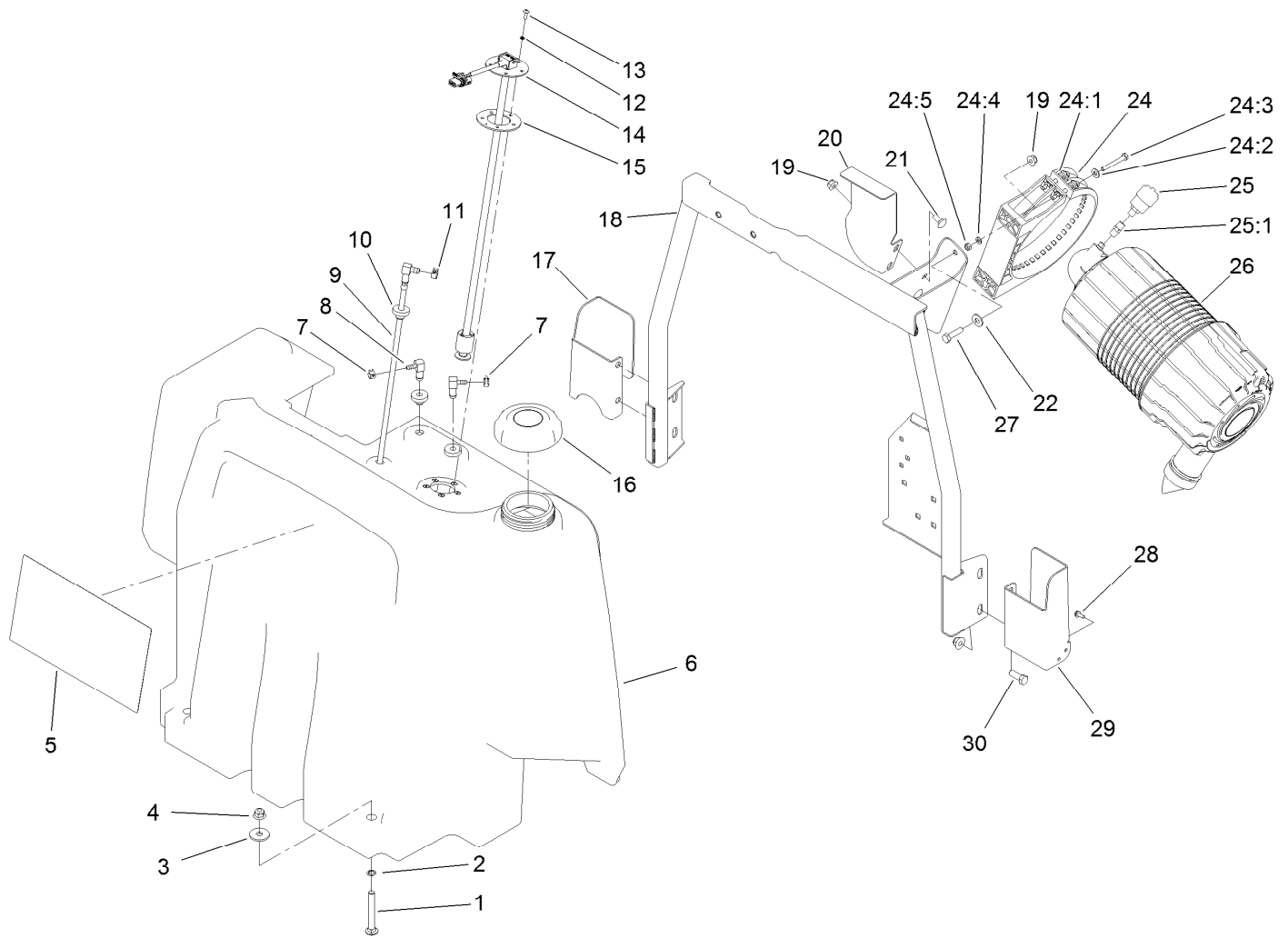
Hydraulic Fitting Assembly

<i>Ref.</i>	<i>Part Number</i>	<i>Qty.</i>	<i>Description</i>	<i>Ref.</i>	<i>Part Number</i>	<i>Qty.</i>	<i>Description</i>
1	340-77	2	Fitting-Elbow, 90 DEG	3:2	237-30	1	O-Ring
1:1	237-22	1	O-Ring	4	340-2	1	Fitting-Straight
1:2	237-42	1	O-Ring	4:1	237-22	1	O-Ring
2	340-142	2	Fitting-Elbow, 90 DEG	4:2	237-42	1	O-Ring
2:1	237-58	1	O-Ring	5	340-159	1	Elbow-90
2:2	237-81	1	O-Ring	5:1	237-22	2	O-Ring
3	340-98	1	Fitting-Elbow, 90 DEG	6	110-8829	1	Sender-Temperature
3:1	237-79	1	O-Ring	6:1	237-42	1	O-Ring



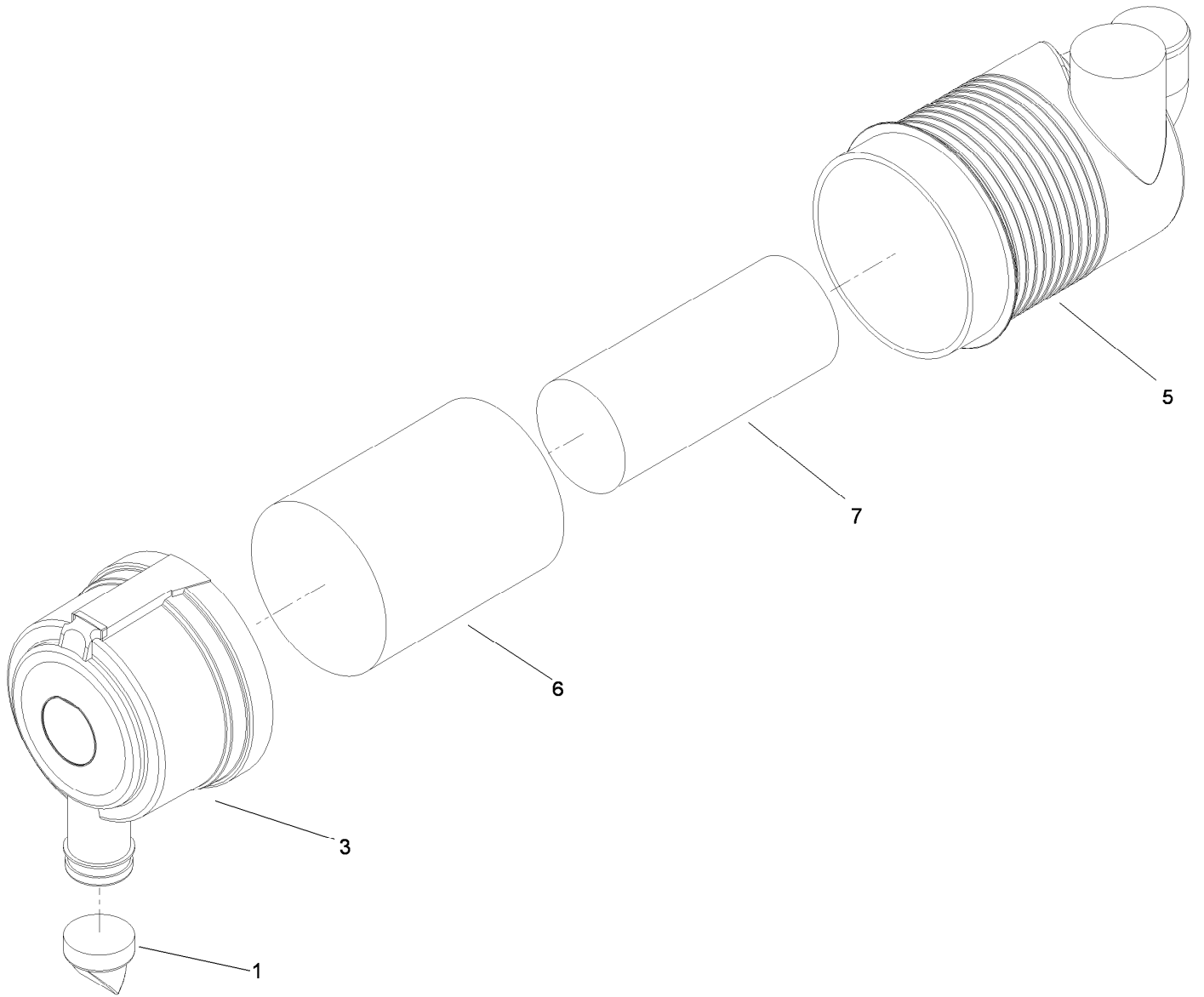
Hose and Tube Routing Assembly

<i>Ref.</i>	<i>Part Number</i>	<i>Qty.</i>	<i>Description</i>
1	120-9067	1	HYD Tube ASM
1:1	237-58	1	O-Ring
2	120-9068	1	Tube ASM
2:1	237-58	1	O-Ring
3	121-1502	1	Hose-HYD
4	114-0024	1	Hose-HYD
5	121-1459	1	Hose-HYD
6	121-1458	1	Hose-HYD
7	121-1500	1	Hose-HYD
8	121-1501	1	Hose-HYD
9	121-1544	2	Cover-Hose
10	3290-379	4	Tie-Cable



Fuel Tank and Air Cleaner Assembly

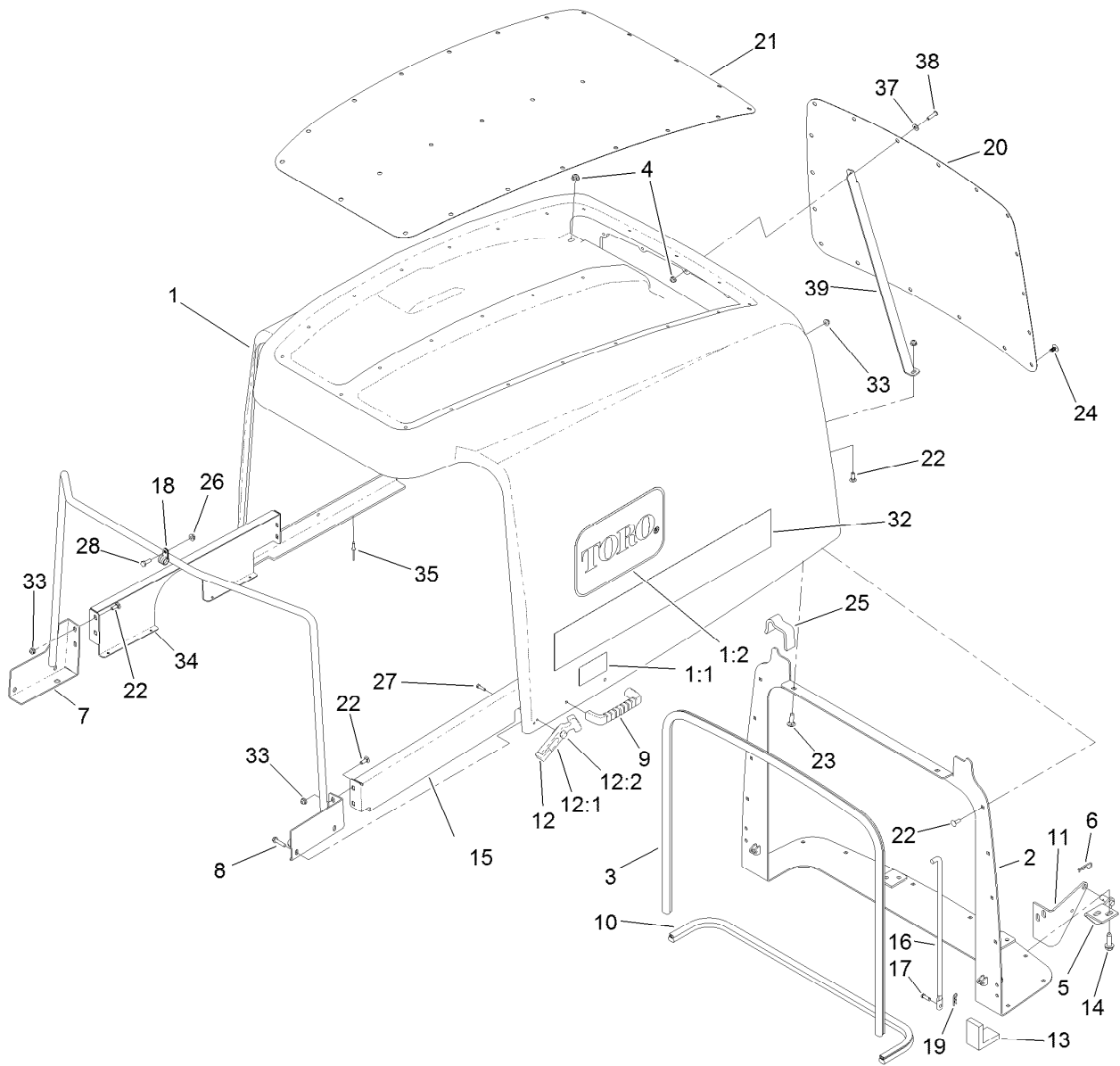
Ref.	Part Number	Qty.	Description	Ref.	Part Number	Qty.	Description
1	3231-10	2	Screw-CARR	19	104-8300	4	Nut-HF, NI
2	32151-72	2	Ring-Retaining	20	120-4193-03	1	Bracket-Fuel Tank
3	63-8410	2	Washer	21	3230-1	2	Bolt-CARR
4	104-8301	6	Nut-HF, NI	22	3256-3	2	Washer-Flat
5	130-6043	1	Decal-Service	24	99-5414	1	Strap-Cleaner, Air
6	120-4195	1	Tank-Fuel	24:1	108-1512	2	Spring
7	2412-98	2	Clamp-Hose	24:2	3256-22	2	Washer-Flat
8	104-5228	2	Fitting-Elbow, 90 DEG	24:3	33113-050	2	Screw-HH
9	120-8908	1	Pipe-Stand	24:4	33093-00	2	Washer-Flat
10	46-6560	3	Bushing	24:5	33023-00	2	Nut-Lock
11	92-2379	1	Clamp-Hose	25	104-3563	1	Indicator
12	3253-15	5	Washer-Lock	25:1	94-1416	1	Adapter-Indicator
13	32122-24	5	Screw-PTH	26	99-5410	1	Air Cleaner ASM
14	121-1688	1	Gauge-Fuel	27	322-6	2	Screw-HH
15	121-1707	1	Gasket-Fuel, Viton	28	32144-1	4	Screw-Taptite
16	119-8266	1	Cap-Fuel (Biodiesel)	29	121-1513-03	1	Bracket-Latch, LH
17	121-1514-03	1	Bracket-Latch, RH	30	323-6	4	Screw-HH
18	120-4190-03	1	Support-Tank				



Air Cleaner Assembly No. 99-5410

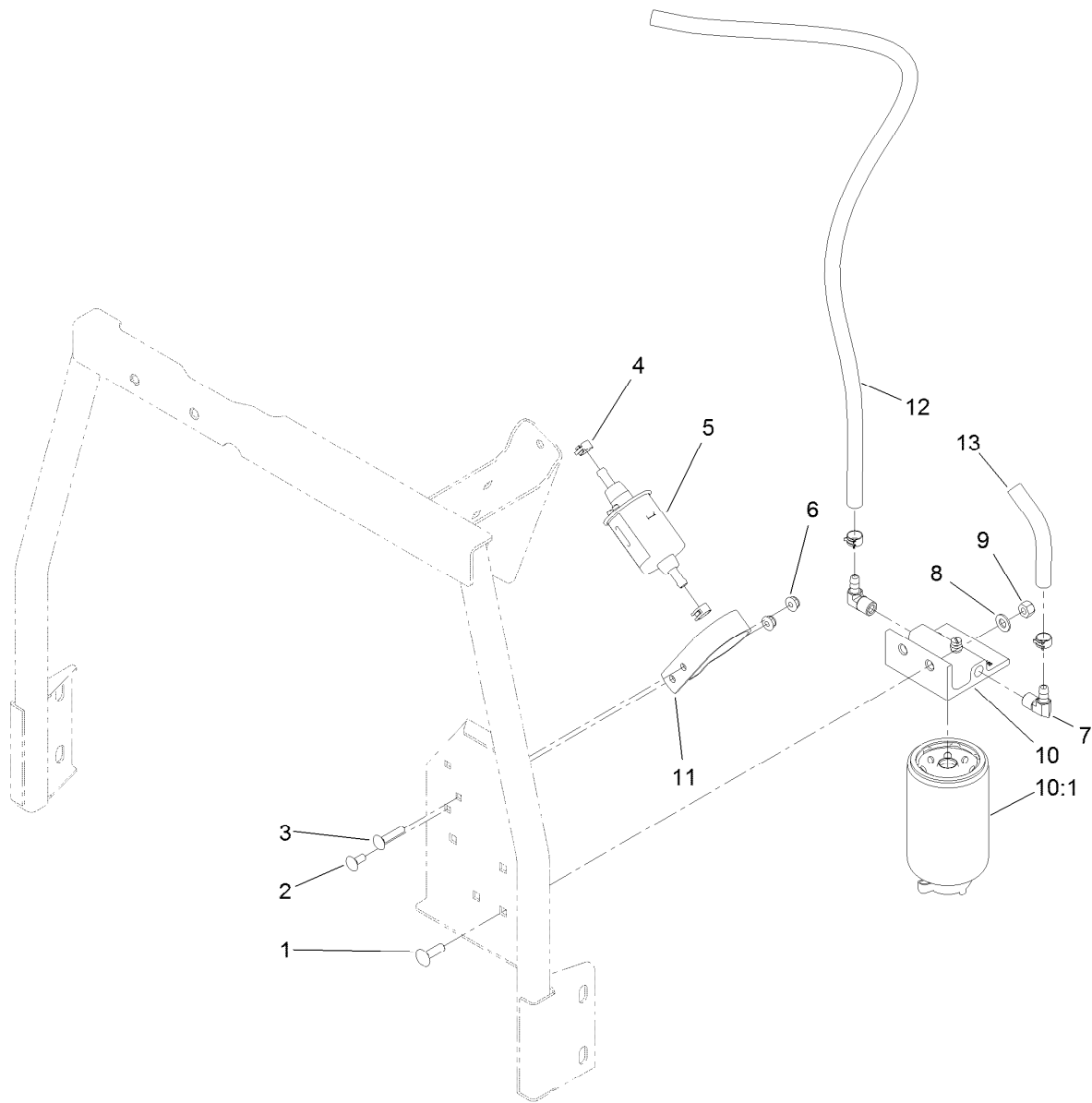
<i>Ref.</i>	<i>Part Number</i>	<i>Qty.</i>	<i>Description</i>
1	104-4258	1	Valve-Vacuator
3	104-4259	1	Cover
5		1	Body ASM ●
6	108-3814	1	Filter-Air
7	108-3816	1	Filter-Air

● Not serviced separately



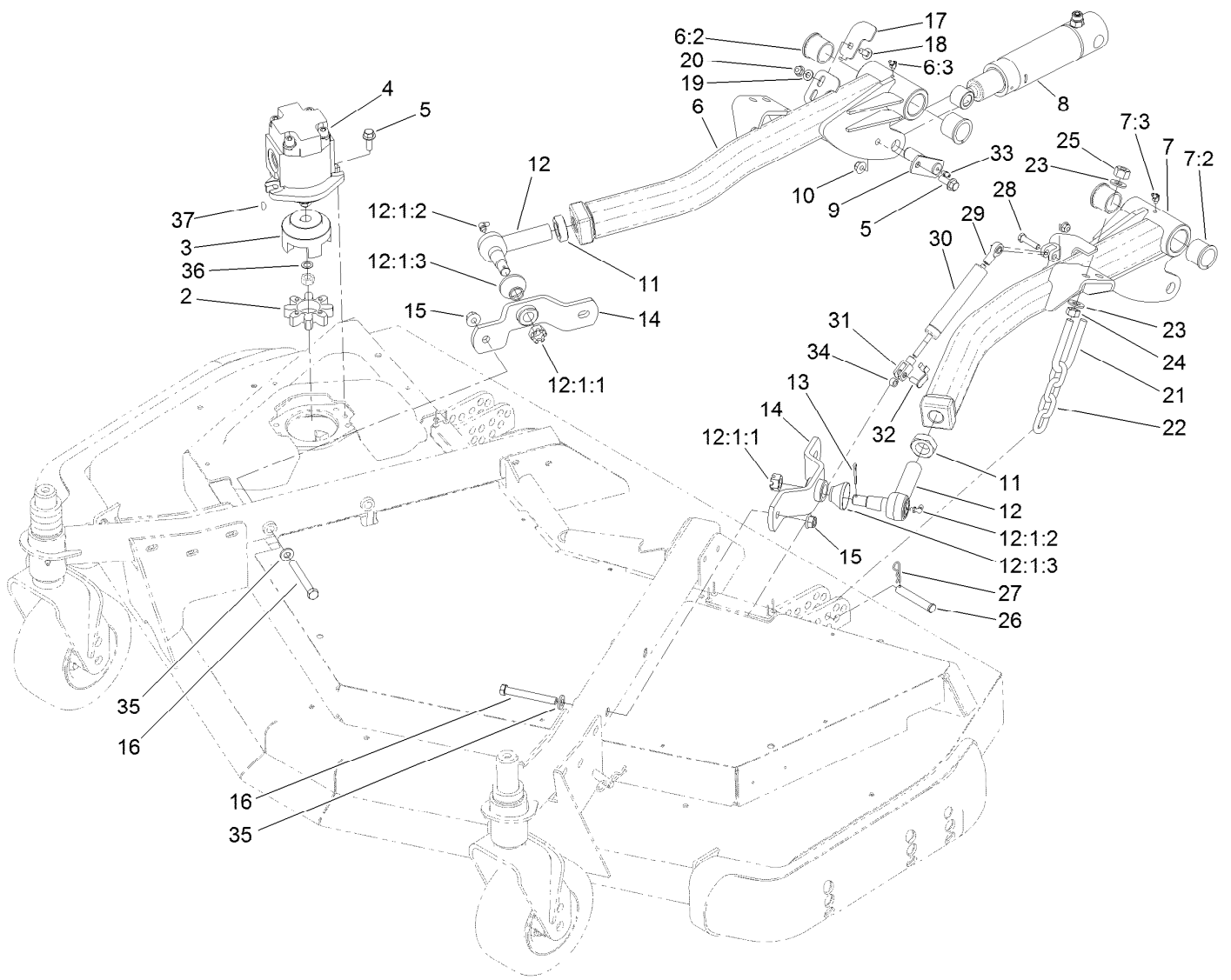
Hood Assembly

Ref.	Part Number	Qty.	Description	Ref.	Part Number	Qty.	Description
1	120-9090	1	Hood ASM	17	283-67	2	Pin-Clevis
1:1	106-6754	1	Decal-Danger	18	2412-134	2	Clamp-R
1:2	66-1210	2	Decal	19	3290-307	2	Pin-Cotter
2	120-9099-03	1	Pivot-Hood	20	120-9096-03	1	Screen-Hood, Rear
3	114-3823	1	Seal-Bulb	21	120-9097-03	1	Screen-Hood, Top
4	104-8300	2	Nut-HF, NI	22	3229-1	24	Screw-CARR
5	121-1470	2	Pivot-Screen	23	3230-2	2	Bolt-CARR
6	3290-467	2	Pin-Hair	24	117-2382	42	Plug-Plastic
7	120-4196-03	1	Support-Hood	25	120-9087	2	Seal-Foam
8	46-8092	4	Screw-Plastite	26	32128-33	2	Nut-HF
9	65-5100	2	Handle-Door	27	32104-4	2	Screw
10	104-3590	1	Seal-Bulb	28	321-4	2	Screw-HH
11	104-3588-03	2	Pivot-Screen	32	119-0054	2	Decal-Hood
12	94-5626	2	Flexible Draw Latch ASM	33	104-7201	25	Nut-HF, NI
12:1	103-4080	1	Latch-Rubber	34	120-8948-03	1	Support-Hood, RH
12:2	103-4081	1	Latch-Keeper	35	3269-4	8	Rivet-Pop
13	104-3580	2	Seal-Corner, Screen	37	3256-1	1	Washer-Flat
14	32144-109	8	Screw-Thd	38	3274-65	1	Screw-HSBH
15	120-8949-03	1	Support-Hood, LH	39	127-3707-03	1	Support-Hood
16	104-8313	2	Rod-Hood				



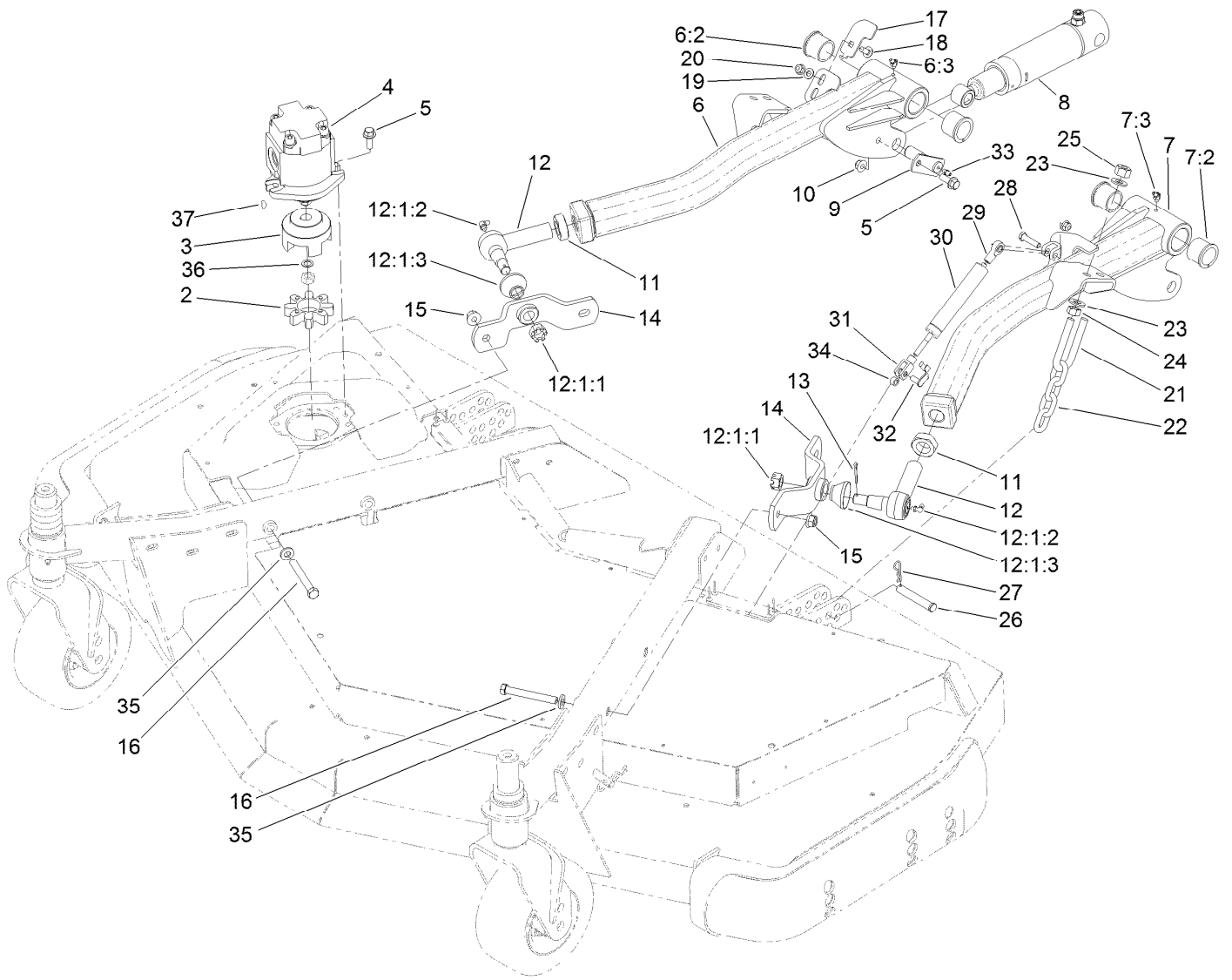
Fuel/Water Separator Assembly

Ref.	Part Number	Qty.	Description
1	3230-22	2	Screw-CARR
2	3229-11	1	Screw-CARR
3	3229-3	1	Screw-CARR
4	92-2379	4	Clamp-Hose
5	110-8806	1	Pump-Fuel
6	104-7201	2	Nut-HF, NI
7	353-781	2	Fitting-HYD, 90
8	3256-23	2	Washer-Plain
9	3296-29	2	Nut-Lock, NI
10	110-9044	1	Separator-Filter
10:1	110-9049	1	Filter-Spin On, Fuel/Water
11	110-8817	1	Bracket-Pump, Fuel
12	110-6186	1	Hose-Fuel
13	110-3256	1	Hose-Fuel



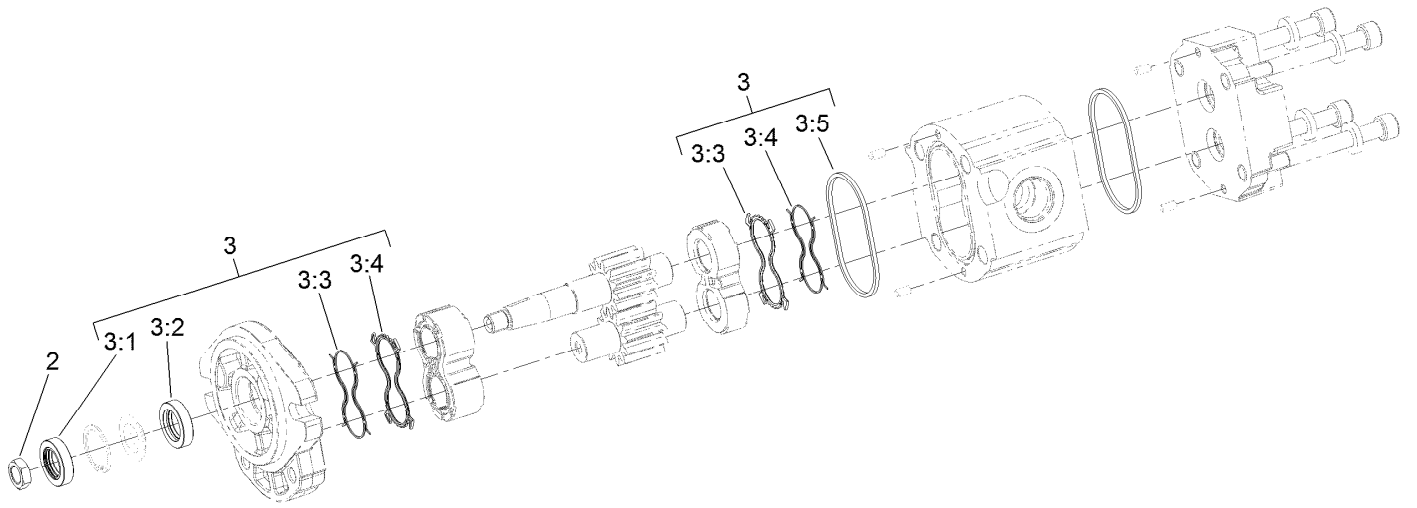
Front Deck Installation Assembly

Ref.	Part Number	Qty.	Description	Ref.	Part Number	Qty.	Description
2	104-3542	1	Spider	16	324-19	4	Screw-HH
3	104-3541	1	Hub-Spider	17	120-8893	1	Plate-Sensor
4	127-3694	1	HYD Motor ASM	18	3230-23	1	Bolt-CARR
5	3234-42	4	Screw-HHF	19	3256-23	1	Washer-Plain
6	120-8878	1	RH Lift Arm ASM	20	104-8300	2	Nut-HF, NI
6:2	104-0015	2	Bushing-Flange	21	104-0108	2	U-Bolt
6:3	302-11	1	Fitting-Lube, 45 DEG	22	95-6231	2	Chain-HOC
7	120-8879	1	LH Lift Arm ASM	23	3256-26	8	Washer-Flat
7:2	104-0015	2	Bushing-Flange	24	3217-9	4	Nut-HH
7:3	302-11	1	Fitting-Lube, 45 DEG	25	3296-25	4	Nut-Lock, NI
8	120-8802	2	HYD Cylinder ASM	26	283-55	2	Pin-Clevis
9	100-3020	2	Pin	27	3290-467	2	Pin-Hair
10	104-8301	2	Nut-HF, NI	28	322-17	1	Screw-HH
11	21-3001	2	Nut-Jam	29	104-8331	1	End-Rod, Spherical
12	86-8101-01	2	Joint-Ball, LH	30	105-3249	1	Damper
12:1:1	32136-2	1	Nut-SHH	31	115-5455	1	End-Rod, Clevis
12:1:2	302-40	1	Fitting-Grease, 90 DEG	32	115-5454	1	Pin-Spring
12:1:3	114-2874	1	Seal-Ball Joint	33	302-5	2	Fitting-Grease
13	3272-12	2	Pin-Cotter	34	115-2142	1	Spacer
14	93-4583-01	2	Mount-Joint, Ball	35	87-7480	4	Washer
15	114-8417	4	Nut-HF, NI				



Front Deck Installation Assembly (continued)

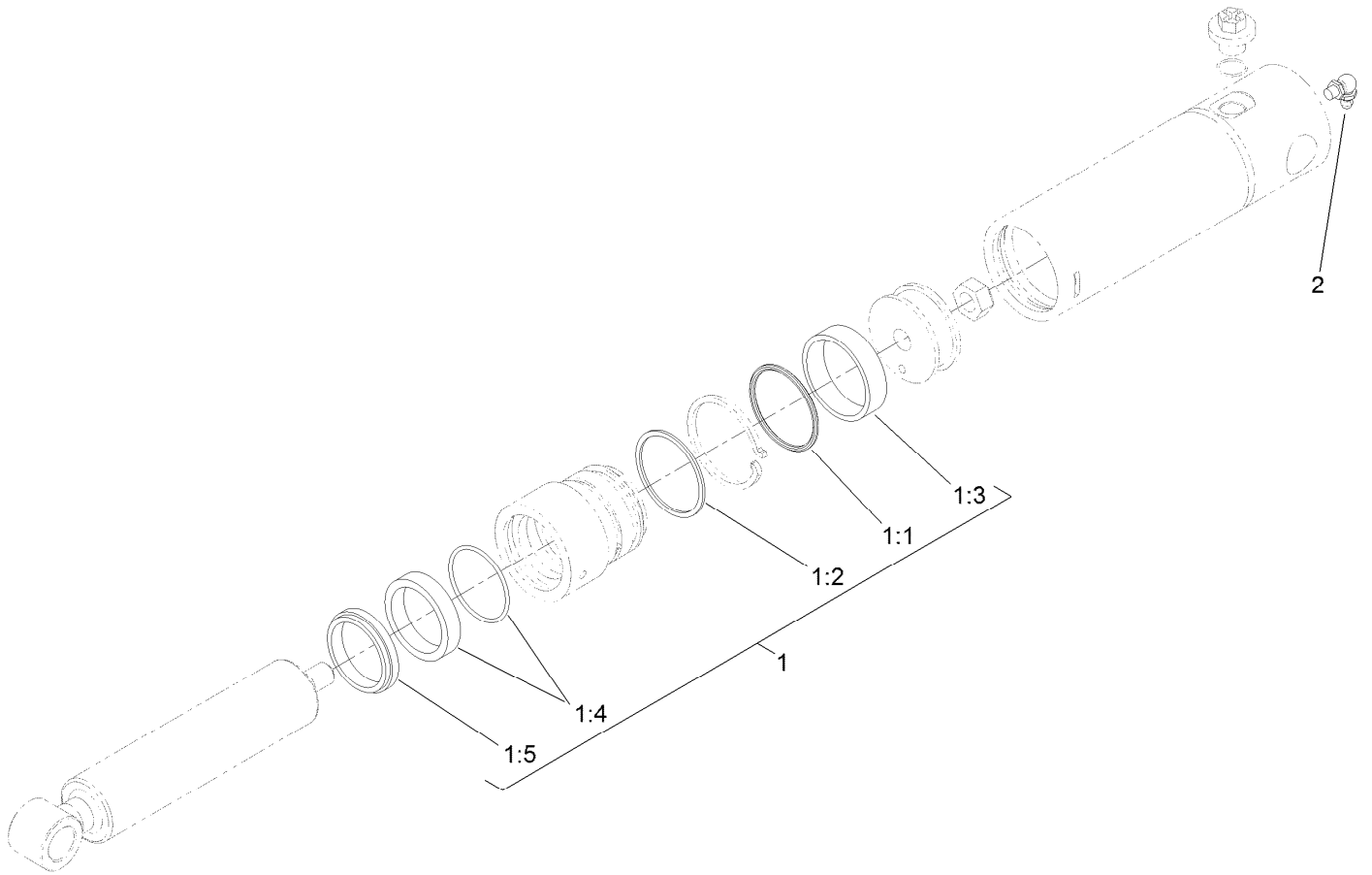
<i>Ref.</i>	<i>Part Number</i>	<i>Qty.</i>	<i>Description</i>
36	112-6957	1	Washer-Hardened
37	3257-3	1	Key-Woodruff



Hydraulic Motor Assembly No. 127-3694

Ref.	Part Number	Qty.	Description
2	110-8815	1	Nut-Hex
3	114-5620	1	Seal Kit
3:1		1	Seal-Shaft ●
3:2		1	Seal-Shaft ●
3:3		2	Seal-Anti Extrusion ●
3:4		2	Seal-Plate, Balancing ●
3:5		2	O Ring-Housing ●

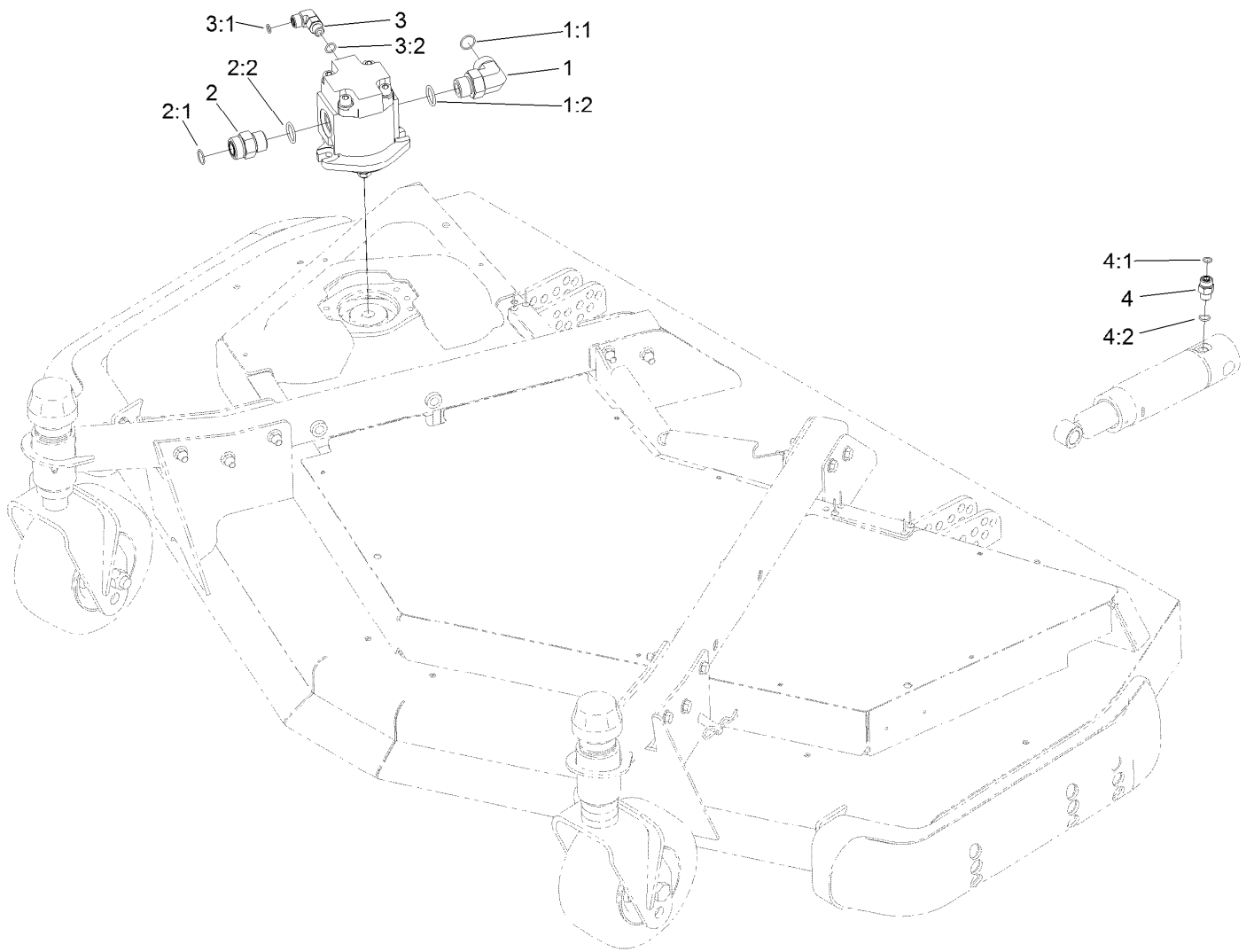
● Not serviced separately



Lift Cylinder Assembly No. 120-8802

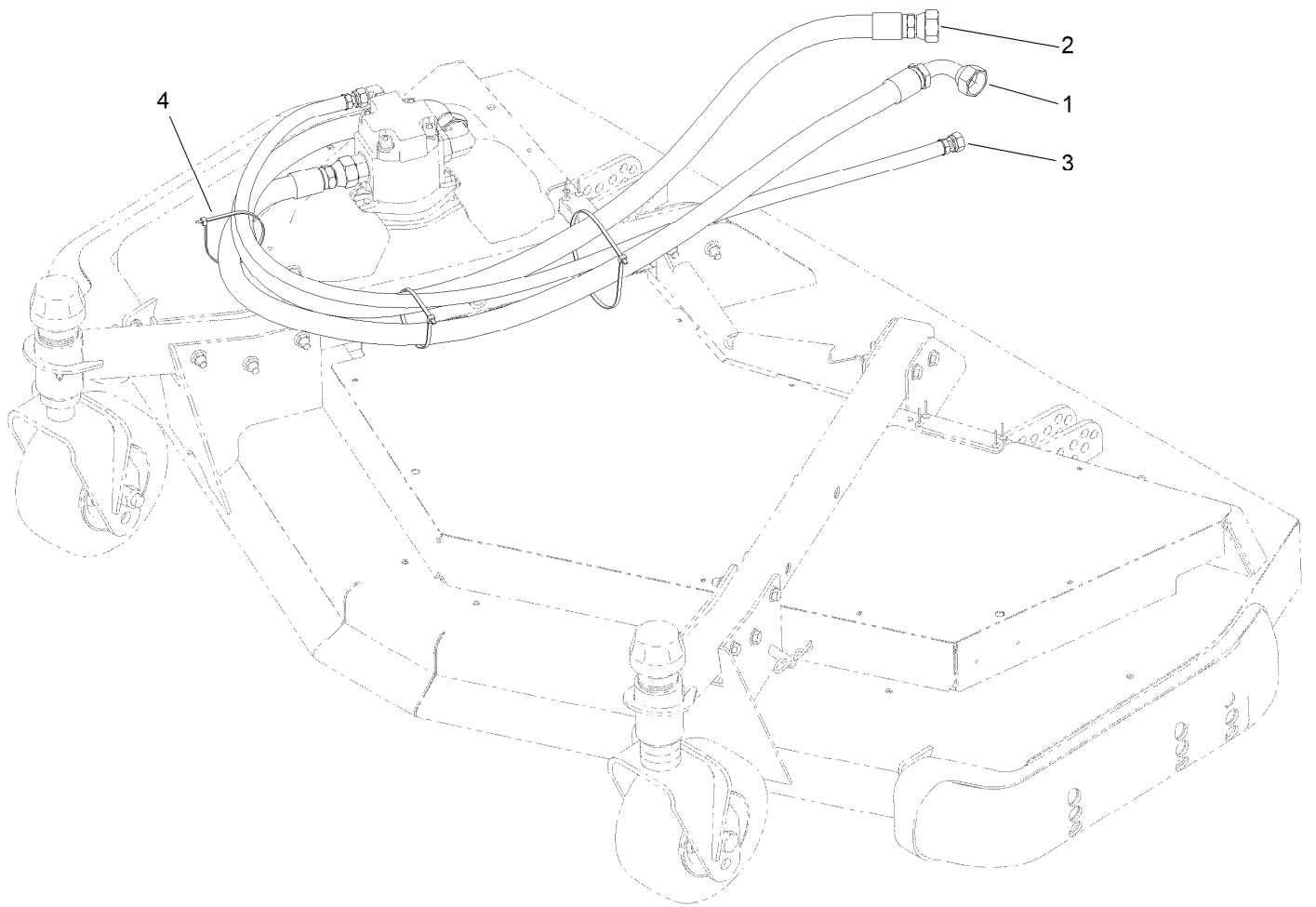
<i>Ref.</i>	<i>Part Number</i>	<i>Qty.</i>	<i>Description</i>
1	125-4301	1	Seal Kit
1:1		1	O-Ring ●
1:2		1	Backup ●
1:3		1	Wear Ring ●
1:4		1	Bds Seal ●
1:5		1	Dust Seal ●
2	302-60	1	Fitting-Grease

● Not serviced separately



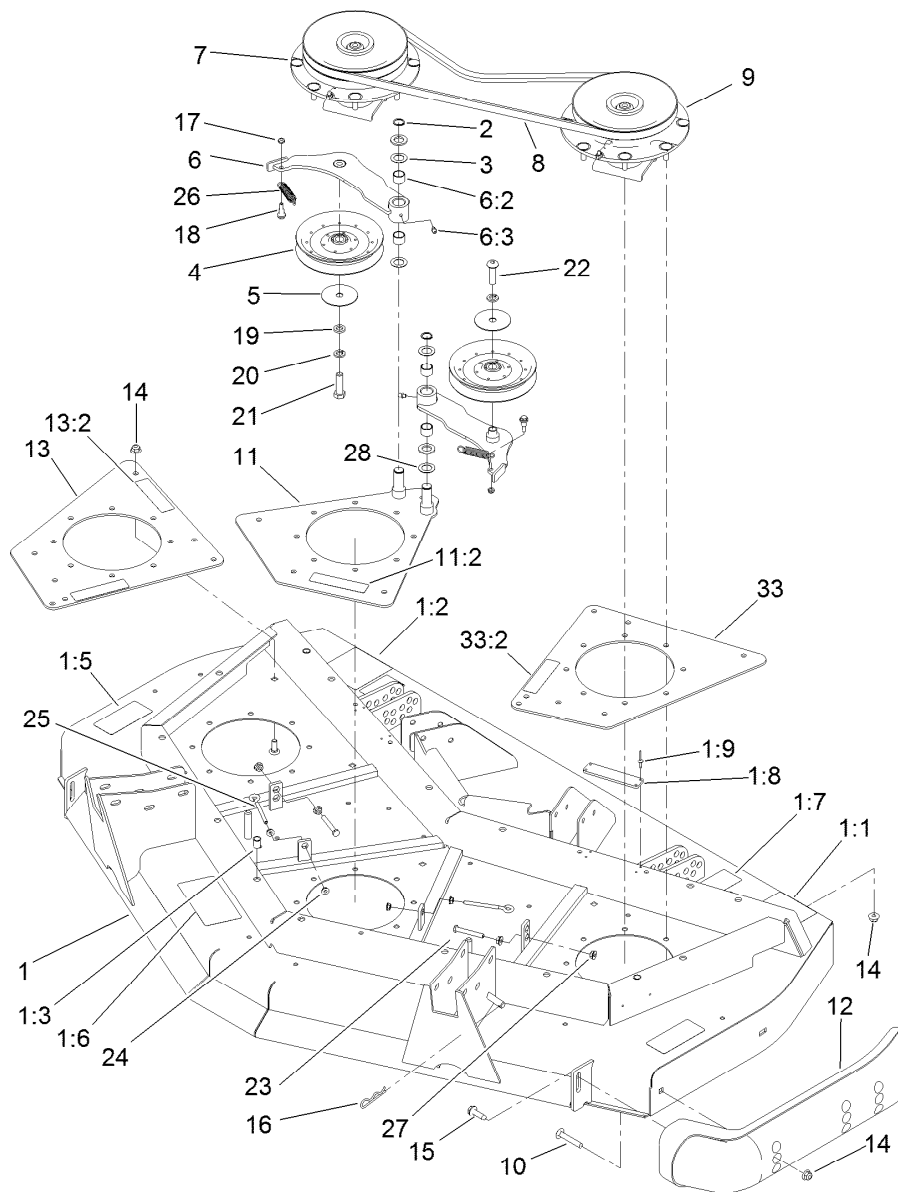
Front Deck Hydraulic Fitting Assembly

Ref.	Part Number	Qty.	Description
1	340-142	1	Fitting-Elbow, 90 DEG
1:1	237-58	1	O-Ring
1:2	237-81	1	O-Ring
2	340-9	1	Fitting-STR
2:1	237-58	1	O-Ring
2:2	237-81	1	O-Ring
3	340-77	1	Fitting-Elbow, 90 DEG
3:1	237-22	1	O-Ring
3:2	237-42	1	O-Ring
4	340-2	2	Fitting-Straight
4:1	237-22	1	O-Ring
4:2	237-42	1	O-Ring



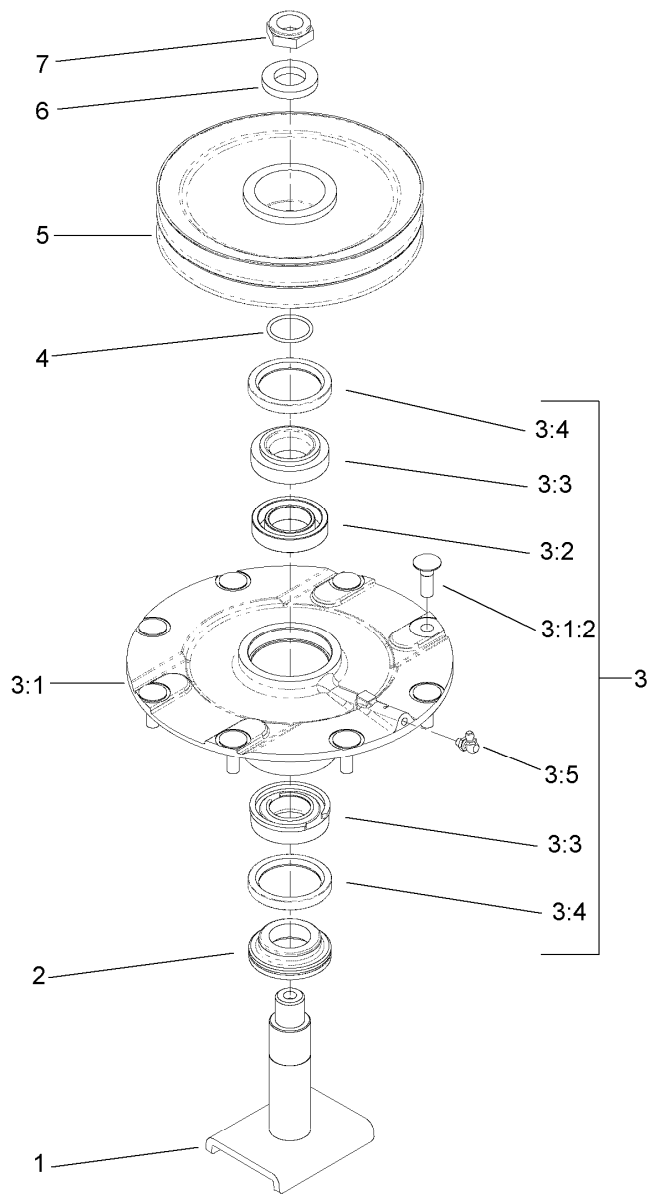
Front Deck Hose Routing Assembly

<i>Ref.</i>	<i>Part Number</i>	<i>Qty.</i>	<i>Description</i>
1	120-8987	1	Hose-HYD
2	120-8988	1	Hose-HYD
3	120-8989	1	Hose-HYD
4	3290-379	3	Tie-Cable



Front Deck Idler and Skid Assembly

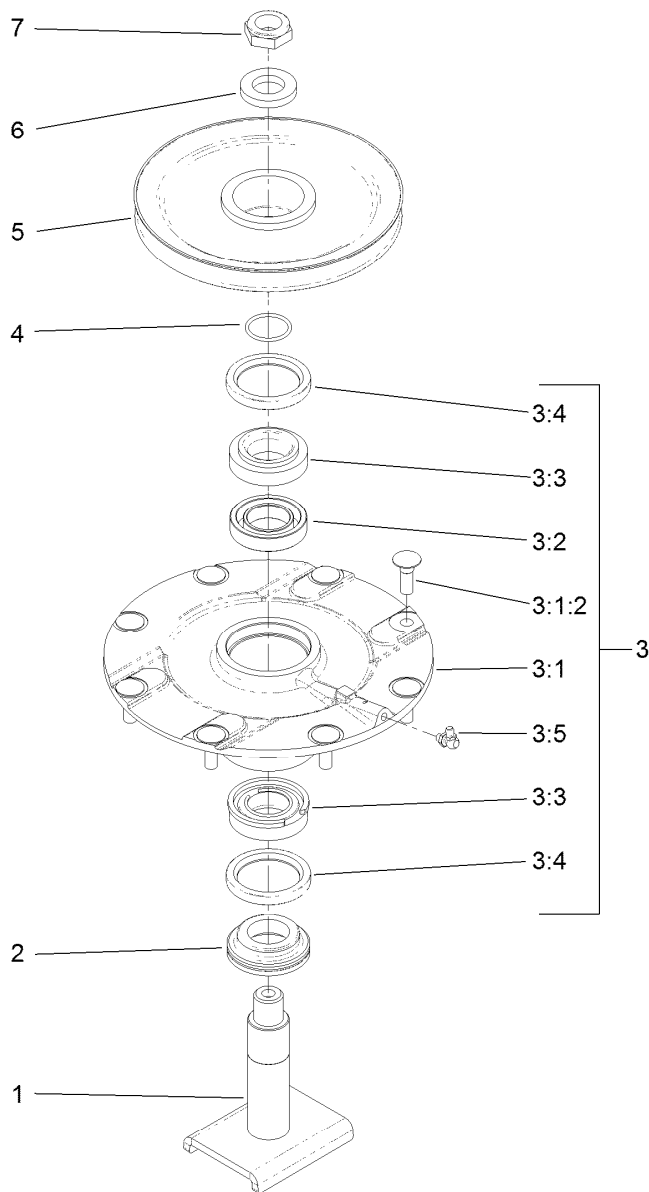
Ref.	Part Number	Qty.	Description	Ref.	Part Number	Qty.	Description
1	131-1234	1	Front Deck ASM	11:2	100-6578	1	Decal-Danger
1:1	120-6604	2	Decal-Danger	12	112-1479	2	Skid-Bumper, Deck
1:2	100-5624	1	Decal-HOC, RH	13	131-1238	1	Plate-Spindle, Front Right
1:3	32148-9	3	Nut-Clinch	13:2	100-6578	2	Decal-Danger
1:5	93-7818	2	Decal-Torque, Blade Bolt	14	104-8301	24	Nut-HF, NI
1:6	100-5622	1	Decal-HOC	15	9136144	2	Screw-HWHTF
1:7	104-3578	1	Decal-HOC, LH	16	3290-355	1	Pin-Hair
1:8	105-0786	2	Pad-Plastic	17	3296-56	2	Nut-Lock, NI
1:9	3269-8	8	Rivet-Blind	18	104-0858	2	Bolt-Shoulder
2	32120-72	2	Ring-Snap	19	9202424	1	Spacer
3	3-6498	4	Washer-Thrust	20	3253-7	2	Washer-Lock
4	110-9596	2	Pulley-Idler	21	325-7	1	Screw-HH
5	100-3102	2	Washer-Flat	22	108-1993	1	Screw-HSBH
6	110-6128	2	Idler Arm ASM	23	9114524	2	Bolt-TAP, HH
6:2	256-76	2	Bushing	24	32128-14	4	Nut-HF
6:3	302-5	1	Fitting-Grease	25	68-0090	4	Screw-Adjusting
7	119-4548	1	Double Driven Spindle ASM	26	107938	2	Spring-Extension
8	108-8076	2	V-Belt, Deck	27	32128-26	4	Nut-HF
9	119-4549	1	High-Driven Spindle ASM	28	70-1160	2	Washer
10	3231-33	4	Screw-CARR	33	131-1239	1	Plate-Spindle, Front Left
11	131-1237	1	Plate-Spindle, Front Center	33:2	100-6578	1	Decal-Danger



Double Driven Spindle Assembly No. 119-4548

<i>Ref.</i>	<i>Part Number</i>	<i>Qty.</i>	<i>Description</i>
1	104-3554	1	Shaft-Spindle
2	69-6950	1	Spacer-Shaft, Spindle
3	119-4775	1	Spindle Housing ASM
3:1		1	Spindle ASM ●
3:1:2	114-8195	8	Bolt-Neck, Ribbed
3:2	120-5577	1	Bearing Spacer Set
3:3	110-8297	1	Bearing ASM
3:4	253-154	2	Seal-Oil
3:5	302-60	1	Fitting-Grease
4	106-7159	1	O-Ring
5	104-3547	1	Pulley-Driven, Double
6	120-5576	1	Washer-Hardened
7	3296-60	1	Nut-Lock, NI

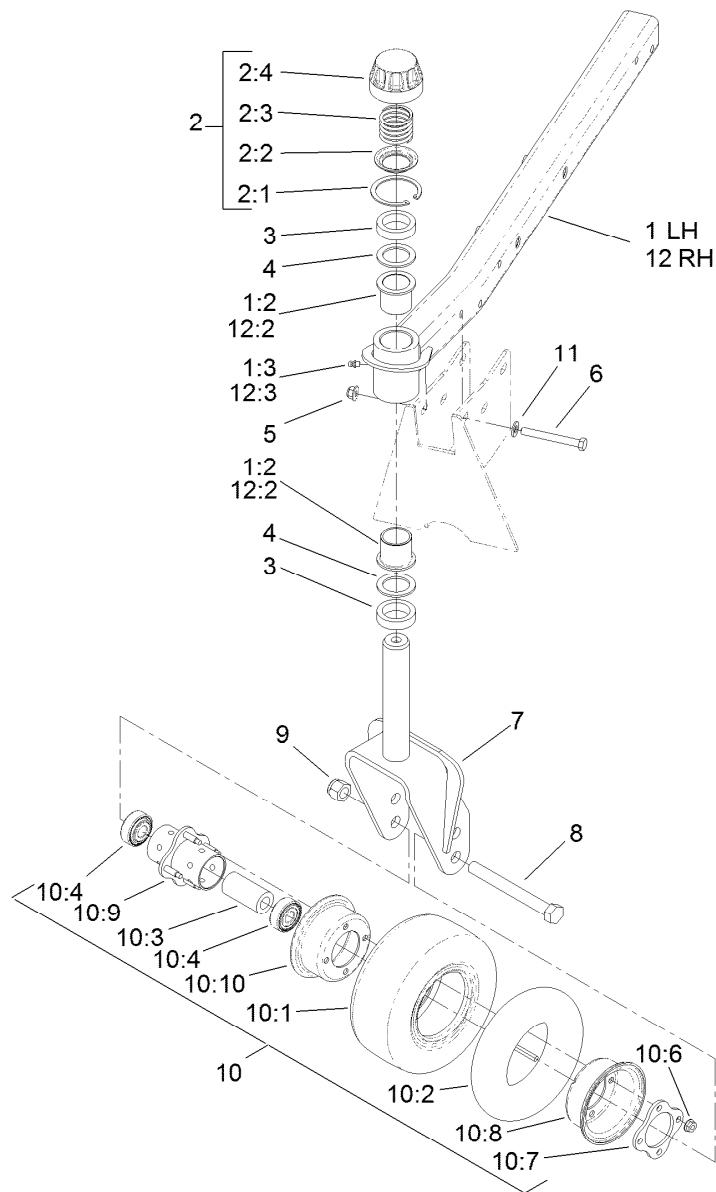
● Not serviced separately



High Driven Spindle Assembly No. 119-4549

Ref.	Part Number	Qty.	Description
1	104-3554	1	Shaft-Spindle
2	69-6950	1	Spacer-Shaft, Spindle
3	119-4775	1	Spindle Housing ASM
3:1		1	Spindle ASM ●
3:1:2	114-8195	8	Bolt-Neck, Ribbed
3:2	120-5577	1	Bearing Spacer Set
3:3	110-8297	1	Bearing ASM
3:4	253-154	2	Seal-Oil
3:5	302-60	1	Fitting-Grease
4	106-7159	1	O-Ring
5	104-3548	1	Pulley-Driven, High
6	120-5576	1	Washer-Hardened
7	3296-60	1	Nut-Lock, NI

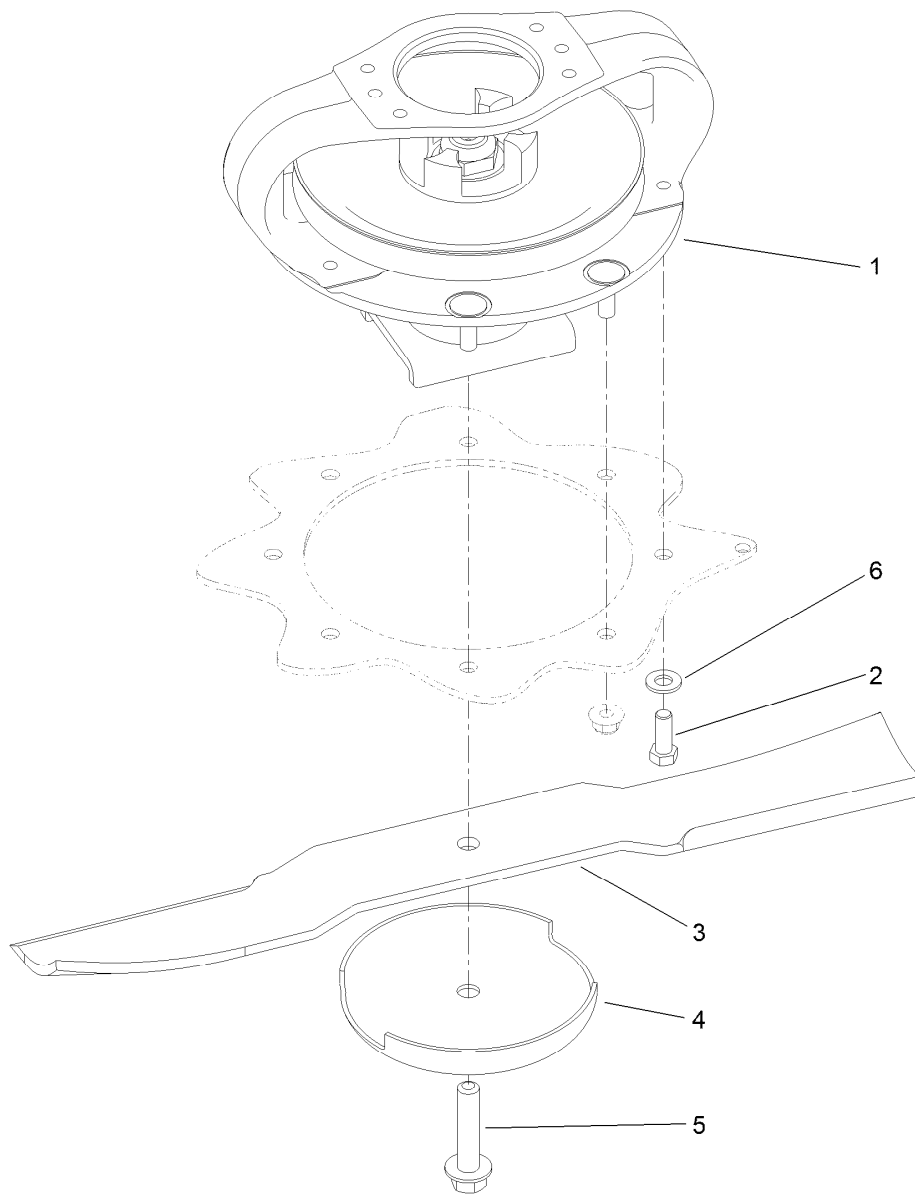
● Not serviced separately



Front Deck Caster Arm and Wheel Assembly

Ref.	Part Number	Qty.	Description	Ref.	Part Number	Qty.	Description
1	127-3730	1	LH Castor Arm ASM	10	93-9938	2	Wheel ASM
1:2	69-6470	2	Bushing-Caster	10:1	93-9939	1	Tire
1:3	302-5	1	Fitting-Grease	10:2	68-8950	1	Tube-Inner (W/Valve)
2	92-9727	2	HOC Cap ASM	10:3	93-4241	1	Spacer-Bearing, Inner
2:1	92-5581	1	Ring-Rtng, Snap, Int, Flat	10:4	120-3366	2	Bearing
2:2	92-5583	1	Washer-Cap	10:6	32128-16	4	Nut-HHF
2:3	92-9726	1	Spring-Compression	10:7	93-4242	1	Plate
2:4	92-8861	1	Cap-HOC	10:8	93-4239	1	Rim-Wheel, Half
3	69-1510	10	Spacer	10:9	93-5980	1	Hub
4	69-6860	6	Washer-Thrust	10:10	95-2741	1	Rim-Wheel, Half
5	104-8301	10	Nut-HF, NI	11	3256-24	10	Washer-Plain
6	323-20	10	Screw-HH	12	127-3720	1	RH Castor Arm ASM
7	104-0762-01	2	Fork-Castor	12:2	69-6470	2	Bushing-Caster
8	327-24	2	Screw-HH	12:3	302-5	1	Fitting-Grease
9	3296-53	2	Nut-Lock, NI				
10	93-5974	2	8 Inch Foam Filled Wheel ASM ●				

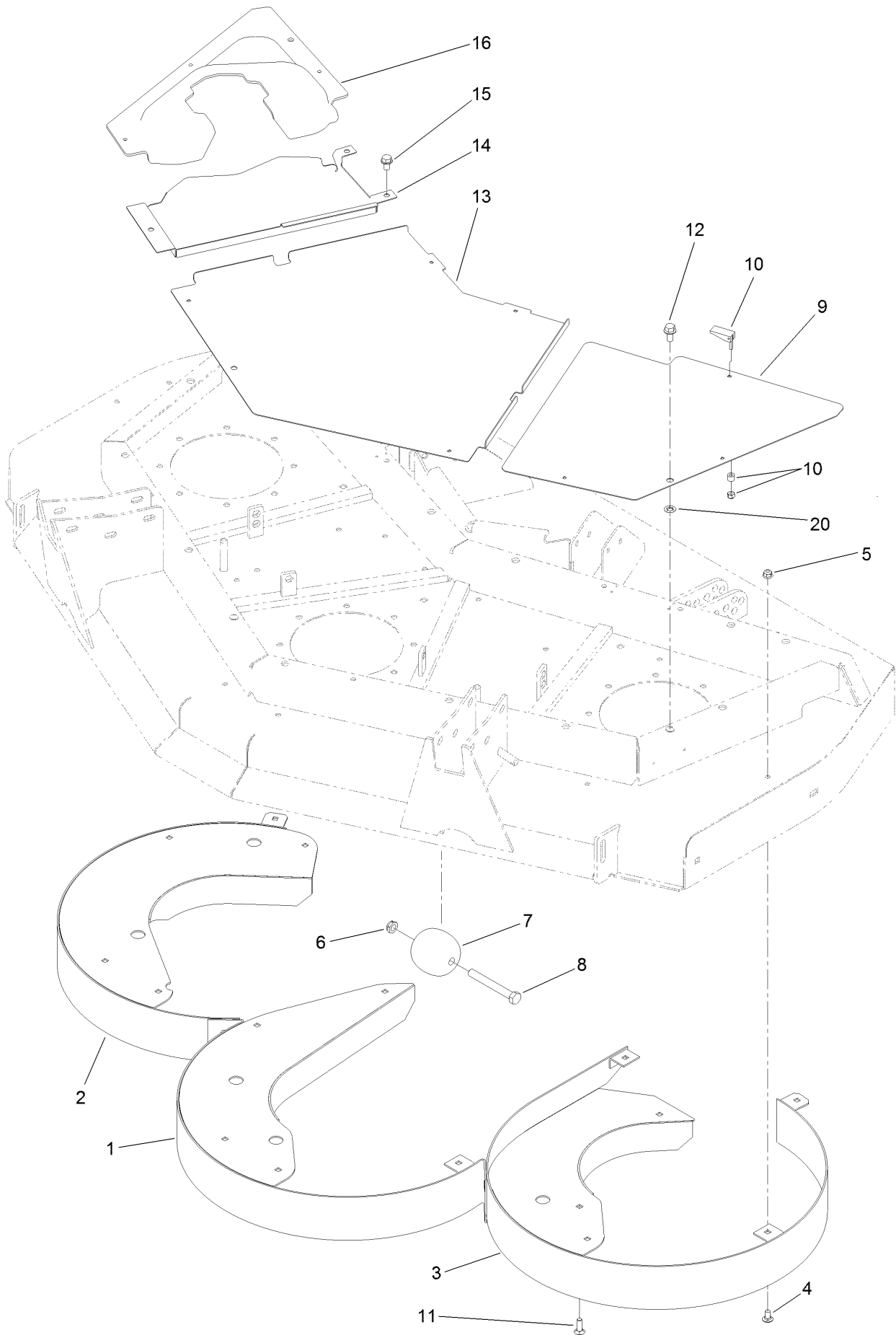
● Optional Equipment



Driving Spindle Assembly

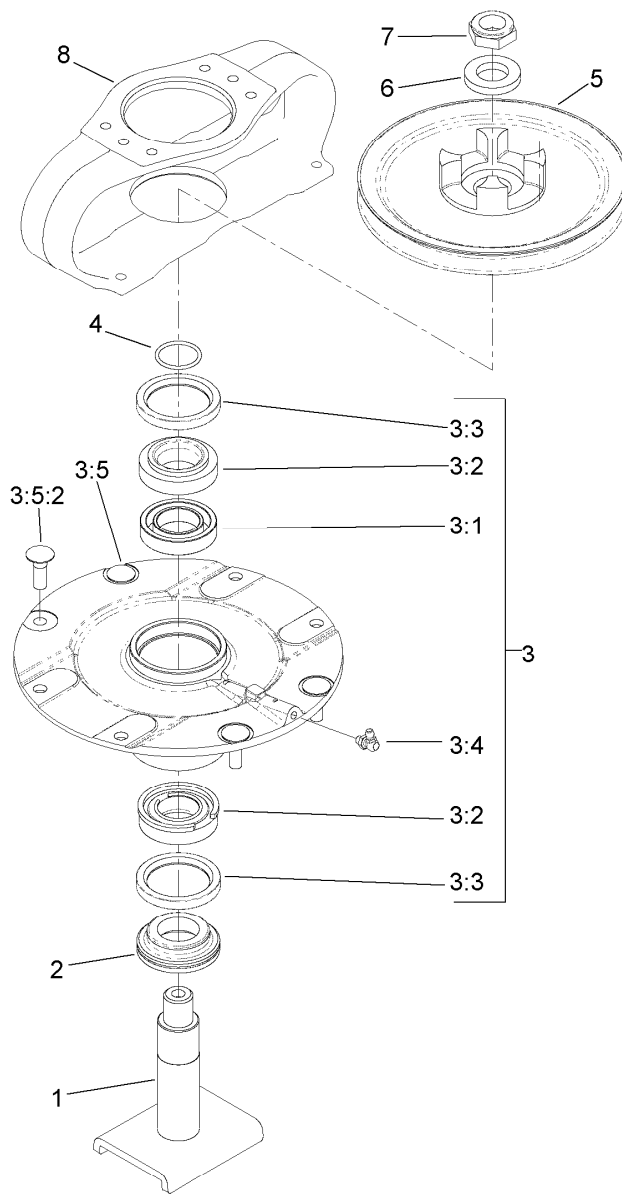
<i>Ref.</i>	<i>Part Number</i>	<i>Qty.</i>	<i>Description</i>
1	119-4547	1	Driving Spindle ASM
2	323-6	4	Screw-HH
3	92-5608-03	3	Blade
4	72-9361	3	Cup-Scalp, Anti
5	92-5816	3	Bolt-Blade
6	3256-24	4	Washer-Plain

Cutting Chamber, Cover and Roller Assembly



Cutting Chamber, Cover and Roller Assembly (continued)

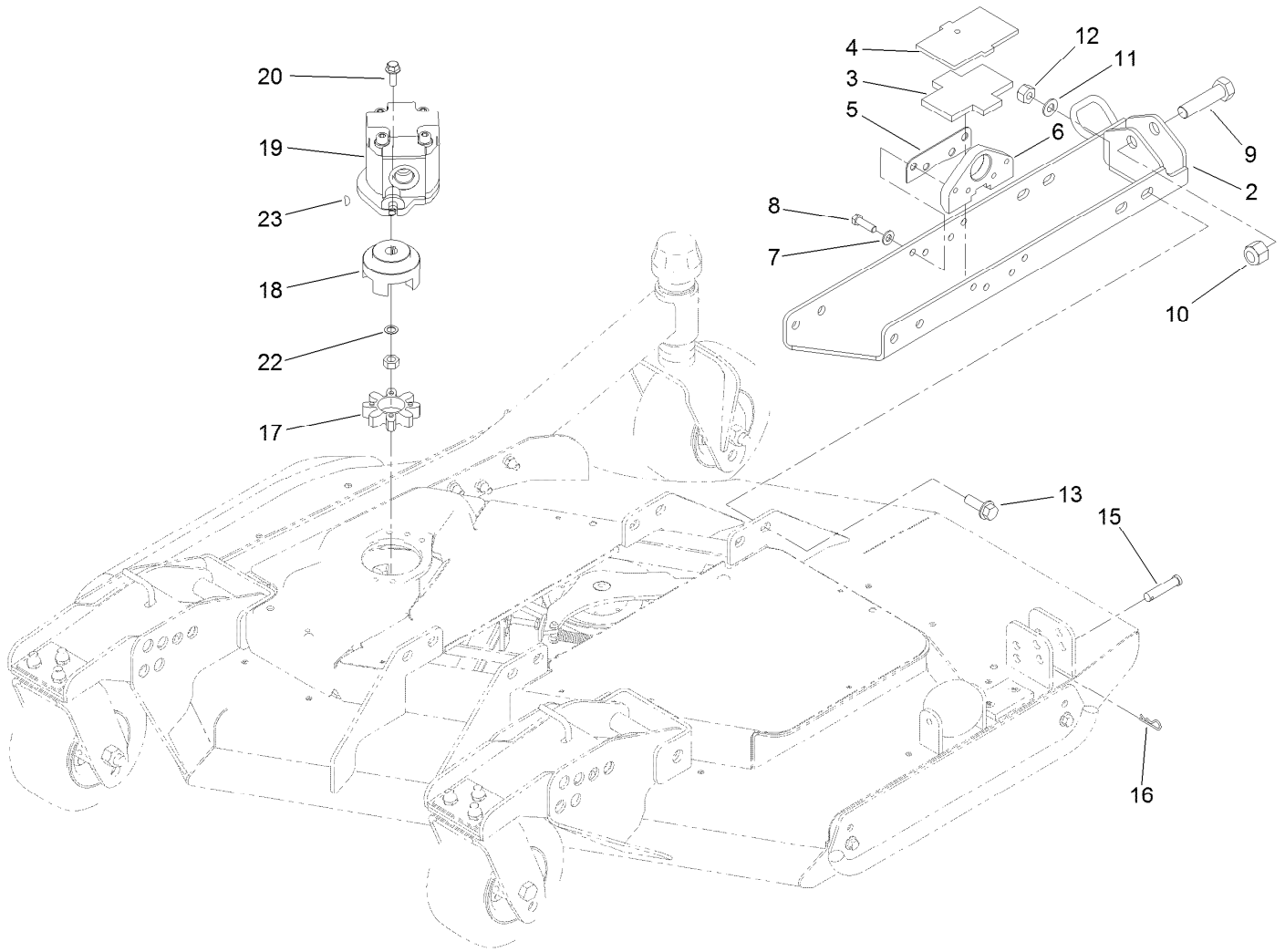
<i>Ref.</i>	<i>Part Number</i>	<i>Qty.</i>	<i>Description</i>	<i>Ref.</i>	<i>Part Number</i>	<i>Qty.</i>	<i>Description</i>
1	130-2650-01	1	Chamber-Center	10	74-5950	10	Latch-Swell
2	130-2674-01	1	Chamber-RH	11	3230-22	3	Screw-CARR
3	130-2675-01	1	Chamber-LH	12	3234-1	3	Screw-HHF
4	3230-18	15	Screw-CARR	13	100-5660-03	1	Cover-Front, Center
5	104-8300	18	Nut-HF, NI	14	100-5662-03	1	Cover-Front, RH
6	3296-45	2	Nut-Hex	15	32144-69	3	Screw-HWHTF
7	29-4820	2	Roller	16	100-5661	1	Cover-Front, Center
8	325-17	2	Screw-HH	20	107-3154	3	Nut-Push
9	100-5663-03	1	Cover-Front, LH				



Driven Spindle Assembly No. 119-4547

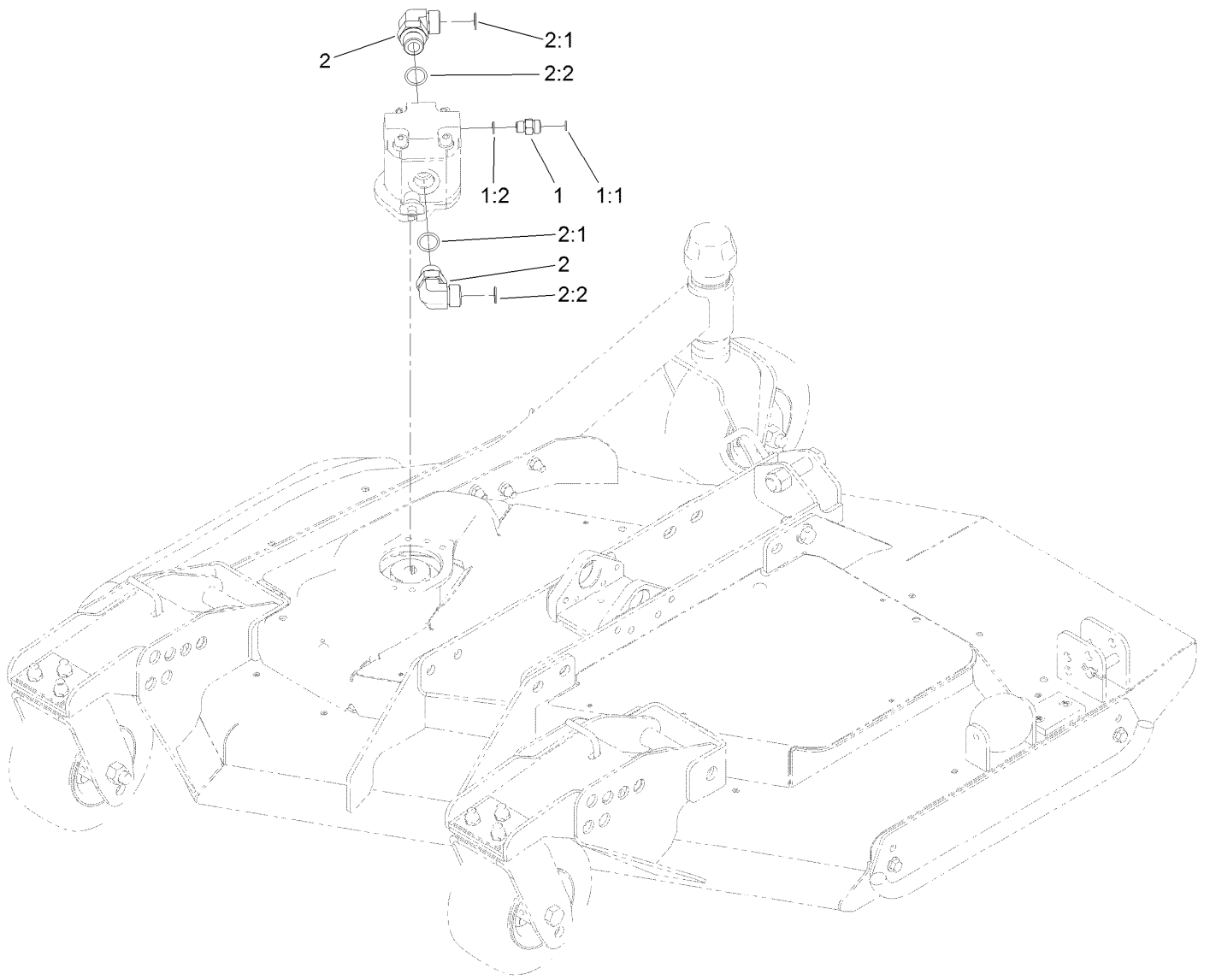
Ref.	Part Number	Qty.	Description
1	104-3554	1	Shaft-Spindle
2	69-6950	1	Spacer-Shaft, Spindle
3	119-4546	1	Spindle Housing ASM
3:1	120-5577	1	Bearing Spacer Set
3:2	110-8297	1	Bearing ASM
3:3	253-154	2	Seal-Oil
3:4	302-60	1	Fitting-Grease
3:5		1	Spindle ASM ●
3:5:2	114-8195	4	Bolt-Neck, Ribbed
4	106-7159	1	O-Ring
5	104-3545	1	Pulley-Driving
6	120-5576	1	Washer-Hardened
7	3296-60	1	Nut-Lock, NI
8	104-3544	1	Mount-Motor, Drive

● Not serviced separately



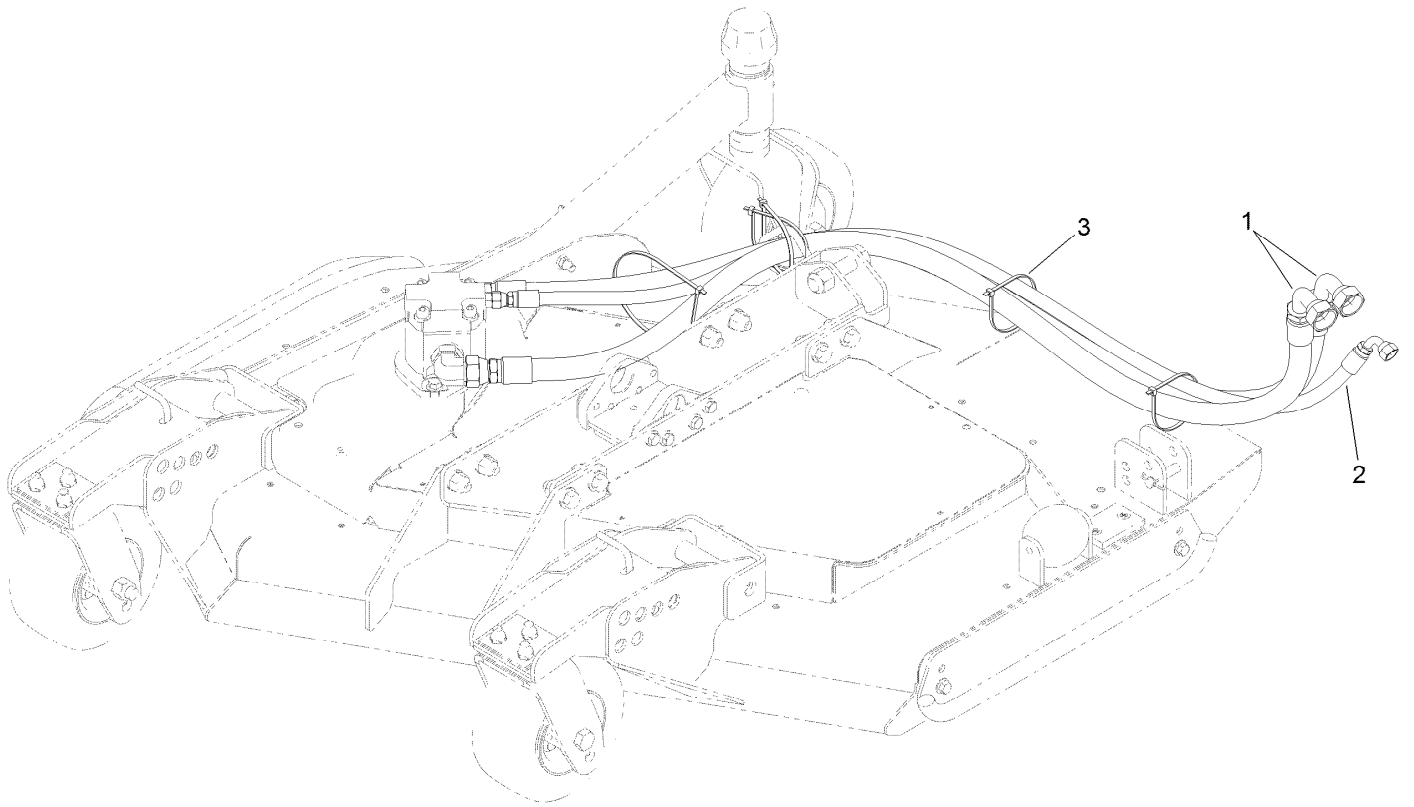
Right Deck Mount Assembly

<i>Ref.</i>	<i>Part Number</i>	<i>Qty.</i>	<i>Description</i>	<i>Ref.</i>	<i>Part Number</i>	<i>Qty.</i>	<i>Description</i>
2	100-8148-03	1	Mount-RH	12	3296-25	8	Nut-Lock, NI
3	104-8348	1	Plate-Rubber	13	100-6116	8	Screw-HHF
4	104-8347-03	1	Plate	15	92-2739	1	Pin-Clevis
5	104-0731	2	Shim	16	3290-467	1	Pin-Hair
6	104-8305-03	2	Mount-Base	17	104-3542	1	Spider
7	3256-24	8	Washer-Plain	18	104-3541	1	Hub-Spider
8	323-7	8	Screw-HH	19	127-3694	1	HYD Motor ASM
9	328-4	1	Screw-HH	20	3234-42	2	Screw-HHF
10	3296-51	1	Nut-Lock, NI	22	112-6957	1	Washer-Hardened
11	3256-26	8	Washer-Flat	23	3257-3	1	Key-Woodruff



Right Deck Hydraulic Fitting Assembly

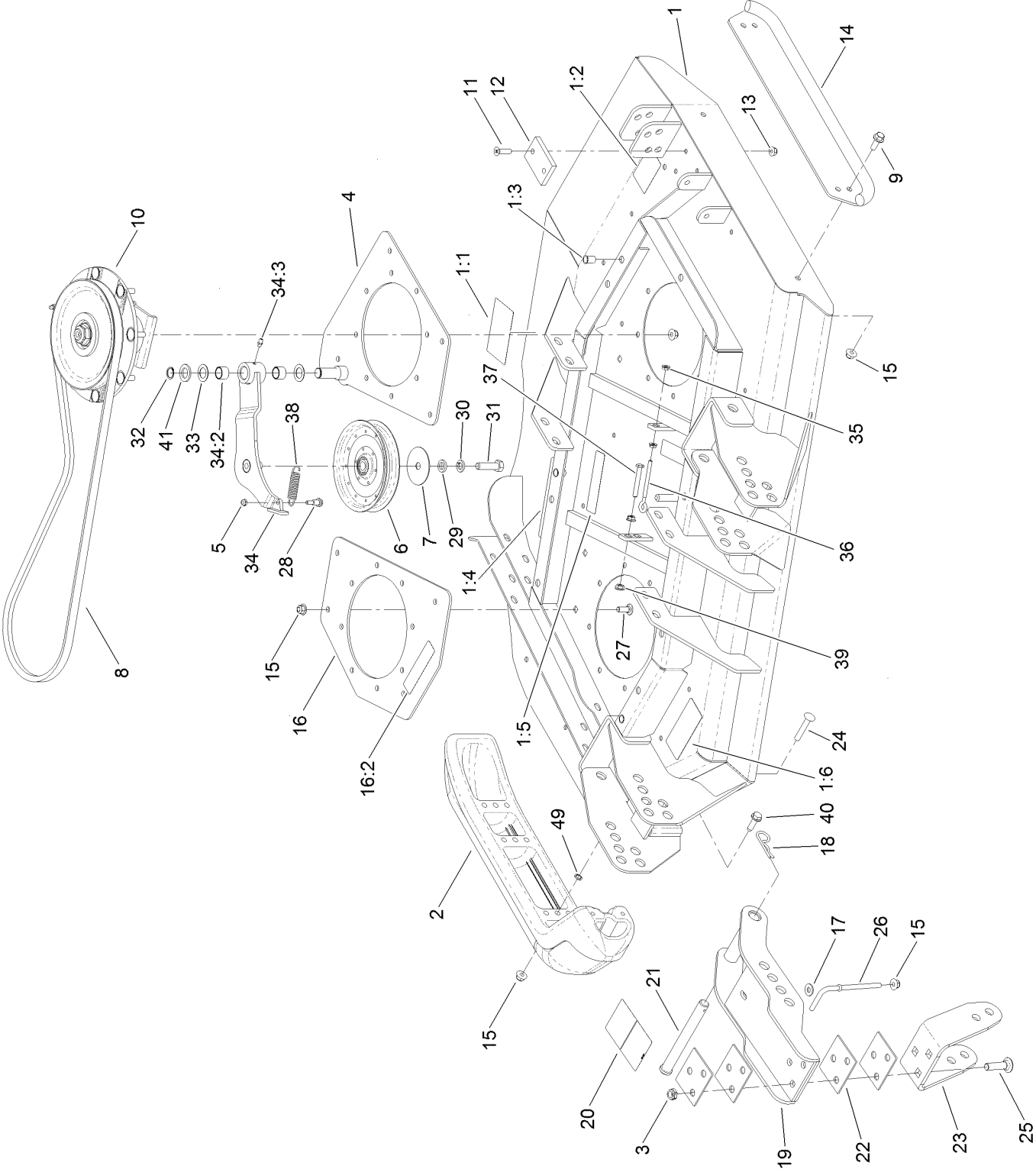
<i>Ref.</i>	<i>Part Number</i>	<i>Qty.</i>	<i>Description</i>
1	340-2	1	Fitting-Straight
1:1	237-22	1	O-Ring
1:2	237-42	1	O-Ring
2	340-142	2	Fitting-Elbow, 90 DEG
2:1	237-58	1	O-Ring
2:2	237-81	1	O-Ring



Right Deck Hose Assembly

<i>Ref.</i>	<i>Part Number</i>	<i>Qty.</i>	<i>Description</i>
1	120-8959	2	Hose-HYD
2	104-2265	1	Hose-HYD
3	3290-379	5	Tie-Cable

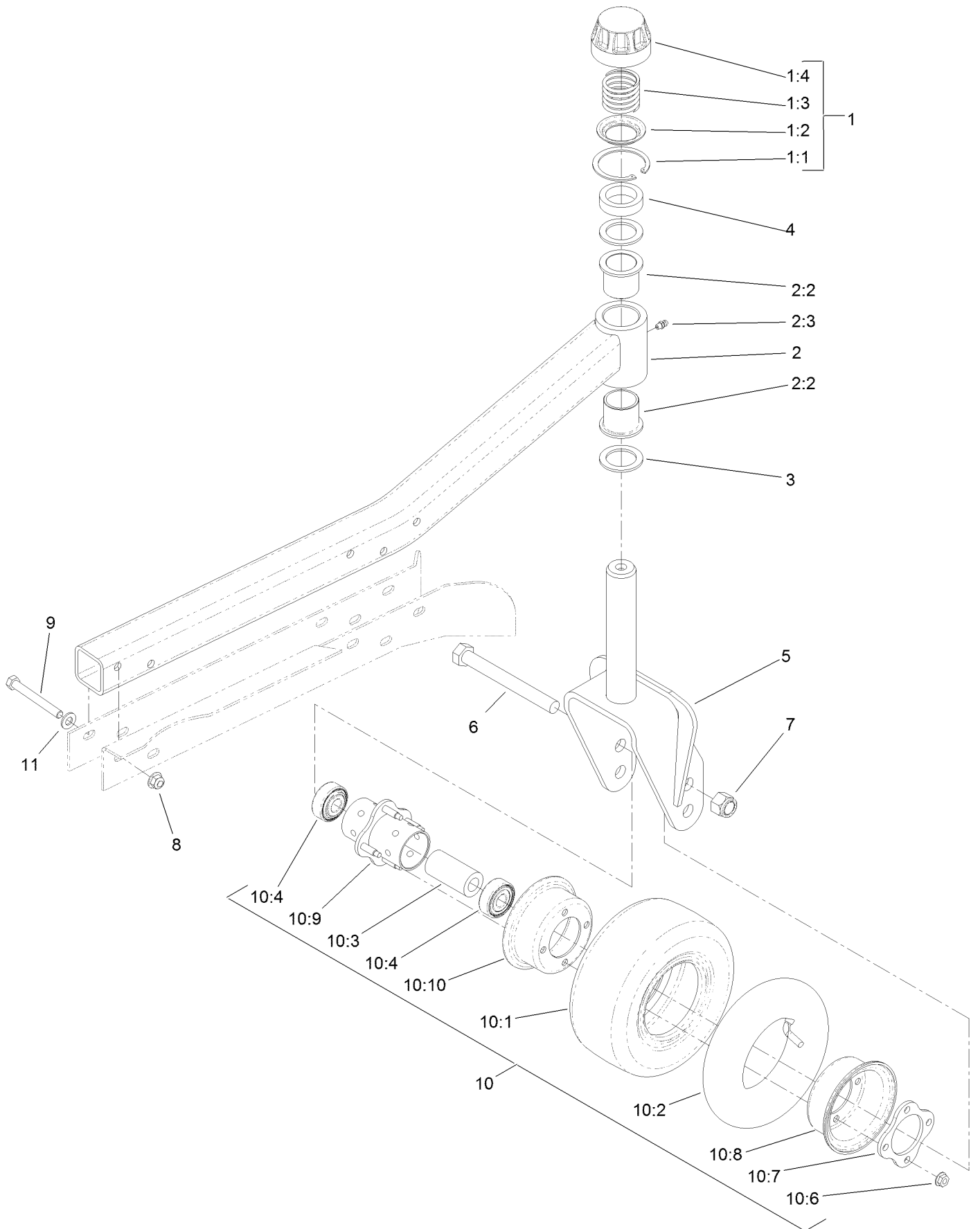
Right Deck, Idler and Skid Assembly



Right Deck, Idler and Skid Assembly (continued)

<i>Ref.</i>	<i>Part Number</i>	<i>Qty.</i>	<i>Description</i>	<i>Ref.</i>	<i>Part Number</i>	<i>Qty.</i>	<i>Description</i>
1	131-1235	1	Right Deck ASM	20	100-5623	1	Decal-HOC
1:1	120-6604	1	Decal-Danger	21	100-5569	4	Pin-Clevis
1:2	100-5694	1	Decal-Rear HOC, RH	22	104-7524	8	Shim
1:3	32148-9	3	Nut-Clinch	23	121-1720-01	2	Bracket-Fork
1:4	100-5622	1	Decal-HOC	24	3231-33	2	Screw-CARR
1:5	100-6578	2	Decal-Danger	25	3233-4	6	Screw-CARR
1:6	93-7818	1	Decal-Torque, Blade Bolt	26	106-2047	2	Rod-Tension
2	112-1479	1	Skid-Bumper, Deck	27	3231-22	8	Screw-CARR
3	3296-45	6	Nut-Hex	28	104-0858	1	Bolt-Shoulder
4	131-1231-01	1	Plate-Stiffener	29	9202424	1	Spacer
5	3296-56	1	Nut-Lock, NI	30	3253-7	1	Washer-Lock
6	110-9596	1	Pulley-Idler	31	325-7	1	Screw-HH
7	100-3102	1	Washer-Flat	32	32120-72	1	Ring-Snap
8	108-8076	1	V-Belt, Deck	33	3-6498	2	Washer-Thrust
9	3234-42	2	Screw-HHF	34	110-6128	1	Idler Arm ASM
10	119-4776	1	Low-Driven Spindle ASM	34:2	256-76	2	Bushing
11	32108-103	2	Screw-FH	34:3	302-5	1	Fitting-Grease
12	69-9290	1	Pad-Bumper	35	32128-14	2	Nut-HF
13	104-8300	2	Nut-HF, NI	36	68-0090	1	Screw-Adjusting
14	104-2250-01	1	Skid-Side	37	9114524	1	Bolt-TAP, HH
15	104-8301	26	Nut-HF, NI	38	107938	1	Spring-Extension
16	131-1243	1	Plate-Spindle	39	32128-26	2	Nut-HF
16:2	100-6578	1	Decal-Danger	40	9136144	1	Screw-HWHTF
17	3256-3	2	Washer-Flat	41	70-1160	1	Washer
18	3290-343	4	Pin-Hair	49	32151-72	2	Ring-Retaining
19	104-7529-01	2	Bracket-Castor				

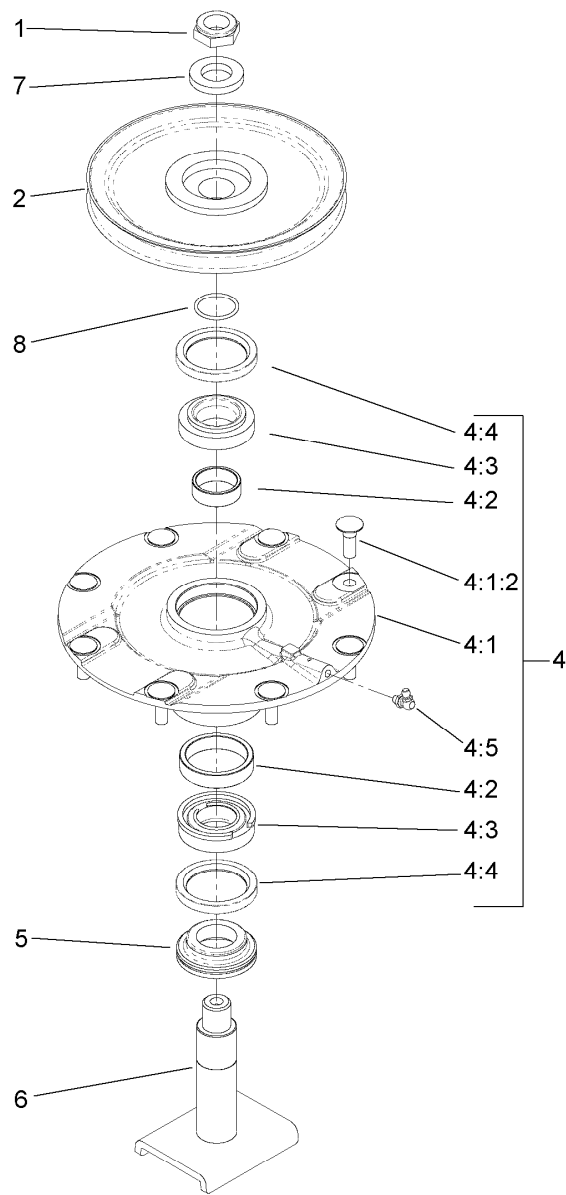
RH and LH Castor Arm and Wheel Assembly



RH and LH Castor Arm and Wheel Assembly (continued)

<i>Ref.</i>	<i>Part Number</i>	<i>Qty.</i>	<i>Description</i>	<i>Ref.</i>	<i>Part Number</i>	<i>Qty.</i>	<i>Description</i>
1	92-9727	1	HOC Cap ASM	9	323-20	5	Screw-HH
1:1	92-5581	1	Ring-Rtng, Snap, Int, Flat	10	93-5974	3	8 Inch Foam Filled Wheel ASM ●
1:2	92-5583	1	Washer-Cap	10	93-9938	3	Wheel ASM
1:3	92-9726	1	Spring-Compression	10:1	93-9939	1	Tire
1:4	92-8861	1	Cap-HOC	10:2	68-8950	1	Tube-Inner (W/Valve)
2	127-3740	1	Castor Arm ASM	10:3	93-4241	1	Spacer-Bearing, Inner
2:2	69-6470	2	Bushing-Caster	10:4	120-3366	2	Bearing
2:3	302-5	1	Fitting-Grease	10:6	32128-16	4	Nut-HHF
3	69-6860	3	Washer-Thrust	10:7	93-4242	1	Plate
4	69-1510	5	Spacer	10:8	93-4239	1	Rim-Wheel, Half
5	104-0762-01	1	Fork-Castor	10:9	93-5980	1	Hub
6	327-24	3	Screw-HH	10:10	95-2741	1	Rim-Wheel, Half
7	3296-53	3	Nut-Lock, NI	11	3256-24	5	Washer-Plain
8	104-8301	5	Nut-HF, NI				

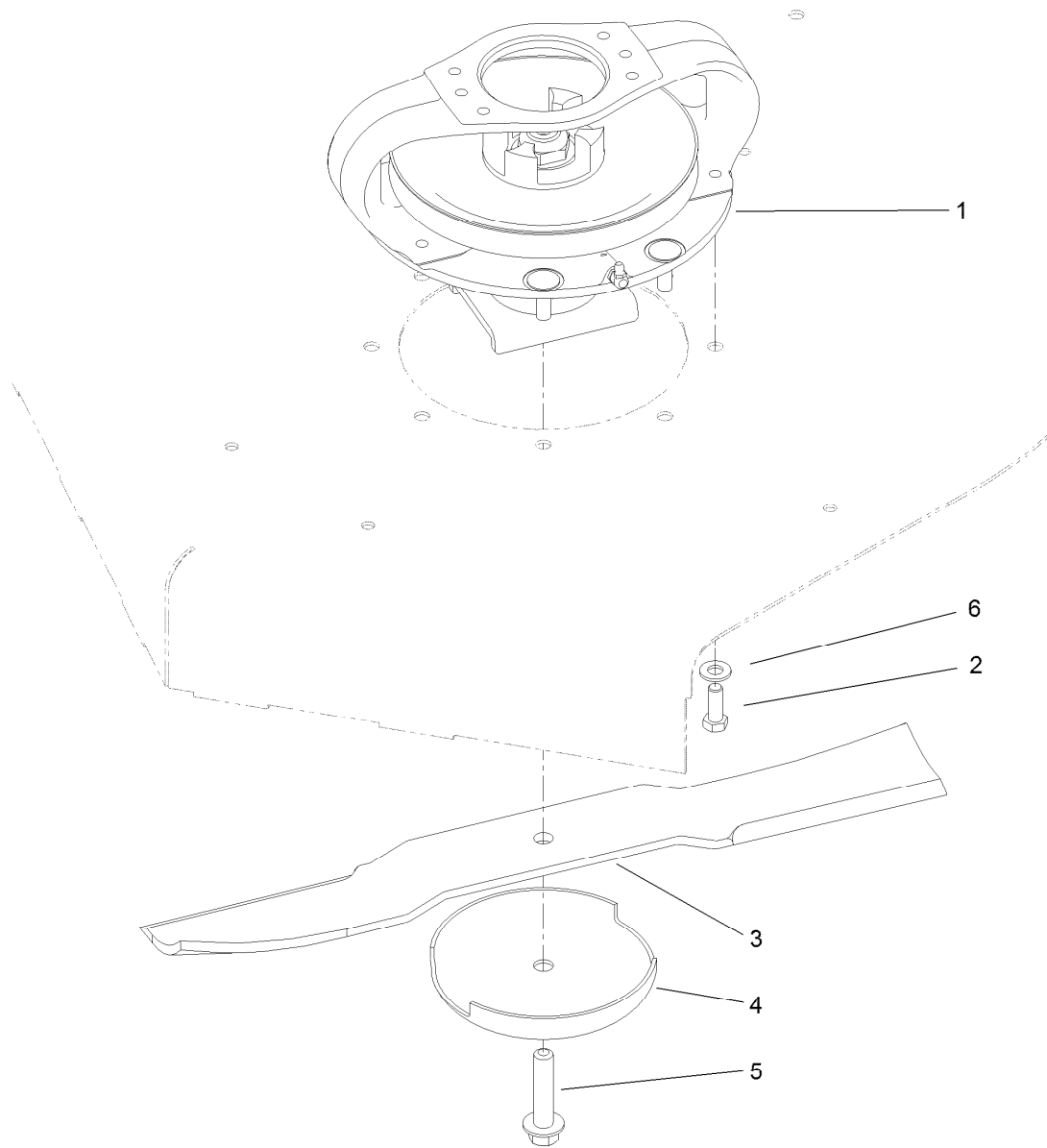
● Optional Equipment



Low Driven Spindle Assembly No. 119-4776

<i>Ref.</i>	<i>Part Number</i>	<i>Qty.</i>	<i>Description</i>
1	3296-60	1	Nut-Lock, NI
2	104-3546	1	Pulley-Driven, Low
4	119-4775	1	Spindle Housing ASM
4:1		1	Spindle ASM ●
4:1:2	114-8195	8	Bolt-Neck, Ribbed
4:2	120-5577	1	Bearing Spacer Set
4:3	110-8297	1	Bearing ASM
4:4	253-154	2	Seal-Oil
4:5	302-60	1	Fitting-Grease
5	69-6950	1	Spacer-Shaft, Spindle
6	104-3554	1	Shaft-Spindle
7	120-5576	1	Washer-Hardened
8	106-7159	1	O-Ring

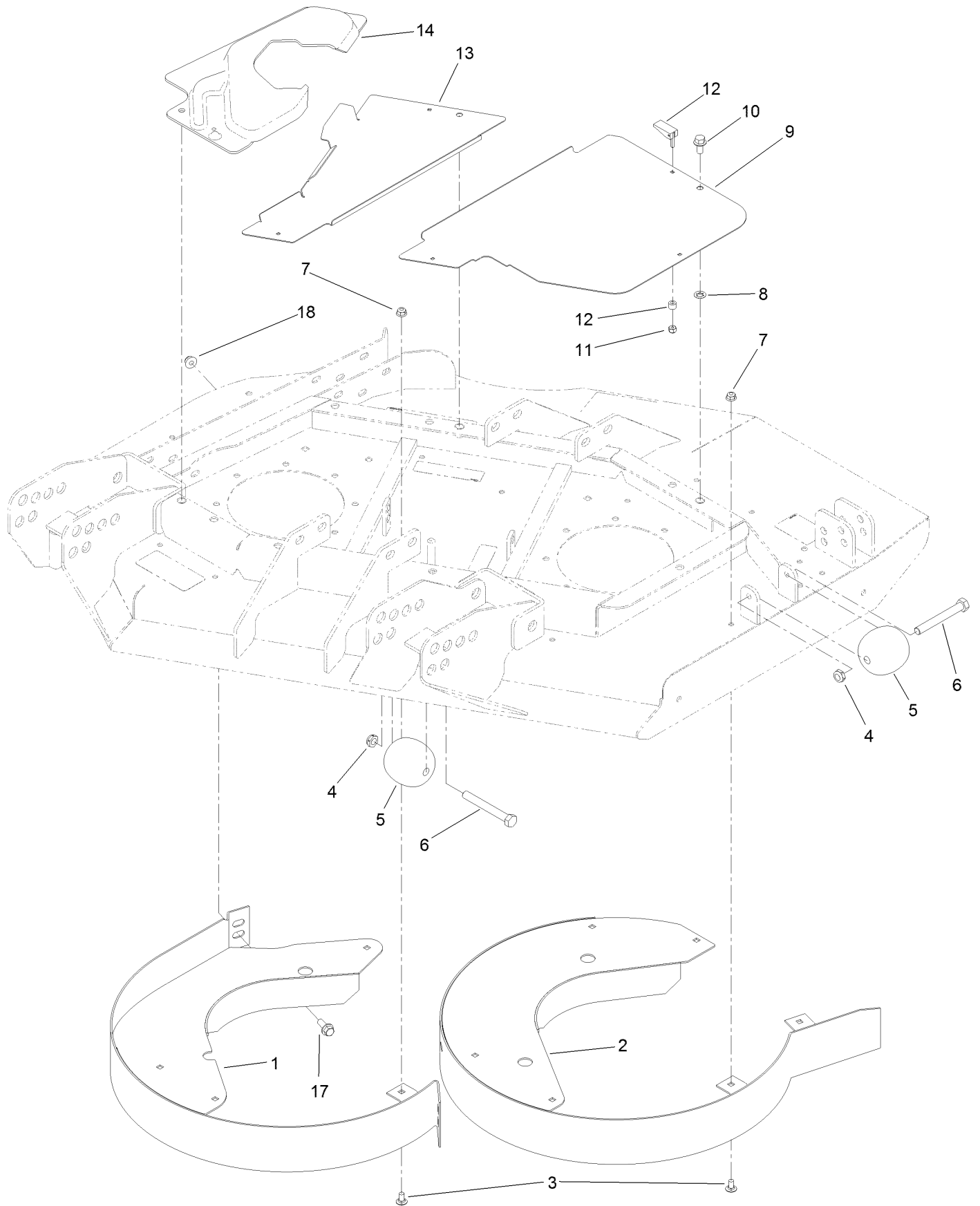
● Not serviced separately



Deck Driving Spindle Assembly

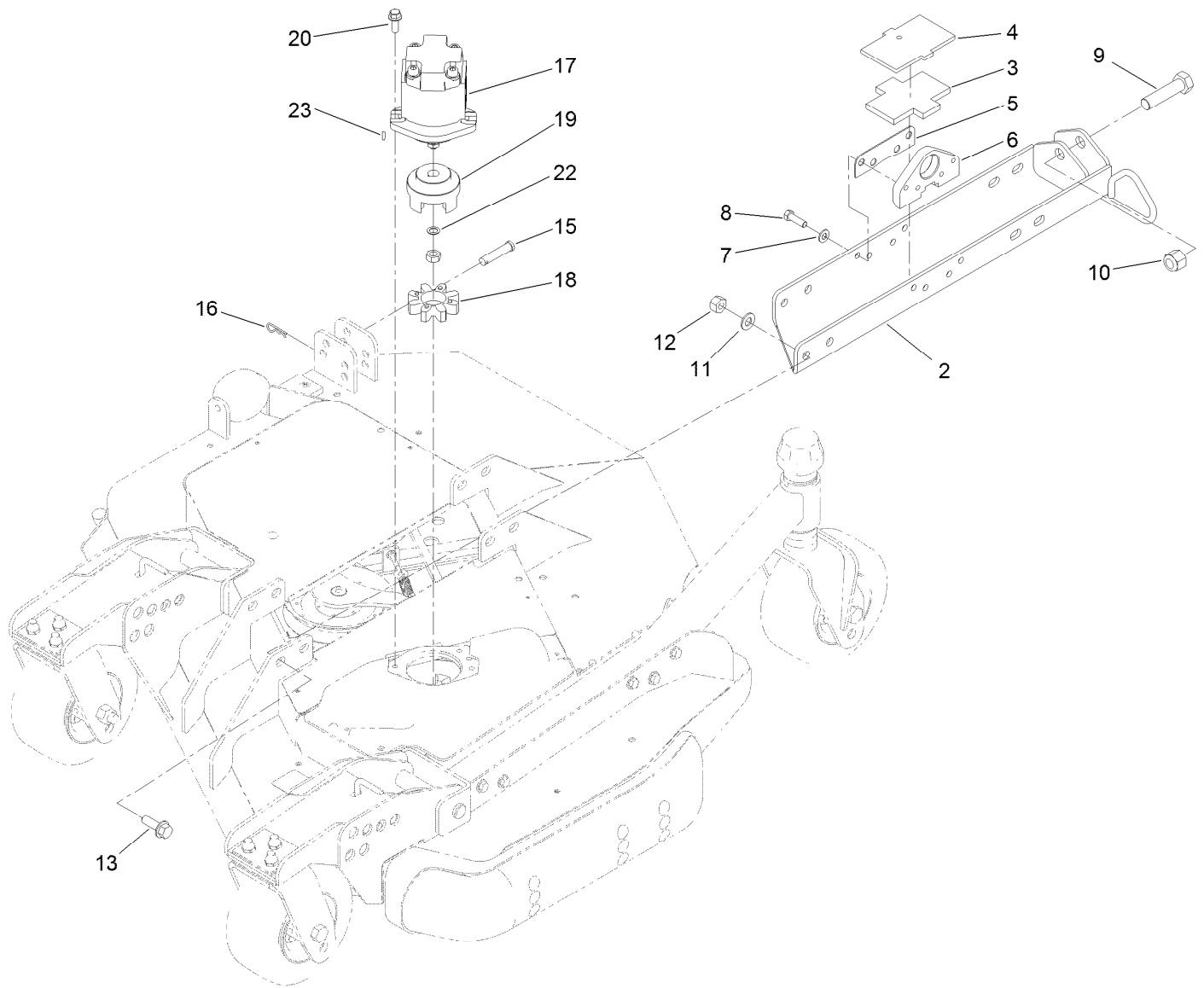
Ref.	Part Number	Qty.	Description
1	119-4547	1	Driving Spindle ASM
2	323-6	4	Screw-HH
3	92-5608-03	2	Blade
4	72-9361	2	Cup-Scalp, Anti
5	92-5816	2	Bolt-Blade
6	3256-24	4	Washer-Plain

Right Deck Discharge Chamber and Cover Assembly



Right Deck Discharge Chamber and Cover Assembly (continued)

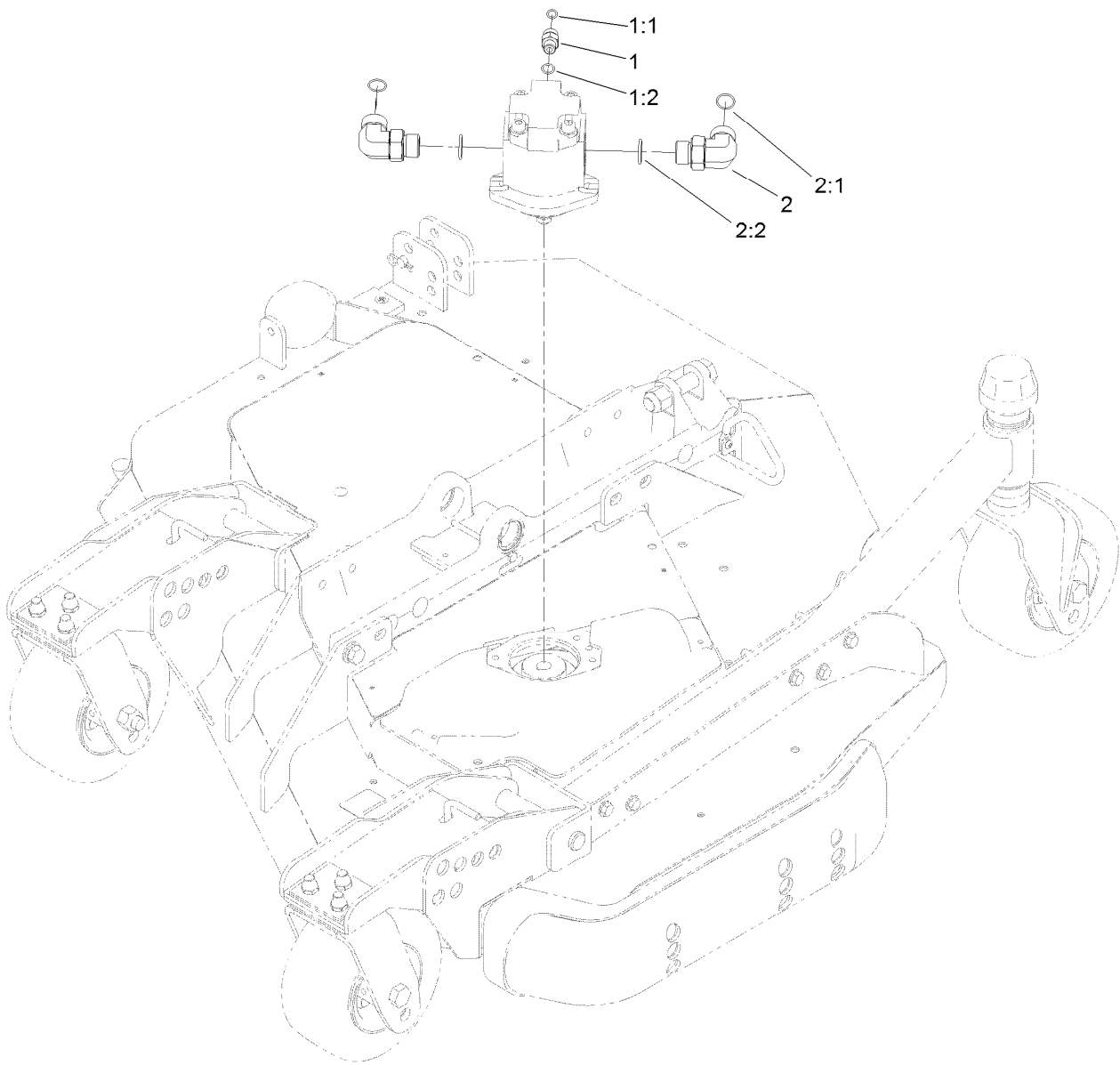
<i>Ref.</i>	<i>Part Number</i>	<i>Qty.</i>	<i>Description</i>	<i>Ref.</i>	<i>Part Number</i>	<i>Qty.</i>	<i>Description</i>
1	130-2680-01	1	Chamber-Outer	9	100-5668-03	1	Plate-Cover, RH Side
2	130-2681-01	1	Chamber-Inner	10	3234-1	3	Screw-HHF
3	3230-18	11	Screw-CARR	11	1-804254	7	Nut-Lock, HH
4	3296-45	2	Nut-Hex	12	74-5950	7	Latch-Swell
5	29-4820	2	Roller	13	100-5665-03	1	Plate-Cover, RH
6	325-17	2	Screw-HH	14	100-5666	1	Cover-Motor, RH Deck
7	104-8300	11	Nut-HF, NI	17	3234-42	1	Screw-HHF
8	107-3154	3	Nut-Push	18	104-8301	1	Nut-HF, NI



Left Deck Mount Assembly

<i>Ref.</i>	<i>Part Number</i>	<i>Qty.</i>	<i>Description</i>
2	100-8149-03	1	Mount-LH
3	104-8348	1	Plate-Rubber
4	104-8347-03	1	Plate
5	104-0731	2	Shim
6	104-8305-03	2	Mount-Base
7	3256-24	8	Washer-Plain
8	323-7	8	Screw-HH
9	328-4	1	Screw-HH
10	3296-51	1	Nut-Lock, NI
11	3256-26	8	Washer-Flat

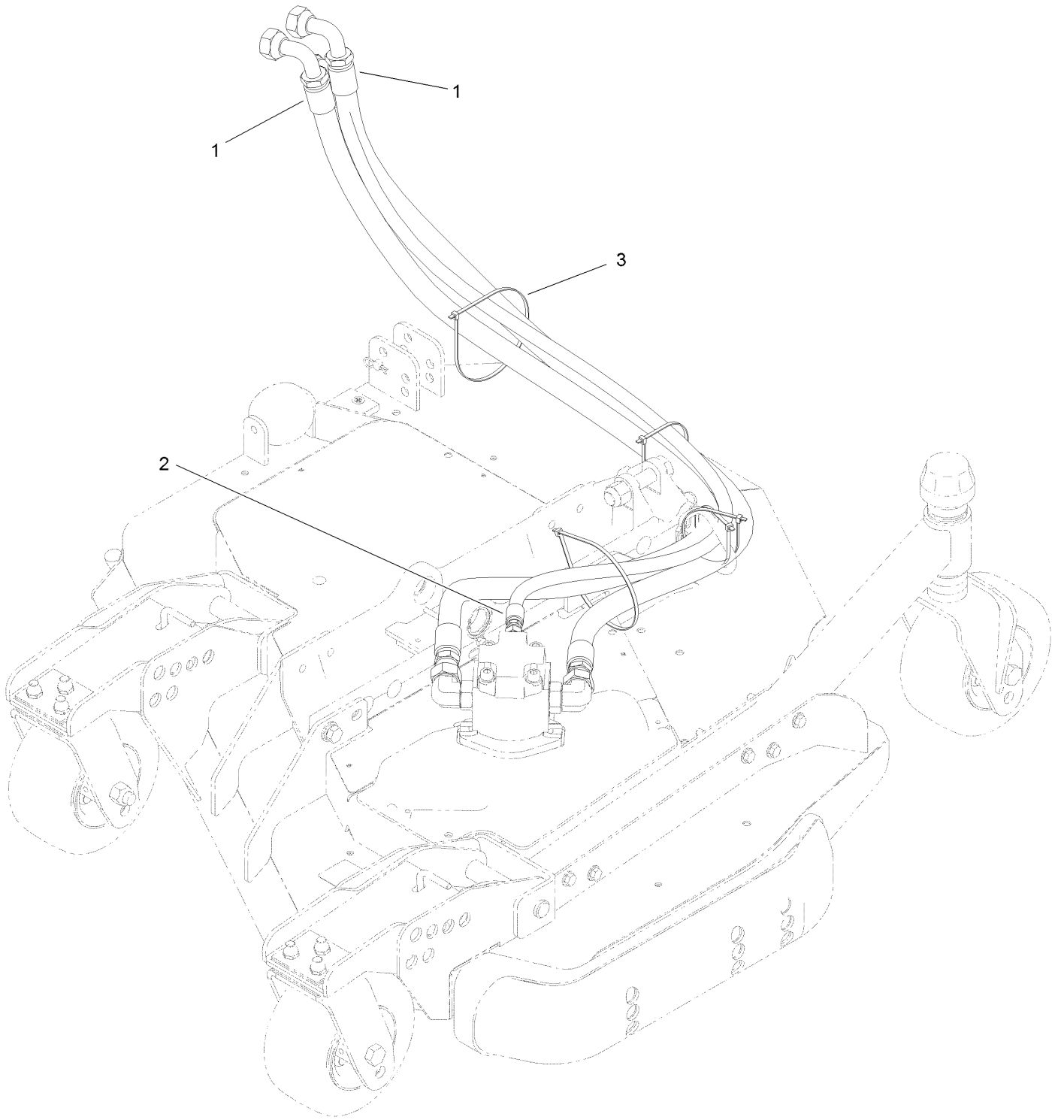
<i>Ref.</i>	<i>Part Number</i>	<i>Qty.</i>	<i>Description</i>
12	3296-25	8	Nut-Lock, NI
13	100-6116	8	Screw-HHF
15	92-2739	1	Pin-Clevis
16	3290-467	1	Pin-Hair
17	127-3694	1	HYD Motor ASM
18	104-3542	1	Spider
19	104-3541	1	Hub-Spider
20	3234-42	2	Screw-HHF
22	112-6957	1	Washer-Hardened
23	3257-3	1	Key-Woodruff



Left Deck Hydraulic Fitting Assembly

<i>Ref.</i>	<i>Part Number</i>	<i>Qty.</i>	<i>Description</i>
1	340-2	1	Fitting-Straight
1:1	237-22	1	O-Ring
1:2	237-42	1	O-Ring
2	340-142	2	Fitting-Elbow, 90 DEG
2:1	237-58	1	O-Ring
2:2	237-81	1	O-Ring

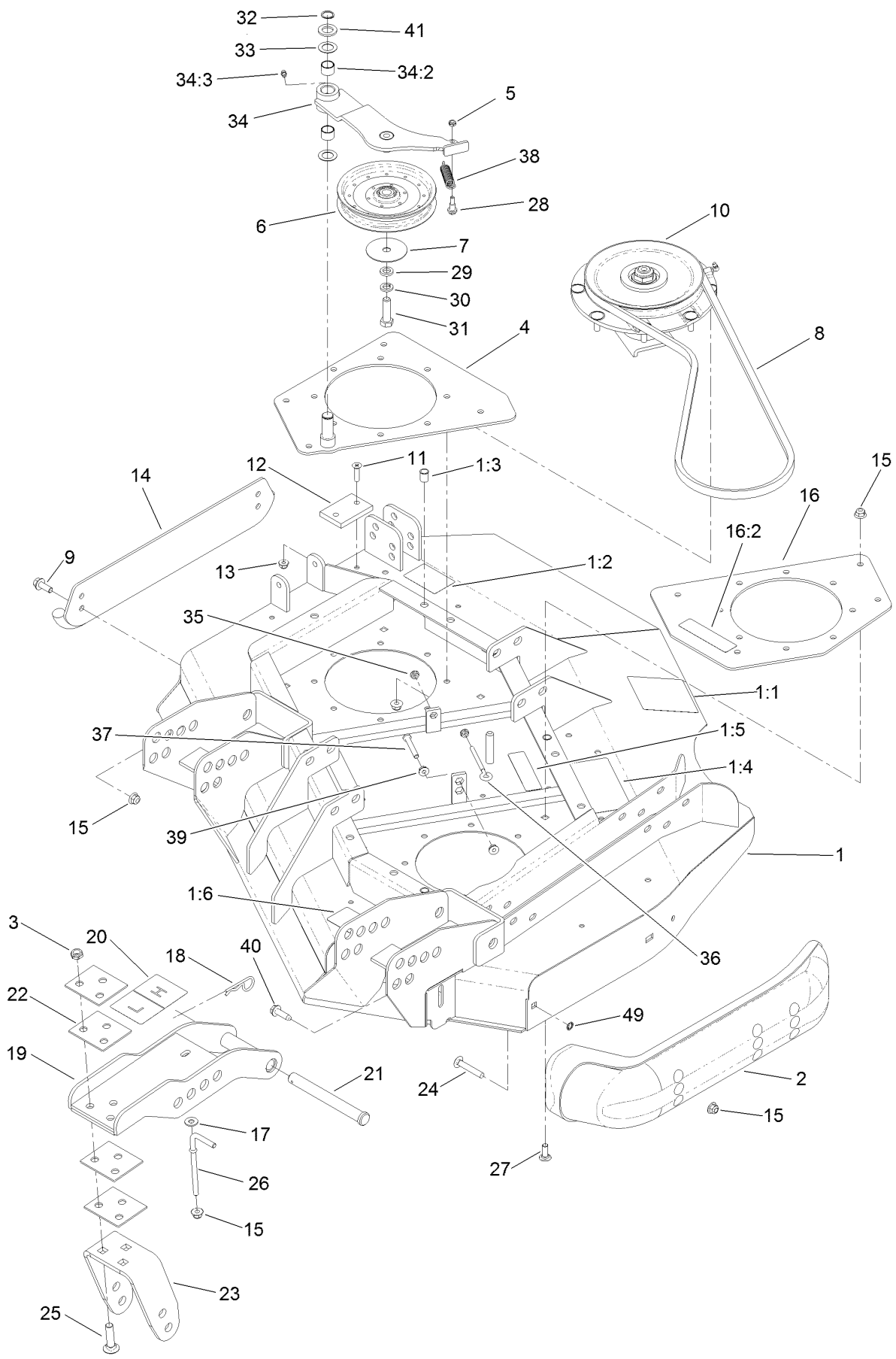
Left Deck Hose Assembly



Left Deck Hose Assembly (continued)

<i>Ref.</i>	<i>Part Number</i>	<i>Qty.</i>	<i>Description</i>
1	120-8959	2	Hose-HYD
2	104-2265	1	Hose-HYD
3	3290-379	5	Tie-Cable

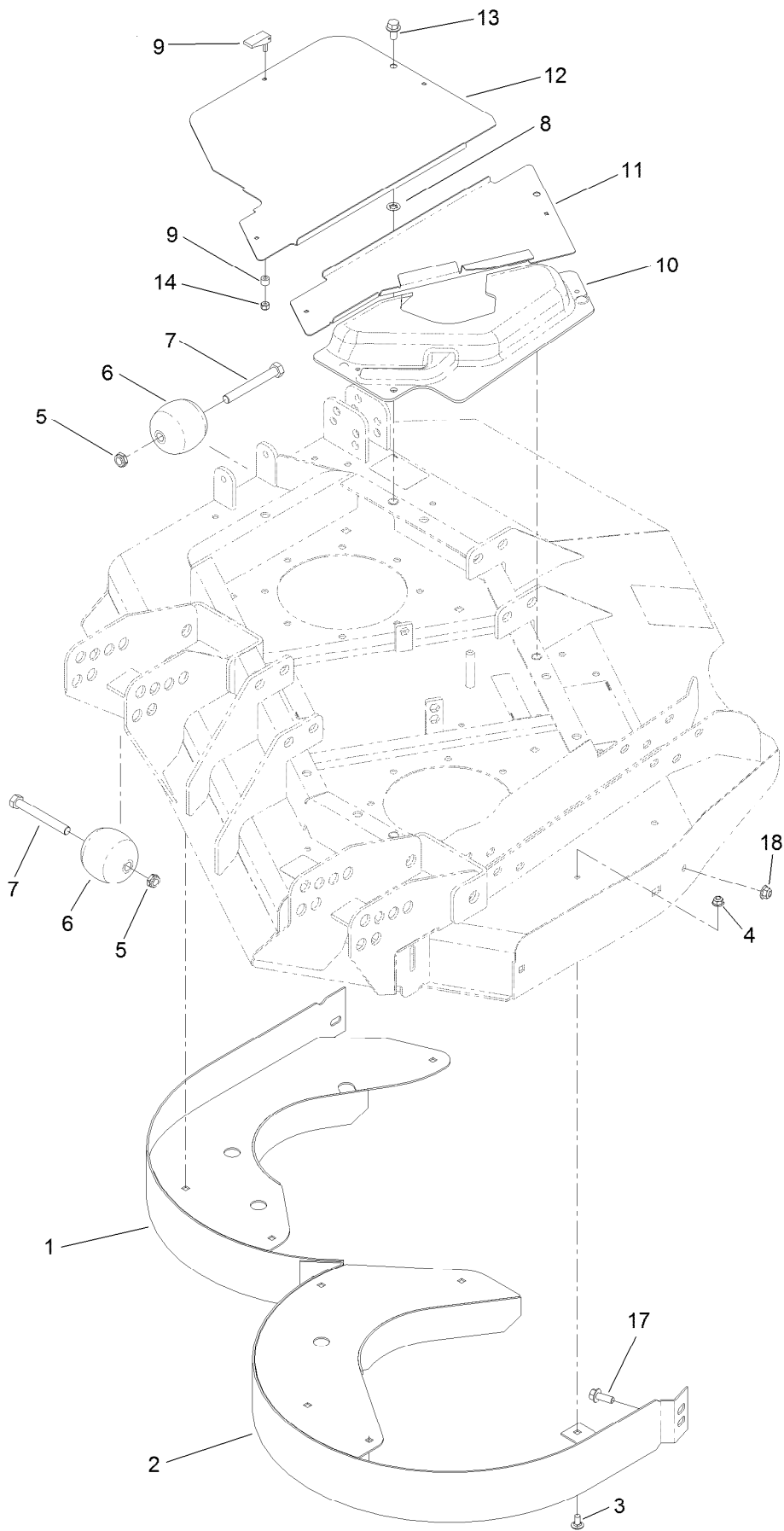
Left Deck, Idler and Skid Assembly



Left Deck, Idler and Skid Assembly (continued)

<i>Ref.</i>	<i>Part Number</i>	<i>Qty.</i>	<i>Description</i>	<i>Ref.</i>	<i>Part Number</i>	<i>Qty.</i>	<i>Description</i>
1	131-1236	1	Left Deck ASM	20	104-3579	1	Decal-HOC
1:1	120-6604	1	Decal-Danger	21	100-5569	4	Pin-Clevis
1:2	100-5693	1	Decal-Rear HOC, LH	22	104-7524	8	Shim
1:3	32148-9	3	Nut-Clinch	23	121-1720-01	2	Bracket-Fork
1:4	100-5622	1	Decal-HOC	24	3231-33	2	Screw-CARR
1:5	100-6578	2	Decal-Danger	25	3233-4	6	Screw-CARR
1:6	93-7818	1	Decal-Torque, Blade Bolt	26	106-2047	2	Rod-Tension
2	112-1479	1	Skid-Bumper, Deck	27	3231-22	8	Screw-CARR
3	3296-45	6	Nut-Hex	28	104-0858	1	Bolt-Shoulder
4	131-1233-01	1	Plate-Stiffener	29	9202424	1	Spacer
5	3296-56	1	Nut-Lock, NI	30	3253-7	1	Washer-Lock
6	110-9596	1	Pulley-Idler	31	325-7	1	Screw-HH
7	100-3102	1	Washer-Flat	32	32120-72	1	Ring-Snap
8	108-8076	1	V-Belt, Deck	33	3-6498	2	Washer-Thrust
9	3234-42	2	Screw-HHF	34	110-6128	1	Idler Arm ASM
10	119-4776	1	Low-Driven Spindle ASM	34:2	256-76	2	Bushing
11	32108-103	2	Screw-FH	34:3	302-5	1	Fitting-Grease
12	69-9290	1	Pad-Bumper	35	32128-14	2	Nut-HF
13	104-8300	2	Nut-HF, NI	36	68-0090	1	Screw-Adjusting
14	104-2250-01	1	Skid-Side	37	9114524	1	Bolt-TAP, HH
15	104-8301	26	Nut-HF, NI	38	107938	1	Spring-Extension
16	131-1244	1	Plate-Spindle	39	32128-26	2	Nut-HF
16:2	100-6578	1	Decal-Danger	40	9136144	1	Screw-HWHTF
17	3256-3	2	Washer-Flat	41	70-1160	1	Washer
18	3290-343	4	Pin-Hair	49	32151-72	2	Ring-Retaining
19	104-7529-01	2	Bracket-Castor				

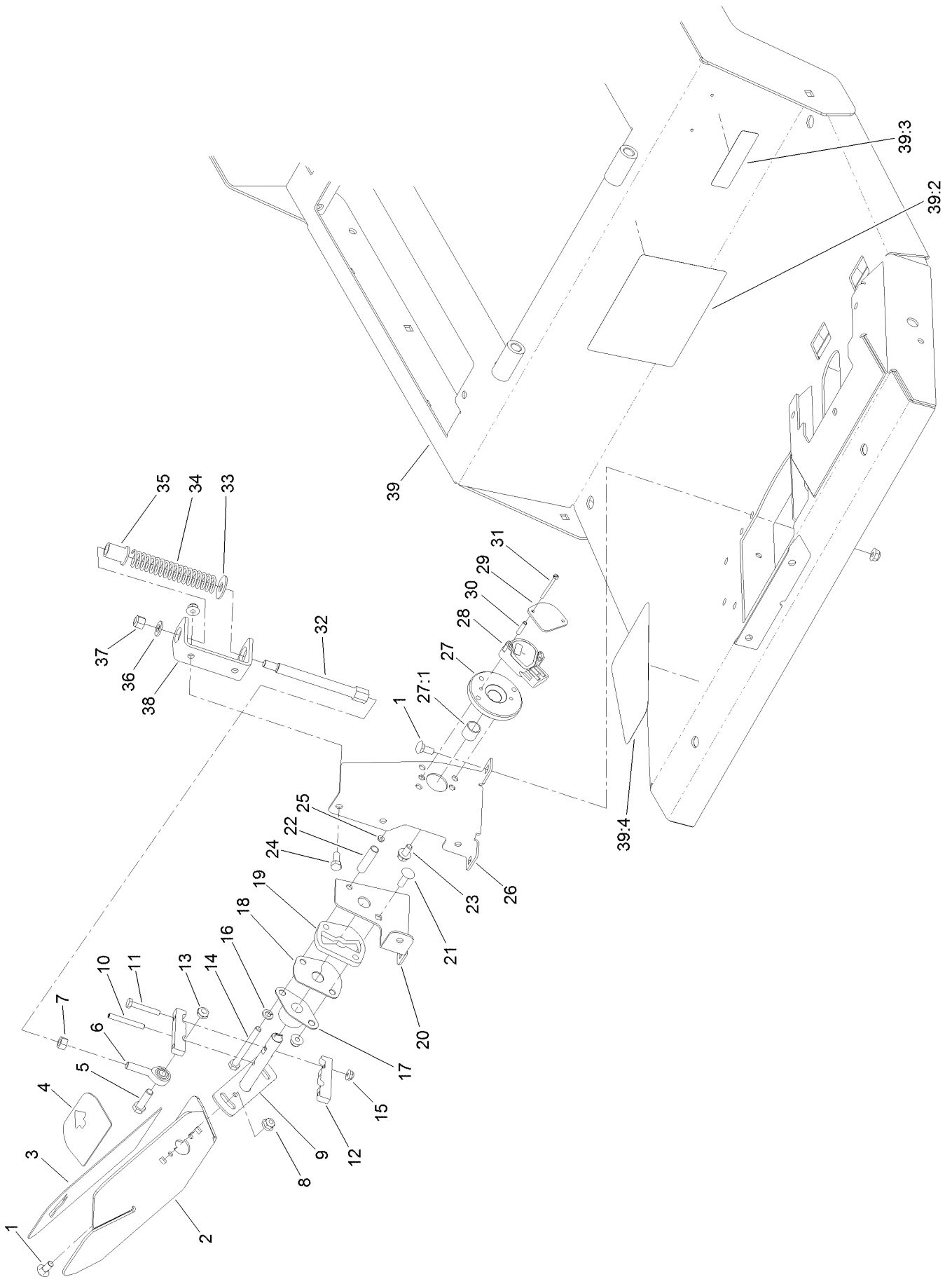
Left Deck Discharge Chamber and Cover Assembly



Left Deck Discharge Chamber and Cover Assembly (continued)

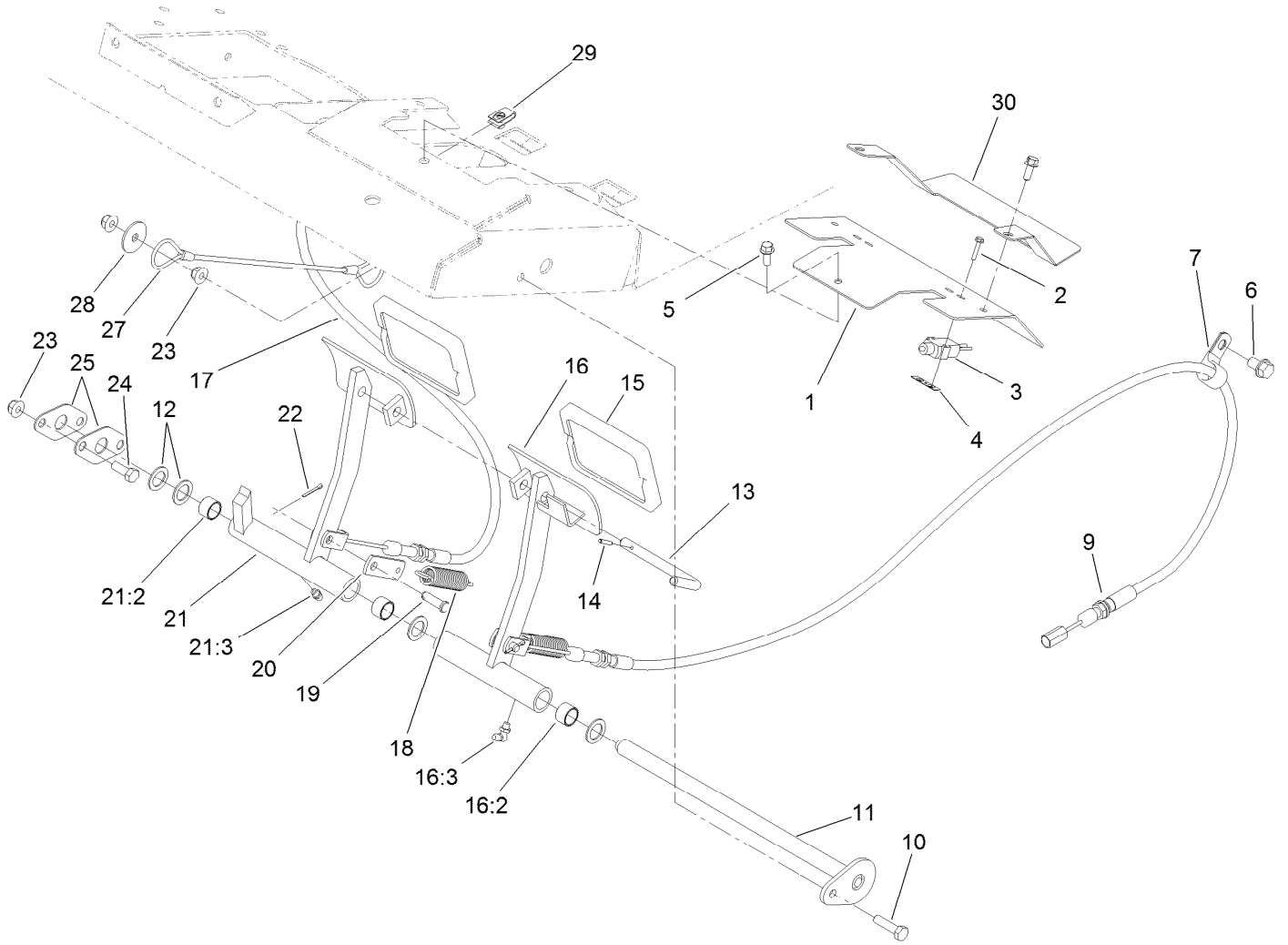
<i>Ref.</i>	<i>Part Number</i>	<i>Qty.</i>	<i>Description</i>	<i>Ref.</i>	<i>Part Number</i>	<i>Qty.</i>	<i>Description</i>
1	130-2682-01	1	Chamber-Outer	9	74-5950	7	Latch-Swell
2	130-2683-01	1	Chamber-Inner	10	100-5669	1	Cover-Motor, LH Deck
3	3230-18	9	Screw-CARR	11	100-5664-03	1	Plate-Cover, LH
4	104-8300	9	Nut-HF, NI	12	100-5667-03	1	Plate-Cover, LH Side
5	3296-45	2	Nut-Hex	13	3234-1	3	Screw-HHF
6	29-4820	2	Roller	14	1-804254	7	Nut-Lock, HH
7	325-17	2	Screw-HH	17	3234-42	1	Screw-HHF
8	107-3154	3	Nut-Push	18	104-8301	1	Nut-HF, NI

Traction Pedal and Platform Assembly



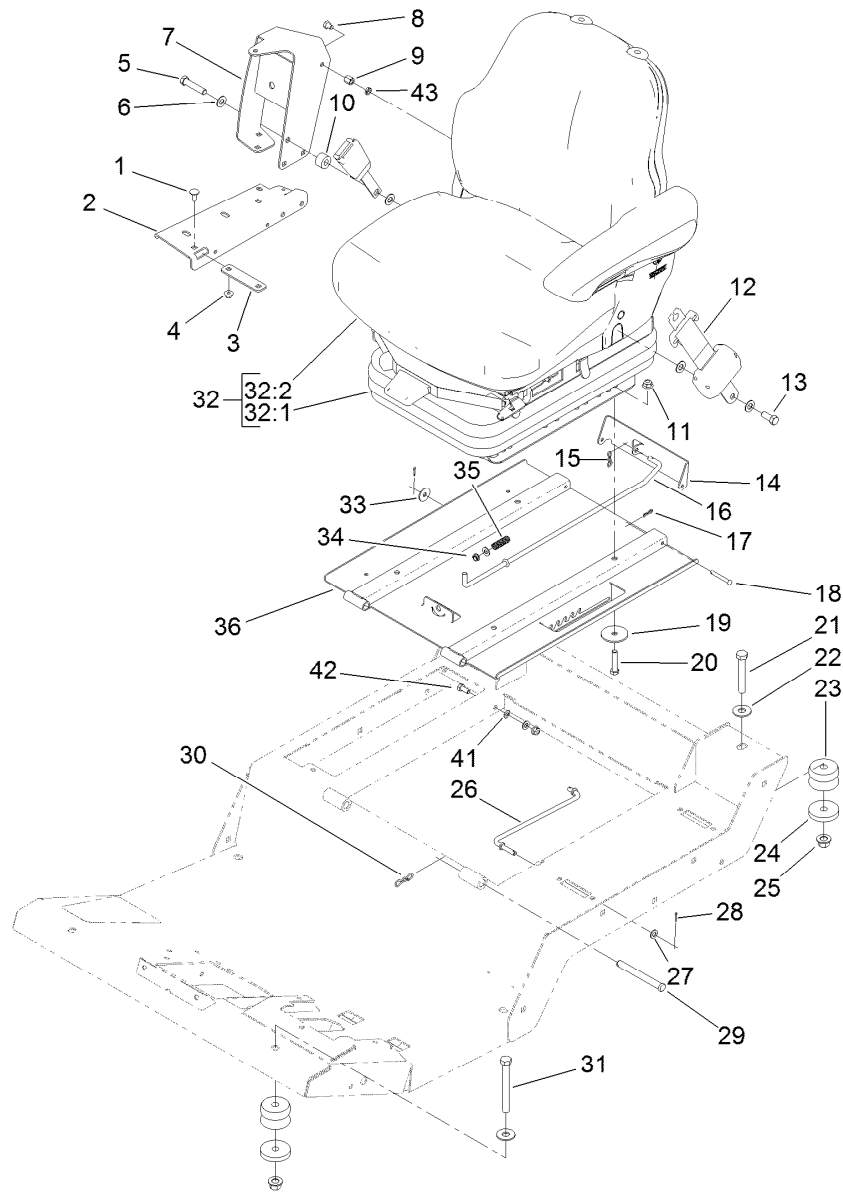
Traction Pedal and Platform Assembly (continued)

<i>Ref.</i>	<i>Part Number</i>	<i>Qty.</i>	<i>Description</i>	<i>Ref.</i>	<i>Part Number</i>	<i>Qty.</i>	<i>Description</i>
1	3230-1	6	Bolt-CARR	23	114-7728	2	Screw-HHF, Patch
2	110-5986-01	1	Pedal-Traction	24	322-3	3	Screw-HH
3	93-5347	1	Abrasive-Pedal	25	3296-9	2	Nut-Hex
4	93-5368	1	Abrasive-Pedal	26	117-5451-01	1	Bracket-Sensor
5	323-7	1	Screw-HH	27	117-5445	1	Bushing Hub ASM
6	2411-36	1	Bearing-End, Rod	27:1	95-7497	1	Bushing-Wheel
7	3219-3	1	Nut-Hex	28	114-5609	1	Sensor-Position
8	104-8300	10	Nut-HF, NI	29	114-5595	1	Plate-Capture
9	117-5450	1	Shaft-Pedal, Traction	30	114-5608	2	Spacer-Standoff
10	32121-78	1	Pin-Roll	31	32105-25	2	Screw-SHH
11	321-37	2	Screw-HH	32	117-5446	1	Shaft-Spring
12	117-5459	2	Block-Clamp	33	3256-5	1	Washer-Flat
13	3296-59	1	Nut-Lock, NI	34	84-9100	1	Spring
14	322-14	1	Screw-HH	35	92-7610	1	Retainer-Spring
15	104-7201	2	Nut-HF, NI	36	3256-24	1	Washer-Plain
16	3253-4	1	Washer-Lock	37	3296-6	1	Nut-Lock
17	256-236	1	Bearing-Mount, Flange	38	117-5452-01	1	Bracket-Spring
18	117-5455	1	Plate-Cover	39	120-4087	1	Platform ASM
19	117-5454	1	Plate-Butterfly	39:2	114-0846	1	Decal-Instructions, Operating
20	117-5453-01	1	Bracket-Butterfly	39:3	117-2718	1	Decal-Arrester, Spark
21	3230-22	1	Screw-CARR	39:4	114-0849	1	Decal-Pedal, Traction
22	93-7960	1	Spacer				



Brake Pedal Assembly

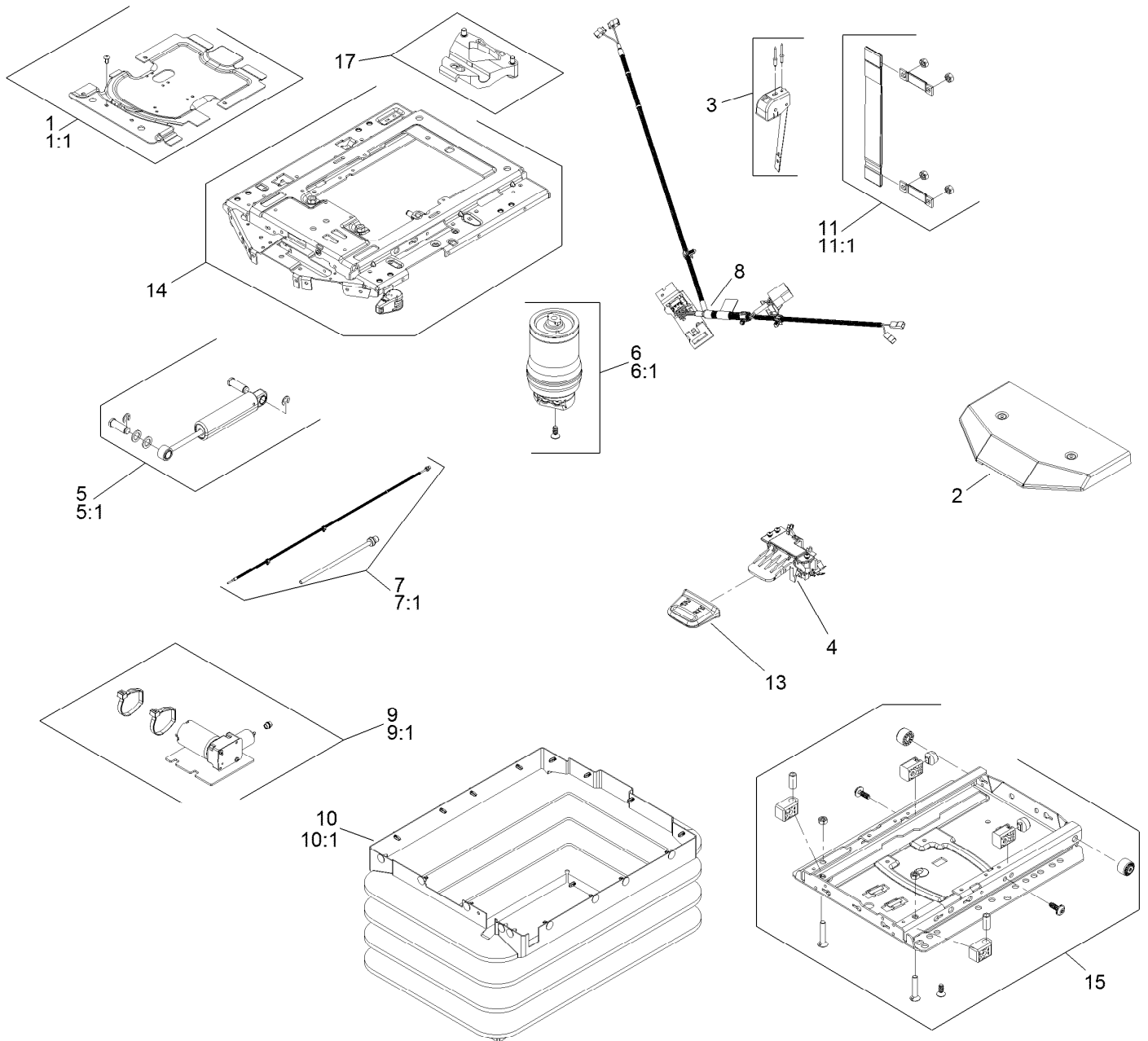
Ref.	Part Number	Qty.	Description	Ref.	Part Number	Qty.	Description
1	120-4163-01	1	Cover-Brake	16:3	302-60	1	Fitting-Grease
2	117-5458	4	Screw-HHF	17	120-8898	1	Cable-Brake, RH
3	99-3410	2	Switch	18	93-5262	2	Spring-Extension
4	108-9824	2	Nut-Switch	19	283-61	2	Pin-Yoke
5	3234-33	3	Screw-HHF	20	100-5540	2	Strap-Brake
6	32144-69	2	Screw-HWHTF	21	75-1430	1	RH Brake Pedal ASM
7	2412-4	2	Clamp-R	21:2	256-42	2	Bushing
9	120-8899	1	Cable-Brake, LH	21:3	302-5	1	Fitting-Grease
10	322-6	1	Screw-HH	22	3272-6	2	Pin-Cotter
11	120-4167	1	Pin-Flag	23	104-8300	4	Nut-HF, NI
12	3256-69	4	Washer-Flat	24	322-4	2	Screw-HH
13	63-7880	1	Pin-Latch, Brake	25	120-4168	2	Plate-Support
14	32121-50	1	Pin-Spring	27	110-4896	1	Lanyard
15	93-8742	2	Footpad-Brake	28	3256-57	1	Washer-Flat
16	120-4170	1	LH Brake Pedal ASM	29	107069	3	Clip
16:2	256-42	2	Bushing	30	121-1596-01	1	Cover-Brakes



Seat Base and Seat Assembly

Ref.	Part Number	Qty.	Description	Ref.	Part Number	Qty.	Description
1	3230-23	6	Bolt-CARR	22	3256-6	4	Washer-Flat
2	119-0000-03	1	Channel-Support	23	110-5954	4	Mount-Center, Bonded
3	112-7449-03	1	Bracket-Support	24	115-5519	4	Washer-Plain
4	104-8300	7	Nut-HF, NI	25	99-5107	4	Nut-Lock
5	3212-8	1	Screw-HH	26	93-5338	1	Rod-Prop
6	3256-25	4	Washer-Flat	27	3256-23	3	Washer-Plain
7	117-4798-03	1	Arm-Support	28	3272-5	2	Pin-Cotter
8	108-8646	1	Screw-HH, Lock	29	283-83	2	Pin-Clevis
9	112-7405	1	Nut-Hex, Coupling	30	119-1416	2	Pin-Cotter, Locking
10	17-7190	1	Spacer-Finger	31	702093	2	Screw-HH
11	104-8301	4	Nut-HF, NI	32	130-2700	1	Seat And Suspension ASM
12	110-0413	1	Seatbelt-Retractable	32:1	130-2702	1	Air Ride Seat Suspension
13	3212-4	1	Screw-HH	32:2	117-9429	1	Matrix Cloth Seat ASM
14	120-9017-03	1	Latch-Seat	33	3256-82	1	Washer-Flat
15	119-1415	1	Pin-Cotter, Locking	34	5979	1	Bushing-Nyliner
16	120-9018	1	Rod-Latch	35	95-1821-03	1	Spring-Compression
17	119-1414	2	Pin-Cotter, Locking	36	130-6019-03	1	Plate-Seat
18	283-57	2	Pin-Clevis	41	3255-8	1	Washer-Lock
19	83-1040	4	Washer-Flat	42	322-3	1	Screw-HH
20	323-9	4	Screw-HH	43	117-4059	1	Nut-Hex
21	112-7264	2	Screw-HH				

Seat Suspension Assembly No. 130-2702

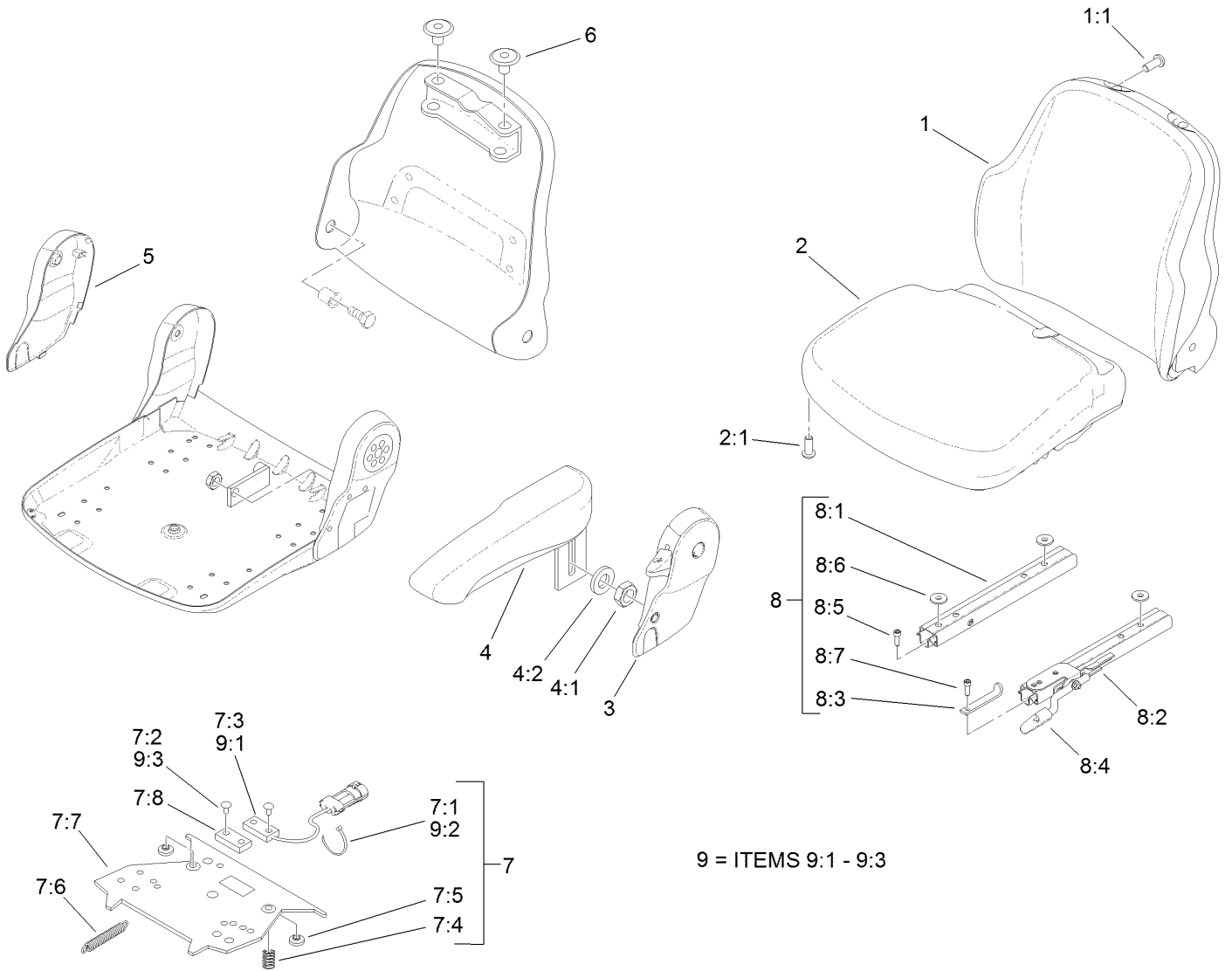


Seat Suspension Assembly No. 130-2702 (continued)

<i>Ref.</i>	<i>Part Number</i>	<i>Qty.</i>	<i>Description</i>	<i>Ref.</i>	<i>Part Number</i>	<i>Qty.</i>	<i>Description</i>
1	130-2709	1	Cover ASM	9	130-2719	1	Compressor
1:1	130-2710	1	Cover Kit	9:1	130-2720	1	Compressor Kit
2	108-8027	1	Cover	10	130-2721	1	Bellows ASM
3	130-2711	1	Control-Level	10:1	130-2722	1	Bellows Kit
4	108-8029	1	Valve-Control, Air	11	130-2723	1	Tether
5	130-2712	1	Shock Absorber ASM	11:1	130-2724	1	Tether Kit
5:1	130-2713	1	Shock Absorber Kit	12	130-2725	1	Wear Parts Kit ●
6	130-2714	1	Air Spring ASM	13	130-2726	1	Handle
6:1	130-2715	1	Air Spring Kit	14	130-2727	1	Upper Suspension Kit
7	130-2716	1	Air Tube ASM	15	130-2728	1	Lower Suspension Kit
7:1	130-2717	1	Air Tube Kit	16	130-2729	1	Adjuster Mounting Kit ●
8	130-2718	1	Harness-Wire	17	130-2730	1	Limiters-Thrust

● Not illustrated

Cloth Premium Seat Assembly No. 117-9429

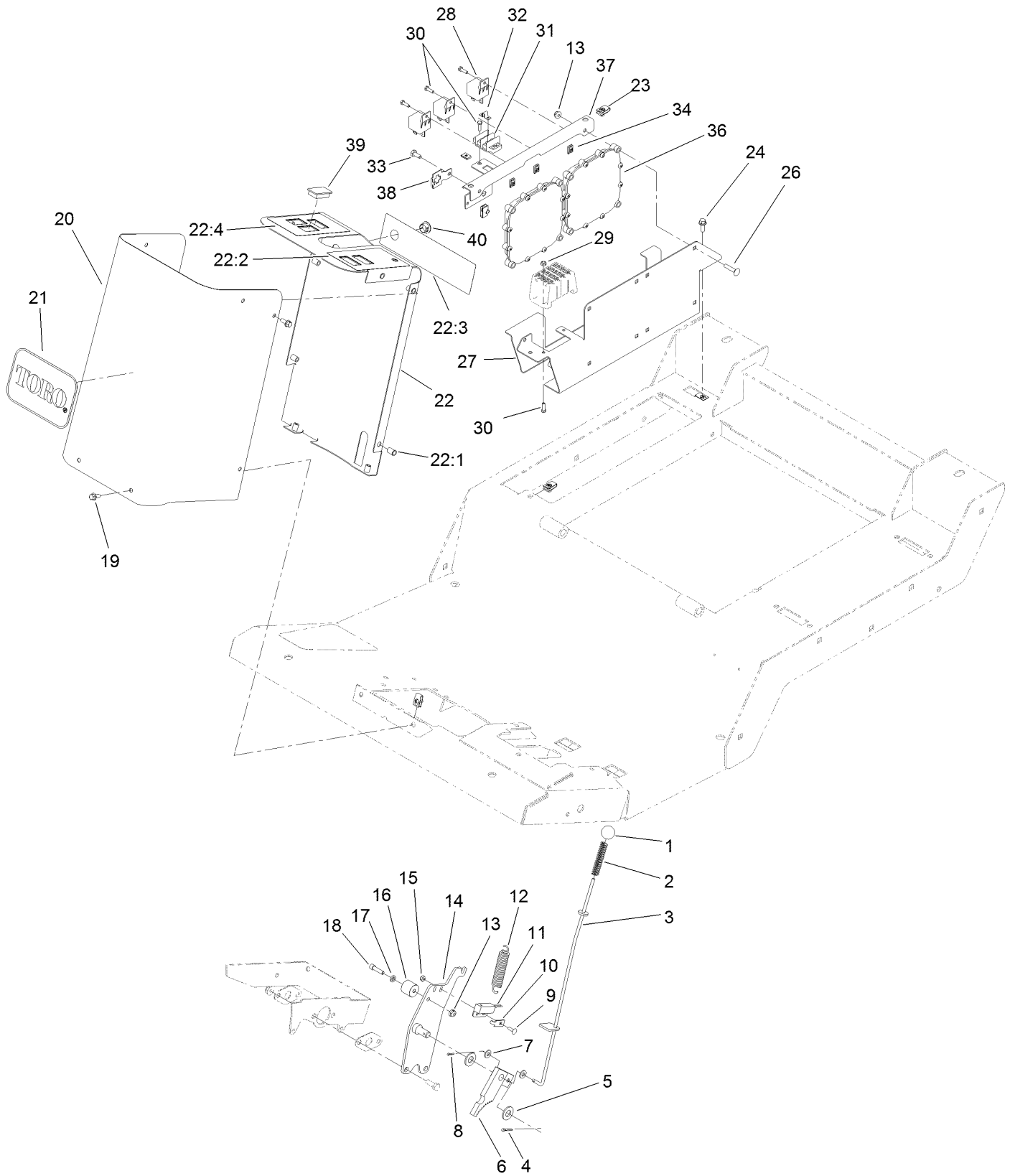


Cloth Premium Seat Assembly No. 117-9429 (continued)

<i>Ref.</i>	<i>Part Number</i>	<i>Qty.</i>	<i>Description</i>	<i>Ref.</i>	<i>Part Number</i>	<i>Qty.</i>	<i>Description</i>
1	117-9415	1	Backrest Cushion ASM Matrix Cloth	7:5		2	Bumper-Pressure Plate ●
1:1	119-7742	4	Screw-Cushion	7:6		1	Spring-Extension ●
2	117-9416	1	Seat Cushion ASM Matrix Cloth	7:7		1	Plate-Mounting ●
2:1	119-7742	3	Screw-Cushion	7:8		1	Magnet ●
3	108-8018	1	Cover-Armrest	8	108-8025	1	Adjustment Rail Set
4	108-8019	1	LH Armrest ASM	8:1		1	Rail-Adjustment, RH ●
4:1	82-9650	1	Nut	8:2		1	Rail-Adjustment, LH ●
4:2	107-1198	1	Washer	8:3		1	Stop-Rail ●
5	108-8021	1	Cover-Armrest	8:4		1	Handle ●
6	108-8022	2	Cover-Black	8:5		3	Screw ●
7	108-8024	1	Switch Kit	8:6		3	Washer ●
7:1		3	Wire Tie ●	8:7		1	Screw ●
7:2		4	Rivet ●	9	110-6189	1	Switch Kit
7:3		1	Sensor-Seat Switch ●	9:1		1	Switch ●
7:4		2	Spring-Compression ●	9:2		3	Wire Tie ●
				9:3		2	Rivet ●

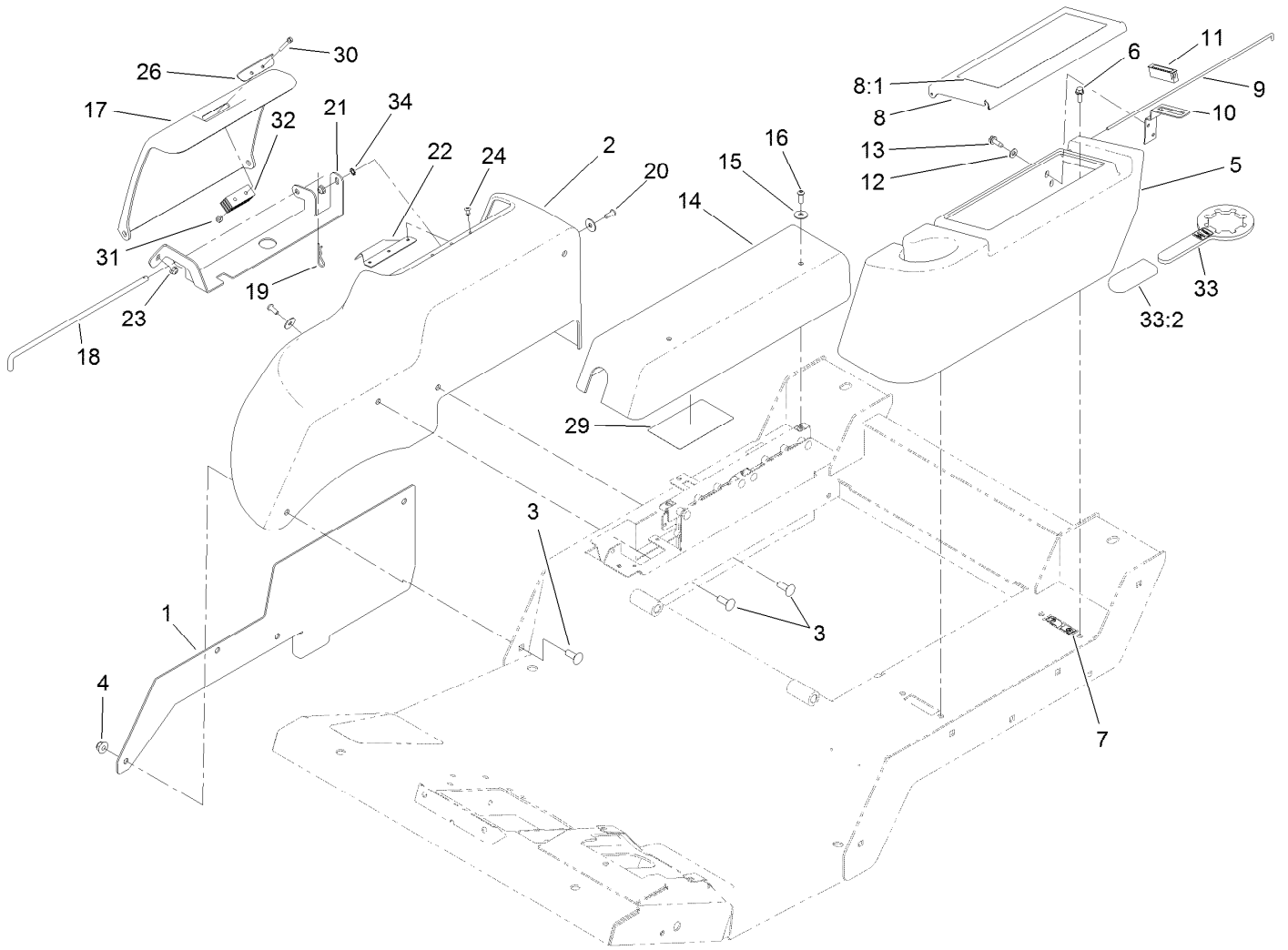
● Not serviced separately

Parking Brake, Steering Tower and Power Center Assembly



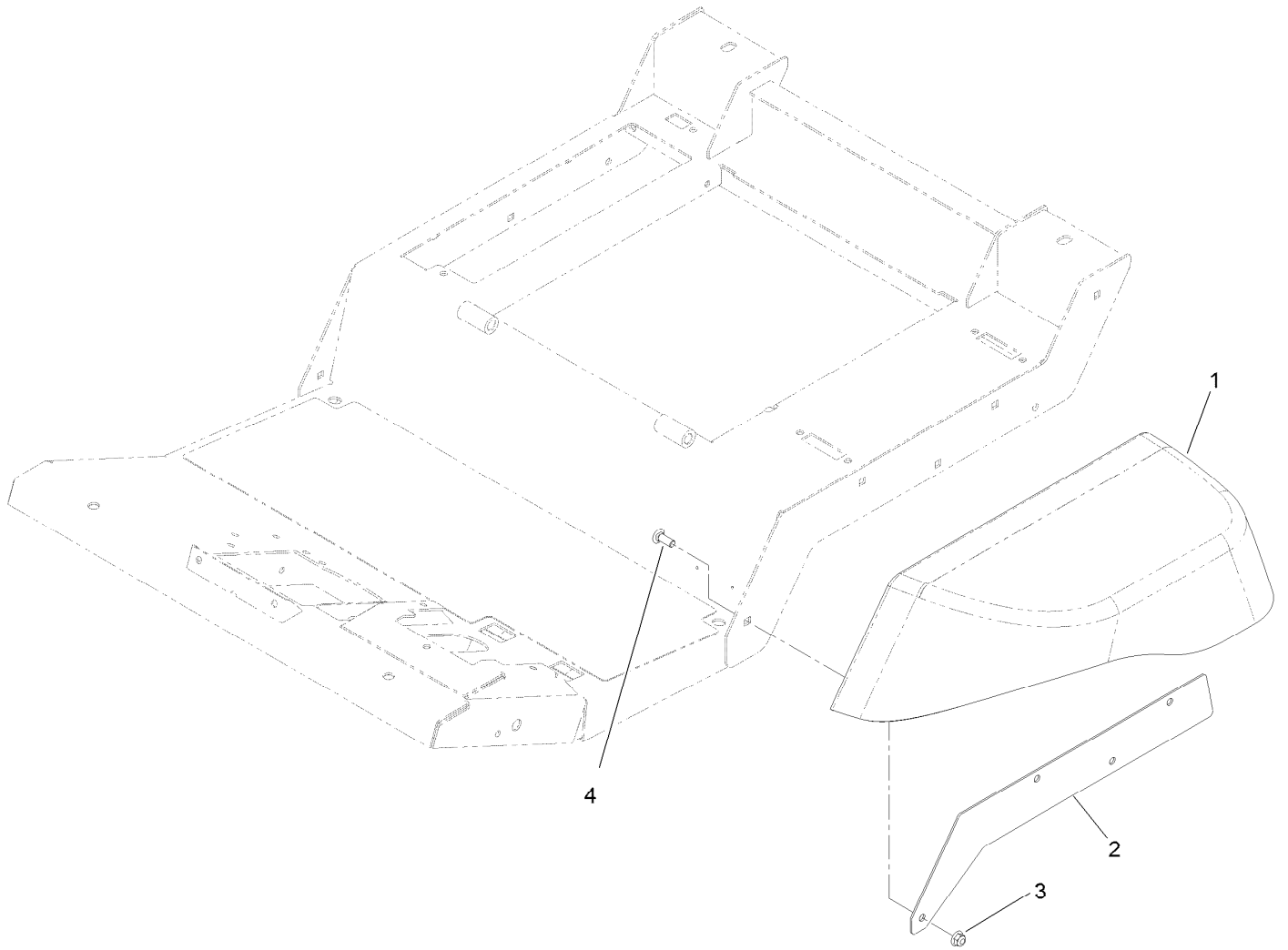
Parking Brake, Steering Tower and Power Center

Assembly (continued)			
<i>Ref.</i>	<i>Part Number</i>	<i>Qty.</i>	<i>Description</i>
1	233-17	1	Knob
2	71-8310	1	Spring-Compression
3	114-0195	1	Rod-Parking, Brake
4	3272-10	1	Pin-Cotter
5	3256-26	2	Washer-Flat
6	63-7900-03	1	Rack
7	3256-22	2	Washer-Flat
8	3272-5	1	Pin-Cotter
9	3229-34	1	Screw-CARR
10	100-4872	1	Plate-Switch, Neutral
11	100-1270	1	Switch-Proximity
12	13-0480	1	Spring
13	104-7201	9	Nut-HF, NI
14	114-0190-03	1	Pivot-Parking, Brake
15	3296-2	1	Nut-Lock, NI
16	117-5499	1	Spacer-Deflector
17	55-9620	1	Spacer-Plate, Pivot
18	3274-9	1	Screw-HSH
19	3234-33	10	Screw-HHF
20	120-4136-01	1	Cover-Steering Tower, Front
21	62-5550	1	Decal
22	120-4165	1	Steering Tower ASM
22:1	32148-6	8	Nut-Clinch
22:2	120-4130	1	Decal-Steering Tower, LH
22:3	114-0845	1	Decal-Column, Steering
22:4	120-4129	1	Decal-Steering Tower, RH
23	107069	7	Clip
24	3234-4	2	Screw-HHF
26	3229-3	8	Screw-CARR
27	120-4093-03	1	Mount-Power
28	99-7435	3	Relay
29	3296-12	2	Nut-Lock, NI
30	3290-134	7	Screw
31	42862	1	Block-Terminal, Ground
32	42863	1	Strip-Jumper
33	321-3	1	Screw-HH
34	107-1013	5	Nut-Speed
36	114-3321	2	Controller-Tec
37	120-4127-03	1	Mount-Relay
38	114-5502	1	Clip-Fuse
39	99-7420	5	Plug-Hole
40	94-5627	1	Plug



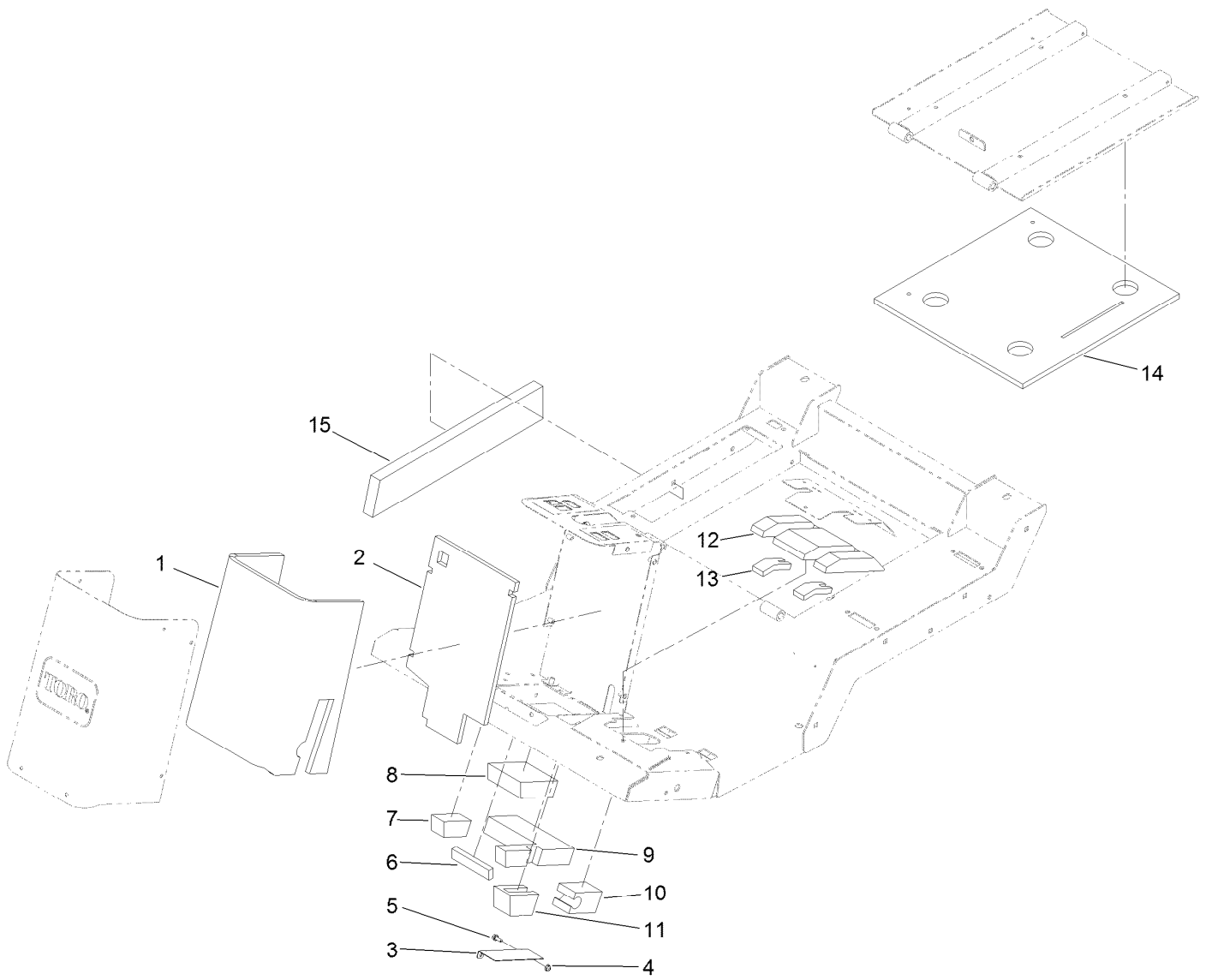
Fender, Tool Box and Cover Assembly

Ref.	Part Number	Qty.	Description	Ref.	Part Number	Qty.	Description
1	121-1579-03	1	Plate-Fender, RH	16	3274-69	2	Screw-HSBH
2	120-4113	1	Fender-RH	17	120-4115	1	Cover-Battery
3	3231-22	4	Screw-CARR	18	121-1588	1	Rod-Hinge
4	104-8301	4	Nut-HF, NI	19	3290-467	1	Pin-Hair
5	120-4125	1	Housing-Tool Box	20	3274-31	2	Screw-HSBH
6	3234-4	4	Screw-HHF	21	121-1586-03	1	Mount-Cover
7	107069	4	Clip	22	127-3706	1	Plate-Cover
8	120-4124	1	Tool Box Cover ASM	23	104-7201	2	Nut-HF, NI
8:1	117-2766	1	Decal-Warning, CE	24	3269-23	3	Rivet-Pop
8:1	117-2754	1	Decal-Warning	26	127-3705	1	Plate-Cover
9	120-4122	1	Rod-Hinge	29	121-1599	1	Decal-Fuses
10	104-7545	1	Bracket-Latch	30	32105-1	2	Screw-SHH
11	58-4250	1	Catch-Magnetic	31	3296-2	2	Nut-Lock, NI
12	3256-22	2	Washer-Flat	32	69-6260	1	Magnet
13	32104-95	2	Screw-HWH	33	121-3874	1	Wrench ASM
14	120-4126	1	Cover-Controllers	33:2	119-1846	1	Grip
15	87-6630	4	Washer-Plain	34	3255-7	1	Washer-Lock/EXT



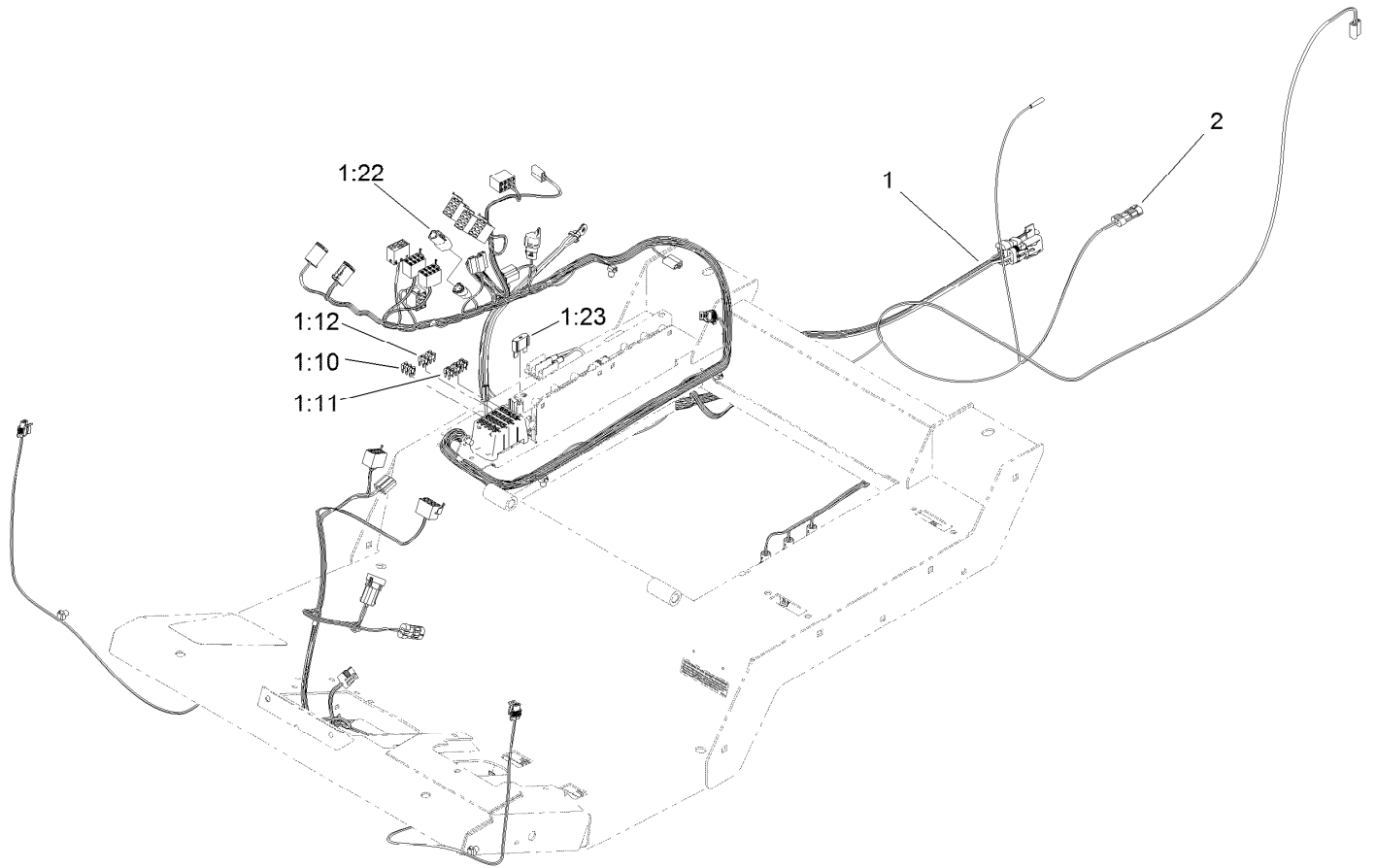
Fender Assembly

<i>Ref.</i>	<i>Part Number</i>	<i>Qty.</i>	<i>Description</i>
1	120-4114	1	Fender-LH
2	121-1580-03	1	Plate-Fender, LH
3	104-8301	4	Nut-HF, NI
4	3231-22	4	Screw-CARR



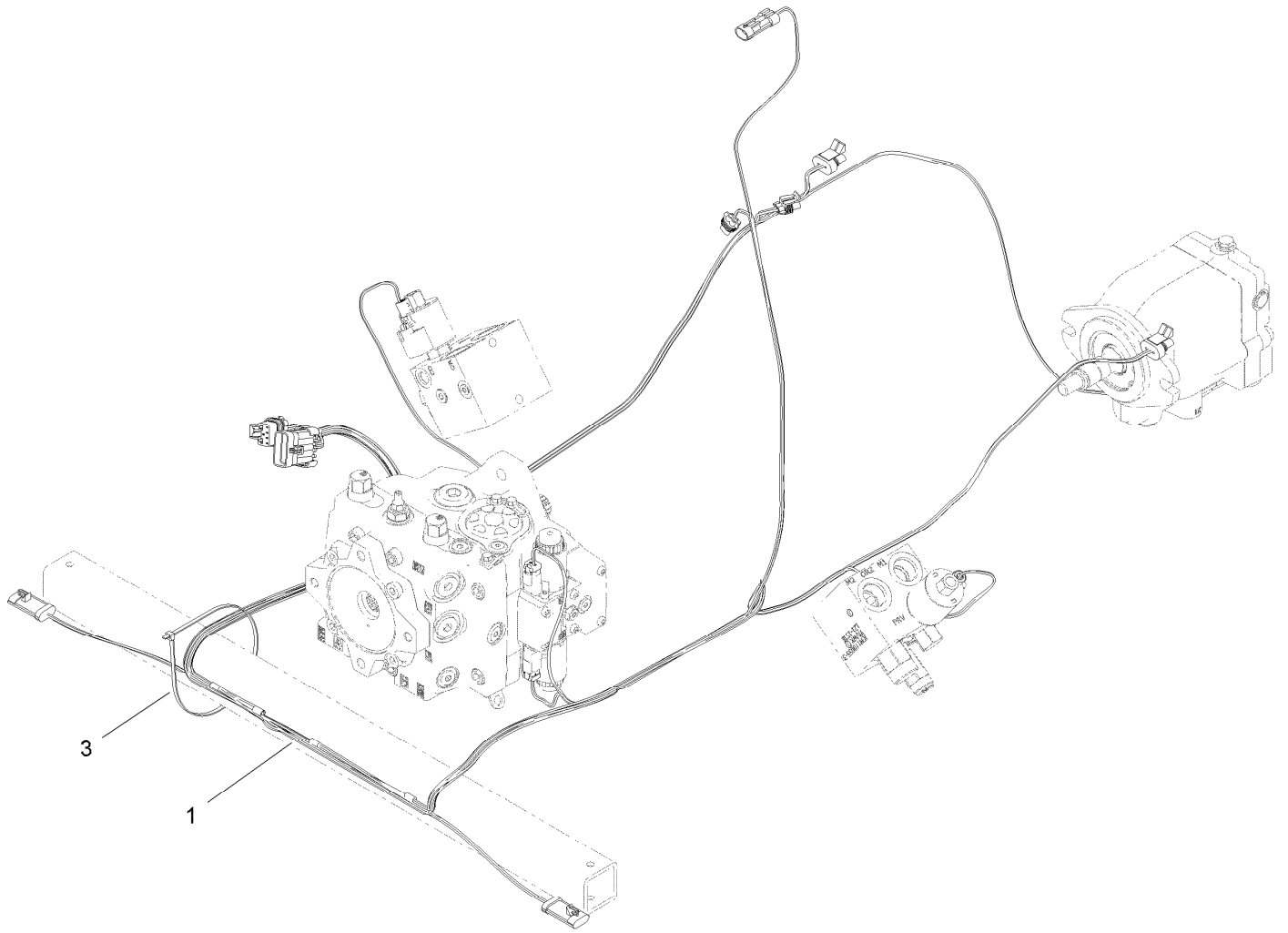
Acoustic Foam Assembly

<i>Ref.</i>	<i>Part Number</i>	<i>Qty.</i>	<i>Description</i>
1	121-1666	1	Foam-Column, Front
2	115-8813	1	Foam-Column, Rear
3	115-8841-01	1	Bracket-Foam, Pawl
4	104-7201	2	Nut-HF, NI
5	3234-33	2	Screw-HHF
6	115-8808	1	Foam-Strip, Front
7	115-8809	1	Foam-Plug, RH
8	121-1681	1	Foam-Steering, Front
9	121-1680	1	Foam-Steering, Rear
10	115-8815	1	Foam-Plug, Brake
11	115-8814	1	Foam-Pawl, Brake
12	121-1675	1	Foam-Brake, Center
13	121-1674	2	Foam-Plug, Brakes
14	127-3696	1	Foam-Seat
15	127-3708	1	Foam-Right



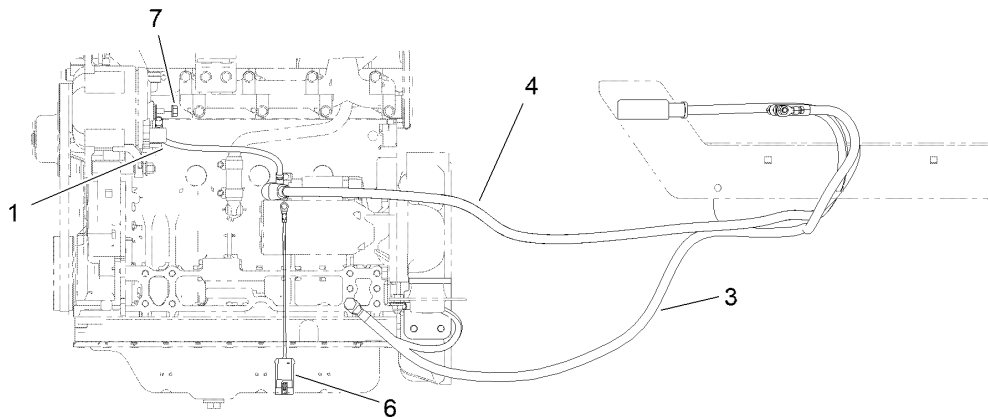
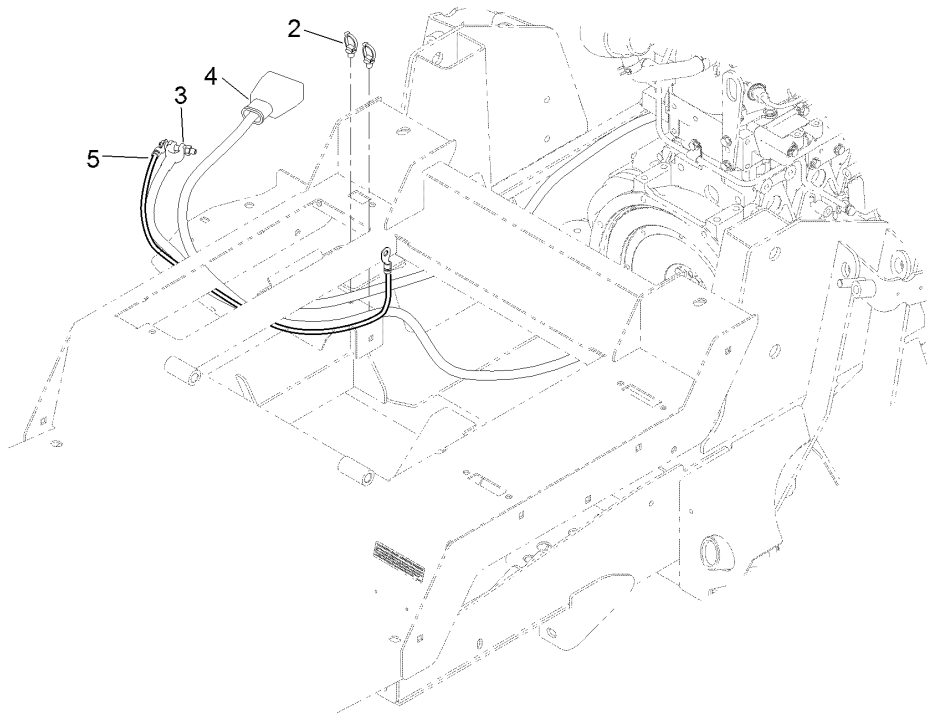
Platform Harness and Fuse Assembly

<i>Ref.</i>	<i>Part Number</i>	<i>Qty.</i>	<i>Description</i>
1	122-0227	1	Harness-Wire, Platform
1:10	121-8861	3	Fuse-Mini Blade, 2 Amp
1:11	121-8865	6	Fuse-Mini Blade, 7.5 Amp
1:12	121-8866	4	Fuse-Mini Blade, 10 Amp
1:22	32180-043	1	Resistor-120 Ohm
1:23	114-3342	1	Fuse-Maxi, 60 Amp
2	122-0353	1	Harness-Wire



Rear Wire Harness Assembly

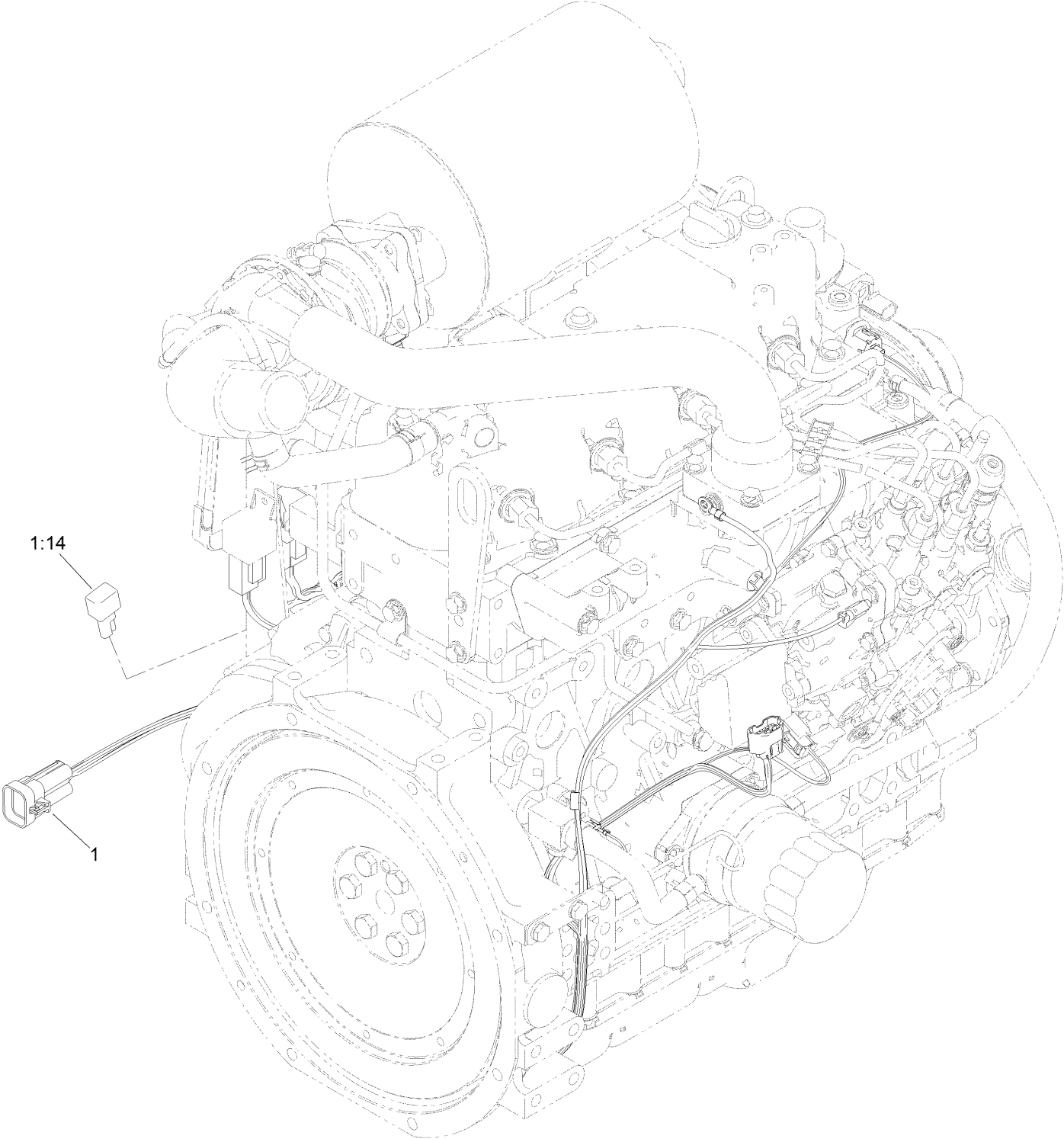
<i>Ref.</i>	<i>Part Number</i>	<i>Qty.</i>	<i>Description</i>
1	122-0228	1	Harness-Wire, Rear
3	3290-379	1	Tie-Cable



Battery Cable and Ground Assembly

Ref.	Part Number	Qty.	Description
1	122-0071	1	Cable-Battery, Positive
2	32180-030	2	Clip-Tie
3	121-8898	1	Cable-Battery, Negative
4	121-8897	1	Cable-Battery, Positive
5	54-3094	1	Cable
6	108-9470	1	Harness-Wire, Fusible Link
7	33004-00	2	Nut-HF

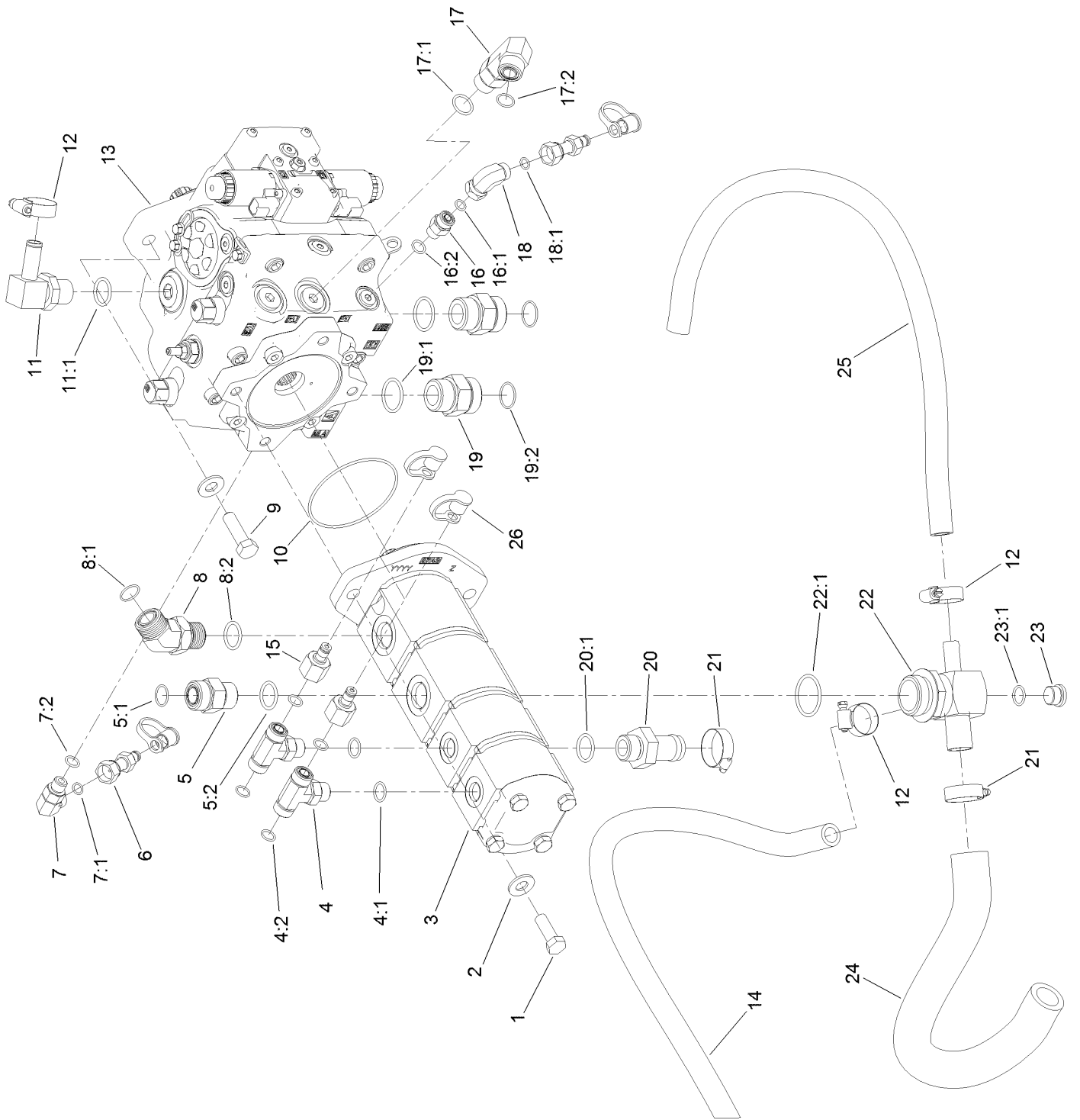
Engine Harness Assembly



Engine Harness Assembly (continued)

<i>Ref.</i>	<i>Part Number</i>	<i>Qty.</i>	<i>Description</i>
1	119-4351	1	Harness-Wire, Engine
1:14	100-4918	1	Diode

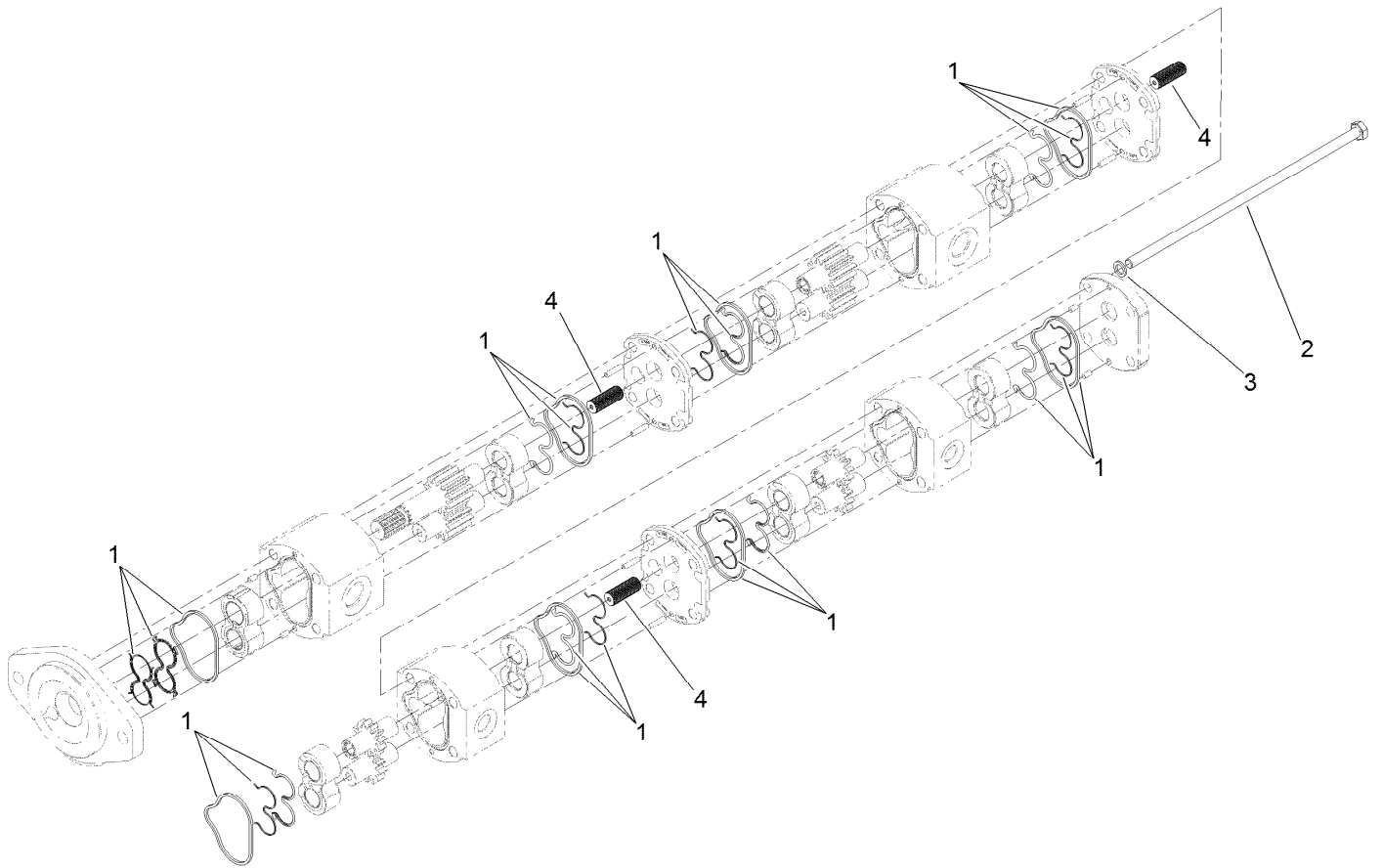
Piston Pump and Gear Pump Assembly



Piston Pump and Gear Pump Assembly (continued)

<i>Ref.</i>	<i>Part Number</i>	<i>Qty.</i>	<i>Description</i>	<i>Ref.</i>	<i>Part Number</i>	<i>Qty.</i>	<i>Description</i>
1	121-1525	2	Screw-HH	15	100-5616	2	Fitting
2	87-7270	4	Washer-Thrust	16	340-2	1	Fitting-Straight
3	120-8904	1	4-Section Gear Pump ASM	16:1	237-22	1	O-Ring
4	340-157	2	Fitting-HYD, Tee	16:2	237-42	1	O-Ring
4:1	237-79	1	O-Ring	17	121-1492	1	Fitting-90
4:2	237-30	2	O-Ring	17:1	237-80	1	O-Ring
5	340-9	1	Fitting-STR	17:2	237-65	1	O-Ring
5:1	237-58	1	O-Ring	18	340-159	1	Elbow-90
5:2	237-81	1	O-Ring	18:1	237-22	2	O-Ring
6	86-5480	2	Nipple-Test	19	104-3797	2	Fitting-Straight
7	340-77	1	Fitting-Elbow, 90 DEG	19:1	237-146	1	O-Ring
7:1	237-22	1	O-Ring	19:2	340-65	1	O-Ring
7:2	237-42	1	O-Ring	20	99-3017	1	Fitting
8	100-5530	1	Fitting-45 DEG	20:1	237-81	1	O-Ring
8:1	237-58	1	O-Ring	21	2412-34	2	Clamp-Hose
8:2	237-81	1	O-Ring	22	121-1682	1	Fitting-Tee
9	121-1524	2	Screw-HH	22:1	237-101	1	O-Ring
10	107-9447	1	O-Ring	23	353-988	1	Plug-Hex
11	117-3681	1	Fitting-Elb 90	23:1	237-79	1	O-Ring
11:1	237-81	1	O-Ring	24	120-8815	1	Hose-Suction
12	2412-129	3	Clamp-Hose	25	120-9050	1	Hose-HYD
13	120-9059	1	Piston Pump ASM	26	354-79	4	Cap-Dust
14	121-1647	1	Hose-HYD				

4-Section Gear Pump Assembly No. 120-8904

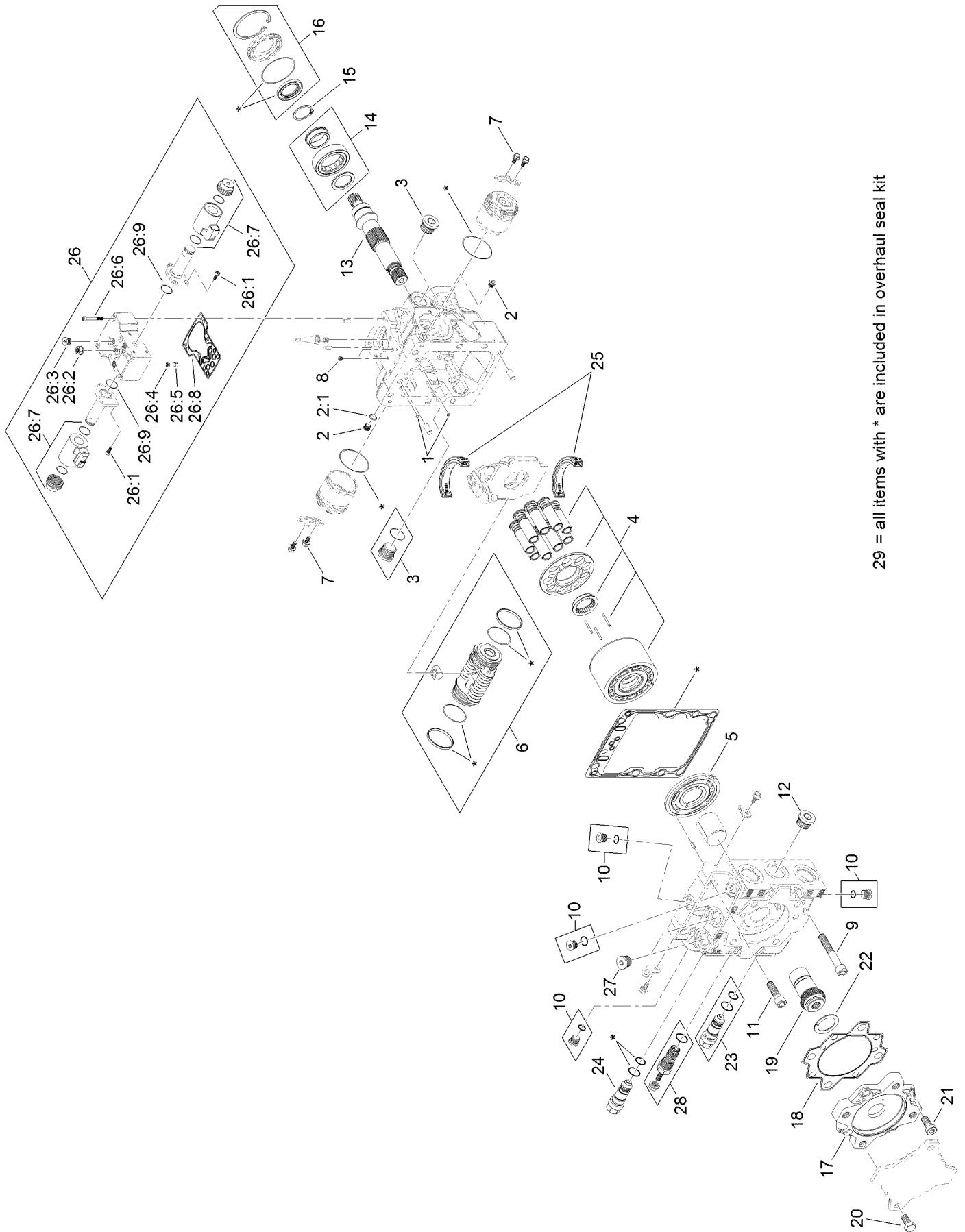


4-Section Gear Pump Assembly No. 120-8904 (continued)

<i>Ref.</i>	<i>Part Number</i>	<i>Qty.</i>	<i>Description</i>
1	115-3776	1	Seal Kit
2	121-1721	4	Bolt

<i>Ref.</i>	<i>Part Number</i>	<i>Qty.</i>	<i>Description</i>
3	121-1722	4	Washer
4	120-6284	3	Hub-Connecting

Piston Pump Assembly No. 120-9059

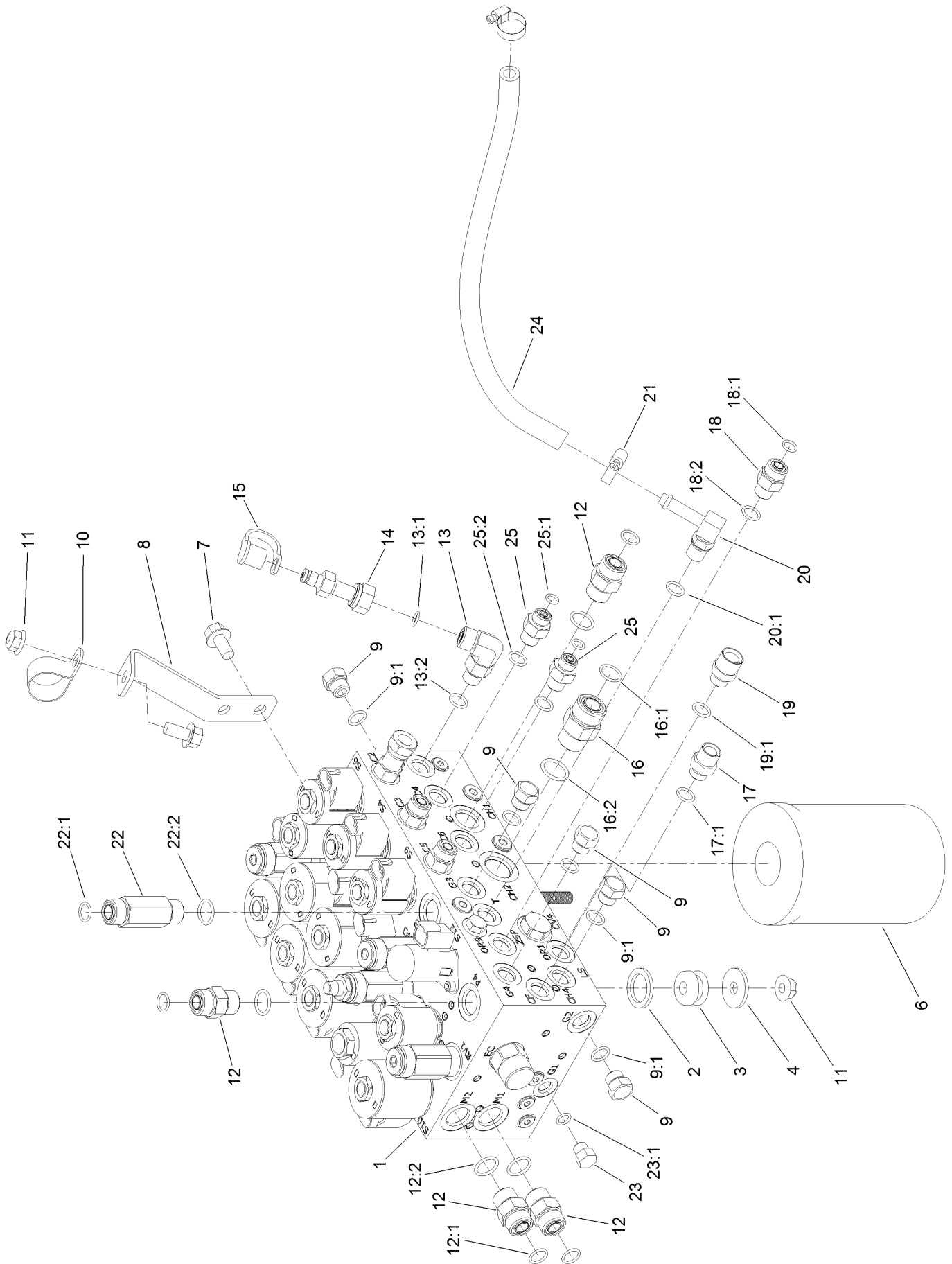


29 = all items with * are included in overhaul seal kit

Piston Pump Assembly No. 120-9059 (continued)

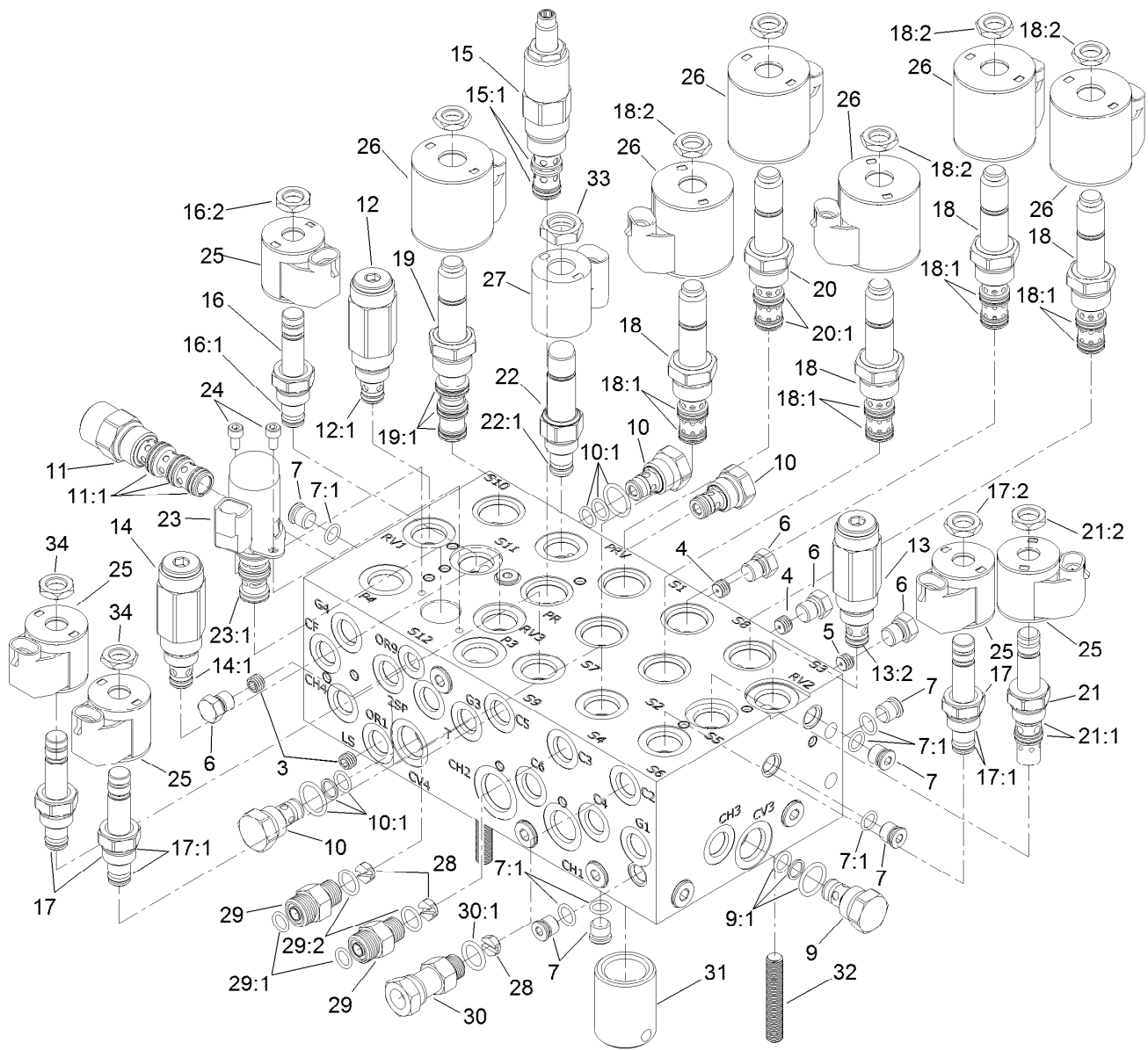
<i>Ref.</i>	<i>Part Number</i>	<i>Qty.</i>	<i>Description</i>	<i>Ref.</i>	<i>Part Number</i>	<i>Qty.</i>	<i>Description</i>
1	125-5266	2	Screen	20	125-5281	4	Screw
2	75-0170	2	Plug-Thread, Straight	21	125-5282	4	Screw
2:1	92-8777	1	O-Ring	22	125-5287	1	Plate-Thrust
3	107-4352	2	Plug	23	121-1731	1	Valve-Relief, High Pressure
4	121-1723	1	Cylinder Block Kit	24	125-5291	1	Valve-Relief, High Pressure
5	121-1724	1	Plate-Valve, CW	25	121-1732	1	Swash Plate Bearing Kit
6	121-1725	1	Servo Piston ASM	26	125-5295	1	Control Kit (12 Volt)
7	125-5270	6	Screw	26:1	125-5272	6	Screw
8	125-5276	2	Orifice (0.8)	26:2	125-5273	1	Nut-Seal
9	121-1726	4	Screw	26:3	125-5302	1	Plug
10	125-5300	4	Plug ASM	26:4	125-5266	1	Screen
11	121-1727	2	Screw	26:5	125-5269	1	Ring-Locking
12	125-5301	1	Plug	26:6	125-5274	6	Screw
13	121-1728	1	Shaft	26:7	125-5294	2	Coil Kit
14	125-5279	1	Bearing-Roller	26:8	125-5283	1	Gasket-Control
15	125-5280	1	Ring-Retaining	26:9	125-5288	2	O-Ring
16	121-1729	1	Shaft Seal Kit	27	125-5303	2	Plug ASM
17	125-5284	1	Adapter	28	125-5297	1	Charge Relief Kit
18	125-5285	1	Seal-Adapter	29	121-1733	1	Overhaul Seal Kit
19	121-1730	1	Coupling				

Combination Manifold Assembly



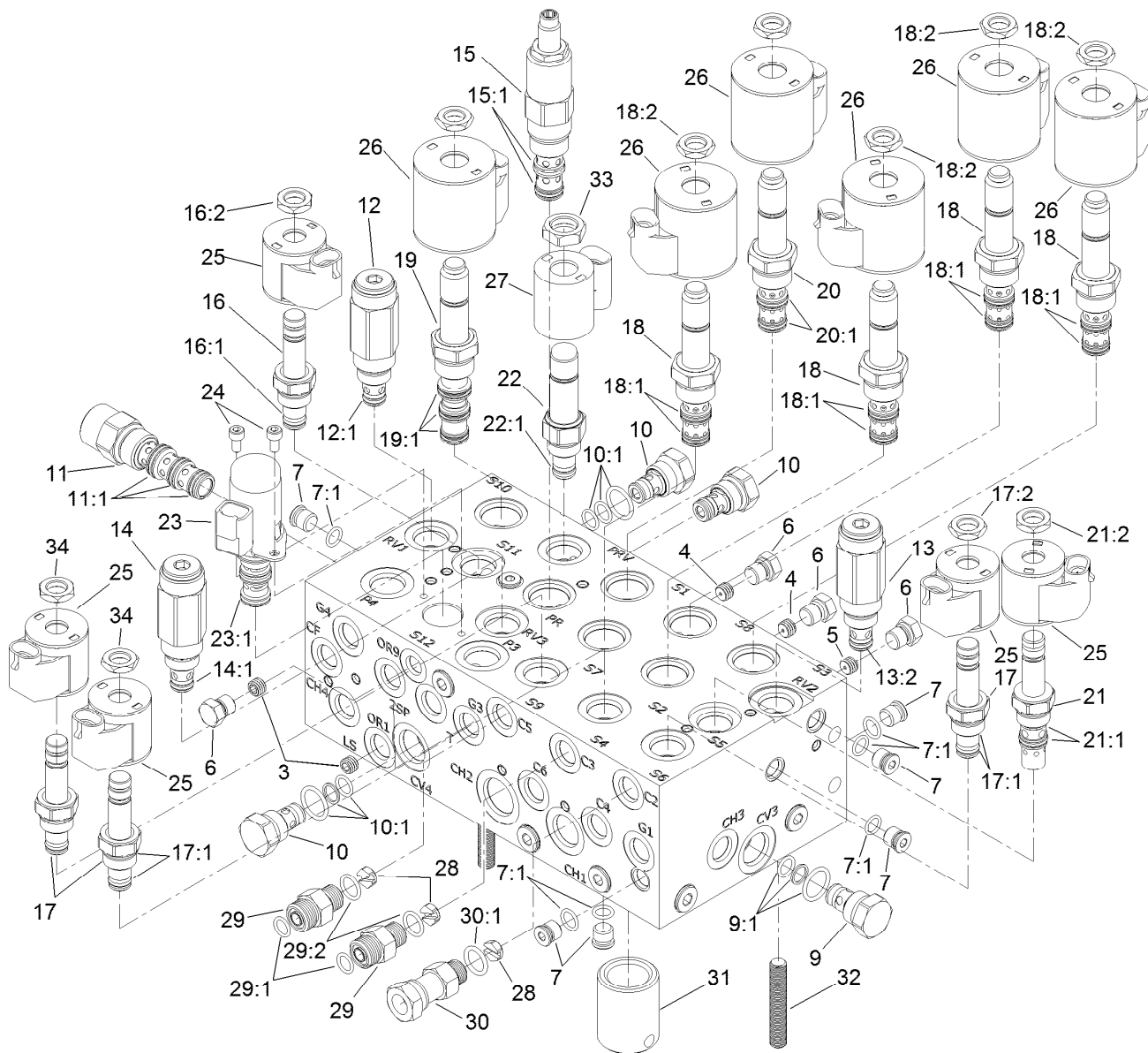
Combination Manifold Assembly (continued)

<i>Ref.</i>	<i>Part Number</i>	<i>Qty.</i>	<i>Description</i>	<i>Ref.</i>	<i>Part Number</i>	<i>Qty.</i>	<i>Description</i>
1	127-3650	1	HYD Combination Manifold ASM	16:2	237-80	1	O-Ring
2	92-2650	3	Spacer-Clutch	17	120-8975	1	Fitting-Straight
3	63-9750	3	Mount	17:1	237-42	1	O-Ring
4	63-8410	3	Washer	18	340-2	1	Fitting-Straight
6	75-1310	1	Filter-HYD	18:1	237-22	1	O-Ring
7	3234-1	3	Screw-HHF	18:2	237-42	1	O-Ring
8	121-1542	1	Plate-Mount, Hose	19	120-8979	1	Fitting-Straight
9	353-508	5	Plug-HH	19:1	237-42	1	O-Ring
9:1	237-42	1	O-Ring	20	100-4887	1	Fitting-Elbow, 90
10	2412-126	1	R-Clamp	20:1	237-42	1	O-Ring
11	104-8301	4	Nut-HF, NI	21	2412-36	2	Clamp-Hose
12	340-4	4	Fitting-Straight	22	119-4854	1	Fitting-STR
12:1	237-30	1	O-Ring	22:1	237-30	1	O-Ring
12:2	237-79	1	O-Ring	22:2	237-79	1	O-Ring
13	340-77	1	Fitting-Elbow, 90 DEG	23	353-512	1	Plug
13:1	237-22	1	O-Ring	23:1	237-78	1	O-Ring
13:2	237-42	1	O-Ring	24	87-5730	1	Hose
14	86-5480	1	Nipple-Test	25	340-1	2	Fitting-Straight
15	354-79	1	Cap-Dust	25:1	237-21	1	O-Ring
16	340-7	1	Fitting-Straight	25:2	237-42	1	O-Ring
16:1	237-65	1	O-Ring				



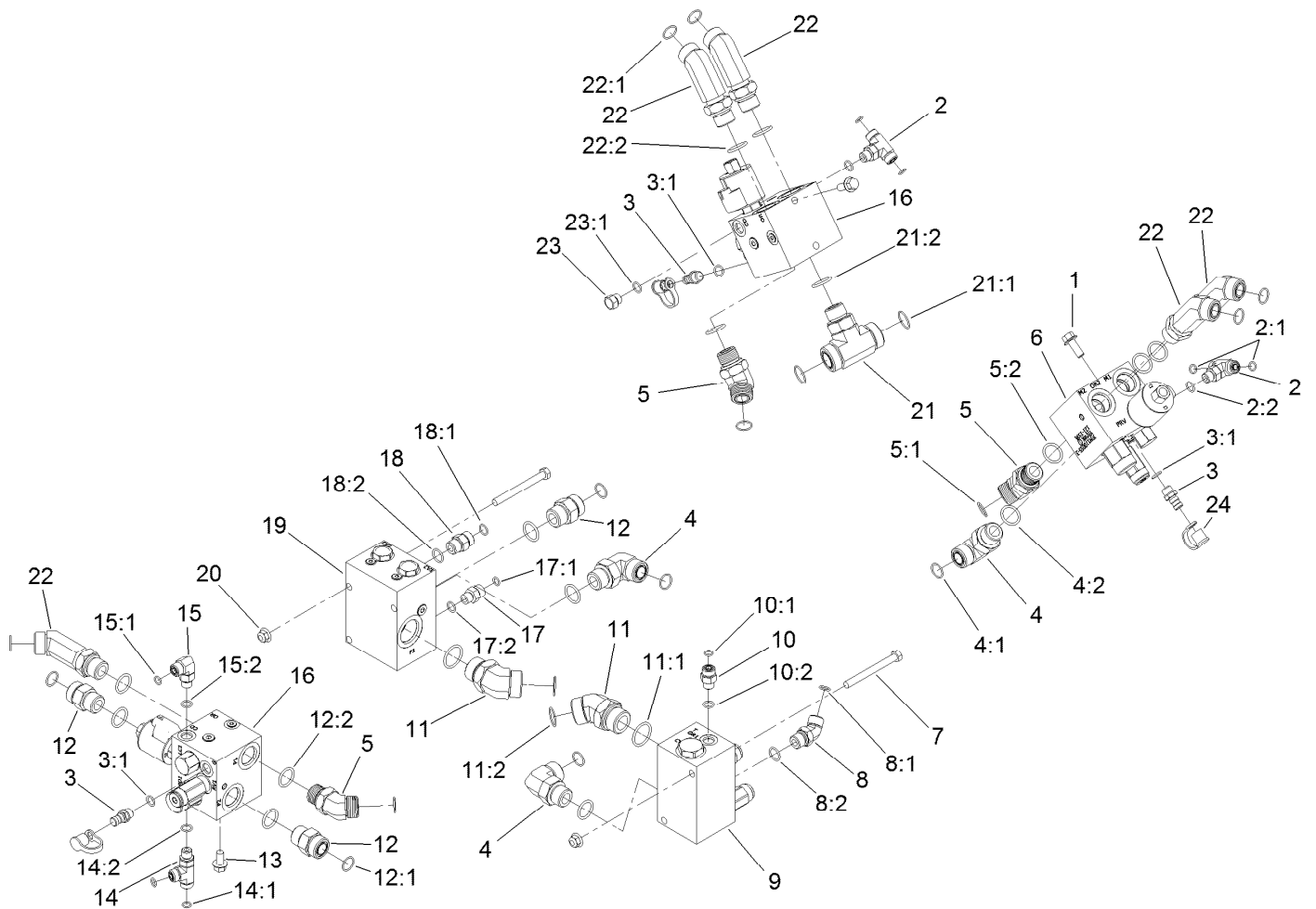
Combination Manifold Assembly No. 127-3650

Ref.	Part Number	Qty.	Description	Ref.	Part Number	Qty.	Description
3	110-5973	2	Orifice-0.030	16:1	105-9156	1	Seal Kit
4	112-6538	2	Orifice (.063 Inch)	16:2	110-2634	1	Nut-Coil
5	110-8883	1	Plug-Orifice (0.040)	17	112-9206	3	Solenoid Valve ASM
6	117-0115	4	Plug	17:1	105-9156	1	Seal Kit
7	353-990	14	Plug ASM	17:2	110-2634	1	Nut-Coil
7:1	237-78	1	O-Ring	18	115-5400	4	Solenoid Valve ASM
9	114-2873	1	Check Valve ASM	18:1	107-7813	1	Seal Kit
9:1	105-9156	1	Seal Kit	18:2	110-2634	1	Nut-Coil
10	105-9321	3	Check Valve ASM	19	115-3023	1	Solenoid Valve ASM
10:1	105-9156	1	Seal Kit	19:1	110-8908	1	Spool Valve Seal Kit
11	115-5409	1	Compensator ASM	20	125-7556	1	Solenoid Valve ASM
11:1	110-8908	1	Spool Valve Seal Kit	20:1	107-7813	1	Seal Kit
12	125-7560	1	Relief Valve ASM	21	115-5405	1	Solenoid Valve ASM
12:1	105-9156	1	Seal Kit	21:1	115-5413	1	Seal Kit
13	105-9844	1	Valve-Relief	21:2	110-2634	1	Nut-Coil
13:2	105-9156	1	Seal Kit	22	125-7555	1	Proportional Relief Valve ASM
14	125-7558	1	Relief Valve ASM	22:1	110-6316	1	Seal Kit
14:1	105-9156	1	Seal Kit	23	125-7554	1	Valve-Solenoid
15	127-3663	1	Valve-Pressure Reducing	23:1	125-7561	1	Seal Kit
15:1	105-9154	1	Seal Kit	24	115-8733	2	Screw-HSH
16	107-7516	1	Solenoid Valve ASM				



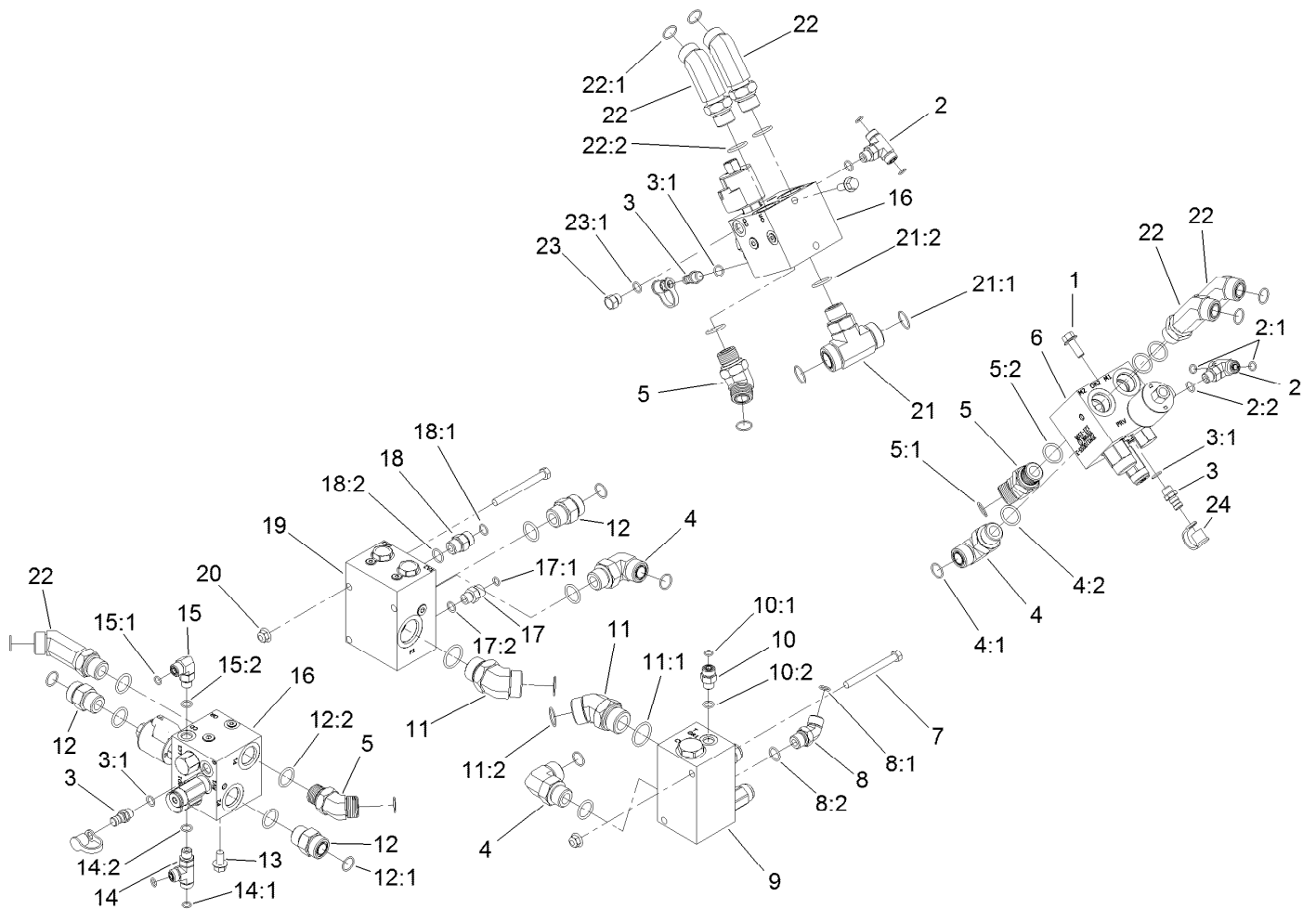
Combination Manifold Assembly No. 127-3650 (continued)

Ref.	Part Number	Qty.	Description	Ref.	Part Number	Qty.	Description
25	110-0497	5	Coil-Solenoid	30	104-3779	1	Connector-Swivel, Straight
26	110-6344	6	Coil-12V, DC	30:1	237-42	1	O-Ring
27	125-7553	1	E-Coil, 12Vdc	31	125-7551	1	Nipple-Filter
28	125-7552	3	Orifice-Check, .070 DIA	32	130-2661	3	Stud-Manifold
29	340-2	2	Fitting-Straight	33	125-7550	1	Nut-Coil
29:1	237-22	1	O-Ring	34	110-2634	11	Nut-Coil
29:2	237-42	1	O-Ring				



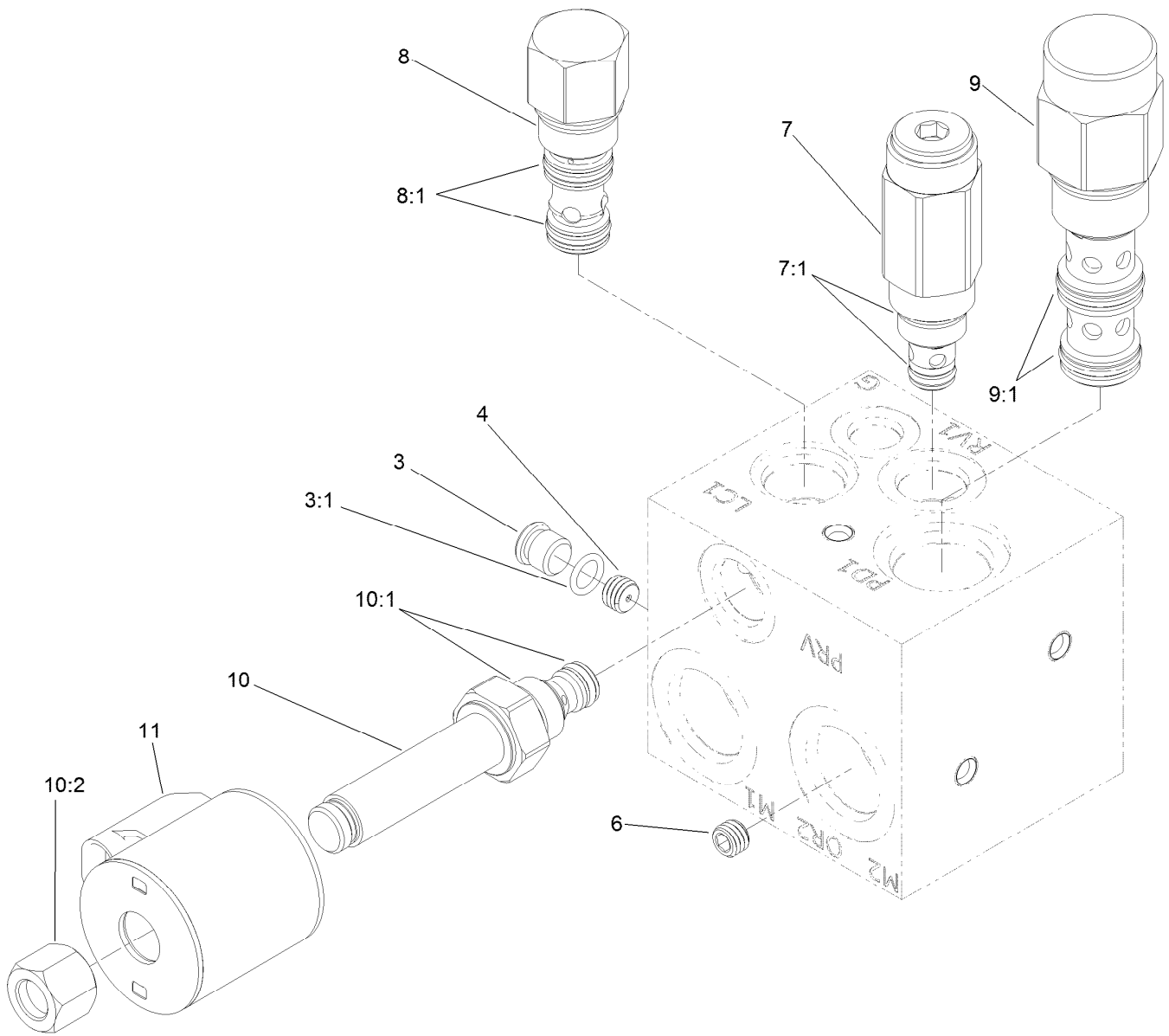
Manifold Block Assembly

Ref.	Part Number	Qty.	Description	Ref.	Part Number	Qty.	Description
1	3234-11	4	Screw-HHF	11	104-3509	2	Fitting-HYD, 45 DEG
2	340-94	2	Adapter	11:1	237-146	1	O-Ring
2:1	237-22	2	O-Ring	11:2	340-65	1	O-Ring
2:2	237-42	1	O-Ring	12	340-9	3	Fitting-STR
3	59-7410	3	Fitting-Diagnostic	12:1	237-58	1	O-Ring
3:1	237-42	1	O-Ring	12:2	237-81	1	O-Ring
4	340-142	3	Fitting-Elbow, 90 DEG	13	3234-1	2	Screw-HHF
4:1	237-58	1	O-Ring	14	340-86	1	Fitting-Tee
4:2	237-81	1	O-Ring	14:1	237-22	2	O-Ring
5	100-5530	3	Fitting-45 DEG	14:2	237-42	1	O-Ring
5:1	237-58	1	O-Ring	15	340-77	1	Fitting-Elbow, 90 DEG
5:2	237-81	1	O-Ring	15:1	237-22	1	O-Ring
6	121-1536	1	Manifold-PTO, Left	15:2	237-42	1	O-Ring
7	323-42	4	Screw-HH	16	121-1537	2	Manifold-PTO, Center And Right
8	340-101	1	Fitting-HYD, 45 DEG	17	92-9258	1	Adapter-Check
8:1	237-30	1	O-Ring	17:1	237-22	1	O-Ring
8:2	237-79	1	O-Ring	17:2	237-42	1	O-Ring
9	121-1530	1	Manifold-Traction, Rear	18	100-4890	1	Fitting-Check
10	340-2	1	Fitting-Straight	18:1	237-79	1	O-Ring
10:1	237-22	1	O-Ring	18:2	237-30	1	O-Ring
10:2	237-42	1	O-Ring				



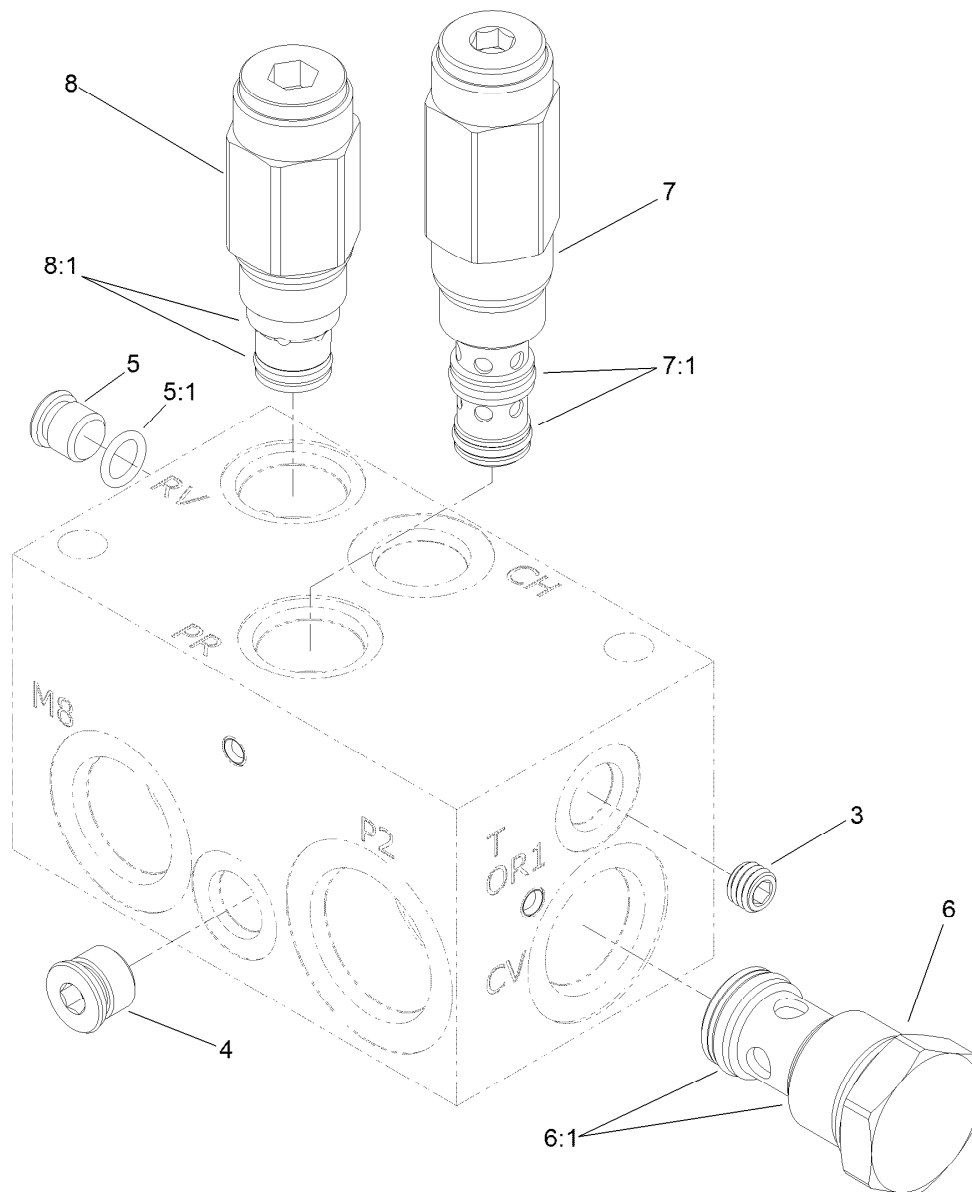
Manifold Block Assembly (continued)

<i>Ref.</i>	<i>Part Number</i>	<i>Qty.</i>	<i>Description</i>	<i>Ref.</i>	<i>Part Number</i>	<i>Qty.</i>	<i>Description</i>
19	121-1550	1	Flow Divider Manifold ASM	22:1	237-58	1	O-Ring
20	104-8301	4	Nut-HF, NI	22:2	237-81	1	O-Ring
21	120-8825	1	Fitting-Tee	23	353-508	1	Plug-HH
21:1	340-65	2	O-Ring	23:1	237-42	1	O-Ring
21:2	237-81	1	O-Ring	24	354-79	3	Cap-Dust
22	120-8982	5	Fitting-45 DEG				



Left Power-Take-Off Manifold Assembly No. 121-1536

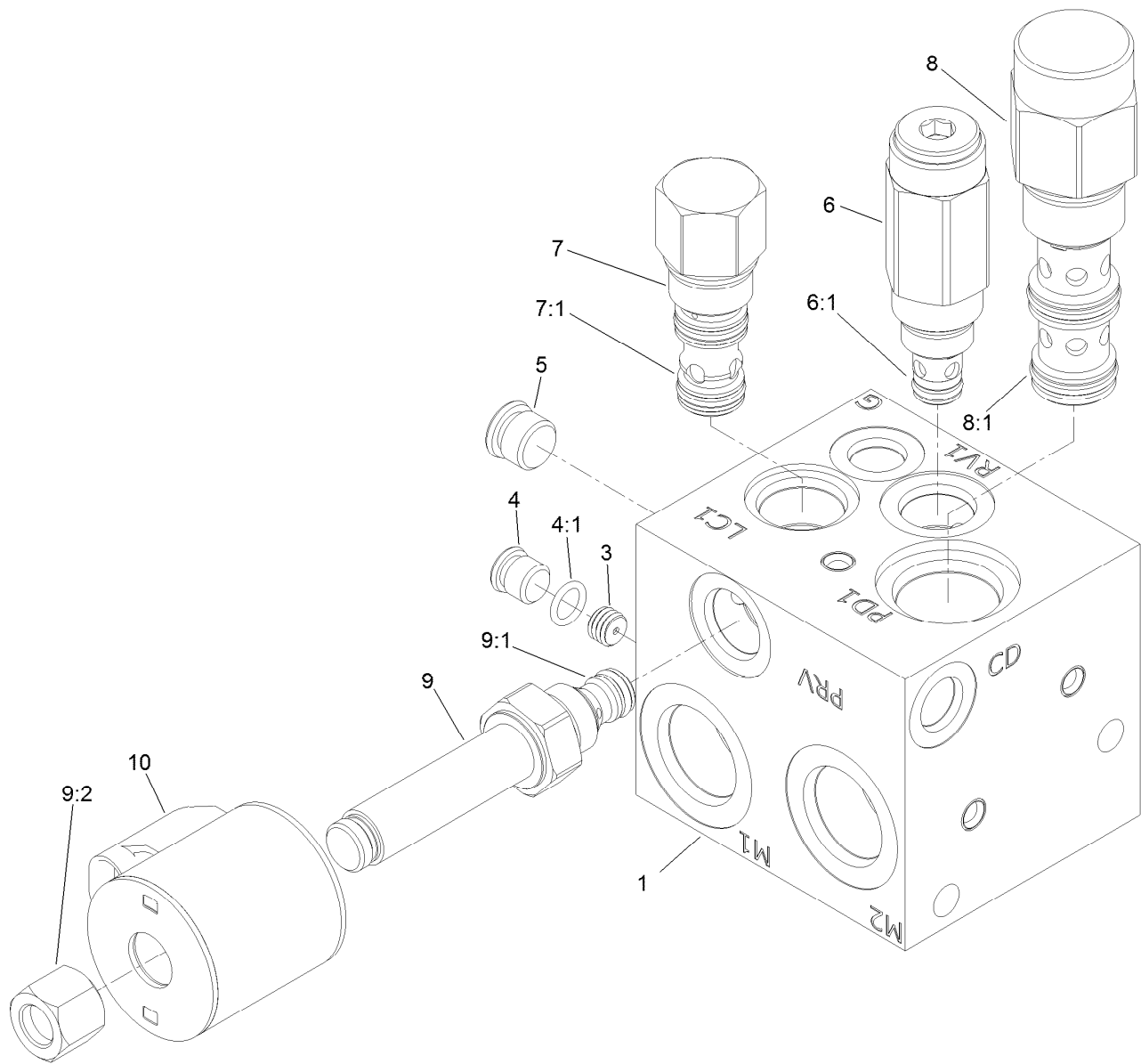
<i>Ref.</i>	<i>Part Number</i>	<i>Qty.</i>	<i>Description</i>
3	353-990	1	Plug ASM
3:1	237-78	1	O-Ring
4	117-8315	1	Orifice (.025 Inch)
6	112-6538	1	Orifice (.063 Inch)
7	114-5512	1	Valve-Relief, 600 PSI
7:1	105-9156	1	Seal Kit
8	105-9153	1	Element-Logic, Vented
8:1	119-2159	1	Seal Kit
9	125-4327	1	Valve-Directional, Pilot
9:1	114-5515	1	Seal Kit
10	117-0227	1	Valve-Relief, Proportional
10:1	105-9156	1	Seal Kit
10:2	119-2160	1	Nut-Coil
11	110-6344	1	Coil-12V, DC



Rear Traction Manifold Assembly No. 121-1530

Ref.	Part Number	Qty.	Description
3	107-7525	1	Plug-Orifice (.050 Inch)
4		1	Plug ●
5	353-990	1	Plug ASM
5:1	237-78	1	O-Ring
6	125-4328	1	Valve-Check
6:1	125-4336	1	Seal Kit
7	125-4329	1	Valve-Reducing
7:1	125-4334	1	Seal Kit
8	125-4331	1	Valve-Relief
8:1	110-6316	1	Seal Kit

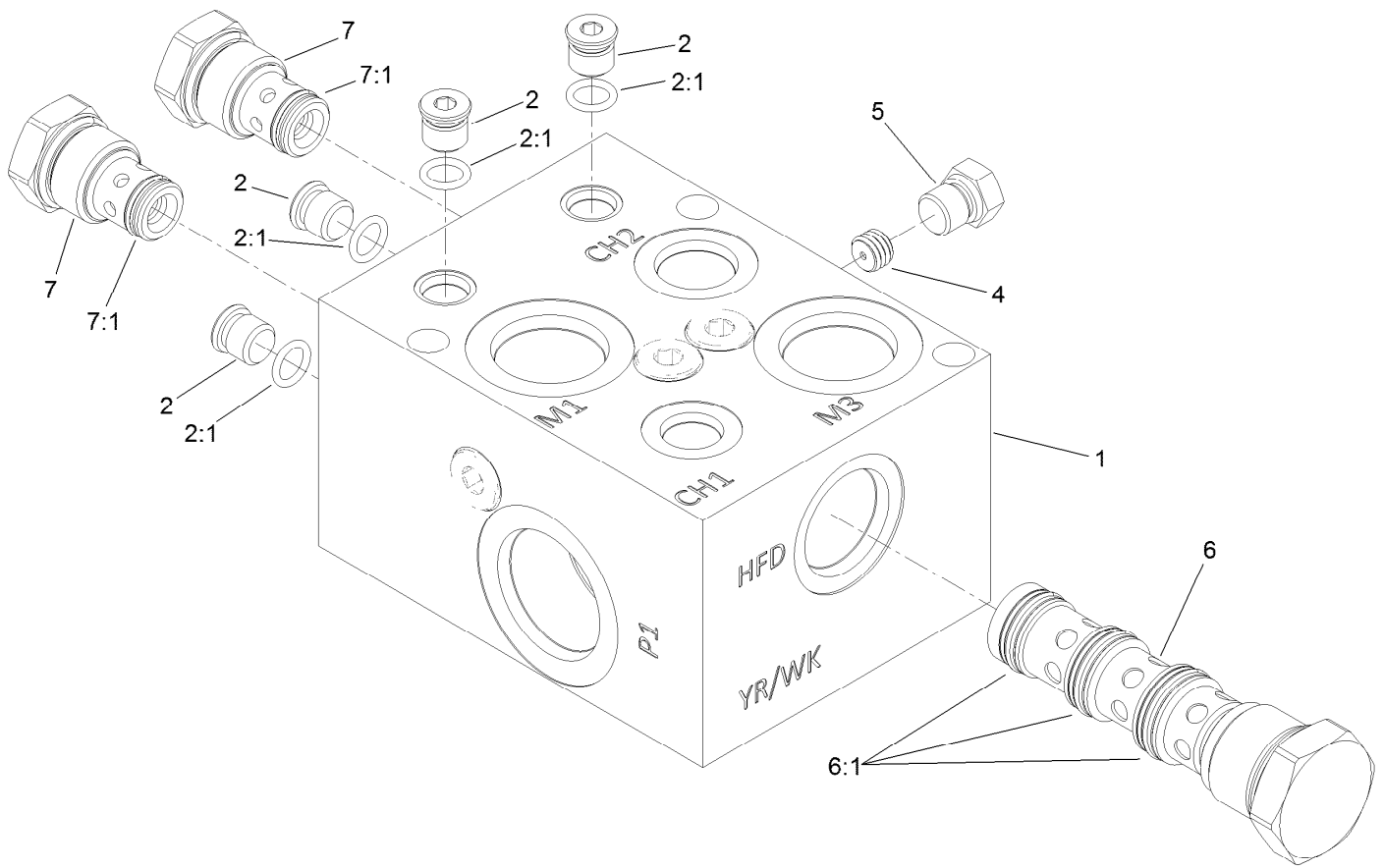
● Not serviced separately



Center and Right Power-Take-Off Manifold Assembly No. 121-1537

<i>Ref.</i>	<i>Part Number</i>	<i>Qty.</i>	<i>Description</i>
1		1	Manifold Block ●
3	117-8315	1	Orifice (.025 Inch)
4	353-990	1	Plug ASM
4:1	237-78	1	O-Ring
5		1	Plug ●
6	114-5512	1	Valve-Relief, 600 PSI
6:1	105-9156	1	Seal Kit
7	105-9153	1	Element-Logic, Vented
7:1	119-2159	1	Seal Kit
8	125-4327	1	Valve-Directional, Pilot
8:1	114-5515	1	Seal Kit
9	117-0227	1	Valve-Relief, Proportional
9:1	105-9156	1	Seal Kit
9:2	119-2160	1	Nut-Coil
10	110-6344	1	Coil-12V, DC

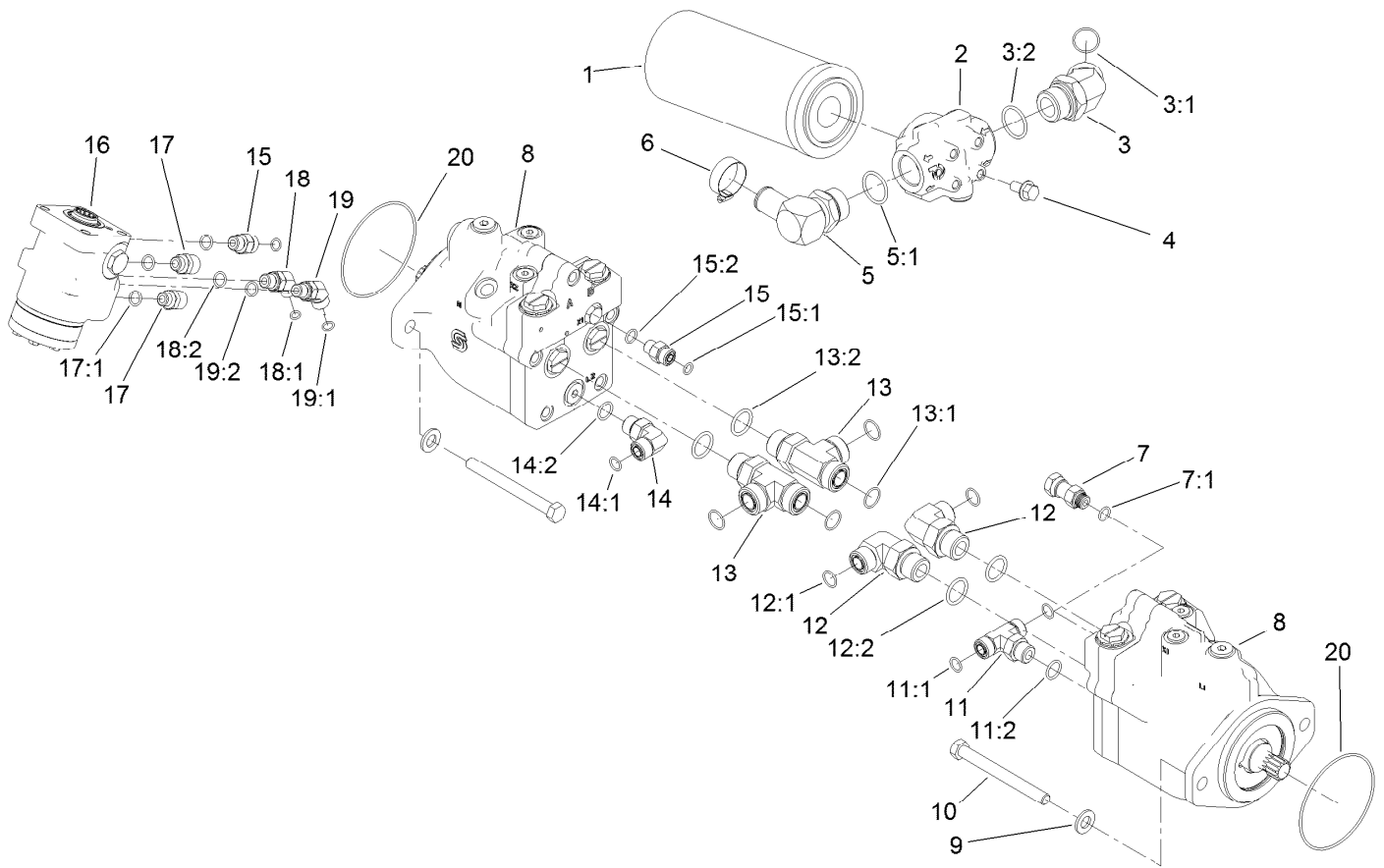
● Not serviced separately



Flow Divider Manifold Assembly No. 121-1550

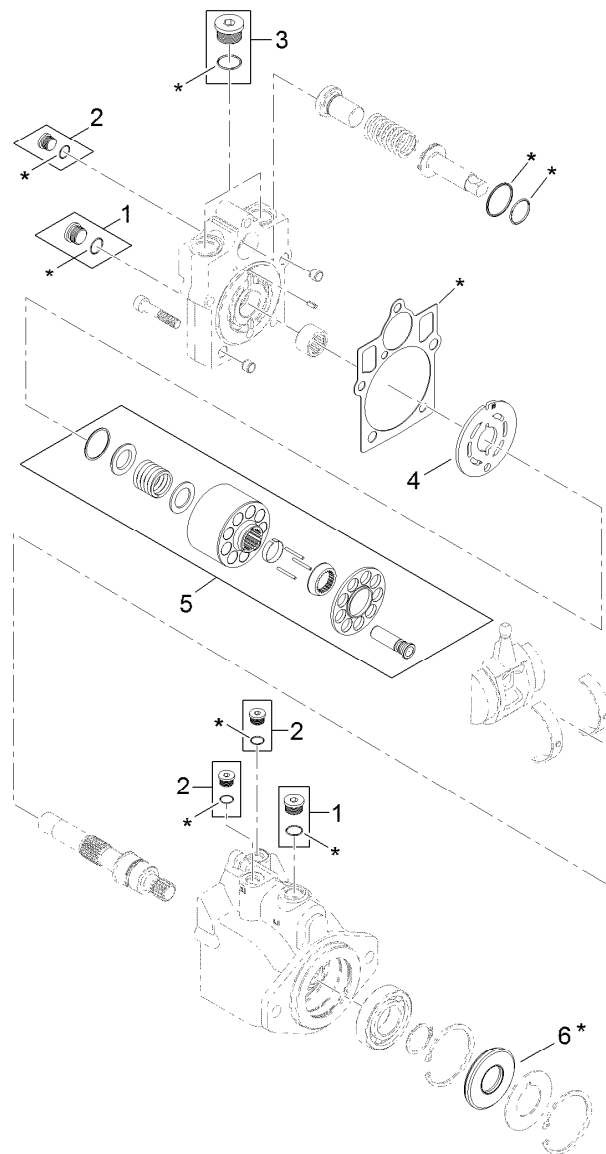
<i>Ref.</i>	<i>Part Number</i>	<i>Qty.</i>	<i>Description</i>
1		1	Manifold Block ●
2	353-990	4	Plug ASM
2:1	237-78	1	O-Ring
4	112-6538	1	Orifice (.063 Inch)
5	117-0115	1	Plug
6	125-4332	1	Valve-Flow Divider
6:1	125-4338	1	Seal Kit
7	125-4333	2	Valve-Check
7:1	125-4337	1	Seal Kit

● Not serviced separately



Drive Motor, Steer Valve and Filter Head Assembly

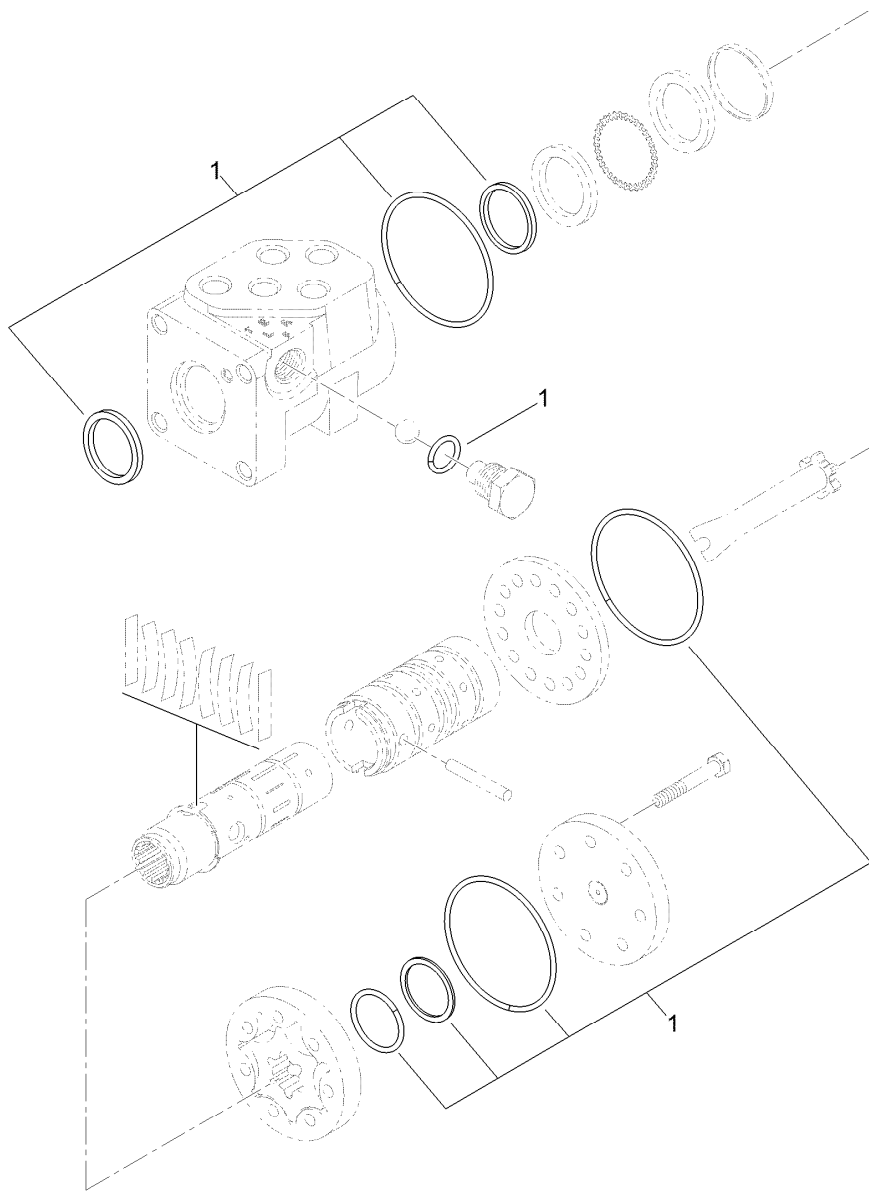
Ref.	Part Number	Qty.	Description	Ref.	Part Number	Qty.	Description
1	94-2621	1	Element-Filter	13	340-148	2	Fitting-Tee
2	121-1577	1	Head-Filter	13:1	237-81	1	O-Ring
3	104-3509	1	Fitting-HYD, 45 DEG	13:2	237-58	2	O-Ring
3:1	237-146	1	O-Ring	14	340-98	1	Fitting-Elbow, 90 DEG
3:2	340-65	1	O-Ring	14:1	237-79	1	O-Ring
4	3234-1	4	Screw-HHF	14:2	237-30	1	O-Ring
5	23-8910	1	Stem-Barb-90	15	340-2	2	Fitting-Straight
5:1	237-146	1	O-Ring	15:1	237-22	1	O-Ring
6	2412-34	1	Clamp-Hose	15:2	237-42	1	O-Ring
7	104-3779	1	Connector-Swivel, Straight	16	130-7949	1	Steering Control Valve ASM
7:1	237-42	1	O-Ring	17	120-8979	2	Fitting-Straight
8	120-8812	2	HYD Motor ASM	17:1	237-42	1	O-Ring
9	106-9888	4	Washer-Flat	18	340-137	1	Fitting
10	33116-120	4	Screw-HH	18:1	237-21	1	O-Ring
11	340-157	1	Fitting-HYD, Tee	18:2	237-42	1	O-Ring
11:1	237-79	1	O-Ring	19	340-87	1	Fitting-Elbow, 45 DEG
11:2	237-30	2	O-Ring	19:1	237-22	1	O-Ring
12	340-139	2	Fitting-Elbow 90	19:2	237-42	1	O-Ring
12:1	237-81	1	O-Ring	20	237-166	2	O-Ring
12:2	237-65	1	O-Ring				



7 = all items with * are included in overhaul seal kit

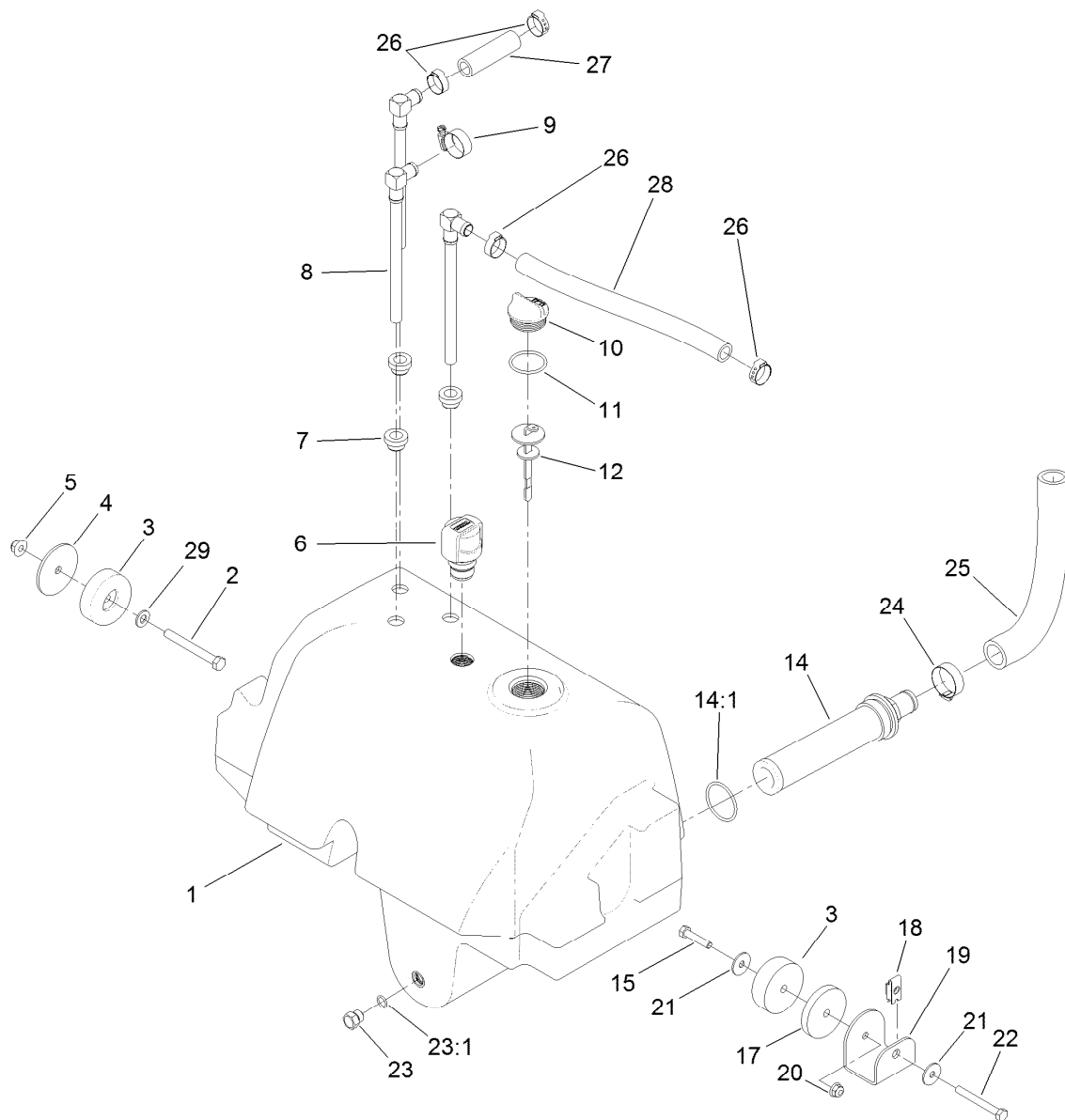
Hydraulic Motor Assembly No. 120-8812

<i>Ref.</i>	<i>Part Number</i>	<i>Qty.</i>	<i>Description</i>
1	67-9090	2	Plug
2	75-0070	3	Plug
3	107-4352	1	Plug
4	121-1734	1	Plate-Valve
5	121-1735	1	Cylinder Block Kit
6	69-3190	1	Seal-Lip
7	121-1736	1	Overhaul Seal Kit



Steering Valve Assembly No. 130-7949

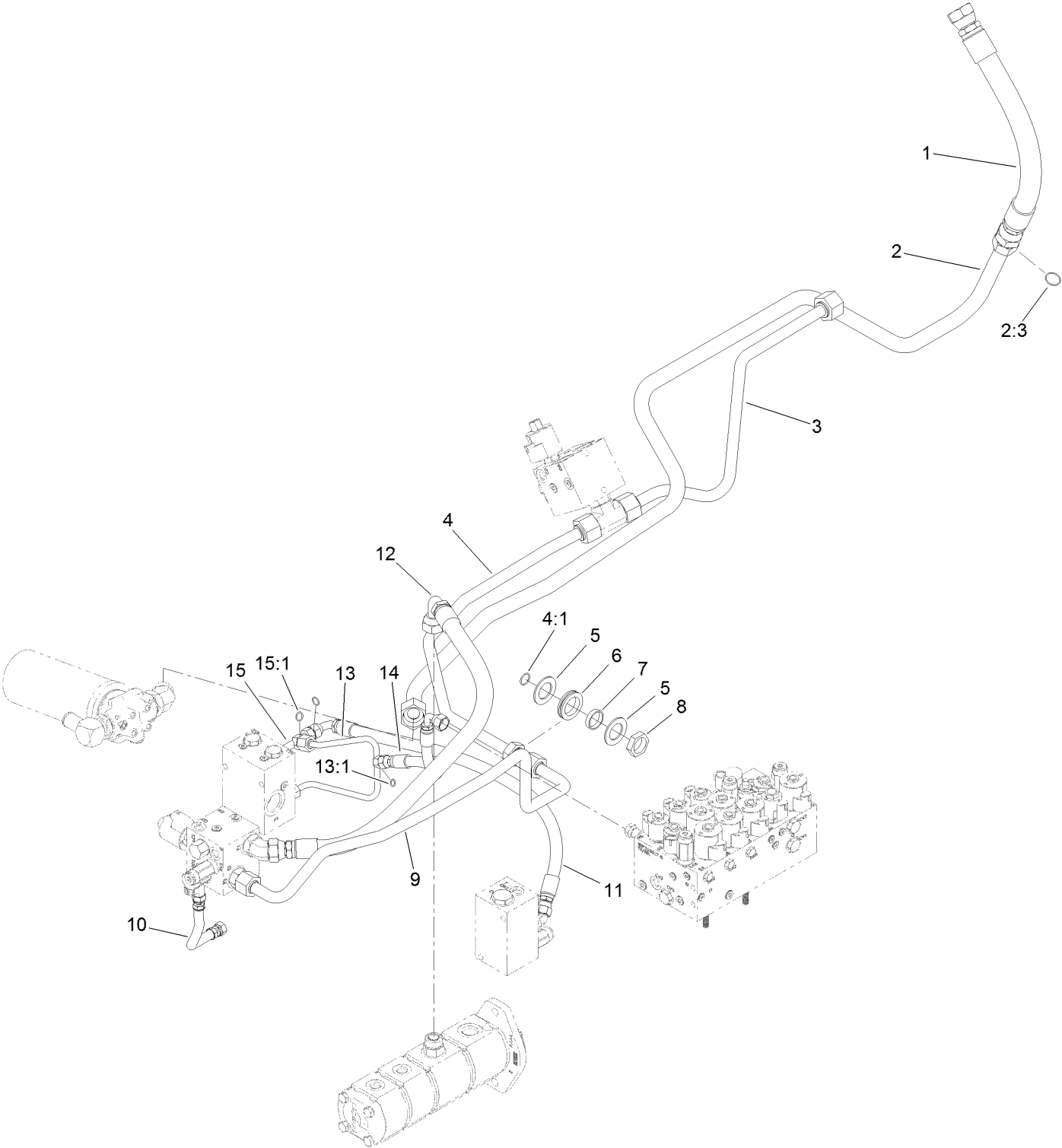
<i>Ref.</i>	<i>Part Number</i>	<i>Qty.</i>	<i>Description</i>
1	130-8358	1	Seal Kit



Hydraulic Reservoir Assembly

Ref.	Part Number	Qty.	Description	Ref.	Part Number	Qty.	Description
1	120-9077	1	Reservoir-HYD	17	121-1533	1	Spacer-Thick
2	323-20	1	Screw-HH	18	110-3510	1	Nut-Retainer
3	108-1605	2	Bumper-Recess	19	121-1557-03	1	Mount-Tank
4	121-1456	1	Spacer-Thin	20	104-8300	1	Nut-HF, NI
5	104-8301	1	Nut-HF, NI	21	3256-82	2	Washer-Flat
6	115-9793	1	Breather	22	322-13	1	Screw-HH
7	104-0790	3	Bushing	23	353-508	1	Plug-HH
8	114-0002	3	Pipe-Stand	23:1	237-42	1	O-Ring
9	2412-129	1	Clamp-Hose	24	2412-34	1	Clamp-Hose
10	93-7498	1	Plug-Plastic	25	120-8810	1	Hose-Strainer
11	237-101	1	O-Ring	26	115-5436	4	Clamp-Hose, Crimp
12	112-6365	1	Dipstick	27	114-4920	1	Hose
14	104-7546	1	Tank Strainer ASM	28	121-1521	1	Hose
14:1	340-136	1	O-Ring	29	3256-24	1	Washer-Plain
15	322-7	1	Screw-HH				

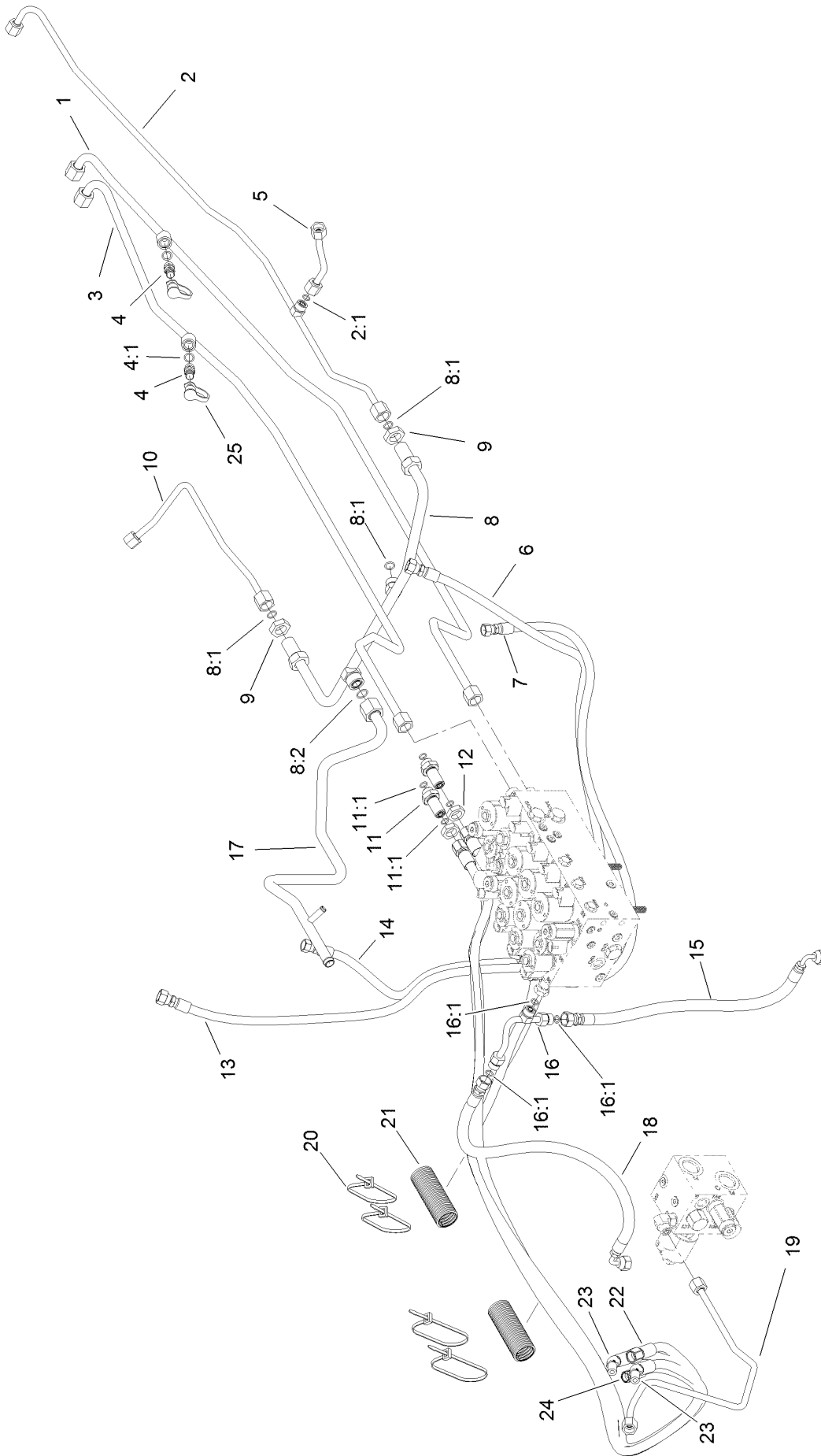
Oil Cooler Hydraulic Assembly



Oil Cooler Hydraulic Assembly (continued)

<i>Ref.</i>	<i>Part Number</i>	<i>Qty.</i>	<i>Description</i>	<i>Ref.</i>	<i>Part Number</i>	<i>Qty.</i>	<i>Description</i>
1	120-9060	1	Hose-HYD	9	120-8838	1	Tube-PTO, Front Return
2	121-1612	1	Tube ASM	10	121-1572	1	Hose-HYD
2:3	340-65	1	O-Ring	11	121-1559	1	Hose-HYD
3	121-1626	1	Tube-HYD	12	115-4384	1	Hose-HYD
4	121-1507	1	Tube ASM	13	121-1584	1	Tube-HYD
4:1	237-58	1	O-Ring	13:1	237-22	1	O-Ring
5	69-8910	2	Washer	14	121-1583	1	Hose-HYD
6	240-7	1	Grommet-Rubber	15	121-1558	1	Fitting-Tee
7	69-8900	1	Spacer	15:1	237-30	2	O-Ring
8	340-126	1	Nut-Bulkhead				

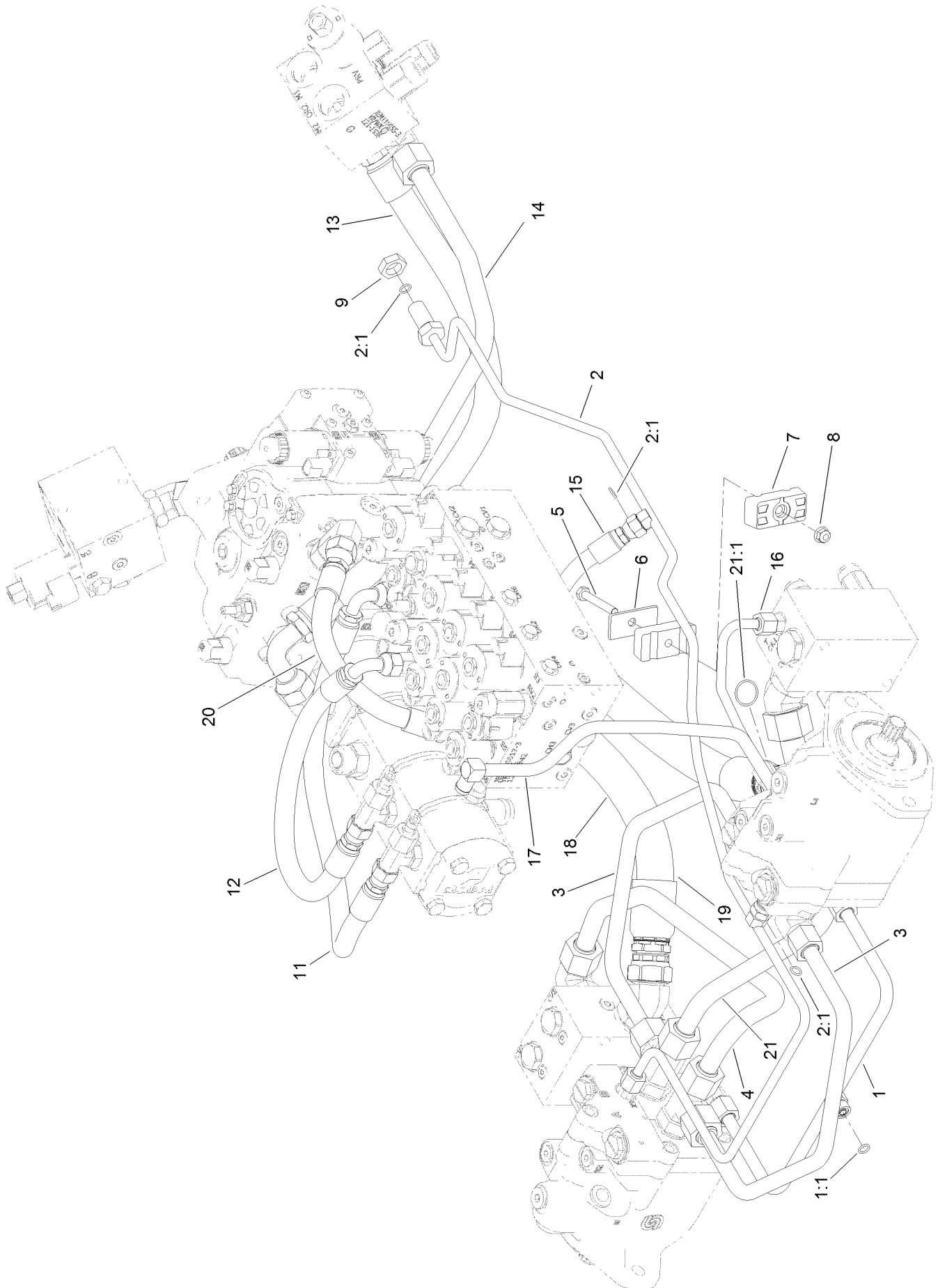
Lift, Steer and Fan Hydraulic Assembly



Lift, Steer and Fan Hydraulic Assembly (continued)

<i>Ref.</i>	<i>Part Number</i>	<i>Qty.</i>	<i>Description</i>	<i>Ref.</i>	<i>Part Number</i>	<i>Qty.</i>	<i>Description</i>
1	120-9074	1	Tube-Fan	12	340-70	2	Nut-Lock
2	120-8966	1	Tube-Drain, Fan	13	127-3736	1	Hose-HYD
2:1	237-22	1	O-Ring	14	100-3833	1	Hose-HYD
3	120-9075	1	Tube-Fan	15	121-1567	1	Hose-HYD
4	59-7410	2	Fitting-Diagnostic	16	121-1565	1	Tube-Tee
4:1	237-42	1	O-Ring	16:1	237-22	3	O-Ring
5	121-1523	1	Tube-HYD	17	121-1510	1	Tube-HYD
6	127-3737	1	Hose-HYD	18	121-1566	1	Hose-HYD
7	127-3738	1	Hose-HYD	19	120-8848	1	Tube-HYD
8	121-1509	1	Tube-HYD	20	3290-378	4	Tie-Cable
8:1	237-30	3	O-Ring	21	121-1544	2	Cover-Hose
8:2	237-65	1	O-Ring	22	121-1504	1	Hose-HYD
9	340-127	2	Nut-Bulkhead	23	121-1491	2	Hose-HYD
10	121-1522	1	Tube-HYD	24	121-1503	1	Hose-HYD
11	340-71	2	Fitting-Straight, Bulkhead	25	354-79	2	Cap-Dust
11:1	237-22	2	O-Ring				

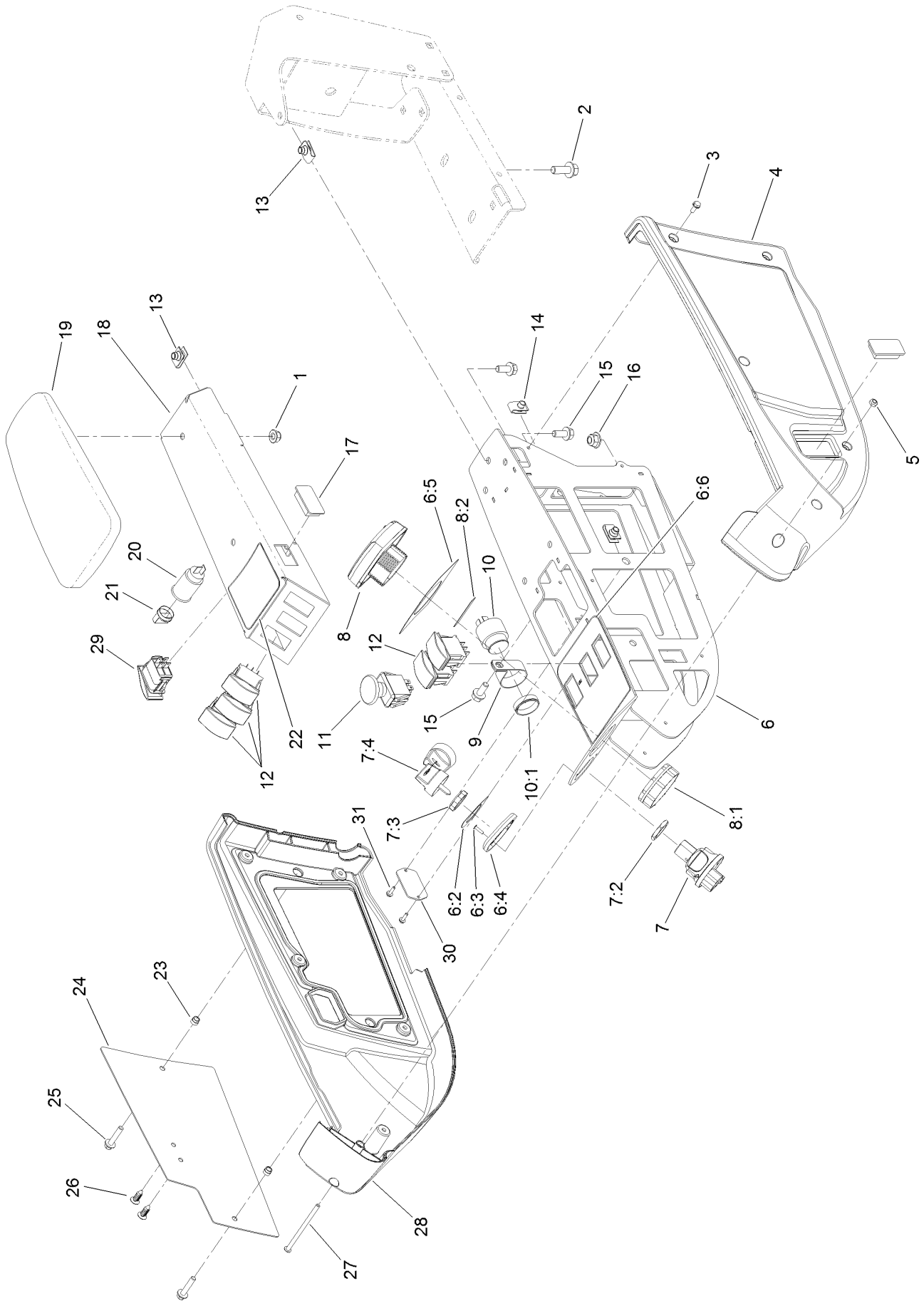
Traction Hydraulic Assembly



Traction Hydraulic Assembly (continued)

<i>Ref.</i>	<i>Part Number</i>	<i>Qty.</i>	<i>Description</i>	<i>Ref.</i>	<i>Part Number</i>	<i>Qty.</i>	<i>Description</i>
1	120-9080	1	Tube ASM	12	104-4584	1	Hose-HYD
1:1	237-22	1	O-Ring	13	115-4384	1	Hose-HYD
2	121-1552	1	Tube ASM	14	120-8834	1	Tube-PTO, LH To RH
2:1	237-22	3	O-Ring	15	104-2234	1	Hose-HYD
3	120-9079	2	Tube-HYD	16	121-1480	1	Tube-HYD
4	121-1546	1	Tube-HYD	17	120-8961	1	Tube-Return, Front
5	322-11	1	Screw-HH	18	121-1564	1	Hose-HYD
6	69-9761	1	Plate-Cover	19	121-1563	1	Hose-HYD
7	120-3200	2	Clamp-Tube	20	121-1505	1	Hose-HYD
8	104-8300	1	Nut-HF, NI	21	121-1581	1	Tube-Tee
9	340-70	1	Nut-Lock	21:1	340-65	1	O-Ring
11	104-2807	1	Hose-HYD				

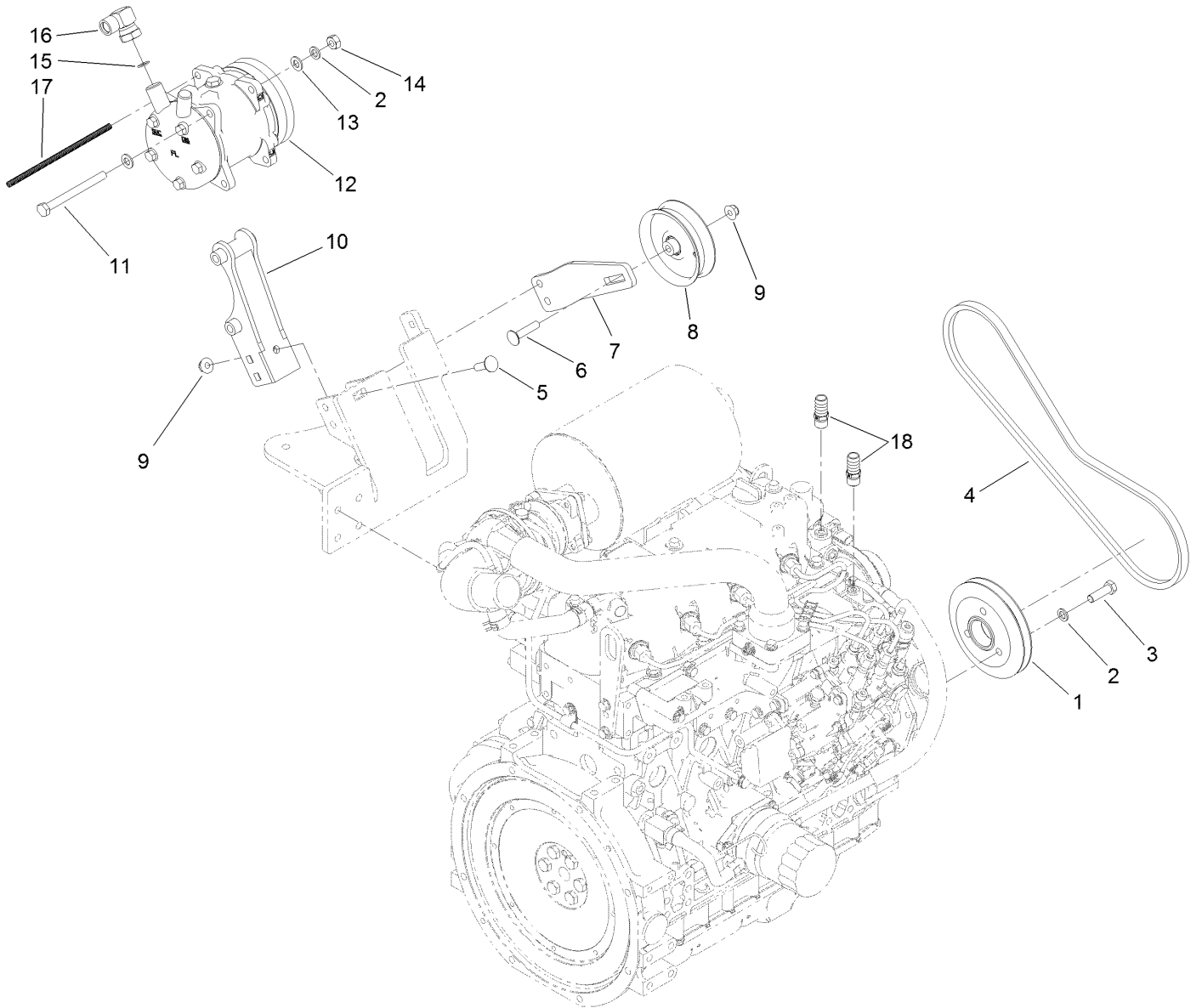
Armrest Control Panel Assembly



Armrest Control Panel Assembly (continued)

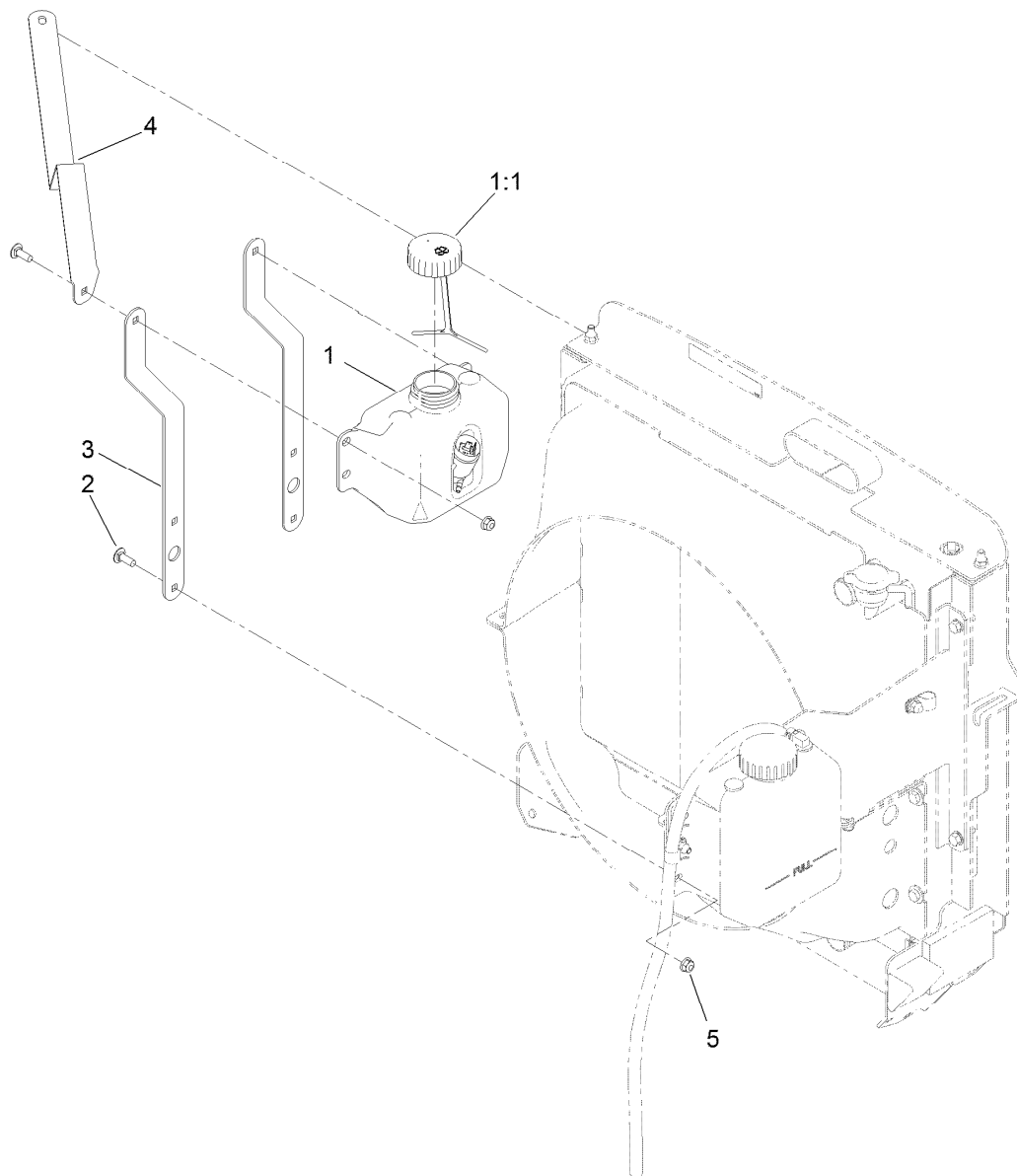
<i>Ref.</i>	<i>Part Number</i>	<i>Qty.</i>	<i>Description</i>	<i>Ref.</i>	<i>Part Number</i>	<i>Qty.</i>	<i>Description</i>
1	104-8300	2	Nut-HF, NI	11	93-9999	1	Switch-PTO
2	3234-42	2	Screw-HHF	12	100-1535	5	Switch-Rocker, (On)-Off-(On)
3	32144-112	10	Screw-HWH	13	94-2413	6	Nut-U
4	108-7604	1	Cover-LH	14	107069	2	Clip
5	3296-12	1	Nut-Lock, NI	15	3234-5	6	Screw-HHF
6	120-4155	1	Panel ASM	16	104-8301	2	Nut-HF, NI
6:2	121-3884	1	Decal-Console, Upper	17	99-7420	2	Plug-Hole
6:3	3269-17	2	Rivet-Pop	18	125-4646-03	1	Panel-Control
6:4	121-3889	1	Step-Elevated, Switch	19	108-7602	1	Rest-Arm
6:5	121-3887	1	Decal-Console, Display	20	99-7411	1	Point-Power
6:6	120-4159	1	Decal-Console, Lower	21	99-7416	1	Cap
7	121-5159	1	Switch-Ignition	22	127-3700	1	Decal-Lift
7:2	121-5160	1	Nut-Hex	23	110-0542	2	Spacer-Flange
7:3	121-5161	1	Nut-Face	24	115-8849-03	1	Plate-Cover
7:4	121-5162	1	Set-Key, Ignition	25	3234-21	2	Screw-HHF
8	120-6310	1	LCD Display ASM Kantrak 1700	26	114-4899	2	Rivet-Push
8:1	120-4630	1	Nut-Display	27	3250-22	1	Screw-PPH
8:2	120-6311	1	Decal-Display	28	108-7605	1	Cover-RH
9	2412-74	1	R-Clamp	29	114-3329	1	Switch-Rocker
10	80-9330	1	Audio Alarm ASM	30	121-1630	1	Plate-Cover
10:1	104-5107	1	Nut-Plastic, Knurled	31	32144-18	2	Screw-HWH

Air Conditioner Compressor Mount Assembly



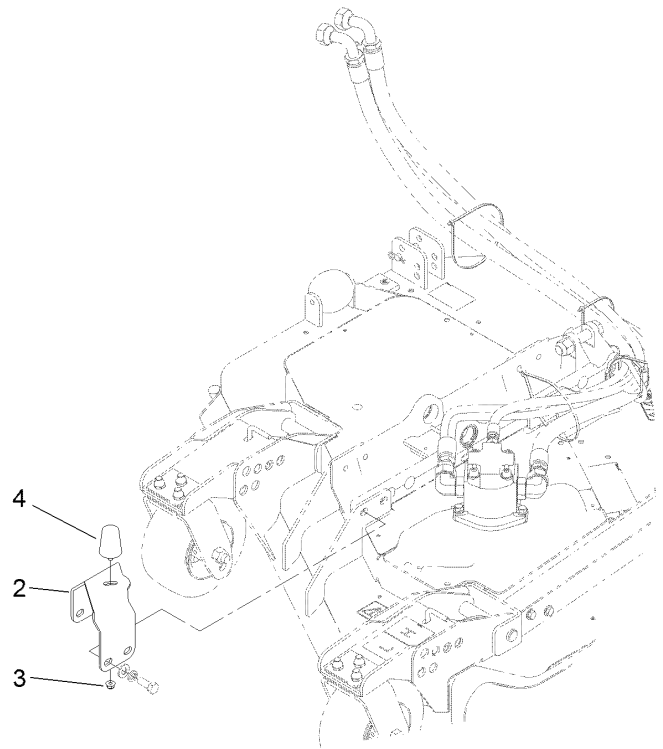
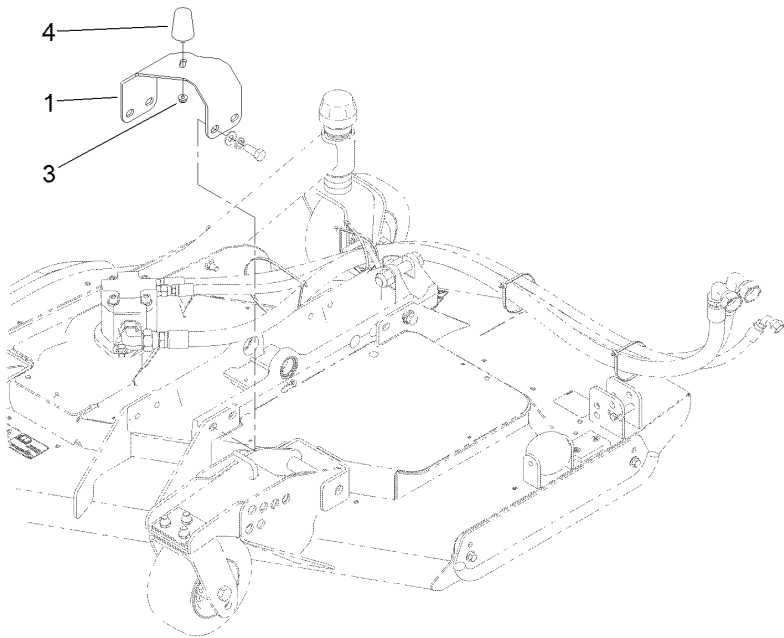
Air Conditioner Compressor Mount Assembly (continued)

<i>Ref.</i>	<i>Part Number</i>	<i>Qty.</i>	<i>Description</i>	<i>Ref.</i>	<i>Part Number</i>	<i>Qty.</i>	<i>Description</i>
1	121-8177	1	Pulley-Single	10	127-3726-03	1	Mount-Compressor
2	48-9590	5	Washer-Lock	11	33115-110	2	Screw-HH
3	33115-035	3	Screw-HH	12	119-0103	1	Compressor
4	110-6254	1	Belt-V	13	33095-00	4	Washer-Flat
5	3231-25	5	Bolt-CARR	14	33015-00	2	Nut-Hex
6	3231-5	1	Screw-CARR	15	117-2780	1	O-Ring
7	127-3727-03	1	Mount-Pulley	16	119-0128	1	Fitting-Elbow, 90 DEG
8	98-3095	1	Pulley-Idler	17	115-8882	1	Conduit-Convolutd
9	104-8301	6	Nut-HF, NI	18	117-9410	2	Fitting-Straight



Washer Fluid Bottle Assembly

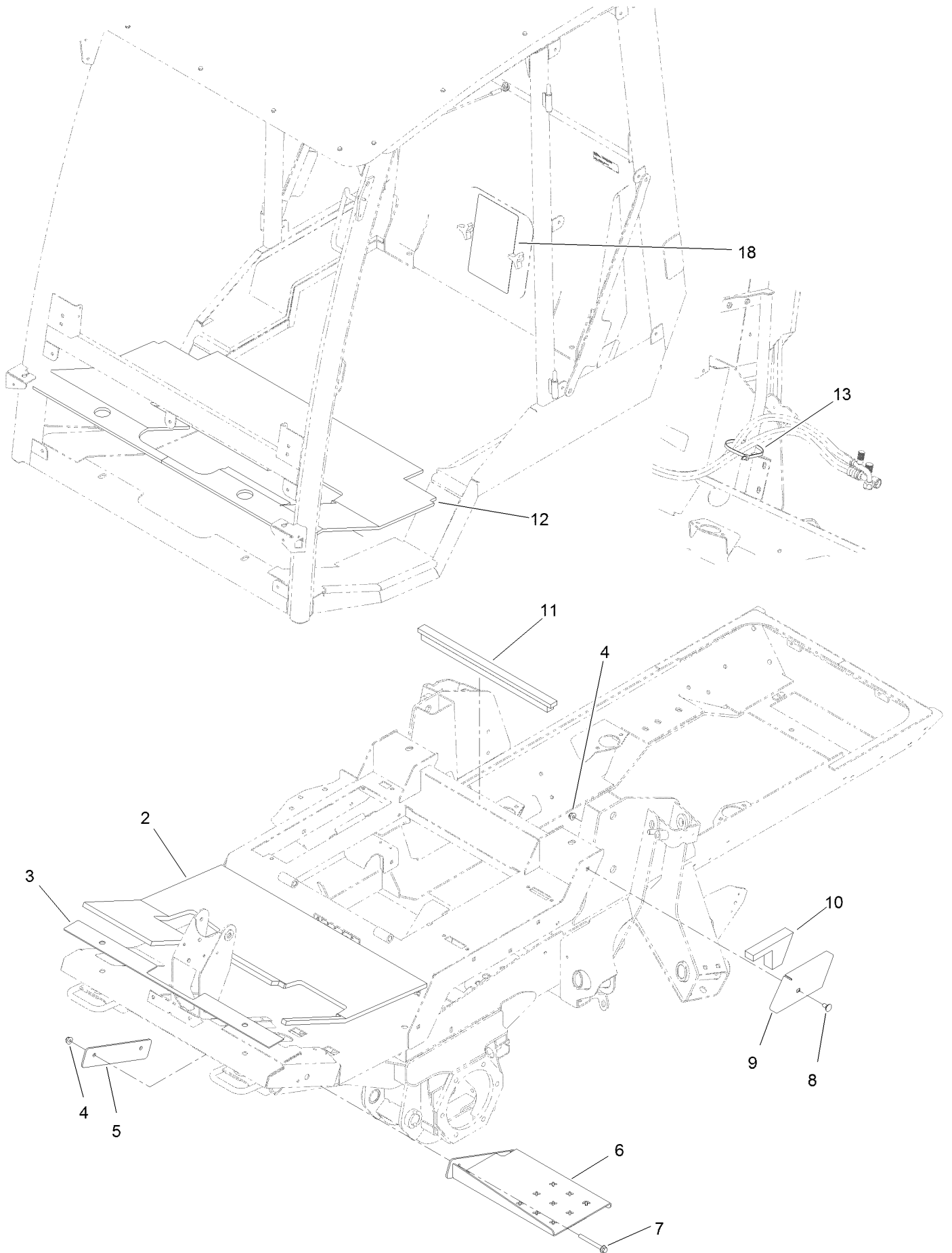
<i>Ref.</i>	<i>Part Number</i>	<i>Qty.</i>	<i>Description</i>
1	125-5257	1	Tank-Fluid, Washer
1:1	125-5258	1	Lid-Tank, Washer Fluid
2	3230-10	6	Bolt-CARR
3	130-0604-03	2	Strap-Bottle, Washer Fluid
4	130-0605-03	1	Support-Bottle, Washer Fluid
5	104-8300	6	Nut-HF, NI



Deck Pad and Hardware Assembly

<i>Ref.</i>	<i>Part Number</i>	<i>Qty.</i>	<i>Description</i>
1	130-5966-03	1	Bracket-Bumper, RH
2	130-5965-03	1	Bracket-Bumper, LH
3	104-8300	2	Nut-HF, NI
4	110-5070	2	Bumper

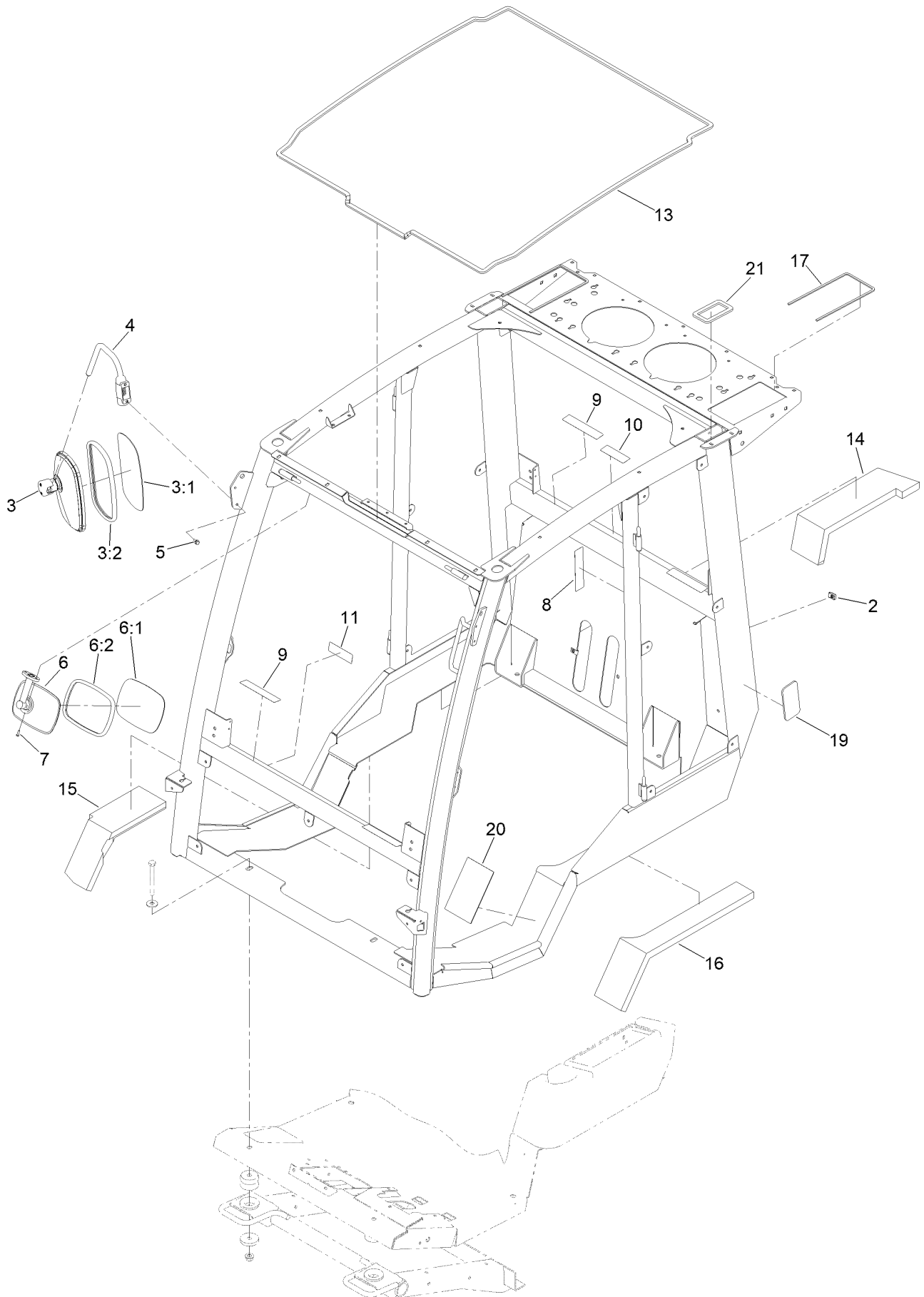
Cab Step, Pad and Flooring Assembly



Cab Step, Pad and Flooring Assembly (continued)

<i>Ref.</i>	<i>Part Number</i>	<i>Qty.</i>	<i>Description</i>	<i>Ref.</i>	<i>Part Number</i>	<i>Qty.</i>	<i>Description</i>
2	121-8543	1	Foam-Tread	9	130-5747-03	1	Cover-Mount
3	121-8544	1	Gasket-Front	10	127-9861	1	Foam-Corner
4	104-8301	3	Nut-HF, NI	11	121-8548	1	Foam-Seal, Rear
5	120-9022-03	1	Support-Step	12	130-5979	1	Tread-Floor
6	121-1739-03	1	Step	13	3334-945	1	Tie-Cable
7	116-4701	2	Screw-HHF	18	130-6046	1	Decal-Service
8	3231-1	1	Screw-CARR				

Frame Mount and Seal Assembly

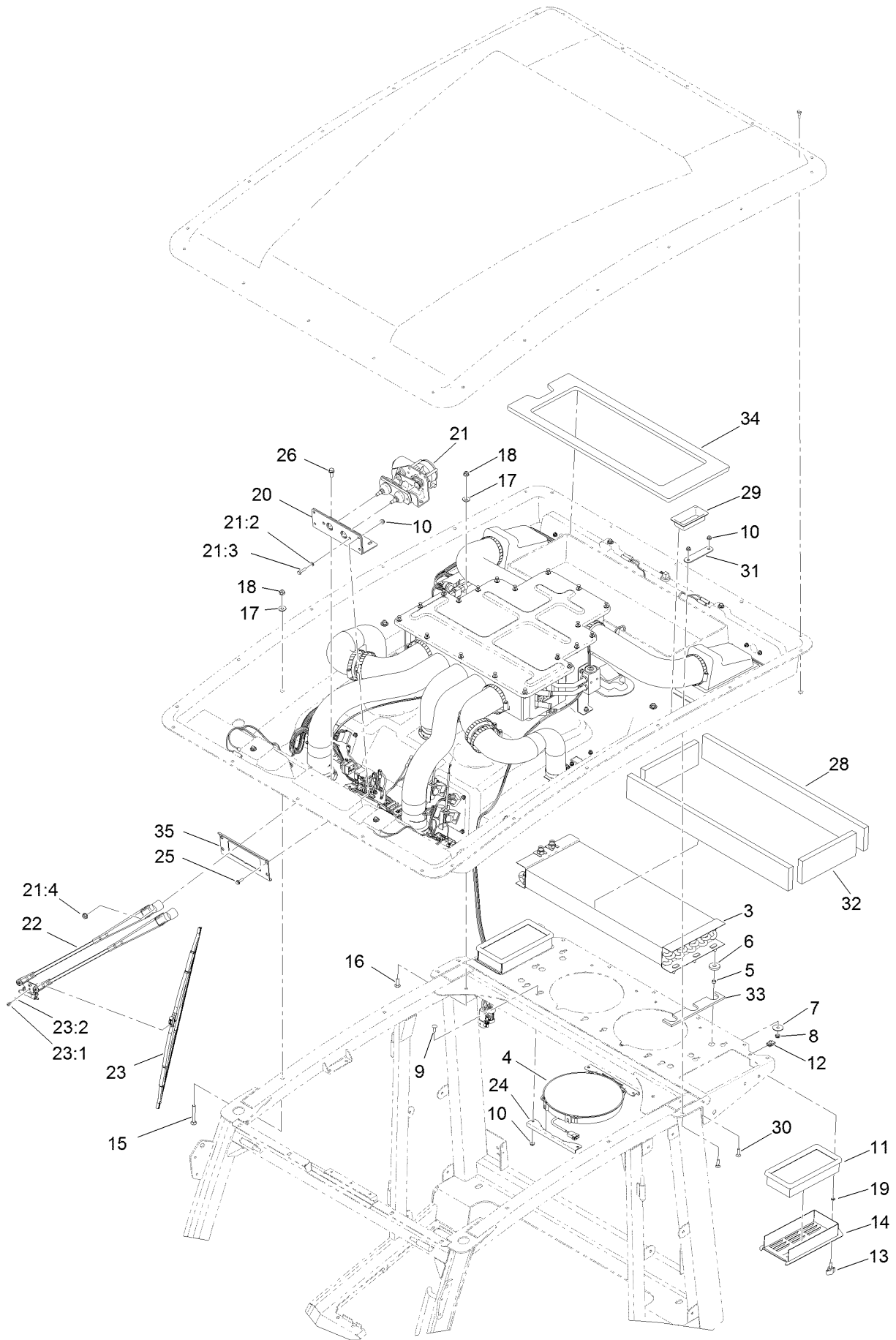


Frame Mount and Seal Assembly (continued)

<i>Ref.</i>	<i>Part Number</i>	<i>Qty.</i>	<i>Description</i>	<i>Ref.</i>	<i>Part Number</i>	<i>Qty.</i>	<i>Description</i>
2	94-2413	2	Nut-U	9	130-0611	4	Decal-Window, Pin
3	121-8341	2	Side Mirror ASM	10	130-5355	1	Decal-Window, Hood
3:1		1	Mirror-Glass ●	11	130-5356	1	Decal-Traction Pedal
3:2		1	Gasket ●	13	130-0586	1	Seal-Foam, Frame Roof
4	121-8275	2	Arm-Mirror, Side	14	121-8545	1	Seal-Foam, RH-Upper
5	33103-016	4	Screw-HHF	15	121-8546	1	Seal-Foam, RH
6	121-8343	1	Interior Mirror ASM	16	121-8508	1	Foam-Seal, LH
6:1		1	Mirror ●	17	130-0587	2	Seal-Foam, Roof Air Filter
6:2		1	Gasket ●	19	130-5923	2	Pad
7	32144-32	2	Screw-PPH	20	130-5978	2	Patch-Tread
8	130-0594	1	Decal-Warning	21	130-5855	2	Seal-Tube, Rear

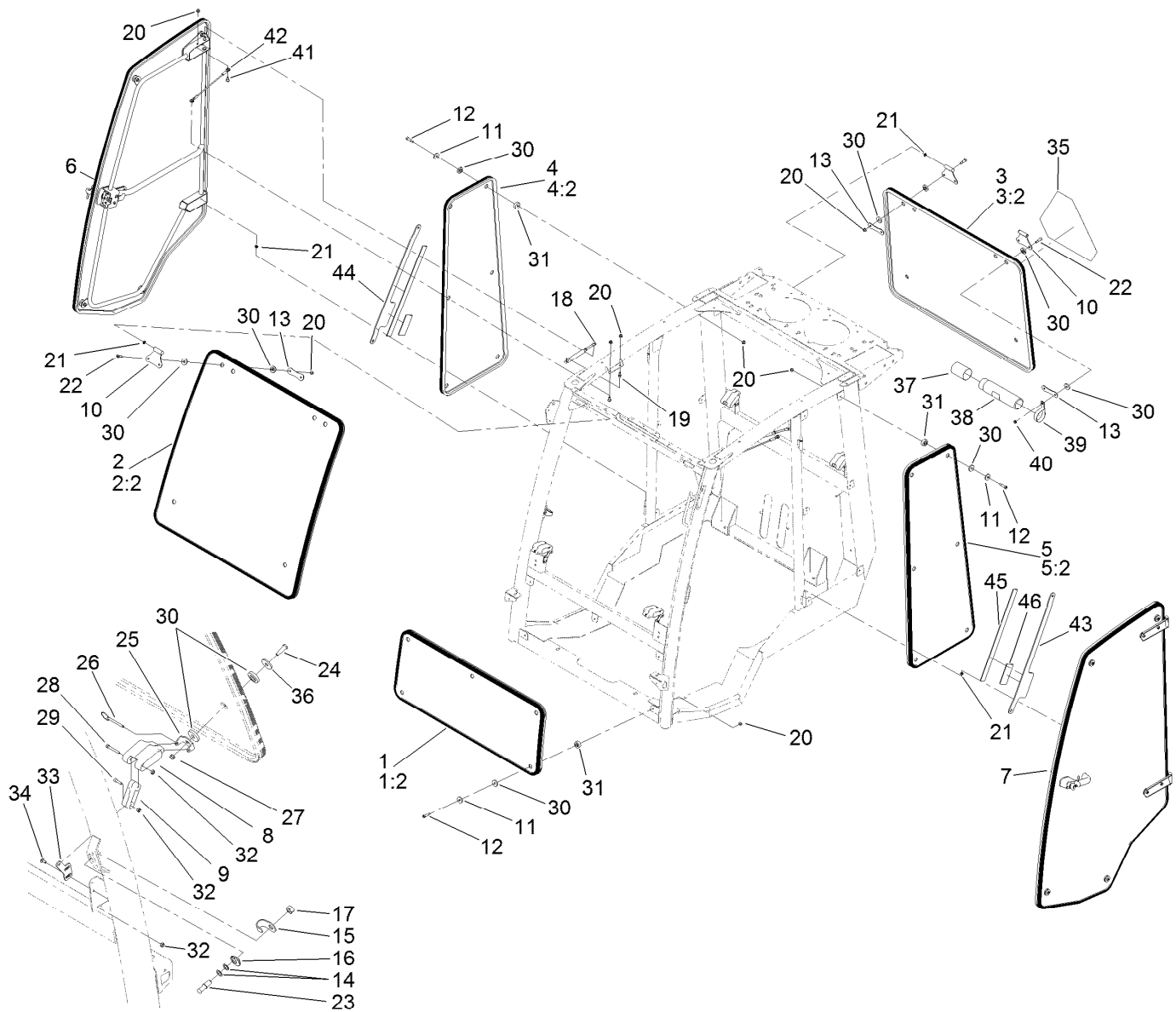
● Not serviced separately

Cab Headliner Assembly



Cab Headliner Assembly (continued)

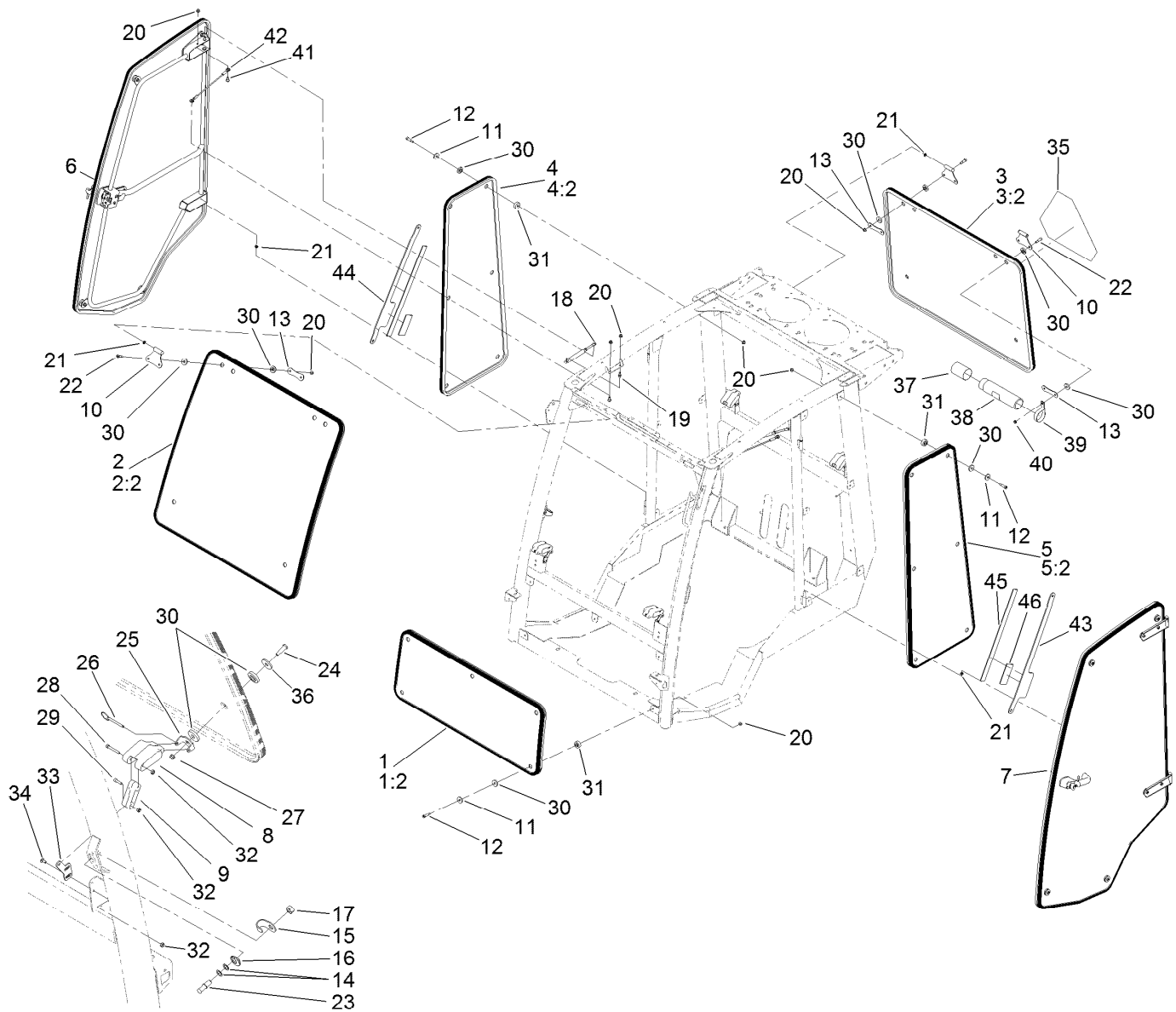
<i>Ref.</i>	<i>Part Number</i>	<i>Qty.</i>	<i>Description</i>	<i>Ref.</i>	<i>Part Number</i>	<i>Qty.</i>	<i>Description</i>
3	121-8447	1	Core-Condenser	21:2	3253-3	1	Washer-Lock
4	121-8459	2	Fan-Condenser	21:3	33113-025	1	Screw-HH
5	106-8489	6	Bushing-Sleeve	21:4	112-2844	2	Nut-HF
6	125-9982	6	Bushing-Flange	22	125-7453	1	Arm-Wiper
7	3256-57	6	Washer-Flat	23	125-7454	1	Blade-Wiper
8	3296-47	6	Nut-Lock,NI	23:1	47-2830	2	Screw
9	1-807512	8	Bolt-CARR	23:2	43-5920	2	Washer-Lock, Spring
10	104-7201	16	Nut-HF, NI	24	125-9621-03	4	Bracket-Mount, Fan
11	121-8457	2	Filter-Air	25	32105-15	4	Screw-HWH
12	107069	2	Clip	26	32144-11	2	Screw-HWH
13	98-8332	2	Knob	28	130-5649	2	Seal-Foam, Long
14	125-9825-03	2	Cover-Air, Fresh	29	130-5661	2	Tube-Sleeve
15	3230-9	4	Screw-CARR	30	3229-30	4	Screw-CARR
16	3230-22	13	Screw-CARR	31	130-5854	2	Brace-Seal
17	3256-3	17	Washer-Flat	32	130-5650	2	Seal-Foam, Short
18	104-8300	17	Nut-HF, NI	33	130-5931	2	Seal-Condenser
19	106-8737	2	Nut-Retainer	34	130-5647	1	Gasket-Foam, Condenser
20	130-5871	1	Bracket-Wiper	35	130-6068-03	1	Plate-Washer, Wiper Motor
21	125-7452	1	Wiper Motor ASM				



Window, Door and Striker Assembly

Ref.	Part Number	Qty.	Description	Ref.	Part Number	Qty.	Description
1	130-5681	1	Lower Front Window ASM	14	73-0040	2	Washer-Thrust
1:2	121-8211	1	Trim-Window, Front	15	121-8393	2	Guard-Striker
2	130-5680	1	Upper Front Window ASM	16	125-9992	2	Adjuster-Stud
2:2	121-8212	1	Seal-Trim	17	106-0327	2	Nut-Hex
3	130-5682	1	Rear Window ASM	18	130-6083	2	Spring-Gas, Door
3:2	130-0637	1	Seal-Trim	19	98-3104	2	Stud-Ball
4	130-5676	1	RH-Side Window ASM	20	104-8300	29	Nut-HF, NI
4:2	121-8215	1	Seal-Trim	21	121-8441	8	Washer-Spacer
5	130-5677	1	LH-Side Window ASM	22	125-9520	8	Screw-Shoulder, HSH
5:2	121-8215	1	Seal-Trim	23	125-9993	2	Striker-Stud
6		1	RH Door ASM ●	24	119-9812	4	Bolt-Shoulder
7		1	LH Door ASM ●	25	125-9987	4	Mount-Latch
8	125-9792	4	Handle-Window	26	127-9850	4	Pin-Release, Quick
9	125-9793	4	Link-Window	27	104-7201	4	Nut-HF, NI
10	121-8535-03	4	Hinge-Window	28	3274-59	4	Screw-HSH
11	130-5815	13	Washer-Backup	29	3274-14	4	Screw-HSH
12	125-9521	17	Screw-Shldr HSH	30	125-9982	41	Bushing-Flange
13	127-9933	4	Plate-Backer, Windshield	31	125-9537	17	Bushing-Flange

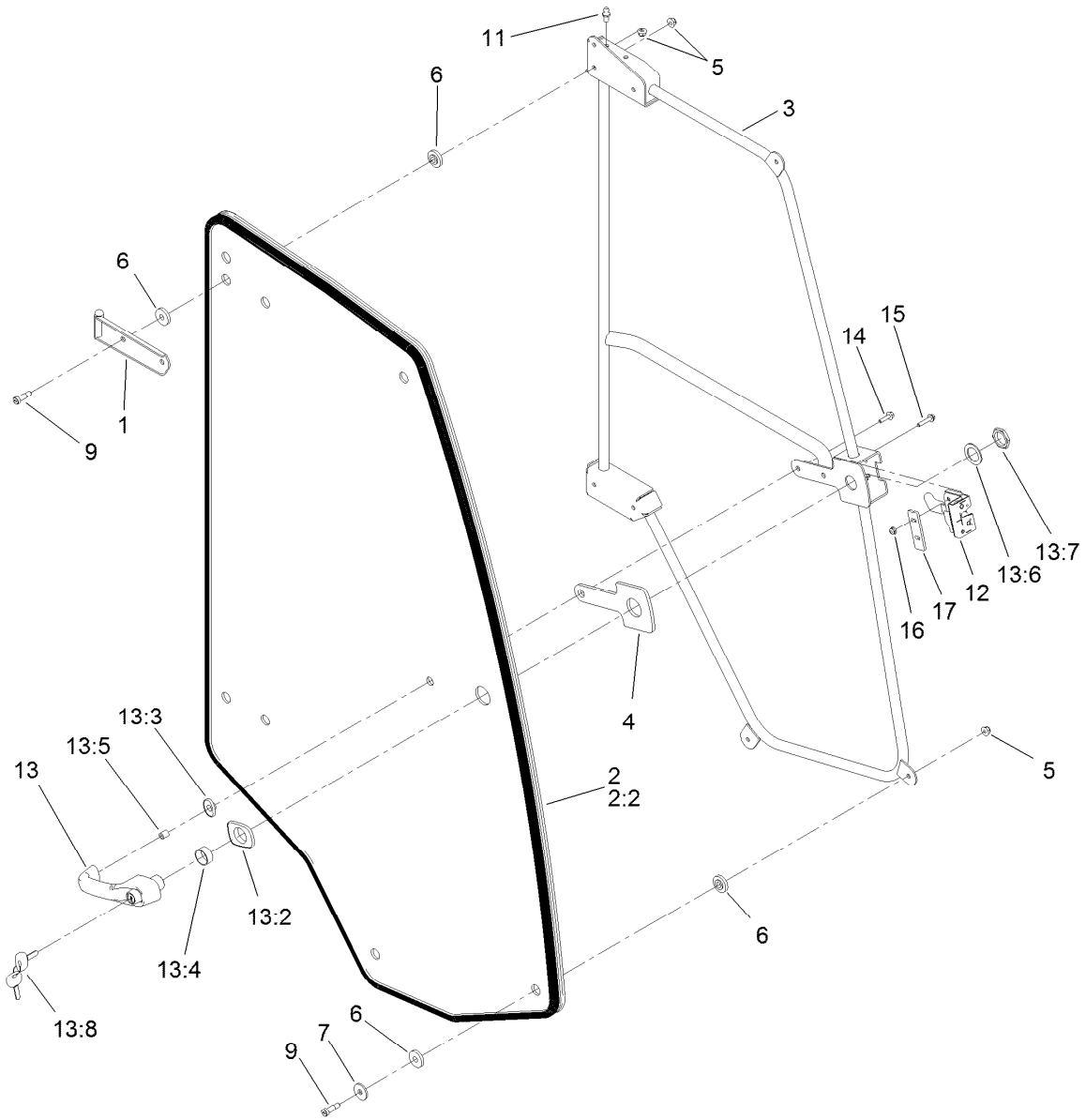
● Not serviced separately



Window, Door and Striker Assembly (continued)

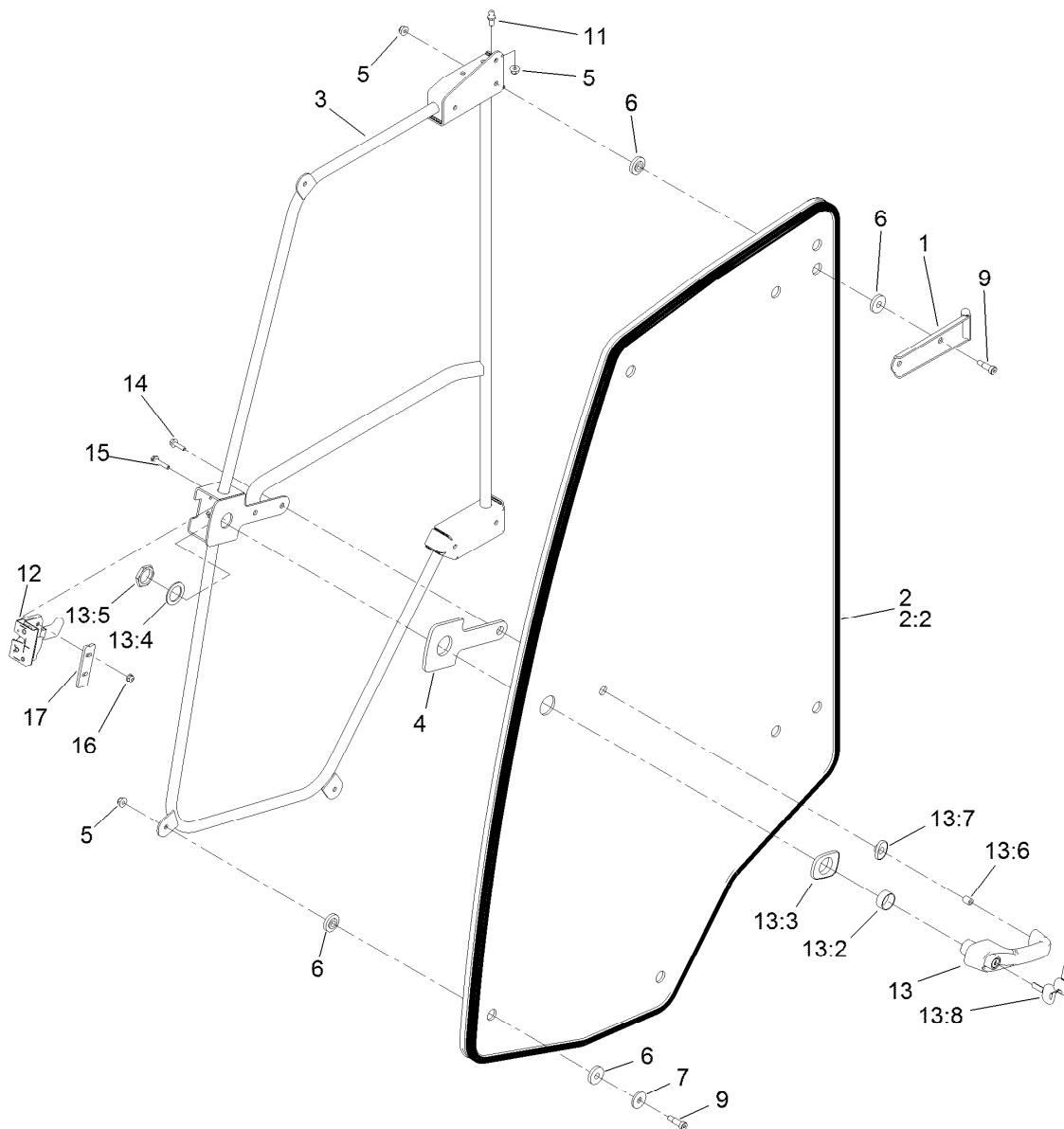
Ref.	Part Number	Qty.	Description	Ref.	Part Number	Qty.	Description
32	120-9681	16	Nut-Lock, NI	40	3296-47	2	Nut-Lock, NI
33	130-0590	4	Mount-Tab	41	120-9471	4	Bolt-Shoulder
34	1-807513	8	Bolt-CARR	42	130-5726	2	Lanyard
35	120-0250	1	Decal-Warning	43	130-6095-03	1	Strap-Support, Left
36	125-9676	4	Washer-Backup	44	130-6091-03	1	Strap-Support
37	104-7048	1	Cap-Housing	45	130-6096	2	Strap-Foam, 19.5 Inch
38	104-7050	1	Tube-Manual	46	130-6097	2	Strap-Foam, 4.25 Inch
39	2412-133	2	Clamp-R				

● Not serviced separately



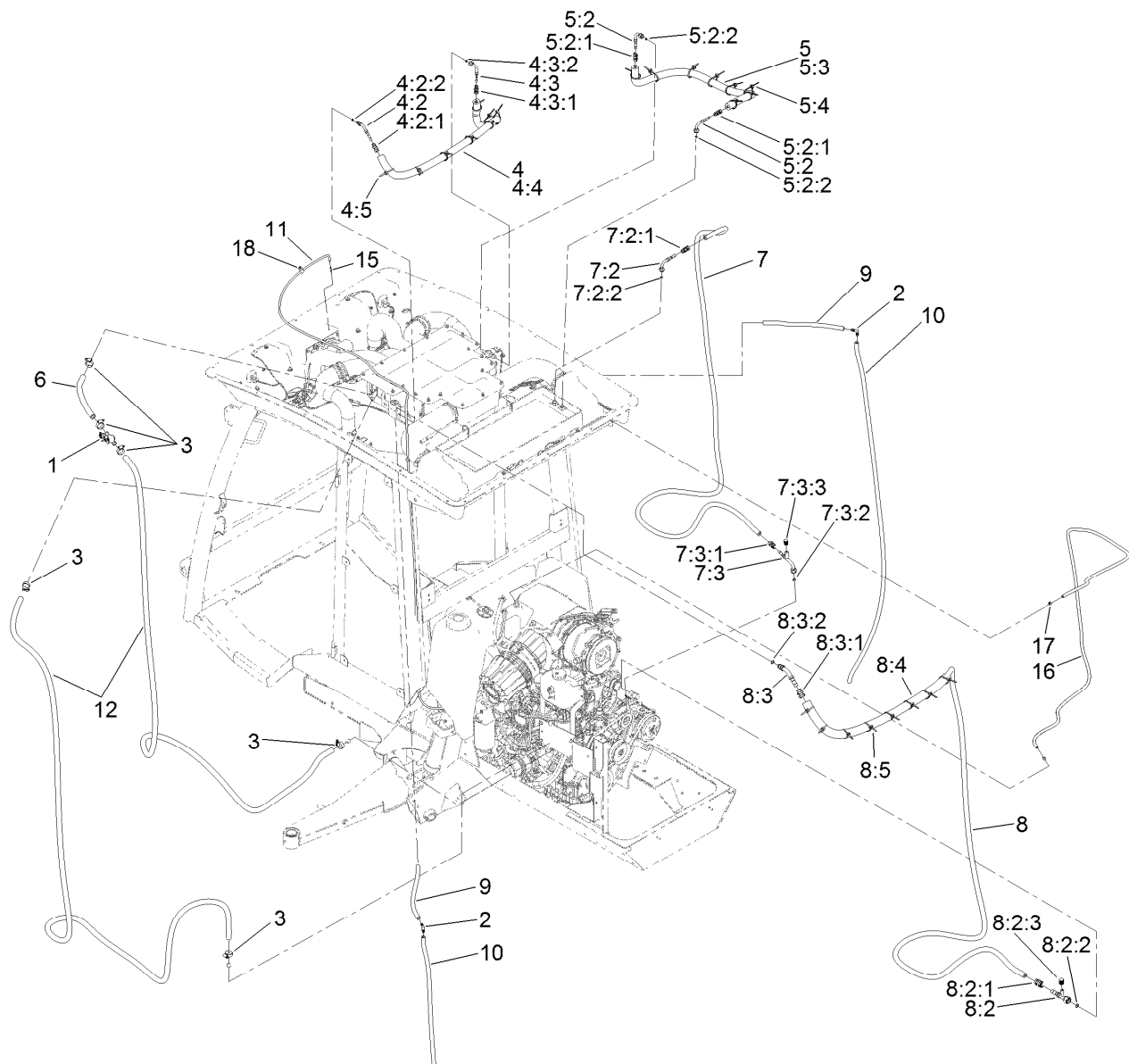
RH Door Assembly

<i>Ref.</i>	<i>Part Number</i>	<i>Qty.</i>	<i>Description</i>	<i>Ref.</i>	<i>Part Number</i>	<i>Qty.</i>	<i>Description</i>
1	125-9618-03	2	Hinge-Door, RH	13:2	121-8628	1	Cylinder-Mounting, Key
2	130-5678	1	RH Door ASM	13:3	121-8322	1	Grommet-Mounting, Large
2:2	125-9799	1	Trim-Door	13:4	121-8327	1	Washer
3	121-8570-03	1	Frame-Door, RH	13:5	121-8328	1	Nut
4	121-8331	1	Gasket-Handle	13:6	121-8627	1	Cylinder-Mounting, End
5	104-8300	9	Nut-HF, NI	13:7	121-8323	1	Grommet-Mounting, Small
6	125-9982	16	Bushing-Flange	13:8	125-9531	1	Key-Set
7	125-9676	4	Washer-Backup	14	33103-025	1	Screw-HHF
9	125-9520	8	Screw-Shoulder, HSH	15	3234-21	2	Screw-HHF
11	98-3104	1	Stud-Ball	16	104-7201	2	Nut-HF, NI
12	121-8390	1	Latch-RH	17	121-8395	1	Plate-Support, Latch
13	121-8630	1	Handle ASM				



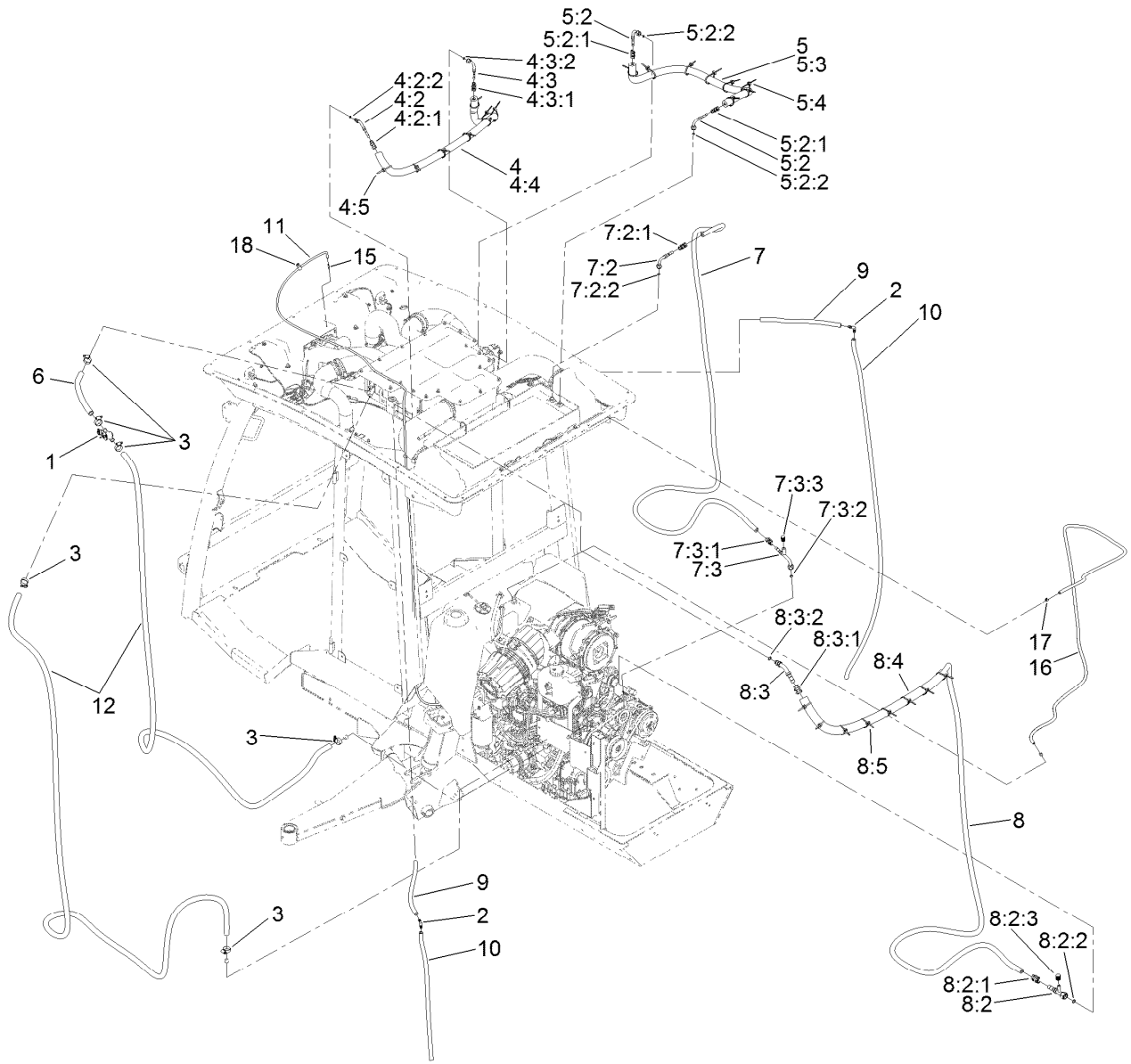
LH Door Assembly

<i>Ref.</i>	<i>Part Number</i>	<i>Qty.</i>	<i>Description</i>	<i>Ref.</i>	<i>Part Number</i>	<i>Qty.</i>	<i>Description</i>
1	125-9619-03	2	Hinge-Door, LH	13:2	121-8628	1	Cylinder-Mounting, Key
2	130-5679	1	LH Door ASM	13:3	121-8322	1	Grommet-Mounting, Large
2:2	121-8216	1	Trim-Window	13:4	121-8327	1	Washer
3	121-8571-03	1	Frame-Door, LH	13:5	121-8328	1	Nut
4	121-8331	1	Gasket-Handle	13:6	121-8627	1	Cylinder-Mounting, End
5	104-8300	9	Nut-HF, NI	13:7	121-8323	1	Grommet-Mounting, Small
6	125-9982	16	Bushing-Flange	13:8	125-9531	1	Key-Set
7	125-9676	4	Washer-Backup	14	33103-025	1	Screw-HHF
9	125-9520	8	Screw-Shoulder, HSH	15	3234-21	2	Screw-HHF
11	98-3104	1	Stud-Ball	16	104-7201	2	Nut-HF, NI
12	121-8391	1	Latch-LH	17	121-8395	1	Plate-Support, Latch
13	121-8630	1	Handle ASM				



Engine Hose Routing Assembly

Ref.	Part Number	Qty.	Description	Ref.	Part Number	Qty.	Description
1	120-4947	1	Valve-Heater	7:2:1	130-5773	1	Fitting Kit
2	130-0578	2	Fitting-Barb, 90 DEG	7:2:2	117-2778	1	O-Ring
3	2412-129	6	Clamp-Hose	7:3	130-5758	1	Fitting-Female, 90 DEG
4	125-9702	1	Hose ASM	7:3:1	130-5773	1	Fitting Kit
4:2	130-5753	1	Fitting-45 DEG	7:3:2	117-2779	1	O-Ring
4:2:1	130-5772	1	Fitting Kit	7:3:3	117-2783	1	Cap-Side, High
4:2:2	117-2778	1	O-Ring	8	125-9862	1	Hose ASM
4:3	130-5751	1	Fitting-Female, 90 DEG	8:2	130-5755	1	Fitting-Female, Straight
4:3:1	130-5772	1	Fitting Kit	8:2:1	130-5775	1	Fitting Kit
4:3:2	117-2778	1	O-Ring	8:2:2	117-2780	1	O-Ring
4:4	130-5958	1	Cover-Foam	8:2:3	117-2784	1	Cap-Side, Low
4:5	3290-378	8	Tie-Cable	8:3	130-5754	1	Fitting-Male, 45 DEG
5	125-9703	1	Hose ASM	8:3:1	130-5775	1	Fitting Kit
5:2	130-5751	2	Fitting-Female, 90 DEG	8:3:2	117-2780	1	O-Ring
5:2:1	130-5772	1	Fitting Kit	8:4	130-5959	1	Cover-Foam
5:2:2	117-2778	1	O-Ring	8:5	3290-378	8	Tie-Cable
5:3	130-5958	1	Cover-Foam	9	125-9865	2	Hose-Drain
5:4	3290-378	8	Tie-Cable	10	125-9866	2	Hose-Drain
6	125-9706	1	Hose-Heater	11	127-9901	1	Hose-Washer Fluid
7	125-9861	1	Hose ASM	12	125-9864	2	Hose-Heater
7:2	130-5752	1	Fitting-Female, 90 DEG	15	127-9905	1	Fitting-Hose, Barb

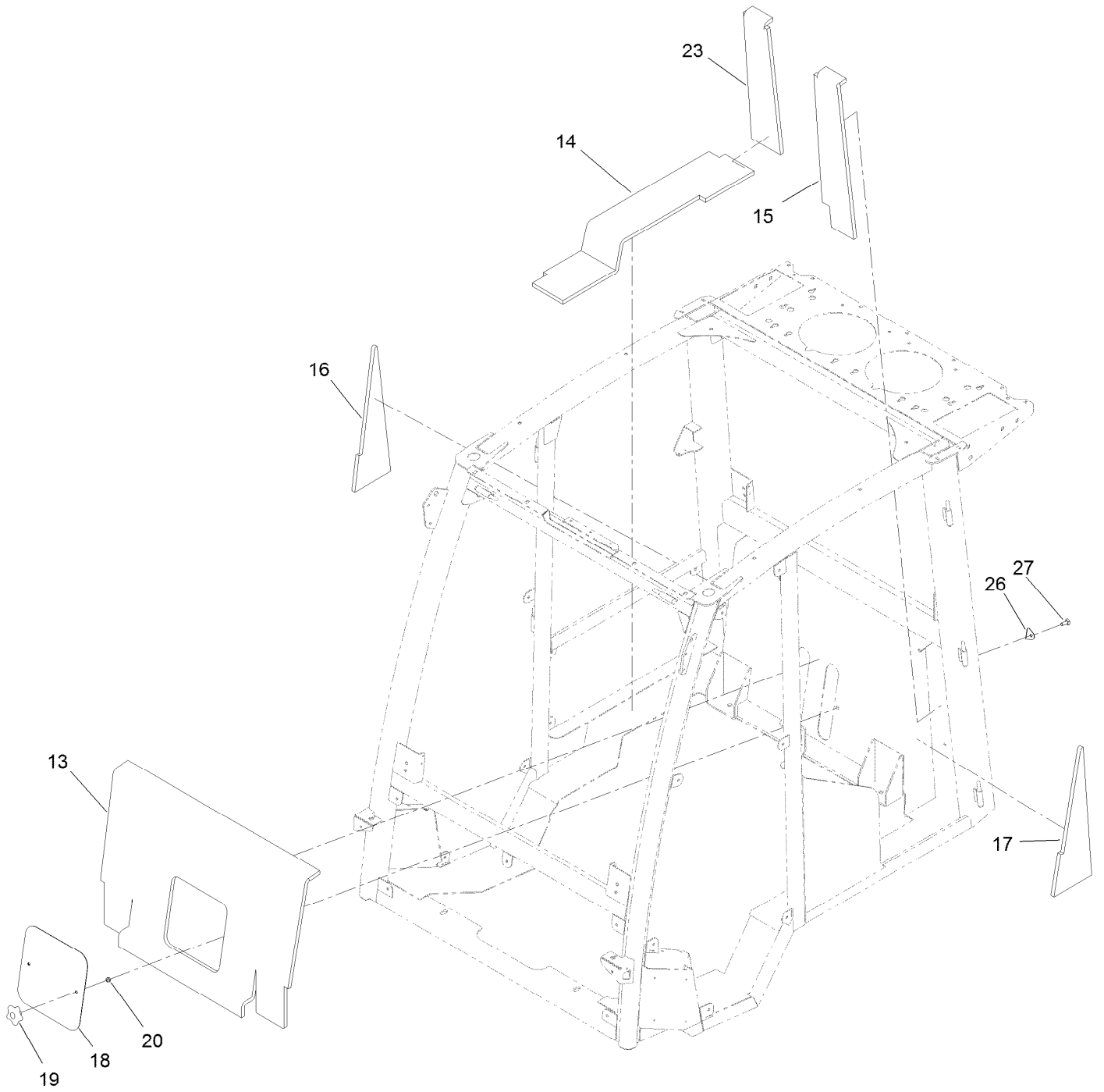


Engine Hose Routing Assembly (continued)

Ref.	Part Number	Qty.	Description
16	130-5813	1	Hose-Fuel

Ref.	Part Number	Qty.	Description
17	2412-98	1	Clamp-Hose
18	2412-73	1	Clamp-R

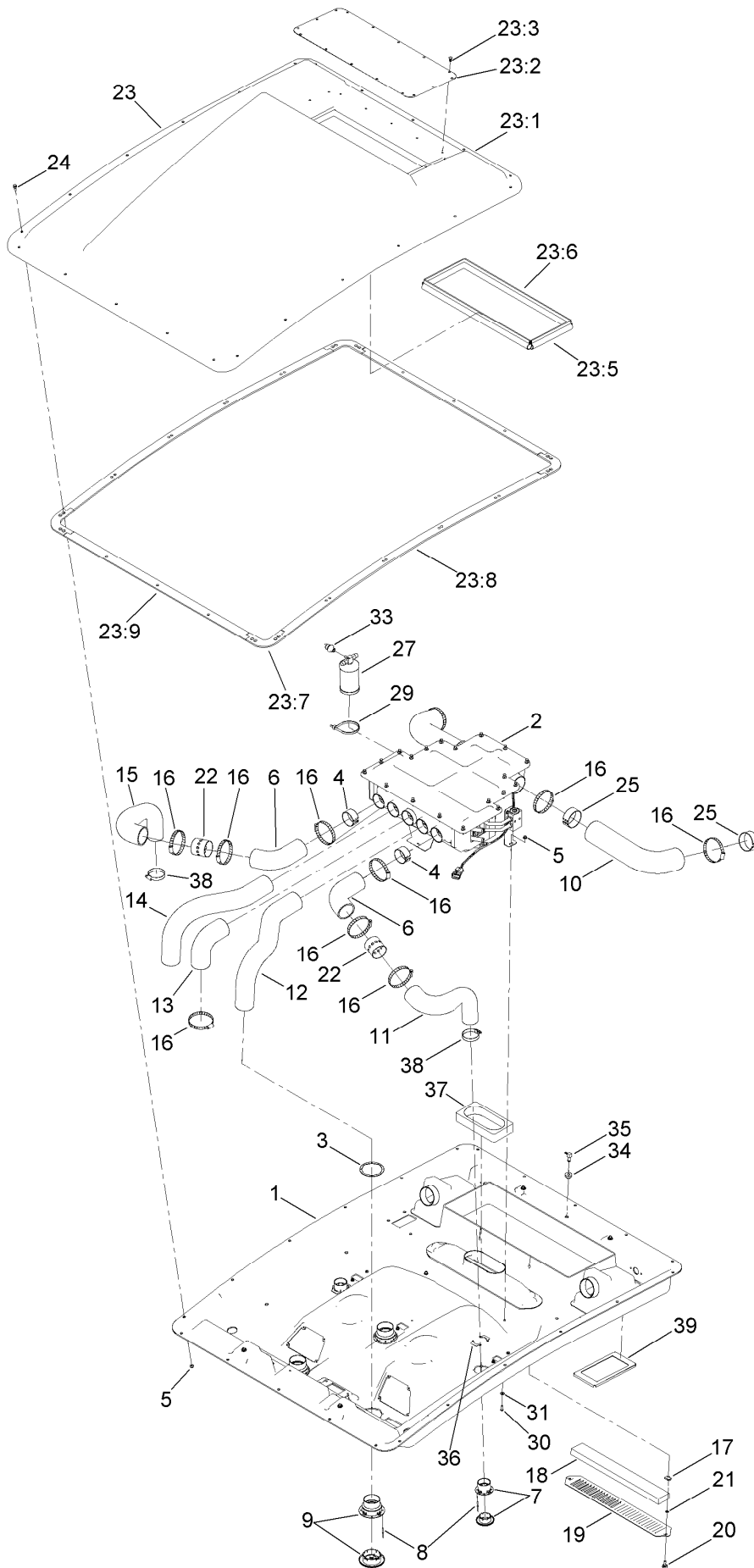
Interior Foam Assembly



Interior Foam Assembly (continued)

<i>Ref.</i>	<i>Part Number</i>	<i>Qty.</i>	<i>Description</i>	<i>Ref.</i>	<i>Part Number</i>	<i>Qty.</i>	<i>Description</i>
13	130-0564	1	Foam-Upholstery, Rear	19	117-5976	2	Knob-Handle
14	130-5837	1	Foam-Interior, RH-Lower	20	3296-47	2	Nut-Lock,NI
15	130-0563	1	Foam-Upholstery, Rear-LH	23	130-5838	1	Foam-Interior, RH (Upper)
16	130-0561	1	Foam-Upholstery, Side (RH)	26	132-3495	2	Retainer-Cover
17	130-0570	1	Foam-Upholstery, Rear (LH)	27	3230-22	2	Screw-CARR
18	121-8161-03	1	Plate-Panel, Access				

Mixing Box and Vent Hose Assembly

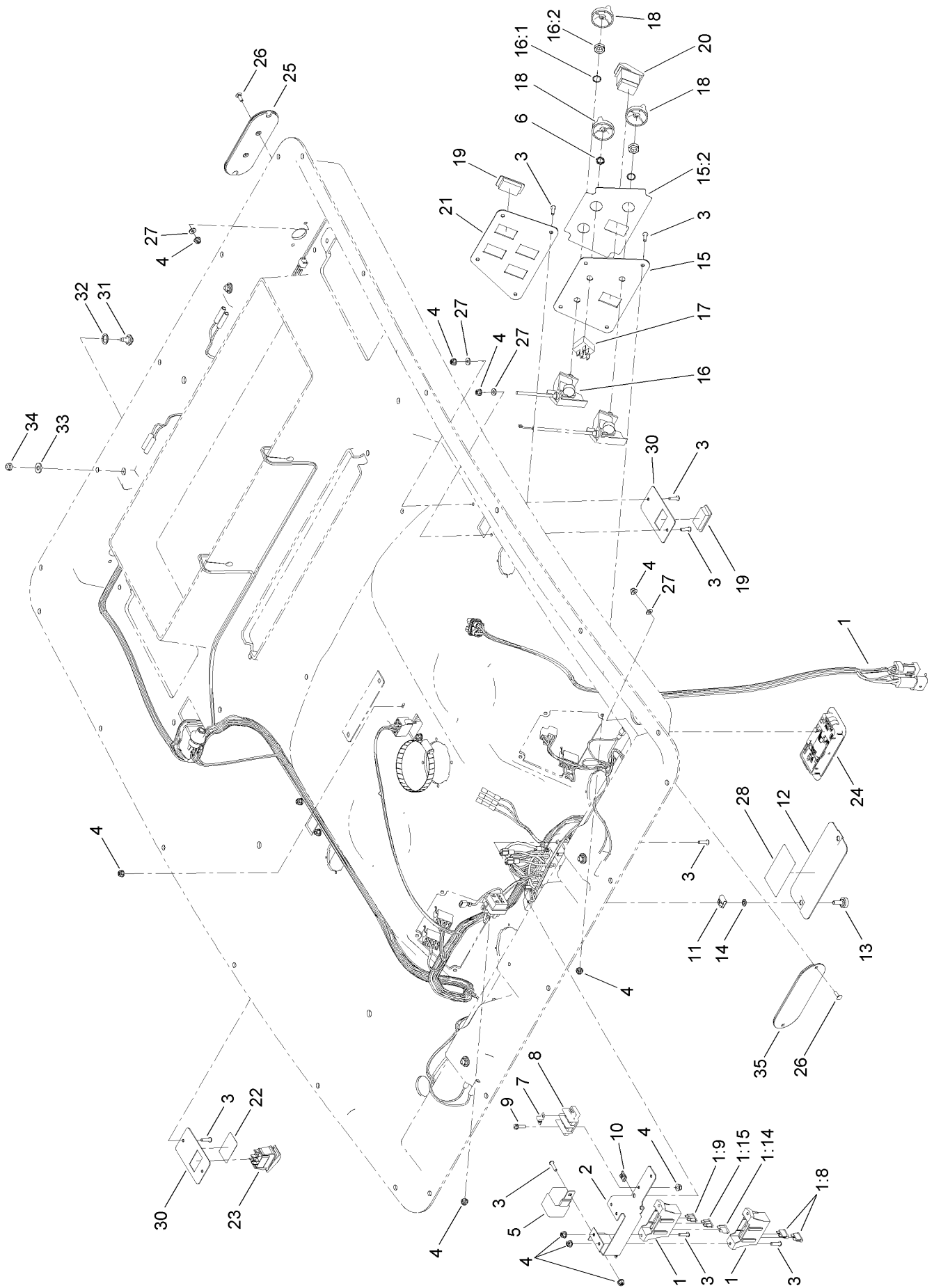


Mixing Box and Vent Hose Assembly (continued)

<i>Ref.</i>	<i>Part Number</i>	<i>Qty.</i>	<i>Description</i>	<i>Ref.</i>	<i>Part Number</i>	<i>Qty.</i>	<i>Description</i>
1	121-8470	1	Headliner	23		1	*obs* Roof ASM ●
2	121-8495	1	Box-Mixing, Heater A/C	23:1	125-9607	1	Roof
3	130-0558	3	Backplate-Rivet	23:2	121-8472-03	1	Screen-Roof
4	130-5938	2	Tube-Support	23:3	114-4899	16	Rivet-Push
5	104-7201	24	Nut-HF, NI	23:5	130-5865	2	Trim-Seal, Bulb
6	130-5860	2	Hose-Vent	23:6	130-5864	2	Trim-Seal, Bulb
7	130-0455	2	Louver-Round, Snap-In	23:7	130-5961	4	Seal-Corner
8	125-7503	20	Rivet-Pop	23:8	130-5960	2	Seal-Side
9	130-0465	3	Louver-Round, Snap-In (4 Inch)	23:9	130-5962	2	Seal-Front, Rear
10	121-8473	2	Hose-Intake, Fresh Air	24	119-4161	22	Bolt-Shoulder
11	130-5861	1	Hose-Vent, Outer (LH)	25	130-5939	4	Tube-Support
12	121-8477	1	Hose-Vent, Defrost (LH)	27	130-5999	1	Drier-Receiver
13	130-0437	1	Hose-Vent, Center	29	3334-945	2	Tie-Cable
14	121-8478	1	Hose-Vent, Defrost (RH)	30	3274-69	2	Screw-HSBH
15	130-5862	1	Hose-Vent, Outer (RH)	31	3256-1	2	Washer-Flat
16	2412-110	11	Clamp-Band/Screw	33	119-4501	1	Switch-Function, Dual
17	107069	2	Clip	34	46-6560	1	Bushing
18	125-9532	1	Filter-Cab, Inside	35	104-5228	1	Fitting-Elbow, 90 DEG
19	125-9604-03	1	Plate-Cover, Recirculation	36	130-0445	4	Backplate-Rivet
20	125-7438	2	Knob-Screw, Thumb	37	130-0444	1	Foam-Inlet, Airbox
21	106-8737	2	Nut-Retainer	38	2412-130	2	Clamp-Hose
22	130-5927	2	Adapter-Bleed	39	132-3474	2	Insert-Seal, Filter

● Not serviced separately

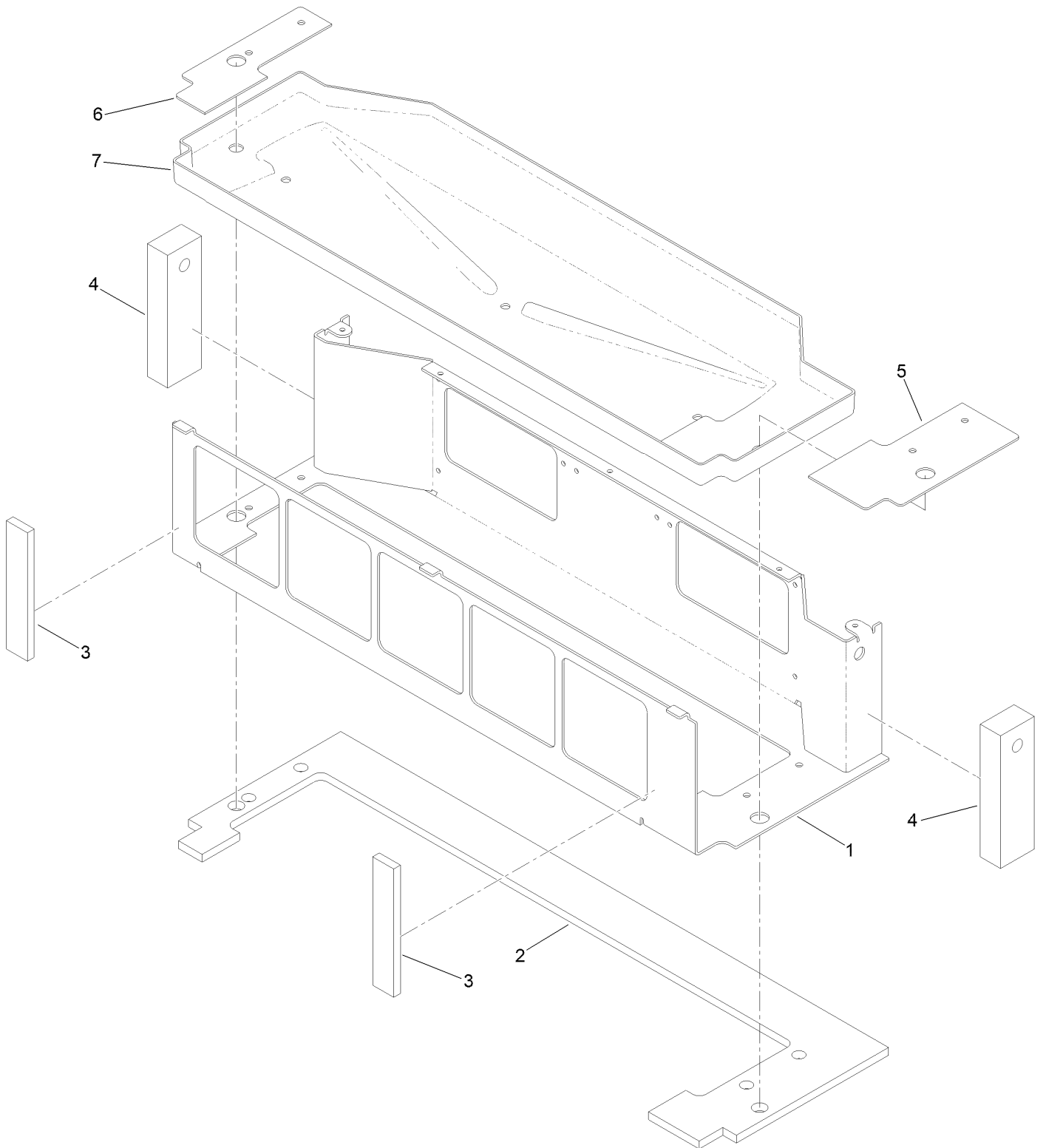
Headliner Wire Harness and Control Assembly



Headliner Wire Harness and Control Assembly (continued)

<i>Ref.</i>	<i>Part Number</i>	<i>Qty.</i>	<i>Description</i>	<i>Ref.</i>	<i>Part Number</i>	<i>Qty.</i>	<i>Description</i>
1	119-4387	1	Harness-Wire, Headliner	16:1	3254-20	1	Washer-Lock, Int
1:8	109355	2	Fuse-Blade, 15 Amp	16:2	3220-4	1	Nut-Jam
1:9	109103	1	Fuse-Blade, 30 Amp	17	122-0150	1	Switch, Rotary
1:14	109101	1	Fuse-Blade, 20 Amp	18	125-9510	3	Knob-Control
1:15	109102	1	Fuse-Blade, 25 Amp	19	99-7420	6	Plug-Hole
2	125-9606-03	1	Bracket-Fuse Block	20	95-8999	1	Switch-Rocker, On-None-On
3	104-2408	23	Screw-HSBH	21	125-9691-03	1	Panel-Switch, Lights
4	120-4578	29	Nut-HF	22	125-9688	1	Decal-Washer
5	99-7430	1	Relay-Mini	23	119-8355	1	Switch-Rocker
6	130-0588	1	Nut-Switch	24	125-7437	1	Light-Dome
7	42863	1	Strip-Jumper	25	130-5867	2	Cover-Light, Rear
8	42862	1	Block-Terminal, Ground	26	3229-34	8	Screw-CARR
9	32105-13	2	Screw-HWH	27	3256-14	14	Washer-Flat
10	107-1013	4	Nut-Speed	28	130-0458	1	Decal-Panel, Fuse
11	609900	2	Nut-Speed	30	130-0436	3	Panel-Switch
12	125-9603-03	1	Plate-Cover, Fuse	31	92-9698	4	Screw-Shoulder
13	125-7438	2	Knob-Screw, Thumb	32	94-8196	4	Washer-Nylon
14	106-8737	2	Nut-Retainer	33	3256-2	4	Washer-Flat
15	121-8481	1	Panel-Air/Heat	34	104-7201	4	Nut-HF, NI
15:2	121-8378	1	Decal, Air/Heat	35	130-5868	2	Cover-Light, Front
16	125-9677	1	Control-Rotary, Linear				

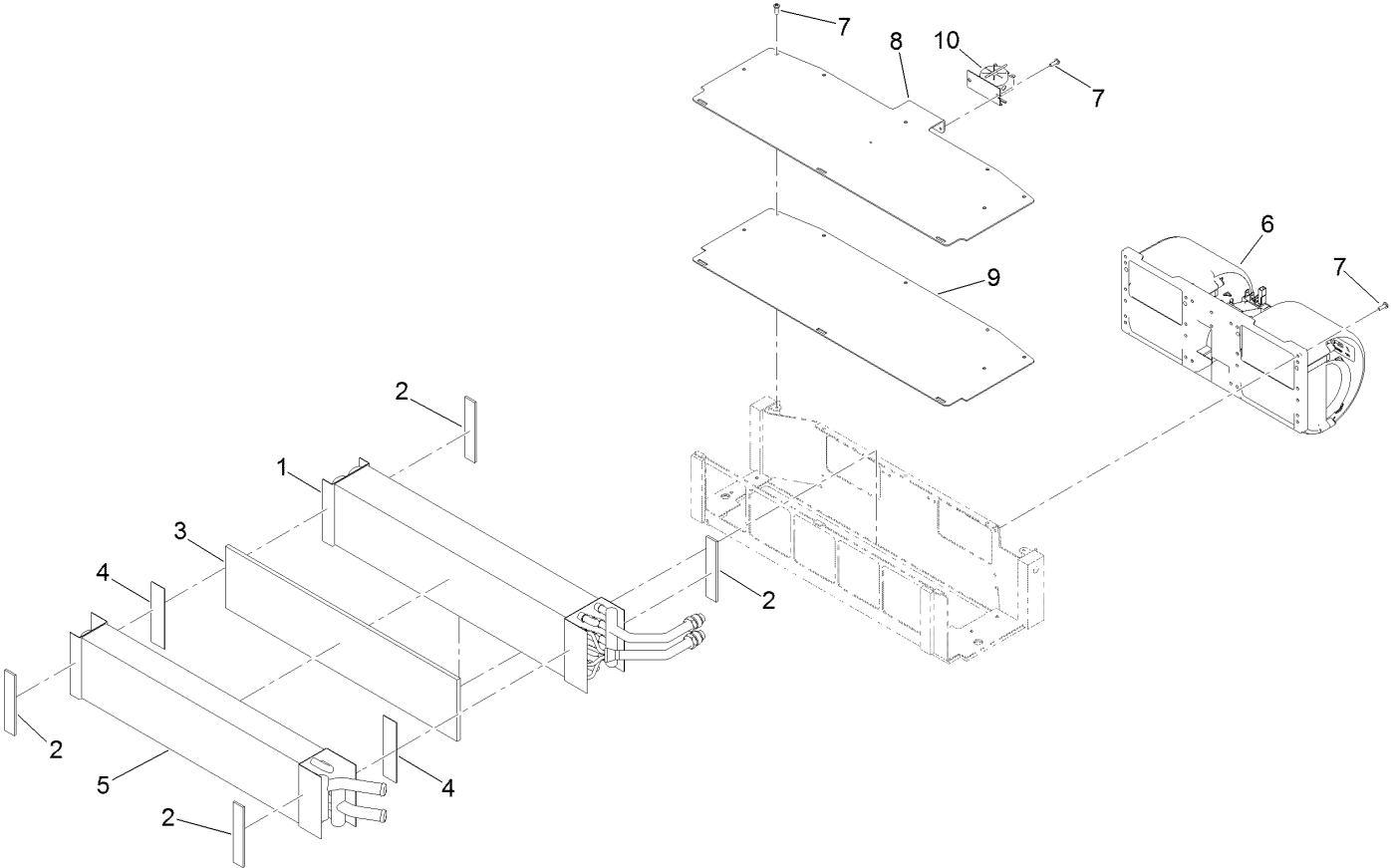
Mixing Box Mounting Bracket and Water Tray Assembly



Mixing Box Mounting Bracket and Water Tray Assembly (continued)

<i>Ref.</i>	<i>Part Number</i>	<i>Qty.</i>	<i>Description</i>	<i>Ref.</i>	<i>Part Number</i>	<i>Qty.</i>	<i>Description</i>
1	130-5655-03	1	Bracket-Mount	5	130-5653	1	Gasket-Mount, LH Bracket
2	130-5659	1	Seal-Foam	6	130-5654	1	Gasket-Mount, RH Bracket
3	130-5808	2	Seal-Foam, Front	7	130-5660	1	Tray-Water
4	130-0602	2	Seal-End				

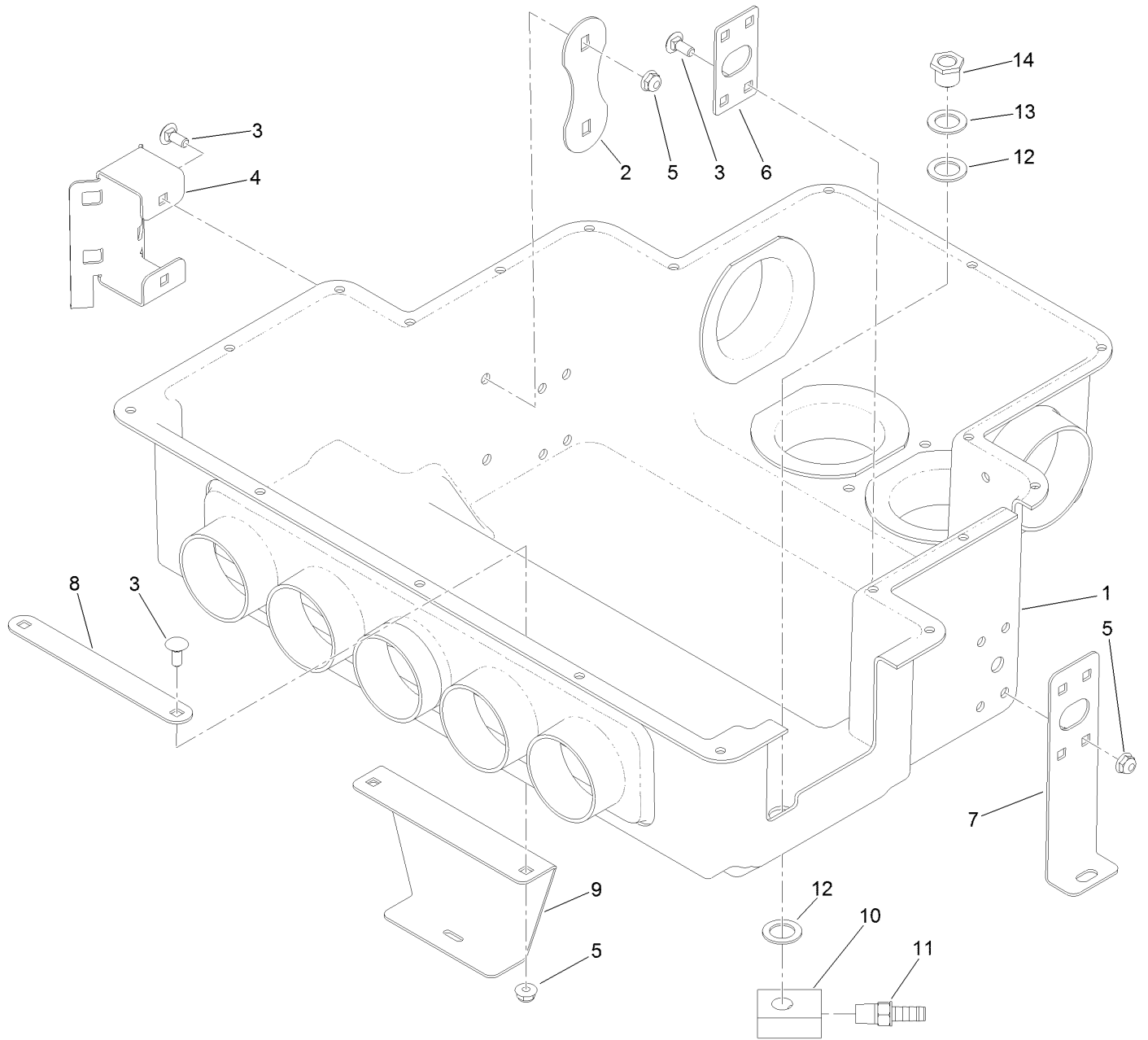
Blower Fan and Evaporator Core Assembly



Blower Fan and Evaporator Core Assembly (continued)

<i>Ref.</i>	<i>Part Number</i>	<i>Qty.</i>	<i>Description</i>	<i>Ref.</i>	<i>Part Number</i>	<i>Qty.</i>	<i>Description</i>
1	130-5392	1	Core-Evaporator	7	363-8245	13	Screw-TAP
2	130-5658	4	Gasket-Coil	8	130-5656-03	1	Cover, Bracket-Mount
3	130-5807	1	Foam	9	130-5652	1	Gasket-Mount, Cover Bracket
4	130-5806	2	Tape, Double-Sided	10	121-8385	1	Thermostat-Switch, Freeze
5	127-9915	1	Core-Heater				
6	121-8451	1	Fan-Blower				

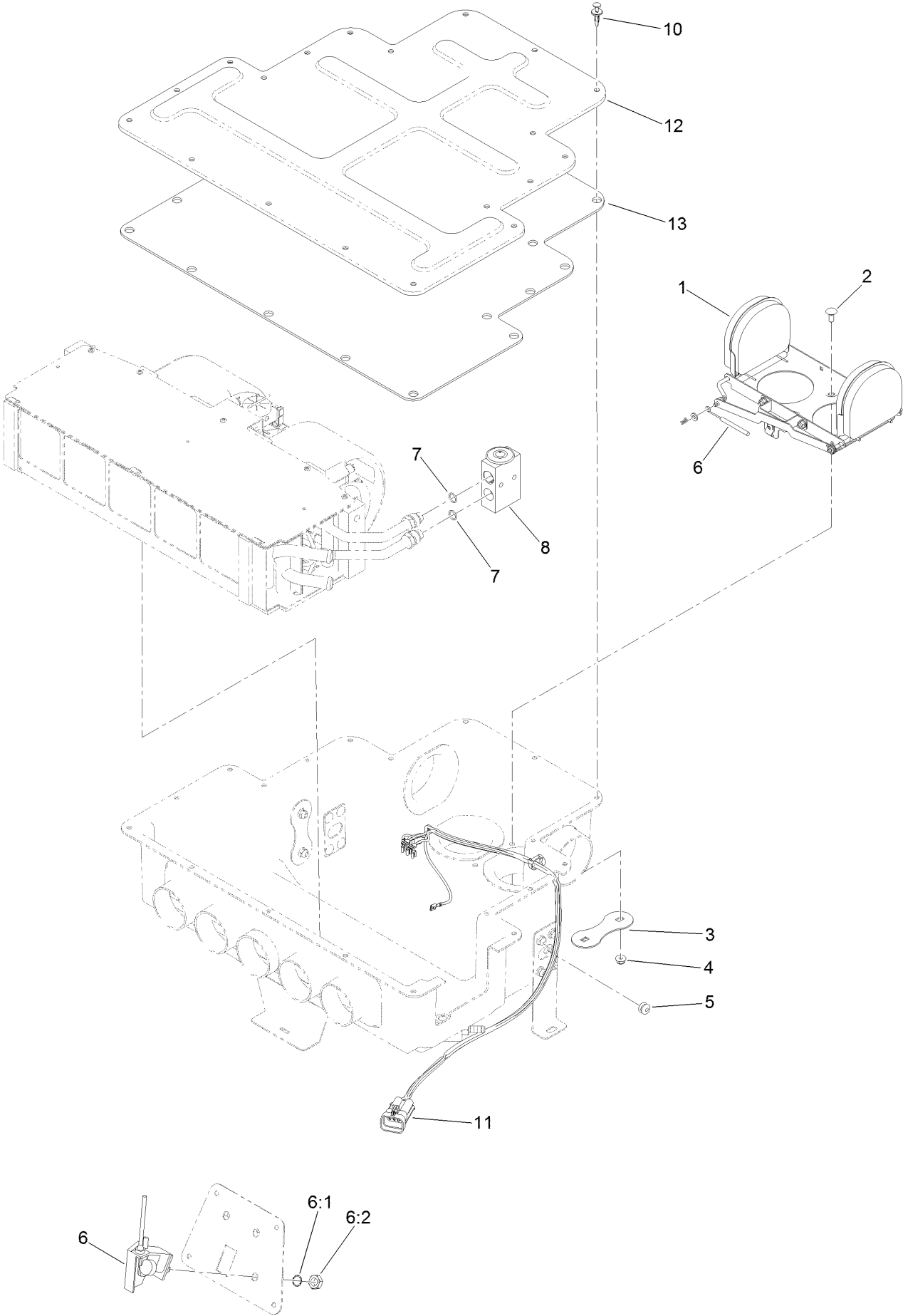
Heat/Air Conditioner Housing Assembly



Heat/Air Conditioner Housing Assembly (continued)

<i>Ref.</i>	<i>Part Number</i>	<i>Qty.</i>	<i>Description</i>	<i>Ref.</i>	<i>Part Number</i>	<i>Qty.</i>	<i>Description</i>
1	130-5830	1	Housing-Heat/AC	8	125-7504	1	Plate-Backer, Center
2	121-8491	1	Plate-Support	9	130-0554	1	Bracket-Airbox, Center
3	3229-11	12	Screw-CARR	10	130-5601	2	Drain-Lower
4	121-8490	1	Bracket-Mount, Drier	11	108-0342	2	Fitting-Straight
5	104-7201	12	Nut-HF, NI	12	121-6840	4	Washer-Rubber
6	130-5834	2	Bracket-Support	13	107-3041	2	Washer-Flat
7	130-5821	2	Bracket-Airbox, Side	14	130-0293	2	Drain-Upper

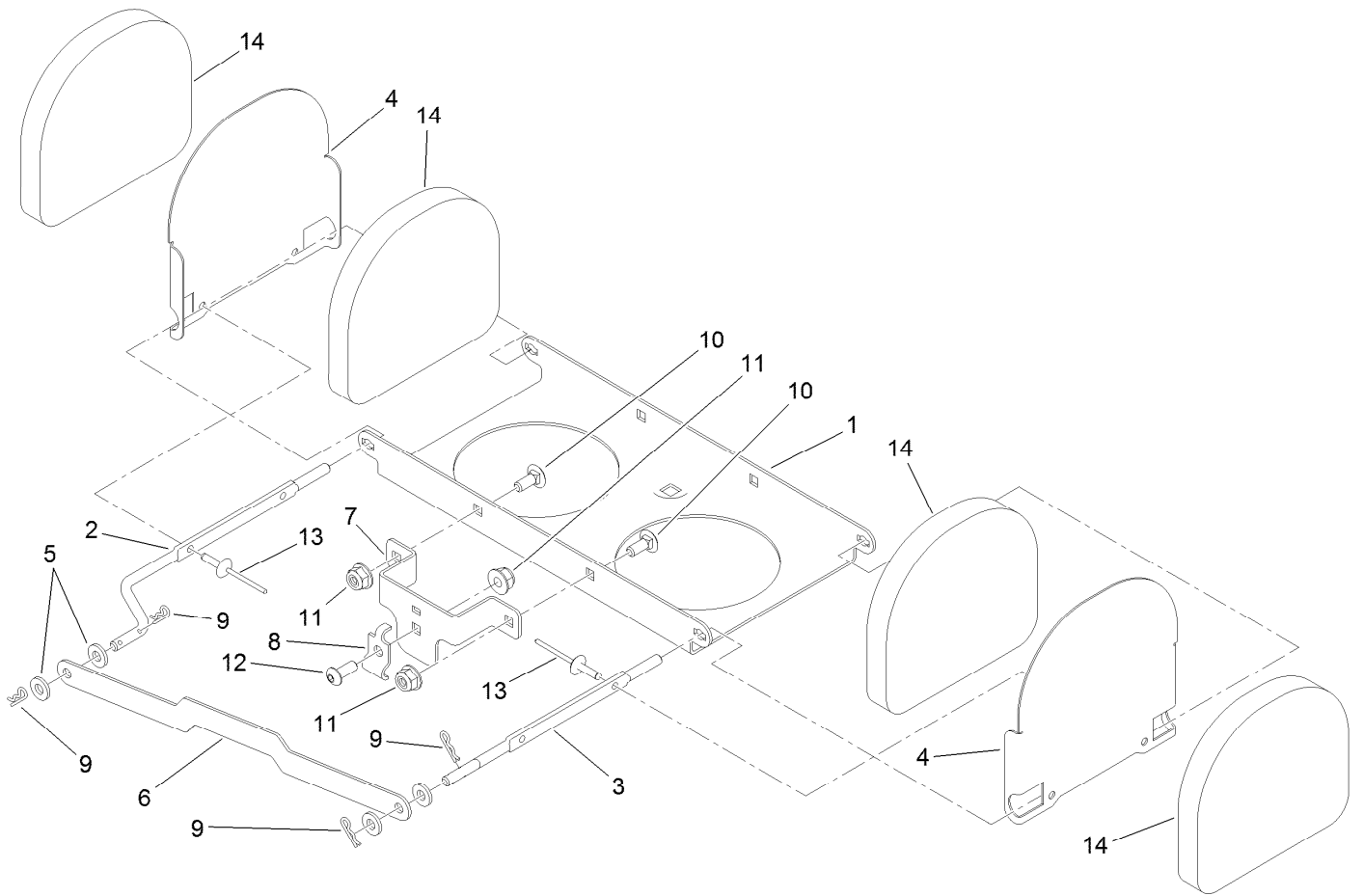
Air Diverter and Expansion Valve Assembly



Air Diverter and Expansion Valve Assembly (continued)

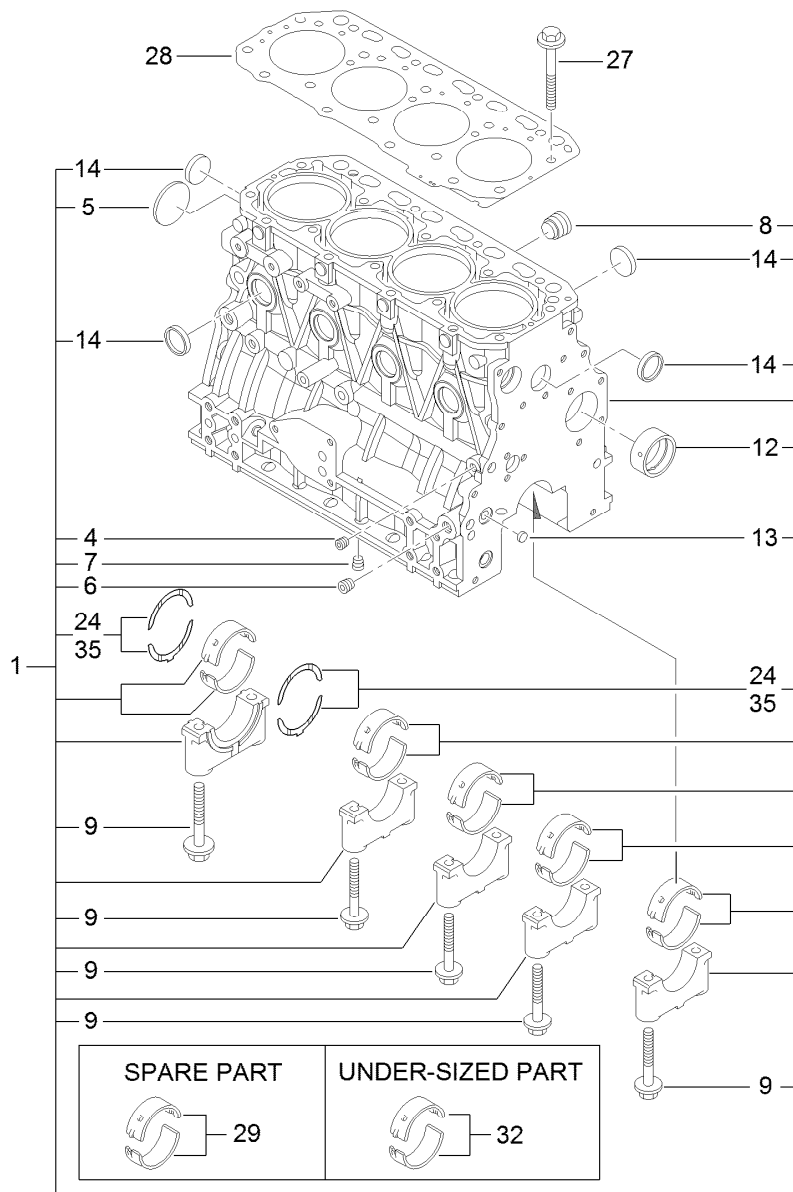
<i>Ref.</i>	<i>Part Number</i>	<i>Qty.</i>	<i>Description</i>	<i>Ref.</i>	<i>Part Number</i>	<i>Qty.</i>	<i>Description</i>
1	121-8369	1	Air Diverter ASM	7	125-9524	2	O-Ring
2	3229-11	2	Screw-CARR	8	121-8384	1	Valve-Expansion
3	121-8491	1	Plate-Support	10	125-9622	19	Rivet-Blind
4	104-7201	2	Nut-HF, NI	11	122-0153	1	Harness-Wire, Heat/AC Blower
5	125-7528	1	Grommet-Cable	12	121-8449	1	Housing-Ventilation, Upper
6	125-9678	1	Control-Rotary, Linear	13	130-5614	1	Insulation-Cover
6:1	3254-20	1	Washer-Lock, Int				
6:2	3220-4	1	Nut-Jam				

Air Diverter Assembly No. 121-8369



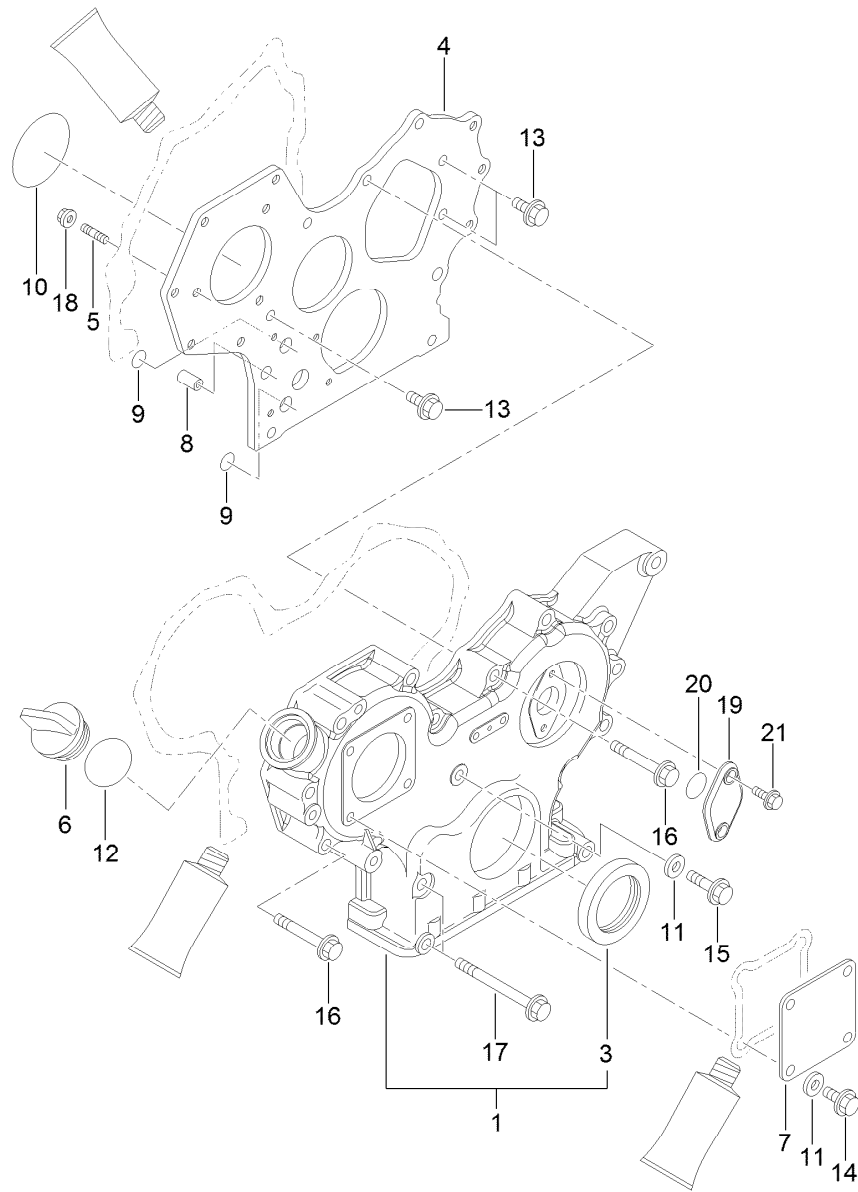
Air Diverter Assembly No. 121-8369 (continued)

<i>Ref.</i>	<i>Part Number</i>	<i>Qty.</i>	<i>Description</i>	<i>Ref.</i>	<i>Part Number</i>	<i>Qty.</i>	<i>Description</i>
1	125-9697	1	Base-Mount	8	121-8256	1	Clamp-Conduit
2	121-8381	1	Shaft-Baffle, RH	9	108-2992	4	Pin-Hair
3	121-8382	1	Shaft-Baffle, LH	10	1-807513	2	Bolt-CARR
4	125-9698	2	Baffle-Air	11	120-4578	3	Nut-HF
5	3256-51	4	Washer-Flat	12	115-9830	1	Screw-HSBH
6	125-9696	1	Link-Baffle	13	3290-271	4	Rivet-Pop
7	121-8374	1	Mount-Cable	14	125-9699	4	Damper-Foam



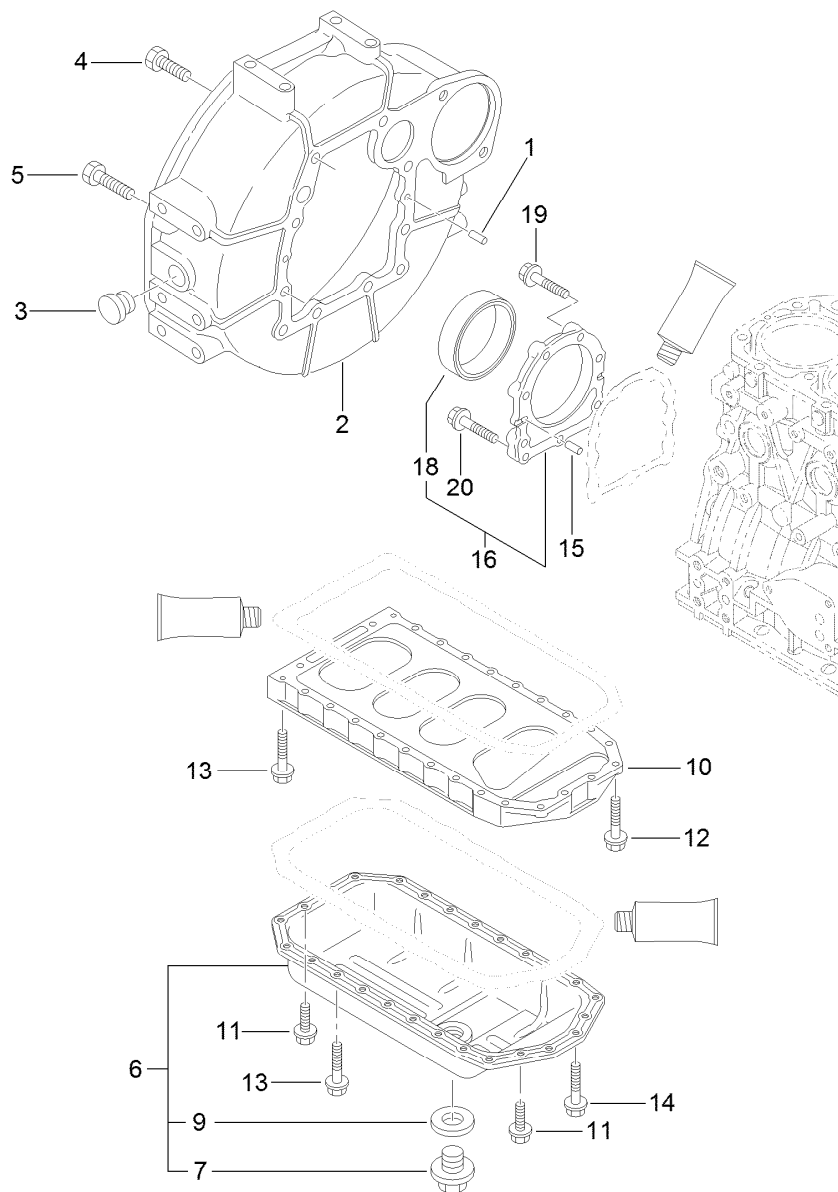
Cylinder Block Assembly

<i>Ref.</i>	<i>Part Number</i>	<i>Qty.</i>	<i>Description</i>	<i>Ref.</i>	<i>Part Number</i>	<i>Qty.</i>	<i>Description</i>
1	125-7244	1	Cylinder Block ASM	13	125-7237	2	Plug
4	125-6969	1	Plug	14	125-7239	8	Plug
5	125-6980	1	Plug	24	125-7010	2	Metal-Thrust
6	125-6973	1	Plug	27	125-7006	18	Bolt
7	125-6973	1	Plug	28	125-7049	1	Gasket-Head
8	125-7170	1	Plug	29	125-6981	5	Metal-Main
9	125-7007	10	Bolt	32	125-7009	5	Metal-Main (0.25)
12	125-7108	1	Bushing	35	125-7011	1	Metal-Thrust (0.25)



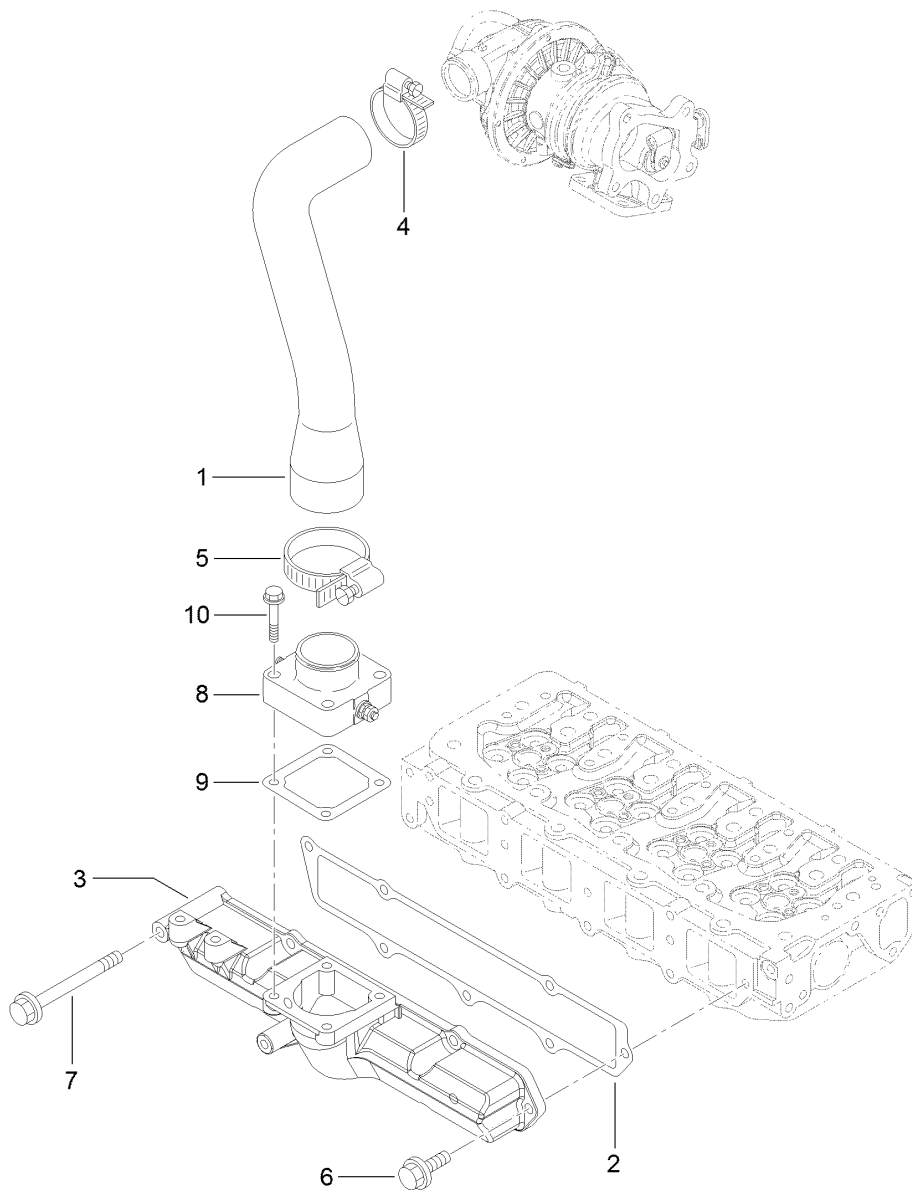
Gear Housing Assembly

<i>Ref.</i>	<i>Part Number</i>	<i>Qty.</i>	<i>Description</i>	<i>Ref.</i>	<i>Part Number</i>	<i>Qty.</i>	<i>Description</i>
1	125-7247	1	Case ASM	12	125-7197	1	O-Ring
3	125-6944	1	Seal-Oil	13	125-7214	3	Bolt
4	125-6936	1	Flange	14	125-7214	4	Bolt
5	125-6919	3	Stud	15	125-7216	1	Bolt
6	125-6972	1	Cover-Filler	16	125-7221	12	Bolt
7	125-6977	1	Cover	17	125-7224	3	Bolt
8	125-7107	2	Pipe	18	125-7229	3	Nut
9	125-6909	2	O-Ring	19	125-6950	1	Cover
10	125-6957	1	O-Ring	20	125-7199	1	O-Ring
11	125-7174	5	Washer-Seal	21	125-7208	2	Bolt



Flywheel Housing and Oil Sump Assembly

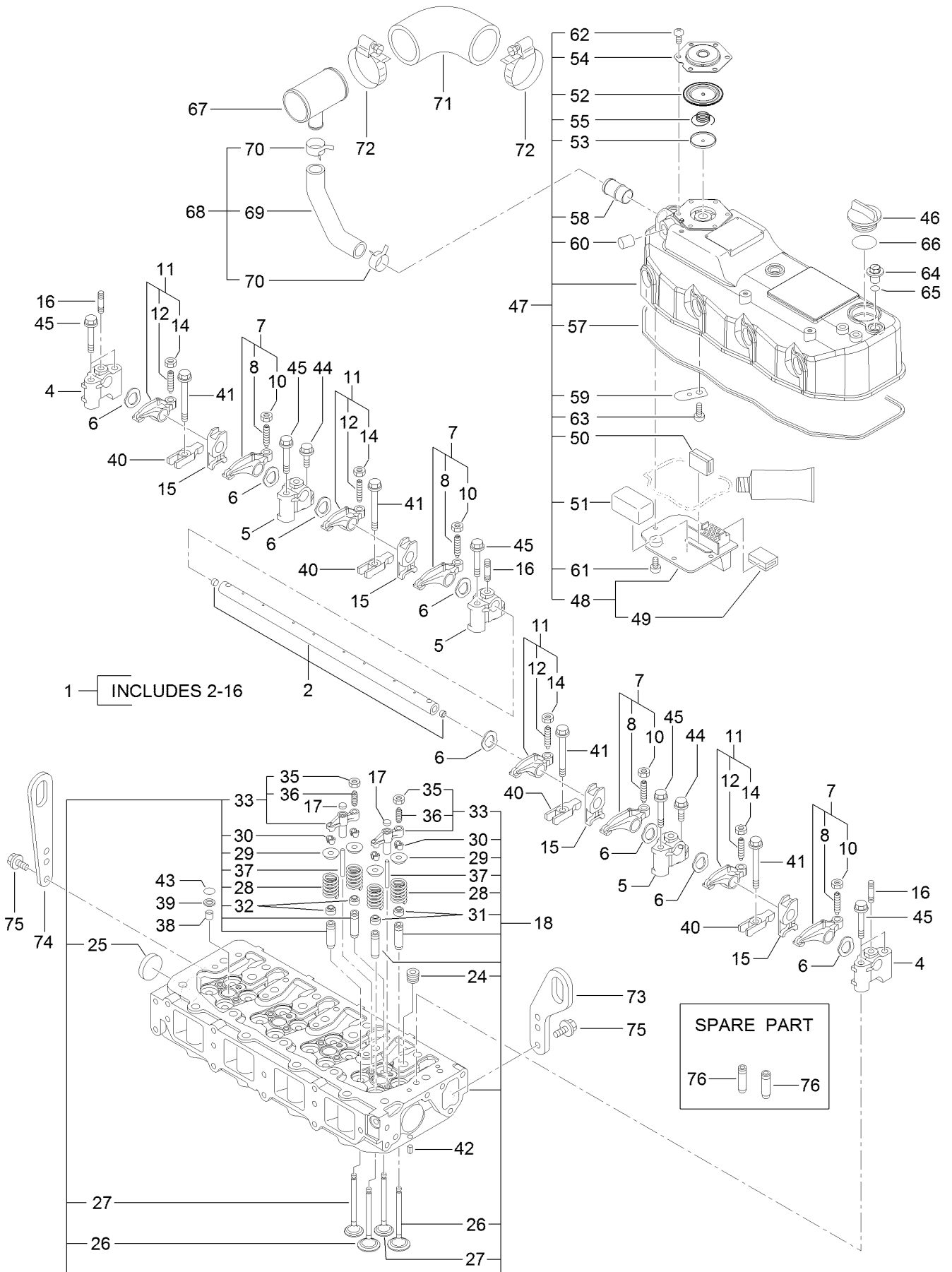
<i>Ref.</i>	<i>Part Number</i>	<i>Qty.</i>	<i>Description</i>	<i>Ref.</i>	<i>Part Number</i>	<i>Qty.</i>	<i>Description</i>
1	125-6995	2	Pin	11	125-7214	4	Bolt
2	125-7100	1	Housing	12	125-7215	2	Bolt
3	125-6910	1	Cap	13	125-7219	20	Bolt
4	125-7226	6	Bolt	14	125-7220	4	Bolt
5	125-7227	4	Bolt	15	125-6995	2	Pin
6	125-7241	1	Oil Sump ASM	16	125-6996	1	Case ASM
7	125-6912	1	Plug-Drain	18	125-7106	1	Seal-Oil
9	125-7177	1	Washer-Seal	19	125-7045	6	Bolt
10	125-7035	1	Spacer	20	125-7217	3	Bolt



Suction Manifold Assembly

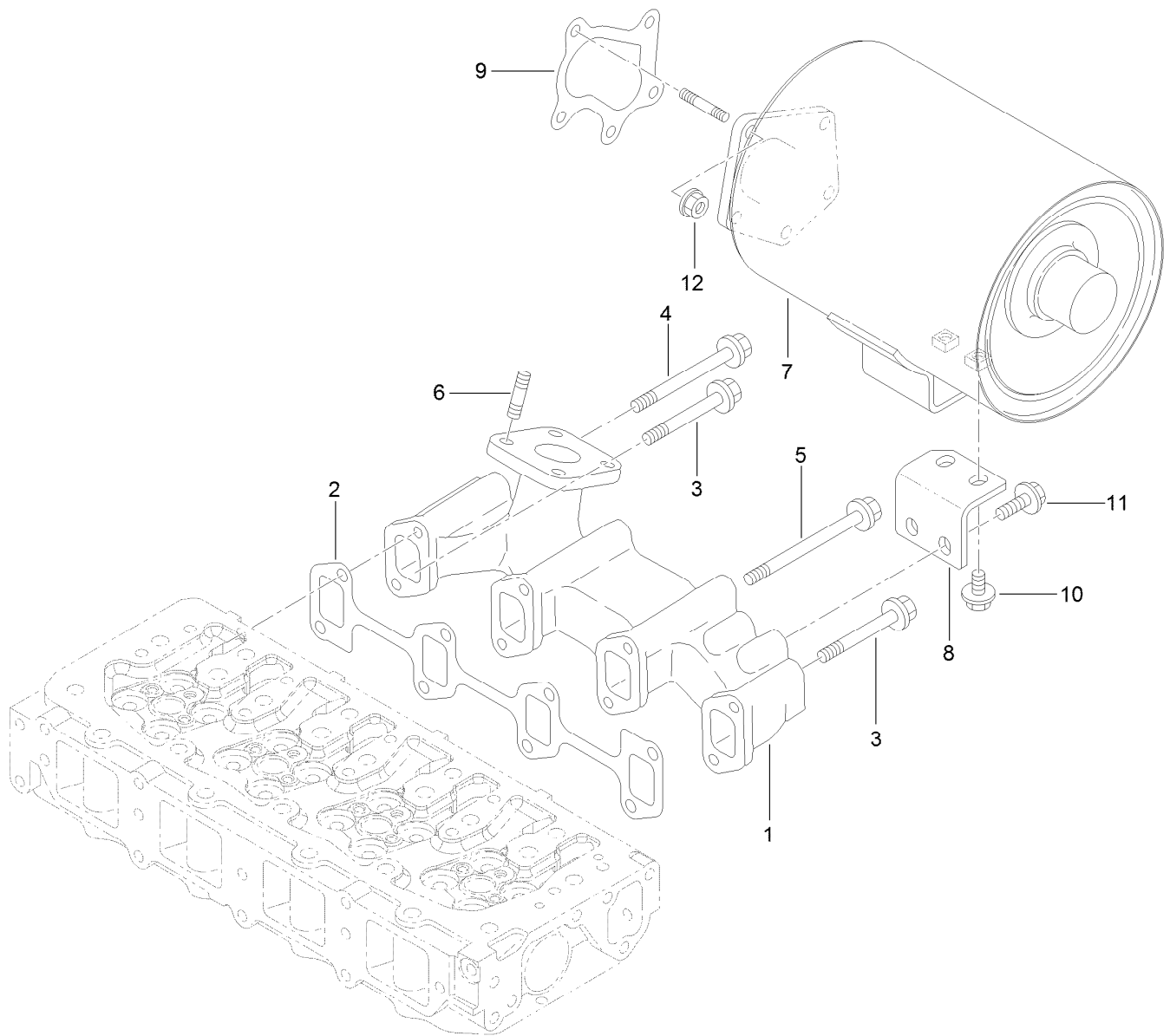
<i>Ref.</i>	<i>Part Number</i>	<i>Qty.</i>	<i>Description</i>
1	125-7065	1	Pipe
2	125-7066	1	Gasket
3	125-7067	1	Manifold-Intake
4	125-7189	1	Clamp-Hose
5	125-7190	1	Clamp-Hose
6	125-7595	6	Bolt
7	125-7223	1	Bolt
8	125-7002	1	Heater
9	125-7028	1	Gasket
10	125-7217	4	Bolt

Cylinder Head and Bonnet Assembly



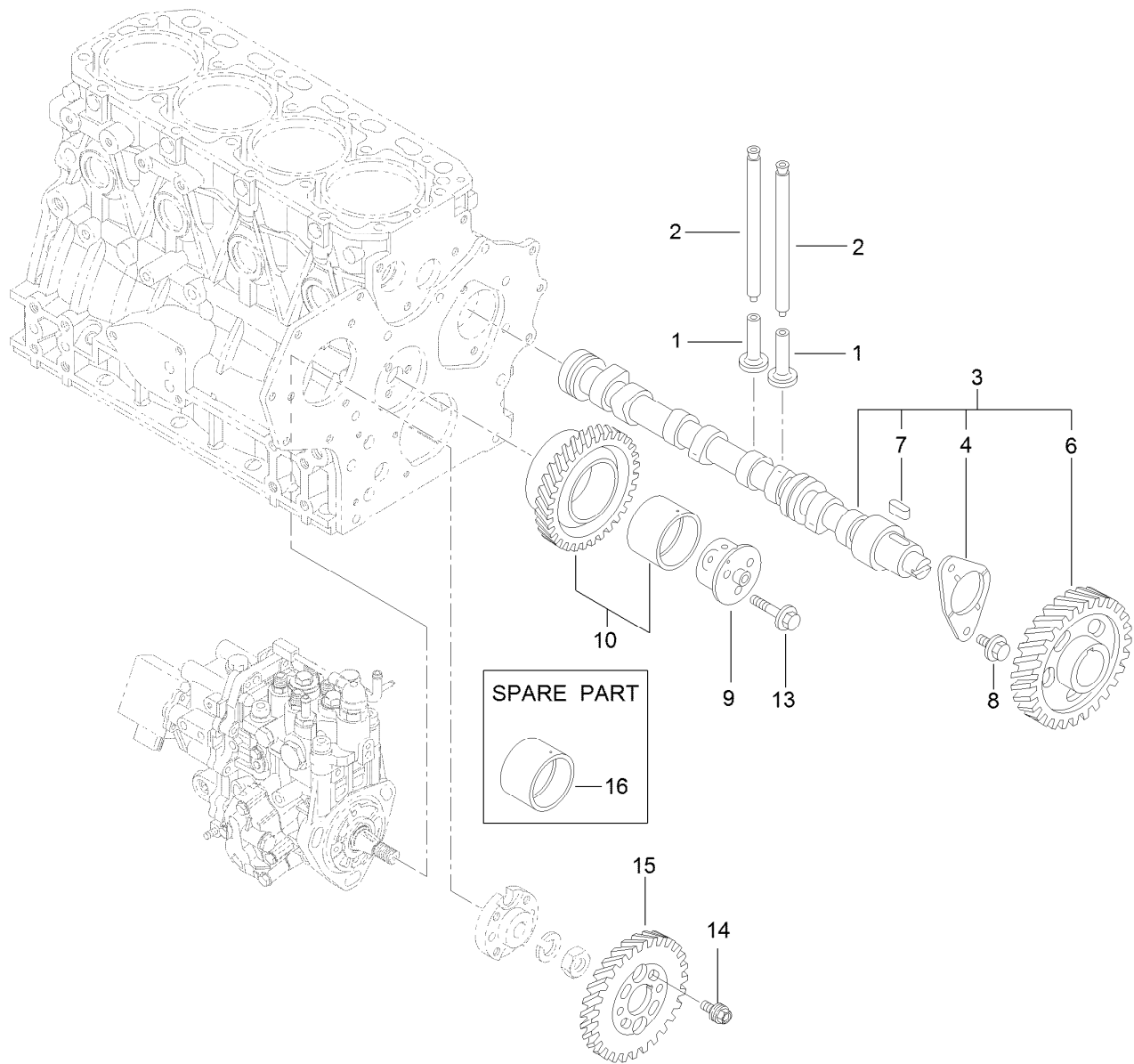
Cylinder Head and Bonnet Assembly (continued)

<i>Ref.</i>	<i>Part Number</i>	<i>Qty.</i>	<i>Description</i>	<i>Ref.</i>	<i>Part Number</i>	<i>Qty.</i>	<i>Description</i>
1	125-7055	1	Shaft ASM	43	93-0418	4	O-Ring
2	125-7056	1	Shaft	44	125-7215	3	Bolt
4	125-7057	2	Support	45	125-7220	7	Bolt
5	125-7058	3	Support	46	125-6972	1	Cover-Filler
6	125-7059	8	Washer	47	125-7099	1	Bonnet ASM
7	125-7061	4	Arm-Rocker	48	125-7050	1	Plate
8	125-7013	4	Screw-Adjust, Valve	49	125-6920	1	Baffle
10	125-7014	4	Nut	50	125-7012	1	Baffle
11	125-7062	4	Arm-Rocker	51	125-7118	1	Baffle-Breather
12	125-7013	4	Screw-Adjust, Valve	52	125-6959	1	Diaphragm
14	125-7014	4	Nut	53	125-6960	1	Plate
15	125-7593	1	Retainer	54	125-6961	1	Plate-Breather
16	125-7228	3	Stud	55	125-6962	1	Spring-Diaphragm
17	125-6963	8	Seat-Bridge, Valve	57	125-7060	1	Gasket
18	125-7089	1	Cylinder Head ASM	58	125-6982	1	Pipe
24	125-7196	4	Plug	59	125-6994	1	Spring
25	125-7240	2	Plug	60	125-6913	1	Plug
26	125-7051	8	Valve	61	125-7186	4	Screw
27	125-7052	8	Valve	62	125-7186	6	Screw
28	125-7053	16	Spring	63	125-7186	1	Screw
29	125-7054	16	Retainer	64	125-6974	3	Knob
30	125-6914	32	Cotter	65	93-0418	3	O-Ring
31	125-6915	8	Seal-Stem, Valve	66	125-7197	1	O-Ring
32	125-6916	8	Seal-Stem, Valve	67	125-7086	1	Joint
33	125-7104	8	Bridge ASM	68	125-7087	1	Hose ASM
35	125-7014	8	Nut	69	125-7088	1	Hose
36	125-6965	8	Adjuster	70	125-7040	2	Clip-Hose
37	125-7063	8	Guide	71	125-7090	1	Hose
38	125-6921	4	Protector	72	125-7190	2	Clamp-Hose
39	125-6911	4	Seat-Valve	73	125-7046	1	Lifter
40	125-7064	4	Retainer	74	125-7111	1	Lifter
41	125-7119	4	Bolt	75	125-7214	4	Bolt
42	125-7184	2	Pin-Spring	76	125-6917	16	Guide



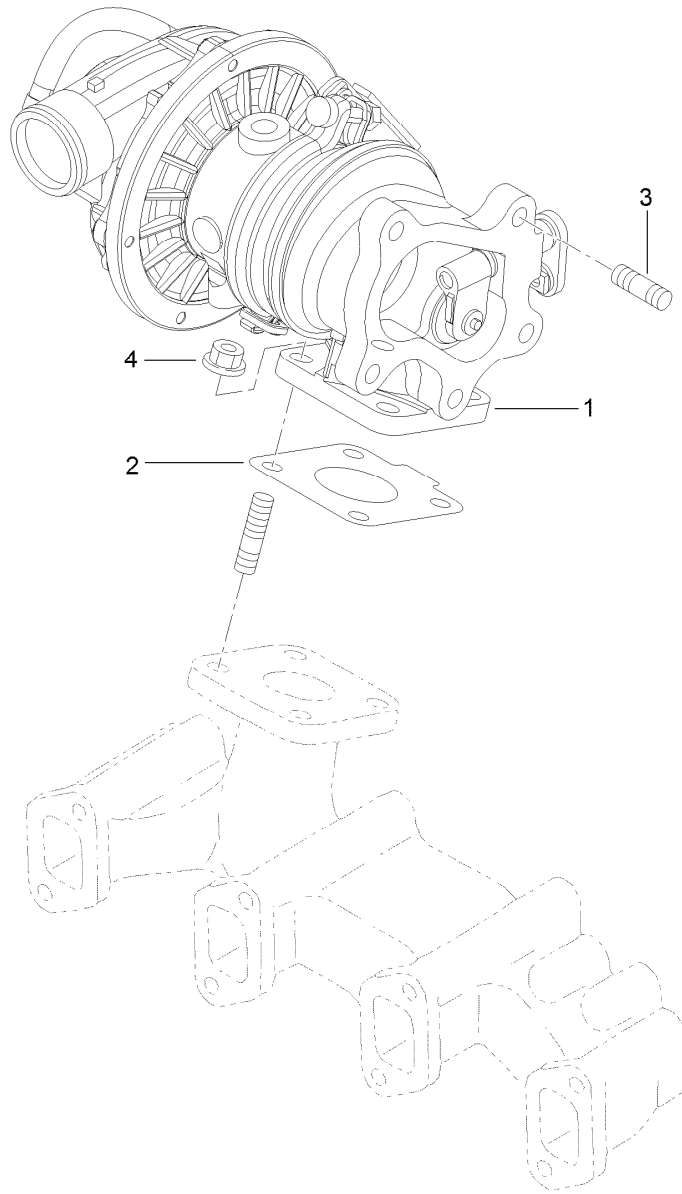
Exhaust Manifold and Silencer Assembly

<i>Ref.</i>	<i>Part Number</i>	<i>Qty.</i>	<i>Description</i>
1	125-7093	1	Manifold-Exhaust
2	125-7096	1	Gasket
3	125-6922	3	Bolt
4	125-6923	1	Bolt
5	125-6924	4	Bolt
6	125-6906	4	Stud
7	125-7094	1	Silencer
8	125-7095	1	Support-Silencer
9	125-7071	1	Gasket
10	125-7213	2	Bolt
11	125-7595	2	Bolt
12	125-7229	5	Nut



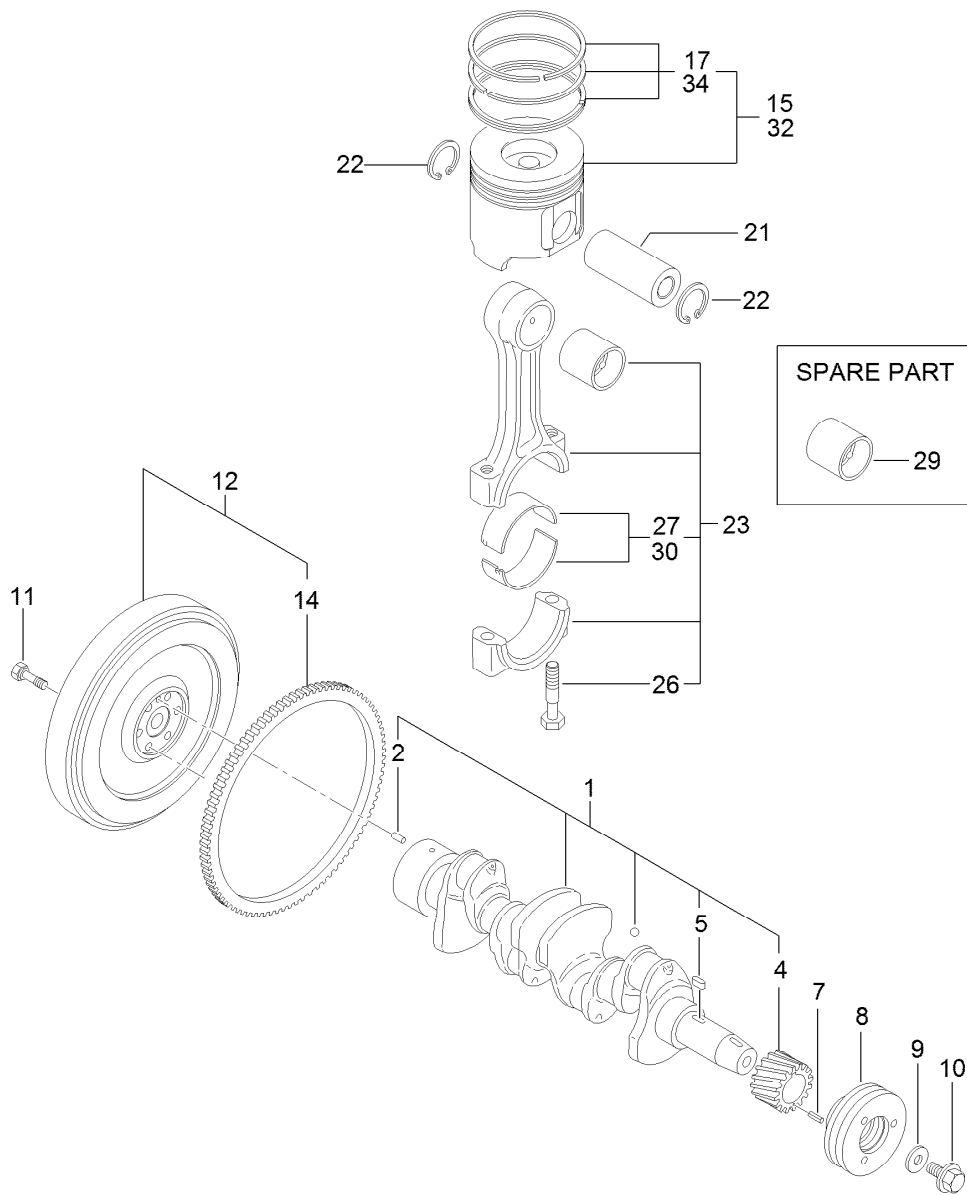
Camshaft and Driving Gear Assembly

Ref.	Part Number	Qty.	Description
1	125-7016	8	Tappet
2	125-7017	8	Rod-Push
3	125-7068	1	Camshaft ASM
4	125-7008	1	Metal-Thrust
6	125-7015	1	Gear
7	125-7185	1	Key
8	125-7213	2	Bolt
9	125-6938	1	Shaft
10	125-6928	1	Gear ASM
13	125-7218	3	Bolt
14	125-7020	4	Bolt
15	125-6929	1	Gear
16	125-6927	1	Bushing



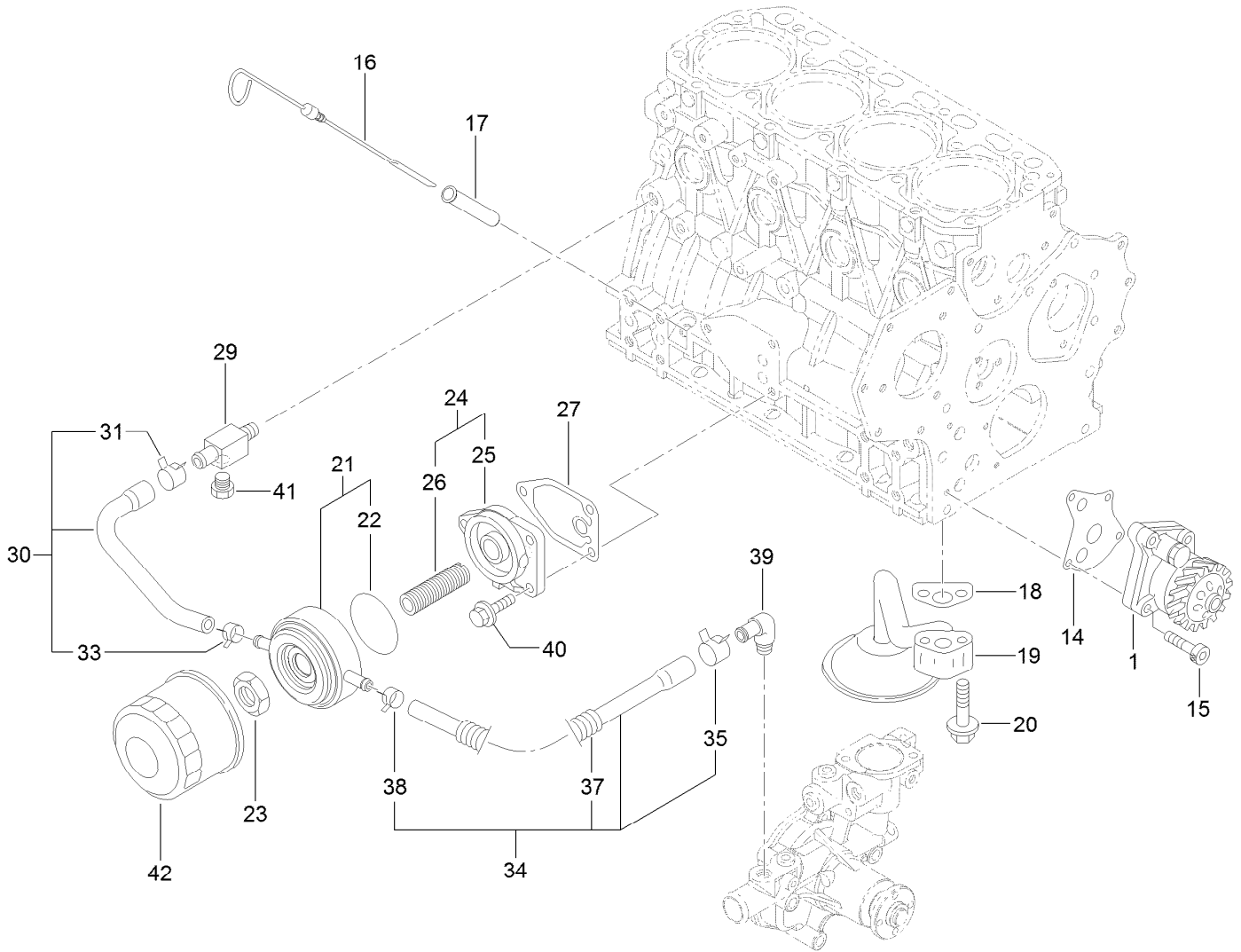
Turbine Assembly

<i>Ref.</i>	<i>Part Number</i>	<i>Qty.</i>	<i>Description</i>
1	125-7069	1	Turbine
2	125-7070	1	Gasket
3	125-7043	5	Stud
4	125-7229	4	Nut



Crankshaft and Piston Assembly

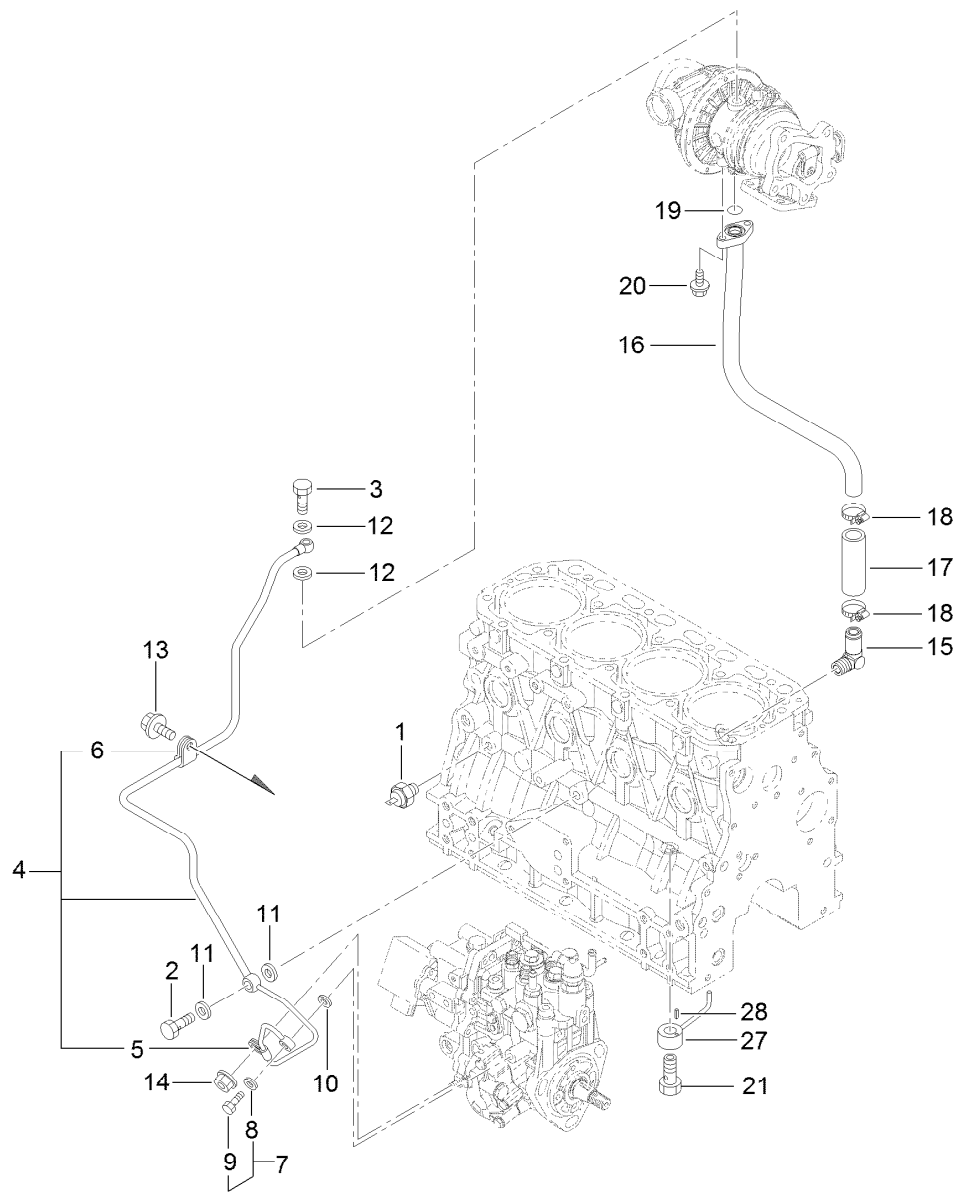
<i>Ref.</i>	<i>Part Number</i>	<i>Qty.</i>	<i>Description</i>	<i>Ref.</i>	<i>Part Number</i>	<i>Qty.</i>	<i>Description</i>
1	125-7091	1	Crankshaft ASM	15	125-7072	4	Piston ASM
2	125-6995	1	Pin	17	125-6983	4	Piston Ring Set
4	125-6937	1	Gear	21	125-7030	4	Pin
5	125-7185	1	Key	22	125-7180	8	Ring
7	125-7182	1	Pin-Spring	23	125-7242	4	Connecting Rod ASM
8	125-6925	1	V-Pulley	26	125-6955	8	Bolt
9	125-7109	1	Washer	27	125-7018	4	Pin-Crank
10	125-6956	1	Bolt	29	125-6997	4	Pin-Piston
11	125-6951	6	Bolt	30	125-7019	4	Pin-Crank (.25)
12	125-7172	1	Flywheel ASM	32	125-7073	4	Piston ASM (0.25 Os)
14	125-6943	1	Gear	34	125-6985	4	Piston Ring Set (.25)



Lubrication and Oil System Assembly

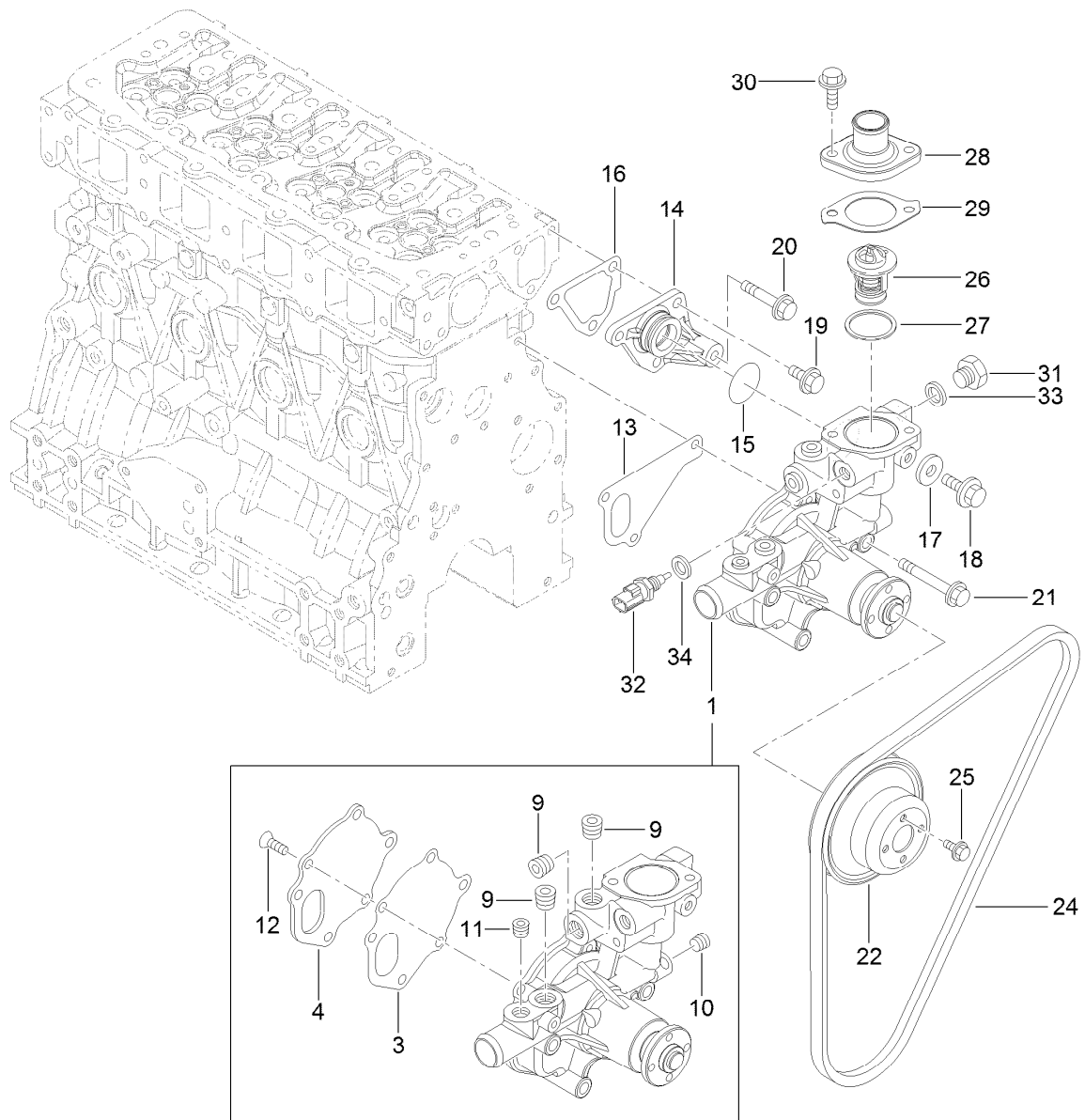
Ref.	Part Number	Qty.	Description
1	125-7044	1	Oil Pump ASM
14	125-7021	1	Gasket
15	125-7232	4	Bolt
16	125-6987	1	Dipstick
17	125-6954	1	Guide-Dipstick
18	125-7022	1	Gasket
19	125-7023	1	Pipe ASM
20	125-7217	2	Bolt
21	125-7074	1	Cooler ASM
22	125-7075	1	O-Ring
23	125-7041	1	Nut-Cooler, Oil
24	125-6989	1	Bracket ASM
25	125-6930	1	Bracket
26	125-7042	1	Stud

Ref.	Part Number	Qty.	Description
27	125-7024	1	Gasket
29	125-6990	1	Joint
30	125-7078	1	Pipe ASM
31	125-7162	1	Clip
33	125-7191	1	Clamp-Hose
34	125-7079	1	Pipe ASM
35	125-7162	1	Clip
37	125-6946	1	Tube
38	125-7191	1	Clamp-Hose
39	125-7001	1	Elbow
40	125-7595	3	Bolt
41	125-7171	1	Plug-Drain
42	125-7025	1	Filter-Engine, Oil



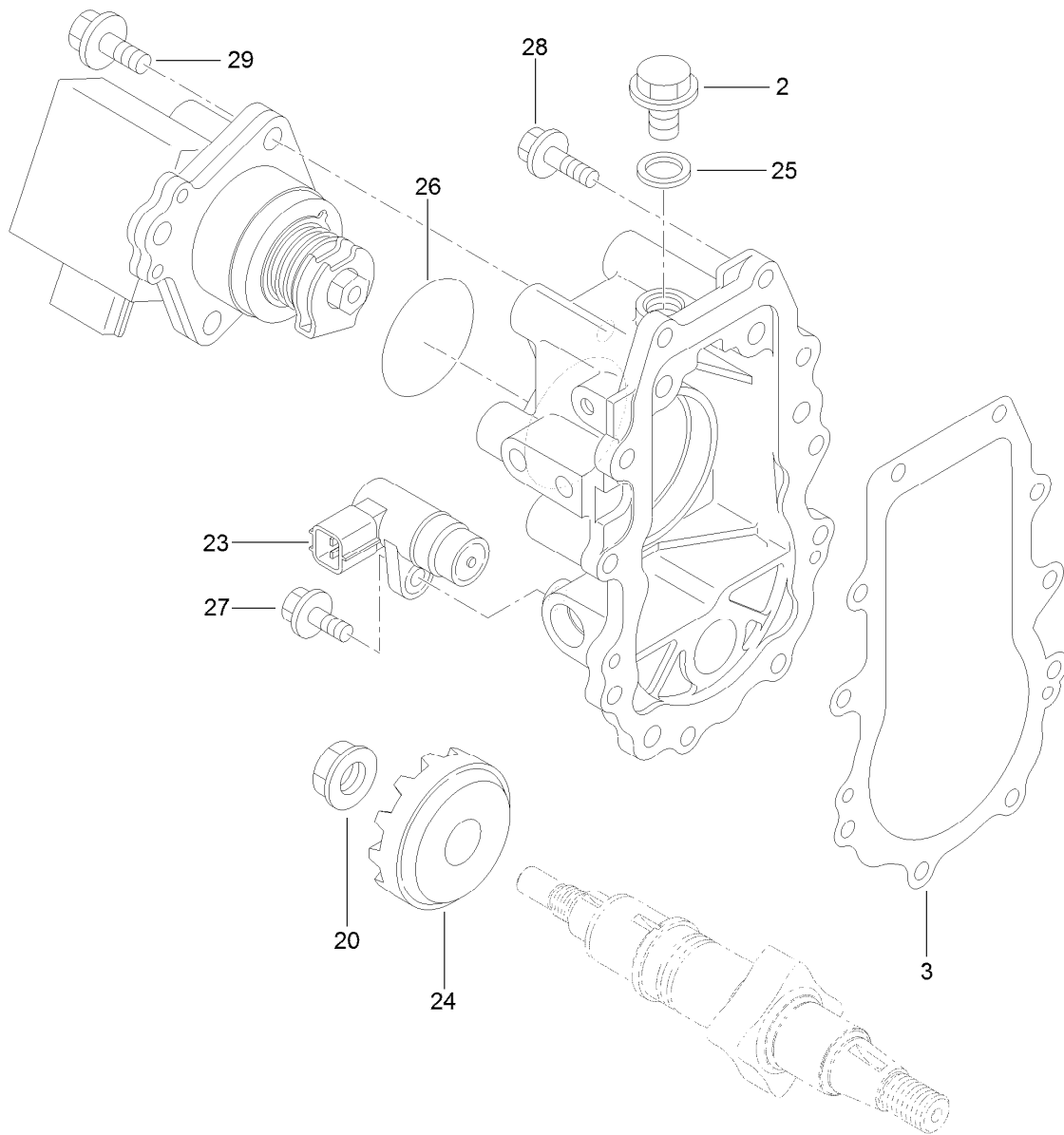
Lubrication Oil Line Assembly

<i>Ref.</i>	<i>Part Number</i>	<i>Qty.</i>	<i>Description</i>	<i>Ref.</i>	<i>Part Number</i>	<i>Qty.</i>	<i>Description</i>
1	125-6918	1	Switch-Oil	13	125-7212	1	Bolt
2	125-6975	1	Bolt-Joint, Pipe	14	125-7231	1	Nut
3	125-6952	1	Bolt-Joint, Pipe	15	125-6971	1	Elbow
4	125-7076	1	Pipe ASM	16	125-7077	1	Pipe
5	125-6931	1	Retainer	17	125-6958	1	Hose
6	125-6976	1	Retainer	18	125-7188	2	Clamp-Hose
7	125-6988	1	Joint Bolt ASM	19	125-7198	1	O-Ring
8	125-7174	1	Washer-Seal	20	125-7208	2	Bolt
9	125-7194	1	Bolt-Joint	21	125-7105	4	Check Valve ASM
10	125-7174	1	Washer-Seal	27	125-7098	4	Nozzle
11	125-7175	2	Washer-Seal	28	125-7182	4	Pin-Spring
12	125-7193	2	Gasket				



Cooling Water System Assembly

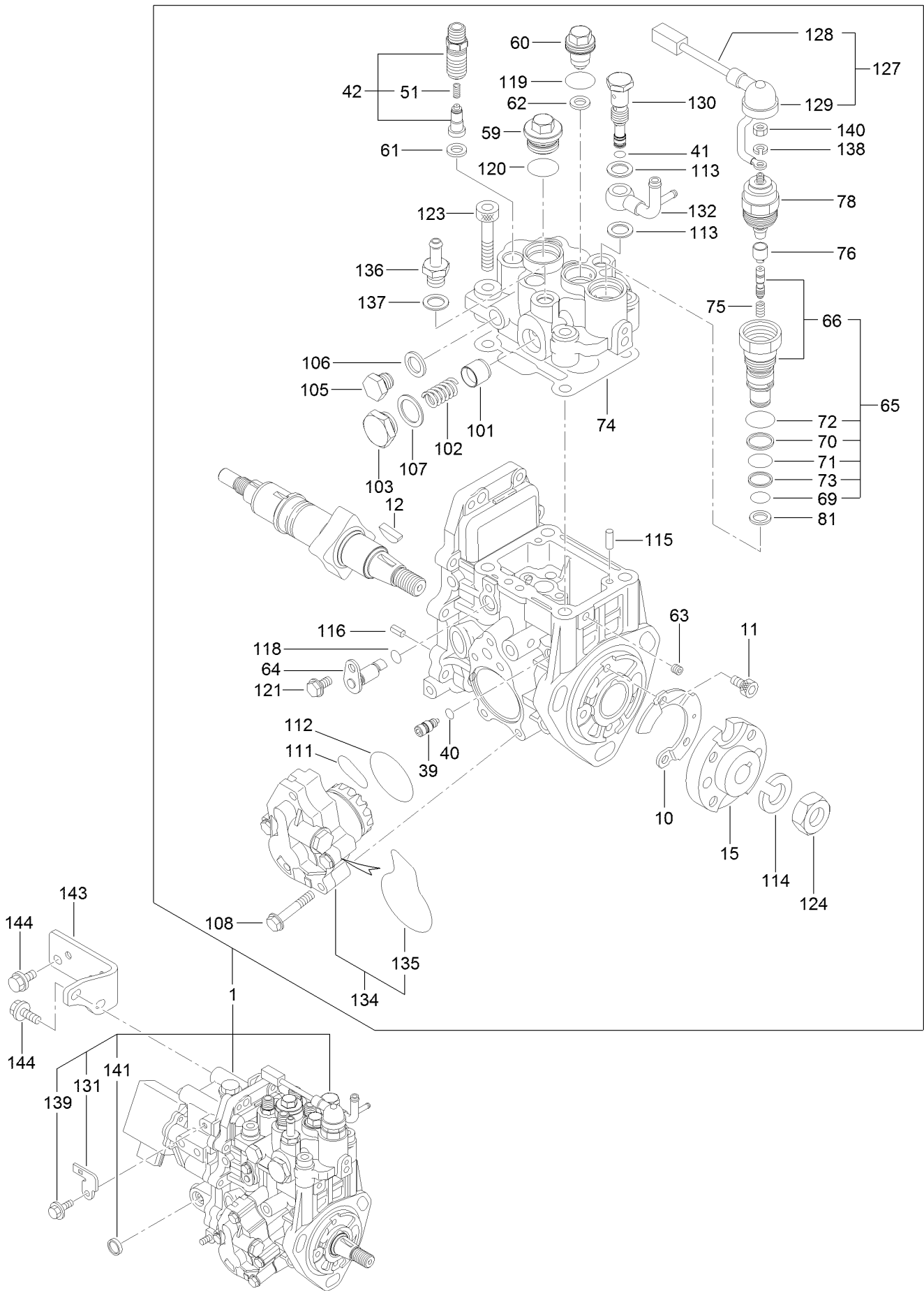
<i>Ref.</i>	<i>Part Number</i>	<i>Qty.</i>	<i>Description</i>	<i>Ref.</i>	<i>Part Number</i>	<i>Qty.</i>	<i>Description</i>
1	125-7031	1	CW Pump ASM	20	125-7219	1	Bolt
3	125-6998	1	Gasket	21	125-7222	3	Bolt
4	125-6999	1	Plate	22	125-7039	1	V-Pulley
9	125-7123	3	Plug	24	125-7204	1	V-Belt
10	125-7195	1	Plug	25	125-7206	4	Bolt
11	125-7196	1	Plug	26	125-7029	1	Thermostat
12	125-7234	3	Screw	27	125-7026	1	Gasket
13	125-7047	1	Gasket	28	125-7034	1	Cover
14	125-6986	1	Joint	29	125-7110	1	Gasket
15	125-7048	1	O-Ring	30	125-7594	2	Bolt
16	125-6978	1	Gasket	31	125-6953	1	Plug
17	125-7192	1	Gasket	32	125-7124	1	Sensor-Thermostat, CW
18	125-7212	1	Bolt	33	125-6979	1	Gasket
19	125-7214	3	Bolt	34	125-7176	1	Washer-Seal



Governor Assembly

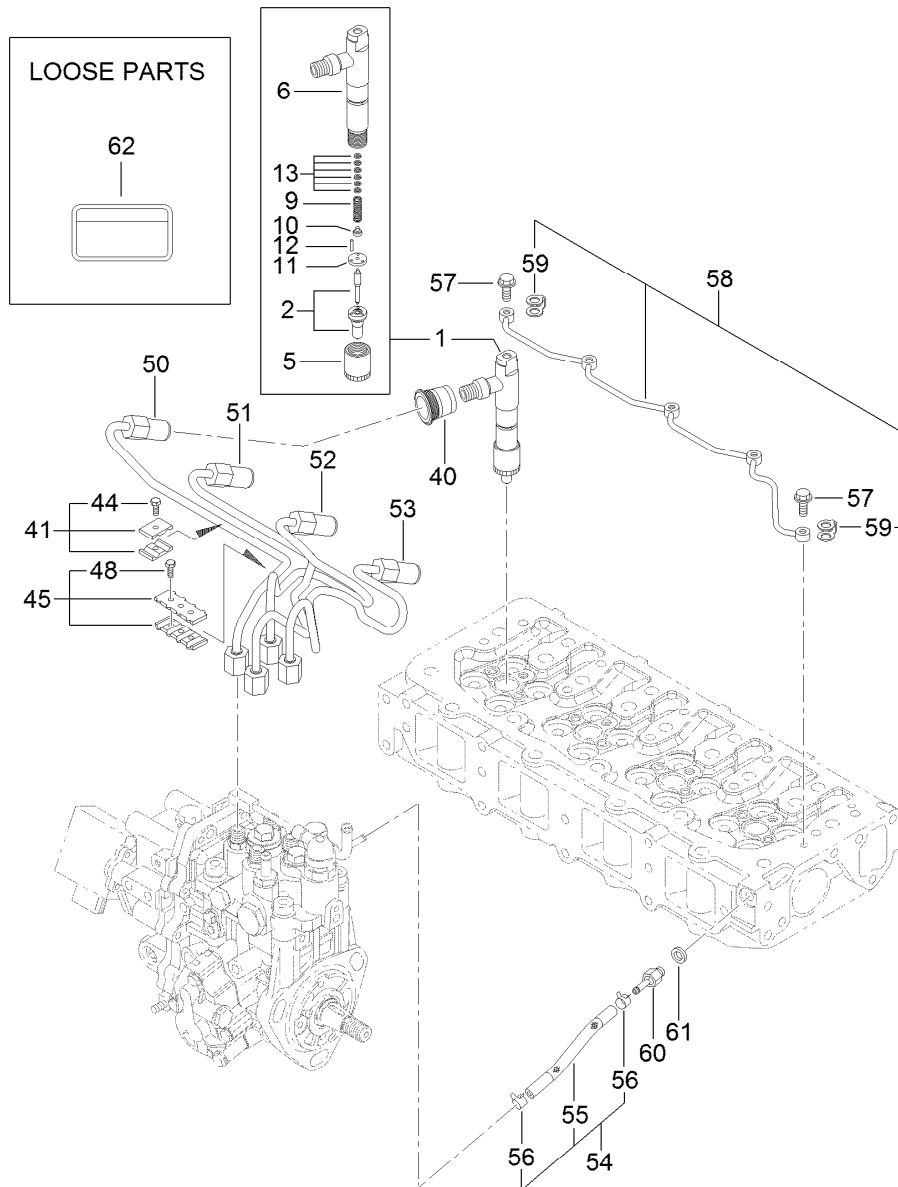
Ref.	Part Number	Qty.	Description
2	125-7148	1	Plug
3	125-7149	1	Gasket
20	125-6993	1	Nut
23	125-7152	1	Sensor
24	125-7150	1	Gear
25	125-7176	1	Washer-Seal
26	125-7200	1	O-Ring
27	125-7208	1	Bolt
28	125-7209	10	Bolt
29	125-7215	3	Bolt

Fuel Injection Pump Assembly



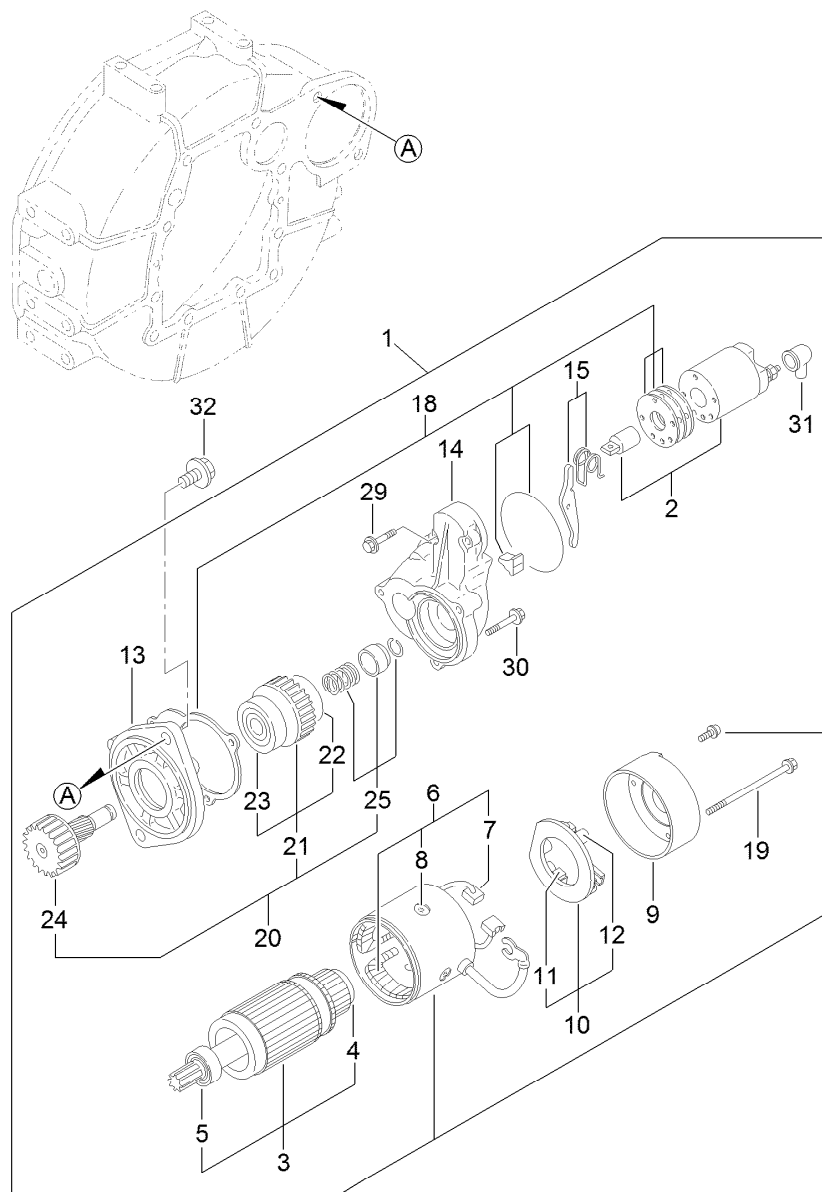
Fuel Injection Pump Assembly (continued)

<i>Ref.</i>	<i>Part Number</i>	<i>Qty.</i>	<i>Description</i>	<i>Ref.</i>	<i>Part Number</i>	<i>Qty.</i>	<i>Description</i>
1	125-7246	1	Fie ASM	106	125-7176	1	Washer-Seal
10	125-6991	1	Cover	107	125-7591	1	Washer-Seal
11	125-6992	2	Bolt	108	125-7147	4	Bolt
12	125-6932	1	Key	111	125-7142	1	O-Ring
15	125-7135	1	Flange	112	125-7143	1	O-Ring
39	125-7156	1	Stopper	113	125-7176	2	Washer-Seal
40	125-7154	1	O-Ring	114	125-7179	1	Washer-Spring
41	125-7154	1	O-Ring	115	125-7181	2	Pin-Parallel
42	125-7092	4	Valve ASM	116	125-7183	2	Pin-Spring
51	125-7155	4	Spring	118	93-0400	1	O-Ring
59	125-7157	1	Plug	119	125-7201	1	O-Ring
60	125-6933	1	Plug	120	125-7202	1	O-Ring
61	125-7136	4	Gasket	121	125-7205	1	Bolt
62	125-7136	1	Gasket	123	125-7233	4	Bolt
63	125-7151	1	Plug	124	125-7236	1	Nut
64	125-7137	1	Lifter	127	125-7125	1	Harness ASM
65	125-7102	1	Timer Set	128	125-7126	1	Harness
66	125-7103	1	Timer ASM	129	125-7033	1	Cap
69	125-7145	1	O-Ring	130	125-7158	1	Joint
70	125-6934	1	Ring	131	125-7127	1	Bracket
71	125-6935	1	O-Ring	132	125-7139	1	Joint
72	125-7202	1	O-Ring	134	125-7141	1	Feed Pump ASM
73	125-7203	1	Ring-Back Up	135	125-7144	1	O-Ring
74	125-7138	1	Gasket	136	125-6945	1	Joint
75	125-6940	1	Spring	137	125-7176	1	Washer-Seal
76	125-6941	1	Cap	138	125-7178	1	Washer-Spring
78	125-6942	1	Solenoid Valve ASM	139	125-7207	1	Bolt
81	125-7146	1	Gasket	140	125-7235	1	Nut
101	125-7159	1	Piston	141	125-7238	1	Plug
102	125-7140	1	Spring	143	125-7032	1	Retainer
103	125-7160	1	Plug	144	125-7214	4	Bolt
105	125-7148	1	Plug				



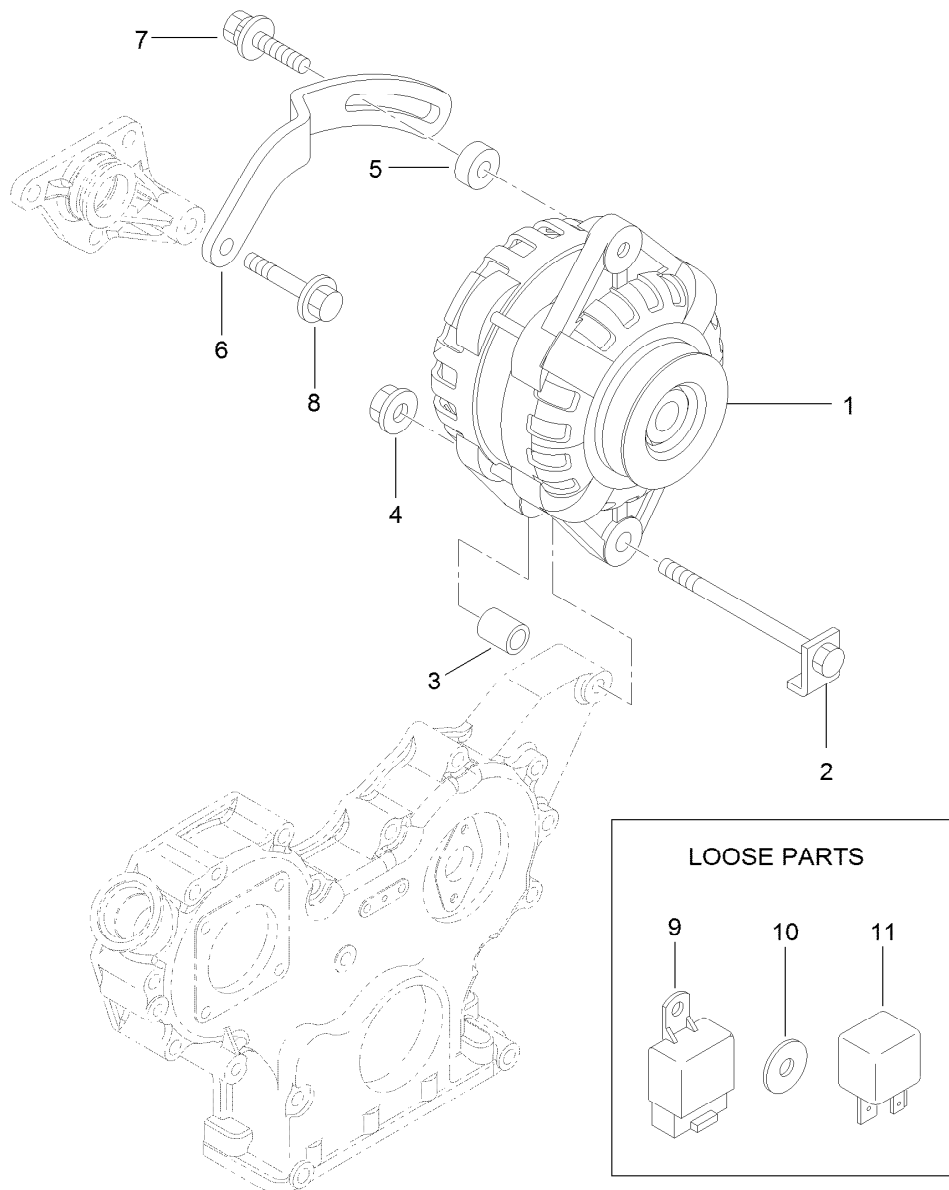
Fuel Injection Valve Assembly

Ref.	Part Number	Qty.	Description	Ref.	Part Number	Qty.	Description
1	125-7245	4	Injection Valve ASM	50	125-7082	1	Injection Pipe ASM
2	125-7133	4	Nozzle ASM	51	125-7083	1	Injection Pipe ASM
5	125-6901	4	Nut	52	125-7084	1	Injection Pipe ASM
6	125-7080	4	Holder ASM	53	125-7085	1	Injection Pipe ASM
9	125-6902	4	Spring	54	125-6948	1	Pipe ASM
10	125-6903	4	Seat-Spring	55	125-6949	1	Pipe
11	125-6904	4	Plate	56	125-6970	2	Clip
12	125-6905	8	Pin	57	125-6966	5	Bolt-Joint, Pipe
13	125-6939	4	Shim Set	58	125-7081	1	Pipe ASM
40	125-6964	4	Seal	59	125-6967	5	Gasket
41	125-6907	2	Retainer	60	125-6968	1	Joint
44	125-7027	2	Bolt	61	125-7174	1	Washer-Seal
45	125-7097	1	Retainer	62	125-6900	1	Label-Caution, Fuel Oil
48	125-7027	2	Bolt				



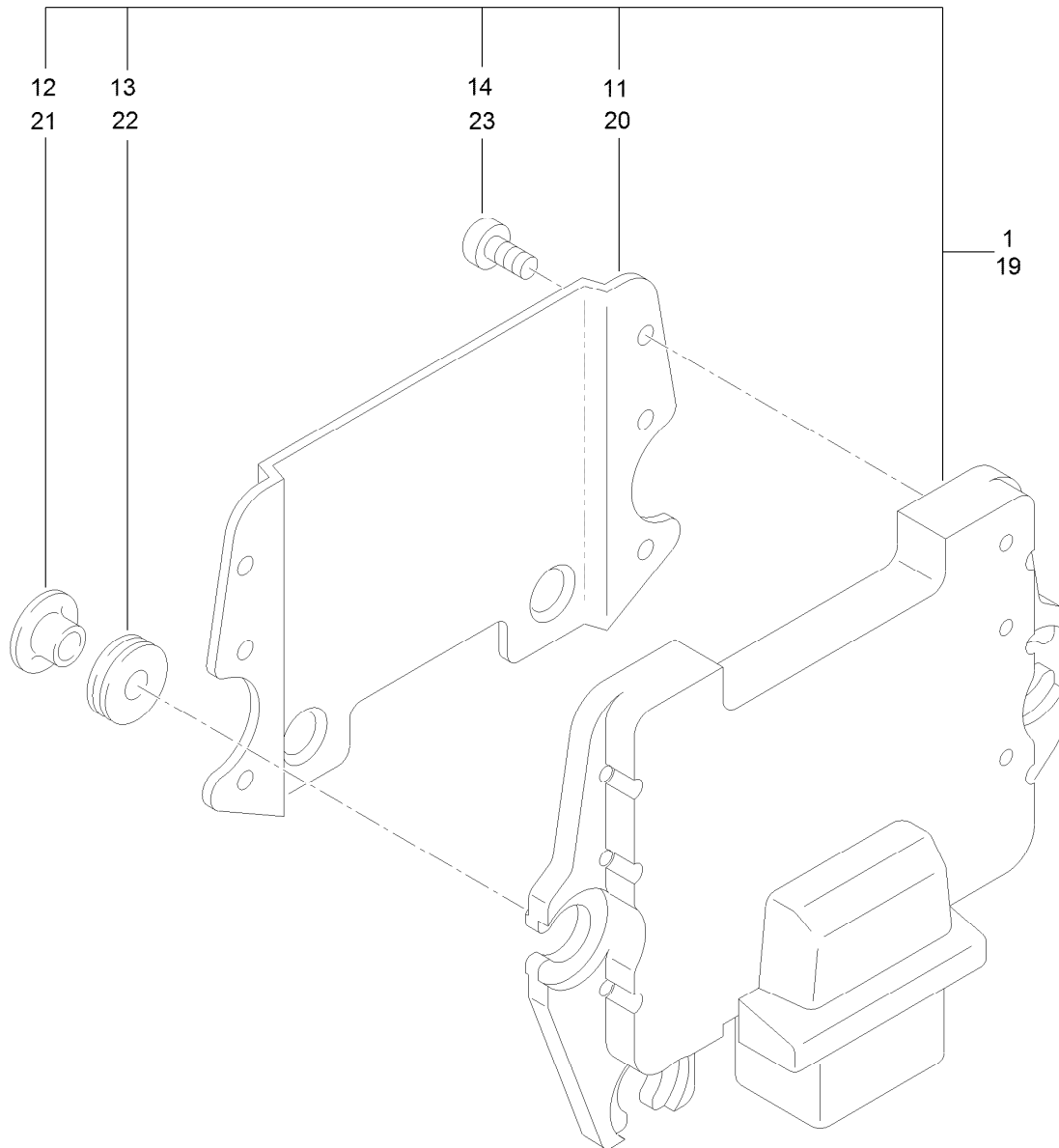
Starting Motor Assembly

<i>Ref.</i>	<i>Part Number</i>	<i>Qty.</i>	<i>Description</i>	<i>Ref.</i>	<i>Part Number</i>	<i>Qty.</i>	<i>Description</i>
1	125-7003	1	Starter	15	125-7165	1	Lever Set
2	125-7004	1	Switch ASM	18	125-7037	1	Dust Cover ASM
3	125-7112	1	Armature ASM	19	125-7117	2	Bolt-Through
4	125-7252	1	Bearing-Ball	20	125-7166	1	Pinion ASM
5	125-7249	1	Bearing, Ball	21	125-7250	1	Clutch ASM
6	125-7113	1	Field Coil ASM	22	125-7251	1	Bearing-Ball
7	125-7114	2	Brush	23	125-7253	1	Bearing-Ball
8	125-7163	4	Screw	24	125-7167	1	Shaft
9	125-7115	1	Cover	25	125-7168	1	Stopper Set
10	125-7116	1	Brush Holder ASM	29	125-7210	2	Bolt
11	125-7114	2	Brush	30	125-7211	3	Bolt
12	125-7036	4	Spring	31	125-7169	1	Cover
13	125-7164	1	Case-Gear	32	125-7225	2	Bolt
14	125-7005	1	Housing				



Generator Assembly

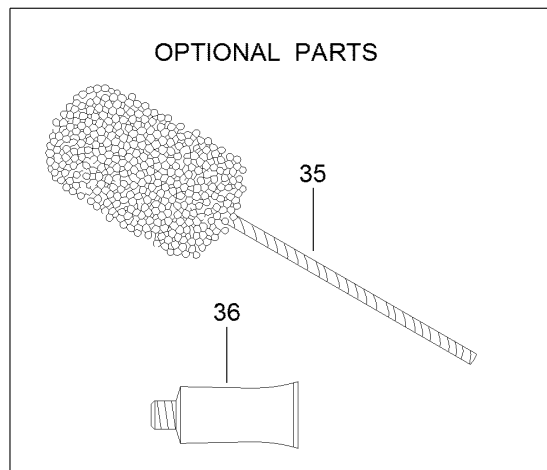
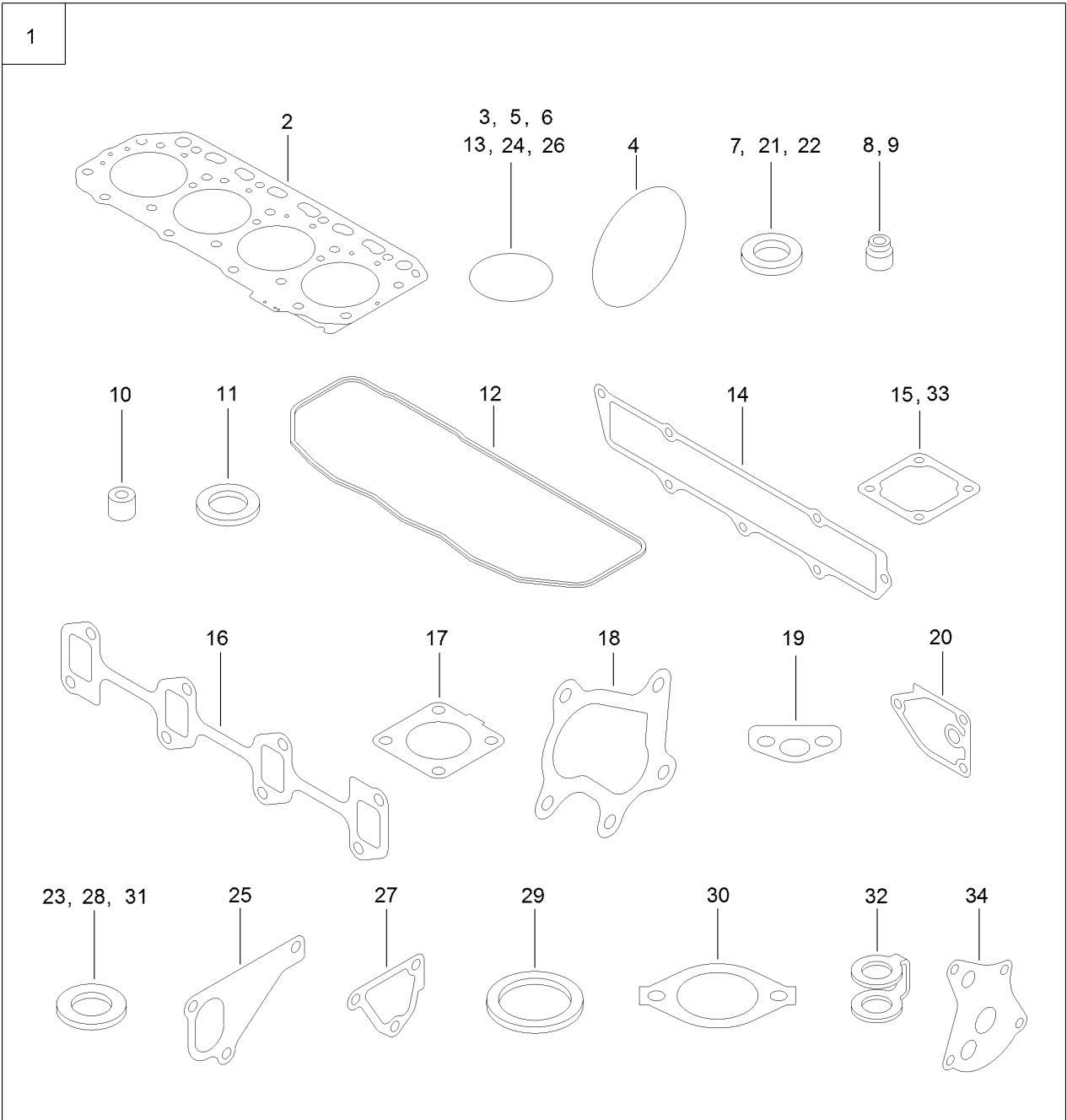
<i>Ref.</i>	<i>Part Number</i>	<i>Qty.</i>	<i>Description</i>
1	125-7120	1	Alternator-12V
2	125-7121	1	Bolt-Stopper
3	125-7122	1	Piece-Distance
4	125-7230	1	Nut
5	125-6947	1	Spacer
6	125-7101	1	Adjuster-Belt
7	125-7134	1	Bolt
8	125-7219	1	Bolt
9	125-7173	2	Relay
10	125-7131	3	Washer
11	125-7132	2	Relay



Electronic Control Unit Assembly

<i>Ref.</i>	<i>Part Number</i>	<i>Qty.</i>	<i>Description</i>
1	121-1591	1	Controller-Engine
11	125-7129	1	Shield
12	125-7130	3	Collar
13	125-6908	3	Absorber
14	125-7187	6	Screw
19	125-7128	1	Ecu
20	125-7129	1	Shield
21	125-7130	3	Collar
22	125-6908	3	Absorber
23	125-7187	6	Screw

Gasket Set



Gasket Set (continued)

<i>Ref.</i>	<i>Part Number</i>	<i>Qty.</i>	<i>Description</i>	<i>Ref.</i>	<i>Part Number</i>	<i>Qty.</i>	<i>Description</i>
1	125-7243	1	Gasket Set	19	125-7022	1	Gasket
2	125-7049	1	Gasket-Head	20	125-7024	1	Gasket
3	125-6909	2	O-Ring	21	125-7174	7	Washer-Seal
4	125-6957	1	O-Ring	22	125-7175	2	Washer-Seal
5	125-7197	2	O-Ring	23	125-7193	2	Gasket
6	125-7199	1	O-Ring	24	125-7198	1	O-Ring
7	125-7177	1	Washer-Seal	25	125-7047	1	Gasket
8	125-6915	8	Seal-Stem, Valve	26	125-7048	1	O-Ring
9	125-6916	8	Seal-Stem, Valve	27	125-6978	1	Gasket
10	125-6921	4	Protector	28	125-7192	1	Gasket
11	125-6911	4	Seat-Valve	29	125-7026	1	Gasket
12	125-7060	1	Gasket	30	125-7110	1	Gasket
13	93-0418	7	O-Ring	31	125-6979	2	Gasket
14	125-7066	1	Gasket	32	125-6967	5	Gasket
15	125-7028	1	Gasket	33	125-7000	1	Gasket
16	125-7096	1	Gasket	34	125-7021	1	Gasket
17	125-7070	1	Gasket	35	125-7038	1	Hone
18	125-7071	1	Gasket	36	125-7248	1	Gasket-Liquid

Attachments and Accessories

For 30635 Groundsmaster 4010 Rotary Mower

Product Name	Model/Part
Bumper Weight Assembly	106-4278-03
Blade-Atomic (21.75in)	107-0214-03
Premium All Season Hydraulic Fluid (55 Gallon Drum)	108-1177
Premium All Season Hydraulic Fluid (5 Gallon Pail)	108-1178
Atomic Blade Service Pack (7 Pack)	108-1450
Blade-Flat Sail (21.75in)	110-6115-03
Flat Blade Service Pack (7 Pack)	110-6130
MVP Blade Kit	117-2722
Backrest Extension Kit	119-7719
Large Seat Cover	120-5179
Premium Engine Oil 10w30 (55 Gallon Drum)	121-6392
Premium Engine Oil 10w30 (5 Gallon Pail)	121-6393
Premium Engine Oil 15w40 (55 Gallon Drum)	121-6394
Premium Engine Oil 15w40 (5 Gallon Pail)	121-6395
MVP Filter Kit	30089
Guardian Recycler Conversion Kit	30420
Leaf Mulcher Kit	30422
CE Kit	30453
Right-Hand Replacement Mower	30476
Left-Hand Replacement Mower	30477
CE Light Kit	30660
Beacon Kit	30661
License Plate Kit	30664
Blade (21.75in)	92-5608-03
8in Foam Filled Wheel ASM	93-5974

Notes:



Count on it.