



**Count on it.**

**Parts Catalog**

**Groundsmaster® 4010**

**Rotary Mower**

Model No. 30636—Serial No. 315001001 and Up



# Ordering Replacement Parts

To order replacement parts, please supply the part number, the quantity, and the description of each part desired.

## Understanding Reference Numbers

Each identified part in an illustration has a reference number. The reference number for a part also appears in the parts list, along with other information about the part.

This catalog uses two special reference number formats, one to indicate parts in a service assembly and another to indicate the quantity of a given part in an illustration.

## Service Assembly Reference Numbers

Parts in service assemblies have reference numbers in the form a:b. The a represents the reference number of the entire service assembly and the b represents a sequential number unique to each part within the service assembly.

For example, a wheel assembly might be identified by reference number 6, the tire by 6:1, the valve by 6:2, and the wheel by 6:3. When you order the assembly identified by reference number 6, you receive all parts identified by reference numbers 6:1, 6:2, and 6:3. However, you may also order any part individually. Reference numbers of this type appear in illustration and in parts lists.

## Reference Numbers Indicating Quantity

In an illustration, if a reference number indicates more than one part, the reference number has the form nX y. The n represents the quantity of the part, the X is the multiplication symbol, and the y represents the reference number.

For example, in an illustration, the reference number 2X 37 means that two of the parts identified by reference number 37 are indicated.

# Contents

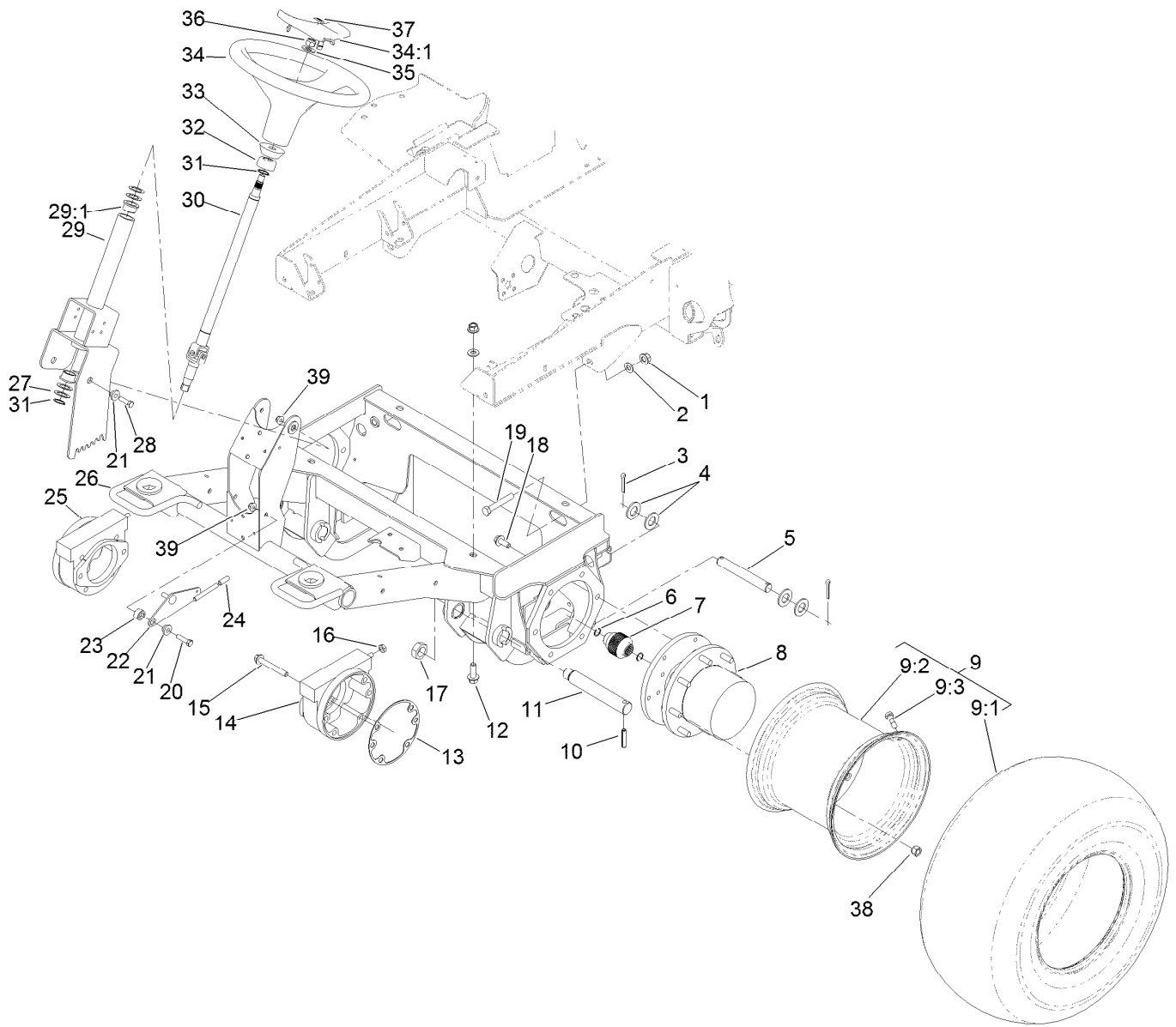
Front Frame and Steering Assembly	6
Planetary Assembly No. 105-4500	8
LH Brake Assembly No. 100-3070-03	9
RH Brake Assembly No. 100-3069-03	10
Battery, Rear Cover and Steer Valve Mount Assembly	11
Wing Lift Arm Assembly	12
Hydraulic Cylinder Assembly No. 107-4303	14
Impact Arm Assembly	15
Frame, Bumper and Proximity Sensor Assembly	17
Flywheel and Motor Mount Assembly	18
Radiator Assembly	19
Fan Mounting and Hardline Assembly	21
Hydraulic Motor Assembly No. 117-4769	22
Engine and Controller Assembly	23
Air Conditioner Compressor Mount Assembly	24
Washer Fluid Bottle Assembly	25
Rear Axle and Steering Cylinder Assembly	26
Bevel Pinion Shaft Assembly Rear Axle Assembly No. 110-4750	28
Differential Assembly Rear Axle Assembly No. 110-4750	29
Axle Support Assembly Rear Axle Assembly No. 110-4750	30
Bevel Gear Case Assembly Rear Axle Assembly No. 110-4750	31
Bevel Gear Shaft Assembly Rear Axle Assembly No. 110-4750	32
Axle Case Assembly Rear Axle Assembly No. 110-4750	33
Axle Assembly Rear Axle Assembly No. 110-4750	34
Hydraulic Motor Assembly No. 120-8814	35
Steering Cylinder Assembly No. 121-1534	36
Hydraulic Fitting Assembly	37
Hose and Tube Routing Assembly	38
Fuel Tank and Air Cleaner Assembly	39
Air Cleaner Assembly No. 99-5410	40
Hood Assembly	41
Fuel/Water Separator Assembly	42
Front Deck Installation Assembly	43
Hydraulic Motor Assembly No. 127-3694	45
Lift Cylinder Assembly No. 120-8802	46
Front Deck Hydraulic Fitting Assembly	47
Front Deck Hose Routing Assembly	48
Left Deck Mount Assembly	49
Left Deck Hydraulic Fitting Assembly	50
Left Deck Hose Assembly	51
Right Deck Mount Assembly	52
Right Deck Hydraulic Fitting Assembly	53
Right Deck Hose Assembly	54
Traction Pedal and Platform Assembly	55
Brake Pedal Assembly	57
Seat Base and Seat Assembly	58
Cloth Premium Seat Assembly No. 117-9429	59
Seat Suspension Assembly No. 130-2702	60
Parking Brake, Steering Tower and Power Center Assembly	62
Fender, Tool Box and Cover Assembly	63
Fender Assembly	64
Acoustic Foam Assembly	65
Platform Harness and Fuse Assembly	66
Rear Wire Harness Assembly	67

# Contents (continued)

Battery Cable and Ground Assembly	68
Engine Harness Assembly	69
Piston Pump and Gear Pump Assembly	70
Piston Pump Assembly No. 120-9059	72
4-Section Gear Pump Assembly No. 120-8904	74
Combination Manifold Assembly	75
Combination Manifold Assembly No. 127-3650	76
Manifold Block Assembly	78
Left Power-Take-Off Manifold Assembly No. 121-1536	80
Rear Traction Manifold Assembly No. 121-1530	81
Center and Right Power-Take-Off Manifold Assembly No. 121-1537	82
Flow Divider Manifold Assembly No. 121-1550	83
Drive Motor, Steer Valve and Filter Head Assembly	84
Hydraulic Motor Assembly No. 120-8812	85
Steering Valve Assembly No. 130-7949	86
Hydraulic Reservoir Assembly	87
Lift, Steer and Fan Hydraulic Assembly	88
Traction Hydraulic Assembly	90
Oil Cooler Hydraulic Assembly	92
Armrest Control Panel Assembly	94
Cab Step, Pad and Flooring Assembly	96
Deck Pad and Hardware Assembly	97
Front Deck, Idler and Skid Assembly	98
Double Driven Spindle Assembly No. 119-4548	99
High Driven Spindle Assembly No. 119-4549	100
Front Deck Caster Arm and Wheel Assembly	101
Driving Spindle Assembly	102
Driving Spindle Assembly No. 119-4547	103
Front Deck Chamber and Cover Assembly	104
Left Deck Idler and Skid Assembly	105
Low Driven Spindle Assembly No. 119-4776	107
Right Hand and Left Hand Castor Arm and Wheel Assembly	108
Deck Driving Spindle Assembly	109
Left Deck Discharge Chamber and Cover Assembly	110
Right Deck, Idler and Skid Assembly	111
Right Deck Discharge Chamber and Cover Assembly	113
Frame Mount and Seal Assembly	114
Headliner Assembly	116
Window, Door and Striker Assembly	118
RH Door Assembly	120
LH Door Assembly	121
Engine Hose Routing Assembly	122
Mixing Box and Vent Hose Assembly	124
Headliner Wire Harness and Control Assembly	126
Mixing Box Mounting Bracket and Water Tray Assembly	128
Blower Fan and Evaporator Core Assembly	130
Heat/Air Conditioner Housing Assembly	132
Air Diverter and Expansion Valve Assembly	134
Air Diverter Assembly No. 121-8369	136
Interior Foam Assembly	138
Cylinder Block Assembly	139
Gear Housing Assembly	140
Flywheel Housing and Oil Sump Assembly	141
Cylinder Head and Cover Assembly	142

# Contents (continued)

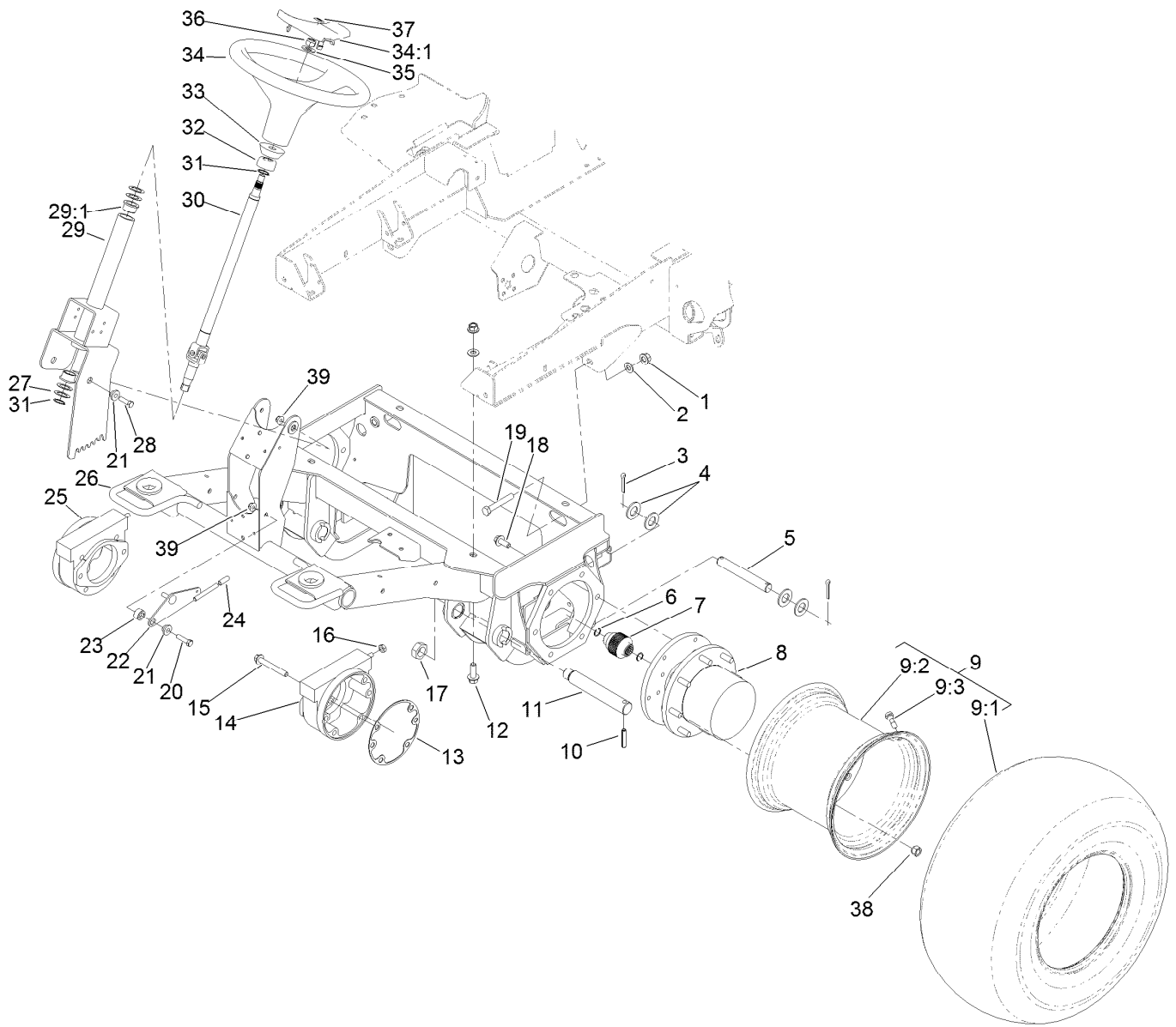
Suction Manifold Assembly . . . . .	144
Exhaust Manifold Assembly . . . . .	145
Diesel Particulate Filter Assembly . . . . .	146
Camshaft and Driving Gear Assembly . . . . .	148
Turbine Assembly . . . . .	149
Crankshaft and Piston Assembly . . . . .	150
Lubrication and Oil System Assembly . . . . .	151
Lubrication Oil Line Assembly . . . . .	152
Cooling Water System Assembly . . . . .	153
Fuel System Assembly . . . . .	154
Fuel Injection Valve Assembly . . . . .	155
Fuel Line Assembly . . . . .	156
Starting Motor Assembly . . . . .	157
Generator Assembly . . . . .	158
Electric Parts Assembly . . . . .	159
Gasket Set . . . . .	160
Attachments and Accessories . . . . .	162



## Front Frame and Steering Assembly

Ref.	Part Number	Qty.	Description	Ref.	Part Number	Qty.	Description
1	99-5107	6	Nut-Lock	16	3218-4	2	Nut-Jam
2	3256-26	6	Washer-Flat	17	3296-49	2	Nut-Lock, NI
3	3272-30	4	Pin-Cotter	18	33106-030	12	Screw-HHF
4	3256-29	8	Washer-Flat	19	325-13	2	Screw-HH
5	110-6006	2	Pin-Clevis	20	323-8	1	Screw-HH
6	93-7972	4	Ring-Retaining, Internal	21	93-5988	3	Hub-Pivot
7	100-3046	2	Shaft-Brake, Splined	22	114-5907-03	1	Lever-Tilt
8	105-4500	2	Planetary ASM	23	114-4854	1	Spacer-Cup
9		2	Wheel And Tire ASM ●	24	93-5446	1	Cap-Vinyl
9:1	119-8313	1	Tire	25	100-3069-03	1	Brake ASM
9:2	120-4175	1	Rim	26	120-4085-03	1	Frame-Front
9:3	232-27	1	Stem-Valve	27	9547	4	Washer-Thrust
10	32121-110	2	Pin-Roll, Slotted	28	323-7	2	Screw-HH
11	100-3017	2	*obs Pin-Lift Arm	29	114-0167	1	Steering Column ASM
12	100-6116	4	Screw-HHF	29:1	256-132	2	Bushing-Flange
13	93-7984	2	Gasket	30	93-5428	1	Shaft-Steering
14	100-3070-03	1	Brake ASM	31	32151-29	2	Ring-Retaining
15	33106-090	8	Screw-HHF	32	93-5439	1	Seal-Steering

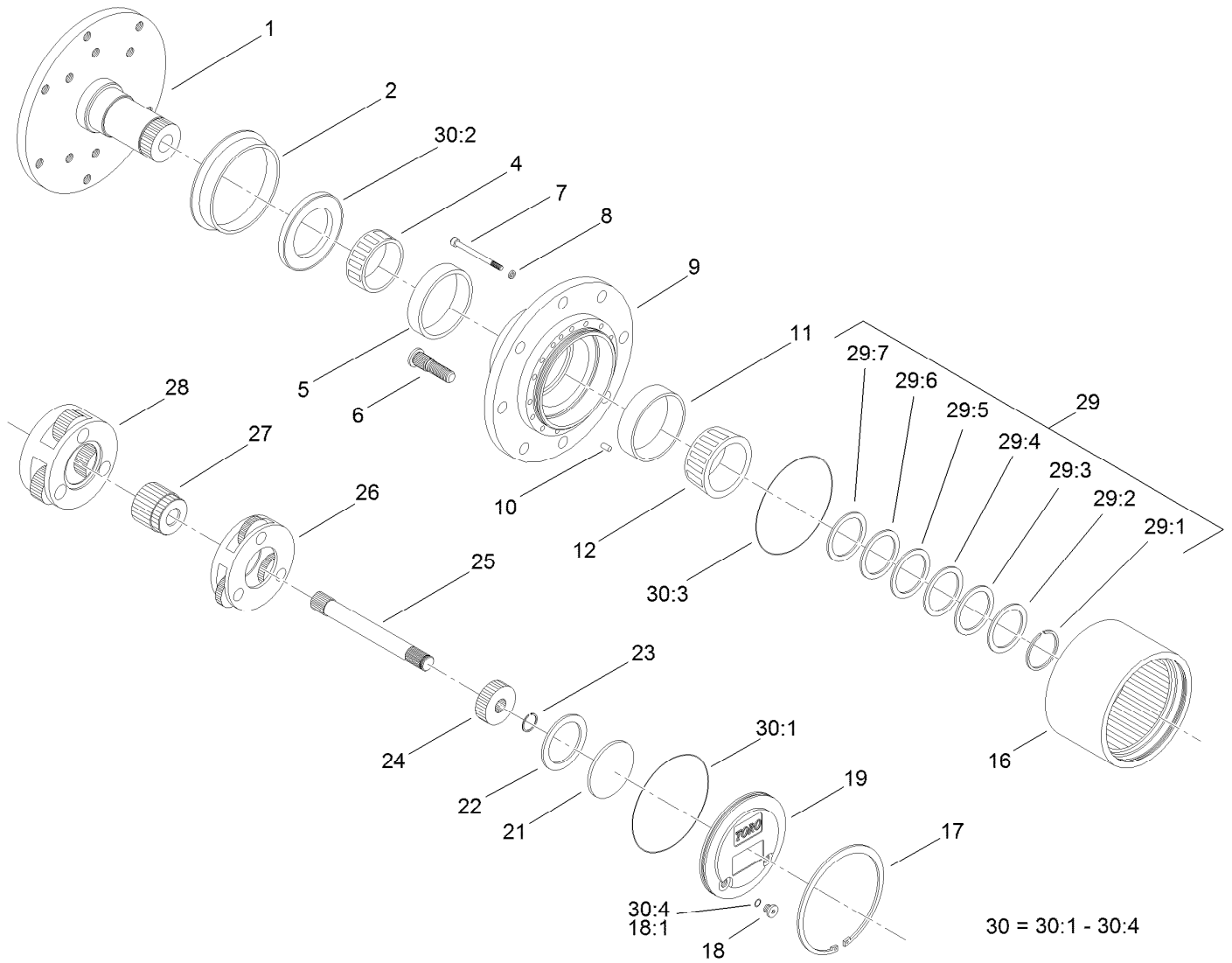
● Not serviced separately



## Front Frame and Steering Assembly (continued)

<i>Ref.</i>	<i>Part Number</i>	<i>Qty.</i>	<i>Description</i>	<i>Ref.</i>	<i>Part Number</i>	<i>Qty.</i>	<i>Description</i>
33	93-5429	1	Collar-Foam	36	108-9342	1	Nut-Hex
34	98-1471	1	Wheel-Steering	37	98-1459	1	Decal
34:1	98-1468	1	Cover-Wheel, Steering	38	242-50	16	Nut-Lug
35	3256-27	1	Washer-Flat	39	104-8301	3	Nut-HF, NI

● Not serviced separately

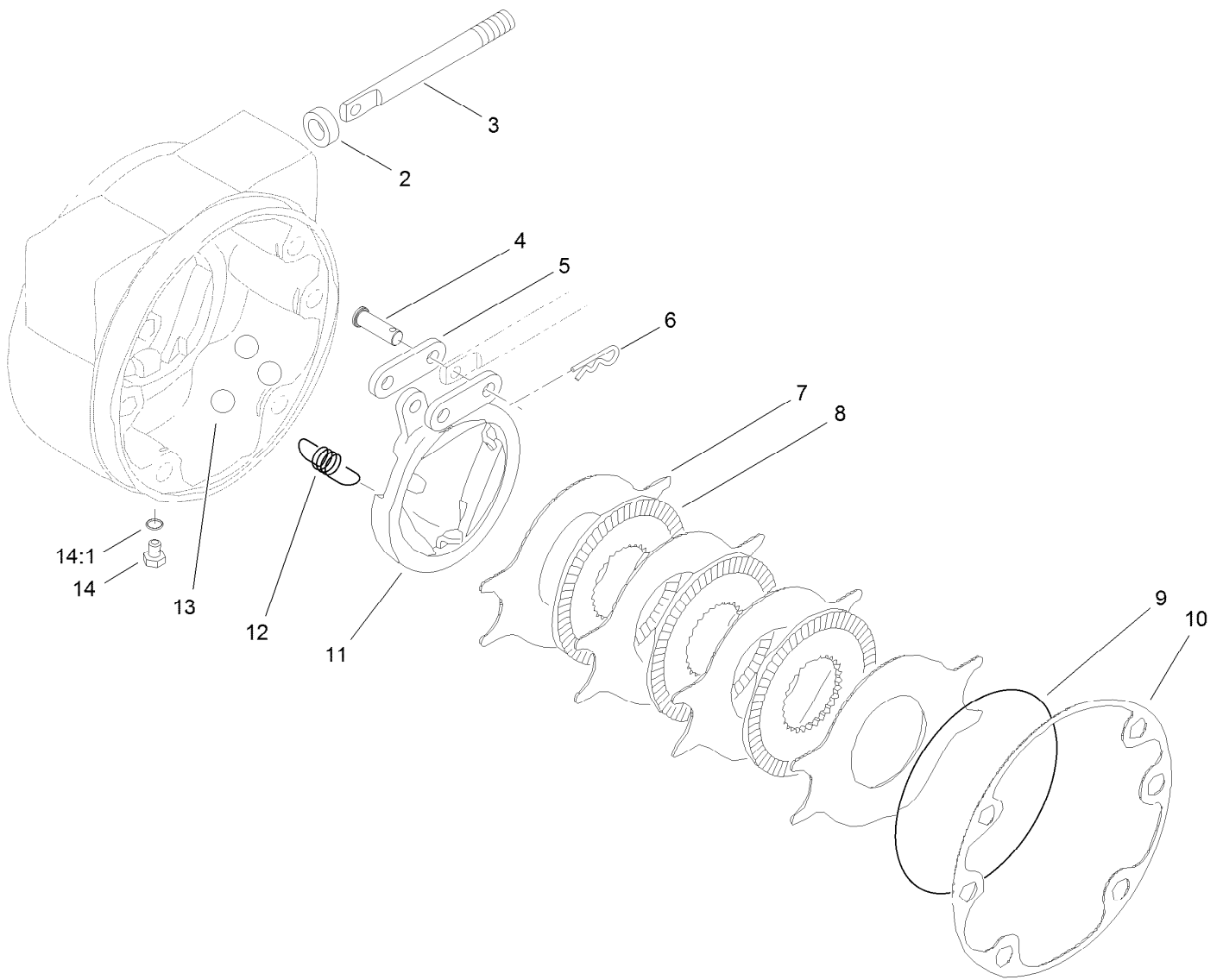


## Planetary Assembly No. 105-4500

Ref.	Part Number	Qty.	Description	Ref.	Part Number	Qty.	Description
1		1	Spindle ●	24	105-8114	1	Gear-Primary
2	105-8122	1	Seal-Boot	25	105-8115	1	Shaft-Drive
4	105-8120	1	Bearing-Cone	26	105-8129	1	Carrier-Primary
5	105-8119	1	Bearing-Cup	27	105-8139	1	Gear-Secondary
6	105-8124	8	Stud-Wheel	28	105-8130	1	Carrier-Secondary
7	105-8125	16	Bolt-Head, Socket	29	105-8136	1	Shim Kit
8	3253-18	16	Washer-Lock	29:1		1	Ring-Snap ●
9		1	Housing ●	29:2		1	Shim-Bearing, 2.9Mm ●
10	105-8121	1	Pin-Dowel	29:3		1	Shim-Bearing, 2.8Mm ●
11	105-8117	1	Bearing-Cup	29:4		1	Shim-Bearing, 2.7Mm ●
12	105-8118	1	Bearing-Cone	29:5		1	Shim-Bearing, 2.6Mm ●
16	105-8113	1	Gear-Ring	29:6		1	Shim-Bearing, 2.5Mm ●
17	105-8132	1	Ring-Retaining	29:7		1	Shim-Bearing, 2.4Mm ●
18	353-990	2	Plug ASM	30	105-8137	1	Seal Kit
18:1	237-78	1	O-Ring	30:1		1	O Ring-Flange Cap ●
19	105-8138	1	Cap-End	30:2		1	Seal-Oil ●
21	105-8133	1	Plug-Thrust	30:3		2	O Ring-End Cap ●
22	105-8123	1	Washer-Thrust	30:4	237-78	2	O-Ring
23	105-8131	1	Ring-Retaining				

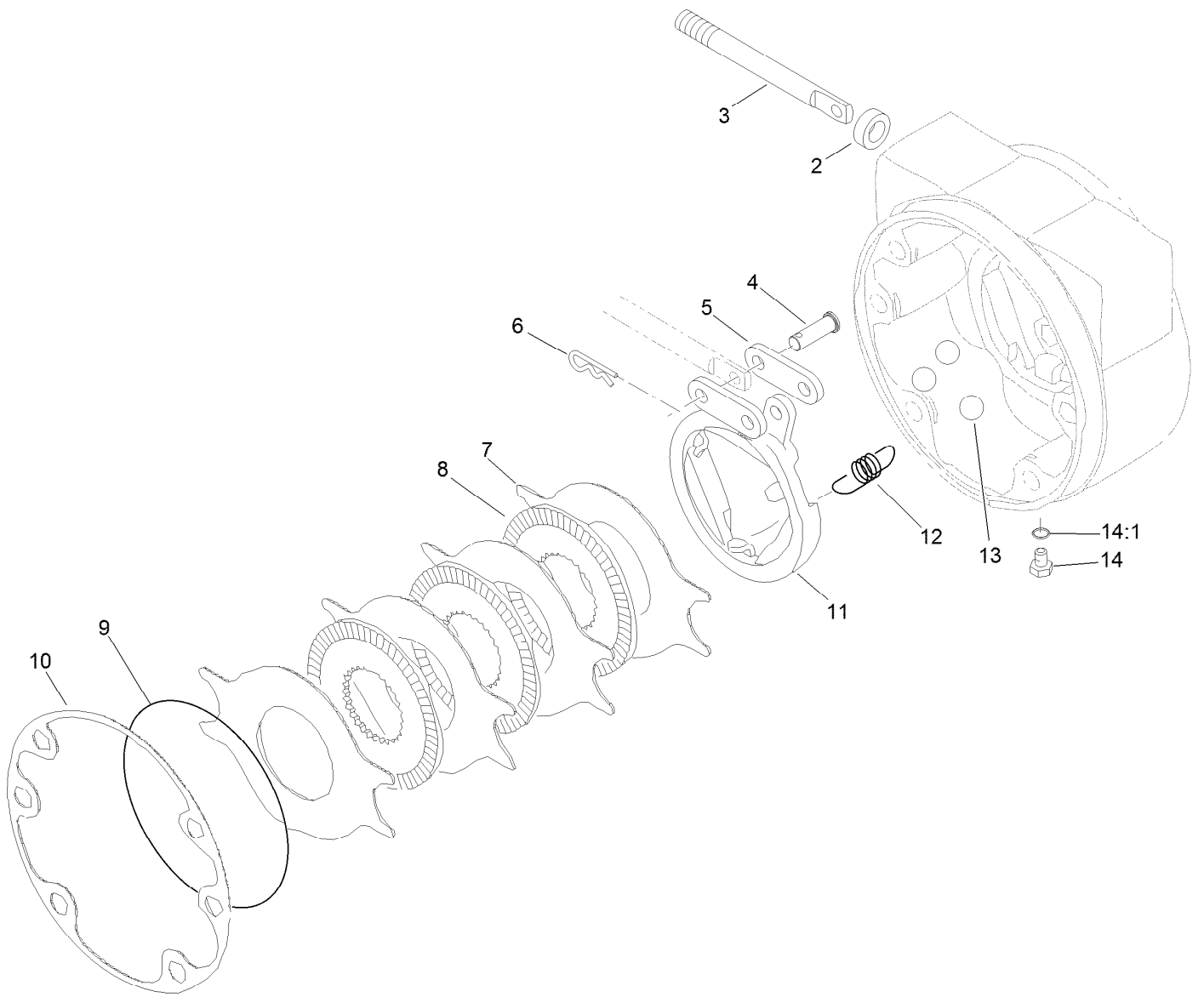
● Not serviced separately





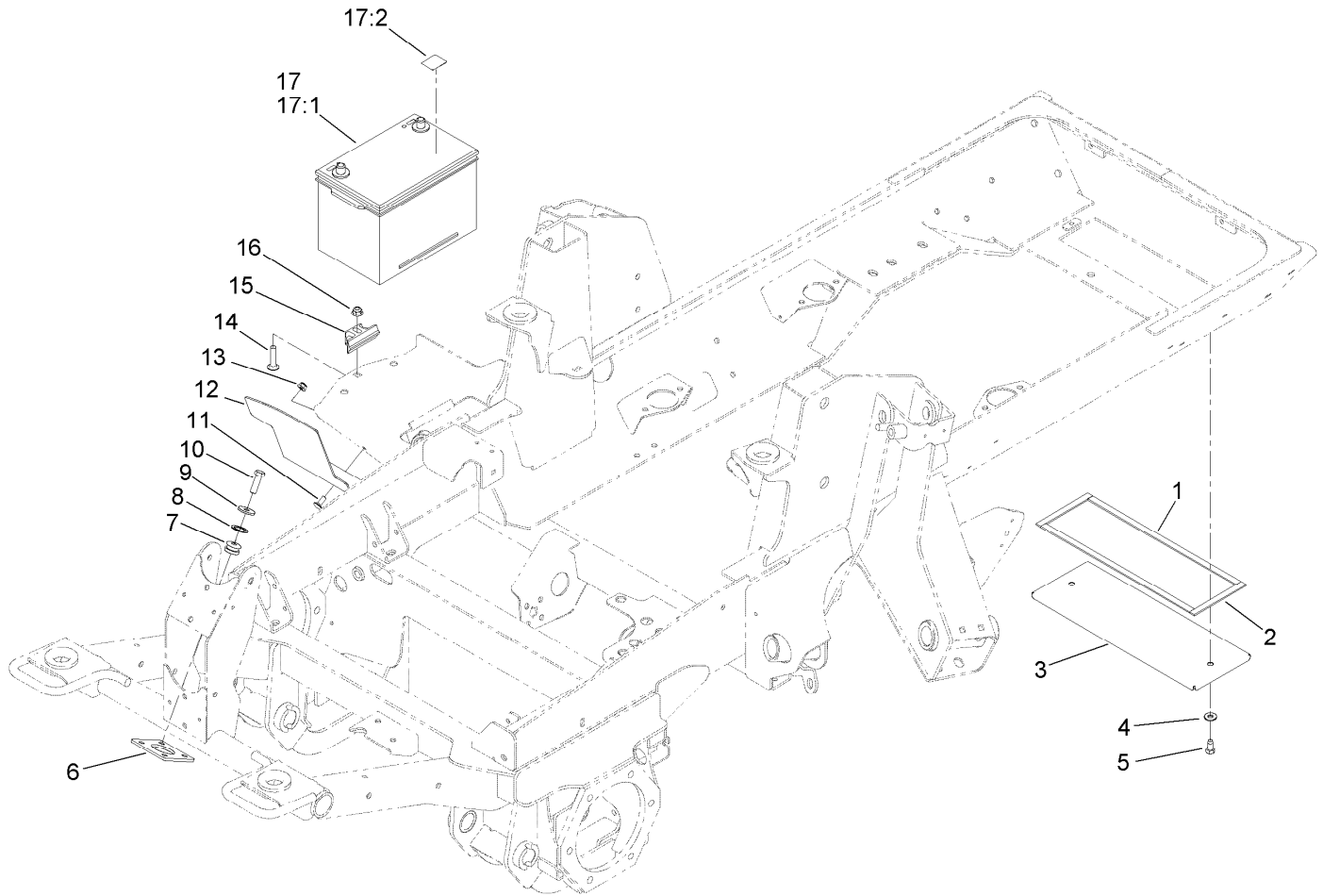
## LH Brake Assembly No. 100-3070-03

<i>Ref.</i>	<i>Part Number</i>	<i>Qty.</i>	<i>Description</i>
2	93-7977	1	Seal
3	93-7978	1	Rod-Pull
4	93-7983	2	Pin-Clevis
5	93-7980	2	Link
6	93-7979	2	Pin-Hitch
7	93-7986	4	Disc-Stationary
8	104-4278	3	Disc-Rotating
9	93-7976	1	Ring-Retaining
10	93-7984	1	Gasket
11	104-4279	1	Actuator-Rotating
12	93-7987	3	Spring-Extension
13	93-7985	3	Ball
14	353-990	2	Plug ASM
14:1	237-78	1	O-Ring



## RH Brake Assembly No. 100-3069-03

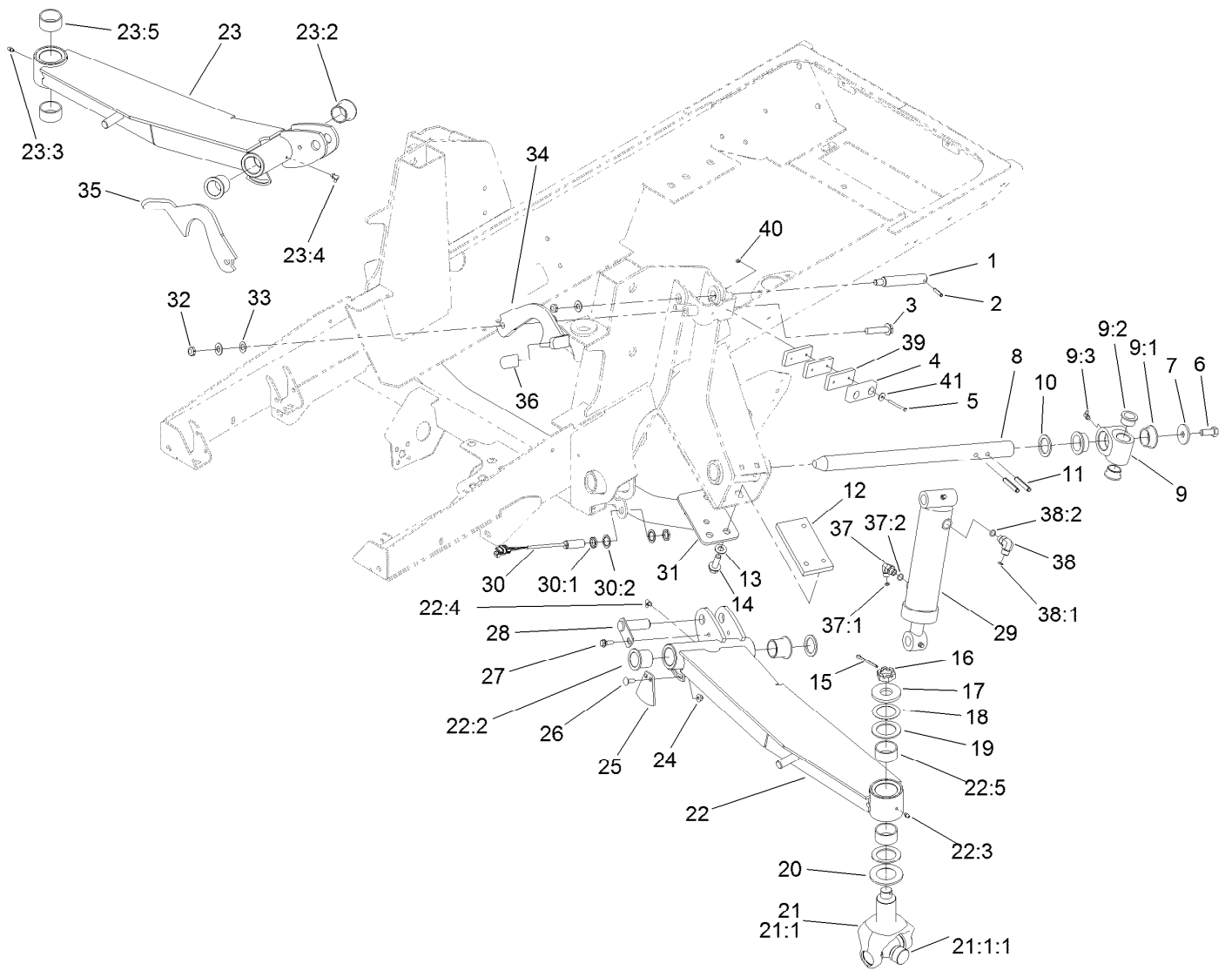
<i>Ref.</i>	<i>Part Number</i>	<i>Qty.</i>	<i>Description</i>
2	93-7977	1	Seal
3	93-7978	1	Rod-Pull
4	93-7983	2	Pin-Clevis
5	93-7980	2	Link
6	93-7979	2	Pin-Hitch
7	93-7986	4	Disc-Stationary
8	104-4278	3	Disc-Rotating
9	93-7976	1	Ring-Retaining
10	93-7984	1	Gasket
11	104-4280	1	Actuator-Rotating
12	93-7987	3	Spring-Extension
13	93-7985	3	Ball
14	353-990	2	Plug ASM
14:1	237-78	1	O-Ring



## Battery, Rear Cover and Steer Valve Mount Assembly

Ref.	Part Number	Qty.	Description
1	105-0777	2	Strip-Foam
2	105-0778	2	Strip-Foam
3	104-2287-03	1	Cover-Frame
4	3256-3	2	Washer-Flat
5	32104-6	2	Screw-HH, TAP
6	120-4118-03	1	Plate-Mounting, Valve
7	63-9750	4	Mount
8	1-303352	4	Washer-Spindle
9	63-8410	4	Washer
10	33115-035	4	Screw-HH

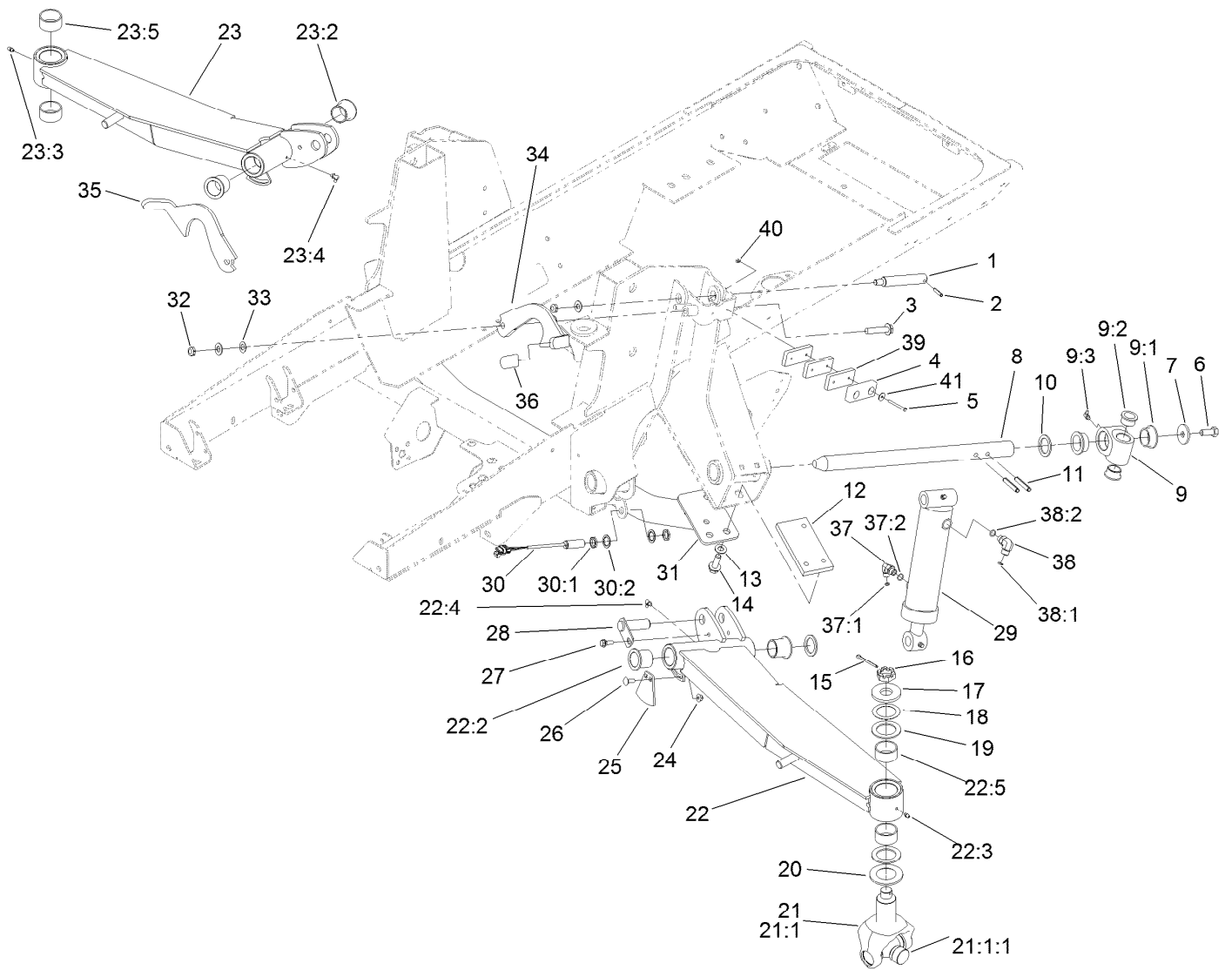
Ref.	Part Number	Qty.	Description
11	3230-23	2	Bolt-CARR
12	121-1512-03	1	Shield-Battery
13	104-8300	2	Nut-HF, NI
14	3231-5	1	Screw-CARR
15	138-6335	1	Retainer-Battery
16	104-8301	1	Nut-HF, NI
17	139-1005	1	Battery Kit
17:1	127-7507	1	Battery
17:2	139-1006	1	Decal



## Wing Lift Arm Assembly

Ref.	Part Number	Qty.	Description	Ref.	Part Number	Qty.	Description
1	104-3537	2	Pin-Cylinder	16	99-3139	2	Nut-Slotted
2	32121-9	2	Pin-Roll, Slotted	17	104-0719	2	Washer-Hardened
3	3234-46	2	Screw-HHF	18	114-5641	2	Washer-Thrust
4	86-5350	2	Bumper-Rubber	19	104-0721	4	Washer-Thrust
5	32105-20	4	Screw-HH	20	104-0720	2	Spacer
6	325-5	2	Screw-HH	21	114-5640-03	2	Joint Yoke ASM
7	106-2008	2	Washer-Thrust	21:1		1	Yoke-Joint ●
8	121-3882	2	Shaft-Pivot, Lift Arm	21:1:1	104-4299	1	Cross And Bearing Kit
9	115-5468	2	Pivot Hub ASM	22	119-0089	1	LH Lift Arm ASM
9:1	115-5469	2	Bushing-Flange	22:2	69-6470	2	Bushing-Caster
9:2	114-5680	2	Bushing-Flange	22:3	302-5	1	Fitting-Grease
9:3	302-60	1	Fitting-Grease	22:4	302-60	1	Fitting-Grease
10	256-304	4	Washer-Thrust	22:5	114-5596	2	Bushing-Straight
11	117-5479	4	Pin-Spring	23	119-0087	1	RH Lift Arm ASM
12	120-8859-03	2	Block-Tapped	23:2	69-6470	2	Bushing-Caster
13	3256-26	10	Washer-Flat	23:3	302-5	1	Fitting-Grease
14	100-6116	6	Screw-HHF	23:4	302-60	1	Fitting-Grease
15	3272-25	2	Pin-Cotter	23:5	114-5596	2	Bushing-Straight

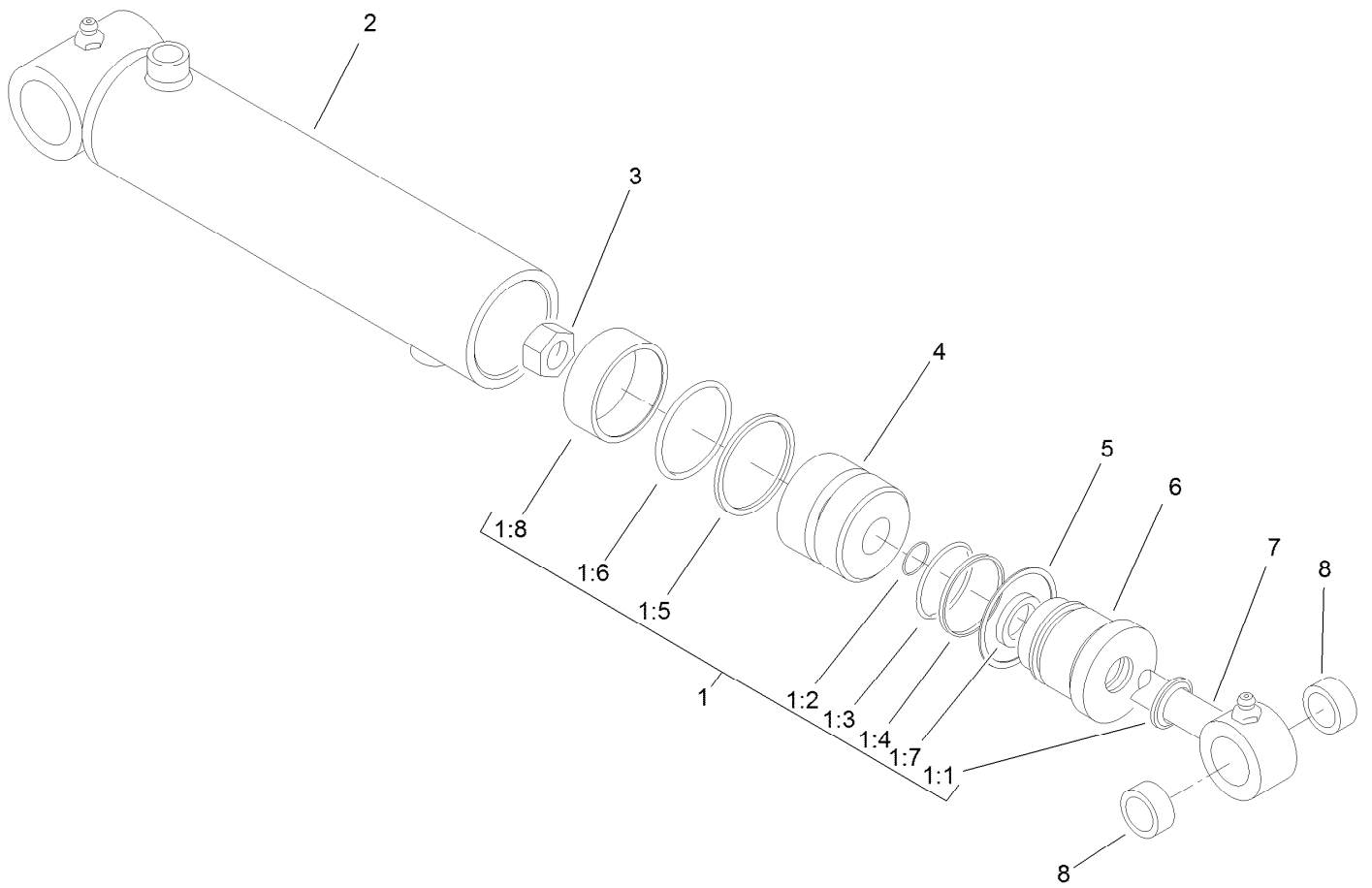
● Not serviced separately



## Wing Lift Arm Assembly (continued)

Ref.	Part Number	Qty.	Description	Ref.	Part Number	Qty.	Description
24	104-8300	6	Nut-HF, NI	34	130-5640-03	1	Latch-Deck, LH
25	119-0077	2	Plate-Sensing, Wing	35	130-5641-03	1	Latch-Deck, RH
26	3230-16	4	Screw-CARR	36	48-7081	2	Grip-Plastic
27	27-0410	2	Screw-Shoulder	37	340-82	2	Fitting-Elbow, 90 DEG
28	100-5674	2	Pin	37:1	237-42	1	O-Ring
29	107-4303	2	HYD Cylinder ASM	37:2	237-21	1	O-Ring
30	115-5300	2	Proximity Switch ASM	38	340-77	2	Fitting-Elbow, 90 DEG
30:1	117-3207	2	Nut-Hex	38:1	237-22	1	O-Ring
30:2	117-3208	2	Washer-Lock, Internal Tooth	38:2	237-42	1	O-Ring
31	120-9000-03	1	Crossmember	39	119-8308-03	6	Plate
32	3296-45	4	Nut-Hex	40	3296-2	4	Nut-Lock, NI
33	104-3577	4	Washer	41	3256-61	4	Washer-Flat

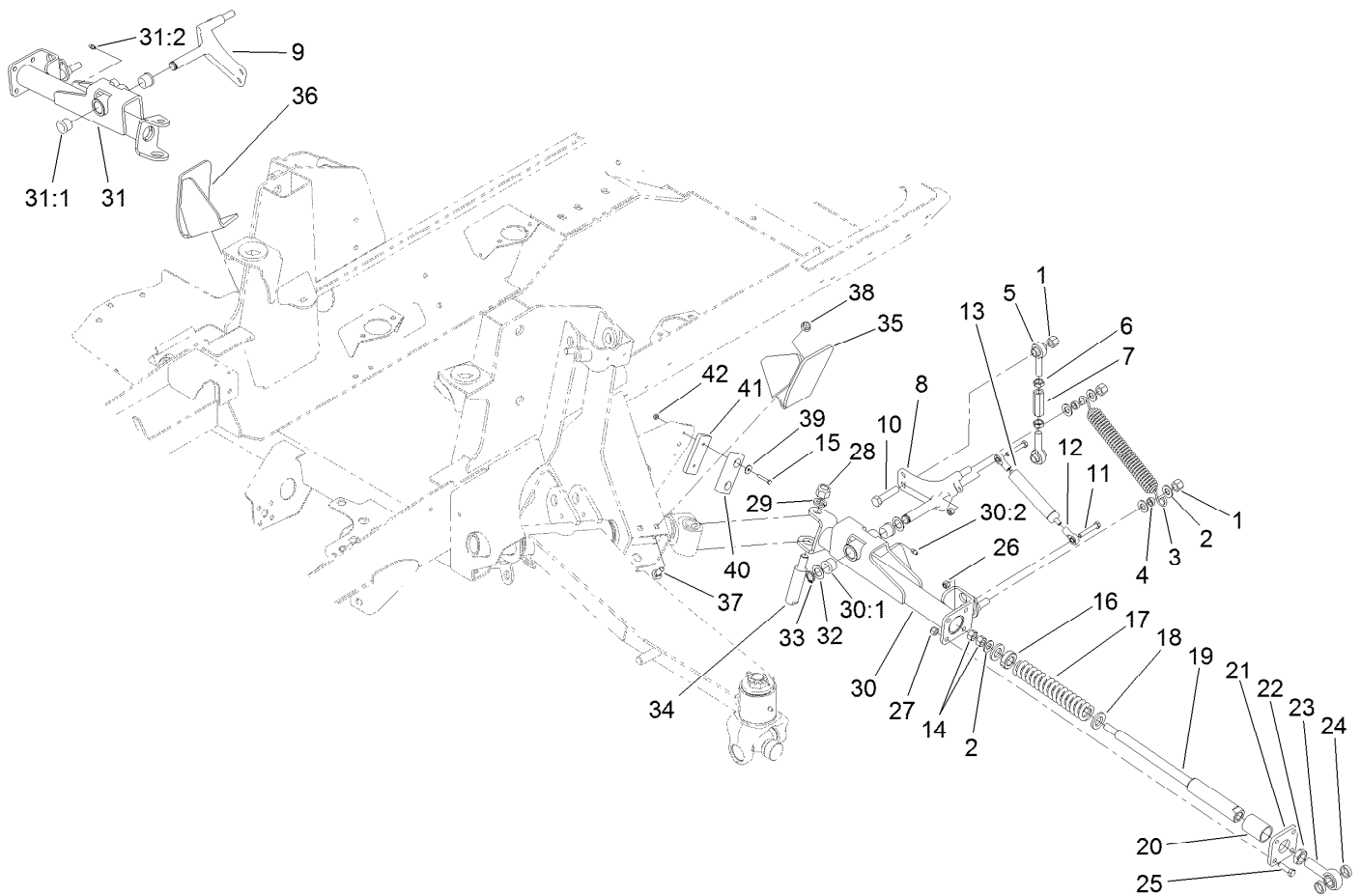
● Not serviced separately



## Hydraulic Cylinder Assembly No. 107-4303

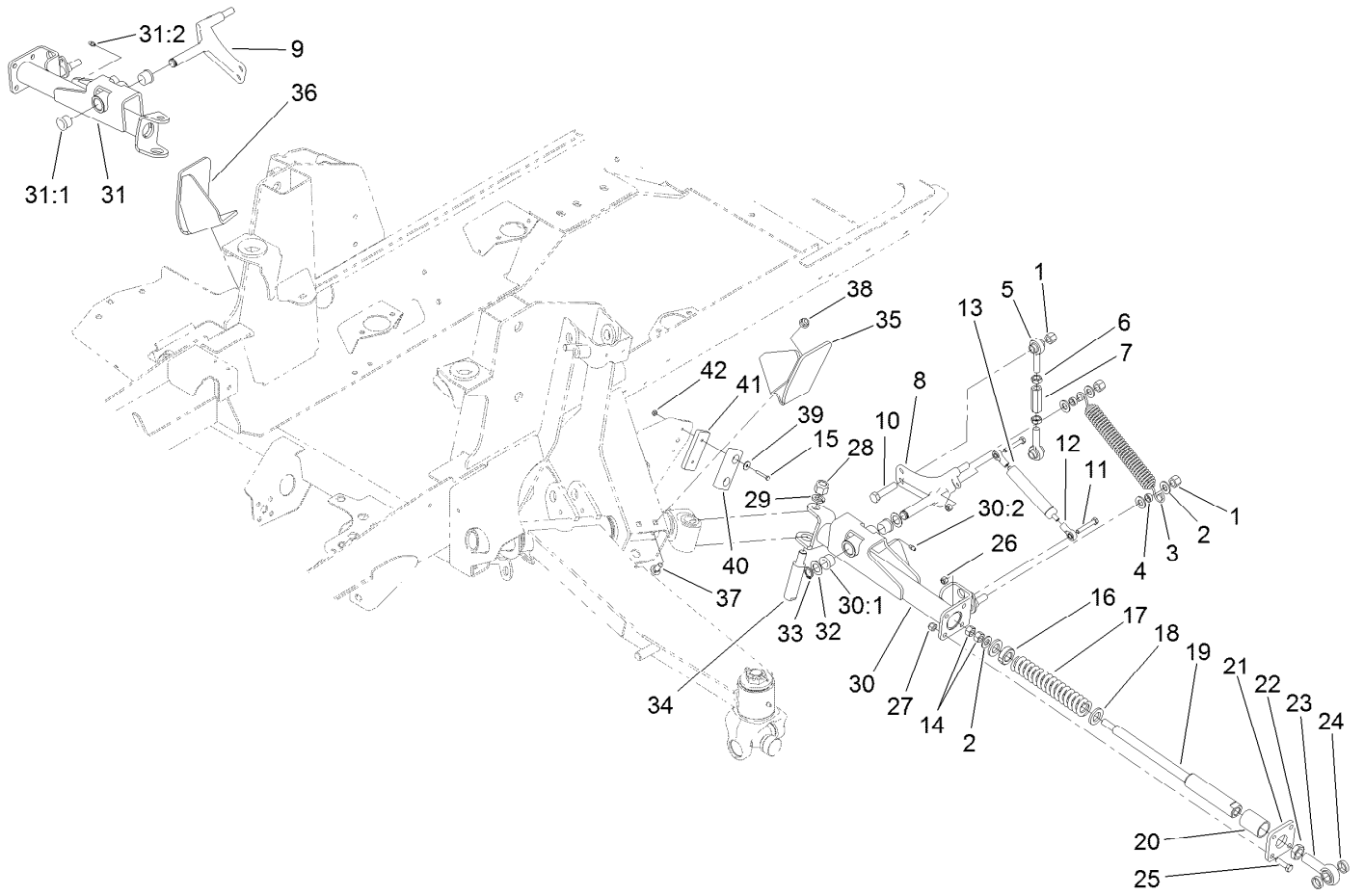
<i>Ref.</i>	<i>Part Number</i>	<i>Qty.</i>	<i>Description</i>	<i>Ref.</i>	<i>Part Number</i>	<i>Qty.</i>	<i>Description</i>
1	107-0249	1	Seal Kit	1:8		1	Wear Ring ●
1:1		1	Wiper ●	2		1	Barrel ASM ●
1:2		1	O-Ring ●	3		1	Locknut ●
1:3		1	O-Ring ●	4		1	Piston ●
1:4		1	Back-Up ●	5		1	Ring, Retaining ●
1:5		1	Seal ●	6		1	Head ●
1:6		1	O-Ring ●	7		1	Rod ASM ●
1:7		1	Seal ●	8	104-4281	2	Bushing

● Not serviced separately



## Impact Arm Assembly

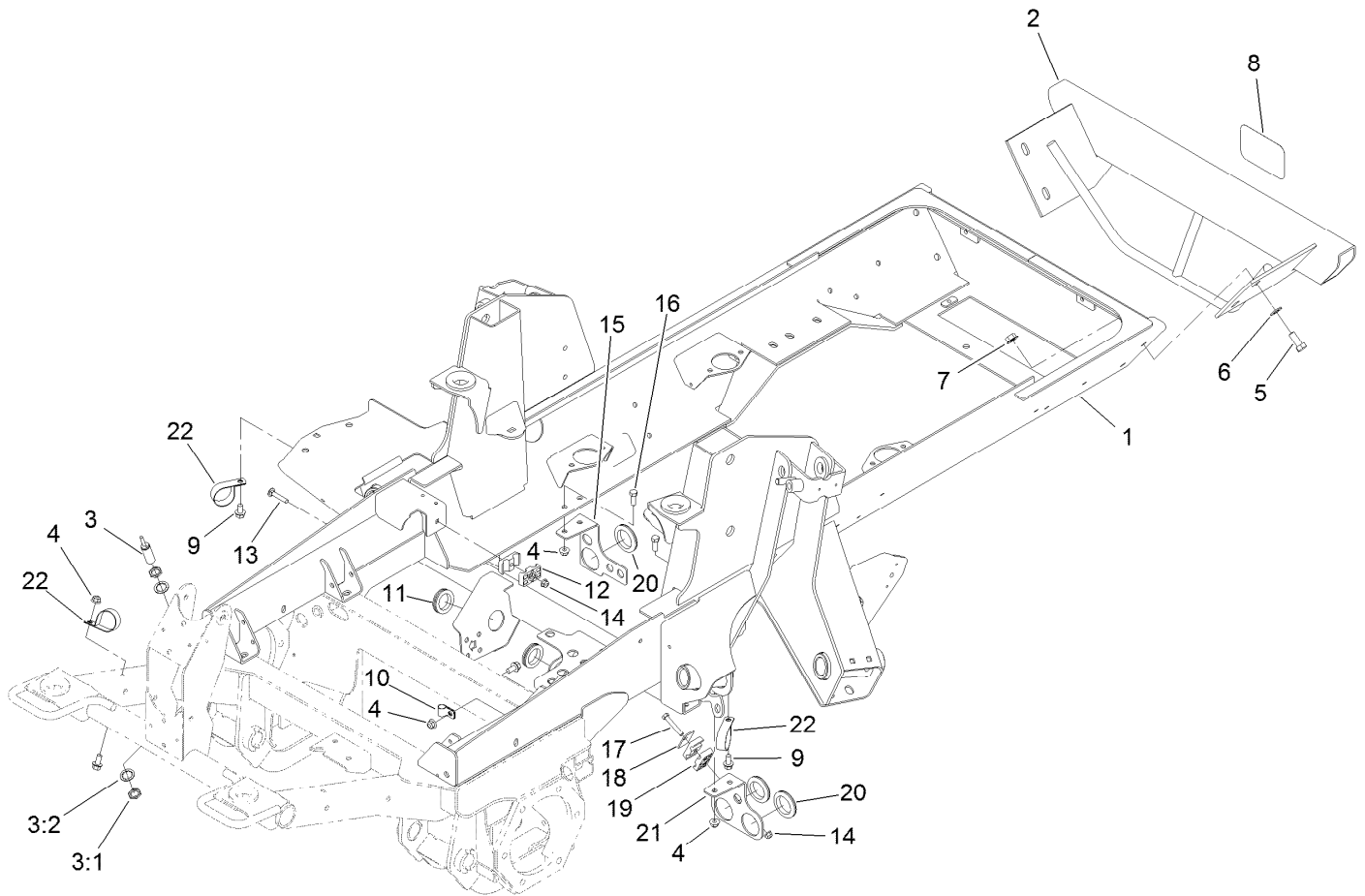
Ref.	Part Number	Qty.	Description	Ref.	Part Number	Qty.	Description
1	3296-23	6	Nut-Lock, NI	22	3220-7	2	Nut-Jam
2	3256-26	10	Washer-Flat	23	105-2806	2	End-Rod
3	104-7520	2	Spring-Damper	24	105-0756	4	Spacer
4	104-7521	4	Bushing	25	323-7	8	Screw-HH
5	105-2808	4	End-Rod	26	3296-29	4	Nut-Lock, NI
6	3220-5	4	Nut-Jam	27	3296-39	8	Nut-Lock, NI
7	105-2809	2	Tube-Link	28	3296-53	2	Nut-Lock, NI
8	114-2717	1	Crank-Bell, LH	29	3253-8	2	Washer-Lock
9	114-2716	1	Crank-Bell, RH	30	120-8884	1	LH Rear Arm ASM
10	325-9	2	Screw-HH	30:1	256-113	2	Bushing-Flange
11	322-10	4	Screw-HH	30:2	302-5	1	Fitting-Grease
12	104-8331	4	End-Rod, Spherical	31	120-8883	1	RH Rear Arm ASM
13	105-3249	2	Damper	31:1	256-113	2	Bushing-Flange
14	3217-9	4	Nut-HH	31:2	302-5	1	Fitting-Grease
15	3290-360	4	Screw-HH	32	3-6498	4	Washer-Thrust
16	105-4552	2	Bearing-Plastic	33	32120-93	2	Ring-Retaining
17	100-8138	2	Spring-Compression	34	104-2281	2	Shaft-Pivot
18	105-4551	4	Washer-Flat	35	120-8856-03	1	Bracket-Roller, LH
19	105-4548	2	Shaft-Spring	36	120-8874-03	1	Bracket-Roller, RH
20	105-4550	2	Bushing-Straight	37	3231-2	4	Bolt-CARR
21	105-2807-03	2	Plate	38	104-8301	4	Nut-HF, NI



## Impact Arm Assembly (continued)

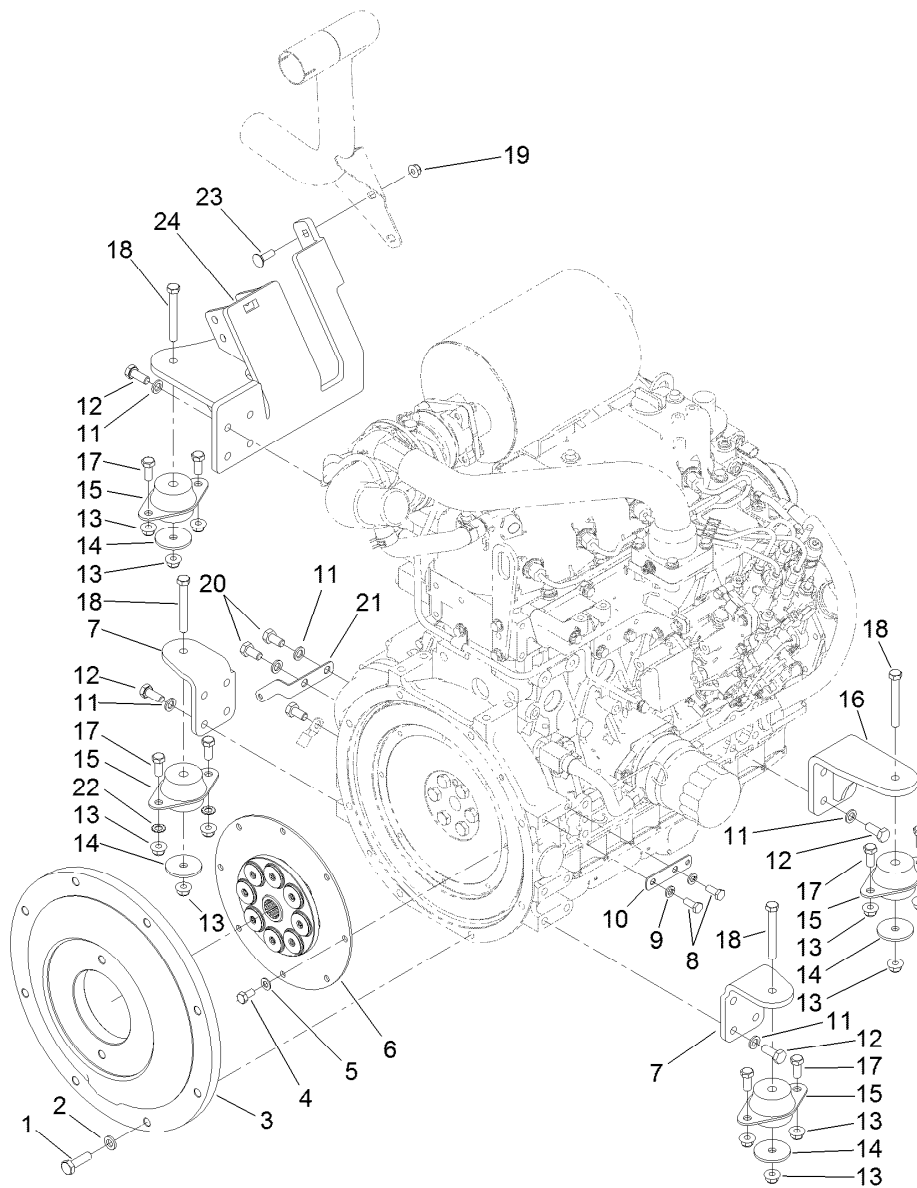
<i>Ref.</i>	<i>Part Number</i>	<i>Qty.</i>	<i>Description</i>	<i>Ref.</i>	<i>Part Number</i>	<i>Qty.</i>	<i>Description</i>
39	3256-61	4	Washer-Flat	41	119-8308-03	2	Plate
40	86-5350	2	Bumper-Rubber	42	3296-2	4	Nut-Lock, NI





## Frame, Bumper and Proximity Sensor Assembly

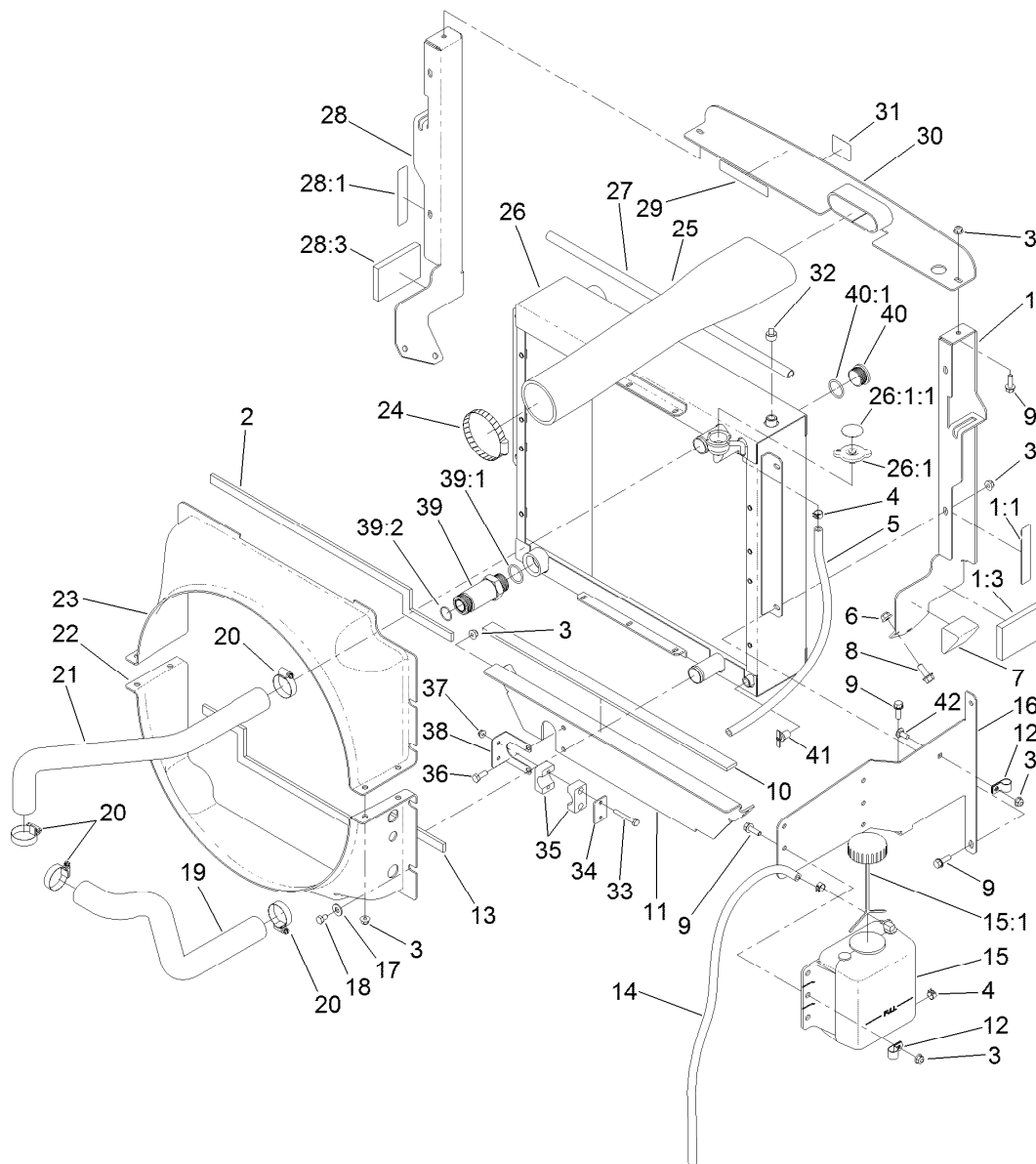
<i>Ref.</i>	<i>Part Number</i>	<i>Qty.</i>	<i>Description</i>	<i>Ref.</i>	<i>Part Number</i>	<i>Qty.</i>	<i>Description</i>
1	120-4010-03	1	Frame	11	240-7	2	Grommet-Rubber
2	120-8919-03	1	Bumper	12	56-7971	2	Clamp-Tube
3	115-0282	1	Proximity Sensor ASM	13	3230-5	1	Bolt-CARR
3:1	117-3207	2	Nut-Hex	14	104-8300	2	Nut-HF, NI
3:2	117-3208	2	Washer-Lock, Internal Tooth	15	121-1508-03	1	Bracket-Bulkhead
4	104-8301	6	Nut-HF, NI	16	323-6	4	Screw-HH
5	325-5	4	Screw-HH	17	322-10	1	Screw-HH
6	3256-26	4	Washer-Flat	18	69-9760	1	Plate-Cover
7	32128-23	4	Nut-HF	19	56-7976	2	Clamp-Tube
8	105-8278	1	Decal	20	240-2	3	Grommet-Rubber
9	3234-1	4	Screw-HHF	21	121-1481-03	1	Plate-Mount, Bulkhead (LH)
10	2412-138	1	R-Clamp	22	2412-147	3	Clamp-R



## Flywheel and Motor Mount Assembly

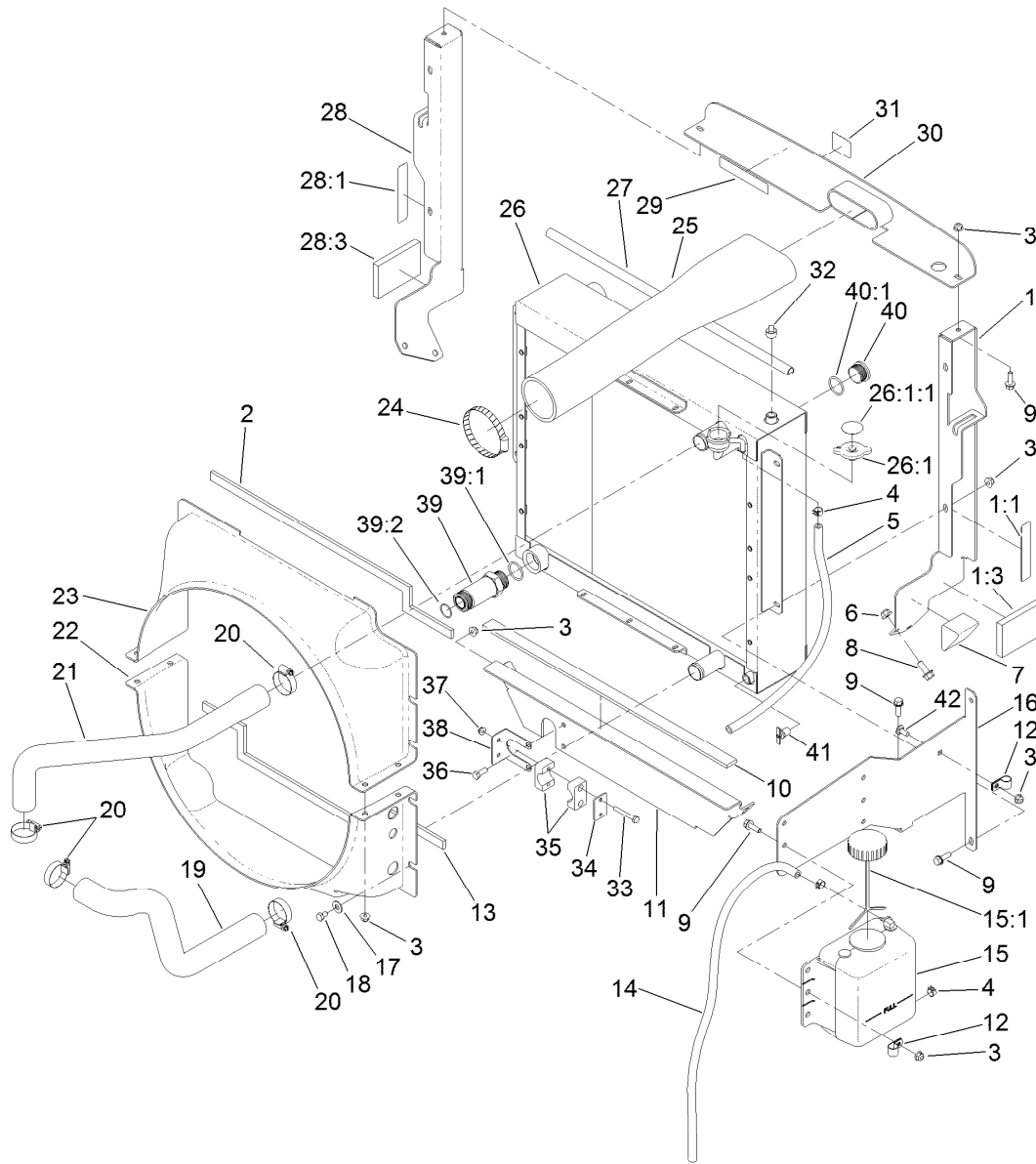
Ref.	Part Number	Qty.	Description
1	117-5663	8	Screw-HH
2	107-1413	8	Washer-Hardened
3	115-6657-03	1	Plate-Flywheel
4	99-5132	8	Bolt
5	87-7510	8	Washer-Flat
6	120-4176	1	Coupling-Spring, Flywheel
7	120-4066-03	2	Mount-Motor, Front
8	33114-020	2	Screw-HH
9	3253-4	2	Washer-Lock
10	121-5636	1	Tab-Harness
11	48-9590	18	Washer-Lock
12	33115-025	16	Screw-HH

Ref.	Part Number	Qty.	Description
13	104-8301	12	Nut-HF, NI
14	63-7400	4	Washer-Rebound
15	53-9682	4	Mount-Engine
16	120-4068-03	1	Mount-Motor
17	323-5	8	Screw-HH
18	323-14	4	Screw-HH
19	104-8300	2	Nut-HF, NI
20	33115-020	3	Screw-HH
21	121-6580	1	Bracket-Harness
22	3255-9	2	Washer-Lock
23	3230-2	2	Bolt-CARR
24	127-3722-03	1	Mount-Motor



## Radiator Assembly

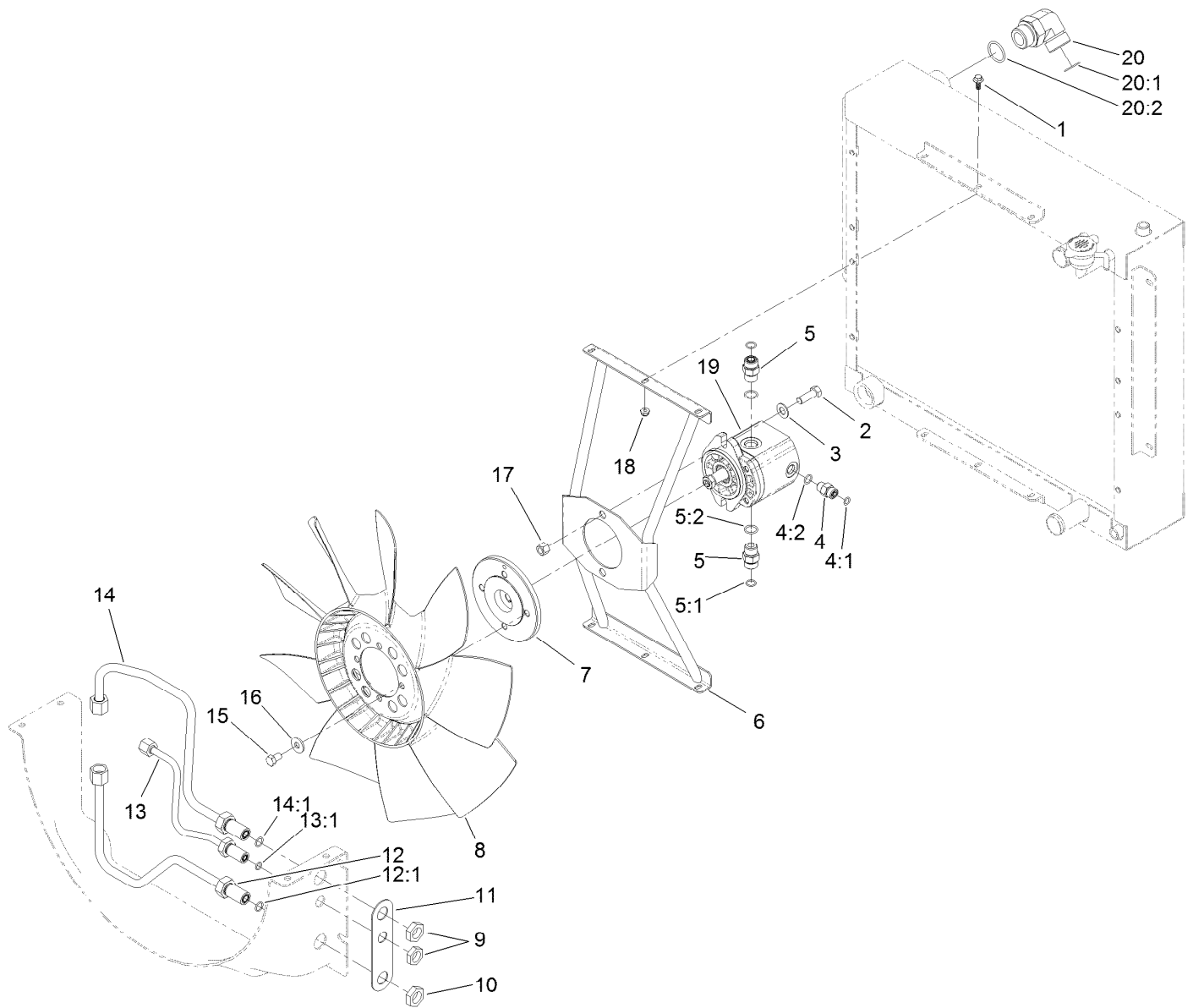
Ref.	Part Number	Qty.	Description	Ref.	Part Number	Qty.	Description
1	121-1479	1	LH Radiator Support ASM	19	121-1746	1	Hose-Radiator, Lower
1:1	93-7272	1	Decal-Warning	20	2412-111	4	Clamp-Hose, W/Liner
1:3	100-2196	1	Pad-Foam	21	121-1747	1	Hose-Radiator, Upper
2	121-1684	1	Foam-Radiator	22	121-1517	1	Shroud-Radiator, Lower
3	104-8300	13	Nut-HF, NI	23	121-1515	1	Shroud-Radiator, Upper
4	92-2379	3	Clamp-Hose	24	2412-110	1	Clamp-Band/Screw
5	110-4112	1	Hose-Fuel	25	121-1474	1	Hose-Inlet, Air Cleaner
6	104-8301	6	Nut-HF, NI	26	121-3080	1	Radiator/Oil Cooler
7	93-5954	2	Plug-Foam	26:1	115-7766	1	Cap-Radiator
8	3234-11	6	Screw-HHF	26:1:1	106-6755	1	Decal-Cap, Radiator
9	3234-29	12	Screw-HHF	27	114-3828	1	Seal-Bulb
10	104-2226	1	Strip-Foam	28	121-1478	1	RH Radiator Support ASM
11	120-8968-03	1	Bracket-Hose	28:1	93-7272	1	Decal-Warning
12	92-6064	2	Clamp-R	28:3	100-2196	1	Pad-Foam
13	121-1685	1	Foam-Radiator, Lower	29	93-7272	1	Decal-Warning
14	110-9662	1	Hose-Fuel	30	120-9025-03	1	Bracket-Intake
15	120-5571	1	Coolant Reservoir ASM	31	93-7275	1	Decal-Fluid, Starting
15:1	87-7050	1	Cap-Reservoir	32	281-13	1	Plug-Pipe
16	130-0603-03	1	Bracket-Mount, Bottle	33	321-11	2	Screw-HH
17	3256-3	8	Washer-Flat	34	114-4902	1	Plate-Cover
18	322-1	8	Screw-HH	35	114-4901	1	Clamp



## Radiator Assembly (continued)

<i>Ref.</i>	<i>Part Number</i>	<i>Qty.</i>	<i>Description</i>
36	322-4	2	Screw-HH
37	104-7201	2	Nut-HF, NI
38	120-8984	1	Bracket-Clamp
39	100-5565	1	Fitting-STR
39:1	237-146	1	O-Ring

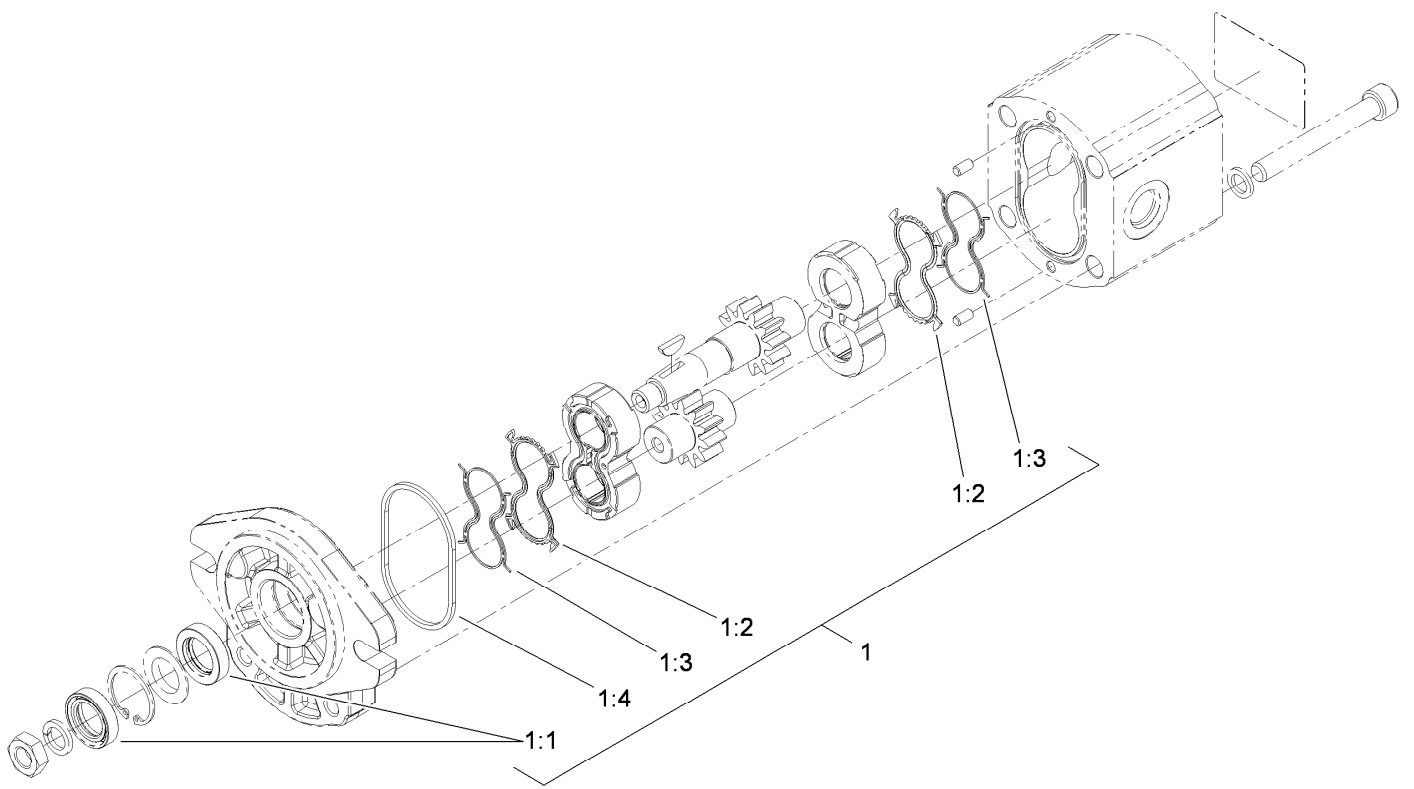
<i>Ref.</i>	<i>Part Number</i>	<i>Qty.</i>	<i>Description</i>
39:2	340-65	1	O-Ring
40	106-2030	1	Plug-Hex, Hollow
40:1	237-146	1	O-Ring
41	304-46	1	Draincock
42	3230-23	1	Bolt-CARR



## Fan Mounting and Hardline Assembly

Ref.	Part Number	Qty.	Description
1	99-6810	6	Screw-HHF
2	324-5	2	Screw-HH
3	3256-25	2	Washer-Flat
4	340-2	1	Fitting-Straight
4:1	237-22	1	O-Ring
4:2	237-42	1	O-Ring
5	340-4	2	Fitting-Straight
5:1	237-30	1	O-Ring
5:2	237-79	1	O-Ring
6	120-8935-03	1	Bracket-Fan
7	117-2364	1	Hub-Fan
8	114-3825	1	Fan
9	340-70	1	Nut-Lock
10	340-127	2	Nut-Bulkhead
11	121-1518	1	Shim-Support

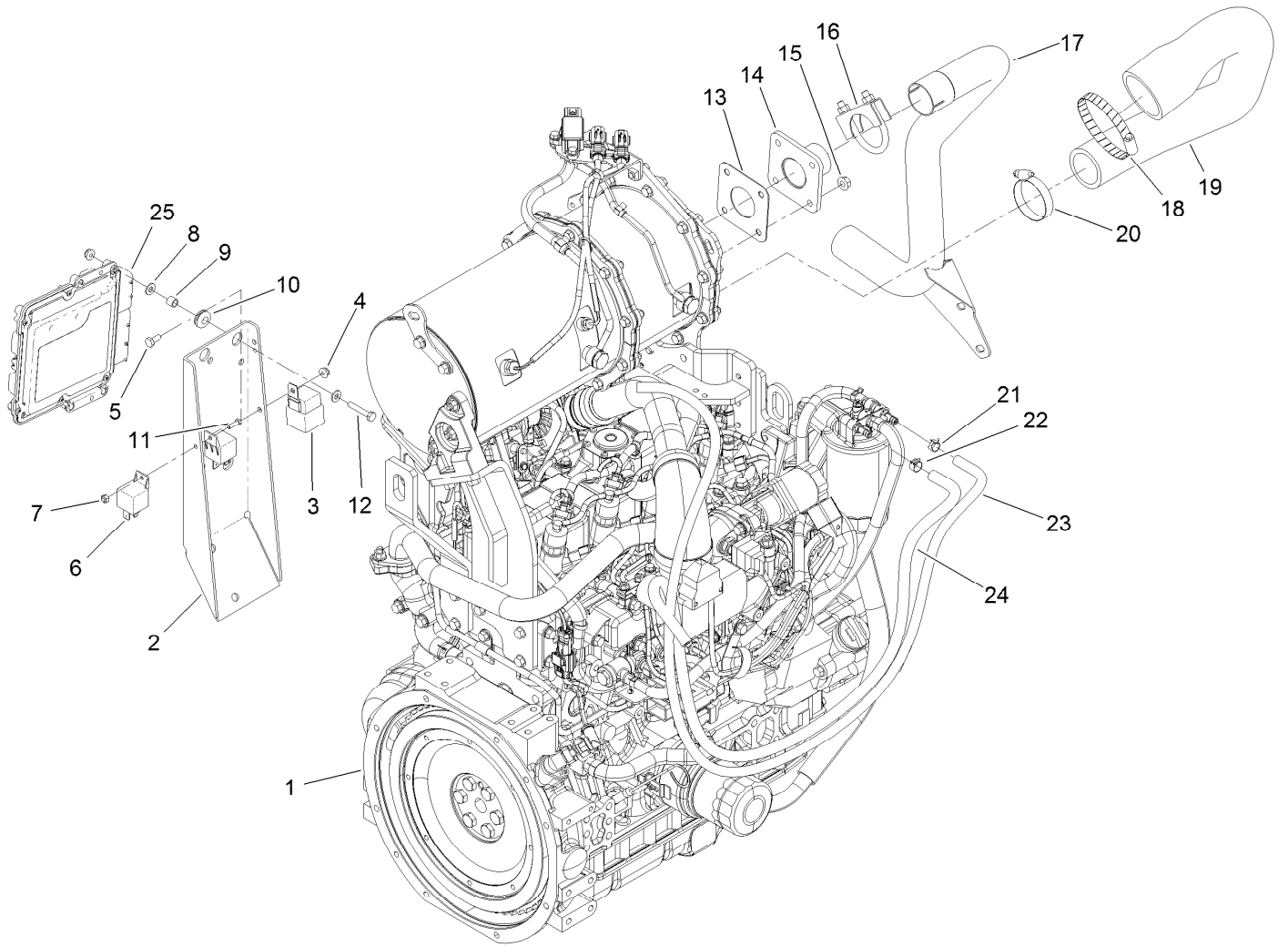
Ref.	Part Number	Qty.	Description
12	121-1554	1	Tube-HYD
12:1	237-30	1	O-Ring
13	121-1555	1	Tube ASM
13:1	237-22	1	O-Ring
14	121-1553	1	Tube-HYD
14:1	237-30	1	O-Ring
15	115-8486	4	Screw-HH
16	80-6990	4	Washer-Hardened
17	3296-48	2	Nut-Hex
18	104-7201	6	Nut-HF, NI
19	117-4769	1	HYD Motor ASM
20	340-129	1	Fitting-Elbow, 90 DEG
20:1	237-146	1	O-Ring
20:2	340-65	1	O-Ring



## Hydraulic Motor Assembly No. 117-4769

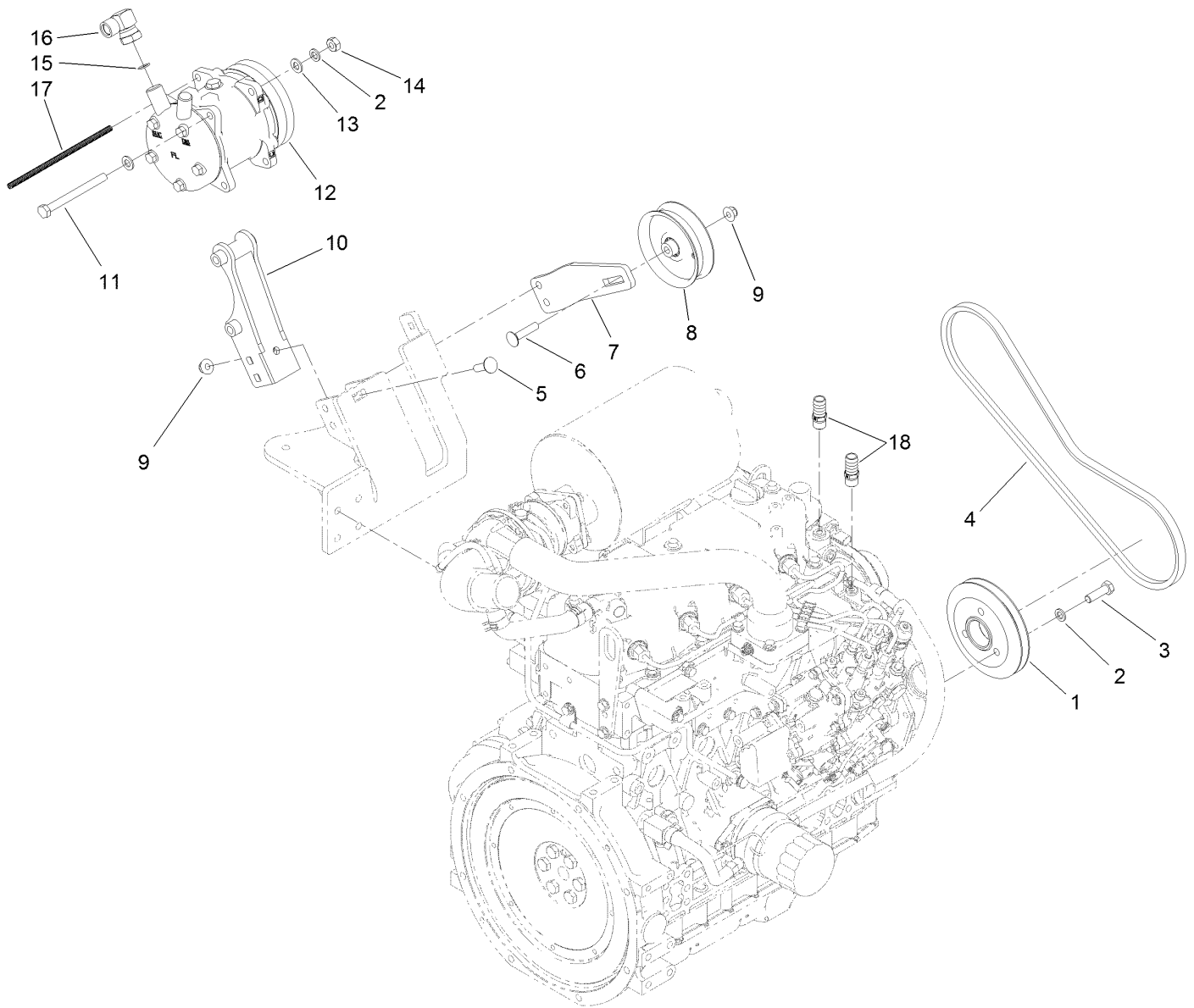
<i>Ref.</i>	<i>Part Number</i>	<i>Qty.</i>	<i>Description</i>
1	115-4110	1	Seal Kit
1:1		2	Seal-Shaft ●
1:2		2	Seal-Plate, Balancing ●
1:3		2	Seal-Anti Extrusion ●
1:4		2	O-Ring (Housing) ●

● Not serviced separately



## Engine and Controller Assembly

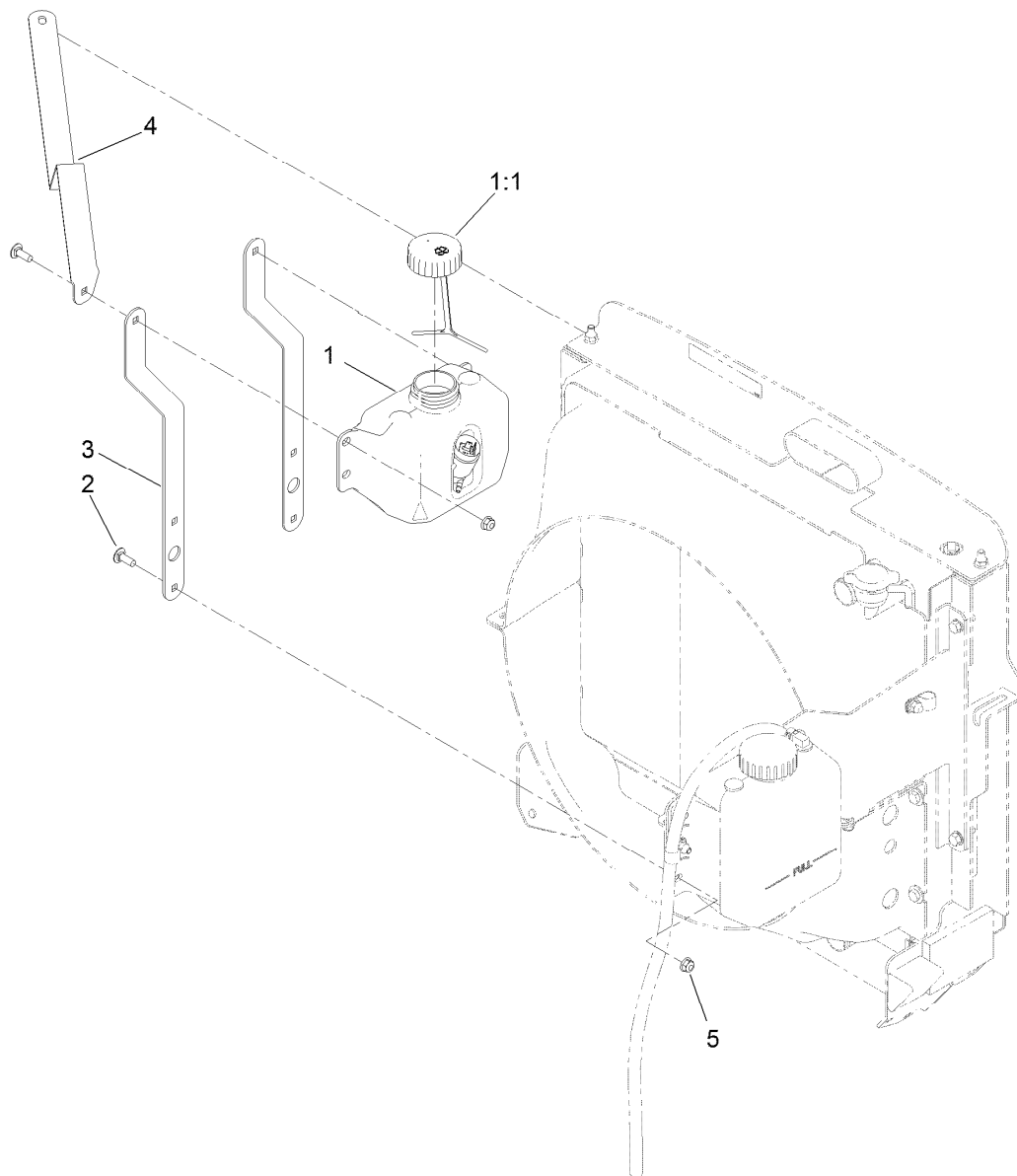
<i>Ref.</i>	<i>Part Number</i>	<i>Qty.</i>	<i>Description</i>	<i>Ref.</i>	<i>Part Number</i>	<i>Qty.</i>	<i>Description</i>
1	120-4111	1	Engine ASM	14	121-3060	1	Flange-Exhaust
2	120-8916-03	1	Mount-Controller	15	33004-00	4	Nut-HF
3	99-7430	1	Relay-Mini	16	18-2130	1	Clamp
4	104-7201	5	Nut-HF, NI	17	121-1613	1	Pipe-Exhaust
5	321-3	1	Screw-HH	18	2412-110	1	Clamp-Band/Screw
6	99-7435	2	Relay	19	121-1475	1	Hose-Outlet, Air Cleaner
7	3296-2	1	Nut-Lock, NI	20	2412-130	1	Clamp-Hose
8	3256-22	8	Washer-Flat	21	2412-98	1	Clamp-Hose
9	1-633545	4	Spacer	22	92-2379	1	Clamp-Hose
10	1-633630	4	Grommet	23	115-2368	1	Hose-Fuel
11	3290-134	1	Screw	24	110-4007	1	Hose-Fuel
12	321-9	4	Screw-HH	25	121-5592	1	Electronic Control Unit
13	121-3058	1	Gasket-Exhaust				



## Air Conditioner Compressor Mount Assembly

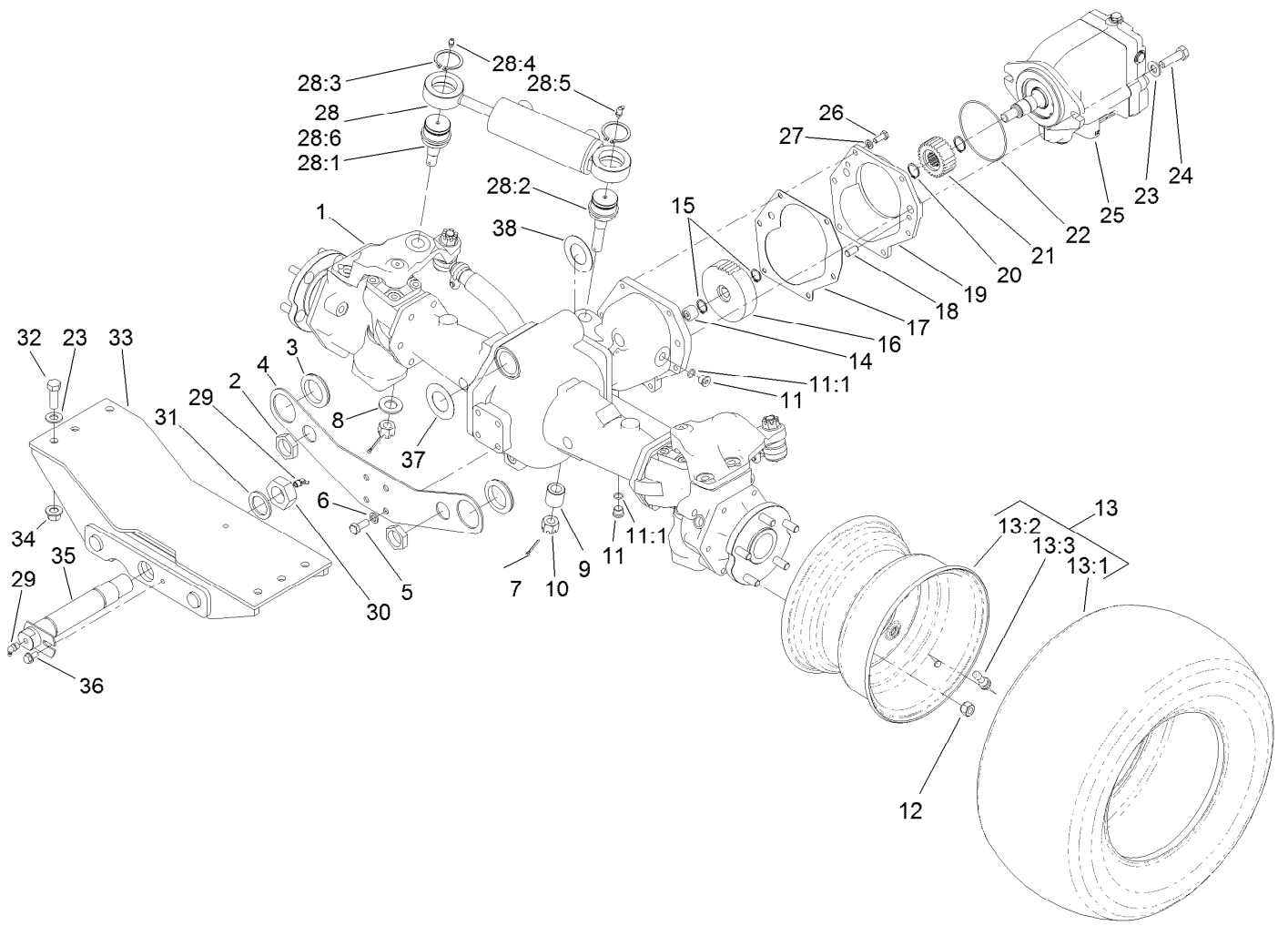
<i>Ref.</i>	<i>Part Number</i>	<i>Qty.</i>	<i>Description</i>	<i>Ref.</i>	<i>Part Number</i>	<i>Qty.</i>	<i>Description</i>
1	121-8177	1	Pulley-Single	10	127-3726-03	1	Mount-Compressor
2	48-9590	5	Washer-Lock	11	33115-110	2	Screw-HH
3	33115-035	3	Screw-HH	12	119-0103	1	Compressor
4	110-6254	1	Belt-V	13	33095-00	4	Washer-Flat
5	3231-25	5	Bolt-CARR	14	33015-00	2	Nut-Hex
6	3231-5	1	Screw-CARR	15	117-2780	1	O-Ring
7	127-3727-03	1	Mount-Pulley	16	119-0128	1	Fitting-Elbow, 90 DEG
8	98-3095	1	Pulley-Idler	17	115-8882	1	Conduit-Convolutod
9	104-8301	6	Nut-HF, NI	18	117-9410	2	Fitting-Straight





## Washer Fluid Bottle Assembly

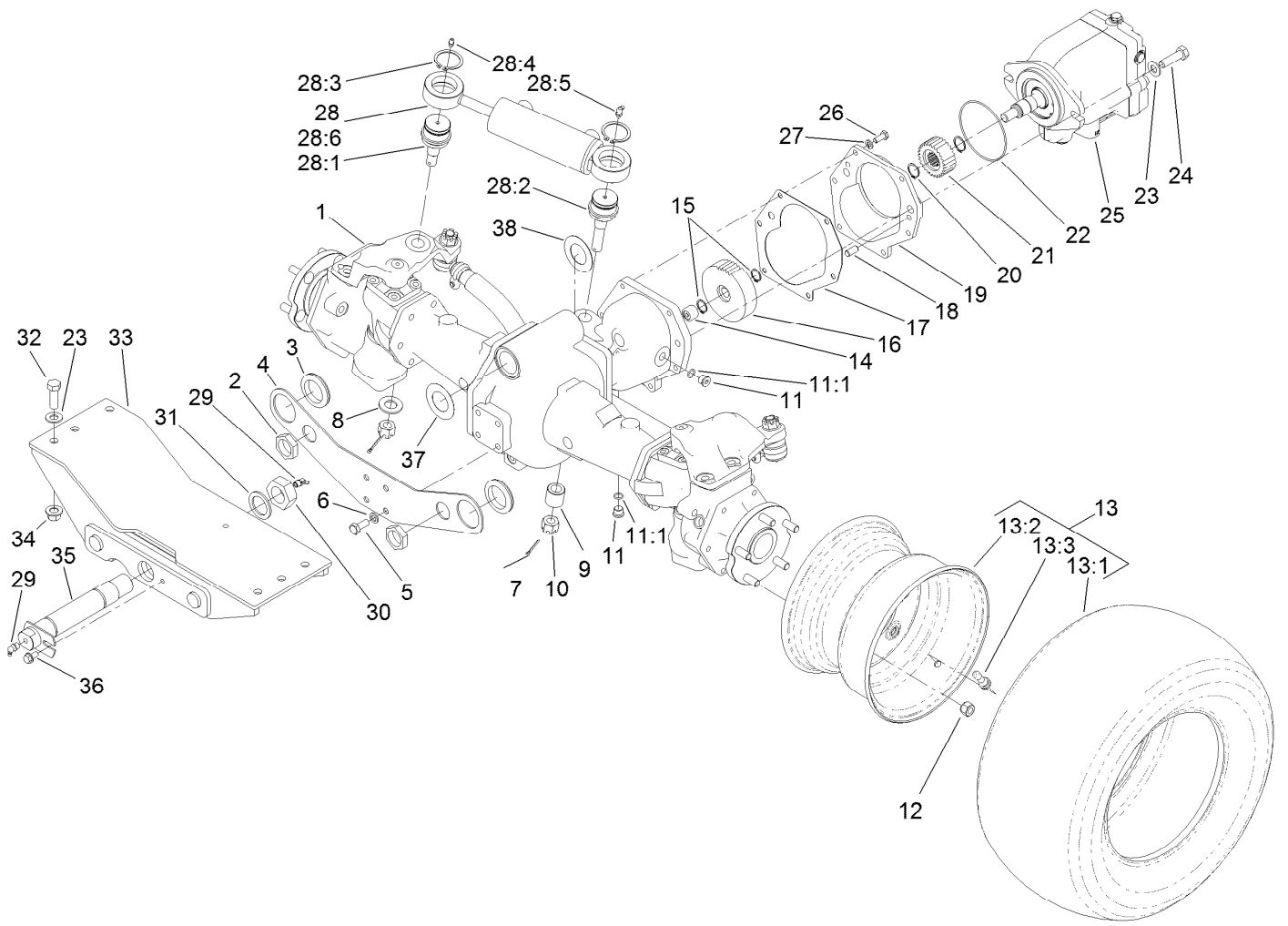
<i>Ref.</i>	<i>Part Number</i>	<i>Qty.</i>	<i>Description</i>
1	125-5257	1	Tank-Fluid, Washer
1:1	125-5258	1	Lid-Tank, Washer Fluid
2	3230-10	6	Bolt-CARR
3	130-0604-03	2	Strap-Bottle, Washer Fluid
4	130-0605-03	1	Support-Bottle, Washer Fluid
5	104-8300	6	Nut-HF, NI



## Rear Axle and Steering Cylinder Assembly

Ref.	Part Number	Qty.	Description	Ref.	Part Number	Qty.	Description
1	110-4750	1	Drive Axle ASM	15	32120-15	2	Ring-Snap, EXT
2	340-126	2	Nut-Bulkhead	16	100-3053	1	Gear-45 Tooth
3	240-2	2	Grommet-Rubber	17	106-1140	1	Gasket
4	120-9069-03	1	Plate-Mount, Bulkhead	18	104-2353	2	Pin-Dowel
5	43-0090	4	Screw-HH	19	95-7541	1	Plate-Cover
6	48-9590	4	Washer-Lock	20	32120-76	2	Ring-Snap, EXT
7	3272-12	2	Pin-Cotter	21	104-0755	1	Pinion-27 Tooth
8	92-5836	1	Washer	22	237-166	1	O-Ring
9	100-3796	1	Spacer-Joint, Ball	23	3256-26	8	Washer-Flat
10	32136-14	2	Nut-Hst	24	325-7	2	Screw-HH
11	353-989	2	Plug-Hex, Hollow	25	120-8814	1	HYD Motor ASM
11:1	237-42	1	O-Ring	26	33114-020	6	Screw-HH
12	93-5268	10	Nut-Lug	27	3253-4	6	Washer-Lock
13		2	Tire And Wheel ASM ●	28	121-1535	1	Steering Cylinder ASM
13:1	120-8910	1	Tire-Off Road	28:1	106-6774	1	Joint-Ball
13:2	120-8909	1	Rim	28:2	100-3795	1	Joint-Ball
13:3	232-27	1	Stem-Valve	28:3	32151-104	2	Ring-Retaining, External
14	74-5700	1	Bearing-Needle, Roller	28:4	302-5	1	Fitting-Grease

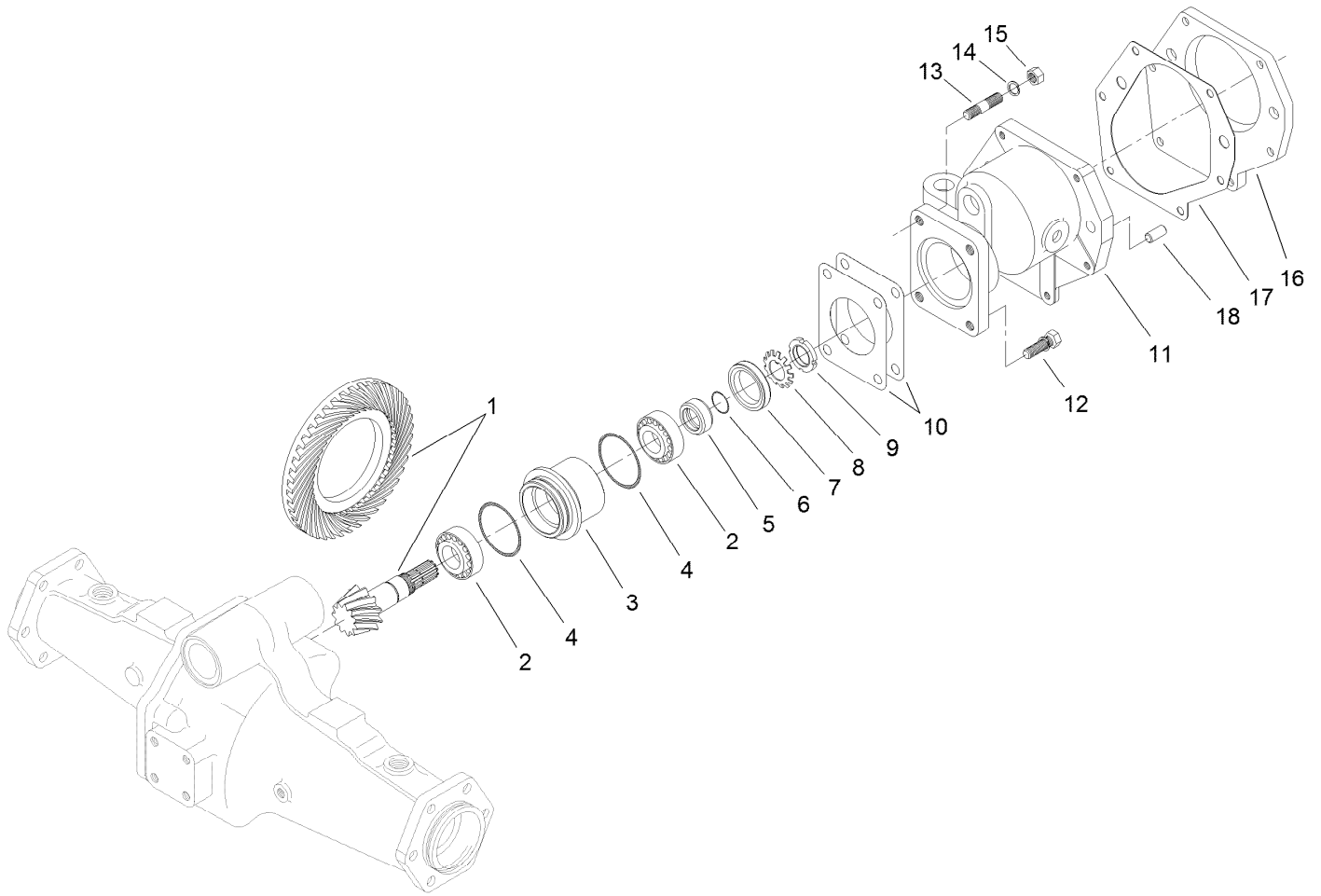
● Not serviced separately



## Rear Axle and Steering Cylinder Assembly (continued)

<i>Ref.</i>	<i>Part Number</i>	<i>Qty.</i>	<i>Description</i>	<i>Ref.</i>	<i>Part Number</i>	<i>Qty.</i>	<i>Description</i>
28:5	302-60	1	Fitting-Grease	33	120-8895-03	1	Mount-Rear
28:6	121-1534	1	HYD Steering Cylinder ASM	34	99-5107	6	Nut-Lock
29	302-33	2	Fitting-Grease	35	98-7077	1	Pin-Axle, Rear
30	3296-68	1	Nut-Lock, NI	36	32144-14	1	Screw-HWHTF
31	92-1765	1	Washer-Thrust	37	99-8431	2	Washer-Thrust
32	325-6	6	Screw-HH	38	99-8432	2	Washer-Thrust

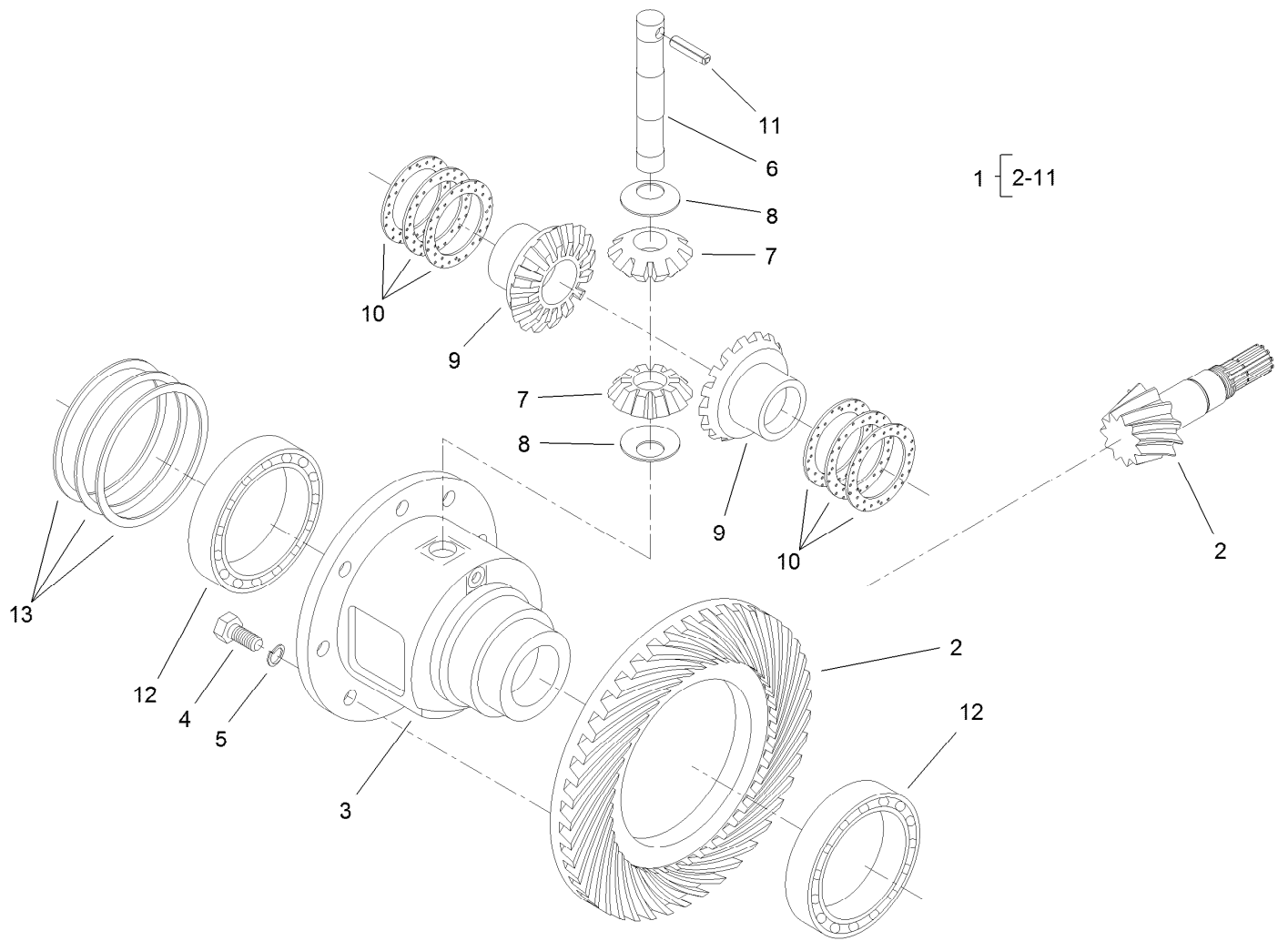
● Not serviced separately



## Bevel Pinion Shaft Assembly Rear Axle Assembly No. 110-4750

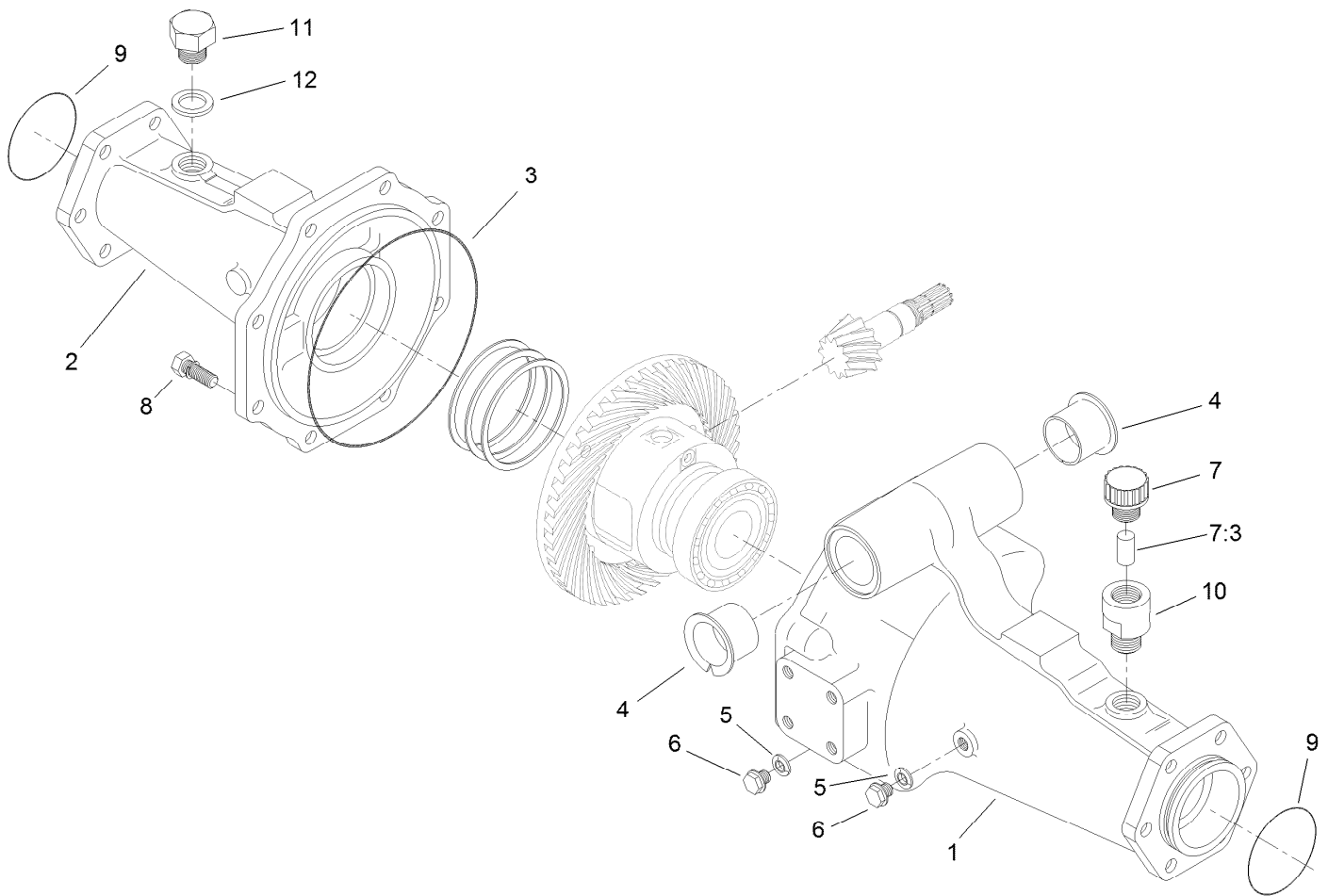
<i>Ref.</i>	<i>Part Number</i>	<i>Qty.</i>	<i>Description</i>
1	106-1093	1	Ring And Pinion Set
2	99-7570	2	Bearing-Roller, Taper
3	95-7534	1	Case-Bearing
4	106-1065	2	O-Ring
5	99-7572	1	Collar-Seal, Oil
6	106-1066	1	O-Ring
7	99-7574	1	Seal-Oil
8	99-7559	1	Washer-Lock
9	99-7560	1	Nut-Lock
10	99-7550	2	Shim 0.1

<i>Ref.</i>	<i>Part Number</i>	<i>Qty.</i>	<i>Description</i>
10	99-7551	2	Shim 0.2
11	95-7533	1	Case-Gear
12	99-7575	2	Bolt
13	98-7735	2	Stud
14	99-7527	2	Washer-Spring
15	99-7526	2	Nut
16	95-7541	1	Plate-Cover
17	106-1140	1	Gasket
18	104-2353	2	Pin-Dowel



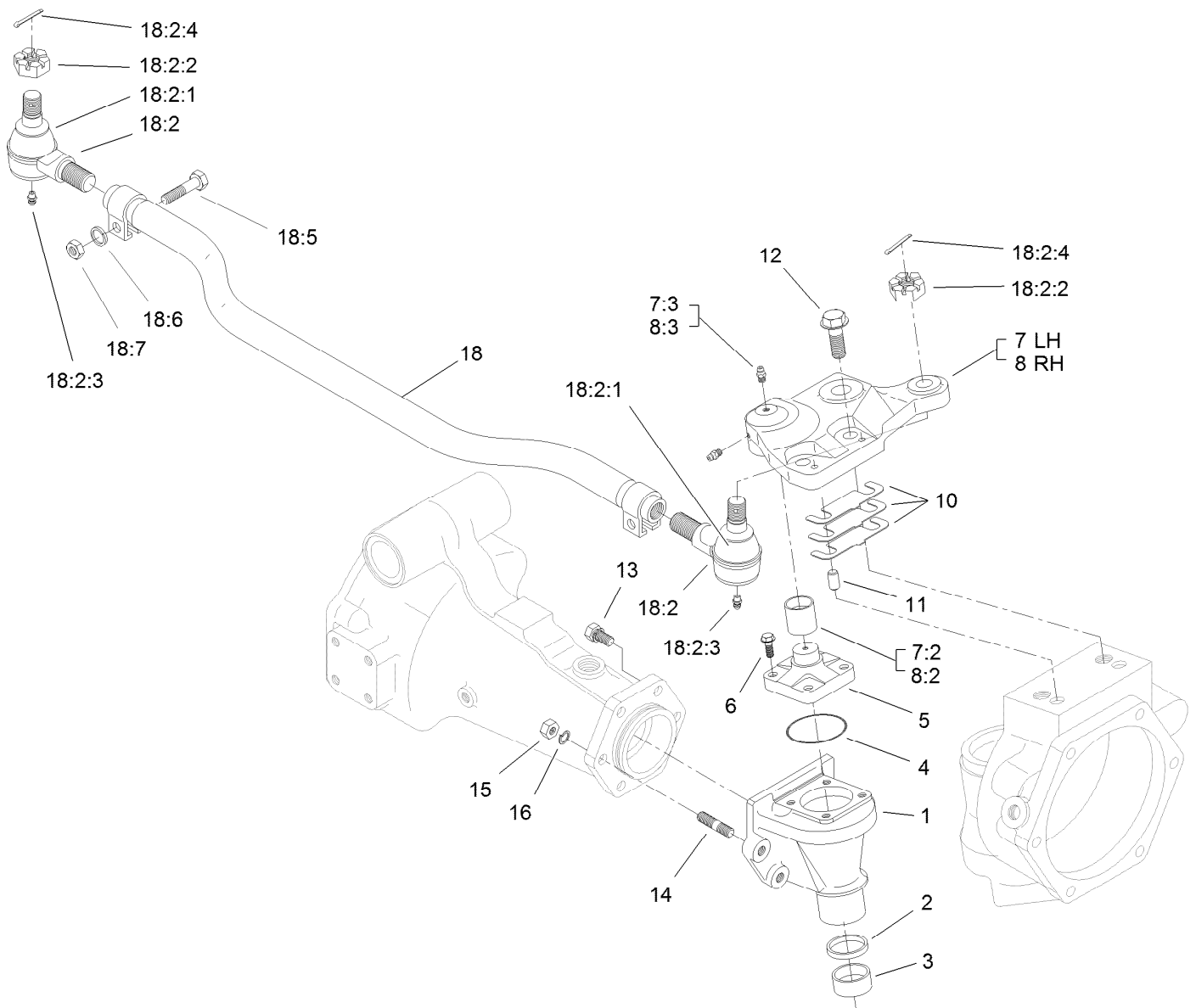
## Differential Assembly Rear Axle Assembly No. 110-4750

<i>Ref.</i>	<i>Part Number</i>	<i>Qty.</i>	<i>Description</i>	<i>Ref.</i>	<i>Part Number</i>	<i>Qty.</i>	<i>Description</i>
1	95-7503	1	Differential ASM	10	99-7582	2	Washer-Differential
2	106-1093	1	Ring And Pinion Set	10	99-7583	2	Washer-Differential
3	95-7502	1	Case-Differential	10	99-7584	2	Washer-Differential
4	99-7576	8	Bolt	11	99-7588	1	Pin-Spring
5	3253-4	8	Washer-Lock	12	99-7562	2	Bearing-Ball
6	99-7578	1	Shaft-Differential	13	99-7585	2	Shim 0.1
7	99-7579	2	Pinion-Differential	13	99-7586	2	Shim 0.2
8	99-7580	2	Washer-Differential	13	99-7587	2	Shim 0.4
9	99-7581	2	Gear-Differential				



## Axle Support Assembly Rear Axle Assembly No. 110-4750

<i>Ref.</i>	<i>Part Number</i>	<i>Qty.</i>	<i>Description</i>
1	95-7508	1	Support-Axle
2	95-7506	1	Support-Axle
3	106-1067	1	O-Ring
4	95-7537	2	Bushing-Flanged
5	99-7590	2	Washer-Seal
6	99-7589	2	Plug
7	110-4812	1	Axle Vent ASM
7:3	110-4815	1	Insert-Filter, Foam
8	99-7592	8	Bolt
9	106-1068	2	O-Ring
10	104-2377	1	Extension-Vent
11	104-8643	1	Plug
12	104-8644	1	O-Ring



## Bevel Gear Case Assembly Rear Axle Assembly No. 110-4750

Ref.	Part Number	Qty.	Description	Ref.	Part Number	Qty.	Description
1	110-4752	2	Case-Gear, Bevel	12	104-2375	4	Bolt
2	110-4754	2	Seal-Oil	13	99-7599	8	Bolt
3	104-2378	2	Bushing	14	99-7525	4	Stud
4	106-1069	2	O-Ring	15	99-7526	4	Nut
5	104-2373	2	Knuckle	16	99-7527	4	Washer-Spring
6	104-2374	8	Bolt	18	106-1141	1	Steering Tie Rod ASM
7	100-3768	1	LH Steering Arm ASM	18:2	106-1113	2	Tie Rod End ASM - RH Thread
7:2	104-8634	1	Bushing	18:2:1	100-3853	1	Cover-Dust
7:3	106-1104	2	Fitting-Grease	18:2:2	100-3854	1	Nut-Castle
8	100-3766	1	RH Steering Arm ASM	18:2:3	110-4755	1	Fitting-Grease
8:2	104-8634	1	Bushing	18:2:4	3272-11	1	Pin-Cotter
8:3	106-1104	2	Fitting-Grease	18:5	100-3855	2	Bolt
10	95-7547	2	Shim 0.1	18:6	99-7527	2	Washer-Spring
10	95-7548	2	Shim 0.2	18:7	99-7526	2	Nut
10	95-7549	2	Shim 0.3				
11	99-7597	4	Pin-Dowel				



## Bevel Gear Shaft Assembly Rear Axle Assembly No. 110-4750

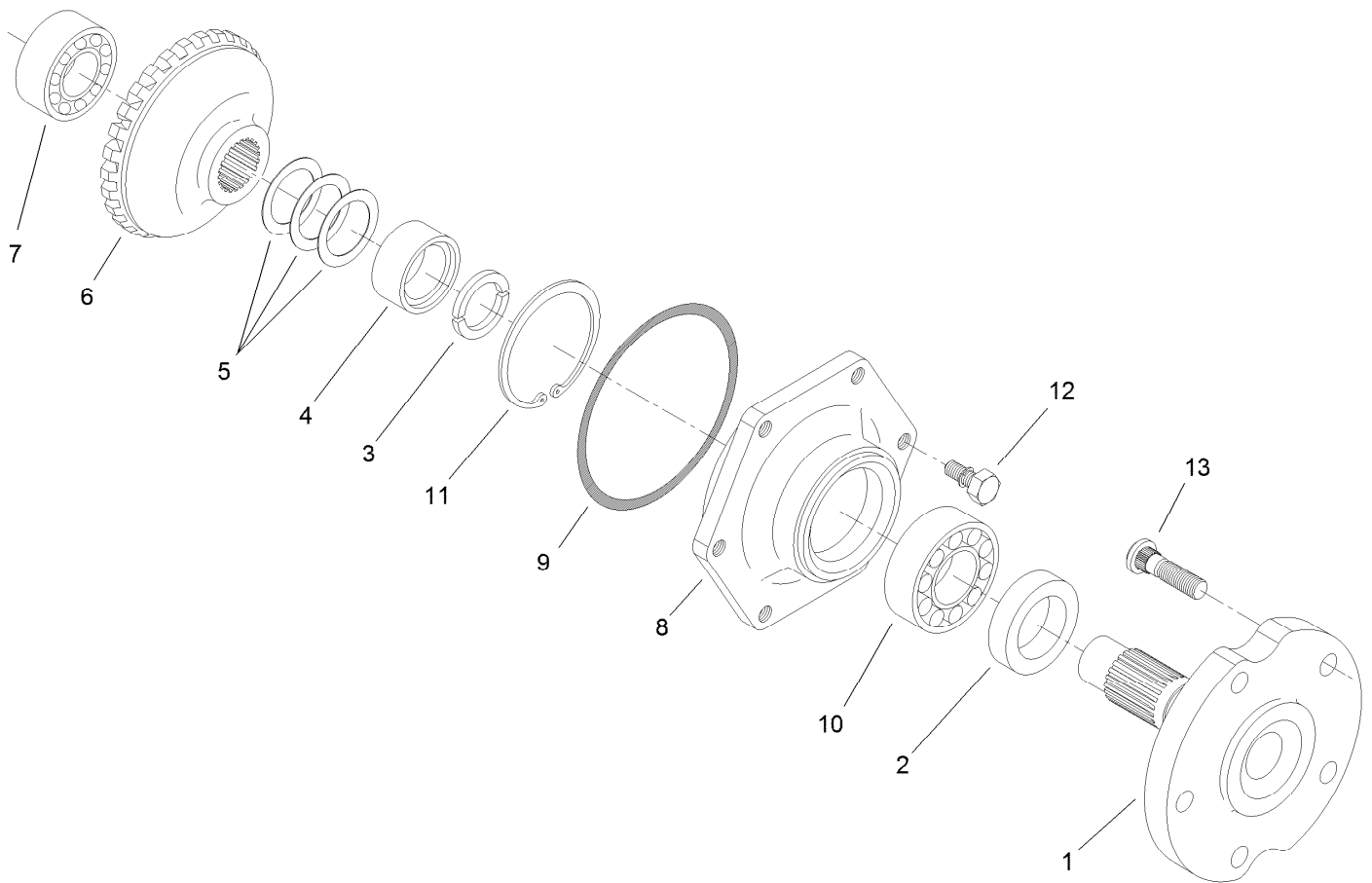
<i>Ref.</i>	<i>Part Number</i>	<i>Qty.</i>	<i>Description</i>
1	95-7509	1	Shaft-Gear, Differential
2	95-7512	1	Shaft-Gear, Differential
3	95-7517	2	Gear-Bevel, 15 Tooth
4	99-7530	4	Bearing-Ball
5	99-7552	2	Shim 0.1
5	99-7553	2	Shim 0.2
5	99-7554	2	Shim 0.5
6	99-7531	2	Clip
7	110-4753	2	Shaft-Gear, Bevel
8	95-7519	2	Gear-Bevel, 17 Tooth
9	99-7532	2	Bearing-Roller, Taper
10	99-7558	2	Collar





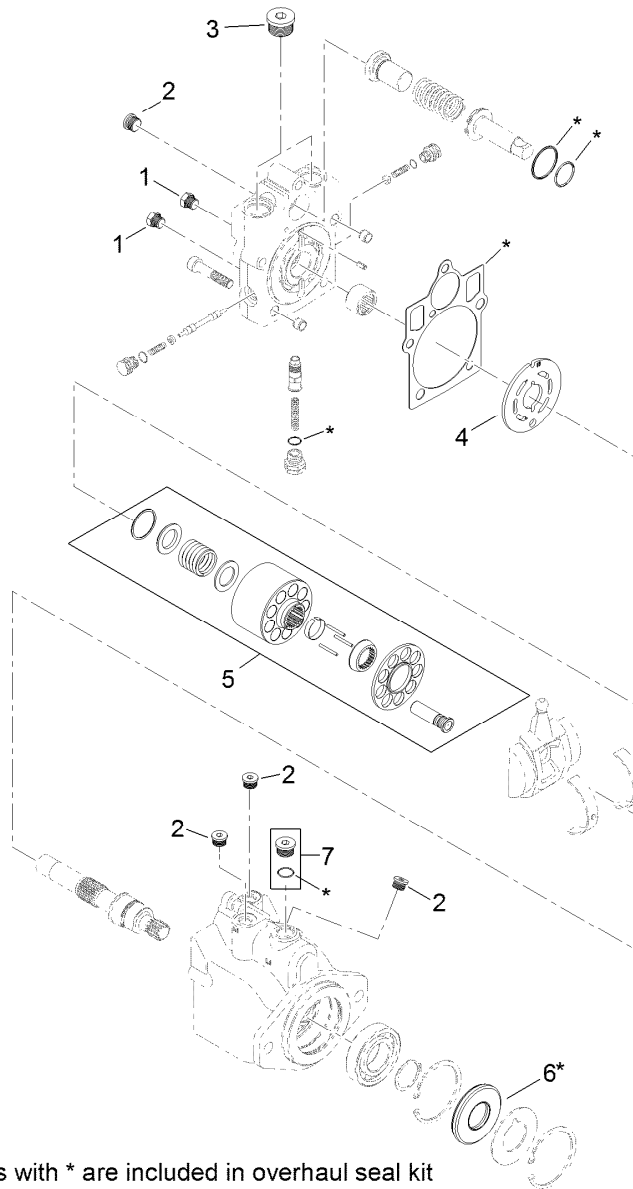
## Axle Case Assembly Rear Axle Assembly No. 110-4750

<i>Ref.</i>	<i>Part Number</i>	<i>Qty.</i>	<i>Description</i>
1	110-4751	2	Case-Axle
2	99-7535	2	Plug
3	99-7536	2	Washer-Seal
4	95-7527	2	Gear-Bevel, 17 Tooth
5	99-7532	2	Bearing-Roller, Taper
6	100-2560	2	Cover
7	106-1070	2	O-Ring
8	99-7589	2	Plug
9	99-7590	2	Washer-Seal
10	100-2562	8	Bolt
11	106-1102	2	Bolt-Stop
12	106-1103	2	Nut



## Axle Assembly Rear Axle Assembly No. 110-4750

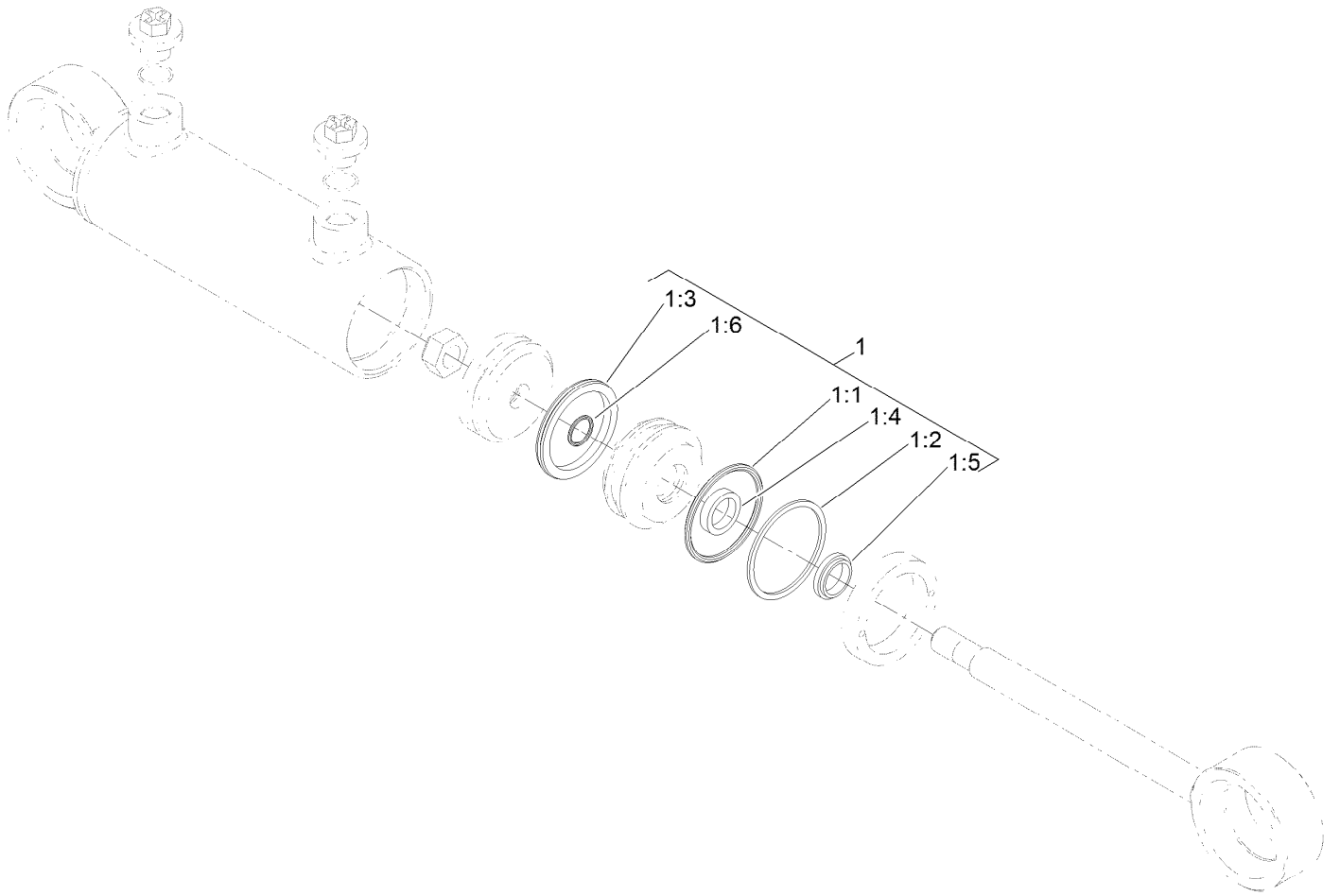
<i>Ref.</i>	<i>Part Number</i>	<i>Qty.</i>	<i>Description</i>
1	95-7522	2	Axle
2	99-7564	2	Seal-Oil
3	95-7544	4	Clip
4	95-7523	2	Spacer
5	99-7555	2	Shim 0.3
5	99-7556	2	Shim 0.2
5	99-7557	2	Shim 0.5
6	95-7524	2	Gear-Bevel, 29 Tooth
7	99-7534	2	Bearing-Ball
8	95-7521	2	Cover-Axle
9	106-1071	2	O-Ring
10	99-7561	2	Bearing-Ball
11	99-7539	2	Clip
12	99-7596	12	Bolt
13	99-7563	10	Stud



8 = all items with \* are included in overhaul seal kit

## Hydraulic Motor Assembly No. 120-8814

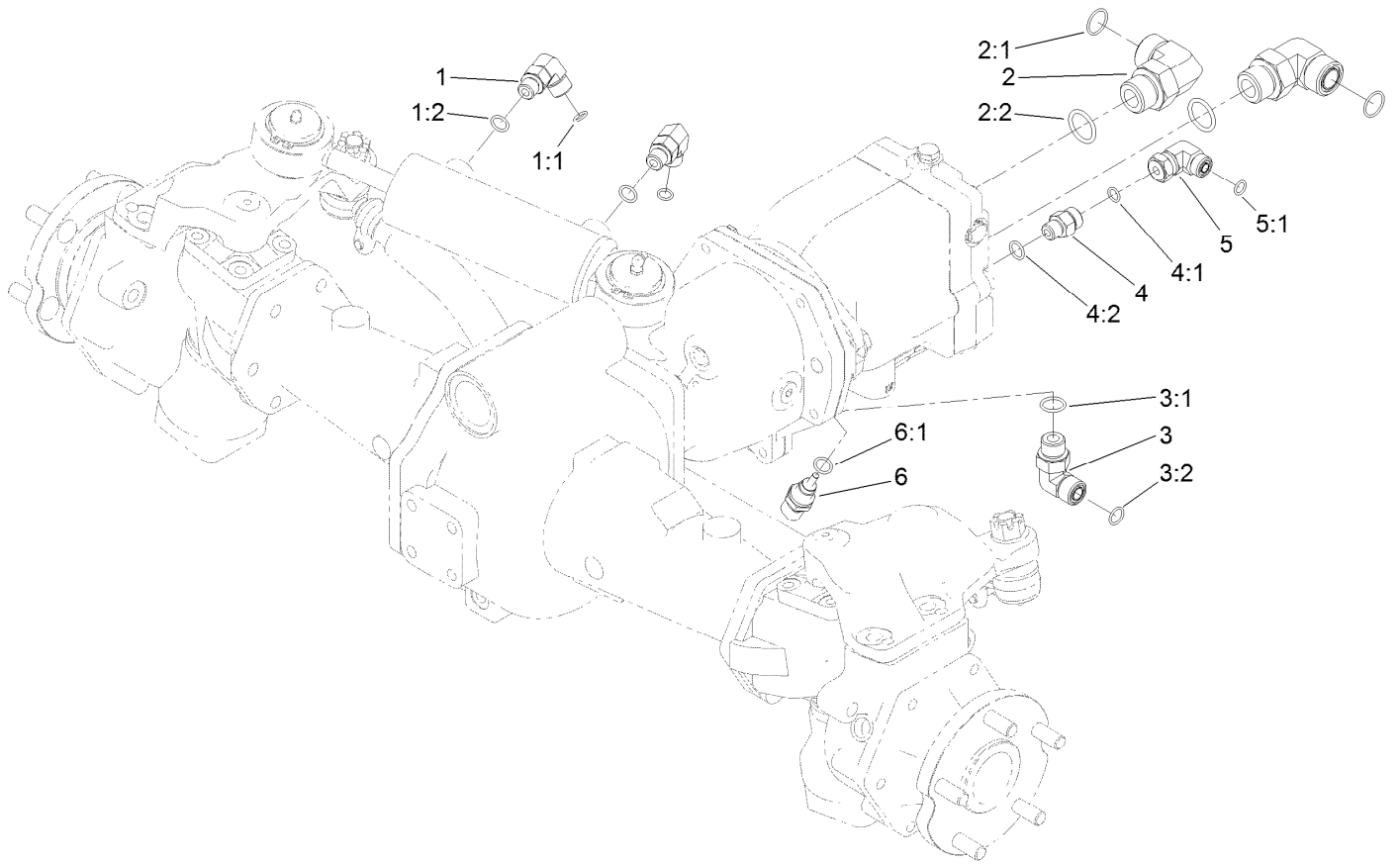
<i>Ref.</i>	<i>Part Number</i>	<i>Qty.</i>	<i>Description</i>
1	92-1352	2	Plug
2	69-3080	5	Plug
3	69-3130	2	Plug
4	121-1734	1	Plate-Valve
5	110-6472	1	Cylinder Block Kit ASM
6	69-3190	1	Seal-Lip
7	67-9090	1	Plug
8	121-1736	1	Overhaul Seal Kit



## Steering Cylinder Assembly No. 121-1534

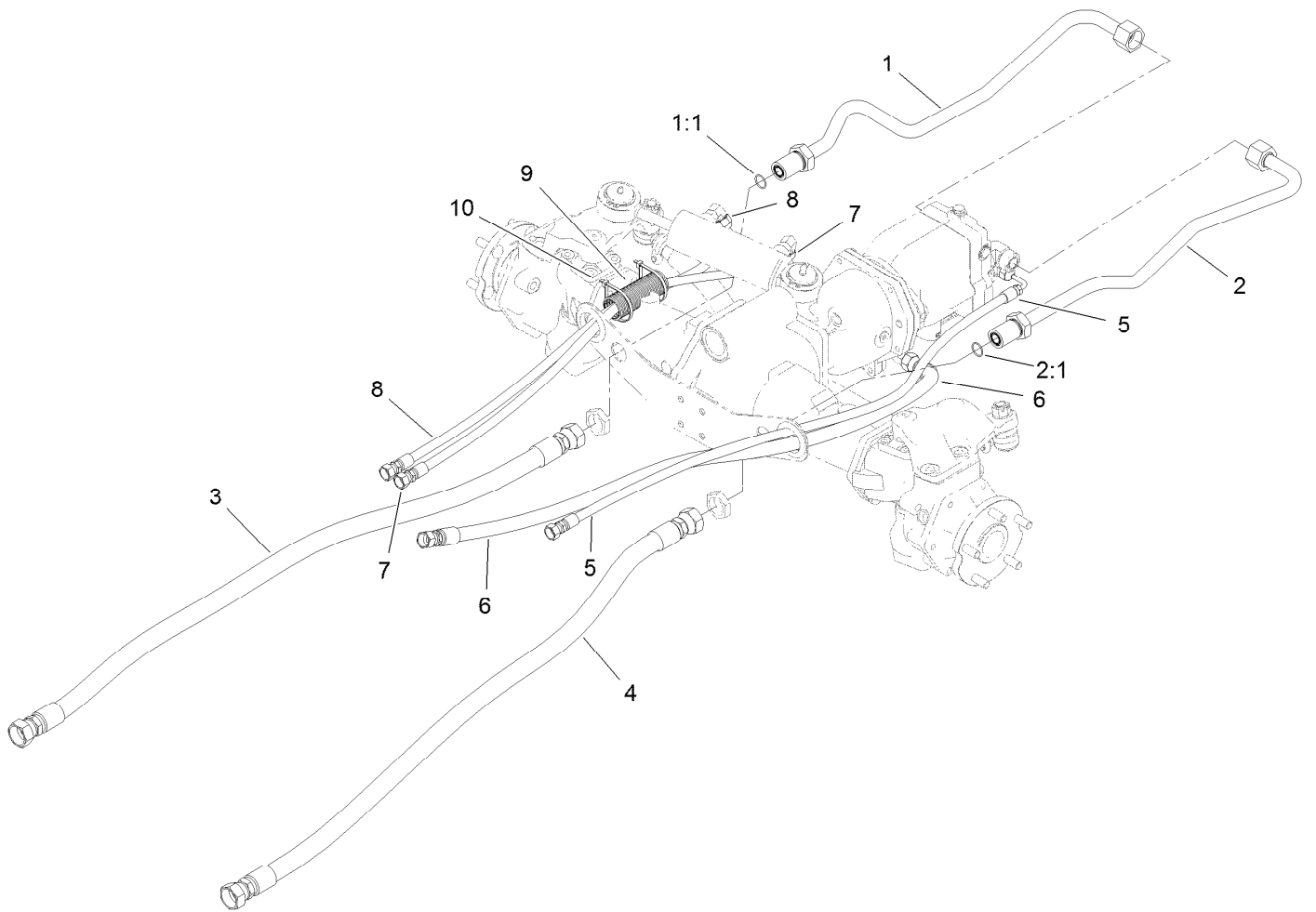
<i>Ref.</i>	<i>Part Number</i>	<i>Qty.</i>	<i>Description</i>
1	125-4302	1	Seal Kit
1:1		1	O-Ring ●
1:2		1	Backup ●
1:3		1	Bp Seal ●
1:4		1	Bt Seal ●
1:5		1	Dust Seal ●
1:6		1	O-Ring ●

● Not serviced separately



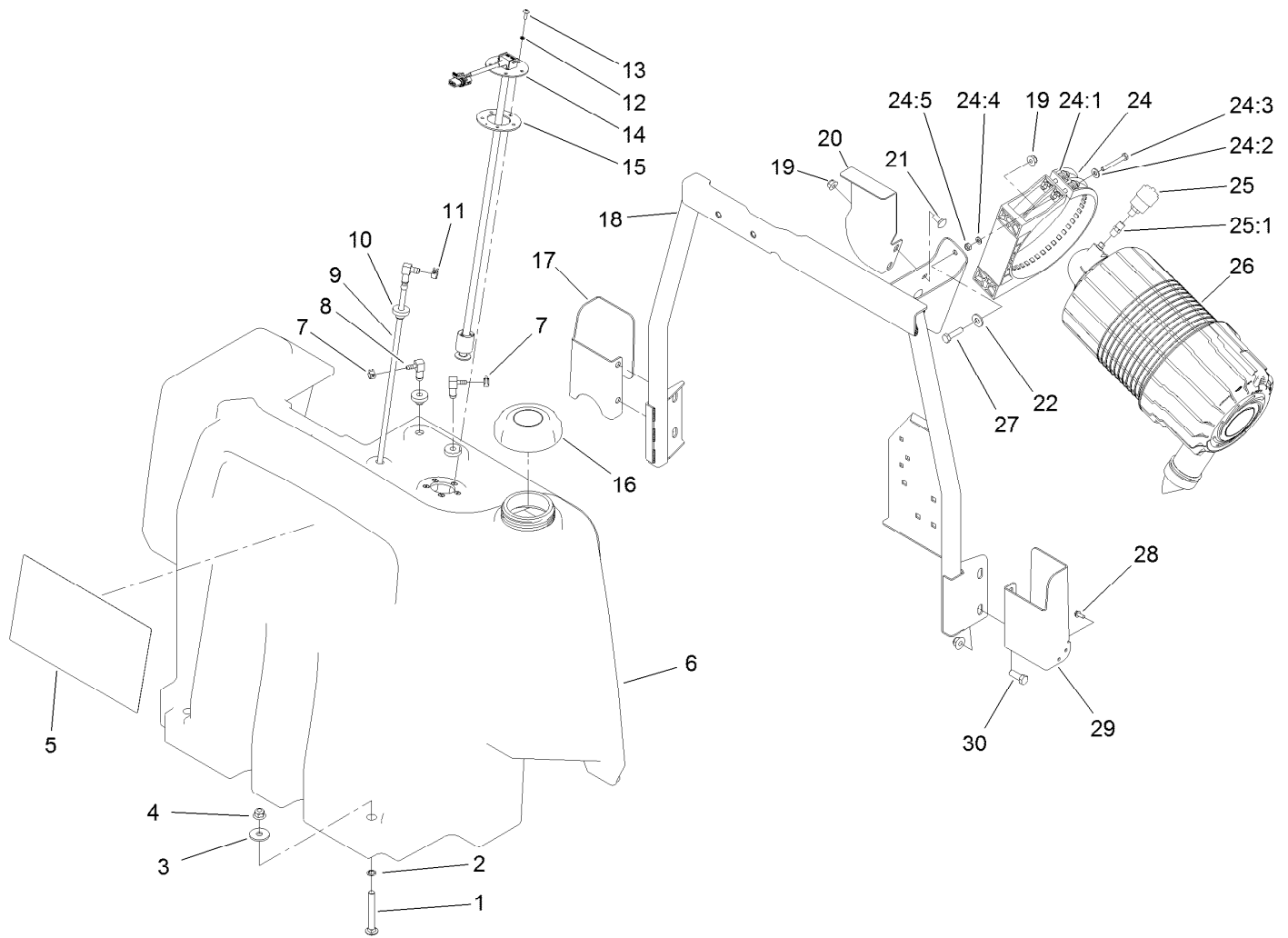
## Hydraulic Fitting Assembly

<i>Ref.</i>	<i>Part Number</i>	<i>Qty.</i>	<i>Description</i>	<i>Ref.</i>	<i>Part Number</i>	<i>Qty.</i>	<i>Description</i>
1	340-77	2	Fitting-Elbow, 90 DEG	3:2	237-30	1	O-Ring
1:1	237-22	1	O-Ring	4	340-2	1	Fitting-Straight
1:2	237-42	1	O-Ring	4:1	237-22	1	O-Ring
2	340-142	2	Fitting-Elbow, 90 DEG	4:2	237-42	1	O-Ring
2:1	237-58	1	O-Ring	5	340-159	1	Elbow-90
2:2	237-81	1	O-Ring	5:1	237-22	2	O-Ring
3	340-98	1	Fitting-Elbow, 90 DEG	6	110-8829	1	Sender-Temperature
3:1	237-79	1	O-Ring	6:1	237-42	1	O-Ring



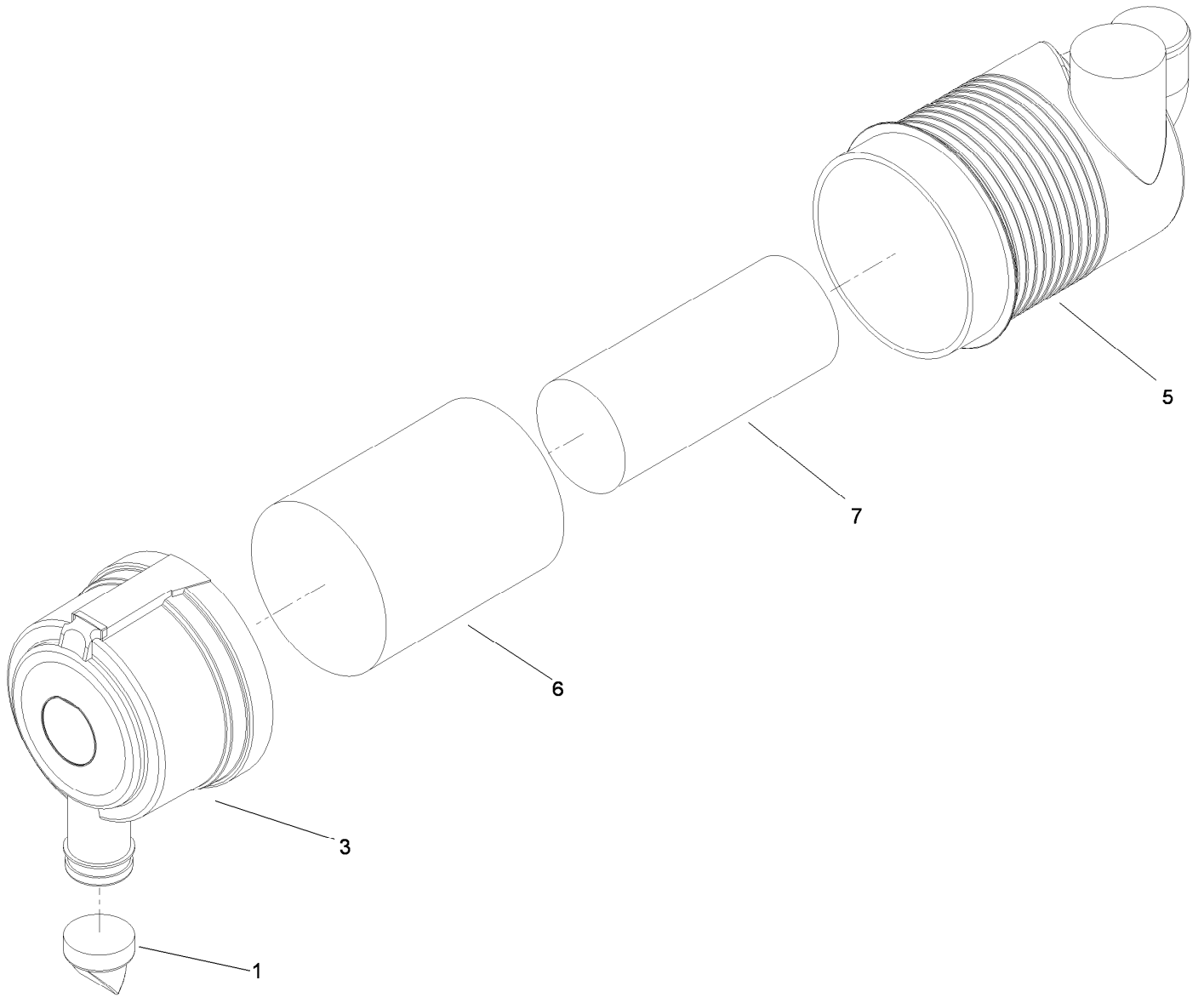
## Hose and Tube Routing Assembly

<i>Ref.</i>	<i>Part Number</i>	<i>Qty.</i>	<i>Description</i>
1	120-9067	1	HYD Tube ASM
1:1	237-58	1	O-Ring
2	120-9068	1	Tube ASM
2:1	237-58	1	O-Ring
3	121-1502	1	Hose-HYD
4	114-0024	1	Hose-HYD
5	121-1459	1	Hose-HYD
6	121-1458	1	Hose-HYD
7	121-1500	1	Hose-HYD
8	121-1501	1	Hose-HYD
9	121-1544	2	Cover-Hose
10	3290-379	4	Tie-Cable



## Fuel Tank and Air Cleaner Assembly

Ref.	Part Number	Qty.	Description	Ref.	Part Number	Qty.	Description
1	3231-10	2	Screw-CARR	19	104-8300	4	Nut-HF, NI
2	32151-72	2	Ring-Retaining	20	120-4193-03	1	Bracket-Fuel Tank
3	63-8410	2	Washer	21	3230-1	2	Bolt-CARR
4	104-8301	6	Nut-HF, NI	22	3256-3	2	Washer-Flat
5	130-6043	1	Decal-Service	24	99-5414	1	Strap-Cleaner, Air
6	120-4195	1	Tank-Fuel	24:1	108-1512	2	Spring
7	2412-98	2	Clamp-Hose	24:2	3256-22	2	Washer-Flat
8	104-5228	2	Fitting-Elbow, 90 DEG	24:3	33113-050	2	Screw-HH
9	120-8908	1	Pipe-Stand	24:4	33093-00	2	Washer-Flat
10	46-6560	3	Bushing	24:5	33023-00	2	Nut-Lock
11	92-2379	1	Clamp-Hose	25	104-3563	1	Indicator
12	3253-15	5	Washer-Lock	25:1	94-1416	1	Adapter-Indicator
13	32122-24	5	Screw-PTH	26	99-5410	1	Air Cleaner ASM
14	121-1688	1	Gauge-Fuel	27	322-6	2	Screw-HH
15	121-1707	1	Gasket-Fuel, Viton	28	32144-1	4	Screw-Taptite
16	125-9171	1	Cap-Fuel	29	121-1513-03	1	Bracket-Latch, LH
17	121-1514-03	1	Bracket-Latch, RH	30	323-6	4	Screw-HH
18	120-4190-03	1	Support-Tank				

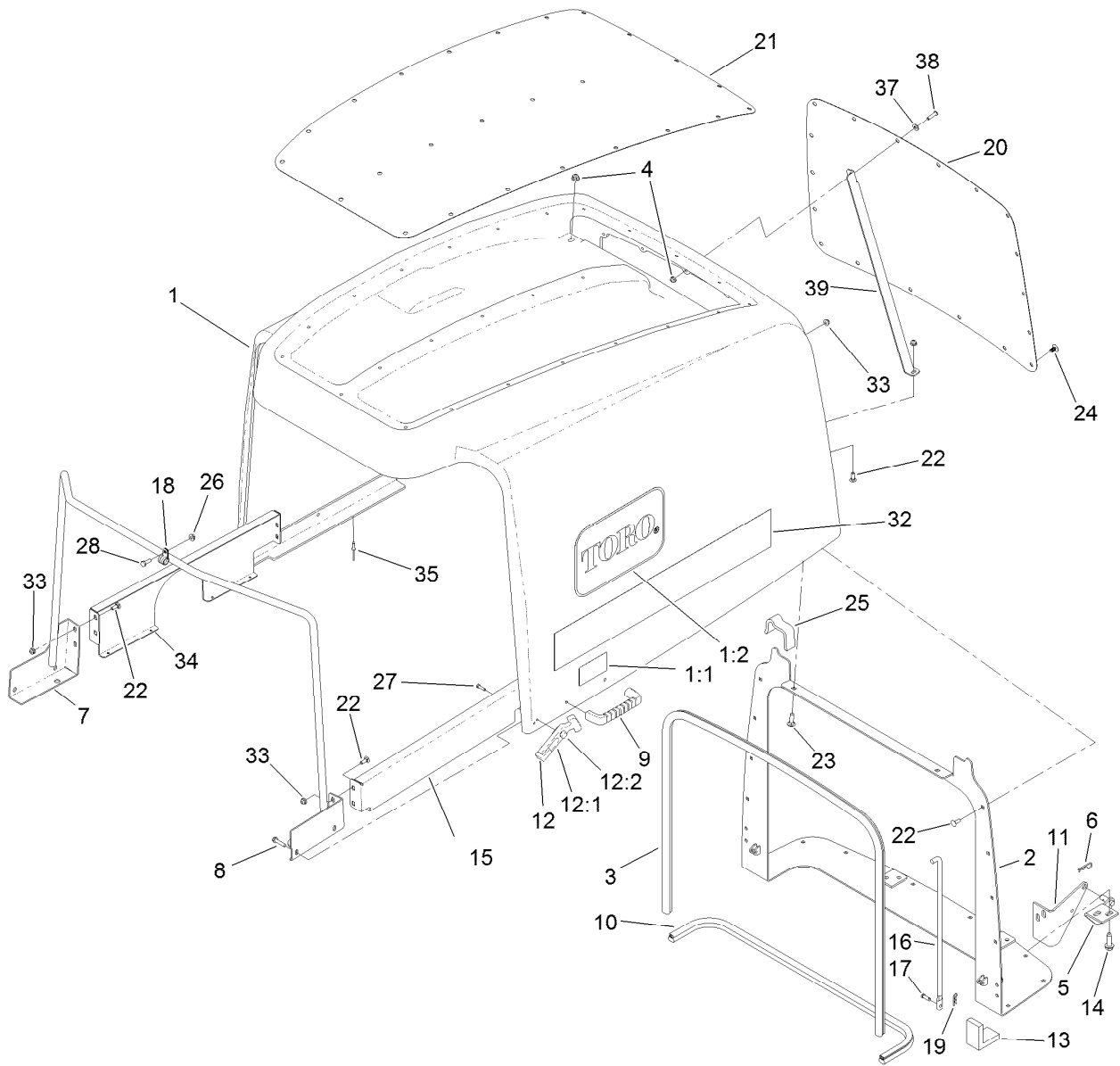


## Air Cleaner Assembly No. 99-5410

<i>Ref.</i>	<i>Part Number</i>	<i>Qty.</i>	<i>Description</i>
1	104-4258	1	Valve-Vacuator
3	104-4259	1	Cover
5		1	Body ASM ●
6	108-3814	1	Filter-Air
7	108-3816	1	Filter-Air

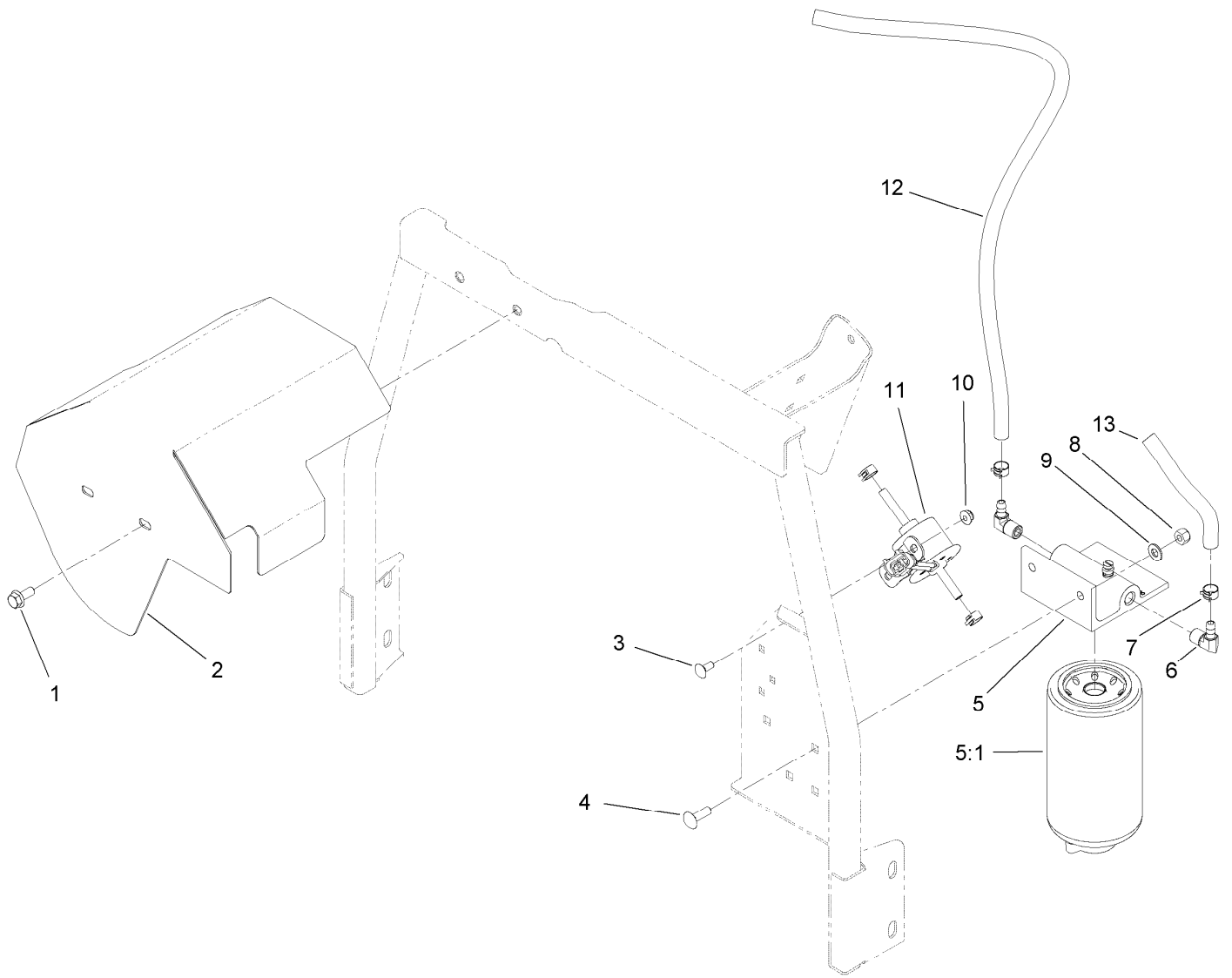
● Not serviced separately





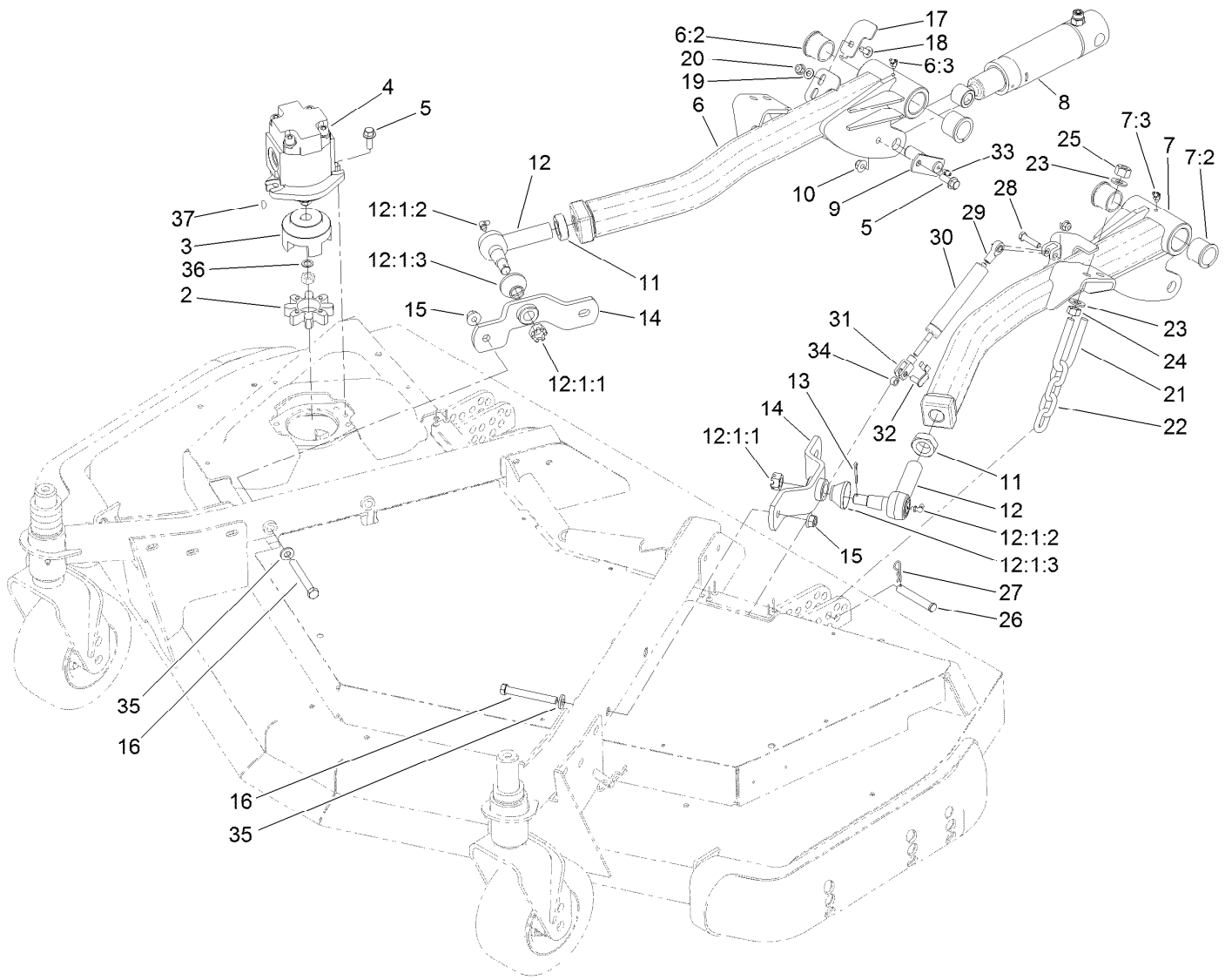
## Hood Assembly

Ref.	Part Number	Qty.	Description	Ref.	Part Number	Qty.	Description
1	120-9090	1	Hood ASM	17	283-67	2	Pin-Clevis
1:1	106-6754	1	Decal-Danger	18	2412-134	2	Clamp-R
1:2	66-1210	2	Decal	19	3290-307	2	Pin-Cotter
2	120-9099-03	1	Pivot-Hood	20	120-9096-03	1	Screen-Hood, Rear
3	114-3823	1	Seal-Bulb	21	120-9097-03	1	Screen-Hood, Top
4	104-8300	2	Nut-HF, NI	22	3229-1	24	Screw-CARR
5	121-1470	2	Pivot-Screen	23	3230-2	2	Bolt-CARR
6	3290-467	2	Pin-Hair	24	117-2382	42	Plug-Plastic
7	120-4196-03	1	Support-Hood	25	120-9087	2	Seal-Foam
8	46-8092	4	Screw-Plastite	26	32128-33	2	Nut-HF
9	65-5100	2	Handle-Door	27	32104-4	2	Screw
10	104-3590	1	Seal-Bulb	28	321-4	2	Screw-HH
11	104-3588-03	2	Pivot-Screen	32	119-0054	2	Decal-Hood
12	94-5626	2	Flexible Draw Latch ASM	33	104-7201	25	Nut-HF, NI
12:1	103-4080	1	Latch-Rubber	34	120-8948-03	1	Support-Hood, RH
12:2	103-4081	1	Latch-Keeper	35	3269-4	8	Rivet-Pop
13	104-3580	2	Seal-Corner, Screen	37	3256-1	1	Washer-Flat
14	32144-109	8	Screw-Thd	38	3274-65	1	Screw-HSBH
15	120-8949-03	1	Support-Hood, LH	39	127-3707-03	1	Support-Hood
16	104-8313	2	Rod-Hood				



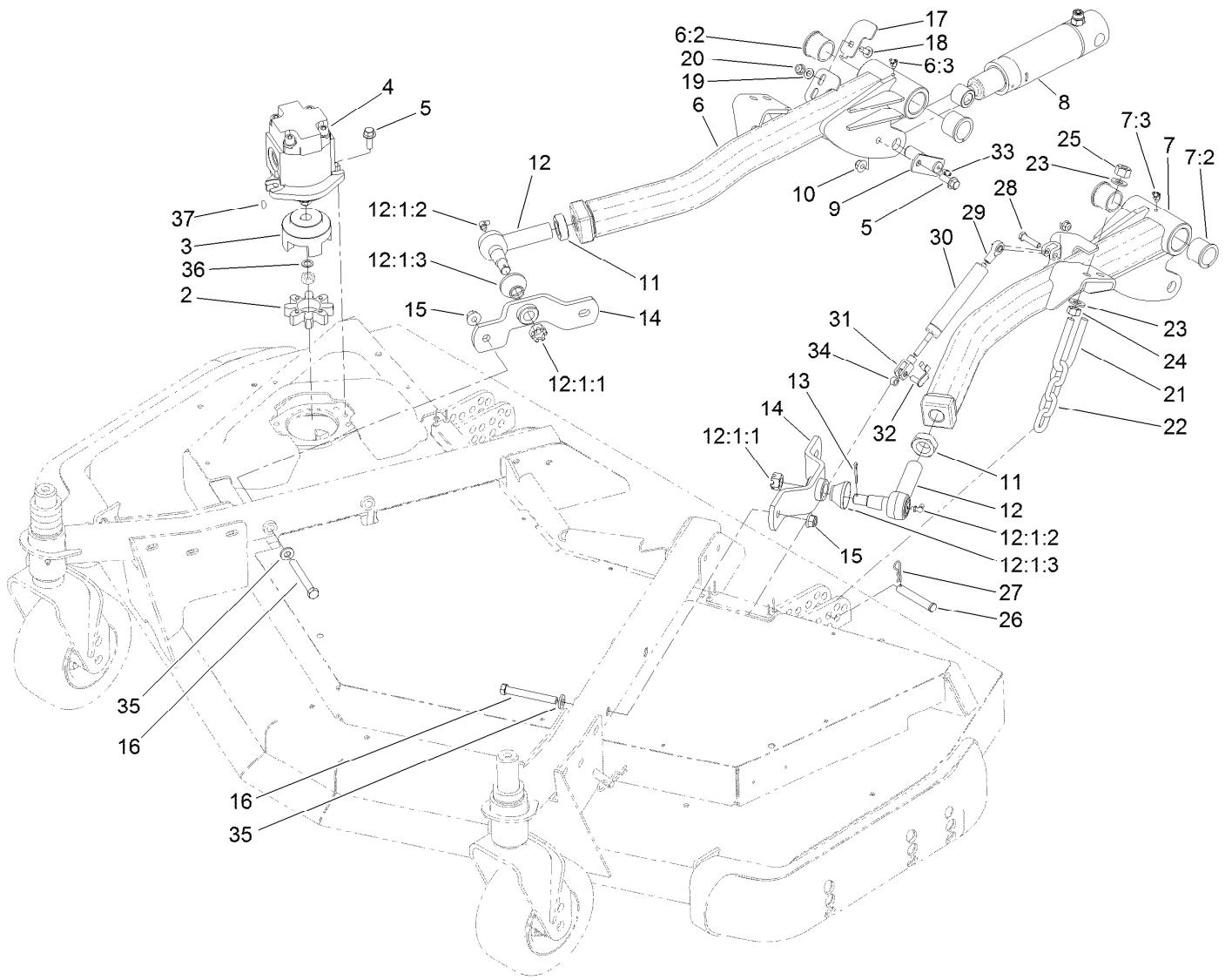
## Fuel/Water Separator Assembly

Ref.	Part Number	Qty.	Description
1	3234-47	2	Screw-HHF
2	120-4188-03	1	Bracket-Guard, Fuel Tank
3	3229-11	2	Screw-CARR
4	3230-22	2	Screw-CARR
5	125-2914	1	Filter-Separator
5:1	125-2915	1	Filter-Fuel/Water Separator
6	353-781	2	Fitting-HYD, 90
7	92-2379	4	Clamp-Hose
8	3296-29	2	Nut-Lock, NI
9	3256-23	2	Washer-Plain
10	104-7201	2	Nut-HF, NI
11	121-5613	1	Pump-Fuel, Electric
12	109-0309	1	Hose-Fuel
13	110-3256	1	Hose-Fuel



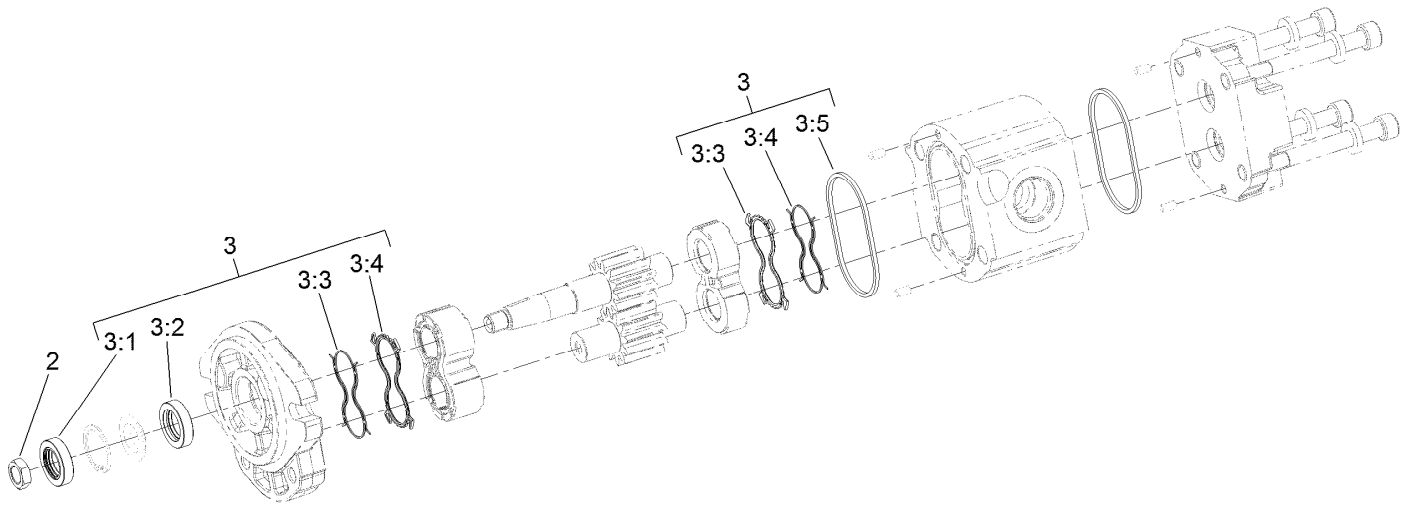
## Front Deck Installation Assembly

Ref.	Part Number	Qty.	Description	Ref.	Part Number	Qty.	Description
2	104-3542	1	Spider	16	324-19	4	Screw-HH
3	104-3541	1	Hub-Spider	17	120-8893	1	Plate-Sensor
4	127-3694	1	HYD Motor ASM	18	3230-23	1	Bolt-CARR
5	3234-42	4	Screw-HHF	19	3256-23	1	Washer-Plain
6	120-8878	1	RH Lift Arm ASM	20	104-8300	2	Nut-HF, NI
6:2	104-0015	2	Bushing-Flange	21	104-0108	2	U-Bolt
6:3	302-11	1	Fitting-Lube, 45 DEG	22	95-6231	2	Chain-HOC
7	120-8879	1	LH Lift Arm ASM	23	3256-26	8	Washer-Flat
7:2	104-0015	2	Bushing-Flange	24	3217-9	4	Nut-HH
7:3	302-11	1	Fitting-Lube, 45 DEG	25	3296-25	4	Nut-Lock, NI
8	120-8802	2	HYD Cylinder ASM	26	283-55	2	Pin-Clevis
9	100-3020	2	Pin	27	3290-467	2	Pin-Hair
10	104-8301	2	Nut-HF, NI	28	322-17	1	Screw-HH
11	21-3001	2	Nut-Jam	29	104-8331	1	End-Rod, Spherical
12	86-8101-01	2	Joint-Ball, LH	30	105-3249	1	Damper
12:1:1	32136-2	1	Nut-SHH	31	115-5455	1	End-Rod, Clevis
12:1:2	302-40	1	Fitting-Grease, 90 DEG	32	115-5454	1	Pin-Spring
12:1:3	114-2874	1	Seal-Ball Joint	33	302-5	2	Fitting-Grease
13	3272-12	2	Pin-Cotter	34	115-2142	1	Spacer
14	93-4583-01	2	Mount-Joint, Ball	35	87-7480	4	Washer
15	114-8417	4	Nut-HF, NI				



## Front Deck Installation Assembly (continued)

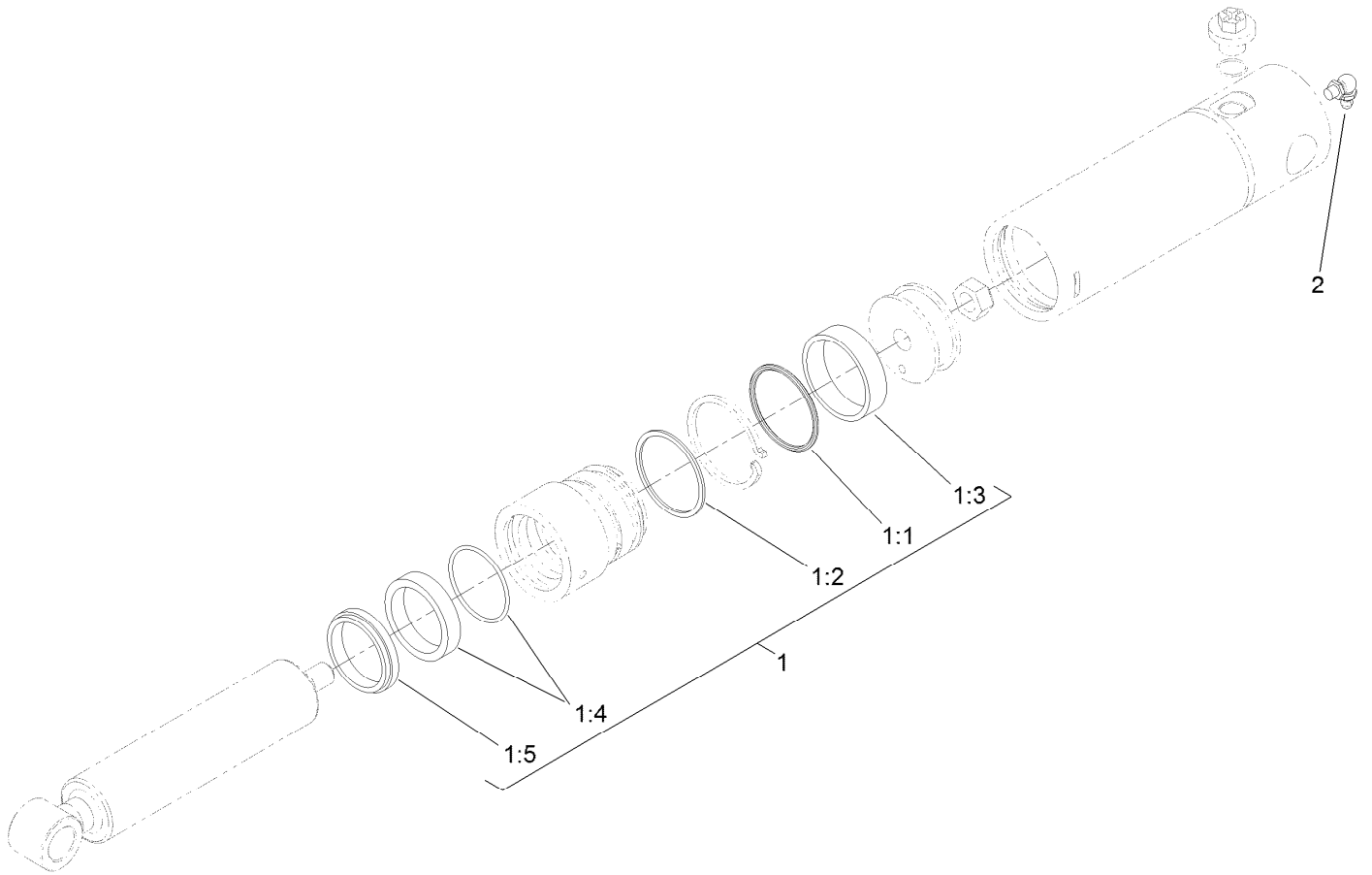
<i>Ref.</i>	<i>Part Number</i>	<i>Qty.</i>	<i>Description</i>
36	112-6957	1	Washer-Hardened
37	3257-3	1	Key-Woodruff



## Hydraulic Motor Assembly No. 127-3694

Ref.	Part Number	Qty.	Description
2	110-8815	1	Nut-Hex
3	114-5620	1	Seal Kit
3:1		1	Seal-Shaft ●
3:2		1	Seal-Shaft ●
3:3		2	Seal-Anti Extrusion ●
3:4		2	Seal-Plate, Balancing ●
3:5		2	O Ring-Housing ●

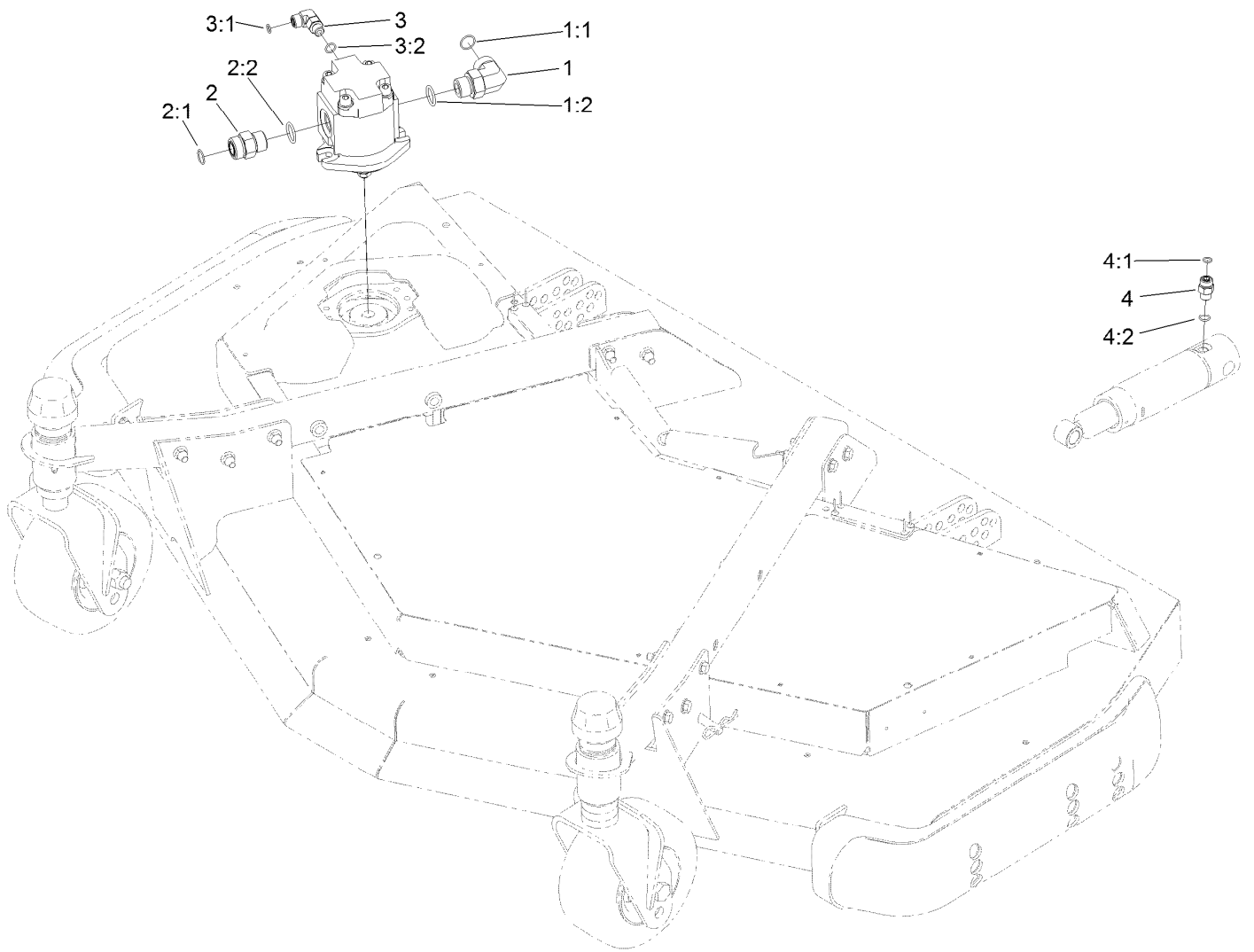
● Not serviced separately



## Lift Cylinder Assembly No. 120-8802

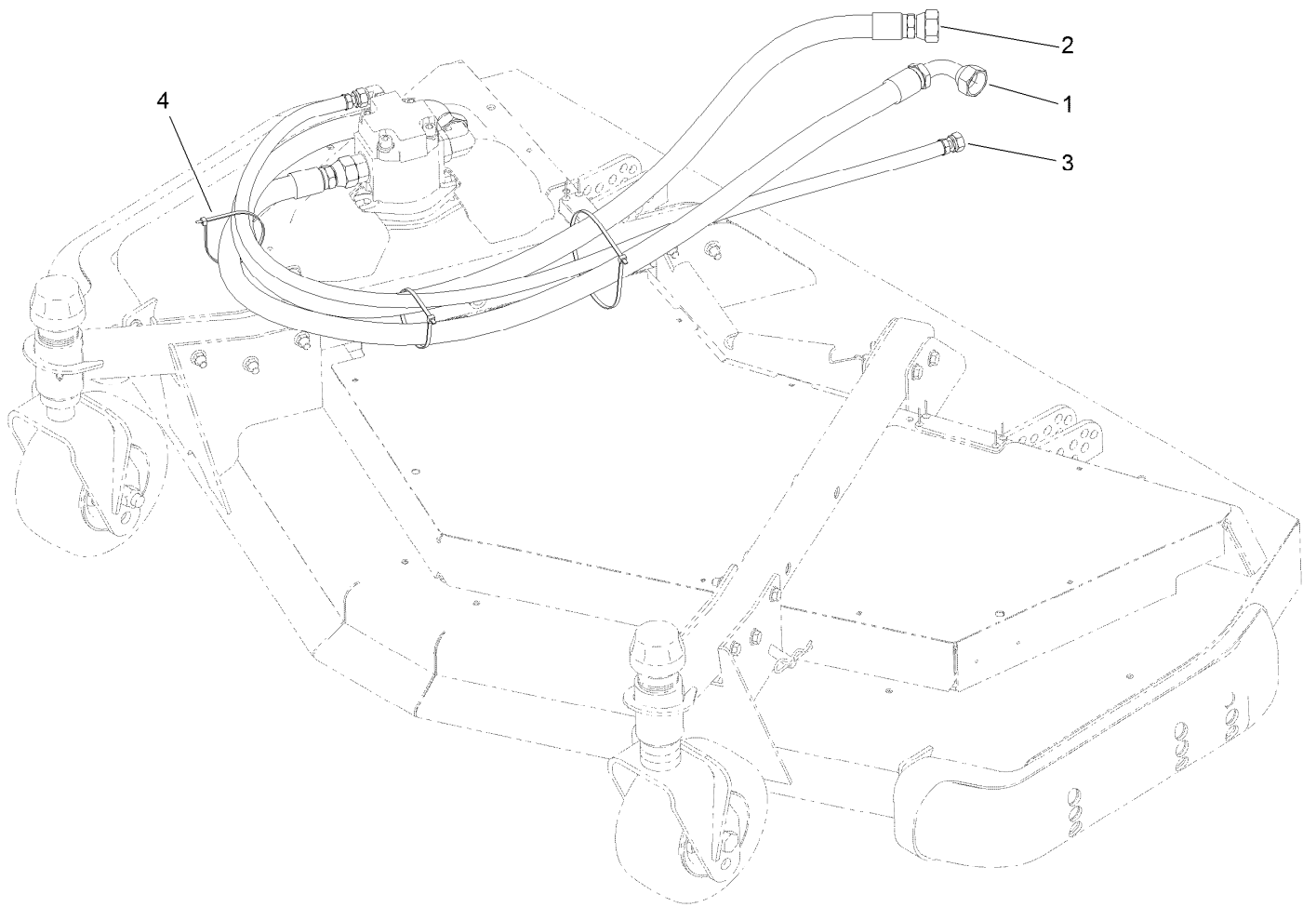
<i>Ref.</i>	<i>Part Number</i>	<i>Qty.</i>	<i>Description</i>
1	125-4301	1	Seal Kit
1:1		1	O-Ring ●
1:2		1	Backup ●
1:3		1	Wear Ring ●
1:4		1	Bds Seal ●
1:5		1	Dust Seal ●
2	302-60	1	Fitting-Grease

● Not serviced separately



## Front Deck Hydraulic Fitting Assembly

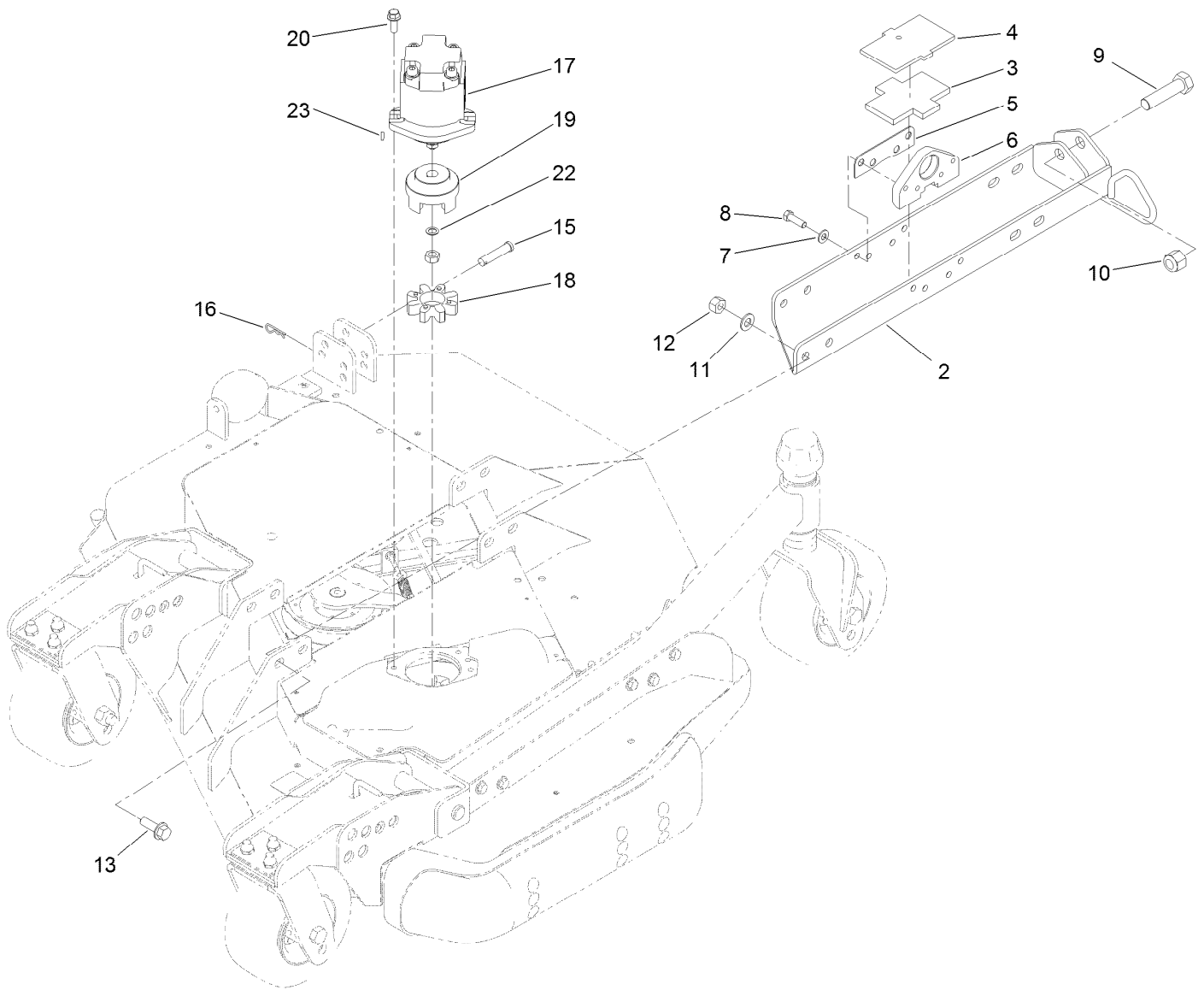
Ref.	Part Number	Qty.	Description
1	340-142	1	Fitting-Elbow, 90 DEG
1:1	237-58	1	O-Ring
1:2	237-81	1	O-Ring
2	340-9	1	Fitting-STR
2:1	237-58	1	O-Ring
2:2	237-81	1	O-Ring
3	340-77	1	Fitting-Elbow, 90 DEG
3:1	237-22	1	O-Ring
3:2	237-42	1	O-Ring
4	340-2	2	Fitting-Straight
4:1	237-22	1	O-Ring
4:2	237-42	1	O-Ring



## Front Deck Hose Routing Assembly

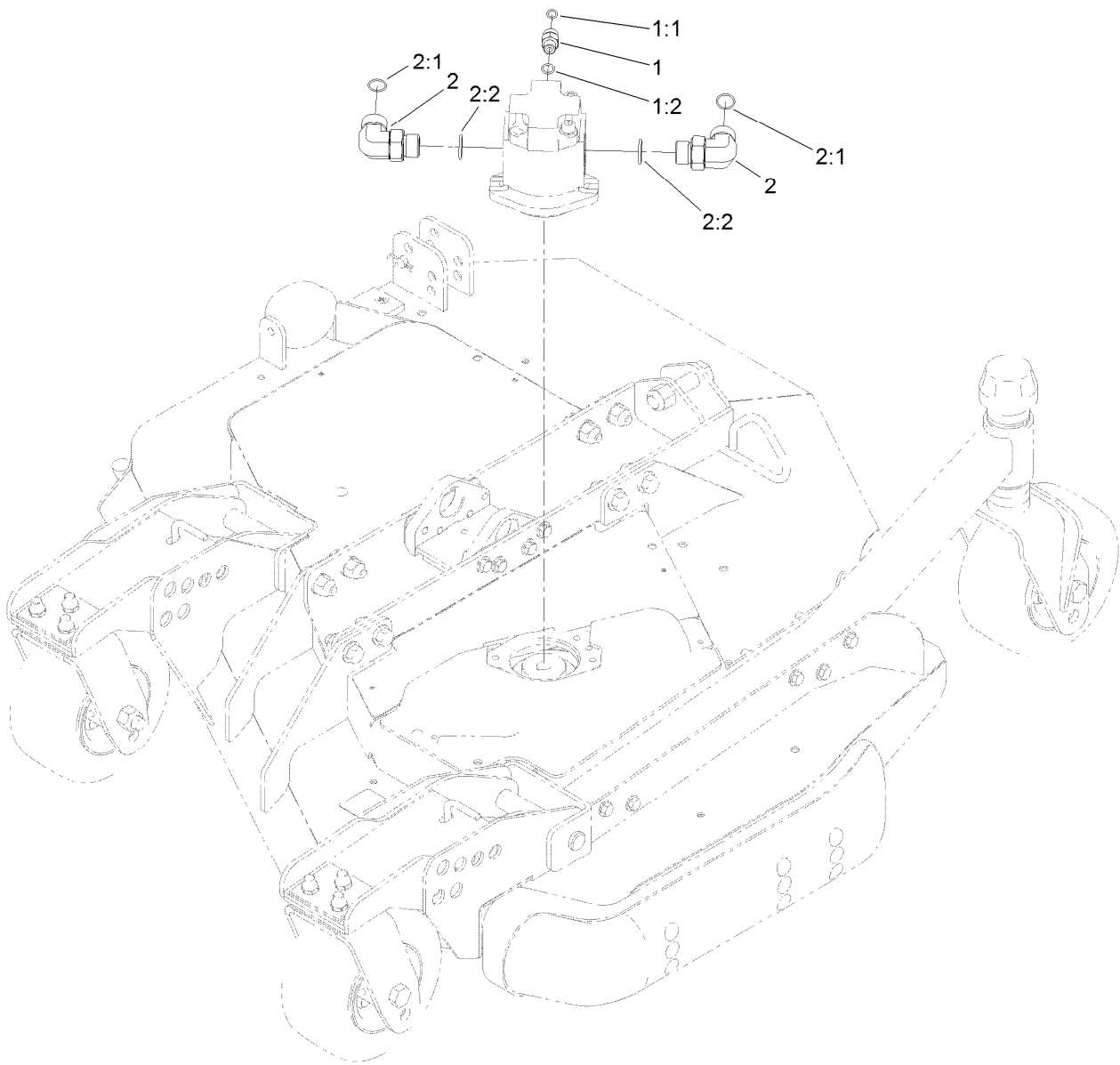
<i>Ref.</i>	<i>Part Number</i>	<i>Qty.</i>	<i>Description</i>
1	120-8987	1	Hose-HYD
2	120-8988	1	Hose-HYD
3	120-8989	1	Hose-HYD
4	3290-379	3	Tie-Cable





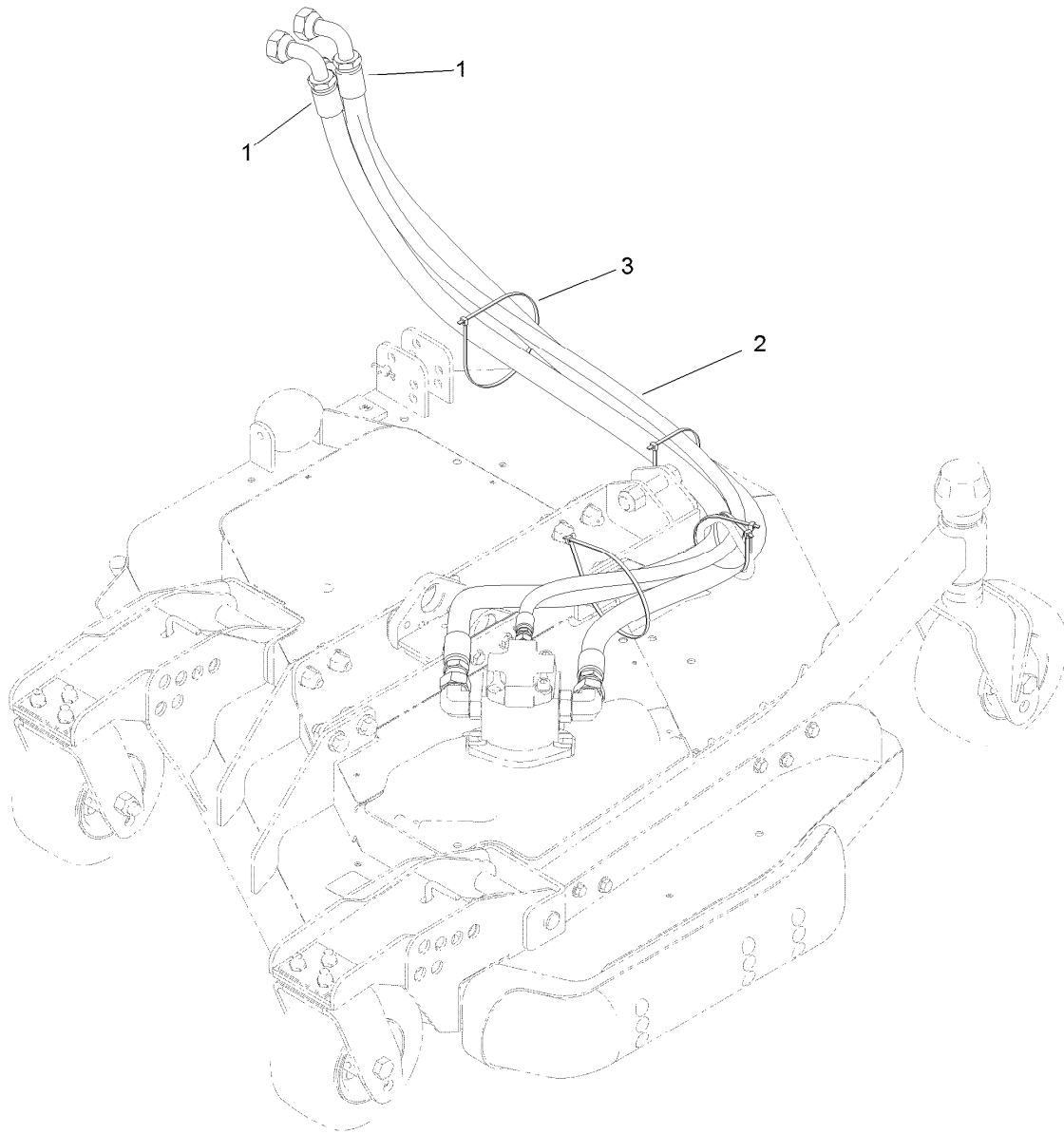
## Left Deck Mount Assembly

<i>Ref.</i>	<i>Part Number</i>	<i>Qty.</i>	<i>Description</i>	<i>Ref.</i>	<i>Part Number</i>	<i>Qty.</i>	<i>Description</i>
2	100-8149-03	1	Mount-LH	12	3296-25	8	Nut-Lock, NI
3	104-8348	1	Plate-Rubber	13	100-6116	8	Screw-HHF
4	104-8347-03	1	Plate	15	92-2739	1	Pin-Clevis
5	104-0731	2	Shim	16	3290-467	1	Pin-Hair
6	104-8305-03	2	Mount-Base	17	127-3694	1	HYD Motor ASM
7	3256-24	8	Washer-Plain	18	104-3542	1	Spider
8	323-7	8	Screw-HH	19	104-3541	1	Hub-Spider
9	328-4	1	Screw-HH	20	3234-42	2	Screw-HHF
10	3296-51	1	Nut-Lock, NI	22	112-6957	1	Washer-Hardened
11	3256-26	8	Washer-Flat	23	3257-3	1	Key-Woodruff



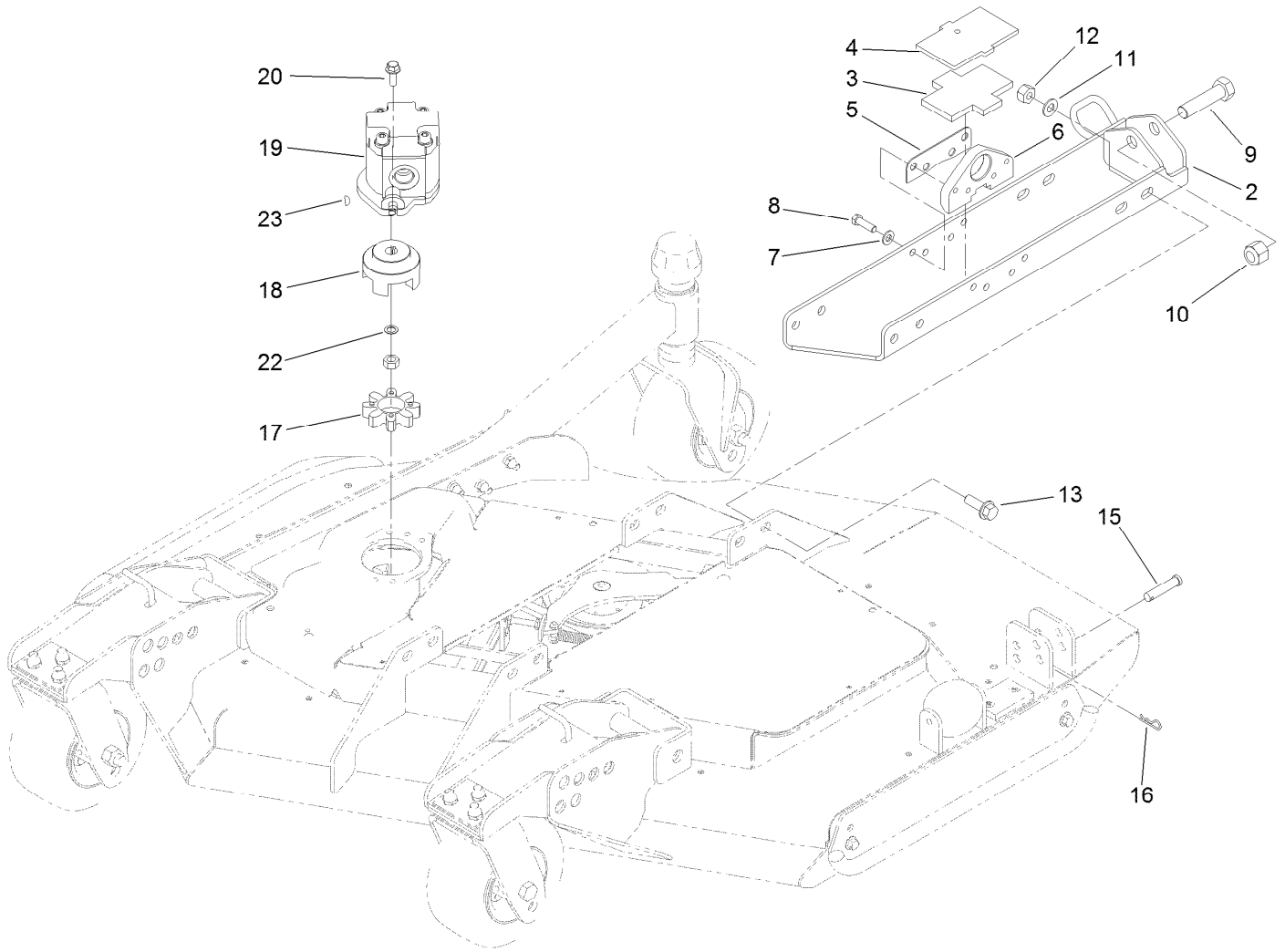
## Left Deck Hydraulic Fitting Assembly

<i>Ref.</i>	<i>Part Number</i>	<i>Qty.</i>	<i>Description</i>
1	340-2	1	Fitting-Straight
1:1	237-22	1	O-Ring
1:2	237-42	1	O-Ring
2	340-142	2	Fitting-Elbow, 90 DEG
2:1	237-58	1	O-Ring
2:2	237-81	1	O-Ring



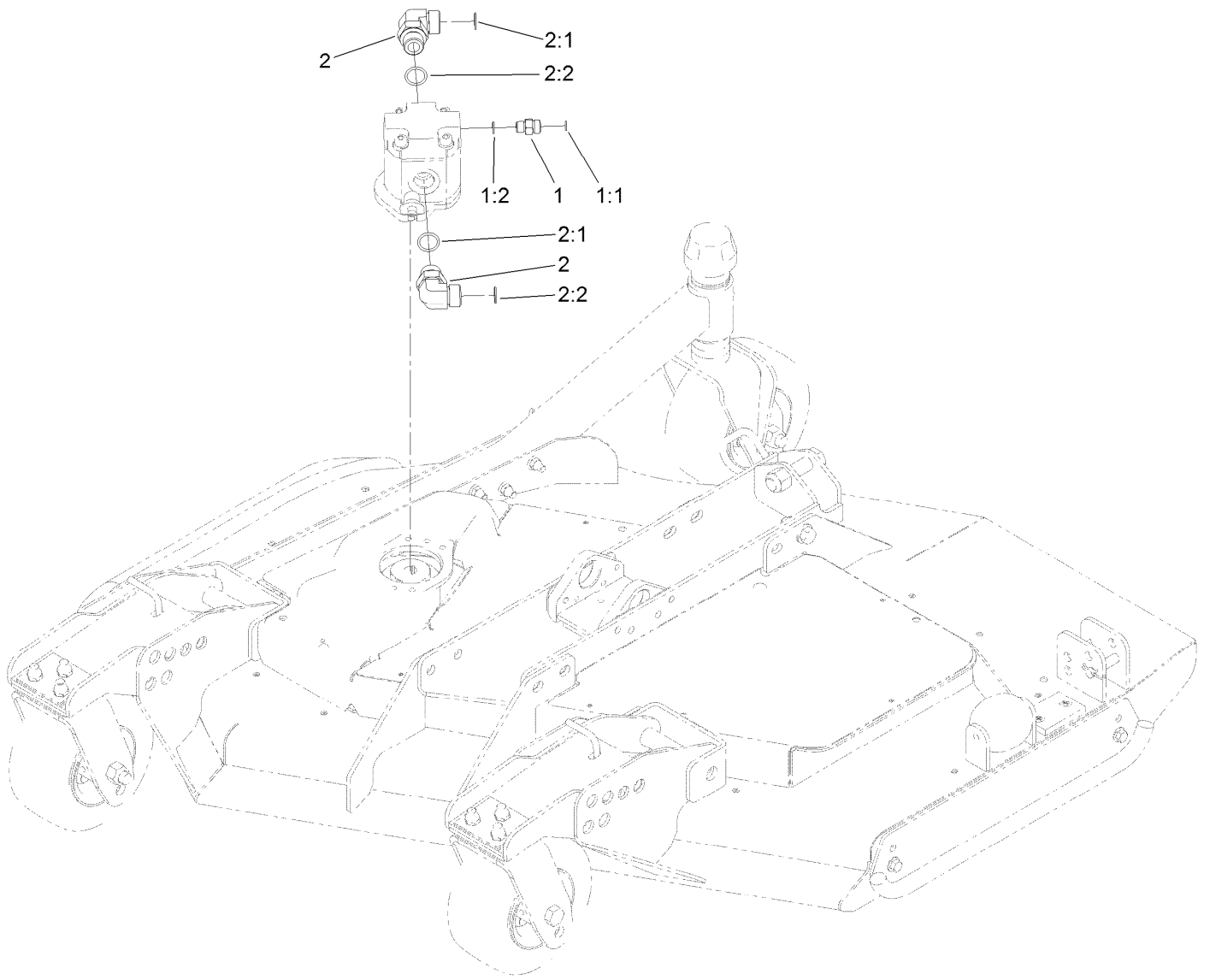
## Left Deck Hose Assembly

<i>Ref.</i>	<i>Part Number</i>	<i>Qty.</i>	<i>Description</i>
1	120-8959	2	Hose-HYD
2	104-2265	1	Hose-HYD
3	3290-379	5	Tie-Cable



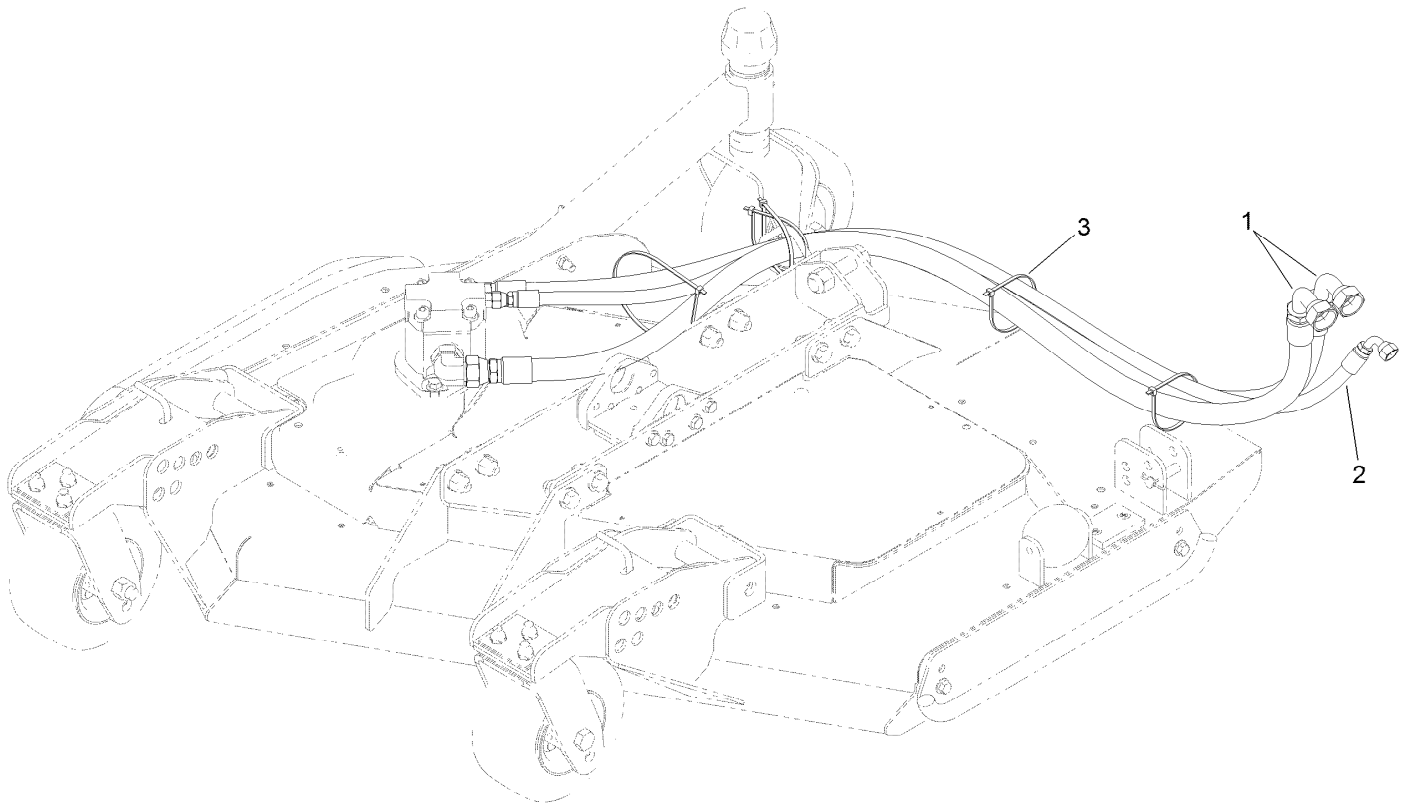
## Right Deck Mount Assembly

<i>Ref.</i>	<i>Part Number</i>	<i>Qty.</i>	<i>Description</i>	<i>Ref.</i>	<i>Part Number</i>	<i>Qty.</i>	<i>Description</i>
2	100-8148-03	1	Mount-RH	12	3296-25	8	Nut-Lock, NI
3	104-8348	1	Plate-Rubber	13	100-6116	8	Screw-HHF
4	104-8347-03	1	Plate	15	92-2739	1	Pin-Clevis
5	104-0731	2	Shim	16	3290-467	1	Pin-Hair
6	104-8305-03	2	Mount-Base	17	104-3542	1	Spider
7	3256-24	8	Washer-Plain	18	104-3541	1	Hub-Spider
8	323-7	8	Screw-HH	19	127-3694	1	HYD Motor ASM
9	328-4	1	Screw-HH	20	3234-42	2	Screw-HHF
10	3296-51	1	Nut-Lock, NI	22	112-6957	1	Washer-Hardened
11	3256-26	8	Washer-Flat	23	3257-3	1	Key-Woodruff



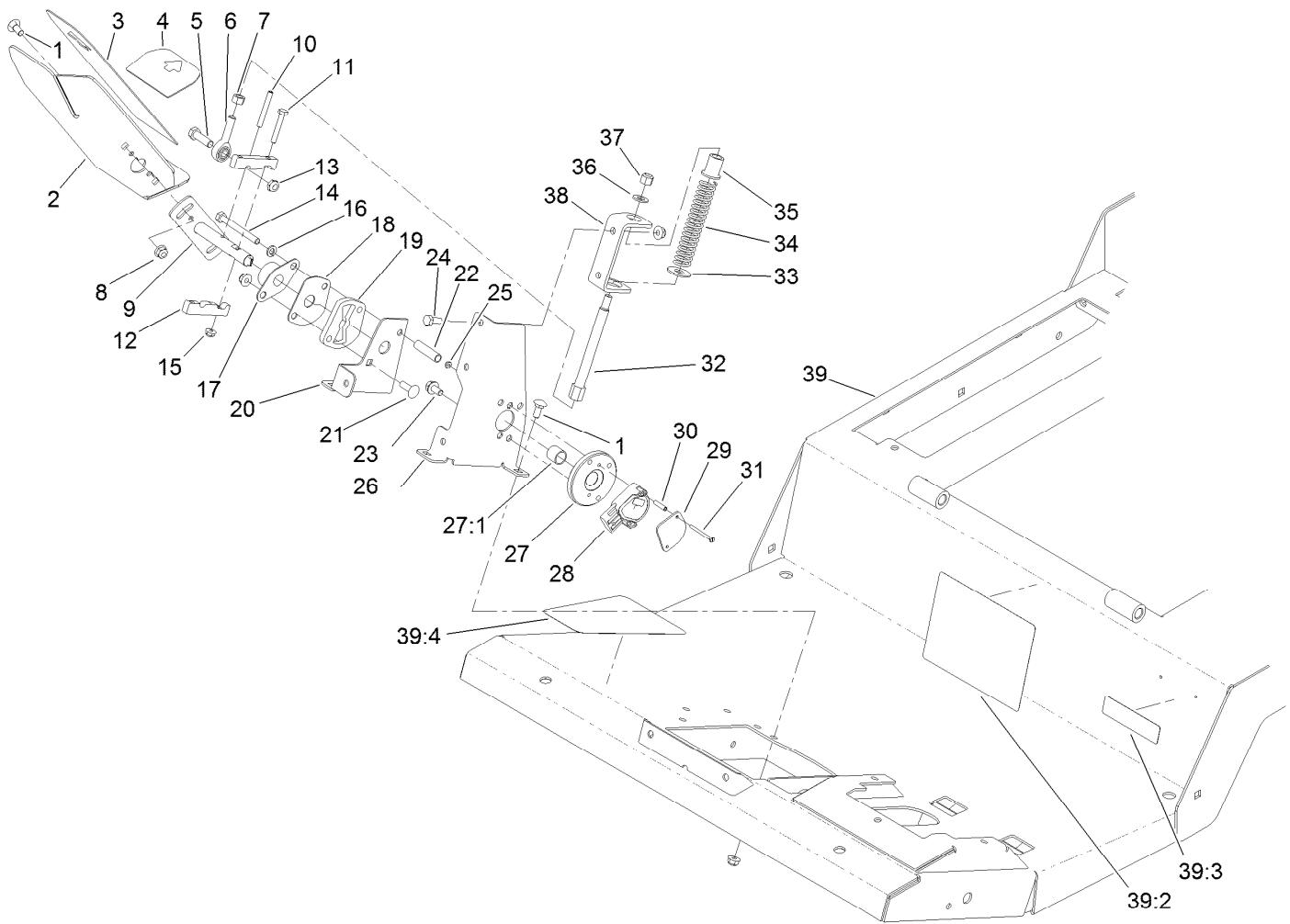
## Right Deck Hydraulic Fitting Assembly

<i>Ref.</i>	<i>Part Number</i>	<i>Qty.</i>	<i>Description</i>
1	340-2	1	Fitting-Straight
1:1	237-22	1	O-Ring
1:2	237-42	1	O-Ring
2	340-142	2	Fitting-Elbow, 90 DEG
2:1	237-58	1	O-Ring
2:2	237-81	1	O-Ring



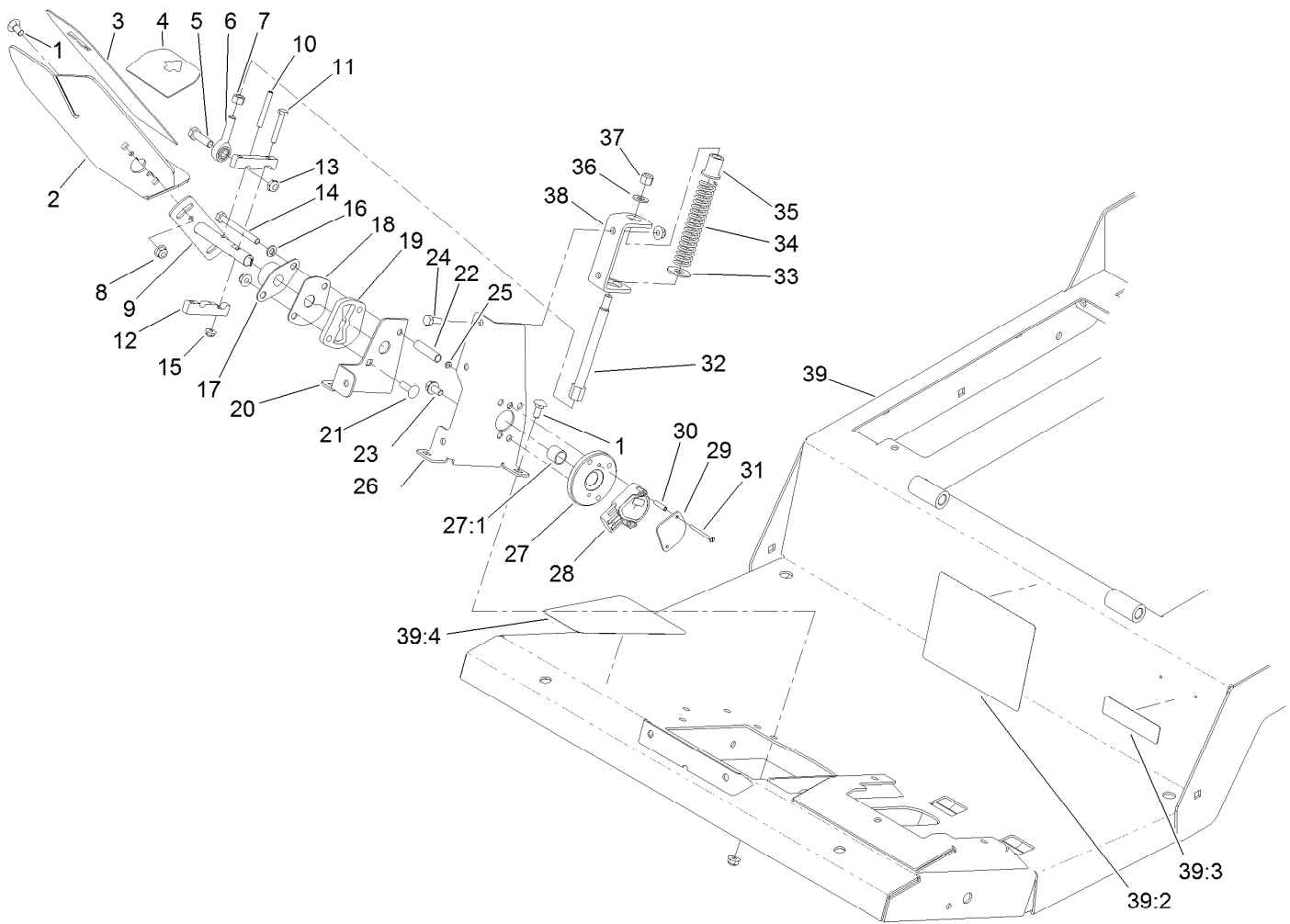
## Right Deck Hose Assembly

<i>Ref.</i>	<i>Part Number</i>	<i>Qty.</i>	<i>Description</i>
1	120-8959	2	Hose-HYD
2	104-2265	1	Hose-HYD
3	3290-379	5	Tie-Cable



## Traction Pedal and Platform Assembly

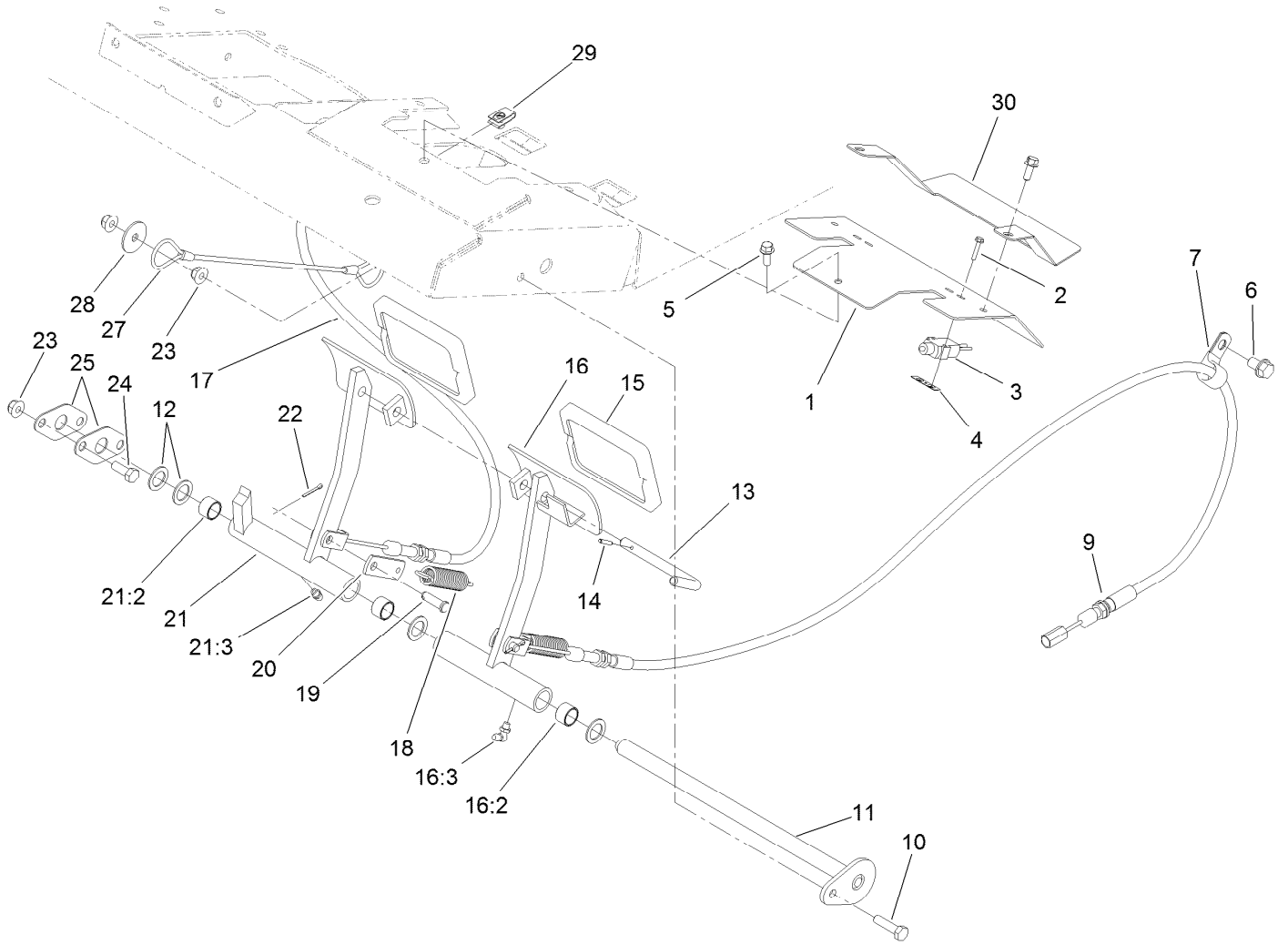
<i>Ref.</i>	<i>Part Number</i>	<i>Qty.</i>	<i>Description</i>	<i>Ref.</i>	<i>Part Number</i>	<i>Qty.</i>	<i>Description</i>
1	3230-1	6	Bolt-CARR	22	93-7960	1	Spacer
2	110-5986-01	1	Pedal-Traction	23	114-7728	2	Screw-HHF, Patch
3	93-5347	1	Abrasive-Pedal	24	322-3	3	Screw-HH
4	93-5368	1	Abrasive-Pedal	25	3296-9	2	Nut-Hex
5	323-7	1	Screw-HH	26	117-5451-01	1	Bracket-Sensor
6	2411-36	1	Bearing-End, Rod	27	117-5445	1	Bushing Hub ASM
7	3219-3	1	Nut-Hex	27:1	95-7497	1	Bushing-Wheel
8	104-8300	10	Nut-HF, NI	28	114-5609	1	Sensor-Position
9	117-5450	1	Shaft-Pedal, Traction	29	114-5595	1	Plate-Capture
10	32121-78	1	Pin-Roll	30	114-5608	2	Spacer-Standoff
11	321-37	2	Screw-HH	31	32105-25	2	Screw-SHH
12	117-5459	2	Block-Clamp	32	117-5446	1	Shaft-Spring
13	3296-59	1	Nut-Lock, NI	33	3256-5	1	Washer-Flat
14	322-14	1	Screw-HH	34	84-9100	1	Spring
15	104-7201	2	Nut-HF, NI	35	92-7610	1	Retainer-Spring
16	3253-4	1	Washer-Lock	36	3256-24	1	Washer-Plain
17	256-236	1	Bearing-Mount, Flange	37	3296-6	1	Nut-Lock
18	117-5455	1	Plate-Cover	38	117-5452-01	1	Bracket-Spring
19	117-5454	1	Plate-Butterfly	39	120-4087	1	Platform ASM
20	117-5453-01	1	Bracket-Butterfly	39:2	114-0846	1	Decal-Instructions, Operating
21	3230-22	1	Screw-CARR				



## Traction Pedal and Platform Assembly (continued)

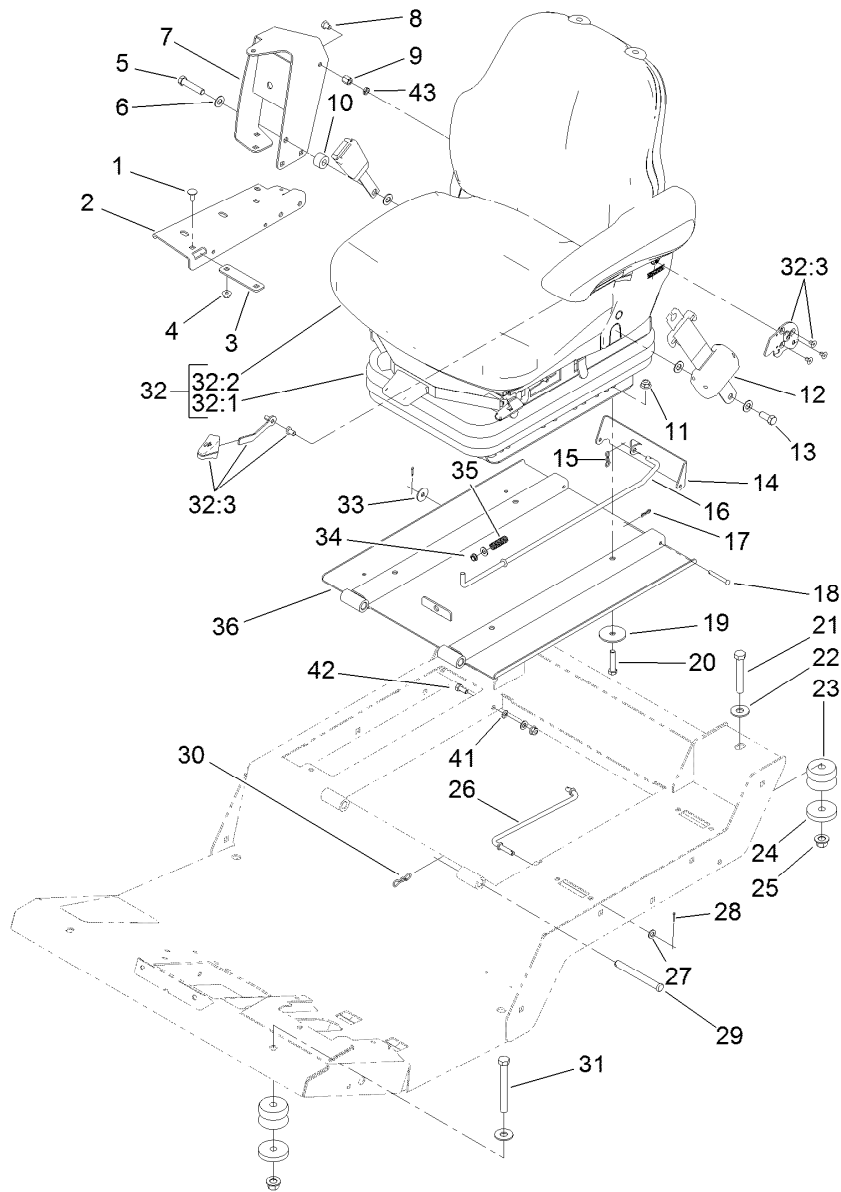
<i>Ref.</i>	<i>Part Number</i>	<i>Qty.</i>	<i>Description</i>
39:3	117-2718	1	Decal-Arrester, Spark
39:4	114-0849	1	Decal-Pedal, Traction





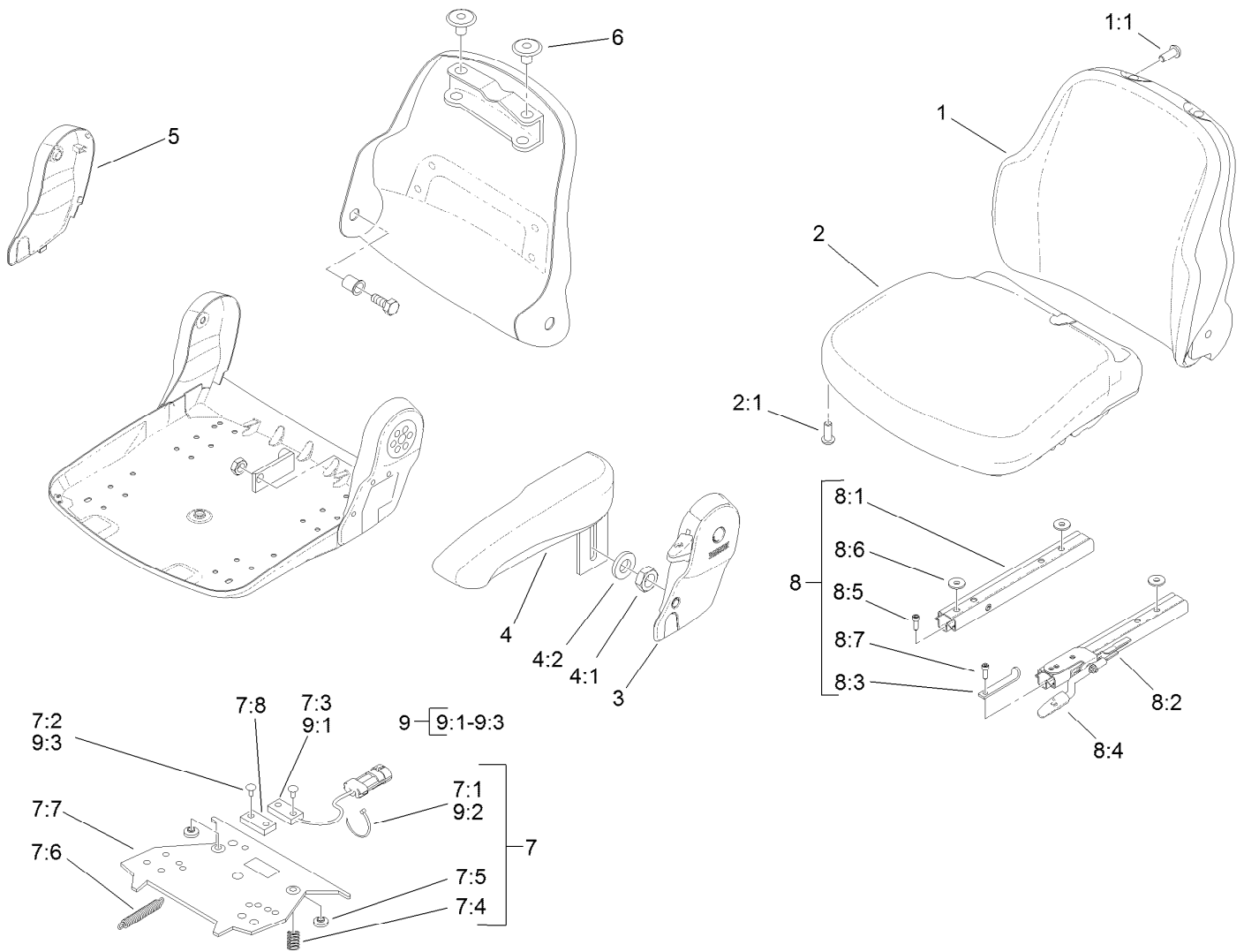
## Brake Pedal Assembly

<i>Ref.</i>	<i>Part Number</i>	<i>Qty.</i>	<i>Description</i>	<i>Ref.</i>	<i>Part Number</i>	<i>Qty.</i>	<i>Description</i>
1	120-4163-01	1	Cover-Brake	16:3	302-60	1	Fitting-Grease
2	117-5458	4	Screw-HHF	17	120-8898	1	Cable-Brake, RH
3	99-3410	2	Switch	18	93-5262	2	Spring-Extension
4	108-9824	2	Nut-Switch	19	283-61	2	Pin-Yoke
5	3234-33	3	Screw-HHF	20	100-5540	2	Strap-Brake
6	32144-69	2	Screw-HWHTF	21	75-1430	1	RH Brake Pedal ASM
7	2412-4	2	Clamp-R	21:2	256-42	2	Bushing
9	120-8899	1	Cable-Brake, LH	21:3	302-5	1	Fitting-Grease
10	322-6	1	Screw-HH	22	3272-6	2	Pin-Cotter
11	120-4167	1	Pin-Flag	23	104-8300	4	Nut-HF, NI
12	3256-69	4	Washer-Flat	24	322-4	2	Screw-HH
13	63-7880	1	Pin-Latch, Brake	25	120-4168	2	Plate-Support
14	32121-50	1	Pin-Spring	27	110-4896	1	Lanyard
15	93-8742	2	Footpad-Brake	28	3256-57	1	Washer-Flat
16	120-4170	1	LH Brake Pedal ASM	29	107069	3	Clip
16:2	256-42	2	Bushing	30	121-1596-01	1	Cover-Brakes



## Seat Base and Seat Assembly

Ref.	Part Number	Qty.	Description	Ref.	Part Number	Qty.	Description
1	3230-23	6	Bolt-CARR	22	3256-6	4	Washer-Flat
2	119-0000-03	1	Channel-Support	23	110-5954	4	Mount-Center, Bonded
3	112-7449-03	1	Bracket-Support	24	115-5519	4	Washer-Plain
4	104-8300	7	Nut-HF, NI	25	99-5107	4	Nut-Lock
5	3212-8	1	Screw-HH	26	93-5338	1	Rod-Prop
6	3256-25	4	Washer-Flat	27	3256-23	3	Washer-Plain
7	117-4798-03	1	Arm-Support	28	3272-5	2	Pin-Cotter
8	108-8646	1	Screw-HH, Lock	29	283-83	2	Pin-Clevis
9	112-7405	1	Nut-Hex, Coupling	30	119-1416	2	Pin-Cotter, Locking
10	17-7190	1	Spacer-Finger	31	702093	2	Screw-HH
11	104-8301	4	Nut-HF, NI	32	130-2700	1	Seat And Suspension ASM
12	110-0413	1	Seatbelt-Retractable	32:1	130-2702	1	Air Ride Seat Suspension
13	3212-4	1	Screw-HH	32:2	117-9429	1	Matrix Cloth Seat ASM
14	120-9017-03	1	Latch-Seat	32:3	132-1304	1	Backrest Adjustment Kit
15	119-1415	1	Pin-Cotter, Locking	33	3256-82	1	Washer-Flat
16	120-9018	1	Rod-Latch	34	5979	1	Bushing-Nyliner
17	119-1414	2	Pin-Cotter, Locking	35	95-1821-03	1	Spring-Compression
18	283-57	2	Pin-Clevis	36	120-4078-03	1	Plate-Seat
19	83-1040	4	Washer-Flat	41	3255-8	1	Washer-Lock
20	323-9	4	Screw-HH	42	322-3	1	Screw-HH
21	112-7264	2	Screw-HH	43	117-4059	1	Nut-Hex

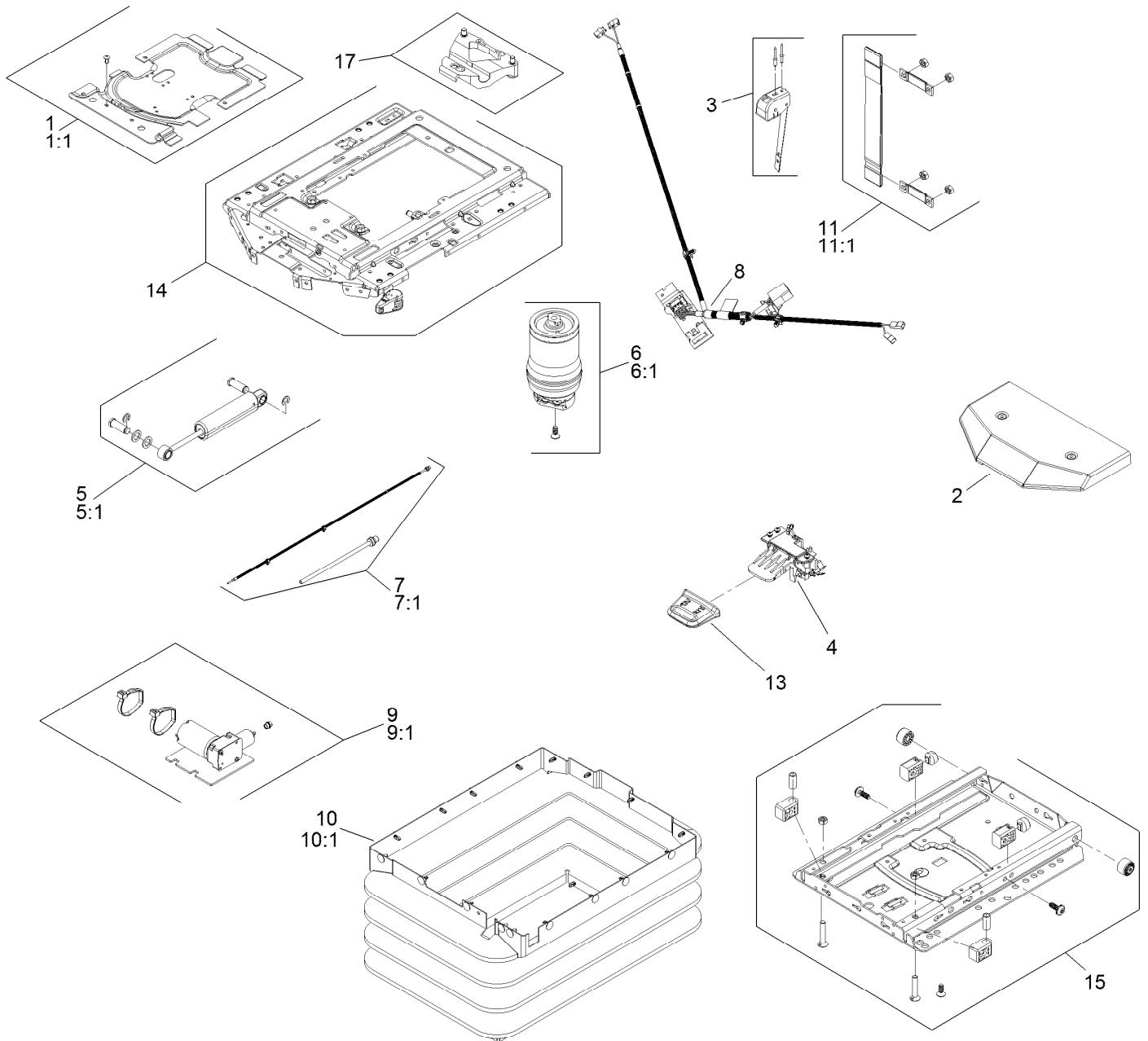


## Cloth Premium Seat Assembly No. 117-9429

Ref.	Part Number	Qty.	Description	Ref.	Part Number	Qty.	Description
1	117-9415	1	Backrest Cushion ASM Matrix Cloth	7:5	2	Bumper-Pressure Plate ●	
1:1	119-7742	4	Screw-Cushion	7:6	1	Spring-Extension ●	
2	117-9416	1	Seat Cushion ASM Matrix Cloth	7:7	1	Plate-Mounting ●	
2:1	119-7742	3	Screw-Cushion	7:8	1	Magnet ●	
3	108-8018	1	Cover-Armrest	8	108-8025	1	Adjustment Rail Set
4	108-8019	1	LH Armrest ASM	8:1	1	Rail-Adjustment, RH ●	
4:1	82-9650	1	Nut	8:2	1	Rail-Adjustment, LH ●	
4:2	107-1198	1	Washer	8:3	1	Stop-Rail ●	
5	108-8021	1	Cover-Armrest	8:4	1	Handle ●	
6	108-8022	2	Cover-Black	8:5	3	Screw ●	
7	108-8024	1	Switch Kit	8:6	3	Washer ●	
7:1	3	Wire Tie ●	8:7	1	Screw ●		
7:2	4	Rivet ●	9	110-6189	1	Switch Kit	
7:3	1	Sensor-Seat Switch ●	9:1	1	Switch ●		
7:4	2	Spring-Compression ●	9:2	3	Wire Tie ●		
			9:3	2	Rivet ●		

● Not serviced separately

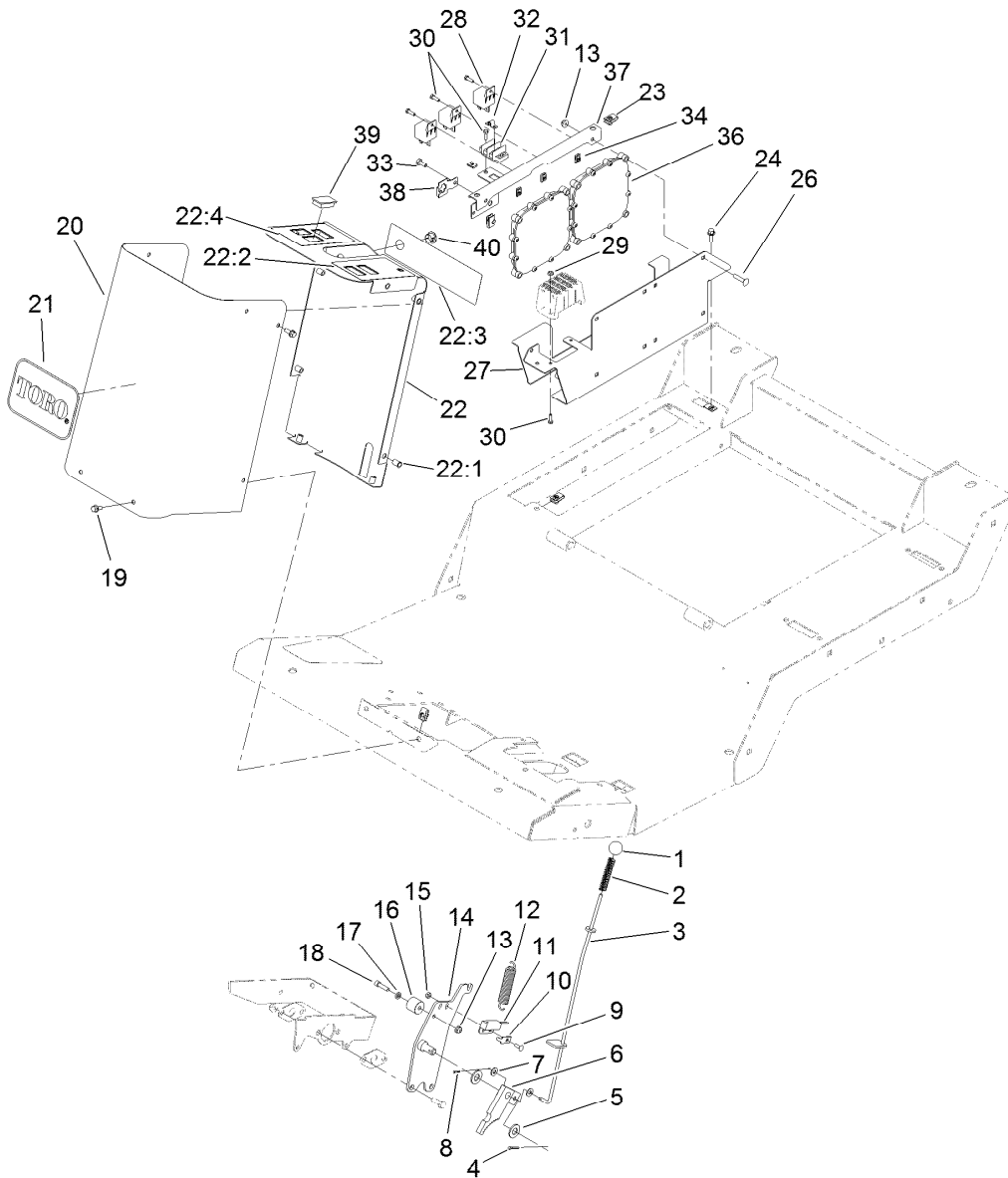
# Seat Suspension Assembly No. 130-2702



## Seat Suspension Assembly No. 130-2702 (continued)

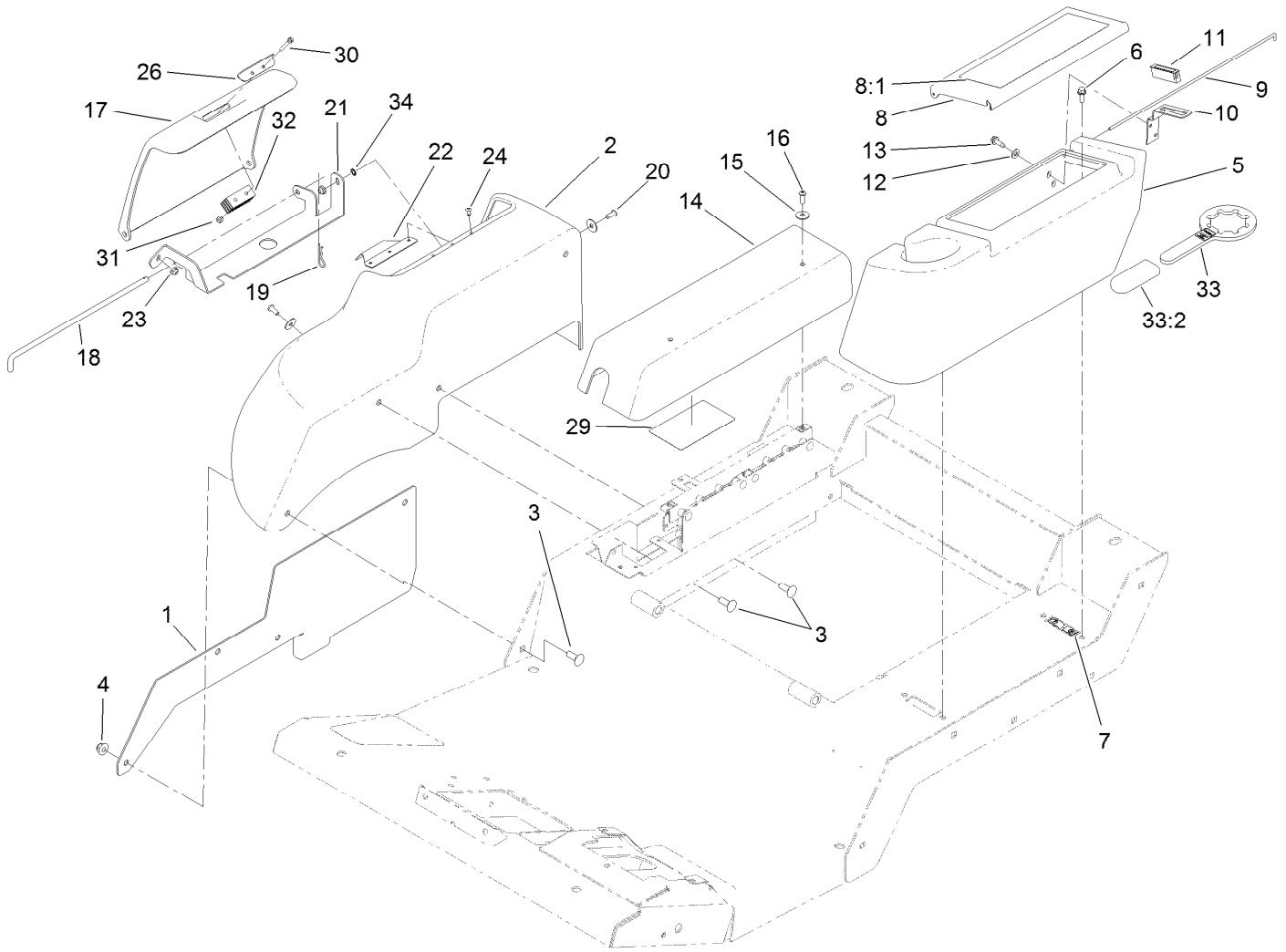
<i>Ref.</i>	<i>Part Number</i>	<i>Qty.</i>	<i>Description</i>	<i>Ref.</i>	<i>Part Number</i>	<i>Qty.</i>	<i>Description</i>
1	130-2709	1	Cover ASM	9	130-2719	1	Compressor
1:1	130-2710	1	Cover Kit	9:1	130-2720	1	Compressor Kit
2	108-8027	1	Cover	10	130-2721	1	Bellows ASM
3	130-2711	1	Control-Level	10:1	130-2722	1	Bellows Kit
4	108-8029	1	Valve-Control, Air	11	130-2723	1	Tether
5	130-2712	1	Shock Absorber ASM	11:1	130-2724	1	Tether Kit
5:1	130-2713	1	Shock Absorber Kit	12	130-2725	1	Wear Parts Kit ●
6	130-2714	1	Air Spring ASM	13	130-2726	1	Handle
6:1	130-2715	1	Air Spring Kit	14	130-2727	1	Upper Suspension Kit
7	130-2716	1	Air Tube ASM	15	130-2728	1	Lower Suspension Kit
7:1	130-2717	1	Air Tube Kit	16	130-2729	1	Adjuster Mounting Kit ●
8	130-2718	1	Harness-Wire	17	130-2730	1	Limiters-Thrust

● Not illustrated



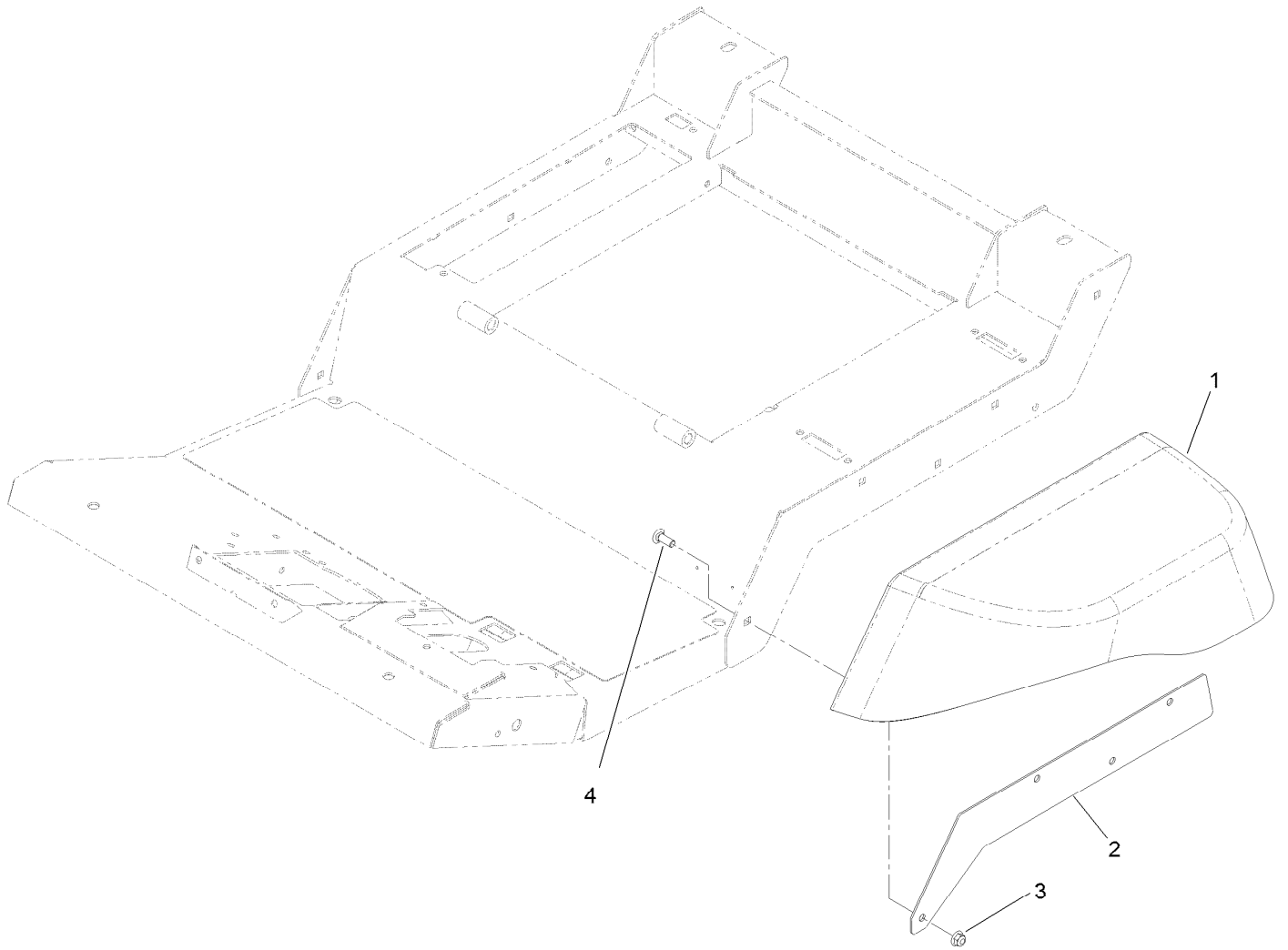
## Parking Brake, Steering Tower and Power Center Assembly

Ref.	Part Number	Qty.	Description	Ref.	Part Number	Qty.	Description
1	233-17	1	Knob	22	120-4165	1	Steering Tower ASM
2	71-8310	1	Spring-Compression	22:1	32148-6	8	Nut-Clinch
3	114-0195	1	Rod-Parking, Brake	22:2	120-4130	1	Decal-Steering Tower, LH
4	3272-10	1	Pin-Cotter	22:3	114-0845	1	Decal-Column, Steering
5	3256-26	2	Washer-Flat	22:4	120-4129	1	Decal-Steering Tower, RH
6	63-7900-03	1	Rack	23	107069	7	Clip
7	3256-22	2	Washer-Flat	24	3234-4	2	Screw-HHF
8	3272-5	1	Pin-Cotter	26	3229-3	8	Screw-CARR
9	3229-34	1	Screw-CARR	27	120-4093-03	1	Mount-Power
10	100-4872	1	Plate-Switch, Neutral	28	99-7435	3	Relay
11	100-1270	1	Switch-Proximity	29	3296-12	2	Nut-Lock, NI
12	13-0480	1	Spring	30	3290-134	7	Screw
13	104-7201	9	Nut-HF, NI	31	42862	1	Block-Terminal, Ground
14	114-0190-03	1	Pivot-Parking, Brake	32	42863	1	Strip-Jumper
15	3296-2	1	Nut-Lock, NI	33	321-3	1	Screw-HH
16	117-5499	1	Spacer-Deflector	34	107-1013	5	Nut-Speed
17	55-9620	1	Spacer-Plate, Pivot	36	114-3321	2	Controller-Tec
18	3274-9	1	Screw-HSH	37	120-4127-03	1	Mount-Relay
19	3234-33	10	Screw-HHF	38	114-5502	1	Clip-Fuse
20	120-4136-01	1	Cover-Steering Tower, Front	39	99-7420	5	Plug-Hole
21	62-5550	1	Decal	40	94-5627	1	Plug



## Fender, Tool Box and Cover Assembly

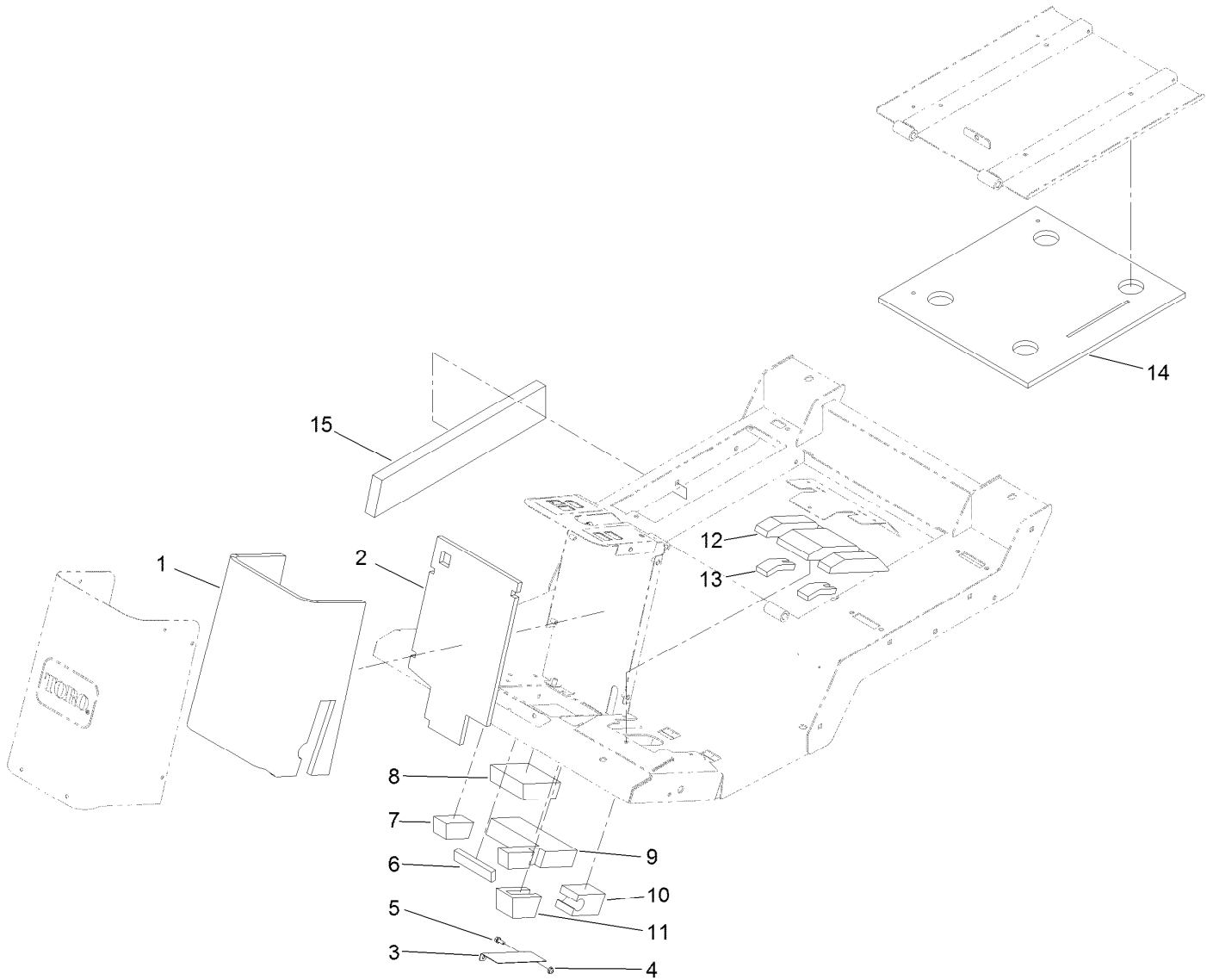
Ref.	Part Number	Qty.	Description	Ref.	Part Number	Qty.	Description
1	121-1579-03	1	Plate-Fender, RH	16	3274-69	2	Screw-HSBH
2	120-4113	1	Fender-RH	17	120-4115	1	Cover-Battery
3	3231-22	4	Screw-CARR	18	121-1588	1	Rod-Hinge
4	104-8301	4	Nut-HF, NI	19	3290-467	1	Pin-Hair
5	120-4125	1	Housing-Tool Box	20	3274-31	2	Screw-HSBH
6	3234-4	4	Screw-HHF	21	121-1586-03	1	Mount-Cover
7	107069	4	Clip	22	127-3706	1	Plate-Cover
8	120-4124	1	Tool Box Cover ASM	23	104-7201	2	Nut-HF, NI
8:1	117-2766	1	Decal-Warning, CE	24	3269-23	3	Rivet-Pop
8:1	117-2754	1	Decal-Warning	26	127-3705	1	Plate-Cover
9	120-4122	1	Rod-Hinge	29	121-1599	1	Decal-Fuses
10	104-7545	1	Bracket-Latch	30	32105-1	2	Screw-SHH
11	58-4250	1	Catch-Magnetic	31	3296-2	2	Nut-Lock, NI
12	3256-22	2	Washer-Flat	32	69-6260	1	Magnet
13	32104-95	2	Screw-HWH	33	121-3874	1	Wrench ASM
14	120-4126	1	Cover-Controllers	33:2	119-1846	1	Grip
15	87-6630	4	Washer-Plain	34	3255-7	1	Washer-Lock/EXT



## Fender Assembly

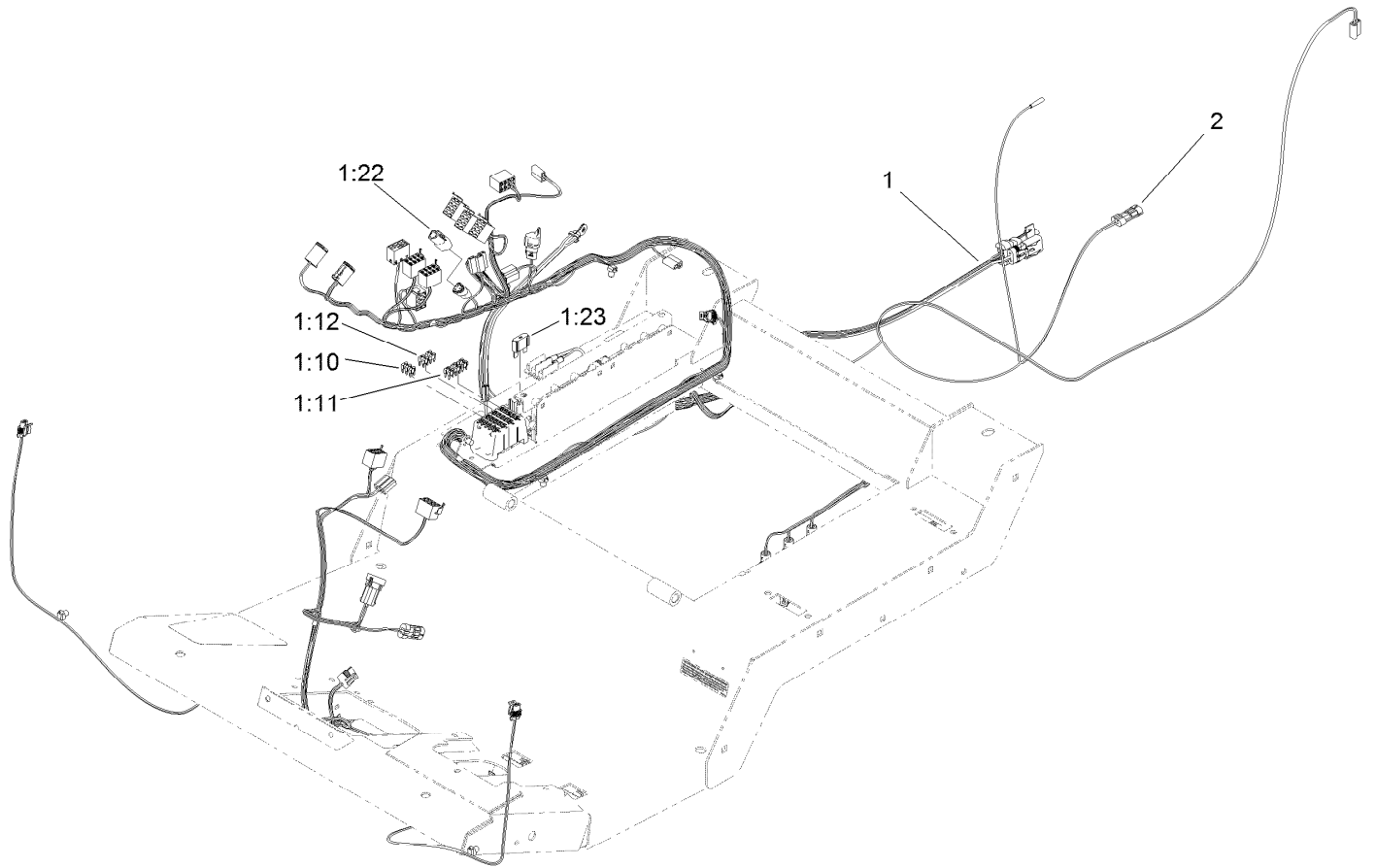
<i>Ref.</i>	<i>Part Number</i>	<i>Qty.</i>	<i>Description</i>
1	120-4114	1	Fender-LH
2	121-1580-03	1	Plate-Fender, LH
3	104-8301	4	Nut-HF, NI
4	3231-22	4	Screw-CARR





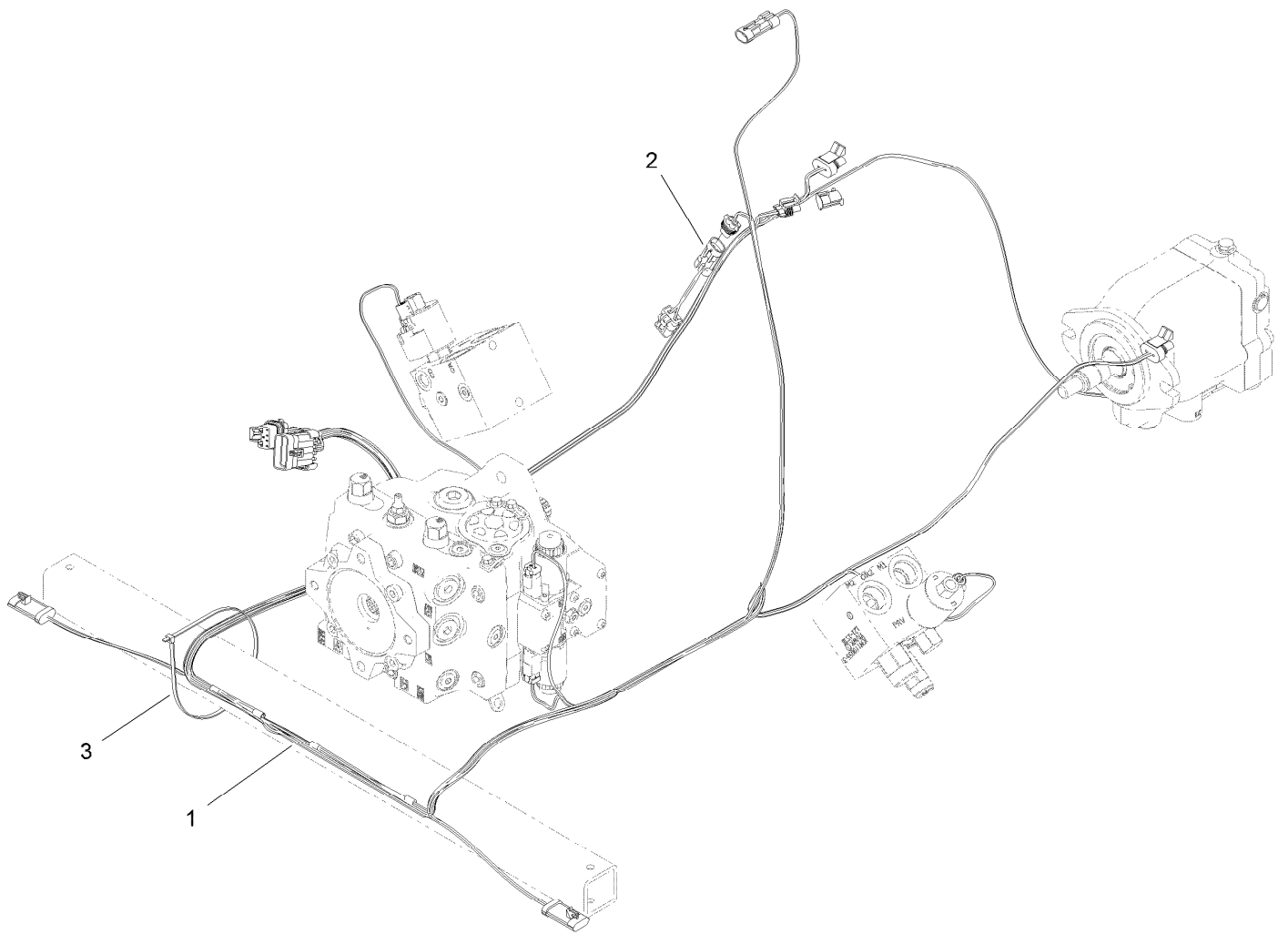
## Acoustic Foam Assembly

<i>Ref.</i>	<i>Part Number</i>	<i>Qty.</i>	<i>Description</i>
1	121-1666	1	Foam-Column, Front
2	115-8813	1	Foam-Column, Rear
3	115-8841-01	1	Bracket-Foam, Pawl
4	104-7201	2	Nut-HF, NI
5	3234-33	2	Screw-HHF
6	115-8808	1	Foam-Strip, Front
7	115-8809	1	Foam-Plug, RH
8	121-1681	1	Foam-Steering, Front
9	121-1680	1	Foam-Steering, Rear
10	115-8815	1	Foam-Plug, Brake
11	115-8814	1	Foam-Pawl, Brake
12	121-1675	1	Foam-Brake, Center
13	121-1674	2	Foam-Plug, Brakes
14	127-3696	1	Foam-Seat
15	127-3708	1	Foam-Right



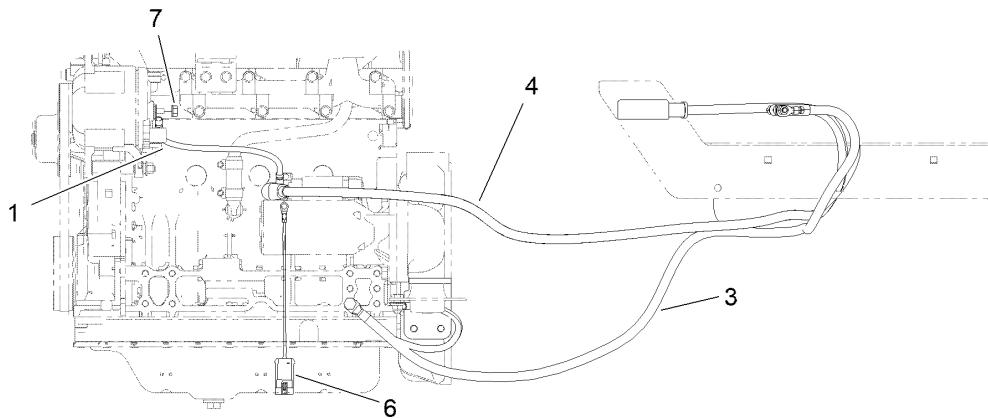
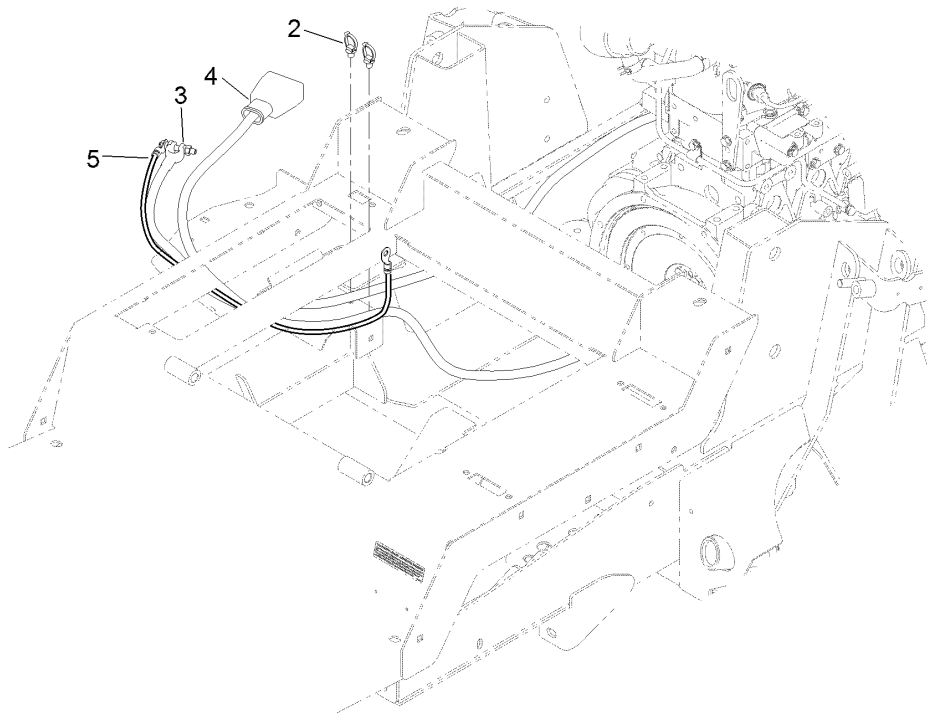
## Platform Harness and Fuse Assembly

<i>Ref.</i>	<i>Part Number</i>	<i>Qty.</i>	<i>Description</i>
1	122-0227	1	Harness-Wire, Platform
1:10	121-8861	3	Fuse-Mini Blade, 2 Amp
1:11	121-8865	6	Fuse-Mini Blade, 7.5 Amp
1:12	121-8866	4	Fuse-Mini Blade, 10 Amp
1:22	32180-043	1	Resistor-120 Ohm
1:23	114-3342	1	Fuse-Maxi, 60 Amp
2	122-0353	1	Harness-Wire



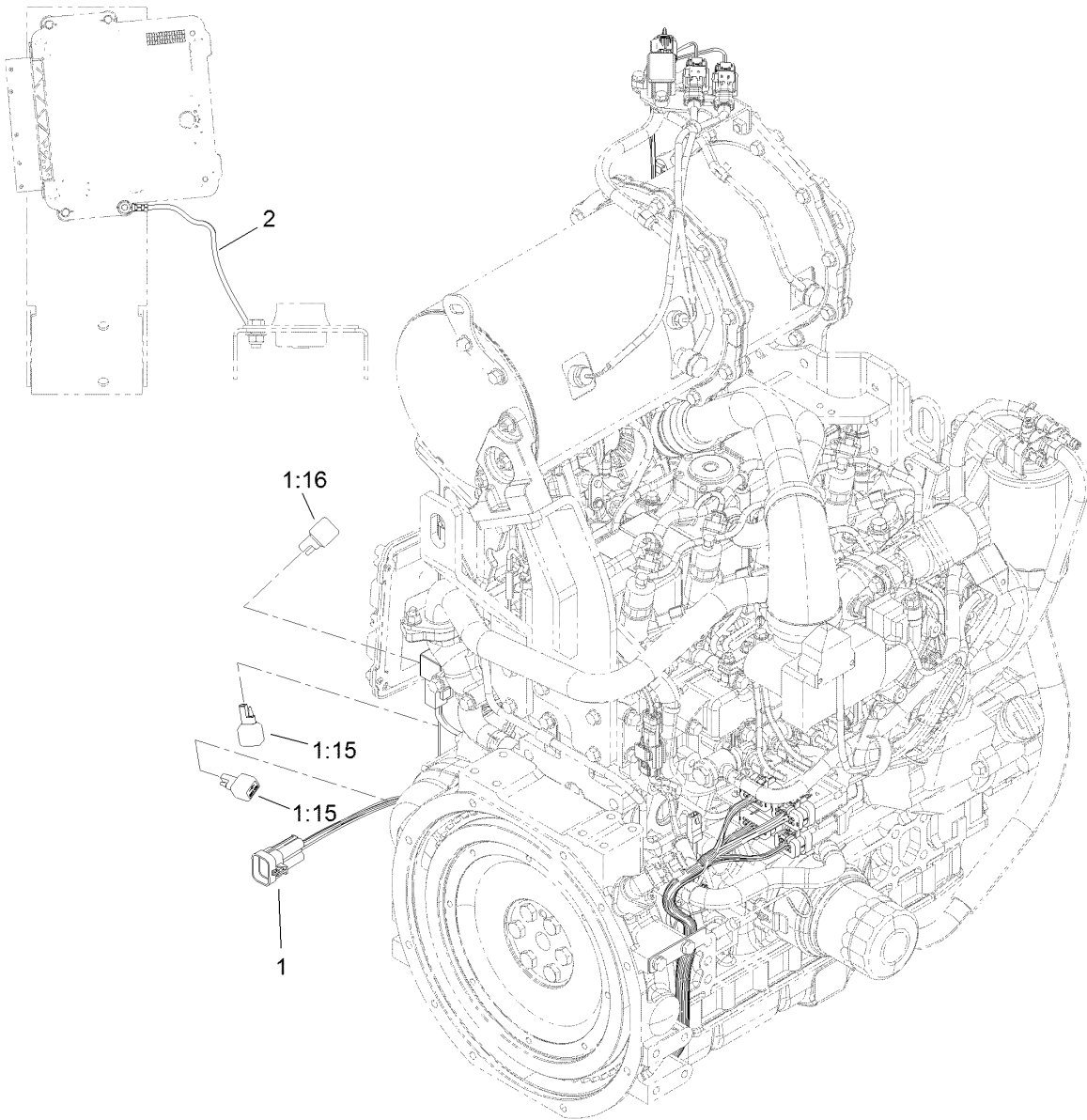
## Rear Wire Harness Assembly

<i>Ref.</i>	<i>Part Number</i>	<i>Qty.</i>	<i>Description</i>
1	122-0228	1	Harness-Wire, Rear
2	115-1931	1	Harness-Wire, Fuel Pump Adapter
3	3290-379	1	Tie-Cable



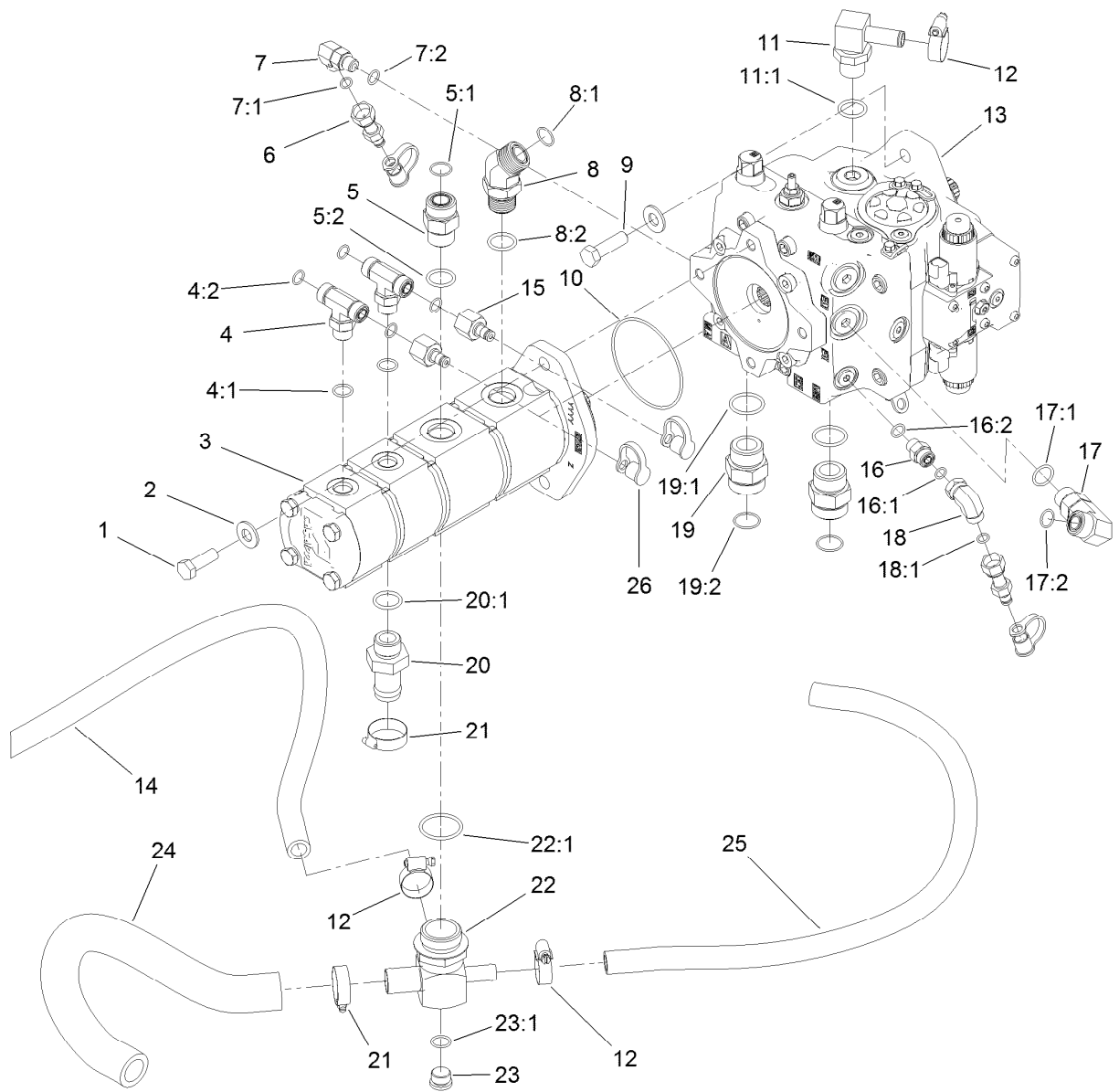
## Battery Cable and Ground Assembly

Ref.	Part Number	Qty.	Description
1	122-0071	1	Cable-Battery, Positive
2	32180-030	2	Clip-Tie
3	121-8898	1	Cable-Battery, Negative
4	121-8897	1	Cable-Battery, Positive
5	54-3094	1	Cable
6	108-9470	1	Harness-Wire, Fusible Link
7	33004-00	2	Nut-HF



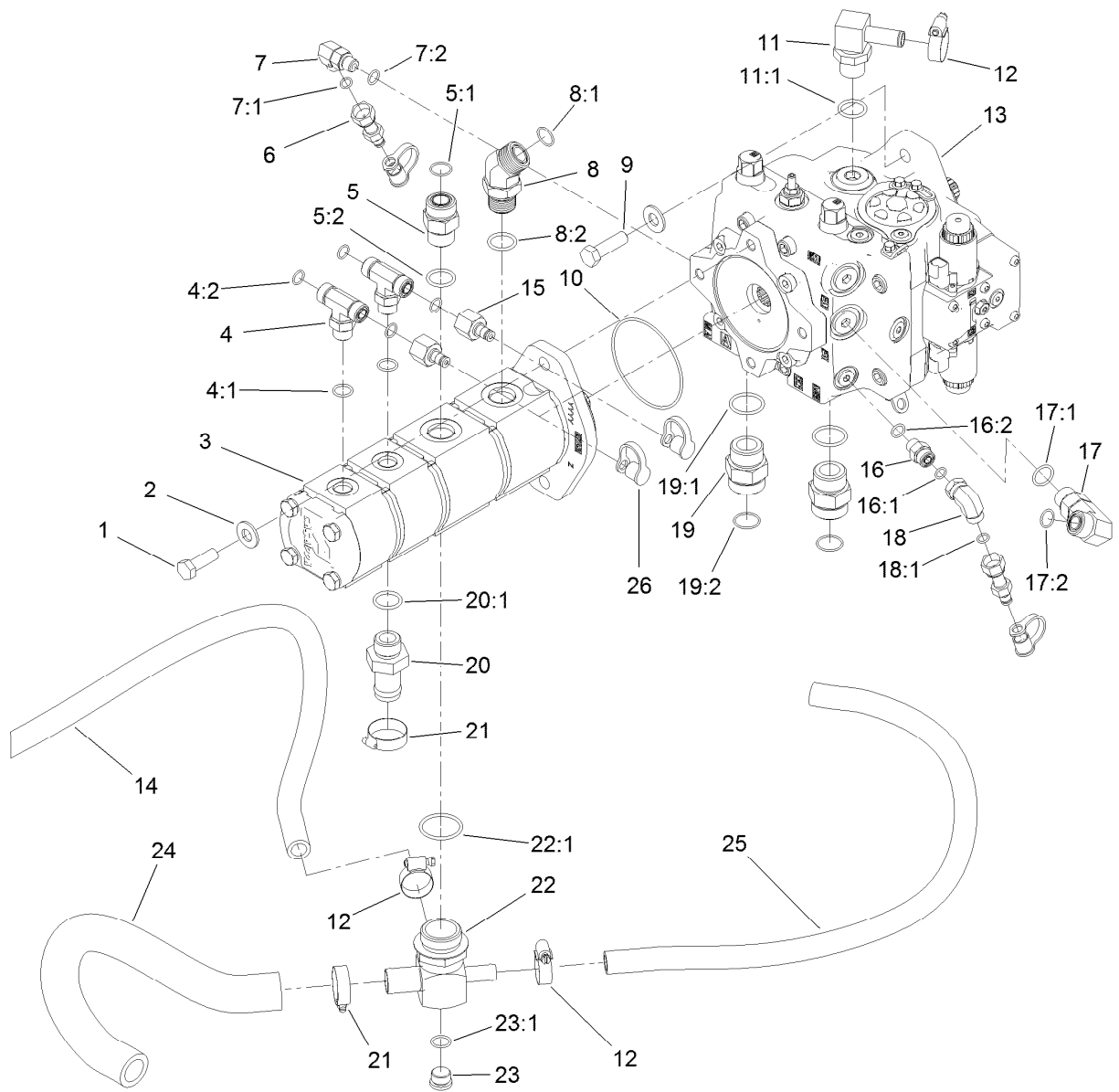
## Engine Harness Assembly

<i>Ref.</i>	<i>Part Number</i>	<i>Qty.</i>	<i>Description</i>
1	122-0229	1	Harness-Wire, Engine
1:15	100-4918	2	Diode
1:16	121-8891	1	Resistor (1.6K Ohm)
2	122-0057	1	Harness-Wire, Ground



## Piston Pump and Gear Pump Assembly

Ref.	Part Number	Qty.	Description	Ref.	Part Number	Qty.	Description
1	121-1525	2	Screw-HH	13	120-9059	1	Piston Pump ASM
2	87-7270	4	Washer-Thrust	14	121-1647	1	Hose-HYD
3	120-8904	1	4-Section Gear Pump ASM	15	100-5616	2	Fitting
4	340-157	2	Fitting-HYD, Tee	16	340-2	1	Fitting-Straight
4:1	237-79	1	O-Ring	16:1	237-22	1	O-Ring
4:2	237-30	2	O-Ring	16:2	237-42	1	O-Ring
5	340-9	1	Fitting-STR	17	121-1492	1	Fitting-90
5:1	237-58	1	O-Ring	17:1	237-80	1	O-Ring
5:2	237-81	1	O-Ring	17:2	237-65	1	O-Ring
6	86-5480	2	Nipple-Test	18	340-159	1	Elbow-90
7	340-77	1	Fitting-Elbow, 90 DEG	18:1	237-22	2	O-Ring
7:1	237-22	1	O-Ring	19	104-3797	2	Fitting-Straight
7:2	237-42	1	O-Ring	19:1	237-146	1	O-Ring
8	100-5530	1	Fitting-45 DEG	19:2	340-65	1	O-Ring
8:1	237-58	1	O-Ring	20	99-3017	1	Fitting
8:2	237-81	1	O-Ring	20:1	237-81	1	O-Ring
9	121-1524	2	Screw-HH	21	2412-34	2	Clamp-Hose
10	107-9447	1	O-Ring	22	121-1682	1	Fitting-Tee
11	117-3681	1	Fitting-Elb 90	22:1	237-101	1	O-Ring
11:1	237-81	1	O-Ring	23	353-988	1	Plug-Hex
12	2412-129	3	Clamp-Hose	23:1	237-79	1	O-Ring

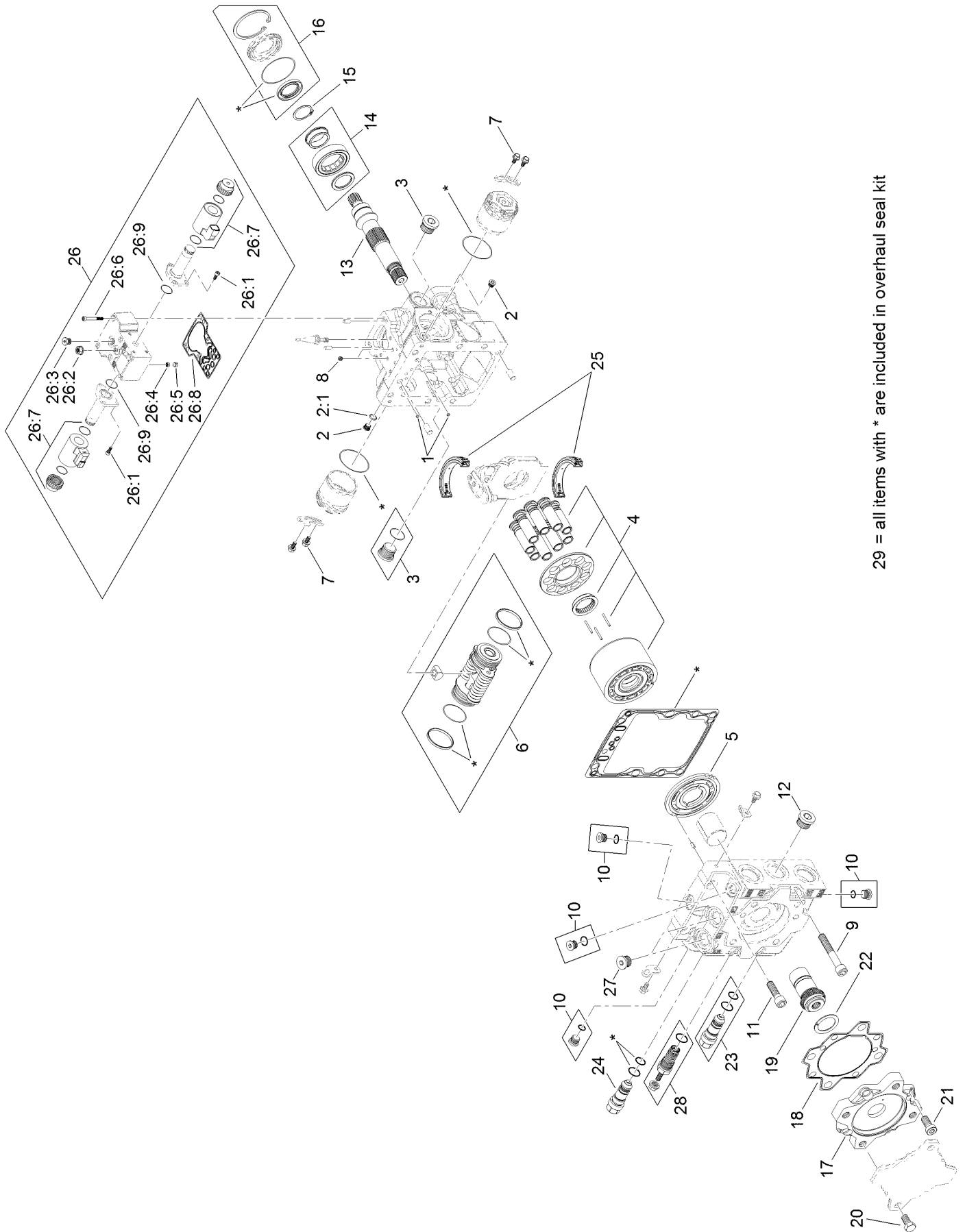


## Piston Pump and Gear Pump Assembly (continued)

Ref.	Part Number	Qty.	Description
24	120-8815	1	Hose-Suction

Ref.	Part Number	Qty.	Description
25	120-9050	1	Hose-HYD
26	354-79	4	Cap-Dust

# Piston Pump Assembly No. 120-9059

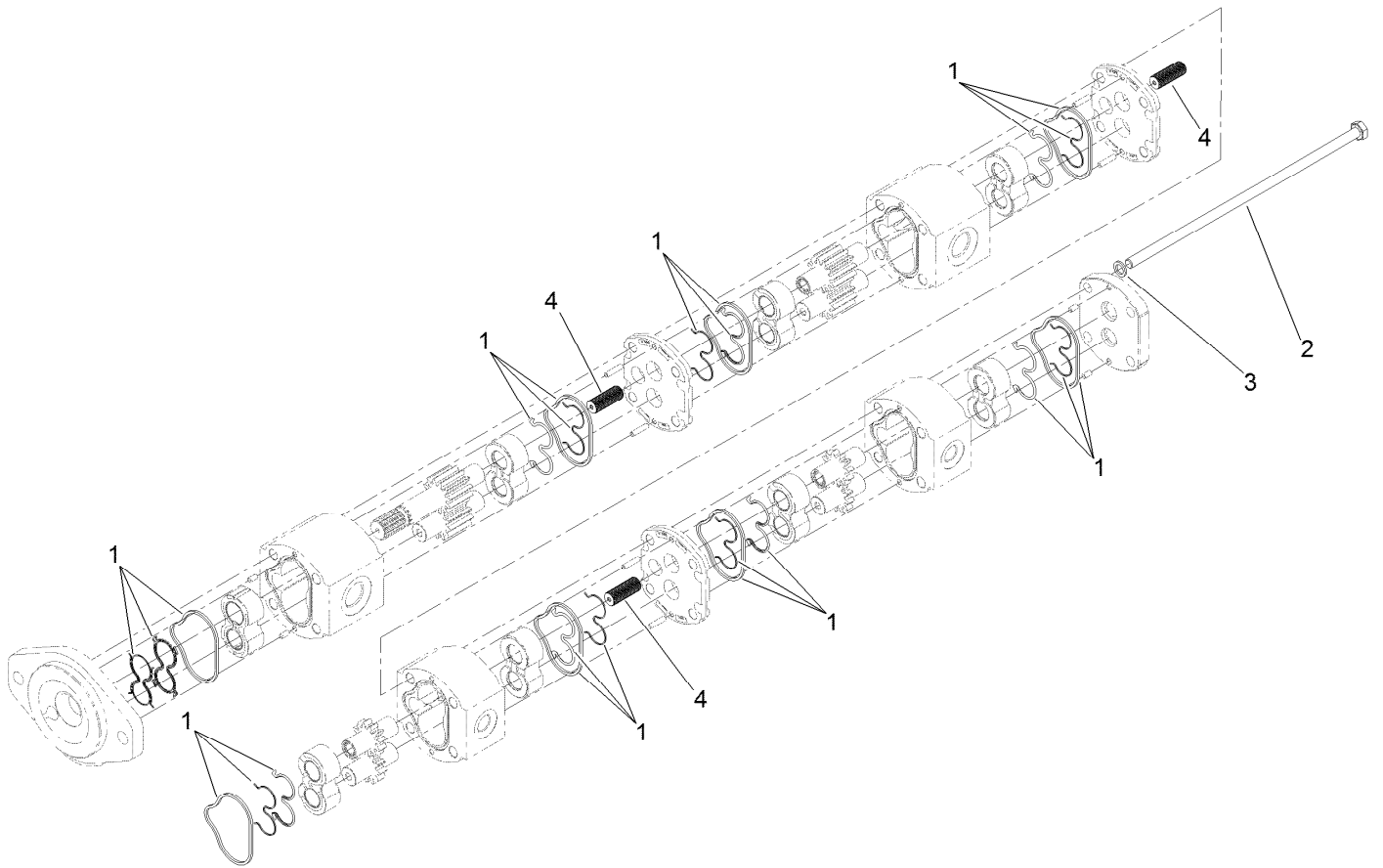


29 = all items with \* are included in overhaul seal kit



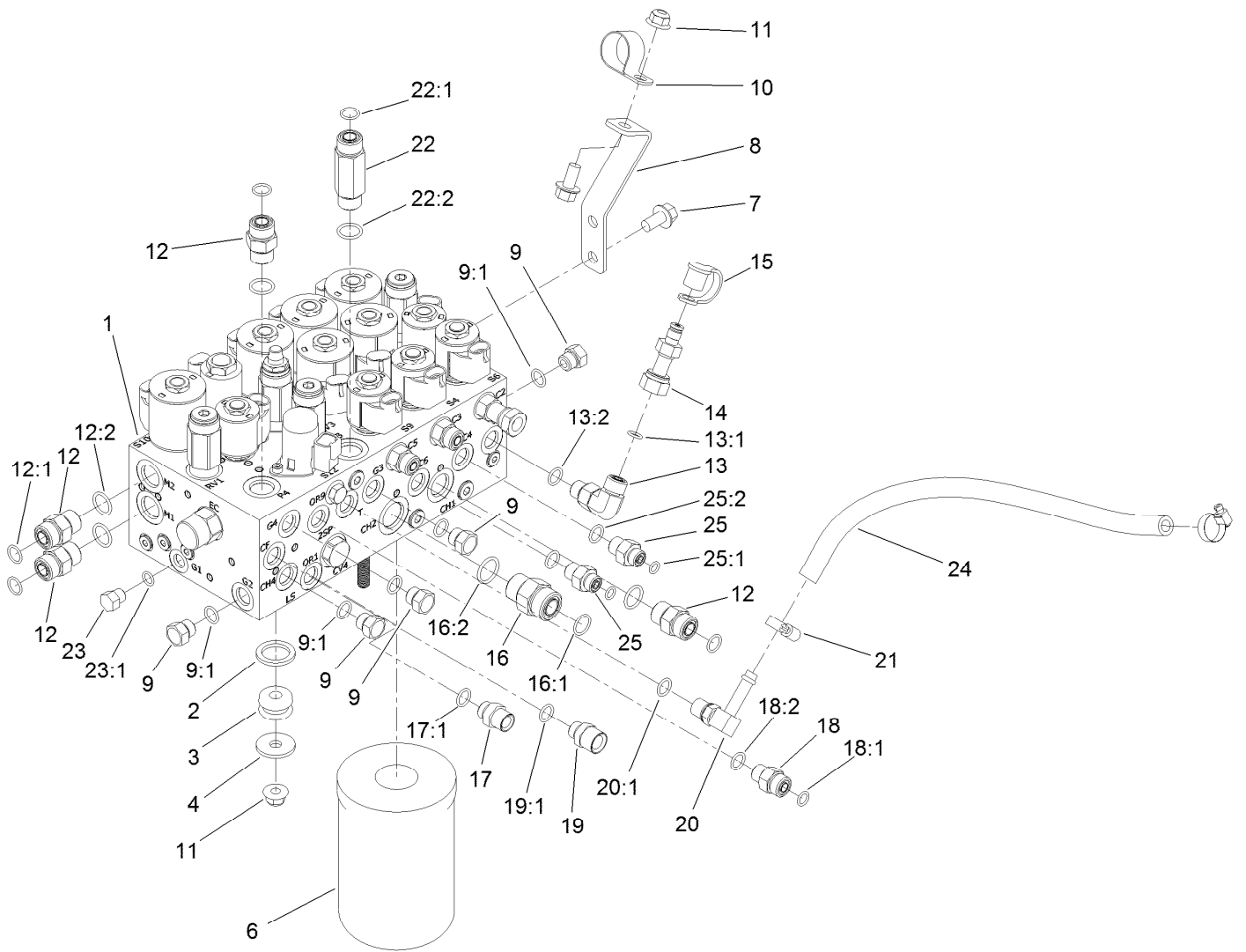
## Piston Pump Assembly No. 120-9059 (continued)

<i>Ref.</i>	<i>Part Number</i>	<i>Qty.</i>	<i>Description</i>	<i>Ref.</i>	<i>Part Number</i>	<i>Qty.</i>	<i>Description</i>
1	125-5266	2	Screen	20	125-5281	4	Screw
2	75-0170	2	Plug-Thread, Straight	21	125-5282	4	Screw
2:1	92-8777	1	O-Ring	22	125-5287	1	Plate-Thrust
3	107-4352	2	Plug	23	121-1731	1	Valve-Relief, High Pressure
4	121-1723	1	Cylinder Block Kit	24	125-5291	1	Valve-Relief, High Pressure
5	121-1724	1	Plate-Valve, CW	25	121-1732	1	Swash Plate Bearing Kit
6	121-1725	1	Servo Piston ASM	26	125-5295	1	Control Kit (12 Volt)
7	125-5270	6	Screw	26:1	125-5272	6	Screw
8	125-5276	2	Orifice (0.8)	26:2	125-5273	1	Nut-Seal
9	121-1726	4	Screw	26:3	125-5302	1	Plug
10	125-5300	4	Plug ASM	26:4	125-5266	1	Screen
11	121-1727	2	Screw	26:5	125-5269	1	Ring-Locking
12	125-5301	1	Plug	26:6	125-5274	6	Screw
13	121-1728	1	Shaft	26:7	125-5294	2	Coil Kit
14	125-5279	1	Bearing-Roller	26:8	125-5283	1	Gasket-Control
15	125-5280	1	Ring-Retaining	26:9	125-5288	2	O-Ring
16	121-1729	1	Shaft Seal Kit	27	125-5303	2	Plug ASM
17	125-5284	1	Adapter	28	125-5297	1	Charge Relief Kit
18	125-5285	1	Seal-Adapter	29	121-1733	1	Overhaul Seal Kit
19	121-1730	1	Coupling				



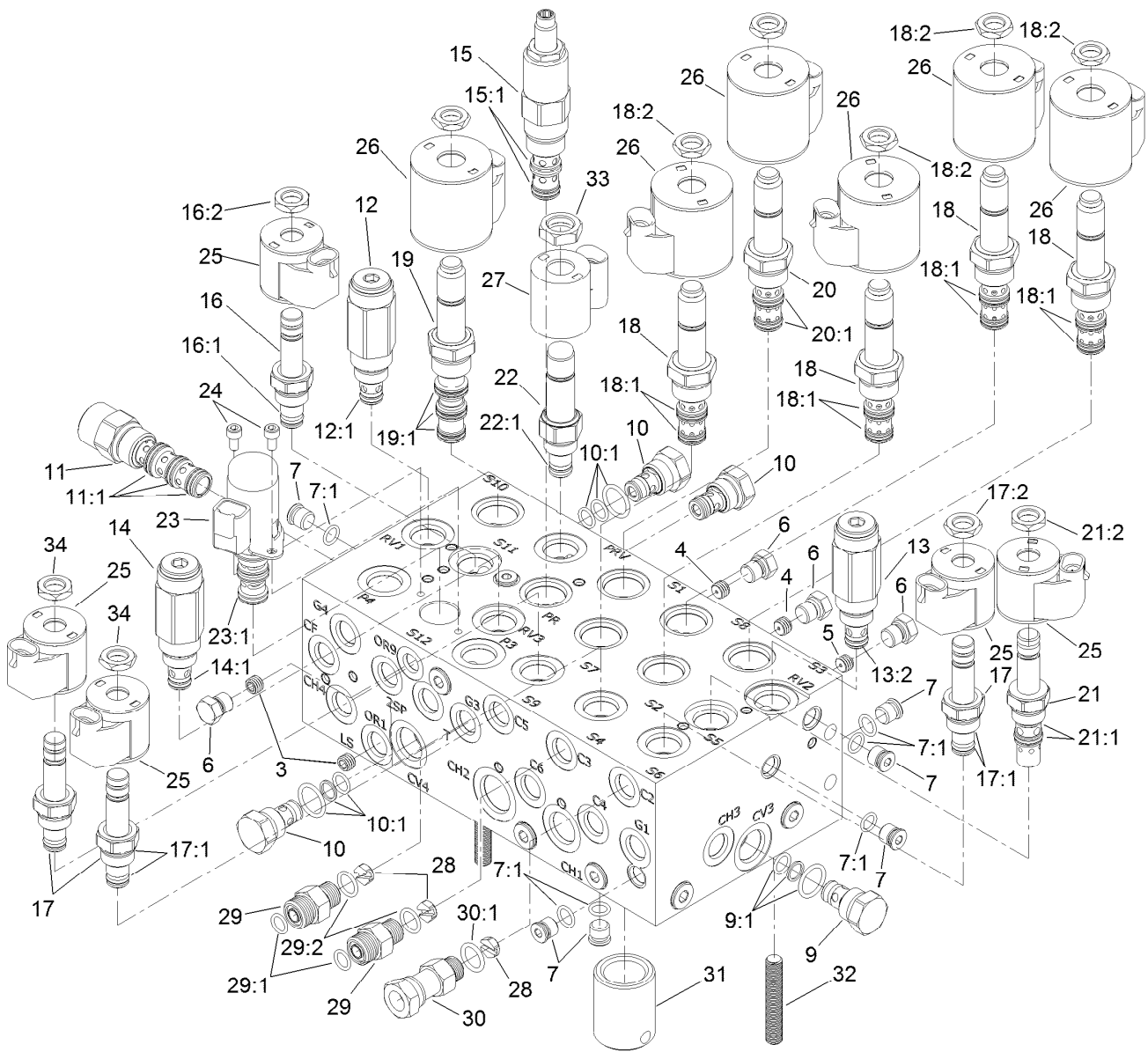
## 4-Section Gear Pump Assembly No. 120-8904

<i>Ref.</i>	<i>Part Number</i>	<i>Qty.</i>	<i>Description</i>
1	115-3776	1	Seal Kit
2	121-1721	4	Bolt
3	121-1722	4	Washer
4	120-6284	3	Hub-Connecting



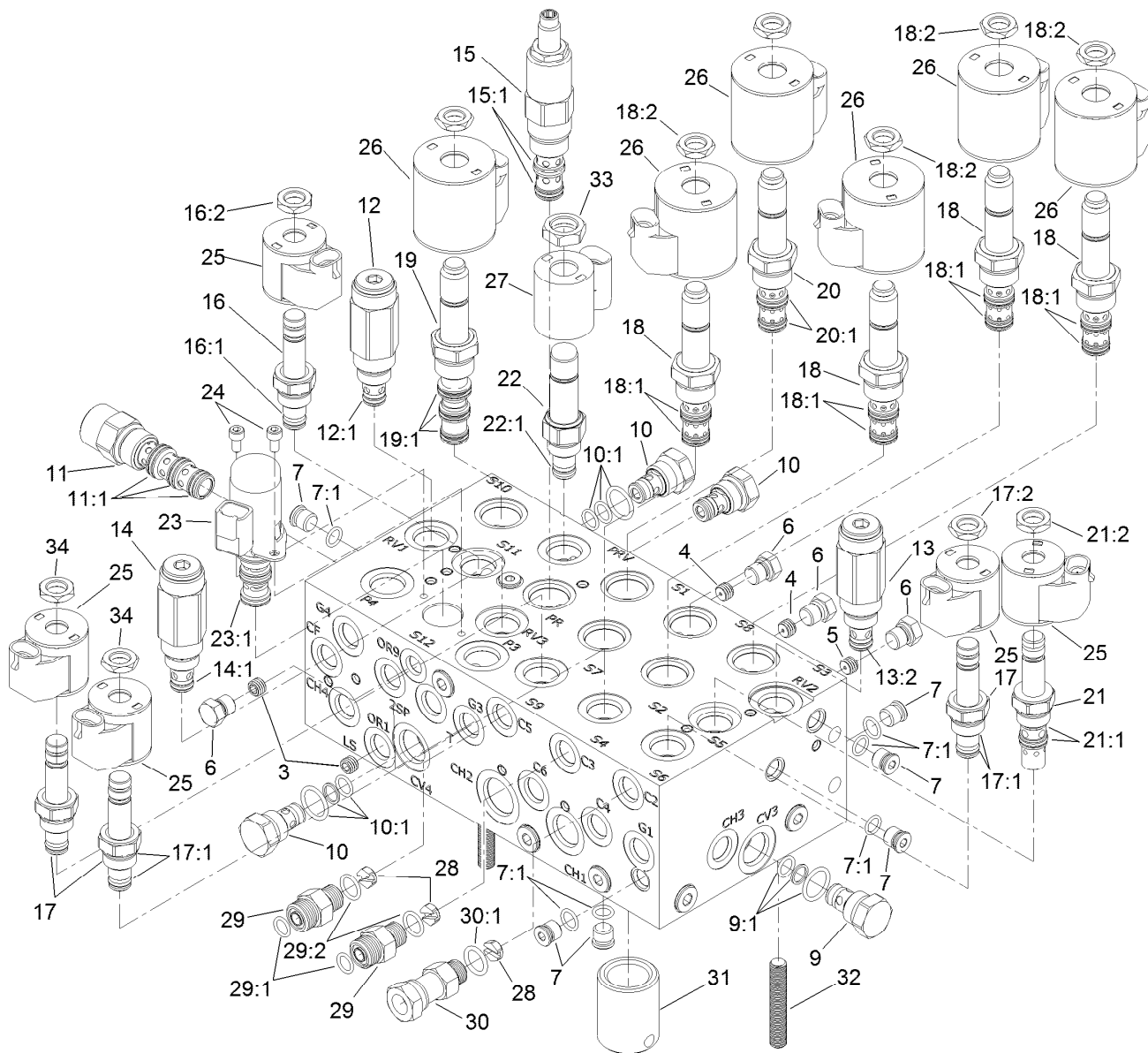
## Combination Manifold Assembly

Ref.	Part Number	Qty.	Description	Ref.	Part Number	Qty.	Description
1	127-3650	1	HYD Combination Manifold ASM	16:1	237-65	1	O-Ring
2	92-2650	3	Spacer-Clutch	16:2	237-80	1	O-Ring
3	63-9750	3	Mount	17	120-8975	1	Fitting-Straight
4	63-8410	3	Washer	17:1	237-42	1	O-Ring
6	75-1310	1	Filter-HYD	18	340-2	1	Fitting-Straight
7	3234-1	3	Screw-HHF	18:1	237-22	1	O-Ring
8	121-1542	1	Plate-Mount, Hose	18:2	237-42	1	O-Ring
9	353-508	5	Plug-HH	19	120-8979	1	Fitting-Straight
9:1	237-42	1	O-Ring	19:1	237-42	1	O-Ring
10	2412-126	1	R-Clamp	20	100-4887	1	Fitting-Elbow, 90
11	104-8301	4	Nut-HF, NI	20:1	237-42	1	O-Ring
12	340-4	4	Fitting-Straight	21	2412-36	2	Clamp-Hose
12:1	237-30	1	O-Ring	22	119-4854	1	Fitting-STR
12:2	237-79	1	O-Ring	22:1	237-30	1	O-Ring
13	340-77	1	Fitting-Elbow, 90 DEG	22:2	237-79	1	O-Ring
13:1	237-22	1	O-Ring	23	353-512	1	Plug
13:2	237-42	1	O-Ring	23:1	237-78	1	O-Ring
14	86-5480	1	Nipple-Test	24	87-5730	1	Hose
15	354-79	1	Cap-Dust	25	340-1	2	Fitting-Straight
16	340-7	1	Fitting-Straight	25:1	237-21	1	O-Ring
				25:2	237-42	1	O-Ring



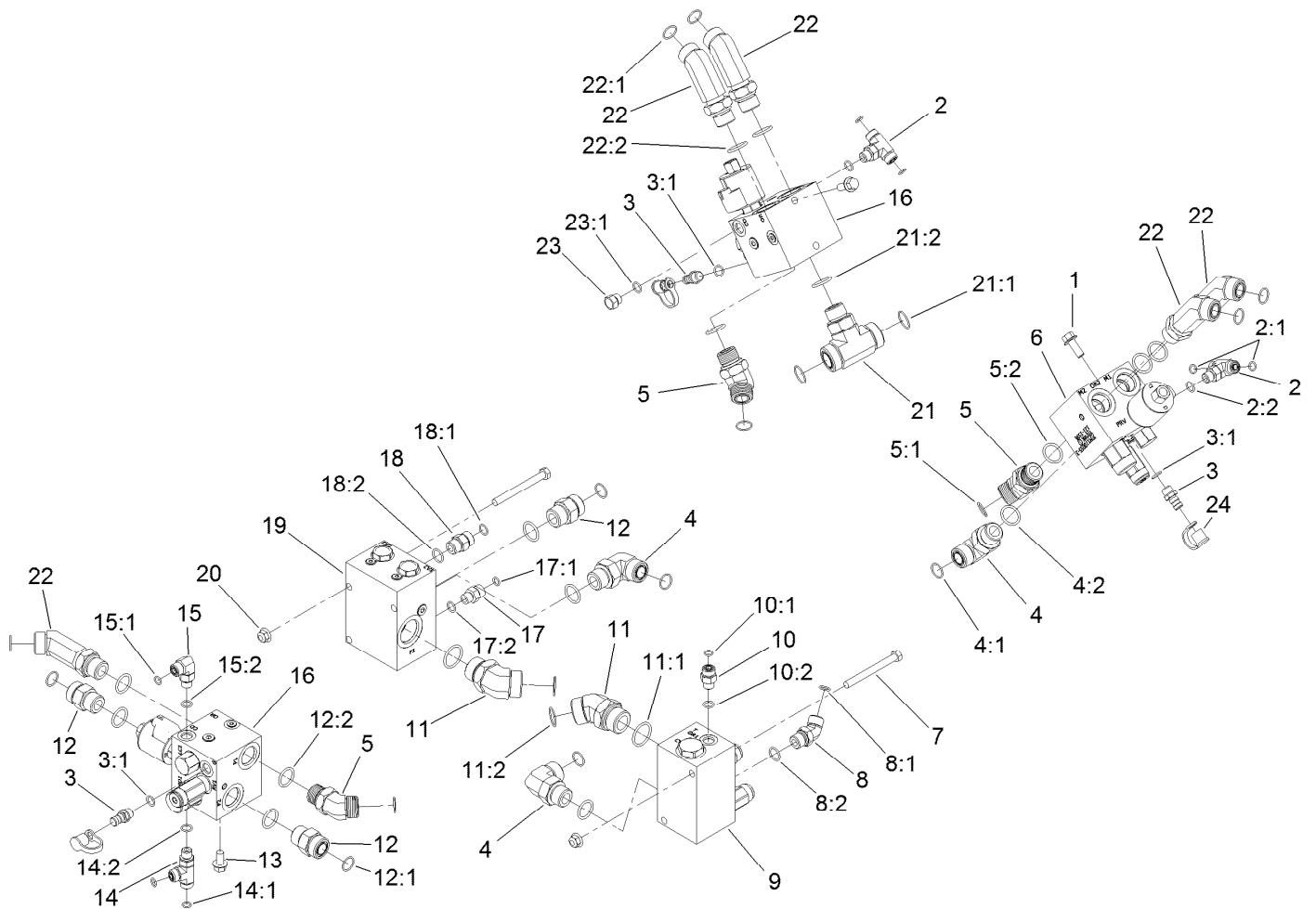
## Combination Manifold Assembly No. 127-3650

Ref.	Part Number	Qty.	Description	Ref.	Part Number	Qty.	Description
3	110-5973	2	Orifice-0.030	16:1	105-9156	1	Seal Kit
4	112-6538	2	Orifice (.063 Inch)	16:2	110-2634	1	Nut-Coil
5	110-8883	1	Plug-Orifice (0.040)	17	112-9206	3	Solenoid Valve ASM
6	117-0115	4	Plug	17:1	105-9156	1	Seal Kit
7	353-990	14	Plug ASM	17:2	110-2634	1	Nut-Coil
7:1	237-78	1	O-Ring	18	115-5400	4	Solenoid Valve ASM
9	114-2873	1	Check Valve ASM	18:1	107-7813	1	Seal Kit
9:1	105-9156	1	Seal Kit	18:2	110-2634	1	Nut-Coil
10	105-9321	3	Check Valve ASM	19	115-3023	1	Solenoid Valve ASM
10:1	105-9156	1	Seal Kit	19:1	110-8908	1	Spool Valve Seal Kit
11	115-5409	1	Compensator ASM	20	125-7556	1	Solenoid Valve ASM
11:1	110-8908	1	Spool Valve Seal Kit	20:1	107-7813	1	Seal Kit
12	125-7560	1	Relief Valve ASM	21	115-5405	1	Solenoid Valve ASM
12:1	105-9156	1	Seal Kit	21:1	115-5413	1	Seal Kit
13	105-9844	1	Valve-Relief	21:2	110-2634	1	Nut-Coil
13:2	105-9156	1	Seal Kit	22	125-7555	1	Proportional Relief Valve ASM
14	125-7558	1	Relief Valve ASM	22:1	110-6316	1	Seal Kit
14:1	105-9156	1	Seal Kit	23	125-7554	1	Valve-Solenoid
15	127-3663	1	Valve-Pressure Reducing	23:1	125-7561	1	Seal Kit
15:1	105-9154	1	Seal Kit	24	115-8733	2	Screw-HSH
16	107-7516	1	Solenoid Valve ASM				



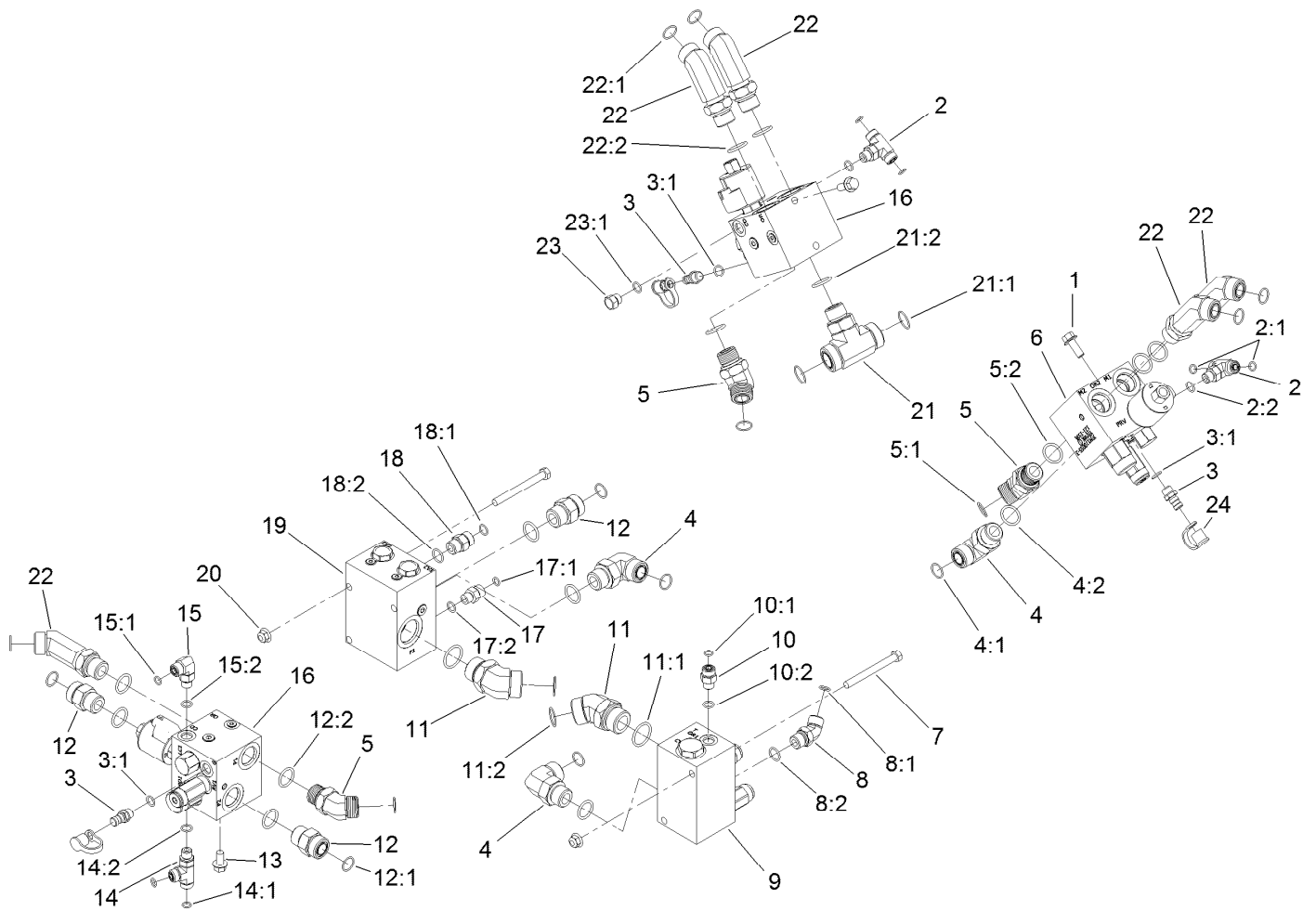
## Combination Manifold Assembly No. 127-3650 (continued)

Ref.	Part Number	Qty.	Description	Ref.	Part Number	Qty.	Description
25	110-0497	5	Coil-Solenoid	30	104-3779	1	Connector-Swivel, Straight
26	110-6344	6	Coil-12V, DC	30:1	237-42	1	O-Ring
27	125-7553	1	E-Coil, 12Vdc	31	125-7551	1	Nipple-Filter
28	125-7552	3	Orifice-Check, .070 DIA	32	130-2661	3	Stud-Manifold
29	340-2	2	Fitting-Straight	33	125-7550	1	Nut-Coil
29:1	237-22	1	O-Ring	34	110-2634	11	Nut-Coil
29:2	237-42	1	O-Ring				



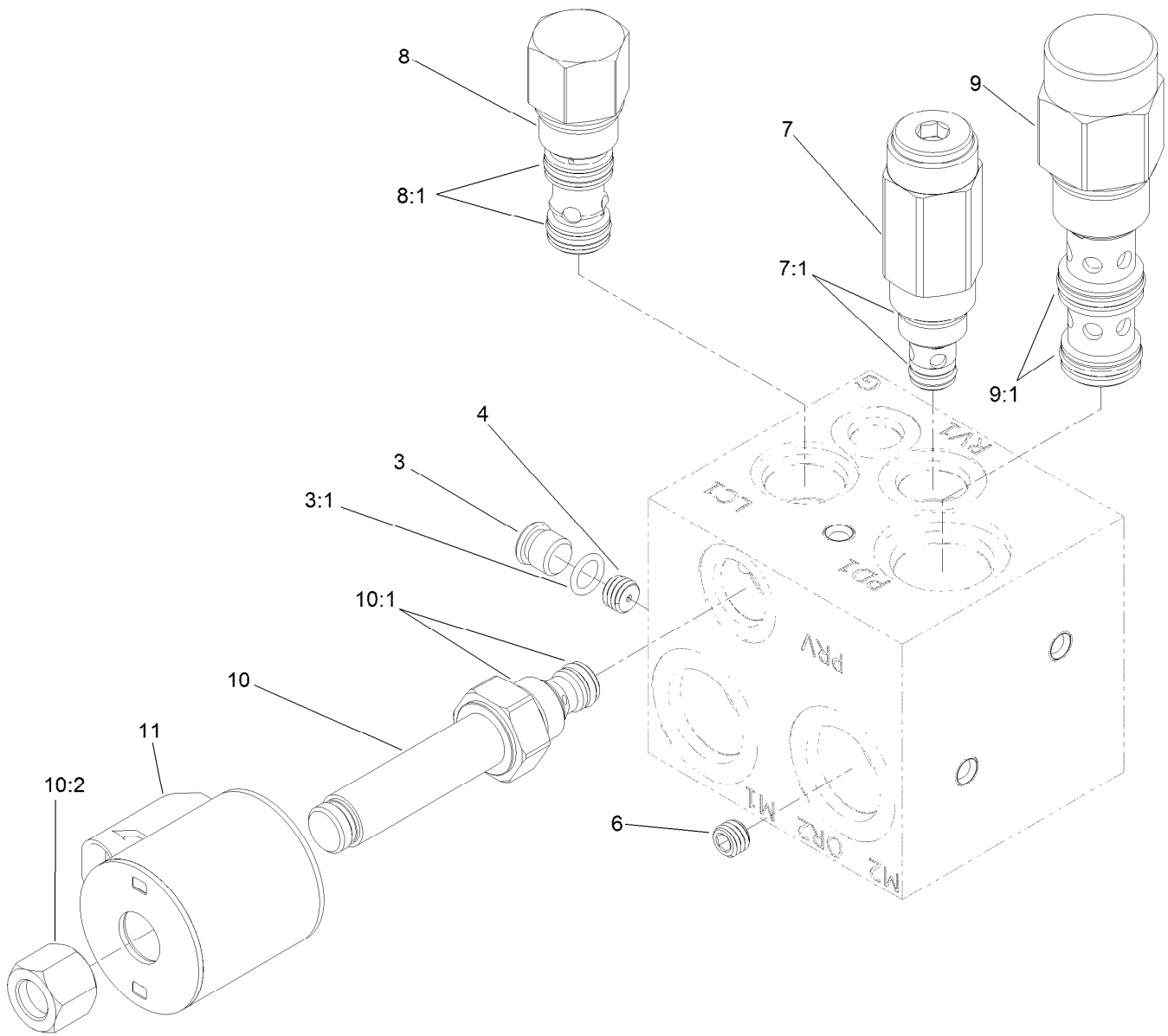
## Manifold Block Assembly

<i>Ref.</i>	<i>Part Number</i>	<i>Qty.</i>	<i>Description</i>	<i>Ref.</i>	<i>Part Number</i>	<i>Qty.</i>	<i>Description</i>
1	3234-11	4	Screw-HHF	11	104-3509	2	Fitting-HYD, 45 DEG
2	340-94	2	Adapter	11:1	237-146	1	O-Ring
2:1	237-22	2	O-Ring	11:2	340-65	1	O-Ring
2:2	237-42	1	O-Ring	12	340-9	3	Fitting-STR
3	59-7410	3	Fitting-Diagnostic	12:1	237-58	1	O-Ring
3:1	237-42	1	O-Ring	12:2	237-81	1	O-Ring
4	340-142	3	Fitting-Elbow, 90 DEG	13	3234-1	2	Screw-HHF
4:1	237-58	1	O-Ring	14	340-86	1	Fitting-Tee
4:2	237-81	1	O-Ring	14:1	237-22	2	O-Ring
5	100-5530	3	Fitting-45 DEG	14:2	237-42	1	O-Ring
5:1	237-58	1	O-Ring	15	340-77	1	Fitting-Elbow, 90 DEG
5:2	237-81	1	O-Ring	15:1	237-22	1	O-Ring
6	121-1536	1	Manifold-PTO, Left	15:2	237-42	1	O-Ring
7	323-42	4	Screw-HH	16	121-1537	2	Manifold-PTO, Center And Right
8	340-101	1	Fitting-HYD, 45 DEG	17	92-9258	1	Adapter-Check
8:1	237-30	1	O-Ring	17:1	237-22	1	O-Ring
8:2	237-79	1	O-Ring	17:2	237-42	1	O-Ring
9	121-1530	1	Manifold-Traction, Rear	18	100-4890	1	Fitting-Check
10	340-2	1	Fitting-Straight	18:1	237-79	1	O-Ring
10:1	237-22	1	O-Ring	18:2	237-30	1	O-Ring
10:2	237-42	1	O-Ring				



## Manifold Block Assembly (continued)

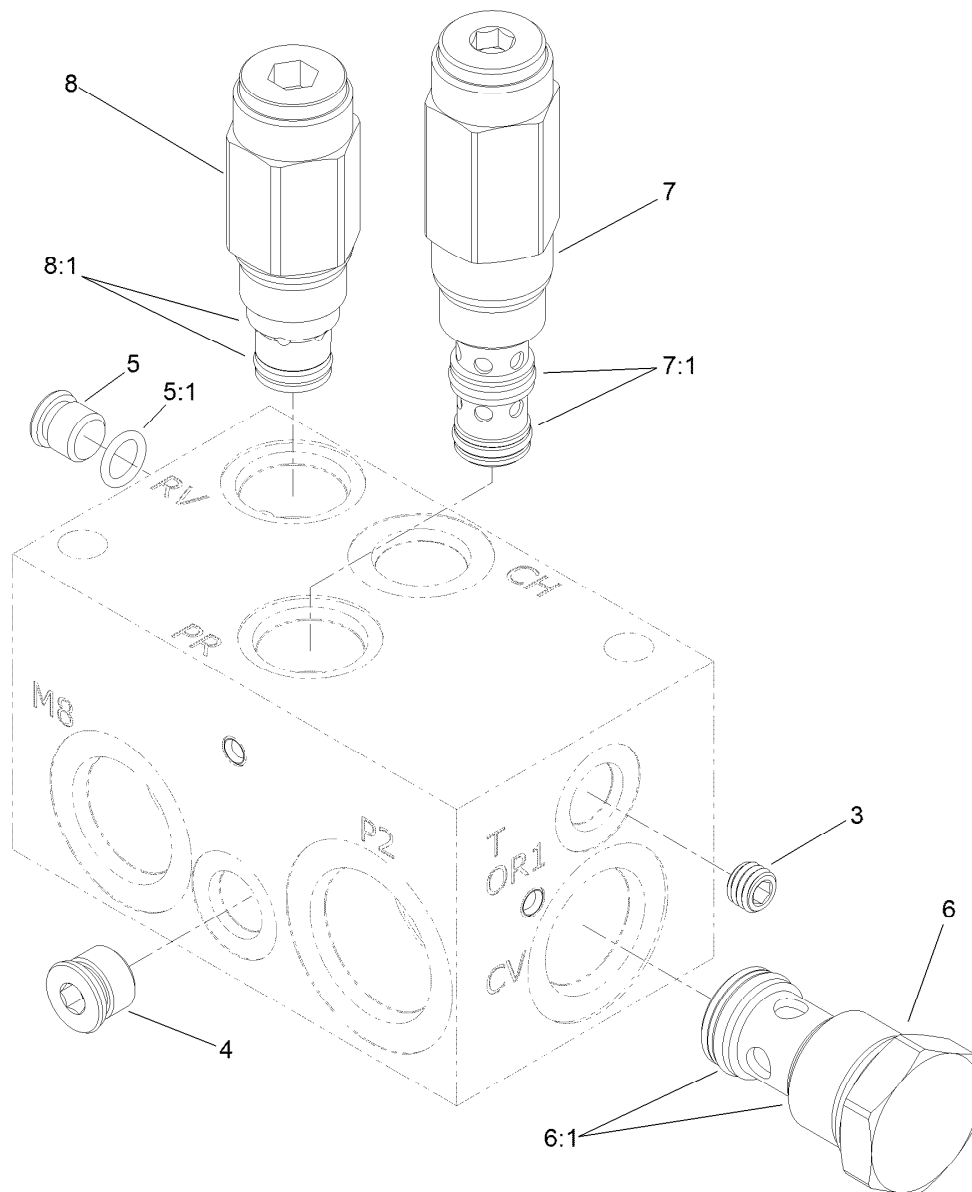
<i>Ref.</i>	<i>Part Number</i>	<i>Qty.</i>	<i>Description</i>	<i>Ref.</i>	<i>Part Number</i>	<i>Qty.</i>	<i>Description</i>
19	121-1550	1	Flow Divider Manifold ASM	22:1	237-58	1	O-Ring
20	104-8301	4	Nut-HF, NI	22:2	237-81	1	O-Ring
21	120-8825	1	Fitting-Tee	23	353-508	1	Plug-HH
21:1	340-65	2	O-Ring	23:1	237-42	1	O-Ring
21:2	237-81	1	O-Ring	24	354-79	3	Cap-Dust
22	120-8982	5	Fitting-45 DEG				



## Left Power-Take-Off Manifold Assembly No. 121-1536

<i>Ref.</i>	<i>Part Number</i>	<i>Qty.</i>	<i>Description</i>
3	353-990	1	Plug ASM
3:1	237-78	1	O-Ring
4	117-8315	1	Orifice (.025 Inch)
6	112-6538	1	Orifice (.063 Inch)
7	114-5512	1	Valve-Relief, 600 PSI
7:1	105-9156	1	Seal Kit
8	105-9153	1	Element-Logic, Vented
8:1	119-2159	1	Seal Kit
9	125-4327	1	Valve-Directional, Pilot
9:1	114-5515	1	Seal Kit
10	117-0227	1	Valve-Relief, Proportional
10:1	105-9156	1	Seal Kit
10:2	119-2160	1	Nut-Coil
11	110-6344	1	Coil-12V, DC

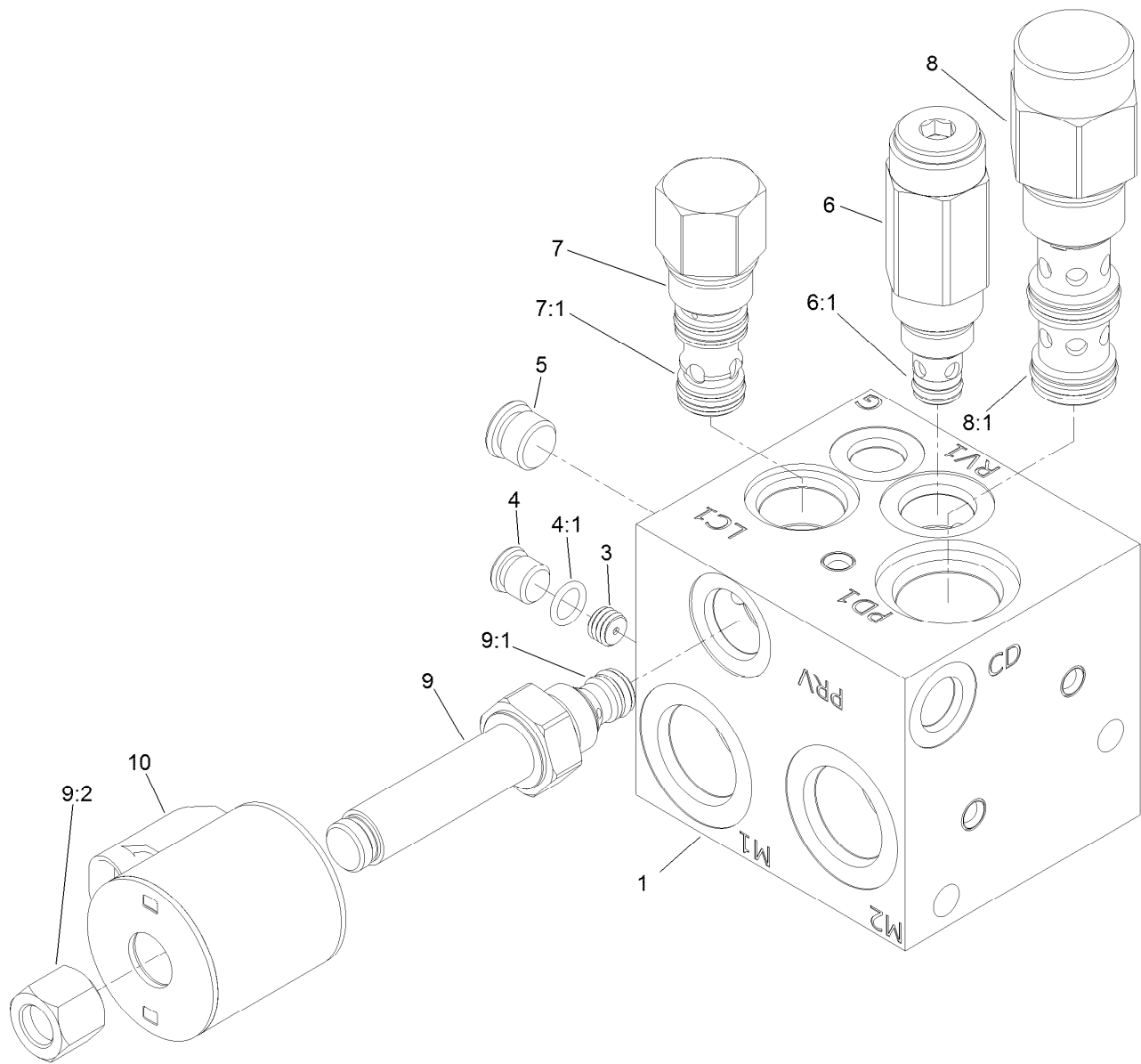




## Rear Traction Manifold Assembly No. 121-1530

Ref.	Part Number	Qty.	Description
3	107-7525	1	Plug-Orifice (.050 Inch)
4		1	Plug ●
5	353-990	1	Plug ASM
5:1	237-78	1	O-Ring
6	125-4328	1	Valve-Check
6:1	125-4336	1	Seal Kit
7	125-4329	1	Valve-Reducing
7:1	125-4334	1	Seal Kit
8	125-4331	1	Valve-Relief
8:1	110-6316	1	Seal Kit

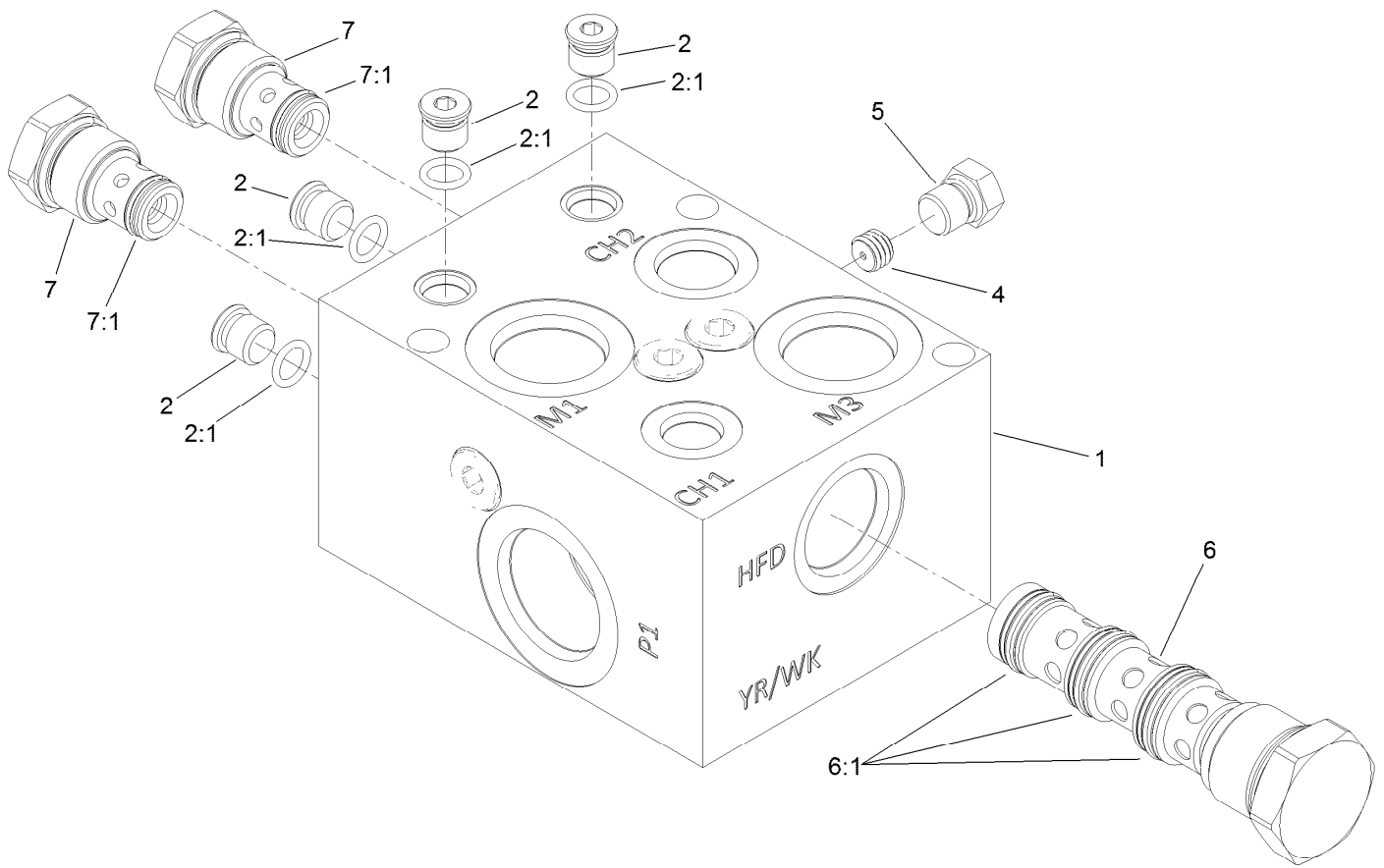
● Not serviced separately



## Center and Right Power-Take-Off Manifold Assembly No. 121-1537

<i>Ref.</i>	<i>Part Number</i>	<i>Qty.</i>	<i>Description</i>
1		1	Manifold Block ●
3	117-8315	1	Orifice (.025 Inch)
4	353-990	1	Plug ASM
4:1	237-78	1	O-Ring
5		1	Plug ●
6	114-5512	1	Valve-Relief, 600 PSI
6:1	105-9156	1	Seal Kit
7	105-9153	1	Element-Logic, Vented
7:1	119-2159	1	Seal Kit
8	125-4327	1	Valve-Directional, Pilot
8:1	114-5515	1	Seal Kit
9	117-0227	1	Valve-Relief, Proportional
9:1	105-9156	1	Seal Kit
9:2	119-2160	1	Nut-Coil
10	110-6344	1	Coil-12V, DC

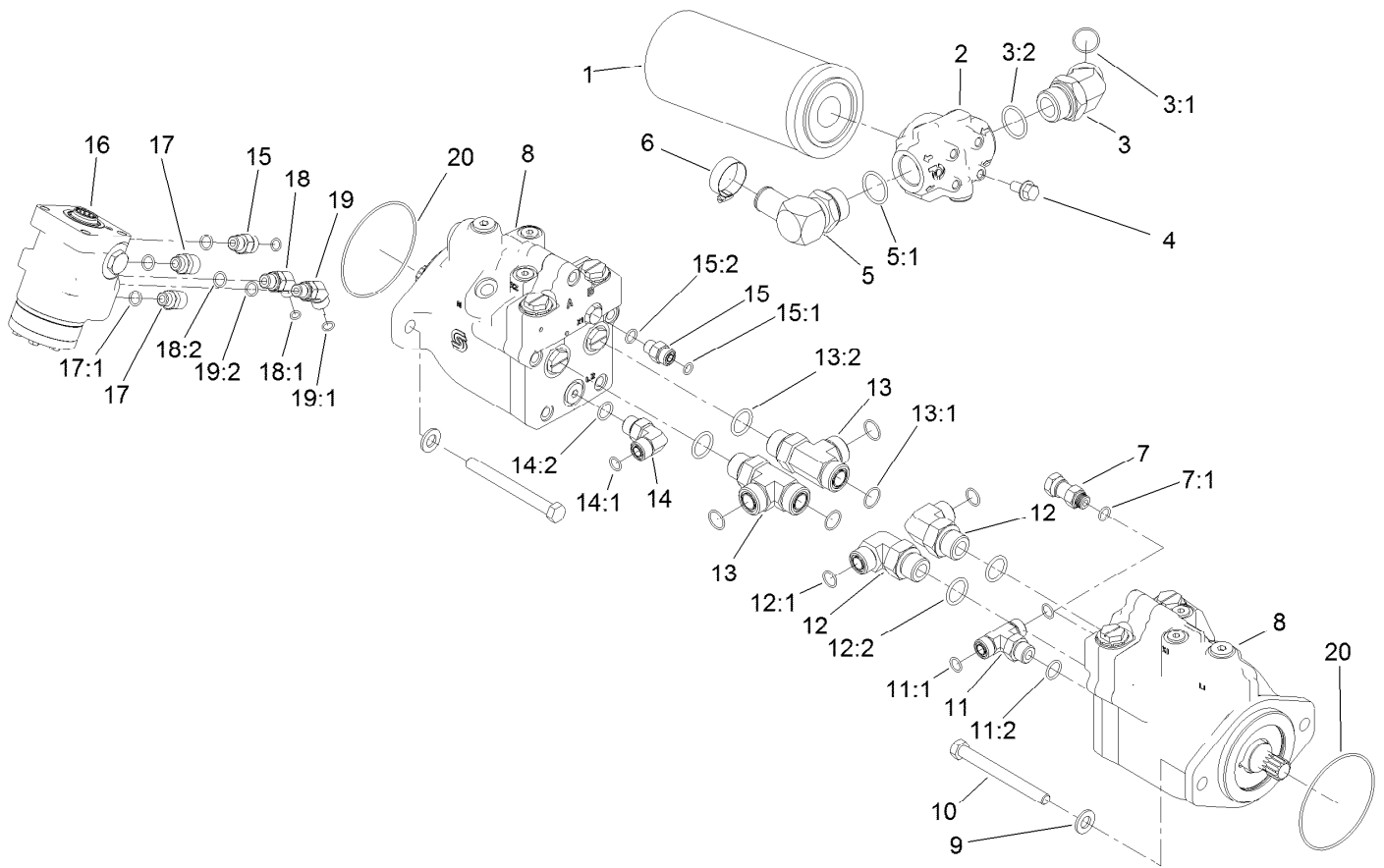
● Not serviced separately



## Flow Divider Manifold Assembly No. 121-1550

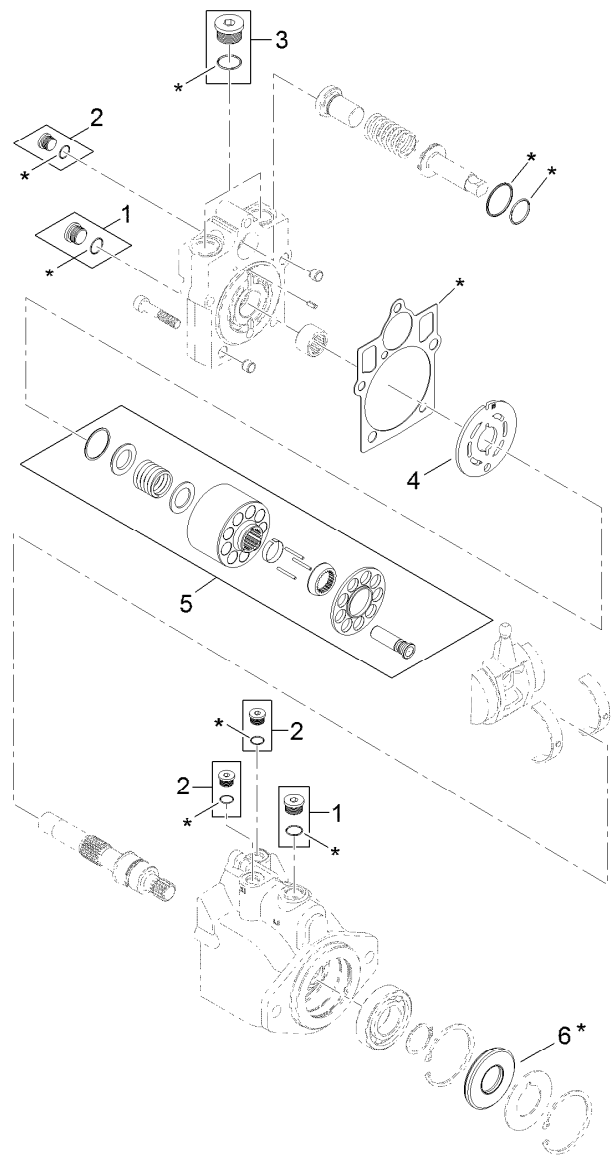
Ref.	Part Number	Qty.	Description
1		1	Manifold Block ●
2	353-990	4	Plug ASM
2:1	237-78	1	O-Ring
4	112-6538	1	Orifice (.063 Inch)
5	117-0115	1	Plug
6	125-4332	1	Valve-Flow Divider
6:1	125-4338	1	Seal Kit
7	125-4333	2	Valve-Check
7:1	125-4337	1	Seal Kit

● Not serviced separately



## Drive Motor, Steer Valve and Filter Head Assembly

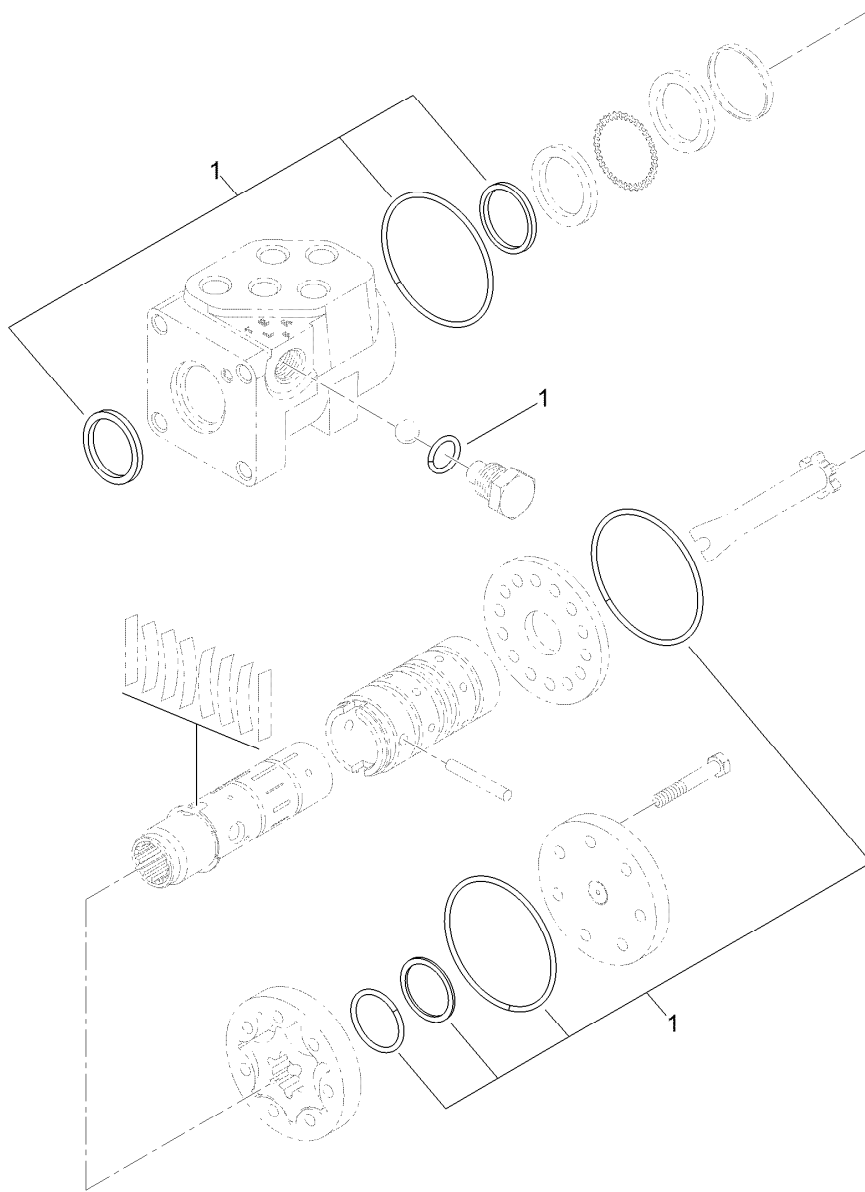
Ref.	Part Number	Qty.	Description	Ref.	Part Number	Qty.	Description
1	94-2621	1	Element-Filter	13	340-148	2	Fitting-Tee
2	121-1577	1	Head-Filter	13:1	237-81	1	O-Ring
3	104-3509	1	Fitting-HYD, 45 DEG	13:2	237-58	2	O-Ring
3:1	237-146	1	O-Ring	14	340-98	1	Fitting-Elbow, 90 DEG
3:2	340-65	1	O-Ring	14:1	237-79	1	O-Ring
4	3234-1	4	Screw-HHF	14:2	237-30	1	O-Ring
5	23-8910	1	Stem-Barb-90	15	340-2	2	Fitting-Straight
5:1	237-146	1	O-Ring	15:1	237-22	1	O-Ring
6	2412-34	1	Clamp-Hose	15:2	237-42	1	O-Ring
7	104-3779	1	Connector-Swivel, Straight	16	130-7949	1	Steering Control Valve ASM
7:1	237-42	1	O-Ring	17	120-8979	2	Fitting-Straight
8	120-8812	2	HYD Motor ASM	17:1	237-42	1	O-Ring
9	106-9888	4	Washer-Flat	18	340-137	1	Fitting
10	33116-120	4	Screw-HH	18:1	237-21	1	O-Ring
11	340-157	1	Fitting-HYD, Tee	18:2	237-42	1	O-Ring
11:1	237-79	1	O-Ring	19	340-87	1	Fitting-Elbow, 45 DEG
11:2	237-30	2	O-Ring	19:1	237-22	1	O-Ring
12	340-139	2	Fitting-Elbow 90	19:2	237-42	1	O-Ring
12:1	237-81	1	O-Ring	20	237-166	2	O-Ring
12:2	237-65	1	O-Ring				



7 = all items with \* are included in overhaul seal kit

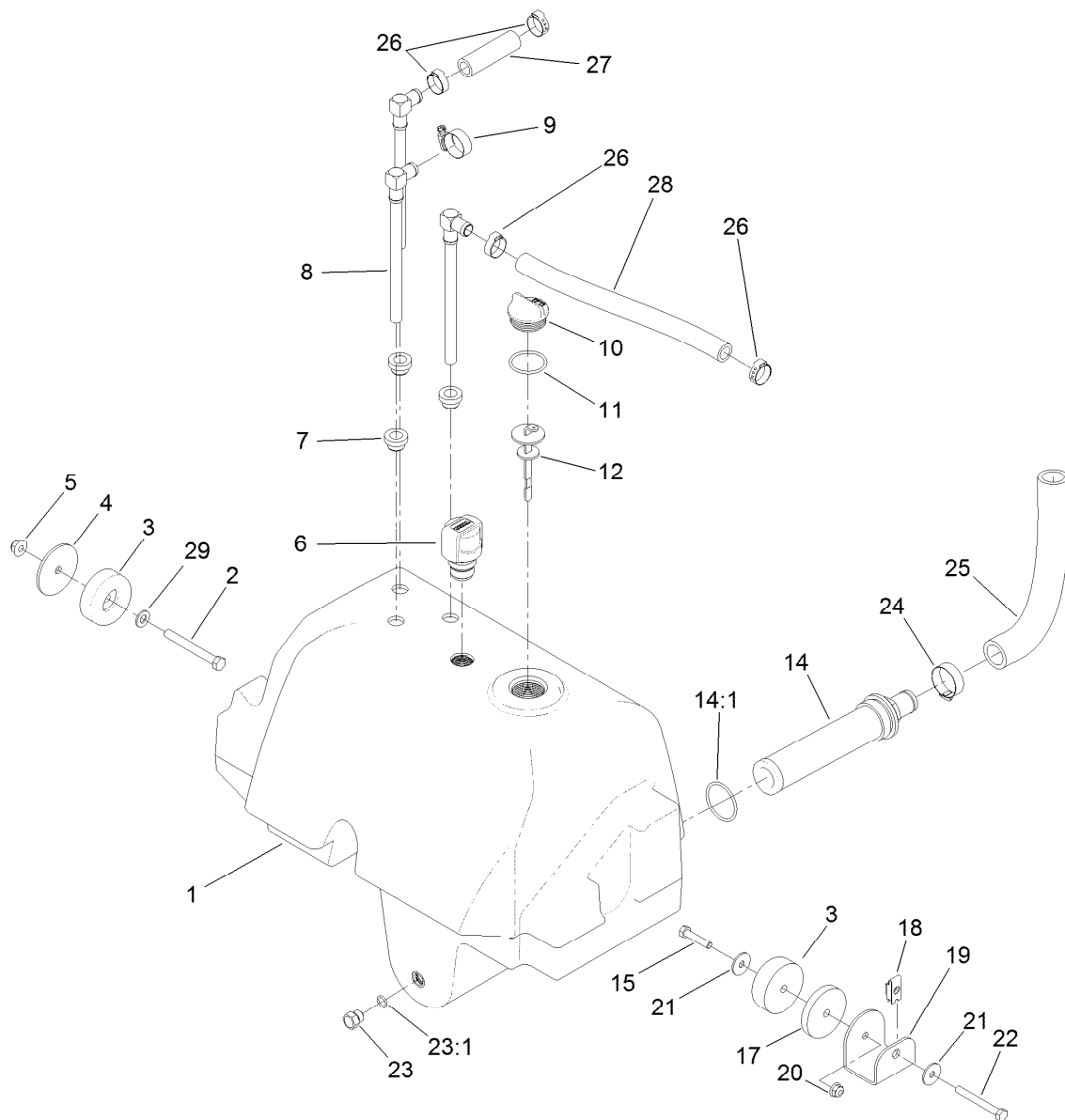
## Hydraulic Motor Assembly No. 120-8812

<i>Ref.</i>	<i>Part Number</i>	<i>Qty.</i>	<i>Description</i>
1	67-9090	2	Plug
2	75-0070	3	Plug
3	107-4352	1	Plug
4	121-1734	1	Plate-Valve
5	121-1735	1	Cylinder Block Kit
6	69-3190	1	Seal-Lip
7	121-1736	1	Overhaul Seal Kit



## Steering Valve Assembly No. 130-7949

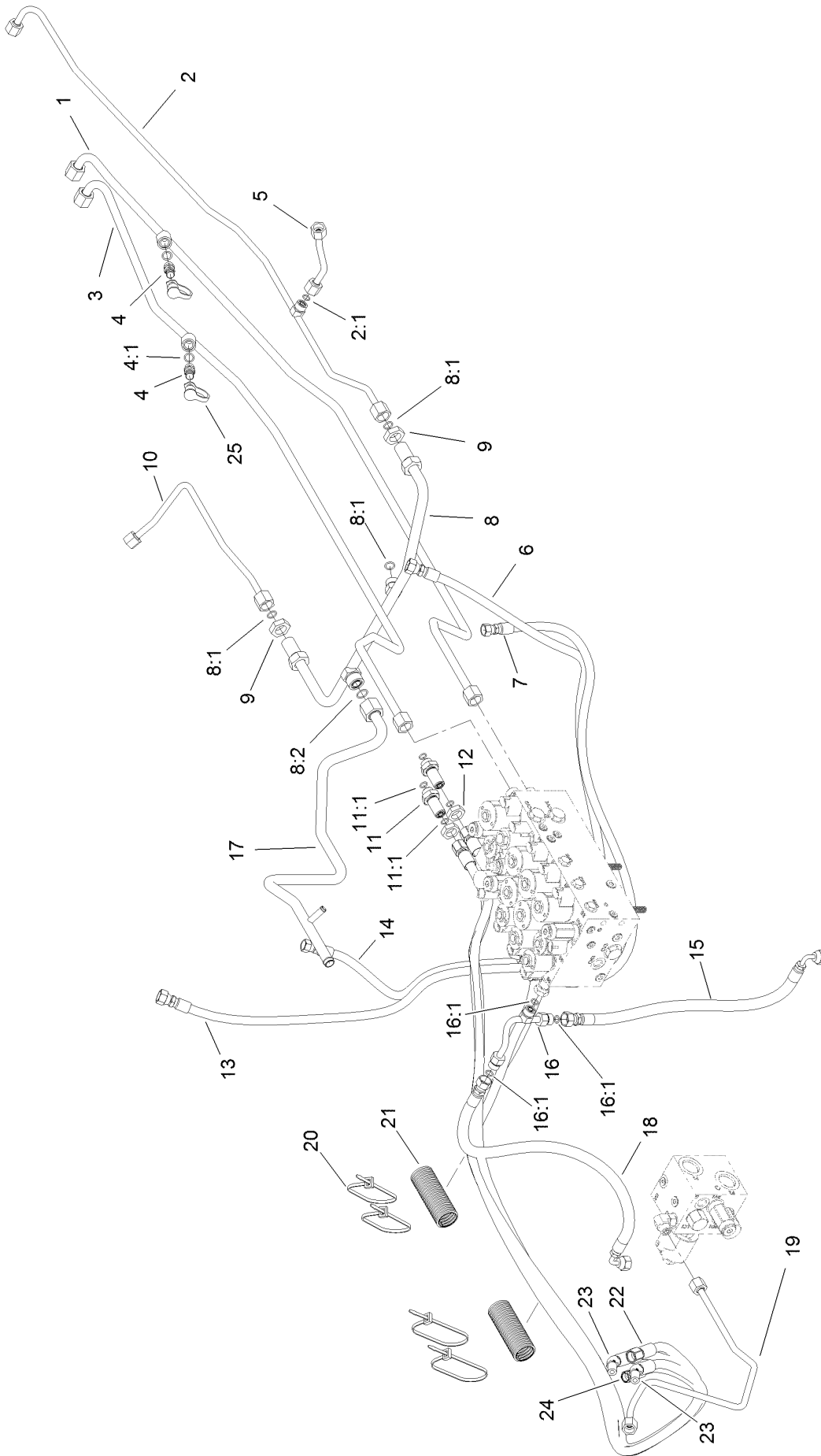
<i>Ref.</i>	<i>Part Number</i>	<i>Qty.</i>	<i>Description</i>
1	130-8358	1	Seal Kit



## Hydraulic Reservoir Assembly

<i>Ref.</i>	<i>Part Number</i>	<i>Qty.</i>	<i>Description</i>	<i>Ref.</i>	<i>Part Number</i>	<i>Qty.</i>	<i>Description</i>
1	120-9077	1	Reservoir-HYD	17	121-1533	1	Spacer-Thick
2	323-20	1	Screw-HH	18	110-3510	1	Nut-Retainer
3	108-1605	2	Bumper-Recess	19	121-1557-03	1	Mount-Tank
4	121-1456	1	Spacer-Thin	20	104-8300	1	Nut-HF, NI
5	104-8301	1	Nut-HF, NI	21	3256-82	2	Washer-Flat
6	115-9793	1	Breather	22	322-13	1	Screw-HH
7	104-0790	3	Bushing	23	353-508	1	Plug-HH
8	114-0002	3	Pipe-Stand	23:1	237-42	1	O-Ring
9	2412-129	1	Clamp-Hose	24	2412-34	1	Clamp-Hose
10	93-7498	1	Plug-Plastic	25	120-8810	1	Hose-Strainer
11	237-101	1	O-Ring	26	115-5436	4	Clamp-Hose, Crimp
12	112-6365	1	Dipstick	27	114-4920	1	Hose
14	104-7546	1	Tank Strainer ASM	28	121-1521	1	Hose
14:1	340-136	1	O-Ring	29	3256-24	1	Washer-Plain
15	322-7	1	Screw-HH				

# Lift, Steer and Fan Hydraulic Assembly

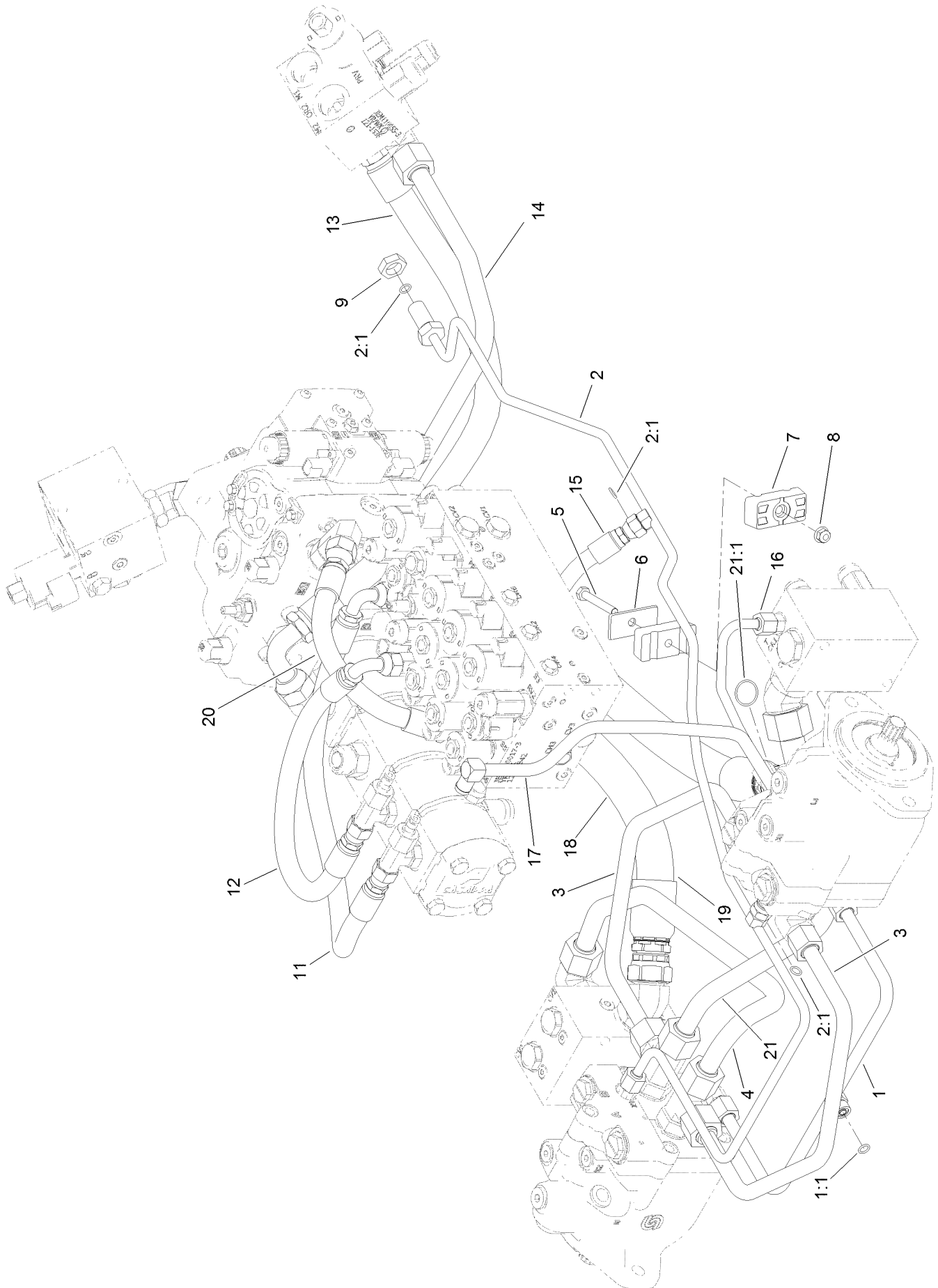




## Lift, Steer and Fan Hydraulic Assembly (continued)

<i>Ref.</i>	<i>Part Number</i>	<i>Qty.</i>	<i>Description</i>	<i>Ref.</i>	<i>Part Number</i>	<i>Qty.</i>	<i>Description</i>
1	120-9074	1	Tube-Fan	12	340-70	2	Nut-Lock
2	120-8966	1	Tube-Drain, Fan	13	127-3736	1	Hose-HYD
2:1	237-22	1	O-Ring	14	100-3833	1	Hose-HYD
3	120-9075	1	Tube-Fan	15	121-1567	1	Hose-HYD
4	59-7410	2	Fitting-Diagnostic	16	121-1565	1	Tube-Tee
4:1	237-42	1	O-Ring	16:1	237-22	3	O-Ring
5	121-1523	1	Tube-HYD	17	121-1510	1	Tube-HYD
6	127-3737	1	Hose-HYD	18	121-1566	1	Hose-HYD
7	127-3738	1	Hose-HYD	19	120-8848	1	Tube-HYD
8	121-1509	1	Tube-HYD	20	3290-378	4	Tie-Cable
8:1	237-30	3	O-Ring	21	121-1544	2	Cover-Hose
8:2	237-65	1	O-Ring	22	121-1504	1	Hose-HYD
9	340-127	2	Nut-Bulkhead	23	121-1491	2	Hose-HYD
10	121-1522	1	Tube-HYD	24	121-1503	1	Hose-HYD
11	340-71	2	Fitting-Straight, Bulkhead	25	354-79	2	Cap-Dust
11:1	237-22	2	O-Ring				

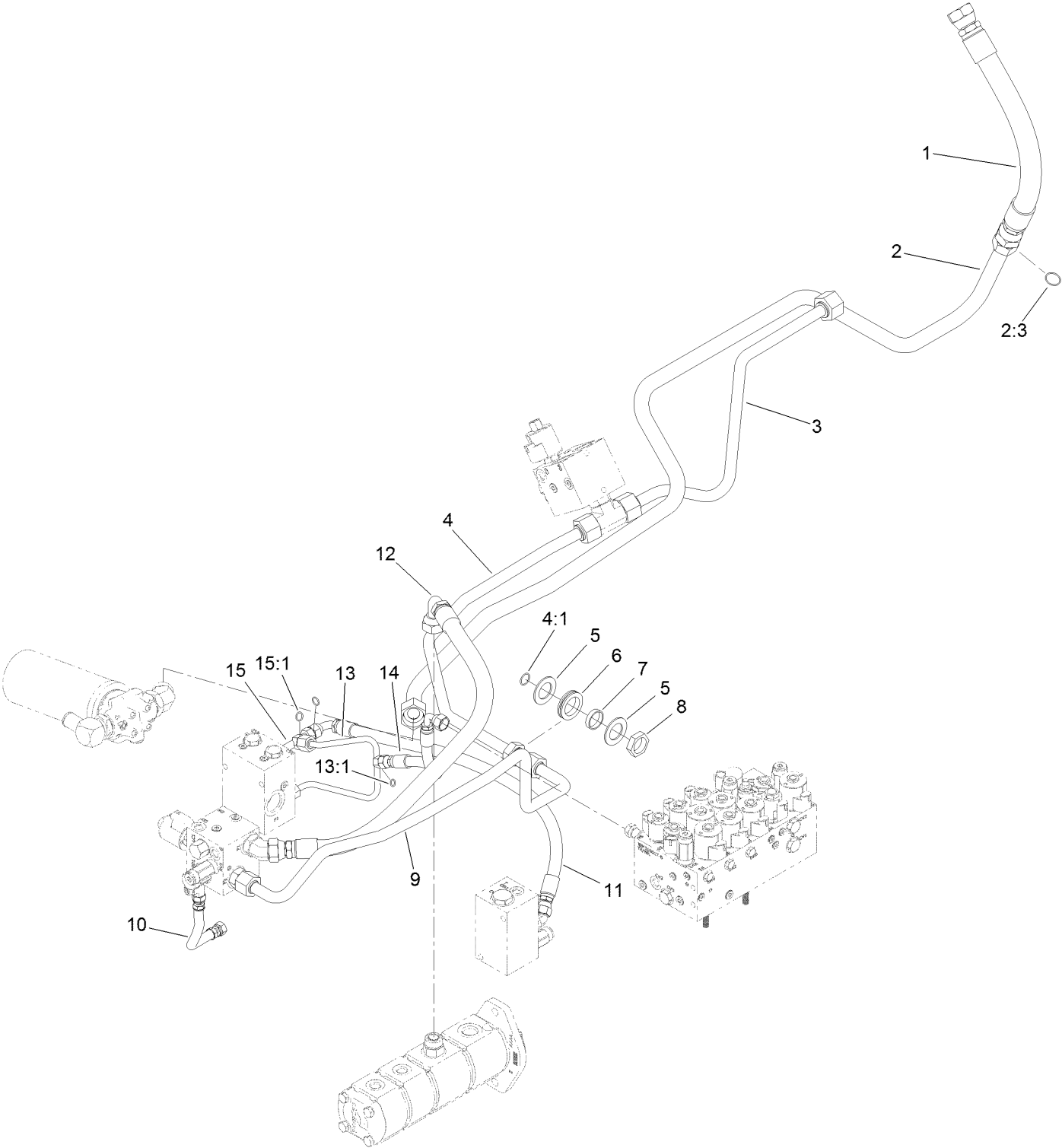
# Traction Hydraulic Assembly



## Traction Hydraulic Assembly (continued)

<i>Ref.</i>	<i>Part Number</i>	<i>Qty.</i>	<i>Description</i>	<i>Ref.</i>	<i>Part Number</i>	<i>Qty.</i>	<i>Description</i>
1	120-9080	1	Tube ASM	12	104-4584	1	Hose-HYD
1:1	237-22	1	O-Ring	13	115-4384	1	Hose-HYD
2	121-1552	1	Tube ASM	14	120-8834	1	Tube-PTO, LH To RH
2:1	237-22	3	O-Ring	15	104-2234	1	Hose-HYD
3	120-9079	2	Tube-HYD	16	121-1480	1	Tube-HYD
4	121-1546	1	Tube-HYD	17	120-8961	1	Tube-Return, Front
5	322-11	1	Screw-HH	18	121-1564	1	Hose-HYD
6	69-9761	1	Plate-Cover	19	121-1563	1	Hose-HYD
7	120-3200	2	Clamp-Tube	20	121-1505	1	Hose-HYD
8	104-8300	1	Nut-HF, NI	21	121-1581	1	Tube-Tee
9	340-70	1	Nut-Lock	21:1	340-65	1	O-Ring
11	104-2807	1	Hose-HYD				

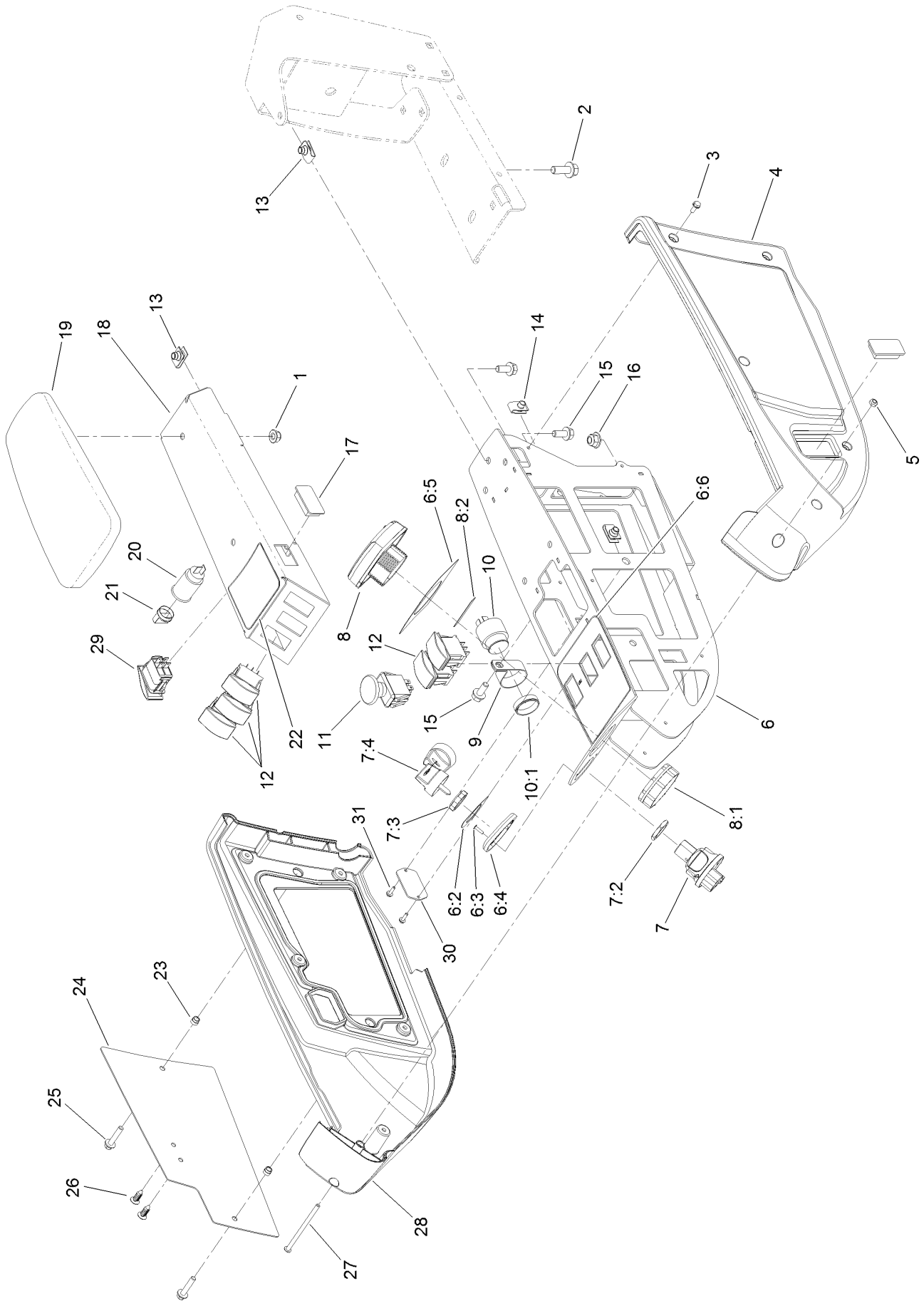
# Oil Cooler Hydraulic Assembly



## Oil Cooler Hydraulic Assembly (continued)

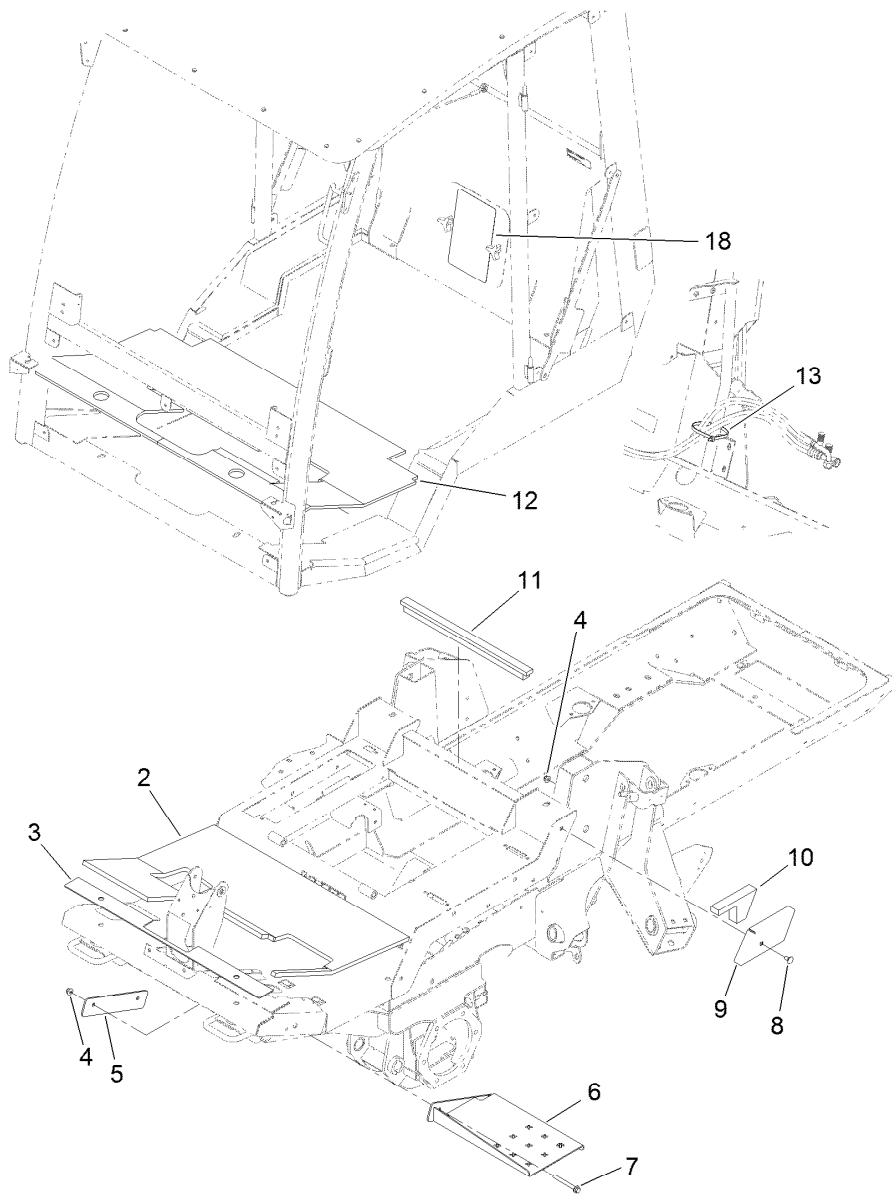
<i>Ref.</i>	<i>Part Number</i>	<i>Qty.</i>	<i>Description</i>	<i>Ref.</i>	<i>Part Number</i>	<i>Qty.</i>	<i>Description</i>
1	120-9060	1	Hose-HYD	9	120-8838	1	Tube-PTO, Front Return
2	121-1612	1	Tube ASM	10	121-1572	1	Hose-HYD
2:3	340-65	1	O-Ring	11	121-1559	1	Hose-HYD
3	121-1626	1	Tube-HYD	12	115-4384	1	Hose-HYD
4	121-1507	1	Tube ASM	13	121-1584	1	Tube-HYD
4:1	237-58	1	O-Ring	13:1	237-22	1	O-Ring
5	69-8910	2	Washer	14	121-1583	1	Hose-HYD
6	240-7	1	Grommet-Rubber	15	121-1558	1	Fitting-Tee
7	69-8900	1	Spacer	15:1	237-30	2	O-Ring
8	340-126	1	Nut-Bulkhead				

# Armrest Control Panel Assembly



## Armrest Control Panel Assembly (continued)

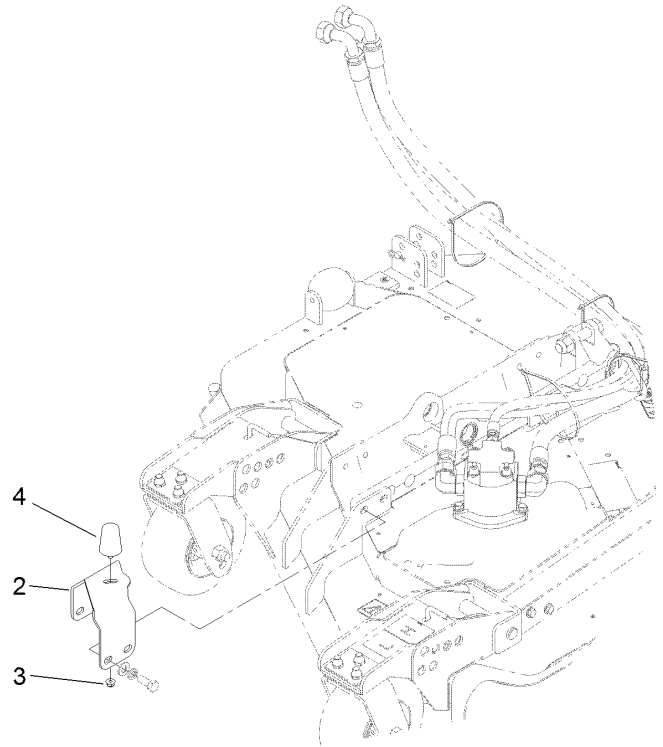
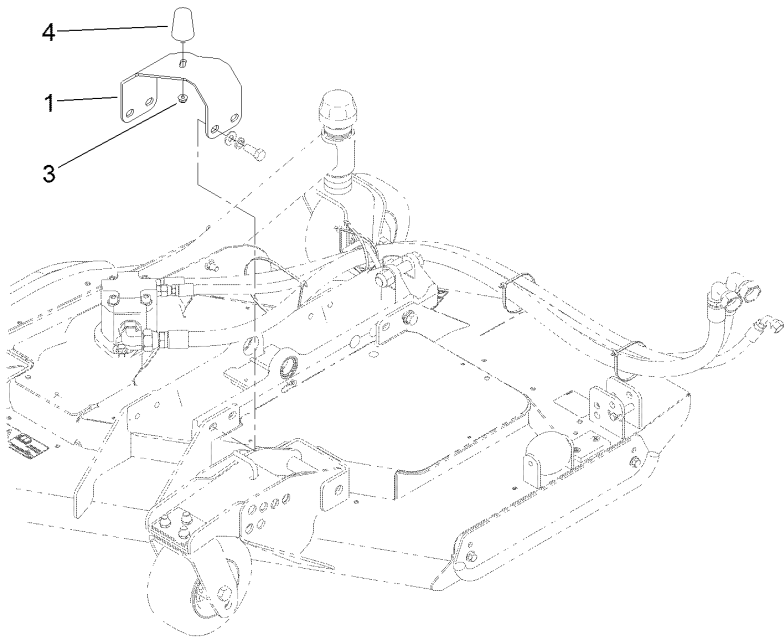
<i>Ref.</i>	<i>Part Number</i>	<i>Qty.</i>	<i>Description</i>	<i>Ref.</i>	<i>Part Number</i>	<i>Qty.</i>	<i>Description</i>
1	104-8300	2	Nut-HF, NI	11	93-9999	1	Switch-PTO
2	3234-42	2	Screw-HHF	12	100-1535	5	Switch-Rocker, (On)-Off-(On)
3	32144-112	10	Screw-HWH	13	94-2413	6	Nut-U
4	108-7604	1	Cover-LH	14	107069	2	Clip
5	3296-12	1	Nut-Lock, NI	15	3234-5	6	Screw-HHF
6	120-4155	1	Panel ASM	16	104-8301	2	Nut-HF, NI
6:2	121-3884	1	Decal-Console, Upper	17	99-7420	2	Plug-Hole
6:3	3269-17	2	Rivet-Pop	18	125-4646-03	1	Panel-Control
6:4	121-3889	1	Step-Elevated, Switch	19	108-7602	1	Rest-Arm
6:5	121-3887	1	Decal-Console, Display	20	99-7411	1	Point-Power
6:6	120-4159	1	Decal-Console, Lower	21	99-7416	1	Cap
7	121-5159	1	Switch-Ignition	22	127-3700	1	Decal-Lift
7:2	121-5160	1	Nut-Hex	23	110-0542	2	Spacer-Flange
7:3	121-5161	1	Nut-Face	24	115-8849-03	1	Plate-Cover
7:4	121-5162	1	Set-Key, Ignition	25	3234-21	2	Screw-HHF
8	120-6310	1	LCD Display ASM Kantrak 1700	26	114-4899	2	Rivet-Push
8:1	120-4630	1	Nut-Display	27	3250-22	1	Screw-PPH
8:2	120-6311	1	Decal-Display	28	108-7605	1	Cover-RH
9	2412-74	1	R-Clamp	29	114-3329	1	Switch-Rocker
10	80-9330	1	Audio Alarm ASM	30	121-1630	1	Plate-Cover
10:1	104-5107	1	Nut-Plastic, Knurled	31	32144-18	2	Screw-HWH



## Cab Step, Pad and Flooring Assembly

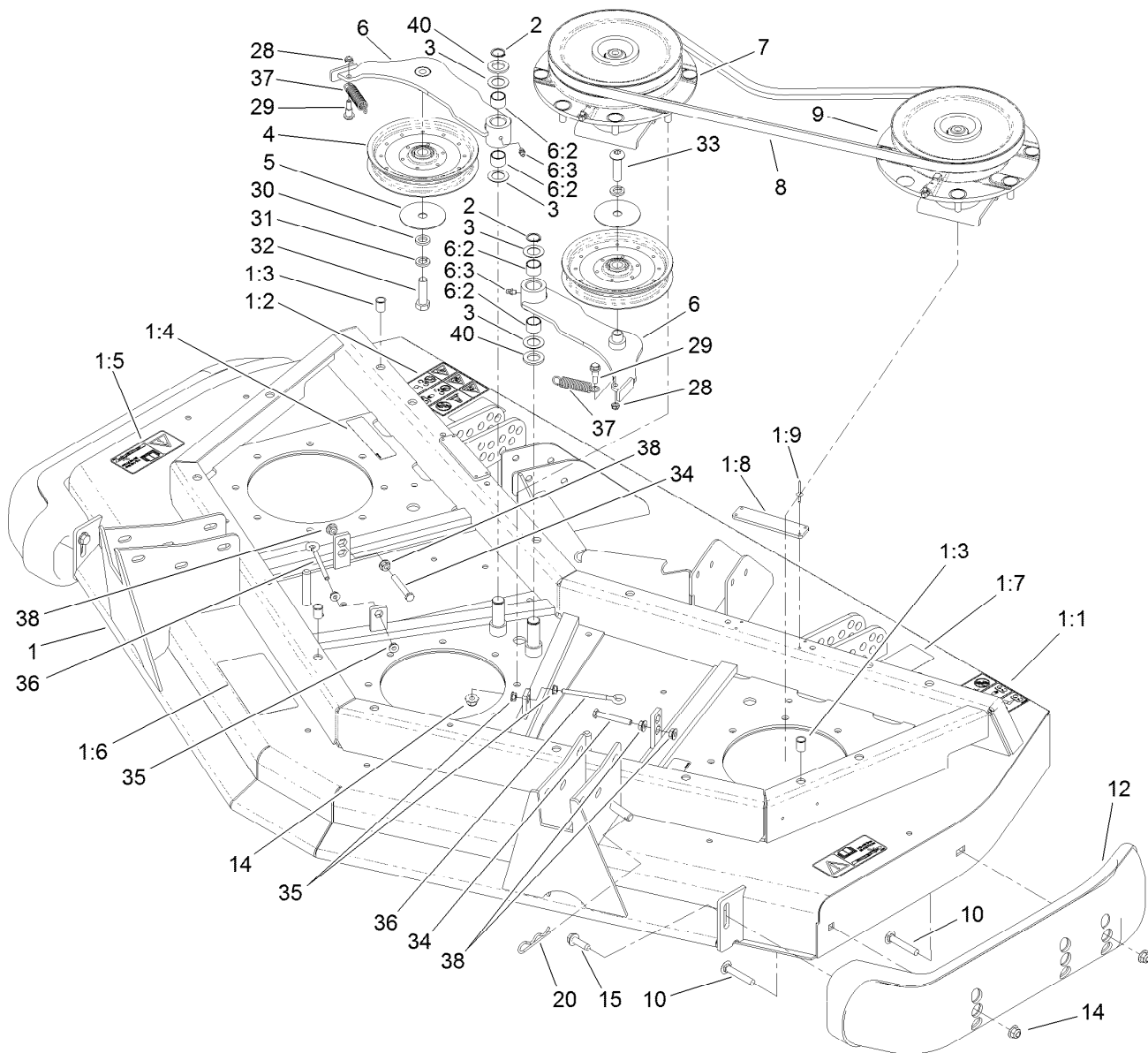
<i>Ref.</i>	<i>Part Number</i>	<i>Qty.</i>	<i>Description</i>
2	121-8543	1	Foam-Tread
3	121-8544	1	Gasket-Front
4	104-8301	3	Nut-HF, NI
5	120-9022-03	1	Support-Step
6	121-1739-03	1	Step
7	116-4701	2	Screw-HHF
8	3231-1	1	Screw-CARR
9	130-5747-03	1	Cover-Mount
10	127-9861	1	Foam-Corner
11	121-8548	1	Foam-Seal, Rear
12	130-5979	1	Tread-Floor
13	3334-945	1	Tie-Cable
18	130-6046	1	Decal-Service





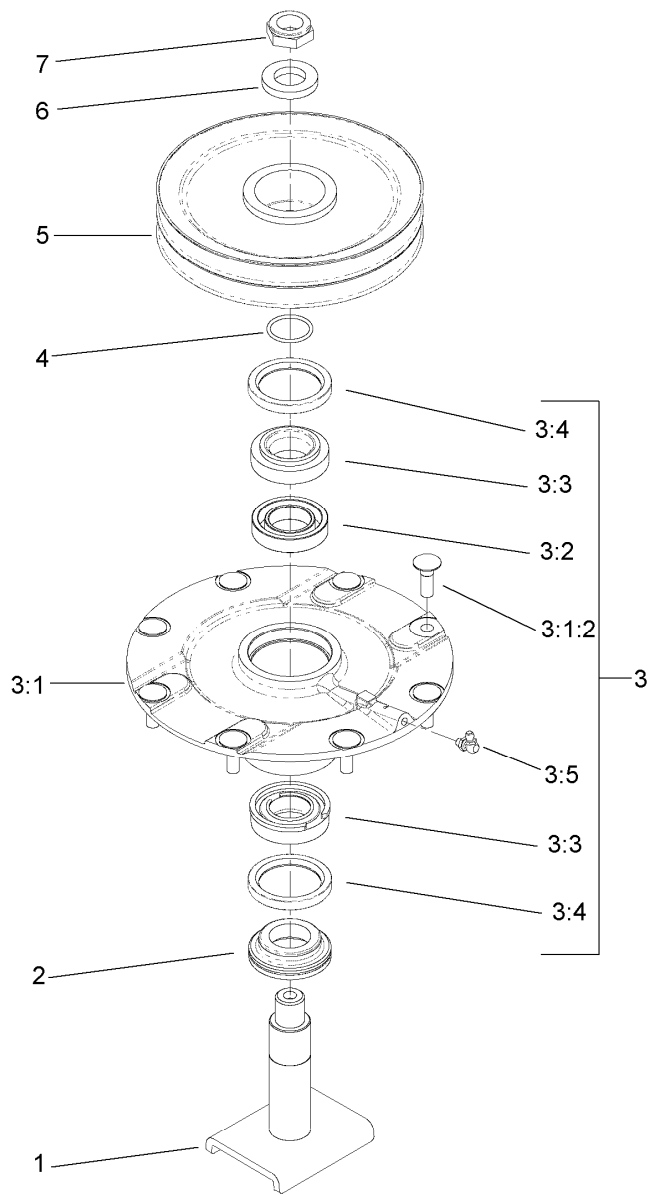
## Deck Pad and Hardware Assembly

<i>Ref.</i>	<i>Part Number</i>	<i>Qty.</i>	<i>Description</i>
1	130-5966-03	1	Bracket-Bumper, RH
2	130-5965-03	1	Bracket-Bumper, LH
3	104-8300	2	Nut-HF, NI
4	110-5070	2	Bumper



## Front Deck, Idler and Skid Assembly

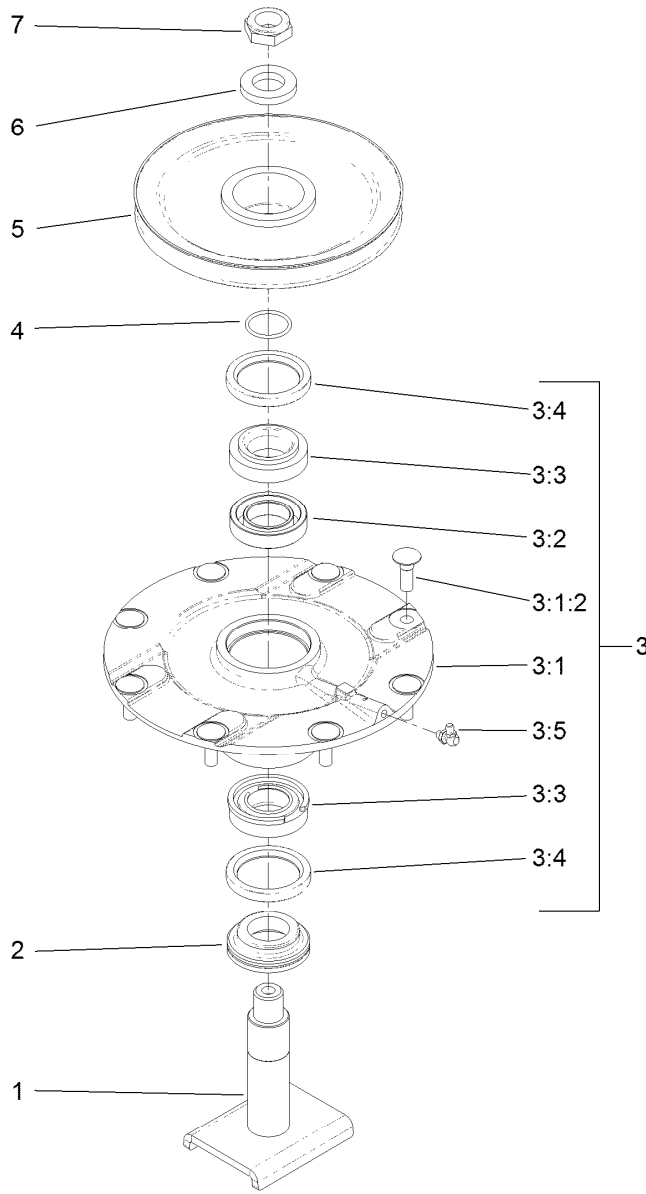
Ref.	Part Number	Qty.	Description	Ref.	Part Number	Qty.	Description
1	120-4052	1	Front Deck ASM	9	119-4549	1	High-Driven Spindle ASM
1:1	120-6604	2	Decal-Danger	10	3231-33	4	Screw-CARR
1:2	100-5624	1	Decal-HOC, RH	12	112-1479	2	Skid-Bumper, Deck
1:3	32148-9	3	Nut-Clinch	14	104-8301	24	Nut-HF, NI
1:4	100-6578	4	Decal-Danger	15	9136144	2	Screw-HWHTF
1:5	93-7818	2	Decal-Torque, Blade Bolt	20	3290-355	1	Pin-Hair
1:6	100-5622	1	Decal-HOC	28	3296-56	2	Nut-Lock, NI
1:7	104-3578	1	Decal-HOC, LH	29	104-0858	2	Bolt-Shoulder
1:8	105-0786	2	Pad-Plastic	30	9202424	1	Spacer
1:9	3269-8	8	Rivet-Blind	31	3253-7	2	Washer-Lock
2	32120-72	2	Ring-Snap	32	325-7	1	Screw-HH
3	3-6498	4	Washer-Thrust	33	108-1993	1	Screw-HSBH
4	110-9596	2	Pulley-Idler	34	9114524	2	Bolt-TAP, HH
5	100-3102	2	Washer-Flat	35	32128-14	4	Nut-HF
6	110-6128	2	Idler Arm ASM	36	68-0090	2	Screw-Adjusting
6:2	256-76	2	Bushing	37	107938	2	Spring-Extension
6:3	302-5	1	Fitting-Grease	38	32128-26	4	Nut-HF
7	119-4548	1	Double Driven Spindle ASM	40	70-1160	2	Washer
8	108-8076	2	V-Belt, Deck				



## Double Driven Spindle Assembly No. 119-4548

Ref.	Part Number	Qty.	Description
1	104-3554	1	Shaft-Spindle
2	69-6950	1	Spacer-Shaft, Spindle
3	119-4775	1	Spindle Housing ASM
3:1		1	Spindle ASM ●
3:1:2	114-8195	8	Bolt-Neck, Ribbed
3:2	120-5577	1	Bearing Spacer Set
3:3	110-8297	1	Bearing ASM
3:4	253-154	2	Seal-Oil
3:5	302-60	1	Fitting-Grease
4	106-7159	1	O-Ring
5	104-3547	1	Pulley-Driven, Double
6	120-5576	1	Washer-Hardened
7	3296-60	1	Nut-Lock, NI

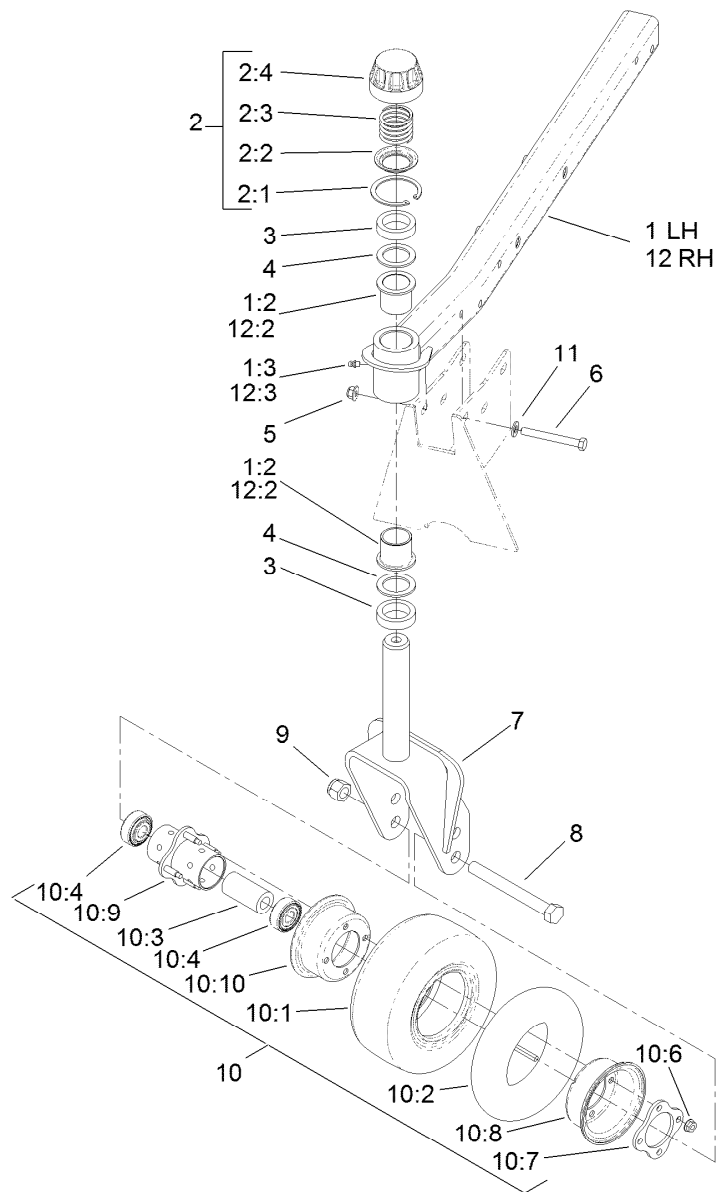
● Not serviced separately



## High Driven Spindle Assembly No. 119-4549

Ref.	Part Number	Qty.	Description
1	104-3554	1	Shaft-Spindle
2	69-6950	1	Spacer-Shaft, Spindle
3	119-4775	1	Spindle Housing ASM
3:1		1	Spindle ASM ●
3:1:2	114-8195	8	Bolt-Neck, Ribbed
3:2	120-5577	1	Bearing Spacer Set
3:3	110-8297	1	Bearing ASM
3:4	253-154	2	Seal-Oil
3:5	302-60	1	Fitting-Grease
4	106-7159	1	O-Ring
5	104-3548	1	Pulley-Driven, High
6	120-5576	1	Washer-Hardened
7	3296-60	1	Nut-Lock, NI

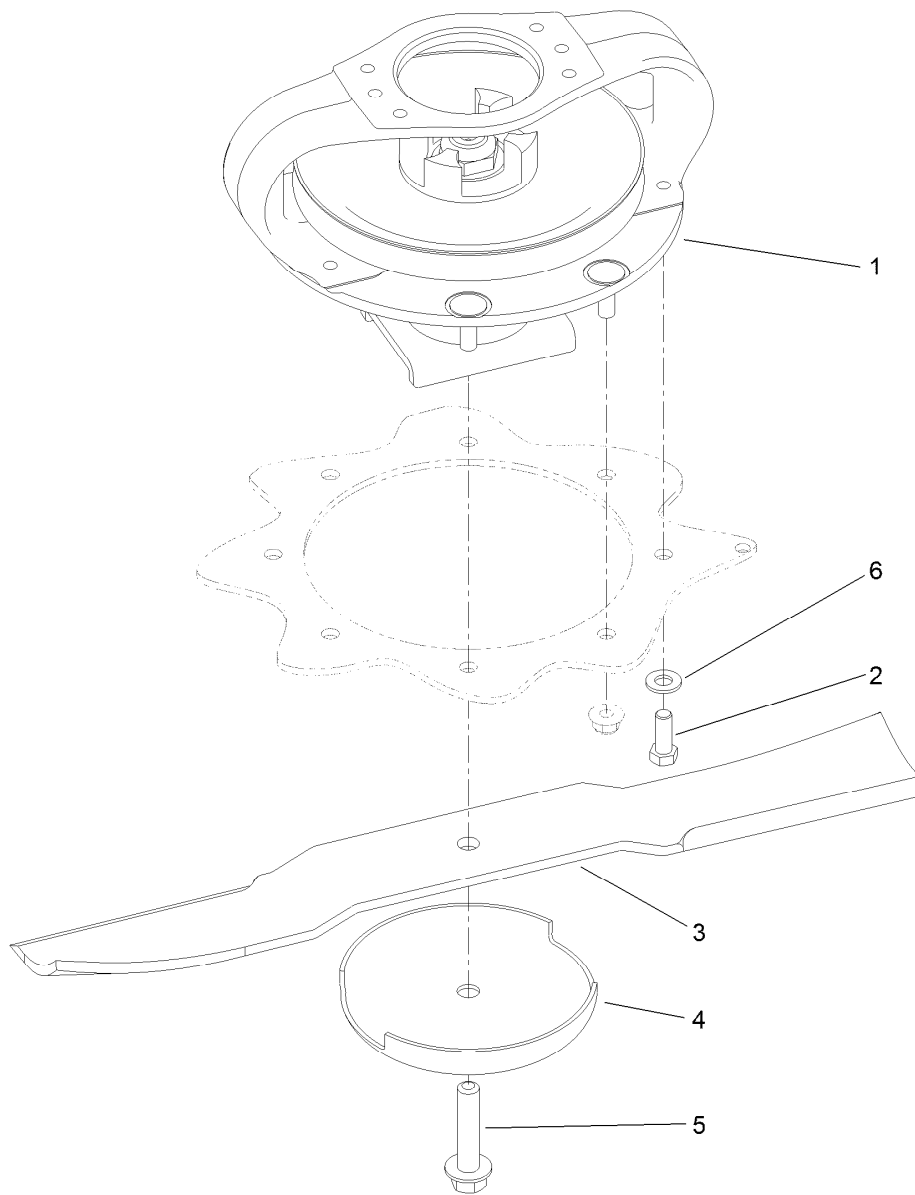
● Not serviced separately



## Front Deck Caster Arm and Wheel Assembly

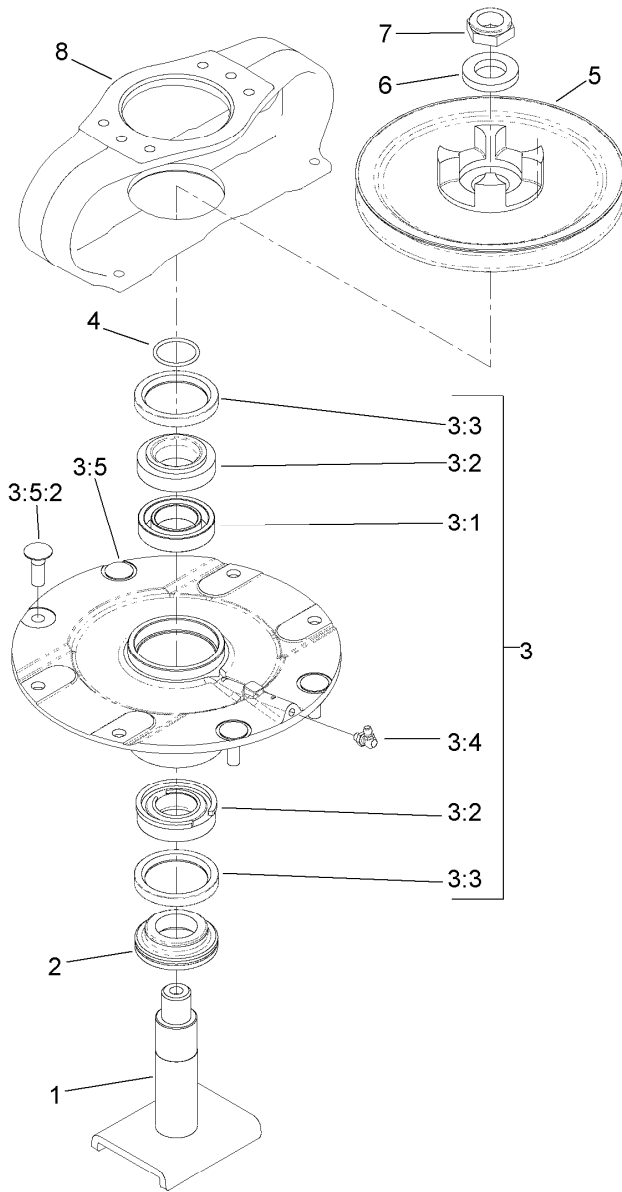
Ref.	Part Number	Qty.	Description	Ref.	Part Number	Qty.	Description
1	127-3730	1	LH Castor Arm ASM	10	93-9938	2	Wheel ASM
1:2	69-6470	2	Bushing-Caster	10:1	93-9939	1	Tire
1:3	302-5	1	Fitting-Grease	10:2	68-8950	1	Tube-Inner (W/Valve)
2	92-9727	2	HOC Cap ASM	10:3	93-4241	1	Spacer-Bearing, Inner
2:1	92-5581	1	Ring-Rtng, Snap, Int, Flat	10:4	120-3366	2	Bearing
2:2	92-5583	1	Washer-Cap	10:6	32128-16	4	Nut-HHF
2:3	92-9726	1	Spring-Compression	10:7	93-4242	1	Plate
2:4	92-8861	1	Cap-HOC	10:8	93-4239	1	Rim-Wheel, Half
3	69-1510	10	Spacer	10:9	93-5980	1	Hub
4	69-6860	6	Washer-Thrust	10:10	95-2741	1	Rim-Wheel, Half
5	104-8301	10	Nut-HF, NI	11	3256-24	10	Washer-Plain
6	323-20	10	Screw-HH	12	127-3720	1	RH Castor Arm ASM
7	104-0762-01	2	Fork-Castor	12:2	69-6470	2	Bushing-Caster
8	327-24	2	Screw-HH	12:3	302-5	1	Fitting-Grease
9	3296-53	2	Nut-Lock, NI				
10	93-5974	2	8 Inch Foam Filled Wheel ASM ●				

● Optional Equipment



## Driving Spindle Assembly

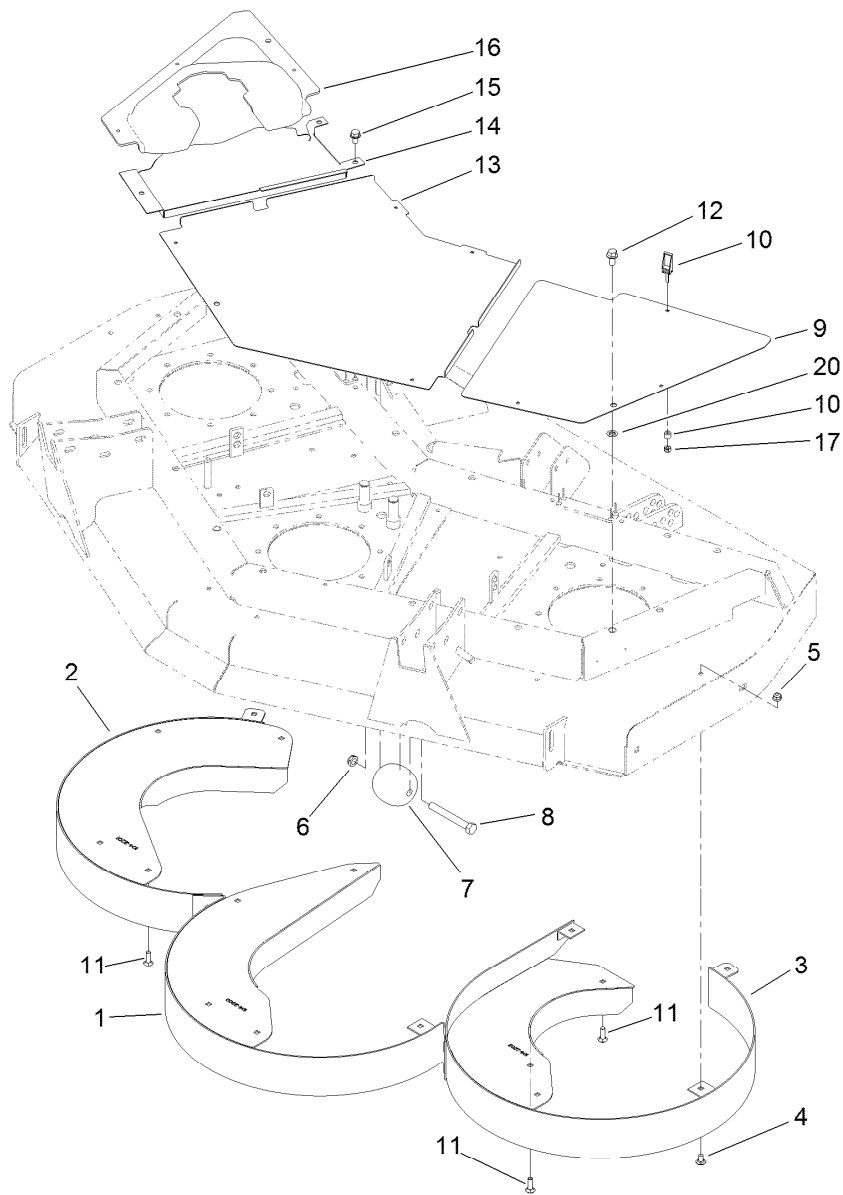
<i>Ref.</i>	<i>Part Number</i>	<i>Qty.</i>	<i>Description</i>
1	119-4547	1	Driving Spindle ASM
2	323-6	4	Screw-HH
3	92-5608-03	3	Blade
4	72-9361	3	Cup-Scalp, Anti
5	92-5816	3	Bolt-Blade
6	3256-24	4	Washer-Plain



## Driving Spindle Assembly No. 119-4547

Ref.	Part Number	Qty.	Description
1	104-3554	1	Shaft-Spindle
2	69-6950	1	Spacer-Shaft, Spindle
3	119-4546	1	Spindle Housing ASM
3:1	120-5577	1	Bearing Spacer Set
3:2	110-8297	1	Bearing ASM
3:3	253-154	2	Seal-Oil
3:4	302-60	1	Fitting-Grease
3:5		1	Spindle Assembly ●
3:5:2	114-8195	4	Bolt-Neck, Ribbed
4	106-7159	1	O-Ring
5	104-3545	1	Pulley-Driving
6	120-5576	1	Washer-Hardened
7	3296-60	1	Nut-Lock, NI
8	104-3544	1	Mount-Motor, Drive

● Not serviced separately

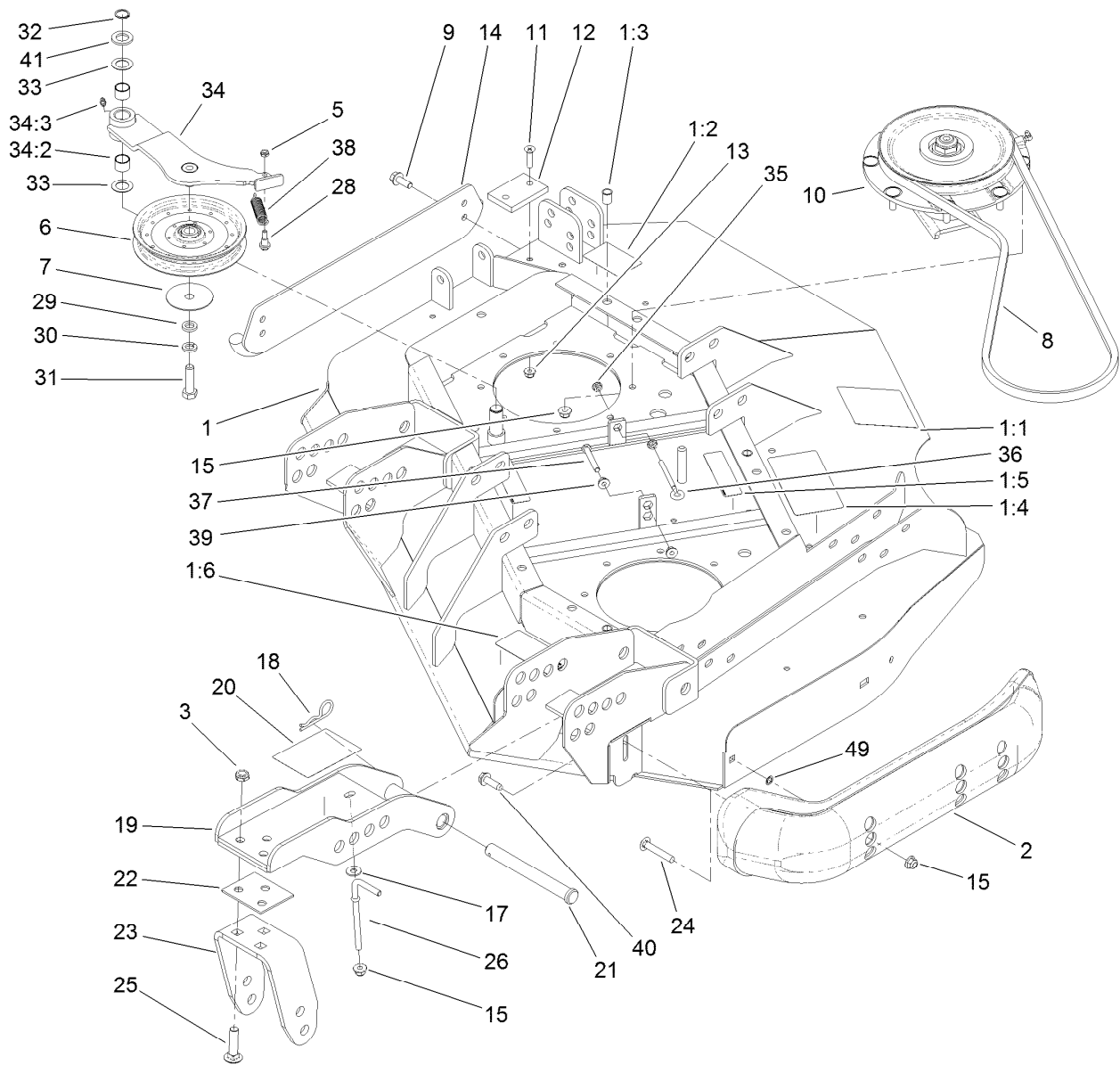


## Front Deck Chamber and Cover Assembly

Ref.	Part Number	Qty.	Description
1	104-2200-01	1	Chamber-Center
2	104-2201-01	1	Chamber-RH
3	104-2202-01	1	Chamber-LH
4	3230-18	15	Screw-CARR
5	104-8300	18	Nut-HF, NI
6	3296-45	2	Nut-Hex
7	29-4820	2	Roller
8	325-17	2	Screw-HH
9	100-5663-03	1	Cover-Front, LH

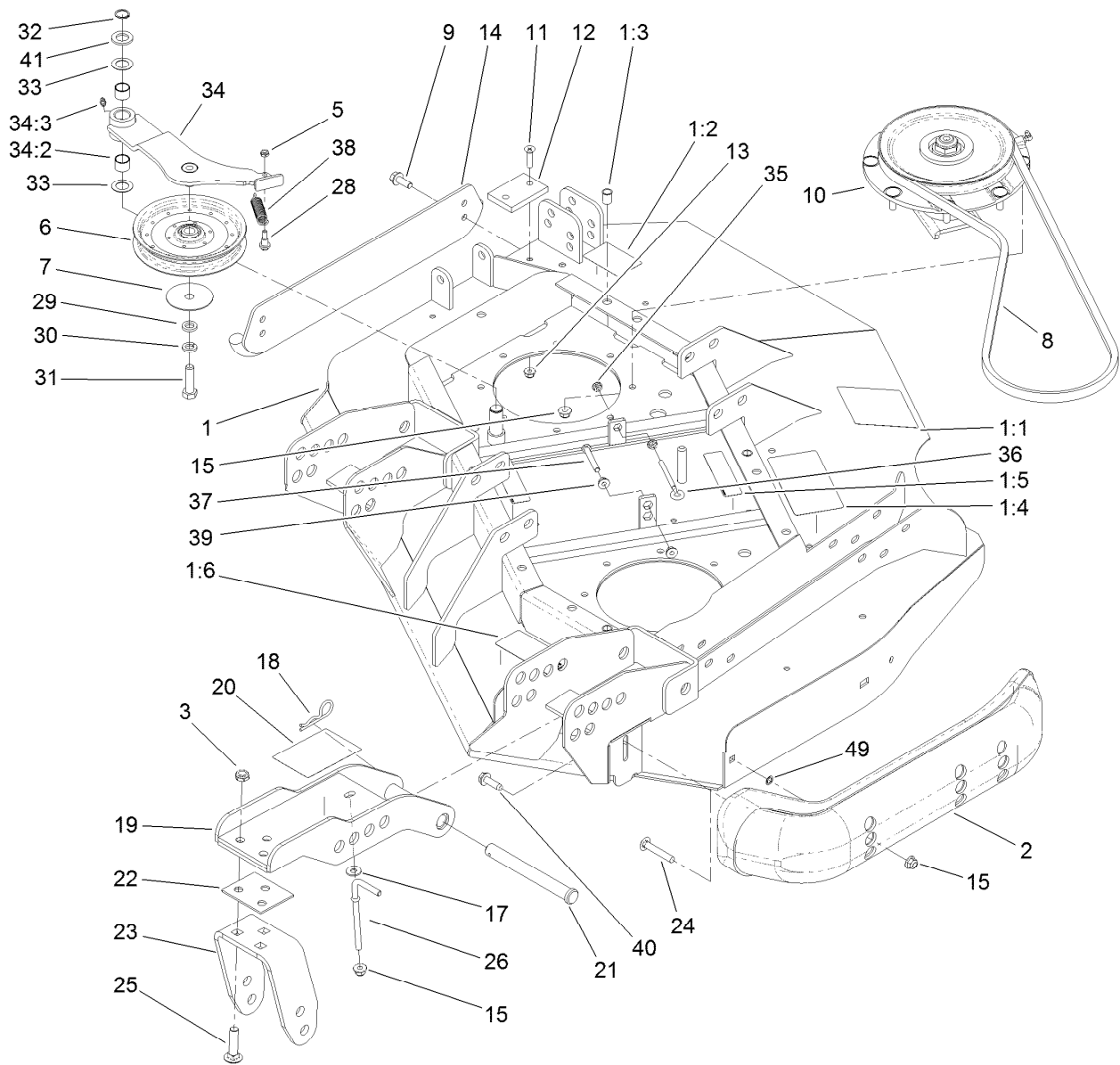
Ref.	Part Number	Qty.	Description
10	74-5950	10	Latch-Swell
11	3230-22	3	Screw-CARR
12	3234-1	3	Screw-HHF
13	100-5660-03	1	Cover-Front, Center
14	100-5662-03	1	Cover-Front, RH
15	32144-69	3	Screw-HWHTF
16	100-5661	1	Cover-Front, Center
17	1-804254	10	Nut-Lock, HH
20	107-3154	3	Nut-Push





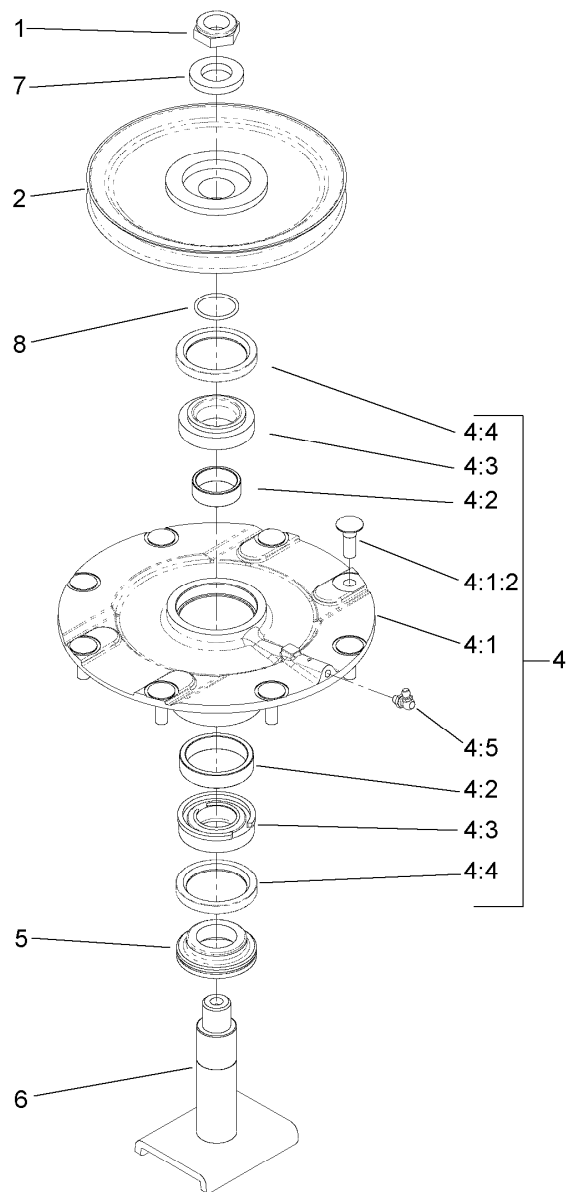
## Left Deck Idler and Skid Assembly

Ref.	Part Number	Qty.	Description	Ref.	Part Number	Qty.	Description
1	120-4072	1	Left Deck ASM	18	3290-343	4	Pin-Hair
1:1	120-6604	1	Decal-Danger	19	104-7529-01	2	Bracket-Castor
1:2	100-5693	1	Decal-Rear HOC, LH	20	104-3579	1	Decal-HOC
1:3	32148-9	3	Nut-Clinch	21	100-5569	4	Pin-Clevis
1:4	100-5622	1	Decal-HOC	22	104-7524	8	Shim
1:5	100-6578	3	Decal-Danger	23	121-1720-01	2	Bracket-Fork
1:6	93-7818	1	Decal-Torque, Blade Bolt	24	3231-33	2	Screw-CARR
2	112-1479	1	Skid-Bumper, Deck	25	3233-4	6	Screw-CARR
3	3296-45	6	Nut-Hex	26	106-2047	2	Rod-Tension
5	3296-56	1	Nut-Lock, NI	28	104-0858	1	Bolt-Shoulder
6	110-9596	1	Pulley-Idler	29	9202424	1	Spacer
7	100-3102	1	Washer-Flat	30	3253-7	1	Washer-Lock
8	108-8076	1	V-Belt, Deck	31	325-7	1	Screw-HH
9	3234-42	2	Screw-HHF	32	32120-72	1	Ring-Snap
10	119-4776	1	Low-Driven Spindle ASM	33	3-6498	2	Washer-Thrust
11	32108-103	2	Screw-FH	34	110-6128	1	Idler Arm ASM
12	69-9290	1	Pad-Bumper	34:2	256-76	2	Bushing
13	104-8300	2	Nut-HF, NI	34:3	302-5	1	Fitting-Grease
14	104-2250-01	1	Skid-Side	35	32128-14	2	Nut-HF
15	104-8301	18	Nut-HF, NI	36	68-0090	1	Screw-Adjusting
17	3256-3	2	Washer-Flat	37	9114524	1	Bolt-TAP, HH



## Left Deck Idler and Skid Assembly (continued)

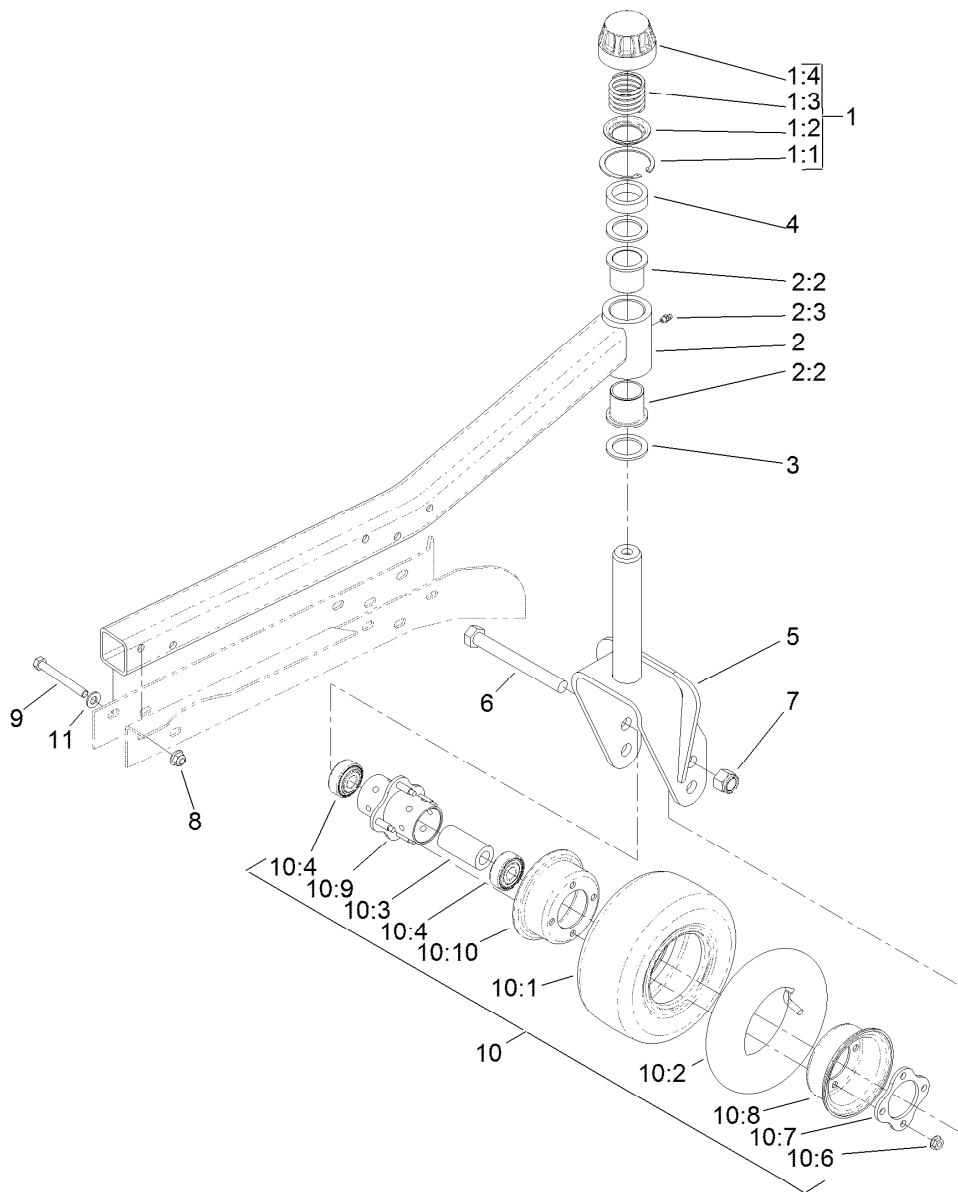
<i>Ref.</i>	<i>Part Number</i>	<i>Qty.</i>	<i>Description</i>	<i>Ref.</i>	<i>Part Number</i>	<i>Qty.</i>	<i>Description</i>
38	107938	1	Spring-Extension	41	70-1160	1	Washer
39	32128-26	2	Nut-HF	49	32151-72	2	Ring-Retaining
40	9136144	1	Screw-HWHTF				



## Low Driven Spindle Assembly No. 119-4776

<i>Ref.</i>	<i>Part Number</i>	<i>Qty.</i>	<i>Description</i>
1	3296-60	1	Nut-Lock, NI
2	104-3546	1	Pulley-Driven, Low
4	119-4775	1	Spindle Housing ASM
4:1		1	Spindle ASM ●
4:1:2	114-8195	8	Bolt-Neck, Ribbed
4:2	120-5577	1	Bearing Spacer Set
4:3	110-8297	1	Bearing ASM
4:4	253-154	2	Seal-Oil
4:5	302-60	1	Fitting-Grease
5	69-6950	1	Spacer-Shaft, Spindle
6	104-3554	1	Shaft-Spindle
7	120-5576	1	Washer-Hardened
8	106-7159	1	O-Ring

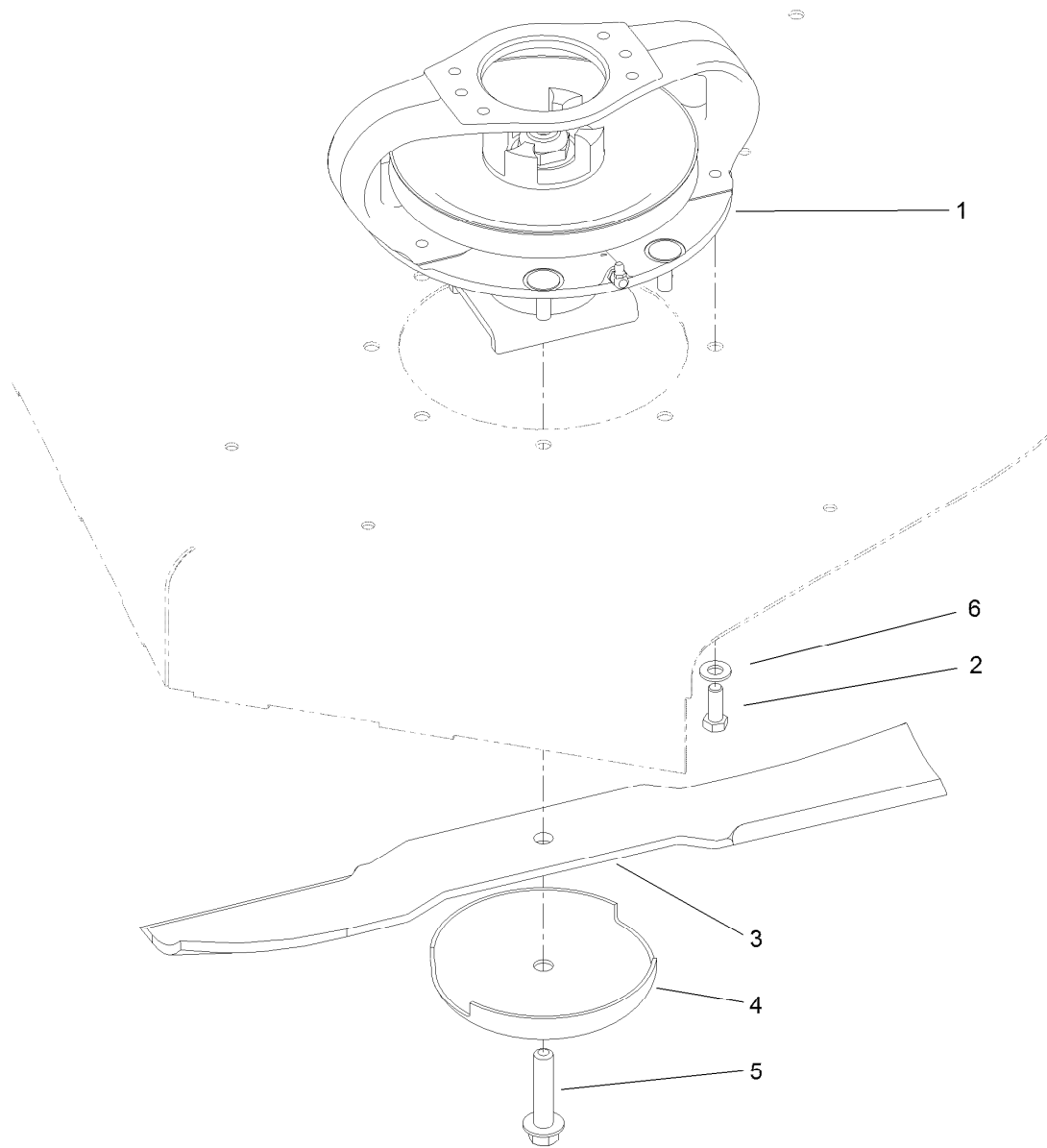
● Not serviced separately



## Right Hand and Left Hand Castor Arm and Wheel Assembly

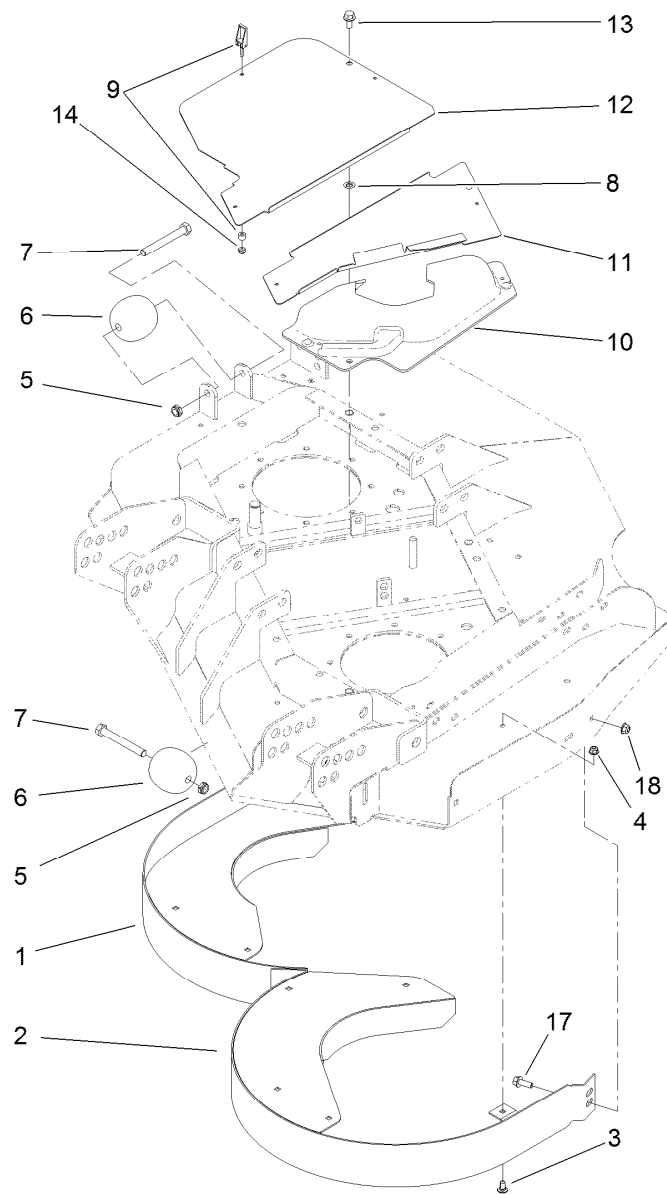
Ref.	Part Number	Qty.	Description	Ref.	Part Number	Qty.	Description
1	92-9727	1	HOC Cap ASM	9	323-20	5	Screw-HH
1:1	92-5581	1	Ring-Rtng, Snap, Int, Flat	10	93-5974	3	8 Inch Foam Filled Wheel ASM ●
1:2	92-5583	1	Washer-Cap	10	93-9938	3	Wheel ASM
1:3	92-9726	1	Spring-Compression	10:1	93-9939	1	Tire
1:4	92-8861	1	Cap-HOC	10:2	68-8950	1	Tube-Inner (W/Valve)
2	127-3740	1	Castor Arm ASM	10:3	93-4241	1	Spacer-Bearing, Inner
2:2	69-6470	2	Bushing-Caster	10:4	120-3366	2	Bearing
2:3	302-5	1	Fitting-Grease	10:6	32128-16	4	Nut-HHF
3	69-6860	3	Washer-Thrust	10:7	93-4242	1	Plate
4	69-1510	5	Spacer	10:8	93-4239	1	Rim-Wheel, Half
5	104-0762-01	1	Fork-Castor	10:9	93-5980	1	Hub
6	327-24	3	Screw-HH	10:10	95-2741	1	Rim-Wheel, Half
7	3296-53	3	Nut-Lock, NI	11	3256-24	5	Washer-Plain
8	104-8301	5	Nut-HF, NI				

● Optional Equipment



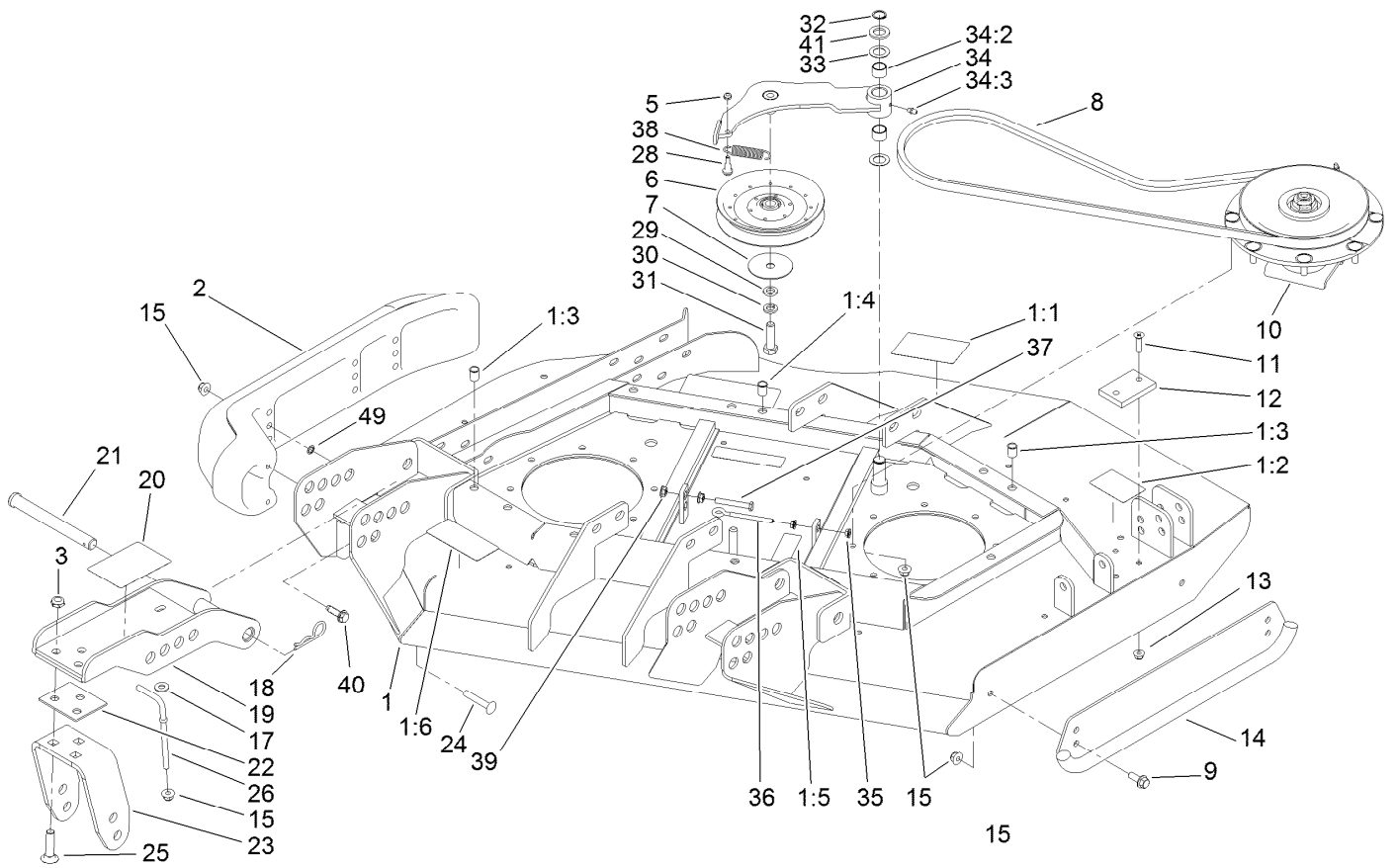
## Deck Driving Spindle Assembly

Ref.	Part Number	Qty.	Description
1	119-4547	1	Driving Spindle ASM
2	323-6	4	Screw-HH
3	92-5608-03	2	Blade
4	72-9361	2	Cup-Scalp, Anti
5	92-5816	2	Bolt-Blade
6	3256-24	4	Washer-Plain



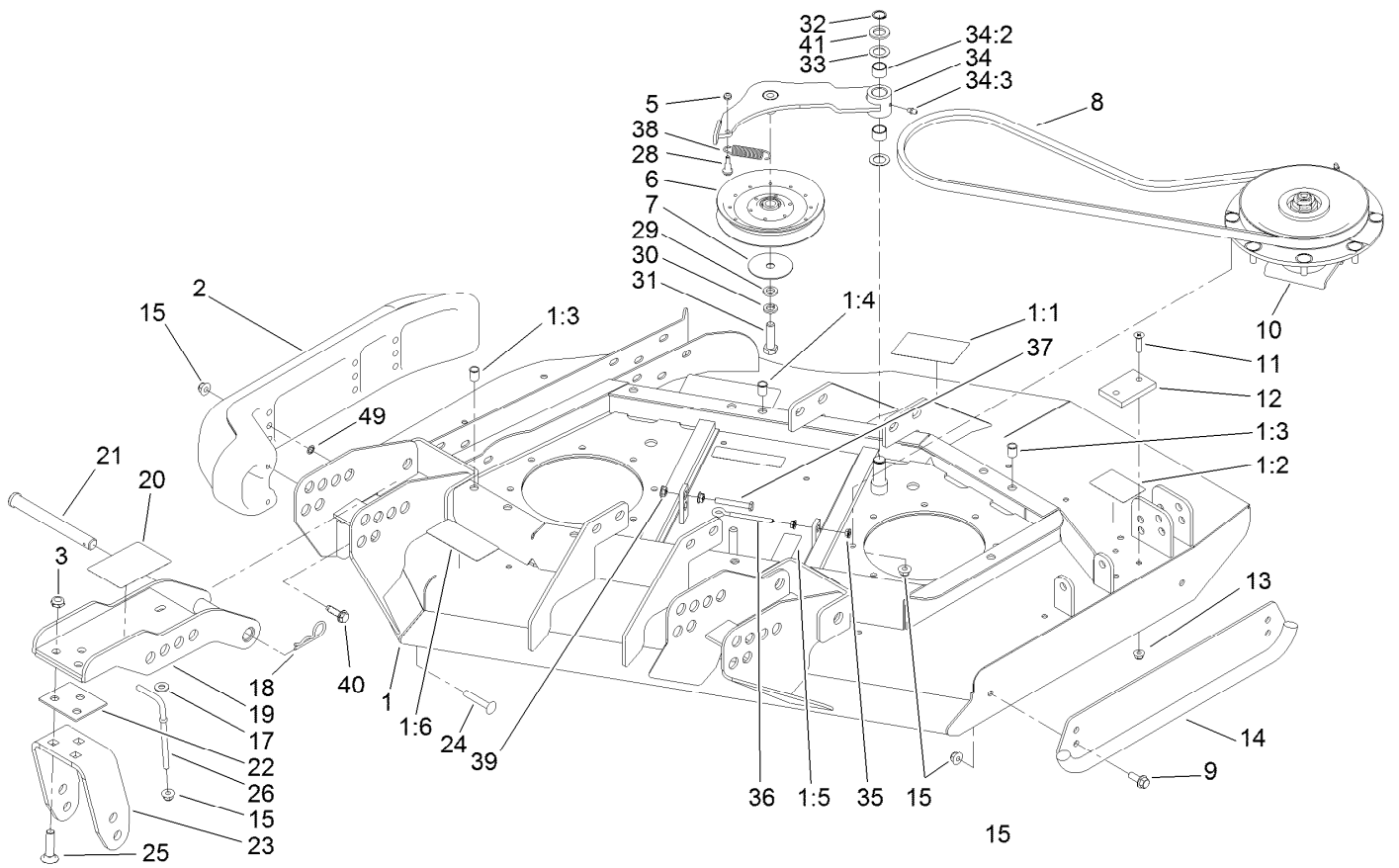
## Left Deck Discharge Chamber and Cover Assembly

<i>Ref.</i>	<i>Part Number</i>	<i>Qty.</i>	<i>Description</i>	<i>Ref.</i>	<i>Part Number</i>	<i>Qty.</i>	<i>Description</i>
1	104-2205-01	1	Chamber-Inner	9	74-5950	7	Latch-Swell
2	120-4132-01	1	Chamber-Outer	10	100-5669	1	Cover-Motor, LH Deck
3	3230-18	9	Screw-CARR	11	100-5664-03	1	Plate-Cover, LH
4	104-8300	9	Nut-HF, NI	12	100-5667-03	1	Plate-Cover, LH Side
5	3296-45	2	Nut-Hex	13	3234-1	3	Screw-HHF
6	29-4820	2	Roller	14	1-804254	7	Nut-Lock, HH
7	325-17	2	Screw-HH	17	3234-42	1	Screw-HHF
8	107-3154	3	Nut-Push	18	104-8301	1	Nut-HF, NI



## Right Deck, Idler and Skid Assembly

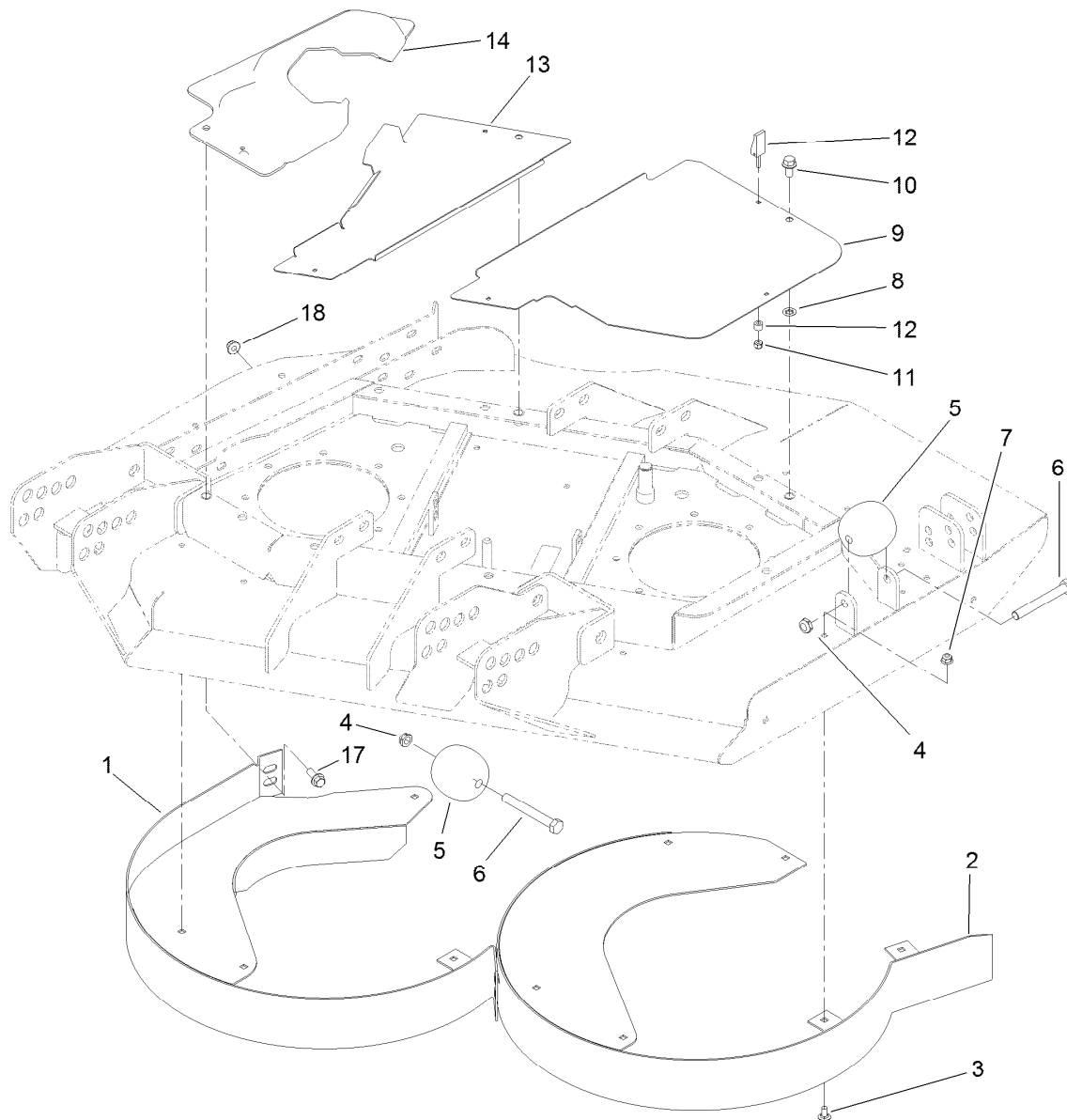
Ref.	Part Number	Qty.	Description	Ref.	Part Number	Qty.	Description
1	120-4062	1	Right Deck ASM	18	3290-343	4	Pin-Hair
1:1	120-6604	1	Decal-Danger	19	104-7529-01	2	Bracket-Castor
1:2	100-5694	1	Decal-Rear HOC, RH	20	100-5623	1	Decal-HOC
1:3	32148-9	3	Nut-Clinch	21	100-5569	4	Pin-Clevis
1:4	100-5622	1	Decal-HOC	22	104-7524	8	Shim
1:5	100-6578	3	Decal-Danger	23	121-1720-01	2	Bracket-Fork
1:6	93-7818	1	Decal-Torque, Blade Bolt	24	3231-33	2	Screw-CARR
2	112-1479	1	Skid-Bumper, Deck	25	3233-4	6	Screw-CARR
3	3296-45	6	Nut-Hex	26	106-2047	2	Rod-Tension
5	3296-56	1	Nut-Lock, NI	28	104-0858	1	Bolt-Shoulder
6	110-9596	1	Pulley-Idler	29	9202424	1	Spacer
7	100-3102	1	Washer-Flat	30	3253-7	1	Washer-Lock
8	108-8076	1	V-Belt, Deck	31	325-7	1	Screw-HH
9	3234-42	2	Screw-HHF	32	32120-72	1	Ring-Snap
10	119-4776	1	Low-Driven Spindle ASM	33	3-6498	2	Washer-Thrust
11	32108-103	2	Screw-FH	34	110-6128	1	Idler Arm ASM
12	69-9290	1	Pad-Bumper	34:2	256-76	2	Bushing
13	104-8300	2	Nut-HF, NI	34:3	302-5	1	Fitting-Grease
14	104-2250-01	1	Skid-Side	35	32128-14	2	Nut-HF
15	104-8301	18	Nut-HF, NI	36	68-0090	1	Screw-Adjusting
17	3256-3	2	Washer-Flat	37	9114524	1	Bolt-TAP, HH



## Right Deck, Idler and Skid Assembly (continued)

<i>Ref.</i>	<i>Part Number</i>	<i>Qty.</i>	<i>Description</i>	<i>Ref.</i>	<i>Part Number</i>	<i>Qty.</i>	<i>Description</i>
38	107938	1	Spring-Extension	41	70-1160	1	Washer
39	32128-26	2	Nut-HF	49	32151-72	2	Ring-Retaining
40	9136144	1	Screw-HWHTF				



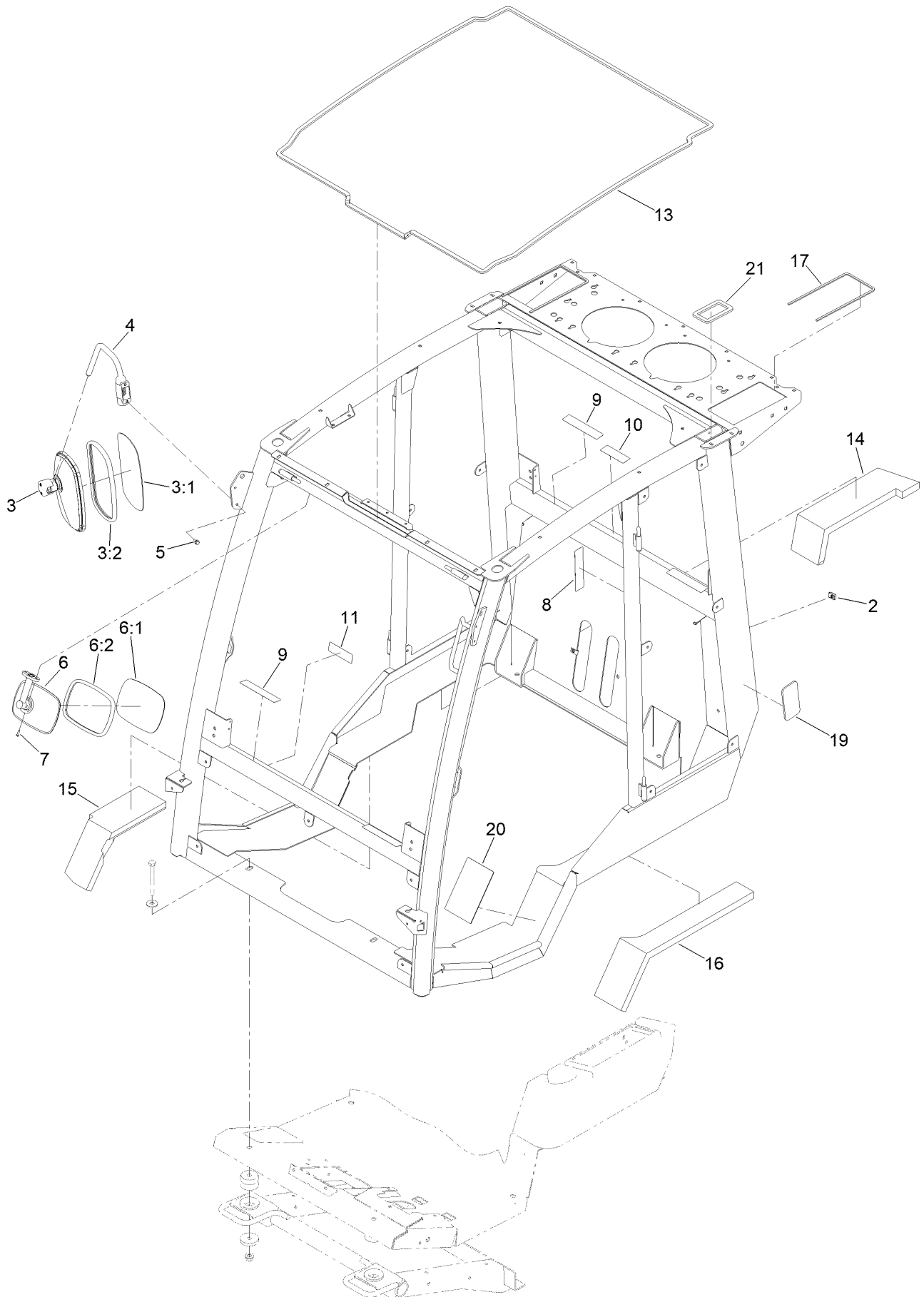


## Right Deck Discharge Chamber and Cover Assembly

Ref.	Part Number	Qty.	Description
1	120-4131-01	1	Chamber-Outer
2	104-2204-01	1	Chamber-Inner
3	3230-18	11	Screw-CARR
4	3296-45	2	Nut-Hex
5	29-4820	2	Roller
6	325-17	2	Screw-HH
7	104-8300	11	Nut-HF, NI
8	107-3154	3	Nut-Push

Ref.	Part Number	Qty.	Description
9	100-5668-03	1	Plate-Cover, RH Side
10	3234-1	3	Screw-HHF
11	1-804254	7	Nut-Lock, HH
12	74-5950	7	Latch-Swell
13	100-5665-03	1	Plate-Cover, RH
14	100-5666	1	Cover-Motor, RH Deck
17	3234-42	1	Screw-HHF
18	104-8301	1	Nut-HF, NI

# Frame Mount and Seal Assembly

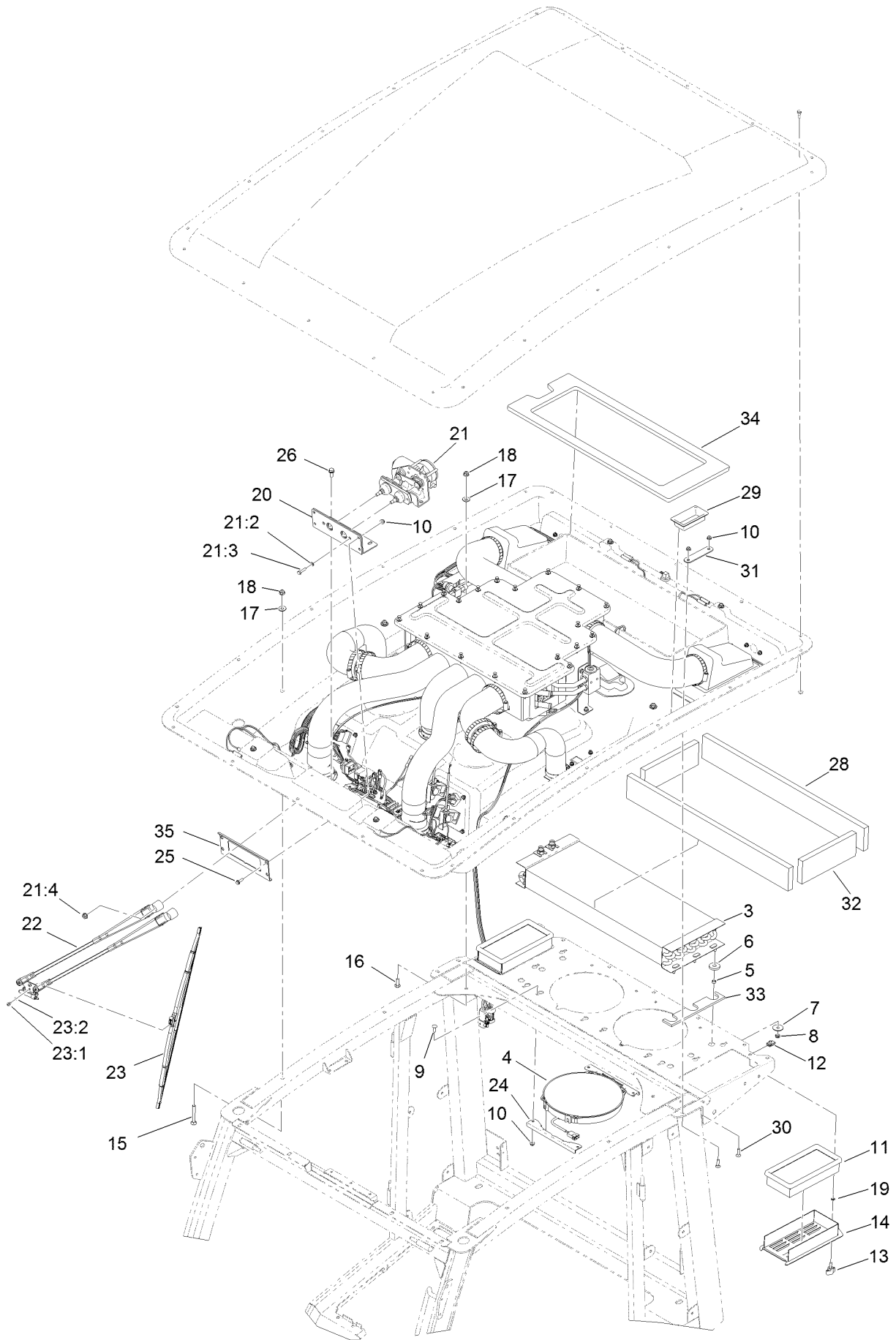


## Frame Mount and Seal Assembly (continued)

<i>Ref.</i>	<i>Part Number</i>	<i>Qty.</i>	<i>Description</i>	<i>Ref.</i>	<i>Part Number</i>	<i>Qty.</i>	<i>Description</i>
2	94-2413	2	Nut-U	9	130-0611	4	Decal-Window, Pin
3	121-8341	2	Side Mirror ASM	10	130-5355	1	Decal-Window, Hood
3:1		1	Mirror-Glass ●	11	130-5356	1	Decal-Traction Pedal
3:2		1	Gasket ●	13	130-0586	1	Seal-Foam, Frame Roof
4	121-8275	2	Arm-Mirror, Side	14	121-8545	1	Seal-Foam, RH-Upper
5	33103-016	4	Screw-HHF	15	121-8546	1	Seal-Foam, RH
6	121-8343	1	Interior Mirror ASM	16	121-8508	1	Foam-Seal, LH
6:1		1	Mirror ●	17	130-0587	2	Seal-Foam, Roof Air Filter
6:2		1	Gasket ●	19	130-5923	2	Pad
7	32144-32	2	Screw-PPH	20	130-5978	2	Patch-Tread
8	130-0594	1	Decal-Warning	21	130-5855	2	Seal-Tube, Rear

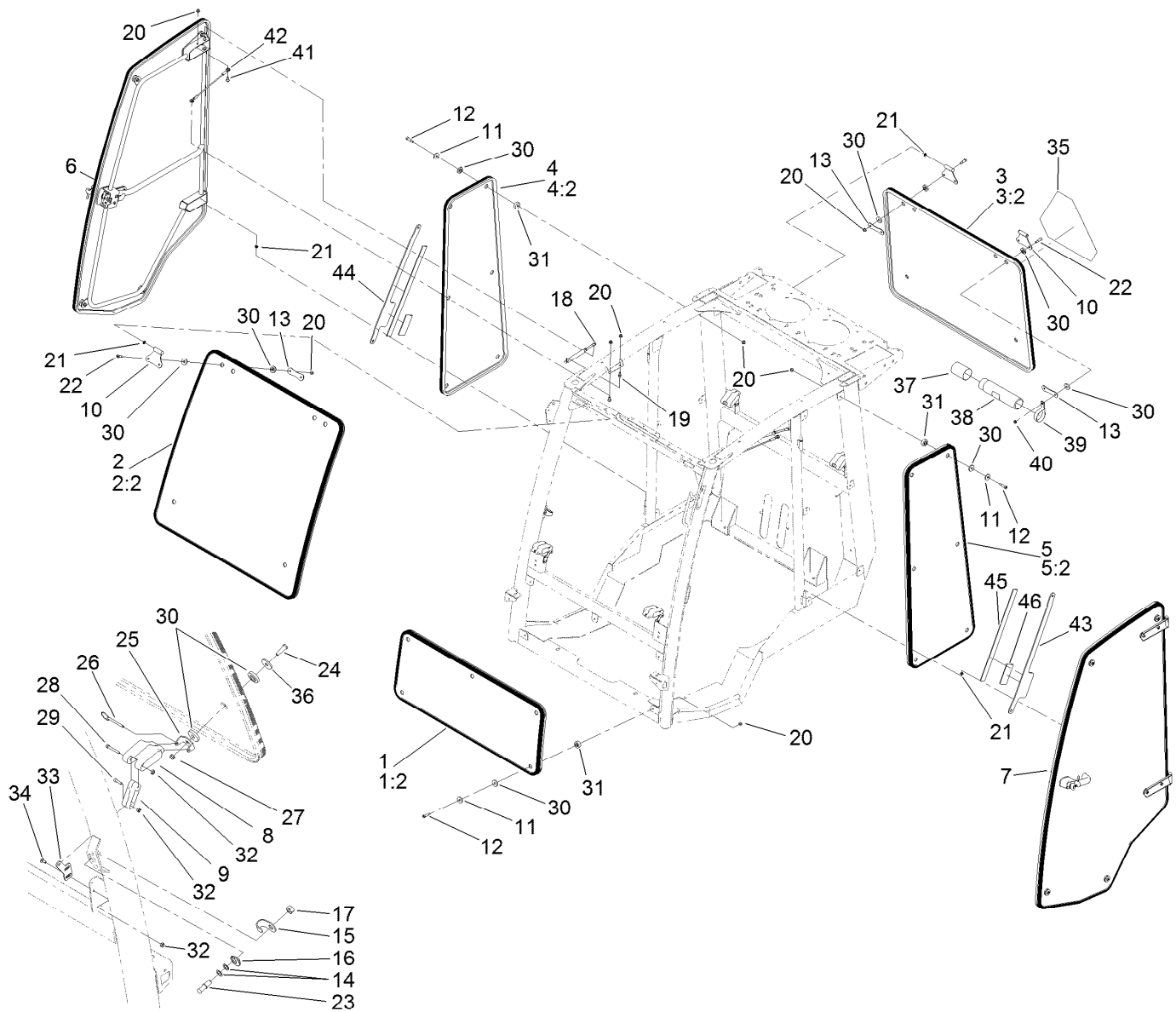
● Not serviced separately

# Headliner Assembly



## Headliner Assembly (continued)

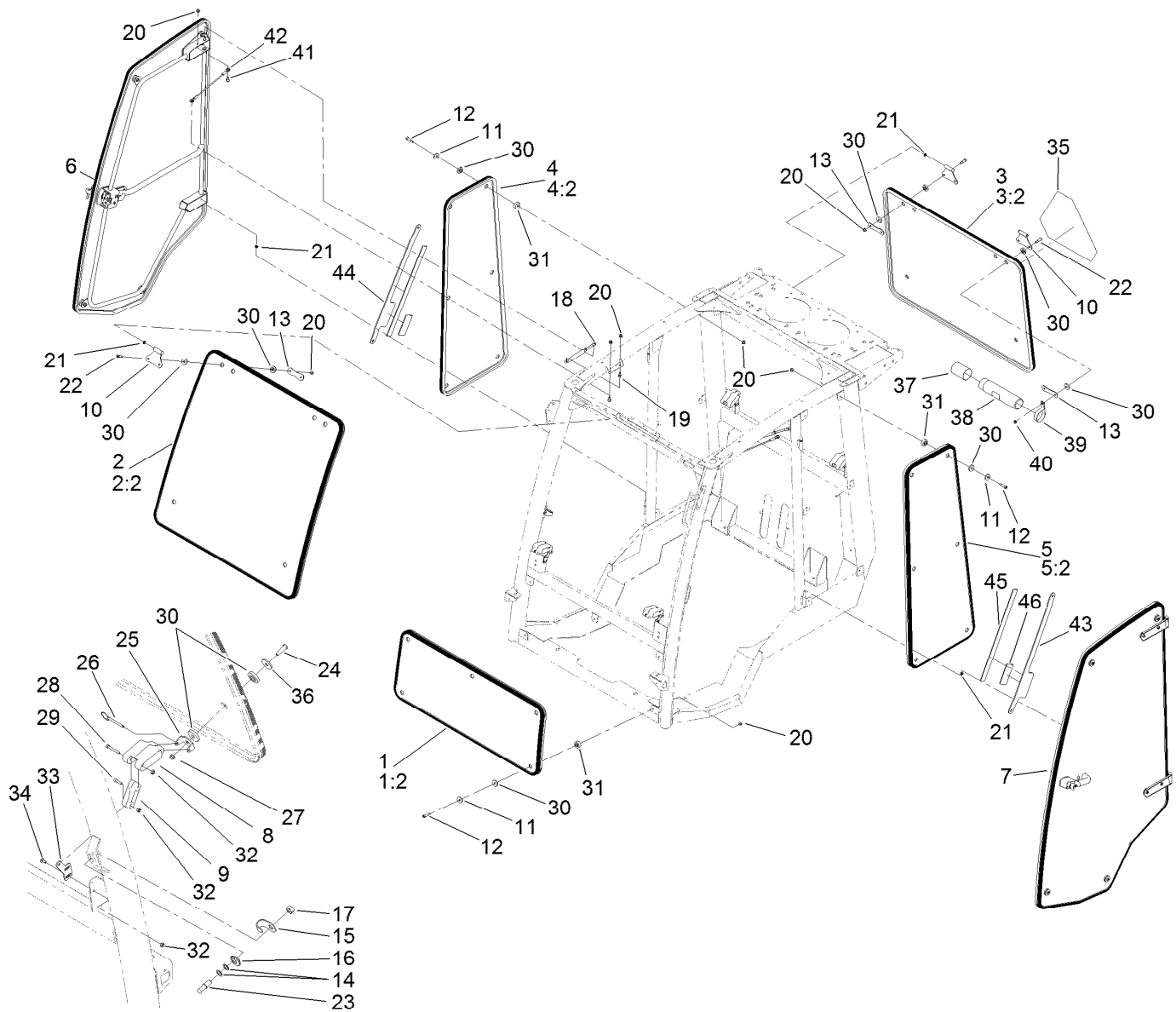
<i>Ref.</i>	<i>Part Number</i>	<i>Qty.</i>	<i>Description</i>	<i>Ref.</i>	<i>Part Number</i>	<i>Qty.</i>	<i>Description</i>
3	121-8447	1	Core-Condenser	21:2	3253-3	1	Washer-Lock
4	121-8459	2	Fan-Condenser	21:3	33113-025	1	Screw-HH
5	106-8489	6	Bushing-Sleeve	21:4	112-2844	2	Nut-HF
6	125-9982	6	Bushing-Flange	22	125-7453	1	Arm-Wiper
7	3256-57	6	Washer-Flat	23	125-7454	1	Blade-Wiper
8	3296-47	6	Nut-Lock,NI	23:1	47-2830	2	Screw
9	1-807512	8	Bolt-CARR	23:2	43-5920	2	Washer-Lock, Spring
10	104-7201	16	Nut-HF, NI	24	125-9621-03	4	Bracket-Mount, Fan
11	121-8457	2	Filter-Air	25	32105-15	4	Screw-HWH
12	107069	2	Clip	26	32144-11	2	Screw-HWH
13	98-8332	2	Knob	28	130-5649	2	Seal-Foam, Long
14	125-9825-03	2	Cover-Air, Fresh	29	130-5661	2	Tube-Sleeve
15	3230-9	4	Screw-CARR	30	3229-30	4	Screw-CARR
16	3230-22	13	Screw-CARR	31	130-5854	2	Brace-Seal
17	3256-3	17	Washer-Flat	32	130-5650	2	Seal-Foam, Short
18	104-8300	17	Nut-HF, NI	33	130-5931	2	Seal-Condenser
19	106-8737	2	Nut-Retainer	34	130-5647	1	Gasket-Foam, Condenser
20	130-5871	1	Bracket-Wiper	35	130-6068-03	1	Plate-Washer, Wiper Motor
21	125-7452	1	Wiper Motor ASM				



## Window, Door and Striker Assembly

Ref.	Part Number	Qty.	Description	Ref.	Part Number	Qty.	Description
1	130-5681	1	Lower Front Window ASM	14	73-0040	2	Washer-Thrust
1:2	121-8211	1	Trim-Window, Front	15	121-8393	2	Guard-Striker
2	130-5680	1	Upper Front Window ASM	16	125-9992	2	Adjuster-Stud
2:2	121-8212	1	Seal-Trim	17	106-0327	2	Nut-Hex
3	130-5682	1	Rear Window ASM	18	130-6083	2	Spring-Gas, Door
3:2	130-0637	1	Seal-Trim	19	98-3104	2	Stud-Ball
4	130-5676	1	RH-Side Window ASM	20	104-8300	29	Nut-HF, NI
4:2	121-8215	1	Seal-Trim	21	121-8441	8	Washer-Spacer
5	130-5677	1	LH-Side Window ASM	22	125-9520	8	Screw-Shoulder, HSH
5:2	121-8215	1	Seal-Trim	23	125-9993	2	Striker-Stud
6		1	RH Door ASM ●	24	119-9812	4	Bolt-Shoulder
7		1	LH Door ASM ●	25	125-9987	4	Mount-Latch
8	125-9792	4	Handle-Window	26	127-9850	4	Pin-Release, Quick
9	125-9793	4	Link-Window	27	104-7201	4	Nut-HF, NI
10	121-8535-03	4	Hinge-Window	28	3274-59	4	Screw-HSH
11	130-5815	13	Washer-Backup	29	3274-14	4	Screw-HSH
12	125-9521	17	Screw-Shldr HSH	30	125-9982	41	Bushing-Flange
13	127-9933	4	Plate-Backer, Windshield	31	125-9537	17	Bushing-Flange

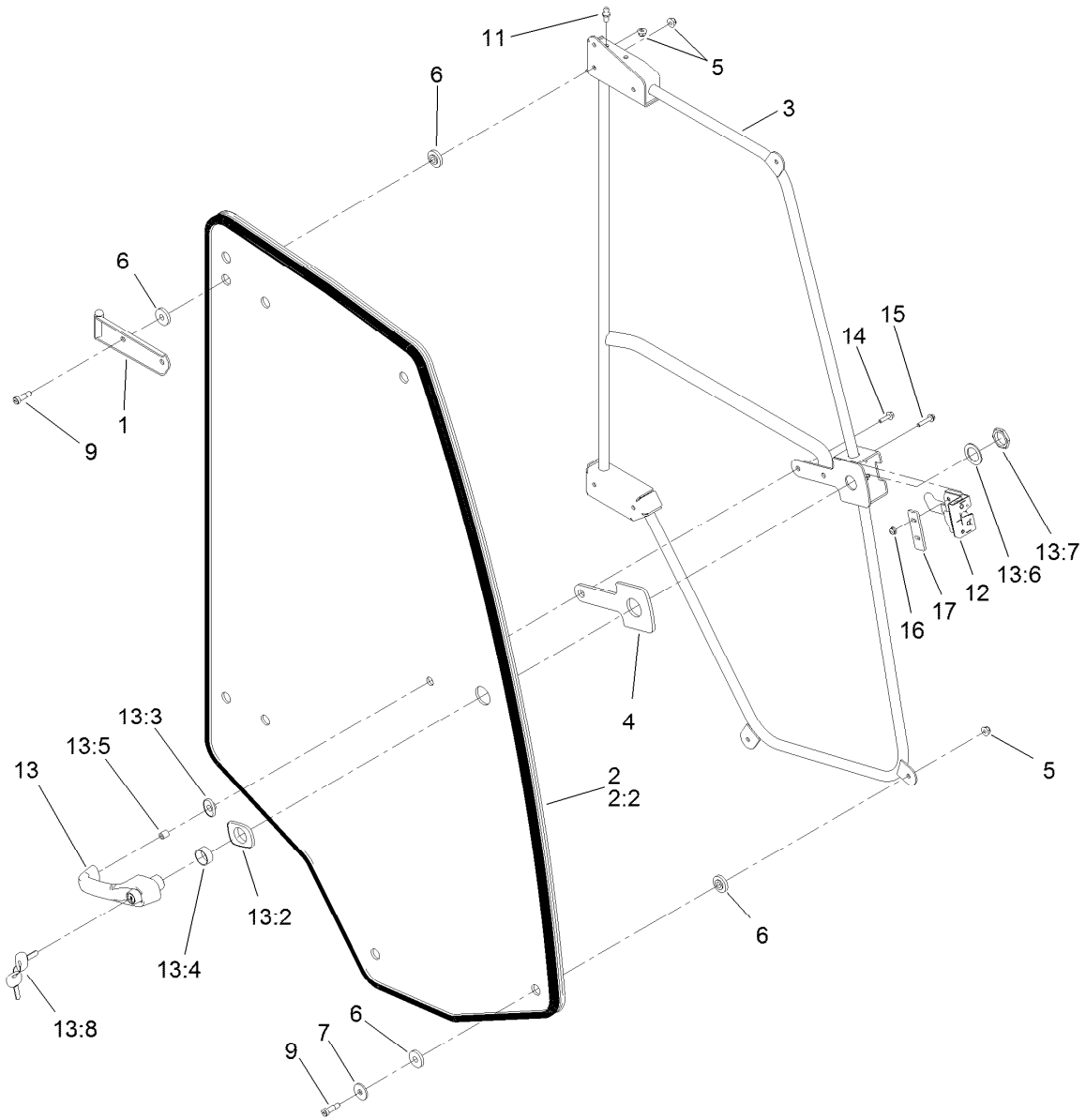
● Not serviced separately



## Window, Door and Striker Assembly (continued)

Ref.	Part Number	Qty.	Description	Ref.	Part Number	Qty.	Description
32	120-9681	16	Nut-Lock, NI	40	3296-47	2	Nut-Lock,NI
33	130-0590	4	Mount-Tab	41	120-9471	4	Bolt-Shoulder
34	1-807513	8	Bolt-CARR	42	130-5726	2	Lanyard
35	120-0250	1	Decal-Warning	43	130-6095-03	1	Strap-Support, Left
36	125-9676	4	Washer-Backup	44	130-6091-03	1	Strap-Support
37	104-7048	1	Cap-Housing	45	130-6096	2	Strap-Foam, 19.5 Inch
38	104-7050	1	Tube-Manual	46	130-6097	2	Strap-Foam, 4.25 Inch
39	2412-133	2	Clamp-R				

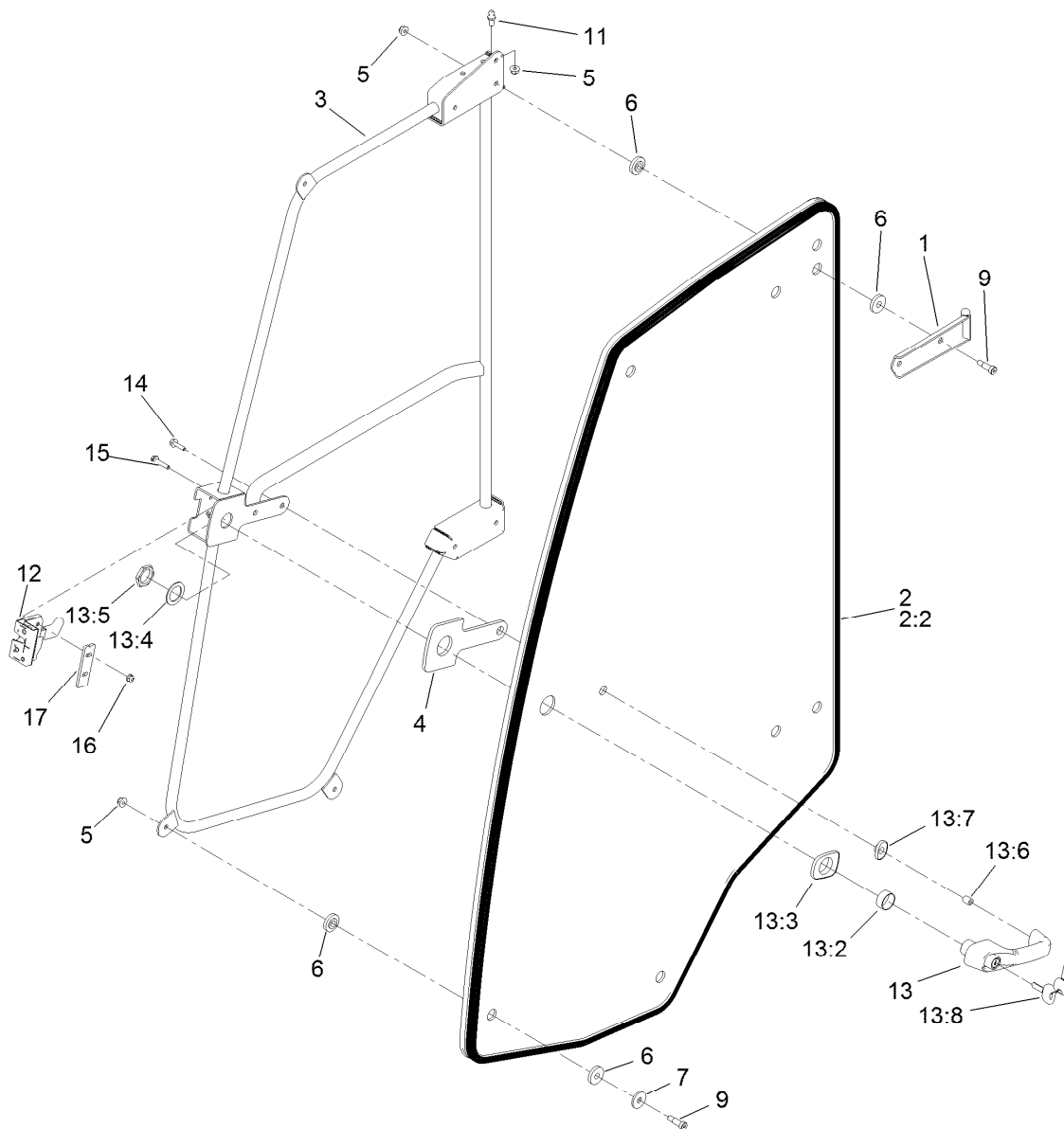
● Not serviced separately



## RH Door Assembly

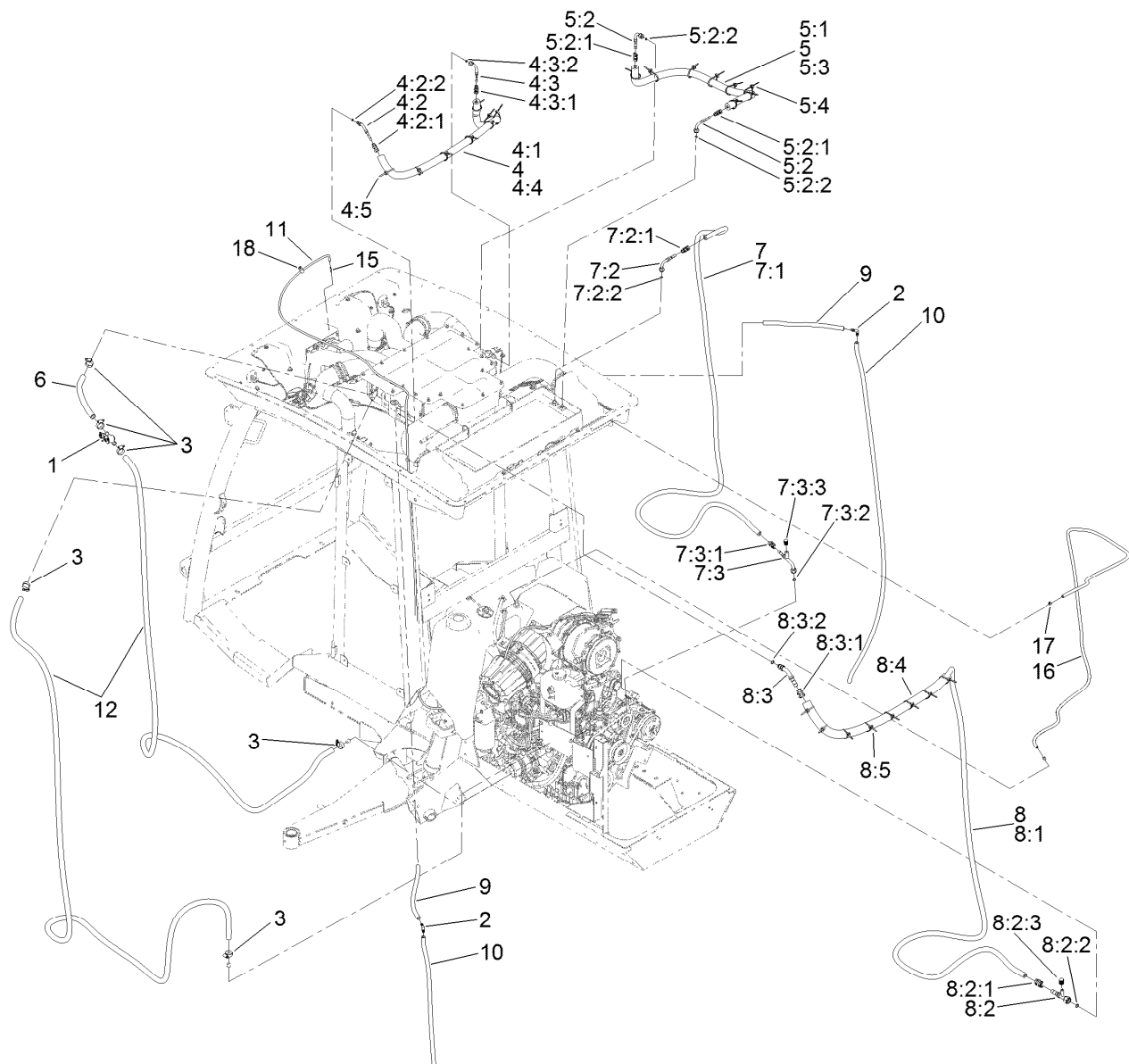
<i>Ref.</i>	<i>Part Number</i>	<i>Qty.</i>	<i>Description</i>	<i>Ref.</i>	<i>Part Number</i>	<i>Qty.</i>	<i>Description</i>
1	125-9618-03	2	Hinge-Door, RH	13:2	121-8628	1	Cylinder-Mounting, Key
2	130-5678	1	RH Door ASM	13:3	121-8322	1	Grommet-Mounting, Large
2:2	125-9799	1	Trim-Door	13:4	121-8327	1	Washer
3	121-8570-03	1	Frame-Door, RH	13:5	121-8328	1	Nut
4	121-8331	1	Gasket-Handle	13:6	121-8627	1	Cylinder-Mounting, End
5	104-8300	9	Nut-HF, NI	13:7	121-8323	1	Grommet-Mounting, Small
6	125-9982	16	Bushing-Flange	13:8	125-9531	1	Key-Set
7	125-9676	4	Washer-Backup	14	33103-025	1	Screw-HHF
9	125-9520	8	Screw-Shoulder, HSH	15	3234-21	2	Screw-HHF
11	98-3104	1	Stud-Ball	16	104-7201	2	Nut-HF, NI
12	121-8390	1	Latch-RH	17	121-8395	1	Plate-Support, Latch
13	121-8630	1	Handle ASM				





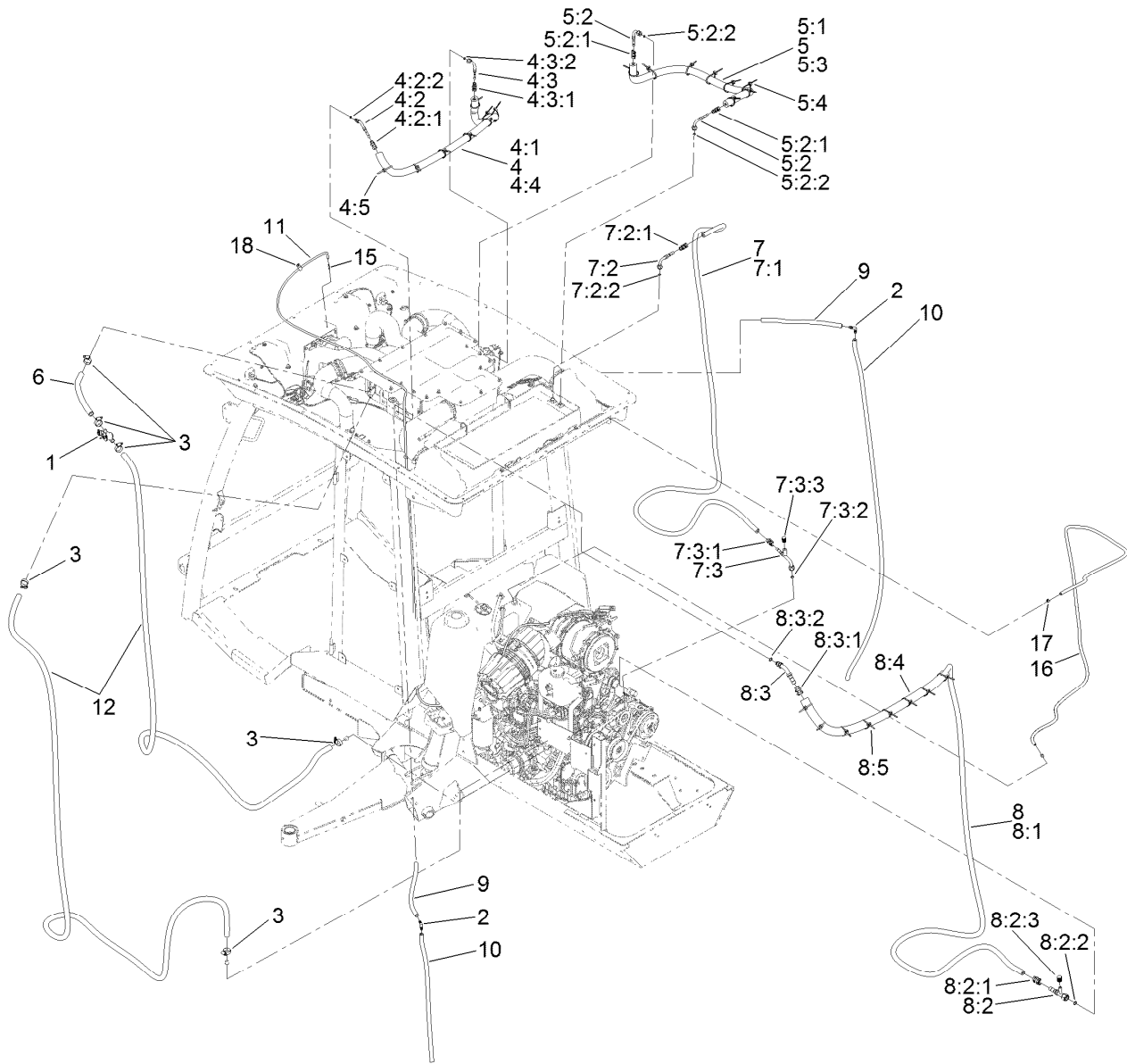
## LH Door Assembly

<i>Ref.</i>	<i>Part Number</i>	<i>Qty.</i>	<i>Description</i>	<i>Ref.</i>	<i>Part Number</i>	<i>Qty.</i>	<i>Description</i>
1	125-9619-03	2	Hinge-Door, LH	13:2	121-8628	1	Cylinder-Mounting, Key
2	130-5679	1	LH Door ASM	13:3	121-8322	1	Grommet-Mounting, Large
2:2	121-8216	1	Trim-Window	13:4	121-8327	1	Washer
3	121-8571-03	1	Frame-Door, LH	13:5	121-8328	1	Nut
4	121-8331	1	Gasket-Handle	13:6	121-8627	1	Cylinder-Mounting, End
5	104-8300	9	Nut-HF, NI	13:7	121-8323	1	Grommet-Mounting, Small
6	125-9982	16	Bushing-Flange	13:8	125-9531	1	Key-Set
7	125-9676	4	Washer-Backup	14	33103-025	1	Screw-HHF
9	125-9520	8	Screw-Shoulder, HSH	15	3234-21	2	Screw-HHF
11	98-3104	1	Stud-Ball	16	104-7201	2	Nut-HF, NI
12	121-8391	1	Latch-LH	17	121-8395	1	Plate-Support, Latch
13	121-8630	1	Handle ASM				



## Engine Hose Routing Assembly

Ref.	Part Number	Qty.	Description	Ref.	Part Number	Qty.	Description
1	120-4947	1	Valve-Heater	7	125-9861	1	Hose ASM
2	130-0578	2	Fitting-Barb, 90 DEG	7:1	130-0418	1	Hose
3	2412-129	6	Clamp-Hose	7:2	130-5752	1	Fitting-Female, 90 DEG
4	125-9702	1	Hose ASM	7:2:1	130-5773	1	Fitting Kit
4:1	130-0417	1	Hose	7:2:2	117-2778	1	O-Ring
4:2	130-5753	1	Fitting-45 DEG	7:3	130-5758	1	Fitting-Female, 90 DEG
4:2:1	130-5772	1	Fitting Kit	7:3:1	130-5773	1	Fitting Kit
4:2:2	117-2778	1	O-Ring	7:3:2	117-2779	1	O-Ring
4:3	130-5751	1	Fitting-Female, 90 DEG	7:3:3	117-2783	1	Cap-Side, High
4:3:1	130-5772	1	Fitting Kit	8	125-9862	1	Hose ASM
4:3:2	117-2778	1	O-Ring	8:1	130-0419	1	Hose
4:4	130-5958	1	Cover-Foam	8:2	130-5755	1	Fitting-Female, Straight
4:5	3290-378	8	Tie-Cable	8:2:1	130-5775	1	Fitting Kit
5	125-9703	1	Hose ASM	8:2:2	117-2780	1	O-Ring
5:1	130-0417	1	Hose	8:2:3	117-2784	1	Cap-Side, Low
5:2	130-5751	2	Fitting-Female, 90 DEG	8:3	130-5754	1	Fitting-Male, 45 DEG
5:2:1	130-5772	1	Fitting Kit	8:3:1	130-5775	1	Fitting Kit
5:2:2	117-2778	1	O-Ring	8:3:2	117-2780	1	O-Ring
5:3	130-5958	1	Cover-Foam	8:4	130-5959	1	Cover-Foam
5:4	3290-378	8	Tie-Cable	8:5	3290-378	8	Tie-Cable
6	125-9706	1	Hose-Heater	9	125-9865	2	Hose-Drain

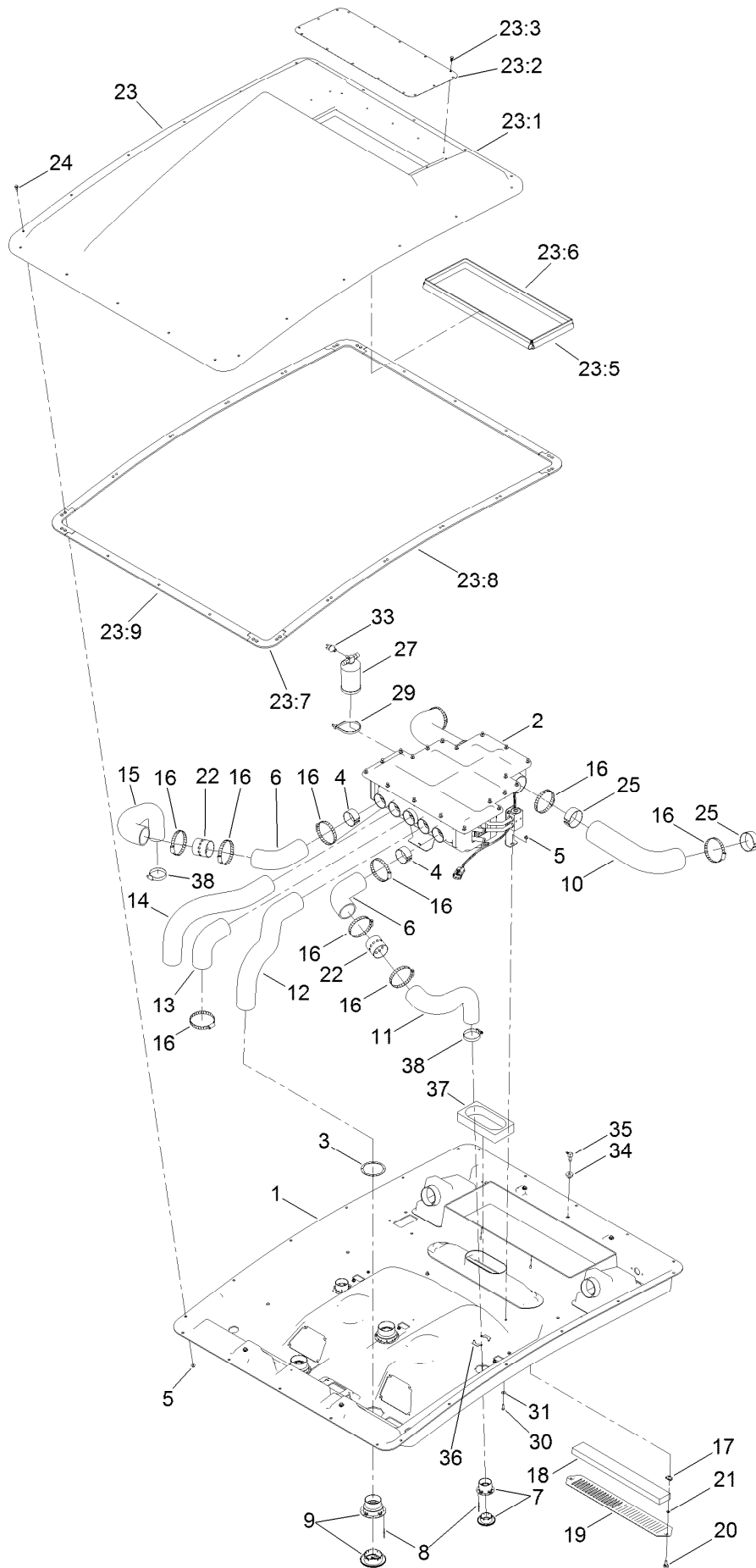


## Engine Hose Routing Assembly (continued)

Ref.	Part Number	Qty.	Description
10	125-9866	2	Hose-Drain
11	127-9901	1	Hose-Washer Fluid
12	125-9864	2	Hose-Heater
15	127-9905	1	Fitting-Hose, Barb

Ref.	Part Number	Qty.	Description
16	130-5813	1	Hose-Fuel
17	2412-98	1	Clamp-Hose
18	2412-73	1	Clamp-R

# Mixing Box and Vent Hose Assembly

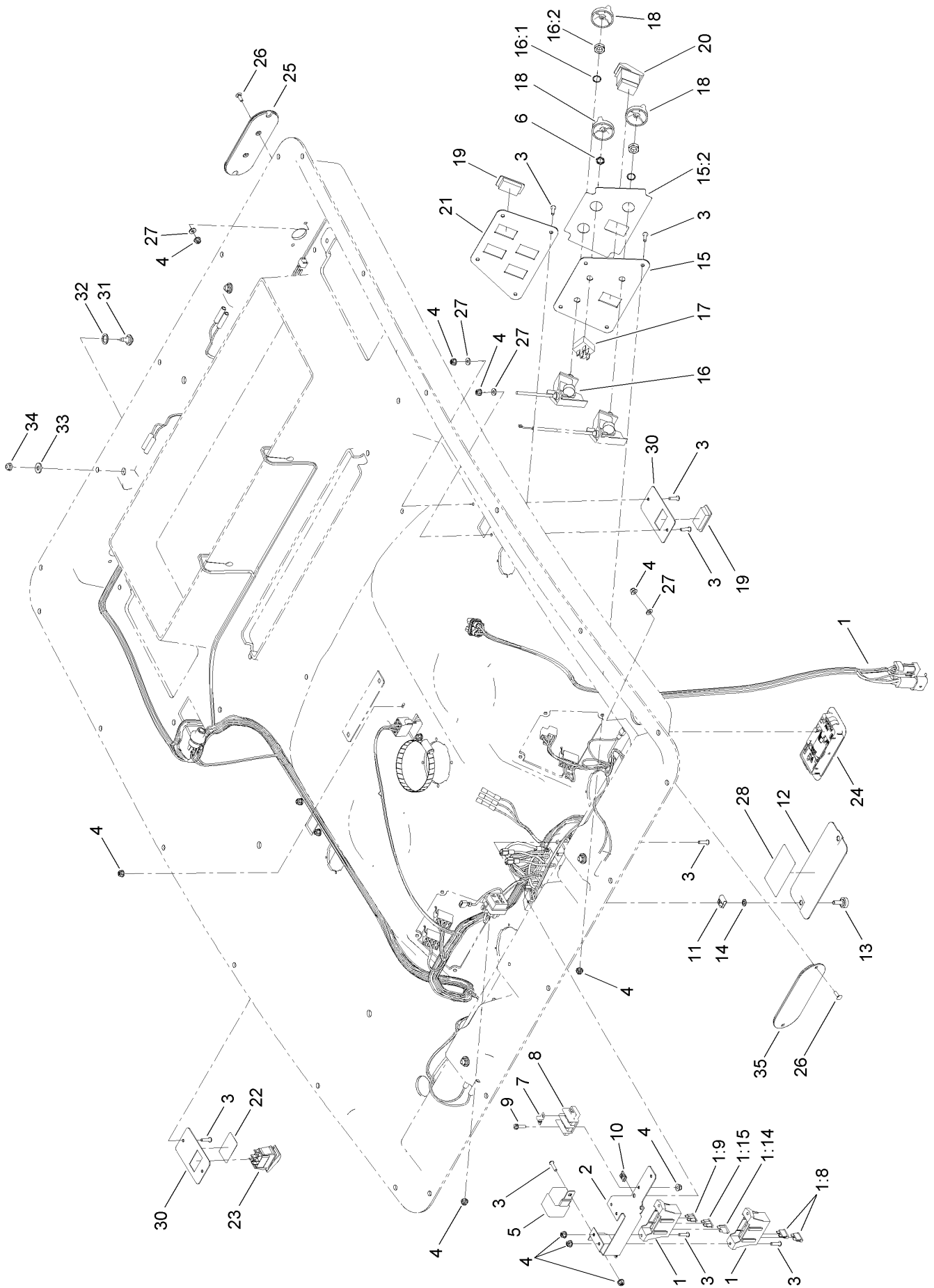


## Mixing Box and Vent Hose Assembly (continued)

<i>Ref.</i>	<i>Part Number</i>	<i>Qty.</i>	<i>Description</i>	<i>Ref.</i>	<i>Part Number</i>	<i>Qty.</i>	<i>Description</i>
1	121-8470	1	Headliner	22	130-5927	2	Adapter-Bleed
2	121-8495	1	Box-Mixing, Heater A/C	23		1	Roof ASM ●
3	130-0558	3	Backplate-Rivet	23:1	125-9607	1	Roof
4	130-5938	2	Tube-Support	23:2	121-8472-03	1	Screen-Roof
5	104-7201	24	Nut-HF, NI	23:3	114-4899	16	Rivet-Push
6	130-5860	2	Hose-Vent	23:5	130-5865	2	Trim-Seal, Bulb
7	130-0455	2	Louver-Round, Snap-In	23:6	130-5864	2	Trim-Seal, Bulb
8	125-7503	20	Rivet-Pop	23:7	130-5961	4	Seal-Corner
9	130-0465	3	Louver-Round, Snap-In (4 Inch)	23:8	130-5960	2	Seal-Side
10	121-8473	2	Hose-Intake, Fresh Air	23:9	130-5962	2	Seal-Front, Rear
11	130-5861	1	Hose-Vent, Outer (LH)	24	119-4161	22	Bolt-Shoulder
12	121-8477	1	Hose-Vent, Defrost (LH)	25	130-5939	4	Tube-Support
13	130-0437	1	Hose-Vent, Center	27	130-5999	1	Drier-Receiver
14	121-8478	1	Hose-Vent, Defrost (RH)	29	3334-945	2	Tie-Cable
15	130-5862	1	Hose-Vent, Outer (RH)	30	3274-69	2	Screw-HSBH
16	2412-110	11	Clamp-Band/Screw	31	3256-1	2	Washer-Flat
17	107069	2	Clip	33	119-4501	1	Switch-Function, Dual
18	125-9532	1	Filter-Cab, Inside	34	46-6560	1	Bushing
19	125-9604-03	1	Plate-Cover, Recirculation	35	104-5228	1	Fitting-Elbow, 90 DEG
20	125-7438	2	Knob-Screw, Thumb	36	130-0445	4	Backplate-Rivet
21	106-8737	2	Nut-Retainer	37	130-0444	1	Foam-Inlet, Airbox
				38	2412-130	2	Clamp-Hose

● Not serviced separately

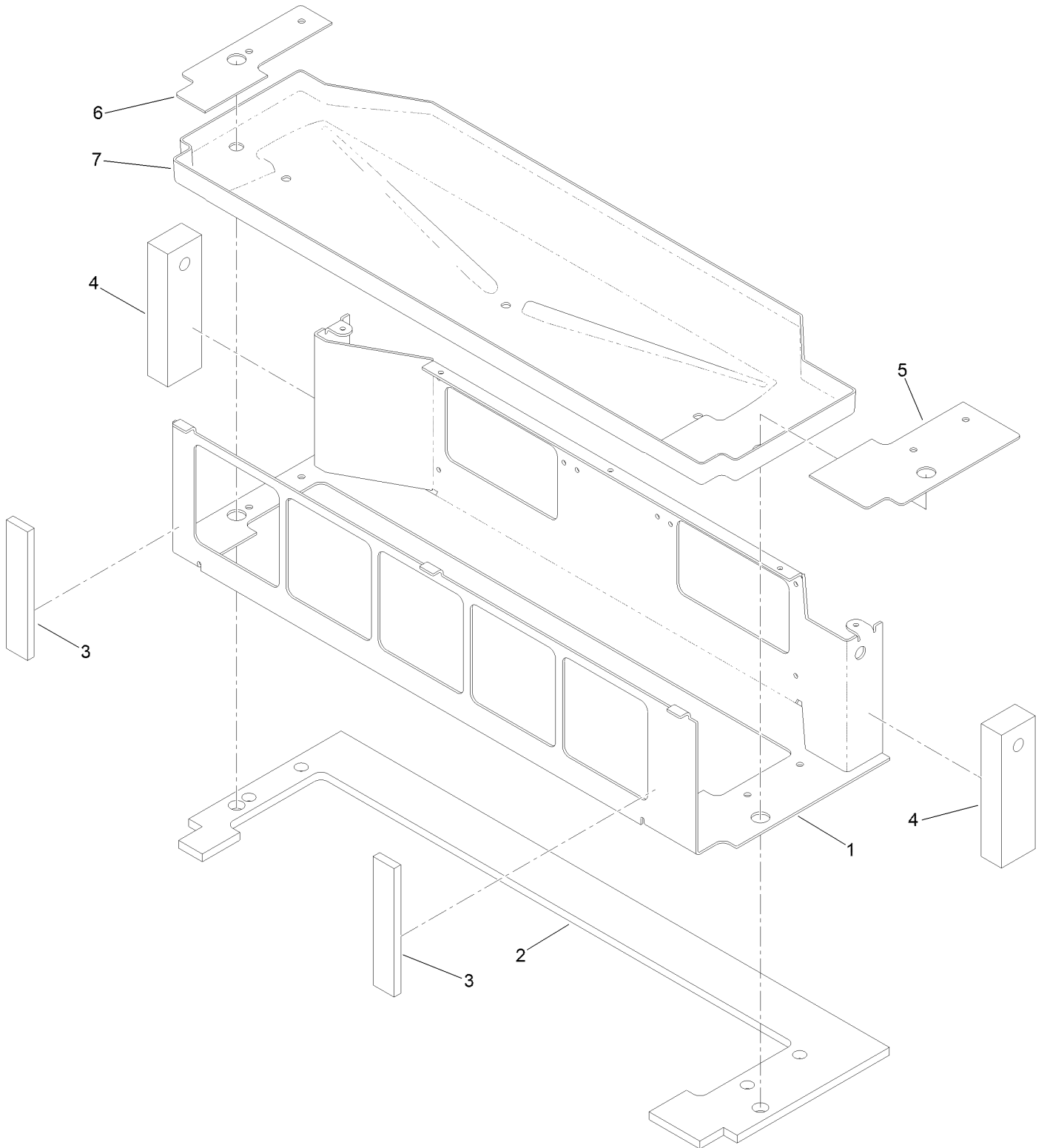
# Headliner Wire Harness and Control Assembly



# Headliner Wire Harness and Control Assembly (continued)

<i>Ref.</i>	<i>Part Number</i>	<i>Qty.</i>	<i>Description</i>	<i>Ref.</i>	<i>Part Number</i>	<i>Qty.</i>	<i>Description</i>
1	119-4387	1	Harness-Wire, Headliner	16:1	3254-20	1	Washer-Lock, Int
1:8	109355	2	Fuse-Blade, 15 Amp	16:2	3220-4	1	Nut-Jam
1:9	109103	1	Fuse-Blade, 30 Amp	17	122-0150	1	Switch, Rotary
1:14	109101	1	Fuse-Blade, 20 Amp	18	125-9510	3	Knob-Control
1:15	109102	1	Fuse-Blade, 25 Amp	19	99-7420	6	Plug-Hole
2	125-9606-03	1	Bracket-Fuse Block	20	95-8999	1	Switch-Rocker, On-None-On
3	104-2408	23	Screw-HSBH	21	125-9691-03	1	Panel-Switch, Lights
4	120-4578	29	Nut-HF	22	125-9688	1	Decal-Washer
5	99-7430	1	Relay-Mini	23	119-8355	1	Switch-Rocker
6	130-0588	1	Nut-Switch	24	125-7437	1	Light-Dome
7	42863	1	Strip-Jumper	25	130-5867	2	Cover-Light, Rear
8	42862	1	Block-Terminal, Ground	26	3229-34	8	Screw-CARR
9	32105-13	2	Screw-HWH	27	3256-14	14	Washer-Flat
10	107-1013	4	Nut-Speed	28	130-0458	1	Decal-Panel, Fuse
11	609900	2	Nut-Speed	30	130-0436	3	Panel-Switch
12	125-9603-03	1	Plate-Cover, Fuse	31	92-9698	4	Screw-Shoulder
13	125-7438	2	Knob-Screw, Thumb	32	94-8196	4	Washer-Nylon
14	106-8737	2	Nut-Retainer	33	3256-2	4	Washer-Flat
15	121-8481	1	Panel-Air/Heat	34	104-7201	4	Nut-HF, NI
15:2	121-8378	1	Decal, Air/Heat	35	130-5868	2	Cover-Light, Front
16	125-9677	1	Control-Rotary, Linear				

# Mixing Box Mounting Bracket and Water Tray Assembly

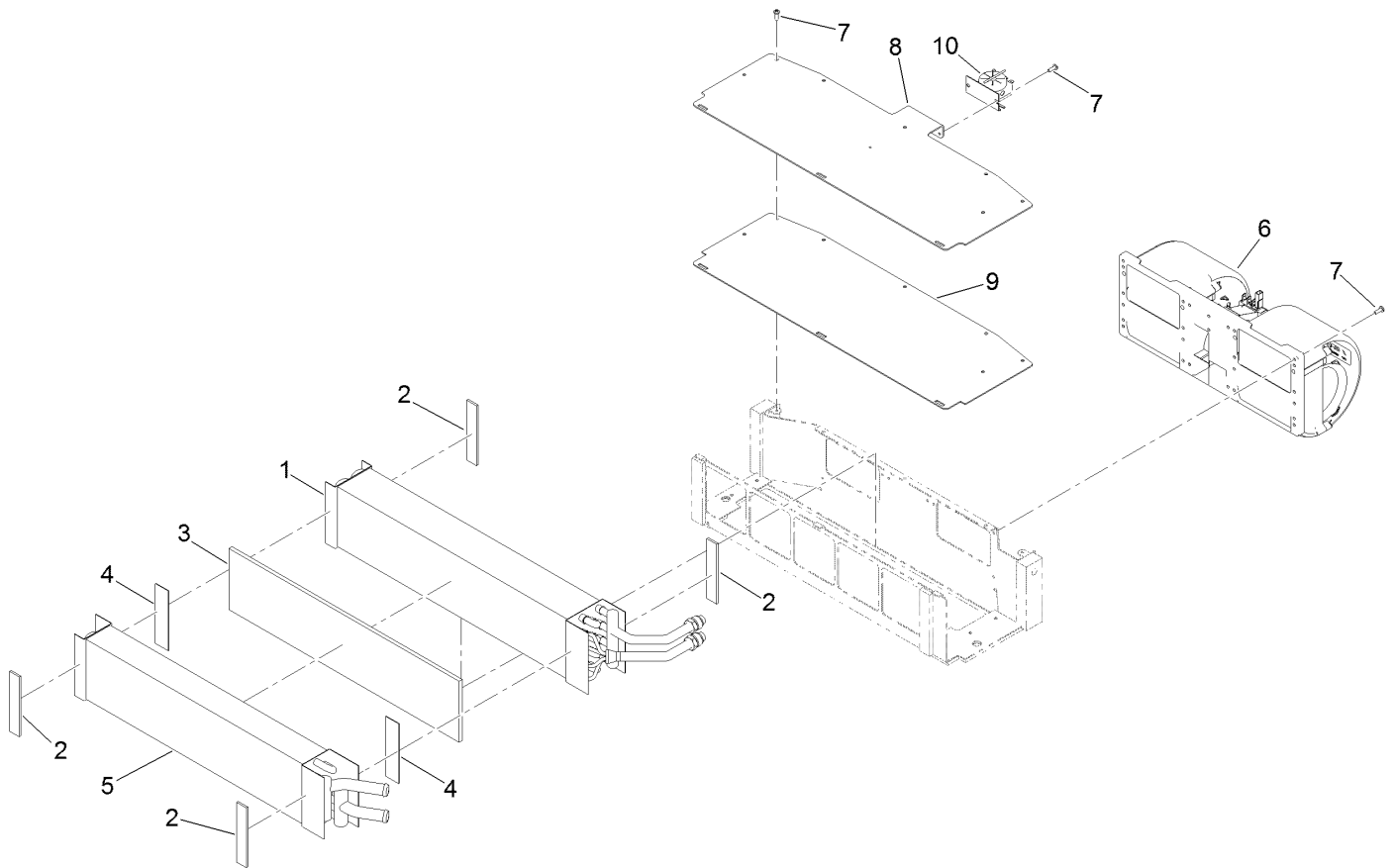




## Mixing Box Mounting Bracket and Water Tray Assembly (continued)

<i>Ref.</i>	<i>Part Number</i>	<i>Qty.</i>	<i>Description</i>	<i>Ref.</i>	<i>Part Number</i>	<i>Qty.</i>	<i>Description</i>
1	130-5655-03	1	Bracket-Mount	5	130-5653	1	Gasket-Mount, LH Bracket
2	130-5659	1	Seal-Foam	6	130-5654	1	Gasket-Mount, RH Bracket
3	130-5808	2	Seal-Foam, Front	7	130-5660	1	Tray-Water
4	130-0602	2	Seal-End				

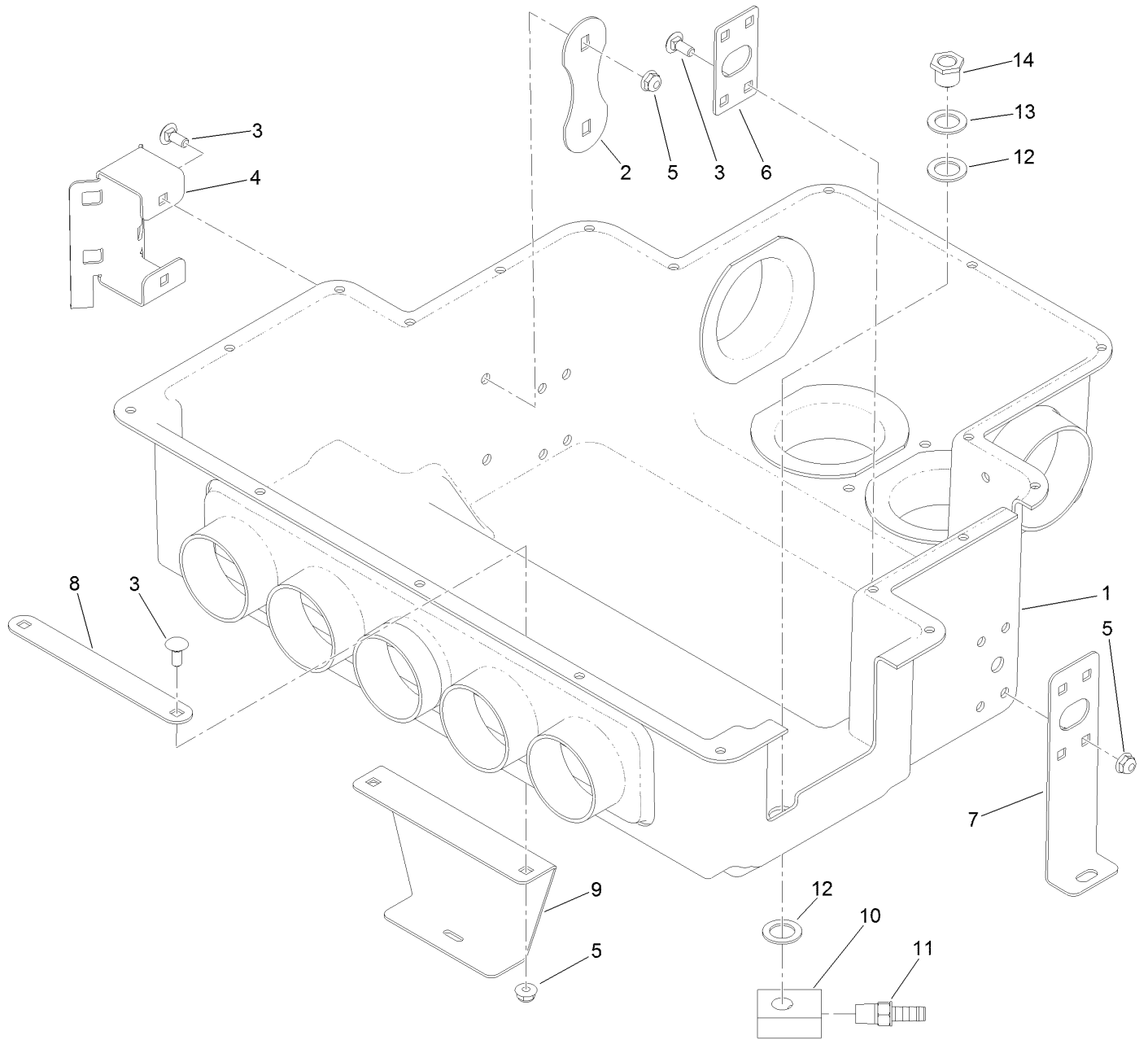
# Blower Fan and Evaporator Core Assembly



## Blower Fan and Evaporator Core Assembly (continued)

<i>Ref.</i>	<i>Part Number</i>	<i>Qty.</i>	<i>Description</i>	<i>Ref.</i>	<i>Part Number</i>	<i>Qty.</i>	<i>Description</i>
1	130-5392	1	Core-Evaporator	7	363-8245	13	Screw-TAP
2	130-5658	4	Gasket-Coil	8	130-5656-03	1	Cover, Bracket-Mount
3	130-5807	1	Foam	9	130-5652	1	Gasket-Mount, Cover Bracket
4	130-5806	2	Tape, Double-Sided	10	121-8385	1	Thermostat-Switch, Freeze
5	127-9915	1	Core-Heater				
6	121-8451	1	Fan-Blower				

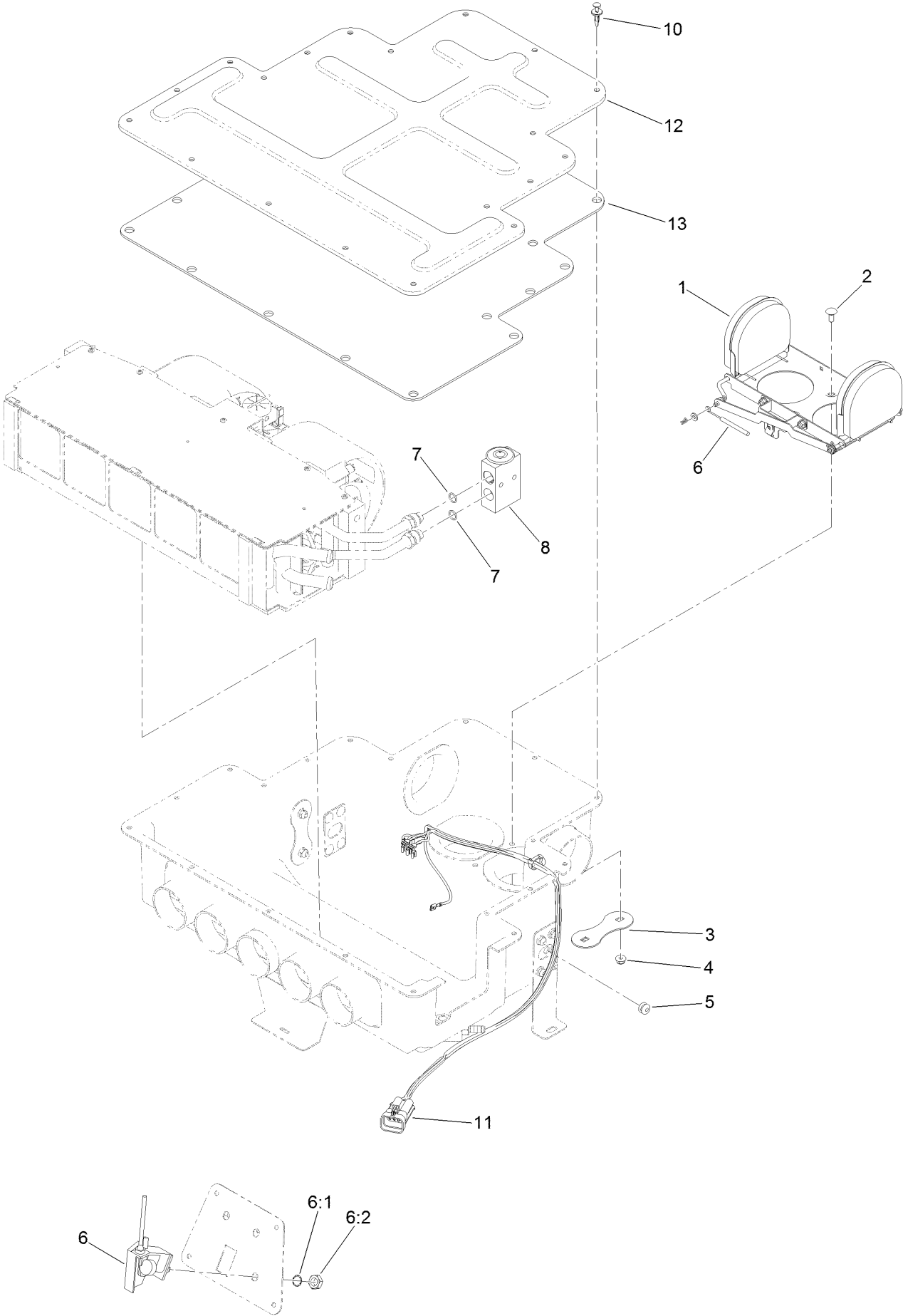
# Heat/Air Conditioner Housing Assembly



## Heat/Air Conditioner Housing Assembly (continued)

<i>Ref.</i>	<i>Part Number</i>	<i>Qty.</i>	<i>Description</i>	<i>Ref.</i>	<i>Part Number</i>	<i>Qty.</i>	<i>Description</i>
1	130-5830	1	Housing-Heat/AC	8	125-7504	1	Plate-Backer, Center
2	121-8491	1	Plate-Support	9	130-0554	1	Bracket-Airbox, Center
3	3229-11	12	Screw-CARR	10	130-5601	2	Drain-Lower
4	121-8490	1	Bracket-Mount, Drier	11	108-0342	2	Fitting-Straight
5	104-7201	12	Nut-HF, NI	12	121-6840	4	Washer-Rubber
6	130-5834	2	Bracket-Support	13	107-3041	2	Washer-Flat
7	130-5821	2	Bracket-Airbox, Side	14	130-0293	2	Drain-Upper

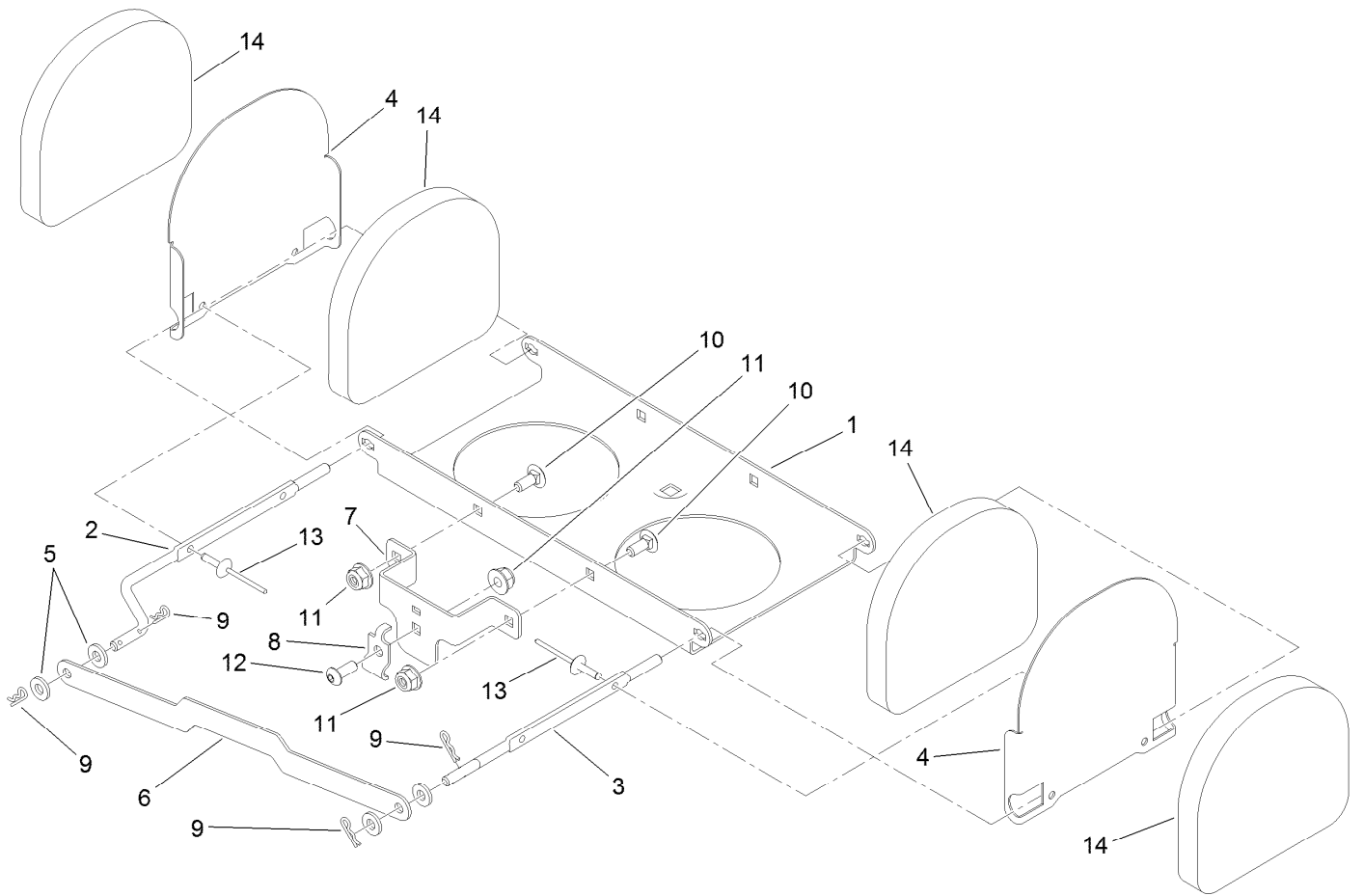
# Air Diverter and Expansion Valve Assembly



## Air Diverter and Expansion Valve Assembly (continued)

<i>Ref.</i>	<i>Part Number</i>	<i>Qty.</i>	<i>Description</i>	<i>Ref.</i>	<i>Part Number</i>	<i>Qty.</i>	<i>Description</i>
1	121-8369	1	Air Diverter ASM	7	125-9524	2	O-Ring
2	3229-11	2	Screw-CARR	8	121-8384	1	Valve-Expansion
3	121-8491	1	Plate-Support	10	125-9622	19	Rivet-Blind
4	104-7201	2	Nut-HF, NI	11	122-0153	1	Harness-Wire, Heat/AC Blower
5	125-7528	1	Grommet-Cable	12	121-8449	1	Housing-Ventilation, Upper
6	125-9678	1	Control-Rotary, Linear	13	130-5614	1	Insulation-Cover
6:1	3254-20	1	Washer-Lock, Int				
6:2	3220-4	1	Nut-Jam				

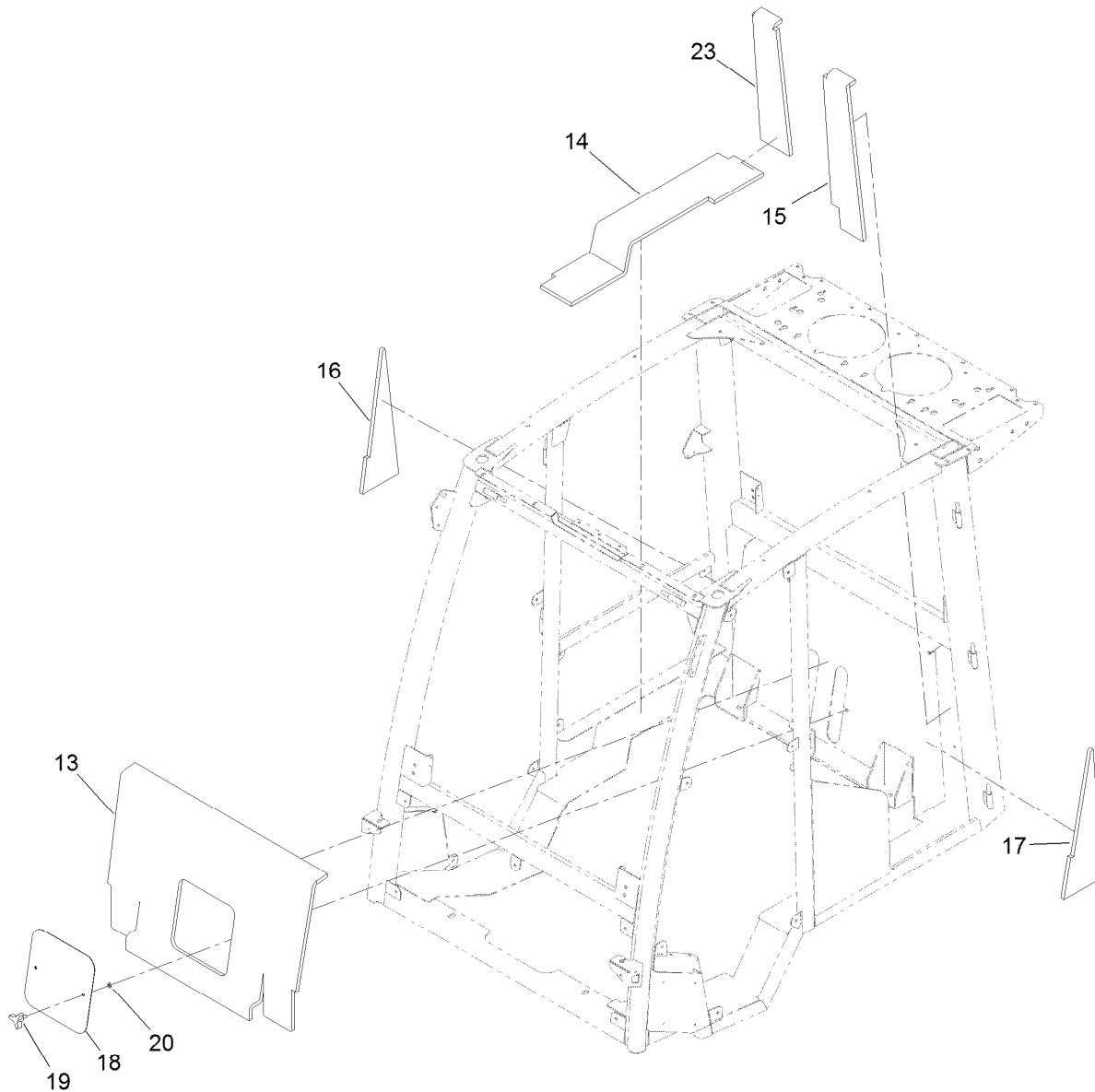
# Air Diverter Assembly No. 121-8369





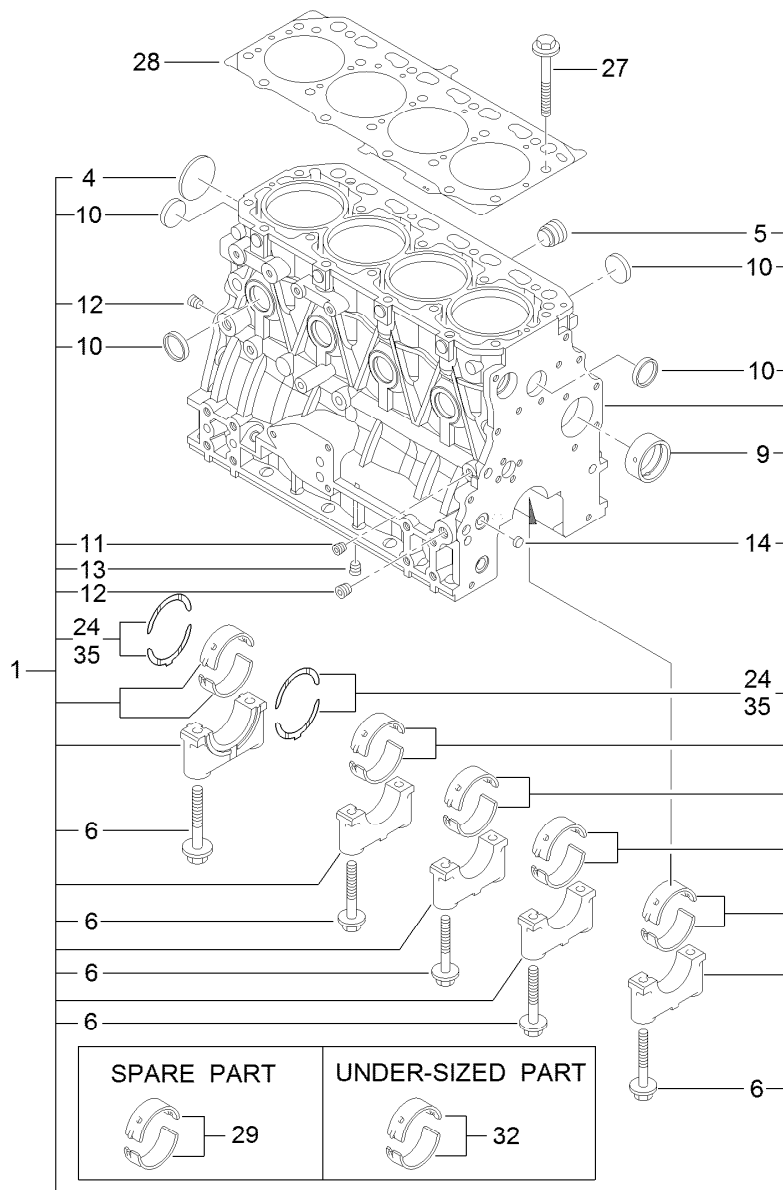
## Air Diverter Assembly No. 121-8369 (continued)

<i>Ref.</i>	<i>Part Number</i>	<i>Qty.</i>	<i>Description</i>	<i>Ref.</i>	<i>Part Number</i>	<i>Qty.</i>	<i>Description</i>
1	125-9697	1	Base-Mount	8	121-8256	1	Clamp-Conduit
2	121-8381	1	Shaft-Baffle, RH	9	108-2992	4	Pin-Hair
3	121-8382	1	Shaft-Baffle, LH	10	1-807513	2	Bolt-CARR
4	125-9698	2	Baffle-Air	11	120-4578	3	Nut-HF
5	3256-51	4	Washer-Flat	12	115-9830	1	Screw-HSBH
6	125-9696	1	Link-Baffle	13	3290-271	4	Rivet-Pop
7	121-8374	1	Mount-Cable	14	125-9699	4	Damper-Foam



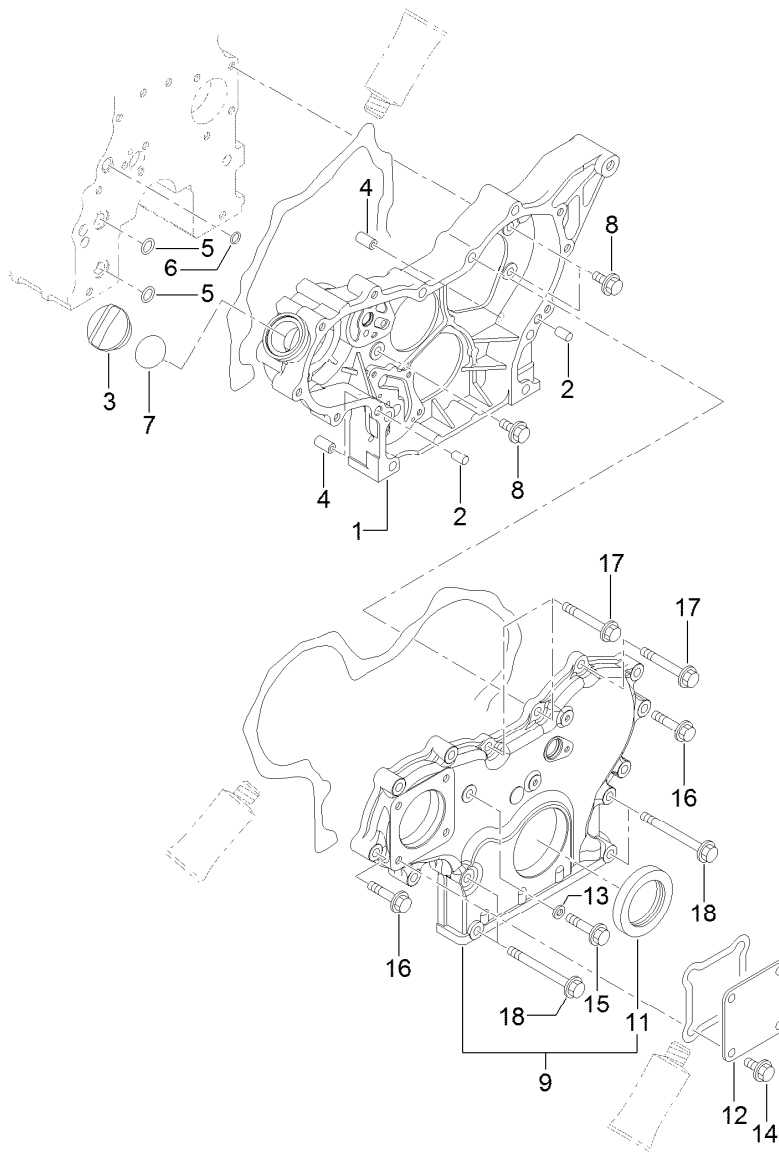
## Interior Foam Assembly

<i>Ref.</i>	<i>Part Number</i>	<i>Qty.</i>	<i>Description</i>
13	130-0564	1	Foam-Upholstery, Rear
14	130-5837	1	Foam-Interior, RH-Lower
15	130-0563	1	Foam-Upholstery, Rear-LH
16	130-0561	1	Foam-Upholstery, Side (RH)
17	130-0570	1	Foam-Upholstery, Rear (LH)
18	121-8161-03	1	Plate-Panel, Access
19	700806	2	Knob
20	109-5667	2	Nut-Push
23	130-5838	1	Foam-Interior, RH (Upper)



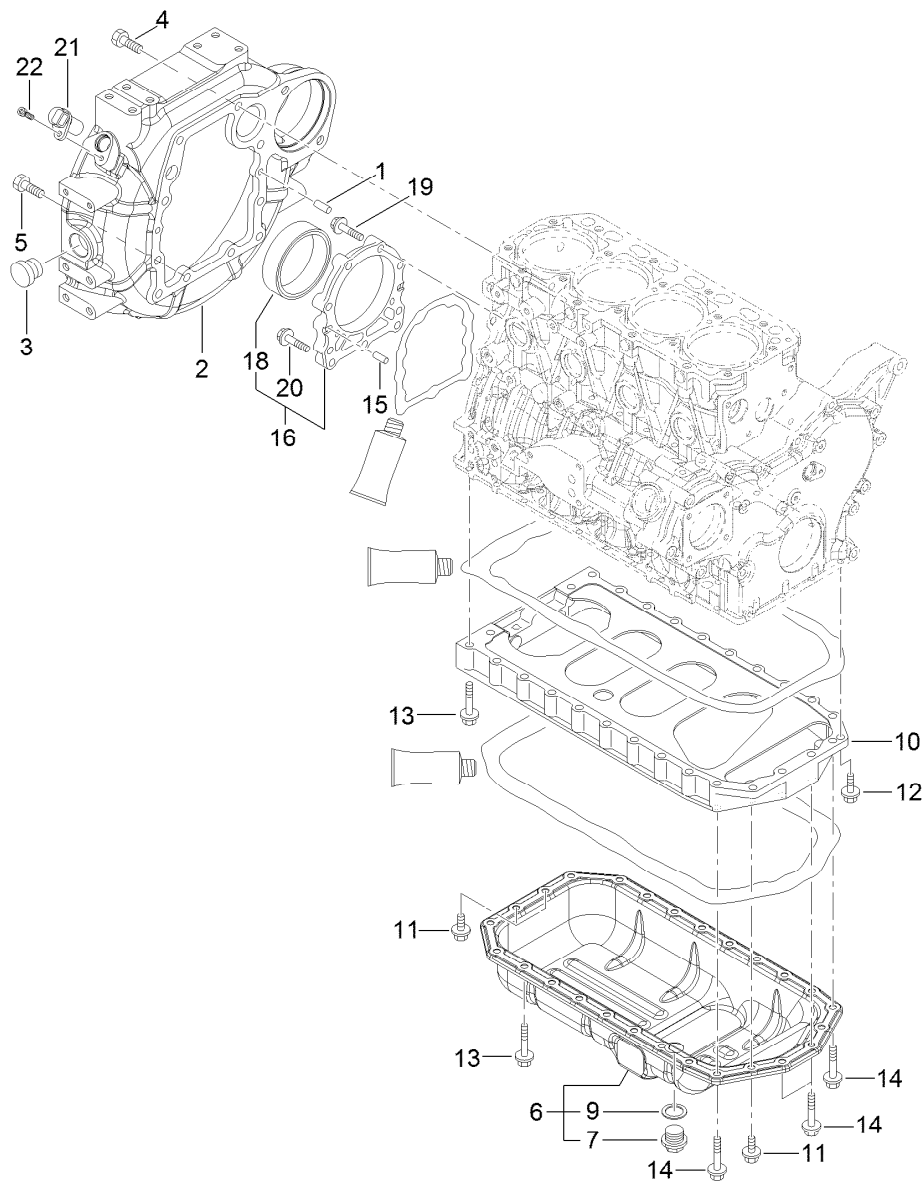
## Cylinder Block Assembly

<i>Ref.</i>	<i>Part Number</i>	<i>Qty.</i>	<i>Description</i>	<i>Ref.</i>	<i>Part Number</i>	<i>Qty.</i>	<i>Description</i>
1	127-3127	1	Cylinder Block ASM	13	125-6973	1	Plug
4	125-6980	1	Plug	14	125-7237	1	Plug
5	125-7170	1	Plug	24	125-7010	2	Metal-Thrust
6	125-7007	10	Bolt	27	125-7006	18	Bolt
9	125-7108	1	Bushing	28	127-3126	1	Gasket-Head, Cylinder
10	125-7239	8	Plug	29	125-6981	5	Metal-Main
11	125-6969	1	Plug	32	125-7009	5	Metal-Main (0.25)
12	125-6973	2	Plug	35	125-7011	1	Metal-Thrust (0.25)



## Gear Housing Assembly

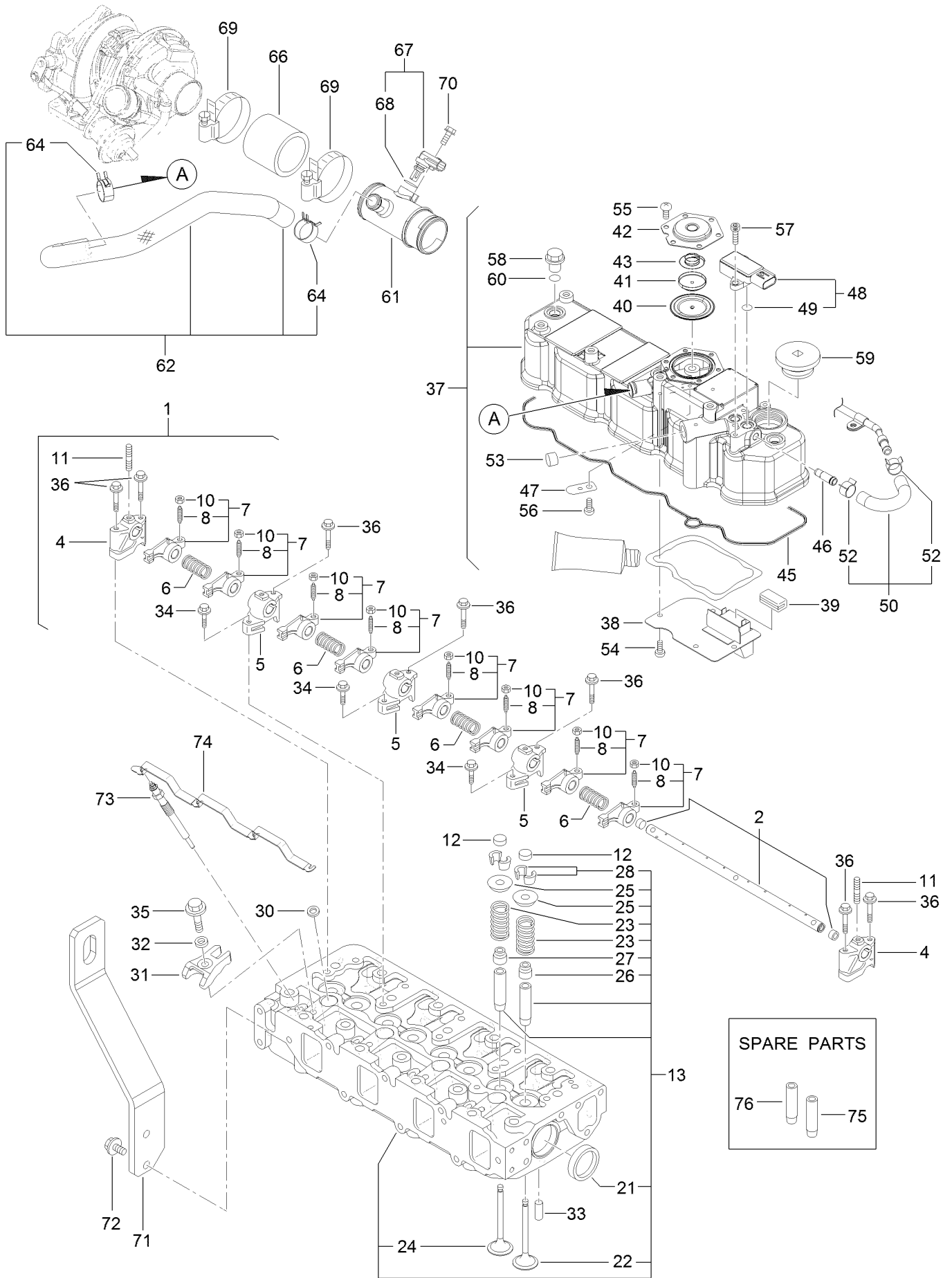
<i>Ref.</i>	<i>Part Number</i>	<i>Qty.</i>	<i>Description</i>	<i>Ref.</i>	<i>Part Number</i>	<i>Qty.</i>	<i>Description</i>
1	127-3023	1	Case-Gear	11	125-6944	1	Seal-Oil
2	125-6995	2	Pin	12	125-6977	1	Cover
3	125-6972	1	Cover-Filler	13	125-7174	1	Washer-Seal
4	125-7107	2	Pipe	14	125-7214	4	Bolt
5	125-6909	2	O-Ring	15	125-7217	1	Bolt
6	127-2973	1	O-Ring	16	125-7218	7	Bolt
7	125-7197	1	O-Ring	17	125-7222	3	Bolt
8	125-7214	3	Bolt	18	125-7224	4	Bolt
9	127-3024	1	Gearcase Cover ASM				



## Flywheel Housing and Oil Sump Assembly

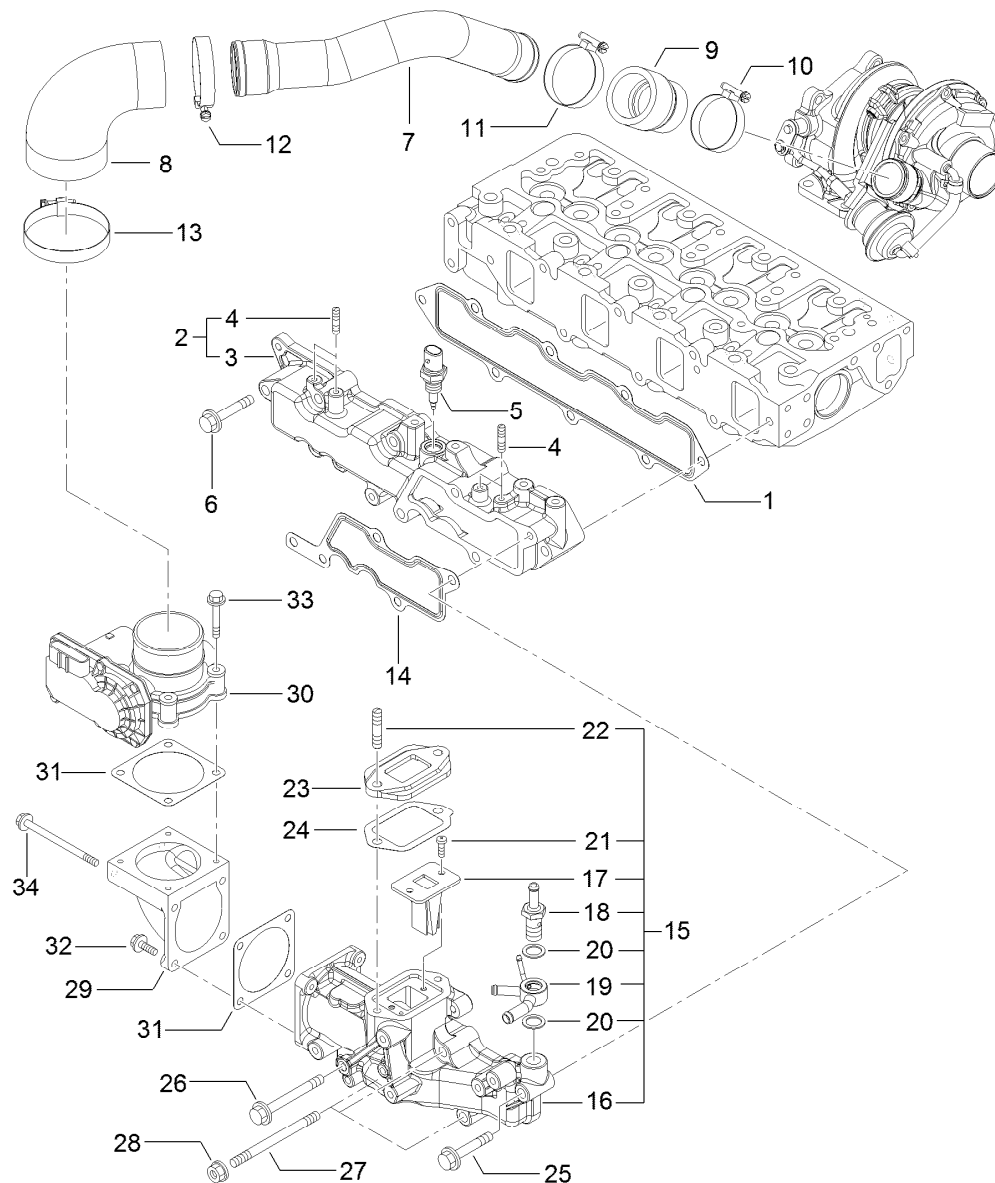
<i>Ref.</i>	<i>Part Number</i>	<i>Qty.</i>	<i>Description</i>	<i>Ref.</i>	<i>Part Number</i>	<i>Qty.</i>	<i>Description</i>
1	125-6995	2	Pin	12	125-7215	2	Bolt
2	127-3025	1	Housing-Flywheel	13	125-7219	20	Bolt
3	125-6910	1	Cap	14	125-7220	4	Bolt
4	125-7226	6	Bolt	15	125-6995	2	Pin
5	125-7227	4	Bolt	16	125-6996	1	Case ASM
6	125-7241	1	Oil Sump ASM	18	125-7106	1	Seal-Oil
7	125-6912	1	Plug-Drain	19	125-7045	6	Bolt
9	125-7177	1	Washer-Seal	20	125-7217	3	Bolt
10	125-7035	1	Spacer	21	127-3062	1	Sensor-Rev, Flywheel
11	125-7214	4	Bolt	22	127-3184	1	Bolt

# Cylinder Head and Cover Assembly



## Cylinder Head and Cover Assembly (continued)

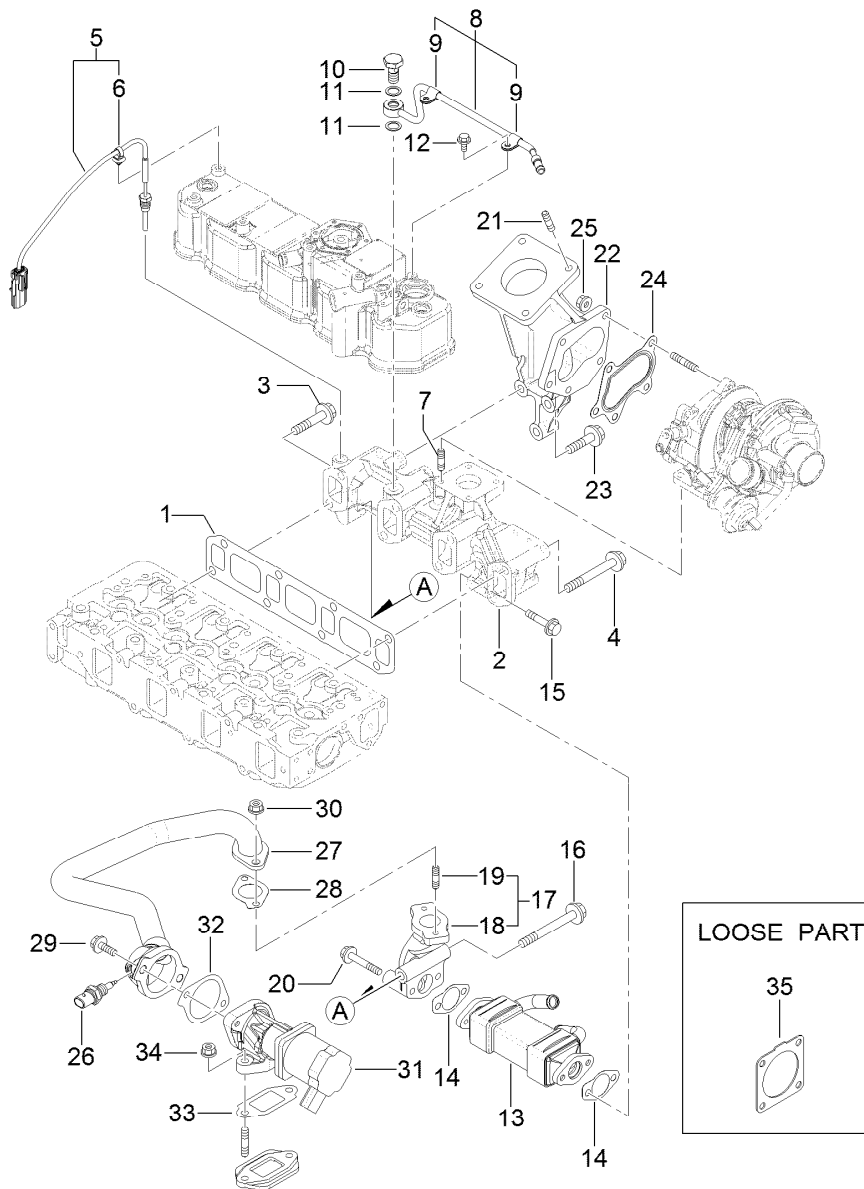
<i>Ref.</i>	<i>Part Number</i>	<i>Qty.</i>	<i>Description</i>	<i>Ref.</i>	<i>Part Number</i>	<i>Qty.</i>	<i>Description</i>
1	127-3005	1	Shaft ASM	42	125-6961	1	Plate-Breather
2	127-3006	1	Shaft	43	125-6962	1	Spring-Diaphragm
4	127-2974	2	Support	45	127-3106	1	Gasket-Cover
5	127-2975	3	Support	46	127-3026	1	Joint
6	127-2995	4	Spring	47	125-6994	1	Spring
7	127-2989	8	Arm-Rocker	48	127-3029	1	Sensor-Pressure
8	125-7013	8	Screw-Adjust, Valve	49	127-3032	2	O Ring-Sensor, Pressure
10	125-7014	8	Nut	50	127-3040	1	Hose ASM
11	127-3183	3	Stud	52	127-3041	2	Clip-Hose
12	127-2996	8	Cap-Valve	53	125-6913	1	Plug
13	127-3132	1	Cylinder Head ASM	54	125-7186	4	Screw
21	125-7240	2	Plug	55	125-7186	6	Screw
22	127-2990	4	Valve	56	125-7186	1	Screw
23	127-3012	8	Spring	57	127-3184	2	Bolt
24	127-2994	4	Valve	58	125-6974	3	Knob
25	127-3013	8	Retainer-Spring	59	127-2978	1	Plug
26	127-2986	4	Seal-Stem, Valve	60	93-0418	3	O-Ring
27	127-3027	4	Seal-Stem, Valve	61	127-3128	1	Joint-Breather
28	127-3186	8	Pin-Cotter	62	127-3129	1	Breather Hose ASM
30	127-3021	4	Gasket-Injector	64	125-7040	2	Clip-Hose
31	127-3028	4	Retainer-Injector	66	127-3133	1	Hose-Intake
32	127-2980	4	Washer-Injector	67	127-3030	1	Sensor-Temp, Air
33	125-7184	2	Pin-Spring	68	127-3033	1	O-Ring
34	125-7215	3	Bolt	69	125-7190	2	Clamp-Hose
35	125-7217	4	Bolt	70	125-7208	1	Bolt
36	125-7220	7	Bolt	71	127-3130	1	Lifter-Engine
37	127-3131	1	Cylinder Head Cover ASM	72	125-7214	2	Bolt
38	127-2988	1	Plate	73	127-2991	4	Plug-Glow
39	125-7012	1	Baffle	74	127-3123	1	Connector-Glow Plug
40	125-6959	1	Diaphragm	75	127-2979	4	Guide
41	125-6960	1	Plate	76	127-2997	4	Guide-Valve



## Suction Manifold Assembly

Ref.	Part Number	Qty.	Description	Ref.	Part Number	Qty.	Description
1	127-3107	1	Gasket-Manifold, Intake	18	127-3080	1	Joint-Hose
2	127-3135	1	Intake Manifold ASM	19	127-3081	1	Joint-Hose
3	127-3134	1	Manifold-Intake	20	127-3166	2	Washer-Seal
4	127-3180	4	Stud	21	127-3168	2	Screw
5	127-3031	1	Sensor-Temp, Air	22	127-3181	2	Stud
6	125-7220	5	Bolt	23	127-3045	1	Spacer-Valve, E G R
7	127-3152	1	Duct-Suction	24	127-3046	1	Gasket-E G R
8	127-3096	1	Joint-Rubber	25	125-7220	1	Bolt
9	127-3153	1	Joint-Rubber	26	127-3178	1	Bolt
10	125-7189	1	Clamp-Hose	27	127-3182	3	Stud
11	127-3170	1	Clamp-Hose	28	125-7229	3	Nut
12	125-7190	1	Clamp-Hose	29	127-3035	1	Bend-Inlet
13	127-3171	1	Clamp-Hose	30	127-3036	1	Body-Throttle
14	127-3034	1	Gasket-Collector	31	127-3037	2	Gasket-Throttle
15	127-3093	1	Intake Collector ASM	32	125-7209	2	Bolt
16	127-3092	1	Collector-Intake	33	125-7211	4	Bolt
17	127-3139	1	Valve-Reed	34	127-3177	2	Bolt

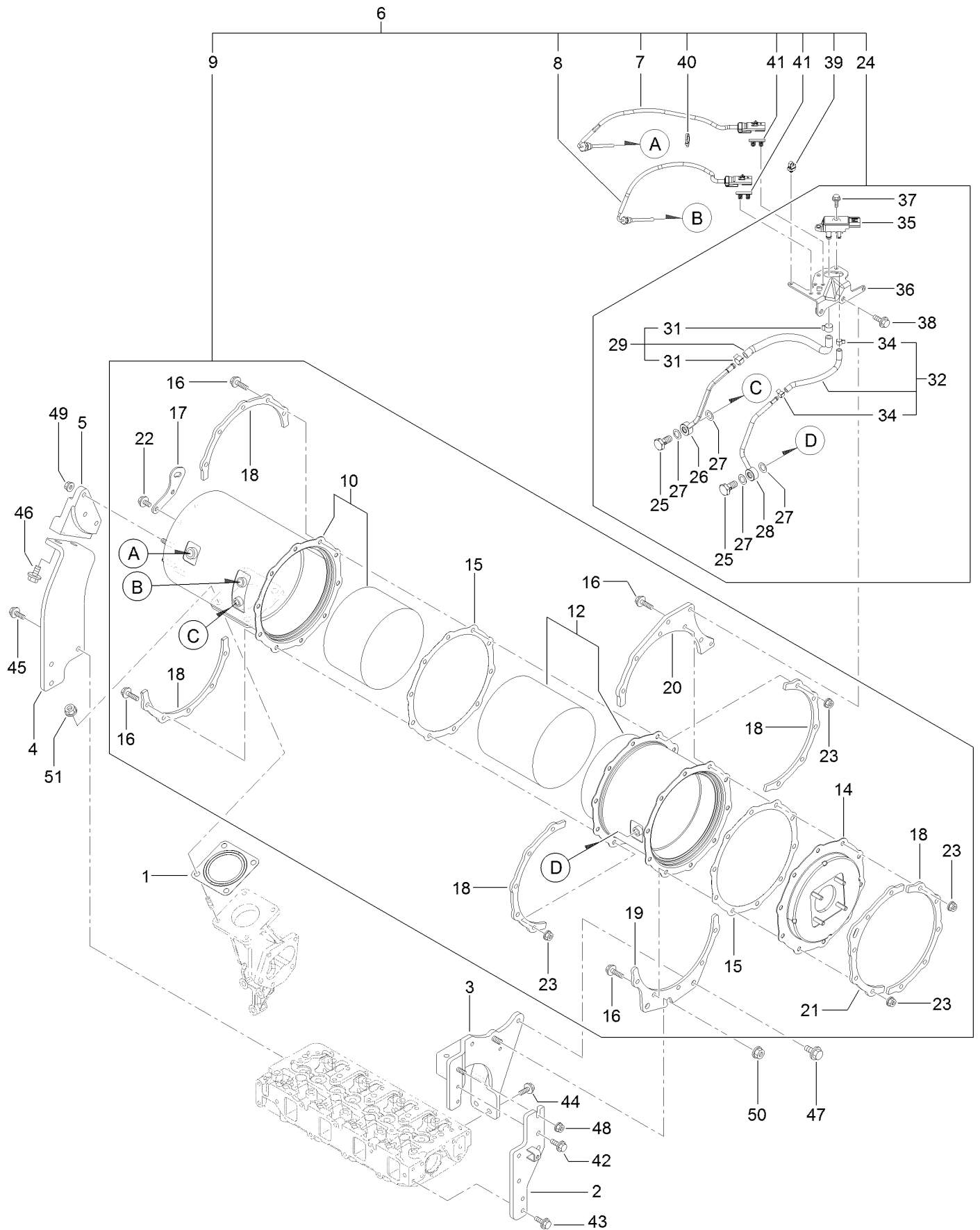




## Exhaust Manifold Assembly

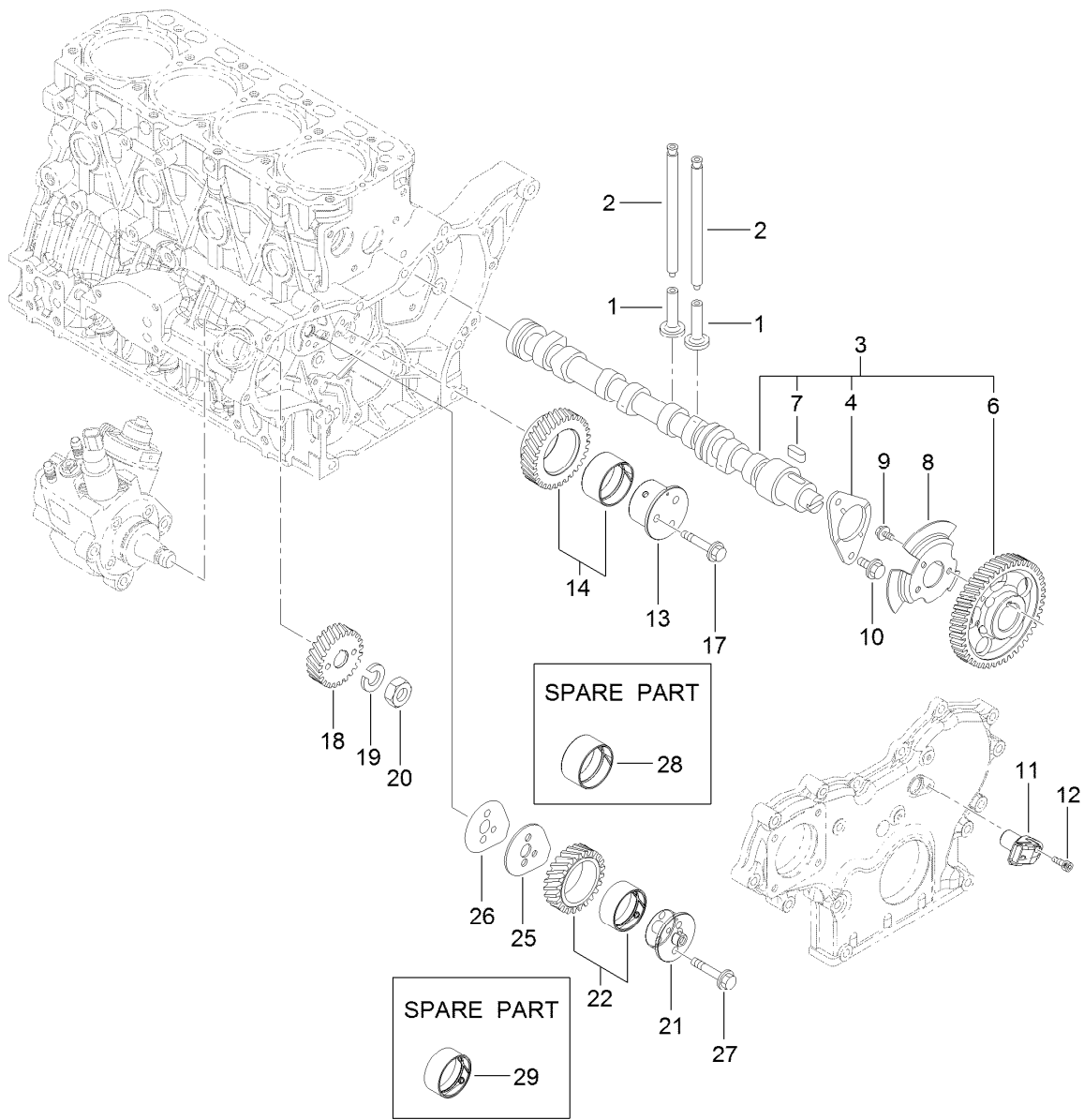
Ref.	Part Number	Qty.	Description	Ref.	Part Number	Qty.	Description
1	127-3108	1	Gasket-Manifold, Exhaust	19	125-7043	2	Stud
2	127-3136	1	Manifold-Exhaust	20	125-7220	2	Bolt
3	127-3094	1	Bolt	21	127-2984	4	Stud
4	127-3044	7	Bolt-M10	22	127-3137	1	Pipe-Exhaust
5	127-3140	1	Sensor-Temp, Exhaust	23	127-3138	3	Bolt-Flange
6	127-3087	1	Band-Clip	24	125-7071	1	Gasket
7	125-7043	4	Stud	25	125-7229	5	Nut
8	127-3038	1	Exhaust Pipe ASM	26	127-3047	1	Sensor-Gas Temp, E G R
9	127-3173	2	Clamp	27	127-3109	1	E G R Pipe ASM
10	127-3039	1	Bolt-Joint, Pipe	28	127-3016	1	Gasket
11	127-3174	2	Gasket	29	125-7215	2	Bolt
12	125-7206	2	Bolt	30	125-7229	2	Nut
13	127-3042	1	Cooler-E G R	31	127-3110	1	Valve-E G R
14	127-3043	2	Gasket-Cooler, E G R	32	127-3050	1	Gasket-Intake Valve, E G R
15	127-2976	2	Bolt	33	127-3051	1	Gasket-Out Valve, E G R
16	127-3022	1	Bolt-Flange	34	125-7229	2	Nut
17	127-3048	1	E G R Pipe ASM	35	127-3019	1	Gasket
18	127-3049	1	Pipe-Out, E G R				

# Diesel Particulate Filter Assembly



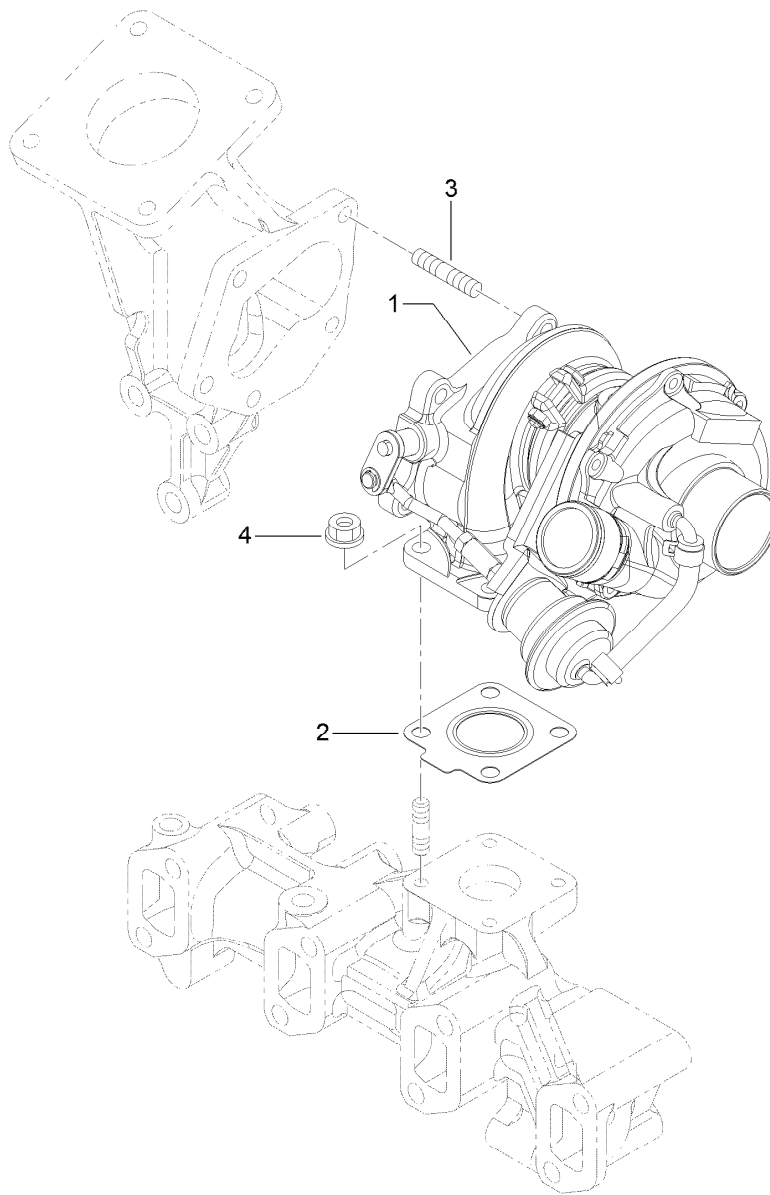
## Diesel Particulate Filter Assembly (continued)

<i>Ref.</i>	<i>Part Number</i>	<i>Qty.</i>	<i>Description</i>	<i>Ref.</i>	<i>Part Number</i>	<i>Qty.</i>	<i>Description</i>
1	127-2987	1	Gasket-Silencer	27	127-3056	4	Gasket-Sensor
2	127-3095	1	Stay-D P F	28	127-3165	1	Exhaust Pressure Pipe ASM
3	127-3148	1	Stay- D P F	29	127-3114	1	Exhaust Hose ASM
4	127-3149	1	Stay-D P F	31	127-3057	2	Clip-Hose
5	127-3150	1	Stay-D P F	32	127-3059	1	Exhaust Pressure Hose ASM
6	127-3159	1	D P F Unit	34	127-3058	2	Clip-Hose
7	127-3111	1	Sensor-Temp, Exhaust	35	127-3060	1	Sensor-Pressure
8	127-3112	1	Sensor-Temp, Exhaust	36	127-3061	1	Bracket-Sensor, Pressure
9	127-3157	1	D P F ASM	37	125-7208	2	Bolt
10	127-3141	1	Case-Doc	38	125-7595	2	Bolt
12	127-3142	1	Case-Filter, Soot	39	127-3087	1	Band-Clip
14	127-3143	1	Flange-Outlet	40	127-3124	1	Band
15	127-3162	2	Gasket-D P F	41	127-3088	2	Clip-Connector
16	127-3055	20	Bolt	42	125-7595	2	Bolt
17	127-3144	1	Lifter-D P F	43	125-7595	2	Bolt
18	127-3145	5	Stiffener-D P F, A	44	125-7595	2	Bolt
19	127-3146	1	Stiffener-D P F, B	45	125-7595	3	Bolt
20	127-3158	1	Stiffener-D P F, D	46	127-3179	2	Bolt
21	127-3147	1	Stiffener-D P F, C	47	127-3179	2	Bolt
22	125-7213	2	Bolt	48	125-7229	1	Nut
23	125-7229	20	Nut	49	125-7229	3	Nut
24	127-3163	1	Pressure Sensor Unit	50	125-7230	1	Nut
25	127-3039	2	Bolt-Joint, Pipe	51	125-7230	4	Nut
26	127-3164	1	Exhaust Pressure Pipe ASM				



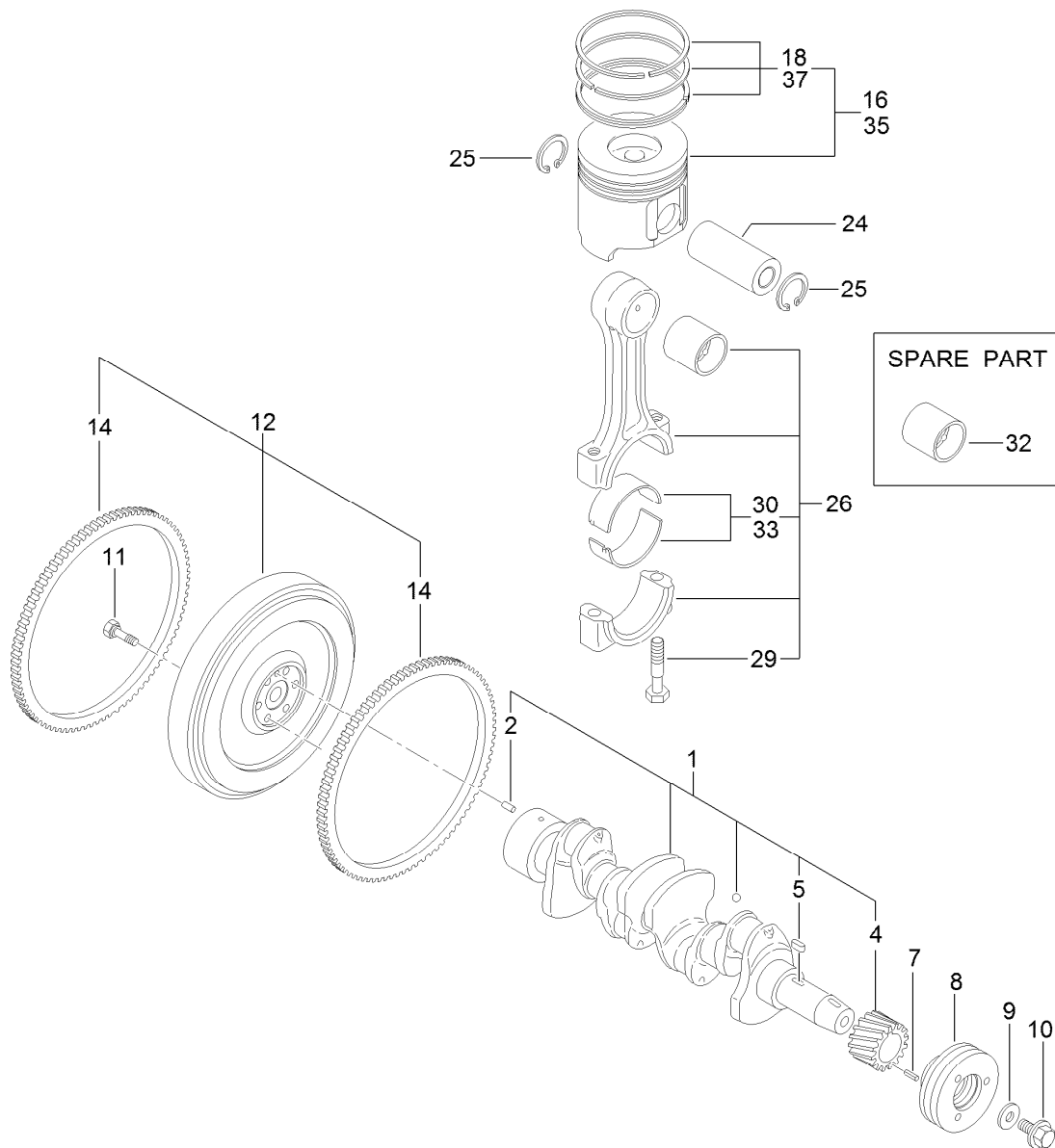
## Camshaft and Driving Gear Assembly

Ref.	Part Number	Qty.	Description	Ref.	Part Number	Qty.	Description
1	125-7016	8	Tappet	14	127-3066	1	Idle Gear A ASM
2	125-7017	8	Rod-Push	17	125-7219	3	Bolt
3	127-3113	1	Camshaft ASM	18	127-3070	1	Gear-Pump, Supply
4	125-7008	1	Metal-Thrust	19	127-3167	1	Washer-Spring
6	127-3052	1	Gear-Camshaft	20	127-3185	1	Nut-Lock
7	125-7185	1	Key	21	127-3064	1	Shaft-Idle, Gear B
8	127-3053	1	Pulser-Camshaft	22	127-3067	1	Idle Gear B ASM
9	125-7205	3	Bolt	25	127-3068	1	Plate-Idle, Shaft
10	125-7213	2	Bolt	26	127-3069	1	Gasket-Idle, Shaft B
11	127-3054	1	Sensor-Rev, Gear	27	125-7218	2	Bolt
12	127-3184	1	Bolt	28	125-6927	1	Bushing
13	127-3063	1	Shaft-Idle, Gear A	29	127-3065	1	Bushing



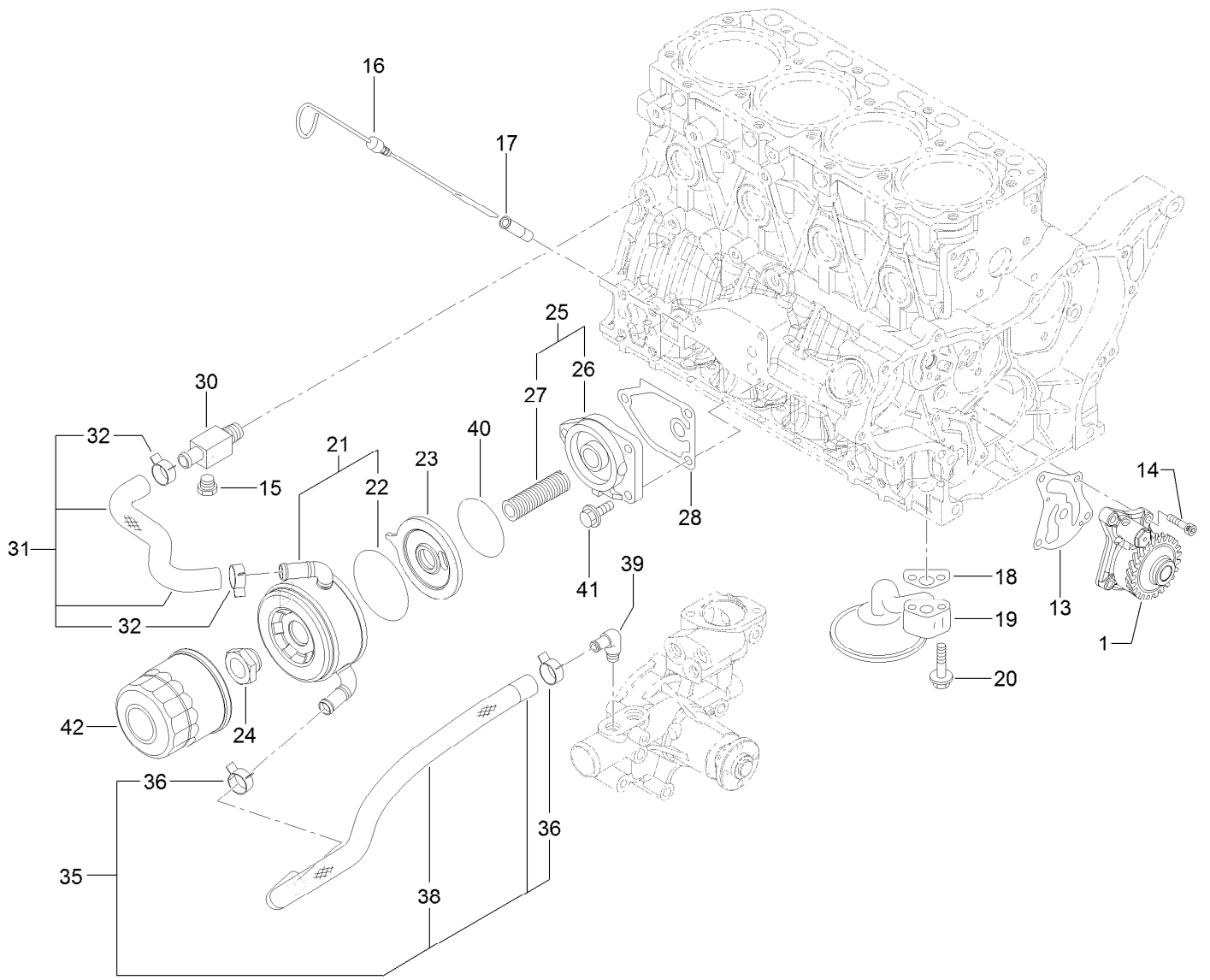
## Turbine Assembly

<i>Ref.</i>	<i>Part Number</i>	<i>Qty.</i>	<i>Description</i>
1	127-3151	1	Turbine ASM
2	125-7070	1	Gasket
3	125-6906	5	Stud
4	125-7229	4	Nut



## Crankshaft and Piston Assembly

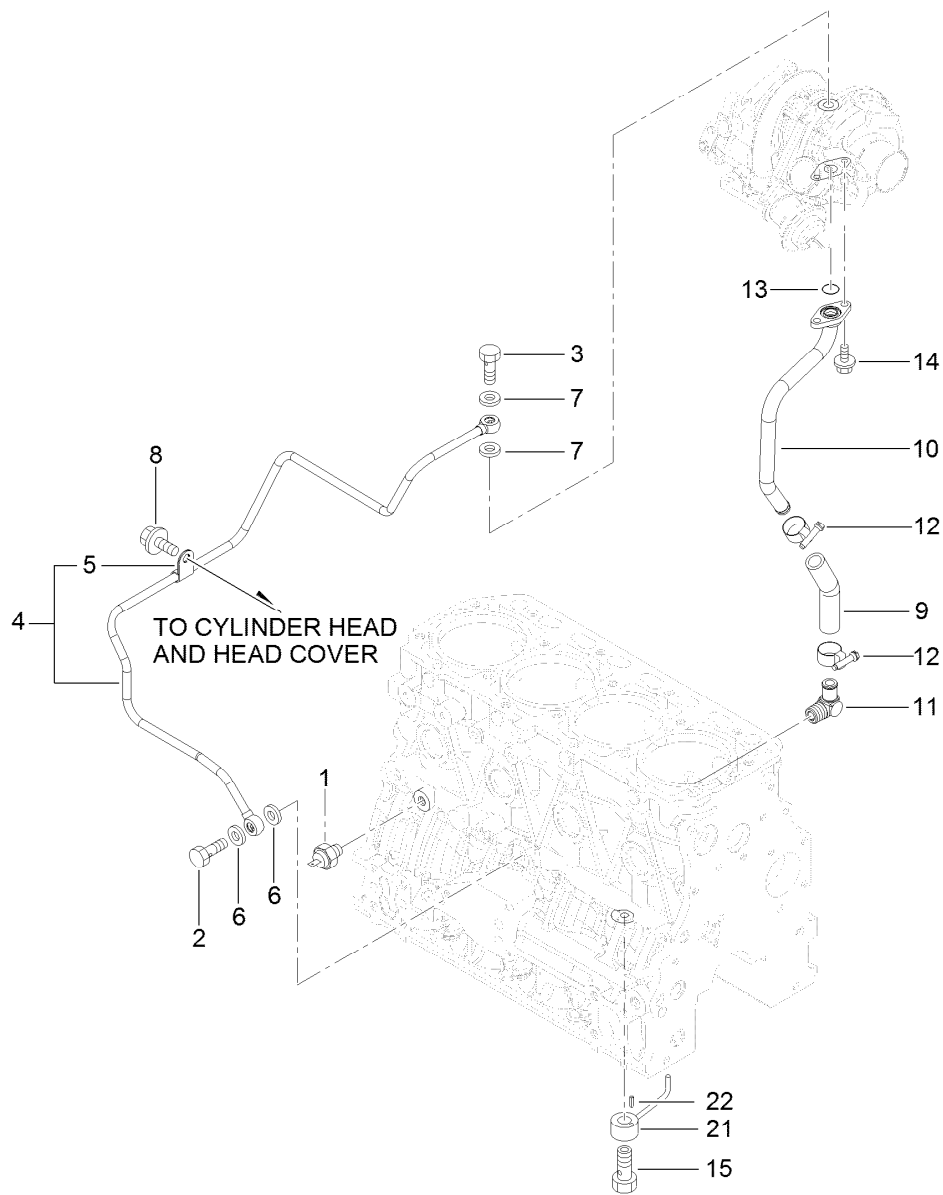
Ref.	Part Number	Qty.	Description	Ref.	Part Number	Qty.	Description
1	125-7091	1	Crankshaft ASM	16	127-3097	4	Piston ASM
2	125-6995	1	Pin	18	127-3098	4	Piston Ring ASM
4	125-6937	1	Gear	24	125-7030	4	Pin
5	125-7185	1	Key	25	125-7180	8	Ring
7	125-7182	1	Pin-Spring	26	125-7242	4	Connecting Rod ASM
8	125-6925	1	V-Pulley	29	125-6955	8	Bolt
9	125-7109	1	Washer	30	125-7018	4	Pin-Crank
10	125-6956	1	Bolt	32	125-6997	4	Pin-Piston
11	125-6951	6	Bolt	33	125-7019	4	Pin-Crank (.25)
12	127-3160	1	Flywheel ASM	35	127-3099	4	Piston ASM (0.25 O.S.)
14	125-6943	1	Gear	37	127-3100	4	Piston Ring ASM (0.25 O.S.)



## Lubrication and Oil System Assembly

Ref.	Part Number	Qty.	Description
1	127-3101	1	Oil Lube Pump ASM
13	127-3004	1	Gasket
14	125-7232	4	Bolt
15	125-7171	1	Plug-Drain
16	125-6987	1	Dipstick
17	125-6954	1	Guide-Dipstick
18	125-7022	1	Gasket
19	125-7023	1	Pipe ASM
20	125-7217	2	Bolt
21	127-3014	1	Cooler ASM
22	127-2985	1	O-Ring
23	127-3015	1	Bracket-Cooler
24	125-7041	1	Nut-Cooler, Oil
25	127-3009	1	Bracket ASM

Ref.	Part Number	Qty.	Description
26	125-6930	1	Bracket
27	127-3010	1	Stud
28	125-7024	1	Gasket
30	125-6990	1	Joint
31	127-3102	1	Pipe-Cooling, Water
32	125-7162	2	Clip
35	127-3103	1	Hose-Cooling, Water
36	125-7162	2	Clip
38	127-3007	1	Tube
39	125-7001	1	Elbow
40	127-3176	1	O-Ring
41	125-7595	3	Bolt
42	125-7025	1	Filter-Engine, Oil

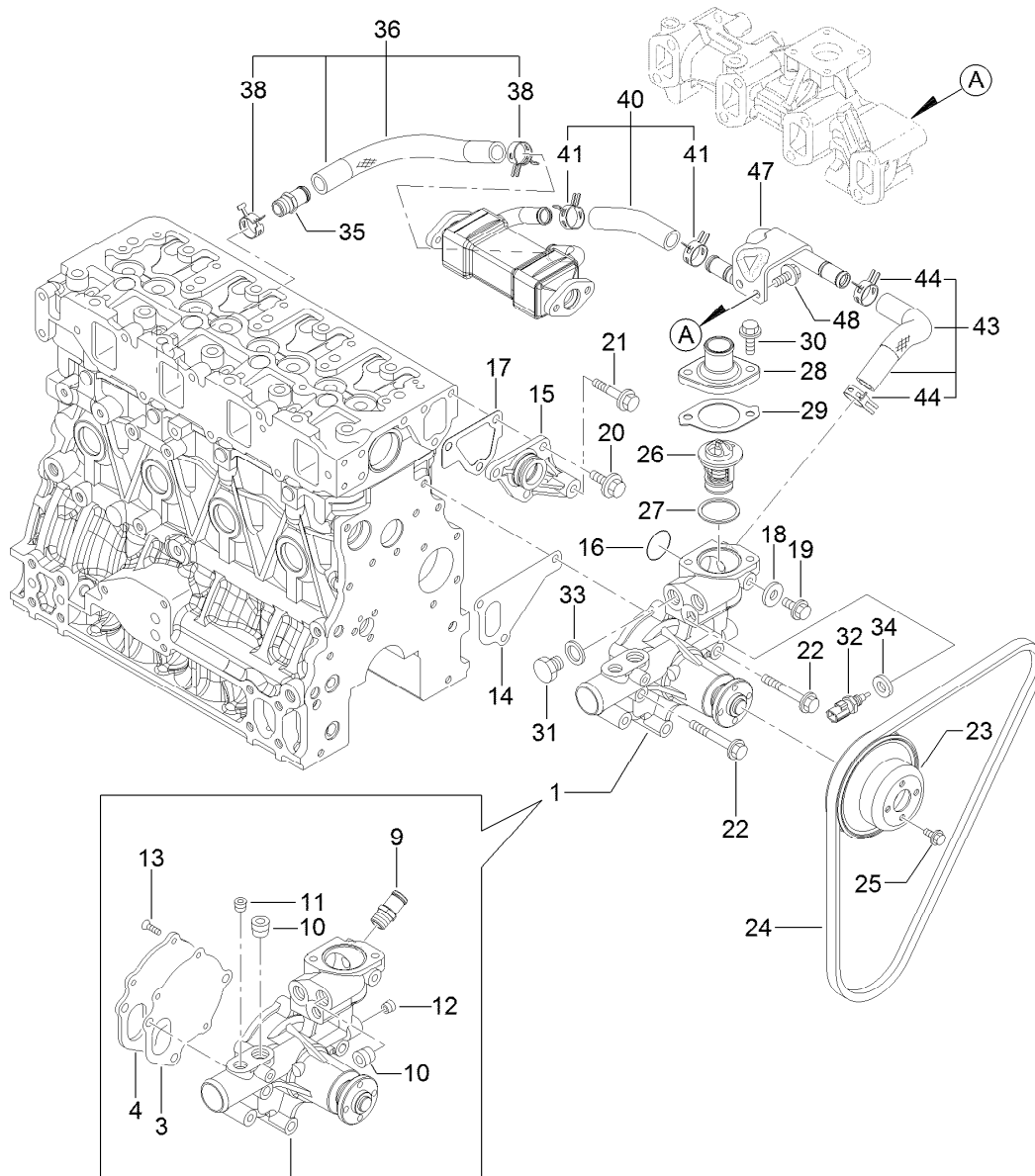


## Lubrication Oil Line Assembly

Ref.	Part Number	Qty.	Description
1	125-6918	1	Switch-Oil
2	125-6975	1	Bolt-Joint, Pipe
3	125-6952	1	Bolt-Joint, Pipe
4	127-3154	1	Lube Oil Pipe ASM
5	125-6976	1	Retainer
6	125-7175	2	Washer-Seal
7	125-7193	2	Gasket
8	93-0362	1	Bolt
9	127-2992	1	Joint

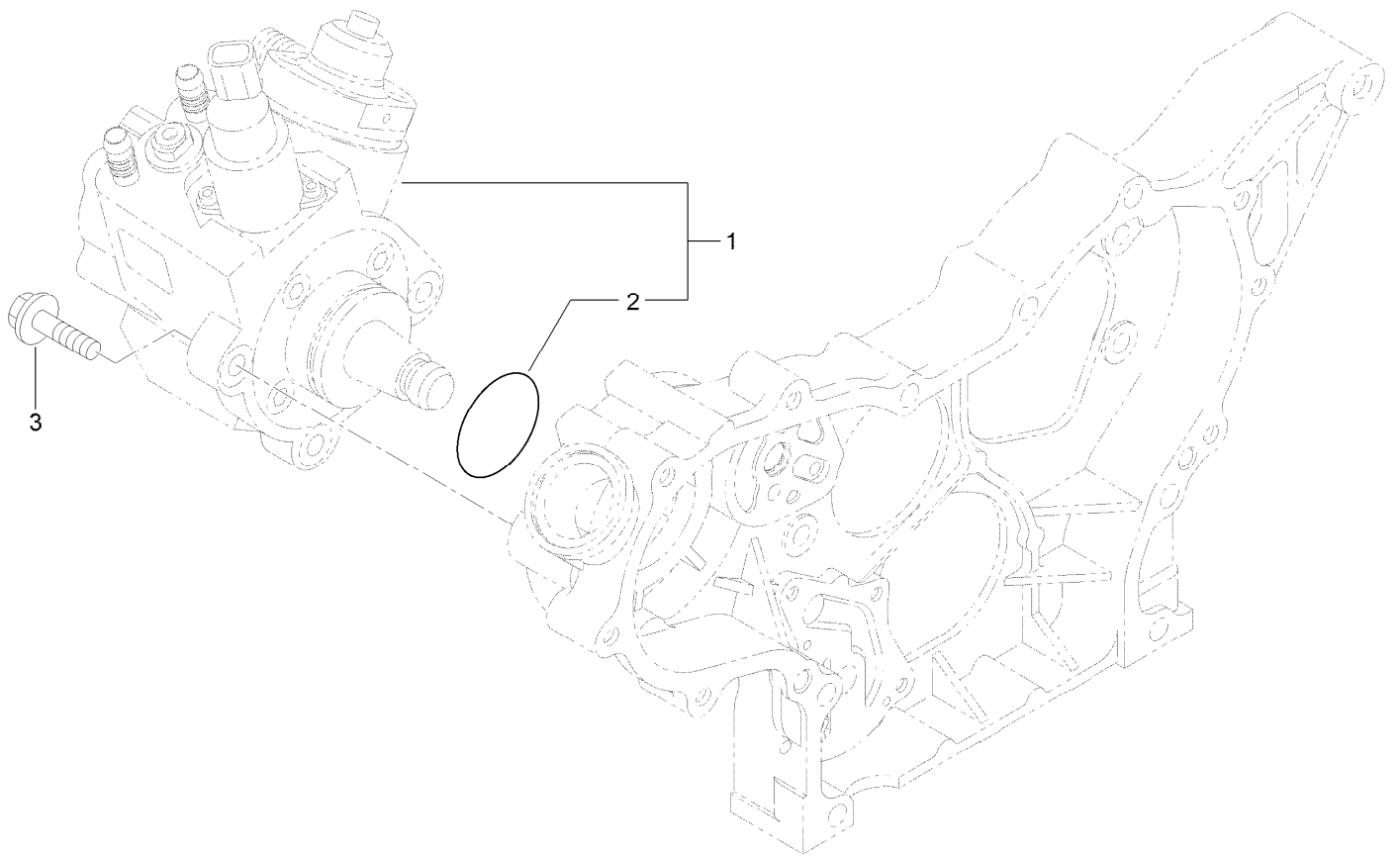
Ref.	Part Number	Qty.	Description
10	127-3155	1	Pipe-Lube, Oil
11	127-3003	1	Elbow
12	127-3169	2	Clamp-Hose
13	125-7198	1	O-Ring
14	125-7208	2	Bolt
15	125-7105	4	Check Valve ASM
21	125-7098	4	Nozzle
22	125-7182	4	Pin-Spring





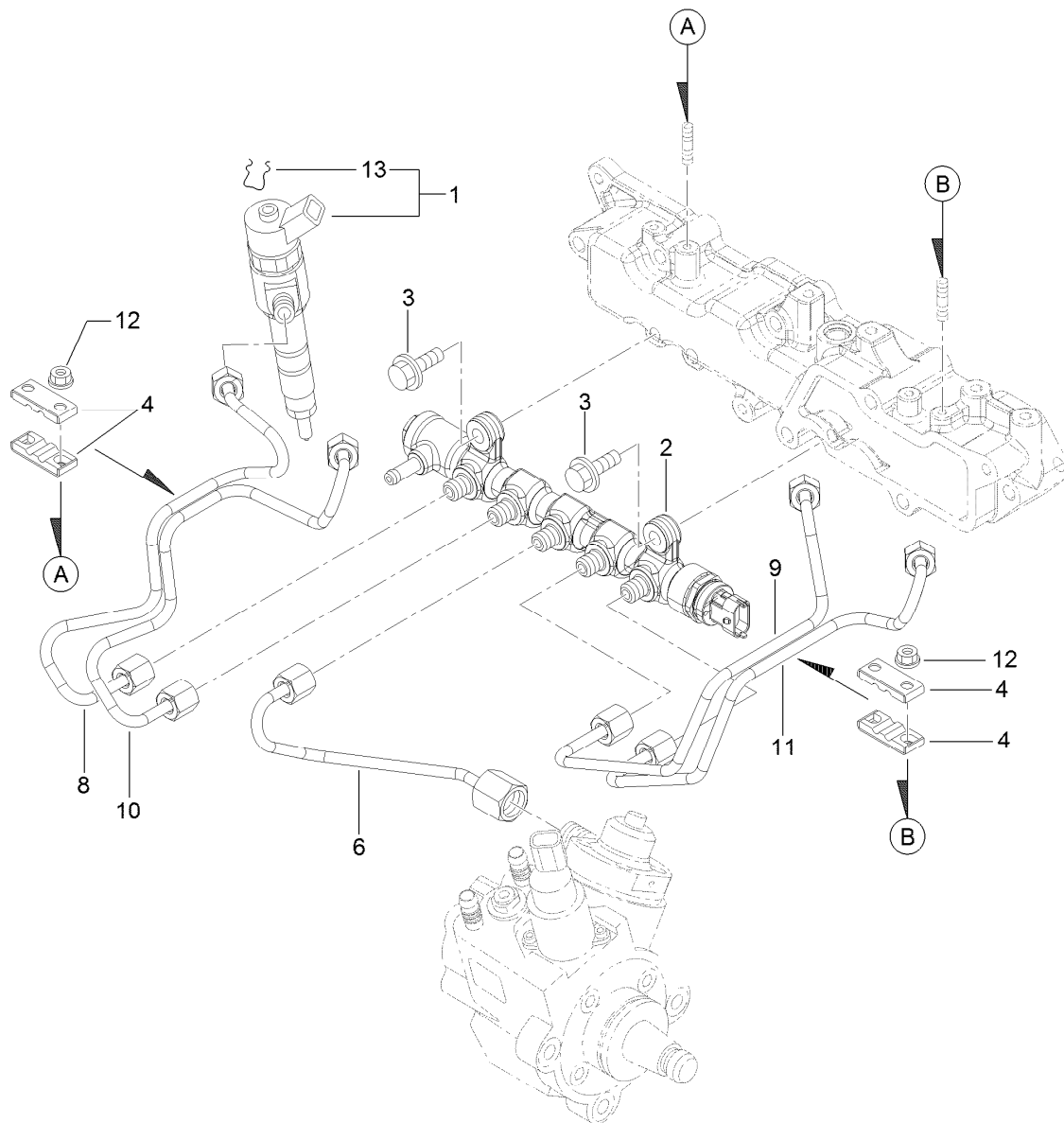
## Cooling Water System Assembly

Ref.	Part Number	Qty.	Description	Ref.	Part Number	Qty.	Description
1	127-3071	1	Water Pump ASM	25	125-7206	4	Bolt
3	125-6998	1	Gasket	26	125-7029	1	Thermostat
4	125-6999	1	Plate	27	125-7026	1	Gasket
9	127-3017	1	Joint	28	125-7034	1	Cover
10	125-7123	2	Plug	29	125-7110	1	Gasket
11	127-3175	1	Plug	30	125-7594	2	Bolt
12	125-7195	1	Plug	31	125-6953	1	Plug
13	125-7234	3	Screw	32	125-7124	1	Sensor-Thermostat, CW
14	125-7047	1	Gasket	33	125-6979	1	Gasket
15	125-6986	1	Joint	34	125-7176	1	Washer-Seal
16	125-7048	1	O-Ring	35	127-3017	1	Joint
17	125-6978	1	Gasket	36	127-3072	1	Water In Pipe ASM
18	125-7192	1	Gasket	38	127-3020	2	Clip-Hose
19	93-0362	1	Bolt	40	127-3115	1	Water Out Pipe ASM
20	125-7214	3	Bolt	41	127-3020	2	Clip-Hose
21	125-7219	1	Bolt	43	127-3116	1	Water Out Pipe ASM
22	125-7222	3	Bolt	44	127-3020	2	Clip-Hose
23	125-7039	1	V-Pulley	47	127-3117	1	Pipe-Out, CW
24	127-2998	1	V-Belt	48	125-7214	2	Bolt



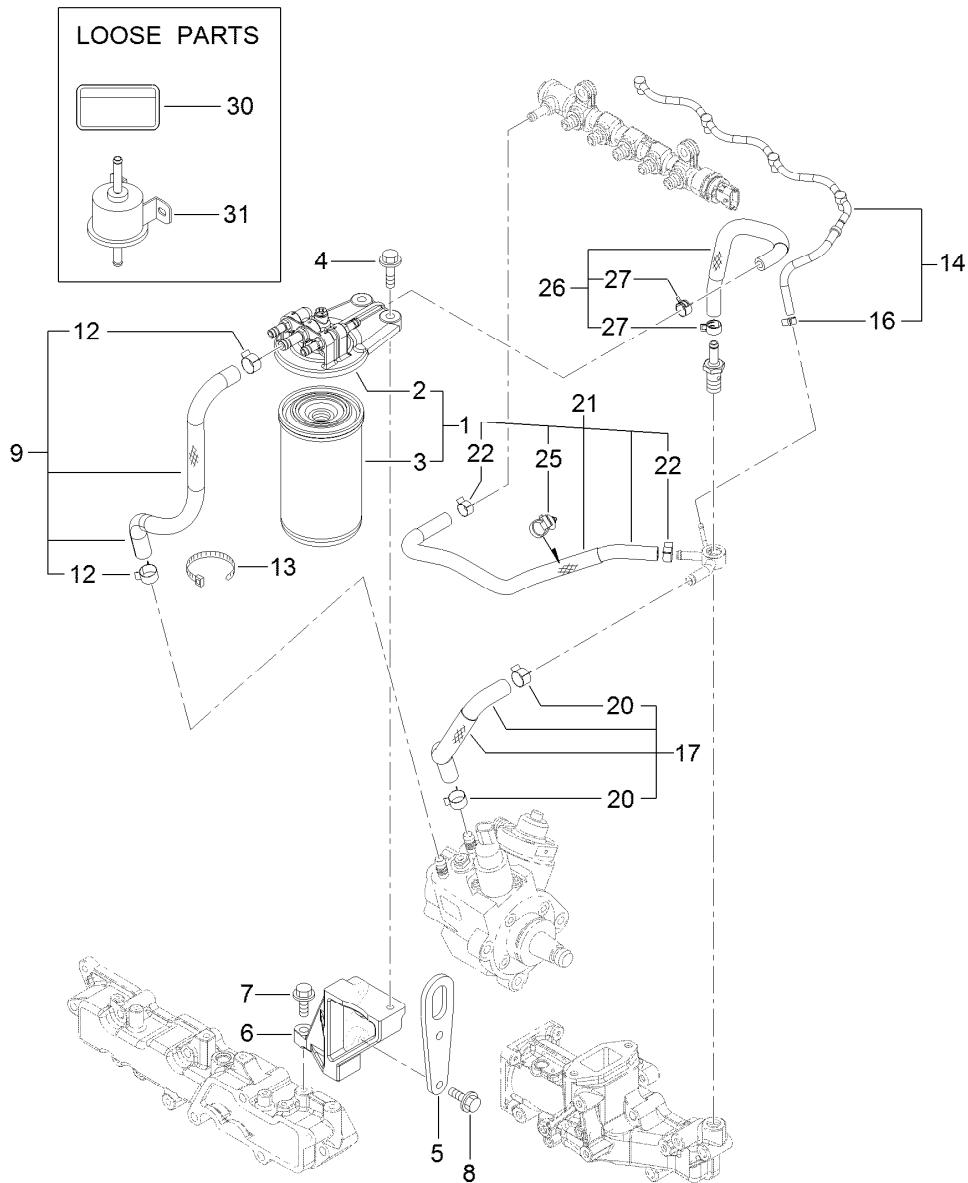
## Fuel System Assembly

<i>Ref.</i>	<i>Part Number</i>	<i>Qty.</i>	<i>Description</i>
1	127-3073	1	Fuel Pump ASM
2	127-3074	1	O-Ring
3	125-7216	3	Bolt



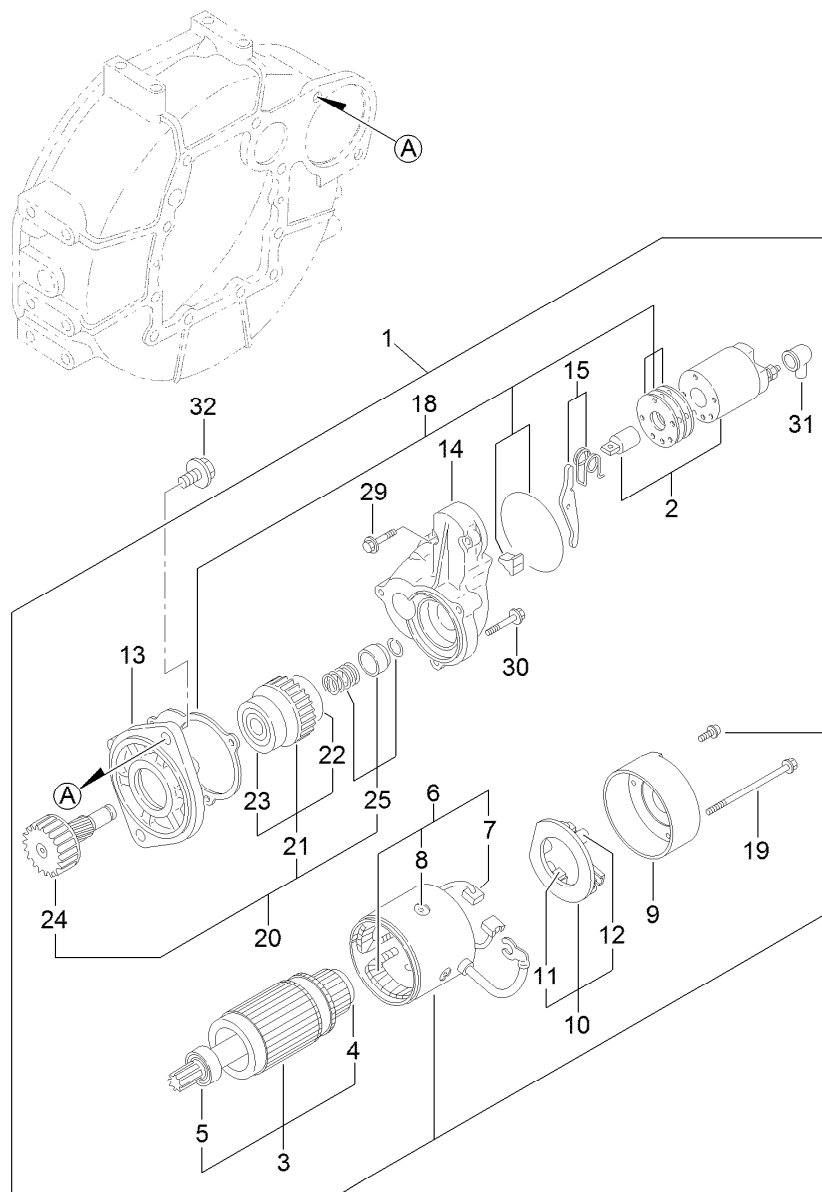
## Fuel Injection Valve Assembly

Ref.	Part Number	Qty.	Description
1	127-3104	4	Injector ASM
2	127-3118	1	Rail ASM
3	125-7215	2	Bolt
4	127-2982	4	Retainer
6	127-3082	1	Rail In Pipe ASM
8	127-3121	1	Injection Pipe ASM
9	127-3083	1	Injection Pipe ASM
10	127-3122	1	Injection Pipe ASM
11	127-3084	1	Injection Pipe ASM
12	125-7231	4	Nut
13	130-7430	4	Ring-Retaining



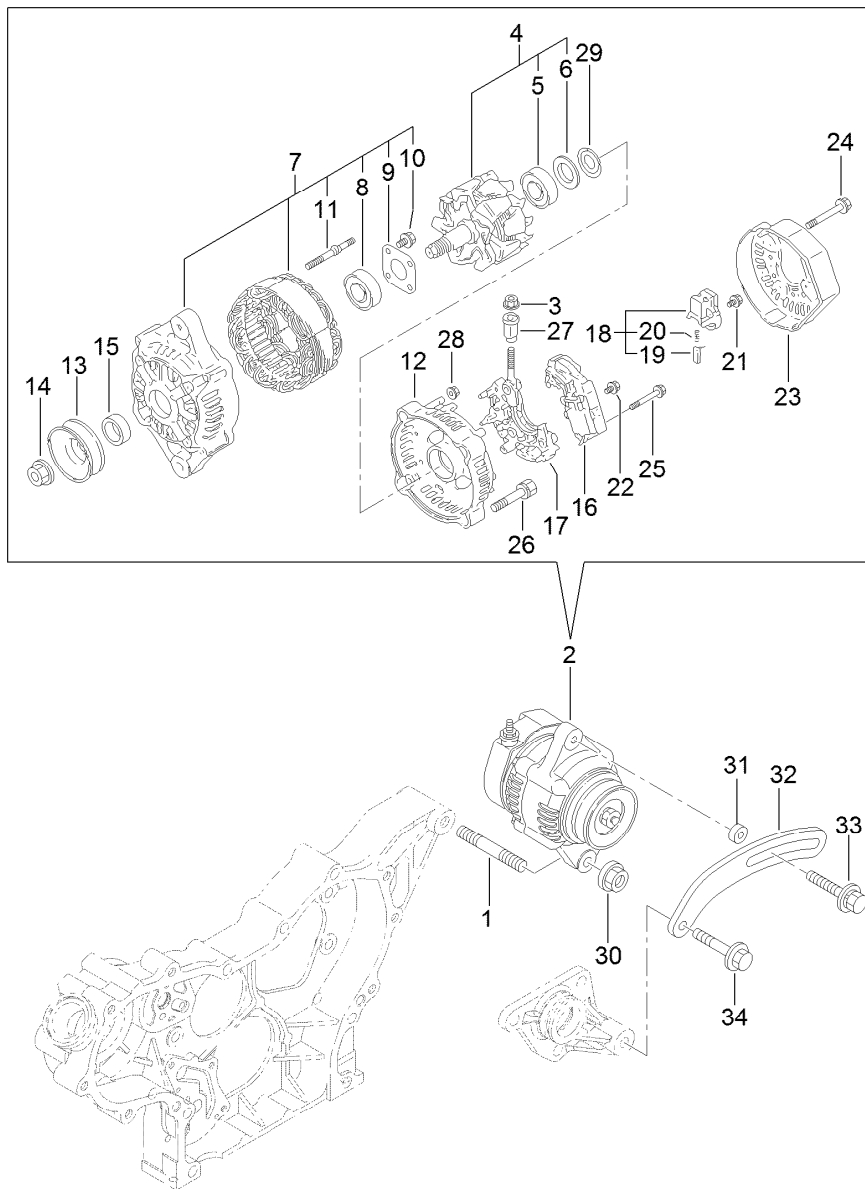
## Fuel Line Assembly

<i>Ref.</i>	<i>Part Number</i>	<i>Qty.</i>	<i>Description</i>	<i>Ref.</i>	<i>Part Number</i>	<i>Qty.</i>	<i>Description</i>
1	127-3075	1	Fuel/Oil Filter ASM	14	127-3120	1	Fuel Pipe ASM
2	127-3076	1	Fuel/Oil Filter Bracket ASM	16	127-3172	1	Clamp-Hose
3	125-8752	1	Filter-Fuel/Oil	17	127-3078	1	Fuel Pipe ASM
4	125-7216	2	Bolt	20	125-7191	2	Clamp-Hose
5	127-3091	1	Lifter-Engine	21	127-3119	1	Fuel Pipe ASM
6	127-3105	1	Stay-Bracket, Filter	22	127-2950	2	Clip-Hose
7	125-7215	1	Bolt	25	127-3087	1	Band-Clip
8	125-7216	2	Bolt	26	127-3079	1	Fuel Pipe ASM
9	127-3077	1	Fuel Pipe ASM	27	127-2950	2	Clip-Hose
12	125-7191	2	Clamp-Hose	30	125-6900	1	Label-Caution, Fuel Oil
13	127-2981	1	Band	31	127-3008	1	Fuel Feed Pump ASM



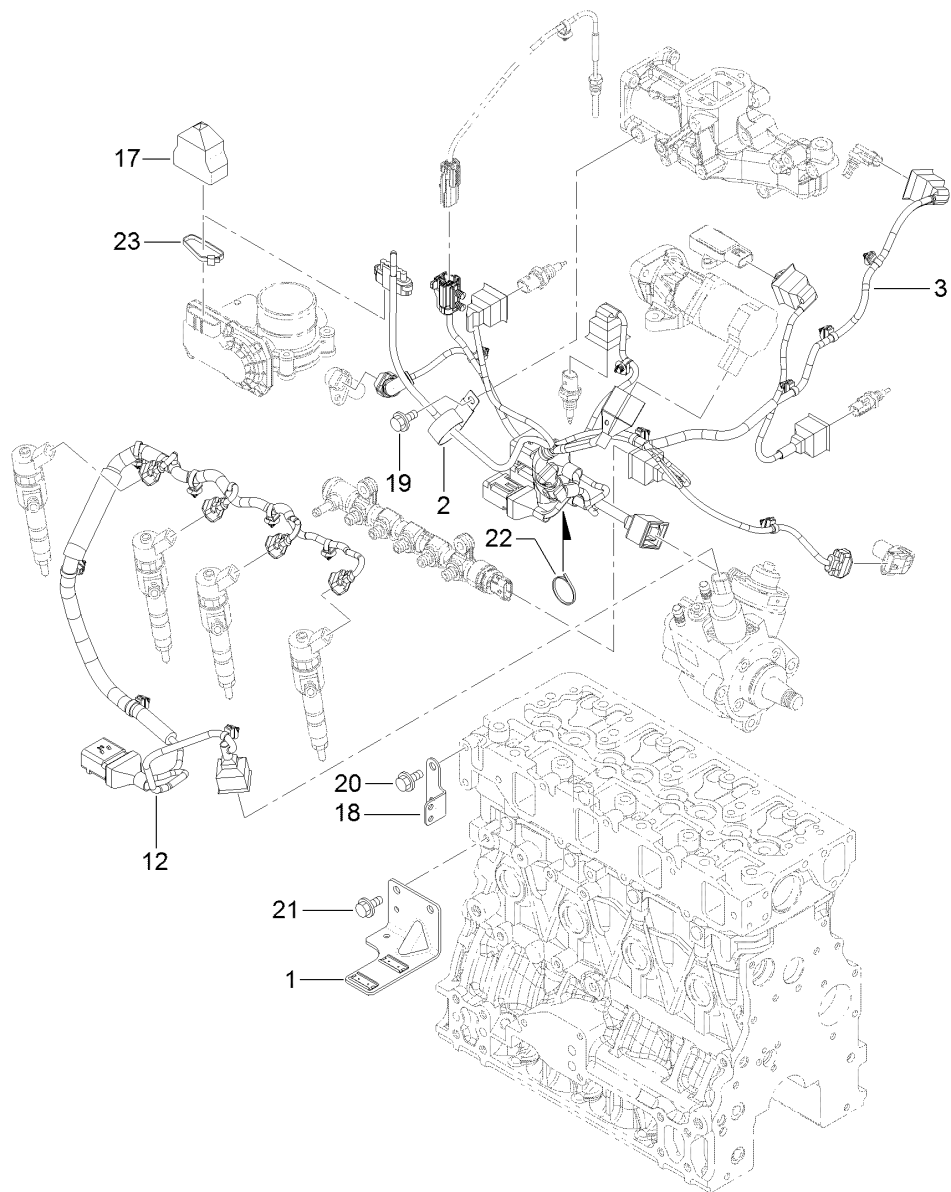
## Starting Motor Assembly

<i>Ref.</i>	<i>Part Number</i>	<i>Qty.</i>	<i>Description</i>	<i>Ref.</i>	<i>Part Number</i>	<i>Qty.</i>	<i>Description</i>
1	125-7003	1	Starter	15	125-7165	1	Lever Set
2	125-7004	1	Switch ASM	18	125-7037	1	Dust Cover ASM
3	125-7112	1	Armature ASM	19	125-7117	2	Bolt-Through
4	125-7252	1	Bearing-Ball	20	125-7166	1	Pinion ASM
5	125-7249	1	Bearing, Ball	21	125-7250	1	Clutch ASM
6	125-7113	1	Field Coil ASM	22	125-7251	1	Bearing-Ball
7	125-7114	2	Brush	23	125-7253	1	Bearing-Ball
8	125-7163	4	Screw	24	125-7167	1	Shaft
9	125-7115	1	Cover	25	125-7168	1	Stopper Set
10	125-7116	1	Brush Holder ASM	29	125-7210	2	Bolt
11	125-7114	2	Brush	30	125-7211	3	Bolt
12	125-7036	4	Spring	31	125-7169	1	Cover
13	125-7164	1	Case-Gear	32	125-7225	2	Bolt
14	125-7005	1	Housing				



## Generator Assembly

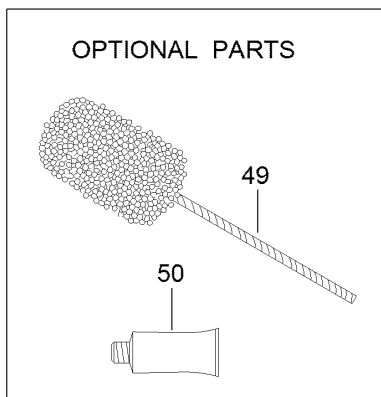
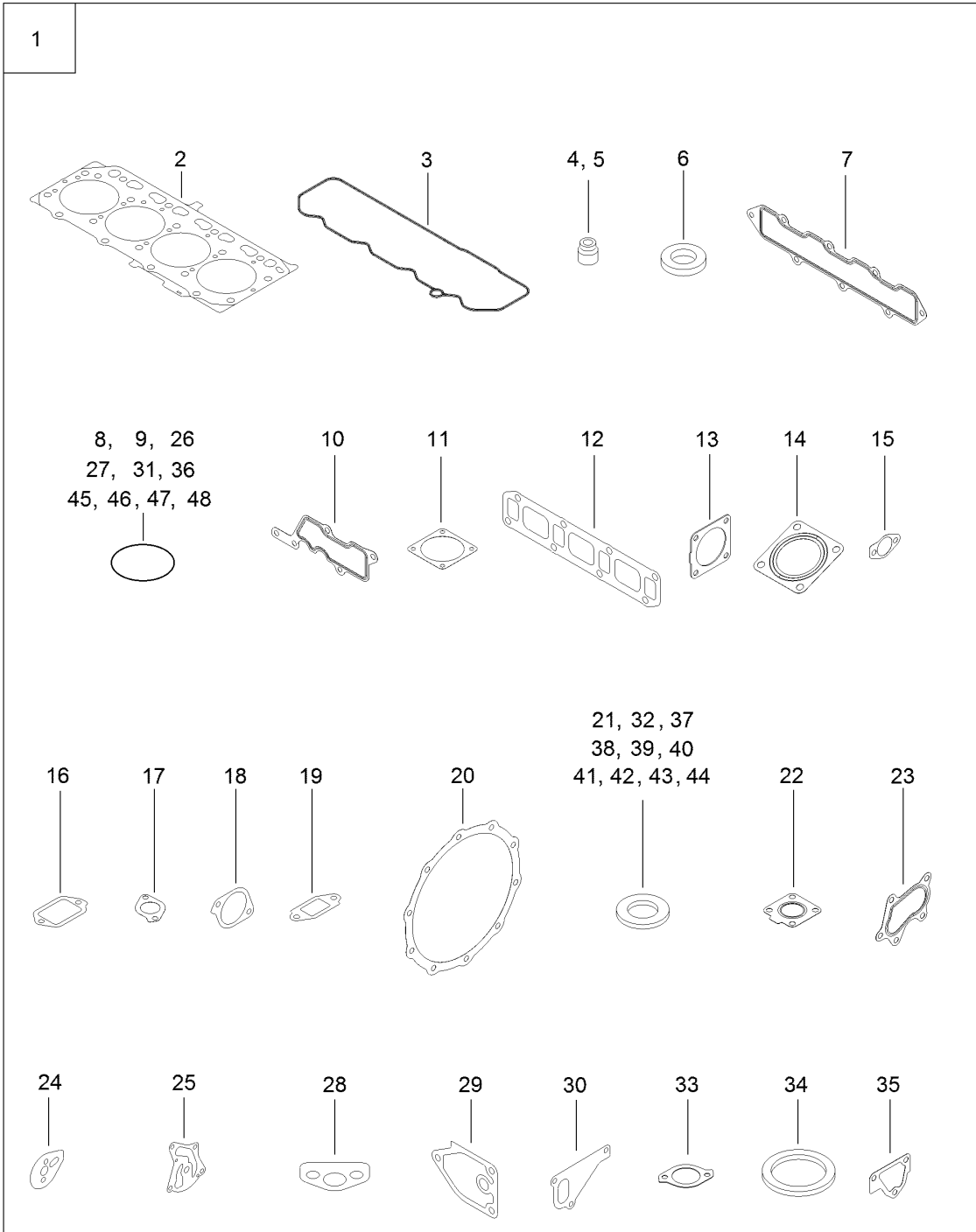
Ref.	Part Number	Qty.	Description	Ref.	Part Number	Qty.	Description
1	127-3011	1	Stud	18	127-2993	1	Holder
2	127-3001	1	Generator	19	127-2956	2	Brush ASM
3	127-3190	1	Nut	20	127-2964	2	Spring
4	127-2951	1	Rotor ASM	21	127-2965	6	Screw
5	127-2983	1	Bearing-Ball	22	127-2966	1	Screw
6	127-2962	1	Cover	23	127-2999	1	Cover
7	127-2952	1	Frame ASM	24	127-2967	3	Bolt
8	127-2958	1	Bearing-Ball	25	127-2968	2	Screw
9	127-2959	1	Plate-Retainer	26	127-2969	2	Bolt
10	127-2960	4	Screw	27	127-2970	1	Bushing-Insulation
11	127-2961	2	Stud	28	127-2971	2	Nut
12	127-2953	1	Frame ASM	29	127-2972	1	Washer
13	127-2954	1	Pulley	30	125-7230	1	Nut
14	127-2955	1	Nut	31	125-6947	1	Spacer
15	127-2957	1	Collar	32	127-2977	1	Adjuster
16	127-3002	1	Regulator ASM	33	125-7134	1	Bolt
17	127-2963	1	Holder	34	125-7219	1	Bolt



## Electric Parts Assembly

<b>Ref.</b>	<b>Part Number</b>	<b>Qty.</b>	<b>Description</b>
1	127-3086	1	Bracket-Connector
2	127-3018	1	Clip
3	127-3156	1	Harness B-E C O, Engine
12	127-3125	1	Harness C
17	127-3089	1	Boot-Type, Cap
18	127-3090	1	Bracket-Harness
19	93-0362	1	Bolt
20	93-0362	2	Bolt
21	93-0362	2	Bolt
22	127-3187	1	Band
23	127-3188	1	Band

# Gasket Set





## Gasket Set (continued)

<i>Ref.</i>	<i>Part Number</i>	<i>Qty.</i>	<i>Description</i>	<i>Ref.</i>	<i>Part Number</i>	<i>Qty.</i>	<i>Description</i>
1	127-3189	1	Gasket Kit	26	125-6909	2	O-Ring
2	127-3126	1	Gasket-Head, Cylinder	27	127-2973	1	O-Ring
3	127-3106	1	Gasket-Cover	28	125-7022	1	Gasket
4	127-2986	4	Seal-Stem, Valve	29	125-7024	1	Gasket
5	127-3027	4	Seal-Stem, Valve	30	125-7047	1	Gasket
6	127-3021	4	Gasket-Injector	31	125-7048	1	O-Ring
7	127-3107	1	Gasket-Manifold, Intake	32	125-6979	1	Gasket
8	127-3032	2	O Ring-Sensor, Pressure	33	125-7110	1	Gasket
9	127-3033	1	O-Ring	34	125-7026	1	Gasket
10	127-3034	1	Gasket-Collector	35	125-6978	1	Gasket
11	127-3037	2	Gasket-Throttle	36	127-3074	1	O-Ring
12	127-3108	1	Gasket-Manifold, Exhaust	37	125-7174	1	Washer-Seal
13	127-3019	1	Gasket	38	125-7175	2	Washer-Seal
14	127-2987	1	Gasket-Silencer	39	125-7176	1	Washer-Seal
15	127-3043	2	Gasket-Cooler, E G R	40	127-3166	2	Washer-Seal
16	127-3046	1	Gasket-E G R	41	125-7177	1	Washer-Seal
17	127-3016	1	Gasket	42	125-7192	1	Gasket
18	127-3050	1	Gasket-Intake Valve, E G R	43	125-7193	2	Gasket
19	127-3051	1	Gasket-Out Valve, E G R	44	127-3174	2	Gasket
20	127-3162	2	Gasket-D P F	45	93-0418	3	O-Ring
21	127-3056	4	Gasket-Sensor	46	125-7197	1	O-Ring
22	125-7070	1	Gasket	47	125-7198	1	O-Ring
23	125-7071	1	Gasket	48	127-3176	1	O-Ring
24	127-3069	1	Gasket-Idle, Shaft B	49	127-3000	1	Hone
25	127-3004	1	Gasket	50	125-7248	1	Gasket-Liquid

# Attachments and Accessories

## For 30636 Groundsmaster 4010 Rotary Mower

<b>Product Name</b>	<b>Model/Part</b>
Bumper Weight Assembly .....	106-4278-03
Blade-Atomic (21.75in) .....	107-0214-03
Premium All Season Hydraulic Fluid (55 Gallon Drum) .....	108-1177
Premium All Season Hydraulic Fluid (5 Gallon Pail) .....	108-1178
Atomic Blade Service Pack (7 Pack) .....	108-1450
Blade-Flat Sail (21.75in) .....	110-6115-03
Flat Blade Service Pack (7 Pack) .....	110-6130
MVP Blade Kit .....	117-2722
Backrest Extension Kit .....	119-7719
Large Seat Cover .....	120-5179
Premium Engine Oil 10w30 (55 Gallon Drum) .....	121-6392
Premium Engine Oil 10w30 (5 Gallon Pail) .....	121-6393
Premium Engine Oil 15w40 (55 Gallon Drum) .....	121-6394
Premium Engine Oil 15w40 (5 Gallon Pail) .....	121-6395
400 Hour MVP Kit .....	30408
Guardian Recycler Conversion Kit .....	30420
Leaf Mulcher Kit .....	30422
CE Kit .....	30453
Right-Hand Replacement Mower .....	30476
Left-Hand Replacement Mower .....	30477
CE Light Kit .....	30660
Beacon Kit .....	30661
License Plate Kit .....	30664
Blade (21.75in) .....	92-5608-03
8in Foam Filled Wheel ASM .....	93-5974

**Notes:**



**Count on it.**