



Count on it.

Parts Catalog

Groundsmaster® 4110

Rotary Mower

Model No. 30644—Serial No. 412000000 and Up



Ordering Replacement Parts

To order replacement parts, please supply the part number, the quantity, and the description of each part desired.

Understanding Reference Numbers

Each identified part in an illustration has a reference number. The reference number for a part also appears in the parts list, along with other information about the part.

This catalog uses two special reference number formats, one to indicate parts in a service assembly and another to indicate the quantity of a given part in an illustration.

Service Assembly Reference Numbers

Parts in service assemblies have reference numbers in the form a:b. The a represents the reference number of the entire service assembly and the b represents a sequential number unique to each part within the service assembly.

For example, a wheel assembly might be identified by reference number 6, the tire by 6:1, the valve by 6:2, and the wheel by 6:3. When you order the assembly identified by reference number 6, you receive all parts identified by reference numbers 6:1, 6:2, and 6:3. However, you may also order any part individually. Reference numbers of this type appear in illustration and in parts lists.

Reference Numbers Indicating Quantity

In an illustration, if a reference number indicates more than one part, the reference number has the form nX y. The n represents the quantity of the part, the X is the multiplication symbol, and the y represents the reference number.

For example, in an illustration, the reference number 2X 37 means that two of the parts identified by reference number 37 are indicated.

Contents

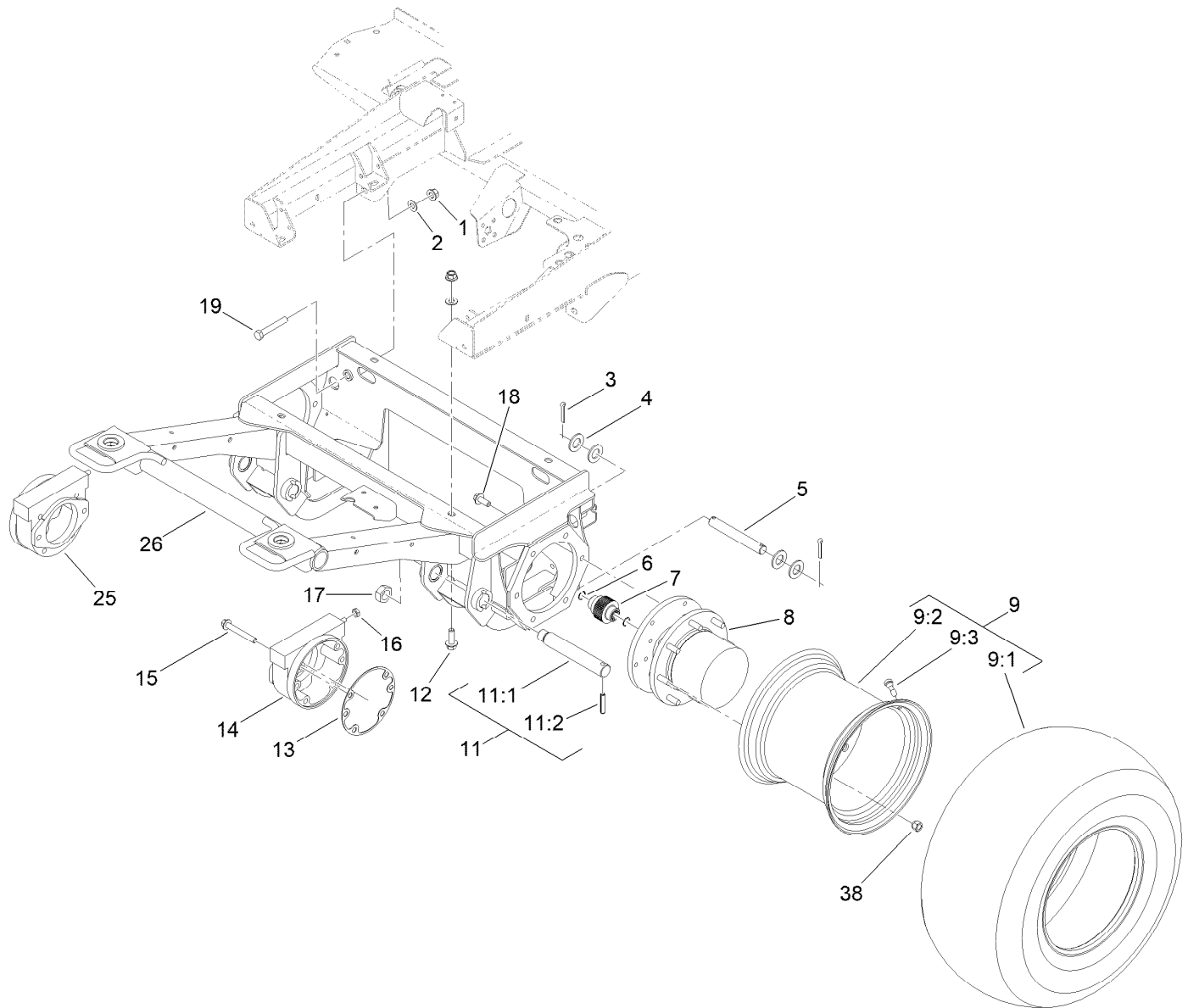
Front Frame and Steering Assembly	6
Planetary Assembly No. 136-2913	7
LH Brake Assembly No. 100-3070-03	8
RH Brake Assembly No. 100-3069-03	9
Battery, Shield and Rear Cover Assembly	10
Frame and Bumper Assembly	11
Flywheel and Motor Mount Assembly	12
Radiator Assembly	14
Fan Mounting and Hardline Assembly	16
Hydraulic Motor Assembly No. 137-5571	18
Engine and Controller Assembly	19
Air Conditioner Compressor Assembly	20
Washer Fluid Bottle Assembly	21
Piston Pump and Gear Pump Assembly	22
Four-Section Gear Pump Assembly No. 120-8906	23
Hydraulic Pump Assembly No. 132-6100	24
Combination Manifold Assembly	26
Combination Manifold Assembly No. 137-5581	28
Manifold Block Assembly	30
Left PTO Manifold Assembly No. 131-1249	31
Rear Traction Manifold Assembly No. 121-1530	32
Center and Right PTO Manifold Assembly No. 131-1248	33
Drive Motor, Steer Valve and Filter Head Assembly	34
Hydraulic Motor Assembly No. 120-8913	35
Steering Valve Assembly No. 132-6256	36
Hydraulic Reservoir Assembly	38
Lift, Steer and Fan Hydraulic Assembly	40
Oil Cooler Hydraulic Assembly	42
Traction Hydraulic Assembly	44
Rear Axle and Steering Cylinder Assembly	46
Bevel Pinion Shaft Assembly Rear Axle Assembly No. 110-4750	48
Differential Assembly Rear Axle Assembly No. 110-4750	49
Axle Support Assembly Rear Axle Assembly No. 110-4750	50
Bevel Gear Case Assembly Rear Axle Assembly No. 110-4750	51
Bevel Gear Shaft Assembly Rear Axle Assembly No. 110-4750	52
Axle Case Assembly Rear Axle Assembly No. 110-4750	53
Axle Assembly Rear Axle Assembly No. 110-4750	54
Hydraulic Motor Assembly No. 120-8814	55
Steering Cylinder Assembly No. 121-1534	56
Hydraulic Fitting Assembly	57
Hose and Tube Routing Assembly	58
Fuel Tank and Air Cleaner Assembly	59
Air Cleaner Assembly No. 99-5410	60
Hood Assembly	61
Fuel/Water Separator and Shield Assembly	62
Traction Pedal and Platform Assembly	64
Brake Pedal Assembly	66
Seat Base and Seat Assembly	68
Air Ride Seat Suspension Assembly No. 130-2702	70
Cloth Premium Seat Assembly No. 117-9429	72
Steering and Controller Assembly	74
Steering Column Assembly No. 132-6230	76
Fender, Tool Box and Cover Assembly	78
Fender and Step Support Assembly	80

Contents (continued)

Acoustic Foam, Panel and Cover Assembly	81
Front Deck Lift Arm Assembly	82
Hydraulic Motor Assembly No. 127-3694	84
Hydraulic Cylinder Assembly No. 120-8822	85
Front Deck Hydraulic Fitting Assembly	86
Front Deck Hose Routing Assembly	88
Deck Pad Assembly	90
Platform Wire Harness and Fuse Assembly	91
Rear Wire Harness Assembly	92
Battery Cable and Ground Assembly	93
Engine Harness Assembly	94
Armrest Control Panel Assembly	96
Cab Step and Flooring Assembly	98
Rear Weight Assembly	99
Frame, Mount and Seal Assembly	100
Cab Headliner Assembly	102
Air Conditioning Duct Assembly No. 132-3468	104
Fan Panel Assembly No. 132-3488	106
Engine Hose Routing Assembly	108
Pre-Filter Screen Assembly	110
Interior Foam, Trash Bag and Cup Holder Assembly	112
Window, Door and Striker Assembly	114
LH Door Assembly	116
Roof and Headliner Assembly	118
Headliner Wire Harness and Control Assembly	120
Mixing Box Mounting Bracket and Water Tray Assembly	122
Blower Fan and Evaporator Core Assembly	124
Heat/Air Conditioner Housing Assembly	126
Air Diverter and Expansion Valve Assembly	128
Air Diverter Assembly No. 121-8369	130
Center Deck Assembly	132
Low Driven Spindle Assembly No. 139-1039	134
Hydraulic Cylinder Assembly No. 139-0957	136
High Driven Spindle Assembly No. 139-1038	138
Right Hand and Left Hand Deck Installation Assembly	140
Caster Wheel Assembly	142
Spindle and Blade Assembly	144
Driving Spindle Assembly No. 139-1035	146
Double Driven Spindle Assembly No. 139-1036	148
Deck Cover Assembly	150
Rear Discharge Baffle Assembly	152
Cylinder Block Assembly	154
Gear Housing Assembly	155
Flywheel Housing and Oil Sump Assembly	156
Cylinder Head and Cover Assembly	158
Suction Manifold Assembly	160
Exhaust Manifold Assembly	161
Diesel Particulate Filter Assembly	162
Camshaft and Driving Gear Assembly	164
Turbine Assembly	165
Crankshaft and Piston Assembly	166
Lubrication and Oil System Assembly	167
Lubrication Oil Line Assembly	168
Cooling Water System Assembly	169

Contents (continued)

Fuel System Assembly	170
Fuel Injection Valve Assembly	171
Fuel Line Assembly	172
Starting Motor Assembly	173
Generator Assembly	174
Electric Parts Assembly	175
Gasket Set	176
Attachments and Accessories	178



Front Frame and Steering Assembly

Ref.	Part Number	Qty.	Description	Ref.	Part Number	Qty.	Description
1	99-5107	6	Nut-Lock	11:1	140-6348	1	Pin-Lift Arm
2	3256-26	6	Washer-Flat	11:2	32121-110	1	Pin-Roll, Slotted
3	3272-30	4	Pin-Cotter	12	100-6116	4	Screw-HHF
4	3256-29	8	Washer-Flat	13	93-7984	2	Gasket
5	110-6006	2	Pin-Clevis	14	100-3070	1	LH Brake ASM
6	93-7972	4	Ring-Retaining, Internal	15	33106-080	8	Screw-HHF
7	100-3046	2	Shaft-Brake, Splined	16	3218-4	2	Nut-Jam
8	136-2913	2	Planetary ASM	17	3296-49	2	Nut-Lock, NI
9		2	Wheel And Tire ASM ●	18	33106-030	12	Screw-HHF
9:1	119-8313	1	Tire	19	325-13	2	Screw-HH
9:2	136-4391	1	Rim	25	100-3069	1	RH Brake ASM
9:3	232-27	1	Stem-Valve	26	132-6250-03	1	Frame-Front
11	140-6337	2	Pin ASM	38	242-50	16	Nut-Lug

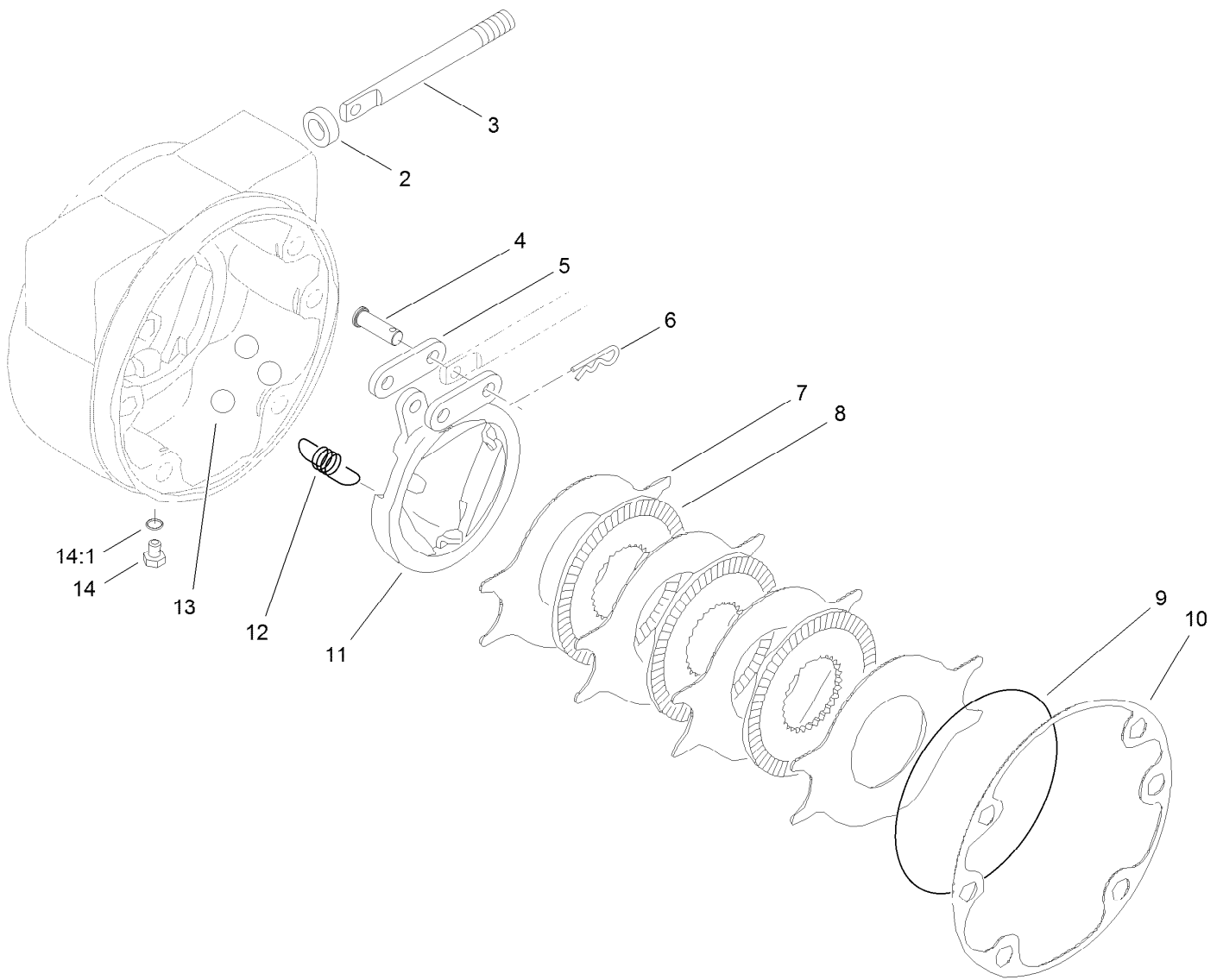
● Not serviced separately



Planetary Assembly No. 136-2913

Ref.	Part Number	Qty.	Description	Ref.	Part Number	Qty.	Description
1		1	Spindle ●	18	237-78	1	O-Ring
2	138-1204	1	Seal-Boot	19	138-1211	2	Plug-Flange, Magnetic
3		1	Seal-Lip ●	20	138-1212	2	O-Ring
4	138-1205	2	Bearing-Cup	21	138-1213	1	Cap-End
5	138-1206	2	Bearing-Cone	22	138-1214	1	Washer-Thrust, Sun
6	105-8124	8	Stud-Wheel	23	105-8131	2	Ring-Retaining
7	138-1207	8	Screw-Socket Head	24		1	O-Ring ●
8	138-1208	8	Washer-Lock	25	138-1215	1	Gear-Primary, Sun
9		1	Housing ●	26	138-1216	1	Shaft-Drive
10	105-8121	4	Pin-Dowel	27	138-1217	1	Primary Carrier ASM
11		1	O-Ring ●	28	138-1218	1	Secondary Carrier ASM
12	138-6928	1	Spacer	29	138-1219	1	Seal Kit
13	138-6929	1	Washer	29:1		1	Seal-Lip ●
14	138-6930	1	Nut-Lock	29:2		1	O-Ring ●
15	138-1209	1	Gear-Ring	29:3		1	O-Ring ●
16	138-1210	1	Ring-Snap	29:4		1	O-Ring ●
17	353-990	1	Plug ASM	29:5		1	O-Ring ●
17:1	237-78	1	O-Ring				

● Not serviced separately



LH Brake Assembly No. 100-3070-03

<i>Ref.</i>	<i>Part Number</i>	<i>Qty.</i>	<i>Description</i>
2	93-7977	1	Seal
3	93-7978	1	Rod-Pull
4	93-7983	2	Pin-Clevis
5	93-7980	2	Link
6	93-7979	2	Pin-Hitch
7	93-7986	4	Disc-Stationary
8	104-4278	3	Disc-Rotating
9	93-7976	1	Ring-Retaining
10	93-7984	1	Gasket
11	104-4279	1	Actuator-Rotating
12	93-7987	3	Spring-Extension
13	93-7985	3	Ball
14	353-990	2	Plug ASM
14:1	237-78	1	O-Ring



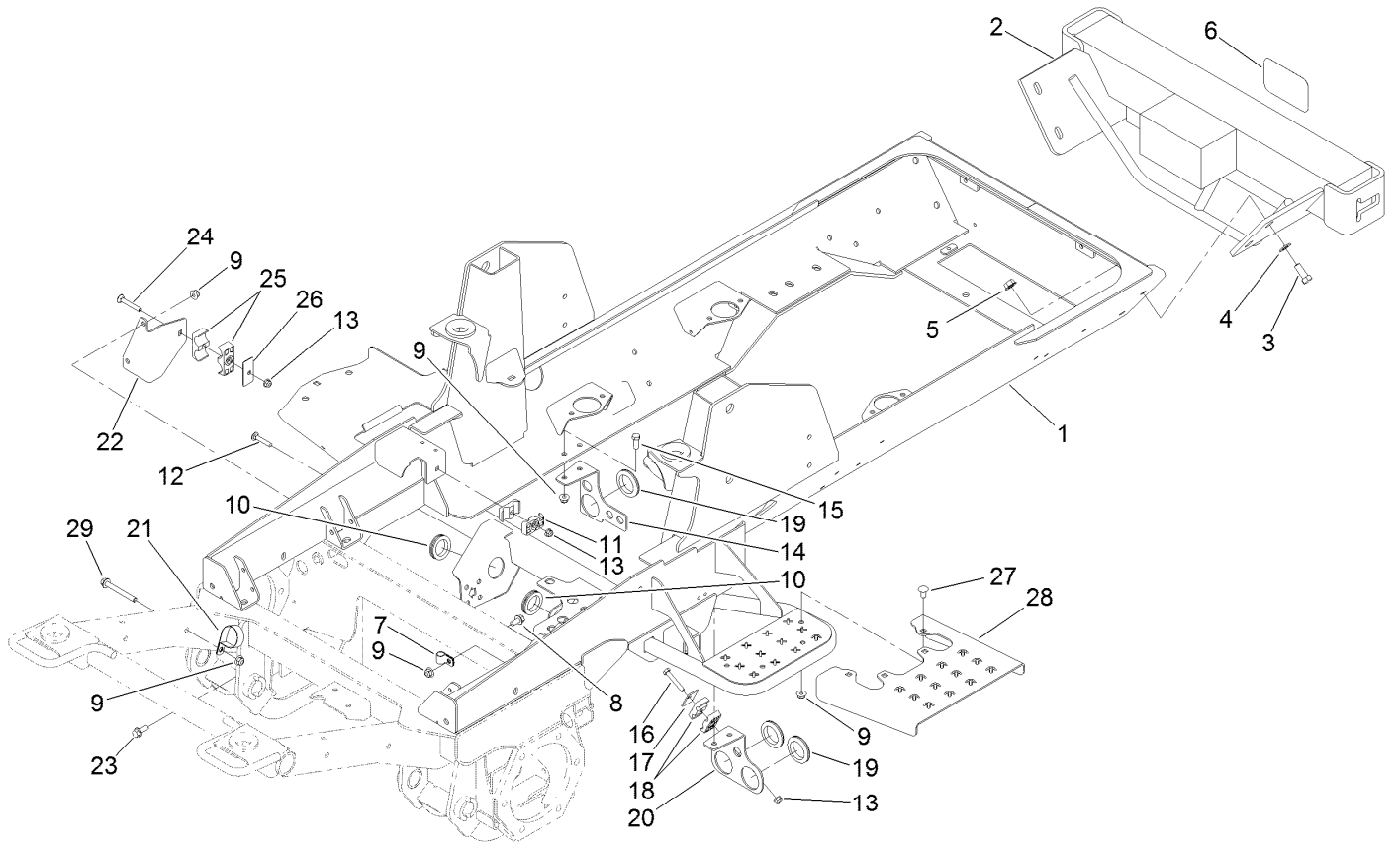
RH Brake Assembly No. 100-3069-03

<i>Ref.</i>	<i>Part Number</i>	<i>Qty.</i>	<i>Description</i>
2	93-7977	1	Seal
3	93-7978	1	Rod-Pull
4	93-7983	2	Pin-Clevis
5	93-7980	2	Link
6	93-7979	2	Pin-Hitch
7	93-7986	4	Disc-Stationary
8	104-4278	3	Disc-Rotating
9	93-7976	1	Ring-Retaining
10	93-7984	1	Gasket
11	104-4280	1	Actuator-Rotating
12	93-7987	3	Spring-Extension
13	93-7985	3	Ball
14	353-990	2	Plug ASM
14:1	237-78	1	O-Ring



Battery, Shield and Rear Cover Assembly

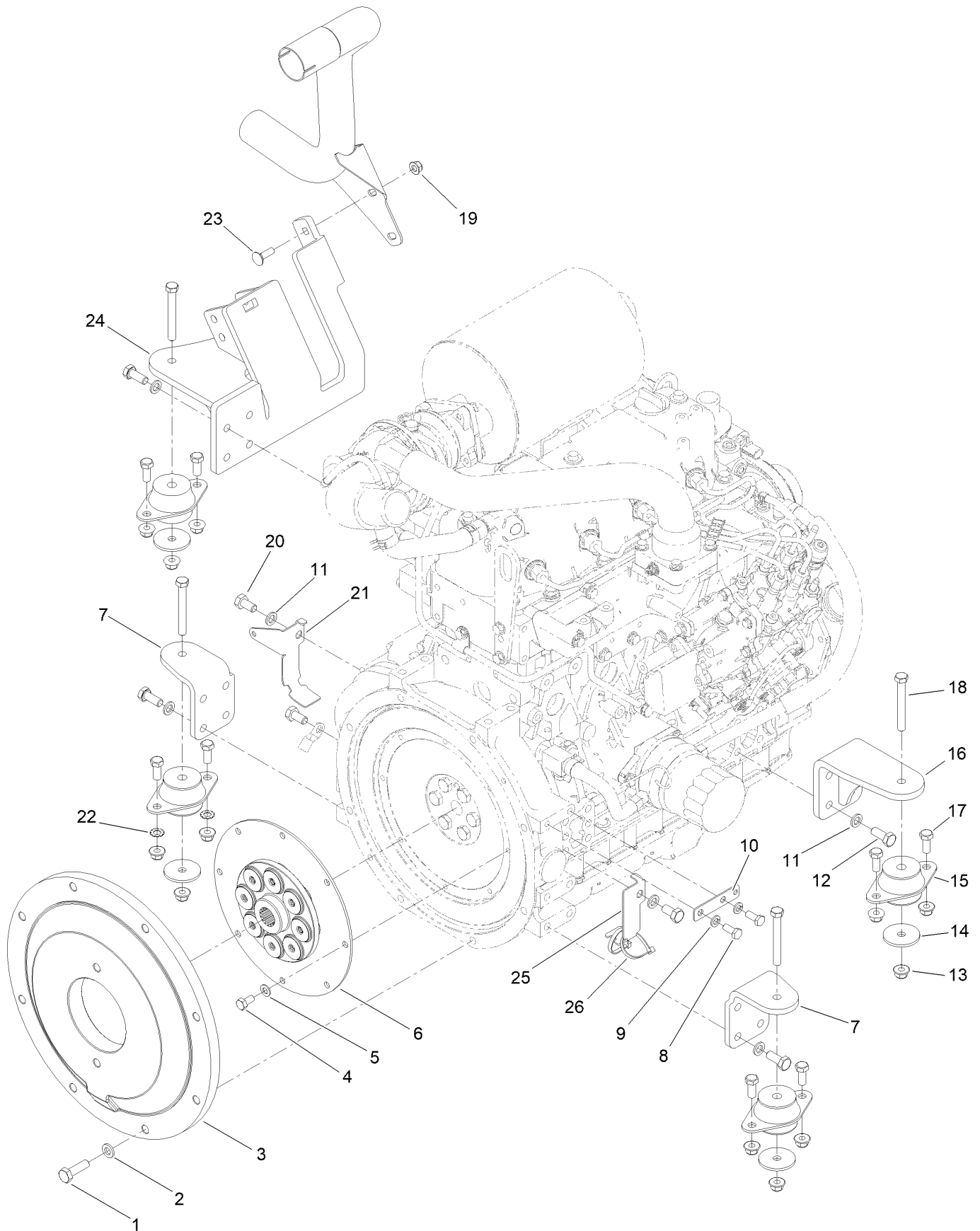
<i>Ref.</i>	<i>Part Number</i>	<i>Qty.</i>	<i>Description</i>
3	131-1246-0P	1	Plate-Cover
4	3256-3	2	Washer-Flat
5	32104-6	2	Screw-HH, TAP
11	3230-23	2	Bolt-CARR
12	121-1512-0P	1	Shield, Battery
13	104-8300	2	Nut-HF, NI
14	3231-5	1	Screw-CARR
15	138-6335	1	Retainer-Battery
16	104-8301	1	Nut-HF, NI
17	139-1005	1	Battery Kit
17:1	127-7507	1	Battery
17:2	139-1006	1	Decal



Frame and Bumper Assembly

<i>Ref.</i>	<i>Part Number</i>	<i>Qty.</i>	<i>Description</i>	<i>Ref.</i>	<i>Part Number</i>	<i>Qty.</i>	<i>Description</i>
1	120-4110-03	1	Frame	15	323-6	4	Screw-HH
2	106-4278-03	1	Gm4000 Bumper-Weight ASM	16	322-10	1	Screw-HH
3	325-5	4	Screw-HH	17	69-9760	1	Plate-Cover
4	3256-26	4	Washer-Flat	18	56-7976	2	Clamp-Tube
5	32128-23	4	Nut-HF	19	240-2	3	Grommet-Rubber
6	105-8278	1	Decal	20	121-1481-0P	1	Plate-Mount, LH Bulkhead
7	2412-138	1	R-Clamp	21	2412-147	1	Clamp-R
8	3234-1	1	Screw-HHF	22	120-9086-0P	1	Plate-Mount, Tube
9	104-8301	12	Nut-HF, NI	23	3234-11	2	Screw-HHF
10	240-7	2	Grommet-Rubber	24	3230-7	1	Bolt-CARR
11	56-7971	2	Clamp-Tube	25	56-7974	2	Clamp-Tube
12	3230-5	1	Bolt-CARR	26	69-9761	1	Plate-Cover
13	104-8300	3	Nut-HF, NI	27	3231-21	4	Screw-CARR
14	121-1508-0P	1	Bracket-Bulkhead	28	127-9976-03	1	Plate-Step
				29	3234-41	1	Screw-HHF

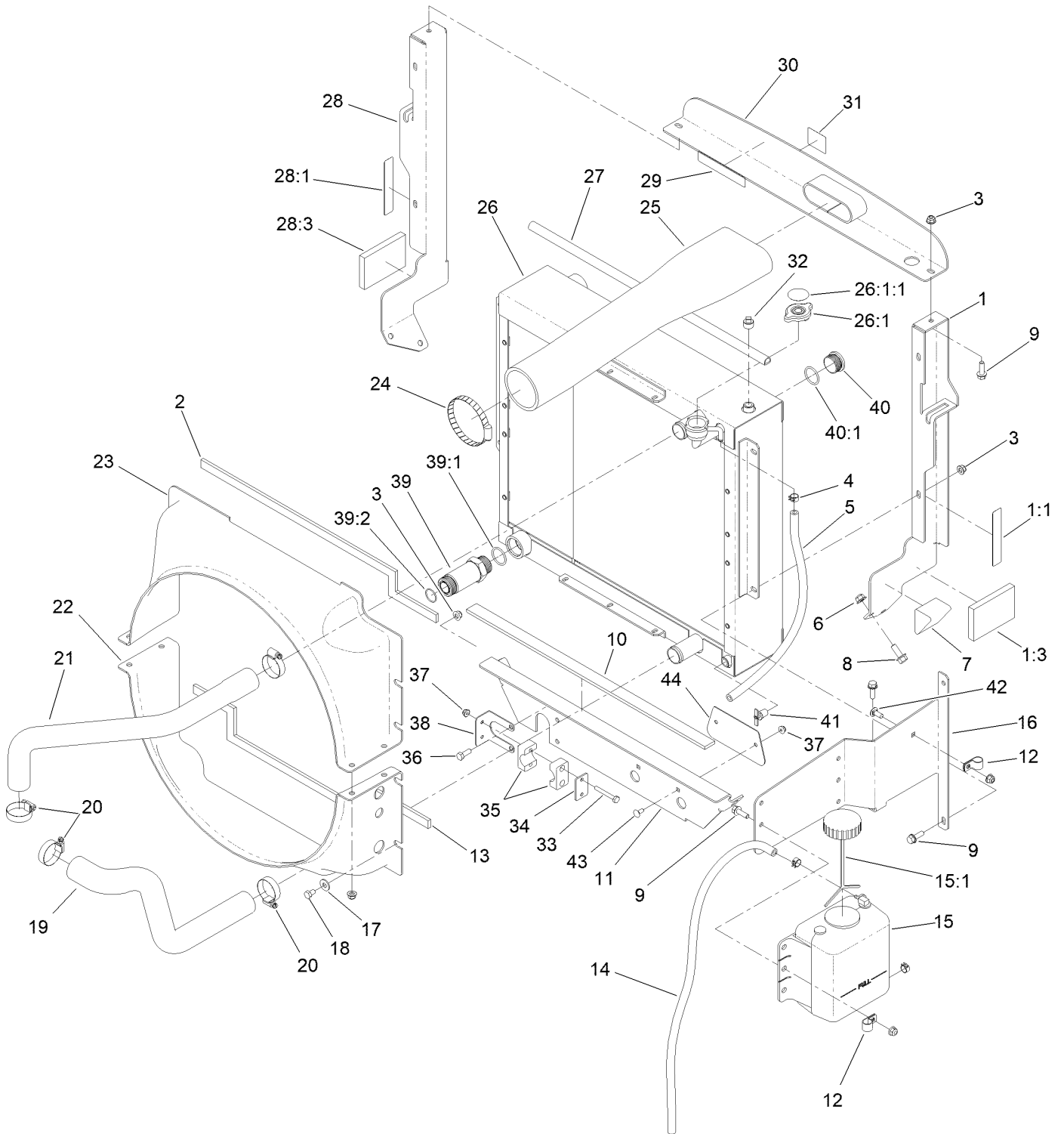
Flywheel and Motor Mount Assembly



Flywheel and Motor Mount Assembly (continued)

<i>Ref.</i>	<i>Part Number</i>	<i>Qty.</i>	<i>Description</i>	<i>Ref.</i>	<i>Part Number</i>	<i>Qty.</i>	<i>Description</i>
1	117-5663	8	Screw-HH	14	63-7400	4	Washer-Rebound
2	107-1413	8	Washer-Hardened	15	53-9682	4	Mount-Engine
3	132-6120-0P	1	Plate-Flywheel	16	120-4068-0P	1	Mount-Motor
4	99-5132	8	Bolt	17	323-5	8	Screw-HH
5	87-7510	8	Washer-Flat	18	323-14	4	Screw-HH
6	132-6121	1	Coupling-Flywheel	19	104-8300	2	Nut-HF, NI
7	120-4066-0P	2	Mount-Motor, Front	20	33115-020	3	Screw-HH
8	33114-020	2	Screw-HH	21	139-0992	1	Bracket-Harness, RH
9	3253-4	2	Washer-Lock	22	3255-9	2	Washer-Lock
10	121-5636	1	Tab-Harness	23	3230-2	2	Bolt-CARR
11	48-9590	18	Washer-Lock	24	127-3722-0P	1	Mount-Motor
12	33115-025	16	Screw-HH	25	139-0993	1	Bracket-Harness, LH
13	104-8301	12	Nut-HF, NI	26	3290-378	2	Tie-Cable

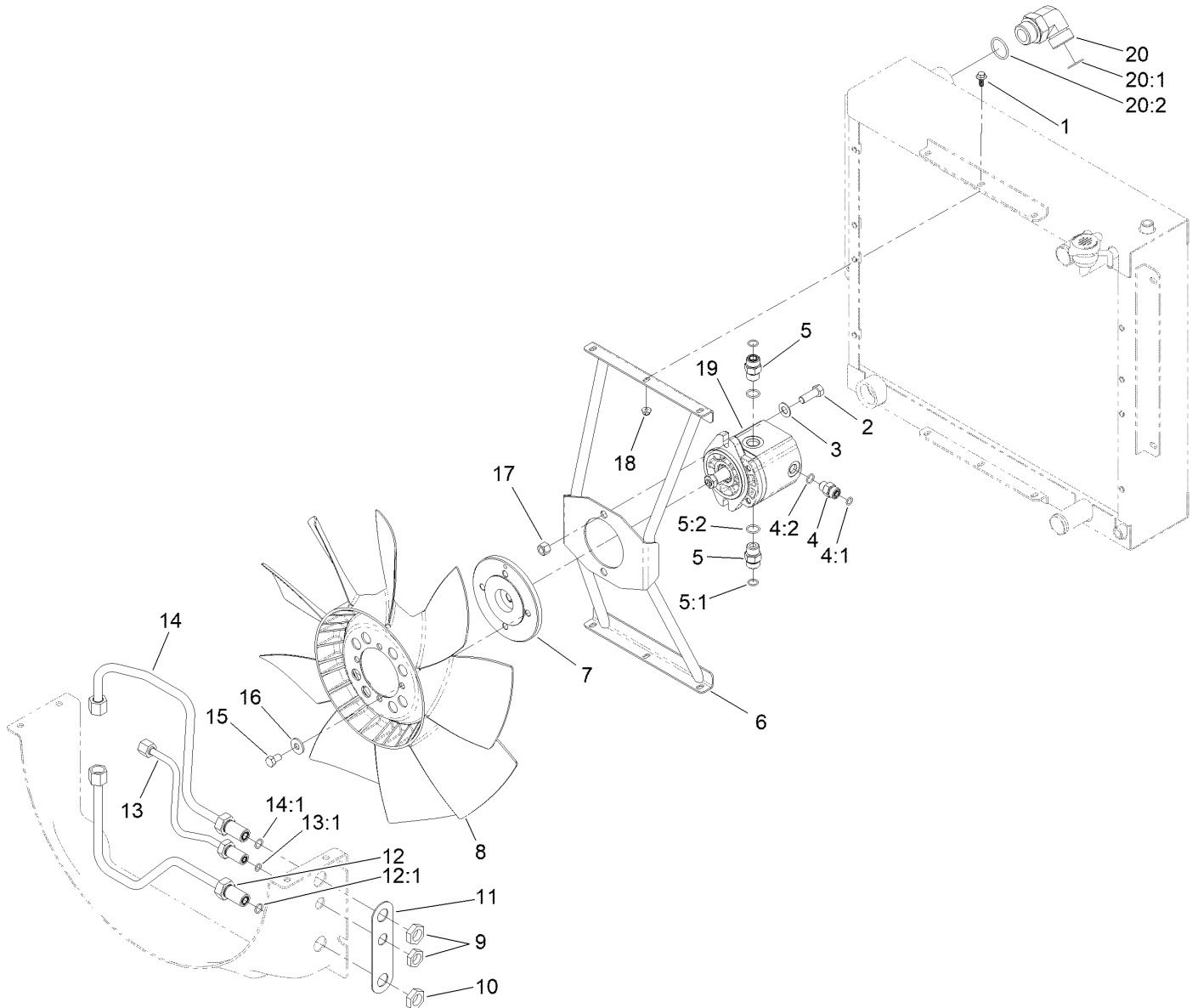
Radiator Assembly



Radiator Assembly (continued)

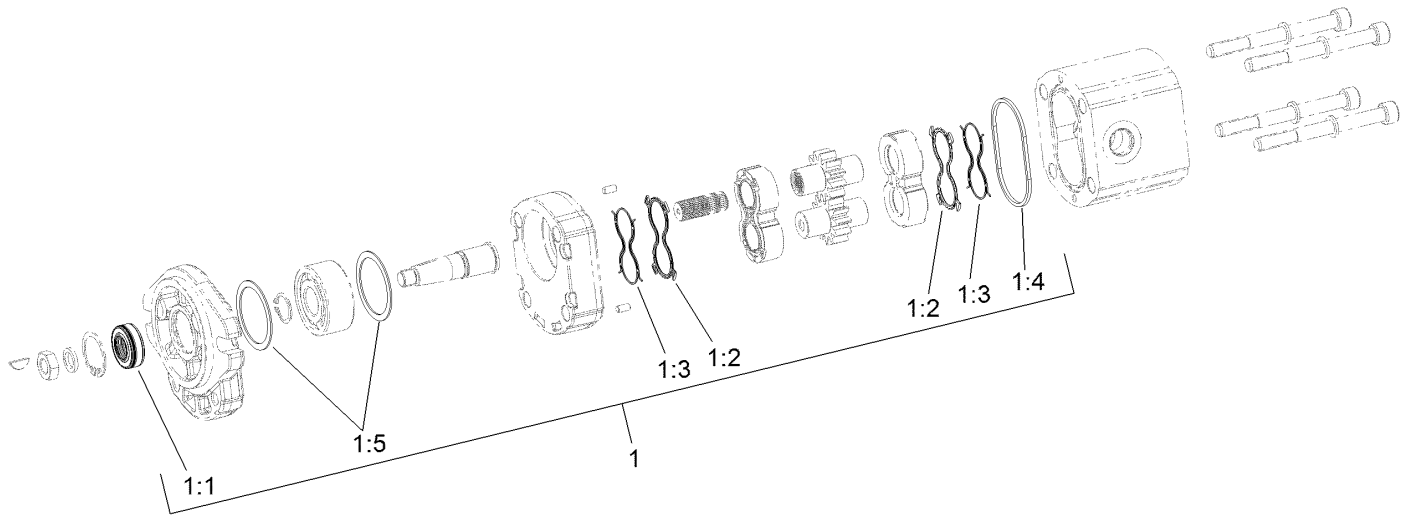
<i>Ref.</i>	<i>Part Number</i>	<i>Qty.</i>	<i>Description</i>	<i>Ref.</i>	<i>Part Number</i>	<i>Qty.</i>	<i>Description</i>
1	121-1479	1	LH Radiator Support ASM	25	121-1474	1	Hose-Inlet, Air Cleaner
1:1	93-7272	1	Decal-Warning	26	132-6161	1	Radiator/Oil Cooler
1:3	100-2196	1	Pad-Foam	26:1	115-7766	1	Cap-Radiator
2	121-1684	1	Foam-Radiator	26:1:1	106-6755	1	Decal-Cap, Radiator
3	104-8300	15	Nut-HF, NI	27	114-3828	1	Seal-Bulb
4	92-2379	3	Clamp-Hose	28	121-1478	1	RH Radiator Support ASM
5	110-4112	1	Hose-Fuel	28:1	93-7272	1	Decal-Warning
6	104-8301	6	Nut-HF, NI	28:3	100-2196	1	Pad-Foam
7	93-5954	2	Plug-Foam	29	93-7272	1	Decal-Warning
8	3234-11	6	Screw-HHF	30	136-4364-0P	1	Bracket-Intake
9	3234-29	12	Screw-HHF	31	117-4765	1	Decal-Starting Fluid
10	104-2226	1	Strip-Foam	32	281-13	1	Plug-Pipe
11	139-0952-0P	1	Support-Radiator	33	321-11	2	Screw-HH
12	92-6064	2	Clamp-R	34	114-4902	1	Plate-Cover
13	121-1685	1	Foam-Radiator, Lower	35	114-4901	1	Clamp
14	110-9662	1	Hose-Fuel	36	322-4	2	Screw-HH
15	144-6219	1	Reservoir-Coolant ASM	37	104-7201	4	Nut-HF, NI
15:1	87-7050	1	Cap-Reservoir	38	120-8984	1	Bracket-Clamp
16	130-0603-0P	1	Bracket-Mount, Bottle	39	100-5565	1	Fitting-STR
17	3256-3	8	Washer-Flat	39:1	237-146	1	O-Ring
18	322-1	8	Screw-HH	39:2	340-65	1	O-Ring
19	121-1746	1	Hose-Radiator, Lower	40	106-2030	1	Plug-Hex, Hollow
20	2412-111	4	Clamp-Hose, W/Liner	40:1	237-146	1	O-Ring
21	121-1747	1	Hose-Radiator, Upper	41	304-46	1	Draincock
22	121-1517	1	Shroud-Radiator, Lower	42	3230-23	1	Bolt-CARR
23	121-1515	1	Shroud-Radiator, Upper	43	3229-11	2	Screw-CARR
24	2412-110	1	Clamp-Band/Screw	44	139-0989-0P	1	Plate

Fan Mounting and Hardline Assembly



Fan Mounting and Hardline Assembly (continued)

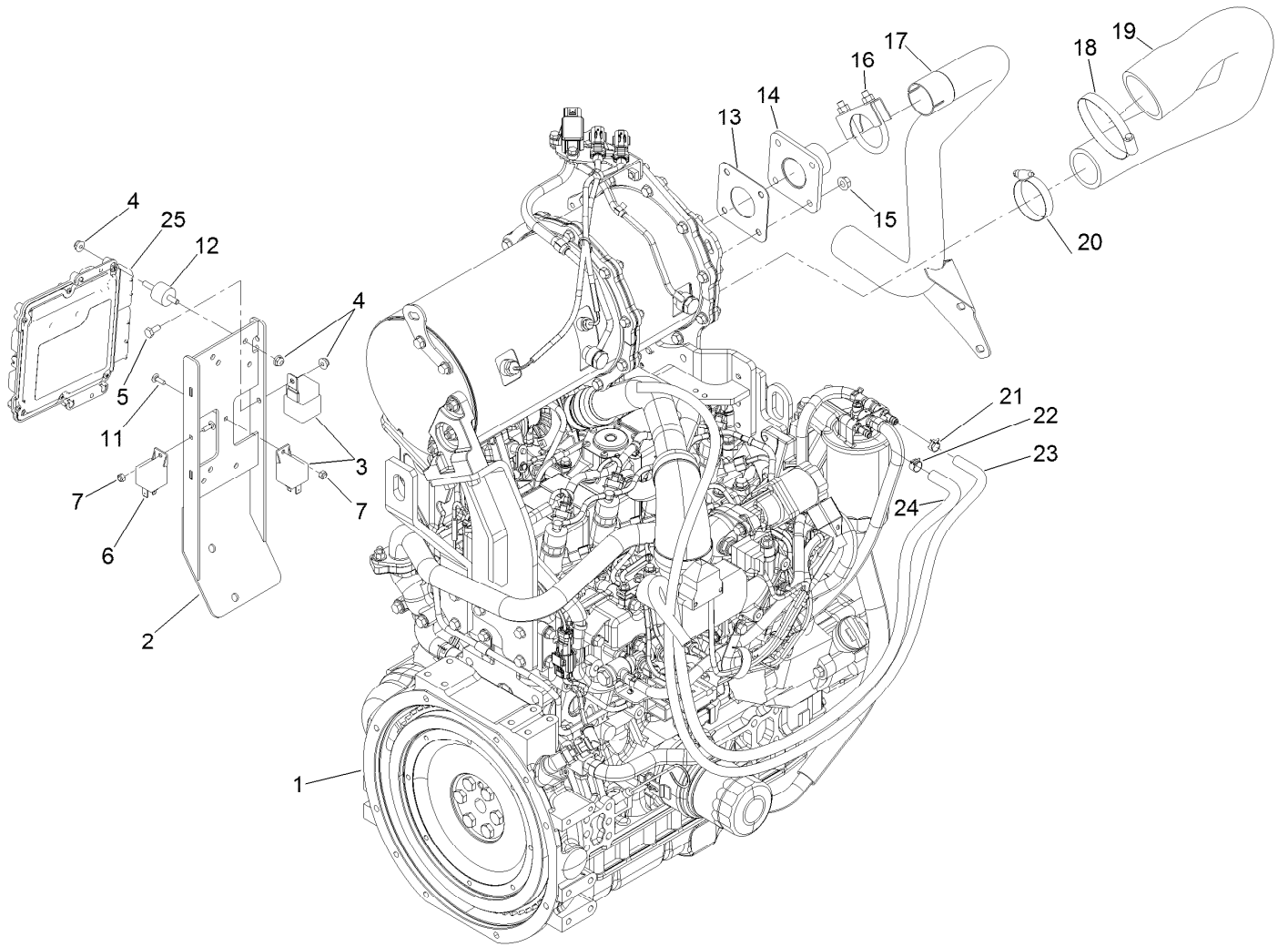
<i>Ref.</i>	<i>Part Number</i>	<i>Qty.</i>	<i>Description</i>	<i>Ref.</i>	<i>Part Number</i>	<i>Qty.</i>	<i>Description</i>
1	99-6810	6	Screw-HHF	12	137-5554	1	Tube ASM
2	324-5	2	Screw-HH	12:1	237-30	1	O-Ring
3	3256-25	2	Washer-Flat	13	137-5555	1	Tube ASM
4	340-2	1	Fitting-Straight	13:1	237-22	1	O-Ring
4:1	237-22	1	O-Ring	14	137-5553	1	Tube ASM
4:2	237-42	1	O-Ring	14:1	237-30	1	O-Ring
5	340-4	2	Fitting-Straight	15	115-8486	4	Screw-HH
5:1	237-30	1	O-Ring	16	80-6990	4	Washer-Hardened
5:2	237-79	1	O-Ring	17	3296-48	2	Nut-Hex
6	137-5594	1	Mount-Fan	18	104-7201	6	Nut-HF, NI
7	117-2364	1	Hub-Fan	19	137-5571	1	Hydraulic Motor ASM
8	114-3825	1	Fan	20	340-129	1	Fitting-Elbow, 90 DEG
9	340-70	1	Nut-Lock	20:1	237-146	1	O-Ring
10	340-127	2	Nut-Bulkhead	20:2	340-65	1	O-Ring
11	121-1518	1	Shim-Support				



Hydraulic Motor Assembly No. 137-5571

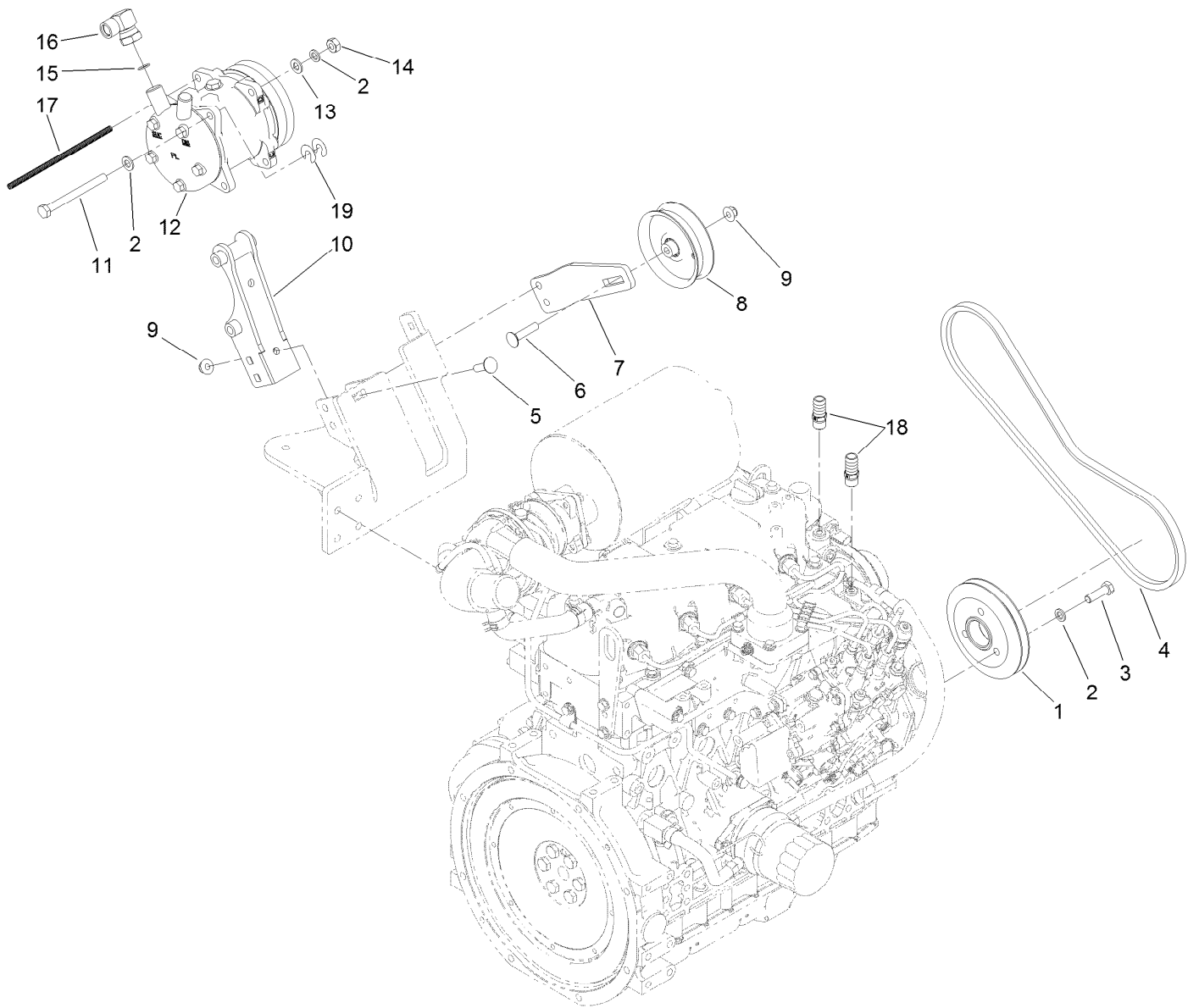
<i>Ref.</i>	<i>Part Number</i>	<i>Qty.</i>	<i>Description</i>
1	139-1019	1	Seal Kit
1:1		1	Seal-Shaft ●
1:2		2	Seal-Plate, Balancing ●
1:3		2	Seal-Anti Extrusion ●
1:4		1	O-Ring (Housing) ●
1:5		2	Seal-Square ●

● Not serviced separately



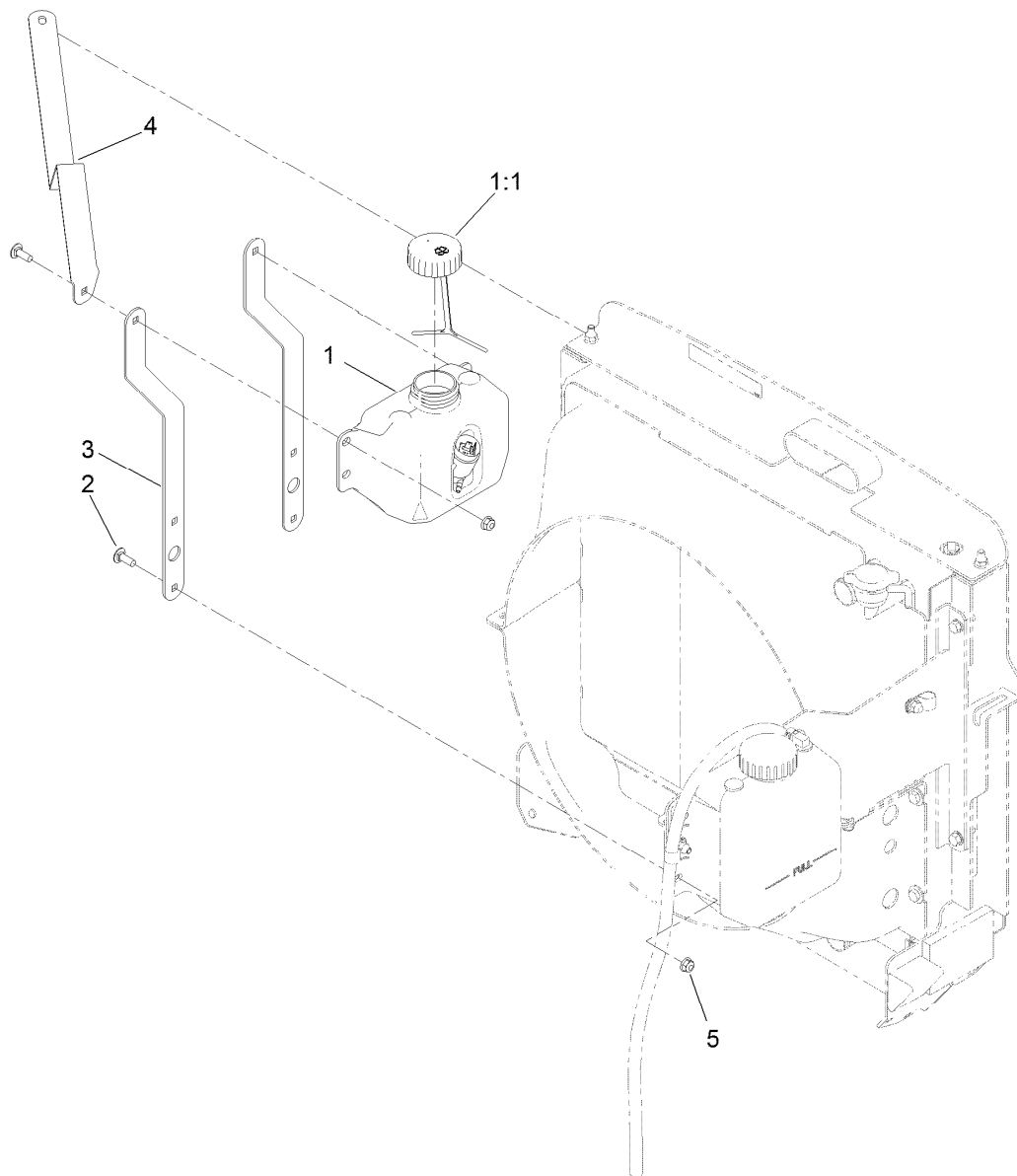
Engine and Controller Assembly

<i>Ref.</i>	<i>Part Number</i>	<i>Qty.</i>	<i>Description</i>	<i>Ref.</i>	<i>Part Number</i>	<i>Qty.</i>	<i>Description</i>
1	138-6917	1	Engine-Yanmar	15	33004-00	4	Nut-HF
2	136-4430-0P	1	Mount-Controller	16	18-2130	1	Clamp
3	99-7430	1	Relay-Mini	17	121-1613	1	Pipe-Exhaust
4	104-7201	9	Nut-HF, NI	18	2412-110	1	Clamp-Band/Screw
5	321-3	1	Screw-HH	19	121-1475	1	Hose-Outlet, Air Cleaner
6	99-7435	2	Relay	20	2412-130	1	Clamp-Hose
7	3296-2	2	Nut-Lock, NI	21	2412-98	1	Clamp-Hose
11	1-807533	2	Bolt-CARR	22	92-2379	1	Clamp-Hose
12	132-1356	4	Mount-Isolator	23	115-2368	1	Hose-Fuel
13	121-3058	1	Gasket-Exhaust	24	110-4007	1	Hose-Fuel
14	121-3060	1	Flange-Exhaust	25	121-5592	1	Electronic Control Unit



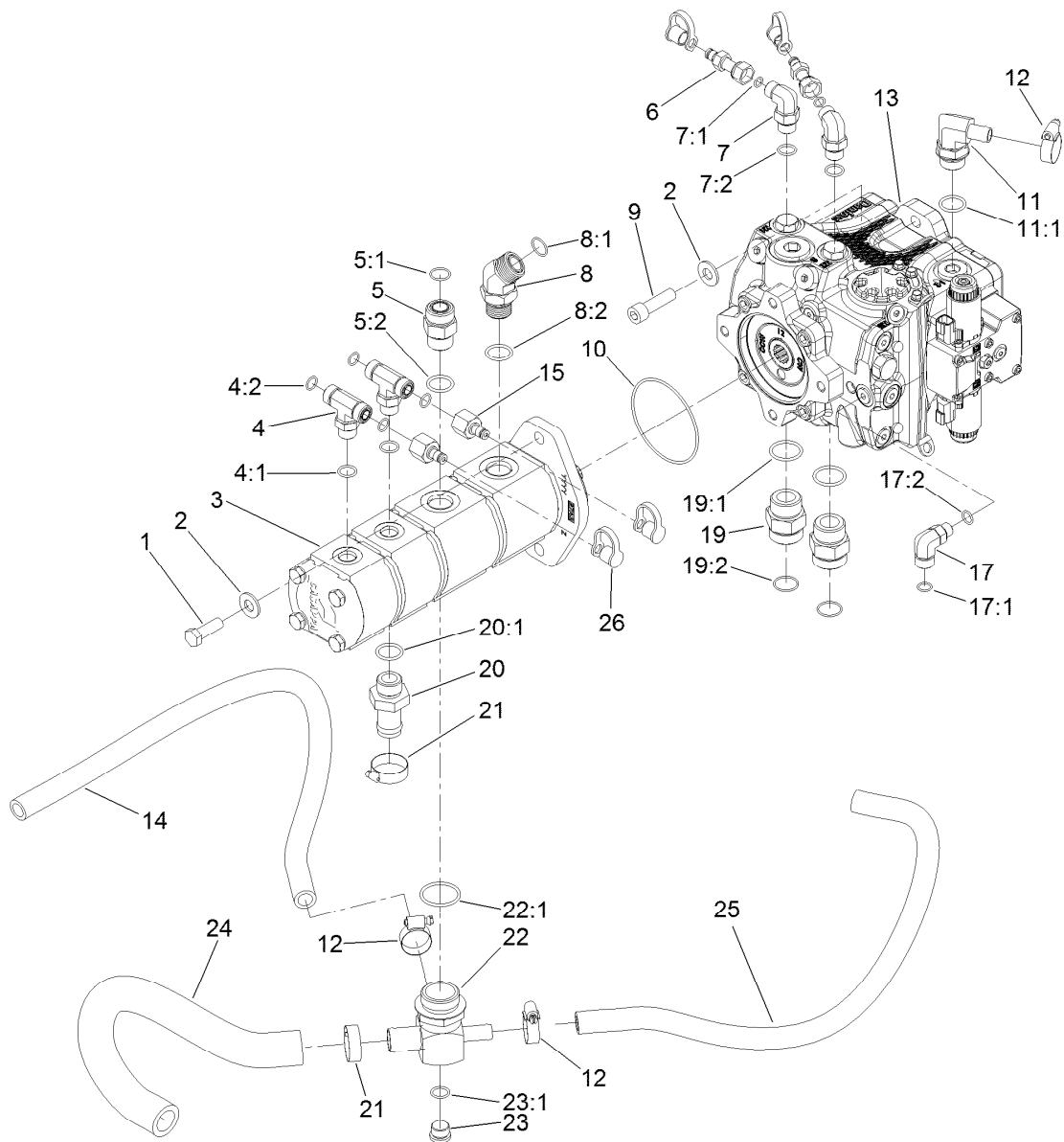
Air Conditioner Compressor Assembly

<i>Ref.</i>	<i>Part Number</i>	<i>Qty.</i>	<i>Description</i>	<i>Ref.</i>	<i>Part Number</i>	<i>Qty.</i>	<i>Description</i>
1	121-8177	1	Pulley-Single	11	33115-110	2	Screw-HH
2	48-9590	5	Washer-Lock	12	119-0103	1	Compressor
3	33115-035	3	Screw-HH	13	33095-00	4	Washer-Flat
4	110-6254	1	Belt-V	14	33015-00	2	Nut-Hex
5	3231-25	5	Bolt-CARR	15	117-2780	1	O-Ring
6	3231-5	1	Screw-CARR	16	119-0128	1	Fitting-Elbow, 90 DEG
7	127-3727-0P	1	Mount-Pulley	17	115-8882	1	Conduit-Convolutd
8	98-3095	1	Pulley-Idler	18	139-2236	2	Fitting-STR Spcl
9	104-8301	6	Nut-HF, NI	19	119-7734	4	Shim
10	127-3726-0P	1	Mount-Compressor				



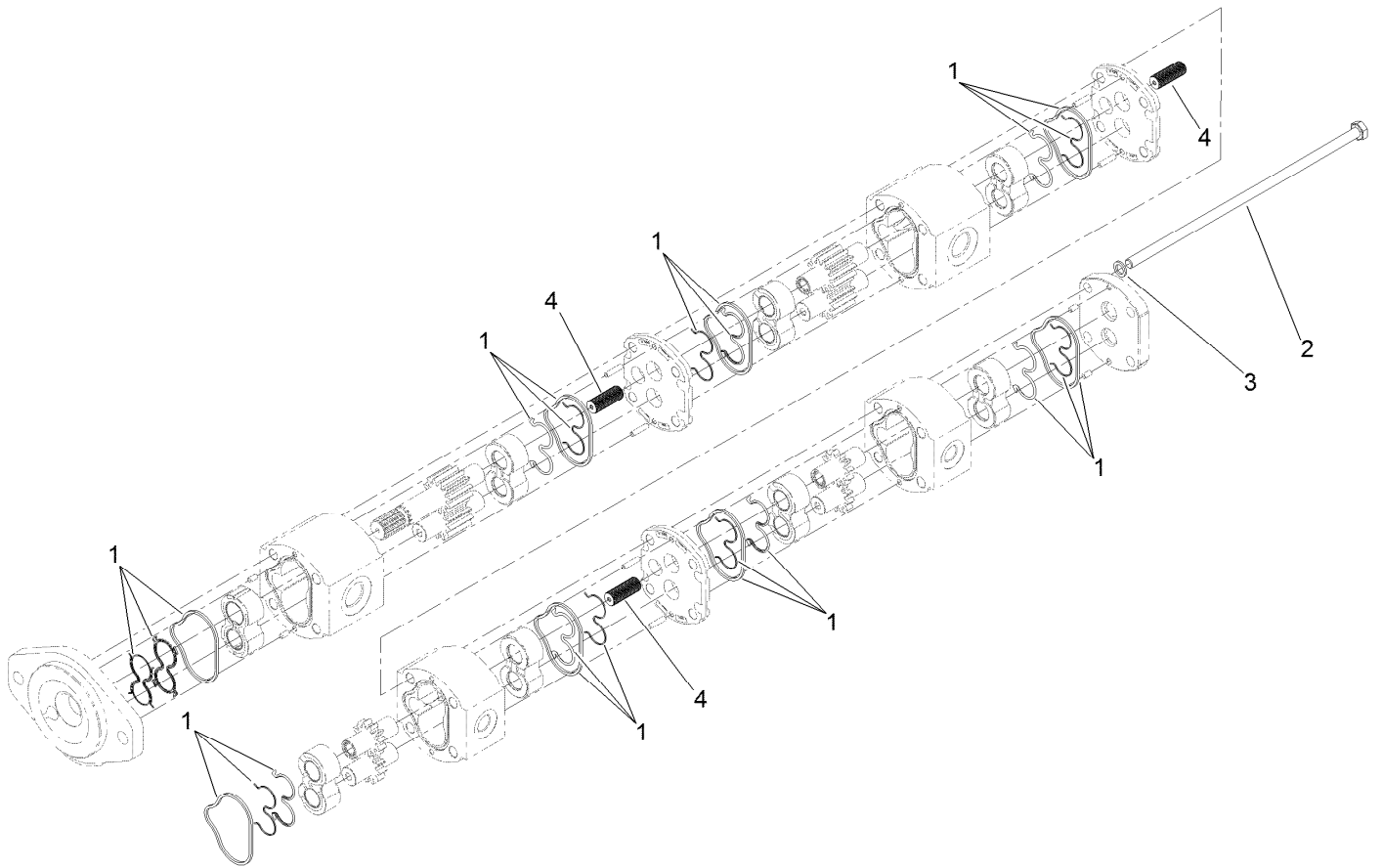
Washer Fluid Bottle Assembly

<i>Ref.</i>	<i>Part Number</i>	<i>Qty.</i>	<i>Description</i>
1	138-2702	1	Tank-Fluid, Washer
1:1	125-5258	1	Lid-Tank, Washer Fluid
2	3230-10	6	Bolt-CARR
3	130-0604-0P	2	Strap-Bottle, Washer Fluid
4	130-0605-0P	1	Support-Bottle, Washer Fluid
5	104-8300	6	Nut-HF, NI



Piston Pump and Gear Pump Assembly

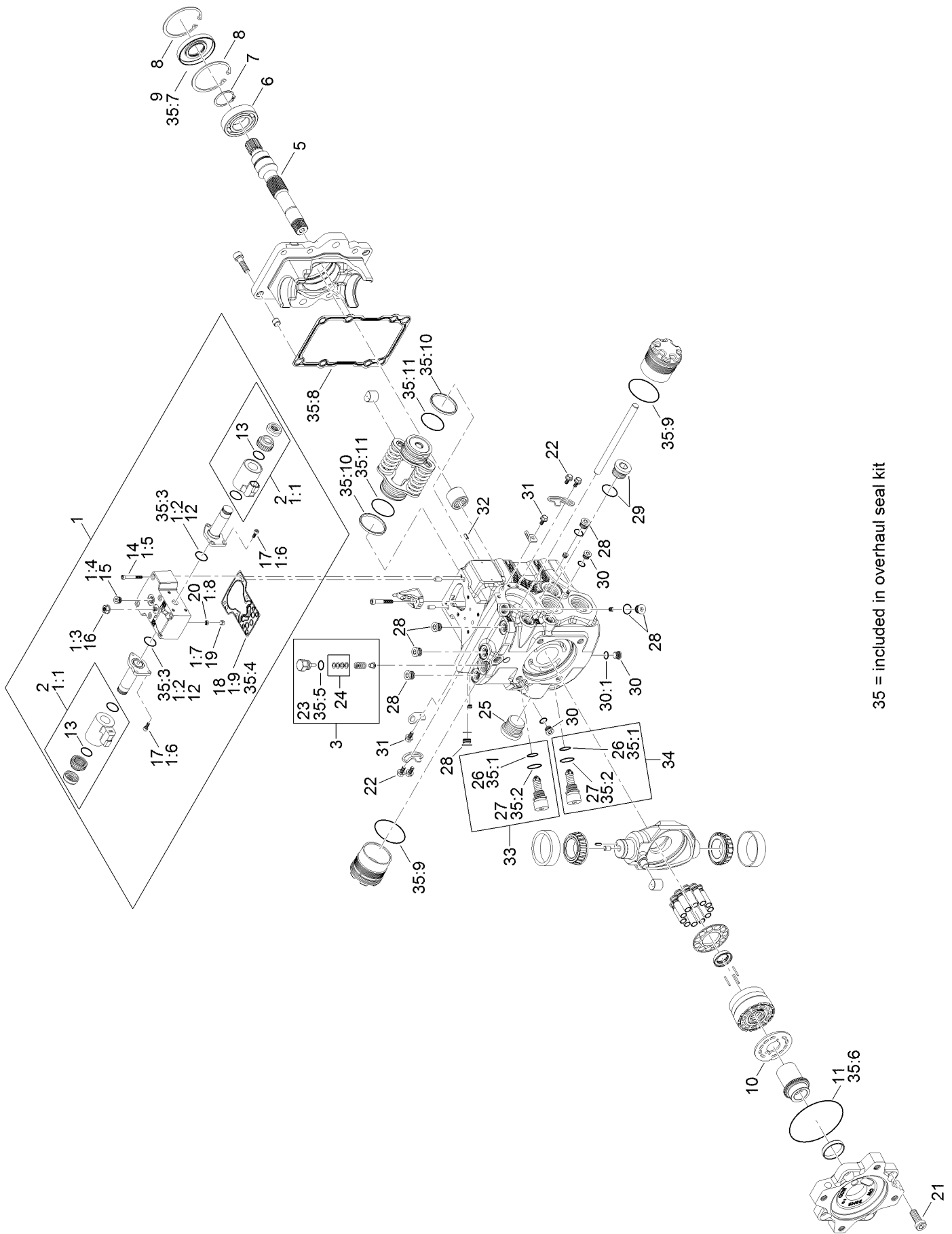
Ref.	Part Number	Qty.	Description	Ref.	Part Number	Qty.	Description
1	121-1525	2	Screw-HH	12	2412-129	3	Clamp-Hose
2	137-5550	4	Washer-Thrust	13	132-6100	1	Pump-Piston
3	120-8906	1	Pump-Gear, 4-Section	14	121-1647	1	Hose-HYD
4	340-157	2	Fitting-HYD, Tee	15	100-5616	2	Fitting
4:1	237-79	1	O-Ring	17	340-99	1	Fitting-HYD, 90 DEG
4:2	237-30	2	O-Ring	17:1	237-30	1	O-Ring
5	340-9	1	Fitting-STR	17:2	237-42	1	O-Ring
5:1	237-58	1	O-Ring	19	104-3797	2	Fitting-Straight
5:2	237-81	1	O-Ring	19:1	237-146	1	O-Ring
6	86-5480	2	Nipple-Test	19:2	340-65	1	O-Ring
7	340-18	2	Fitting-HYD, 90 DEG	20	99-3017	1	Fitting
7:1	237-79	1	O-Ring	20:1	237-81	1	O-Ring
7:2	237-22	1	O-Ring	21	2412-34	2	Clamp-Hose
8	100-5530	1	Fitting-45 DEG	22	121-1682	1	Fitting-Tee
8:1	237-58	1	O-Ring	22:1	237-101	1	O-Ring
8:2	237-81	1	O-Ring	23	353-988	1	Plug-Hex
9	131-0661	2	Screw-HSH	23:1	237-79	1	O-Ring
10	107-9447	1	O-Ring	24	120-8815	1	Hose-Suction
11	136-4439	1	Fitting-HYD, 90	25	120-9050	1	Hose-HYD
11:1	237-81	1	O-Ring	26	354-79	4	Cap-Dust



Four-Section Gear Pump Assembly No. 120-8906

<i>Ref.</i>	<i>Part Number</i>	<i>Qty.</i>	<i>Description</i>
1	115-3776	1	Seal Kit
2	115-3775	4	Bolt
3	121-1722	4	Washer
4	120-6284	3	Hub-Connecting

Hydraulic Pump Assembly No. 132-6100



35 = included in overhaul seal kit

Hydraulic Pump Assembly No. 132-6100 (continued)

<i>Ref.</i>	<i>Part Number</i>	<i>Qty.</i>	<i>Description</i>	<i>Ref.</i>	<i>Part Number</i>	<i>Qty.</i>	<i>Description</i>
1	132-6203	1	Control Kit	21	125-5282	4	Screw
1:1	132-6204	2	Coil Kit	22	125-5270	4	Screw
1:2	125-5288	2	O-Ring	23	125-5298	1	O-Ring
1:3	125-5273	1	Nut-Seal	24	92-1353	1	Shim Kit
1:4	125-5302	1	Plug	25	125-5301	1	Plug
1:5	125-5274	6	Screw	26	75-0240	2	O-Ring
1:6	125-5272	6	Screw	27	84-0560	2	O-Ring
1:7	125-5269	1	Ring-Locking	28	69-3080	6	Plug
1:8	125-5266	1	Screen	29	69-3130	1	Plug
1:9	125-5283	1	Gasket-Control	30	75-0170	3	Plug-Thread, Straight
2	132-6204	2	Coil Kit	30:1	92-8777	1	O-Ring
3	136-4397	1	Charge Relief Kit	31	125-5270	2	Screw
5	136-4399	1	Shaft	32	110-6485	1	Pin-Slotted
6	75-0460	1	Bearing-Ball	33	136-4393	1	Valve-Relief, High Pressure
7	125-5280	1	Ring-Retaining	34	136-4392	1	Valve-Relief, High Pressure
8	131-8616	2	Ring-Retaining	35	132-6205	1	Overhaul Seal Kit
9	127-6214	1	Seal-Lip	35:1	75-0240	2	O-Ring
10	136-4398	1	Valve Plate	35:2	84-0560	2	O-Ring
11	132-6206	1	O-Ring	35:3	125-5288	2	O-Ring
12	125-5288	2	O-Ring	35:4	125-5283	1	Gasket-Control
13	131-7388	2	O-Ring	35:5	125-5298	1	O-Ring
14	125-5274	6	Screw	35:6	132-6206	1	O-Ring
15	125-5302	1	Plug	35:7	127-6214	1	Seal-Lip
16	125-5273	1	Nut-Seal	35:8		1	Gasket ●
17	125-5272	6	Screw	35:9		2	O-Ring ●
18	125-5283	1	Gasket-Control	35:10		2	Piston Ring ●
19	125-5269	1	Ring-Locking	35:11		2	O-Ring ●
20	125-5266	1	Screen				

● Not serviced separately

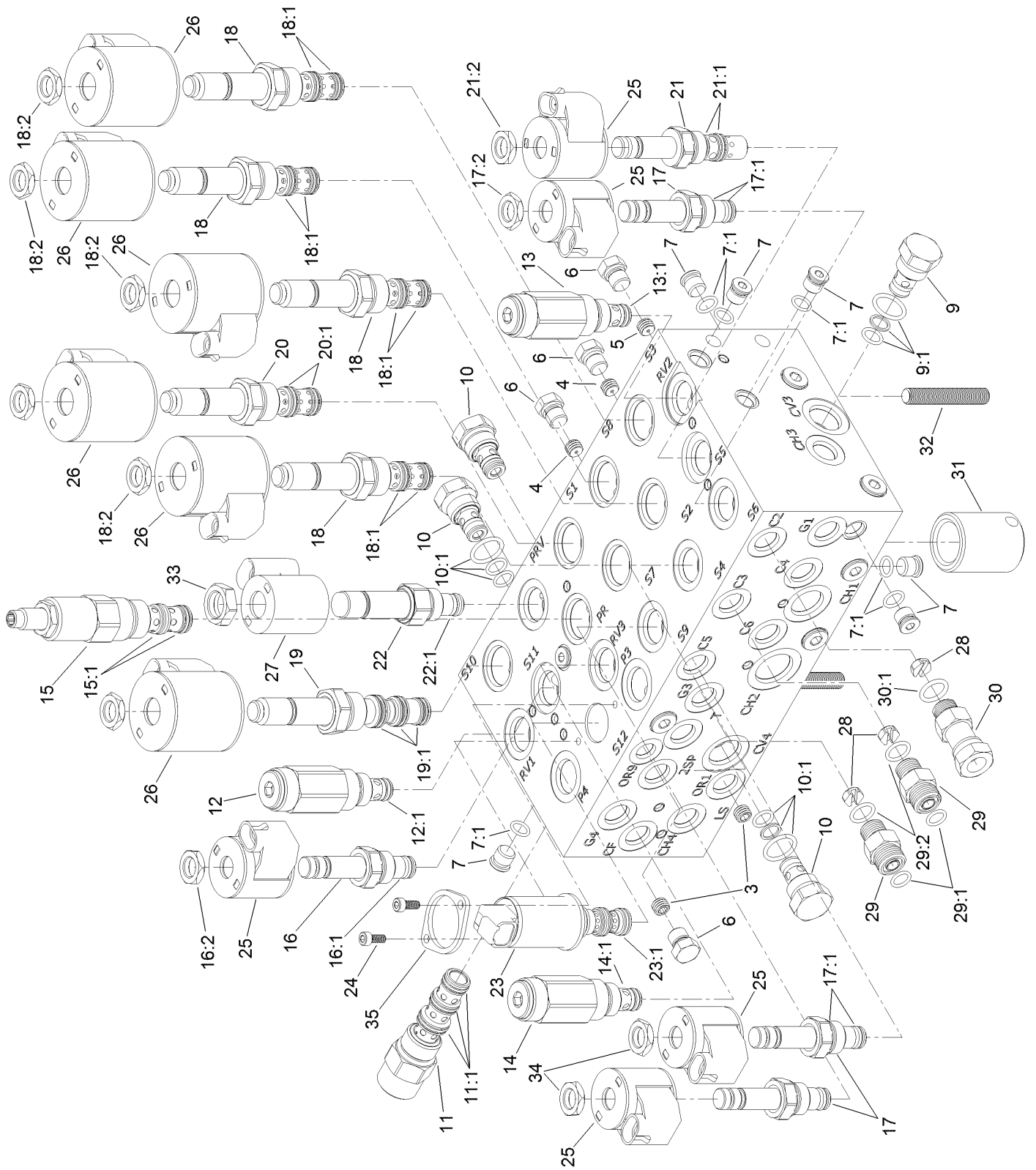
Combination Manifold Assembly



Combination Manifold Assembly (continued)

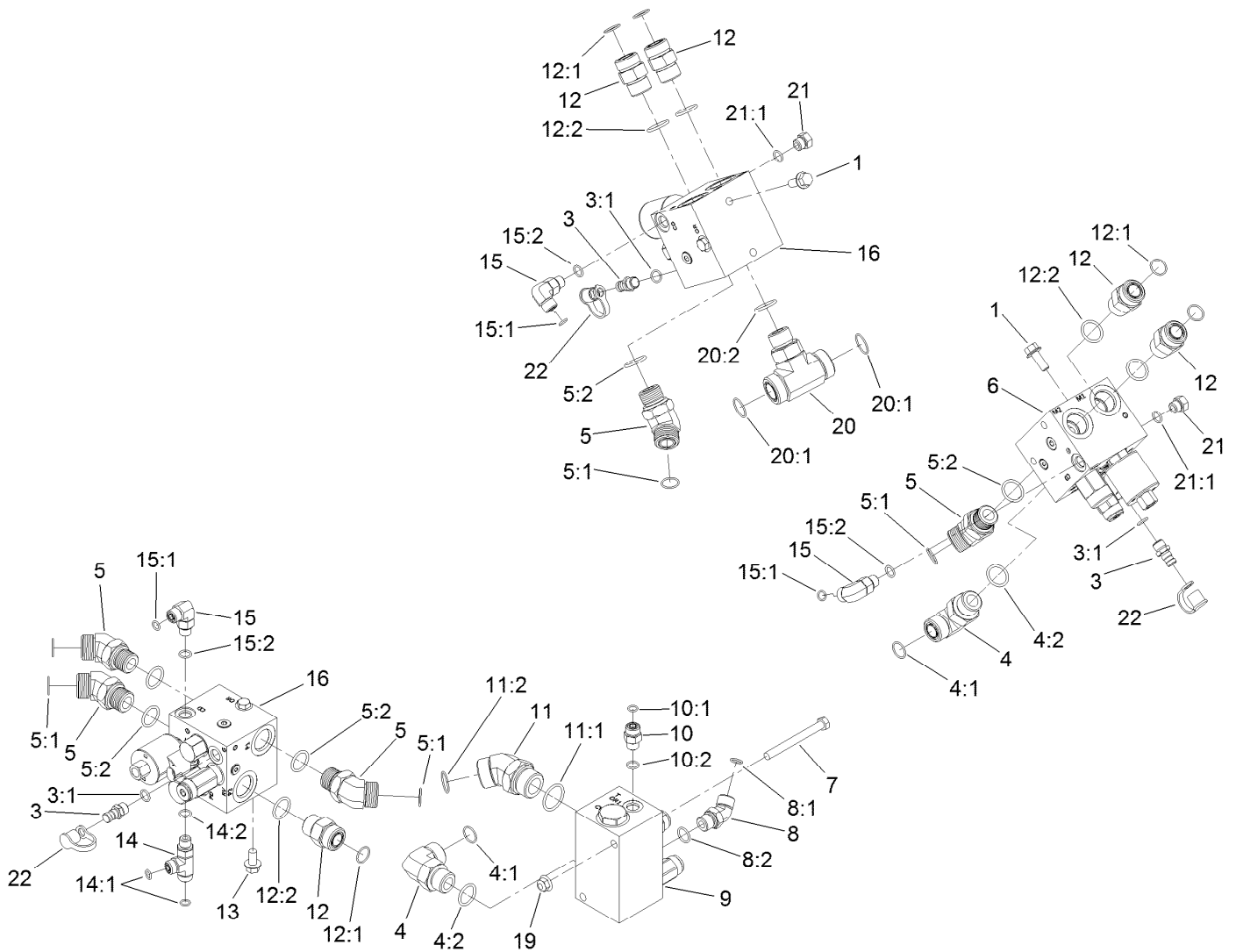
<i>Ref.</i>	<i>Part Number</i>	<i>Qty.</i>	<i>Description</i>	<i>Ref.</i>	<i>Part Number</i>	<i>Qty.</i>	<i>Description</i>
1	137-5581	1	Combination Manifold ASM	16:2	237-80	1	O-Ring
2	92-2650	3	Spacer-Clutch	18	340-2	1	Fitting-Straight
3	63-9750	3	Mount	18:1	237-22	1	O-Ring
4	63-8410	3	Washer	18:2	237-42	1	O-Ring
6	75-1310	1	Filter-HYD	19	340-82	1	Fitting-Elbow, 90 DEG
7	3234-1	3	Screw-HHF	19:1	237-42	1	O-Ring
8	121-1542	1	Plate-Mount, Hose	19:2	237-21	1	O-Ring
9	353-508	5	Plug-HH	20	100-4887	1	Fitting-Elbow, 90
9:1	237-42	1	O-Ring	20:1	237-42	1	O-Ring
10	2412-126	1	R-Clamp	21	2412-36	2	Clamp-Hose
11	104-8301	4	Nut-HF, NI	22	119-4854	1	Fitting-STR
12	340-4	4	Fitting-Straight	22:1	237-30	1	O-Ring
12:1	237-30	1	O-Ring	22:2	237-79	1	O-Ring
12:2	237-79	1	O-Ring	23	353-512	1	Plug
13	340-77	2	Fitting-Elbow, 90 DEG	23:1	237-78	1	O-Ring
13:1	237-22	1	O-Ring	24	87-5730	1	Hose
13:2	237-42	1	O-Ring	25	340-1	2	Fitting-Straight
14	86-5480	1	Nipple-Test	25:1	237-21	1	O-Ring
15	354-79	1	Cap-Dust	25:2	237-42	1	O-Ring
16	340-7	1	Fitting-Straight				
16:1	237-65	1	O-Ring				

Combination Manifold Assembly No. 137-5581



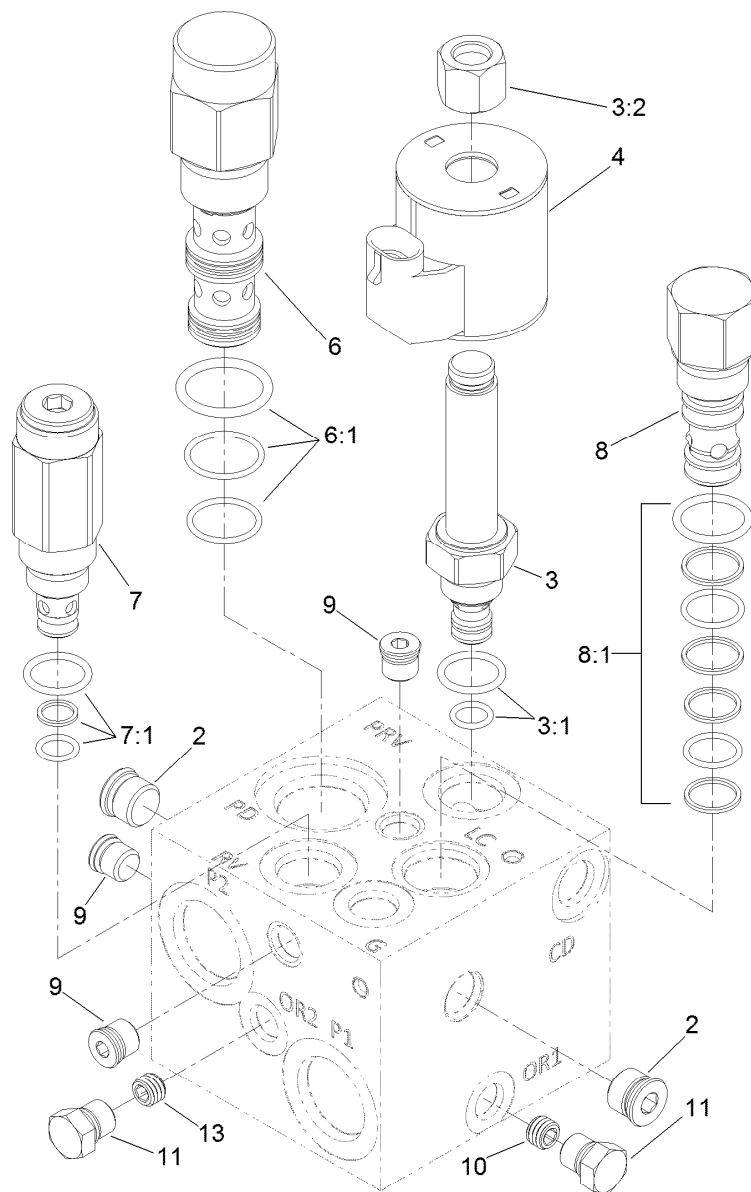
Combination Manifold Assembly No. 137-5581 (continued)

<i>Ref.</i>	<i>Part Number</i>	<i>Qty.</i>	<i>Description</i>	<i>Ref.</i>	<i>Part Number</i>	<i>Qty.</i>	<i>Description</i>
3	136-4363	2	Orifice-0.028	19	115-3023	1	Solenoid Valve ASM
4	112-6538	2	Orifice (.063 Inch)	19:1	110-8908	1	Spool Valve Seal Kit
5	110-8883	1	Plug-Orifice (0.040)	20	125-7556	1	Solenoid Valve ASM
6	117-0115	4	Plug	20:1	107-7813	1	Seal Kit
7	353-990	14	Plug ASM	21	115-5405	1	Solenoid Valve ASM
7:1	237-78	1	O-Ring	21:1	115-5413	1	Seal Kit
9	114-2873	1	Check Valve ASM	21:2	110-2634	1	Nut-Coil
9:1	105-9156	1	Seal Kit	22	125-7555	1	Proportional Relief Valve ASM
10	105-9321	3	Check Valve ASM	22:1	110-6316	1	Seal Kit
10:1	105-9156	1	Seal Kit	23	138-3828	1	Valve-Solenoid, 3 Way 2 Position
11	139-7835	1	Pressure Compensator	23:1	138-3831	1	Seal Kit
11:1	110-8908	1	Spool Valve Seal Kit	24	138-3827	2	Screw
12	125-7560	1	Relief Valve ASM	25	110-0497	5	Coil-Solenoid
12:1	105-9156	1	Seal Kit	26	110-6344	6	Coil-12V, DC
13	125-7559	1	Relief Valve ASM	27	125-7553	1	E-Coil, 12Vdc
13:1	105-9156	1	Seal Kit	28	125-7552	3	Orifice-Check, .070 DIA
14	125-7558	1	Relief Valve ASM	29	340-2	2	Fitting-Straight
14:1	105-9156	1	Seal Kit	29:1	237-22	1	O-Ring
15	127-3663	1	Valve-Pressure Reducing	29:2	237-42	1	O-Ring
15:1	105-9154	1	Seal Kit	30	104-3779	1	Connector-Swivel, Straight
16	107-7516	1	Solenoid Valve ASM	30:1	237-42	1	O-Ring
16:1	105-9156	1	Seal Kit	31	125-7551	1	Nipple-Filter
16:2	110-2634	1	Nut-Coil	32	130-2661	3	Stud-Manifold
17	112-9206	3	Solenoid Valve ASM	33	125-7550	1	Nut-Coil
17:1	105-9156	1	Seal Kit	34	110-2634	11	Nut-Coil
17:2	110-2634	1	Nut-Coil	35	138-3825	1	Plate-Mounting, Standard
18	115-5400	4	Solenoid Valve ASM				
18:1	107-7813	1	Seal Kit				
18:2	110-2634	1	Nut-Coil				



Manifold Block Assembly

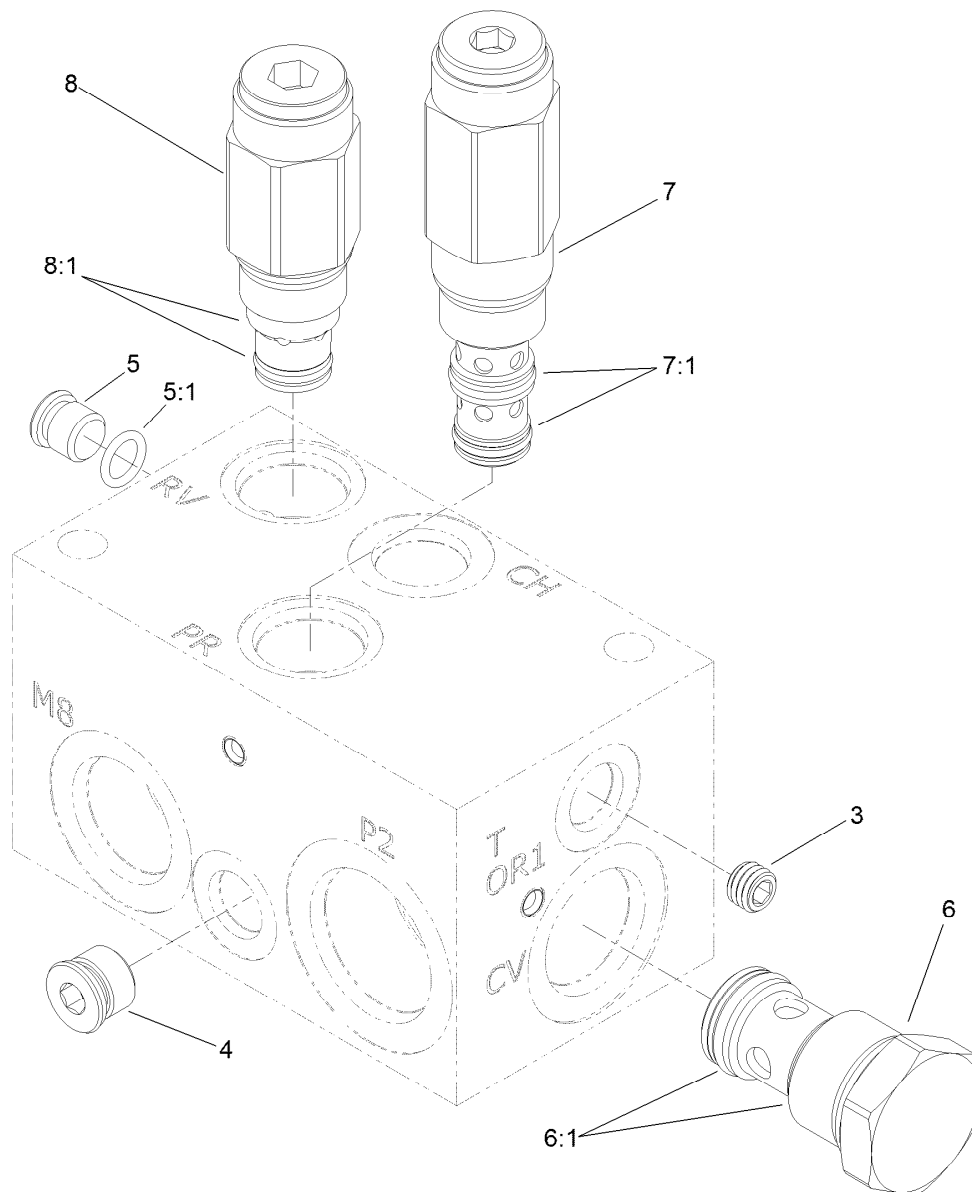
Ref.	Part Number	Qty.	Description	Ref.	Part Number	Qty.	Description
1	3234-11	4	Screw-HHF	11:2	340-65	1	O-Ring
3	59-7410	3	Fitting-Diagnostic	12	340-9	5	Fitting-STR
3:1	237-42	1	O-Ring	12:1	237-58	1	O-Ring
4	340-142	2	Fitting-Elbow, 90 DEG	12:2	237-81	1	O-Ring
4:1	237-58	1	O-Ring	13	3234-1	2	Screw-HHF
4:2	237-81	1	O-Ring	14	340-86	1	Fitting-Tee
5	100-5530	5	Fitting-45 DEG	14:1	237-22	2	O-Ring
5:1	237-58	1	O-Ring	14:2	237-42	1	O-Ring
5:2	237-81	1	O-Ring	15	340-77	3	Fitting-Elbow, 90 DEG
6	131-1249	1	Manifold-PTO, Left	15:1	237-22	1	O-Ring
7	323-42	2	Screw-HH	15:2	237-42	1	O-Ring
8	340-101	1	Fitting-HYD, 45 DEG	16	131-1248	2	Center And Right PTO Manifold ASM
8:1	237-30	1	O-Ring	19	104-8301	2	Nut-HF, NI
8:2	237-79	1	O-Ring	20	120-8825	1	Fitting-Tee
9	121-1530	1	Manifold-Traction, Rear	20:1	340-65	2	O-Ring
10	340-2	1	Fitting-Straight	20:2	237-81	1	O-Ring
10:1	237-22	1	O-Ring	21	353-508	2	Plug-HH
10:2	237-42	1	O-Ring	21:1	237-42	1	O-Ring
11	104-3509	1	Fitting-HYD, 45 DEG	22	354-79	3	Cap-Dust
11:1	237-146	1	O-Ring				



Left PTO Manifold Assembly No. 131-1249

Ref.	Part Number	Qty.	Description
2	112-9213	2	Plug
3	117-0227	1	Valve-Relief, Proportional
3:1	105-9156	1	Seal Kit
3:2	130-8180	1	Nut-Coil
4	110-6344	1	Coil-12V, DC
6	125-4327	1	Valve-Directional, Pilot
6:1	114-5515	1	Seal Kit
7	114-5512	1	Valve-Relief, 600 PSI
7:1	105-9156	1	Seal Kit
8	105-9153	1	Element-Logic, Vented
8:1	119-2159	1	Seal Kit ●
9	112-9212	3	Plug
10	117-8315	1	Orifice (.025 Inch)
11	117-0115	2	Plug
13	112-6538	1	Orifice (.063 Inch)

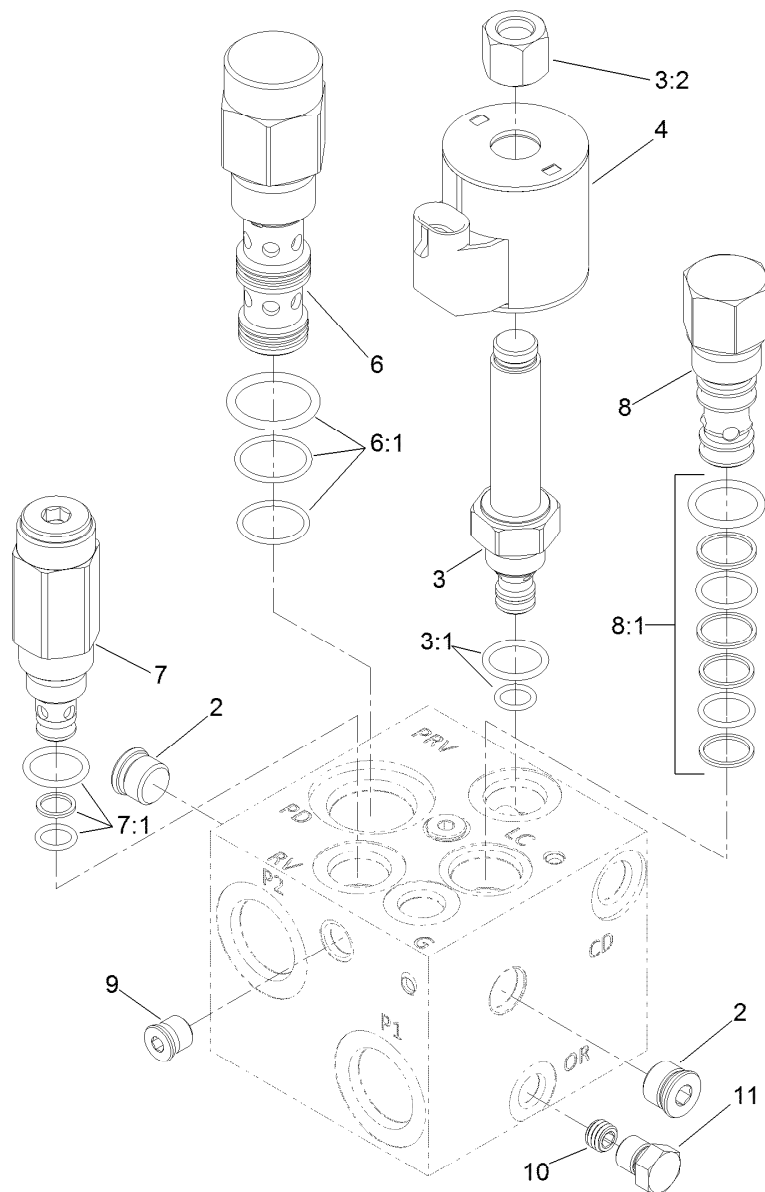
● Not illustrated



Rear Traction Manifold Assembly No. 121-1530

Ref.	Part Number	Qty.	Description
3	110-0495	1	Plug-Orifice (0.050 Inch)
4		1	Plug ●
5	353-990	1	Plug ASM
5:1	237-78	1	O-Ring
6	125-4328	1	Valve-Check
6:1	125-4336	1	Seal Kit
7	136-4362	1	Valve-Reducing
7:1	136-4361	1	Seal Kit
8	125-4331	1	Valve-Relief
8:1	110-6316	1	Seal Kit

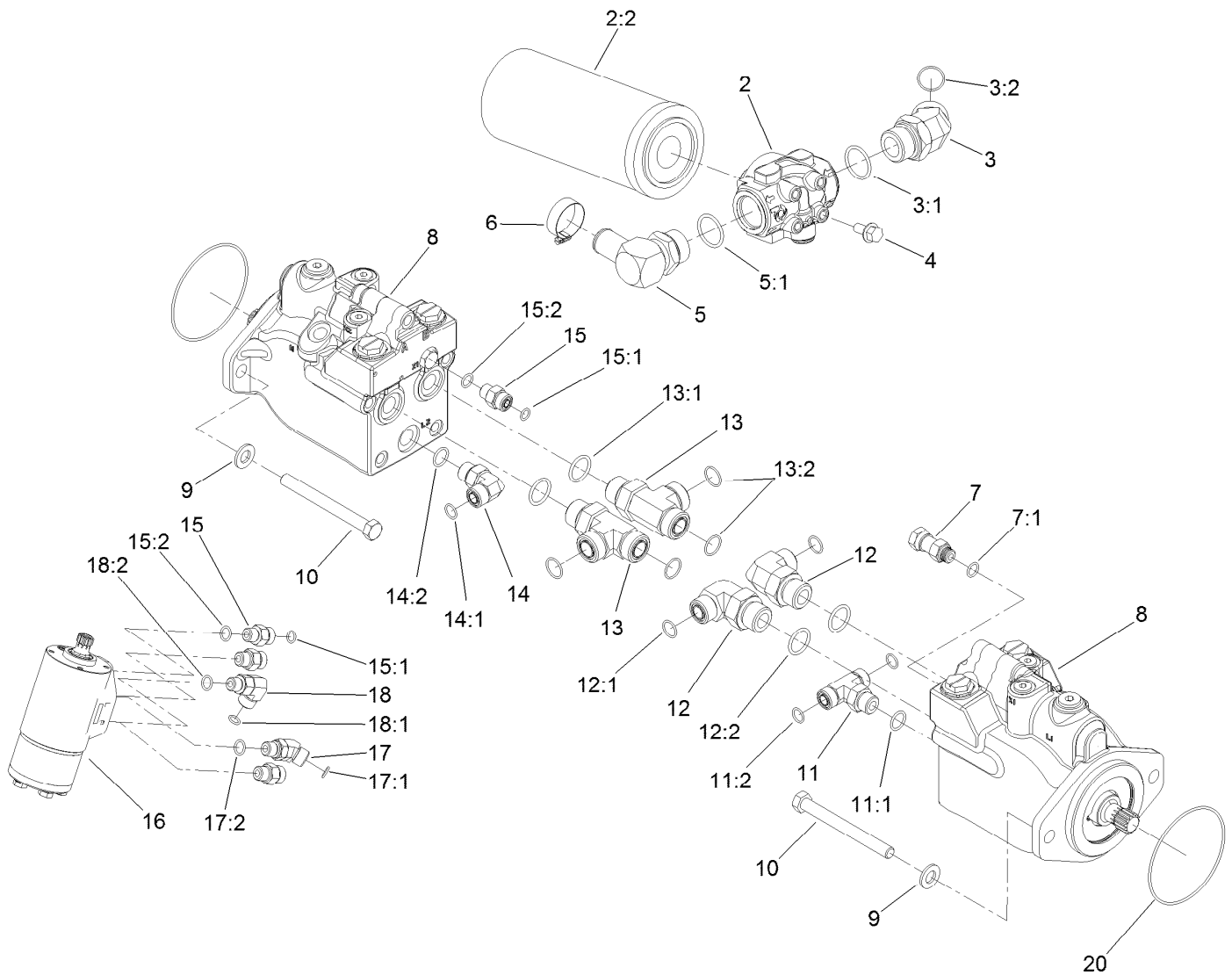
● Not serviced separately



Center and Right PTO Manifold Assembly No. 131-1248

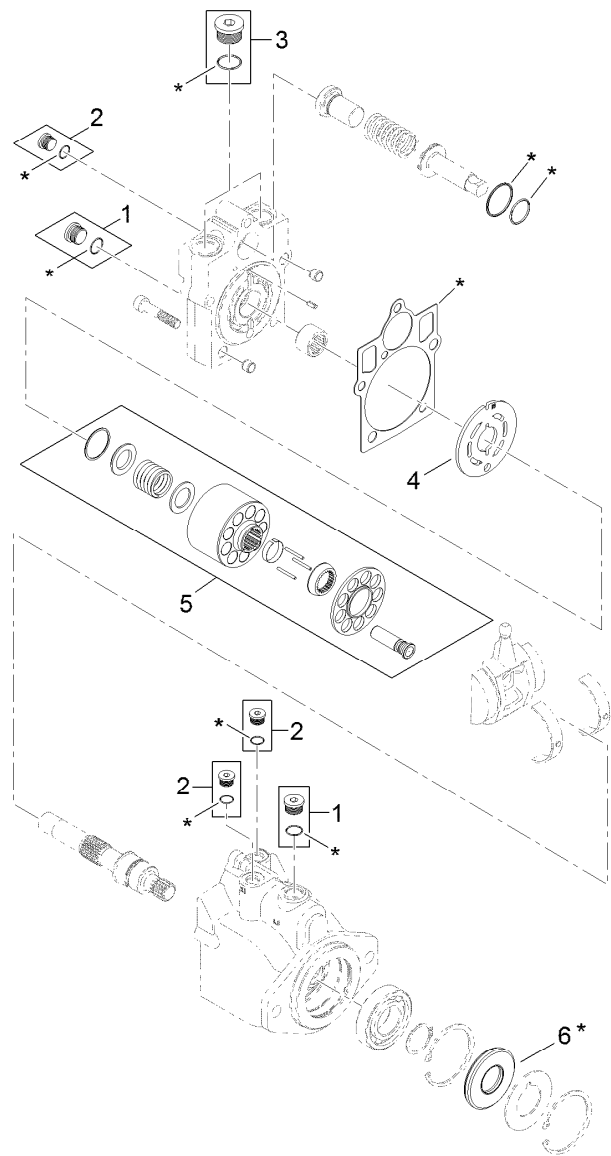
Ref.	Part Number	Qty.	Description
2	112-9213	2	Plug
3	117-0227	1	Valve-Relief, Proportional
3:1	105-9156	1	Seal Kit
3:2	130-8180	1	Nut-Coil (9/16-24 Unef-2B)
4	110-6344	1	Coil-12V, DC
6	125-4327	1	Valve-Directional, Pilot
6:1	114-5515	1	Seal Kit
7	114-5512	1	Valve-Relief, 600 PSI
7:1	105-9156	1	Seal Kit
8	105-9153	1	Element-Logic, Vented
8:1	119-2159	1	Seal Kit ●
9	112-9212	3	Plug
10	117-8315	1	Orifice (.025 Inch)
11	117-0115	1	Plug

● Not illustrated



Drive Motor, Steer Valve and Filter Head Assembly

Ref.	Part Number	Qty.	Description	Ref.	Part Number	Qty.	Description
2	139-1010	1	Filter Head ASM	12:2	237-65	1	O-Ring
2:2	94-2621	1	Element-Filter	13	340-148	2	Fitting-Tee
3	104-3509	1	Fitting-HYD, 45 DEG	13:1	237-81	1	O-Ring
3:1	237-146	1	O-Ring	13:2	237-58	2	O-Ring
3:2	340-65	1	O-Ring	14	340-98	1	Fitting-Elbow, 90 DEG
4	3234-1	4	Screw-HHF	14:1	237-79	1	O-Ring
5	23-8910	1	Stem-Barb-90	14:2	237-30	1	O-Ring
5:1	237-146	1	O-Ring	15	340-2	4	Fitting-Straight
6	2412-34	1	Clamp-Hose	15:1	237-22	1	O-Ring
7	104-3779	1	Connector-Swivel, Straight	15:2	237-42	1	O-Ring
7:1	237-42	1	O-Ring	16	132-6256	1	Valve-Steer
8	120-8913	2	HYD Motor ASM	17	340-87	1	Fitting-Elbow, 45 DEG
9	106-9888	4	Washer-Flat	17:1	237-22	1	O-Ring
10	33116-110	4	Screw-HH	17:2	237-42	1	O-Ring
11	340-157	1	Fitting-HYD, Tee	18	340-77	1	Fitting-Elbow, 90 DEG
11:1	237-79	1	O-Ring	18:1	237-22	1	O-Ring
11:2	237-30	2	O-Ring	18:2	237-42	1	O-Ring
12	340-139	2	Fitting-Elbow 90	20	237-166	2	O-Ring
12:1	237-81	1	O-Ring				

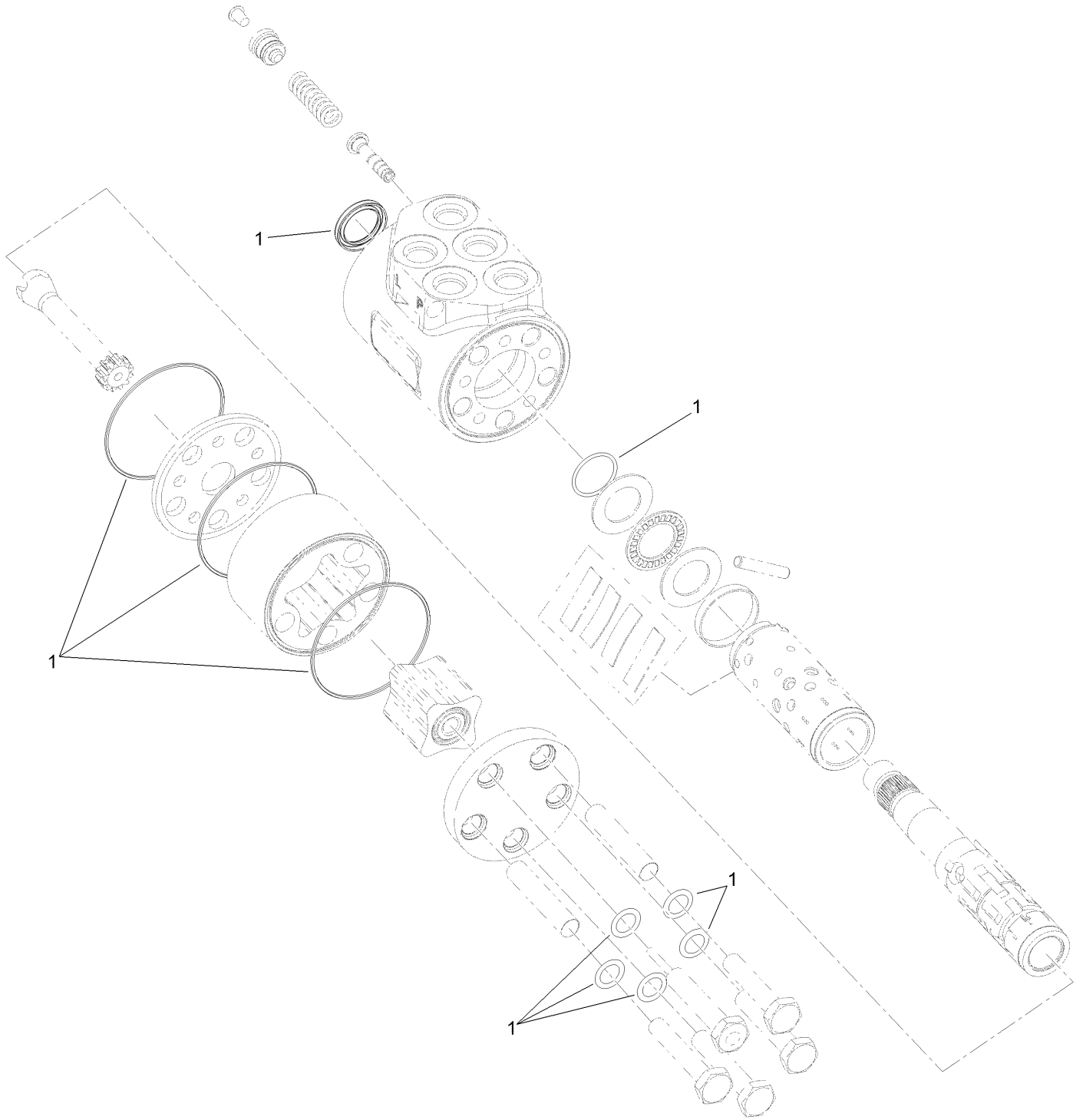


7 = all items with * are included in overhaul seal kit

Hydraulic Motor Assembly No. 120-8913

<i>Ref.</i>	<i>Part Number</i>	<i>Qty.</i>	<i>Description</i>
1	67-9090	2	Plug
2	75-0070	3	Plug
3	107-4352	1	Plug
4	121-1734	1	Plate-Valve
5	121-1735	1	Cylinder Block Kit
6	69-3190	1	Seal-Lip
7	121-1736	1	Overhaul Seal Kit

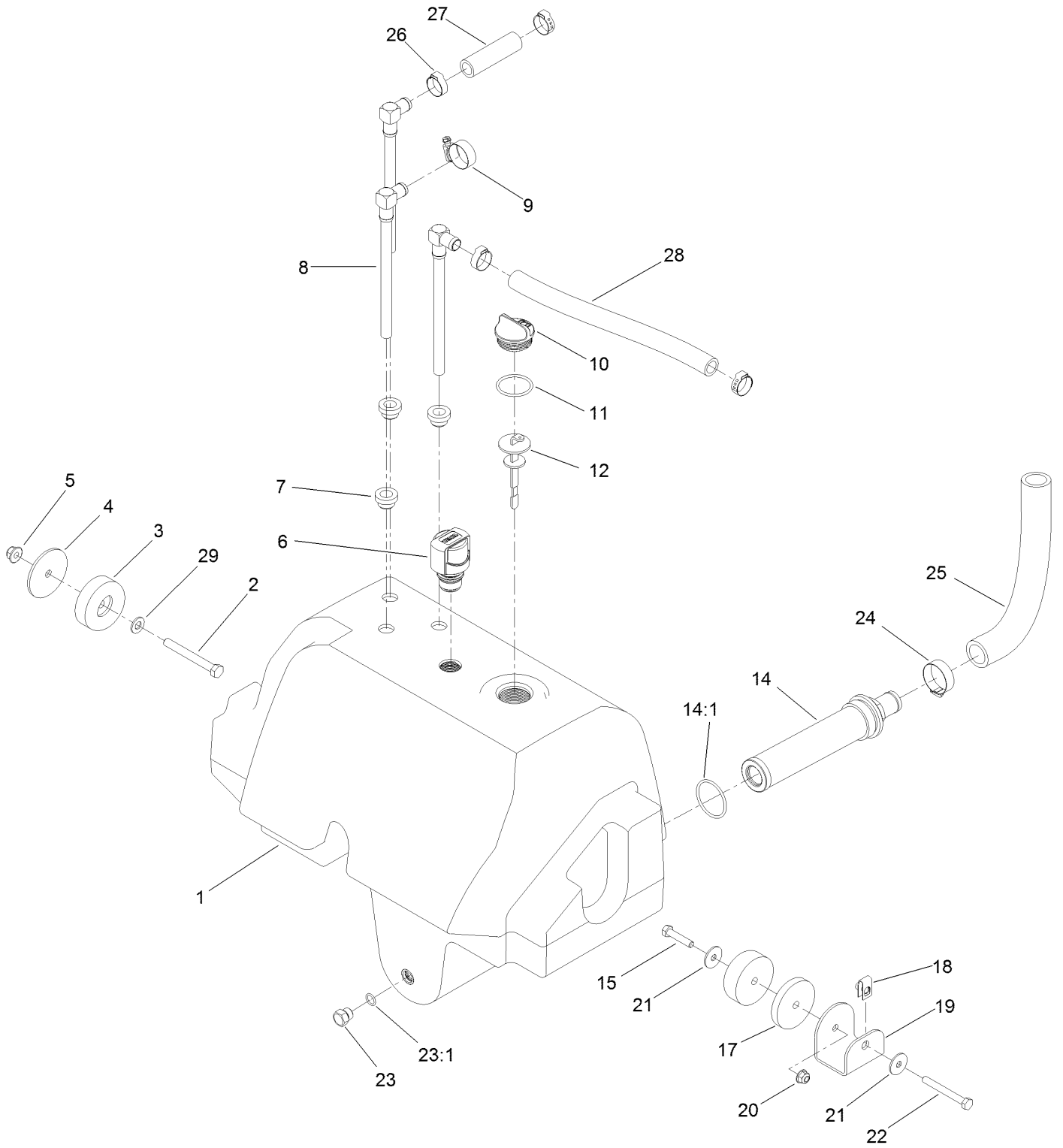
Steering Valve Assembly No. 132-6256



Steering Valve Assembly No. 132-6256 (continued)

<i>Ref.</i>	<i>Part Number</i>	<i>Qty.</i>	<i>Description</i>
1	106-6716	1	Seal Kit

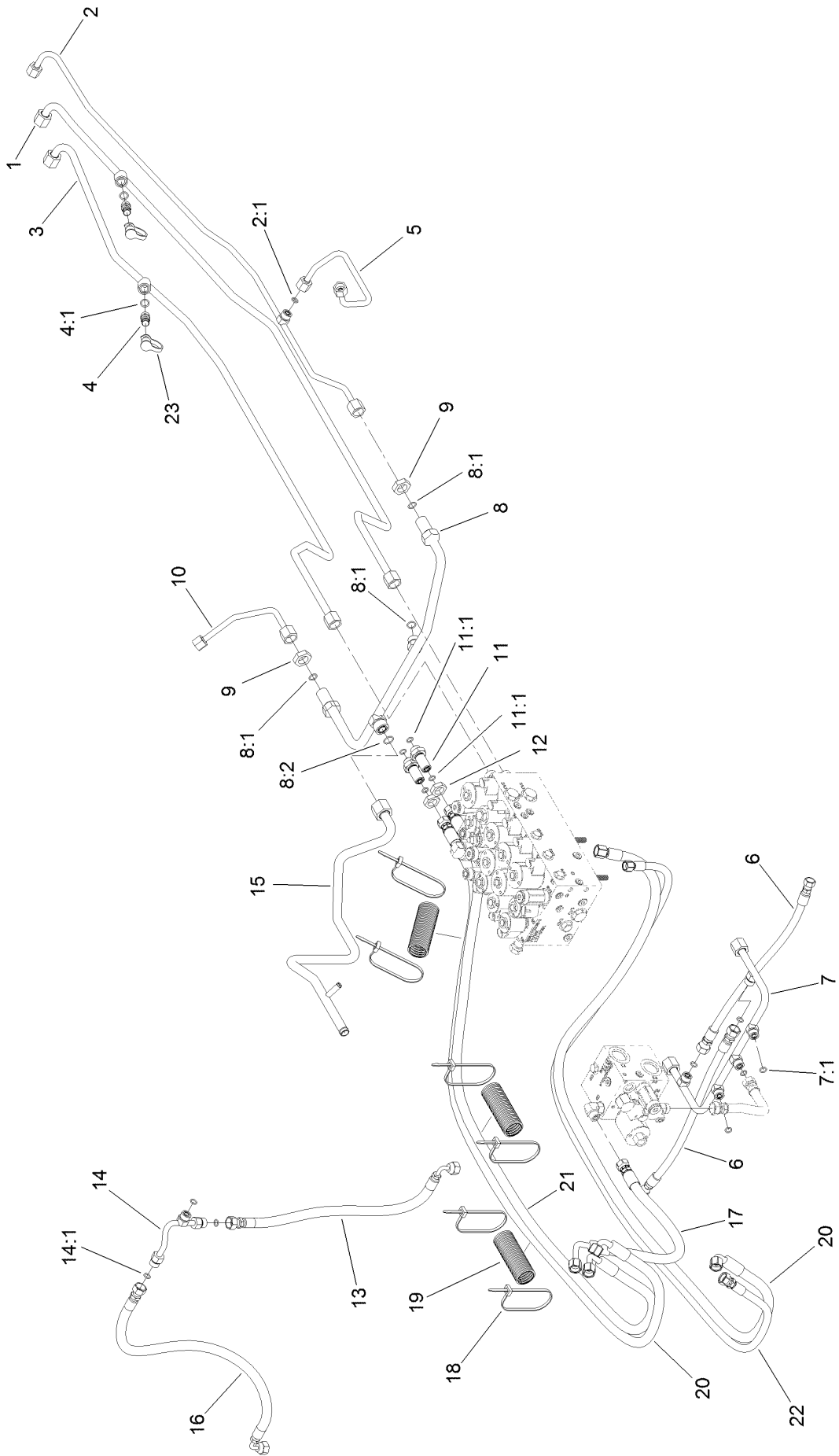
Hydraulic Reservoir Assembly



Hydraulic Reservoir Assembly (continued)

<i>Ref.</i>	<i>Part Number</i>	<i>Qty.</i>	<i>Description</i>	<i>Ref.</i>	<i>Part Number</i>	<i>Qty.</i>	<i>Description</i>
1	144-4153	1	Reservoir-Hydraulic	17	121-1533	1	Spacer-Thick
2	323-20	1	Screw-HH	18	115-7721	1	Nut-Clip, U
3	108-1605	2	Bumper-Recess	19	121-1557-0P	1	Mount-Tank
4	121-1456	1	Spacer-Thin	20	104-8300	1	Nut-HF, NI
5	104-8301	1	Nut-HF, NI	21	3256-82	2	Washer-Flat
6	115-9793	1	Breather	22	322-13	1	Screw-HH
7	104-0790	3	Bushing	23	353-508	1	Plug-HH
8	114-0002	3	Pipe-Stand	23:1	237-42	1	O-Ring
9	2412-129	1	Clamp-Hose	24	2412-34	1	Clamp-Hose
10	93-7498	1	Plug-Plastic	25	120-8810	1	Hose-Strainer
11	237-101	1	O-Ring	26	115-5436	4	Clamp-Hose, Crimp
12	112-6365	1	Dipstick	27	114-4920	1	Hose
14	104-7546	1	Tank Strainer ASM	28	121-1521	1	Hose
14:1	340-136	1	O-Ring	29	3256-24	1	Washer-Plain
15	322-7	1	Screw-HH				

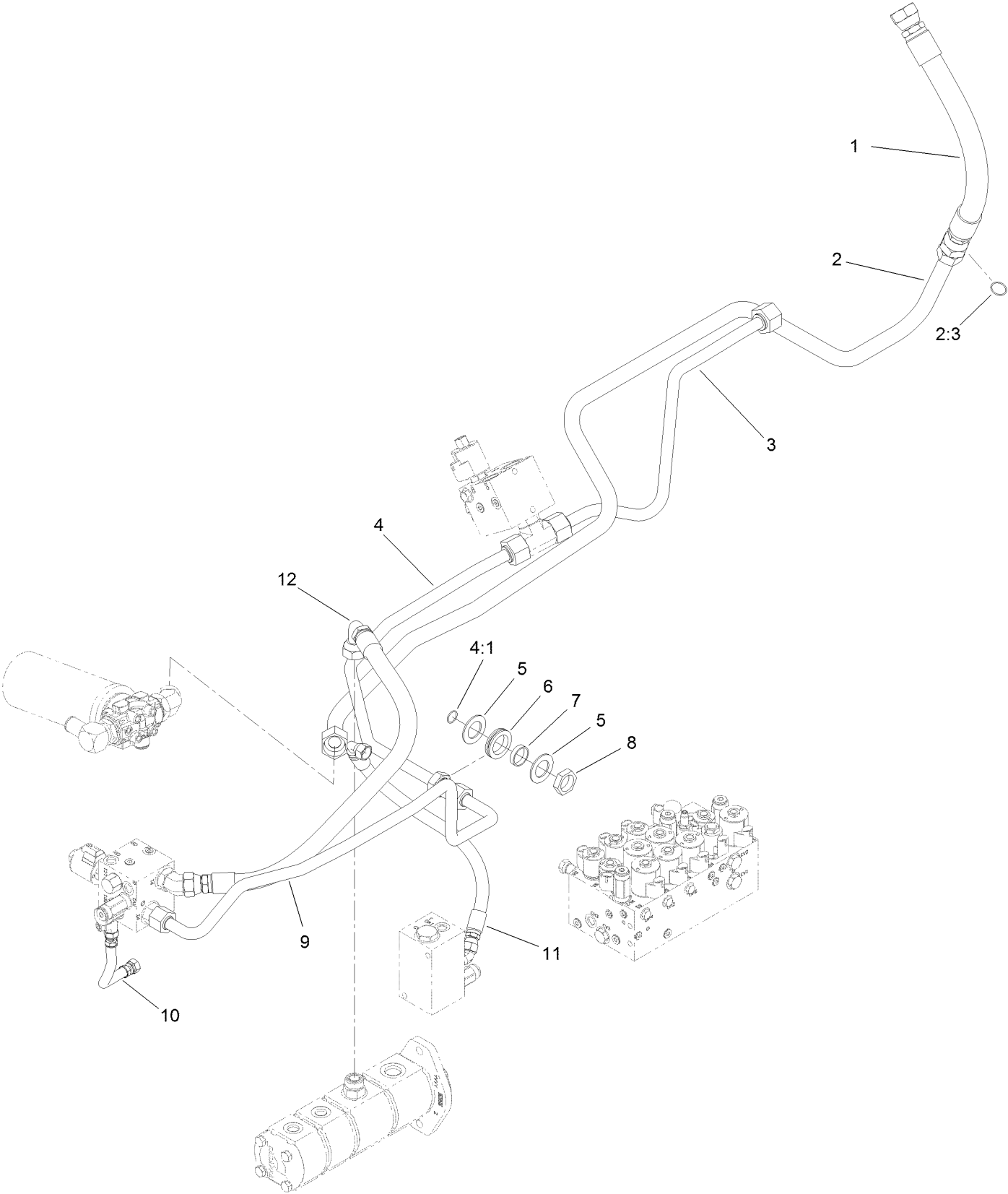
Lift, Steer and Fan Hydraulic Assembly



Lift, Steer and Fan Hydraulic Assembly (continued)

<i>Ref.</i>	<i>Part Number</i>	<i>Qty.</i>	<i>Description</i>	<i>Ref.</i>	<i>Part Number</i>	<i>Qty.</i>	<i>Description</i>
1	120-9074	1	Tube-Fan	11	340-71	2	Fitting-Straight, Bulkhead
2	120-8966	1	Tube-Drain, Fan	11:1	237-22	2	O-Ring
2:1	237-22	1	O-Ring	12	340-70	2	Nut-Lock
3	120-9075	1	Tube-Fan	13	121-1567	1	Hose-HYD
4	59-7410	2	Fitting-Diagnostic	14	121-1565	1	Tube-Tee
4:1	237-42	1	O-Ring	14:1	237-22	3	O-Ring
5	132-6145	1	Tube-HYD	15	121-1510	1	Tube-HYD
6	117-3123	2	HYD Hose ASM	16	121-1566	1	Hose-HYD
7	120-9078	1	Tube-HYD	17	139-0950	1	Hose ASM
7:1	237-22	5	O-Ring	18	3290-378	7	Tie-Cable
8	121-1509	1	Tube-HYD	19	121-1544	3	Cover-Hose
8:1	237-30	3	O-Ring	20	137-5575	2	Hose ASM
8:2	237-65	1	O-Ring	21	137-5577	1	Hose ASM
9	340-127	2	Nut-Bulkhead	22	137-5576	1	Hose ASM
10	132-6146	1	Tube-HYD	23	354-79	2	Cap-Dust

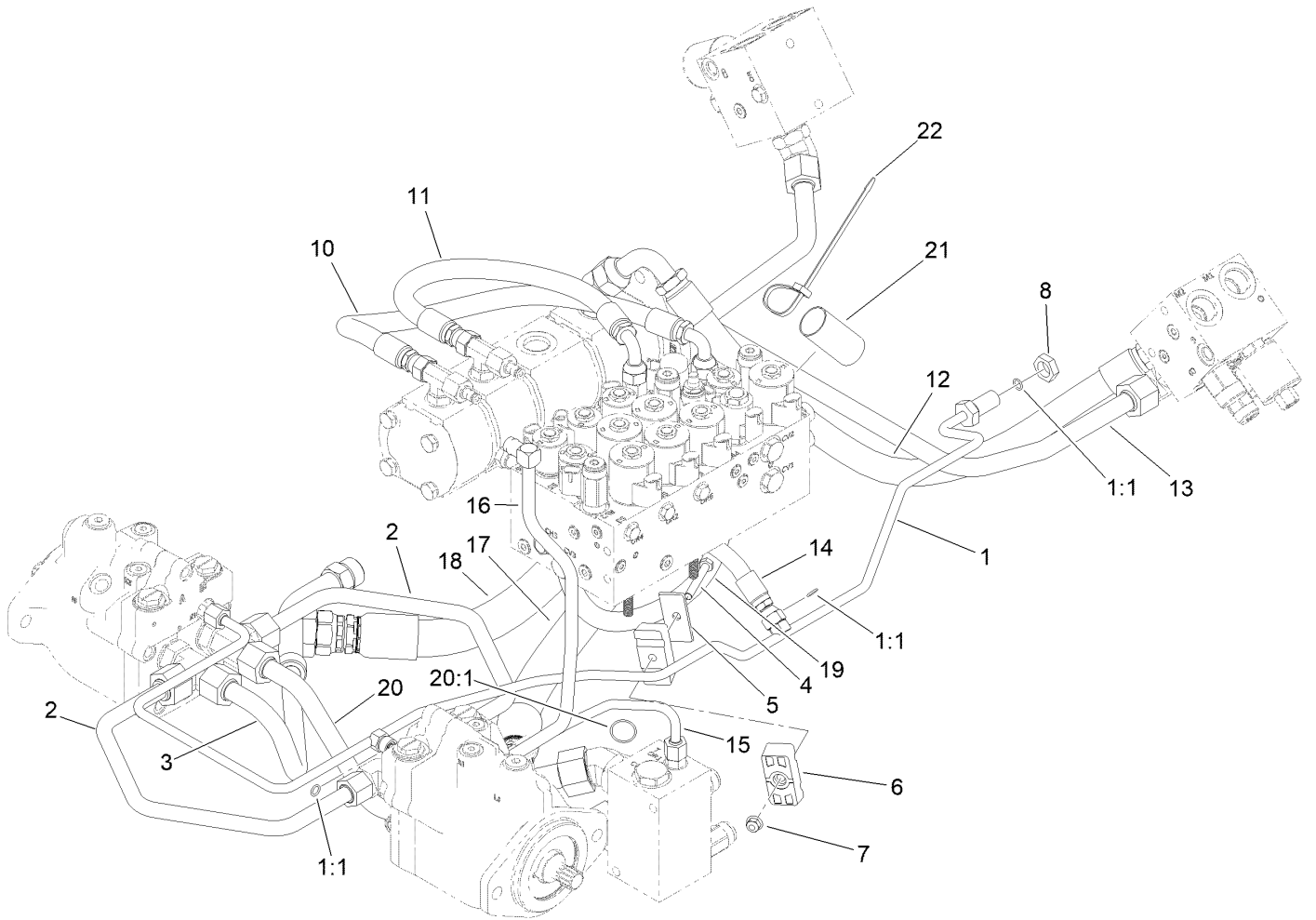
Oil Cooler Hydraulic Assembly



Oil Cooler Hydraulic Assembly (continued)

<i>Ref.</i>	<i>Part Number</i>	<i>Qty.</i>	<i>Description</i>	<i>Ref.</i>	<i>Part Number</i>	<i>Qty.</i>	<i>Description</i>
1	120-9060	1	Hose-HYD	6	240-7	1	Grommet-Rubber
2	121-1612	1	Tube ASM	7	69-8900	1	Spacer
2:3	340-65	1	O-Ring	8	340-126	1	Nut-Bulkhead
3	121-1626	1	Tube-HYD	9	120-8838	1	Tube-PTO, Front Return
4	121-1507	1	Tube ASM	10	121-1572	1	Hose-HYD
4:1	237-58	1	O-Ring	11	117-0686	1	Hose-HYD
5	69-8910	2	Washer	12	115-4384	1	Hose-HYD

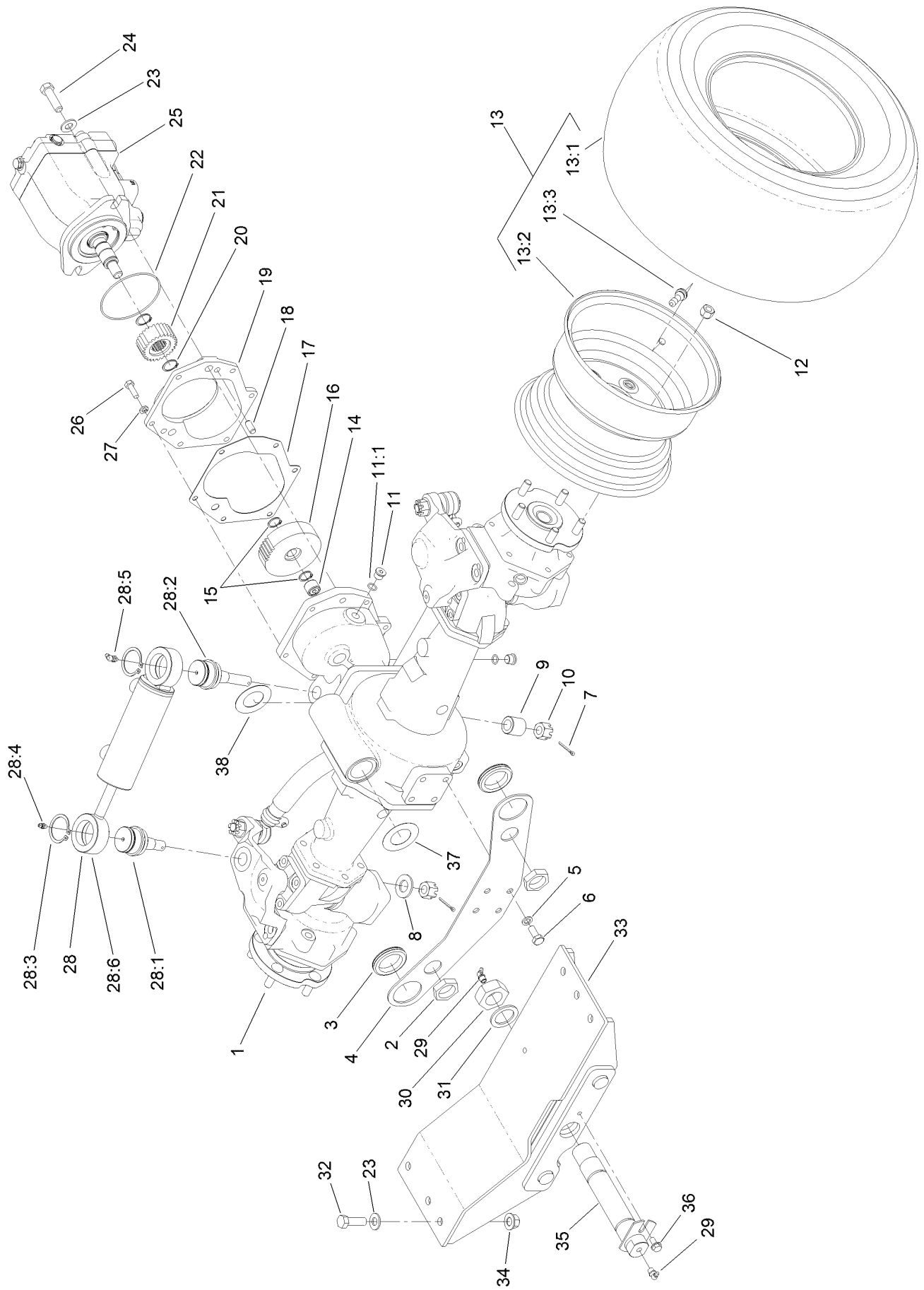
Traction Hydraulic Assembly



Traction Hydraulic Assembly (continued)

<i>Ref.</i>	<i>Part Number</i>	<i>Qty.</i>	<i>Description</i>	<i>Ref.</i>	<i>Part Number</i>	<i>Qty.</i>	<i>Description</i>
1	121-1552	1	Tube ASM	13	120-8834	1	Tube-PTO, LH To RH
1:1	237-22	3	O-Ring	14	104-2234	1	Hose-HYD
2	120-9079	2	Tube-HYD	15	121-1480	1	Tube-HYD
3	121-1624	1	Tube-HYD	16	120-8961	1	Tube-Return, Front
4	322-11	1	Screw-HH	17	132-6142	1	Hose-HYD
5	69-9761	1	Plate-Cover	18	132-6141	1	Hose-HYD
6	120-3200	2	Clamp-Tube	19	132-6241	1	Hose-HYD
7	104-8300	1	Nut-HF, NI	20	121-1581	1	Tube-Tee
8	340-70	1	Nut-Lock	20:1	340-65	1	O-Ring
10	104-2807	1	Hose-HYD	21	AU112950	1	Protector-Hose
11	104-4584	1	Hose-HYD	22	3290-378	3	Tie-Cable
12	115-4384	1	Hose-HYD				

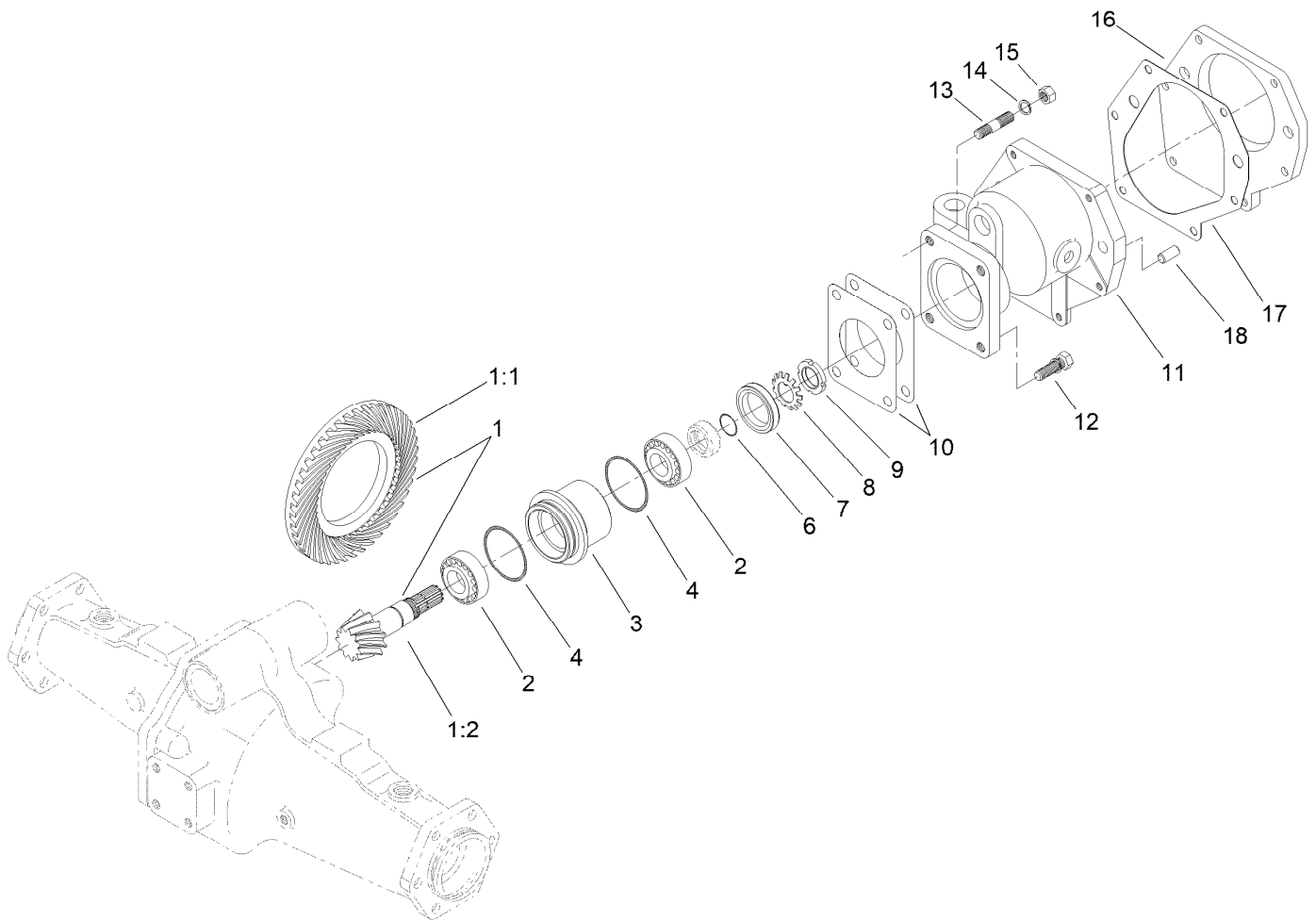
Rear Axle and Steering Cylinder Assembly



Rear Axle and Steering Cylinder Assembly (continued)

<i>Ref.</i>	<i>Part Number</i>	<i>Qty.</i>	<i>Description</i>	<i>Ref.</i>	<i>Part Number</i>	<i>Qty.</i>	<i>Description</i>
1	110-4750	1	Drive Axle ASM	21	104-0755	1	Pinion-27 Tooth
2	340-126	2	Nut-Bulkhead	22	237-166	1	O-Ring
3	240-2	2	Grommet-Rubber	23	3256-26	8	Washer-Flat
4	120-9069-03	1	Plate-Mount, Bulkhead	24	325-7	2	Screw-HH
5	43-0090	4	Screw-HH	25	120-8814	1	HYD Motor ASM
6	48-9590	4	Washer-Lock	26	33114-025	6	Screw-HH
7	3272-12	2	Pin-Cotter	27	3253-4	6	Washer-Lock
8	92-5836	1	Washer	28	121-1535	1	Steering Cylinder ASM
9	100-3796	1	Spacer-Joint, Ball	28:1	106-6774	1	Joint-Ball
10	32136-14	2	Nut-Hst	28:2	100-3795	1	Joint-Ball
11	353-989	2	Plug-Hex, Hollow	28:3	32151-104	2	Ring-Retaining, External
11:1	237-42	1	O-Ring	28:4	302-5	1	Fitting-Grease
12	93-5268	10	Nut-Lug	28:5	302-60	1	Fitting-Grease
13		2	Tire And Wheel ASM ●	28:6	121-1534	1	HYD Steering Cylinder ASM
13:1	120-8910	1	Tire-Off Road	29	302-33	2	Fitting-Grease
13:2	120-8909	1	Rim	30	3296-68	1	Nut-Lock, NI
13:3	232-27	1	Stem-Valve	31	92-1765	1	Washer-Thrust
14	74-5700	1	Bearing-Needle, Roller	32	325-6	6	Screw-HH
15	32120-15	2	Ring-Snap, EXT	33	130-2744-03	1	Mount-Rear
16	100-3053	1	Gear-45 Tooth	34	99-5107	6	Nut-Lock
17	106-1140	1	Gasket	35	145-8330	1	Pin-Axle, Rear
18	104-2353	2	Pin-Dowel	36	32144-14	1	Screw-HWHTF
19	95-7541	1	Plate-Cover	37	99-8431	2	Washer-Thrust
20	32120-76	2	Ring-Snap, EXT	38	99-8432	2	Washer-Thrust

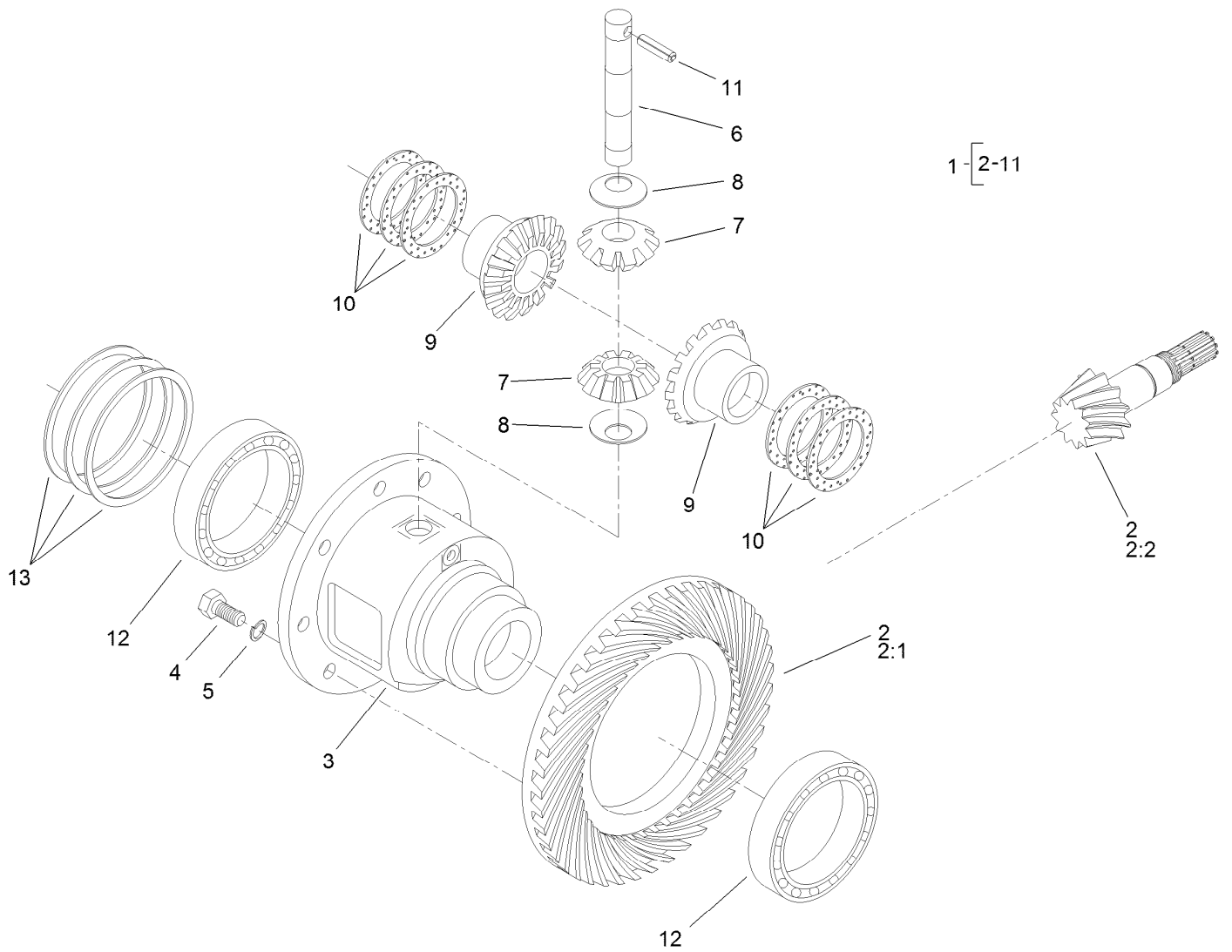
● Not serviced separately



Bevel Pinion Shaft Assembly Rear Axle Assembly No. 110-4750

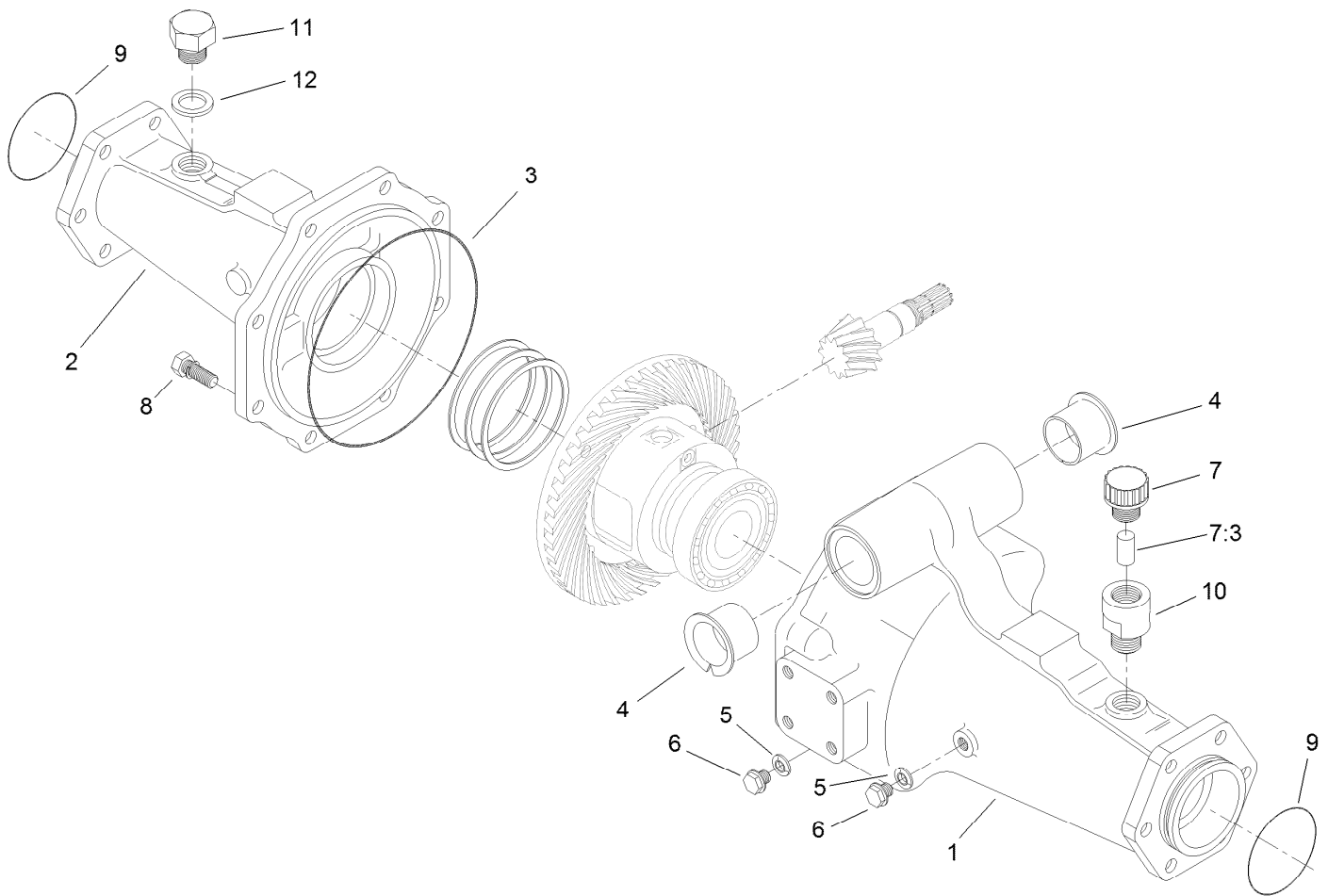
<i>Ref.</i>	<i>Part Number</i>	<i>Qty.</i>	<i>Description</i>
1	106-1093	1	Ring And Pinion Set
1:1	95-7504	1	Gear-43 Tooth, Bevel Spiral
1:2	106-1092	1	Pinion-Spiral, Bevel
2	99-7570	2	Bearing-Roller, Taper
3	95-7534	1	Case-Bearing
4	106-1065	2	O-Ring
6	106-1066	1	O-Ring
7	99-7574	1	Seal-Oil
8	99-7559	1	Washer-Lock
9	99-7560	1	Nut-Lock

<i>Ref.</i>	<i>Part Number</i>	<i>Qty.</i>	<i>Description</i>
10	99-7550	2	Shim 0.1
10	99-7551	2	Shim 0.2
11	95-7533	1	Case-Gear
12	99-7575	2	Bolt
13	98-7735	2	Stud
14	99-7527	2	Washer-Spring
15	99-7526	2	Nut
16	95-7541	1	Plate-Cover
17	106-1140	1	Gasket
18	104-2353	2	Pin-Dowel



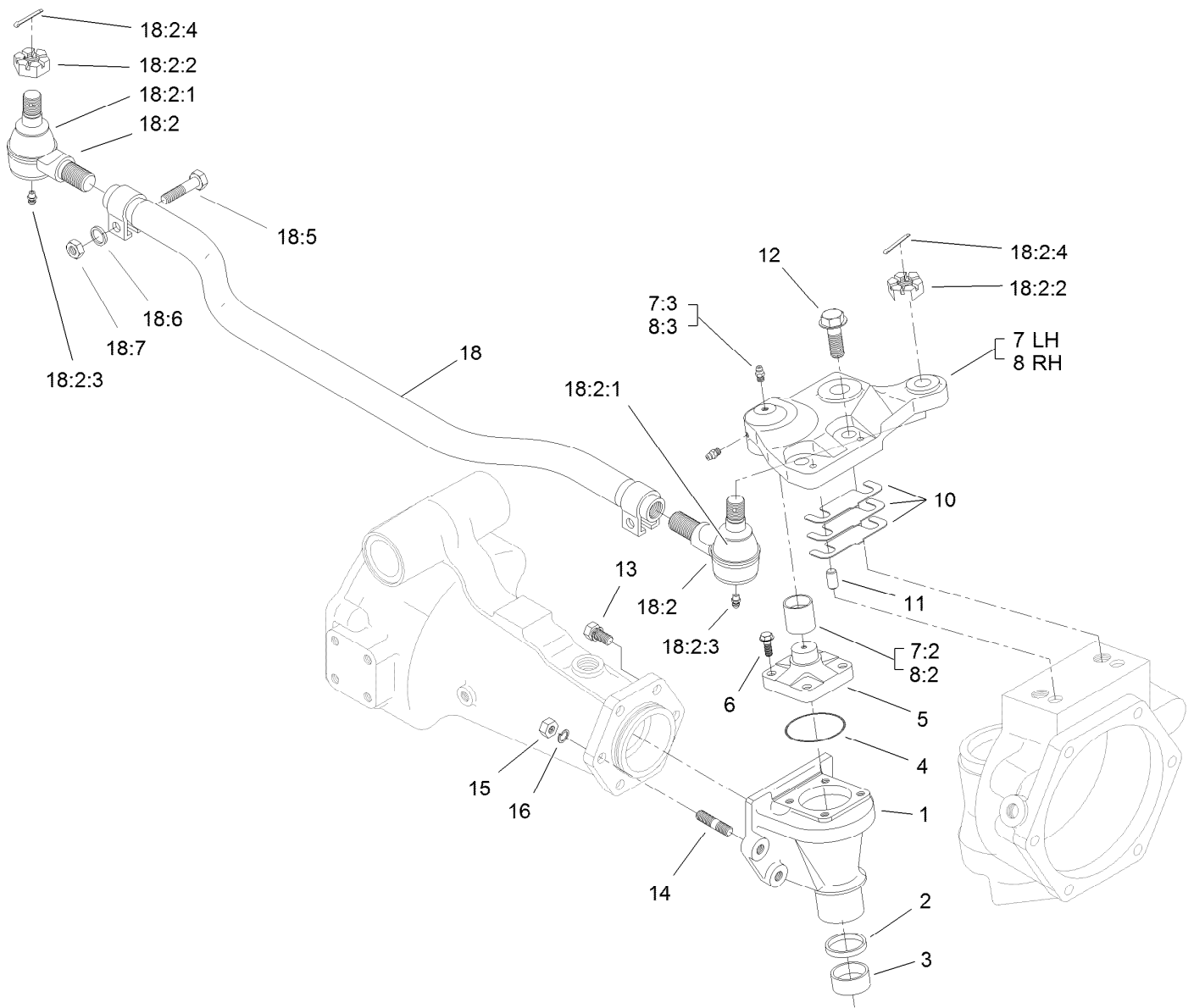
Differential Assembly Rear Axle Assembly No. 110-4750

<i>Ref.</i>	<i>Part Number</i>	<i>Qty.</i>	<i>Description</i>	<i>Ref.</i>	<i>Part Number</i>	<i>Qty.</i>	<i>Description</i>
1	95-7503	1	Differential ASM	9	99-7581	2	Gear-Differential
2	106-1093	1	Ring And Pinion Set	10	99-7582	2	Washer-Differential
2:1	95-7504	1	Gear-43 Tooth, Bevel Spiral	10	99-7583	2	Washer-Differential
2:2	106-1092	1	Pinion-Spiral, Bevel	10	99-7584	2	Washer-Differential
3	95-7502	1	Case-Differential	11	99-7588	1	Pin-Spring
4	99-7576	8	Bolt	12	99-7562	2	Bearing-Ball
5	3253-4	8	Washer-Lock	13	99-7585	2	Shim 0.1
6	99-7578	1	Shaft-Differential	13	99-7586	2	Shim 0.2
7	99-7579	2	Pinion-Differential	13	99-7587	2	Shim 0.4
8	145-5288	2	Washer-Pinion, Differential				



Axle Support Assembly Rear Axle Assembly No. 110-4750

<i>Ref.</i>	<i>Part Number</i>	<i>Qty.</i>	<i>Description</i>
1	95-7508	1	Support-Axle
2	95-7506	1	Support-Axle
3	106-1067	1	O-Ring
4	95-7537	2	Bushing-Flanged
5	99-7590	2	Washer-Seal
6	99-7589	2	Plug
7	110-4812	1	Axle Vent ASM
7:3	110-4815	1	Insert-Filter, Foam
8	99-7592	8	Bolt
9	106-1068	2	O-Ring
10	104-2377	1	Extension-Vent
11	104-8643	1	Plug
12	104-8644	1	O-Ring



Bevel Gear Case Assembly Rear Axle Assembly No. 110-4750

Ref.	Part Number	Qty.	Description	Ref.	Part Number	Qty.	Description
1	110-4752	2	Case-Gear, Bevel	12	104-2375	4	Bolt
2	110-4754	2	Seal-Oil	13	99-7599	8	Bolt
3	104-2378	2	Bushing	14	99-7525	4	Stud
4	106-1069	2	O-Ring	15	99-7526	4	Nut
5	104-2373	2	Knuckle	16	99-7527	4	Washer-Spring
6	104-2374	8	Bolt	18	106-1141	1	Steering Tie Rod ASM
7	100-3768	1	LH Steering Arm ASM	18:2	106-1113	2	Tie Rod End ASM - RH Thread
7:2	104-8634	1	Bushing	18:2:1	100-3853	1	Cover-Dust
7:3	106-1104	2	Fitting-Grease	18:2:2	100-3854	1	Nut-Castle
8	100-3766	1	RH Steering Arm ASM	18:2:3	110-4755	1	Fitting-Grease
8:2	104-8634	1	Bushing	18:2:4	3272-11	1	Pin-Cotter
8:3	106-1104	2	Fitting-Grease	18:5	100-3855	2	Bolt
10	95-7547	2	Shim 0.1	18:6	99-7527	2	Washer-Spring
10	95-7548	2	Shim 0.2	18:7	99-7526	2	Nut
10	95-7549	2	Shim 0.3				
11	99-7597	4	Pin-Dowel				



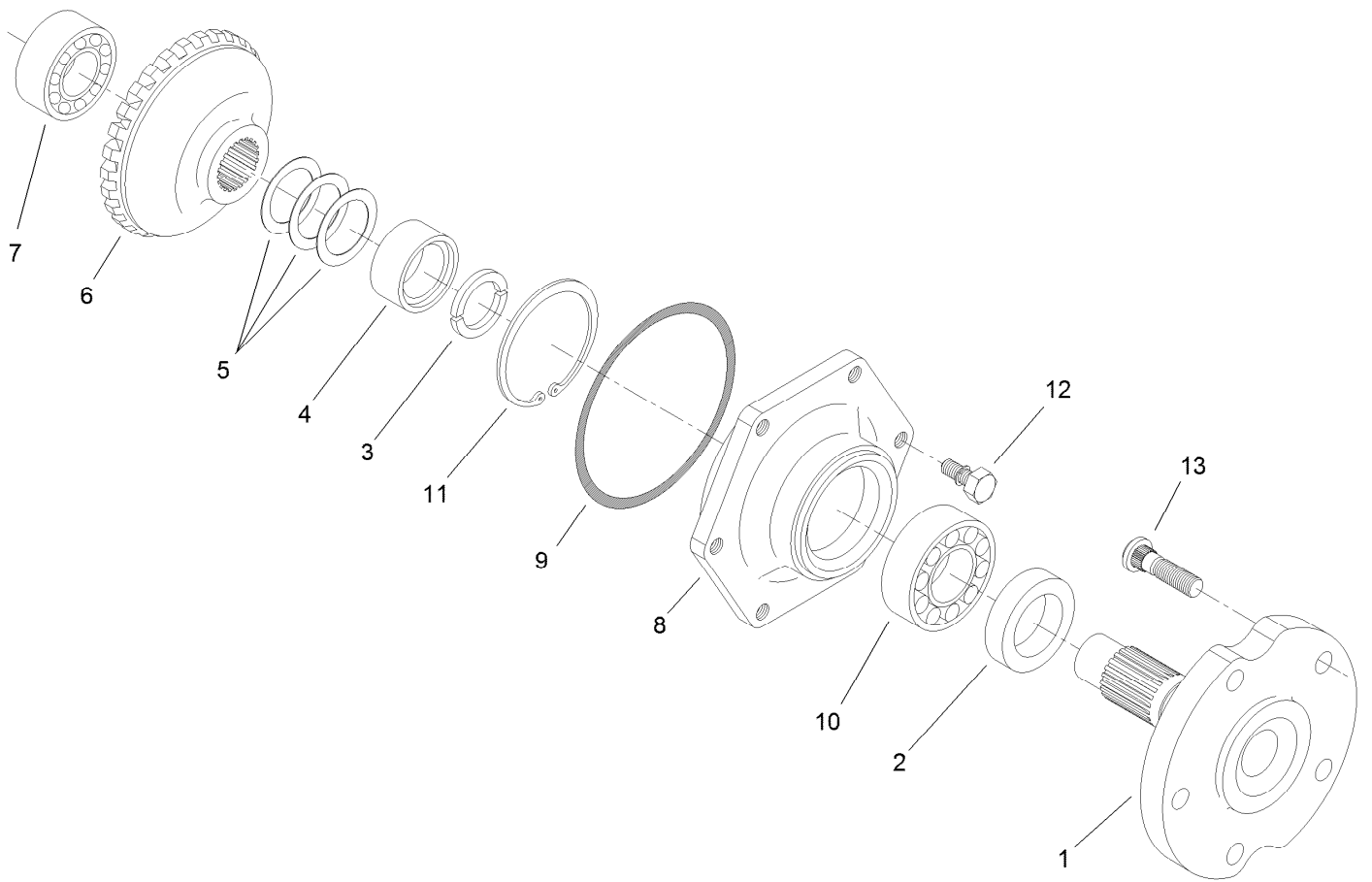
Bevel Gear Shaft Assembly Rear Axle Assembly No. 110-4750

<i>Ref.</i>	<i>Part Number</i>	<i>Qty.</i>	<i>Description</i>
1	95-7509	1	Shaft-Gear, Differential
2	95-7512	1	Shaft-Gear, Differential
3	95-7517	2	Gear-Bevel, 15 Tooth
4	99-7530	4	Bearing-Ball
5	99-7552	2	Shim 0.1
5	99-7553	2	Shim 0.2
5	99-7554	2	Shim 0.5
6	99-7531	2	Clip
7	110-4753	2	Shaft-Gear, Bevel
8	95-7519	2	Gear-Bevel, 17 Tooth
9	99-7532	2	Bearing-Roller, Taper
10	99-7558	2	Collar



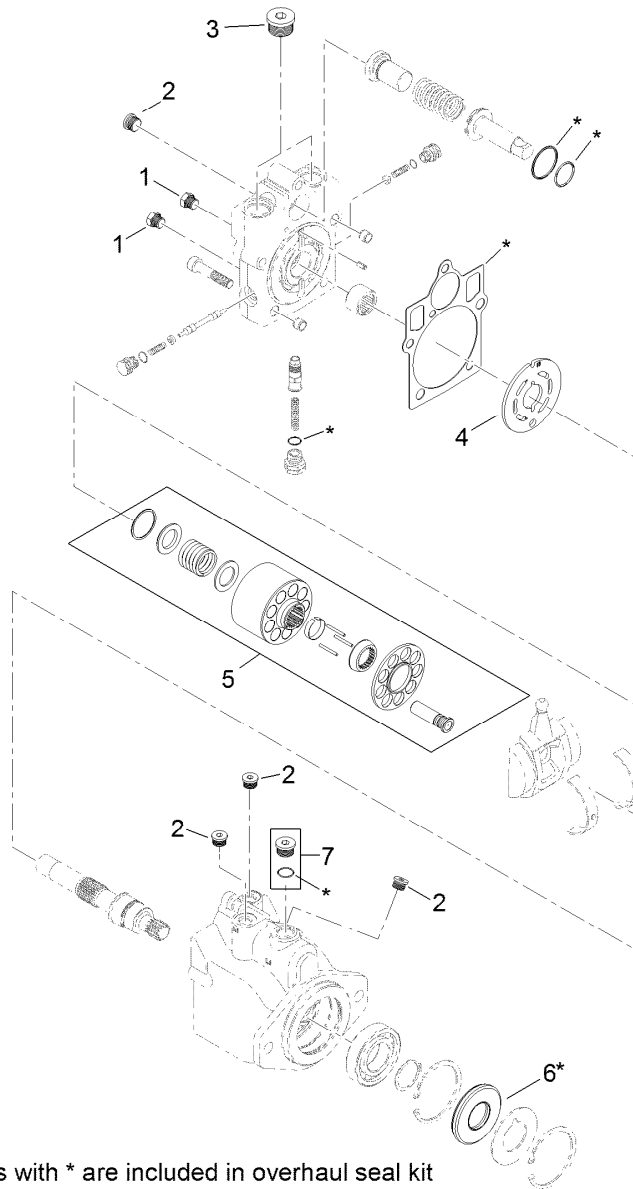
Axle Case Assembly Rear Axle Assembly No. 110-4750

<i>Ref.</i>	<i>Part Number</i>	<i>Qty.</i>	<i>Description</i>
1	110-4751	2	Case-Axle
2	99-7535	2	Plug
3	99-7536	2	Washer-Seal
4	95-7527	2	Gear-Bevel, 17 Tooth
5	99-7532	2	Bearing-Roller, Taper
6	100-2560	2	Cover
7	106-1070	2	O-Ring
8	99-7589	2	Plug
9	99-7590	2	Washer-Seal
10	100-2562	8	Bolt
11	106-1102	2	Bolt-Stop
12	106-1103	2	Nut



Axle Assembly Rear Axle Assembly No. 110-4750

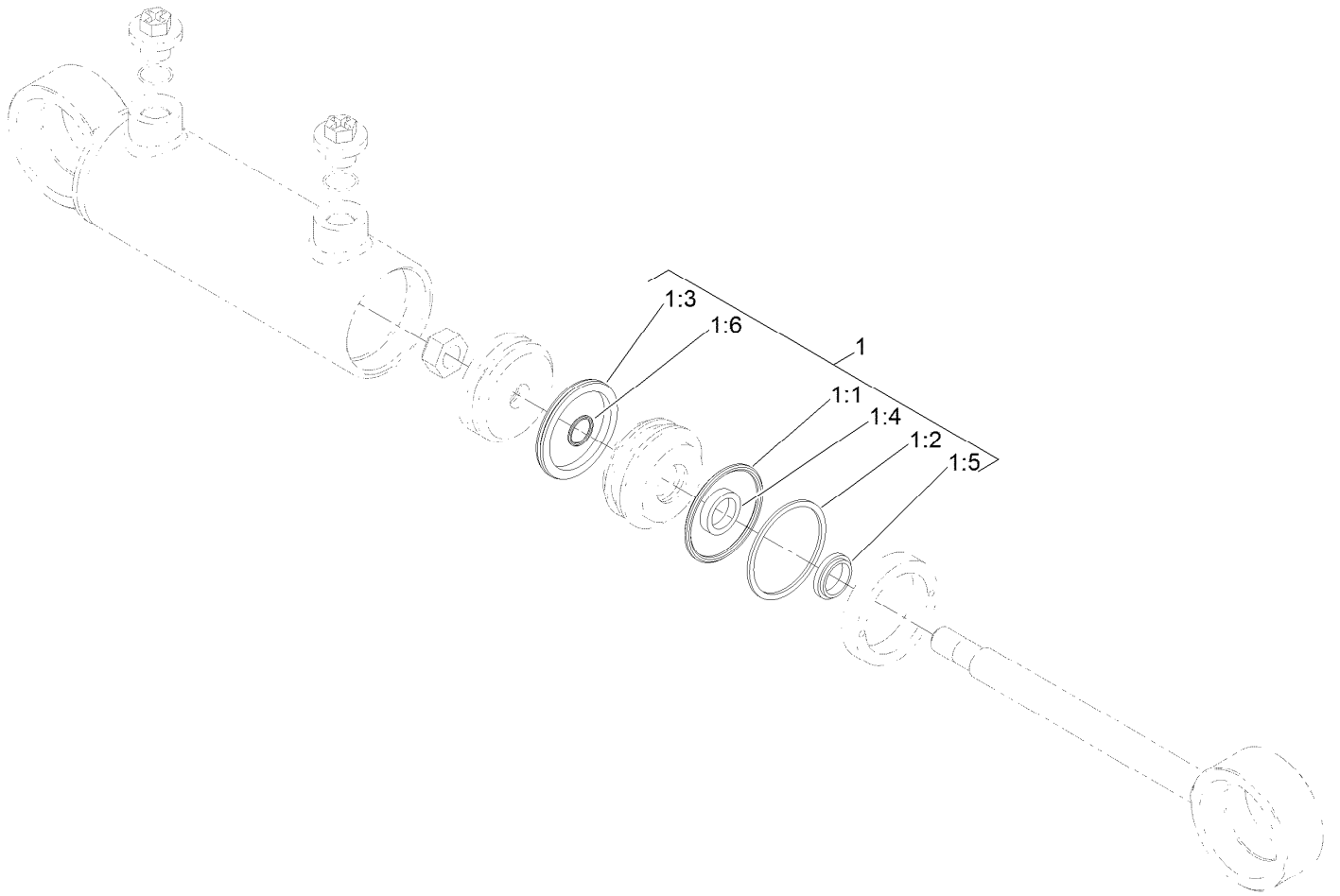
<i>Ref.</i>	<i>Part Number</i>	<i>Qty.</i>	<i>Description</i>
1	95-7522	2	Axle
2	99-7564	2	Seal-Oil
3	95-7544	4	Clip
4	95-7523	2	Spacer
5	99-7555	2	Shim 0.3
5	99-7556	2	Shim 0.2
5	99-7557	2	Shim 0.5
6	95-7524	2	Gear-Bevel, 29 Tooth
7	99-7534	2	Bearing-Ball
8	95-7521	2	Cover-Axle
9	106-1071	2	O-Ring
10	99-7561	2	Bearing-Ball
11	99-7539	2	Clip
12	99-7596	12	Bolt
13	99-7563	10	Stud



8 = all items with * are included in overhaul seal kit

Hydraulic Motor Assembly No. 120-8814

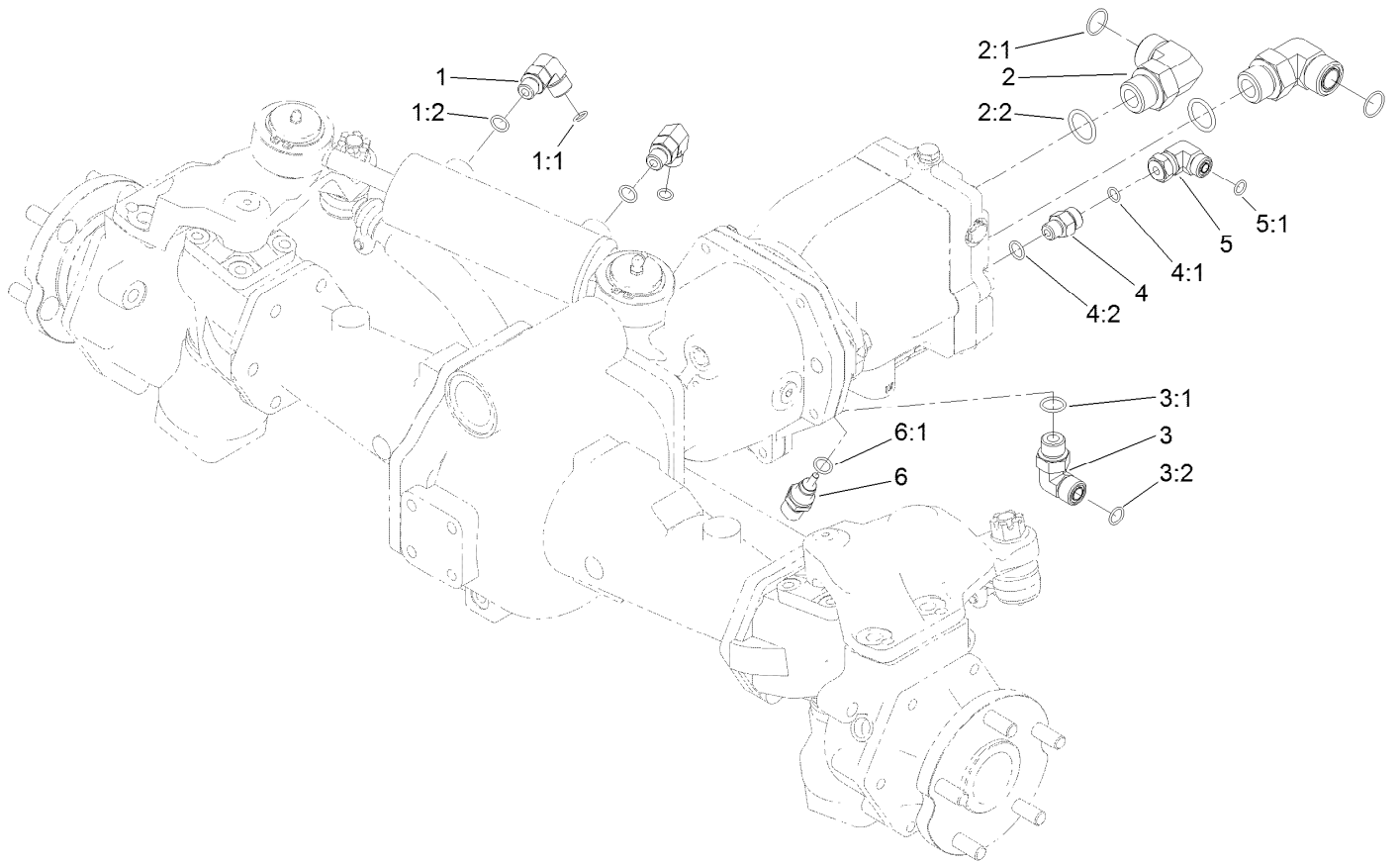
<i>Ref.</i>	<i>Part Number</i>	<i>Qty.</i>	<i>Description</i>
1	92-1352	2	Plug
2	69-3080	5	Plug
3	69-3130	2	Plug
4	121-1734	1	Plate-Valve
5	110-6472	1	Cylinder Block Kit ASM
6	69-3190	1	Seal-Lip
7	67-9090	1	Plug
8	121-1736	1	Overhaul Seal Kit



Steering Cylinder Assembly No. 121-1534

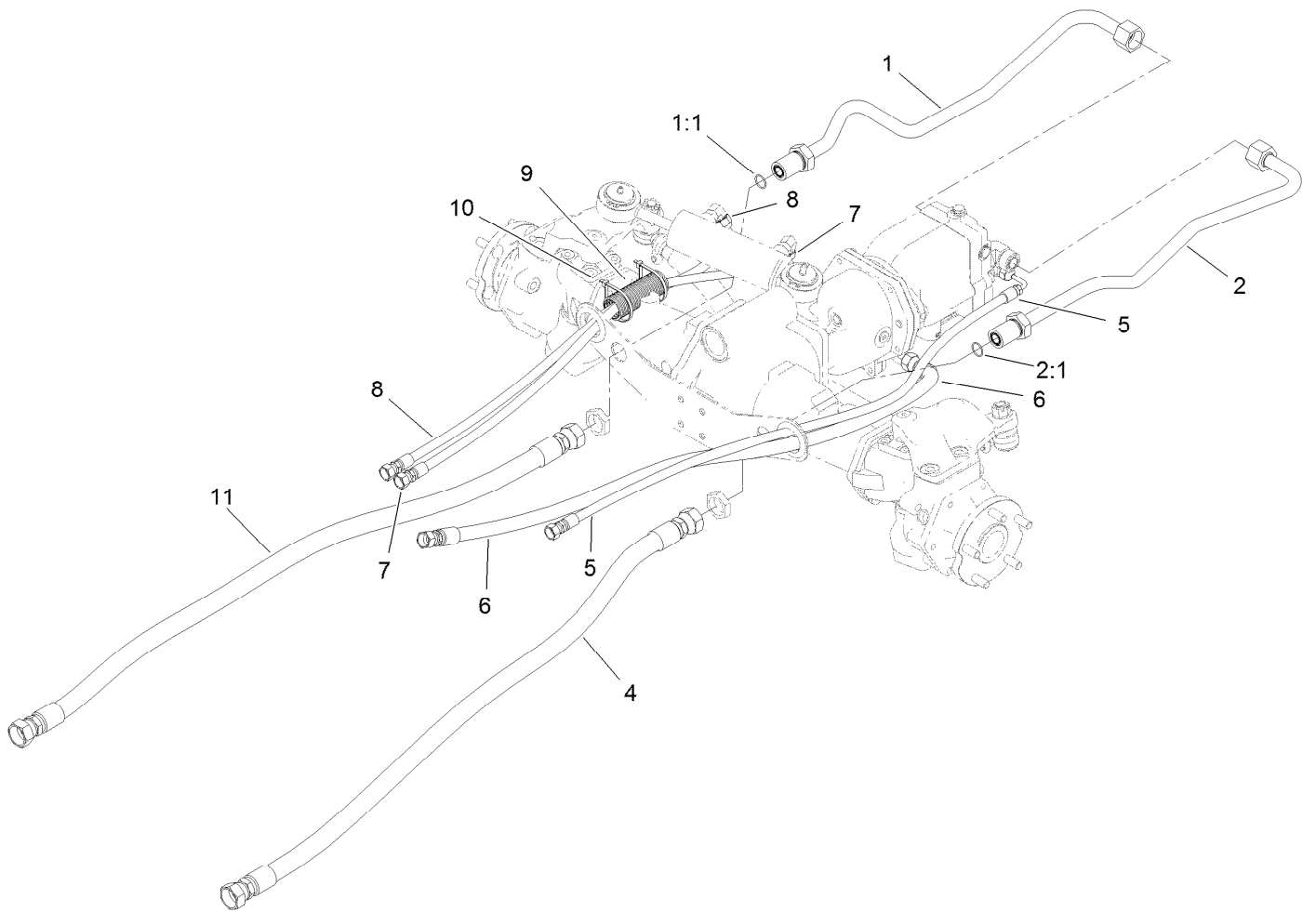
<i>Ref.</i>	<i>Part Number</i>	<i>Qty.</i>	<i>Description</i>
1	125-4302	1	Seal Kit
1:1		1	O-Ring ●
1:2		1	Backup ●
1:3		1	Bp Seal ●
1:4		1	Bt Seal ●
1:5		1	Dust Seal ●
1:6		1	O-Ring ●

● Not serviced separately



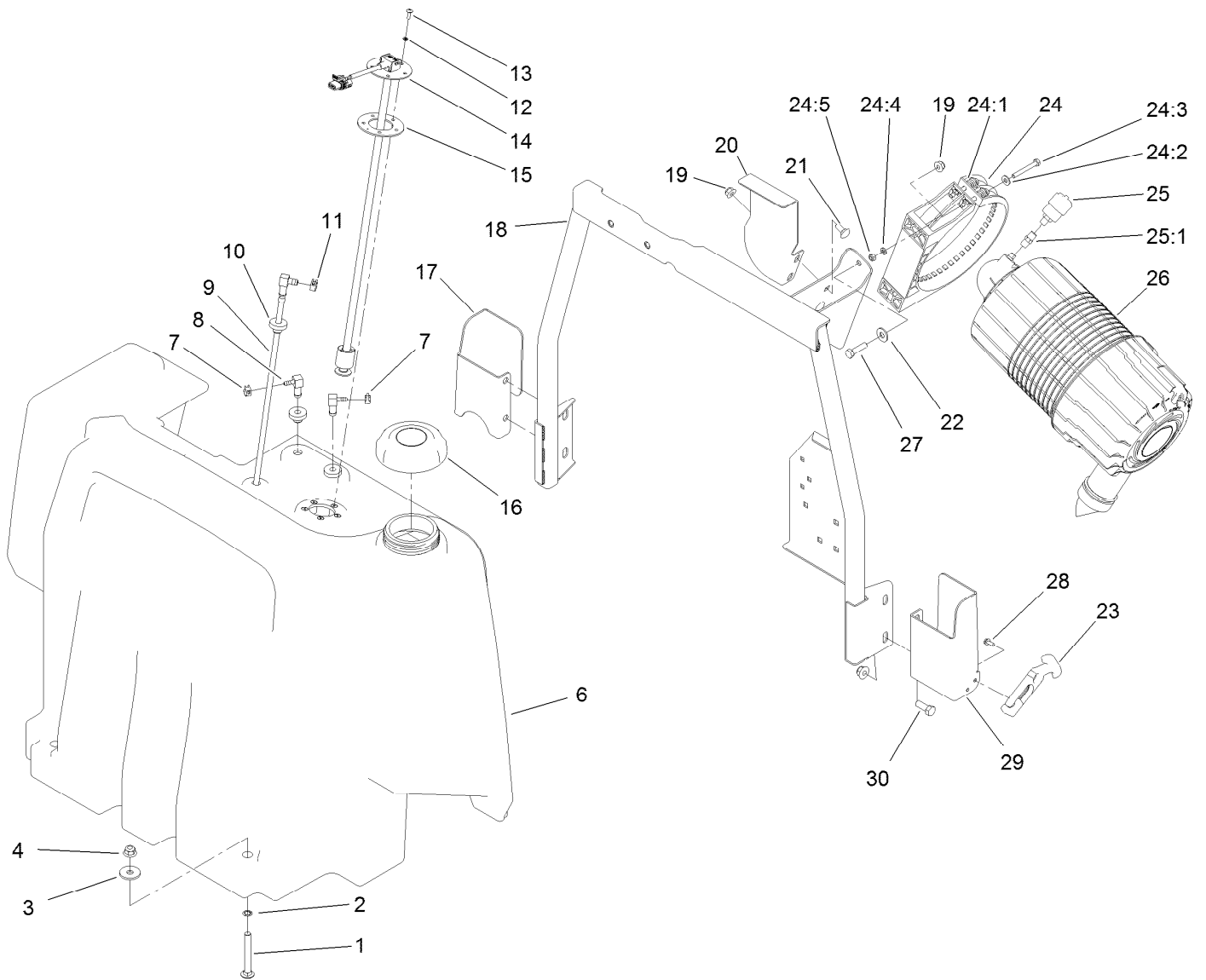
Hydraulic Fitting Assembly

<i>Ref.</i>	<i>Part Number</i>	<i>Qty.</i>	<i>Description</i>	<i>Ref.</i>	<i>Part Number</i>	<i>Qty.</i>	<i>Description</i>
1	340-77	2	Fitting-Elbow, 90 DEG	3:2	237-30	1	O-Ring
1:1	237-22	1	O-Ring	4	340-2	1	Fitting-Straight
1:2	237-42	1	O-Ring	4:1	237-22	1	O-Ring
2	340-142	2	Fitting-Elbow, 90 DEG	4:2	237-42	1	O-Ring
2:1	237-58	1	O-Ring	5	340-159	1	Elbow-90
2:2	237-81	1	O-Ring	5:1	237-22	2	O-Ring
3	340-98	1	Fitting-Elbow, 90 DEG	6	110-8829	1	Sender-Temperature
3:1	237-79	1	O-Ring	6:1	237-42	1	O-Ring



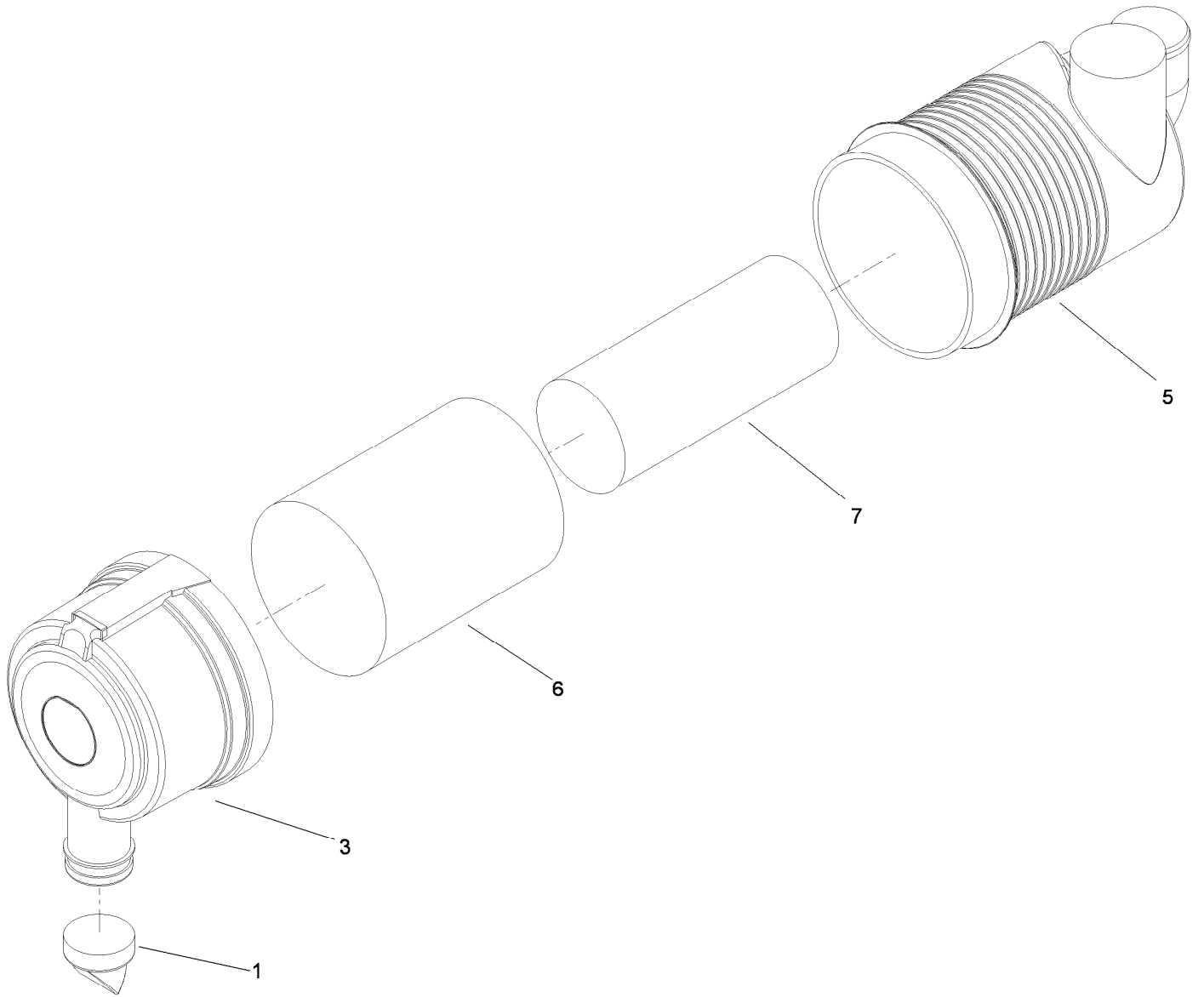
Hose and Tube Routing Assembly

<i>Ref.</i>	<i>Part Number</i>	<i>Qty.</i>	<i>Description</i>
1	120-9067	1	HYD Tube ASM
1:1	237-58	1	O-Ring
2	120-9068	1	Tube ASM
2:1	237-58	1	O-Ring
4	114-0024	1	Hose-HYD
5	121-1459	1	Hose-HYD
6	121-1458	1	Hose-HYD
7	121-1500	1	Hose-HYD
8	121-1501	1	Hose-HYD
9	121-1544	2	Cover-Hose
10	3290-379	4	Tie-Cable
11	121-1683	1	Hose-HYD



Fuel Tank and Air Cleaner Assembly

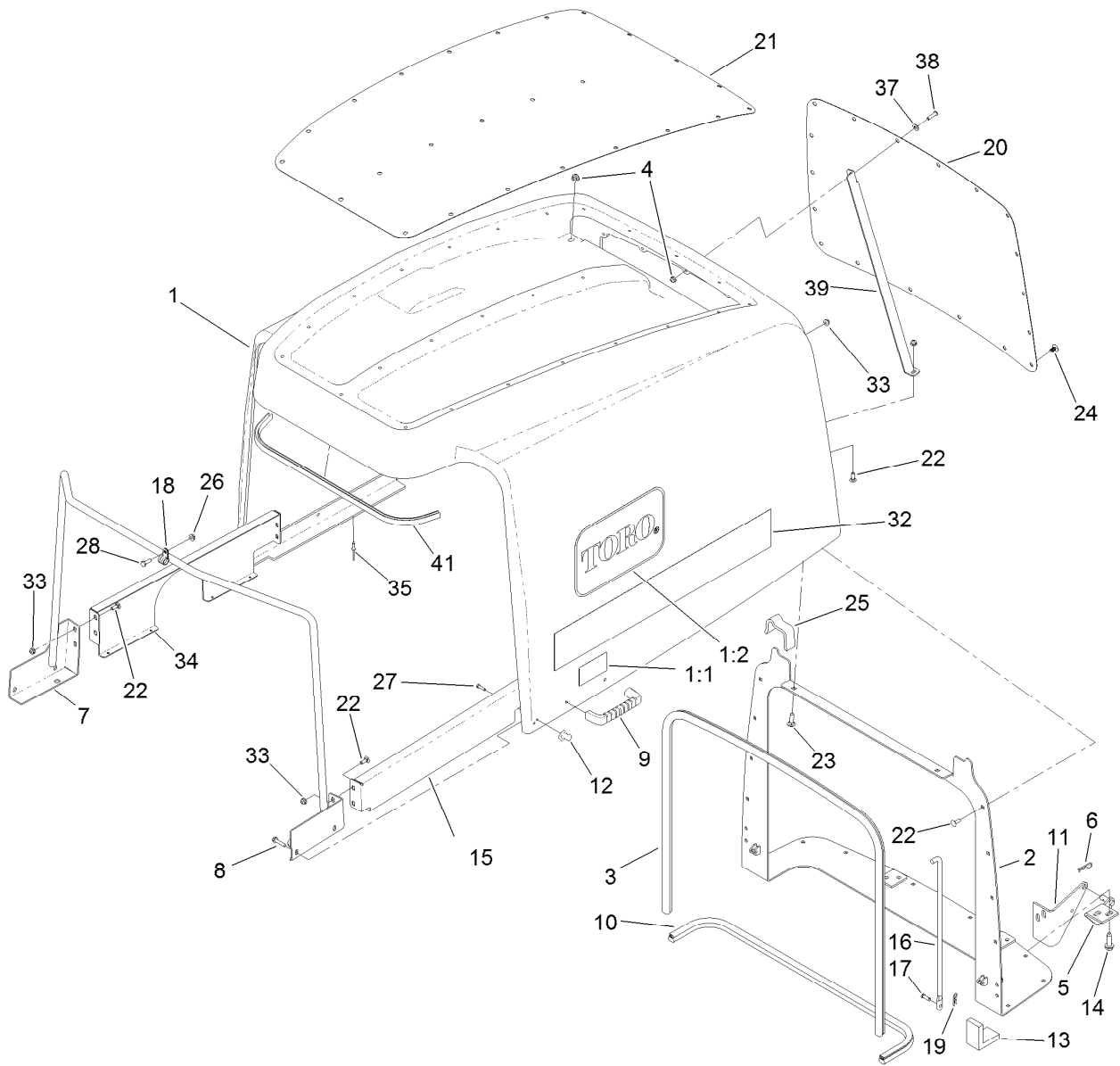
Ref.	Part Number	Qty.	Description	Ref.	Part Number	Qty.	Description
1	3231-10	2	Screw-CARR	20	120-4193-0P	1	Bracket-Fuel Tank
2	32151-72	2	Ring-Retaining	21	3230-1	2	Bolt-CARR
3	63-8410	2	Washer	22	3256-3	2	Washer-Flat
4	104-8301	6	Nut-HF, NI	23	103-4080	2	Latch-Rubber
6	120-4195	1	Tank-Fuel	24	99-5414	1	Strap-Cleaner, Air
7	2412-98	2	Clamp-Hose	24:1	108-1512	2	Spring
8	104-5228	2	Fitting-Elbow, 90 DEG	24:2	3256-22	2	Washer-Flat
9	120-8908	1	Pipe-Stand	24:3	33113-050	2	Screw-HH
10	46-6560	3	Bushing	24:4	33093-00	2	Washer-Flat
11	92-2379	1	Clamp-Hose	24:5	33023-00	2	Nut-Lock
12	3253-15	5	Washer-Lock	25	104-3563	1	Indicator
13	32122-24	5	Screw-PTH	25:1	94-1416	1	Adapter-Indicator
14	121-1688	1	Gauge-Fuel	26	99-5410	1	Air Cleaner ASM
15	121-1707	1	Gasket-Fuel, Viton	27	322-6	2	Screw-HH
16	125-9171	1	Cap-Fuel	28	32144-1	4	Screw-Taptite
17	121-1514-03	1	Bracket-Latch, RH	29	121-1513-03	1	Bracket-Latch, LH
18	120-4190-0P	1	Support-Tank	30	323-6	4	Screw-HH
19	104-8300	4	Nut-HF, NI				



Air Cleaner Assembly No. 99-5410

<i>Ref.</i>	<i>Part Number</i>	<i>Qty.</i>	<i>Description</i>
1	104-4258	1	Valve-Vacuator
3	104-4259	1	Cover
5		1	Body ASM ●
6	108-3814	1	Filter-Air
7	108-3816	1	Filter-Air

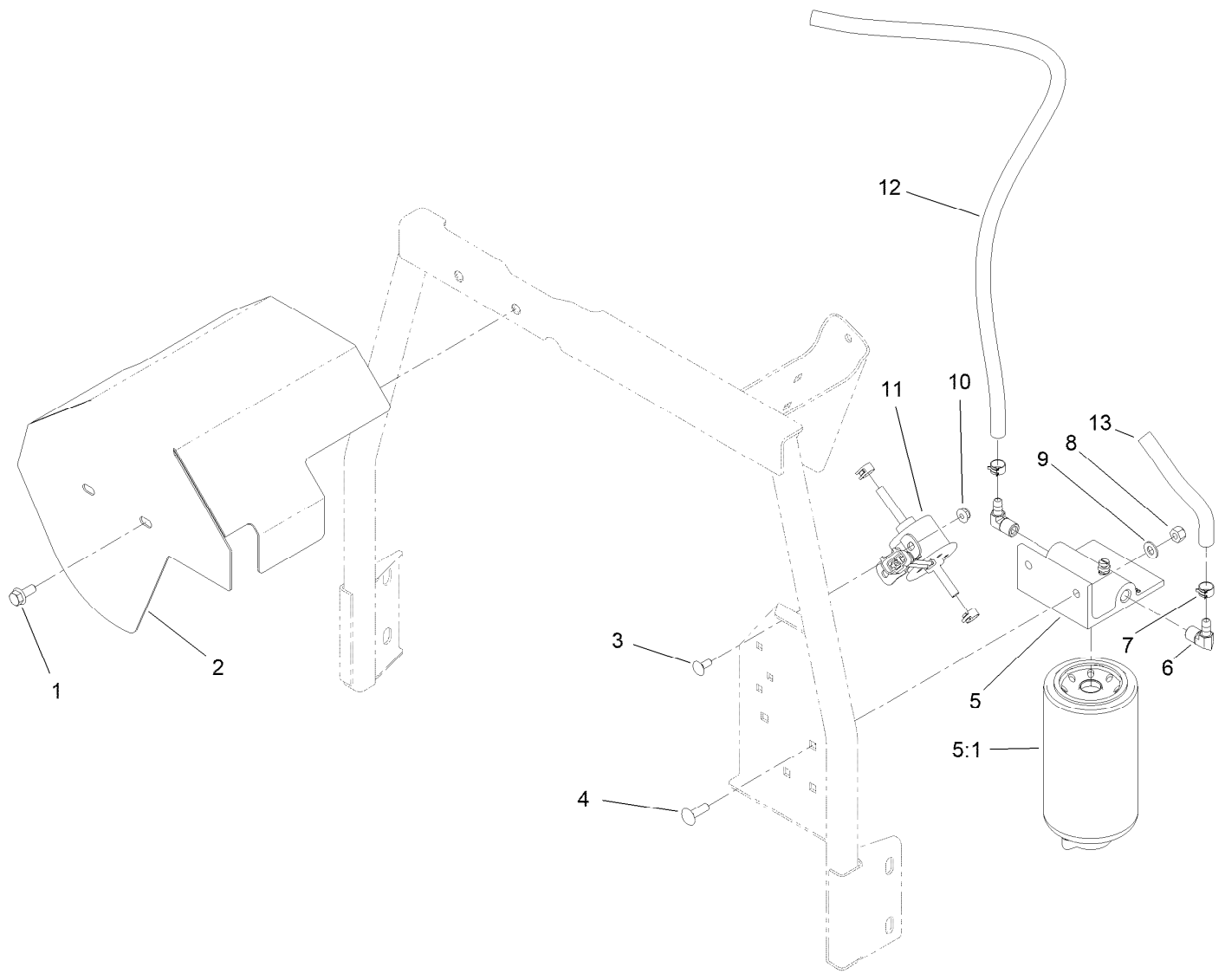
● Not serviced separately



Hood Assembly

Ref.	Part Number	Qty.	Description	Ref.	Part Number	Qty.	Description
1	120-9090	1	Hood ASM	18	2412-134	2	Clamp-R
1:1	106-6754	2	Decal-Danger	19	3290-307	2	Pin-Cotter
1:2	139-6028	2	Decal-Logo, Toro	20	120-9096-03	1	Screen-Hood, Rear
2	120-9099-0P	1	Pivot-Hood	21	120-9097-03	1	Screen-Hood, Top
3	114-3823	1	Seal-Bulb	22	3229-1	24	Screw-CARR
4	104-8300	2	Nut-HF, NI	23	3230-2	2	Bolt-CARR
5	121-1470	2	Pivot-Screen	24	117-2382	42	Plug-Plastic
6	3290-467	2	Pin-Hair	25	120-9087	2	Seal-Foam
7	120-4196-0P	1	Support-Hood	26	32128-33	2	Nut-HF
8	137-3101	4	Screw-Plastic, HWH	27	32104-4	2	Screw
9	65-5100	2	Handle-Door	28	321-4	2	Screw-HH
10	104-3590	1	Seal-Bulb	32	119-0055	2	Decal-Hood
11	104-3588-03	2	Pivot-Screen	33	104-7201	25	Nut-HF, NI
12	103-4081	2	Latch-Keeper	34	120-8948-0P	1	Support-Hood, RH
13	104-3580	2	Seal-Corner, Screen	35	3269-4	8	Rivet-Pop
14	32144-109	8	Screw-Thd	37	3256-1	1	Washer-Flat
15	120-8949-0P	1	Support-Hood, LH	38	3274-65	1	Screw-HSBH
16	104-8313	2	Rod-Hood	39	127-3707-0P	1	Support-Hood
17	283-67	2	Pin-Clevis	41	132-6181	1	Trim

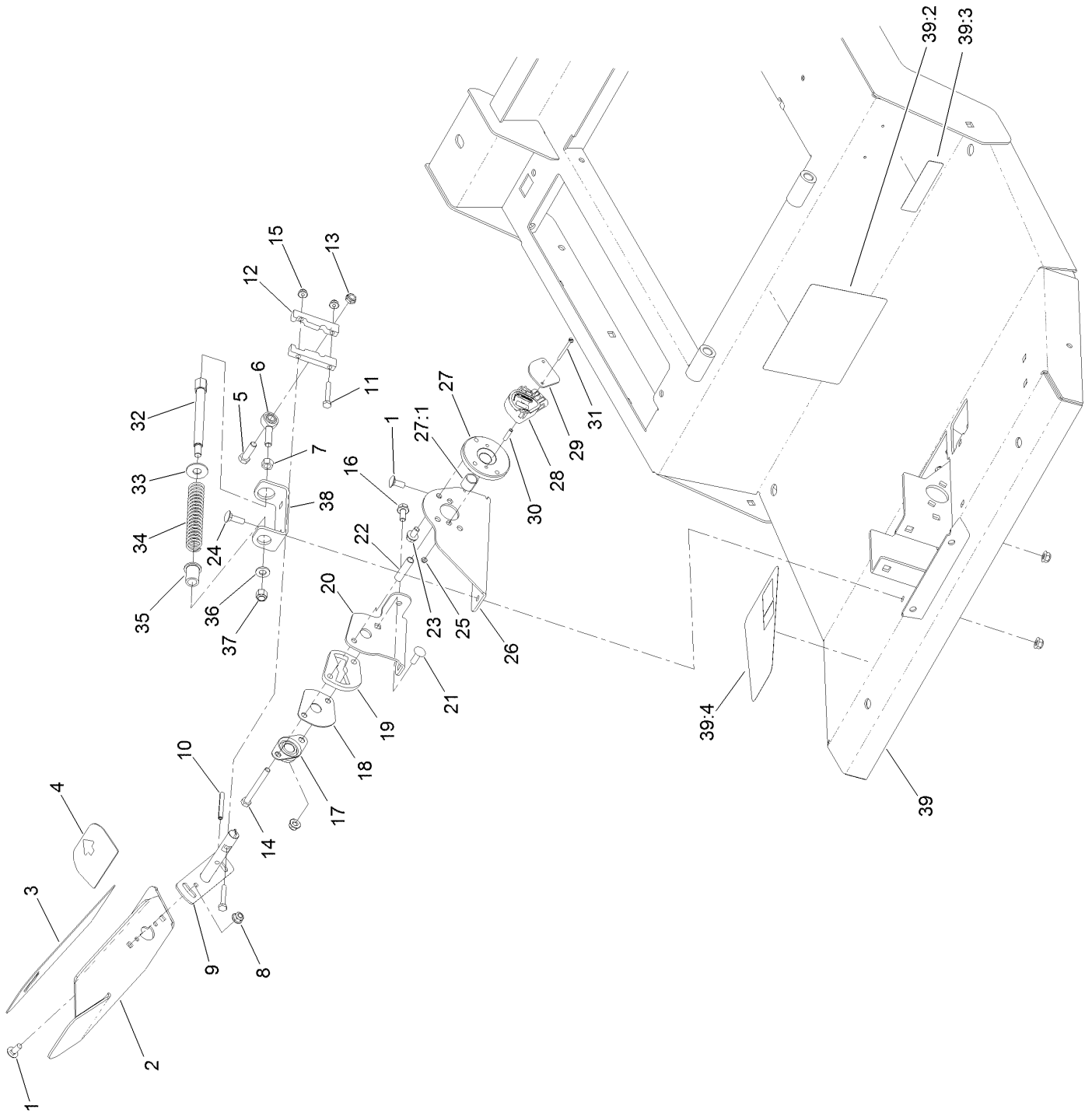
Fuel/Water Separator and Shield Assembly



Fuel/Water Separator and Shield Assembly (continued)

<i>Ref.</i>	<i>Part Number</i>	<i>Qty.</i>	<i>Description</i>	<i>Ref.</i>	<i>Part Number</i>	<i>Qty.</i>	<i>Description</i>
1	3234-47	2	Screw-HHF	7	92-2379	4	Clamp-Hose
2	120-4188-0P	1	Bracket-Guard, Fuel Tank	8	3296-29	2	Nut-Lock, NI
3	3229-11	2	Screw-CARR	9	3256-23	2	Washer-Plain
4	3230-22	2	Screw-CARR	10	104-7201	2	Nut-HF, NI
5	125-2914	1	Filter-Separator	11	121-5613	1	Pump-Fuel, Electric
5:1	125-2915	1	Filter-Fuel/Water Separator	12	109-0309	1	Hose-Fuel
6	353-781	2	Fitting-HYD, 90	13	110-3256	1	Hose-Fuel

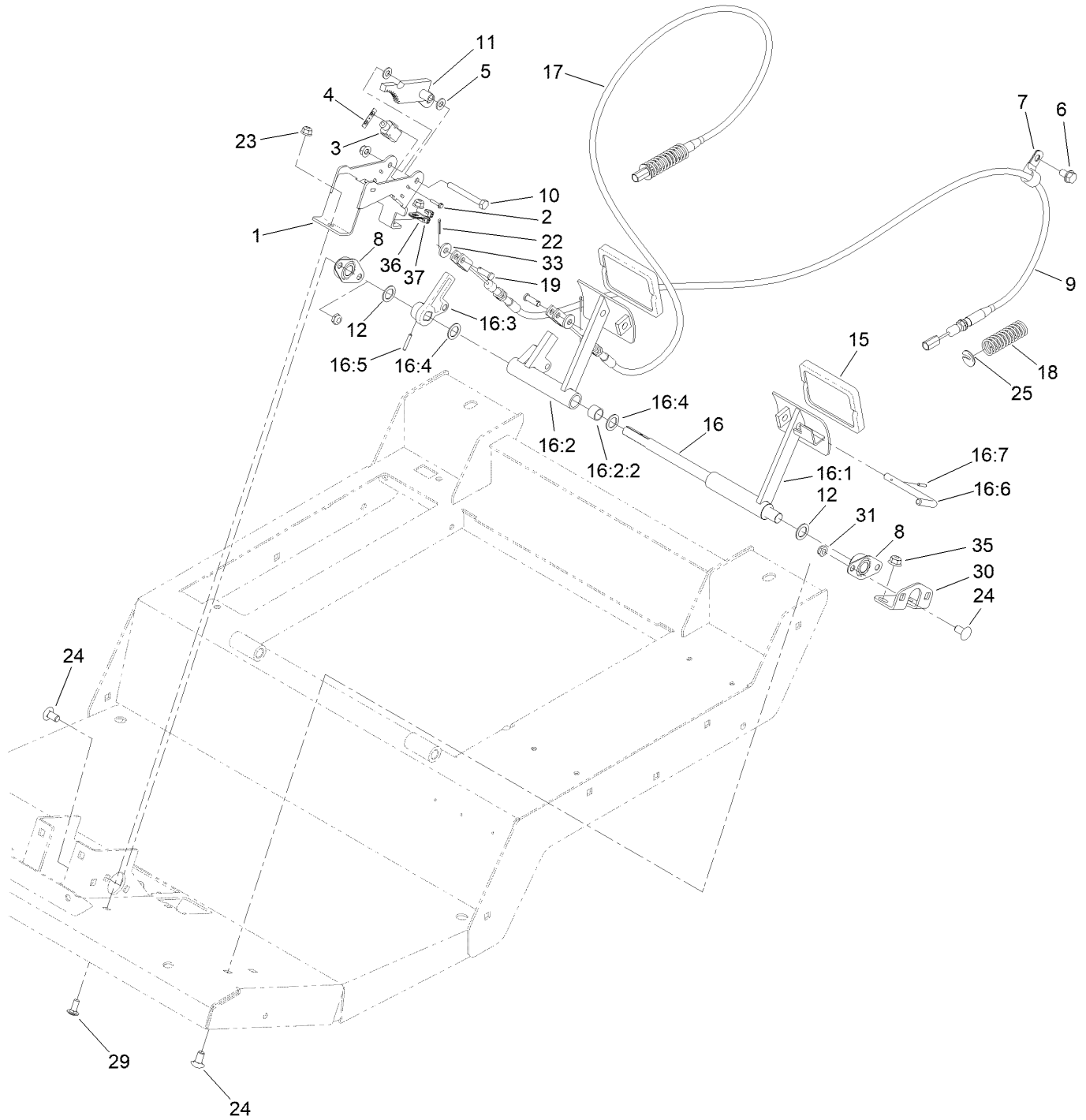
Traction Pedal and Platform Assembly



Traction Pedal and Platform Assembly (continued)

<i>Ref.</i>	<i>Part Number</i>	<i>Qty.</i>	<i>Description</i>	<i>Ref.</i>	<i>Part Number</i>	<i>Qty.</i>	<i>Description</i>
1	3230-23	5	Bolt-CARR	23	114-7728	2	Screw-HHF, Patch
2	136-4368-01	1	Pedal-Traction	24	3230-2	2	Bolt-CARR
3	93-5347	1	Abrasive-Pedal	25	3296-9	2	Nut-Hex
4	93-5368	1	Abrasive-Pedal	26	136-4384-0P	1	Bracket-Sender
5	323-7	1	Screw-HH	27	140-6215	1	Bushing Hub ASM
6	2411-36	1	Bearing-End, Rod	27:1	95-7497	1	Bushing-Wheel
7	3219-3	1	Nut-Hex	28	114-5609	1	Sensor-Position
8	104-8300	9	Nut-HF, NI	29	114-5595	1	Plate-Capture
9	131-2245	1	Shaft-Pedal, Traction	30	114-5608	2	Spacer-Standoff
10	32121-78	1	Pin-Roll	31	32105-25	2	Screw-SHH
11	321-37	2	Screw-HH	32	117-5446	1	Shaft-Spring
12	117-5459	2	Block-Clamp	33	3256-5	1	Washer-Flat
13	3296-59	1	Nut-Lock, NI	34	84-9100	1	Spring
14	322-14	1	Screw-HH	35	92-7610	1	Retainer-Spring
15	104-7201	2	Nut-HF, NI	36	3256-24	1	Washer-Plain
16	3234-47	1	Screw-HHF	37	3296-6	1	Nut-Lock
17	256-236	1	Bearing-Mount, Flange	38	131-2252-0P	1	Bracket-Spring
18	117-5455	1	Plate-Cover	39	132-6251	1	Platform ASM
19	117-5454	1	Plate-Butterfly	39:2	114-0846	1	Decal-Instructions, Operating
20	131-2250-0P	1	Bracket-Pedal, Outer	39:3	133-8062	1	Decal-Spark Arrestor
21	3230-22	1	Screw-CARR	39:4	114-0849	1	Decal-Pedal, Traction
22	93-7960	1	Spacer				

Brake Pedal Assembly

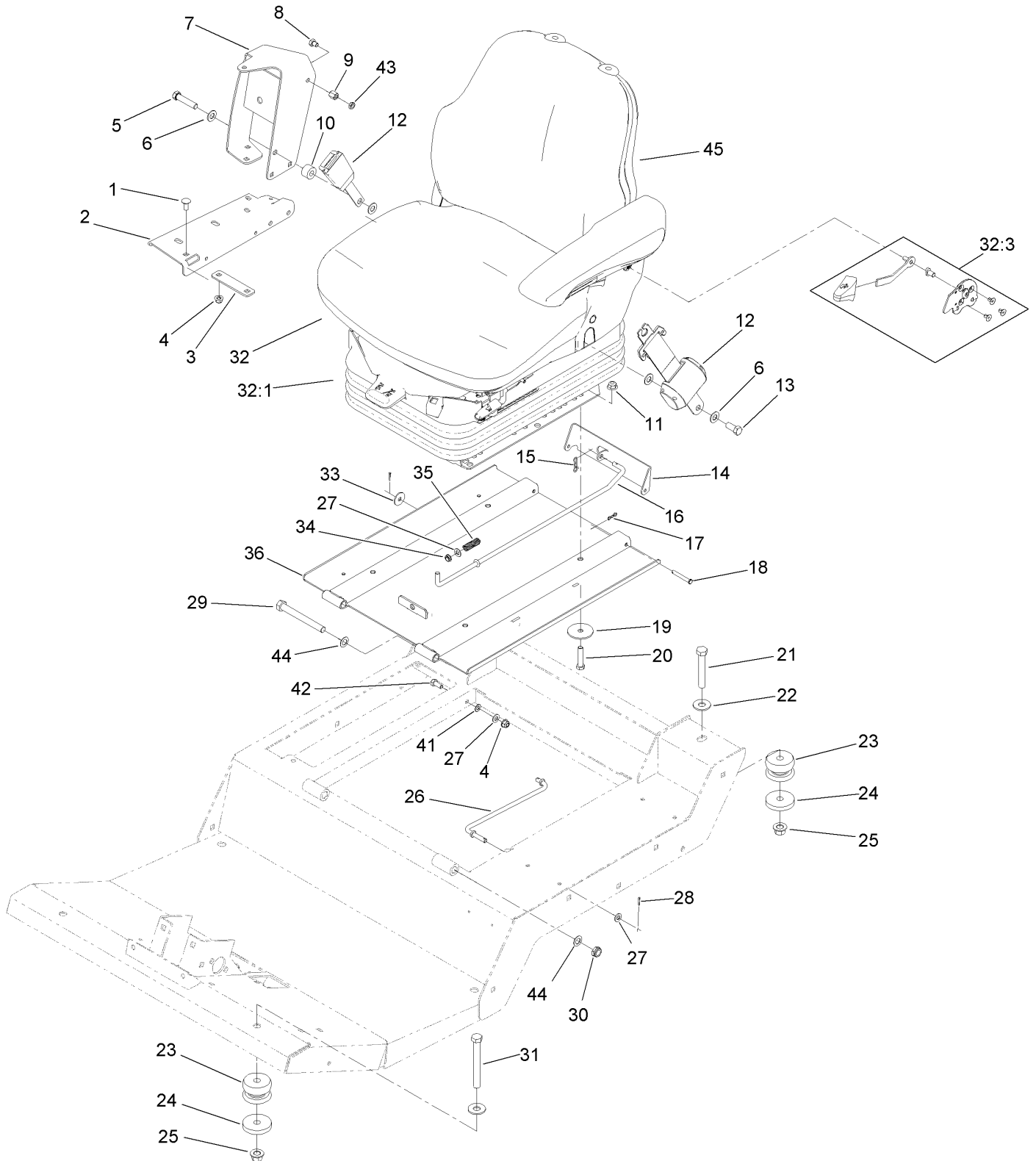


Brake Pedal Assembly (continued)

<i>Ref.</i>	<i>Part Number</i>	<i>Qty.</i>	<i>Description</i>	<i>Ref.</i>	<i>Part Number</i>	<i>Qty.</i>	<i>Description</i>
1	132-6259-0P	1	Mount-Switch	16:4	3256-69	2	Washer-Flat
2	117-5458	4	Screw-HHF	16:5	32121-125	1	Pin-Roll
3	99-3410	2	Switch	16:6	63-7880	1	Pin-Latch, Brake
4	108-9824	2	Nut-Switch	16:7	32121-50	1	Pin-Spring
5	3256-23	2	Washer-Plain	17	120-8898	1	Cable-Brake, RH
6	32144-69	2	Screw-HWHTF	18	94-3088	2	Spring-Compression
7	2412-4	2	Clamp-R	19	120-9694	2	Pin-Clevis
8	256-236	2	Bearing-Mount, Flange	22	3272-6	2	Pin-Cotter
9	120-8899	1	Cable-Brake, LH	23	104-8300	3	Nut-HF, NI
10	322-13	1	Screw-HH	24	3231-21	6	Screw-CARR
11	132-6290-0P	1	Rack	25	94-3050	2	Plate-Spring
12	3256-69	2	Washer-Flat	29	3230-23	2	Bolt-CARR
15	93-8742	2	Footpad-Brake	30	132-6247-01	1	Mount-Bearing
16		1	Brake Pedal ASM ●	31	3296-59	4	Nut-Lock, NI
16:1	139-7780	1	Pedal-Brake, LH	33	4-2390	2	Washer-Flat
16:2	140-5832	1	RH Brake Pedal ASM	35	104-8301	2	Nut-HF, NI
16:2:2	256-42	2	Bushing	36	88-7970	1	Clip
16:3	137-1632	1	Hub-Brake	37	1-303287	2	Tie-Cable

● Not serviced separately

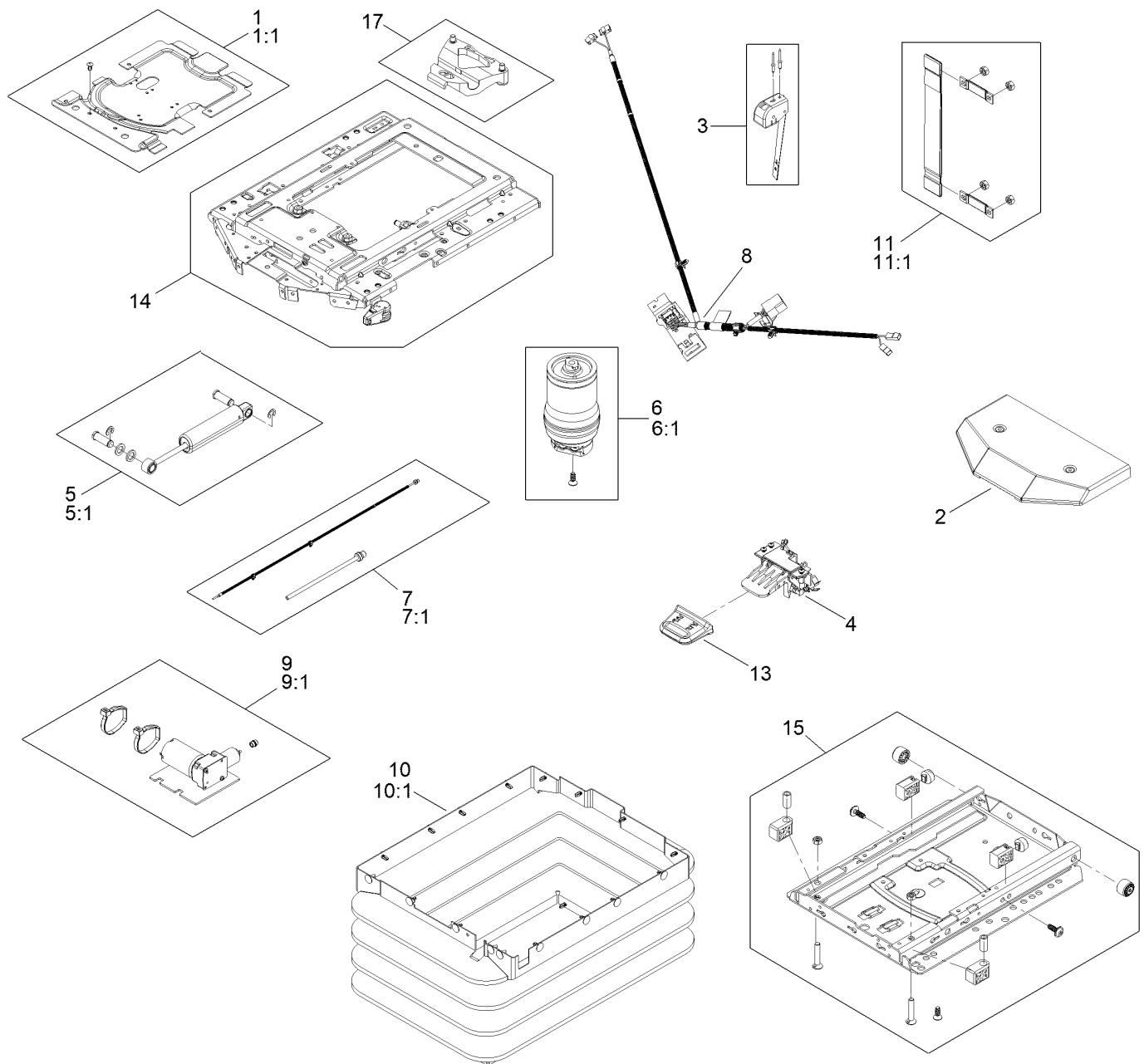
Seat Base and Seat Assembly



Seat Base and Seat Assembly (continued)

<i>Ref.</i>	<i>Part Number</i>	<i>Qty.</i>	<i>Description</i>	<i>Ref.</i>	<i>Part Number</i>	<i>Qty.</i>	<i>Description</i>
1	3230-23	6	Bolt-CARR	23	110-5954	4	Mount-Center, Bonded
2	119-0000-03	1	Channel-Support	24	115-5519	4	Washer-Plain
3	112-7449	1	Strap-Support	25	99-5107	4	Nut-Lock
4	104-8300	7	Nut-HF, NI	26	93-5338	1	Rod-Prop
5	3212-8	1	Screw-HH	27	3256-23	3	Washer-Plain
6	3256-25	4	Washer-Flat	28	3272-5	2	Pin-Cotter
7	117-4798-03	1	Arm-Support	29	325-18	2	Screw-HH
8	108-8646	1	Screw-HH, Lock	30	3296-45	2	Nut-Hex
9	112-7405	1	Nut-Hex, Coupling	31	702093	2	Screw-HH
10	17-7190	1	Spacer-Finger	32	132-1302	1	Seat And Suspension ASM
11	104-8301	4	Nut-HF, NI	32:1	130-2702	1	Air Ride Seat Suspension
12	110-0413	1	Seatbelt-Retractable	32:3	132-1304	1	Backrest Adjustment Kit
13	3212-4	1	Screw-HH	33	3256-82	1	Washer-Flat
14	120-9017-0P	1	Latch-Seat	34	5979	1	Bushing-Nyliner
15	119-1415	1	Pin-Cotter, Locking	35	95-1821	1	Spring-Compression
16	120-9018	1	Rod-Latch	36	137-5475-03	1	Plate-Seat
17	119-1414	2	Pin-Cotter, Locking	41	3255-8	1	Washer-Lock
18	283-57	2	Pin-Clevis	42	322-3	1	Screw-HH
19	83-1040	4	Washer-Flat	43	117-4059	1	Nut-Hex
20	323-9	4	Screw-HH	44	36-4780	4	Washer-Plain
21	112-7264	2	Screw-HH	45	117-9429	1	Matrix Cloth Seat ASM
22	3256-6	4	Washer-Flat				

Air Ride Seat Suspension Assembly No. 130-2702



12
WEAR PARTS KIT

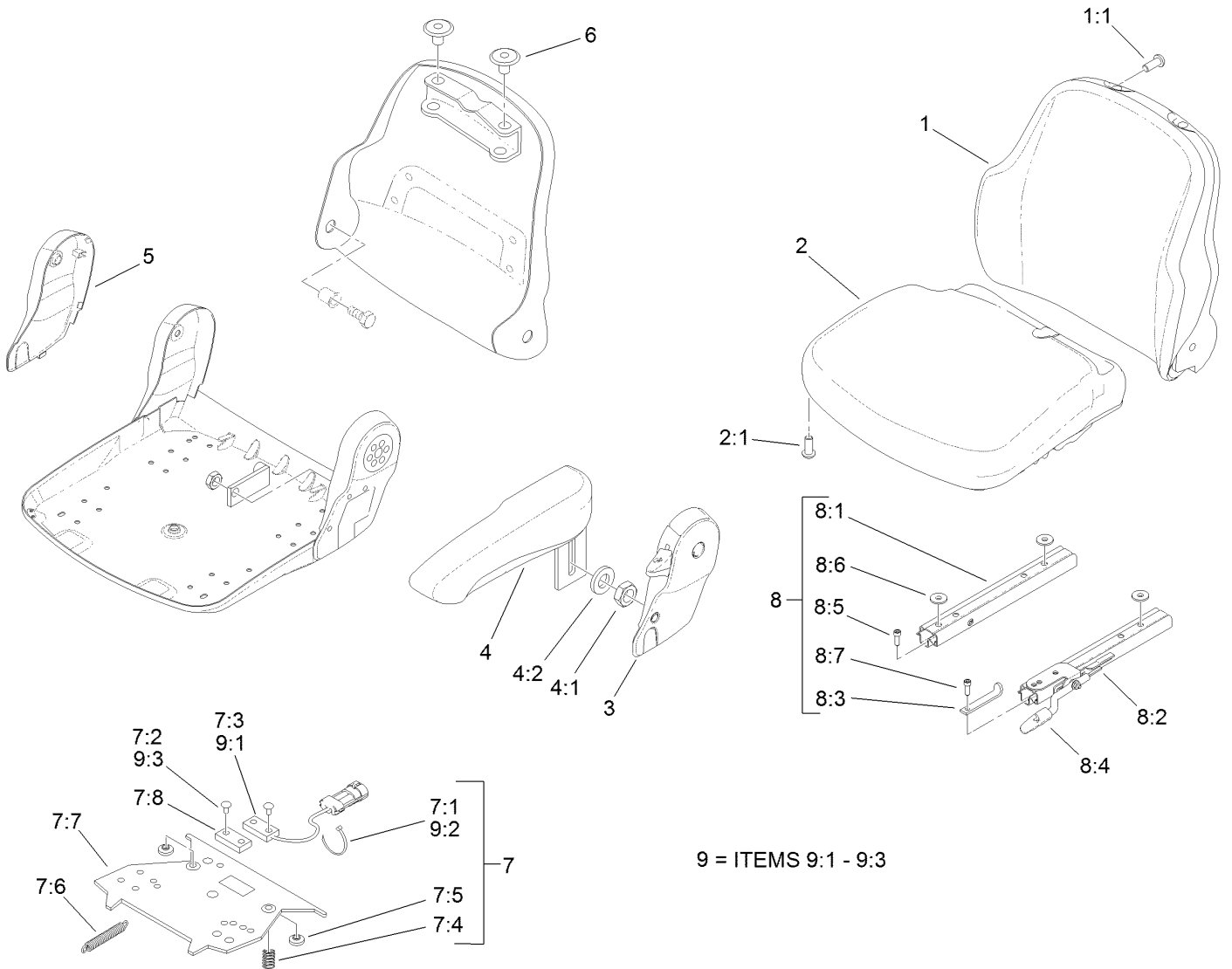
16
ADJUSTER MOUNTING KIT

Air Ride Seat Suspension Assembly No. 130-2702 (continued)

<i>Ref.</i>	<i>Part Number</i>	<i>Qty.</i>	<i>Description</i>	<i>Ref.</i>	<i>Part Number</i>	<i>Qty.</i>	<i>Description</i>
1	130-2709	1	Cover ASM	9	130-2719	1	Compressor
1:1	130-2710	1	Cover Kit	9:1	130-2720	1	Compressor Kit
2	108-8027	1	Cover	10	130-2721	1	Bellows ASM
3	130-2711	1	Control-Level	10:1	130-2722	1	Bellows Kit
4	108-8029	1	Valve-Control, Air	11	130-2723	1	Tether
5	130-2712	1	Shock Absorber ASM	11:1	130-2724	1	Tether Kit
5:1	130-2713	1	Shock Absorber Kit	12	130-2725	1	Wear Parts Kit ●
6	130-2714	1	Air Spring ASM	13	130-2726	1	Handle
6:1	130-2715	1	Air Spring Kit	14	130-2727	1	Upper Suspension Kit
7	130-2716	1	Air Tube ASM	15	130-2728	1	Lower Suspension Kit
7:1	130-2717	1	Air Tube Kit	16	130-2729	1	Adjuster Mounting Kit ●
8	130-2718	1	Harness-Wire	17	130-2730	1	Limiters-Thrust

● Not illustrated

Cloth Premium Seat Assembly No. 117-9429



Cloth Premium Seat Assembly No. 117-9429 (continued)

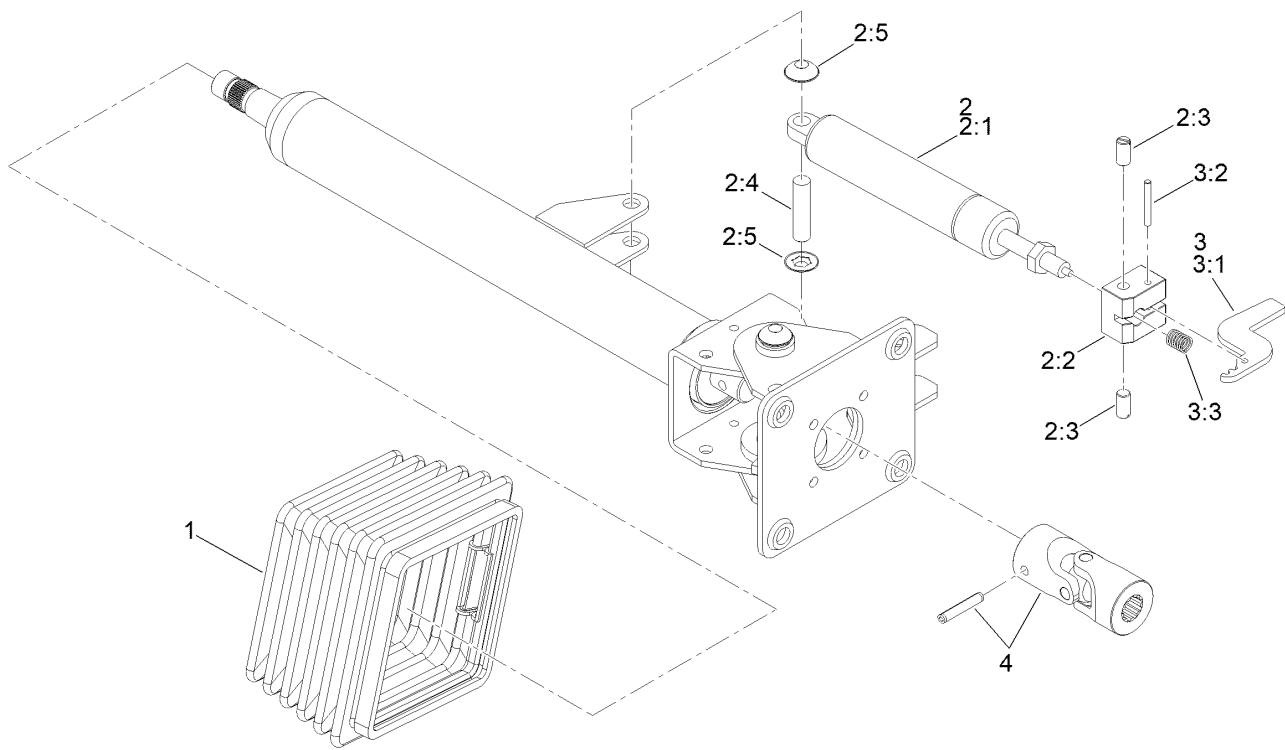
<i>Ref.</i>	<i>Part Number</i>	<i>Qty.</i>	<i>Description</i>	<i>Ref.</i>	<i>Part Number</i>	<i>Qty.</i>	<i>Description</i>
1	117-9415	1	Backrest Cushion ASM Matrix Cloth	7:5		2	Bumper-Pressure Plate ●
1:1	119-7742	4	Screw-Cushion	7:6		1	Spring-Extension ●
2	117-9416	1	Seat Cushion ASM Matrix Cloth	7:7		1	Plate-Mounting ●
2:1	119-7742	3	Screw-Cushion	7:8		1	Magnet ●
3	108-8018	1	Cover-Armrest	8	108-8025	1	Adjustment Rail Set
4	108-8019	1	LH Armrest ASM	8:1		1	Rail-Adjustment, RH ●
4:1	82-9650	1	Nut	8:2		1	Rail-Adjustment, LH ●
4:2	107-1198	1	Washer	8:3		1	Stop-Rail ●
5	108-8021	1	Cover-Armrest	8:4		1	Handle ●
6	108-8022	2	Cover-Black	8:5		3	Screw ●
7	108-8024	1	Switch Kit	8:6		3	Washer ●
7:1		3	Wire Tie ●	8:7		1	Screw ●
7:2		4	Rivet ●	9	110-6189	1	Switch Kit
7:3		1	Sensor-Seat Switch ●	9:1		1	Switch ●
7:4		2	Spring-Compression ●	9:2		3	Wire Tie ●
				9:3		2	Rivet ●

● Not serviced separately

Steering and Controller Assembly (continued)

<i>Ref.</i>	<i>Part Number</i>	<i>Qty.</i>	<i>Description</i>	<i>Ref.</i>	<i>Part Number</i>	<i>Qty.</i>	<i>Description</i>
1	137-5590-0P	1	Mount	26	3229-3	8	Screw-CARR
2	137-5588-0P	1	Plate-Mount, Column	27	120-4093-0P	1	Mount-Power
3	132-6285	1	Rod-Brake	28	99-7435	3	Relay
4	3231-26	4	Screw-CARR	29	3296-12	2	Nut-Lock, NI
5	63-8410	4	Washer	30	3290-134	5	Screw
6	63-9750	4	Mount	31	42862	1	Block-Terminal, Ground
7	3231-2	6	Bolt-CARR	32	42863	1	Strip-Jumper
8	3274-7	4	Screw-HSH	33	321-3	1	Screw-HH
9	105-2409	4	Screw-HSH	34	107-1013	5	Nut-Speed
10	104-7201	8	Nut-HF, NI	35	108-9824	1	Nut-Switch
11	99-3410	1	Switch	36	122-3375	2	Controller-Tec
12	136-7153	1	Spring-Extension	37	120-4127-0P	1	Mount-Relay
13	98-1459	1	Decal	38	114-5502	1	Clip-Fuse
14	132-6225-0P	1	Support-Rear	39	609900	2	Nut-Speed
15	3256-27	1	Washer-Flat	40	98-1471	1	Wheel-Steering
16	132-6283	1	Plate-Brake	40:1	98-1468	1	Cover-Wheel, Steering
17	132-6284	1	Plate-Brake	41	104-8301	14	Nut-HF, NI
18	3296-33	1	Nut-Lock, NI	42	3296-16	2	Nut-Lock, NI
19	37-8771	2	Bolt-Shoulder, HF	43	117-5458	2	Screw-HHF
20	132-6244	1	Cover-Steering	44	104-8300	2	Nut-HF, NI
21	105-1217	1	Decal	45	1-807512	2	Bolt-CARR
22	132-6230	1	Steering Tilt Column ASM	46	3253-21	2	Washer-Lock
23	107069	7	Clip	47	323-6	2	Screw-HH
24	3234-4	6	Screw-HHF	48	93-5429	1	Collar-Foam
25	137-5548	1	Link-Brake	49	32105-13	2	Screw-HWH

Steering Column Assembly No. 132-6230

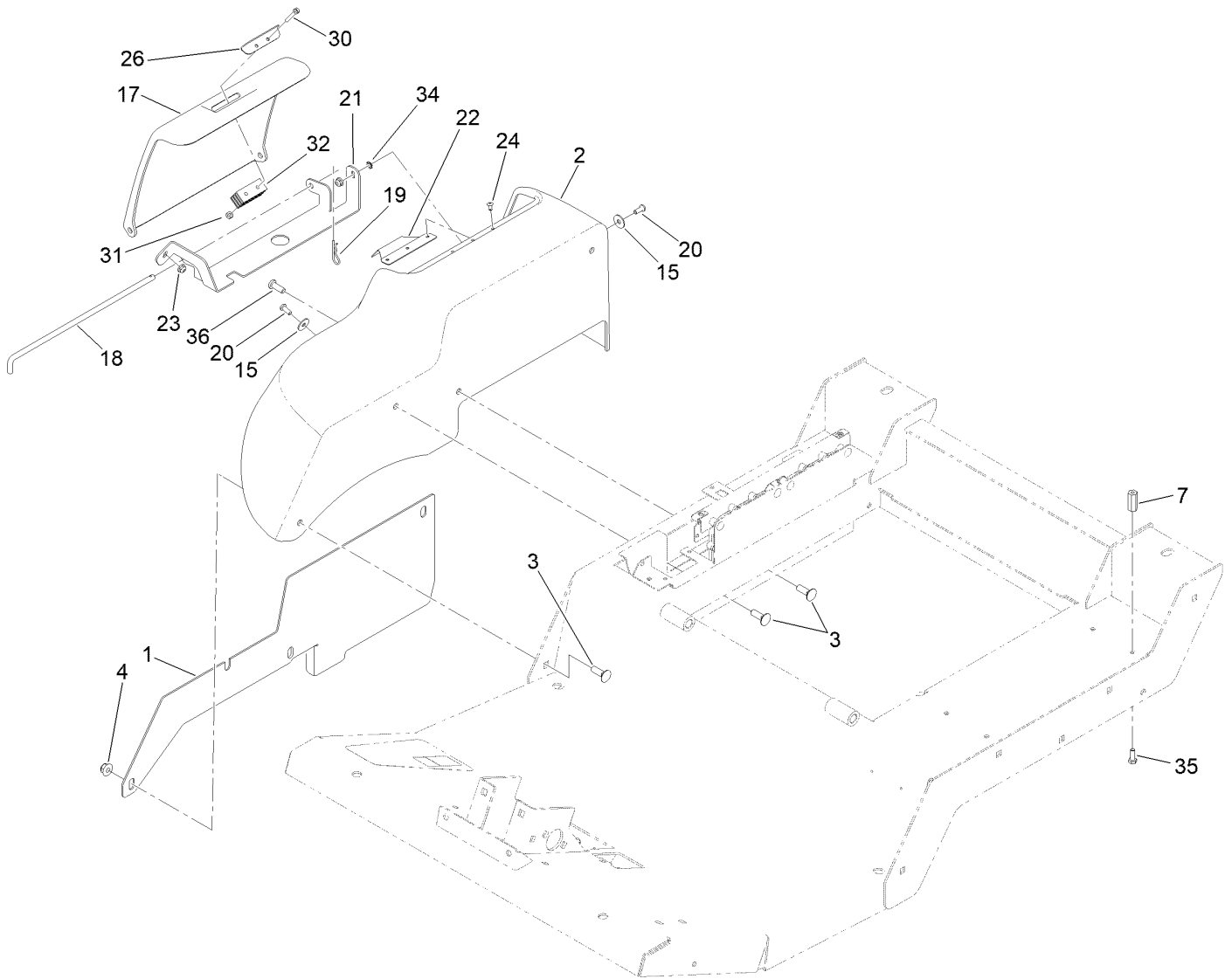


Steering Column Assembly No. 132-6230 (continued)

<i>Ref.</i>	<i>Part Number</i>	<i>Qty.</i>	<i>Description</i>	<i>Ref.</i>	<i>Part Number</i>	<i>Qty.</i>	<i>Description</i>
1	110-6462	1	Bellows-Rubber	2:5		2	Washer-Lock ●
2	110-6463	1	Cylinder Service Kit	3	136-4385	1	Pedal Service Kit
2:1		1	Cylinder-Gas ●	3:1		1	Pedal ●
2:2		1	Block-Pedal ●	3:2		1	Pin ●
2:3		2	Bolt ●	3:3		1	Spring ●
2:4		1	Pin ●	4	120-6256	1	Universal Joint Kit

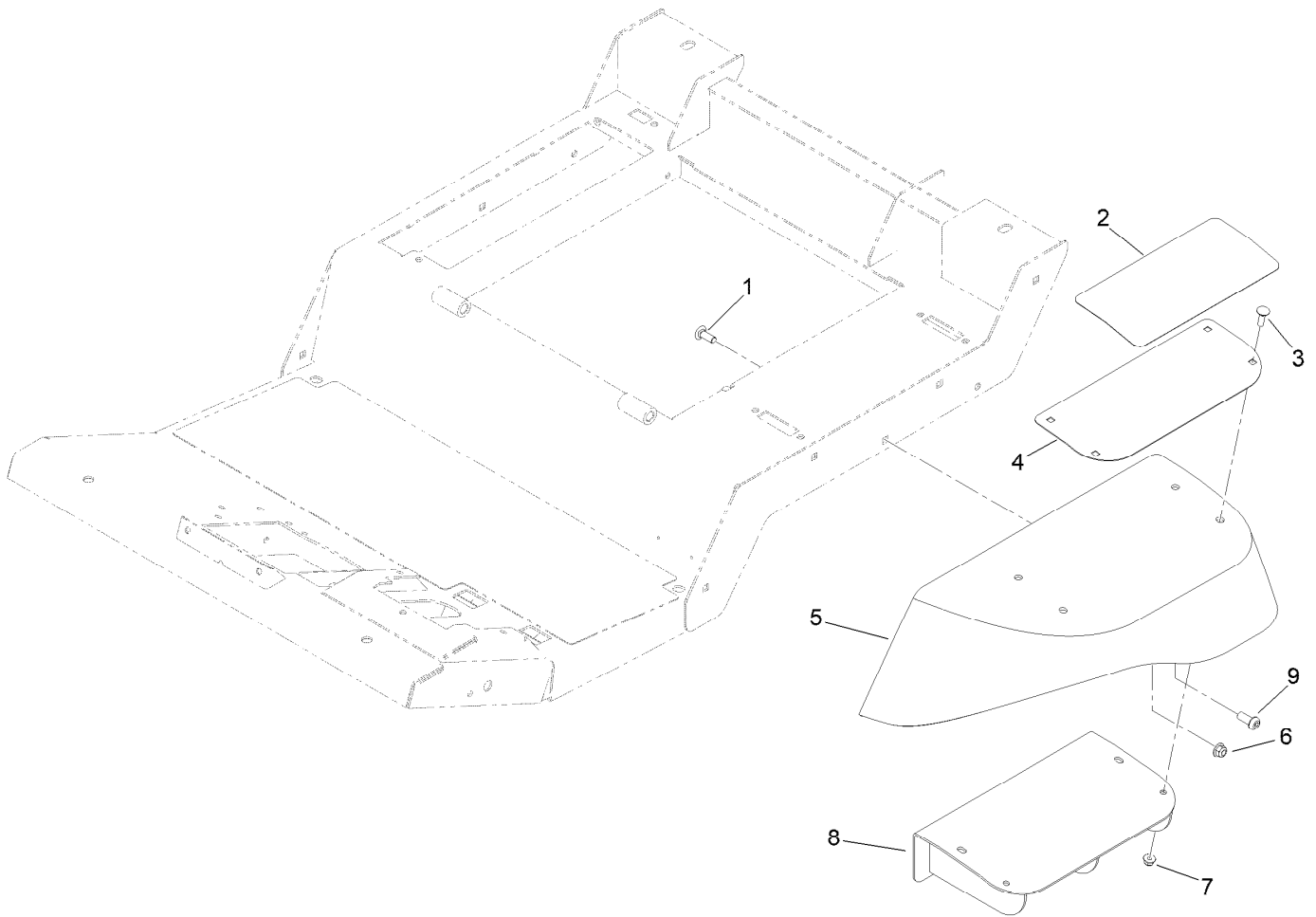
● Not serviced separately

Fender, Tool Box and Cover Assembly



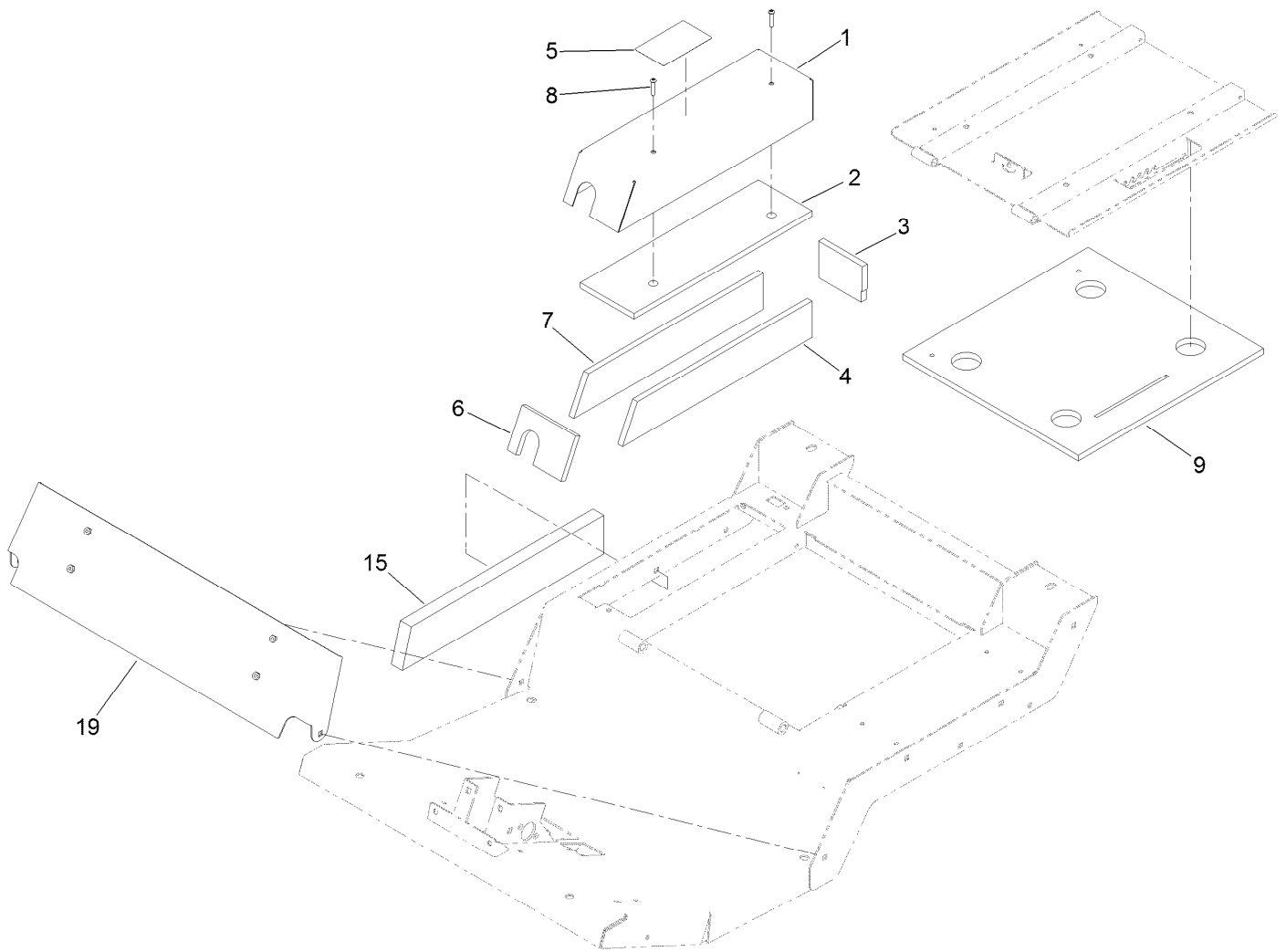
Fender, Tool Box and Cover Assembly (continued)

<i>Ref.</i>	<i>Part Number</i>	<i>Qty.</i>	<i>Description</i>	<i>Ref.</i>	<i>Part Number</i>	<i>Qty.</i>	<i>Description</i>
1	145-8391-0P	1	Plate-Fender, RH	22	127-3706	1	Plate-Cover
2	120-4113	1	Fender-RH	23	104-7201	2	Nut-HF, NI
3	3231-25	3	Bolt-CARR	24	3269-23	3	Rivet-Pop
4	104-8301	3	Nut-HF, NI	26	127-3705	1	Plate-Cover
7	136-4358	4	Nut-Coupling	30	32105-1	2	Screw-SHH
15	87-6630	2	Washer-Plain	31	3296-2	2	Nut-Lock, NI
17	120-4115	1	Cover-Battery	32	69-6260	1	Magnet
18	121-1588	1	Rod-Hinge	34	3255-7	1	Washer-Lock/EXT
19	3290-467	1	Pin-Hair	35	321-4	4	Screw-HH
20	3274-31	2	Screw-HSBH	36	3274-94	1	Screw-HSBH
21	121-1586-0P	1	Mount-Cover				



Fender and Step Support Assembly

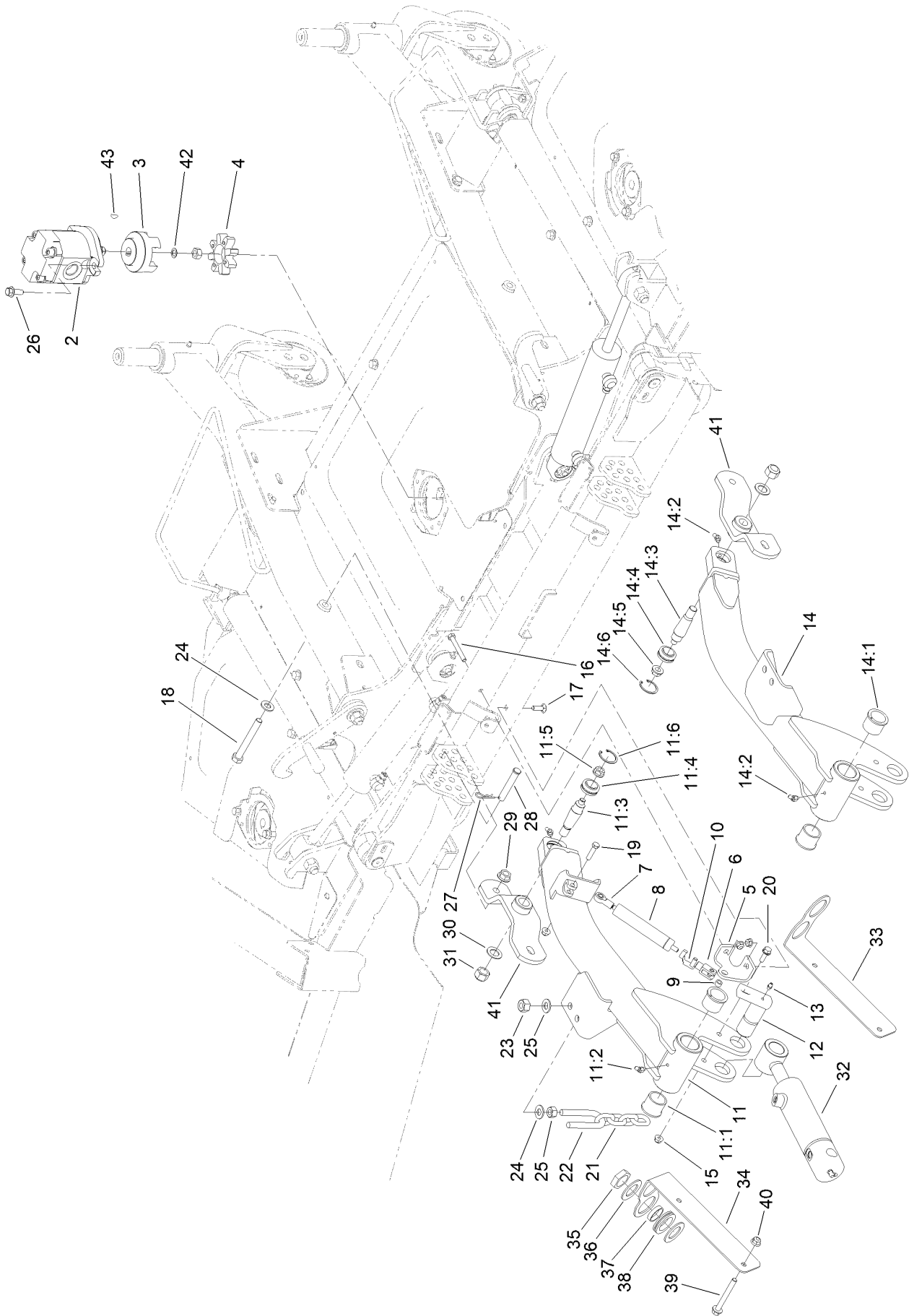
<i>Ref.</i>	<i>Part Number</i>	<i>Qty.</i>	<i>Description</i>
1	3231-25	3	Bolt-CARR
2	120-4116	1	Pad-Step, Abrasive
3	3230-28	4	Screw-CARR
4	120-4117-03	1	Plate-Step
5	121-1585	1	Fender-LH
6	104-8301	3	Nut-HF, NI
7	104-8300	4	Nut-HF, NI
8	120-8900-0P	1	Support-Step
9	3274-94	1	Screw-HSBH



Acoustic Foam, Panel and Cover Assembly

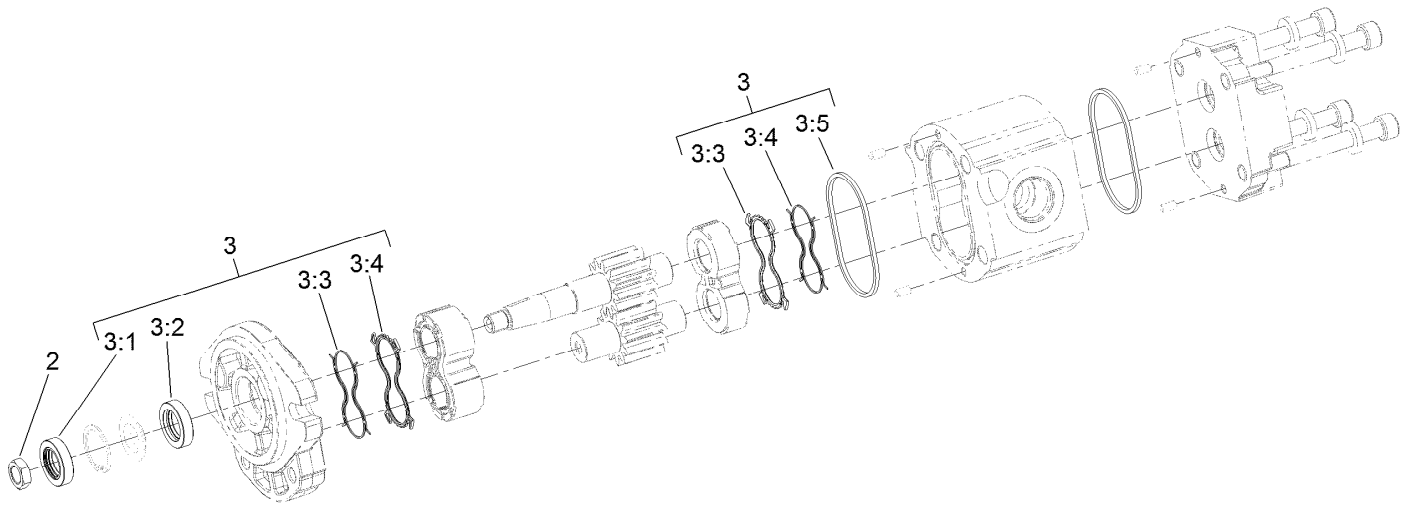
<i>Ref.</i>	<i>Part Number</i>	<i>Qty.</i>	<i>Description</i>
1	136-4386-03	1	Cover-Controller
2	136-4378	1	Foam-Cover, Top
3	136-4375	1	Foam-Cover, Rear
4	136-4376	1	Foam-Cover, Left
5	136-4436	1	Decal-Fuses
6	136-4374	1	Foam-Cover, Front
7	136-4377	1	Foam-Cover, Right
8	120-0834	2	Screw-HSBH
9	127-3696	1	Foam-Seat
15	127-3708	1	Foam-Right
19	136-4373-01	1	Plate-Foot

Front Deck Lift Arm Assembly



Front Deck Lift Arm Assembly (continued)

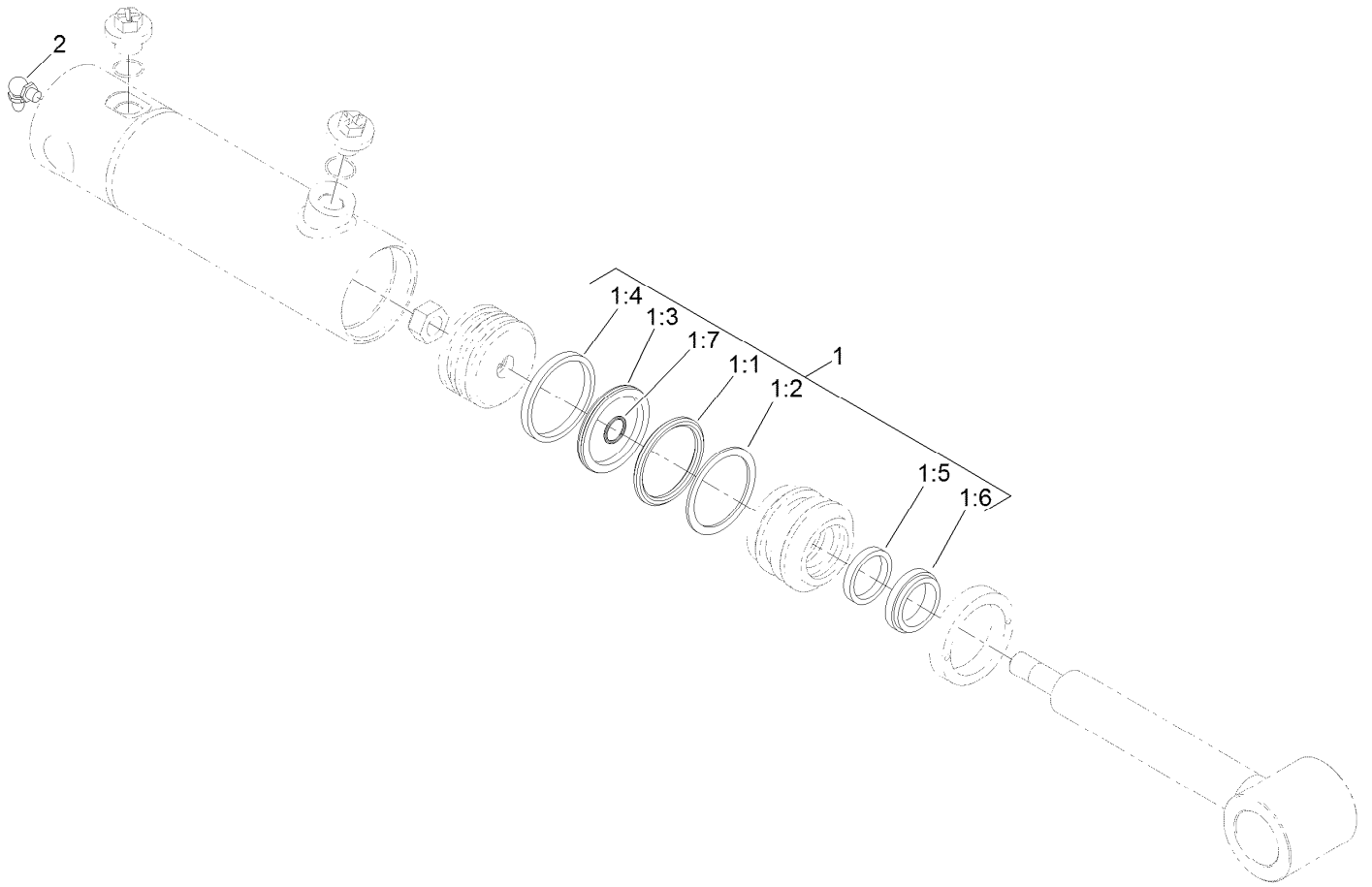
<i>Ref.</i>	<i>Part Number</i>	<i>Qty.</i>	<i>Description</i>	<i>Ref.</i>	<i>Part Number</i>	<i>Qty.</i>	<i>Description</i>
2	127-3694	3	HYD Motor ASM	17	3230-22	1	Screw-CARR
3	104-3541	3	Hub-Spider	18	325-17	4	Screw-HH
4	104-3542	3	Spider	19	322-17	1	Screw-HH
5	120-9015	1	Support-Damper	20	3234-29	2	Screw-HHF
6	115-5455	1	End-Rod, Clevis	21	95-6231	2	Chain-HOC
7	104-8331	1	End-Rod, Spherical	22	104-0108	2	U-Bolt
8	105-3249	1	Damper	23	3296-25	4	Nut-Lock, NI
9	115-2142	1	Spacer	24	3256-26	12	Washer-Flat
10	115-5454	1	Pin-Spring	25	3217-9	4	Nut-HH
11	120-9013	1	LH Lift Arm ASM	26	3234-42	6	Screw-HHF
11:1	104-0015	2	Bushing-Flange	27	3290-467	2	Pin-Hair
11:2	302-11	2	Fitting-Lube, 45 DEG	28	283-55	2	Pin-Clevis
11:3	105-7468	1	Stud-Tapered	29	32128-23	4	Nut-HF
11:4	105-7441	1	Bearing-Spherical	30	86-1440	2	Washer-Flat
11:5	32128-42	1	Nut-HF	31	3296-41	2	Nut-Lock NI
11:6	32151-34	1	Ring-Retaining	32	120-8822	2	HYD Cylinder ASM
12	125-1912	2	Pin-Pivot	33	121-1499-03	1	Plate-Mount, Bulkhead, RH
13	302-5	2	Fitting-Grease	34	121-1494-03	1	Plate-Mount, Bulkhead, LH
14	120-9012	1	RH Lift Arm ASM	35	340-126	4	Nut-Bulkhead
14:1	104-0015	2	Bushing-Flange	36	69-8910	8	Washer
14:2	302-11	2	Fitting-Lube, 45 DEG	37	69-8900	4	Spacer
14:3	105-7468	1	Stud-Tapered	38	240-7	4	Grommet-Rubber
14:4	105-7441	1	Bearing-Spherical	39	3234-41	4	Screw-HHF
14:5	32128-42	1	Nut-HF	40	104-8301	4	Nut-HF, NI
14:6	32151-34	1	Ring-Retaining	41	115-5442-01	2	Support-Hub
15	104-8300	5	Nut-HF, NI	42	112-6957	3	Washer-Hardened
16	322-12	1	Screw-HH	43	3257-3	3	Key-Woodruff



Hydraulic Motor Assembly No. 127-3694

<i>Ref.</i>	<i>Part Number</i>	<i>Qty.</i>	<i>Description</i>
2	110-8815	1	Nut-Hex
3	114-5620	1	Seal Kit
3:1		1	Seal-Shaft ●
3:2		1	Seal-Shaft ●
3:3		2	Seal-Anti Extrusion ●
3:4		2	Seal-Plate, Balancing ●
3:5		2	O Ring-Housing ●

● Not serviced separately

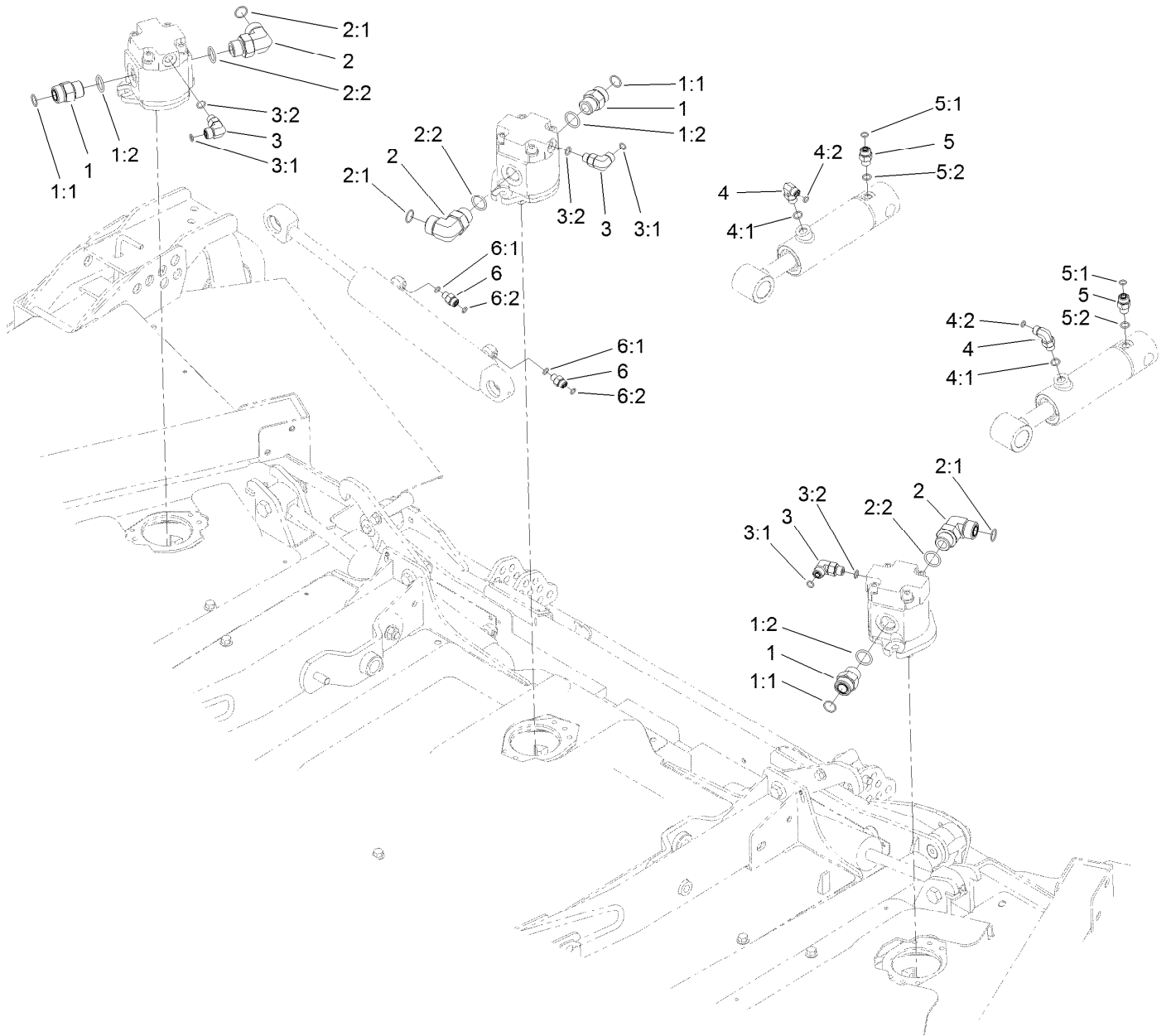


Hydraulic Cylinder Assembly No. 120-8822

<i>Ref.</i>	<i>Part Number</i>	<i>Qty.</i>	<i>Description</i>
1	125-4300	1	Seal Kit
1:1		1	O-Ring ●
1:2		1	Backup ●
1:3		1	Bp Seal ●
1:4		1	Wear Ring ●
1:5		1	Bt Seal ●
1:6		1	Dust Seal ●
1:7		1	O-Ring ●
2	302-60	1	Fitting-Grease

● Not serviced separately

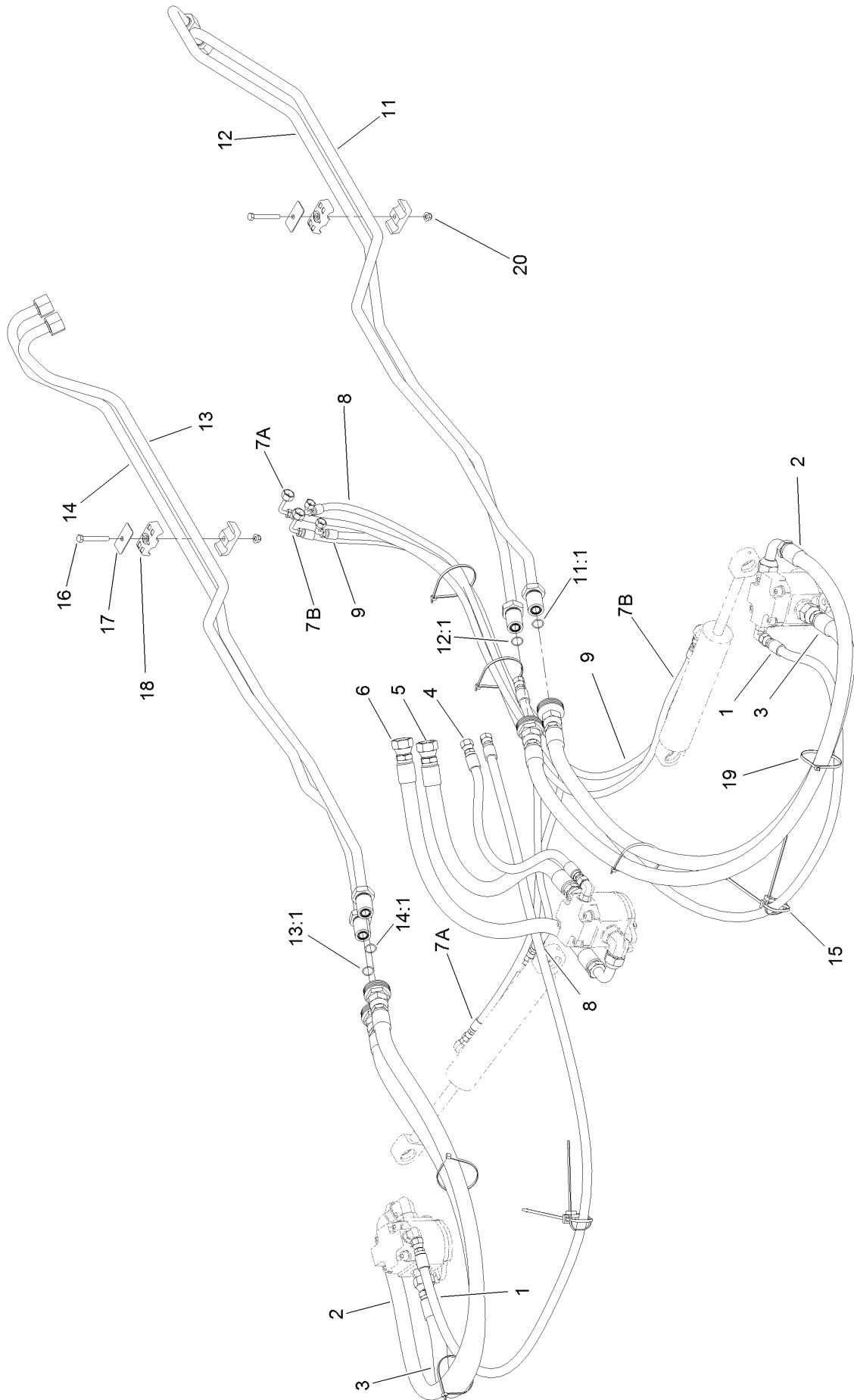
Front Deck Hydraulic Fitting Assembly



Front Deck Hydraulic Fitting Assembly (continued)

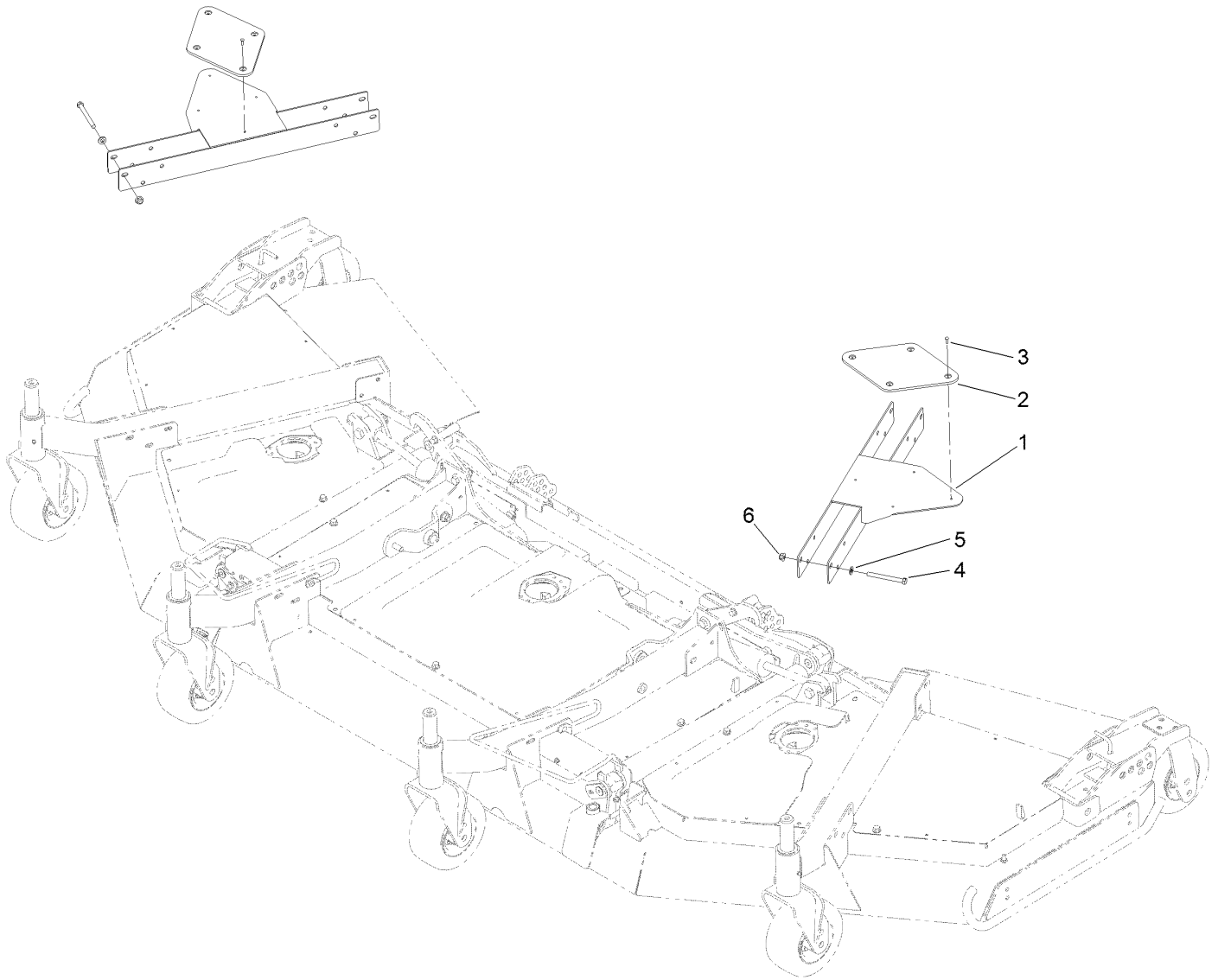
<i>Ref.</i>	<i>Part Number</i>	<i>Qty.</i>	<i>Description</i>	<i>Ref.</i>	<i>Part Number</i>	<i>Qty.</i>	<i>Description</i>
1	340-9	3	Fitting-STR	4	340-82	2	Fitting-Elbow, 90 DEG
1:1	237-58	1	O-Ring	4:1	237-42	1	O-Ring
1:2	237-81	1	O-Ring	4:2	237-21	1	O-Ring
2	340-142	3	Fitting-Elbow, 90 DEG	5	340-2	2	Fitting-Straight
2:1	237-58	1	O-Ring	5:1	237-22	1	O-Ring
2:2	237-81	1	O-Ring	5:2	237-42	1	O-Ring
3	340-77	3	Fitting-Elbow, 90 DEG	6	340-92	4	Fitting-Straight
3:1	237-22	1	O-Ring	6:1	237-78	1	O-Ring
3:2	237-42	1	O-Ring	6:2	237-21	1	O-Ring

Front Deck Hose Routing Assembly



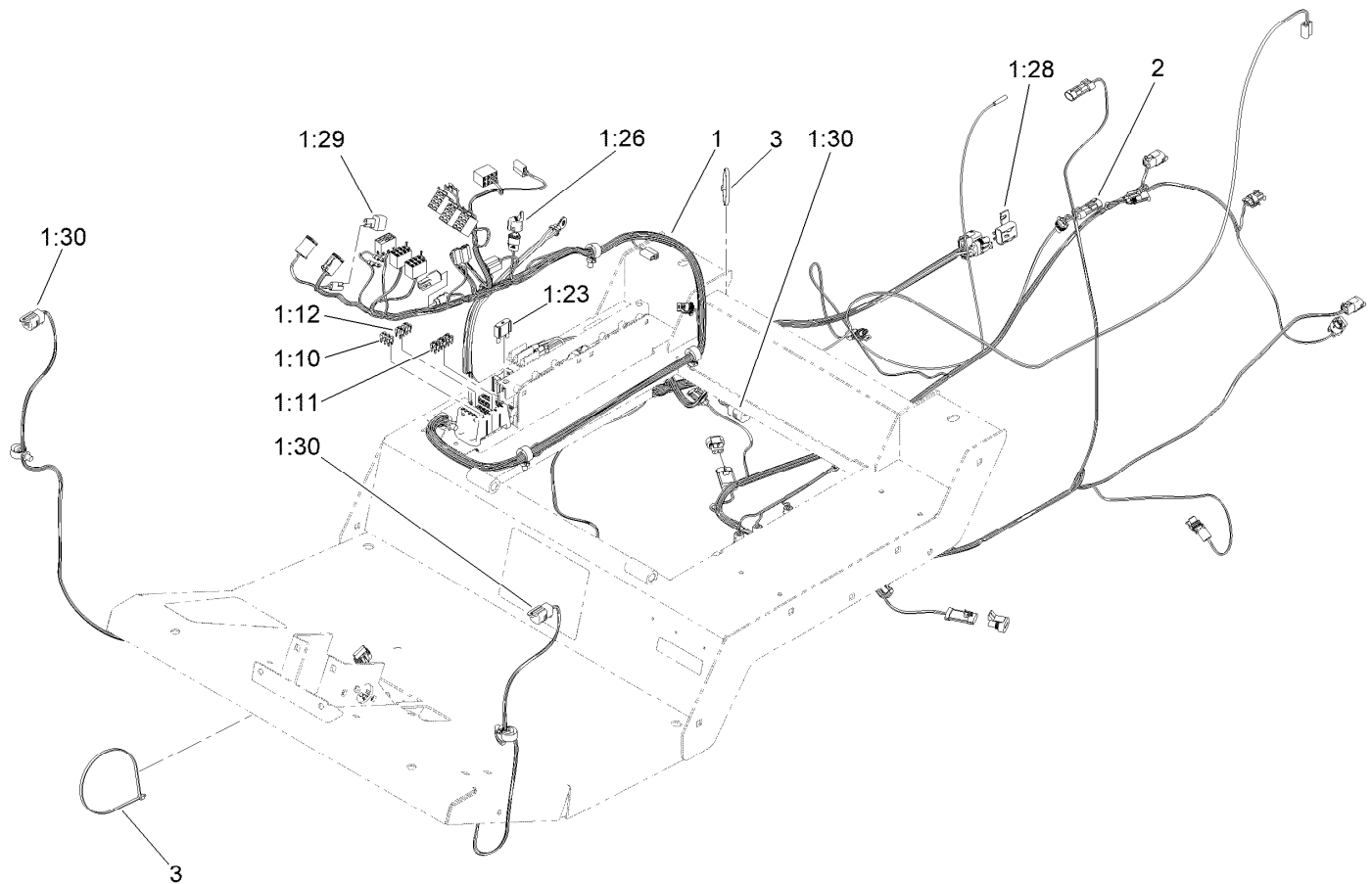
Front Deck Hose Routing Assembly (continued)

<i>Ref.</i>	<i>Part Number</i>	<i>Qty.</i>	<i>Description</i>	<i>Ref.</i>	<i>Part Number</i>	<i>Qty.</i>	<i>Description</i>
1	95-8843	2	Hose-HYD	12:1	237-58	1	O-Ring
2	120-8987	2	Hose-HYD	13	130-2707	1	Tube ASM
3	121-1457	2	Hose-HYD	13:1	237-58	1	O-Ring
4	76-6550	1	Hose-HYD	14	130-2708	1	Tube ASM
5	121-1540	1	Hose-HYD	14:1	237-58	1	O-Ring
6	121-1541	1	Hose-HYD	15	3290-378	4	Tie-Cable
7	120-9054	2	Hose-HYD	16	322-12	2	Screw-HH
8	106-3691	1	Hose-HYD	17	69-9761	2	Plate-Cover
9	85-4940	1	Hose-HYD	18	94-8105	4	Clamp-Tube
11	130-2705	1	Tube ASM	19	3290-379	6	Tie-Cable
11:1	237-58	1	O-Ring	20	104-8300	2	Nut-HF, NI
12	130-2706	1	Tube ASM				



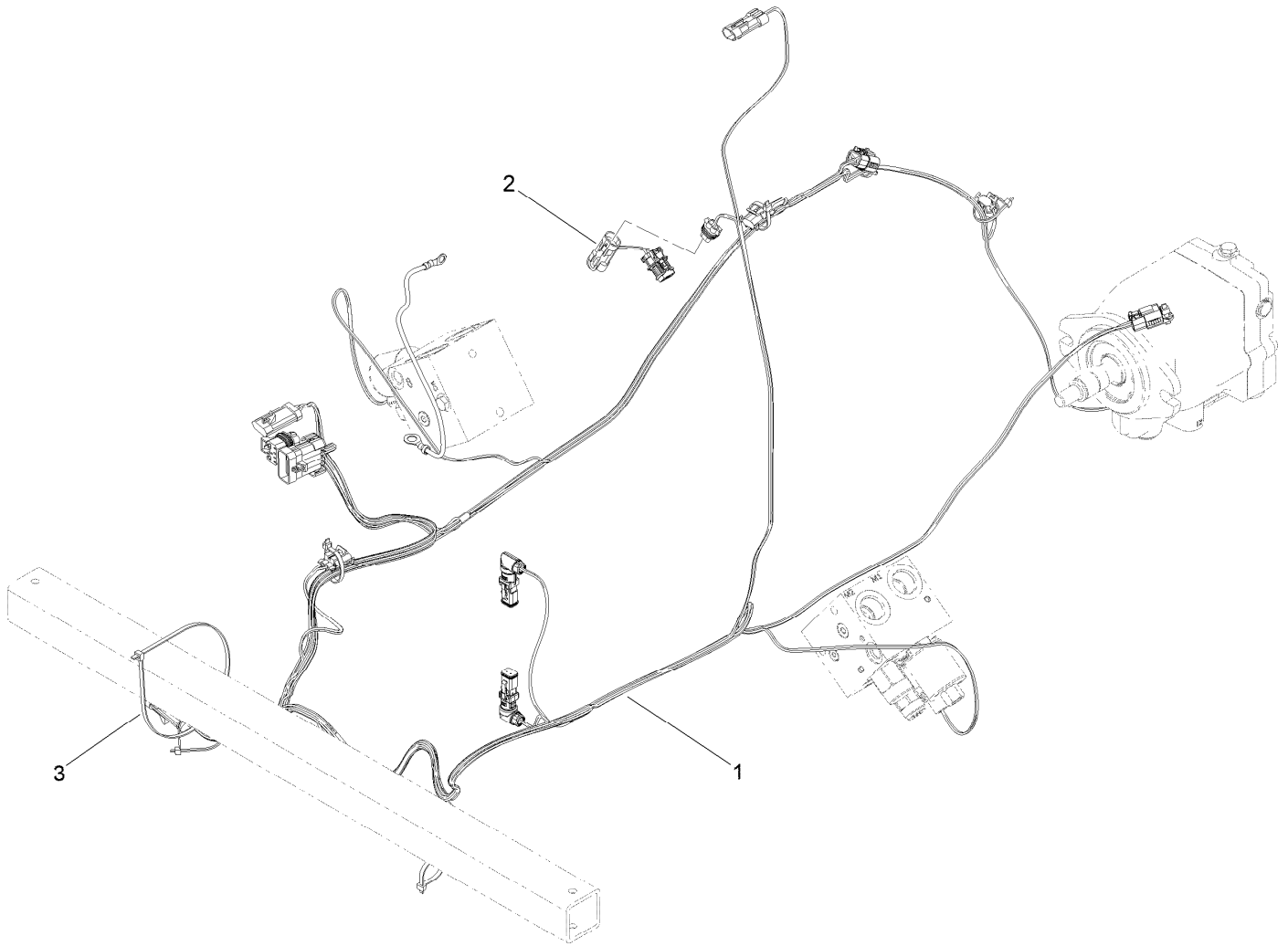
Deck Pad Assembly

<i>Ref.</i>	<i>Part Number</i>	<i>Qty.</i>	<i>Description</i>
1	130-5788-01	2	Bumper
2	130-5789	2	Pad-Bumper
3	3269-4	8	Rivet-Pop
4	323-42	10	Screw-HH
5	3256-24	10	Washer-Plain
6	104-8301	10	Nut-HF, NI



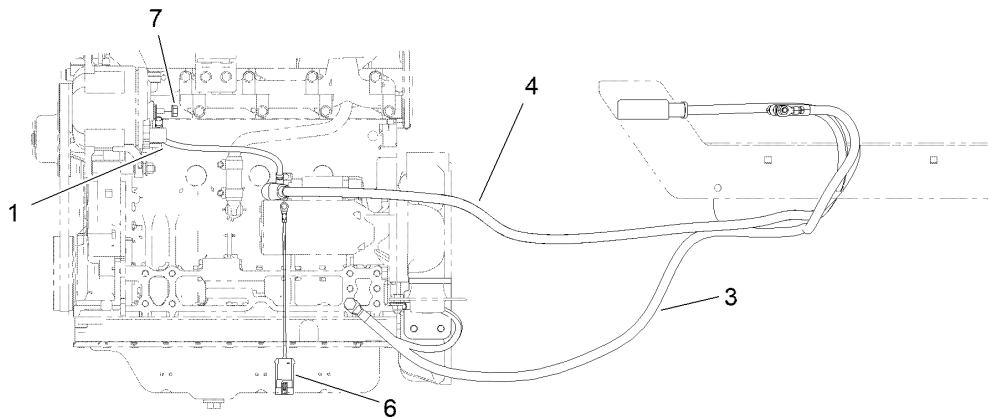
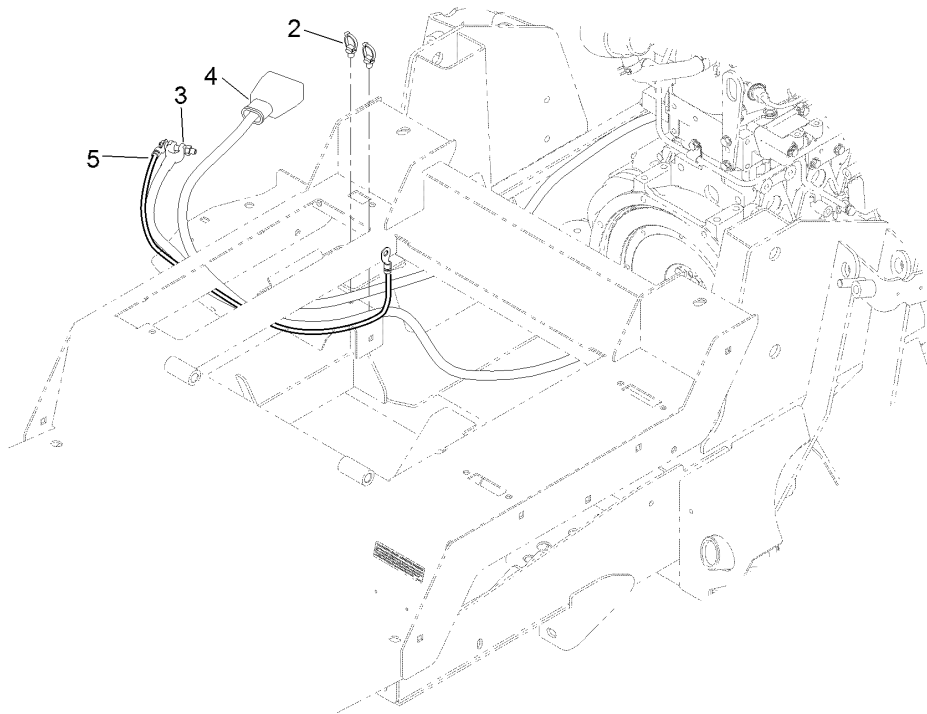
Platform Wire Harness and Fuse Assembly

<i>Ref.</i>	<i>Part Number</i>	<i>Qty.</i>	<i>Description</i>
1	122-2181	1	Harness-Wire, Platform
1:10	121-8861	3	Fuse-Mini Blade, 2 Amp
1:11	121-8865	6	Fuse-Mini Blade, 7.5 Amp
1:12	121-8866	4	Fuse-Mini Blade, 10 Amp
1:23	114-3342	1	Fuse-Maxi, 60 Amp
1:26	32180-089	1	Cap-Plug, 3 Way
1:28	32180-019	1	Cover-Fuse, Single
1:29	104-4022	1	Resistor-75 Ohm
1:30	32180-156	4	Cap-Plug, 6 Way
2	122-0353	1	Harness-Wire
3	3290-379	2	Tie-Cable



Rear Wire Harness Assembly

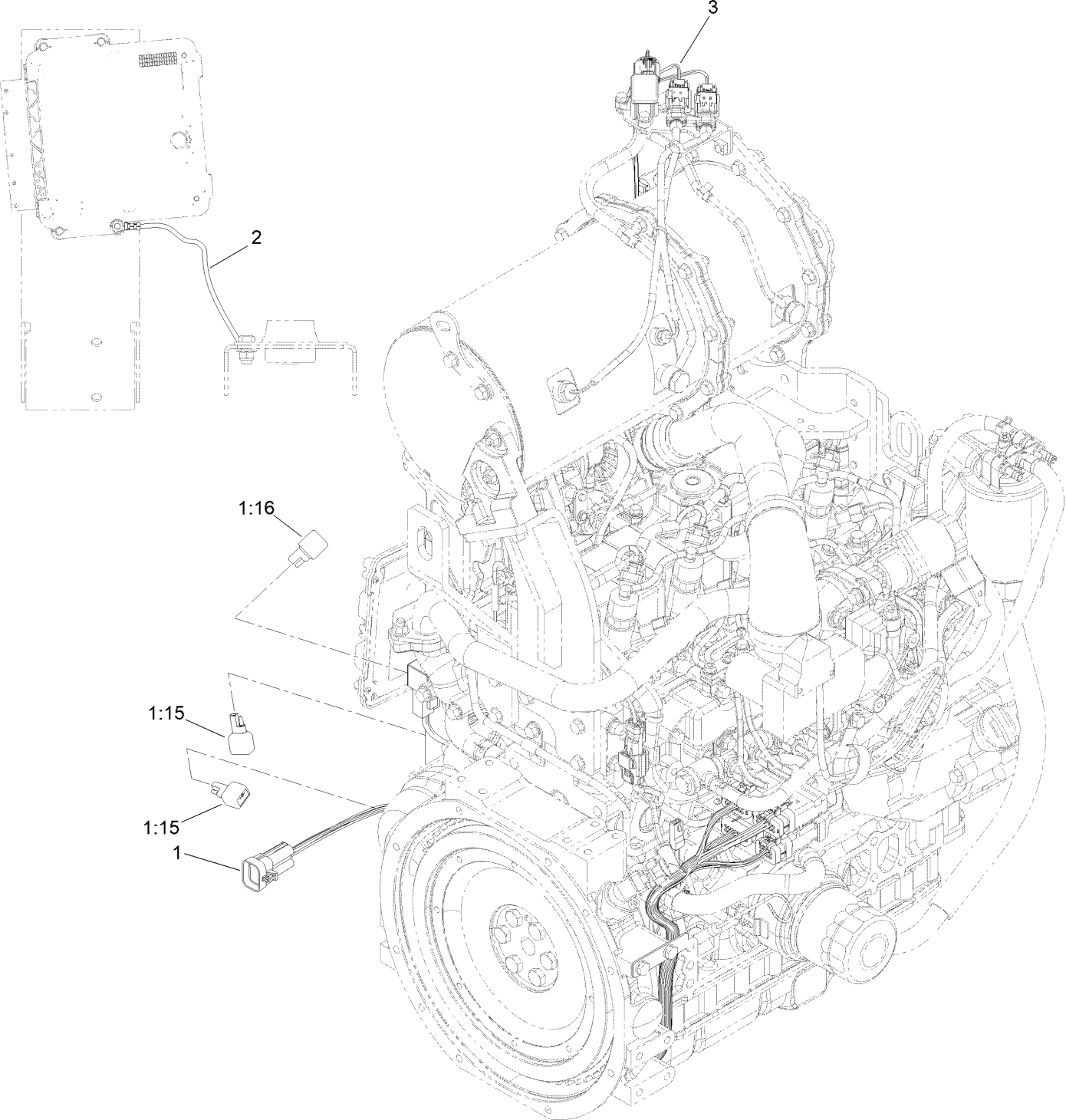
<i>Ref.</i>	<i>Part Number</i>	<i>Qty.</i>	<i>Description</i>
1	122-2182	1	Harness-Wire, Rear
2	115-1931	1	Harness-Wire, Fuel Pump Adapter
3	3290-379	4	Tie-Cable



Battery Cable and Ground Assembly

Ref.	Part Number	Qty.	Description
1	122-0071	1	Cable-Battery, Positive
2	32180-030	2	Clip-Tie
3	121-8898	1	Cable-Battery, Negative
4	121-8897	1	Cable-Battery, Positive
5	54-3094	1	Cable
6	108-9470	1	Harness-Wire, Fusible Link
7	33004-00	2	Nut-HF

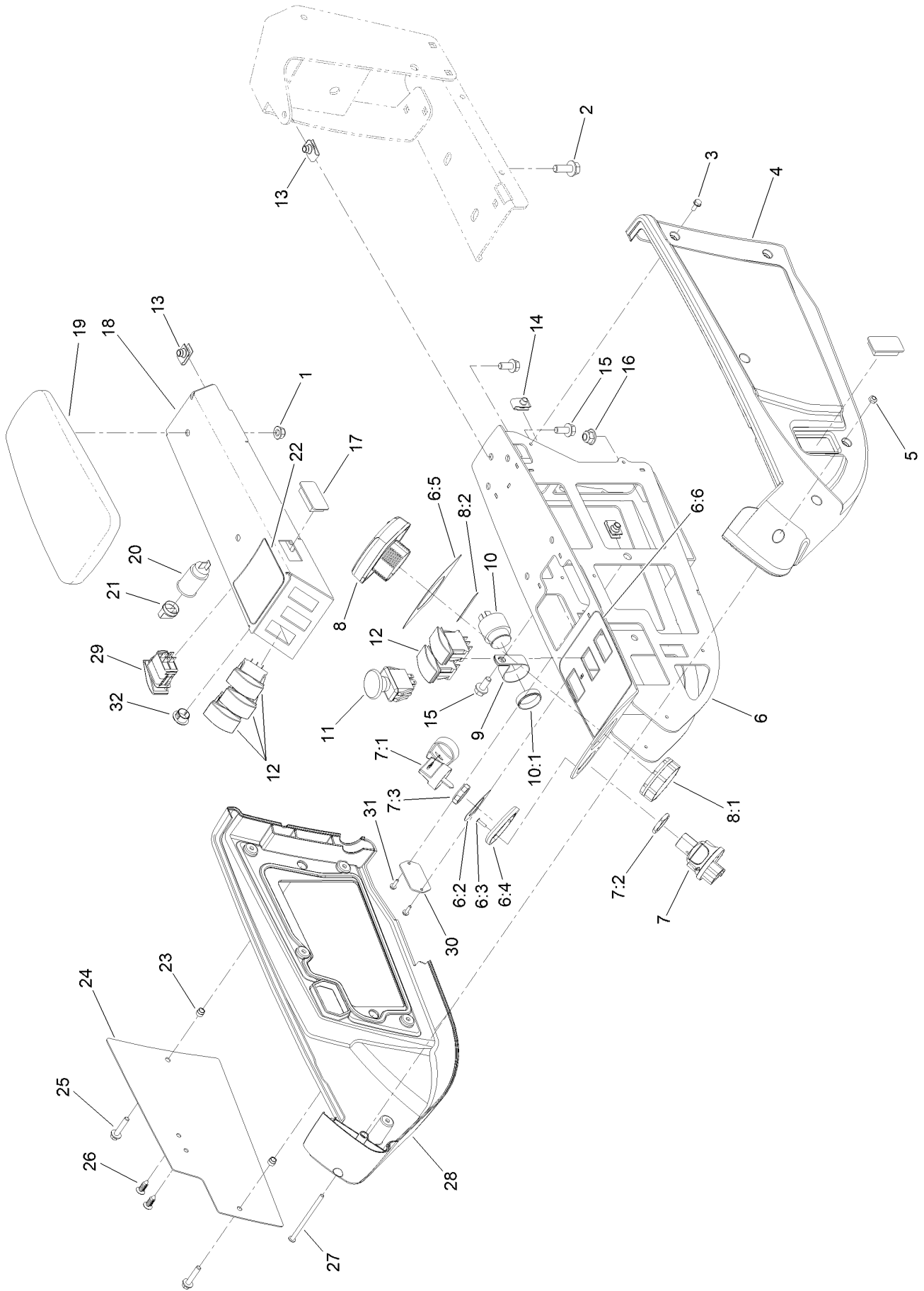
Engine Harness Assembly



Engine Harness Assembly (continued)

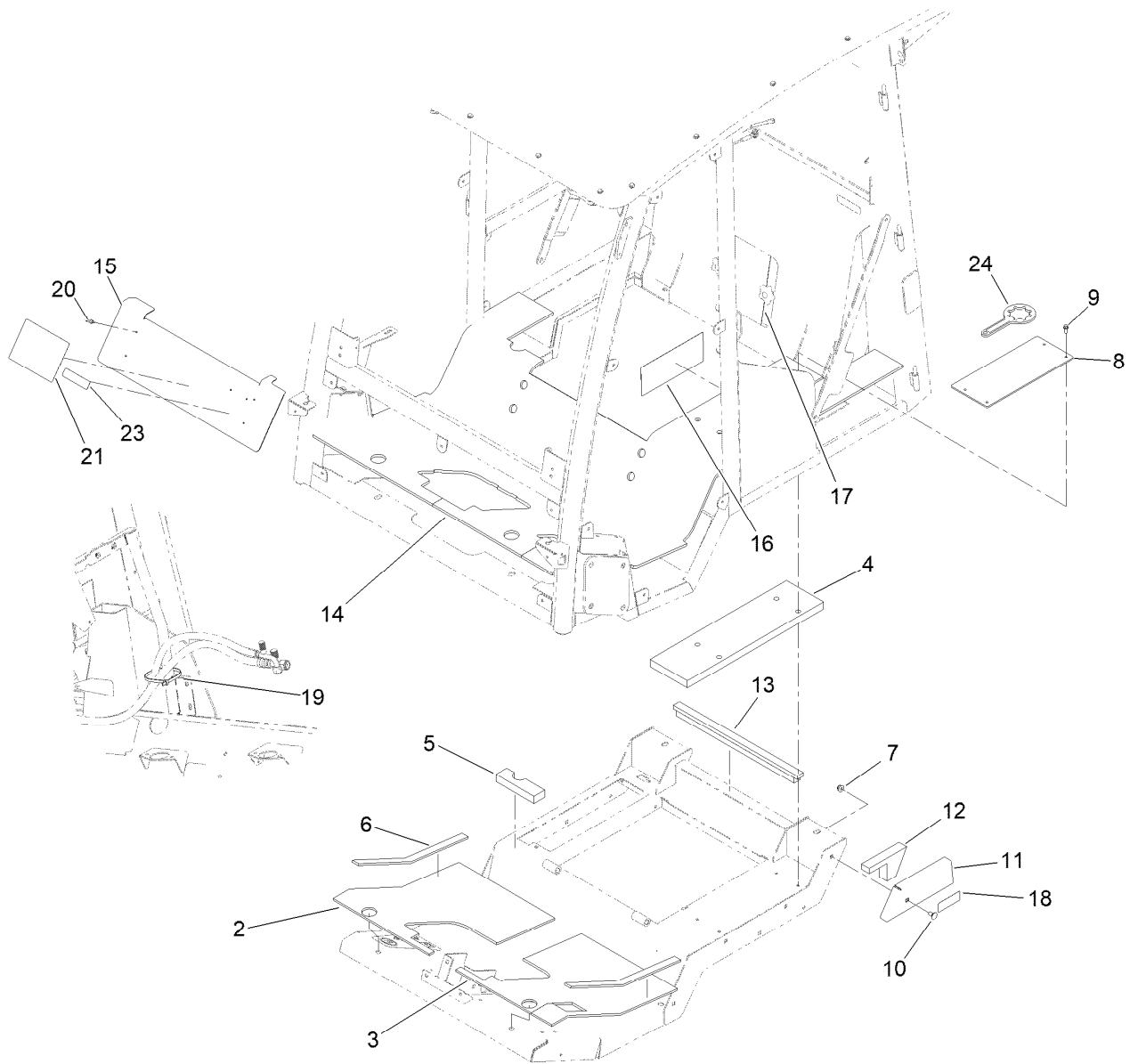
<i>Ref.</i>	<i>Part Number</i>	<i>Qty.</i>	<i>Description</i>	<i>Ref.</i>	<i>Part Number</i>	<i>Qty.</i>	<i>Description</i>
1	122-2183	1	Harness-Wire, Engine T4	2	122-0057	1	Harness-Wire, Ground
1:15	100-4918	2	Diode	3	122-2191	1	Harness-Wire, Dpf, 2 Clips
1:16	121-8891	1	Resistor (1.6K Ohm)				

Armrest Control Panel Assembly



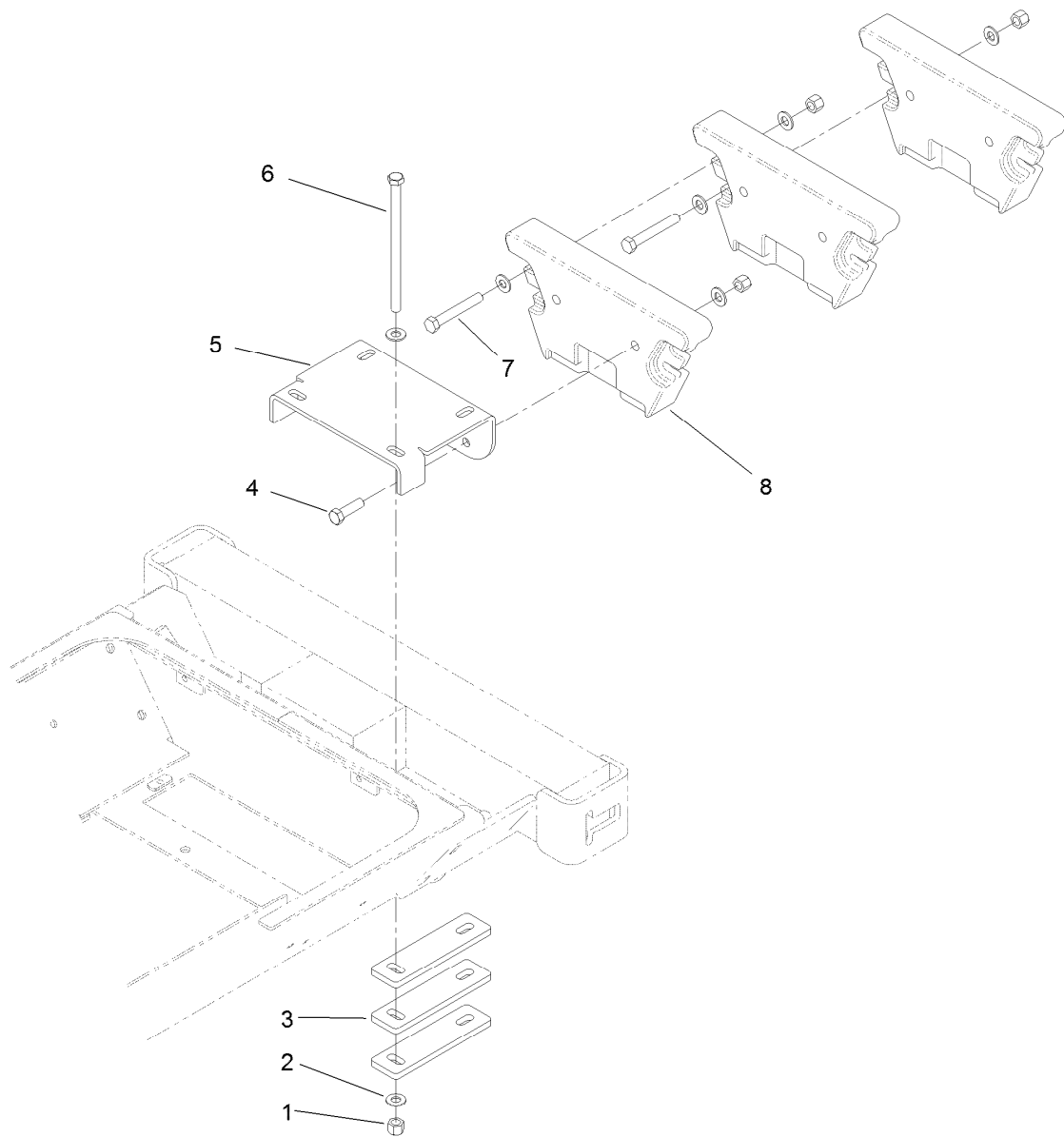
Armrest Control Panel Assembly (continued)

<i>Ref.</i>	<i>Part Number</i>	<i>Qty.</i>	<i>Description</i>	<i>Ref.</i>	<i>Part Number</i>	<i>Qty.</i>	<i>Description</i>
1	104-8300	2	Nut-HF, NI	12	100-1535	5	Switch-Rocker, (On)-Off-(On)
2	3234-42	2	Screw-HHF	13	94-2413	6	Nut-U
3	32144-112	10	Screw-HWH	14	107069	2	Clip
4	108-7604	1	Cover-LH	15	3234-5	6	Screw-HHF
5	3296-12	1	Nut-Lock, NI	16	104-8301	2	Nut-HF, NI
6	120-4155	1	Panel ASM	17	99-7420	2	Plug-Hole
6:2	121-3884	1	Decal-Console, Upper	18	136-4389-03	1	Panel-Control
6:3	3269-17	2	Rivet-Pop	19	108-7602	1	Rest-Arm
6:4	121-3889	1	Step-Elevated, Switch	20	99-7411	1	Point-Power
6:5	121-3887	1	Decal-Console, Display	21	99-7416	1	Cap
6:6	120-4159	1	Decal-Console, Lower	22	127-3700	1	Decal-Lift
7	121-5159	1	Switch-Ignition	23	110-0542	2	Spacer-Flange
7:1	121-5160	1	Nut-Hex	24	115-8849-03	1	Plate-Cover
7:2	122-2704	1	Nut-Face, M22 (Plastic)	25	3234-21	2	Screw-HHF
7:3	121-5162	1	Set-Key, Ignition	26	114-4899	2	Rivet-Push
8	120-6310	1	LCD Display ASM Kantrak 1700	27	3250-22	1	Screw-PPH
8:1	120-4630	1	Nut-Display	28	108-7605	1	Cover-RH
8:2	120-6311	1	Decal-Display	29	114-3329	1	Switch-Rocker
9	2412-74	1	R-Clamp	30	121-1630	1	Plate-Cover
10	80-9330	1	Audio Alarm ASM	31	32144-18	2	Screw-HWH
10:1	104-5107	1	Nut-Plastic, Knurled	32	94-5627	1	Plug
11	93-9999	1	Switch-PTO				



Cab Step and Flooring Assembly

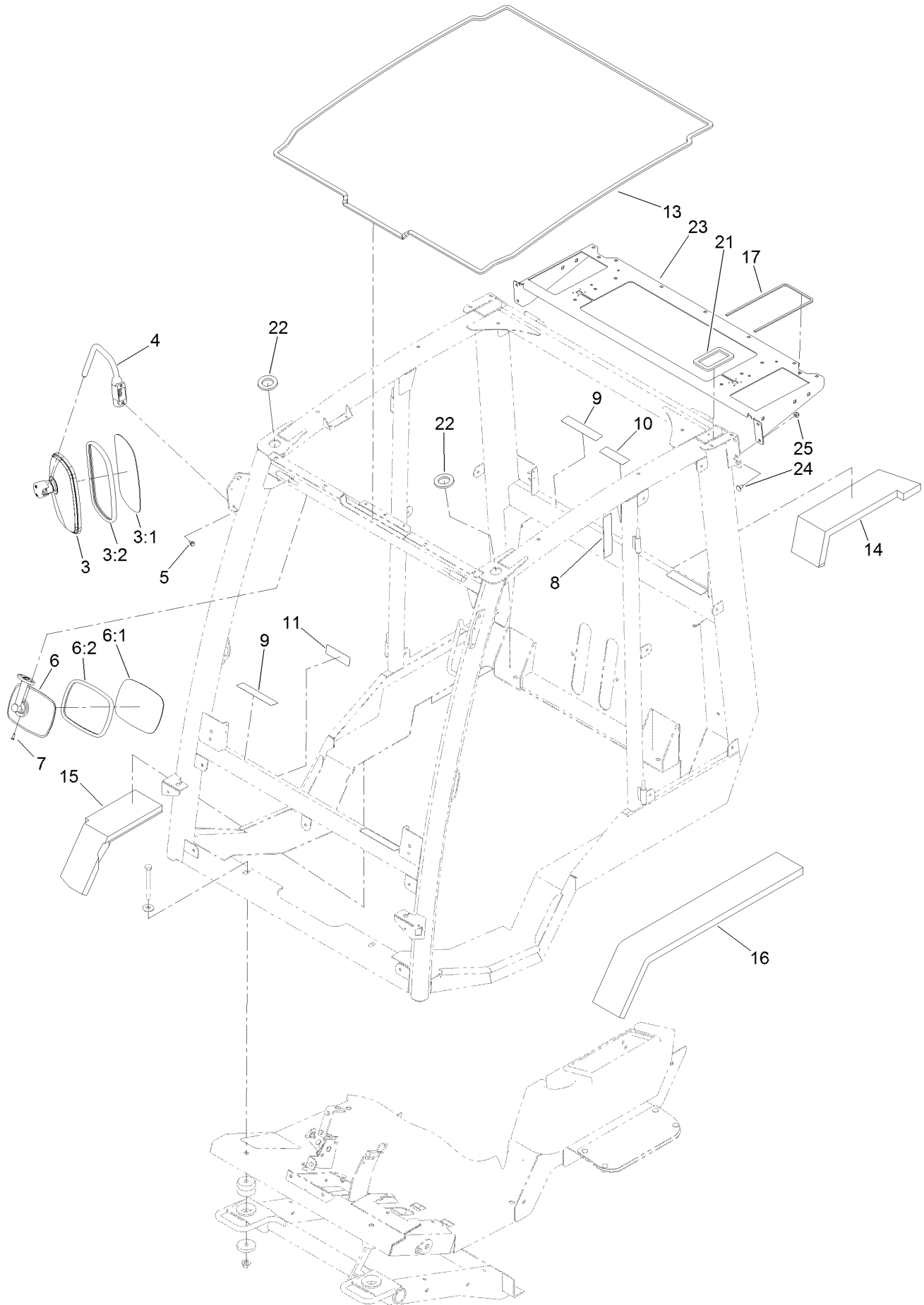
<i>Ref.</i>	<i>Part Number</i>	<i>Qty.</i>	<i>Description</i>	<i>Ref.</i>	<i>Part Number</i>	<i>Qty.</i>	<i>Description</i>
2	136-2167	1	Tread-Floor, RH	14	136-2184	1	Tread-Floor
3	136-2166	1	Tread-Floor, LH	15	136-2123-03	1	Plate-Decal
4	136-2124	1	Foam-Fill, LH	16	117-2754	1	Decal-Warning
5	136-2125	1	Foam-Fill, RH	17	144-4165	1	Decal-Service
6	136-2165	2	Tread-Floor, Edge	18	130-5733	1	Decal-Instruction
7	104-8301	1	Nut-HF, NI	19	3334-945	1	Tie-Cable
8	136-2177-03	1	Plate-Step	20	3269-22	4	Rivet-Pop
9	3234-4	4	Screw-HHF	21	114-0846	1	Decal-Instructions, Operating
10	3231-1	1	Screw-CARR	23	133-8062	1	Decal-Spark Arrestor
11	130-5748-03	1	Cover-Mount	24	138-6367	1	Wrench-Castor Cap/Latch
12	127-9861	1	Foam-Corner				
13	121-8548	1	Foam-Seal, Rear				



Rear Weight Assembly

<i>Ref.</i>	<i>Part Number</i>	<i>Qty.</i>	<i>Description</i>
1	3296-23	10	Nut-Lock, NI
2	3256-26	18	Washer-Flat
3	119-0131-03	6	Plate-Weight
4	325-7	2	Screw-HH
5	119-0130-03	1	Mount-Weight
6	9114314	4	Screw-HH
7	325-14	4	Screw-HH
8	24-5790-03	3	Weight-Rear

Frame, Mount and Seal Assembly

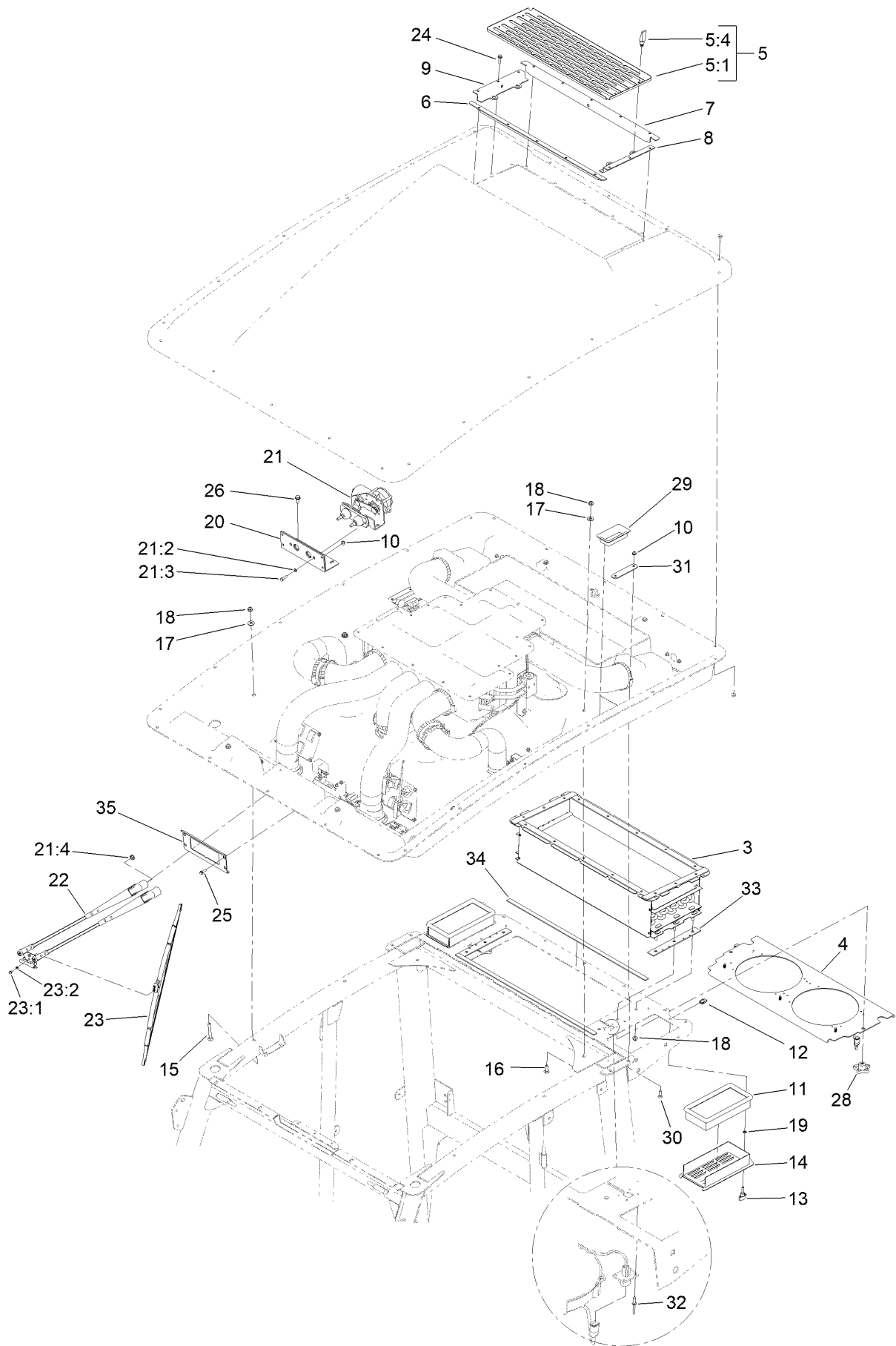


Frame, Mount and Seal Assembly (continued)

<i>Ref.</i>	<i>Part Number</i>	<i>Qty.</i>	<i>Description</i>	<i>Ref.</i>	<i>Part Number</i>	<i>Qty.</i>	<i>Description</i>
3	121-8341	2	Side Mirror ASM	11	130-5357	1	Decal-Traction Pedal
3:1		1	Mirror-Glass ●	13	130-0586	1	Seal-Foam, Frame Roof
3:2		1	Gasket ●	14	121-8545	1	Seal-Foam, RH-Upper
4	121-8275	2	Arm-Mirror, Side	15	121-8546	1	Seal-Foam, RH
5	33103-016	4	Screw-HHF	16	121-8547	1	Seal-Foam, LH
6	121-8343	1	Interior Mirror ASM	17	130-0587	2	Seal-Foam, Roof Air Filter
6:1		1	Mirror ●	21	130-5855	2	Seal-Tube, Rear
6:2		1	Gasket ●	22	133-0982	2	Tube-Seal, Front
7	32144-32	2	Screw-PPH	23	136-1768-03	1	Shelf-Mount, Fan
8	130-0594	1	Decal-Warning	24	3230-18	4	Screw-CARR
9	130-0611	4	Decal-Window, Pin	25	104-8300	4	Nut-HF, NI
10	130-5355	1	Decal-Window, Hood				

● Not serviced separately

Cab Headliner Assembly

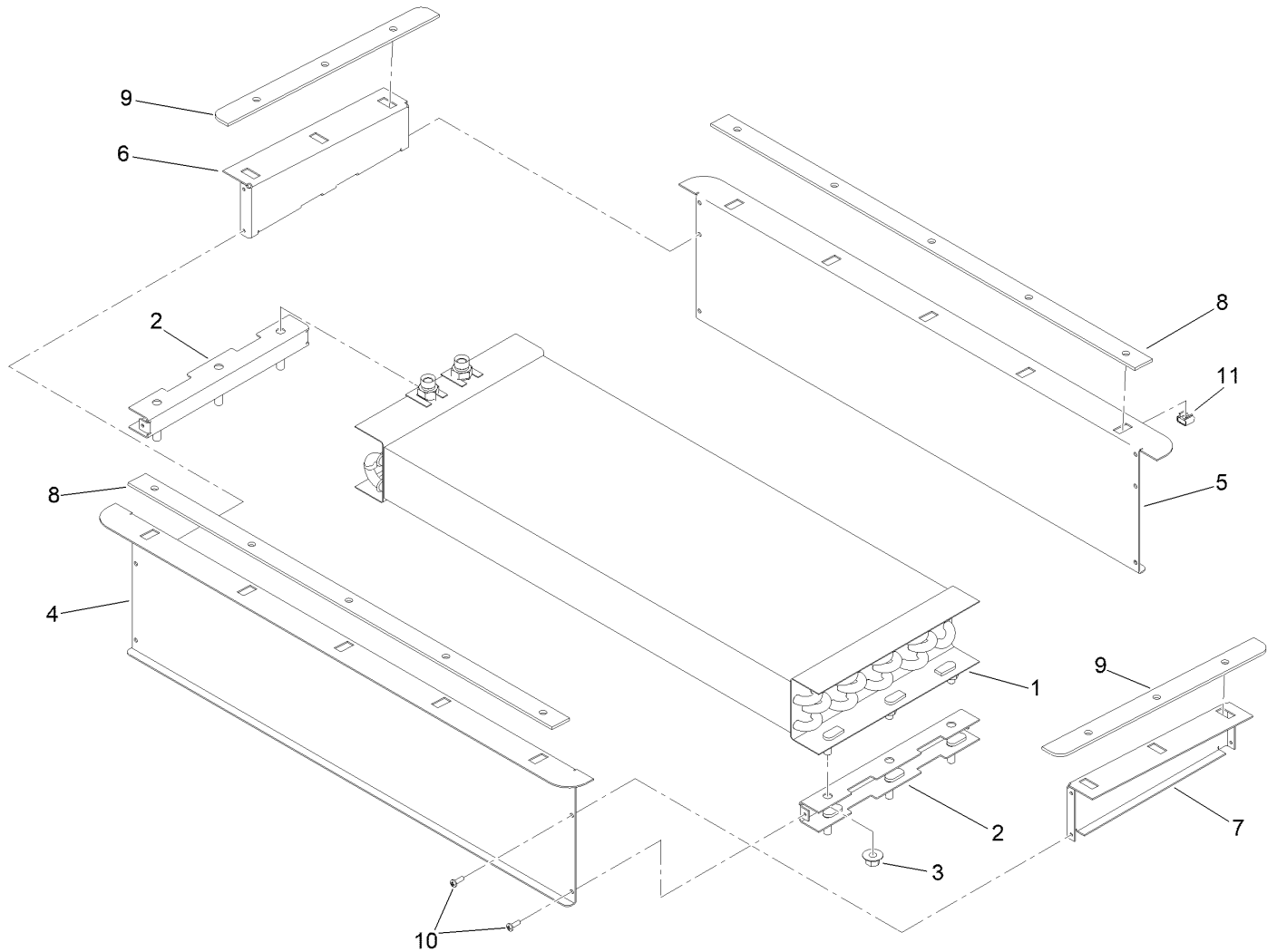


Cab Headliner Assembly (continued)

<i>Ref.</i>	<i>Part Number</i>	<i>Qty.</i>	<i>Description</i>	<i>Ref.</i>	<i>Part Number</i>	<i>Qty.</i>	<i>Description</i>
3	132-3468	1	A/C Duct ASM	21	125-7452	1	Wiper Motor ASM
4	132-3488	1	Panel-Fan	21:2	3253-3	1	Washer-Lock
5		1	Screen ASM ●	21:3	33113-025	1	Screw-HH
5:1	132-3530-03	1	Screen	21:4	112-2844	2	Nut-HF
5:4	74-5950	4	Latch-Swell	22	125-7453	1	Arm-Wiper
6	132-3531-03	1	Seal-Front	23	125-7454	1	Blade-Wiper
7	132-3532-03	1	Seal-Rear	23:1	47-2830	2	Screw
8	132-3533-03	1	Seal-Side, Left	23:2	43-5920	2	Washer-Lock, Spring
9	132-3534-03	1	Seal-Side, Right	24	120-4654	16	Screw-HHF
10	104-7201	8	Nut-HF, NI	25	32105-15	4	Screw-HWH
11	121-8457	2	Filter-Air	26	32144-11	2	Screw-HWH
12	107069	2	Clip	28	117-5976	2	Knob-Handle
13	126-5846	2	Knob-T	29	130-5661	2	Tube-Sleeve
14	125-9825-03	2	Cover-Air, Fresh	30	3229-30	4	Screw-CARR
15	3230-9	4	Screw-CARR	31	130-5854	2	Brace-Seal
16	3230-22	13	Screw-CARR	32	3290-55	8	Rivet-Pop
17	3256-3	17	Washer-Flat	33	132-3608	2	Seal-Edge
18	104-8300	21	Nut-HF, NI	34	132-3609	2	Seal-Strip
19	32115-15	2	Nut-Push	35	130-6068-03	1	Plate-Washer, Wiper Motor
20	130-5871	1	Bracket-Wiper				

● Not serviced separately

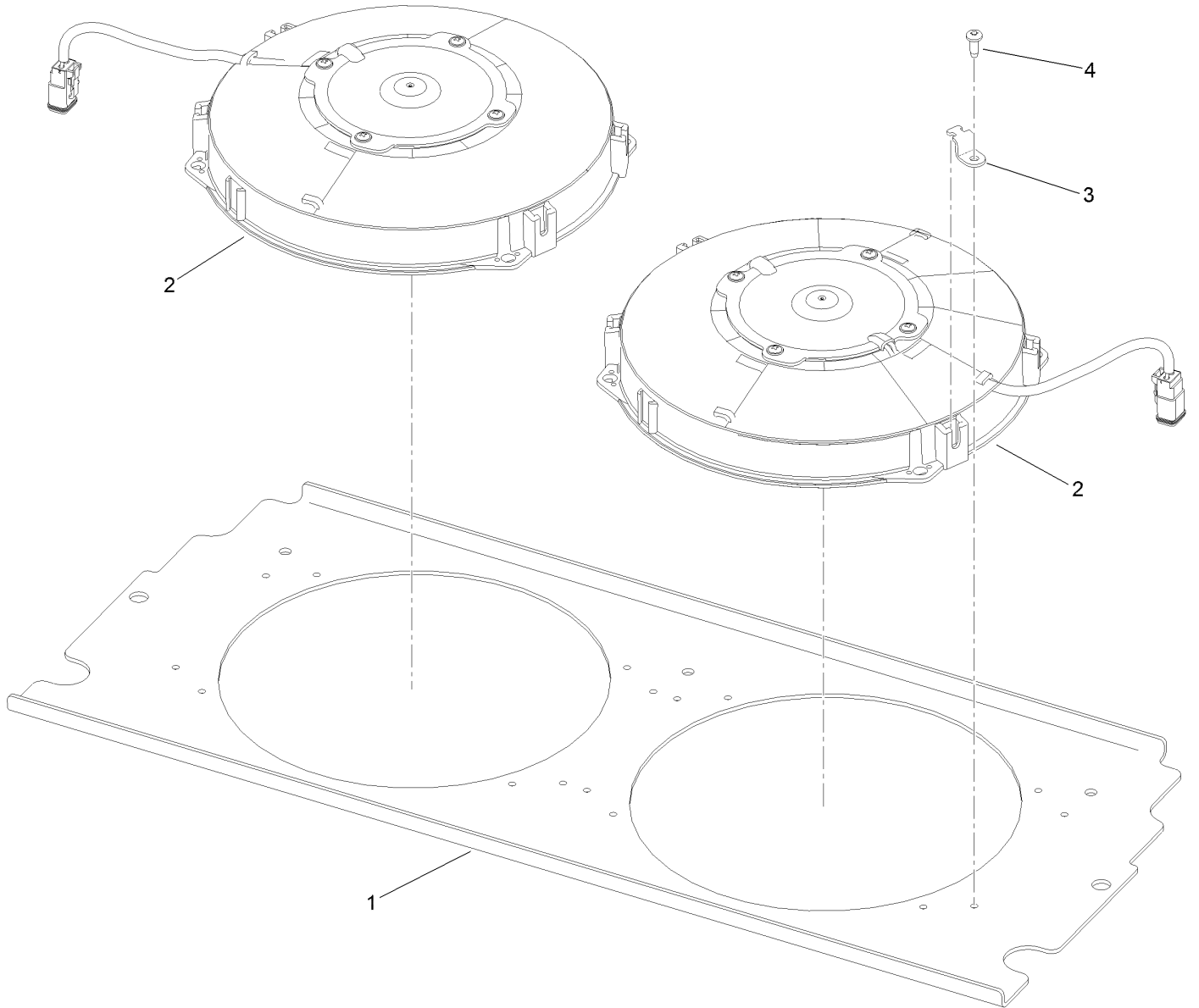
Air Conditioning Duct Assembly No. 132-3468



Air Conditioning Duct Assembly No. 132-3468 (continued)

<i>Ref.</i>	<i>Part Number</i>	<i>Qty.</i>	<i>Description</i>	<i>Ref.</i>	<i>Part Number</i>	<i>Qty.</i>	<i>Description</i>
1	121-8447	1	Core-Condenser	7	145-7719-03	1	Wall-Side, Left
2	132-3469-03	2	Leg-Lower	8	132-3466	2	Seal-Strip
3	32128-44	6	Nut	9	132-3467	2	Seal-Edge
4	145-7679-03	1	Wall-Front	10	363-8245	12	Screw-TAP
5	145-7678-03	1	Wall-Back	11	HDW17176	16	Nut,Cage,1/4-20,ST/ST
6	145-7718-03	1	Wall-Side, Right			18-8	

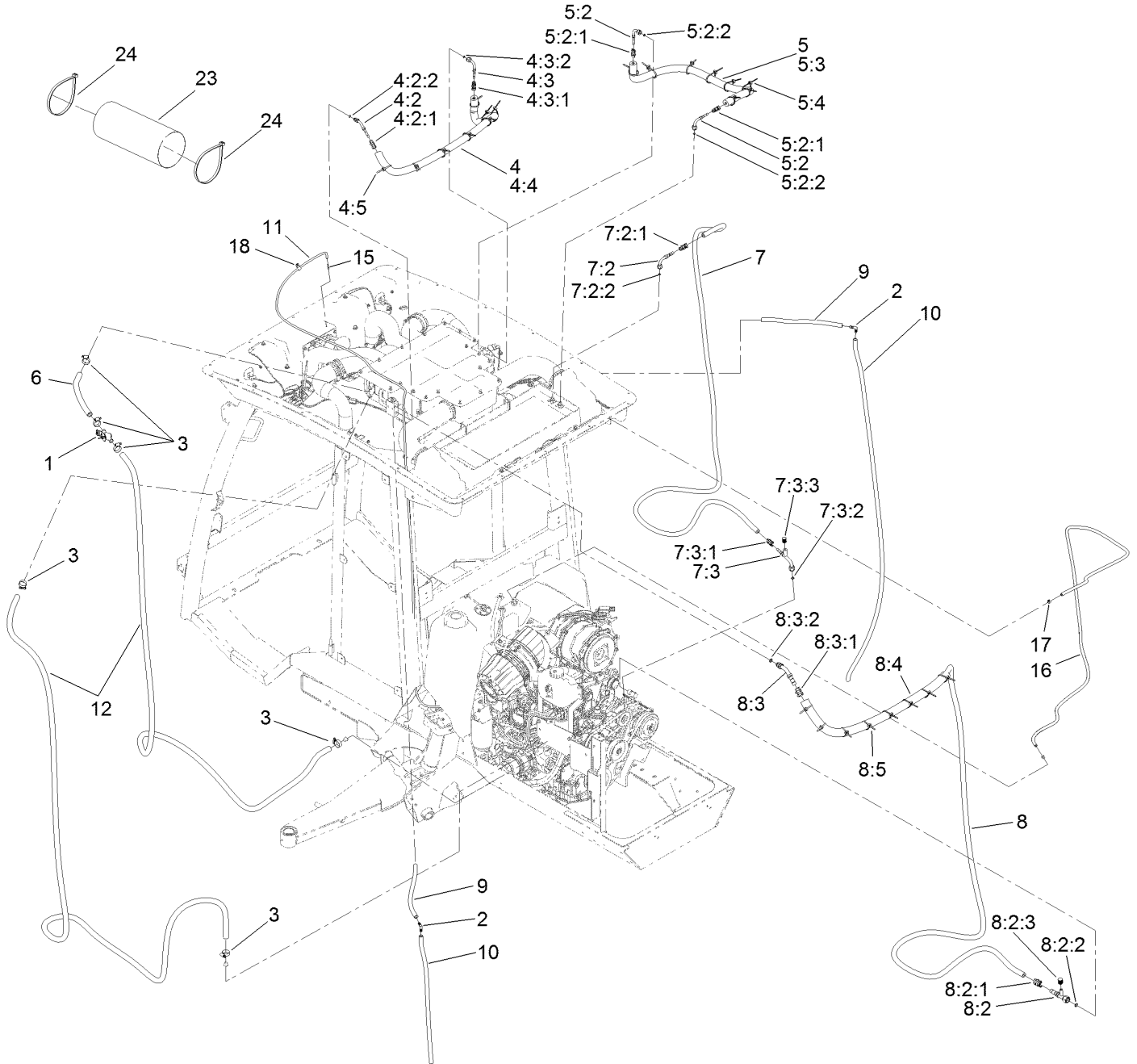
Fan Panel Assembly No. 132-3488



Fan Panel Assembly No. 132-3488 (continued)

<i>Ref.</i>	<i>Part Number</i>	<i>Qty.</i>	<i>Description</i>	<i>Ref.</i>	<i>Part Number</i>	<i>Qty.</i>	<i>Description</i>
1	132-3486-03	1	Plate-Mount, Fan	3	132-3606	8	Tab-Fan
2	132-3607	2	Fan-Condenser	4	105-6849	8	Screw-Forming, Thread

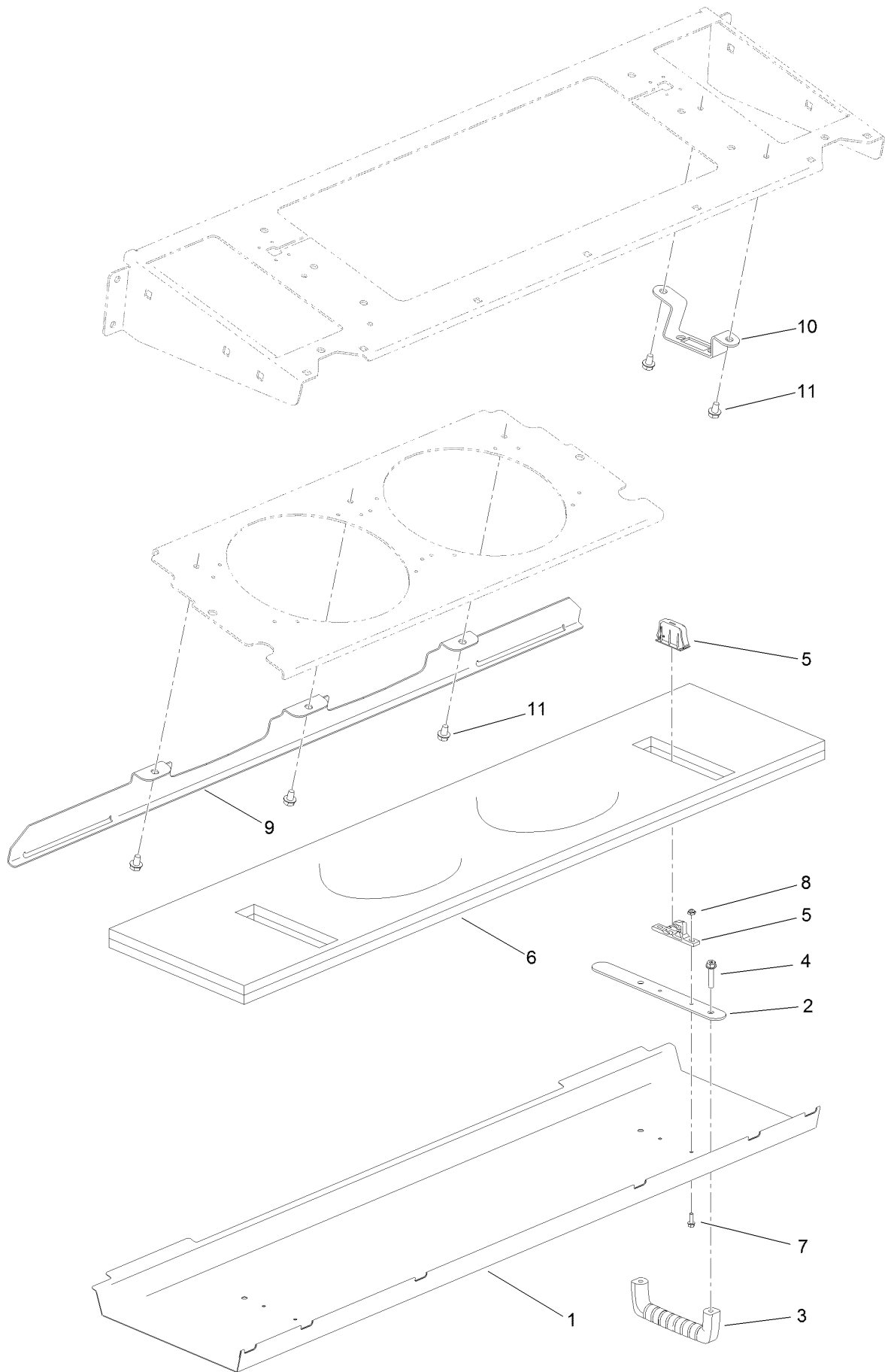
Engine Hose Routing Assembly



Engine Hose Routing Assembly (continued)

<i>Ref.</i>	<i>Part Number</i>	<i>Qty.</i>	<i>Description</i>	<i>Ref.</i>	<i>Part Number</i>	<i>Qty.</i>	<i>Description</i>
1	120-4947	1	Valve-Heater	7:3:1	130-5773	1	Fitting Kit
2	130-0578	2	Fitting-Barb, 90 DEG	7:3:2	117-2779	1	O-Ring
3	2412-129	6	Clamp-Hose	7:3:3	117-2783	1	Cap-Side, High
4	125-9702	1	Hose ASM	8	125-9862	1	Hose ASM
4:2	130-5753	1	Fitting-45 DEG	8:2	130-5755	1	Fitting-Female, Straight
4:2:1	130-5772	1	Fitting Kit	8:2:1	130-5775	1	Fitting Kit
4:2:2	117-2778	1	O-Ring	8:2:2	117-2780	1	O-Ring
4:3	130-5751	1	Fitting-Female, 90 DEG	8:2:3	117-2784	1	Cap-Side, Low
4:3:1	130-5772	1	Fitting Kit	8:3	130-5754	1	Fitting-Male, 45 DEG
4:3:2	117-2778	1	O-Ring	8:3:1	130-5775	1	Fitting Kit
4:4	130-5958	1	Cover-Foam	8:3:2	117-2780	1	O-Ring
4:5	3290-378	8	Tie-Cable	8:4	130-5959	1	Cover-Foam
5	125-9703	1	Hose ASM	8:5	3290-378	16	Tie-Cable
5:2	130-5751	2	Fitting-Female, 90 DEG	9	125-9865	2	Hose-Drain
5:2:1	130-5772	1	Fitting Kit	10	125-9866	2	Hose-Drain
5:2:2	117-2778	1	O-Ring	11	127-9901	1	Hose-Washer Fluid
5:3	130-5958	1	Cover-Foam	12	125-9864	2	Hose-Heater
5:4	3290-378	8	Tie-Cable	15	127-9905	1	Fitting-Hose, Barb
6	125-9706	1	Hose-Heater	16	130-5813	1	Hose-Fuel
7	125-9861	1	Hose ASM	17	2412-98	1	Clamp-Hose
7:2	130-5752	1	Fitting-Female, 90 DEG	18	2412-73	1	Clamp-R
7:2:1	130-5773	1	Fitting Kit	23	133-1025	1	Wrap-Abrasion
7:2:2	117-2778	1	O-Ring	24	94-3890	2	Tie-Cable
7:3	130-5758	1	Fitting-Female, 90 DEG				

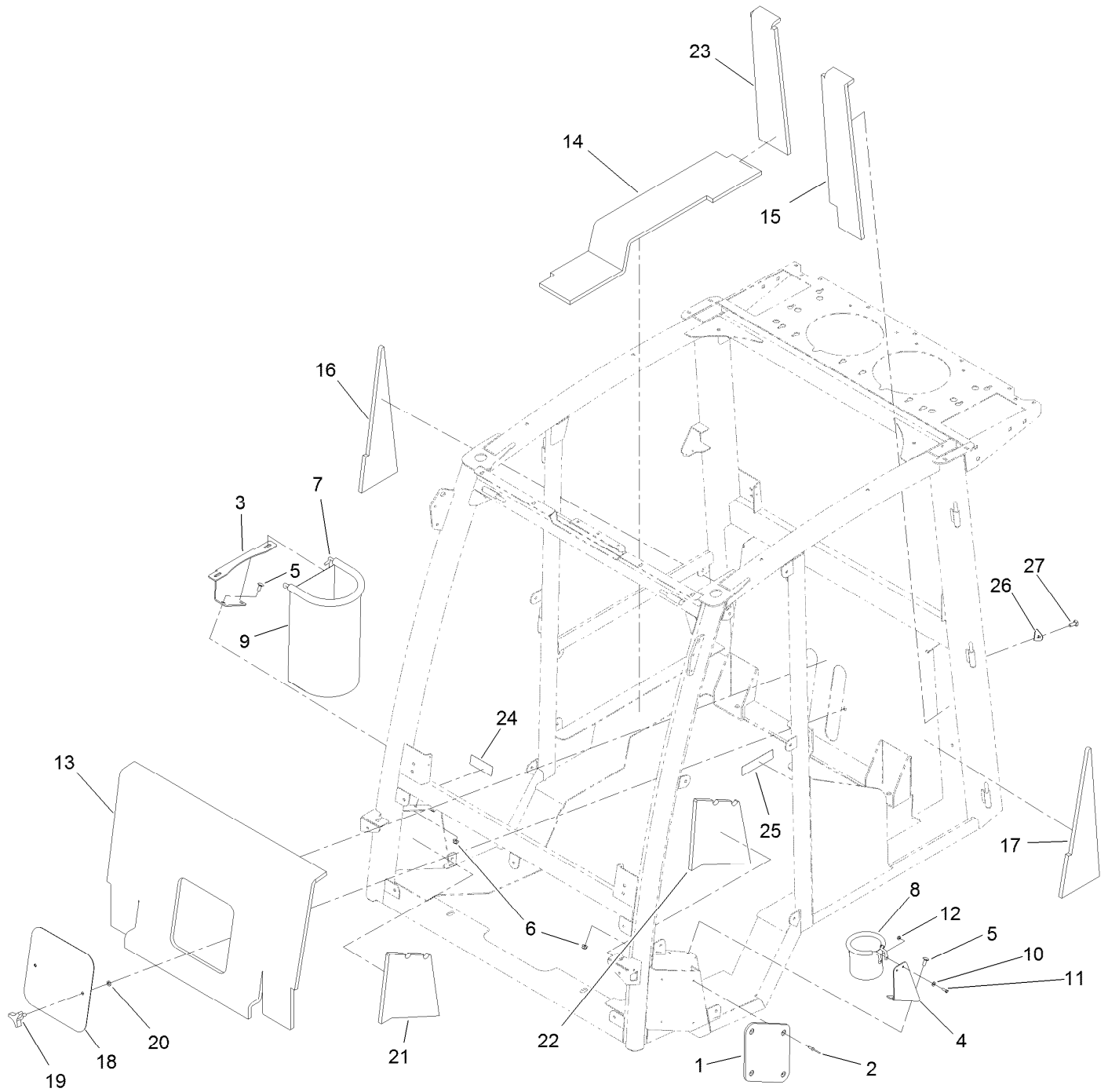
Pre-Filter Screen Assembly



Pre-Filter Screen Assembly (continued)

<i>Ref.</i>	<i>Part Number</i>	<i>Qty.</i>	<i>Description</i>	<i>Ref.</i>	<i>Part Number</i>	<i>Qty.</i>	<i>Description</i>
1	130-0640-03	1	Screen	7	112-3169	4	Screw-HHF, Serrated
2	130-0642-03	2	Backplate	8	3296-54	4	Nut-Lock
3	65-5100	2	Handle-Door	9	132-3630-03	1	Screen-Mount, Front
4	137-3101	4	Screw-Plastic, HWH	10	136-2171	2	Mount-Latch
5	130-0643	2	Latch-Push To Close	11	32104-82	7	Screw-HHF
6	130-5875	1	Pre-Filter				

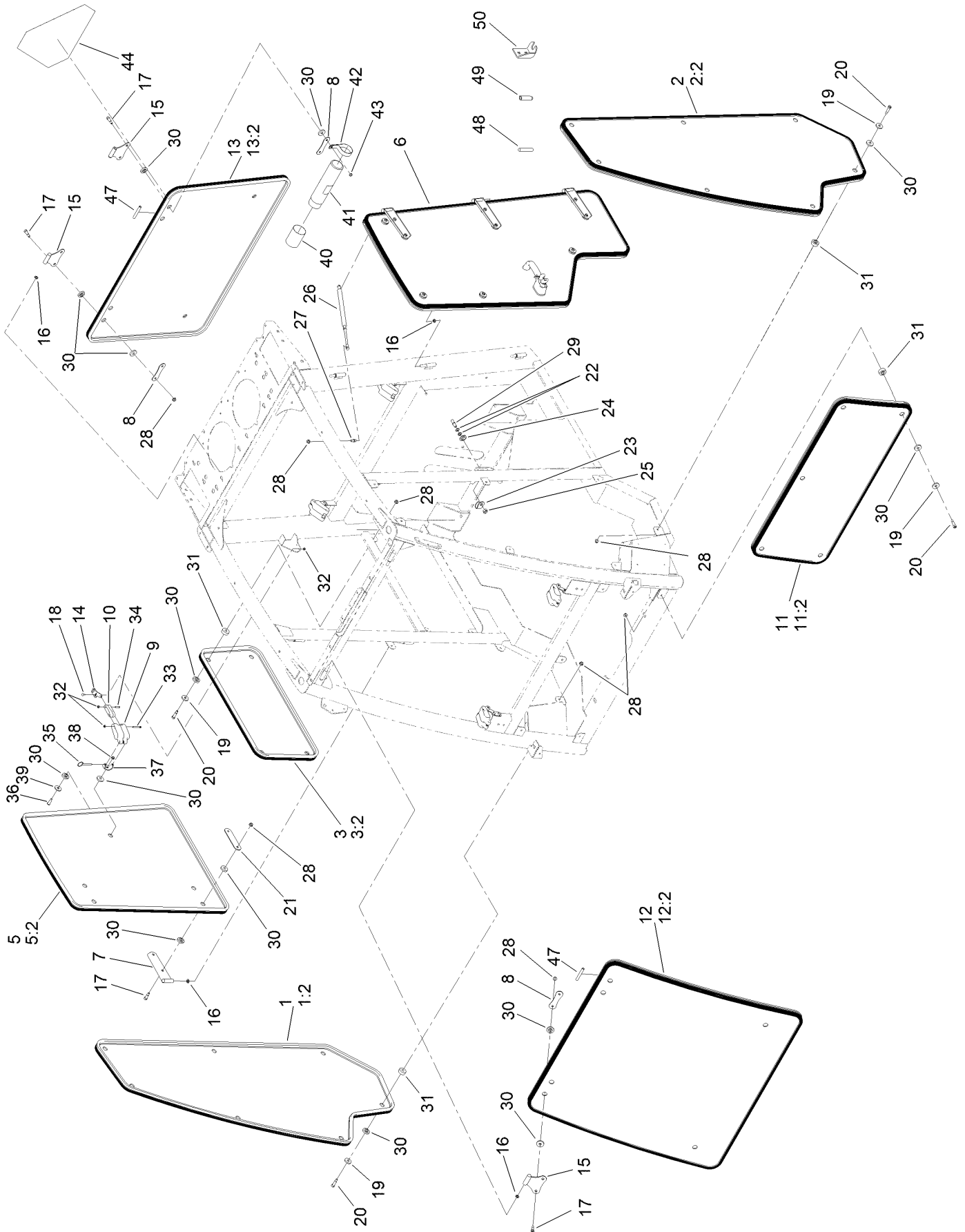
Interior Foam, Trash Bag and Cup Holder Assembly



Interior Foam, Trash Bag and Cup Holder Assembly (continued)

<i>Ref.</i>	<i>Part Number</i>	<i>Qty.</i>	<i>Description</i>	<i>Ref.</i>	<i>Part Number</i>	<i>Qty.</i>	<i>Description</i>
1	130-5789	2	Pad-Bumper	15	130-0566	1	Foam-Upholstery, Rear-LH
2	3269-4	8	Rivet-Pop	16	130-0568	1	Foam-Upholstery, Side-RH
3	127-9982-03	1	Bracket-Mount, Trash Bag	17	130-0569	1	Foam-Upholstery, Rear-LH
4	127-9983-03	1	Bracket-Mount, Cup Holder	18	121-8161-03	1	Plate-Panel, Access
5	3230-23	4	Bolt-CARR	19	117-5976	2	Knob-Handle
6	104-8300	4	Nut-HF, NI	20	3296-47	2	Nut-Lock,NI
7	117-0546	1	Rod-Bag, Storage	21	130-0620	1	Foam-Interior, RH-Front
8	117-2378	1	Holder-Bag	22	130-0621	1	Foam-Interior, LH-Front
9	103-5971	1	Bag-Storage	23	130-5840	1	Foam-Interior, RH-Upper
10	3256-14	2	Washer-Flat	24	130-5733	1	Decal-Instruction
11	3290-134	2	Screw	25	130-5980	1	Decal-Deck Down
12	3296-2	2	Nut-Lock, NI	26	132-3495	2	Retainer-Cover
13	130-0564	1	Foam-Upholstery, Rear	27	3230-22	2	Screw-CARR
14	136-2180	1	Foam-Interior RH-Lower				

Window, Door and Striker Assembly



Window, Door and Striker Assembly (continued)

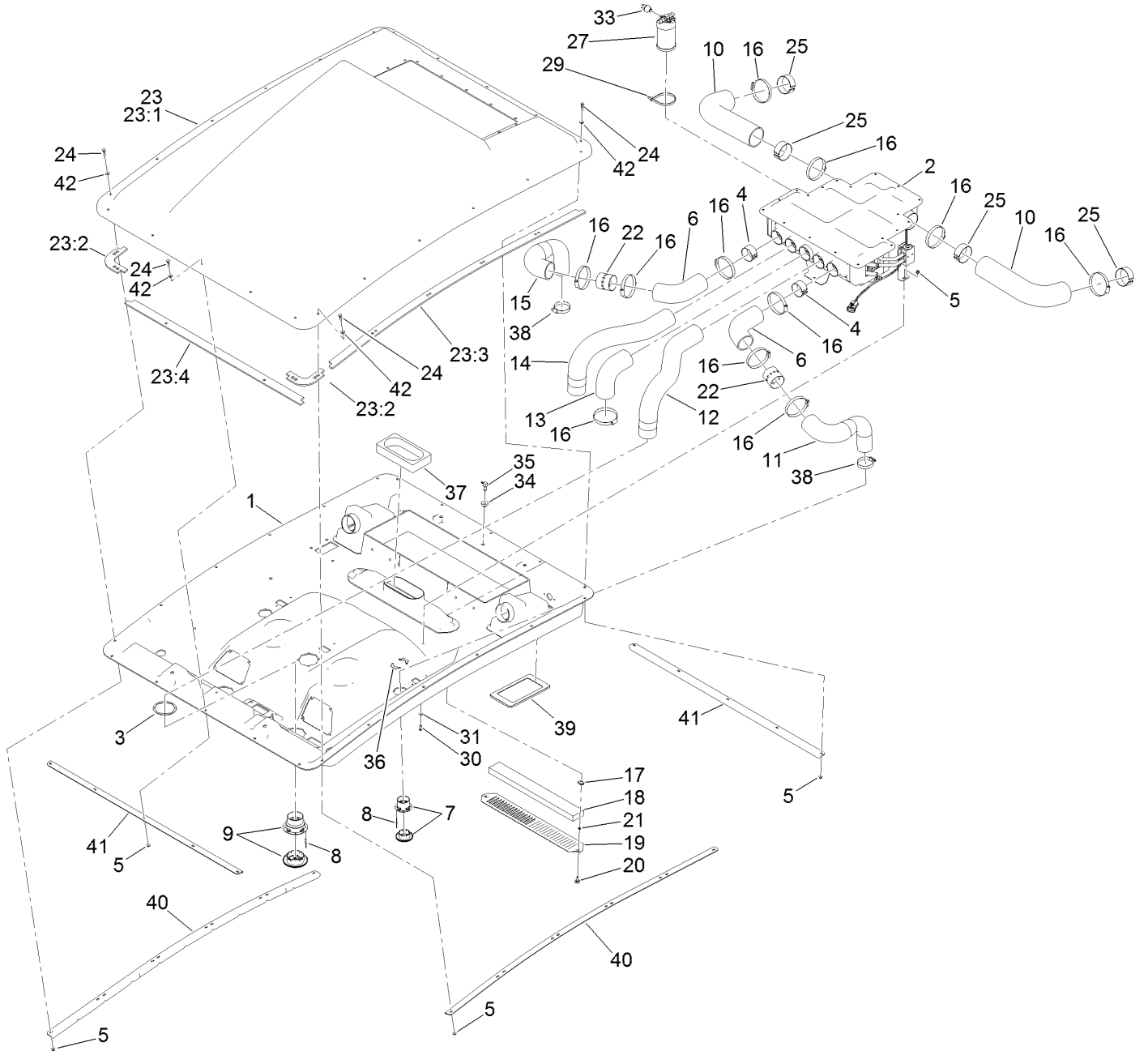
<i>Ref.</i>	<i>Part Number</i>	<i>Qty.</i>	<i>Description</i>	<i>Ref.</i>	<i>Part Number</i>	<i>Qty.</i>	<i>Description</i>
1	130-5683	1	RH Side Window ASM	22	73-0040	2	Washer-Thrust
1:2	121-8214	1	Trim-Window	23	121-8393	1	Guard-Striker
2	130-5684	1	LH-Side Window ASM	24	125-9992	1	Adjuster-Stud
2:2	121-8214	1	Trim-Window	25	106-0327	1	Nut-Hex
3	130-5685	1	RH Lower Window ASM	26	144-3515	1	Spring-Gas, Door
3:2	121-8218	1	Trim-Window, Rear	27	98-3104	1	Stud-Ball
5	130-5686	1	RH-Upper Window ASM	28	104-8300	34	Nut-HF, NI
5:2	121-8217	1	Trim-Window	29	125-9993	1	Striker-Stud
6		1	Door ASM ●	30	125-9982	57	Bushing-Flange
7	125-9619-03	2	Hinge-Door, LH	31	125-9537	23	Bushing-Flange
8	144-3307	4	Plate-Backer, Windshield	32	120-9681	20	Nut-Lock, NI
9	125-9792	5	Handle-Window	33	3274-59	5	Screw-HSH
10	125-9793	5	Link-Window	34	3274-14	5	Screw-HSH
11	130-5681	1	Lower Front Window ASM	35	127-9850	5	Pin-Release, Quick
11:2	121-8211	1	Trim-Window, Front	36	119-9812	5	Bolt-Shoulder
12	130-5680	1	Upper Front Window ASM	37	144-3308	5	Mount-Latch
12:2	121-8212	1	Seal-Trim	38	104-7201	5	Nut-HF, NI
13	130-5682	1	Rear Window ASM	39	125-9676	5	Washer-Backup
13:2	130-0637	1	Seal-Trim	40	104-7048	1	Cap-Housing
14	130-0590	5	Mount-Tab	41	104-7050	1	Tube-Manual
15	121-8535-03	4	Hinge-Window	42	2412-133	2	Clamp-R
16	121-8441	9	Washer-Spacer	43	3296-47	2	Nut-Lock,NI
17	125-9520	12	Screw-Shoulder, HSH	44	120-0250	1	Decal-Warning
18	1-807513	10	Bolt-CARR	47	130-5578	2	Tubing-Seal, Rubber
19	130-5815	23	Washer-Backup	48	133-1110	1	Pin-Hinge
20	125-9521	23	Screw-Shldr HSH	49	121-8439	1	Receiver-Pivot, Hinge
21	127-9934-03	2	Plate-Backer, Window	50	121-8440	1	Pivot-Hinge

● Not serviced separately

LH Door Assembly (continued)

<i>Ref.</i>	<i>Part Number</i>	<i>Qty.</i>	<i>Description</i>	<i>Ref.</i>	<i>Part Number</i>	<i>Qty.</i>	<i>Description</i>
1	125-9619-03	3	Hinge-Door, LH	13:2	121-8628	1	Cylinder-Mounting, Key
2	130-5687	1	LH Door ASM	13:3	121-8322	1	Grommet-Mounting, Large
2:2	130-0623	1	Trim-Door	13:4	121-8327	1	Washer
3	125-9730-03	1	Frame-Door, LH	13:5	121-8328	1	Nut
4	121-8331	1	Gasket-Handle	13:6	121-8627	1	Cylinder-Mounting, End
5	104-8300	11	Nut-HF, NI	13:7	121-8323	1	Grommet-Mounting, Small
6	125-9982	20	Bushing-Flange	13:8	125-9531	1	Key-Set
7	125-9676	4	Washer-Backup	14	33103-025	1	Screw-HHF
9	125-9520	10	Screw-Shoulder, HSH	15	3234-21	2	Screw-HHF
11	98-3104	1	Stud-Ball	16	104-7201	2	Nut-HF, NI
12	121-8391	1	Latch-LH	17	121-8395	1	Plate-Support, Latch
13	121-8630	1	Handle ASM				

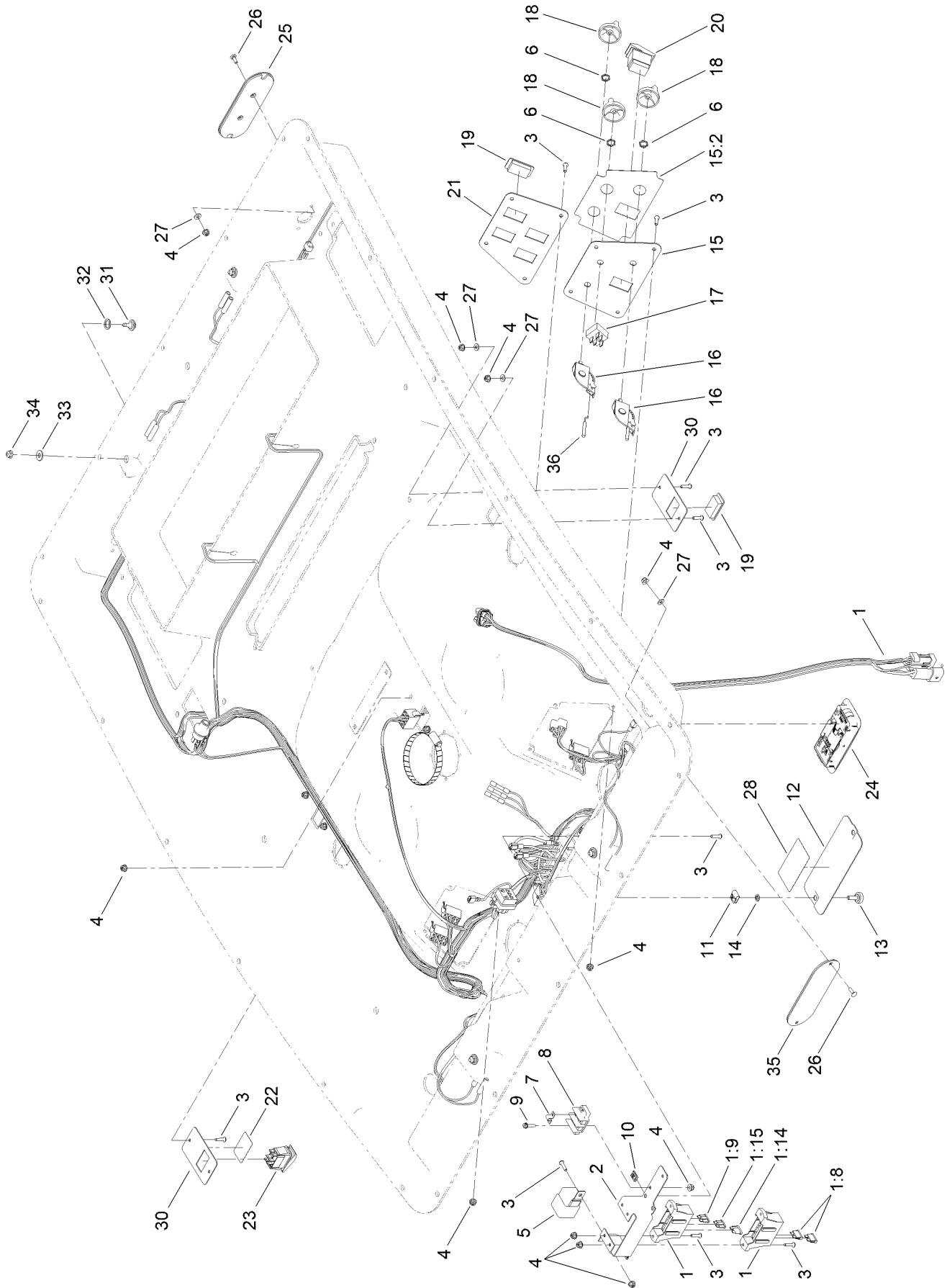
Roof and Headliner Assembly



Roof and Headliner Assembly (continued)

<i>Ref.</i>	<i>Part Number</i>	<i>Qty.</i>	<i>Description</i>	<i>Ref.</i>	<i>Part Number</i>	<i>Qty.</i>	<i>Description</i>
1	121-8470	1	Headliner	22	130-5927	2	Adapter-Bleed
2	121-8495	1	Box-Mixing, Heater A/C	23	132-3601	1	Roof ASM
3	130-0558	3	Backplate-Rivet	23:1	132-3602	1	Roof
4	130-5938	2	Tube-Support	23:2	130-5961	4	Seal-Corner
5	104-7201	24	Nut-HF, NI	23:3	130-5960	2	Seal-Side
6	130-5860	2	Hose-Vent	23:4	130-5962	2	Seal-Front, Rear
7	130-0455	2	Louver-Round, Snap-In	24	136-8674	22	Bolt-Pivot, Eccentric
8	125-7503	20	Rivet-Pop	25	130-5939	4	Tube-Support
9	130-0465	3	Louver-Round, Snap-In (4 Inch)	27	130-5999	1	Drier-Receiver
10	121-8473	2	Hose-Intake, Fresh Air	29	3334-945	2	Tie-Cable
11	130-5861	1	Hose-Vent, Outer (LH)	30	3274-69	2	Screw-HSBH
12	121-8477	1	Hose-Vent, Defrost (LH)	31	3256-1	2	Washer-Flat
13	130-0437	1	Hose-Vent, Center	33	119-4501	1	Switch-Function, Dual
14	121-8478	1	Hose-Vent, Defrost (RH)	34	46-6560	1	Bushing
15	130-5862	1	Hose-Vent, Outer (RH)	35	104-5228	1	Fitting-Elbow, 90 DEG
16	2412-110	11	Clamp-Band/Screw	36	130-0445	4	Backplate-Rivet
17	107069	2	Clip	37	130-0444	1	Foam-Inlet, Airbox
18	125-9532	1	Filter-Cab, Inside	38	2412-130	2	Clamp-Hose
19	125-9604-03	1	Plate-Cover, Recirculation	39	132-3474	2	Insert-Seal, Filter
20	125-7438	2	Knob-Screw, Thumb	40	132-1461-03	2	Strap-Cab, Side
21	32115-15	2	Nut-Push	41	132-1462-03	2	Strap-Cab
				42	3256-74	22	Washer-Flat

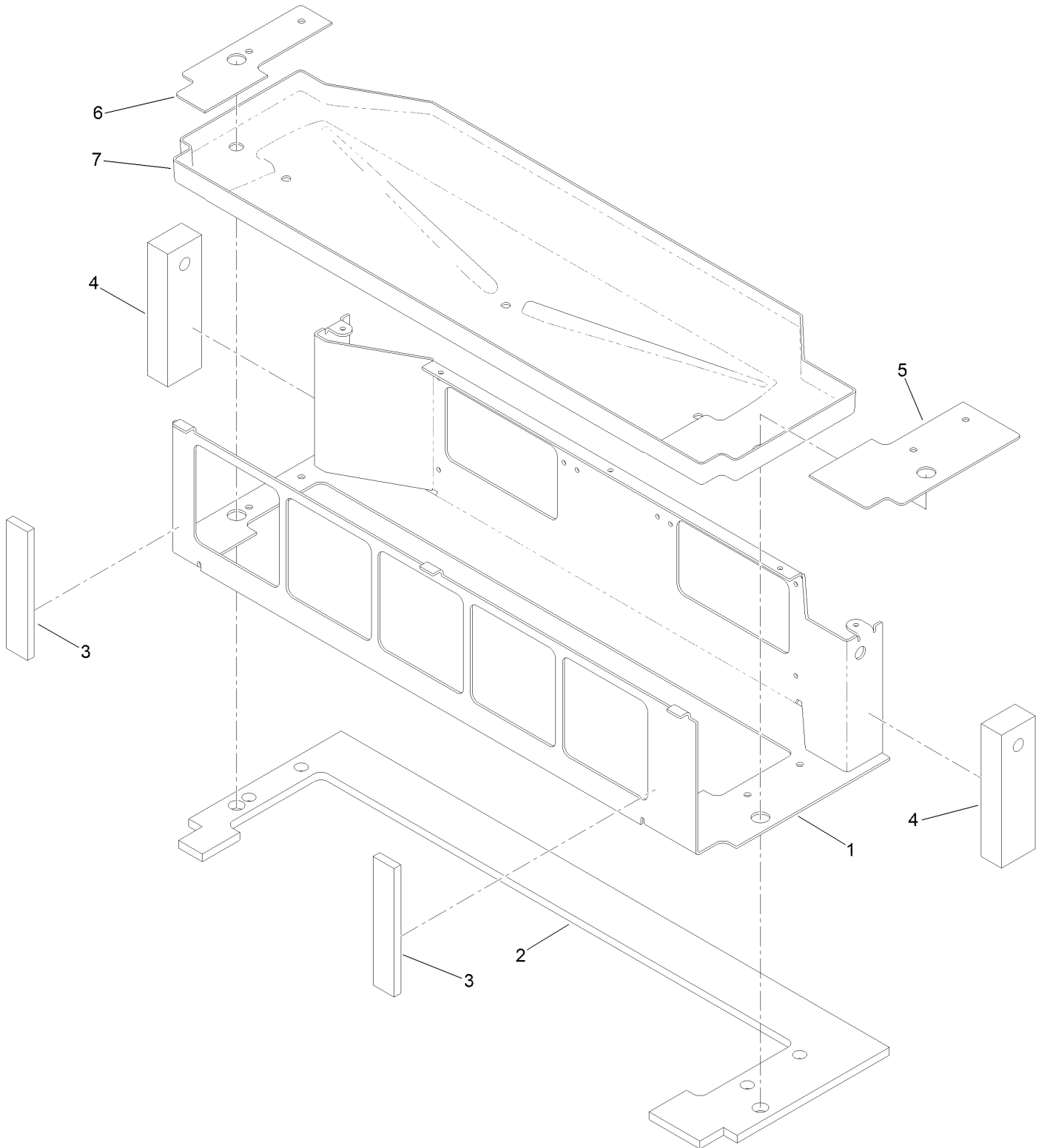
Headliner Wire Harness and Control Assembly



Headliner Wire Harness and Control Assembly (continued)

<i>Ref.</i>	<i>Part Number</i>	<i>Qty.</i>	<i>Description</i>	<i>Ref.</i>	<i>Part Number</i>	<i>Qty.</i>	<i>Description</i>
1	122-0723	1	Harness-Wire, Headliner	17	122-0150	1	Switch, Rotary
1:8	109355	2	Fuse-Blade, 15 Amp	18	125-9510	3	Knob-Control
1:9	109103	1	Fuse-Blade, 30 Amp	19	99-7420	6	Plug-Hole
1:14	109101	1	Fuse-Blade, 20 Amp	20	95-8999	1	Switch-Rocker, On-None-On
1:15	109102	1	Fuse-Blade, 25 Amp	21	125-9691-03	1	Panel-Switch, Lights
2	125-9606-03	1	Bracket-Fuse Block	22	125-9688	1	Decal-Washer
3	104-2408	22	Screw-HSBH	23	119-8355	1	Switch-Rocker
4	120-4578	29	Nut-HF	24	125-7437	1	Light-Dome
5	99-7430	1	Relay-Mini	25	130-5867	2	Cover-Light, Rear
6	130-0588	3	Nut-Switch	26	3229-34	8	Screw-CARR
7	42863	1	Strip-Jumper	27	3256-14	14	Washer-Flat
8	42862	1	Block-Terminal, Ground	28	132-3600	1	Decal-Panel, Fuse
9	32105-13	3	Screw-HWH	30	130-0436	3	Panel-Switch
10	107-1013	4	Nut-Speed	31	92-9698	4	Screw-Shoulder
11	609900	2	Nut-Speed	32	94-8196	4	Washer-Nylon
12	125-9603-03	1	Plate-Cover, Fuse	33	3256-2	4	Washer-Flat
13	125-7438	2	Knob-Screw, Thumb	34	104-7201	4	Nut-HF, NI
14	32115-15	2	Nut-Push	35	130-5868	2	Cover-Light, Front
15	144-3510	1	Panel-Air/Heat	36	144-3573	1	Cable-Control
15:2	144-3512	1	Decal, Air/Heat				
16	144-3572	2	Control-Rotary, Linear				

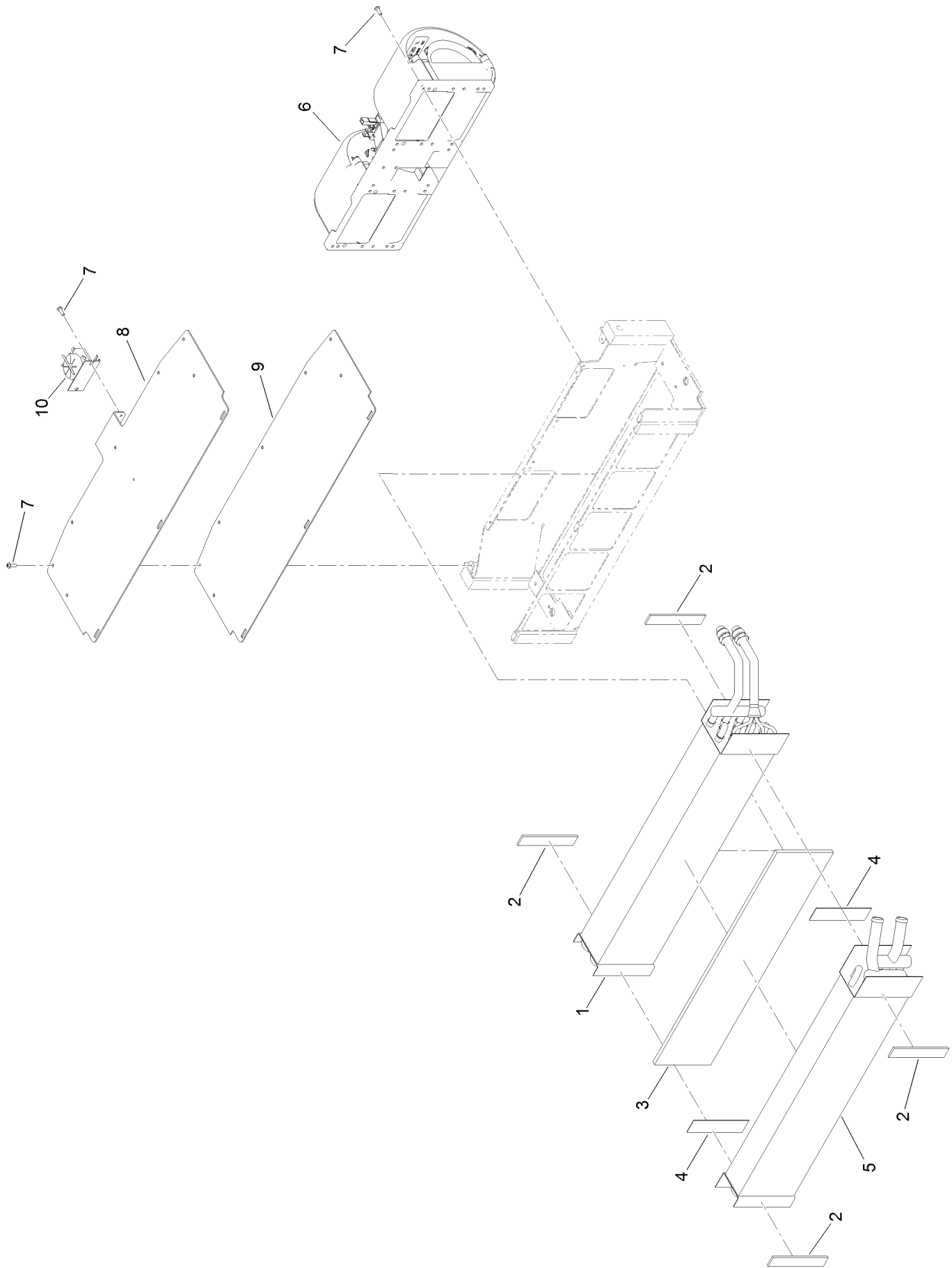
Mixing Box Mounting Bracket and Water Tray Assembly



Mixing Box Mounting Bracket and Water Tray Assembly (continued)

<i>Ref.</i>	<i>Part Number</i>	<i>Qty.</i>	<i>Description</i>	<i>Ref.</i>	<i>Part Number</i>	<i>Qty.</i>	<i>Description</i>
1	130-5655-03	1	Bracket-Mount	5	130-5653	1	Gasket-Mount, LH Bracket
2	130-5659	1	Seal-Foam	6	130-5654	1	Gasket-Mount, RH Bracket
3	130-5808	2	Seal-Foam, Front	7	130-5660	1	Tray-Water
4	130-0602	2	Seal-End				

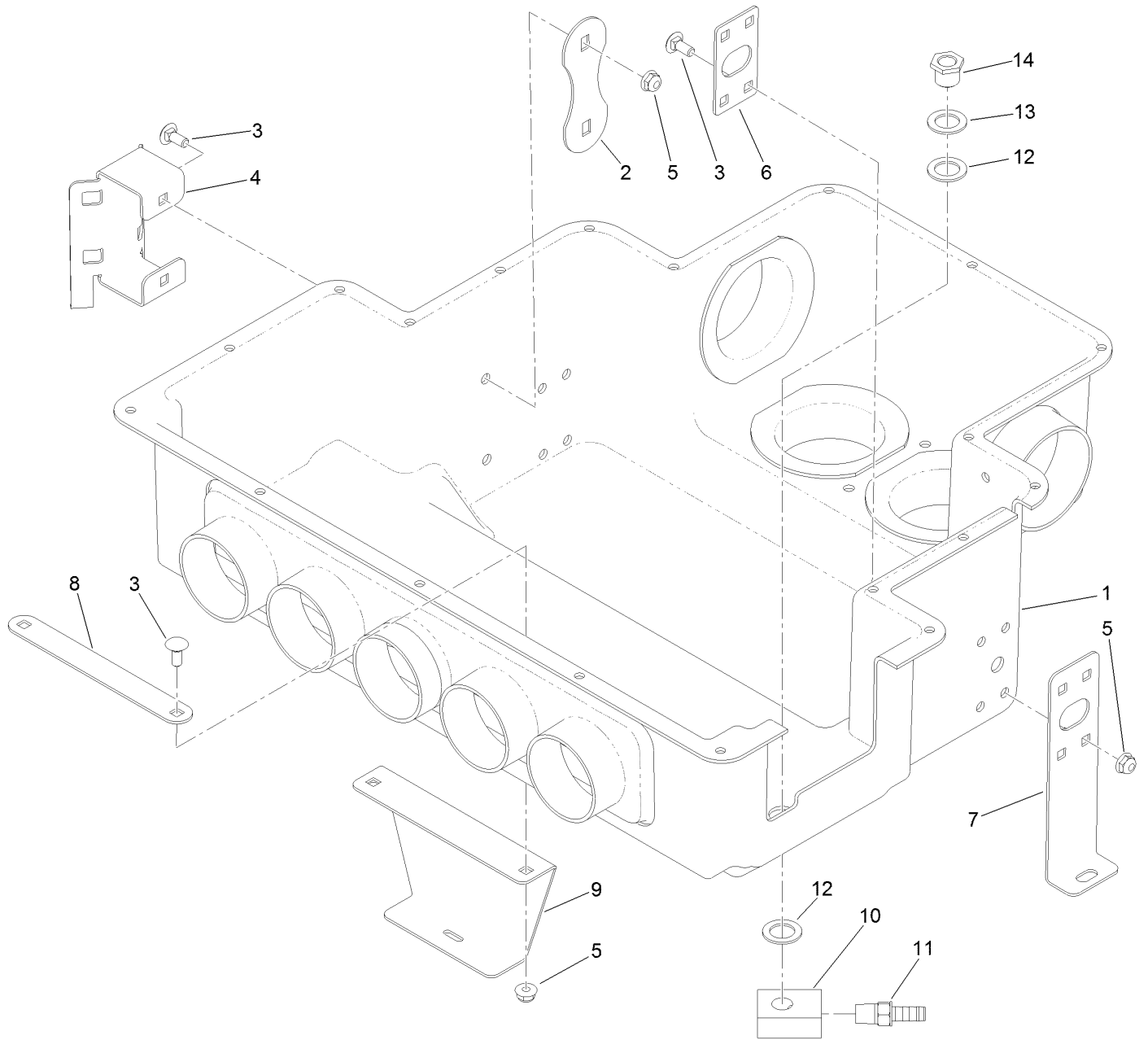
Blower Fan and Evaporator Core Assembly



Blower Fan and Evaporator Core Assembly (continued)

<i>Ref.</i>	<i>Part Number</i>	<i>Qty.</i>	<i>Description</i>	<i>Ref.</i>	<i>Part Number</i>	<i>Qty.</i>	<i>Description</i>
1	130-5392	1	Core-Evaporator	7	363-8245	13	Screw-TAP
2	130-5658	4	Gasket-Coil	8	130-5656-03	1	Cover, Bracket-Mount
3	130-5807	1	Foam	9	130-5652	1	Gasket-Mount, Cover Bracket
4	130-5806	2	Tape, Double-Sided	10	121-8385	1	Thermostat-Switch, Freeze
5	127-9915	1	Core-Heater				
6	121-8451	1	Fan-Blower				

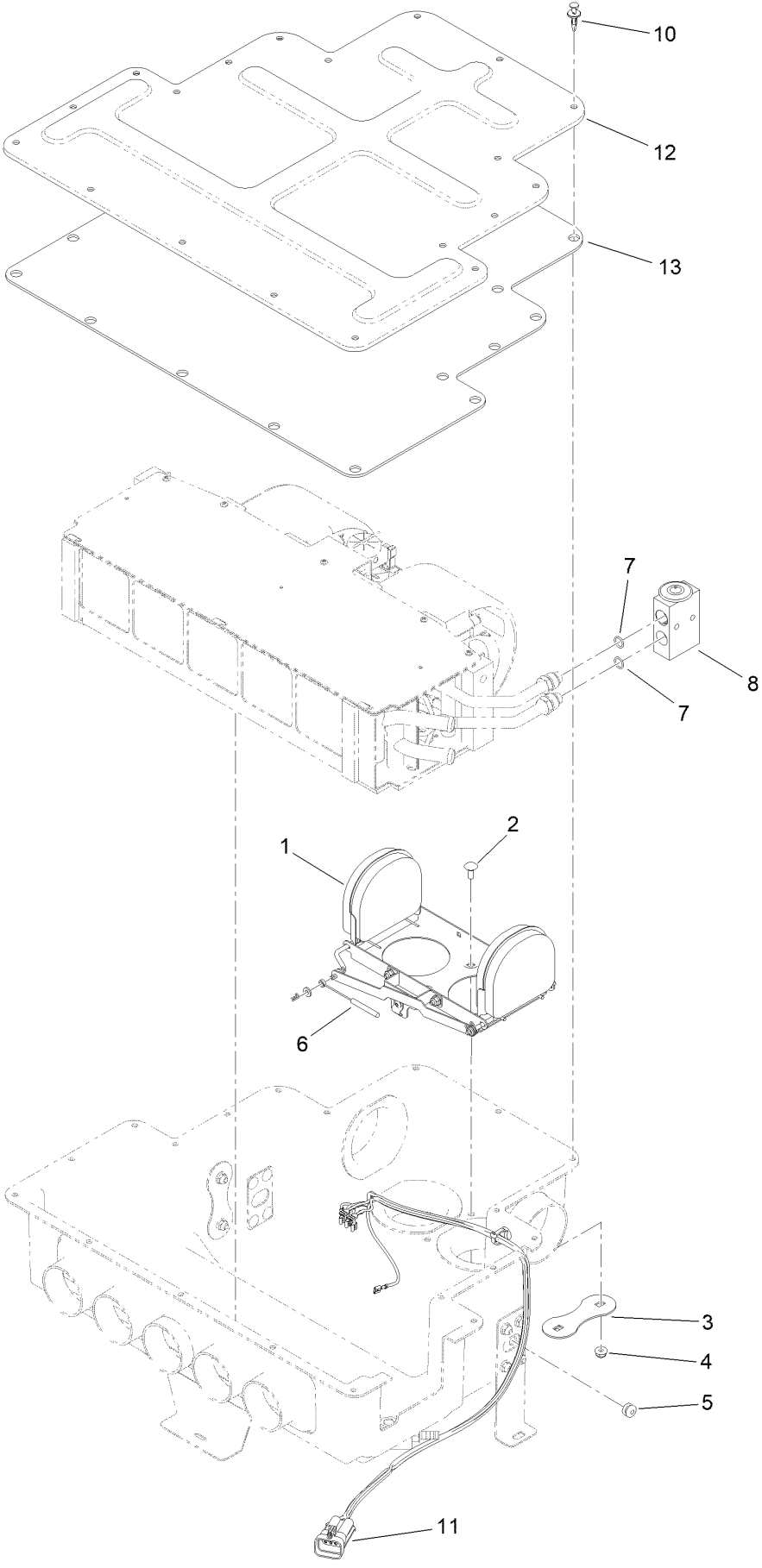
Heat/Air Conditioner Housing Assembly



Heat/Air Conditioner Housing Assembly (continued)

<i>Ref.</i>	<i>Part Number</i>	<i>Qty.</i>	<i>Description</i>	<i>Ref.</i>	<i>Part Number</i>	<i>Qty.</i>	<i>Description</i>
1	130-5830	1	Housing-Heat/AC	8	125-7504	1	Plate-Backer, Center
2	121-8491	1	Plate-Support	9	130-0554	1	Bracket-Airbox, Center
3	3229-11	12	Screw-CARR	10	130-5601	2	Drain-Lower
4	121-8490	1	Bracket-Mount, Drier	11	108-0342	2	Fitting-Straight
5	104-7201	12	Nut-HF, NI	12	121-6840	4	Washer-Rubber
6	130-5834	2	Bracket-Support	13	107-3041	2	Washer-Flat
7	130-5821	2	Bracket-Airbox, Side	14	130-0293	2	Drain-Upper

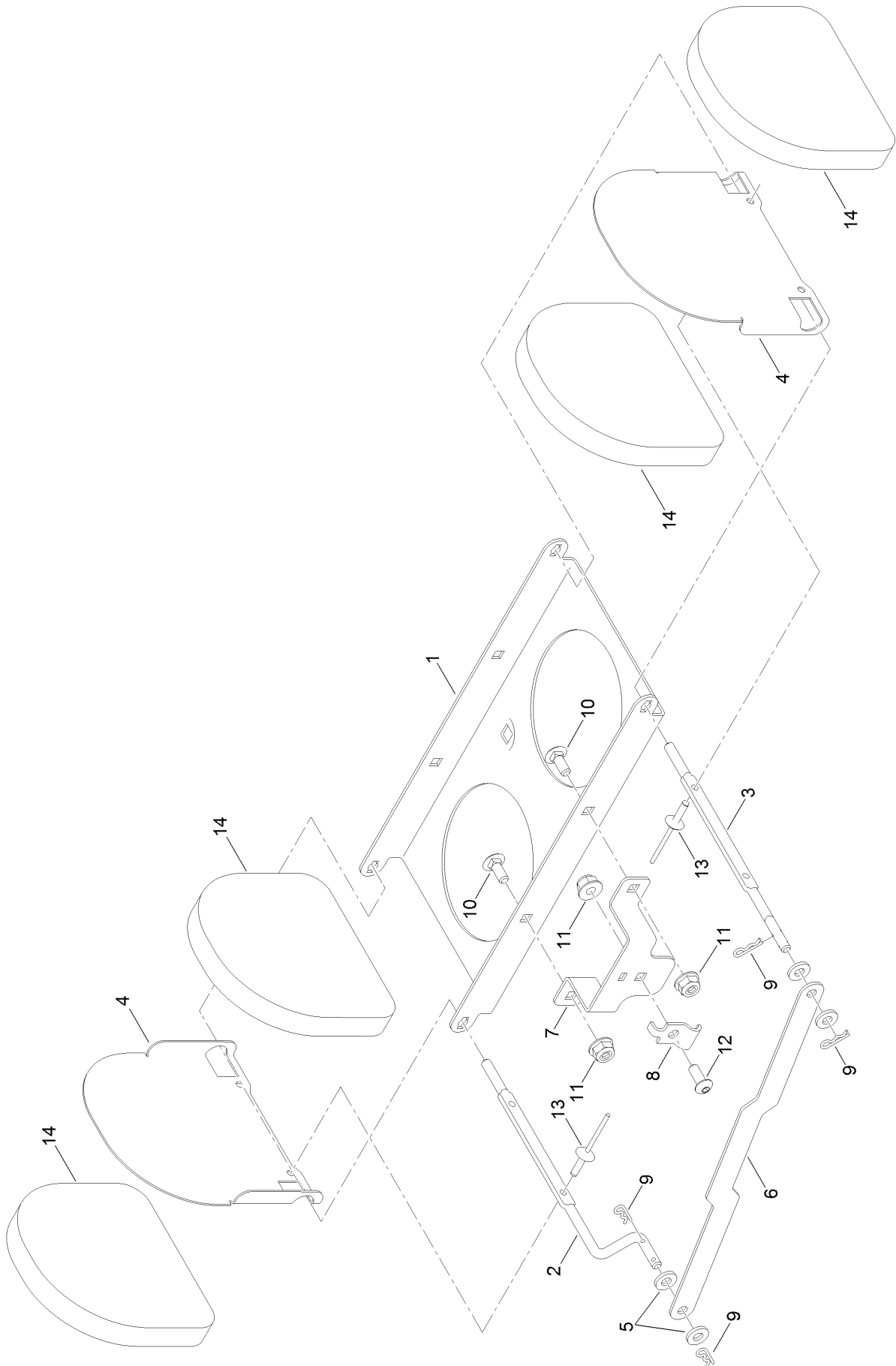
Air Diverter and Expansion Valve Assembly



Air Diverter and Expansion Valve Assembly (continued)

<i>Ref.</i>	<i>Part Number</i>	<i>Qty.</i>	<i>Description</i>	<i>Ref.</i>	<i>Part Number</i>	<i>Qty.</i>	<i>Description</i>
1	121-8369	1	Air Diverter ASM	8	121-8384	1	Valve-Expansion
2	3229-11	2	Screw-CARR	10	125-9622	19	Rivet-Blind
3	121-8491	1	Plate-Support	11	122-0153	1	Harness-Wire, Heat/AC Blower
4	104-7201	2	Nut-HF, NI	12	121-8449	1	Housing-Ventilation, Upper
5	125-7528	1	Grommet-Cable	13	130-5614	1	Insulation-Cover
6	144-3574	1	Cable-Control				
7	125-9524	2	O-Ring				

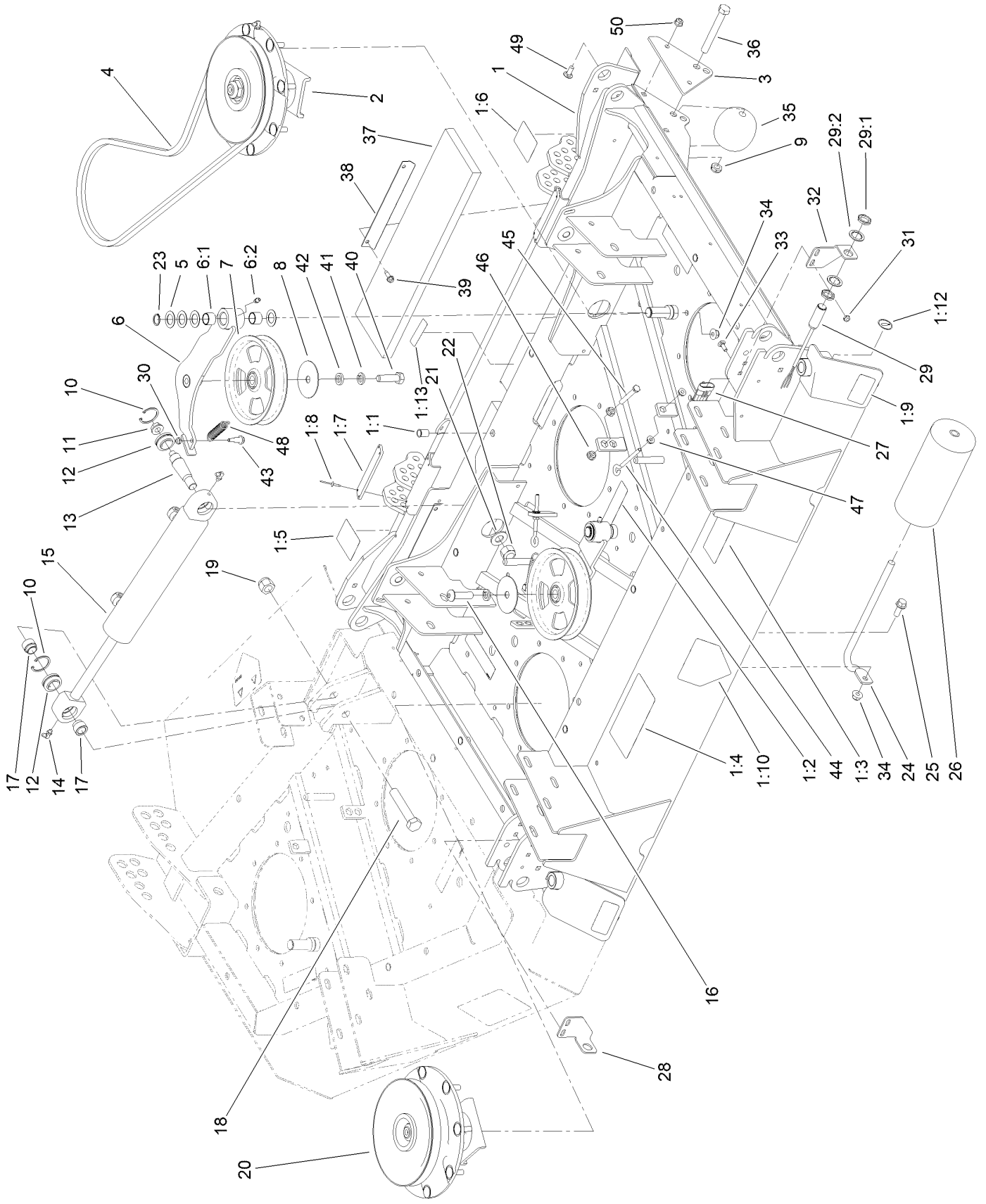
Air Diverter Assembly No. 121-8369



Air Diverter Assembly No. 121-8369 (continued)

<i>Ref.</i>	<i>Part Number</i>	<i>Qty.</i>	<i>Description</i>	<i>Ref.</i>	<i>Part Number</i>	<i>Qty.</i>	<i>Description</i>
1	125-9697	1	Base-Mount	8	613385	1	Clamp-Cable
2	121-8381	1	Shaft-Baffle, RH	9	108-2992	4	Pin-Hair
3	121-8382	1	Shaft-Baffle, LH	10	1-807513	2	Bolt-CARR
4	125-9698	2	Baffle-Air	11	120-4578	3	Nut-HF
5	3256-51	4	Washer-Flat	12	115-9830	1	Screw-HSBH
6	125-9696	1	Link-Baffle	13	3290-271	4	Rivet-Pop
7	121-8374	1	Mount-Cable	14	125-9699	4	Damper-Foam

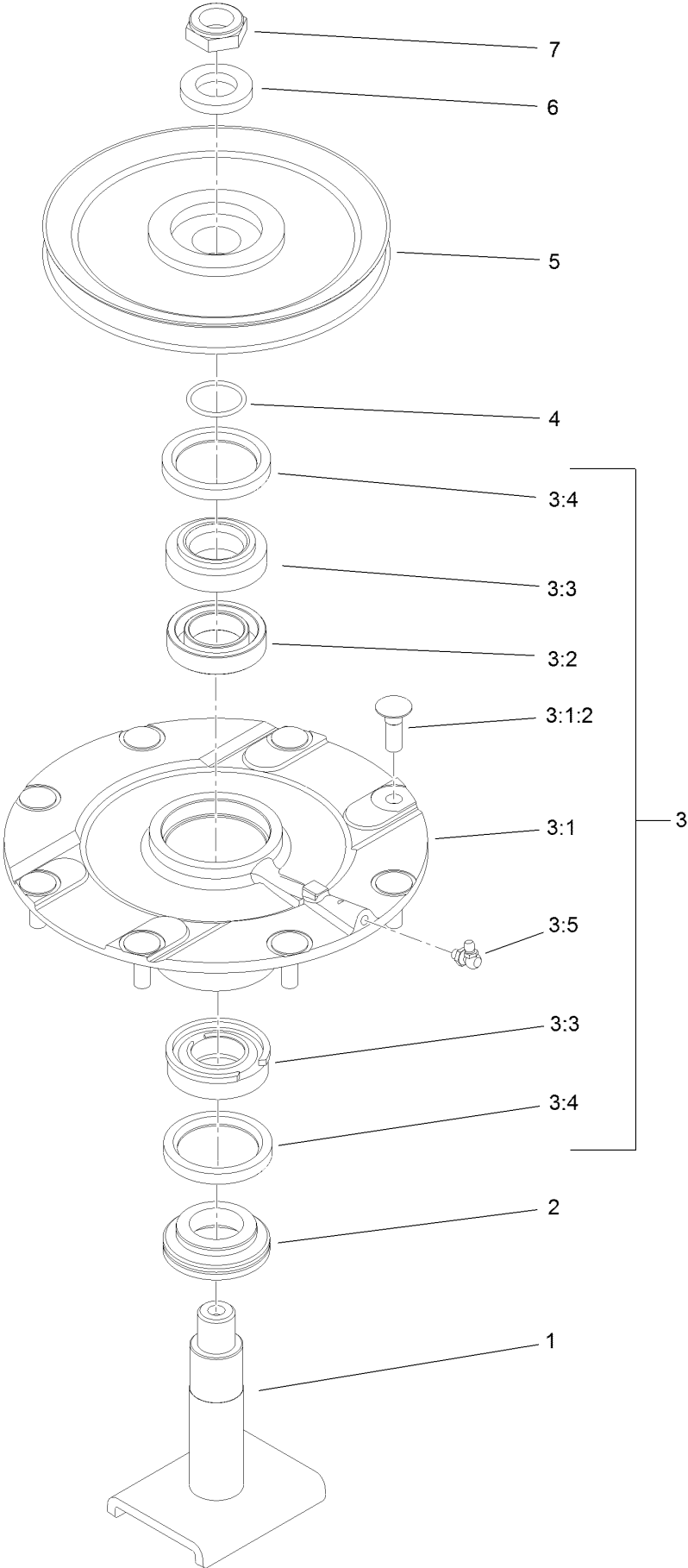
Center Deck Assembly



Center Deck Assembly (continued)

<i>Ref.</i>	<i>Part Number</i>	<i>Qty.</i>	<i>Description</i>	<i>Ref.</i>	<i>Part Number</i>	<i>Qty.</i>	<i>Description</i>
1	110-3297	1	Center Deck ASM	20	139-1038	1	High Driven Spindle ASM
1:1	32148-9	9	Nut-Clinch	21	3256-27	2	Washer-Flat
1:2	100-6578	3	Decal-Danger	22	3296-41	2	Nut-Lock NI
1:3	93-7818	1	Decal-Torque, Blade Bolt	23	32120-72	4	Ring-Snap
1:4	100-5622	1	Decal-HOC	24	68-6840	1	Shaft-Roller
1:5	106-4250	1	Decal-HOC, RH	25	3234-11	1	Screw-HHF
1:6	106-4251	1	Decal-HOC, LH	26	68-6710	1	Roller
1:7	105-0786	2	Pad-Plastic	27	117-5717	1	Harness-Wire, Deck
1:8	3269-8	8	Rivet-Blind	28	119-0081	1	Mount-Switch, RH
1:9	93-6674	2	Decal-Warning	29	115-5300	2	Proximity Switch ASM
1:10	120-6604	1	Decal-Danger	29:1	117-3207	2	Nut-Hex
1:12	58-6520	2	Decal-Grease	29:2	117-3208	2	Washer-Lock, Internal Tooth
1:13	133-8061	1	Decal-Warning	30	3296-56	4	Nut-Lock, NI
2	139-1039	3	Low Driven Spindle ASM	31	104-7201	4	Nut-HF, NI
3	132-6117-01	2	Plate-Stop	32	119-0080	1	Mount-Switch, LH
4	108-8077	4	V-Belt, Deck	33	3229-1	4	Screw-CARR
5	3-6498	16	Washer-Thrust	34	104-8301	45	Nut-HF, NI
6	140-6227	4	Idler Arm ASM	35	29-4820	2	Roller
6:1	256-76	2	Bushing	36	325-17	2	Screw-HH
6:2	302-5	1	Fitting-Grease	37	106-7179	2	Pad-Foam
7	132-9421	4	Pulley-Idler, Flat	38	106-7227	4	Support-Pad
8	100-3102	4	Washer-Flat	39	32104-95	8	Screw-HWH
9	3296-45	2	Nut-Hex	40	325-7	3	Screw-HH
10	32151-34	4	Ring-Retaining	41	3253-7	4	Washer-Lock
11	32128-42	2	Nut-HF	42	9202424	3	Spacer
12	105-7441	4	Bearing-Spherical	43	104-0858	4	Bolt-Shoulder
13	105-7468	2	Stud-Tapered	44	68-0090	4	Screw-Adjusting
14	302-60	4	Fitting-Grease	45	9114524	4	Bolt-TAP, HH
15	139-0957	2	Hydraulic Cylinder ASM	46	32128-26	8	Nut-HF
16	108-1993	1	Screw-HSBH	47	32128-14	8	Nut-HF
17	105-7443	4	Spacer-Pilot	48	107938	4	Spring-Extension
18	327-14	2	Screw-HH	49	3230-23	4	Bolt-CARR
19	3296-53	2	Nut-Lock, NI	50	104-8300	4	Nut-HF, NI

Low Driven Spindle Assembly No. 139-1039

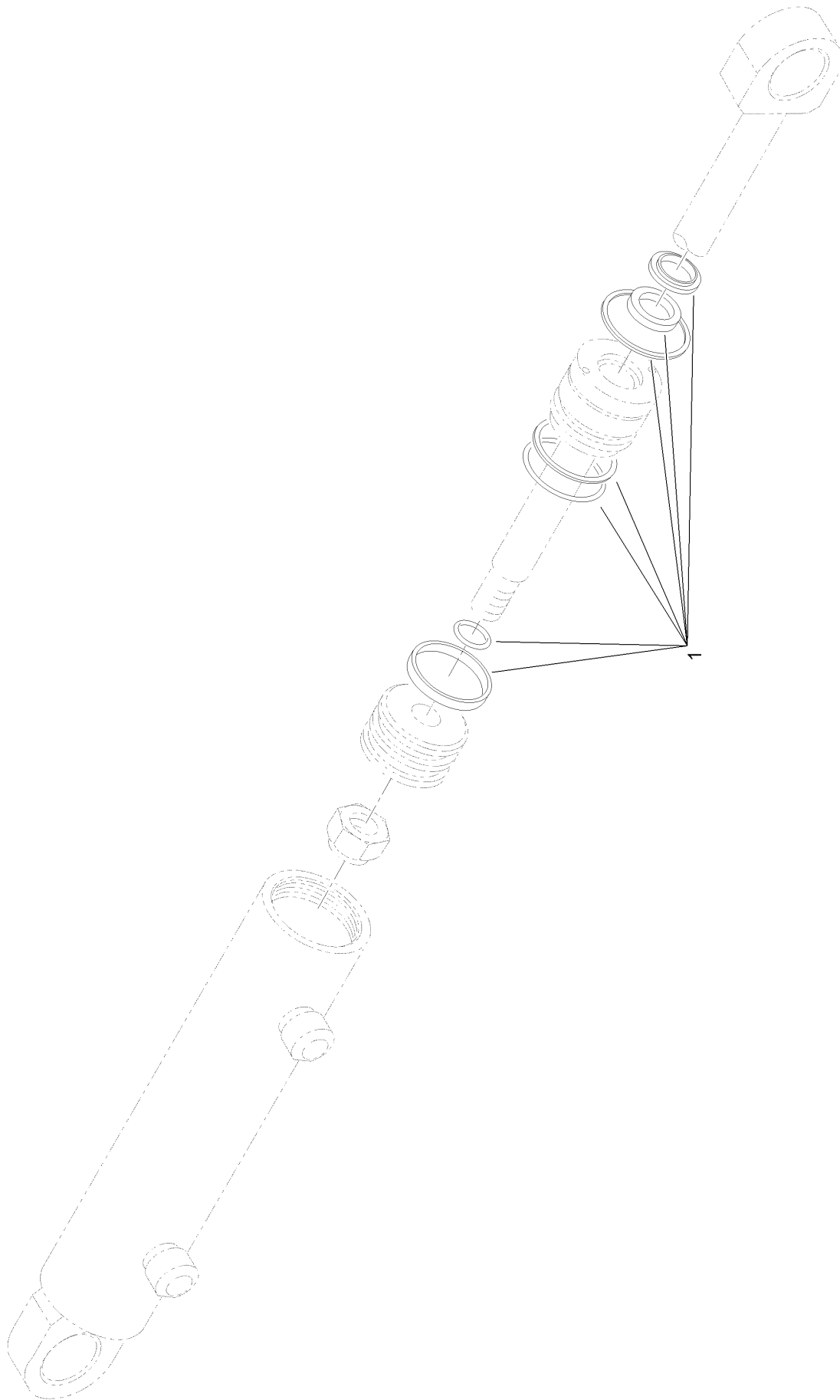


Low Driven Spindle Assembly No. 139-1039 (continued)

<i>Ref.</i>	<i>Part Number</i>	<i>Qty.</i>	<i>Description</i>	<i>Ref.</i>	<i>Part Number</i>	<i>Qty.</i>	<i>Description</i>
1	139-1044	1	Shaft-Spindle	3:4	253-154	2	Seal-Oil
2	138-6416	1	Spacer-Spindle, Shaft	3:5	302-60	1	Fitting-Grease
3	119-4775	1	Spindle Housing ASM	4	106-7159	1	O-Ring
3:1		1	Spindle ASM ●	5	104-3546	1	Pulley-Driven, Low
3:1:2	114-8195	8	Bolt-Neck, Ribbed	6	120-5576	1	Washer-Hardened
3:2	120-5577	1	Bearing Spacer Set	7	3296-60	1	Nut-Lock, NI
3:3	110-8297	1	Bearing ASM				

● Not serviced separately

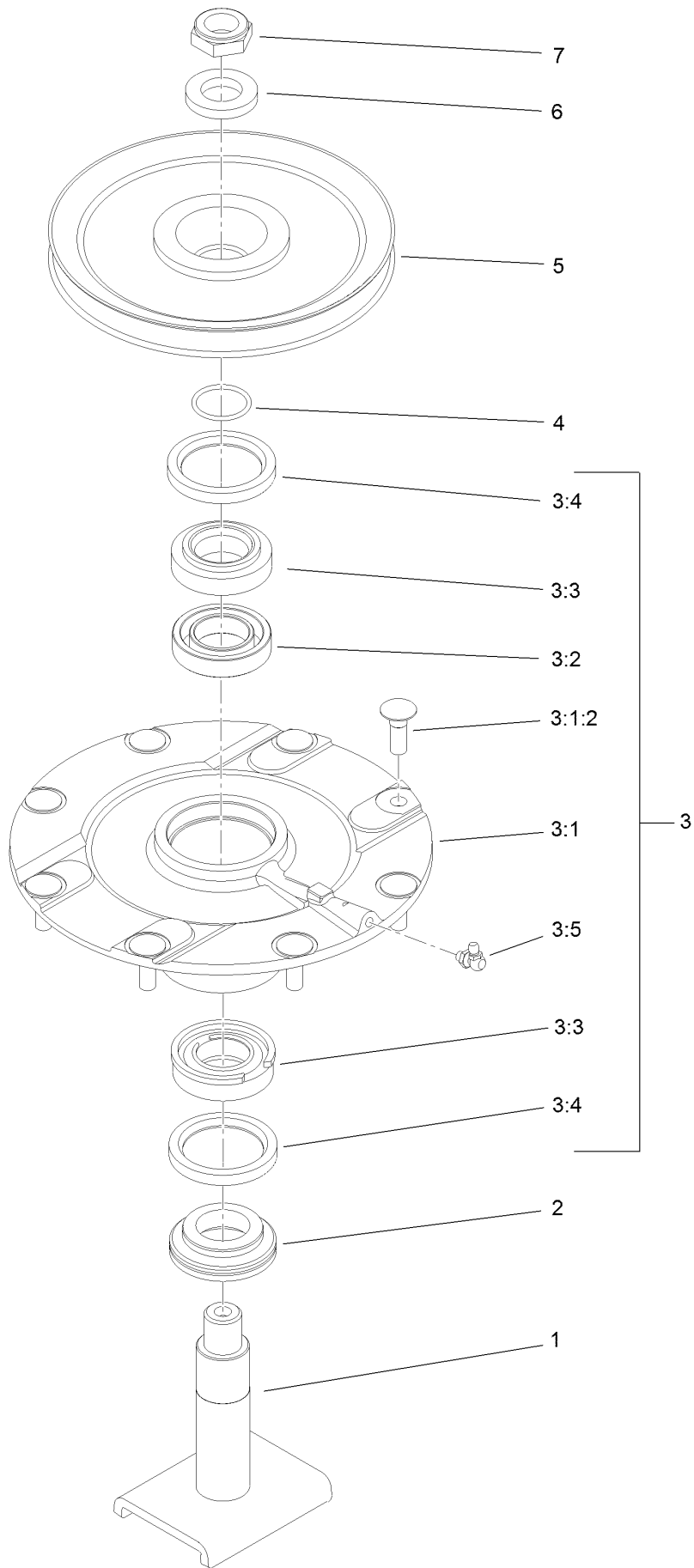
Hydraulic Cylinder Assembly No. 139-0957



Hydraulic Cylinder Assembly No. 139-0957 (continued)

<i>Ref.</i>	<i>Part Number</i>	<i>Qty.</i>	<i>Description</i>
1	131-7757	1	Cylinder Seal Kit

High Driven Spindle Assembly No. 139-1038

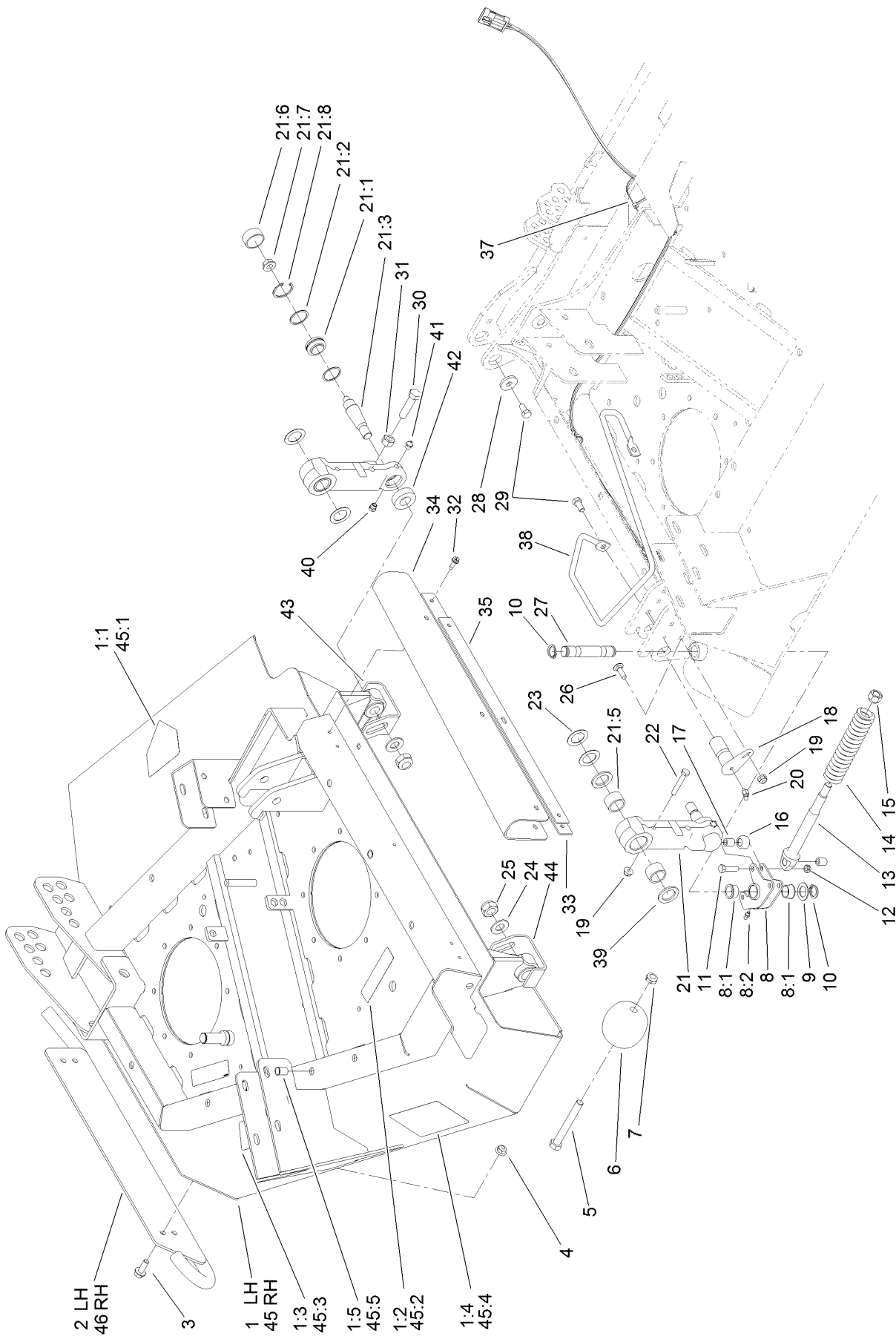


High Driven Spindle Assembly No. 139-1038 (continued)

<i>Ref.</i>	<i>Part Number</i>	<i>Qty.</i>	<i>Description</i>	<i>Ref.</i>	<i>Part Number</i>	<i>Qty.</i>	<i>Description</i>
1	139-1044	1	Shaft-Spindle	3:4	253-154	2	Seal-Oil
2	138-6416	1	Spacer-Spindle, Shaft	3:5	302-60	1	Fitting-Grease
3	119-4775	1	Spindle Housing ASM	4	106-7159	1	O-Ring
3:1		1	Spindle ASM ●	5	104-3548	1	Pulley-Driven, High
3:1:2	114-8195	8	Bolt-Neck, Ribbed	6	120-5576	1	Washer-Hardened
3:2	120-5577	1	Bearing Spacer Set	7	3296-60	1	Nut-Lock, NI
3:3	110-8297	1	Bearing ASM				

● Not serviced separately

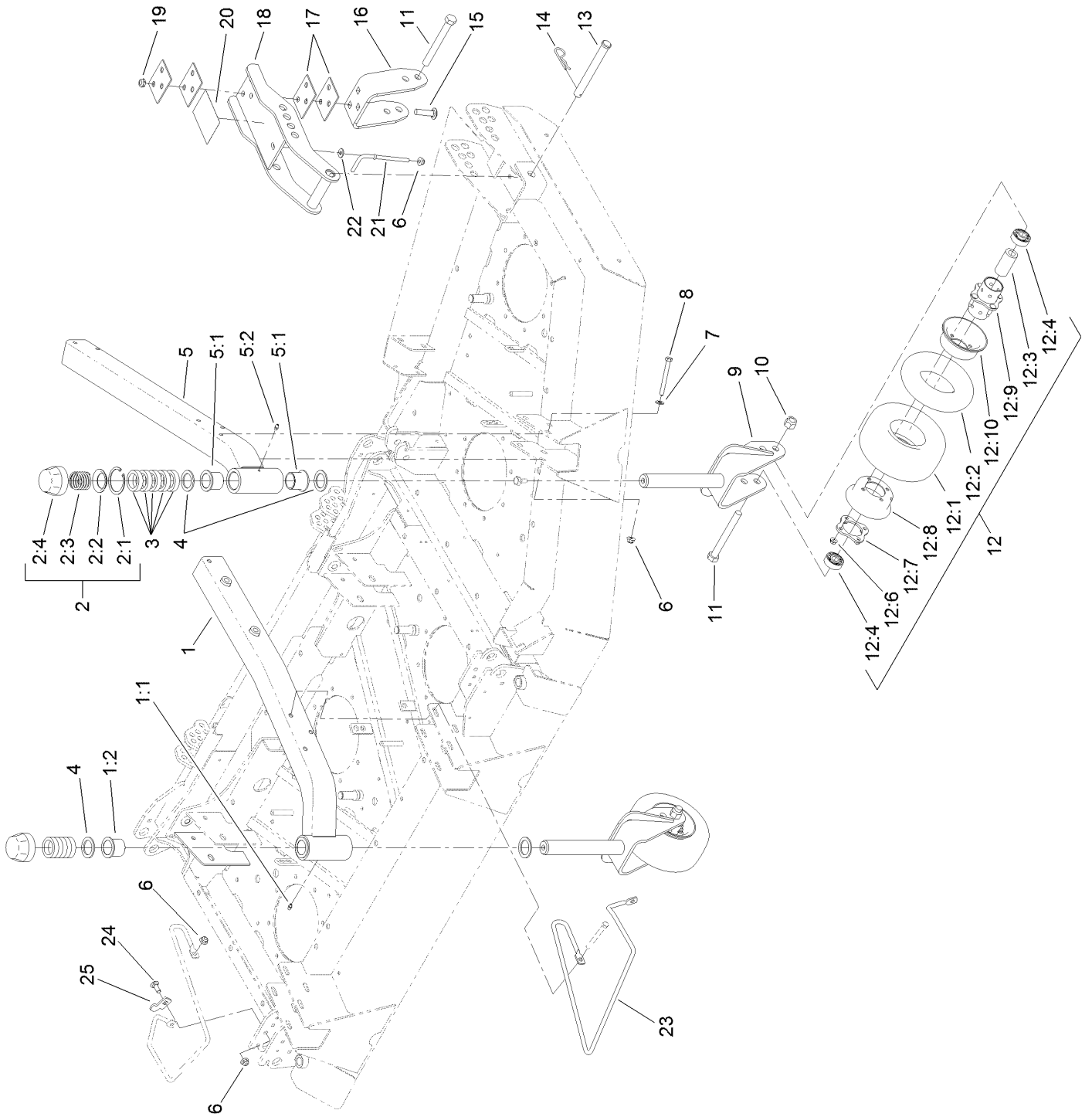
Right Hand and Left Hand Deck Installation Assembly



Right Hand and Left Hand Deck Installation Assembly (continued)

<i>Ref.</i>	<i>Part Number</i>	<i>Qty.</i>	<i>Description</i>	<i>Ref.</i>	<i>Part Number</i>	<i>Qty.</i>	<i>Description</i>
1	110-3298	1	RH Deck ASM	21:7	32128-42	1	Nut-HF
1:1	120-6604	1	Decal-Danger	21:8	32151-34	1	Ring-Retaining
1:2	100-6578	2	Decal-Danger	22	322-10	2	Screw-HH
1:3	93-7818	1	Decal-Torque, Blade Bolt	23	9547	8	Washer-Thrust
1:4	100-5622	1	Decal-HOC	24	3256-27	4	Washer-Flat
1:5	32148-9	4	Nut-Clinch	25	32152-6	4	Nut-Lock, Cone
2	105-7430-01	1	RH Skid ASM	26	3230-2	4	Bolt-CARR
3	3234-42	4	Screw-HHF	27	105-7482	2	Pin-Latch
4	104-8301	4	Nut-HF, NI	28	53-6380	2	Washer-Flat
5	325-17	2	Screw-HH	29	323-4	4	Screw-HH
6	29-4820	2	Roller	30	325-8	2	Screw-HH
7	3296-45	2	Nut-Hex	31	3217-9	2	Nut-HH
8	105-7469	2	Latch ASM	32	32104-95	12	Screw-HWH
8:1	256-252	2	Bearing-Flange	33	107-0170-03	2	Strap-Wing
8:2	302-5	1	Fitting-Grease	34	106-4334	2	Shield-Flex
9	1278	2	Washer	35	107-0171-03	2	Strap-Shield
10	32120-93	4	Ring-Retaining	37	3290-379	4	Tie-Cable
11	322-6	6	Screw-HH	38	107-0182	1	Guide-Hose, RH
12	3296-47	6	Nut-Lock,NI	39	92-7845	4	Spacer-Hardened
13	106-4317	2	Support-Spring	40	302-39	4	Fitting-Plug
14	86-2560	2	Spring-Comp	41	302-52	4	Fitting-Grease
15	242-50	2	Nut-Lug	42	110-6196	4	Washer-Foam
16	86-2120	4	Roller-Lock	43	112-9106-01	2	Skid-Link (Left Front, Right Rear)
17	86-2090	6	Bushing				
18	131-4293	4	Pin Pivot	44	112-9105-01	2	Skid-Link (Right Front, Left Rear)
19	104-8300	6	Nut-HF, NI				
20	302-11	4	Fitting-Lube, 45 DEG	45	110-3299	1	LH Deck ASM
21	112-9116	4	Link ASM	45:1	120-6604	1	Decal-Danger
21:1	105-7441	1	Bearing-Spherical	45:2	100-6578	2	Decal-Danger
21:2	110-6198	2	Washer-Flat	45:3	93-7818	1	Decal-Torque, Blade Bolt
21:3	105-7468	1	Stud-Tapered	45:4	100-5622	1	Decal-HOC
21:5	106-7248	2	Bushing	45:5	32148-9	4	Nut-Clinch
21:6	110-6197	1	Cap-Dust	46	105-7437-01	1	LH Skid ASM

Caster Wheel Assembly

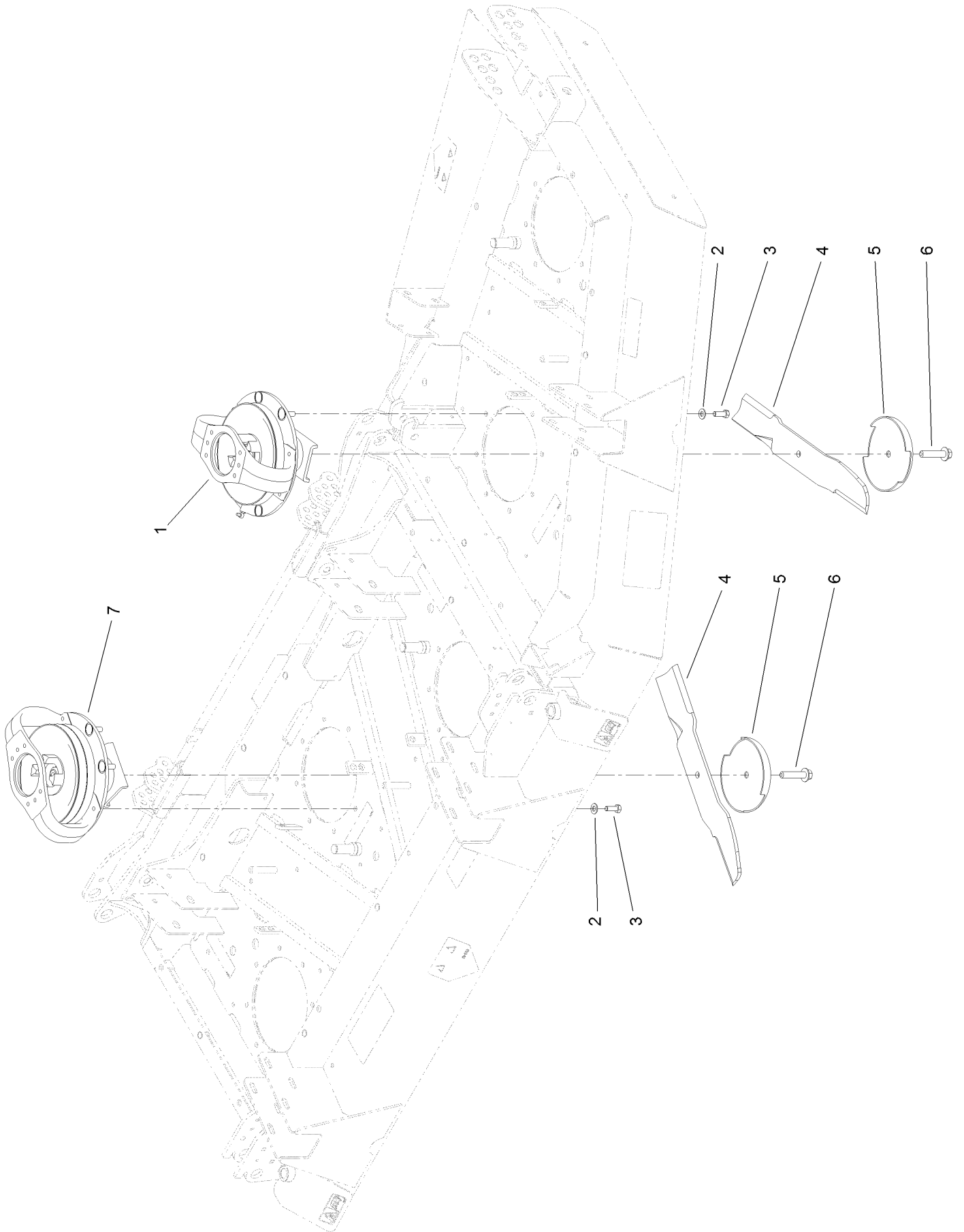


Caster Wheel Assembly (continued)

<i>Ref.</i>	<i>Part Number</i>	<i>Qty.</i>	<i>Description</i>	<i>Ref.</i>	<i>Part Number</i>	<i>Qty.</i>	<i>Description</i>
1	105-7414	2	Center Castor Arm ASM	12:3	93-4241	1	Spacer-Bearing, Inner
1:1	69-6470	2	Bushing-Caster	12:4	120-3366	2	Bearing
1:2	302-5	1	Fitting-Grease	12:6	32128-16	4	Nut-HHF
2	92-9727	4	HOC Cap ASM	12:7	93-4242	1	Plate
2:1	92-5581	1	Ring-Rtng, Snap, Int, Flat	12:8	93-4239	1	Rim-Wheel, Half
2:2	92-5583	1	Washer-Cap	12:9	93-5980	1	Hub
2:3	92-9726	1	Spring-Compression	12:10	95-2741	1	Rim-Wheel, Half
2:4	92-8861	1	Cap-HOC	13	120-5587	4	Pin-Clevis
3	69-1510	20	Spacer	14	3290-343	4	Pin-Hair
4	69-6860	8	Washer-Thrust	15	3233-4	6	Screw-CARR
5	105-7429	2	Side Castor Arm ASM	16	105-7457-01	2	Fork-Rear
5:1	69-6470	2	Bushing-Caster	17	104-7524	8	Shim
5:2	302-5	1	Fitting-Grease	18	104-7529-01	2	Bracket-Castor
6	104-8301	24	Nut-HF, NI	19	3296-45	6	Nut-Hex
7	3256-24	18	Washer-Plain	20	100-5623	1	Decal-HOC
8	323-15	20	Screw-HH	20	104-3579	1	Decal-HOC
9	92-7750-01	4	Fork-Castor	21	106-2047	2	Rod-Tension
10	3296-53	6	Nut-Lock, NI	22	3256-3	2	Washer-Flat
11	327-24	6	Screw-HH	23	107-0183	1	Guide-Hose, LH
12	93-9938	6	Wheel ASM	24	3231-2	2	Bolt-CARR
12:1	93-9939	1	Tire	25	107-0229	2	Tab-Guide
12:2	68-8950	1	Tube-Inner (W/Valve)●				

● Not illustrated

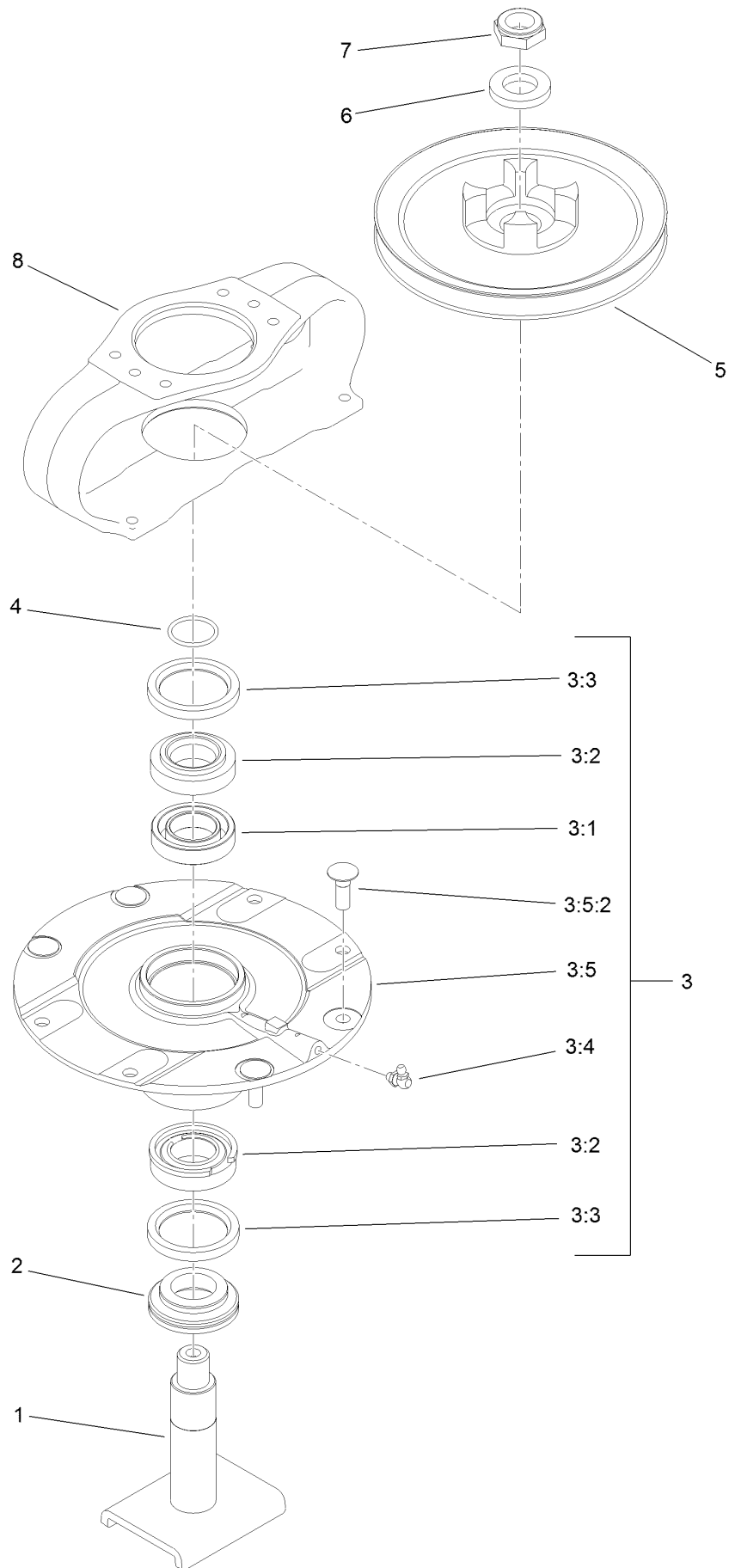
Spindle and Blade Assembly



Spindle and Blade Assembly (continued)

<i>Ref.</i>	<i>Part Number</i>	<i>Qty.</i>	<i>Description</i>	<i>Ref.</i>	<i>Part Number</i>	<i>Qty.</i>	<i>Description</i>
1	139-1035	2	Single Driven Spindle ASM	5	72-9361	7	Cup-Scalp, Anti
2	3256-24	12	Washer-Plain	6	92-5816	7	Bolt-Blade
3	323-6	12	Screw-HH	7	139-1036	1	Double Driving Spindle ASM
4	106-7166-03	7	Blade-Combination (19 Inch)				

Driving Spindle Assembly No. 139-1035

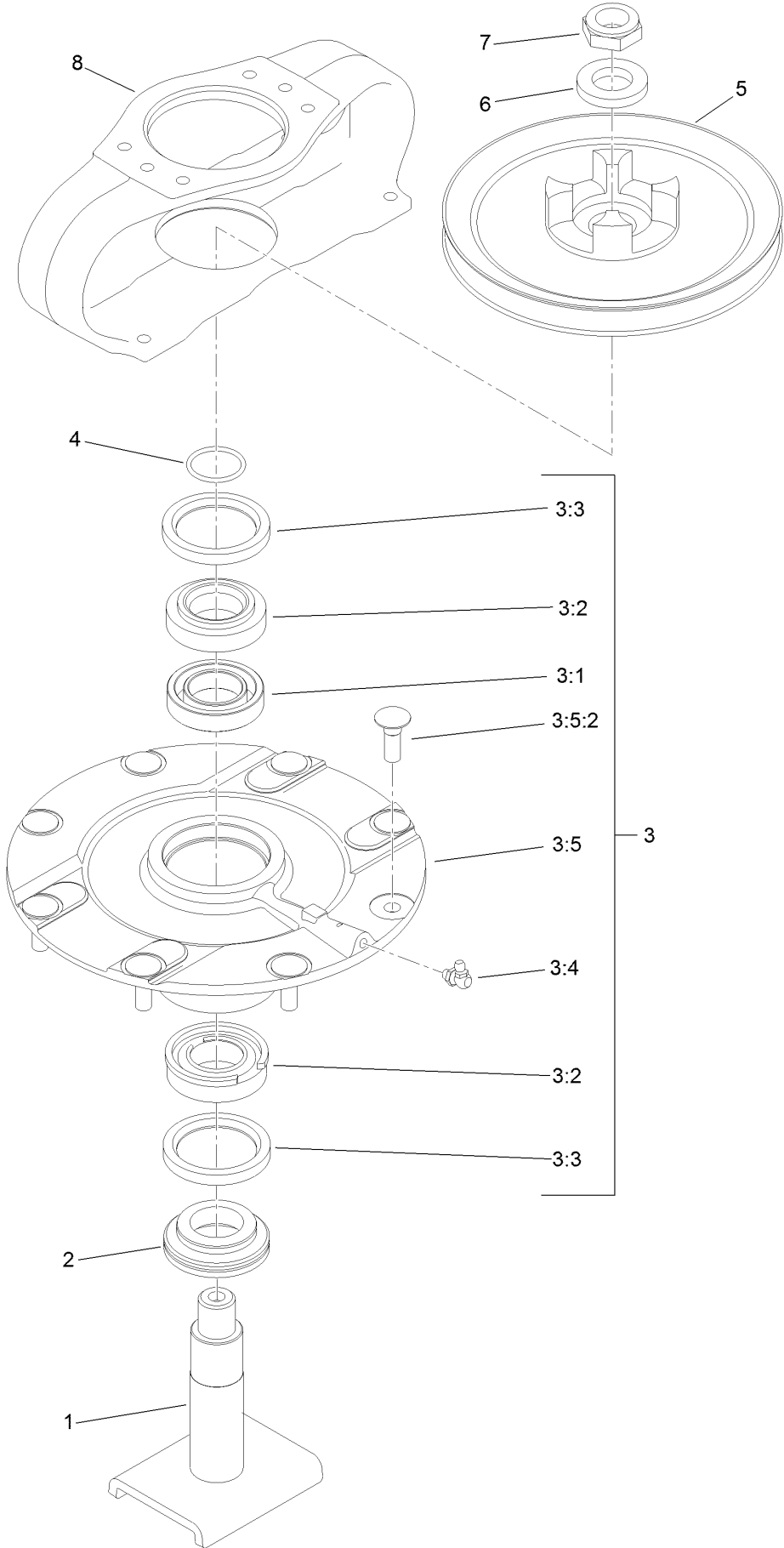


Driving Spindle Assembly No. 139-1035 (continued)

<i>Ref.</i>	<i>Part Number</i>	<i>Qty.</i>	<i>Description</i>	<i>Ref.</i>	<i>Part Number</i>	<i>Qty.</i>	<i>Description</i>
1	139-1044	1	Shaft-Spindle	3:5		1	Spindle ASM ●
2	138-6416	1	Spacer-Spindle, Shaft	3:5:2	114-8195	4	Bolt-Neck, Ribbed
3	119-4546	1	Spindle Housing ASM	4	106-7159	1	O-Ring
3:1	120-5577	1	Bearing Spacer Set	5	104-3545	1	Pulley-Driving
3:2	110-8297	1	Bearing ASM	6	120-5576	1	Washer-Hardened
3:3	253-154	2	Seal-Oil	7	3296-60	1	Nut-Lock, NI
3:4	302-60	1	Fitting-Grease	8	104-3544	1	Mount-Motor, Drive

● Not serviced separately

Double Driven Spindle Assembly No. 139-1036

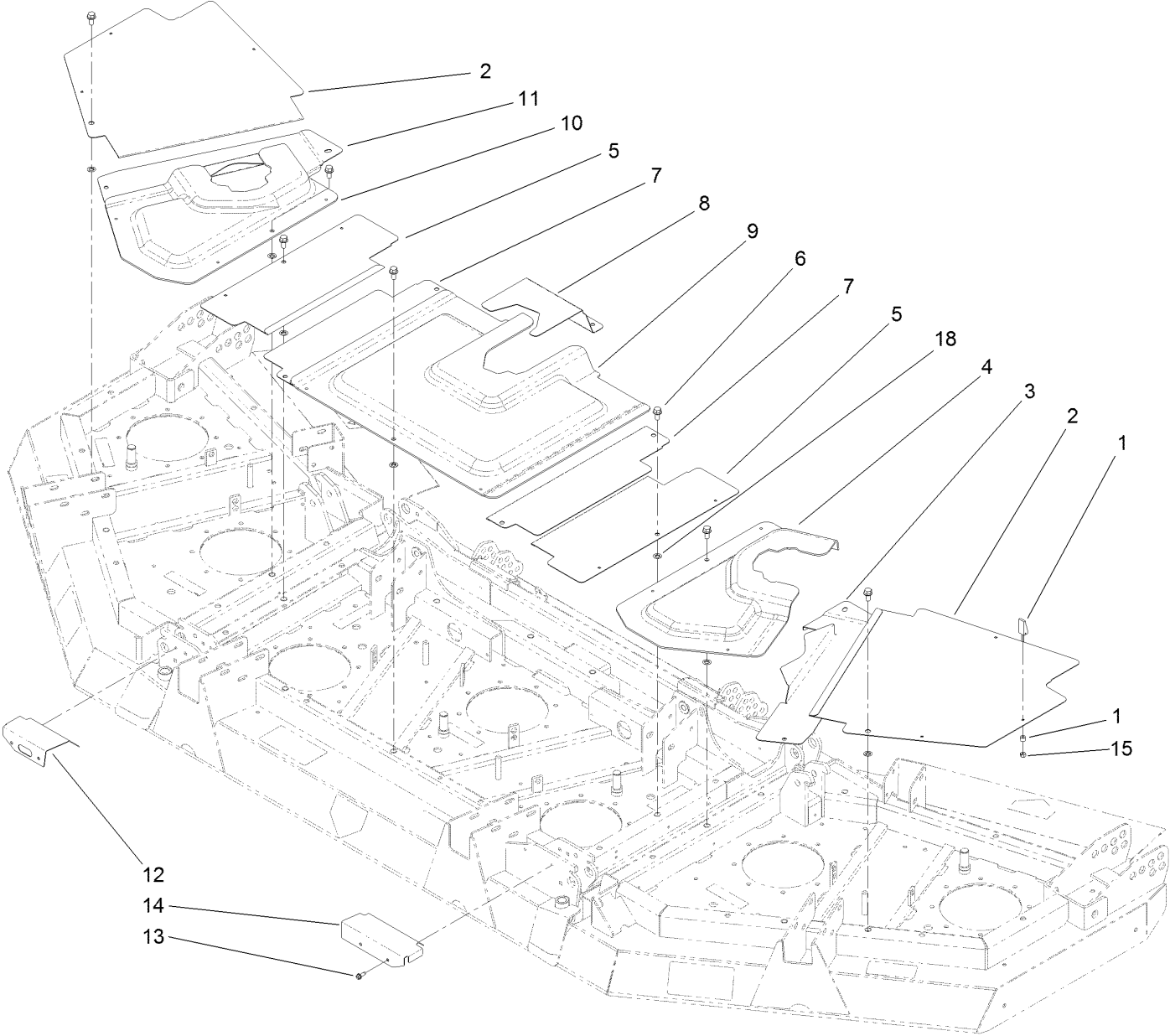


Double Driven Spindle Assembly No. 139-1036 (continued)

<i>Ref.</i>	<i>Part Number</i>	<i>Qty.</i>	<i>Description</i>	<i>Ref.</i>	<i>Part Number</i>	<i>Qty.</i>	<i>Description</i>
1	139-1044	1	Shaft-Spindle	3:5		1	Spindle ASM ●
2	138-6416	1	Spacer-Spindle, Shaft	3:5:2	114-8195	4	Bolt-Neck, Ribbed
3	119-4546	1	Spindle Housing ASM	4	106-7159	1	O-Ring
3:1	120-5577	1	Bearing Spacer Set	5	106-4269	1	Pulley-Drive, Double
3:2	110-8297	1	Bearing ASM	6	120-5576	1	Washer-Hardened
3:3	253-154	2	Seal-Oil	7	3296-60	1	Nut-Lock, NI
3:4	302-60	1	Fitting-Grease	8	106-4268	1	Mount-Motor, Drive

● Not serviced separately

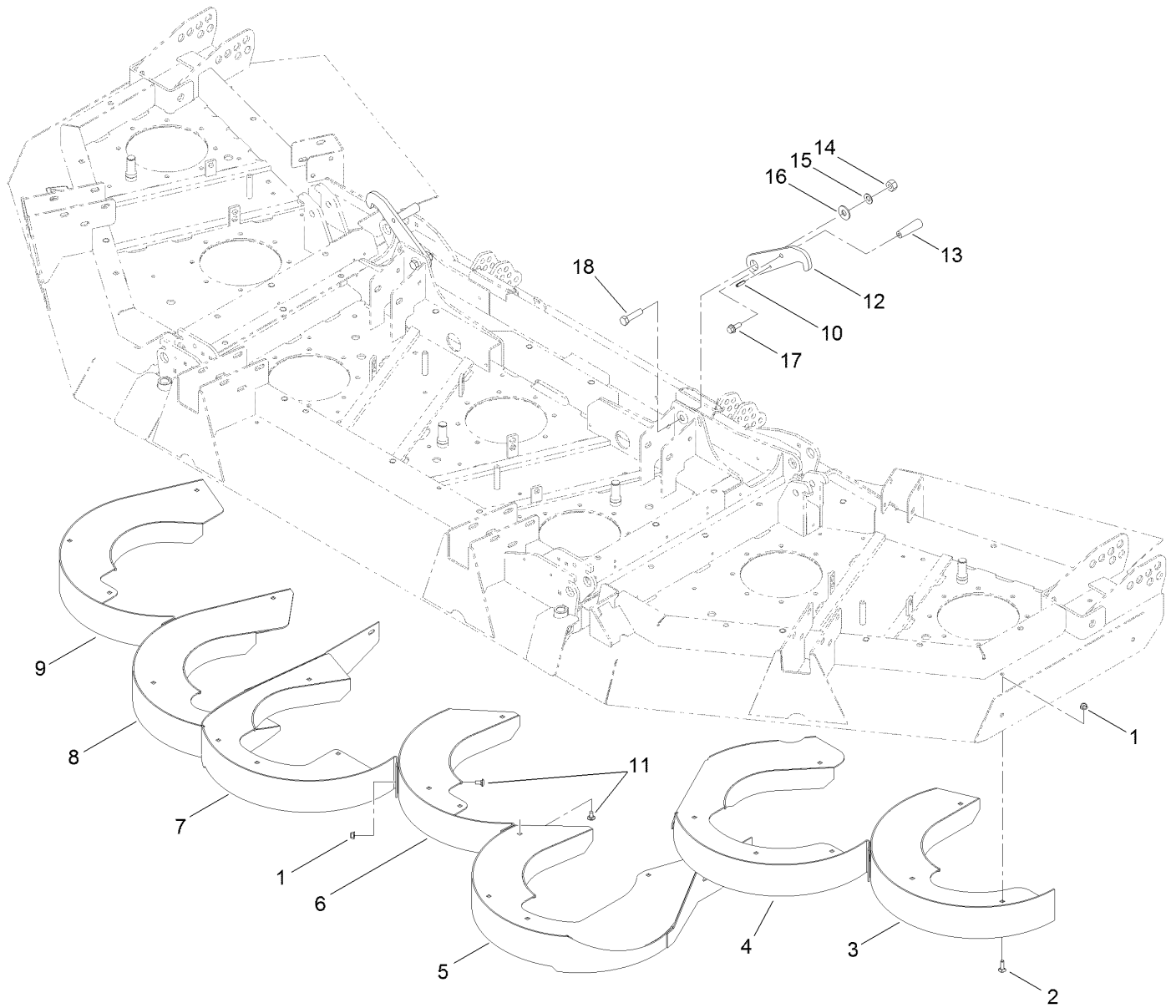
Deck Cover Assembly



Deck Cover Assembly (continued)

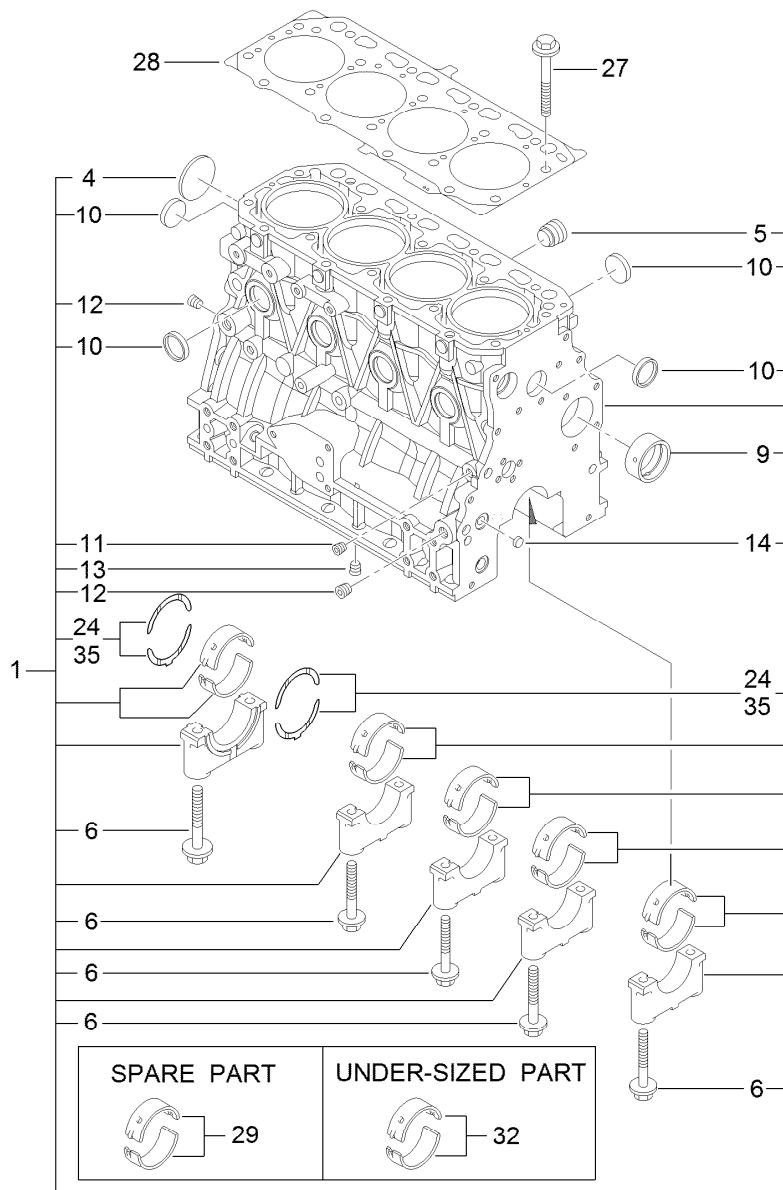
<i>Ref.</i>	<i>Part Number</i>	<i>Qty.</i>	<i>Description</i>	<i>Ref.</i>	<i>Part Number</i>	<i>Qty.</i>	<i>Description</i>
1	74-5950	18	Latch-Swell	9	106-4254	1	Cover-Front, Center
2	106-4256-03	2	Cover-Outer, Wing	10	106-4259	1	Cover-Mount, RH
3	106-4258-03	1	Cover-Inner, LH	11	106-4257-03	1	Cover-Inner, RH
4	106-4260	1	Cover-Mount, LH	12	106-7173-01	1	Shield-RH
5	106-4252-03	2	Cover-Outer, Center	13	32104-95	4	Screw-HWH
6	3234-1	17	Screw-HHF	14	106-7174-01	1	Shield-LH
7	106-4255-03	2	Cover-Inner, Center	15	1-804254	18	Nut-Lock, HH
8	106-4253-03	1	Cover-Rear, Center	18	107-3154	7	Nut-Push

Rear Discharge Baffle Assembly



Rear Discharge Baffle Assembly (continued)

<i>Ref.</i>	<i>Part Number</i>	<i>Qty.</i>	<i>Description</i>	<i>Ref.</i>	<i>Part Number</i>	<i>Qty.</i>	<i>Description</i>
1	104-8300	28	Nut-HF, NI	10	32121-24	2	Pin-Spring
2	3230-22	23	Screw-CARR	11	3230-18	5	Screw-CARR
3	106-4308-0P	1	Chamber-Outer, LH	12	106-4340-01	2	Latch-Wing
4	106-4304-0P	1	Chamber-Inner, LH	13	233-39	2	Knob-Control
5	106-4291-0P	1	Chamber-Center, LH	14	3296-25	2	Nut-Lock, NI
6	106-4294-0P	1	Chamber-Center	15	3290-483	2	Washer-Conical
7	106-4286-0P	1	Chamber-Center, RH	16	3256-6	2	Washer-Flat
8	106-4298-0P	1	Chamber-Inner, RH	17	3234-11	2	Screw-HHF
9	106-4301-0P	1	Chamber-Outer, RH	18	325-8	2	Screw-HH



Cylinder Block Assembly

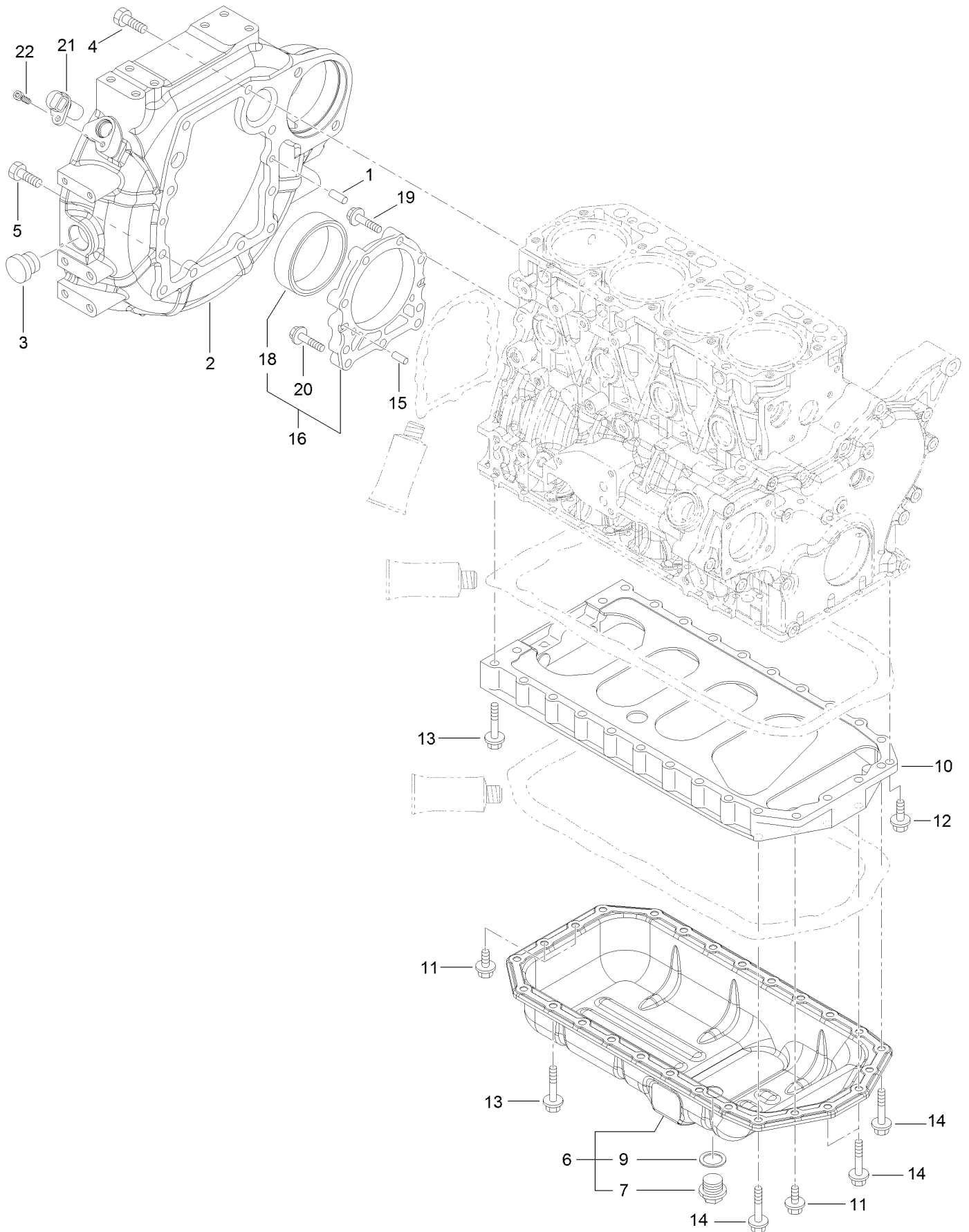
<i>Ref.</i>	<i>Part Number</i>	<i>Qty.</i>	<i>Description</i>	<i>Ref.</i>	<i>Part Number</i>	<i>Qty.</i>	<i>Description</i>
1	127-3127	1	Cylinder Block ASM	13	125-6973	1	Plug
4	125-6980	1	Plug	14	125-7237	1	Plug
5	125-7170	1	Plug	24	125-7010	2	Metal-Thrust
6	125-7007	10	Bolt	27	125-7006	18	Bolt
9	125-7108	1	Bushing	28	127-3126	1	Gasket-Head, Cylinder
10	125-7239	8	Plug	29	125-6981	5	Metal-Main
11	125-6969	1	Plug	32	125-7009	5	Metal-Main (0.25)
12	125-6973	2	Plug	35	125-7011	1	Metal-Thrust (0.25)



Gear Housing Assembly

<i>Ref.</i>	<i>Part Number</i>	<i>Qty.</i>	<i>Description</i>	<i>Ref.</i>	<i>Part Number</i>	<i>Qty.</i>	<i>Description</i>
1	127-3023	1	Case-Gear	11	125-6944	1	Seal-Oil
2	125-6995	2	Pin	12	125-6977	1	Cover
3	125-6972	1	Cover-Filler	13	125-7174	1	Washer-Seal
4	125-7107	2	Pipe	14	125-7214	4	Bolt
5	125-6909	2	O-Ring	15	125-7217	1	Bolt
6	127-2973	1	O-Ring	16	125-7218	7	Bolt
7	125-7197	1	O-Ring	17	125-7222	3	Bolt
8	125-7214	3	Bolt	18	125-7224	4	Bolt
9	127-3024	1	Gearcase Cover ASM				

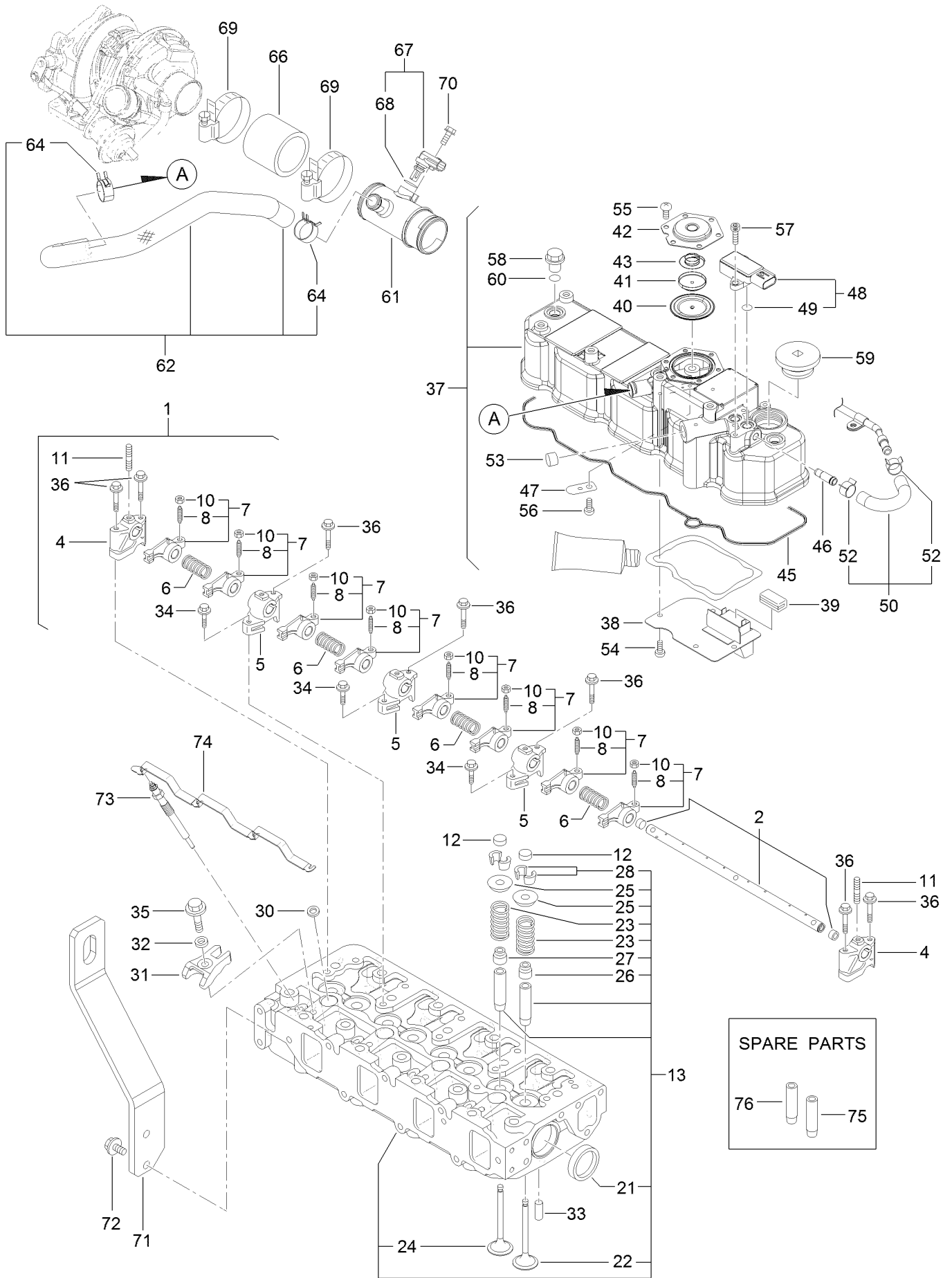
Flywheel Housing and Oil Sump Assembly



Flywheel Housing and Oil Sump Assembly (continued)

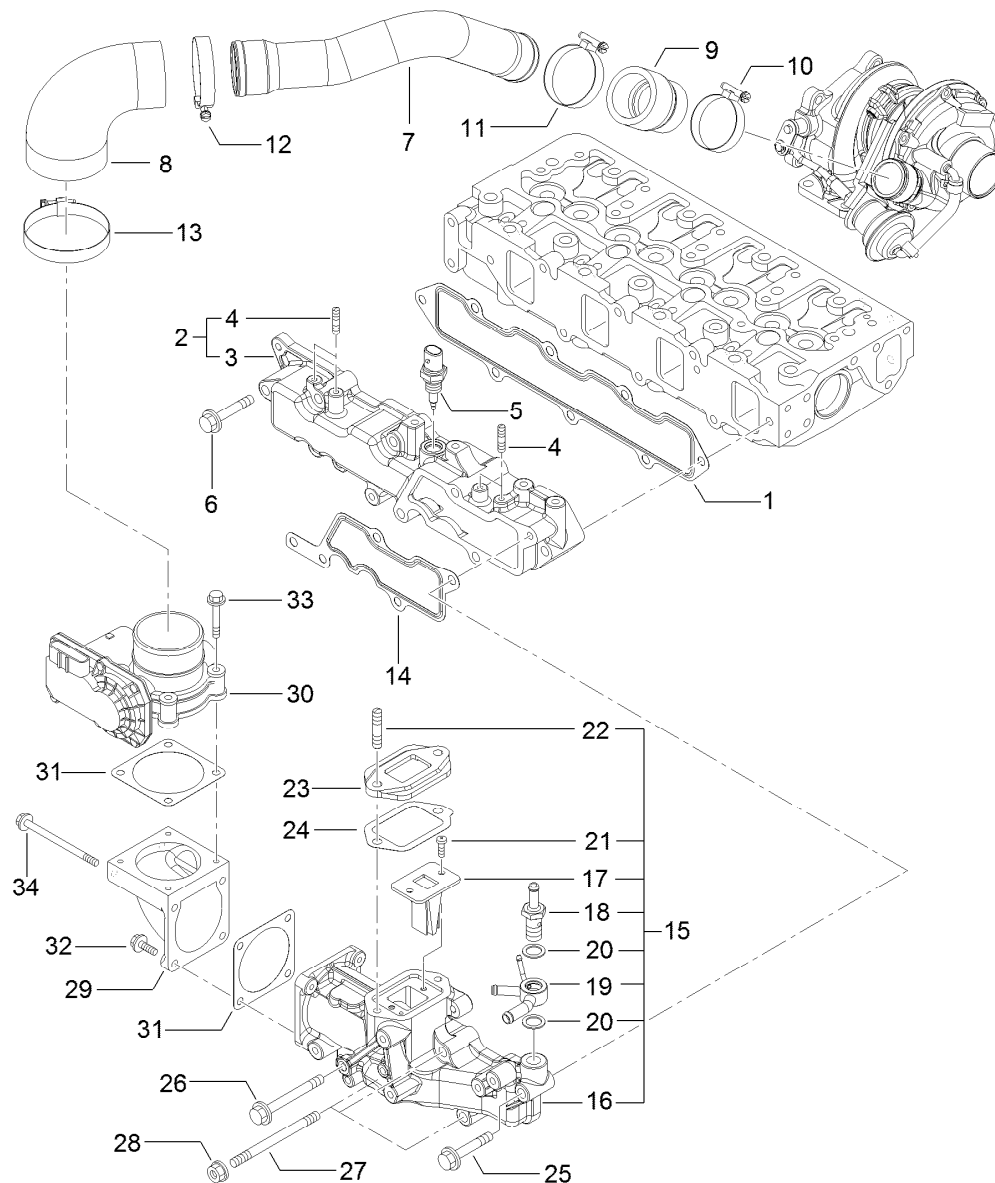
<i>Ref.</i>	<i>Part Number</i>	<i>Qty.</i>	<i>Description</i>	<i>Ref.</i>	<i>Part Number</i>	<i>Qty.</i>	<i>Description</i>
1	125-6995	2	Pin	12	125-7215	2	Bolt
2	127-3025	1	Housing-Flywheel	13	125-7219	20	Bolt
3	125-6910	1	Cap	14	125-7220	4	Bolt
4	125-7226	6	Bolt	15	125-6995	2	Pin
5	125-7227	4	Bolt	16	125-6996	1	Case ASM
6	138-7826	1	Oil Pan ASM	18	125-7106	1	Seal-Oil
7	125-6912	1	Plug-Drain	19	125-7045	6	Bolt
9	125-7177	1	Washer-Seal	20	125-7217	3	Bolt
10	125-7035	1	Spacer	21	127-3062	1	Sensor-Rev, Flywheel
11	125-7214	4	Bolt	22	127-3184	1	Bolt

Cylinder Head and Cover Assembly



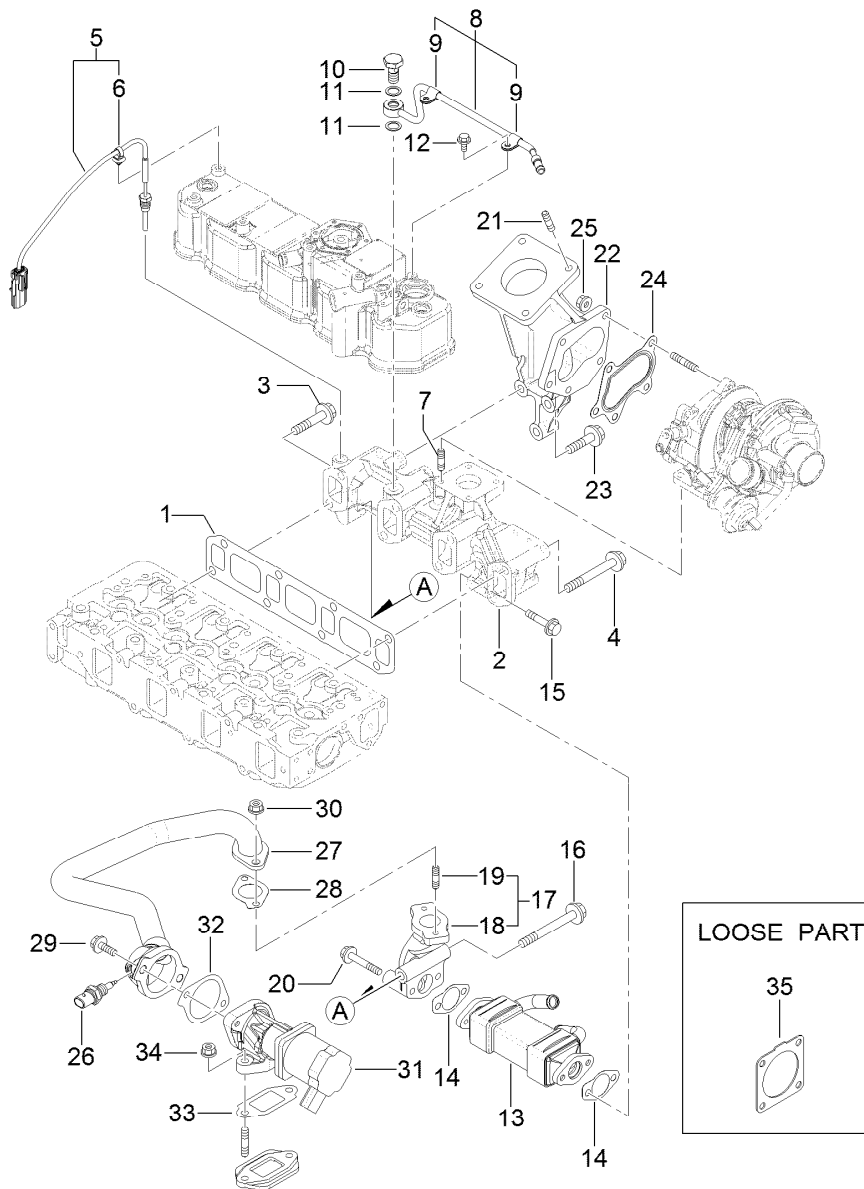
Cylinder Head and Cover Assembly (continued)

<i>Ref.</i>	<i>Part Number</i>	<i>Qty.</i>	<i>Description</i>	<i>Ref.</i>	<i>Part Number</i>	<i>Qty.</i>	<i>Description</i>
1	127-3005	1	Shaft ASM	42	125-6961	1	Plate-Breather
2	127-3006	1	Shaft	43	125-6962	1	Spring-Diaphragm
4	127-2974	2	Support	45	127-3106	1	Gasket-Cover
5	127-2975	3	Support	46	127-3026	1	Joint
6	127-2995	4	Spring	47	125-6994	1	Spring
7	127-2989	8	Arm-Rocker	48	127-3029	1	Sensor-Pressure
8	125-7013	8	Screw-Adjust, Valve	49	127-3032	2	O Ring-Sensor, Pressure
10	125-7014	8	Nut	50	127-3040	1	Hose ASM
11	127-3183	3	Stud	52	127-3041	2	Clip-Hose
12	127-2996	8	Cap-Valve	53	125-6913	1	Plug
13	127-3132	1	Cylinder Head ASM	54	125-7186	4	Screw
21	125-7240	2	Plug	55	125-7186	6	Screw
22	127-2990	4	Valve	56	125-7186	1	Screw
23	127-3012	8	Spring	57	127-3184	2	Bolt
24	127-2994	4	Valve	58	125-6974	3	Knob
25	127-3013	8	Retainer-Spring	59	127-2978	1	Plug
26	127-2986	4	Seal-Stem, Valve	60	93-0418	3	O-Ring
27	127-3027	4	Seal-Stem, Valve	61	127-3128	1	Joint-Breather
28	127-3186	8	Pin-Cotter	62	127-3129	1	Breather Hose ASM
30	127-3021	4	Gasket-Injector	64	125-7040	2	Clip-Hose
31	127-3028	4	Retainer-Injector	66	127-3133	1	Hose-Intake
32	127-2980	4	Washer-Injector	67	127-3030	1	Sensor-Temp, Air
33	125-7184	2	Pin-Spring	68	127-3033	1	O-Ring
34	125-7215	3	Bolt	69	125-7190	2	Clamp-Hose
35	125-7217	4	Bolt	70	125-7208	1	Bolt
36	125-7220	7	Bolt	71	127-3130	1	Lifter-Engine
37	127-3131	1	Cylinder Head Cover ASM	72	125-7214	2	Bolt
38	127-2988	1	Plate	73	127-2991	4	Plug-Glow
39	125-7012	1	Baffle	74	127-3123	1	Connector-Glow Plug
40	125-6959	1	Diaphragm	75	127-2979	4	Guide
41	125-6960	1	Plate	76	127-2997	4	Guide-Valve



Suction Manifold Assembly

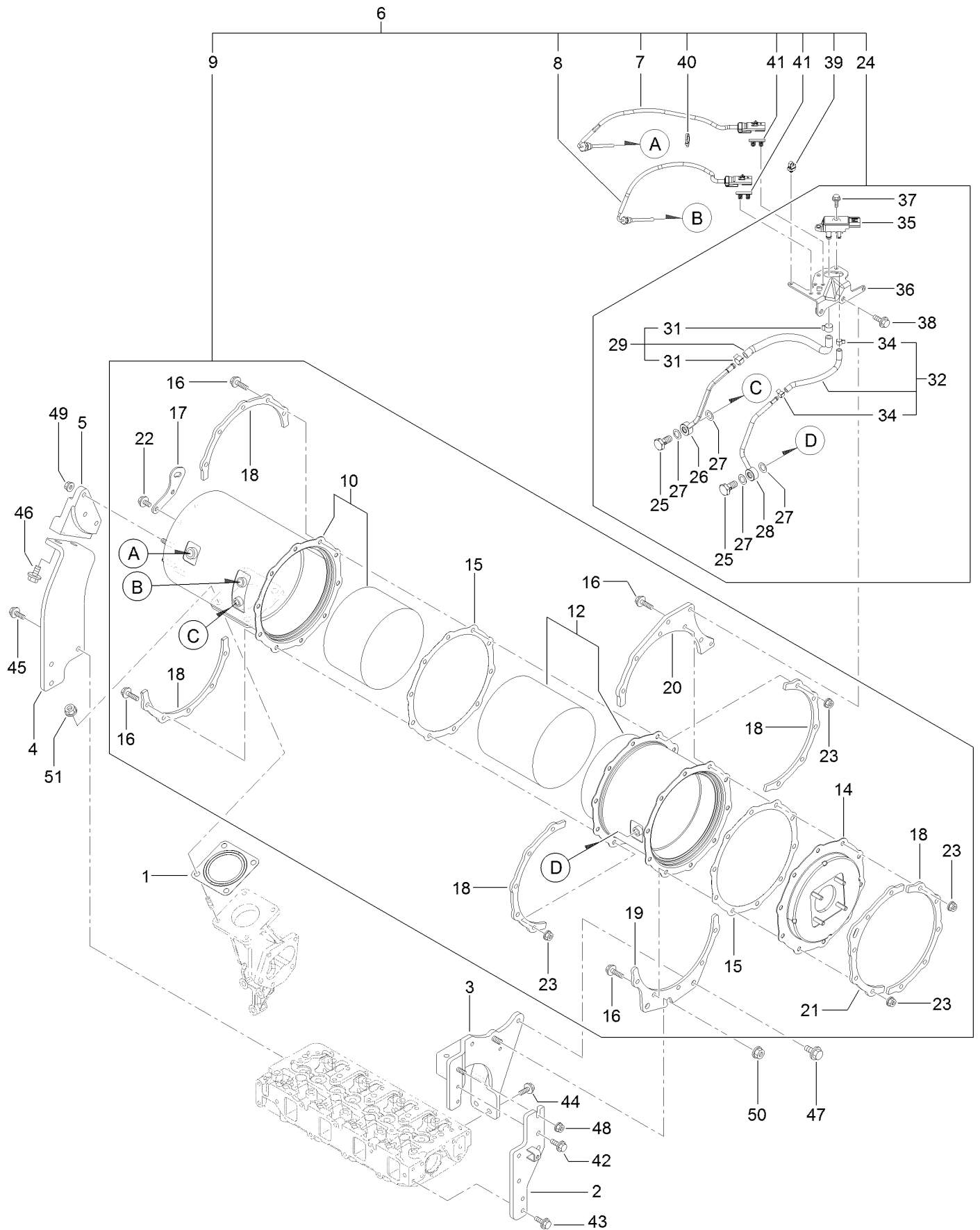
Ref.	Part Number	Qty.	Description	Ref.	Part Number	Qty.	Description
1	127-3107	1	Gasket-Manifold, Intake	18	127-3080	1	Joint-Hose
2	127-3135	1	Intake Manifold ASM	19	127-3081	1	Joint-Hose
3	127-3134	1	Manifold-Intake	20	127-3166	2	Washer-Seal
4	127-3180	4	Stud	21	127-3168	2	Screw
5	127-3031	1	Sensor-Temp, Air	22	127-3181	2	Stud
6	125-7220	5	Bolt	23	127-3045	1	Spacer-Valve, E G R
7	127-3152	1	Duct-Suction	24	127-3046	1	Gasket-E G R
8	127-3096	1	Joint-Rubber	25	125-7220	1	Bolt
9	127-3153	1	Joint-Rubber	26	127-3178	1	Bolt
10	125-7189	1	Clamp-Hose	27	127-3182	3	Stud
11	127-3170	1	Clamp-Hose	28	125-7229	3	Nut
12	125-7190	1	Clamp-Hose	29	127-3035	1	Bend-Inlet
13	127-3171	1	Clamp-Hose	30	127-3036	1	Body-Throttle
14	127-3034	1	Gasket-Collector	31	127-3037	2	Gasket-Throttle
15	127-3093	1	Intake Collector ASM	32	125-7209	2	Bolt
16	127-3092	1	Collector-Intake	33	125-7211	4	Bolt
17	127-3139	1	Valve-Reed	34	127-3177	2	Bolt



Exhaust Manifold Assembly

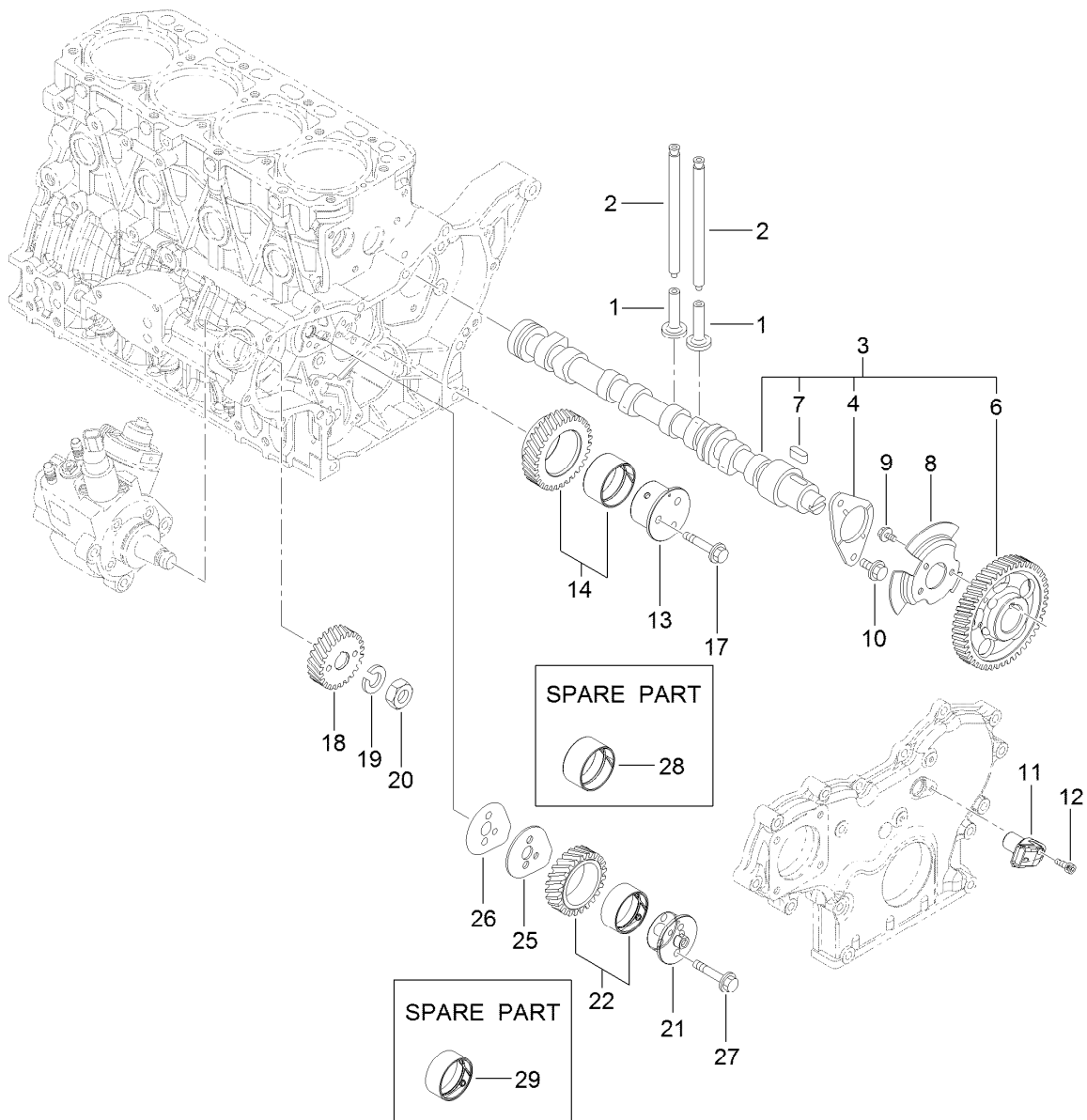
Ref.	Part Number	Qty.	Description	Ref.	Part Number	Qty.	Description
1	127-3108	1	Gasket-Manifold, Exhaust	19	125-7043	2	Stud
2	127-3136	1	Manifold-Exhaust	20	125-7220	2	Bolt
3	127-3094	1	Bolt	21	127-2984	4	Stud
4	127-3044	7	Bolt-M10	22	127-3137	1	Pipe-Exhaust
5	127-3140	1	Sensor-Temp, Exhaust	23	127-3138	3	Bolt-Flange
6	127-3087	1	Band-Clip	24	125-7071	1	Gasket
7	125-7043	4	Stud	25	125-7229	5	Nut
8	127-3038	1	Exhaust Pipe ASM	26	127-3047	1	Sensor-Gas Temp, E G R
9	127-3173	2	Clamp	27	127-3109	1	E G R Pipe ASM
10	127-3039	1	Bolt-Joint, Pipe	28	127-3016	1	Gasket
11	127-3174	2	Gasket	29	125-7215	2	Bolt
12	125-7206	2	Bolt	30	125-7229	2	Nut
13	127-3042	1	Cooler-E G R	31	127-3110	1	Valve-E G R
14	127-3043	2	Gasket-Cooler, E G R	32	127-3050	1	Gasket-Intake Valve, E G R
15	127-2976	2	Bolt	33	127-3051	1	Gasket-Out Valve, E G R
16	127-3022	1	Bolt-Flange	34	125-7229	2	Nut
17	127-3048	1	E G R Pipe ASM	35	127-3019	1	Gasket
18	127-3049	1	Pipe-Out, E G R				

Diesel Particulate Filter Assembly



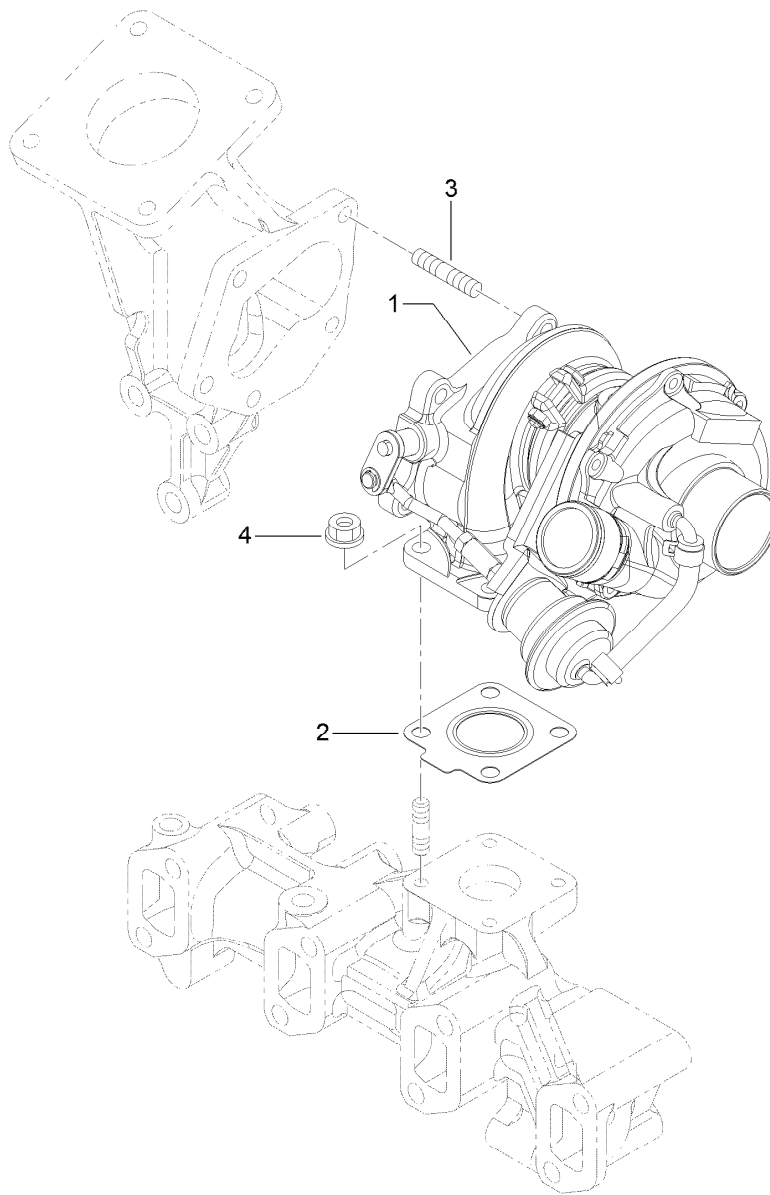
Diesel Particulate Filter Assembly (continued)

<i>Ref.</i>	<i>Part Number</i>	<i>Qty.</i>	<i>Description</i>	<i>Ref.</i>	<i>Part Number</i>	<i>Qty.</i>	<i>Description</i>
1	127-2987	1	Gasket-Silencer	27	127-3056	4	Gasket-Sensor
2	127-3095	1	Stay-D P F	28	127-3165	1	Exhaust Pressure Pipe ASM
3	127-3148	1	Stay- D P F	29	127-3114	1	Exhaust Hose ASM
4	127-3149	1	Stay-D P F	31	127-3057	2	Clip-Hose
5	127-3150	1	Stay-D P F	32	127-3059	1	Exhaust Pressure Hose ASM
6	127-3159	1	D P F Unit	34	127-3058	2	Clip-Hose
7	127-4764	1	Sensor-Temp, Exhaust	35	127-3060	1	Sensor-Pressure
8	127-3112	1	Sensor-Temp, Exhaust	36	127-3061	1	Bracket-Sensor, Pressure
9	127-3157	1	D P F ASM	37	125-7208	2	Bolt
10	127-3141	1	Case-Doc	38	125-7595	2	Bolt
12	127-3142R	1	Case-Filter, Soot-Recon	39	127-3087	1	Band-Clip
12	127-3142	1	Case-Filter, Soot	40	127-3124	1	Band
14	127-3143	1	Flange-Outlet	41	127-3088	2	Clip-Connector
15	127-3162	2	Gasket-D P F	42	125-7595	2	Bolt
16	127-3055	20	Bolt	43	125-7595	2	Bolt
17	127-3144	1	Lifter-D P F	44	125-7595	2	Bolt
18	127-3145	5	Stiffener-D P F, A	45	125-7595	3	Bolt
19	127-3146	1	Stiffener-D P F, B	46	127-3179	2	Bolt
20	127-3158	1	Stiffener-D P F, D	47	127-3179	2	Bolt
21	127-3147	1	Stiffener-D P F, C	48	125-7229	1	Nut
22	125-7213	2	Bolt	49	125-7229	3	Nut
23	125-7229	20	Nut	50	125-7230	1	Nut
24	127-3163	1	Pressure Sensor Unit	51	125-7230	4	Nut
25	127-3039	2	Bolt-Joint, Pipe				
26	127-3164	1	Exhaust Pressure Pipe ASM				



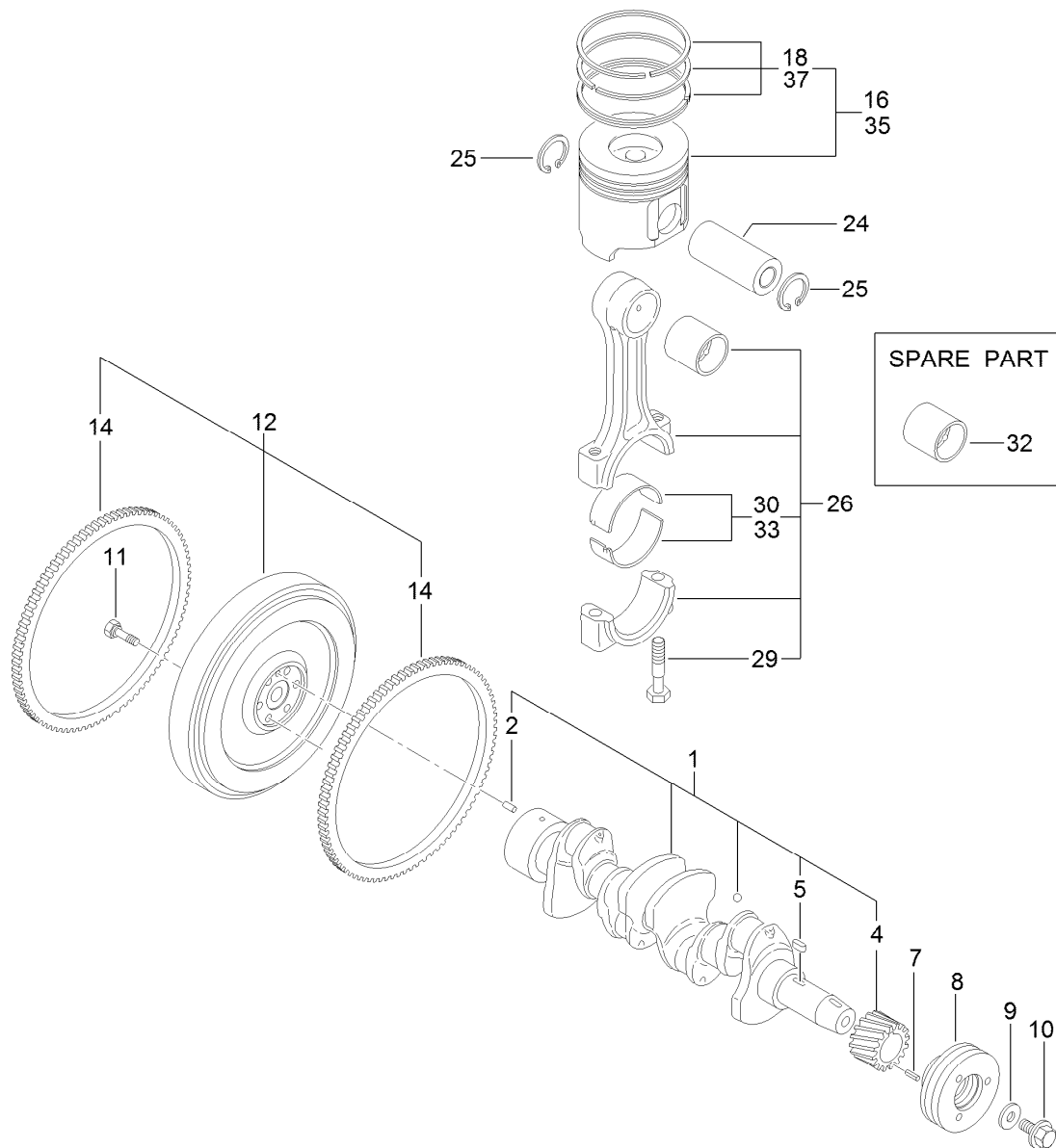
Camshaft and Driving Gear Assembly

<i>Ref.</i>	<i>Part Number</i>	<i>Qty.</i>	<i>Description</i>	<i>Ref.</i>	<i>Part Number</i>	<i>Qty.</i>	<i>Description</i>
1	125-7016	8	Tappet	14	127-3066	1	Idle Gear A ASM
2	125-7017	8	Rod-Push	17	125-7219	3	Bolt
3	127-3113	1	Camshaft ASM	18	127-3070	1	Gear-Pump, Supply
4	125-7008	1	Metal-Thrust	19	127-3167	1	Washer-Spring
6	127-3052	1	Gear-Camshaft	20	127-3185	1	Nut-Lock
7	125-7185	1	Key	21	127-3064	1	Shaft-Idle, Gear B
8	127-3053	1	Pulser-Camshaft	22	127-3067	1	Idle Gear B ASM
9	125-7205	3	Bolt	25	127-3068	1	Plate-Idle, Shaft
10	125-7213	2	Bolt	26	127-3069	1	Gasket-Idle, Shaft B
11	127-3054	1	Sensor-Rev, Gear	27	125-7218	2	Bolt
12	127-3184	1	Bolt	28	125-6927	1	Bushing
13	127-3063	1	Shaft-Idle, Gear A	29	127-3065	1	Bushing



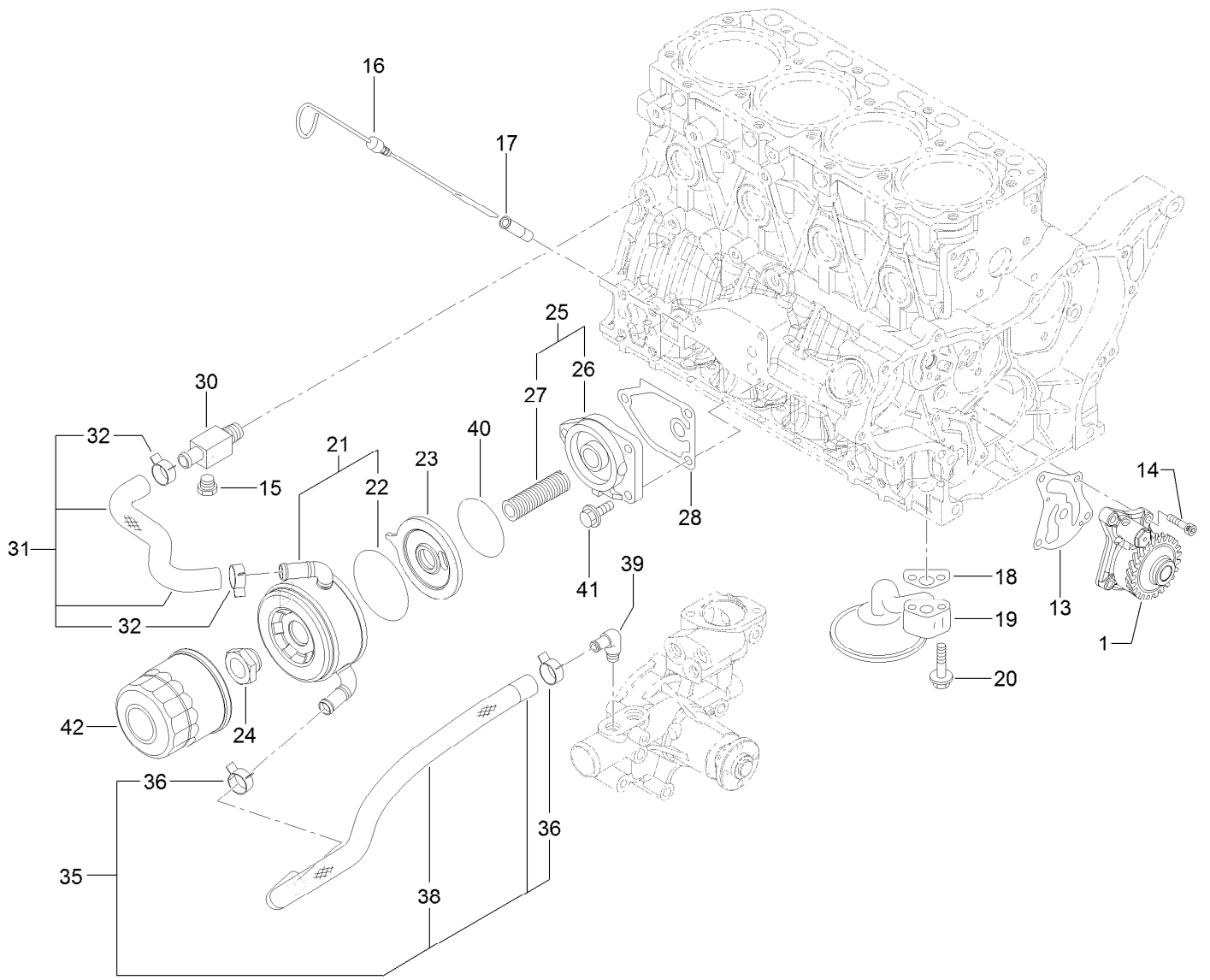
Turbine Assembly

<i>Ref.</i>	<i>Part Number</i>	<i>Qty.</i>	<i>Description</i>
1	127-3151	1	Turbine ASM
2	125-7070	1	Gasket
3	125-6906	5	Stud
4	125-7229	4	Nut



Crankshaft and Piston Assembly

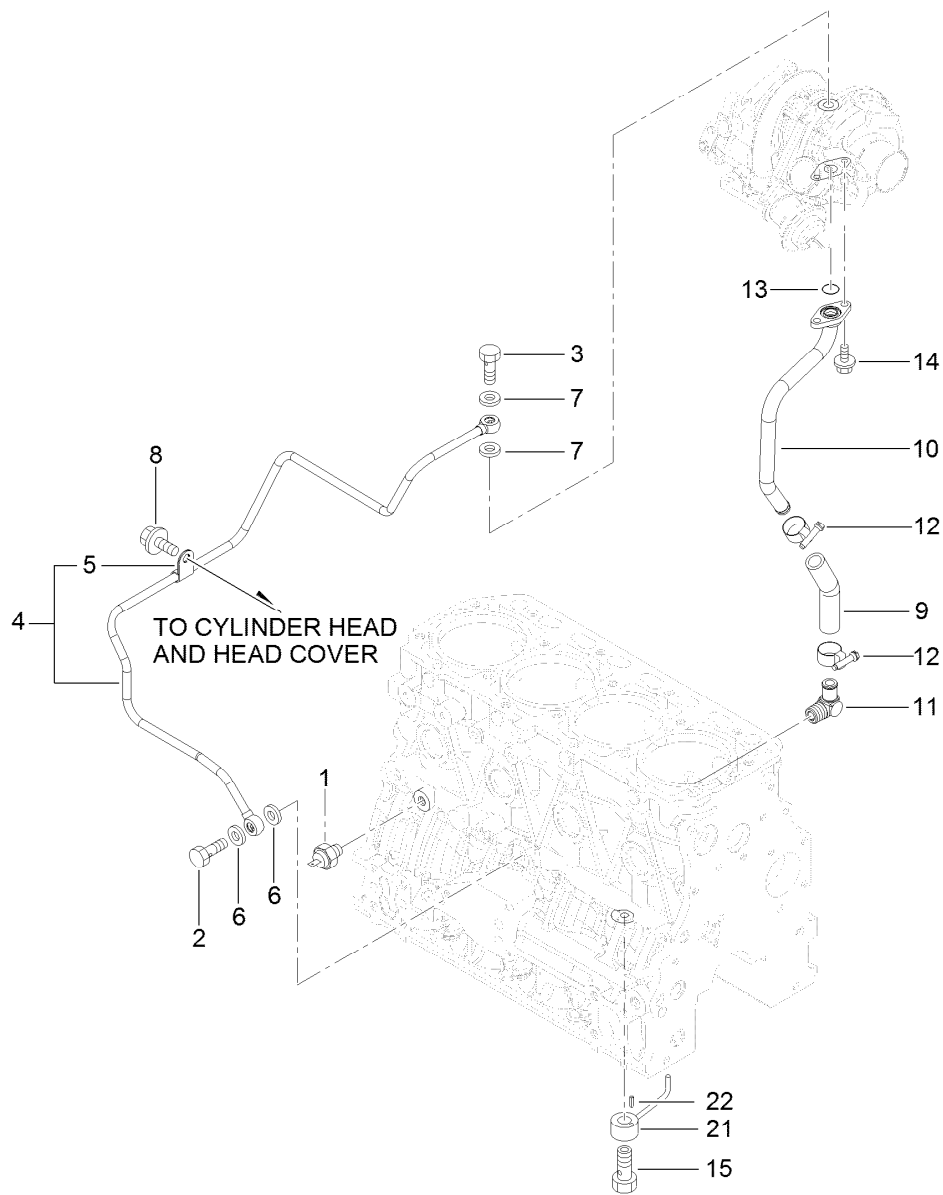
<i>Ref.</i>	<i>Part Number</i>	<i>Qty.</i>	<i>Description</i>	<i>Ref.</i>	<i>Part Number</i>	<i>Qty.</i>	<i>Description</i>
1	125-7091	1	Crankshaft ASM	16	127-3097	4	Piston ASM
2	125-6995	1	Pin	18	127-3098	4	Piston Ring ASM
4	125-6937	1	Gear	24	125-7030	4	Pin
5	125-7185	1	Key	25	125-7180	8	Ring
7	125-7182	1	Pin-Spring	26	125-7242	4	Connecting Rod ASM
8	125-6925	1	V-Pulley	29	125-6955	8	Bolt
9	125-7109	1	Washer	30	125-7018	4	Pin-Crank
10	125-6956	1	Bolt	32	125-6997	4	Pin-Piston
11	125-6951	6	Bolt	33	125-7019	4	Pin-Crank (.25)
12	127-3160	1	Flywheel ASM	35	127-3099	4	Piston ASM (0.25 O.S.)
14	125-6943	1	Gear	37	127-3100	4	Piston Ring ASM (0.25 O.S.)



Lubrication and Oil System Assembly

Ref.	Part Number	Qty.	Description
1	127-3101	1	Oil Lube Pump ASM
13	127-3004	1	Gasket
14	125-7232	4	Bolt
15	125-7171	1	Plug-Drain
16	125-6987	1	Dipstick
17	125-6954	1	Guide-Dipstick
18	125-7022	1	Gasket
19	125-7023	1	Pipe ASM
20	125-7217	2	Bolt
21	127-3014	1	Cooler ASM
22	127-2985	1	O-Ring
23	127-3015	1	Bracket-Cooler
24	125-7041	1	Nut-Cooler, Oil
25	127-3009	1	Bracket ASM

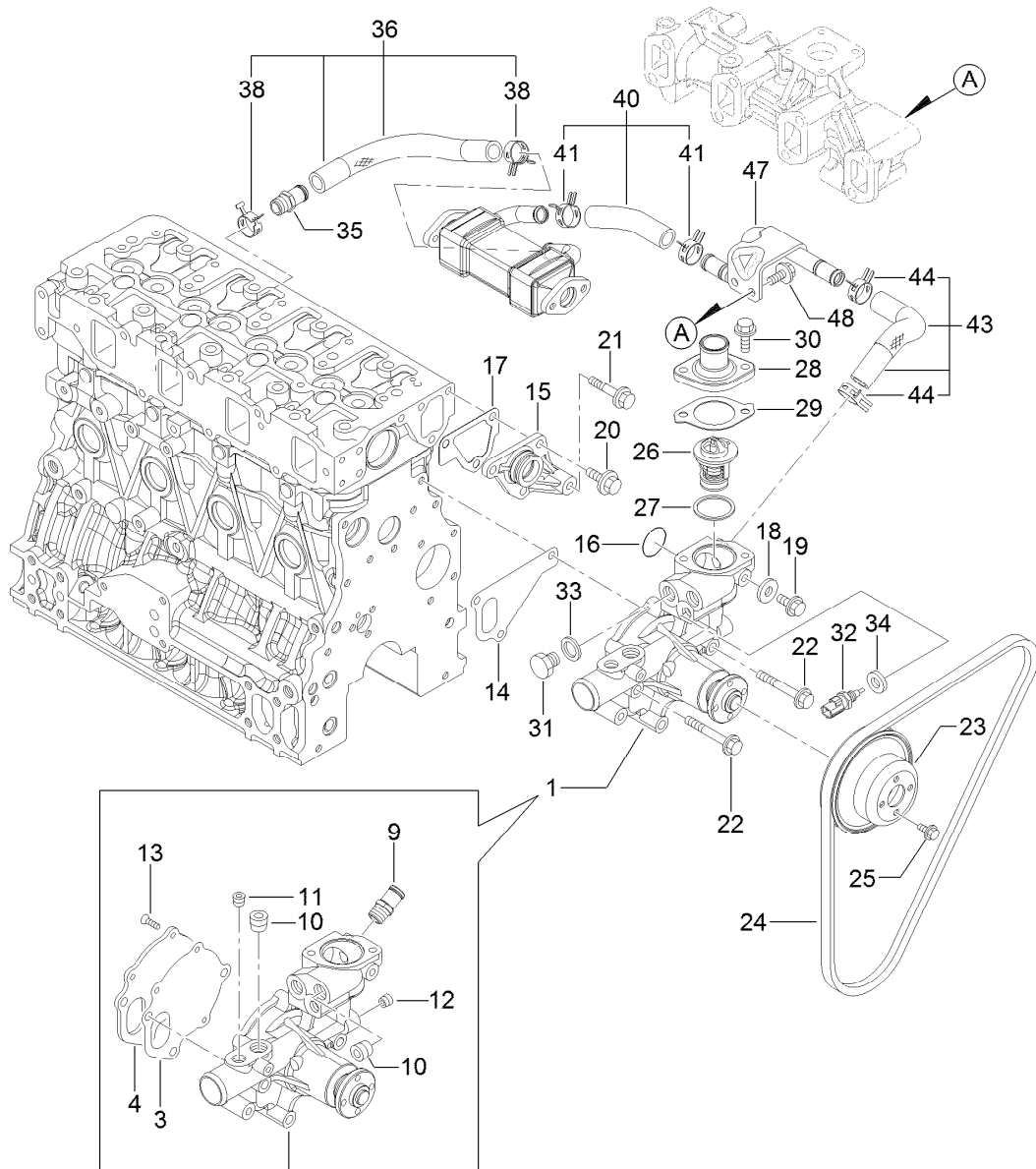
Ref.	Part Number	Qty.	Description
26	125-6930	1	Bracket
27	127-3010	1	Stud
28	125-7024	1	Gasket
30	125-6990	1	Joint
31	127-3102	1	Pipe-Cooling, Water
32	125-7162	2	Clip
35	127-3103	1	Hose-Cooling, Water
36	125-7162	2	Clip
38	127-3007	1	Tube
39	125-7001	1	Elbow
40	127-3176	1	O-Ring
41	125-7595	3	Bolt
42	125-7025	1	Filter-Engine, Oil



Lubrication Oil Line Assembly

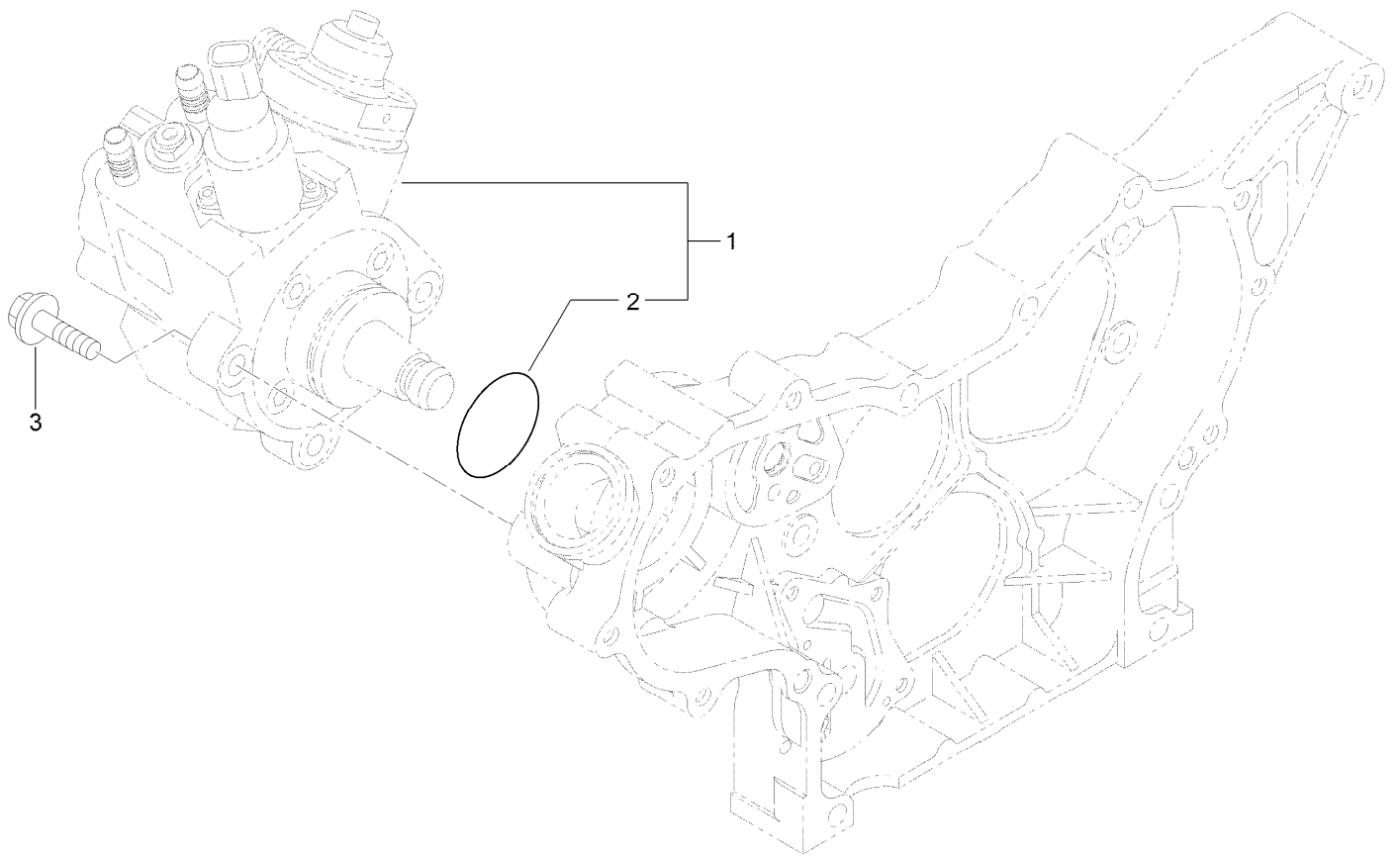
Ref.	Part Number	Qty.	Description
1	125-6918	1	Switch-Oil
2	125-6975	1	Bolt-Joint, Pipe
3	125-6952	1	Bolt-Joint, Pipe
4	127-3154	1	Lube Oil Pipe ASM
5	125-6976	1	Retainer
6	125-7175	2	Washer-Seal
7	125-7193	2	Gasket
8	93-0362	1	Bolt
9	127-2992	1	Joint

Ref.	Part Number	Qty.	Description
10	127-3155	1	Pipe-Lube, Oil
11	127-3003	1	Elbow
12	127-3169	2	Clamp-Hose
13	125-7198	1	O-Ring
14	125-7208	2	Bolt
15	125-7105	4	Check Valve ASM
21	125-7098	4	Nozzle
22	125-7182	4	Pin-Spring



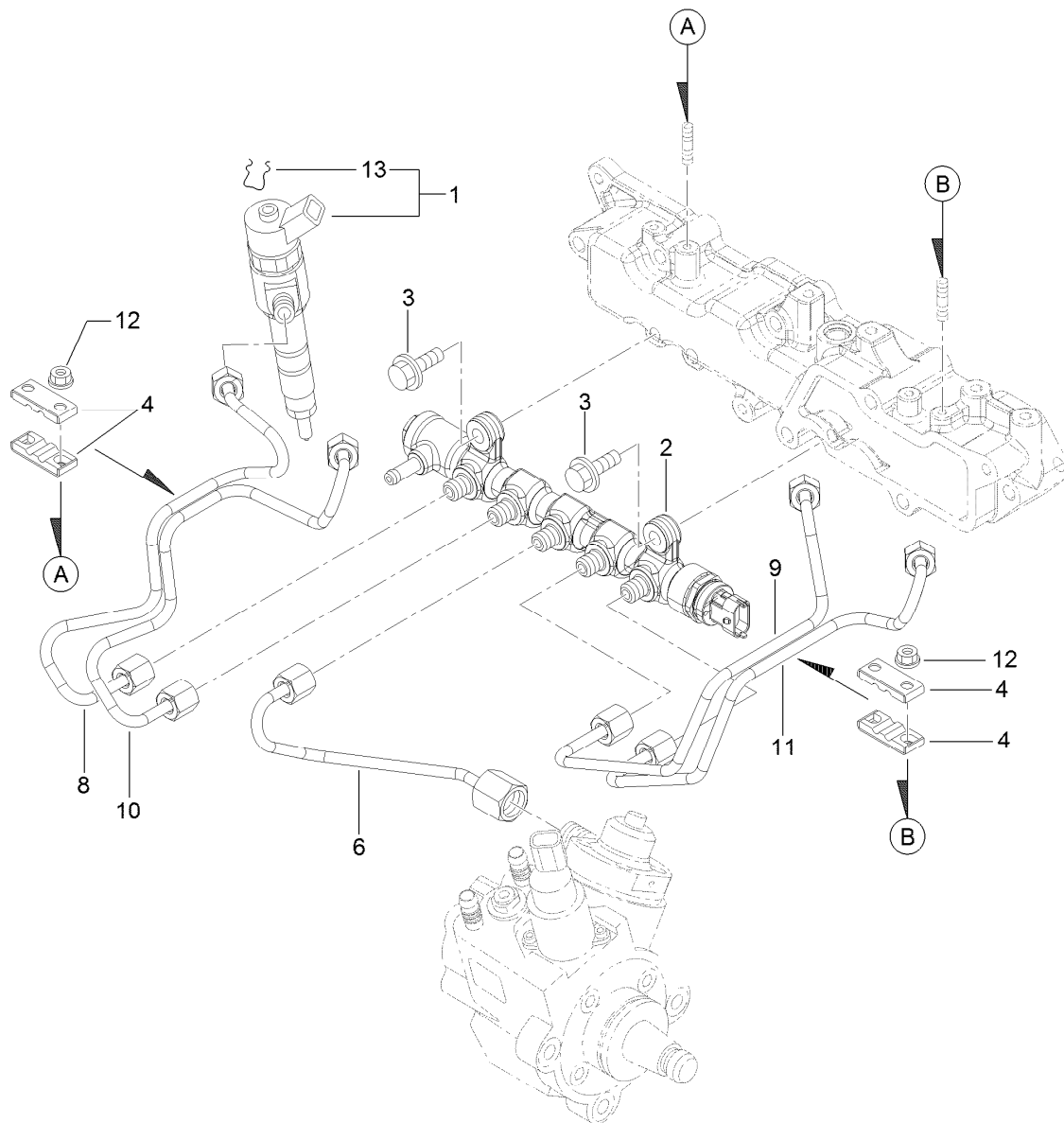
Cooling Water System Assembly

Ref.	Part Number	Qty.	Description	Ref.	Part Number	Qty.	Description
1	127-3071	1	Water Pump ASM	25	125-7206	4	Bolt
3	125-6998	1	Gasket	26	125-7029	1	Thermostat
4	125-6999	1	Plate	27	125-7026	1	Gasket
9	127-3017	1	Joint	28	125-7034	1	Cover
10	125-7123	2	Plug	29	125-7110	1	Gasket
11	127-3175	1	Plug	30	125-7594	2	Bolt
12	125-7195	1	Plug	31	125-6953	1	Plug
13	125-7234	3	Screw	32	125-7124	1	Sensor-Thermostat, CW
14	125-7047	1	Gasket	33	125-6979	1	Gasket
15	125-6986	1	Joint	34	125-7176	1	Washer-Seal
16	125-7048	1	O-Ring	35	127-3017	1	Joint
17	125-6978	1	Gasket	36	127-3072	1	Water In Pipe ASM
18	125-7192	1	Gasket	38	127-3020	2	Clip-Hose
19	93-0362	1	Bolt	40	127-3115	1	Water Out Pipe ASM
20	125-7214	3	Bolt	41	127-3020	2	Clip-Hose
21	125-7219	1	Bolt	43	127-3116	1	Water Out Pipe ASM
22	125-7222	3	Bolt	44	127-3020	2	Clip-Hose
23	125-7039	1	V-Pulley	47	127-3117	1	Pipe-Out, CW
24	127-2998	1	V-Belt	48	125-7214	2	Bolt



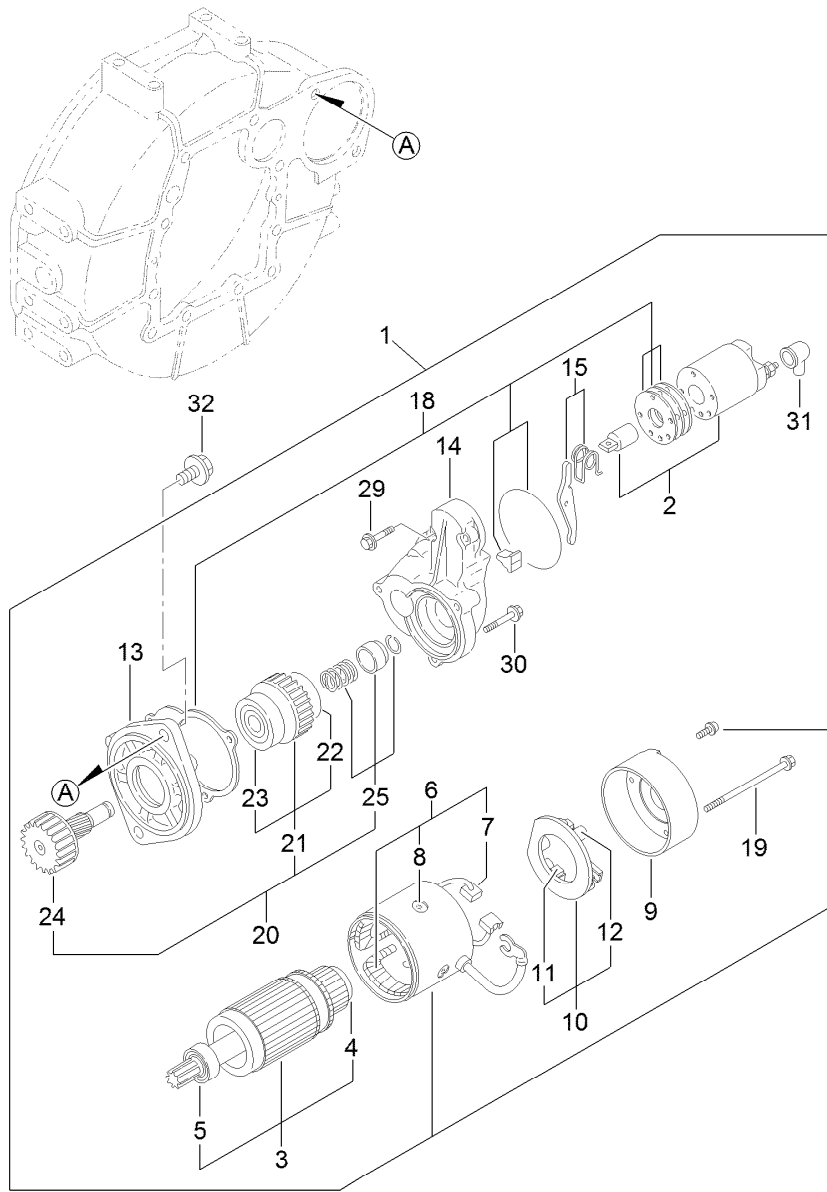
Fuel System Assembly

<i>Ref.</i>	<i>Part Number</i>	<i>Qty.</i>	<i>Description</i>
1	127-3073	1	Fuel Pump ASM
2	127-3074	1	O-Ring
3	125-7216	3	Bolt



Fuel Injection Valve Assembly

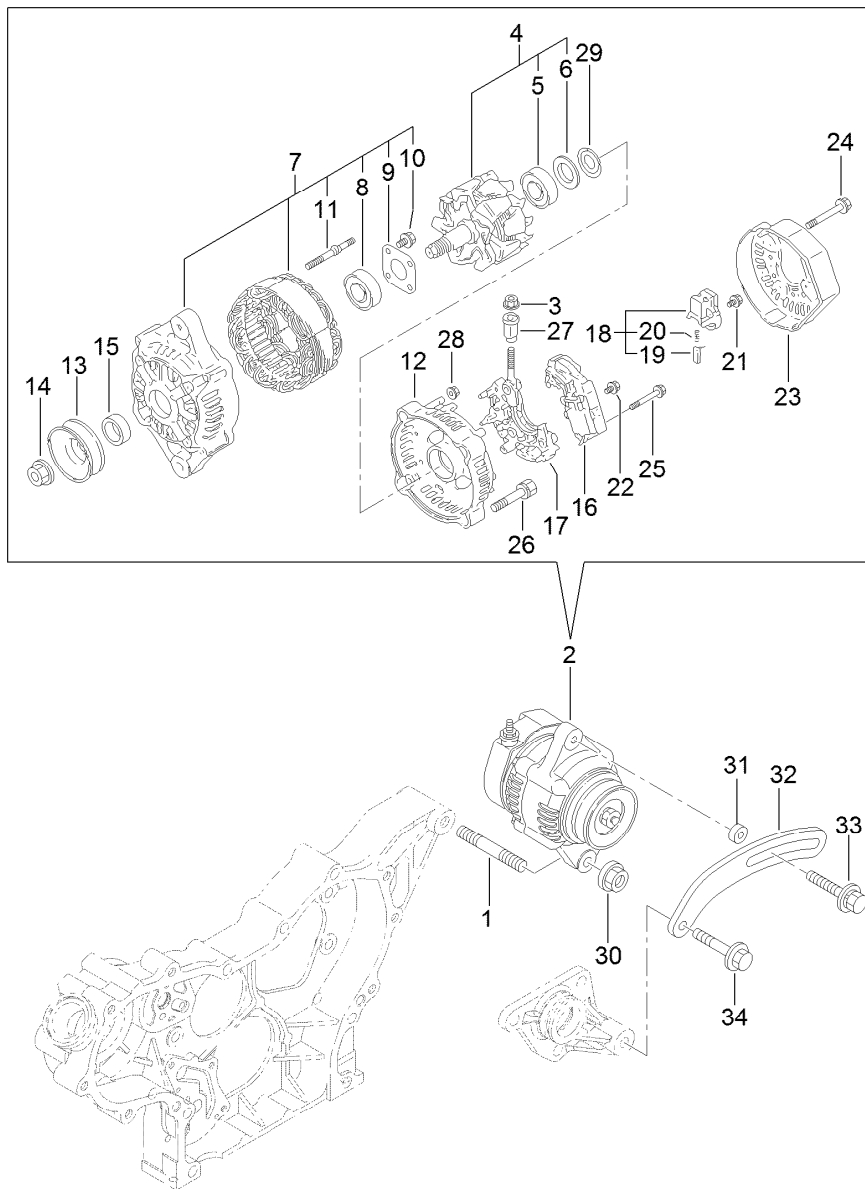
<i>Ref.</i>	<i>Part Number</i>	<i>Qty.</i>	<i>Description</i>
1	127-3104	4	Injector ASM
2	127-3118	1	Rail ASM
3	125-7215	2	Bolt
4	127-2982	4	Retainer
6	127-3082	1	Rail In Pipe ASM
8	127-3121	1	Injection Pipe ASM
9	127-3083	1	Injection Pipe ASM
10	127-3122	1	Injection Pipe ASM
11	127-3084	1	Injection Pipe ASM
12	125-7231	4	Nut
13	130-7430	4	Ring-Retaining



Starting Motor Assembly

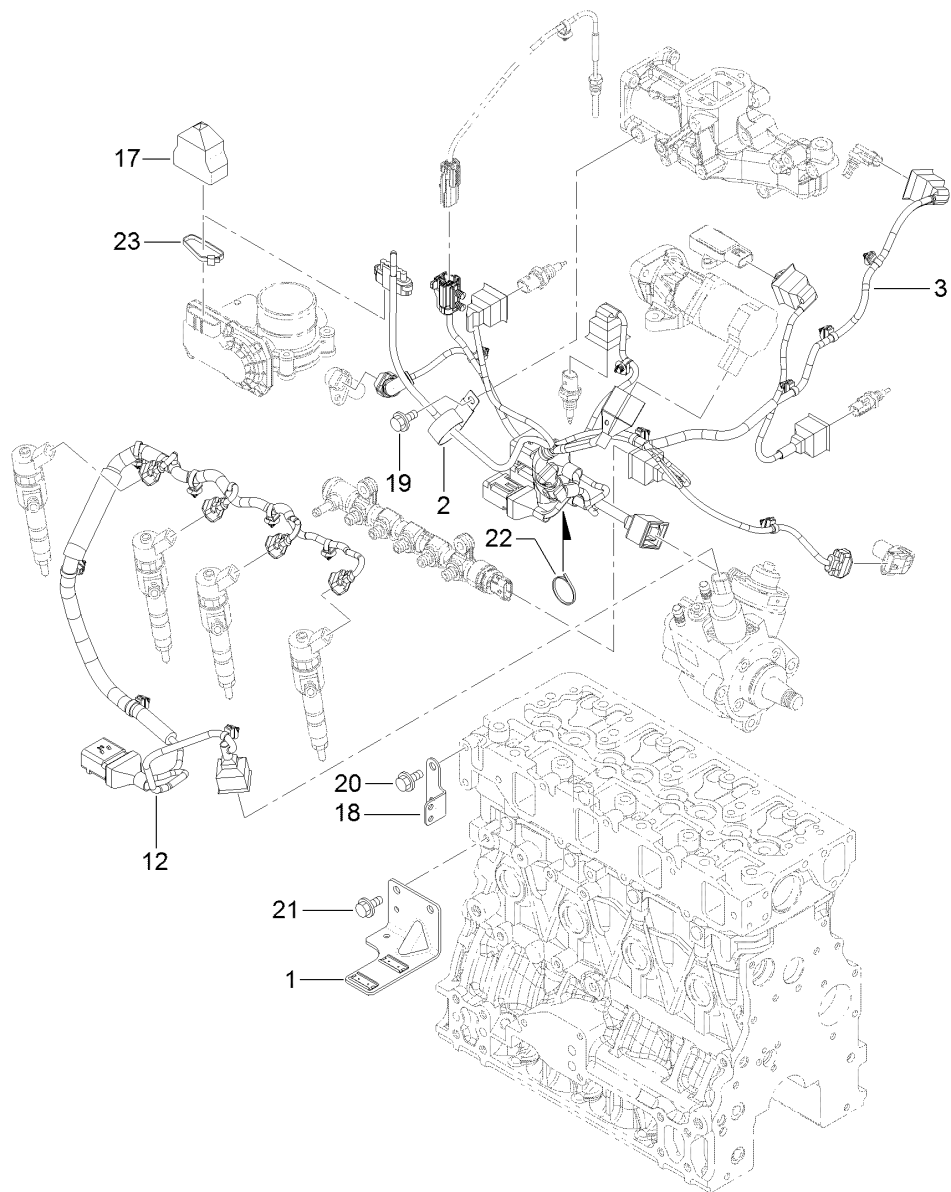
Ref.	Part Number	Qty.	Description
1	125-7003	1	Starter
2	125-7004	1	Switch ASM
3	125-7112	1	Armature ASM
4	125-7252	1	Bearing-Ball
5	125-7249	1	Bearing, Ball
6	125-7113	1	Field Coil ASM
7	125-7114	2	Brush
8	125-7163	4	Screw
9	125-7115	1	Cover
10	125-7116	1	Brush Holder ASM
11	125-7114	2	Brush
12	125-7036	4	Spring
13	125-7164	1	Case-Gear
14	125-7005	1	Housing

Ref.	Part Number	Qty.	Description
15	125-7165	1	Lever Set
18	125-7037	1	Dust Cover ASM
19	125-7117	2	Bolt-Through
20	125-7166	1	Pinion ASM
21	125-7250	1	Clutch ASM
22	125-7251	1	Bearing-Ball
23	125-7253	1	Bearing-Ball
24	125-7167	1	Shaft
25	125-7168	1	Stopper Set
29	125-7210	2	Bolt
30	125-7211	3	Bolt
31	125-7169	1	Cover
32	125-7225	2	Bolt



Generator Assembly

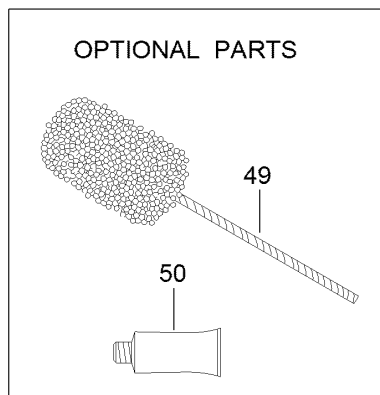
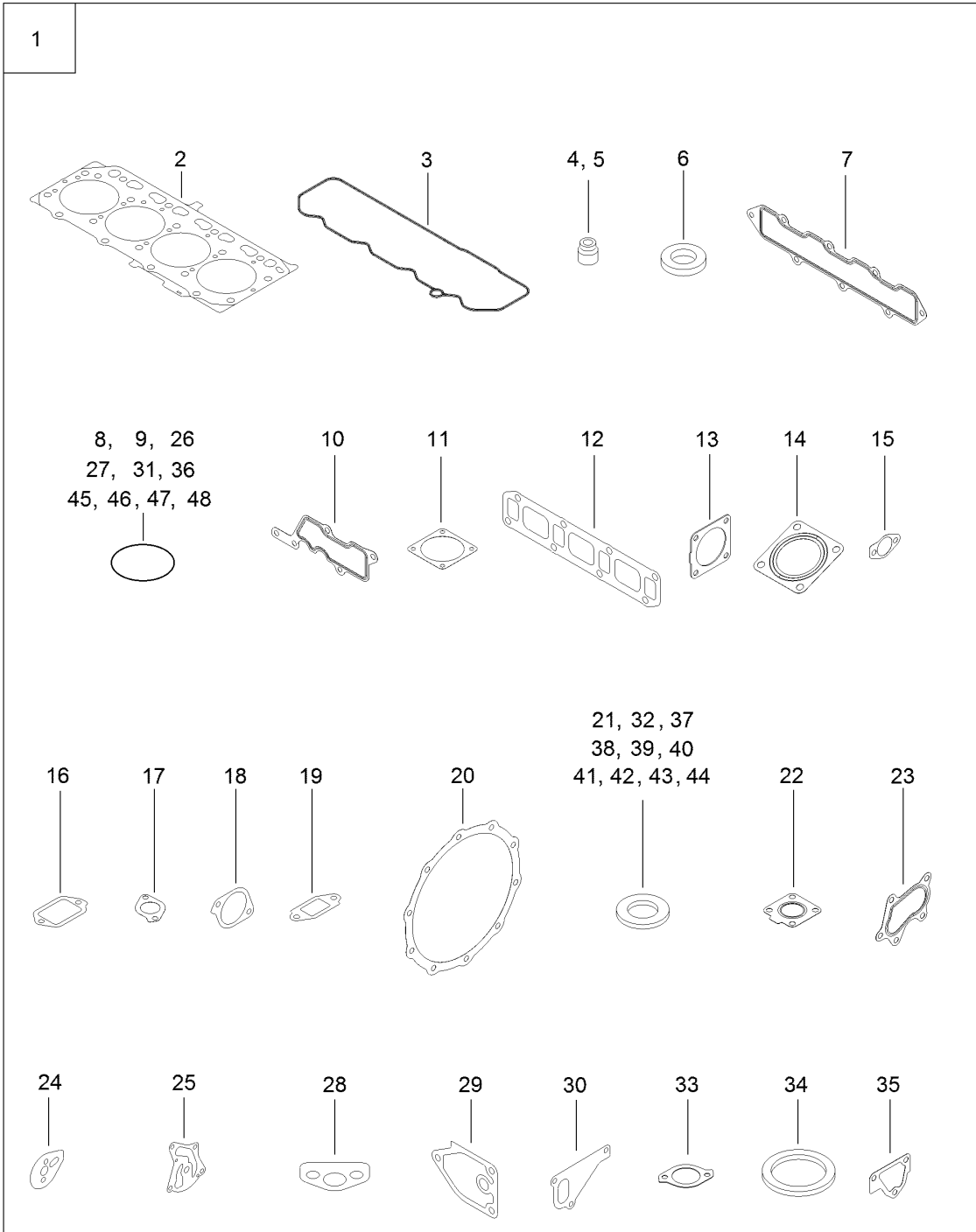
Ref.	Part Number	Qty.	Description	Ref.	Part Number	Qty.	Description
1	127-3011	1	Stud	18	127-2993	1	Holder
2	125-7120	1	Alternator-12V	19	127-2956	2	Brush ASM
3	127-3190	1	Nut	20	127-2964	2	Spring
4	127-2951	1	Rotor ASM	21	127-2965	6	Screw
5	127-2983	1	Bearing-Ball	22	127-2966	1	Screw
6	127-2962	1	Cover	23	127-2999	1	Cover
7	127-2952	1	Frame ASM	24	127-2967	3	Bolt
8	127-2958	1	Bearing-Ball	25	127-2968	2	Screw
9	127-2959	1	Plate-Retainer	26	127-2969	2	Bolt
10	127-2960	4	Screw	27	127-2970	1	Bushing-Insulation
11	127-2961	2	Stud	28	127-2971	2	Nut
12	127-2953	1	Frame ASM	29	127-2972	1	Washer
13	127-2954	1	Pulley	30	125-7230	1	Nut
14	127-2955	1	Nut	31	125-6947	1	Spacer
15	127-2957	1	Collar	32	127-2977	1	Adjuster
16	127-3002	1	Regulator ASM	33	125-7134	1	Bolt
17	127-2963	1	Holder	34	125-7219	1	Bolt



Electric Parts Assembly

Ref.	Part Number	Qty.	Description
1	127-3086	1	Bracket-Connector
2	127-3018	1	Clip
3	127-3156	1	Harness B-E C O, Engine
12	127-3125	1	Harness C
17	127-3089	1	Boot-Type, Cap
18	127-3090	1	Bracket-Harness
19	93-0362	1	Bolt
20	93-0362	2	Bolt
21	93-0362	2	Bolt
22	127-3187	1	Band
23	127-3188	1	Band

Gasket Set



Gasket Set (continued)

<i>Ref.</i>	<i>Part Number</i>	<i>Qty.</i>	<i>Description</i>	<i>Ref.</i>	<i>Part Number</i>	<i>Qty.</i>	<i>Description</i>
1	127-3189	1	Gasket Kit	26	125-6909	2	O-Ring
2	127-3126	1	Gasket-Head, Cylinder	27	127-2973	1	O-Ring
3	127-3106	1	Gasket-Cover	28	125-7022	1	Gasket
4	127-2986	4	Seal-Stem, Valve	29	125-7024	1	Gasket
5	127-3027	4	Seal-Stem, Valve	30	125-7047	1	Gasket
6	127-3021	4	Gasket-Injector	31	125-7048	1	O-Ring
7	127-3107	1	Gasket-Manifold, Intake	32	125-6979	1	Gasket
8	127-3032	2	O Ring-Sensor, Pressure	33	125-7110	1	Gasket
9	127-3033	1	O-Ring	34	125-7026	1	Gasket
10	127-3034	1	Gasket-Collector	35	125-6978	1	Gasket
11	127-3037	2	Gasket-Throttle	36	127-3074	1	O-Ring
12	127-3108	1	Gasket-Manifold, Exhaust	37	125-7174	1	Washer-Seal
13	127-3019	1	Gasket	38	125-7175	2	Washer-Seal
14	127-2987	1	Gasket-Silencer	39	125-7176	1	Washer-Seal
15	127-3043	2	Gasket-Cooler, E G R	40	127-3166	2	Washer-Seal
16	127-3046	1	Gasket-E G R	41	125-7177	1	Washer-Seal
17	127-3016	1	Gasket	42	125-7192	1	Gasket
18	127-3050	1	Gasket-Intake Valve, E G R	43	125-7193	2	Gasket
19	127-3051	1	Gasket-Out Valve, E G R	44	127-3174	2	Gasket
20	127-3162	2	Gasket-D P F	45	93-0418	3	O-Ring
21	127-3056	4	Gasket-Sensor	46	125-7197	1	O-Ring
22	125-7070	1	Gasket	47	125-7198	1	O-Ring
23	125-7071	1	Gasket	48	127-3176	1	O-Ring
24	127-3069	1	Gasket-Idle, Shaft B	49	127-3000	1	Hone
25	127-3004	1	Gasket	50	125-7248	1	Gasket-Liquid

Attachments and Accessories

For 30644 Groundsmaster 4110 Rotary Mower

Product Name	Model/Part
Blade-Combination (19in).....	106-7166-03
Blade-Atomic (19in).....	107-0215-03
Atomic Blade Service Pack.....	108-1451
Blade-Flat Sail (19in).....	110-6116-03
Flat Blade Service Pack (19in).....	110-6140
Work Light Kit.....	114-5610
Backrest Extension Kit.....	119-7719
Large Seat Cover.....	120-5179
Premium Engine Oil 10w30 (55 Gallon Drum).....	121-6392
Premium Engine Oil 10w30 (5 Gallon Pail).....	121-6393
Premium Engine Oil 15w40 (55 Gallon Drum).....	121-6394
Premium Engine Oil 15w40 (5 Gallon Pail).....	121-6395
MVP Blade Kit.....	130-2660
Pivot Caster Scraper Kit.....	132-6114
PX Hydraulic Fluid (5 Gal).....	133-8086
PX Hydraulic Fluid (55 Gal).....	133-8087
Skid Plate Kit.....	136-4360
Tire-High Traction (20x10-10).....	136-4440
Tire-High Traction (26x12-12).....	136-4442
8in Semi-Pneumatic Wheel ASM.....	137-5529
Wrench-Caster Cap/Latch.....	138-6367
Fuel Kit.....	139-1000
Leaf Mulcher Kit.....	30419
Replacement Cutting Unit.....	30451
CE Kit.....	30453
Beacon Kit.....	30661
Light Adapter Kit.....	30691
Slope Sensor Kit.....	31252
Horn Kit.....	31511
Backup Alarm Kit.....	31512
Flow Divider Kit, Serial Number 400000000 and After Groundsmaster 4100 Series Traction Unit.....	31526
LED Work Light Kit, Groundsmaster or Reelmaster Traction Unit with Cab or 2 Post ROPS Extension Kit.....	31590
Turn Signal Kit, Cab.....	31671
NA Light Kit, Groundsmaster 4000 Series Rotary Mower.....	31693
1000 Hour Mvp Kit-Tier IV.....	44967
8in Foam Filled Wheel ASM.....	93-5974

Notes:



Count on it.