



Count on it.

Parts Catalog

Groundsmaster® 4010

Rotary Mower

Model No. 30636—Serial No. 414952783 and Up



Ordering Replacement Parts

To order replacement parts, please supply the part number, the quantity, and the description of each part desired.

Understanding Reference Numbers

Each identified part in an illustration has a reference number. The reference number for a part also appears in the parts list, along with other information about the part.

This catalog uses two special reference number formats, one to indicate parts in a service assembly and another to indicate the quantity of a given part in an illustration.

Service Assembly Reference Numbers

Parts in service assemblies have reference numbers in the form a:b. The a represents the reference number of the entire service assembly and the b represents a sequential number unique to each part within the service assembly.

For example, a wheel assembly might be identified by reference number 6, the tire by 6:1, the valve by 6:2, and the wheel by 6:3. When you order the assembly identified by reference number 6, you receive all parts identified by reference numbers 6:1, 6:2, and 6:3. However, you may also order any part individually. Reference numbers of this type appear in illustration and in parts lists.

Reference Numbers Indicating Quantity

In an illustration, if a reference number indicates more than one part, the reference number has the form nX y. The n represents the quantity of the part, the X is the multiplication symbol, and the y represents the reference number.

For example, in an illustration, the reference number 2X 37 means that two of the parts identified by reference number 37 are indicated.

Contents

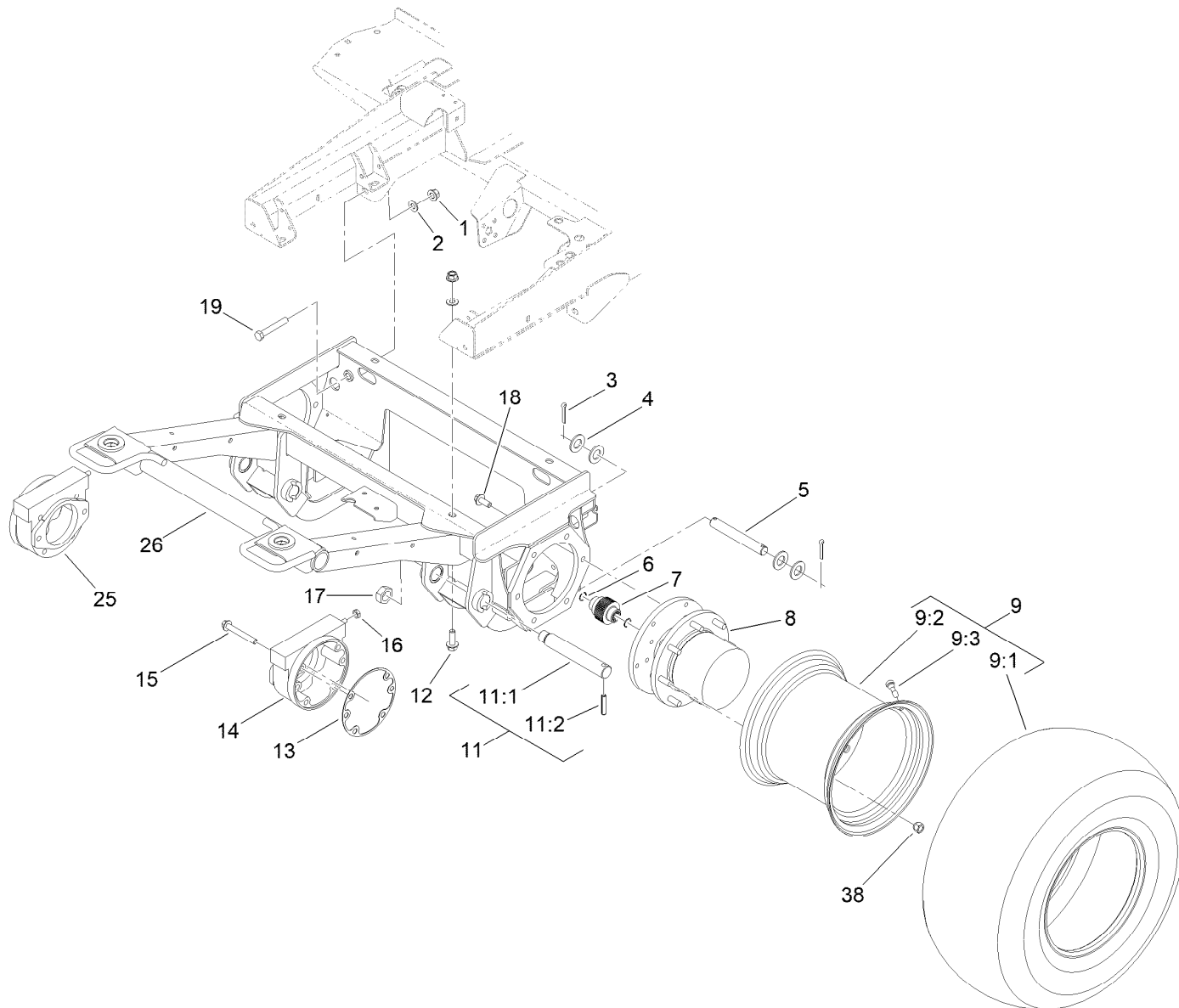
| | |
|---|----|
| Front Frame and Steering Assembly | 6 |
| Planetary Assembly No. 136-2913 | 7 |
| LH Brake Assembly No. 100-3070-03 | 8 |
| RH Brake Assembly No. 100-3069-03 | 9 |
| Battery, Shield and Rear Cover Assembly | 10 |
| Wing Lift Arm Assembly | 12 |
| Hydraulic Cylinder Assembly No. 139-0956 | 14 |
| Impact Arm Assembly | 16 |
| Frame, Bumper and Proximity Sensor Assembly | 18 |
| Cab Step Assembly | 20 |
| Flywheel and Motor Mount Assembly | 22 |
| Radiator Assembly | 24 |
| Fan Mounting and Hardline Assembly | 26 |
| Hydraulic Motor Assembly No. 137-5571 | 28 |
| Engine and Controller Assembly | 29 |
| Air Conditioner Compressor Assembly | 30 |
| Washer Fluid Bottle Assembly | 31 |
| Rear Axle and Steering Cylinder Assembly | 32 |
| Bevel Pinion Shaft Assembly Rear Axle Assembly No. 110-4750 | 34 |
| Differential Assembly Rear Axle Assembly No. 110-4750 | 35 |
| Axle Support Assembly Rear Axle Assembly No. 110-4750 | 36 |
| Bevel Gear Case Assembly Rear Axle Assembly No. 110-4750 | 37 |
| Bevel Gear Shaft Assembly Rear Axle Assembly No. 110-4750 | 38 |
| Axle Case Assembly Rear Axle Assembly No. 110-4750 | 39 |
| Axle Assembly Rear Axle Assembly No. 110-4750 | 40 |
| Hydraulic Motor Assembly No. 120-8814 | 41 |
| Steering Cylinder Assembly No. 121-1534 | 42 |
| Hydraulic Fitting Assembly | 43 |
| Hose and Tube Routing Assembly | 44 |
| Fuel Tank and Air Cleaner Assembly | 45 |
| Air Cleaner Assembly No. 99-5410 | 46 |
| Hood Assembly | 48 |
| Fuel/Water Separator and Shield Assembly | 50 |
| Front Deck Installation Assembly | 52 |
| Hydraulic Motor Assembly No. 127-3694 | 54 |
| Lift Cylinder Assembly No. 120-8802 | 55 |
| Front Deck Hydraulic Fitting Assembly | 56 |
| Front Deck Hose Routing Assembly | 57 |
| Front Deck Idler and Skid Assembly | 58 |
| Double Driven Spindle Assembly No. 139-1037 | 60 |
| High Driven Spindle Assembly No. 139-1038 | 62 |
| Front Deck Caster Arm and Wheel Assembly | 64 |
| Front Deck Driving Spindle Assembly | 66 |
| Driving Spindle Assembly No. 139-1035 | 68 |
| Front Deck Cutting Chamber, Cover and Roller Assembly | 70 |
| Right Deck Mount Assembly | 72 |
| Right Deck Hydraulic Fitting Assembly | 74 |
| Right Deck Hose Assembly | 76 |
| Right Deck, Idler and Skid Assembly | 78 |
| Low Driven Spindle Assembly No. 139-1039 | 80 |
| Right Hand and Left Hand Castor Arm and Wheel Assembly | 82 |
| LH and RH Deck Driving Spindle Assembly | 84 |
| Right Deck Discharge Chamber and Cover Assembly | 86 |
| Left Deck Mount Assembly | 88 |

Contents (continued)

| | |
|---|-----|
| Left Deck Hydraulic Fitting Assembly | 90 |
| Left Deck Hose Assembly | 92 |
| Left Deck, Idler and Skid Assembly | 94 |
| Left Deck Discharge Chamber and Cover Assembly | 96 |
| Traction Pedal and Platform Assembly | 98 |
| Brake Pedal Assembly | 100 |
| Seat Base and Seat Assembly | 102 |
| Air Ride Seat Suspension Assembly No. 130-2702 | 104 |
| Cloth Premium Seat Assembly No. 117-9429 | 106 |
| Steering and Controller Assembly | 108 |
| Steering Column Assembly No. 132-6230 | 110 |
| RH Fender Assembly | 112 |
| LH Fender Assembly | 114 |
| Acoustic Foam, Panel and Cover Assembly | 116 |
| Platform Wire Harness and Fuse Assembly | 117 |
| Rear Wire Harness Assembly | 118 |
| Battery Cable and Ground Assembly | 119 |
| Engine Harness Assembly | 120 |
| Piston Pump and Gear Pump Assembly | 122 |
| 4-Section Gear Pump Assembly No. 120-8904 | 124 |
| Hydraulic Pump Assembly No. 132-6100 | 126 |
| Combination Manifold Assembly | 128 |
| Combination Manifold Assembly No. 137-5582 | 130 |
| Manifold Block Assembly | 132 |
| Left PTO Manifold Assembly No. 131-1249 | 134 |
| Rear Traction Manifold Assembly No. 121-1530 | 135 |
| Center and Right PTO Manifold Assembly No. 131-1248 | 136 |
| Flow Divider Manifold Assembly No. 121-1550 | 137 |
| Drive Motor, Steer Valve and Filter Head Assembly | 138 |
| Hydraulic Motor Assembly No. 120-8812 | 140 |
| Steering Valve Assembly No. 132-6256 | 142 |
| Hydraulic Reservoir Assembly | 144 |
| Lift, Steer and Fan Hydraulic Assembly | 146 |
| Oil Cooler Hydraulic Assembly | 148 |
| Traction Hydraulic Assembly | 149 |
| Cab Tool Box and Flooring Assembly | 150 |
| Armrest Control Panel Assembly | 152 |
| Frame, Mount and Seal Assembly | 154 |
| Cab Headliner Assembly | 156 |
| Air Conditioning Duct Assembly No. 132-3468 | 158 |
| Fan Panel Assembly No. 132-3488 | 160 |
| Window, Door and Striker Assembly | 162 |
| RH Door Assembly | 164 |
| LH Door Assembly | 166 |
| Engine Hose Routing Assembly | 168 |
| Pre-Filter Screen Assembly | 170 |
| Interior Foam Assembly | 172 |
| Roof and Headliner Assembly | 174 |
| Headliner Wire Harness and Control Assembly | 176 |
| Wire Harness Assembly No. 122-2129 | 178 |
| Mixing Box Mounting Bracket and Water Tray Assembly | 180 |
| Blower Fan and Evaporator Core Assembly | 182 |
| Heat/Air Conditioner Housing Assembly | 184 |
| Air Diverter and Expansion Valve Assembly | 186 |

Contents (continued)

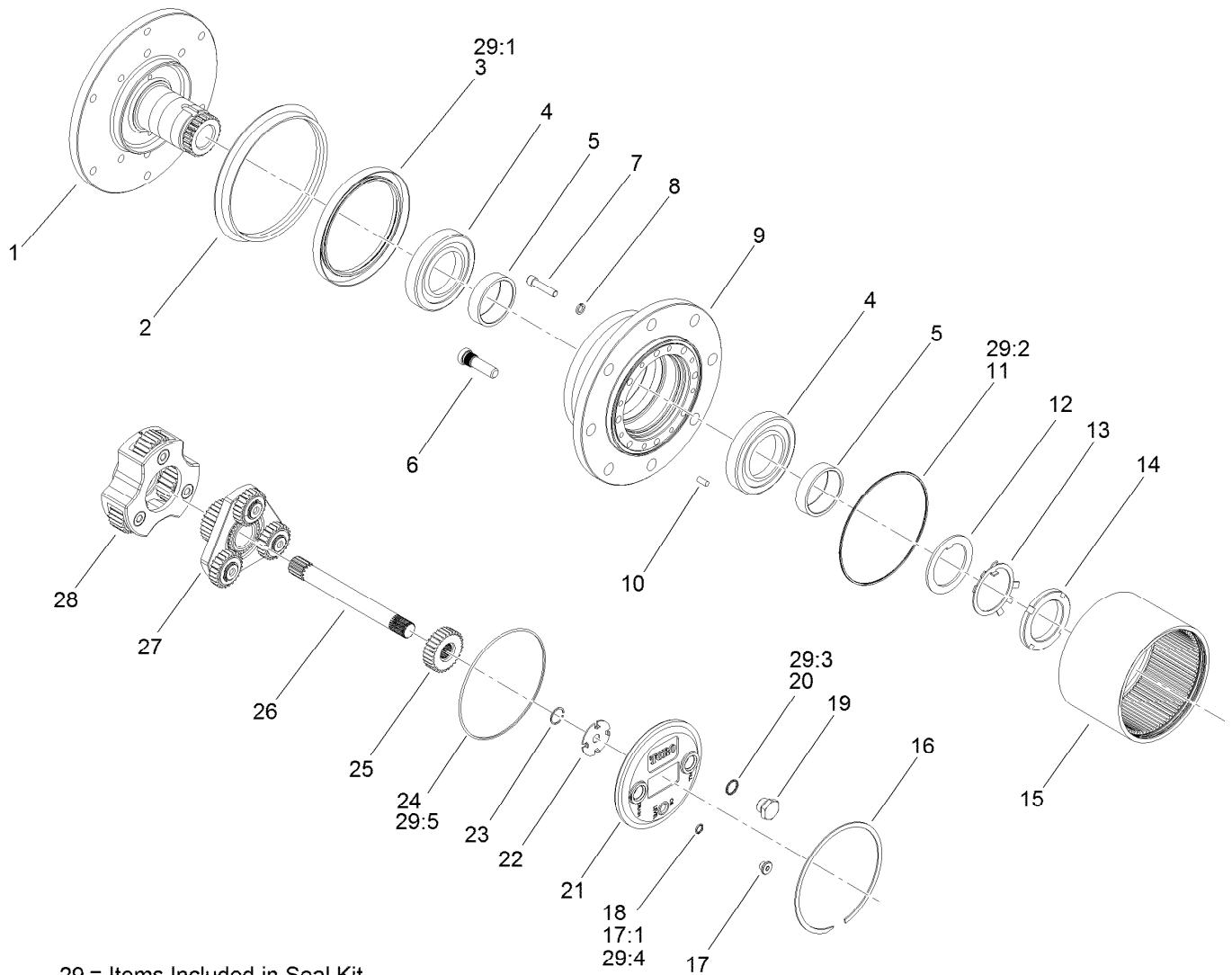
| | |
|--|-----|
| Air Diverter Assembly No. 121-8369 | 188 |
| Cylinder Block Assembly | 190 |
| Gear Housing Assembly | 191 |
| Flywheel Housing and Oil Sump Assembly | 192 |
| Cylinder Head and Cover Assembly | 194 |
| Suction Manifold Assembly | 196 |
| Exhaust Manifold Assembly | 197 |
| Diesel Particulate Filter Assembly | 198 |
| Camshaft and Driving Gear Assembly | 200 |
| Turbine Assembly | 201 |
| Crankshaft and Piston Assembly | 202 |
| Lubrication and Oil System Assembly | 203 |
| Lubrication Oil Line Assembly | 204 |
| Cooling Water System Assembly | 205 |
| Fuel System Assembly | 206 |
| Fuel Injection Valve Assembly | 207 |
| Fuel Line Assembly | 208 |
| Starting Motor Assembly | 209 |
| Generator Assembly | 210 |
| Electric Parts Assembly | 211 |
| Gasket Set | 212 |
| Attachments and Accessories | 214 |



Front Frame and Steering Assembly

| Ref. | Part Number | Qty. | Description | Ref. | Part Number | Qty. | Description |
|------|-------------|------|--------------------------|------|-------------|------|-------------------|
| 1 | 99-5107 | 6 | Nut-Lock | 11:1 | 140-6348 | 1 | Pin-Lift Arm |
| 2 | 3256-26 | 6 | Washer-Flat | 11:2 | 32121-110 | 1 | Pin-Roll, Slotted |
| 3 | 3272-30 | 4 | Pin-Cotter | 12 | 100-6116 | 4 | Screw-HHF |
| 4 | 3256-29 | 8 | Washer-Flat | 13 | 93-7984 | 2 | Gasket |
| 5 | 110-6006 | 2 | Pin-Clevis | 14 | 100-3070 | 1 | LH Brake ASM |
| 6 | 93-7972 | 4 | Ring-Retaining, Internal | 15 | 33106-080 | 8 | Screw-HHF |
| 7 | 100-3046 | 2 | Shaft-Brake, Splined | 16 | 3218-4 | 2 | Nut-Jam |
| 8 | 136-2913 | 2 | Planetary ASM | 17 | 3296-49 | 2 | Nut-Lock, NI |
| 9 | | 2 | Wheel And Tire ASM ● | 18 | 33106-030 | 12 | Screw-HHF |
| 9:1 | 119-8313 | 1 | Tire | 19 | 325-13 | 2 | Screw-HH |
| 9:2 | 136-4391 | 1 | Rim | 25 | 100-3069 | 1 | RH Brake ASM |
| 9:3 | 232-27 | 1 | Stem-Valve | 26 | 132-6250-03 | 1 | Frame-Front |
| 11 | 140-6337 | 2 | Pin ASM | 38 | 242-50 | 16 | Nut-Lug |

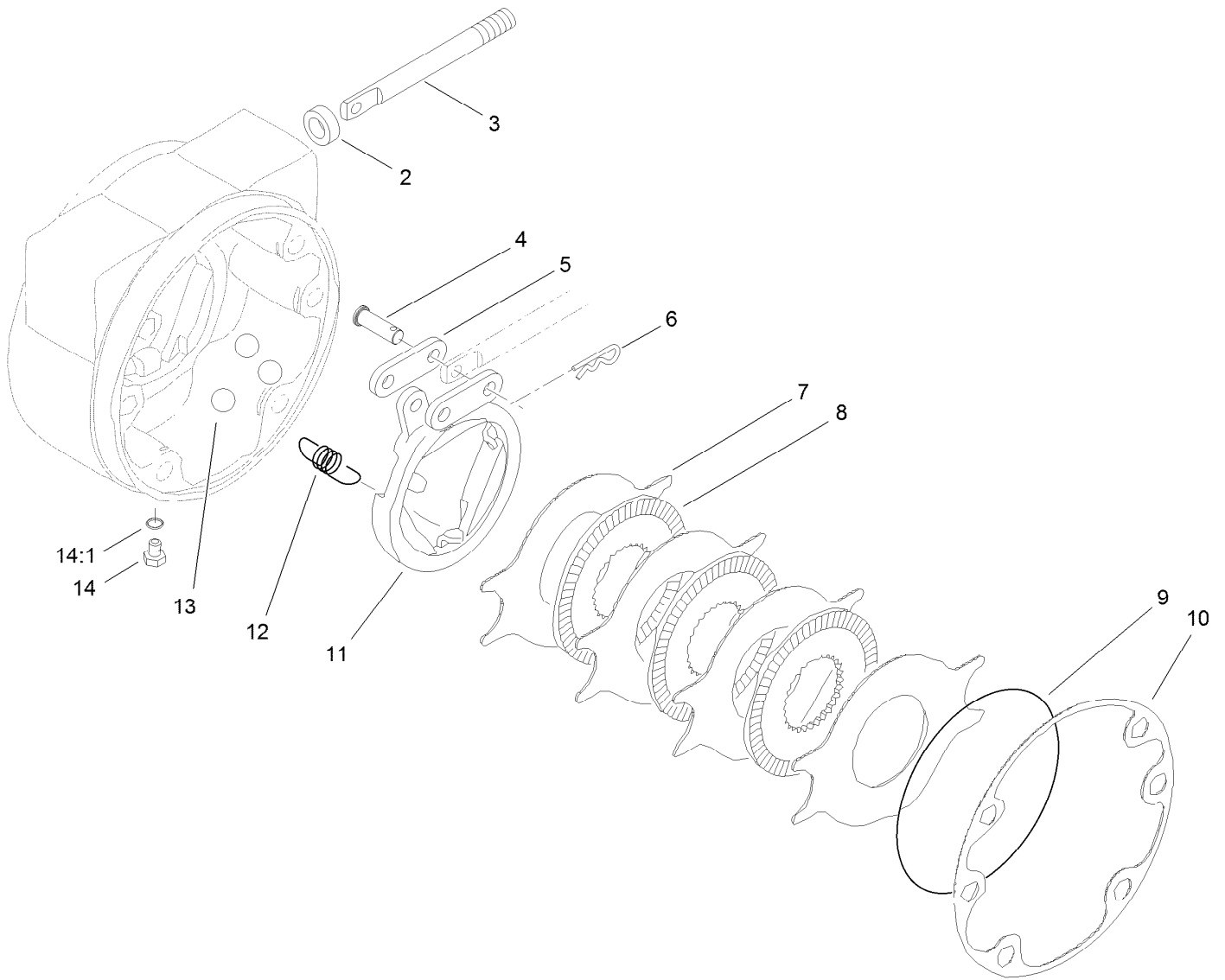
● Not serviced separately



Planetary Assembly No. 136-2913

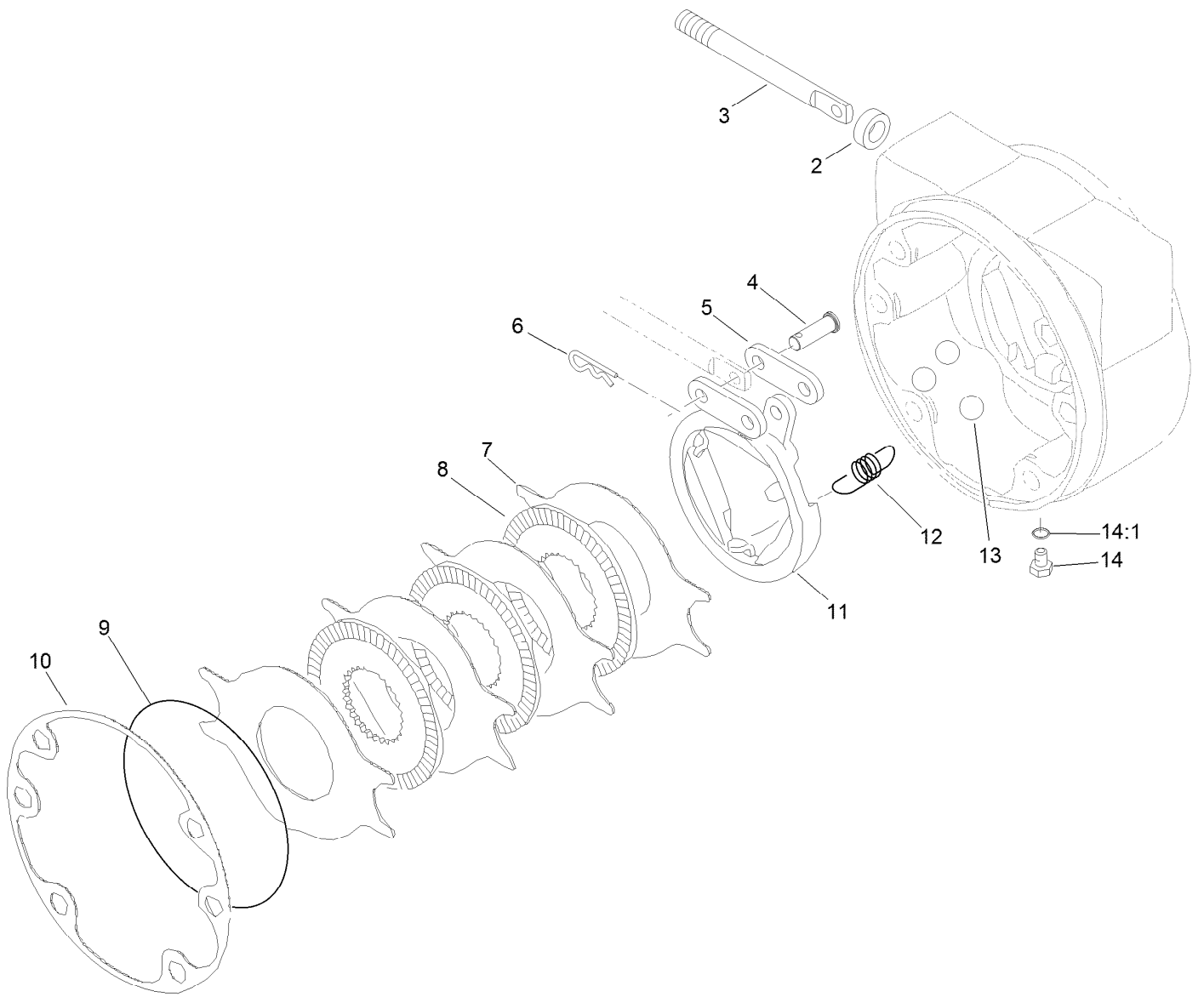
| Ref. | Part Number | Qty. | Description | Ref. | Part Number | Qty. | Description |
|------|-------------|------|-------------------|------|-------------|------|-----------------------|
| 1 | | 1 | Spindle ● | 18 | 237-78 | 1 | O-Ring |
| 2 | 138-1204 | 1 | Seal-Boot | 19 | 138-1211 | 2 | Plug-Flange, Magnetic |
| 3 | | 1 | Seal-Lip ● | 20 | 138-1212 | 2 | O-Ring |
| 4 | 138-1205 | 2 | Bearing-Cup | 21 | 138-1213 | 1 | Cap-End |
| 5 | 138-1206 | 2 | Bearing-Cone | 22 | 138-1214 | 1 | Washer-Thrust, Sun |
| 6 | 105-8124 | 8 | Stud-Wheel | 23 | 105-8131 | 2 | Ring-Retaining |
| 7 | 138-1207 | 8 | Screw-Socket Head | 24 | | 1 | O-Ring ● |
| 8 | 138-1208 | 8 | Washer-Lock | 25 | 138-1215 | 1 | Gear-Primary, Sun |
| 9 | | 1 | Housing ● | 26 | 138-1216 | 1 | Shaft-Drive |
| 10 | 105-8121 | 4 | Pin-Dowel | 27 | 138-1217 | 1 | Primary Carrier ASM |
| 11 | | 1 | O-Ring ● | 28 | 138-1218 | 1 | Secondary Carrier ASM |
| 12 | 138-6928 | 1 | Spacer | 29 | 138-1219 | 1 | Seal Kit |
| 13 | 138-6929 | 1 | Washer | 29:1 | | 1 | Seal-Lip ● |
| 14 | 138-6930 | 1 | Nut-Lock | 29:2 | | 1 | O-Ring ● |
| 15 | 138-1209 | 1 | Gear-Ring | 29:3 | | 1 | O-Ring ● |
| 16 | 138-1210 | 1 | Ring-Snap | 29:4 | | 1 | O-Ring ● |
| 17 | 353-990 | 1 | Plug ASM | 29:5 | | 1 | O-Ring ● |
| 17:1 | 237-78 | 1 | O-Ring | | | | |

● Not serviced separately



LH Brake Assembly No. 100-3070-03

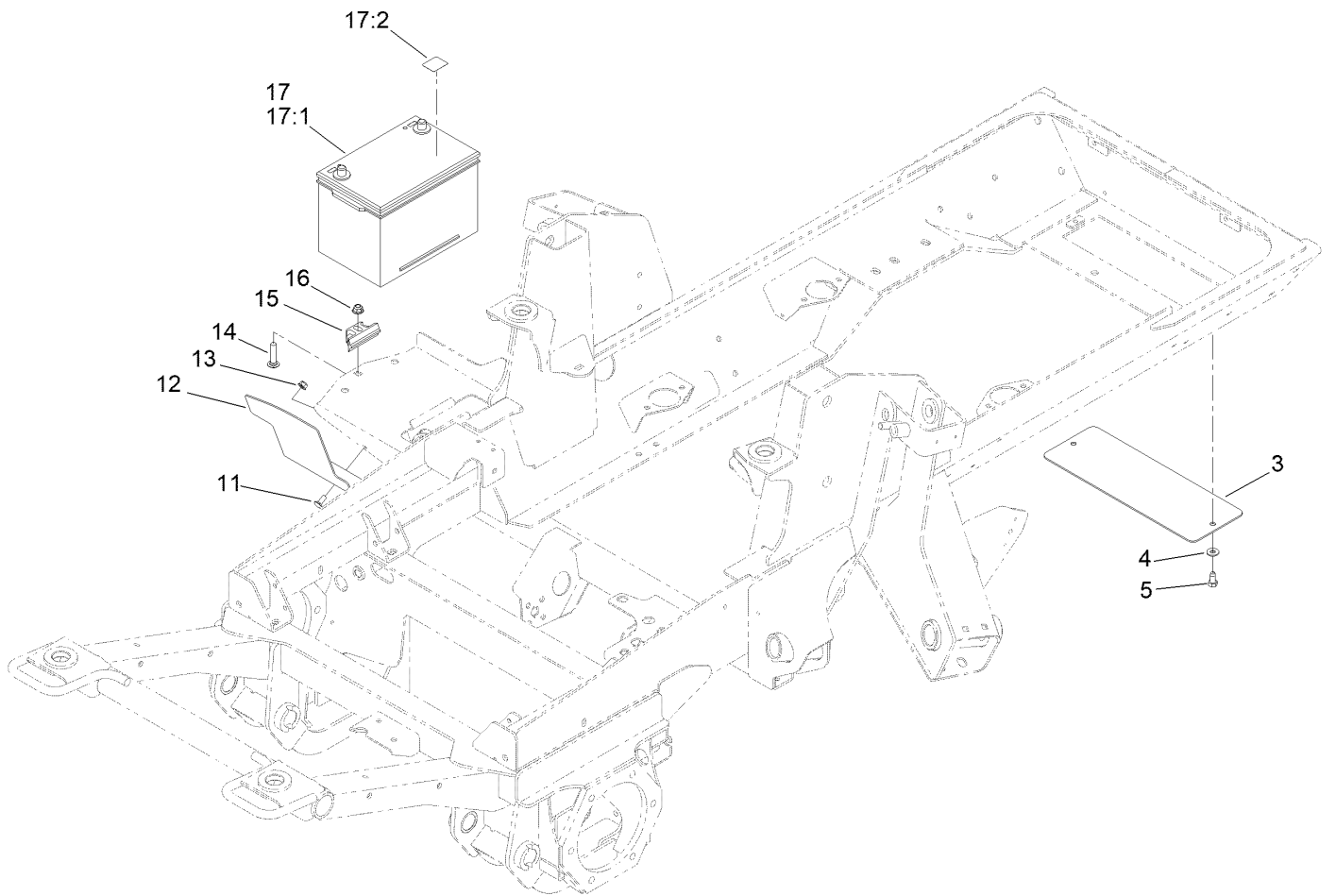
| <i>Ref.</i> | <i>Part Number</i> | <i>Qty.</i> | <i>Description</i> |
|-------------|--------------------|-------------|--------------------|
| 2 | 93-7977 | 1 | Seal |
| 3 | 93-7978 | 1 | Rod-Pull |
| 4 | 93-7983 | 2 | Pin-Clevis |
| 5 | 93-7980 | 2 | Link |
| 6 | 93-7979 | 2 | Pin-Hitch |
| 7 | 93-7986 | 4 | Disc-Stationary |
| 8 | 104-4278 | 3 | Disc-Rotating |
| 9 | 93-7976 | 1 | Ring-Retaining |
| 10 | 93-7984 | 1 | Gasket |
| 11 | 104-4279 | 1 | Actuator-Rotating |
| 12 | 93-7987 | 3 | Spring-Extension |
| 13 | 93-7985 | 3 | Ball |
| 14 | 353-990 | 2 | Plug ASM |
| 14:1 | 237-78 | 1 | O-Ring |



RH Brake Assembly No. 100-3069-03

| <i>Ref.</i> | <i>Part Number</i> | <i>Qty.</i> | <i>Description</i> |
|-------------|--------------------|-------------|--------------------|
| 2 | 93-7977 | 1 | Seal |
| 3 | 93-7978 | 1 | Rod-Pull |
| 4 | 93-7983 | 2 | Pin-Clevis |
| 5 | 93-7980 | 2 | Link |
| 6 | 93-7979 | 2 | Pin-Hitch |
| 7 | 93-7986 | 4 | Disc-Stationary |
| 8 | 104-4278 | 3 | Disc-Rotating |
| 9 | 93-7976 | 1 | Ring-Retaining |
| 10 | 93-7984 | 1 | Gasket |
| 11 | 104-4280 | 1 | Actuator-Rotating |
| 12 | 93-7987 | 3 | Spring-Extension |
| 13 | 93-7985 | 3 | Ball |
| 14 | 353-990 | 2 | Plug ASM |
| 14:1 | 237-78 | 1 | O-Ring |

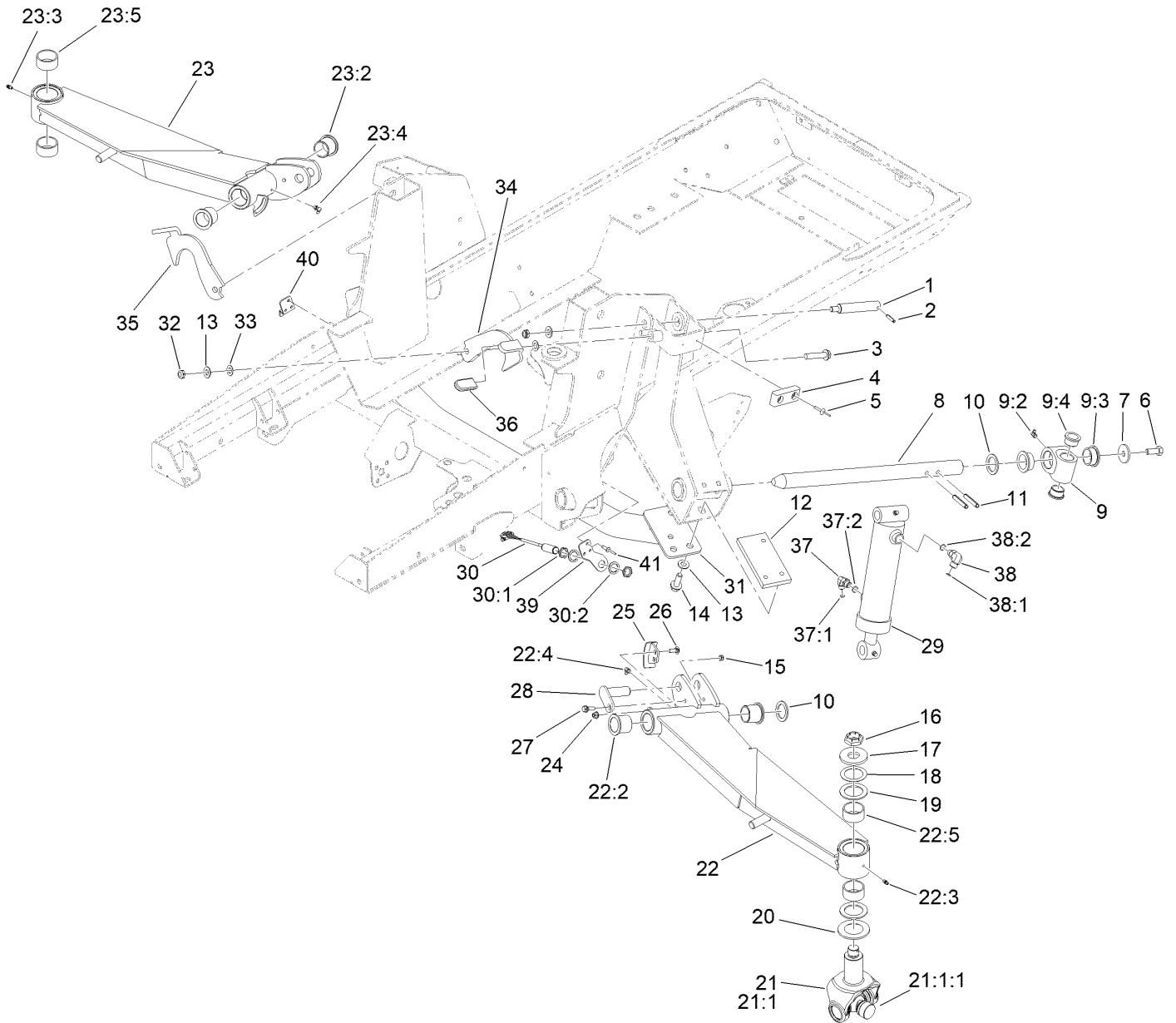
Battery, Shield and Rear Cover Assembly



Battery, Shield and Rear Cover Assembly (continued)

| <i>Ref.</i> | <i>Part Number</i> | <i>Qty.</i> | <i>Description</i> | <i>Ref.</i> | <i>Part Number</i> | <i>Qty.</i> | <i>Description</i> |
|-------------|--------------------|-------------|--------------------|-------------|--------------------|-------------|--------------------|
| 3 | 131-1246-0P | 1 | Plate-Cover | 14 | 3231-5 | 1 | Screw-CARR |
| 4 | 3256-3 | 2 | Washer-Flat | 15 | 138-6335 | 1 | Retainer-Battery |
| 5 | 32104-6 | 2 | Screw-HH, TAP | 16 | 104-8301 | 1 | Nut-HF, NI |
| 11 | 3230-23 | 2 | Bolt-CARR | 17 | 139-1005 | 1 | Battery Kit |
| 12 | 121-1512-0P | 1 | Shield, Battery | 17:1 | 127-7507 | 1 | Battery |
| 13 | 104-8300 | 2 | Nut-HF, NI | 17:2 | 139-1006 | 1 | Decal |

Wing Lift Arm Assembly

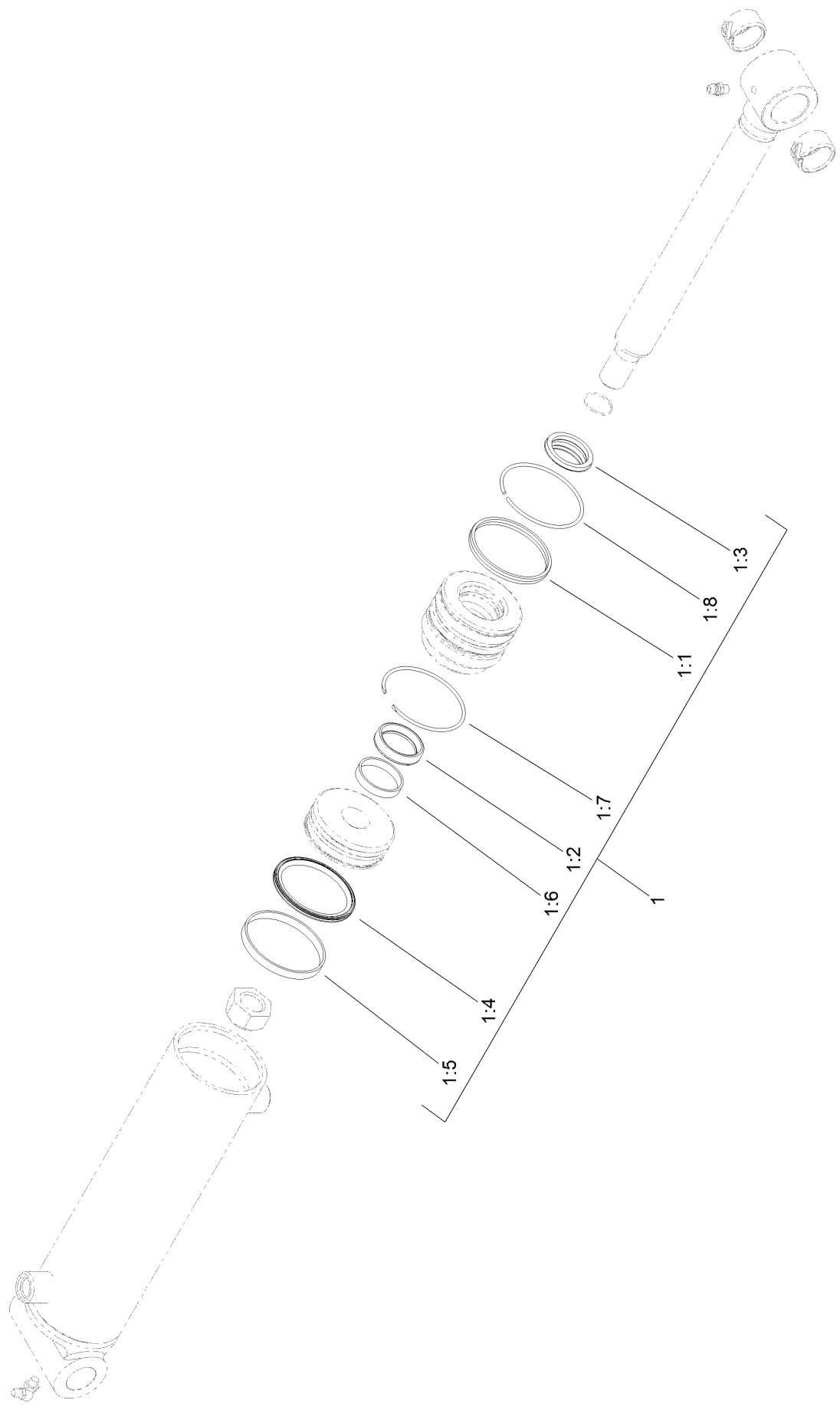


Wing Lift Arm Assembly (continued)

| <i>Ref.</i> | <i>Part Number</i> | <i>Qty.</i> | <i>Description</i> | <i>Ref.</i> | <i>Part Number</i> | <i>Qty.</i> | <i>Description</i> |
|-------------|--------------------|-------------|-----------------------|-------------|--------------------|-------------|-----------------------------|
| 1 | 104-3537 | 2 | Pin-Cylinder | 22:5 | 114-5596 | 2 | Bushing-Straight |
| 2 | 32121-9 | 2 | Pin-Roll, Slotted | 23 | 145-8346 | 1 | Lift Arm ASM |
| 3 | 3234-46 | 2 | Screw-HHF | 23:2 | 69-6470 | 2 | Bushing-Caster |
| 4 | 86-5350 | 2 | Bumper-Rubber | 23:3 | 302-5 | 1 | Fitting-Grease |
| 5 | 3269-11 | 4 | Rivet-Pop | 23:4 | 302-60 | 1 | Fitting-Grease |
| 6 | 325-5 | 2 | Screw-HH | 23:5 | 114-5596 | 2 | Bushing-Straight |
| 7 | 106-2008 | 2 | Washer-Thrust | 24 | 104-8300 | 4 | Nut-HF, NI |
| 8 | 121-3882 | 2 | Shaft-Pivot, Lift Arm | 25 | 132-1429 | 2 | Sensor-Trigger |
| 9 | 138-5253 | 2 | Pivot Hub ASM | 26 | 3230-16 | 4 | Screw-CARR |
| 9:2 | 302-60 | 1 | Fitting-Grease | 27 | 27-0410 | 2 | Screw-Shoulder |
| 9:3 | 115-5469 | 2 | Bushing-Flange | 28 | 131-4305 | 2 | Pin |
| 9:4 | 114-5680 | 2 | Bushing-Flange | 29 | 139-0956 | 2 | HYD Cylinder ASM |
| 10 | 256-304 | 4 | Washer-Thrust | 30 | 115-5300 | 2 | Proximity Switch ASM |
| 11 | 117-5479 | 4 | Pin-Spring | 30:1 | 117-3207 | 2 | Nut-Hex |
| 12 | 120-8859 | 2 | Block-Tapped | 30:2 | 117-3208 | 2 | Washer-Lock, Internal Tooth |
| 13 | 3256-26 | 10 | Washer-Flat | 31 | 120-9000-03 | 1 | Crossmember |
| 14 | 100-6116 | 6 | Screw-HHF | 32 | 3296-45 | 4 | Nut-Hex |
| 15 | 3296-47 | 2 | Nut-Lock,NI | 33 | 104-3577 | 4 | Washer |
| 16 | 116-1399 | 2 | Locknut | 34 | 136-4395-03 | 1 | Latch-Deck, LH |
| 17 | 104-0719 | 2 | Washer-Hardened | 35 | 136-4394-03 | 1 | Latch-Deck, RH |
| 18 | 114-5641 | 2 | Washer-Thrust | 36 | 48-7081 | 2 | Grip-Plastic |
| 19 | 104-0721 | 4 | Washer-Thrust | 37 | 340-82 | 2 | Fitting-Elbow, 90 DEG |
| 20 | 104-0720 | 2 | Spacer | 37:1 | 237-42 | 1 | O-Ring |
| 21 | 114-5640-03 | 2 | Joint Yoke ASM | 37:2 | 237-21 | 1 | O-Ring |
| 21:1 | | 1 | Yoke-Joint ● | 38 | 340-77 | 2 | Fitting-Elbow, 90 DEG |
| 21:1:1 | 104-4299 | 1 | Cross And Bearing Kit | 38:1 | 237-22 | 1 | O-Ring |
| 22 | 145-8347 | 1 | Lift Arm ASM | 38:2 | 237-42 | 1 | O-Ring |
| 22:2 | 69-6470 | 2 | Bushing-Caster | 39 | 132-1421 | 1 | Plate-Pivot, LH |
| 22:3 | 302-5 | 1 | Fitting-Grease | 40 | 132-1422 | 1 | Plate-Pivot, RH |
| 22:4 | 302-60 | 1 | Fitting-Grease | 41 | 3290-412 | 6 | Rivet-Blind |

● Not serviced separately

Hydraulic Cylinder Assembly No. 139-0956

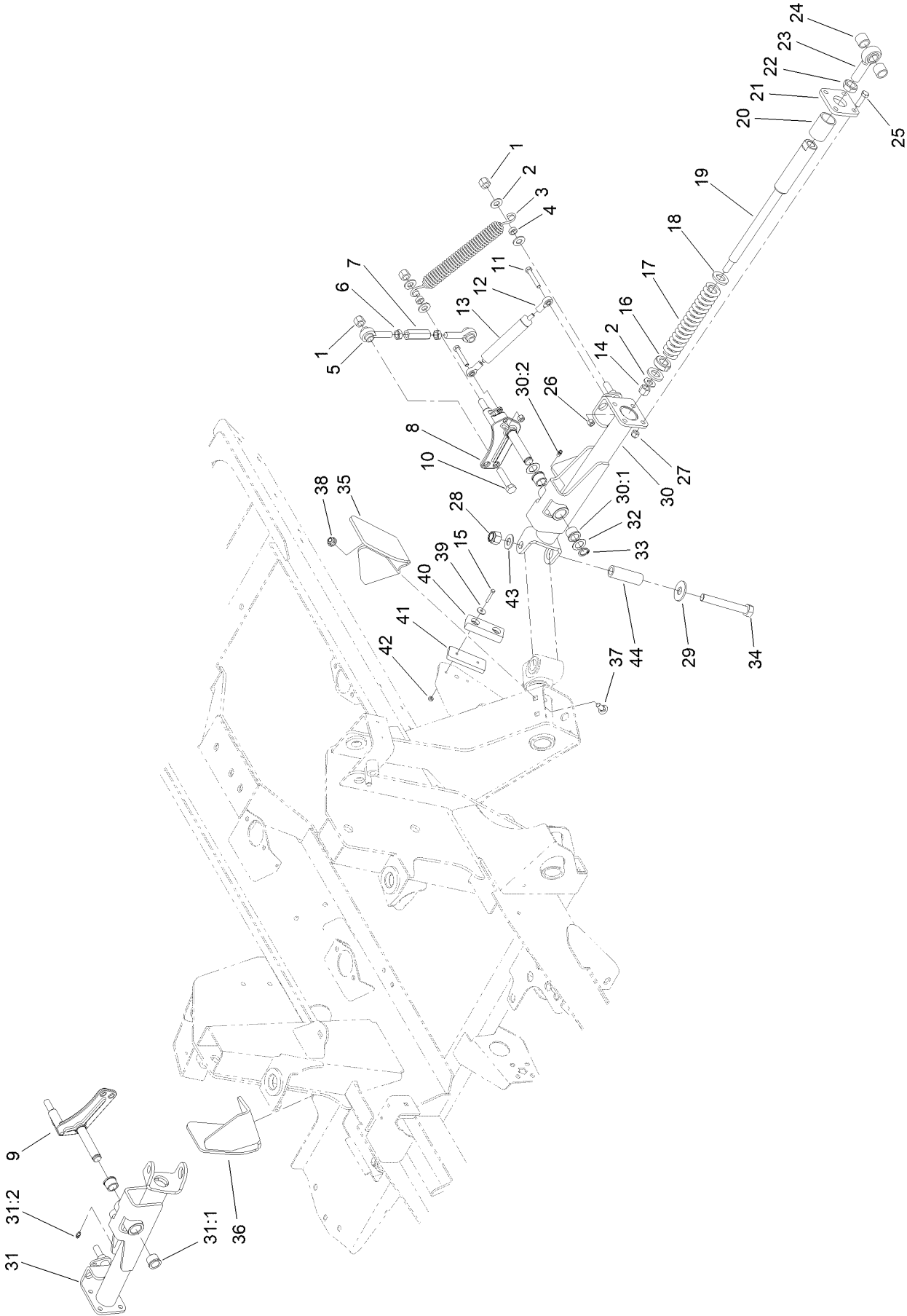


Hydraulic Cylinder Assembly No. 139-0956 (continued)

| <i>Ref.</i> | <i>Part Number</i> | <i>Qty.</i> | <i>Description</i> | <i>Ref.</i> | <i>Part Number</i> | <i>Qty.</i> | <i>Description</i> |
|-------------|--------------------|-------------|--------------------|-------------|--------------------|-------------|----------------------------|
| 1 | 139-0994 | 1 | Seal Repair Kit | 1:5 | | 1 | Ring-Wear, Piston ● |
| 1:1 | | 1 | Seal-Dual ● | 1:6 | | 1 | Ring-Wear, Rod ● |
| 1:2 | | 1 | Seal-Rod ● | 1:7 | | 1 | Ring-Retaining, Internal ● |
| 1:3 | | 1 | Wiper-Rod ● | 1:8 | | 1 | Ring-Retaining, External ● |
| 1:4 | | 1 | Seal-Piston ● | | | | |

● Not serviced separately

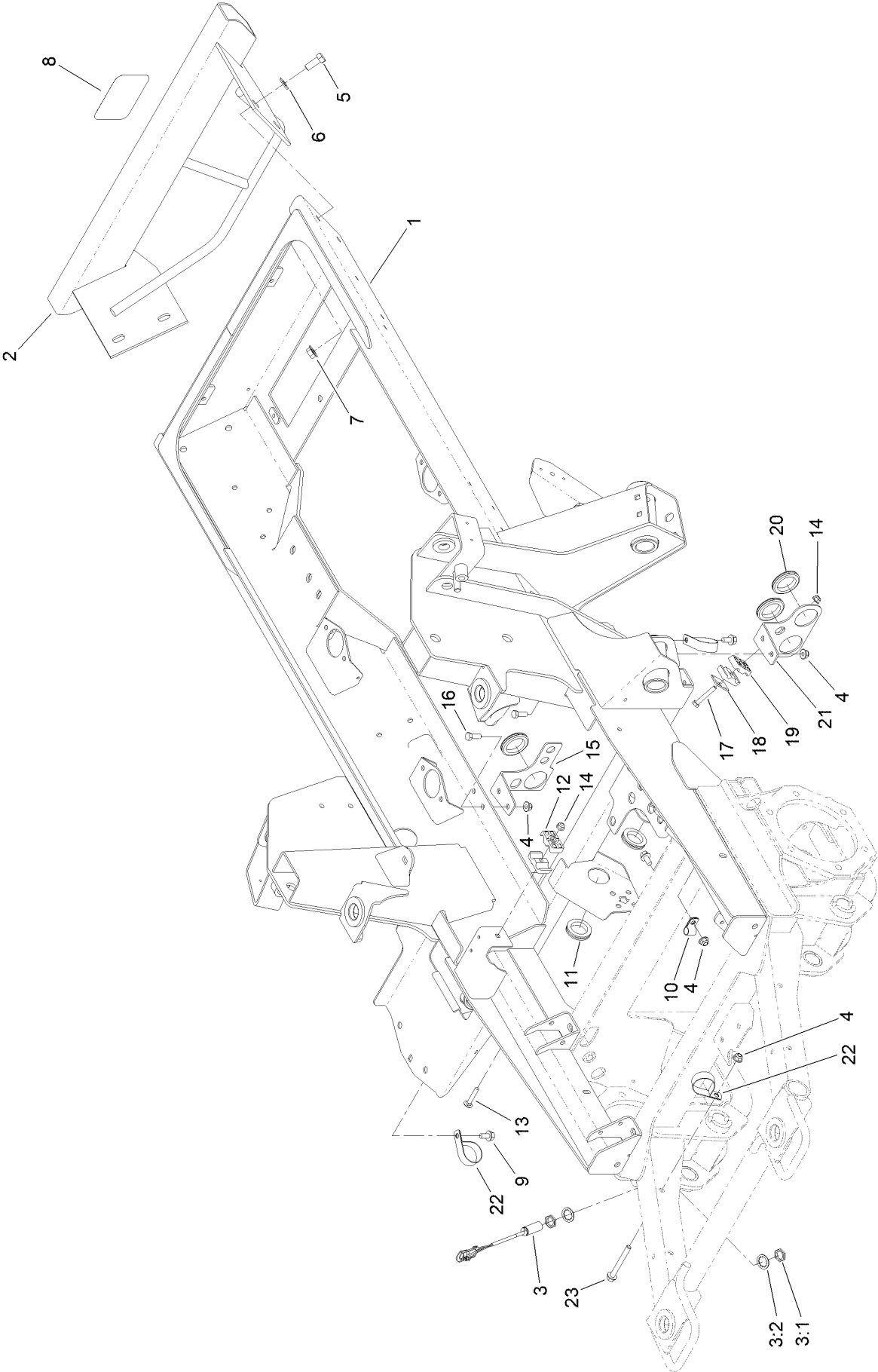
Impact Arm Assembly



Impact Arm Assembly (continued)

| <i>Ref.</i> | <i>Part Number</i> | <i>Qty.</i> | <i>Description</i> | <i>Ref.</i> | <i>Part Number</i> | <i>Qty.</i> | <i>Description</i> |
|-------------|--------------------|-------------|--------------------|-------------|--------------------|-------------|--------------------|
| 1 | 3296-23 | 6 | Nut-Lock, NI | 25 | 323-7 | 8 | Screw-HH |
| 2 | 3256-26 | 10 | Washer-Flat | 26 | 3296-29 | 4 | Nut-Lock, NI |
| 3 | 104-7520 | 2 | Spring-Damper | 27 | 3296-39 | 8 | Nut-Lock, NI |
| 4 | 104-7521 | 4 | Bushing | 28 | 3296-53 | 2 | Nut-Lock, NI |
| 5 | 105-2808 | 4 | End-Rod | 29 | 3256-7 | 2 | Washer-Flat |
| 6 | 3220-5 | 4 | Nut-Jam | 30 | 120-8884 | 1 | LH Rear Arm ASM |
| 7 | 105-2809 | 2 | Tube-Link | 30:1 | 256-113 | 2 | Bushing-Flange |
| 8 | 114-2717 | 1 | Crank-Bell, LH | 30:2 | 302-5 | 1 | Fitting-Grease |
| 9 | 114-2716 | 1 | Crank-Bell, RH | 31 | 120-8883 | 1 | RH Rear Arm ASM |
| 10 | 325-9 | 2 | Screw-HH | 31:1 | 256-113 | 2 | Bushing-Flange |
| 11 | 322-10 | 4 | Screw-HH | 31:2 | 302-5 | 1 | Fitting-Grease |
| 12 | 104-8331 | 4 | End-Rod, Spherical | 32 | 3-6498 | 4 | Washer-Thrust |
| 13 | 105-3249 | 2 | Damper | 33 | 32120-93 | 2 | Ring-Retaining |
| 14 | 3296-23 | 2 | Nut-Lock, NI | 34 | 327-23 | 2 | Screw-HH |
| 15 | 3290-360 | 4 | Screw-HH | 35 | 120-8856-03 | 1 | Bracket-Roller, LH |
| 16 | 105-4552 | 2 | Bearing-Plastic | 36 | 120-8874-03 | 1 | Bracket-Roller, RH |
| 17 | 100-8138 | 2 | Spring-Compression | 37 | 3231-2 | 4 | Bolt-CARR |
| 18 | 105-4551 | 4 | Washer-Flat | 38 | 104-8301 | 4 | Nut-HF, NI |
| 19 | 105-4548 | 2 | Shaft-Spring | 39 | 3256-61 | 4 | Washer-Flat |
| 20 | 105-4550 | 2 | Bushing-Straight | 40 | 86-5350 | 2 | Bumper-Rubber |
| 21 | 105-2807-03 | 2 | Plate | 41 | 119-8308 | 2 | Plate |
| 22 | 3220-7 | 2 | Nut-Jam | 42 | 3296-2 | 4 | Nut-Lock, NI |
| 23 | 105-2806 | 2 | End-Rod | 43 | 3256-27 | 2 | Washer-Flat |
| 24 | 136-0077 | 4 | Spacer | 44 | 94-6604 | 2 | Tube-Spacer |

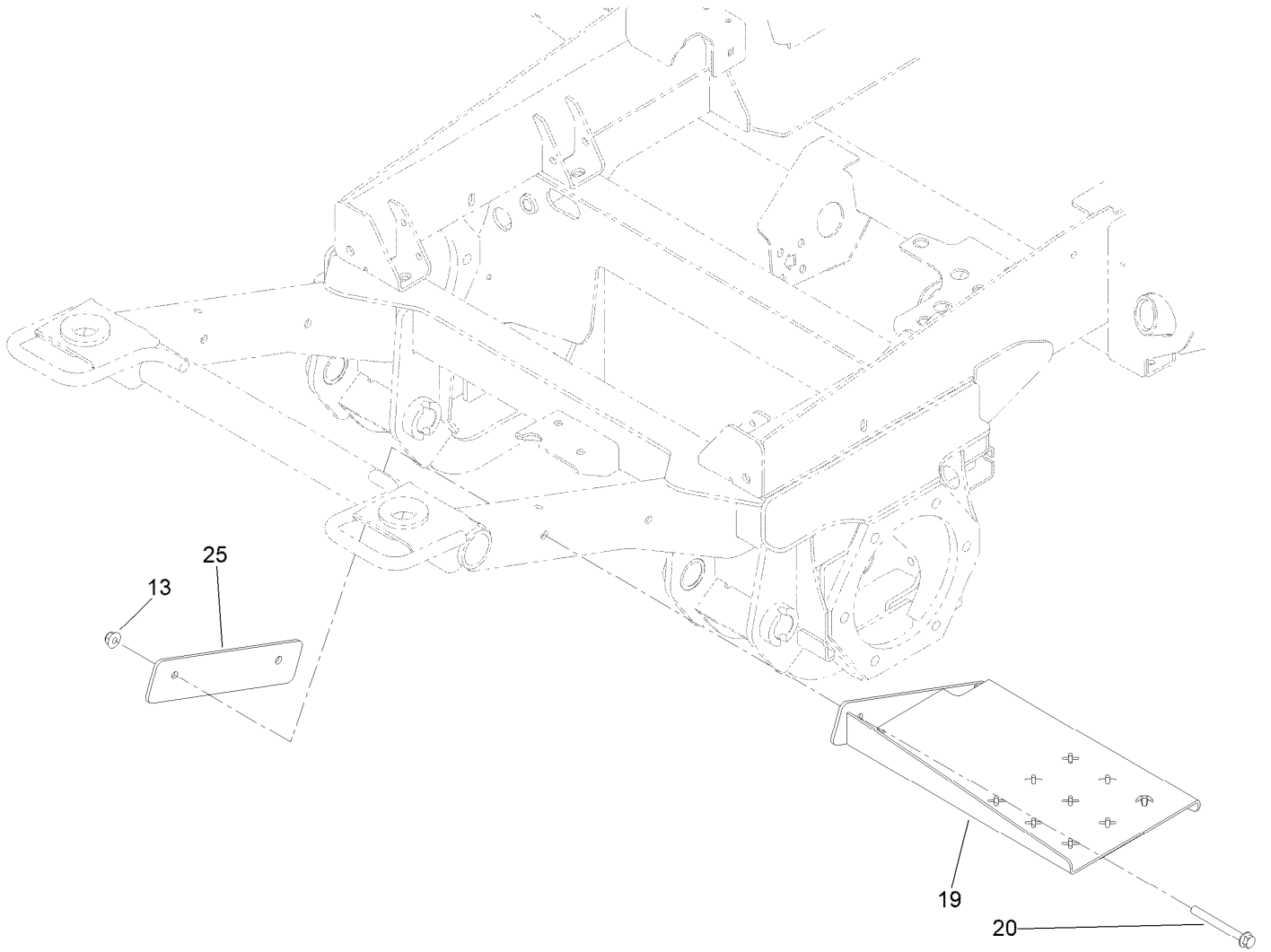
Frame, Bumper and Proximity Sensor Assembly



Frame, Bumper and Proximity Sensor Assembly (continued)

| <i>Ref.</i> | <i>Part Number</i> | <i>Qty.</i> | <i>Description</i> | <i>Ref.</i> | <i>Part Number</i> | <i>Qty.</i> | <i>Description</i> |
|-------------|--------------------|-------------|-----------------------------|-------------|--------------------|-------------|--------------------------|
| 1 | 120-4010-03 | 1 | Frame | 12 | 56-7971 | 2 | Clamp-Tube |
| 2 | 120-8919-03 | 1 | Bumper | 13 | 3230-5 | 1 | Bolt-CARR |
| 3 | 115-0282 | 1 | Proximity Sensor ASM | 14 | 104-8300 | 2 | Nut-HF, NI |
| 3:1 | 117-3207 | 2 | Nut-Hex | 15 | 121-1508-0P | 1 | Bracket-Bulkhead |
| 3:2 | 117-3208 | 2 | Washer-Lock, Internal Tooth | 16 | 323-6 | 4 | Screw-HH |
| 4 | 104-8301 | 6 | Nut-HF, NI | 17 | 322-10 | 1 | Screw-HH |
| 5 | 325-5 | 4 | Screw-HH | 18 | 69-9760 | 1 | Plate-Cover |
| 6 | 3256-26 | 4 | Washer-Flat | 19 | 56-7976 | 2 | Clamp-Tube |
| 7 | 32128-23 | 4 | Nut-HF | 20 | 240-2 | 3 | Grommet-Rubber |
| 8 | 105-8278 | 1 | Decal | 21 | 121-1481-0P | 1 | Plate-Mount, LH Bulkhead |
| 9 | 3234-1 | 3 | Screw-HHF | 22 | 2412-147 | 3 | Clamp-R |
| 10 | 2412-138 | 1 | R-Clamp | 23 | 3234-41 | 1 | Screw-HHF |
| 11 | 240-7 | 2 | Grommet-Rubber | | | | |

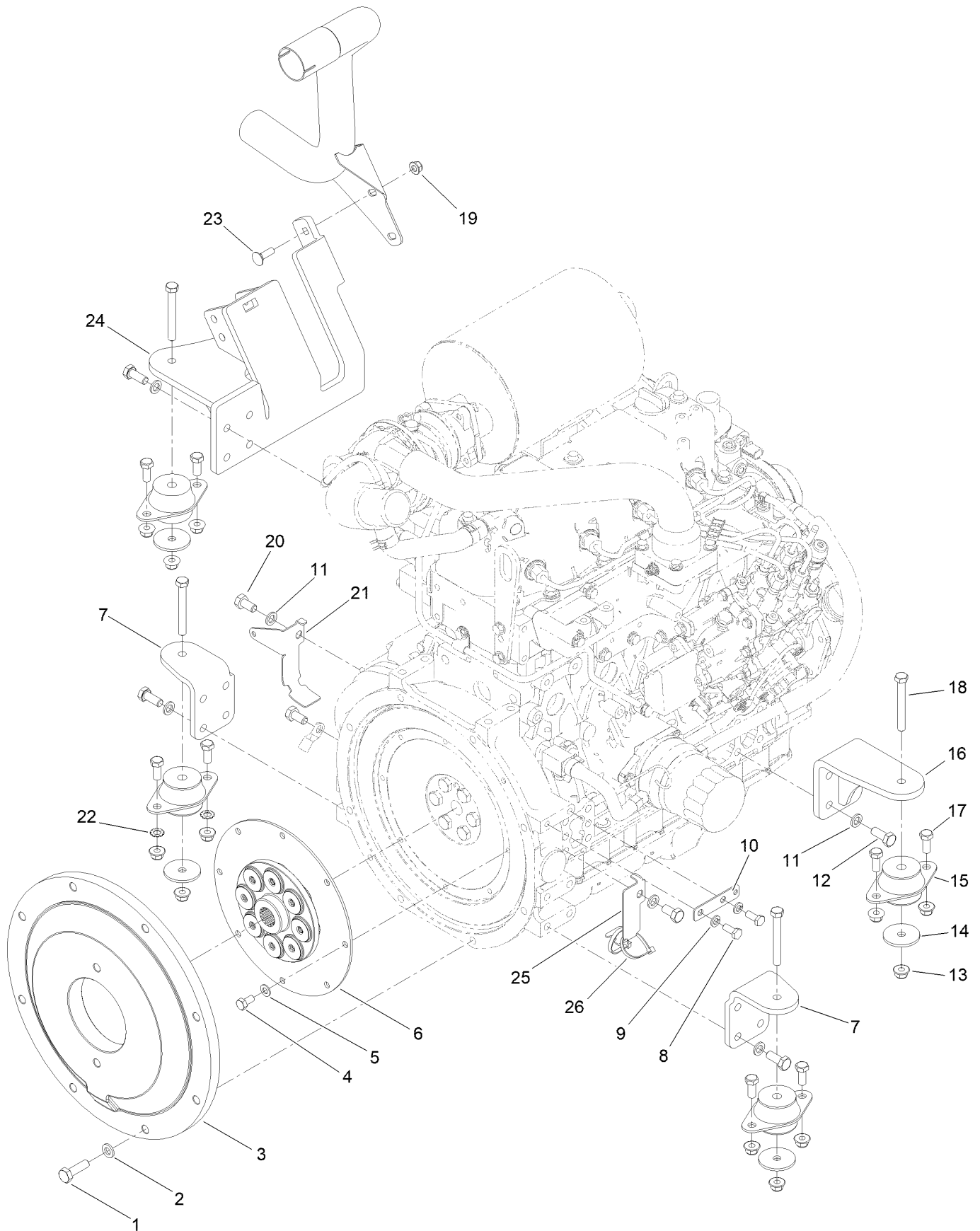
Cab Step Assembly



Cab Step Assembly (continued)

| <i>Ref.</i> | <i>Part Number</i> | <i>Qty.</i> | <i>Description</i> | <i>Ref.</i> | <i>Part Number</i> | <i>Qty.</i> | <i>Description</i> |
|-------------|--------------------|-------------|--------------------|-------------|--------------------|-------------|--------------------|
| 13 | 104-8301 | 2 | Nut-HF, NI | 20 | 116-4701 | 2 | Screw-HHF |
| 19 | 121-1739-03 | 1 | Step | 25 | 120-9022-0P | 1 | Support-Step |

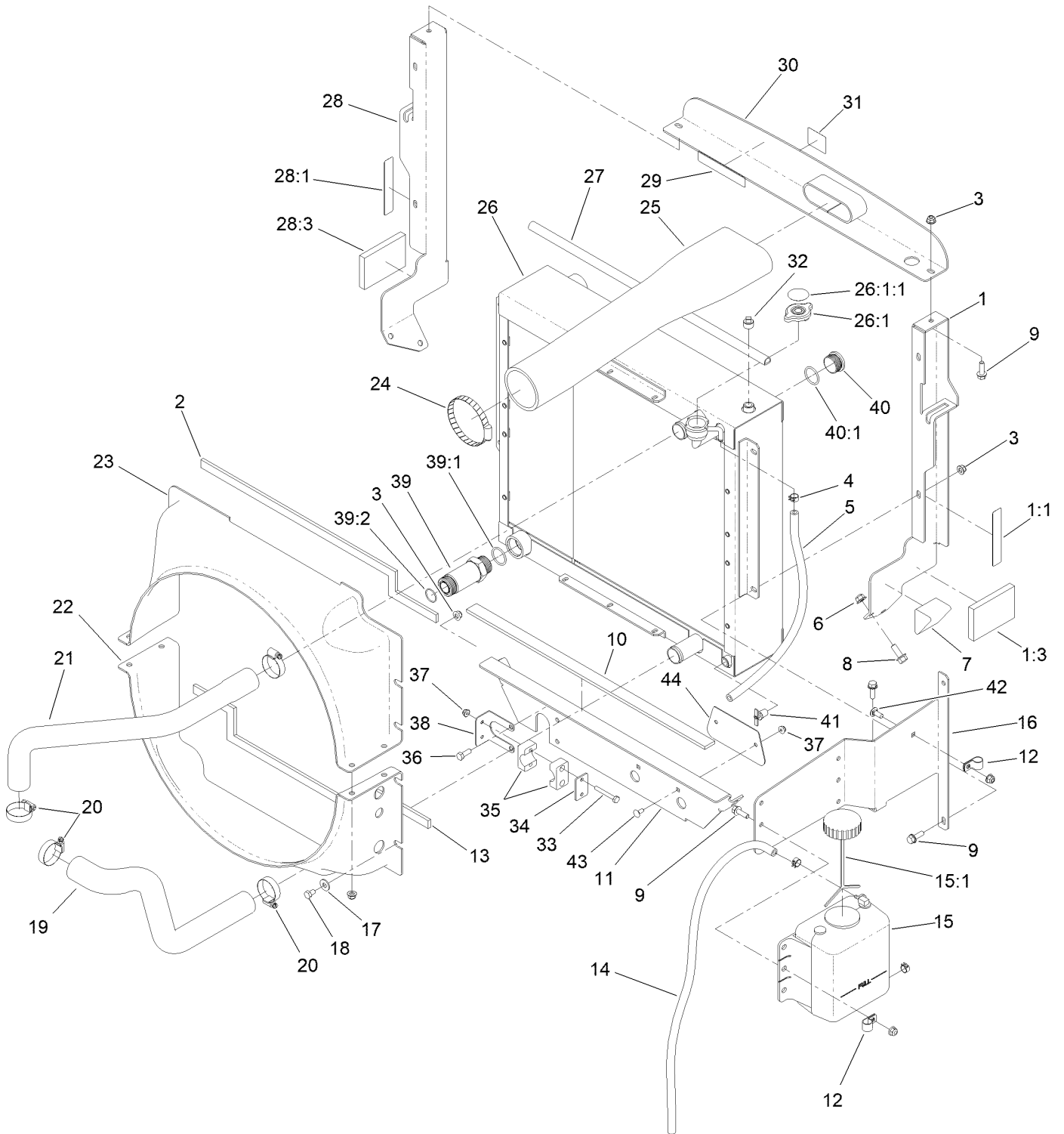
Flywheel and Motor Mount Assembly



Flywheel and Motor Mount Assembly (continued)

| <i>Ref.</i> | <i>Part Number</i> | <i>Qty.</i> | <i>Description</i> | <i>Ref.</i> | <i>Part Number</i> | <i>Qty.</i> | <i>Description</i> |
|-------------|--------------------|-------------|--------------------|-------------|--------------------|-------------|---------------------|
| 1 | 117-5663 | 8 | Screw-HH | 14 | 63-7400 | 4 | Washer-Rebound |
| 2 | 107-1413 | 8 | Washer-Hardened | 15 | 53-9682 | 4 | Mount-Engine |
| 3 | 132-6120-0P | 1 | Plate-Flywheel | 16 | 120-4068-0P | 1 | Mount-Motor |
| 4 | 99-5132 | 8 | Bolt | 17 | 323-5 | 8 | Screw-HH |
| 5 | 87-7510 | 8 | Washer-Flat | 18 | 323-14 | 4 | Screw-HH |
| 6 | 132-6121 | 1 | Coupling-Flywheel | 19 | 104-8300 | 2 | Nut-HF, NI |
| 7 | 120-4066-0P | 2 | Mount-Motor, Front | 20 | 33115-020 | 3 | Screw-HH |
| 8 | 33114-020 | 2 | Screw-HH | 21 | 139-0992 | 1 | Bracket-Harness, RH |
| 9 | 3253-4 | 2 | Washer-Lock | 22 | 3255-9 | 2 | Washer-Lock |
| 10 | 121-5636 | 1 | Tab-Harness | 23 | 3230-2 | 2 | Bolt-CARR |
| 11 | 48-9590 | 18 | Washer-Lock | 24 | 127-3722-0P | 1 | Mount-Motor |
| 12 | 33115-025 | 16 | Screw-HH | 25 | 139-0993 | 1 | Bracket-Harness, LH |
| 13 | 104-8301 | 12 | Nut-HF, NI | 26 | 3290-378 | 2 | Tie-Cable |

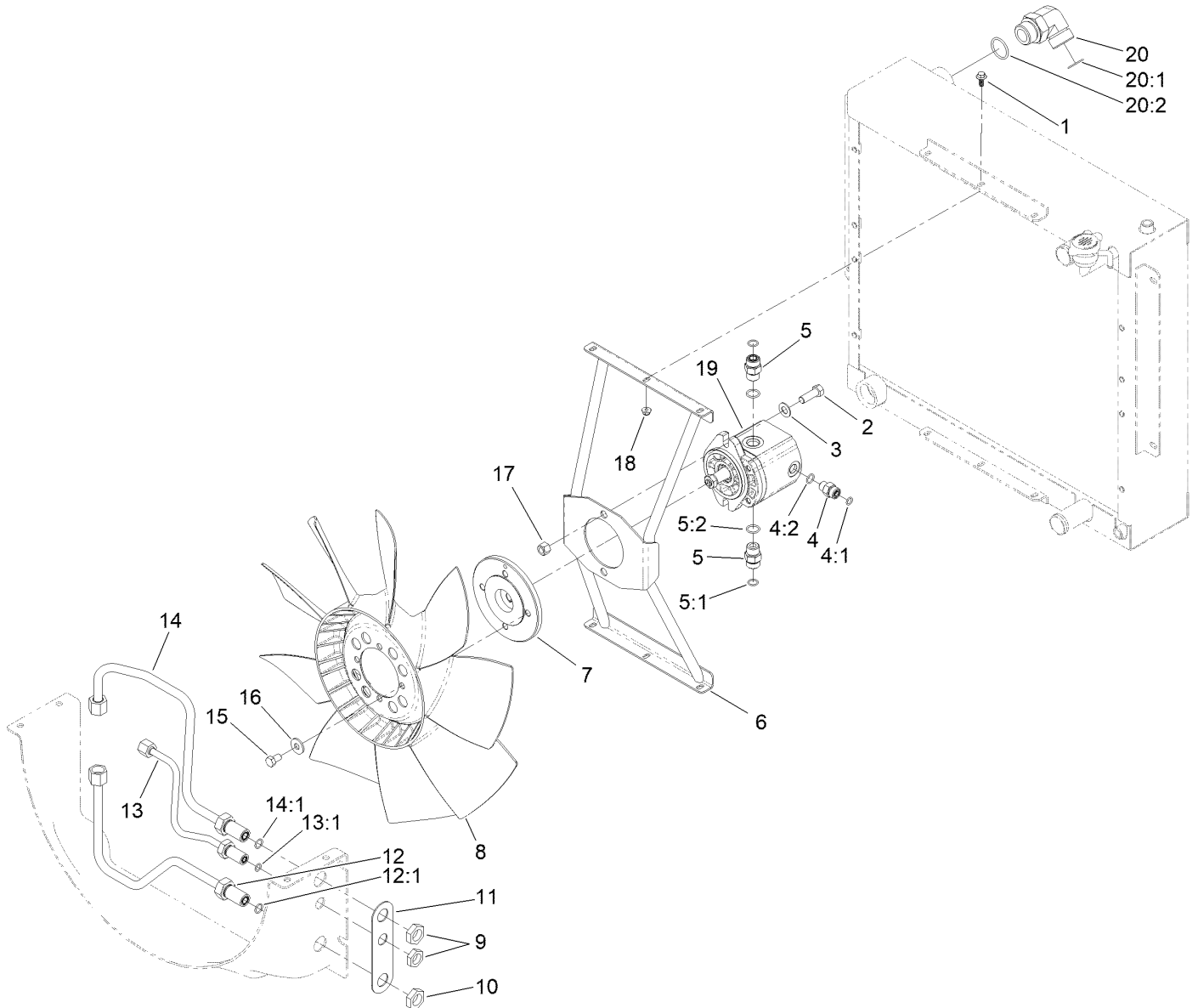
Radiator Assembly



Radiator Assembly (continued)

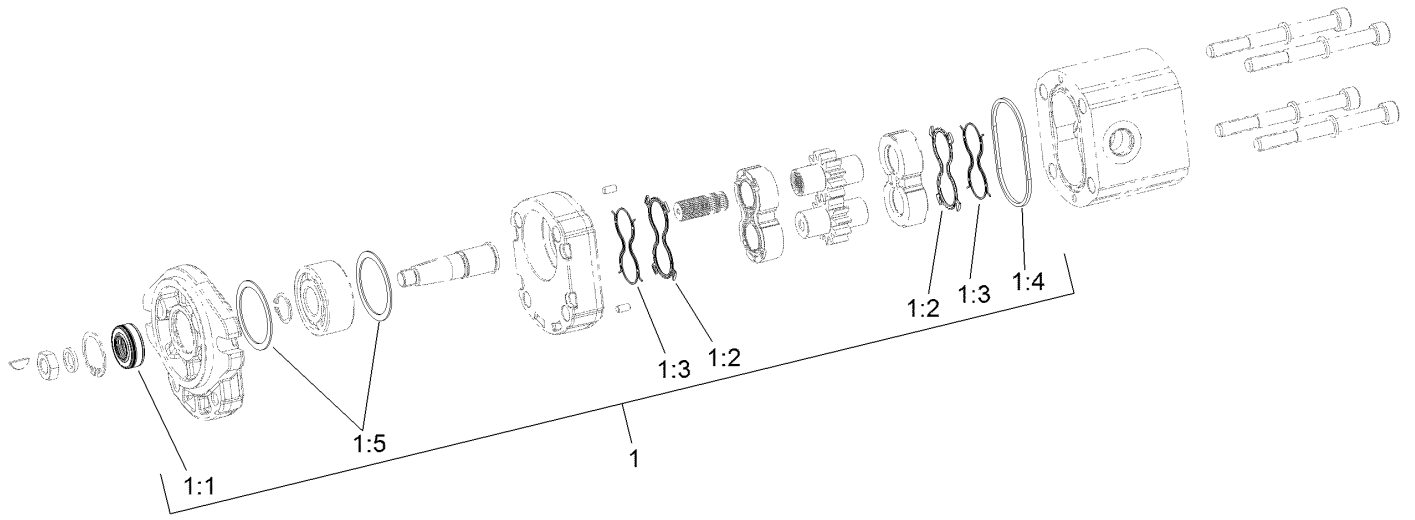
| <i>Ref.</i> | <i>Part Number</i> | <i>Qty.</i> | <i>Description</i> | <i>Ref.</i> | <i>Part Number</i> | <i>Qty.</i> | <i>Description</i> |
|-------------|--------------------|-------------|-------------------------|-------------|--------------------|-------------|-------------------------|
| 1 | 121-1479 | 1 | LH Radiator Support ASM | 25 | 121-1474 | 1 | Hose-Inlet, Air Cleaner |
| 1:1 | 93-7272 | 1 | Decal-Warning | 26 | 132-6161 | 1 | Radiator/Oil Cooler |
| 1:3 | 100-2196 | 1 | Pad-Foam | 26:1 | 115-7766 | 1 | Cap-Radiator |
| 2 | 121-1684 | 1 | Foam-Radiator | 26:1:1 | 106-6755 | 1 | Decal-Cap, Radiator |
| 3 | 104-8300 | 15 | Nut-HF, NI | 27 | 114-3828 | 1 | Seal-Bulb |
| 4 | 92-2379 | 3 | Clamp-Hose | 28 | 121-1478 | 1 | RH Radiator Support ASM |
| 5 | 110-4112 | 1 | Hose-Fuel | 28:1 | 93-7272 | 1 | Decal-Warning |
| 6 | 104-8301 | 6 | Nut-HF, NI | 28:3 | 100-2196 | 1 | Pad-Foam |
| 7 | 93-5954 | 2 | Plug-Foam | 29 | 93-7272 | 1 | Decal-Warning |
| 8 | 3234-11 | 6 | Screw-HHF | 30 | 136-4364-0P | 1 | Bracket-Intake |
| 9 | 3234-29 | 12 | Screw-HHF | 31 | 117-4765 | 1 | Decal-Starting Fluid |
| 10 | 104-2226 | 1 | Strip-Foam | 32 | 281-13 | 1 | Plug-Pipe |
| 11 | 139-0952-0P | 1 | Support-Radiator | 33 | 321-11 | 2 | Screw-HH |
| 12 | 92-6064 | 2 | Clamp-R | 34 | 114-4902 | 1 | Plate-Cover |
| 13 | 121-1685 | 1 | Foam-Radiator, Lower | 35 | 114-4901 | 1 | Clamp |
| 14 | 110-9662 | 1 | Hose-Fuel | 36 | 322-4 | 2 | Screw-HH |
| 15 | 144-6219 | 1 | Reservoir-Coolant ASM | 37 | 104-7201 | 4 | Nut-HF, NI |
| 15:1 | 87-7050 | 1 | Cap-Reservoir | 38 | 120-8984 | 1 | Bracket-Clamp |
| 16 | 130-0603-0P | 1 | Bracket-Mount, Bottle | 39 | 100-5565 | 1 | Fitting-STR |
| 17 | 3256-3 | 8 | Washer-Flat | 39:1 | 237-146 | 1 | O-Ring |
| 18 | 322-1 | 8 | Screw-HH | 39:2 | 340-65 | 1 | O-Ring |
| 19 | 121-1746 | 1 | Hose-Radiator, Lower | 40 | 106-2030 | 1 | Plug-Hex, Hollow |
| 20 | 2412-111 | 4 | Clamp-Hose, W/Liner | 40:1 | 237-146 | 1 | O-Ring |
| 21 | 121-1747 | 1 | Hose-Radiator, Upper | 41 | 304-46 | 1 | Draincock |
| 22 | 121-1517 | 1 | Shroud-Radiator, Lower | 42 | 3230-23 | 1 | Bolt-CARR |
| 23 | 121-1515 | 1 | Shroud-Radiator, Upper | 43 | 3229-11 | 2 | Screw-CARR |
| 24 | 2412-110 | 1 | Clamp-Band/Screw | 44 | 139-0989-0P | 1 | Plate |

Fan Mounting and Hardline Assembly



Fan Mounting and Hardline Assembly (continued)

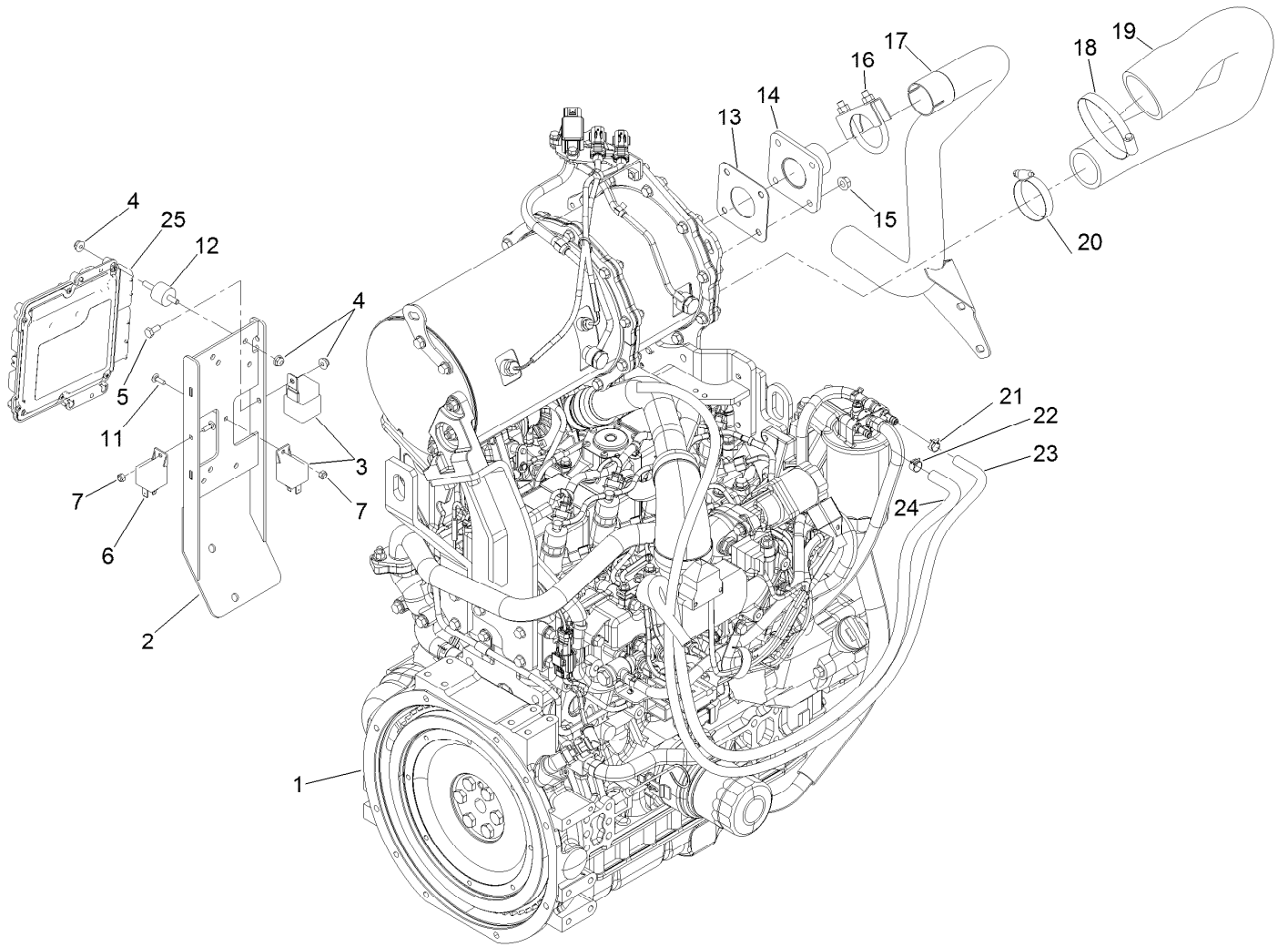
| <i>Ref.</i> | <i>Part Number</i> | <i>Qty.</i> | <i>Description</i> | <i>Ref.</i> | <i>Part Number</i> | <i>Qty.</i> | <i>Description</i> |
|-------------|--------------------|-------------|--------------------|-------------|--------------------|-------------|-----------------------|
| 1 | 99-6810 | 6 | Screw-HHF | 12 | 137-5554 | 1 | Tube ASM |
| 2 | 324-5 | 2 | Screw-HH | 12:1 | 237-30 | 1 | O-Ring |
| 3 | 3256-25 | 2 | Washer-Flat | 13 | 137-5555 | 1 | Tube ASM |
| 4 | 340-2 | 1 | Fitting-Straight | 13:1 | 237-22 | 1 | O-Ring |
| 4:1 | 237-22 | 1 | O-Ring | 14 | 137-5553 | 1 | Tube ASM |
| 4:2 | 237-42 | 1 | O-Ring | 14:1 | 237-30 | 1 | O-Ring |
| 5 | 340-4 | 2 | Fitting-Straight | 15 | 115-8486 | 4 | Screw-HH |
| 5:1 | 237-30 | 1 | O-Ring | 16 | 80-6990 | 4 | Washer-Hardened |
| 5:2 | 237-79 | 1 | O-Ring | 17 | 3296-48 | 2 | Nut-Hex |
| 6 | 137-5594 | 1 | Mount-Fan | 18 | 104-7201 | 6 | Nut-HF, NI |
| 7 | 140-6482 | 1 | Hub-Fan | 19 | 137-5571 | 1 | Hydraulic Motor ASM |
| 8 | 114-3825 | 1 | Fan | 20 | 340-129 | 1 | Fitting-Elbow, 90 DEG |
| 9 | 340-70 | 1 | Nut-Lock | 20:1 | 237-146 | 1 | O-Ring |
| 10 | 340-127 | 2 | Nut-Bulkhead | 20:2 | 340-65 | 1 | O-Ring |
| 11 | 121-1518 | 1 | Shim-Support | | | | |



Hydraulic Motor Assembly No. 137-5571

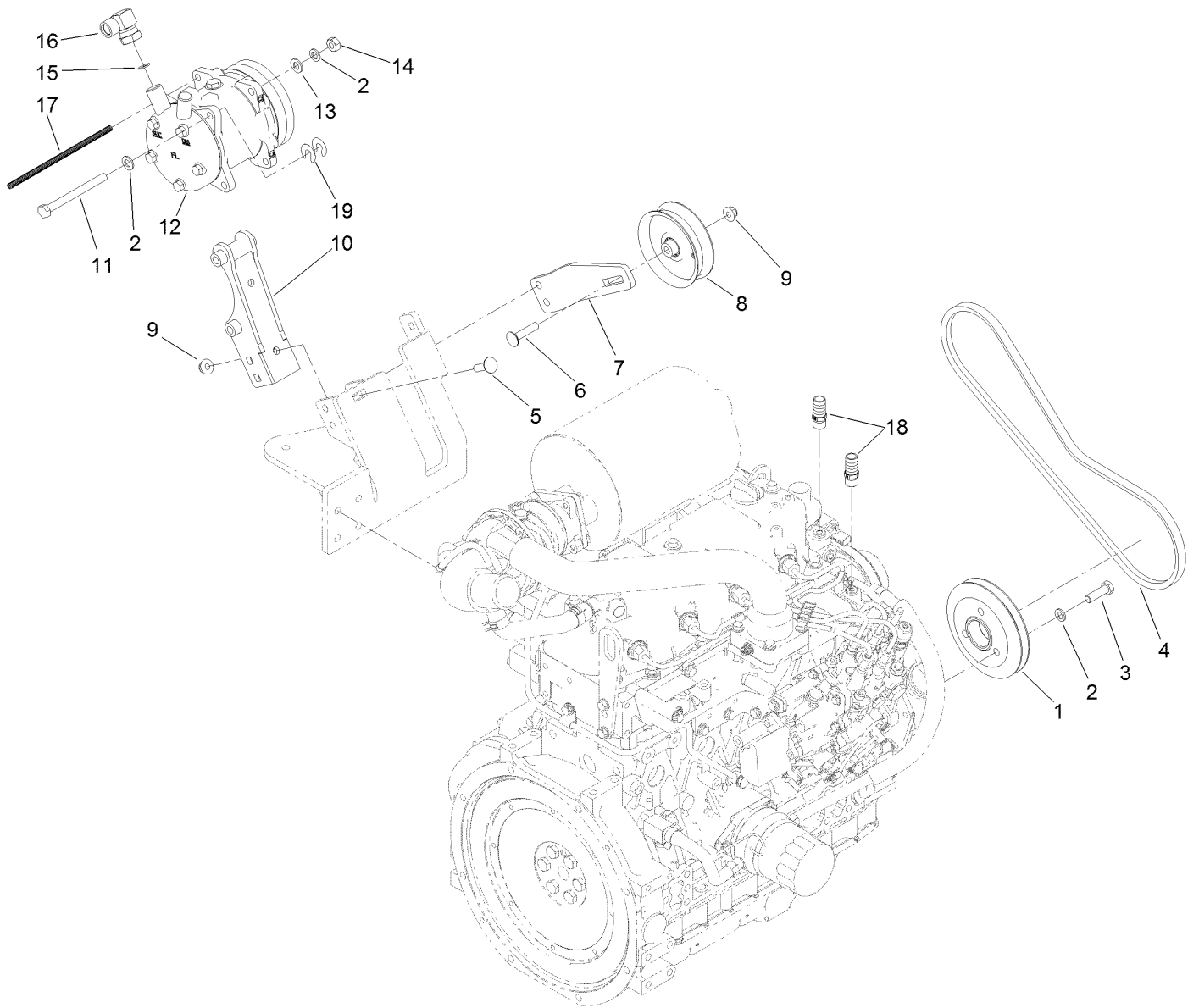
| <i>Ref.</i> | <i>Part Number</i> | <i>Qty.</i> | <i>Description</i> |
|-------------|--------------------|-------------|-------------------------|
| 1 | 139-1019 | 1 | Seal Kit |
| 1:1 | | 1 | Seal-Shaft ● |
| 1:2 | | 2 | Seal-Plate, Balancing ● |
| 1:3 | | 2 | Seal-Anti Extrusion ● |
| 1:4 | | 1 | O-Ring (Housing) ● |
| 1:5 | | 2 | Seal-Square ● |

● Not serviced separately



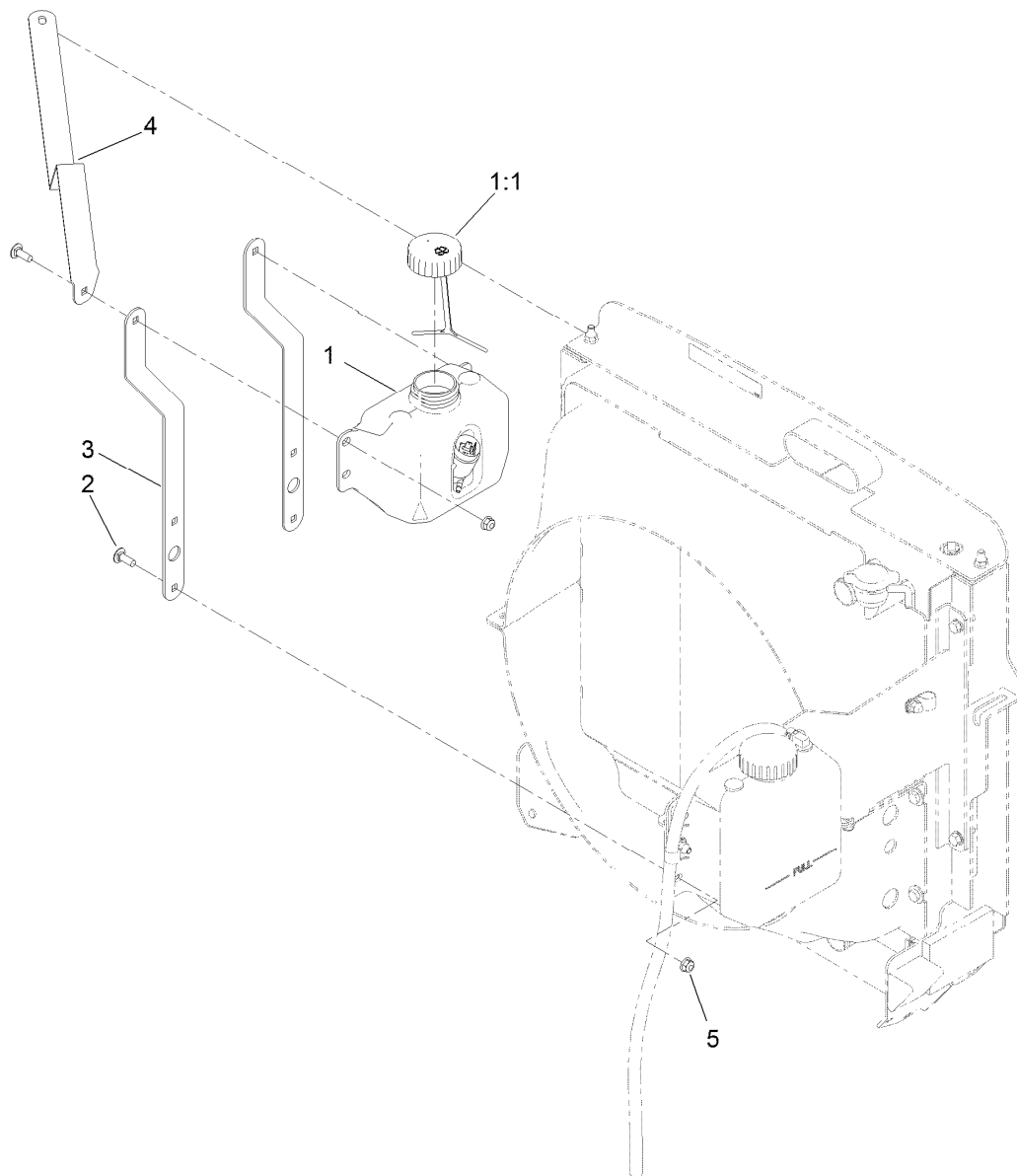
Engine and Controller Assembly

| <i>Ref.</i> | <i>Part Number</i> | <i>Qty.</i> | <i>Description</i> | <i>Ref.</i> | <i>Part Number</i> | <i>Qty.</i> | <i>Description</i> |
|-------------|--------------------|-------------|--------------------|-------------|--------------------|-------------|--------------------------|
| 1 | 138-6917 | 1 | Engine-Yanmar | 15 | 33004-00 | 4 | Nut-HF |
| 2 | 136-4430-0P | 1 | Mount-Controller | 16 | 18-2130 | 1 | Clamp |
| 3 | 99-7430 | 1 | Relay-Mini | 17 | 121-1613 | 1 | Pipe-Exhaust |
| 4 | 104-7201 | 9 | Nut-HF, NI | 18 | 2412-110 | 1 | Clamp-Band/Screw |
| 5 | 321-3 | 1 | Screw-HH | 19 | 121-1475 | 1 | Hose-Outlet, Air Cleaner |
| 6 | 99-7435 | 2 | Relay | 20 | 2412-130 | 1 | Clamp-Hose |
| 7 | 3296-2 | 2 | Nut-Lock, NI | 21 | 2412-98 | 1 | Clamp-Hose |
| 11 | 1-807533 | 2 | Bolt-CARR | 22 | 92-2379 | 1 | Clamp-Hose |
| 12 | 132-1356 | 4 | Mount-Isolator | 23 | 115-2368 | 1 | Hose-Fuel |
| 13 | 121-3058 | 1 | Gasket-Exhaust | 24 | 110-4007 | 1 | Hose-Fuel |
| 14 | 121-3060 | 1 | Flange-Exhaust | 25 | 121-5592 | 1 | Electronic Control Unit |



Air Conditioner Compressor Assembly

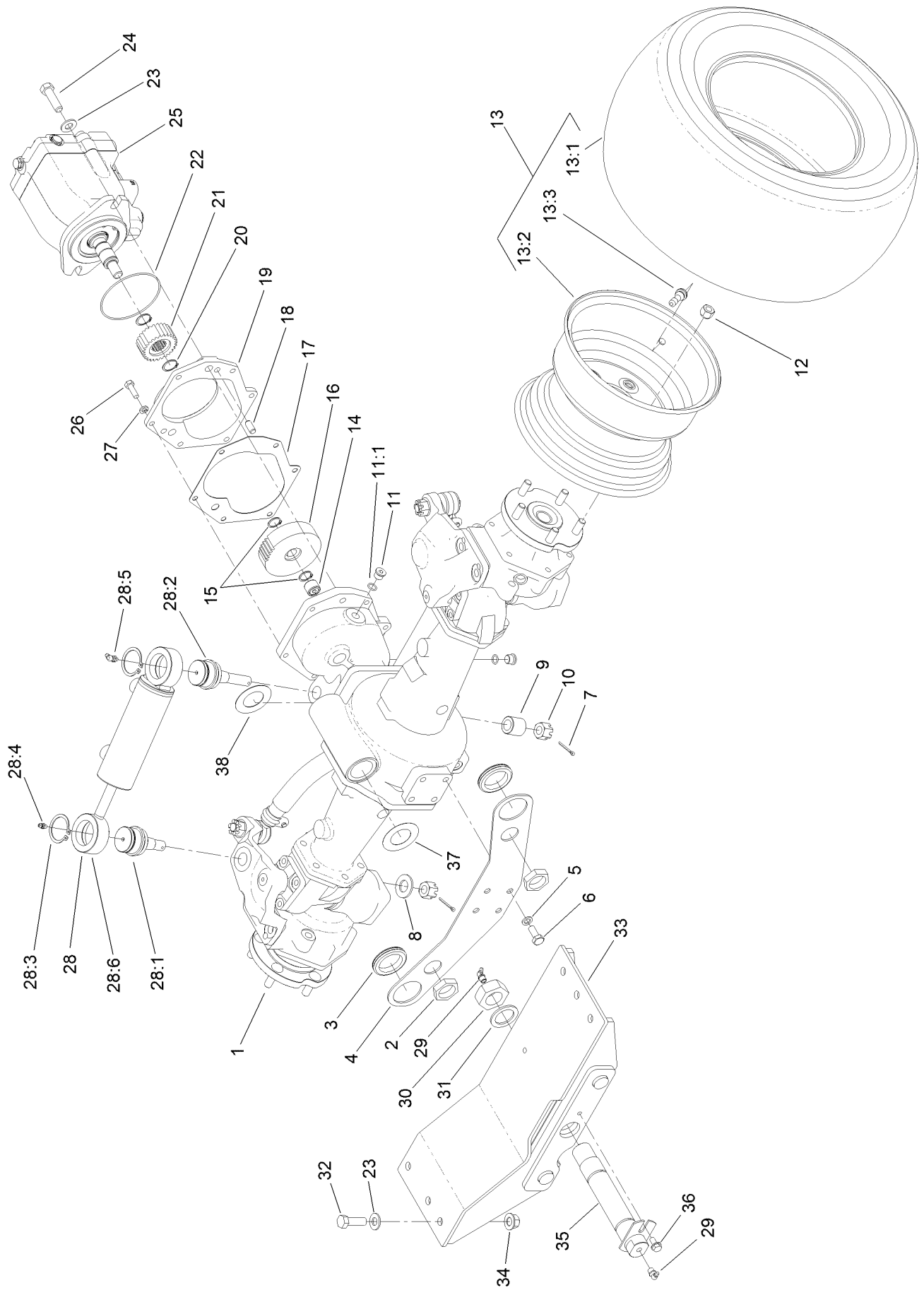
| <i>Ref.</i> | <i>Part Number</i> | <i>Qty.</i> | <i>Description</i> | <i>Ref.</i> | <i>Part Number</i> | <i>Qty.</i> | <i>Description</i> |
|-------------|--------------------|-------------|--------------------|-------------|--------------------|-------------|-----------------------|
| 1 | 121-8177 | 1 | Pulley-Single | 11 | 33115-110 | 2 | Screw-HH |
| 2 | 48-9590 | 5 | Washer-Lock | 12 | 119-0103 | 1 | Compressor |
| 3 | 33115-035 | 3 | Screw-HH | 13 | 33095-00 | 4 | Washer-Flat |
| 4 | 110-6254 | 1 | Belt-V | 14 | 33015-00 | 2 | Nut-Hex |
| 5 | 3231-25 | 5 | Bolt-CARR | 15 | 117-2780 | 1 | O-Ring |
| 6 | 3231-5 | 1 | Screw-CARR | 16 | 119-0128 | 1 | Fitting-Elbow, 90 DEG |
| 7 | 127-3727-0P | 1 | Mount-Pulley | 17 | 115-8882 | 1 | Conduit-Convolutd |
| 8 | 98-3095 | 1 | Pulley-Idler | 18 | 139-2236 | 2 | Fitting-STR Spcl |
| 9 | 104-8301 | 6 | Nut-HF, NI | 19 | 119-7734 | 4 | Shim |
| 10 | 127-3726-0P | 1 | Mount-Compressor | | | | |



Washer Fluid Bottle Assembly

| <i>Ref.</i> | <i>Part Number</i> | <i>Qty.</i> | <i>Description</i> |
|-------------|--------------------|-------------|------------------------------|
| 1 | 138-2702 | 1 | Tank-Fluid, Washer |
| 1:1 | 125-5258 | 1 | Lid-Tank, Washer Fluid |
| 2 | 3230-10 | 6 | Bolt-CARR |
| 3 | 130-0604-0P | 2 | Strap-Bottle, Washer Fluid |
| 4 | 130-0605-0P | 1 | Support-Bottle, Washer Fluid |
| 5 | 104-8300 | 6 | Nut-HF, NI |

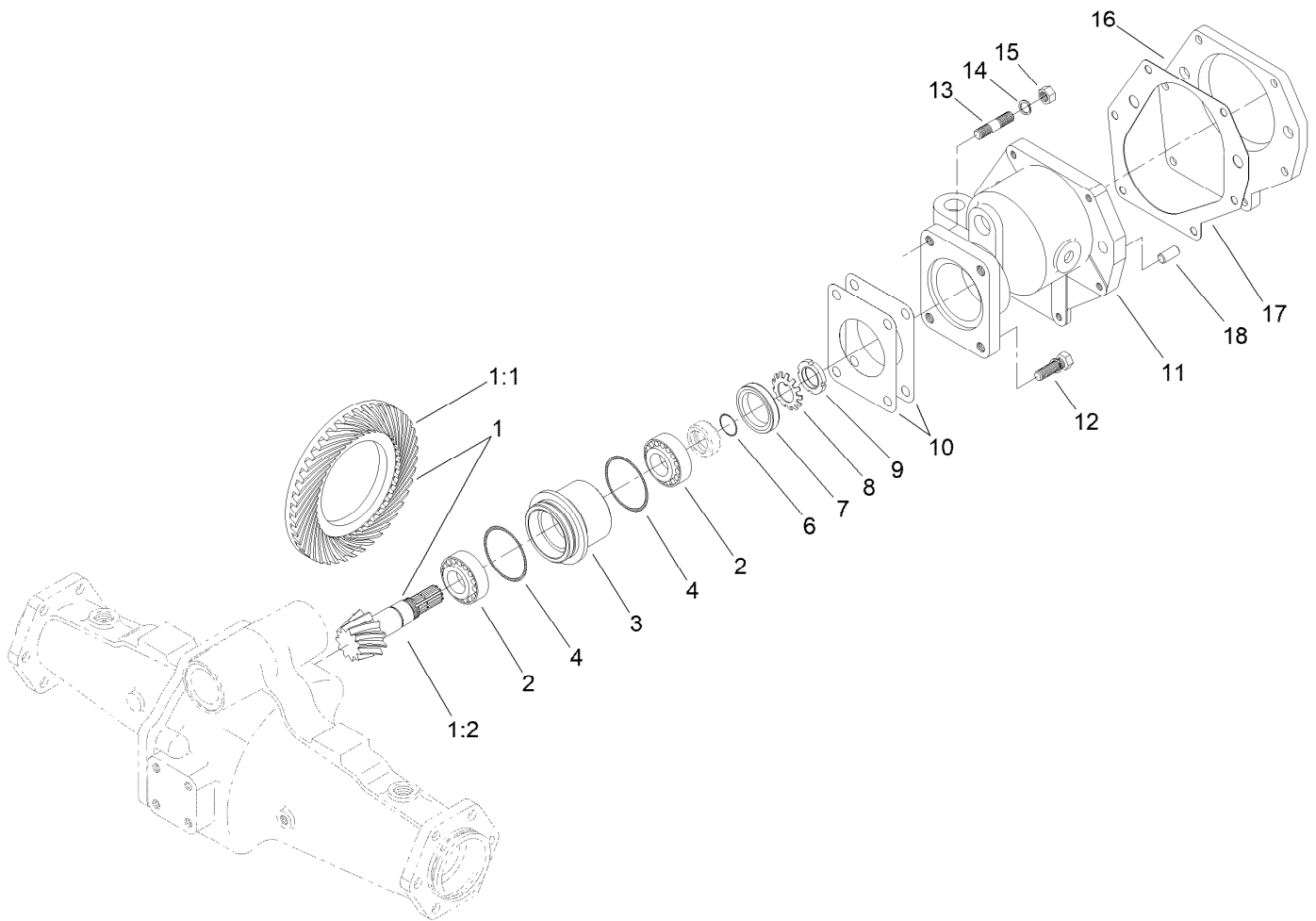
Rear Axle and Steering Cylinder Assembly



Rear Axle and Steering Cylinder Assembly (continued)

| <i>Ref.</i> | <i>Part Number</i> | <i>Qty.</i> | <i>Description</i> | <i>Ref.</i> | <i>Part Number</i> | <i>Qty.</i> | <i>Description</i> |
|-------------|--------------------|-------------|------------------------|-------------|--------------------|-------------|---------------------------|
| 1 | 110-4750 | 1 | Drive Axle ASM | 21 | 104-0755 | 1 | Pinion-27 Tooth |
| 2 | 340-126 | 2 | Nut-Bulkhead | 22 | 237-166 | 1 | O-Ring |
| 3 | 240-2 | 2 | Grommet-Rubber | 23 | 3256-26 | 8 | Washer-Flat |
| 4 | 120-9069-03 | 1 | Plate-Mount, Bulkhead | 24 | 325-7 | 2 | Screw-HH |
| 5 | 43-0090 | 4 | Screw-HH | 25 | 120-8814 | 1 | HYD Motor ASM |
| 6 | 48-9590 | 4 | Washer-Lock | 26 | 33114-025 | 6 | Screw-HH |
| 7 | 3272-12 | 2 | Pin-Cotter | 27 | 3253-4 | 6 | Washer-Lock |
| 8 | 92-5836 | 1 | Washer | 28 | 121-1535 | 1 | Steering Cylinder ASM |
| 9 | 100-3796 | 1 | Spacer-Joint, Ball | 28:1 | 106-6774 | 1 | Joint-Ball |
| 10 | 32136-14 | 2 | Nut-Hst | 28:2 | 100-3795 | 1 | Joint-Ball |
| 11 | 353-989 | 2 | Plug-Hex, Hollow | 28:3 | 32151-104 | 2 | Ring-Retaining, External |
| 11:1 | 237-42 | 1 | O-Ring | 28:4 | 302-5 | 1 | Fitting-Grease |
| 12 | 93-5268 | 10 | Nut-Lug | 28:5 | 302-60 | 1 | Fitting-Grease |
| 13 | | 2 | Tire And Wheel ASM ● | 28:6 | 121-1534 | 1 | HYD Steering Cylinder ASM |
| 13:1 | 120-8910 | 1 | Tire-Off Road | 29 | 302-33 | 2 | Fitting-Grease |
| 13:2 | 120-8909 | 1 | Rim | 30 | 3296-68 | 1 | Nut-Lock, NI |
| 13:3 | 232-27 | 1 | Stem-Valve | 31 | 92-1765 | 1 | Washer-Thrust |
| 14 | 74-5700 | 1 | Bearing-Needle, Roller | 32 | 325-6 | 6 | Screw-HH |
| 15 | 32120-15 | 2 | Ring-Snap, EXT | 33 | 130-2744-03 | 1 | Mount-Rear |
| 16 | 100-3053 | 1 | Gear-45 Tooth | 34 | 99-5107 | 6 | Nut-Lock |
| 17 | 106-1140 | 1 | Gasket | 35 | 145-8330 | 1 | Pin-Axle, Rear |
| 18 | 104-2353 | 2 | Pin-Dowel | 36 | 32144-14 | 1 | Screw-HWHTF |
| 19 | 95-7541 | 1 | Plate-Cover | 37 | 99-8431 | 2 | Washer-Thrust |
| 20 | 32120-76 | 2 | Ring-Snap, EXT | 38 | 99-8432 | 2 | Washer-Thrust |

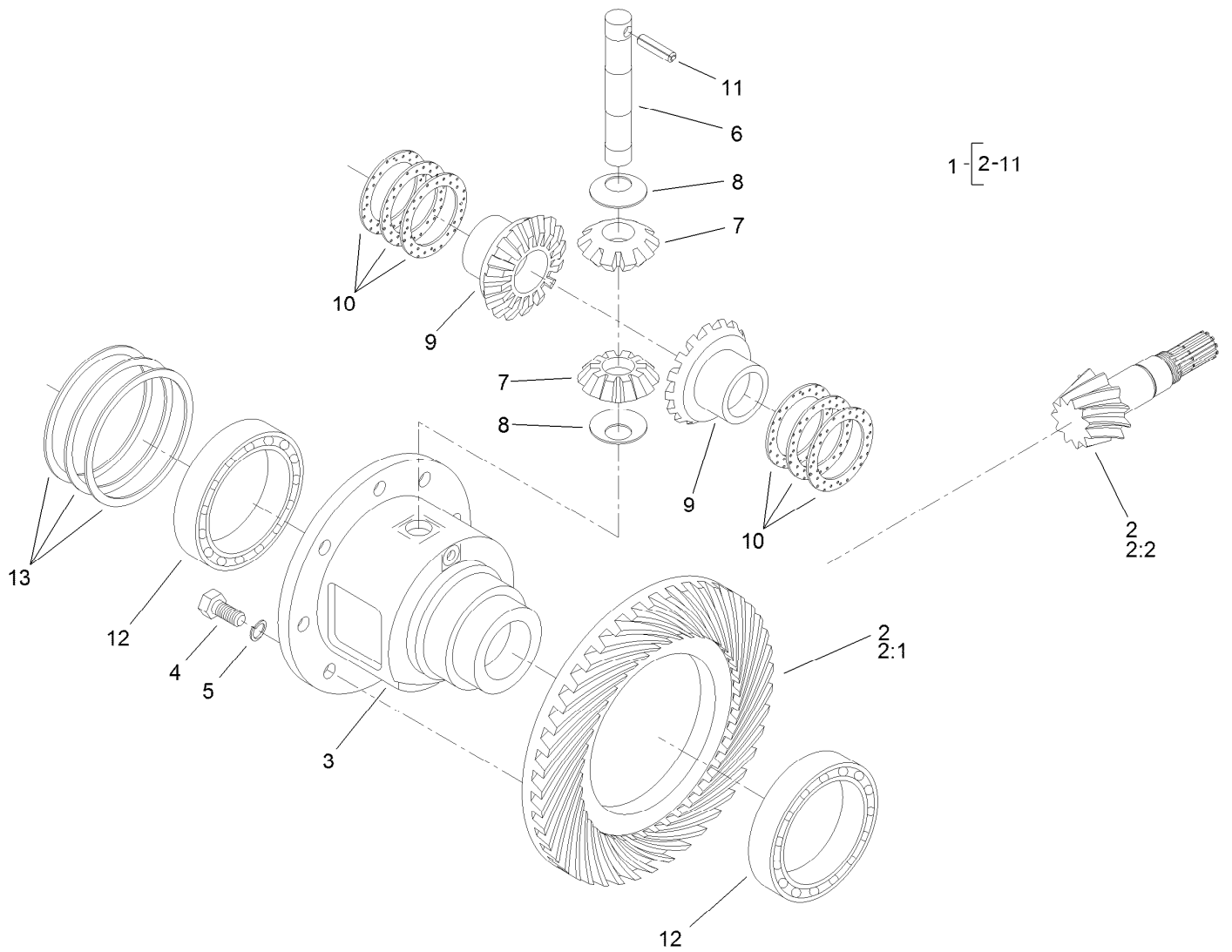
● Not serviced separately



Bevel Pinion Shaft Assembly Rear Axle Assembly No. 110-4750

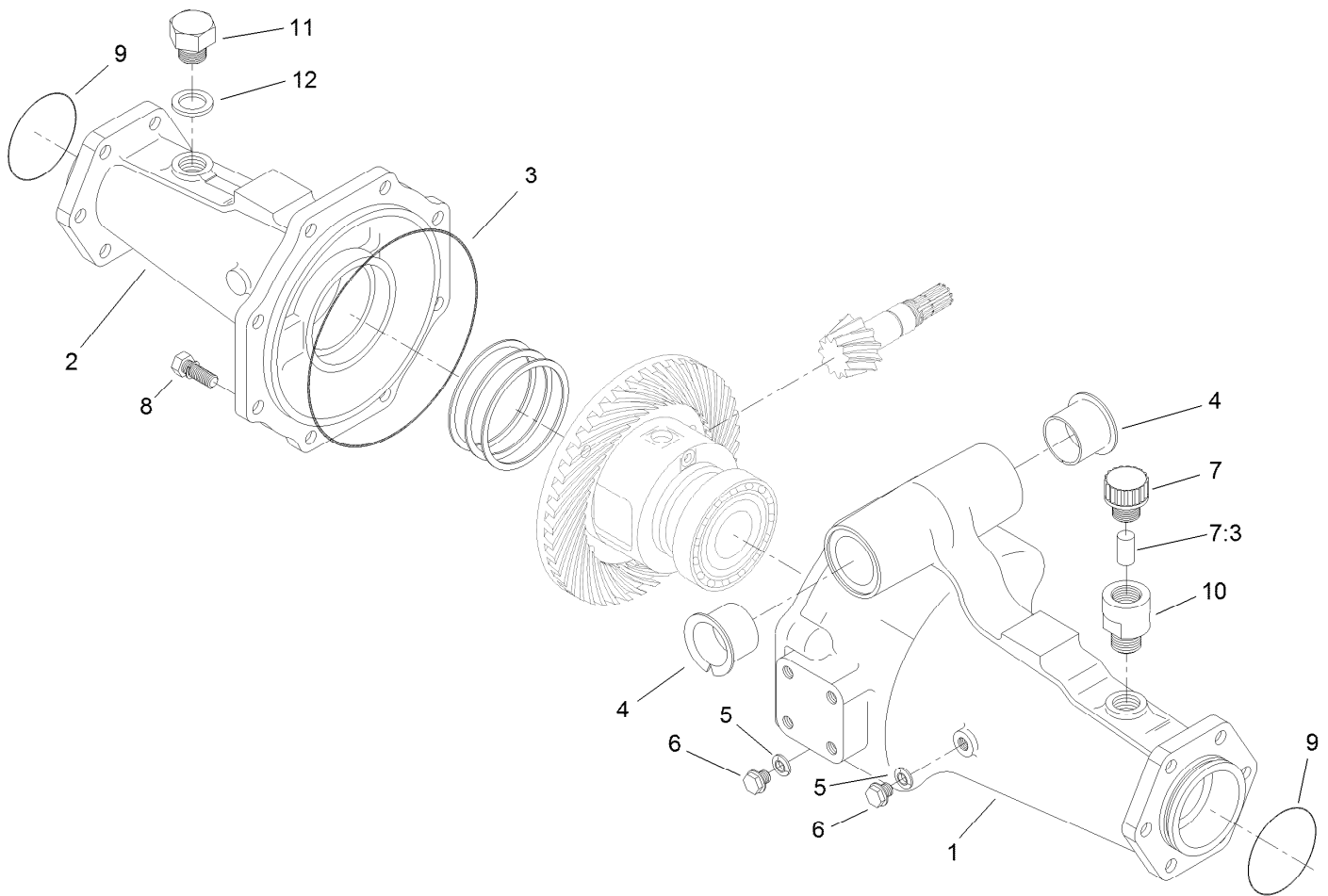
| <i>Ref.</i> | <i>Part Number</i> | <i>Qty.</i> | <i>Description</i> |
|-------------|--------------------|-------------|-----------------------------|
| 1 | 106-1093 | 1 | Ring And Pinion Set |
| 1:1 | 95-7504 | 1 | Gear-43 Tooth, Bevel Spiral |
| 1:2 | 106-1092 | 1 | Pinion-Spiral, Bevel |
| 2 | 99-7570 | 2 | Bearing-Roller, Taper |
| 3 | 95-7534 | 1 | Case-Bearing |
| 4 | 106-1065 | 2 | O-Ring |
| 6 | 106-1066 | 1 | O-Ring |
| 7 | 99-7574 | 1 | Seal-Oil |
| 8 | 99-7559 | 1 | Washer-Lock |
| 9 | 99-7560 | 1 | Nut-Lock |

| <i>Ref.</i> | <i>Part Number</i> | <i>Qty.</i> | <i>Description</i> |
|-------------|--------------------|-------------|--------------------|
| 10 | 99-7550 | 2 | Shim 0.1 |
| 10 | 99-7551 | 2 | Shim 0.2 |
| 11 | 95-7533 | 1 | Case-Gear |
| 12 | 99-7575 | 2 | Bolt |
| 13 | 98-7735 | 2 | Stud |
| 14 | 99-7527 | 2 | Washer-Spring |
| 15 | 99-7526 | 2 | Nut |
| 16 | 95-7541 | 1 | Plate-Cover |
| 17 | 106-1140 | 1 | Gasket |
| 18 | 104-2353 | 2 | Pin-Dowel |



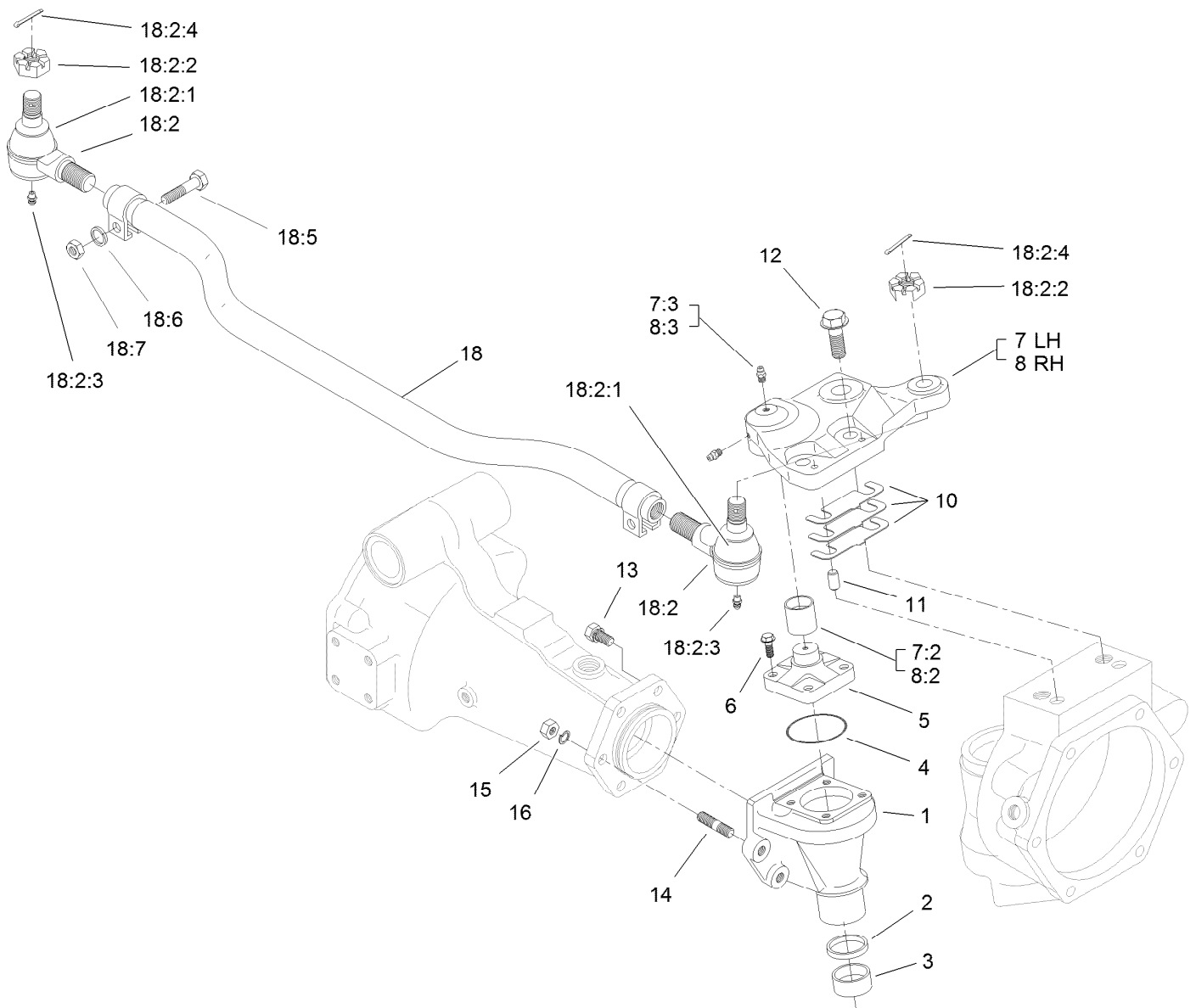
Differential Assembly Rear Axle Assembly No. 110-4750

| <i>Ref.</i> | <i>Part Number</i> | <i>Qty.</i> | <i>Description</i> | <i>Ref.</i> | <i>Part Number</i> | <i>Qty.</i> | <i>Description</i> |
|-------------|--------------------|-------------|-----------------------------|-------------|--------------------|-------------|---------------------|
| 1 | 95-7503 | 1 | Differential ASM | 9 | 99-7581 | 2 | Gear-Differential |
| 2 | 106-1093 | 1 | Ring And Pinion Set | 10 | 99-7582 | 2 | Washer-Differential |
| 2:1 | 95-7504 | 1 | Gear-43 Tooth, Bevel Spiral | 10 | 99-7583 | 2 | Washer-Differential |
| 2:2 | 106-1092 | 1 | Pinion-Spiral, Bevel | 10 | 99-7584 | 2 | Washer-Differential |
| 3 | 95-7502 | 1 | Case-Differential | 11 | 99-7588 | 1 | Pin-Spring |
| 4 | 99-7576 | 8 | Bolt | 12 | 99-7562 | 2 | Bearing-Ball |
| 5 | 3253-4 | 8 | Washer-Lock | 13 | 99-7585 | 2 | Shim 0.1 |
| 6 | 99-7578 | 1 | Shaft-Differential | 13 | 99-7586 | 2 | Shim 0.2 |
| 7 | 99-7579 | 2 | Pinion-Differential | 13 | 99-7587 | 2 | Shim 0.4 |
| 8 | 145-5288 | 2 | Washer-Pinion, Differential | | | | |



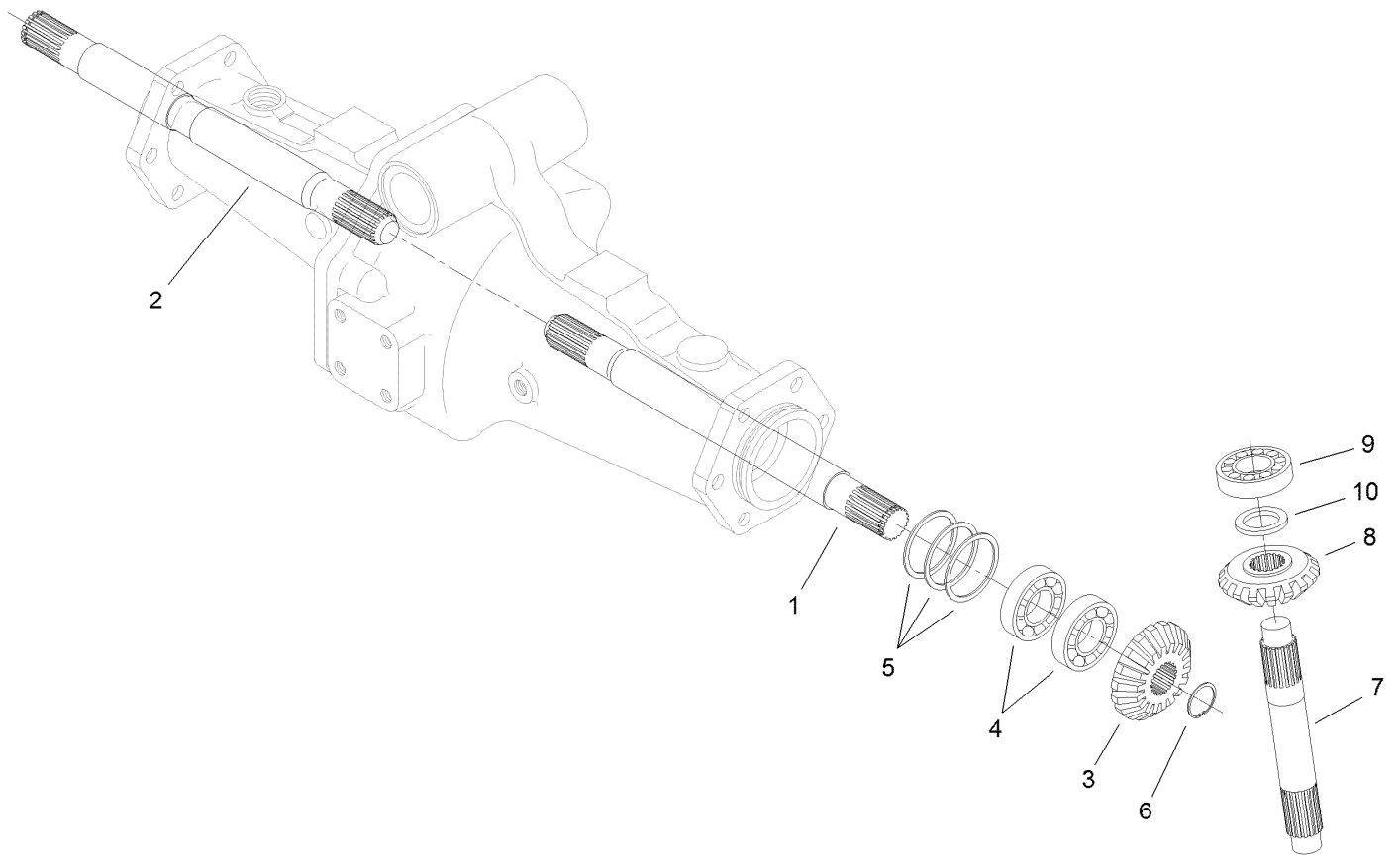
Axle Support Assembly Rear Axle Assembly No. 110-4750

| <i>Ref.</i> | <i>Part Number</i> | <i>Qty.</i> | <i>Description</i> |
|-------------|--------------------|-------------|---------------------|
| 1 | 95-7508 | 1 | Support-Axle |
| 2 | 95-7506 | 1 | Support-Axle |
| 3 | 106-1067 | 1 | O-Ring |
| 4 | 95-7537 | 2 | Bushing-Flanged |
| 5 | 99-7590 | 2 | Washer-Seal |
| 6 | 99-7589 | 2 | Plug |
| 7 | 110-4812 | 1 | Axle Vent ASM |
| 7:3 | 110-4815 | 1 | Insert-Filter, Foam |
| 8 | 99-7592 | 8 | Bolt |
| 9 | 106-1068 | 2 | O-Ring |
| 10 | 104-2377 | 1 | Extension-Vent |
| 11 | 104-8643 | 1 | Plug |
| 12 | 104-8644 | 1 | O-Ring |



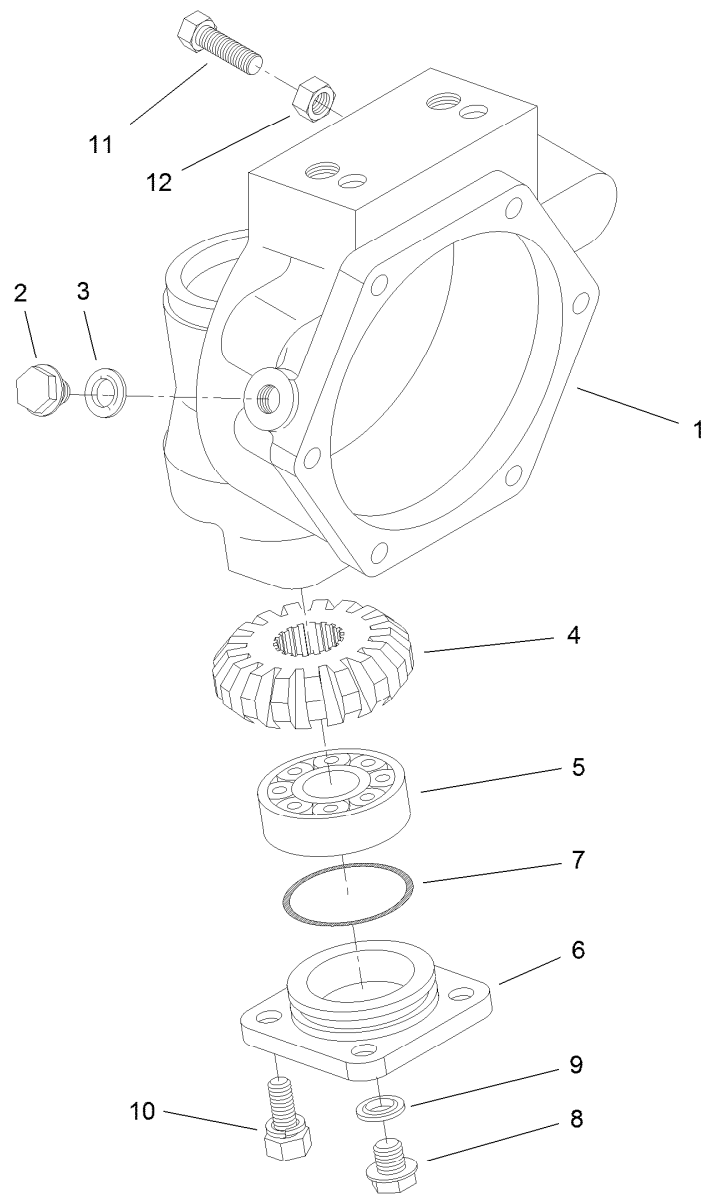
Bevel Gear Case Assembly Rear Axle Assembly No. 110-4750

| Ref. | Part Number | Qty. | Description | Ref. | Part Number | Qty. | Description |
|------|-------------|------|---------------------|--------|-------------|------|--------------------------------|
| 1 | 110-4752 | 2 | Case-Gear, Bevel | 12 | 104-2375 | 4 | Bolt |
| 2 | 110-4754 | 2 | Seal-Oil | 13 | 99-7599 | 8 | Bolt |
| 3 | 104-2378 | 2 | Bushing | 14 | 99-7525 | 4 | Stud |
| 4 | 106-1069 | 2 | O-Ring | 15 | 99-7526 | 4 | Nut |
| 5 | 104-2373 | 2 | Knuckle | 16 | 99-7527 | 4 | Washer-Spring |
| 6 | 104-2374 | 8 | Bolt | 18 | 106-1141 | 1 | Steering Tie Rod ASM |
| 7 | 100-3768 | 1 | LH Steering Arm ASM | 18:2 | 106-1113 | 2 | Tie Rod End ASM - RH Thread |
| 7:2 | 104-8634 | 1 | Bushing | 18:2:1 | 100-3853 | 1 | Cover-Dust |
| 7:3 | 106-1104 | 2 | Fitting-Grease | 18:2:2 | 100-3854 | 1 | Nut-Castle |
| 8 | 100-3766 | 1 | RH Steering Arm ASM | 18:2:3 | 110-4755 | 1 | Fitting-Grease |
| 8:2 | 104-8634 | 1 | Bushing | 18:2:4 | 3272-11 | 1 | Pin-Cotter |
| 8:3 | 106-1104 | 2 | Fitting-Grease | 18:5 | 100-3855 | 2 | Bolt |
| 10 | 95-7547 | 2 | Shim 0.1 | 18:6 | 99-7527 | 2 | Washer-Spring |
| 10 | 95-7548 | 2 | Shim 0.2 | 18:7 | 99-7526 | 2 | Nut |
| 10 | 95-7549 | 2 | Shim 0.3 | | | | |
| 11 | 99-7597 | 4 | Pin-Dowel | | | | |



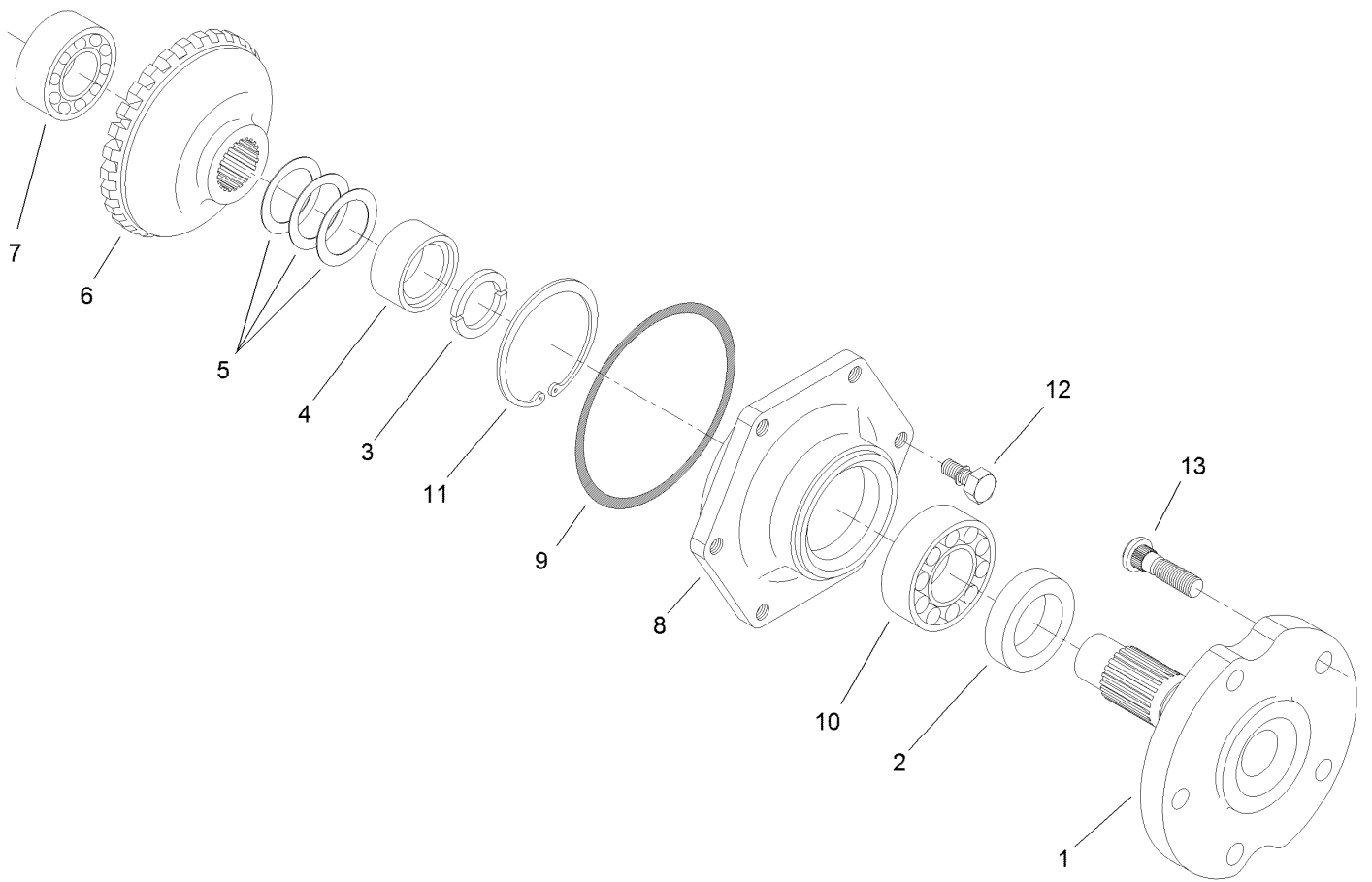
Bevel Gear Shaft Assembly Rear Axle Assembly No. 110-4750

| <i>Ref.</i> | <i>Part Number</i> | <i>Qty.</i> | <i>Description</i> |
|-------------|--------------------|-------------|--------------------------|
| 1 | 95-7509 | 1 | Shaft-Gear, Differential |
| 2 | 95-7512 | 1 | Shaft-Gear, Differential |
| 3 | 95-7517 | 2 | Gear-Bevel, 15 Tooth |
| 4 | 99-7530 | 4 | Bearing-Ball |
| 5 | 99-7552 | 2 | Shim 0.1 |
| 5 | 99-7553 | 2 | Shim 0.2 |
| 5 | 99-7554 | 2 | Shim 0.5 |
| 6 | 99-7531 | 2 | Clip |
| 7 | 110-4753 | 2 | Shaft-Gear, Bevel |
| 8 | 95-7519 | 2 | Gear-Bevel, 17 Tooth |
| 9 | 99-7532 | 2 | Bearing-Roller, Taper |
| 10 | 99-7558 | 2 | Collar |



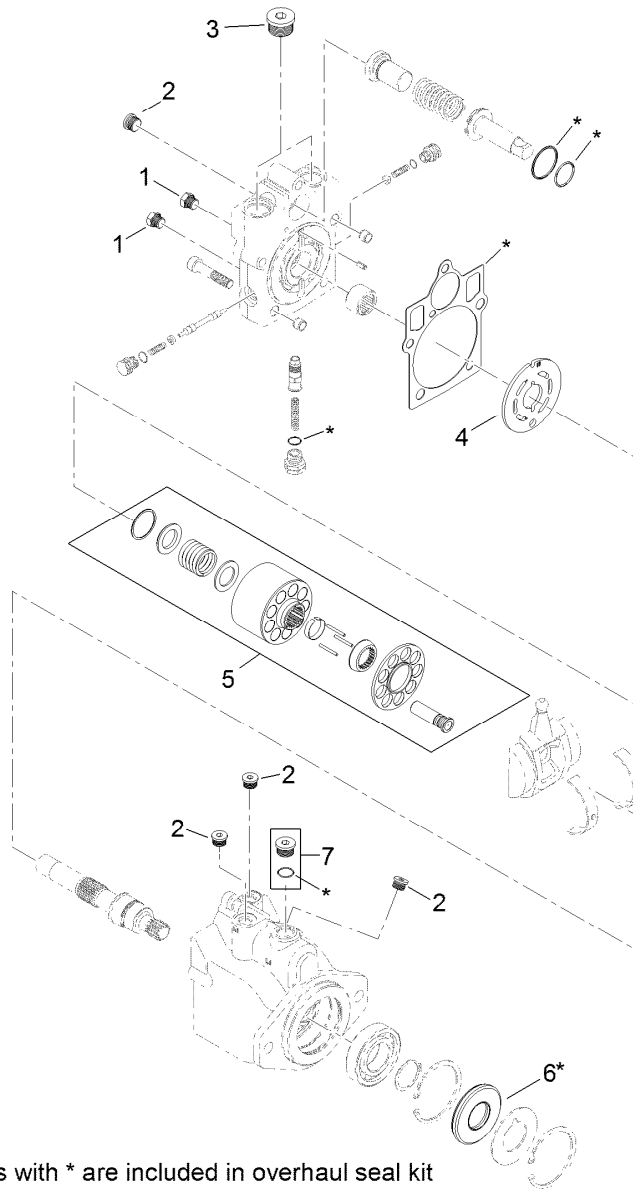
Axle Case Assembly Rear Axle Assembly No. 110-4750

| <i>Ref.</i> | <i>Part Number</i> | <i>Qty.</i> | <i>Description</i> |
|-------------|--------------------|-------------|-----------------------|
| 1 | 110-4751 | 2 | Case-Axle |
| 2 | 99-7535 | 2 | Plug |
| 3 | 99-7536 | 2 | Washer-Seal |
| 4 | 95-7527 | 2 | Gear-Bevel, 17 Tooth |
| 5 | 99-7532 | 2 | Bearing-Roller, Taper |
| 6 | 100-2560 | 2 | Cover |
| 7 | 106-1070 | 2 | O-Ring |
| 8 | 99-7589 | 2 | Plug |
| 9 | 99-7590 | 2 | Washer-Seal |
| 10 | 100-2562 | 8 | Bolt |
| 11 | 106-1102 | 2 | Bolt-Stop |
| 12 | 106-1103 | 2 | Nut |



Axle Assembly Rear Axle Assembly No. 110-4750

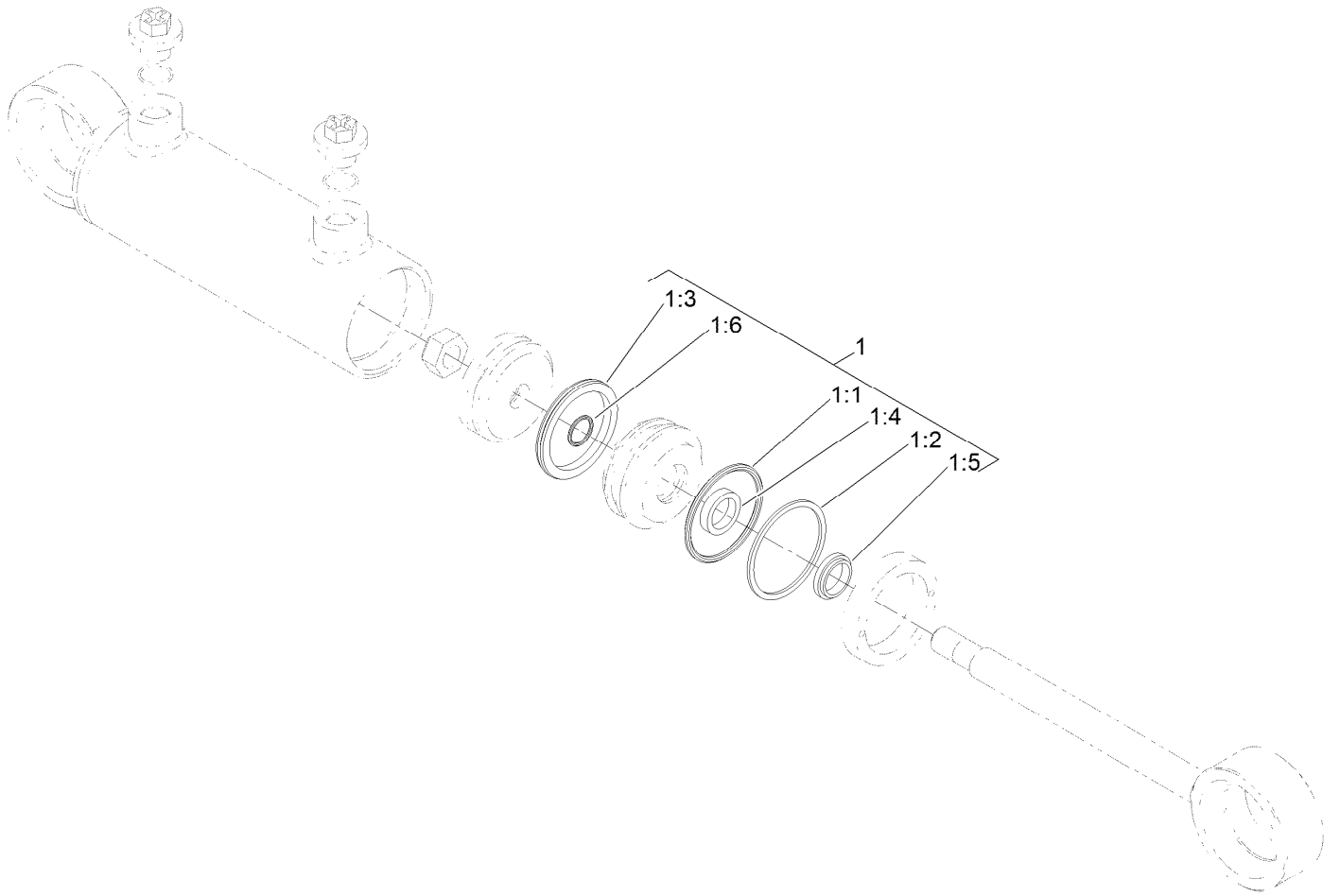
| <i>Ref.</i> | <i>Part Number</i> | <i>Qty.</i> | <i>Description</i> |
|-------------|--------------------|-------------|----------------------|
| 1 | 95-7522 | 2 | Axle |
| 2 | 99-7564 | 2 | Seal-Oil |
| 3 | 95-7544 | 4 | Clip |
| 4 | 95-7523 | 2 | Spacer |
| 5 | 99-7555 | 2 | Shim 0.3 |
| 5 | 99-7556 | 2 | Shim 0.2 |
| 5 | 99-7557 | 2 | Shim 0.5 |
| 6 | 95-7524 | 2 | Gear-Bevel, 29 Tooth |
| 7 | 99-7534 | 2 | Bearing-Ball |
| 8 | 95-7521 | 2 | Cover-Axle |
| 9 | 106-1071 | 2 | O-Ring |
| 10 | 99-7561 | 2 | Bearing-Ball |
| 11 | 99-7539 | 2 | Clip |
| 12 | 99-7596 | 12 | Bolt |
| 13 | 99-7563 | 10 | Stud |



8 = all items with * are included in overhaul seal kit

Hydraulic Motor Assembly No. 120-8814

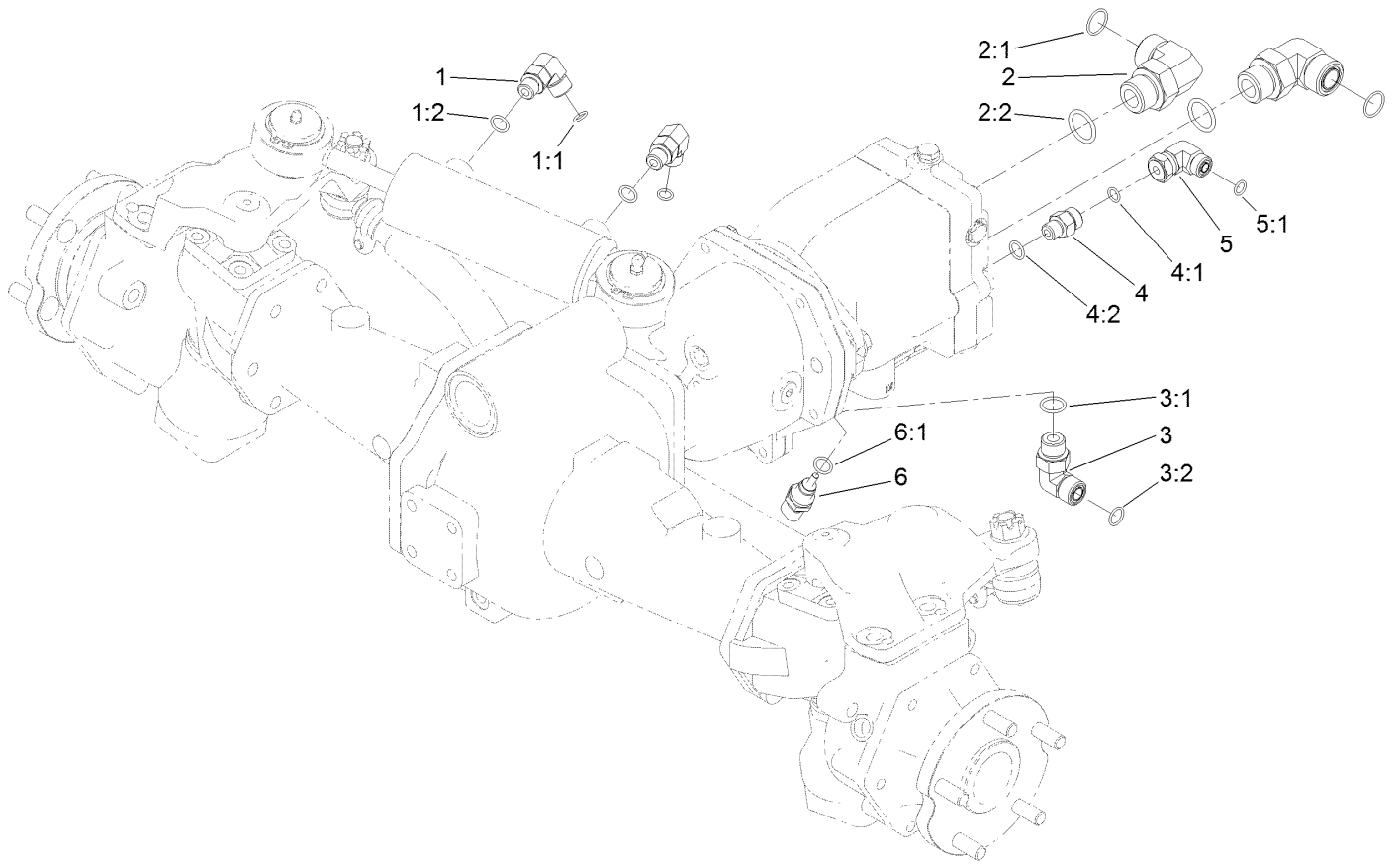
| <i>Ref.</i> | <i>Part Number</i> | <i>Qty.</i> | <i>Description</i> |
|-------------|--------------------|-------------|------------------------|
| 1 | 92-1352 | 2 | Plug |
| 2 | 69-3080 | 5 | Plug |
| 3 | 69-3130 | 2 | Plug |
| 4 | 121-1734 | 1 | Plate-Valve |
| 5 | 110-6472 | 1 | Cylinder Block Kit ASM |
| 6 | 69-3190 | 1 | Seal-Lip |
| 7 | 67-9090 | 1 | Plug |
| 8 | 121-1736 | 1 | Overhaul Seal Kit |



Steering Cylinder Assembly No. 121-1534

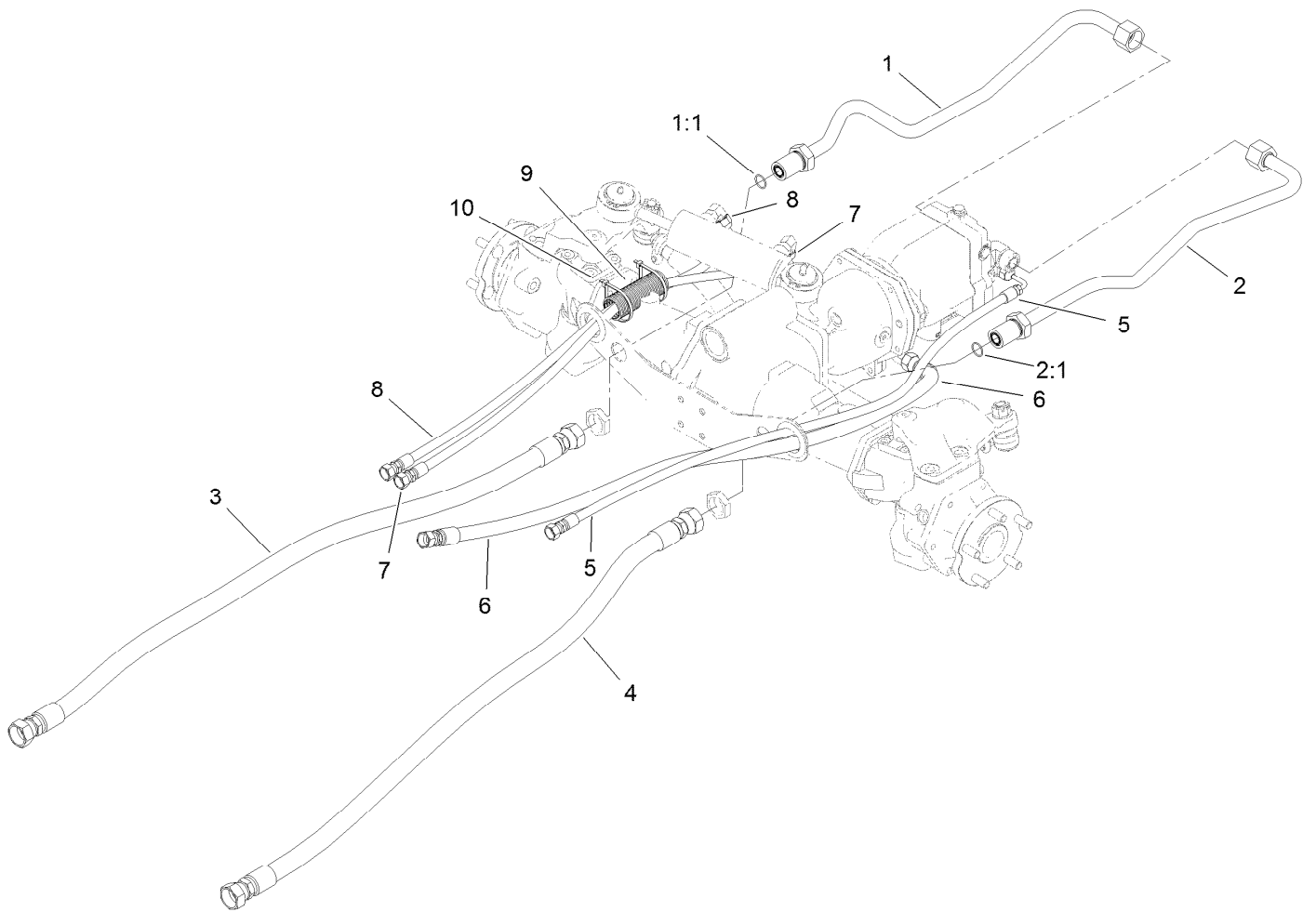
| <i>Ref.</i> | <i>Part Number</i> | <i>Qty.</i> | <i>Description</i> |
|-------------|--------------------|-------------|--------------------|
| 1 | 125-4302 | 1 | Seal Kit |
| 1:1 | | 1 | O-Ring ● |
| 1:2 | | 1 | Backup ● |
| 1:3 | | 1 | Bp Seal ● |
| 1:4 | | 1 | Bt Seal ● |
| 1:5 | | 1 | Dust Seal ● |
| 1:6 | | 1 | O-Ring ● |

● Not serviced separately



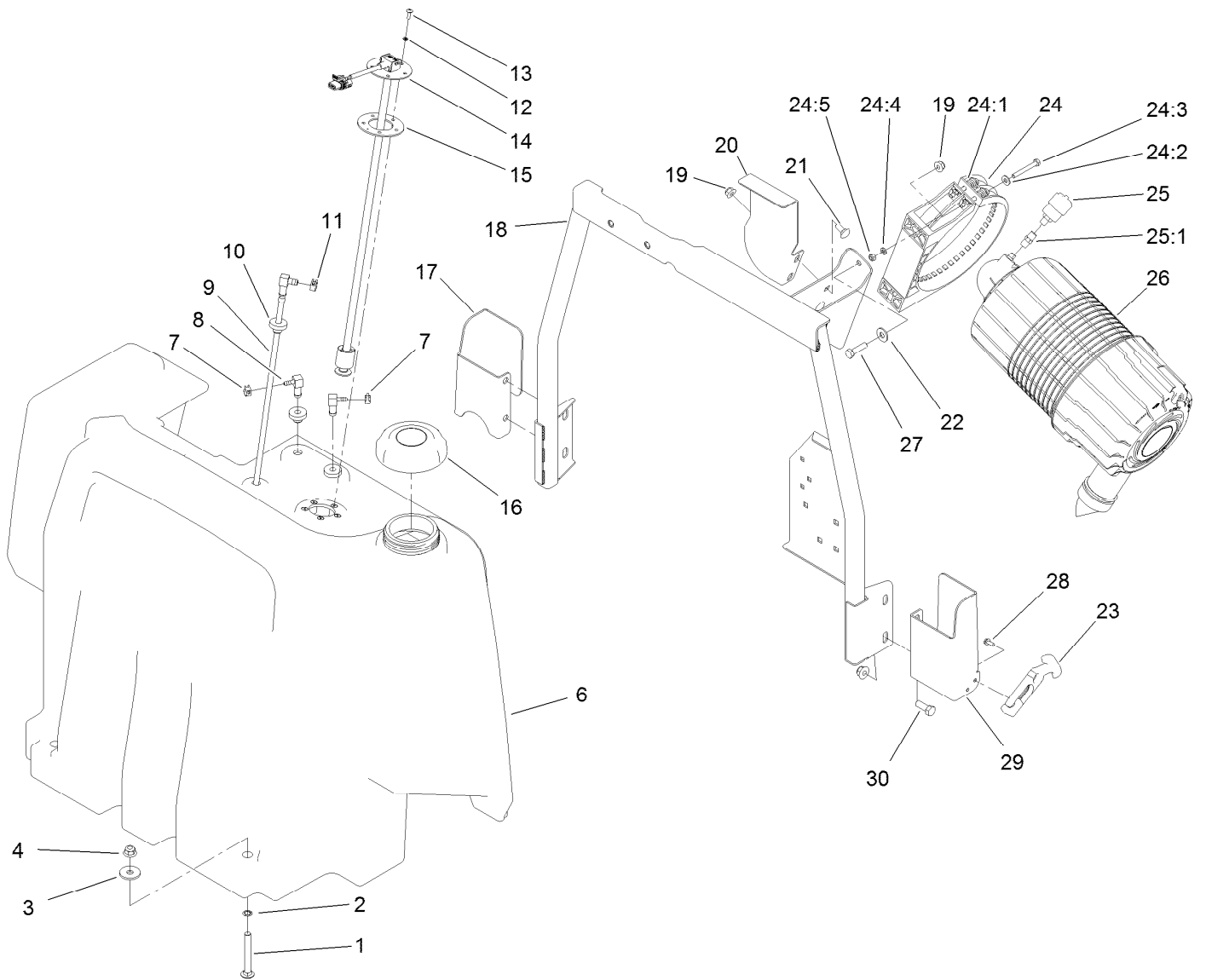
Hydraulic Fitting Assembly

| <i>Ref.</i> | <i>Part Number</i> | <i>Qty.</i> | <i>Description</i> | <i>Ref.</i> | <i>Part Number</i> | <i>Qty.</i> | <i>Description</i> |
|-------------|--------------------|-------------|-----------------------|-------------|--------------------|-------------|--------------------|
| 1 | 340-77 | 2 | Fitting-Elbow, 90 DEG | 3:2 | 237-30 | 1 | O-Ring |
| 1:1 | 237-22 | 1 | O-Ring | 4 | 340-2 | 1 | Fitting-Straight |
| 1:2 | 237-42 | 1 | O-Ring | 4:1 | 237-22 | 1 | O-Ring |
| 2 | 340-142 | 2 | Fitting-Elbow, 90 DEG | 4:2 | 237-42 | 1 | O-Ring |
| 2:1 | 237-58 | 1 | O-Ring | 5 | 340-159 | 1 | Elbow-90 |
| 2:2 | 237-81 | 1 | O-Ring | 5:1 | 237-22 | 2 | O-Ring |
| 3 | 340-98 | 1 | Fitting-Elbow, 90 DEG | 6 | 110-8829 | 1 | Sender-Temperature |
| 3:1 | 237-79 | 1 | O-Ring | 6:1 | 237-42 | 1 | O-Ring |



Hose and Tube Routing Assembly

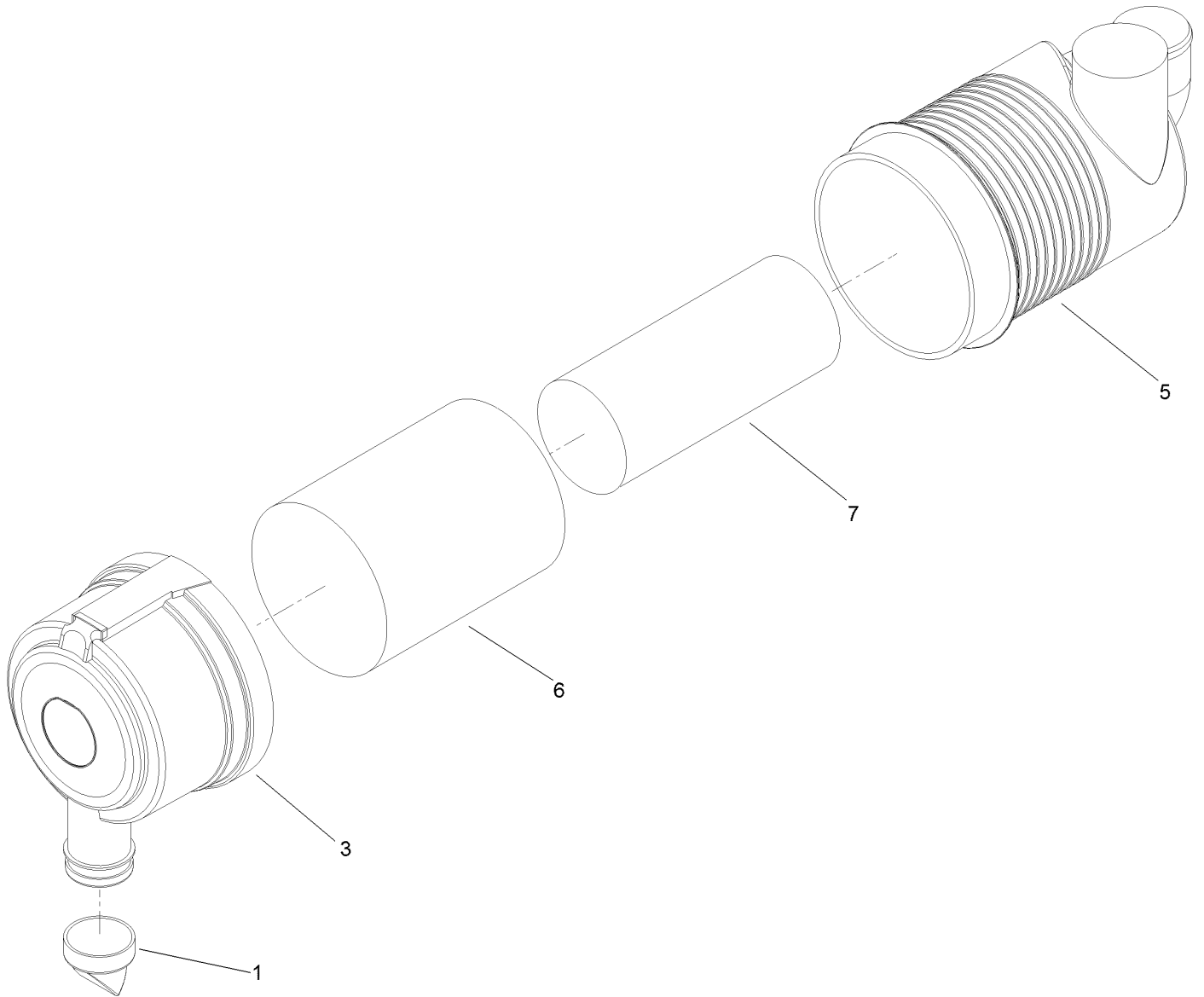
| <i>Ref.</i> | <i>Part Number</i> | <i>Qty.</i> | <i>Description</i> |
|-------------|--------------------|-------------|--------------------|
| 1 | 120-9067 | 1 | HYD Tube ASM |
| 1:1 | 237-58 | 1 | O-Ring |
| 2 | 120-9068 | 1 | Tube ASM |
| 2:1 | 237-58 | 1 | O-Ring |
| 3 | 121-1502 | 1 | Hose-HYD |
| 4 | 114-0024 | 1 | Hose-HYD |
| 5 | 121-1459 | 1 | Hose-HYD |
| 6 | 121-1458 | 1 | Hose-HYD |
| 7 | 121-1500 | 1 | Hose-HYD |
| 8 | 121-1501 | 1 | Hose-HYD |
| 9 | 121-1544 | 2 | Cover-Hose |
| 10 | 3290-379 | 4 | Tie-Cable |



Fuel Tank and Air Cleaner Assembly

| Ref. | Part Number | Qty. | Description | Ref. | Part Number | Qty. | Description |
|------|-------------|------|-----------------------|------|-------------|------|--------------------|
| 1 | 3231-10 | 2 | Screw-CARR | 20 | 120-4193-0P | 1 | Bracket-Fuel Tank |
| 2 | 32151-72 | 2 | Ring-Retaining | 21 | 3230-1 | 2 | Bolt-CARR |
| 3 | 63-8410 | 2 | Washer | 22 | 3256-3 | 2 | Washer-Flat |
| 4 | 104-8301 | 6 | Nut-HF, NI | 23 | 103-4080 | 2 | Latch-Rubber |
| 6 | 120-4195 | 1 | Tank-Fuel | 24 | 99-5414 | 1 | Strap-Cleaner, Air |
| 7 | 2412-98 | 2 | Clamp-Hose | 24:1 | 108-1512 | 2 | Spring |
| 8 | 104-5228 | 2 | Fitting-Elbow, 90 DEG | 24:2 | 3256-22 | 2 | Washer-Flat |
| 9 | 120-8908 | 1 | Pipe-Stand | 24:3 | 33113-050 | 2 | Screw-HH |
| 10 | 46-6560 | 3 | Bushing | 24:4 | 33093-00 | 2 | Washer-Flat |
| 11 | 92-2379 | 1 | Clamp-Hose | 24:5 | 33023-00 | 2 | Nut-Lock |
| 12 | 3253-15 | 5 | Washer-Lock | 25 | 104-3563 | 1 | Indicator |
| 13 | 32122-24 | 5 | Screw-PTH | 25:1 | 94-1416 | 1 | Adapter-Indicator |
| 14 | 121-1688 | 1 | Gauge-Fuel | 26 | 99-5410 | 1 | Air Cleaner ASM |
| 15 | 121-1707 | 1 | Gasket-Fuel, Viton | 27 | 322-6 | 2 | Screw-HH |
| 16 | 125-9171 | 1 | Cap-Fuel | 28 | 32144-1 | 4 | Screw-Taptite |
| 17 | 121-1514-03 | 1 | Bracket-Latch, RH | 29 | 121-1513-03 | 1 | Bracket-Latch, LH |
| 18 | 120-4190-0P | 1 | Support-Tank | 30 | 323-6 | 4 | Screw-HH |
| 19 | 104-8300 | 4 | Nut-HF, NI | | | | |

Air Cleaner Assembly No. 99-5410

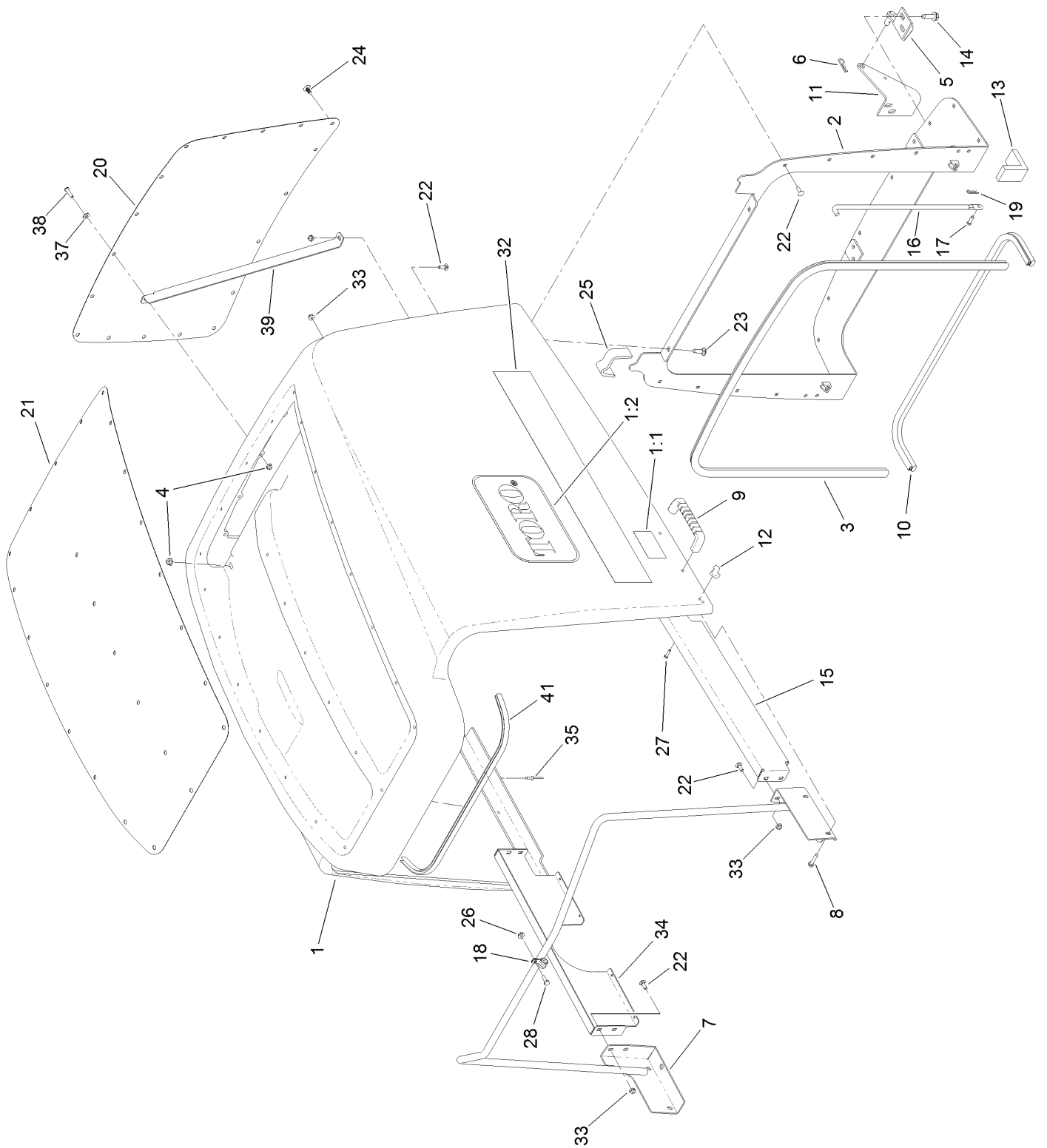


Air Cleaner Assembly No. 99-5410 (continued)

| <i>Ref.</i> | <i>Part Number</i> | <i>Qty.</i> | <i>Description</i> | <i>Ref.</i> | <i>Part Number</i> | <i>Qty.</i> | <i>Description</i> |
|-------------|--------------------|-------------|--------------------|-------------|--------------------|-------------|--------------------|
| 1 | 104-4258 | 1 | Valve-Vacuator | 6 | 108-3814 | 1 | Filter-Air |
| 3 | 104-4259 | 1 | Cover | 7 | 108-3816 | 1 | Filter-Air |
| 5 | | 1 | Body ASM ● | | | | |

● Not serviced separately

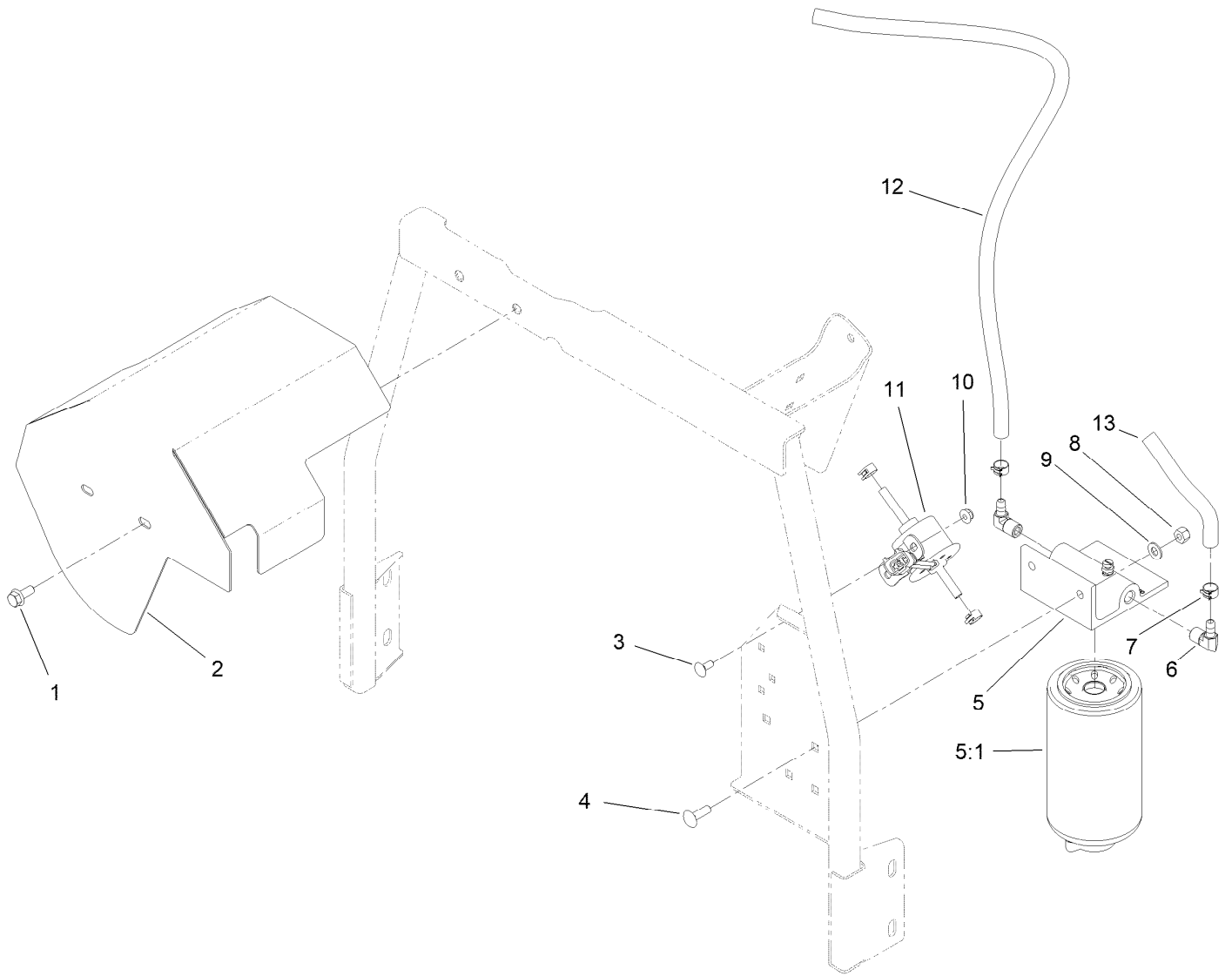
Hood Assembly



Hood Assembly (continued)

| <i>Ref.</i> | <i>Part Number</i> | <i>Qty.</i> | <i>Description</i> | <i>Ref.</i> | <i>Part Number</i> | <i>Qty.</i> | <i>Description</i> |
|-------------|--------------------|-------------|---------------------|-------------|--------------------|-------------|--------------------|
| 1 | 120-9090 | 1 | Hood ASM | 18 | 2412-134 | 2 | Clamp-R |
| 1:1 | 106-6754 | 2 | Decal-Danger | 19 | 3290-307 | 2 | Pin-Cotter |
| 1:2 | 139-6028 | 2 | Decal-Logo, Toro | 20 | 120-9096-03 | 1 | Screen-Hood, Rear |
| 2 | 120-9099-0P | 1 | Pivot-Hood | 21 | 120-9097-03 | 1 | Screen-Hood, Top |
| 3 | 114-3823 | 1 | Seal-Bulb | 22 | 3229-1 | 24 | Screw-CARR |
| 4 | 104-8300 | 2 | Nut-HF, NI | 23 | 3230-2 | 2 | Bolt-CARR |
| 5 | 121-1470 | 2 | Pivot-Screen | 24 | 117-2382 | 42 | Plug-Plastic |
| 6 | 3290-467 | 2 | Pin-Hair | 25 | 120-9087 | 2 | Seal-Foam |
| 7 | 120-4196-0P | 1 | Support-Hood | 26 | 32128-33 | 2 | Nut-HF |
| 8 | 137-3101 | 4 | Screw-Plastic, HWH | 27 | 32104-4 | 2 | Screw |
| 9 | 65-5100 | 2 | Handle-Door | 28 | 321-4 | 2 | Screw-HH |
| 10 | 104-3590 | 1 | Seal-Bulb | 32 | 119-0054 | 2 | Decal-Hood |
| 11 | 104-3588-03 | 2 | Pivot-Screen | 33 | 104-7201 | 25 | Nut-HF, NI |
| 12 | 103-4081 | 2 | Latch-Keeper | 34 | 120-8948-0P | 1 | Support-Hood, RH |
| 13 | 104-3580 | 2 | Seal-Corner, Screen | 35 | 3269-4 | 8 | Rivet-Pop |
| 14 | 32144-109 | 8 | Screw-Thd | 37 | 3256-1 | 1 | Washer-Flat |
| 15 | 120-8949-0P | 1 | Support-Hood, LH | 38 | 3274-65 | 1 | Screw-HSBH |
| 16 | 104-8313 | 2 | Rod-Hood | 39 | 127-3707-0P | 1 | Support-Hood |
| 17 | 283-67 | 2 | Pin-Clevis | 41 | 132-6181 | 1 | Trim |

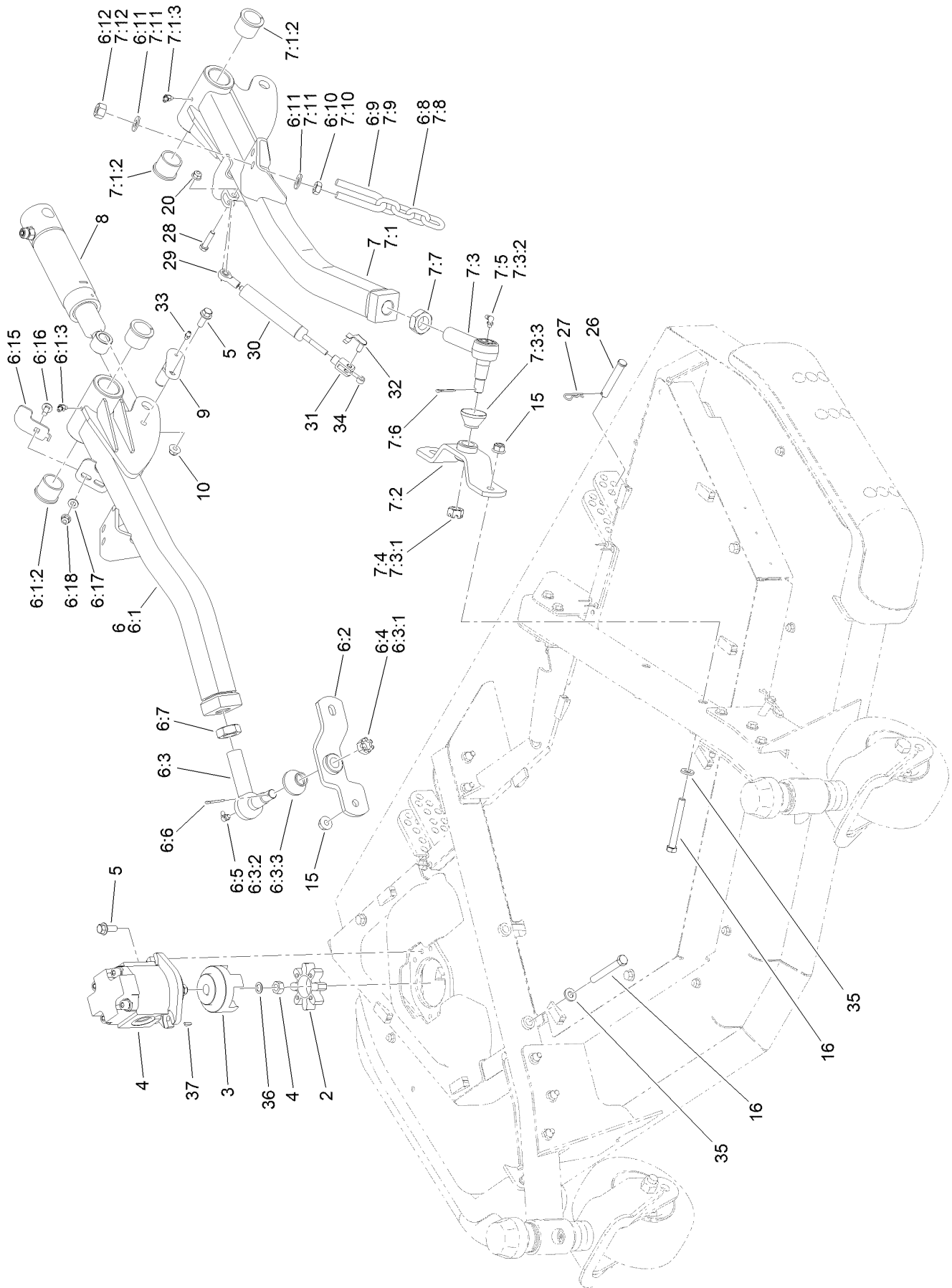
Fuel/Water Separator and Shield Assembly



Fuel/Water Separator and Shield Assembly (continued)

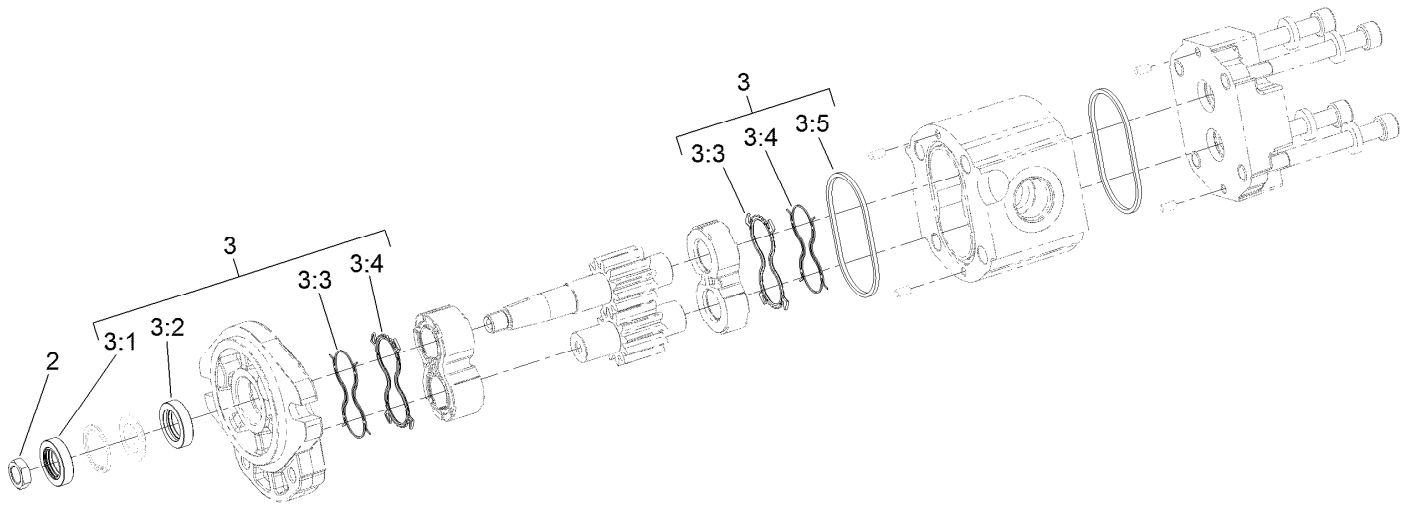
| <i>Ref.</i> | <i>Part Number</i> | <i>Qty.</i> | <i>Description</i> | <i>Ref.</i> | <i>Part Number</i> | <i>Qty.</i> | <i>Description</i> |
|-------------|--------------------|-------------|-----------------------------|-------------|--------------------|-------------|---------------------|
| 1 | 3234-47 | 2 | Screw-HHF | 7 | 92-2379 | 4 | Clamp-Hose |
| 2 | 120-4188-0P | 1 | Bracket-Guard, Fuel Tank | 8 | 3296-29 | 2 | Nut-Lock, NI |
| 3 | 3229-11 | 2 | Screw-CARR | 9 | 3256-23 | 2 | Washer-Plain |
| 4 | 3230-22 | 2 | Screw-CARR | 10 | 104-7201 | 2 | Nut-HF, NI |
| 5 | 125-2914 | 1 | Filter-Separator | 11 | 121-5613 | 1 | Pump-Fuel, Electric |
| 5:1 | 125-2915 | 1 | Filter-Fuel/Water Separator | 12 | 109-0309 | 1 | Hose-Fuel |
| 6 | 353-781 | 2 | Fitting-HYD, 90 | 13 | 110-3256 | 1 | Hose-Fuel |

Front Deck Installation Assembly



Front Deck Installation Assembly (continued)

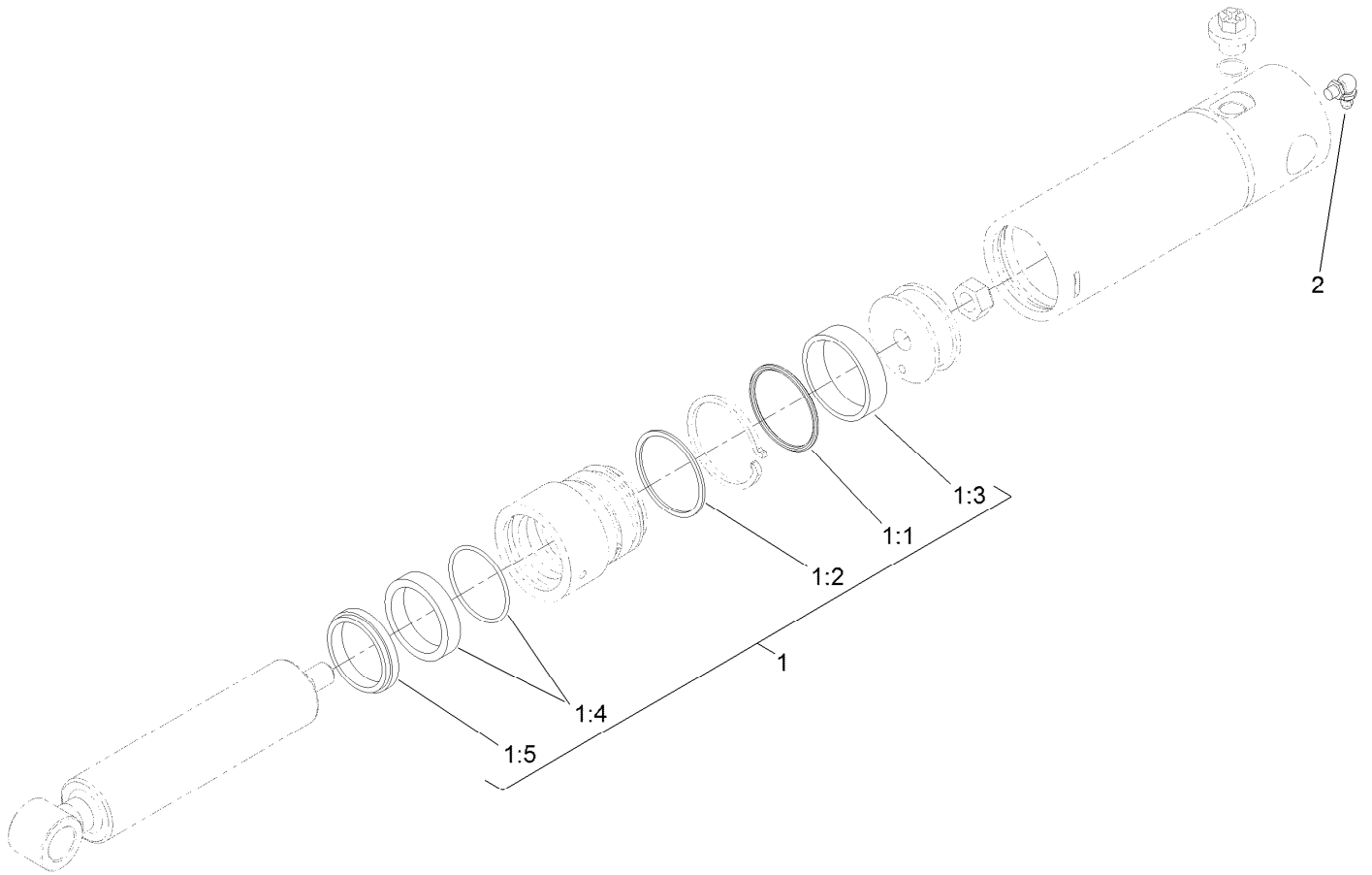
| <i>Ref.</i> | <i>Part Number</i> | <i>Qty.</i> | <i>Description</i> | <i>Ref.</i> | <i>Part Number</i> | <i>Qty.</i> | <i>Description</i> |
|-------------|--------------------|-------------|------------------------|-------------|--------------------|-------------|------------------------|
| 2 | 104-3542 | 1 | Spider | 7:3 | 86-8101 | 1 | Joint-Ball |
| 3 | 104-3541 | 1 | Hub-Spider | 7:3:1 | 32136-2 | 1 | Nut-SHH |
| 4 | 127-3694 | 1 | HYD Motor ASM | 7:3:2 | 302-40 | 1 | Fitting-Grease, 90 DEG |
| 5 | 3234-42 | 4 | Screw-HHF | 7:3:3 | 114-2874 | 1 | Seal-Ball Joint |
| 6 | 138-6398 | 1 | RH Front Lift Arm ASM | 7:4 | 32136-2 | 1 | Nut-SHH |
| 6:1 | 140-5807 | 1 | RH Lift Arm ASM | 7:5 | 302-40 | 1 | Fitting-Grease, 90 DEG |
| 6:1:2 | 104-0015 | 2 | Bushing-Flange | 7:6 | 3272-12 | 1 | Pin-Cotter |
| 6:1:3 | 302-11 | 1 | Fitting-Lube, 45 DEG | 7:7 | 21-3001 | 1 | Nut-Jam |
| 6:2 | 140-5809 | 1 | Support-Hub | 7:8 | 95-6231 | 1 | Chain-HOC |
| 6:3 | 86-8101 | 1 | Joint-Ball | 7:9 | 104-0108 | 1 | U-Bolt |
| 6:3:1 | 32136-2 | 1 | Nut-SHH | 7:10 | 3217-9 | 2 | Nut-HH |
| 6:3:2 | 302-40 | 1 | Fitting-Grease, 90 DEG | 7:11 | 3256-26 | 4 | Washer-Flat |
| 6:3:3 | 114-2874 | 1 | Seal-Ball Joint | 7:12 | 3296-25 | 2 | Nut-Lock, NI |
| 6:4 | 32136-2 | 1 | Nut-SHH | 8 | 120-8802 | 2 | HYD Cylinder ASM |
| 6:5 | 302-40 | 1 | Fitting-Grease, 90 DEG | 9 | 120-5575 | 2 | Pin |
| 6:6 | 3272-12 | 1 | Pin-Cotter | 10 | 104-8301 | 2 | Nut-HF, NI |
| 6:7 | 21-3001 | 1 | Nut-Jam | 15 | 114-8417 | 4 | Nut-HF, NI |
| 6:8 | 95-6231 | 1 | Chain-HOC | 16 | 324-19 | 4 | Screw-HH |
| 6:9 | 104-0108 | 1 | U-Bolt | 20 | 104-8300 | 1 | Nut-HF, NI |
| 6:10 | 3217-9 | 2 | Nut-HH | 26 | 283-55 | 2 | Pin-Clevis |
| 6:11 | 3256-26 | 4 | Washer-Flat | 27 | 3290-467 | 2 | Pin-Hair |
| 6:12 | 3296-25 | 2 | Nut-Lock, NI | 28 | 322-17 | 1 | Screw-HH |
| 6:15 | 140-5824 | 1 | Plate-Sensor | 29 | 104-8331 | 1 | End-Rod, Spherical |
| 6:16 | 3230-23 | 1 | Bolt-CARR | 30 | 105-3249 | 1 | Damper |
| 6:17 | 3256-23 | 1 | Washer-Plain | 31 | 115-5455 | 1 | End-Rod, Clevis |
| 6:18 | 104-8300 | 1 | Nut-HF, NI | 32 | 115-5454 | 1 | Pin-Spring |
| 7 | 138-6399 | 1 | LH Front Lift Arm ASM | 33 | 302-5 | 2 | Fitting-Grease |
| 7:1 | 140-5808 | 1 | LH Lift Arm ASM | 34 | 115-2142 | 1 | Spacer |
| 7:1:2 | 104-0015 | 2 | Bushing-Flange | 35 | 87-7480 | 4 | Washer |
| 7:1:3 | 302-11 | 1 | Fitting-Lube, 45 DEG | 36 | 112-6957 | 1 | Washer-Hardened |
| 7:2 | 140-5809 | 1 | Support-Hub | 37 | 3257-3 | 1 | Key-Woodruff |



Hydraulic Motor Assembly No. 127-3694

| Ref. | Part Number | Qty. | Description |
|------|-------------|------|-------------------------|
| 2 | 110-8815 | 1 | Nut-Hex |
| 3 | 114-5620 | 1 | Seal Kit |
| 3:1 | | 1 | Seal-Shaft ● |
| 3:2 | | 1 | Seal-Shaft ● |
| 3:3 | | 2 | Seal-Anti Extrusion ● |
| 3:4 | | 2 | Seal-Plate, Balancing ● |
| 3:5 | | 2 | O Ring-Housing ● |

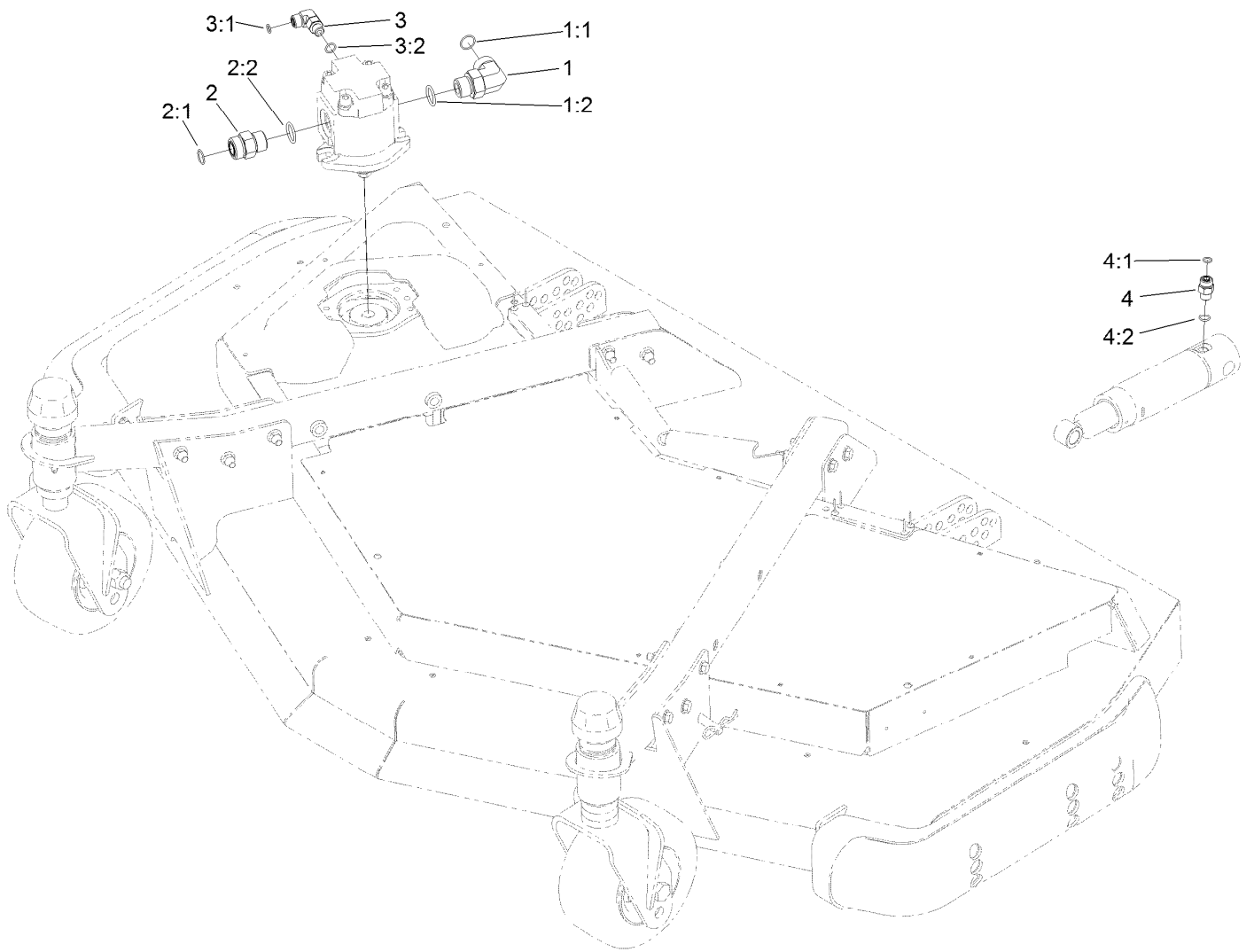
● Not serviced separately



Lift Cylinder Assembly No. 120-8802

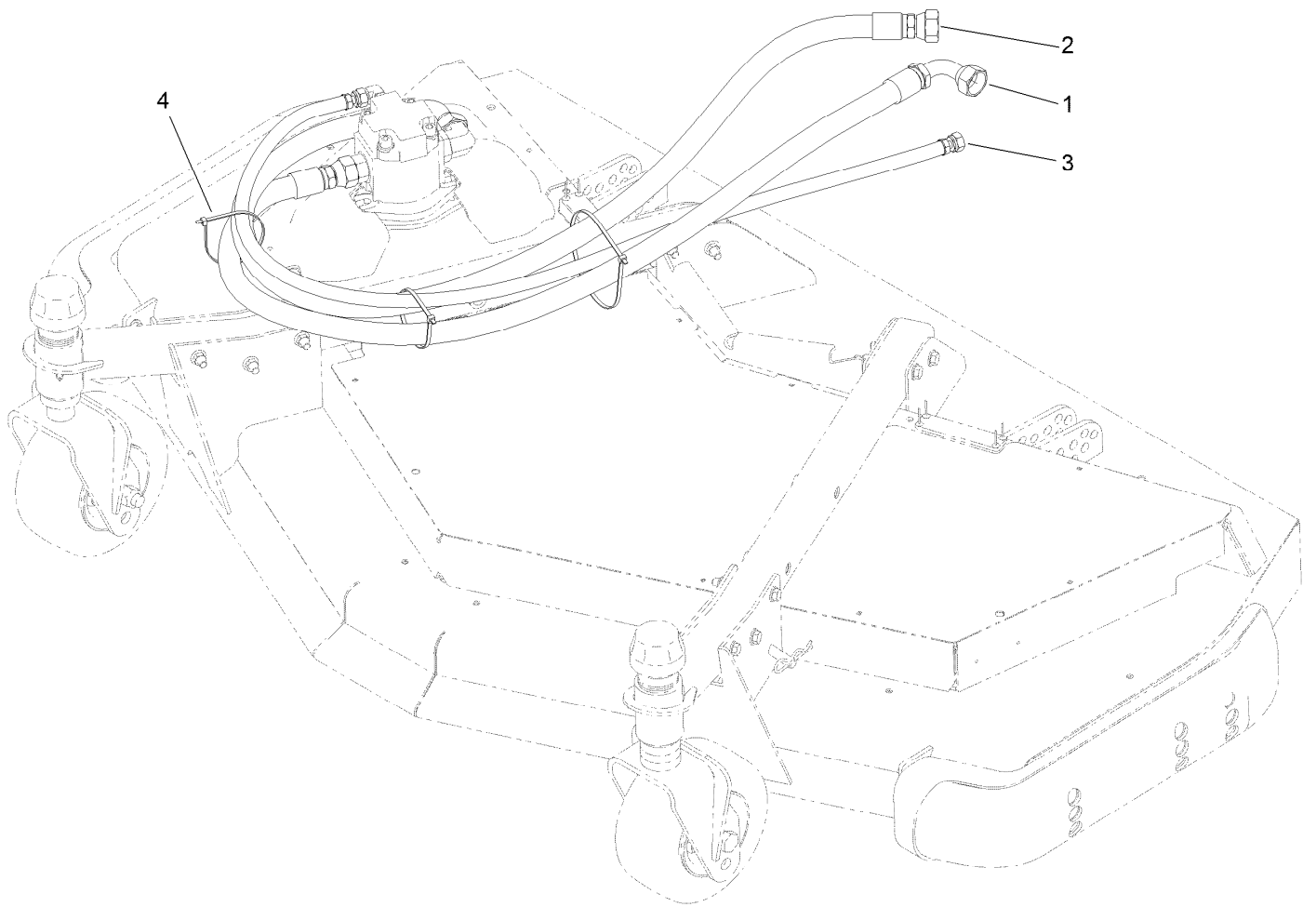
| <i>Ref.</i> | <i>Part Number</i> | <i>Qty.</i> | <i>Description</i> |
|-------------|--------------------|-------------|--------------------|
| 1 | 125-4301 | 1 | Seal Kit |
| 1:1 | | 1 | O-Ring ● |
| 1:2 | | 1 | Backup ● |
| 1:3 | | 1 | Wear Ring ● |
| 1:4 | | 1 | Bds Seal ● |
| 1:5 | | 1 | Dust Seal ● |
| 2 | 302-60 | 1 | Fitting-Grease |

● Not serviced separately



Front Deck Hydraulic Fitting Assembly

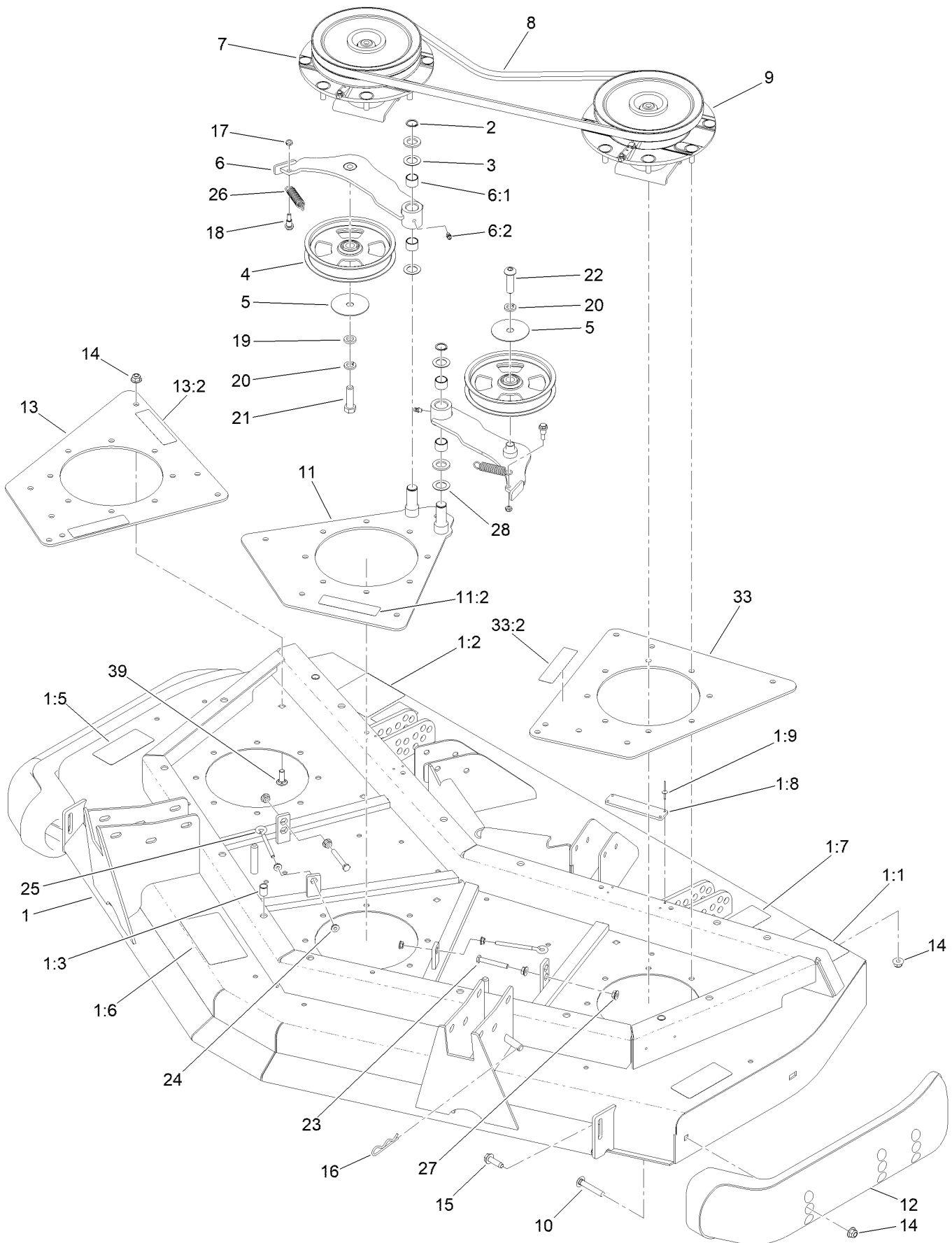
| Ref. | Part Number | Qty. | Description |
|------|-------------|------|-----------------------|
| 1 | 340-142 | 1 | Fitting-Elbow, 90 DEG |
| 1:1 | 237-58 | 1 | O-Ring |
| 1:2 | 237-81 | 1 | O-Ring |
| 2 | 340-9 | 1 | Fitting-STR |
| 2:1 | 237-58 | 1 | O-Ring |
| 2:2 | 237-81 | 1 | O-Ring |
| 3 | 340-77 | 1 | Fitting-Elbow, 90 DEG |
| 3:1 | 237-22 | 1 | O-Ring |
| 3:2 | 237-42 | 1 | O-Ring |
| 4 | 340-2 | 2 | Fitting-Straight |
| 4:1 | 237-22 | 1 | O-Ring |
| 4:2 | 237-42 | 1 | O-Ring |



Front Deck Hose Routing Assembly

| <i>Ref.</i> | <i>Part Number</i> | <i>Qty.</i> | <i>Description</i> |
|-------------|--------------------|-------------|--------------------|
| 1 | 120-8987 | 1 | Hose-HYD |
| 2 | 120-8988 | 1 | Hose-HYD |
| 3 | 120-8989 | 1 | Hose-HYD |
| 4 | 3290-379 | 3 | Tie-Cable |

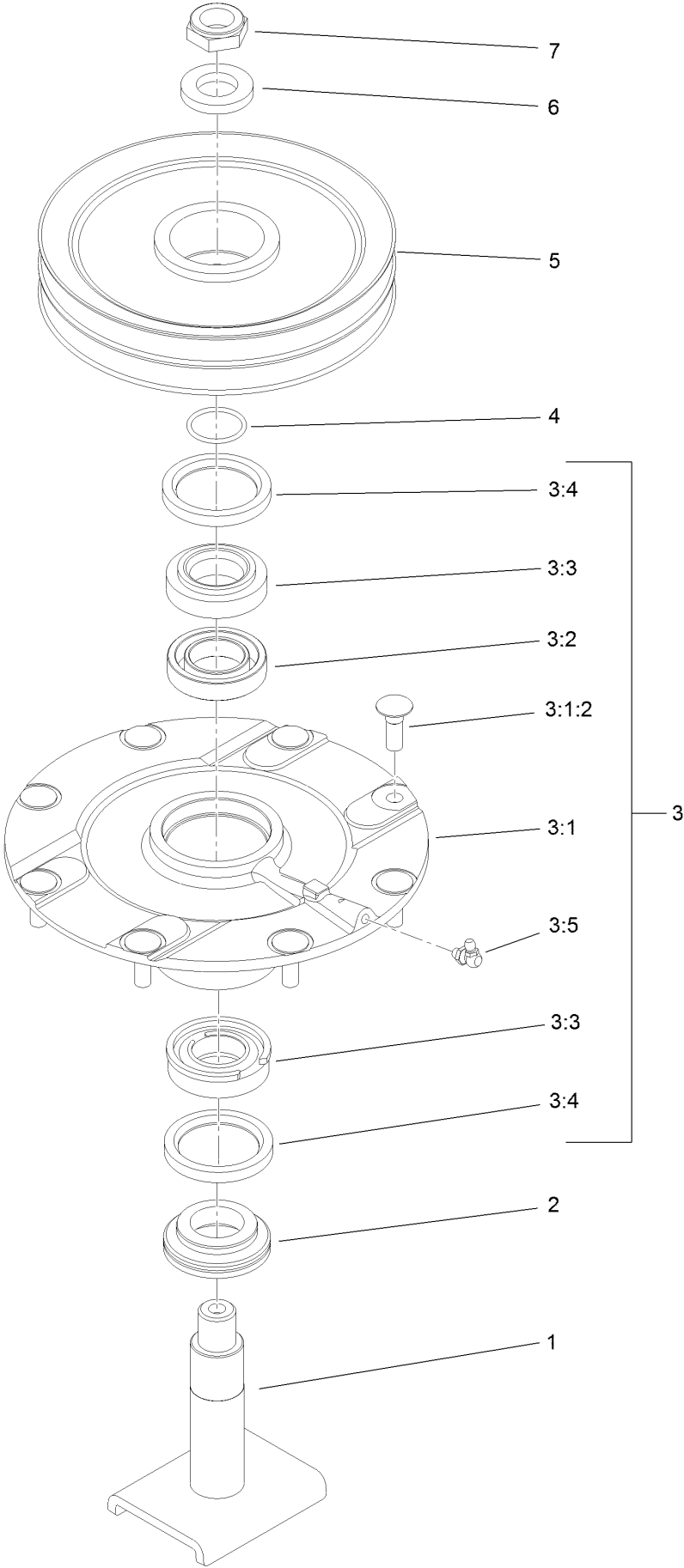
Front Deck Idler and Skid Assembly



Front Deck Idler and Skid Assembly (continued)

| <i>Ref.</i> | <i>Part Number</i> | <i>Qty.</i> | <i>Description</i> | <i>Ref.</i> | <i>Part Number</i> | <i>Qty.</i> | <i>Description</i> |
|-------------|--------------------|-------------|-----------------------------|-------------|--------------------|-------------|----------------------------|
| 1 | 131-1234 | 1 | Front Deck ASM | 12 | 112-1479 | 2 | Skid-Bumper, Deck |
| 1:1 | 120-6604 | 2 | Decal-Danger | 13 | 131-1238 | 1 | Plate-Spindle, Front Right |
| 1:2 | 100-5624 | 1 | Decal-HOC, RH | 13:2 | 100-6578 | 2 | Decal-Danger |
| 1:3 | 32148-9 | 3 | Nut-Clinch | 14 | 104-8301 | 36 | Nut-HF, NI |
| 1:5 | 93-7818 | 2 | Decal-Torque, Blade Bolt | 15 | 9136144 | 2 | Screw-HWHTF |
| 1:6 | 100-5622 | 1 | Decal-HOC | 16 | 3290-355 | 1 | Pin-Hair |
| 1:7 | 104-3578 | 1 | Decal-HOC, LH | 17 | 3296-56 | 2 | Nut-Lock, NI |
| 1:8 | 105-0786 | 2 | Pad-Plastic | 18 | 104-0858 | 2 | Bolt-Shoulder |
| 1:9 | 3269-8 | 8 | Rivet-Blind | 19 | 9202424 | 1 | Spacer |
| 2 | 32120-72 | 2 | Ring-Snap | 20 | 3253-7 | 2 | Washer-Lock |
| 3 | 3-6498 | 4 | Washer-Thrust | 21 | 325-7 | 1 | Screw-HH |
| 4 | 132-9421 | 2 | Pulley-Idler, Flat | 22 | 108-1993 | 1 | Screw-HSBH |
| 5 | 100-3102 | 2 | Washer-Flat | 23 | 9114524 | 2 | Bolt-TAP, HH |
| 6 | 140-6227 | 2 | Idler Arm ASM | 24 | 32128-14 | 4 | Nut-HF |
| 6:1 | 256-76 | 2 | Bushing | 25 | 68-0090 | 2 | Screw-Adjusting |
| 6:2 | 302-5 | 1 | Fitting-Grease | 26 | 107938 | 2 | Spring-Extension |
| 7 | 139-1037 | 1 | Double Driven Spindle ASM | 27 | 32128-26 | 4 | Nut-HF |
| 8 | 108-8076 | 2 | V-Belt, Deck | 28 | 70-1160 | 2 | Washer |
| 9 | 139-1038 | 1 | High Driven Spindle ASM | 33 | 131-1239 | 1 | Plate-Spindle, Front Left |
| 10 | 3231-33 | 4 | Screw-CARR | 33:2 | 100-6578 | 1 | Decal-Danger |
| 11 | 131-1237 | 1 | Plate-Spindle, Front Center | 39 | 3231-22 | 12 | Screw-CARR |
| 11:2 | 100-6578 | 1 | Decal-Danger | | | | |

Double Driven Spindle Assembly No. 139-1037

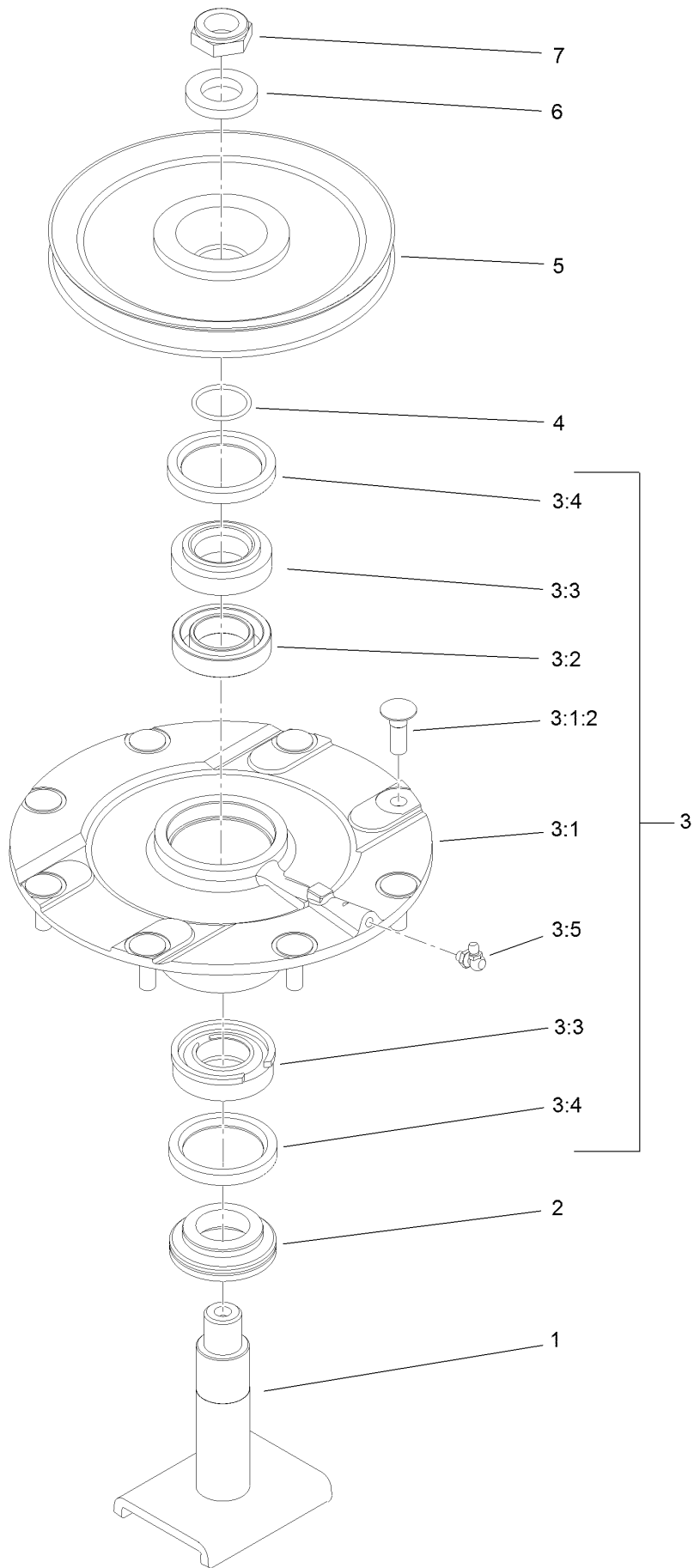


Double Driven Spindle Assembly No. 139-1037 (continued)

| <i>Ref.</i> | <i>Part Number</i> | <i>Qty.</i> | <i>Description</i> | <i>Ref.</i> | <i>Part Number</i> | <i>Qty.</i> | <i>Description</i> |
|-------------|--------------------|-------------|-----------------------|-------------|--------------------|-------------|-----------------------|
| 1 | 139-1044 | 1 | Shaft-Spindle | 3:4 | 253-154 | 2 | Seal-Oil |
| 2 | 138-6416 | 1 | Spacer-Spindle, Shaft | 3:5 | 302-60 | 1 | Fitting-Grease |
| 3 | 119-4775 | 1 | Spindle Housing ASM | 4 | 106-7159 | 1 | O-Ring |
| 3:1 | | 1 | Spindle ASM ● | 5 | 104-3547 | 1 | Pulley-Driven, Double |
| 3:1:2 | 114-8195 | 8 | Bolt-Neck, Ribbed | 6 | 120-5576 | 1 | Washer-Hardened |
| 3:2 | 120-5577 | 1 | Bearing Spacer Set | 7 | 3296-60 | 1 | Nut-Lock, NI |
| 3:3 | 110-8297 | 1 | Bearing ASM | | | | |

● Not serviced separately

High Driven Spindle Assembly No. 139-1038

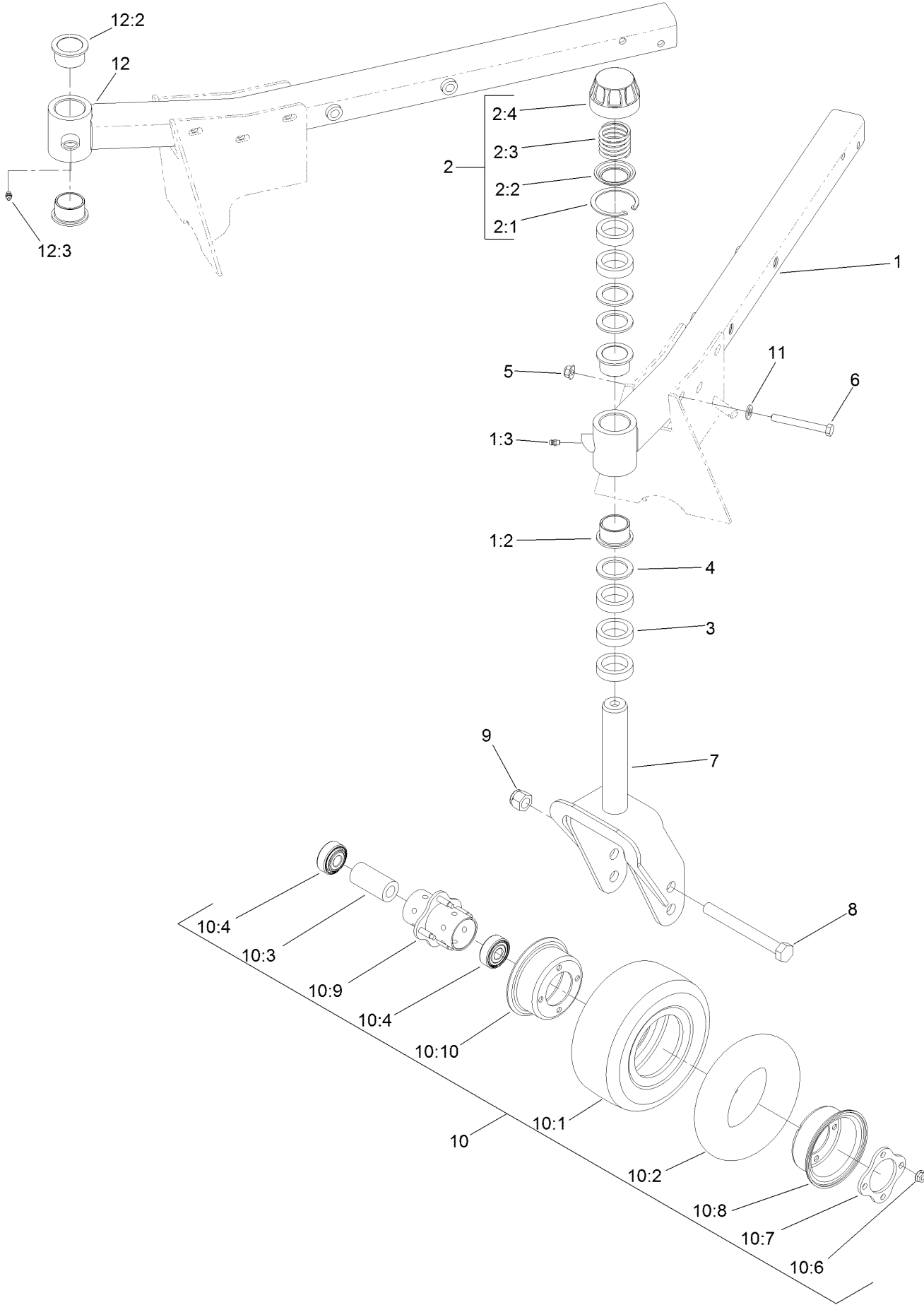


High Driven Spindle Assembly No. 139-1038 (continued)

| <i>Ref.</i> | <i>Part Number</i> | <i>Qty.</i> | <i>Description</i> | <i>Ref.</i> | <i>Part Number</i> | <i>Qty.</i> | <i>Description</i> |
|-------------|--------------------|-------------|-----------------------|-------------|--------------------|-------------|---------------------|
| 1 | 139-1044 | 1 | Shaft-Spindle | 3:4 | 253-154 | 2 | Seal-Oil |
| 2 | 138-6416 | 1 | Spacer-Spindle, Shaft | 3:5 | 302-60 | 1 | Fitting-Grease |
| 3 | 119-4775 | 1 | Spindle Housing ASM | 4 | 106-7159 | 1 | O-Ring |
| 3:1 | | 1 | Spindle ASM ● | 5 | 104-3548 | 1 | Pulley-Driven, High |
| 3:1:2 | 114-8195 | 8 | Bolt-Neck, Ribbed | 6 | 120-5576 | 1 | Washer-Hardened |
| 3:2 | 120-5577 | 1 | Bearing Spacer Set | 7 | 3296-60 | 1 | Nut-Lock, NI |
| 3:3 | 110-8297 | 1 | Bearing ASM | | | | |

● Not serviced separately

Front Deck Caster Arm and Wheel Assembly



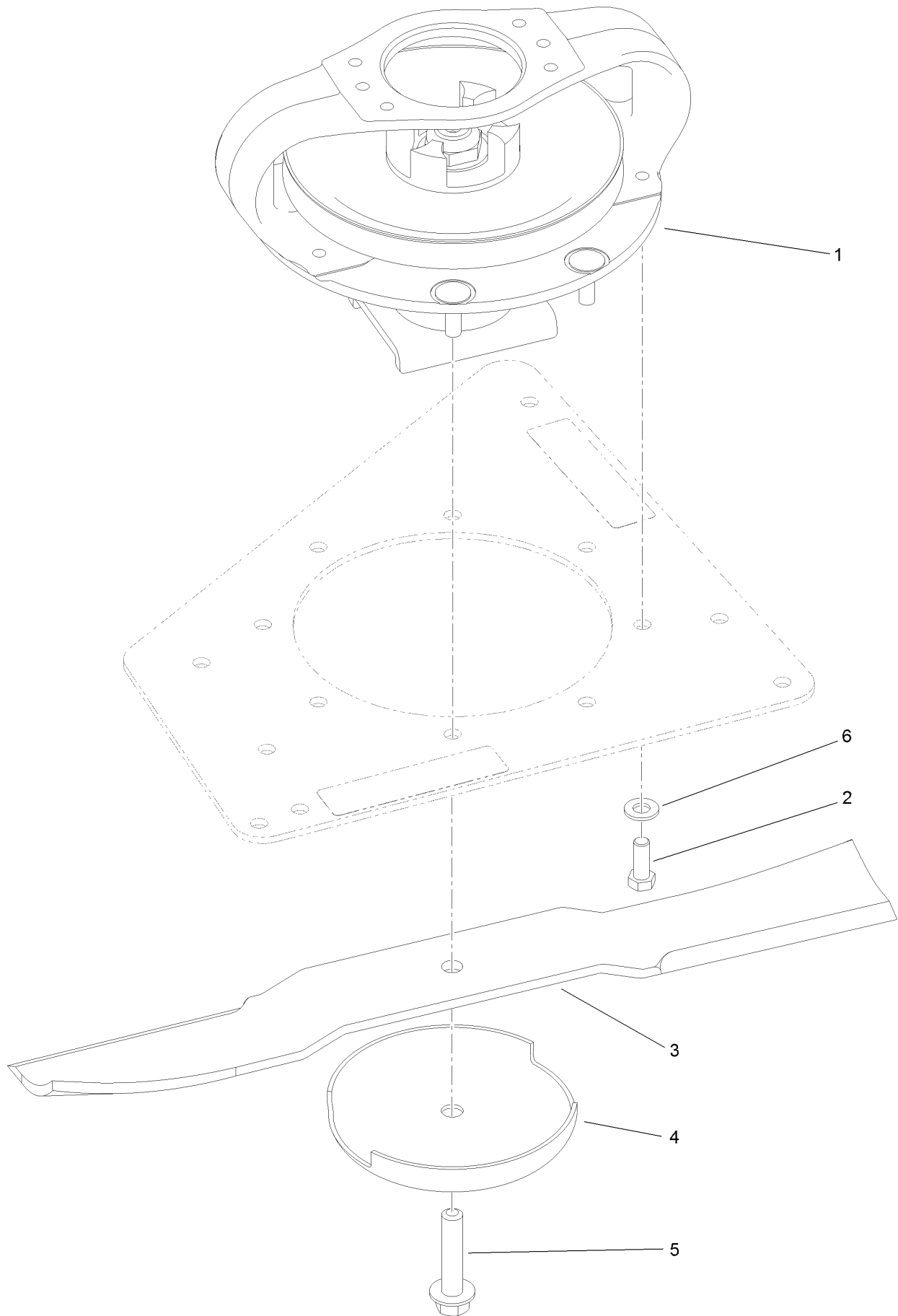
Front Deck Caster Arm and Wheel Assembly (continued)

| <i>Ref.</i> | <i>Part Number</i> | <i>Qty.</i> | <i>Description</i> | <i>Ref.</i> | <i>Part Number</i> | <i>Qty.</i> | <i>Description</i> |
|-------------|--------------------|-------------|-----------------------------------|-------------|--------------------|-------------|------------------------|
| 1 | 139-7821 | 1 | LH Caster Arm ASM | 10 | 93-9938 | 2 | Wheel ASM |
| 1:2 | 69-6470 | 2 | Bushing-Caster | 10:1 | 93-9939 | 1 | Tire |
| 1:3 | 302-5 | 1 | Fitting-Grease | 10:2 | 68-8950 | 1 | Tube-Inner (W/Valve) ● |
| 2 | 92-9727 | 2 | HOC Cap ASM | 10:3 | 93-4241 | 1 | Spacer-Bearing, Inner |
| 2:1 | 92-5581 | 1 | Ring-Rtng, Snap, Int, Flat | 10:4 | 120-3366 | 2 | Bearing |
| 2:2 | 92-5583 | 1 | Washer-Cap | 10:6 | 32128-16 | 4 | Nut-HHF |
| 2:3 | 92-9726 | 1 | Spring-Compression | 10:7 | 93-4242 | 1 | Plate |
| 2:4 | 92-8861 | 1 | Cap-HOC | 10:8 | 93-4239 | 1 | Rim-Wheel, Half |
| 3 | 69-1510 | 10 | Spacer | 10:9 | 93-5980 | 1 | Hub |
| 4 | 69-6860 | 6 | Washer-Thrust | 10:10 | 95-2741 | 1 | Rim-Wheel, Half |
| 5 | 104-8301 | 10 | Nut-HF, NI | 11 | 3256-24 | 10 | Washer-Plain |
| 6 | 323-20 | 10 | Screw-HH | 12 | 139-7831 | 1 | RH Caster Arm ASM |
| 7 | 130-2736-01 | 2 | Fork-Caster | 12:2 | 69-6470 | 2 | Bushing-Caster |
| 8 | 327-24 | 2 | Screw-HH | 12:3 | 302-5 | 1 | Fitting-Grease |
| 9 | 3296-53 | 2 | Nut-Lock, NI | | | | |
| 10 | 93-5974 | 2 | 8 Inch Foam Filled Wheel ASM ■ | | | | |

● Not illustrated

■ Optional Equipment

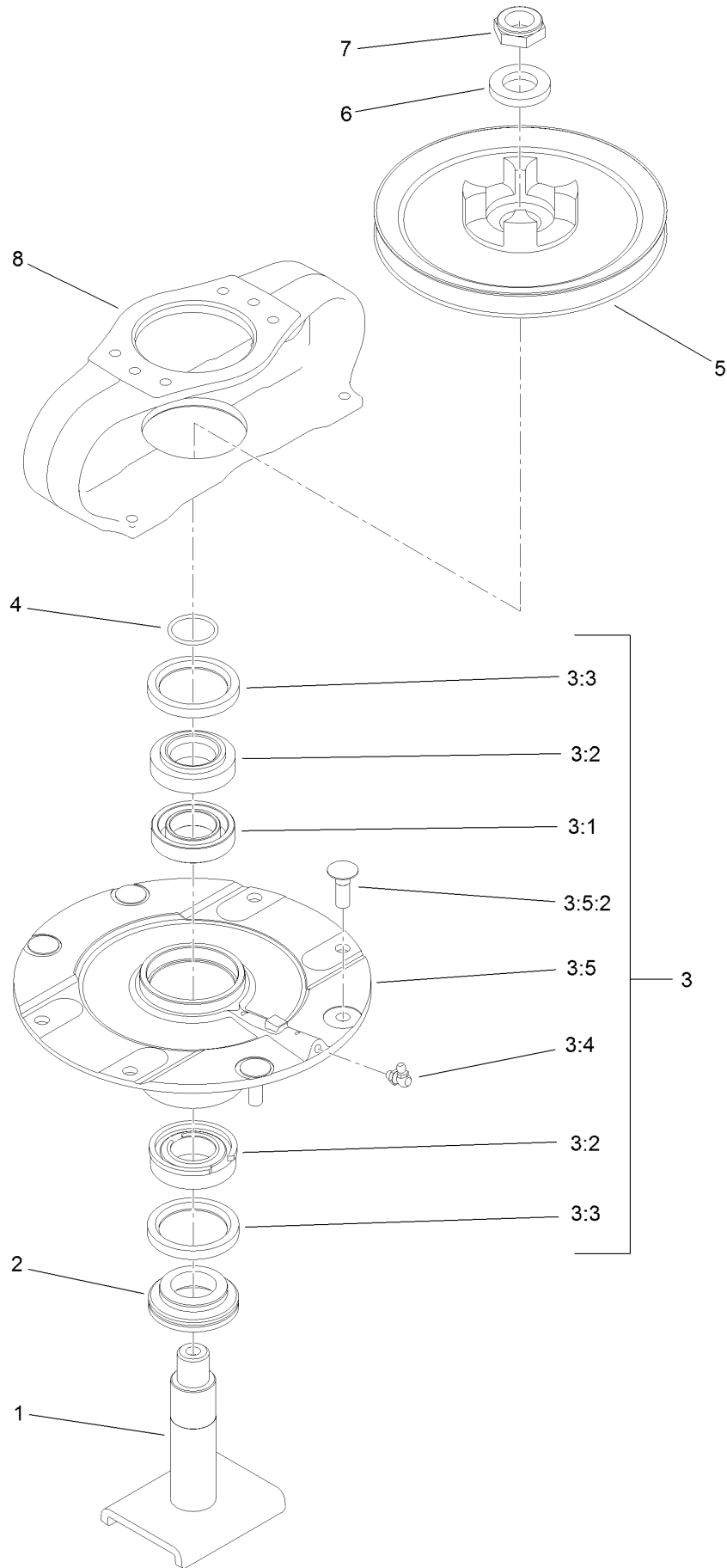
Front Deck Driving Spindle Assembly



Front Deck Driving Spindle Assembly (continued)

| <i>Ref.</i> | <i>Part Number</i> | <i>Qty.</i> | <i>Description</i> | <i>Ref.</i> | <i>Part Number</i> | <i>Qty.</i> | <i>Description</i> |
|-------------|--------------------|-------------|---------------------------|-------------|--------------------|-------------|--------------------|
| 1 | 139-1035 | 1 | Single Driven Spindle ASM | 4 | 72-9361 | 3 | Cup-Scalp, Anti |
| 2 | 323-6 | 4 | Screw-HH | 5 | 92-5816 | 3 | Bolt-Blade |
| 3 | 92-5608-03 | 3 | Blade | 6 | 3256-24 | 4 | Washer-Plain |

Driving Spindle Assembly No. 139-1035

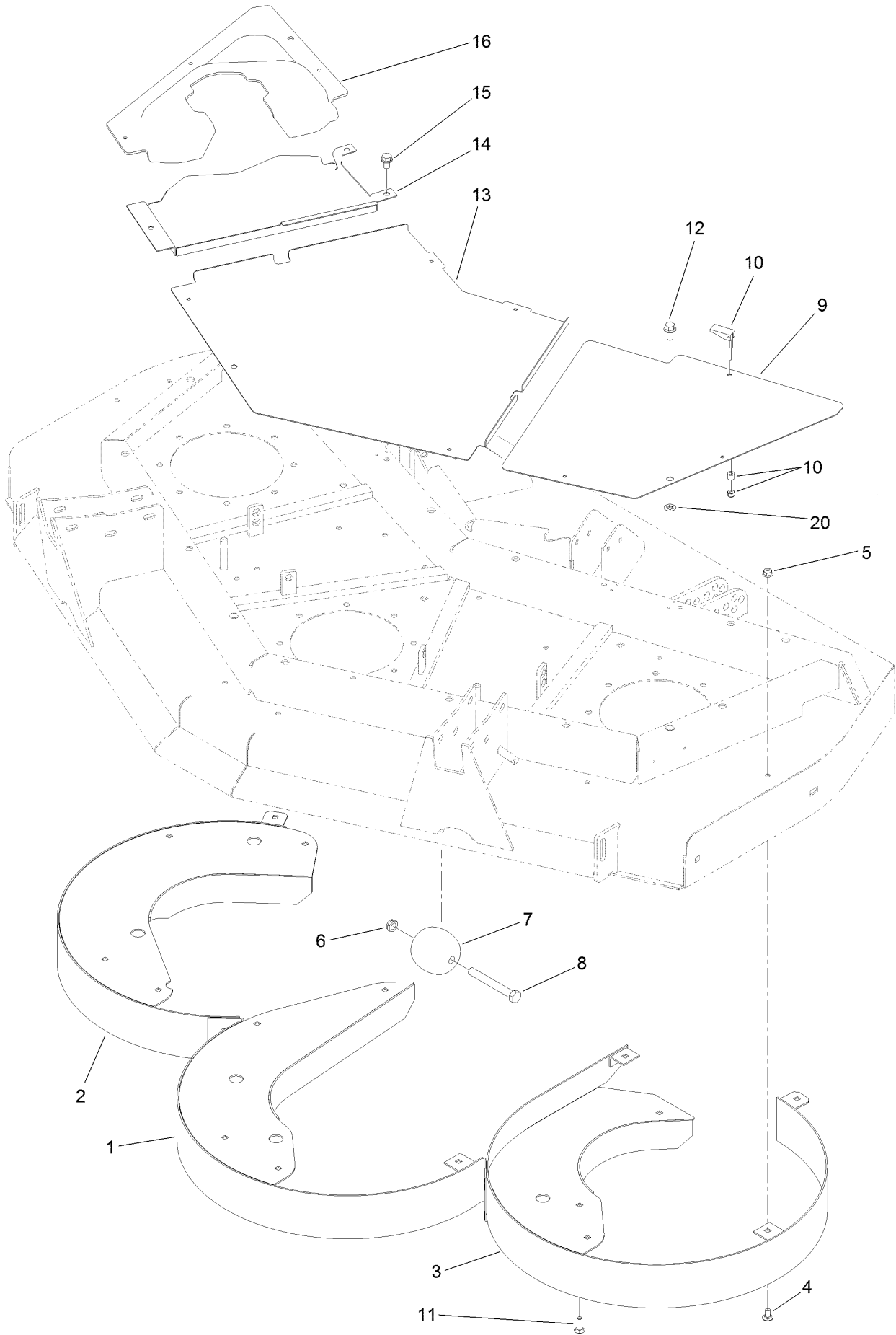


Driving Spindle Assembly No. 139-1035 (continued)

| <i>Ref.</i> | <i>Part Number</i> | <i>Qty.</i> | <i>Description</i> | <i>Ref.</i> | <i>Part Number</i> | <i>Qty.</i> | <i>Description</i> |
|-------------|--------------------|-------------|-----------------------|-------------|--------------------|-------------|--------------------|
| 1 | 139-1044 | 1 | Shaft-Spindle | 3:5 | | 1 | Spindle ASM ● |
| 2 | 138-6416 | 1 | Spacer-Spindle, Shaft | 3:5:2 | 114-8195 | 4 | Bolt-Neck, Ribbed |
| 3 | 119-4546 | 1 | Spindle Housing ASM | 4 | 106-7159 | 1 | O-Ring |
| 3:1 | 120-5577 | 1 | Bearing Spacer Set | 5 | 104-3545 | 1 | Pulley-Driving |
| 3:2 | 110-8297 | 1 | Bearing ASM | 6 | 120-5576 | 1 | Washer-Hardened |
| 3:3 | 253-154 | 2 | Seal-Oil | 7 | 3296-60 | 1 | Nut-Lock, NI |
| 3:4 | 302-60 | 1 | Fitting-Grease | 8 | 104-3544 | 1 | Mount-Motor, Drive |

● Not serviced separately

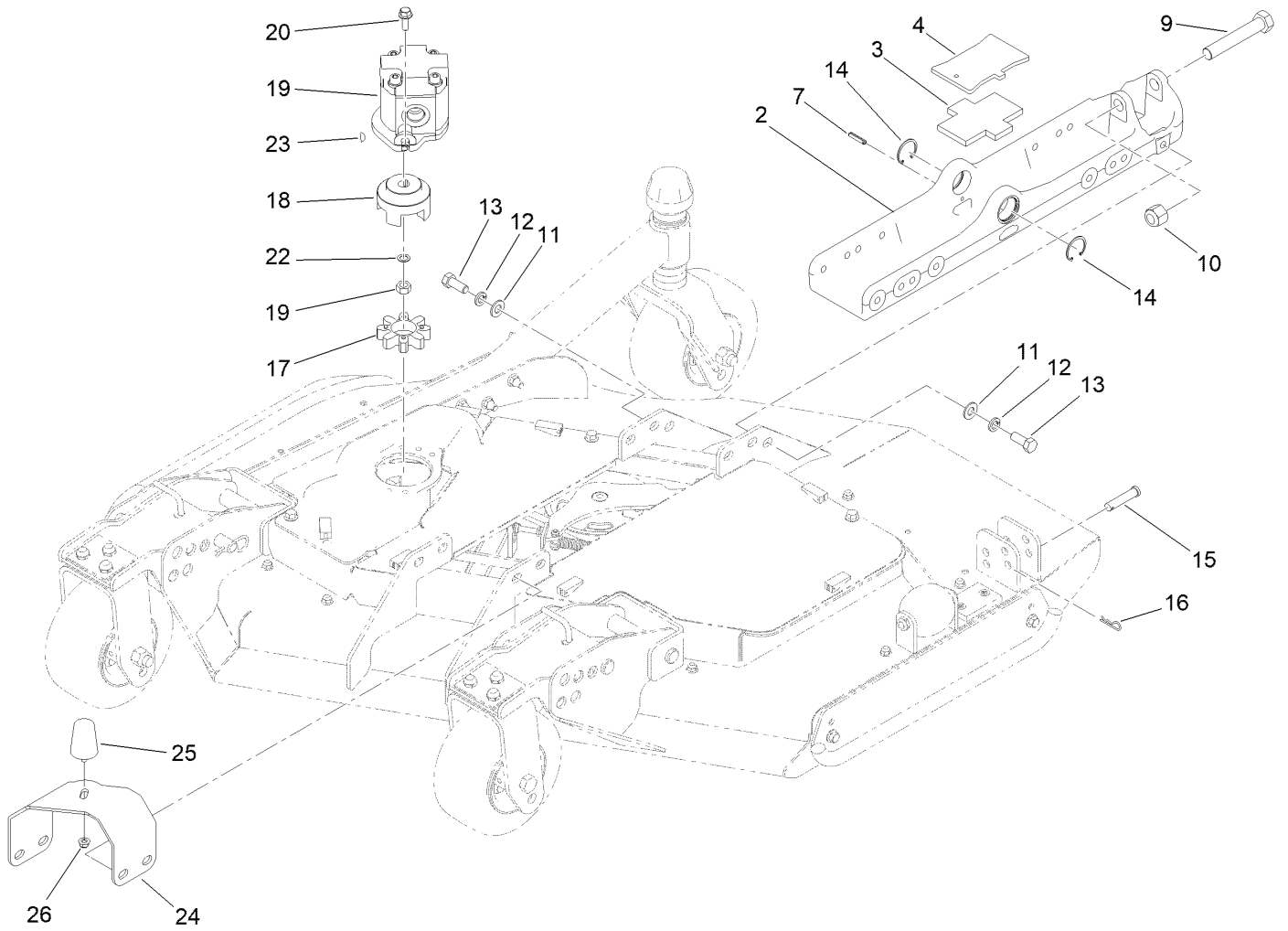
Front Deck Cutting Chamber, Cover and Roller Assembly



Front Deck Cutting Chamber, Cover and Roller Assembly (continued)

| <i>Ref.</i> | <i>Part Number</i> | <i>Qty.</i> | <i>Description</i> | <i>Ref.</i> | <i>Part Number</i> | <i>Qty.</i> | <i>Description</i> |
|-------------|--------------------|-------------|--------------------|-------------|--------------------|-------------|---------------------|
| 1 | 130-2650-0P | 1 | Chamber-Center | 10 | 74-5950 | 10 | Latch-Swell |
| 2 | 130-2674-0P | 1 | Chamber-RH | 11 | 3230-22 | 3 | Screw-CARR |
| 3 | 130-2675-0P | 1 | Chamber-LH | 12 | 3234-1 | 3 | Screw-HHF |
| 4 | 3230-18 | 15 | Screw-CARR | 13 | 100-5660-03 | 1 | Cover-Front, Center |
| 5 | 104-8300 | 18 | Nut-HF, NI | 14 | 100-5662-03 | 1 | Cover-Front, RH |
| 6 | 3296-45 | 2 | Nut-Hex | 15 | 32144-69 | 3 | Screw-HWHTF |
| 7 | 29-4820 | 2 | Roller | 16 | 100-5661 | 1 | Cover-Front, Center |
| 8 | 325-17 | 2 | Screw-HH | 20 | 107-3154 | 3 | Nut-Push |
| 9 | 100-5663-03 | 1 | Cover-Front, LH | | | | |

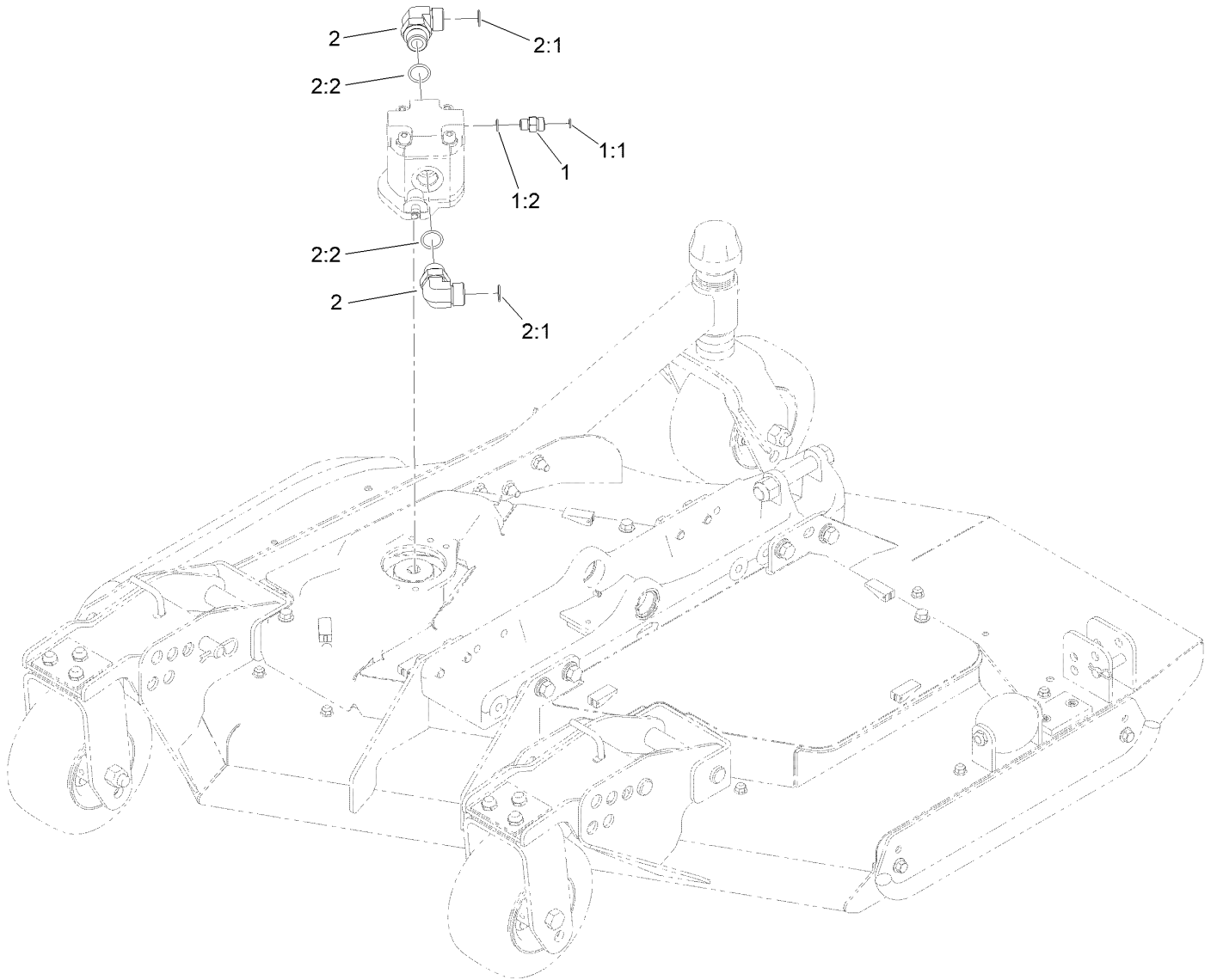
Right Deck Mount Assembly



Right Deck Mount Assembly (continued)

| <i>Ref.</i> | <i>Part Number</i> | <i>Qty.</i> | <i>Description</i> | <i>Ref.</i> | <i>Part Number</i> | <i>Qty.</i> | <i>Description</i> |
|-------------|--------------------|-------------|---------------------|-------------|--------------------|-------------|--------------------|
| 2 | 136-0033-03 | 1 | Mount-Deck | 16 | 3290-467 | 1 | Pin-Hair |
| 3 | 104-8348 | 1 | Plate-Rubber | 17 | 104-3542 | 1 | Spider |
| 4 | 136-0041-03 | 1 | Plate | 18 | 104-3541 | 1 | Hub-Spider |
| 7 | 32121-69 | 1 | Pin-Roll | 19 | 127-3694 | 1 | HYD Motor ASM |
| 9 | 328-8 | 1 | Screw-HH | 20 | 3234-42 | 2 | Screw-HHF |
| 10 | 3296-51 | 1 | Nut-Lock, NI | 22 | 112-6957 | 1 | Washer-Hardened |
| 11 | 3256-26 | 8 | Washer-Flat | 23 | 3257-3 | 1 | Key-Woodruff |
| 12 | 3253-7 | 8 | Washer-Lock | 24 | 130-5966-03 | 1 | Bracket-Bumper, RH |
| 13 | 325-5 | 8 | Screw-HH | 25 | 110-5070 | 1 | Bumper |
| 14 | 145-8397 | 2 | Ring-Retaining, Int | 26 | 104-8300 | 1 | Nut-HF, NI |
| 15 | 92-2739 | 1 | Pin-Clevis | | | | |

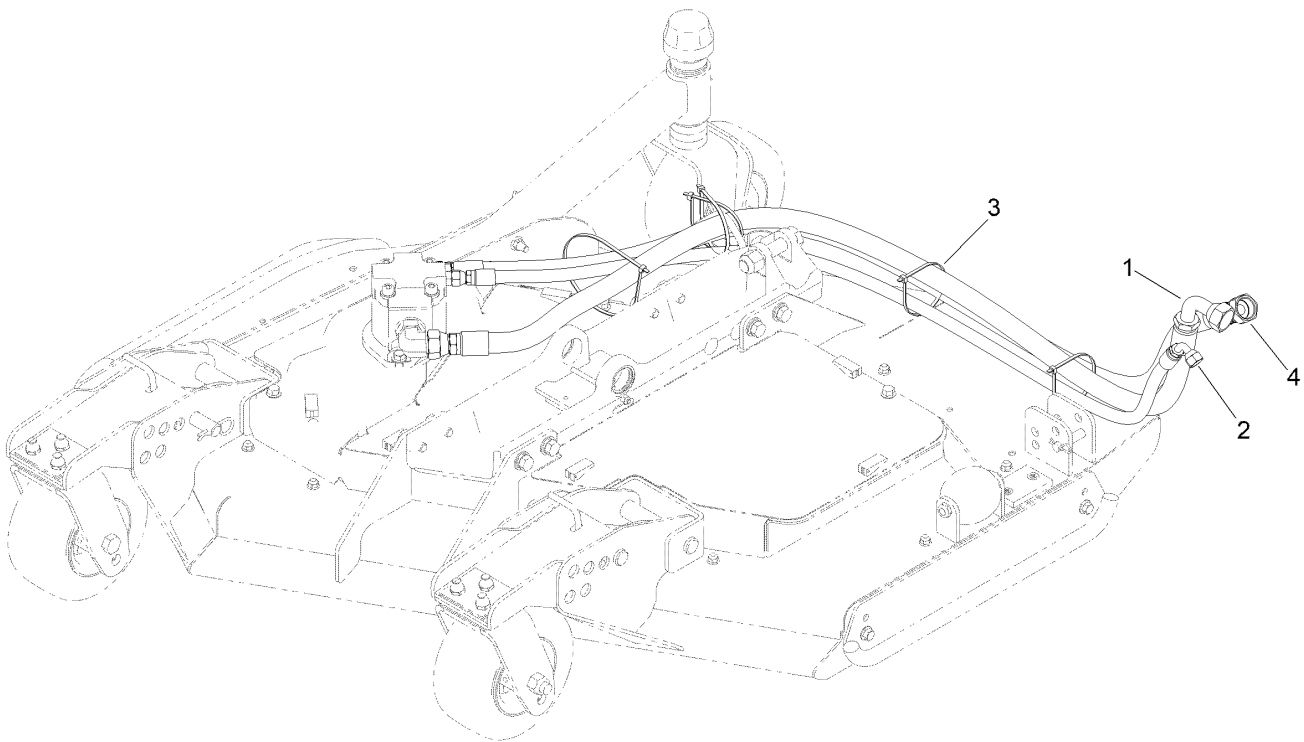
Right Deck Hydraulic Fitting Assembly



Right Deck Hydraulic Fitting Assembly (continued)

| <i>Ref.</i> | <i>Part Number</i> | <i>Qty.</i> | <i>Description</i> | <i>Ref.</i> | <i>Part Number</i> | <i>Qty.</i> | <i>Description</i> |
|-------------|--------------------|-------------|--------------------|-------------|--------------------|-------------|-----------------------|
| 1 | 340-2 | 1 | Fitting-Straight | 2 | 340-142 | 2 | Fitting-Elbow, 90 DEG |
| 1:1 | 237-22 | 1 | O-Ring | 2:1 | 237-58 | 1 | O-Ring |
| 1:2 | 237-42 | 1 | O-Ring | 2:2 | 237-81 | 1 | O-Ring |

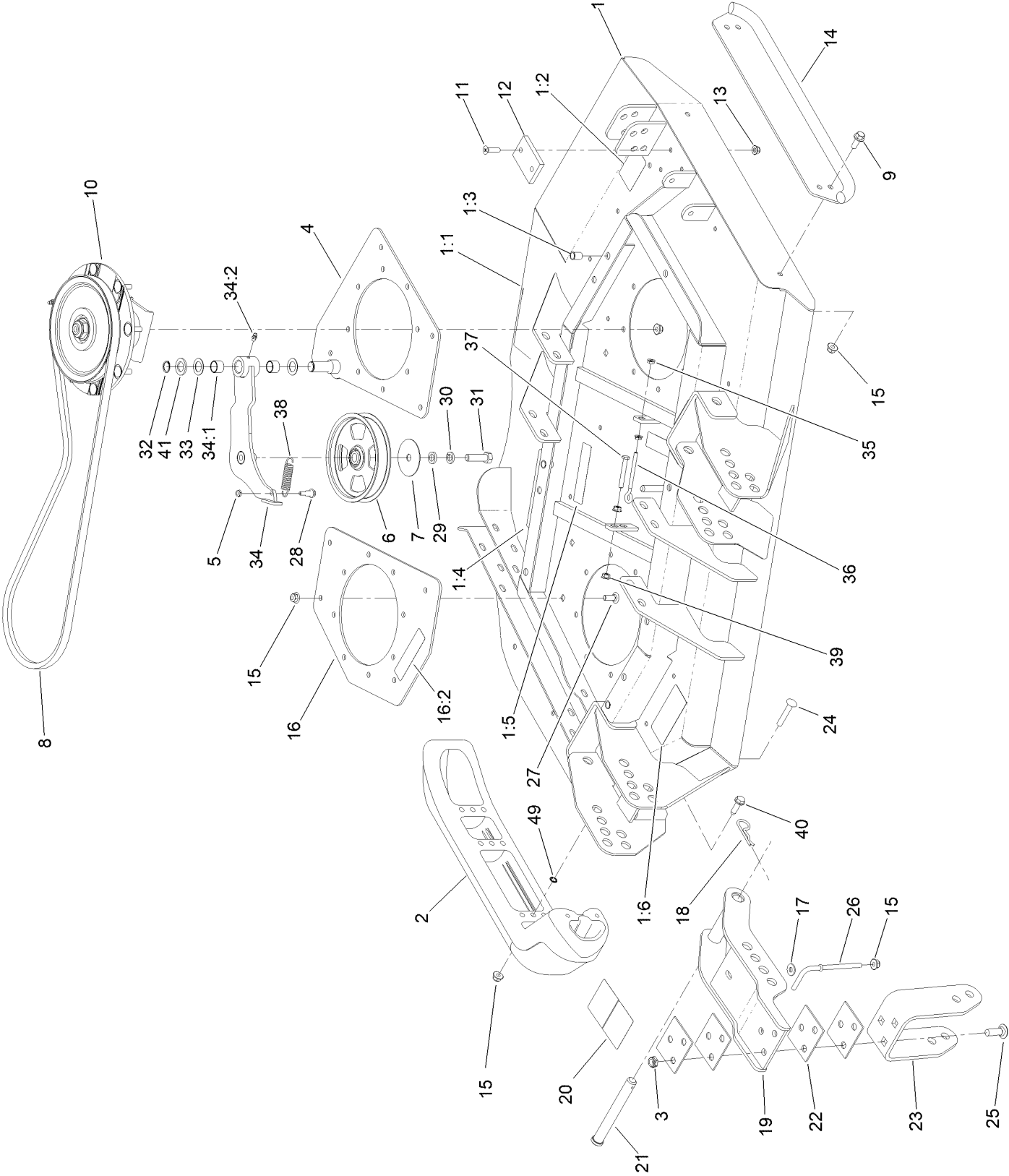
Right Deck Hose Assembly



Right Deck Hose Assembly (continued)

| <i>Ref.</i> | <i>Part Number</i> | <i>Qty.</i> | <i>Description</i> | <i>Ref.</i> | <i>Part Number</i> | <i>Qty.</i> | <i>Description</i> |
|-------------|--------------------|-------------|--------------------|-------------|--------------------|-------------|--------------------|
| 1 | 120-8959 | 1 | Hose-HYD | 3 | 3290-379 | 4 | Tie-Cable |
| 2 | 104-2265 | 1 | Hose-HYD | 4 | 132-6116 | 1 | Hose-HYD |

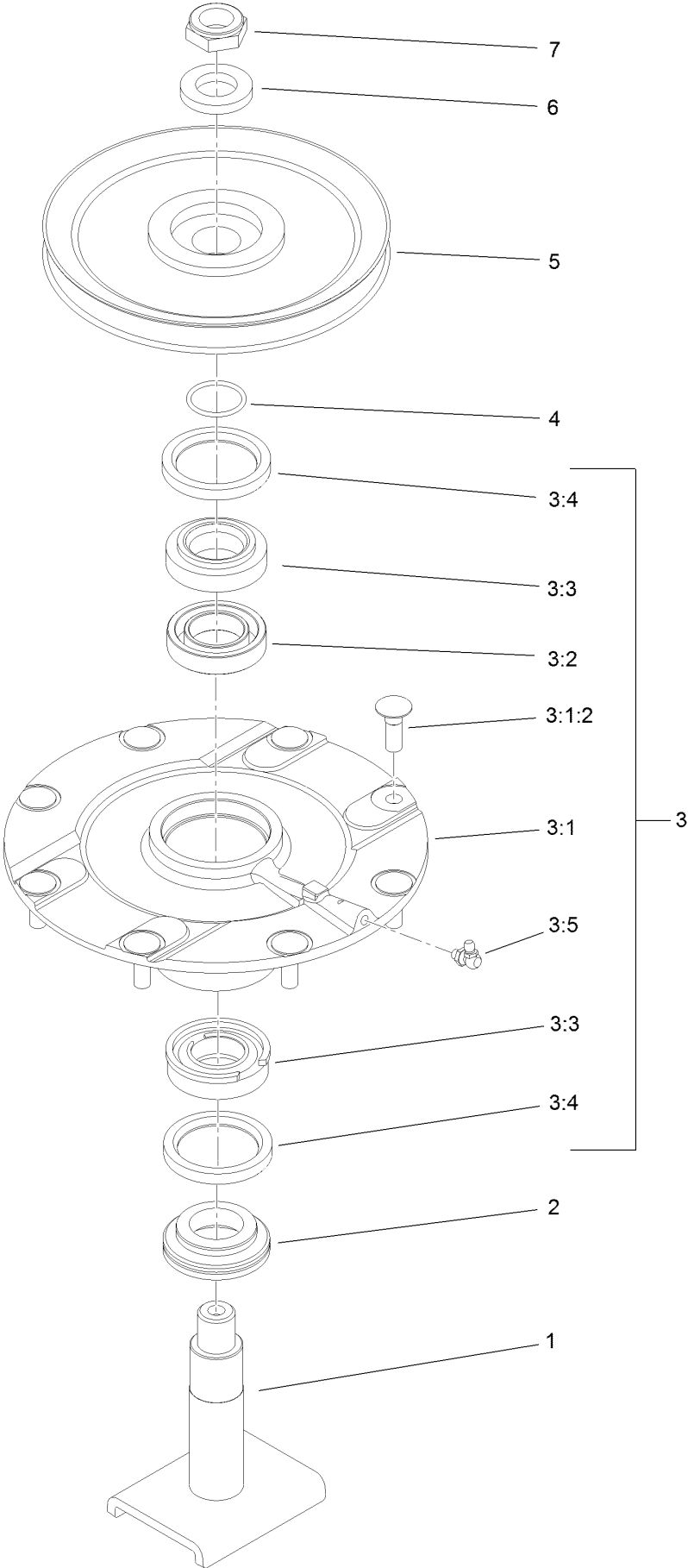
Right Deck, Idler and Skid Assembly



Right Deck, Idler and Skid Assembly (continued)

| <i>Ref.</i> | <i>Part Number</i> | <i>Qty.</i> | <i>Description</i> | <i>Ref.</i> | <i>Part Number</i> | <i>Qty.</i> | <i>Description</i> |
|-------------|--------------------|-------------|--------------------------|-------------|--------------------|-------------|--------------------|
| 1 | 131-1235 | 1 | Right Deck ASM | 20 | 100-5623 | 1 | Decal-HOC |
| 1:1 | 120-6604 | 1 | Decal-Danger | 21 | 120-5587 | 4 | Pin-Clevis |
| 1:2 | 100-5694 | 1 | Decal-Rear HOC, RH | 22 | 104-7524 | 8 | Shim |
| 1:3 | 32148-9 | 3 | Nut-Clinch | 23 | 132-6157-01 | 2 | Bracket-Fork |
| 1:4 | 100-5622 | 1 | Decal-HOC | 24 | 3231-33 | 2 | Screw-CARR |
| 1:5 | 100-6578 | 2 | Decal-Danger | 25 | 3233-2 | 6 | Screw-CARR |
| 1:6 | 93-7818 | 1 | Decal-Torque, Blade Bolt | 26 | 106-2047 | 2 | Rod-Tension |
| 2 | 112-1479 | 1 | Skid-Bumper, Deck | 27 | 3231-22 | 8 | Screw-CARR |
| 3 | 3296-45 | 6 | Nut-Hex | 28 | 104-0858 | 1 | Bolt-Shoulder |
| 4 | 131-1231-01 | 1 | Plate-Stiffener | 29 | 9202424 | 1 | Spacer |
| 5 | 3296-56 | 1 | Nut-Lock, NI | 30 | 3253-7 | 1 | Washer-Lock |
| 6 | 132-9421 | 1 | Pulley-Idler, Flat | 31 | 325-7 | 1 | Screw-HH |
| 7 | 100-3102 | 1 | Washer-Flat | 32 | 32120-72 | 1 | Ring-Snap |
| 8 | 108-8076 | 1 | V-Belt, Deck | 33 | 3-6498 | 2 | Washer-Thrust |
| 9 | 3234-42 | 2 | Screw-HHF | 34 | 140-6227 | 1 | Idler Arm ASM |
| 10 | 139-1039 | 1 | Low Driven Spindle ASM | 34:1 | 256-76 | 2 | Bushing |
| 11 | 32108-103 | 2 | Screw-FH | 34:2 | 302-5 | 1 | Fitting-Grease |
| 12 | 69-9290 | 1 | Pad-Bumper | 35 | 32128-14 | 2 | Nut-HF |
| 13 | 104-8300 | 2 | Nut-HF, NI | 36 | 68-0090 | 1 | Screw-Adjusting |
| 14 | 104-2250-01 | 1 | Skid-Side | 37 | 9114524 | 1 | Bolt-TAP, HH |
| 15 | 104-8301 | 26 | Nut-HF, NI | 38 | 107938 | 1 | Spring-Extension |
| 16 | 131-1243 | 1 | Plate-Spindle | 39 | 32128-26 | 2 | Nut-HF |
| 16:2 | 100-6578 | 1 | Decal-Danger | 40 | 9136144 | 1 | Screw-HWHTF |
| 17 | 3256-3 | 2 | Washer-Flat | 41 | 70-1160 | 1 | Washer |
| 18 | 3290-343 | 4 | Pin-Hair | 49 | 32151-72 | 2 | Ring-Retaining |
| 19 | 132-6150-01 | 2 | Bracket-Caster | | | | |

Low Driven Spindle Assembly No. 139-1039

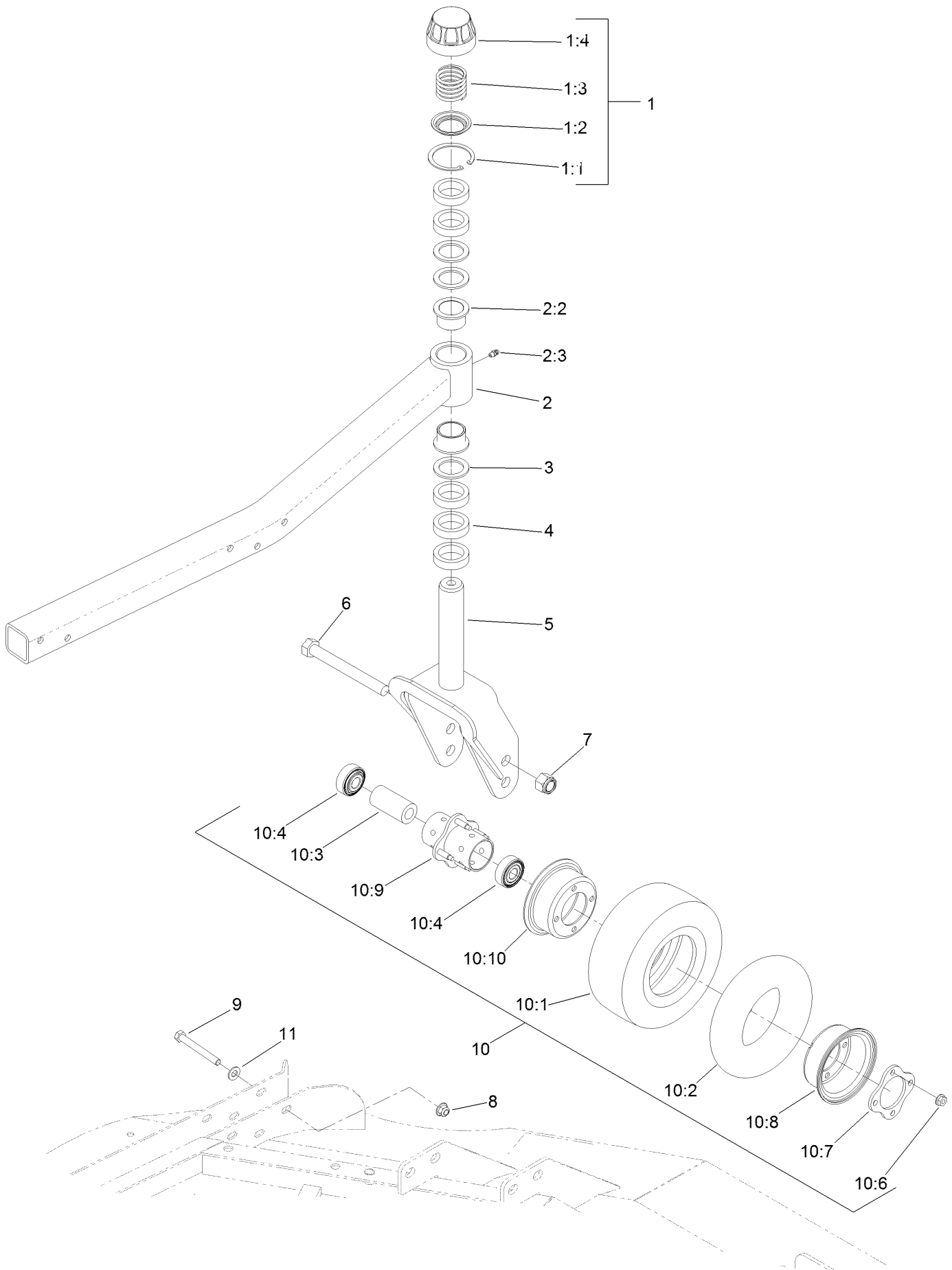


Low Driven Spindle Assembly No. 139-1039 (continued)

| <i>Ref.</i> | <i>Part Number</i> | <i>Qty.</i> | <i>Description</i> | <i>Ref.</i> | <i>Part Number</i> | <i>Qty.</i> | <i>Description</i> |
|-------------|--------------------|-------------|-----------------------|-------------|--------------------|-------------|--------------------|
| 1 | 139-1044 | 1 | Shaft-Spindle | 3:4 | 253-154 | 2 | Seal-Oil |
| 2 | 138-6416 | 1 | Spacer-Spindle, Shaft | 3:5 | 302-60 | 1 | Fitting-Grease |
| 3 | 119-4775 | 1 | Spindle Housing ASM | 4 | 106-7159 | 1 | O-Ring |
| 3:1 | | 1 | Spindle ASM ● | 5 | 104-3546 | 1 | Pulley-Driven, Low |
| 3:1:2 | 114-8195 | 8 | Bolt-Neck, Ribbed | 6 | 120-5576 | 1 | Washer-Hardened |
| 3:2 | 120-5577 | 1 | Bearing Spacer Set | 7 | 3296-60 | 1 | Nut-Lock, NI |
| 3:3 | 110-8297 | 1 | Bearing ASM | | | | |

● Not serviced separately

Right Hand and Left Hand Castor Arm and Wheel Assembly



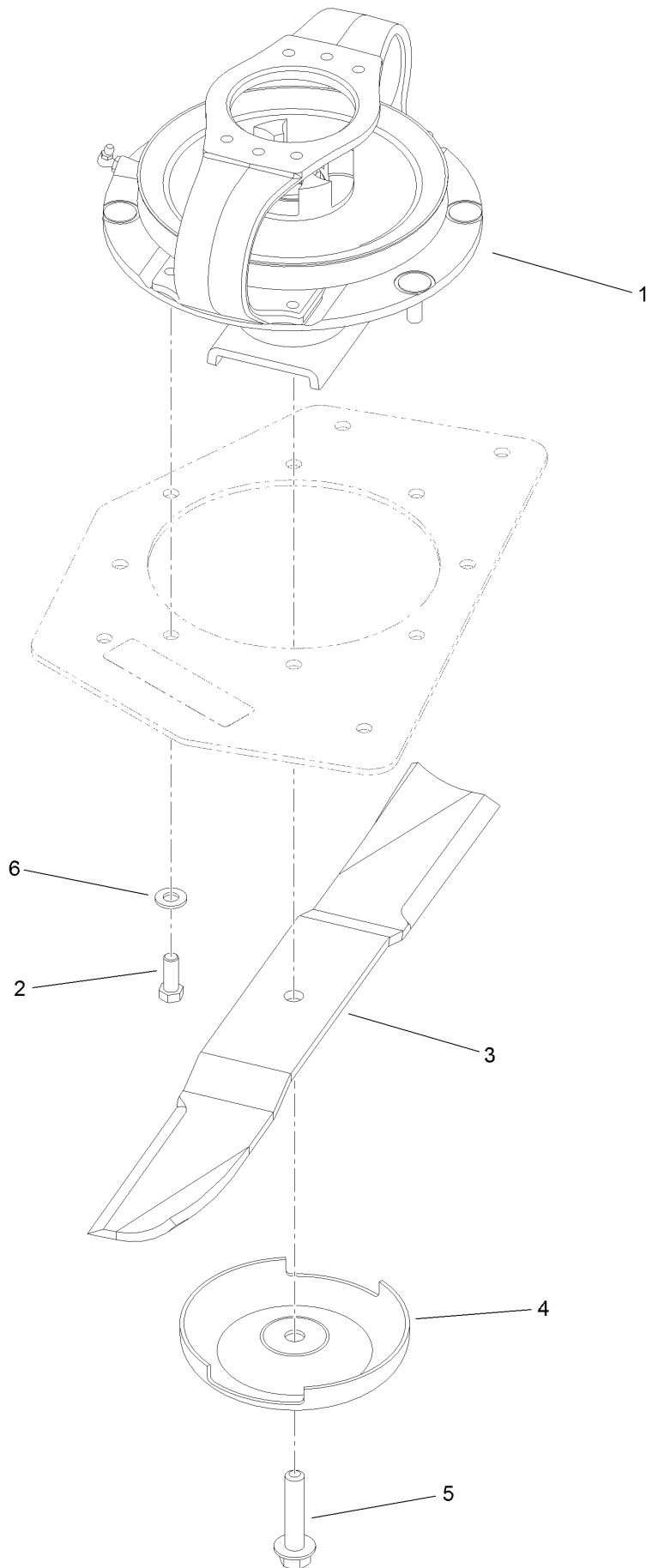
Right Hand and Left Hand Castor Arm and Wheel Assembly (continued)

| <i>Ref.</i> | <i>Part Number</i> | <i>Qty.</i> | <i>Description</i> | <i>Ref.</i> | <i>Part Number</i> | <i>Qty.</i> | <i>Description</i> |
|-------------|--------------------|-------------|----------------------------|-------------|--------------------|-------------|-----------------------------------|
| 1 | 92-9727 | 1 | HOC Cap ASM | 9 | 323-20 | 5 | Screw-HH |
| 1:1 | 92-5581 | 1 | Ring-Rtng, Snap, Int, Flat | 10 | 93-5974 | 3 | 8 Inch Foam Filled Wheel ASM ■ |
| 1:2 | 92-5583 | 1 | Washer-Cap | | | | |
| 1:3 | 92-9726 | 1 | Spring-Compression | 10 | 93-9938 | 3 | Wheel ASM |
| 1:4 | 92-8861 | 1 | Cap-HOC | 10:1 | 93-9939 | 1 | Tire |
| 2 | 132-6167 | 1 | Caster Arm ASM | 10:2 | 68-8950 | 1 | Tube-Inner (W/Valve) ● |
| 2:2 | 69-6470 | 2 | Bushing-Caster | 10:3 | 93-4241 | 1 | Spacer-Bearing, Inner |
| 2:3 | 302-5 | 1 | Fitting-Grease | 10:4 | 120-3366 | 2 | Bearing |
| 3 | 69-6860 | 3 | Washer-Thrust | 10:6 | 32128-16 | 4 | Nut-HHF |
| 4 | 69-1510 | 5 | Spacer | 10:7 | 93-4242 | 1 | Plate |
| 5 | 130-2736-01 | 1 | Fork-Caster | 10:8 | 93-4239 | 1 | Rim-Wheel, Half |
| 6 | 327-24 | 3 | Screw-HH | 10:9 | 93-5980 | 1 | Hub |
| 7 | 3296-53 | 3 | Nut-Lock, NI | 10:10 | 95-2741 | 1 | Rim-Wheel, Half |
| 8 | 104-8301 | 5 | Nut-HF, NI | 11 | 3256-24 | 5 | Washer-Plain |

● Not illustrated

■ Optional Equipment

LH and RH Deck Driving Spindle Assembly

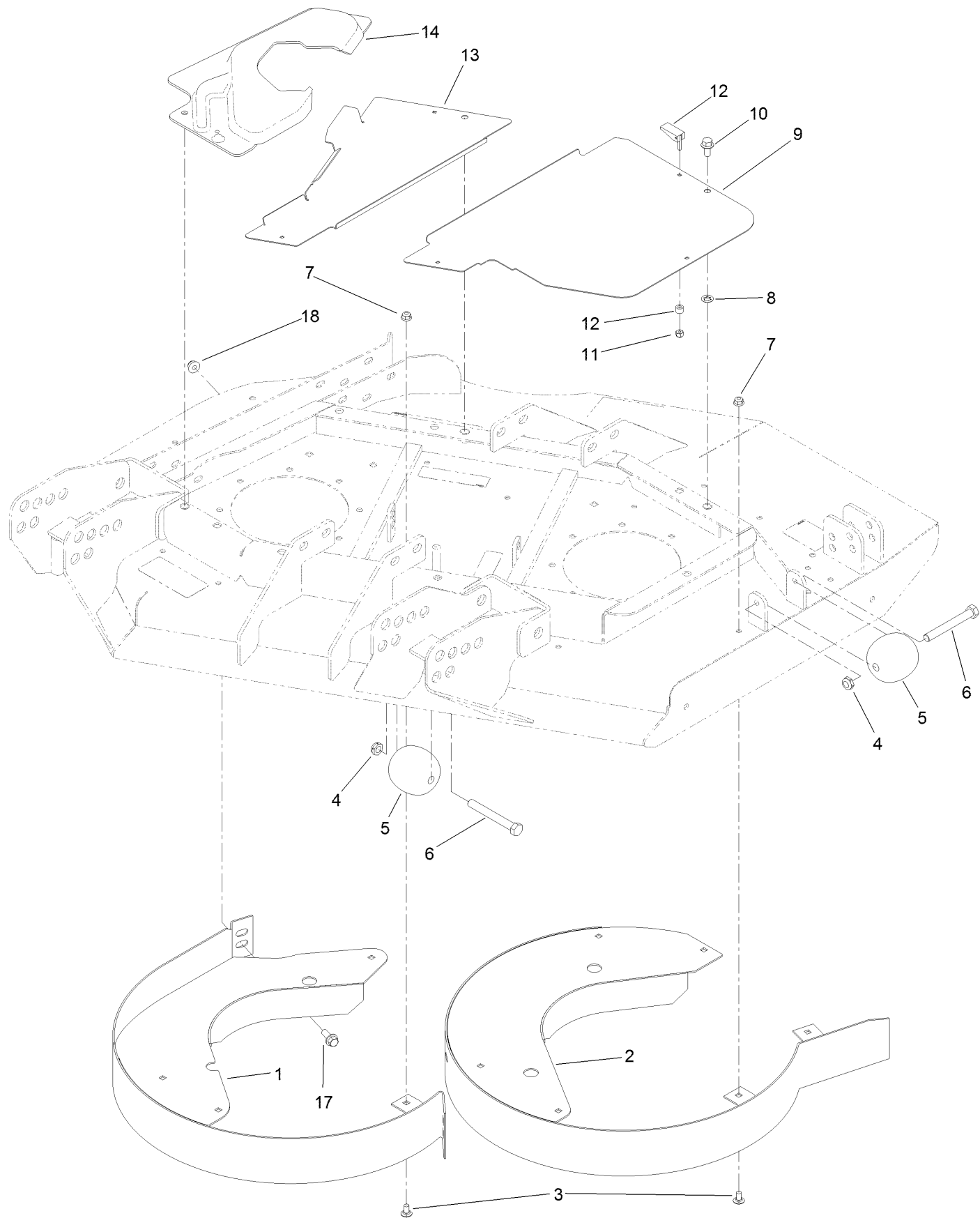


LH and RH Deck Driving Spindle Assembly (continued)

| <i>Ref.</i> | <i>Part Number</i> | <i>Qty.</i> | <i>Description</i> |
|-------------|--------------------|-------------|---------------------------|
| 1 | 139-1035 | 1 | Single Driven Spindle ASM |
| 2 | 323-6 | 4 | Screw-HH |
| 3 | 92-5608-03 | 2 | Blade |

| <i>Ref.</i> | <i>Part Number</i> | <i>Qty.</i> | <i>Description</i> |
|-------------|--------------------|-------------|--------------------|
| 4 | 72-9361 | 2 | Cup-Scalp, Anti |
| 5 | 92-5816 | 2 | Bolt-Blade |
| 6 | 3256-24 | 4 | Washer-Plain |

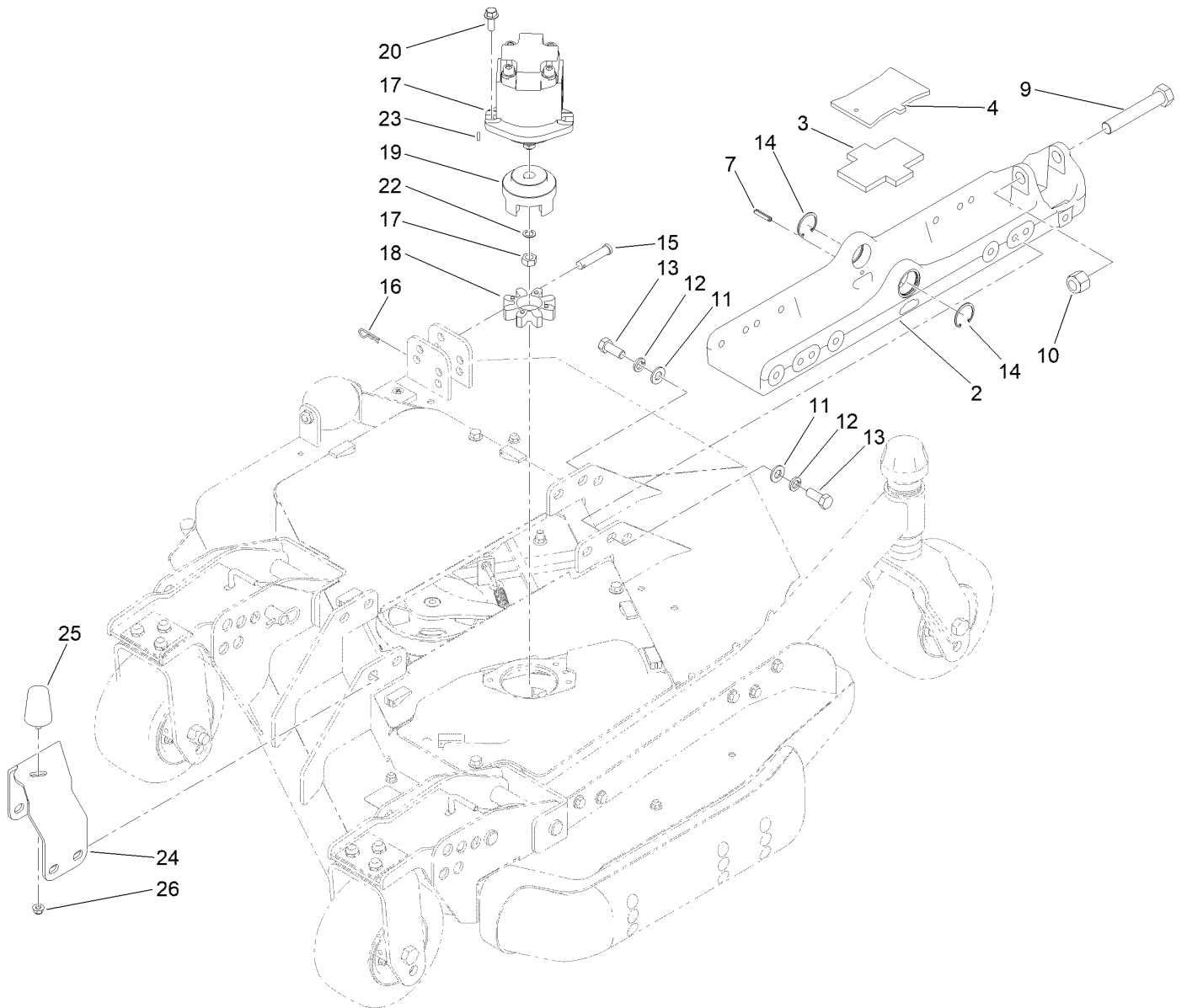
Right Deck Discharge Chamber and Cover Assembly



Right Deck Discharge Chamber and Cover Assembly (continued)

| <i>Ref.</i> | <i>Part Number</i> | <i>Qty.</i> | <i>Description</i> | <i>Ref.</i> | <i>Part Number</i> | <i>Qty.</i> | <i>Description</i> |
|-------------|--------------------|-------------|--------------------|-------------|--------------------|-------------|----------------------|
| 1 | 130-2680-0P | 1 | Chamber-Outer | 9 | 100-5668-03 | 1 | Plate-Cover, RH Side |
| 2 | 130-2681-0P | 1 | Chamber-Inner | 10 | 3234-1 | 3 | Screw-HHF |
| 3 | 3230-18 | 11 | Screw-CARR | 11 | 1-804254 | 7 | Nut-Lock, HH |
| 4 | 3296-45 | 2 | Nut-Hex | 12 | 74-5950 | 7 | Latch-Swell |
| 5 | 29-4820 | 2 | Roller | 13 | 100-5665-03 | 1 | Plate-Cover, RH |
| 6 | 325-17 | 2 | Screw-HH | 14 | 100-5666 | 1 | Cover-Motor, RH Deck |
| 7 | 104-8300 | 11 | Nut-HF, NI | 17 | 3234-42 | 1 | Screw-HHF |
| 8 | 107-3154 | 3 | Nut-Push | 18 | 104-8301 | 1 | Nut-HF, NI |

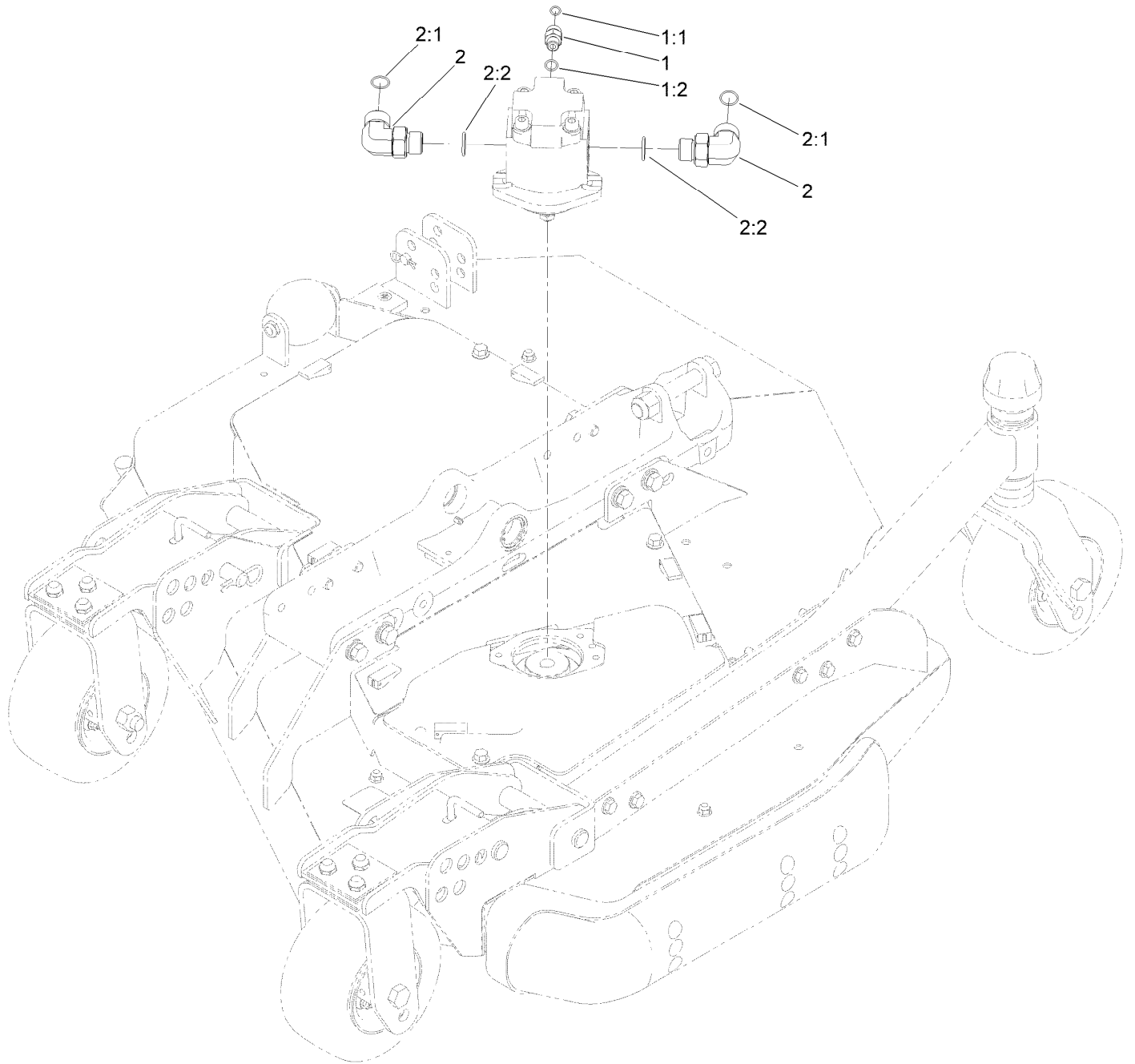
Left Deck Mount Assembly



Left Deck Mount Assembly (continued)

| <i>Ref.</i> | <i>Part Number</i> | <i>Qty.</i> | <i>Description</i> | <i>Ref.</i> | <i>Part Number</i> | <i>Qty.</i> | <i>Description</i> |
|-------------|--------------------|-------------|---------------------|-------------|--------------------|-------------|--------------------|
| 2 | 136-0033-03 | 1 | Mount-Deck | 16 | 3290-467 | 1 | Pin-Hair |
| 3 | 104-8348 | 1 | Plate-Rubber | 17 | 127-3694 | 1 | HYD Motor ASM |
| 4 | 136-0041-03 | 1 | Plate | 18 | 104-3542 | 1 | Spider |
| 7 | 32121-69 | 1 | Pin-Roll | 19 | 104-3541 | 1 | Hub-Spider |
| 9 | 328-8 | 1 | Screw-HH | 20 | 3234-42 | 2 | Screw-HHF |
| 10 | 3296-51 | 1 | Nut-Lock, NI | 22 | 112-6957 | 1 | Washer-Hardened |
| 11 | 3256-26 | 8 | Washer-Flat | 23 | 3257-3 | 1 | Key-Woodruff |
| 12 | 3253-7 | 8 | Washer-Lock | 24 | 130-5965-03 | 1 | Bracket-Bumper, LH |
| 13 | 325-5 | 8 | Screw-HH | 25 | 110-5070 | 1 | Bumper |
| 14 | 145-8397 | 2 | Ring-Retaining, Int | 26 | 104-8300 | 1 | Nut-HF, NI |
| 15 | 92-2739 | 1 | Pin-Clevis | | | | |

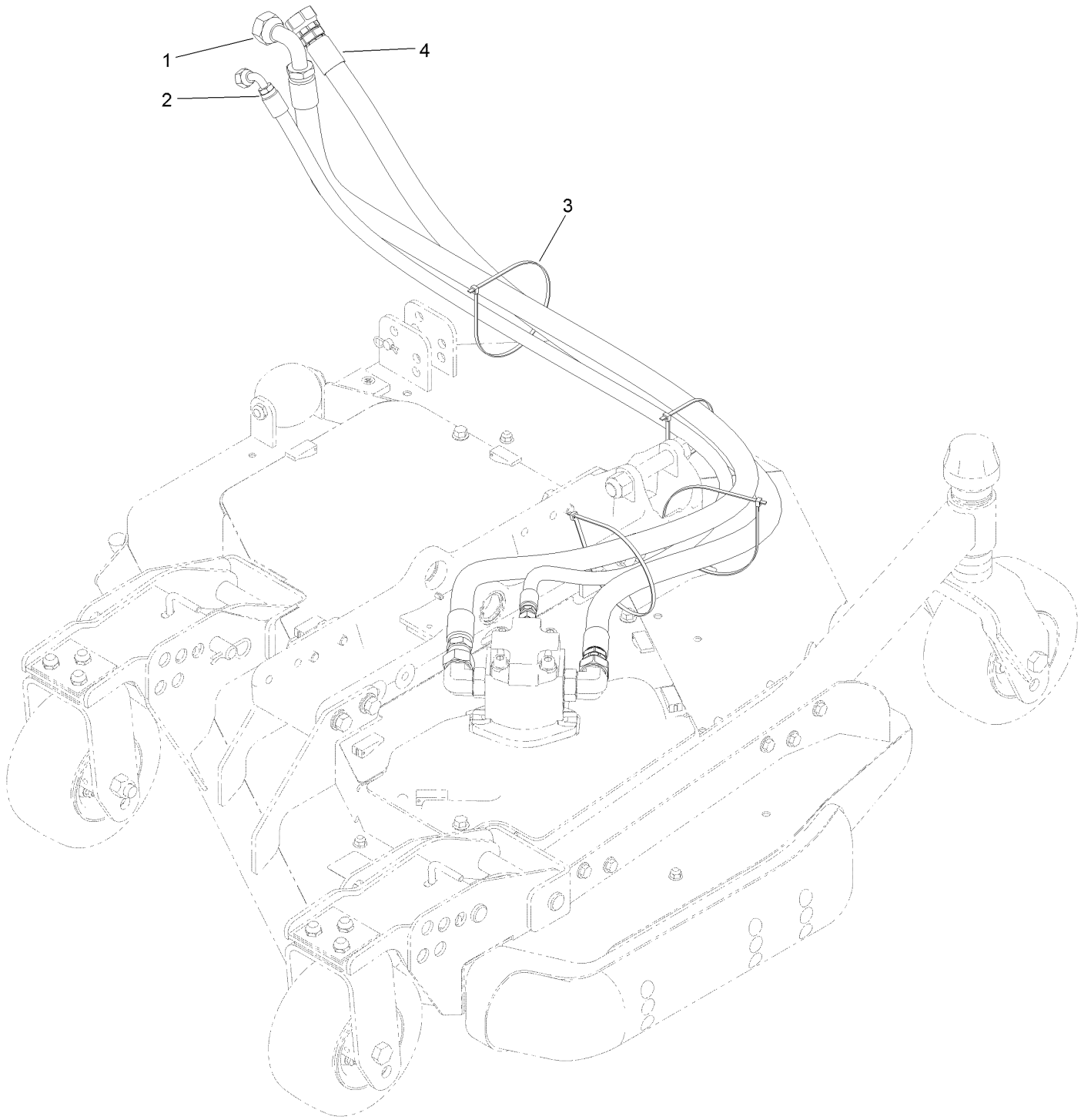
Left Deck Hydraulic Fitting Assembly



Left Deck Hydraulic Fitting Assembly (continued)

| <i>Ref.</i> | <i>Part Number</i> | <i>Qty.</i> | <i>Description</i> | <i>Ref.</i> | <i>Part Number</i> | <i>Qty.</i> | <i>Description</i> |
|-------------|--------------------|-------------|--------------------|-------------|--------------------|-------------|-----------------------|
| 1 | 340-2 | 1 | Fitting-Straight | 2 | 340-142 | 2 | Fitting-Elbow, 90 DEG |
| 1:1 | 237-22 | 1 | O-Ring | 2:1 | 237-58 | 1 | O-Ring |
| 1:2 | 237-42 | 1 | O-Ring | 2:2 | 237-81 | 1 | O-Ring |

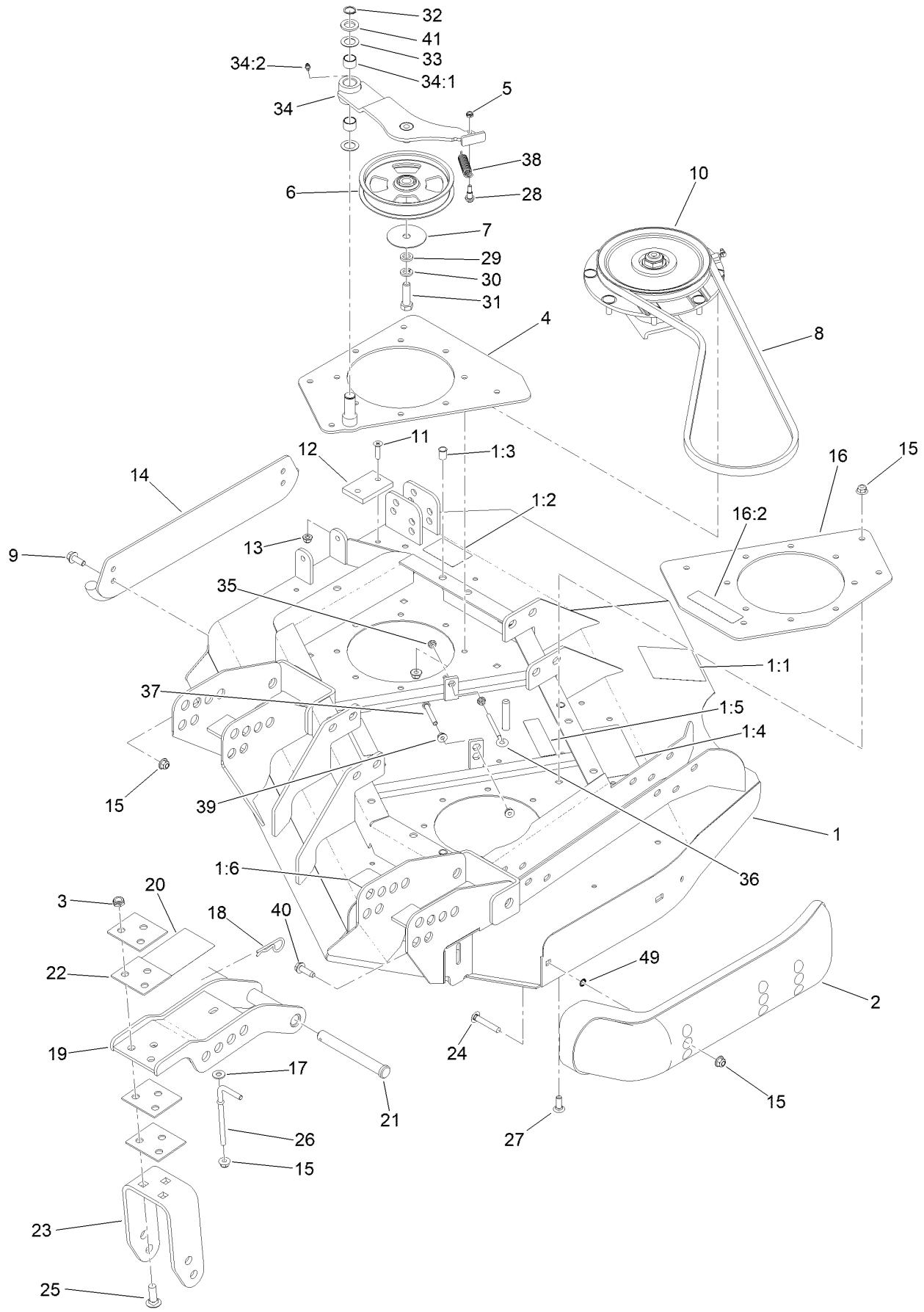
Left Deck Hose Assembly



Left Deck Hose Assembly (continued)

| <i>Ref.</i> | <i>Part Number</i> | <i>Qty.</i> | <i>Description</i> | <i>Ref.</i> | <i>Part Number</i> | <i>Qty.</i> | <i>Description</i> |
|-------------|--------------------|-------------|--------------------|-------------|--------------------|-------------|--------------------|
| 1 | 120-8959 | 1 | Hose-HYD | 3 | 3290-379 | 4 | Tie-Cable |
| 2 | 104-2265 | 1 | Hose-HYD | 4 | 132-6116 | 1 | Hose-HYD |

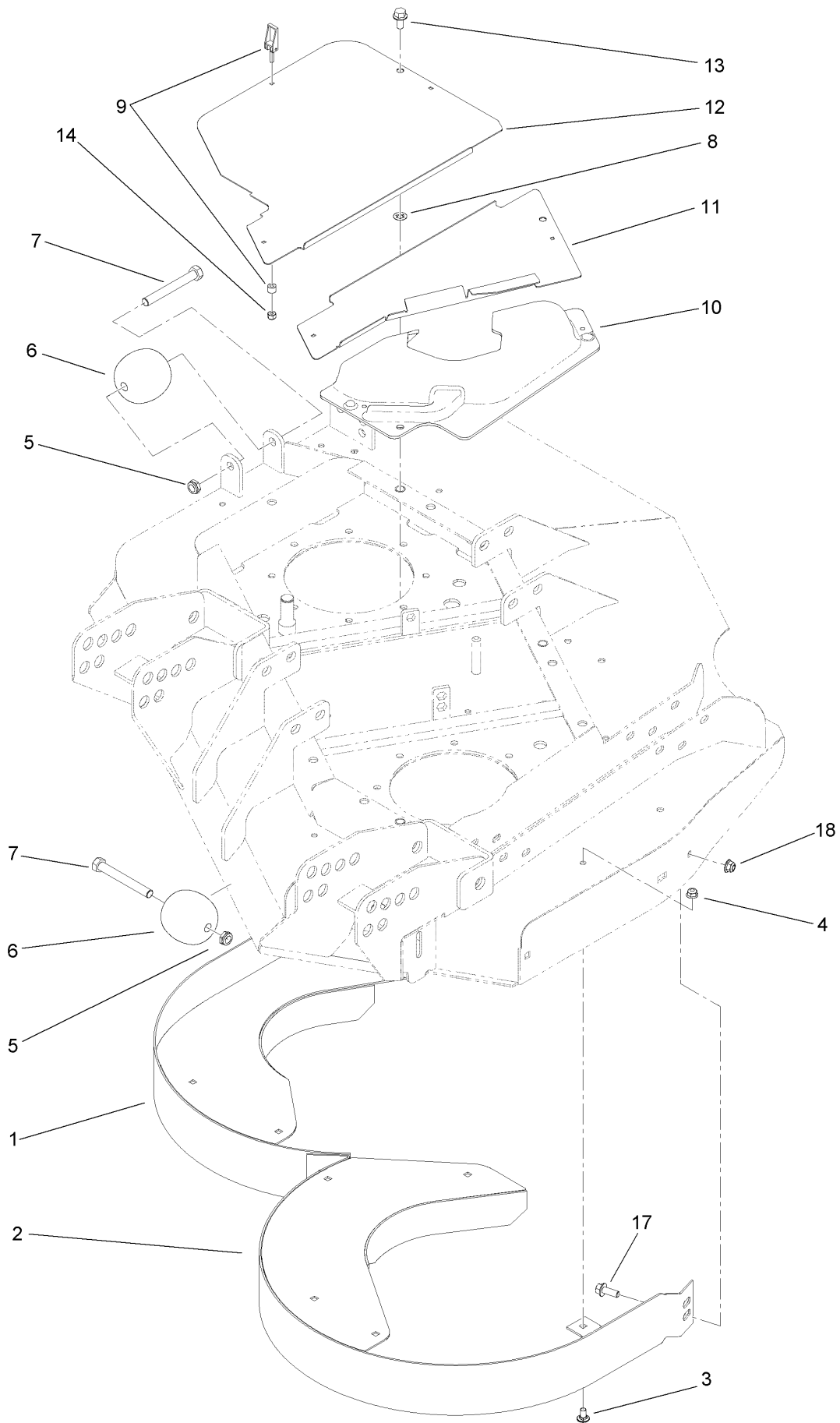
Left Deck, Idler and Skid Assembly



Left Deck, Idler and Skid Assembly (continued)

| <i>Ref.</i> | <i>Part Number</i> | <i>Qty.</i> | <i>Description</i> | <i>Ref.</i> | <i>Part Number</i> | <i>Qty.</i> | <i>Description</i> |
|-------------|--------------------|-------------|--------------------------|-------------|--------------------|-------------|--------------------|
| 1 | 131-1236 | 1 | Left Deck ASM | 20 | 104-3579 | 1 | Decal-HOC |
| 1:1 | 120-6604 | 1 | Decal-Danger | 21 | 120-5587 | 4 | Pin-Clevis |
| 1:2 | 100-5693 | 1 | Decal-Rear HOC, LH | 22 | 104-7524 | 8 | Shim |
| 1:3 | 32148-9 | 3 | Nut-Clinch | 23 | 132-6157-01 | 2 | Bracket-Fork |
| 1:4 | 100-5622 | 1 | Decal-HOC | 24 | 3231-33 | 2 | Screw-CARR |
| 1:5 | 100-6578 | 2 | Decal-Danger | 25 | 3233-2 | 6 | Screw-CARR |
| 1:6 | 93-7818 | 1 | Decal-Torque, Blade Bolt | 26 | 106-2047 | 2 | Rod-Tension |
| 2 | 112-1479 | 1 | Skid-Bumper, Deck | 27 | 3231-22 | 8 | Screw-CARR |
| 3 | 3296-45 | 6 | Nut-Hex | 28 | 104-0858 | 1 | Bolt-Shoulder |
| 4 | 131-1233-01 | 1 | Plate-Stiffener | 29 | 9202424 | 1 | Spacer |
| 5 | 3296-56 | 1 | Nut-Lock, NI | 30 | 3253-7 | 1 | Washer-Lock |
| 6 | 132-9421 | 1 | Pulley-Idler, Flat | 31 | 325-7 | 1 | Screw-HH |
| 7 | 100-3102 | 1 | Washer-Flat | 32 | 32120-72 | 1 | Ring-Snap |
| 8 | 108-8076 | 1 | V-Belt, Deck | 33 | 3-6498 | 2 | Washer-Thrust |
| 9 | 3234-42 | 2 | Screw-HHF | 34 | 140-6227 | 1 | Idler Arm ASM |
| 10 | 139-1039 | 1 | Low Driven Spindle ASM | 34:1 | 256-76 | 2 | Bushing |
| 11 | 32108-103 | 2 | Screw-FH | 34:2 | 302-5 | 1 | Fitting-Grease |
| 12 | 69-9290 | 1 | Pad-Bumper | 35 | 32128-14 | 2 | Nut-HF |
| 13 | 104-8300 | 2 | Nut-HF, NI | 36 | 68-0090 | 1 | Screw-Adjusting |
| 14 | 104-2250-01 | 1 | Skid-Side | 37 | 9114524 | 1 | Bolt-TAP, HH |
| 15 | 104-8301 | 26 | Nut-HF, NI | 38 | 107938 | 1 | Spring-Extension |
| 16 | 131-1244 | 1 | Plate-Spindle | 39 | 32128-26 | 2 | Nut-HF |
| 16:2 | 100-6578 | 1 | Decal-Danger | 40 | 9136144 | 1 | Screw-HWHTF |
| 17 | 3256-3 | 2 | Washer-Flat | 41 | 70-1160 | 1 | Washer |
| 18 | 3290-343 | 4 | Pin-Hair | 49 | 32151-72 | 2 | Ring-Retaining |
| 19 | 132-6150-01 | 2 | Bracket-Caster | | | | |

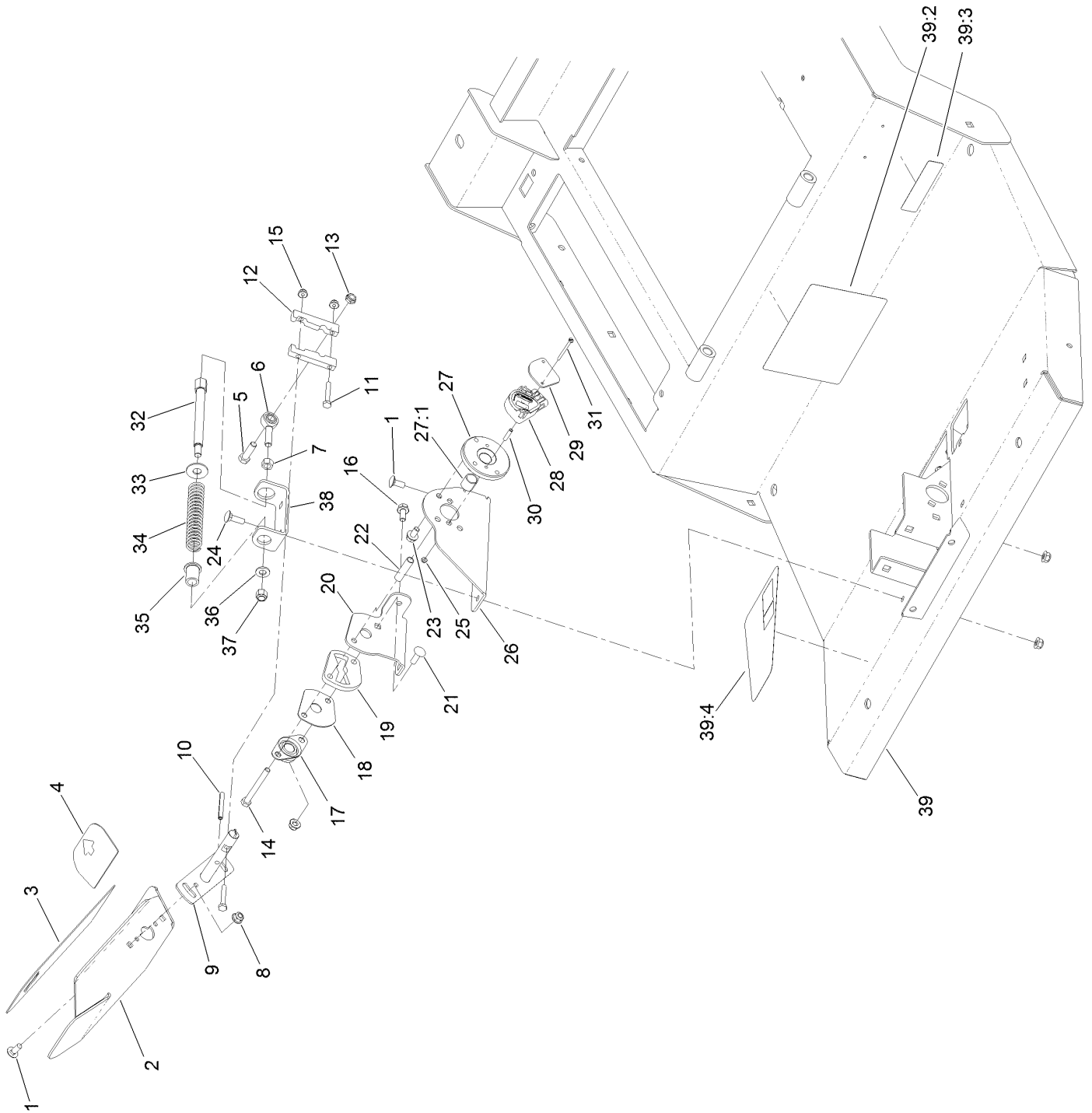
Left Deck Discharge Chamber and Cover Assembly



Left Deck Discharge Chamber and Cover Assembly (continued)

| <i>Ref.</i> | <i>Part Number</i> | <i>Qty.</i> | <i>Description</i> | <i>Ref.</i> | <i>Part Number</i> | <i>Qty.</i> | <i>Description</i> |
|-------------|--------------------|-------------|--------------------|-------------|--------------------|-------------|----------------------|
| 1 | 130-2682-0P | 1 | Chamber-Outer | 9 | 74-5950 | 7 | Latch-Swell |
| 2 | 130-2683-0P | 1 | Chamber-Inner | 10 | 100-5669 | 1 | Cover-Motor, LH Deck |
| 3 | 3230-18 | 9 | Screw-CARR | 11 | 100-5664-03 | 1 | Plate-Cover, LH |
| 4 | 104-8300 | 9 | Nut-HF, NI | 12 | 100-5667-03 | 1 | Plate-Cover, LH Side |
| 5 | 3296-45 | 2 | Nut-Hex | 13 | 3234-1 | 3 | Screw-HHF |
| 6 | 29-4820 | 2 | Roller | 14 | 1-804254 | 7 | Nut-Lock, HH |
| 7 | 325-17 | 2 | Screw-HH | 17 | 3234-42 | 1 | Screw-HHF |
| 8 | 107-3154 | 3 | Nut-Push | 18 | 104-8301 | 1 | Nut-HF, NI |

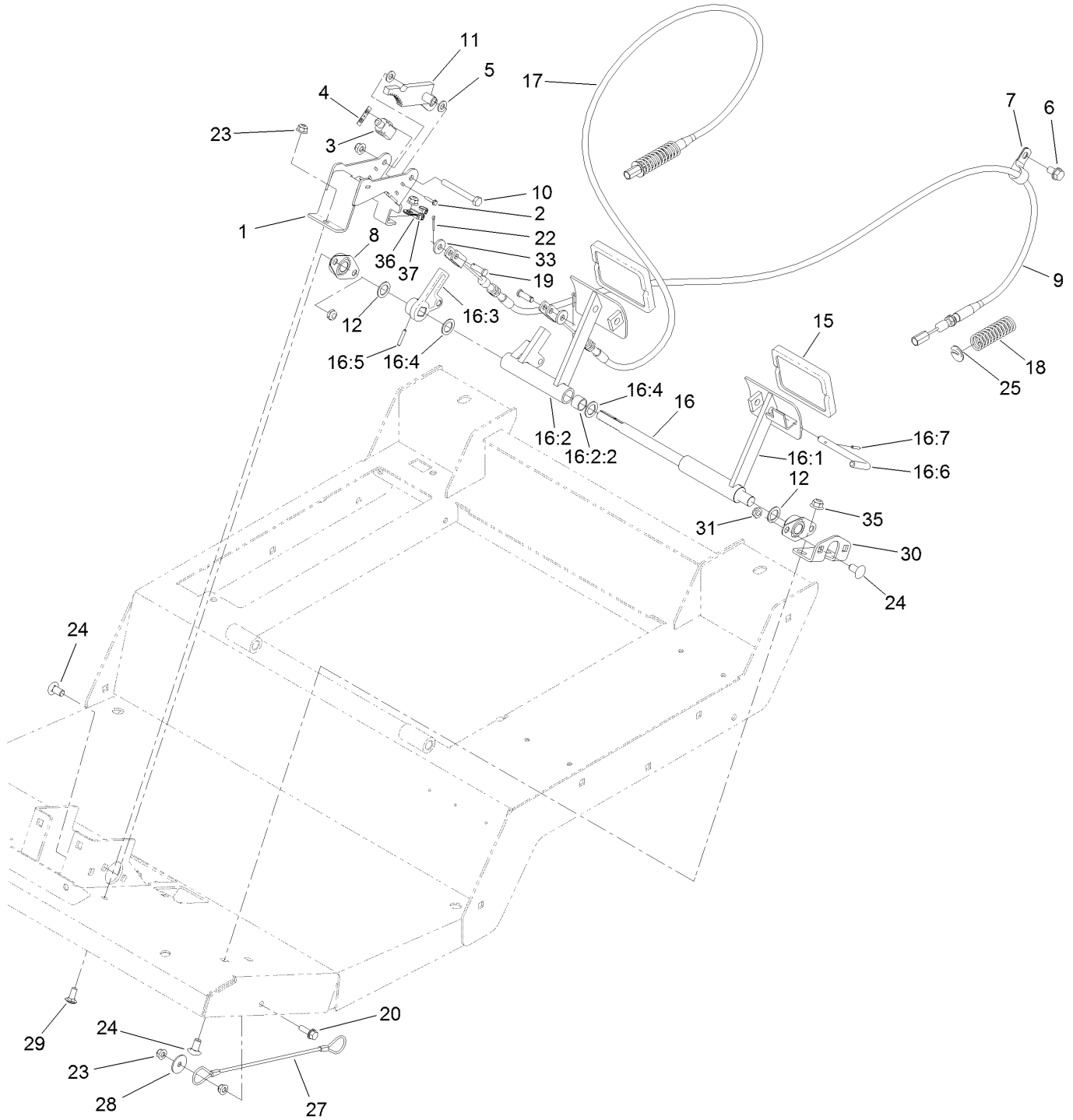
Traction Pedal and Platform Assembly



Traction Pedal and Platform Assembly (continued)

| <i>Ref.</i> | <i>Part Number</i> | <i>Qty.</i> | <i>Description</i> | <i>Ref.</i> | <i>Part Number</i> | <i>Qty.</i> | <i>Description</i> |
|-------------|--------------------|-------------|-----------------------|-------------|--------------------|-------------|----------------------------------|
| 1 | 3230-23 | 5 | Bolt-CARR | 23 | 114-7728 | 2 | Screw-HHF, Patch |
| 2 | 136-4368-01 | 1 | Pedal-Traction | 24 | 3230-2 | 2 | Bolt-CARR |
| 3 | 93-5347 | 1 | Abrasive-Pedal | 25 | 3296-9 | 2 | Nut-Hex |
| 4 | 93-5368 | 1 | Abrasive-Pedal | 26 | 136-4384-0P | 1 | Bracket-Sender |
| 5 | 323-7 | 1 | Screw-HH | 27 | 140-6215 | 1 | Bushing Hub ASM |
| 6 | 2411-36 | 1 | Bearing-End, Rod | 27:1 | 95-7497 | 1 | Bushing-Wheel |
| 7 | 3219-3 | 1 | Nut-Hex | 28 | 114-5609 | 1 | Sensor-Position |
| 8 | 104-8300 | 9 | Nut-HF, NI | 29 | 114-5595 | 1 | Plate-Capture |
| 9 | 131-2245 | 1 | Shaft-Pedal, Traction | 30 | 114-5608 | 2 | Spacer-Standoff |
| 10 | 32121-78 | 1 | Pin-Roll | 31 | 32105-25 | 2 | Screw-SHH |
| 11 | 321-37 | 2 | Screw-HH | 32 | 117-5446 | 1 | Shaft-Spring |
| 12 | 117-5459 | 2 | Block-Clamp | 33 | 3256-5 | 1 | Washer-Flat |
| 13 | 3296-59 | 1 | Nut-Lock, NI | 34 | 84-9100 | 1 | Spring |
| 14 | 322-14 | 1 | Screw-HH | 35 | 92-7610 | 1 | Retainer-Spring |
| 15 | 104-7201 | 2 | Nut-HF, NI | 36 | 3256-24 | 1 | Washer-Plain |
| 16 | 3234-47 | 1 | Screw-HHF | 37 | 3296-6 | 1 | Nut-Lock |
| 17 | 256-236 | 1 | Bearing-Mount, Flange | 38 | 131-2252-0P | 1 | Bracket-Spring |
| 18 | 117-5455 | 1 | Plate-Cover | 39 | 132-6251 | 1 | Platform ASM |
| 19 | 117-5454 | 1 | Plate-Butterfly | 39:2 | 114-0846 | 1 | Decal-Instructions, Operating |
| 20 | 131-2250-0P | 1 | Bracket-Pedal, Outer | 39:3 | 133-8062 | 1 | Decal-Spark Arrestor |
| 21 | 3230-22 | 1 | Screw-CARR | 39:4 | 114-0849 | 1 | Decal-Pedal, Traction |
| 22 | 93-7960 | 1 | Spacer | | | | |

Brake Pedal Assembly

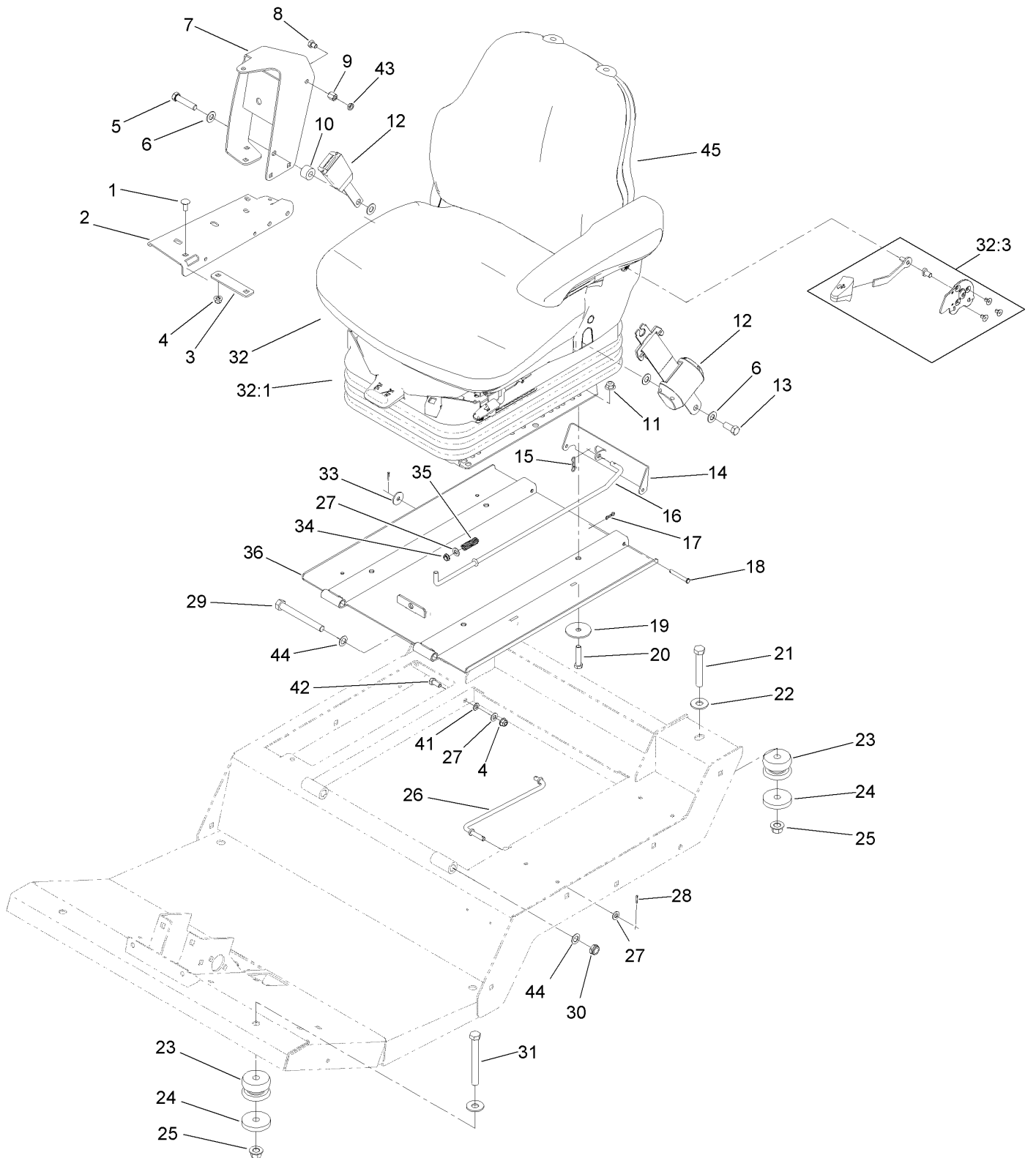


Brake Pedal Assembly (continued)

| <i>Ref.</i> | <i>Part Number</i> | <i>Qty.</i> | <i>Description</i> | <i>Ref.</i> | <i>Part Number</i> | <i>Qty.</i> | <i>Description</i> |
|-------------|--------------------|-------------|-----------------------|-------------|--------------------|-------------|--------------------|
| 1 | 132-6259-0P | 1 | Mount-Switch | 16:6 | 63-7880 | 1 | Pin-Latch, Brake |
| 2 | 117-5458 | 4 | Screw-HHF | 16:7 | 32121-50 | 1 | Pin-Spring |
| 3 | 99-3410 | 2 | Switch | 17 | 120-8898 | 1 | Cable-Brake, RH |
| 4 | 108-9824 | 2 | Nut-Switch | 18 | 94-3088 | 2 | Spring-Compression |
| 5 | 3256-23 | 2 | Washer-Plain | 19 | 120-9694 | 2 | Pin-Clevis |
| 6 | 32144-69 | 2 | Screw-HWHTF | 20 | 3234-29 | 1 | Screw-HHF |
| 7 | 2412-4 | 2 | Clamp-R | 22 | 3272-6 | 2 | Pin-Cotter |
| 8 | 256-236 | 2 | Bearing-Mount, Flange | 23 | 104-8300 | 5 | Nut-HF, NI |
| 9 | 120-8899 | 1 | Cable-Brake, LH | 24 | 3231-21 | 6 | Screw-CARR |
| 10 | 322-13 | 1 | Screw-HH | 25 | 94-3050 | 2 | Plate-Spring |
| 11 | 132-6290-0P | 1 | Rack | 27 | 110-4896 | 1 | Lanyard |
| 12 | 3256-69 | 2 | Washer-Flat | 28 | 3256-57 | 1 | Washer-Flat |
| 15 | 93-8742 | 2 | Footpad-Brake | 29 | 3230-23 | 2 | Bolt-CARR |
| 16 | | 1 | Brake Pedal ASM ● | 30 | 132-6247-01 | 1 | Mount-Bearing |
| 16:1 | 139-7780 | 1 | Pedal-Brake, LH | 31 | 3296-59 | 4 | Nut-Lock, NI |
| 16:2 | 140-5832 | 1 | RH Brake Pedal ASM | 33 | 4-2390 | 2 | Washer-Flat |
| 16:2:2 | 256-42 | 2 | Bushing | 35 | 104-8301 | 2 | Nut-HF, NI |
| 16:3 | 137-1632 | 1 | Hub-Brake | 36 | 88-7970 | 1 | Clip |
| 16:4 | 3256-69 | 2 | Washer-Flat | 37 | 1-303287 | 2 | Tie-Cable |
| 16:5 | 32121-125 | 1 | Pin-Roll | | | | |

● Not serviced separately

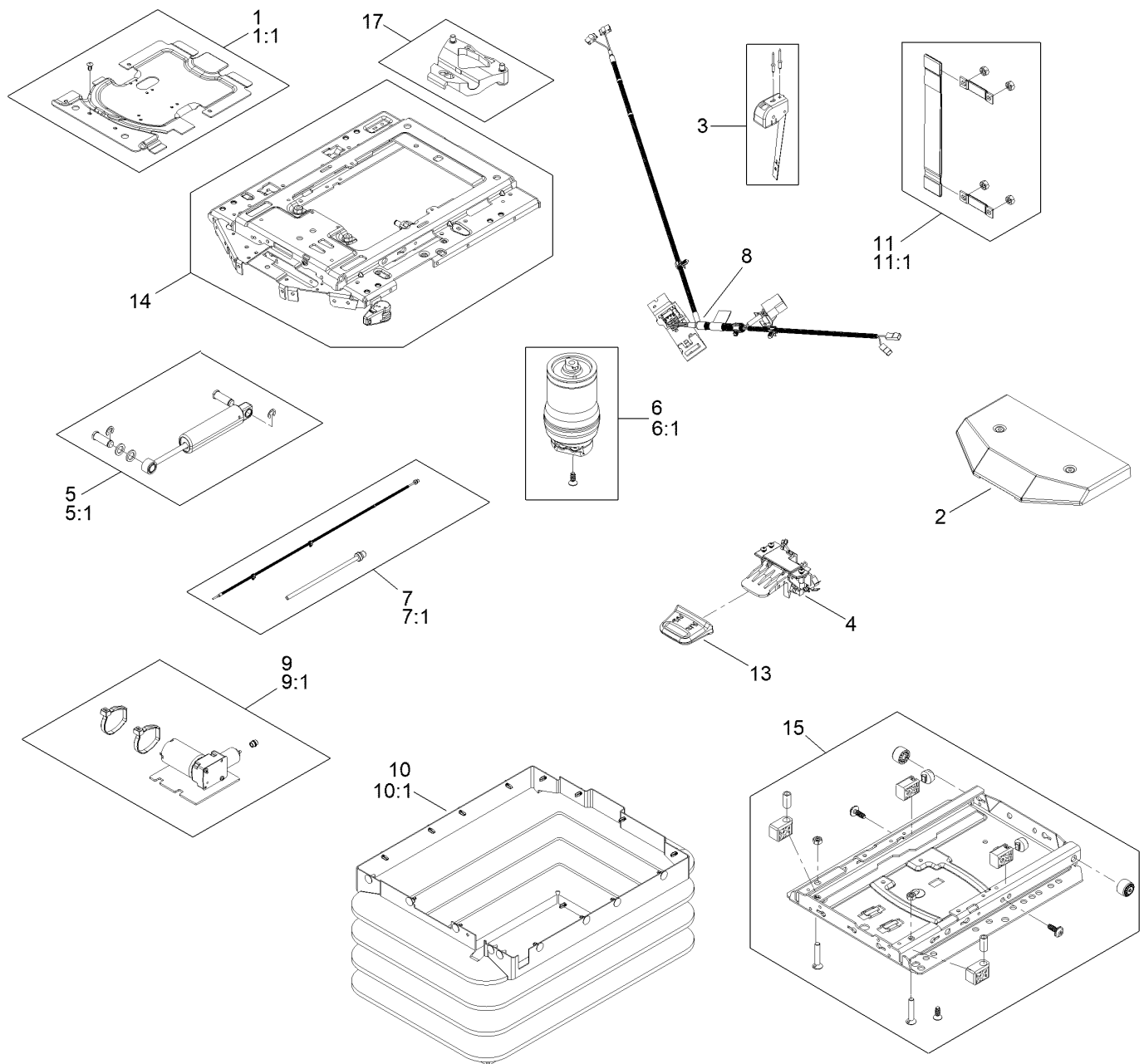
Seat Base and Seat Assembly



Seat Base and Seat Assembly (continued)

| <i>Ref.</i> | <i>Part Number</i> | <i>Qty.</i> | <i>Description</i> | <i>Ref.</i> | <i>Part Number</i> | <i>Qty.</i> | <i>Description</i> |
|-------------|--------------------|-------------|----------------------|-------------|--------------------|-------------|--------------------------|
| 1 | 3230-23 | 6 | Bolt-CARR | 23 | 110-5954 | 4 | Mount-Center, Bonded |
| 2 | 119-0000-03 | 1 | Channel-Support | 24 | 115-5519 | 4 | Washer-Plain |
| 3 | 112-7449 | 1 | Strap-Support | 25 | 99-5107 | 4 | Nut-Lock |
| 4 | 104-8300 | 7 | Nut-HF, NI | 26 | 93-5338 | 1 | Rod-Prop |
| 5 | 3212-8 | 1 | Screw-HH | 27 | 3256-23 | 3 | Washer-Plain |
| 6 | 3256-25 | 4 | Washer-Flat | 28 | 3272-5 | 2 | Pin-Cotter |
| 7 | 117-4798-03 | 1 | Arm-Support | 29 | 325-18 | 2 | Screw-HH |
| 8 | 108-8646 | 1 | Screw-HH, Lock | 30 | 3296-45 | 2 | Nut-Hex |
| 9 | 112-7405 | 1 | Nut-Hex, Coupling | 31 | 702093 | 2 | Screw-HH |
| 10 | 17-7190 | 1 | Spacer-Finger | 32 | 132-1302 | 1 | Seat And Suspension ASM |
| 11 | 104-8301 | 4 | Nut-HF, NI | 32:1 | 130-2702 | 1 | Air Ride Seat Suspension |
| 12 | 110-0413 | 1 | Seatbelt-Retractable | 32:3 | 132-1304 | 1 | Backrest Adjustment Kit |
| 13 | 3212-4 | 1 | Screw-HH | 33 | 3256-82 | 1 | Washer-Flat |
| 14 | 120-9017-0P | 1 | Latch-Seat | 34 | 5979 | 1 | Bushing-Nyliner |
| 15 | 119-1415 | 1 | Pin-Cotter, Locking | 35 | 95-1821 | 1 | Spring-Compression |
| 16 | 120-9018 | 1 | Rod-Latch | 36 | 137-5475-03 | 1 | Plate-Seat |
| 17 | 119-1414 | 2 | Pin-Cotter, Locking | 41 | 3255-8 | 1 | Washer-Lock |
| 18 | 283-57 | 2 | Pin-Clevis | 42 | 322-3 | 1 | Screw-HH |
| 19 | 83-1040 | 4 | Washer-Flat | 43 | 117-4059 | 1 | Nut-Hex |
| 20 | 323-9 | 4 | Screw-HH | 44 | 36-4780 | 4 | Washer-Plain |
| 21 | 112-7264 | 2 | Screw-HH | 45 | 117-9429 | 1 | Matrix Cloth Seat ASM |
| 22 | 3256-6 | 4 | Washer-Flat | | | | |

Air Ride Seat Suspension Assembly No. 130-2702



12
WEAR PARTS KIT

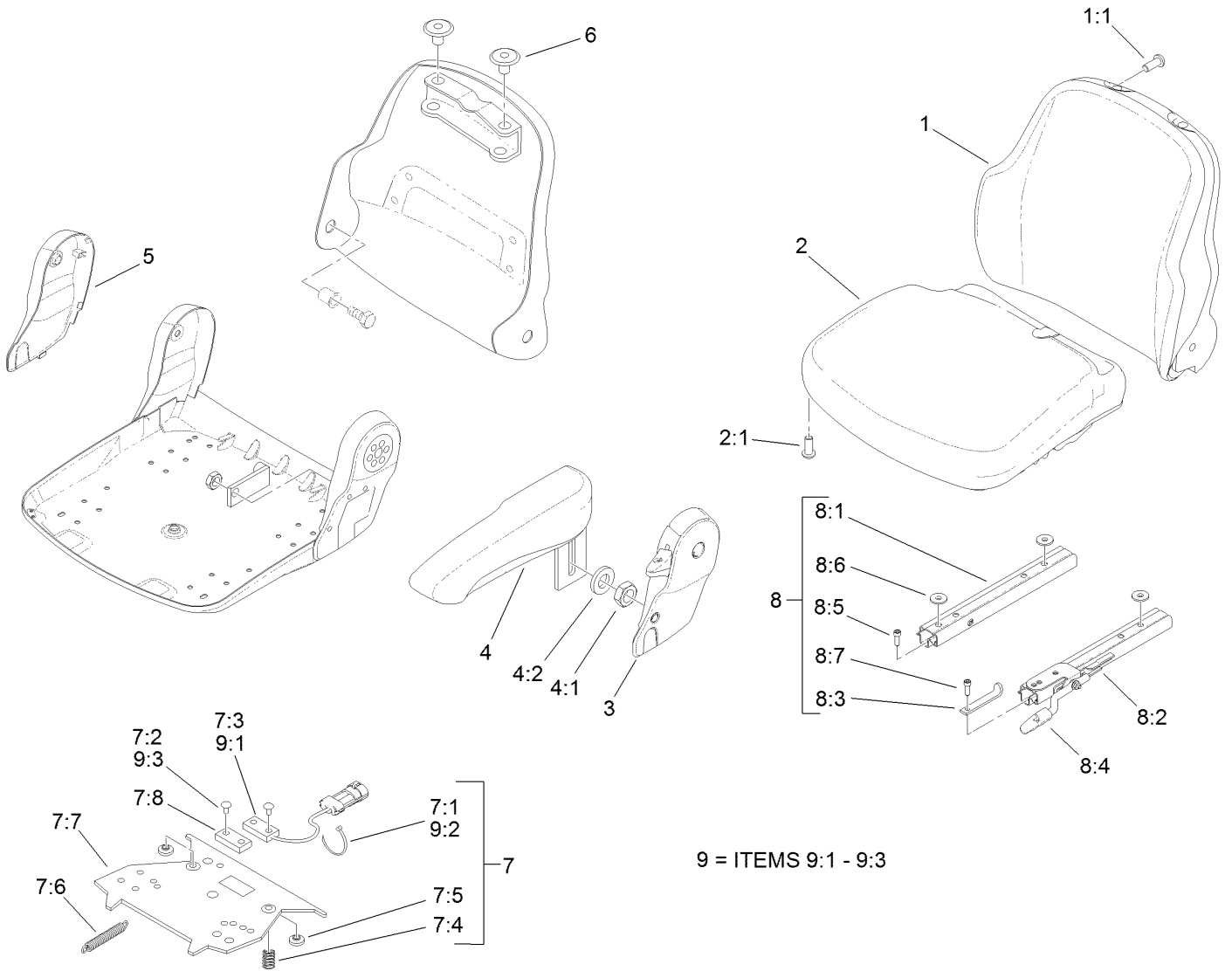
16
ADJUSTER MOUNTING KIT

Air Ride Seat Suspension Assembly No. 130-2702 (continued)

| <i>Ref.</i> | <i>Part Number</i> | <i>Qty.</i> | <i>Description</i> | <i>Ref.</i> | <i>Part Number</i> | <i>Qty.</i> | <i>Description</i> |
|-------------|--------------------|-------------|--------------------|-------------|--------------------|-------------|-------------------------|
| 1 | 130-2709 | 1 | Cover ASM | 9 | 130-2719 | 1 | Compressor |
| 1:1 | 130-2710 | 1 | Cover Kit | 9:1 | 130-2720 | 1 | Compressor Kit |
| 2 | 108-8027 | 1 | Cover | 10 | 130-2721 | 1 | Bellows ASM |
| 3 | 130-2711 | 1 | Control-Level | 10:1 | 130-2722 | 1 | Bellows Kit |
| 4 | 108-8029 | 1 | Valve-Control, Air | 11 | 130-2723 | 1 | Tether |
| 5 | 130-2712 | 1 | Shock Absorber ASM | 11:1 | 130-2724 | 1 | Tether Kit |
| 5:1 | 130-2713 | 1 | Shock Absorber Kit | 12 | 130-2725 | 1 | Wear Parts Kit ● |
| 6 | 130-2714 | 1 | Air Spring ASM | 13 | 130-2726 | 1 | Handle |
| 6:1 | 130-2715 | 1 | Air Spring Kit | 14 | 130-2727 | 1 | Upper Suspension Kit |
| 7 | 130-2716 | 1 | Air Tube ASM | 15 | 130-2728 | 1 | Lower Suspension Kit |
| 7:1 | 130-2717 | 1 | Air Tube Kit | 16 | 130-2729 | 1 | Adjuster Mounting Kit ● |
| 8 | 130-2718 | 1 | Harness-Wire | 17 | 130-2730 | 1 | Limiters-Thrust |

● Not illustrated

Cloth Premium Seat Assembly No. 117-9429

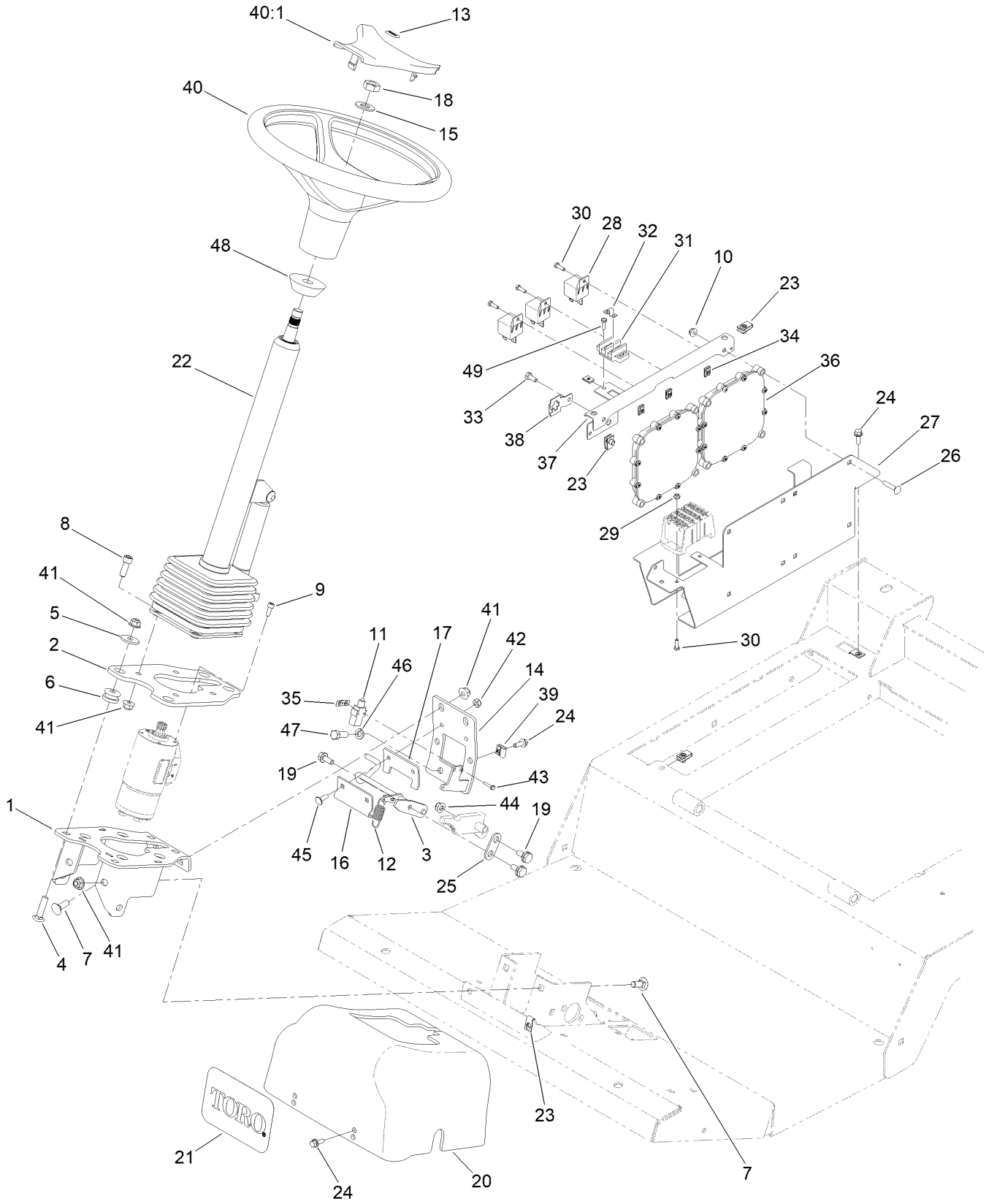


Cloth Premium Seat Assembly No. 117-9429 (continued)

| <i>Ref.</i> | <i>Part Number</i> | <i>Qty.</i> | <i>Description</i> | <i>Ref.</i> | <i>Part Number</i> | <i>Qty.</i> | <i>Description</i> |
|-------------|--------------------|-------------|--------------------------------------|-------------|--------------------|-------------|-------------------------|
| 1 | 117-9415 | 1 | Backrest Cushion ASM Matrix Cloth | 7:5 | | 2 | Bumper-Pressure Plate ● |
| 1:1 | 119-7742 | 4 | Screw-Cushion | 7:6 | | 1 | Spring-Extension ● |
| 2 | 117-9416 | 1 | Seat Cushion ASM Matrix Cloth | 7:7 | | 1 | Plate-Mounting ● |
| 2:1 | 119-7742 | 3 | Screw-Cushion | 7:8 | | 1 | Magnet ● |
| 3 | 108-8018 | 1 | Cover-Armrest | 8 | 108-8025 | 1 | Adjustment Rail Set |
| 4 | 108-8019 | 1 | LH Armrest ASM | 8:1 | | 1 | Rail-Adjustment, RH ● |
| 4:1 | 82-9650 | 1 | Nut | 8:2 | | 1 | Rail-Adjustment, LH ● |
| 4:2 | 107-1198 | 1 | Washer | 8:3 | | 1 | Stop-Rail ● |
| 5 | 108-8021 | 1 | Cover-Armrest | 8:4 | | 1 | Handle ● |
| 6 | 108-8022 | 2 | Cover-Black | 8:5 | | 3 | Screw ● |
| 7 | 108-8024 | 1 | Switch Kit | 8:6 | | 3 | Washer ● |
| 7:1 | | 3 | Wire Tie ● | 8:7 | | 1 | Screw ● |
| 7:2 | | 4 | Rivet ● | 9 | 110-6189 | 1 | Switch Kit |
| 7:3 | | 1 | Sensor-Seat Switch ● | 9:1 | | 1 | Switch ● |
| 7:4 | | 2 | Spring-Compression ● | 9:2 | | 3 | Wire Tie ● |
| | | | | 9:3 | | 2 | Rivet ● |

● Not serviced separately

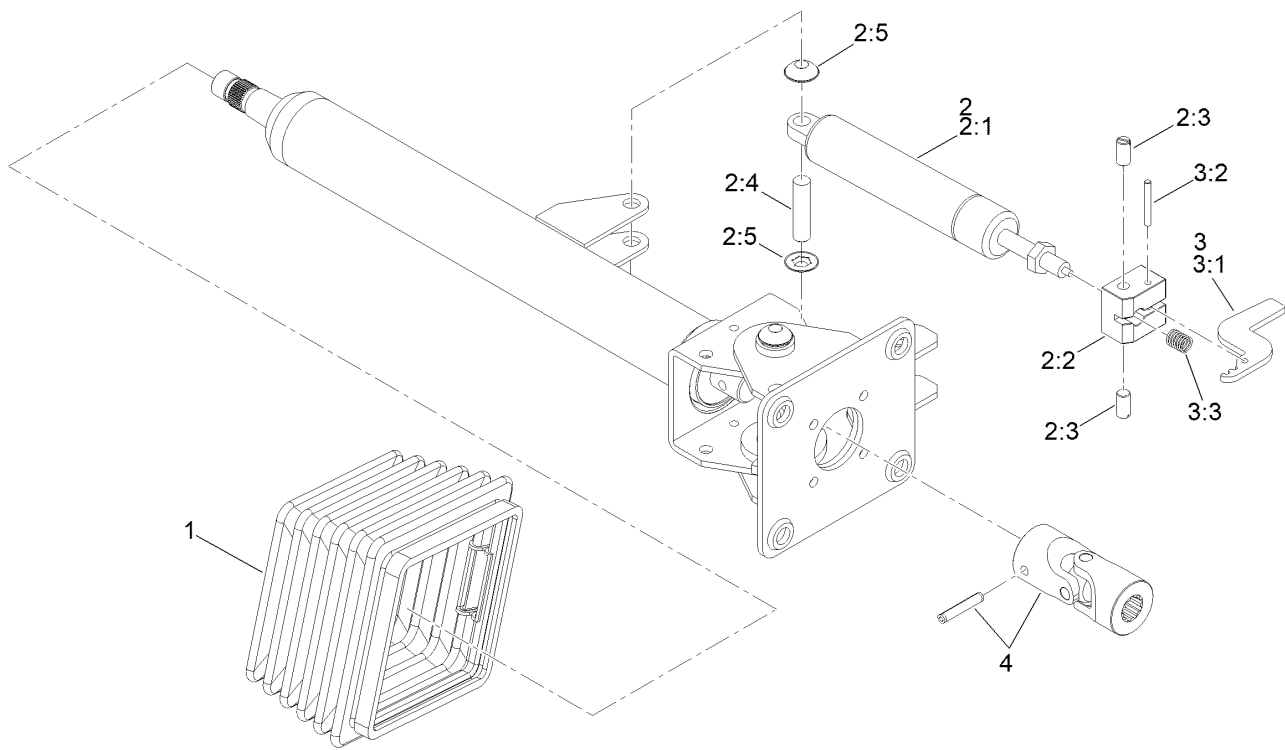
Steering and Controller Assembly



Steering and Controller Assembly (continued)

| <i>Ref.</i> | <i>Part Number</i> | <i>Qty.</i> | <i>Description</i> | <i>Ref.</i> | <i>Part Number</i> | <i>Qty.</i> | <i>Description</i> |
|-------------|--------------------|-------------|--------------------------|-------------|--------------------|-------------|------------------------|
| 1 | 137-5590-0P | 1 | Mount | 26 | 3229-3 | 8 | Screw-CARR |
| 2 | 137-5588-0P | 1 | Plate-Mount, Column | 27 | 120-4093-0P | 1 | Mount-Power |
| 3 | 132-6285 | 1 | Rod-Brake | 28 | 99-7435 | 3 | Relay |
| 4 | 3231-26 | 4 | Screw-CARR | 29 | 3296-12 | 2 | Nut-Lock, NI |
| 5 | 63-8410 | 4 | Washer | 30 | 3290-134 | 5 | Screw |
| 6 | 63-9750 | 4 | Mount | 31 | 42862 | 1 | Block-Terminal, Ground |
| 7 | 3231-2 | 6 | Bolt-CARR | 32 | 42863 | 1 | Strip-Jumper |
| 8 | 3274-7 | 4 | Screw-HSH | 33 | 321-3 | 1 | Screw-HH |
| 9 | 105-2409 | 4 | Screw-HSH | 34 | 107-1013 | 5 | Nut-Speed |
| 10 | 104-7201 | 8 | Nut-HF, NI | 35 | 108-9824 | 1 | Nut-Switch |
| 11 | 99-3410 | 1 | Switch | 36 | 122-3375 | 2 | Controller-Tec |
| 12 | 136-7153 | 1 | Spring-Extension | 37 | 120-4127-0P | 1 | Mount-Relay |
| 13 | 98-1459 | 1 | Decal | 38 | 114-5502 | 1 | Clip-Fuse |
| 14 | 132-6225-0P | 1 | Support-Rear | 39 | 609900 | 2 | Nut-Speed |
| 15 | 3256-27 | 1 | Washer-Flat | 40 | 98-1471 | 1 | Wheel-Steering |
| 16 | 132-6283 | 1 | Plate-Brake | 40:1 | 98-1468 | 1 | Cover-Wheel, Steering |
| 17 | 132-6284 | 1 | Plate-Brake | 41 | 104-8301 | 14 | Nut-HF, NI |
| 18 | 3296-33 | 1 | Nut-Lock, NI | 42 | 3296-16 | 2 | Nut-Lock, NI |
| 19 | 37-8771 | 2 | Bolt-Shoulder, HF | 43 | 117-5458 | 2 | Screw-HHF |
| 20 | 132-6244 | 1 | Cover-Steering | 44 | 104-8300 | 2 | Nut-HF, NI |
| 21 | 105-1217 | 1 | Decal | 45 | 1-807512 | 2 | Bolt-CARR |
| 22 | 132-6230 | 1 | Steering Tilt Column ASM | 46 | 3253-21 | 2 | Washer-Lock |
| 23 | 107069 | 7 | Clip | 47 | 323-6 | 2 | Screw-HH |
| 24 | 3234-4 | 6 | Screw-HHF | 48 | 93-5429 | 1 | Collar-Foam |
| 25 | 137-5548 | 1 | Link-Brake | 49 | 32105-13 | 2 | Screw-HWH |

Steering Column Assembly No. 132-6230

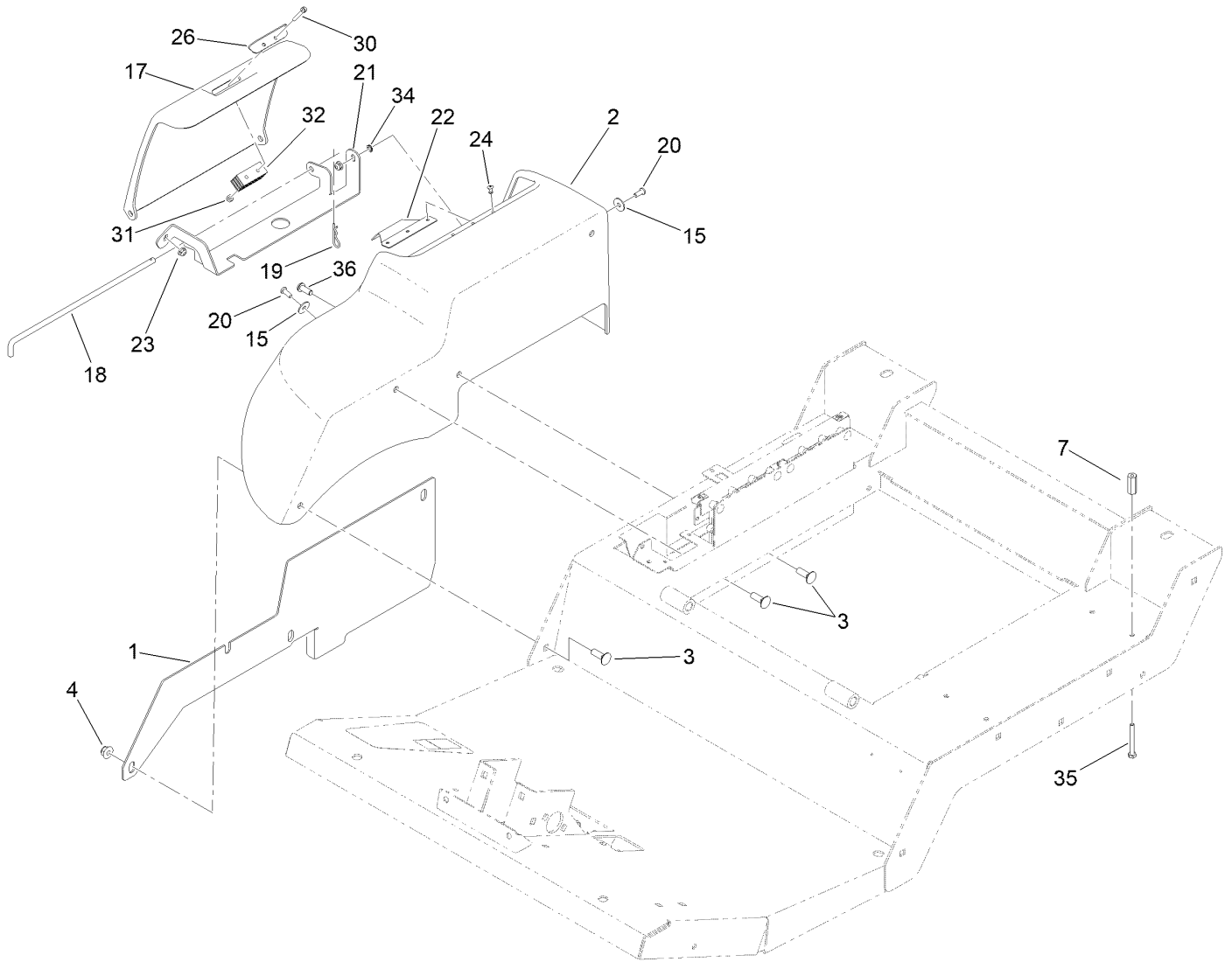


Steering Column Assembly No. 132-6230 (continued)

| <i>Ref.</i> | <i>Part Number</i> | <i>Qty.</i> | <i>Description</i> | <i>Ref.</i> | <i>Part Number</i> | <i>Qty.</i> | <i>Description</i> |
|-------------|--------------------|-------------|----------------------|-------------|--------------------|-------------|---------------------|
| 1 | 110-6462 | 1 | Bellows-Rubber | 2:5 | | 2 | Washer-Lock ● |
| 2 | 110-6463 | 1 | Cylinder Service Kit | 3 | 136-4385 | 1 | Pedal Service Kit |
| 2:1 | | 1 | Cylinder-Gas ● | 3:1 | | 1 | Pedal ● |
| 2:2 | | 1 | Block-Pedal ● | 3:2 | | 1 | Pin ● |
| 2:3 | | 2 | Bolt ● | 3:3 | | 1 | Spring ● |
| 2:4 | | 1 | Pin ● | 4 | 120-6256 | 1 | Universal Joint Kit |

● Not serviced separately

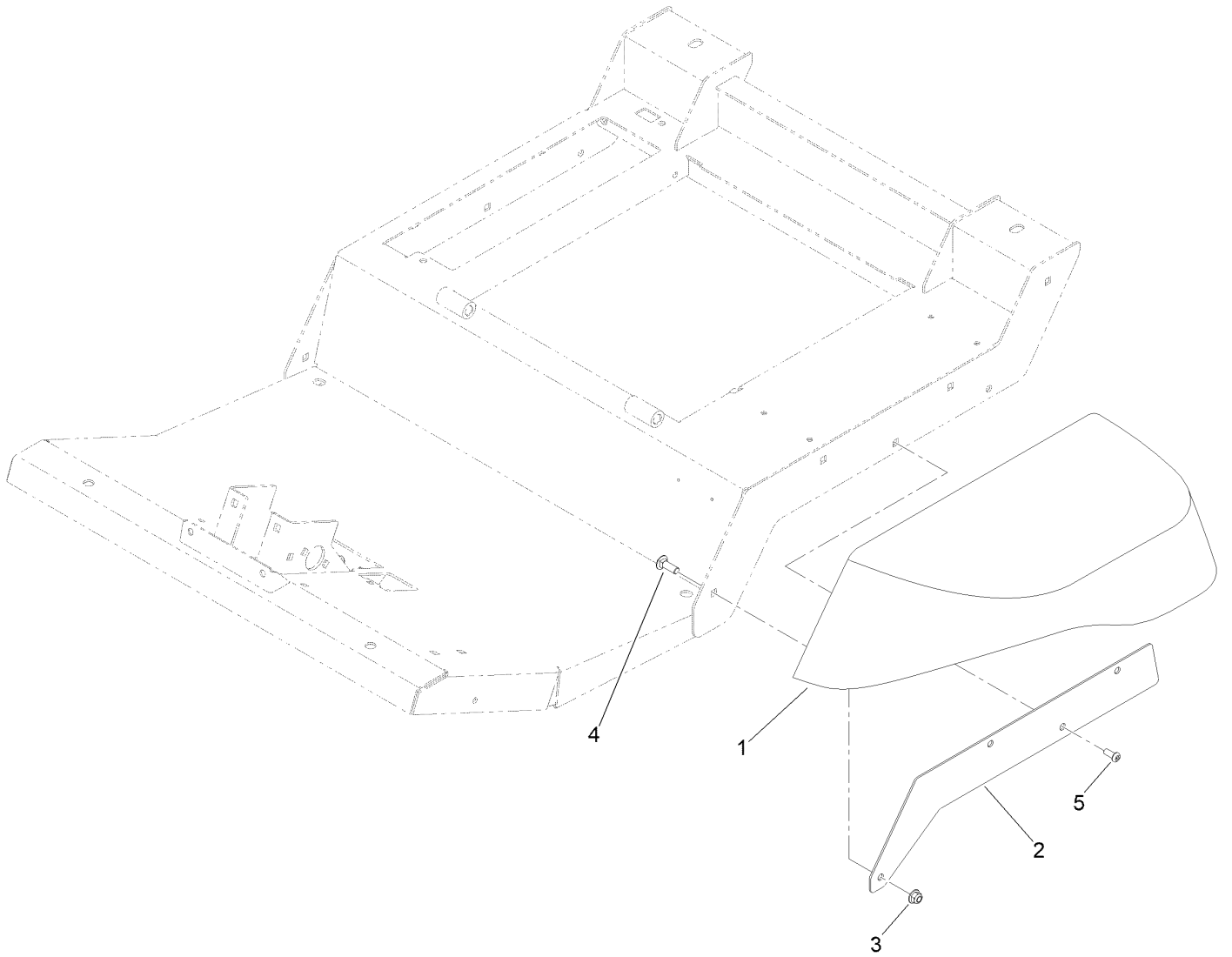
RH Fender Assembly



RH Fender Assembly (continued)

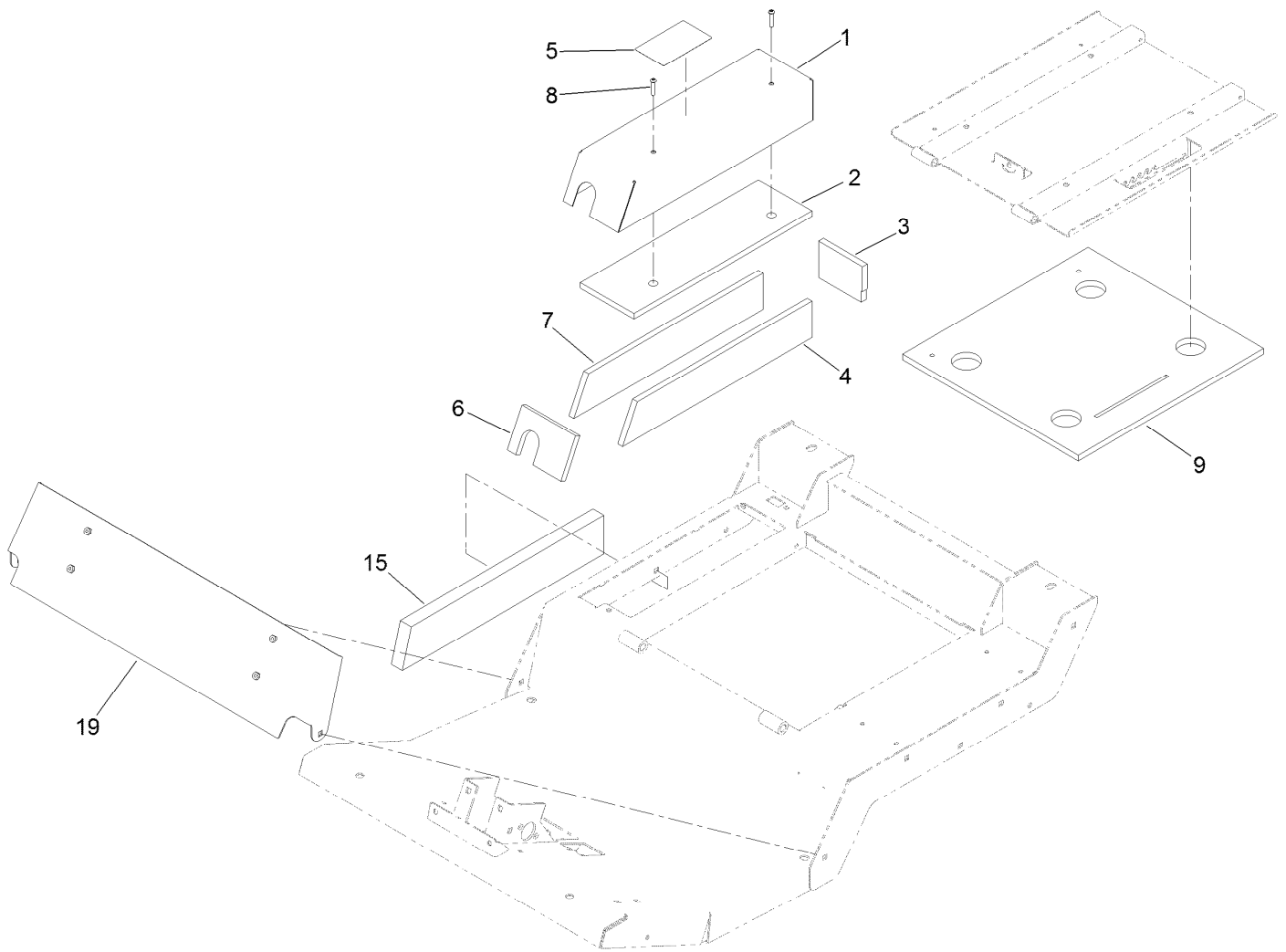
| <i>Ref.</i> | <i>Part Number</i> | <i>Qty.</i> | <i>Description</i> | <i>Ref.</i> | <i>Part Number</i> | <i>Qty.</i> | <i>Description</i> |
|-------------|--------------------|-------------|--------------------|-------------|--------------------|-------------|--------------------|
| 1 | 145-8391-0P | 1 | Plate-Fender, RH | 22 | 127-3706 | 1 | Plate-Cover |
| 2 | 120-4113 | 1 | Fender-RH | 23 | 104-7201 | 2 | Nut-HF, NI |
| 3 | 3231-25 | 3 | Bolt-CARR | 24 | 3269-23 | 3 | Rivet-Pop |
| 4 | 104-8301 | 3 | Nut-HF, NI | 26 | 127-3705 | 1 | Plate-Cover |
| 7 | 136-4358 | 4 | Nut-Coupling | 30 | 32105-1 | 2 | Screw-SHH |
| 15 | 87-6630 | 2 | Washer-Plain | 31 | 3296-2 | 2 | Nut-Lock, NI |
| 17 | 120-4115 | 1 | Cover-Battery | 32 | 69-6260 | 1 | Magnet |
| 18 | 121-1588 | 1 | Rod-Hinge | 34 | 3255-7 | 1 | Washer-Lock/EXT |
| 19 | 3290-467 | 1 | Pin-Hair | 35 | 100-5858 | 4 | Screw-HH |
| 20 | 3274-31 | 2 | Screw-HSBH | 36 | 3274-94 | 1 | Screw-HSBH |
| 21 | 121-1586-0P | 1 | Mount-Cover | | | | |

LH Fender Assembly



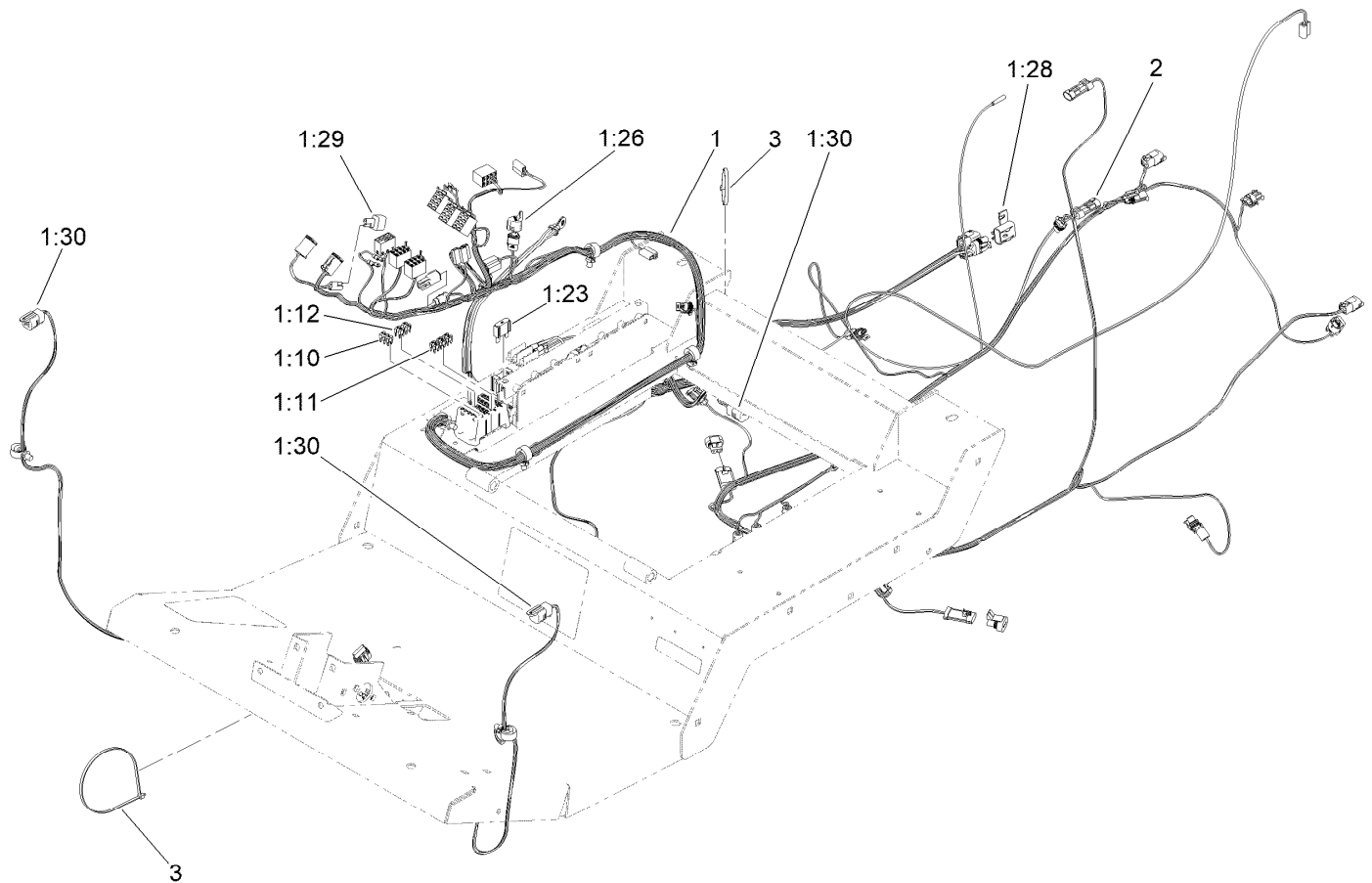
LH Fender Assembly (continued)

| <i>Ref.</i> | <i>Part Number</i> | <i>Qty.</i> | <i>Description</i> | <i>Ref.</i> | <i>Part Number</i> | <i>Qty.</i> | <i>Description</i> |
|-------------|--------------------|-------------|--------------------|-------------|--------------------|-------------|--------------------|
| 1 | 120-4114 | 1 | Fender-LH | 4 | 3231-25 | 3 | Bolt-CARR |
| 2 | 121-1580-0P | 1 | Plate-Fender, LH | 5 | 3274-94 | 1 | Screw-HSBH |
| 3 | 104-8301 | 3 | Nut-HF, NI | | | | |



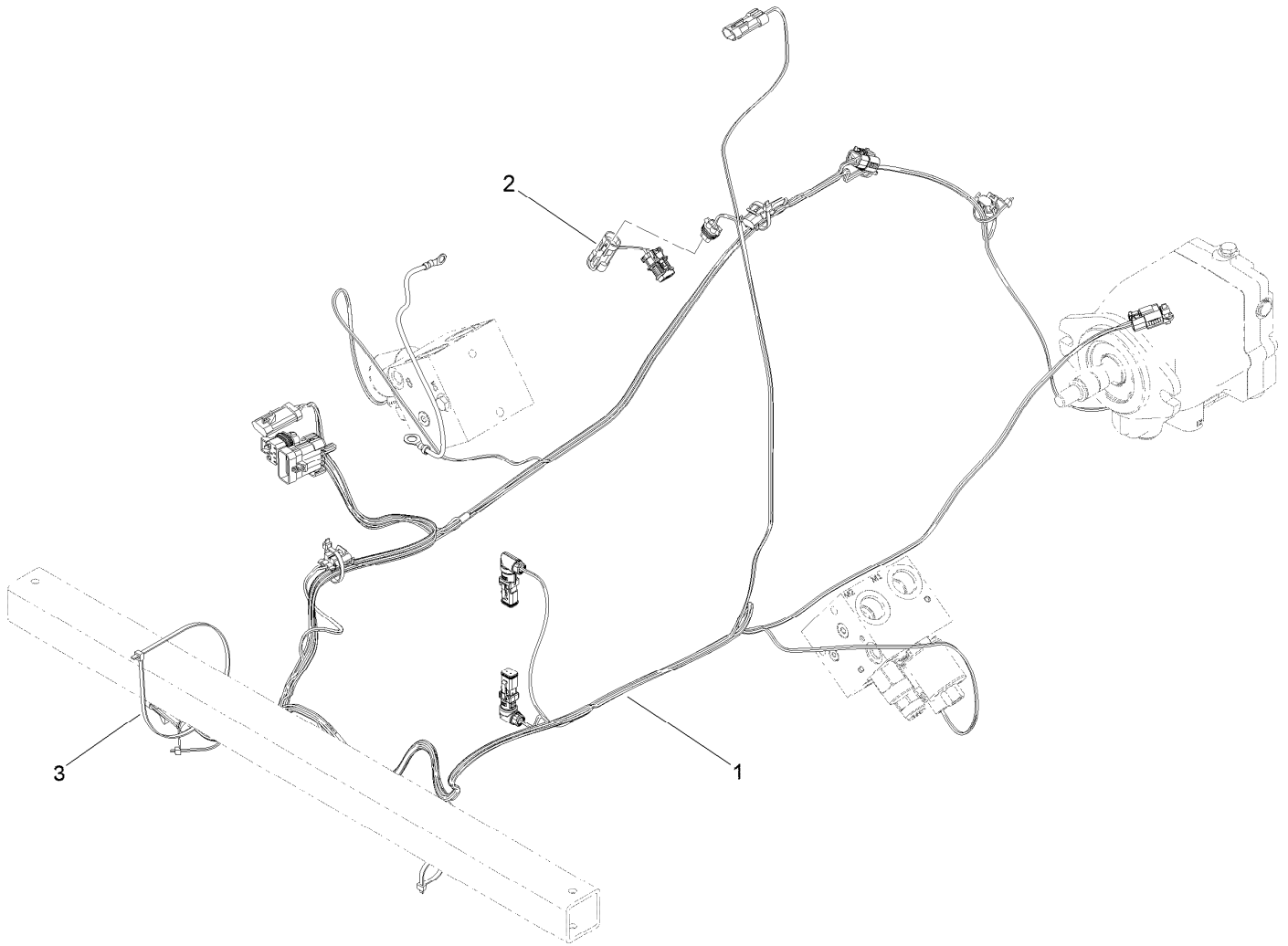
Acoustic Foam, Panel and Cover Assembly

| <i>Ref.</i> | <i>Part Number</i> | <i>Qty.</i> | <i>Description</i> |
|-------------|--------------------|-------------|--------------------|
| 1 | 136-4386-03 | 1 | Cover-Controller |
| 2 | 136-4378 | 1 | Foam-Cover, Top |
| 3 | 136-4375 | 1 | Foam-Cover, Rear |
| 4 | 136-4376 | 1 | Foam-Cover, Left |
| 5 | 136-4436 | 1 | Decal-Fuses |
| 6 | 136-4374 | 1 | Foam-Cover, Front |
| 7 | 136-4377 | 1 | Foam-Cover, Right |
| 8 | 120-0834 | 2 | Screw-HSBH |
| 9 | 127-3696 | 1 | Foam-Seat |
| 15 | 127-3708 | 1 | Foam-Right |
| 19 | 136-4373-01 | 1 | Plate-Foot |



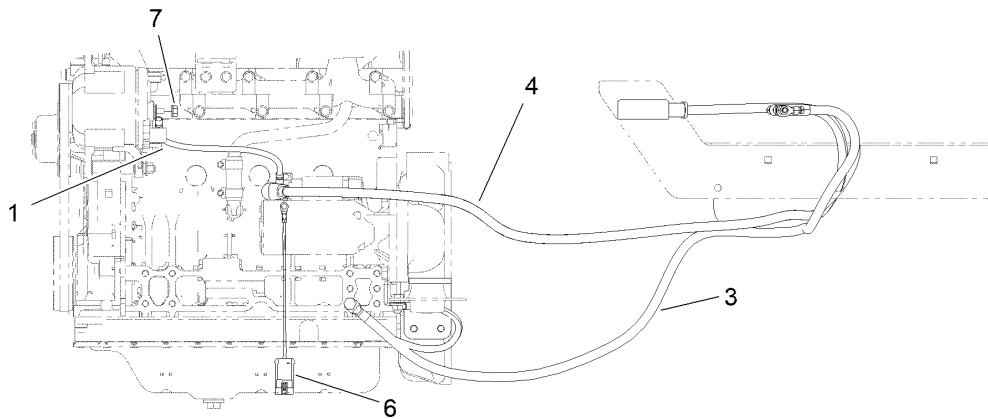
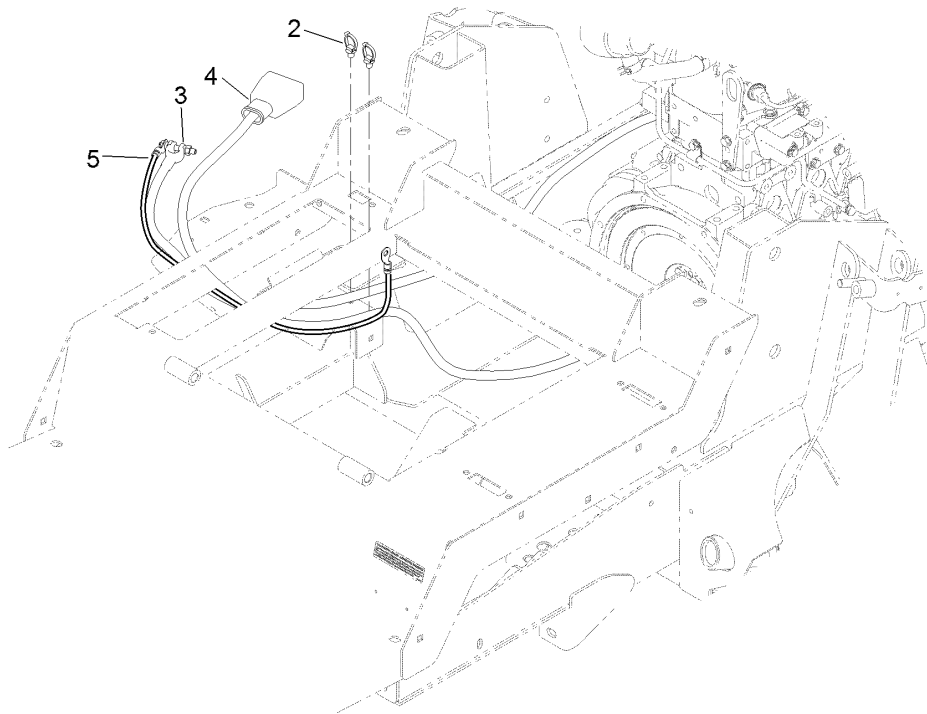
Platform Wire Harness and Fuse Assembly

| <i>Ref.</i> | <i>Part Number</i> | <i>Qty.</i> | <i>Description</i> |
|-------------|--------------------|-------------|--------------------------|
| 1 | 122-2181 | 1 | Harness-Wire, Platform |
| 1:10 | 121-8861 | 3 | Fuse-Mini Blade, 2 Amp |
| 1:11 | 121-8865 | 6 | Fuse-Mini Blade, 7.5 Amp |
| 1:12 | 121-8866 | 4 | Fuse-Mini Blade, 10 Amp |
| 1:23 | 114-3342 | 1 | Fuse-Maxi, 60 Amp |
| 1:26 | 32180-089 | 1 | Cap-Plug, 3 Way |
| 1:28 | 32180-019 | 1 | Cover-Fuse, Single |
| 1:29 | 104-4022 | 1 | Resistor-75 Ohm |
| 1:30 | 32180-156 | 4 | Cap-Plug, 6 Way |
| 2 | 122-0353 | 1 | Harness-Wire |
| 3 | 3290-379 | 2 | Tie-Cable |



Rear Wire Harness Assembly

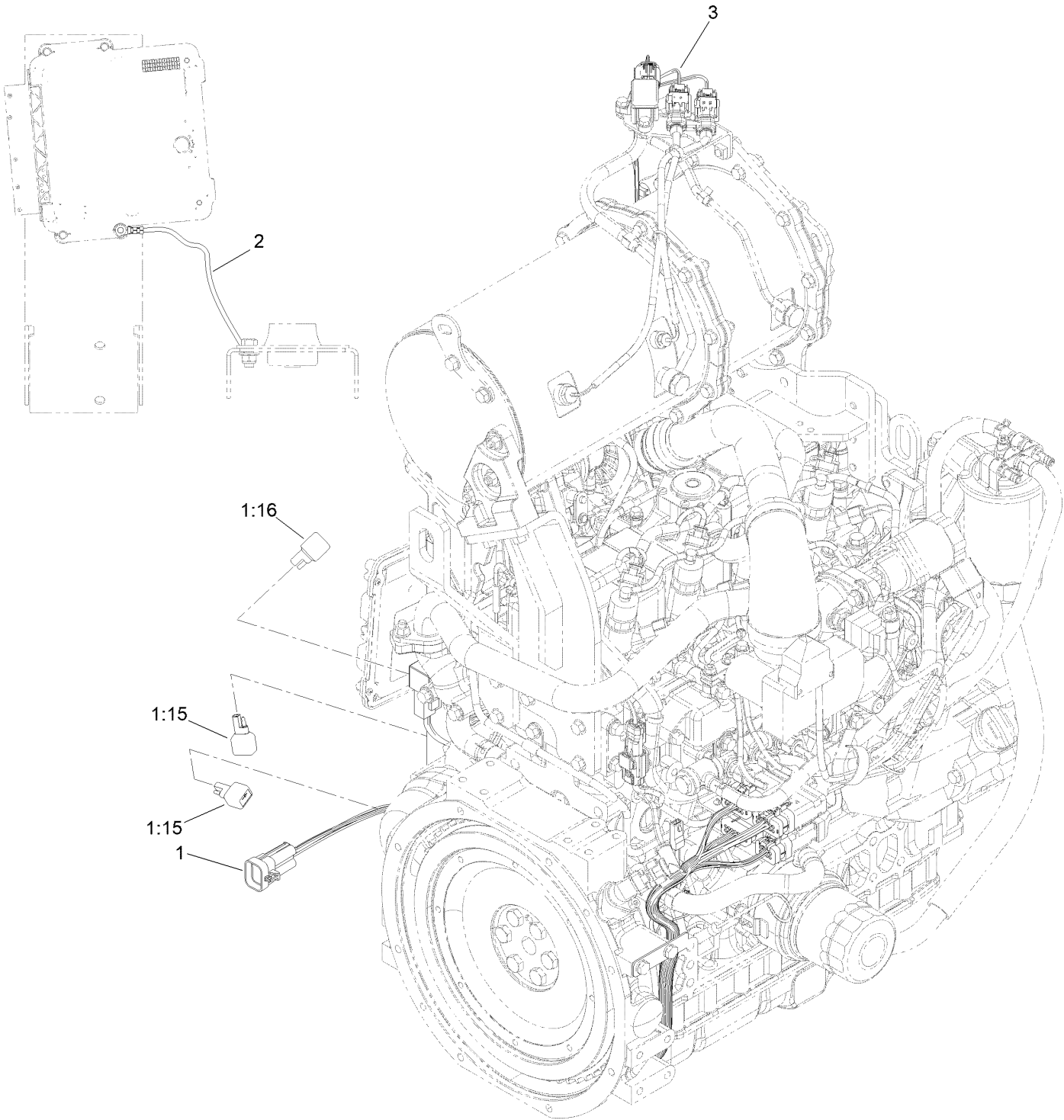
| <i>Ref.</i> | <i>Part Number</i> | <i>Qty.</i> | <i>Description</i> |
|-------------|--------------------|-------------|---------------------------------|
| 1 | 122-2182 | 1 | Harness-Wire, Rear |
| 2 | 115-1931 | 1 | Harness-Wire, Fuel Pump Adapter |
| 3 | 3290-379 | 4 | Tie-Cable |



Battery Cable and Ground Assembly

| Ref. | Part Number | Qty. | Description |
|------|-------------|------|----------------------------|
| 1 | 122-0071 | 1 | Cable-Battery, Positive |
| 2 | 32180-030 | 2 | Clip-Tie |
| 3 | 121-8898 | 1 | Cable-Battery, Negative |
| 4 | 121-8897 | 1 | Cable-Battery, Positive |
| 5 | 54-3094 | 1 | Cable |
| 6 | 108-9470 | 1 | Harness-Wire, Fusible Link |
| 7 | 33004-00 | 2 | Nut-HF |

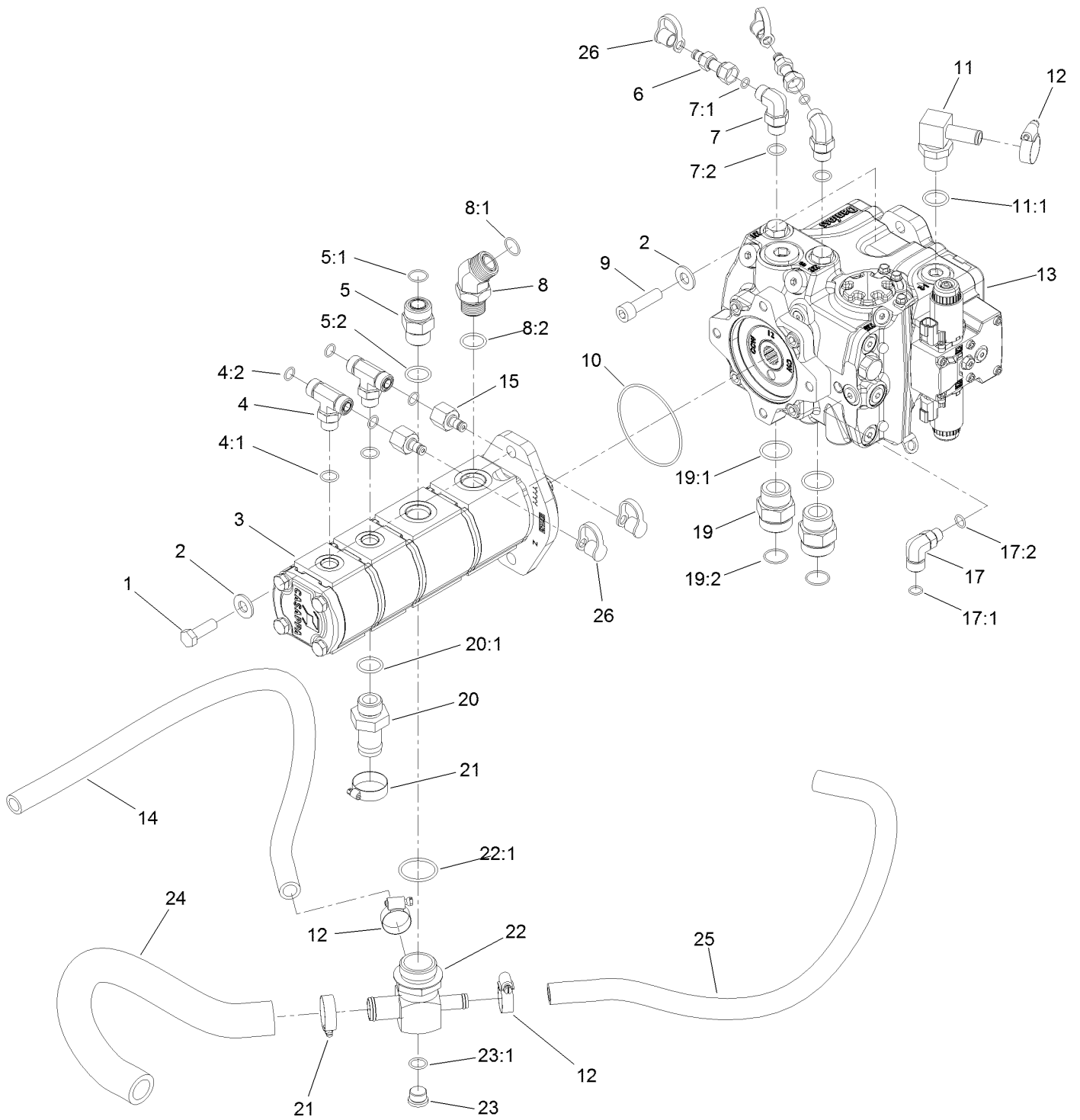
Engine Harness Assembly



Engine Harness Assembly (continued)

| <i>Ref.</i> | <i>Part Number</i> | <i>Qty.</i> | <i>Description</i> | <i>Ref.</i> | <i>Part Number</i> | <i>Qty.</i> | <i>Description</i> |
|-------------|--------------------|-------------|-------------------------|-------------|--------------------|-------------|----------------------------|
| 1 | 122-2183 | 1 | Harness-Wire, Engine T4 | 2 | 122-0057 | 1 | Harness-Wire, Ground |
| 1:15 | 100-4918 | 2 | Diode | 3 | 122-2191 | 1 | Harness-Wire, Dpf, 2 Clips |
| 1:16 | 121-8891 | 1 | Resistor (1.6K Ohm) | | | | |

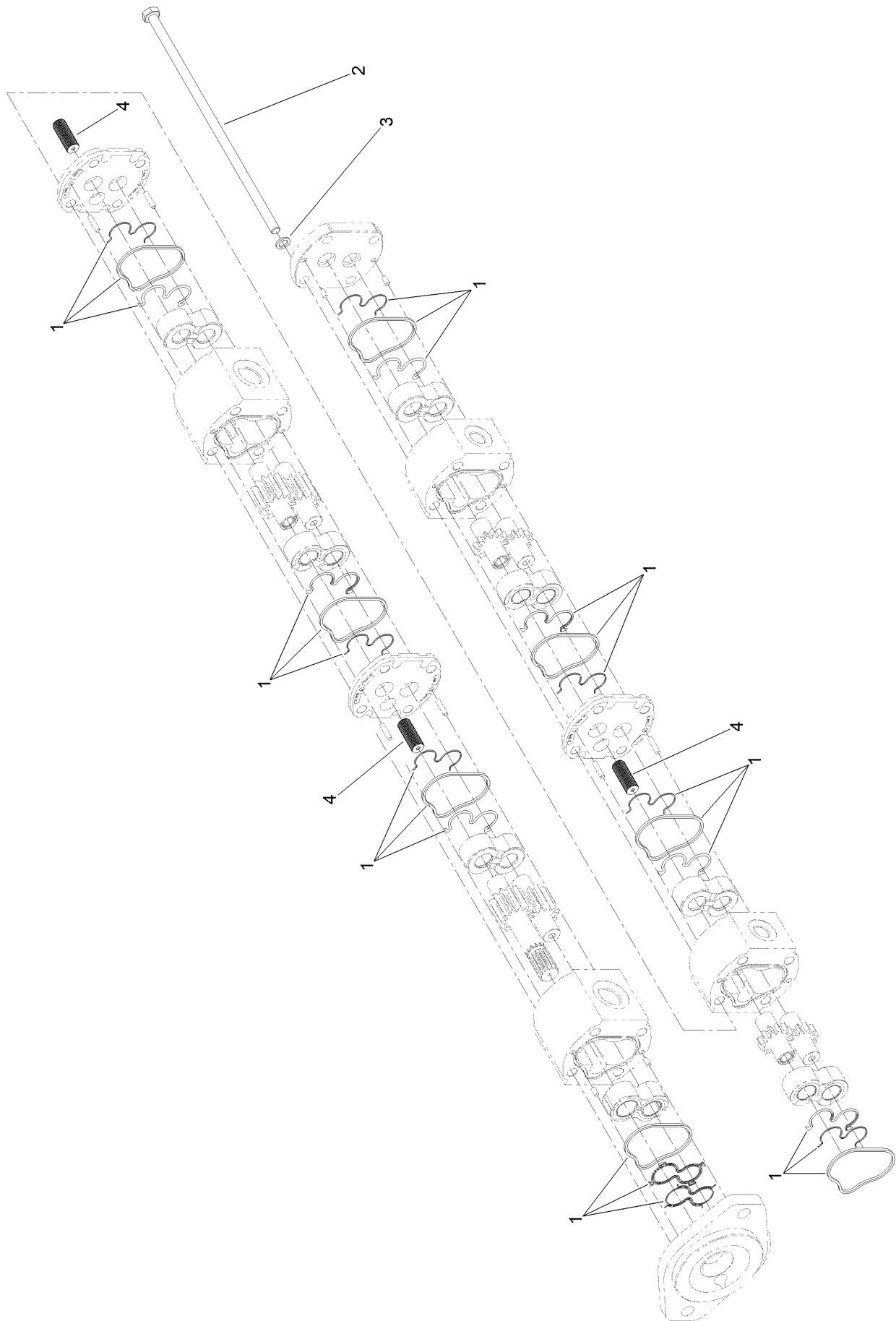
Piston Pump and Gear Pump Assembly



Piston Pump and Gear Pump Assembly (continued)

| <i>Ref.</i> | <i>Part Number</i> | <i>Qty.</i> | <i>Description</i> | <i>Ref.</i> | <i>Part Number</i> | <i>Qty.</i> | <i>Description</i> |
|-------------|--------------------|-------------|-------------------------|-------------|--------------------|-------------|---------------------|
| 1 | 121-1525 | 2 | Screw-HH | 12 | 2412-129 | 3 | Clamp-Hose |
| 2 | 137-5550 | 4 | Washer-Thrust | 13 | 132-6100 | 1 | Pump-Piston |
| 3 | 120-8904 | 1 | 4-Section Gear Pump ASM | 14 | 121-1647 | 1 | Hose-HYD |
| 4 | 340-157 | 2 | Fitting-HYD, Tee | 15 | 100-5616 | 2 | Fitting |
| 4:1 | 237-79 | 1 | O-Ring | 17 | 340-99 | 1 | Fitting-HYD, 90 DEG |
| 4:2 | 237-30 | 2 | O-Ring | 17:1 | 237-30 | 1 | O-Ring |
| 5 | 340-9 | 1 | Fitting-STR | 17:2 | 237-42 | 1 | O-Ring |
| 5:1 | 237-58 | 1 | O-Ring | 19 | 104-3797 | 2 | Fitting-Straight |
| 5:2 | 237-81 | 1 | O-Ring | 19:1 | 237-146 | 1 | O-Ring |
| 6 | 86-5480 | 2 | Nipple-Test | 19:2 | 340-65 | 1 | O-Ring |
| 7 | 340-18 | 2 | Fitting-HYD, 90 DEG | 20 | 99-3017 | 1 | Fitting |
| 7:1 | 237-79 | 1 | O-Ring | 20:1 | 237-81 | 1 | O-Ring |
| 7:2 | 237-22 | 1 | O-Ring | 21 | 2412-34 | 2 | Clamp-Hose |
| 8 | 100-5530 | 1 | Fitting-45 DEG | 22 | 121-1682 | 1 | Fitting-Tee |
| 8:1 | 237-58 | 1 | O-Ring | 22:1 | 237-101 | 1 | O-Ring |
| 8:2 | 237-81 | 1 | O-Ring | 23 | 353-988 | 1 | Plug-Hex |
| 9 | 131-0661 | 2 | Screw-HSH | 23:1 | 237-79 | 1 | O-Ring |
| 10 | 107-9447 | 1 | O-Ring | 24 | 120-8815 | 1 | Hose-Suction |
| 11 | 136-4439 | 1 | Fitting-HYD, 90 | 25 | 120-9050 | 1 | Hose-HYD |
| 11:1 | 237-81 | 1 | O-Ring | 26 | 354-79 | 4 | Cap-Dust |

4-Section Gear Pump Assembly No. 120-8904

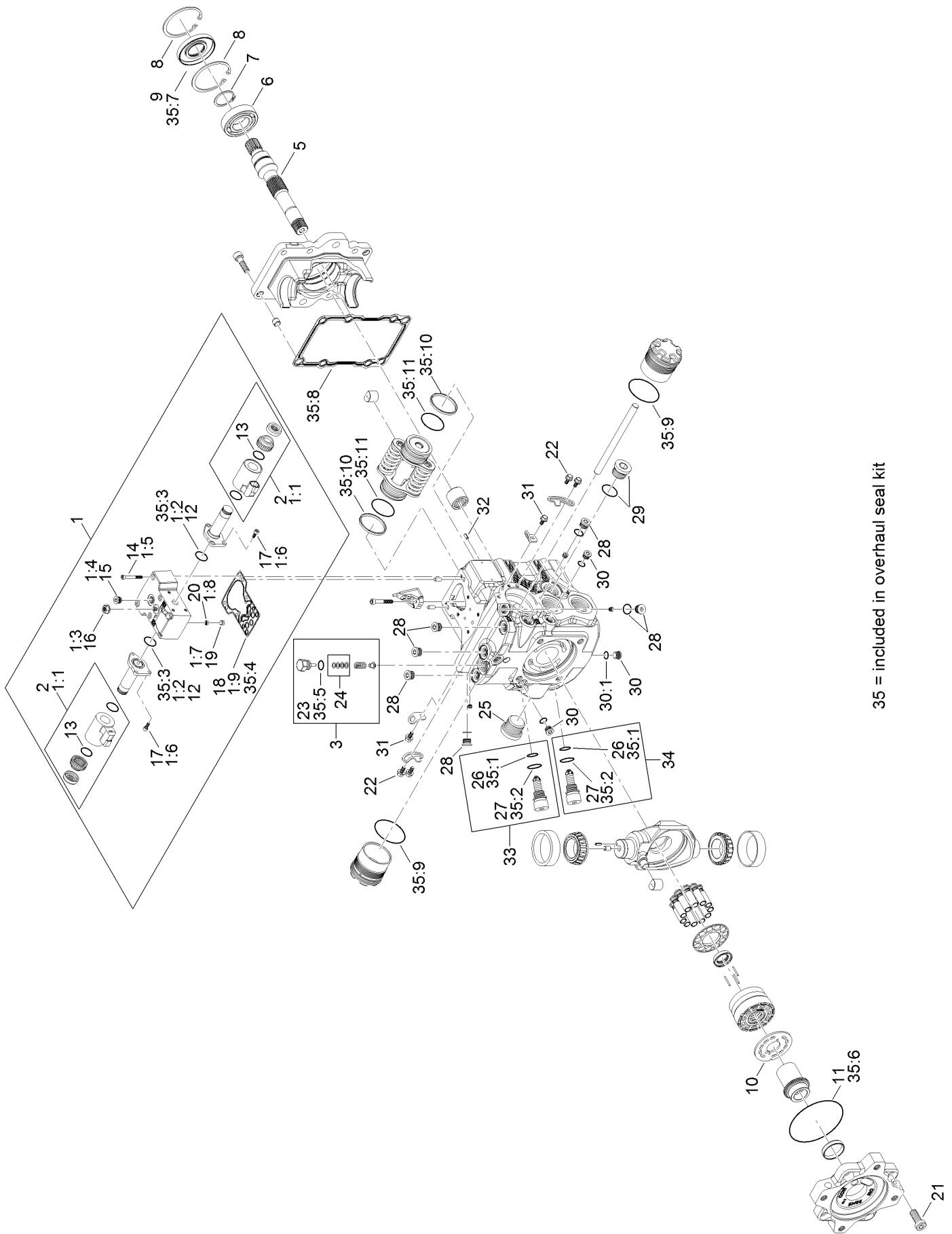


4-Section Gear Pump Assembly No. 120-8904 (continued)

| <i>Ref.</i> | <i>Part Number</i> | <i>Qty.</i> | <i>Description</i> |
|-------------|--------------------|-------------|--------------------|
| 1 | 115-3776 | 1 | Seal Kit |
| 2 | 121-1721 | 4 | Bolt |

| <i>Ref.</i> | <i>Part Number</i> | <i>Qty.</i> | <i>Description</i> |
|-------------|--------------------|-------------|--------------------|
| 3 | 121-1722 | 4 | Washer |
| 4 | 120-6284 | 3 | Hub-Connecting |

Hydraulic Pump Assembly No. 132-6100



35 = included in overhaul seal kit

Hydraulic Pump Assembly No. 132-6100 (continued)

| <i>Ref.</i> | <i>Part Number</i> | <i>Qty.</i> | <i>Description</i> | <i>Ref.</i> | <i>Part Number</i> | <i>Qty.</i> | <i>Description</i> |
|-------------|--------------------|-------------|--------------------|-------------|--------------------|-------------|-----------------------------|
| 1 | 132-6203 | 1 | Control Kit | 21 | 125-5282 | 4 | Screw |
| 1:1 | 132-6204 | 2 | Coil Kit | 22 | 125-5270 | 4 | Screw |
| 1:2 | 125-5288 | 2 | O-Ring | 23 | 125-5298 | 1 | O-Ring |
| 1:3 | 125-5273 | 1 | Nut-Seal | 24 | 92-1353 | 1 | Shim Kit |
| 1:4 | 125-5302 | 1 | Plug | 25 | 125-5301 | 1 | Plug |
| 1:5 | 125-5274 | 6 | Screw | 26 | 75-0240 | 2 | O-Ring |
| 1:6 | 125-5272 | 6 | Screw | 27 | 84-0560 | 2 | O-Ring |
| 1:7 | 125-5269 | 1 | Ring-Locking | 28 | 69-3080 | 6 | Plug |
| 1:8 | 125-5266 | 1 | Screen | 29 | 69-3130 | 1 | Plug |
| 1:9 | 125-5283 | 1 | Gasket-Control | 30 | 75-0170 | 3 | Plug-Thread, Straight |
| 2 | 132-6204 | 2 | Coil Kit | 30:1 | 92-8777 | 1 | O-Ring |
| 3 | 136-4397 | 1 | Charge Relief Kit | 31 | 125-5270 | 2 | Screw |
| 5 | 136-4399 | 1 | Shaft | 32 | 110-6485 | 1 | Pin-Slotted |
| 6 | 75-0460 | 1 | Bearing-Ball | 33 | 136-4393 | 1 | Valve-Relief, High Pressure |
| 7 | 125-5280 | 1 | Ring-Retaining | 34 | 136-4392 | 1 | Valve-Relief, High Pressure |
| 8 | 131-8616 | 2 | Ring-Retaining | 35 | 132-6205 | 1 | Overhaul Seal Kit |
| 9 | 127-6214 | 1 | Seal-Lip | 35:1 | 75-0240 | 2 | O-Ring |
| 10 | 136-4398 | 1 | Valve Plate | 35:2 | 84-0560 | 2 | O-Ring |
| 11 | 132-6206 | 1 | O-Ring | 35:3 | 125-5288 | 2 | O-Ring |
| 12 | 125-5288 | 2 | O-Ring | 35:4 | 125-5283 | 1 | Gasket-Control |
| 13 | 131-7388 | 2 | O-Ring | 35:5 | 125-5298 | 1 | O-Ring |
| 14 | 125-5274 | 6 | Screw | 35:6 | 132-6206 | 1 | O-Ring |
| 15 | 125-5302 | 1 | Plug | 35:7 | 127-6214 | 1 | Seal-Lip |
| 16 | 125-5273 | 1 | Nut-Seal | 35:8 | | 1 | Gasket ● |
| 17 | 125-5272 | 6 | Screw | 35:9 | | 2 | O-Ring ● |
| 18 | 125-5283 | 1 | Gasket-Control | 35:10 | | 2 | Piston Ring ● |
| 19 | 125-5269 | 1 | Ring-Locking | 35:11 | | 2 | O-Ring ● |
| 20 | 125-5266 | 1 | Screen | | | | |

● Not serviced separately

Combination Manifold Assembly



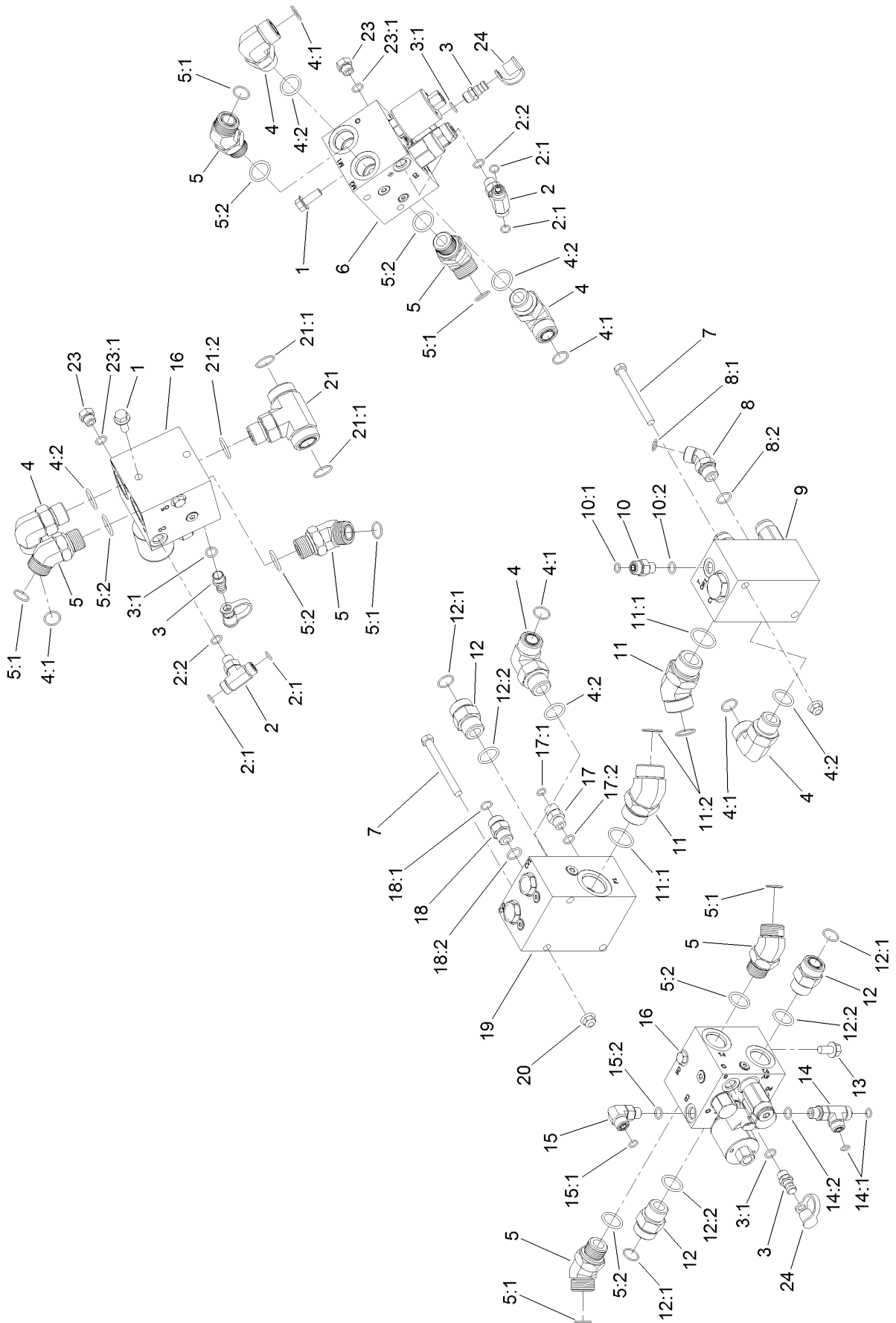
Combination Manifold Assembly (continued)

| <i>Ref.</i> | <i>Part Number</i> | <i>Qty.</i> | <i>Description</i> | <i>Ref.</i> | <i>Part Number</i> | <i>Qty.</i> | <i>Description</i> |
|-------------|--------------------|-------------|-----------------------|-------------|--------------------|-------------|-----------------------|
| 1 | 137-5582 | 1 | Manifold-Combination | 16:2 | 237-80 | 1 | O-Ring |
| 2 | 92-2650 | 3 | Spacer-Clutch | 18 | 340-2 | 1 | Fitting-Straight |
| 3 | 63-9750 | 3 | Mount | 18:1 | 237-22 | 1 | O-Ring |
| 4 | 63-8410 | 3 | Washer | 18:2 | 237-42 | 1 | O-Ring |
| 6 | 75-1310 | 1 | Filter-HYD | 19 | 340-82 | 1 | Fitting-Elbow, 90 DEG |
| 7 | 3234-1 | 3 | Screw-HHF | 19:1 | 237-42 | 1 | O-Ring |
| 8 | 121-1542 | 1 | Plate-Mount, Hose | 19:2 | 237-21 | 1 | O-Ring |
| 9 | 353-508 | 5 | Plug-HH | 20 | 100-4887 | 1 | Fitting-Elbow, 90 |
| 9:1 | 237-42 | 1 | O-Ring | 20:1 | 237-42 | 1 | O-Ring |
| 10 | 2412-126 | 1 | R-Clamp | 21 | 2412-36 | 2 | Clamp-Hose |
| 11 | 104-8301 | 4 | Nut-HF, NI | 22 | 119-4854 | 1 | Fitting-STR |
| 12 | 340-4 | 4 | Fitting-Straight | 22:1 | 237-30 | 1 | O-Ring |
| 12:1 | 237-30 | 1 | O-Ring | 22:2 | 237-79 | 1 | O-Ring |
| 12:2 | 237-79 | 1 | O-Ring | 23 | 353-512 | 1 | Plug |
| 13 | 340-77 | 2 | Fitting-Elbow, 90 DEG | 23:1 | 237-78 | 1 | O-Ring |
| 13:1 | 237-22 | 1 | O-Ring | 24 | 87-5730 | 1 | Hose |
| 13:2 | 237-42 | 1 | O-Ring | 25 | 340-1 | 2 | Fitting-Straight |
| 14 | 86-5480 | 1 | Nipple-Test | 25:1 | 237-21 | 1 | O-Ring |
| 15 | 354-79 | 1 | Cap-Dust | 25:2 | 237-42 | 1 | O-Ring |
| 16 | 340-7 | 1 | Fitting-Straight | | | | |
| 16:1 | 237-65 | 1 | O-Ring | | | | |

Combination Manifold Assembly No. 137-5582 (continued)

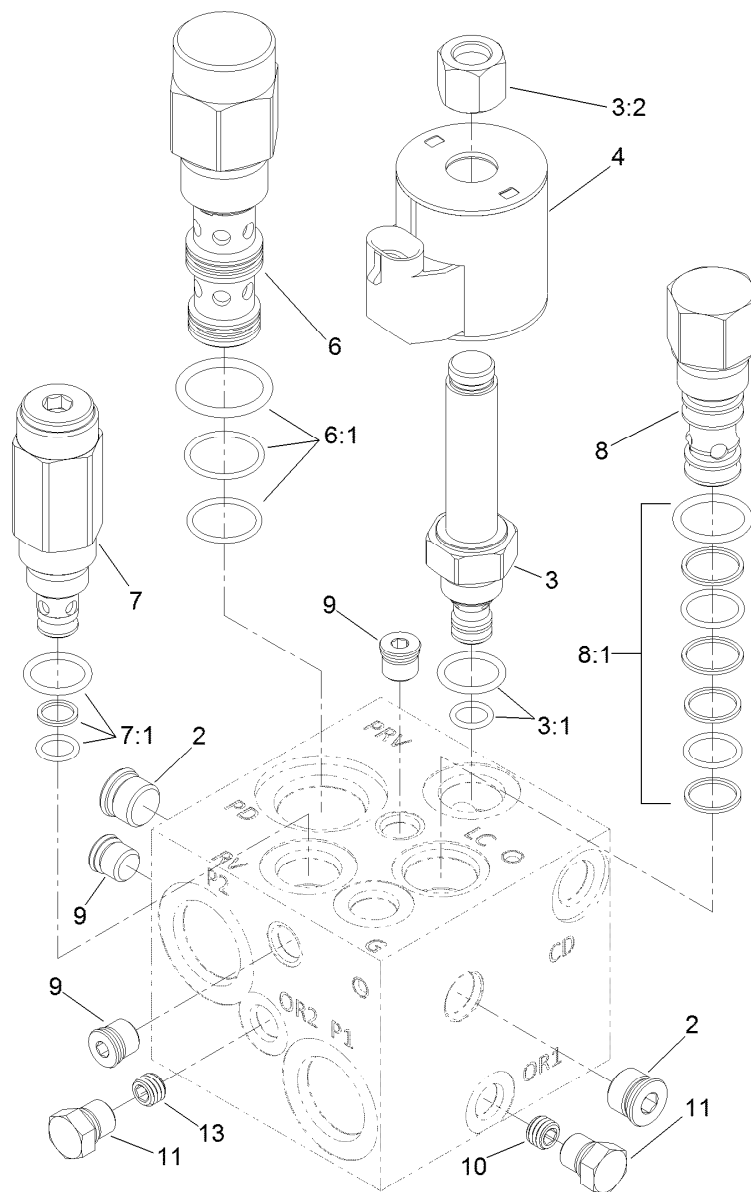
| <i>Ref.</i> | <i>Part Number</i> | <i>Qty.</i> | <i>Description</i> | <i>Ref.</i> | <i>Part Number</i> | <i>Qty.</i> | <i>Description</i> |
|-------------|--------------------|-------------|-------------------------|-------------|--------------------|-------------|----------------------------------|
| 3 | 136-4363 | 2 | Orifice-0.028 | 19 | 115-3023 | 1 | Solenoid Valve ASM |
| 4 | 112-6538 | 2 | Orifice (.063 Inch) | 19:1 | 110-8908 | 1 | Spool Valve Seal Kit |
| 5 | 110-8883 | 1 | Plug-Orifice (0.040) | 20 | 125-7556 | 1 | Solenoid Valve ASM |
| 6 | 117-0115 | 4 | Plug | 20:1 | 107-7813 | 1 | Seal Kit |
| 7 | 353-990 | 14 | Plug ASM | 21 | 115-5405 | 1 | Solenoid Valve ASM |
| 7:1 | 237-78 | 1 | O-Ring | 21:1 | 115-5413 | 1 | Seal Kit |
| 9 | 114-2873 | 1 | Check Valve ASM | 21:2 | 110-2634 | 1 | Nut-Coil |
| 9:1 | 105-9156 | 1 | Seal Kit | 22 | 125-7555 | 1 | Proportional Relief Valve ASM |
| 10 | 105-9321 | 3 | Check Valve ASM | 22:1 | 110-6316 | 1 | Seal Kit |
| 10:1 | 105-9156 | 1 | Seal Kit | 23 | 138-3828 | 1 | Valve-Solenoid, 3 Way 2 Position |
| 11 | 139-7835 | 1 | Pressure Compensator | 23:1 | 138-3831 | 1 | Seal Kit |
| 11:1 | 110-8908 | 1 | Spool Valve Seal Kit | 24 | 138-3827 | 2 | Screw |
| 12 | 125-7560 | 1 | Relief Valve ASM | 25 | 110-0497 | 5 | Coil-Solenoid |
| 12:1 | 105-9156 | 1 | Seal Kit | 26 | 110-6344 | 6 | Coil-12V, DC |
| 13 | 105-9844 | 1 | Valve-Relief | 27 | 125-7553 | 1 | E-Coil, 12Vdc |
| 13:2 | 105-9156 | 1 | Seal Kit | 28 | 125-7552 | 3 | Orifice-Check, .070 DIA |
| 14 | 125-7558 | 1 | Relief Valve ASM | 29 | 340-2 | 2 | Fitting-Straight |
| 14:1 | 105-9156 | 1 | Seal Kit | 29:1 | 237-22 | 1 | O-Ring |
| 15 | 127-3663 | 1 | Valve-Pressure Reducing | 29:2 | 237-42 | 1 | O-Ring |
| 15:1 | 105-9154 | 1 | Seal Kit | 30 | 104-3779 | 1 | Connector-Swivel, Straight |
| 16 | 107-7516 | 1 | Solenoid Valve ASM | 30:1 | 237-42 | 1 | O-Ring |
| 16:1 | 105-9156 | 1 | Seal Kit | 31 | 125-7551 | 1 | Nipple-Filter |
| 16:2 | 110-2634 | 1 | Nut-Coil | 32 | 130-2661 | 3 | Stud-Manifold |
| 17 | 112-9206 | 3 | Solenoid Valve ASM | 33 | 125-7550 | 1 | Nut-Coil |
| 17:1 | 105-9156 | 1 | Seal Kit | 34 | 110-2634 | 11 | Nut-Coil |
| 17:2 | 110-2634 | 1 | Nut-Coil | 35 | 138-3825 | 1 | Plate-Mounting, Standard |
| 18 | 115-5400 | 4 | Solenoid Valve ASM | | | | |
| 18:1 | 107-7813 | 1 | Seal Kit | | | | |
| 18:2 | 110-2634 | 1 | Nut-Coil | | | | |

Manifold Block Assembly



Manifold Block Assembly (continued)

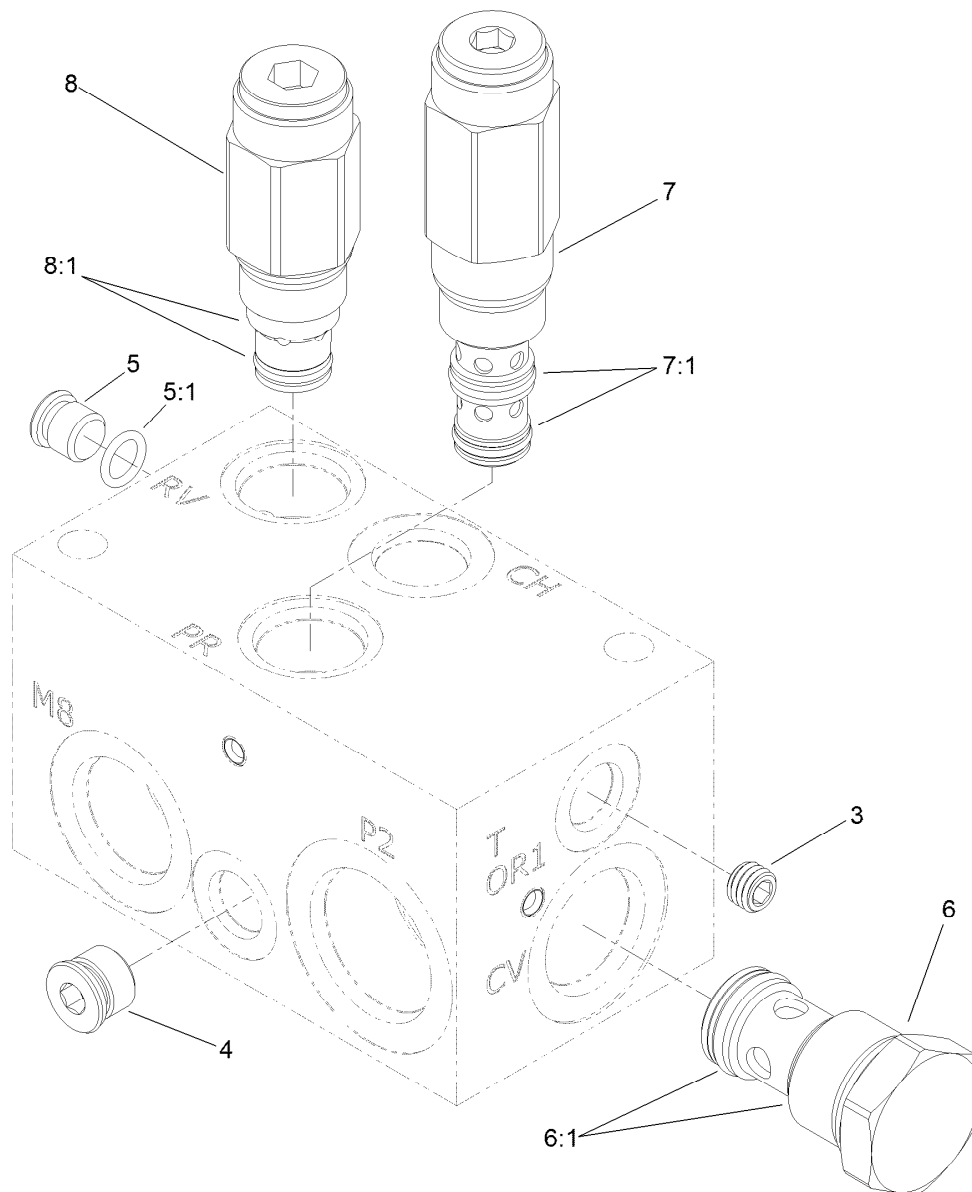
| <i>Ref.</i> | <i>Part Number</i> | <i>Qty.</i> | <i>Description</i> | <i>Ref.</i> | <i>Part Number</i> | <i>Qty.</i> | <i>Description</i> |
|-------------|--------------------|-------------|-------------------------|-------------|--------------------|-------------|--------------------------------------|
| 1 | 3234-11 | 4 | Screw-HHF | 12:1 | 237-58 | 1 | O-Ring |
| 2 | 340-94 | 2 | Adapter | 12:2 | 237-81 | 1 | O-Ring |
| 2:1 | 237-22 | 2 | O-Ring | 13 | 3234-1 | 2 | Screw-HHF |
| 2:2 | 237-42 | 1 | O-Ring | 14 | 340-86 | 1 | Fitting-Tee |
| 3 | 59-7410 | 3 | Fitting-Diagnostic | 14:1 | 237-22 | 2 | O-Ring |
| 3:1 | 237-42 | 1 | O-Ring | 14:2 | 237-42 | 1 | O-Ring |
| 4 | 340-142 | 5 | Fitting-Elbow, 90 DEG | 15 | 340-77 | 1 | Fitting-Elbow, 90 DEG |
| 4:1 | 237-58 | 1 | O-Ring | 15:1 | 237-22 | 1 | O-Ring |
| 4:2 | 237-81 | 1 | O-Ring | 15:2 | 237-42 | 1 | O-Ring |
| 5 | 100-5530 | 6 | Fitting-45 DEG | 16 | 131-1248 | 2 | Center And Right PTO Manifold ASM |
| 5:1 | 237-58 | 1 | O-Ring | 17 | 92-9258 | 1 | Adapter-Check |
| 5:2 | 237-81 | 1 | O-Ring | 17:1 | 237-22 | 1 | O-Ring |
| 6 | 131-1249 | 1 | Manifold-PTO, Left | 17:2 | 237-42 | 1 | O-Ring |
| 7 | 323-42 | 4 | Screw-HH | 18 | 100-4890 | 1 | Fitting-Check |
| 8 | 340-101 | 1 | Fitting-HYD, 45 DEG | 18:1 | 237-79 | 1 | O-Ring |
| 8:1 | 237-30 | 1 | O-Ring | 18:2 | 237-30 | 1 | O-Ring |
| 8:2 | 237-79 | 1 | O-Ring | 19 | 121-1550 | 1 | Flow Divider Manifold ASM |
| 9 | 121-1530 | 1 | Manifold-Traction, Rear | 20 | 104-8301 | 4 | Nut-HF, NI |
| 10 | 340-2 | 1 | Fitting-Straight | 21 | 120-8825 | 1 | Fitting-Tee |
| 10:1 | 237-22 | 1 | O-Ring | 21:1 | 340-65 | 2 | O-Ring |
| 10:2 | 237-42 | 1 | O-Ring | 21:2 | 237-81 | 1 | O-Ring |
| 11 | 104-3509 | 2 | Fitting-HYD, 45 DEG | 23 | 353-508 | 2 | Plug-HH |
| 11:1 | 237-146 | 1 | O-Ring | 23:1 | 237-42 | 1 | O-Ring |
| 11:2 | 340-65 | 1 | O-Ring | 24 | 354-79 | 3 | Cap-Dust |
| 12 | 340-9 | 3 | Fitting-STR | | | | |



Left PTO Manifold Assembly No. 131-1249

| Ref. | Part Number | Qty. | Description |
|------|-------------|------|----------------------------|
| 2 | 112-9213 | 2 | Plug |
| 3 | 117-0227 | 1 | Valve-Relief, Proportional |
| 3:1 | 105-9156 | 1 | Seal Kit |
| 3:2 | 130-8180 | 1 | Nut-Coil |
| 4 | 110-6344 | 1 | Coil-12V, DC |
| 6 | 125-4327 | 1 | Valve-Directional, Pilot |
| 6:1 | 114-5515 | 1 | Seal Kit |
| 7 | 114-5512 | 1 | Valve-Relief, 600 PSI |
| 7:1 | 105-9156 | 1 | Seal Kit |
| 8 | 105-9153 | 1 | Element-Logic, Vented |
| 8:1 | 119-2159 | 1 | Seal Kit ● |
| 9 | 112-9212 | 3 | Plug |
| 10 | 117-8315 | 1 | Orifice (.025 Inch) |
| 11 | 117-0115 | 2 | Plug |
| 13 | 112-6538 | 1 | Orifice (.063 Inch) |

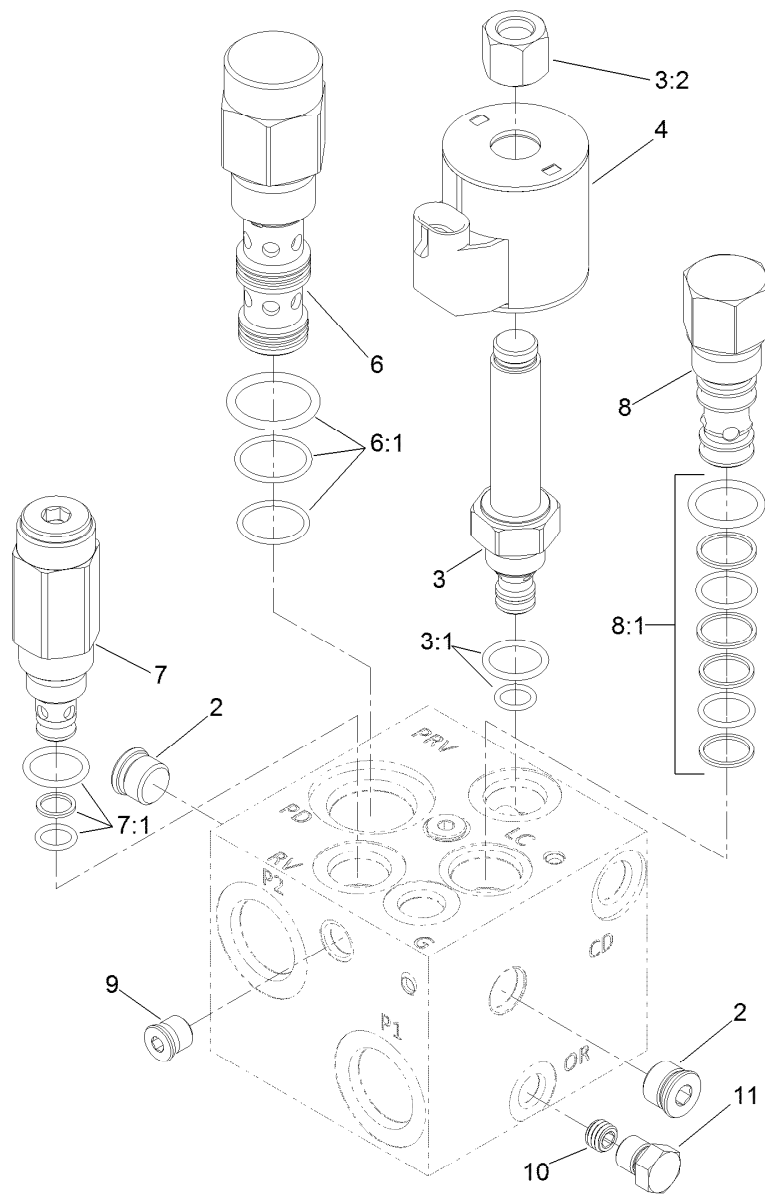
● Not illustrated



Rear Traction Manifold Assembly No. 121-1530

| <i>Ref.</i> | <i>Part Number</i> | <i>Qty.</i> | <i>Description</i> |
|-------------|--------------------|-------------|---------------------------|
| 3 | 110-0495 | 1 | Plug-Orifice (0.050 Inch) |
| 4 | | 1 | Plug ● |
| 5 | 353-990 | 1 | Plug ASM |
| 5:1 | 237-78 | 1 | O-Ring |
| 6 | 125-4328 | 1 | Valve-Check |
| 6:1 | 125-4336 | 1 | Seal Kit |
| 7 | 136-4362 | 1 | Valve-Reducing |
| 7:1 | 136-4361 | 1 | Seal Kit |
| 8 | 125-4331 | 1 | Valve-Relief |
| 8:1 | 110-6316 | 1 | Seal Kit |

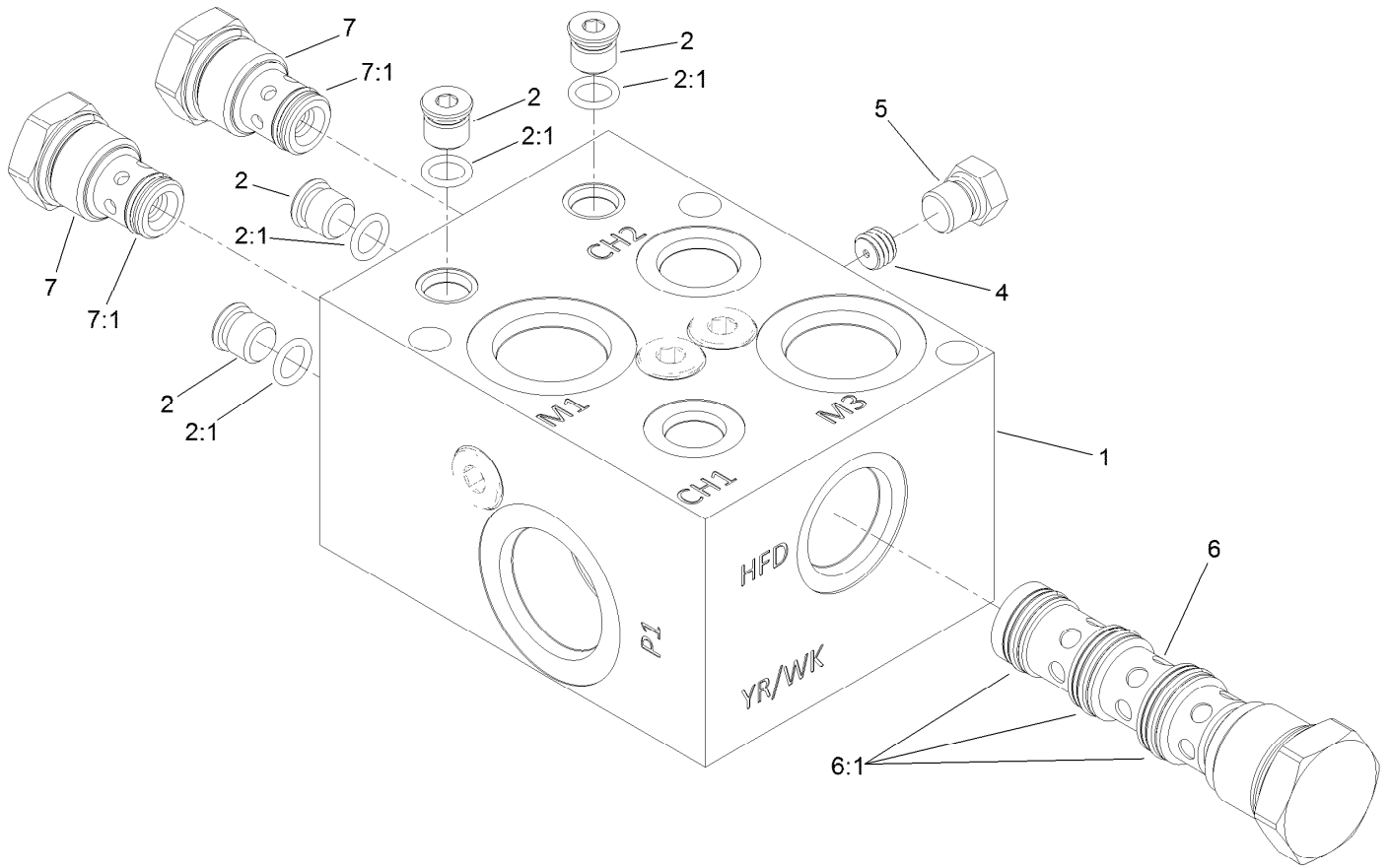
● Not serviced separately



Center and Right PTO Manifold Assembly No. 131-1248

| Ref. | Part Number | Qty. | Description |
|------|-------------|------|----------------------------|
| 2 | 112-9213 | 2 | Plug |
| 3 | 117-0227 | 1 | Valve-Relief, Proportional |
| 3:1 | 105-9156 | 1 | Seal Kit |
| 3:2 | 130-8180 | 1 | Nut-Coil (9/16-24 Unef-2B) |
| 4 | 110-6344 | 1 | Coil-12V, DC |
| 6 | 125-4327 | 1 | Valve-Directional, Pilot |
| 6:1 | 114-5515 | 1 | Seal Kit |
| 7 | 114-5512 | 1 | Valve-Relief, 600 PSI |
| 7:1 | 105-9156 | 1 | Seal Kit |
| 8 | 105-9153 | 1 | Element-Logic, Vented |
| 8:1 | 119-2159 | 1 | Seal Kit ● |
| 9 | 112-9212 | 3 | Plug |
| 10 | 117-8315 | 1 | Orifice (.025 Inch) |
| 11 | 117-0115 | 1 | Plug |

● Not illustrated

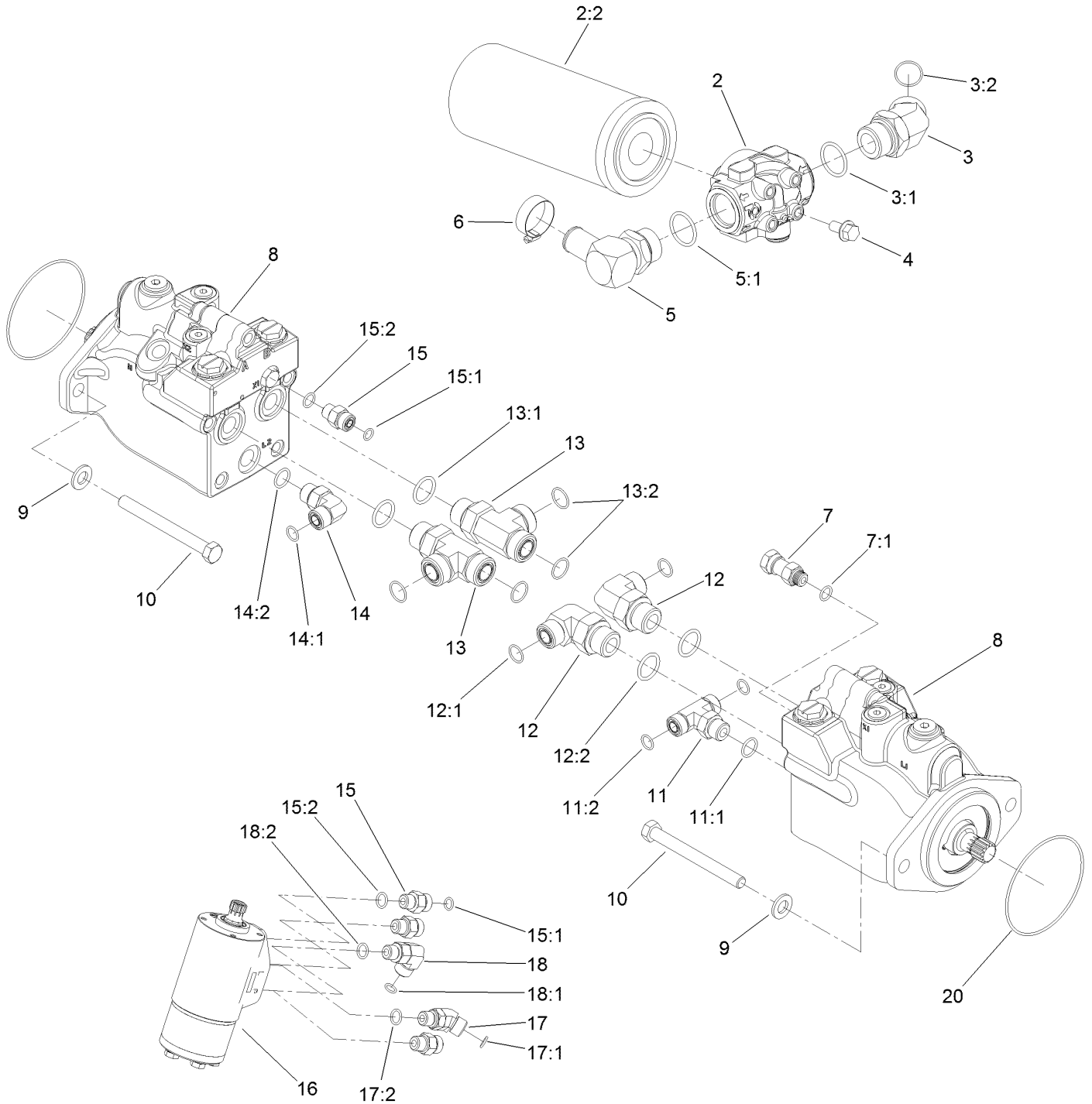


Flow Divider Manifold Assembly No. 121-1550

| Ref. | Part Number | Qty. | Description |
|------|-------------|------|---------------------|
| 1 | | 1 | Manifold Block ● |
| 2 | 353-990 | 4 | Plug ASM |
| 2:1 | 237-78 | 1 | O-Ring |
| 4 | 112-6538 | 1 | Orifice (.063 Inch) |
| 5 | 117-0115 | 1 | Plug |
| 6 | 125-4332 | 1 | Valve-Flow Divider |
| 6:1 | 125-4338 | 1 | Seal Kit |
| 7 | 125-4333 | 2 | Valve-Check |
| 7:1 | 125-4337 | 1 | Seal Kit |

● Not serviced separately

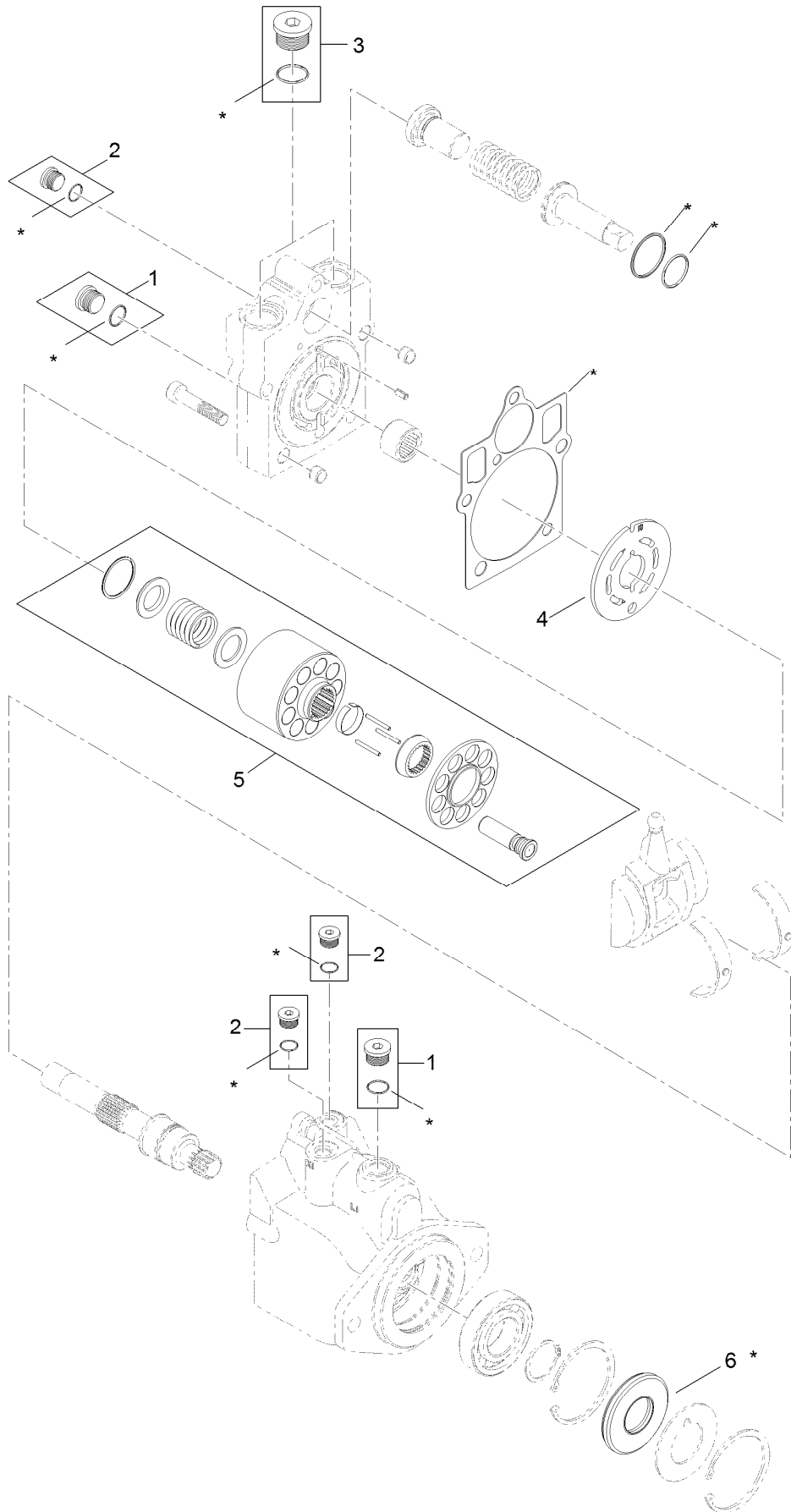
Drive Motor, Steer Valve and Filter Head Assembly



Drive Motor, Steer Valve and Filter Head Assembly (continued)

| <i>Ref.</i> | <i>Part Number</i> | <i>Qty.</i> | <i>Description</i> | <i>Ref.</i> | <i>Part Number</i> | <i>Qty.</i> | <i>Description</i> |
|-------------|--------------------|-------------|----------------------------|-------------|--------------------|-------------|-----------------------|
| 2 | 139-1010 | 1 | Filter Head ASM | 12:2 | 237-65 | 1 | O-Ring |
| 2:2 | 94-2621 | 1 | Element-Filter | 13 | 340-148 | 2 | Fitting-Tee |
| 3 | 104-3509 | 1 | Fitting-HYD, 45 DEG | 13:1 | 237-81 | 1 | O-Ring |
| 3:1 | 237-146 | 1 | O-Ring | 13:2 | 237-58 | 2 | O-Ring |
| 3:2 | 340-65 | 1 | O-Ring | 14 | 340-98 | 1 | Fitting-Elbow, 90 DEG |
| 4 | 3234-1 | 4 | Screw-HHF | 14:1 | 237-79 | 1 | O-Ring |
| 5 | 23-8910 | 1 | Stem-Barb-90 | 14:2 | 237-30 | 1 | O-Ring |
| 5:1 | 237-146 | 1 | O-Ring | 15 | 340-2 | 4 | Fitting-Straight |
| 6 | 2412-34 | 1 | Clamp-Hose | 15:1 | 237-22 | 1 | O-Ring |
| 7 | 104-3779 | 1 | Connector-Swivel, Straight | 15:2 | 237-42 | 1 | O-Ring |
| 7:1 | 237-42 | 1 | O-Ring | 16 | 132-6256 | 1 | Valve-Steer |
| 8 | 120-8812 | 2 | HYD Motor ASM | 17 | 340-87 | 1 | Fitting-Elbow, 45 DEG |
| 9 | 106-9888 | 4 | Washer-Flat | 17:1 | 237-22 | 1 | O-Ring |
| 10 | 33116-110 | 4 | Screw-HH | 17:2 | 237-42 | 1 | O-Ring |
| 11 | 340-157 | 1 | Fitting-HYD, Tee | 18 | 340-77 | 1 | Fitting-Elbow, 90 DEG |
| 11:1 | 237-79 | 1 | O-Ring | 18:1 | 237-22 | 1 | O-Ring |
| 11:2 | 237-30 | 2 | O-Ring | 18:2 | 237-42 | 1 | O-Ring |
| 12 | 340-139 | 2 | Fitting-Elbow 90 | 20 | 237-166 | 2 | O-Ring |
| 12:1 | 237-81 | 1 | O-Ring | | | | |

Hydraulic Motor Assembly No. 120-8812



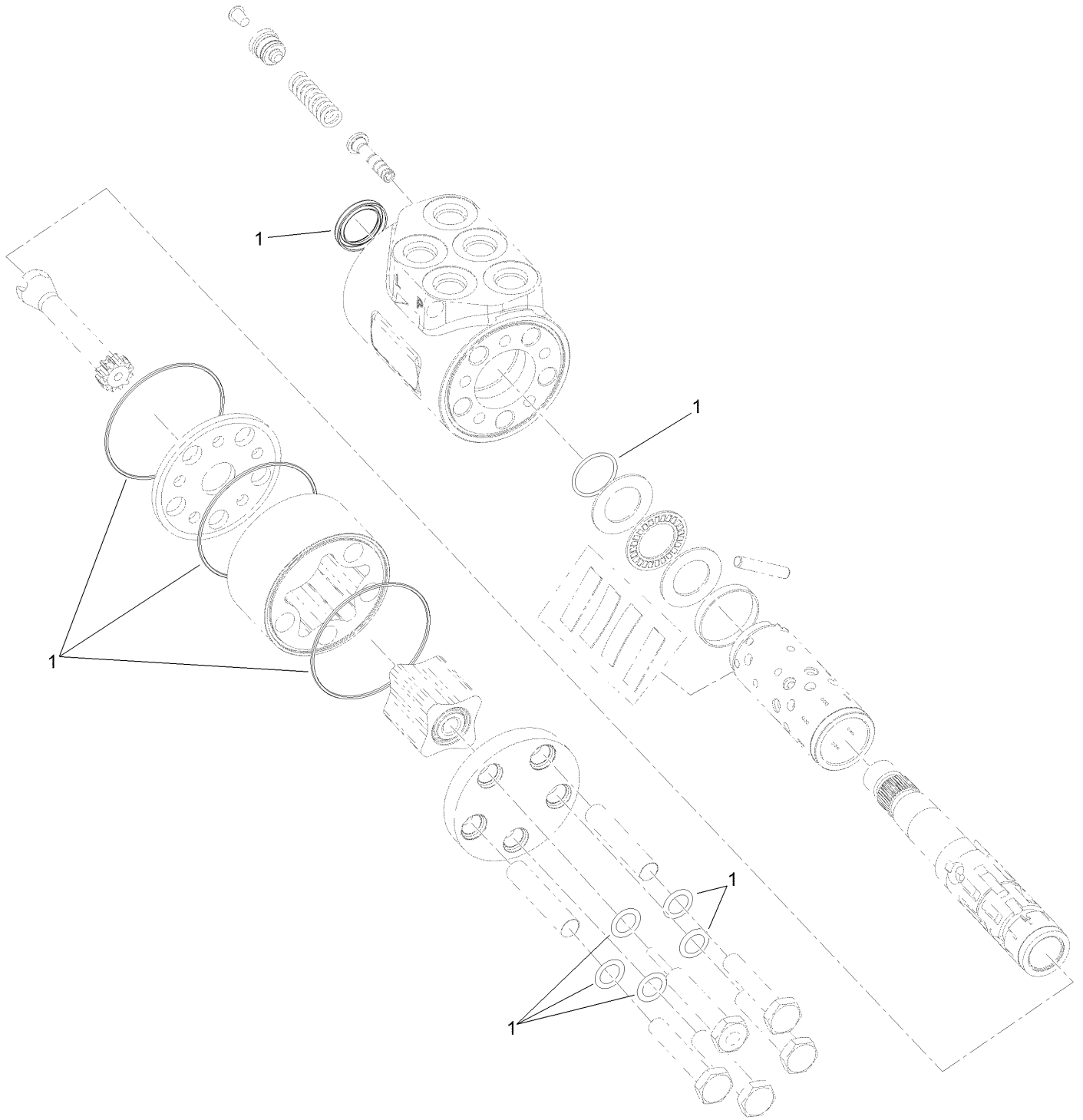
7 = all items with * are included in overhaul seal kit

Hydraulic Motor Assembly No. 120-8812 (continued)

| <i>Ref.</i> | <i>Part Number</i> | <i>Qty.</i> | <i>Description</i> |
|-------------|--------------------|-------------|--------------------|
| 1 | 67-9090 | 2 | Plug |
| 2 | 75-0070 | 3 | Plug |
| 3 | 107-4352 | 1 | Plug |
| 4 | 121-1734 | 1 | Plate-Valve |

| <i>Ref.</i> | <i>Part Number</i> | <i>Qty.</i> | <i>Description</i> |
|-------------|--------------------|-------------|--------------------|
| 5 | 121-1735 | 1 | Cylinder Block Kit |
| 6 | 69-3190 | 1 | Seal-Lip |
| 7 | 121-1736 | 1 | Overhaul Seal Kit |

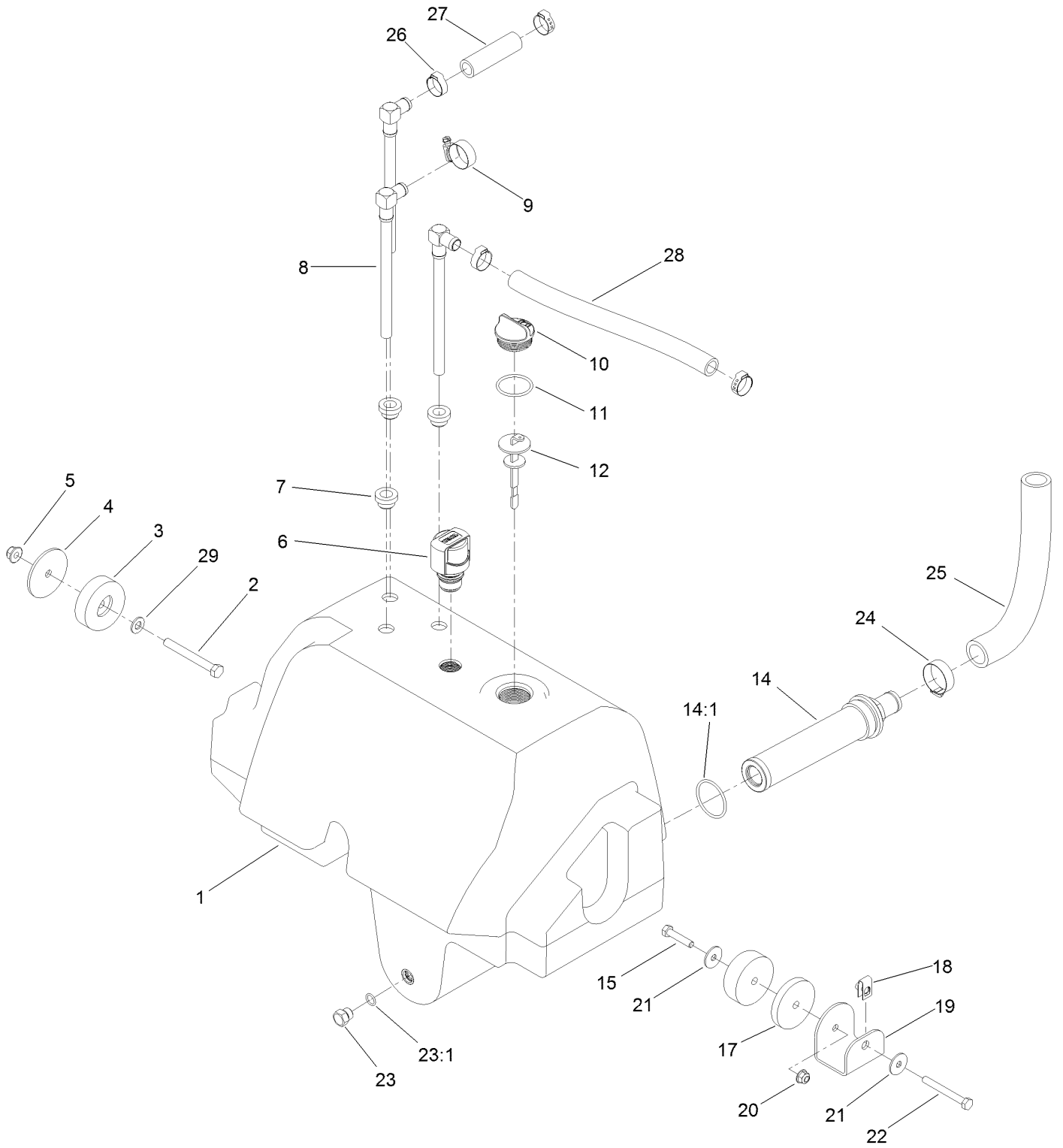
Steering Valve Assembly No. 132-6256



Steering Valve Assembly No. 132-6256 (continued)

| <i>Ref.</i> | <i>Part Number</i> | <i>Qty.</i> | <i>Description</i> |
|-------------|--------------------|-------------|--------------------|
| 1 | 106-6716 | 1 | Seal Kit |

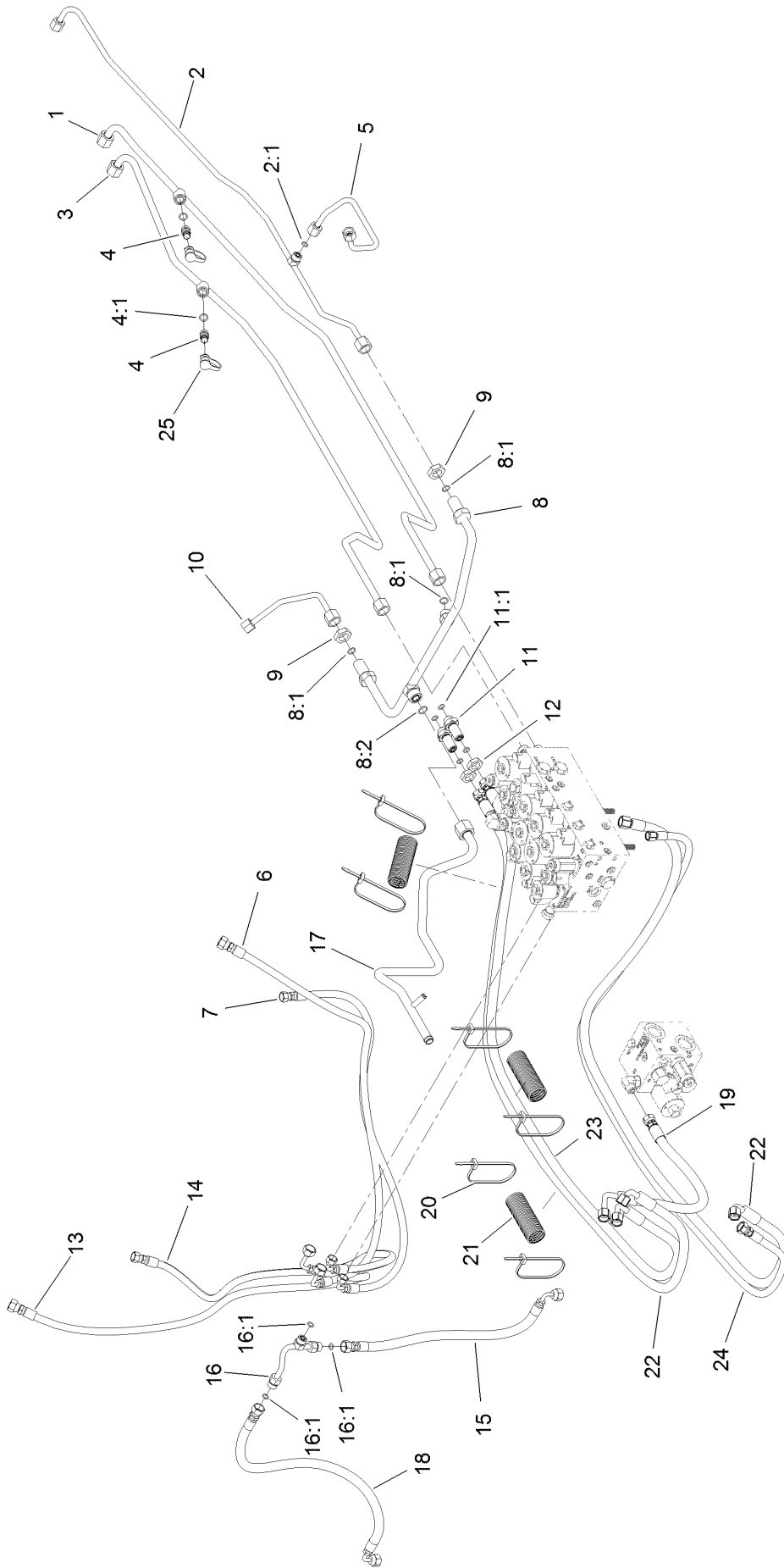
Hydraulic Reservoir Assembly



Hydraulic Reservoir Assembly (continued)

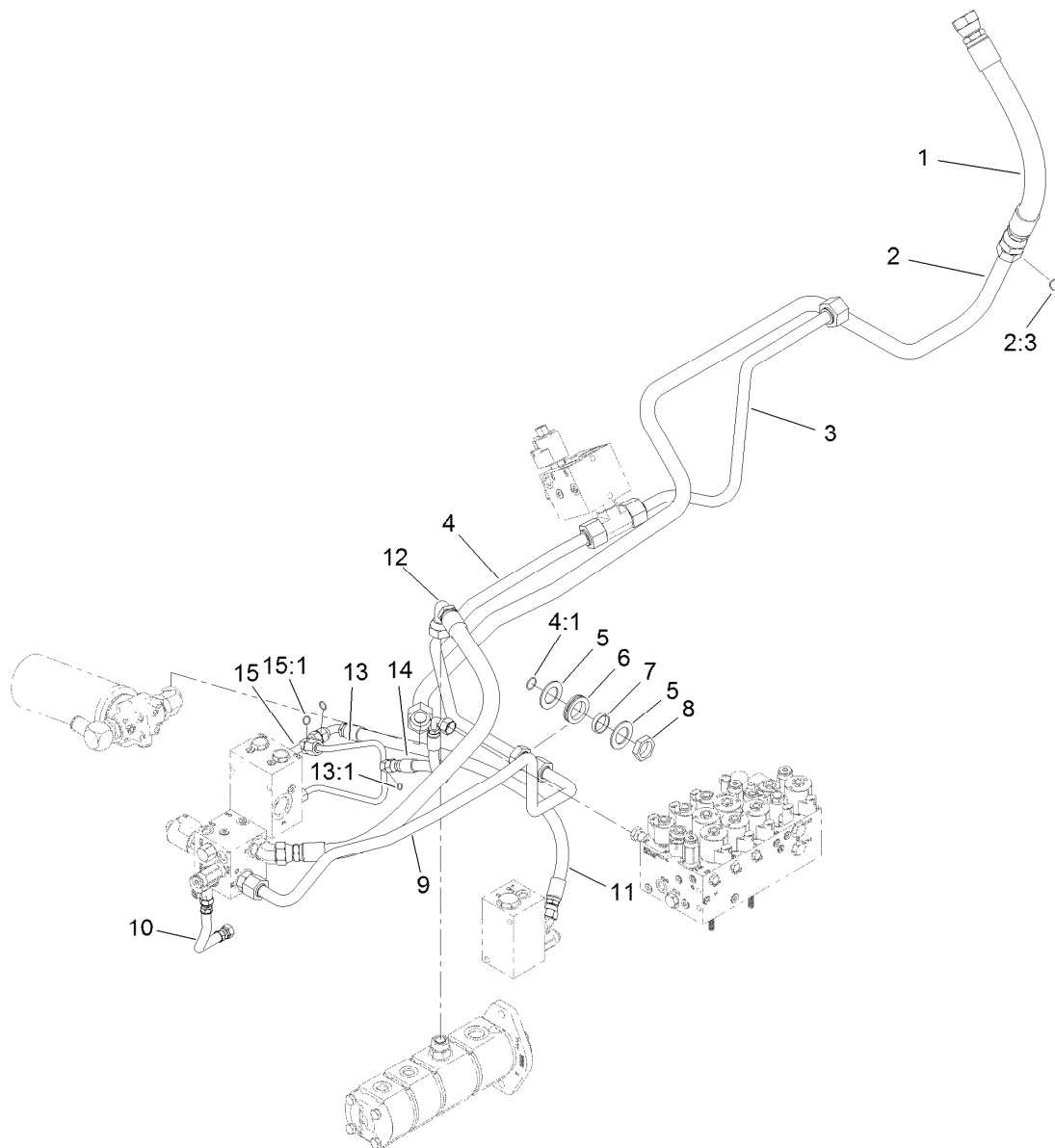
| <i>Ref.</i> | <i>Part Number</i> | <i>Qty.</i> | <i>Description</i> | <i>Ref.</i> | <i>Part Number</i> | <i>Qty.</i> | <i>Description</i> |
|-------------|--------------------|-------------|---------------------|-------------|--------------------|-------------|--------------------|
| 1 | 144-4153 | 1 | Reservoir-Hydraulic | 17 | 121-1533 | 1 | Spacer-Thick |
| 2 | 323-20 | 1 | Screw-HH | 18 | 115-7721 | 1 | Nut-Clip, U |
| 3 | 108-1605 | 2 | Bumper-Recess | 19 | 121-1557-0P | 1 | Mount-Tank |
| 4 | 121-1456 | 1 | Spacer-Thin | 20 | 104-8300 | 1 | Nut-HF, NI |
| 5 | 104-8301 | 1 | Nut-HF, NI | 21 | 3256-82 | 2 | Washer-Flat |
| 6 | 115-9793 | 1 | Breather | 22 | 322-13 | 1 | Screw-HH |
| 7 | 104-0790 | 3 | Bushing | 23 | 353-508 | 1 | Plug-HH |
| 8 | 114-0002 | 3 | Pipe-Stand | 23:1 | 237-42 | 1 | O-Ring |
| 9 | 2412-129 | 1 | Clamp-Hose | 24 | 2412-34 | 1 | Clamp-Hose |
| 10 | 93-7498 | 1 | Plug-Plastic | 25 | 120-8810 | 1 | Hose-Strainer |
| 11 | 237-101 | 1 | O-Ring | 26 | 115-5436 | 4 | Clamp-Hose, Crimp |
| 12 | 112-6365 | 1 | Dipstick | 27 | 114-4920 | 1 | Hose |
| 14 | 104-7546 | 1 | Tank Strainer ASM | 28 | 121-1521 | 1 | Hose |
| 14:1 | 340-136 | 1 | O-Ring | 29 | 3256-24 | 1 | Washer-Plain |
| 15 | 322-7 | 1 | Screw-HH | | | | |

Lift, Steer and Fan Hydraulic Assembly



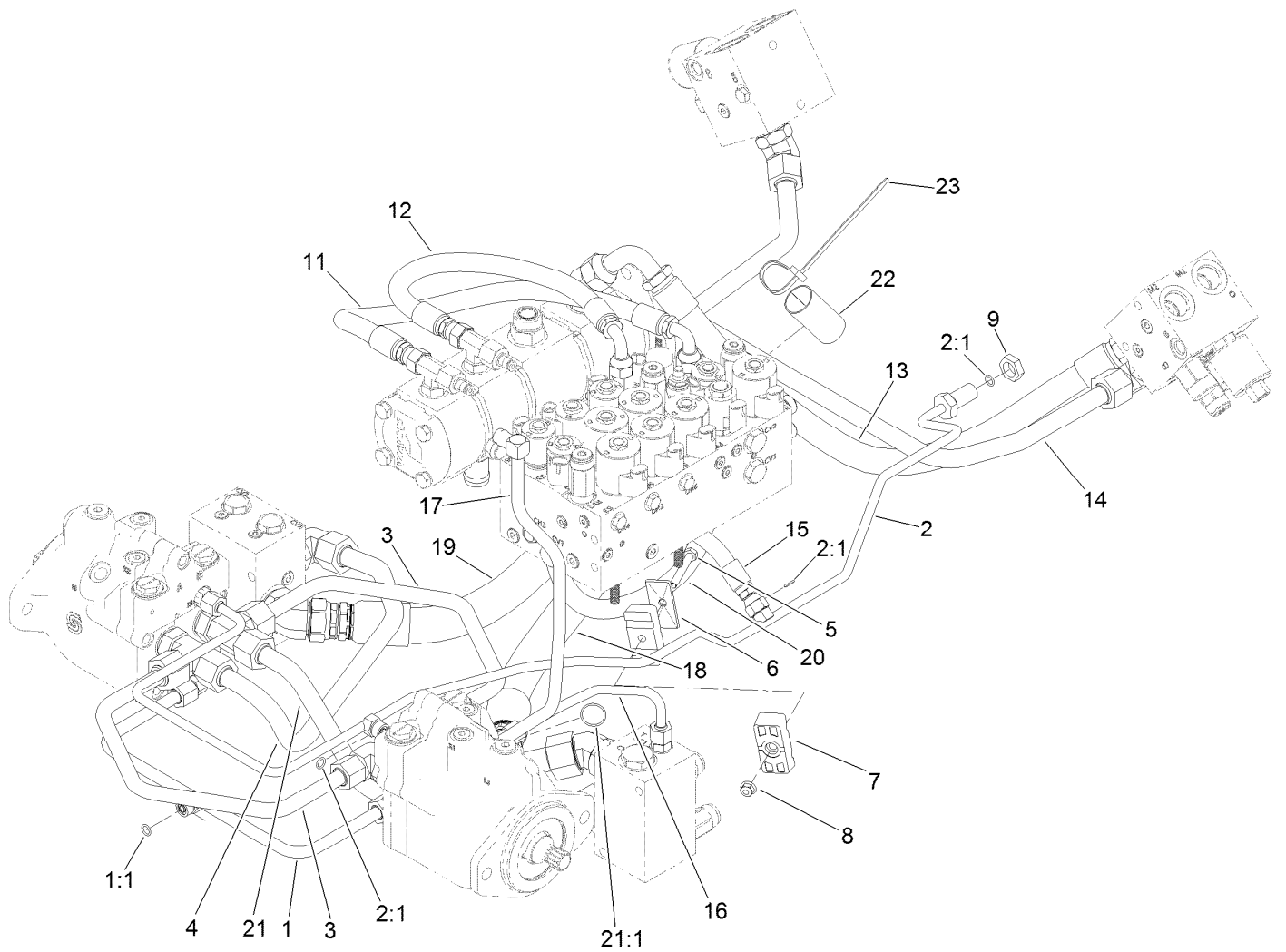
Lift, Steer and Fan Hydraulic Assembly (continued)

| <i>Ref.</i> | <i>Part Number</i> | <i>Qty.</i> | <i>Description</i> | <i>Ref.</i> | <i>Part Number</i> | <i>Qty.</i> | <i>Description</i> |
|-------------|--------------------|-------------|----------------------------|-------------|--------------------|-------------|--------------------|
| 1 | 120-9074 | 1 | Tube-Fan | 12 | 340-70 | 2 | Nut-Lock |
| 2 | 120-8966 | 1 | Tube-Drain, Fan | 13 | 127-3736 | 1 | Hose-HYD |
| 2:1 | 237-22 | 1 | O-Ring | 14 | 100-3833 | 1 | Hose-HYD |
| 3 | 120-9075 | 1 | Tube-Fan | 15 | 121-1567 | 1 | Hose-HYD |
| 4 | 59-7410 | 2 | Fitting-Diagnostic | 16 | 121-1565 | 1 | Tube-Tee |
| 4:1 | 237-42 | 1 | O-Ring | 16:1 | 237-22 | 3 | O-Ring |
| 5 | 132-6145 | 1 | Tube-HYD | 17 | 121-1510 | 1 | Tube-HYD |
| 6 | 127-3737 | 1 | Hose-HYD | 18 | 121-1566 | 1 | Hose-HYD |
| 7 | 127-3738 | 1 | Hose-HYD | 19 | 139-0950 | 1 | Hose ASM |
| 8 | 121-1509 | 1 | Tube-HYD | 20 | 3290-378 | 7 | Tie-Cable |
| 8:1 | 237-30 | 3 | O-Ring | 21 | 121-1544 | 3 | Cover-Hose |
| 8:2 | 237-65 | 1 | O-Ring | 22 | 137-5575 | 2 | Hose ASM |
| 9 | 340-127 | 2 | Nut-Bulkhead | 23 | 137-5577 | 1 | Hose ASM |
| 10 | 132-6146 | 1 | Tube-HYD | 24 | 137-5576 | 1 | Hose ASM |
| 11 | 340-71 | 2 | Fitting-Straight, Bulkhead | 25 | 354-79 | 2 | Cap-Dust |
| 11:1 | 237-22 | 2 | O-Ring | | | | |



Oil Cooler Hydraulic Assembly

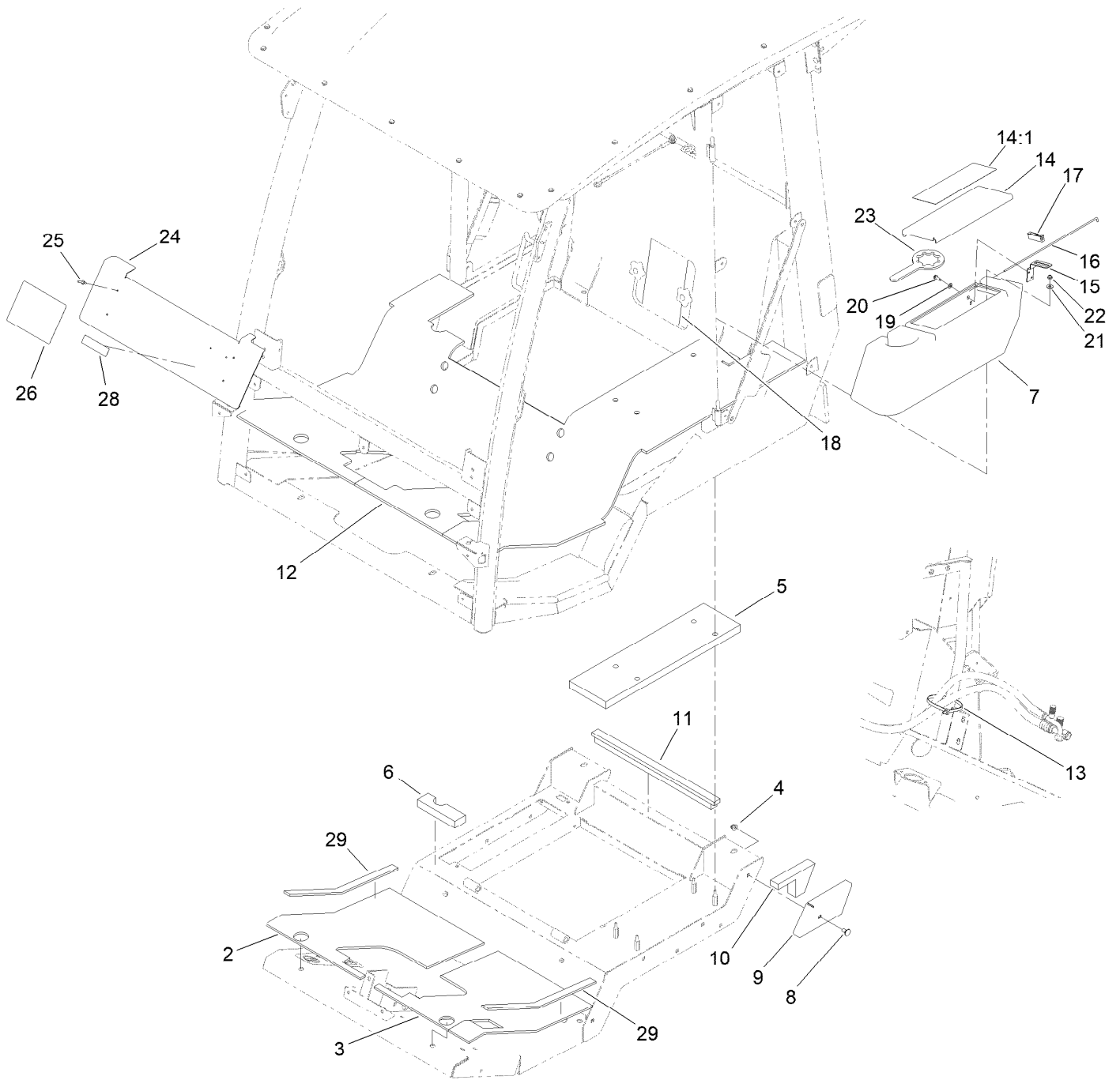
| <i>Ref.</i> | <i>Part Number</i> | <i>Qty.</i> | <i>Description</i> | <i>Ref.</i> | <i>Part Number</i> | <i>Qty.</i> | <i>Description</i> |
|-------------|--------------------|-------------|--------------------|-------------|--------------------|-------------|------------------------|
| 1 | 120-9060 | 1 | Hose-HYD | 9 | 120-8838 | 1 | Tube-PTO, Front Return |
| 2 | 121-1612 | 1 | Tube ASM | 10 | 121-1572 | 1 | Hose-HYD |
| 2:3 | 340-65 | 1 | O-Ring | 11 | 121-1559 | 1 | Hose-HYD |
| 3 | 121-1626 | 1 | Tube-HYD | 12 | 115-4384 | 1 | Hose-HYD |
| 4 | 121-1507 | 1 | Tube ASM | 13 | 121-1584 | 1 | Tube-HYD |
| 4:1 | 237-58 | 1 | O-Ring | 13:1 | 237-22 | 1 | O-Ring |
| 5 | 69-8910 | 2 | Washer | 14 | 121-1583 | 1 | Hose-HYD |
| 6 | 240-7 | 1 | Grommet-Rubber | 15 | 121-1558 | 1 | Fitting-Tee |
| 7 | 69-8900 | 1 | Spacer | 15:1 | 237-30 | 2 | O-Ring |
| 8 | 340-126 | 1 | Nut-Bulkhead | | | | |



Traction Hydraulic Assembly

| <i>Ref.</i> | <i>Part Number</i> | <i>Qty.</i> | <i>Description</i> | <i>Ref.</i> | <i>Part Number</i> | <i>Qty.</i> | <i>Description</i> |
|-------------|--------------------|-------------|--------------------|-------------|--------------------|-------------|--------------------|
| 1 | 120-9080 | 1 | Tube ASM | 13 | 115-4384 | 1 | Hose-HYD |
| 1:1 | 237-22 | 1 | O-Ring | 14 | 120-8834 | 1 | Tube-PTO, LH To RH |
| 2 | 121-1552 | 1 | Tube ASM | 15 | 104-2234 | 1 | Hose-HYD |
| 2:1 | 237-22 | 3 | O-Ring | 16 | 121-1480 | 1 | Tube-HYD |
| 3 | 120-9079 | 2 | Tube-HYD | 17 | 120-8961 | 1 | Tube-Return, Front |
| 4 | 121-1546 | 1 | Tube-HYD | 18 | 132-6142 | 1 | Hose-HYD |
| 5 | 322-11 | 1 | Screw-HH | 19 | 132-6141 | 1 | Hose-HYD |
| 6 | 69-9761 | 1 | Plate-Cover | 20 | 132-6241 | 1 | Hose-HYD |
| 7 | 120-3200 | 2 | Clamp-Tube | 21 | 121-1581 | 1 | Tube-Tee |
| 8 | 104-8300 | 1 | Nut-HF, NI | 21:1 | 340-65 | 1 | O-Ring |
| 9 | 340-70 | 1 | Nut-Lock | 22 | AU112950 | 1 | Protector-Hose |
| 11 | 104-2807 | 1 | Hose-HYD | 23 | 3290-378 | 3 | Tie-Cable |
| 12 | 104-4584 | 1 | Hose-HYD | | | | |

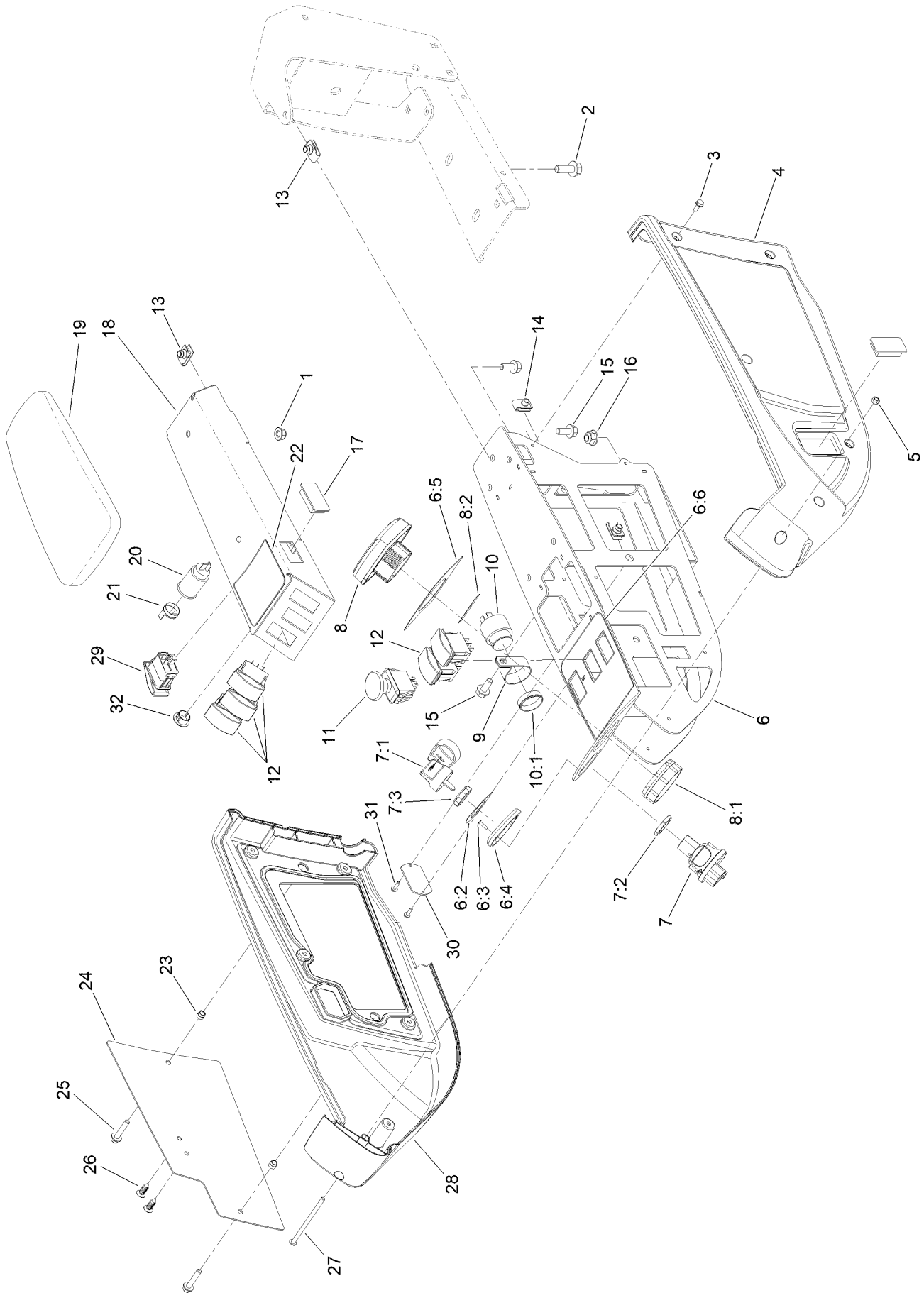
Cab Tool Box and Flooring Assembly



Cab Tool Box and Flooring Assembly (continued)

| <i>Ref.</i> | <i>Part Number</i> | <i>Qty.</i> | <i>Description</i> | <i>Ref.</i> | <i>Part Number</i> | <i>Qty.</i> | <i>Description</i> |
|-------------|--------------------|-------------|--------------------|-------------|--------------------|-------------|----------------------------------|
| 2 | 136-2167 | 1 | Tread-Floor, RH | 16 | 120-4122 | 1 | Rod-Hinge |
| 3 | 136-2166 | 1 | Tread-Floor, LH | 17 | 58-4250 | 1 | Catch-Magnetic |
| 4 | 104-8301 | 1 | Nut-HF, NI | 18 | 144-4164 | 1 | Decal-Service, Gm4010 |
| 5 | 136-2124 | 1 | Foam-Fill, LH | 19 | 3256-22 | 2 | Washer-Flat |
| 6 | 136-2125 | 1 | Foam-Fill, RH | 20 | 32104-95 | 2 | Screw-HWH |
| 7 | 120-4125 | 1 | Housing-Tool Box | 21 | 3256-2 | 4 | Washer-Flat |
| 8 | 3231-1 | 1 | Screw-CARR | 22 | 104-7201 | 4 | Nut-HF, NI |
| 9 | 130-5747-03 | 1 | Cover-Mount | 23 | 138-6367 | 1 | Wrench-Castor Cap/Latch |
| 10 | 127-9861 | 1 | Foam-Corner | 24 | 136-2123-03 | 1 | Plate-Decal |
| 11 | 121-8548 | 1 | Foam-Seal, Rear | 25 | 3269-22 | 4 | Rivet-Pop |
| 12 | 136-2122 | 1 | Tread-Floor | 26 | 114-0846 | 1 | Decal-Instructions, Operating |
| 13 | 3334-945 | 1 | Tie-Cable | 28 | 133-8062 | 1 | Decal-Spark Arrestor |
| 14 | 120-4124 | 1 | Tool Box Cover ASM | 29 | 136-2165 | 2 | Tread-Floor, Edge |
| 14:1 | 117-2754 | 1 | Decal-Warning | | | | |
| 15 | 104-7545 | 1 | Bracket-Latch | | | | |

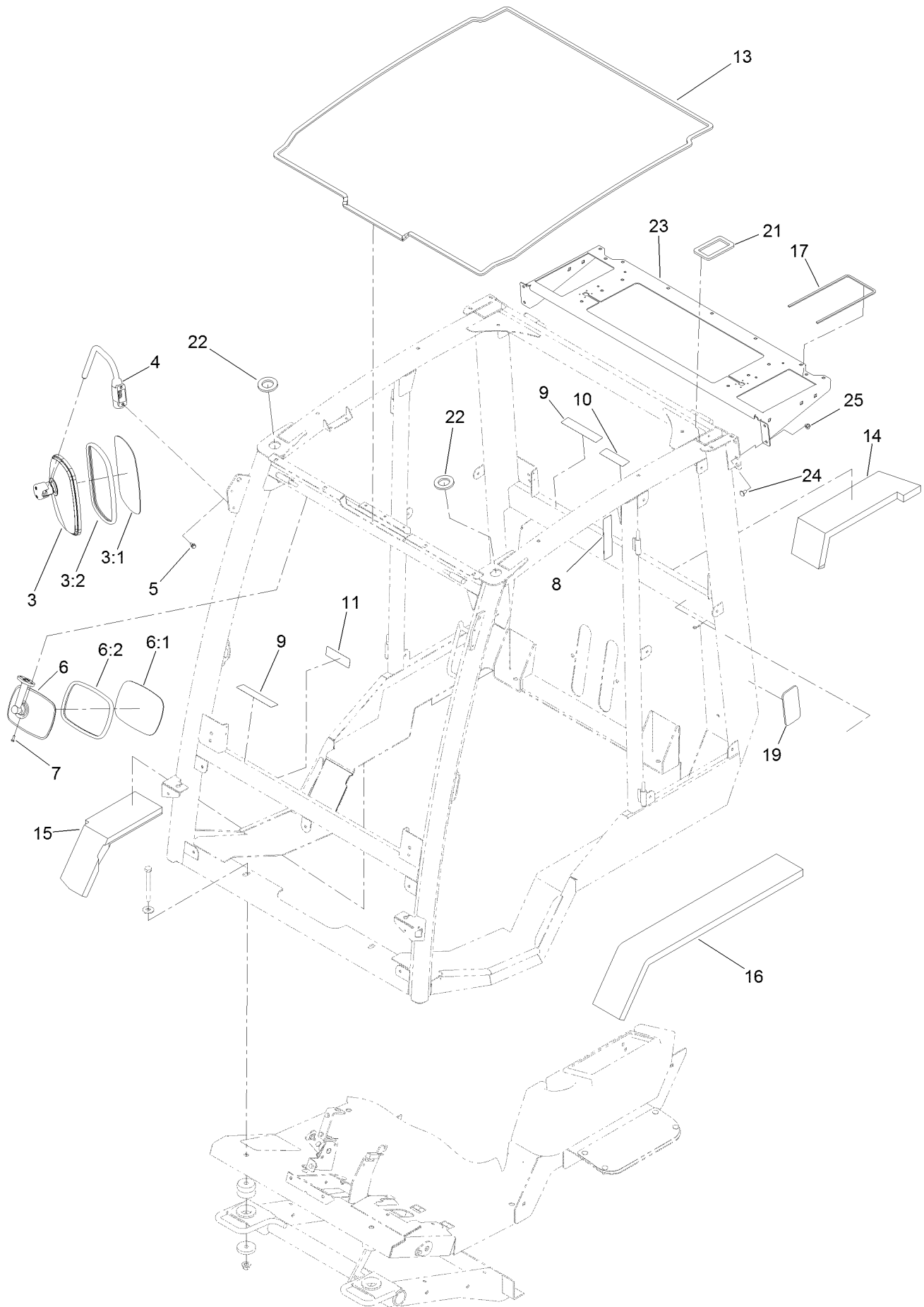
Armrest Control Panel Assembly



Armrest Control Panel Assembly (continued)

| <i>Ref.</i> | <i>Part Number</i> | <i>Qty.</i> | <i>Description</i> | <i>Ref.</i> | <i>Part Number</i> | <i>Qty.</i> | <i>Description</i> |
|-------------|--------------------|-------------|---------------------------------|-------------|--------------------|-------------|---------------------------------|
| 1 | 104-8300 | 2 | Nut-HF, NI | 12 | 100-1535 | 5 | Switch-Rocker, (On)-Off-(On) |
| 2 | 3234-42 | 2 | Screw-HHF | 13 | 94-2413 | 6 | Nut-U |
| 3 | 32144-112 | 10 | Screw-HWH | 14 | 107069 | 2 | Clip |
| 4 | 108-7604 | 1 | Cover-LH | 15 | 3234-5 | 6 | Screw-HHF |
| 5 | 3296-12 | 1 | Nut-Lock, NI | 16 | 104-8301 | 2 | Nut-HF, NI |
| 6 | 120-4155 | 1 | Panel ASM | 17 | 99-7420 | 2 | Plug-Hole |
| 6:2 | 121-3884 | 1 | Decal-Console, Upper | 18 | 136-4389-03 | 1 | Panel-Control |
| 6:3 | 3269-17 | 2 | Rivet-Pop | 19 | 108-7602 | 1 | Rest-Arm |
| 6:4 | 121-3889 | 1 | Step-Elevated, Switch | 20 | 99-7411 | 1 | Point-Power |
| 6:5 | 121-3887 | 1 | Decal-Console, Display | 21 | 99-7416 | 1 | Cap |
| 6:6 | 120-4159 | 1 | Decal-Console, Lower | 22 | 127-3700 | 1 | Decal-Lift |
| 7 | 121-5159 | 1 | Switch-Ignition | 23 | 110-0542 | 2 | Spacer-Flange |
| 7:1 | 121-5160 | 1 | Nut-Hex | 24 | 115-8849-03 | 1 | Plate-Cover |
| 7:2 | 122-2704 | 1 | Nut-Face, M22 (Plastic) | 25 | 3234-21 | 2 | Screw-HHF |
| 7:3 | 121-5162 | 1 | Set-Key, Ignition | 26 | 114-4899 | 2 | Rivet-Push |
| 8 | 120-6310 | 1 | LCD Display ASM Kantrak 1700 | 27 | 3250-22 | 1 | Screw-PPH |
| 8:1 | 120-4630 | 1 | Nut-Display | 28 | 108-7605 | 1 | Cover-RH |
| 8:2 | 120-6311 | 1 | Decal-Display | 29 | 114-3329 | 1 | Switch-Rocker |
| 9 | 2412-74 | 1 | R-Clamp | 30 | 121-1630 | 1 | Plate-Cover |
| 10 | 80-9330 | 1 | Audio Alarm ASM | 31 | 32144-18 | 2 | Screw-HWH |
| 10:1 | 104-5107 | 1 | Nut-Plastic, Knurled | 32 | 94-5627 | 1 | Plug |
| 11 | 93-9999 | 1 | Switch-PTO | | | | |

Frame, Mount and Seal Assembly

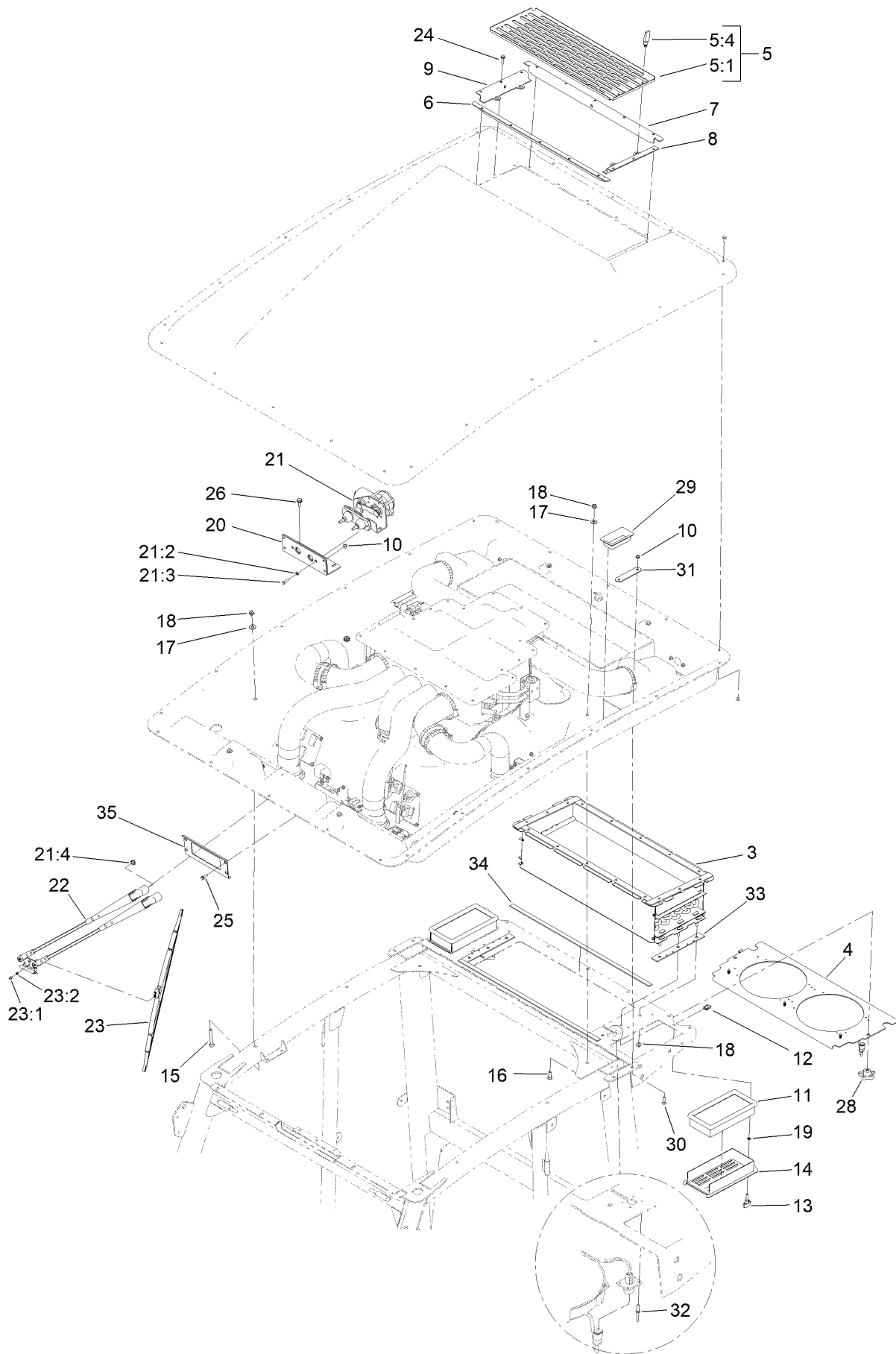


Frame, Mount and Seal Assembly (continued)

| <i>Ref.</i> | <i>Part Number</i> | <i>Qty.</i> | <i>Description</i> | <i>Ref.</i> | <i>Part Number</i> | <i>Qty.</i> | <i>Description</i> |
|-------------|--------------------|-------------|---------------------|-------------|--------------------|-------------|----------------------------|
| 3 | 121-8341 | 2 | Side Mirror ASM | 11 | 130-5356 | 1 | Decal-Traction Pedal |
| 3:1 | | 1 | Mirror-Glass ● | 13 | 130-0586 | 1 | Seal-Foam, Frame Roof |
| 3:2 | | 1 | Gasket ● | 14 | 121-8545 | 1 | Seal-Foam, RH-Upper |
| 4 | 121-8275 | 2 | Arm-Mirror, Side | 15 | 121-8546 | 1 | Seal-Foam, RH |
| 5 | 33103-016 | 4 | Screw-HHF | 16 | 136-2182 | 1 | Foam-Seal, LH |
| 6 | 121-8343 | 1 | Interior Mirror ASM | 17 | 130-0587 | 2 | Seal-Foam, Roof Air Filter |
| 6:1 | | 1 | Mirror ● | 19 | 130-5923 | 2 | Pad |
| 6:2 | | 1 | Gasket ● | 21 | 130-5855 | 2 | Seal-Tube, Rear |
| 7 | 32144-32 | 2 | Screw-PPH | 22 | 133-0982 | 2 | Tube-Seal, Front |
| 8 | 130-0594 | 1 | Decal-Warning | 23 | 136-1768-03 | 1 | Shelf-Mount, Fan |
| 9 | 130-0611 | 4 | Decal-Window, Pin | 24 | 3230-18 | 4 | Screw-CARR |
| 10 | 130-5355 | 1 | Decal-Window, Hood | 25 | 104-8300 | 4 | Nut-HF, NI |

● Not serviced separately

Cab Headliner Assembly

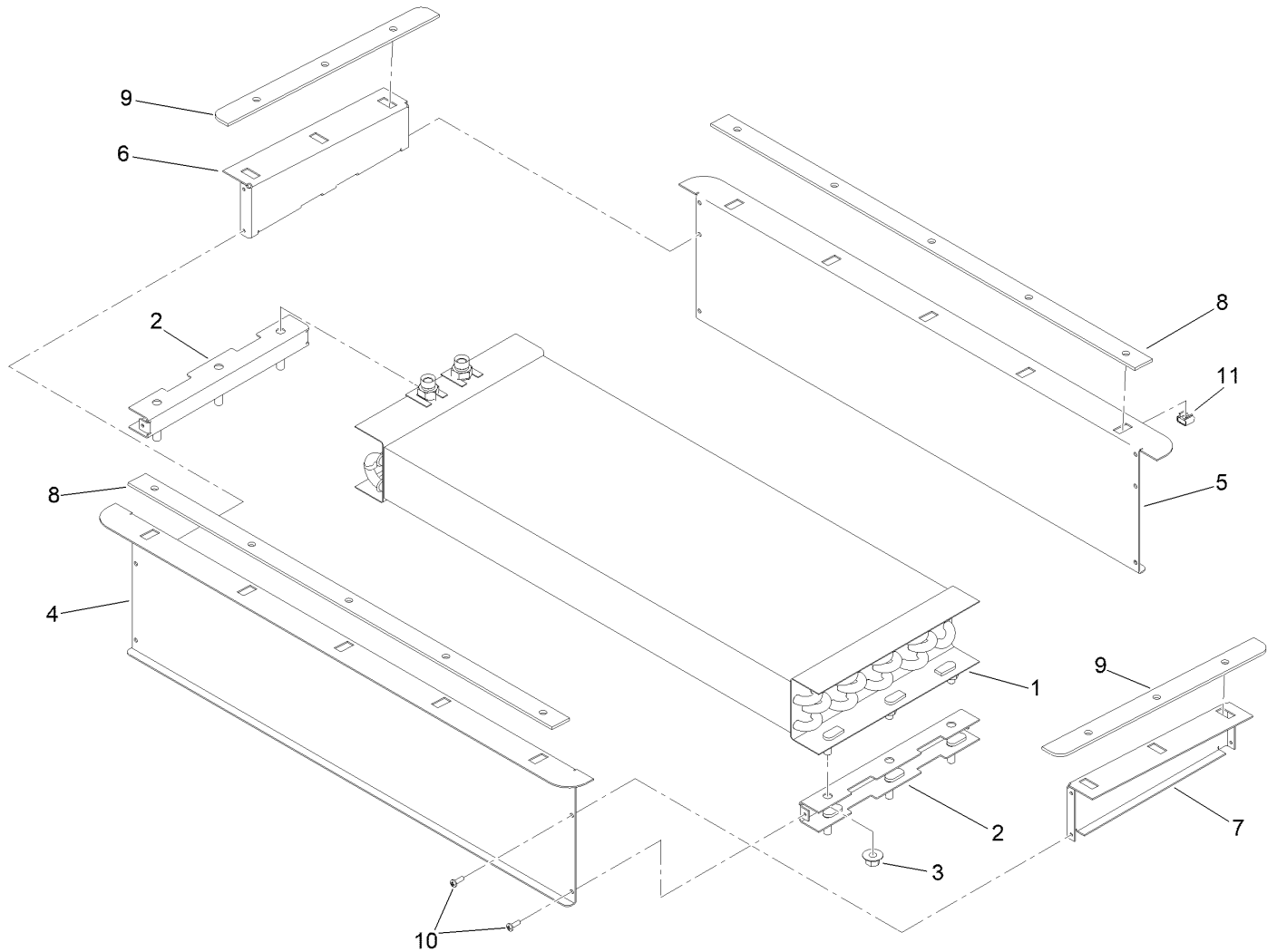


Cab Headliner Assembly (continued)

| <i>Ref.</i> | <i>Part Number</i> | <i>Qty.</i> | <i>Description</i> | <i>Ref.</i> | <i>Part Number</i> | <i>Qty.</i> | <i>Description</i> |
|-------------|--------------------|-------------|--------------------|-------------|--------------------|-------------|---------------------------|
| 3 | 132-3468 | 1 | A/C Duct ASM | 21 | 125-7452 | 1 | Wiper Motor ASM |
| 4 | 132-3488 | 1 | Panel-Fan | 21:2 | 3253-3 | 1 | Washer-Lock |
| 5 | | 1 | Screen ASM ● | 21:3 | 33113-025 | 1 | Screw-HH |
| 5:1 | 132-3530-03 | 1 | Screen | 21:4 | 112-2844 | 2 | Nut-HF |
| 5:4 | 74-5950 | 4 | Latch-Swell | 22 | 125-7453 | 1 | Arm-Wiper |
| 6 | 132-3531-03 | 1 | Seal-Front | 23 | 125-7454 | 1 | Blade-Wiper |
| 7 | 132-3532-03 | 1 | Seal-Rear | 23:1 | 47-2830 | 2 | Screw |
| 8 | 132-3533-03 | 1 | Seal-Side, Left | 23:2 | 43-5920 | 2 | Washer-Lock, Spring |
| 9 | 132-3534-03 | 1 | Seal-Side, Right | 24 | 120-4654 | 16 | Screw-HHF |
| 10 | 104-7201 | 8 | Nut-HF, NI | 25 | 32105-15 | 4 | Screw-HWH |
| 11 | 121-8457 | 2 | Filter-Air | 26 | 32144-11 | 2 | Screw-HWH |
| 12 | 107069 | 2 | Clip | 28 | 117-5976 | 2 | Knob-Handle |
| 13 | 126-5846 | 2 | Knob-T | 29 | 130-5661 | 2 | Tube-Sleeve |
| 14 | 125-9825-03 | 2 | Cover-Air, Fresh | 30 | 3229-30 | 4 | Screw-CARR |
| 15 | 3230-9 | 4 | Screw-CARR | 31 | 130-5854 | 2 | Brace-Seal |
| 16 | 3230-22 | 13 | Screw-CARR | 32 | 3290-55 | 8 | Rivet-Pop |
| 17 | 3256-3 | 17 | Washer-Flat | 33 | 132-3608 | 2 | Seal-Edge |
| 18 | 104-8300 | 21 | Nut-HF, NI | 34 | 132-3609 | 2 | Seal-Strip |
| 19 | 32115-15 | 2 | Nut-Push | 35 | 130-6068-03 | 1 | Plate-Washer, Wiper Motor |
| 20 | 130-5871 | 1 | Bracket-Wiper | | | | |

● Not serviced separately

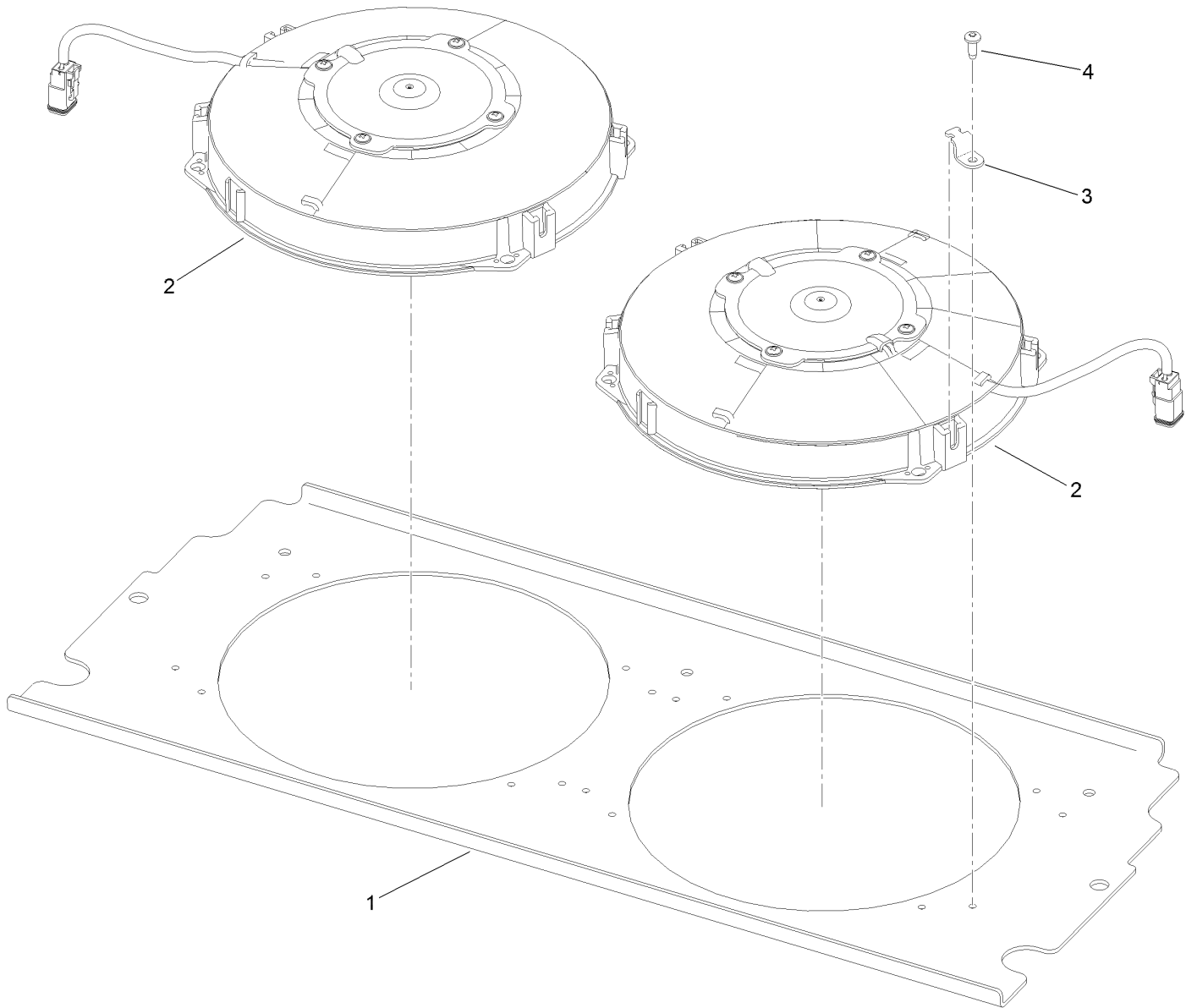
Air Conditioning Duct Assembly No. 132-3468



Air Conditioning Duct Assembly No. 132-3468 (continued)

| <i>Ref.</i> | <i>Part Number</i> | <i>Qty.</i> | <i>Description</i> | <i>Ref.</i> | <i>Part Number</i> | <i>Qty.</i> | <i>Description</i> |
|-------------|--------------------|-------------|--------------------|-------------|--------------------|-------------|-----------------------|
| 1 | 121-8447 | 1 | Core-Condenser | 7 | 145-7719-03 | 1 | Wall-Side, Left |
| 2 | 132-3469-03 | 2 | Leg-Lower | 8 | 132-3466 | 2 | Seal-Strip |
| 3 | 32128-44 | 6 | Nut | 9 | 132-3467 | 2 | Seal-Edge |
| 4 | 145-7679-03 | 1 | Wall-Front | 10 | 363-8245 | 12 | Screw-TAP |
| 5 | 145-7678-03 | 1 | Wall-Back | 11 | HDW17176 | 16 | Nut,Cage,1/4-20,ST/ST |
| 6 | 145-7718-03 | 1 | Wall-Side, Right | | | 18-8 | |

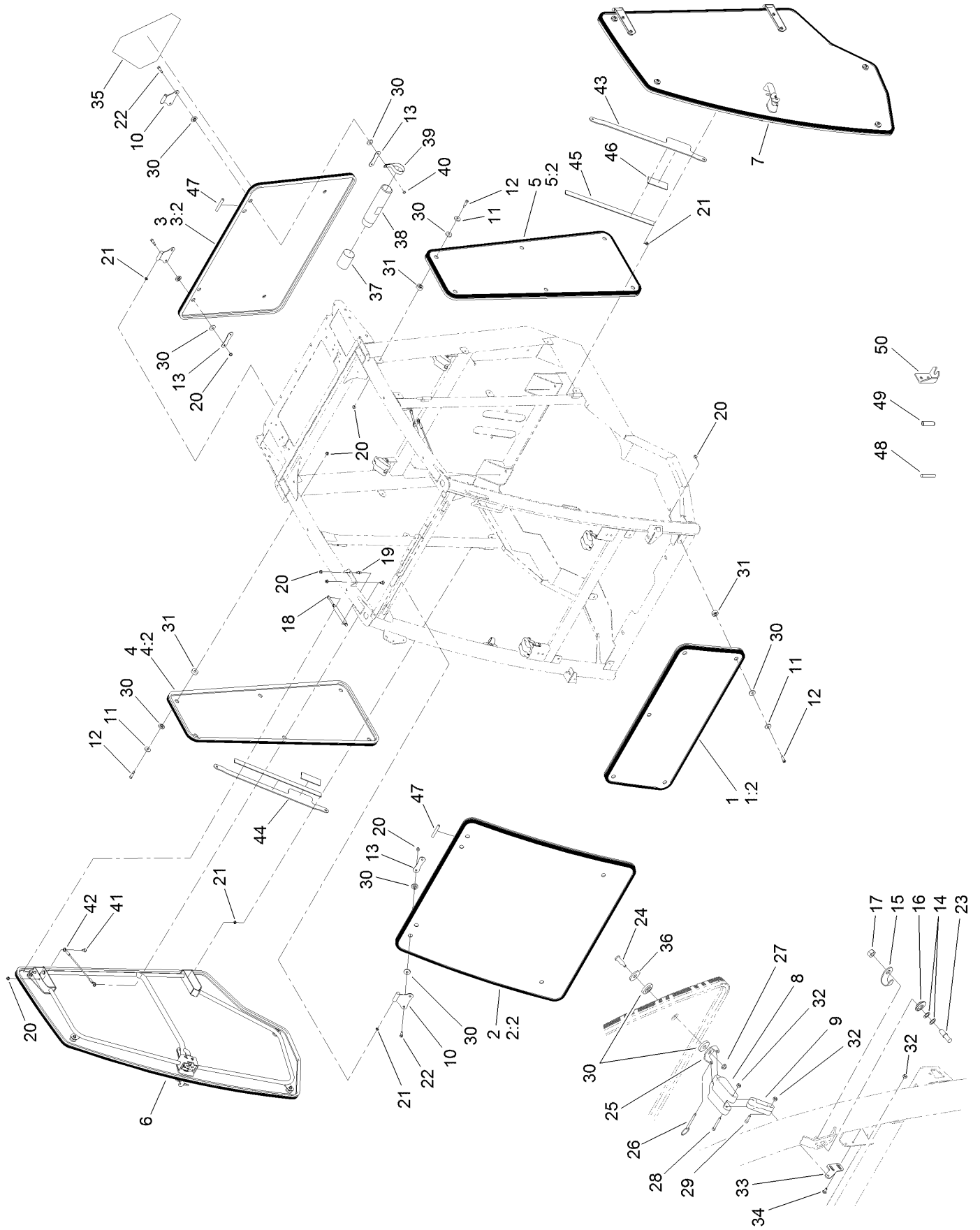
Fan Panel Assembly No. 132-3488



Fan Panel Assembly No. 132-3488 (continued)

| <i>Ref.</i> | <i>Part Number</i> | <i>Qty.</i> | <i>Description</i> | <i>Ref.</i> | <i>Part Number</i> | <i>Qty.</i> | <i>Description</i> |
|-------------|--------------------|-------------|--------------------|-------------|--------------------|-------------|-----------------------|
| 1 | 132-3486-03 | 1 | Plate-Mount, Fan | 3 | 132-3606 | 8 | Tab-Fan |
| 2 | 132-3607 | 2 | Fan-Condenser | 4 | 105-6849 | 8 | Screw-Forming, Thread |

Window, Door and Striker Assembly



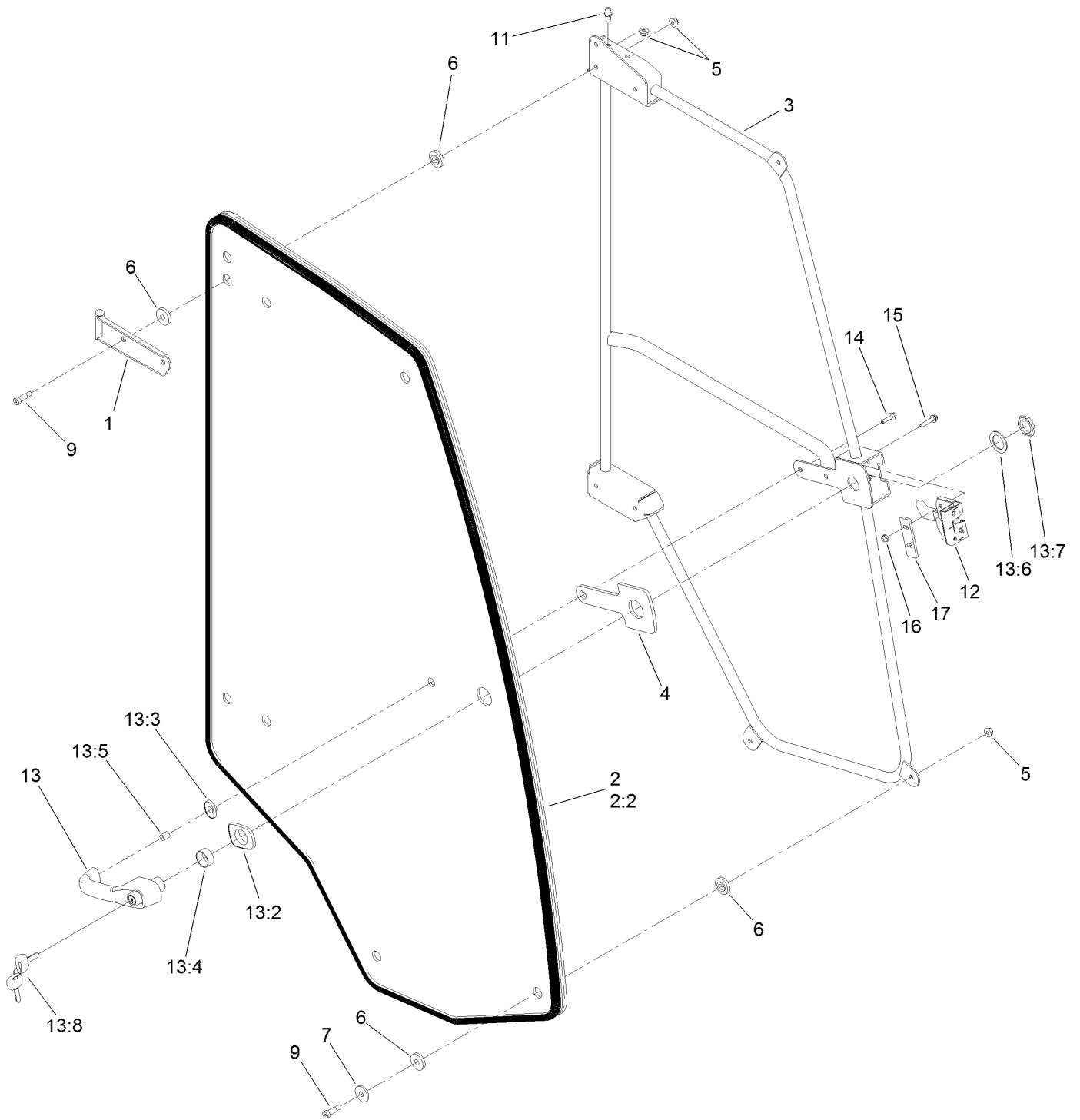
Window, Door and Striker Assembly (continued)

| <i>Ref.</i> | <i>Part Number</i> | <i>Qty.</i> | <i>Description</i> | <i>Ref.</i> | <i>Part Number</i> | <i>Qty.</i> | <i>Description</i> |
|-------------|--------------------|-------------|--------------------------|-------------|--------------------|-------------|-------------------------|
| 1 | 130-5681 | 1 | Lower Front Window ASM | 24 | 119-9812 | 4 | Bolt-Shoulder |
| 1:2 | 121-8211 | 1 | Trim-Window, Front | 25 | 144-3308 | 4 | Mount-Latch |
| 2 | 130-5680 | 1 | Upper Front Window ASM | 26 | 127-9850 | 4 | Pin-Release, Quick |
| 2:2 | 121-8212 | 1 | Seal-Trim | 27 | 104-7201 | 4 | Nut-HF, NI |
| 3 | 130-5682 | 1 | Rear Window ASM | 28 | 3274-59 | 4 | Screw-HSH |
| 3:2 | 130-0637 | 1 | Seal-Trim | 29 | 3274-14 | 4 | Screw-HSH |
| 4 | 130-5676 | 1 | RH-Side Window ASM | 30 | 125-9982 | 41 | Bushing-Flange |
| 4:2 | 121-8215 | 1 | Seal-Trim | 31 | 125-9537 | 17 | Bushing-Flange |
| 5 | 130-5677 | 1 | LH-Side Window ASM | 32 | 120-9681 | 16 | Nut-Lock, NI |
| 5:2 | 121-8215 | 1 | Seal-Trim | 33 | 130-0590 | 4 | Mount-Tab |
| 6 | | 1 | RH Door ASM ■ | 34 | 1-807513 | 8 | Bolt-CARR |
| 7 | | 1 | LH Door ASM ■ | 35 | 120-0250 | 1 | Decal-Warning |
| 8 | 125-9792 | 4 | Handle-Window | 36 | 125-9676 | 4 | Washer-Backup |
| 9 | 125-9793 | 4 | Link-Window | 37 | 104-7048 | 1 | Cap-Housing |
| 10 | 121-8535-03 | 4 | Hinge-Window | 38 | 104-7050 | 1 | Tube-Manual |
| 11 | 130-5815 | 13 | Washer-Backup | 39 | 2412-133 | 2 | Clamp-R |
| 12 | 125-9521 | 17 | Screw-Shldr HSH | 40 | 3296-47 | 2 | Nut-Lock,NI |
| 13 | 144-3307 | 4 | Plate-Backer, Windshield | 41 | 120-9471 | 4 | Bolt-Shoulder |
| 14 | 73-0040 | 2 | Washer-Thrust | 42 | 130-5726 | 2 | Lanyard |
| 15 | 121-8393 | 2 | Guard-Striker | 43 | 130-6095-03 | 1 | Strap-Support, Left |
| 16 | 125-9992 | 2 | Adjuster-Stud | 44 | 130-6091-03 | 1 | Strap-Support |
| 17 | 106-0327 | 2 | Nut-Hex | 45 | 130-6096 | 2 | Strap-Foam, 19.5 Inch |
| 18 | 144-3516 | 2 | Spring-Gas, Door | 46 | 130-6097 | 2 | Strap-Foam, 4.25 Inch |
| 19 | 98-3104 | 2 | Stud-Ball | 47 | 130-5578 | 2 | Tubing-Seal, Rubber |
| 20 | 104-8300 | 29 | Nut-HF, NI | 48 | 133-1110 | 1 | Pin-Hinge ● |
| 21 | 121-8441 | 8 | Washer-Spacer | 49 | 121-8439 | 1 | Receiver-Pivot, Hinge ● |
| 22 | 125-9520 | 8 | Screw-Shoulder, HSH | 50 | 121-8440 | 1 | Pivot-Hinge ● |
| 23 | 125-9993 | 2 | Striker-Stud | | | | |

● Not illustrated

■ Not serviced separately

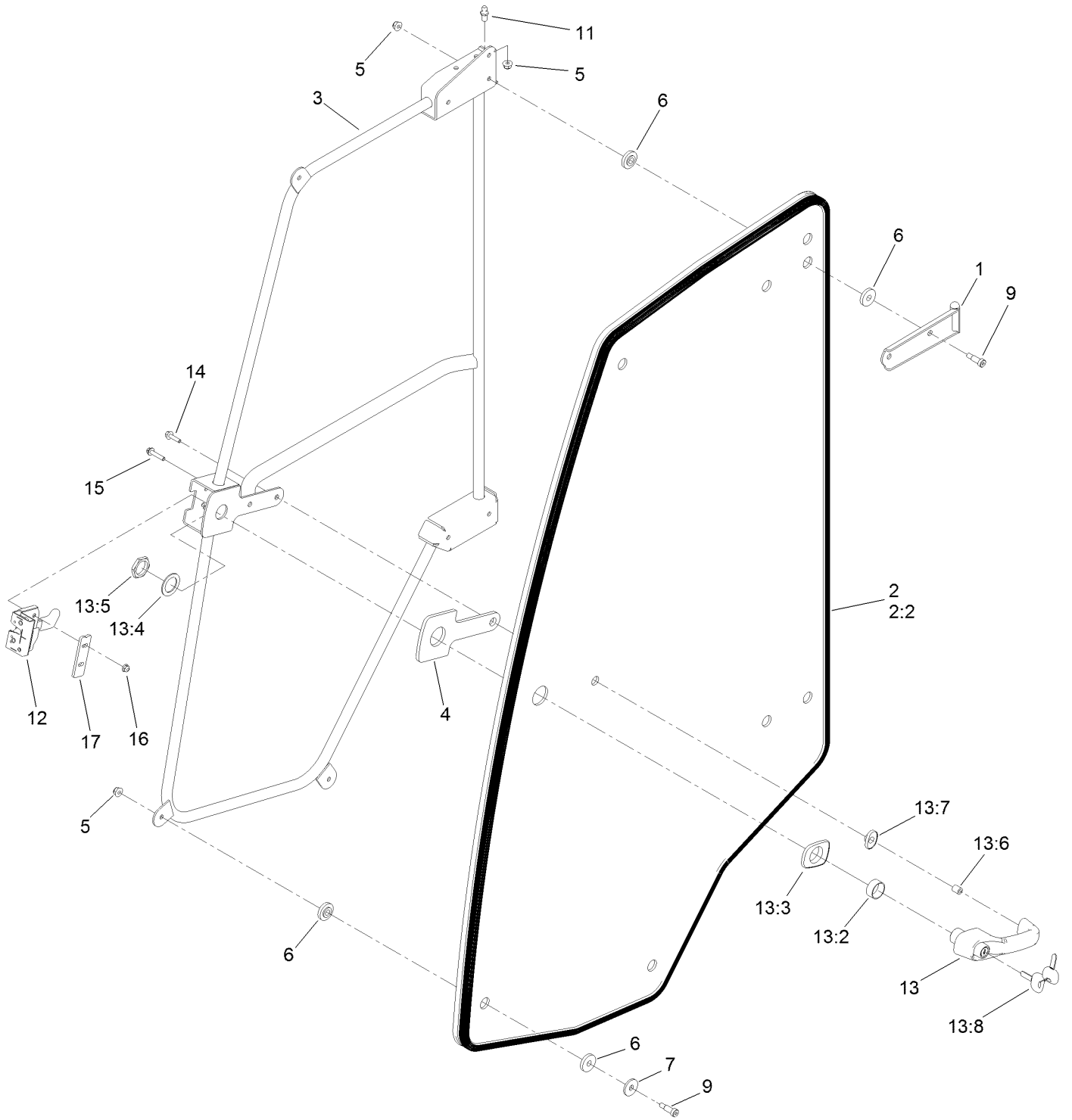
RH Door Assembly



RH Door Assembly (continued)

| <i>Ref.</i> | <i>Part Number</i> | <i>Qty.</i> | <i>Description</i> | <i>Ref.</i> | <i>Part Number</i> | <i>Qty.</i> | <i>Description</i> |
|-------------|--------------------|-------------|---------------------|-------------|--------------------|-------------|-------------------------|
| 1 | 125-9618-03 | 2 | Hinge-Door, RH | 13:2 | 121-8628 | 1 | Cylinder-Mounting, Key |
| 2 | 130-5678 | 1 | RH Door ASM | 13:3 | 121-8322 | 1 | Grommet-Mounting, Large |
| 2:2 | 125-9799 | 1 | Trim-Door | 13:4 | 121-8327 | 1 | Washer |
| 3 | 121-8570-03 | 1 | Frame-Door, RH | 13:5 | 121-8328 | 1 | Nut |
| 4 | 121-8331 | 1 | Gasket-Handle | 13:6 | 121-8627 | 1 | Cylinder-Mounting, End |
| 5 | 104-8300 | 9 | Nut-HF, NI | 13:7 | 121-8323 | 1 | Grommet-Mounting, Small |
| 6 | 125-9982 | 16 | Bushing-Flange | 13:8 | 125-9531 | 1 | Key-Set |
| 7 | 125-9676 | 4 | Washer-Backup | 14 | 33103-025 | 1 | Screw-HHF |
| 9 | 125-9520 | 8 | Screw-Shoulder, HSH | 15 | 3234-21 | 2 | Screw-HHF |
| 11 | 98-3104 | 1 | Stud-Ball | 16 | 104-7201 | 2 | Nut-HF, NI |
| 12 | 121-8390 | 1 | Latch-RH | 17 | 121-8395 | 1 | Plate-Support, Latch |
| 13 | 121-8630 | 1 | Handle ASM | | | | |

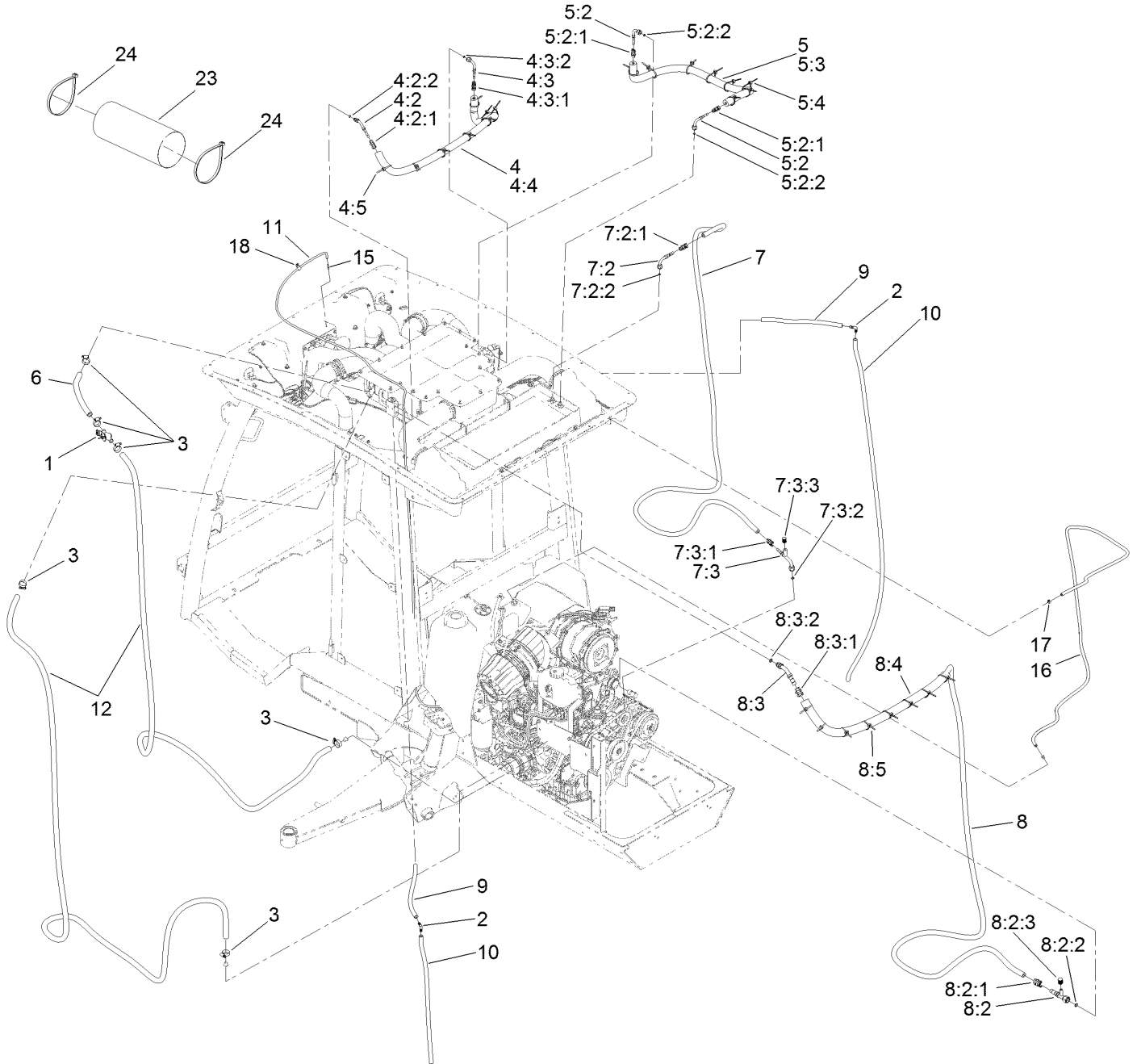
LH Door Assembly



LH Door Assembly (continued)

| <i>Ref.</i> | <i>Part Number</i> | <i>Qty.</i> | <i>Description</i> | <i>Ref.</i> | <i>Part Number</i> | <i>Qty.</i> | <i>Description</i> |
|-------------|--------------------|-------------|---------------------|-------------|--------------------|-------------|-------------------------|
| 1 | 125-9619-03 | 2 | Hinge-Door, LH | 13:2 | 121-8628 | 1 | Cylinder-Mounting, Key |
| 2 | 130-5679 | 1 | LH Door ASM | 13:3 | 121-8322 | 1 | Grommet-Mounting, Large |
| 2:2 | 121-8216 | 1 | Trim-Window | 13:4 | 121-8327 | 1 | Washer |
| 3 | 121-8571-03 | 1 | Frame-Door, LH | 13:5 | 121-8328 | 1 | Nut |
| 4 | 121-8331 | 1 | Gasket-Handle | 13:6 | 121-8627 | 1 | Cylinder-Mounting, End |
| 5 | 104-8300 | 9 | Nut-HF, NI | 13:7 | 121-8323 | 1 | Grommet-Mounting, Small |
| 6 | 125-9982 | 16 | Bushing-Flange | 13:8 | 125-9531 | 1 | Key-Set |
| 7 | 125-9676 | 4 | Washer-Backup | 14 | 33103-025 | 1 | Screw-HHF |
| 9 | 125-9520 | 8 | Screw-Shoulder, HSH | 15 | 3234-21 | 2 | Screw-HHF |
| 11 | 98-3104 | 1 | Stud-Ball | 16 | 104-7201 | 2 | Nut-HF, NI |
| 12 | 121-8391 | 1 | Latch-LH | 17 | 121-8395 | 1 | Plate-Support, Latch |
| 13 | 121-8630 | 1 | Handle ASM | | | | |

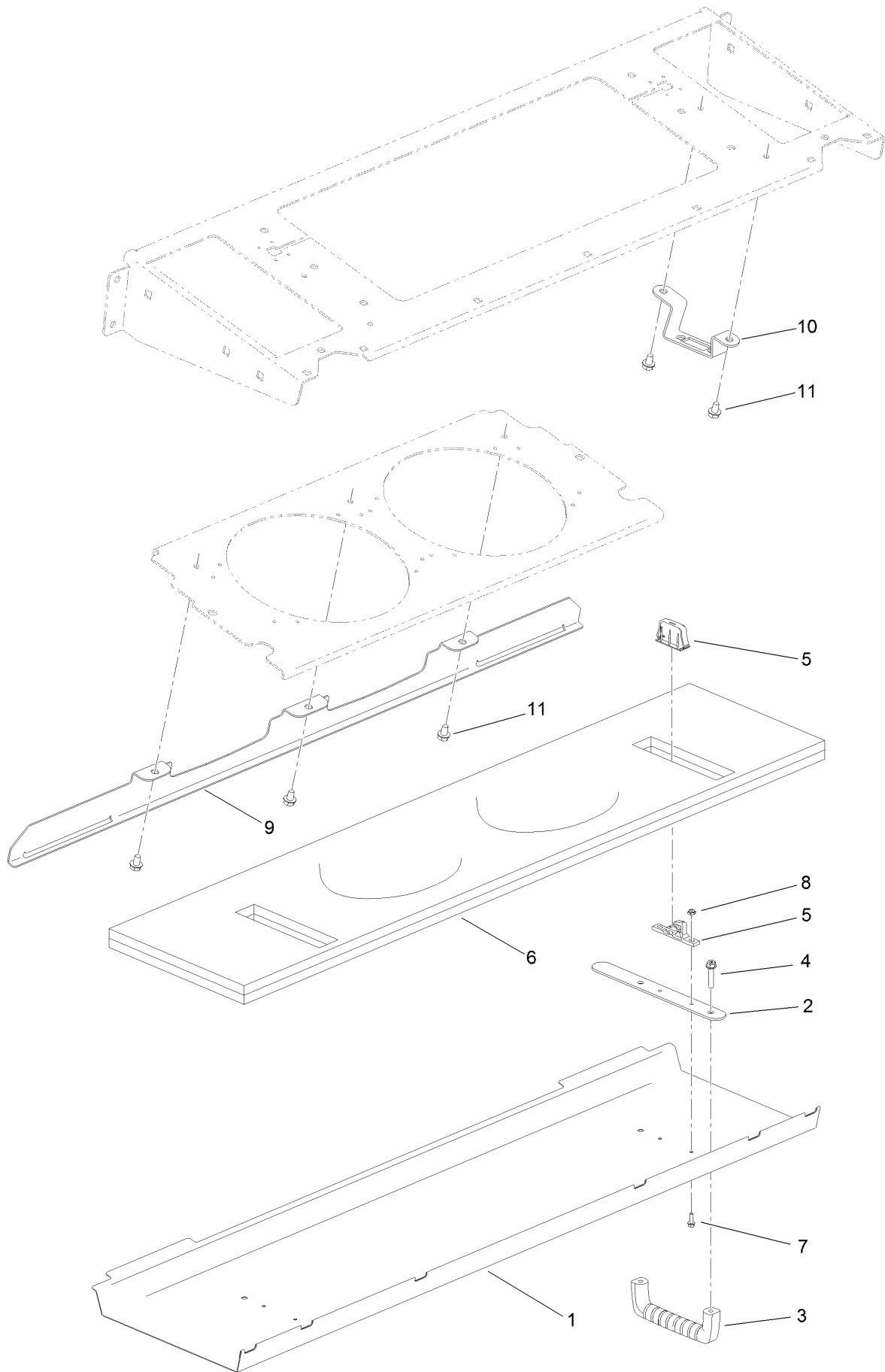
Engine Hose Routing Assembly



Engine Hose Routing Assembly (continued)

| <i>Ref.</i> | <i>Part Number</i> | <i>Qty.</i> | <i>Description</i> | <i>Ref.</i> | <i>Part Number</i> | <i>Qty.</i> | <i>Description</i> |
|-------------|--------------------|-------------|------------------------|-------------|--------------------|-------------|--------------------------|
| 1 | 120-4947 | 1 | Valve-Heater | 7:3:1 | 130-5773 | 1 | Fitting Kit |
| 2 | 130-0578 | 2 | Fitting-Barb, 90 DEG | 7:3:2 | 117-2779 | 1 | O-Ring |
| 3 | 2412-129 | 6 | Clamp-Hose | 7:3:3 | 117-2783 | 1 | Cap-Side, High |
| 4 | 125-9702 | 1 | Hose ASM | 8 | 125-9862 | 1 | Hose ASM |
| 4:2 | 130-5753 | 1 | Fitting-45 DEG | 8:2 | 130-5755 | 1 | Fitting-Female, Straight |
| 4:2:1 | 130-5772 | 1 | Fitting Kit | 8:2:1 | 130-5775 | 1 | Fitting Kit |
| 4:2:2 | 117-2778 | 1 | O-Ring | 8:2:2 | 117-2780 | 1 | O-Ring |
| 4:3 | 130-5751 | 1 | Fitting-Female, 90 DEG | 8:2:3 | 117-2784 | 1 | Cap-Side, Low |
| 4:3:1 | 130-5772 | 1 | Fitting Kit | 8:3 | 130-5754 | 1 | Fitting-Male, 45 DEG |
| 4:3:2 | 117-2778 | 1 | O-Ring | 8:3:1 | 130-5775 | 1 | Fitting Kit |
| 4:4 | 130-5958 | 1 | Cover-Foam | 8:3:2 | 117-2780 | 1 | O-Ring |
| 4:5 | 3290-378 | 8 | Tie-Cable | 8:4 | 130-5959 | 1 | Cover-Foam |
| 5 | 125-9703 | 1 | Hose ASM | 8:5 | 3290-378 | 16 | Tie-Cable |
| 5:2 | 130-5751 | 2 | Fitting-Female, 90 DEG | 9 | 125-9865 | 2 | Hose-Drain |
| 5:2:1 | 130-5772 | 1 | Fitting Kit | 10 | 125-9866 | 2 | Hose-Drain |
| 5:2:2 | 117-2778 | 1 | O-Ring | 11 | 127-9901 | 1 | Hose-Washer Fluid |
| 5:3 | 130-5958 | 1 | Cover-Foam | 12 | 125-9864 | 2 | Hose-Heater |
| 5:4 | 3290-378 | 8 | Tie-Cable | 15 | 127-9905 | 1 | Fitting-Hose, Barb |
| 6 | 125-9706 | 1 | Hose-Heater | 16 | 130-5813 | 1 | Hose-Fuel |
| 7 | 125-9861 | 1 | Hose ASM | 17 | 2412-98 | 1 | Clamp-Hose |
| 7:2 | 130-5752 | 1 | Fitting-Female, 90 DEG | 18 | 2412-73 | 1 | Clamp-R |
| 7:2:1 | 130-5773 | 1 | Fitting Kit | 23 | 133-1025 | 1 | Wrap-Abrasion |
| 7:2:2 | 117-2778 | 1 | O-Ring | 24 | 94-3890 | 2 | Tie-Cable |
| 7:3 | 130-5758 | 1 | Fitting-Female, 90 DEG | | | | |

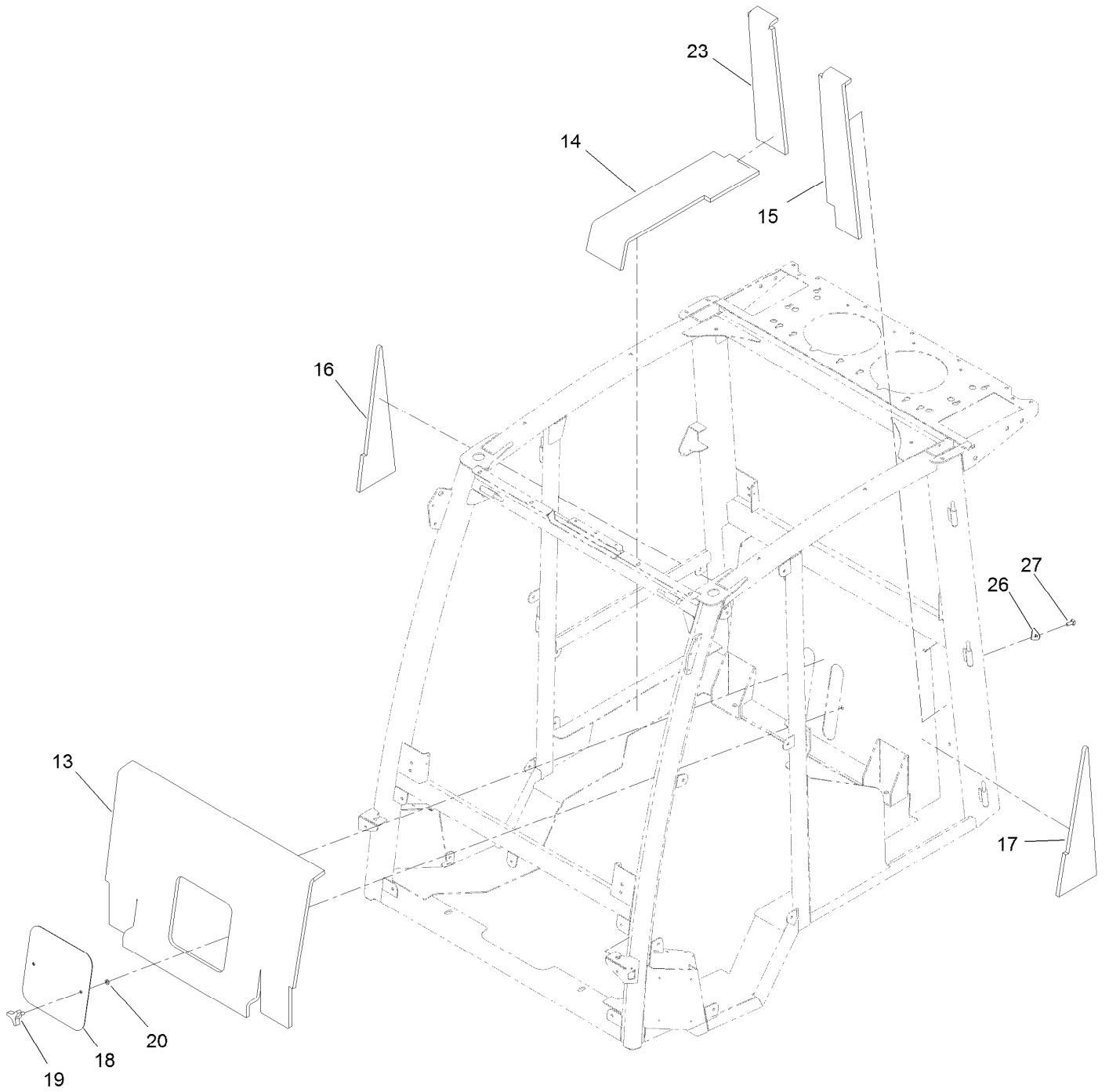
Pre-Filter Screen Assembly



Pre-Filter Screen Assembly (continued)

| <i>Ref.</i> | <i>Part Number</i> | <i>Qty.</i> | <i>Description</i> | <i>Ref.</i> | <i>Part Number</i> | <i>Qty.</i> | <i>Description</i> |
|-------------|--------------------|-------------|---------------------|-------------|--------------------|-------------|---------------------|
| 1 | 130-0640-03 | 1 | Screen | 7 | 112-3169 | 4 | Screw-HHF, Serrated |
| 2 | 130-0642-03 | 2 | Backplate | 8 | 3296-54 | 4 | Nut-Lock |
| 3 | 65-5100 | 2 | Handle-Door | 9 | 132-3630-03 | 1 | Screen-Mount, Front |
| 4 | 137-3101 | 4 | Screw-Plastic, HWH | 10 | 136-2171 | 2 | Mount-Latch |
| 5 | 130-0643 | 2 | Latch-Push To Close | 11 | 32104-82 | 7 | Screw-HHF |
| 6 | 130-5875 | 1 | Pre-Filter | | | | |

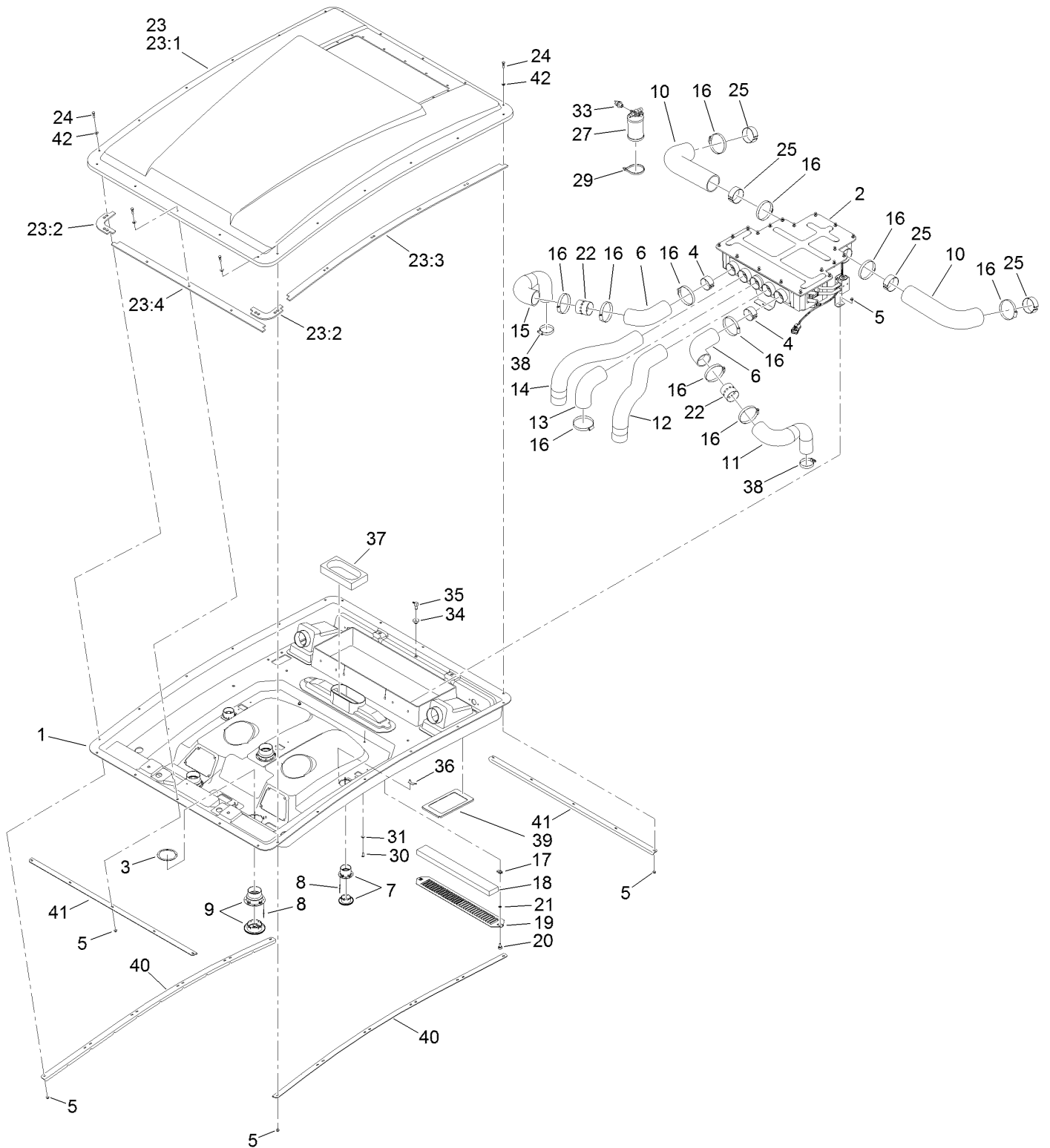
Interior Foam Assembly



Interior Foam Assembly (continued)

| <i>Ref.</i> | <i>Part Number</i> | <i>Qty.</i> | <i>Description</i> | <i>Ref.</i> | <i>Part Number</i> | <i>Qty.</i> | <i>Description</i> |
|-------------|--------------------|-------------|----------------------------|-------------|--------------------|-------------|---------------------------|
| 13 | 130-0564 | 1 | Foam-Upholstery, Rear | 19 | 117-5976 | 2 | Knob-Handle |
| 14 | 136-2179 | 1 | Foam-Interior, RH (Lower) | 20 | 3296-47 | 2 | Nut-Lock,NI |
| 15 | 136-2178 | 1 | Foam-Upholstery, Rear (LH) | 23 | 130-5838 | 1 | Foam-Interior, RH (Upper) |
| 16 | 130-0561 | 1 | Foam-Upholstery, Side (RH) | 26 | 132-3495 | 2 | Retainer-Cover |
| 17 | 130-0570 | 1 | Foam-Upholstery, Rear (LH) | 27 | 3230-22 | 2 | Screw-CARR |
| 18 | 121-8161-03 | 1 | Plate-Panel, Access | | | | |

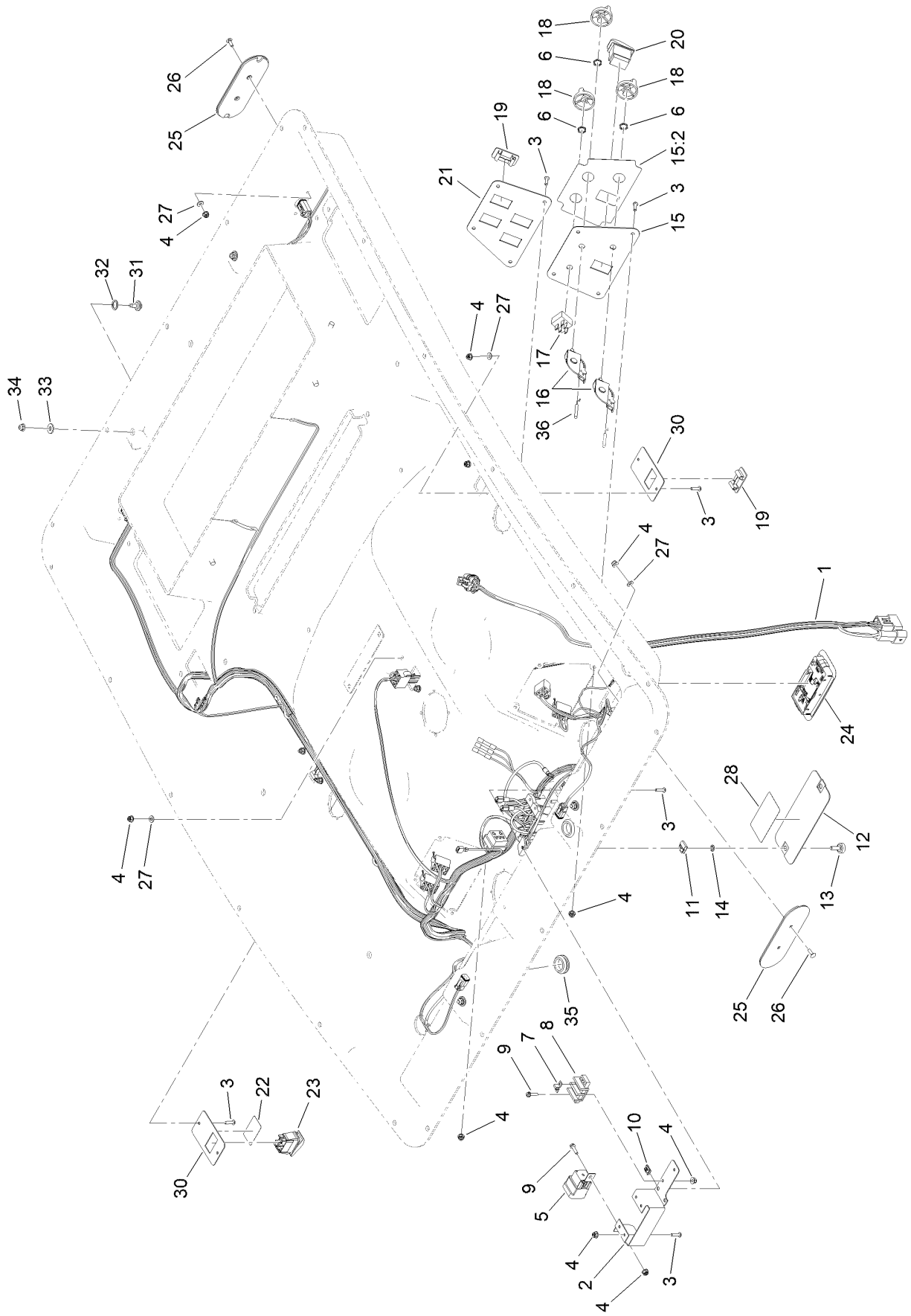
Roof and Headliner Assembly



Roof and Headliner Assembly (continued)

| <i>Ref.</i> | <i>Part Number</i> | <i>Qty.</i> | <i>Description</i> | <i>Ref.</i> | <i>Part Number</i> | <i>Qty.</i> | <i>Description</i> |
|-------------|--------------------|-------------|-----------------------------------|-------------|--------------------|-------------|-----------------------|
| 1 | 140-6760 | 1 | Headliner ASM | 22 | 130-5927 | 2 | Adapter-Bleed |
| 2 | 121-8495 | 1 | Box-Mixing, Heater A/C | 23 | 132-3601 | 1 | Roof ASM |
| 3 | 130-0558 | 3 | Backplate-Rivet | 23:1 | 132-3602 | 1 | Roof |
| 4 | 130-5938 | 2 | Tube-Support | 23:2 | 130-5961 | 4 | Seal-Corner |
| 5 | 104-7201 | 24 | Nut-HF, NI | 23:3 | 130-5960 | 2 | Seal-Side |
| 6 | 130-5860 | 2 | Hose-Vent | 23:4 | 130-5962 | 2 | Seal-Front, Rear |
| 7 | 130-0455 | 2 | Louver-Round, Snap-In | 24 | 136-8674 | 22 | Bolt-Pivot, Eccentric |
| 8 | 125-7503 | 20 | Rivet-Pop | 25 | 130-5939 | 4 | Tube-Support |
| 9 | 130-0465 | 3 | Louver-Round, Snap-In (4 Inch) | 27 | 130-5999 | 1 | Drier-Receiver |
| 10 | 121-8473 | 2 | Hose-Intake, Fresh Air | 29 | 3334-945 | 2 | Tie-Cable |
| 11 | 130-5861 | 1 | Hose-Vent, Outer (LH) | 30 | 3274-69 | 2 | Screw-HSBH |
| 12 | 121-8477 | 1 | Hose-Vent, Defrost (LH) | 31 | 3256-1 | 2 | Washer-Flat |
| 13 | 130-0437 | 1 | Hose-Vent, Center | 33 | 119-4501 | 1 | Switch-Function, Dual |
| 14 | 121-8478 | 1 | Hose-Vent, Defrost (RH) | 34 | 46-6560 | 1 | Bushing |
| 15 | 130-5862 | 1 | Hose-Vent, Outer (RH) | 35 | 104-5228 | 1 | Fitting-Elbow, 90 DEG |
| 16 | 2412-110 | 11 | Clamp-Band/Screw | 36 | 130-0445 | 4 | Backplate-Rivet |
| 17 | 107069 | 2 | Clip | 37 | 130-0444 | 1 | Foam-Inlet, Airbox |
| 18 | 125-9532 | 1 | Filter-Cab, Inside | 38 | 2412-130 | 2 | Clamp-Hose |
| 19 | 125-9604-03 | 1 | Plate-Cover, Recirculation | 39 | 132-3474 | 2 | Insert-Seal, Filter |
| 20 | 125-7438 | 2 | Knob-Screw, Thumb | 40 | 132-1461-03 | 2 | Strap-Cab, Side |
| 21 | 32115-15 | 2 | Nut-Push | 41 | 132-1462-03 | 2 | Strap-Cab |
| | | | | 42 | 3256-74 | 22 | Washer-Flat |

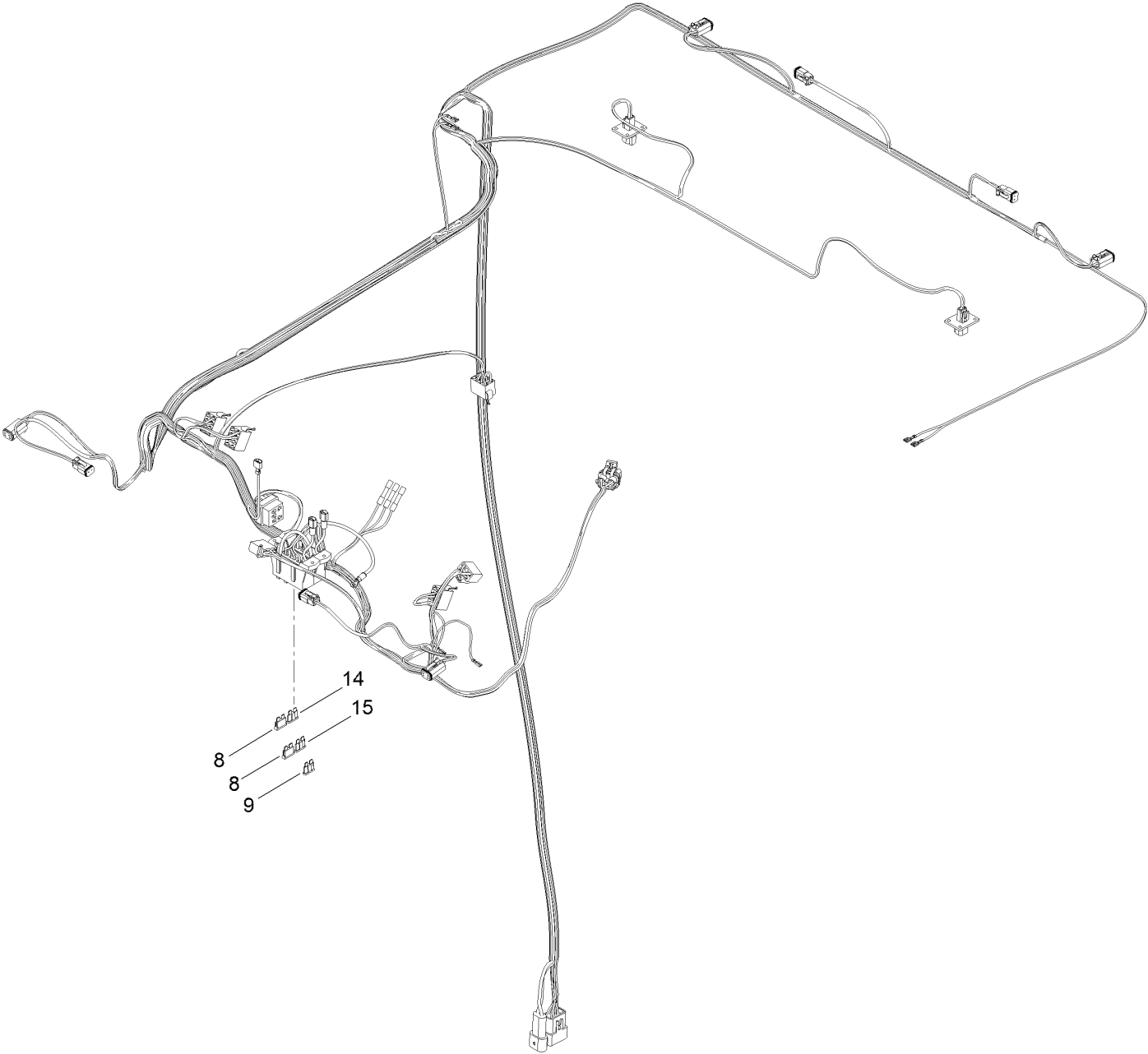
Headliner Wire Harness and Control Assembly



Headliner Wire Harness and Control Assembly (continued)

| <i>Ref.</i> | <i>Part Number</i> | <i>Qty.</i> | <i>Description</i> | <i>Ref.</i> | <i>Part Number</i> | <i>Qty.</i> | <i>Description</i> |
|-------------|--------------------|-------------|--------------------------------|-------------|--------------------|-------------|------------------------------|
| 1 | 122-2129 | 1 | Harness-Wire, Cab Headliner | 18 | 125-9510 | 3 | Knob-Control |
| 2 | 125-9606-03 | 1 | Bracket-Fuse Block | 19 | 99-7420 | 6 | Plug-Hole |
| 3 | 104-2408 | 22 | Screw-HSBH | 20 | 95-8999 | 1 | Switch-Rocker, On-None-On |
| 4 | 120-4578 | 29 | Nut-HF | 21 | 125-9691-03 | 1 | Panel-Switch, Lights |
| 5 | 99-7430 | 1 | Relay-Mini | 22 | 125-9688 | 1 | Decal-Washer |
| 6 | 130-0588 | 3 | Nut-Switch | 23 | 119-8355 | 1 | Switch-Rocker |
| 7 | 42863 | 1 | Strip-Jumper | 24 | 125-7437 | 1 | Light-Dome |
| 8 | 42862 | 1 | Block-Terminal, Ground | 25 | 130-5867 | 4 | Cover-Light, Rear |
| 9 | 32105-13 | 3 | Screw-HWH | 26 | 3229-34 | 8 | Screw-CARR |
| 10 | 107-1013 | 4 | Nut-Speed | 27 | 3256-14 | 14 | Washer-Flat |
| 11 | 609900 | 2 | Nut-Speed | 28 | 132-3600 | 1 | Decal-Panel, Fuse |
| 12 | 125-9603-03 | 1 | Plate-Cover, Fuse | 30 | 144-3306 | 3 | Panel-Switch |
| 13 | 125-7438 | 2 | Knob-Screw, Thumb | 31 | 92-9698 | 4 | Screw-Shoulder |
| 14 | 32115-15 | 2 | Nut-Push | 32 | 94-8196 | 4 | Washer-Nylon |
| 15 | 144-3510 | 1 | Panel-Air/Heat | 33 | 3256-2 | 4 | Washer-Flat |
| 15:2 | 144-3512 | 1 | Decal, Air/Heat | 34 | 104-7201 | 4 | Nut-HF, NI |
| 16 | 144-3572 | 2 | Control-Rotary, Linear | 35 | 110-5333 | 4 | Grommet-Plug |
| 17 | 122-0150 | 1 | Switch, Rotary | 36 | 144-3573 | 1 | Cable-Control |

Wire Harness Assembly No. 122-2129

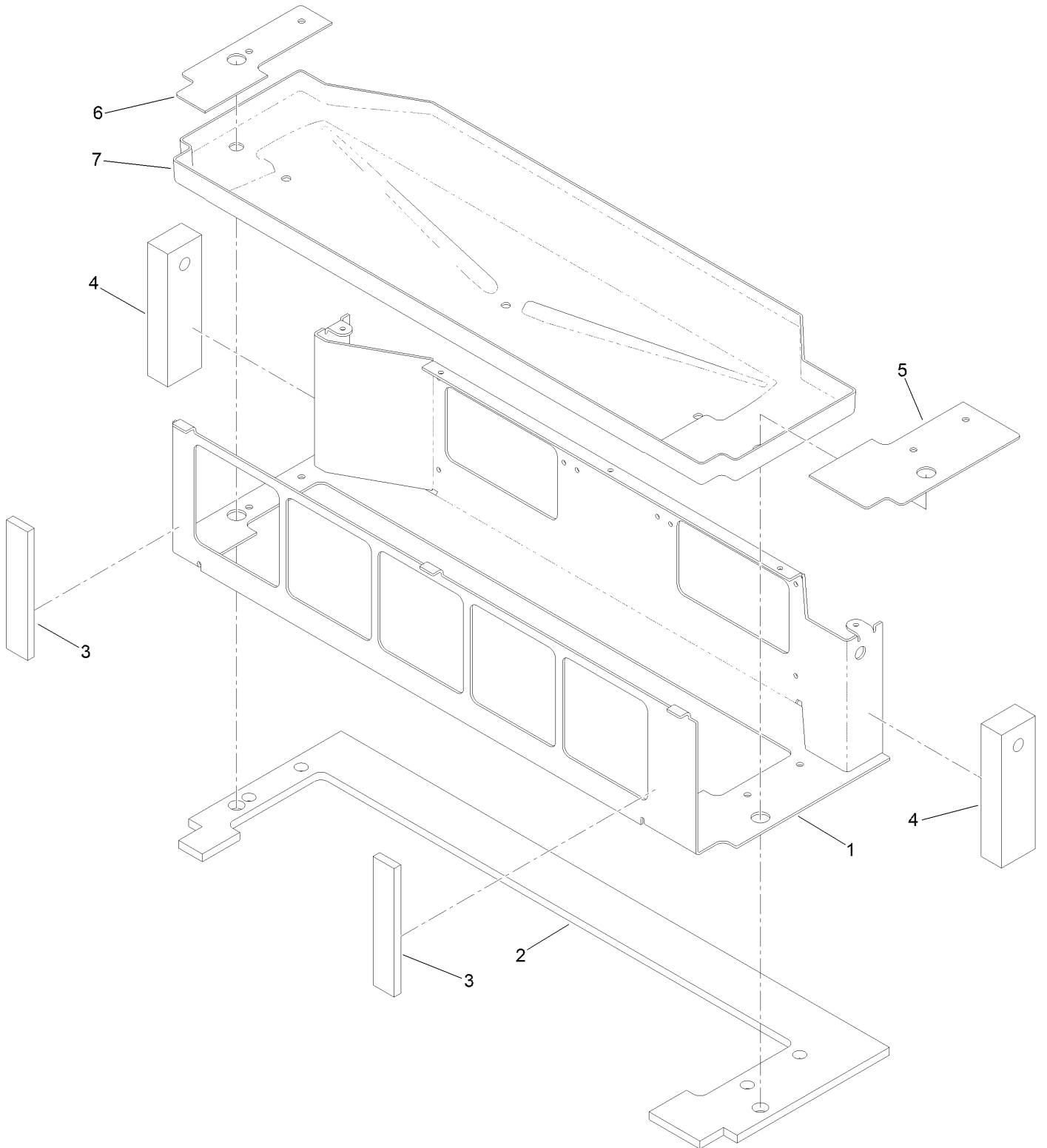


Wire Harness Assembly No. 122-2129 (continued)

| <i>Ref.</i> | <i>Part Number</i> | <i>Qty.</i> | <i>Description</i> |
|-------------|--------------------|-------------|--------------------|
| 8 | 109355 | 2 | Fuse-Blade, 15 Amp |
| 9 | 109103 | 1 | Fuse-Blade, 30 Amp |

| <i>Ref.</i> | <i>Part Number</i> | <i>Qty.</i> | <i>Description</i> |
|-------------|--------------------|-------------|--------------------|
| 14 | 109101 | 1 | Fuse-Blade, 20 Amp |
| 15 | 109102 | 1 | Fuse-Blade, 25 Amp |

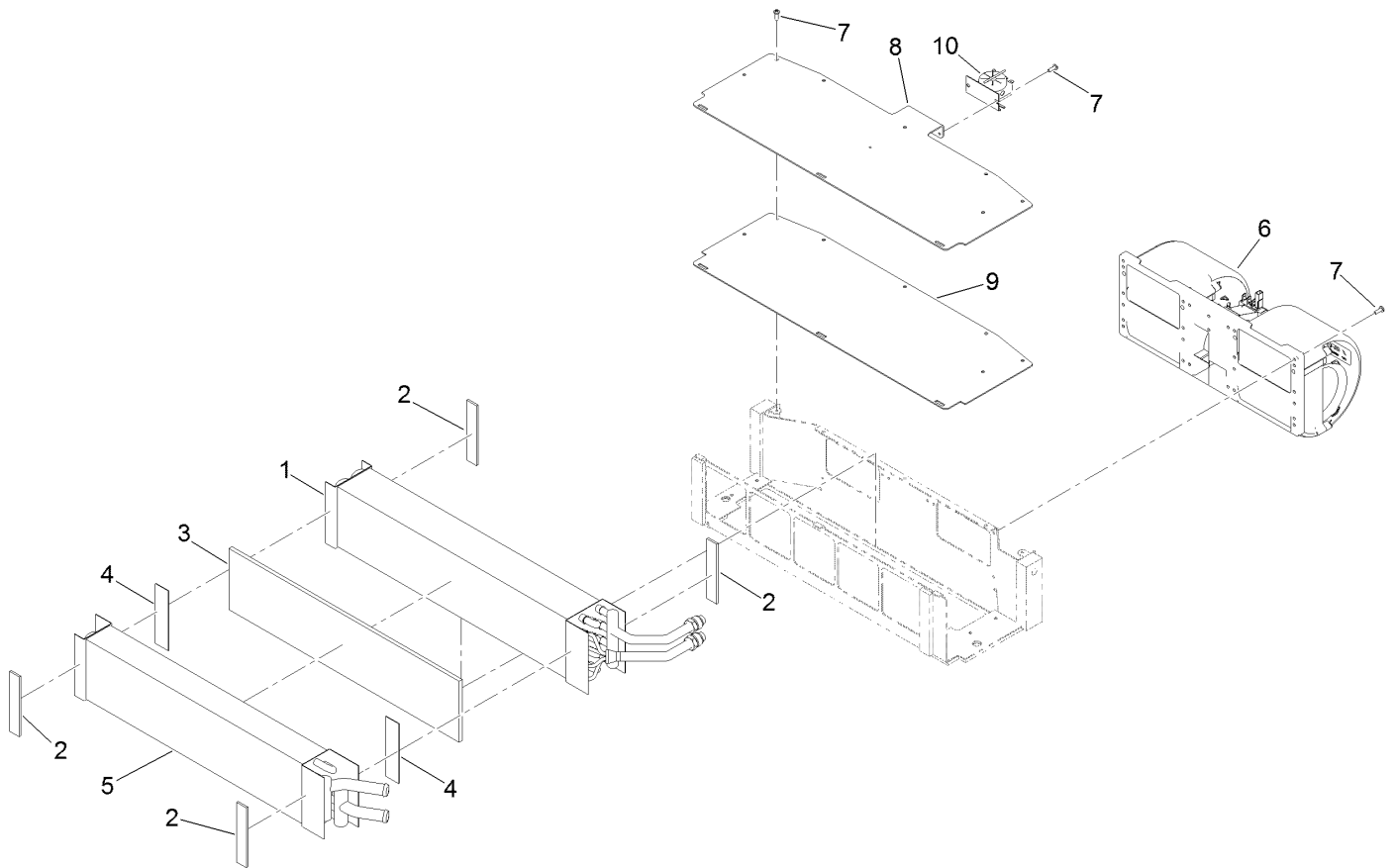
Mixing Box Mounting Bracket and Water Tray Assembly



Mixing Box Mounting Bracket and Water Tray Assembly (continued)

| <i>Ref.</i> | <i>Part Number</i> | <i>Qty.</i> | <i>Description</i> | <i>Ref.</i> | <i>Part Number</i> | <i>Qty.</i> | <i>Description</i> |
|-------------|--------------------|-------------|--------------------|-------------|--------------------|-------------|--------------------------|
| 1 | 130-5655-03 | 1 | Bracket-Mount | 5 | 130-5653 | 1 | Gasket-Mount, LH Bracket |
| 2 | 130-5659 | 1 | Seal-Foam | 6 | 130-5654 | 1 | Gasket-Mount, RH Bracket |
| 3 | 130-5808 | 2 | Seal-Foam, Front | 7 | 130-5660 | 1 | Tray-Water |
| 4 | 130-0602 | 2 | Seal-End | | | | |

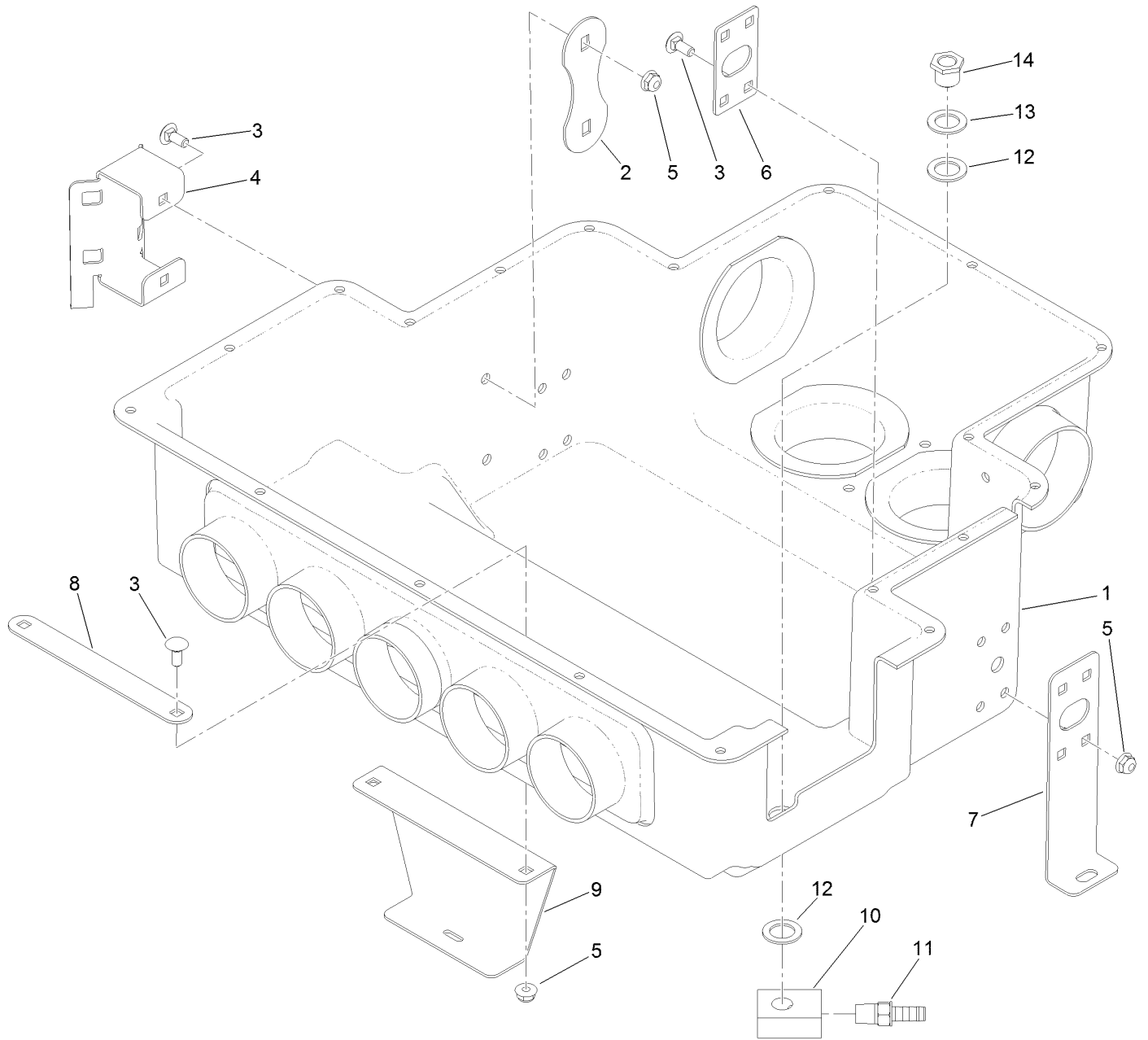
Blower Fan and Evaporator Core Assembly



Blower Fan and Evaporator Core Assembly (continued)

| <i>Ref.</i> | <i>Part Number</i> | <i>Qty.</i> | <i>Description</i> | <i>Ref.</i> | <i>Part Number</i> | <i>Qty.</i> | <i>Description</i> |
|-------------|--------------------|-------------|--------------------|-------------|--------------------|-------------|--------------------------------|
| 1 | 130-5392 | 1 | Core-Evaporator | 7 | 363-8245 | 13 | Screw-TAP |
| 2 | 130-5658 | 4 | Gasket-Coil | 8 | 130-5656-03 | 1 | Cover, Bracket-Mount |
| 3 | 130-5807 | 1 | Foam | 9 | 130-5652 | 1 | Gasket-Mount, Cover Bracket |
| 4 | 130-5806 | 2 | Tape, Double-Sided | 10 | 121-8385 | 1 | Thermostat-Switch, Freeze |
| 5 | 127-9915 | 1 | Core-Heater | | | | |
| 6 | 121-8451 | 1 | Fan-Blower | | | | |

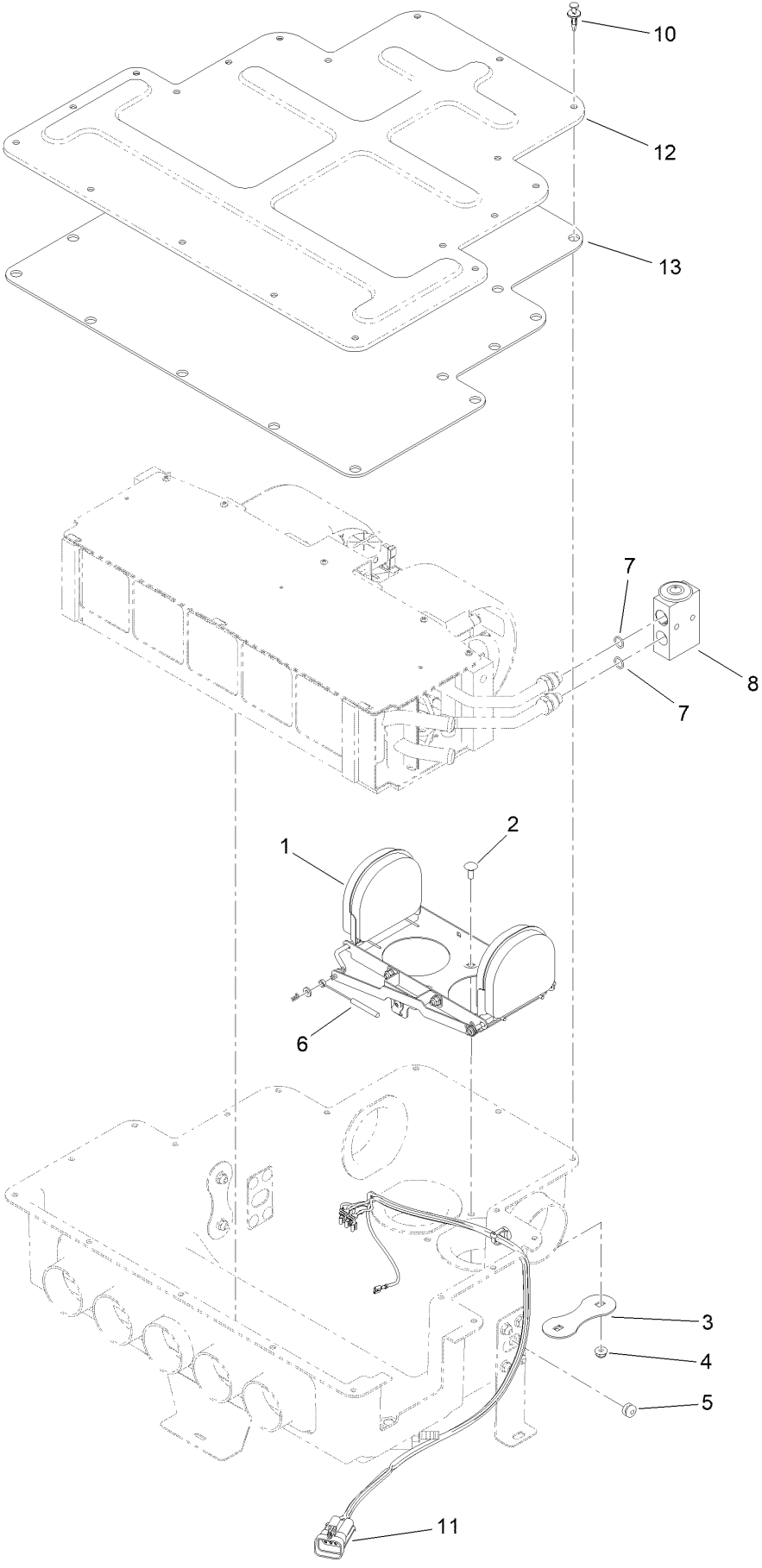
Heat/Air Conditioner Housing Assembly



Heat/Air Conditioner Housing Assembly (continued)

| <i>Ref.</i> | <i>Part Number</i> | <i>Qty.</i> | <i>Description</i> | <i>Ref.</i> | <i>Part Number</i> | <i>Qty.</i> | <i>Description</i> |
|-------------|--------------------|-------------|----------------------|-------------|--------------------|-------------|------------------------|
| 1 | 130-5830 | 1 | Housing-Heat/AC | 8 | 125-7504 | 1 | Plate-Backer, Center |
| 2 | 121-8491 | 1 | Plate-Support | 9 | 130-0554 | 1 | Bracket-Airbox, Center |
| 3 | 3229-11 | 12 | Screw-CARR | 10 | 130-5601 | 2 | Drain-Lower |
| 4 | 121-8490 | 1 | Bracket-Mount, Drier | 11 | 108-0342 | 2 | Fitting-Straight |
| 5 | 104-7201 | 12 | Nut-HF, NI | 12 | 121-6840 | 4 | Washer-Rubber |
| 6 | 130-5834 | 2 | Bracket-Support | 13 | 107-3041 | 2 | Washer-Flat |
| 7 | 130-5821 | 2 | Bracket-Airbox, Side | 14 | 130-0293 | 2 | Drain-Upper |

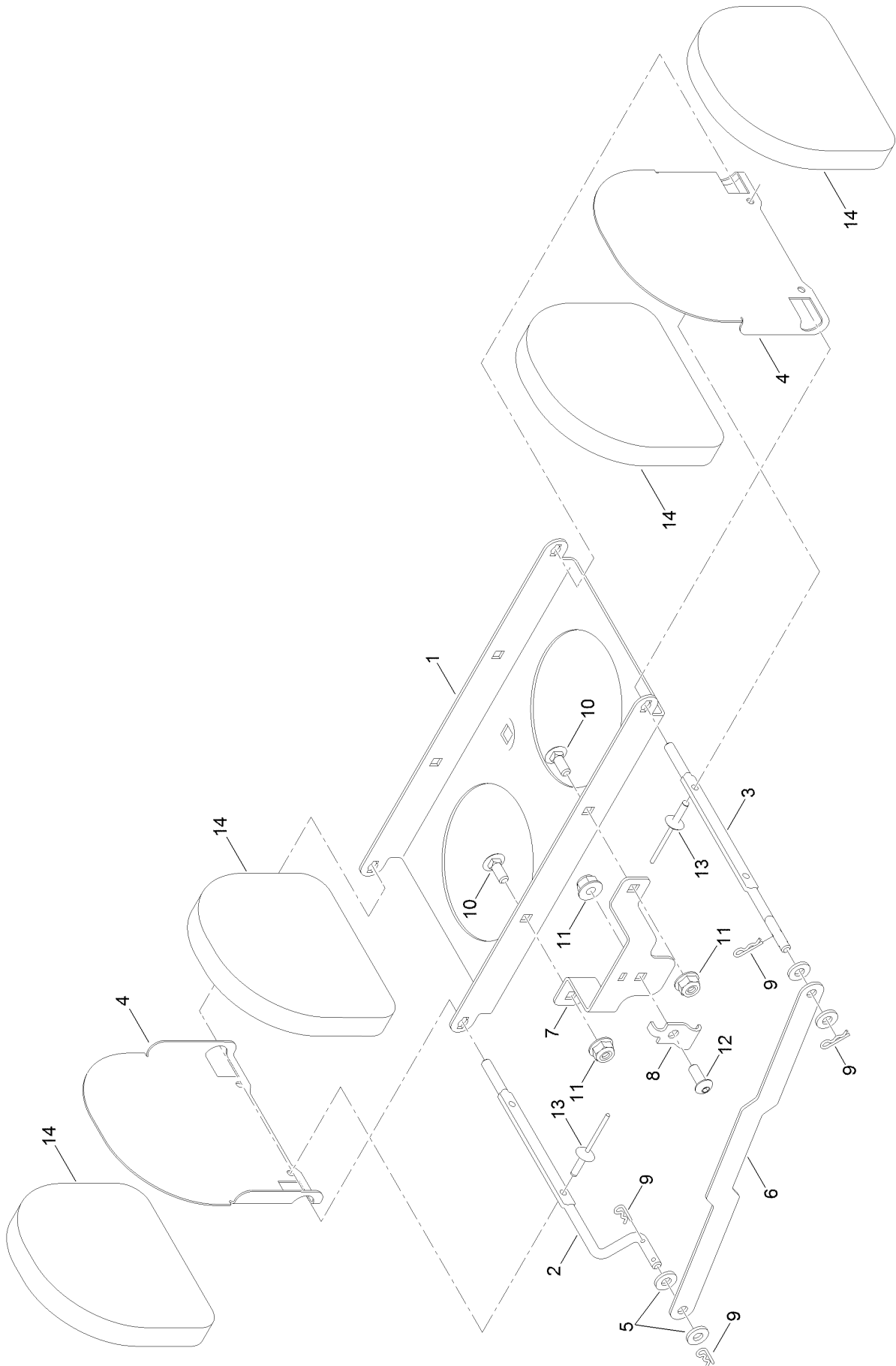
Air Diverter and Expansion Valve Assembly



Air Diverter and Expansion Valve Assembly (continued)

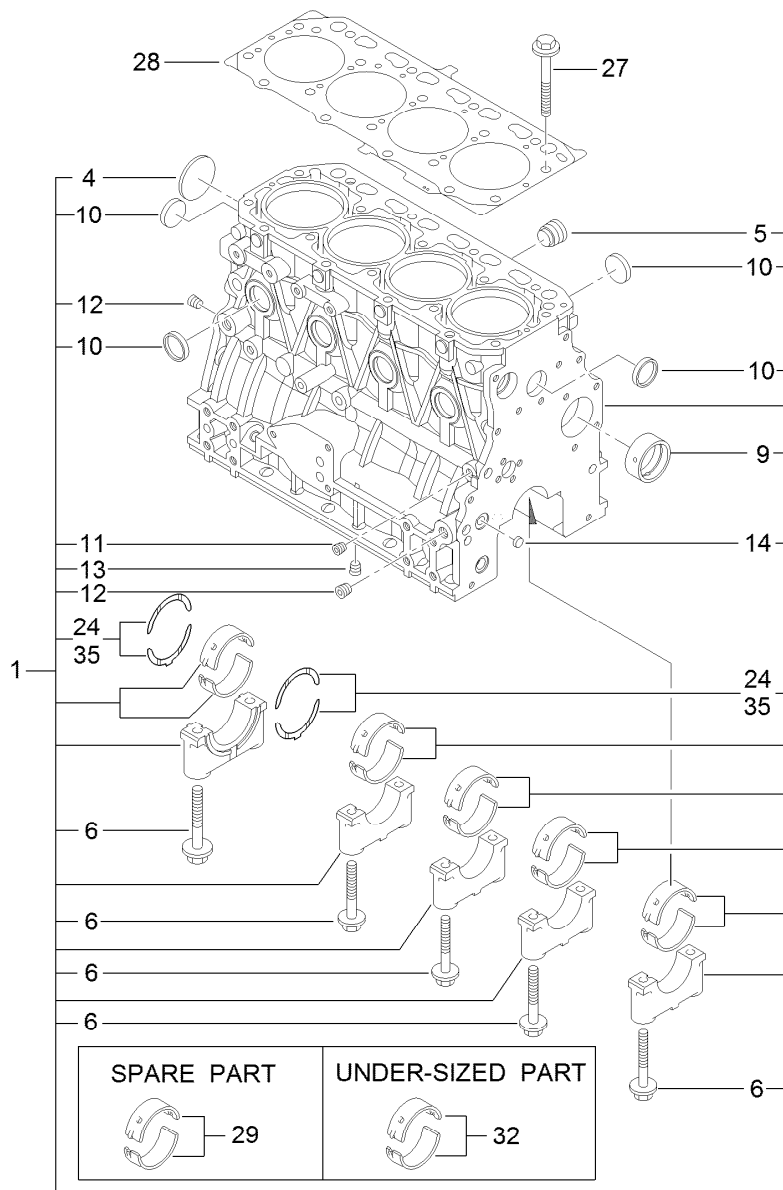
| <i>Ref.</i> | <i>Part Number</i> | <i>Qty.</i> | <i>Description</i> | <i>Ref.</i> | <i>Part Number</i> | <i>Qty.</i> | <i>Description</i> |
|-------------|--------------------|-------------|--------------------|-------------|--------------------|-------------|---------------------------------|
| 1 | 121-8369 | 1 | Air Diverter ASM | 8 | 121-8384 | 1 | Valve-Expansion |
| 2 | 3229-11 | 2 | Screw-CARR | 10 | 125-9622 | 19 | Rivet-Blind |
| 3 | 121-8491 | 1 | Plate-Support | 11 | 122-0153 | 1 | Harness-Wire, Heat/AC Blower |
| 4 | 104-7201 | 2 | Nut-HF, NI | 12 | 121-8449 | 1 | Housing-Ventilation, Upper |
| 5 | 125-7528 | 1 | Grommet-Cable | 13 | 130-5614 | 1 | Insulation-Cover |
| 6 | 144-3574 | 1 | Cable-Control | | | | |
| 7 | 125-9524 | 2 | O-Ring | | | | |

Air Diverter Assembly No. 121-8369



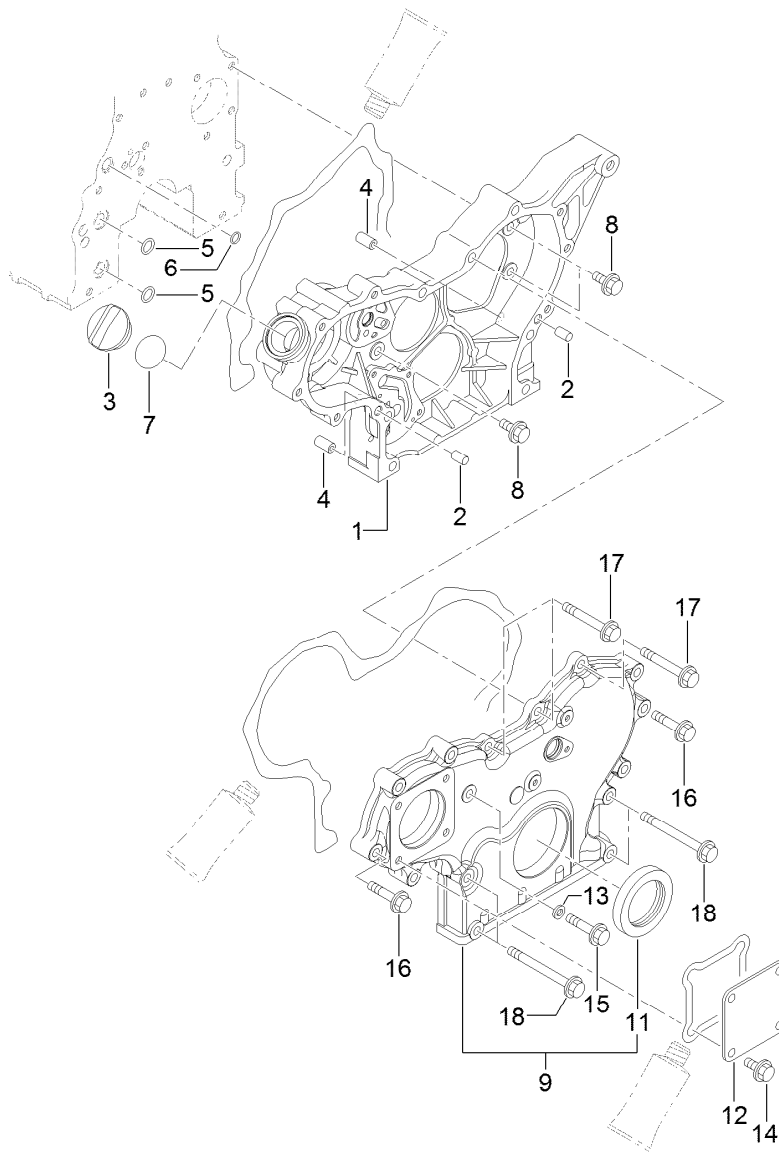
Air Diverter Assembly No. 121-8369 (continued)

| <i>Ref.</i> | <i>Part Number</i> | <i>Qty.</i> | <i>Description</i> | <i>Ref.</i> | <i>Part Number</i> | <i>Qty.</i> | <i>Description</i> |
|-------------|--------------------|-------------|--------------------|-------------|--------------------|-------------|--------------------|
| 1 | 125-9697 | 1 | Base-Mount | 8 | 613385 | 1 | Clamp-Cable |
| 2 | 121-8381 | 1 | Shaft-Baffle, RH | 9 | 108-2992 | 4 | Pin-Hair |
| 3 | 121-8382 | 1 | Shaft-Baffle, LH | 10 | 1-807513 | 2 | Bolt-CARR |
| 4 | 125-9698 | 2 | Baffle-Air | 11 | 120-4578 | 3 | Nut-HF |
| 5 | 3256-51 | 4 | Washer-Flat | 12 | 115-9830 | 1 | Screw-HSBH |
| 6 | 125-9696 | 1 | Link-Baffle | 13 | 3290-271 | 4 | Rivet-Pop |
| 7 | 121-8374 | 1 | Mount-Cable | 14 | 125-9699 | 4 | Damper-Foam |



Cylinder Block Assembly

| <i>Ref.</i> | <i>Part Number</i> | <i>Qty.</i> | <i>Description</i> | <i>Ref.</i> | <i>Part Number</i> | <i>Qty.</i> | <i>Description</i> |
|-------------|--------------------|-------------|--------------------|-------------|--------------------|-------------|-----------------------|
| 1 | 127-3127 | 1 | Cylinder Block ASM | 13 | 125-6973 | 1 | Plug |
| 4 | 125-6980 | 1 | Plug | 14 | 125-7237 | 1 | Plug |
| 5 | 125-7170 | 1 | Plug | 24 | 125-7010 | 2 | Metal-Thrust |
| 6 | 125-7007 | 10 | Bolt | 27 | 125-7006 | 18 | Bolt |
| 9 | 125-7108 | 1 | Bushing | 28 | 127-3126 | 1 | Gasket-Head, Cylinder |
| 10 | 125-7239 | 8 | Plug | 29 | 125-6981 | 5 | Metal-Main |
| 11 | 125-6969 | 1 | Plug | 32 | 125-7009 | 5 | Metal-Main (0.25) |
| 12 | 125-6973 | 2 | Plug | 35 | 125-7011 | 1 | Metal-Thrust (0.25) |

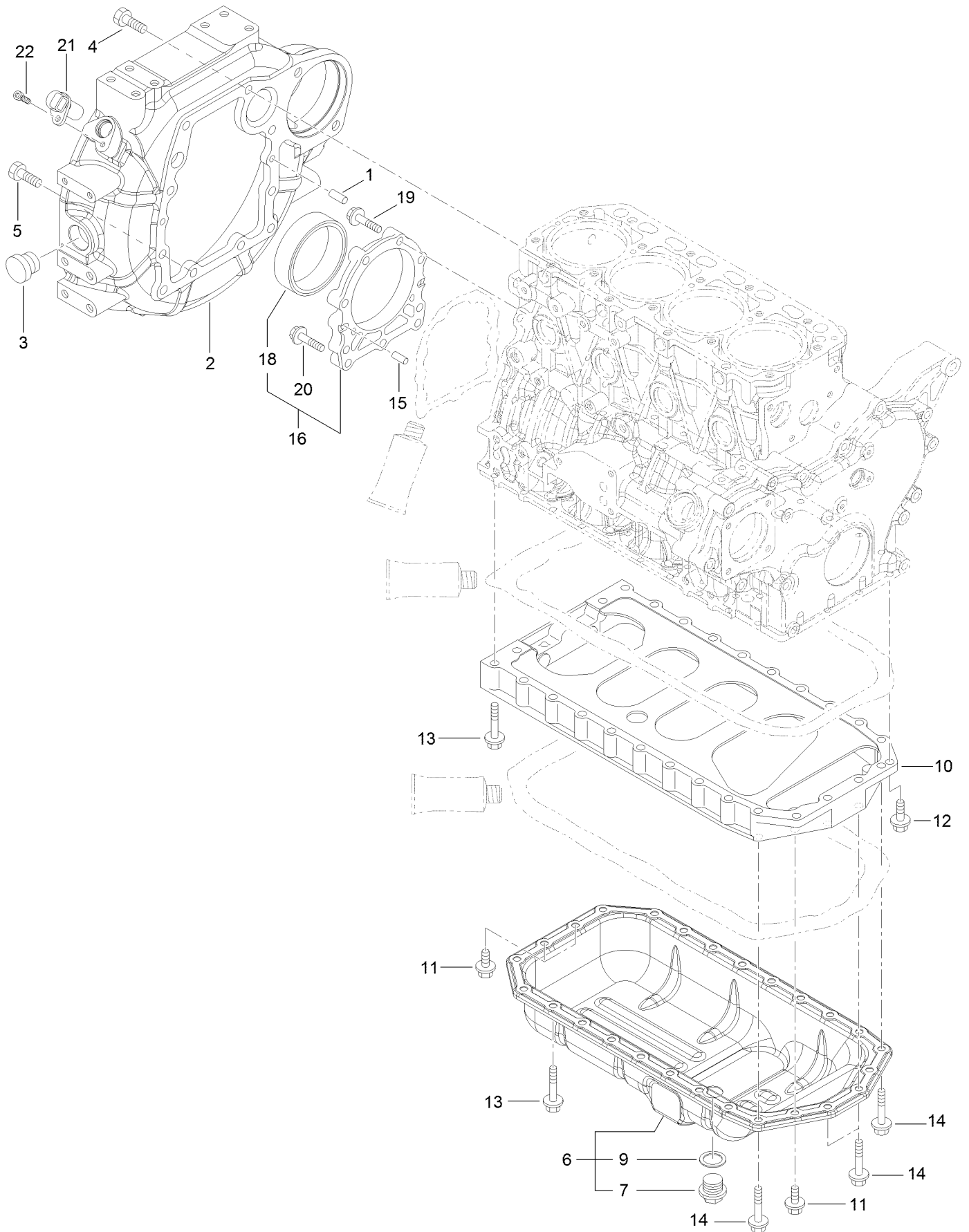


Gear Housing Assembly

| <i>Ref.</i> | <i>Part Number</i> | <i>Qty.</i> | <i>Description</i> |
|-------------|--------------------|-------------|--------------------|
| 1 | 127-3023 | 1 | Case-Gear |
| 2 | 125-6995 | 2 | Pin |
| 3 | 125-6972 | 1 | Cover-Filler |
| 4 | 125-7107 | 2 | Pipe |
| 5 | 125-6909 | 2 | O-Ring |
| 6 | 127-2973 | 1 | O-Ring |
| 7 | 125-7197 | 1 | O-Ring |
| 8 | 125-7214 | 3 | Bolt |
| 9 | 127-3024 | 1 | Gearcase Cover ASM |

| <i>Ref.</i> | <i>Part Number</i> | <i>Qty.</i> | <i>Description</i> |
|-------------|--------------------|-------------|--------------------|
| 11 | 125-6944 | 1 | Seal-Oil |
| 12 | 125-6977 | 1 | Cover |
| 13 | 125-7174 | 1 | Washer-Seal |
| 14 | 125-7214 | 4 | Bolt |
| 15 | 125-7217 | 1 | Bolt |
| 16 | 125-7218 | 7 | Bolt |
| 17 | 125-7222 | 3 | Bolt |
| 18 | 125-7224 | 4 | Bolt |

Flywheel Housing and Oil Sump Assembly

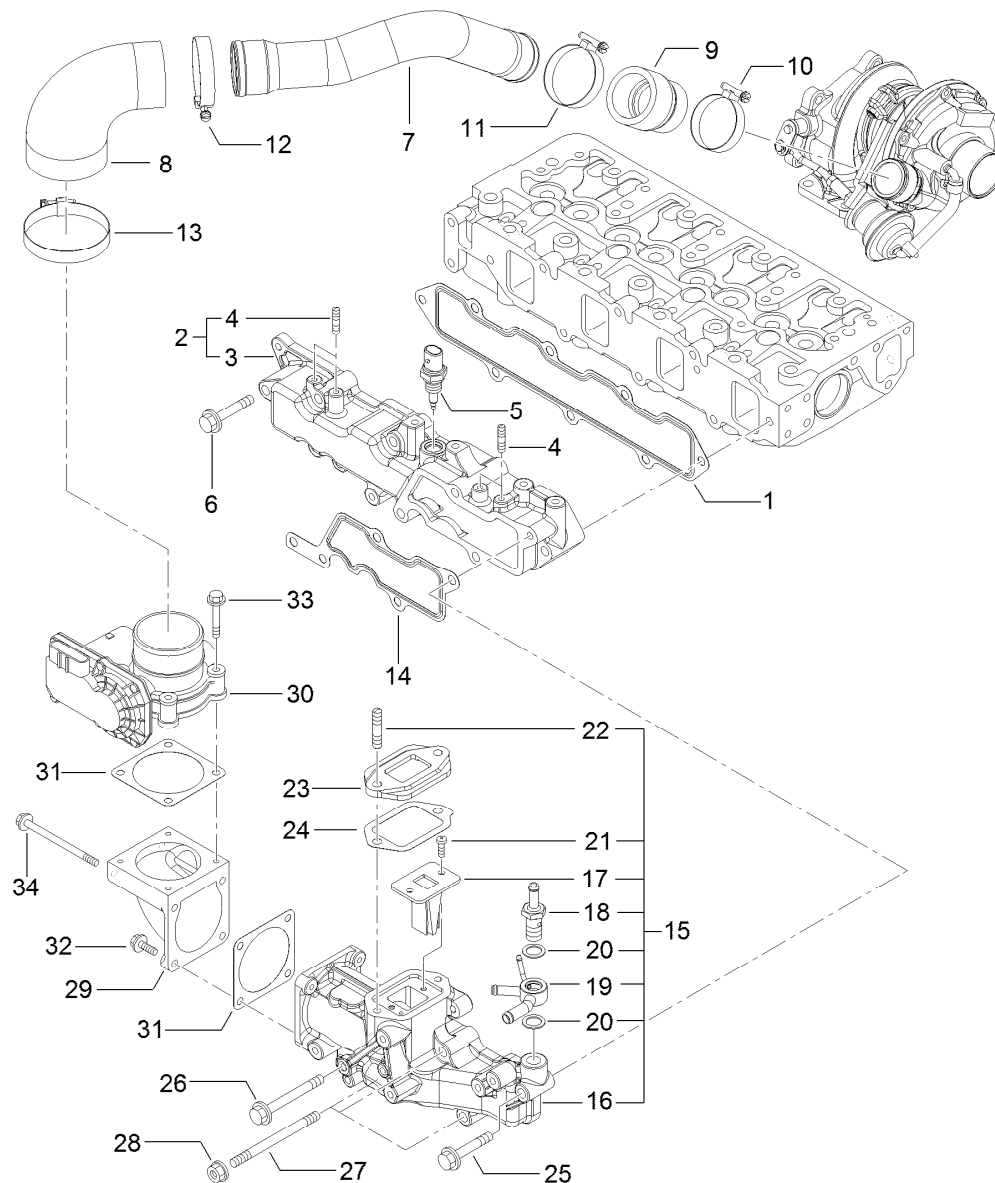


Flywheel Housing and Oil Sump Assembly (continued)

| <i>Ref.</i> | <i>Part Number</i> | <i>Qty.</i> | <i>Description</i> | <i>Ref.</i> | <i>Part Number</i> | <i>Qty.</i> | <i>Description</i> |
|-------------|--------------------|-------------|--------------------|-------------|--------------------|-------------|----------------------|
| 1 | 125-6995 | 2 | Pin | 12 | 125-7215 | 2 | Bolt |
| 2 | 127-3025 | 1 | Housing-Flywheel | 13 | 125-7219 | 20 | Bolt |
| 3 | 125-6910 | 1 | Cap | 14 | 125-7220 | 4 | Bolt |
| 4 | 125-7226 | 6 | Bolt | 15 | 125-6995 | 2 | Pin |
| 5 | 125-7227 | 4 | Bolt | 16 | 125-6996 | 1 | Case ASM |
| 6 | 138-7826 | 1 | Oil Pan ASM | 18 | 125-7106 | 1 | Seal-Oil |
| 7 | 125-6912 | 1 | Plug-Drain | 19 | 125-7045 | 6 | Bolt |
| 9 | 125-7177 | 1 | Washer-Seal | 20 | 125-7217 | 3 | Bolt |
| 10 | 125-7035 | 1 | Spacer | 21 | 127-3062 | 1 | Sensor-Rev, Flywheel |
| 11 | 125-7214 | 4 | Bolt | 22 | 127-3184 | 1 | Bolt |

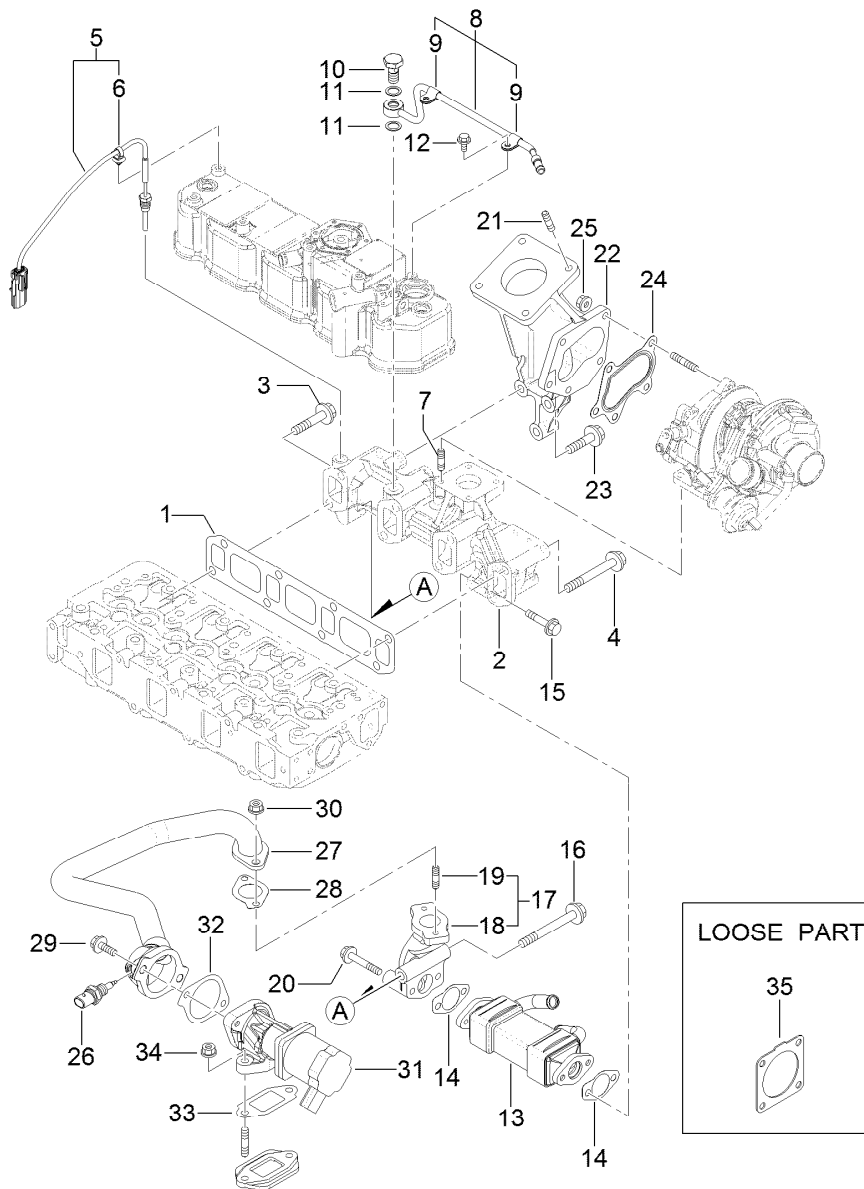
Cylinder Head and Cover Assembly (continued)

| <i>Ref.</i> | <i>Part Number</i> | <i>Qty.</i> | <i>Description</i> | <i>Ref.</i> | <i>Part Number</i> | <i>Qty.</i> | <i>Description</i> |
|-------------|--------------------|-------------|-------------------------|-------------|--------------------|-------------|-------------------------|
| 1 | 127-3005 | 1 | Shaft ASM | 42 | 125-6961 | 1 | Plate-Breather |
| 2 | 127-3006 | 1 | Shaft | 43 | 125-6962 | 1 | Spring-Diaphragm |
| 4 | 127-2974 | 2 | Support | 45 | 127-3106 | 1 | Gasket-Cover |
| 5 | 127-2975 | 3 | Support | 46 | 127-3026 | 1 | Joint |
| 6 | 127-2995 | 4 | Spring | 47 | 125-6994 | 1 | Spring |
| 7 | 127-2989 | 8 | Arm-Rocker | 48 | 127-3029 | 1 | Sensor-Pressure |
| 8 | 125-7013 | 8 | Screw-Adjust, Valve | 49 | 127-3032 | 2 | O Ring-Sensor, Pressure |
| 10 | 125-7014 | 8 | Nut | 50 | 127-3040 | 1 | Hose ASM |
| 11 | 127-3183 | 3 | Stud | 52 | 127-3041 | 2 | Clip-Hose |
| 12 | 127-2996 | 8 | Cap-Valve | 53 | 125-6913 | 1 | Plug |
| 13 | 127-3132 | 1 | Cylinder Head ASM | 54 | 125-7186 | 4 | Screw |
| 21 | 125-7240 | 2 | Plug | 55 | 125-7186 | 6 | Screw |
| 22 | 127-2990 | 4 | Valve | 56 | 125-7186 | 1 | Screw |
| 23 | 127-3012 | 8 | Spring | 57 | 127-3184 | 2 | Bolt |
| 24 | 127-2994 | 4 | Valve | 58 | 125-6974 | 3 | Knob |
| 25 | 127-3013 | 8 | Retainer-Spring | 59 | 127-2978 | 1 | Plug |
| 26 | 127-2986 | 4 | Seal-Stem, Valve | 60 | 93-0418 | 3 | O-Ring |
| 27 | 127-3027 | 4 | Seal-Stem, Valve | 61 | 127-3128 | 1 | Joint-Breather |
| 28 | 127-3186 | 8 | Pin-Cotter | 62 | 127-3129 | 1 | Breather Hose ASM |
| 30 | 127-3021 | 4 | Gasket-Injector | 64 | 125-7040 | 2 | Clip-Hose |
| 31 | 127-3028 | 4 | Retainer-Injector | 66 | 127-3133 | 1 | Hose-Intake |
| 32 | 127-2980 | 4 | Washer-Injector | 67 | 127-3030 | 1 | Sensor-Temp, Air |
| 33 | 125-7184 | 2 | Pin-Spring | 68 | 127-3033 | 1 | O-Ring |
| 34 | 125-7215 | 3 | Bolt | 69 | 125-7190 | 2 | Clamp-Hose |
| 35 | 125-7217 | 4 | Bolt | 70 | 125-7208 | 1 | Bolt |
| 36 | 125-7220 | 7 | Bolt | 71 | 127-3130 | 1 | Lifter-Engine |
| 37 | 127-3131 | 1 | Cylinder Head Cover ASM | 72 | 125-7214 | 2 | Bolt |
| 38 | 127-2988 | 1 | Plate | 73 | 127-2991 | 4 | Plug-Glow |
| 39 | 125-7012 | 1 | Baffle | 74 | 127-3123 | 1 | Connector-Glow Plug |
| 40 | 125-6959 | 1 | Diaphragm | 75 | 127-2979 | 4 | Guide |
| 41 | 125-6960 | 1 | Plate | 76 | 127-2997 | 4 | Guide-Valve |



Suction Manifold Assembly

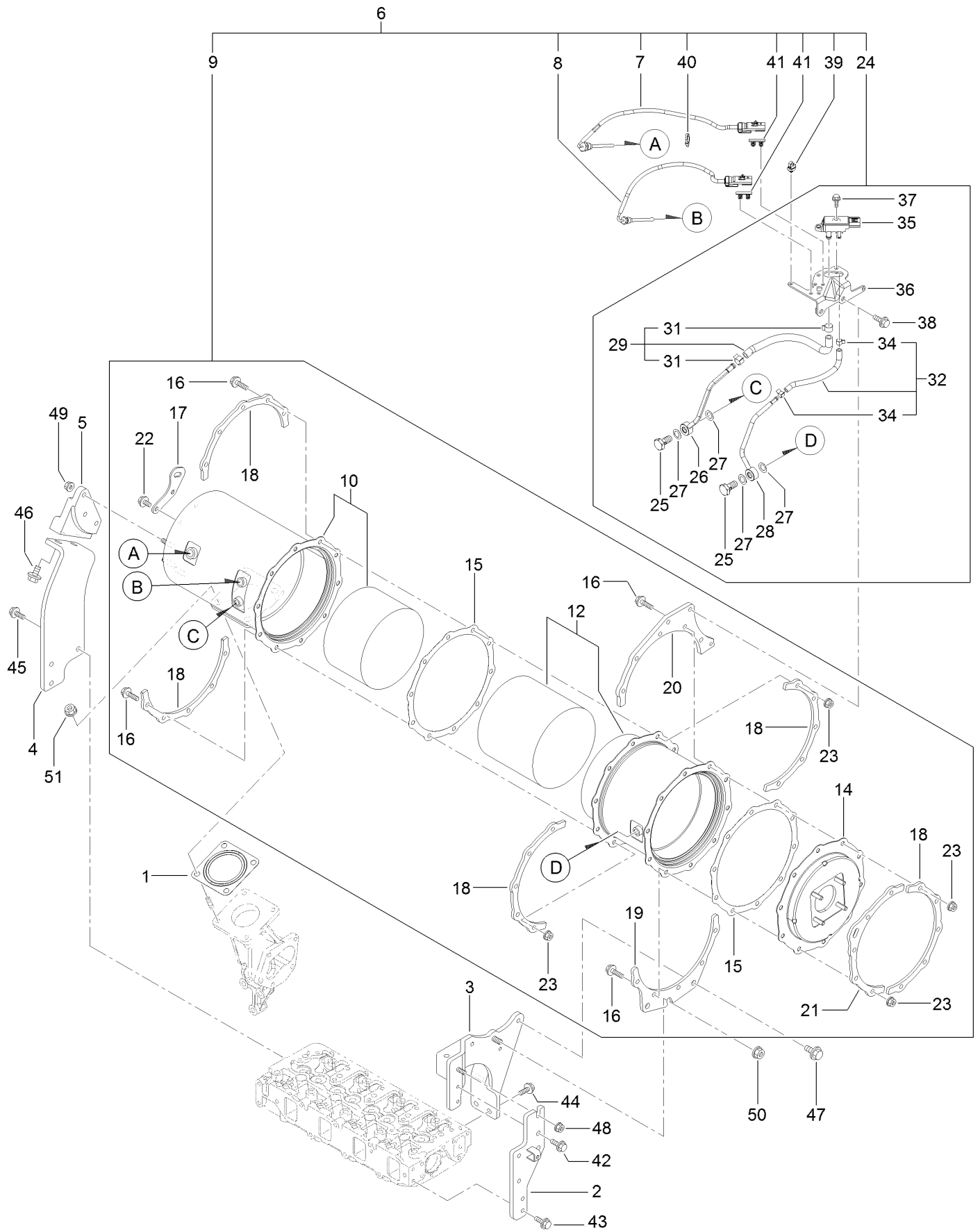
| Ref. | Part Number | Qty. | Description | Ref. | Part Number | Qty. | Description |
|------|-------------|------|-------------------------|------|-------------|------|---------------------|
| 1 | 127-3107 | 1 | Gasket-Manifold, Intake | 18 | 127-3080 | 1 | Joint-Hose |
| 2 | 127-3135 | 1 | Intake Manifold ASM | 19 | 127-3081 | 1 | Joint-Hose |
| 3 | 127-3134 | 1 | Manifold-Intake | 20 | 127-3166 | 2 | Washer-Seal |
| 4 | 127-3180 | 4 | Stud | 21 | 127-3168 | 2 | Screw |
| 5 | 127-3031 | 1 | Sensor-Temp, Air | 22 | 127-3181 | 2 | Stud |
| 6 | 125-7220 | 5 | Bolt | 23 | 127-3045 | 1 | Spacer-Valve, E G R |
| 7 | 127-3152 | 1 | Duct-Suction | 24 | 127-3046 | 1 | Gasket-E G R |
| 8 | 127-3096 | 1 | Joint-Rubber | 25 | 125-7220 | 1 | Bolt |
| 9 | 127-3153 | 1 | Joint-Rubber | 26 | 127-3178 | 1 | Bolt |
| 10 | 125-7189 | 1 | Clamp-Hose | 27 | 127-3182 | 3 | Stud |
| 11 | 127-3170 | 1 | Clamp-Hose | 28 | 125-7229 | 3 | Nut |
| 12 | 125-7190 | 1 | Clamp-Hose | 29 | 127-3035 | 1 | Bend-Inlet |
| 13 | 127-3171 | 1 | Clamp-Hose | 30 | 127-3036 | 1 | Body-Throttle |
| 14 | 127-3034 | 1 | Gasket-Collector | 31 | 127-3037 | 2 | Gasket-Throttle |
| 15 | 127-3093 | 1 | Intake Collector ASM | 32 | 125-7209 | 2 | Gasket |
| 16 | 127-3092 | 1 | Collector-Intake | 33 | 125-7211 | 4 | Bolt |
| 17 | 127-3139 | 1 | Valve-Reed | 34 | 127-3177 | 2 | Bolt |



Exhaust Manifold Assembly

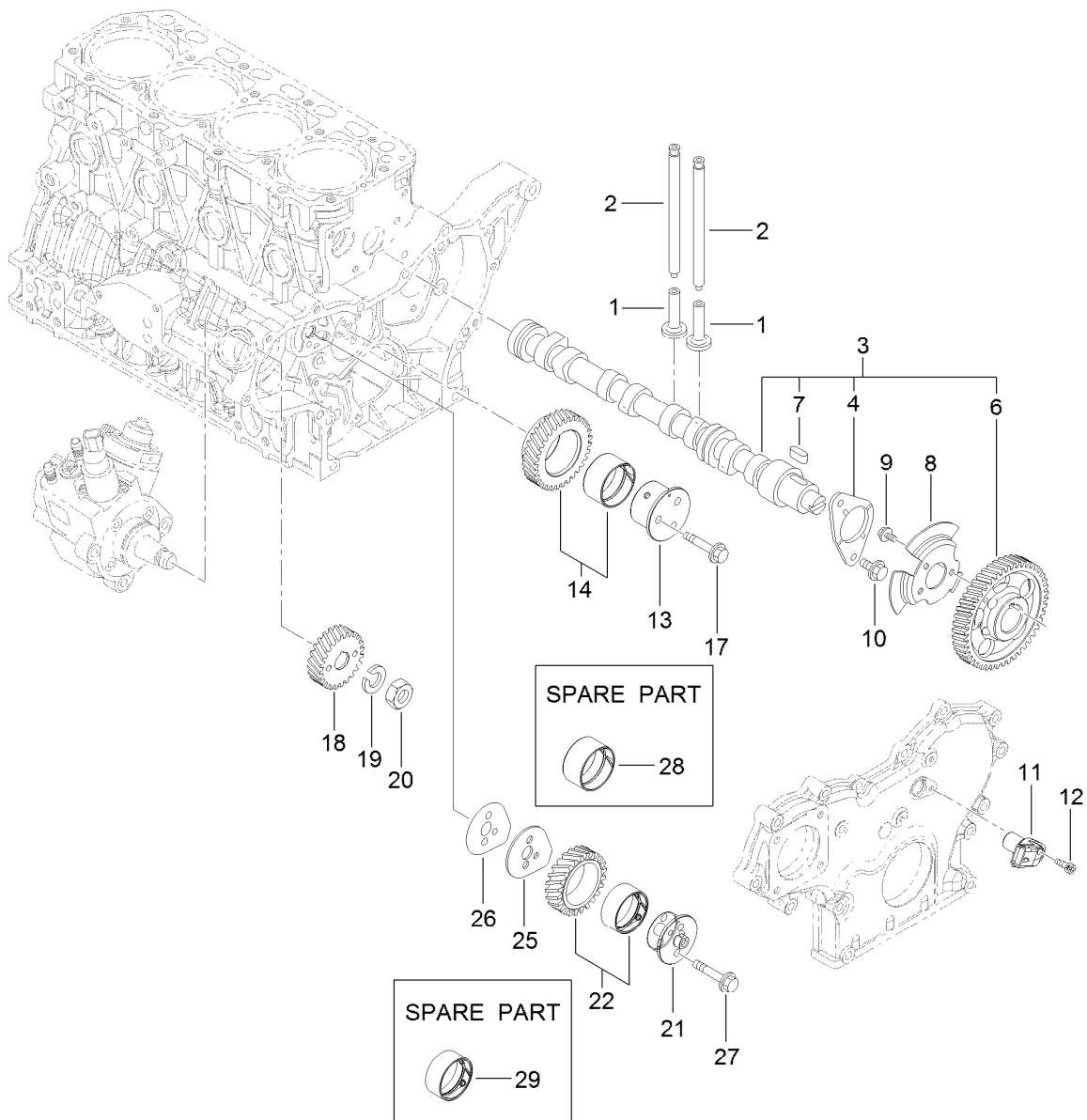
| Ref. | Part Number | Qty. | Description | Ref. | Part Number | Qty. | Description |
|------|-------------|------|--------------------------|------|-------------|------|----------------------------|
| 1 | 127-3108 | 1 | Gasket-Manifold, Exhaust | 19 | 125-7043 | 2 | Stud |
| 2 | 127-3136 | 1 | Manifold-Exhaust | 20 | 125-7220 | 2 | Bolt |
| 3 | 127-3094 | 1 | Bolt | 21 | 127-2984 | 4 | Stud |
| 4 | 127-3044 | 7 | Bolt-M10 | 22 | 127-3137 | 1 | Pipe-Exhaust |
| 5 | 127-3140 | 1 | Sensor-Temp, Exhaust | 23 | 127-3138 | 3 | Bolt-Flange |
| 6 | 127-3087 | 1 | Band-Clip | 24 | 125-7071 | 1 | Gasket |
| 7 | 125-7043 | 4 | Stud | 25 | 125-7229 | 5 | Nut |
| 8 | 127-3038 | 1 | Exhaust Pipe ASM | 26 | 127-3047 | 1 | Sensor-Gas Temp, E G R |
| 9 | 127-3173 | 2 | Clamp | 27 | 127-3109 | 1 | E G R Pipe ASM |
| 10 | 127-3039 | 1 | Bolt-Joint, Pipe | 28 | 127-3016 | 1 | Gasket |
| 11 | 127-3174 | 2 | Gasket | 29 | 125-7215 | 2 | Bolt |
| 12 | 125-7206 | 2 | Bolt | 30 | 125-7229 | 2 | Nut |
| 13 | 127-3042 | 1 | Cooler-E G R | 31 | 127-3110 | 1 | Valve-E G R |
| 14 | 127-3043 | 2 | Gasket-Cooler, E G R | 32 | 127-3050 | 1 | Gasket-Intake Valve, E G R |
| 15 | 127-2976 | 2 | Bolt | 33 | 127-3051 | 1 | Gasket-Out Valve, E G R |
| 16 | 127-3022 | 1 | Bolt-Flange | 34 | 125-7229 | 2 | Nut |
| 17 | 127-3048 | 1 | E G R Pipe ASM | 35 | 127-3019 | 1 | Gasket |
| 18 | 127-3049 | 1 | Pipe-Out, E G R | | | | |

Diesel Particulate Filter Assembly



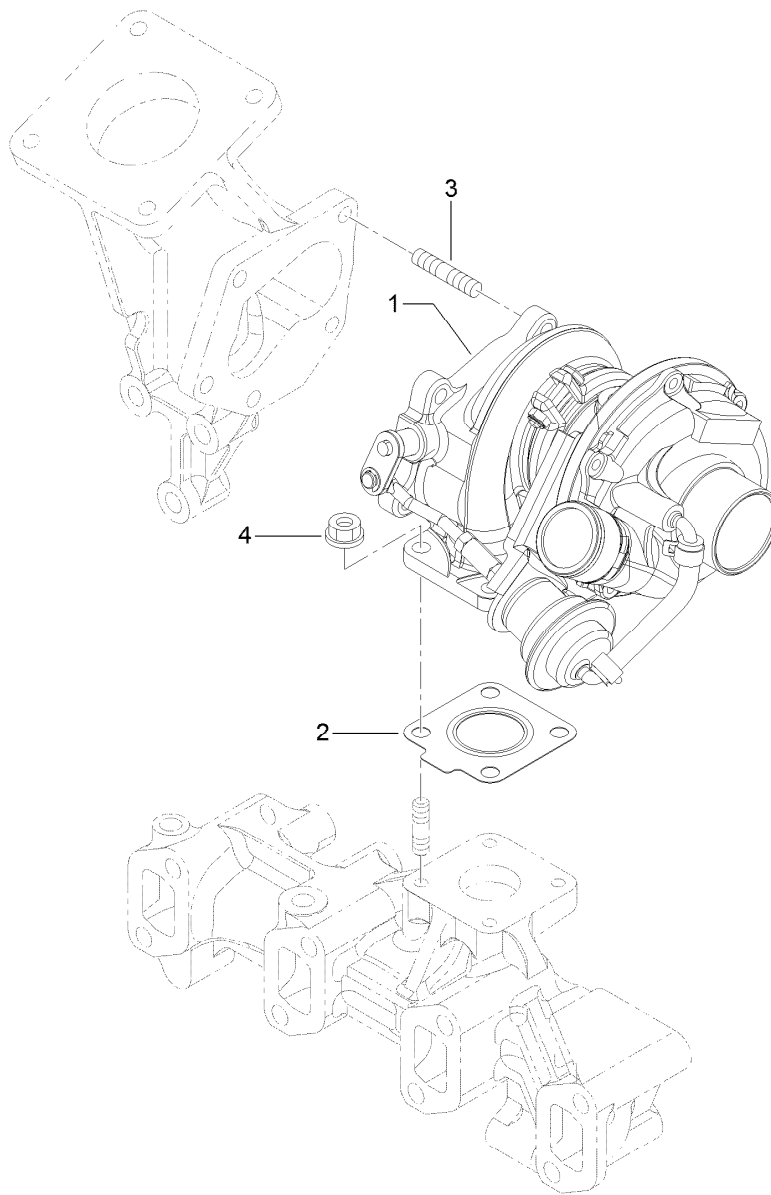
Diesel Particulate Filter Assembly (continued)

| <i>Ref.</i> | <i>Part Number</i> | <i>Qty.</i> | <i>Description</i> | <i>Ref.</i> | <i>Part Number</i> | <i>Qty.</i> | <i>Description</i> |
|-------------|--------------------|-------------|---------------------------|-------------|--------------------|-------------|------------------------------|
| 1 | 127-2987 | 1 | Gasket-Silencer | 27 | 127-3056 | 4 | Gasket-Sensor |
| 2 | 127-3095 | 1 | Stay-D P F | 28 | 127-3165 | 1 | Exhaust Pressure Pipe ASM |
| 3 | 127-3148 | 1 | Stay- D P F | 29 | 127-3114 | 1 | Exhaust Hose ASM |
| 4 | 127-3149 | 1 | Stay-D P F | 31 | 127-3057 | 2 | Clip-Hose |
| 5 | 127-3150 | 1 | Stay-D P F | 32 | 127-3059 | 1 | Exhaust Pressure Hose ASM |
| 6 | 127-3159 | 1 | D P F Unit | 34 | 127-3058 | 2 | Clip-Hose |
| 7 | 127-4764 | 1 | Sensor-Temp, Exhaust | 35 | 127-3060 | 1 | Sensor-Pressure |
| 8 | 127-3112 | 1 | Sensor-Temp, Exhaust | 36 | 127-3061 | 1 | Bracket-Sensor, Pressure |
| 9 | 127-3157 | 1 | D P F ASM | 37 | 125-7208 | 2 | Bolt |
| 10 | 127-3141 | 1 | Case-Doc | 38 | 125-7595 | 2 | Bolt |
| 12 | 127-3142R | 1 | Case-Filter, Soot-Recon | 39 | 127-3087 | 1 | Band-Clip |
| 12 | 127-3142 | 1 | Case-Filter, Soot | 40 | 127-3124 | 1 | Band |
| 14 | 127-3143 | 1 | Flange-Outlet | 41 | 127-3088 | 2 | Clip-Connector |
| 15 | 127-3162 | 2 | Gasket-D P F | 42 | 125-7595 | 2 | Bolt |
| 16 | 127-3055 | 20 | Bolt | 43 | 125-7595 | 2 | Bolt |
| 17 | 127-3144 | 1 | Lifter-D P F | 44 | 125-7595 | 2 | Bolt |
| 18 | 127-3145 | 5 | Stiffener-D P F, A | 45 | 125-7595 | 3 | Bolt |
| 19 | 127-3146 | 1 | Stiffener-D P F, B | 46 | 127-3179 | 2 | Bolt |
| 20 | 127-3158 | 1 | Stiffener-D P F, D | 47 | 127-3179 | 2 | Bolt |
| 21 | 127-3147 | 1 | Stiffener-D P F, C | 48 | 125-7229 | 1 | Nut |
| 22 | 125-7213 | 2 | Bolt | 49 | 125-7229 | 3 | Nut |
| 23 | 125-7229 | 20 | Nut | 50 | 125-7230 | 1 | Nut |
| 24 | 127-3163 | 1 | Pressure Sensor Unit | 51 | 125-7230 | 4 | Nut |
| 25 | 127-3039 | 2 | Bolt-Joint, Pipe | | | | |
| 26 | 127-3164 | 1 | Exhaust Pressure Pipe ASM | | | | |



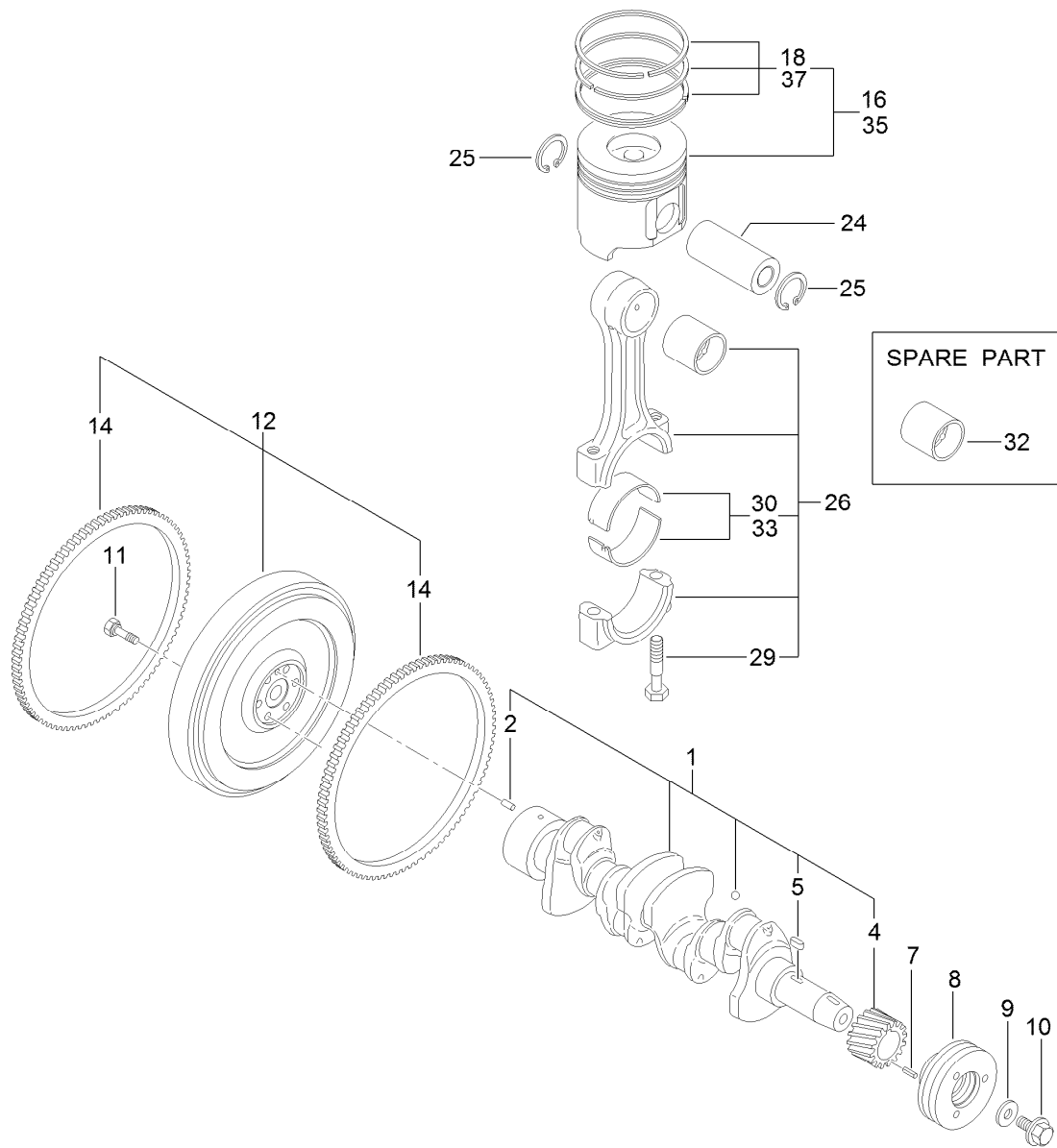
Camshaft and Driving Gear Assembly

| Ref. | Part Number | Qty. | Description | Ref. | Part Number | Qty. | Description |
|------|-------------|------|--------------------|------|-------------|------|----------------------|
| 1 | 125-7016 | 8 | Tappet | 14 | 127-3066 | 1 | Idle Gear A ASM |
| 2 | 125-7017 | 8 | Rod-Push | 17 | 125-7219 | 3 | Bolt |
| 3 | 127-3113 | 1 | Camshaft ASM | 18 | 127-3070 | 1 | Gear-Pump, Supply |
| 4 | 125-7008 | 1 | Metal-Thrust | 19 | 127-3167 | 1 | Washer-Spring |
| 6 | 127-3052 | 1 | Gear-Camshaft | 20 | 127-3185 | 1 | Nut-Lock |
| 7 | 125-7185 | 1 | Key | 21 | 127-3064 | 1 | Shaft-Idle, Gear B |
| 8 | 127-3053 | 1 | Pulser-Camshaft | 22 | 127-3067 | 1 | Idle Gear B ASM |
| 9 | 125-7205 | 3 | Bolt | 25 | 127-3068 | 1 | Plate-Idle, Shaft |
| 10 | 125-7213 | 2 | Bolt | 26 | 127-3069 | 1 | Gasket-Idle, Shaft B |
| 11 | 127-3054 | 1 | Sensor-Rev, Gear | 27 | 125-7218 | 2 | Bolt |
| 12 | 127-3184 | 1 | Bolt | 28 | 125-6927 | 1 | Bushing |
| 13 | 127-3063 | 1 | Shaft-Idle, Gear A | 29 | 127-3065 | 1 | Bushing |



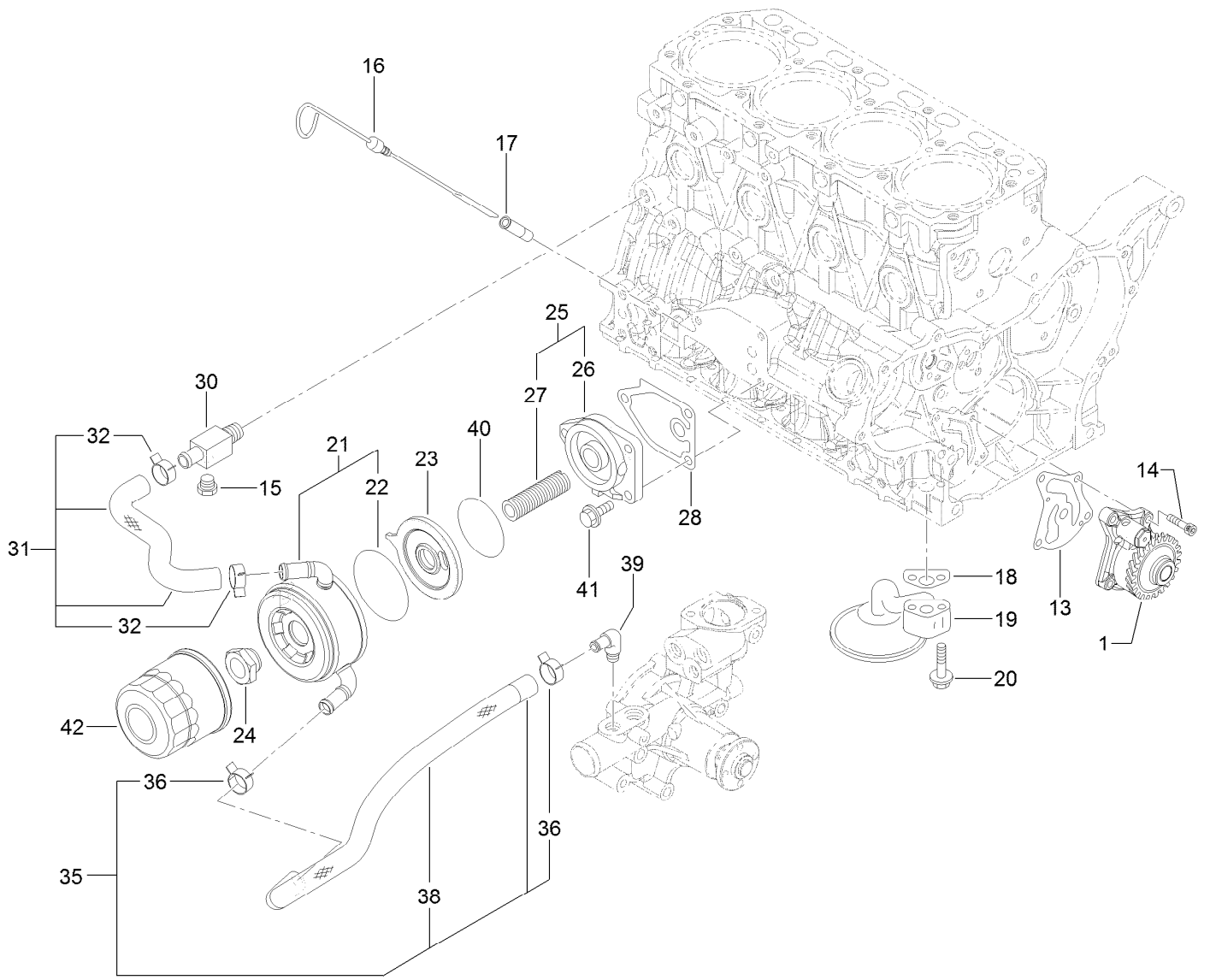
Turbine Assembly

| <i>Ref.</i> | <i>Part Number</i> | <i>Qty.</i> | <i>Description</i> |
|-------------|--------------------|-------------|--------------------|
| 1 | 127-3151 | 1 | Turbine ASM |
| 2 | 125-7070 | 1 | Gasket |
| 3 | 125-6906 | 5 | Stud |
| 4 | 125-7229 | 4 | Nut |



Crankshaft and Piston Assembly

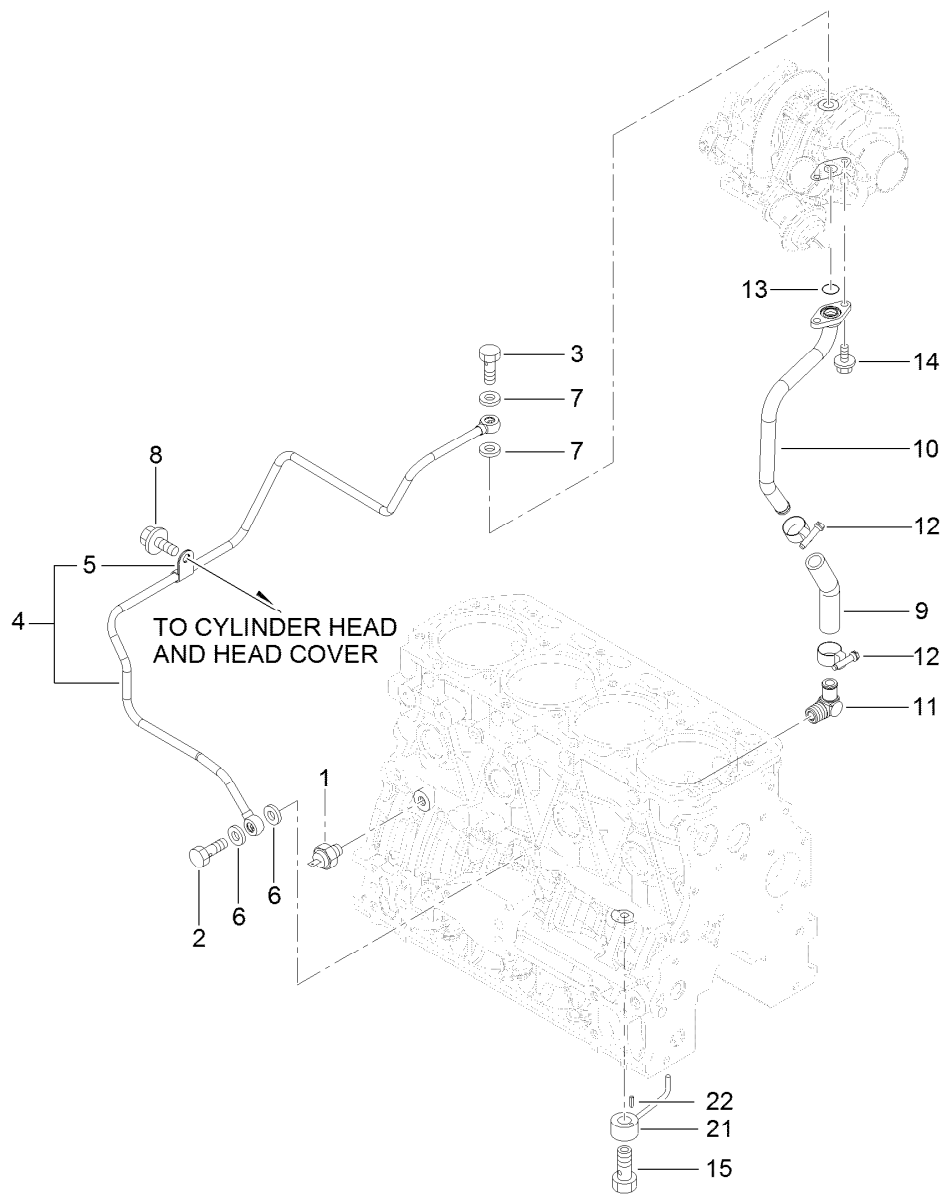
| Ref. | Part Number | Qty. | Description | Ref. | Part Number | Qty. | Description |
|------|-------------|------|----------------|------|-------------|------|-----------------------------|
| 1 | 125-7091 | 1 | Crankshaft ASM | 16 | 127-3097 | 4 | Piston ASM |
| 2 | 125-6995 | 1 | Pin | 18 | 127-3098 | 4 | Piston Ring ASM |
| 4 | 125-6937 | 1 | Gear | 24 | 125-7030 | 4 | Pin |
| 5 | 125-7185 | 1 | Key | 25 | 125-7180 | 8 | Ring |
| 7 | 125-7182 | 1 | Pin-Spring | 26 | 125-7242 | 4 | Connecting Rod ASM |
| 8 | 125-6925 | 1 | V-Pulley | 29 | 125-6955 | 8 | Bolt |
| 9 | 125-7109 | 1 | Washer | 30 | 125-7018 | 4 | Pin-Crank |
| 10 | 125-6956 | 1 | Bolt | 32 | 125-6997 | 4 | Pin-Piston |
| 11 | 125-6951 | 6 | Bolt | 33 | 125-7019 | 4 | Pin-Crank (.25) |
| 12 | 127-3160 | 1 | Flywheel ASM | 35 | 127-3099 | 4 | Piston ASM (0.25 O.S.) |
| 14 | 125-6943 | 1 | Gear | 37 | 127-3100 | 4 | Piston Ring ASM (0.25 O.S.) |



Lubrication and Oil System Assembly

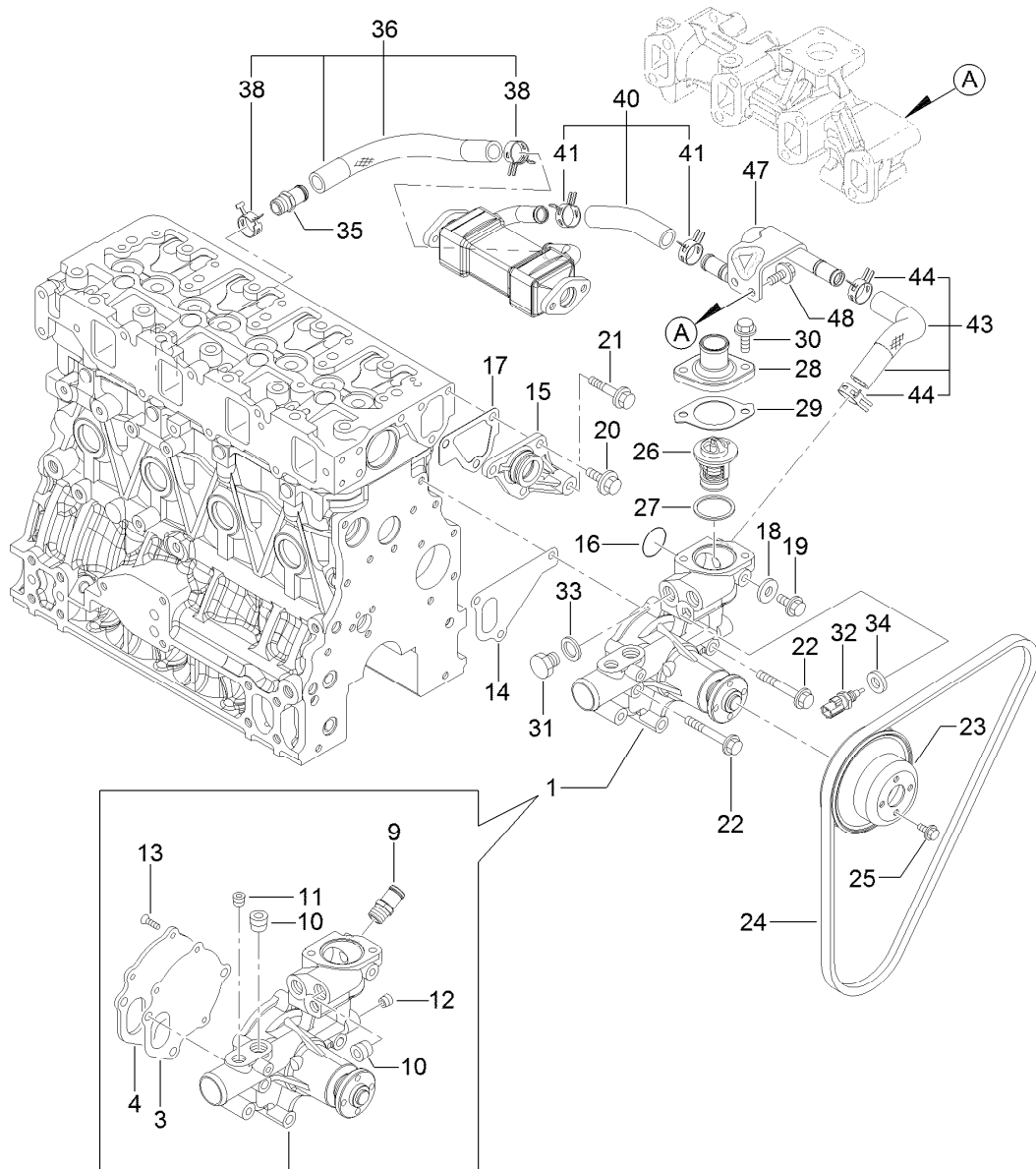
| Ref. | Part Number | Qty. | Description |
|------|-------------|------|-------------------|
| 1 | 127-3101 | 1 | Oil Lube Pump ASM |
| 13 | 127-3004 | 1 | Gasket |
| 14 | 125-7232 | 4 | Bolt |
| 15 | 125-7171 | 1 | Plug-Drain |
| 16 | 125-6987 | 1 | Dipstick |
| 17 | 125-6954 | 1 | Guide-Dipstick |
| 18 | 125-7022 | 1 | Gasket |
| 19 | 125-7023 | 1 | Pipe ASM |
| 20 | 125-7217 | 2 | Bolt |
| 21 | 127-3014 | 1 | Cooler ASM |
| 22 | 127-2985 | 1 | O-Ring |
| 23 | 127-3015 | 1 | Bracket-Cooler |
| 24 | 125-7041 | 1 | Nut-Cooler, Oil |
| 25 | 127-3009 | 1 | Bracket ASM |

| Ref. | Part Number | Qty. | Description |
|------|-------------|------|---------------------|
| 26 | 125-6930 | 1 | Bracket |
| 27 | 127-3010 | 1 | Stud |
| 28 | 125-7024 | 1 | Gasket |
| 30 | 125-6990 | 1 | Joint |
| 31 | 127-3102 | 1 | Pipe-Cooling, Water |
| 32 | 125-7162 | 2 | Clip |
| 35 | 127-3103 | 1 | Hose-Cooling, Water |
| 36 | 125-7162 | 2 | Clip |
| 38 | 127-3007 | 1 | Tube |
| 39 | 125-7001 | 1 | Elbow |
| 40 | 127-3176 | 1 | O-Ring |
| 41 | 125-7595 | 3 | Bolt |
| 42 | 125-7025 | 1 | Filter-Engine, Oil |



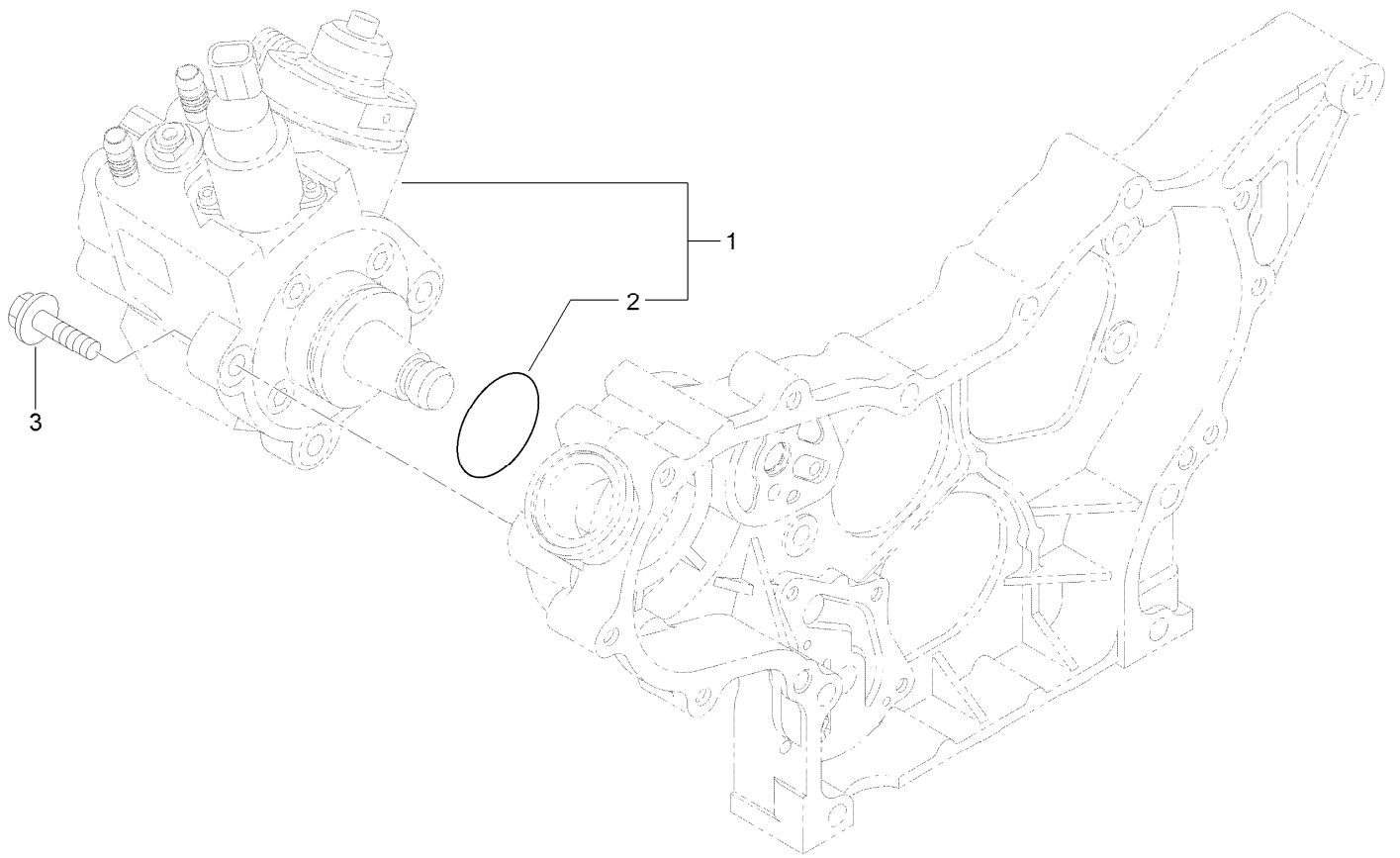
Lubrication Oil Line Assembly

| <i>Ref.</i> | <i>Part Number</i> | <i>Qty.</i> | <i>Description</i> | <i>Ref.</i> | <i>Part Number</i> | <i>Qty.</i> | <i>Description</i> |
|-------------|--------------------|-------------|--------------------|-------------|--------------------|-------------|--------------------|
| 1 | 125-6918 | 1 | Switch-Oil | 10 | 127-3155 | 1 | Pipe-Lube, Oil |
| 2 | 125-6975 | 1 | Bolt-Joint, Pipe | 11 | 127-3003 | 1 | Elbow |
| 3 | 125-6952 | 1 | Bolt-Joint, Pipe | 12 | 127-3169 | 2 | Clamp-Hose |
| 4 | 127-3154 | 1 | Lube Oil Pipe ASM | 13 | 125-7198 | 1 | O-Ring |
| 5 | 125-6976 | 1 | Retainer | 14 | 125-7208 | 2 | Bolt |
| 6 | 125-7175 | 2 | Washer-Seal | 15 | 125-7105 | 4 | Check Valve ASM |
| 7 | 125-7193 | 2 | Gasket | 21 | 125-7098 | 4 | Nozzle |
| 8 | 93-0362 | 1 | Bolt | 22 | 125-7182 | 4 | Pin-Spring |
| 9 | 127-2992 | 1 | Joint | | | | |



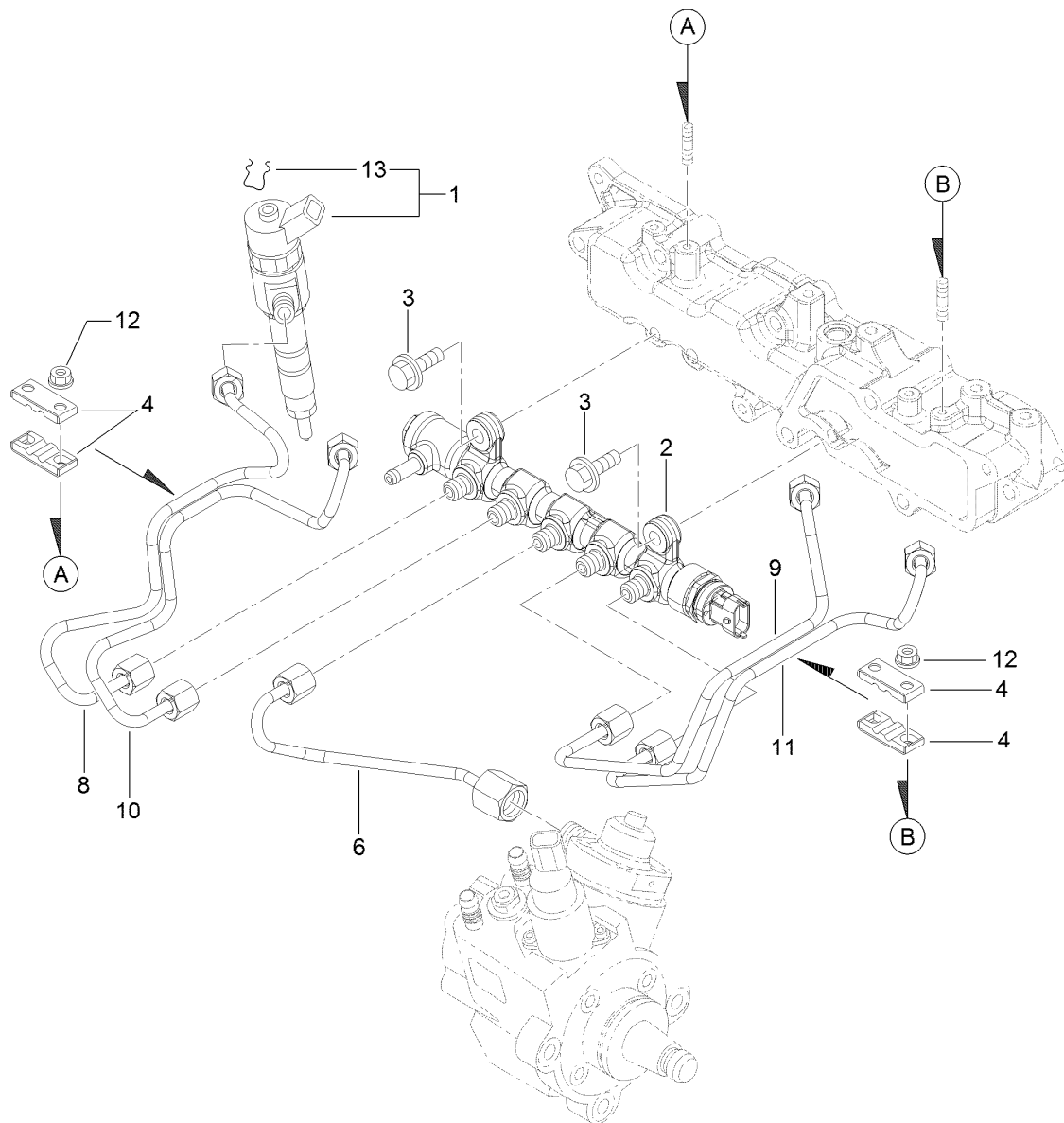
Cooling Water System Assembly

| Ref. | Part Number | Qty. | Description | Ref. | Part Number | Qty. | Description |
|------|-------------|------|----------------|------|-------------|------|-----------------------|
| 1 | 127-3071 | 1 | Water Pump ASM | 25 | 125-7206 | 4 | Bolt |
| 3 | 125-6998 | 1 | Gasket | 26 | 125-7029 | 1 | Thermostat |
| 4 | 125-6999 | 1 | Plate | 27 | 125-7026 | 1 | Gasket |
| 9 | 127-3017 | 1 | Joint | 28 | 125-7034 | 1 | Cover |
| 10 | 125-7123 | 2 | Plug | 29 | 125-7110 | 1 | Gasket |
| 11 | 127-3175 | 1 | Plug | 30 | 125-7594 | 2 | Bolt |
| 12 | 125-7195 | 1 | Plug | 31 | 125-6953 | 1 | Plug |
| 13 | 125-7234 | 3 | Screw | 32 | 125-7124 | 1 | Sensor-Thermostat, CW |
| 14 | 125-7047 | 1 | Gasket | 33 | 125-6979 | 1 | Gasket |
| 15 | 125-6986 | 1 | Joint | 34 | 125-7176 | 1 | Washer-Seal |
| 16 | 125-7048 | 1 | O-Ring | 35 | 127-3017 | 1 | Joint |
| 17 | 125-6978 | 1 | Gasket | 36 | 127-3072 | 1 | Water In Pipe ASM |
| 18 | 125-7192 | 1 | Gasket | 38 | 127-3020 | 2 | Clip-Hose |
| 19 | 93-0362 | 1 | Bolt | 40 | 127-3115 | 1 | Water Out Pipe ASM |
| 20 | 125-7214 | 3 | Bolt | 41 | 127-3020 | 2 | Clip-Hose |
| 21 | 125-7219 | 1 | Bolt | 43 | 127-3116 | 1 | Water Out Pipe ASM |
| 22 | 125-7222 | 3 | Bolt | 44 | 127-3020 | 2 | Clip-Hose |
| 23 | 125-7039 | 1 | V-Pulley | 47 | 127-3117 | 1 | Pipe-Out, CW |
| 24 | 127-2998 | 1 | V-Belt | 48 | 125-7214 | 2 | Bolt |



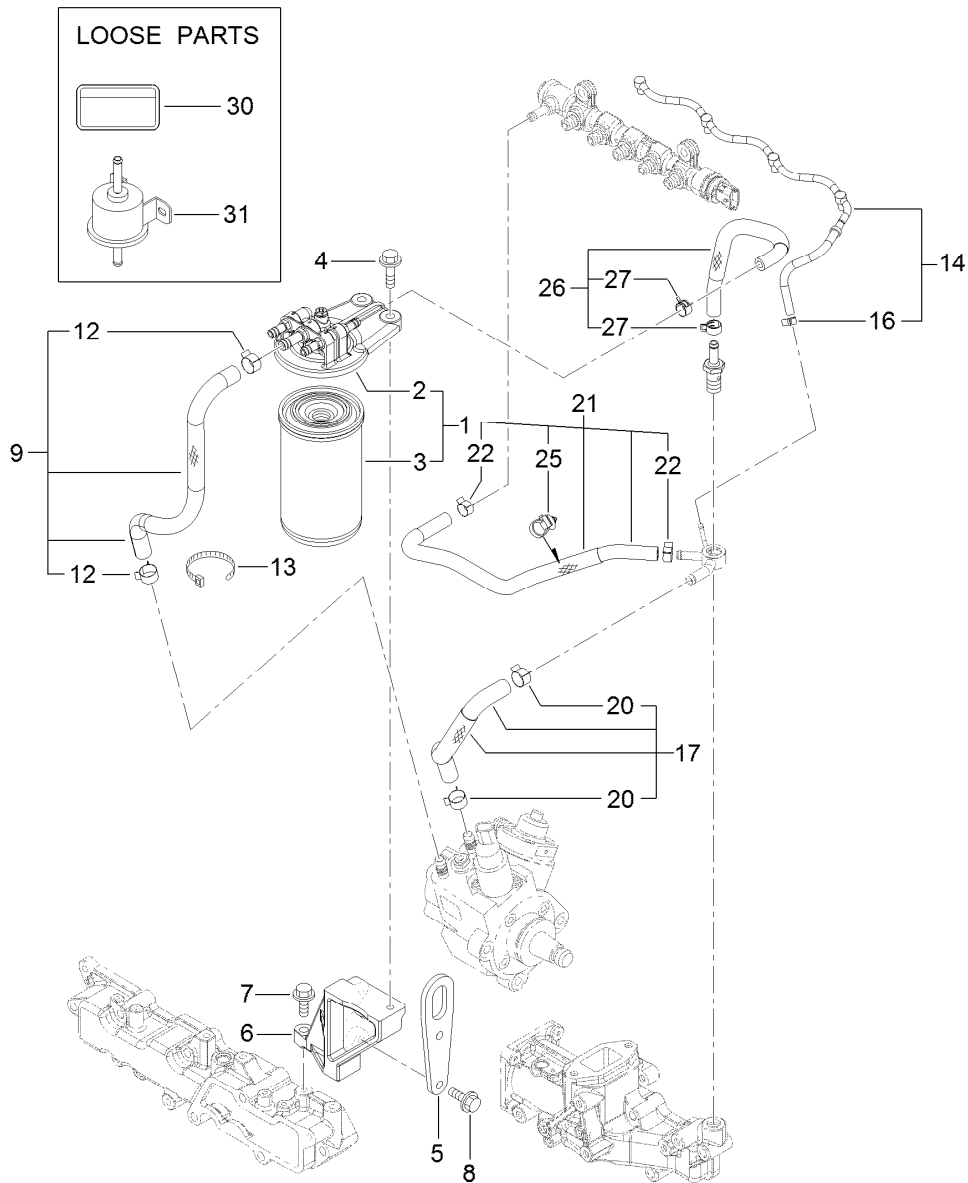
Fuel System Assembly

| <i>Ref.</i> | <i>Part Number</i> | <i>Qty.</i> | <i>Description</i> |
|-------------|--------------------|-------------|--------------------|
| 1 | 127-3073 | 1 | Fuel Pump ASM |
| 2 | 127-3074 | 1 | O-Ring |
| 3 | 125-7216 | 3 | Bolt |



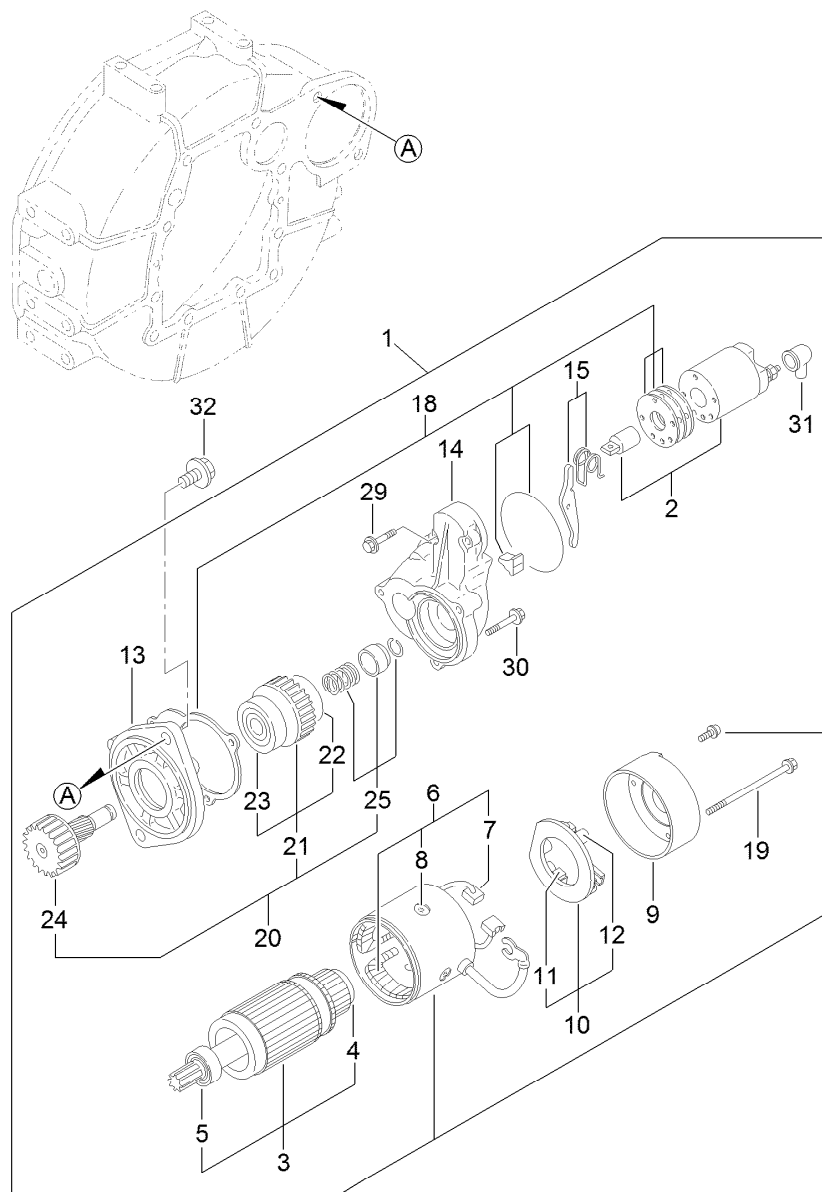
Fuel Injection Valve Assembly

| Ref. | Part Number | Qty. | Description |
|------|-------------|------|--------------------|
| 1 | 127-3104 | 4 | Injector ASM |
| 2 | 127-3118 | 1 | Rail ASM |
| 3 | 125-7215 | 2 | Bolt |
| 4 | 127-2982 | 4 | Retainer |
| 6 | 127-3082 | 1 | Rail In Pipe ASM |
| 8 | 127-3121 | 1 | Injection Pipe ASM |
| 9 | 127-3083 | 1 | Injection Pipe ASM |
| 10 | 127-3122 | 1 | Injection Pipe ASM |
| 11 | 127-3084 | 1 | Injection Pipe ASM |
| 12 | 125-7231 | 4 | Nut |
| 13 | 130-7430 | 4 | Ring-Retaining |



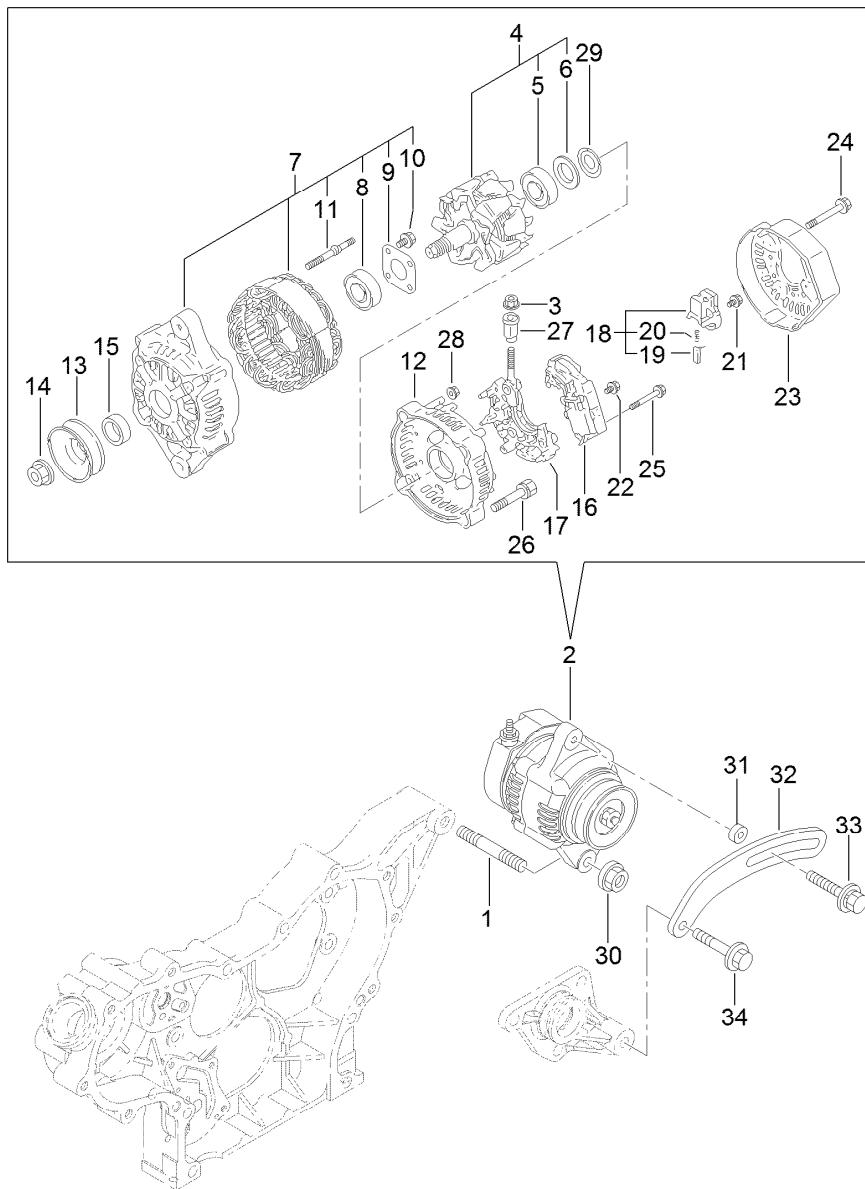
Fuel Line Assembly

| <i>Ref.</i> | <i>Part Number</i> | <i>Qty.</i> | <i>Description</i> | <i>Ref.</i> | <i>Part Number</i> | <i>Qty.</i> | <i>Description</i> |
|-------------|--------------------|-------------|-----------------------------|-------------|--------------------|-------------|-------------------------|
| 1 | 127-3075 | 1 | Fuel/Oil Filter ASM | 14 | 138-7845 | 1 | Return Pipe ASM |
| 2 | 127-3076 | 1 | Fuel/Oil Filter Bracket ASM | 16 | 127-3172 | 1 | Clamp-Hose |
| 3 | 125-8752 | 1 | Filter-Fuel/Oil | 17 | 127-3078 | 1 | Fuel Pipe ASM |
| 4 | 125-7216 | 2 | Bolt | 20 | 125-7191 | 2 | Clamp-Hose |
| 5 | 127-3091 | 1 | Lifter-Engine | 21 | 127-3119 | 1 | Fuel Pipe ASM |
| 6 | 127-3105 | 1 | Stay-Bracket, Filter | 22 | 127-2950 | 2 | Clip-Hose |
| 7 | 125-7215 | 1 | Bolt | 25 | 127-3087 | 1 | Band-Clip |
| 8 | 125-7216 | 2 | Bolt | 26 | 127-3079 | 1 | Fuel Pipe ASM |
| 9 | 127-3077 | 1 | Fuel Pipe ASM | 27 | 127-2950 | 2 | Clip-Hose |
| 12 | 125-7191 | 2 | Clamp-Hose | 30 | 125-6900 | 1 | Label-Caution, Fuel Oil |
| 13 | 127-2981 | 1 | Band | 31 | 127-3008 | 1 | Fuel Feed Pump ASM |



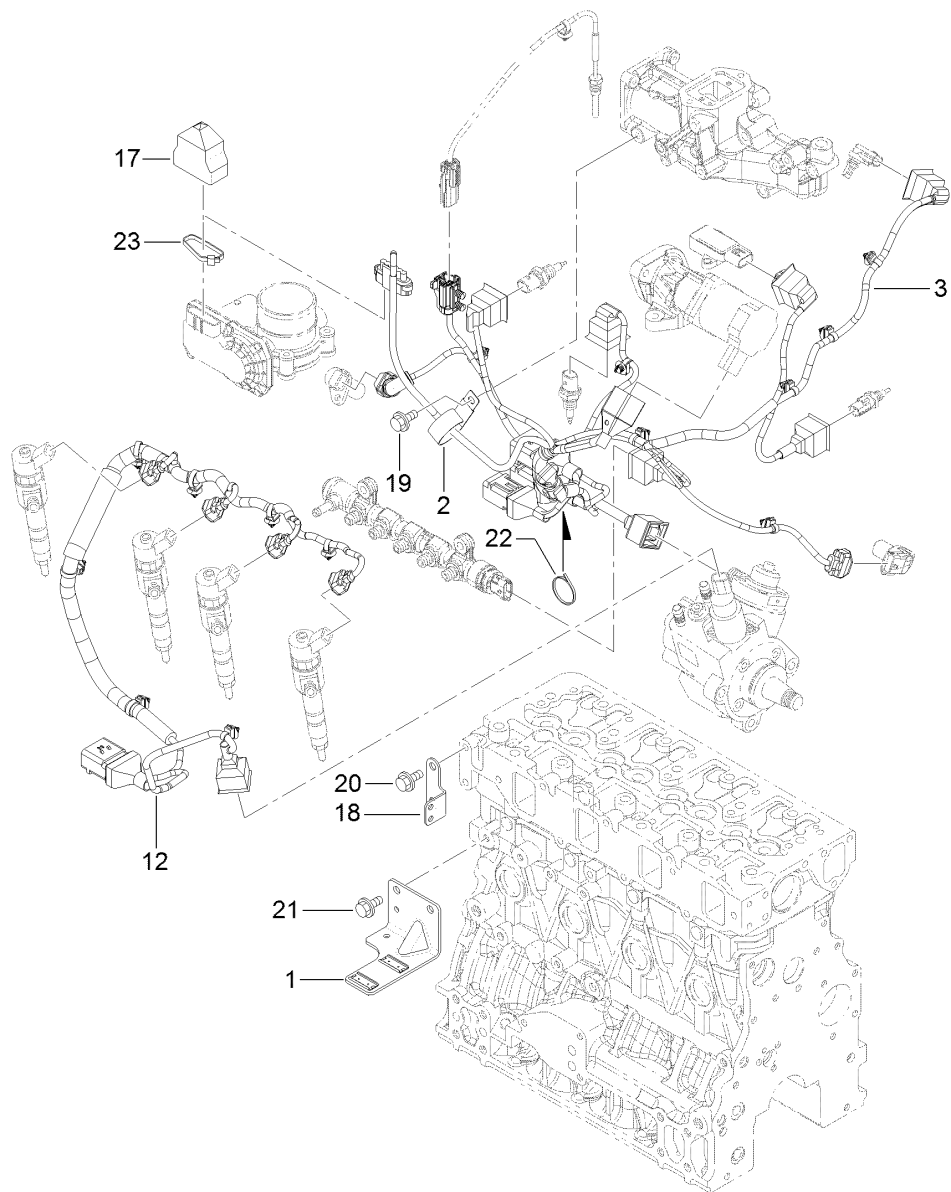
Starting Motor Assembly

| <i>Ref.</i> | <i>Part Number</i> | <i>Qty.</i> | <i>Description</i> | <i>Ref.</i> | <i>Part Number</i> | <i>Qty.</i> | <i>Description</i> |
|-------------|--------------------|-------------|--------------------|-------------|--------------------|-------------|--------------------|
| 1 | 125-7003 | 1 | Starter | 15 | 125-7165 | 1 | Lever Set |
| 2 | 125-7004 | 1 | Switch ASM | 18 | 125-7037 | 1 | Dust Cover ASM |
| 3 | 125-7112 | 1 | Armature ASM | 19 | 125-7117 | 2 | Bolt-Through |
| 4 | 125-7252 | 1 | Bearing-Ball | 20 | 125-7166 | 1 | Pinion ASM |
| 5 | 125-7249 | 1 | Bearing, Ball | 21 | 125-7250 | 1 | Clutch ASM |
| 6 | 125-7113 | 1 | Field Coil ASM | 22 | 125-7251 | 1 | Bearing-Ball |
| 7 | 125-7114 | 2 | Brush | 23 | 125-7253 | 1 | Bearing-Ball |
| 8 | 125-7163 | 4 | Screw | 24 | 125-7167 | 1 | Shaft |
| 9 | 125-7115 | 1 | Cover | 25 | 125-7168 | 1 | Stopper Set |
| 10 | 125-7116 | 1 | Brush Holder ASM | 29 | 125-7210 | 2 | Bolt |
| 11 | 125-7114 | 2 | Brush | 30 | 125-7211 | 3 | Bolt |
| 12 | 125-7036 | 4 | Spring | 31 | 125-7169 | 1 | Cover |
| 13 | 125-7164 | 1 | Case-Gear | 32 | 125-7225 | 2 | Bolt |
| 14 | 125-7005 | 1 | Housing | | | | |



Generator Assembly

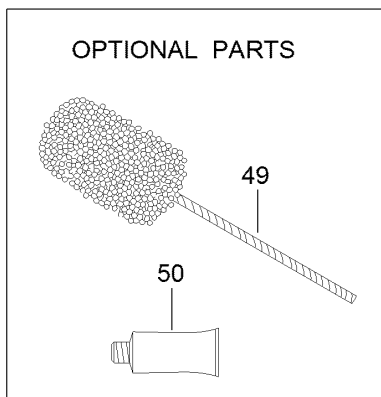
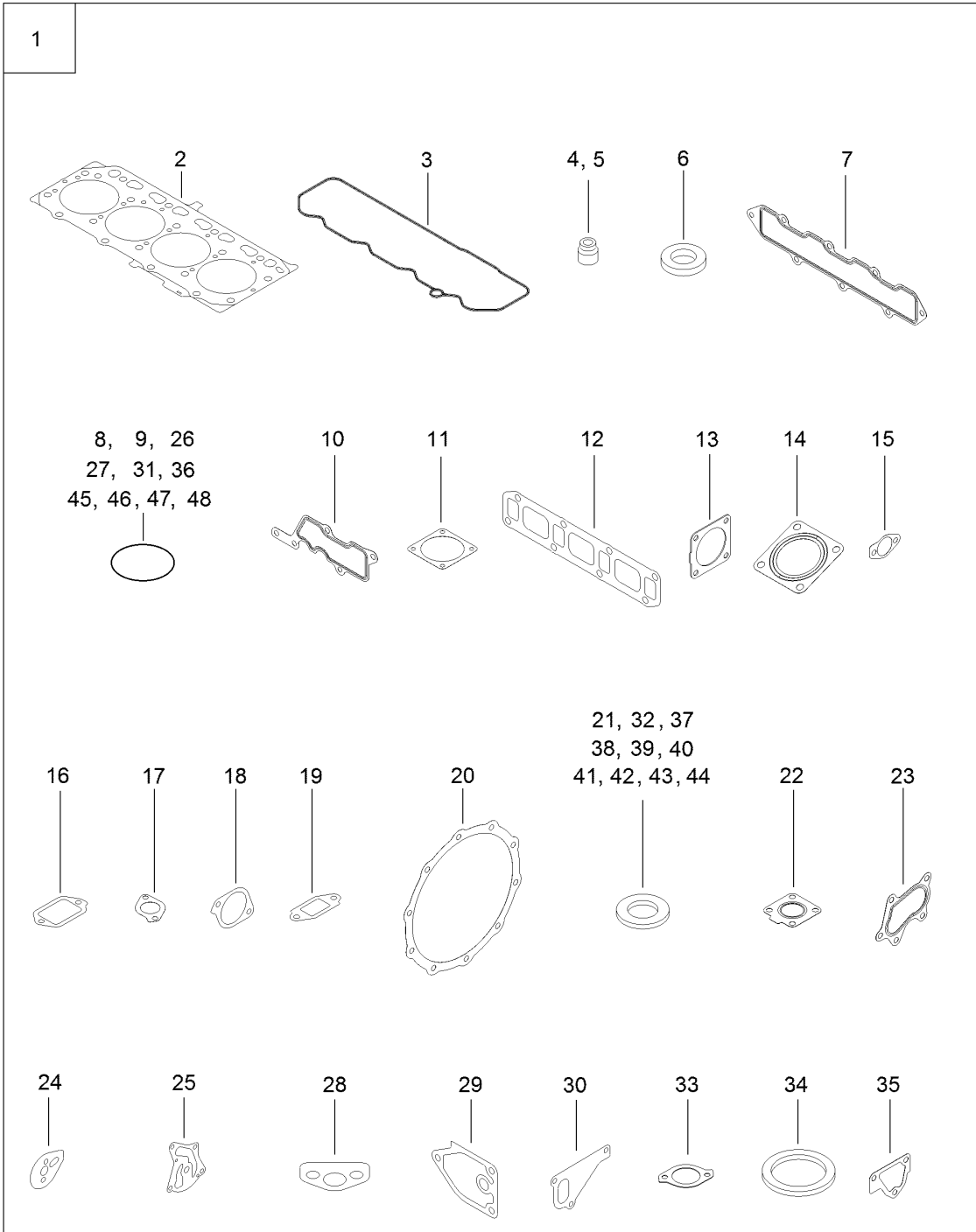
| Ref. | Part Number | Qty. | Description | Ref. | Part Number | Qty. | Description |
|------|-------------|------|----------------|------|-------------|------|--------------------|
| 1 | 127-3011 | 1 | Stud | 18 | 127-2993 | 1 | Holder |
| 2 | 125-7120 | 1 | Alternator-12V | 19 | 127-2956 | 2 | Brush ASM |
| 3 | 127-3190 | 1 | Nut | 20 | 127-2964 | 2 | Spring |
| 4 | 127-2951 | 1 | Rotor ASM | 21 | 127-2965 | 6 | Screw |
| 5 | 127-2983 | 1 | Bearing-Ball | 22 | 127-2966 | 1 | Screw |
| 6 | 127-2962 | 1 | Cover | 23 | 127-2999 | 1 | Cover |
| 7 | 127-2952 | 1 | Frame ASM | 24 | 127-2967 | 3 | Bolt |
| 8 | 127-2958 | 1 | Bearing-Ball | 25 | 127-2968 | 2 | Screw |
| 9 | 127-2959 | 1 | Plate-Retainer | 26 | 127-2969 | 2 | Bolt |
| 10 | 127-2960 | 4 | Screw | 27 | 127-2970 | 1 | Bushing-Insulation |
| 11 | 127-2961 | 2 | Stud | 28 | 127-2971 | 2 | Nut |
| 12 | 127-2953 | 1 | Frame ASM | 29 | 127-2972 | 1 | Washer |
| 13 | 127-2954 | 1 | Pulley | 30 | 125-7230 | 1 | Nut |
| 14 | 127-2955 | 1 | Nut | 31 | 125-6947 | 1 | Spacer |
| 15 | 127-2957 | 1 | Collar | 32 | 127-2977 | 1 | Adjuster |
| 16 | 127-3002 | 1 | Regulator ASM | 33 | 125-7134 | 1 | Bolt |
| 17 | 127-2963 | 1 | Holder | 34 | 125-7219 | 1 | Bolt |



Electric Parts Assembly

| Ref. | Part Number | Qty. | Description |
|-------------|--------------------|-------------|-------------------------|
| 1 | 127-3086 | 1 | Bracket-Connector |
| 2 | 127-3018 | 1 | Clip |
| 3 | 127-3156 | 1 | Harness B-E C O, Engine |
| 12 | 127-3125 | 1 | Harness C |
| 17 | 127-3089 | 1 | Boot-Type, Cap |
| 18 | 127-3090 | 1 | Bracket-Harness |
| 19 | 93-0362 | 1 | Bolt |
| 20 | 93-0362 | 2 | Bolt |
| 21 | 93-0362 | 2 | Bolt |
| 22 | 127-3187 | 1 | Band |
| 23 | 127-3188 | 1 | Band |

Gasket Set



Gasket Set (continued)

| <i>Ref.</i> | <i>Part Number</i> | <i>Qty.</i> | <i>Description</i> | <i>Ref.</i> | <i>Part Number</i> | <i>Qty.</i> | <i>Description</i> |
|-------------|--------------------|-------------|----------------------------|-------------|--------------------|-------------|--------------------|
| 1 | 127-3189 | 1 | Gasket Kit | 26 | 125-6909 | 2 | O-Ring |
| 2 | 127-3126 | 1 | Gasket-Head, Cylinder | 27 | 127-2973 | 1 | O-Ring |
| 3 | 127-3106 | 1 | Gasket-Cover | 28 | 125-7022 | 1 | Gasket |
| 4 | 127-2986 | 4 | Seal-Stem, Valve | 29 | 125-7024 | 1 | Gasket |
| 5 | 127-3027 | 4 | Seal-Stem, Valve | 30 | 125-7047 | 1 | Gasket |
| 6 | 127-3021 | 4 | Gasket-Injector | 31 | 125-7048 | 1 | O-Ring |
| 7 | 127-3107 | 1 | Gasket-Manifold, Intake | 32 | 125-6979 | 1 | Gasket |
| 8 | 127-3032 | 2 | O Ring-Sensor, Pressure | 33 | 125-7110 | 1 | Gasket |
| 9 | 127-3033 | 1 | O-Ring | 34 | 125-7026 | 1 | Gasket |
| 10 | 127-3034 | 1 | Gasket-Collector | 35 | 125-6978 | 1 | Gasket |
| 11 | 127-3037 | 2 | Gasket-Throttle | 36 | 127-3074 | 1 | O-Ring |
| 12 | 127-3108 | 1 | Gasket-Manifold, Exhaust | 37 | 125-7174 | 1 | Washer-Seal |
| 13 | 127-3019 | 1 | Gasket | 38 | 125-7175 | 2 | Washer-Seal |
| 14 | 127-2987 | 1 | Gasket-Silencer | 39 | 125-7176 | 1 | Washer-Seal |
| 15 | 127-3043 | 2 | Gasket-Cooler, E G R | 40 | 127-3166 | 2 | Washer-Seal |
| 16 | 127-3046 | 1 | Gasket-E G R | 41 | 125-7177 | 1 | Washer-Seal |
| 17 | 127-3016 | 1 | Gasket | 42 | 125-7192 | 1 | Gasket |
| 18 | 127-3050 | 1 | Gasket-Intake Valve, E G R | 43 | 125-7193 | 2 | Gasket |
| 19 | 127-3051 | 1 | Gasket-Out Valve, E G R | 44 | 127-3174 | 2 | Gasket |
| 20 | 127-3162 | 2 | Gasket-D P F | 45 | 93-0418 | 3 | O-Ring |
| 21 | 127-3056 | 4 | Gasket-Sensor | 46 | 125-7197 | 1 | O-Ring |
| 22 | 125-7070 | 1 | Gasket | 47 | 125-7198 | 1 | O-Ring |
| 23 | 125-7071 | 1 | Gasket | 48 | 127-3176 | 1 | O-Ring |
| 24 | 127-3069 | 1 | Gasket-Idle, Shaft B | 49 | 127-3000 | 1 | Hone |
| 25 | 127-3004 | 1 | Gasket | 50 | 125-7248 | 1 | Gasket-Liquid |

Attachments and Accessories

For 30636 Groundsmaster 4010 Rotary Mower

| Product Name | Model/Part |
|---|-------------------|
| Bumper Weight Assembly | 106-4278-03 |
| Blade-Atomic (21.75in) | 107-0214-03 |
| Atomic Blade Service Pack (7 Pack) | 108-1450 |
| Blade-Flat Sail (21.75in) | 110-6115-03 |
| Flat Blade Service Pack (7 Pack) | 110-6130 |
| MVP Blade Kit | 117-2722 |
| Backrest Extension Kit | 119-7719 |
| Large Seat Cover | 120-5179 |
| Premium Engine Oil 10w30 (55 Gallon Drum) | 121-6392 |
| Premium Engine Oil 10w30 (5 Gallon Pail) | 121-6393 |
| Premium Engine Oil 15w40 (55 Gallon Drum) | 121-6394 |
| Premium Engine Oil 15w40 (5 Gallon Pail) | 121-6395 |
| Roller Assembly | 132-6113 |
| Pivot Caster Scraper Kit | 132-6114 |
| PX Hydraulic Fluid (5 Gal) | 133-8086 |
| PX Hydraulic Fluid (55 Gal) | 133-8087 |
| Skid Plate Kit | 136-4360 |
| Blade-Rotary, Medium Sail | 136-4370-03 |
| Tire-High Traction (20x10-10) | 136-4440 |
| Tire-High Traction (26x12-12) | 136-4442 |
| MVP Blade Kit | 137-5500 |
| 8in Semi-Pneumatic Wheel ASM | 137-5529 |
| Wrench-Caster Cap/Latch | 138-6367 |
| Fuel Kit | 139-1000 |
| Guardian Recycler Conversion Kit | 30420 |
| Leaf Mulcher Kit | 30422 |
| CE Kit | 30453 |
| Right-Hand Replacement Mower | 30476 |
| Left-Hand Replacement Mower | 30477 |
| Front Deck | 30479 |
| Beacon Kit | 30661 |
| Light Adapter Kit | 30691 |
| Slope Sensor Kit | 31252 |
| Horn Kit | 31511 |
| Backup Alarm Kit | 31512 |
| 4WD Manual Override Kit | 31522 |
| LED Work Light Kit, Groundsmaster or Reelmaster Traction Unit with Cab or 2 Post ROPS Extension Kit | 31590 |
| Turn Signal Kit, Cab | 31671 |
| NA Light Kit, Groundsmaster 4000 Series Rotary Mower | 31693 |
| 1000 Hour Mvp Kit-Tier IV | 44967 |
| MVP Hydraulic Deck Hose Kit | 44975 |
| Blade (21.75in) | 92-5608-03 |
| 8in Foam Filled Wheel ASM | 93-5974 |

Notes:



Count on it.