



Count on it.

Parts Catalog

Groundsmaster® 360

4-Wheel Drive Multi-Purpose Machine with Cab

Model No. 31202—Serial No. 405700000 and Up



Ordering Replacement Parts

To order replacement parts, please supply the part number, the quantity, and the description of each part desired.

Understanding Reference Numbers

Each identified part in an illustration has a reference number. The reference number for a part also appears in the parts list, along with other information about the part.

This catalog uses two special reference number formats, one to indicate parts in a service assembly and another to indicate the quantity of a given part in an illustration.

Service Assembly Reference Numbers

Parts in service assemblies have reference numbers in the form a:b. The a represents the reference number of the entire service assembly and the b represents a sequential number unique to each part within the service assembly.

For example, a wheel assembly might be identified by reference number 6, the tire by 6:1, the valve by 6:2, and the wheel by 6:3. When you order the assembly identified by reference number 6, you receive all parts identified by reference numbers 6:1, 6:2, and 6:3. However, you may also order any part individually. Reference numbers of this type appear in illustration and in parts lists.

Reference Numbers Indicating Quantity

In an illustration, if a reference number indicates more than one part, the reference number has the form nX y. The n represents the quantity of the part, the X is the multiplication symbol, and the y represents the reference number.

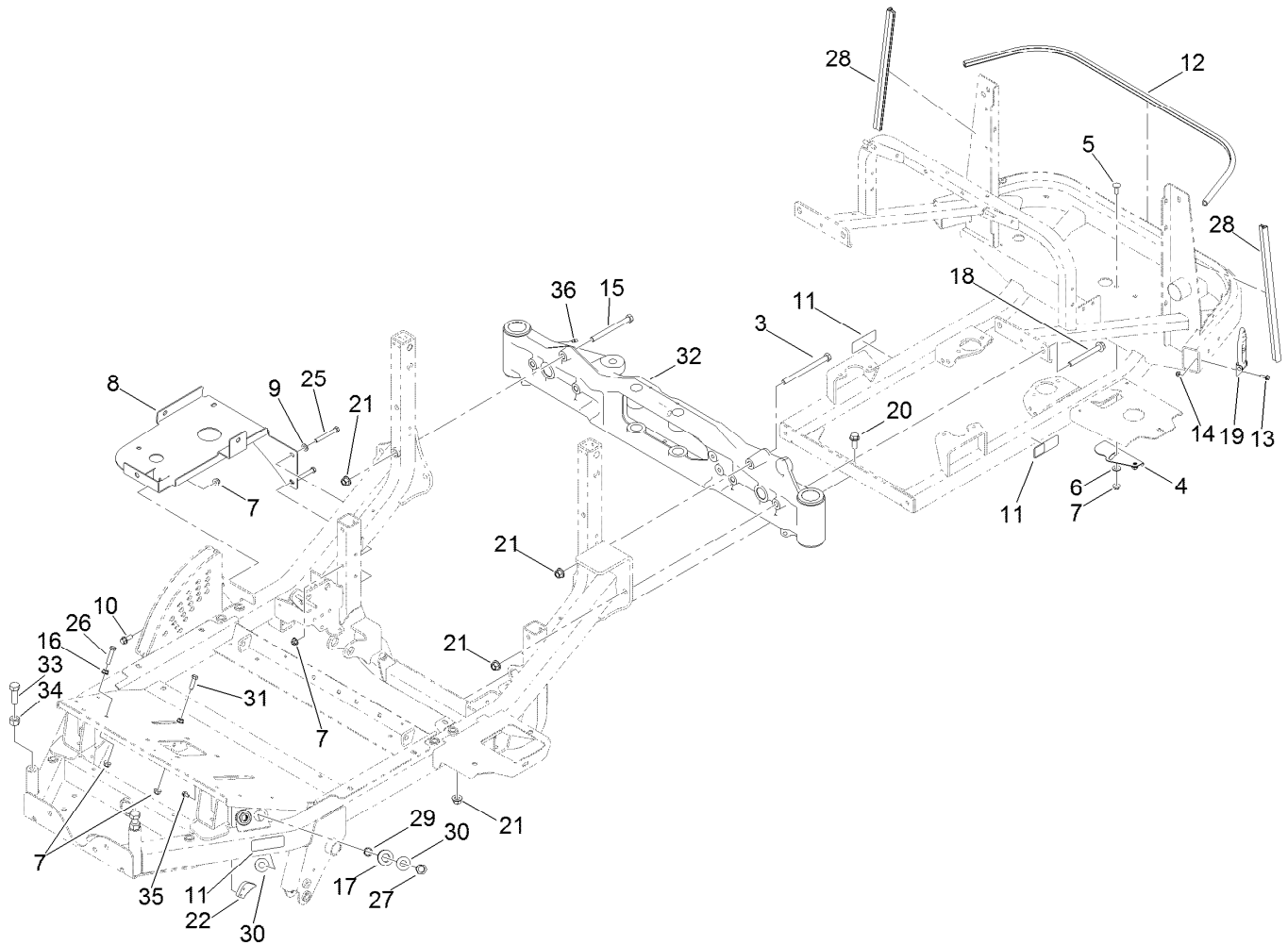
For example, in an illustration, the reference number 2X 37 means that two of the parts identified by reference number 37 are indicated.

Contents

Frame and Rear Axle Assembly	5
Lift Shaft and Linkage Assembly	6
Hydraulic Cylinder Assembly No. 110-9834	7
Rear Frame Components Assembly	8
4 Wheel Drive Steering Assembly	9
Front Cover Assembly	10
Front Axle and Tie Rod Assembly	12
Front Axle Assembly No. 125-2825	14
Hydraulic Cylinder Assembly No.125-2835	15
Rear Steering Assembly	16
Steering Column Assembly	18
Steering Column Assembly No. 117-3371	19
Steering Valve Assembly No. 130-7948	20
Fuel Tank Assembly	21
Fuel Tank Assembly No. 131-1920	22
Seat Plate Assembly	23
4 Wheel Drive Control Panel Assembly	24
Brake Pedal Assembly	26
Wheel and Brake Assembly	28
Left Hand Brake Assembly No. 120-0235	29
Right Hand Brake Assembly No. 120-0233	30
4 Wheel Drive Hydraulic Motor and Fitting Assembly	31
Hydraulic Motor Assembly No. 120-6718 (CCW)	32
Hydraulic Motor Assembly No. 120-6719 (CW)	33
Cab Wire Harness Assembly	34
Electrical Assembly	36
Wire Harness Assembly No. 122-1427	38
Wire Harness Assembly No. 119-4375	40
Engine Assembly	42
Transmission Component Assembly	43
Charge Pump Housing Assembly Transmission Assembly No. 125-9290	44
Center Section Assembly Transmission Assembly No. 125-9290	46
Gear Case and Clutch Assembly Transmission Assembly No. 125-9290	48
Driveshaft Assembly No. 110-3575	50
Radiator Component Assembly	51
Radiator and Cooler Assembly	52
Muffler Component Assembly	53
Battery and Fuel Delivery Assembly	54
Air Cleaner Assembly	55
Traction Pedal Assembly	56
Neutral System Assembly	58
Hood Assembly	60
Deck Lift Valve and Hydraulic Fitting Assembly	62
Hydraulic Gear Pump Assembly No. 115-0375	64
Valve Assembly No. 131-1934	65
4 Wheel Drive Hydraulic Hose Assembly	66
Hydraulic Valve Assembly	68
Steering Selector Valve Assembly No. 115-0280	69
Cross-Trax Traction Valve Assembly No. 117-2247	70
Steering and Traction Hose Assembly	71
Cab Mounting Assembly	72
Foam Assembly	74
Yanmar Air Conditioner Assembly	76
Seat Assembly	78

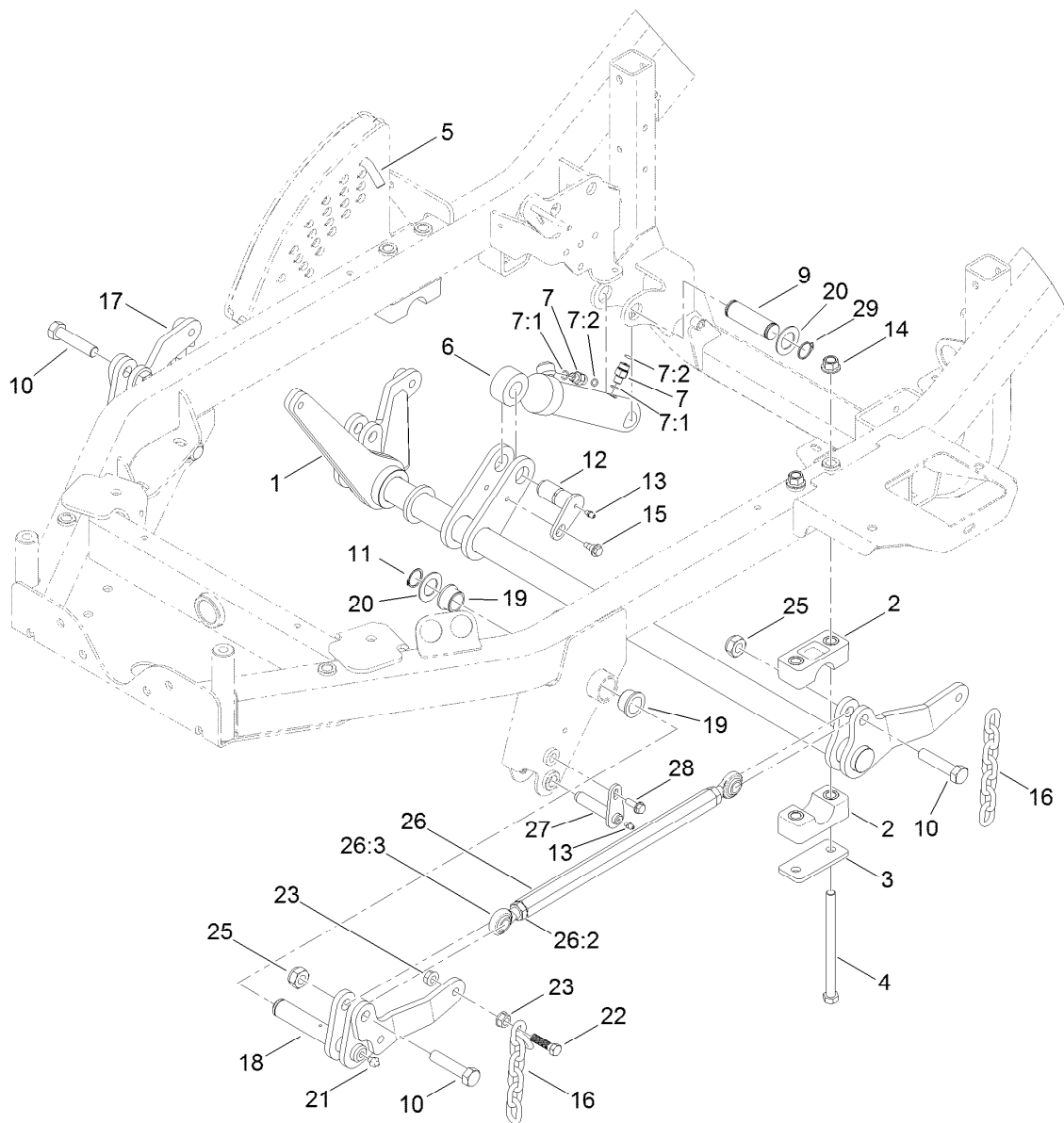
Contents (continued)

Seat Assembly No. 117-3096	80
Cloth Air Ride Seat Assembly No. 117-3097	82
Cab Cable Tie Assembly	84
A/C Compressor Guard Assembly	86
Cab Frame, Mount and Seal Assembly	88
Cab Headliner Assembly	90
Air Conditioning Duct Assembly No. 132-3468	92
Fan Panel Assembly No. 132-3488	94
Window Assembly	96
Tier 4 Engine Hose Routing Assembly	98
Pre-Filter Screen Assembly	100
Rear Window Assembly	102
Door Assembly	104
LH Door Assembly	106
RH Door Assembly	108
Half Door Assembly	110
Roof and Headliner Assembly	112
Headliner Wire Harness and Control Assembly	114
Mixing Box Mounting Bracket and Water Tray Assembly	116
Blower Fan and Evaporator Core Assembly	118
Heat/Air Conditioner Housing Assembly	120
Air Diverter and Expansion Valve Assembly	122
Air Diverter Assembly No. 121-8369	124
Cylinder Block Assembly	126
Gear Housing Assembly	128
Flywheel Housing and Oil Sump Assembly	129
Cylinder Head and Cover Assembly	130
Suction Manifold Assembly	132
Exhaust Manifold Assembly	133
Diesel Particulate Filter Assembly	134
Camshaft and Driving Gear Assembly	136
Crankshaft and Piston Assembly	138
Lubrication and Oil System Assembly	139
Cooling Water System Assembly	140
Fuel System Assembly	142
Fuel Injection Valve Assembly	144
Fuel Pipe Assembly	145
Starting Motor Assembly	146
Generator Assembly	148
Electronic Control Unit Assembly	150
Electric Parts Assembly	151
Gasket Set	152
Attachments and Accessories	154



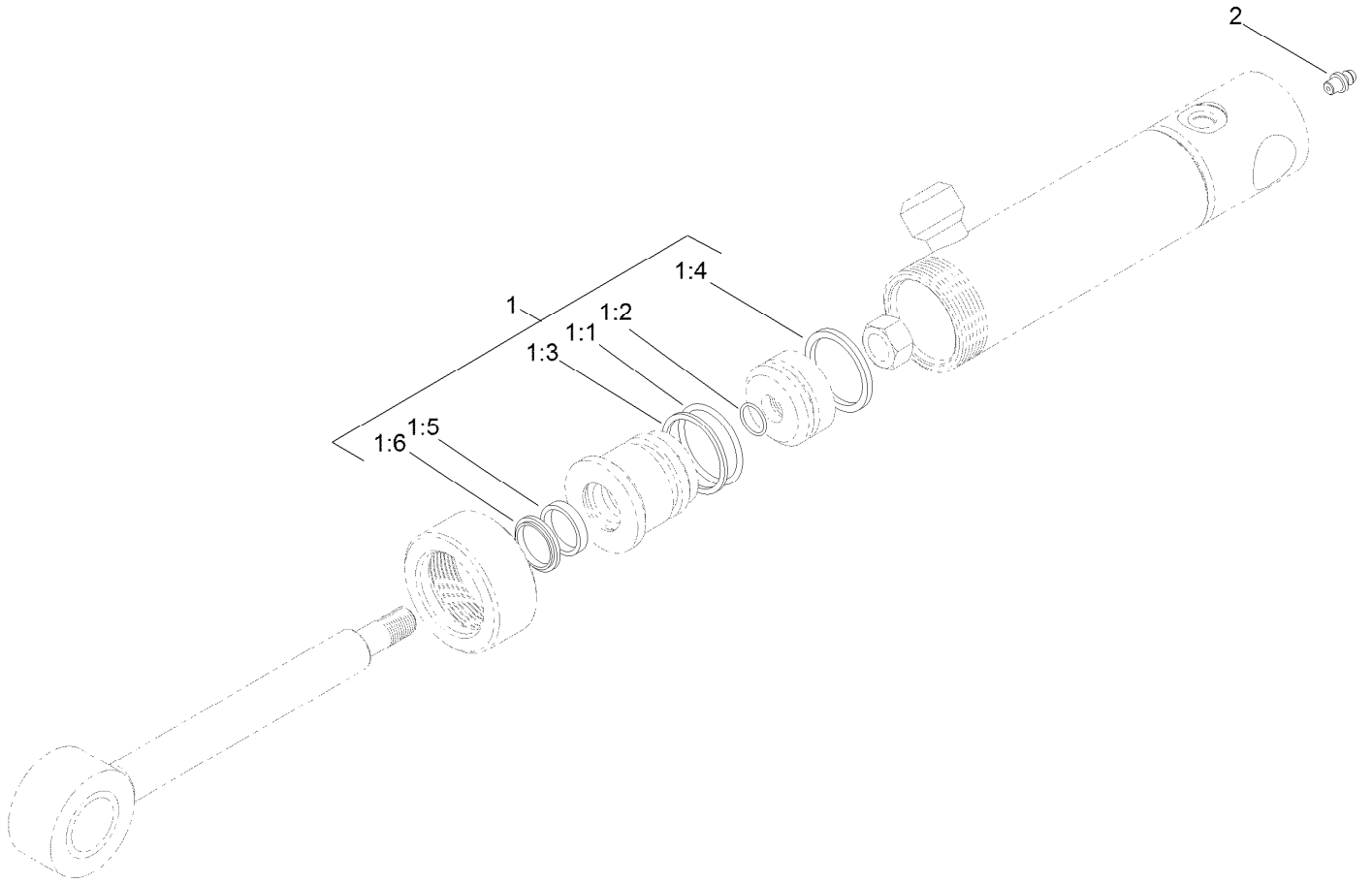
Frame and Rear Axle Assembly

Ref.	Part Number	Qty.	Description	Ref.	Part Number	Qty.	Description
3	325-33	1	Screw-HH	19	103-2898	2	Latch-Rubber
4	117-3190	1	Cover-Lower	20	3234-38	3	Screw-HHF
5	3231-22	2	Screw-CARR	21	99-5107	9	Nut-Lock
6	66-2920	2	Washer-Friction	22	99-7214	1	Pawl-Brake
7	104-8301	7	Nut-HF, NI	25	323-14	2	Screw-HH
8	117-3385-0P	1	Bracket-Tank, Hydraulic	26	323-53	1	Screw-HH
9	3256-24	2	Washer-Plain	27	340-70	2	Nut-Lock
10	3234-24	1	Screw-HHF	28	107-2269	2	Seal-Bulb
11	106-9206	4	Decal-Torque, Wheel	29	69-8970	2	Spacer
12	117-3311	1	Seal-Bulb	30	69-8940	4	Washer
13	3234-4	2	Screw-HHF	31	323-7	1	Screw-HH
14	104-7201	2	Nut-HF, NI	32	131-1931	1	Rear Axle ASM
15	325-22	1	Screw-HH	33	327-6	2	Screw-HH
16	3290-357	2	Nut-HSF	34	3217-11	2	Nut-Hex
17	240-4	2	Grommet-Rubber	35	3234-13	2	Screw-HHF
18	117-3176	4	Screw-HHF	36	302-5	2	Fitting-Grease



Lift Shaft and Linkage Assembly

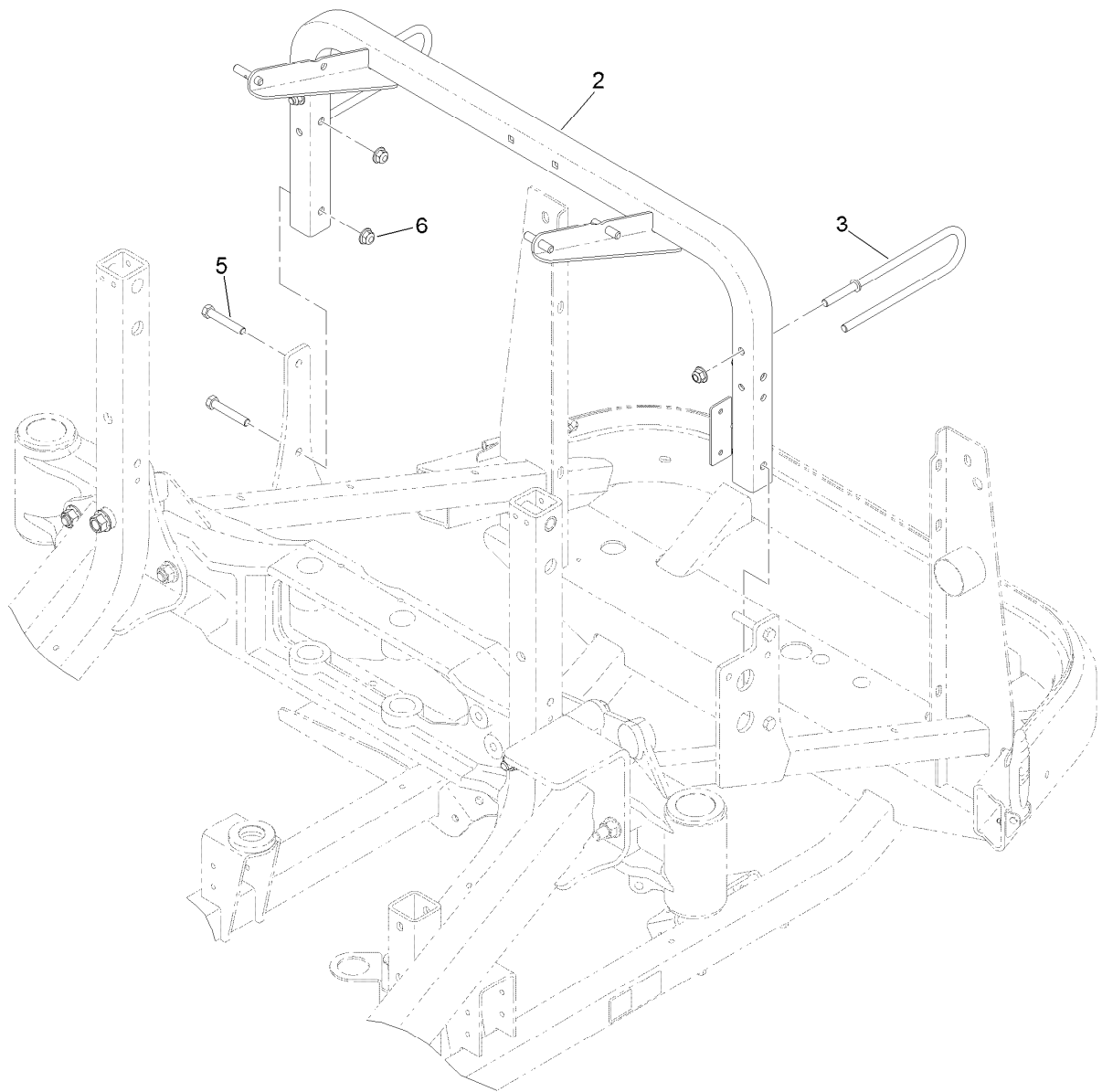
Ref.	Part Number	Qty.	Description	Ref.	Part Number	Qty.	Description
1	115-0190-03	1	Shaft-Lift	16	119-1385	4	Chain-HOC
2	115-0491	4	Cap-Bearing	17	119-1380-03	1	Lift-RH
3	117-2903	2	Plate-Bearing	18	119-1383-03	1	Lift-LH
4	325-37	4	Screw-HH	19	114-5680	4	Bushing-Flange
5	112-9544	1	Pin-HOC	20	69-9010	4	Washer
6	110-9834	1	HYD Cylinder ASM	21	302-2	2	Fitting-Grease
7	340-92	2	Fitting-Straight	22	103-1898	4	Screw-HH
7:1	237-78	1	O-Ring	23	32128-37	8	Nut-HF
7:2	237-21	1	O-Ring	25	3296-61	4	Nut-Lock
9	115-0183	1	Shaft-Cylinder, Lift	26	114-4059	2	Link ASM
10	327-8	4	Screw-HH	26:2	3220-6	2	Nut-Jam
11	32151-29	2	Ring-Retaining	26:3	1-633029	2	Balljoint-Spherical
12	125-1910	1	Pin-Pivot	27	112-1602	2	Pin-Retainer
13	302-5	3	Fitting-Grease	28	32144-41	2	Screw-Taptite
14	99-5107	4	Nut-Lock	29	32151-36	2	Ring-Retaining
15	99-5105	1	Screw-Shoulder				



Hydraulic Cylinder Assembly No. 110-9834

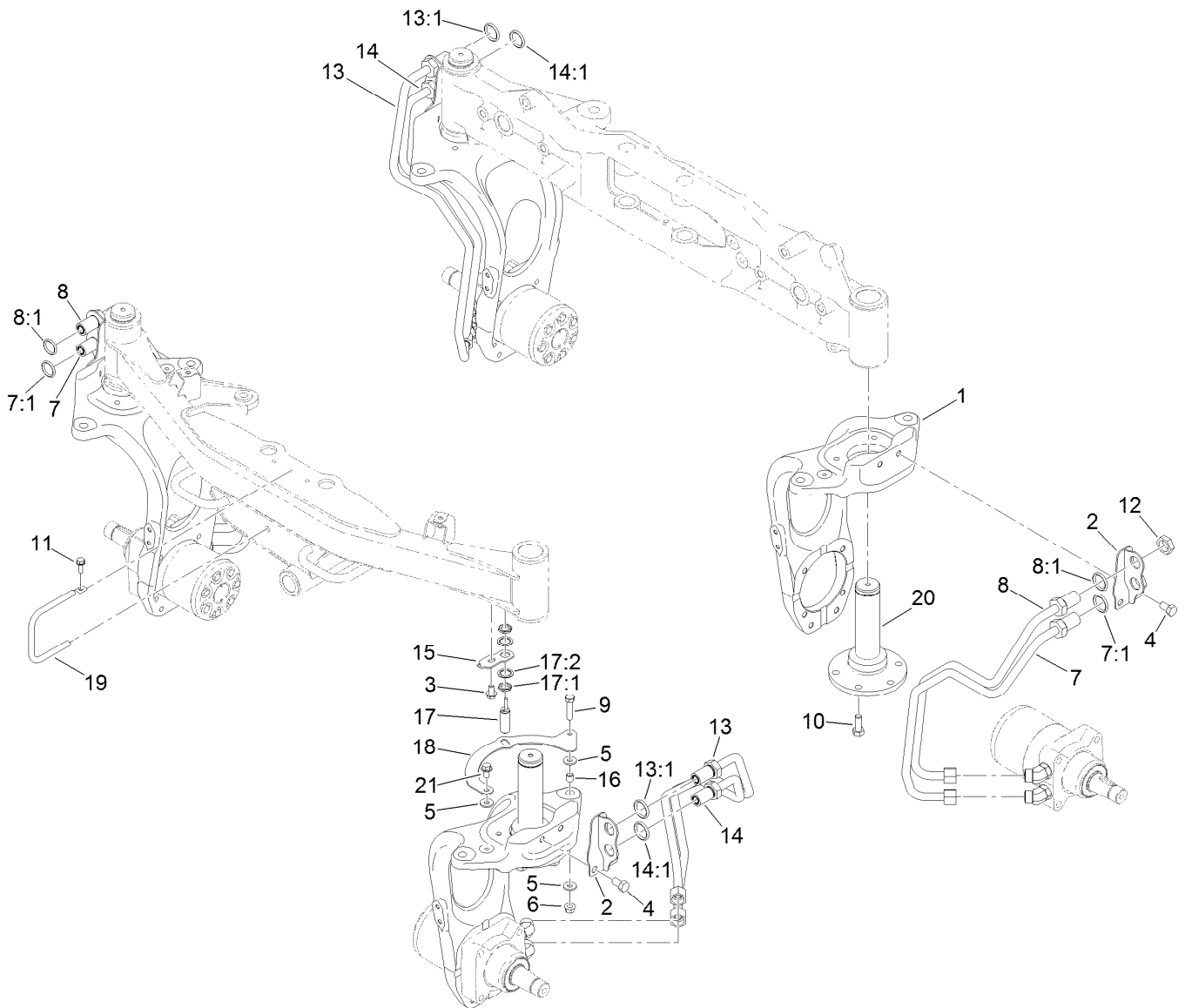
<i>Ref.</i>	<i>Part Number</i>	<i>Qty.</i>	<i>Description</i>
1	112-6353	1	Seal Kit
1:1		1	O-Ring ●
1:2		1	O-Ring ●
1:3		1	Backup ●
1:4		1	Seal-Bp ●
1:5		1	Seal-Rod ●
1:6		1	Seal-Dust ●
2	302-60	1	Fitting-Grease

● Not serviced separately



Rear Frame Components Assembly

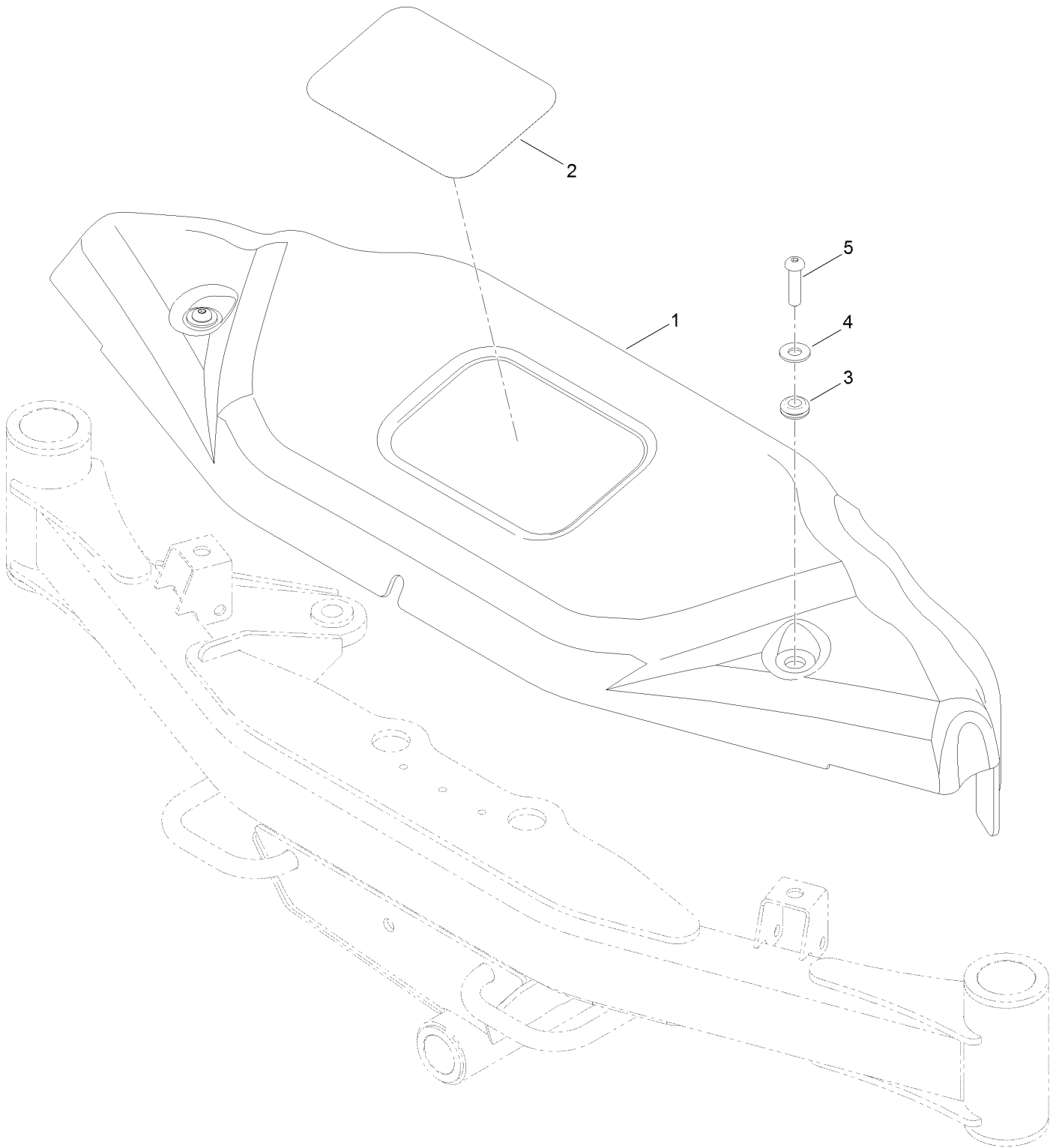
<i>Ref.</i>	<i>Part Number</i>	<i>Qty.</i>	<i>Description</i>
2	125-9202-03	1	Tube-Cross
3	127-4853	2	Guide-Hose
5	323-45	4	Screw-HH
6	104-8301	6	Nut-HF, NI



4 Wheel Drive Steering Assembly

Ref.	Part Number	Qty.	Description	Ref.	Part Number	Qty.	Description
1	117-2951	4	Base-Fork, Steer	13	117-2946	2	Upper Tube ASM
2	132-6556-03	4	Bracket-Bulkhead	13:1	237-65	1	O-Ring
3	110-9380	1	Screw-HWH	14	117-2947	2	Lower Tube ASM
4	325-3	8	Screw-HH	14:1	237-65	1	O-Ring
5	5-0838	3	Washer	15	119-1413	1	Bracket-Sensor
6	32128-21	1	Nut-HF Lock	16	103-1166	1	Spacer-Tube, Pump Link
7	117-2948	2	Upper Tube ASM	17	115-5300	1	Proximity Switch ASM
7:1	237-65	1	O-Ring	17:1	117-3207	2	Nut-Hex
8	117-2949	2	Lower Tube ASM	17:2	117-3208	2	Washer-Lock, Internal Tooth
8:1	237-65	1	O-Ring	18	117-2216-03	1	Bracket-Target
9	323-8	1	Screw-HH	19	117-3178	1	Rod-Guide
10	117-3266	20	Screw-HH	20	117-3361	4	Spindle-Steer
11	32144-41	1	Screw-Taptite	21	3234-47	1	Screw-HHF
12	340-74	8	Nut-Lock, Bulkhead				

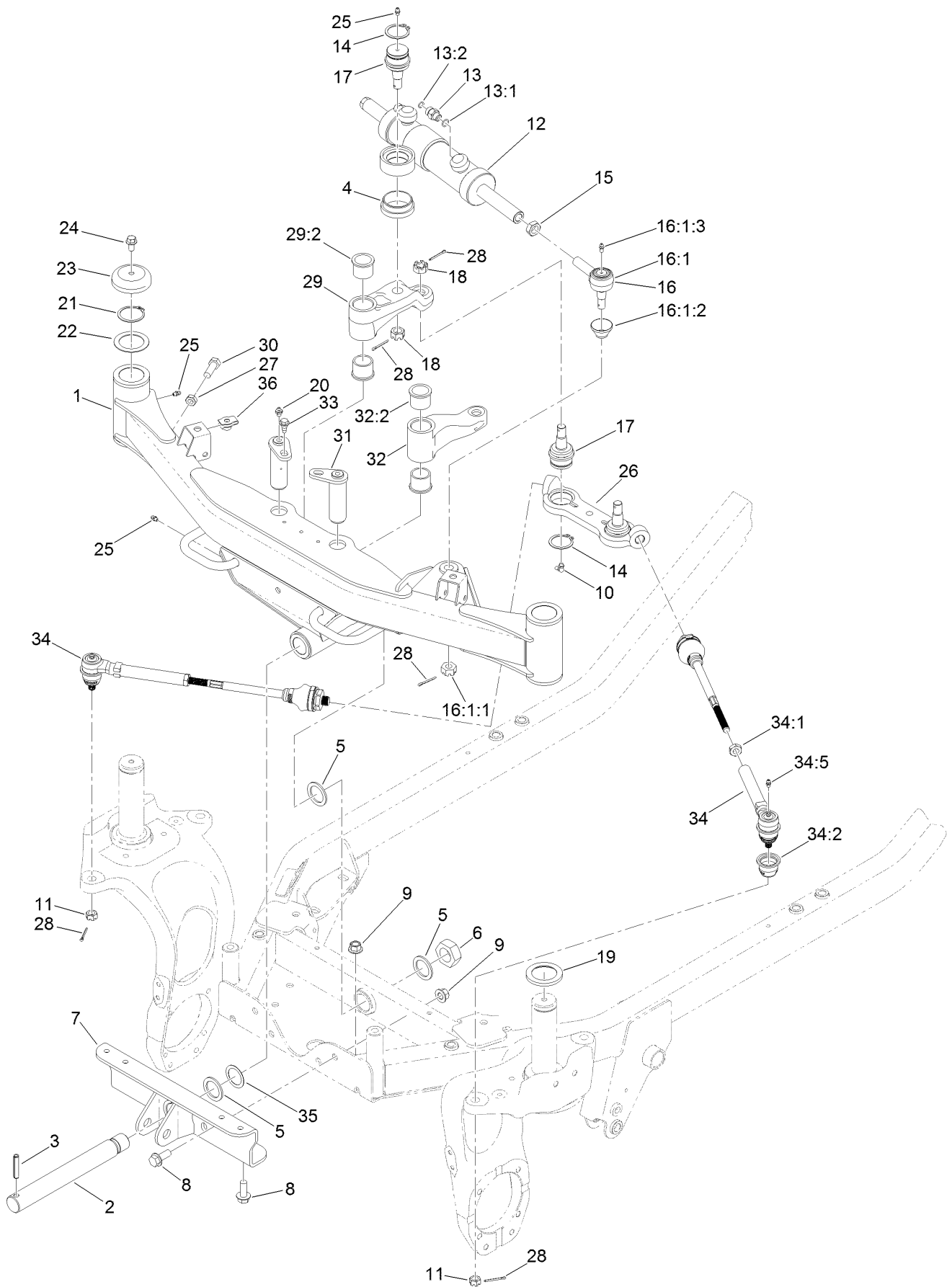
Front Cover Assembly



Front Cover Assembly (continued)

<i>Ref.</i>	<i>Part Number</i>	<i>Qty.</i>	<i>Description</i>	<i>Ref.</i>	<i>Part Number</i>	<i>Qty.</i>	<i>Description</i>
1	127-4878	1	Cover-Front	4	100-7403	2	Washer-Flat
2	104-7213	1	Decal	5	95-3857	2	Screw-HSBH
3	1-633630	2	Grommet				

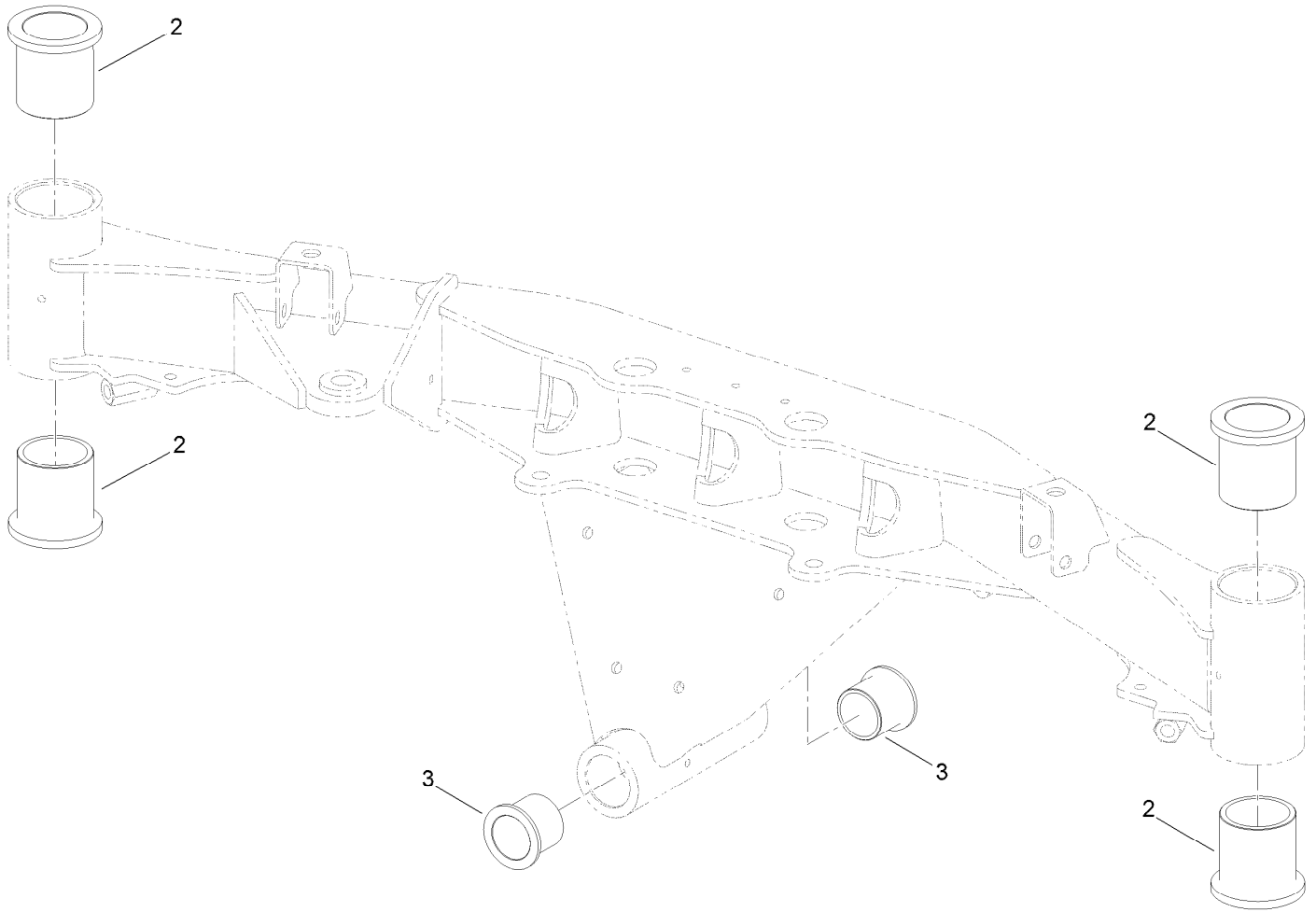
Front Axle and Tie Rod Assembly



Front Axle and Tie Rod Assembly (continued)

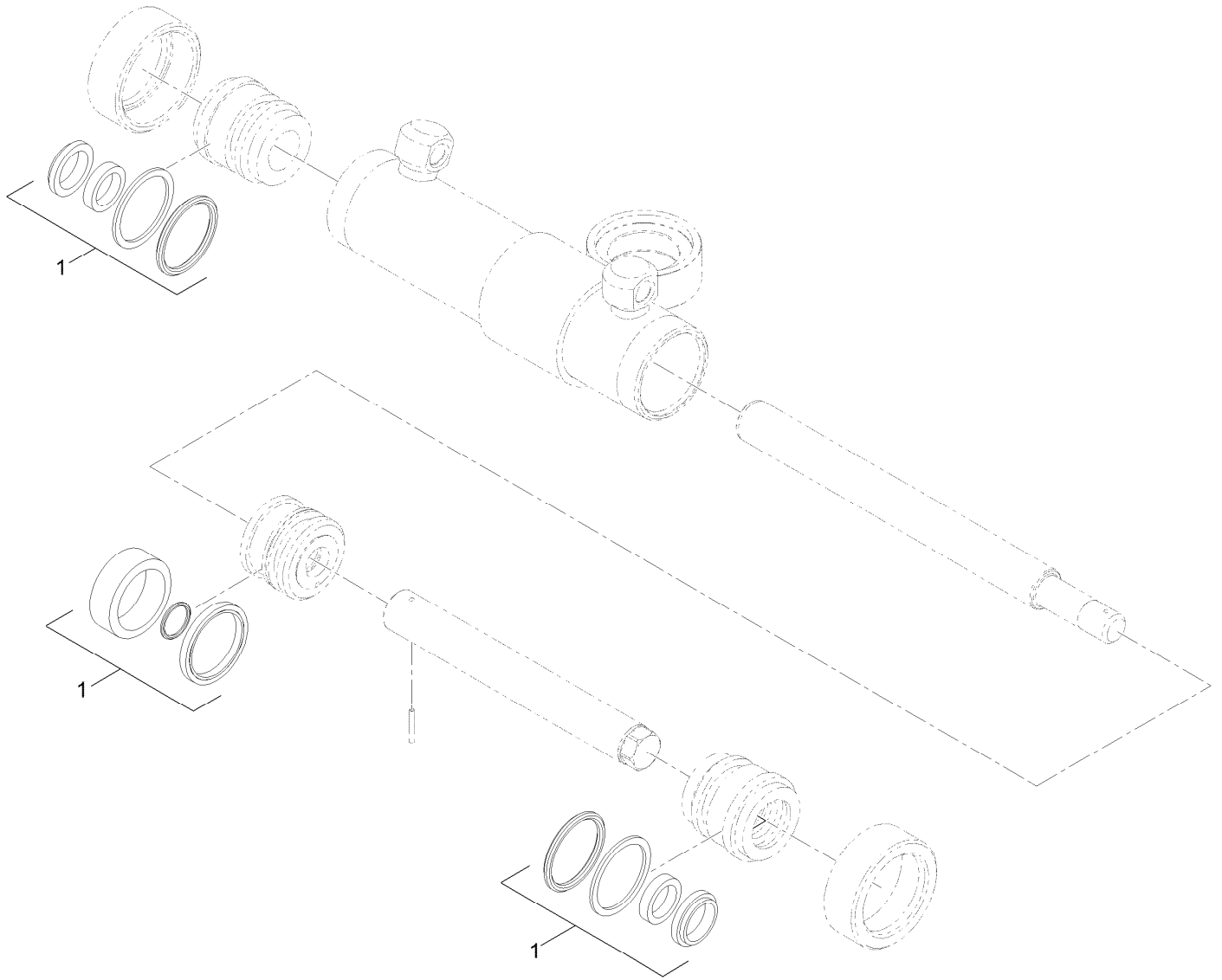
<i>Ref.</i>	<i>Part Number</i>	<i>Qty.</i>	<i>Description</i>	<i>Ref.</i>	<i>Part Number</i>	<i>Qty.</i>	<i>Description</i>
1	125-2825	1	Front Axle ASM	19	100-2508	2	Washer-Thrust
2	119-1376	1	Shaft-Pivot	20	302-2	2	Fitting-Grease
3	32121-110	1	Pin-Roll, Slotted	21	100-4196	2	Ring-Retaining
4	120-0238	1	Spacer-Cylinder	22	115-0169	2	Washer-Thrust
5	98-1452	3	Washer-Thrust	23	100-3362	2	Cap-Spindle
6	3296-68	1	Nut-Lock, NI	24	3234-12	2	Screw-HHF
7	117-2920-03	1	Support-Axle	25	302-5	4	Fitting-Grease
8	3234-38	6	Screw-HHF	26	117-2986	1	Centerlink
9	99-5107	6	Nut-Lock	27	3218-5	2	Nut-Jam
10	302-60	2	Fitting-Grease	28	3272-12	6	Pin-Cotter
11	32136-3	2	Nut-SHH	29	120-0391	1	Front LH Arm ASM
12	125-2835	1	HYD Cylinder ASM	29:2	94-8947	2	Bushing-Flange
13	340-2	2	Fitting-Straight	30	325-6	2	Screw-HH
13:1	237-22	1	O-Ring	31	117-3167	2	Front Pin ASM
13:2	237-42	1	O-Ring	32	120-0390	1	Front RH Arm ASM
14	32151-104	3	Ring-Retaining, External	32:2	94-8947	2	Bushing-Flange
15	84-5300	1	Nut-Jam	33	99-5105	2	Screw-Shoulder
16	71-4740-03	1	RH Tie Rod End ASM	34	117-2983	2	Rod-Tie, Front
16:1		1	End-Rod, Tie (RH)●	34:1	42-9650	1	Nut-Hex, Jam
16:1:1	105-7941	1	Nut-Hex, Slotted	34:2	117-3287	1	Dust Boot
16:1:2	105-7835	1	Seal	34:5	302-5	1	Fitting-Grease
16:1:3	302-5	1	Fitting-Grease	35	93-4628	1	Washer
17	106-6774	3	Joint-Ball	36	105-4886	2	Nut-Tinnerman
18	32136-2	3	Nut-SHH				

● Not serviced separately



Front Axle Assembly No. 125-2825

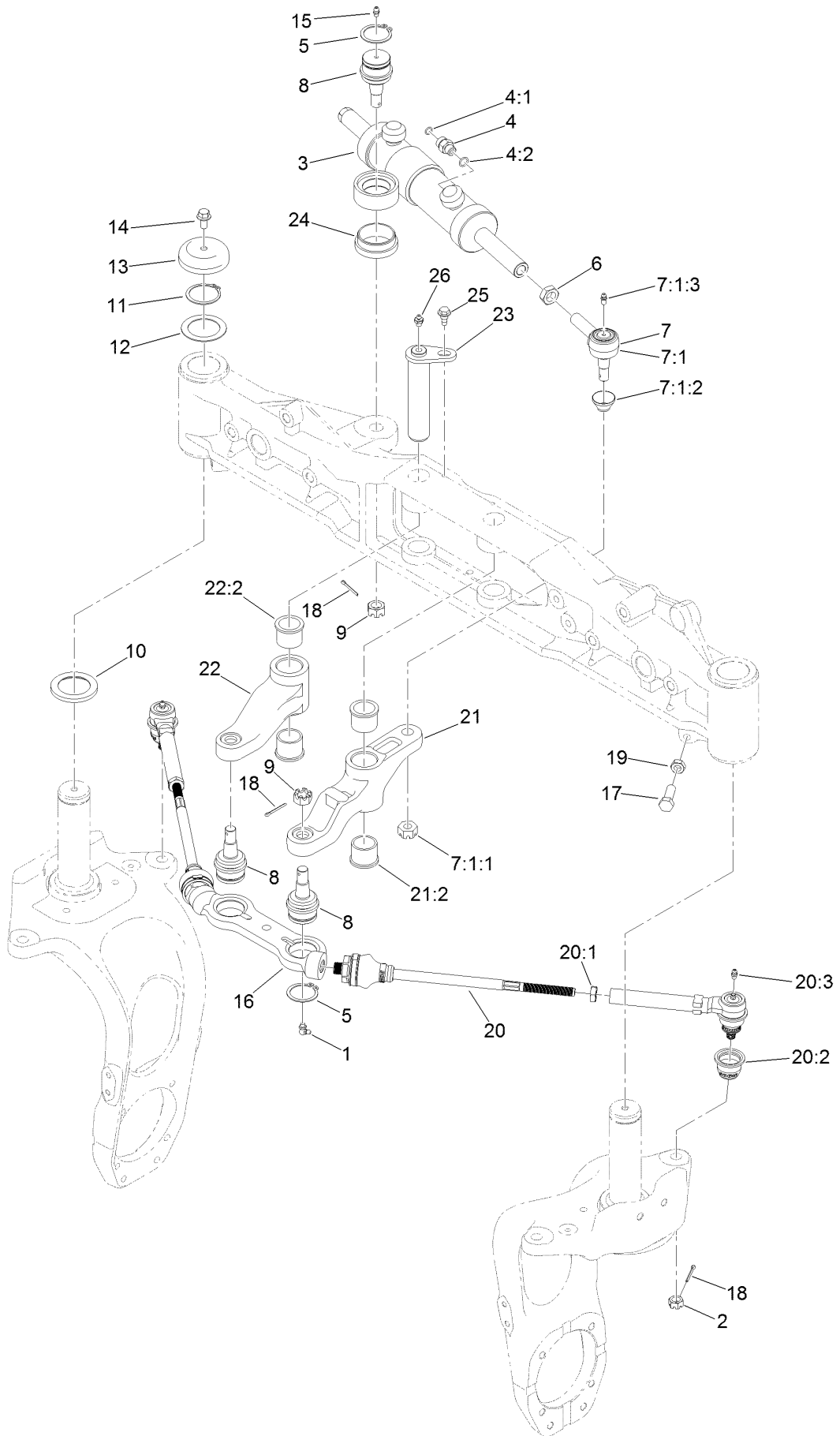
<i>Ref.</i>	<i>Part Number</i>	<i>Qty.</i>	<i>Description</i>
2	125-4386	4	Bushing-Castor
3	69-6470	2	Bushing-Caster



Hydraulic Cylinder Assembly No.125-2835

<i>Ref.</i>	<i>Part Number</i>	<i>Qty.</i>	<i>Description</i>
1	120-2557	1	Seal Kit

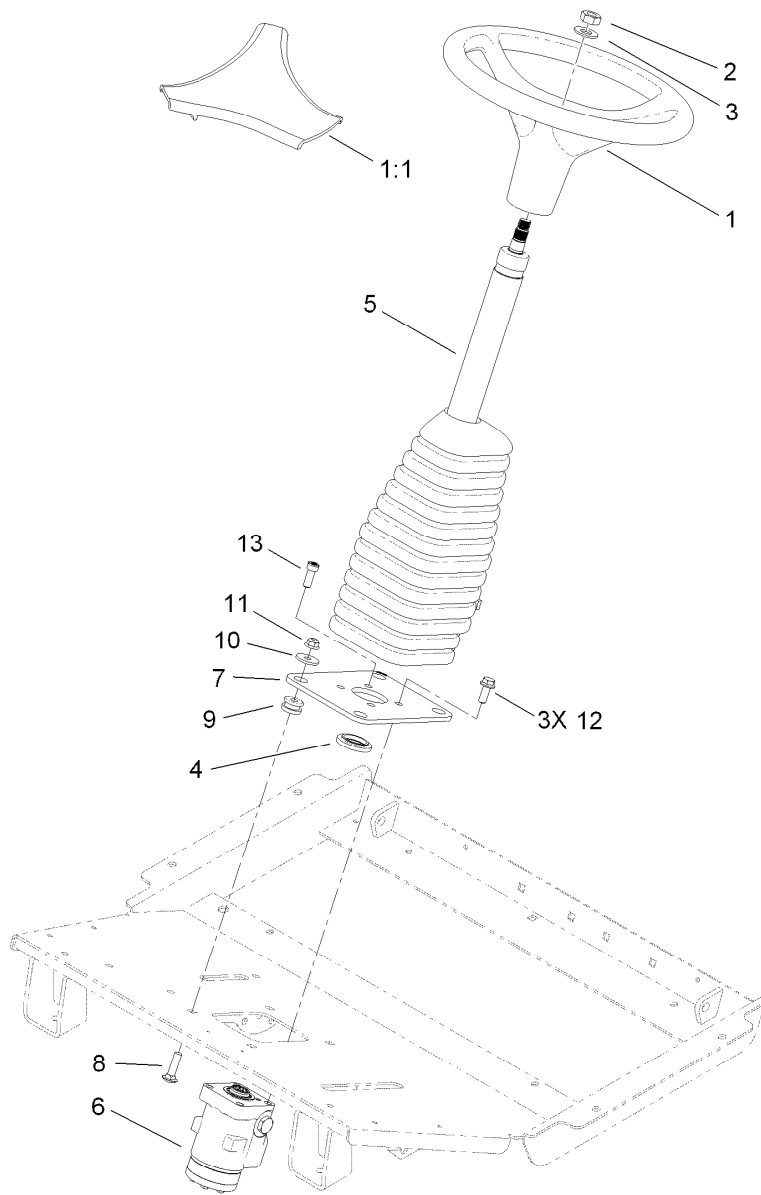
Rear Steering Assembly



Rear Steering Assembly (continued)

<i>Ref.</i>	<i>Part Number</i>	<i>Qty.</i>	<i>Description</i>	<i>Ref.</i>	<i>Part Number</i>	<i>Qty.</i>	<i>Description</i>
1	302-60	2	Fitting-Grease	14	3234-12	2	Screw-HHF
2	32136-3	2	Nut-SHH	15	302-5	1	Fitting-Grease
3	125-2835	1	HYD Cylinder ASM	16	117-2986	1	Centerlink
4	340-2	2	Fitting-Straight	17	325-6	2	Screw-HH
4:1	237-22	1	O-Ring	18	3272-12	6	Pin-Cotter
4:2	237-42	1	O-Ring	19	3218-5	2	Nut-Jam
5	32151-104	3	Ring-Retaining, External	20	117-2984	2	Rod-Tie, Rear
6	84-5300	1	Nut-Jam	20:1	42-9650	1	Nut-Hex, Jam
7	71-4740-03	1	RH Tie Rod End ASM	20:2	117-3287	1	Dust Boot
7:1		1	End-Rod, Tie (RH) ●	20:3	302-5	1	Fitting-Grease
7:1:1	105-7941	1	Nut-Hex, Slotted	21	125-2832	1	Rear LH Arm ASM
7:1:2	105-7835	1	Seal	21:2	94-8947	2	Bushing-Flange
7:1:3	302-5	1	Fitting-Grease	22	120-0392	1	Rear RH Arm ASM
8	106-6774	3	Joint-Ball	22:2	94-8947	2	Bushing-Flange
9	32136-2	3	Nut-SHH	23	117-3137	2	Pin ASM
10	100-2508	2	Washer-Thrust	24	120-0238	1	Spacer-Cylinder
11	100-4196	2	Ring-Retaining	25	99-5105	2	Screw-Shoulder
12	115-0169	2	Washer-Thrust	26	302-2	2	Fitting-Grease
13	100-3362	2	Cap-Spindle				

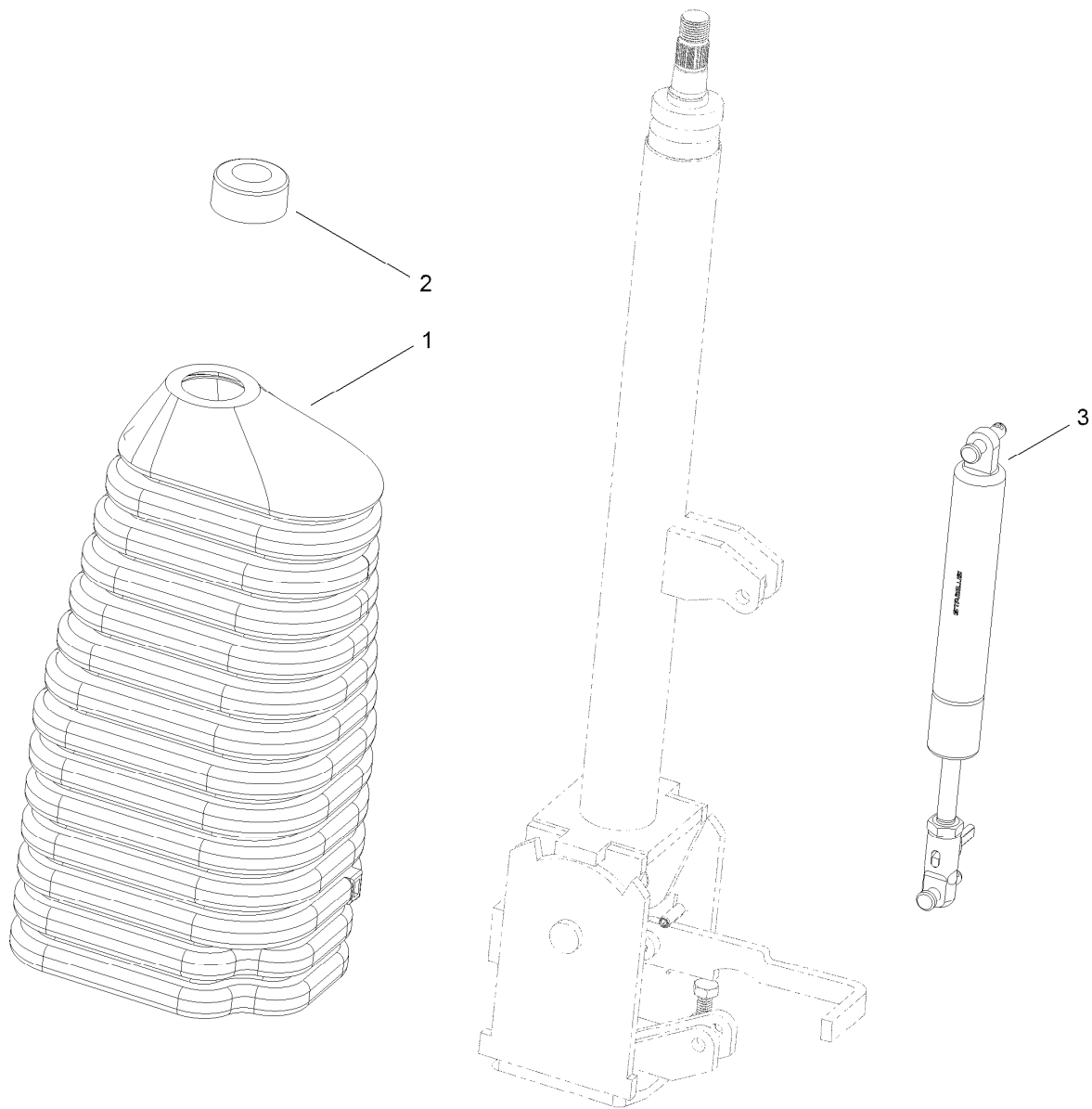
● Not serviced separately



Steering Column Assembly

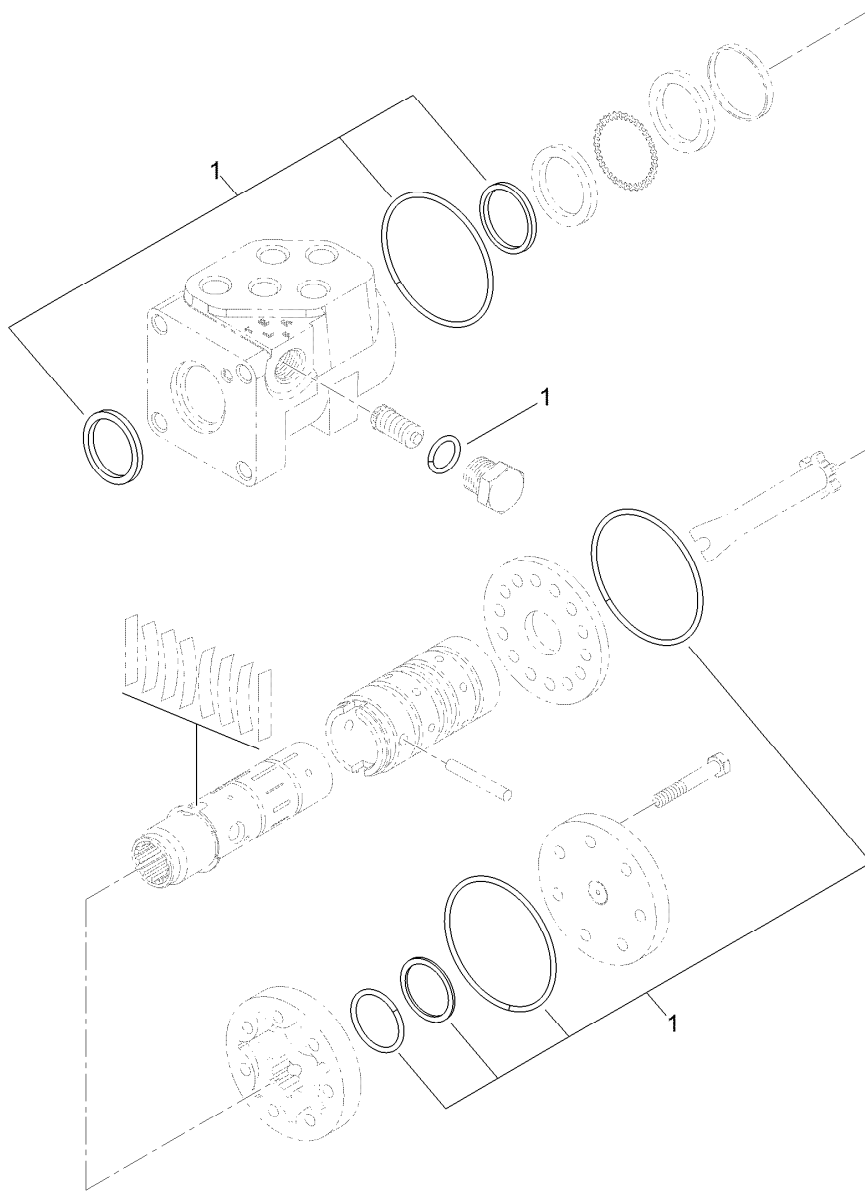
Ref.	Part Number	Qty.	Description
1	98-1471	1	Wheel-Steering
1:1	98-1468	1	Cover-Wheel, Steering ●
2	3296-33	1	Nut-Lock, NI
3	3256-27	1	Washer-Flat
4	117-3373	1	Bushing-Alignment
5	117-3371	1	Column-Steering
6	130-7948	1	Valve-Control, Steering
7	117-3234-03	1	Plate-Steering
8	3231-26	4	Screw-CARR
9	63-9750	4	Mount
10	63-8410	4	Washer
11	104-8301	4	Nut-HF, NI
12	108-1531	3	Screw-HHF
13	3273-41	1	Screw-HSH

● Not illustrated



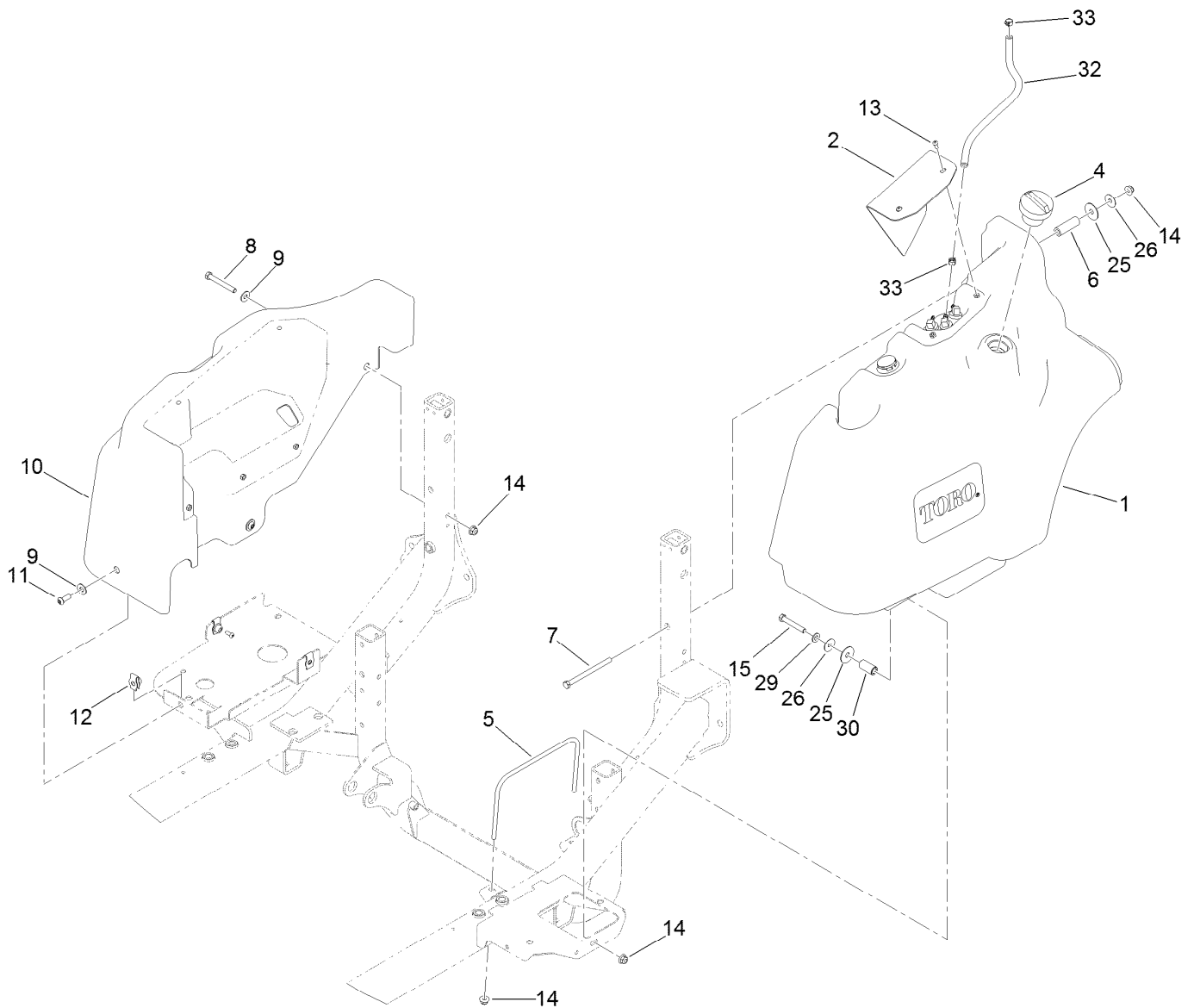
Steering Column Assembly No. 117-3371

<i>Ref.</i>	<i>Part Number</i>	<i>Qty.</i>	<i>Description</i>
1	120-2592	1	Boot-Rubber, Column
2	120-2593	1	Boot-Rubber, Bearing
3	120-2594	1	Gas Spring ASM



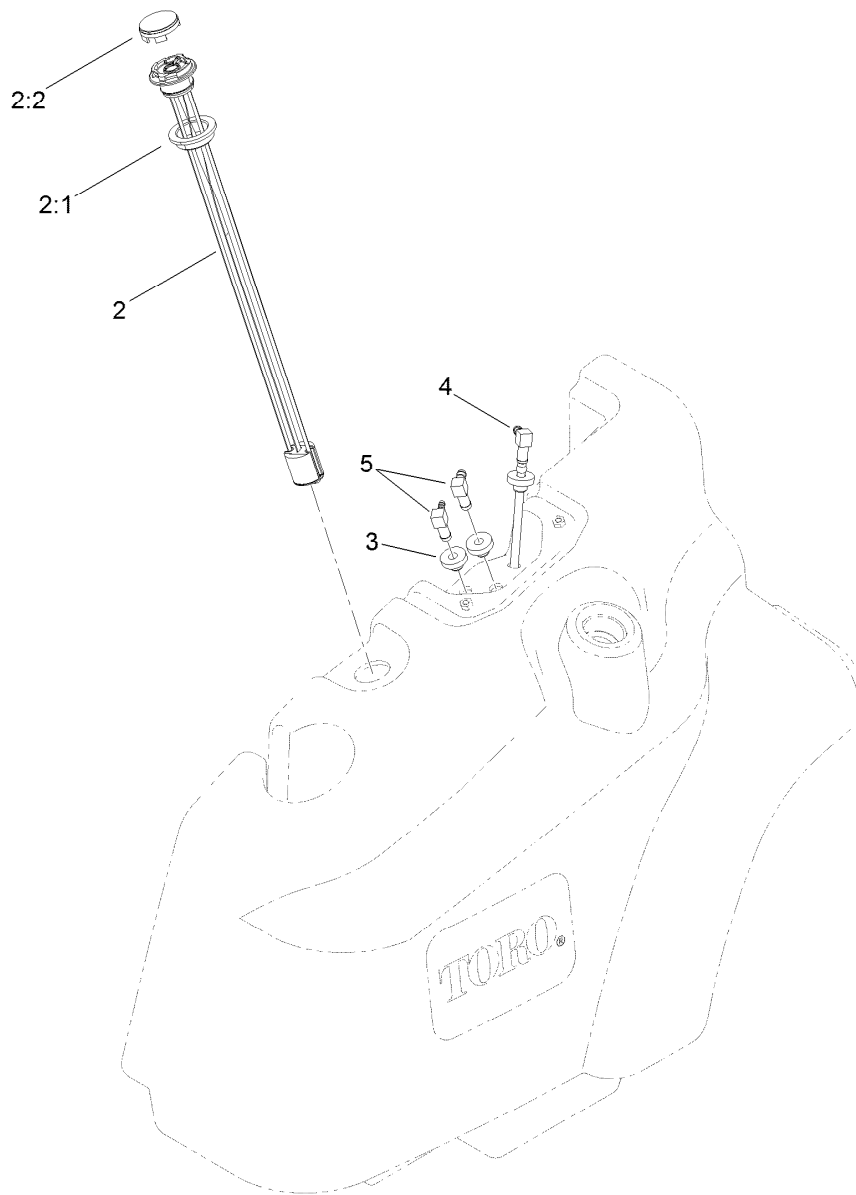
Steering Valve Assembly No. 130-7948

<i>Ref.</i>	<i>Part Number</i>	<i>Qty.</i>	<i>Description</i>
1	130-8357	1	Seal Kit



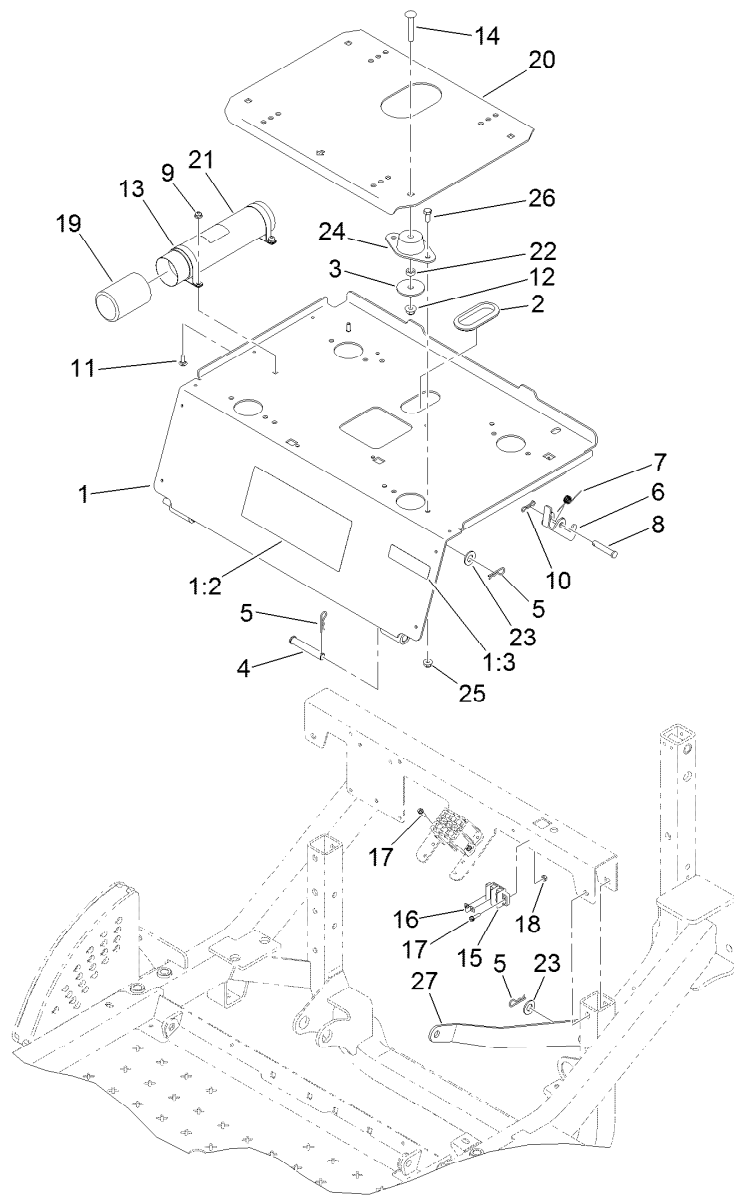
Fuel Tank Assembly

<i>Ref.</i>	<i>Part Number</i>	<i>Qty.</i>	<i>Description</i>	<i>Ref.</i>	<i>Part Number</i>	<i>Qty.</i>	<i>Description</i>
1	131-1920	1	Fuel Tank ASM	12	105-4886	3	Nut-Tinnerman
2	117-3359-03	1	Plate-Cover	13	3274-31	2	Screw-HSBH
4	125-9170	1	Cap-Fuel, Diesel (Ultra Low Sulfur)	14	104-8301	5	Nut-HF, NI
5	117-3394	1	Bracket-Tank	15	323-12	1	Screw-HH
6	117-3387	1	Tube-Spacer	25	95-1905	2	Washer-Rubber
7	323-39	1	Screw-HH	26	105-6814	2	Washer-Plain
8	323-14	1	Screw-HH	29	3256-24	1	Washer-Plain
9	100-7403	4	Washer-Flat	30	110-3726	1	Spacer
10	132-6550	1	Cover-Tank, Hydraulic	32	110-4101	1	Hose-Fuel
11	3274-94	3	Screw-HSBH	33	92-2379	2	Clamp-Hose



Fuel Tank Assembly No. 131-1920

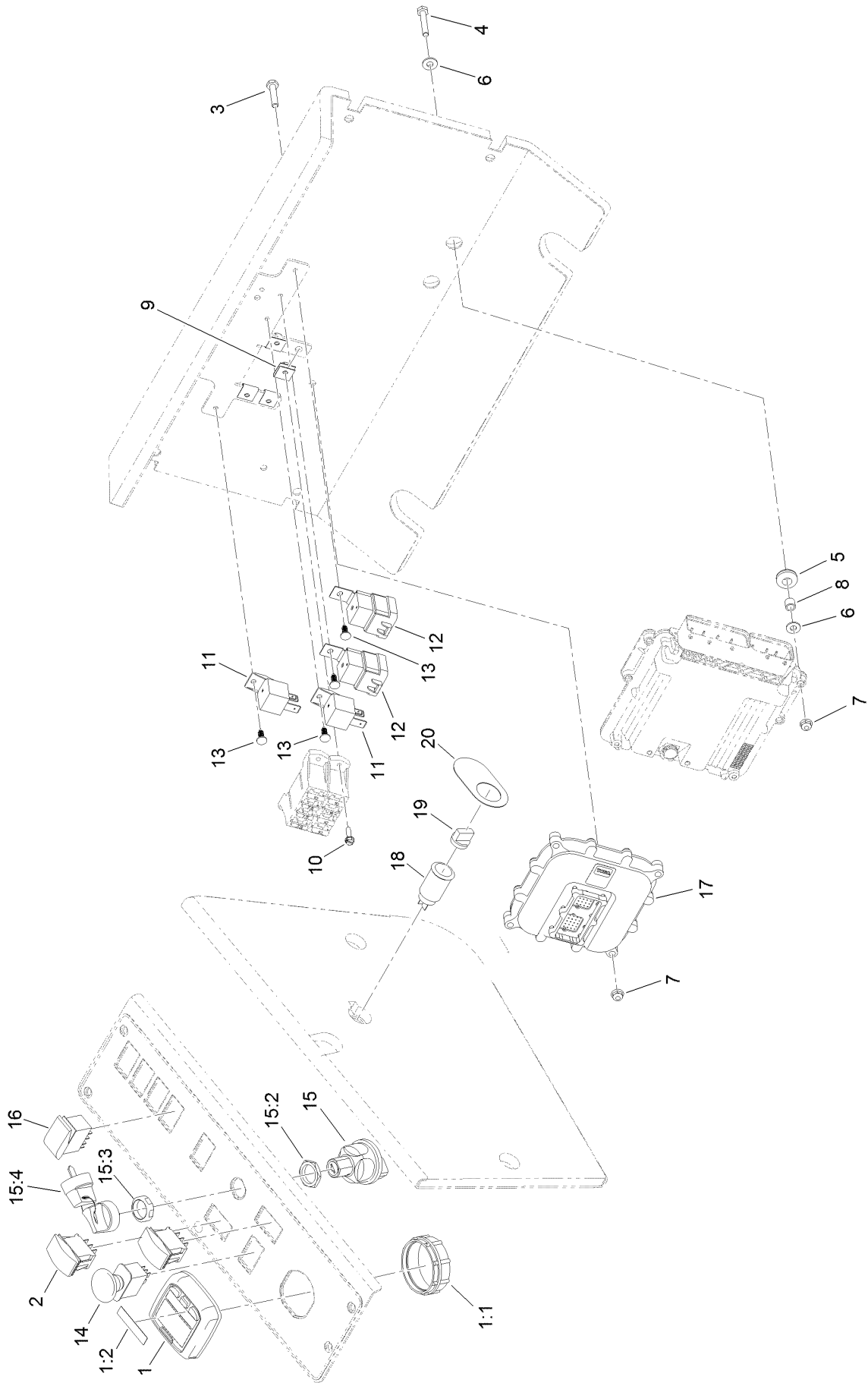
<i>Ref.</i>	<i>Part Number</i>	<i>Qty.</i>	<i>Description</i>
2	117-3238	1	Gauge-Fuel
2:1	119-0508	1	Seal
2:2	117-8404	1	Dial-Gauge
3	46-6560	3	Bushing
4	117-3370	1	Pipe-Stand
5	46-6550	2	Fitting-Elbow, 90 DEG



Seat Plate Assembly

<i>Ref.</i>	<i>Part Number</i>	<i>Qty.</i>	<i>Description</i>	<i>Ref.</i>	<i>Part Number</i>	<i>Qty.</i>	<i>Description</i>
1	120-0244	1	Seat Plate ASM	14	3231-40	4	Bolt-CARR
1:2	117-3273	1	Decal-Operation, Warning	15	42862	1	Block-Terminal, Ground
1:3	133-8062	1	Decal-Spark Arrestor	16	42863	1	Strip-Jumper
2	237-164	1	Grommet	17	32105-13	2	Screw-HWH
3	83-1040	4	Washer-Flat	18	3296-2	2	Nut-Lock, NI
4	283-55	2	Pin-Clevis	19	104-7048	1	Cap-Housing
5	3290-467	4	Pin-Hair	20	117-3065-03	1	Plate-Seat
6	117-3067	1	Latch-Seat	21	104-7050	1	Tube-Manual
7	104-4821	1	Spring-Torsion	22	83-1050	4	Spacer
8	283-82	1	Pin-Clevis	23	3256-26	2	Washer-Flat
9	104-7201	2	Nut-HF, NI	24	121-9076	4	Mount-Engine
10	119-1415	1	Pin-Cotter, Locking	25	104-8300	8	Nut-HF, NI
11	3229-1	2	Screw-CARR	26	322-3	8	Screw-HH
12	104-8301	4	Nut-HF, NI	27	120-0242-0P	1	Strap-Prop
13	107-1865	2	R-Clamp				

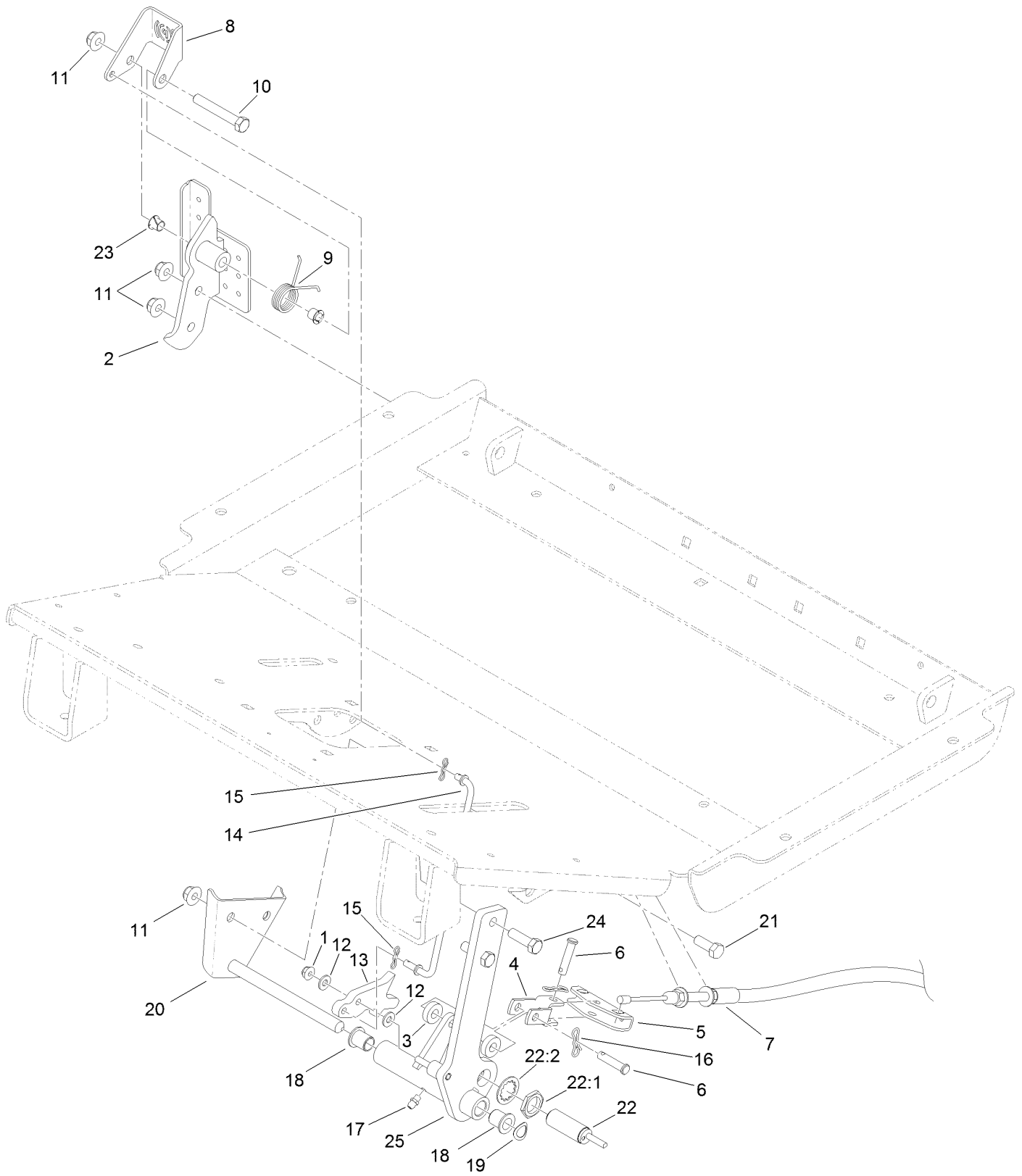
4 Wheel Drive Control Panel Assembly



4 Wheel Drive Control Panel Assembly (continued)

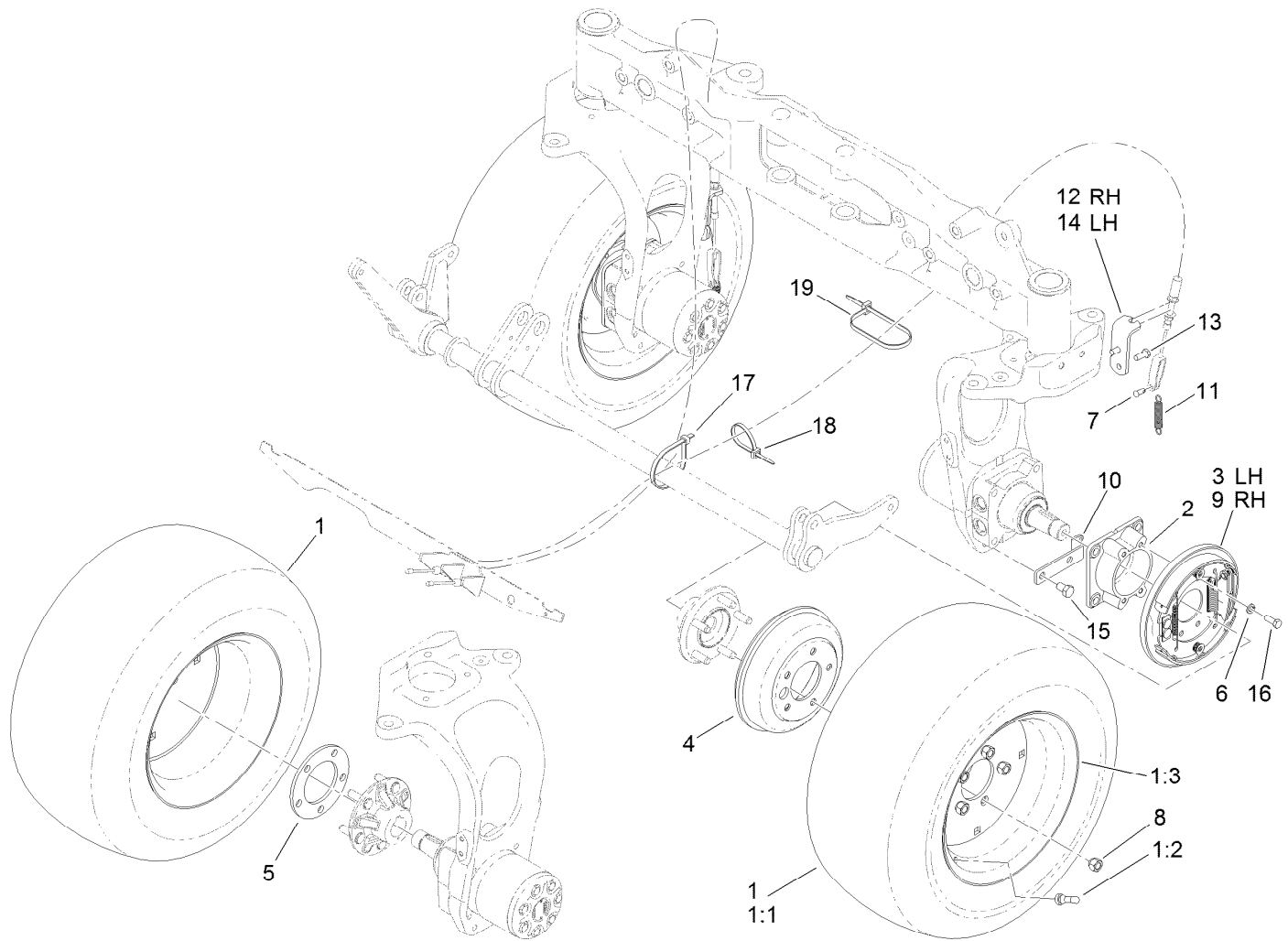
<i>Ref.</i>	<i>Part Number</i>	<i>Qty.</i>	<i>Description</i>	<i>Ref.</i>	<i>Part Number</i>	<i>Qty.</i>	<i>Description</i>
1	120-6310	1	LCD Display ASM Kantrak 1700	11	99-7435	2	Relay
1:1	120-4630	1	Nut-Display	12	99-7430	2	Relay-Mini
1:2	120-6311	1	Decal-Display	13	120-6737	4	Plug-Plastic
2	100-1535	2	Switch-Rocker, (On)-Off-(On)	14	95-4108	1	Switch-PTO, On-On-None
3	321-8	4	Screw-HH	15	121-5159	1	Switch-Ignition
4	321-9	4	Screw-HH	15:2	121-5160	1	Nut-Hex
5	1-633630	4	Grommet	15:3	121-5161	1	Nut-Face
6	3256-22	8	Washer-Flat	15:4	121-5162	1	Set-Key, Ignition
7	104-7201	8	Nut-HF, NI	16	100-8490	1	Switch-Rocker, On-None-On
8	1-633545	4	Spacer	17	115-1900	1	Controller
9	125-4384	4	Nut-Speed, U-Type	18	99-7411	1	Point-Power
10	32105-13	4	Screw-HWH	19	99-7416	1	Cap
				20	106-2353	1	Decal-Powerpoint

Brake Pedal Assembly



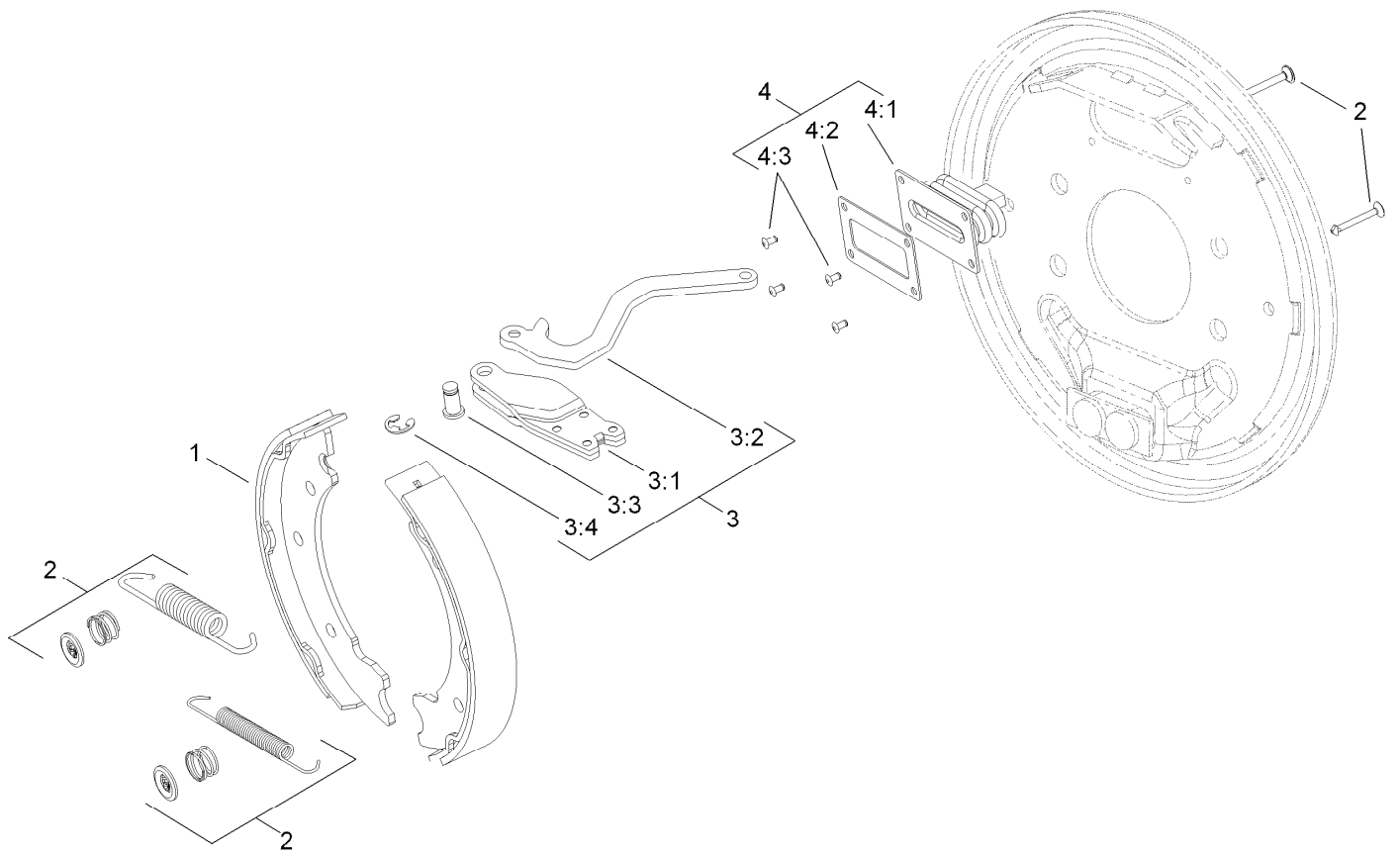
Brake Pedal Assembly (continued)

<i>Ref.</i>	<i>Part Number</i>	<i>Qty.</i>	<i>Description</i>	<i>Ref.</i>	<i>Part Number</i>	<i>Qty.</i>	<i>Description</i>
1	104-7201	1	Nut-HF, NI	15	119-1414	2	Pin-Cotter, Locking
2	119-1403-03	1	Pedal-Brake	16	119-1415	2	Pin-Cotter, Locking
3	26-4840	2	Spacer-Pin, Mounting	17	302-5	1	Fitting-Grease
4	115-8060	1	Clevis-Double	18	125-8775	2	Bushing-Flange
5	115-8059	1	Yoke-Cable	19	3290-221	1	Washer-Spring
6	283-14	2	Pin-Clevis	20	119-1388	1	Pin-Brake
7	117-3214	2	Cable-Brake	21	323-6	2	Screw-HH
8	119-1407	1	Pedal-Park	22	115-5300	1	Proximity Switch ASM
9	99-7140	1	Spring-Torsion	22:1	117-3207	2	Nut-Hex
10	323-12	1	Screw-HH	22:2	117-3208	2	Washer-Lock, Internal Tooth
11	104-8301	5	Nut-HF, NI	23	52-2891	2	Bushing-Flanged, Nylon
12	3256-22	2	Washer-Flat	24	323-7	2	Screw-HH
13	119-1406	1	Detent-Brake	25	119-1400-03	1	Lever-Brake
14	119-1405	1	Rod-Brake Pawl				



Wheel and Brake Assembly

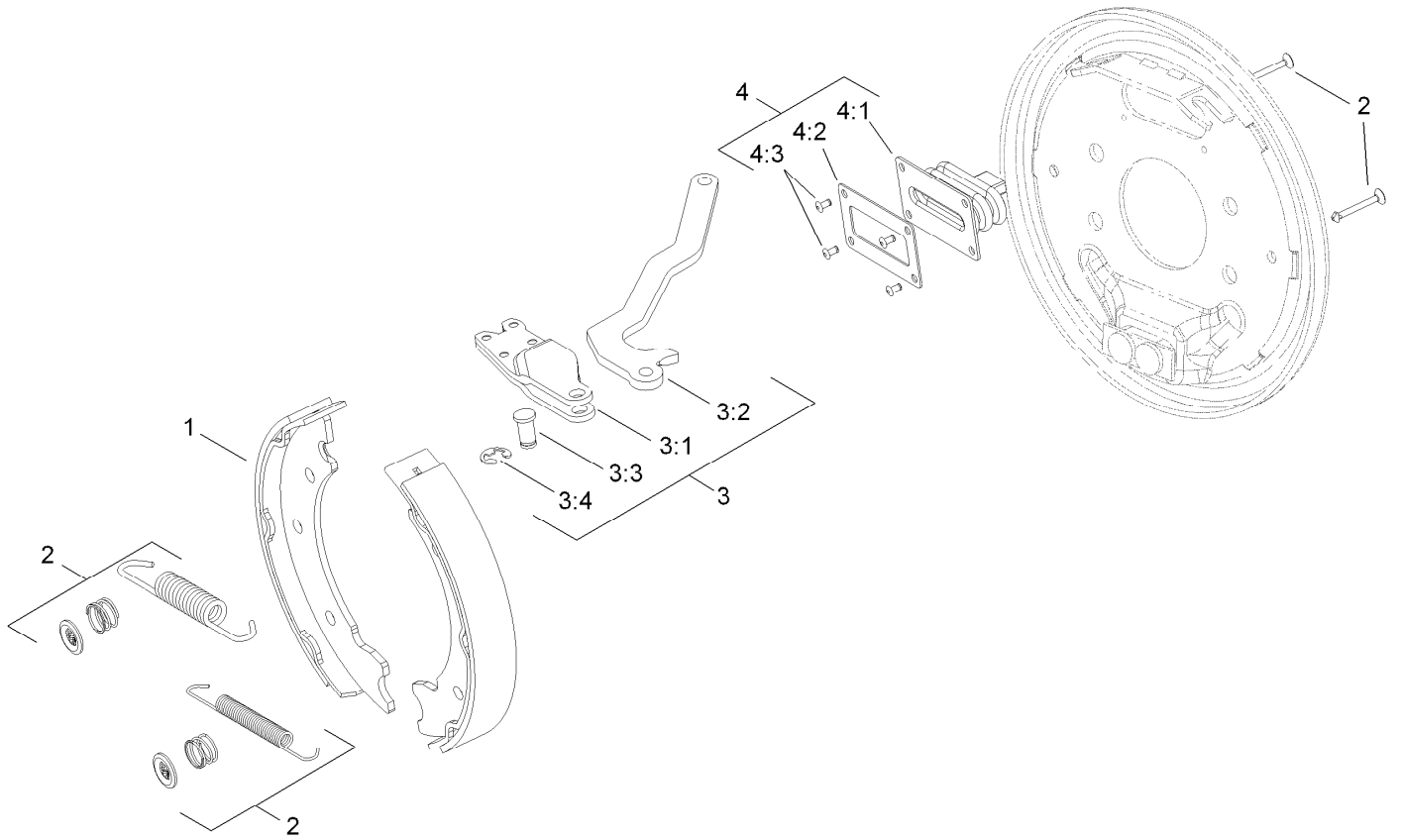
Ref.	Part Number	Qty.	Description	Ref.	Part Number	Qty.	Description
1	117-2900	4	Tire And Wheel ASM	9	120-0233	1	RH Brake ASM
1:1	117-2901	1	Tire	10	115-0132	2	Bracket-Spring, Return
1:2	232-27	1	Stem-Valve	11	87-4020	2	Spring-Extension
1:3	117-2902	1	Rim	12	119-1352-03	1	Bracket-Brake Cable, RH
2	120-0248-0P	2	Adapter-Brake	13	325-2	4	Screw-HH
3	120-0235	1	LH Brake ASM	14	119-1449-03	1	Bracket-Brake Cable, LH
4	114-8864	2	Drum-Brake	15	323-5	4	Screw-HH
5	115-0199-0P	2	Spacer-Wheel	16	323-6	8	Screw-HH
6	3253-21	8	Washer-Lock	17	3334-945	1	Tie-Cable
7	283-62	2	Pin-Clevis	18	3290-378	1	Tie-Cable
8	242-50	10	Nut-Lug	19	250-5	1	Tie-Cable



Left Hand Brake Assembly No. 120-0235

Ref.	Part Number	Qty.	Description
1	139-5950	1	Brake Shoe Kit
2	108-6983	1	Brake Hardware Kit
3	120-0236	1	LH Actuator Kit
3:1		1	Housing ●
3:2		1	Lever-LH ●
3:3		1	Pin-Pivot ●
3:4		1	E-Ring ●
4	110-8885	1	Dust Boot Kit
4:1		1	Boot ●
4:2		1	Plate-Back Up ●
4:3		2	Rivet ●

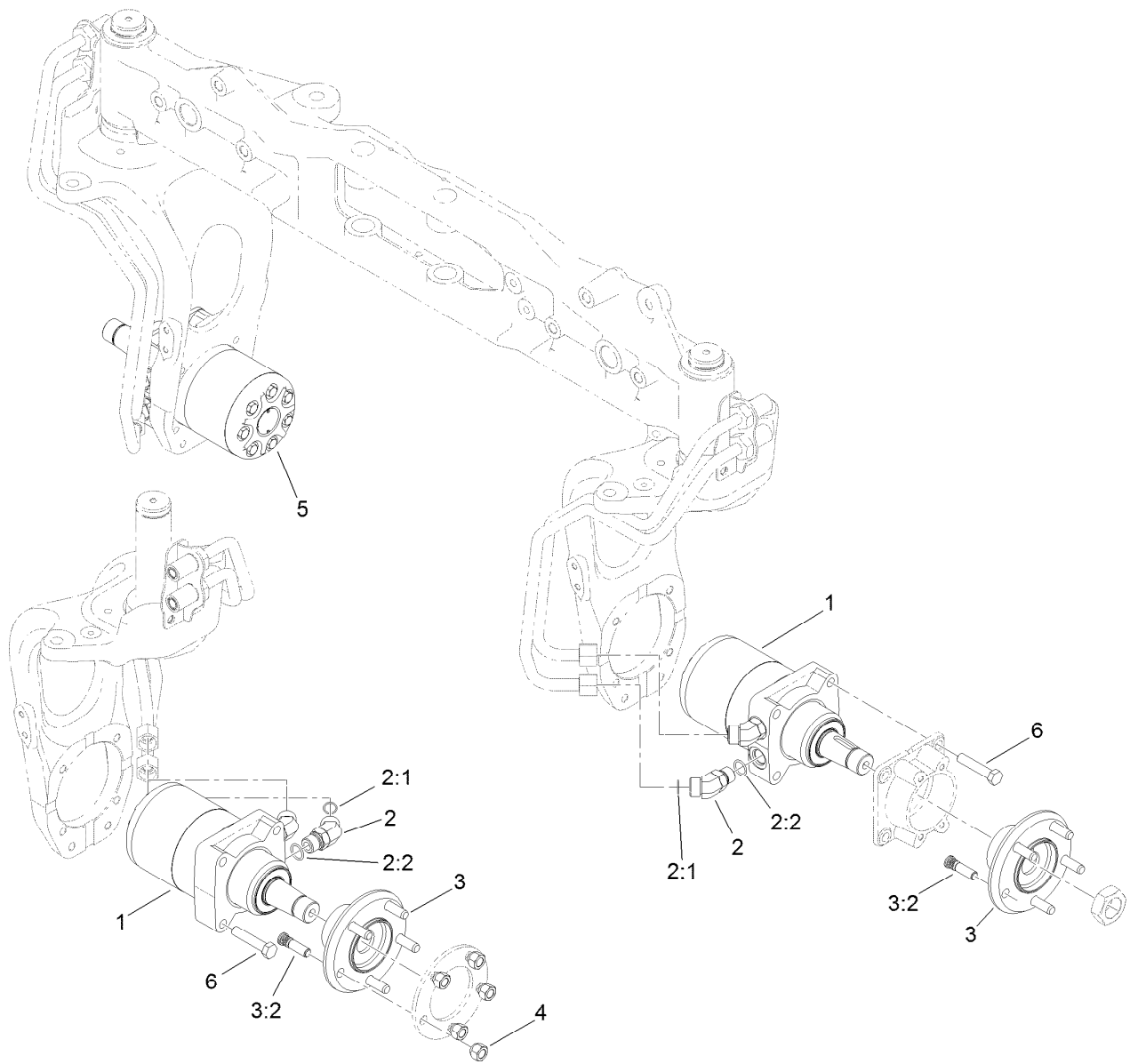
● Not serviced separately



Right Hand Brake Assembly No. 120-0233

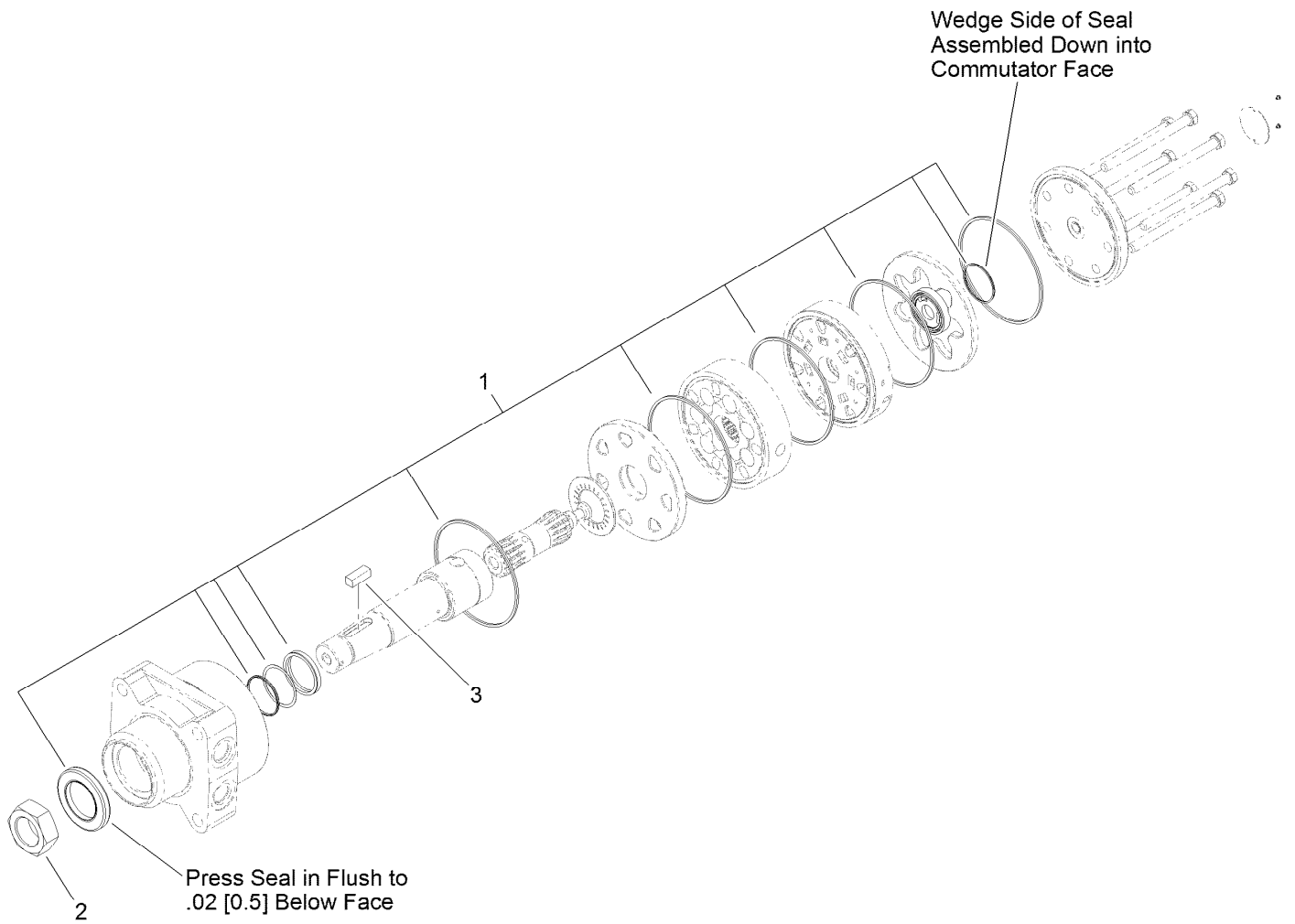
Ref.	Part Number	Qty.	Description
1	139-5950	1	Brake Shoe Kit
2	108-6983	1	Brake Hardware Kit
3	120-0234	1	RH Actuator Kit
3:1		1	Housing ●
3:2		1	Lever-RH ●
3:3		1	Pin-Pivot ●
3:4		1	E-Ring ●
4	110-8885	1	Dust Boot Kit
4:1		1	Boot ●
4:2		1	Plate-Back Up ●
4:3		2	Rivet ●

● Not serviced separately



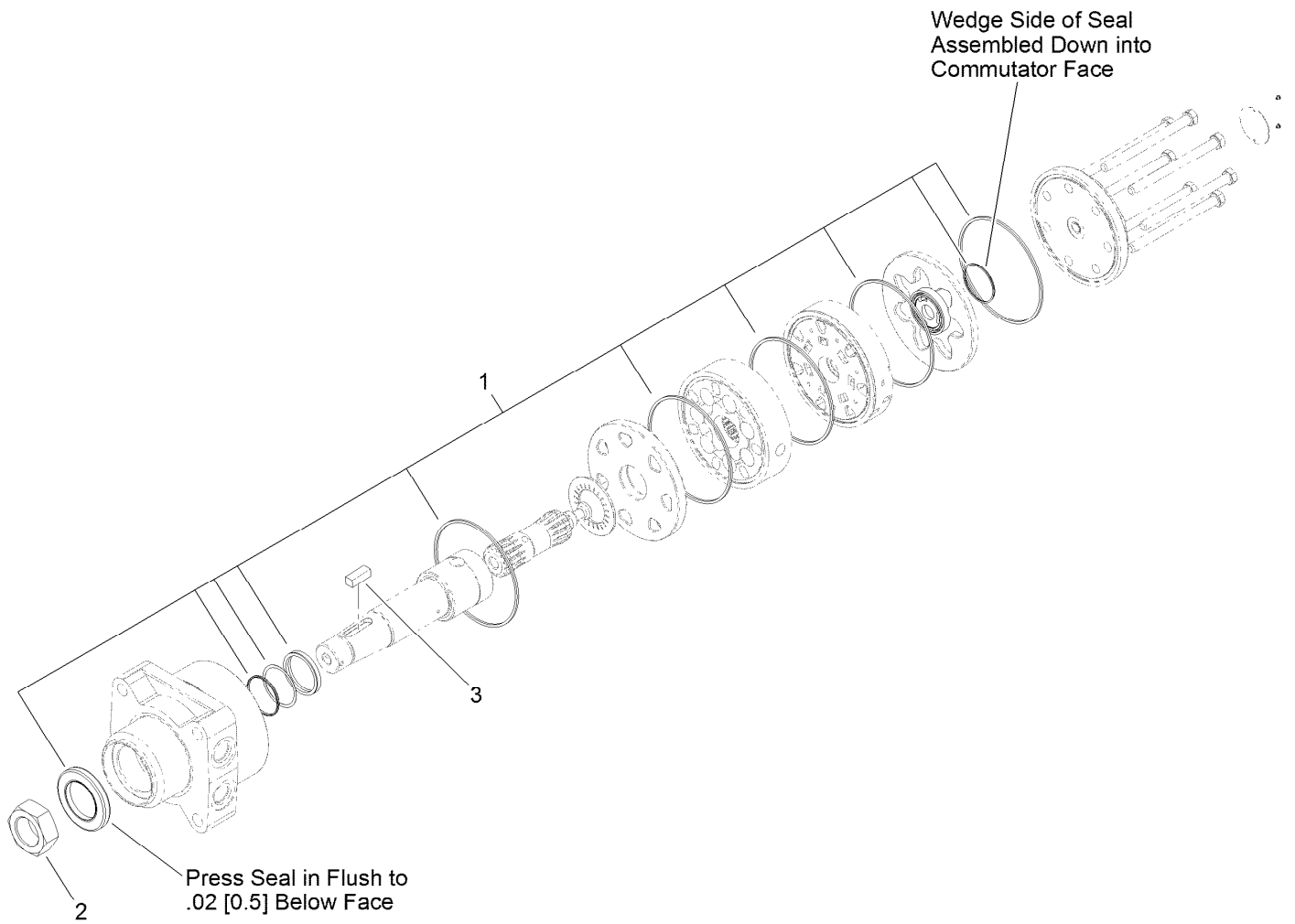
4 Wheel Drive Hydraulic Motor and Fitting Assembly

<i>Ref.</i>	<i>Part Number</i>	<i>Qty.</i>	<i>Description</i>
1	120-6718	2	HYD Motor ASM (335 CCW)
2	340-14	8	Fitting-HYD, 45 DEG
2:1	237-65	1	O-Ring
2:2	237-80	1	O-Ring
3	121-5492	4	Wheel Hub ASM
3:2	114-3918	5	Stud-Wheel
4	242-50	10	Nut-Lug
5	120-6719	2	HYD Motor ASM (335 CW)
6	325-34	16	Screw-HH



Hydraulic Motor Assembly No. 120-6718 (CCW)

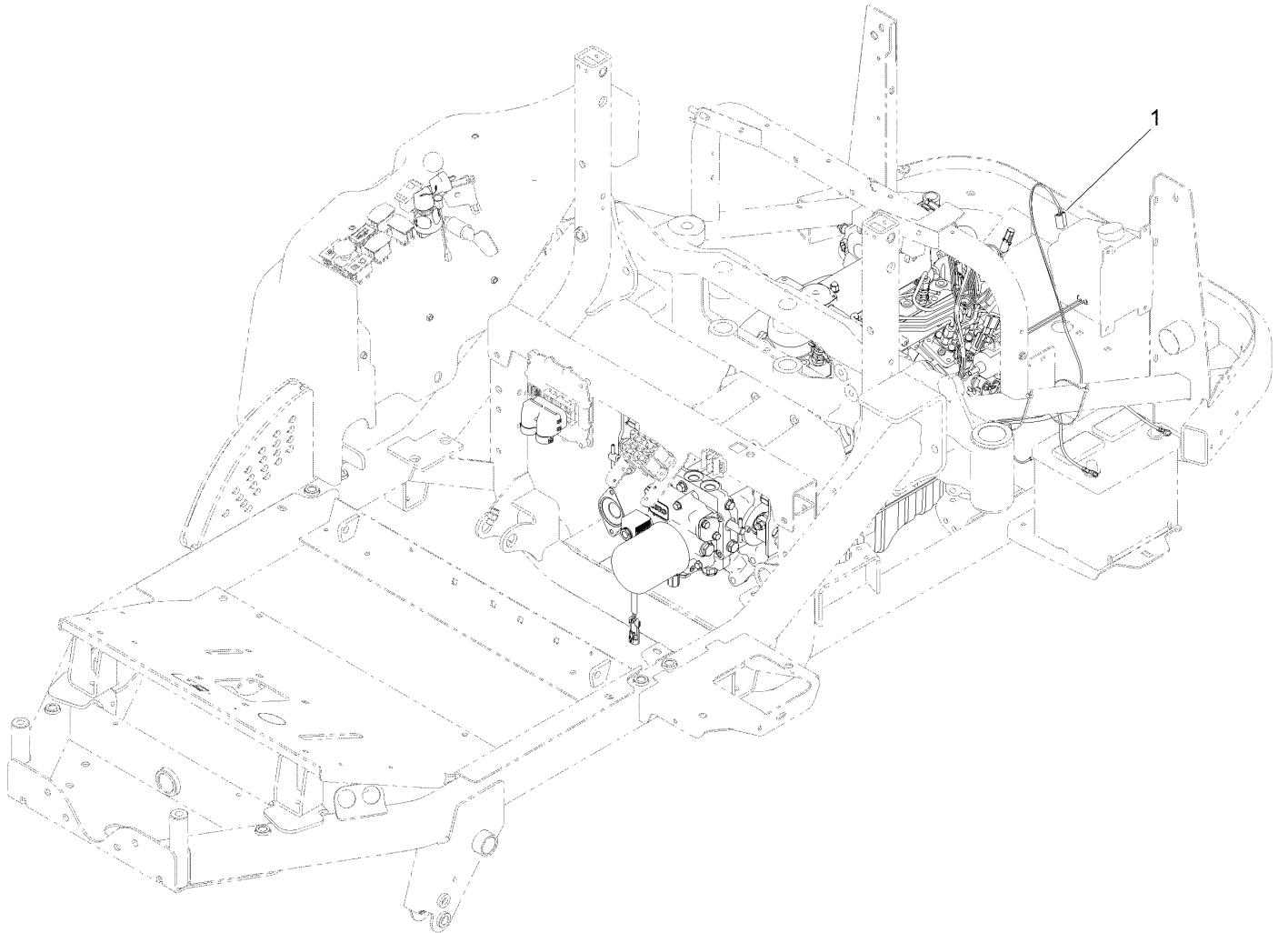
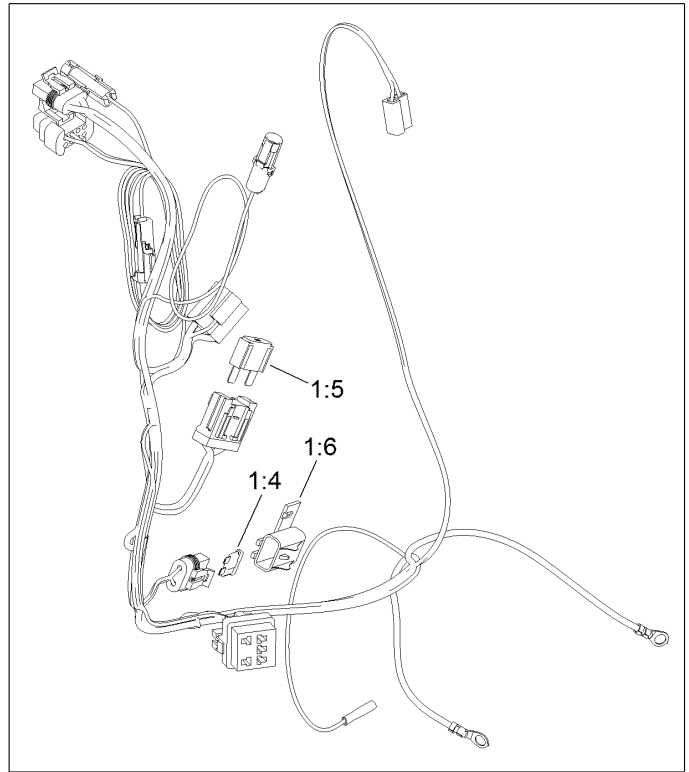
<i>Ref.</i>	<i>Part Number</i>	<i>Qty.</i>	<i>Description</i>
1	121-5397	1	Seal Kit
2	117-3290	1	Nut-Hex
3	117-5198	1	Key-Square



Hydraulic Motor Assembly No. 120-6719 (CW)

<i>Ref.</i>	<i>Part Number</i>	<i>Qty.</i>	<i>Description</i>
1	121-5397	1	Seal Kit
2	117-3290	1	Nut-Hex
3	117-5198	1	Key-Square

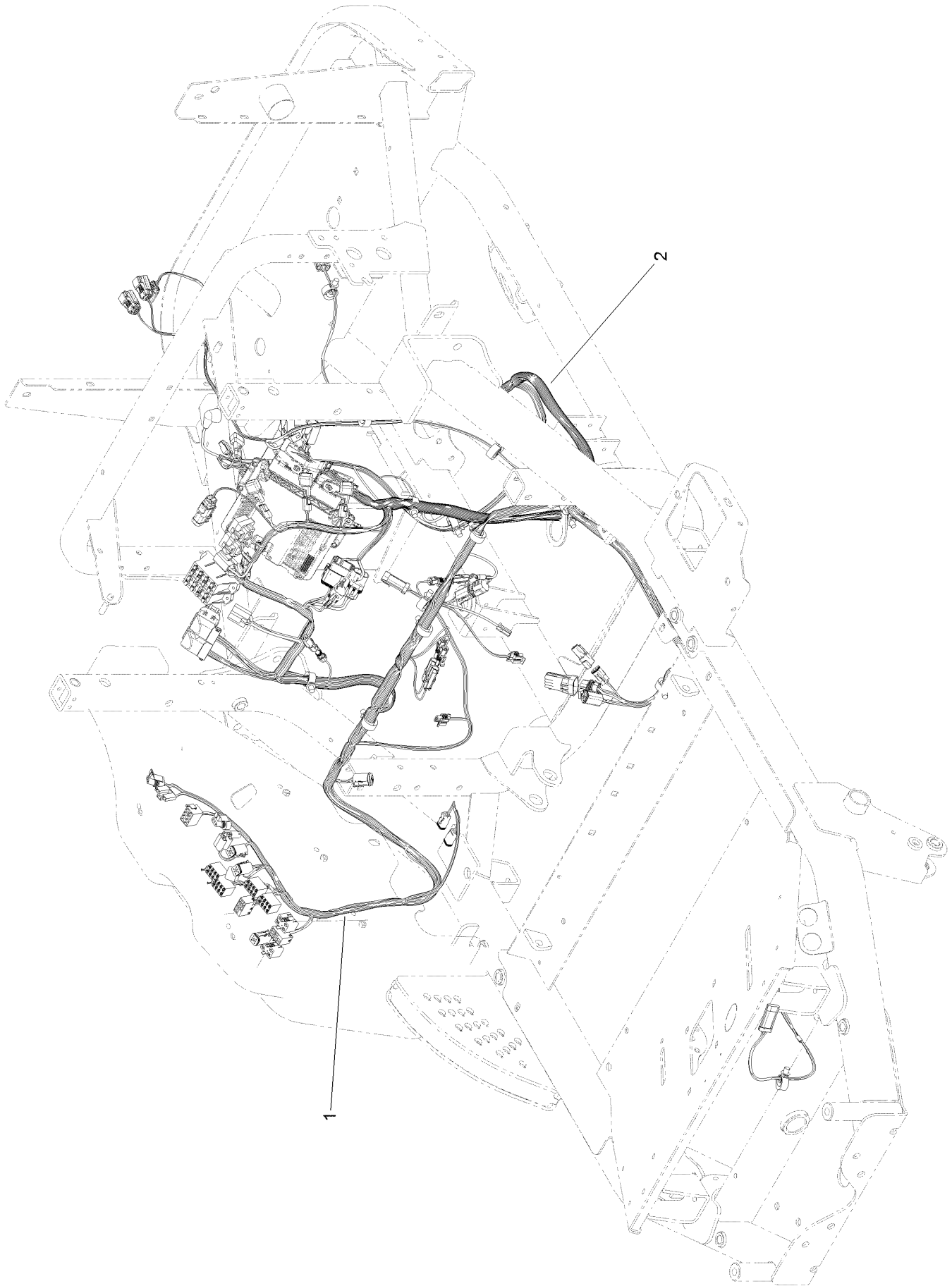
Cab Wire Harness Assembly



Cab Wire Harness Assembly (continued)

<i>Ref.</i>	<i>Part Number</i>	<i>Qty.</i>	<i>Description</i>	<i>Ref.</i>	<i>Part Number</i>	<i>Qty.</i>	<i>Description</i>
1	122-1349	1	Harness-Wire, Power	1:5	114-3342	1	Fuse-Maxi, 60 Amp
1:4	218-578	1	Fuse-Blade, 10 Amp	1:6	32180-019	1	Cover-Fuse, Single

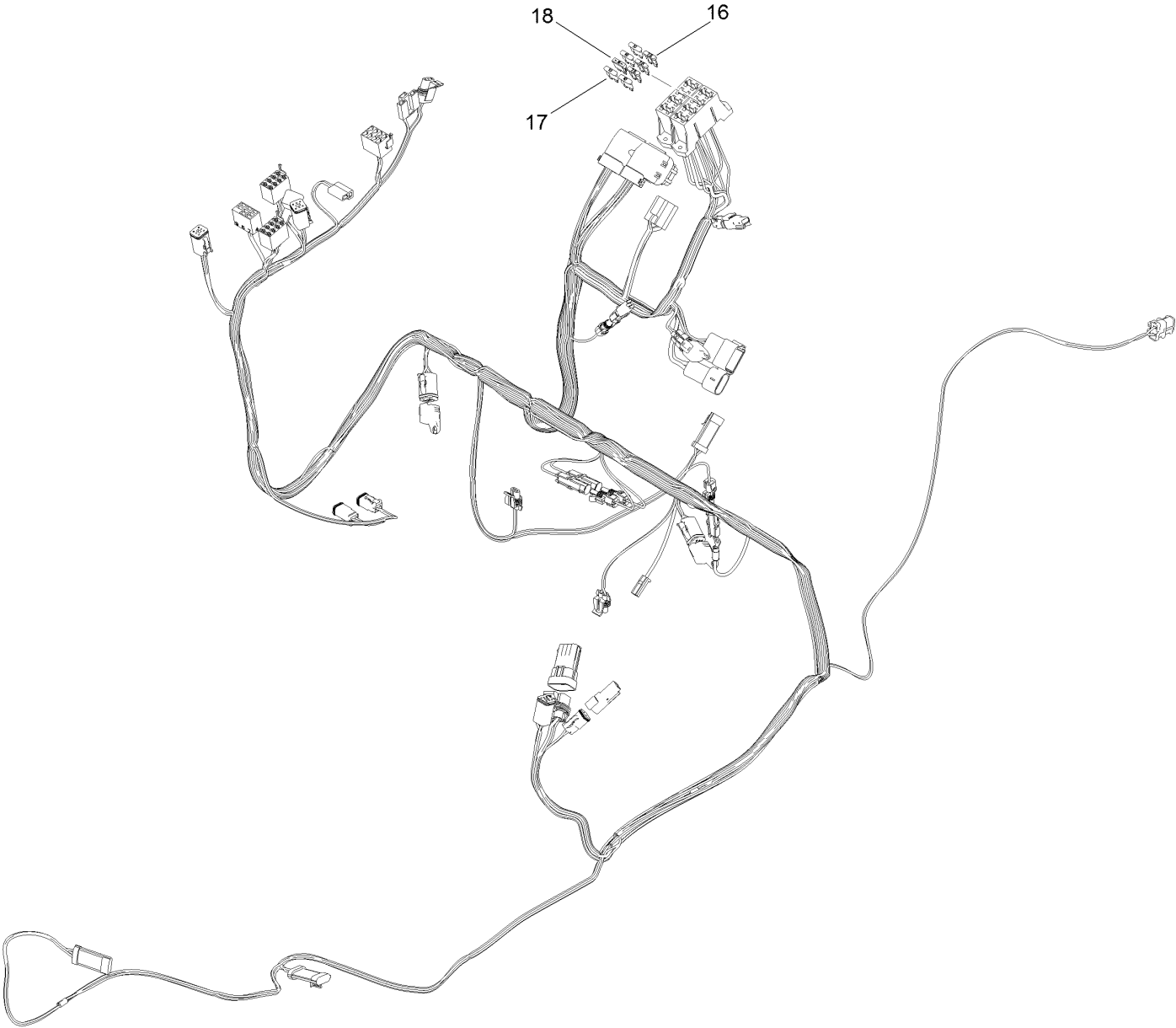
Electrical Assembly



Electrical Assembly (continued)

<i>Ref.</i>	<i>Part Number</i>	<i>Qty.</i>	<i>Description</i>
1	122-1427	1	Harness-Wire
2	119-4375	1	Harness-Engine

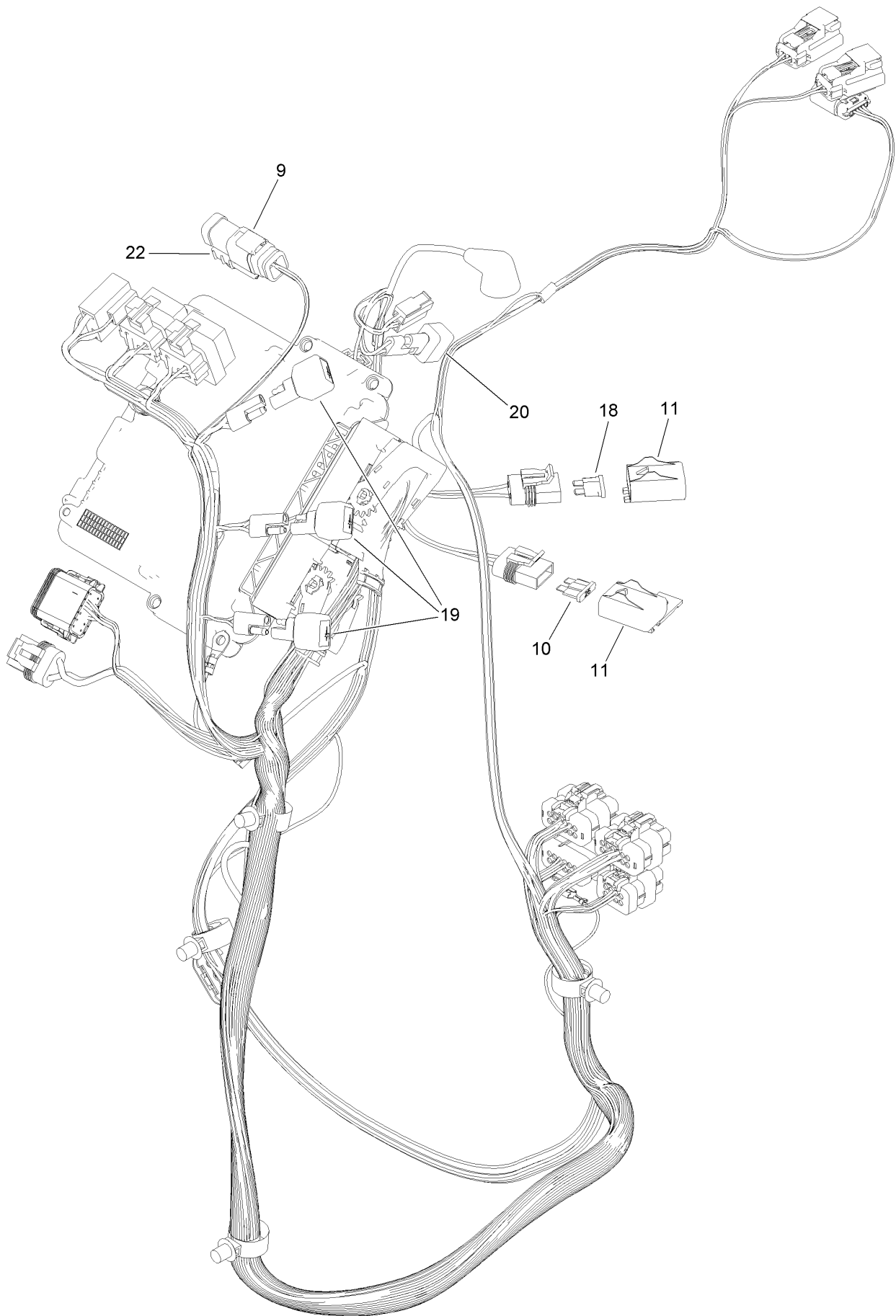
Wire Harness Assembly No. 122-1427



Wire Harness Assembly No. 122-1427 (continued)

<i>Ref.</i>	<i>Part Number</i>	<i>Qty.</i>	<i>Description</i>
16	114241	3	Fuse-Blade, 7.5 Amp
17	218-578	4	Fuse-Blade, 10 Amp
18	109355	1	Fuse-Blade, 15 Amp

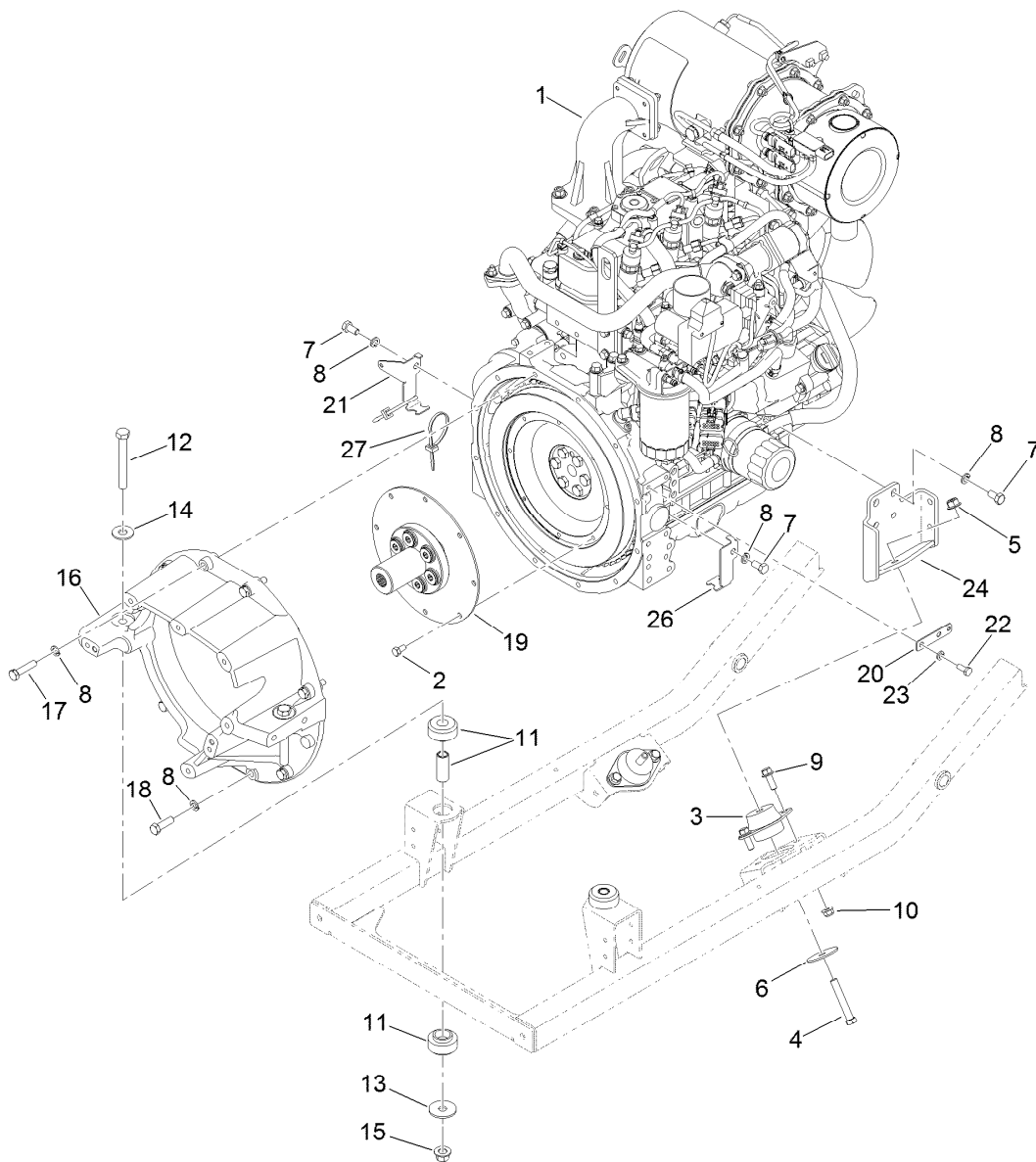
Wire Harness Assembly No. 119-4375



Wire Harness Assembly No. 119-4375 (continued)

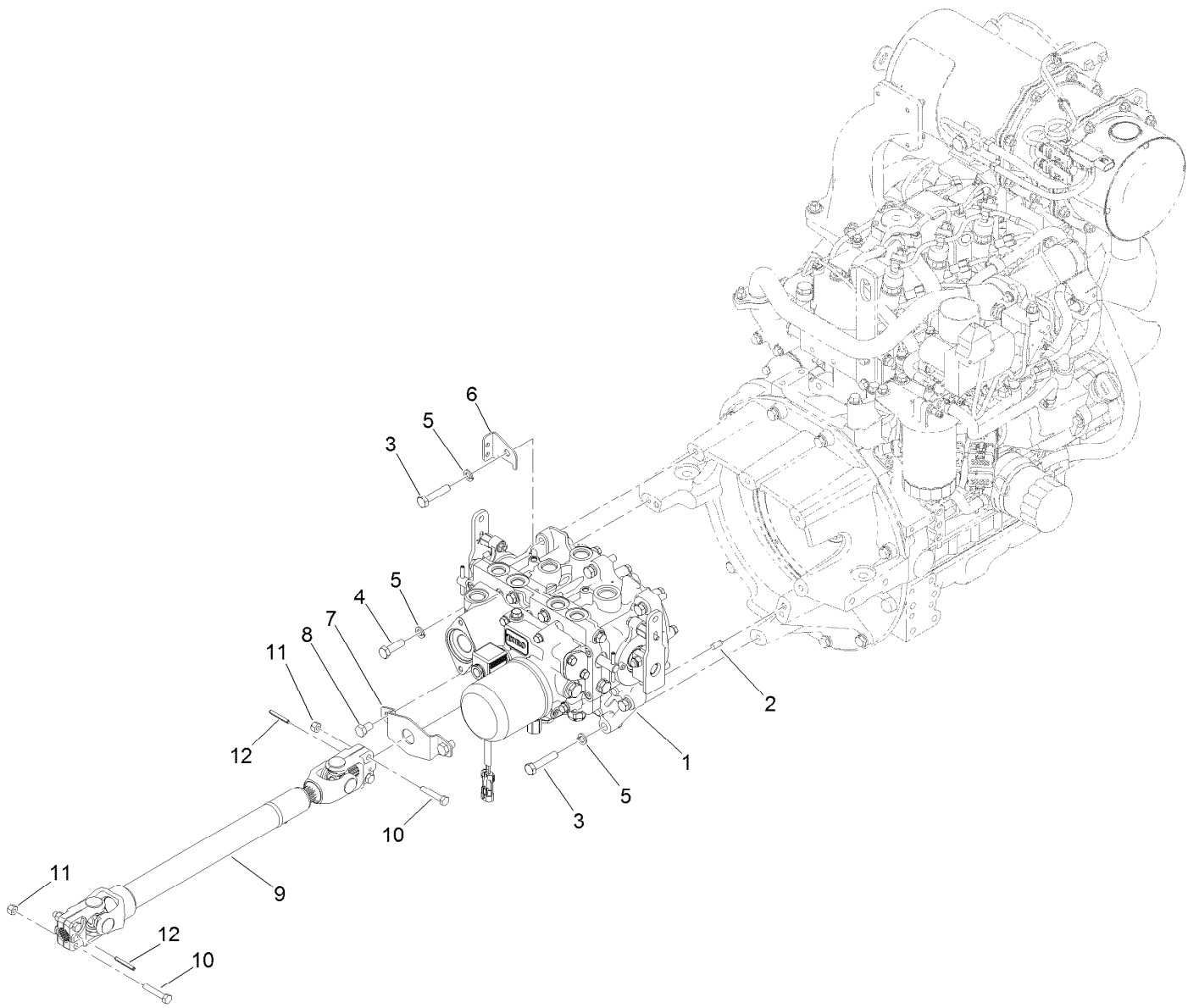
<i>Ref.</i>	<i>Part Number</i>	<i>Qty.</i>	<i>Description</i>
9	32160-359	1	Connector (6M)
10	109102	1	Fuse-Blade, 25 Amp
11	32180-019	2	Cover-Fuse, Single
18	94-6710	1	Fuse-2 Amp

<i>Ref.</i>	<i>Part Number</i>	<i>Qty.</i>	<i>Description</i>
19	100-4918	3	Diode
20	121-8891	1	Resistor (1.6K Ohm)
22	32180-103	1	Clip-Connector



Engine Assembly

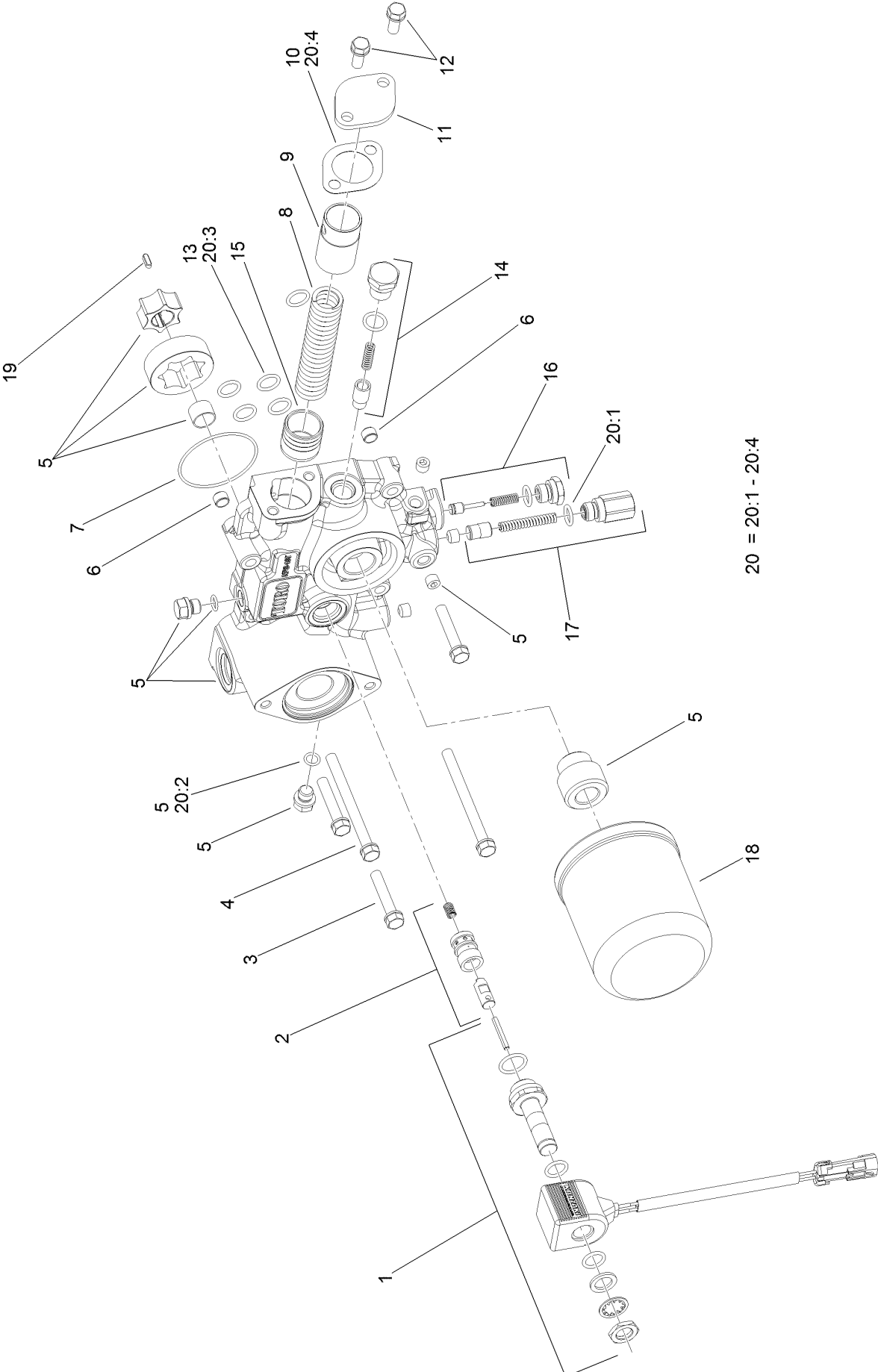
<i>Ref.</i>	<i>Part Number</i>	<i>Qty.</i>	<i>Description</i>	<i>Ref.</i>	<i>Part Number</i>	<i>Qty.</i>	<i>Description</i>
1	138-6920	1	Engine-Yanmar	14	3256-6	2	Washer-Flat
2	99-5132	8	Bolt	15	99-5107	2	Nut-Lock
3	130-2486	2	Mount	16	125-2836	1	Housing-Flywheel
4	324-11	2	Screw-HH	17	33115-045	7	Screw-HH
5	114-8417	2	Nut-HF, NI	18	33115-035	2	Screw-HH
6	87-5100	2	Washer-Snubbing	19	120-9131	1	Coupling-Flywheel
7	33115-020	10	Screw-HH	20	121-5636	1	Tab-Harness
8	48-9590	19	Washer-Lock	21	127-2774	1	Bracket-Harness, RH
9	3234-42	4	Screw-HHF	22	33114-020	2	Screw-HH
10	104-8301	4	Nut-HF, NI	23	3253-4	2	Washer-Lock
11	120-9168	2	Mount-Rubber	24	125-2841-0P	1	Mount-LH
12	325-17	2	Screw-HH	26	127-2773	1	Bracket-Harness, LH
13	86-1990	2	Washer	27	3290-378	4	Tie-Cable



Transmission Component Assembly

<i>Ref.</i>	<i>Part Number</i>	<i>Qty.</i>	<i>Description</i>
1	125-9290	1	Transmisson ASM
2	87-1910	2	Pin-Dowel
3	33115-050	6	Screw-HH
4	33115-035	1	Screw-HH
5	48-9590	7	Washer-Lock
6	120-0239	1	Support-Tube
7	114-4088	1	Shield-Seal
8	33115-016	2	Screw-HH
9	110-3575	1	Driveshaft ASM
10	322-9	4	Screw-HH
11	3296-29	4	Nut-Lock, NI
12	32121-34	2	Pin-Roll

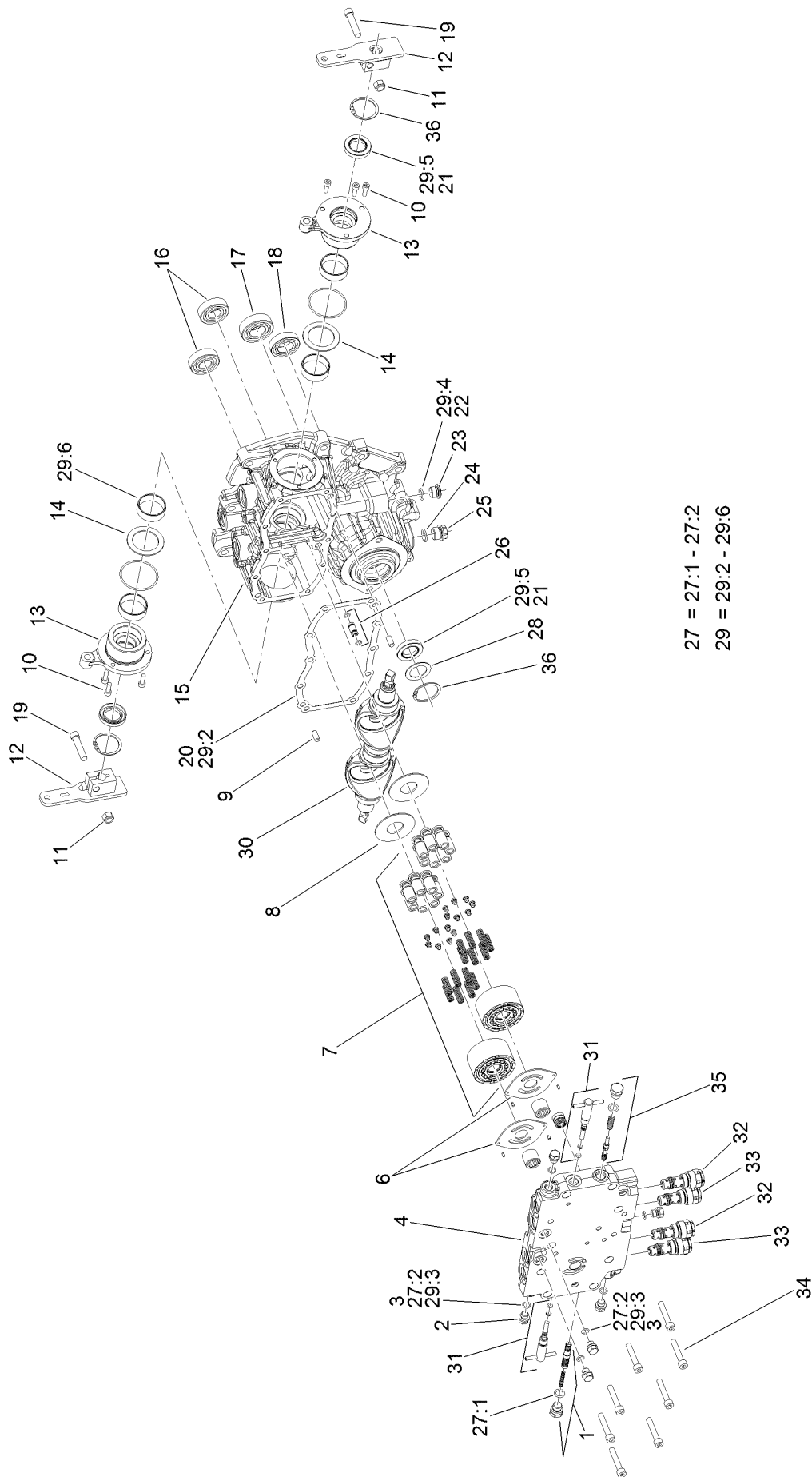
Charge Pump Housing Assembly Transmission Assembly No. 125-9290



Charge Pump Housing Assembly Transmission Assembly No. 125-9290 (continued)

<i>Ref.</i>	<i>Part Number</i>	<i>Qty.</i>	<i>Description</i>	<i>Ref.</i>	<i>Part Number</i>	<i>Qty.</i>	<i>Description</i>
1	107-0851	1	Solenoid ASM	13	104-3298	1	Packing
2	107-0850	1	Solenoid Valve ASM	14	107-0843	1	Filter Bypass Valve ASM
3	107-0863	3	Bolt	15	107-0818	1	Piston
4	107-0864	2	Bolt	16	120-5153	1	Charge Relief Valve ASM
5	107-0840	1	Pump Body ASM	17	107-0841	1	Pressure Valve ASM
6	107-0848	2	Pin	18	108-5194	1	Filter-Oil, HYD
7	107-0856	1	O-Ring	19	107-0865	1	Key
8	107-0845	1	Spring	20	107-0855	1	Charge Pump Seal Kit
9	107-0844	1	Collar	20:1	93-0418	2	O-Ring
10	107-0847	1	Gasket	20:2	107-0817	2	O Ring-Plug
11	107-0846	1	Cover	20:3	104-3298	6	Packing
12	93-0457	2	Bolt And Washer ASM	20:4	107-0847	1	Gasket

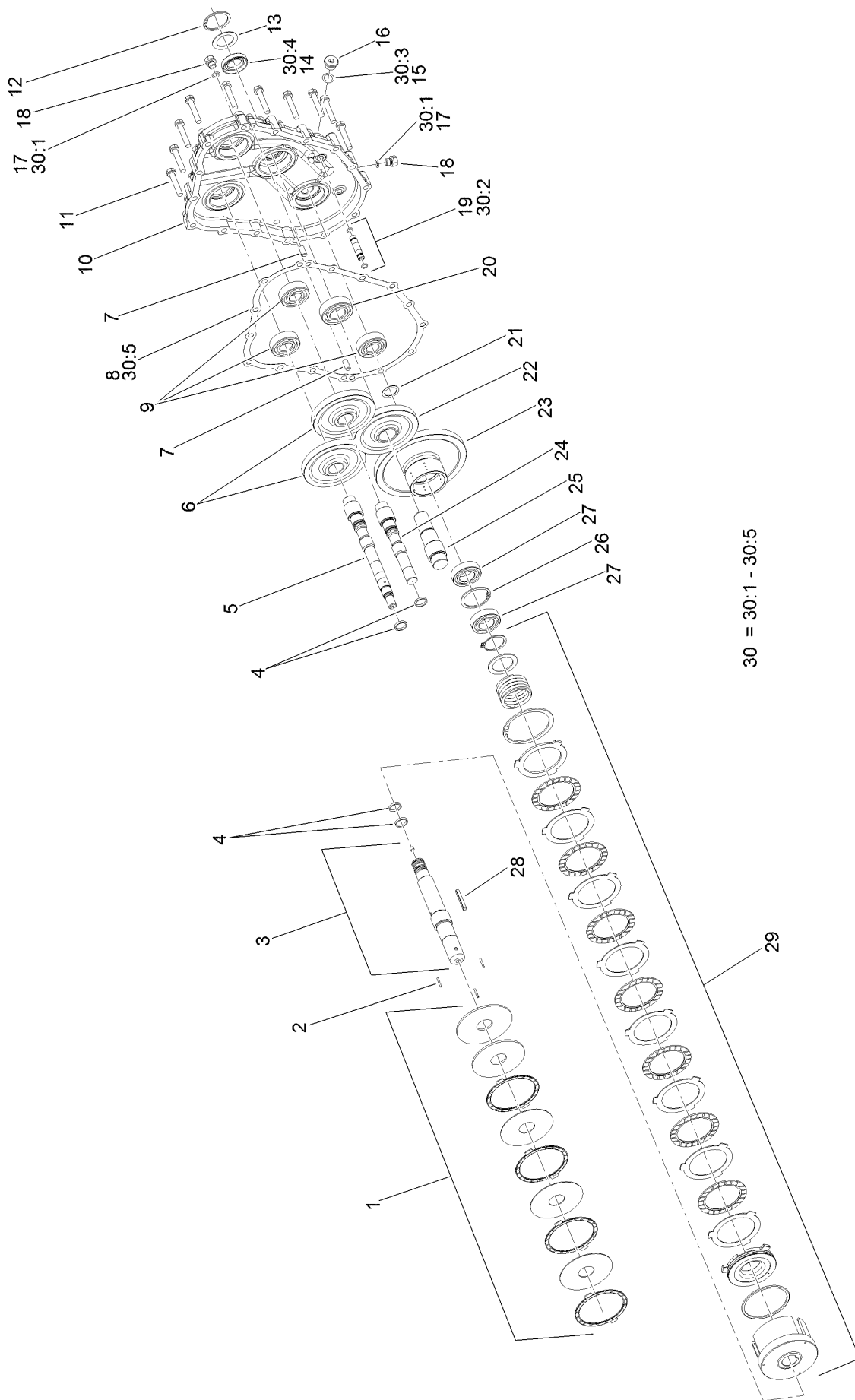
Center Section Assembly Transmission Assembly No. 125-9290



Center Section Assembly Transmission Assembly No. 125-9290 (continued)

<i>Ref.</i>	<i>Part Number</i>	<i>Qty.</i>	<i>Description</i>	<i>Ref.</i>	<i>Part Number</i>	<i>Qty.</i>	<i>Description</i>
1	107-0807	1	Valve-Flushing, RH	23	107-0861	1	Plug-NPTF
2	107-0857	6	Plug	24	237-79	1	O-Ring
3	107-0817	6	O Ring-Plug	25	107-0867	1	Plug
4	120-5150	1	Center Case ASM	26	107-0812	1	Pipe
6	107-0805	2	Plate-Valve	27	107-0852	1	Center Case Seal Kit
7	107-0824	2	Cylinder Block ASM	27:1	93-0418	2	O-Ring
8	107-0830	2	Plate-Thrust	27:2	107-0817	6	O Ring-Plug
9	92-0765	4	Pin-Parallel	28	107-0813	1	Spacer
10	107-0859	6	Bolt	29	107-0853	1	Pump Housing Seal Kit
11	120-6681	2	U-Nut	29:2	107-0810	1	Gasket-Case, Center
12	131-5505	2	Arm-Control	29:3	107-0817	2	O Ring-Plug
13	107-0832	2	Side Cover ASM	29:4	104-3298	1	Packing
14	107-0829	2	Washer	29:5	107-0814	3	Seal
15	120-5151	1	Pump Housing ASM	29:6	107-0825	4	Ring-Seal
16	107-0826	2	Bearing	30	120-6679	2	Plate-Swash
17	107-0821	1	Bearing	31	107-0808	2	Valve-Bypass
18	107-0838	1	Bearing	32	107-0804	2	Valve-Rear
19	120-6682	2	Bolt	33	107-0803	2	Valve-Front
20	107-0810	2	Gasket-Case, Center	34	107-0863	8	Bolt
21	107-0814	1	Seal	35	107-0806	1	Valve-Flushing, LH
22	104-3298	1	Packing	36	92-0757	2	Ring-Snap

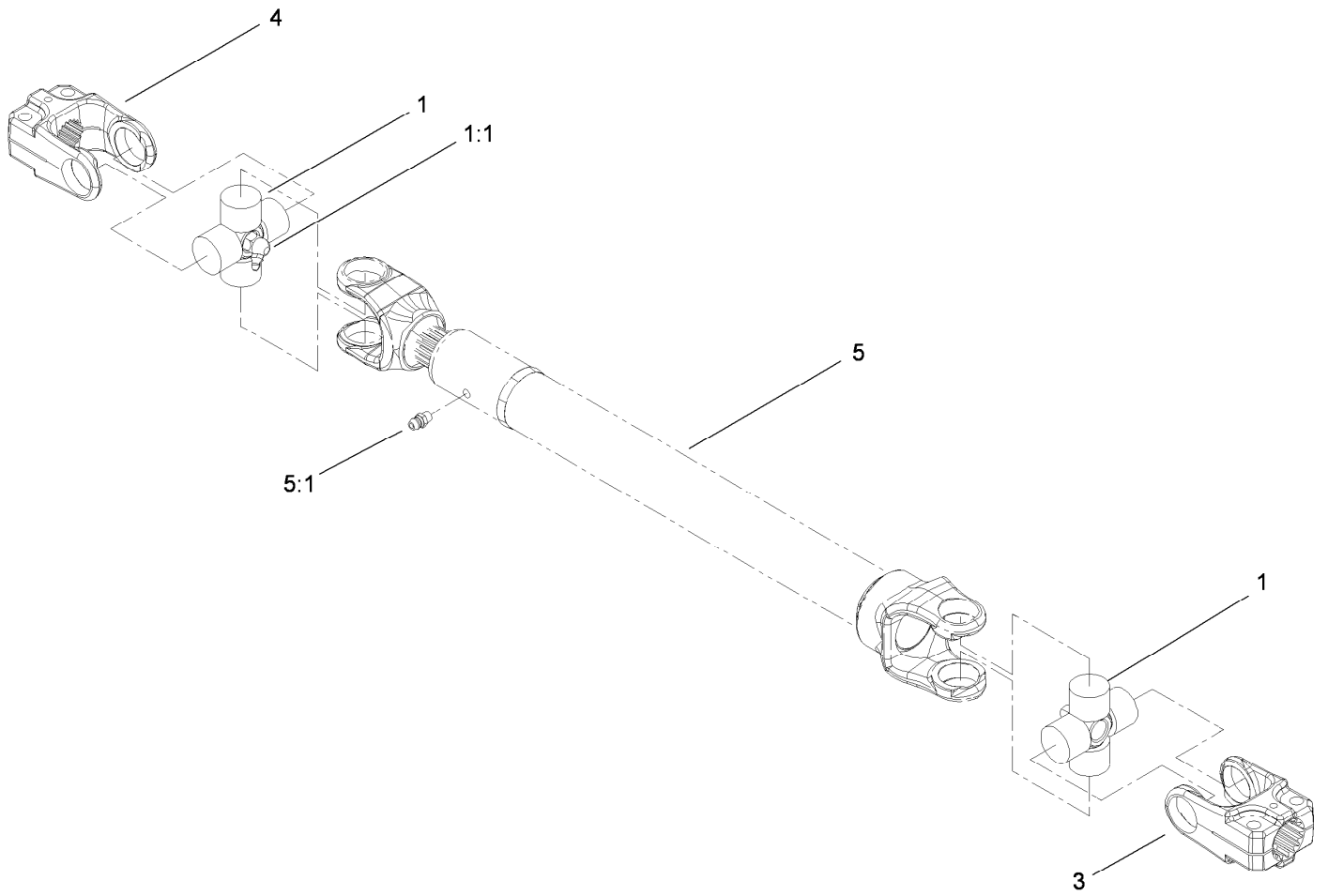
Gear Case and Clutch Assembly Transmission Assembly No. 125-9290



Gear Case and Clutch Assembly Transmission Assembly No. 125-9290 (continued)

<i>Ref.</i>	<i>Part Number</i>	<i>Qty.</i>	<i>Description</i>	<i>Ref.</i>	<i>Part Number</i>	<i>Qty.</i>	<i>Description</i>
1	107-0839	1	PTO Brake ASM	19	107-0811	1	Pipe
2	107-0837	3	Rod-Push	20	107-0821	2	Bearing
3	107-0833	1	PTO Shaft ASM	21	107-0836	1	Spacer
4	107-0825	2	Ring-Seal	22	107-0820	1	Gear-Input
5	107-0827	1	Shaft-Pump	23	107-0834	1	Gear-PTO
6	107-0823	2	Gear-Pump	24	107-0822	1	Shaft-Pump
7	92-0765	4	Pin-Parallel	25	107-0819	1	Shaft-Input
8	107-0816	1	Gasket-Housing, Gear	26	92-0758	1	Ring-Snap
9	107-0826	4	Bearing	27	107-0838	3	Bearing
10	120-5152	1	Housing-Case, Gear	28	107-0866	1	Key
11	107-0863	13	Bolt	29	107-0835	1	Clutch Cylinder ASM
12	92-0757	1	Ring-Snap	30	107-0854	1	Gear Housing Seal Kit
13	107-0813	1	Spacer	30:1	107-0817	2	O Ring-Plug
14	107-0814	1	Seal	30:2		2	O-Ring ●
15	104-3298	1	Packing	30:3	104-3298	1	Packing
16	107-0861	1	Plug-NPTF	30:4	107-0814	1	Seal
17	107-0817	6	O Ring-Plug	30:5	107-0816	1	Gasket-Housing, Gear
18	107-0857	6	Plug				

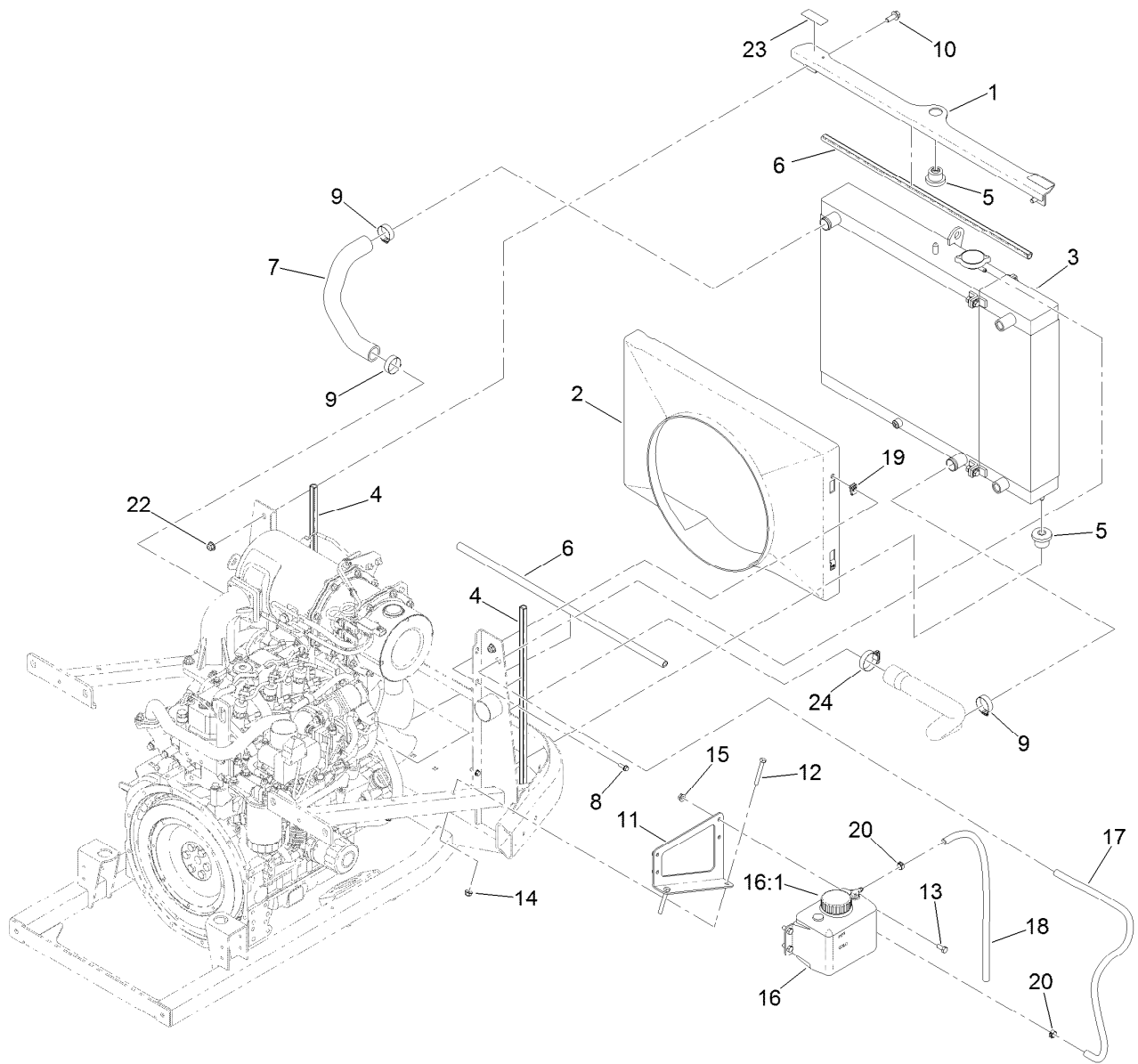
● Not serviced separately



Driveshaft Assembly No. 110-3575

<i>Ref.</i>	<i>Part Number</i>	<i>Qty.</i>	<i>Description</i>
1	112-1687	2	Cross And Bearing Kit
1:1	62-3820	1	Fitting-Grease
3	54-9040	1	Yoke-End
4	54-9090	1	Yoke-End
5		1	Tube-Yoke, Slip ●
5:1	302-22	1	Fitting-Grease

● Not serviced separately



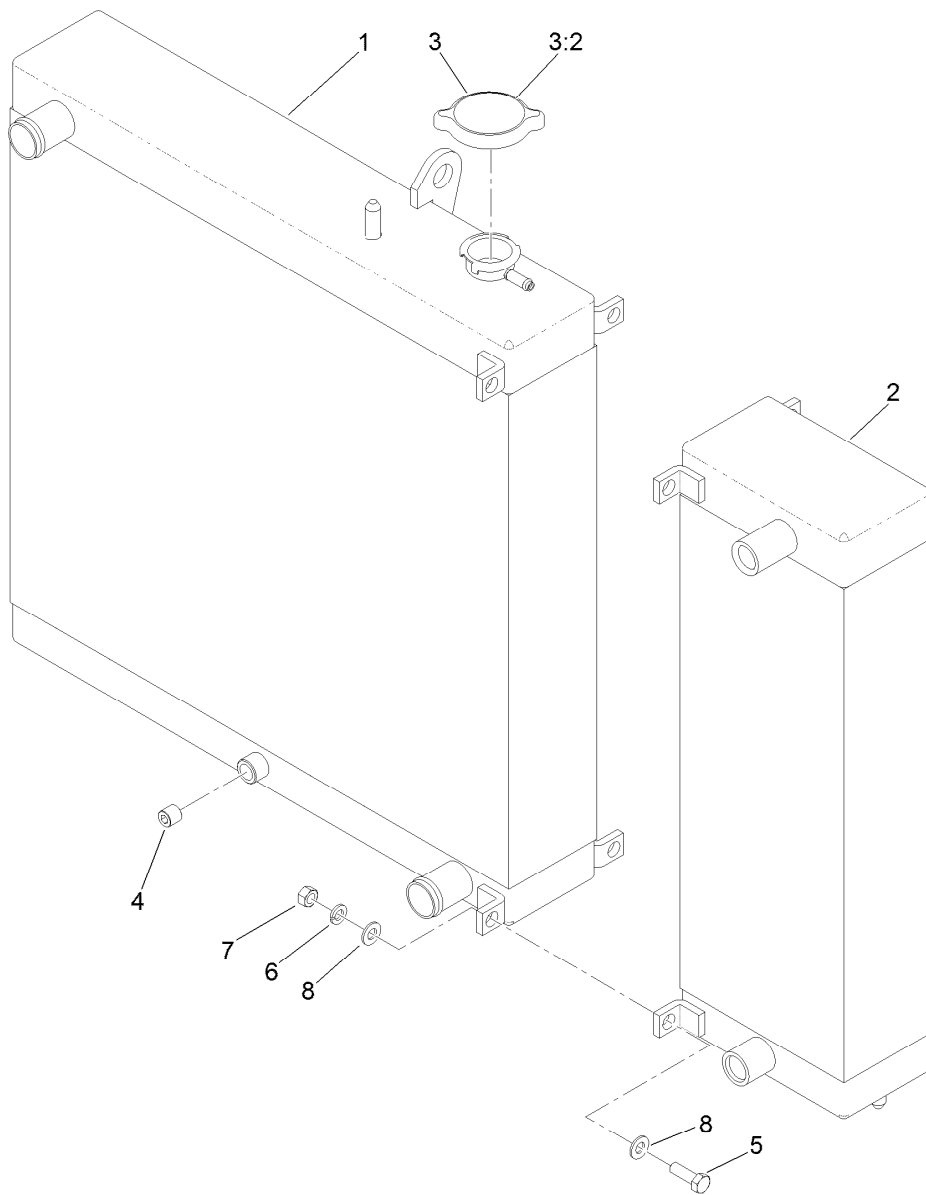
Radiator Component Assembly

Ref.	Part Number	Qty.	Description
1	133-4736-03	1	Support-Radiator
2	125-2840	1	Shroud-Fan
3		1	Radiator/Cooler ASM ■●
4	119-1426	2	Seal-Bulb
5	119-1422	3	Mount-Isolator
6	119-1427	2	Seal-Bulb
7	125-2846	1	Hose-Radiator, Upper
8	32105-15	4	Screw-HWH
9	2412-34	3	Clamp-Hose
10	3234-42	2	Screw-HHF
11	125-2816-0P	1	Bracket-Overflow
12	322-11	2	Screw-HH

Ref.	Part Number	Qty.	Description
13	322-3	4	Screw-HH
14	104-8300	2	Nut-HF, NI
15	32128-25	4	Nut-HF
16	120-5573	1	Coolant Reservoir ASM
16:1	87-7050	1	Cap-Reservoir
17	110-3257	1	Hose-Fuel
18	110-6187	1	Hose-Fuel
19	107069	4	Clip
20	92-2379	2	Clamp-Hose
22	104-8301	2	Nut-HF, NI
23	117-4766	2	Decal-Warning, Fan
24	2412-111	1	Clamp-Hose, W/Liner

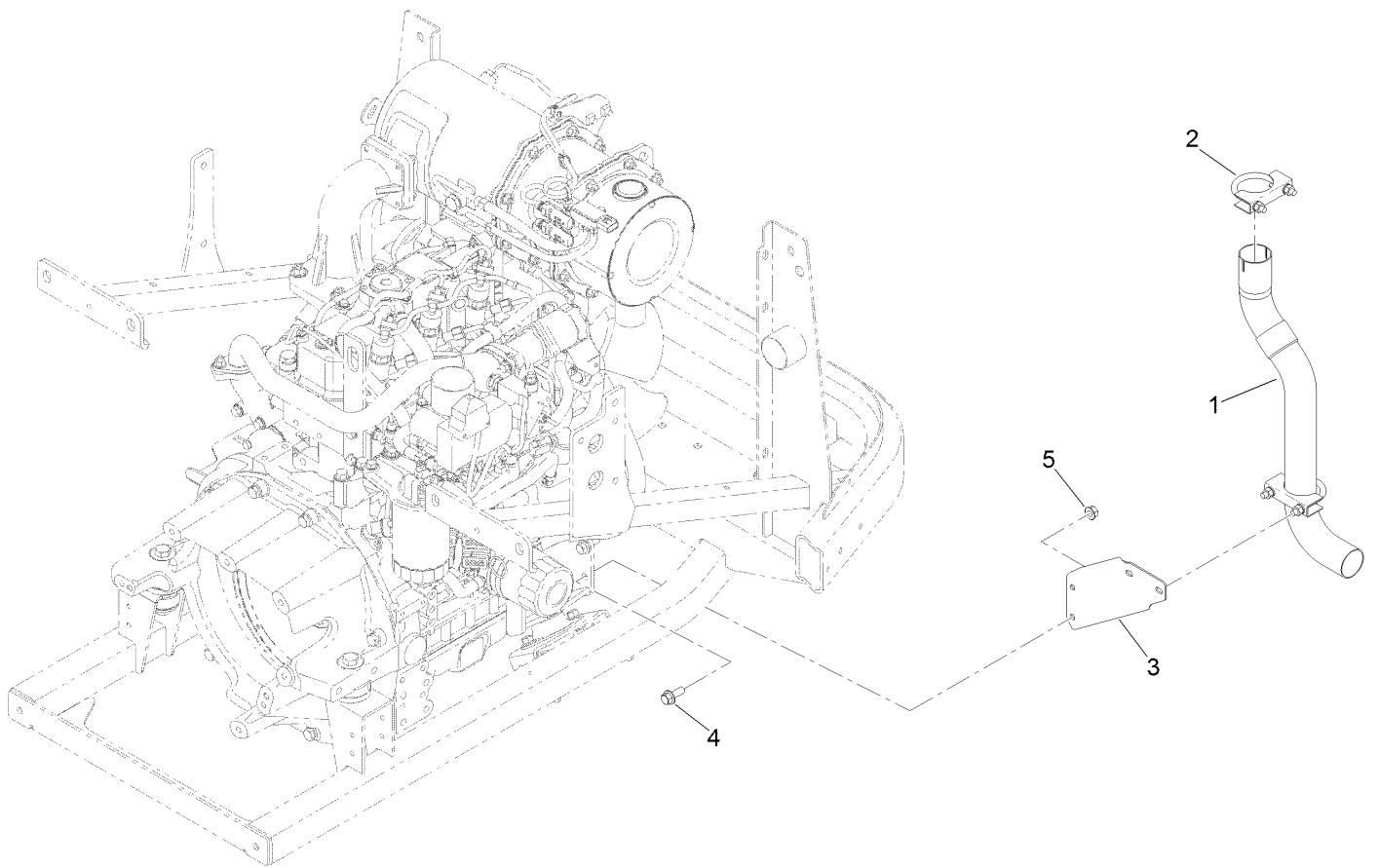
● See following pages

■ Not serviced separately



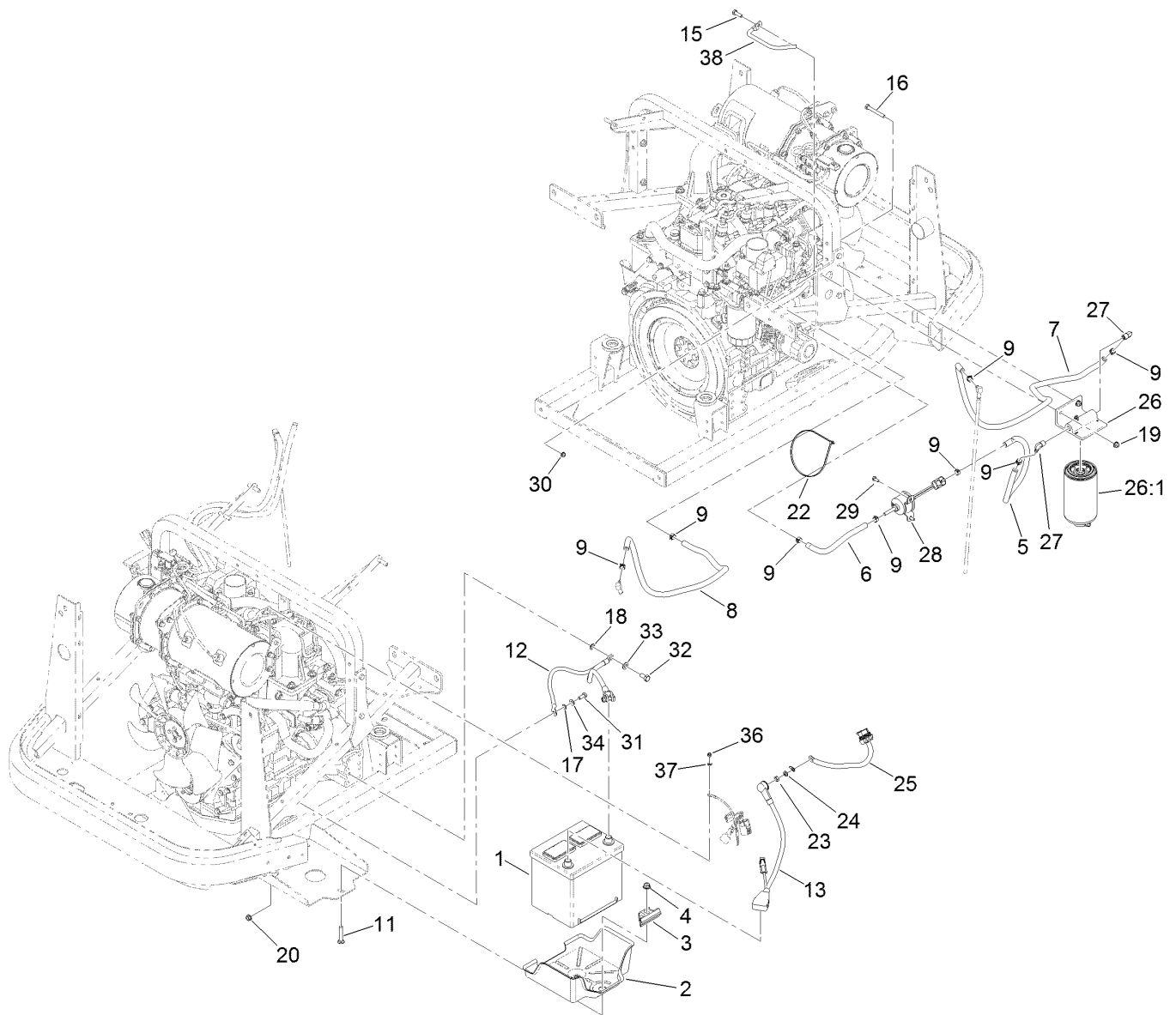
Radiator and Cooler Assembly

<i>Ref.</i>	<i>Part Number</i>	<i>Qty.</i>	<i>Description</i>
1	133-4739	1	Radiator
2	125-4355	1	Oil Cooler
3	119-1430	1	Radiator Cap ASM
3:2	117-3276	1	Decal-Danger
4	99-8551	1	Plug-Pipe
5	322-5	4	Screw-HH
6	3253-4	4	Washer-Lock
7	3217-6	4	Nut-Hex
8	3256-23	4	Washer-Plain



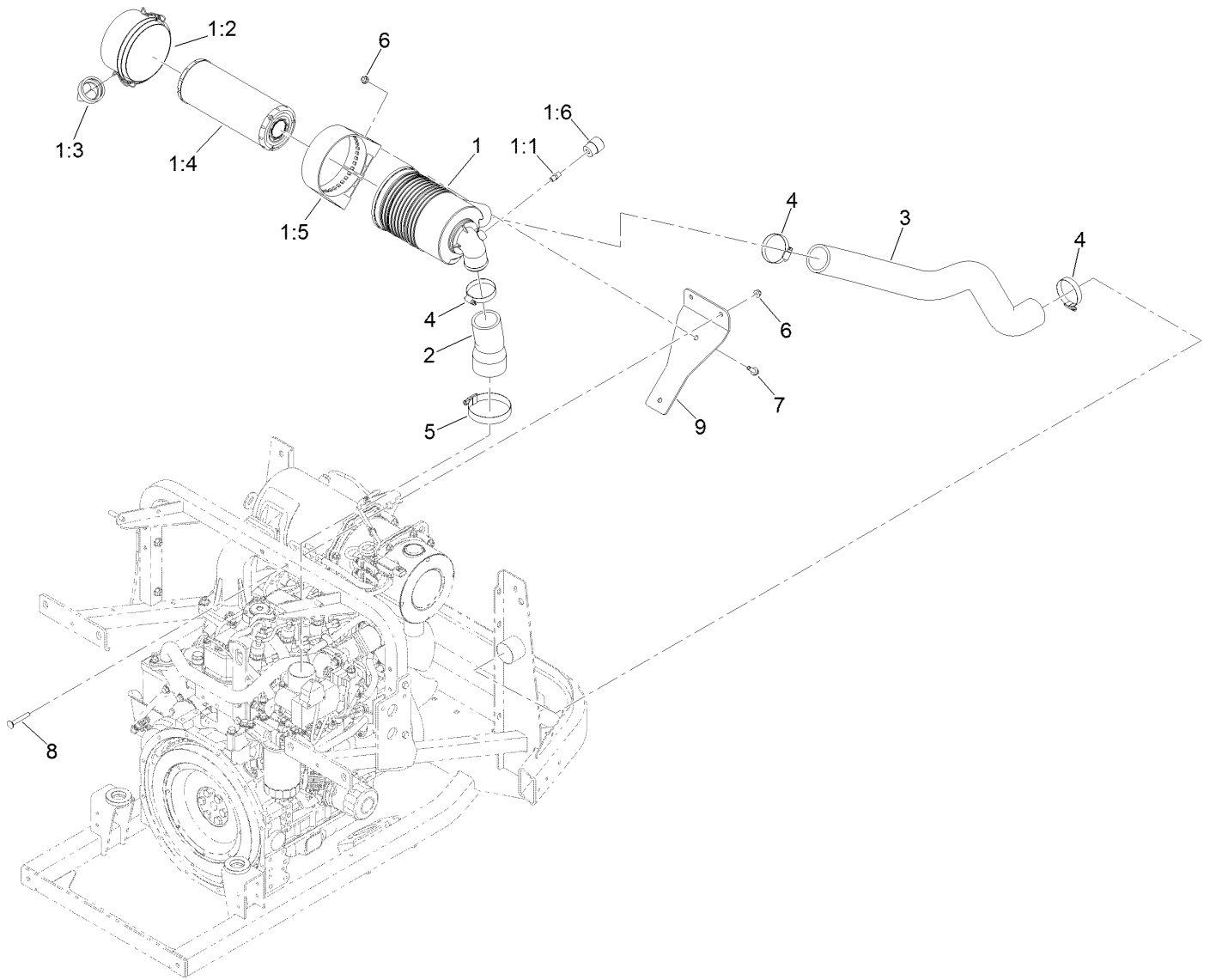
Muffler Component Assembly

<i>Ref.</i>	<i>Part Number</i>	<i>Qty.</i>	<i>Description</i>
1	125-2844	1	Pipe-Exhaust
2	18-2130	2	Clamp
3	127-4860-0P	1	Bracket-Exhaust
4	3234-42	2	Screw-HHF
5	32128-21	2	Nut-HF Lock



Battery and Fuel Delivery Assembly

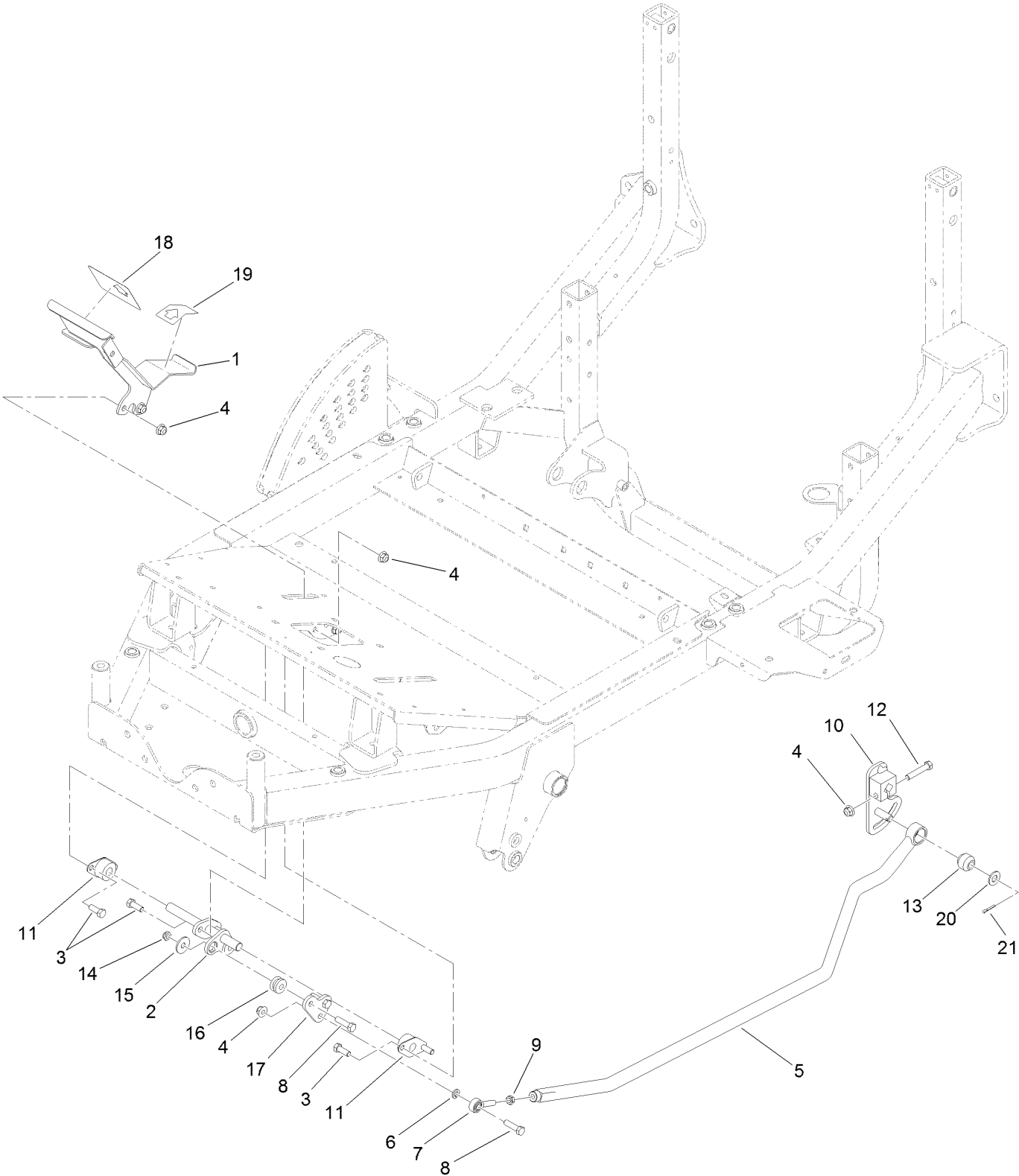
Ref.	Part Number	Qty.	Description	Ref.	Part Number	Qty.	Description
1	106-5187	1	Battery- Dry, 12V, 525 CCA	22	3290-379	1	Tie-Cable
2	127-4866	1	Tray-Battery	23	33014-00	1	Nut-Hex
3	138-6335	1	Retainer-Battery	24	3253-4	1	Washer-Lock
4	104-8301	1	Nut-HF, NI	25	99-3441	1	Harness-Wire, Fusible Link
5	110-4109	1	Hose-Fuel	26	125-2914	1	Filter-Separator
6	110-4124	1	Hose-Fuel	26:1	125-2915	1	Filter-Fuel/Water Separator
7	109-0277	1	Hose-Fuel	27	353-781	2	Fitting-HYD, 90
8	110-9662	1	Hose-Fuel	28	121-5613	1	Pump-Fuel, Electric
9	92-2379	8	Clamp-Hose	29	321-3	2	Screw-HH
11	3231-6	1	Screw-CARR	30	104-7201	2	Nut-HF, NI
12	122-0266	1	Cable-Battery, Negative	31	322-3	1	Screw-HH
13	119-4378	1	Cable-Battery, Positive	32	33115-020	1	Screw-HH
15	322-5	1	Screw-HH	33	3256-24	1	Washer-Plain
16	322-12	1	Screw-HH	34	3256-23	1	Washer-Plain
17	3255-8	1	Washer-Lock	36	33013-00	1	Nut-Hex
18	3255-9	1	Washer-Lock	37	43-5930	1	Washer-Lock, Spring
19	104-8300	2	Nut-HF, NI	38	131-3371	1	Guide-Cable, Brake
20	32128-25	1	Nut-HF				



Air Cleaner Assembly

Ref.	Part Number	Qty.	Description
1	136-4481	1	Air Cleaner ASM
1:1	94-1416	1	Adapter-Indicator
1:2	98-9771	1	Cover ASM
1:3	94-1414	1	Valve-Vacuator
1:4	108-3810	1	Filter-Air
1:5	98-4525	1	Bracket-Cleaner, Air
1:6	93-9164	1	Indicator-Mini
2	125-2848	1	Hose-Inlet, Air
3	125-2849	1	Hose-Draw, Air
4	2412-130	3	Clamp-Hose
5	2412-125	1	Clamp-Hose
6	104-8300	4	Nut-HF, NI
7	3234-17	2	Screw-HHF
8	3230-7	2	Bolt-CARR
9	125-2847-03	1	Bracket-Cleaner, Air

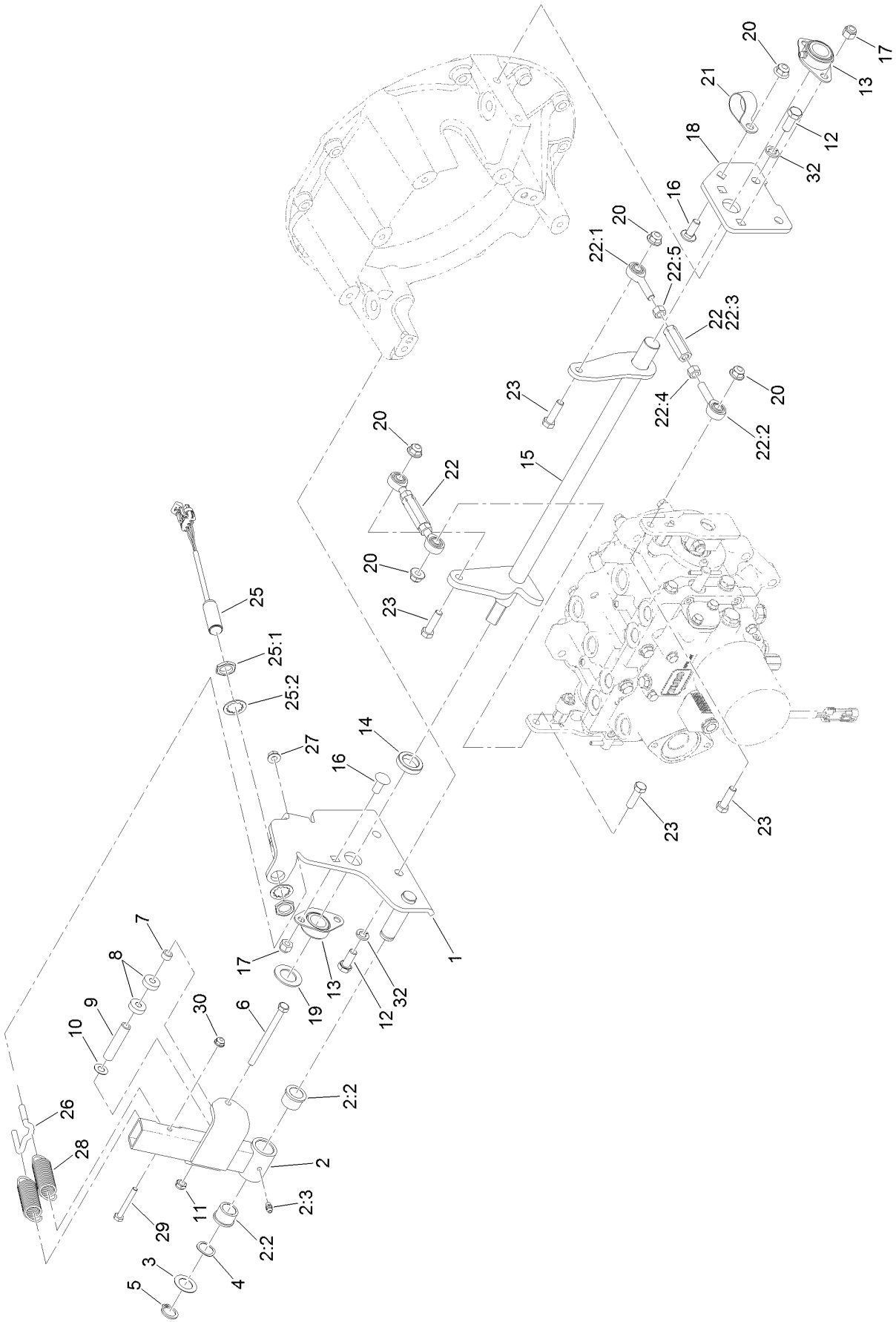
Traction Pedal Assembly



Traction Pedal Assembly (continued)

<i>Ref.</i>	<i>Part Number</i>	<i>Qty.</i>	<i>Description</i>	<i>Ref.</i>	<i>Part Number</i>	<i>Qty.</i>	<i>Description</i>
1	117-3070-01	1	Pedal	12	323-10	1	Screw-HH
2	125-4402	1	Pivot-Pedal, Isolated	13	23-2270	1	Bushing-Rubber
3	323-6	6	Screw-HH	14	3296-59	2	Nut-Lock, NI
4	104-8301	8	Nut-HF, NI	15	93-8806	2	Washer-Hardened
5	136-4451-0P	1	Rod-Traction	16	63-9750	2	Mount
6	3253-21	1	Washer-Lock	17	136-4453	1	Plate-Linkage, Traction
7	2411-36	1	Bearing-End, Rod	18	94-3307	1	Pad-Pedal, Traction
8	323-29	3	Screw-HH	19	94-3308	1	Pad-Pedal, Traction
9	3220-3	1	Nut-HJ	20	3256-26	1	Washer-Flat
10	131-5546-0P	1	Lever-Traction	21	3272-10	1	Pin-Cotter
11	256-236	2	Bearing-Mount, Flange				

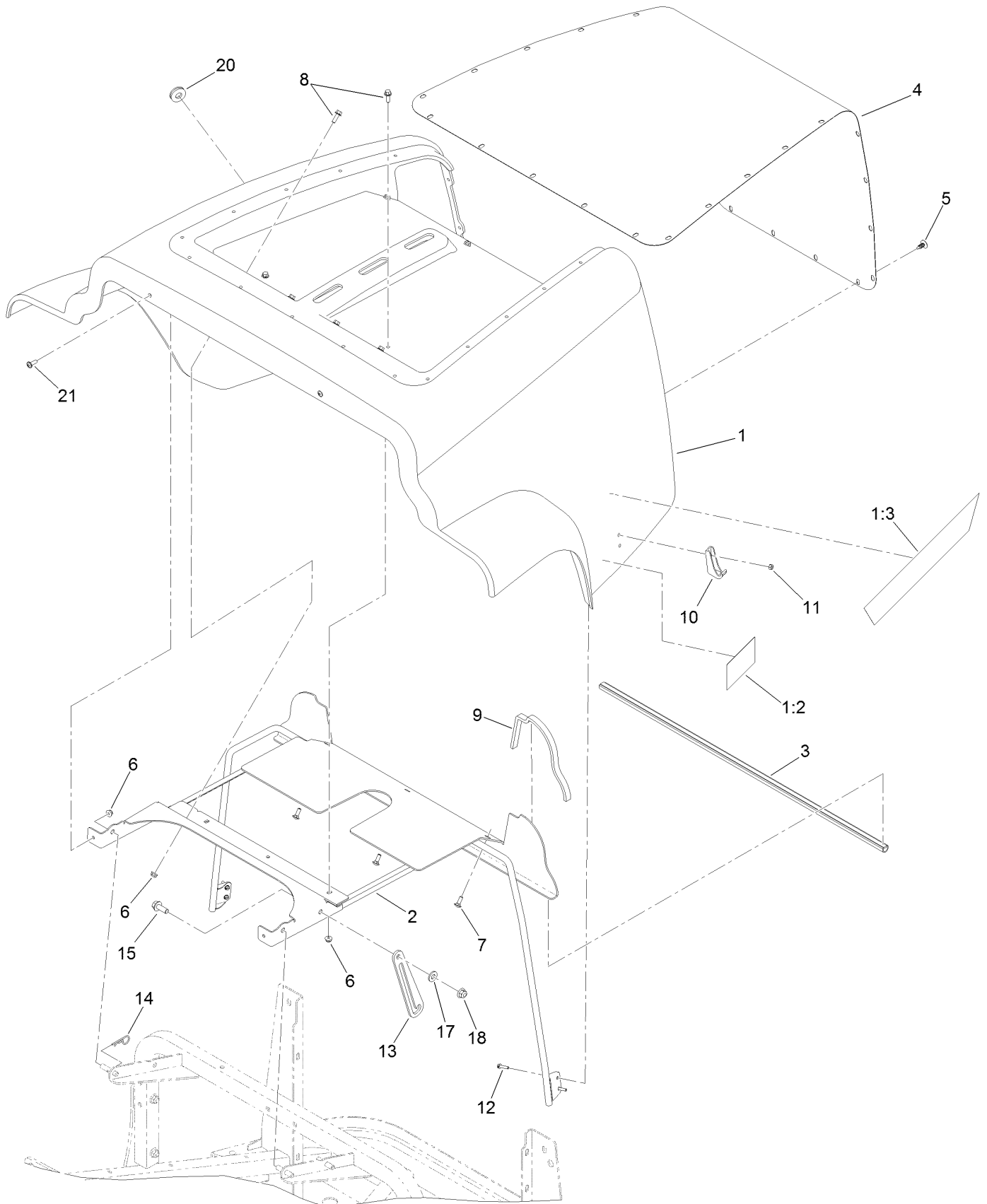
Neutral System Assembly



Neutral System Assembly (continued)

<i>Ref.</i>	<i>Part Number</i>	<i>Qty.</i>	<i>Description</i>	<i>Ref.</i>	<i>Part Number</i>	<i>Qty.</i>	<i>Description</i>
1	136-4482-0P	1	Plate-End, Neutral	19	119-2332	1	Washer-Flat
2	125-4366	1	Neutral Arm ASM	20	104-8301	5	Nut-HF, NI
2:2	256-113	2	Bushing-Flange	21	2412-126	1	R-Clamp
2:3	302-5	1	Fitting-Grease	22	125-2870	2	Link ASM
3	3-6498	1	Washer-Thrust	22:1	125-4389	1	Bearing-End, Rod
4	119-4164	1	Washer-Wave	22:2	2411-36	1	Bearing-End, Rod
5	32120-93	1	Ring-Retaining	22:3	125-4390	1	Hex-Adjustment
6	322-19	1	Screw-HH	22:4	3219-3	1	Nut-Hex
7	136-4455	1	Sleeve-Spacer	22:5	3219-20	1	Nut-Hex, LH
8	121-6835	2	Bearing-Ball	23	323-29	4	Screw-HH
9	136-4454	1	Sleeve-Spacer	25	115-5300	1	Proximity Switch ASM
10	73-0041	1	Washer-Thrust	25:1	117-3207	2	Nut-Hex
11	3296-47	1	Nut-Lock,NI	25:2	117-3208	2	Washer-Lock, Internal Tooth
12	120-9635	4	Screw-HH	26	131-3376	1	Hook-Spring, Dual
13	131-5529	2	Bearing-Flange, Side	27	32128-25	1	Nut-HF
14	125-2879	1	Spacer-Shaft, Neutral	28	131-3374	2	Spring-Extension
15	131-5547-0P	1	Shaft-Neutral	29	321-11	1	Screw-HH
16	3231-27	5	Screw-CARR	30	104-7201	1	Nut-HF, NI
17	3296-39	4	Nut-Lock, NI	32	48-9590	4	Washer-Lock
18	125-2869-0P	1	Plate-End, Neutral				

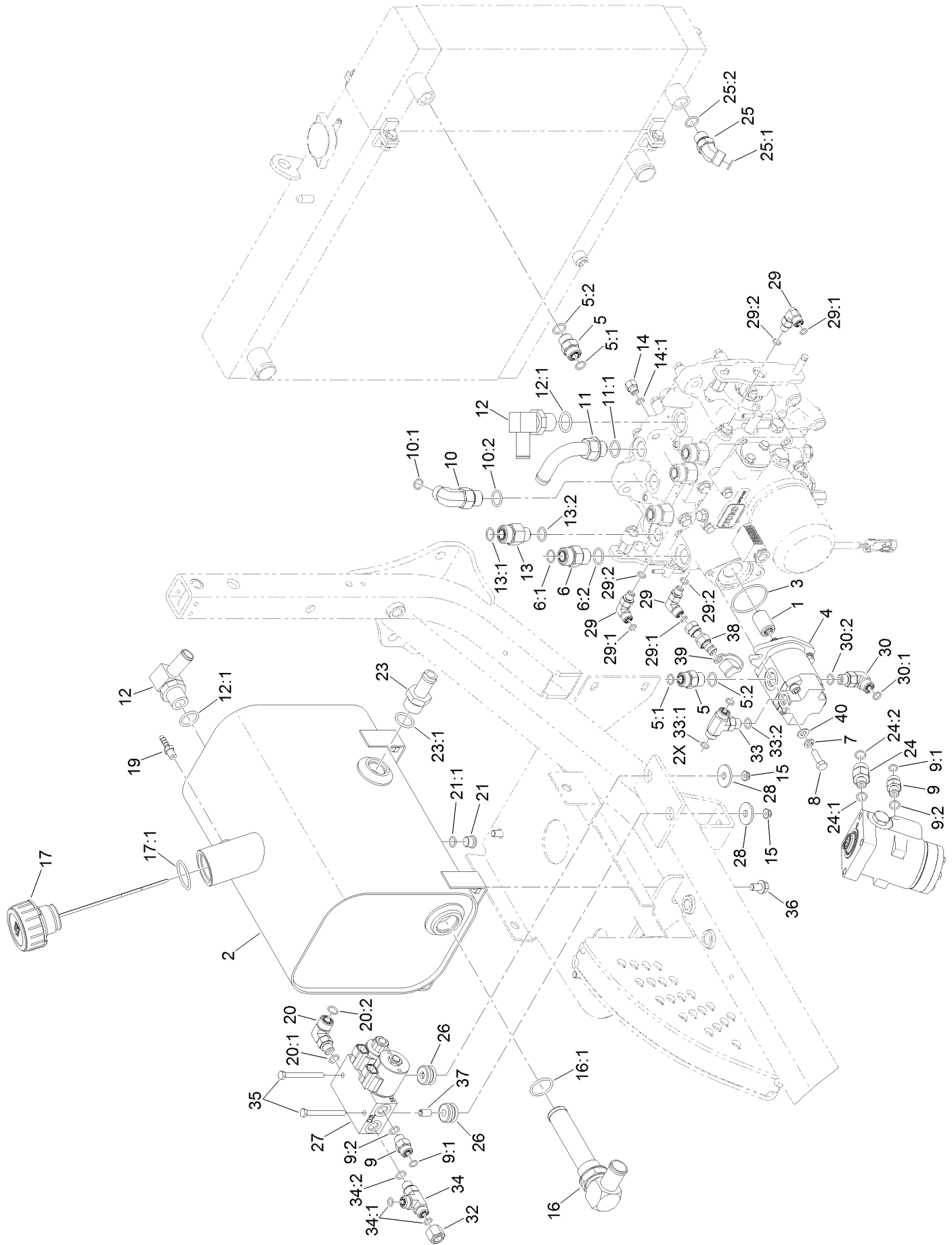
Hood Assembly



Hood Assembly (continued)

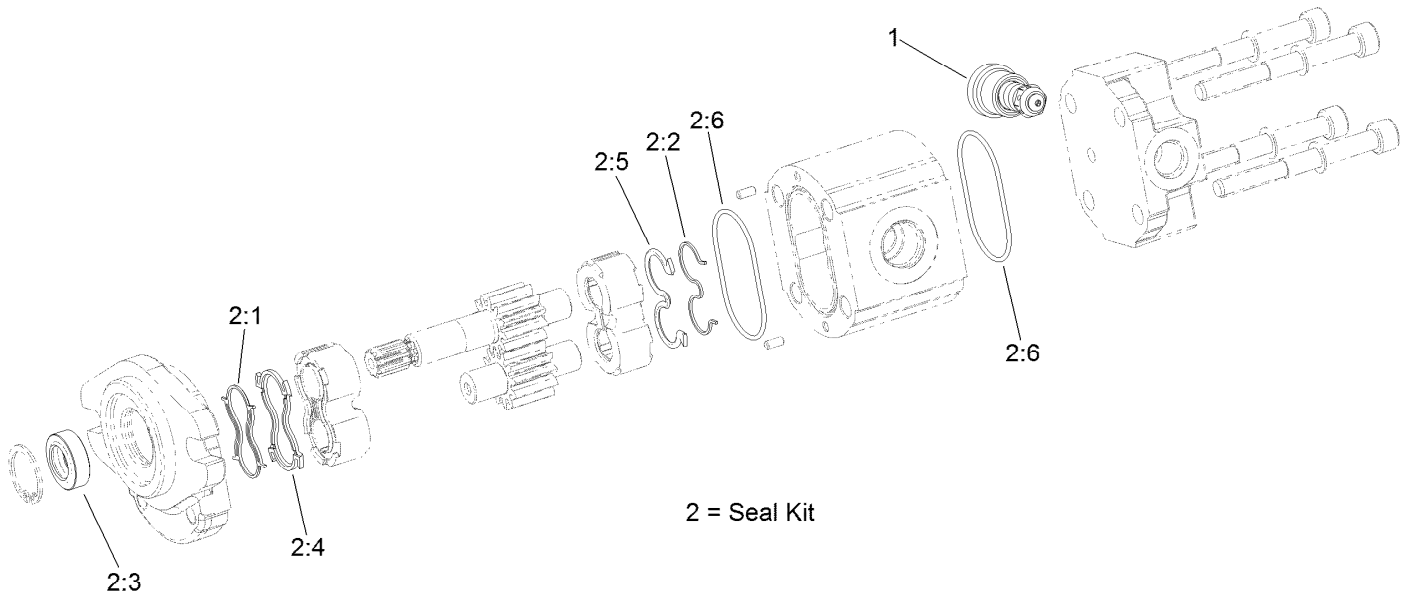
<i>Ref.</i>	<i>Part Number</i>	<i>Qty.</i>	<i>Description</i>	<i>Ref.</i>	<i>Part Number</i>	<i>Qty.</i>	<i>Description</i>
1	127-4879	1	Hood ASM	10	103-2897	2	Latch-Catch
1:2	117-3270	2	Decal-Danger	11	3296-2	4	Nut-Lock, NI
1:3	117-3279	2	Decal-Hood	12	32105-13	4	Screw-HWH
2	136-4456-03	1	Mount-Hood	13	125-2899-03	1	Rod-Prop
3	115-0423	1	Seal-Bulb	14	9335054	1	Pin-Hair
4	125-2881-03	1	Screen-Hood	15	3234-42	1	Screw-HHF
5	117-2382	27	Plug-Plastic	17	66-2920	1	Washer-Friction
6	104-7201	11	Nut-HF, NI	18	104-8301	1	Nut-HF, NI
7	3229-1	3	Screw-CARR	20	104-1453	1	Grommet
8	3234-4	6	Screw-HHF	21	92-3911	2	Screw-Hsbfh
9	125-4449	2	Seal-Foam				

Deck Lift Valve and Hydraulic Fitting Assembly



Deck Lift Valve and Hydraulic Fitting Assembly (continued)

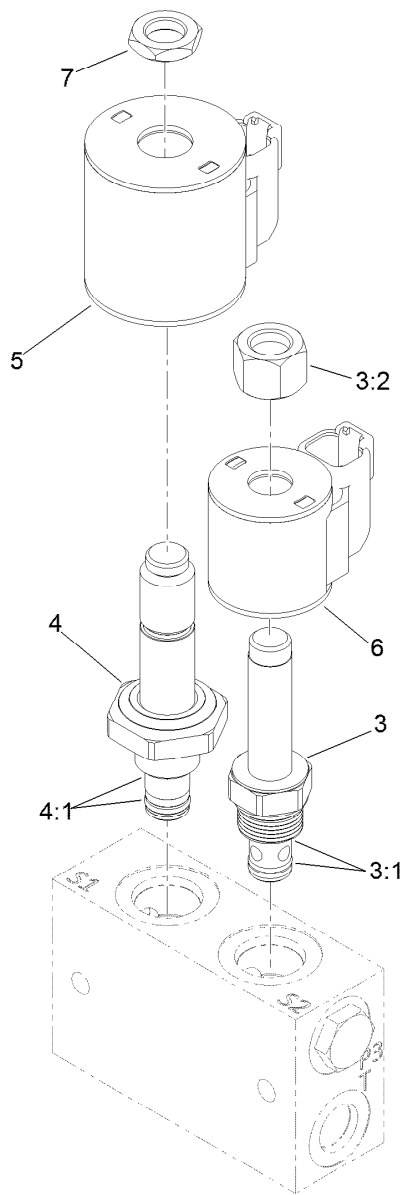
<i>Ref.</i>	<i>Part Number</i>	<i>Qty.</i>	<i>Description</i>	<i>Ref.</i>	<i>Part Number</i>	<i>Qty.</i>	<i>Description</i>
1	108-9920	1	Coupler-Spline	20:1	237-30	1	O-Ring
2	117-3372	1	Tank-Hydraulic, Metal	20:2	237-42	1	O-Ring
3	108-9919	1	O-Ring	21	353-989	1	Plug-Hex, Hollow
4	115-0375	1	Gear Pump ASM	21:1	237-42	1	O-Ring
5	340-4	2	Fitting-Straight	23	354-73	1	Fitting
5:1	237-30	1	O-Ring	23:1	237-81	1	O-Ring
5:2	237-79	1	O-Ring	24	340-5	1	Fitting-Straight
6	340-7	1	Fitting-Straight	24:1	237-42	1	O-Ring
6:1	237-65	1	O-Ring	24:2	237-30	1	O-Ring
6:2	237-80	1	O-Ring	25	340-101	1	Fitting-HYD, 45 DEG
7	3253-4	2	Washer-Lock	25:1	237-30	1	O-Ring
8	33114-025	2	Screw-HH	25:2	237-79	1	O-Ring
9	340-2	5	Fitting-Straight	26	63-9750	2	Mount
9:1	237-22	1	O-Ring	27	131-1934	1	Deck Lift Valve ASM
9:2	237-42	1	O-Ring	28	63-8410	2	Washer
10	340-105	1	Fitting-Elbow, 90 DEG	29	340-132	3	Fitting-Elbow, 90 DEG
10:1	237-80	1	O-Ring	29:1	237-78	1	O-Ring
10:2	237-30	1	O-Ring	29:2	237-21	1	O-Ring
11	110-5522	1	Fitting-Elbow, 90	30	340-77	1	Fitting-Elbow, 90 DEG
11:1	237-80	1	O-Ring	30:1	237-22	1	O-Ring
12	353-987	2	Fitting-Elbow, 90	30:2	237-42	1	O-Ring
12:1	237-81	1	O-Ring	32	340-117	1	Cap
13	340-155	4	Fitting-Straight	33	340-94	1	Adapter
13:1	237-79	1	O-Ring	33:1	237-22	2	O-Ring
13:2	237-151	1	O-Ring	33:2	237-42	1	O-Ring
14	110-5536	1	Fitting-HYD, Adapter	34	340-86	1	Fitting-Tee
14:1	237-78	1	O-Ring	34:1	237-22	2	O-Ring
15	104-7201	2	Nut-HF, NI	34:2	237-42	1	O-Ring
16	105-0204	1	Strainer Fitting ASM	35	321-14	2	Screw-HH
16:1	237-146	1	O-Ring	36	32144-15	4	Screw-HHFTF
17	117-3389	1	Cap-Tank, Hydraulic	37	80-0650	2	Spacer-Tubular
17:1	237-101	1	O-Ring	38	115-8886	1	Nipple-Test
19	304-73	1	Fitting-Straight	39	354-79	1	Cap-Dust
20	340-99	1	Fitting-HYD, 90 DEG	40	3256-23	2	Washer-Plain



Hydraulic Gear Pump Assembly No. 115-0375

Ref.	Part Number	Qty.	Description
1	115-0376	1	Valve-Relief, 125 Bar
2	112-0199	1	Seal Kit
2:1		1	Seal-Anti Extrusion ●
2:2		1	Seal-Anti Extrusion ●
2:3		1	Seal-Shaft ●
2:4		1	Seal-Upper ●
2:5		1	Seal ●
2:6		2	O-Ring ●

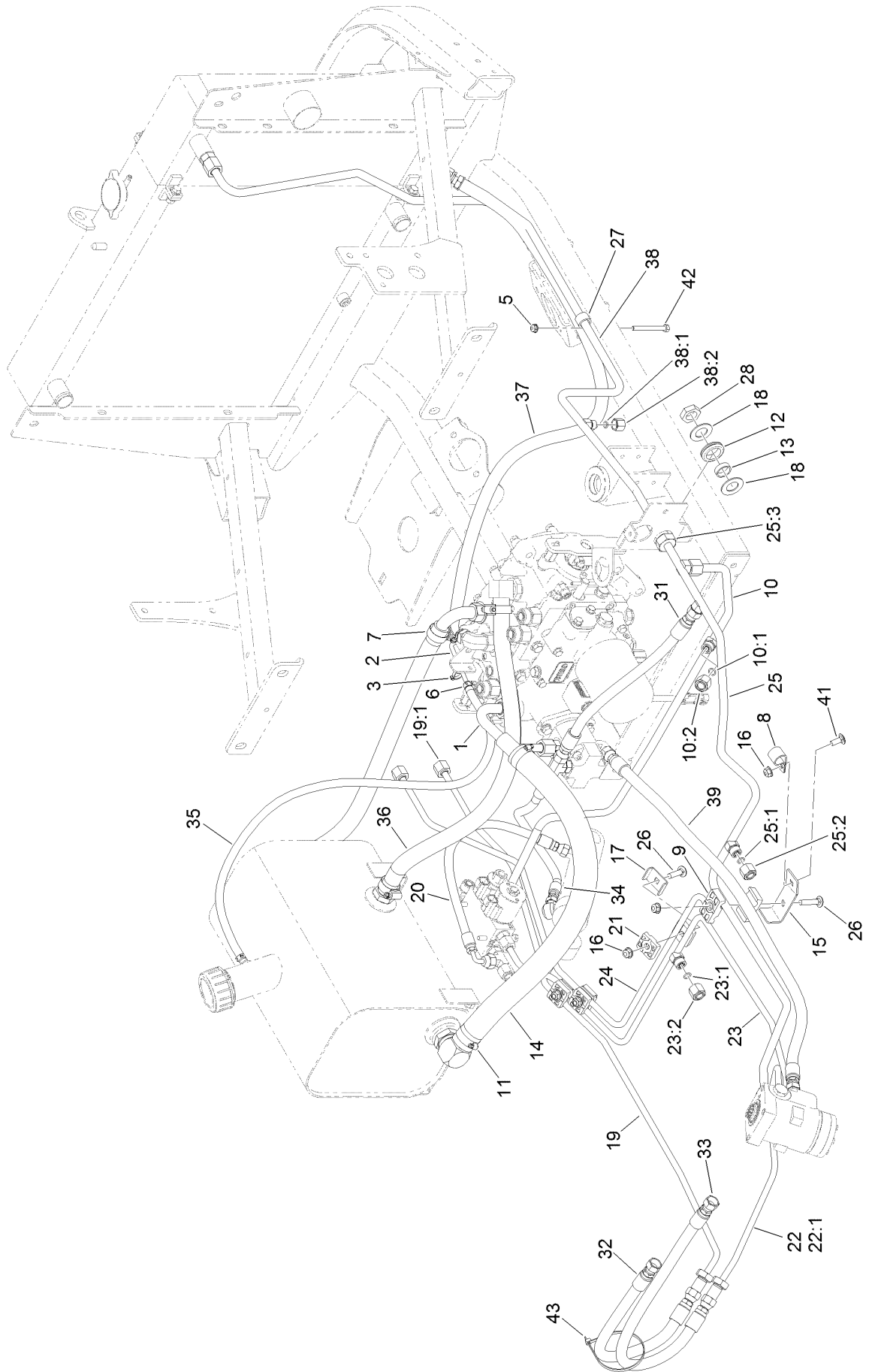
● Not serviced separately



Valve Assembly No. 131-1934

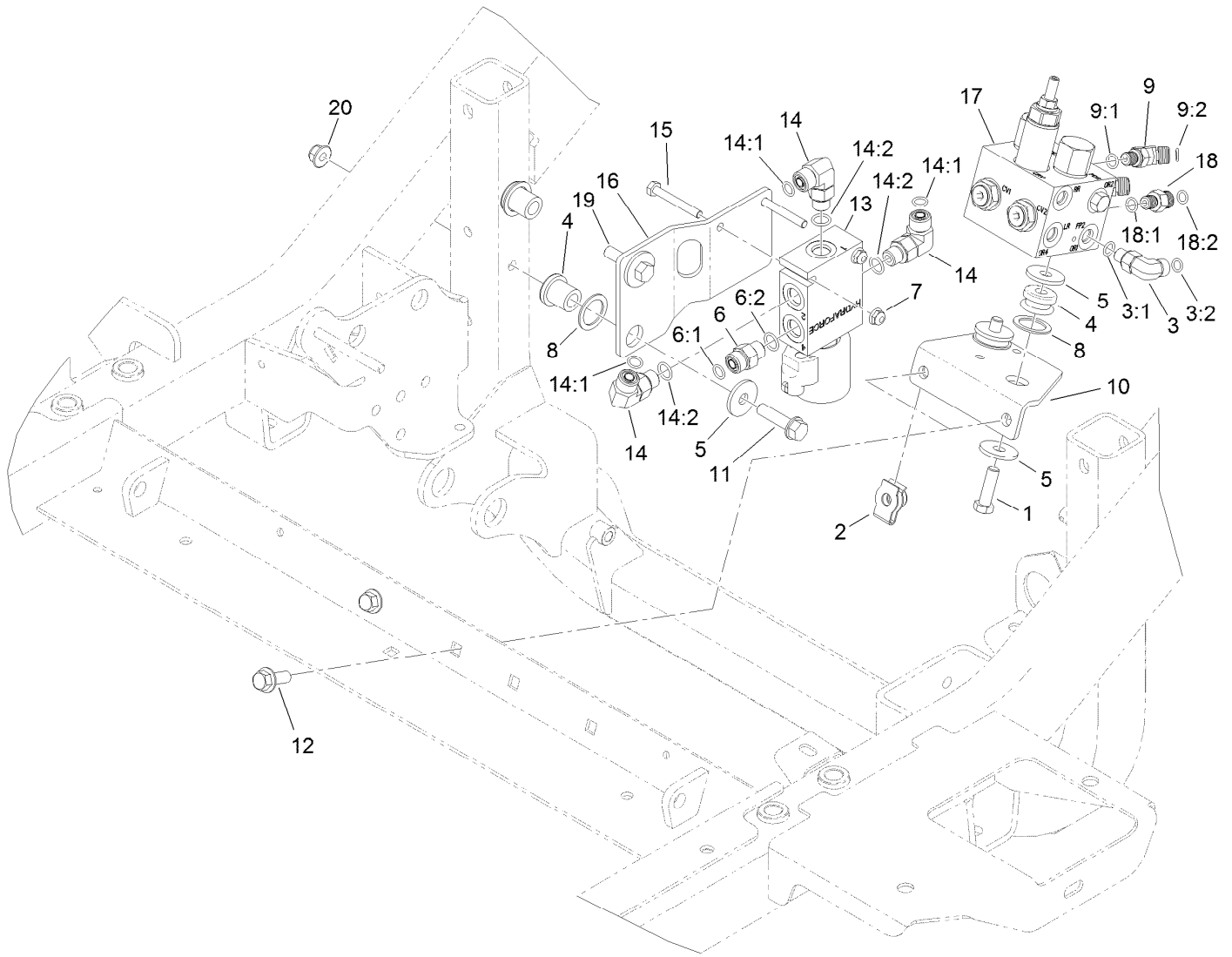
<i>Ref.</i>	<i>Part Number</i>	<i>Qty.</i>	<i>Description</i>
3	107-7517	1	Valve-Solenoid
3:1	105-9156	1	Seal Kit
3:2	107-7812	1	Nut-Solenoid
4	131-1935	1	Valve-Solenoid
4:1	107-7527	1	Seal Kit
5	115-3021	1	Coil-12V
6	119-8036	1	Coil
7	110-2634	1	Nut-Coil

4 Wheel Drive Hydraulic Hose Assembly



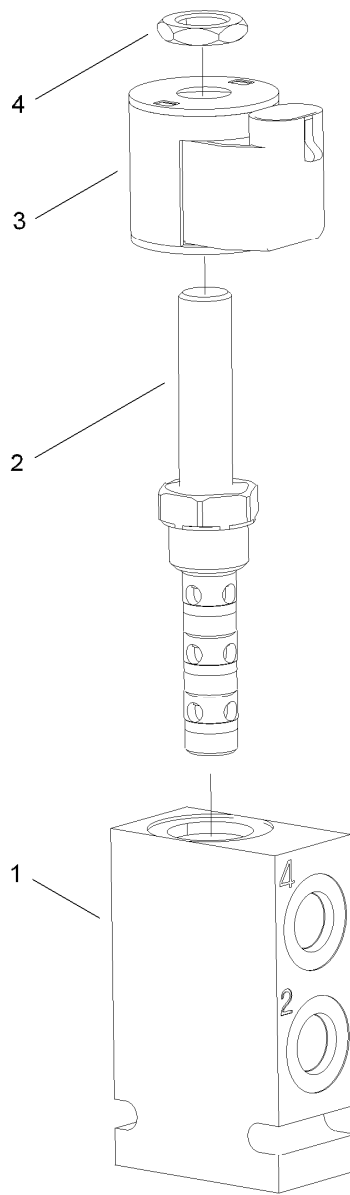
4 Wheel Drive Hydraulic Hose Assembly (continued)

<i>Ref.</i>	<i>Part Number</i>	<i>Qty.</i>	<i>Description</i>	<i>Ref.</i>	<i>Part Number</i>	<i>Qty.</i>	<i>Description</i>
1	138-1910	1	Suction Tube ASM	23	125-2890	1	Steer/Lift Tube ASM
2	125-2891	1	Tube ASM	23:1	237-22	1	O-Ring
3	32180-030	1	Clip-Tie	23:2	340-117	1	Cap
5	104-7201	1	Nut-HF, NI	24	131-3351	1	Steer/Steer Manifold Tube ASM
6	2412-98	2	Clamp-Hose	25	127-4872	1	Steer/Drain Tube ASM
7	2412-129	4	Clamp-Hose	25:1	237-22	2	O-Ring
8	2412-4	1	Clamp-R	25:2	340-117	1	Cap
9	56-7972	2	Clamp-Tube	25:3	237-30	2	O-Ring
10	125-2893	1	Tube ASM	26	3230-4	4	Bolt-CARR
10:1	237-22	1	O-Ring	27	2412-87	1	Clamp-Cable
10:2	340-117	1	Cap	28	340-127	1	Nut-Bulkhead
11	2412-34	2	Clamp-Hose	31	117-3122	1	Hose ASM
12	240-5	1	Grommet	32	119-1433	1	Hose ASM
13	69-8960	1	Spacer	33	100-5629	1	Hose ASM
14	117-3200	1	Hose-Suction	34	117-3123	1	HYD Hose ASM
15	120-0245	1	Bracket-Support	35	109-0275	1	Hose-Fuel
16	104-8300	5	Nut-HF, NI	36	117-3121	2	Hose ASM
17	119-1418	6	Plate-Clamp, Short	37	117-9937	1	HYD Hose ASM
18	69-8930	2	Washer	38	125-2892	1	Drain/Cooler Tube ASM
19	131-3358	1	Steer Manifold/Front CYL Tube ASM	38:1	237-21	1	O-Ring
19:1	237-22	1	O-Ring	38:2	117-3297	1	Fitting-Cap
20	110-0928	1	Hose-HYD	39	119-8114	1	HYD Hose ASM
21	56-7973	6	Clamp-Tube	41	3230-23	1	Bolt-CARR
22	125-2887	1	Steer/Front Tube ASM	42	321-15	1	Screw-HH
22:1	237-22	1	O-Ring	43	3334-945	1	Tie-Cable



Hydraulic Valve Assembly

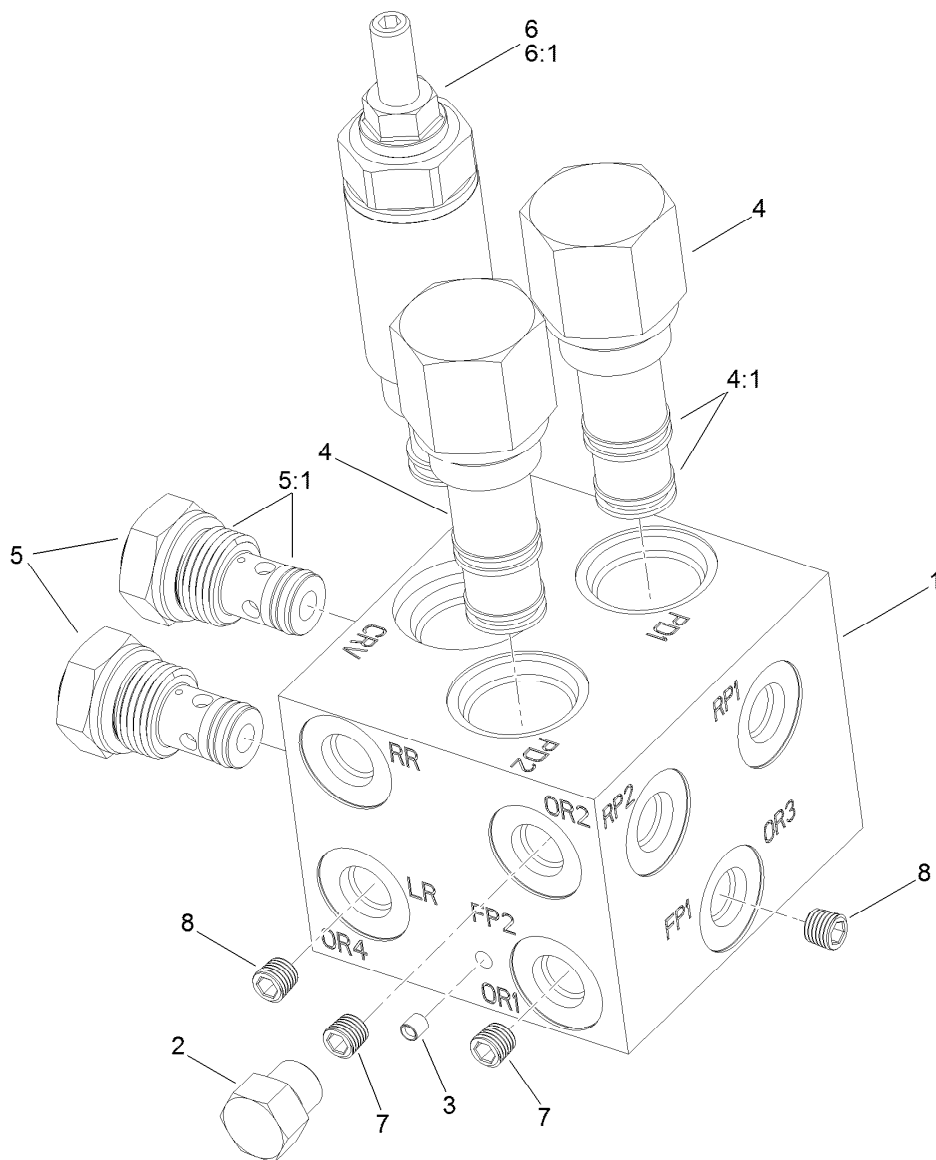
Ref.	Part Number	Qty.	Description	Ref.	Part Number	Qty.	Description
1	323-7	2	Screw-HH	11	323-20	1	Screw-HH
2	105-4886	2	Nut-Tinnerman	12	3234-42	2	Screw-HHF
3	340-132	1	Fitting-Elbow, 90 DEG	13	115-0280	1	Steer Selector Valve ASM
3:1	237-78	1	O-Ring	14	340-77	3	Fitting-Elbow, 90 DEG
3:2	237-21	1	O-Ring	14:1	237-22	1	O-Ring
4	63-9750	4	Mount	14:2	237-42	1	O-Ring
5	63-8410	6	Washer	15	321-11	2	Screw-HH
6	340-2	1	Fitting-Straight	16	131-3352-0P	1	Plate-Mount, Valve
6:1	237-22	1	O-Ring	17	117-2247	1	Cross-Trax Traction Valve ASM
6:2	237-42	1	O-Ring	18	340-92	1	Fitting-Straight
7	104-7201	2	Nut-HF, NI	18:1	237-78	1	O-Ring
8	1-303352	4	Washer-Spindle	18:2	237-21	1	O-Ring
9	340-103	2	Fitting-HYD, 45 DEG	19	323-8	1	Screw-HH
9:1	237-78	1	O-Ring	20	104-8301	2	Nut-HF, NI
9:2	237-21	1	O-Ring				
10	119-1409-0P	1	Mount Plate				



Steering Selector Valve Assembly No. 115-0280

<i>Ref.</i>	<i>Part Number</i>	<i>Qty.</i>	<i>Description</i>
1		1	Block-Manifold ●
2	119-8042	1	Valve-Solenoid
3	110-6344	1	Coil-12V, DC
4	110-2634	1	Nut-Coil

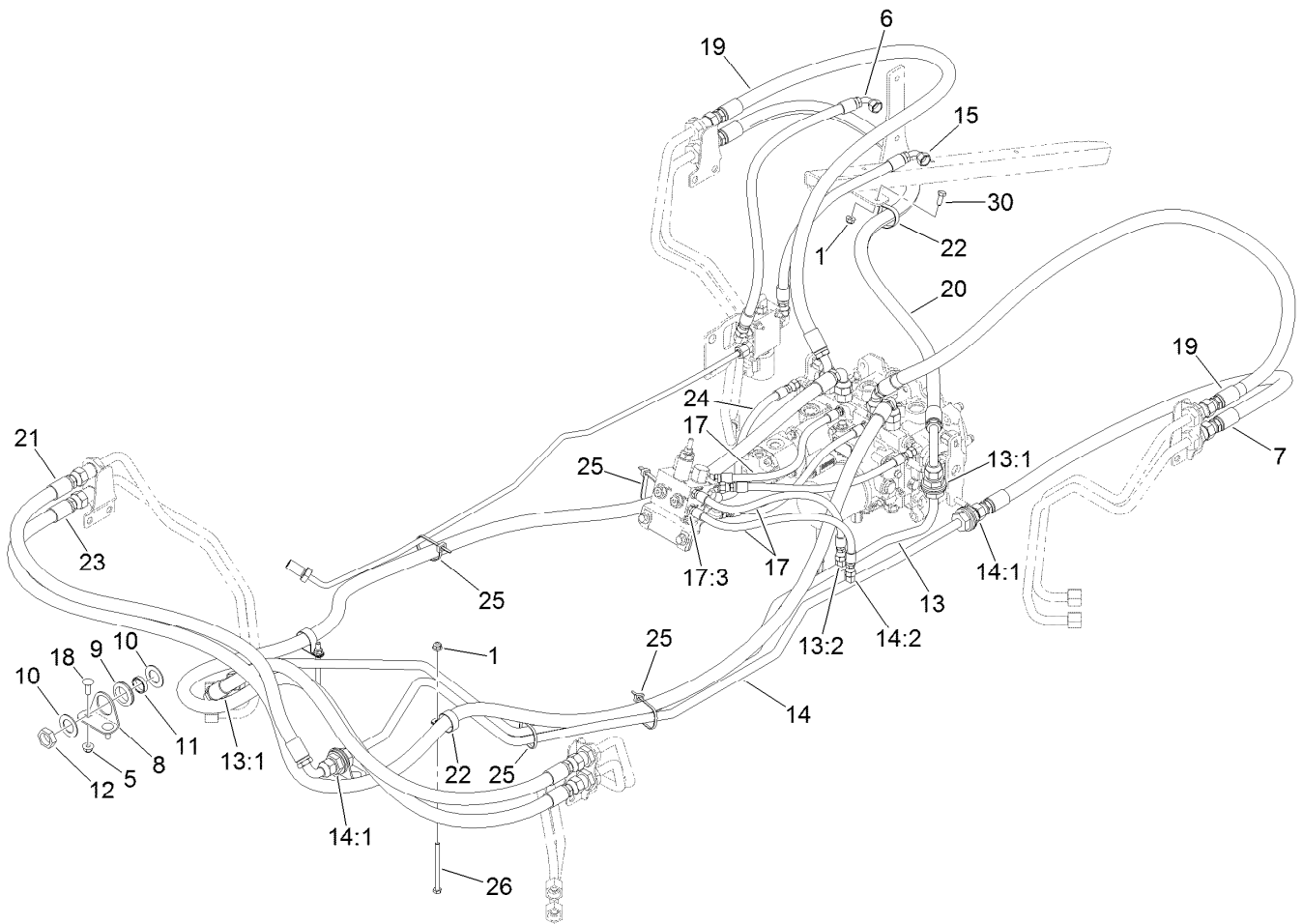
● Not serviced separately



Cross-Trax Traction Valve Assembly No. 117-2247

Ref.	Part Number	Qty.	Description
1		1	Block-Manifold ●
2	117-0115	1	Plug
3		1	Plug-4MM ●
4	119-8028	2	Valve-Pilot, Directional
4:1	119-8029	1	Pilot Valve Seal Kit
5	119-8030	2	Valve-Check
5:1	119-8031	1	Seal Kit-Check Valve
6	119-8032	1	Valve-Relief
6:1	119-8033	1	Relief Valve Seal Kit
7	119-8034	2	Orifice-.090
8	119-8035	2	Orifice-.040

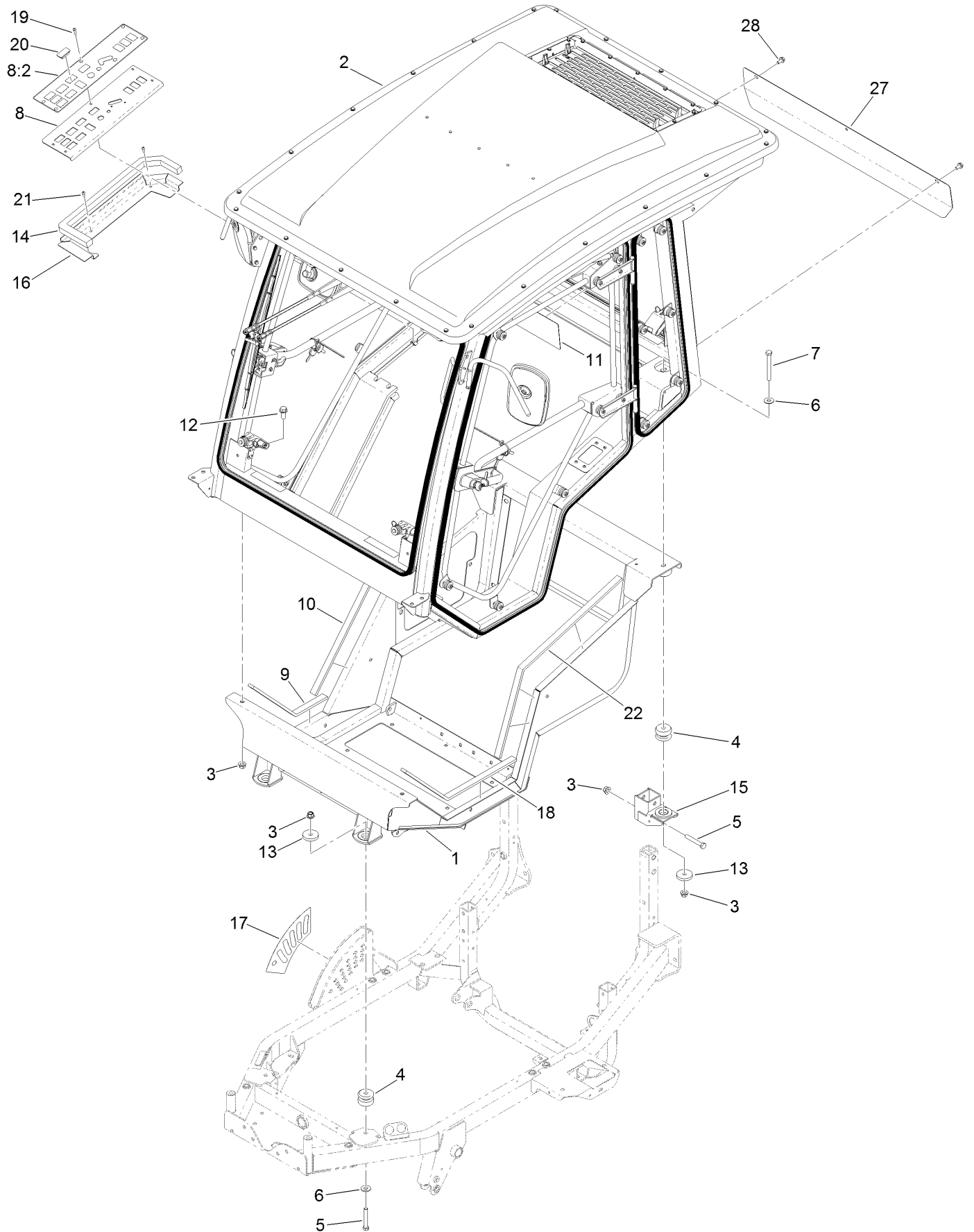
● Not serviced separately



Steering and Traction Hose Assembly

<i>Ref.</i>	<i>Part Number</i>	<i>Qty.</i>	<i>Description</i>	<i>Ref.</i>	<i>Part Number</i>	<i>Qty.</i>	<i>Description</i>
1	104-8300	3	Nut-HF, NI	14:2	237-21	1	O-Ring
5	104-8301	4	Nut-HF, NI	15	131-3353	1	Hose ASM
6	131-3354	1	Hose ASM	17	115-0377	4	Hose ASM
7	119-1435	1	Hose ASM	17:3	237-78	1	O-Ring
8	115-0479	2	Bracket-Bulkhead	18	3231-22	4	Screw-CARR
9	240-3	4	Grommet-Rubber	19	125-4406	2	Hose ASM
10	69-9010	8	Washer	20	133-4747	1	HYD Hose ASM
11	125-1984	4	Spacer	21	117-3124	2	Hose ASM
12	340-74	4	Nut-Lock, Bulkhead	22	2412-74	3	R-Clamp
13	125-4357	1	Tube ASM-Front Trax, RH	23	117-3126	2	Hose ASM
13:1	237-65	2	O-Ring	24	117-3127	2	Hose ASM
13:2	237-20	1	O-Ring	25	3334-945	2	Tie-Cable
14	117-3116	1	Tube ASM-Front Trax, LH	26	322-19	2	Screw-HH
14:1	237-65	2	O-Ring	30	322-3	1	Screw-HH

Cab Mounting Assembly

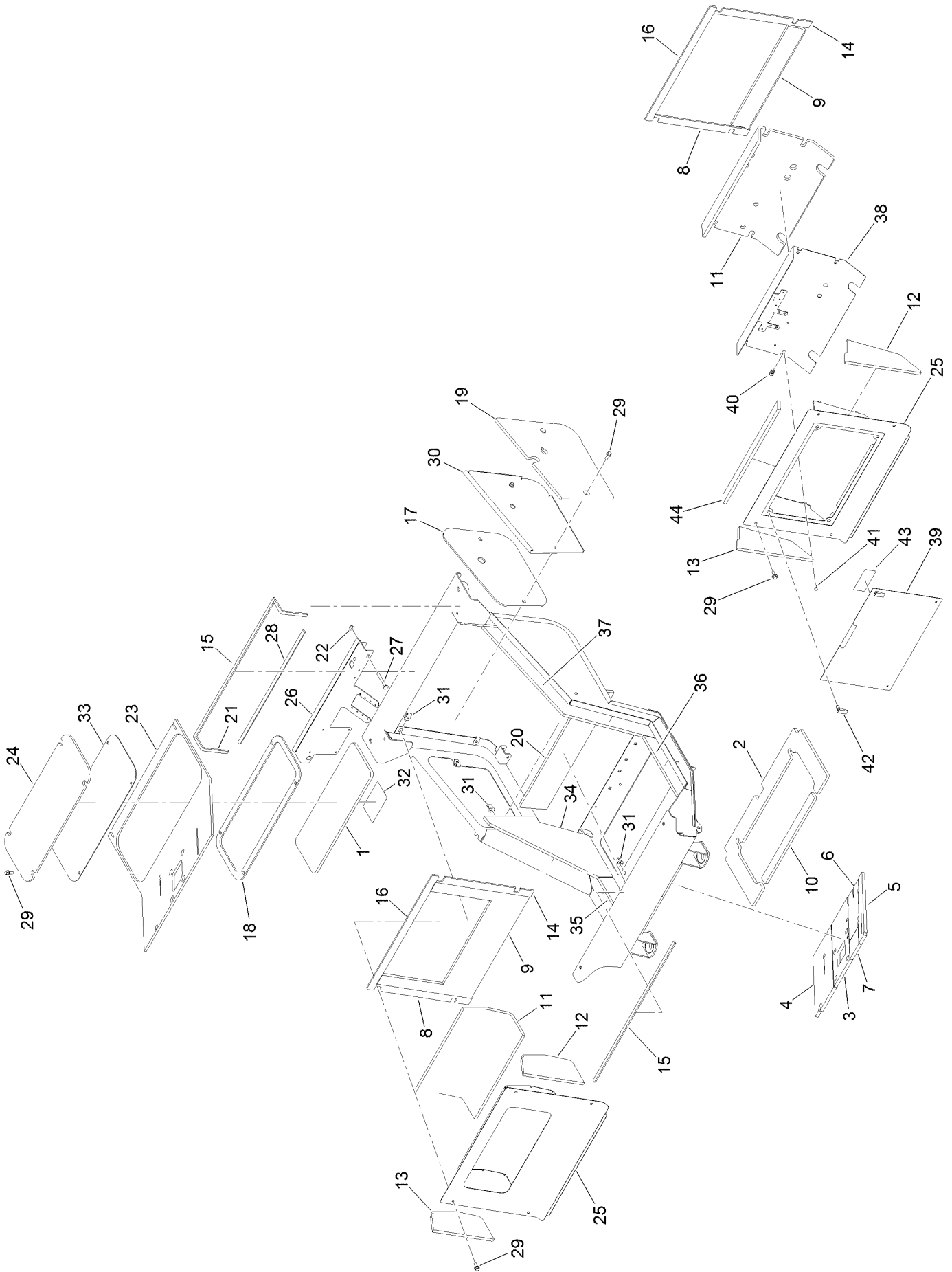


Cab Mounting Assembly (continued)

<i>Ref.</i>	<i>Part Number</i>	<i>Qty.</i>	<i>Description</i>	<i>Ref.</i>	<i>Part Number</i>	<i>Qty.</i>	<i>Description</i>
1	132-8105-03	1	Platform-Cab	13	115-5519	4	Washer-Plain
2		1	Cab ASM ●	14	125-9629	1	Foam-Panel, Control
3	99-5107	10	Nut-Lock	15	117-3060-0P	2	Mount-Cab
4	110-5954	4	Mount-Center, Bonded	16	138-8235-03	1	Plate-Seal
5	112-7264	6	Screw-HH	17	132-6553	1	Decal-HOC, Cab
6	3256-6	4	Washer-Flat	18	125-7433	1	Foam-Seal, LH Front
7	702093	2	Screw-HH	19	108-0035	5	Screw
8	131-1945	1	Console Plate ASM	20	99-7420	5	Plug-Hole
8:2	125-9248	1	Decal-Panel, Control	21	3274-31	2	Screw-HSBH
9	125-7434	1	Foam-Seal, RH Front	22	125-7432	1	Foam-Seal, LH Rear
10	125-7435	1	Foam-Seal, LH Rear	27	125-7448-03	1	Cover-Access
11	131-1946	1	Decal-Instructions, Service	28	110-9380	3	Screw-HWH
12	3234-38	2	Screw-HHF				

● Not serviced separately

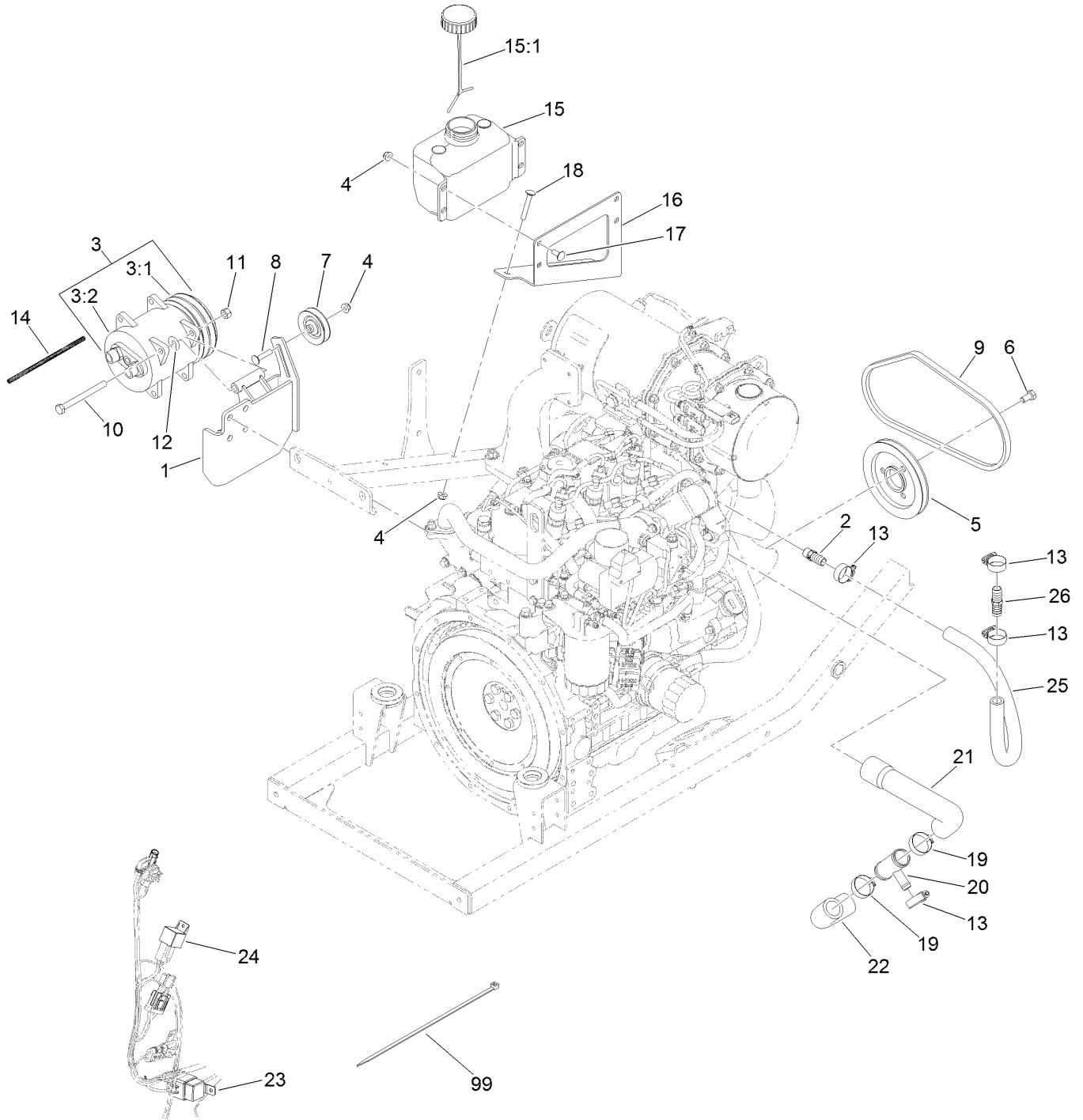
Foam Assembly



Foam Assembly (continued)

<i>Ref.</i>	<i>Part Number</i>	<i>Qty.</i>	<i>Description</i>	<i>Ref.</i>	<i>Part Number</i>	<i>Qty.</i>	<i>Description</i>
1	119-8052	1	Foam	23	119-8078	1	Mat-Floor
2	119-8053	1	Foam	24	119-8079	1	Mat-Panel, Floor
3	119-8054	1	Foam	25	131-5539-03	1	Housing-Center, Electrical
4	119-8055	1	Foam	26	132-6597-0P	1	Channel-Seat
5	119-8056	1	Foam	27	3231-10	2	Screw-CARR
6	119-8057	1	Foam	28	132-8127	1	Strip-Foam
7	119-8058	1	Foam	29	110-5052	10	Screw-HHF
8	119-8064	1	Foam	30	138-1936-03	1	Panel-Access, Cab
9	131-5541	1	Foam-Bottom, Ec	31	105-4886	10	Nut-Tinnerman
10	119-8066	1	Foam	32	112-1461	1	Decal-Routing, Belt
11	131-5536	1	Foam-Tray, Ec	33	117-3322-0P	1	Cover-Floor
12	131-5542	1	Foam Side, Ec	34	130-0424	1	Foam-Interior, RH
13	131-5543	1	Foam Side, Ec	35	130-0446	1	Foam-Interior, RH
14	119-8063	1	Foam	36	130-0447	1	Foam-Interior, LH
15	119-9897	2	Strip-Foam	37	130-0448	1	Foam-Interior, LH
16	119-8062	1	Foam	38	131-5545-0P	1	Tray-Electrical, Center
17	119-8050	1	Foam	39	131-5544-03	1	Panel-Cover, Ec
18	119-8051	1	Foam	40	107069	4	Clip
19	138-8233	1	Foam	41	321-3	4	Screw-HH
20	119-8076	1	Foam-Interior	42	74-5950	4	Latch-Swell
21	119-9896	2	Strip-Foam	43	117-3233	1	Decal-Fuseblock
22	104-8301	2	Nut-HF, NI	44	131-5540	1	Foam-Top, Ec

Yanmar Air Conditioner Assembly



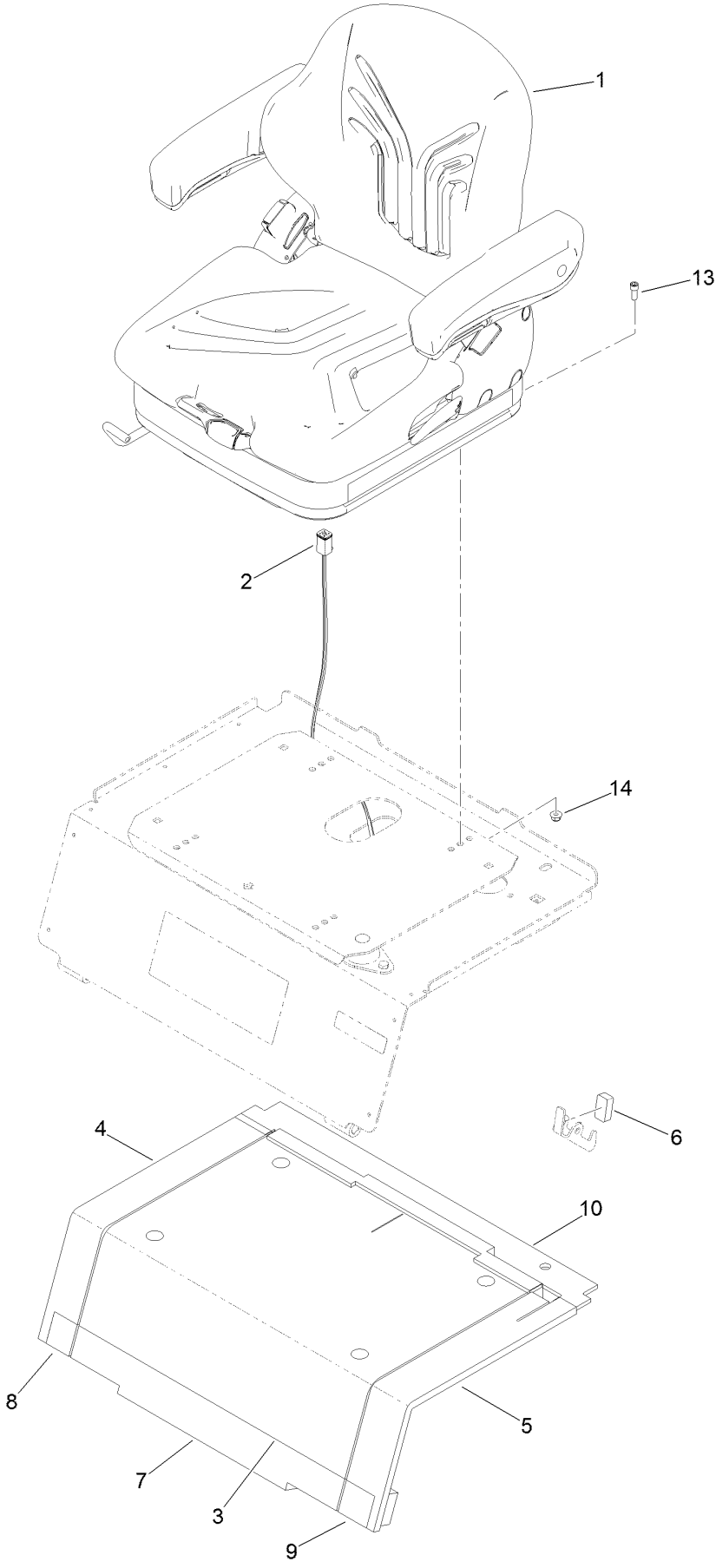
View of Cab Power Harness

Yanmar Air Conditioner Assembly (continued)

<i>Ref.</i>	<i>Part Number</i>	<i>Qty.</i>	<i>Description</i>	<i>Ref.</i>	<i>Part Number</i>	<i>Qty.</i>	<i>Description</i>
1	125-4397-0P	1	Bracket-Compressor	15	138-2702	1	Tank-Fluid, Washer
2	117-9410	1	Fitting-Straight	15:1	125-5258	1	Lid-Tank, Washer Fluid
3	117-3048	1	Compressor ASM	16	127-9856-0P	1	Bracket-Bottle, Washer Fluid
3:1	120-0251	1	Clutch-Compressor	17	3230-23	4	Bolt-CARR
3:2		1	Compressor ●	18	126-0699	2	Bolt-CARR
4	104-8300	7	Nut-HF, NI	19	2412-34	2	Clamp-Hose
5	125-4381	1	Pulley-Compressor	20	119-0142	1	Fitting-Radiator
6	33115-020	3	Screw-HH	21	131-1932	1	Hose-Radiator, Lower
7	119-8822	1	Pulley-Idler	22	131-1933	1	Hose-Radiator, Lower
8	3230-4	1	Bolt-CARR	23	99-7430	1	Relay-Mini
9	117-3399	1	Belt-V	24	99-7435	1	Relay
10	33115-110	2	Screw-HH	25	131-3372	1	Hose-Heater
11	33025-00	2	Nut-Lock, NI	26	131-3373	1	Fitting-STR
12	119-7734	1	Shim	99	3290-379	1	Tie-Cable
13	2412-129	4	Clamp-Hose				
14	115-8882	1	Conduit-Convolutd				

● Not serviced separately

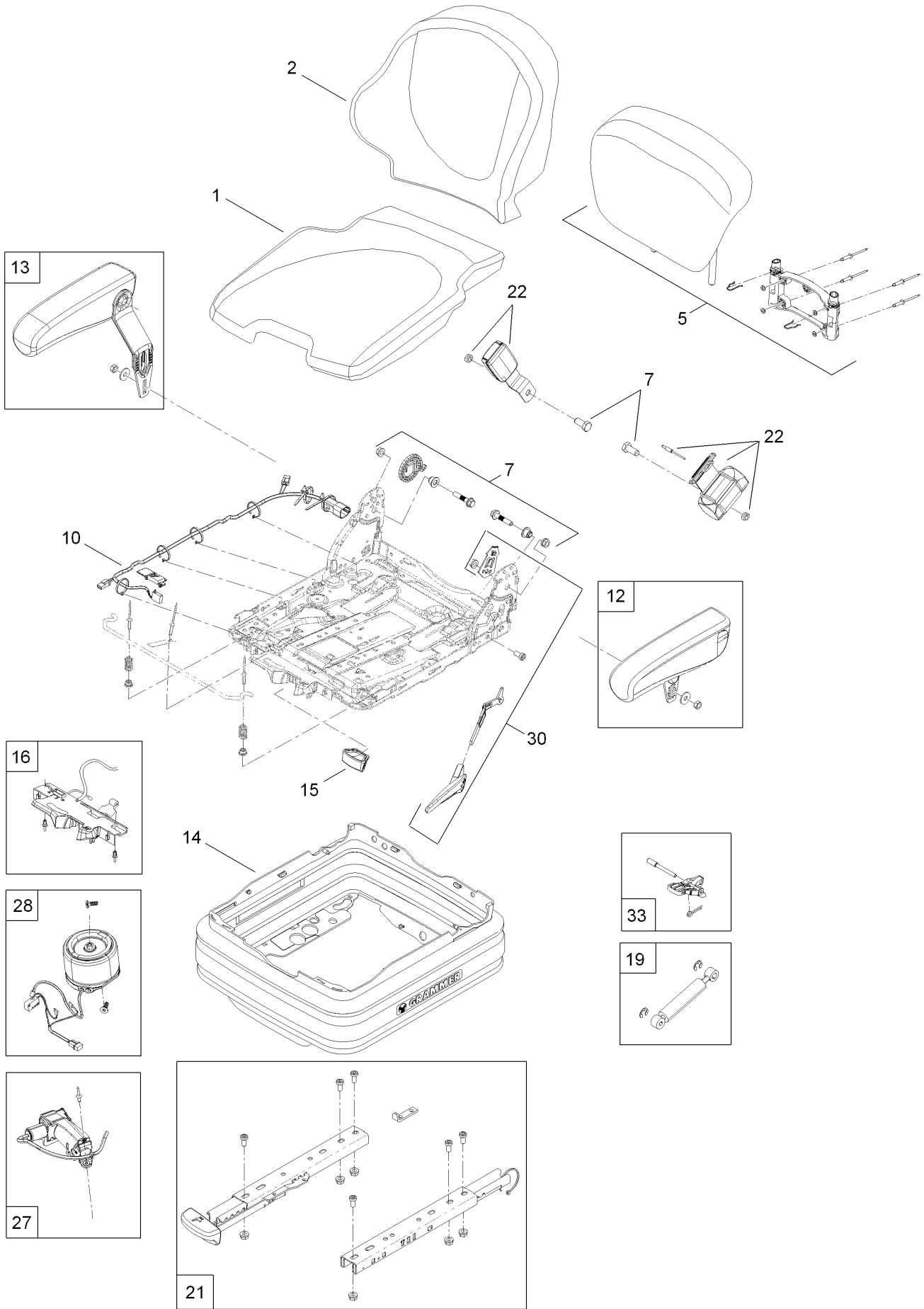
Seat Assembly



Seat Assembly (continued)

<i>Ref.</i>	<i>Part Number</i>	<i>Qty.</i>	<i>Description</i>	<i>Ref.</i>	<i>Part Number</i>	<i>Qty.</i>	<i>Description</i>
1	117-3096	1	Vinyl Air Ride Seat ASM	7	119-8070	1	Foam
1	117-3097	1	Cloth Air Ride Seat ASM	8	119-8071	1	Foam
2	119-5787	1	Harness-Wire, Seat	9	119-8072	1	Foam
3	119-8059	1	Foam	10	119-8075	1	Foam
4	119-8073	1	Foam	13	3274-10	4	Screw-HSH
5	119-8074	1	Foam	14	104-8300	4	Nut-HF, NI
6	119-8060	1	Foam				

Seat Assembly No. 117-3096

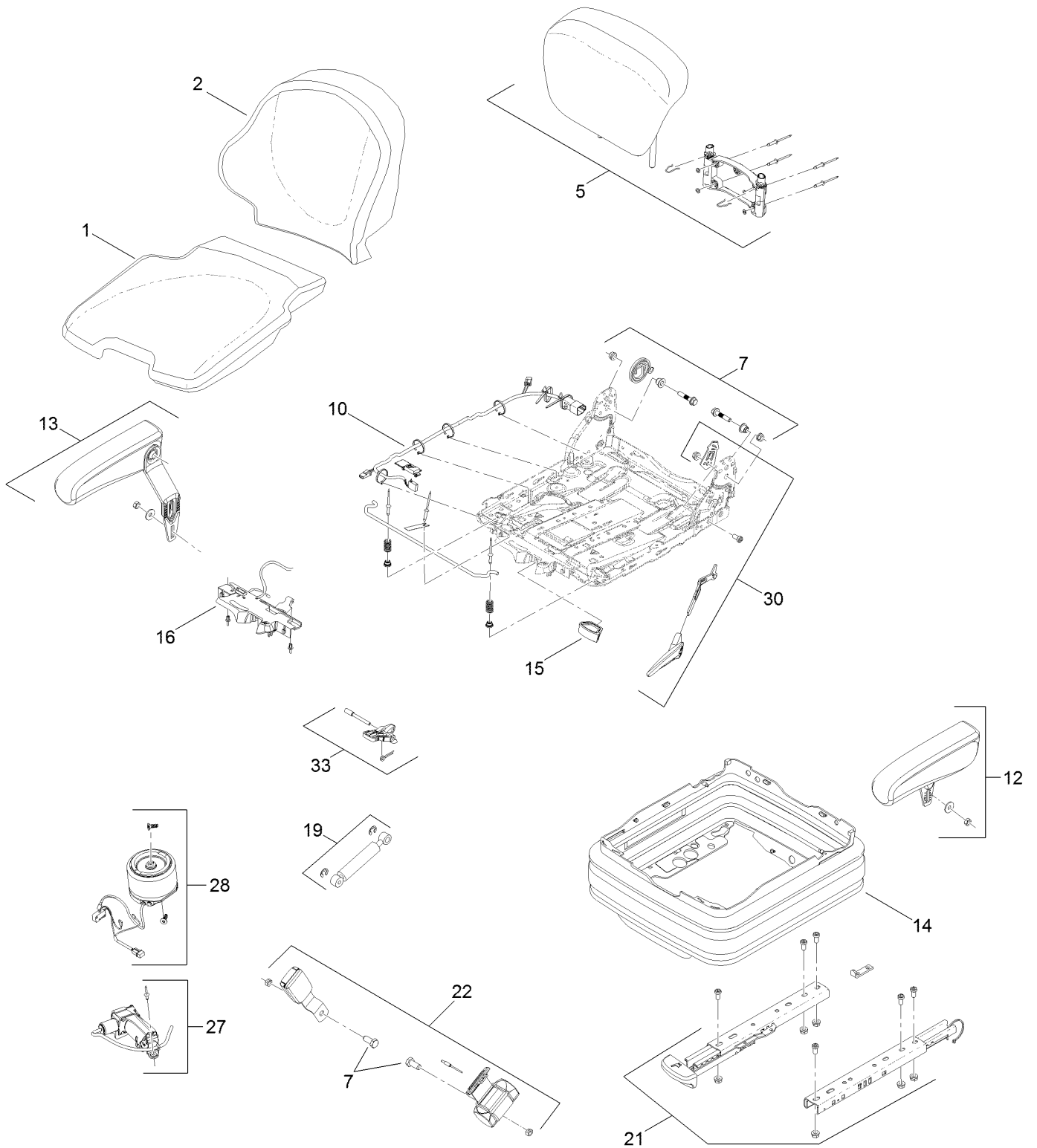


Seat Assembly No. 117-3096 (continued)

<i>Ref.</i>	<i>Part Number</i>	<i>Qty.</i>	<i>Description</i>	<i>Ref.</i>	<i>Part Number</i>	<i>Qty.</i>	<i>Description</i>
1	120-0581	1	Seat Cushion Kit	16	120-0574	1	Housing
2	120-0582	1	Back Cushion Kit	19	120-0575	1	Shock Absorber Kit
5	120-0583	1	Extension-Backrest, Vinyl ●	21	120-0584	1	Rails Adjustment Kit
7	120-0568	1	Backrest Kit	22	120-0576	1	Seatbelt Kit
10	120-0569	1	Switch Kit	27	120-0577	1	Compressor
12	119-7105	1	Premium Armrest Kit	28	120-0578	1	Air Spring Kit
13	120-0571	1	RH Armrest Kit	30	120-0579	1	Backrest Adjustment Kit
14	120-0572	1	Bellows	33	120-0580	1	Lever Kit
15	120-0573	1	Handle				

● Optional Equipment

Cloth Air Ride Seat Assembly No. 117-3097

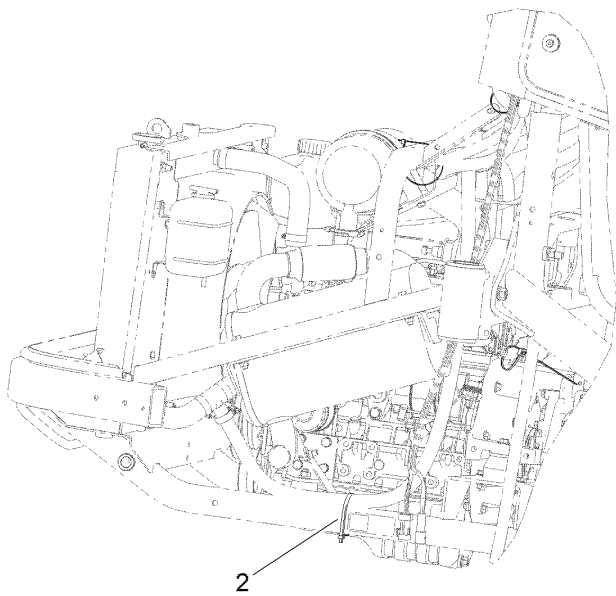
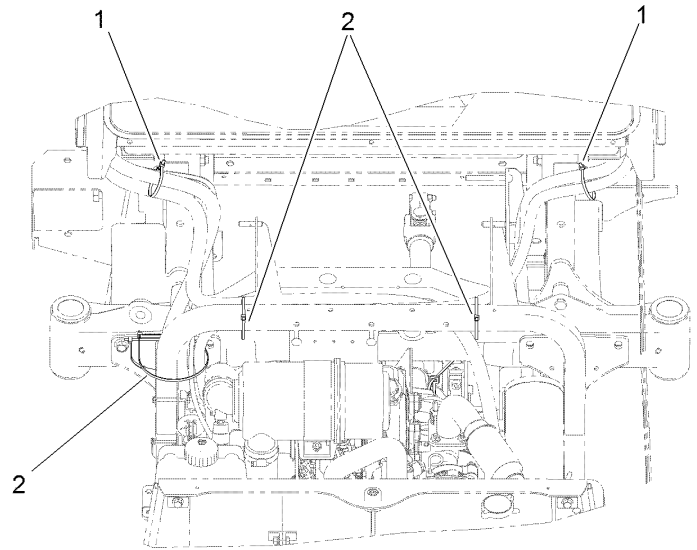
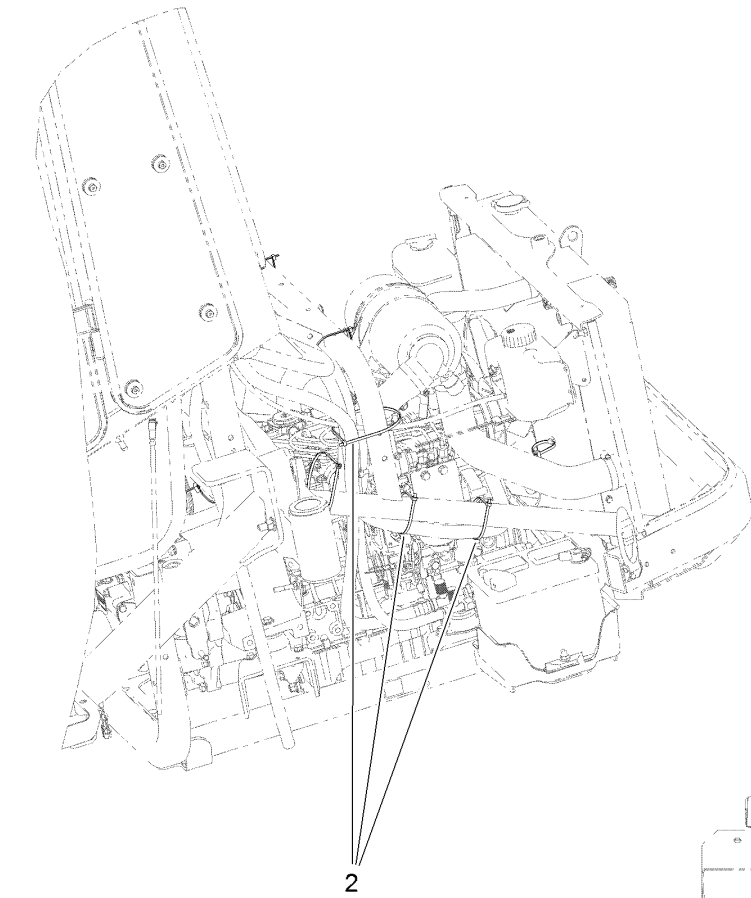


Cloth Air Ride Seat Assembly No. 117-3097 (continued)

<i>Ref.</i>	<i>Part Number</i>	<i>Qty.</i>	<i>Description</i>	<i>Ref.</i>	<i>Part Number</i>	<i>Qty.</i>	<i>Description</i>
1	120-0565	1	Cloth Seat Cushion Kit	15	120-0573	1	Handle
2	120-0566	1	Cloth Back Cushion Kit	16	120-0574	1	Housing
5	120-0567	1	Backrest Cloth Extension Kit ●	19	120-0575	1	Shock Absorber Kit
7	120-0568	1	Backrest Kit	21	120-0584	1	Rails Adjustment Kit
10	120-0569	1	Switch Kit	22	120-0576	1	Seatbelt Kit
12	119-7105	1	Premium Armrest Kit	27	120-0577	1	Compressor
13	120-0571	1	RH Armrest Kit	28	120-0578	1	Air Spring Kit
14	120-0572	1	Bellows	30	120-0579	1	Backrest Adjustment Kit
				33	120-0580	1	Lever Kit

● Optional Equipment

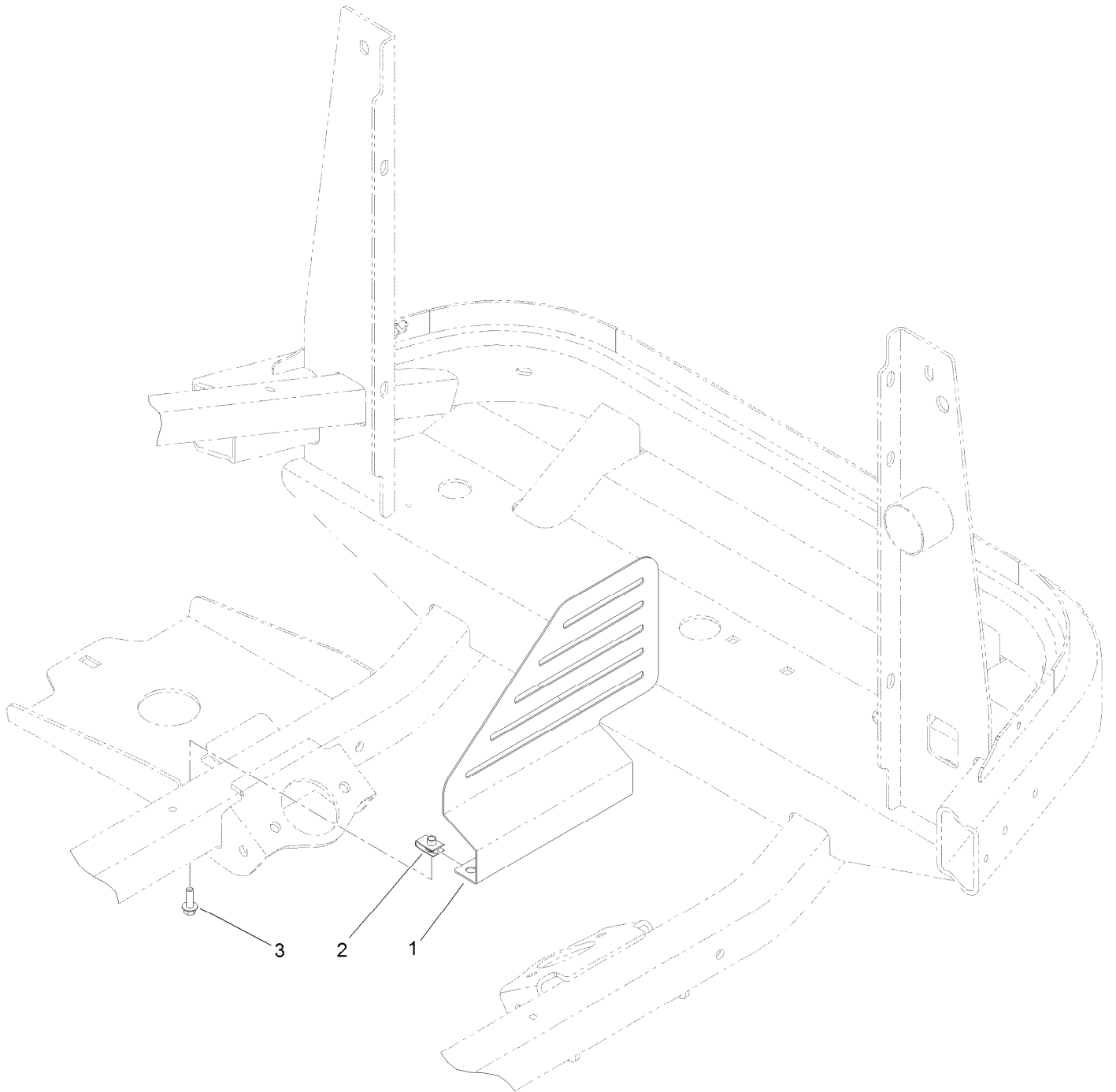
Cab Cable Tie Assembly



Cab Cable Tie Assembly (continued)

<i>Ref.</i>	<i>Part Number</i>	<i>Qty.</i>	<i>Description</i>
1	32180-030	2	Clip-Tie
2	3290-379	7	Tie-Cable

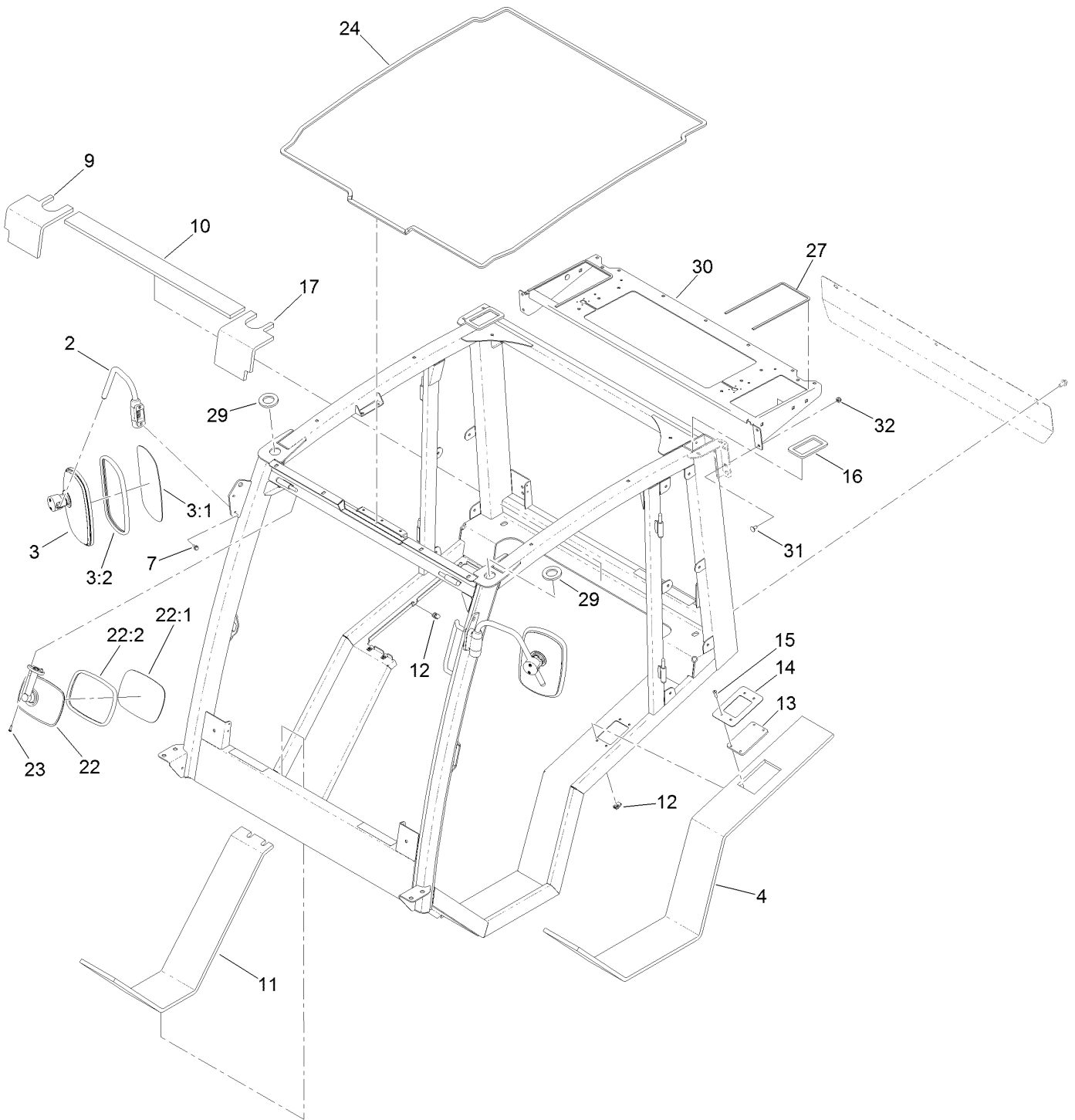
A/C Compressor Guard Assembly



A/C Compressor Guard Assembly (continued)

<i>Ref.</i>	<i>Part Number</i>	<i>Qty.</i>	<i>Description</i>
1	127-4934-0P	1	Shield-Compressor
2	107069	2	Clip
3	3234-4	2	Screw-HHF

Cab Frame, Mount and Seal Assembly

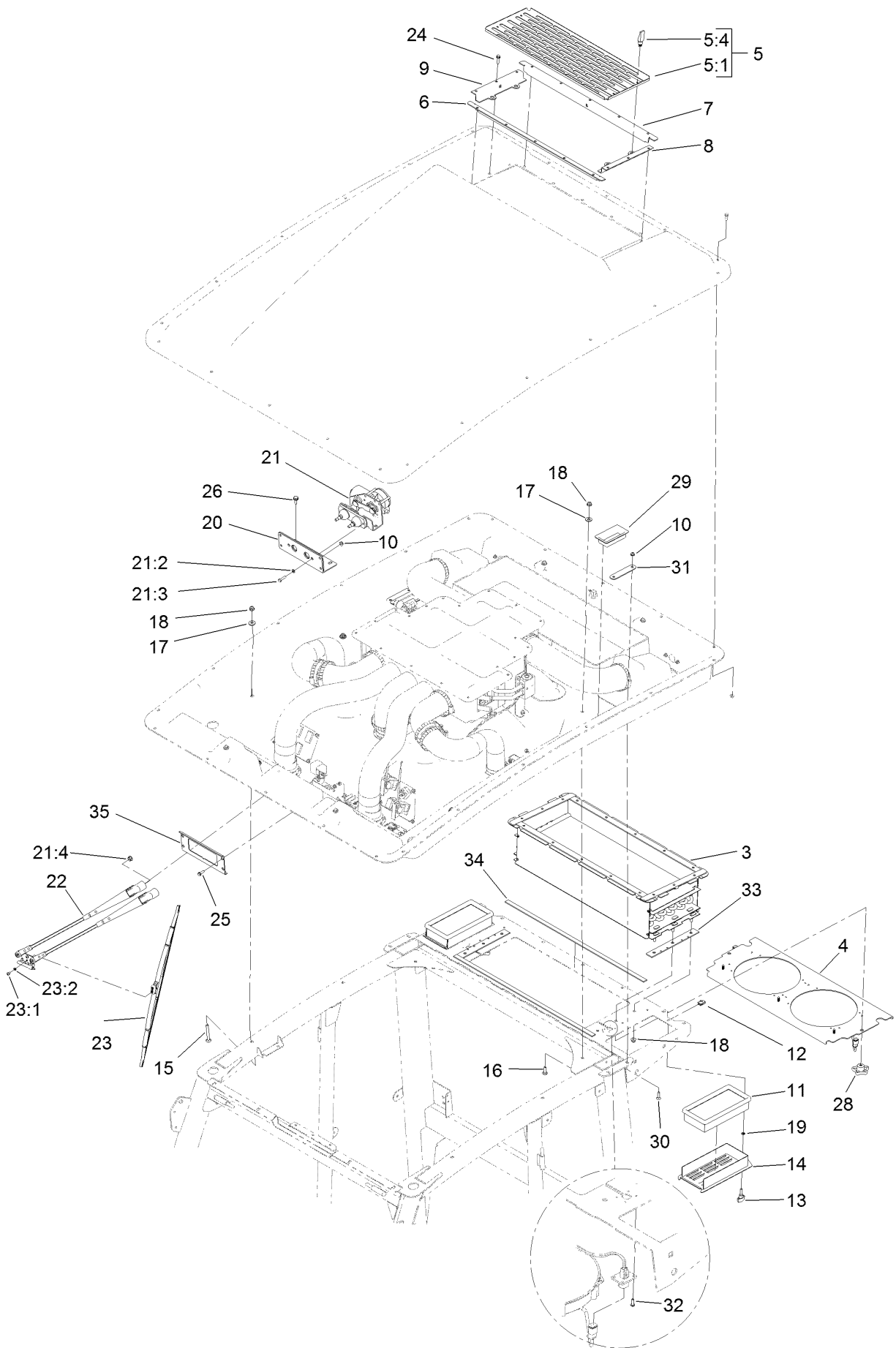


Cab Frame, Mount and Seal Assembly (continued)

<i>Ref.</i>	<i>Part Number</i>	<i>Qty.</i>	<i>Description</i>	<i>Ref.</i>	<i>Part Number</i>	<i>Qty.</i>	<i>Description</i>
2	121-8275	2	Arm-Mirror, Side	16	130-5855	2	Seal-Tube, Rear
3	121-8341	1	Side Mirror ASM	17	130-5877	1	Foam-Interior, Rear LH
3:1		1	Mirror-Glass ●	22	121-8343	1	Interior Mirror ASM
3:2		1	Gasket ●	22:1		1	Mirror ●
4	130-0435	1	Foam-Interior, LH	22:2		1	Gasket ●
7	33103-016	4	Screw-HHF	23	32144-32	2	Screw-PPH
9	130-5876	1	Foam-Interior, Rear RH	24	130-0586	1	Seal-Foam, Frame Roof
10	130-5878	1	Foam-Interior, Rear Shelf	27	130-0587	2	Seal-Foam, Roof Air Filter
11	130-0425	1	Foam-Interior, RH	29	133-0982	2	Tube-Seal, Front
12	107069	9	Clip	30	136-1768-03	1	Shelf-Mount, Fan
13	119-9878	1	Window-Gauge, Fuel	31	3230-18	4	Screw-CARR
14	130-5517-03	1	Plate-Retention	32	104-8300	4	Nut-HF, NI
15	3274-65	4	Screw-HSBH				

● Not serviced separately

Cab Headliner Assembly

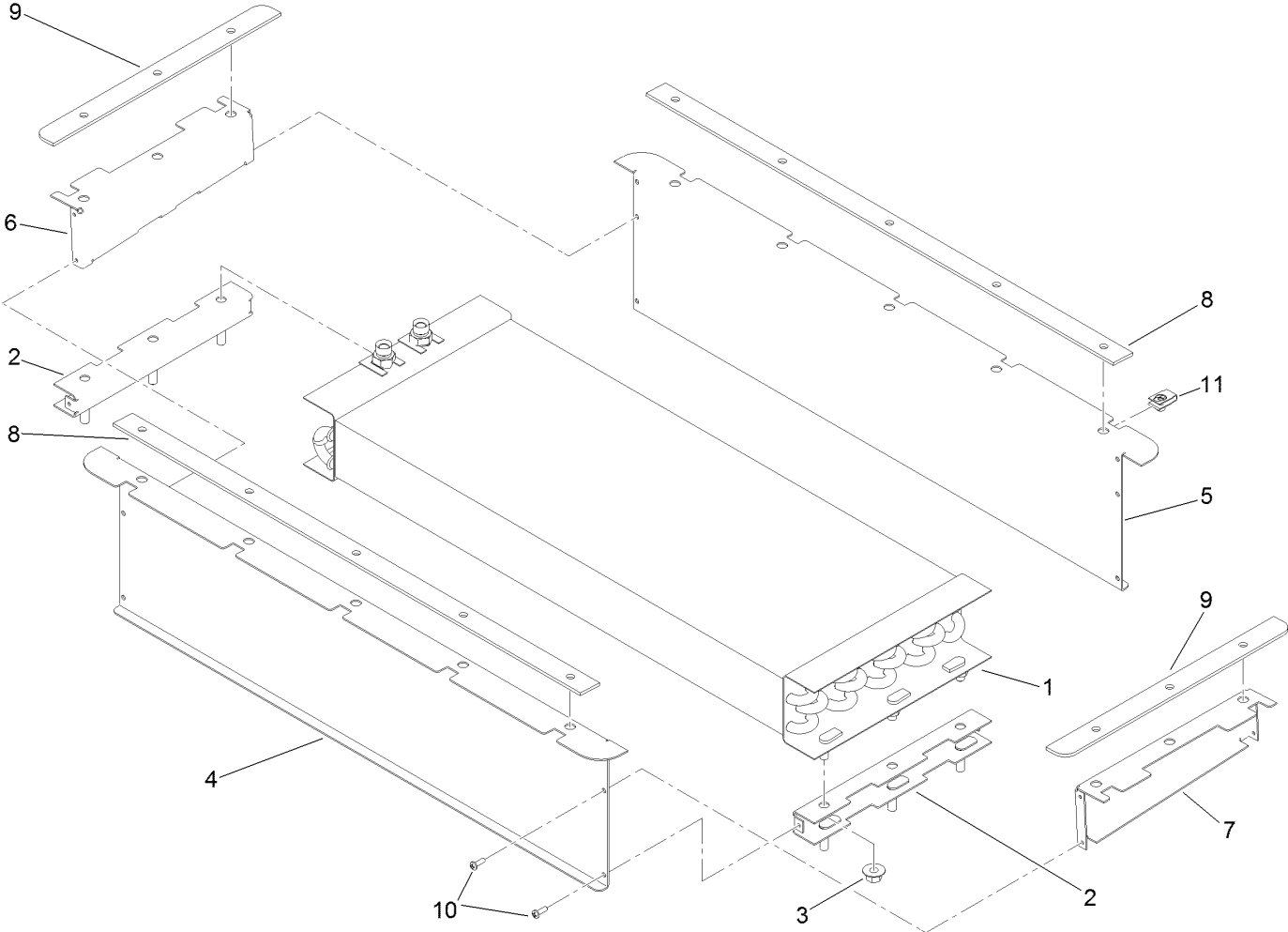


Cab Headliner Assembly (continued)

<i>Ref.</i>	<i>Part Number</i>	<i>Qty.</i>	<i>Description</i>	<i>Ref.</i>	<i>Part Number</i>	<i>Qty.</i>	<i>Description</i>
3	132-3468	1	A/C Duct ASM	21	125-7452	1	Wiper Motor ASM
4	132-3488	1	Panel-Fan	21:2	3253-3	1	Washer-Lock
5		1	Screen ASM ●	21:3	33113-025	1	Screw-HH
5:1	132-3530-03	1	Screen	21:4	112-2844	2	Nut-HF
5:4	74-5950	4	Latch-Swell	22	125-7453	1	Arm-Wiper
6	132-3531-03	1	Seal-Front	23	125-7454	1	Blade-Wiper
7	132-3532-03	1	Seal-Rear	23:1	47-2830	2	Screw
8	132-3533-03	1	Seal-Side, Left	23:2	43-5920	2	Washer-Lock, Spring
9	132-3534-03	1	Seal-Side, Right	24	120-4654	16	Screw-HHF
10	104-7201	8	Nut-HF, NI	25	32105-15	4	Screw-HWH
11	121-8457	2	Filter-Air	26	32144-11	2	Screw-HWH
12	107069	2	Clip	28	117-5976	2	Knob-Handle
13	126-5846	2	Knob-T	29	130-5661	2	Tube-Sleeve
14	125-9825-03	2	Cover-Air, Fresh	30	3229-30	4	Screw-CARR
15	3230-9	4	Screw-CARR	31	130-5854	2	Brace-Seal
16	3230-22	13	Screw-CARR	32	363-8245	8	Screw-TAP
17	3256-3	17	Washer-Flat	33	132-3608	2	Seal-Edge
18	104-8300	21	Nut-HF, NI	34	132-3609	2	Seal-Strip
19	32115-15	2	Nut-Push	35	130-6068-03	1	Plate-Washer, Wiper Motor
20	130-5871	1	Bracket-Wiper				

● Not serviced separately

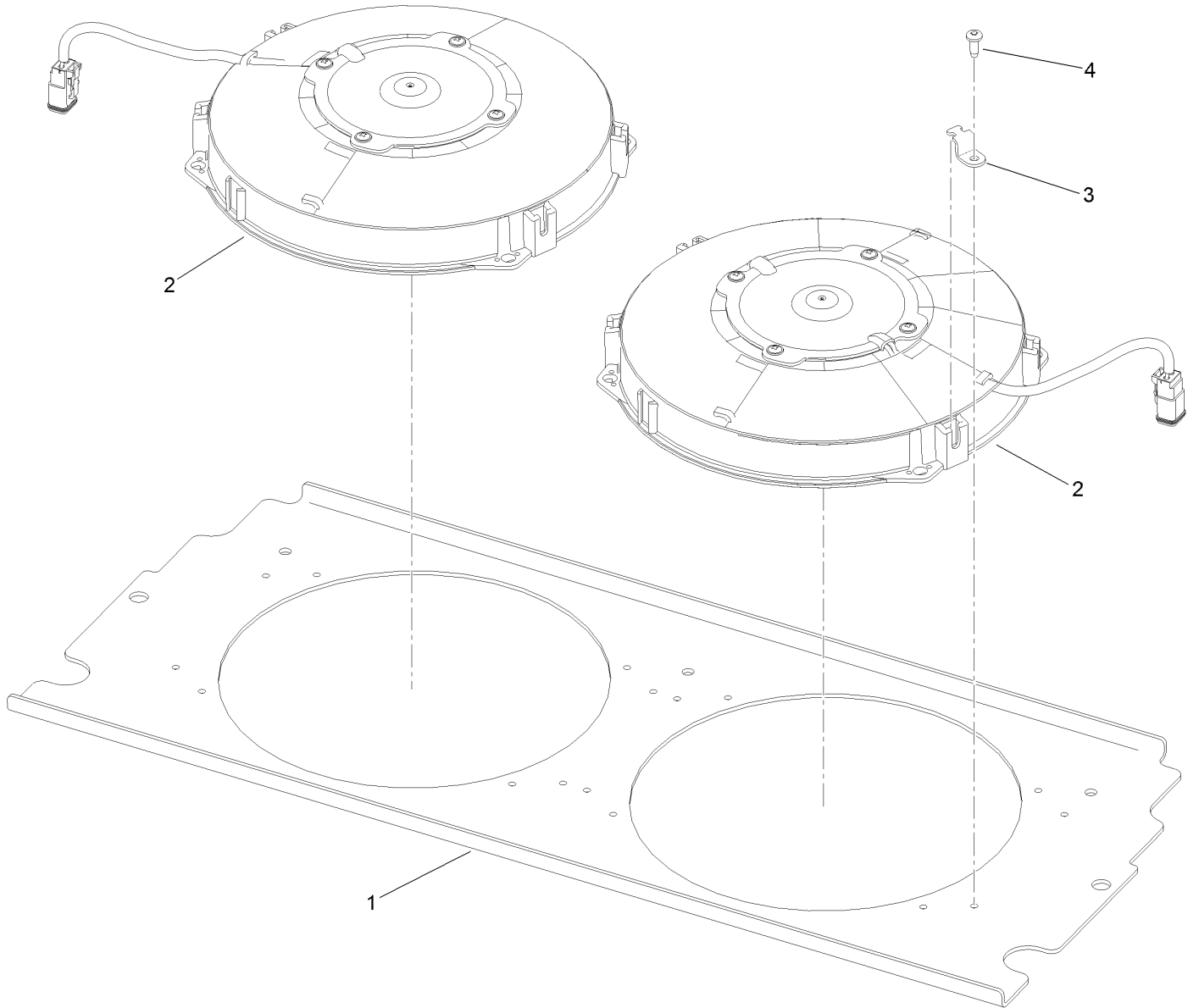
Air Conditioning Duct Assembly No. 132-3468



Air Conditioning Duct Assembly No. 132-3468 (continued)

<i>Ref.</i>	<i>Part Number</i>	<i>Qty.</i>	<i>Description</i>	<i>Ref.</i>	<i>Part Number</i>	<i>Qty.</i>	<i>Description</i>
1	121-8447	1	Core-Condenser	7	132-3465-03	1	Wall-Side, Left
2	132-3469-03	2	Leg-Lower	8	132-3466	2	Seal-Strip
3	32128-44	6	Nut	9	132-3467	2	Seal-Edge
4	132-3462-03	1	Wall-Front	10	363-8245	12	Screw-TAP
5	132-3463-03	1	Wall-Back	11	107069	16	Clip
6	132-3464-03	1	Wall-Side, Right				

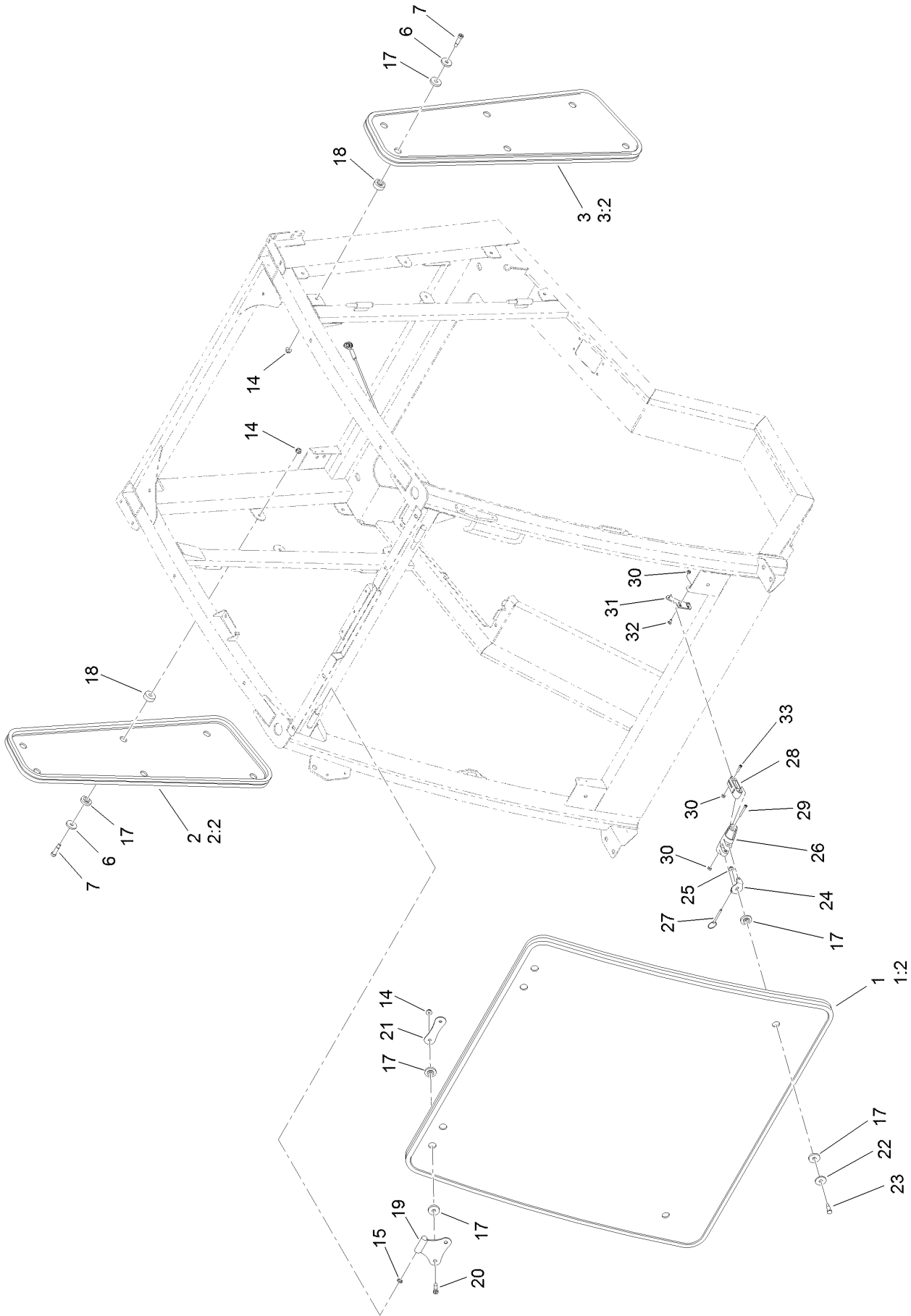
Fan Panel Assembly No. 132-3488



Fan Panel Assembly No. 132-3488 (continued)

<i>Ref.</i>	<i>Part Number</i>	<i>Qty.</i>	<i>Description</i>	<i>Ref.</i>	<i>Part Number</i>	<i>Qty.</i>	<i>Description</i>
1	132-3486-03	1	Plate-Mount, Fan	3	132-3606	8	Tab-Fan
2	132-3607	2	Fan-Condenser	4	105-6849	8	Screw-Forming, Thread

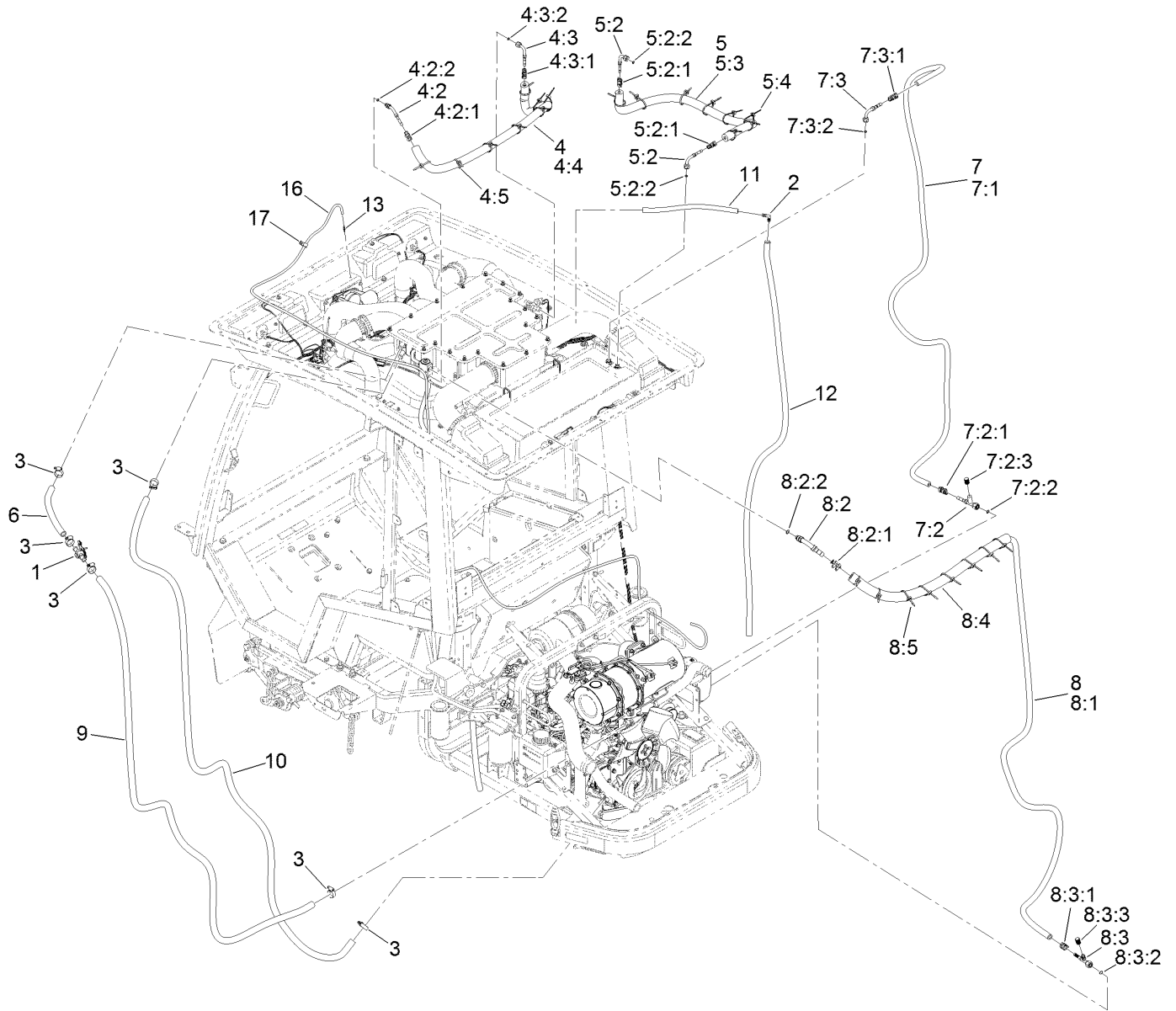
Window Assembly



Window Assembly (continued)

<i>Ref.</i>	<i>Part Number</i>	<i>Qty.</i>	<i>Description</i>	<i>Ref.</i>	<i>Part Number</i>	<i>Qty.</i>	<i>Description</i>
1	130-5680	1	Upper Front Window ASM	21	127-9933	2	Plate-Backer, Windshield
1:2	121-8212	1	Seal-Trim	22	125-9676	2	Washer-Backup
2	130-5688	1	RH Side Window ASM	23	119-9812	2	Bolt-Shoulder
2:2	125-7379	1	Trim-Seal, Side RH	24	125-9987	2	Mount-Latch
3	130-5689	1	LH Side Window ASM	25	104-7201	2	Nut-HF, NI
3:2	121-8499	1	Seal-Trim, Side LH	26	125-9792	2	Handle-Window
6	130-5815	12	Washer-Backup	27	127-9850	2	Pin-Release, Quick
7	125-9521	12	Screw-Shldr HSH	28	125-9793	2	Link-Window
14	104-8300	16	Nut-HF, NI	29	3274-59	2	Screw-HSH
15	121-8441	2	Washer-Spacer	30	120-9681	8	Nut-Lock, NI
17	125-9982	24	Bushing-Flange	31	130-0590	2	Mount-Tab
18	125-9537	12	Bushing-Flange	32	1-807513	4	Bolt-CARR
19	121-8535-03	2	Hinge-Window	33	3274-14	2	Screw-HSH
20	125-9520	4	Screw-Shoulder, HSH				

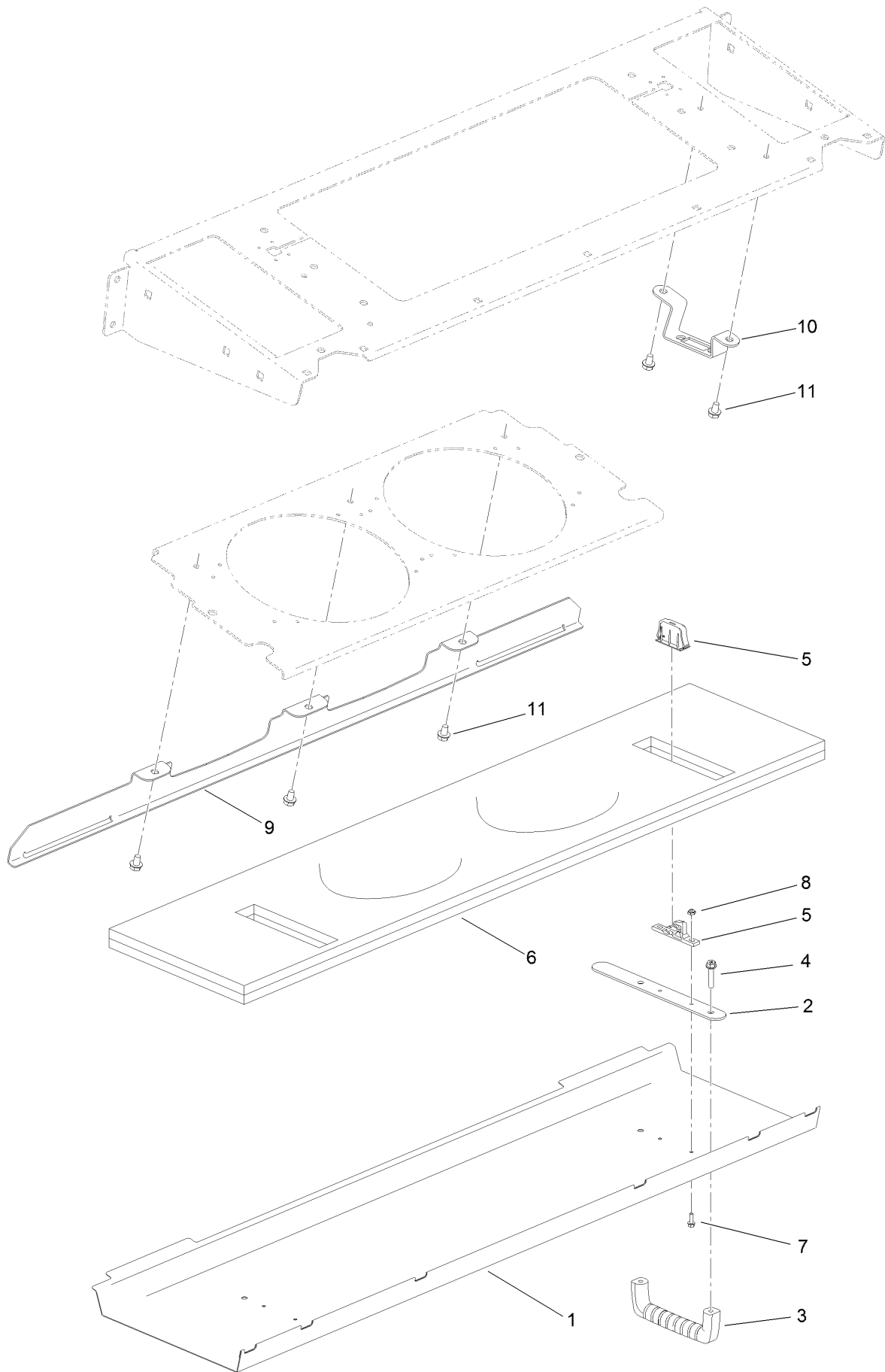
Tier 4 Engine Hose Routing Assembly



Tier 4 Engine Hose Routing Assembly (continued)

<i>Ref.</i>	<i>Part Number</i>	<i>Qty.</i>	<i>Description</i>	<i>Ref.</i>	<i>Part Number</i>	<i>Qty.</i>	<i>Description</i>
1	120-4947	1	Valve-Heater	7:2:2	117-2779	1	O-Ring
2	130-0578	2	Fitting-Barb, 90 DEG	7:2:3	117-2783	1	Cap-Side, High
3	2412-129	6	Clamp-Hose	7:3	130-5752	1	Fitting-Female, 90 DEG
4	125-9702	1	Hose ASM	7:3:1	130-5773	1	Fitting Kit
4:2	130-5753	1	Fitting-45 DEG	7:3:2	117-2778	1	O-Ring
4:2:1	130-5772	1	Fitting Kit	8	125-9705	1	AC Hose ASM
4:2:2	117-2778	1	O-Ring	8:1	130-5798	1	Hose-Refrigerant
4:3	130-5751	1	Fitting-Female, 90 DEG	8:2	130-5754	1	Fitting-Male, 45 DEG
4:3:1	130-5772	1	Fitting Kit	8:2:1	130-5775	1	Fitting Kit
4:3:2	117-2778	1	O-Ring	8:2:2	117-2780	1	O-Ring
4:4	130-5958	1	Cover-Foam	8:3	130-5755	1	Fitting-Female, Straight
4:5	3290-378	8	Tie-Cable	8:3:1	130-5775	1	Fitting Kit
5	125-9703	1	Hose ASM	8:3:2	117-2780	1	O-Ring
5:2	130-5751	2	Fitting-Female, 90 DEG	8:3:3	117-2784	1	Cap-Side, Low
5:2:1	130-5772	1	Fitting Kit	8:4	130-5959	1	Cover-Foam
5:2:2	117-2778	1	O-Ring	8:5	3290-378	1	Tie-Cable
5:3	130-5958	1	Cover-Foam	9	125-9707	1	Hose-Heater
5:4	3290-378	8	Tie-Cable	10	125-9708	1	Hose-Heater
6	125-9706	1	Hose-Heater	11	125-9865	2	Hose-Drain
7	125-9704	1	AC Hose ASM	12	125-9866	2	Hose-Drain
7:1	130-5799	1	Hose-Refrigerant	13	127-9905	1	Fitting-Hose, Barb
7:2	130-5757	1	Fitting-Straight, Female	16	127-9903	1	Hose-Washer Fluid
7:2:1	130-5773	1	Fitting Kit	17	2412-73	1	Clamp-R

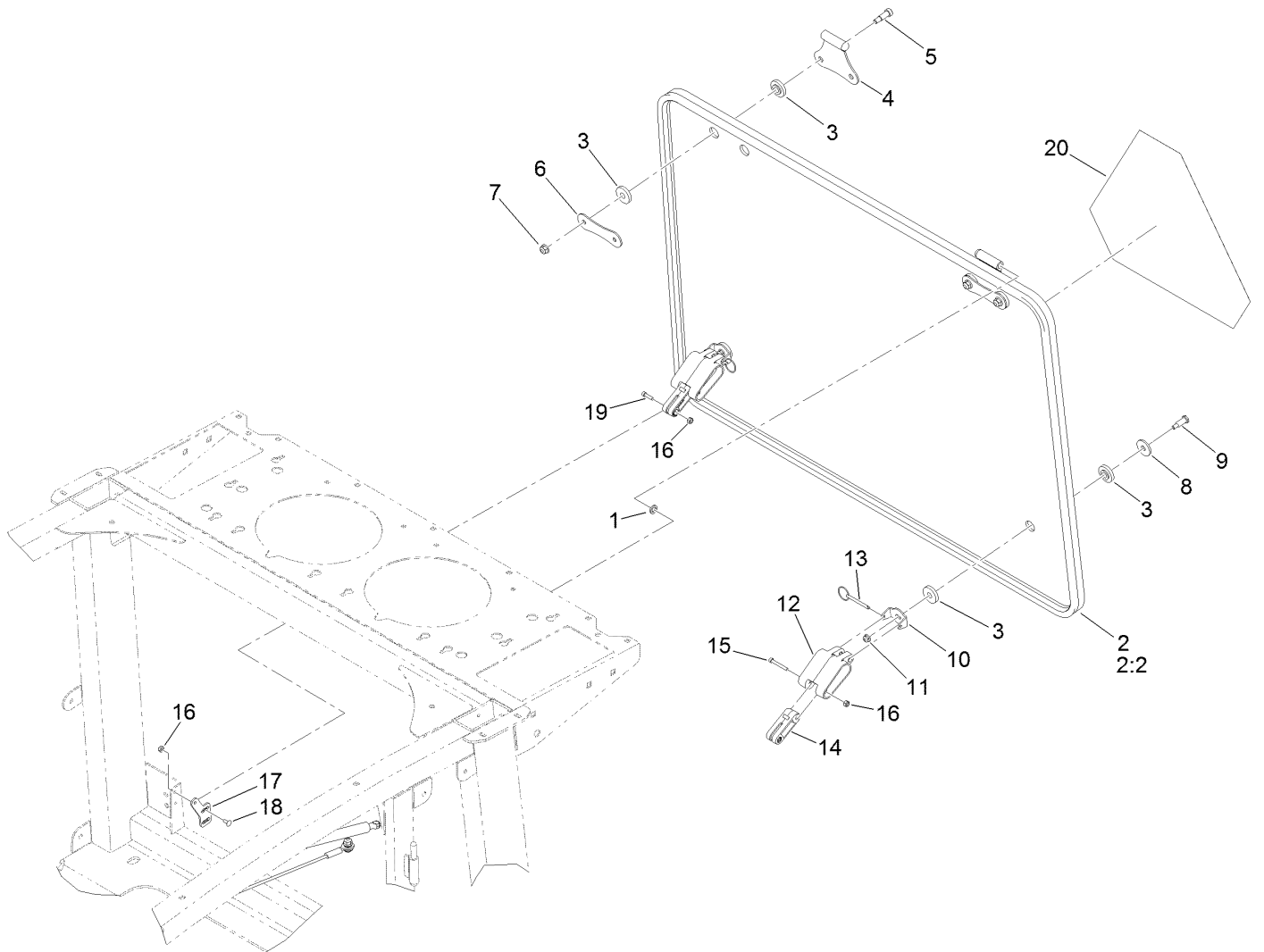
Pre-Filter Screen Assembly



Pre-Filter Screen Assembly (continued)

<i>Ref.</i>	<i>Part Number</i>	<i>Qty.</i>	<i>Description</i>	<i>Ref.</i>	<i>Part Number</i>	<i>Qty.</i>	<i>Description</i>
1	130-0640-03	1	Screen	7	112-3169	4	Screw-HHF, Serrated
2	130-0642-03	2	Backplate	8	3296-54	4	Nut-Lock
3	65-5100	2	Handle-Door	9	132-3630-03	1	Screen-Mount, Front
4	137-3101	4	Screw-Plastic, HWH	10	136-2171	2	Mount-Latch
5	130-0643	2	Latch-Push To Close	11	32104-82	7	Screw-HHF
6	130-5875	1	Pre-Filter				

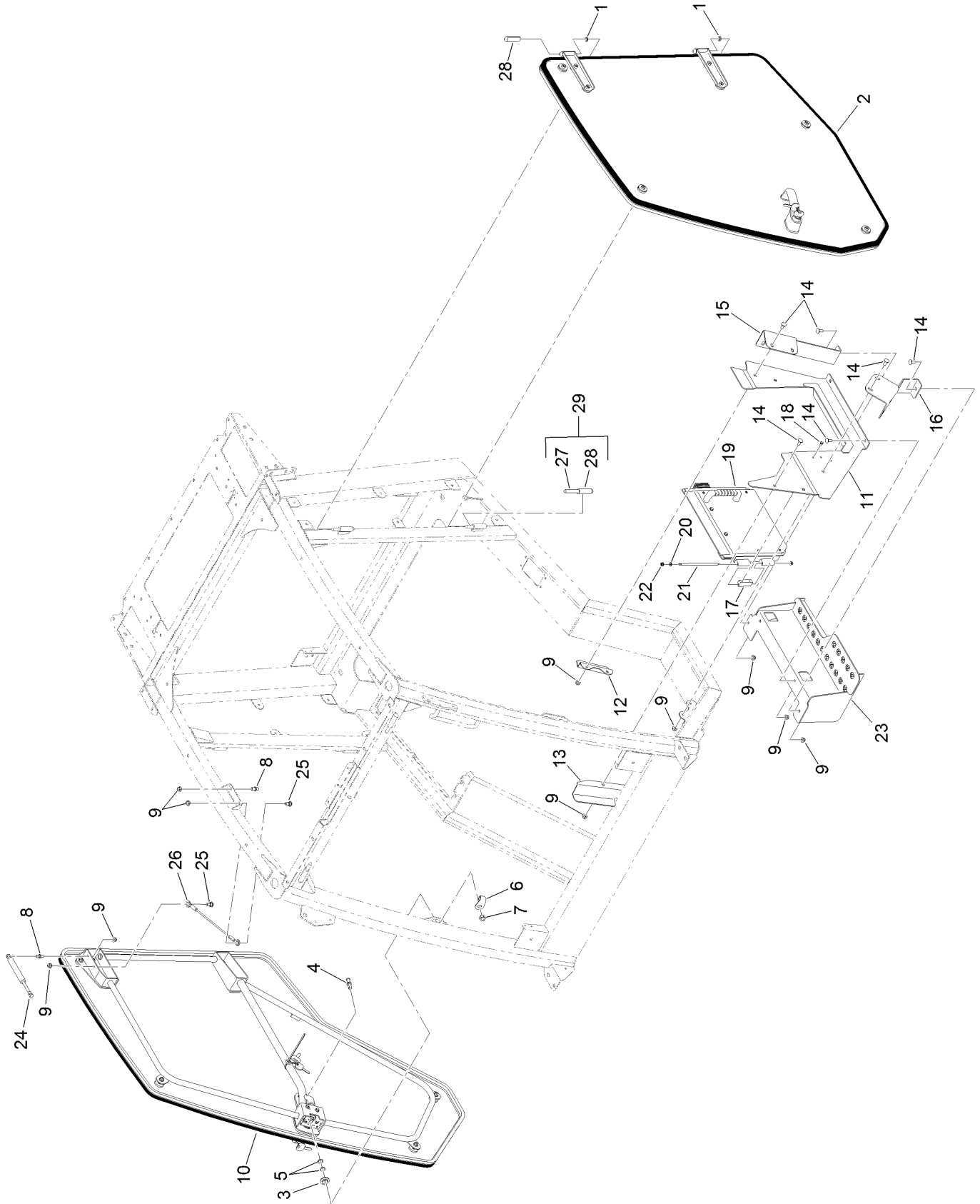
Rear Window Assembly



Rear Window Assembly (continued)

<i>Ref.</i>	<i>Part Number</i>	<i>Qty.</i>	<i>Description</i>	<i>Ref.</i>	<i>Part Number</i>	<i>Qty.</i>	<i>Description</i>
1	121-8441	2	Washer-Spacer	11	104-7201	2	Nut-HF, NI
2	130-5690	1	Rear Window ASM	12	125-9792	2	Handle-Window
2:2	121-8213	1	Trim-Window, Rear	13	127-9850	2	Pin-Release, Quick
3	125-9982	12	Bushing-Flange	14	125-9793	2	Link-Window
4	121-8535	2	Hinge-Window	15	3274-59	2	Screw-HSH
5	125-9520	4	Screw-Shoulder, HSH	16	120-9681	8	Nut-Lock, NI
6	127-9933	2	Plate-Backer, Windshield	17	130-0590	2	Mount-Tab
7	104-8300	4	Nut-HF, NI	18	1-807513	4	Bolt-CARR
8	125-9676	2	Washer-Backup	19	3274-14	2	Screw-HSH
9	119-9812	2	Bolt-Shoulder	20	120-0250	1	Decal-Warning
10	125-9987	2	Mount-Latch				

Door Assembly

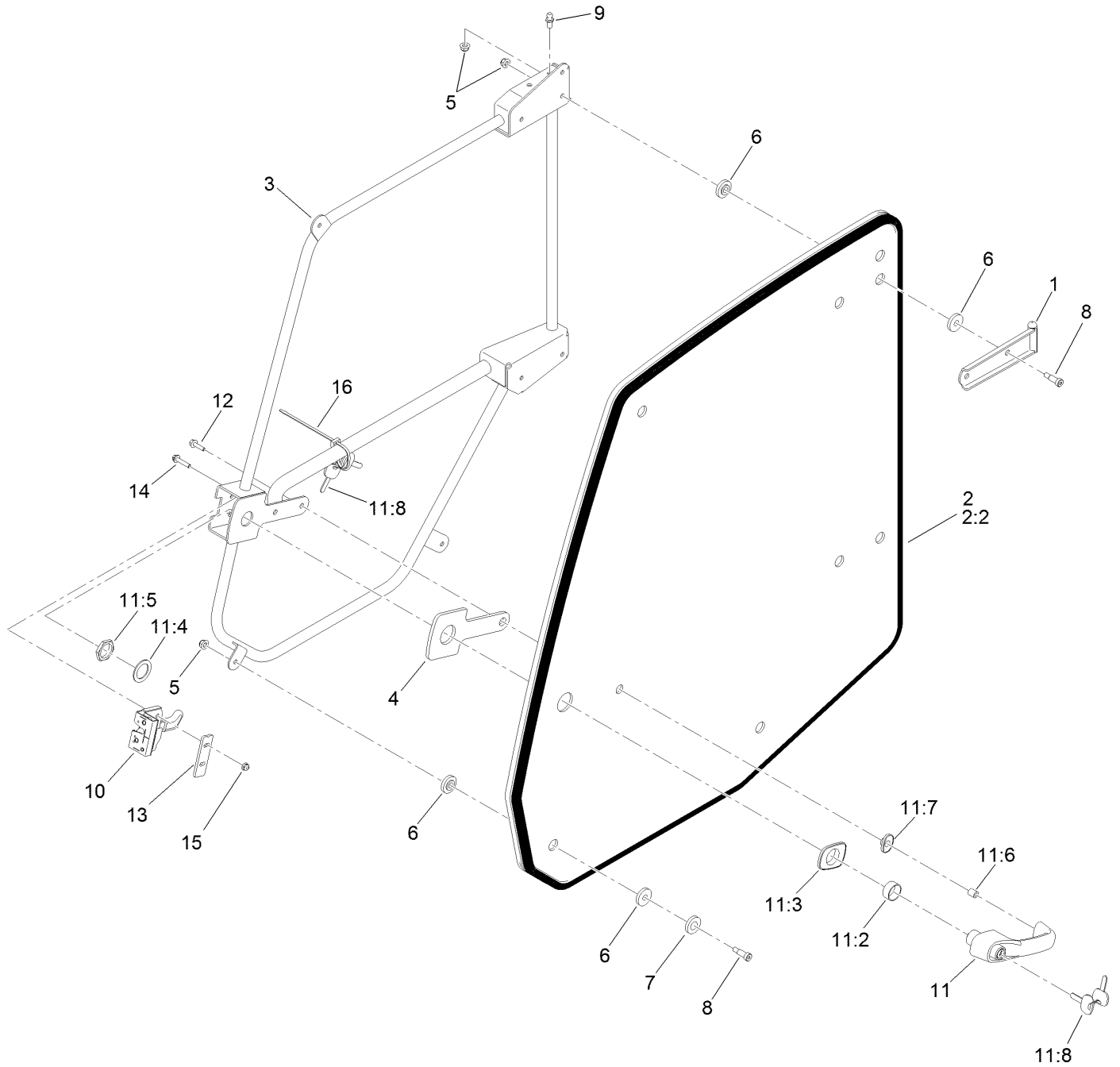


Door Assembly (continued)

<i>Ref.</i>	<i>Part Number</i>	<i>Qty.</i>	<i>Description</i>	<i>Ref.</i>	<i>Part Number</i>	<i>Qty.</i>	<i>Description</i>
1	121-8441	4	Washer-Spacer	16	136-1987-03	1	Mount-Channel, Outside
2		1	LH Door ASM ●				Front
3	125-9992	2	Adjuster-Stud	17	136-1964	1	Block-Hinge
4	132-3718	2	Stud-Striker	18	32144-1	2	Screw-Taptite
5	73-0040	4	Washer-Thrust	19		1	Half Door ASM ●
6	121-8393	2	Guard-Striker	20	3256-14	1	Washer-Flat
7	106-0327	2	Nut-Hex	21	136-2012	1	Pin-Hinge
8	98-3104	2	Stud-Ball	22	120-4578	2	Nut-HF
9	104-8300	16	Nut-HF, NI	23	136-1881-03	1	Step
10		1	RH Door ASM ●	24	130-6083	2	Spring-Gas, Door
11	136-1889	1	Panel ASM-Sealing	25	120-9471	4	Bolt-Shoulder
12	136-1986-03	2	Mount-Channel, Inside	26	130-5726	2	Lanyard
13	136-2207-03	1	Mount-Channel, Inside	27	133-1110	1	Pin-Hinge
14	3230-23	10	Bolt-CARR	28	121-8439	1	Receiver-Pivot, Hinge
15	136-2017-03	1	Mount-Channel, Outside	29	121-8440	1	Pivot-Hinge
			Rear				

● Not serviced separately

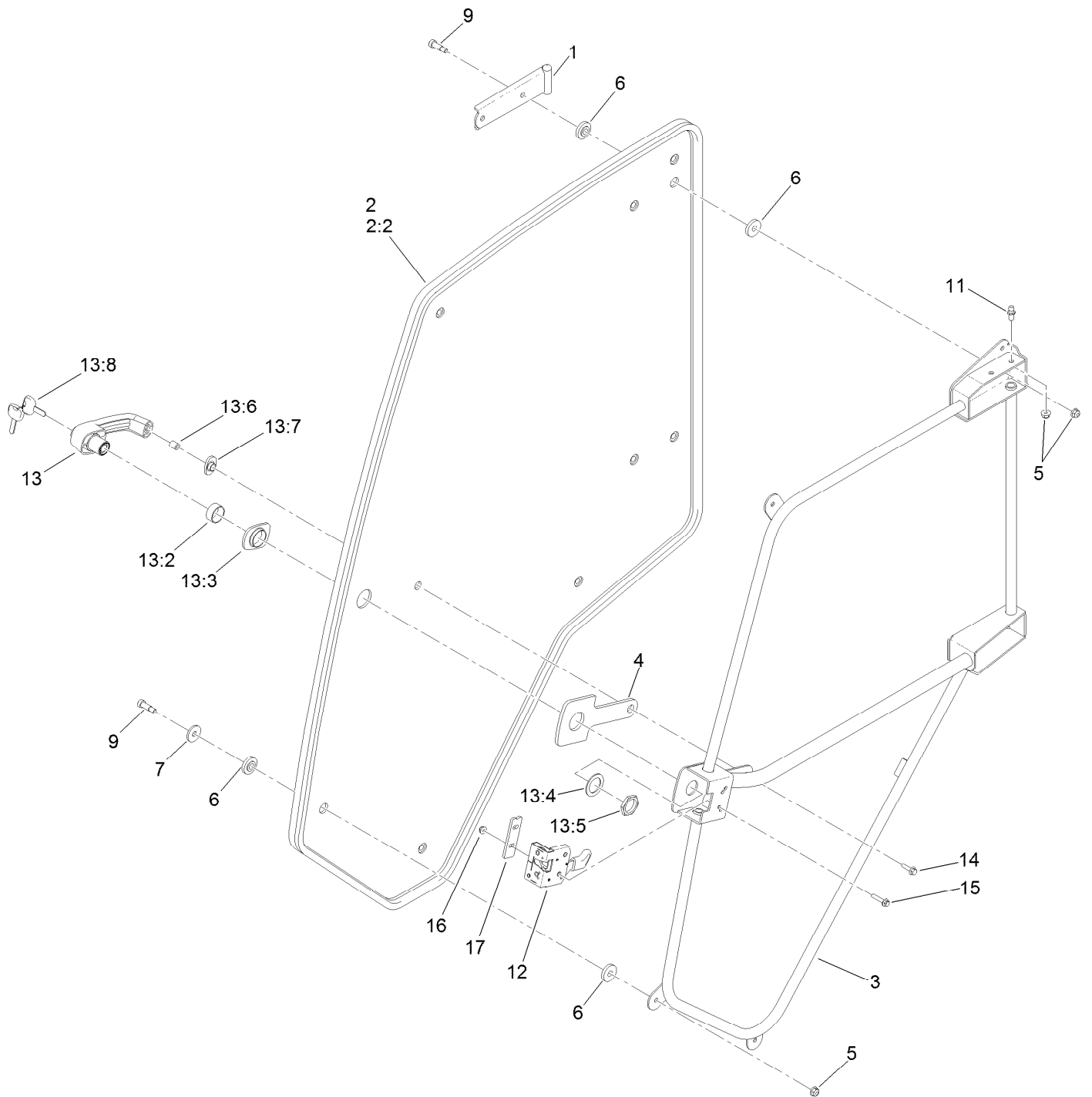
LH Door Assembly



LH Door Assembly (continued)

<i>Ref.</i>	<i>Part Number</i>	<i>Qty.</i>	<i>Description</i>	<i>Ref.</i>	<i>Part Number</i>	<i>Qty.</i>	<i>Description</i>
1	125-9619-03	2	Hinge-Door, LH	11:2	121-8628	1	Cylinder-Mounting, Key
2	136-2015	1	LH Door ASM	11:3	121-8322	1	Grommet-Mounting, Large
2:2	136-1983	1	Trim-Seal, Door LH	11:4	121-8327	1	Washer
3	136-1897-03	1	LH Door Frame ASM	11:5	121-8328	1	Nut
4	121-8331	1	Gasket-Handle	11:6	121-8627	1	Cylinder-Mounting, End
5	104-8300	9	Nut-HF, NI	11:7	121-8323	1	Grommet-Mounting, Small
6	125-9982	16	Bushing-Flange	11:8	125-9531	1	Key-Set
7	125-9676	4	Washer-Backup	12	33103-025	1	Screw-HHF
8	125-9520	8	Screw-Shoulder, HSH	13	121-8395	1	Plate-Support, Latch
9	98-3104	1	Stud-Ball	14	3234-21	2	Screw-HHF
10	121-8391	1	Latch-LH	15	104-7201	2	Nut-HF, NI
11	121-8630	1	Handle ASM	16	3290-378	1	Tie-Cable

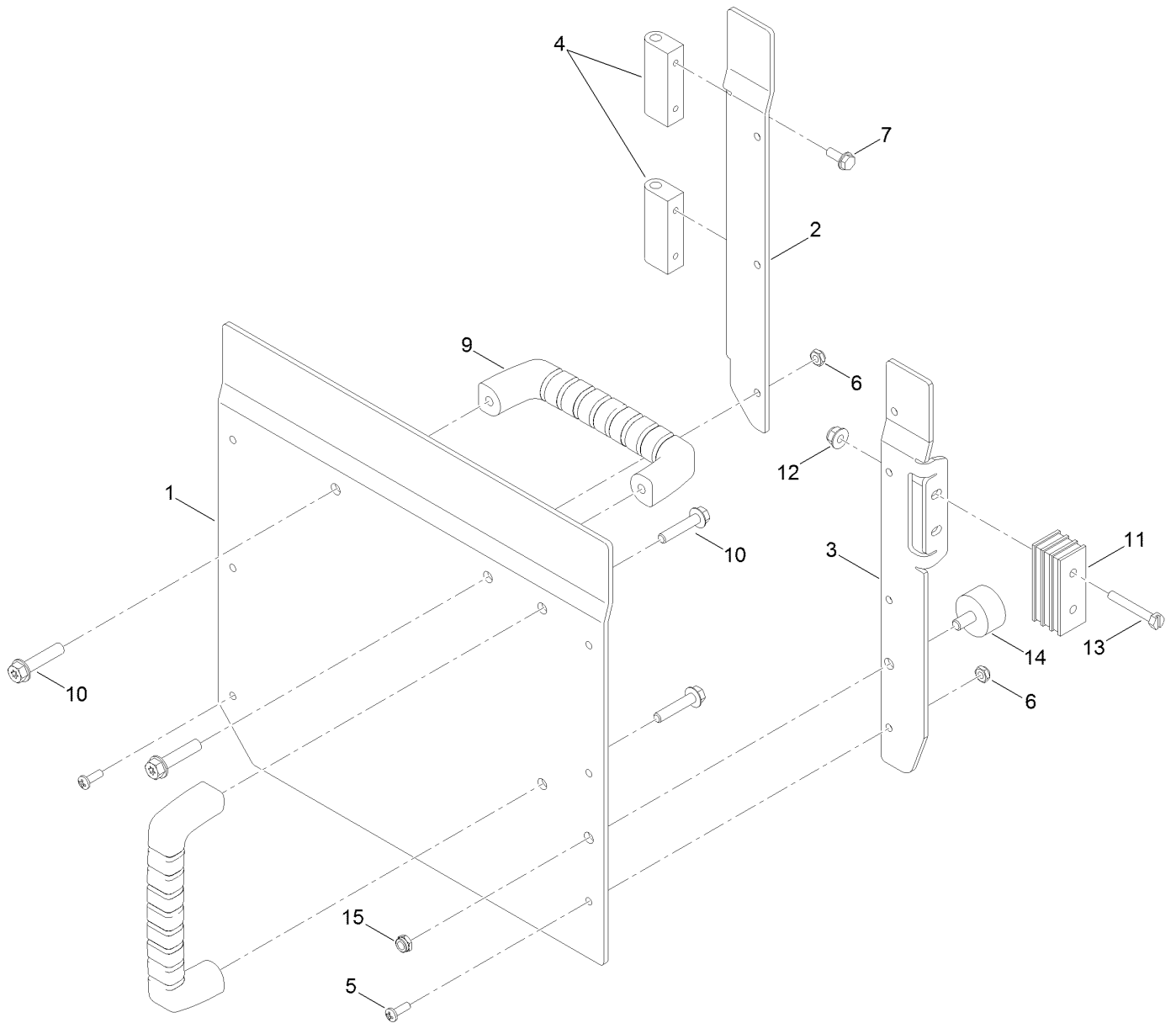
RH Door Assembly



RH Door Assembly (continued)

<i>Ref.</i>	<i>Part Number</i>	<i>Qty.</i>	<i>Description</i>	<i>Ref.</i>	<i>Part Number</i>	<i>Qty.</i>	<i>Description</i>
1	125-9618-03	2	Hinge-Door, RH	13:2	121-8628	1	Cylinder-Mounting, Key
2	130-5691	1	RH Door ASM	13:3	121-8322	1	Grommet-Mounting, Large
2:2	125-7385	1	Trim-Seal, Door RH	13:4	121-8327	1	Washer
3	125-7389-03	1	Frame-Door, RH	13:5	121-8328	1	Nut
4	121-8331	1	Gasket-Handle	13:6	121-8627	1	Cylinder-Mounting, End
5	104-8300	10	Nut-HF, NI	13:7	121-8323	1	Grommet-Mounting, Small
6	125-9982	18	Bushing-Flange	13:8	125-9531	1	Key-Set
7	125-9676	5	Washer-Backup	14	33103-025	1	Screw-HHF
9	125-9520	9	Screw-Shoulder, HSH	15	3234-21	2	Screw-HHF
11	98-3104	1	Stud-Ball	16	104-7201	2	Nut-HF, NI
12	121-8390	1	Latch-RH	17	121-8395	1	Plate-Support, Latch
13	121-8630	1	Handle ASM				

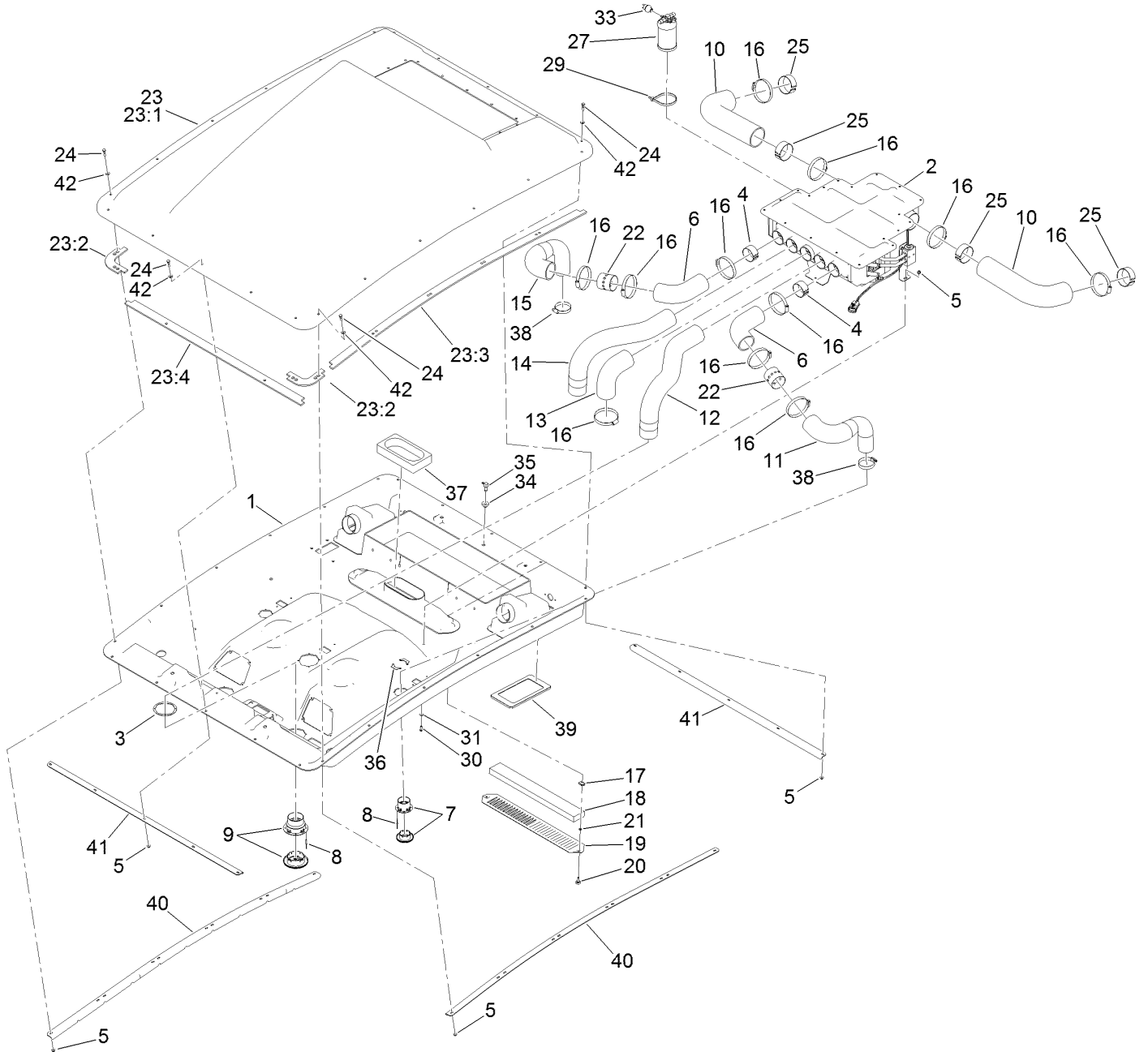
Half Door Assembly



Half Door Assembly (continued)

<i>Ref.</i>	<i>Part Number</i>	<i>Qty.</i>	<i>Description</i>	<i>Ref.</i>	<i>Part Number</i>	<i>Qty.</i>	<i>Description</i>
1	136-1967-03	1	Door-Lower	9	65-5100	2	Handle-Door
2	136-2019-03	1	Bracket-Door, LH	10	137-3101	4	Screw-Plastic, HWH
3	136-1965-03	1	Bracket-Door, RH	11	69-6260	1	Magnet
4	136-1964	2	Block-Hinge	12	120-4578	2	Nut-HF
5	32144-87	6	Screw-HWHTF	13	32105-1	2	Screw-SHH
6	3296-54	6	Nut-Lock	14	240-14	1	Bumper-Rubber
7	32144-1	4	Screw-Taptite	15	3296-56	1	Nut-Lock, NI

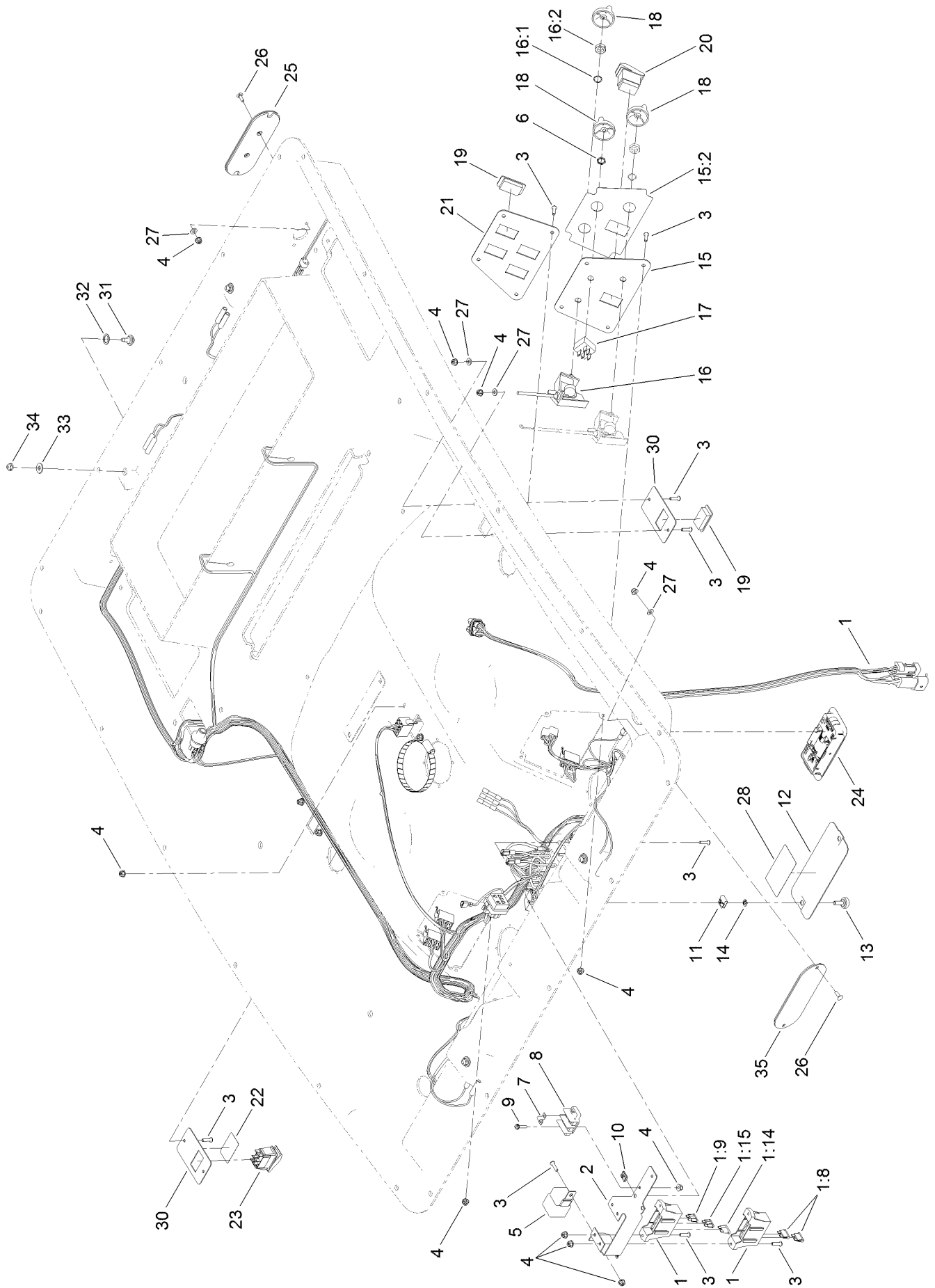
Roof and Headliner Assembly



Roof and Headliner Assembly (continued)

<i>Ref.</i>	<i>Part Number</i>	<i>Qty.</i>	<i>Description</i>	<i>Ref.</i>	<i>Part Number</i>	<i>Qty.</i>	<i>Description</i>
1	121-8470	1	Headliner	22	130-5927	2	Adapter-Bleed
2	121-8495	1	Box-Mixing, Heater A/C	23	132-3601	1	Roof ASM
3	130-0558	3	Backplate-Rivet	23:1	132-3602	1	Roof
4	130-5938	2	Tube-Support	23:2	130-5961	4	Seal-Corner
5	104-7201	24	Nut-HF, NI	23:3	130-5960	2	Seal-Side
6	130-5860	2	Hose-Vent	23:4	130-5962	2	Seal-Front, Rear
7	130-0455	2	Louver-Round, Snap-In	24	136-8674	22	Bolt-Pivot, Eccentric
8	125-7503	20	Rivet-Pop	25	130-5939	4	Tube-Support
9	130-0465	3	Louver-Round, Snap-In (4 Inch)	27	130-5999	1	Drier-Receiver
10	121-8473	2	Hose-Intake, Fresh Air	29	3334-945	2	Tie-Cable
11	130-5861	1	Hose-Vent, Outer (LH)	30	3274-69	2	Screw-HSBH
12	121-8477	1	Hose-Vent, Defrost (LH)	31	3256-1	2	Washer-Flat
13	130-0437	1	Hose-Vent, Center	33	119-4501	1	Switch-Function, Dual
14	121-8478	1	Hose-Vent, Defrost (RH)	34	46-6560	1	Bushing
15	130-5862	1	Hose-Vent, Outer (RH)	35	104-5228	1	Fitting-Elbow, 90 DEG
16	2412-110	11	Clamp-Band/Screw	36	130-0445	4	Backplate-Rivet
17	107069	2	Clip	37	130-0444	1	Foam-Inlet, Airbox
18	125-9532	1	Filter-Cab, Inside	38	2412-130	2	Clamp-Hose
19	125-9604-03	1	Plate-Cover, Recirculation	39	132-3474	2	Insert-Seal, Filter
20	125-7438	2	Knob-Screw, Thumb	40	132-1461-03	2	Strap-Cab, Side
21	32115-15	2	Nut-Push	41	132-1462-03	2	Strap-Cab
				42	3256-74	22	Washer-Flat

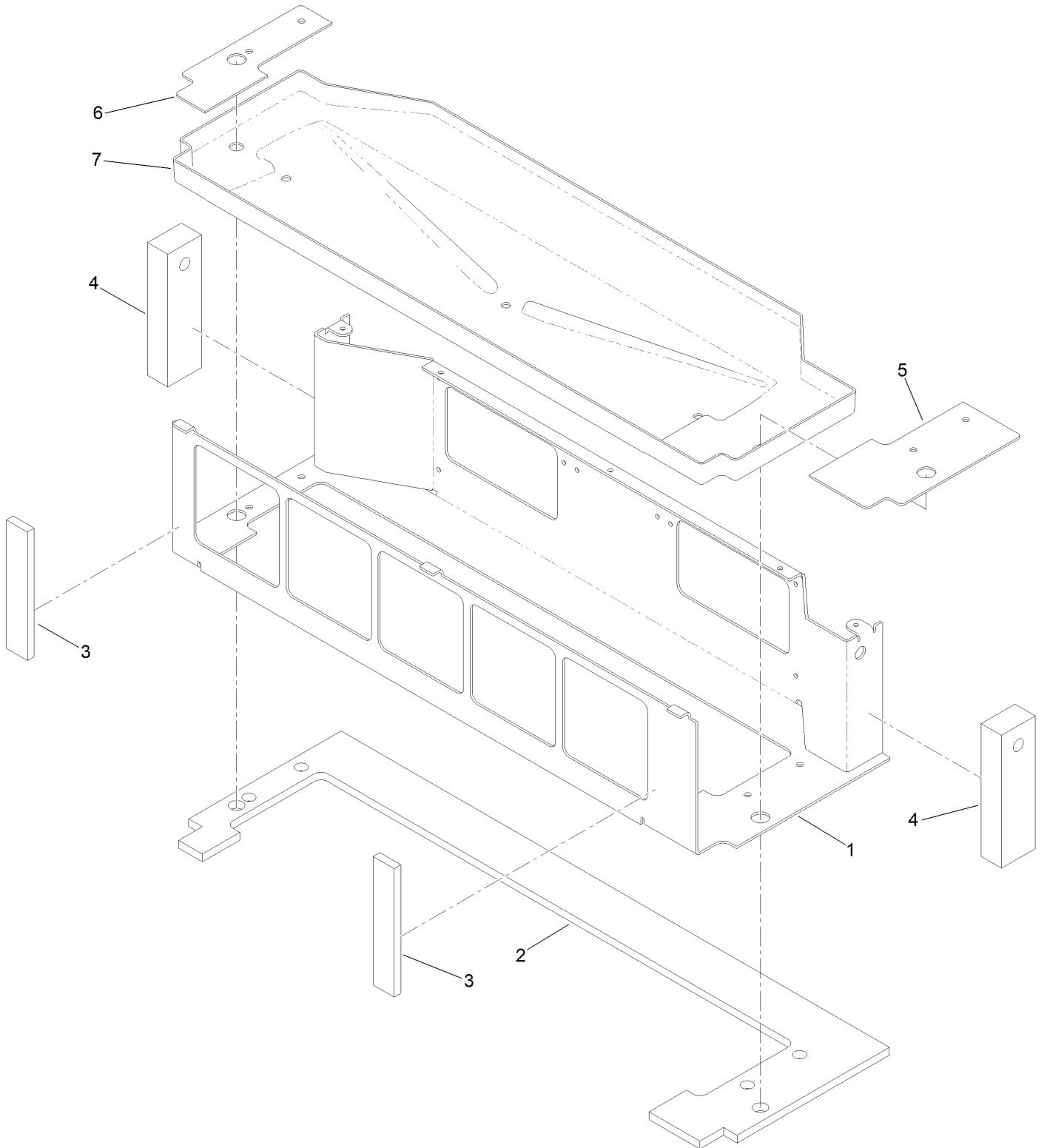
Headliner Wire Harness and Control Assembly



Headliner Wire Harness and Control Assembly (continued)

<i>Ref.</i>	<i>Part Number</i>	<i>Qty.</i>	<i>Description</i>	<i>Ref.</i>	<i>Part Number</i>	<i>Qty.</i>	<i>Description</i>
1	122-0723	1	Harness-Wire, Headliner	16:1	3254-20	1	Washer-Lock, Int
1:8	109355	2	Fuse-Blade, 15 Amp	16:2	3220-4	1	Nut-Jam
1:9	109103	1	Fuse-Blade, 30 Amp	17	122-0150	1	Switch, Rotary
1:14	109101	1	Fuse-Blade, 20 Amp	18	125-9510	3	Knob-Control
1:15	109102	1	Fuse-Blade, 25 Amp	19	99-7420	6	Plug-Hole
2	125-9606-03	1	Bracket-Fuse Block	20	95-8999	1	Switch-Rocker, On-None-On
3	104-2408	22	Screw-HSBH	21	125-9691-03	1	Panel-Switch, Lights
4	120-4578	29	Nut-HF	22	125-9688	1	Decal-Washer
5	99-7430	1	Relay-Mini	23	119-8355	1	Switch-Rocker
6	130-0588	1	Nut-Switch	24	125-7437	1	Light-Dome
7	42863	1	Strip-Jumper	25	130-5867	2	Cover-Light, Rear
8	42862	1	Block-Terminal, Ground	26	3229-34	8	Screw-CARR
9	32105-13	3	Screw-HWH	27	3256-14	14	Washer-Flat
10	107-1013	4	Nut-Speed	28	132-3600	1	Decal-Panel, Fuse
11	609900	2	Nut-Speed	30	130-0436	3	Panel-Switch
12	125-9603-03	1	Plate-Cover, Fuse	31	92-9698	4	Screw-Shoulder
13	125-7438	2	Knob-Screw, Thumb	32	94-8196	4	Washer-Nylon
14	32115-15	2	Nut-Push	33	3256-2	4	Washer-Flat
15	121-8481	1	Panel-Air/Heat	34	104-7201	4	Nut-HF, NI
15:2	121-8378	1	Decal, Air/Heat	35	130-5868	2	Cover-Light, Front
16	125-9677	1	Control-Rotary, Linear				

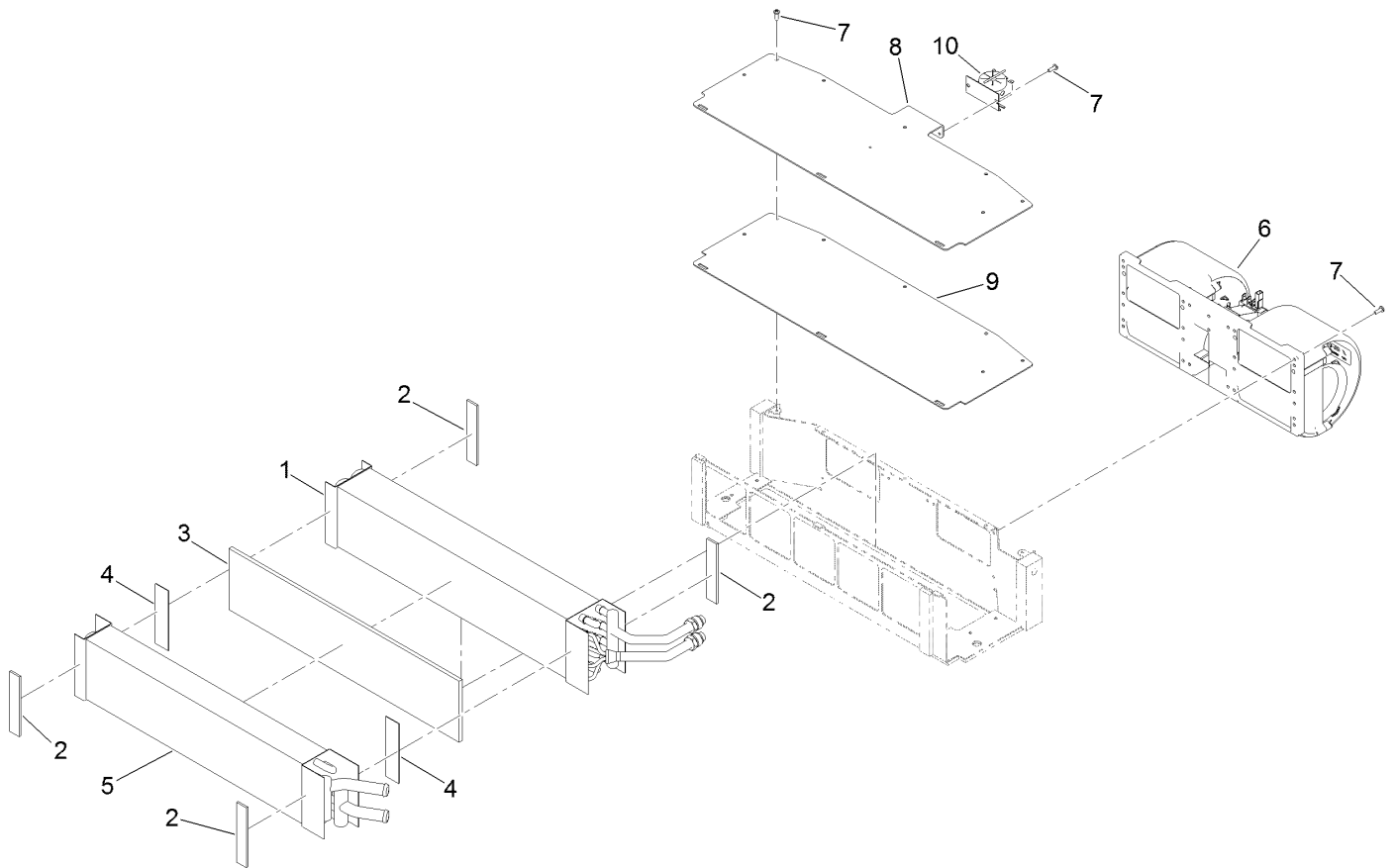
Mixing Box Mounting Bracket and Water Tray Assembly



Mixing Box Mounting Bracket and Water Tray Assembly (continued)

<i>Ref.</i>	<i>Part Number</i>	<i>Qty.</i>	<i>Description</i>	<i>Ref.</i>	<i>Part Number</i>	<i>Qty.</i>	<i>Description</i>
1	130-5655-03	1	Bracket-Mount	5	130-5653	1	Gasket-Mount, LH Bracket
2	130-5659	1	Seal-Foam	6	130-5654	1	Gasket-Mount, RH Bracket
3	130-5808	2	Seal-Foam, Front	7	130-5660	1	Tray-Water
4	130-0602	2	Seal-End				

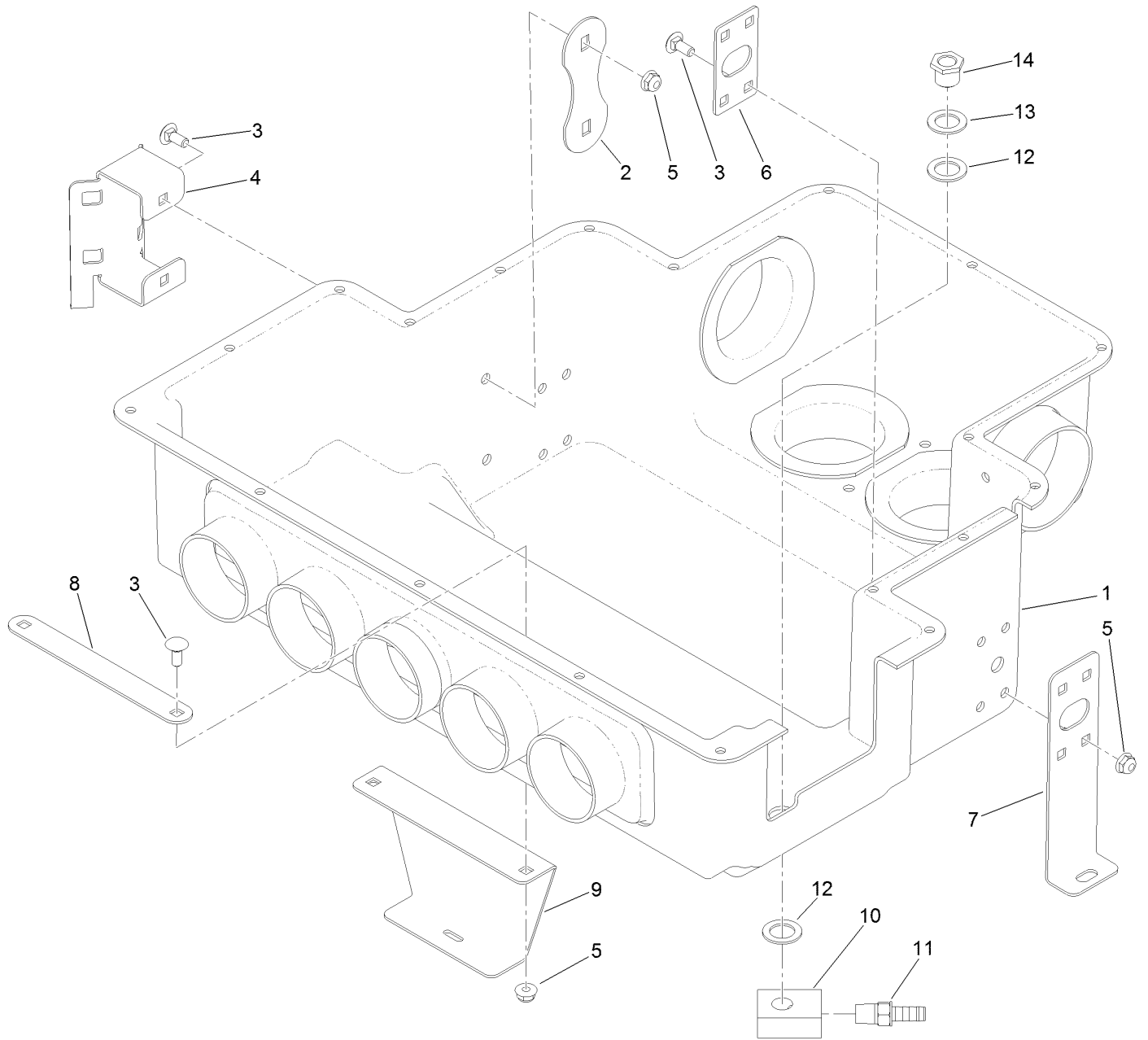
Blower Fan and Evaporator Core Assembly



Blower Fan and Evaporator Core Assembly (continued)

<i>Ref.</i>	<i>Part Number</i>	<i>Qty.</i>	<i>Description</i>	<i>Ref.</i>	<i>Part Number</i>	<i>Qty.</i>	<i>Description</i>
1	130-5392	1	Core-Evaporator	7	363-8245	13	Screw-TAP
2	130-5658	4	Gasket-Coil	8	130-5656-03	1	Cover, Bracket-Mount
3	130-5807	1	Foam	9	130-5652	1	Gasket-Mount, Cover Bracket
4	130-5806	2	Tape, Double-Sided	10	121-8385	1	Thermostat-Switch, Freeze
5	127-9915	1	Core-Heater				
6	121-8451	1	Fan-Blower				

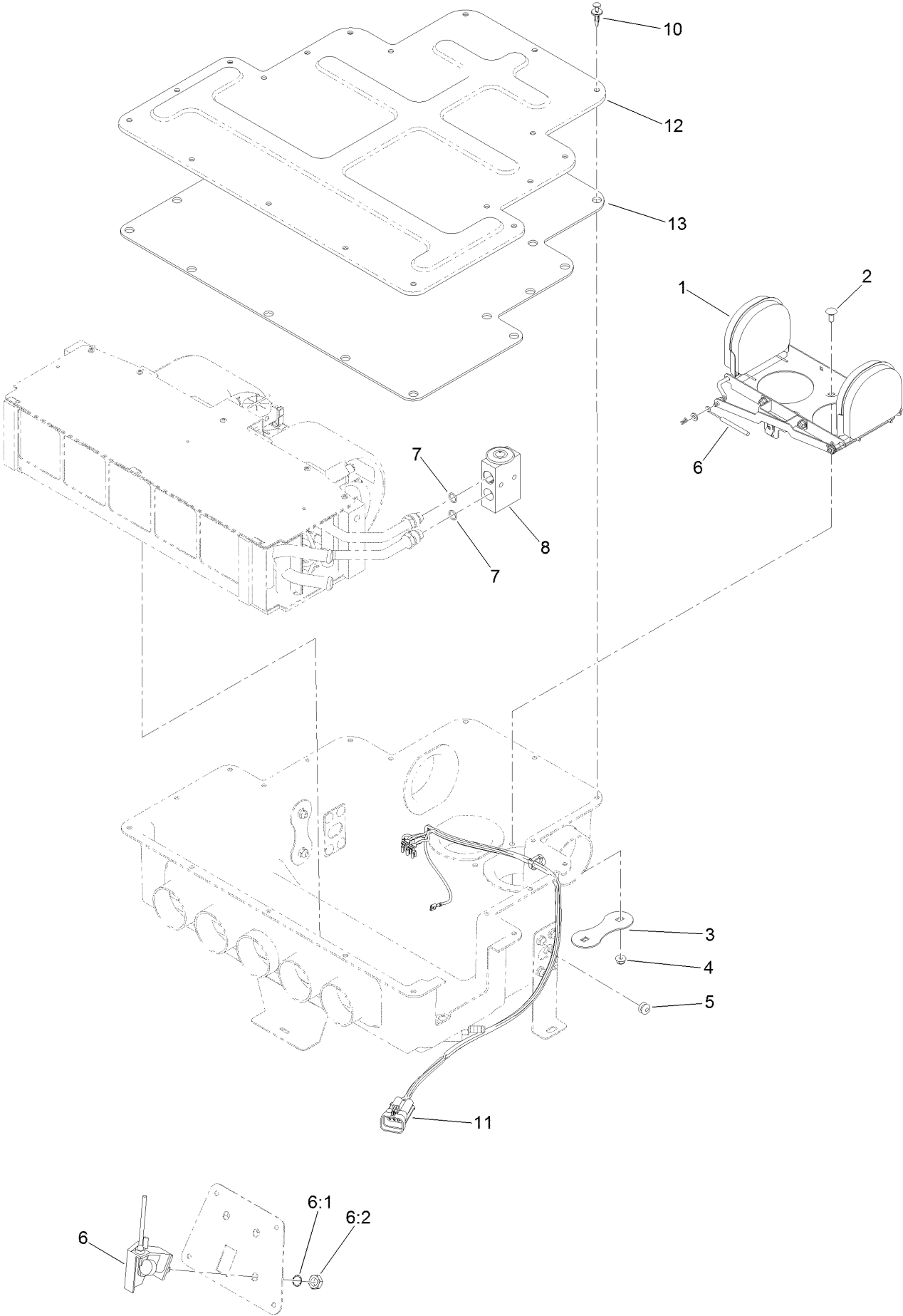
Heat/Air Conditioner Housing Assembly



Heat/Air Conditioner Housing Assembly (continued)

<i>Ref.</i>	<i>Part Number</i>	<i>Qty.</i>	<i>Description</i>	<i>Ref.</i>	<i>Part Number</i>	<i>Qty.</i>	<i>Description</i>
1	130-5830	1	Housing-Heat/AC	8	125-7504	1	Plate-Backer, Center
2	121-8491	1	Plate-Support	9	130-0554	1	Bracket-Airbox, Center
3	3229-11	12	Screw-CARR	10	130-5601	2	Drain-Lower
4	121-8490	1	Bracket-Mount, Drier	11	108-0342	2	Fitting-Straight
5	104-7201	12	Nut-HF, NI	12	121-6840	4	Washer-Rubber
6	130-5834	2	Bracket-Support	13	107-3041	2	Washer-Flat
7	130-5821	2	Bracket-Airbox, Side	14	130-0293	2	Drain-Upper

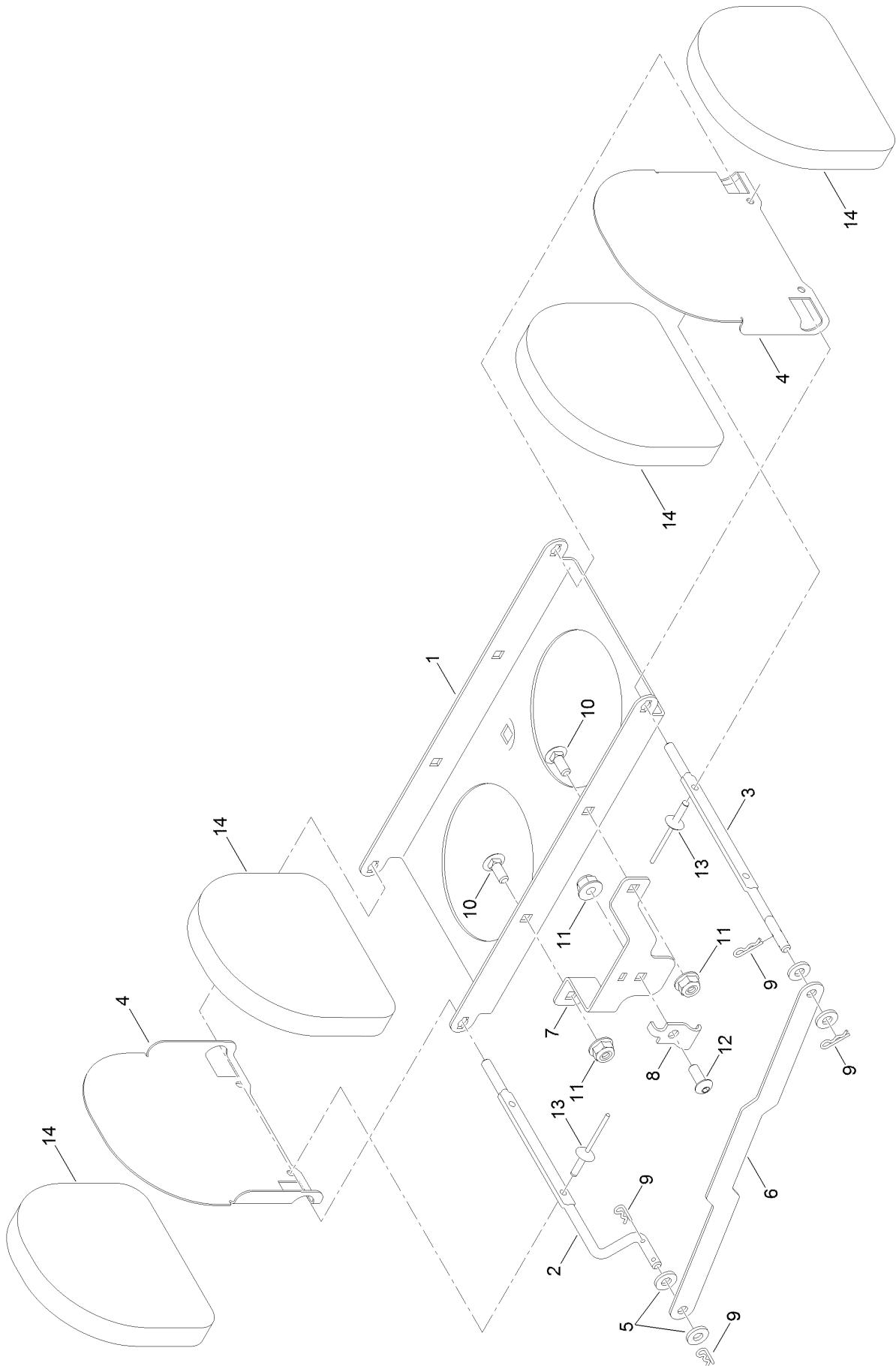
Air Diverter and Expansion Valve Assembly



Air Diverter and Expansion Valve Assembly (continued)

<i>Ref.</i>	<i>Part Number</i>	<i>Qty.</i>	<i>Description</i>	<i>Ref.</i>	<i>Part Number</i>	<i>Qty.</i>	<i>Description</i>
1	121-8369	1	Air Diverter ASM	7	125-9524	2	O-Ring
2	3229-11	2	Screw-CARR	8	121-8384	1	Valve-Expansion
3	121-8491	1	Plate-Support	10	125-9622	19	Rivet-Blind
4	104-7201	2	Nut-HF, NI	11	122-0153	1	Harness-Wire, Heat/AC Blower
5	125-7528	1	Grommet-Cable	12	121-8449	1	Housing-Ventilation, Upper
6	125-9678	1	Control-Rotary, Linear	13	130-5614	1	Insulation-Cover
6:1	3254-20	1	Washer-Lock, Int				
6:2	3220-4	1	Nut-Jam				

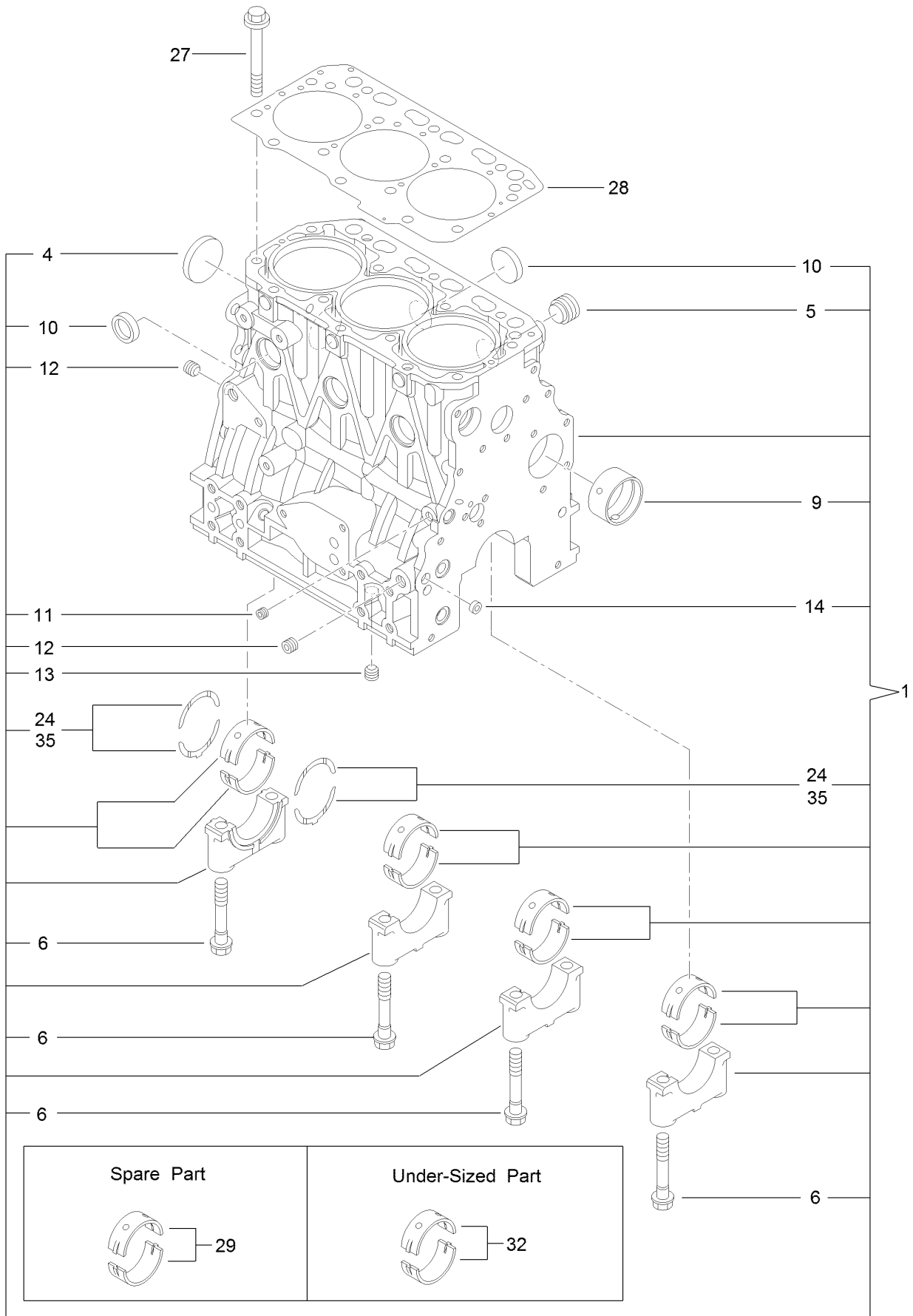
Air Diverter Assembly No. 121-8369



Air Diverter Assembly No. 121-8369 (continued)

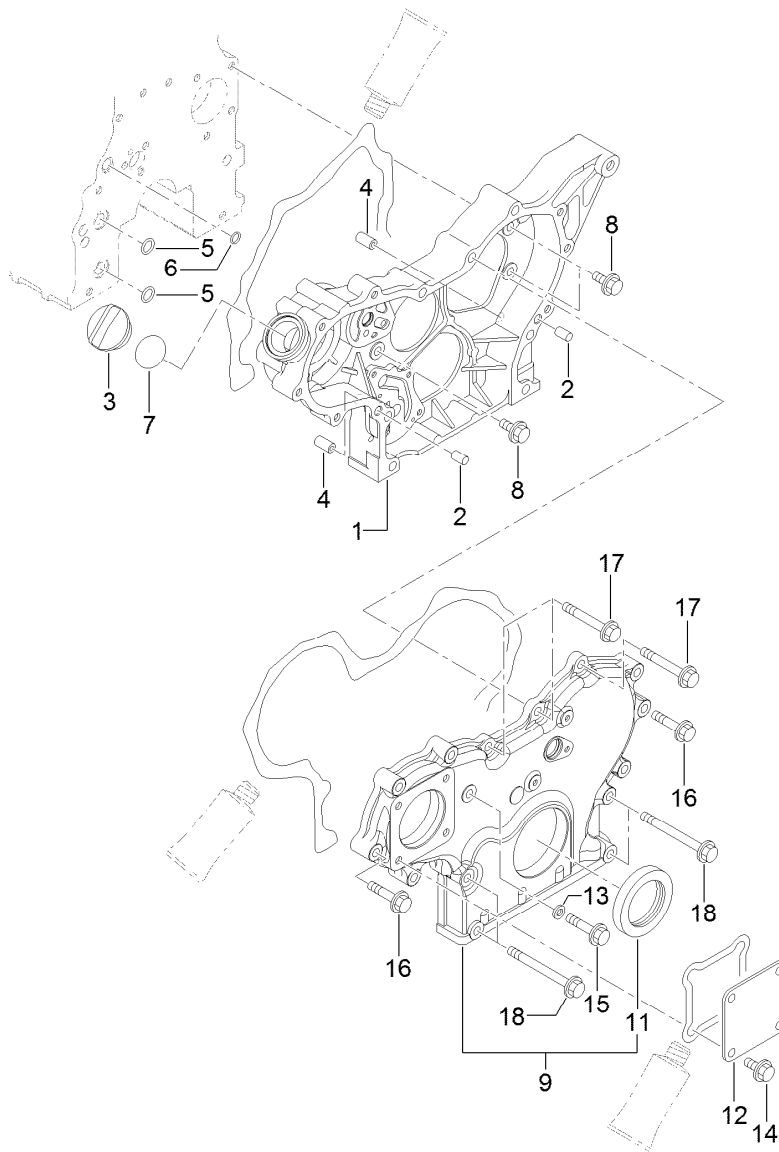
<i>Ref.</i>	<i>Part Number</i>	<i>Qty.</i>	<i>Description</i>	<i>Ref.</i>	<i>Part Number</i>	<i>Qty.</i>	<i>Description</i>
1	125-9697	1	Base-Mount	8	121-8256	1	Clamp-Conduit
2	121-8381	1	Shaft-Baffle, RH	9	108-2992	4	Pin-Hair
3	121-8382	1	Shaft-Baffle, LH	10	1-807513	2	Bolt-CARR
4	125-9698	2	Baffle-Air	11	120-4578	3	Nut-HF
5	3256-51	4	Washer-Flat	12	115-9830	1	Screw-HSBH
6	125-9696	1	Link-Baffle	13	3290-271	4	Rivet-Pop
7	121-8374	1	Mount-Cable	14	125-9699	4	Damper-Foam

Cylinder Block Assembly



Cylinder Block Assembly (continued)

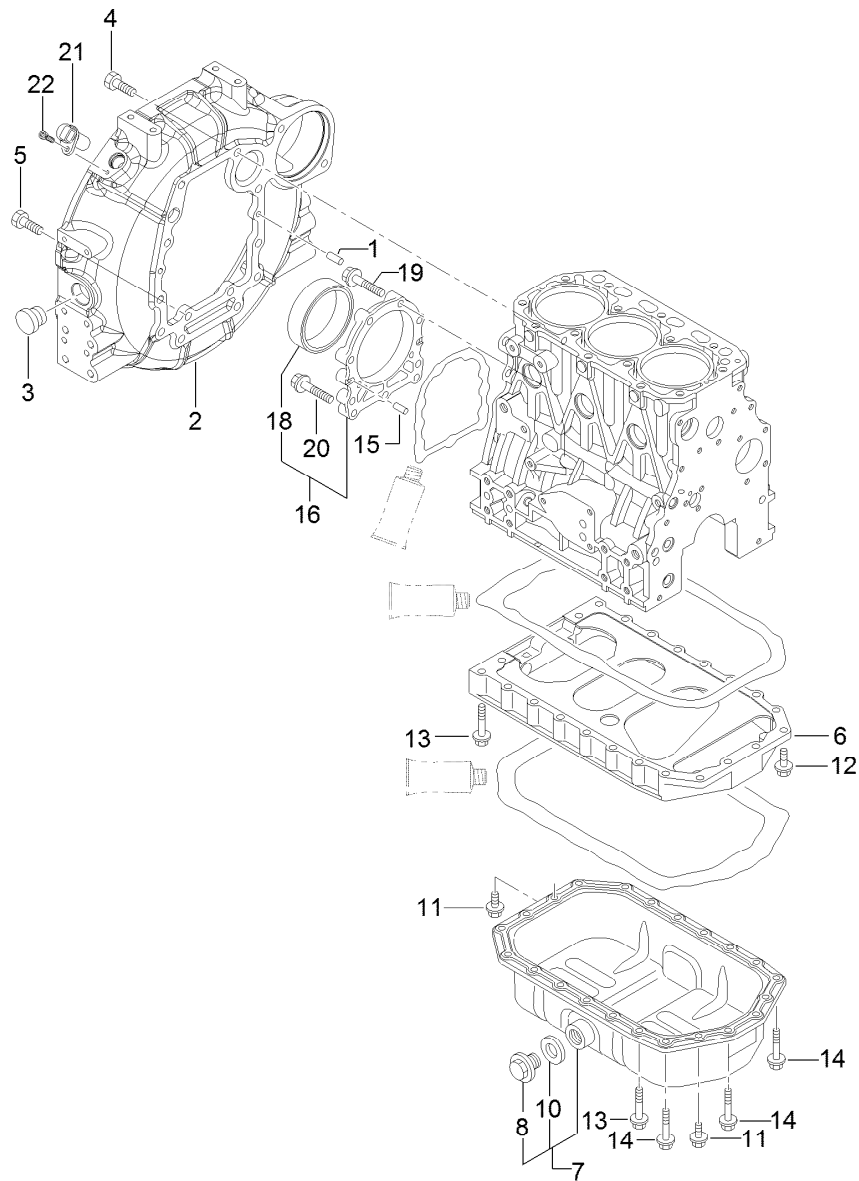
<i>Ref.</i>	<i>Part Number</i>	<i>Qty.</i>	<i>Description</i>	<i>Ref.</i>	<i>Part Number</i>	<i>Qty.</i>	<i>Description</i>
1	127-4717	1	Cylinder Block ASM	13	125-6973	1	Plug
4	125-6980	1	Plug	14	125-7237	1	Plug
5	125-7170	1	Plug	24	125-7010	2	Metal-Thrust
6	125-7007	8	Bolt	27	125-7006	14	Bolt
9	125-7108	1	Bushing	28	127-4716	1	Head Gasket ASM
10	125-7239	6	Plug	29	125-6981	4	Metal-Main
11	125-6969	1	Plug	32	125-7009	4	Metal-Main (0.25)
12	125-6973	2	Plug	35	125-7011	1	Metal-Thrust (0.25)



Gear Housing Assembly

<i>Ref.</i>	<i>Part Number</i>	<i>Qty.</i>	<i>Description</i>
1	127-3023	1	Case-Gear
2	125-6995	2	Pin
3	125-6972	1	Cover-Filler
4	125-7107	2	Pipe
5	125-6909	2	O-Ring
6	127-2973	1	O-Ring
7	125-7197	1	O-Ring
8	125-7214	3	Bolt
9	127-3024	1	Gearcase Cover ASM

<i>Ref.</i>	<i>Part Number</i>	<i>Qty.</i>	<i>Description</i>
11	125-6944	1	Seal-Oil
12	125-6977	1	Cover
13	125-7174	1	Washer-Seal
14	125-7214	4	Bolt
15	125-7217	1	Bolt
16	125-7218	7	Bolt
17	125-7222	3	Bolt
18	125-7224	4	Bolt

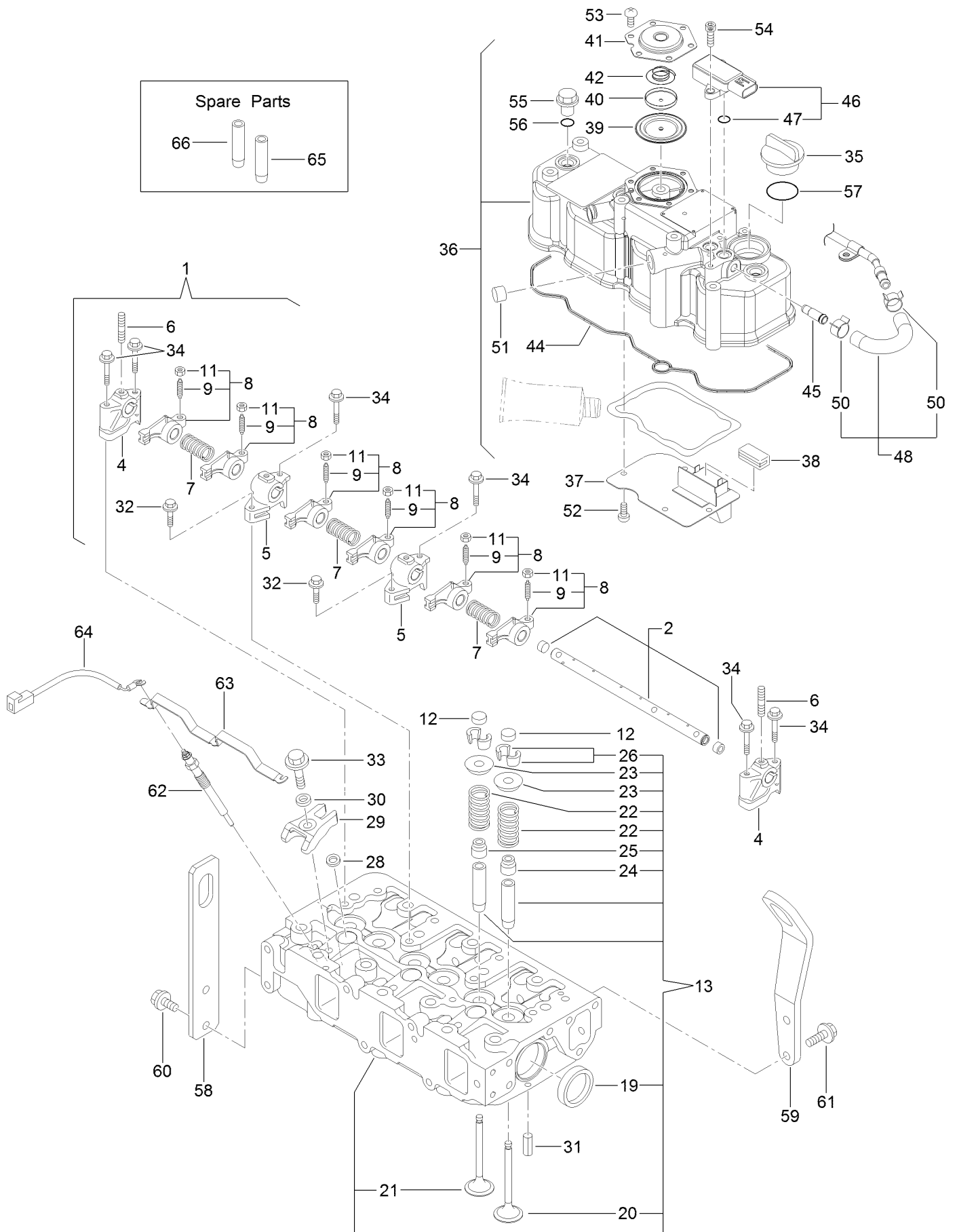


Flywheel Housing and Oil Sump Assembly

<i>Ref.</i>	<i>Part Number</i>	<i>Qty.</i>	<i>Description</i>
1	125-6995	2	Pin
2	127-4758	1	Housing-Flywheel
3	125-6910	1	Cap
4	125-7226	6	Bolt
5	125-7227	4	Bolt
6	127-3756	1	Spacer
7	131-2706	1	Oil Sump ASM
8	125-6912	1	Plug-Drain
10	125-7177	1	Washer-Seal
11	125-7214	4	Bolt

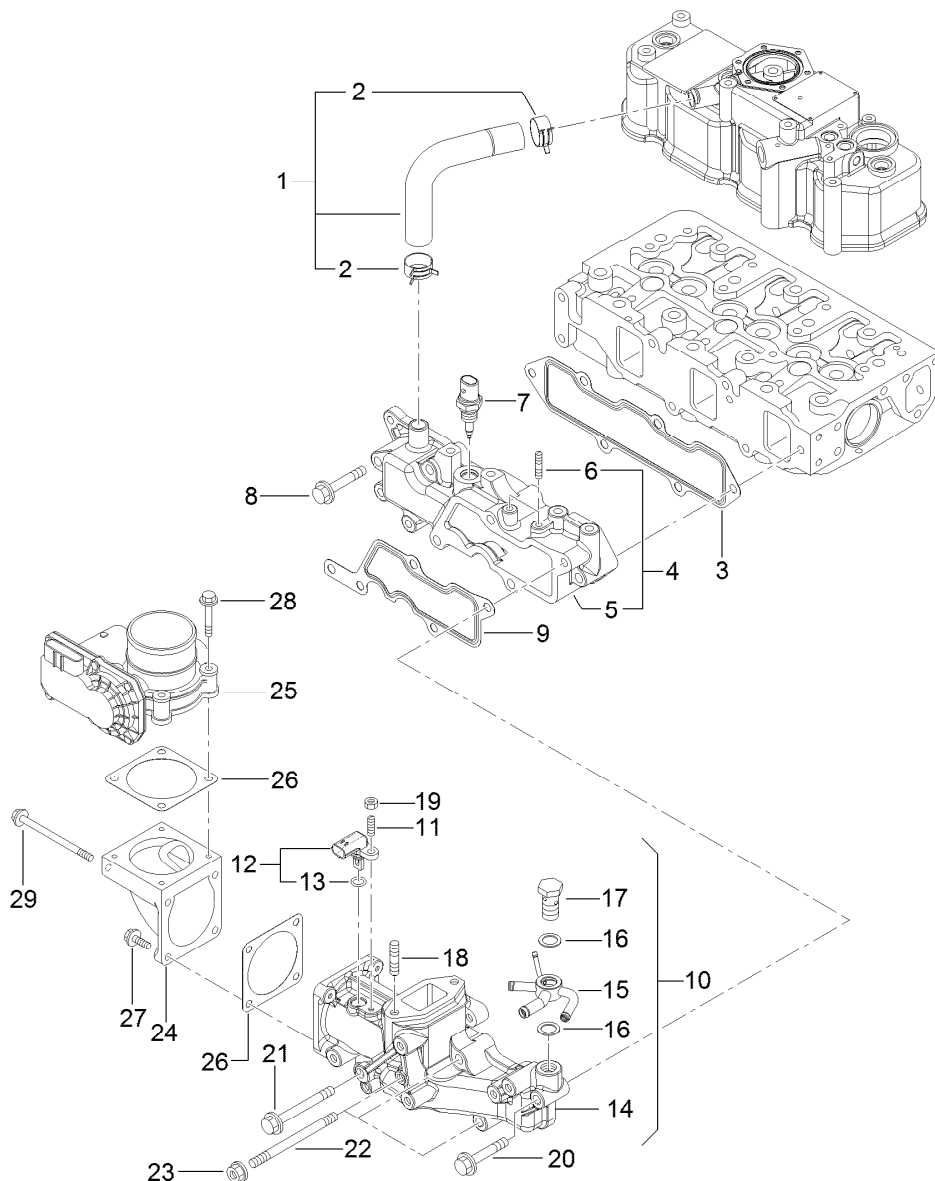
<i>Ref.</i>	<i>Part Number</i>	<i>Qty.</i>	<i>Description</i>
12	125-7215	2	Bolt
13	125-7219	16	Bolt
14	125-7220	4	Bolt
15	125-6995	2	Pin
16	125-6996	1	Case ASM
18	125-7106	1	Seal-Oil
19	125-7045	6	Bolt
20	125-7217	3	Bolt
21	127-3062	1	Sensor-Rev, Flywheel
22	127-3184	1	Bolt

Cylinder Head and Cover Assembly



Cylinder Head and Cover Assembly (continued)

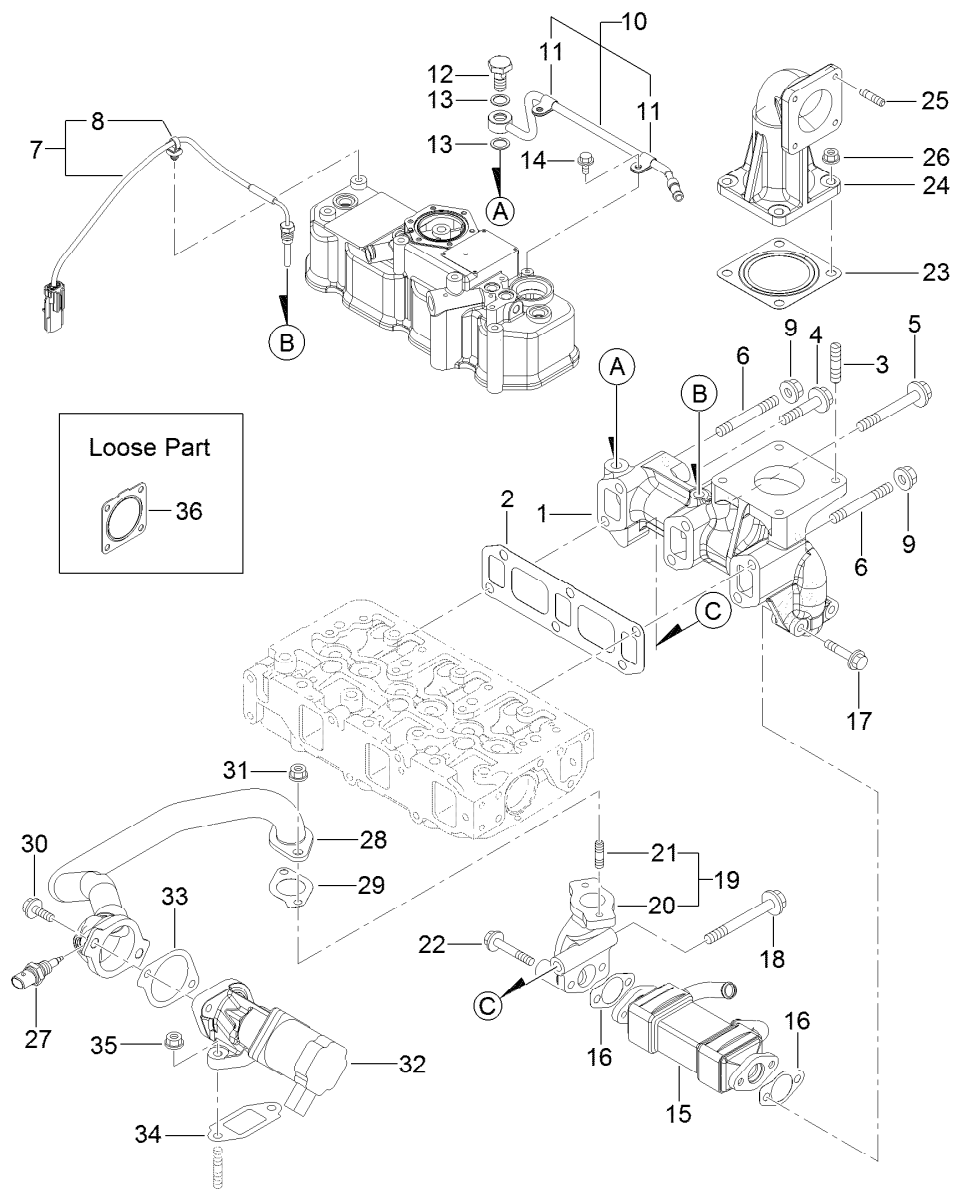
<i>Ref.</i>	<i>Part Number</i>	<i>Qty.</i>	<i>Description</i>	<i>Ref.</i>	<i>Part Number</i>	<i>Qty.</i>	<i>Description</i>
1	127-3757	1	Shaft ASM	37	127-2988	1	Plate
2	127-3758	1	Shaft	38	125-7012	1	Baffle
4	127-2974	2	Support	39	125-6959	1	Diaphragm
5	127-2975	2	Support	40	125-6960	1	Plate
6	127-3759	3	Stud	41	125-6961	1	Plate-Breather
7	127-2995	3	Spring	42	125-6962	1	Spring-Diaphragm
8	127-2989	6	Arm-Rocker	44	127-3856	1	Gasket-Valve Cover
9	125-7013	6	Screw-Adjust, Valve	45	127-3026	1	Joint
11	125-7014	6	Nut	46	127-3029	1	Sensor-Pressure
12	127-2996	6	Cap-Valve	47	127-3032	2	O Ring-Sensor, Pressure
13	127-4720	1	Cylinder Head ASM	48	127-3040	1	Hose ASM
19	125-7240	2	Plug	50	127-3041	2	Clip-Hose
20	127-2990	3	Valve	51	125-6913	1	Plug
21	127-4710	3	Valve	52	125-7186	4	Screw
22	127-3012	6	Spring	53	125-7186	6	Screw
23	127-3013	6	Retainer-Spring	54	127-3184	2	Bolt
24	127-2986	3	Seal-Stem, Valve	55	125-6974	3	Knob
25	127-3027	3	Seal-Stem, Valve	56	93-0418	3	O-Ring
26	127-3186	6	Pin-Cotter	57	125-7197	1	O-Ring
28	127-3021	3	Gasket-Injector	58	131-2707	1	Lifter
29	127-3028	3	Retainer-Injector	59	131-2715	1	Lifter-Engine
30	127-2980	3	Washer-Injector	60	125-7214	2	Bolt
31	125-7184	2	Pin-Spring	61	125-7595	2	Bolt
32	125-7215	2	Bolt	62	127-2991	3	Plug-Glow
33	125-7217	3	Bolt	63	127-3768	1	Connector-Plug, Glow
34	125-7220	6	Bolt	64	131-2704	1	Harness-Wire
35	125-6972	1	Cover-Filler	65	127-2979	3	Guide
36	127-4719	1	Cylinder Head Cover ASM	66	127-2997	3	Guide-Valve



Suction Manifold Assembly

Ref.	Part Number	Qty.	Description
1	127-4704	1	Pipe
2	125-7040	2	Clip-Hose
3	127-3857	1	Gasket-Manifold, Intake
4	127-4722	1	Intake Manifold ASM
5	127-4721	2	Manifold-Intake
6	127-3180	2	Stud
7	127-3031	1	Sensor-Temp, Air
8	125-7220	1	Bolt
9	127-3034	1	Gasket-Collector
10	131-2716	1	Intake Collector ASM
11	127-4701	2	Stud
12	127-3030	2	Sensor-Temp, Air
13	127-3033	3	O-Ring
14	127-4724	2	Collector-Intake
15	131-2729	2	Joint-Hose, 4 Way

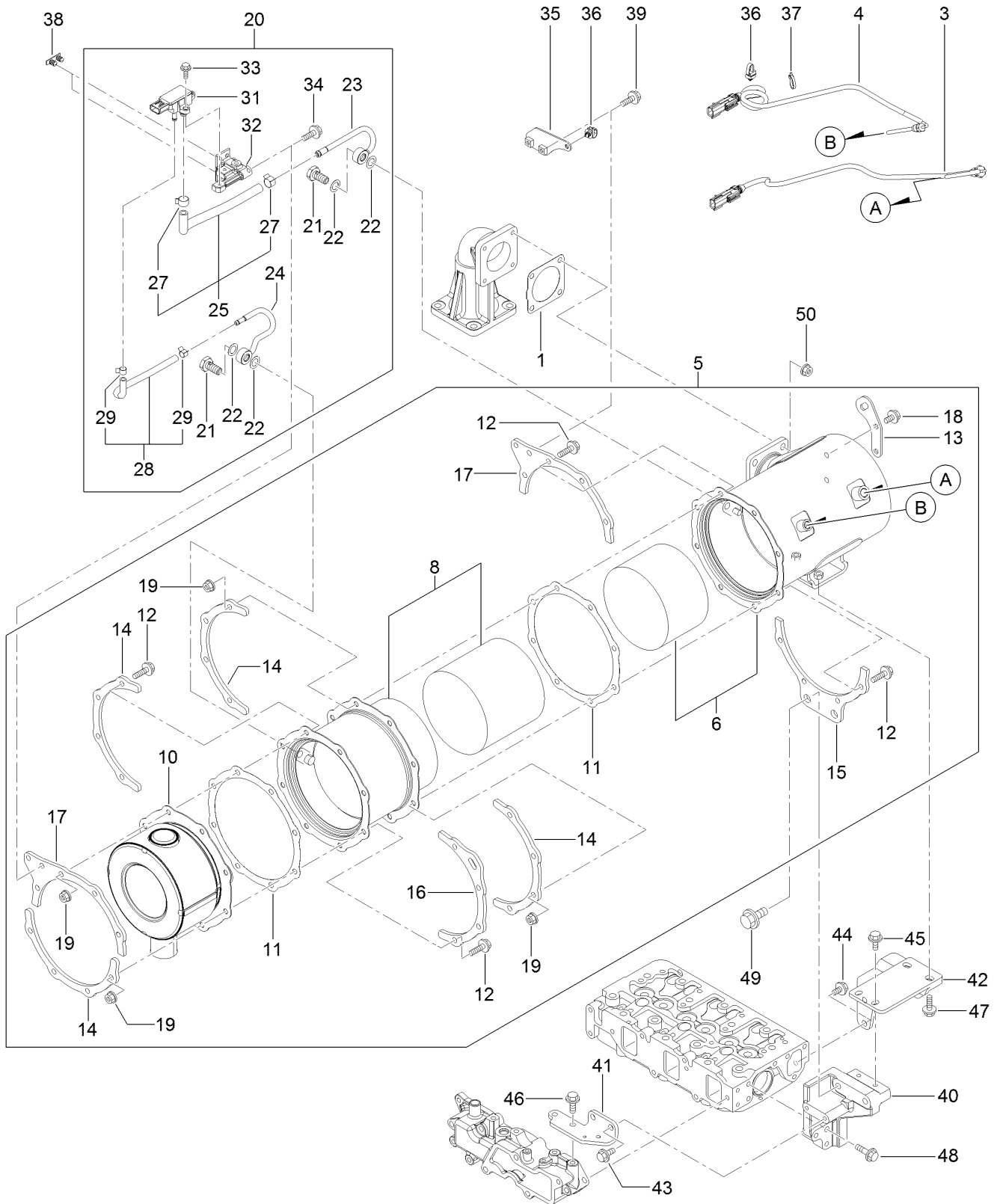
Ref.	Part Number	Qty.	Description
16	127-3166	2	Washer-Seal
17	131-2738	2	Bolt-Joint, 8
18	127-4774	2	Stud
19	127-4775	2	Nut
20	125-7220	1	Bolt
21	127-3178	1	Bolt
22	127-3182	1	Stud
23	125-7229	1	Nut
24	127-3035	1	Bend-Inlet
25	127-3036	1	Body-Throttle
26	127-3037	1	Gasket-Throttle
27	125-7209	1	Bolt
28	125-7211	1	Bolt
29	127-3177	1	Bolt



Exhaust Manifold Assembly

Ref.	Part Number	Qty.	Description	Ref.	Part Number	Qty.	Description
1	127-4726	1	Manifold-Exhaust	19	127-3048	1	E G R Pipe ASM
2	127-3775	1	Gasket-Manifold, Exhaust	20	127-3049	1	Pipe-Out, E G R
3	127-2984	4	Stud	21	125-7043	2	Stud
4	127-3094	1	Bolt	22	125-7220	2	Bolt
5	127-3044	3	Bolt-M10	23	127-2987	1	Gasket-Silencer
6	127-4756	2	Stud	24	131-2717	1	Pipe-Exhaust
7	127-4729	1	Sensor-Temp, Exhaust	25	125-6906	4	Stud
8	127-3087	1	Band-Clip	26	125-7230	4	Nut
9	125-7230	2	Nut	27	127-3047	1	Sensor-Gas Temp, E G R
10	127-3038	1	Exhaust Pipe ASM	28	127-3780	1	E G R Pipe ASM
11	127-3173	2	Clamp	29	127-3016	1	Gasket
12	127-3039	1	Bolt-Joint, Pipe	30	125-7215	2	Bolt
13	127-3174	2	Gasket	31	125-7229	2	Nut
14	125-7206	2	Bolt	32	127-3781	1	Valve-E G R
15	127-3042	1	Cooler-E G R	33	127-3050	1	Gasket-Intake Valve, E G R
16	127-3043	2	Gasket-Cooler, E G R	34	127-3051	1	Gasket-Out Valve, E G R
17	127-2976	2	Bolt	35	125-7229	2	Nut
18	127-3022	1	Bolt-Flange	36	127-3019	1	Gasket

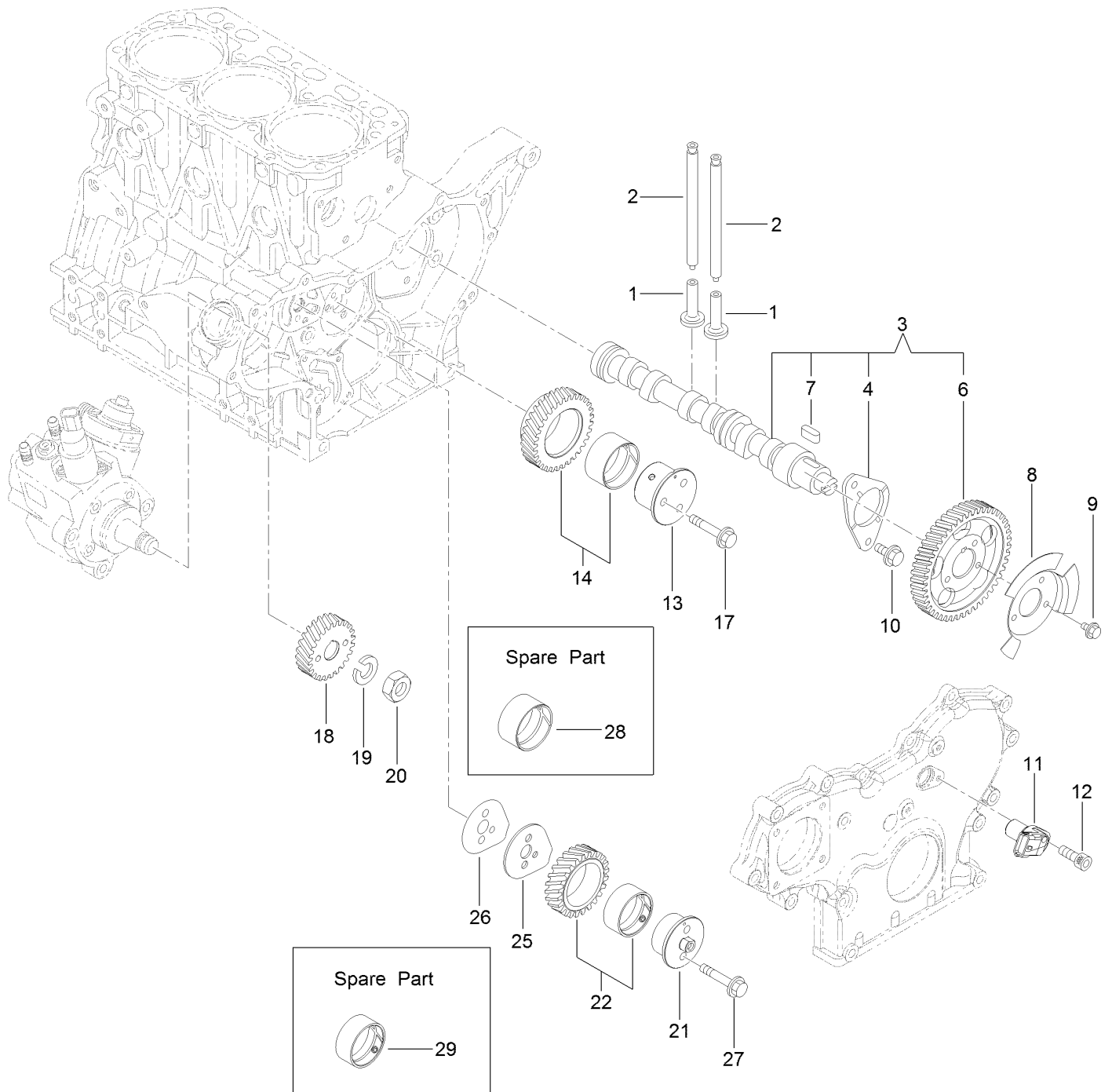
Diesel Particulate Filter Assembly



Diesel Particulate Filter Assembly (continued)

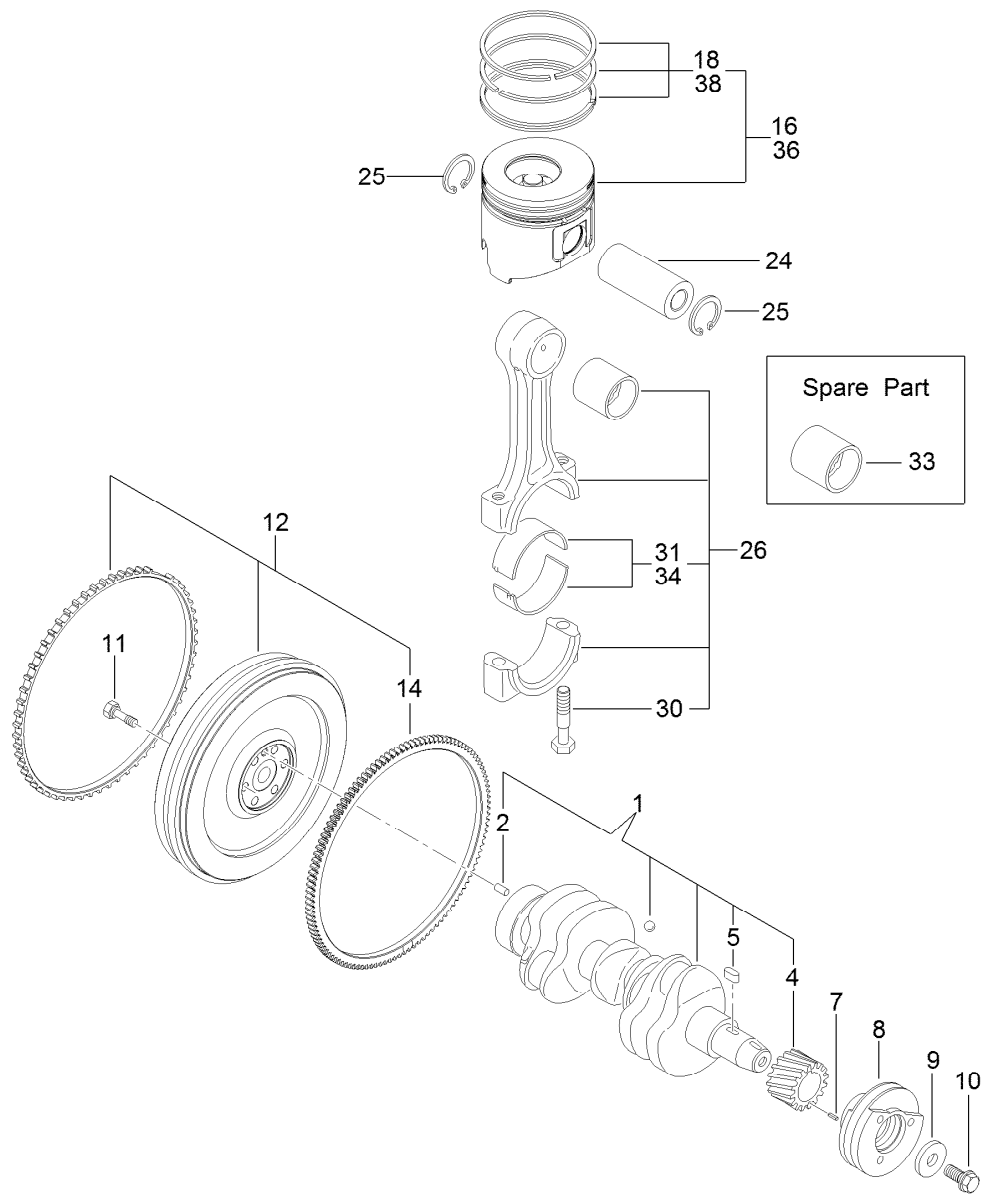
<i>Ref.</i>	<i>Part Number</i>	<i>Qty.</i>	<i>Description</i>	<i>Ref.</i>	<i>Part Number</i>	<i>Qty.</i>	<i>Description</i>
1	127-3019	1	Gasket	28	131-2726	1	Exhaust Press Hose ASM
3	131-2718	1	Sensor-Temp, Exhaust	29	127-3058	2	Clip-Hose
4	131-2719	1	Sensor-Temp, Exhaust	31	127-3060	1	Sensor-Pressure
5	131-2730	1	D P F ASM	32	127-4750	1	Bracket-Sensor
6	131-2720	1	Case-Doc	33	125-7208	2	Bolt
8	127-4734	1	Case-Filter, Soot	34	125-7595	2	Bolt
10	127-3786	1	Silencer-D P F	35	131-2727	1	Bracket-Harness
11	127-3859	2	Gasket-D P F	36	127-3087	2	Band-Clip
12	127-3055	16	Bolt	37	127-3124	1	Band
13	127-3788	1	Lifter-D P F	38	127-3088	2	Clip-Connector
14	127-3789	4	Stiffener-D P F, A	39	125-7595	2	Bolt
15	131-2721	1	Stiffener-D P F, B	40	131-2723	1	Stay-D P F, A
16	127-3792	1	Stiffener-D P F, C	41	131-2724	1	Support-Stay, D P F
17	127-4736	2	Stiffener-D P F, C	42	131-2725	1	Stay-D P F, B
18	125-7213	2	Bolt	43	125-7214	2	Bolt
19	125-7229	16	Nut	44	125-7214	2	Bolt
20	131-2722	1	Pressure Sensor Unit	45	125-7214	2	Bolt
21	127-3039	2	Bolt-Joint, Pipe	46	125-7595	2	Bolt
22	127-3056	4	Gasket-Sensor	47	125-7215	2	Bolt
23	127-4744	1	Sensor Pipe ASM	48	125-7216	3	Bolt
24	127-4745	1	Sensor Pipe ASM	49	131-2741	2	Bolt-Plated, M12X 20
25	127-3114	1	Exhaust Hose ASM	50	125-7229	4	Nut
27	127-3057	2	Clip-Hose				

Camshaft and Driving Gear Assembly



Camshaft and Driving Gear Assembly (continued)

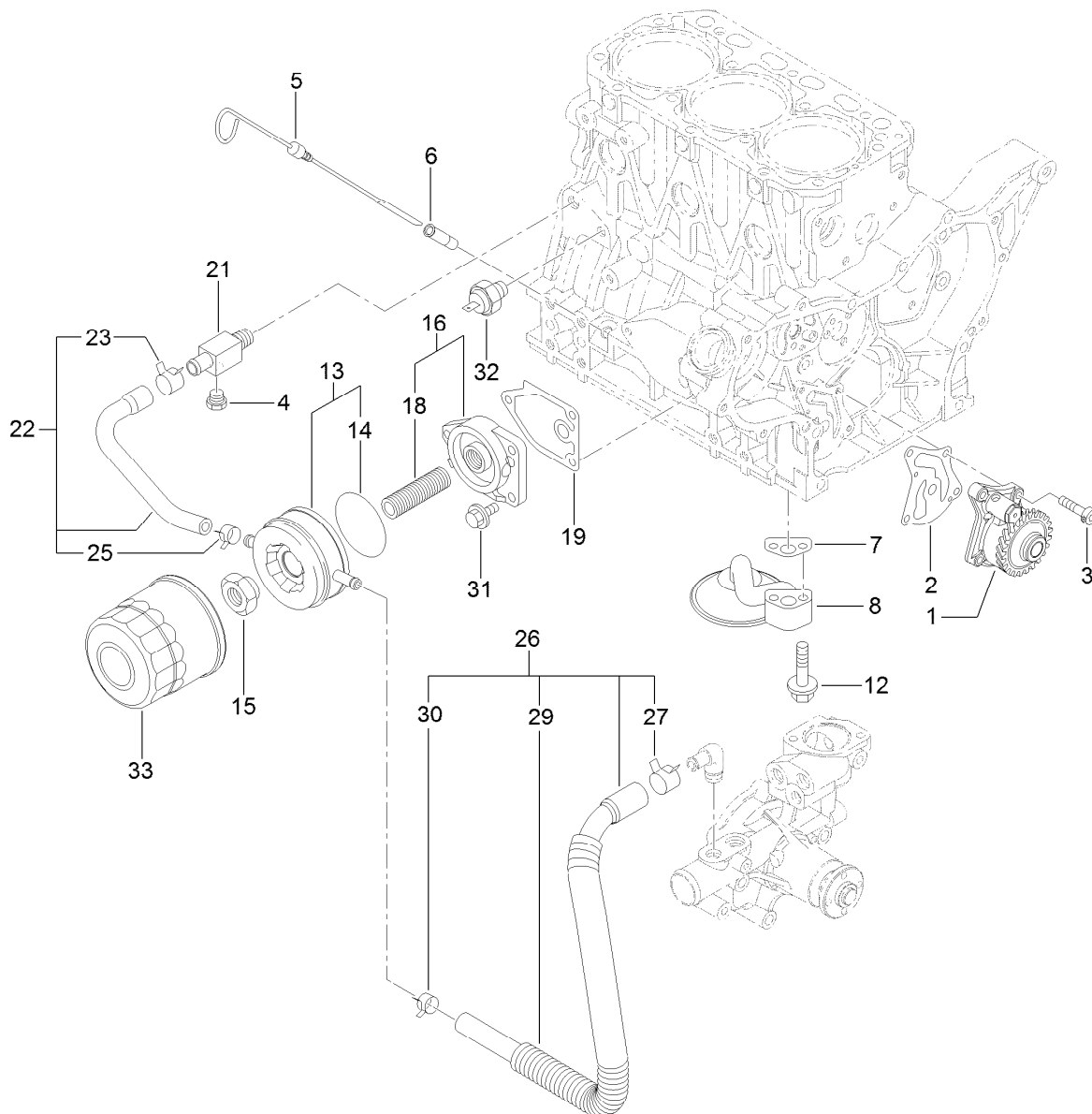
<i>Ref.</i>	<i>Part Number</i>	<i>Qty.</i>	<i>Description</i>	<i>Ref.</i>	<i>Part Number</i>	<i>Qty.</i>	<i>Description</i>
1	125-7016	6	Tappet	14	127-3066	1	Idle Gear A ASM
2	125-7017	6	Rod-Push	17	125-7219	3	Bolt
3	127-3797	1	Camshaft ASM	18	127-3070	1	Gear-Pump, Supply
4	125-7008	1	Metal-Thrust	19	127-3167	1	Washer-Spring
6	127-3052	1	Gear-Camshaft	20	127-3185	1	Nut-Lock
7	125-7185	1	Key	21	127-3064	1	Shaft-Idle, Gear B
8	127-3053	1	Pulser-Camshaft	22	127-3067	1	Idle Gear B ASM
9	125-7205	3	Bolt	25	127-3068	1	Plate-Idle, Shaft
10	125-7213	2	Bolt	26	127-3069	1	Gasket-Idle, Shaft B
11	127-3054	1	Sensor-Rev, Gear	27	125-7218	2	Bolt
12	127-3184	1	Bolt	28	125-6927	1	Bushing
13	127-3063	1	Shaft-Idle, Gear A	29	127-3065	1	Bushing



Crankshaft and Piston Assembly

Ref.	Part Number	Qty.	Description
1	127-3800	1	Crankshaft ASM
2	125-6995	1	Pin
4	125-6937	1	Gear
5	125-7185	1	Key
7	125-7182	1	Pin-Spring
8	127-3801	1	Pulley-V
9	125-7109	1	Washer
10	125-6956	1	Bolt
11	125-6951	6	Bolt
12	127-4761	1	Flywheel ASM
14	127-4703	1	Gear

Ref.	Part Number	Qty.	Description
16	127-4766	3	Piston ASM
18	127-4751	3	Piston Ring ASM
24	125-7030	3	Pin
25	125-7180	6	Ring
26	125-7242	3	Connecting Rod ASM
30	125-6955	6	Bolt
31	125-7018	3	Pin-Crank
33	125-6997	3	Pin-Piston
34	125-7019	3	Pin-Crank (.25)
36	127-4767	3	Piston ASM (0.25 O S)
38	127-4752	3	Ring Set (0.25 O S)

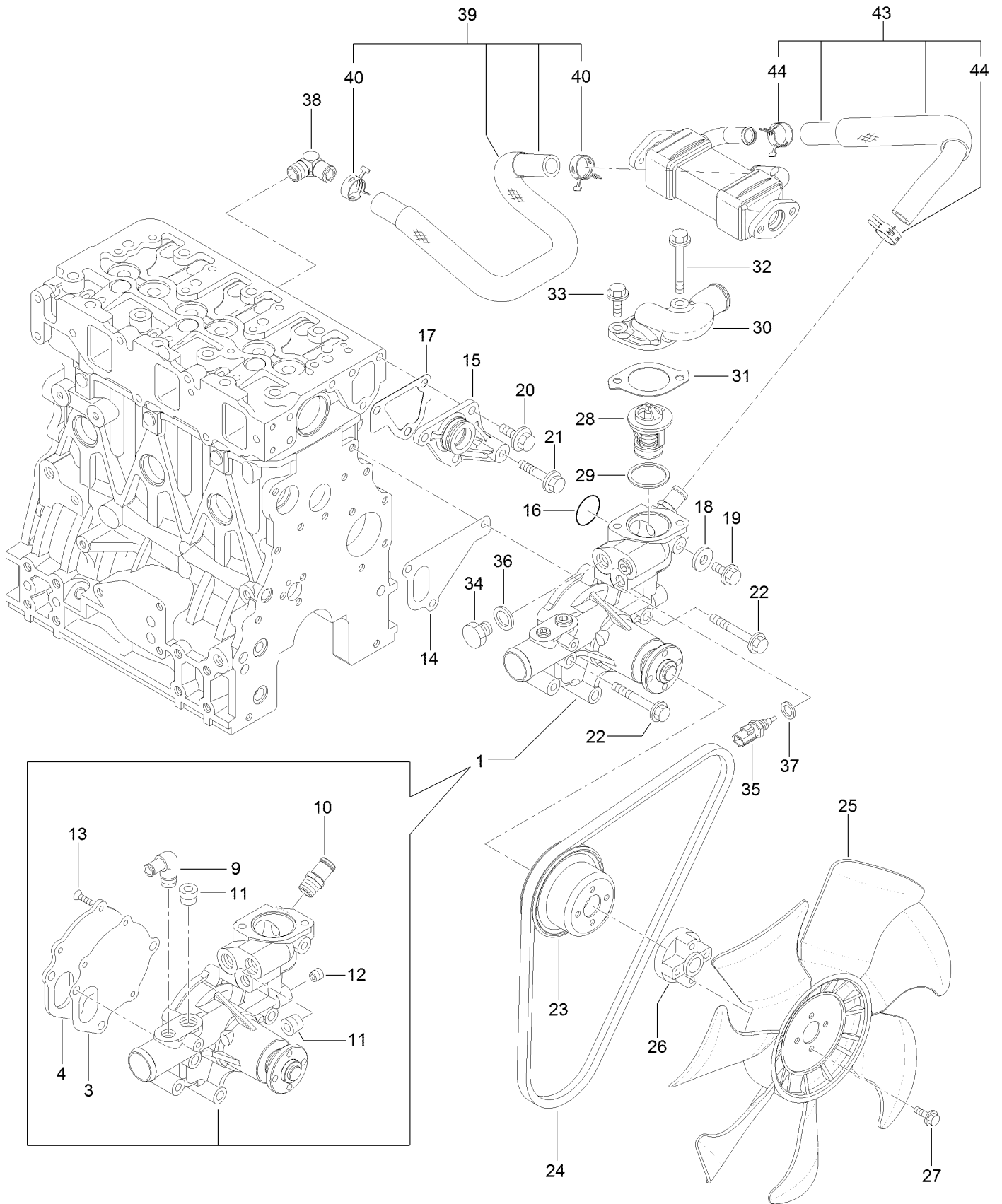


Lubrication and Oil System Assembly

Ref.	Part Number	Qty.	Description
1	127-4753	1	Oil Pump ASM
2	127-3004	1	Gasket
3	125-7232	4	Bolt
4	125-7171	1	Plug-Drain
5	125-6987	1	Dipstick
6	125-6954	1	Guide-Dipstick
7	125-7022	1	Gasket
8	125-7023	1	Pipe ASM
12	125-7217	2	Bolt
13	125-7074	1	Cooler ASM
14	125-7075	1	O-Ring
15	125-7041	1	Nut-Cooler, Oil
16	125-6989	1	Bracket ASM

Ref.	Part Number	Qty.	Description
18	125-7042	1	Stud
19	125-7024	1	Gasket
21	125-6990	1	Joint
22	125-7078	1	Pipe ASM
23	125-7162	1	Clip
25	125-7191	1	Clamp-Hose
26	127-3804	1	Pipe ASM
27	125-7162	1	Clip
29	127-3805	1	Tube
30	125-7191	1	Clamp-Hose
31	125-7595	3	Bolt
32	125-6918	1	Switch-Oil
33	125-7025	1	Filter-Engine, Oil

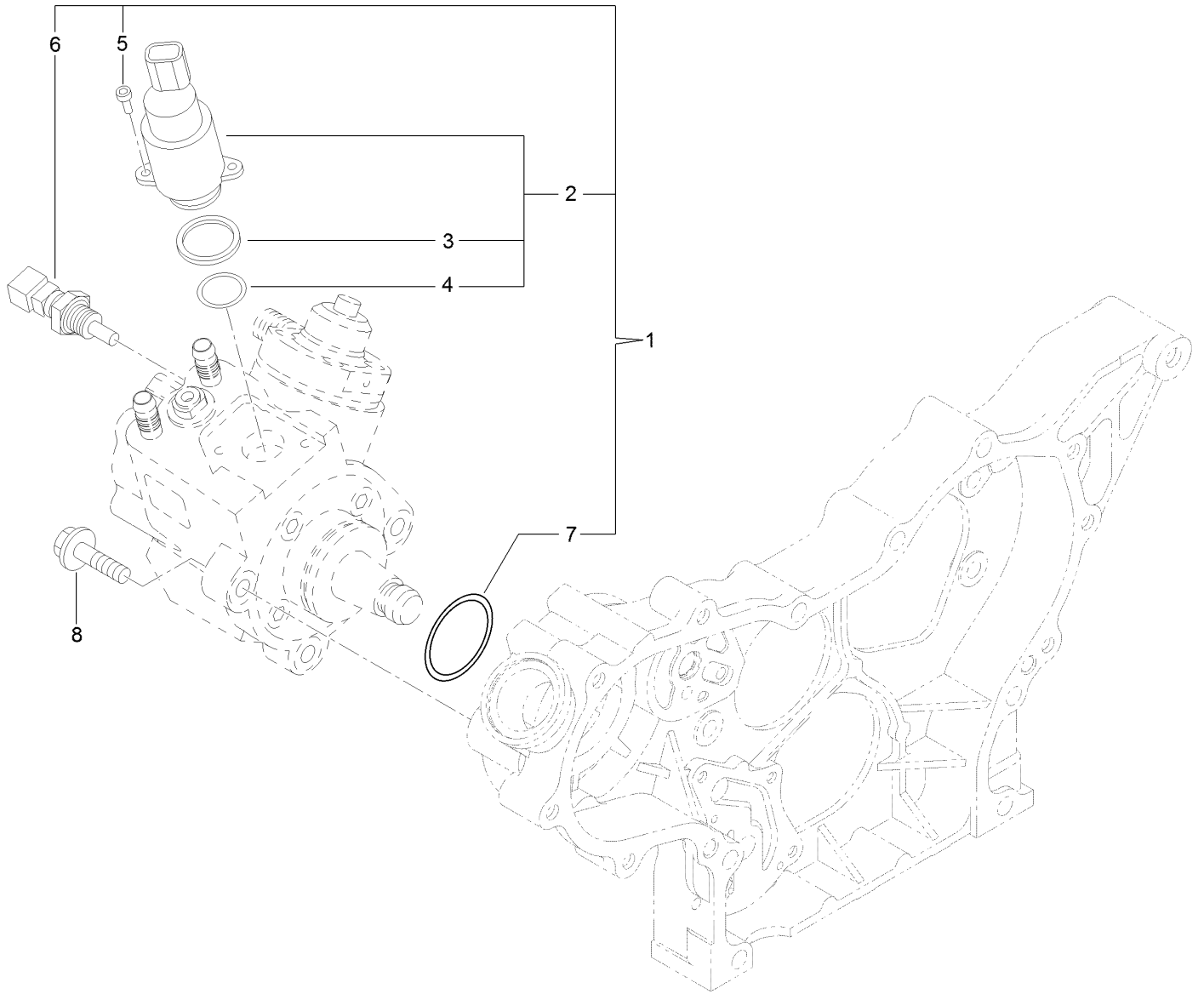
Cooling Water System Assembly



Cooling Water System Assembly (continued)

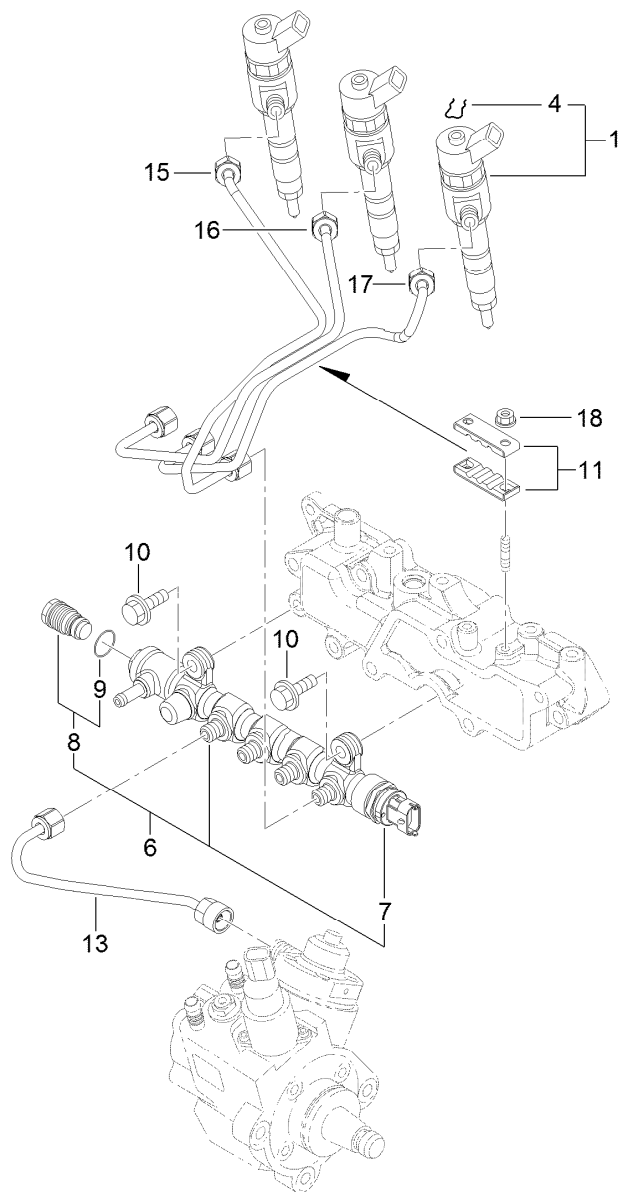
<i>Ref.</i>	<i>Part Number</i>	<i>Qty.</i>	<i>Description</i>	<i>Ref.</i>	<i>Part Number</i>	<i>Qty.</i>	<i>Description</i>
1	131-2714	1	Water Pump ASM	25	127-4702	1	Fan
3	125-6998	1	Gasket	26	131-2705	1	Spacer
4	125-6999	1	Plate	27	131-2739	4	Bolt
9	125-7001	1	Elbow	28	125-7029	1	Thermostat
10	127-3017	1	Joint	29	125-7026	1	Gasket
11	125-7123	2	Plug	30	131-2728	1	Cover-Thermostat
12	125-7195	1	Plug	31	125-7110	1	Gasket
13	125-7234	3	Screw	32	125-7594	1	Bolt
14	125-7047	1	Gasket	33	125-7220	1	Bolt
15	125-6986	1	Joint	34	125-6953	1	Plug
16	125-7048	1	O-Ring	35	125-7124	1	Sensor-Thermostat, CW
17	125-6978	1	Gasket	36	125-6979	1	Gasket
18	125-7192	1	Gasket	37	125-7176	1	Washer-Seal
19	125-7212	1	Bolt	38	127-4705	1	Elbow
20	125-7214	3	Bolt	39	127-4757	1	E G R-C Pipe ASM
21	125-7219	1	Bolt	40	127-3020	2	Clip-Hose
22	125-7222	3	Bolt	43	127-3811	1	CW Pipe ASM
23	127-4712	1	V-Pulley	44	127-3020	2	Clip-Hose
24	127-4771	1	V-Belt				

Fuel System Assembly



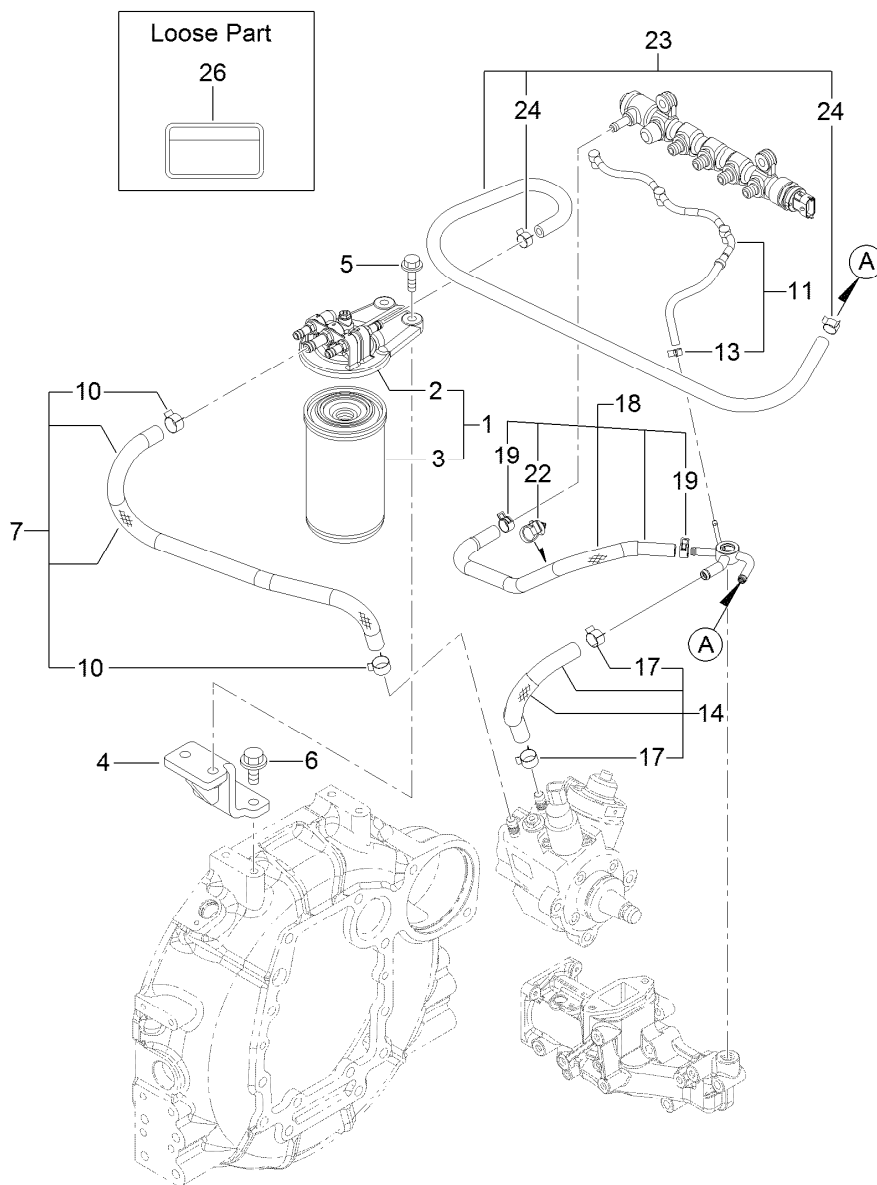
Fuel System Assembly (continued)

<i>Ref.</i>	<i>Part Number</i>	<i>Qty.</i>	<i>Description</i>	<i>Ref.</i>	<i>Part Number</i>	<i>Qty.</i>	<i>Description</i>
1	127-3073	1	Fuel Pump ASM	5	131-2107	2	Bolt
2	131-2103	1	Valve ASM	6	131-2108	1	Sensor-Temperature
3	131-2105	1	Ring-Sealing	7	127-3074	1	O-Ring
4	131-2106	1	O-Ring	8	125-7216	3	Bolt



Fuel Injection Valve Assembly

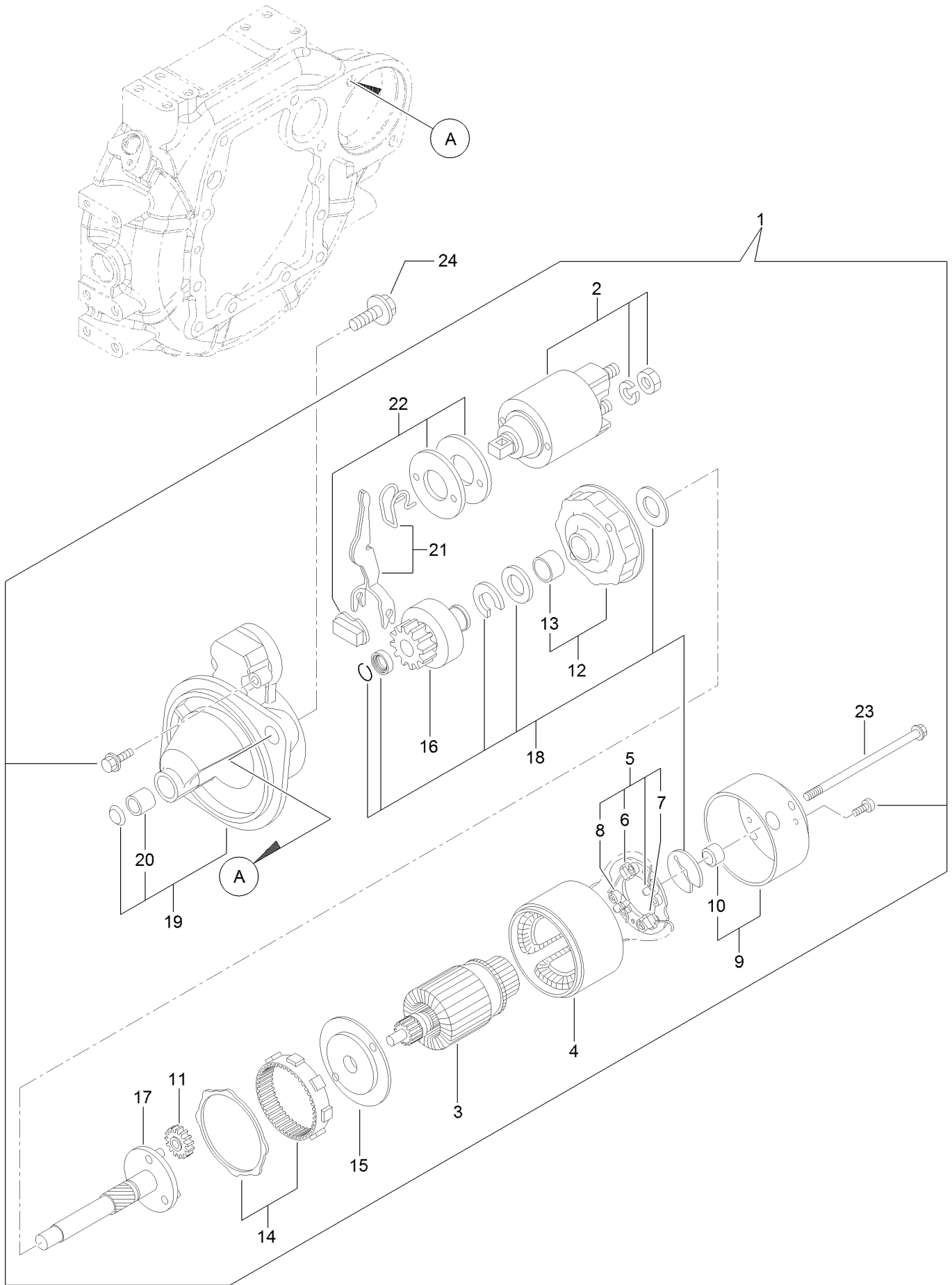
<i>Ref.</i>	<i>Part Number</i>	<i>Qty.</i>	<i>Description</i>
1	127-4754	3	Injector ASM
4	131-2708	3	Ring, Retaining
6	127-3812	1	Rail ASM
7	131-2709	1	Sensor-Pressure, Rail
8	131-2710	1	Valve ASM
9	131-2711	1	O-Ring
10	125-7215	2	Bolt
11	127-3813	2	Retainer
13	127-3082	1	Rail In Pipe ASM
15	127-3814	1	Injection Pipe ASM
16	127-3083	1	Injection Pipe ASM
17	127-3084	1	Injection Pipe ASM
18	125-7231	2	Nut



Fuel Pipe Assembly

<i>Ref.</i>	<i>Part Number</i>	<i>Qty.</i>	<i>Description</i>	<i>Ref.</i>	<i>Part Number</i>	<i>Qty.</i>	<i>Description</i>
1	127-3075	1	Fuel/Oil Filter ASM	13	127-3172	1	Clamp-Hose
2	127-3076	1	Fuel/Oil Filter Bracket ASM	14	127-3078	1	Fuel Pipe ASM
3	125-8752	1	Filter-Fuel/Oil	17	125-7191	2	Clamp-Hose
4	131-2731	1	Bracket-Filter, Fuel	18	127-3817	1	Fuel Pipe ASM
5	125-7216	2	Bolt	19	127-2950	2	Clip-Hose
6	131-2740	1	Bolt	22	127-3087	1	Band-Clip
7	131-2732	1	Fuel Pipe ASM	23	131-2733	1	Fuel Pipe ASM
10	125-7191	2	Clamp-Hose	24	127-2950	2	Clip-Hose
11	127-3816	1	Fuel/Oil Return Pipe ASM	26	125-6900	1	Label-Caution, Fuel Oil

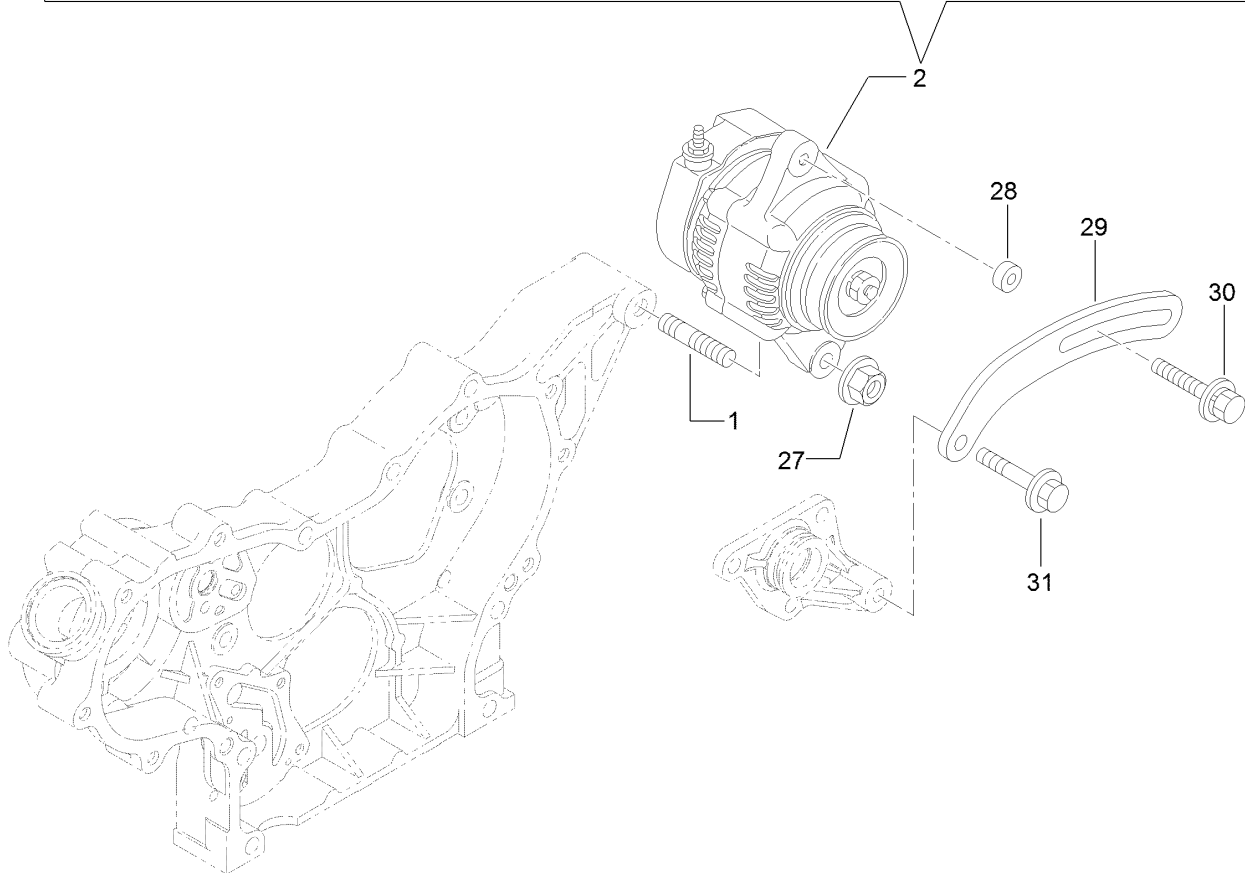
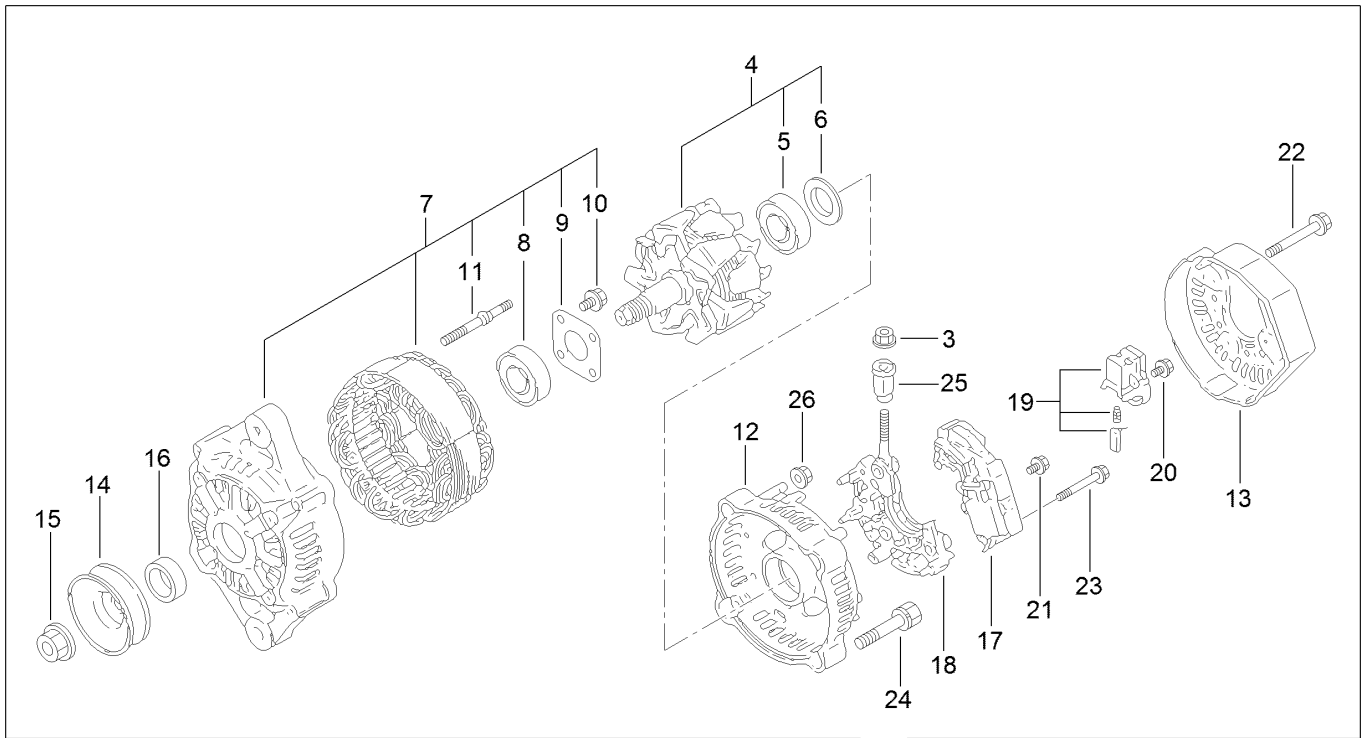
Starting Motor Assembly



Starting Motor Assembly (continued)

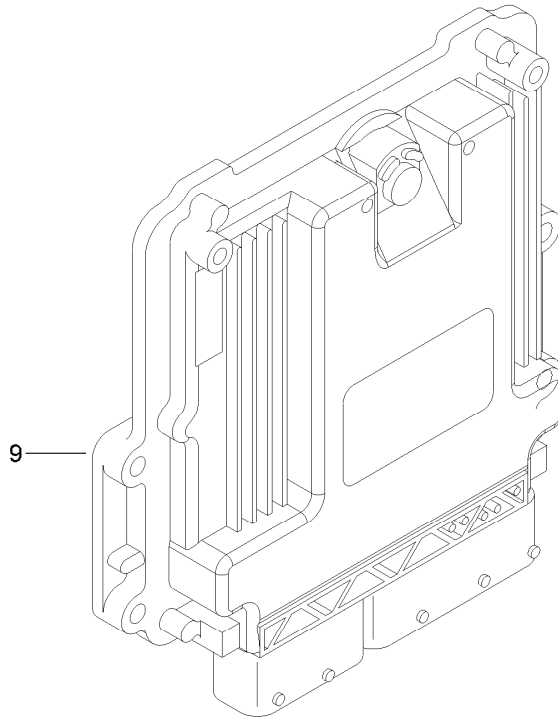
<i>Ref.</i>	<i>Part Number</i>	<i>Qty.</i>	<i>Description</i>	<i>Ref.</i>	<i>Part Number</i>	<i>Qty.</i>	<i>Description</i>
1	127-3818	1	Starter ASM	13	127-3830	1	Bracket
2	127-3819	1	Switch ASM	14	127-3831	1	Gear
3	127-3820	1	Armature ASM	15	127-3832	1	Bracket
4	127-3821	1	Yoke ASM	16	127-3833	1	Pinion ASM
5	127-3822	1	Brush Holder ASM	17	127-3834	1	Shaft
6	127-3823	2	Brush	18	127-3835	1	Washer Set
7	127-3824	1	Brush Set	19	127-3836	1	Case ASM
8	127-3825	4	Spring	20	127-3837	1	Metal-Starter
9	127-3826	1	Cover ASM	21	127-3838	1	Lever Set
10	127-3827	1	Metal	22	127-3839	1	Dust Cover ASM
11	127-3828	3	Gear	23	127-3840	2	Bolt-Through
12	127-3829	1	Bracket	24	125-7225	2	Bolt

Generator Assembly



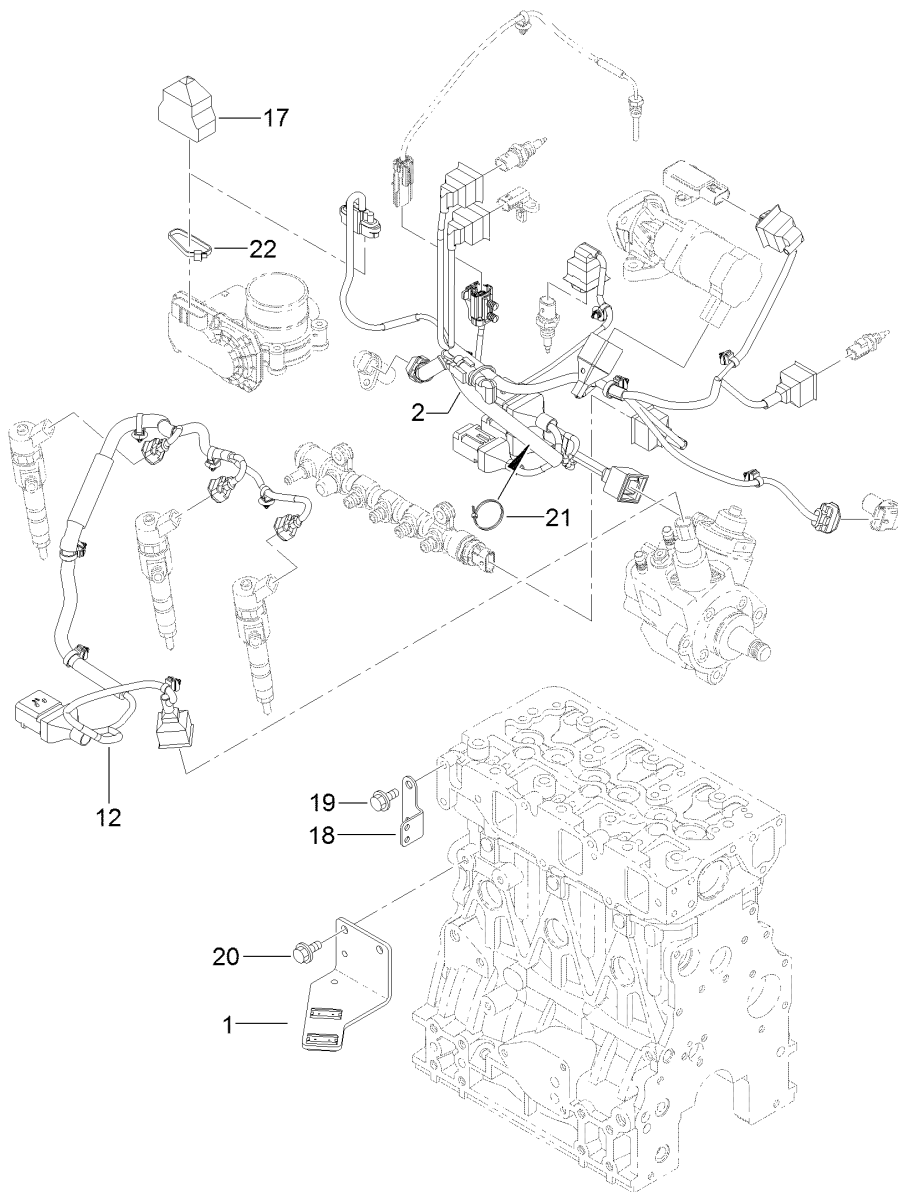
Generator Assembly (continued)

<i>Ref.</i>	<i>Part Number</i>	<i>Qty.</i>	<i>Description</i>	<i>Ref.</i>	<i>Part Number</i>	<i>Qty.</i>	<i>Description</i>
1	127-3011	1	Stud	17	127-3847	1	Regulator ASM
2	127-3841	1	Generator	18	127-3848	1	Holder
3	127-3190	1	Nut	19	127-2993	1	Holder
4	127-3843	1	Rotor ASM	20	127-2965	6	Screw
5	127-2983	1	Bearing-Ball	21	127-2966	1	Screw
6	127-2962	1	Cover	22	127-2967	3	Bolt
7	127-3844	1	Frame ASM	23	127-2968	2	Screw
8	127-2958	1	Bearing-Ball	24	127-2969	2	Bolt
9	127-2959	1	Plate-Retainer	25	127-2970	1	Bushing-Insulation
10	127-2960	4	Screw	26	127-2971	2	Nut
11	127-2961	2	Stud	27	125-7230	1	Nut
12	127-3845	1	Frame	28	125-6947	1	Spacer
13	127-3846	1	Cover	29	127-2977	1	Adjuster
14	127-2954	1	Pulley	30	125-7134	1	Bolt
15	127-2955	1	Nut	31	125-7219	1	Bolt
16	127-2957	1	Collar				



Electronic Control Unit Assembly

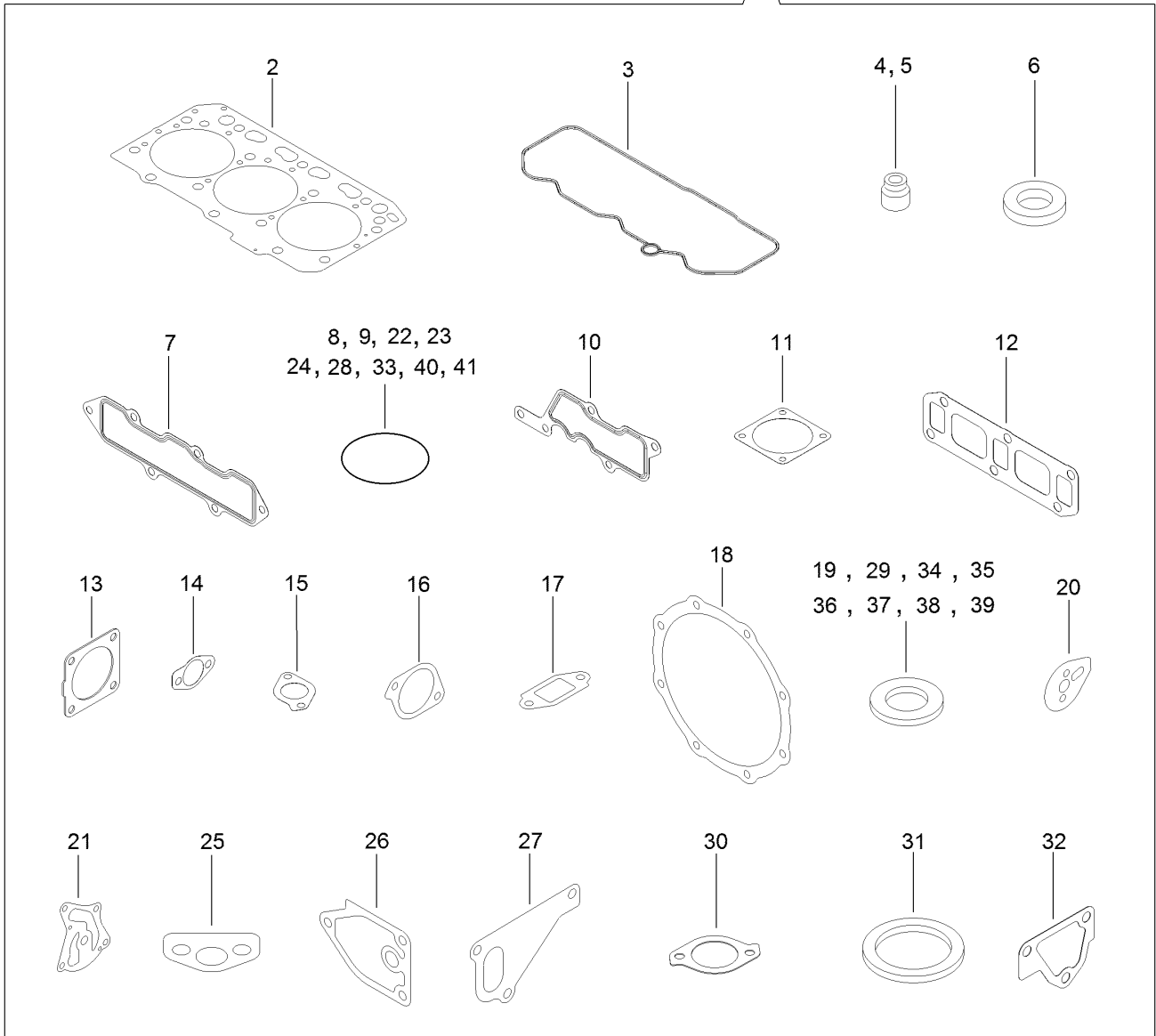
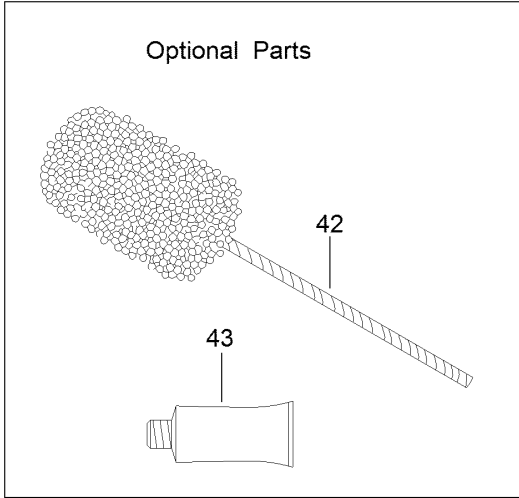
<i>Ref.</i>	<i>Part Number</i>	<i>Qty.</i>	<i>Description</i>
9	127-3085	1	E C U ASM



Electric Parts Assembly

<i>Ref.</i>	<i>Part Number</i>	<i>Qty.</i>	<i>Description</i>
1	131-2735	1	Bracket-Connector
2	131-2736	1	Harness-B
12	131-2712	1	Harness
17	131-2713	1	Boot-Cap
18	127-3090	1	Bracket-Harness
19	125-7212	2	Bolt
20	125-7213	2	Bolt
21	127-3187	1	Band
22	127-3188	1	Band

Gasket Set



Gasket Set (continued)

<i>Ref.</i>	<i>Part Number</i>	<i>Qty.</i>	<i>Description</i>	<i>Ref.</i>	<i>Part Number</i>	<i>Qty.</i>	<i>Description</i>
1	131-2737	1	Packing	23	127-2973	1	O-Ring
2	127-4716	1	Head Gasket ASM	24	125-7075	1	O-Ring
3	127-3856	1	Gasket-Valve Cover	25	125-7022	1	Gasket
4	127-2986	3	Seal-Stem, Valve	26	125-7024	1	Gasket
5	127-3027	3	Seal-Stem, Valve	27	125-7047	1	Gasket
6	127-3021	3	Gasket-Injector	28	125-7048	1	O-Ring
7	127-3857	1	Gasket-Manifold, Intake	29	125-6979	1	Gasket
8	127-3032	2	O Ring-Sensor, Pressure	30	125-7110	1	Gasket
9	127-3033	1	O-Ring	31	125-7026	1	Gasket
10	127-3034	1	Gasket-Collector	32	125-6978	1	Gasket
11	127-3037	2	Gasket-Throttle	33	127-3074	1	O-Ring
12	127-3775	1	Gasket-Manifold, Exhaust	34	125-7174	1	Washer-Seal
13	127-2987	1	Gasket-Silencer	35	125-7176	1	Washer-Seal
14	127-3043	2	Gasket-Cooler, E G R	36	127-3166	2	Washer-Seal
15	127-3016	1	Gasket	37	125-7177	1	Washer-Seal
16	127-3050	1	Gasket-Intake Valve, E G R	38	125-7192	1	Gasket
17	127-3051	1	Gasket-Out Valve, E G R	39	127-3174	2	Gasket
18	127-3859	2	Gasket-D P F	40	93-0418	3	O-Ring
19	127-3056	4	Gasket-Sensor	41	125-7197	2	O-Ring
20	127-3069	1	Gasket-Idle, Shaft B	42	127-3000	1	Hone
21	127-3004	1	Gasket	43	125-7248	1	Gasket-Liquid
22	125-6909	2	O-Ring				

Attachments and Accessories

For 31202 Groundsmaster 360 4-Wheel Drive Multi-Purpose Machine with Cab

Product Name	Model/Part
Bahiagrass Baffle Kit	105-7269
Blade-Belt Kit, 72in Guardian Only	105-7271
Blade-Belt Kit, 72in Side Discharge Deck	105-7272
Blade-Combination (19in).....	106-7166-03
Green Diesel Cap	107-2172
Premium Transmission/Hydraulic Tractor Fluid (55 Gallon Drum).....	108-1183
Premium Transmission/Hydraulic Tractor Fluid (5 Gallon Pail)	108-1184
Leaf Mulching Kit	108-5273
Blade-Rotary, Medium Flow (24.5in).....	110-0621-03
Blade-Rotary, Atomic (24.5in).....	110-0624-03
Blade-Flat	112-9586-03
5in Air Cleaner Safety Element.....	114-4057
Work Light Kit	114-5610
Electrical Accessory Kit	115-0019
Wireless Hourmeter	115-4754
Atomic Blade Kit (3 Blade Pack)	119-8020
Beacon Kit	120-0256
Cloth Backrest Extension Kit.....	120-0567
Auxiliary Power Unit.....	120-6675
Registration Plate Kit	120-6678
Weight Transfer Kit	120-6683
Premium Engine Oil 15w40 (55 Gallon Drum)	121-6394
Premium Engine Oil 15w40 (5 Gallon Pail)	121-6395
Blade-Combination (25.18in).....	125-9444-03
Hitch Kit	130-8716
Standard Blade Kit for 100 Inch Rear Discharge Deck	131-3364
Tire (23x10.50-12)	136-5375
MVP Filter Kit.....	30261
Speed Reduction Kit, 2015 and After Groundsmaster 360 Multi-Purpose Machine	30287
72in Guardian Recycler Completion Kit	30304
72in Guardian Fine Recycler Completion Kit	30346
72in Base Deck.....	30353
72in Side Discharge Mower (CE).....	30354
V-Plow Mounting Kit.....	30378
72in Side Discharge Deck.....	30481
Quick Attach Front Frame.....	30509
Road Light Kit (North American)	30517
72 Inch Rear Discharge Completion Kit	30549
Jack Stand Kit.....	30579
CE Kit, 72in Side Deck With French Guards	30679
72in Guardian and Rear Discharge CE Mower Cover Kit	30685
100in CE Mower Cover Kit.....	30687
CE Guard Kit.....	30689
100in Rear Discharge Deck	31101
Adapter Kit, 100in Rear Discharge Mower for 2-Wheel Drive or 2013 and Before 4-Wheel Drive Groundsmaster 360 Traction Unit.....	31102

Attachments and Accessories (continued)

Adapter Kit, 100 Inch Rear Discharge Deck for 2014 and After Groundsmaster 360 4-Wheel Drive Traction Unit31103

Leaf Mulching Kit for 100in Rear Discharge Deck31105

Winter Attachment Joystick Kit 31219

Diagnostic Display Box 85-4750



Count on it.