



Count on it.

Parts Catalog

Groundsmaster® 360

4-Wheel Drive Multi-Purpose Machine with Cab

Model No. 31202—Serial No. 315000501 and Up



Ordering Replacement Parts

To order replacement parts, please supply the part number, the quantity, and the description of each part desired.

Understanding Reference Numbers

Each identified part in an illustration has a reference number. The reference number for a part also appears in the parts list, along with other information about the part.

This catalog uses two special reference number formats, one to indicate parts in a service assembly and another to indicate the quantity of a given part in an illustration.

Service Assembly Reference Numbers

Parts in service assemblies have reference numbers in the form a:b. The a represents the reference number of the entire service assembly and the b represents a sequential number unique to each part within the service assembly.

For example, a wheel assembly might be identified by reference number 6, the tire by 6:1, the valve by 6:2, and the wheel by 6:3. When you order the assembly identified by reference number 6, you receive all parts identified by reference numbers 6:1, 6:2, and 6:3. However, you may also order any part individually. Reference numbers of this type appear in illustration and in parts lists.

Reference Numbers Indicating Quantity

In an illustration, if a reference number indicates more than one part, the reference number has the form nX y. The n represents the quantity of the part, the X is the multiplication symbol, and the y represents the reference number.

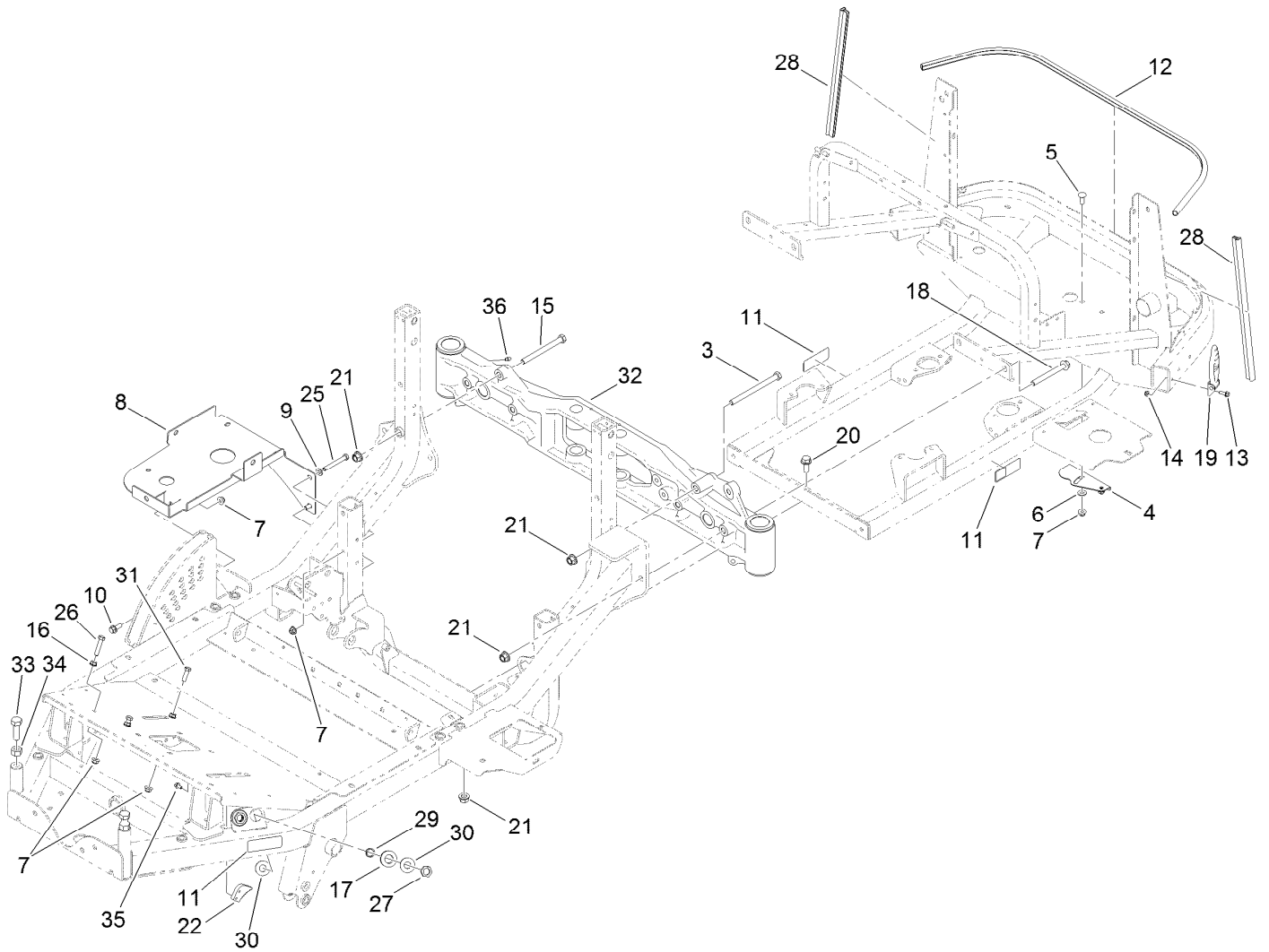
For example, in an illustration, the reference number 2X 37 means that two of the parts identified by reference number 37 are indicated.

Contents

| | |
|--|----|
| Frame and Rear Axle Assembly | 5 |
| Lift Shaft and Linkage Assembly | 6 |
| Hydraulic Cylinder Assembly No. 110-9834 | 7 |
| Rear Frame Components Assembly | 8 |
| 4 Wheel Drive Steering Assembly | 9 |
| Front Axle and Tie Rod Assembly | 10 |
| Rear Steering Assembly | 12 |
| Hydraulic Cylinder Assembly No.125-2835 | 14 |
| Steering Column Assembly | 15 |
| Steering Column Assembly No. 117-3371 | 16 |
| Steering Valve Assembly No. 130-7948 | 17 |
| Front Cover Assembly | 18 |
| Fuel Tank and Control Panel Component Assembly | 19 |
| Fuel Tank Assembly No. 131-1920 | 20 |
| Seat Plate Assembly | 21 |
| 4 Wheel Drive Module Control and Relay Assembly | 22 |
| Brake Pedal Assembly | 23 |
| Wheel and Brake Assembly | 24 |
| Left Hand Brake Assembly No. 120-0235 | 25 |
| Right Hand Brake Assembly No. 120-0233 | 26 |
| 4 Wheel Drive Hydraulic Motor and Fitting Assembly | 27 |
| Hydraulic Motor Assembly No. 117-3284 (CCW) | 28 |
| Hydraulic Motor Assembly No. 117-3285 (CW) | 29 |
| Cab Wire Harness Assembly | 30 |
| Electrical Assembly | 31 |
| Engine Assembly | 32 |
| Transmission Component Assembly | 33 |
| Charge Pump Housing Assembly Transmission Assembly No. 125-9290 | 34 |
| Center Section Assembly Transmission Assembly No. 125-9290 | 36 |
| Gear Case and Clutch Assembly Transmission Assembly No. 125-9290 | 38 |
| Driveshaft Assembly No. 110-3575 | 40 |
| Radiator Component Assembly | 41 |
| Radiator and Cooler Assembly | 42 |
| Muffler Assembly | 43 |
| Battery and Fuel Delivery Assembly | 44 |
| Air Cleaner Assembly | 45 |
| Traction Pedal Assembly | 46 |
| Hood Assembly | 47 |
| Neutral System Assembly | 48 |
| Deck Lift Valve and Hydraulic Fitting Assembly | 50 |
| Hydraulic Gear Pump Assembly No. 115-0375 | 52 |
| Valve Assembly No. 131-1934 | 54 |
| 4 Wheel Drive Hydraulic Hose Assembly | 56 |
| Hydraulic Valve Assembly | 58 |
| Steering Selector Valve Assembly No. 115-0280 | 59 |
| Cross-Trax Traction Valve Assembly No. 117-2247 | 60 |
| Steering and Traction Hose Assembly | 61 |
| Cab Mounting Assembly | 62 |
| Foam Assembly | 64 |
| Yanmar Air Conditioner Assembly | 66 |
| Seat Assembly | 68 |
| Seat Assembly No. 117-3096 | 70 |
| Cloth Air Ride Seat Assembly No. 117-3097 | 72 |
| Cab Cable Tie Assembly | 74 |

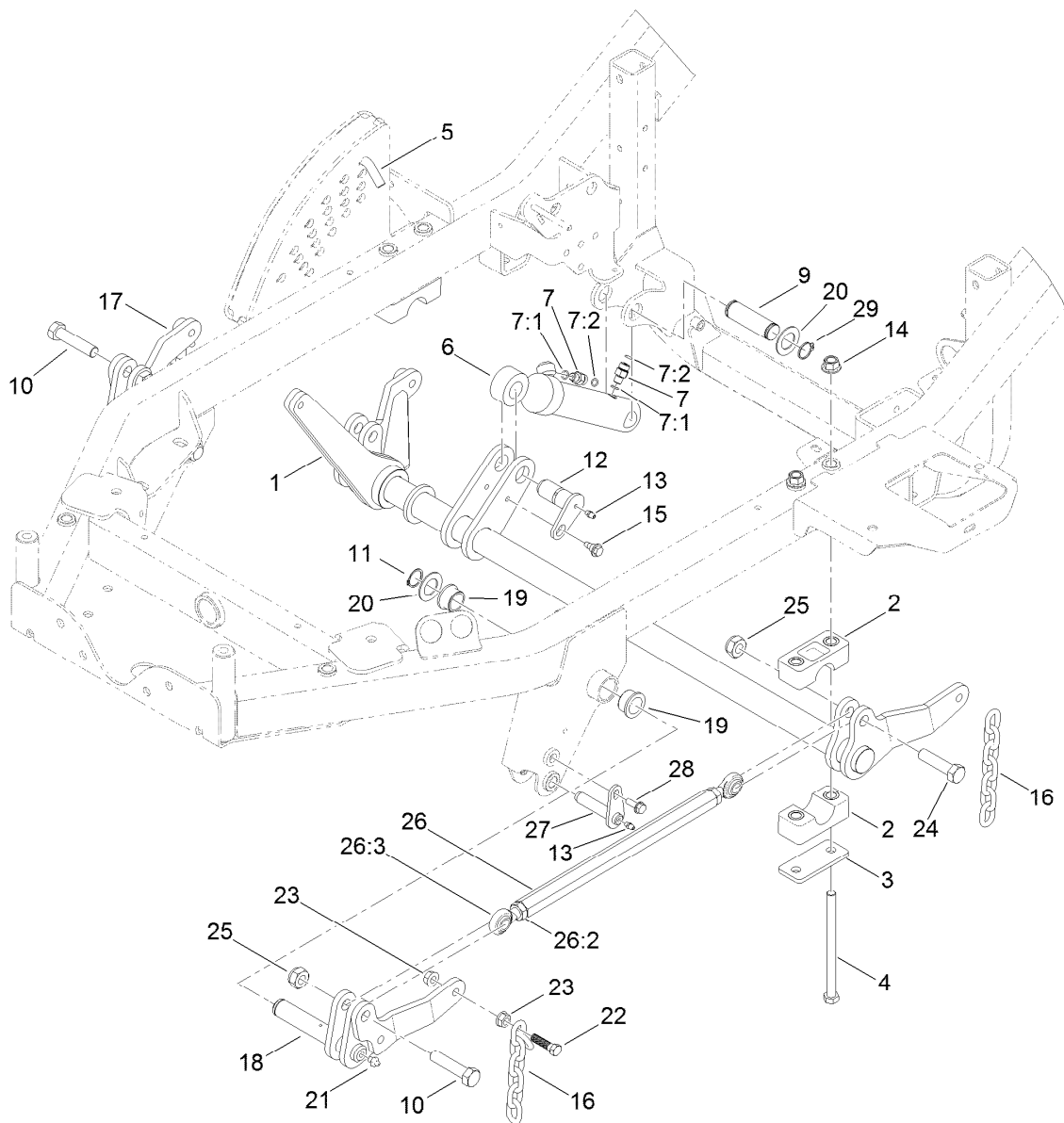
Contents (continued)

| | |
|---|-----|
| Yanmar French Guarding Assembly | 76 |
| Cab Frame, Mount and Seal Assembly | 78 |
| Cab Headliner Assembly | 80 |
| Window and Door Assembly | 82 |
| RH Door Assembly | 84 |
| LH Door Assembly | 86 |
| Tier 4 Engine Hose Routing Assembly | 88 |
| Rear Window Assembly | 90 |
| Mixing Box Mounting Bracket and Water Tray Assembly | 92 |
| Blower Fan and Evaporator Core Assembly | 94 |
| Heat / Air Conditioner Housing Assembly | 96 |
| Air Diverter and Expansion Valve Assembly | 98 |
| Air Diverter Assembly No. 121-8369 | 100 |
| Mixing Box and Vent Hose Assembly | 102 |
| Headliner Wire Harness and Control Assembly | 104 |
| Cylinder Block Assembly | 106 |
| Gear Housing Assembly | 108 |
| Flywheel Housing and Oil Sump Assembly | 109 |
| Cylinder Head and Cover Assembly | 110 |
| Suction Manifold Assembly | 112 |
| Exhaust Manifold Assembly | 113 |
| Diesel Particulate Filter Assembly | 114 |
| Camshaft and Driving Gear Assembly | 116 |
| Crankshaft and Piston Assembly | 118 |
| Lubrication and Oil System Assembly | 119 |
| Cooling Water System Assembly | 120 |
| Fuel System Assembly | 122 |
| Fuel Injection Valve Assembly | 124 |
| Fuel Pipe Assembly | 125 |
| Starting Motor Assembly | 126 |
| Generator Assembly | 128 |
| Electronic Control Unit Assembly | 130 |
| Electric Parts Assembly | 131 |
| Gasket Set | 132 |
| Attachments and Accessories | 134 |



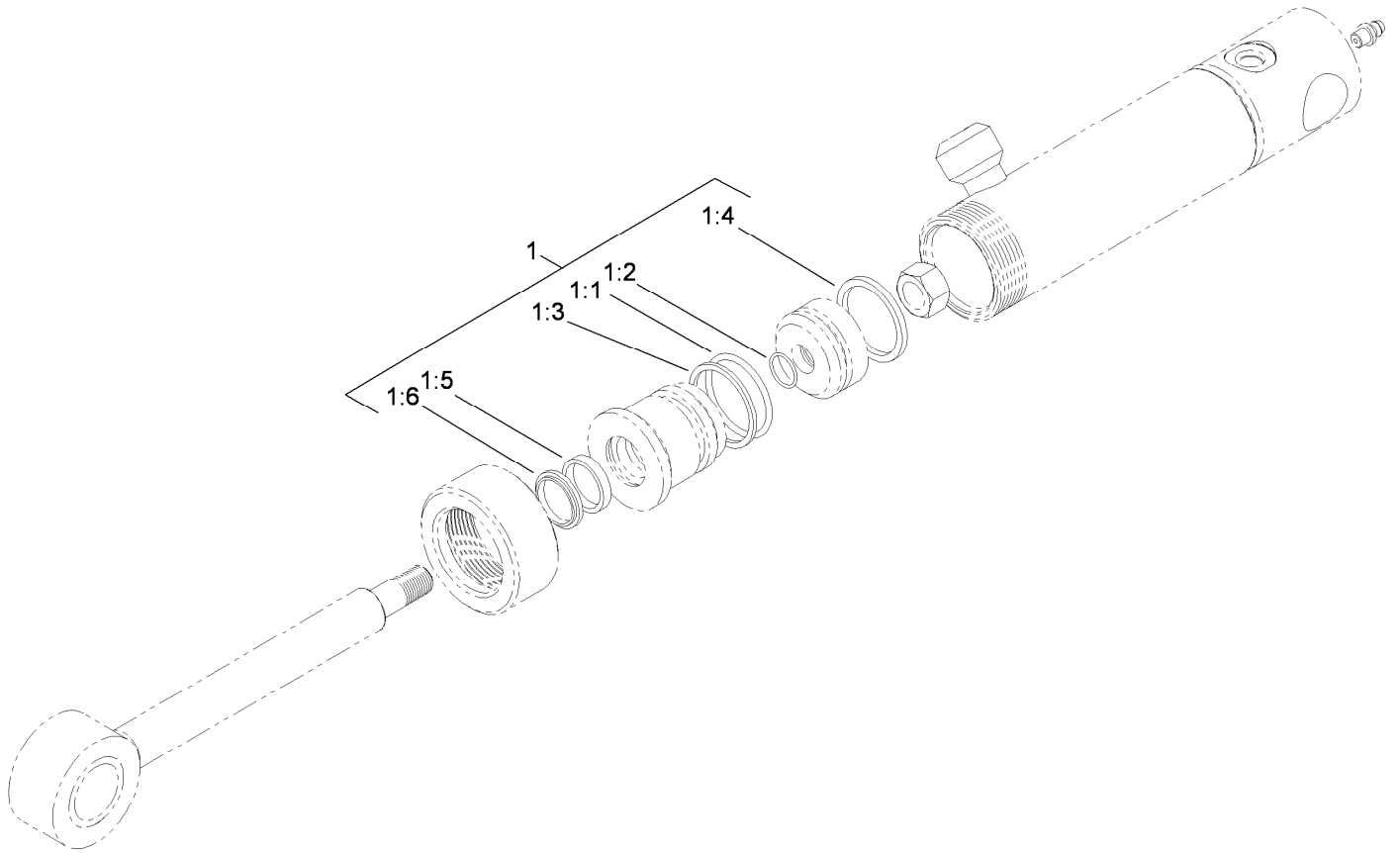
Frame and Rear Axle Assembly

| Ref. | Part Number | Qty. | Description | Ref. | Part Number | Qty. | Description |
|------|-------------|------|---------------------|------|-------------|------|----------------|
| 3 | 325-33 | 1 | Screw-HH | 19 | 103-2898 | 2 | Latch-Rubber |
| 4 | 117-3190 | 1 | Cover-Lower | 20 | 3234-38 | 3 | Screw-HHF |
| 5 | 3231-22 | 2 | Screw-CARR | 21 | 99-5107 | 9 | Nut-Lock |
| 6 | 66-2920 | 2 | Washer-Friction | 22 | 99-7214 | 1 | Pawl-Brake |
| 7 | 104-8301 | 8 | Nut-HF, NI | 25 | 323-14 | 2 | Screw-HH |
| 8 | 117-3385-03 | 1 | Bracket-Tank, HYD | 26 | 323-53 | 2 | Screw-HH |
| 9 | 3256-24 | 2 | Washer-Plain | 27 | 340-70 | 2 | Nut-Lock |
| 10 | 3234-24 | 1 | Screw-HHF | 28 | 107-2269 | 2 | Seal-Bulb |
| 11 | 106-9206 | 4 | Decal-Torque, Wheel | 29 | 69-8970 | 2 | Spacer |
| 12 | 117-3311 | 1 | Seal-Bulb | 30 | 69-8940 | 4 | Washer |
| 13 | 3234-4 | 2 | Screw-HHF | 31 | 323-7 | 1 | Screw-HH |
| 14 | 104-7201 | 2 | Nut-HF, NI | 32 | 131-1931 | 1 | Rear Axle ASM |
| 15 | 325-22 | 1 | Screw-HH | 33 | 327-6 | 2 | Screw-HH |
| 16 | 3290-357 | 3 | Nut-HSF | 34 | 3217-11 | 2 | Nut-Hex |
| 17 | 240-4 | 2 | Grommet-Rubber | 35 | 3234-13 | 2 | Screw-HHF |
| 18 | 117-3176 | 4 | Screw-HHF | 36 | 302-5 | 2 | Fitting-Grease |



Lift Shaft and Linkage Assembly

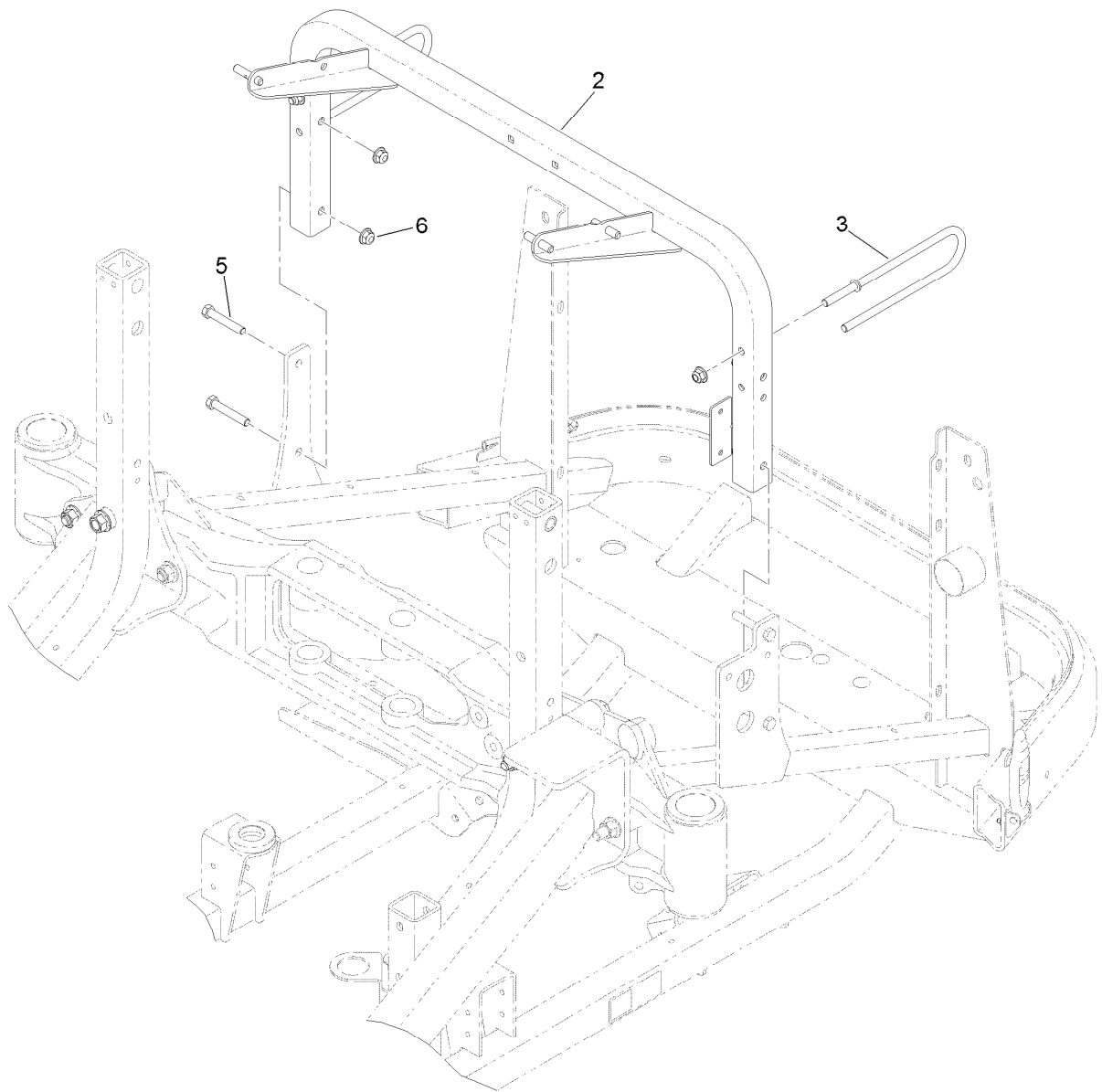
| Ref. | Part Number | Qty. | Description | Ref. | Part Number | Qty. | Description |
|------|-------------|------|----------------------|------|-------------|------|---------------------|
| 1 | 115-0190-03 | 1 | Shaft-Lift | 16 | 119-1385 | 4 | Chain-HOC |
| 2 | 115-0491 | 4 | Cap-Bearing | 17 | 119-1380-03 | 1 | Lift-RH |
| 3 | 117-2903 | 2 | Plate-Bearing | 18 | 119-1383-03 | 1 | Lift-LH |
| 4 | 325-37 | 4 | Screw-HH | 19 | 114-5680 | 4 | Bushing-Flange |
| 5 | 112-9544 | 1 | Pin-HOC | 20 | 69-9010 | 4 | Washer |
| 6 | 110-9834 | 1 | HYD Cylinder ASM | 21 | 302-2 | 2 | Fitting-Grease |
| 7 | 340-92 | 2 | Fitting-Straight | 22 | 103-1898 | 4 | Screw-HH |
| 7:1 | 237-78 | 1 | O-Ring | 23 | 32128-37 | 8 | Nut-HF |
| 7:2 | 237-21 | 1 | O-Ring | 24 | 327-7 | 2 | Screw-HH |
| 9 | 115-0183 | 1 | Shaft-Cylinder, Lift | 25 | 3296-61 | 4 | Nut-Lock |
| 10 | 327-8 | 2 | Screw-HH | 26 | 114-4059 | 2 | Link ASM |
| 11 | 32151-29 | 2 | Ring-Retaining | 26:2 | 3220-6 | 2 | Nut-Jam |
| 12 | 125-1910 | 1 | Pin-Pivot | 26:3 | 1-633029 | 2 | Balljoint-Spherical |
| 13 | 302-5 | 3 | Fitting-Grease | 27 | 112-1602 | 2 | Pin-Retainer |
| 14 | 99-5107 | 4 | Nut-Lock | 28 | 32144-41 | 2 | Screw-Taptite |
| 15 | 99-5105 | 1 | Screw-Shoulder | 29 | 32151-36 | 2 | Ring-Retaining |



Hydraulic Cylinder Assembly No. 110-9834

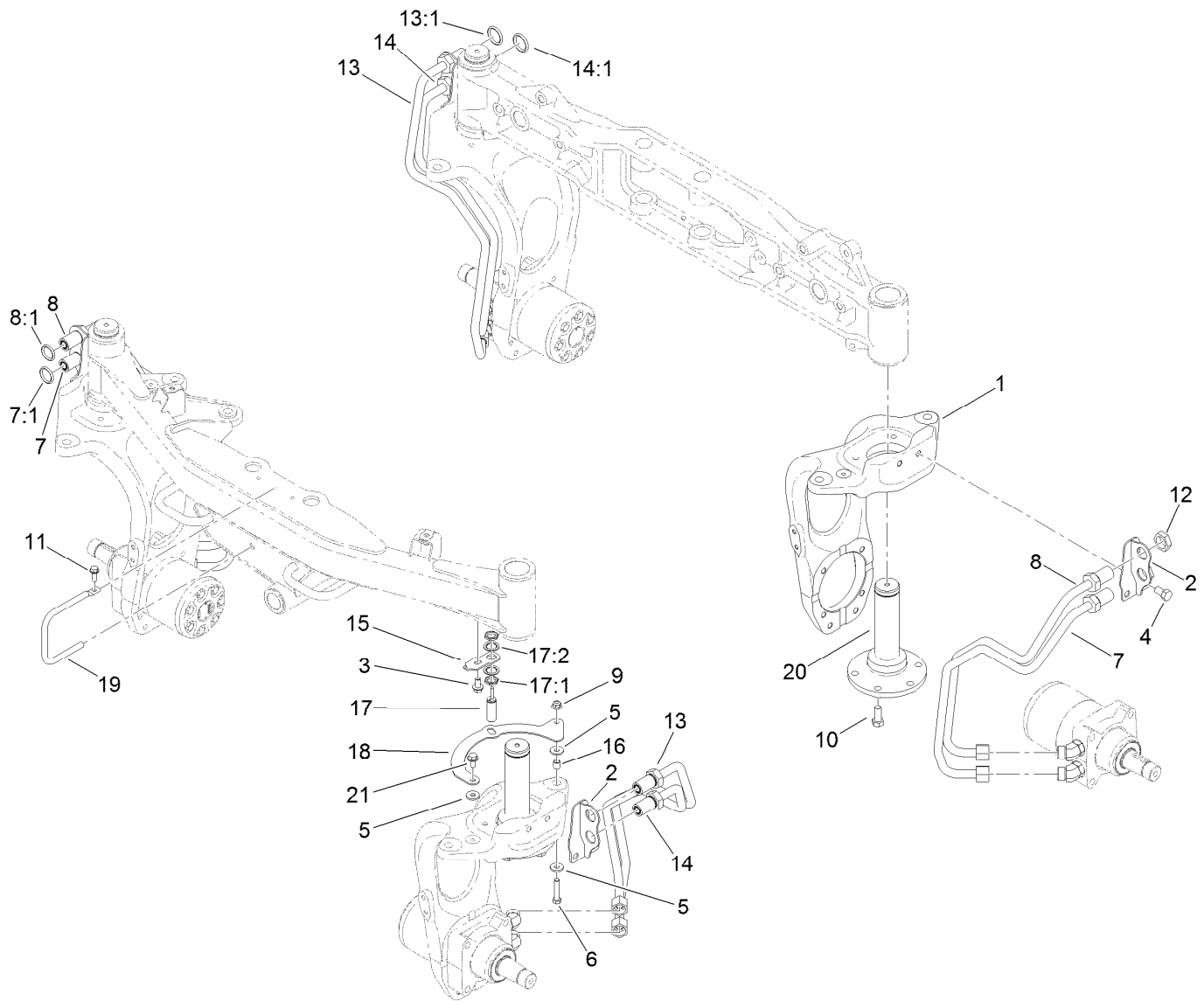
| <i>Ref.</i> | <i>Part Number</i> | <i>Qty.</i> | <i>Description</i> |
|-------------|--------------------|-------------|--------------------|
| 1 | 112-6353 | 1 | Seal Kit |
| 1:1 | | 1 | O-Ring ● |
| 1:2 | | 1 | O-Ring ● |
| 1:3 | | 1 | Backup ● |
| 1:4 | | 1 | Seal-Bp ● |
| 1:5 | | 1 | Seal-Rod ● |
| 1:6 | | 1 | Seal-Dust ● |

● Not serviced separately



Rear Frame Components Assembly

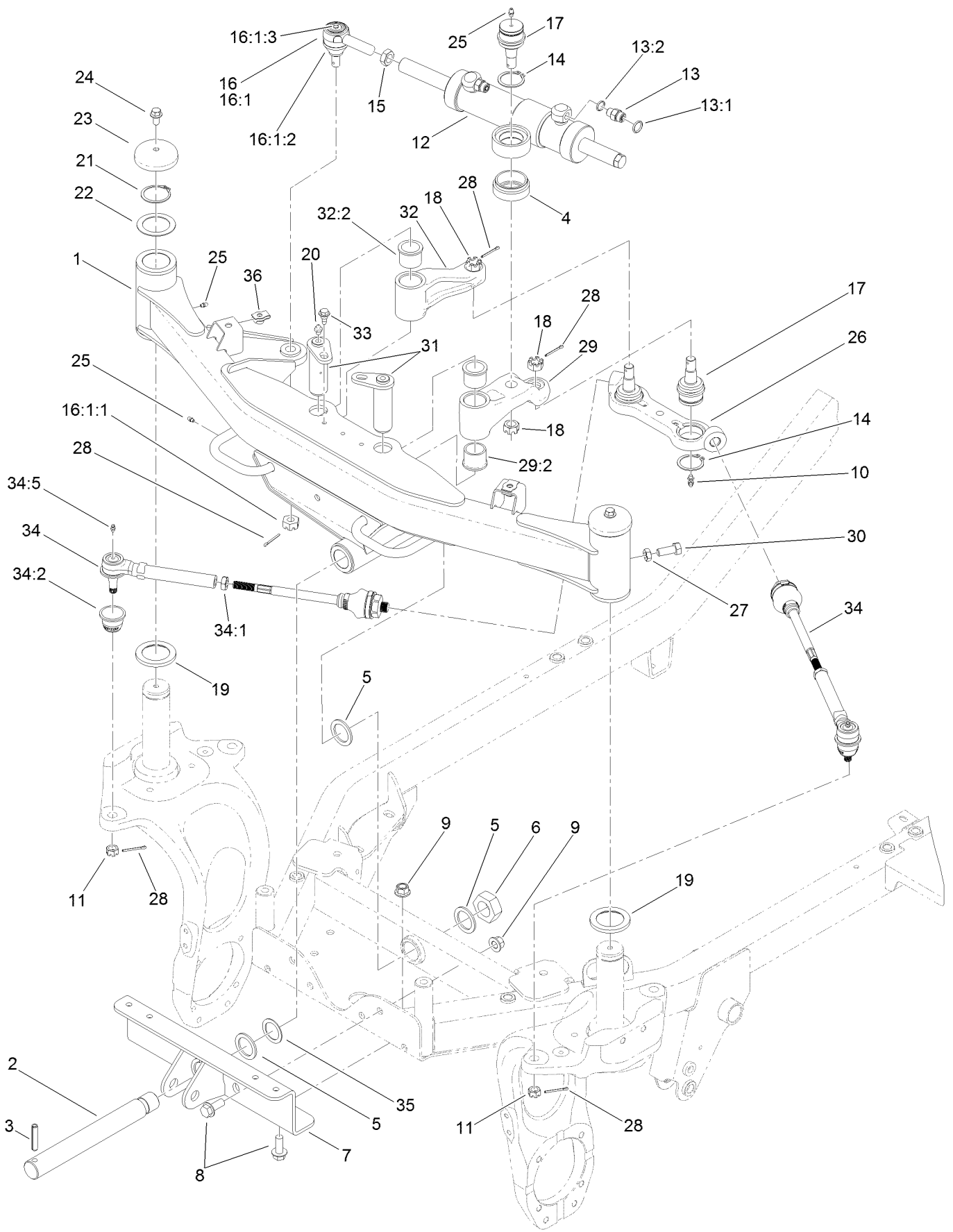
| <i>Ref.</i> | <i>Part Number</i> | <i>Qty.</i> | <i>Description</i> |
|-------------|--------------------|-------------|--------------------|
| 2 | 125-9202-03 | 1 | Tube-Cross |
| 3 | 127-4853 | 2 | Guide-Hose |
| 5 | 323-45 | 4 | Screw-HH |
| 6 | 104-8301 | 6 | Nut-HF, NI |



4 Wheel Drive Steering Assembly

| Ref. | Part Number | Qty. | Description | Ref. | Part Number | Qty. | Description |
|------|-------------|------|--------------------|------|-------------|------|-----------------------------|
| 1 | 117-2951 | 4 | Base-Fork, Steer | 13 | 117-2946 | 2 | Upper Tube ASM |
| 2 | 119-1410-03 | 4 | Bracket-Bulkhead | 13:1 | 237-65 | 1 | O-Ring |
| 3 | 110-9380 | 1 | Screw-HWH | 14 | 117-2947 | 2 | Lower Tube ASM |
| 4 | 325-3 | 8 | Screw-HH | 14:1 | 237-65 | 1 | O-Ring |
| 5 | 5-0838 | 3 | Washer | 15 | 119-1413 | 1 | Bracket-Sensor |
| 6 | 32128-21 | 1 | Nut-HF Lock | 16 | 103-1166 | 1 | Spacer-Tube, Pump Link |
| 7 | 117-2948 | 2 | Upper Tube ASM | 17 | 115-5300 | 1 | Proximity Switch ASM |
| 7:1 | 237-65 | 1 | O-Ring | 17:1 | 117-3207 | 2 | Nut-Hex |
| 8 | 117-2949 | 2 | Lower Tube ASM | 17:2 | 117-3208 | 2 | Washer-Lock, Internal Tooth |
| 8:1 | 237-65 | 1 | O-Ring | 18 | 117-2216-03 | 1 | Bracket-Target |
| 9 | 323-8 | 1 | Screw-HH | 19 | 117-3178 | 1 | Rod-Guide |
| 10 | 117-3266 | 20 | Screw-HH | 20 | 117-3361 | 4 | Spindle-Steer |
| 11 | 32144-41 | 1 | Screw-Taptite | 21 | 3234-47 | 1 | Screw-HHF |
| 12 | 340-74 | 8 | Nut-Lock, Bulkhead | | | | |

Front Axle and Tie Rod Assembly

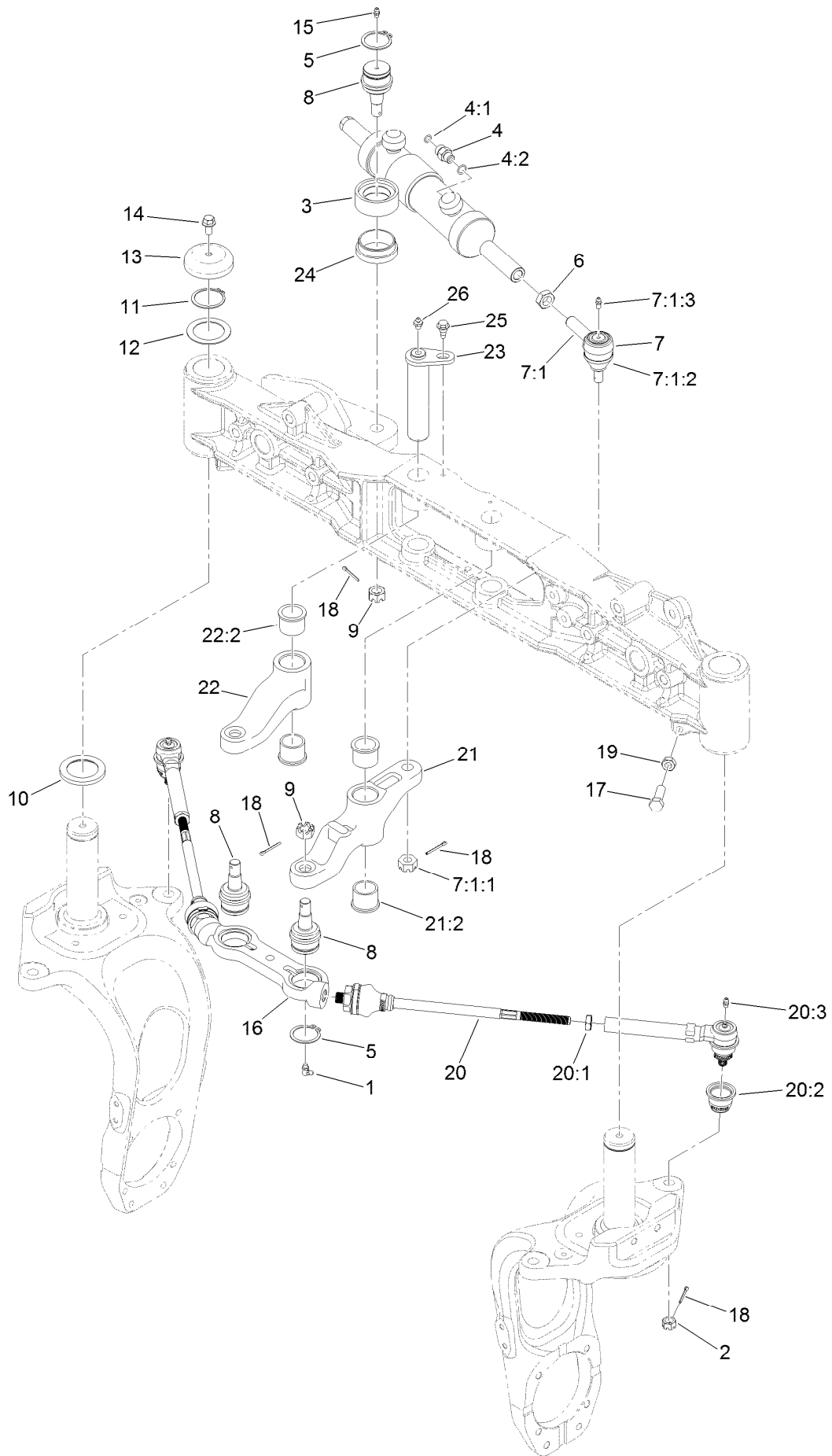


Front Axle and Tie Rod Assembly (continued)

| <i>Ref.</i> | <i>Part Number</i> | <i>Qty.</i> | <i>Description</i> | <i>Ref.</i> | <i>Part Number</i> | <i>Qty.</i> | <i>Description</i> |
|-------------|--------------------|-------------|--------------------------|-------------|--------------------|-------------|--------------------|
| 1 | 125-2825 | 1 | Front Axle ASM | 19 | 100-2508 | 2 | Washer-Thrust |
| 2 | 119-1376 | 1 | Shaft-Pivot | 20 | 302-2 | 2 | Fitting-Grease |
| 3 | 32121-110 | 1 | Pin-Roll, Slotted | 21 | 100-4196 | 2 | Ring-Retaining |
| 4 | 120-0238 | 1 | Spacer-Cylinder | 22 | 115-0169 | 2 | Washer-Thrust |
| 5 | 98-1452 | 3 | Washer-Thrust | 23 | 100-3362 | 2 | Cap-Spindle |
| 6 | 3296-68 | 1 | Nut-Lock, NI | 24 | 3234-12 | 2 | Screw-HHF |
| 7 | 117-2920-03 | 1 | Support-Axle | 25 | 302-5 | 4 | Fitting-Grease |
| 8 | 3234-38 | 6 | Screw-HHF | 26 | 117-2986 | 1 | Centerlink |
| 9 | 99-5107 | 6 | Nut-Lock | 27 | 3218-5 | 2 | Nut-Jam |
| 10 | 302-60 | 2 | Fitting-Grease | 28 | 3272-12 | 6 | Pin-Cotter |
| 11 | 32136-3 | 2 | Nut-SHH | 29 | 120-0391 | 1 | Front LH Arm ASM |
| 12 | 125-2835 | 1 | HYD Cylinder ASM | 29:2 | 94-8947 | 2 | Bushing-Flange |
| 13 | 340-2 | 2 | Fitting-Straight | 30 | 325-6 | 2 | Screw-HH |
| 13:1 | 237-22 | 1 | O-Ring | 31 | 117-3167 | 2 | Front Pin ASM |
| 13:2 | 237-42 | 1 | O-Ring | 32 | 120-0390 | 1 | Front RH Arm ASM |
| 14 | 32151-104 | 3 | Ring-Retaining, External | 32:2 | 94-8947 | 2 | Bushing-Flange |
| 15 | 84-5300 | 1 | Nut-Jam | 33 | 99-5105 | 2 | Screw-Shoulder |
| 16 | 71-4740-03 | 1 | RH Tie Rod End ASM | 34 | 117-2983 | 2 | Rod-Tie, Front |
| 16:1 | | 1 | End-Rod, Tie (RH)● | 34:1 | 42-9650 | 1 | Nut-Hex, Jam |
| 16:1:1 | 105-7941 | 1 | Nut-Hex, Slotted | 34:2 | 117-3287 | 1 | Dust Boot |
| 16:1:2 | 105-7835 | 1 | Seal | 34:5 | 302-5 | 1 | Fitting-Grease |
| 16:1:3 | 302-5 | 1 | Fitting-Grease | 35 | 93-4628 | 1 | Washer |
| 17 | 106-6774 | 3 | Joint-Ball | 36 | 105-4886 | 2 | Nut-Tinnerman |
| 18 | 32136-2 | 3 | Nut-SHH | | | | |

● Not serviced separately

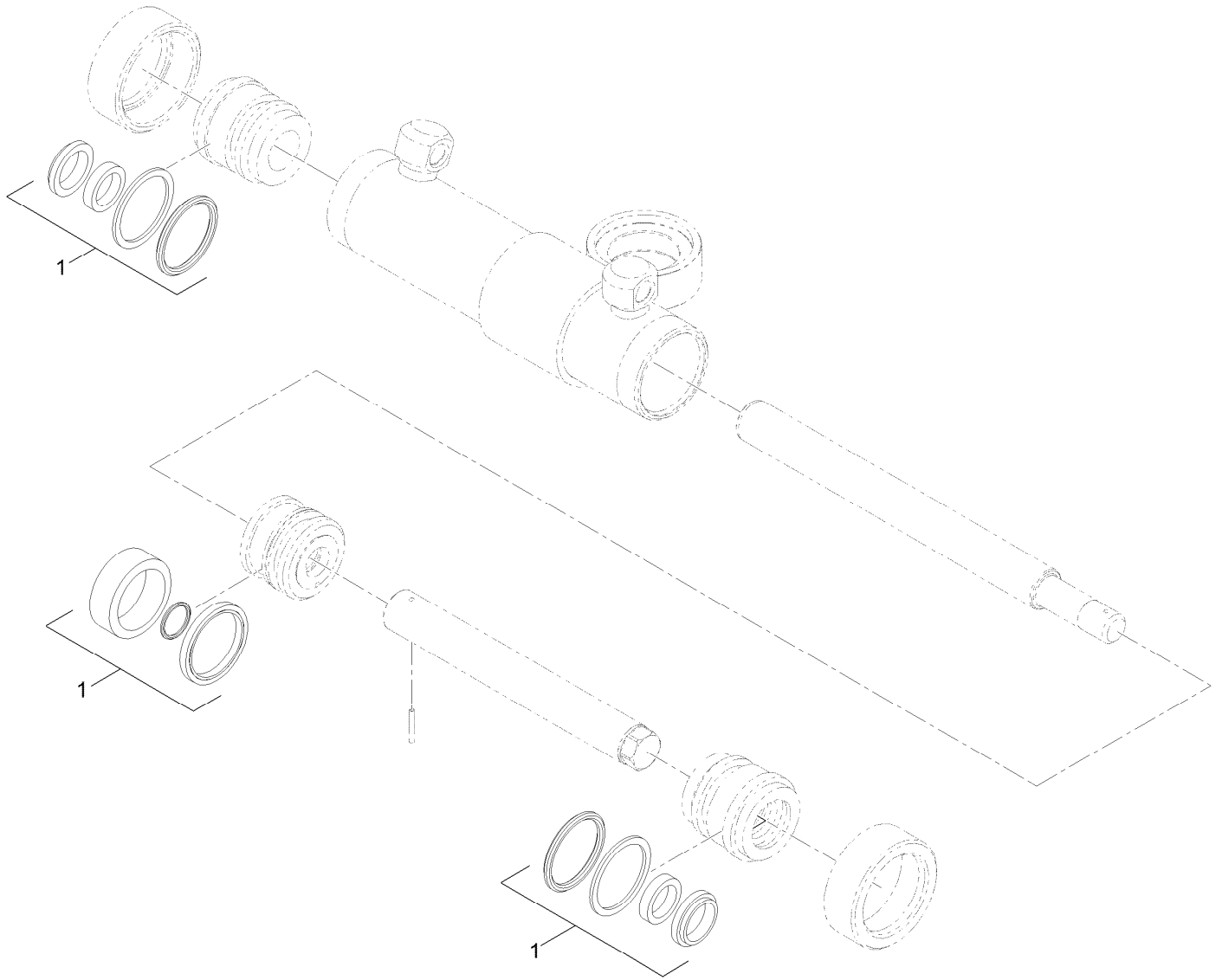
Rear Steering Assembly



Rear Steering Assembly (continued)

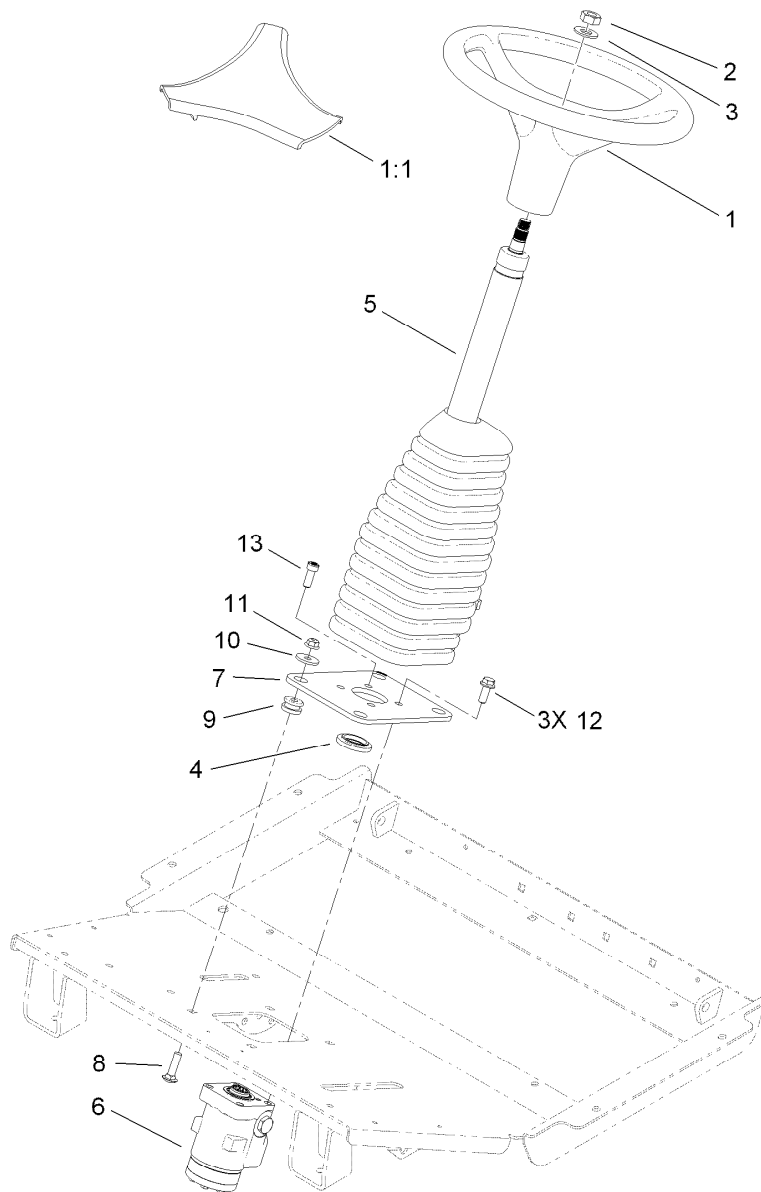
| <i>Ref.</i> | <i>Part Number</i> | <i>Qty.</i> | <i>Description</i> | <i>Ref.</i> | <i>Part Number</i> | <i>Qty.</i> | <i>Description</i> |
|-------------|--------------------|-------------|--------------------------|-------------|--------------------|-------------|--------------------|
| 1 | 302-60 | 2 | Fitting-Grease | 14 | 3234-12 | 2 | Screw-HHF |
| 2 | 32136-3 | 2 | Nut-SHH | 15 | 302-5 | 1 | Fitting-Grease |
| 3 | 125-2835 | 1 | HYD Cylinder ASM | 16 | 117-2986 | 1 | Centerlink |
| 4 | 340-2 | 2 | Fitting-Straight | 17 | 325-6 | 2 | Screw-HH |
| 4:1 | 237-22 | 1 | O-Ring | 18 | 3272-12 | 6 | Pin-Cotter |
| 4:2 | 237-42 | 1 | O-Ring | 19 | 3218-5 | 2 | Nut-Jam |
| 5 | 32151-104 | 3 | Ring-Retaining, External | 20 | 117-2984 | 2 | Rod-Tie, Rear |
| 6 | 84-5300 | 1 | Nut-Jam | 20:1 | 42-9650 | 1 | Nut-Hex, Jam |
| 7 | 71-4740-03 | 1 | RH Tie Rod End ASM | 20:2 | 117-3287 | 1 | Dust Boot |
| 7:1 | | 1 | End-Rod, Tie (RH) ● | 20:3 | 302-5 | 1 | Fitting-Grease |
| 7:1:1 | 105-7941 | 1 | Nut-Hex, Slotted | 21 | 125-2832 | 1 | Rear LH Arm ASM |
| 7:1:2 | 105-7835 | 1 | Seal | 21:2 | 94-8947 | 2 | Bushing-Flange |
| 7:1:3 | 302-5 | 1 | Fitting-Grease | 22 | 120-0392 | 1 | Rear RH Arm ASM |
| 8 | 106-6774 | 3 | Joint-Ball | 22:2 | 94-8947 | 2 | Bushing-Flange |
| 9 | 32136-2 | 3 | Nut-SHH | 23 | 117-3137 | 2 | Pin ASM |
| 10 | 100-2508 | 2 | Washer-Thrust | 24 | 120-0238 | 1 | Spacer-Cylinder |
| 11 | 100-4196 | 2 | Ring-Retaining | 25 | 99-5105 | 2 | Screw-Shoulder |
| 12 | 115-0169 | 2 | Washer-Thrust | 26 | 302-2 | 2 | Fitting-Grease |
| 13 | 100-3362 | 2 | Cap-Spindle | | | | |

● Not serviced separately



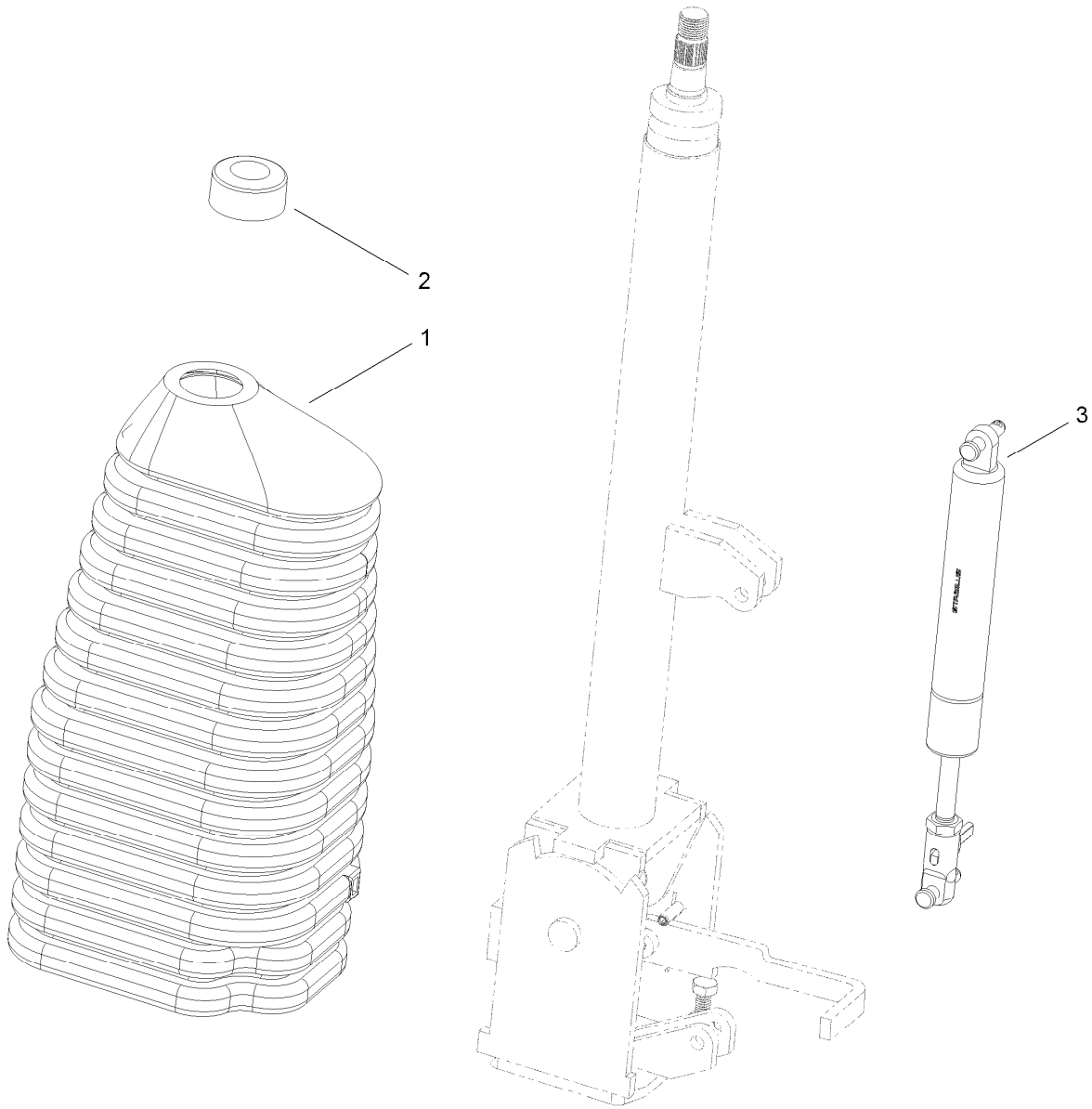
Hydraulic Cylinder Assembly No.125-2835

| <i>Ref.</i> | <i>Part Number</i> | <i>Qty.</i> | <i>Description</i> |
|-------------|--------------------|-------------|--------------------|
| 1 | 120-2557 | 1 | Seal Kit |



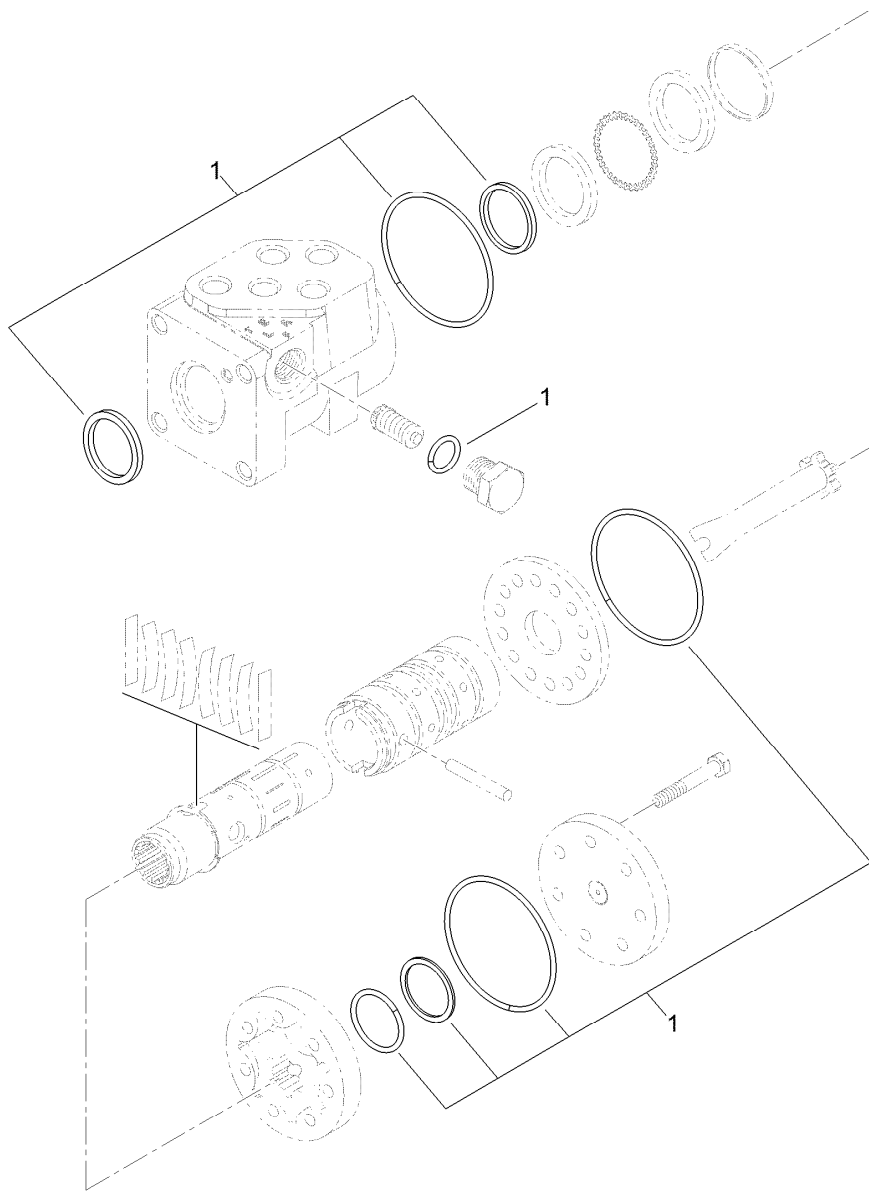
Steering Column Assembly

| Ref. | Part Number | Qty. | Description |
|-------------|--------------------|-------------|-------------------------|
| 1 | 98-1471 | 1 | Wheel-Steering |
| 1:1 | 98-1468 | 1 | Cover-Wheel, Steering |
| 2 | 3296-33 | 1 | Nut-Lock, NI |
| 3 | 3256-27 | 1 | Washer-Flat |
| 4 | 117-3373 | 1 | Bushing-Alignment |
| 5 | 117-3371 | 1 | Column-Steering |
| 6 | 130-7948 | 1 | Valve-Control, Steering |
| 7 | 117-3234-03 | 1 | Plate-Steering |
| 8 | 3231-26 | 4 | Screw-CARR |
| 9 | 63-9750 | 4 | Mount |
| 10 | 63-8410 | 4 | Washer |
| 11 | 104-8301 | 4 | Nut-HF, NI |
| 12 | 108-1531 | 3 | Screw-HHF |
| 13 | 3273-41 | 1 | Screw-HSH |



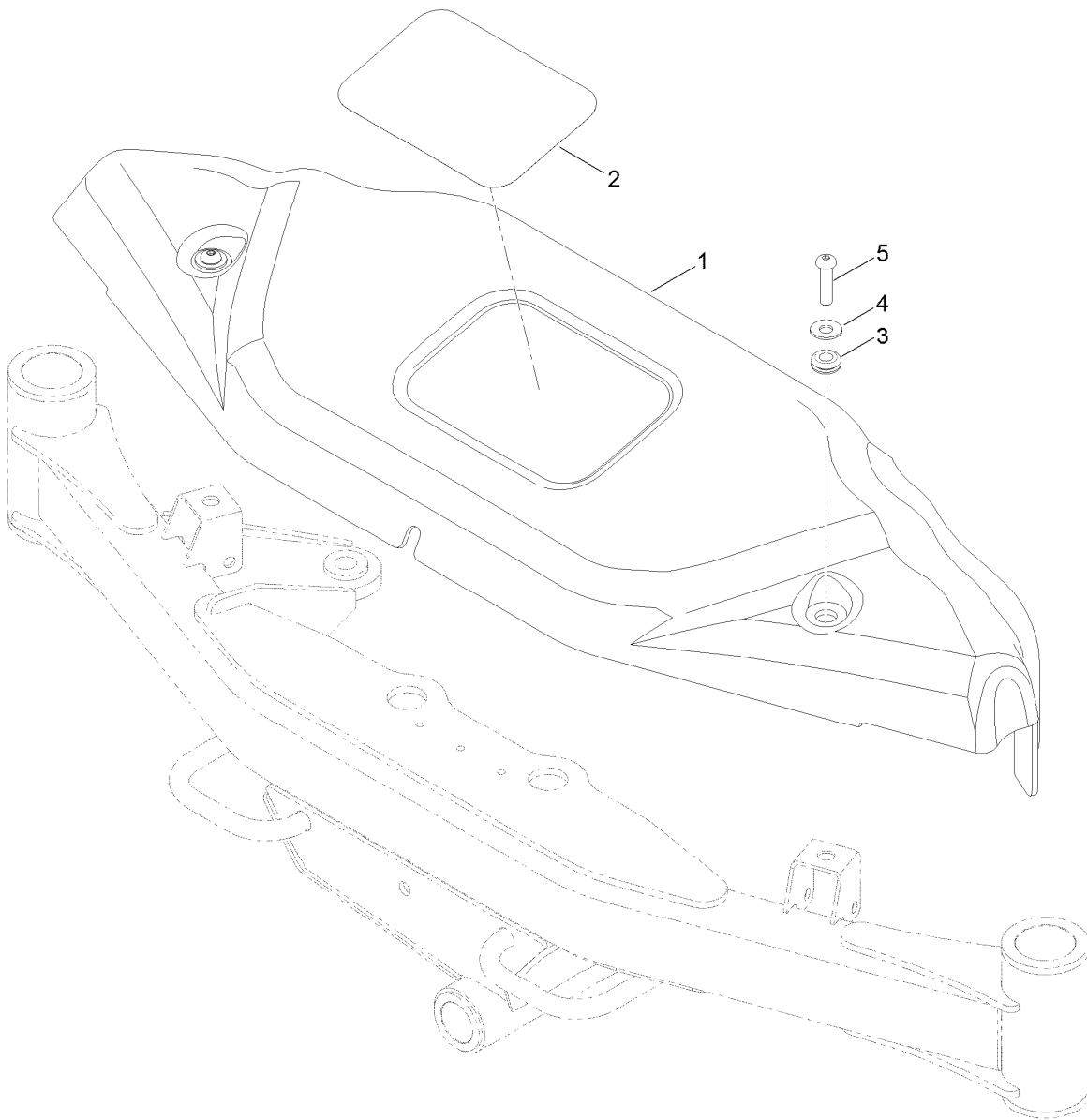
Steering Column Assembly No. 117-3371

| <i>Ref.</i> | <i>Part Number</i> | <i>Qty.</i> | <i>Description</i> |
|-------------|--------------------|-------------|----------------------|
| 1 | 120-2592 | 1 | Boot-Rubber, Column |
| 2 | 120-2593 | 1 | Boot-Rubber, Bearing |
| 3 | 120-2594 | 1 | Gas Spring ASM |



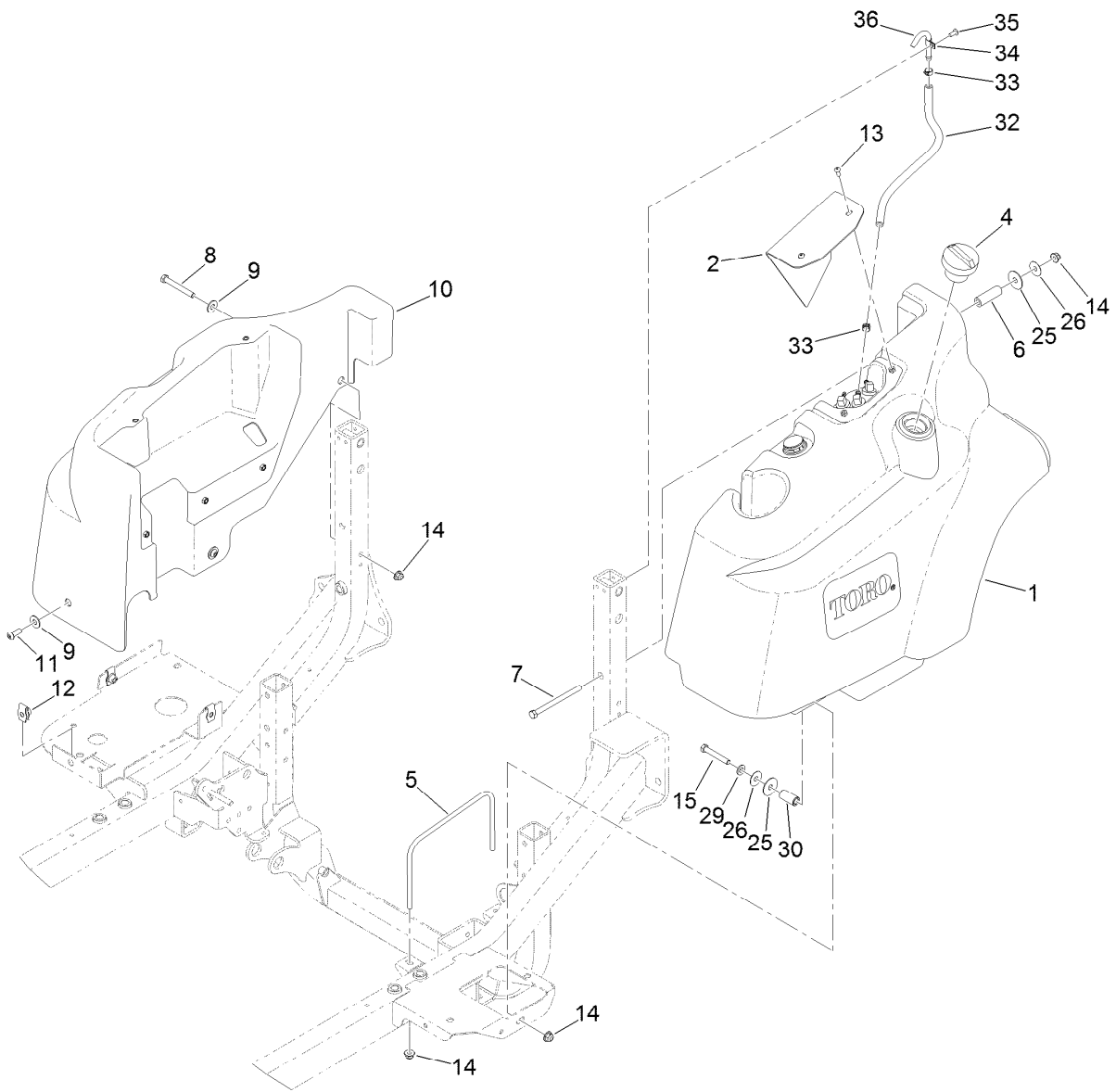
Steering Valve Assembly No. 130-7948

| <i>Ref.</i> | <i>Part Number</i> | <i>Qty.</i> | <i>Description</i> |
|-------------|--------------------|-------------|--------------------|
| 1 | 130-8357 | 1 | Seal Kit |



Front Cover Assembly

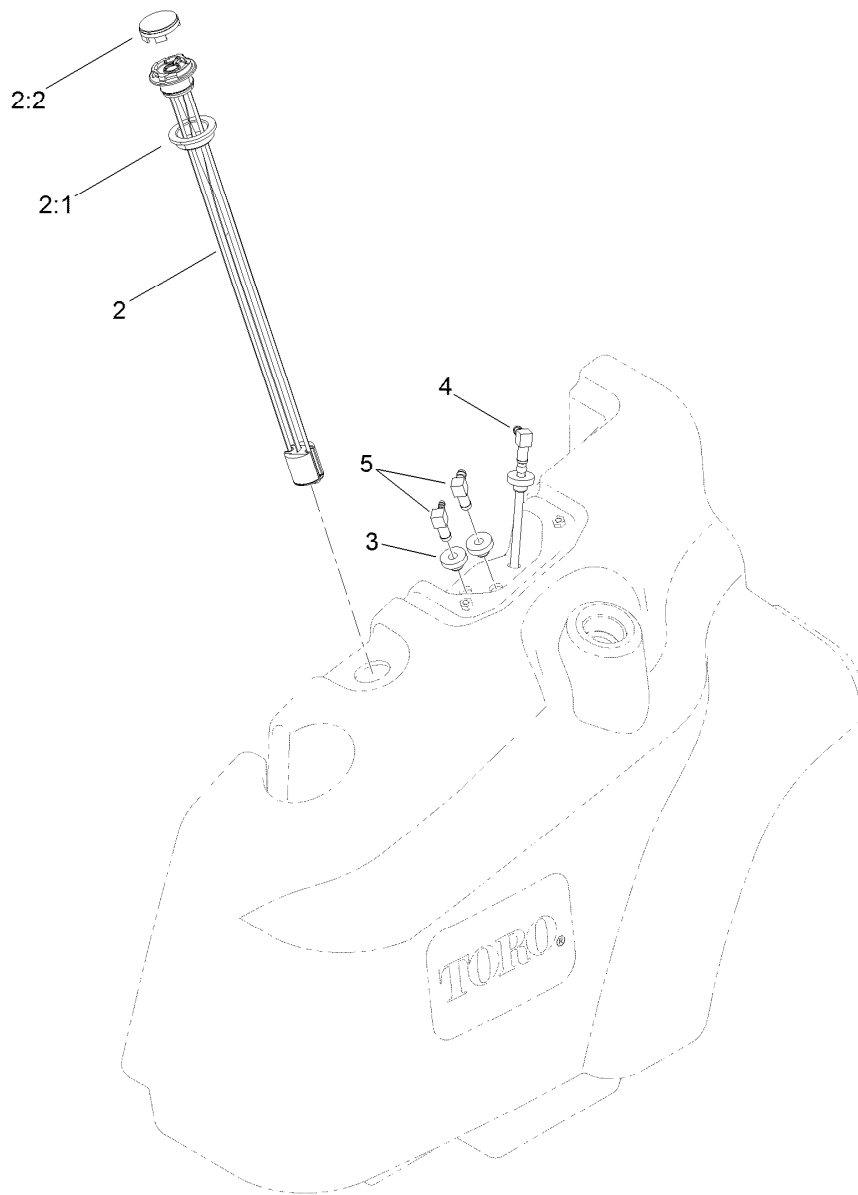
| <i>Ref.</i> | <i>Part Number</i> | <i>Qty.</i> | <i>Description</i> |
|-------------|--------------------|-------------|--------------------|
| 1 | 127-4878 | 1 | Cover-Front |
| 2 | 104-7213 | 1 | Decal |
| 3 | 1-633630 | 2 | Grommet |
| 4 | 100-7403 | 2 | Washer-Flat |
| 5 | 95-3857 | 2 | Screw-HSBH |



Fuel Tank and Control Panel Component Assembly

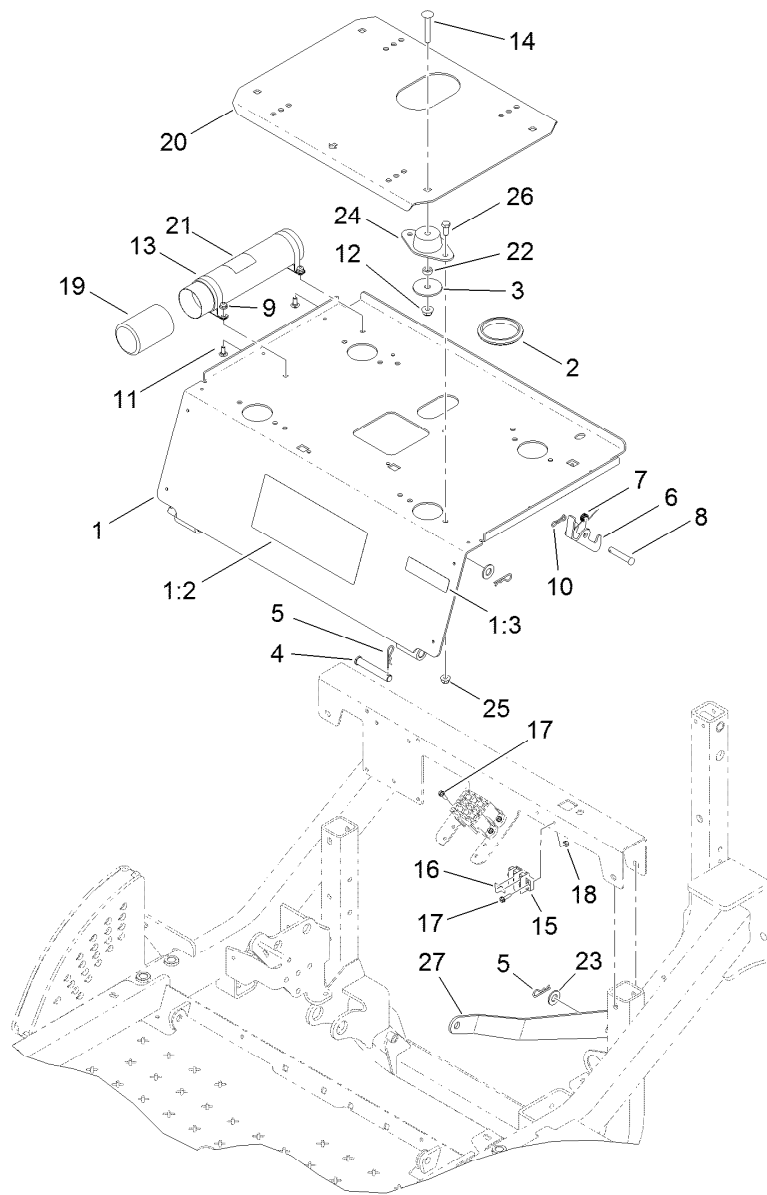
| Ref. | Part Number | Qty. | Description |
|------|-------------|------|-------------------------------------|
| 1 | 131-1920 | 1 | Fuel Tank ASM |
| 2 | 117-3359-03 | 1 | Plate-Cover |
| 4 | 125-9170 | 1 | Cap-Fuel, Diesel (Ultra Low Sulfur) |
| 5 | 117-3394 | 1 | Bracket-Tank |
| 6 | 117-3387 | 1 | Tube-Spacer |
| 7 | 323-39 | 1 | Screw-HH |
| 8 | 323-14 | 1 | Screw-HH |
| 9 | 100-7403 | 4 | Washer-Flat |
| 10 | 117-3353 | 1 | Cover-Tank, HYD |
| 11 | 3274-94 | 3 | Screw-HSBH |
| 12 | 105-4886 | 3 | Nut-Tinnerman |

| Ref. | Part Number | Qty. | Description |
|------|-------------|------|---------------|
| 13 | 3274-31 | 2 | Screw-HSBH |
| 14 | 104-8301 | 5 | Nut-HF, NI |
| 15 | 323-12 | 1 | Screw-HH |
| 25 | 95-1905 | 2 | Washer-Rubber |
| 26 | 105-6814 | 2 | Washer-Plain |
| 29 | 3256-24 | 1 | Washer-Plain |
| 30 | 110-3726 | 1 | Spacer |
| 32 | 110-4101 | 1 | Hose-Fuel |
| 33 | 92-2379 | 2 | Clamp-Hose |
| 34 | 2412-89 | 1 | Clamp-R |
| 35 | 3290-412 | 1 | Rivet-Blind |
| 36 | 120-6820 | 1 | Tube-Vent |



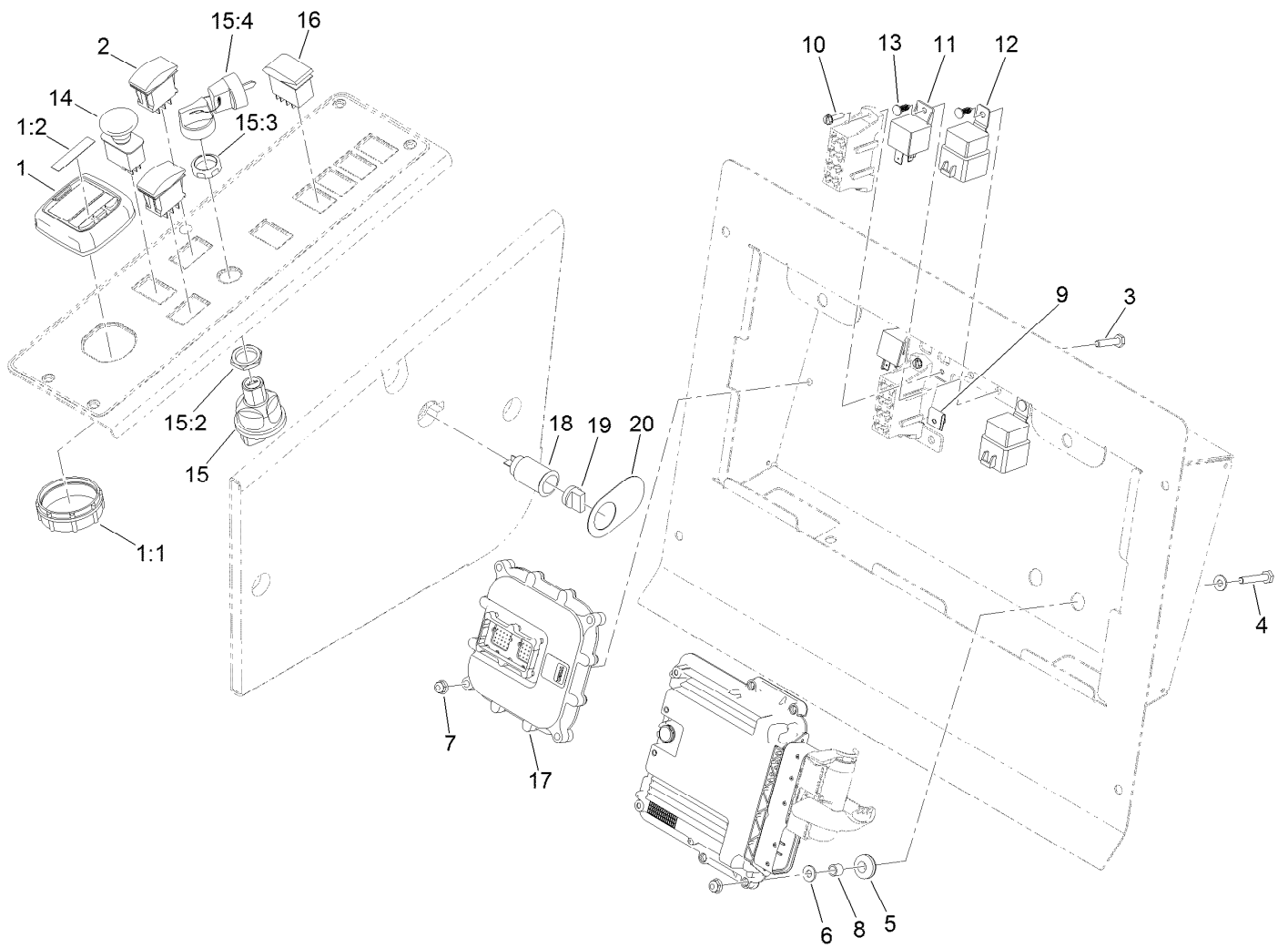
Fuel Tank Assembly No. 131-1920

| <i>Ref.</i> | <i>Part Number</i> | <i>Qty.</i> | <i>Description</i> |
|-------------|--------------------|-------------|-----------------------|
| 2 | 117-3238 | 1 | Gauge-Fuel |
| 2:1 | 119-0508 | 1 | Seal |
| 2:2 | 117-8404 | 1 | Dial-Gauge |
| 3 | 46-6560 | 3 | Bushing |
| 4 | 117-3370 | 1 | Pipe-Stand |
| 5 | 46-6550 | 2 | Fitting-Elbow, 90 DEG |



Seat Plate Assembly

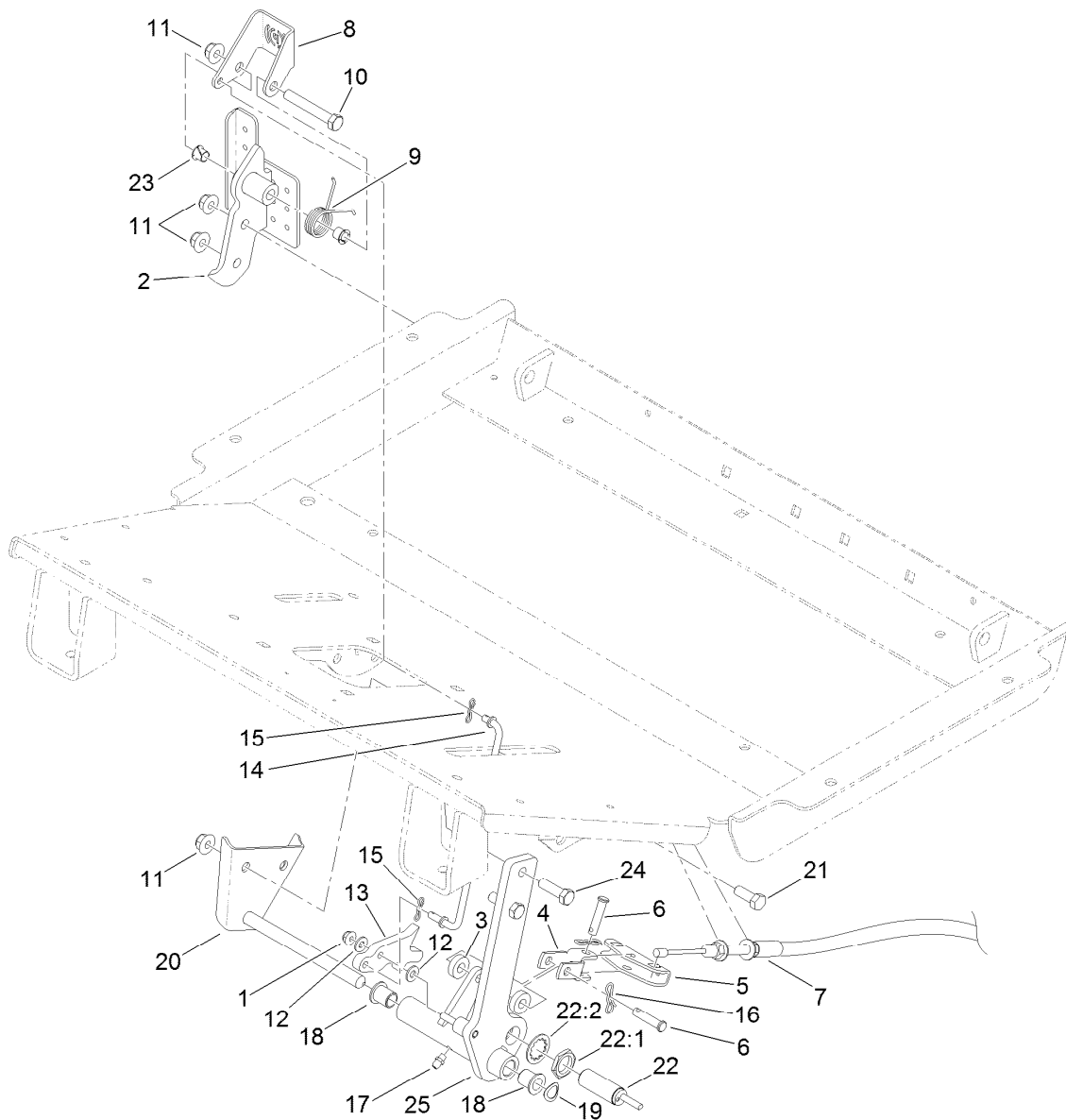
| <i>Ref.</i> | <i>Part Number</i> | <i>Qty.</i> | <i>Description</i> | <i>Ref.</i> | <i>Part Number</i> | <i>Qty.</i> | <i>Description</i> |
|-------------|--------------------|-------------|--------------------------|-------------|--------------------|-------------|------------------------|
| 1 | 120-0244 | 1 | Seat Plate ASM | 14 | 3231-40 | 4 | Bolt-CARR |
| 1:2 | 117-3273 | 1 | Decal-Operation, Warning | 15 | 42862 | 1 | Block-Terminal, Ground |
| 1:3 | 117-2718 | 1 | Decal-Arrester, Spark | 16 | 42863 | 1 | Strip-Jumper |
| 2 | 237-164 | 1 | Grommet | 17 | 32105-13 | 2 | Screw-HWH |
| 3 | 83-1040 | 4 | Washer-Flat | 18 | 3296-2 | 2 | Nut-Lock, NI |
| 4 | 283-55 | 2 | Pin-Clevis | 19 | 104-7048 | 1 | Cap-Housing |
| 5 | 3290-467 | 4 | Pin-Hair | 20 | 117-3065-03 | 1 | Plate-Seat |
| 6 | 117-3067 | 1 | Latch-Seat | 21 | 104-7050 | 1 | Tube-Manual |
| 7 | 104-4821 | 1 | Spring-Torsion | 22 | 83-1050 | 4 | Spacer |
| 8 | 283-82 | 1 | Pin-Clevis | 23 | 3256-26 | 2 | Washer-Flat |
| 9 | 104-7201 | 2 | Nut-HF, NI | 24 | 83-1030 | 4 | Mount-Engine |
| 10 | 119-1415 | 1 | Pin-Cotter, Locking | 25 | 104-8300 | 8 | Nut-HF, NI |
| 11 | 3229-1 | 2 | Screw-CARR | 26 | 322-3 | 8 | Screw-HH |
| 12 | 104-8301 | 4 | Nut-HF, NI | 27 | 120-0242-01 | 1 | Strap-Prop |
| 13 | 107-1865 | 2 | R-Clamp | | | | |



4 Wheel Drive Module Control and Relay Assembly

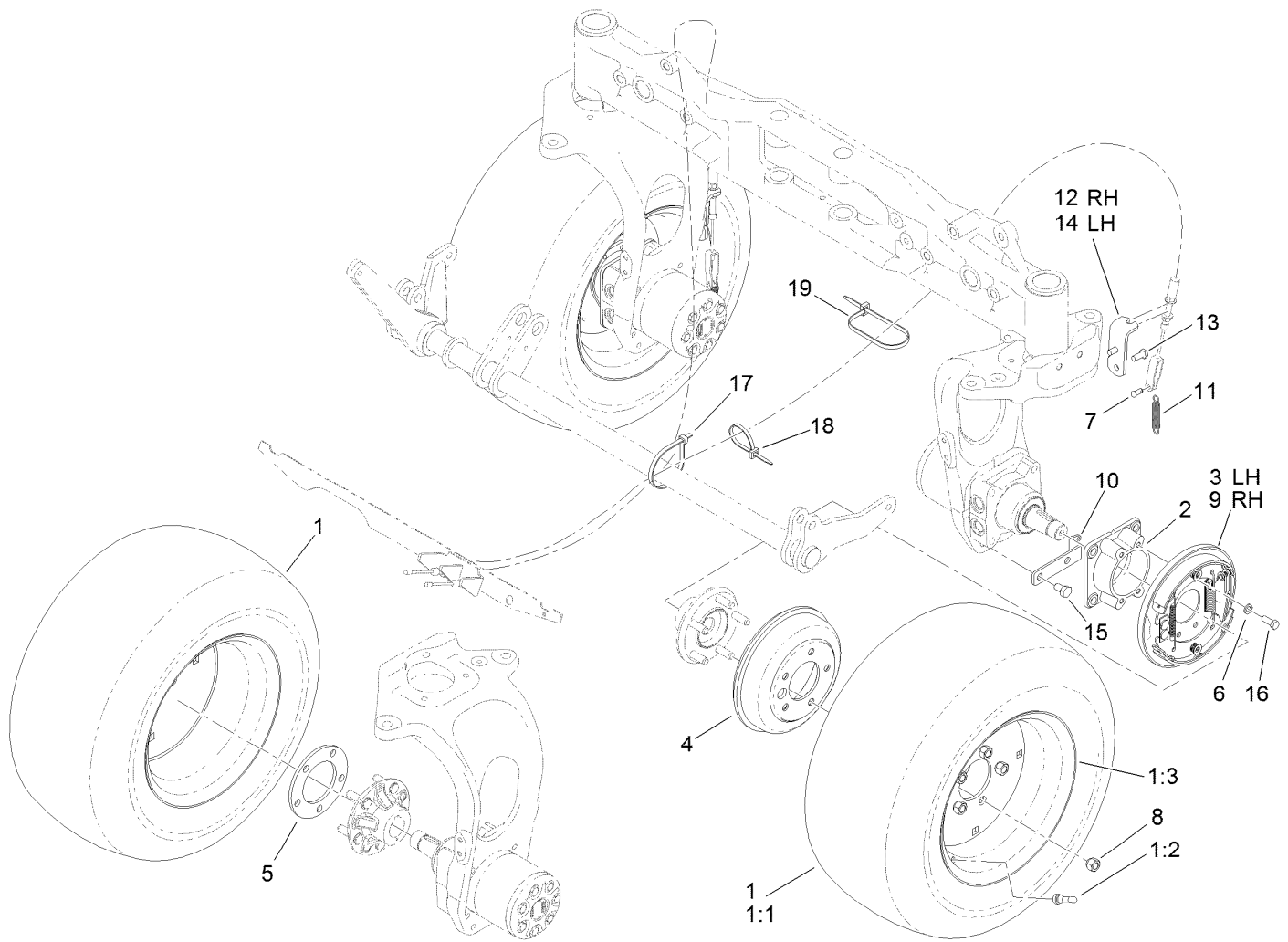
| Ref. | Part Number | Qty. | Description |
|------|-------------|------|------------------------------|
| 1 | 120-6310 | 1 | LCD Display ASM Kantrak 1700 |
| 1:1 | 120-4630 | 1 | Nut-Display |
| 1:2 | 120-6311 | 1 | Decal-Display |
| 2 | 100-1535 | 2 | Switch-Rocker, (On)-Off-(On) |
| 3 | 321-8 | 4 | Screw-HH |
| 4 | 321-9 | 4 | Screw-HH |
| 5 | 1-633630 | 4 | Grommet |
| 6 | 3256-22 | 8 | Washer-Flat |
| 7 | 104-7201 | 8 | Nut-HF, NI |
| 8 | 1-633545 | 4 | Spacer |
| 9 | 125-4384 | 4 | Nut-Speed, U-Type |
| 10 | 32105-13 | 4 | Screw-HWH |

| Ref. | Part Number | Qty. | Description |
|------|-------------|------|---------------------------|
| 11 | 99-7435 | 2 | Relay |
| 12 | 99-7430 | 2 | Relay-Mini |
| 13 | 120-6737 | 4 | Plug-Plastic |
| 14 | 95-4108 | 1 | Switch-PTO, On-On-None |
| 15 | 121-5159 | 1 | Switch-Ignition |
| 15:2 | 121-5160 | 1 | Nut-Hex |
| 15:3 | 121-5161 | 1 | Nut-Face |
| 15:4 | 121-5162 | 1 | Set-Key, Ignition |
| 16 | 100-8490 | 1 | Switch-Rocker, On-None-On |
| 17 | 115-1900 | 1 | Controller |
| 18 | 99-7411 | 1 | Point-Power |
| 19 | 99-7416 | 1 | Cap |
| 20 | 106-2353 | 1 | Decal-Powerpoint |



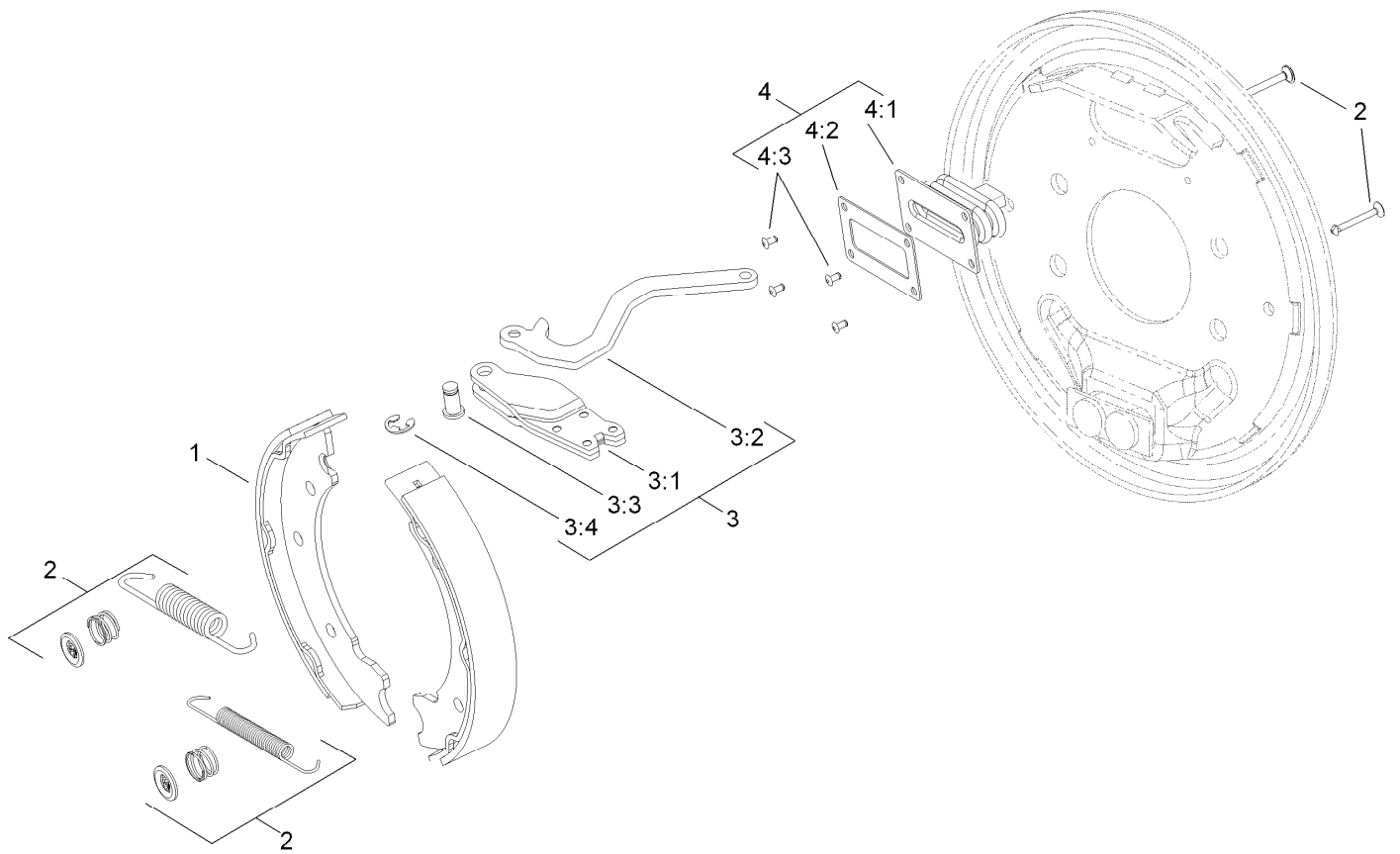
Brake Pedal Assembly

| <i>Ref.</i> | <i>Part Number</i> | <i>Qty.</i> | <i>Description</i> | <i>Ref.</i> | <i>Part Number</i> | <i>Qty.</i> | <i>Description</i> |
|-------------|--------------------|-------------|--------------------|-------------|--------------------|-------------|-----------------------------|
| 1 | 104-7201 | 1 | Nut-HF, NI | 15 | 119-1414 | 2 | Pin-Cotter, Locking |
| 2 | 119-1403-03 | 1 | Pedal-Brake | 16 | 119-1415 | 2 | Pin-Cotter, Locking |
| 3 | 5-0652 | 2 | Spacer | 17 | 302-5 | 1 | Fitting-Grease |
| 4 | 115-8060 | 1 | Clevis-Double | 18 | 125-8775 | 2 | Bushing-Flange |
| 5 | 115-8059 | 1 | Yoke-Cable | 19 | 3290-221 | 1 | Washer-Spring |
| 6 | 283-14 | 2 | Pin-Clevis | 20 | 119-1388 | 1 | Pin-Brake |
| 7 | 117-3214 | 2 | Cable-Brake | 21 | 323-6 | 2 | Screw-HH |
| 8 | 119-1407 | 1 | Pedal-Park | 22 | 115-5300 | 1 | Proximity Switch ASM |
| 9 | 99-7140 | 1 | Spring-Torsion | 22:1 | 117-3207 | 2 | Nut-Hex |
| 10 | 323-12 | 1 | Screw-HH | 22:2 | 117-3208 | 2 | Washer-Lock, Internal Tooth |
| 11 | 104-8301 | 5 | Nut-HF, NI | 23 | 52-2891 | 2 | Bushing-Flanged, Nylon |
| 12 | 3256-22 | 2 | Washer-Flat | 24 | 323-7 | 2 | Screw-HH |
| 13 | 119-1406 | 1 | Detent-Brake | 25 | 119-1400-03 | 1 | Lever-Brake |
| 14 | 119-1405 | 1 | Rod-Brake Pawl | | | | |



Wheel and Brake Assembly

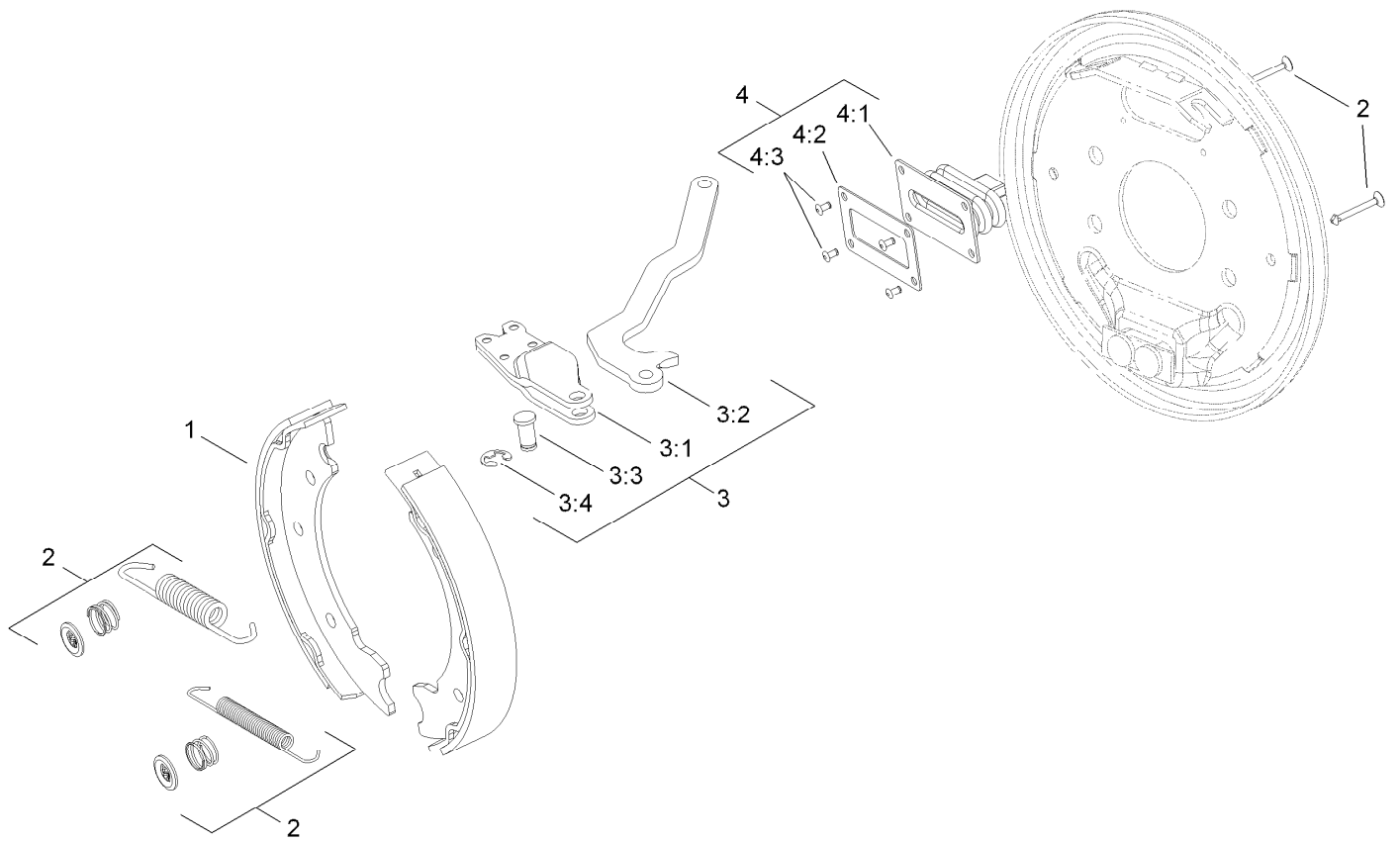
| Ref. | Part Number | Qty. | Description | Ref. | Part Number | Qty. | Description |
|------|-------------|------|--------------------|------|-------------|------|-------------------------|
| 1 | 117-2900 | 4 | Tire And Wheel ASM | 9 | 120-0233 | 1 | RH Brake ASM |
| 1:1 | 117-2901 | 1 | Tire | 10 | 115-0132 | 2 | Bracket-Spring, Return |
| 1:2 | 232-27 | 1 | Stem-Valve | 11 | 87-4020 | 2 | Spring-Extension |
| 1:3 | 117-2902 | 1 | Rim | 12 | 119-1352-03 | 1 | Bracket-Brake Cable, RH |
| 2 | 120-0248-03 | 2 | Adapter-Brake | 13 | 325-2 | 4 | Screw-HH |
| 3 | 120-0235 | 1 | LH Brake ASM | 14 | 119-1449-03 | 1 | Bracket-Brake Cable, LH |
| 4 | 114-8864 | 2 | Drum-Brake | 15 | 323-5 | 4 | Screw-HH |
| 5 | 115-0199-03 | 2 | Spacer-Wheel | 16 | 323-6 | 8 | Screw-HH |
| 6 | 3253-21 | 8 | Washer-Lock | 17 | 3334-945 | 1 | Tie-Cable |
| 7 | 283-62 | 2 | Pin-Clevis | 18 | 3290-378 | 1 | Tie-Cable |
| 8 | 242-50 | 10 | Nut-Lug | 19 | 250-5 | 1 | Tie-Cable |



Left Hand Brake Assembly No. 120-0235

| Ref. | Part Number | Qty. | Description |
|------|-------------|------|--------------------|
| 1 | 108-6981 | 1 | Brake Shoe Kit |
| 2 | 108-6983 | 1 | Brake Hardware Kit |
| 3 | 120-0236 | 1 | LH Actuator Kit |
| 3:1 | | 1 | Housing ● |
| 3:2 | | 1 | Lever-LH ● |
| 3:3 | | 1 | Pin-Pivot ● |
| 3:4 | | 1 | E-Ring ● |
| 4 | 110-8885 | 1 | Dust Boot Kit |
| 4:1 | | 1 | Boot ● |
| 4:2 | | 1 | Plate-Back Up ● |
| 4:3 | | 2 | Rivet ● |

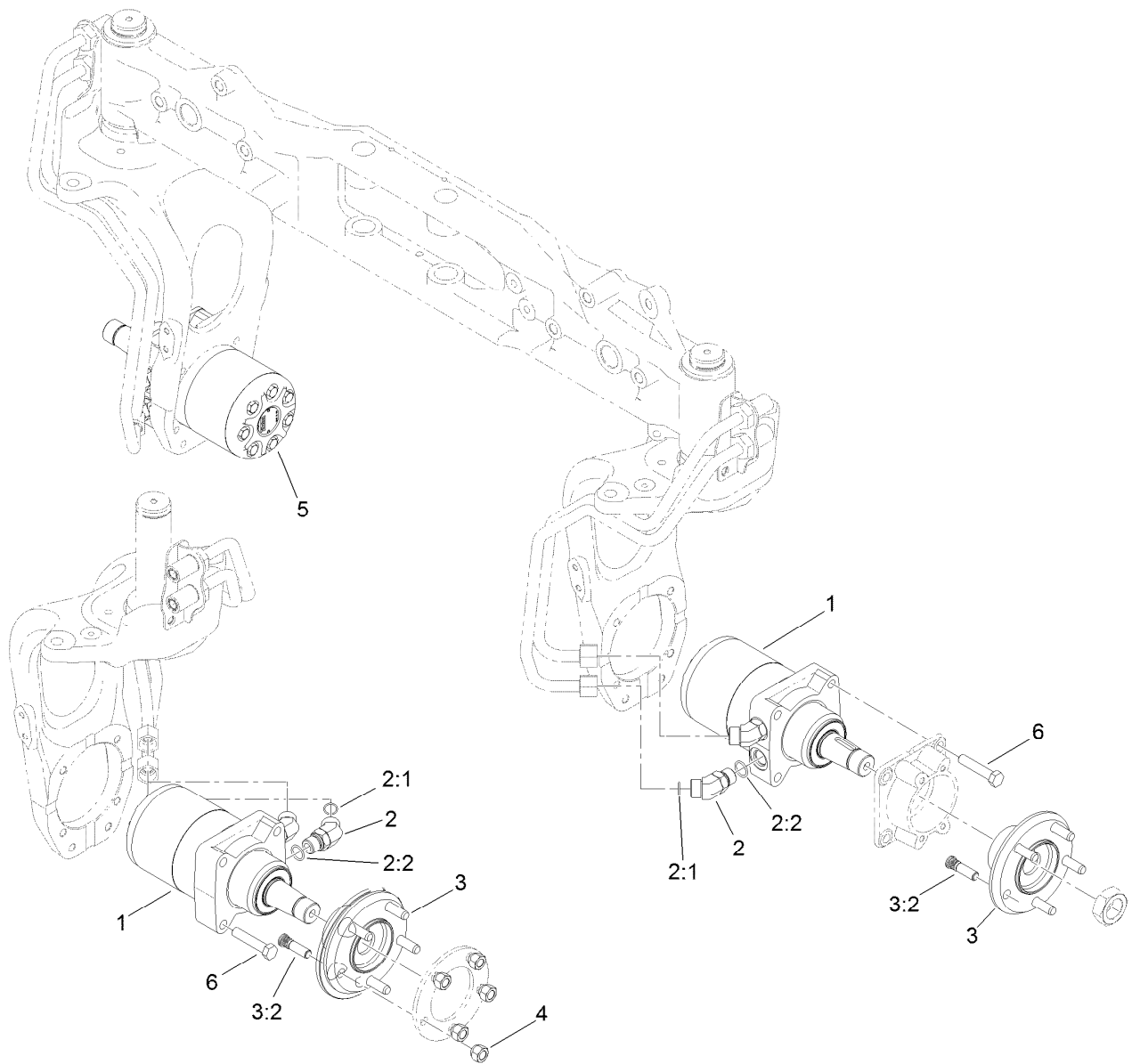
● Not serviced separately



Right Hand Brake Assembly No. 120-0233

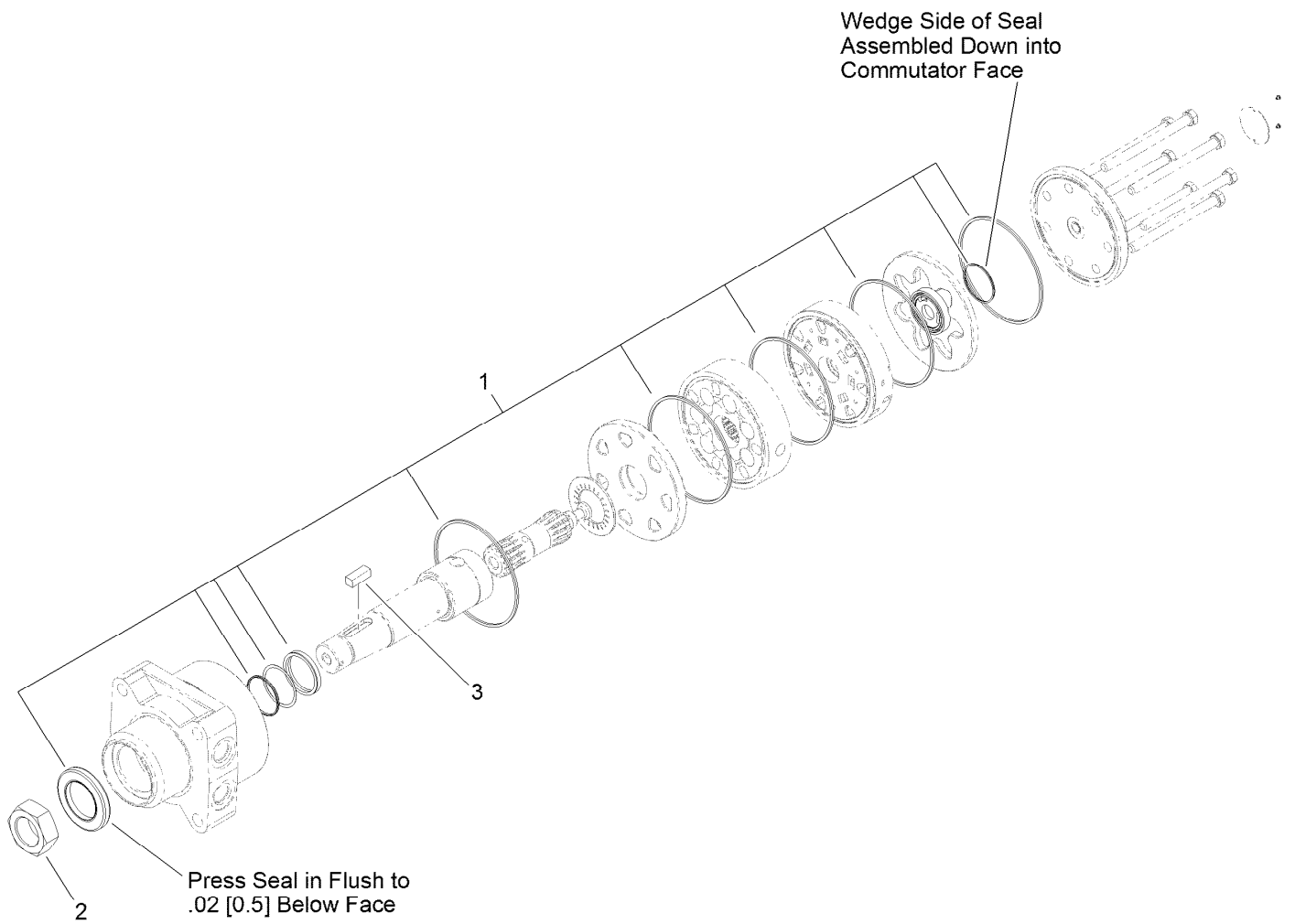
| Ref. | Part Number | Qty. | Description |
|------|-------------|------|--------------------|
| 1 | 108-6981 | 1 | Brake Shoe Kit |
| 2 | 108-6983 | 1 | Brake Hardware Kit |
| 3 | 120-0234 | 1 | RH Actuator Kit |
| 3:1 | | 1 | Housing ● |
| 3:2 | | 1 | Lever-RH ● |
| 3:3 | | 1 | Pin-Pivot ● |
| 3:4 | | 1 | E-Ring ● |
| 4 | 110-8885 | 1 | Dust Boot Kit |
| 4:1 | | 1 | Boot ● |
| 4:2 | | 1 | Plate-Back Up ● |
| 4:3 | | 2 | Rivet ● |

● Not serviced separately



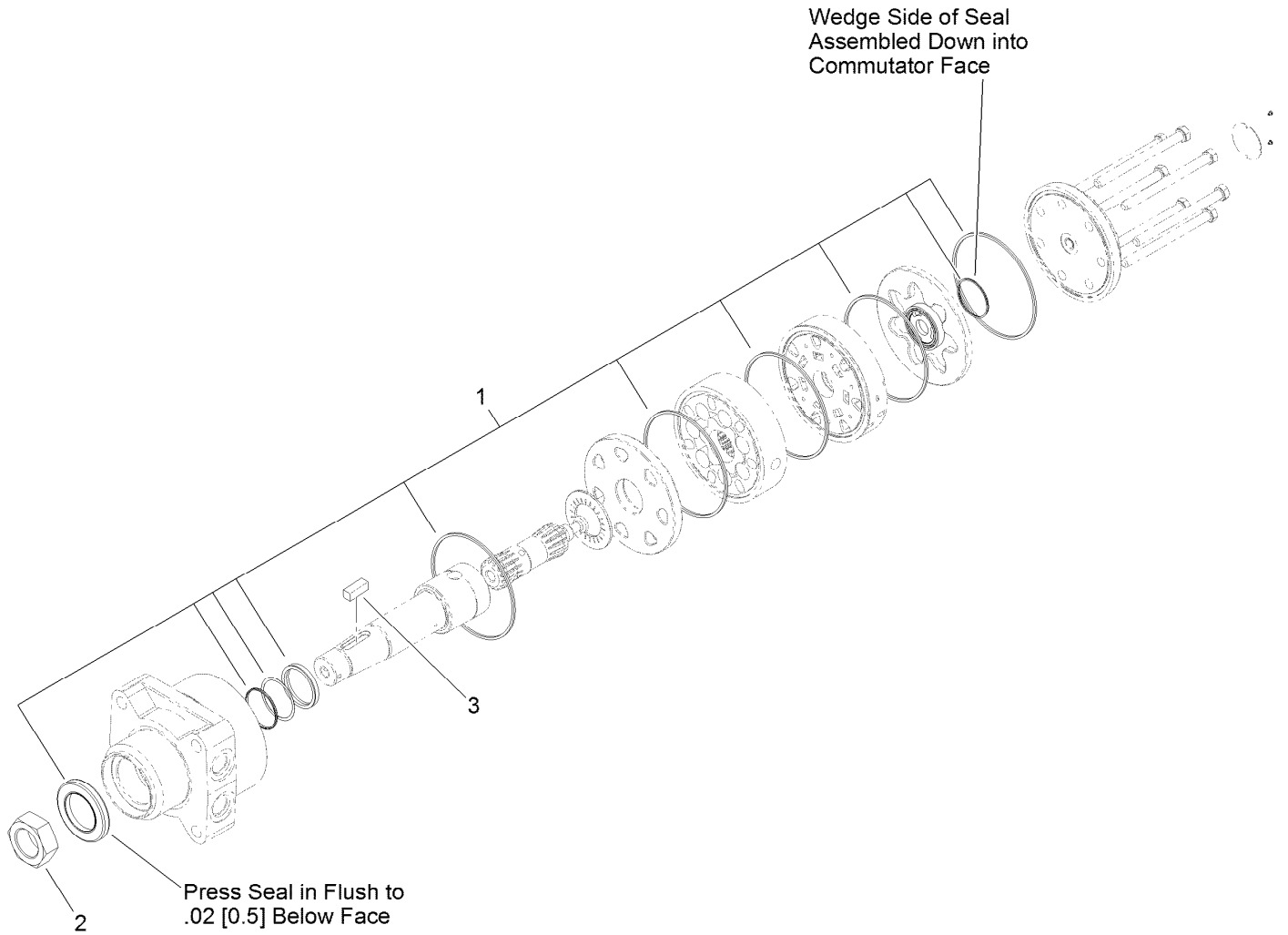
4 Wheel Drive Hydraulic Motor and Fitting Assembly

| <i>Ref.</i> | <i>Part Number</i> | <i>Qty.</i> | <i>Description</i> |
|-------------|--------------------|-------------|-------------------------|
| 1 | 117-3284 | 2 | HYD Motor ASM (280 CCW) |
| 2 | 340-14 | 8 | Fitting-HYD, 45 DEG |
| 2:1 | 237-65 | 1 | O-Ring |
| 2:2 | 237-80 | 1 | O-Ring |
| 3 | 121-5492 | 4 | Wheel Hub ASM |
| 3:2 | 114-3918 | 5 | Stud-Wheel |
| 4 | 242-50 | 10 | Nut-Lug |
| 5 | 117-3285 | 2 | HYD Motor ASM (280 CW) |
| 6 | 325-34 | 16 | Screw-HH |



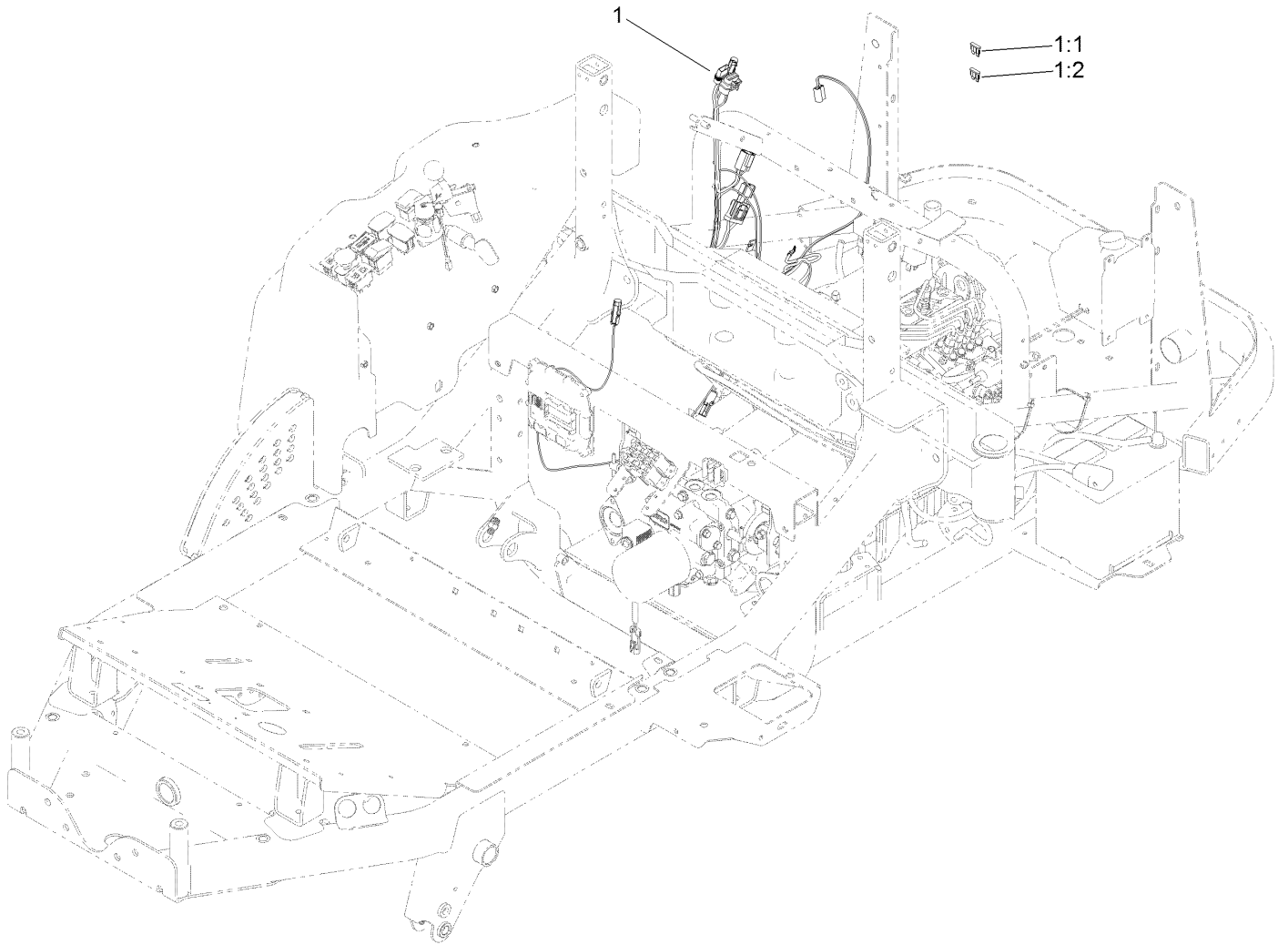
Hydraulic Motor Assembly No. 117-3284 (CCW)

| <i>Ref.</i> | <i>Part Number</i> | <i>Qty.</i> | <i>Description</i> |
|-------------|--------------------|-------------|--------------------|
| 1 | 107-9368 | 1 | Seal Kit |
| 2 | 117-3290 | 1 | Nut-Hex |
| 3 | 117-5198 | 1 | Key-Square |



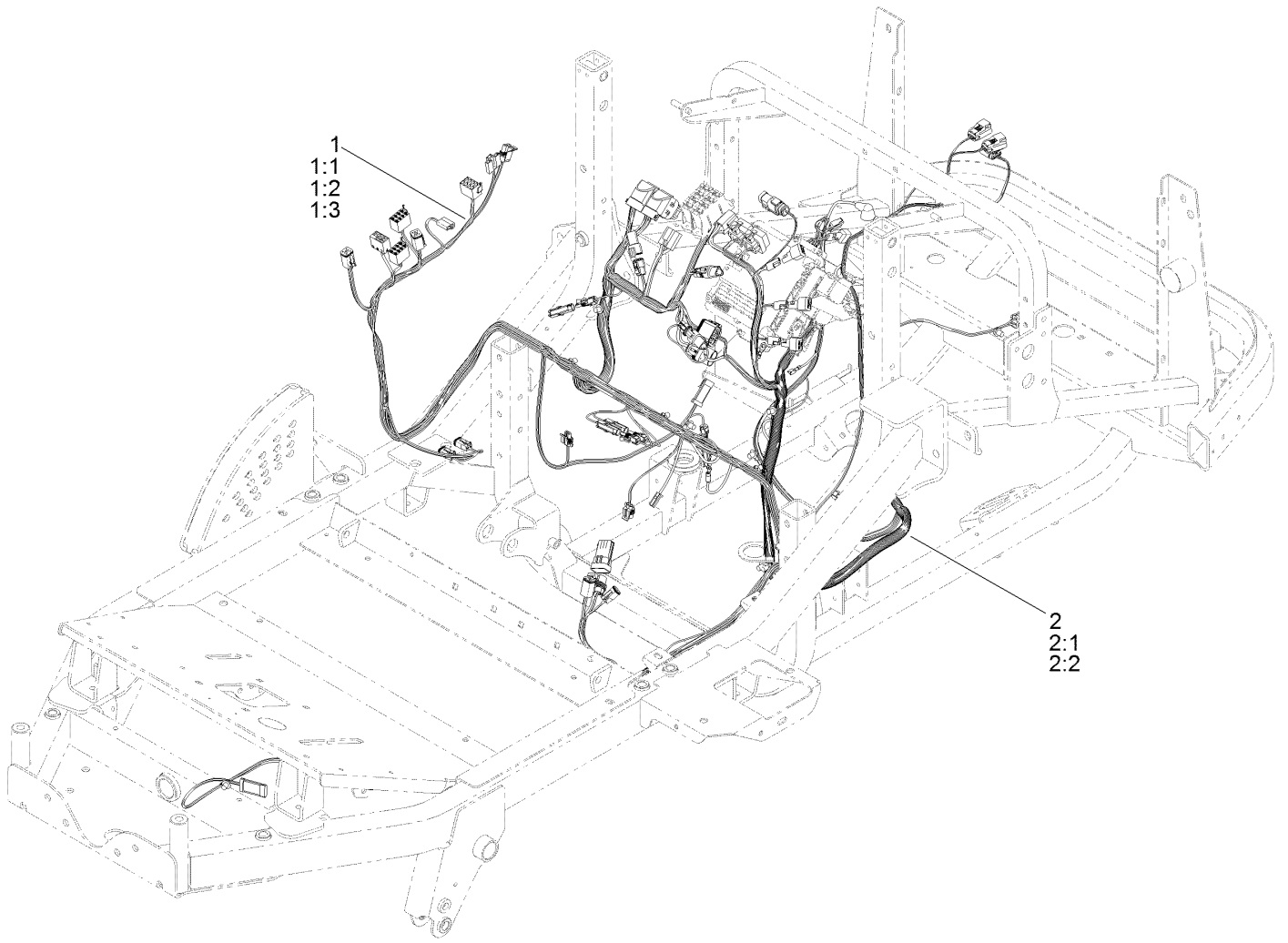
Hydraulic Motor Assembly No. 117-3285 (CW)

| <i>Ref.</i> | <i>Part Number</i> | <i>Qty.</i> | <i>Description</i> |
|-------------|--------------------|-------------|--------------------|
| 1 | 107-9368 | 1 | Seal Kit |
| 2 | 117-3290 | 1 | Nut-Hex |
| 3 | 117-5198 | 1 | Key-Square |



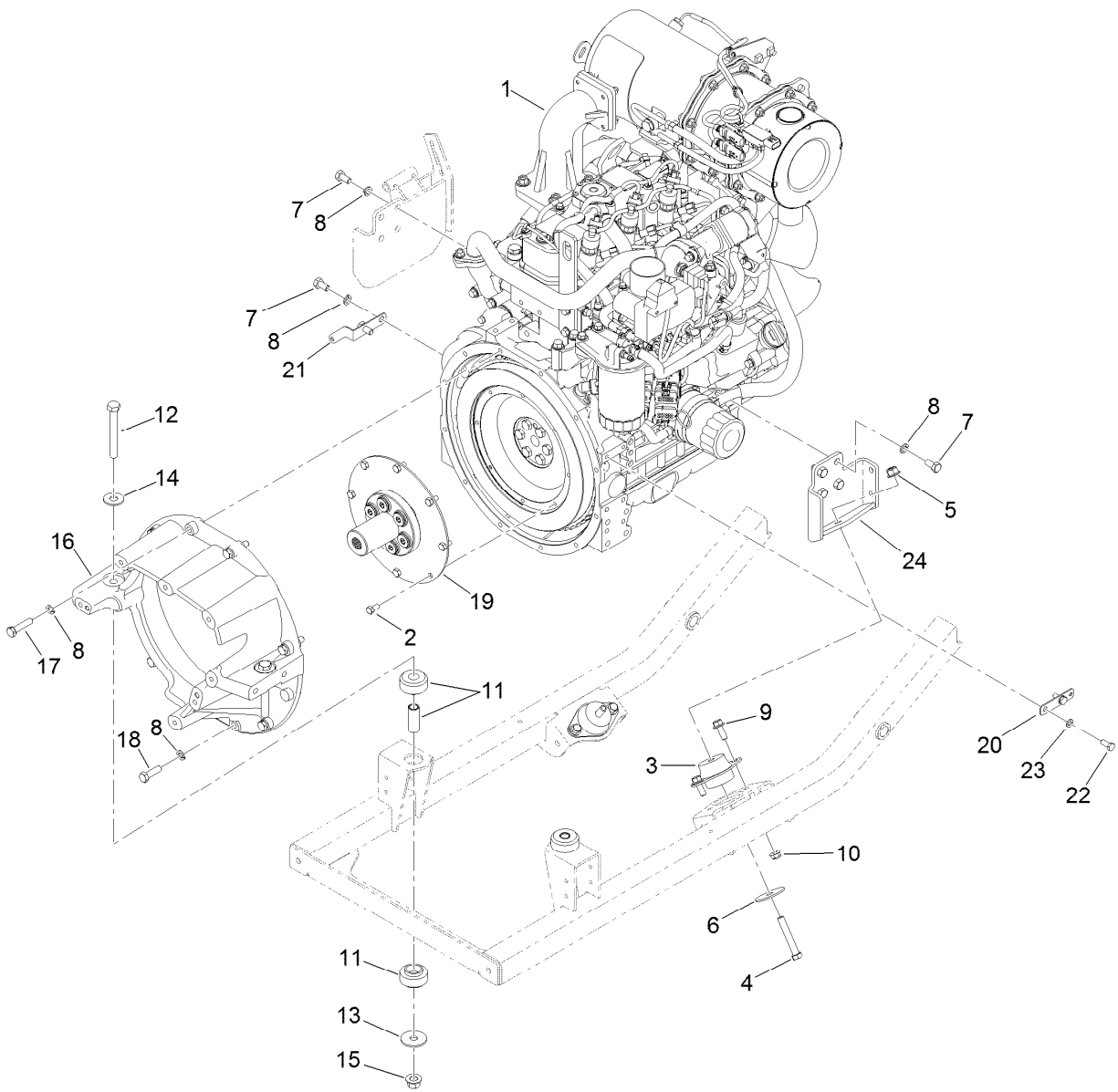
Cab Wire Harness Assembly

| <i>Ref.</i> | <i>Part Number</i> | <i>Qty.</i> | <i>Description</i> |
|-------------|--------------------|-------------|---------------------|
| 1 | 119-4384 | 1 | Harness-Wire, Power |
| 1:1 | 114-3342 | 1 | Fuse-Maxi, 60 Amp |
| 1:2 | 218-578 | 1 | Fuse-Blade, 10 Amp |



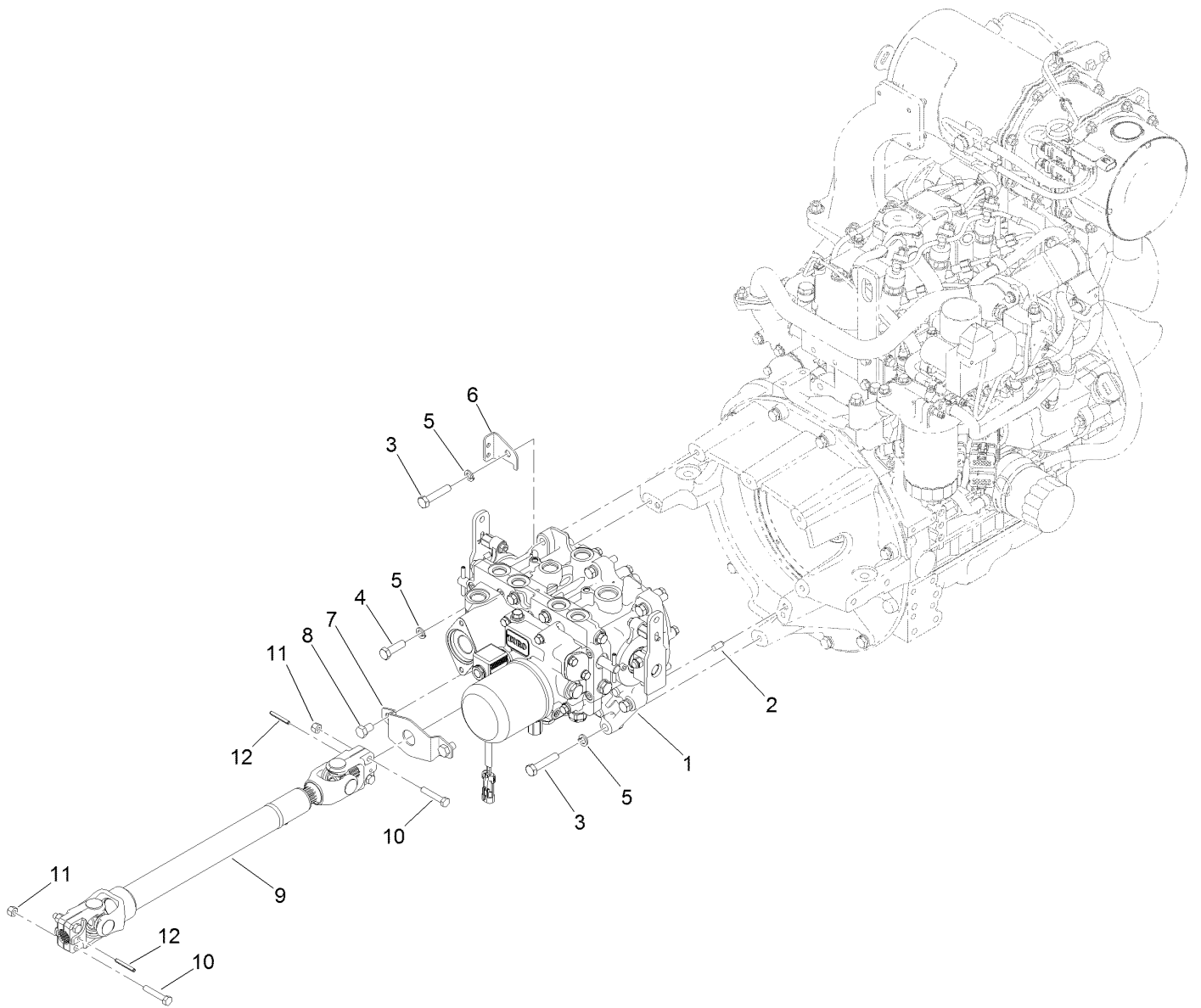
Electrical Assembly

| <i>Ref.</i> | <i>Part Number</i> | <i>Qty.</i> | <i>Description</i> |
|-------------|--------------------|-------------|---------------------|
| 1 | 119-4373 | 1 | Harness-Platform |
| 1:1 | 218-578 | 4 | Fuse-Blade, 10 Amp |
| 1:2 | 109355 | 1 | Fuse-Blade, 15 Amp |
| 1:3 | 114241 | 3 | Fuse-Blade, 7.5 Amp |
| 2 | 119-4375 | 1 | Harness-Engine |
| 2:1 | 109102 | 1 | Fuse-Blade, 25 Amp |
| 2:2 | 94-6710 | 1 | Fuse-2 Amp |



Engine Assembly

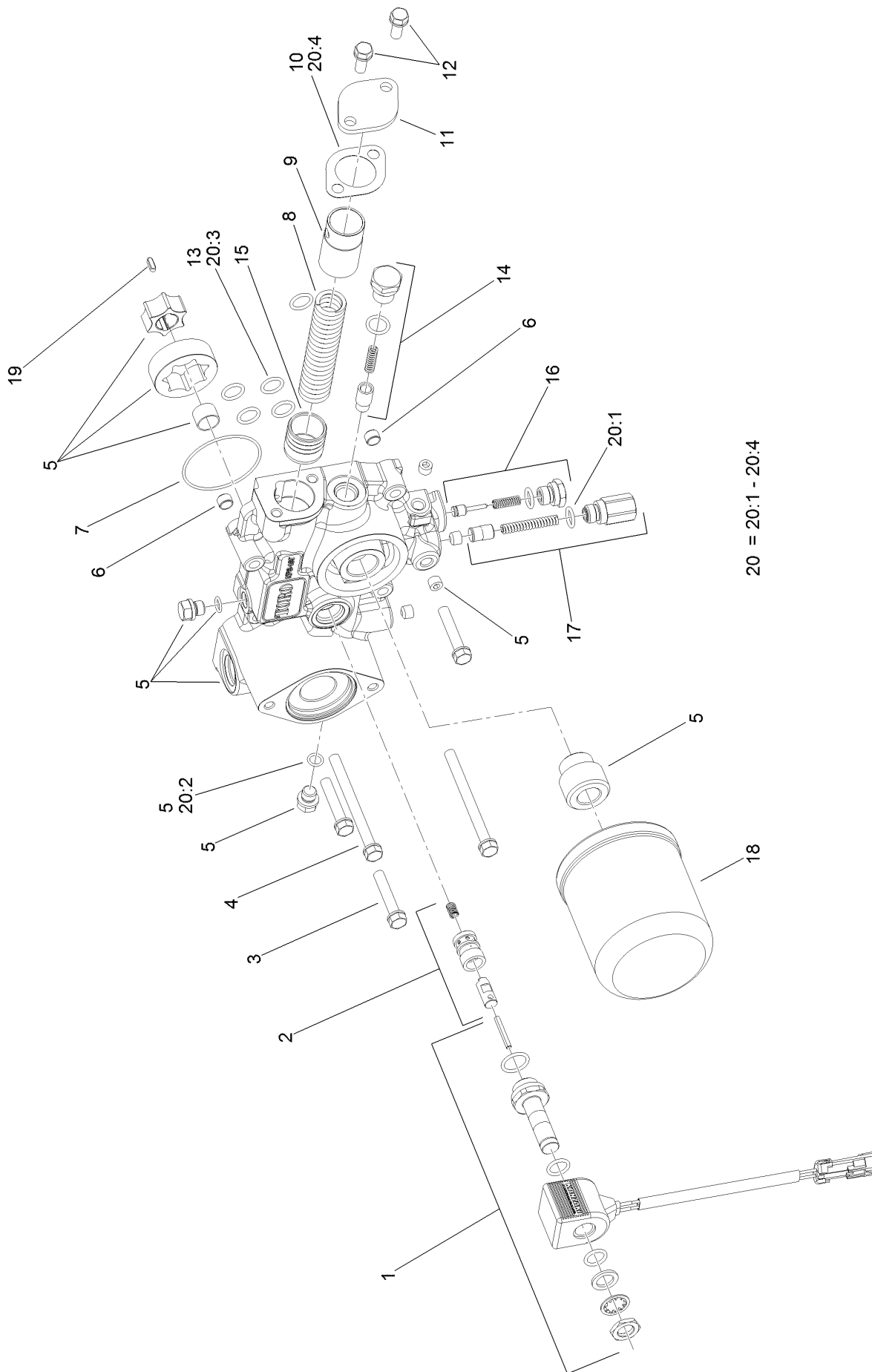
| <i>Ref.</i> | <i>Part Number</i> | <i>Qty.</i> | <i>Description</i> | <i>Ref.</i> | <i>Part Number</i> | <i>Qty.</i> | <i>Description</i> |
|-------------|--------------------|-------------|--------------------|-------------|--------------------|-------------|--------------------|
| 1 | 121-5399 | 1 | Engine-Yanmar | 13 | 86-1990 | 2 | Washer |
| 2 | 99-5132 | 8 | Bolt | 14 | 3256-6 | 2 | Washer-Flat |
| 3 | 53-9681 | 2 | Mount-Engine | 15 | 99-5107 | 2 | Nut-Lock |
| 4 | 324-11 | 2 | Screw-HH | 16 | 125-2836 | 1 | Housing-Flywheel |
| 5 | 114-8417 | 2 | Nut-HF, NI | 17 | 33115-045 | 7 | Screw-HH |
| 6 | 87-5100 | 2 | Washer-Snubbing | 18 | 33115-035 | 2 | Screw-HH |
| 7 | 33115-020 | 10 | Screw-HH | 19 | 120-9131 | 1 | Coupling-Flywheel |
| 8 | 48-9590 | 19 | Washer-Lock | 20 | 121-5636 | 1 | Tab-Harness |
| 9 | 3234-42 | 4 | Screw-HHF | 21 | 121-6580 | 1 | Bracket-Harness |
| 10 | 104-8301 | 4 | Nut-HF, NI | 22 | 33114-020 | 2 | Screw-HH |
| 11 | 120-9168 | 2 | Mount-Rubber | 23 | 3253-4 | 2 | Washer-Lock |
| 12 | 325-17 | 2 | Screw-HH | 24 | 125-2841-03 | 1 | Mount-LH |



Transmission Component Assembly

| <i>Ref.</i> | <i>Part Number</i> | <i>Qty.</i> | <i>Description</i> |
|-------------|--------------------|-------------|--------------------|
| 1 | 125-9290 | 1 | Transmisson ASM |
| 2 | 87-1910 | 2 | Pin-Dowel |
| 3 | 33115-050 | 6 | Screw-HH |
| 4 | 33115-035 | 1 | Screw-HH |
| 5 | 48-9590 | 7 | Washer-Lock |
| 6 | 120-0239 | 1 | Support-Tube |
| 7 | 114-4088 | 1 | Shield-Seal |
| 8 | 33115-016 | 2 | Screw-HH |
| 9 | 110-3575 | 1 | Driveshaft ASM |
| 10 | 322-9 | 4 | Screw-HH |
| 11 | 3296-29 | 4 | Nut-Lock, NI |
| 12 | 32121-34 | 2 | Pin-Roll |

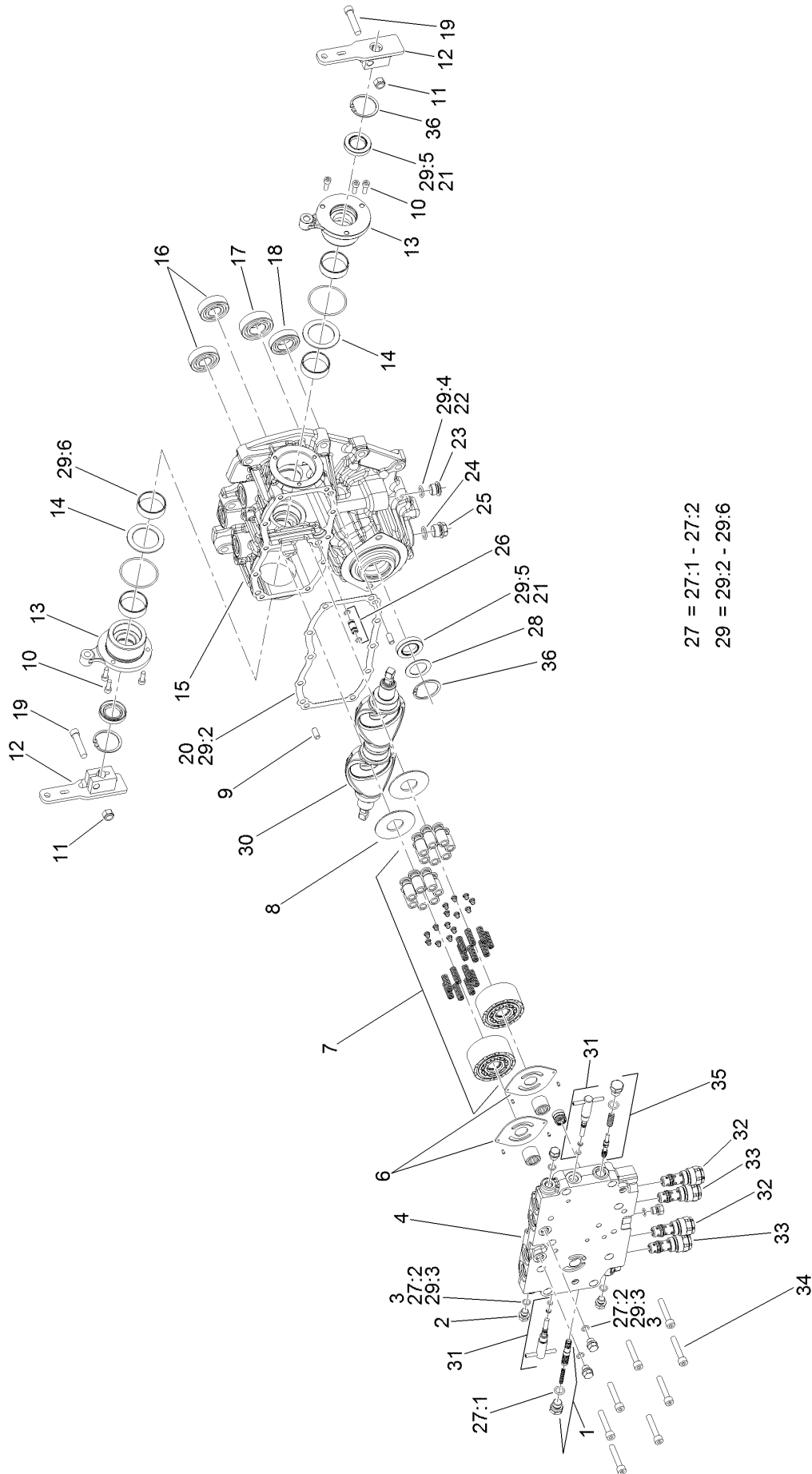
Charge Pump Housing Assembly Transmission Assembly No. 125-9290



Charge Pump Housing Assembly Transmission Assembly No. 125-9290 (continued)

| <i>Ref.</i> | <i>Part Number</i> | <i>Qty.</i> | <i>Description</i> | <i>Ref.</i> | <i>Part Number</i> | <i>Qty.</i> | <i>Description</i> |
|-------------|--------------------|-------------|---------------------|-------------|--------------------|-------------|-------------------------|
| 1 | 107-0851 | 1 | Solenoid ASM | 13 | 104-3298 | 1 | Packing |
| 2 | 107-0850 | 1 | Solenoid Valve ASM | 14 | 107-0843 | 1 | Filter Bypass Valve ASM |
| 3 | 107-0863 | 3 | Bolt | 15 | 107-0818 | 1 | Piston |
| 4 | 107-0864 | 2 | Bolt | 16 | 120-5153 | 1 | Charge Relief Valve ASM |
| 5 | 107-0840 | 1 | Pump Body ASM | 17 | 107-0841 | 1 | Pressure Valve ASM |
| 6 | 107-0848 | 2 | Pin | 18 | 108-5194 | 1 | Filter-Oil, HYD |
| 7 | 107-0856 | 1 | O-Ring | 19 | 107-0865 | 1 | Key |
| 8 | 107-0845 | 1 | Spring | 20 | 107-0855 | 1 | Charge Pump Seal Kit |
| 9 | 107-0844 | 1 | Collar | 20:1 | 93-0418 | 2 | O-Ring |
| 10 | 107-0847 | 1 | Gasket | 20:2 | 107-0817 | 2 | O Ring-Plug |
| 11 | 107-0846 | 1 | Cover | 20:3 | 104-3298 | 6 | Packing |
| 12 | 93-0457 | 2 | Bolt And Washer ASM | 20:4 | 107-0847 | 1 | Gasket |

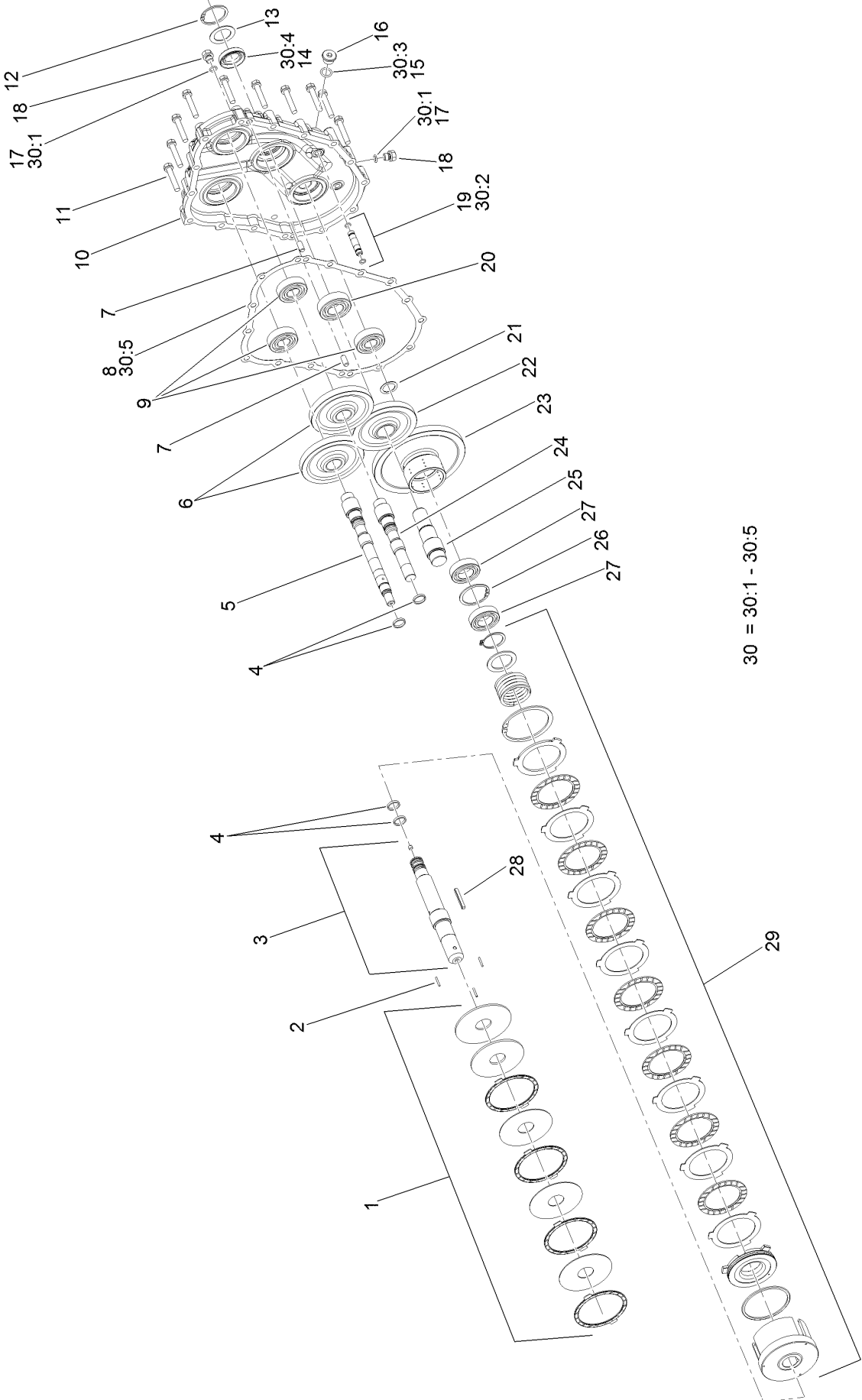
Center Section Assembly Transmission Assembly No. 125-9290



Center Section Assembly Transmission Assembly No. 125-9290 (continued)

| <i>Ref.</i> | <i>Part Number</i> | <i>Qty.</i> | <i>Description</i> | <i>Ref.</i> | <i>Part Number</i> | <i>Qty.</i> | <i>Description</i> |
|-------------|--------------------|-------------|---------------------|-------------|--------------------|-------------|-----------------------|
| 1 | 107-0807 | 1 | Valve-Flushing, RH | 23 | 107-0861 | 1 | Plug-NPTF |
| 2 | 107-0857 | 6 | Plug | 24 | 237-79 | 1 | O-Ring |
| 3 | 107-0817 | 6 | O Ring-Plug | 25 | 107-0867 | 1 | Plug |
| 4 | 120-5150 | 1 | Center Case ASM | 26 | 107-0812 | 1 | Pipe |
| 6 | 107-0805 | 2 | Plate-Valve | 27 | 107-0852 | 1 | Center Case Seal Kit |
| 7 | 107-0824 | 2 | Cylinder Block ASM | 27:1 | 93-0418 | 2 | O-Ring |
| 8 | 107-0830 | 2 | Plate-Thrust | 27:2 | 107-0817 | 6 | O Ring-Plug |
| 9 | 92-0765 | 4 | Pin-Parallel | 28 | 107-0813 | 1 | Spacer |
| 10 | 107-0859 | 6 | Bolt | 29 | 107-0853 | 1 | Pump Housing Seal Kit |
| 11 | 120-6681 | 2 | U-Nut | 29:2 | 107-0810 | 1 | Gasket-Case, Center |
| 12 | 131-5505 | 2 | Arm-Control | 29:3 | 107-0817 | 2 | O Ring-Plug |
| 13 | 107-0832 | 2 | Side Cover ASM | 29:4 | 104-3298 | 1 | Packing |
| 14 | 107-0829 | 2 | Washer | 29:5 | 107-0814 | 3 | Seal |
| 15 | 120-5151 | 1 | Pump Housing ASM | 29:6 | 107-0825 | 4 | Ring-Seal |
| 16 | 107-0826 | 2 | Bearing | 30 | 120-6679 | 2 | Plate-Swash |
| 17 | 107-0821 | 1 | Bearing | 31 | 107-0808 | 2 | Valve-Bypass |
| 18 | 107-0838 | 1 | Bearing | 32 | 107-0804 | 2 | Valve-Rear |
| 19 | 120-6682 | 2 | Bolt | 33 | 107-0803 | 2 | Valve-Front |
| 20 | 107-0810 | 2 | Gasket-Case, Center | 34 | 107-0863 | 8 | Bolt |
| 21 | 107-0814 | 1 | Seal | 35 | 107-0806 | 1 | Valve-Flushing, LH |
| 22 | 104-3298 | 1 | Packing | 36 | 92-0757 | 2 | Ring-Snap |

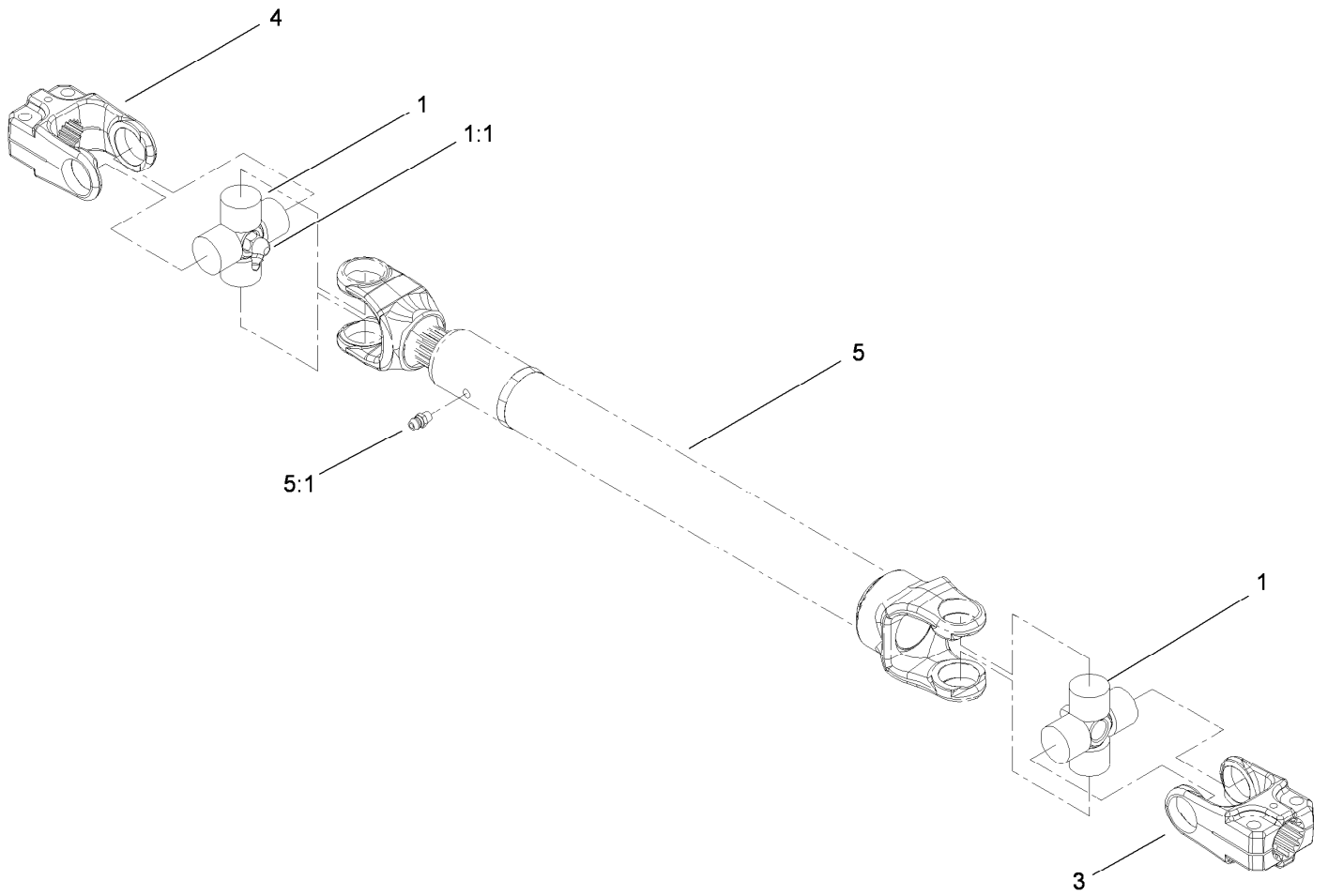
Gear Case and Clutch Assembly Transmission Assembly No. 125-9290



Gear Case and Clutch Assembly Transmission Assembly No. 125-9290 (continued)

| <i>Ref.</i> | <i>Part Number</i> | <i>Qty.</i> | <i>Description</i> | <i>Ref.</i> | <i>Part Number</i> | <i>Qty.</i> | <i>Description</i> |
|-------------|--------------------|-------------|----------------------|-------------|--------------------|-------------|-----------------------|
| 1 | 107-0839 | 1 | PTO Brake ASM | 19 | 107-0811 | 1 | Pipe |
| 2 | 107-0837 | 3 | Rod-Push | 20 | 107-0821 | 2 | Bearing |
| 3 | 107-0833 | 1 | PTO Shaft ASM | 21 | 107-0836 | 1 | Spacer |
| 4 | 107-0825 | 2 | Ring-Seal | 22 | 107-0820 | 1 | Gear-Input |
| 5 | 107-0827 | 1 | Shaft-Pump | 23 | 107-0834 | 1 | Gear-PTO |
| 6 | 107-0823 | 2 | Gear-Pump | 24 | 107-0822 | 1 | Shaft-Pump |
| 7 | 92-0765 | 4 | Pin-Parallel | 25 | 107-0819 | 1 | Shaft-Input |
| 8 | 107-0816 | 1 | Gasket-Housing, Gear | 26 | 92-0758 | 1 | Ring-Snap |
| 9 | 107-0826 | 4 | Bearing | 27 | 107-0838 | 3 | Bearing |
| 10 | 120-5152 | 1 | Housing-Case, Gear | 28 | 107-0866 | 1 | Key |
| 11 | 107-0863 | 13 | Bolt | 29 | 107-0835 | 1 | Clutch Cylinder ASM |
| 12 | 92-0757 | 1 | Ring-Snap | 30 | 107-0854 | 1 | Gear Housing Seal Kit |
| 13 | 107-0813 | 1 | Spacer | 30:1 | 107-0817 | 2 | O Ring-Plug |
| 14 | 107-0814 | 1 | Seal | 30:2 | | 2 | O-Ring ● |
| 15 | 104-3298 | 1 | Packing | 30:3 | 104-3298 | 1 | Packing |
| 16 | 107-0861 | 1 | Plug-NPTF | 30:4 | 107-0814 | 1 | Seal |
| 17 | 107-0817 | 6 | O Ring-Plug | 30:5 | 107-0816 | 1 | Gasket-Housing, Gear |
| 18 | 107-0857 | 6 | Plug | | | | |

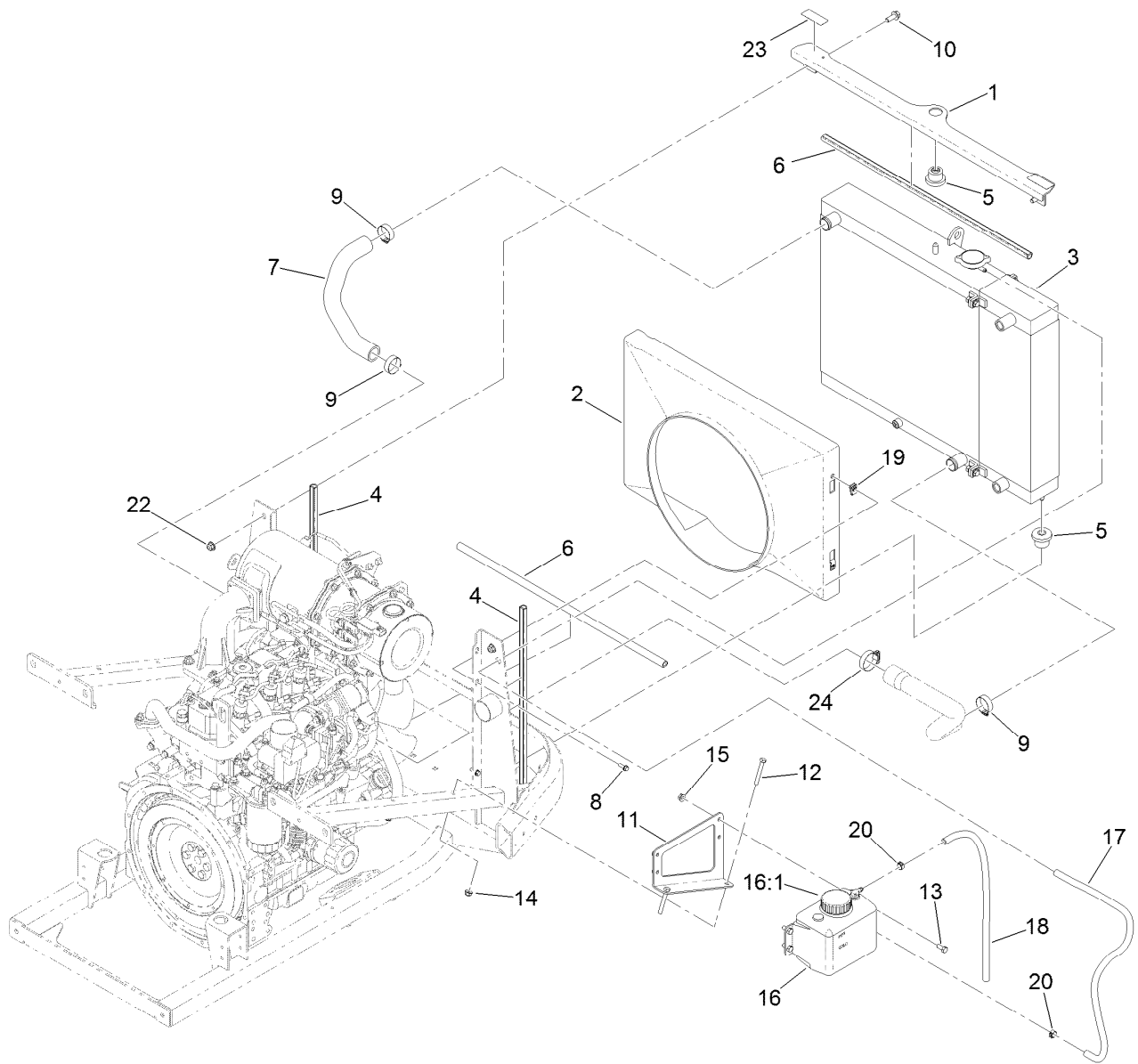
● Not serviced separately



Driveshaft Assembly No. 110-3575

| <i>Ref.</i> | <i>Part Number</i> | <i>Qty.</i> | <i>Description</i> |
|-------------|--------------------|-------------|-----------------------|
| 1 | 112-1687 | 2 | Cross And Bearing Kit |
| 1:1 | 62-3820 | 1 | Fitting-Grease |
| 3 | 54-9040 | 1 | Yoke-End |
| 4 | 54-9090 | 1 | Yoke-End |
| 5 | | 1 | Tube-Yoke, Slip ● |
| 5:1 | 302-22 | 1 | Fitting-Grease |

● Not serviced separately



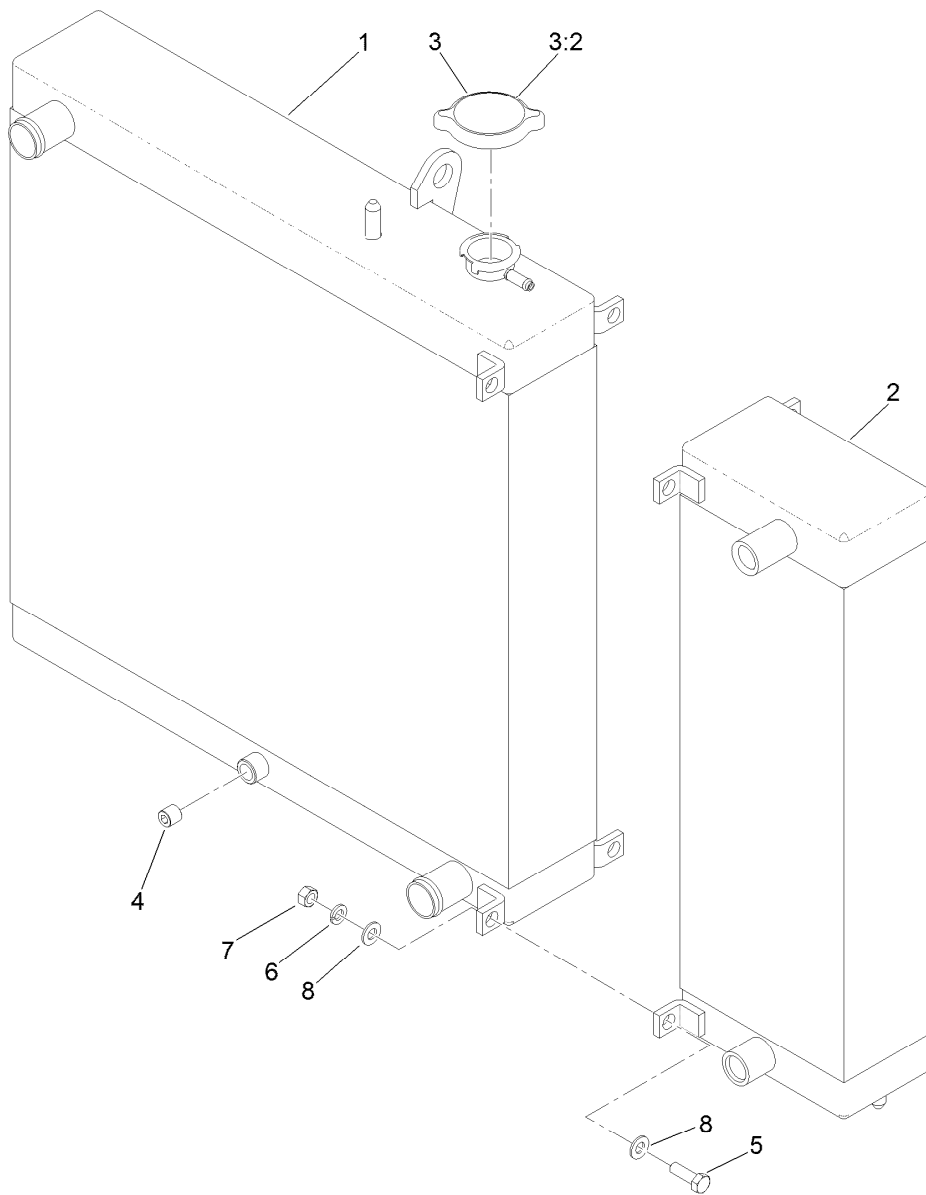
Radiator Component Assembly

| Ref. | Part Number | Qty. | Description |
|------|-------------|------|------------------------|
| 1 | 125-2838-03 | 1 | Support-Radiator |
| 2 | 125-2840 | 1 | Shroud-Fan |
| 3 | | 1 | Radiator/Cooler ASM ■● |
| 4 | 119-1426 | 2 | Seal-Bulb |
| 5 | 119-1422 | 3 | Mount-Isolator |
| 6 | 119-1427 | 2 | Seal-Bulb |
| 7 | 125-2846 | 1 | Hose-Radiator, Upper |
| 8 | 32105-15 | 4 | Screw-HWH |
| 9 | 2412-34 | 3 | Clamp-Hose |
| 10 | 3234-42 | 2 | Screw-HHF |
| 11 | 125-2816-03 | 1 | Bracket-Overflow |
| 12 | 322-11 | 2 | Screw-HH |

| Ref. | Part Number | Qty. | Description |
|------|-------------|------|-----------------------|
| 13 | 322-3 | 4 | Screw-HH |
| 14 | 104-8300 | 2 | Nut-HF, NI |
| 15 | 32128-25 | 4 | Nut-HF |
| 16 | 120-5573 | 1 | Coolant Reservoir ASM |
| 16:1 | 87-7050 | 1 | Cap-Reservoir |
| 17 | 110-3257 | 1 | Hose-Fuel |
| 18 | 110-6187 | 1 | Hose-Fuel |
| 19 | 107069 | 4 | Clip |
| 20 | 92-2379 | 2 | Clamp-Hose |
| 22 | 104-8301 | 2 | Nut-HF, NI |
| 23 | 117-4766 | 2 | Decal-Warning, Fan |
| 24 | 2412-111 | 1 | Clamp-Hose, W/Liner |

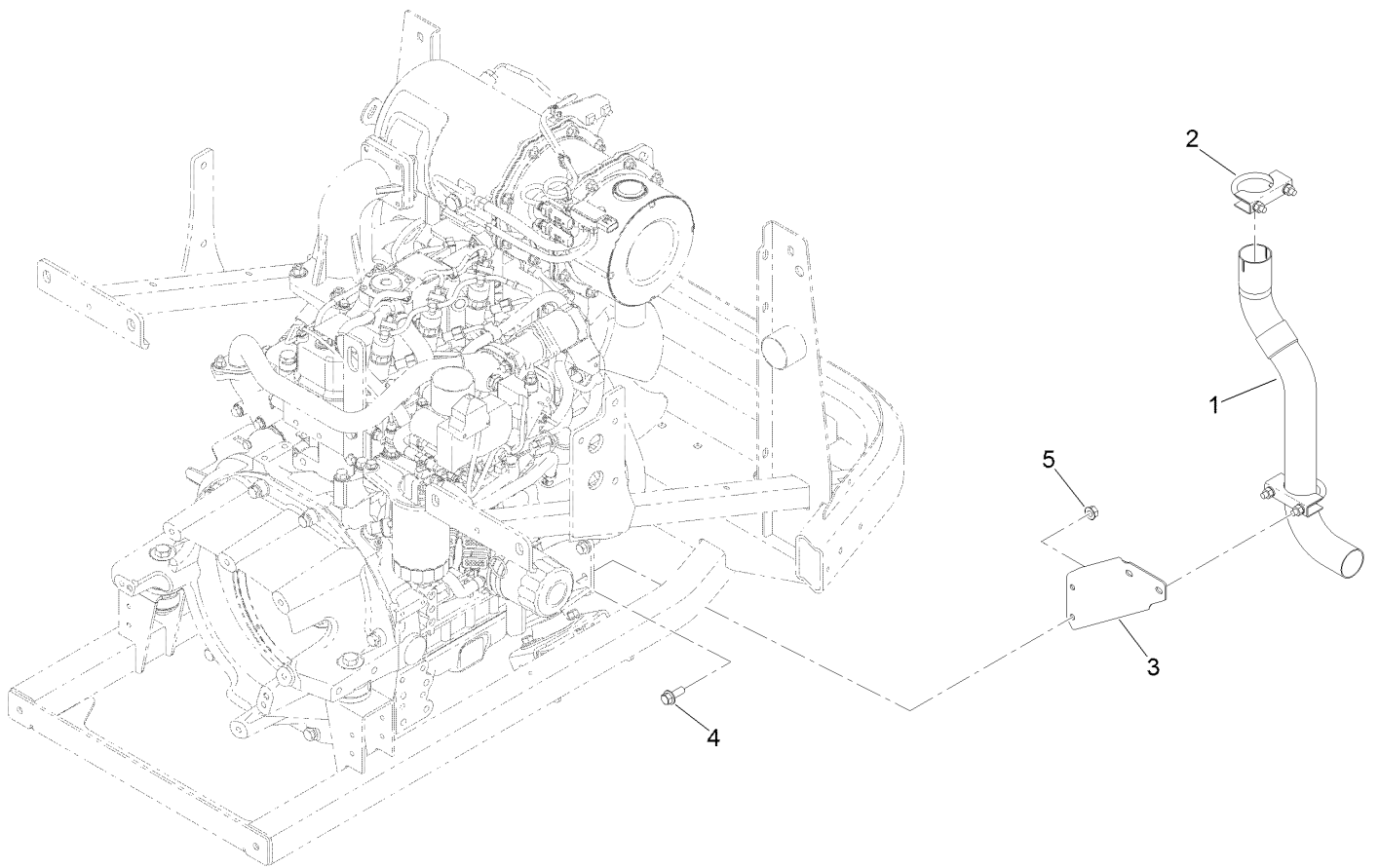
● See following pages

■ Not serviced separately



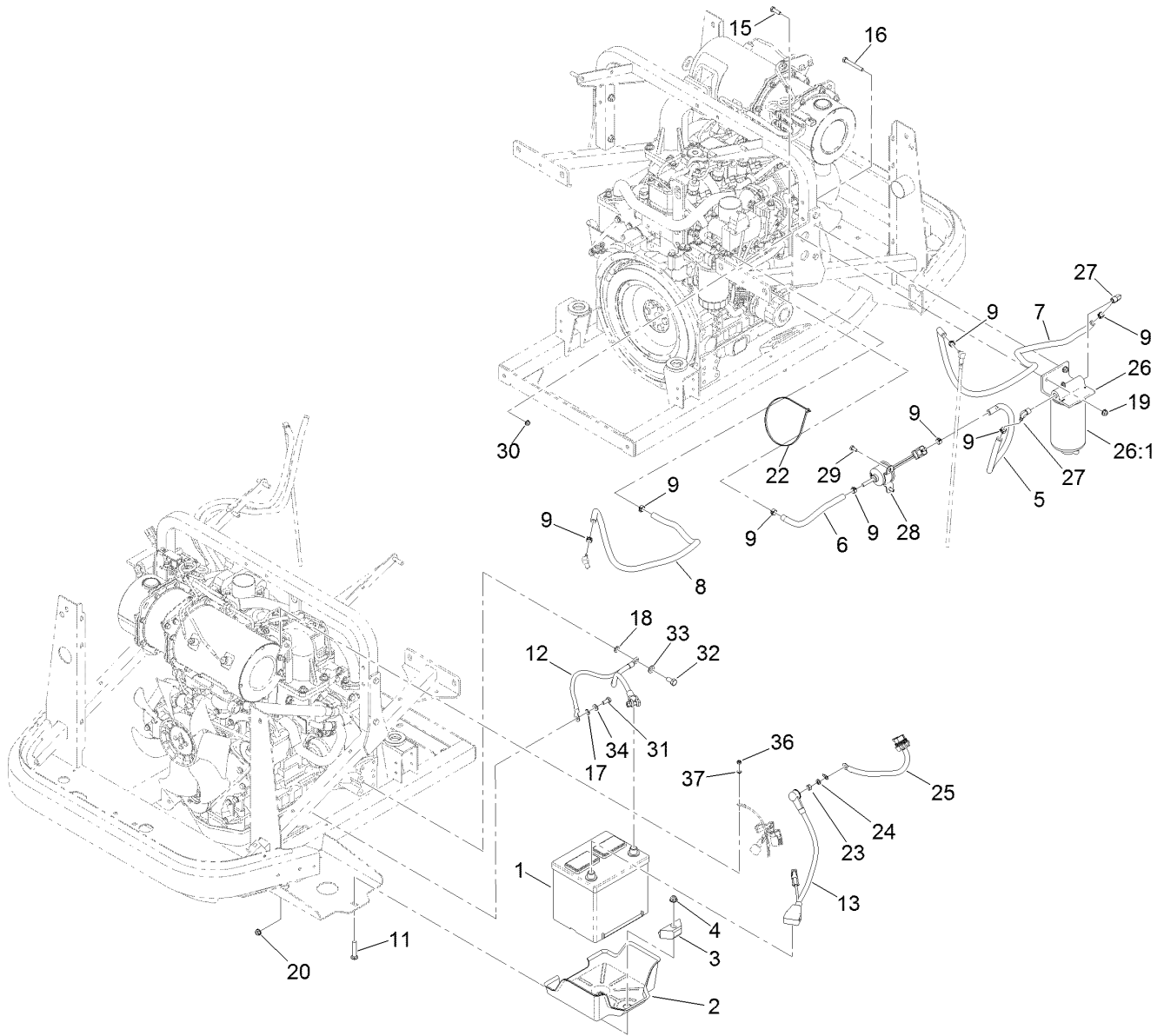
Radiator and Cooler Assembly

| <i>Ref.</i> | <i>Part Number</i> | <i>Qty.</i> | <i>Description</i> |
|-------------|--------------------|-------------|--------------------|
| 1 | 125-4354 | 1 | Radiator |
| 2 | 125-4355 | 1 | Oil Cooler |
| 3 | 119-1430 | 1 | Radiator Cap ASM |
| 3:2 | 117-3276 | 1 | Decal-Danger |
| 4 | 99-8551 | 1 | Plug-Pipe |
| 5 | 322-5 | 4 | Screw-HH |
| 6 | 3253-4 | 4 | Washer-Lock |
| 7 | 3217-6 | 4 | Nut-Hex |
| 8 | 3256-23 | 4 | Washer-Plain |



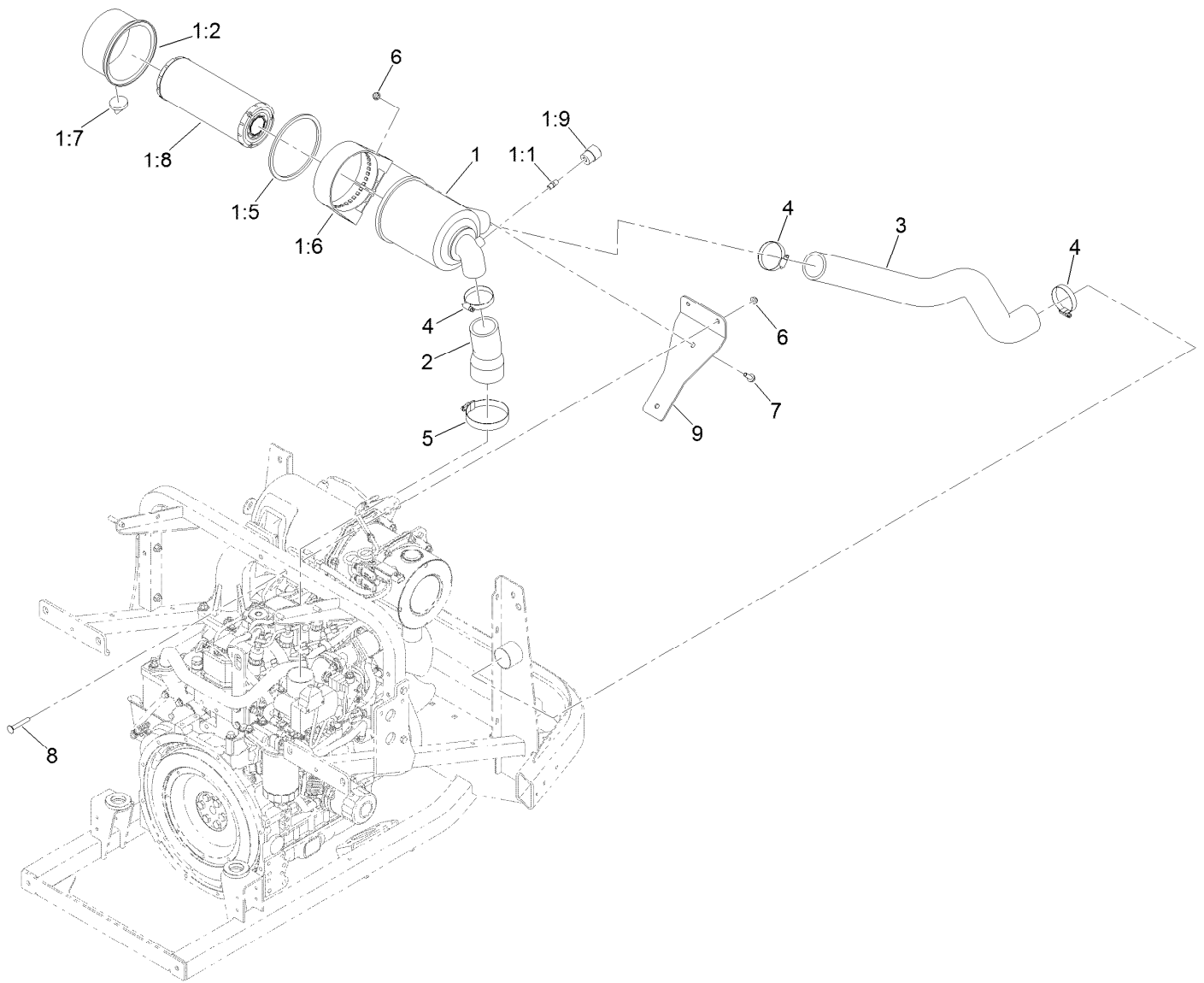
Muffler Assembly

| <i>Ref.</i> | <i>Part Number</i> | <i>Qty.</i> | <i>Description</i> |
|-------------|--------------------|-------------|--------------------|
| 1 | 125-2844 | 1 | Pipe-Exhaust |
| 2 | 18-2130 | 2 | Clamp |
| 3 | 127-4860-03 | 1 | Bracket-Exhaust |
| 4 | 3234-42 | 2 | Screw-HHF |
| 5 | 32128-21 | 2 | Nut-HF Lock |



Battery and Fuel Delivery Assembly

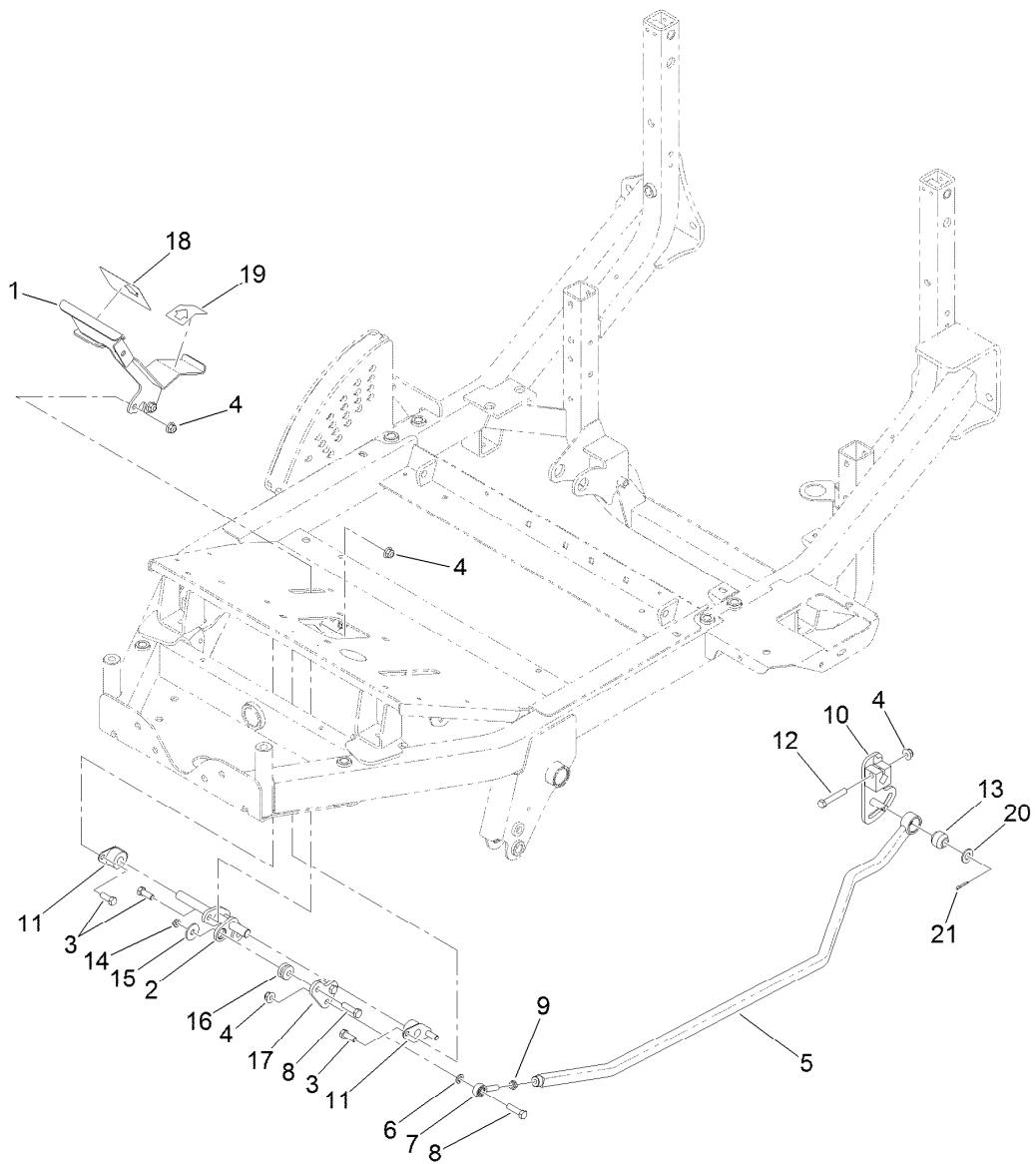
| Ref. | Part Number | Qty. | Description | Ref. | Part Number | Qty. | Description |
|------|-------------|------|----------------------------|------|-------------|------|-----------------------------|
| 1 | 106-5187 | 1 | Battery- Dry, 12V, 525 CCA | 20 | 32128-25 | 1 | Nut-HF |
| 2 | 127-4866 | 1 | Tray-Battery | 22 | 3290-379 | 1 | Tie-Cable |
| 3 | 66-2490 | 1 | Retainer-Battery | 23 | 33014-00 | 1 | Nut-Hex |
| 4 | 104-8301 | 1 | Nut-HF, NI | 24 | 3253-4 | 1 | Washer-Lock |
| 5 | 110-4109 | 1 | Hose-Fuel | 25 | 99-3441 | 1 | Harness-Wire, Fusible Link |
| 6 | 110-4124 | 1 | Hose-Fuel | 26 | 125-2914 | 1 | Filter-Separator |
| 7 | 109-0277 | 1 | Hose-Fuel | 26:1 | 125-2915 | 1 | Filter-Fuel/Water Separator |
| 8 | 110-9662 | 1 | Hose-Fuel | 27 | 353-781 | 2 | Fitting-HYD, 90 |
| 9 | 92-2379 | 8 | Clamp-Hose | 28 | 121-5613 | 1 | Pump-Fuel, Electric |
| 11 | 3231-6 | 1 | Screw-CARR | 29 | 321-3 | 2 | Screw-HH |
| 12 | 122-0266 | 1 | Cable-Battery, Negative | 30 | 104-7201 | 2 | Nut-HF, NI |
| 13 | 119-4378 | 1 | Cable-Battery, Positive | 31 | 322-3 | 1 | Screw-HH |
| 15 | 322-5 | 1 | Screw-HH | 32 | 33115-020 | 1 | Screw-HH |
| 16 | 322-12 | 1 | Screw-HH | 33 | 3256-24 | 1 | Washer-Plain |
| 17 | 3255-8 | 1 | Washer-Lock | 34 | 3256-23 | 1 | Washer-Plain |
| 18 | 3255-9 | 1 | Washer-Lock | 36 | 33013-00 | 1 | Nut-Hex |
| 19 | 104-8300 | 2 | Nut-HF, NI | 37 | 43-5930 | 1 | Washer-Lock, Spring |



Air Cleaner Assembly

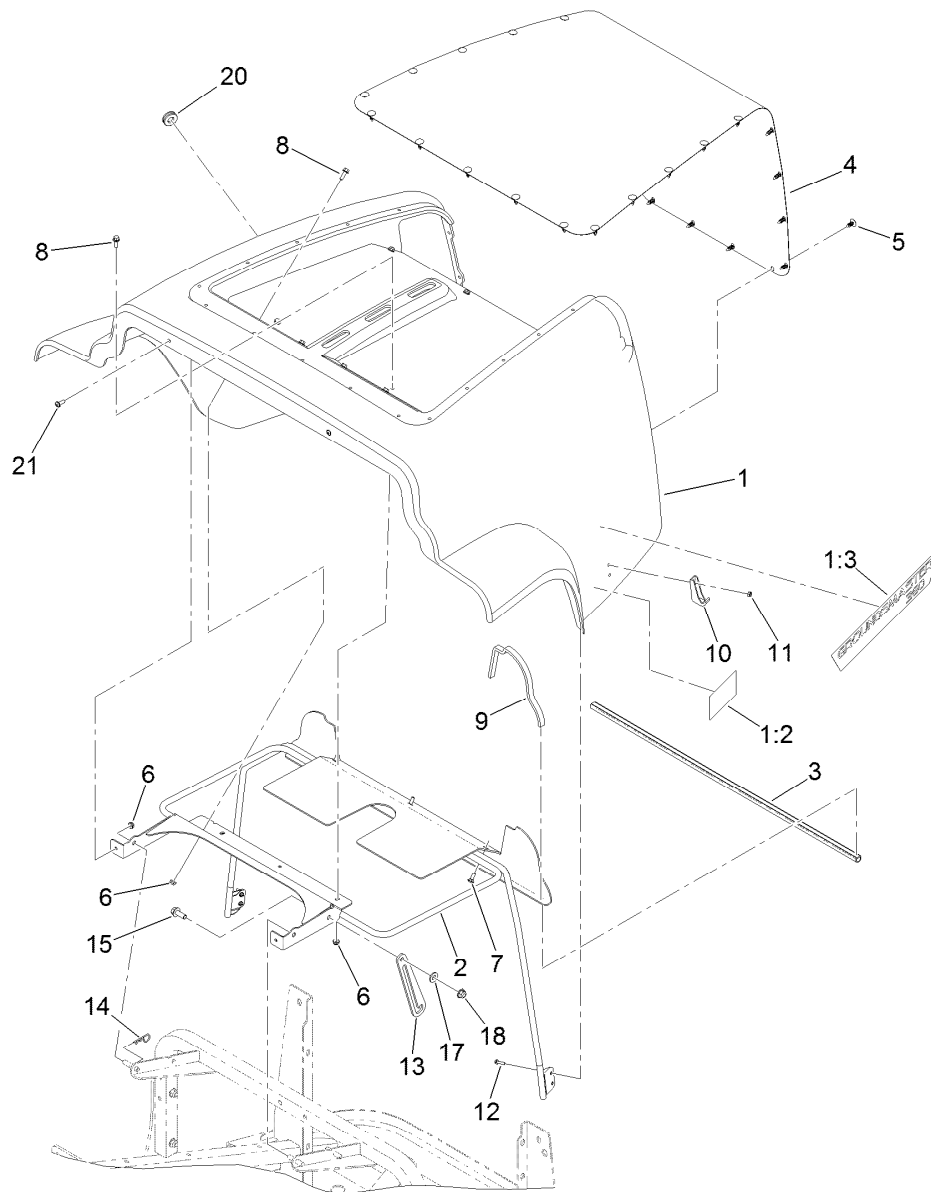
| <i>Ref.</i> | <i>Part Number</i> | <i>Qty.</i> | <i>Description</i> |
|-------------|--------------------|-------------|----------------------|
| 1 | 104-3428 | 1 | Air Cleaner ASM |
| 1:1 | 105-4292 | 1 | Nipple-Pipe |
| 1:2 | 104-0497 | 1 | Cover |
| 1:5 | 104-4897 | 1 | Gasket |
| 1:6 | 98-4525 | 1 | Bracket-Cleaner, Air |
| 1:7 | 104-0498 | 1 | Valve-Vacuator |
| 1:8 | 108-3810 | 1 | Filter-Air |
| 1:9 | 93-9164 | 1 | Indicator-Mini |

| <i>Ref.</i> | <i>Part Number</i> | <i>Qty.</i> | <i>Description</i> |
|-------------|--------------------|-------------|----------------------|
| 2 | 125-2848 | 1 | Hose-Inlet, Air |
| 3 | 125-2849 | 1 | Hose-Draw, Air |
| 4 | 2412-130 | 3 | Clamp-Hose |
| 5 | 2412-125 | 1 | Clamp-Hose |
| 6 | 104-8300 | 4 | Nut-HF, NI |
| 7 | 3234-17 | 2 | Screw-HHF |
| 8 | 3230-7 | 2 | Bolt-CARR |
| 9 | 125-2847-03 | 1 | Bracket-Cleaner, Air |



Traction Pedal Assembly

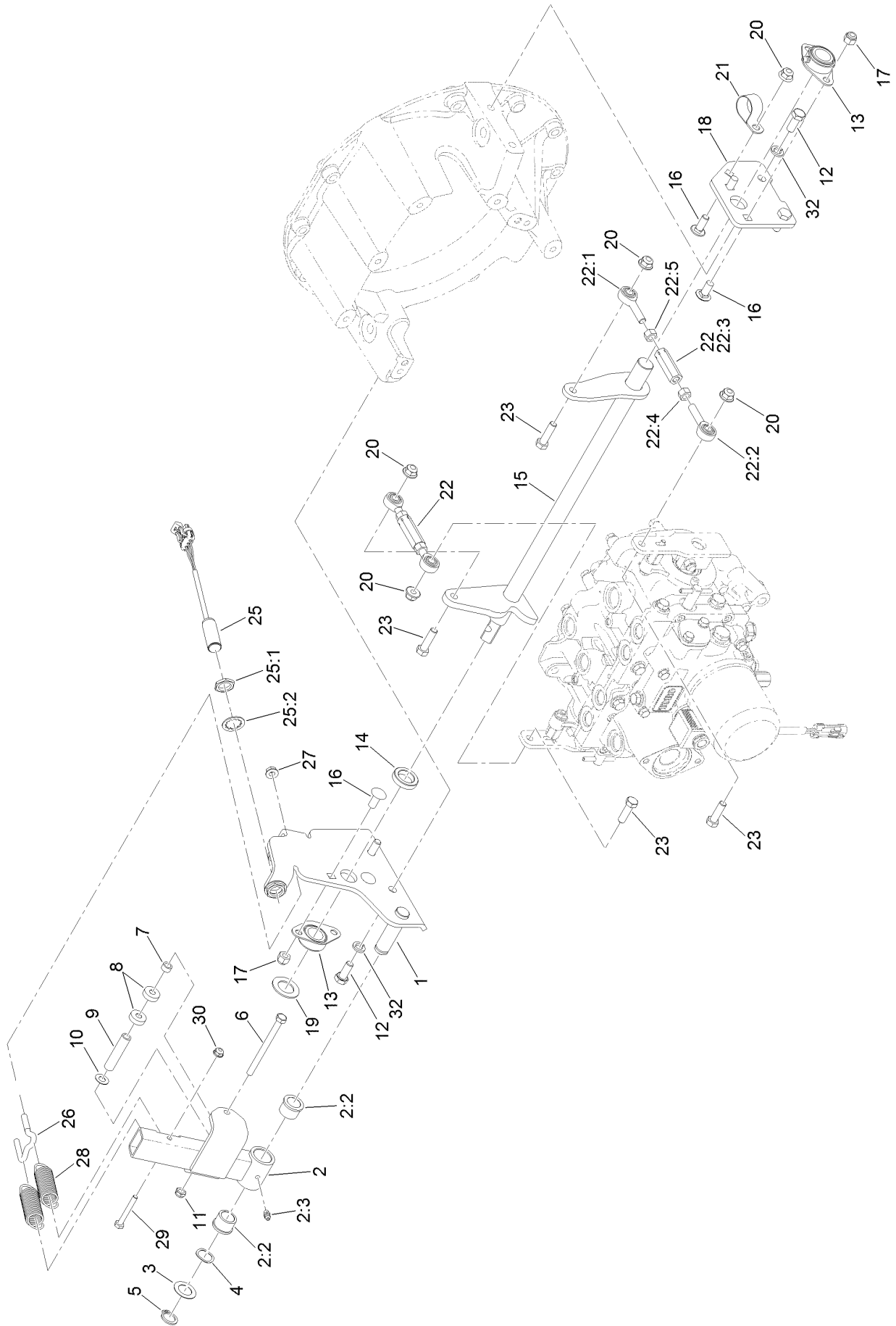
| <i>Ref.</i> | <i>Part Number</i> | <i>Qty.</i> | <i>Description</i> | <i>Ref.</i> | <i>Part Number</i> | <i>Qty.</i> | <i>Description</i> |
|-------------|--------------------|-------------|-----------------------|-------------|--------------------|-------------|-------------------------|
| 1 | 117-3070-01 | 1 | Pedal | 12 | 323-11 | 1 | Screw-HH |
| 2 | 125-4402 | 1 | Pivot-Pedal, Isolated | 13 | 23-2270 | 1 | Bushing-Rubber |
| 3 | 323-6 | 6 | Screw-HH | 14 | 3296-59 | 2 | Nut-Lock, NI |
| 4 | 104-8301 | 8 | Nut-HF, NI | 15 | 93-8806 | 2 | Washer-Hardened |
| 5 | 130-4763-03 | 1 | Rod-Traction | 16 | 63-9750 | 2 | Mount |
| 6 | 3253-21 | 1 | Washer-Lock | 17 | 125-4401 | 1 | Plate-Linkage, Traction |
| 7 | 2411-36 | 1 | Bearing-End, Rod | 18 | 94-3307 | 1 | Pad-Pedal, Traction |
| 8 | 323-29 | 3 | Screw-HH | 19 | 94-3308 | 1 | Pad-Pedal, Traction |
| 9 | 3220-3 | 1 | Nut-HJ | 20 | 3256-26 | 1 | Washer-Flat |
| 10 | 130-4760-03 | 1 | Lever-Traction | 21 | 3272-10 | 1 | Pin-Cotter |
| 11 | 256-236 | 2 | Bearing-Mount, Flange | | | | |



Hood Assembly

| <i>Ref.</i> | <i>Part Number</i> | <i>Qty.</i> | <i>Description</i> | <i>Ref.</i> | <i>Part Number</i> | <i>Qty.</i> | <i>Description</i> |
|-------------|--------------------|-------------|--------------------|-------------|--------------------|-------------|--------------------|
| 1 | 127-4879 | 1 | Hood ASM | 10 | 103-2897 | 2 | Latch-Catch |
| 1:2 | 117-3270 | 2 | Decal-Danger | 11 | 3296-2 | 4 | Nut-Lock, NI |
| 1:3 | 117-3279 | 2 | Decal-Hood | 12 | 32105-13 | 4 | Screw-HWH |
| 2 | 125-9228-03 | 1 | Hood Mount ASM | 13 | 125-2899-03 | 1 | Rod-Prop |
| 3 | 115-0423 | 1 | Seal-Bulb | 14 | 9335054 | 1 | Pin-Hair |
| 4 | 125-2881-03 | 1 | Screen-Hood | 15 | 3234-42 | 1 | Screw-HHF |
| 5 | 117-2382 | 27 | Plug-Plastic | 17 | 66-2920 | 1 | Washer-Friction |
| 6 | 104-7201 | 11 | Nut-HF, NI | 18 | 104-8301 | 1 | Nut-HF, NI |
| 7 | 3229-1 | 3 | Screw-CARR | 20 | 104-1453 | 1 | Grommet |
| 8 | 3234-4 | 6 | Screw-HHF | 21 | 92-3911 | 2 | Screw-Hsbfh |
| 9 | 125-4449 | 2 | Seal-Foam | | | | |

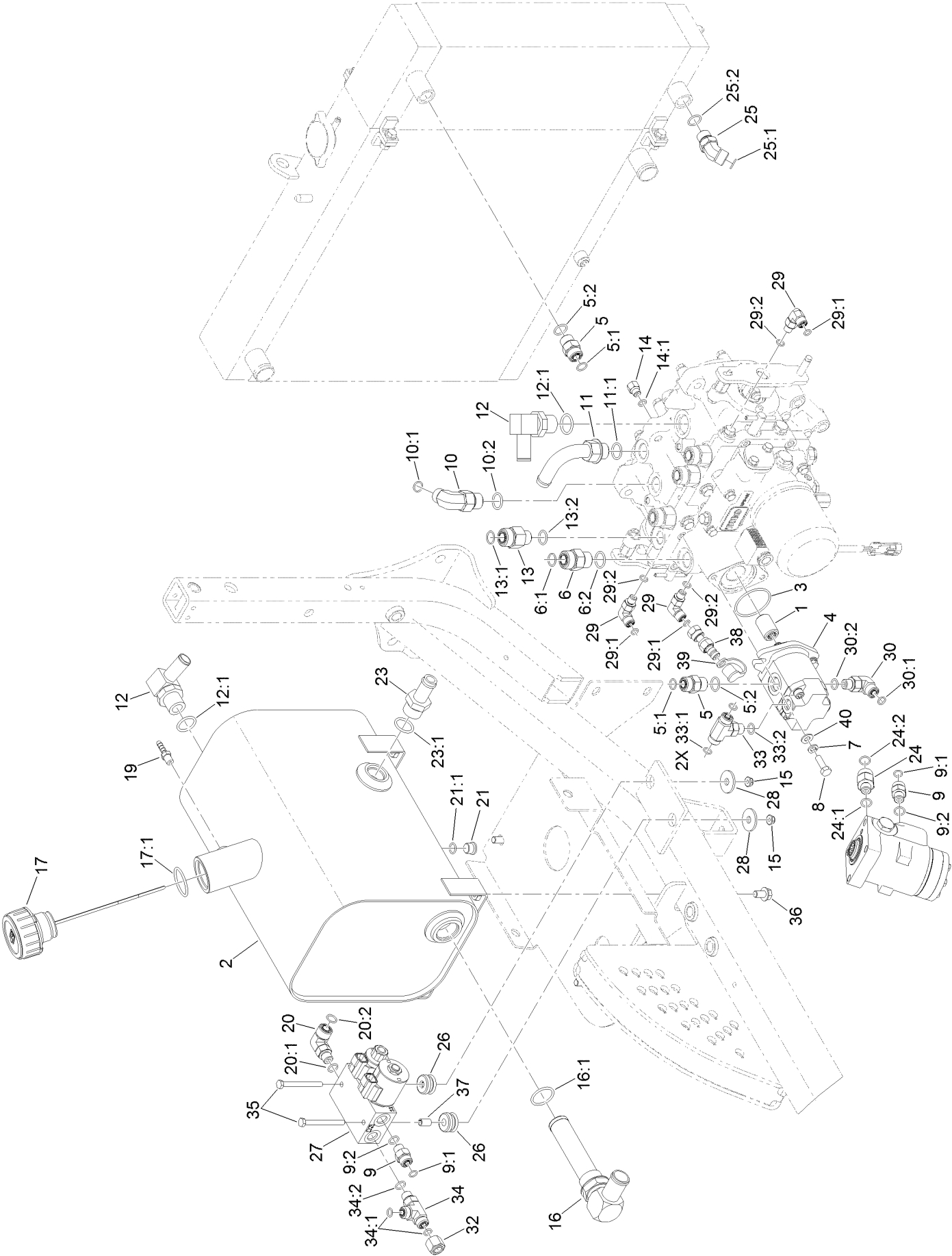
Neutral System Assembly



Neutral System Assembly (continued)

| <i>Ref.</i> | <i>Part Number</i> | <i>Qty.</i> | <i>Description</i> | <i>Ref.</i> | <i>Part Number</i> | <i>Qty.</i> | <i>Description</i> |
|-------------|--------------------|-------------|-----------------------|-------------|--------------------|-------------|-----------------------------|
| 1 | 131-5530-03 | 1 | Plate-End, Neutral | 19 | 119-2332 | 1 | Washer-Flat |
| 2 | 125-4366 | 1 | Neutral Arm ASM | 20 | 104-8301 | 5 | Nut-HF, NI |
| 2:2 | 256-113 | 2 | Bushing-Flange | 21 | 2412-126 | 1 | R-Clamp |
| 2:3 | 302-5 | 1 | Fitting-Grease | 22 | 125-2870 | 2 | Link ASM |
| 3 | 3-6498 | 1 | Washer-Thrust | 22:1 | 125-4389 | 1 | Bearing-End, Rod |
| 4 | 119-4164 | 1 | Washer-Wave | 22:2 | 2411-36 | 1 | Bearing-End, Rod |
| 5 | 32120-93 | 1 | Ring-Retaining | 22:3 | 125-4390 | 1 | Hex-Adjustment |
| 6 | 322-19 | 1 | Screw-HH | 22:4 | 3219-3 | 1 | Nut-Hex |
| 7 | 85-9120 | 1 | Spacer-Pivot, Tilt | 22:5 | 3219-20 | 1 | Nut-Hex, LH |
| 8 | 251-307 | 2 | Bearing-Ball | 23 | 323-29 | 4 | Screw-HH |
| 9 | 125-2877 | 1 | Spacer | 25 | 115-5300 | 1 | Proximity Switch ASM |
| 10 | 73-0041 | 1 | Washer-Thrust | 25:1 | 117-3207 | 2 | Nut-Hex |
| 11 | 3296-47 | 1 | Nut-Lock,NI | 25:2 | 117-3208 | 2 | Washer-Lock, Internal Tooth |
| 12 | 120-9635 | 4 | Screw-HH | 26 | 131-3376 | 1 | Hook-Spring, Dual |
| 13 | 131-5529 | 2 | Bearing-Flange, Side | 27 | 32128-25 | 1 | Nut-HF |
| 14 | 125-2879 | 1 | Spacer-Shaft, Neutral | 28 | 131-3374 | 2 | Spring-Extension |
| 15 | 125-2865-03 | 1 | Neutral Shaft ASM | 29 | 321-11 | 1 | Screw-HH |
| 16 | 3231-27 | 5 | Screw-CARR | 30 | 104-7201 | 1 | Nut-HF, NI |
| 17 | 3296-39 | 4 | Nut-Lock, NI | 32 | 48-9590 | 4 | Washer-Lock |
| 18 | 125-2869-03 | 1 | Plate-End, Neutral | | | | |

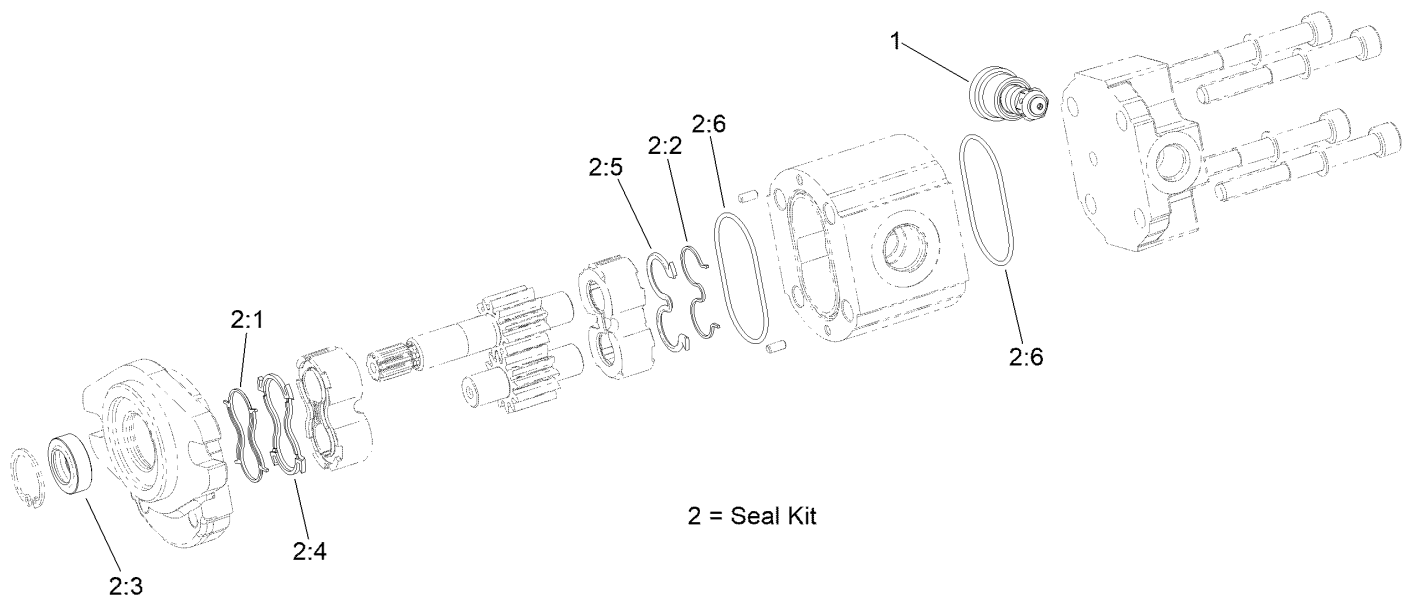
Deck Lift Valve and Hydraulic Fitting Assembly



Deck Lift Valve and Hydraulic Fitting Assembly (continued)

| <i>Ref.</i> | <i>Part Number</i> | <i>Qty.</i> | <i>Description</i> | <i>Ref.</i> | <i>Part Number</i> | <i>Qty.</i> | <i>Description</i> |
|-------------|--------------------|-------------|-----------------------|-------------|--------------------|-------------|-----------------------|
| 1 | 108-9920 | 1 | Coupler-Spline | 20:1 | 237-30 | 1 | O-Ring |
| 2 | 117-3372 | 1 | Tank-Hydraulic, Metal | 20:2 | 237-42 | 1 | O-Ring |
| 3 | 108-9919 | 1 | O-Ring | 21 | 353-989 | 1 | Plug-Hex, Hollow |
| 4 | 115-0375 | 1 | Gear Pump ASM | 21:1 | 237-42 | 1 | O-Ring |
| 5 | 340-4 | 2 | Fitting-Straight | 23 | 354-73 | 1 | Fitting |
| 5:1 | 237-30 | 1 | O-Ring | 23:1 | 237-81 | 1 | O-Ring |
| 5:2 | 237-79 | 1 | O-Ring | 24 | 340-5 | 1 | Fitting-Straight |
| 6 | 340-7 | 1 | Fitting-Straight | 24:1 | 237-42 | 1 | O-Ring |
| 6:1 | 237-65 | 1 | O-Ring | 24:2 | 237-30 | 1 | O-Ring |
| 6:2 | 237-80 | 1 | O-Ring | 25 | 340-101 | 1 | Fitting-HYD, 45 DEG |
| 7 | 3253-4 | 2 | Washer-Lock | 25:1 | 237-30 | 1 | O-Ring |
| 8 | 33114-025 | 2 | Screw-HH | 25:2 | 237-79 | 1 | O-Ring |
| 9 | 340-2 | 5 | Fitting-Straight | 26 | 63-9750 | 2 | Mount |
| 9:1 | 237-22 | 1 | O-Ring | 27 | 131-1934 | 1 | Deck Lift Valve ASM |
| 9:2 | 237-42 | 1 | O-Ring | 28 | 63-8410 | 2 | Washer |
| 10 | 340-105 | 1 | Fitting-Elbow, 90 DEG | 29 | 340-132 | 3 | Fitting-Elbow, 90 DEG |
| 10:1 | 237-80 | 1 | O-Ring | 29:1 | 237-78 | 1 | O-Ring |
| 10:2 | 237-30 | 1 | O-Ring | 29:2 | 237-21 | 1 | O-Ring |
| 11 | 110-5522 | 1 | Fitting-Elbow, 90 | 30 | 340-77 | 1 | Fitting-Elbow, 90 DEG |
| 11:1 | 237-80 | 1 | O-Ring | 30:1 | 237-22 | 1 | O-Ring |
| 12 | 353-987 | 2 | Fitting-Elbow, 90 | 30:2 | 237-42 | 1 | O-Ring |
| 12:1 | 237-81 | 1 | O-Ring | 32 | 340-117 | 1 | Cap |
| 13 | 340-155 | 4 | Fitting-Straight | 33 | 340-94 | 1 | Adapter |
| 13:1 | 237-79 | 1 | O-Ring | 33:1 | 237-22 | 2 | O-Ring |
| 13:2 | 237-151 | 1 | O-Ring | 33:2 | 237-42 | 1 | O-Ring |
| 14 | 110-5536 | 1 | Fitting-HYD, Adapter | 34 | 340-86 | 1 | Fitting-Tee |
| 14:1 | 237-78 | 1 | O-Ring | 34:1 | 237-22 | 2 | O-Ring |
| 15 | 104-7201 | 2 | Nut-HF, NI | 34:2 | 237-42 | 1 | O-Ring |
| 16 | 105-0204 | 1 | Strainer Fitting ASM | 35 | 321-14 | 2 | Screw-HH |
| 16:1 | 237-146 | 1 | O-Ring | 36 | 32144-15 | 4 | Screw-HHFTF |
| 17 | 117-3389 | 1 | Cap-Tank, Hydraulic | 37 | 80-0650 | 2 | Spacer-Tubular |
| 17:1 | 237-101 | 1 | O-Ring | 38 | 115-8886 | 1 | Nipple-Test |
| 19 | 94-7220 | 1 | Fitting-Barb, Hose | 39 | 354-79 | 1 | Cap-Dust |
| 20 | 340-99 | 1 | Fitting-HYD, 90 DEG | 40 | 3256-23 | 2 | Washer-Plain |

Hydraulic Gear Pump Assembly No. 115-0375

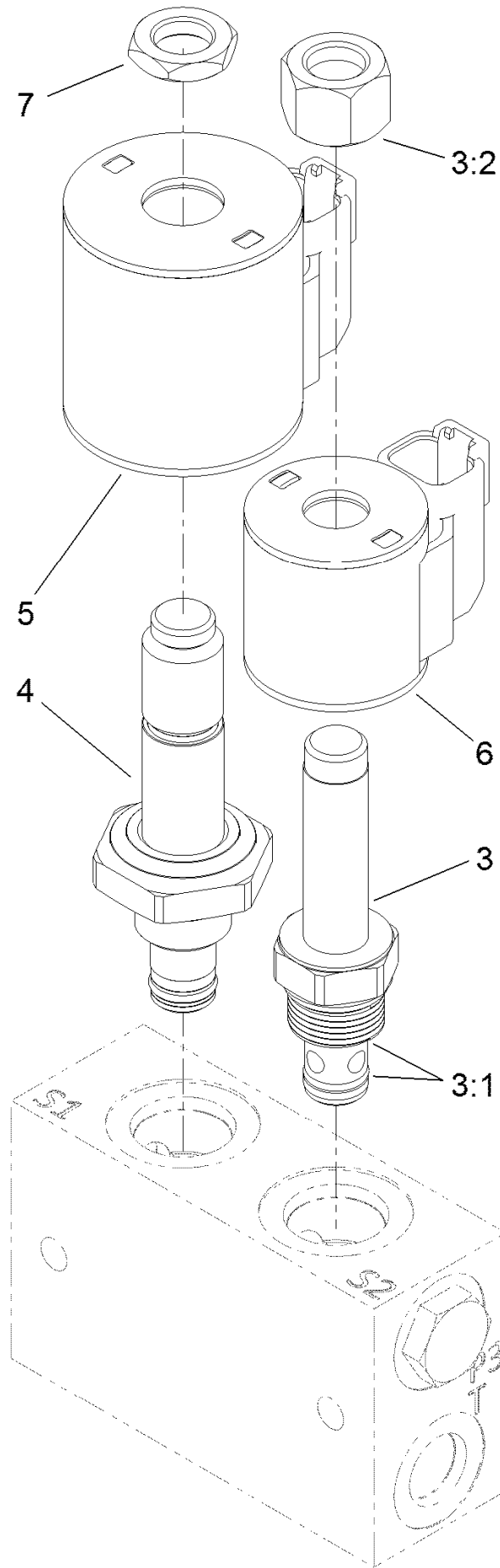


Hydraulic Gear Pump Assembly No. 115-0375 (continued)

| <i>Ref.</i> | <i>Part Number</i> | <i>Qty.</i> | <i>Description</i> | <i>Ref.</i> | <i>Part Number</i> | <i>Qty.</i> | <i>Description</i> |
|-------------|--------------------|-------------|-----------------------|-------------|--------------------|-------------|--------------------|
| 1 | 115-0376 | 1 | Valve-Relief, 125 Bar | 2:3 | | 1 | Seal-Shaft ● |
| 2 | 112-0199 | 1 | Seal Kit | 2:4 | | 1 | Seal-Upper ● |
| 2:1 | | 1 | Seal-Anti Extrusion ● | 2:5 | | 1 | Seal ● |
| 2:2 | | 1 | Seal-Anti Extrusion ● | 2:6 | | 2 | O-Ring ● |

● Not serviced separately

Valve Assembly No. 131-1934

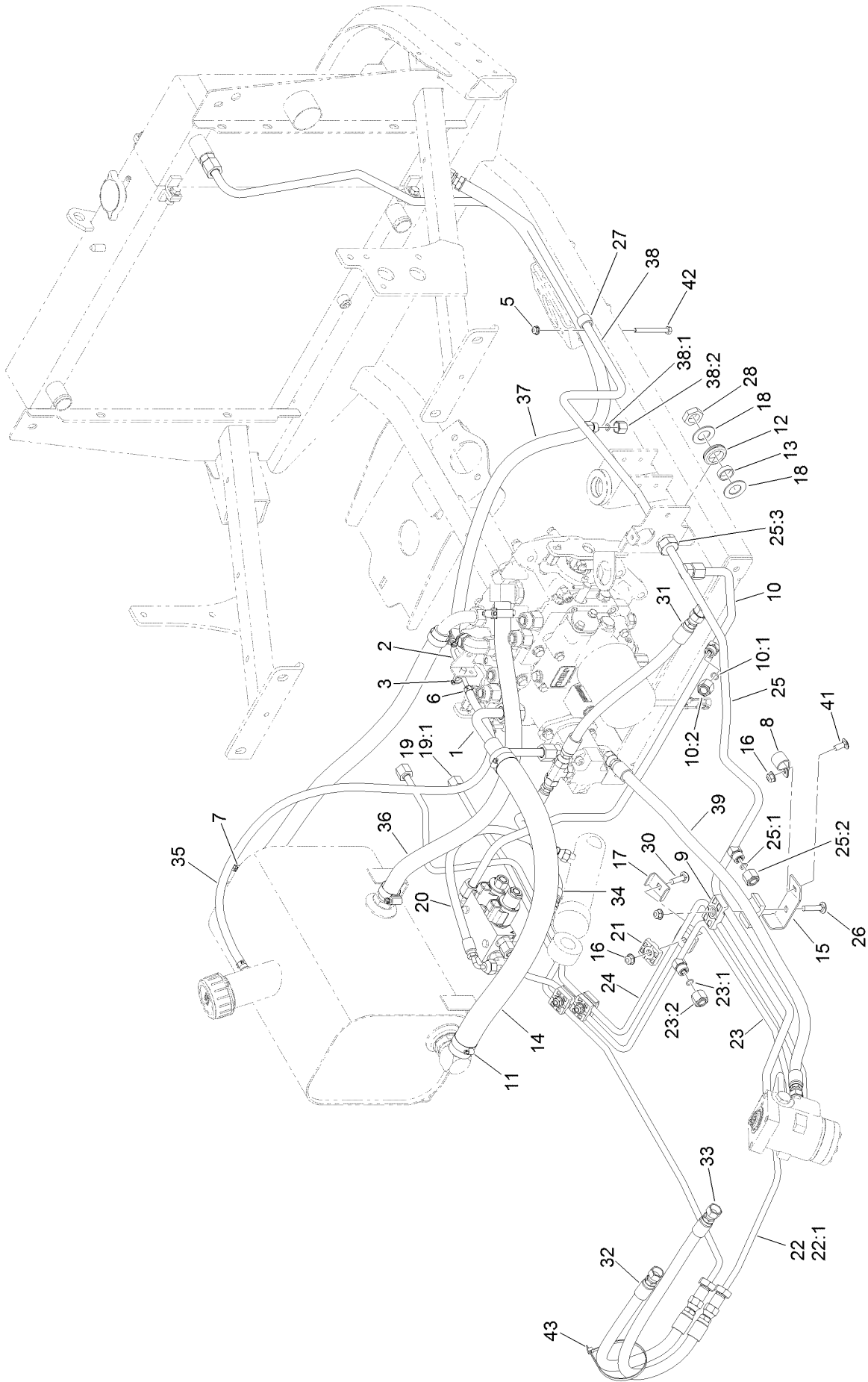


Valve Assembly No. 131-1934 (continued)

| <i>Ref.</i> | <i>Part Number</i> | <i>Qty.</i> | <i>Description</i> |
|-------------|--------------------|-------------|--------------------|
| 3 | 107-7517 | 1 | Valve-Solenoid |
| 3:1 | 105-9156 | 1 | Seal Kit |
| 3:2 | 107-7812 | 1 | Nut-Solenoid |
| 4 | 131-1935 | 1 | Valve-Solenoid |

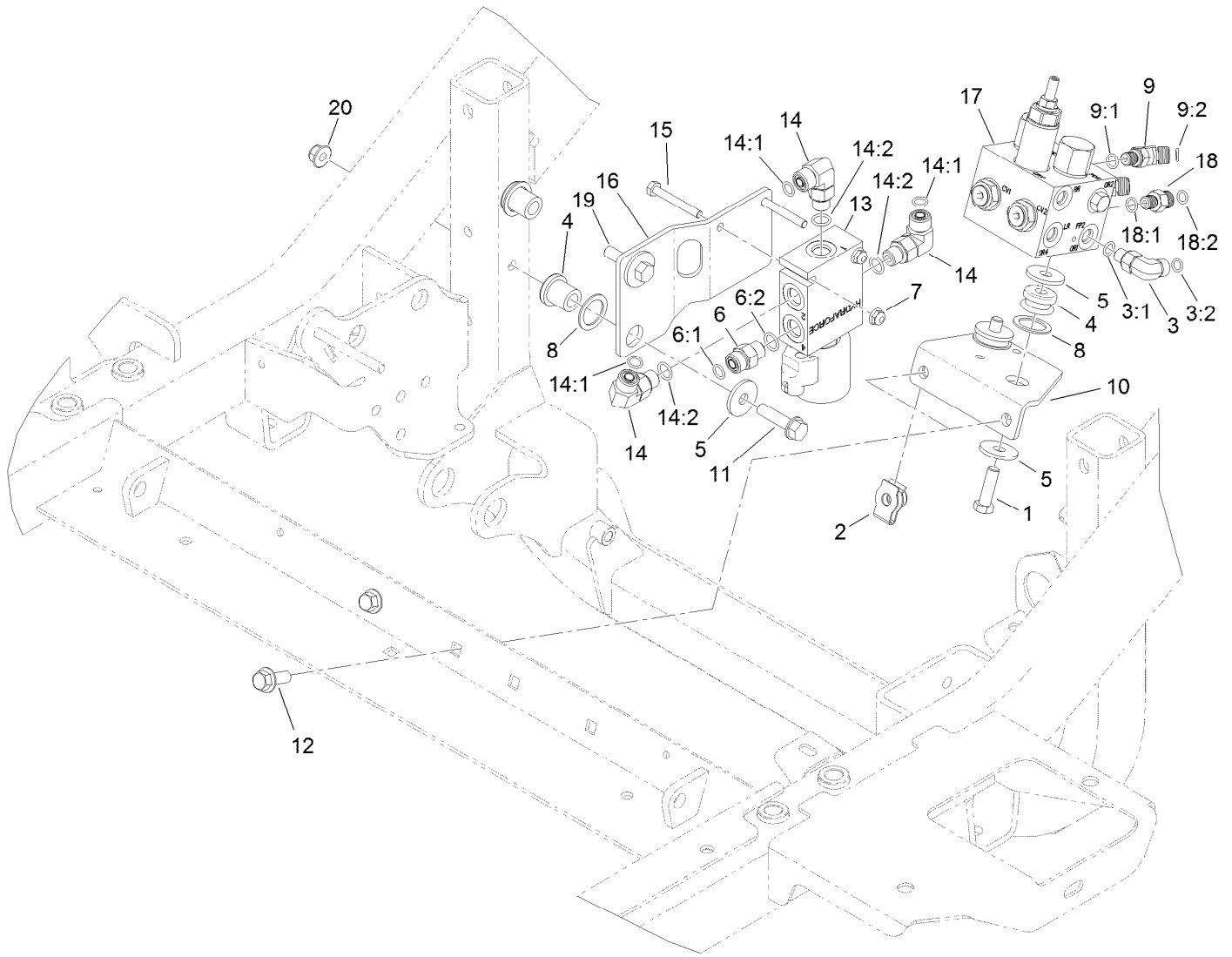
| <i>Ref.</i> | <i>Part Number</i> | <i>Qty.</i> | <i>Description</i> |
|-------------|--------------------|-------------|--------------------|
| 5 | 115-3021 | 1 | Coil-12V |
| 6 | 119-8036 | 1 | Coil |
| 7 | 110-2634 | 1 | Nut-Coil |

4 Wheel Drive Hydraulic Hose Assembly



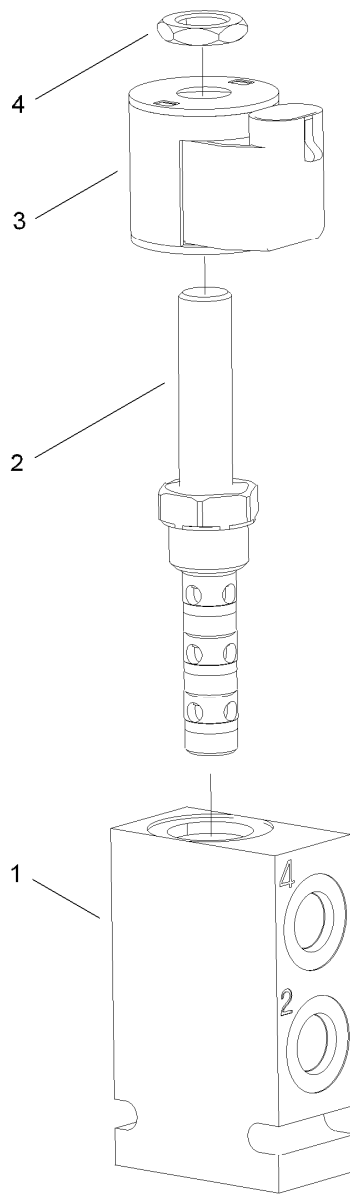
4 Wheel Drive Hydraulic Hose Assembly (continued)

| <i>Ref.</i> | <i>Part Number</i> | <i>Qty.</i> | <i>Description</i> | <i>Ref.</i> | <i>Part Number</i> | <i>Qty.</i> | <i>Description</i> |
|-------------|--------------------|-------------|-----------------------------------|-------------|--------------------|-------------|-------------------------------|
| 1 | 115-0184 | 1 | Suction Tube ASM | 23:1 | 237-22 | 1 | O-Ring |
| 2 | 125-2891 | 1 | Tube ASM | 23:2 | 340-117 | 1 | Cap |
| 3 | 32180-030 | 1 | Clip-Tie | 24 | 131-3351 | 1 | Steer/Steer Manifold Tube ASM |
| 5 | 104-7201 | 1 | Nut-HF, NI | 25 | 127-4872 | 1 | Steer/Drain Tube ASM |
| 6 | 2412-98 | 2 | Clamp-Hose | 25:1 | 237-22 | 2 | O-Ring |
| 7 | 2412-129 | 4 | Clamp-Hose | 25:2 | 340-117 | 1 | Cap |
| 8 | 2412-4 | 1 | Clamp-R | 25:3 | 237-30 | 2 | O-Ring |
| 9 | 56-7972 | 2 | Clamp-Tube | 26 | 3230-4 | 1 | Bolt-CARR |
| 10 | 125-2893 | 1 | Tube ASM | 27 | 2412-87 | 1 | Clamp-Cable |
| 10:1 | 237-22 | 1 | O-Ring | 28 | 340-127 | 1 | Nut-Bulkhead |
| 10:2 | 340-117 | 1 | Cap | 30 | 3230-3 | 3 | Screw-CARR |
| 11 | 2412-34 | 2 | Clamp-Hose | 31 | 117-3122 | 1 | Hose ASM |
| 12 | 240-5 | 1 | Grommet | 32 | 119-1433 | 1 | Hose ASM |
| 13 | 69-8960 | 1 | Spacer | 33 | 100-5629 | 1 | Hose ASM |
| 14 | 117-3200 | 1 | Hose-Suction | 34 | 117-3123 | 1 | HYD Hose ASM |
| 15 | 120-0245 | 1 | Bracket-Support | 35 | 109-0275 | 1 | Hose-Fuel |
| 16 | 104-8300 | 5 | Nut-HF, NI | 36 | 117-3121 | 2 | Hose ASM |
| 17 | 119-1418 | 3 | Plate-Clamp, Short | 37 | 117-9937 | 1 | HYD Hose ASM |
| 18 | 69-8930 | 2 | Washer | 38 | 125-2892 | 1 | Drain/Cooler Tube ASM |
| 19 | 131-3358 | 1 | Steer Manifold/Front CYL Tube ASM | 38:1 | 237-21 | 1 | O-Ring |
| 19:1 | 237-22 | 1 | O-Ring | 38:2 | 117-3297 | 1 | Fitting-Cap |
| 20 | 110-0928 | 1 | Hose-HYD | 39 | 119-8114 | 1 | HYD Hose ASM |
| 21 | 56-7973 | 6 | Clamp-Tube | 41 | 3230-23 | 1 | Bolt-CARR |
| 22 | 125-2887 | 1 | Steer/Front Tube ASM | 42 | 321-15 | 1 | Screw-HH |
| 22:1 | 237-22 | 1 | O-Ring | 43 | 3334-945 | 1 | Tie-Cable |
| 23 | 125-2890 | 1 | Steer/Lift Tube ASM | | | | |



Hydraulic Valve Assembly

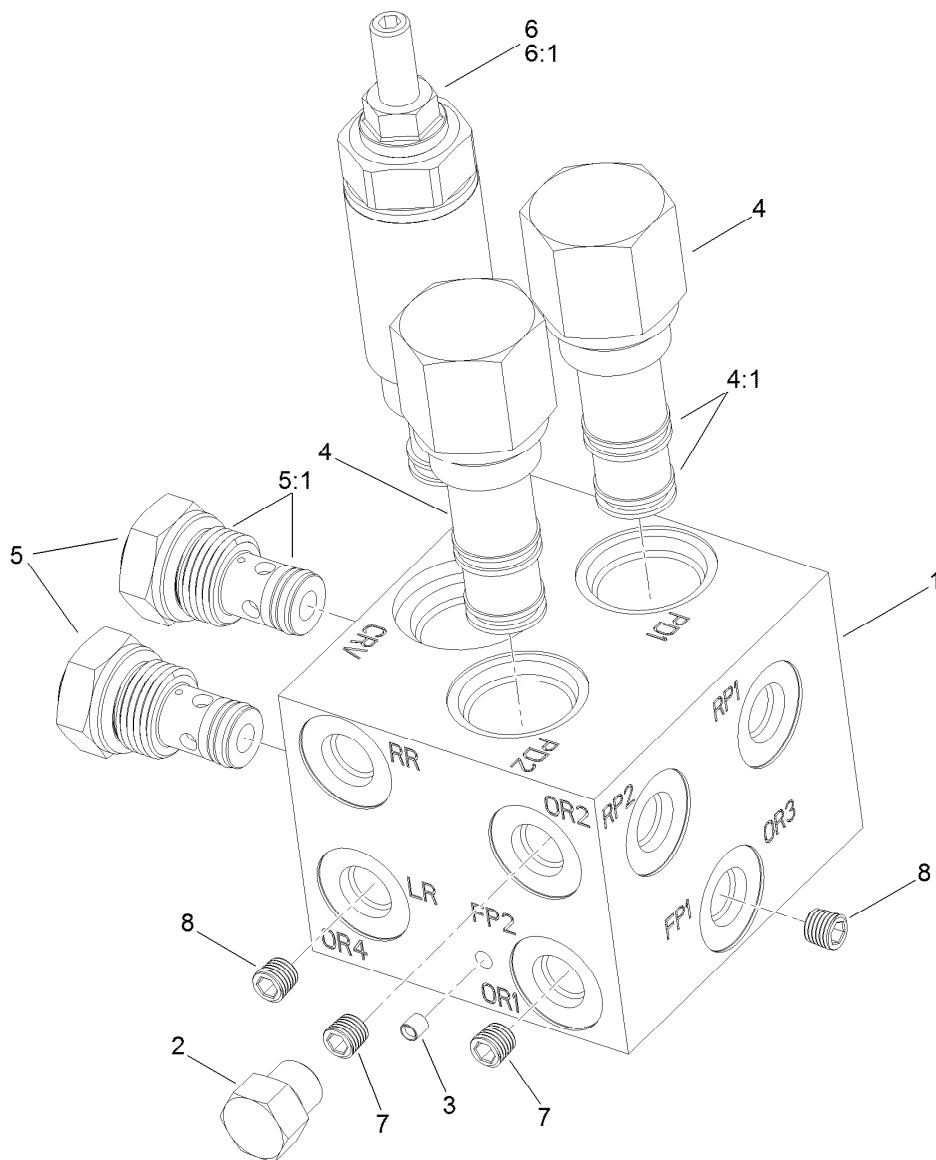
| Ref. | Part Number | Qty. | Description | Ref. | Part Number | Qty. | Description |
|------|-------------|------|-----------------------|------|-------------|------|-------------------------------|
| 1 | 323-7 | 2 | Screw-HH | 11 | 323-20 | 1 | Screw-HH |
| 2 | 105-4886 | 2 | Nut-Tinnerman | 12 | 3234-42 | 2 | Screw-HHF |
| 3 | 340-132 | 1 | Fitting-Elbow, 90 DEG | 13 | 115-0280 | 1 | Steer Selector Valve ASM |
| 3:1 | 237-78 | 1 | O-Ring | 14 | 340-77 | 3 | Fitting-Elbow, 90 DEG |
| 3:2 | 237-21 | 1 | O-Ring | 14:1 | 237-22 | 1 | O-Ring |
| 4 | 63-9750 | 4 | Mount | 14:2 | 237-42 | 1 | O-Ring |
| 5 | 63-8410 | 6 | Washer | 15 | 321-11 | 2 | Screw-HH |
| 6 | 340-2 | 1 | Fitting-Straight | 16 | 131-3352-03 | 1 | Plate-Mount, Valve |
| 6:1 | 237-22 | 1 | O-Ring | 17 | 117-2247 | 1 | Cross-Trax Traction Valve ASM |
| 6:2 | 237-42 | 1 | O-Ring | 18 | 340-92 | 1 | Fitting-Straight |
| 7 | 104-7201 | 2 | Nut-HF, NI | 18:1 | 237-78 | 1 | O-Ring |
| 8 | 1-303352 | 4 | Washer-Spindle | 18:2 | 237-21 | 1 | O-Ring |
| 9 | 340-103 | 2 | Fitting-HYD, 45 DEG | 19 | 323-8 | 1 | Screw-HH |
| 9:1 | 237-78 | 1 | O-Ring | 20 | 104-8301 | 2 | Nut-HF, NI |
| 9:2 | 237-21 | 1 | O-Ring | | | | |
| 10 | 119-1409-03 | 1 | Mount-Plate | | | | |



Steering Selector Valve Assembly No. 115-0280

| <i>Ref.</i> | <i>Part Number</i> | <i>Qty.</i> | <i>Description</i> |
|-------------|--------------------|-------------|--------------------|
| 1 | | 1 | Block-Manifold ● |
| 2 | 119-8042 | 1 | Valve-Solenoid |
| 3 | 110-6344 | 1 | Coil-12V, DC |
| 4 | 110-2634 | 1 | Nut-Coil |

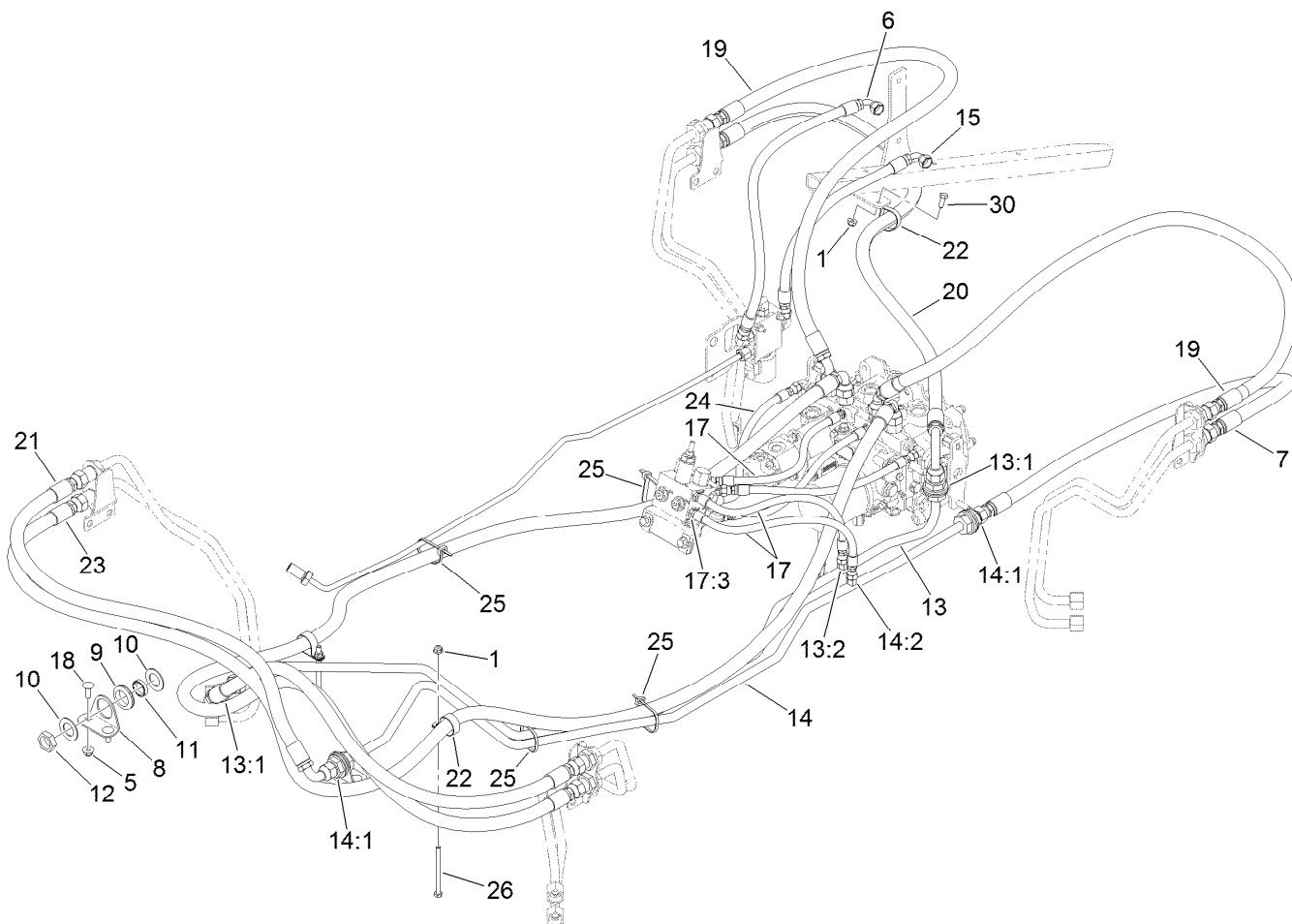
● Not serviced separately



Cross-Trax Traction Valve Assembly No. 117-2247

| Ref. | Part Number | Qty. | Description |
|------|-------------|------|--------------------------|
| 1 | | 1 | Block-Manifold ● |
| 2 | 117-0115 | 1 | Plug |
| 3 | | 1 | Plug-4MM ● |
| 4 | 119-8028 | 2 | Valve-Pilot, Directional |
| 4:1 | 119-8029 | 1 | Pilot Valve Seal Kit |
| 5 | 119-8030 | 2 | Valve-Check |
| 5:1 | 119-8031 | 1 | Seal Kit-Check Valve |
| 6 | 119-8032 | 1 | Valve-Relief |
| 6:1 | 119-8033 | 1 | Relief Valve Seal Kit |
| 7 | 119-8034 | 2 | Orifice-.090 |
| 8 | 119-8035 | 2 | Orifice-.040 |

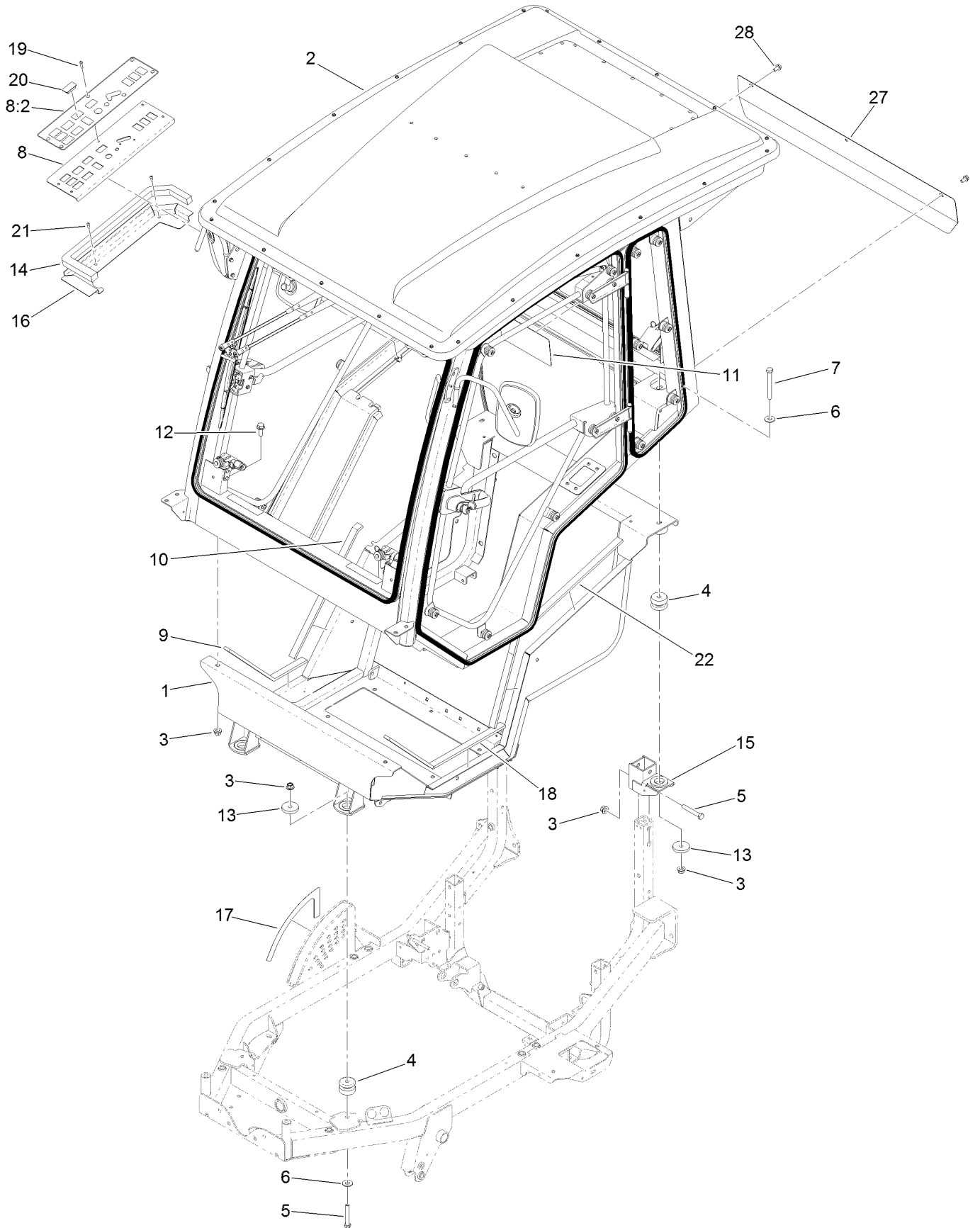
● Not serviced separately



Steering and Traction Hose Assembly

| <i>Ref.</i> | <i>Part Number</i> | <i>Qty.</i> | <i>Description</i> | <i>Ref.</i> | <i>Part Number</i> | <i>Qty.</i> | <i>Description</i> |
|-------------|--------------------|-------------|-------------------------|-------------|--------------------|-------------|--------------------|
| 1 | 104-8300 | 3 | Nut-HF, NI | 14:2 | 237-21 | 1 | O-Ring |
| 5 | 104-8301 | 4 | Nut-HF, NI | 15 | 131-3353 | 1 | Hose ASM |
| 6 | 131-3354 | 1 | Hose ASM | 17 | 115-0377 | 4 | Hose ASM |
| 7 | 119-1435 | 1 | Hose ASM | 17:3 | 237-78 | 1 | O-Ring |
| 8 | 115-0479 | 2 | Bracket-Bulkhead | 18 | 3231-22 | 4 | Screw-CARR |
| 9 | 240-3 | 4 | Grommet-Rubber | 19 | 125-4406 | 2 | Hose ASM |
| 10 | 69-9010 | 8 | Washer | 20 | 125-4359 | 1 | Hose ASM |
| 11 | 125-1984 | 4 | Spacer | 21 | 117-3124 | 2 | Hose ASM |
| 12 | 340-74 | 4 | Nut-Lock, Bulkhead | 22 | 2412-74 | 3 | R-Clamp |
| 13 | 125-4357 | 1 | Tube ASM-Front Trax, RH | 23 | 117-3126 | 2 | Hose ASM |
| 13:1 | 237-65 | 2 | O-Ring | 24 | 117-3127 | 2 | Hose ASM |
| 13:2 | 237-20 | 1 | O-Ring | 25 | 3334-945 | 2 | Tie-Cable |
| 14 | 117-3116 | 1 | Tube ASM-Front Trax, LH | 26 | 322-19 | 2 | Screw-HH |
| 14:1 | 237-65 | 2 | O-Ring | 30 | 322-3 | 1 | Screw-HH |

Cab Mounting Assembly

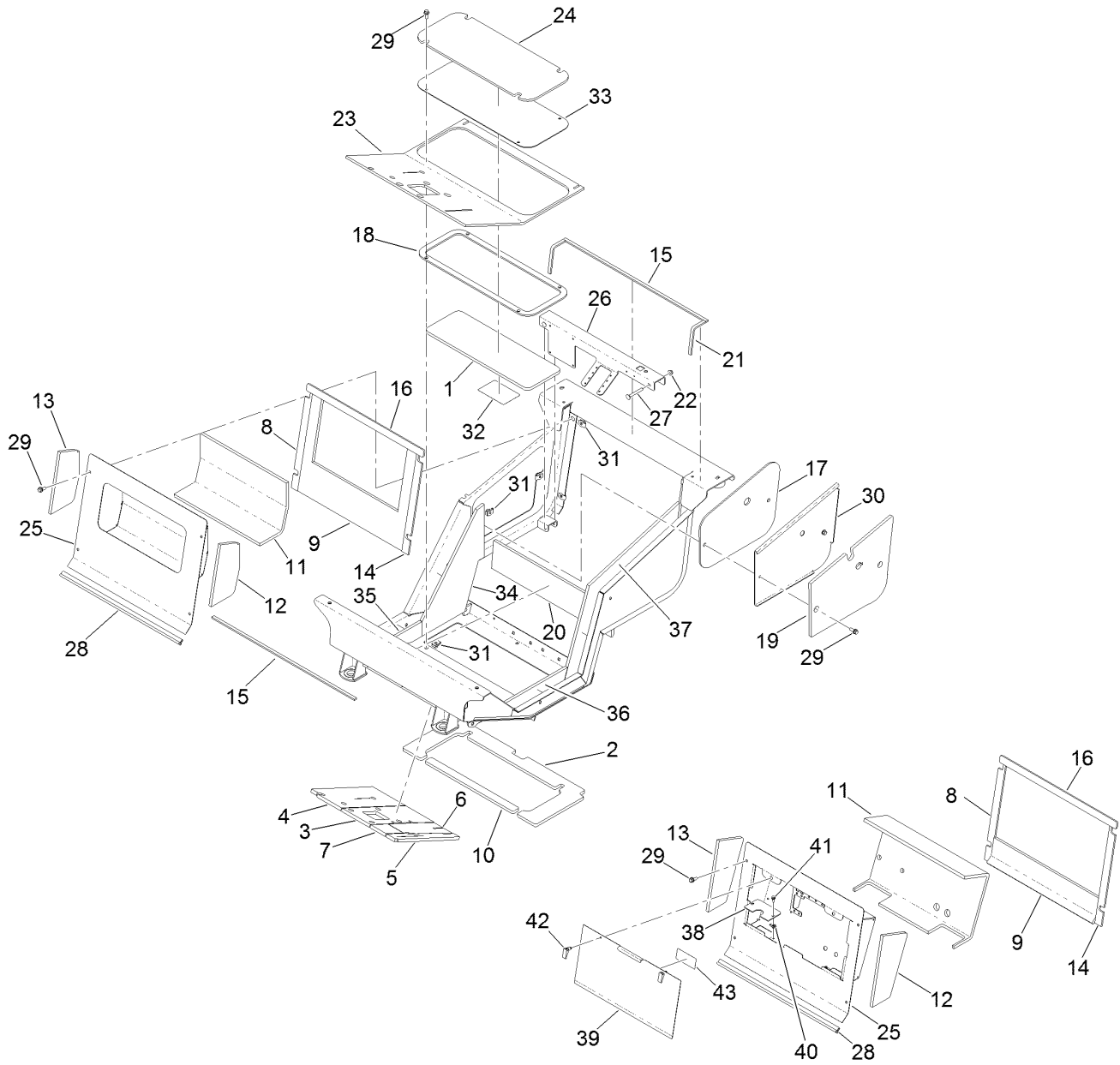


Cab Mounting Assembly (continued)

| <i>Ref.</i> | <i>Part Number</i> | <i>Qty.</i> | <i>Description</i> | <i>Ref.</i> | <i>Part Number</i> | <i>Qty.</i> | <i>Description</i> |
|-------------|--------------------|-------------|-----------------------------|-------------|--------------------|-------------|---------------------|
| 1 | 125-7420-03 | 1 | Platform-Cab | 13 | 115-5519 | 4 | Washer-Plain |
| 2 | | 1 | Cab ASM ● | 14 | 125-9629 | 1 | Foam-Panel, Control |
| 3 | 99-5107 | 10 | Nut-Lock | 15 | 117-3060-03 | 2 | Cab Mount ASM |
| 4 | 110-5954 | 4 | Mount-Center, Bonded | 16 | 125-7436-03 | 1 | Plate-Seal |
| 5 | 112-7264 | 6 | Screw-HH | 17 | 115-0493 | 1 | Decal-HOC, Cab |
| 6 | 3256-6 | 4 | Washer-Flat | 18 | 125-7433 | 1 | Foam-Seal, LH Front |
| 7 | 702093 | 2 | Screw-HH | 19 | 108-0035 | 5 | Screw |
| 8 | 131-1945 | 1 | Console Plate ASM | 20 | 99-7420 | 5 | Plug-Hole |
| 8:2 | 125-9248 | 1 | Decal-Panel, Control | 21 | 3274-31 | 2 | Screw-HSBH |
| 9 | 125-7434 | 1 | Foam-Seal, RH Front | 22 | 125-7432 | 1 | Foam-Seal, LH Rear |
| 10 | 125-7435 | 1 | Foam-Seal, LH Rear | 27 | 125-7448-03 | 1 | Cover-Access |
| 11 | 131-1946 | 1 | Decal-Instructions, Service | 28 | 110-9380 | 3 | Screw-HWH |
| 12 | 3234-38 | 2 | Screw-HHF | | | | |

● Not serviced separately

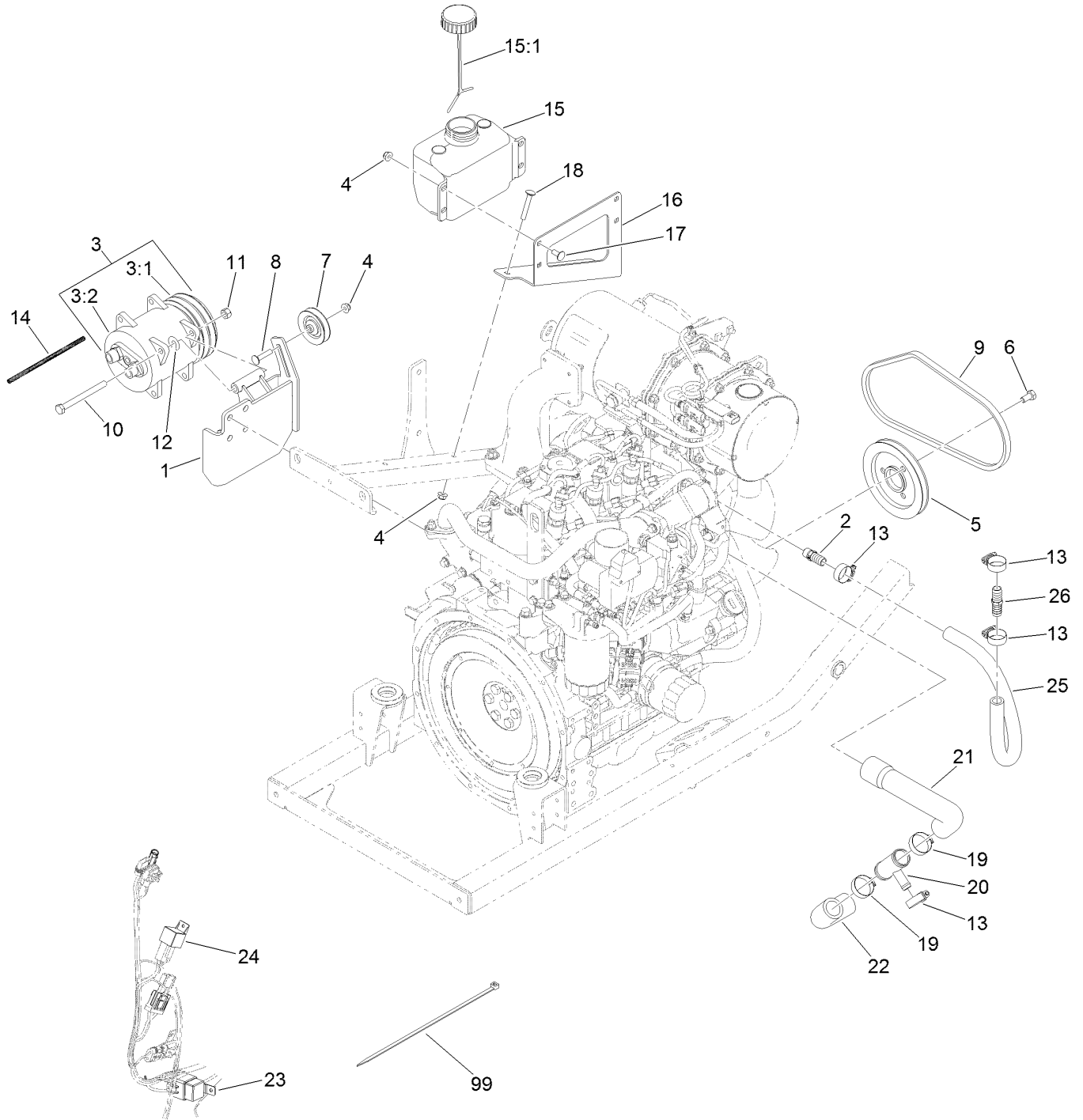
Foam Assembly



Foam Assembly (continued)

| <i>Ref.</i> | <i>Part Number</i> | <i>Qty.</i> | <i>Description</i> | <i>Ref.</i> | <i>Part Number</i> | <i>Qty.</i> | <i>Description</i> |
|-------------|--------------------|-------------|--------------------|-------------|--------------------|-------------|--------------------------|
| 1 | 119-8052 | 1 | Foam | 23 | 119-8078 | 1 | Mat-Floor |
| 2 | 119-8053 | 1 | Foam | 24 | 119-8079 | 1 | Mat-Panel, Floor |
| 3 | 119-8054 | 1 | Foam | 25 | 125-4375-03 | 1 | Firewall ASM |
| 4 | 119-8055 | 1 | Foam | 26 | 125-4407-03 | 1 | Channel-Seat |
| 5 | 119-8056 | 1 | Foam | 27 | 3231-10 | 2 | Screw-CARR |
| 6 | 119-8057 | 1 | Foam | 28 | 117-3398 | 1 | Seal-Bulb |
| 7 | 119-8058 | 1 | Foam | 29 | 110-5052 | 10 | Screw-HHF |
| 8 | 119-8064 | 1 | Foam | 30 | 117-3397-03 | 1 | Panel-Access, Cab |
| 9 | 125-9224 | 1 | Foam | 31 | 105-4886 | 10 | Nut-Tinnerman |
| 10 | 119-8066 | 1 | Foam | 32 | 112-1461 | 1 | Decal-Routing, Belt |
| 11 | 125-9223 | 1 | Foam | 33 | 117-3322-03 | 1 | Cover-Floor |
| 12 | 125-9221 | 1 | Foam | 34 | 130-0424 | 1 | Foam-Interior, RH |
| 13 | 125-9222 | 1 | Foam | 35 | 130-0446 | 1 | Foam-Interior, RH |
| 14 | 119-8063 | 1 | Foam | 36 | 130-0447 | 1 | Foam-Interior, LH |
| 15 | 119-9897 | 2 | Strip-Foam | 37 | 130-0448 | 1 | Foam-Interior, LH |
| 16 | 119-8062 | 1 | Foam | 38 | 125-4378-03 | 2 | Plate-Guide |
| 17 | 119-8050 | 1 | Foam | 39 | 125-4380-03 | 1 | Cover-Center, Electrical |
| 18 | 119-8051 | 1 | Foam | 40 | 94-2413 | 4 | Nut-U |
| 19 | 119-8086 | 1 | Foam-Interior | 41 | 3234-47 | 4 | Screw-HHF |
| 20 | 119-8076 | 1 | Foam-Interior | 42 | 74-5950 | 2 | Latch-Swell |
| 21 | 119-9896 | 2 | Strip-Foam | 43 | 117-3233 | 1 | Decal-Fuseblock |
| 22 | 104-8301 | 2 | Nut-HF, NI | | | | |

Yanmar Air Conditioner Assembly



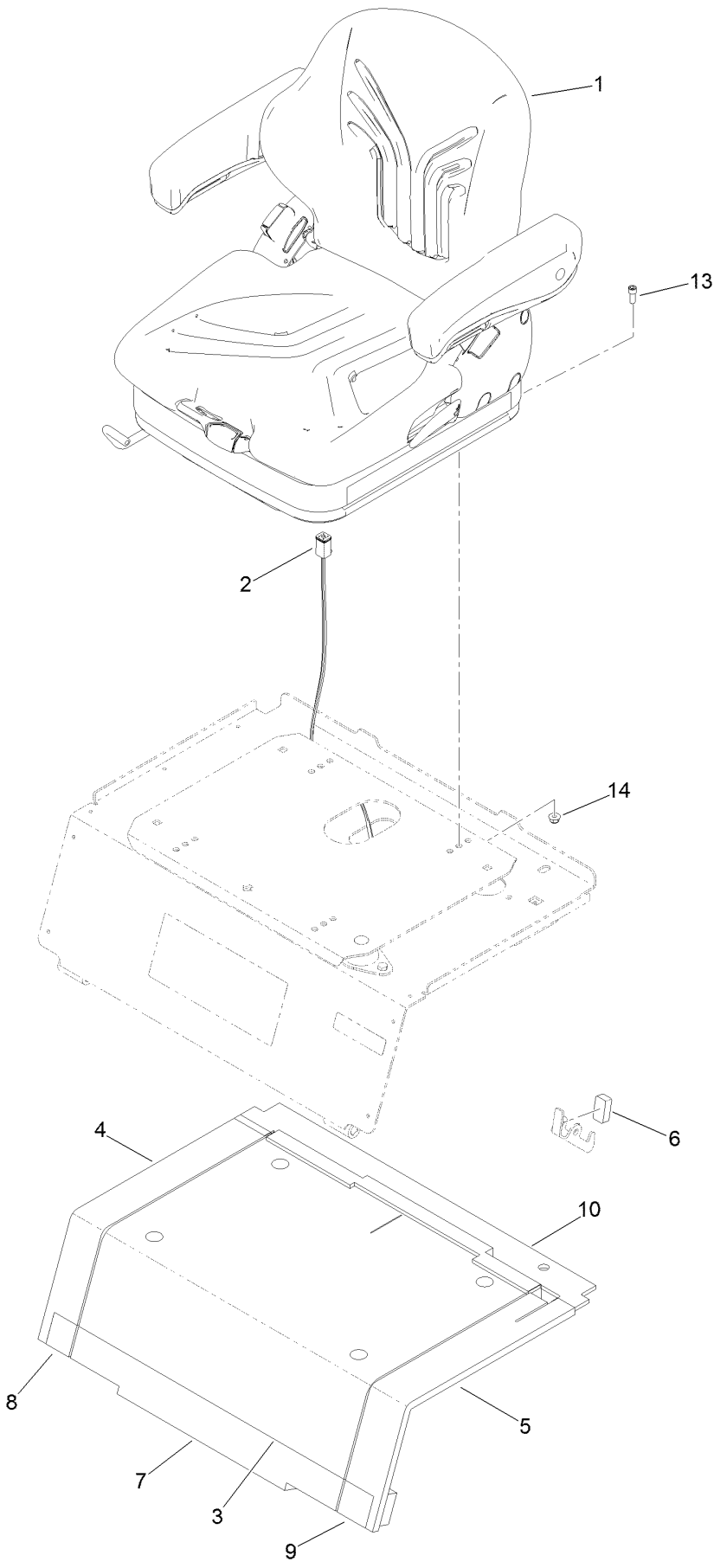
View of Cab Power Harness

Yanmar Air Conditioner Assembly (continued)

| <i>Ref.</i> | <i>Part Number</i> | <i>Qty.</i> | <i>Description</i> | <i>Ref.</i> | <i>Part Number</i> | <i>Qty.</i> | <i>Description</i> |
|-------------|--------------------|-------------|--------------------|-------------|--------------------|-------------|------------------------------|
| 1 | 125-4397-03 | 1 | Bracket-Compressor | 15 | 125-5257 | 1 | Tank-Fluid, Washer |
| 2 | 117-9410 | 1 | Fitting-Straight | 15:1 | 125-5258 | 1 | Lid-Tank, Washer Fluid |
| 3 | 117-3048 | 1 | Compressor ASM | 16 | 127-9856-03 | 1 | Bracket-Bottle, Washer Fluid |
| 3:1 | 120-0251 | 1 | Clutch-Compressor | 17 | 3230-23 | 4 | Bolt-CARR |
| 3:2 | | 1 | Compressor ● | 18 | 126-0699 | 2 | Bolt-CARR |
| 4 | 104-8300 | 7 | Nut-HF, NI | 19 | 2412-34 | 2 | Clamp-Hose |
| 5 | 125-4381 | 1 | Pulley-Compressor | 20 | 119-0142 | 1 | Fitting-Radiator |
| 6 | 33115-020 | 3 | Screw-HH | 21 | 131-1932 | 1 | Hose-Radiator, Lower |
| 7 | 119-8822 | 1 | Pulley-Idler | 22 | 131-1933 | 1 | Hose-Radiator, Lower |
| 8 | 3230-4 | 1 | Bolt-CARR | 23 | 99-7430 | 1 | Relay-Mini |
| 9 | 117-3399 | 1 | Belt-V | 24 | 99-7435 | 1 | Relay |
| 10 | 33115-110 | 2 | Screw-HH | 25 | 131-3372 | 1 | Hose-Heater |
| 11 | 33025-00 | 2 | Nut-Lock, NI | 26 | 131-3373 | 1 | Fitting-STR |
| 12 | 119-7734 | 1 | Shim | 99 | 3290-379 | 1 | Tie-Cable |
| 13 | 2412-129 | 4 | Clamp-Hose | | | | |
| 14 | 115-8882 | 1 | Conduit-Convolutd | | | | |

● Not serviced separately

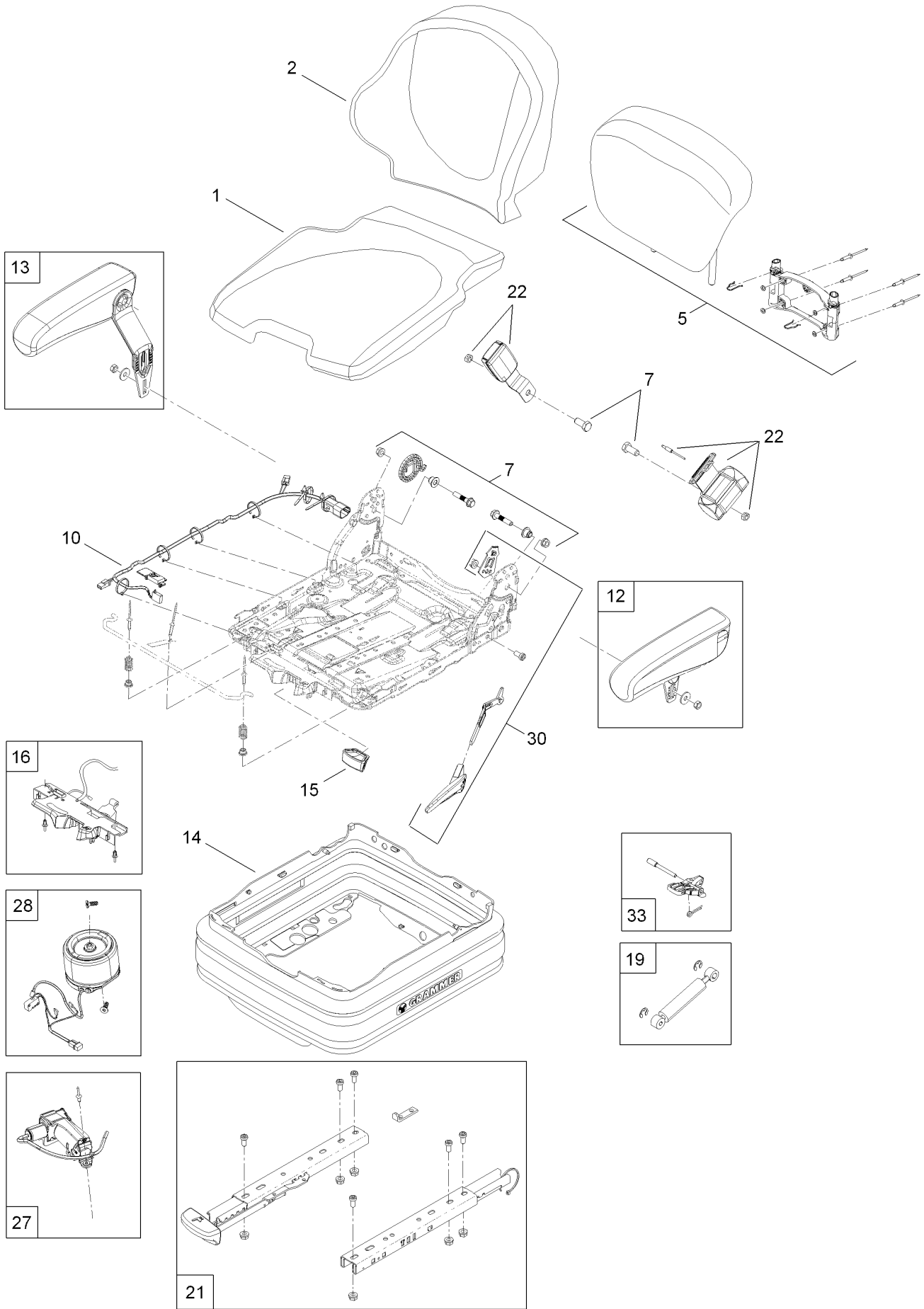
Seat Assembly



Seat Assembly (continued)

| <i>Ref.</i> | <i>Part Number</i> | <i>Qty.</i> | <i>Description</i> | <i>Ref.</i> | <i>Part Number</i> | <i>Qty.</i> | <i>Description</i> |
|-------------|--------------------|-------------|-------------------------|-------------|--------------------|-------------|--------------------|
| 1 | 117-3096 | 1 | Vinyl Air Ride Seat ASM | 7 | 119-8070 | 1 | Foam |
| 1 | 117-3097 | 1 | Cloth Air Ride Seat ASM | 8 | 119-8071 | 1 | Foam |
| 2 | 119-5787 | 1 | Harness-Wire, Seat | 9 | 119-8072 | 1 | Foam |
| 3 | 119-8059 | 1 | Foam | 10 | 119-8075 | 1 | Foam |
| 4 | 119-8073 | 1 | Foam | 13 | 3274-10 | 4 | Screw-HSH |
| 5 | 119-8074 | 1 | Foam | 14 | 104-8300 | 4 | Nut-HF, NI |
| 6 | 119-8060 | 1 | Foam | | | | |

Seat Assembly No. 117-3096

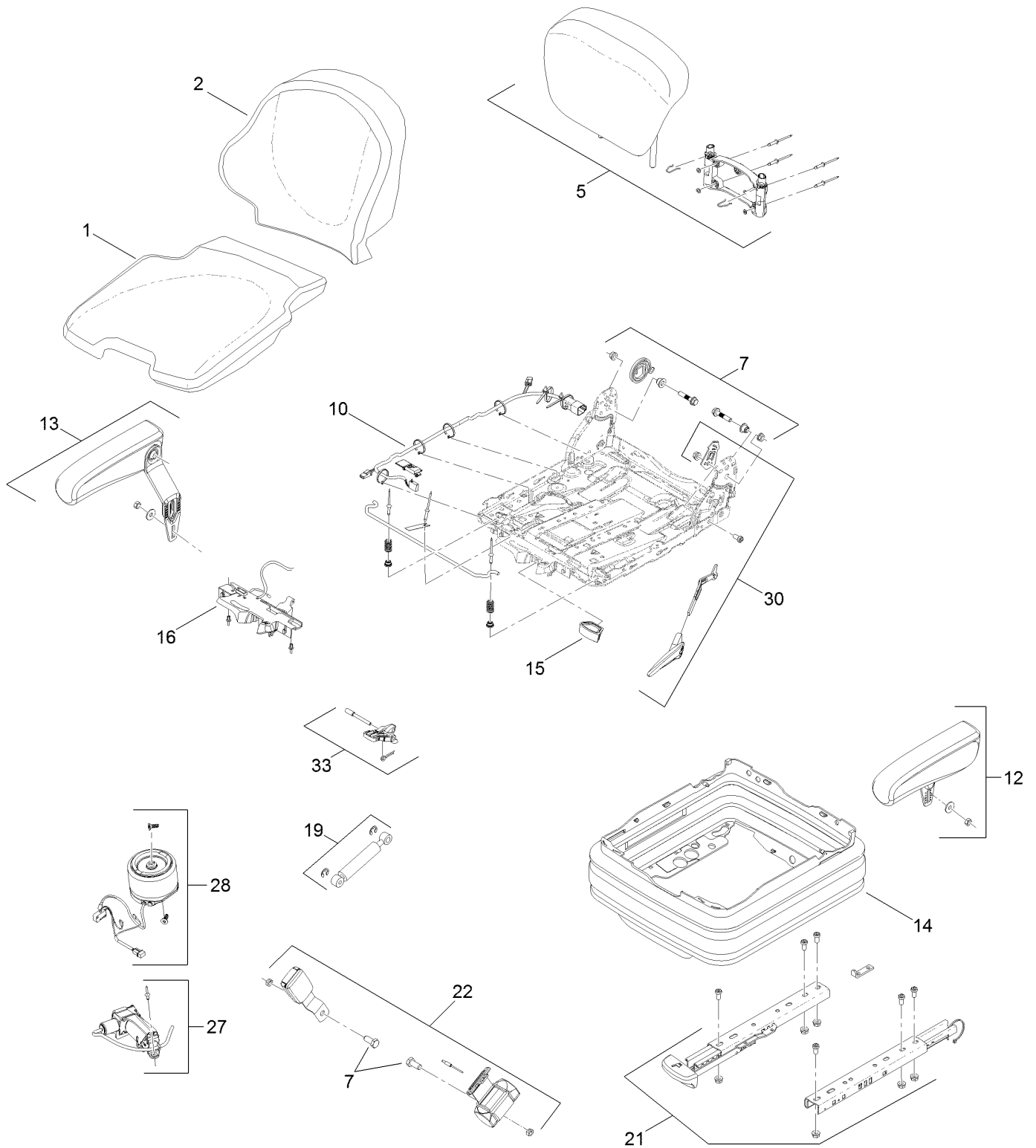


Seat Assembly No. 117-3096 (continued)

| <i>Ref.</i> | <i>Part Number</i> | <i>Qty.</i> | <i>Description</i> | <i>Ref.</i> | <i>Part Number</i> | <i>Qty.</i> | <i>Description</i> |
|-------------|--------------------|-------------|-----------------------------|-------------|--------------------|-------------|-------------------------|
| 1 | 120-0581 | 1 | Seat Cushion Kit | 16 | 120-0574 | 1 | Housing |
| 2 | 120-0582 | 1 | Back Cushion Kit | 19 | 120-0575 | 1 | Shock Absorber Kit |
| 5 | 120-0583 | 1 | Extension-Backrest, Vinyl ● | 21 | 120-0584 | 1 | Rails Adjustment Kit |
| 7 | 120-0568 | 1 | Backrest Kit | 22 | 120-0576 | 1 | Seatbelt Kit |
| 10 | 120-0569 | 1 | Switch Kit | 27 | 120-0577 | 1 | Compressor |
| 12 | 119-7105 | 1 | Premium Armrest Kit | 28 | 120-0578 | 1 | Air Spring Kit |
| 13 | 120-0571 | 1 | RH Armrest Kit | 30 | 120-0579 | 1 | Backrest Adjustment Kit |
| 14 | 120-0572 | 1 | Bellows | 33 | 120-0580 | 1 | Lever Kit |
| 15 | 120-0573 | 1 | Handle | | | | |

● Optional Equipment

Cloth Air Ride Seat Assembly No. 117-3097

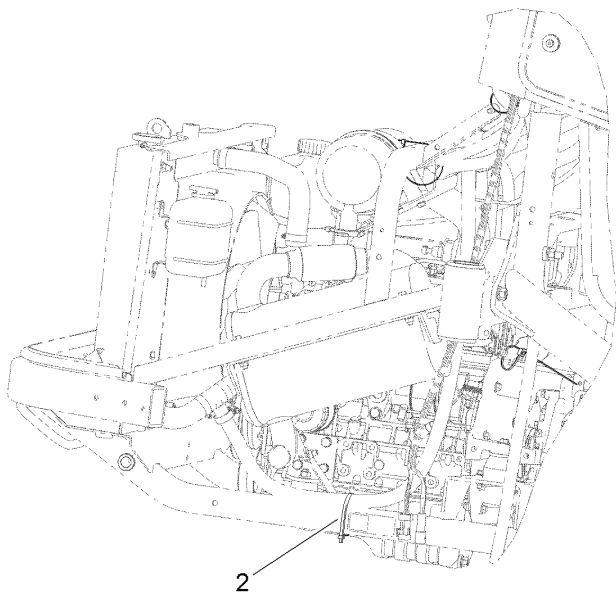
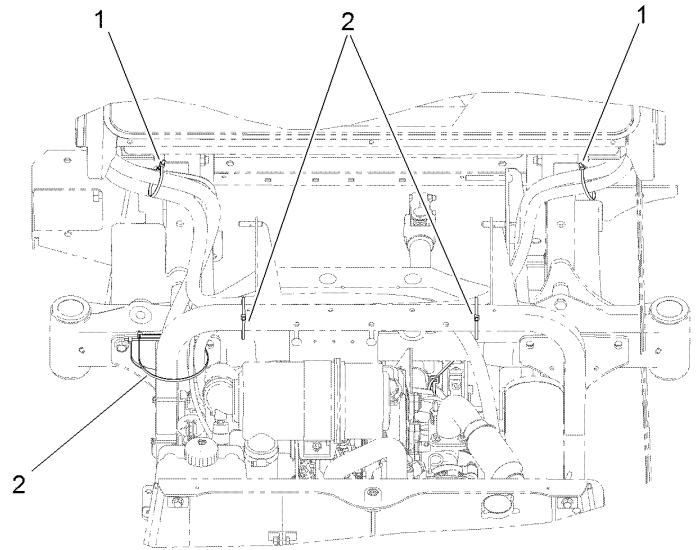
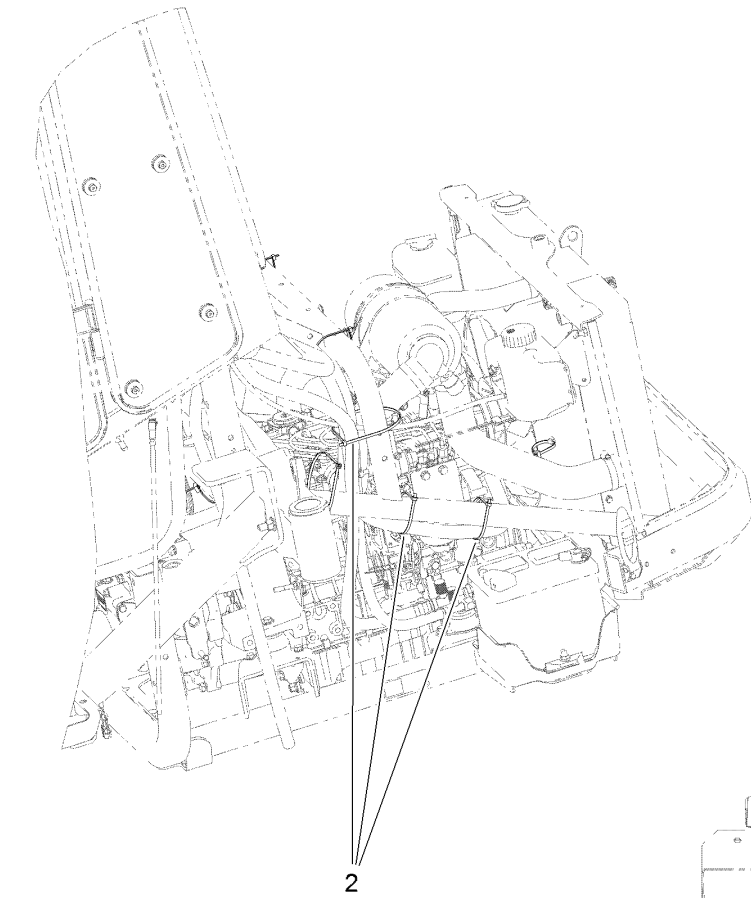


Cloth Air Ride Seat Assembly No. 117-3097 (continued)

| <i>Ref.</i> | <i>Part Number</i> | <i>Qty.</i> | <i>Description</i> | <i>Ref.</i> | <i>Part Number</i> | <i>Qty.</i> | <i>Description</i> |
|-------------|--------------------|-------------|--------------------------------|-------------|--------------------|-------------|-------------------------|
| 1 | 120-0565 | 1 | Cloth Seat Cushion Kit | 15 | 120-0573 | 1 | Handle |
| 2 | 120-0566 | 1 | Cloth Back Cushion Kit | 16 | 120-0574 | 1 | Housing |
| 5 | 120-0567 | 1 | Backrest Cloth Extension Kit ● | 19 | 120-0575 | 1 | Shock Absorber Kit |
| 7 | 120-0568 | 1 | Backrest Kit | 21 | 120-0584 | 1 | Rails Adjustment Kit |
| 10 | 120-0569 | 1 | Switch Kit | 22 | 120-0576 | 1 | Seatbelt Kit |
| 12 | 119-7105 | 1 | Premium Armrest Kit | 27 | 120-0577 | 1 | Compressor |
| 13 | 120-0571 | 1 | RH Armrest Kit | 28 | 120-0578 | 1 | Air Spring Kit |
| 14 | 120-0572 | 1 | Bellows | 30 | 120-0579 | 1 | Backrest Adjustment Kit |
| | | | | 33 | 120-0580 | 1 | Lever Kit |

● Optional Equipment

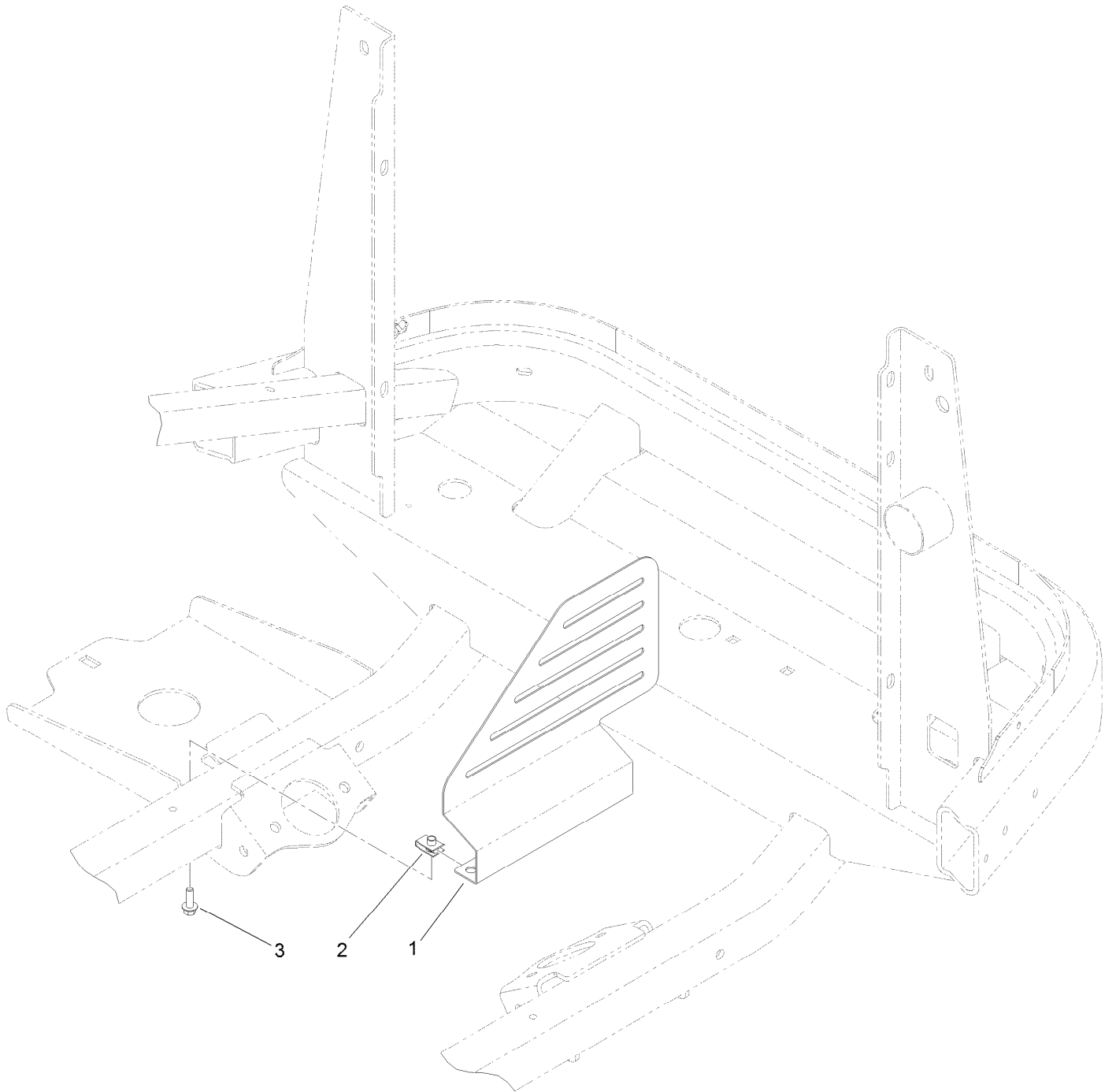
Cab Cable Tie Assembly



Cab Cable Tie Assembly (continued)

| <i>Ref.</i> | <i>Part Number</i> | <i>Qty.</i> | <i>Description</i> |
|-------------|--------------------|-------------|--------------------|
| 1 | 32180-030 | 2 | Clip-Tie |
| 2 | 3290-379 | 7 | Tie-Cable |

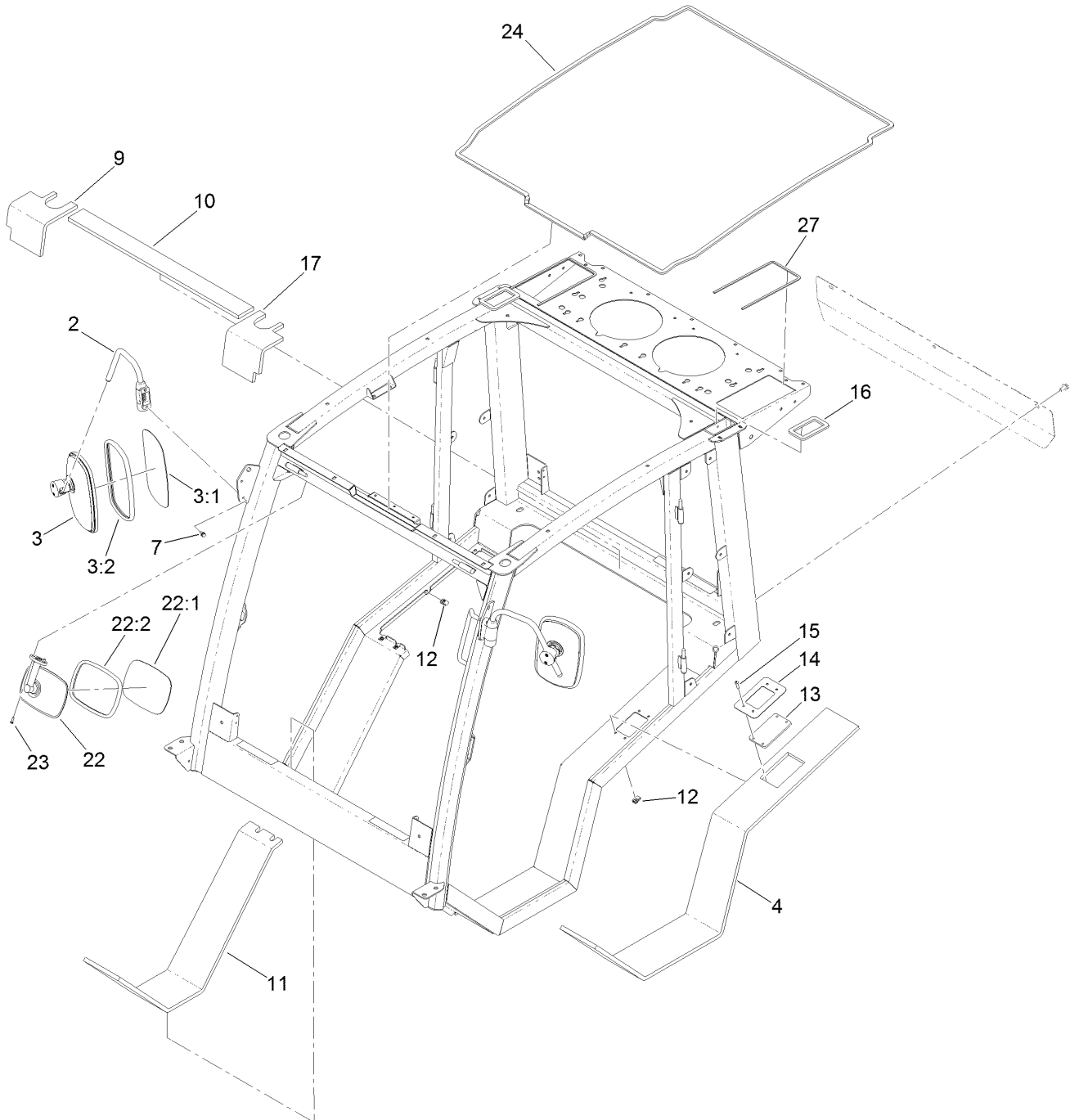
Yanmar French Guarding Assembly



Yanmar French Guarding Assembly (continued)

| <i>Ref.</i> | <i>Part Number</i> | <i>Qty.</i> | <i>Description</i> |
|-------------|--------------------|-------------|--------------------|
| 1 | 127-4934-03 | 1 | Shield-Compressor |
| 2 | 107069 | 2 | Clip |
| 3 | 3234-4 | 2 | Screw-HHF |

Cab Frame, Mount and Seal Assembly

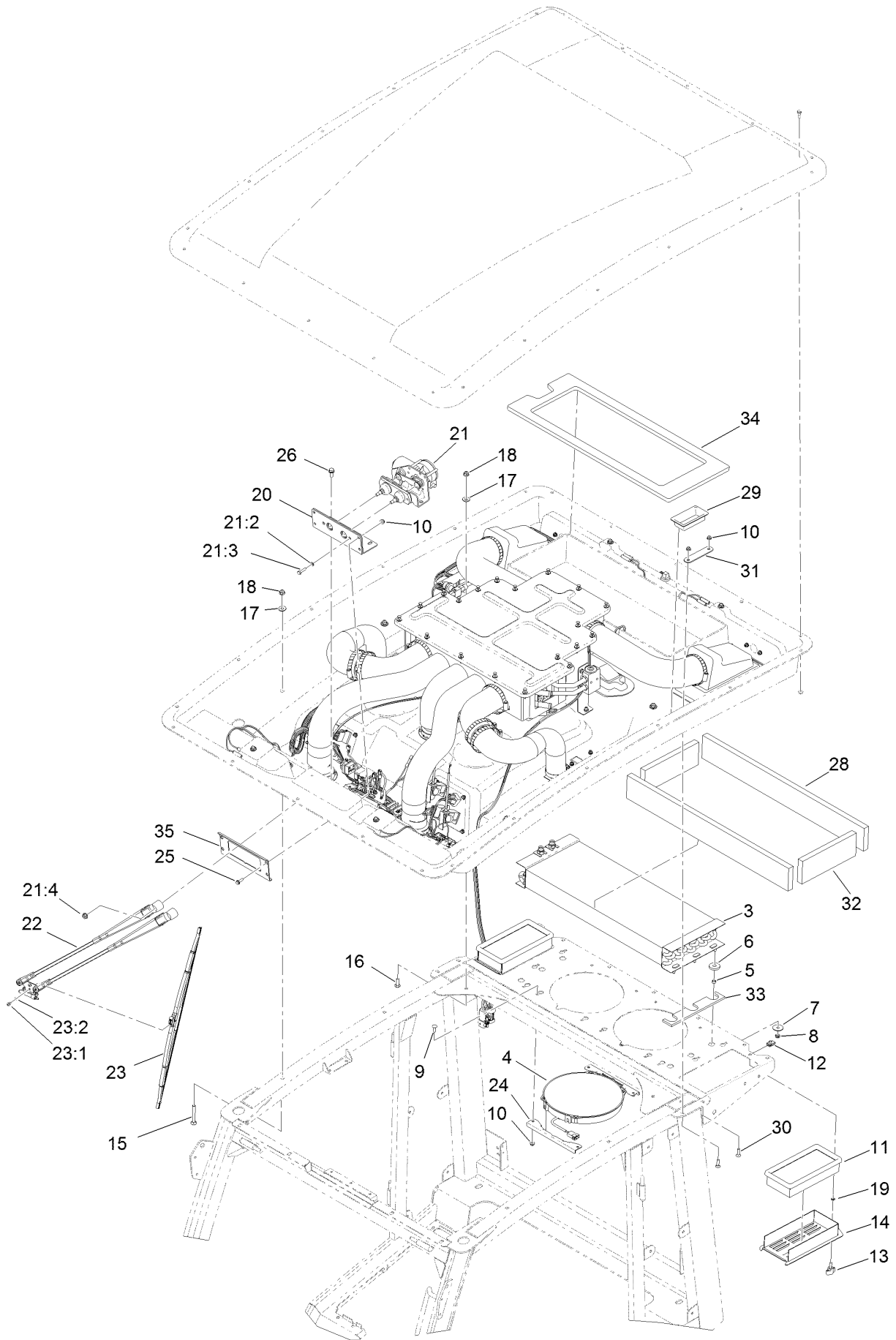


Cab Frame, Mount and Seal Assembly (continued)

| <i>Ref.</i> | <i>Part Number</i> | <i>Qty.</i> | <i>Description</i> | <i>Ref.</i> | <i>Part Number</i> | <i>Qty.</i> | <i>Description</i> |
|-------------|--------------------|-------------|---------------------------|-------------|--------------------|-------------|----------------------------|
| 2 | 121-8275 | 2 | Arm-Mirror, Side | 14 | 130-5517-03 | 1 | Plate-Retention |
| 3 | 121-8341 | 2 | Side Mirror ASM | 15 | 3274-65 | 4 | Screw-HSBH |
| 3:1 | | 1 | Mirror-Glass ● | 16 | 130-5855 | 2 | Seal-Tube, Rear |
| 3:2 | | 1 | Gasket ● | 17 | 130-5877 | 1 | Foam-Interior, Rear LH |
| 4 | 130-0435 | 1 | Foam-Interior, LH | 22 | 121-8343 | 1 | Interior Mirror ASM |
| 7 | 33103-016 | 4 | Screw-HHF | 22:1 | | 1 | Mirror ● |
| 9 | 130-5876 | 1 | Foam-Interior, Rear RH | 22:2 | | 1 | Gasket ● |
| 10 | 130-5878 | 1 | Foam-Interior, Rear Shelf | 23 | 32144-32 | 2 | Screw-PPH |
| 11 | 130-0425 | 1 | Foam-Interior, RH | 24 | 130-0586 | 1 | Seal-Foam, Frame Roof |
| 12 | 107069 | 9 | Clip | 27 | 130-0587 | 2 | Seal-Foam, Roof Air Filter |
| 13 | 119-9878 | 1 | Window-Gauge, Fuel | | | | |

● Not serviced separately

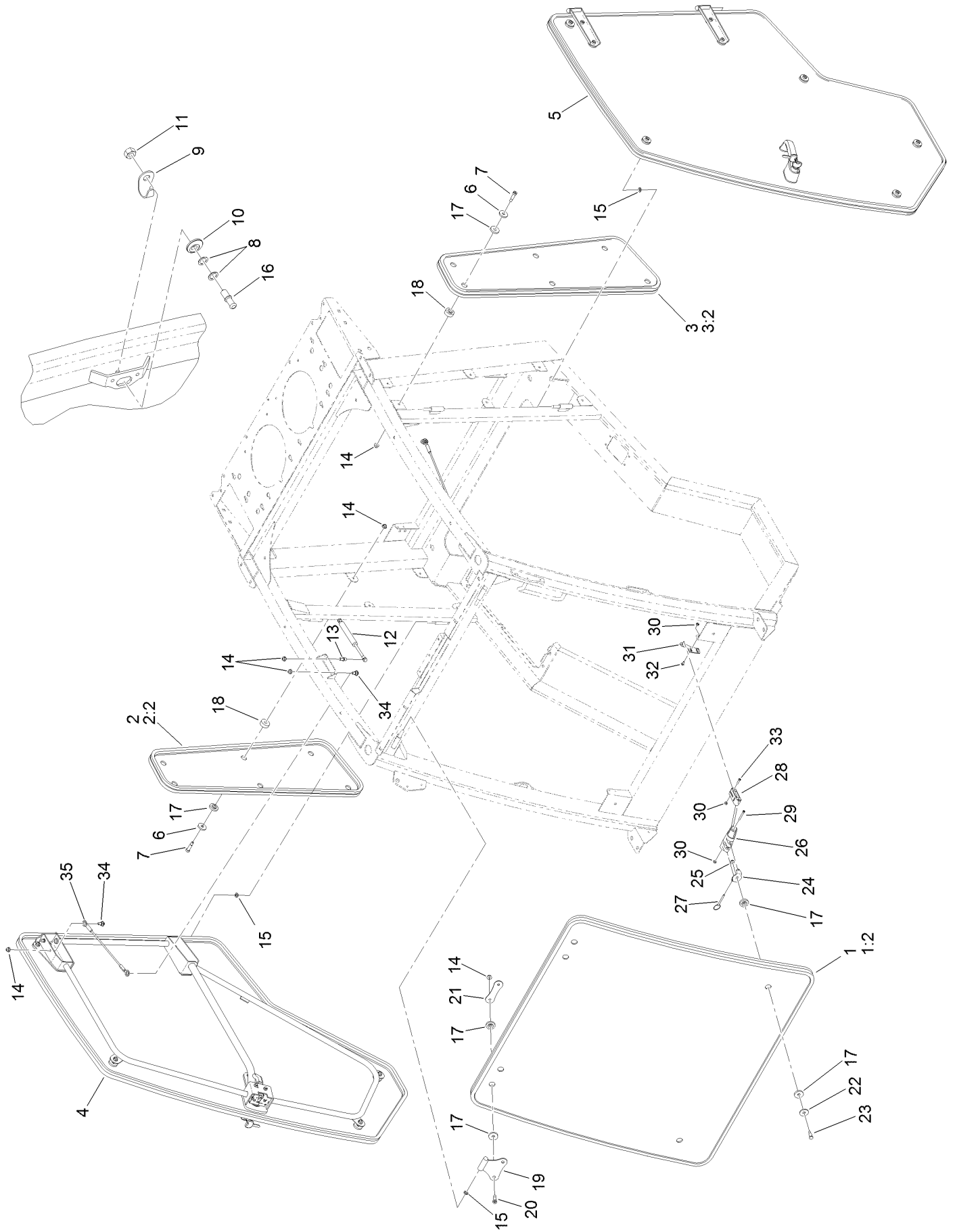
Cab Headliner Assembly



Cab Headliner Assembly (continued)

| <i>Ref.</i> | <i>Part Number</i> | <i>Qty.</i> | <i>Description</i> | <i>Ref.</i> | <i>Part Number</i> | <i>Qty.</i> | <i>Description</i> |
|-------------|--------------------|-------------|--------------------|-------------|--------------------|-------------|---------------------------|
| 3 | 121-8447 | 1 | Core-Condenser | 21:2 | 3253-3 | 1 | Washer-Lock |
| 4 | 121-8459 | 2 | Fan-Condenser | 21:3 | 33113-025 | 1 | Screw-HH |
| 5 | 106-8489 | 6 | Bushing-Sleeve | 21:4 | 112-2844 | 2 | Nut-HF |
| 6 | 125-9982 | 6 | Bushing-Flange | 22 | 125-7453 | 1 | Arm-Wiper |
| 7 | 3256-57 | 6 | Washer-Flat | 23 | 125-7454 | 1 | Blade-Wiper |
| 8 | 3296-47 | 6 | Nut-Lock,NI | 23:1 | 47-2830 | 2 | Screw |
| 9 | 1-807512 | 8 | Bolt-CARR | 23:2 | 43-5920 | 2 | Washer-Lock, Spring |
| 10 | 104-7201 | 16 | Nut-HF, NI | 24 | 125-9621-03 | 4 | Bracket-Mount, Fan |
| 11 | 121-8457 | 2 | Filter-Air | 25 | 32105-15 | 4 | Screw-HWH |
| 12 | 107069 | 2 | Clip | 26 | 32144-11 | 2 | Screw-HWH |
| 13 | 98-8332 | 2 | Knob | 28 | 130-5649 | 2 | Seal-Foam, Long |
| 14 | 125-9825-03 | 2 | Cover-Air, Fresh | 29 | 130-5661 | 2 | Tube-Sleeve |
| 15 | 3230-9 | 4 | Screw-CARR | 30 | 3229-30 | 4 | Screw-CARR |
| 16 | 3230-22 | 13 | Screw-CARR | 31 | 130-5854 | 2 | Brace-Seal |
| 17 | 3256-3 | 17 | Washer-Flat | 32 | 130-5650 | 2 | Seal-Foam, Short |
| 18 | 104-8300 | 17 | Nut-HF, NI | 33 | 130-5931 | 2 | Seal-Condenser |
| 19 | 106-8737 | 2 | Nut-Retainer | 34 | 130-5647 | 1 | Gasket-Foam, Condenser |
| 20 | 130-5871 | 1 | Bracket-Wiper | 35 | 130-6068-03 | 1 | Plate-Washer, Wiper Motor |
| 21 | 125-7452 | 1 | Wiper Motor ASM | | | | |

Window and Door Assembly

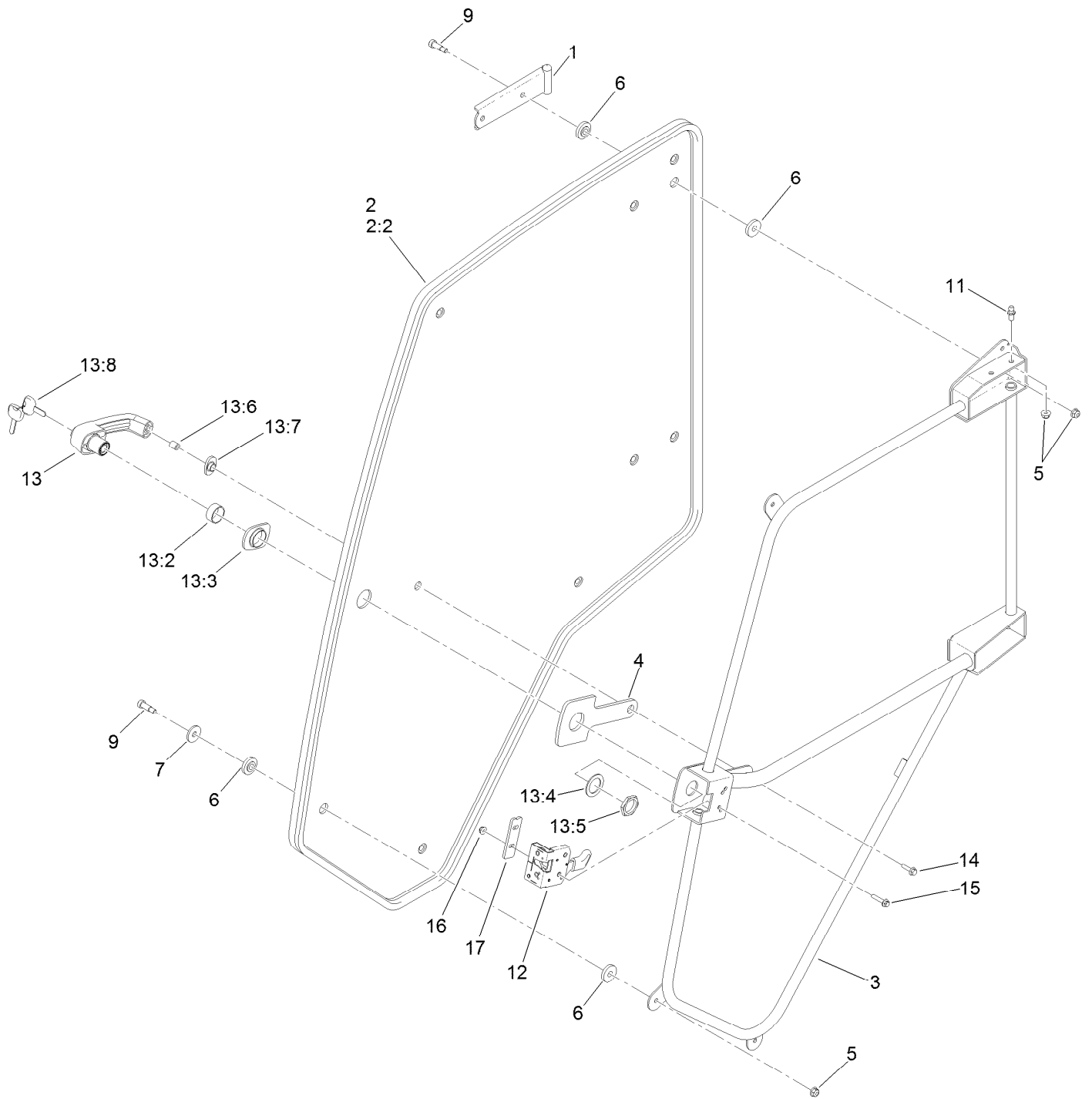


Window and Door Assembly (continued)

| <i>Ref.</i> | <i>Part Number</i> | <i>Qty.</i> | <i>Description</i> | <i>Ref.</i> | <i>Part Number</i> | <i>Qty.</i> | <i>Description</i> |
|-------------|--------------------|-------------|------------------------|-------------|--------------------|-------------|--------------------------|
| 1 | 130-5680 | 1 | Upper Front Window ASM | 17 | 125-9982 | 24 | Bushing-Flange |
| 1:2 | 121-8212 | 1 | Seal-Trim | 18 | 125-9537 | 12 | Bushing-Flange |
| 2 | 130-5688 | 1 | RH Side Window ASM | 19 | 121-8535-03 | 2 | Hinge-Window |
| 2:2 | 125-7379 | 1 | Trim-Seal, Side RH | 20 | 125-9520 | 4 | Screw-Shoulder, HSH |
| 3 | 130-5689 | 1 | LH Side Window ASM | 21 | 127-9933 | 2 | Plate-Backer, Windshield |
| 3:2 | 121-8499 | 1 | Seal-Trim, Side LH | 22 | 125-9676 | 2 | Washer-Backup |
| 4 | | 1 | RH Door ASM ● | 23 | 119-9812 | 2 | Bolt-Shoulder |
| 5 | | 1 | LH Door ASM ● | 24 | 125-9987 | 2 | Mount-Latch |
| 6 | 130-5815 | 12 | Washer-Backup | 25 | 104-7201 | 2 | Nut-HF, NI |
| 7 | 125-9521 | 12 | Screw-Shldr HSH | 26 | 125-9792 | 2 | Handle-Window |
| 8 | 73-0040 | 4 | Washer-Thrust | 27 | 127-9850 | 2 | Pin-Release, Quick |
| 9 | 121-8393 | 2 | Guard-Striker | 28 | 125-9793 | 2 | Link-Window |
| 10 | 125-9992 | 2 | Adjuster-Stud | 29 | 3274-59 | 2 | Screw-HSH |
| 11 | 106-0327 | 2 | Nut-Hex | 30 | 120-9681 | 8 | Nut-Lock, NI |
| 12 | 130-6083 | 2 | Spring-Gas, Door | 31 | 130-0590 | 2 | Mount-Tab |
| 13 | 98-3104 | 2 | Stud-Ball | 32 | 1-807513 | 4 | Bolt-CARR |
| 14 | 104-8300 | 22 | Nut-HF, NI | 33 | 3274-14 | 2 | Screw-HSH |
| 15 | 121-8441 | 6 | Washer-Spacer | 34 | 120-9471 | 4 | Bolt-Shoulder |
| 16 | 125-9993 | 2 | Striker-Stud | 35 | 130-5726 | 2 | Lanyard |

● Not serviced separately

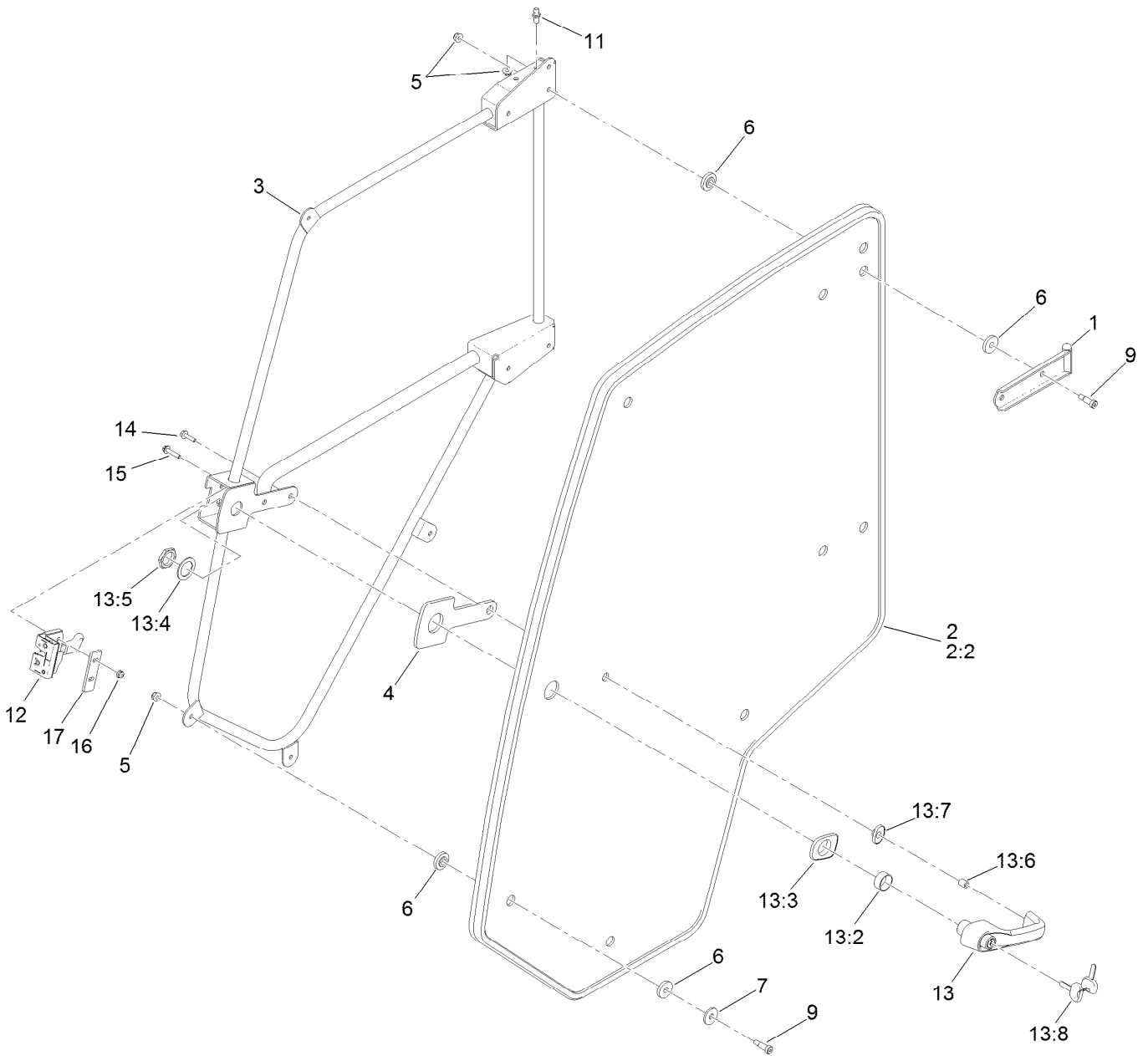
RH Door Assembly



RH Door Assembly (continued)

| <i>Ref.</i> | <i>Part Number</i> | <i>Qty.</i> | <i>Description</i> | <i>Ref.</i> | <i>Part Number</i> | <i>Qty.</i> | <i>Description</i> |
|-------------|--------------------|-------------|---------------------|-------------|--------------------|-------------|-------------------------|
| 1 | 125-9618-03 | 2 | Hinge-Door, RH | 13:2 | 121-8628 | 1 | Cylinder-Mounting, Key |
| 2 | 130-5691 | 1 | RH Door ASM | 13:3 | 121-8322 | 1 | Grommet-Mounting, Large |
| 2:2 | 125-7385 | 1 | Trim-Seal, Door RH | 13:4 | 121-8327 | 1 | Washer |
| 3 | 125-7389-03 | 1 | Frame-Door, RH | 13:5 | 121-8328 | 1 | Nut |
| 4 | 121-8331 | 1 | Gasket-Handle | 13:6 | 121-8627 | 1 | Cylinder-Mounting, End |
| 5 | 104-8300 | 10 | Nut-HF, NI | 13:7 | 121-8323 | 1 | Grommet-Mounting, Small |
| 6 | 125-9982 | 18 | Bushing-Flange | 13:8 | 125-9531 | 1 | Key-Set |
| 7 | 125-9676 | 5 | Washer-Backup | 14 | 33103-025 | 1 | Screw-HHF |
| 9 | 125-9520 | 9 | Screw-Shoulder, HSH | 15 | 3234-21 | 2 | Screw-HHF |
| 11 | 98-3104 | 1 | Stud-Ball | 16 | 104-7201 | 2 | Nut-HF, NI |
| 12 | 121-8390 | 1 | Latch-RH | 17 | 121-8395 | 1 | Plate-Support, Latch |
| 13 | 121-8630 | 1 | Handle ASM | | | | |

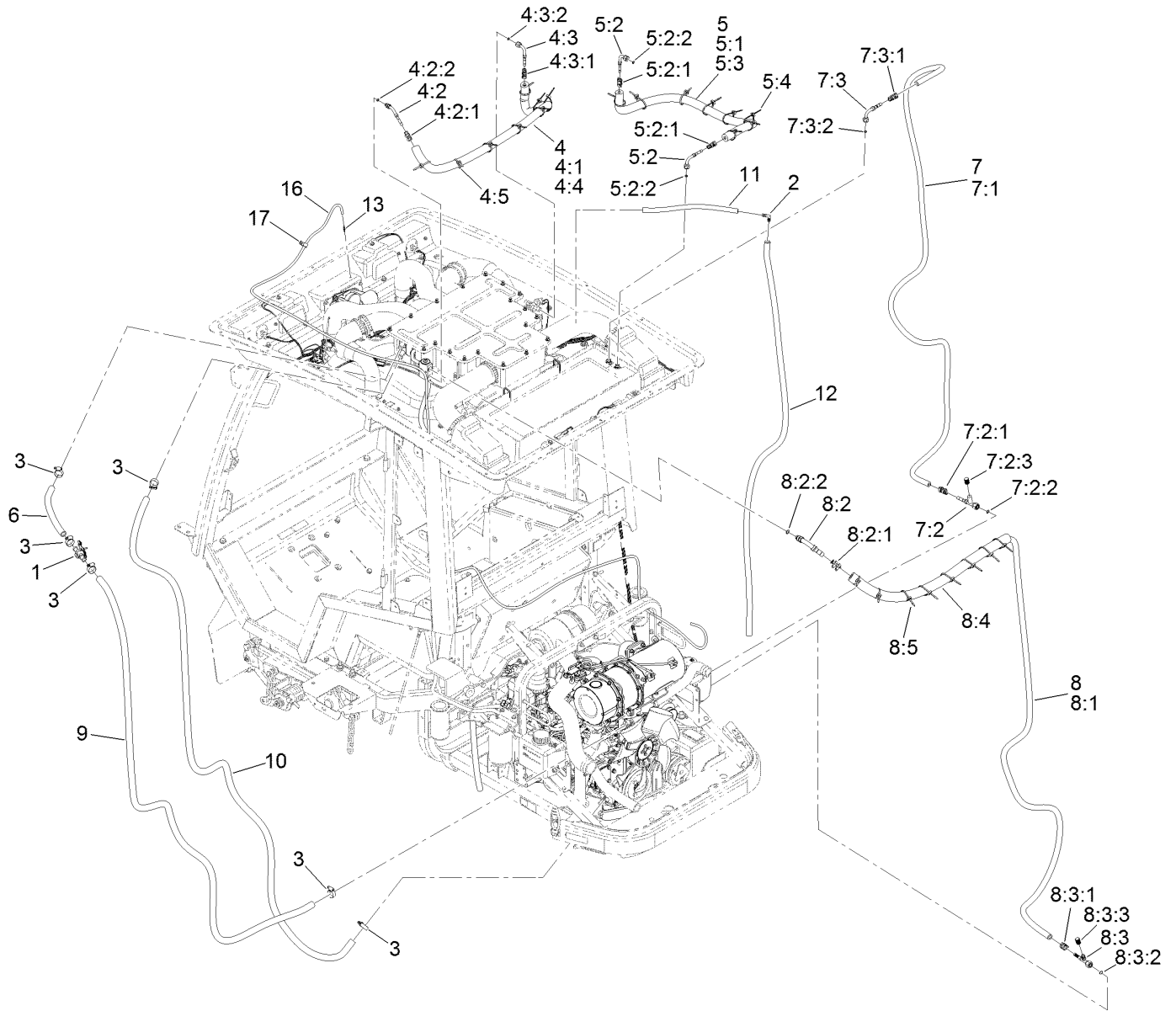
LH Door Assembly



LH Door Assembly (continued)

| <i>Ref.</i> | <i>Part Number</i> | <i>Qty.</i> | <i>Description</i> | <i>Ref.</i> | <i>Part Number</i> | <i>Qty.</i> | <i>Description</i> |
|-------------|--------------------|-------------|---------------------|-------------|--------------------|-------------|-------------------------|
| 1 | 125-9619-03 | 2 | Hinge-Door, LH | 13:2 | 121-8628 | 1 | Cylinder-Mounting, Key |
| 2 | 130-5692 | 1 | LH Door ASM | 13:3 | 121-8322 | 1 | Grommet-Mounting, Large |
| 2:2 | 125-7382 | 1 | Trim-Seal, Door LH | 13:4 | 121-8327 | 1 | Washer |
| 3 | 125-7388-03 | 1 | LH Door Frame ASM | 13:5 | 121-8328 | 1 | Nut |
| 4 | 121-8331 | 1 | Gasket-Handle | 13:6 | 121-8627 | 1 | Cylinder-Mounting, End |
| 5 | 104-8300 | 10 | Nut-HF, NI | 13:7 | 121-8323 | 1 | Grommet-Mounting, Small |
| 6 | 125-9982 | 18 | Bushing-Flange | 13:8 | 125-9531 | 1 | Key-Set |
| 7 | 125-9676 | 5 | Washer-Backup | 14 | 33103-025 | 1 | Screw-HHF |
| 9 | 125-9520 | 9 | Screw-Shoulder, HSH | 15 | 3234-21 | 2 | Screw-HHF |
| 11 | 98-3104 | 1 | Stud-Ball | 16 | 104-7201 | 2 | Nut-HF, NI |
| 12 | 121-8391 | 1 | Latch-LH | 17 | 121-8395 | 1 | Plate-Support, Latch |
| 13 | 121-8630 | 1 | Handle ASM | | | | |

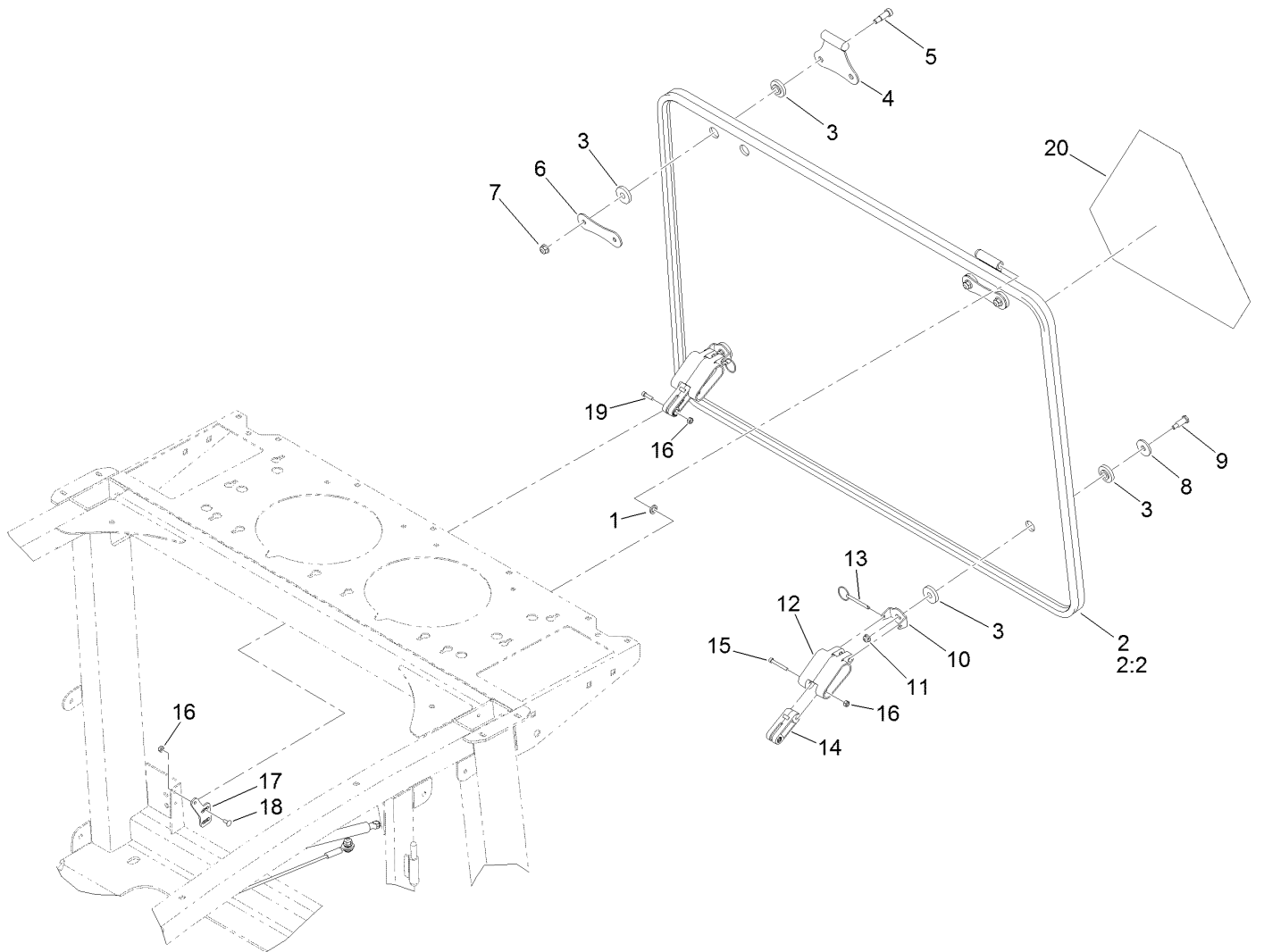
Tier 4 Engine Hose Routing Assembly



Tier 4 Engine Hose Routing Assembly (continued)

| <i>Ref.</i> | <i>Part Number</i> | <i>Qty.</i> | <i>Description</i> | <i>Ref.</i> | <i>Part Number</i> | <i>Qty.</i> | <i>Description</i> |
|-------------|--------------------|-------------|--------------------------|-------------|--------------------|-------------|--------------------------|
| 1 | 120-4947 | 1 | Valve-Heater | 7:2:1 | 130-5773 | 1 | Fitting Kit |
| 2 | 130-0578 | 2 | Fitting-Barb, 90 DEG | 7:2:2 | 117-2779 | 1 | O-Ring |
| 3 | 2412-129 | 6 | Clamp-Hose | 7:2:3 | 117-2783 | 1 | Cap-Side, High |
| 4 | 125-9702 | 1 | Hose ASM | 7:3 | 130-5752 | 1 | Fitting-Female, 90 DEG |
| 4:1 | 130-0417 | 1 | Hose | 7:3:1 | 130-5773 | 1 | Fitting Kit |
| 4:2 | 130-5753 | 1 | Fitting-45 DEG | 7:3:2 | 117-2778 | 1 | O-Ring |
| 4:2:1 | 130-5772 | 1 | Fitting Kit | 8 | 125-9705 | 1 | AC Hose ASM |
| 4:2:2 | 117-2778 | 1 | O-Ring | 8:1 | 130-5798 | 1 | Hose-Refrigerant |
| 4:3 | 130-5751 | 1 | Fitting-Female, 90 DEG | 8:2 | 130-5754 | 1 | Fitting-Male, 45 DEG |
| 4:3:1 | 130-5772 | 1 | Fitting Kit | 8:2:1 | 130-5775 | 1 | Fitting Kit |
| 4:3:2 | 117-2778 | 1 | O-Ring | 8:2:2 | 117-2780 | 1 | O-Ring |
| 4:4 | 130-5958 | 1 | Cover-Foam | 8:3 | 130-5755 | 1 | Fitting-Female, Straight |
| 4:5 | 3290-378 | 8 | Tie-Cable | 8:3:1 | 130-5775 | 1 | Fitting Kit |
| 5 | 125-9703 | 1 | Hose ASM | 8:3:2 | 117-2780 | 1 | O-Ring |
| 5:1 | 130-0417 | 1 | Hose | 8:3:3 | 117-2784 | 1 | Cap-Side, Low |
| 5:2 | 130-5751 | 2 | Fitting-Female, 90 DEG | 8:4 | 130-5959 | 1 | Cover-Foam |
| 5:2:1 | 130-5772 | 1 | Fitting Kit | 8:5 | 3290-378 | 1 | Tie-Cable |
| 5:2:2 | 117-2778 | 1 | O-Ring | 9 | 125-9707 | 1 | Hose-Heater |
| 5:3 | 130-5958 | 1 | Cover-Foam | 10 | 125-9708 | 1 | Hose-Heater |
| 5:4 | 3290-378 | 8 | Tie-Cable | 11 | 125-9865 | 2 | Hose-Drain |
| 6 | 125-9706 | 1 | Hose-Heater | 12 | 125-9866 | 2 | Hose-Drain |
| 7 | 125-9704 | 1 | AC Hose ASM | 13 | 127-9905 | 1 | Fitting-Hose, Barb |
| 7:1 | 130-5799 | 1 | Hose-Refrigerant | 16 | 127-9903 | 1 | Hose-Washer Fluid |
| 7:2 | 130-5757 | 1 | Fitting-Straight, Female | 17 | 2412-73 | 1 | Clamp-R |

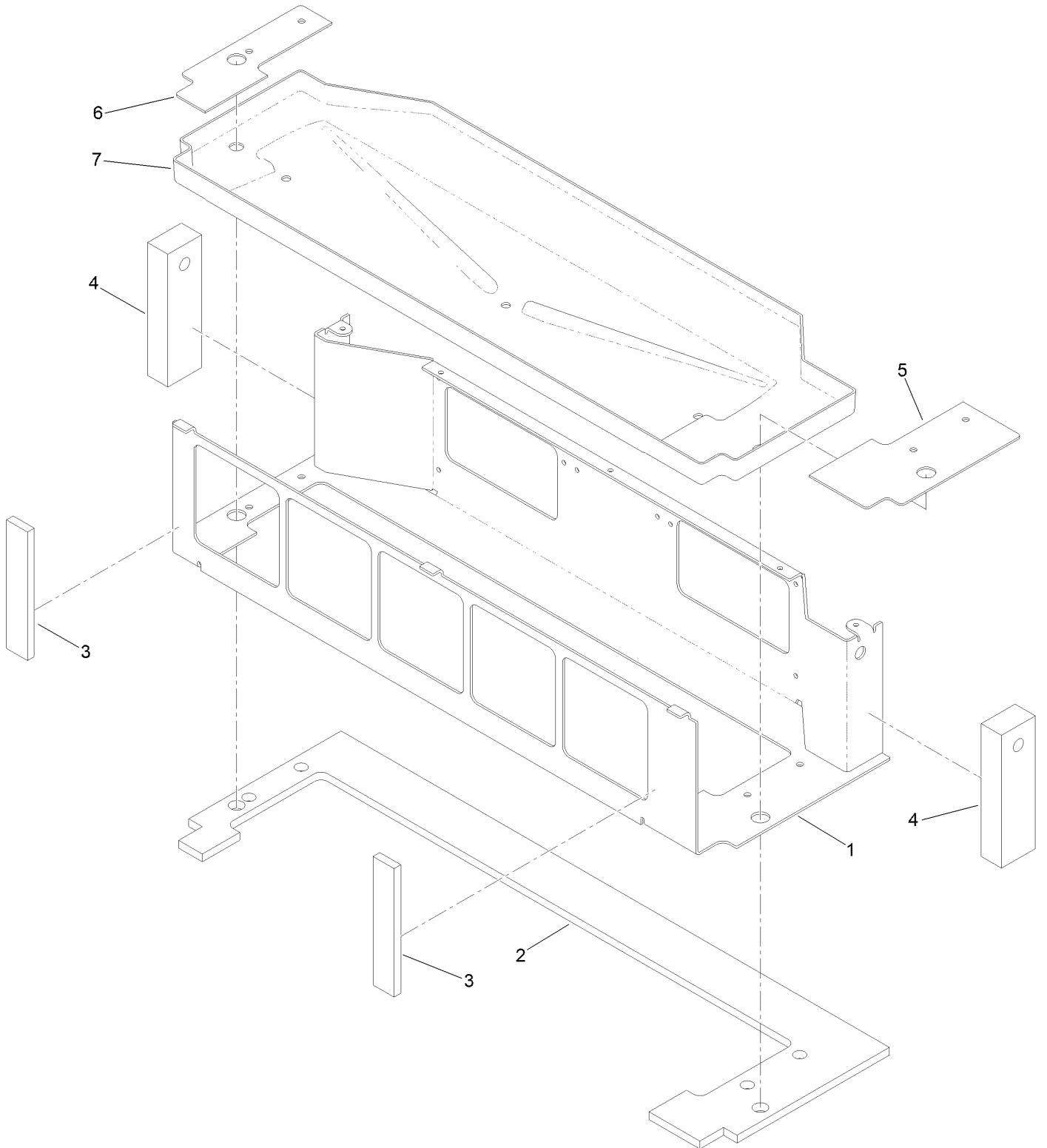
Rear Window Assembly



Rear Window Assembly (continued)

| <i>Ref.</i> | <i>Part Number</i> | <i>Qty.</i> | <i>Description</i> | <i>Ref.</i> | <i>Part Number</i> | <i>Qty.</i> | <i>Description</i> |
|-------------|--------------------|-------------|--------------------------|-------------|--------------------|-------------|--------------------|
| 1 | 121-8441 | 2 | Washer-Spacer | 11 | 104-7201 | 2 | Nut-HF, NI |
| 2 | 130-5690 | 1 | Rear Window ASM | 12 | 125-9792 | 2 | Handle-Window |
| 2:2 | 121-8213 | 1 | Trim-Window, Rear | 13 | 127-9850 | 2 | Pin-Release, Quick |
| 3 | 125-9982 | 12 | Bushing-Flange | 14 | 125-9793 | 2 | Link-Window |
| 4 | 121-8535 | 2 | Hinge-Window | 15 | 3274-59 | 2 | Screw-HSH |
| 5 | 125-9520 | 4 | Screw-Shoulder, HSH | 16 | 120-9681 | 8 | Nut-Lock, NI |
| 6 | 127-9933 | 2 | Plate-Backer, Windshield | 17 | 130-0590 | 2 | Mount-Tab |
| 7 | 104-8300 | 4 | Nut-HF, NI | 18 | 1-807513 | 4 | Bolt-CARR |
| 8 | 125-9676 | 2 | Washer-Backup | 19 | 3274-14 | 2 | Screw-HSH |
| 9 | 119-9812 | 2 | Bolt-Shoulder | 20 | 120-0250 | 1 | Decal-Warning |
| 10 | 125-9987 | 2 | Mount-Latch | | | | |

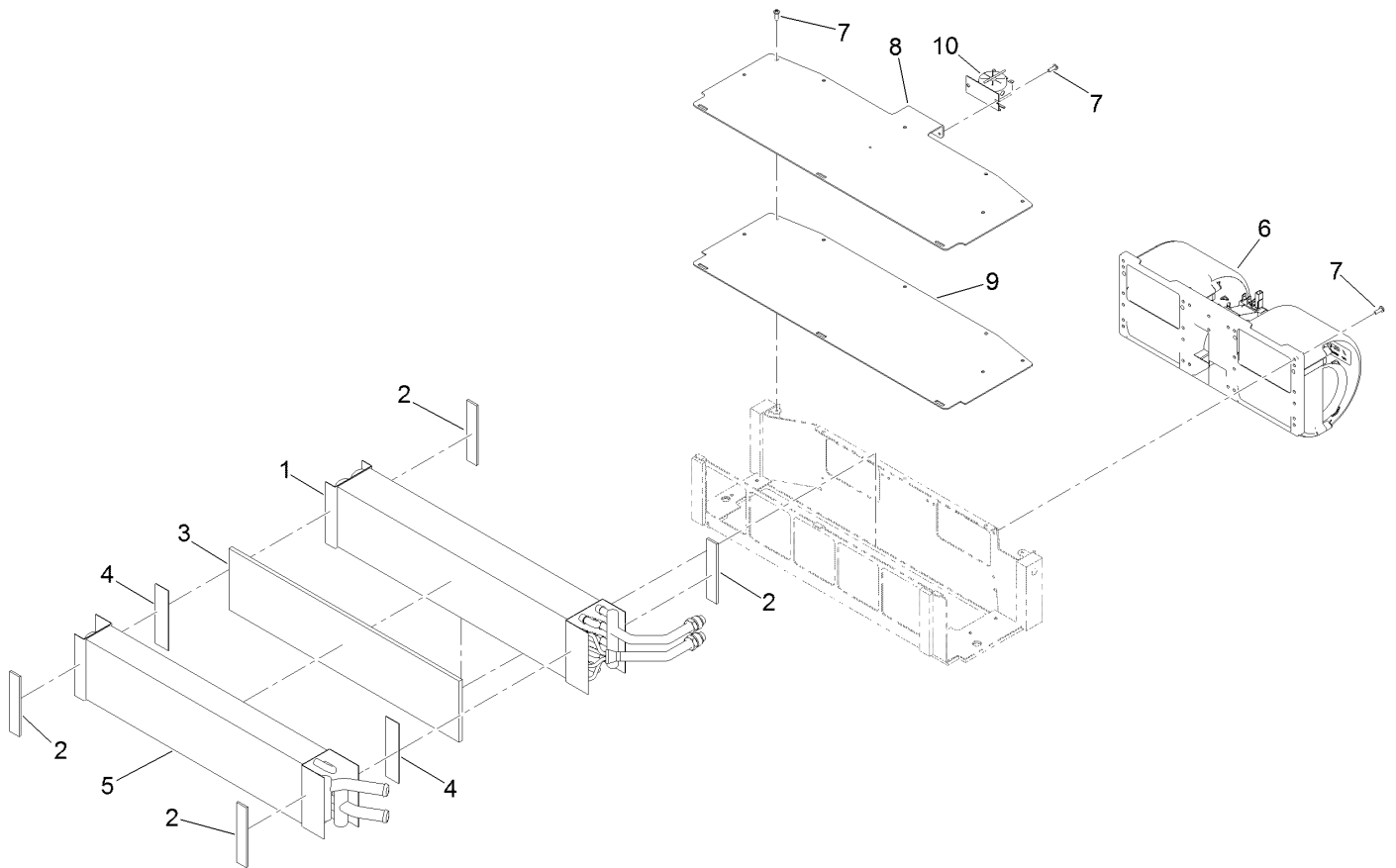
Mixing Box Mounting Bracket and Water Tray Assembly



Mixing Box Mounting Bracket and Water Tray Assembly (continued)

| <i>Ref.</i> | <i>Part Number</i> | <i>Qty.</i> | <i>Description</i> | <i>Ref.</i> | <i>Part Number</i> | <i>Qty.</i> | <i>Description</i> |
|-------------|--------------------|-------------|--------------------|-------------|--------------------|-------------|--------------------------|
| 1 | 130-5655-03 | 1 | Bracket-Mount | 5 | 130-5653 | 1 | Gasket-Mount, LH Bracket |
| 2 | 130-5659 | 1 | Seal-Foam | 6 | 130-5654 | 1 | Gasket-Mount, RH Bracket |
| 3 | 130-5808 | 2 | Seal-Foam, Front | 7 | 130-5660 | 1 | Tray-Water |
| 4 | 130-0602 | 2 | Seal-End | | | | |

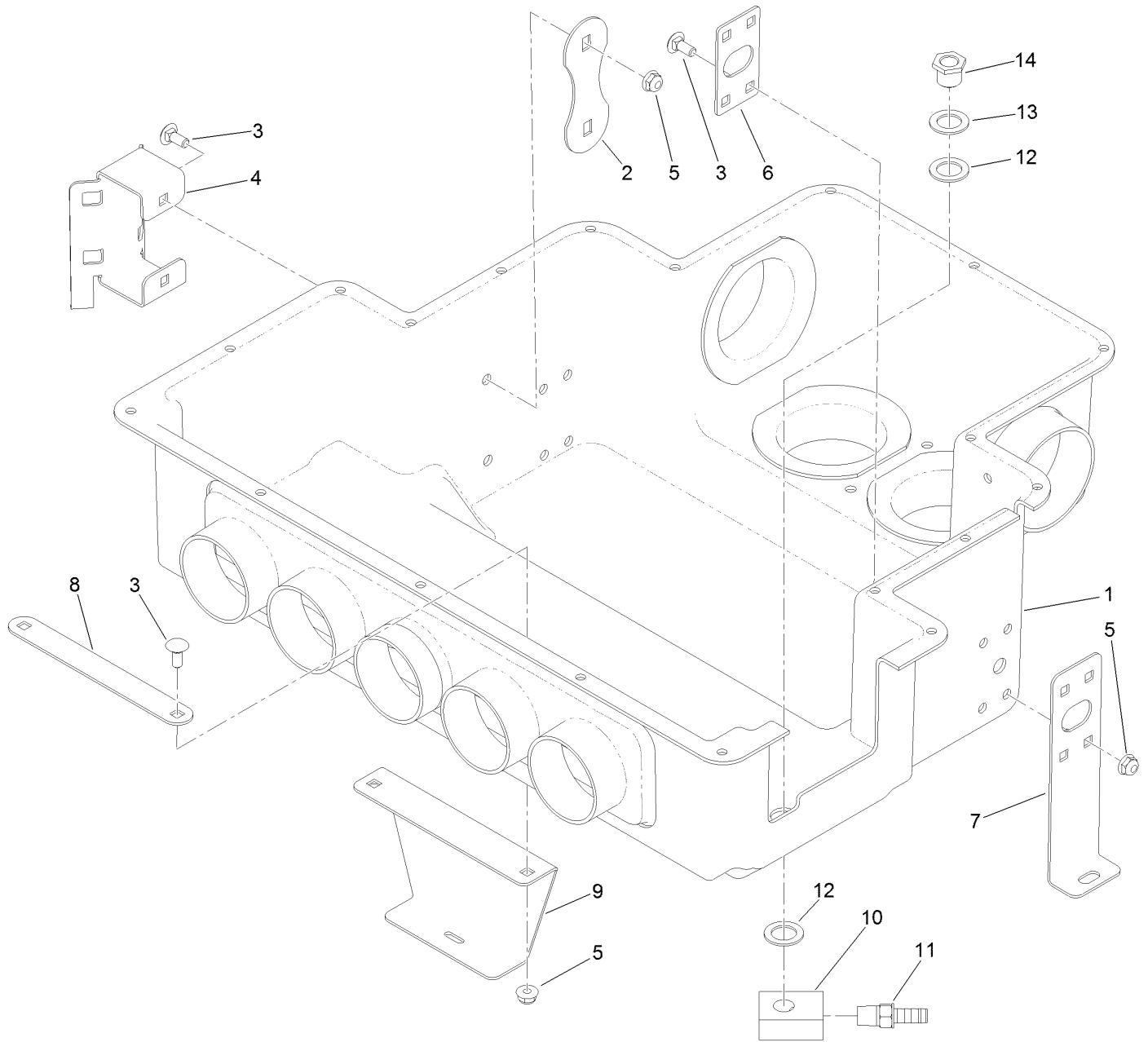
Blower Fan and Evaporator Core Assembly



Blower Fan and Evaporator Core Assembly (continued)

| <i>Ref.</i> | <i>Part Number</i> | <i>Qty.</i> | <i>Description</i> | <i>Ref.</i> | <i>Part Number</i> | <i>Qty.</i> | <i>Description</i> |
|-------------|--------------------|-------------|--------------------|-------------|--------------------|-------------|--------------------------------|
| 1 | 130-5392 | 1 | Core-Evaporator | 7 | 363-8245 | 13 | Screw-TAP |
| 2 | 130-5658 | 4 | Gasket-Coil | 8 | 130-5656-03 | 1 | Cover, Bracket-Mount |
| 3 | 130-5807 | 1 | Foam | 9 | 130-5652 | 1 | Gasket-Mount, Cover Bracket |
| 4 | 130-5806 | 2 | Tape, Double-Sided | 10 | 121-8385 | 1 | Thermostat-Switch, Freeze |
| 5 | 127-9915 | 1 | Core-Heater | | | | |
| 6 | 121-8451 | 1 | Fan-Blower | | | | |

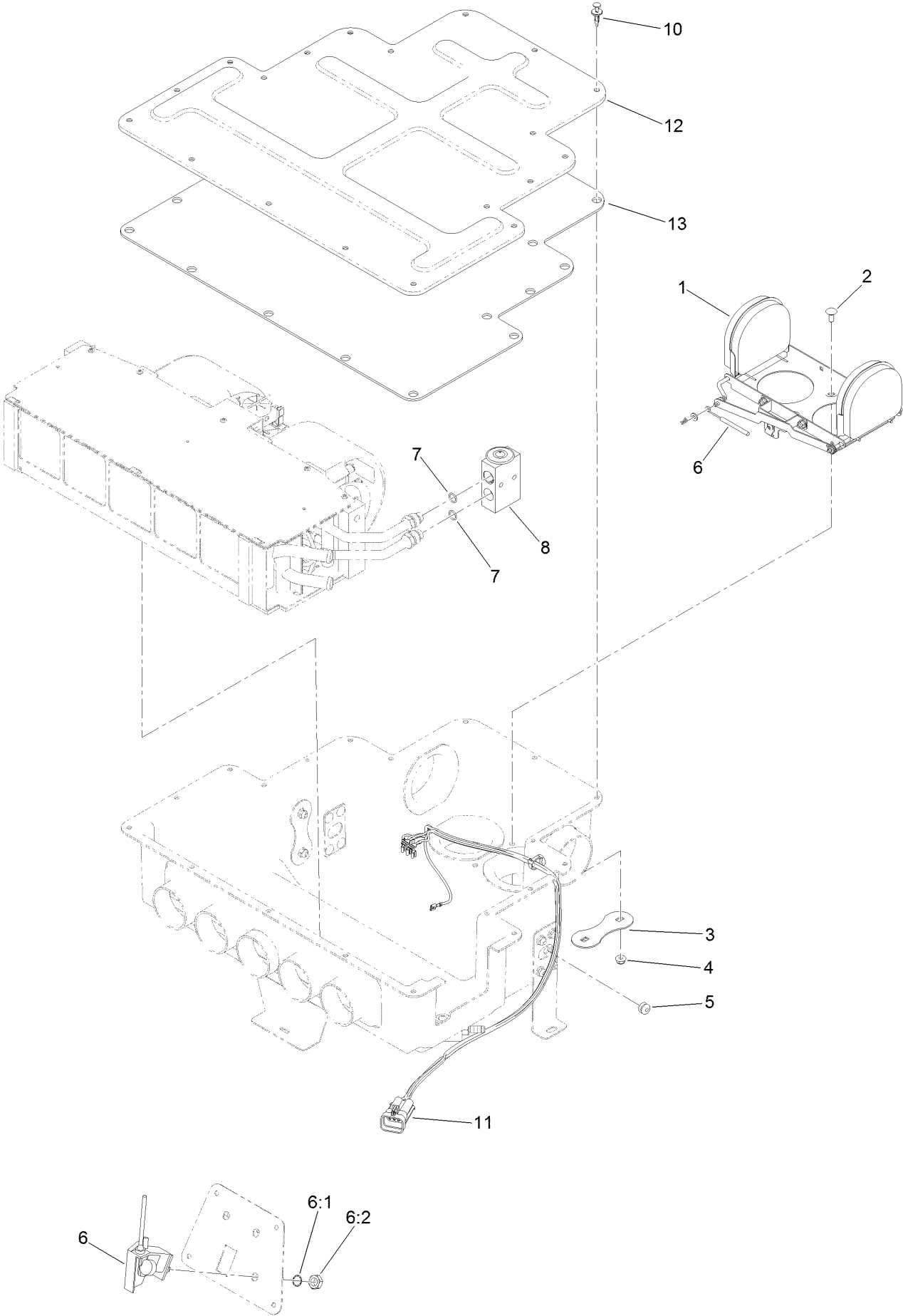
Heat / Air Conditioner Housing Assembly



Heat / Air Conditioner Housing Assembly (continued)

| <i>Ref.</i> | <i>Part Number</i> | <i>Qty.</i> | <i>Description</i> | <i>Ref.</i> | <i>Part Number</i> | <i>Qty.</i> | <i>Description</i> |
|-------------|--------------------|-------------|----------------------|-------------|--------------------|-------------|------------------------|
| 1 | 130-5830 | 1 | Housing-Heat/AC | 8 | 125-7504 | 1 | Plate-Backer, Center |
| 2 | 121-8491 | 1 | Plate-Support | 9 | 130-0554 | 1 | Bracket-Airbox, Center |
| 3 | 3229-11 | 12 | Screw-CARR | 10 | 130-5601 | 2 | Drain-Lower |
| 4 | 121-8490 | 1 | Bracket-Mount, Drier | 11 | 108-0342 | 2 | Fitting-Straight |
| 5 | 104-7201 | 12 | Nut-HF, NI | 12 | 121-6840 | 4 | Washer-Rubber |
| 6 | 130-5834 | 2 | Bracket-Support | 13 | 107-3041 | 2 | Washer-Flat |
| 7 | 130-5821 | 2 | Bracket-Airbox, Side | 14 | 130-0293 | 2 | Drain-Upper |

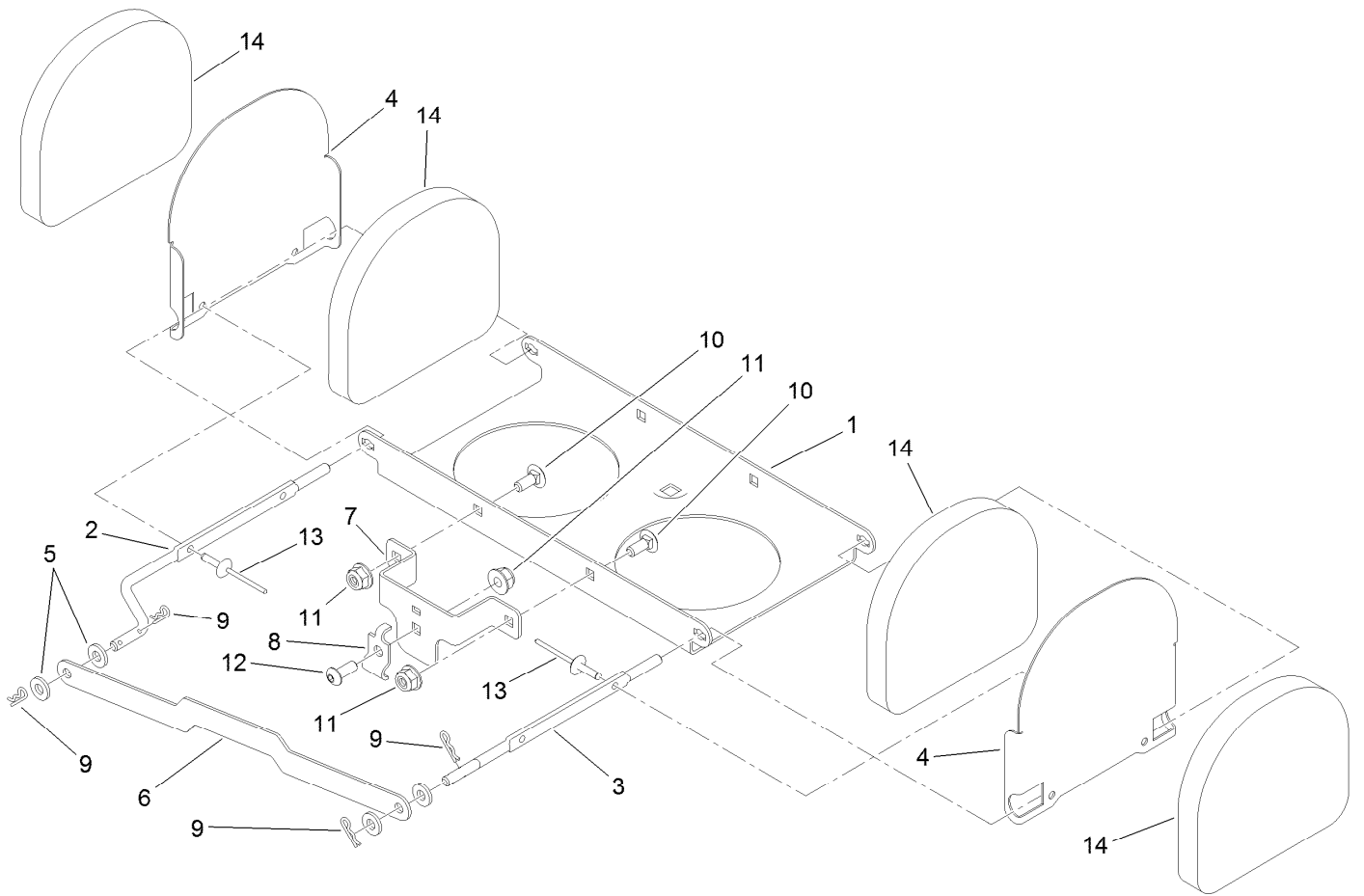
Air Diverter and Expansion Valve Assembly



Air Diverter and Expansion Valve Assembly (continued)

| <i>Ref.</i> | <i>Part Number</i> | <i>Qty.</i> | <i>Description</i> | <i>Ref.</i> | <i>Part Number</i> | <i>Qty.</i> | <i>Description</i> |
|-------------|--------------------|-------------|------------------------|-------------|--------------------|-------------|---------------------------------|
| 1 | 121-8369 | 1 | Air Diverter ASM | 7 | 125-9524 | 2 | O-Ring |
| 2 | 3229-11 | 2 | Screw-CARR | 8 | 121-8384 | 1 | Valve-Expansion |
| 3 | 121-8491 | 1 | Plate-Support | 10 | 125-9622 | 19 | Rivet-Blind |
| 4 | 104-7201 | 2 | Nut-HF, NI | 11 | 122-0153 | 1 | Harness-Wire, Heat/AC Blower |
| 5 | 125-7528 | 1 | Grommet-Cable | 12 | 121-8449 | 1 | Housing-Ventilation, Upper |
| 6 | 125-9678 | 1 | Control-Rotary, Linear | 13 | 130-5614 | 1 | Insulation-Cover |
| 6:1 | 3254-20 | 1 | Washer-Lock, Int | | | | |
| 6:2 | 3220-4 | 1 | Nut-Jam | | | | |

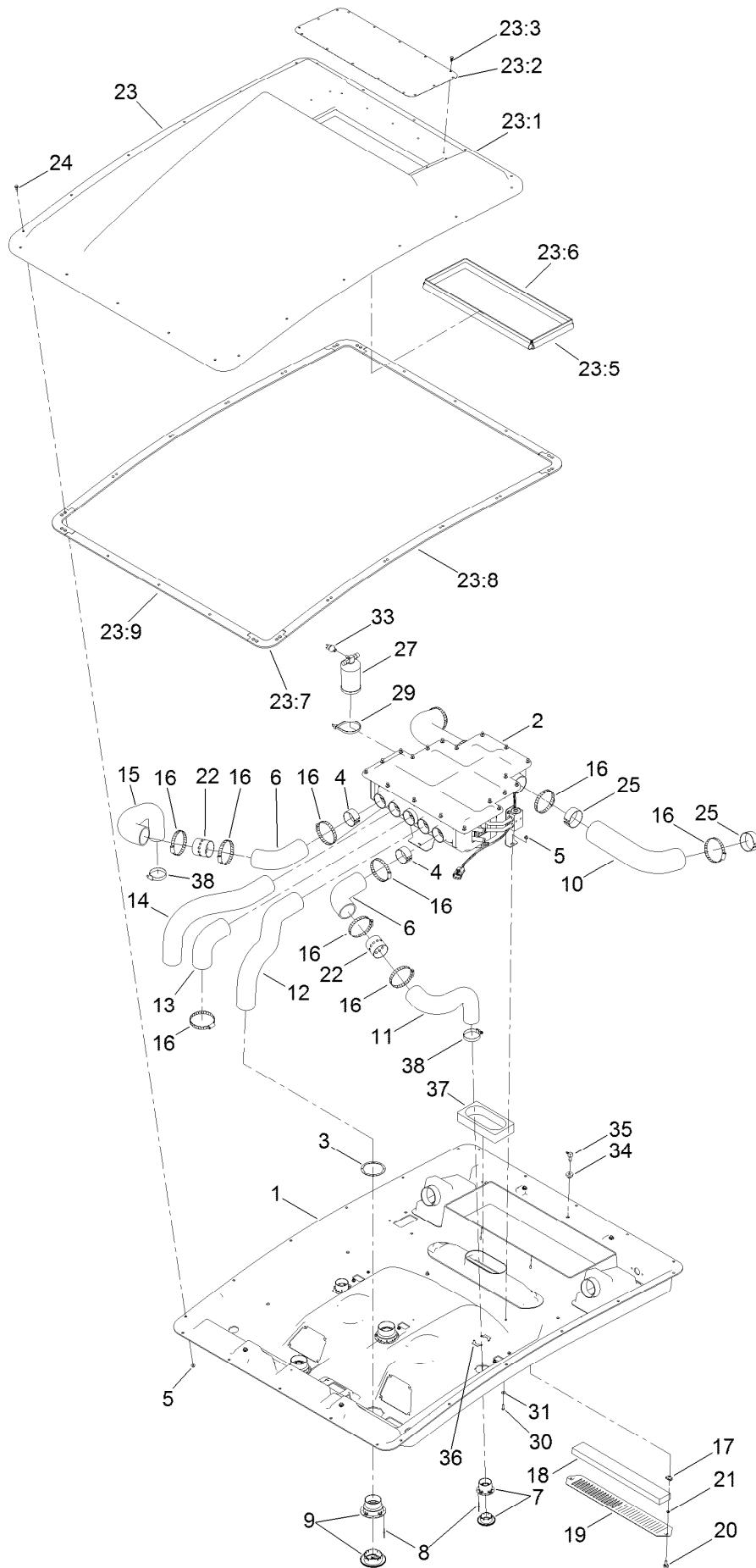
Air Diverter Assembly No. 121-8369



Air Diverter Assembly No. 121-8369 (continued)

| <i>Ref.</i> | <i>Part Number</i> | <i>Qty.</i> | <i>Description</i> | <i>Ref.</i> | <i>Part Number</i> | <i>Qty.</i> | <i>Description</i> |
|-------------|--------------------|-------------|--------------------|-------------|--------------------|-------------|--------------------|
| 1 | 125-9697 | 1 | Base-Mount | 8 | 121-8256 | 1 | Clamp-Conduit |
| 2 | 121-8381 | 1 | Shaft-Baffle, RH | 9 | 108-2992 | 4 | Pin-Hair |
| 3 | 121-8382 | 1 | Shaft-Baffle, LH | 10 | 1-807513 | 2 | Bolt-CARR |
| 4 | 125-9698 | 2 | Baffle-Air | 11 | 120-4578 | 3 | Nut-HF |
| 5 | 3256-51 | 4 | Washer-Flat | 12 | 115-9830 | 1 | Screw-HSBH |
| 6 | 125-9696 | 1 | Link-Baffle | 13 | 3290-271 | 4 | Rivet-Pop |
| 7 | 121-8374 | 1 | Mount-Cable | 14 | 125-9699 | 4 | Damper-Foam |

Mixing Box and Vent Hose Assembly

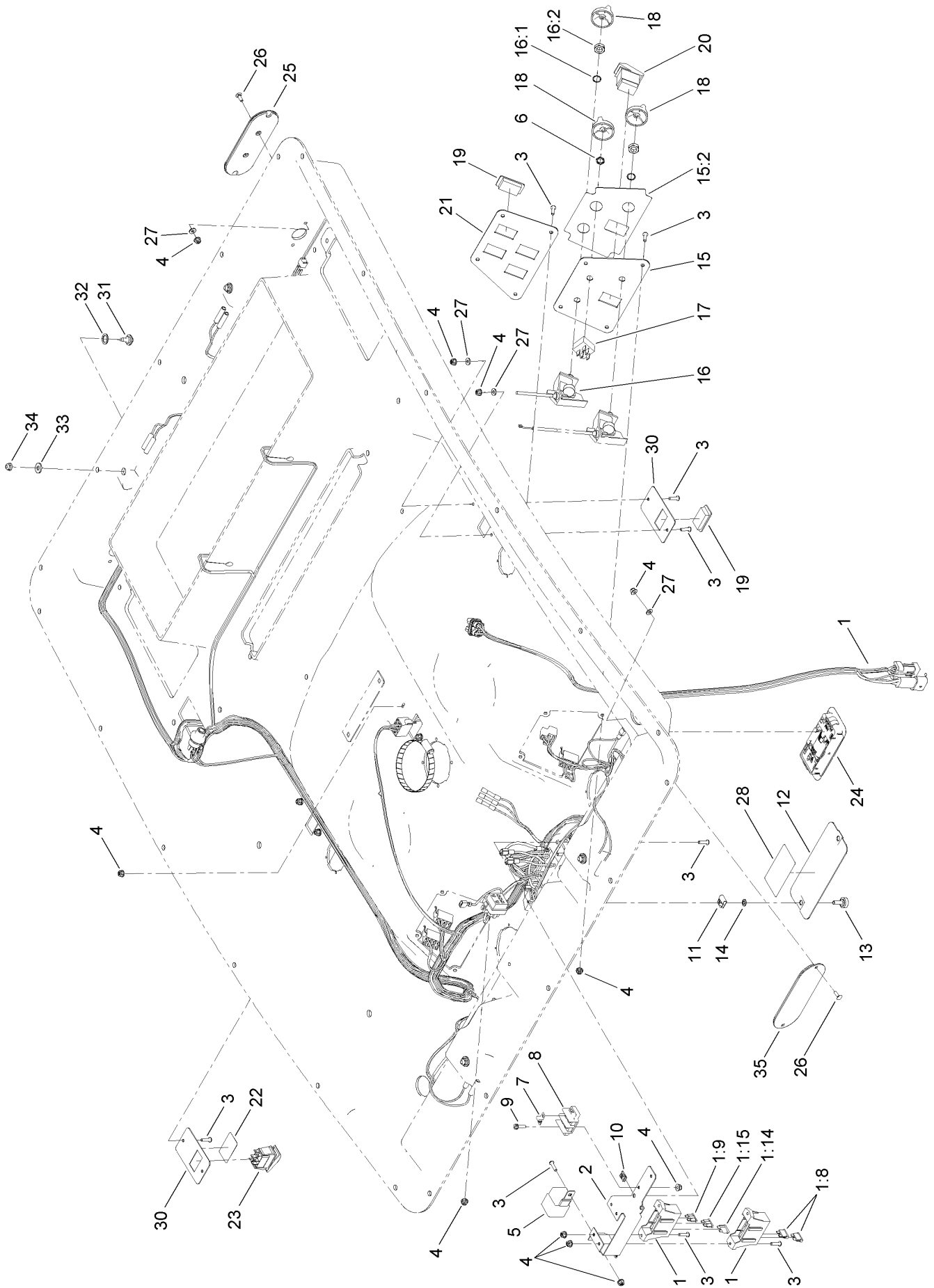


Mixing Box and Vent Hose Assembly (continued)

| <i>Ref.</i> | <i>Part Number</i> | <i>Qty.</i> | <i>Description</i> | <i>Ref.</i> | <i>Part Number</i> | <i>Qty.</i> | <i>Description</i> |
|-------------|--------------------|-------------|--------------------------------|-------------|--------------------|-------------|-----------------------|
| 1 | 121-8470 | 1 | Headliner | 22 | 130-5927 | 2 | Adapter-Bleed |
| 2 | 121-8495 | 1 | Box-Mixing, Heater A/C | 23 | | 1 | Roof ASM ● |
| 3 | 130-0558 | 3 | Backplate-Rivet | 23:1 | 125-9607 | 1 | Roof |
| 4 | 130-5938 | 2 | Tube-Support | 23:2 | 121-8472-03 | 1 | Screen-Roof |
| 5 | 104-7201 | 24 | Nut-HF, NI | 23:3 | 114-4899 | 16 | Rivet-Push |
| 6 | 130-5860 | 2 | Hose-Vent | 23:5 | 130-5865 | 2 | Trim-Seal, Bulb |
| 7 | 130-0455 | 2 | Louver-Round, Snap-In | 23:6 | 130-5864 | 2 | Trim-Seal, Bulb |
| 8 | 125-7503 | 20 | Rivet-Pop | 23:7 | 130-5961 | 4 | Seal-Corner |
| 9 | 130-0465 | 3 | Louver-Round, Snap-In (4 Inch) | 23:8 | 130-5960 | 2 | Seal-Side |
| 10 | 121-8473 | 2 | Hose-Intake, Fresh Air | 23:9 | 130-5962 | 2 | Seal-Front, Rear |
| 11 | 130-5861 | 1 | Hose-Vent, Outer (LH) | 24 | 119-4161 | 22 | Bolt-Shoulder |
| 12 | 121-8477 | 1 | Hose-Vent, Defrost (LH) | 25 | 130-5939 | 4 | Tube-Support |
| 13 | 130-0437 | 1 | Hose-Vent, Center | 27 | 130-5999 | 1 | Drier-Receiver |
| 14 | 121-8478 | 1 | Hose-Vent, Defrost (RH) | 29 | 3334-945 | 2 | Tie-Cable |
| 15 | 130-5862 | 1 | Hose-Vent, Outer (RH) | 30 | 3274-69 | 2 | Screw-HSBH |
| 16 | 2412-110 | 11 | Clamp-Band/Screw | 31 | 3256-1 | 2 | Washer-Flat |
| 17 | 107069 | 2 | Clip | 33 | 119-4501 | 1 | Switch-Function, Dual |
| 18 | 125-9532 | 1 | Filter-Cab, Inside | 34 | 46-6560 | 1 | Bushing |
| 19 | 125-9604-03 | 1 | Plate-Cover, Recirculation | 35 | 104-5228 | 1 | Fitting-Elbow, 90 DEG |
| 20 | 125-7438 | 2 | Knob-Screw, Thumb | 36 | 130-0445 | 4 | Backplate-Rivet |
| 21 | 106-8737 | 2 | Nut-Retainer | 37 | 130-0444 | 1 | Foam-Inlet, Airbox |
| | | | | 38 | 2412-130 | 2 | Clamp-Hose |

● Not serviced separately

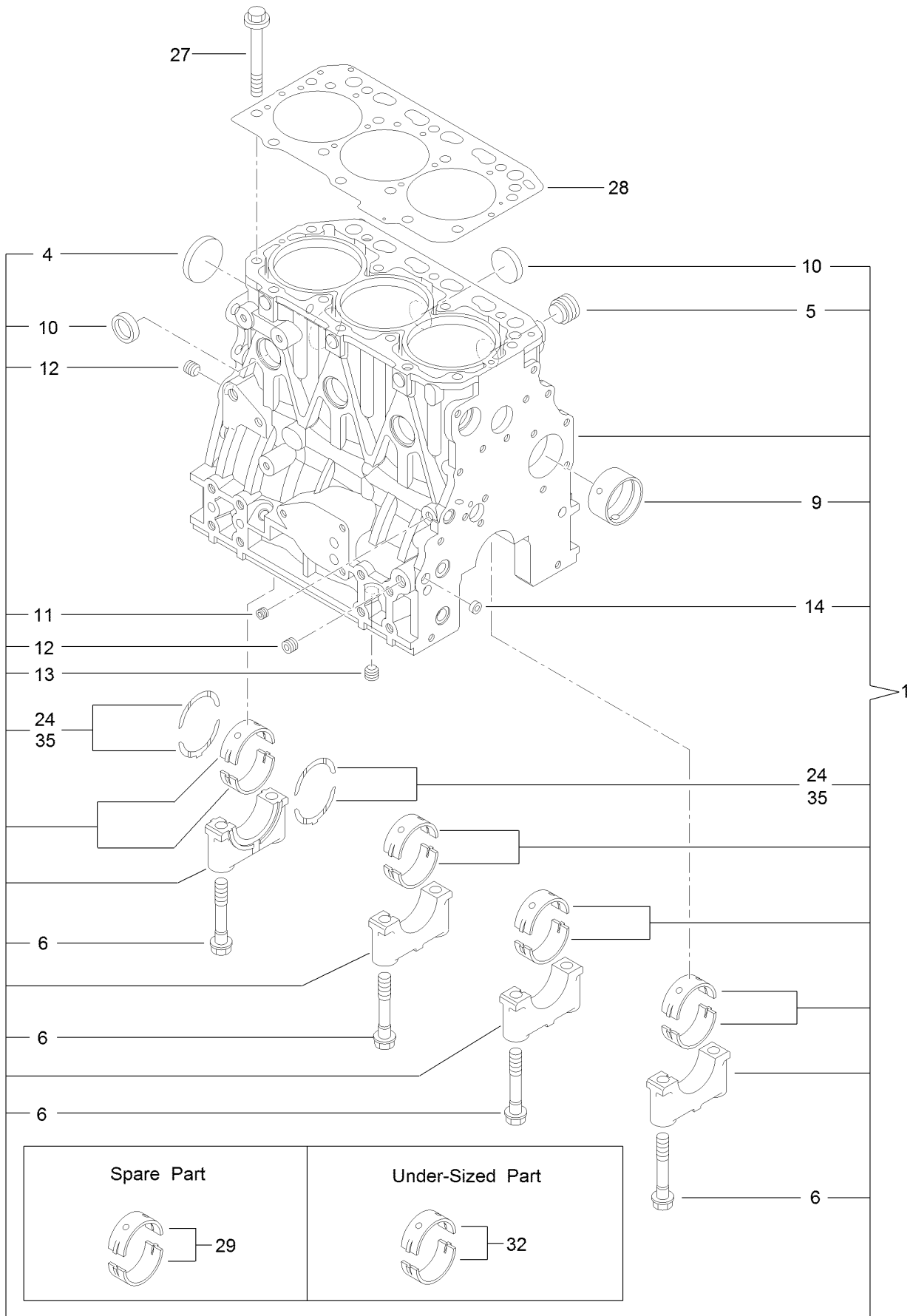
Headliner Wire Harness and Control Assembly



Headliner Wire Harness and Control Assembly (continued)

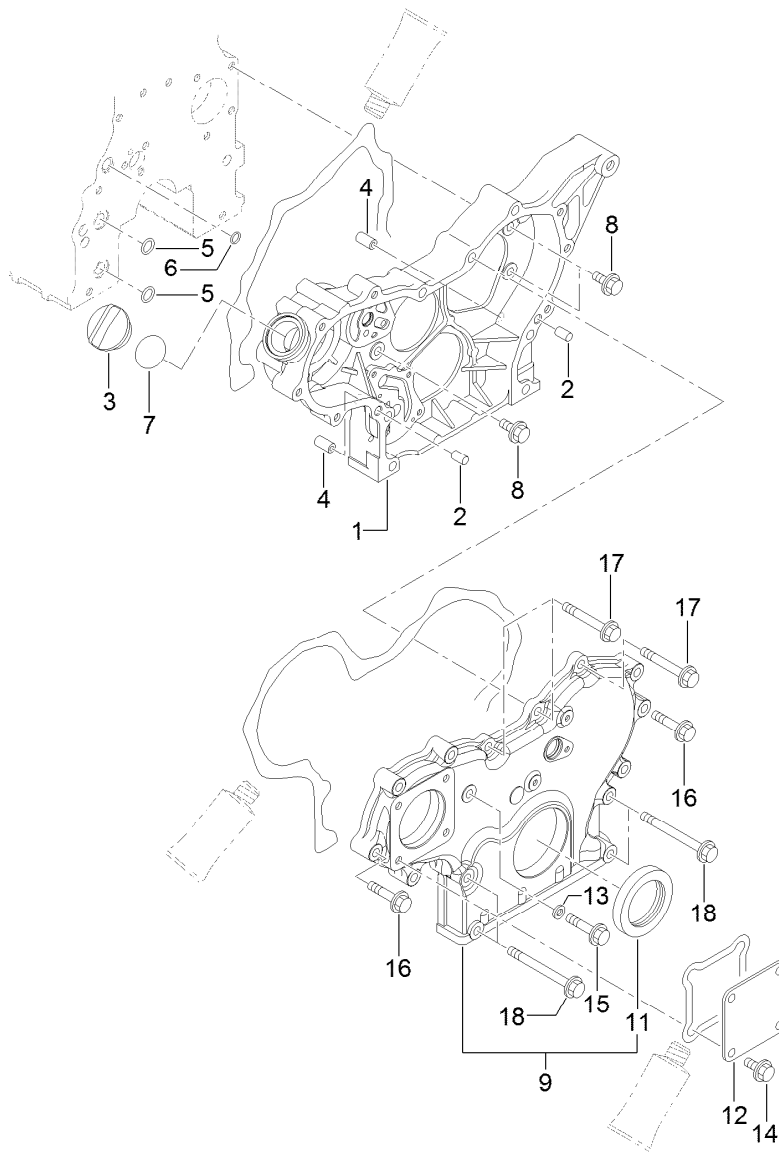
| <i>Ref.</i> | <i>Part Number</i> | <i>Qty.</i> | <i>Description</i> | <i>Ref.</i> | <i>Part Number</i> | <i>Qty.</i> | <i>Description</i> |
|-------------|--------------------|-------------|-------------------------|-------------|--------------------|-------------|------------------------------|
| 1 | 119-4387 | 1 | Harness-Wire, Headliner | 16:1 | 3254-20 | 1 | Washer-Lock, Int |
| 1:8 | 109355 | 2 | Fuse-Blade, 15 Amp | 16:2 | 3220-4 | 1 | Nut-Jam |
| 1:9 | 109103 | 1 | Fuse-Blade, 30 Amp | 17 | 122-0150 | 1 | Switch, Rotary |
| 1:14 | 109101 | 1 | Fuse-Blade, 20 Amp | 18 | 125-9510 | 3 | Knob-Control |
| 1:15 | 109102 | 1 | Fuse-Blade, 25 Amp | 19 | 99-7420 | 6 | Plug-Hole |
| 2 | 125-9606-03 | 1 | Bracket-Fuse Block | 20 | 95-8999 | 1 | Switch-Rocker, On-None-On |
| 3 | 104-2408 | 23 | Screw-HSBH | 21 | 125-9691-03 | 1 | Panel-Switch, Lights |
| 4 | 120-4578 | 29 | Nut-HF | 22 | 125-9688 | 1 | Decal-Washer |
| 5 | 99-7430 | 1 | Relay-Mini | 23 | 119-8355 | 1 | Switch-Rocker |
| 6 | 130-0588 | 1 | Nut-Switch | 24 | 125-7437 | 1 | Light-Dome |
| 7 | 42863 | 1 | Strip-Jumper | 25 | 130-5867 | 2 | Cover-Light, Rear |
| 8 | 42862 | 1 | Block-Terminal, Ground | 26 | 3229-34 | 8 | Screw-CARR |
| 9 | 32105-13 | 2 | Screw-HWH | 27 | 3256-14 | 14 | Washer-Flat |
| 10 | 107-1013 | 4 | Nut-Speed | 28 | 130-0458 | 1 | Decal-Panel, Fuse |
| 11 | 609900 | 2 | Nut-Speed | 30 | 130-0436 | 3 | Panel-Switch |
| 12 | 125-9603-03 | 1 | Plate-Cover, Fuse | 31 | 92-9698 | 4 | Screw-Shoulder |
| 13 | 125-7438 | 2 | Knob-Screw, Thumb | 32 | 94-8196 | 4 | Washer-Nylon |
| 14 | 106-8737 | 2 | Nut-Retainer | 33 | 3256-2 | 4 | Washer-Flat |
| 15 | 121-8481 | 1 | Panel-Air/Heat | 34 | 104-7201 | 4 | Nut-HF, NI |
| 15:2 | 121-8378 | 1 | Decal, Air/Heat | 35 | 130-5868 | 2 | Cover-Light, Front |
| 16 | 125-9677 | 1 | Control-Rotary, Linear | | | | |

Cylinder Block Assembly



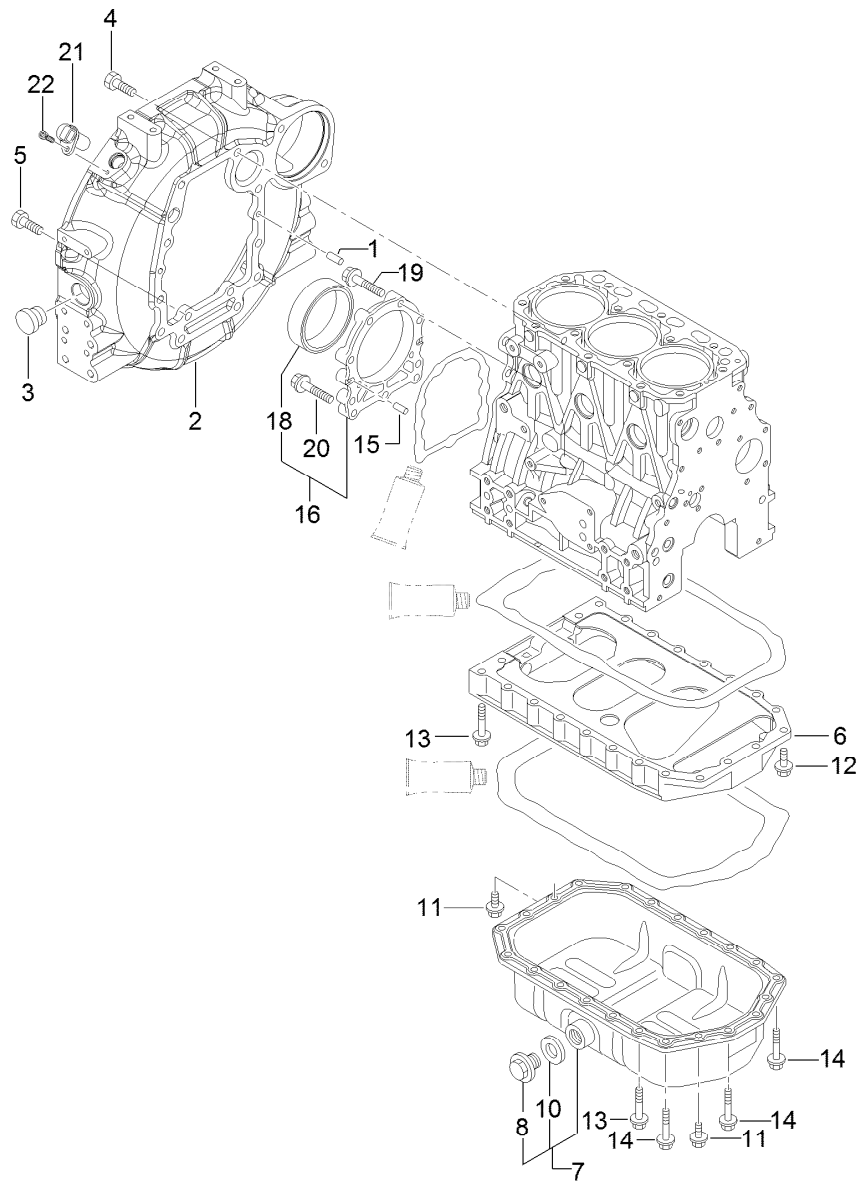
Cylinder Block Assembly (continued)

| <i>Ref.</i> | <i>Part Number</i> | <i>Qty.</i> | <i>Description</i> | <i>Ref.</i> | <i>Part Number</i> | <i>Qty.</i> | <i>Description</i> |
|-------------|--------------------|-------------|--------------------|-------------|--------------------|-------------|---------------------|
| 1 | 127-4717 | 1 | Cylinder Block ASM | 13 | 125-6973 | 1 | Plug |
| 4 | 125-6980 | 1 | Plug | 14 | 125-7237 | 1 | Plug |
| 5 | 125-7170 | 1 | Plug | 24 | 125-7010 | 2 | Metal-Thrust |
| 6 | 125-7007 | 8 | Bolt | 27 | 125-7006 | 14 | Bolt |
| 9 | 125-7108 | 1 | Bushing | 28 | 127-4716 | 1 | Head Gasket ASM |
| 10 | 125-7239 | 6 | Plug | 29 | 125-6981 | 4 | Metal-Main |
| 11 | 125-6969 | 1 | Plug | 32 | 125-7009 | 4 | Metal-Main (0.25) |
| 12 | 125-6973 | 2 | Plug | 35 | 125-7011 | 1 | Metal-Thrust (0.25) |



Gear Housing Assembly

| <i>Ref.</i> | <i>Part Number</i> | <i>Qty.</i> | <i>Description</i> | <i>Ref.</i> | <i>Part Number</i> | <i>Qty.</i> | <i>Description</i> |
|-------------|--------------------|-------------|--------------------|-------------|--------------------|-------------|--------------------|
| 1 | 127-3023 | 1 | Case-Gear | 11 | 125-6944 | 1 | Seal-Oil |
| 2 | 125-6995 | 2 | Pin | 12 | 125-6977 | 1 | Cover |
| 3 | 125-6972 | 1 | Cover-Filler | 13 | 125-7174 | 1 | Washer-Seal |
| 4 | 125-7107 | 2 | Pipe | 14 | 125-7214 | 4 | Bolt |
| 5 | 125-6909 | 2 | O-Ring | 15 | 125-7217 | 1 | Bolt |
| 6 | 127-2973 | 1 | O-Ring | 16 | 125-7218 | 7 | Bolt |
| 7 | 125-7197 | 1 | O-Ring | 17 | 125-7222 | 3 | Bolt |
| 8 | 125-7214 | 3 | Bolt | 18 | 125-7224 | 4 | Bolt |
| 9 | 127-3024 | 1 | Gearcase Cover ASM | | | | |

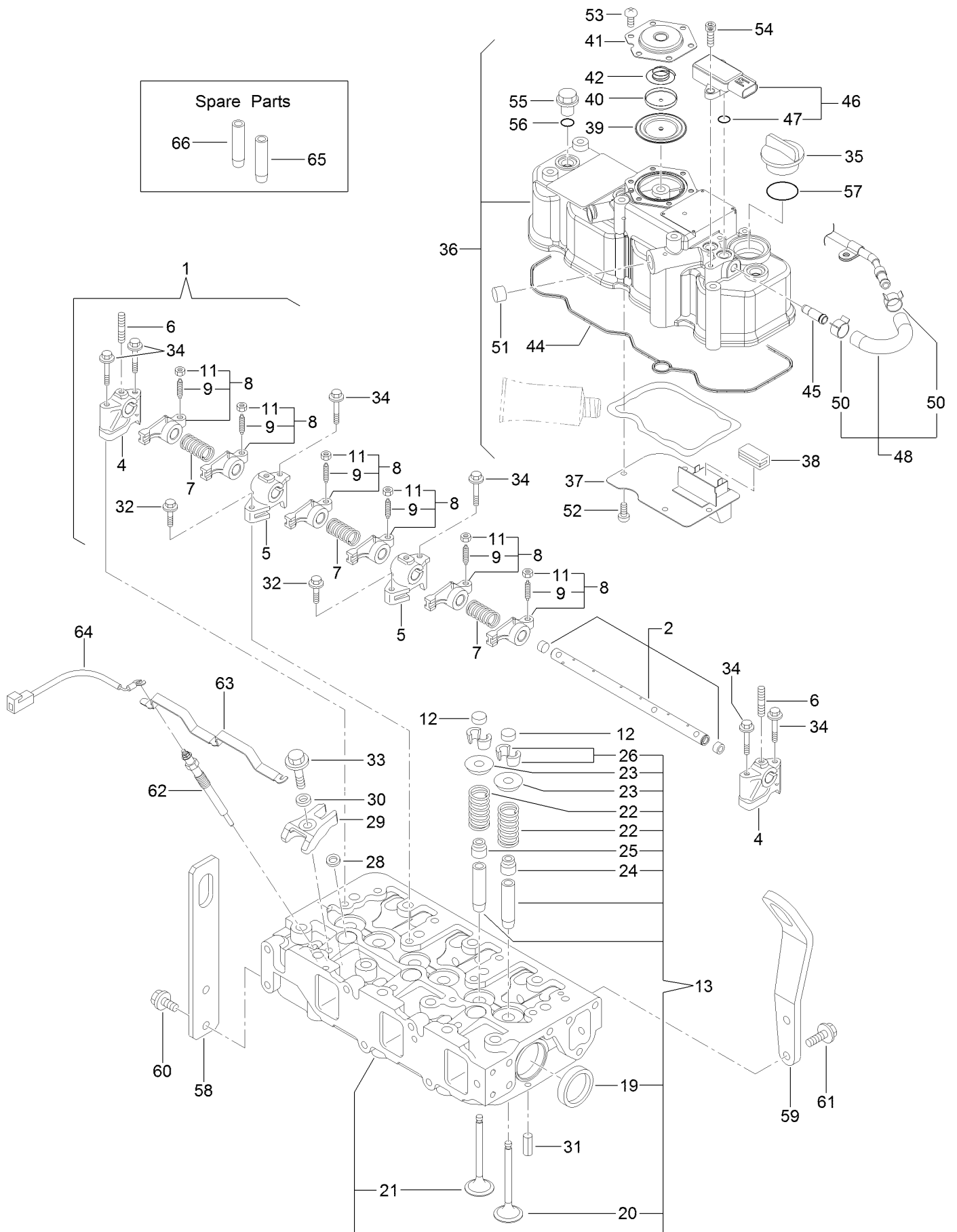


Flywheel Housing and Oil Sump Assembly

| <i>Ref.</i> | <i>Part Number</i> | <i>Qty.</i> | <i>Description</i> |
|-------------|--------------------|-------------|--------------------|
| 1 | 125-6995 | 2 | Pin |
| 2 | 127-4758 | 1 | Housing-Flywheel |
| 3 | 125-6910 | 1 | Cap |
| 4 | 125-7226 | 6 | Bolt |
| 5 | 125-7227 | 4 | Bolt |
| 6 | 127-3756 | 1 | Spacer |
| 7 | 131-2706 | 1 | Oil Sump ASM |
| 8 | 125-6912 | 1 | Plug-Drain |
| 10 | 125-7177 | 1 | Washer-Seal |
| 11 | 125-7214 | 4 | Bolt |

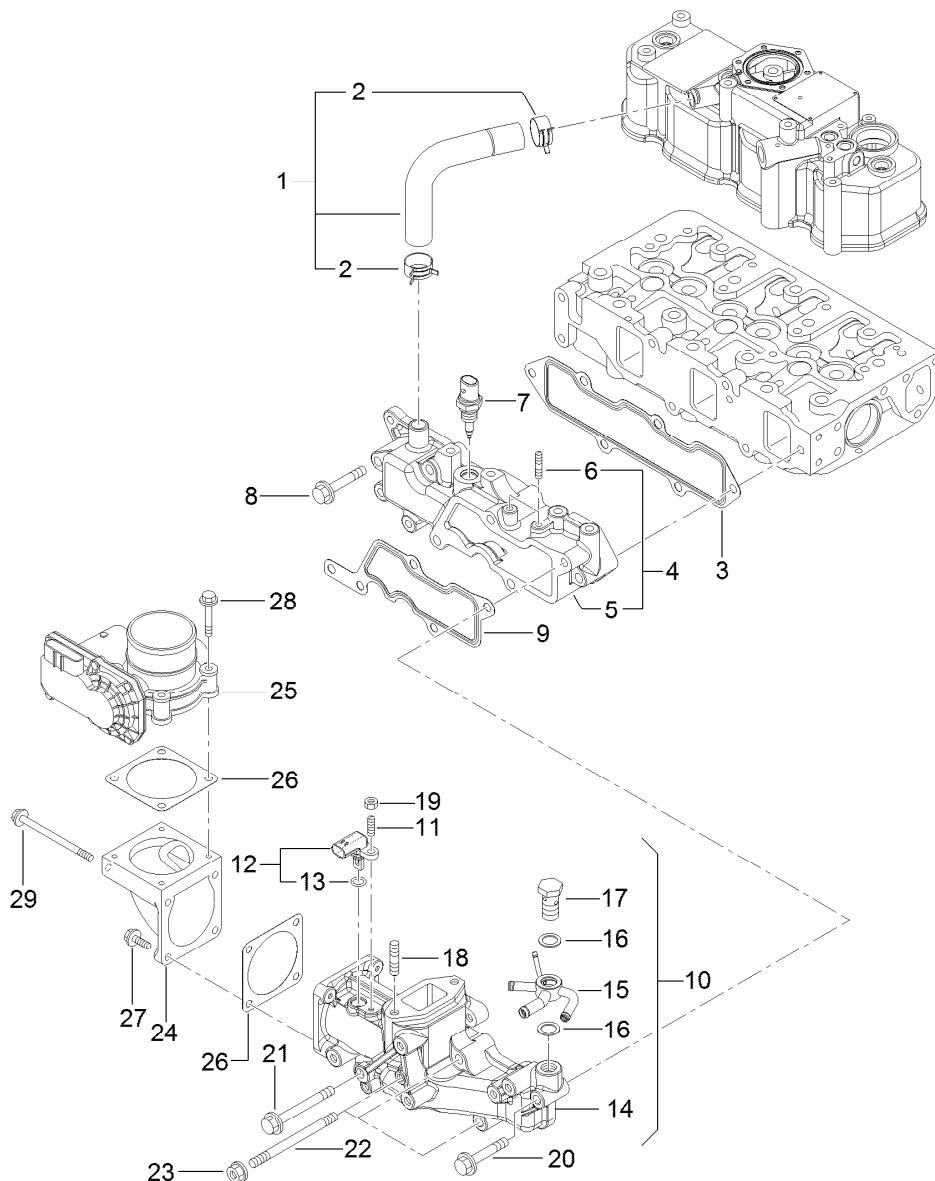
| <i>Ref.</i> | <i>Part Number</i> | <i>Qty.</i> | <i>Description</i> |
|-------------|--------------------|-------------|----------------------|
| 12 | 125-7215 | 2 | Bolt |
| 13 | 125-7219 | 16 | Bolt |
| 14 | 125-7220 | 4 | Bolt |
| 15 | 125-6995 | 2 | Pin |
| 16 | 125-6996 | 1 | Case ASM |
| 18 | 125-7106 | 1 | Seal-Oil |
| 19 | 125-7045 | 6 | Bolt |
| 20 | 125-7217 | 3 | Bolt |
| 21 | 127-3062 | 1 | Sensor-Rev, Flywheel |
| 22 | 127-3184 | 1 | Bolt |

Cylinder Head and Cover Assembly



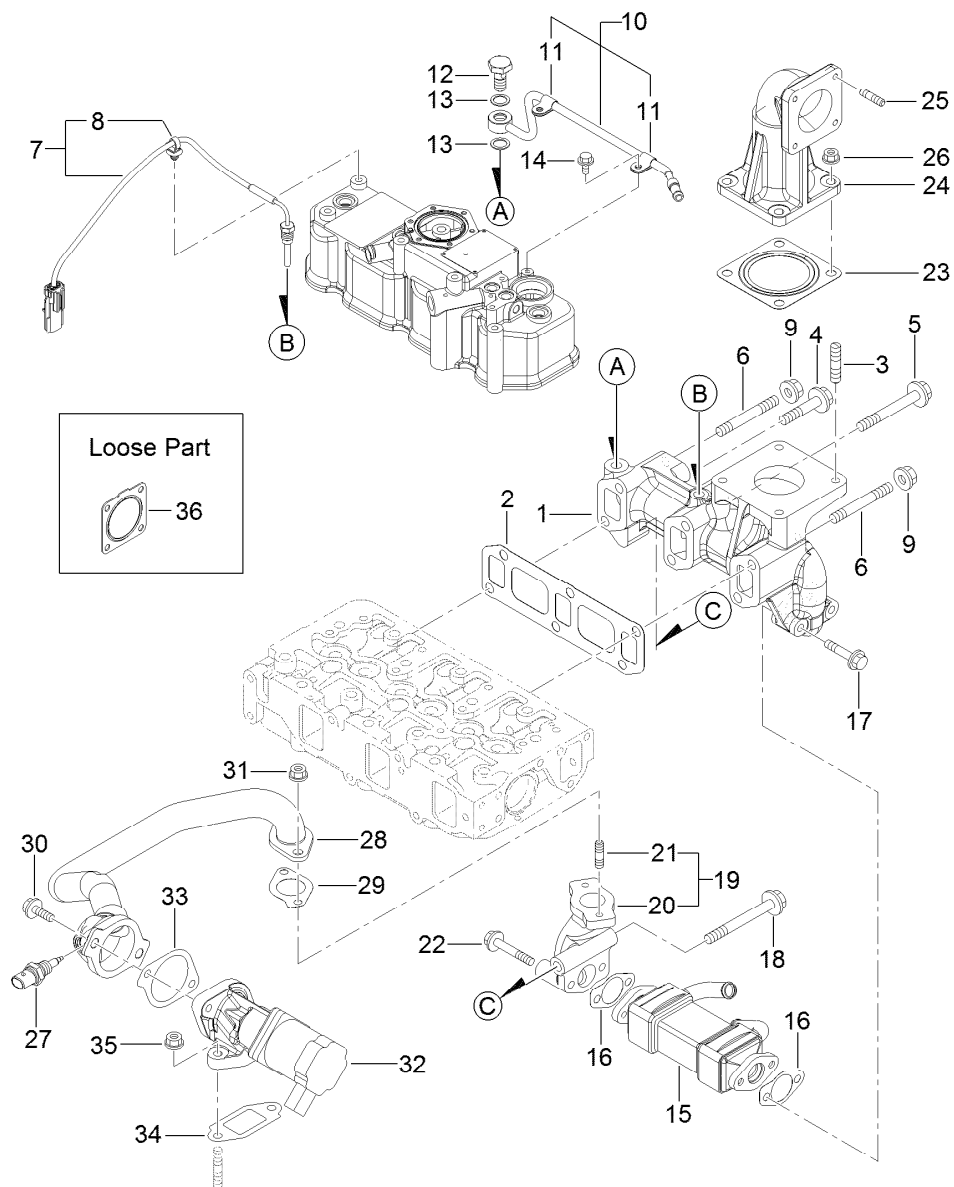
Cylinder Head and Cover Assembly (continued)

| <i>Ref.</i> | <i>Part Number</i> | <i>Qty.</i> | <i>Description</i> | <i>Ref.</i> | <i>Part Number</i> | <i>Qty.</i> | <i>Description</i> |
|-------------|--------------------|-------------|-------------------------|-------------|--------------------|-------------|-------------------------|
| 1 | 127-3757 | 1 | Shaft ASM | 37 | 127-2988 | 1 | Plate |
| 2 | 127-3758 | 1 | Shaft | 38 | 125-7012 | 1 | Baffle |
| 4 | 127-2974 | 2 | Support | 39 | 125-6959 | 1 | Diaphragm |
| 5 | 127-2975 | 2 | Support | 40 | 125-6960 | 1 | Plate |
| 6 | 127-3759 | 3 | Stud | 41 | 125-6961 | 1 | Plate-Breather |
| 7 | 127-2995 | 3 | Spring | 42 | 125-6962 | 1 | Spring-Diaphragm |
| 8 | 127-2989 | 6 | Arm-Rocker | 44 | 127-3856 | 1 | Gasket-Valve Cover |
| 9 | 125-7013 | 6 | Screw-Adjust, Valve | 45 | 127-3026 | 1 | Joint |
| 11 | 125-7014 | 6 | Nut | 46 | 127-3029 | 1 | Sensor-Pressure |
| 12 | 127-2996 | 6 | Cap-Valve | 47 | 127-3032 | 2 | O Ring-Sensor, Pressure |
| 13 | 127-4720 | 1 | Cylinder Head ASM | 48 | 127-3040 | 1 | Hose ASM |
| 19 | 125-7240 | 2 | Plug | 50 | 127-3041 | 2 | Clip-Hose |
| 20 | 127-2990 | 3 | Valve | 51 | 125-6913 | 1 | Plug |
| 21 | 127-4710 | 3 | Valve | 52 | 125-7186 | 4 | Screw |
| 22 | 127-3012 | 6 | Spring | 53 | 125-7186 | 6 | Screw |
| 23 | 127-3013 | 6 | Retainer-Spring | 54 | 127-3184 | 2 | Bolt |
| 24 | 127-2986 | 3 | Seal-Stem, Valve | 55 | 125-6974 | 3 | Knob |
| 25 | 127-3027 | 3 | Seal-Stem, Valve | 56 | 93-0418 | 3 | O-Ring |
| 26 | 127-3186 | 6 | Pin-Cotter | 57 | 125-7197 | 1 | O-Ring |
| 28 | 127-3021 | 3 | Gasket-Injector | 58 | 131-2707 | 1 | Lifter |
| 29 | 127-3028 | 3 | Retainer-Injector | 59 | 131-2715 | 1 | Lifter-Engine |
| 30 | 127-2980 | 3 | Washer-Injector | 60 | 125-7214 | 2 | Bolt |
| 31 | 125-7184 | 2 | Pin-Spring | 61 | 127-7595 | 2 | Decal-Oil Level |
| 32 | 125-7215 | 2 | Bolt | 62 | 127-2991 | 3 | Plug-Glow |
| 33 | 125-7217 | 3 | Bolt | 63 | 127-3768 | 1 | Connector-Plug, Glow |
| 34 | 125-7220 | 6 | Bolt | 64 | 131-2704 | 1 | Harness-Wire |
| 35 | 125-6972 | 1 | Cover-Filler | 65 | 127-2979 | 3 | Guide |
| 36 | 127-4719 | 1 | Cylinder Head Cover ASM | 66 | 127-2997 | 3 | Guide-Valve |



Suction Manifold Assembly

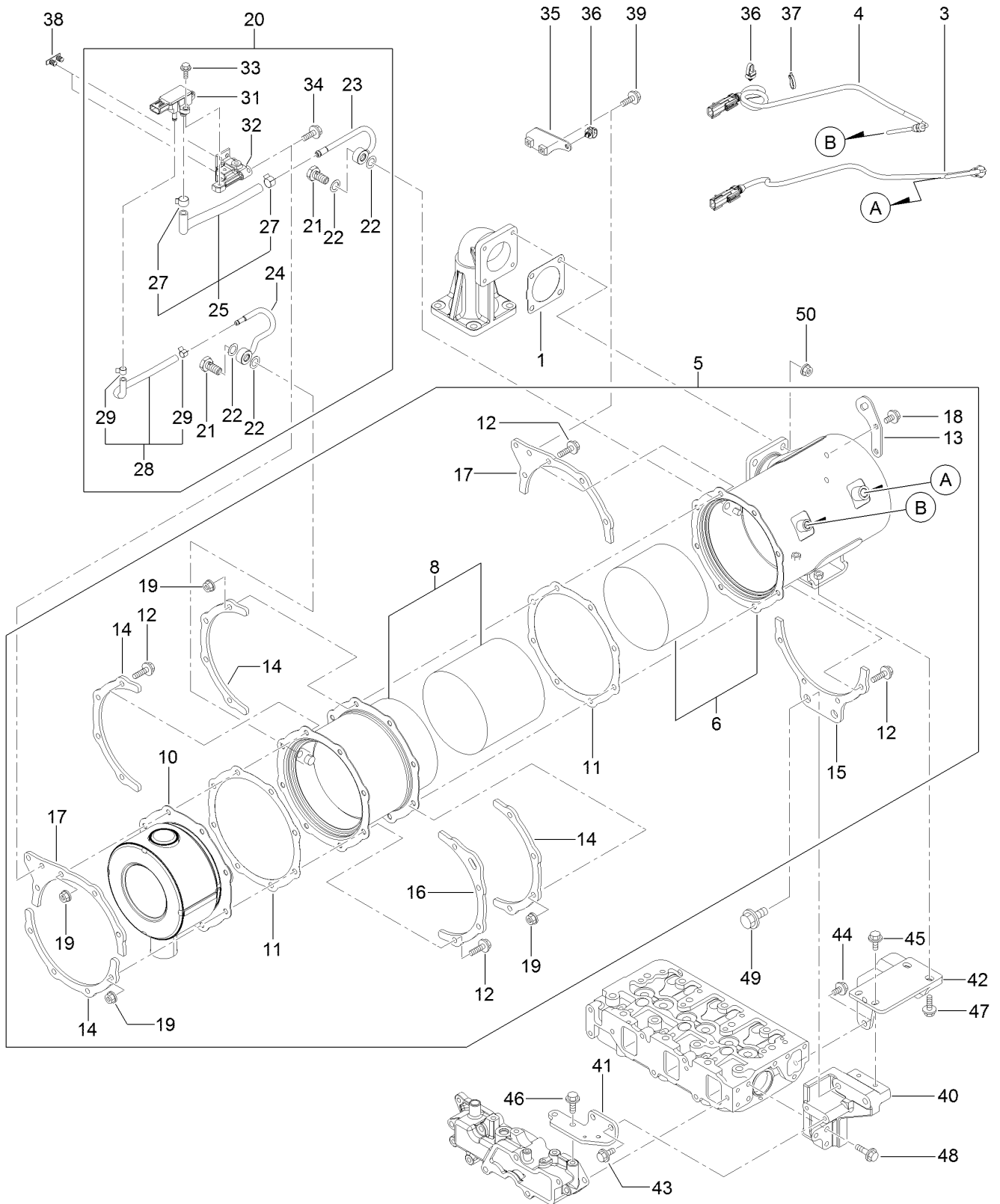
| Ref. | Part Number | Qty. | Description | Ref. | Part Number | Qty. | Description |
|-------------|--------------------|-------------|-------------------------|-------------|--------------------|-------------|--------------------|
| 1 | 127-4704 | 1 | Pipe | 16 | 127-3166 | 2 | Washer-Seal |
| 2 | 125-7040 | 2 | Clip-Hose | 17 | 131-2738 | 2 | Bolt-Joint, 8 |
| 3 | 127-3857 | 1 | Gasket-Manifold, Intake | 18 | 127-4774 | 2 | Stud |
| 4 | 127-4722 | 1 | Intake Manifold ASM | 19 | 127-4775 | 2 | Nut |
| 5 | 127-4721 | 2 | Manifold-Intake | 20 | 125-7220 | 1 | Bolt |
| 6 | 127-3180 | 2 | Stud | 21 | 127-3178 | 1 | Bolt |
| 7 | 127-3031 | 1 | Sensor-Temp, Air | 22 | 127-3182 | 1 | Stud |
| 8 | 125-7220 | 1 | Bolt | 23 | 125-7229 | 1 | Nut |
| 9 | 127-3034 | 1 | Gasket-Collector | 24 | 127-3035 | 1 | Bend-Inlet |
| 10 | 131-2716 | 1 | Intake Collector ASM | 25 | 127-3036 | 1 | Body-Throttle |
| 11 | 127-4701 | 2 | Stud | 26 | 127-3037 | 1 | Gasket-Throttle |
| 12 | 127-3030 | 2 | Sensor-Temp, Air | 27 | 125-7209 | 1 | Bolt |
| 13 | 127-3033 | 3 | O-Ring | 28 | 125-7211 | 1 | Bolt |
| 14 | 127-4724 | 2 | Collector-Intake | 29 | 127-3177 | 1 | Bolt |
| 15 | 131-2729 | 2 | Joint-Hose, 4 Way | | | | |



Exhaust Manifold Assembly

| Ref. | Part Number | Qty. | Description | Ref. | Part Number | Qty. | Description |
|------|-------------|------|--------------------------|------|-------------|------|----------------------------|
| 1 | 127-4726 | 1 | Manifold-Exhaust | 19 | 127-3048 | 1 | E G R Pipe ASM |
| 2 | 127-3775 | 1 | Gasket-Manifold, Exhaust | 20 | 127-3049 | 1 | Pipe-Out, E G R |
| 3 | 127-2984 | 4 | Stud | 21 | 125-7043 | 2 | Stud |
| 4 | 127-3094 | 1 | Bolt | 22 | 125-7220 | 2 | Bolt |
| 5 | 127-3044 | 3 | Bolt-M10 | 23 | 127-2987 | 1 | Gasket-Silencer |
| 6 | 127-4756 | 2 | Stud | 24 | 131-2717 | 1 | Pipe-Exhaust |
| 7 | 127-4729 | 1 | Sensor-Temp, Exhaust | 25 | 125-6906 | 4 | Stud |
| 8 | 127-3087 | 1 | Band-Clip | 26 | 125-7230 | 4 | Nut |
| 9 | 125-7230 | 2 | Nut | 27 | 127-3047 | 1 | Sensor-Gas Temp, E G R |
| 10 | 127-3038 | 1 | Exhaust Pipe ASM | 28 | 127-3780 | 1 | E G R Pipe ASM |
| 11 | 127-3173 | 2 | Clamp | 29 | 127-3016 | 1 | Gasket |
| 12 | 127-3039 | 1 | Bolt-Joint, Pipe | 30 | 125-7215 | 2 | Bolt |
| 13 | 127-3174 | 2 | Gasket | 31 | 125-7229 | 2 | Nut |
| 14 | 125-7206 | 2 | Bolt | 32 | 127-3781 | 1 | Valve-E G R |
| 15 | 127-3042 | 1 | Cooler-E G R | 33 | 127-3050 | 1 | Gasket-Intake Valve, E G R |
| 16 | 127-3043 | 2 | Gasket-Cooler, E G R | 34 | 127-3051 | 1 | Gasket-Out Valve, E G R |
| 17 | 127-2976 | 2 | Bolt | 35 | 125-7229 | 2 | Nut |
| 18 | 127-3022 | 1 | Bolt-Flange | 36 | 127-3019 | 1 | Gasket |

Diesel Particulate Filter Assembly

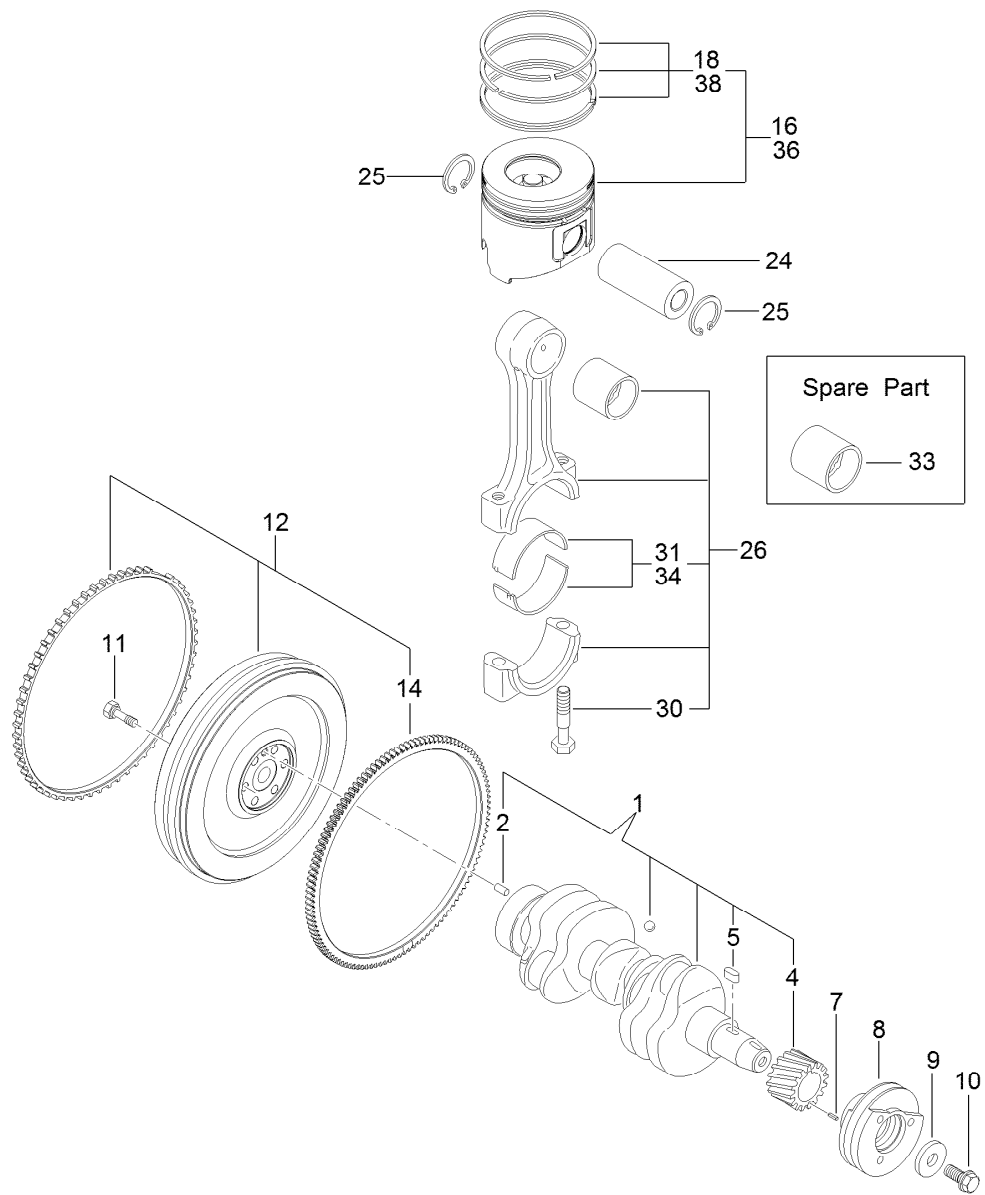


Diesel Particulate Filter Assembly (continued)

| <i>Ref.</i> | <i>Part Number</i> | <i>Qty.</i> | <i>Description</i> | <i>Ref.</i> | <i>Part Number</i> | <i>Qty.</i> | <i>Description</i> |
|-------------|--------------------|-------------|----------------------|-------------|--------------------|-------------|------------------------|
| 1 | 127-3019 | 1 | Gasket | 28 | 131-2726 | 1 | Exhaust Press Hose ASM |
| 3 | 131-2718 | 1 | Sensor-Temp, Exhaust | 29 | 127-3058 | 2 | Clip-Hose |
| 4 | 131-2719 | 1 | Sensor-Temp, Exhaust | 31 | 127-3060 | 1 | Sensor-Pressure |
| 5 | 131-2730 | 1 | D P F ASM | 32 | 127-4750 | 1 | Bracket-Sensor |
| 6 | 131-2720 | 1 | Case-Doc | 33 | 125-7208 | 2 | Bolt |
| 8 | 127-4734 | 1 | Case-Filter, Soot | 34 | 125-7595 | 2 | Bolt |
| 10 | 127-3786 | 1 | Silencer-D P F | 35 | 131-2727 | 1 | Bracket-Harness |
| 11 | 127-3859 | 2 | Gasket-D P F | 36 | 127-3087 | 2 | Band-Clip |
| 12 | 127-3055 | 16 | Bolt | 37 | 127-3124 | 1 | Band |
| 13 | 127-3788 | 1 | Lifter-D P F | 38 | 127-3088 | 2 | Clip-Connector |
| 14 | 127-3789 | 4 | Stiffener-D P F, A | 39 | 125-7595 | 2 | Bolt |
| 15 | 131-2721 | 1 | Stiffener-D P F, B | 40 | 131-2723 | 1 | Stay-D P F, A |
| 16 | 127-3792 | 1 | Stiffener-D P F, C | 41 | 131-2724 | 1 | Support-Stay, D P F |
| 17 | 127-4736 | 2 | Stiffener-D P F, C | 42 | 131-2725 | 1 | Stay-D P F, B |
| 18 | 125-7213 | 2 | Bolt | 43 | 125-7214 | 2 | Bolt |
| 19 | 125-7229 | 16 | Nut | 44 | 125-7214 | 2 | Bolt |
| 20 | 131-2722 | 1 | Pressure Sensor Unit | 45 | 125-7214 | 2 | Bolt |
| 21 | 127-3039 | 2 | Bolt-Joint, Pipe | 46 | 125-7595 | 2 | Bolt |
| 22 | 127-3056 | 4 | Gasket-Sensor | 47 | 125-7215 | 2 | Bolt |
| 23 | 127-4744 | 1 | Sensor Pipe ASM | 48 | 125-7216 | 3 | Bolt |
| 24 | 127-4745 | 1 | Sensor Pipe ASM | 49 | 131-2741 | 2 | Bolt-Plated, M12X 20 |
| 25 | 127-3114 | 1 | Exhaust Hose ASM | 50 | 125-7229 | 4 | Nut |
| 27 | 127-3057 | 2 | Clip-Hose | | | | |

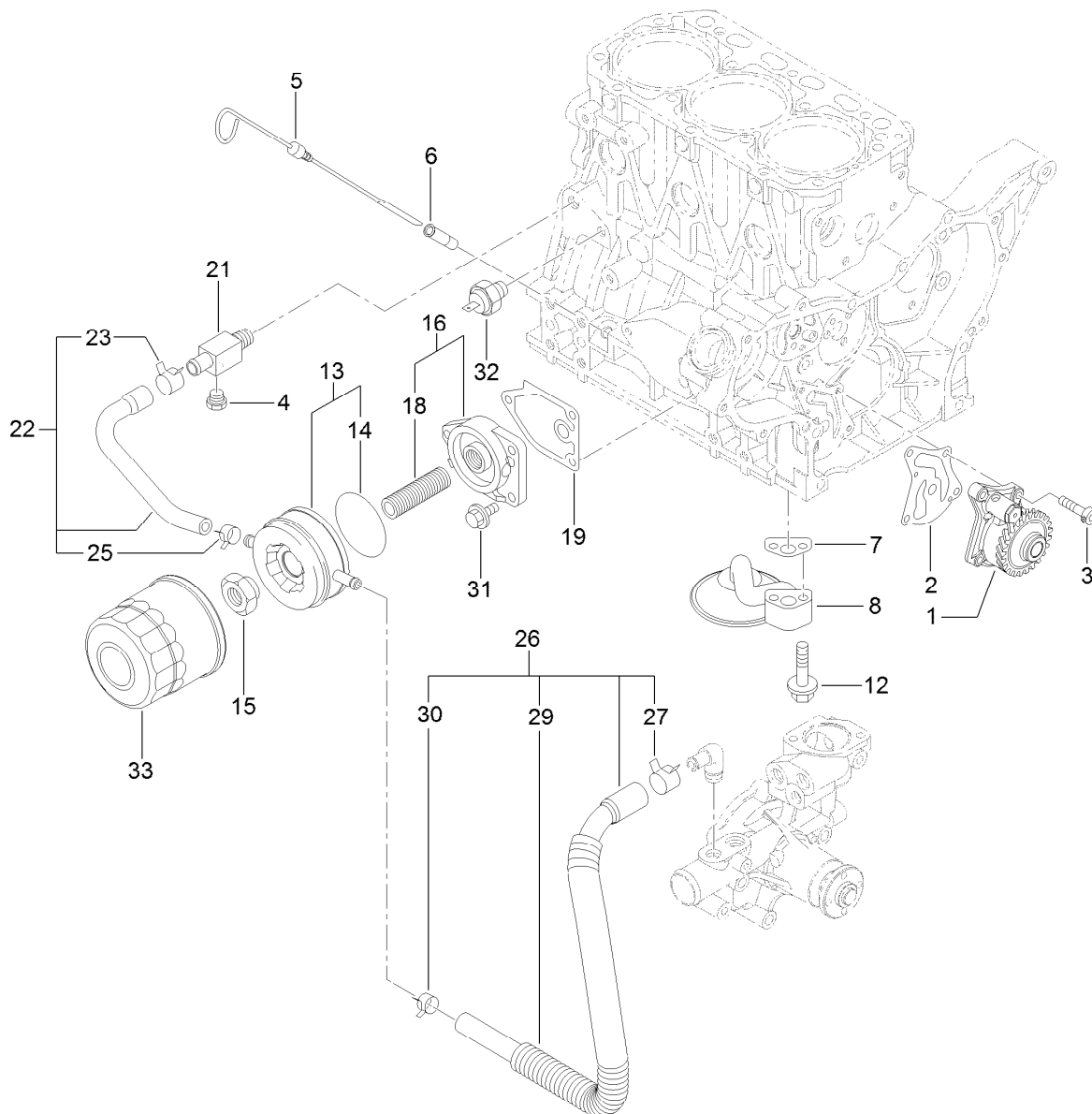
Camshaft and Driving Gear Assembly (continued)

| <i>Ref.</i> | <i>Part Number</i> | <i>Qty.</i> | <i>Description</i> | <i>Ref.</i> | <i>Part Number</i> | <i>Qty.</i> | <i>Description</i> |
|-------------|--------------------|-------------|--------------------|-------------|--------------------|-------------|----------------------|
| 1 | 125-7016 | 6 | Tappet | 14 | 127-3066 | 1 | Idle Gear A ASM |
| 2 | 125-7017 | 6 | Rod-Push | 17 | 125-7219 | 3 | Bolt |
| 3 | 127-3797 | 1 | Camshaft ASM | 18 | 127-3070 | 1 | Gear-Pump, Supply |
| 4 | 125-7008 | 1 | Metal-Thrust | 19 | 127-3167 | 1 | Washer-Spring |
| 6 | 127-3052 | 1 | Gear-Camshaft | 20 | 127-3185 | 1 | Nut-Lock |
| 7 | 125-7185 | 1 | Key | 21 | 127-3064 | 1 | Shaft-Idle, Gear B |
| 8 | 127-3053 | 1 | Pulser-Camshaft | 22 | 127-3067 | 1 | Idle Gear B ASM |
| 9 | 125-7205 | 3 | Bolt | 25 | 127-3068 | 1 | Plate-Idle, Shaft |
| 10 | 125-7213 | 2 | Bolt | 26 | 127-3069 | 1 | Gasket-Idle, Shaft B |
| 11 | 127-3054 | 1 | Sensor-Rev, Gear | 27 | 125-7218 | 2 | Bolt |
| 12 | 127-3184 | 1 | Bolt | 28 | 125-6927 | 1 | Bushing |
| 13 | 127-3063 | 1 | Shaft-Idle, Gear A | 29 | 127-3065 | 1 | Bushing |



Crankshaft and Piston Assembly

| Ref. | Part Number | Qty. | Description | Ref. | Part Number | Qty. | Description |
|------|-------------|------|----------------|------|-------------|------|-----------------------|
| 1 | 127-3800 | 1 | Crankshaft ASM | 16 | 127-4766 | 3 | Piston ASM |
| 2 | 125-6995 | 1 | Pin | 18 | 127-4751 | 3 | Piston Ring ASM |
| 4 | 125-6937 | 1 | Gear | 24 | 125-7030 | 3 | Pin |
| 5 | 125-7185 | 1 | Key | 25 | 125-7180 | 6 | Ring |
| 7 | 125-7182 | 1 | Pin-Spring | 26 | 125-7242 | 3 | Connecting Rod ASM |
| 8 | 127-3801 | 1 | Pulley-V | 30 | 125-6955 | 6 | Bolt |
| 9 | 125-7109 | 1 | Washer | 31 | 125-7018 | 3 | Pin-Crank |
| 10 | 125-6956 | 1 | Bolt | 33 | 125-6997 | 3 | Pin-Piston |
| 11 | 125-6951 | 6 | Bolt | 34 | 125-7019 | 3 | Pin-Crank (.25) |
| 12 | 127-4761 | 1 | Flywheel ASM | 36 | 127-4767 | 3 | Piston ASM (0.25 O S) |
| 14 | 127-4703 | 1 | Gear | 38 | 127-4752 | 3 | Ring Set (0.25 O S) |

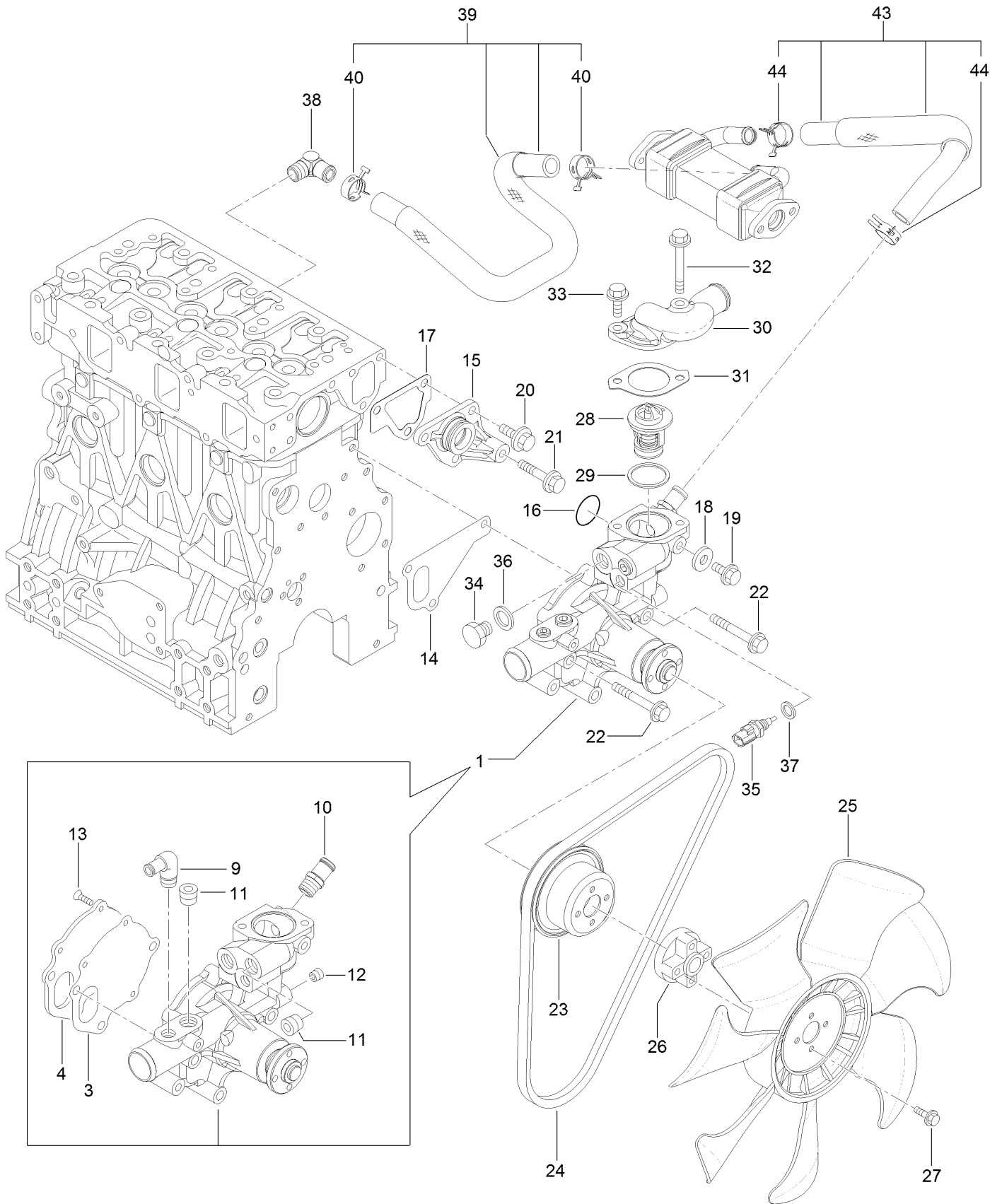


Lubrication and Oil System Assembly

| <i>Ref.</i> | <i>Part Number</i> | <i>Qty.</i> | <i>Description</i> |
|-------------|--------------------|-------------|--------------------|
| 1 | 127-4753 | 1 | Oil Pump ASM |
| 2 | 127-3004 | 1 | Gasket |
| 3 | 125-7232 | 4 | Bolt |
| 4 | 125-7171 | 1 | Plug-Drain |
| 5 | 125-6987 | 1 | Dipstick |
| 6 | 125-6954 | 1 | Guide-Dipstick |
| 7 | 125-7022 | 1 | Gasket |
| 8 | 125-7023 | 1 | Pipe ASM |
| 12 | 125-7217 | 2 | Bolt |
| 13 | 125-7074 | 1 | Cooler ASM |
| 14 | 125-7075 | 1 | O-Ring |
| 15 | 125-7041 | 1 | Nut-Cooler, Oil |
| 16 | 125-6989 | 1 | Bracket ASM |

| <i>Ref.</i> | <i>Part Number</i> | <i>Qty.</i> | <i>Description</i> |
|-------------|--------------------|-------------|--------------------|
| 18 | 125-7042 | 1 | Stud |
| 19 | 125-7024 | 1 | Gasket |
| 21 | 125-6990 | 1 | Joint |
| 22 | 125-7078 | 1 | Pipe ASM |
| 23 | 125-7162 | 1 | Clip |
| 25 | 125-7191 | 1 | Clamp-Hose |
| 26 | 127-3804 | 1 | Pipe ASM |
| 27 | 125-7162 | 1 | Clip |
| 29 | 127-3805 | 1 | Tube |
| 30 | 125-7191 | 1 | Clamp-Hose |
| 31 | 125-7595 | 3 | Bolt |
| 32 | 125-6918 | 1 | Switch-Oil |
| 33 | 125-7025 | 1 | Filter-Engine, Oil |

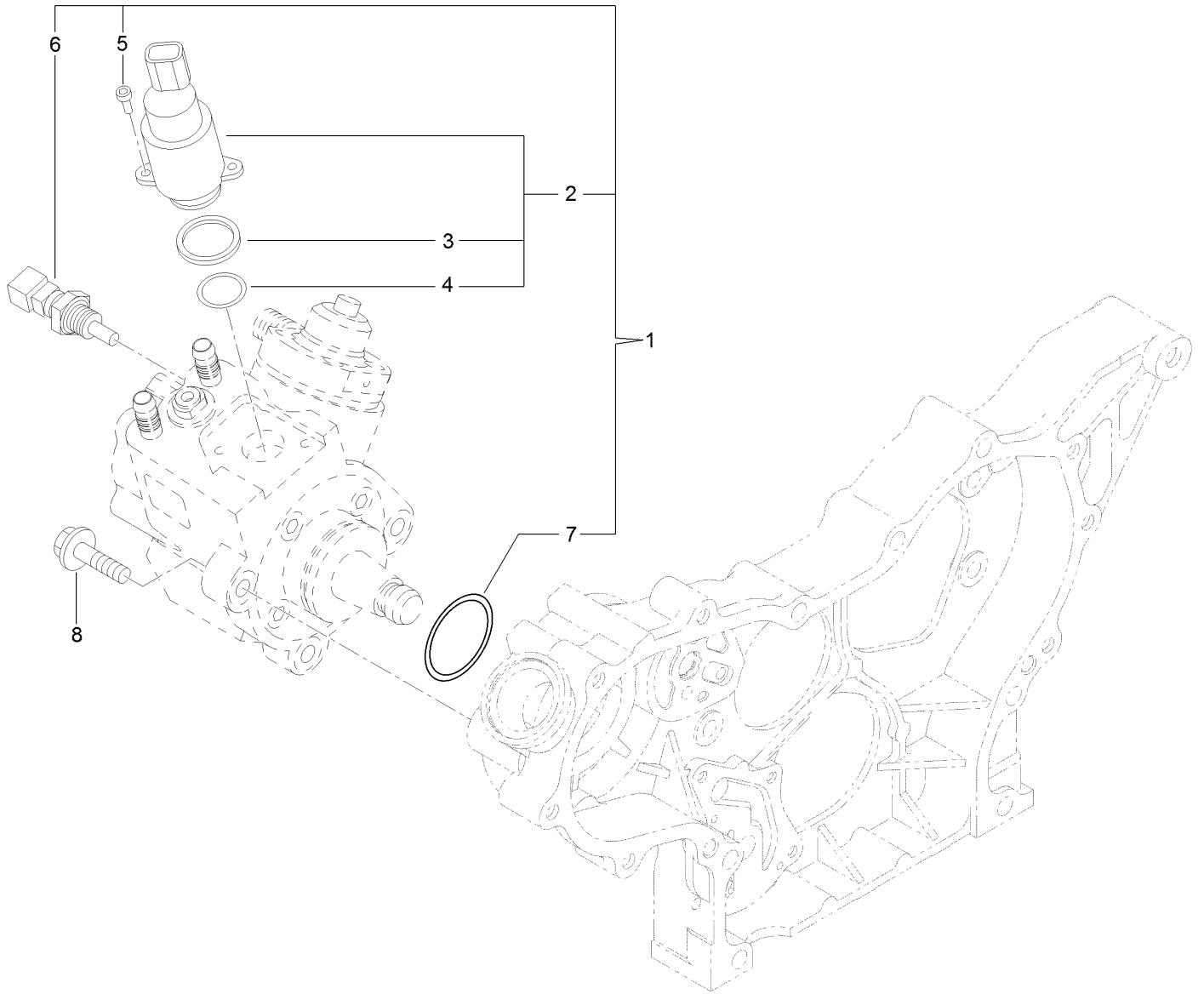
Cooling Water System Assembly



Cooling Water System Assembly (continued)

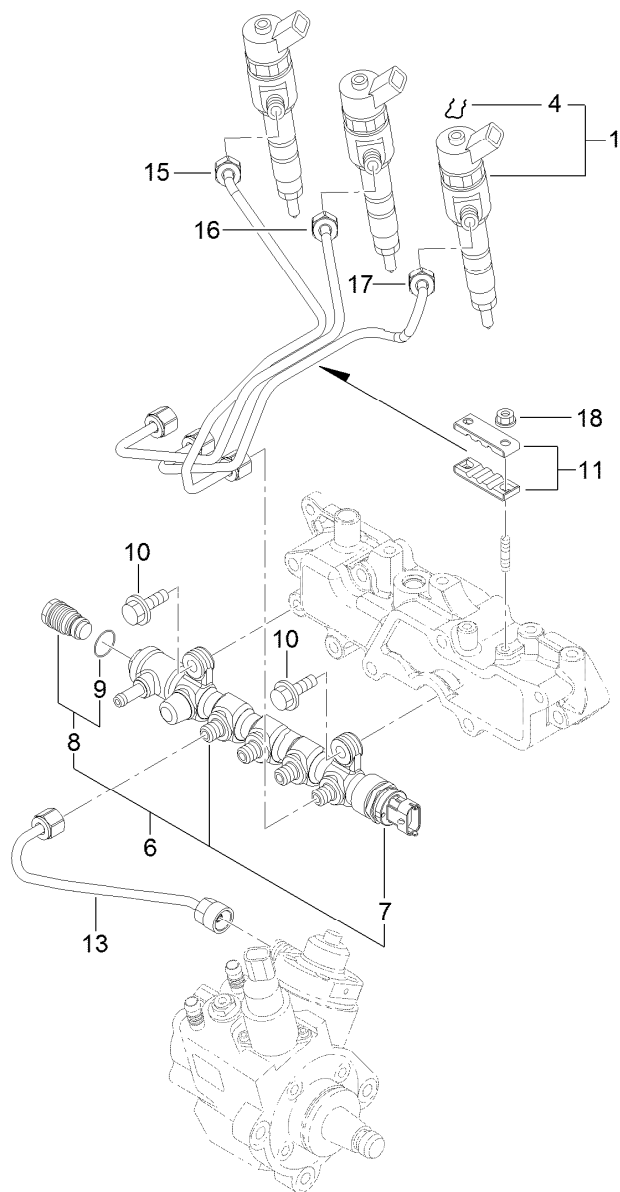
| <i>Ref.</i> | <i>Part Number</i> | <i>Qty.</i> | <i>Description</i> | <i>Ref.</i> | <i>Part Number</i> | <i>Qty.</i> | <i>Description</i> |
|-------------|--------------------|-------------|--------------------|-------------|--------------------|-------------|-----------------------|
| 1 | 131-2714 | 1 | Water Pump ASM | 25 | 127-4702 | 1 | Fan |
| 3 | 125-6998 | 1 | Gasket | 26 | 131-2705 | 1 | Spacer |
| 4 | 125-6999 | 1 | Plate | 27 | 131-2739 | 4 | Bolt |
| 9 | 125-7001 | 1 | Elbow | 28 | 125-7029 | 1 | Thermostat |
| 10 | 127-3017 | 1 | Joint | 29 | 125-7026 | 1 | Gasket |
| 11 | 125-7123 | 2 | Plug | 30 | 131-2728 | 1 | Cover-Thermostat |
| 12 | 125-7195 | 1 | Plug | 31 | 125-7110 | 1 | Gasket |
| 13 | 125-7234 | 3 | Screw | 32 | 125-7594 | 1 | Bolt |
| 14 | 125-7047 | 1 | Gasket | 33 | 125-7220 | 1 | Bolt |
| 15 | 125-6986 | 1 | Joint | 34 | 125-6953 | 1 | Plug |
| 16 | 125-7048 | 1 | O-Ring | 35 | 125-7124 | 1 | Sensor-Thermostat, CW |
| 17 | 125-6978 | 1 | Gasket | 36 | 125-6979 | 1 | Gasket |
| 18 | 125-7192 | 1 | Gasket | 37 | 125-7176 | 1 | Washer-Seal |
| 19 | 125-7212 | 1 | Bolt | 38 | 127-4705 | 1 | Elbow |
| 20 | 125-7214 | 3 | Bolt | 39 | 127-4757 | 1 | E G R-C Pipe ASM |
| 21 | 125-7219 | 1 | Bolt | 40 | 127-3020 | 2 | Clip-Hose |
| 22 | 125-7222 | 3 | Bolt | 43 | 127-3811 | 1 | CW Pipe ASM |
| 23 | 127-4712 | 1 | V-Pulley | 44 | 127-3020 | 2 | Clip-Hose |
| 24 | 127-4771 | 1 | V-Belt | | | | |

Fuel System Assembly



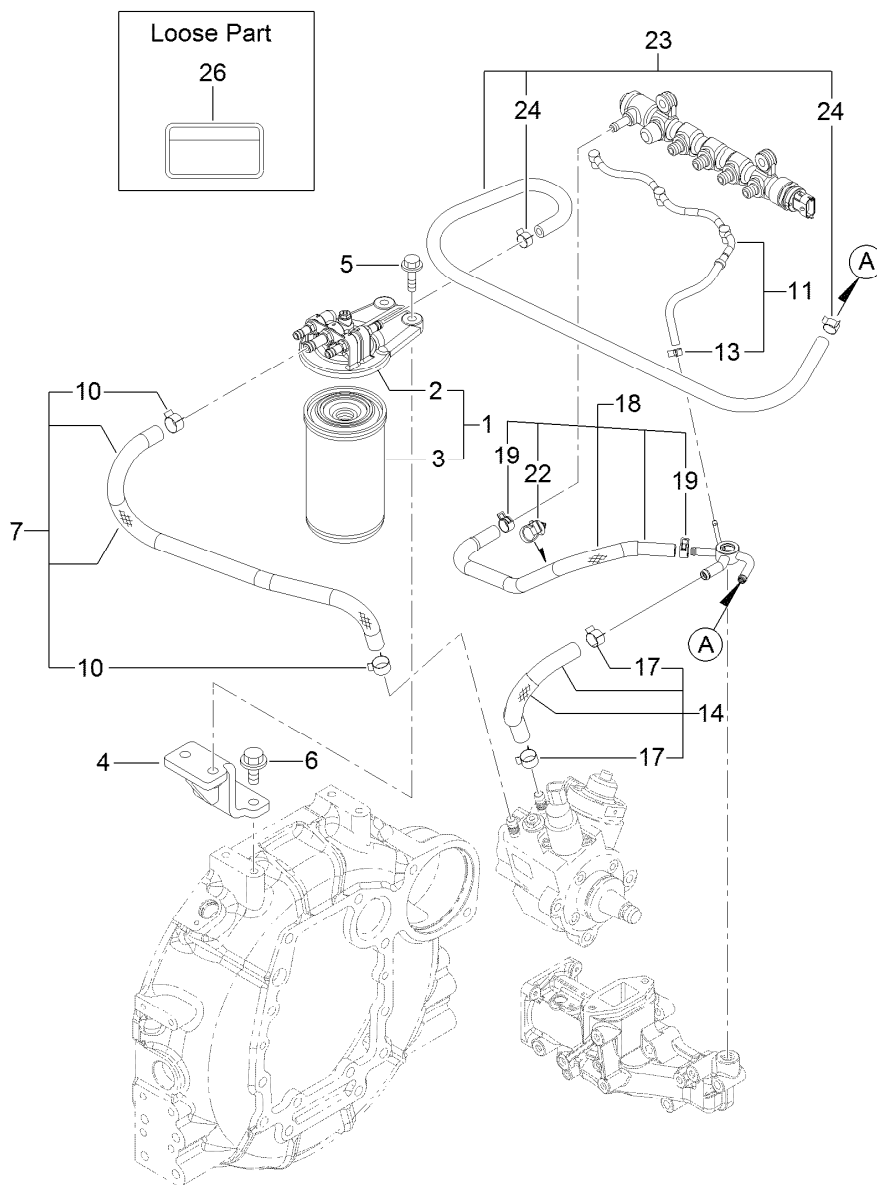
Fuel System Assembly (continued)

| <i>Ref.</i> | <i>Part Number</i> | <i>Qty.</i> | <i>Description</i> | <i>Ref.</i> | <i>Part Number</i> | <i>Qty.</i> | <i>Description</i> |
|-------------|--------------------|-------------|--------------------|-------------|--------------------|-------------|--------------------|
| 1 | 127-3073 | 1 | Fuel Pump ASM | 5 | 131-2107 | 2 | Bolt |
| 2 | 131-2103 | 1 | Valve ASM | 6 | 131-2108 | 1 | Sensor-Temperature |
| 3 | 131-2105 | 1 | Ring-Sealing | 7 | 127-3074 | 1 | O-Ring |
| 4 | 131-2106 | 1 | O-Ring | 8 | 125-7216 | 3 | Bolt |



Fuel Injection Valve Assembly

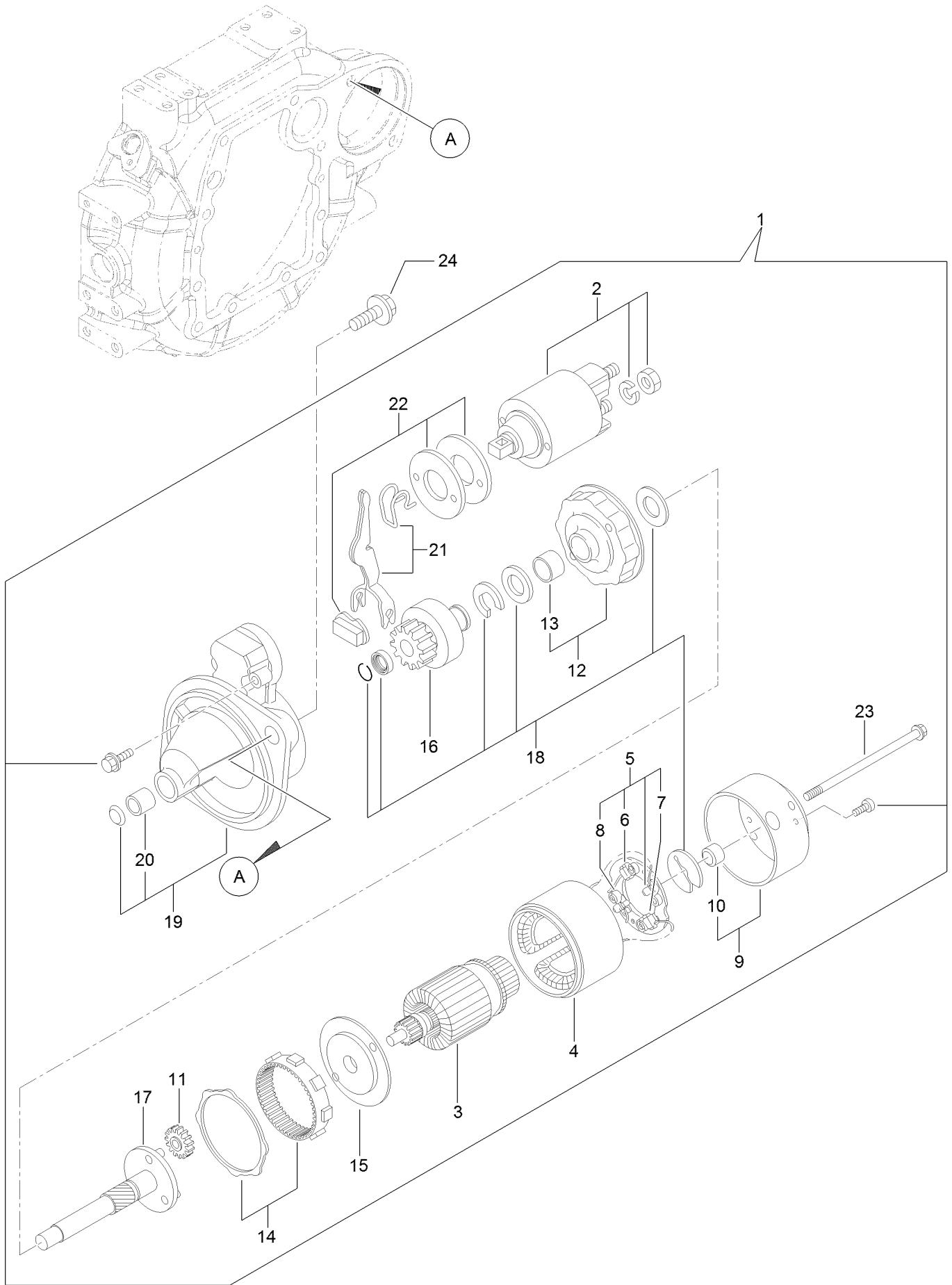
| <i>Ref.</i> | <i>Part Number</i> | <i>Qty.</i> | <i>Description</i> |
|-------------|--------------------|-------------|-----------------------|
| 1 | 127-4754 | 3 | Injector ASM |
| 4 | 131-2708 | 3 | Ring, Retaining |
| 6 | 127-3812 | 1 | Rail ASM |
| 7 | 131-2709 | 1 | Sensor-Pressure, Rail |
| 8 | 131-2710 | 1 | Valve ASM |
| 9 | 131-2711 | 1 | O-Ring |
| 10 | 125-7215 | 2 | Bolt |
| 11 | 127-3813 | 2 | Retainer |
| 13 | 127-3082 | 1 | Rail In Pipe ASM |
| 15 | 127-3814 | 1 | Injection Pipe ASM |
| 16 | 127-3083 | 1 | Injection Pipe ASM |
| 17 | 127-3084 | 1 | Injection Pipe ASM |
| 18 | 125-7231 | 2 | Nut |



Fuel Pipe Assembly

| <i>Ref.</i> | <i>Part Number</i> | <i>Qty.</i> | <i>Description</i> | <i>Ref.</i> | <i>Part Number</i> | <i>Qty.</i> | <i>Description</i> |
|-------------|--------------------|-------------|-----------------------------|-------------|--------------------|-------------|-------------------------|
| 1 | 127-3075 | 1 | Fuel/Oil Filter ASM | 13 | 127-3172 | 1 | Clamp-Hose |
| 2 | 127-3076 | 1 | Fuel/Oil Filter Bracket ASM | 14 | 127-3078 | 1 | Fuel Pipe ASM |
| 3 | 125-8752 | 1 | Filter-Fuel/Oil | 17 | 125-7191 | 2 | Clamp-Hose |
| 4 | 131-2731 | 1 | Bracket-Filter, Fuel | 18 | 127-3817 | 1 | Fuel Pipe ASM |
| 5 | 125-7216 | 2 | Bolt | 19 | 127-2950 | 2 | Clip-Hose |
| 6 | 131-2740 | 1 | Bolt | 22 | 127-3087 | 1 | Band-Clip |
| 7 | 131-2732 | 1 | Fuel Pipe ASM | 23 | 131-2733 | 1 | Fuel Pipe ASM |
| 10 | 125-7191 | 2 | Clamp-Hose | 24 | 127-2950 | 2 | Clip-Hose |
| 11 | 127-3816 | 1 | Fuel/Oil Return Pipe ASM | 26 | 125-6900 | 1 | Label-Caution, Fuel Oil |

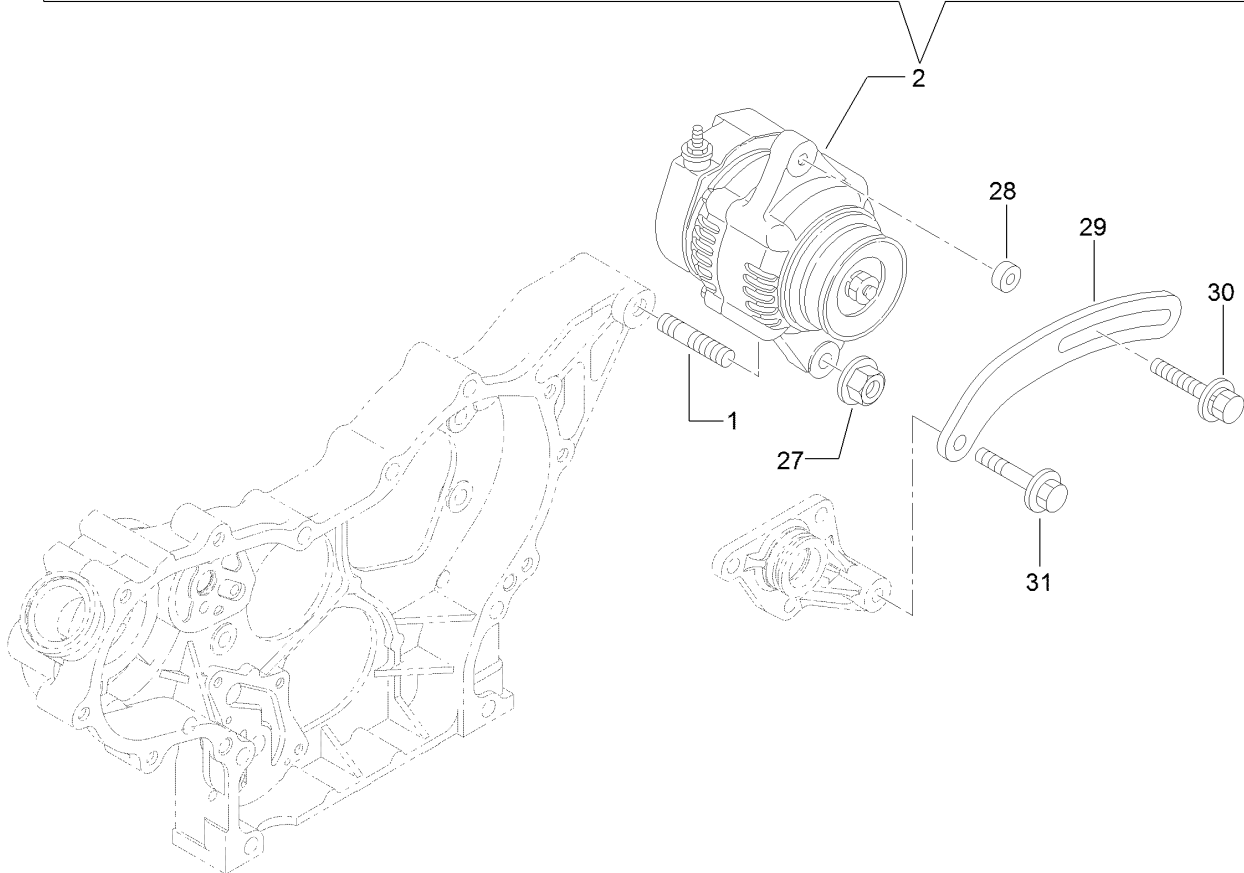
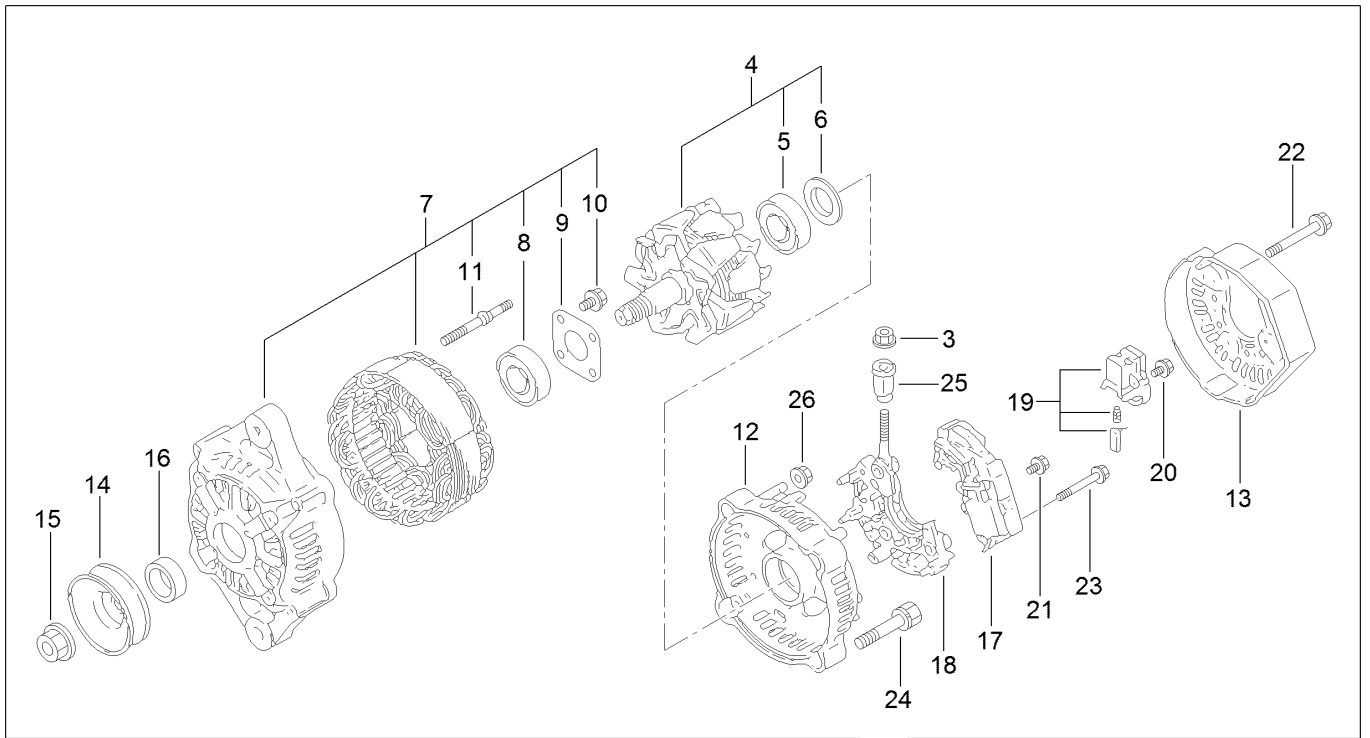
Starting Motor Assembly



Starting Motor Assembly (continued)

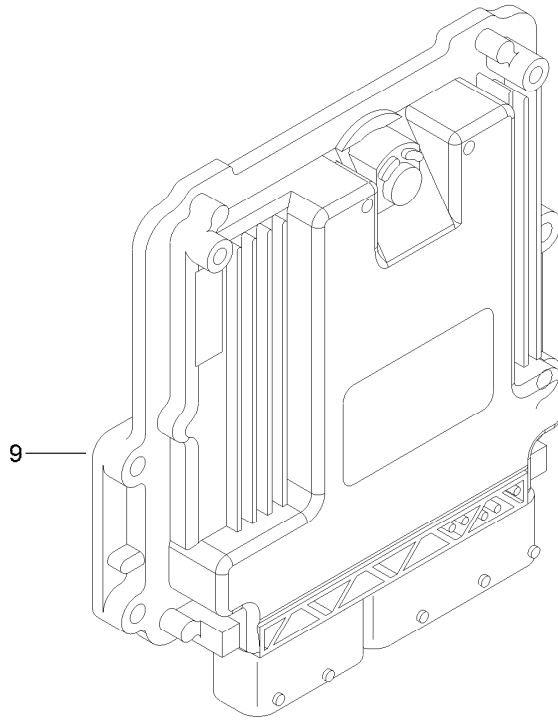
| <i>Ref.</i> | <i>Part Number</i> | <i>Qty.</i> | <i>Description</i> | <i>Ref.</i> | <i>Part Number</i> | <i>Qty.</i> | <i>Description</i> |
|-------------|--------------------|-------------|--------------------|-------------|--------------------|-------------|--------------------|
| 1 | 127-3818 | 1 | Starter ASM | 13 | 127-3830 | 1 | Bracket |
| 2 | 127-3819 | 1 | Switch ASM | 14 | 127-3831 | 1 | Gear |
| 3 | 127-3820 | 1 | Armature ASM | 15 | 127-3832 | 1 | Bracket |
| 4 | 127-3821 | 1 | Yoke ASM | 16 | 127-3833 | 1 | Pinion ASM |
| 5 | 127-3822 | 1 | Brush Holder ASM | 17 | 127-3834 | 1 | Shaft |
| 6 | 127-3823 | 2 | Brush | 18 | 127-3835 | 1 | Washer Set |
| 7 | 127-3824 | 1 | Brush Set | 19 | 127-3836 | 1 | Case ASM |
| 8 | 127-3825 | 4 | Spring | 20 | 127-3837 | 1 | Metal-Starter |
| 9 | 127-3826 | 1 | Cover ASM | 21 | 127-3838 | 1 | Lever Set |
| 10 | 127-3827 | 1 | Metal | 22 | 127-3839 | 1 | Dust Cover ASM |
| 11 | 127-3828 | 3 | Gear | 23 | 127-3840 | 2 | Bolt-Through |
| 12 | 127-3829 | 1 | Bracket | 24 | 125-7225 | 2 | Bolt |

Generator Assembly



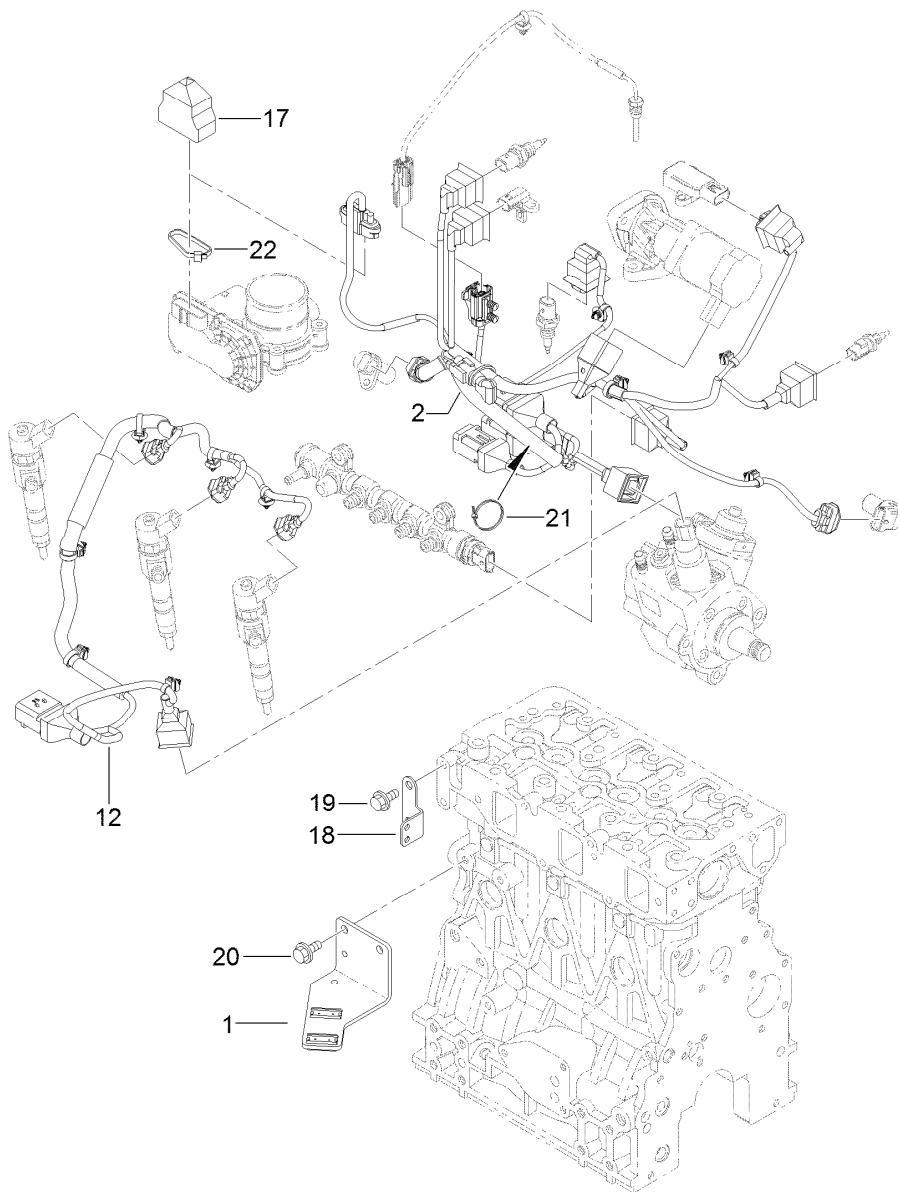
Generator Assembly (continued)

| <i>Ref.</i> | <i>Part Number</i> | <i>Qty.</i> | <i>Description</i> | <i>Ref.</i> | <i>Part Number</i> | <i>Qty.</i> | <i>Description</i> |
|-------------|--------------------|-------------|--------------------|-------------|--------------------|-------------|--------------------|
| 1 | 127-3011 | 1 | Stud | 17 | 127-3847 | 1 | Regulator ASM |
| 2 | 127-3841 | 1 | Generator | 18 | 127-3848 | 1 | Holder |
| 3 | 127-3190 | 1 | Nut | 19 | 127-2993 | 1 | Holder |
| 4 | 127-3843 | 1 | Rotor ASM | 20 | 127-2965 | 6 | Screw |
| 5 | 127-2983 | 1 | Bearing-Ball | 21 | 127-2966 | 1 | Screw |
| 6 | 127-2962 | 1 | Cover | 22 | 127-2967 | 3 | Bolt |
| 7 | 127-3844 | 1 | Frame ASM | 23 | 127-2968 | 2 | Screw |
| 8 | 127-2958 | 1 | Bearing-Ball | 24 | 127-2969 | 2 | Bolt |
| 9 | 127-2959 | 1 | Plate-Retainer | 25 | 127-2970 | 1 | Bushing-Insulation |
| 10 | 127-2960 | 4 | Screw | 26 | 127-2971 | 2 | Nut |
| 11 | 127-2961 | 2 | Stud | 27 | 125-7230 | 1 | Nut |
| 12 | 127-3845 | 1 | Frame | 28 | 125-6947 | 1 | Spacer |
| 13 | 127-3846 | 1 | Cover | 29 | 127-2977 | 1 | Adjuster |
| 14 | 127-2954 | 1 | Pulley | 30 | 125-7134 | 1 | Bolt |
| 15 | 127-2955 | 1 | Nut | 31 | 125-7219 | 1 | Bolt |
| 16 | 127-2957 | 1 | Collar | | | | |



Electronic Control Unit Assembly

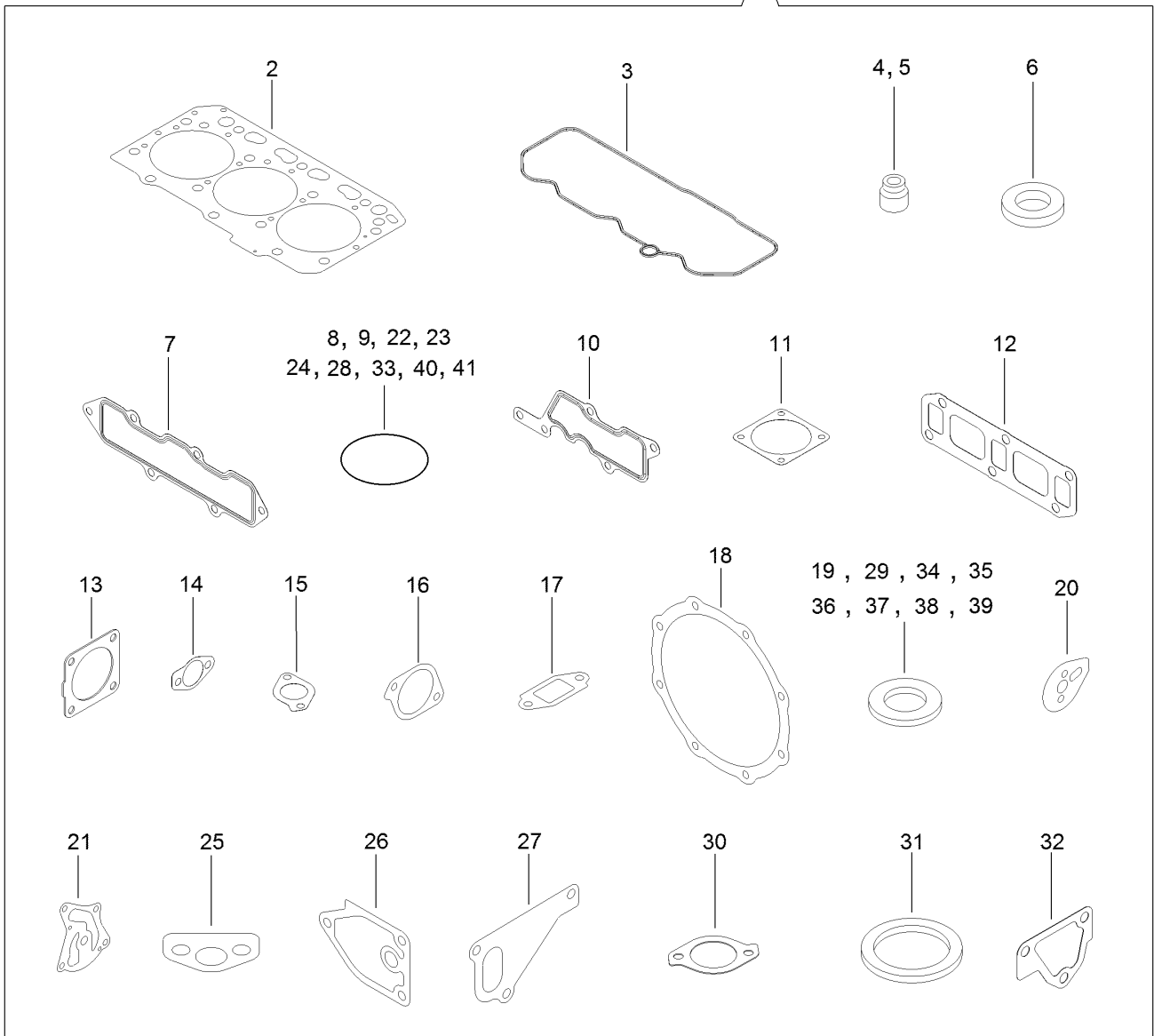
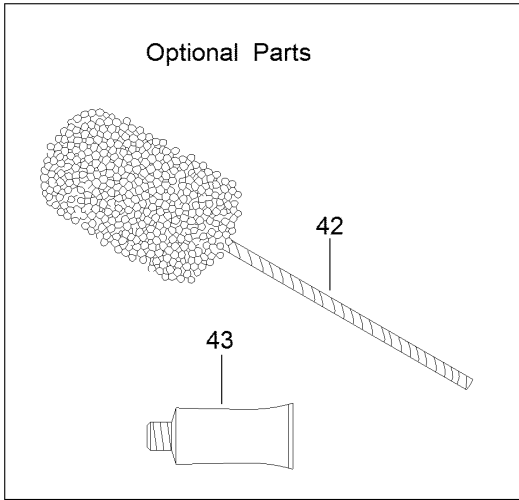
| <i>Ref.</i> | <i>Part Number</i> | <i>Qty.</i> | <i>Description</i> |
|-------------|--------------------|-------------|--------------------|
| 9 | 127-3085 | 1 | E C U A S M |



Electric Parts Assembly

| <i>Ref.</i> | <i>Part Number</i> | <i>Qty.</i> | <i>Description</i> |
|-------------|--------------------|-------------|--------------------|
| 1 | 131-2735 | 1 | Bracket-Connector |
| 2 | 131-2736 | 1 | Harness-B |
| 12 | 131-2712 | 1 | Harness |
| 17 | 131-2713 | 1 | Boot-Cap |
| 18 | 127-3090 | 1 | Bracket-Harness |
| 19 | 125-7212 | 2 | Bolt |
| 20 | 125-7213 | 2 | Bolt |
| 21 | 127-3187 | 1 | Band |
| 22 | 127-3188 | 1 | Band |

Gasket Set



Gasket Set (continued)

| <i>Ref.</i> | <i>Part Number</i> | <i>Qty.</i> | <i>Description</i> | <i>Ref.</i> | <i>Part Number</i> | <i>Qty.</i> | <i>Description</i> |
|-------------|--------------------|-------------|----------------------------|-------------|--------------------|-------------|--------------------|
| 1 | 131-2737 | 1 | Packing | 23 | 127-2973 | 1 | O-Ring |
| 2 | 127-4716 | 1 | Head Gasket ASM | 24 | 125-7075 | 1 | O-Ring |
| 3 | 127-3856 | 1 | Gasket-Valve Cover | 25 | 125-7022 | 1 | Gasket |
| 4 | 127-2986 | 3 | Seal-Stem, Valve | 26 | 125-7024 | 1 | Gasket |
| 5 | 127-3027 | 3 | Seal-Stem, Valve | 27 | 125-7047 | 1 | Gasket |
| 6 | 127-3021 | 3 | Gasket-Injector | 28 | 125-7048 | 1 | O-Ring |
| 7 | 127-3857 | 1 | Gasket-Manifold, Intake | 29 | 125-6979 | 1 | Gasket |
| 8 | 127-3032 | 2 | O Ring-Sensor, Pressure | 30 | 125-7110 | 1 | Gasket |
| 9 | 127-3033 | 1 | O-Ring | 31 | 125-7026 | 1 | Gasket |
| 10 | 127-3034 | 1 | Gasket-Collector | 32 | 125-6978 | 1 | Gasket |
| 11 | 127-3037 | 2 | Gasket-Throttle | 33 | 127-3074 | 1 | O-Ring |
| 12 | 127-3775 | 1 | Gasket-Manifold, Exhaust | 34 | 125-7174 | 1 | Washer-Seal |
| 13 | 127-2987 | 1 | Gasket-Silencer | 35 | 125-7176 | 1 | Washer-Seal |
| 14 | 127-3043 | 2 | Gasket-Cooler, E G R | 36 | 127-3166 | 2 | Washer-Seal |
| 15 | 127-3016 | 1 | Gasket | 37 | 125-7177 | 1 | Washer-Seal |
| 16 | 127-3050 | 1 | Gasket-Intake Valve, E G R | 38 | 125-7192 | 1 | Gasket |
| 17 | 127-3051 | 1 | Gasket-Out Valve, E G R | 39 | 127-3174 | 2 | Gasket |
| 18 | 127-3859 | 2 | Gasket-D P F | 40 | 93-0418 | 3 | O-Ring |
| 19 | 127-3056 | 4 | Gasket-Sensor | 41 | 125-7197 | 2 | O-Ring |
| 20 | 127-3069 | 1 | Gasket-Idle, Shaft B | 42 | 127-3000 | 1 | Hone |
| 21 | 127-3004 | 1 | Gasket | 43 | 125-7248 | 1 | Gasket-Liquid |
| 22 | 125-6909 | 2 | O-Ring | | | | |

Attachments and Accessories

For 31202 Groundsmaster 360 4-Wheel Drive Multi-Purpose Machine with Cab

| Product Name | Model/Part |
|--|-------------------|
| Blade-Belt Kit, 72in Side Discharge Deck | 105-7272 |
| Green Diesel Cap | 107-2172 |
| Premium Transmission/Hydraulic Tractor Fluid (55 Gallon Drum)..... | 108-1183 |
| Premium Transmission/Hydraulic Tractor Fluid (5 Gallon Pail) | 108-1184 |
| Leaf Mulching Kit | 108-5273 |
| Blade-Rotary, Medium Flow (24.5in)..... | 110-0621-03 |
| Blade-Rotary, Atomic (24.5in)..... | 110-0624-03 |
| 5in Air Cleaner Safety Element..... | 114-4057 |
| Work Light Kit | 114-5610 |
| Electrical Accessory Kit | 115-0019 |
| Wireless Hourmeter | 115-4754 |
| Atomic Blade Kit (3 Blade Pack) | 119-8020 |
| Beacon Kit | 120-0256 |
| Cloth Backrest Extension Kit..... | 120-0567 |
| Auxiliary Power Unit..... | 120-6675 |
| Registration Plate Kit | 120-6678 |
| Weight Transfer Kit | 120-6683 |
| Premium Engine Oil 15w40 (55 Gallon Drum) | 121-6394 |
| Premium Engine Oil 15w40 (5 Gallon Pail) | 121-6395 |
| MVP Filter Kit..... | 30261 |
| 72in Base Deck..... | 30353 |
| 72in Side Discharge Mower (CE)..... | 30354 |
| V-Plow Mounting Kit..... | 30378 |
| 72in Side Discharge Deck..... | 30481 |
| Quick Attach Front Frame..... | 30509 |
| Road Light Kit (Europe) | 30516 |
| Road Light Kit (North American) | 30517 |
| Jack Stand Kit..... | 30579 |
| CE Kit, 72in Side Deck With French Guards | 30679 |
| CE Guard Kit..... | 30689 |
| 48in V-Plow..... | 30750 |
| 100in Rear Discharge Deck | 31101 |
| Winter Attachment Joystick Kit | 31219 |
| Diagnostic Display Box..... | 85-4750 |

Notes:



Count on it.