



Count on it.

Parts Catalog

Greensmaster® e1026

Greensmower

Model No. 04845—Serial No. 40000000 and Up



Ordering Replacement Parts

To order replacement parts, please supply the part number, the quantity, and the description of each part desired.

Understanding Reference Numbers

Each identified part in an illustration has a reference number. The reference number for a part also appears in the parts list, along with other information about the part.

This catalog uses two special reference number formats, one to indicate parts in a service assembly and another to indicate the quantity of a given part in an illustration.

Service Assembly Reference Numbers

Parts in service assemblies have reference numbers in the form a:b. The a represents the reference number of the entire service assembly and the b represents a sequential number unique to each part within the service assembly.

For example, a wheel assembly might be identified by reference number 6, the tire by 6:1, the valve by 6:2, and the wheel by 6:3. When you order the assembly identified by reference number 6, you receive all parts identified by reference numbers 6:1, 6:2, and 6:3. However, you may also order any part individually. Reference numbers of this type appear in illustration and in parts lists.

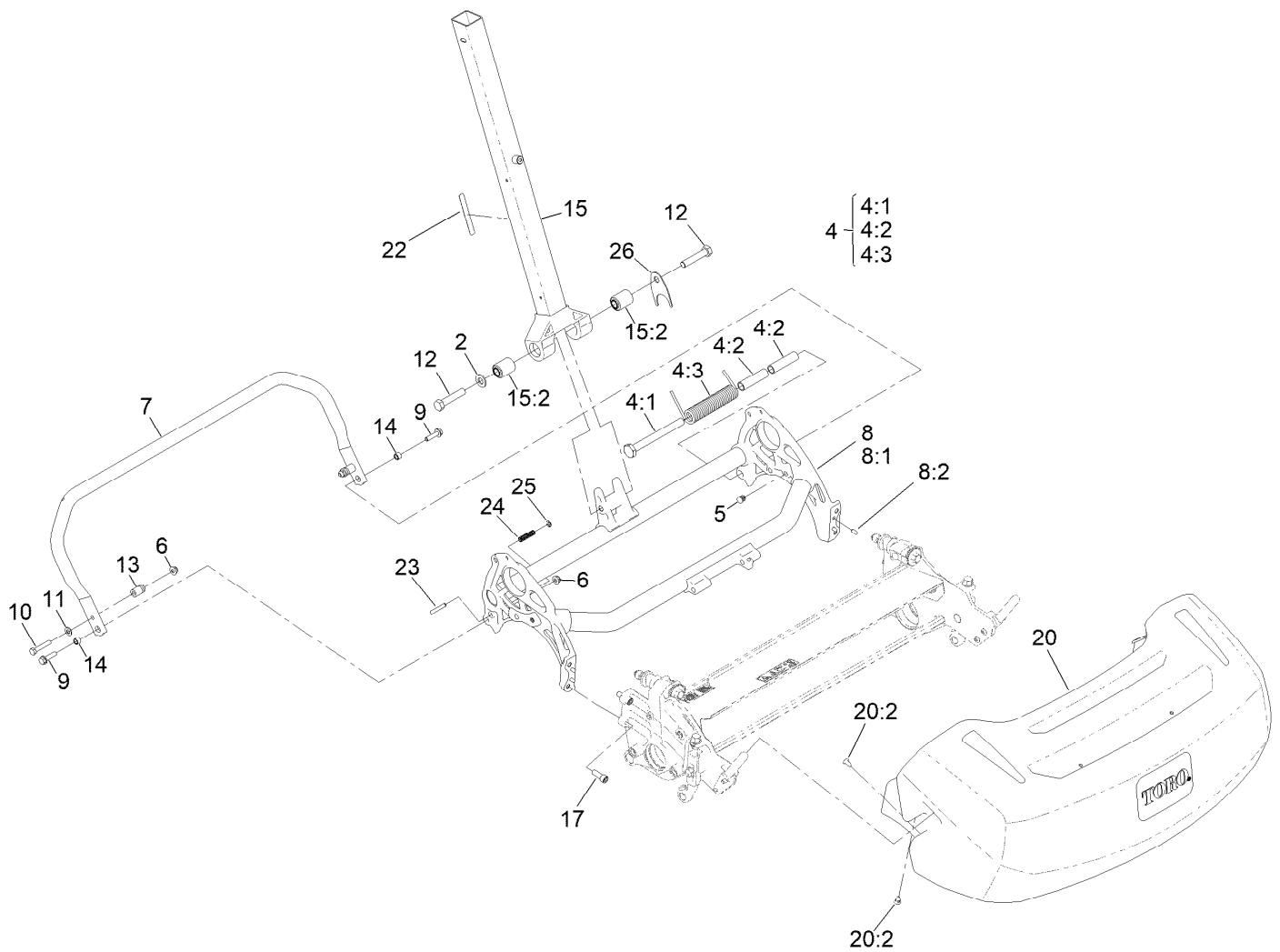
Reference Numbers Indicating Quantity

In an illustration, if a reference number indicates more than one part, the reference number has the form nX y. The n represents the quantity of the part, the X is the multiplication symbol, and the y represents the reference number.

For example, in an illustration, the reference number 2X 37 means that two of the parts identified by reference number 37 are indicated.

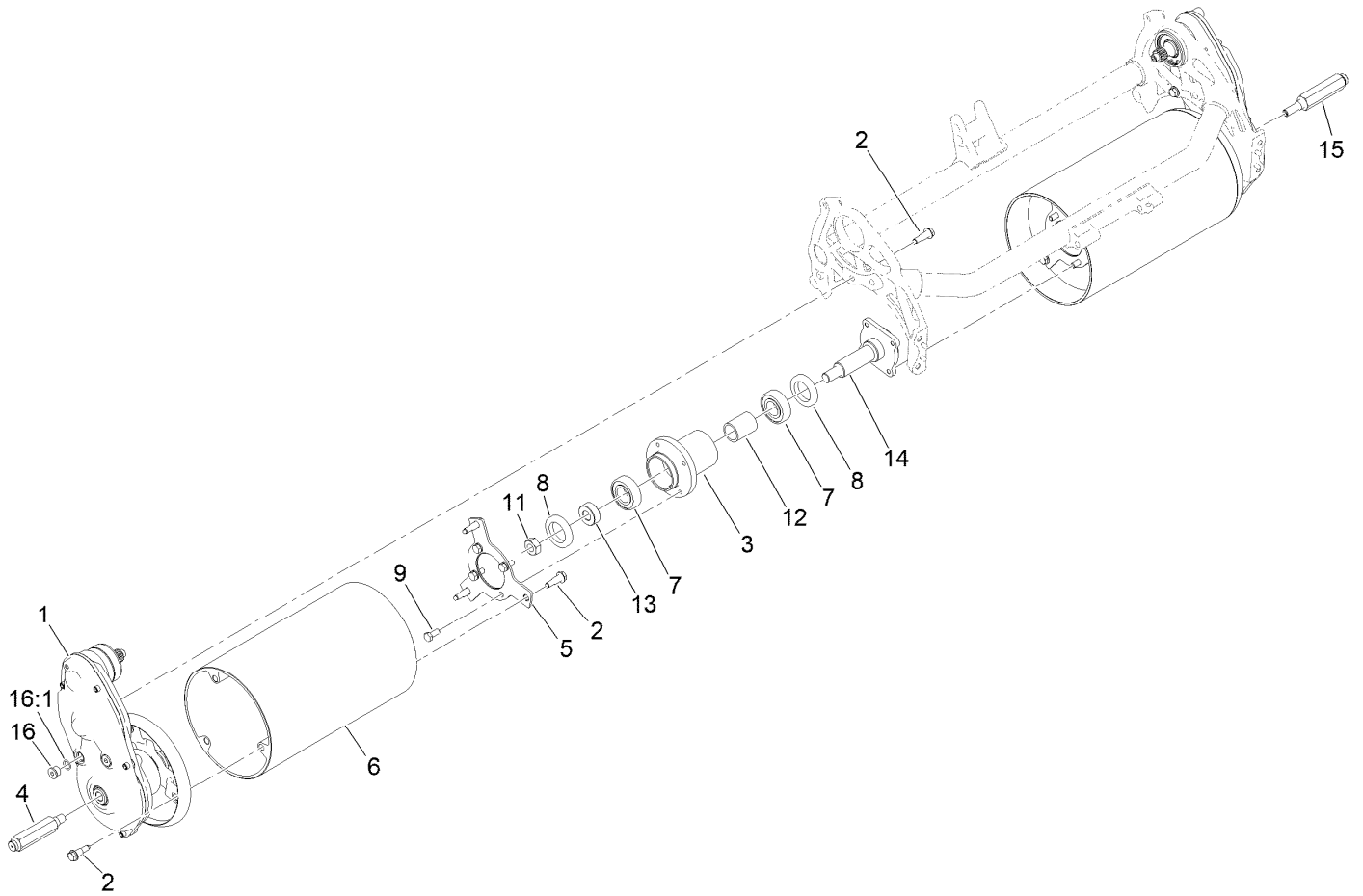
Contents

Frame and Handle Mount Assembly	4
Drum Drive Assembly	5
Drum Drive Replacement Kit Assembly No. 140-9329	6
Drum Drive Gearbox Assembly	7
Drive Shaft and Reel Components Assembly	8
Transmission Assembly	9
Transmission Assembly No. 140-9327 Transmission Case Assembly	10
Transmission Assembly No. 140-9327 Reel Drive Assembly	11
Transmission Assembly No. 140-9327 Traction Drive Assembly	12
Differential Assembly No. 132-4555	13
Electric Motor Assembly No. 161-4651	14
Inverter Controller Assembly	15
Reel Controls and Covers Assembly	16
Upper Handle Assembly	17
Traction Bail Assembly	18
Electric Handle Components Assembly	19
Battery Frame Assembly	20
Miscellaneous Parts Assembly	22
Attachments and Accessories	23



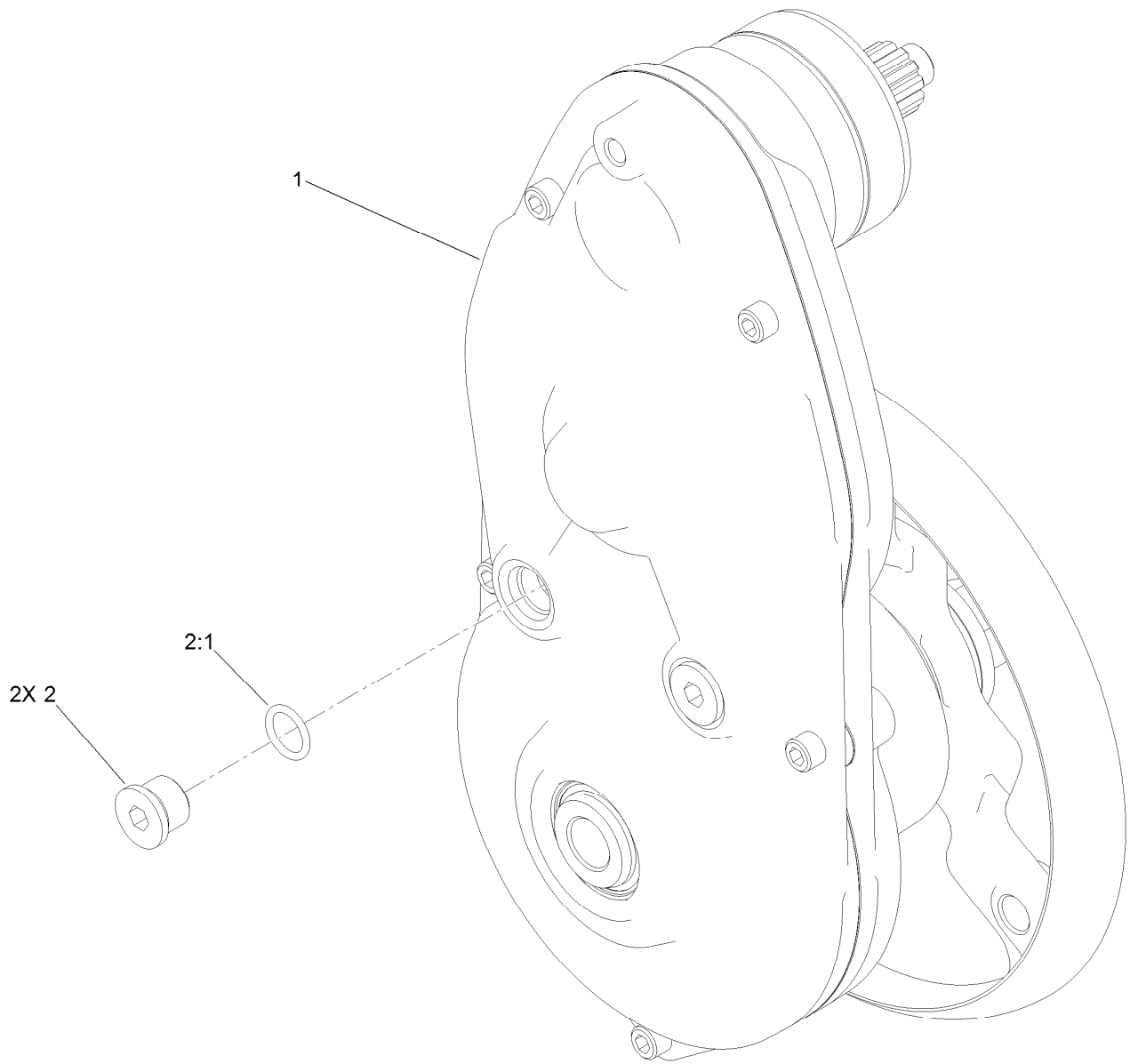
Frame and Handle Mount Assembly

Ref.	Part Number	Qty.	Description	Ref.	Part Number	Qty.	Description
2	3256-26	1	Washer-Flat	11	3256-23	2	Washer-Plain
4	147-2290	1	Kit-Kickstand Spring Replacement	12	325-10	2	Screw-HH
4:1	147-2285	1	Pin-Mount, Spring	13	65-7900	2	Retainer-Spring
4:2	147-2286	2	Sleeve, Spring-Mount	14	65-7910	2	Spacer
4:3	147-2268	1	Spring-Torsion, LH	15	137-0292	1	Lower Handle ASM
5	139-4326	2	Plug-Plastic	15:2	138-1469	2	Bushing-Straight
6	119-4041	3	Nut-HF	17	3274-7	4	Screw-HSH
7	147-2271	1	Kickstand, 26 Inch	20	140-9294	1	Basket-Grass, GR1026
8	140-3437	1	Frame ASM 26" Electric	20:2	121-4729	4	Plug
8:1	140-3435-01	1	Frame ASM, Welded [red]	22	133-8061	1	Decal-Warning
8:2	95-0715	4	Pin-Dowel	23	139-7431	1	Pin-Kickstand, Lock
9	112-6913	2	Screw-HF	24	73-3450	1	Spring-Compression
10	322-9	2	Screw-HH	25	32151-86	1	E-Ring
				26	140-9333	1	Washer, Anti-Rotation



Drum Drive Assembly

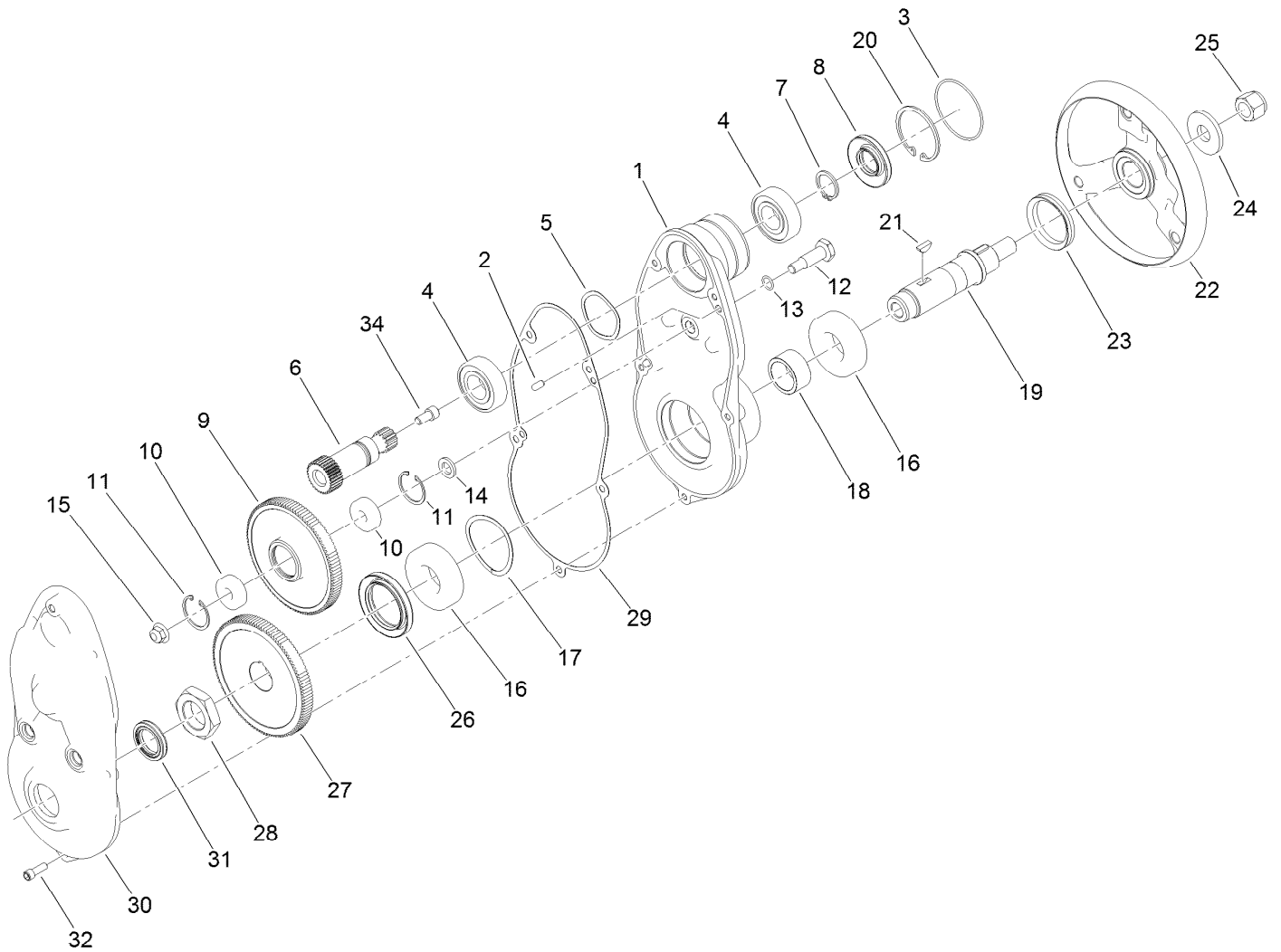
<i>Ref.</i>	<i>Part Number</i>	<i>Qty.</i>	<i>Description</i>	<i>Ref.</i>	<i>Part Number</i>	<i>Qty.</i>	<i>Description</i>
1	140-9329	1	Kit-Drum Drive Replacement	9	114-7728	8	Screw-HHF, Patch
2	132-4607	14	Bolt-Shoulder, Flange	11	3296-33	1	Nut-Lock, NI
3	132-6971	1	Hub-Drum	12	65-6520	1	Spacer
4	132-4605	1	Shaft-Hex, RH	13	65-6530	1	Spacer
5	147-2257	2	Plate-Drum, Hub	14	94-5850	1	Spindle-Drum
6	138-1529	2	Drum-Traction, 26 Inch	15	132-4606	1	Shaft-Hex, LH
7	251-82	2	Bearing-Ball	16	353-989	4	Plug-Hex, Hollow
8	253-159	2	Seal	16:1	237-42	1	O-Ring



Drum Drive Replacement Kit Assembly No. 140-9329

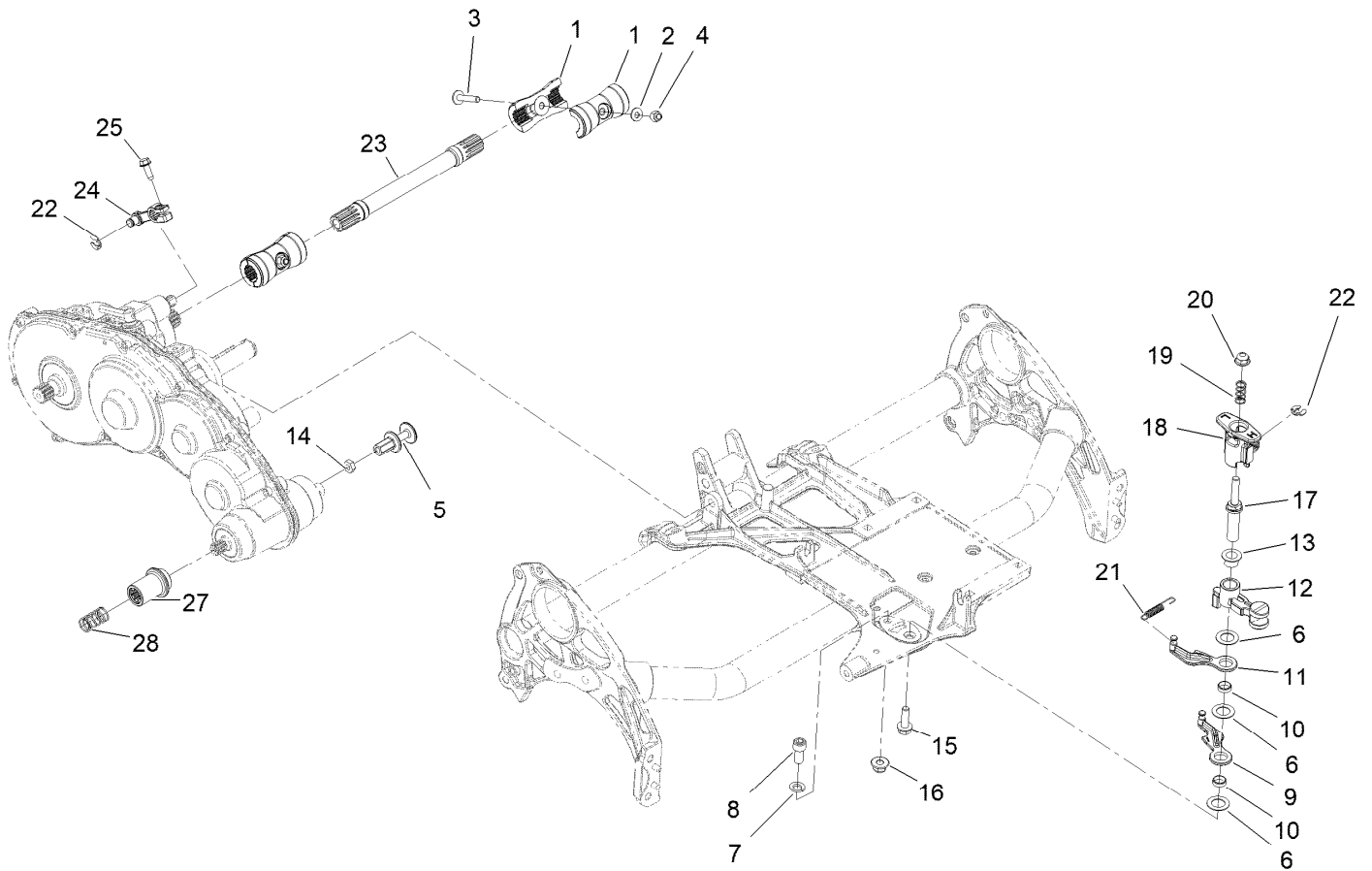
<i>Ref.</i>	<i>Part Number</i>	<i>Qty.</i>	<i>Description</i>
1		1	Drum Drive Gear Box ASM ●
2	353-989	2	Plug-Hex, Hollow
2:1	237-42	1	O-Ring

● Not serviced separately



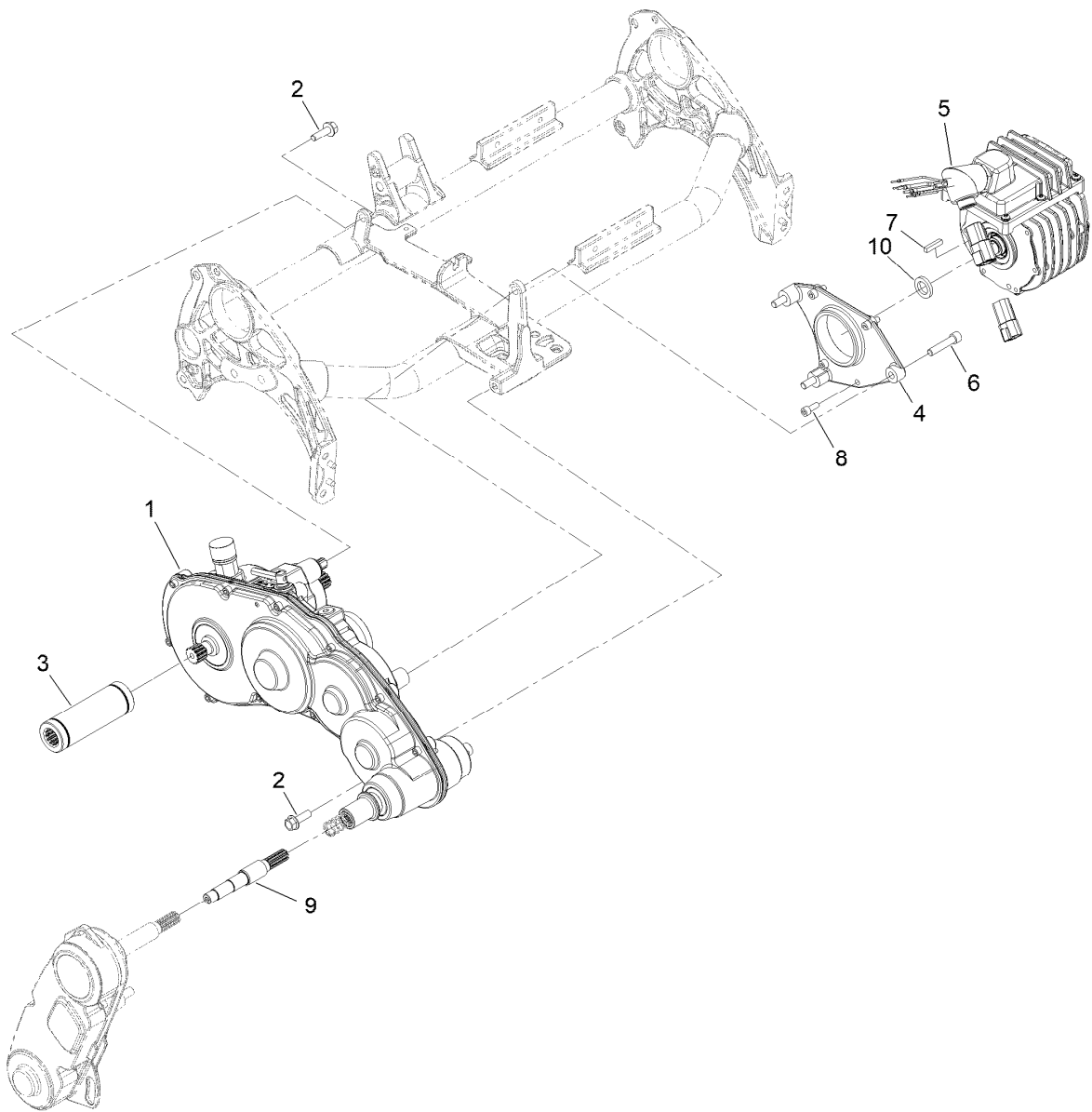
Drum Drive Gearbox Assembly

<i>Ref.</i>	<i>Part Number</i>	<i>Qty.</i>	<i>Description</i>	<i>Ref.</i>	<i>Part Number</i>	<i>Qty.</i>	<i>Description</i>
1	137-0282	1	Housing-Drive, Drum	17	115-5258	1	Spring-Wire, Flat
2	133-4591	2	Pin-Dowel	18	132-4568	1	Spacer
3	133-9082	1	O-Ring	19	133-4562	1	Shaft-Drum, Drive
4	251-82	2	Bearing-Ball	20	138-1480	1	Ring-Retaining, Int (52MM)
5	3290-485	1	Washer-Wave	21	138-1504	2	Key-Woodruff, 5MM
6	132-4565	1	Gear-Spur, 30T	22	133-9244	1	Hub-Drum, Outer
7	138-1507	1	Ring-Retaining, EXT (25MM)	23	253-161	1	Seal-V-Ring
8	138-1491	1	Seal-Oil	24	104-9216	1	Washer-Hardened
9	137-0274	1	Gear-Spur, 108T	25	126-3841	1	Nut-Hex, NI
10	49-2410	2	Bearing-Ball	26	138-1490	1	Seal-Oil
11	138-1506	2	Ring-Retaining, Int (32MM)	27	137-0275	1	Gear-Spur, 114T
12	133-4558	1	Pin-Bearing, Short	28	133-9078	1	Nut-Hex
13	80-8460	1	O-Ring	29	132-4569	1	Gasket-Drive, Drum
14	133-4553	1	Spacer-Bearing	30	137-0284	1	Cover-Drive, Drum
15	119-4042	1	Nut-HF, NI	31	133-4559	1	Seal-Oil
16	251-312	2	Bearing-Ball	32	140-9233	5	Screw-HSH
				34	3274-12	1	Screw-HSH



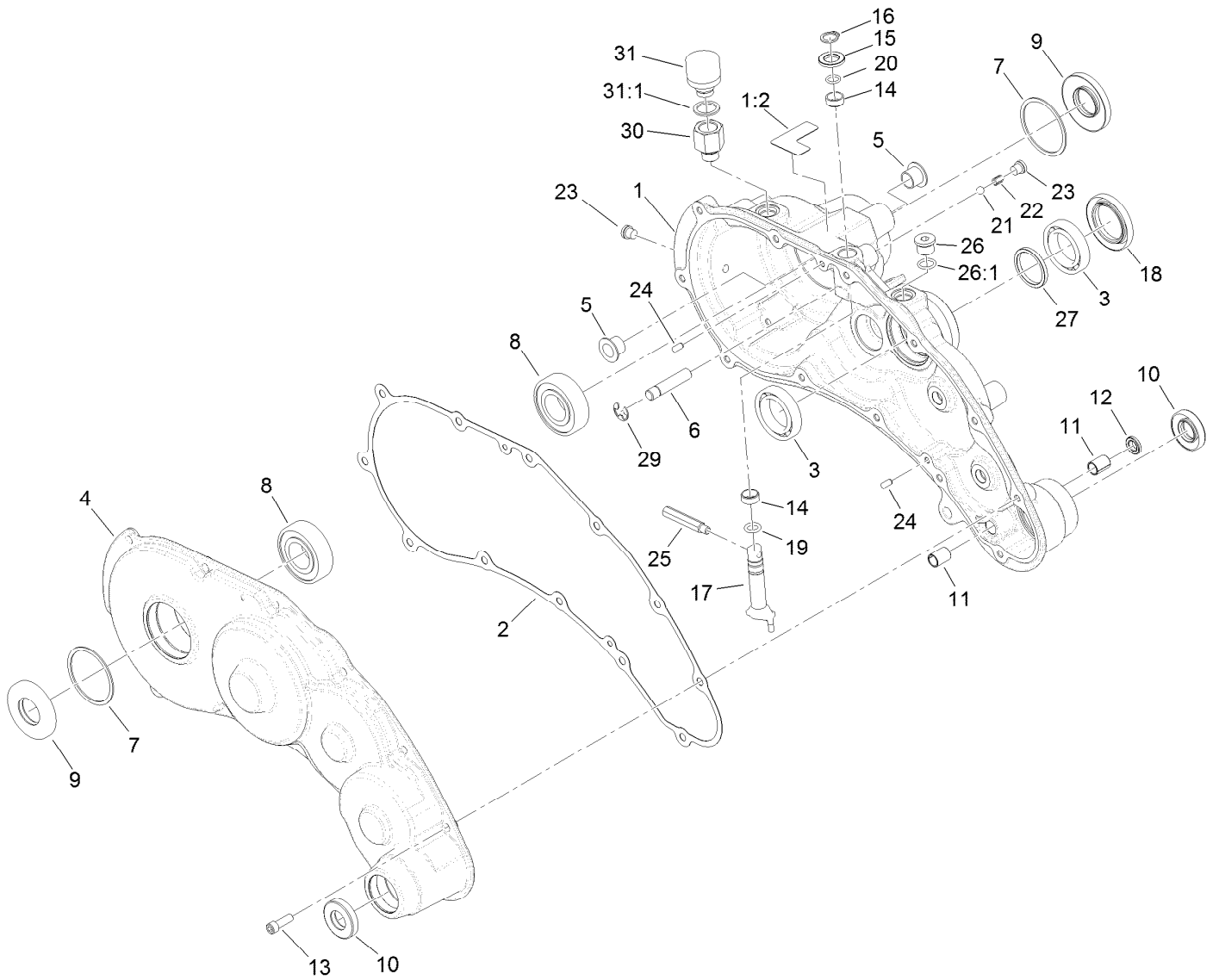
Drive Shaft and Reel Components Assembly

<i>Ref.</i>	<i>Part Number</i>	<i>Qty.</i>	<i>Description</i>	<i>Ref.</i>	<i>Part Number</i>	<i>Qty.</i>	<i>Description</i>
1	133-9100	4	Coupler-Splined, 4 Tooth	15	115-5142	1	Screw-HHF, Patch
2	119-8952	2	Washer-Spcl	16	119-4042	1	Nut-HF, NI
3	126-8232	2	Screw-Truss Hex Skt	17	137-0298	1	Shaft-Selector, Reel
4	3296-42	2	Nut-Lock, NI	18	137-0299	1	Hub-Selector, Reel
5	133-9207	1	Adapter-Slider	19	117-1031	1	Spring-Compression
6	139-7362	3	Washer-Poly	20	119-4041	1	Nut-HF
7	3253-21	1	Washer-Lock	21	119-4609	1	Spring-Extension
8	131-8573	1	Screw-HSH	22	32151-47	2	Ring-Retaining
9	138-1523	1	Reel Lever	23	139-5164	1	Shaft-Drive, Electric
10	133-9226	2	Bushing-Straight	24	133-9117	1	Lever-Brake, Cable
11	138-1524	1	Lever-Reel	25	131-6150	1	Screw-HWHTF
12	133-9206	1	Bellcrank-Reel	27	140-9366	1	Tube-Drive, Reel
13	125-5239	1	Bushing-Flange	28	133-9128	1	Spring-Compression, Coupler
14	120-9638	1	Nut-Jam				



Transmission Assembly

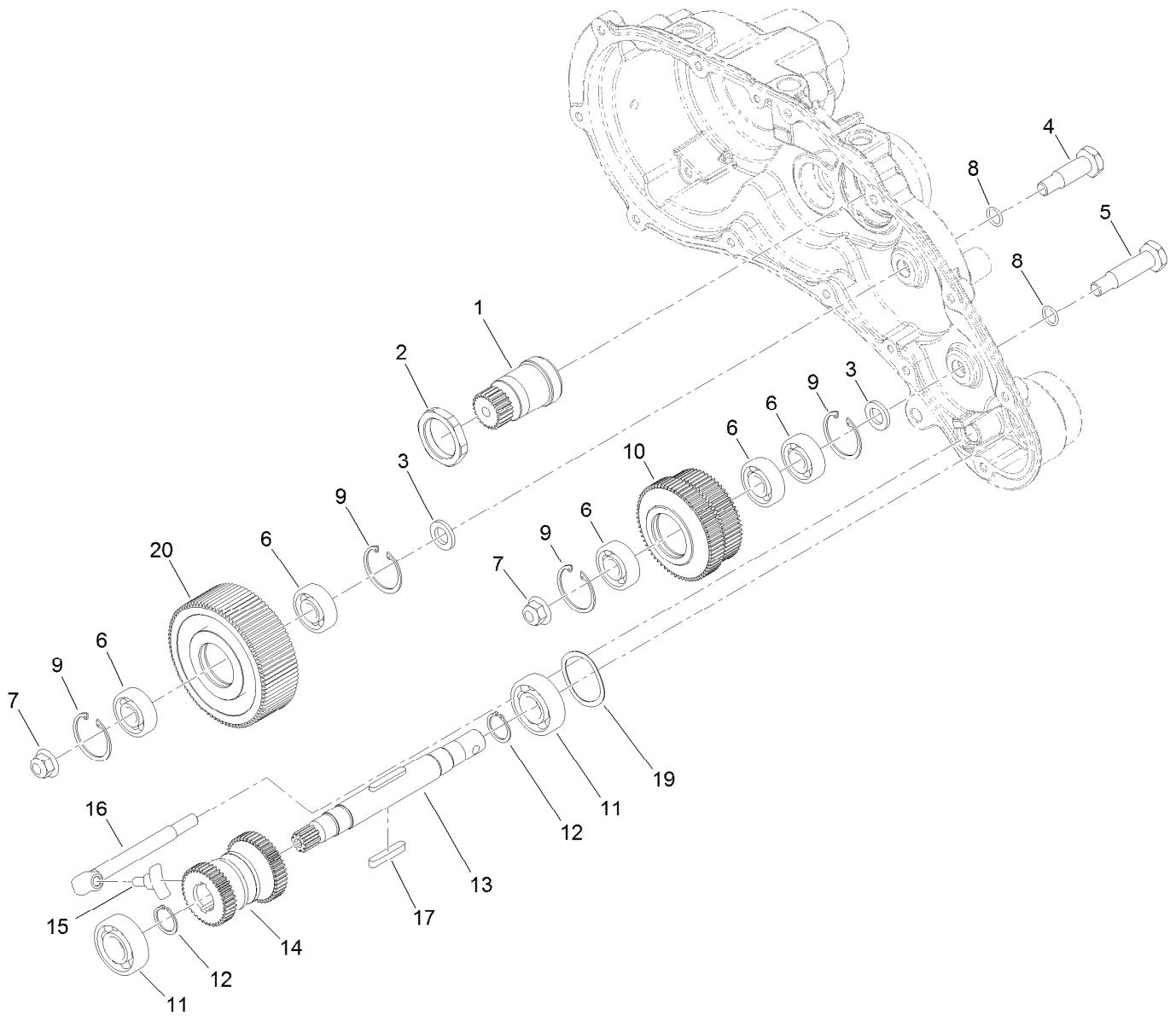
Ref.	Part Number	Qty.	Description
1	140-9327	1	Kit-Transmission Replacement
2	115-5142	2	Screw-HHF, Patch
3	139-5163	1	Tube-Drive 26"
4	139-5132-0P	1	Adapter-Motor
5	161-4651	1	Electric Motor ASM, Dd
6	3274-83	3	Screw-HSH
7	1-807272	1	Key
8	105-2409	4	Screw-HSH
9	140-9297	1	Shaft-Drive, Reel
10	140-9257	1	Gasket-Motor, Electric



Transmission Assembly No. 140-9327

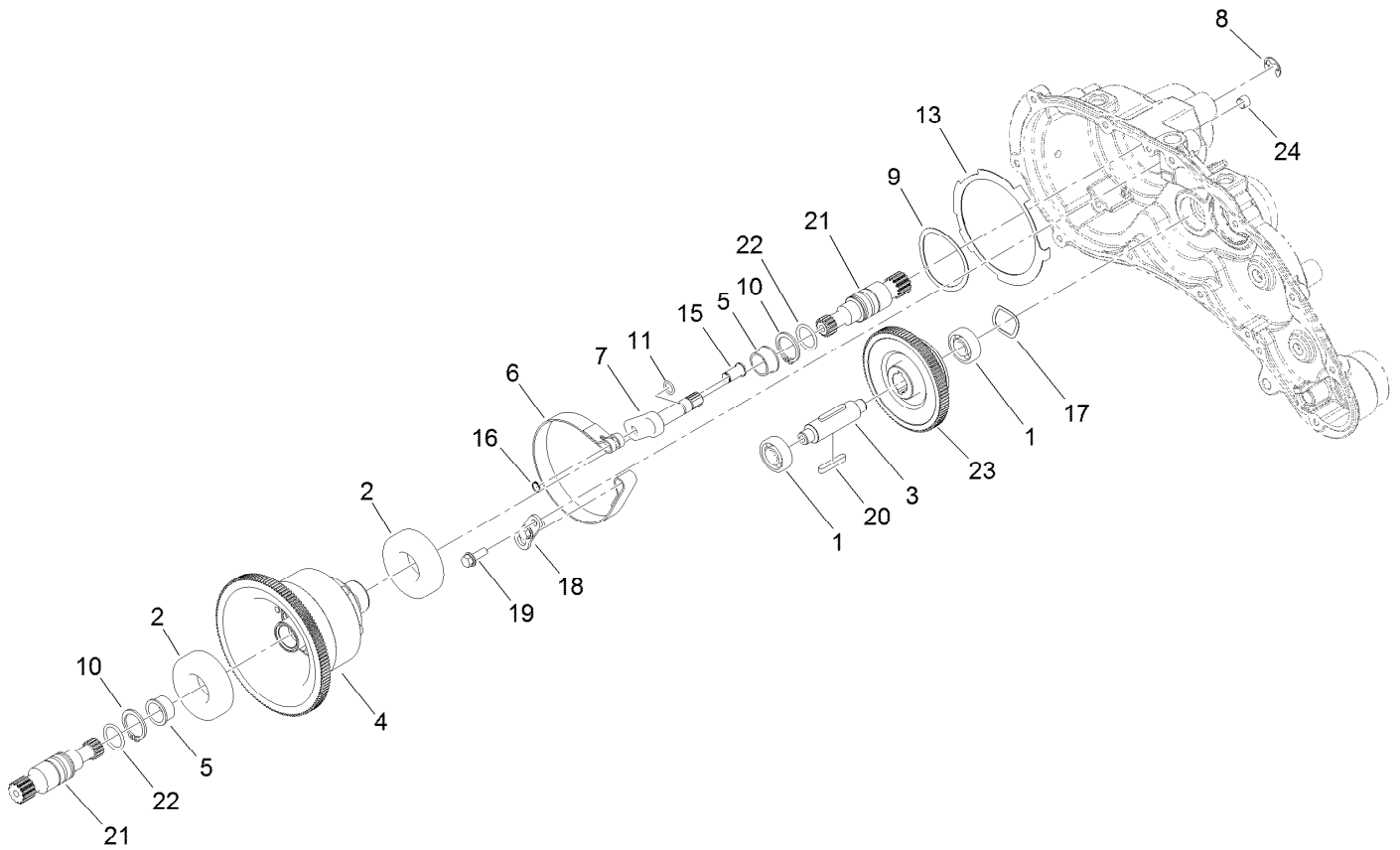
Transmission Case Assembly

<i>Ref.</i>	<i>Part Number</i>	<i>Qty.</i>	<i>Description</i>	<i>Ref.</i>	<i>Part Number</i>	<i>Qty.</i>	<i>Description</i>
1	140-9307	1	Transmission Housing ASM, Elec.	16	32151-61	1	Ring-Retaining
1:2	138-1644	1	Decal-Release, Traction	17	130-6816	1	Shaft-Selector, Traction
2	132-4551	1	Gasket-Transmission	18	140-9325	1	Seal-Grease, High Temp
3	140-9287	2	Bearing-Ball	19	131-1879	1	O-Ring Seal
4	138-1603	1	Transmission Cover ASM	20	237-22	1	O-Ring
5	125-5239	2	Bushing-Flange	21	105-2442	1	Ball-Detent
6	133-9122	1	Pin-Mount, Brake	22	105-2443	1	Spring-Detent
7	32151-92	2	Ring-Retaining	23	131-1825	2	Plug-ORB
8	251-82	2	Bearing-Ball	24	121-9249	2	Pin-Dowel
9	133-9075	2	Seal-Oil	25	133-9149	1	Pin-Groomer
10	130-9463	2	Seal-Oil	26	353-989	1	Plug-Hex, Hollow
11	131-3038	2	Bushing-Sleeve	26:1	237-42	1	O-Ring
12	131-3126	1	Seal-Oil	27	138-1496	1	Spacer
13	140-9233	12	Screw-HSH	29	105-7004	1	E-Ring
14	121-4738	2	Bushing-Straight	30	140-9299	1	Adapter-Vent
15	108-5059	1	Spacer-Bushing	31	133-2359	1	Breather-Vent, Nylon
				31:1	133-5659	1	Washer-Rubber



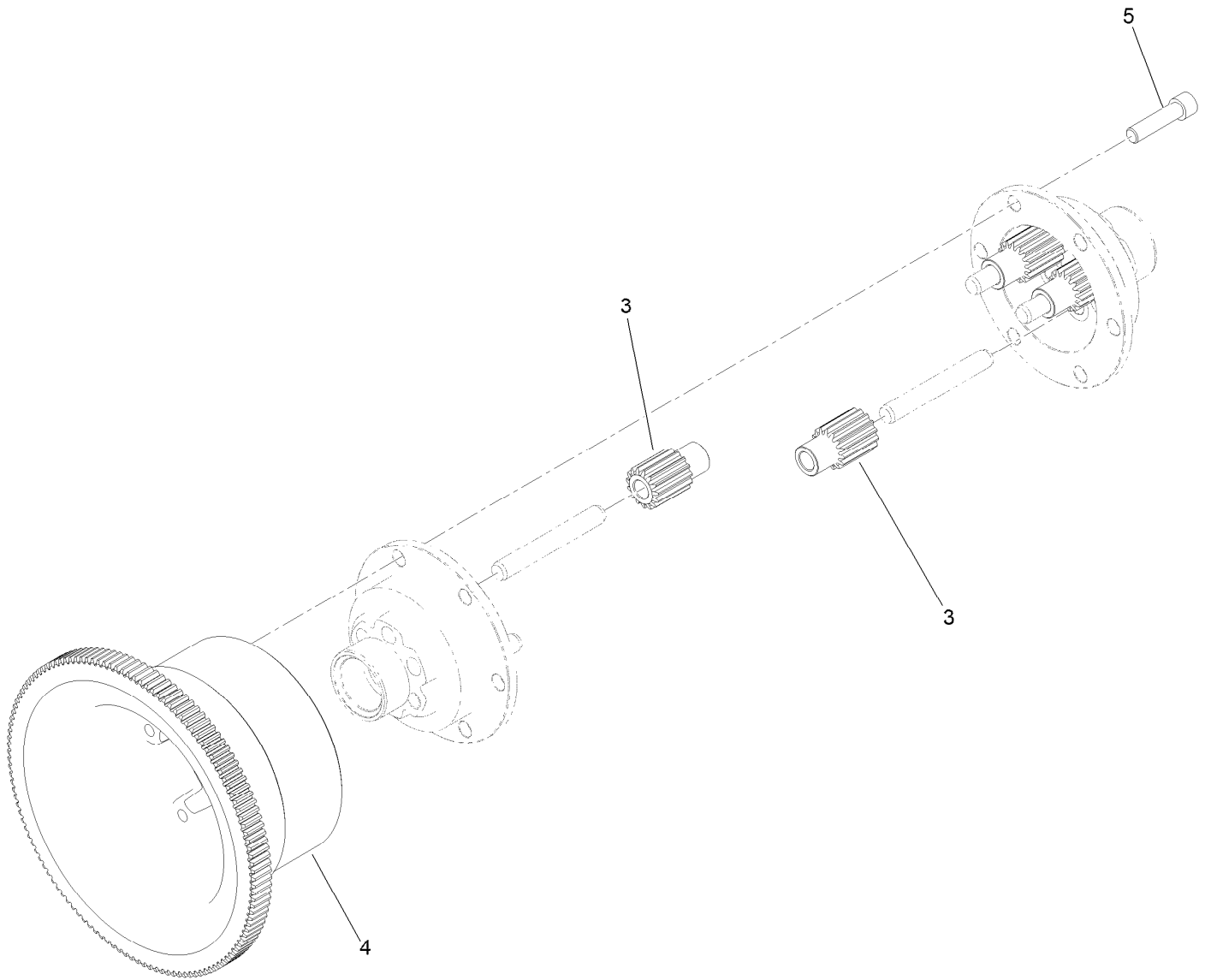
Transmission Assembly No. 140-9327 Reel Drive Assembly

<i>Ref.</i>	<i>Part Number</i>	<i>Qty.</i>	<i>Description</i>	<i>Ref.</i>	<i>Part Number</i>	<i>Qty.</i>	<i>Description</i>
1	137-0237	1	Shaft-Electric Motor, 22T	11	140-9285	2	Bearing-Ball
2	138-1495	1	Nut-Lock, Thin	12	138-1629	2	Ring-Retaining, EXT (17MM)
3	133-4553	2	Spacer-Bearing	13	139-4359	1	Shaft-Drive, Reel
4	133-4558	1	Pin-Bearing, Short	14	130-6834	1	Gear-Spur, Slider
5	133-4557	1	Pin-Bearing, Long	15	133-9120	1	Shoe-Clutch, Reel
6	49-2410	5	Bearing-Ball	16	133-9121	1	Actuator-Clutch, Reel
7	104-8301	2	Nut-HF, NI	17	103-2739	2	Key
8	80-8460	2	O-Ring	19	131-3170	1	Spring-Wave
9	138-1506	4	Ring-Retaining, Int (32MM)	20	137-0273	1	Gear-Spur, 85T
10	137-0272	1	Gear-Spur, 60T/65T				



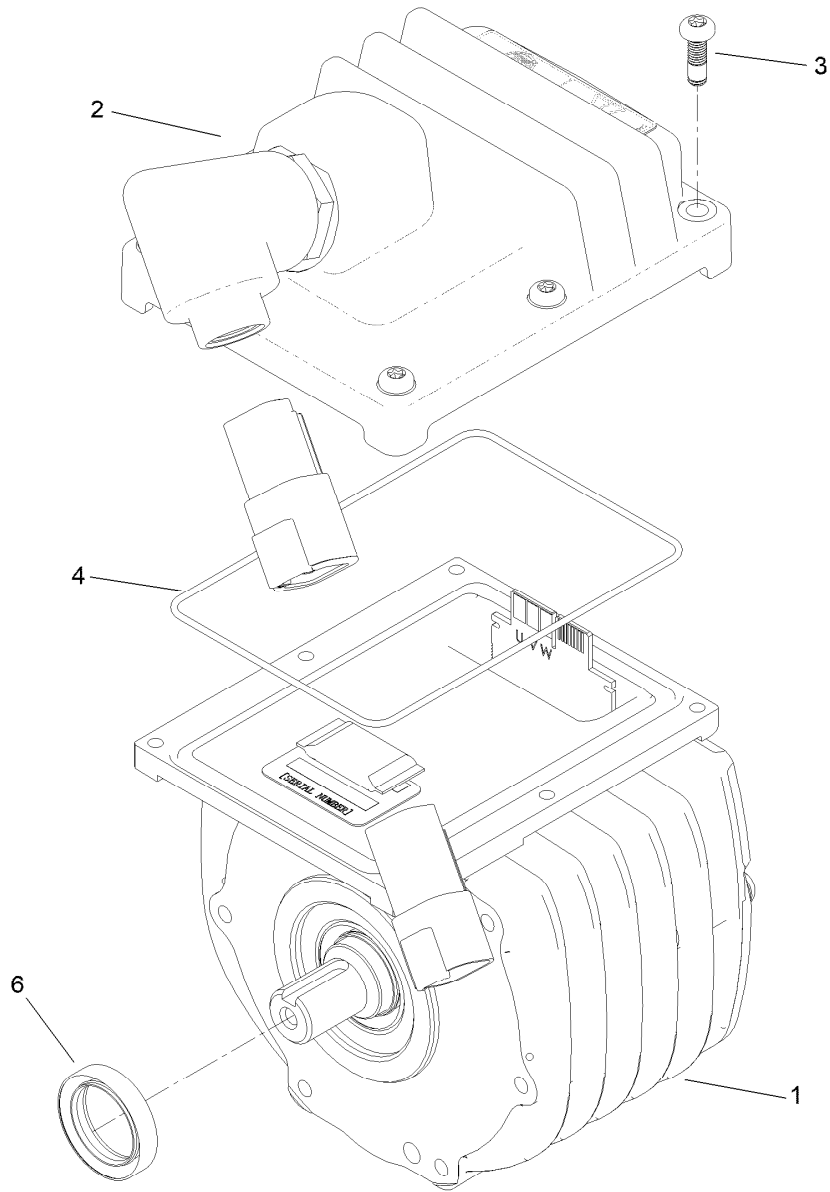
Transmission Assembly No. 140-9327 Traction Drive Assembly

<i>Ref.</i>	<i>Part Number</i>	<i>Qty.</i>	<i>Description</i>	<i>Ref.</i>	<i>Part Number</i>	<i>Qty.</i>	<i>Description</i>
1	49-2410	2	Bearing-Ball	13	140-9236	1	Plate-Retainer, Brake
2	251-312	2	Bearing-Ball	15	120-9687	1	Pin-Clevis, Brake
3	137-0236	1	Shaft-Slider, Neutral	16	32120-46	1	Ring-Retaining
4	132-4555	1	Differential ASM	17	112-5163	1	Washer-Wave
5	256-252	2	Bearing-Flange	18	140-9279	1	Plate-Retainer, Pin
6	140-9277	1	Band-Brake	19	119-1138	2	Screw-HHF, Patch
7	132-4550	1	Lever-Brake	20	103-2739	2	Key
8	32120-47	1	Ring-Retaining, External	21	130-6841	2	Shaft-Differential
9	115-5258	1	Spring-Wire, Flat	22	237-159	2	O-Ring
10	32151-36	2	Ring-Retaining	23	137-0276	1	Gear-Spur, Neutral (93T)
11	237-22	1	O-Ring	24	285-17	1	Plug-Pipe



Differential Assembly No. 132-4555

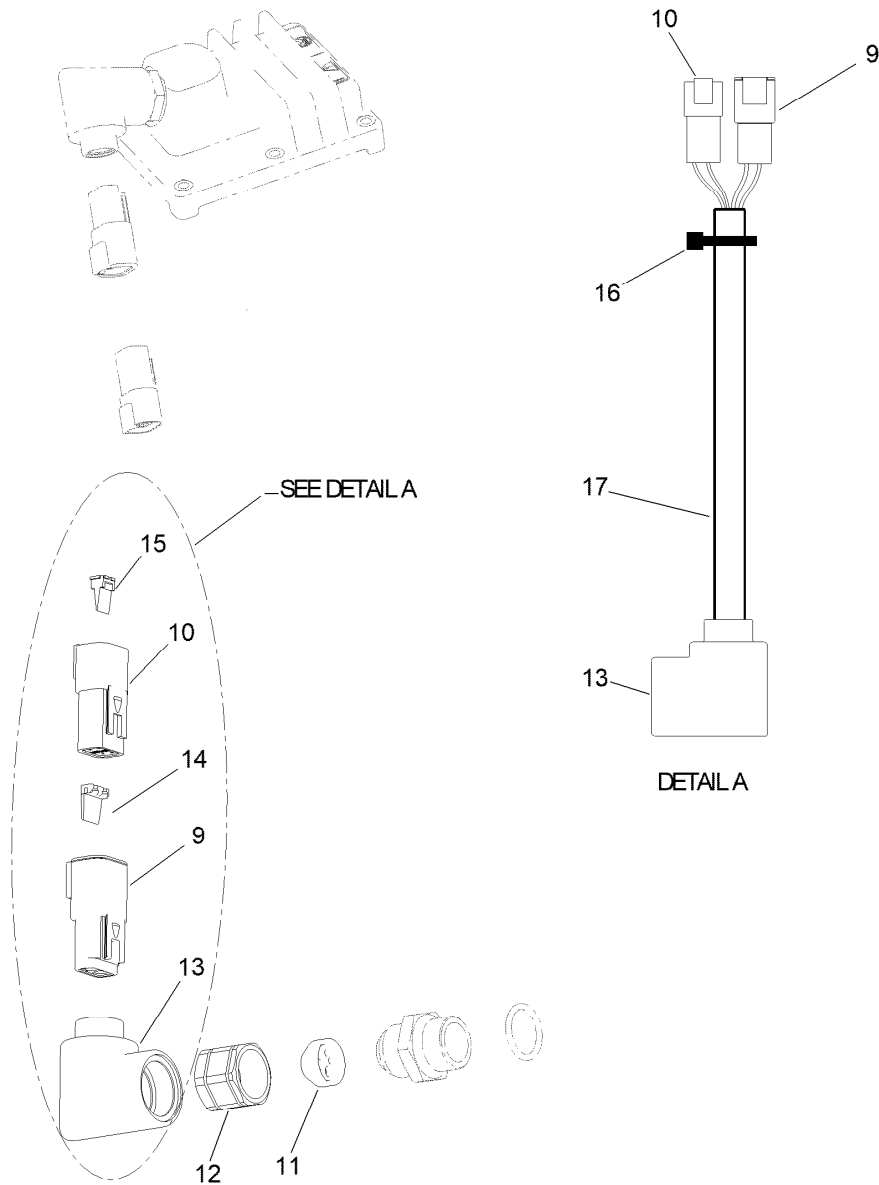
<i>Ref.</i>	<i>Part Number</i>	<i>Qty.</i>	<i>Description</i>
3	130-6840	6	Gear-Spur, Differential
4	137-0294	1	Gear-Differential, 127T
5	3274-26	6	Screw-HSH



Electric Motor Assembly No. 161-4651

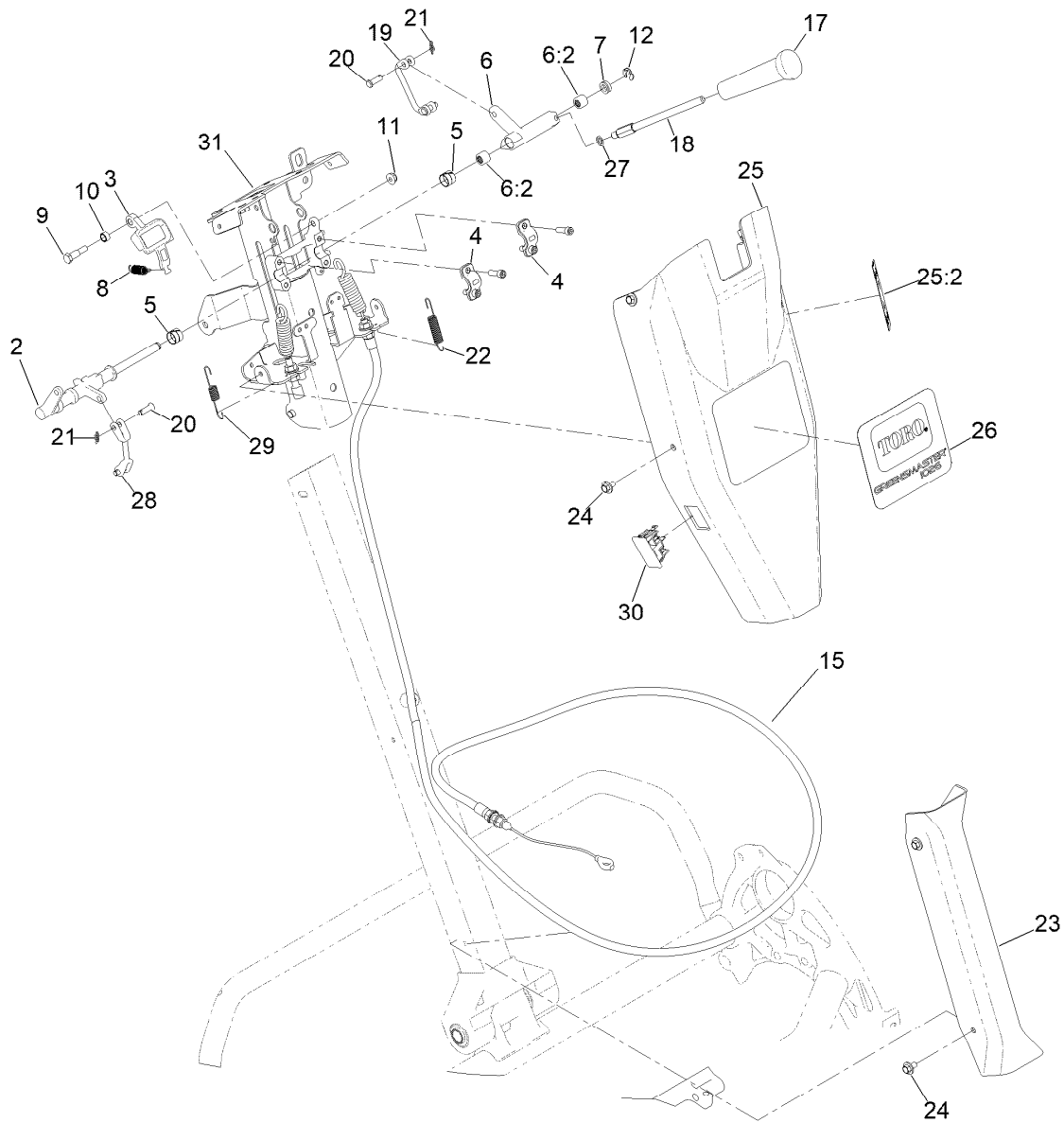
<i>Ref.</i>	<i>Part Number</i>	<i>Qty.</i>	<i>Description</i>
1	161-0342	1	Rem-Direct Drive
2	144-6677	1	Inverter/Cntrlr ASM
3	144-6692	6	Screw-Tph
4	144-6731	1	Service Kit-Controller & Motor
5	136-8595	1	Grease-Synthetic ●
6	139-8597	1	Seal-Oil

● Not illustrated



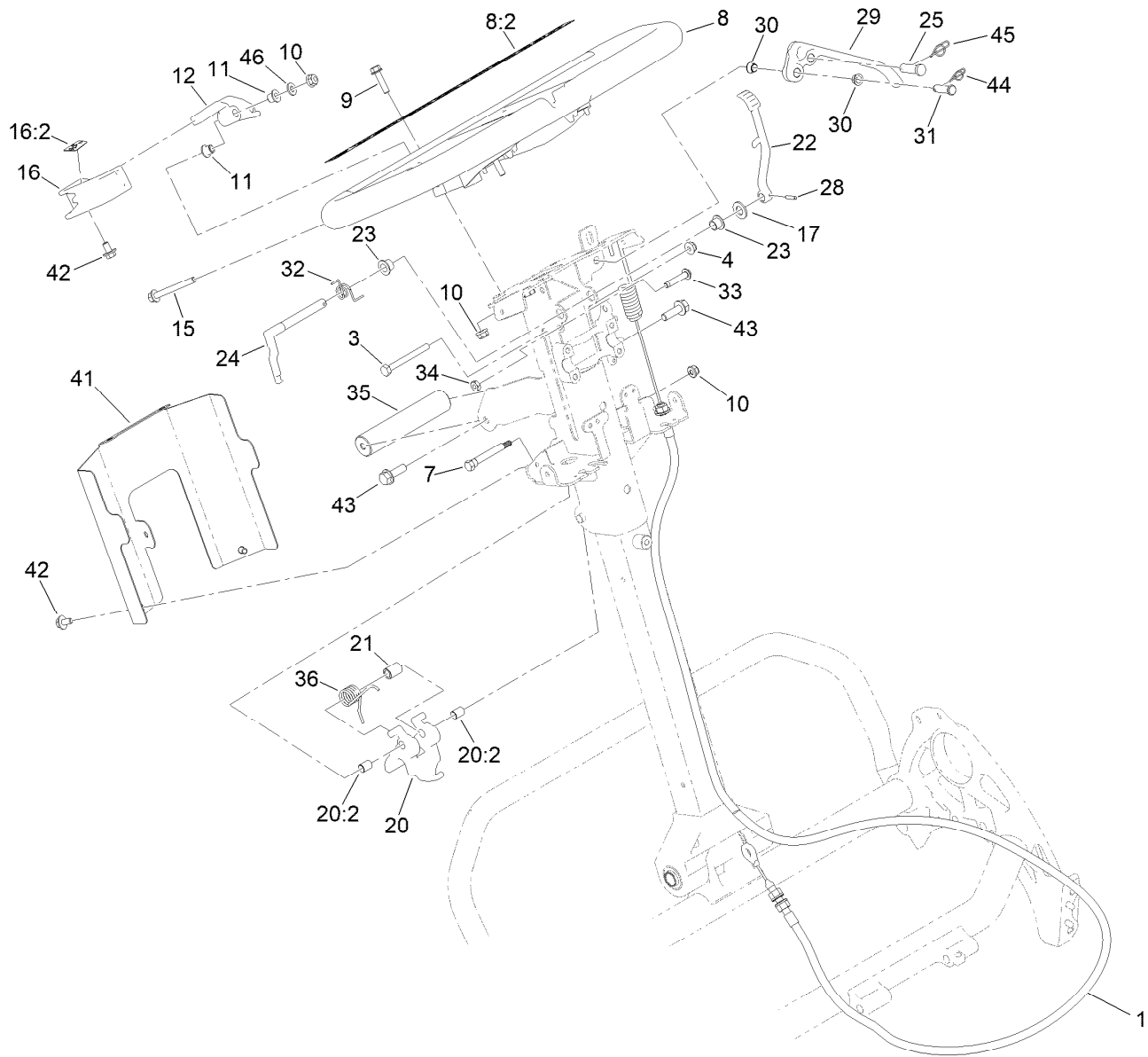
Inverter Controller Assembly

<i>Ref.</i>	<i>Part Number</i>	<i>Qty.</i>	<i>Description</i>
9	32160-698	1	Connector-Deutsch, Dtp, 2M
10	32160-315	1	Connector
11	144-6691	1	Ferrule-Wire Seal
12	119-7477	1	Nut-Fitting, Ferrule -8
13	119-7497	1	Backshell-90 Degree
14	32180-083	1	Wedge
15	32180-084	1	Wedge
16	3290-378	1	Tie-Cable
17	138-8962	1	Tubing-Convolutd Slit



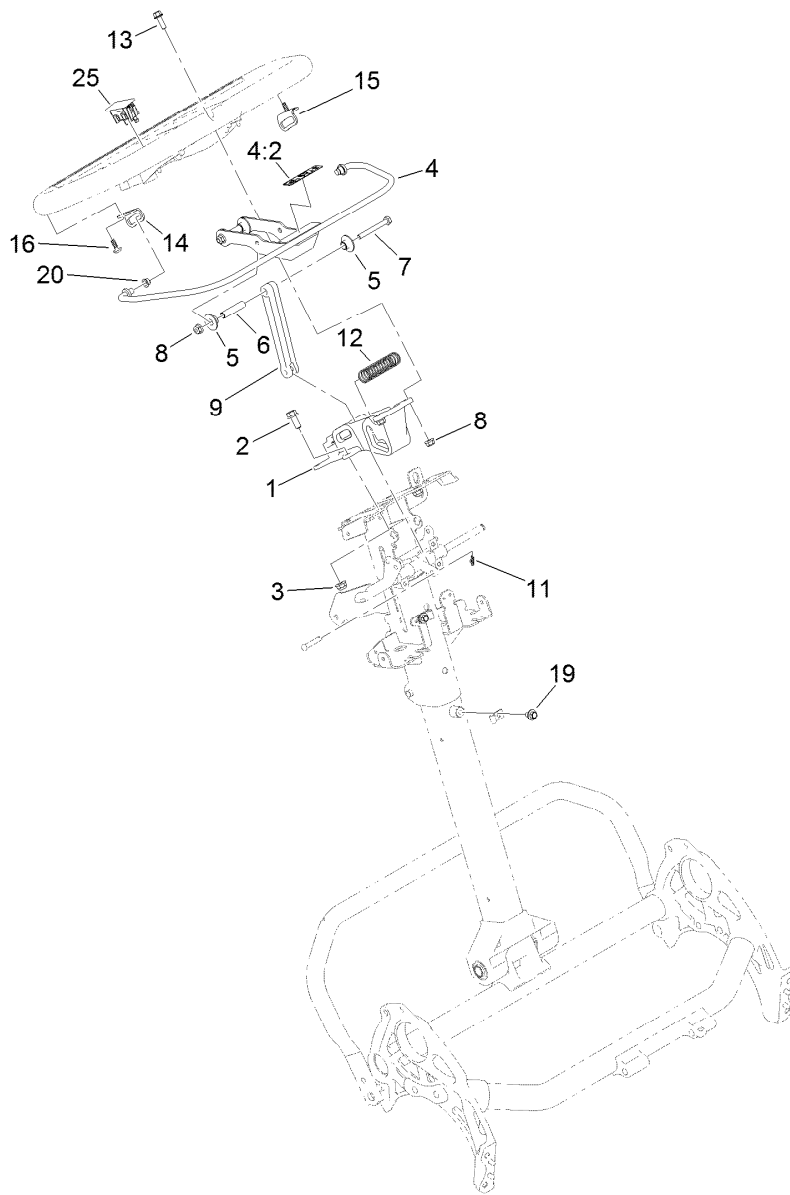
Reel Controls and Covers Assembly

Ref.	Part Number	Qty.	Description	Ref.	Part Number	Qty.	Description
2	140-9305	1	Shaft-Main, Controls	19	137-0232	1	Connector-Clevis
3	137-0266	1	Cam-Latch, Upper	20	1-808265	4	Pin-Clevis
4	138-1513	2	Clamp-Shaft, Control	21	138-1587	2	Clip-Pin, Cotter
5	137-0263	2	Bushing-Split	22	138-1536	1	Spring-Extension
6	137-0312	1	Reel Lever ASM	23	138-1479	1	Cover-Handle, Lower
6:2	138-1637	2	Bearing-Needle	24	46-6810	8	Screw And Washer ASM
7	131-3187	1	Seal-V-Ring	25	139-4304	1	Control Upper Cover ASM
8	140-3410	1	Spring-Extension	25:2	138-1589	1	Decal-Reel Drive Engagement
9	137-0313	1	Screw-Shoulder	26	140-3401	1	Decal-Greensmaster E1026
10	137-0346	1	Spacer-Latch, Bail	27	75-5470	1	Spacer-Bearing
11	104-7201	1	Nut-HF, NI	28	138-1592	1	Connector-Clevis
12	32151-47	1	Ring-Retaining	29	140-3417	1	Spring-Extension
15	140-9330	1	Cable-Reel Engagement	30	119-7791	1	Plug-Hole
17	104-9760	1	Knob-Black	31	147-2284-0P	1	Upper Receiver, Welded
18	137-0190	1	Rod-Handle, Reel Lever				



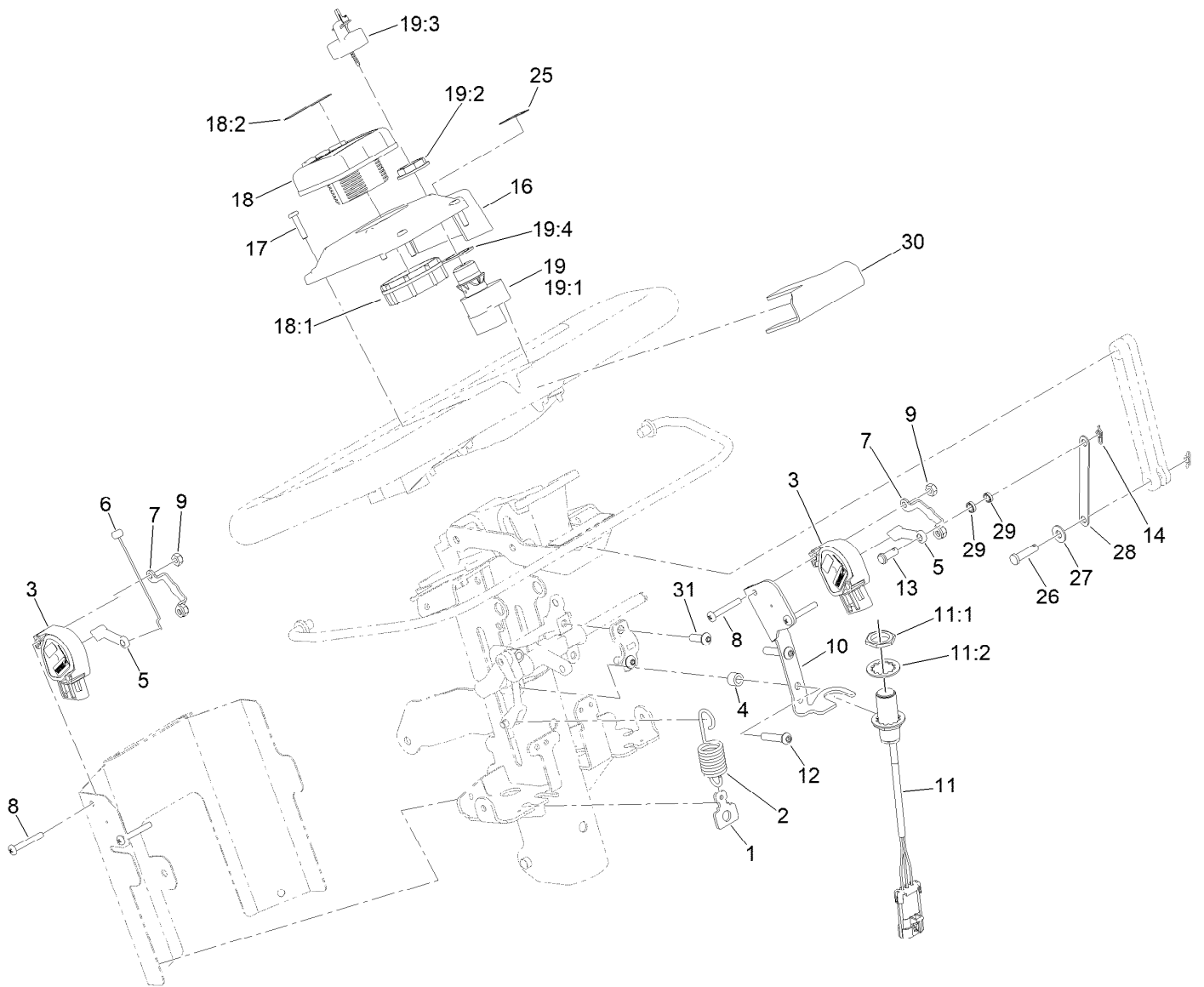
Upper Handle Assembly

Ref.	Part Number	Qty.	Description	Ref.	Part Number	Qty.	Description
1	140-9318	1	Cable ASM, Brake	24	138-1573	1	Latch-Brake
3	321-15	1	Screw-HH	25	1-808285	1	Pin-Clevis
4	104-7201	1	Nut-HF, NI	28	32121-73	1	Pin-Roll
7	147-2269	1	Cam-Handle, Pivot	29	140-9298	1	Lever-Brake
8	138-1645	1	Handle ASM	30	138-5538	2	Bushing-Flange
8:2	138-5532	1	Decal-Warning, General	31	283-6	1	Pin-Clevis
9	120-4654	2	Screw-HHF	32	138-1518	1	Spring-Brake, Torsion
10	119-4040	4	Nut-HF, NI	33	132-6777	1	Screw-Twh Thd Roll
11	138-3538	2	Bushing-Flange	34	120-9695	1	Nut-Jam
12	138-1636	1	Arm-Throttle	35	138-1535	1	Handle-Assist, Lift
15	140-9317	1	Screw-HHF,Lock	36	140-9334	1	Spring-Handle, Torsion
16	139-4303	1	Throttle Lever ASM	41	139-5141-03	1	Cover-Bottom, Controls [black
16:2	138-5534	1	Decal-Throttle	42	46-6810	3	Screw And Washer ASM
17	100-4852	1	Washer-Hardened	43	115-5142	2	Screw-HHF, Patch
20	137-0317	1	Handle Adjuster ASM	44	116-6639	1	Pin-Cotter, Locking
20:2	137-0308	2	Bushing-Igus	45	140-9312	1	Pin-Cotter, Locking
21	140-9335	1	Spacer-Spring	46	139-1323	1	Washer-Spcl
22	140-3377	1	Lever-Lock, Brake				
23	138-1514	2	Bushing-Flange				



Traction Bail Assembly

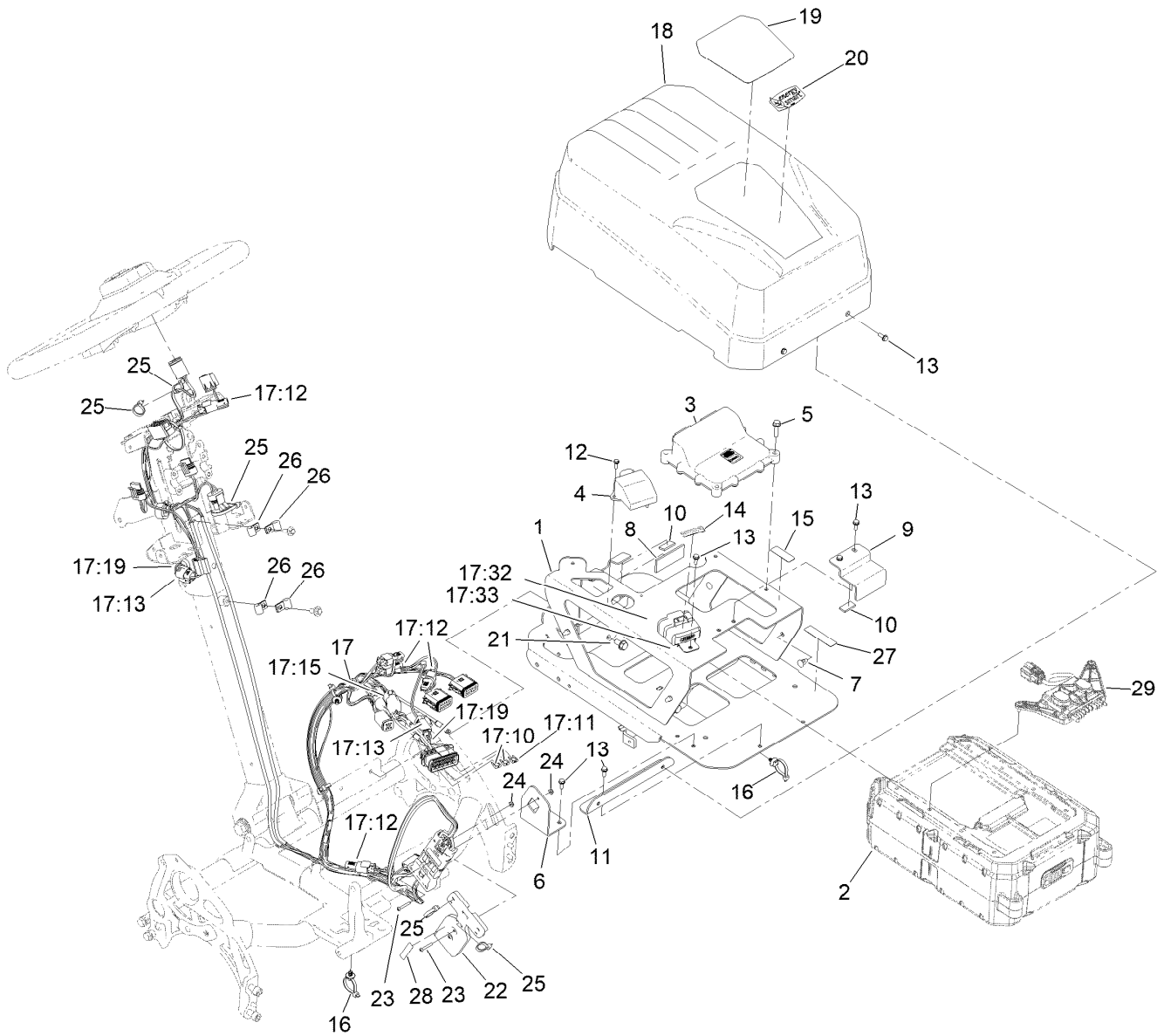
<i>Ref.</i>	<i>Part Number</i>	<i>Qty.</i>	<i>Description</i>	<i>Ref.</i>	<i>Part Number</i>	<i>Qty.</i>	<i>Description</i>
1	138-5524	1	Mount-Handle	11	138-1587	1	Clip-Pin, Cotter
2	3234-47	2	Screw-HHF	12	138-3468	1	Spring-Compression
3	119-4041	2	Nut-HF	13	120-9678	2	Screw-HHF
4	139-4302	1	Clutch Bail ASM	14	138-3539	1	Bracket-Bail, RH
4:2	138-5533	1	Decal-Bail, Traction	15	138-3540	1	Bracket-Bail, LH
5	138-3466	4	Bushing-Flange	16	138-5775	2	Screw-Delta Point
6	138-3465	2	Spacer-Tube	19	46-6811	2	Screw-Thd Roll Sems
7	321-18	2	Screw-HH	20	138-5538	2	Bushing-Flange
8	119-4040	4	Nut-HF, NI	25	119-7791	1	Plug-Hole
9	138-5515	1	Link-Bail, Clutch				



Electric Handle Components Assembly

Ref.	Part Number	Qty.	Description	Ref.	Part Number	Qty.	Description
1	140-9328	1	Tab-Spring	18	120-6310	1	LCD Display ASM Kantrak 1700
2	140-9300	1	Spring-Extension	18:1	120-4630	1	Nut-Display
3	119-0737	2	Sensor-Position	18:2	120-6311	1	Decal-Display
4	66-8010	2	Spacer	19	161-7350	1	Ignition Switch ASM
5	139-5147	2	Lever-Bail, Control	19:1		1	Switch-Ignition ●
6	139-5149	1	Cable-Throttle	19:2	108-8660	1	Nut-Mounting
7	139-5144	2	Lock	19:3	106-5270	1	Ignition Key Set
8	104-1452	4	Screw-PPH	19:4	108-8659	1	Washer-Backup
9	120-9681	4	Nut-Lock, NI	25	139-5178	1	Decal-On/Off Greensmaster Eflex 1021
10	139-5153-0P	1	Mount	26	99-7149	1	Pin-Clevis
11	115-0282	1	Proximity Sensor ASM	27	360-0140	1	Washer-Flat
11:1	117-3207	2	Nut-Hex	28	140-3379	1	Link-Shaft, Pot
11:2	117-3208	2	Washer-Lock, Internal Tooth	29	138-5368	2	Spacer
12	120-0834	2	Screw-HSBH	30	139-4386	1	Fork-Catch, Bail
13	60-1730	1	Pin-Clevis	31	140-9233	2	Screw-HSH
14	138-1587	1	Clip-Pin, Cotter				
16	139-5151	1	Mount-Infocenter				
17	32144-36	4	Screw-PPH				

● Not serviced separately

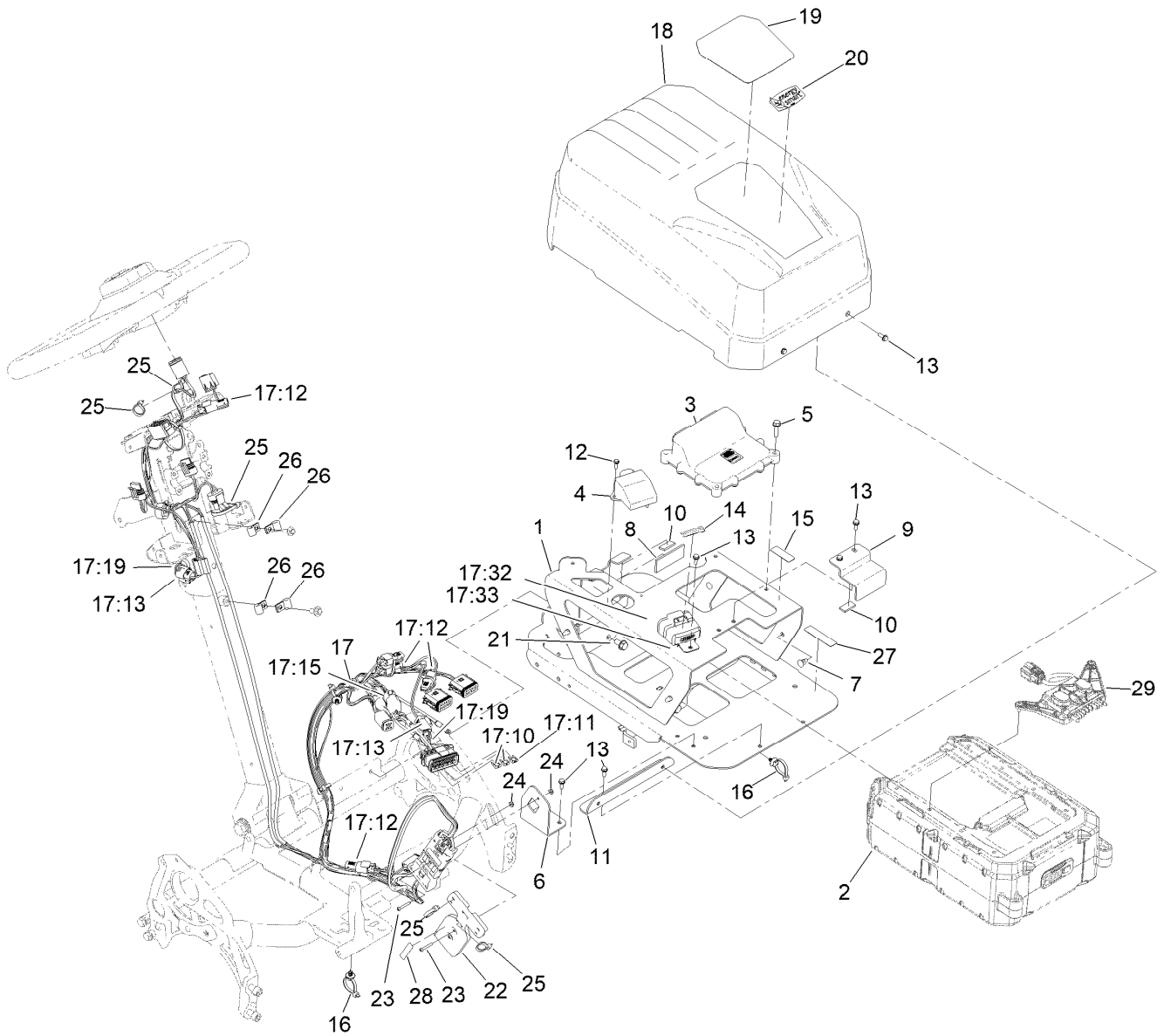


Battery Frame Assembly

Ref.	Part Number	Qty.	Description	Ref.	Part Number	Qty.	Description
1	147-2326	1	Frame ASM-Battery (Service)	16	32180-400	2	Clip-Tie, Fir Tree W/Tie, 5MM/.196" Hole
2		1	Battery - Wet, 12V, 540 CCA ●■	17	122-3457	1	Harness-Wire, Main
3	122-1683	1	Controller-Tec 2402	17:10	121-8876	2	Fuse-Mini Blade, 3 Amp
4	147-2258	1	Gateway-Can, 250K-500K Baud Rate	17:11	121-8884	1	Fuse-Mini Blade, 30 Amp
5	32144-86	2	Screw-HWHTF	17:12	32180-282	4	Resistor-120 Ohm
6	147-2267-01	1	Mount-Battery Connect	17:13	32180-089	2	Cap-Plug, 3 Way
7	121-4729	4	Plug	17:15	32180-156	1	Cap-Plug, 6 Way
8	133-0081	1	Strip-Foam	17:19	32180-139	2	Mount-Tie Wrap, Magnetic
9	147-2253-0P	1	Bracket-Battery, Hold	17:32	32180-176	1	Cover-Block, Fuse
10	115-5417	4	Strip-Foam	17:33	32180-177	1	Clip-Mounting
11	147-2266-01	1	Cover-Mounting ASM [red]	18	140-9278	1	Cover-Electric
12	32144-87	2	Screw-HWHTF	19	139-5180	1	Decal-Lithium
13	32144-1	11	Screw-Taptite	20	119-7580	1	Decal-Smart, Energy
14	147-2319	1	Decal-Fuse Block	21	3234-7	4	Screw-HHF
15	139-5614	1	Decal-Op Manual	22	120-4646	1	Handle-Connector
				23	120-9693	3	Screw-PPH
				24	120-9684	3	Nut-Lock

● Not serviced separately

■ Obtain parts from www.briggsandstratton.com

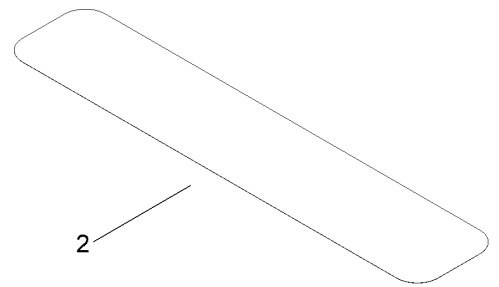
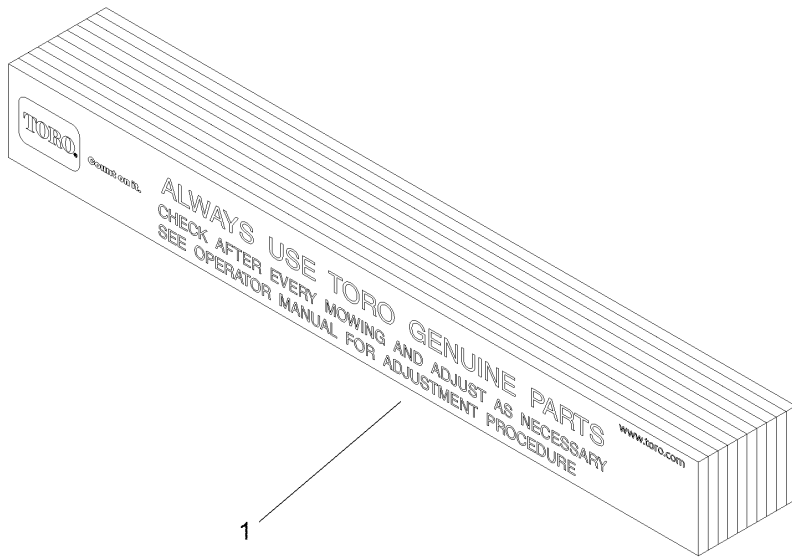


Battery Frame Assembly (continued)

Ref.	Part Number	Qty.	Description	Ref.	Part Number	Qty.	Description
25	3290-378	5	Tie-Cable	28	147-2310	1	Decal-Voltage, High
26	2412-91	4	Clamp	29	161-7379	1	Flying Lead-Battery
27	137-9693	1	Decal-Warning	29	161-7381	1	Kit-Hardware, Flying Lead

● Not serviced separately

■ Obtain parts from www.briggsandstratton.com



Miscellaneous Parts Assembly

<i>Ref.</i>	<i>Part Number</i>	<i>Qty.</i>	<i>Description</i>
1	125-5610	1	Paper-Reel, Toro (10 Pack)
2	140-5531	1	Shim-Toro Reel (.002In)

Attachments and Accessories

For 04845 Greensmaster e1026 Greensmower

Product Name	Model/Part
Wheel Kit	04123
Split Full 26in Roller	04127
Light Kit (2019+)	04135
Push Broom Kit, Walk Greensmower (2019+)	04136
Split Wiehle 26in Roller	04137
CU Light Kit Mount	04138
26in Extended Wiehle Roller (2019+)	04146
Trans Pro 80 Tow-Behind Trailer	04238
Flat Ramp	04245
Rail Ramp Kit (Update)	04247
26in Stiff Grooming Brush	04276
Turf Evaluator	04399
Universal Groomer Drive	04707
26in Twin Tip Groomer Reel	04803
26in Interlace Narrow Wiehle Roller Asm	04806
26in Full Front Roller Asm	04816
26in Wide Wiehle Roller Asm	04826
8-Blade 26in Fixed EDGESERIES CU	04842
11-Blade 26in Fixed EDGESERIES CU	04843
Bedknife-Highcut	104-2646
Bedknife-Fairway	107-8181
Bedknife-Micro-Cut	112-9275
Wireless Hourmeter	115-4754
Roller Extension Kit	115-7361
Bedknife-EDGEMAX, Tournament Cut	117-1548
MVP Kit-Cutting Unit Re-Build	121-2637
Toro Reel Paper (10 Pack)	125-5610
26in Stiff Grooming Brush Kit	127-1549
Angle Indicator	131-6828
Angle Indicator Mount	131-6829
Grease-Synthetic	136-8595
Bedbar-26in	138-1522-01
Bedknife-EDGEMAX, 26in Microcut Short	139-4322
Bedknife-EDGEMAX, 26in Tournament Short	139-4323
Bedknife-EDGEMAX, 26in Microcut	139-4324
Access Backlap Kit	139-4342
26in Interlaced Roller Scraper Asm	139-4394
26in Full Roller Scraper Asm	139-4398
26in Smooth Roller Scraper Brush Asm	139-5117
26in Interlaced Roller Scraper Brush Asm	139-5125
26in Wide Wiehle Roller Scraper Asm	139-7406
Wide Wiehle Roller Scraper Brush Asm	139-7410
Shim-TORO Reel (.002in)	140-5531
Blade-GR Groomer, Twin Tip (0.032in)	140-5580
Blade-GR Groomer, Helix (0.028in)	140-5581
Blade-GR Groomer, Helix (0.015" in)	140-5582

Attachments and Accessories (continued)

Bedknife-1/8in.....	93-9015
Bedknife-Tournament Cut.....	94-5885
Height-of-Cut Bar.....	94-9010
Extended HOC Arm.....	99-4286

Notes:

Notes:

Notes:



Count on it.