



Count on it.

Parts Catalog

3WD Kit

**Greensmaster® 3360 or 3370 eTriFlex
Traction Unit**

Model No. 04504—Serial No. 40000000 and Up



Ordering Replacement Parts

To order replacement parts, please supply the part number, the quantity, and the description of each part desired.

Understanding Reference Numbers

Each identified part in an illustration has a reference number. The reference number for a part also appears in the parts list, along with other information about the part.

This catalog uses two special reference number formats, one to indicate parts in a service assembly and another to indicate the quantity of a given part in an illustration.

Service Assembly Reference Numbers

Parts in service assemblies have reference numbers in the form a:b. The a represents the reference number of the entire service assembly and the b represents a sequential number unique to each part within the service assembly.

For example, a wheel assembly might be identified by reference number 6, the tire by 6:1, the valve by 6:2, and the wheel by 6:3. When you order the assembly identified by reference number 6, you receive all parts identified by reference numbers 6:1, 6:2, and 6:3. However, you may also order any part individually. Reference numbers of this type appear in illustration and in parts lists.

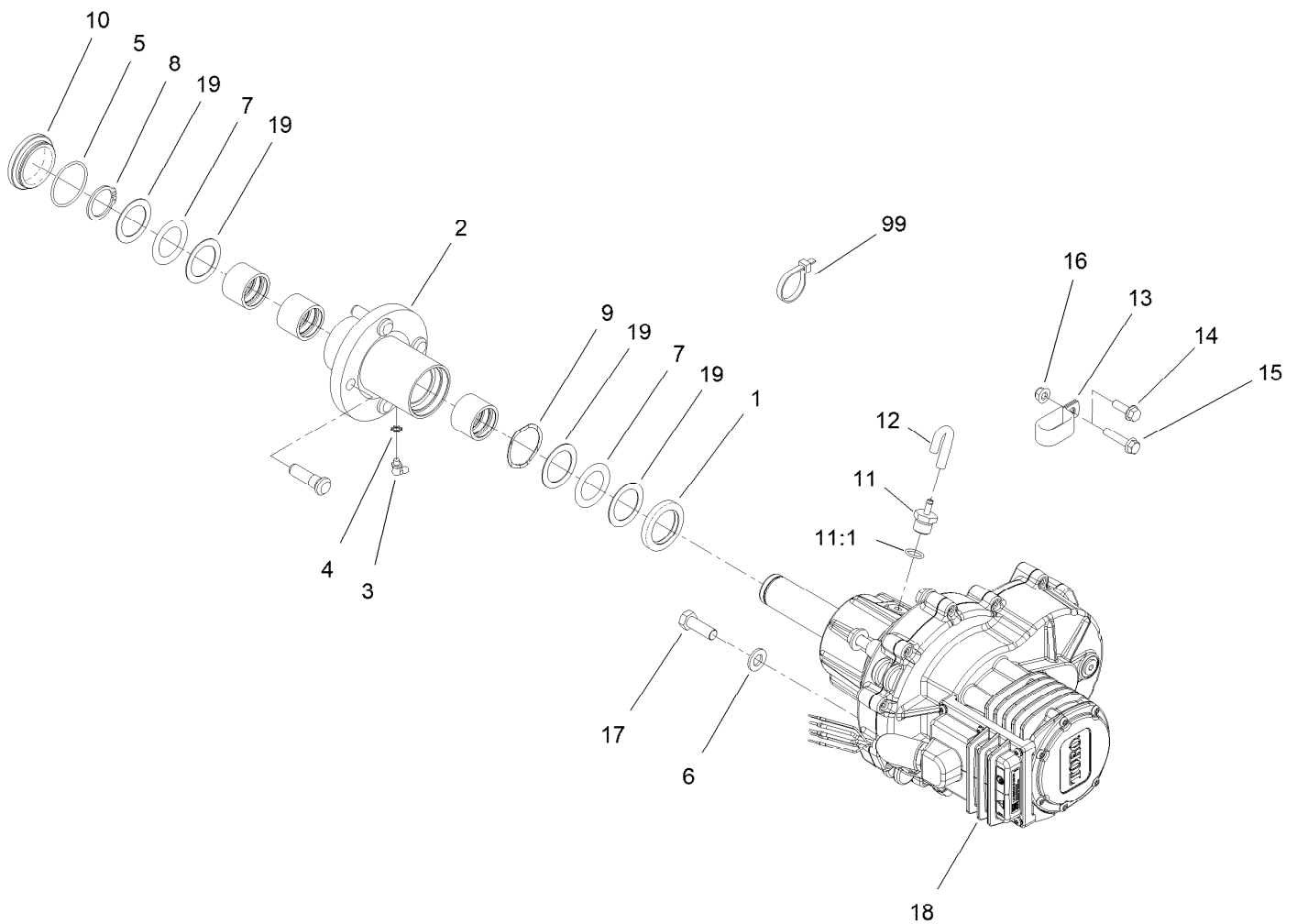
Reference Numbers Indicating Quantity

In an illustration, if a reference number indicates more than one part, the reference number has the form nX y. The n represents the quantity of the part, the X is the multiplication symbol, and the y represents the reference number.

For example, in an illustration, the reference number 2X 37 means that two of the parts identified by reference number 37 are indicated.

Contents

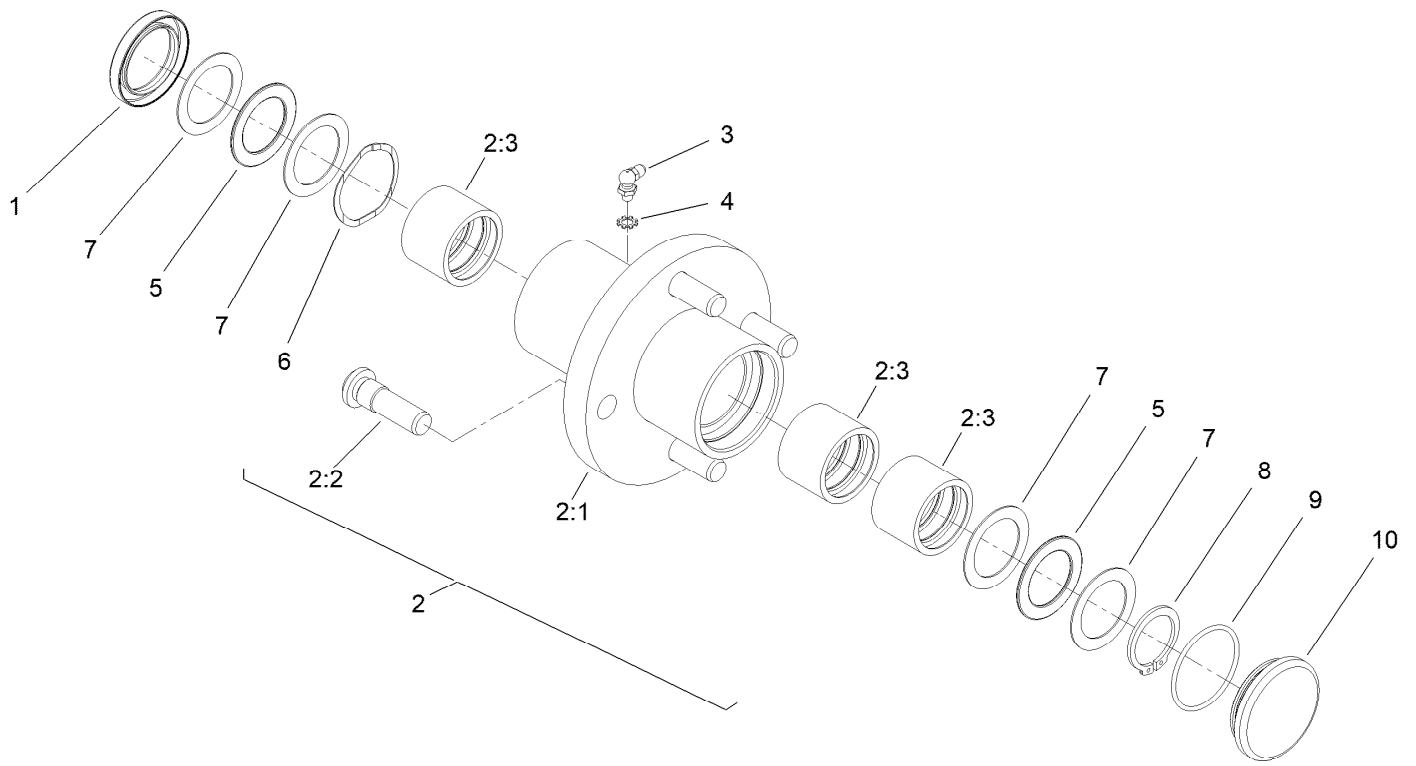
3 Wheel Drive Assembly	4
Hub Kit Assembly No. 147-3131	5
3 Wheel Drive Gearbox Assembly	6
Electric Motor Assembly No. 161-4651	7
Inverter Controller Assembly	8



3 Wheel Drive Assembly

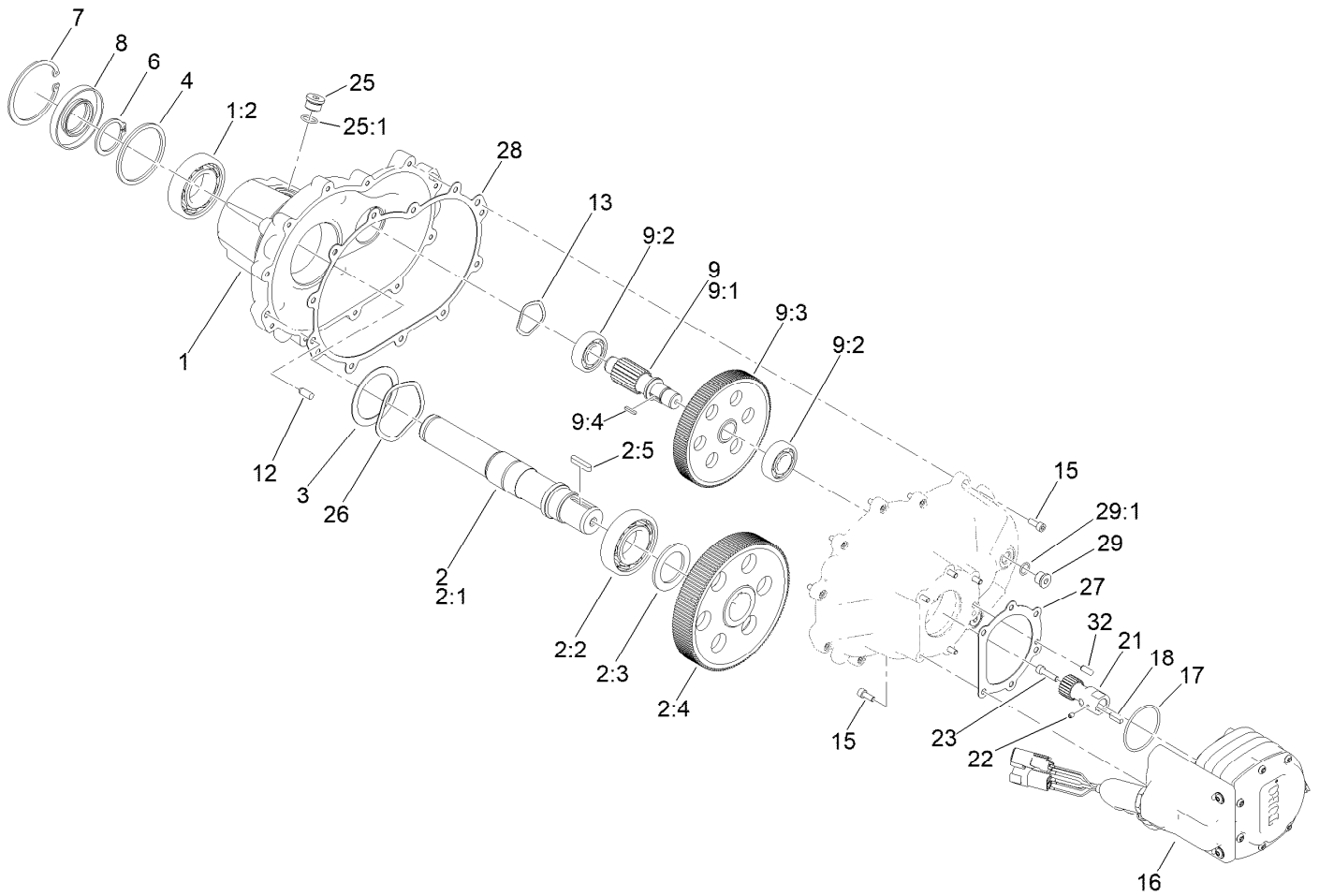
Ref.	Part Number	Qty.	Description	Ref.	Part Number	Qty.	Description
1	92-9250	1	Seal-Grease	11:1	237-79	1	O-Ring
2	147-3131	1	Hub Assembly, 3Wd	12	133-0000	1	Hose-Vent, Formed
3	302-40	1	Fitting-Grease, 90 DEG	13	106-8829	1	R Clamp-Double
4	3255-7	1	Washer-Lock/EXT	14	3234-17	1	Screw-HHF
5	133-5848	1	O-Ring	15	140-5024	1	Screw-HHF
6	33096-00	4	Washer-Flat	16	104-8300	1	Nut-HF, NI
7	139-8302	2	Bearing-Thrust, 35 X 52 X 2	17	33116-035	4	Screw-HH
8	32151-10	1	Ring-Retaining	18		1	Gearbox ASM 3Wd ●
9	139-8300	1	Washer-Wave, Spring 2.125	19	139-8303	4	Washer-Thrust
10	121-9228	1	Plug-Dust Cap	99	122-0255	1	Fuse-Maxi, 35 Amp-58V
11	132-9999	1	Fitting-Straight	99	3290-378	1	Tie-Cable

● Not serviced separately



Hub Kit Assembly No. 147-3131

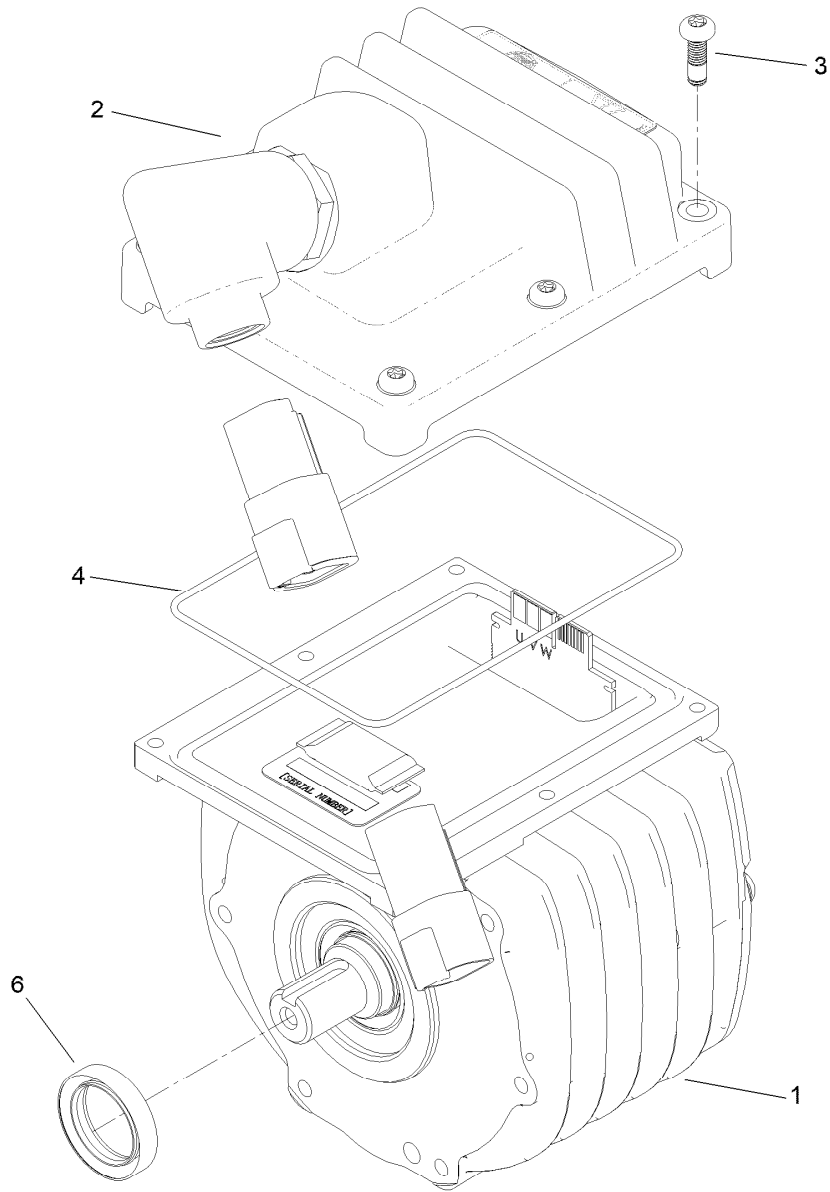
Ref.	Part Number	Qty.	Description
1	92-9250	1	Seal-Grease
2	139-8330	1	Hub ASM
2:1	121-9231-03	1	Hub ASM, Welded
2:2	85-6540	4	Stud-Drive
2:3	92-9167	3	Clutch-Roller
3	302-40	1	Fitting-Grease, 90 DEG
4	3255-7	1	Washer-Lock/EXT
5	139-8302	2	Bearing-Thrust, 35 X 52 X 2
6	139-8300	1	Washer-Wave, Spring 2.125
7	139-8303	4	Washer-Thrust
8	32151-10	1	Ring-Retaining
9	133-5848	1	O-Ring
10	121-9228	1	Plug-Dust Cap



3 Wheel Drive Gearbox Assembly

Ref.	Part Number	Qty.	Description	Ref.	Part Number	Qty.	Description
1		1	Housing ASM ●	13	137-8073	1	Washer-Wave, Spring 47MM
1:2	139-8572	1	Bearing-Ball	15	105-2409	17	Screw-HSH
2	139-8327	1	Axle Shaft ASM	16	161-4651	1	Electric Motor ASM, Dd
2:1	137-8065	1	Shaft-Axle	17	103-5895	1	O-Ring
2:2	139-8572	1	Bearing-Ball	18	137-7851	1	Key
2:3	139-8322	1	Washer-Flat	21	137-8061	1	Gear-Spur, 23T, Crowned
2:4	137-8064	1	Gear-Spur, 133T	22	3245-20	1	Screw-Set
2:5	137-8184	1	Key-Square	23	48-7850	1	Screw- HSH
3	145-0087	1	Spacer	25	353-988	1	Plug-Hex
4	145-0089	1	Spacer-Seal	25:1	237-79	1	O-Ring
6	32151-102	1	Ring-Retaining, External	26	137-8077	1	Washer-Wave, Spring 80MM
7	133-4885	1	Ring-Retaining, Snap, Int	27	137-8181	1	Electric Motor Gasket
8	137-8187	1	Seal-Shaft	28	137-8182	1	Housing Gasket
9	139-8329	1	Spur Gear ASM	29	353-989	2	Plug-Hex, Hollow
9:1	137-8063	1	Gear-Spur, 22T	29:1	237-42	1	O-Ring
9:2	137-8066	2	Ball Bearing	32	136-2667	1	Pin-Dowel
9:3	137-8062	1	Gear-Spur, 137T				
9:4	137-8185	1	Key-Square				
12	87-1910	2	Pin-Dowel				

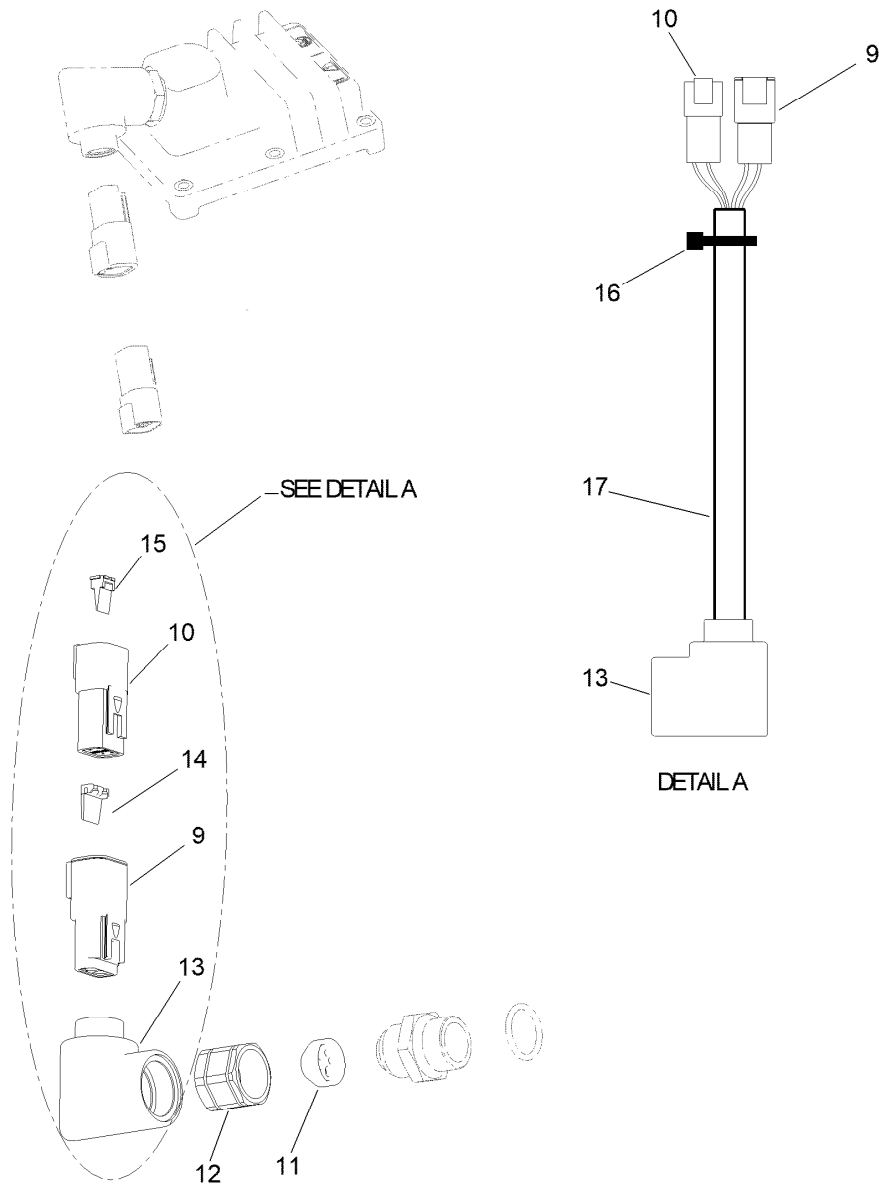
● Not serviced separately



Electric Motor Assembly No. 161-4651

<i>Ref.</i>	<i>Part Number</i>	<i>Qty.</i>	<i>Description</i>
1	161-0342	1	Rem-Direct Drive
2	144-6677	1	Inverter/Cntrlr ASM
3	144-6692	6	Screw-Tph
4	144-6731	1	Service Kit-Controller & Motor
5	136-8595	1	Grease-Synthetic ●
6	139-8597	1	Seal-Oil

● Not illustrated



Inverter Controller Assembly

<i>Ref.</i>	<i>Part Number</i>	<i>Qty.</i>	<i>Description</i>
9	32160-698	1	Connector-Deutsch, Dtp, 2M
10	32160-315	1	Connector
11	144-6691	1	Ferrule-Wire Seal
12	119-7477	1	Nut-Fitting, Ferrule -8
13	119-7497	1	Backshell-90 Degree
14	32180-083	1	Wedge
15	32180-084	1	Wedge
16	3290-378	1	Tie-Cable
17	138-8962	1	Tubing-Convolutd Slit

Notes:

Notes:

Notes:



Count on it.