



**Count on it.**

**Parts Catalog**

**Greensmaster® e1021**

**Greensmower**

Model No. 04835—Serial No. 40000000 and Up



# Ordering Replacement Parts

To order replacement parts, please supply the part number, the quantity, and the description of each part desired.

## Understanding Reference Numbers

Each identified part in an illustration has a reference number. The reference number for a part also appears in the parts list, along with other information about the part.

This catalog uses two special reference number formats, one to indicate parts in a service assembly and another to indicate the quantity of a given part in an illustration.

## Service Assembly Reference Numbers

Parts in service assemblies have reference numbers in the form a:b. The a represents the reference number of the entire service assembly and the b represents a sequential number unique to each part within the service assembly.

For example, a wheel assembly might be identified by reference number 6, the tire by 6:1, the valve by 6:2, and the wheel by 6:3. When you order the assembly identified by reference number 6, you receive all parts identified by reference numbers 6:1, 6:2, and 6:3. However, you may also order any part individually. Reference numbers of this type appear in illustration and in parts lists.

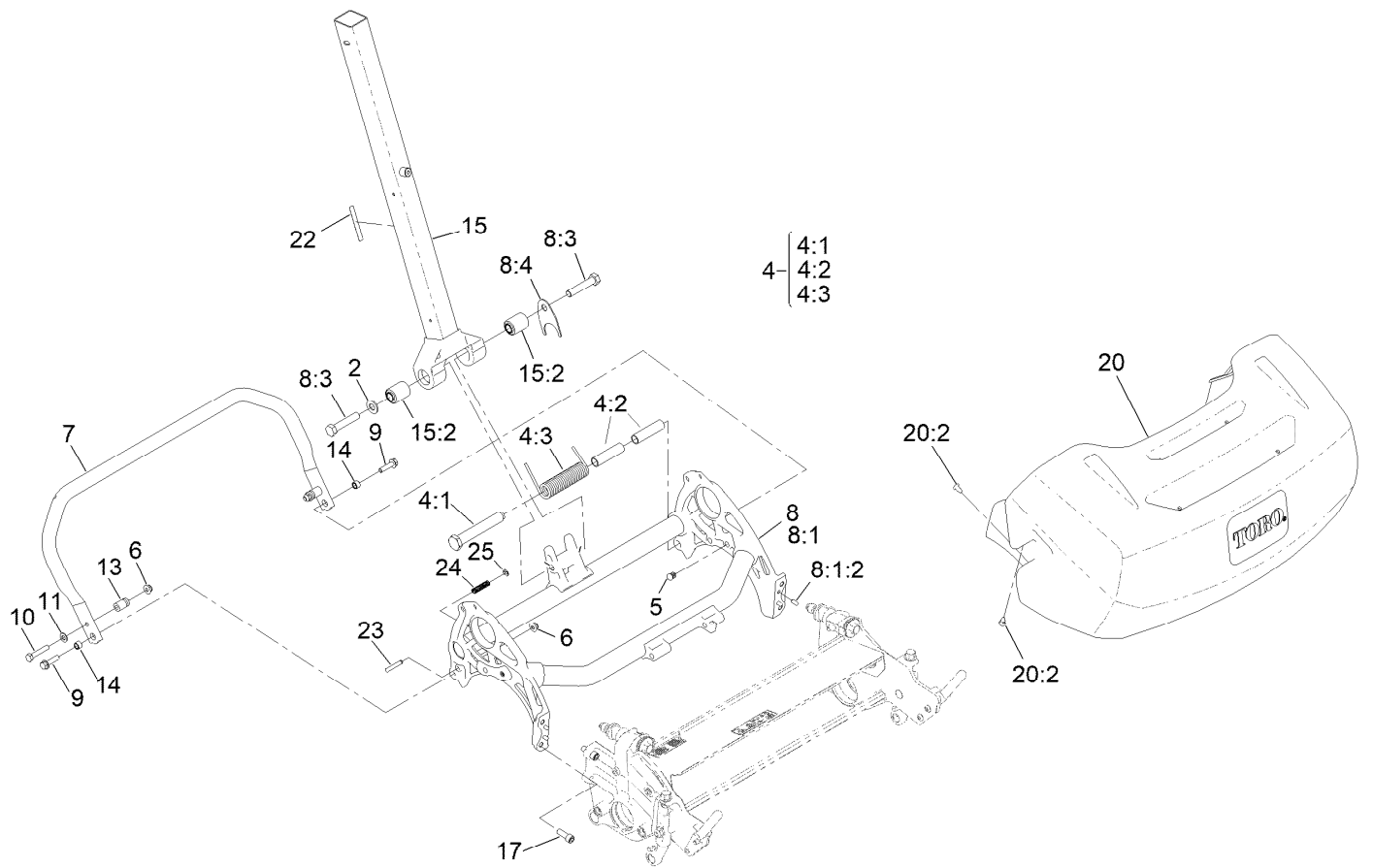
## Reference Numbers Indicating Quantity

In an illustration, if a reference number indicates more than one part, the reference number has the form nX y. The n represents the quantity of the part, the X is the multiplication symbol, and the y represents the reference number.

For example, in an illustration, the reference number 2X 37 means that two of the parts identified by reference number 37 are indicated.

# Contents

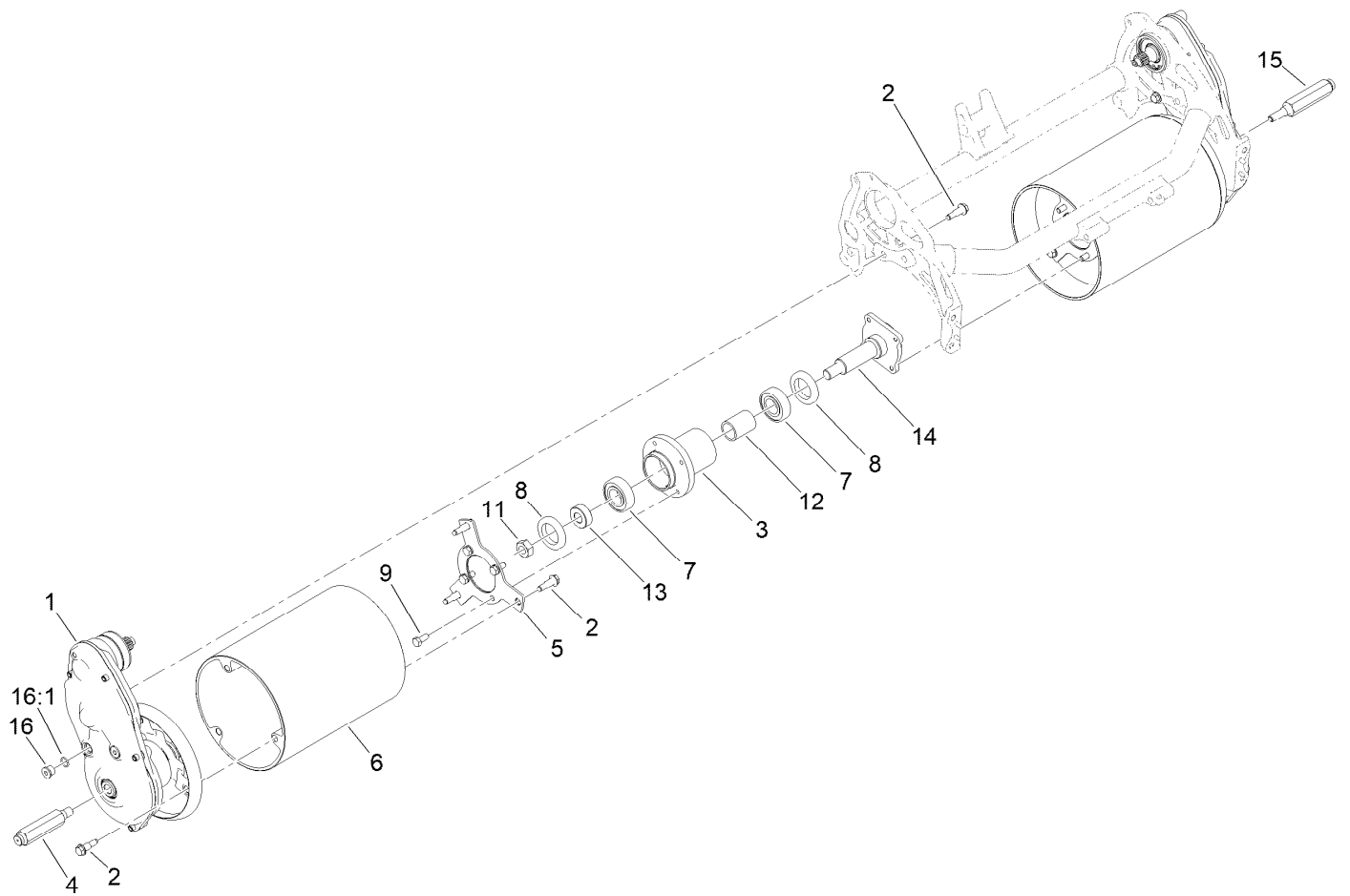
Frame and Handle Mount Assembly .....	4
Drum Drive Assembly .....	5
Drum Drive Replacement Kit Assembly No. 140-9329 .....	6
Drum Drive Gearbox Assembly .....	7
Drive Shaft and Reel Components Assembly .....	8
Transmission Assembly .....	9
Transmission Assembly No. 140-9327 Transmission Case Assembly .....	10
Transmission Assembly No. 140-9327 Reel Drive Assembly .....	11
Transmission Assembly No. 140-9327 Traction Drive Assembly .....	12
Differential Assembly No. 132-4555 .....	13
Electric Motor Assembly No. 161-4651 .....	14
Inverter Controller Assembly .....	15
Reel Controls and Covers Assembly .....	16
Upper Handle Assembly .....	17
Traction Bail Assembly .....	18
Electric Handle Components Assembly .....	19
Battery Frame Assembly .....	20
Miscellaneous Parts Assembly .....	22
Attachments and Accessories .....	23



## Frame and Handle Mount Assembly

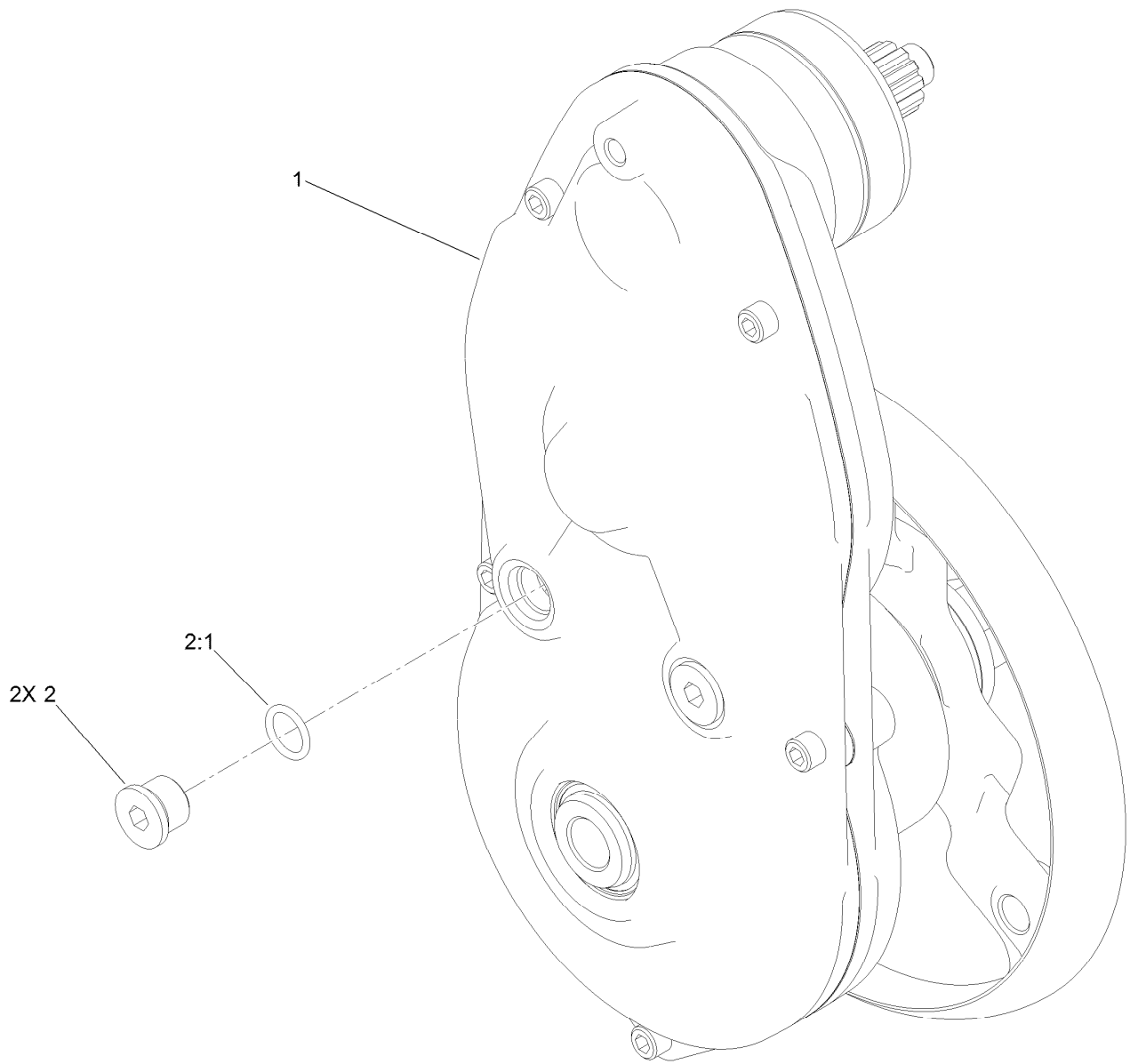
Ref.	Part Number	Qty.	Description	Ref.	Part Number	Qty.	Description
2	3256-26	1	Washer-Flat	9	112-6913	2	Screw-HF
4	147-2290	1	Kit-Kickstand Spring Replacement	10	322-9	2	Screw-HH
4:1	147-2285	1	Pin-Mount, Spring	11	3256-23	2	Washer-Plain
4:2	147-2286	2	Sleeve, Spring-Mount	13	65-7900	2	Retainer-Spring
4:3	147-2268	1	Spring-Torsion, LH	14	65-7910	2	Spacer
5	139-4326	2	Plug-Plastic	15	137-0292	1	Lower Handle ASM
6	119-4041	3	Nut-HF	15:2	138-1469	2	Bushing-Straight
7	147-2272	1	Kickstand, 21 Inch	17	3274-7	4	Screw-HSH
8	140-9341	1	Frame ASM, 21" Electric	20	140-9293	1	Basket-Grass, GR1021
8:1		1	Frame ASM, Electric 21" ●	20:2	121-4729	4	Plug
8:1:2	95-0715	4	Pin-Dowel	22	133-8061	1	Decal-Warning
8:3	325-10	2	Screw-HH	23	139-7431	1	Pin-Kickstand, Lock
8:4	140-9333	1	Washer, Anti-Rotation	24	73-3450	1	Spring-Compression
				25	32151-86	1	E-Ring

● Not serviced separately



## Drum Drive Assembly

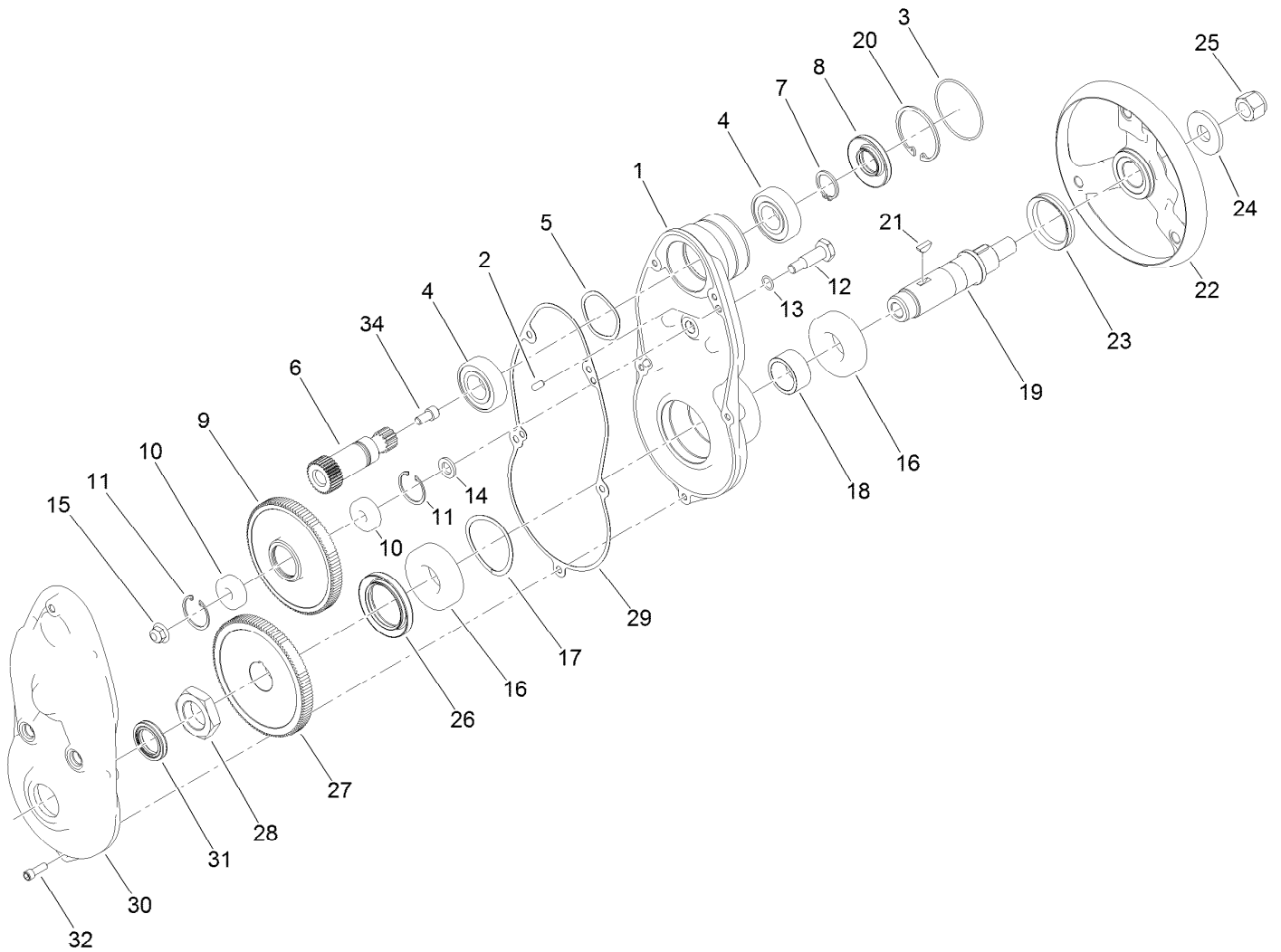
<i>Ref.</i>	<i>Part Number</i>	<i>Qty.</i>	<i>Description</i>	<i>Ref.</i>	<i>Part Number</i>	<i>Qty.</i>	<i>Description</i>
1	140-9329	1	Kit-Drum Drive Replacement	9	114-7728	8	Screw-HHF, Patch
2	132-4607	14	Bolt-Shoulder, Flange	11	3296-33	1	Nut-Lock, NI
3	132-6971	1	Hub-Drum	12	65-6520	1	Spacer
4	132-4605	1	Shaft-Hex, RH	13	65-6530	1	Spacer
5	147-2257	2	Plate-Drum, Hub	14	94-5850	1	Spindle-Drum
6	133-9246	2	Drum-Traction, 21 Inch	15	132-4606	1	Shaft-Hex, LH
7	251-82	2	Bearing-Ball	16	353-989	4	Plug-Hex, Hollow
8	253-159	2	Seal	16:1	237-42	1	O-Ring



## Drum Drive Replacement Kit Assembly No. 140-9329

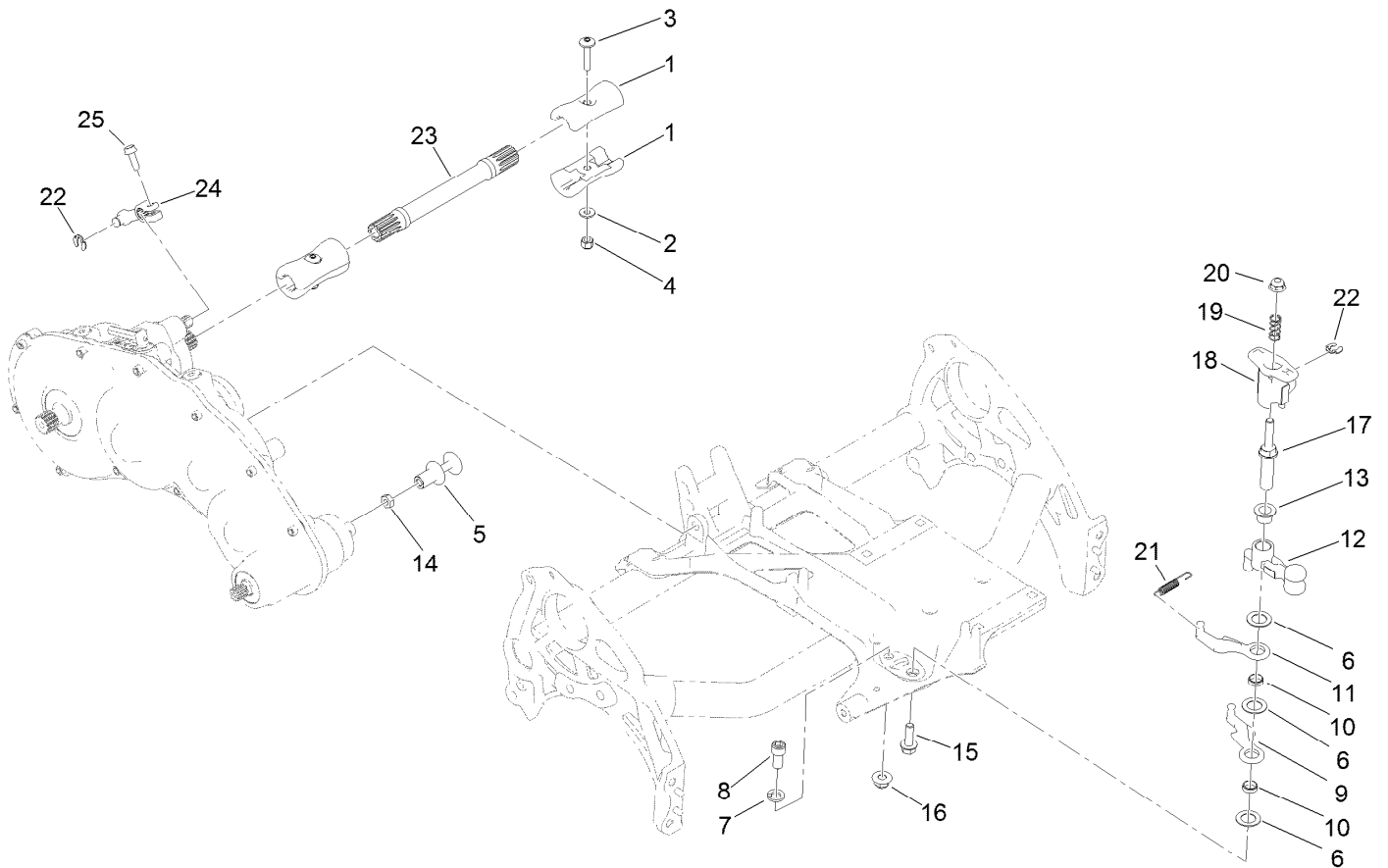
<i>Ref.</i>	<i>Part Number</i>	<i>Qty.</i>	<i>Description</i>
1		1	Drum Drive Gear Box ASM ●
2	353-989	2	Plug-Hex, Hollow
2:1	237-42	1	O-Ring

● Not serviced separately



## Drum Drive Gearbox Assembly

Ref.	Part Number	Qty.	Description	Ref.	Part Number	Qty.	Description
1	137-0282	1	Housing-Drive, Drum	17	115-5258	1	Spring-Wire, Flat
2	133-4591	2	Pin-Dowel	18	132-4568	1	Spacer
3	133-9082	1	O-Ring	19	133-4562	1	Shaft-Drum, Drive
4	251-82	2	Bearing-Ball	20	138-1480	1	Ring-Retaining, Int (52MM)
5	3290-485	1	Washer-Wave	21	138-1504	2	Key-Woodruff, 5MM
6	132-4565	1	Gear-Spur, 30T	22	133-9244	1	Hub-Drum, Outer
7	138-1507	1	Ring-Retaining, EXT (25MM)	23	253-161	1	Seal-V-Ring
8	138-1491	1	Seal-Oil	24	104-9216	1	Washer-Hardened
9	137-0274	1	Gear-Spur, 108T	25	126-3841	1	Nut-Hex, NI
10	49-2410	2	Bearing-Ball	26	138-1490	1	Seal-Oil
11	138-1506	2	Ring-Retaining, Int (32MM)	27	137-0275	1	Gear-Spur, 114T
12	133-4558	1	Pin-Bearing, Short	28	133-9078	1	Nut-Hex
13	80-8460	1	O-Ring	29	132-4569	1	Gasket-Drive, Drum
14	133-4553	1	Spacer-Bearing	30	137-0284	1	Cover-Drive, Drum
15	119-4042	1	Nut-HF, NI	31	133-4559	1	Seal-Oil
16	251-312	2	Bearing-Ball	32	140-9233	5	Screw-HSH
				34	3274-12	1	Screw-HSH

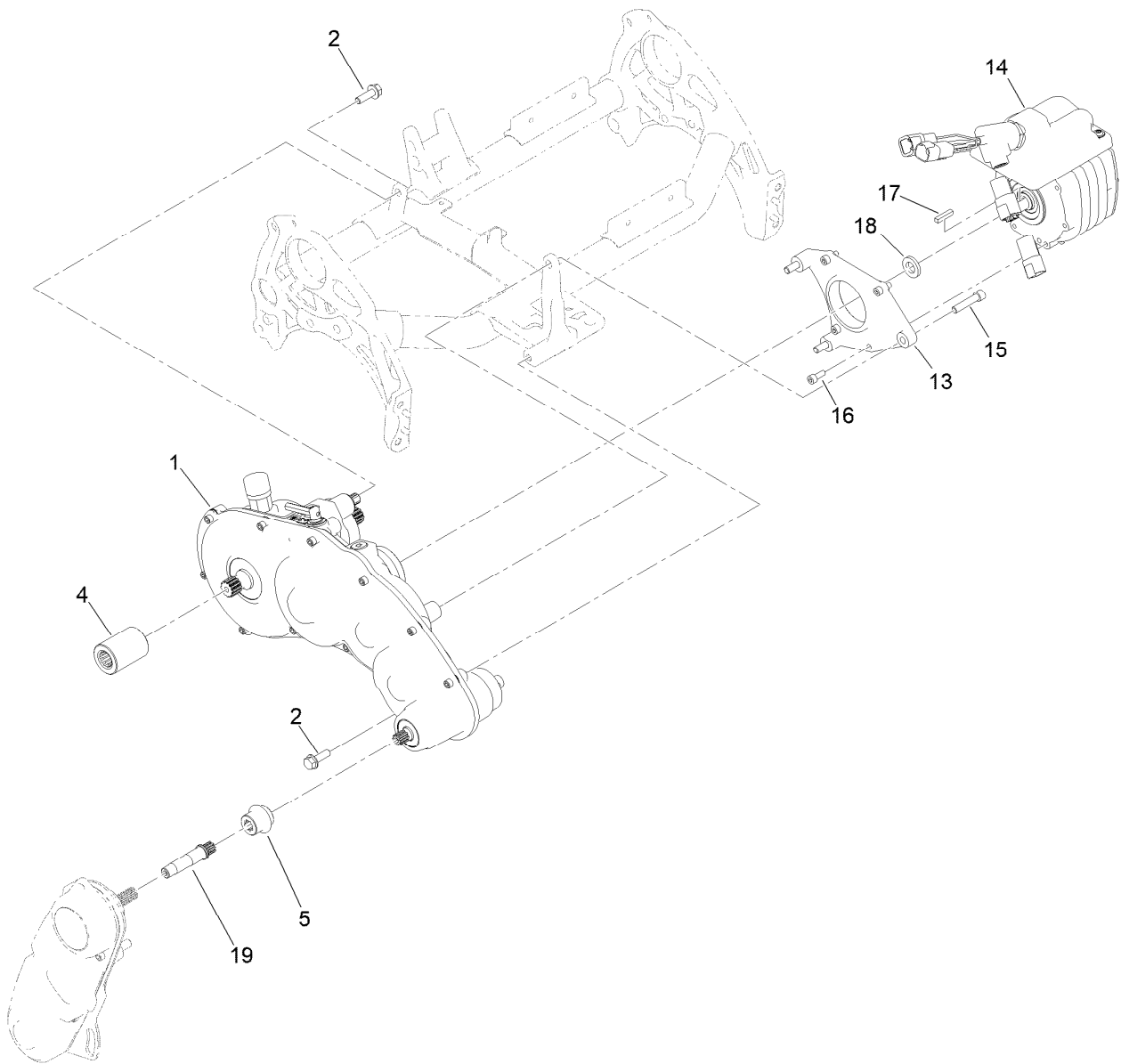


## Drive Shaft and Reel Components Assembly

Ref.	Part Number	Qty.	Description
1	133-9100	4	Coupler-Splined, 4 Tooth
2	119-8952	2	Washer-Spcl
3	126-8232	2	Screw-Truss Hex Skt
4	3296-42	2	Nut-Lock, NI
5	133-9207	1	Adapter-Slider
6	139-7362	3	Washer-Poly
7	3253-21	1	Washer-Lock
8	131-8573	1	Screw-HSH
9	138-1523	1	Reel Lever
10	133-9226	2	Bushing-Straight
11	138-1524	1	Lever-Reel
12	133-9206	1	Bellcrank-Reel
13	125-5239	1	Bushing-Flange

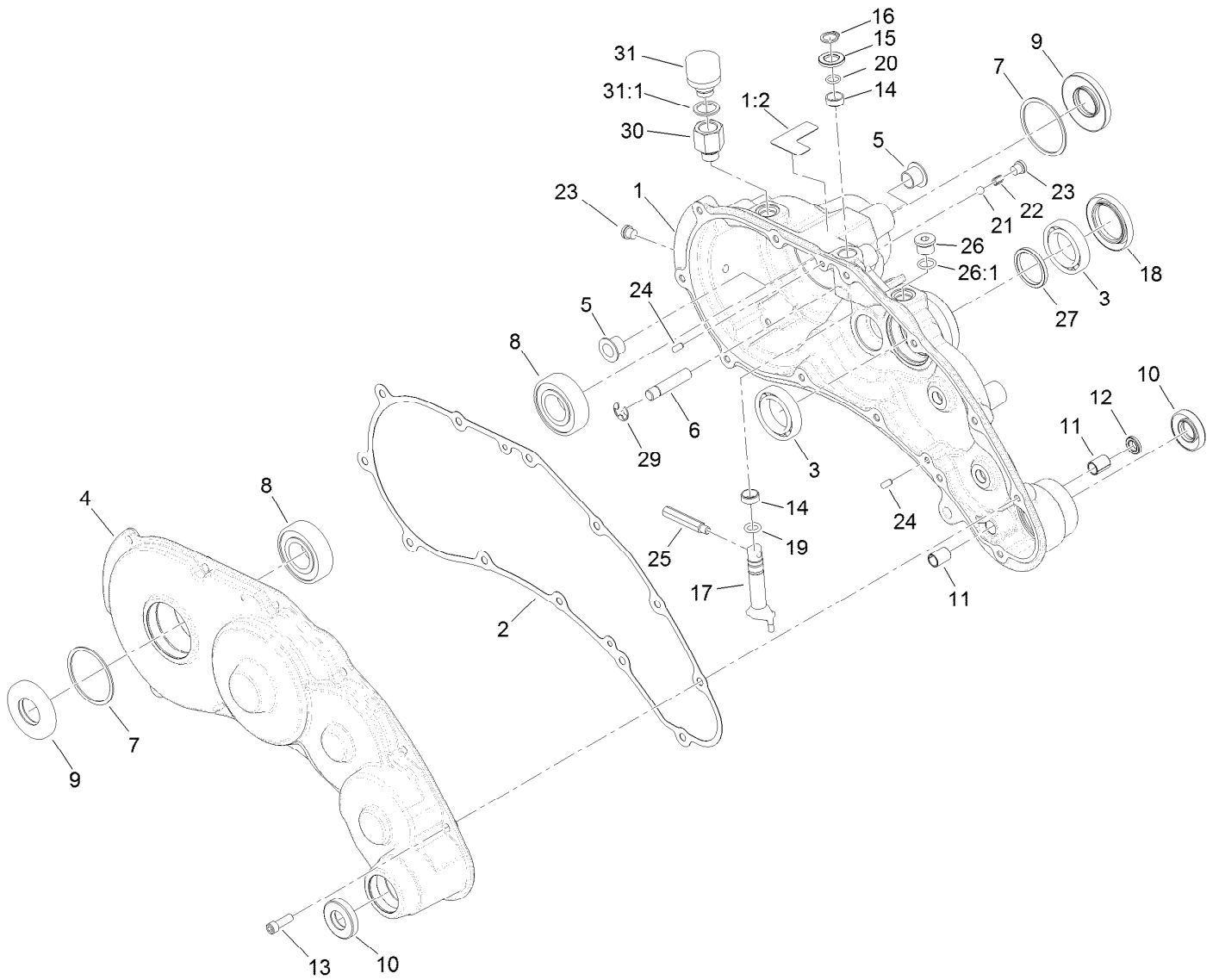
Ref.	Part Number	Qty.	Description
14	120-9638	1	Nut-Jam
15	115-5142	1	Screw-HHF, Patch
16	119-4042	1	Nut-HF, NI
17	137-0298	1	Shaft-Selector, Reel
18	137-0299	1	Hub-Selector, Reel
19	117-1031	1	Spring-Compression
20	119-4041	1	Nut-HF
21	119-4609	1	Spring-Extension
22	32151-47	2	Ring-Retaining
23	139-5133	1	Shaft-Drive, Electric
24	133-9117	1	Lever-Brake, Cable
25	131-6150	1	Screw-HWHTF





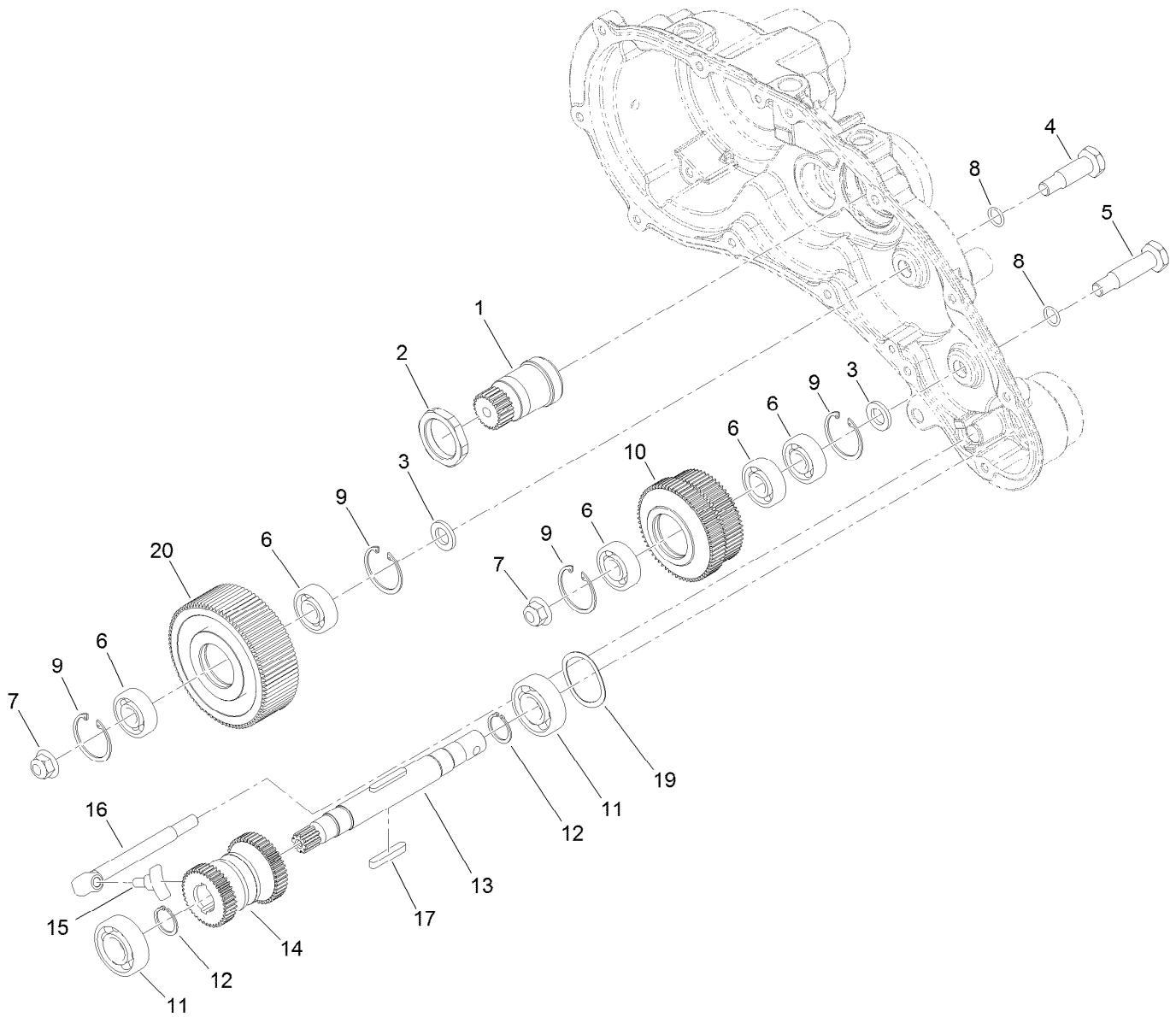
## Transmission Assembly

<i>Ref.</i>	<i>Part Number</i>	<i>Qty.</i>	<i>Description</i>
1	140-9327	1	Kit-Transmission Replacement
2	115-5142	2	Screw-HHF, Patch
4	138-1615	1	Tube-Drive
5	140-9380	1	Tube-Drive, Reel
13	139-5132-0P	1	Adapter-Motor
14	161-4651	1	Electric Motor ASM, Dd
15	3274-83	3	Screw-HSH
16	105-2409	4	Screw-HSH
17	1-807272	1	Key
18	140-9257	1	Gasket-Motor, Electric
19	138-1613	1	Shaft-Drive, Reel



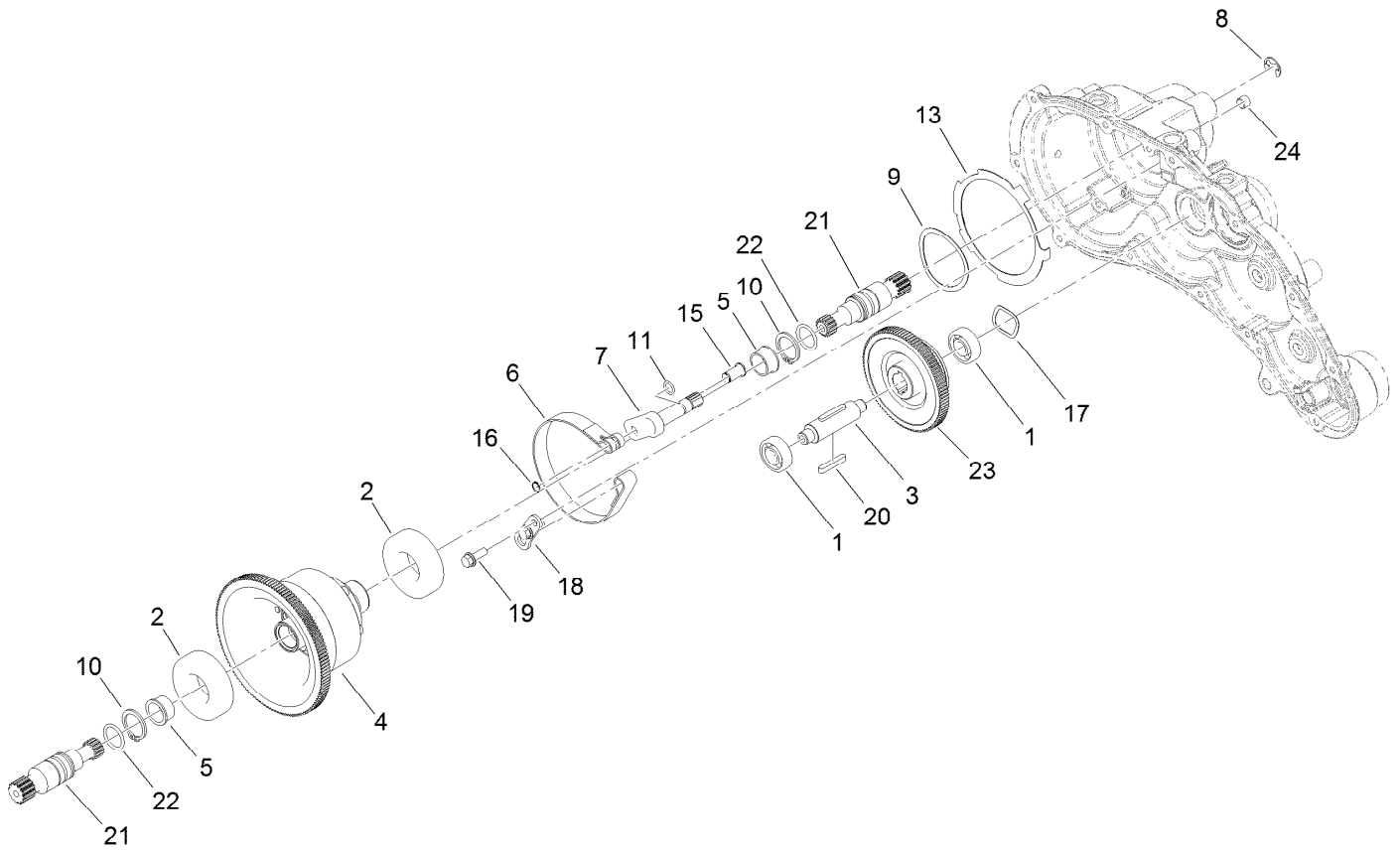
## Transmission Assembly No. 140-9327 Transmission Case Assembly

<i>Ref.</i>	<i>Part Number</i>	<i>Qty.</i>	<i>Description</i>	<i>Ref.</i>	<i>Part Number</i>	<i>Qty.</i>	<i>Description</i>
1	140-9307	1	Transmission Housing ASM, Elec.	16	32151-61	1	Ring-Retaining
1:2	138-1644	1	Decal-Release, Traction	17	130-6816	1	Shaft-Selector, Traction
2	132-4551	1	Gasket-Transmission	18	140-9325	1	Seal-Grease, High Temp
3	140-9287	2	Bearing-Ball	19	131-1879	1	O-Ring Seal
4	138-1603	1	Transmission Cover ASM	20	237-22	1	O-Ring
5	125-5239	2	Bushing-Flange	21	105-2442	1	Ball-Detent
6	133-9122	1	Pin-Mount, Brake	22	105-2443	1	Spring-Detent
7	32151-92	2	Ring-Retaining	23	131-1825	2	Plug-ORB
8	251-82	2	Bearing-Ball	24	121-9249	2	Pin-Dowel
9	133-9075	2	Seal-Oil	25	133-9149	1	Pin-Groomer
10	130-9463	2	Seal-Oil	26	353-989	1	Plug-Hex, Hollow
11	131-3038	2	Bushing-Sleeve	26:1	237-42	1	O-Ring
12	131-3126	1	Seal-Oil	27	138-1496	1	Spacer
13	140-9233	12	Screw-HSH	29	105-7004	1	E-Ring
14	121-4738	2	Bushing-Straight	30	140-9299	1	Adapter-Vent
15	108-5059	1	Spacer-Bushing	31	133-2359	1	Breather-Vent, Nylon
				31:1	133-5659	1	Washer-Rubber



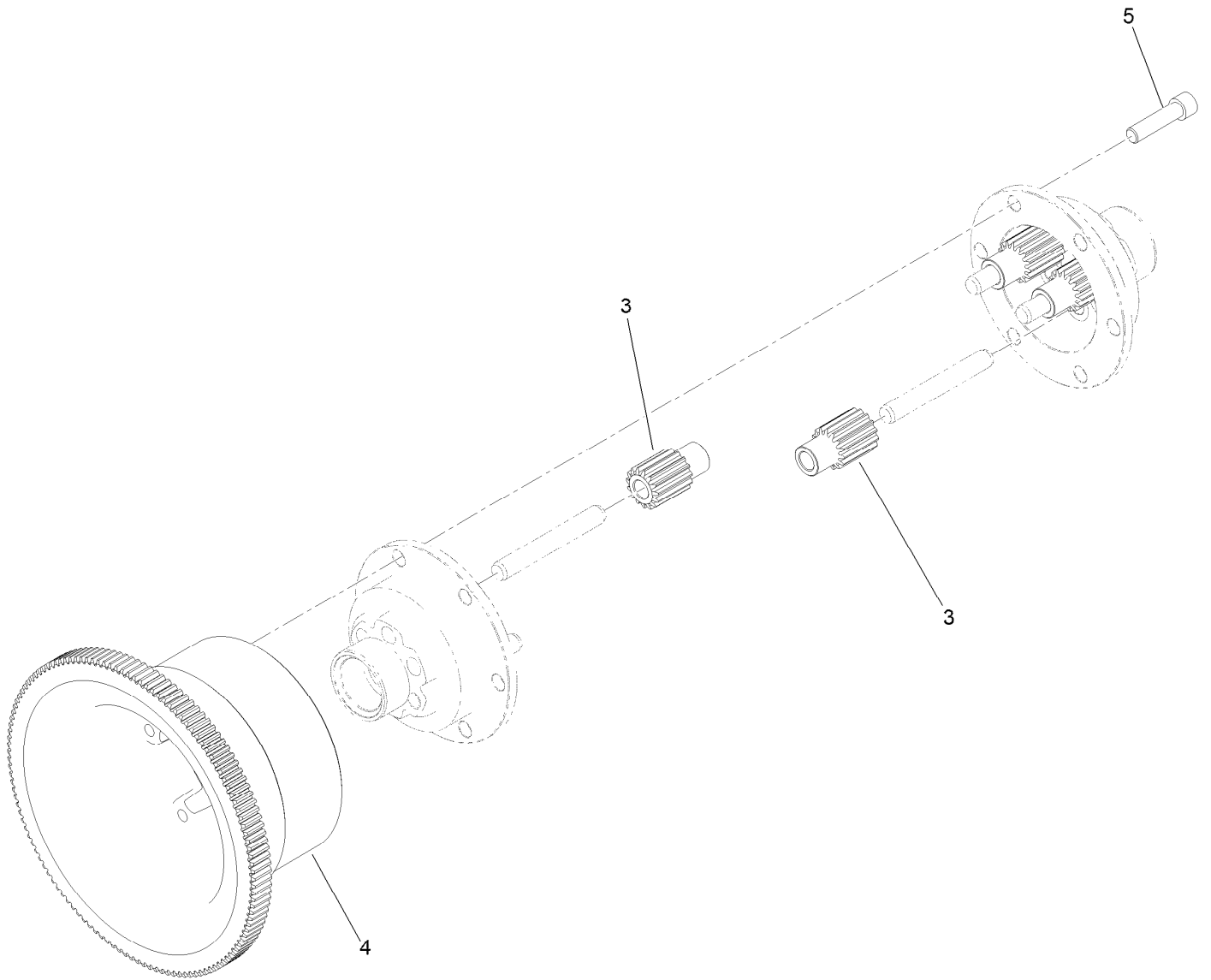
## Transmission Assembly No. 140-9327 Reel Drive Assembly

<i>Ref.</i>	<i>Part Number</i>	<i>Qty.</i>	<i>Description</i>	<i>Ref.</i>	<i>Part Number</i>	<i>Qty.</i>	<i>Description</i>
1	137-0237	1	Shaft-Electric Motor, 22T	11	140-9285	2	Bearing-Ball
2	138-1495	1	Nut-Lock, Thin	12	138-1629	2	Ring-Retaining, EXT (17MM)
3	133-4553	2	Spacer-Bearing	13	139-4359	1	Shaft-Drive, Reel
4	133-4558	1	Pin-Bearing, Short	14	130-6834	1	Gear-Spur, Slider
5	133-4557	1	Pin-Bearing, Long	15	133-9120	1	Shoe-Clutch, Reel
6	49-2410	5	Bearing-Ball	16	133-9121	1	Actuator-Clutch, Reel
7	104-8301	2	Nut-HF, NI	17	103-2739	2	Key
8	80-8460	2	O-Ring	19	131-3170	1	Spring-Wave
9	138-1506	4	Ring-Retaining, Int (32MM)	20	137-0273	1	Gear-Spur, 85T
10	137-0272	1	Gear-Spur, 60T/65T				



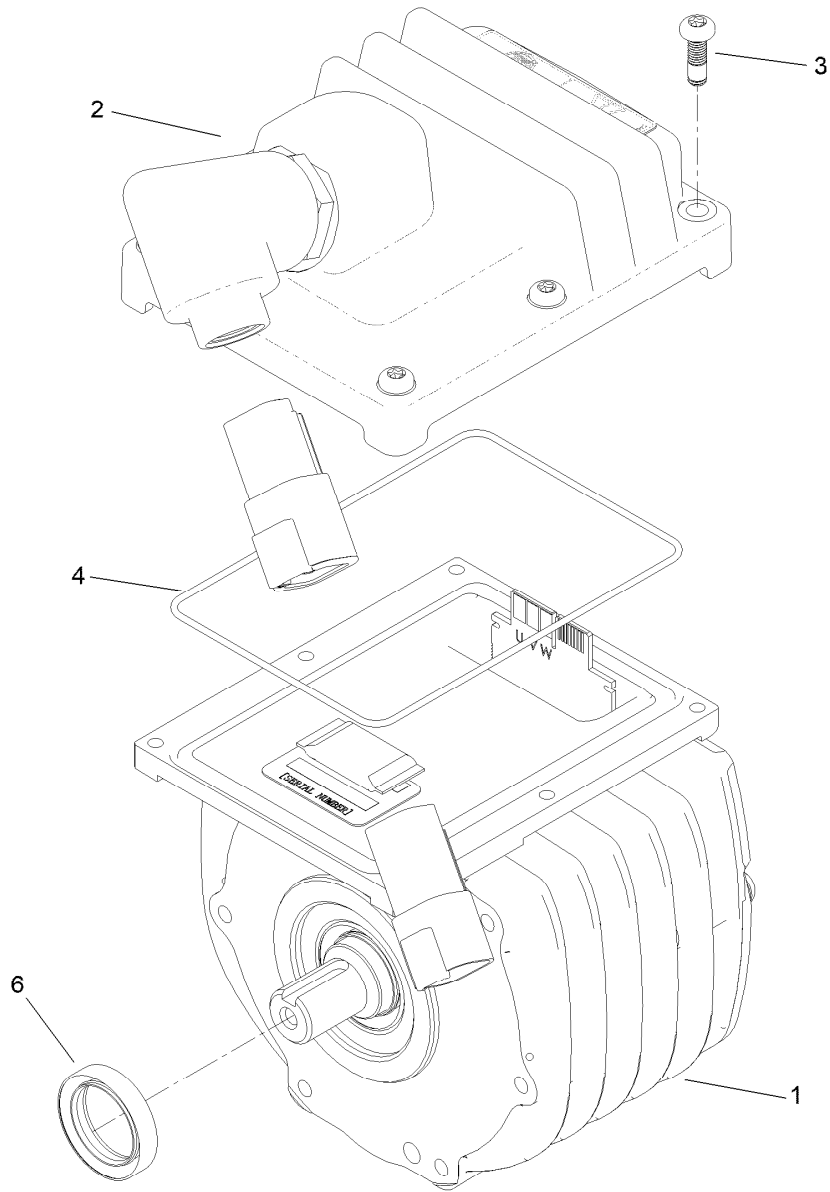
## Transmission Assembly No. 140-9327 Traction Drive Assembly

<i>Ref.</i>	<i>Part Number</i>	<i>Qty.</i>	<i>Description</i>	<i>Ref.</i>	<i>Part Number</i>	<i>Qty.</i>	<i>Description</i>
1	49-2410	2	Bearing-Ball	13	140-9236	1	Plate-Retainer, Brake
2	251-312	2	Bearing-Ball	15	120-9687	1	Pin-Clevis, Brake
3	137-0236	1	Shaft-Slider, Neutral	16	32120-46	1	Ring-Retaining
4	132-4555	1	Differential ASM	17	112-5163	1	Washer-Wave
5	256-252	2	Bearing-Flange	18	140-9279	1	Plate-Retainer, Pin
6	140-9277	1	Band-Brake	19	119-1138	2	Screw-HHF, Patch
7	132-4550	1	Lever-Brake	20	103-2739	2	Key
8	32120-47	1	Ring-Retaining, External	21	130-6841	2	Shaft-Differential
9	115-5258	1	Spring-Wire, Flat	22	237-159	2	O-Ring
10	32151-36	2	Ring-Retaining	23	137-0276	1	Gear-Spur, Neutral (93T)
11	237-22	1	O-Ring	24	285-17	1	Plug-Pipe



## Differential Assembly No. 132-4555

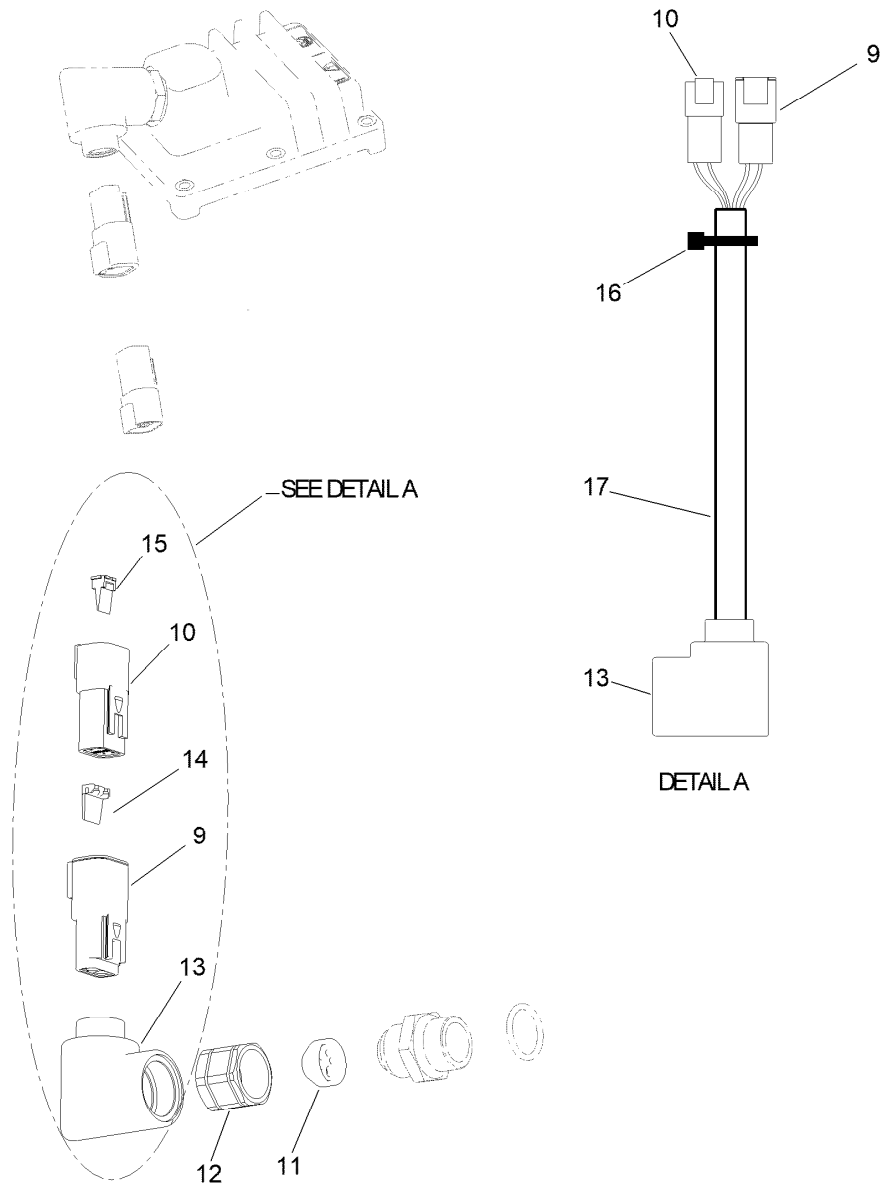
<i>Ref.</i>	<i>Part Number</i>	<i>Qty.</i>	<i>Description</i>
3	130-6840	6	Gear-Spur, Differential
4	137-0294	1	Gear-Differential, 127T
5	3274-26	6	Screw-HSH



## Electric Motor Assembly No. 161-4651

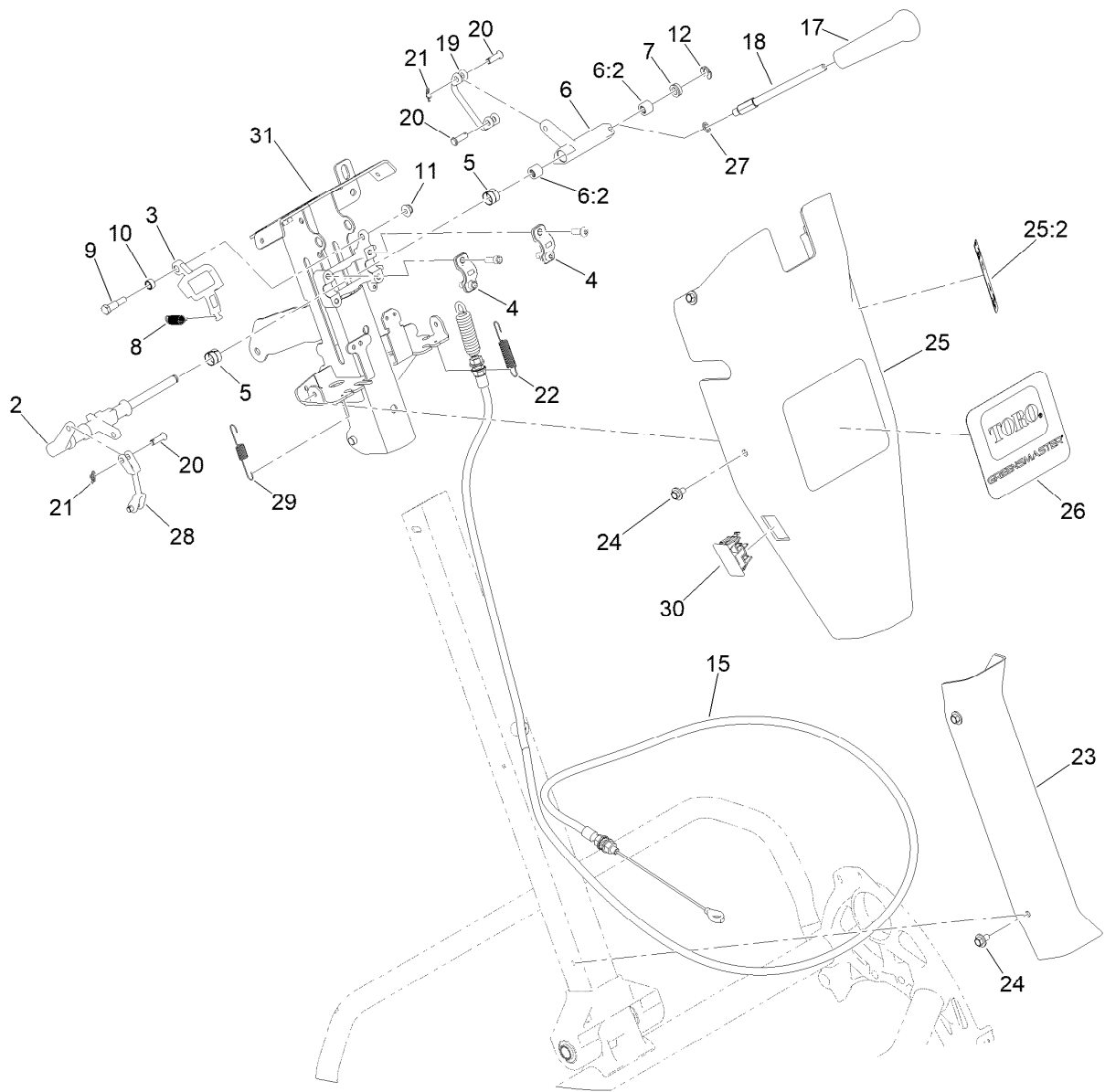
<i>Ref.</i>	<i>Part Number</i>	<i>Qty.</i>	<i>Description</i>
1	161-0342	1	Rem-Direct Drive
2	144-6677	1	Inverter/Cntrlr ASM
3	144-6692	6	Screw-Tph
4	144-6731	1	Service Kit-Controller & Motor
5	136-8595	1	Grease-Synthetic ●
6	139-8597	1	Seal-Oil

● Not illustrated



## Inverter Controller Assembly

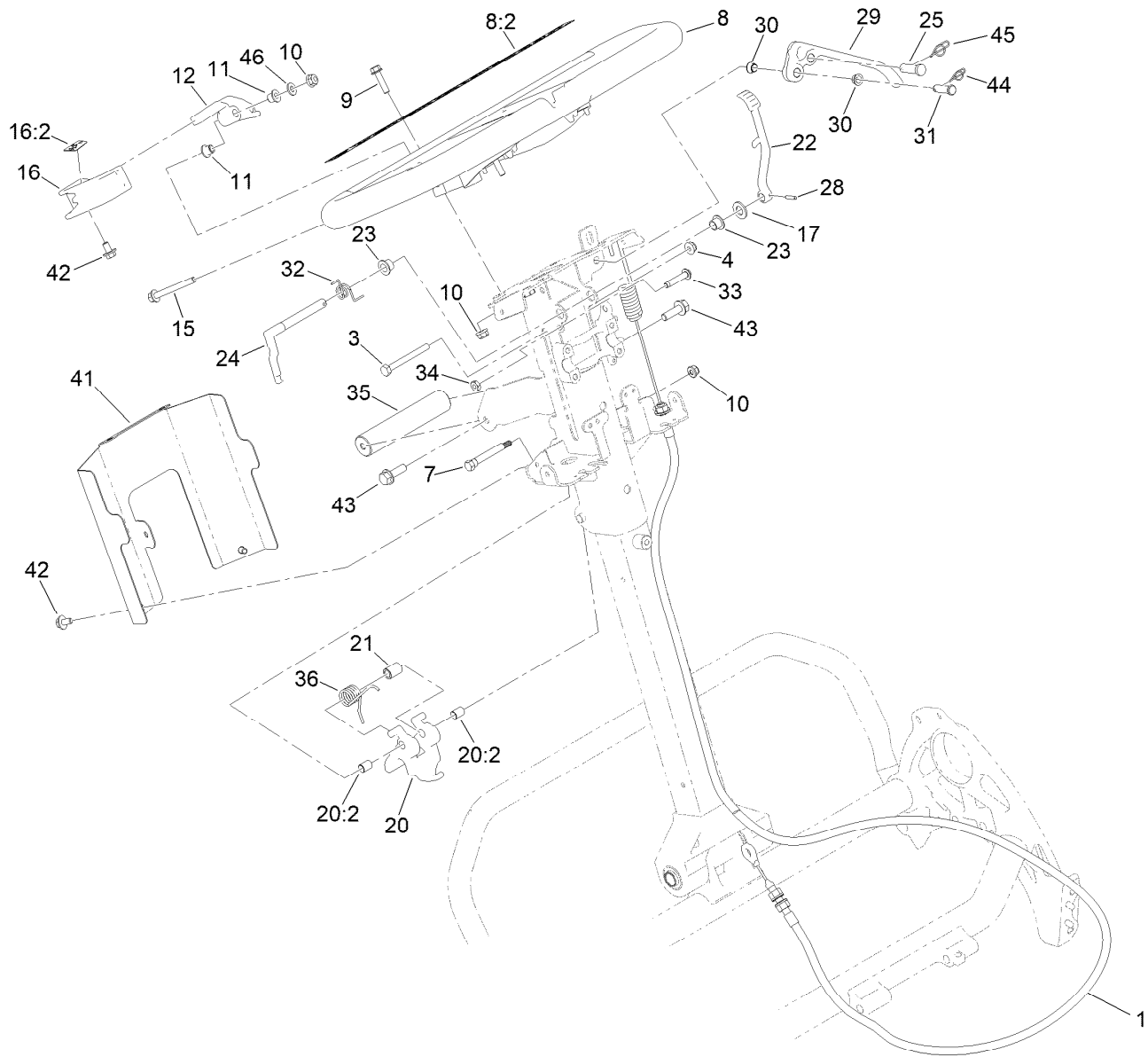
<i>Ref.</i>	<i>Part Number</i>	<i>Qty.</i>	<i>Description</i>
9	32160-698	1	Connector-Deutsch, Dtp, 2M
10	32160-315	1	Connector
11	144-6691	1	Ferrule-Wire Seal
12	119-7477	1	Nut-Fitting, Ferrule -8
13	119-7497	1	Backshell-90 Degree
14	32180-083	1	Wedge
15	32180-084	1	Wedge
16	3290-378	1	Tie-Cable
17	138-8962	1	Tubing-Convolutd Slit



## Reel Controls and Covers Assembly

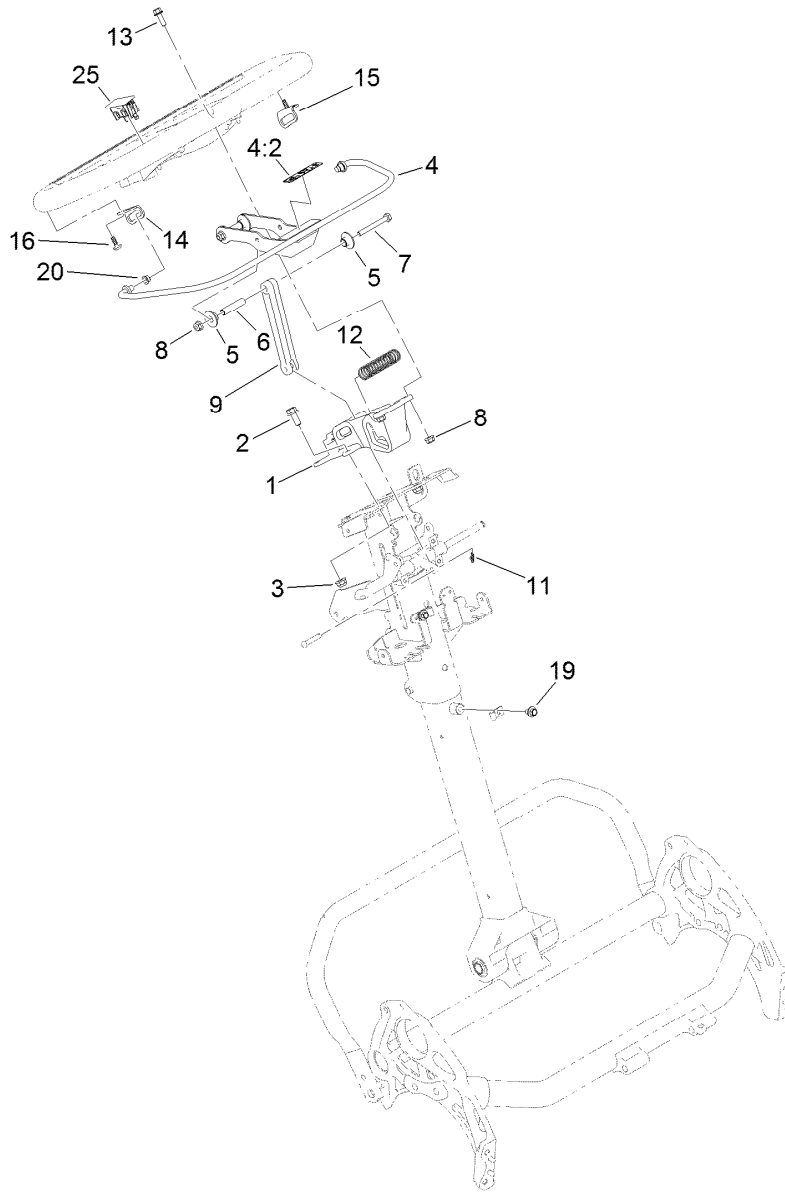
Ref.	Part Number	Qty.	Description	Ref.	Part Number	Qty.	Description
2	140-9305	1	Shaft-Main, Controls	19	137-0232	1	Connector-Clevis
3	137-0266	1	Cam-Latch, Upper	20	1-808265	4	Pin-Clevis
4	138-1513	2	Clamp-Shaft, Control	21	138-1587	2	Clip-Pin, Cotter
5	137-0263	2	Bushing-Split	22	138-1536	1	Spring-Extension
6	137-0312	1	Reel Lever ASM	23	138-1479	1	Cover-Handle, Lower
6:2	138-1637	2	Bearing-Needle	24	46-6810	8	Screw And Washer ASM
7	131-3187	1	Seal-V-Ring	25	139-4304	1	Control Upper Cover ASM
8	140-3410	1	Spring-Extension	25:2	138-1589	1	Decal-Reel Drive Engagement
9	137-0313	1	Screw-Shoulder	26	140-3400	1	Decal-Greensmaster E1021
10	137-0346	1	Spacer-Latch, Bail	27	75-5470	1	Spacer-Bearing
11	104-7201	1	Nut-HF, NI	28	138-1592	1	Connector-Clevis
12	32151-47	1	Ring-Retaining	29	140-3417	1	Spring-Extension
15	140-9330	1	Cable-Reel Engagement	30	119-7791	1	Plug-Hole
17	104-9760	1	Knob-Black	31	147-2284-0P	1	Upper Receiver, Welded
18	137-0190	1	Rod-Handle, Reel Lever				





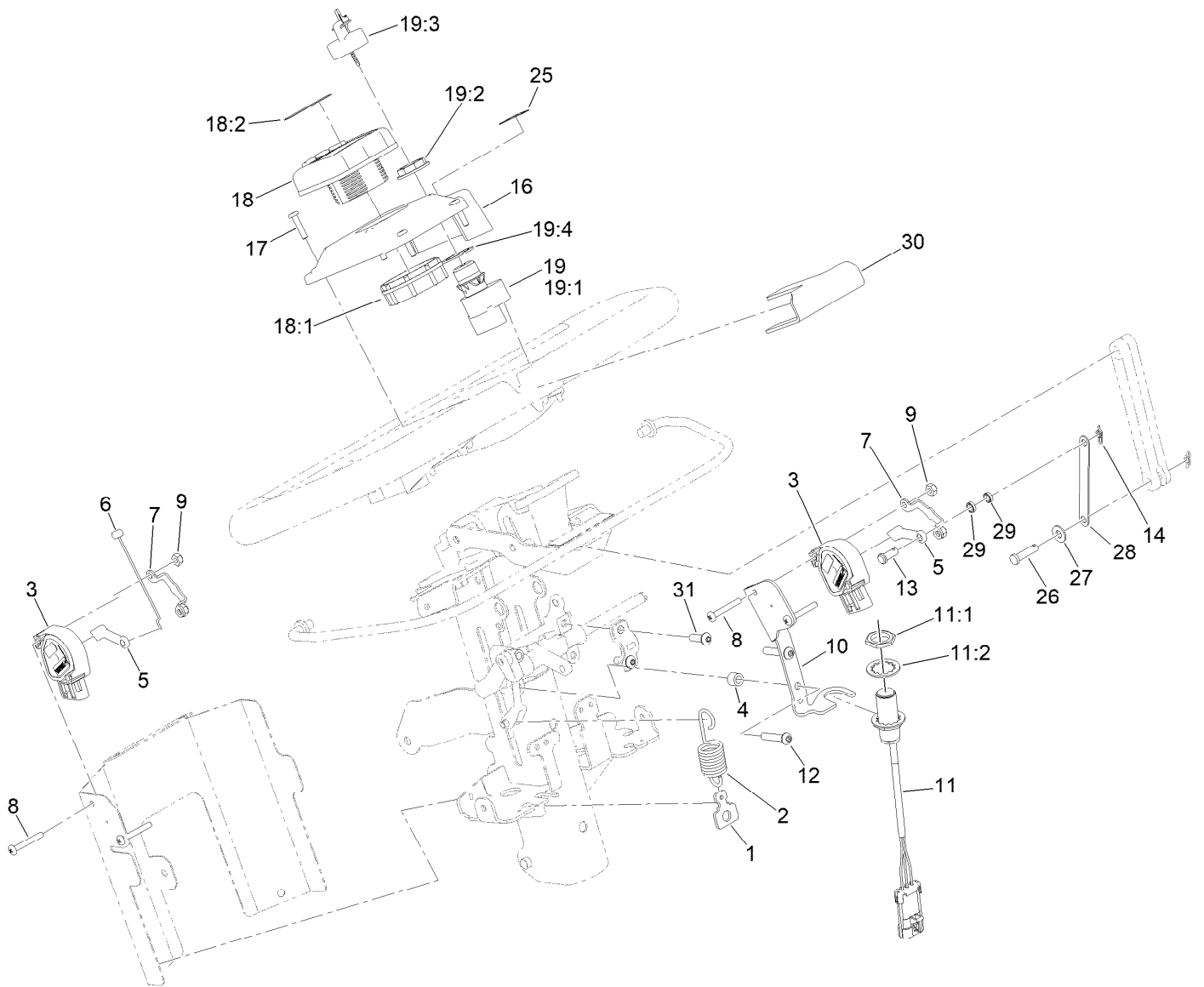
## Upper Handle Assembly

Ref.	Part Number	Qty.	Description	Ref.	Part Number	Qty.	Description
1	140-9318	1	Cable ASM, Brake	24	138-1573	1	Latch-Brake
3	321-15	1	Screw-HH	25	1-808285	1	Pin-Clevis
4	104-7201	1	Nut-HF, NI	28	32121-73	1	Pin-Roll
7	147-2269	1	Cam-Handle, Pivot	29	140-9298	1	Lever-Brake
8	138-1645	1	Handle ASM	30	138-5538	2	Bushing-Flange
8:2	138-5532	1	Decal-Warning, General	31	283-6	1	Pin-Clevis
9	120-4654	2	Screw-HHF	32	138-1518	1	Spring-Brake, Torsion
10	119-4040	4	Nut-HF, NI	33	132-6777	1	Screw-Twh Thd Roll
11	138-3538	2	Bushing-Flange	34	120-9695	1	Nut-Jam
12	138-1636	1	Arm-Throttle	35	138-1535	1	Handle-Assist, Lift
15	140-9317	1	Screw-HHF,Lock	36	140-9334	1	Spring-Handle, Torsion
16	139-4303	1	Throttle Lever ASM	41	139-5141-03	1	Cover-Bottom, Controls [black
16:2	138-5534	1	Decal-Throttle	42	46-6810	3	Screw And Washer ASM
17	100-4852	1	Washer-Hardened	43	115-5142	2	Screw-HHF, Patch
20	137-0317	1	Handle Adjuster ASM	44	116-6639	1	Pin-Cotter, Locking
20:2	137-0308	2	Bushing-Igus	45	140-9312	1	Pin-Cotter, Locking
21	140-9335	1	Spacer-Spring	46	139-1323	1	Washer-Spcl
22	140-3377	1	Lever-Lock, Brake				
23	138-1514	2	Bushing-Flange				



## Traction Bail Assembly

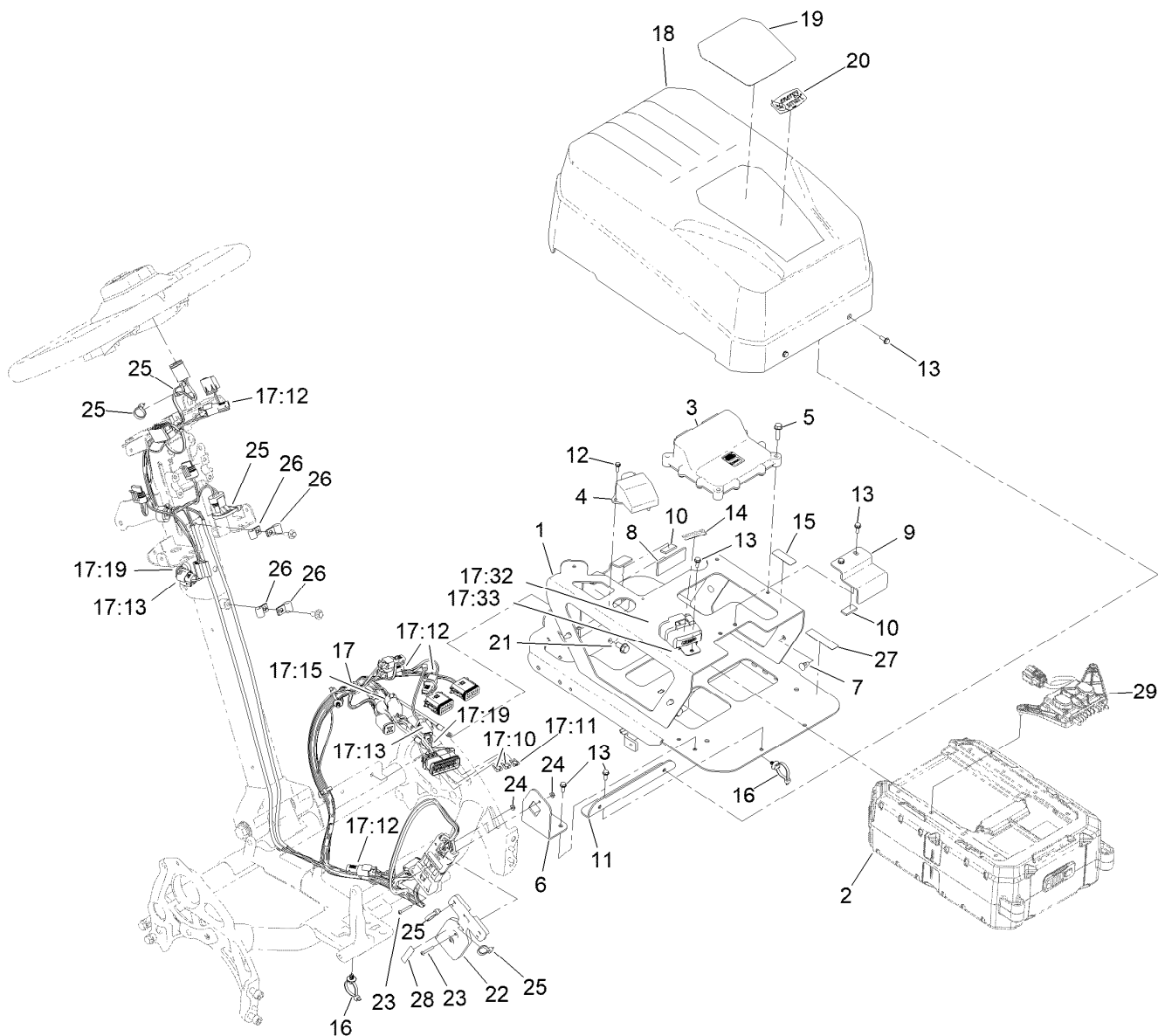
<i>Ref.</i>	<i>Part Number</i>	<i>Qty.</i>	<i>Description</i>	<i>Ref.</i>	<i>Part Number</i>	<i>Qty.</i>	<i>Description</i>
1	138-5524	1	Mount-Handle	11	138-1587	1	Clip-Pin, Cotter
2	3234-47	2	Screw-HHF	12	138-3468	1	Spring-Compression
3	119-4041	2	Nut-HF	13	120-9678	2	Screw-HHF
4	139-4302	1	Clutch Bail ASM	14	138-3539	1	Bracket-Bail, RH
4:2	138-5533	1	Decal-Bail, Traction	15	138-3540	1	Bracket-Bail, LH
5	138-3466	4	Bushing-Flange	16	138-5775	2	Screw-Delta Point
6	138-3465	2	Spacer-Tube	19	46-6811	2	Screw-Thd Roll Sems
7	321-18	2	Screw-HH	20	138-5538	2	Bushing-Flange
8	119-4040	4	Nut-HF, NI	25	119-7791	1	Plug-Hole
9	138-5515	1	Link-Bail, Clutch				



## Electric Handle Components Assembly

Ref.	Part Number	Qty.	Description	Ref.	Part Number	Qty.	Description
1	140-9328	1	Tab-Spring	18	120-6310	1	LCD Display ASM Kantrak 1700
2	140-9300	1	Spring-Extension	18:1	120-4630	1	Nut-Display
3	119-0737	2	Sensor-Position	18:2	120-6311	1	Decal-Display
4	66-8010	2	Spacer	19	161-7350	1	Ignition Switch ASM
5	139-5147	2	Lever-Bail, Control	19:1		1	Switch-Ignition ●
6	139-5149	1	Cable-Throttle	19:2	108-8660	1	Nut-Mounting
7	139-5144	2	Lock	19:3	106-5270	1	Ignition Key Set
8	104-1452	4	Screw-PPH	19:4	108-8659	1	Washer-Backup
9	120-9681	4	Nut-Lock, NI	25	139-5178	1	Decal-On/Off Greensmaster Eflex 1021
10	139-5153-0P	1	Mount	26	99-7149	1	Pin-Clevis
11	115-0282	1	Proximity Sensor ASM	27	360-0140	1	Washer-Flat
11:1	117-3207	2	Nut-Hex	28	140-3379	1	Link-Shaft, Pot
11:2	117-3208	2	Washer-Lock, Internal Tooth	29	138-5368	2	Spacer
12	120-0834	2	Screw-HSBH	30	139-4386	1	Fork-Catch, Bail
13	60-1730	1	Pin-Clevis	31	140-9233	2	Screw-HSH
14	138-1587	1	Clip-Pin, Cotter				
16	139-5151	1	Mount-Infocenter				
17	32144-36	4	Screw-PPH				

● Not serviced separately

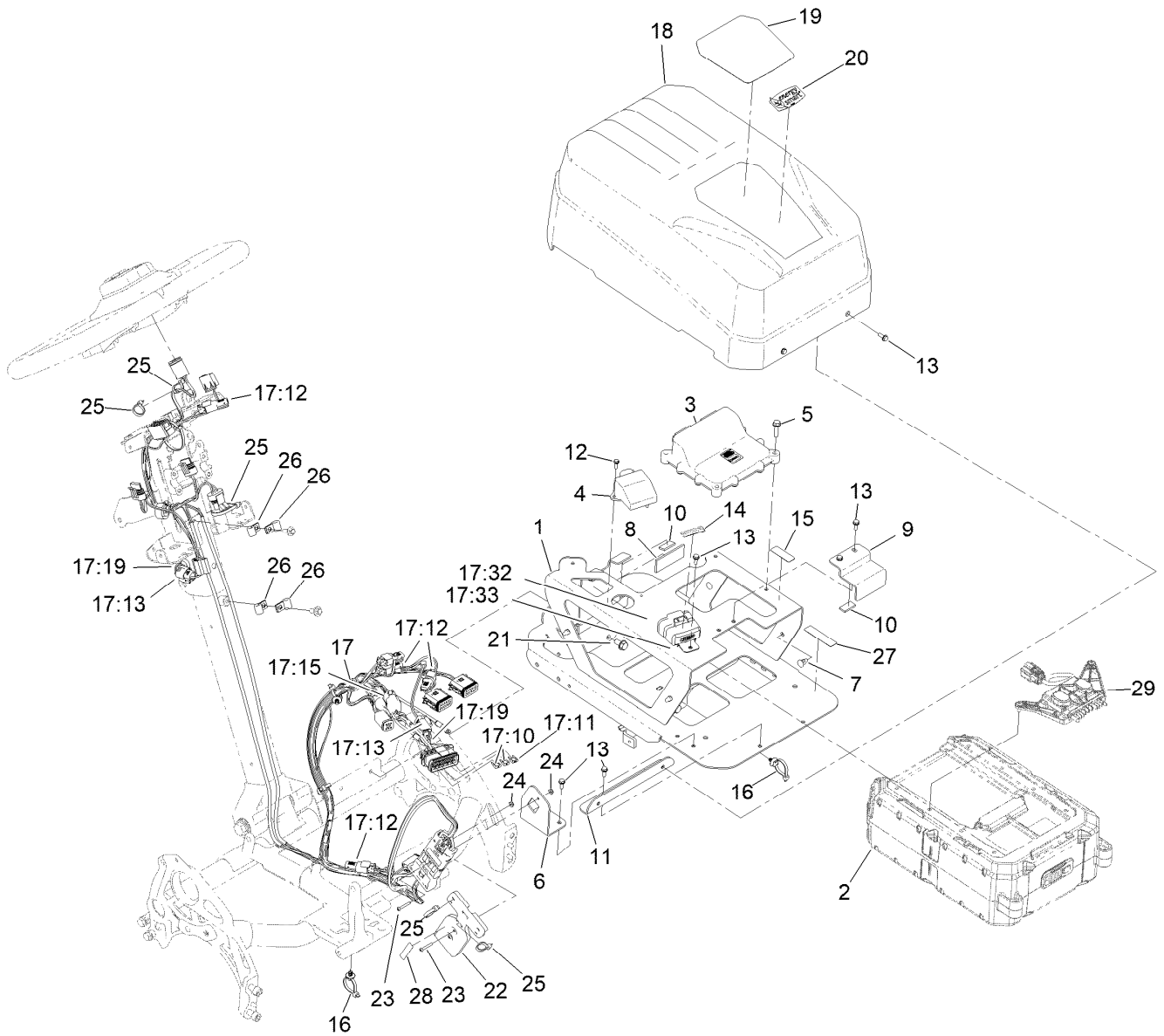


## Battery Frame Assembly

Ref.	Part Number	Qty.	Description	Ref.	Part Number	Qty.	Description
1	147-2326	1	Frame ASM-Battery (Service)	16	32180-400	2	Clip-Tie, Fir Tree W/Tie, 5MM/.196" Hole
2		1	Battery - Wet, 12V, 540 CCA ●■	17	122-3457	1	Harness-Wire, Main
3	122-1683	1	Controller-Tec 2402	17:10	121-8876	2	Fuse-Mini Blade, 3 Amp
4	147-2258	1	Gateway-Can, 250K-500K Baud Rate	17:11	121-8884	1	Fuse-Mini Blade, 30 Amp
5	32144-86	2	Screw-HWHTF	17:12	32180-282	4	Resistor-120 Ohm
6	147-2267-01	1	Mount-Battery Connect	17:13	32180-089	2	Cap-Plug, 3 Way
7	121-4729	4	Plug	17:15	32180-156	1	Cap-Plug, 6 Way
8	133-0081	1	Strip-Foam	17:19	32180-139	2	Mount-Tie Wrap, Magnetic
9	147-2253-0P	1	Bracket-Battery, Hold	17:32	32180-176	1	Cover-Block, Fuse
10	115-5417	4	Strip-Foam	17:33	32180-177	1	Clip-Mounting
11	147-2266-01	1	Cover-Mounting ASM [red]	18	140-9278	1	Cover-Electric
12	32144-87	2	Screw-HWHTF	19	139-5180	1	Decal-Lithium
13	32144-1	11	Screw-Tap-tite	20	119-7580	1	Decal-Smart, Energy
14	147-2319	1	Decal-Fuse Block	21	3234-7	4	Screw-HHF
15	139-5614	1	Decal-Op Manual	22	120-4646	1	Handle-Connector
				23	120-9693	3	Screw-PPH
				24	120-9684	3	Nut-Lock

● Not serviced separately

■ Obtain parts from [www.briggsandstratton.com](http://www.briggsandstratton.com)



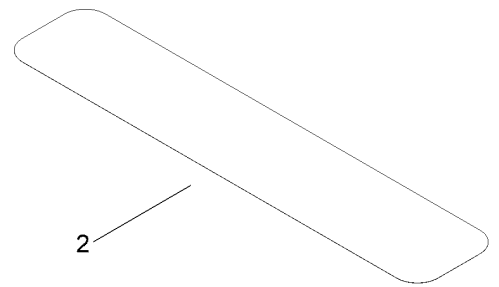
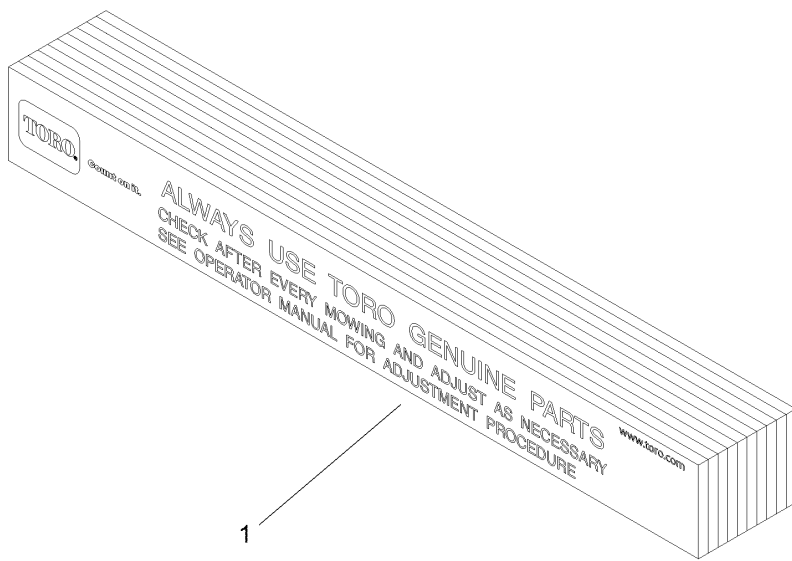
## Battery Frame Assembly (continued)

Ref.	Part Number	Qty.	Description
25	3290-378	5	Tie-Cable
26	2412-91	4	Clamp
27	137-9693	1	Decal-Warning

Ref.	Part Number	Qty.	Description
28	147-2310	1	Decal-Voltage, High
29	161-7379	1	Flying Lead-Battery
29	161-7381	1	Kit-Hardware, Flying Lead

● Not serviced separately

■ Obtain parts from [www.briggsandstratton.com](http://www.briggsandstratton.com)



## Miscellaneous Parts Assembly

<i>Ref.</i>	<i>Part Number</i>	<i>Qty.</i>	<i>Description</i>
1	125-5610	1	Paper-Reel, Toro (10 Pack)
2	140-5531	1	Shim-Toro Reel (.002In)

# Attachments and Accessories

## For 04835 Greensmaster e1021 Greensmower

Product Name	Model/Part
Paspalum Wiehle Roller, Greensmaster Flex 1021 Traction Unit .....	04028
Wheel Kit .....	04123
Light Kit (2019+) .....	04135
Push Broom Kit, Walk Greensmower (2019+) .....	04136
CU Light Kit Mount.....	04138
Extended Wiehle Roller, 21in.....	04141
Wheel Loading Kit, Tp200 .....	04219
Rail Loading Kit, Tp200 .....	04229
Trans Pro 80 Tow-Behind Trailer.....	04238
TRANS PRO 200.....	04239
Flat Ramp .....	04245
Rail Ramp Kit (Update).....	04247
21in Soft Grooming Brush.....	04270
21in Stiff Grooming Brush.....	04271
Turf Evaluator .....	04399
Universal Groomer Drive .....	04707
21in Twin Tip Groomer Reel .....	04802
21 Inch Interlaced Narrow Wiehle .....	04805
21in Full Roller.....	04815
21in Wide Wiehle Roller.....	04825
8-Blade 21in Fixed Cutting Unit .....	04832
11-Blade 21in Fixed Cutting Unit.....	04833
14-Blade 21in Fixed Cutting Unit .....	04834
Wide Wiehle Steel Roller Asm .....	107-3514
Bedknife-Tournament, Extended .....	108-4302
Bedknife-Microcut, Extended.....	108-4303
Bedknife-EDGEMAX, Microcut.....	115-1880
Bedknife-EDGEMAX, Tournament Cut.....	115-1881
Wireless Hourmeter.....	115-4754
Roller Extension Kit .....	115-7361
Front Brush for Wide Wiehle Roller (Qty 1) .....	115-7378
Front Brush for Full Roller (Qty 1) .....	115-7379
Front Comb for Wide Wiehle Roller (Qty 1) .....	115-7381
Front Comb for Full Roller (Qty 1) .....	115-7382
MVP Kit-Cutting Unit Re-Build .....	121-2637
Front Scraper for Wide Wiehle Roller (Qty 1) .....	125-3504
Front Scraper for Full Roller (Qty 1) .....	125-3505
Toro Reel Paper (10 Pack).....	125-5610
21in Soft Grooming Brush Kit.....	127-1547
21in Stiff Grooming Brush Kit.....	127-1548
Angle Indicator.....	131-6828
Angle Indicator Mount.....	131-6829
Bedbar .....	133-4525-01
Grease-Synthetic.....	136-8595
Bedknife-EDGEMAX .....	137-6092
Bedknife-Fairway.....	137-6097

## Attachments and Accessories (continued)

Rail Ramp Kit TP100 .....	138-5011
Retention Kit .....	139-2683
Bedknife-EDGEMAX, Microcut Short .....	139-4320
Bedknife-EDGEMAX, Tournament Short .....	139-4321
Access Backlap Kit .....	139-4342
Front Brush for Interlaced Wiehle Roller (Qty 1) .....	139-4383
Front Scraper for Interlaced Wiehle Roller (Qty 1).....	139-4385
Retention Straps Kit.....	139-6477
Wiehle Roller ASM, 21 Inch .....	140-3363
Shim-TORO Reel (.002in) .....	140-5531
Blade-GR Groomer, Twin Tip (0.032in).....	140-5580
Blade-GR Groomer, Helix (0.028in).....	140-5581
Blade-GR Groomer, Helix (0.015"").....	140-5582
Bedknife-Microcut.....	93-4262
Bedknife-Tournament Cut.....	93-4263
Bedknife-Low Cut .....	93-4264
Bedknife-Highcut .....	94-6392
Height-of-Cut Bar.....	94-9010
Extended HOC Arm .....	99-4286



**Notes:**

**Notes:**

**Notes:**



**Count on it.**