



**Count on it.**

**Parts Catalog**

**Greensmaster® 3320 TriFlex®  
Traction Unit**

Model No. 04530—Serial No. 416484287 and Up



# Ordering Replacement Parts

To order replacement parts, please supply the part number, the quantity, and the description of each part desired.

## Understanding Reference Numbers

Each identified part in an illustration has a reference number. The reference number for a part also appears in the parts list, along with other information about the part.

This catalog uses two special reference number formats, one to indicate parts in a service assembly and another to indicate the quantity of a given part in an illustration.

## Service Assembly Reference Numbers

Parts in service assemblies have reference numbers in the form a:b. The a represents the reference number of the entire service assembly and the b represents a sequential number unique to each part within the service assembly.

For example, a wheel assembly might be identified by reference number 6, the tire by 6:1, the valve by 6:2, and the wheel by 6:3. When you order the assembly identified by reference number 6, you receive all parts identified by reference numbers 6:1, 6:2, and 6:3. However, you may also order any part individually. Reference numbers of this type appear in illustration and in parts lists.

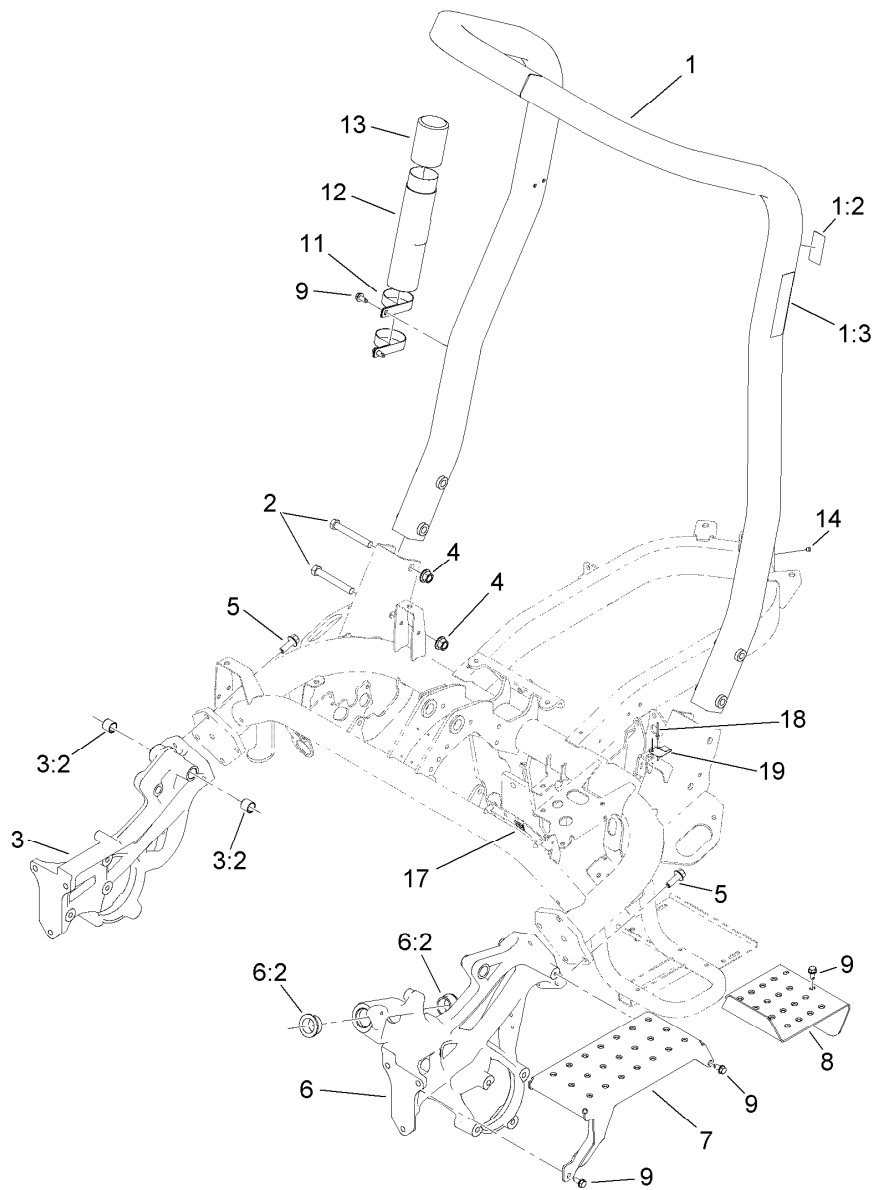
## Reference Numbers Indicating Quantity

In an illustration, if a reference number indicates more than one part, the reference number has the form nX y. The n represents the quantity of the part, the X is the multiplication symbol, and the y represents the reference number.

For example, in an illustration, the reference number 2X 37 means that two of the parts identified by reference number 37 are indicated.

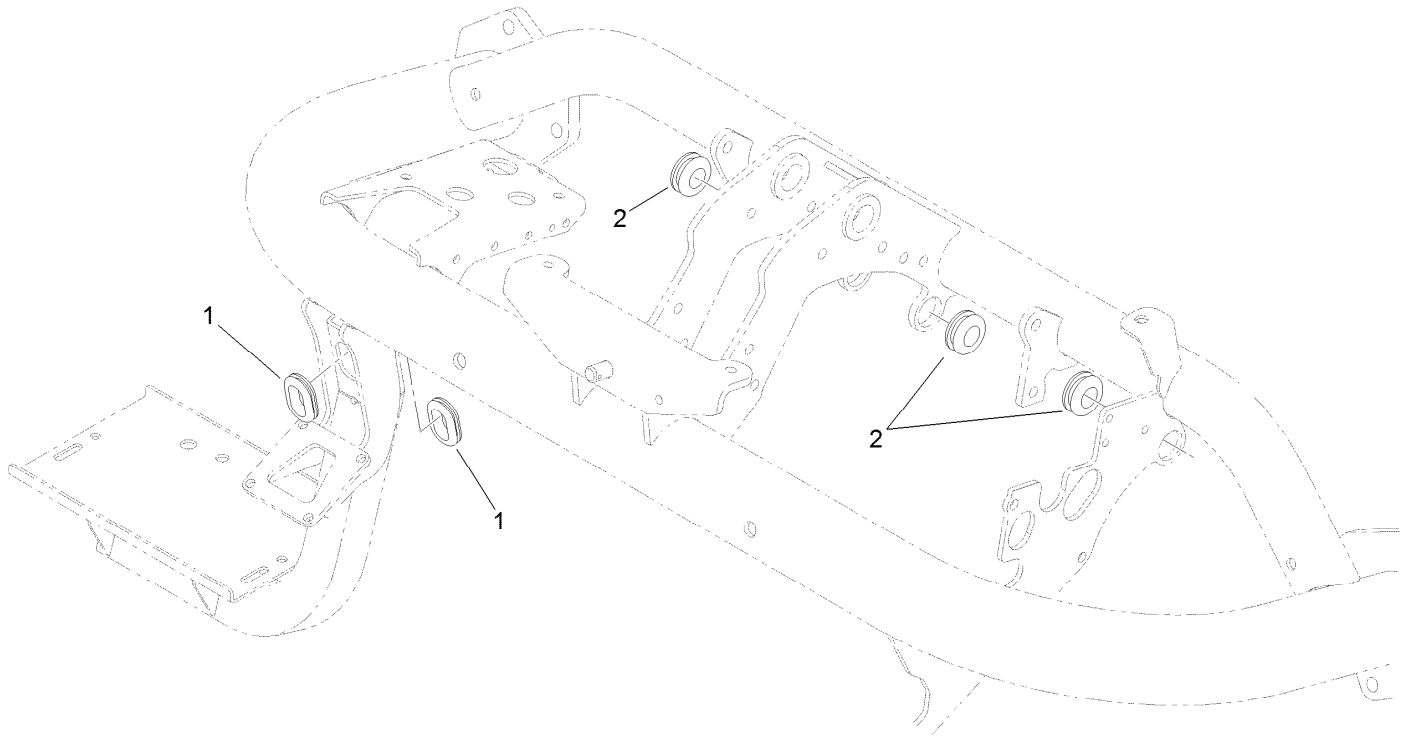
# Contents

Roll-Over Protection System Assembly .....	4
Brake Cable Grommet Assembly .....	5
Frame Assembly .....	6
Platform Assembly .....	7
Right Hand Support Platform Assembly .....	8
Seatbase Assembly .....	9
Steering Arm and Adjuster Assembly .....	10
Brake Cable and Lever Assembly .....	11
Back Wheel Assembly .....	12
Hydraulic Cylinder Assembly No. 117-4480 .....	13
Front Wheel Assembly .....	14
Right Hand Brake Assembly No. 139-2722 .....	15
Left Hand Brake Assembly No. 139-2721 .....	16
Left Hand Wheel Motor Assembly No. 117-4303 .....	17
Right Hand Wheel Motor Assembly No. 117-4302 .....	18
Console and Reel Control Assembly .....	19
Traction Interface Control Assembly .....	20
Ignition, Throttle and Choke Control Assembly .....	21
Console Cable Routing Assembly .....	22
Engine and Exhaust Assembly .....	23
Generator and Engine Frame Assembly .....	24
Generator/Controller Assembly No. 127-2580 .....	25
Generator Assembly No. 127-2579 .....	26
Generator Service Assembly No. 127-2578 .....	27
Battery Assembly .....	28
Wire Harness Assembly .....	29
Pump Coupling Assembly .....	30
Hydraulic Pump Assembly No. 139-6474 .....	31
Neutral Centering Assembly .....	33
Traction Drive Hydraulic Line Assembly .....	34
Traction Drive Hose Routing Assembly .....	35
Lift Circuit Assembly .....	36
Steering Valve Assembly No. 114-4672 .....	38
Hydraulic Cylinder Assembly No. 119-8129 .....	39
Hydraulic Cylinder Assembly No. 119-8128 .....	40
Hydraulic Lift Manifold Assembly .....	41
Hydraulic Lift Manifold Assembly No. 125-5187 .....	42
Steering Circuit Assembly .....	43
Steering Circuit Assembly (2) .....	44
Hydraulic Gear Pump Assembly No. 114-9958 .....	45
Fuel Line and Carbon Canister Hose Routing Assembly .....	46
Fuel Tank Assembly .....	47
Hydraulic Tank Assembly .....	48
Hydraulic Tank Cover Assembly .....	49
Suspension and Basket Assembly .....	50
Basket Assembly No. 132-9599 .....	51
Suspension Pin Position Assembly .....	52
Suspension A-Arm Assembly .....	53
Suspension Crossarm Assembly .....	54
Electric Motor and Bracket Assembly .....	55
Motor Assembly No. 144-6666 .....	56
Electric Mow Battery Assembly .....	57
Attachments and Accessories .....	59



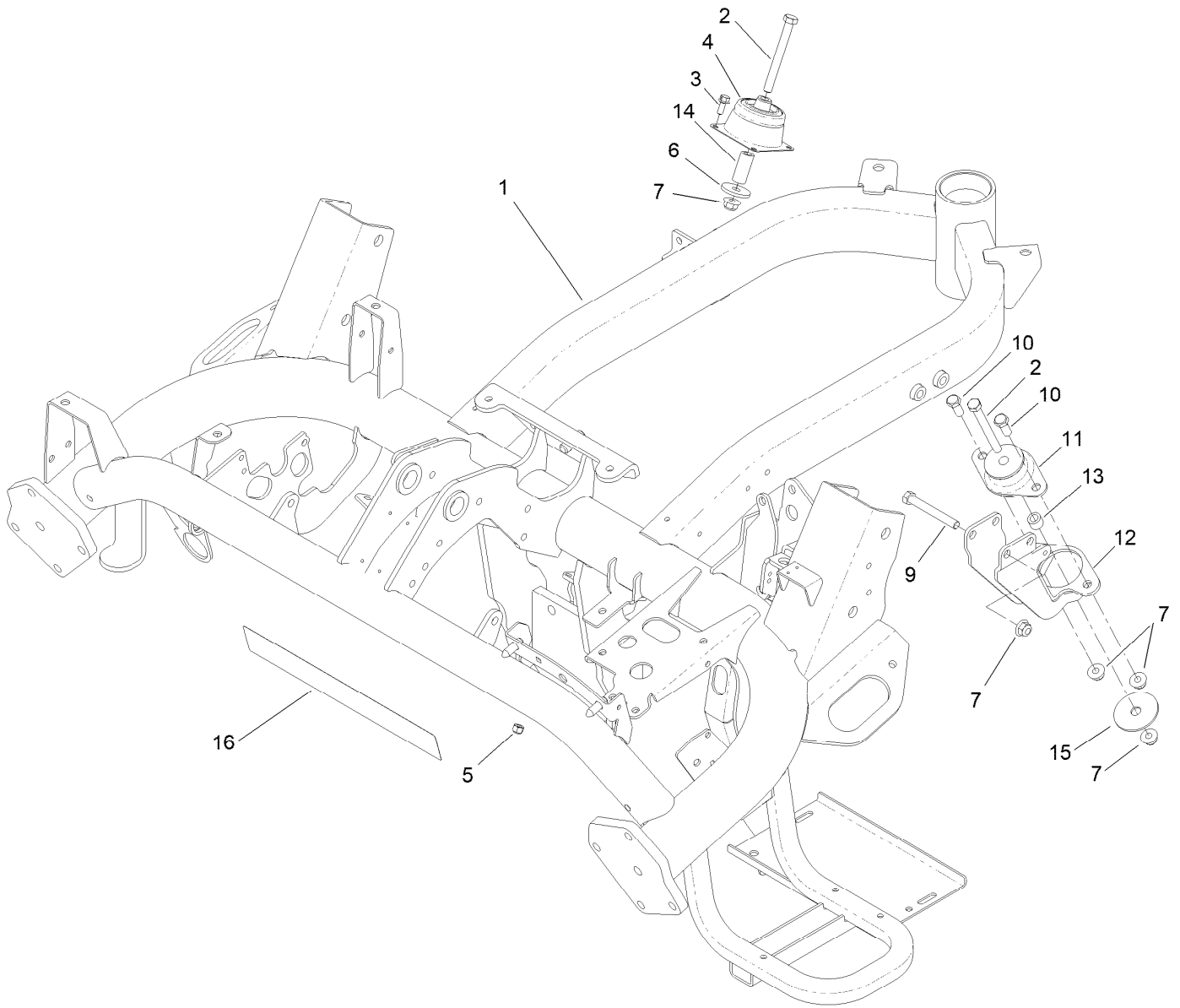
## Roll-Over Protection System Assembly

<i>Ref.</i>	<i>Part Number</i>	<i>Qty.</i>	<i>Description</i>	<i>Ref.</i>	<i>Part Number</i>	<i>Qty.</i>	<i>Description</i>
1	115-8206	1	ROPS ASM	7	117-9051-01	1	Step
1:2	115-8199	1	Decal-ROPS	8	119-4468-01	1	Plate-Step
1:3	115-8226	1	Decal-ROPS	9	32104-32	9	Screw-HWH
2	325-35	4	Screw-HH	11	2412-133	2	Clamp-R
3	117-9023	1	Casting-Side, RH	12	104-7050	1	Tube-Manual
3:2	94-9609	2	Bushing-Straight	13	104-7048	1	Cap-Housing
4	99-5107	4	Nut-Lock	14	302-59	1	Plug-EXT Hex Spl
5	117-9035	8	Screw-HHF	17	119-1730	1	Receptacle-Clip, Mini
6	117-9022	1	Casting-Side, LH	18	3269-32	2	Rivet-Pop
6:2	60-0080	2	Bushing	19	121-5865	1	Clip-Cover, Back



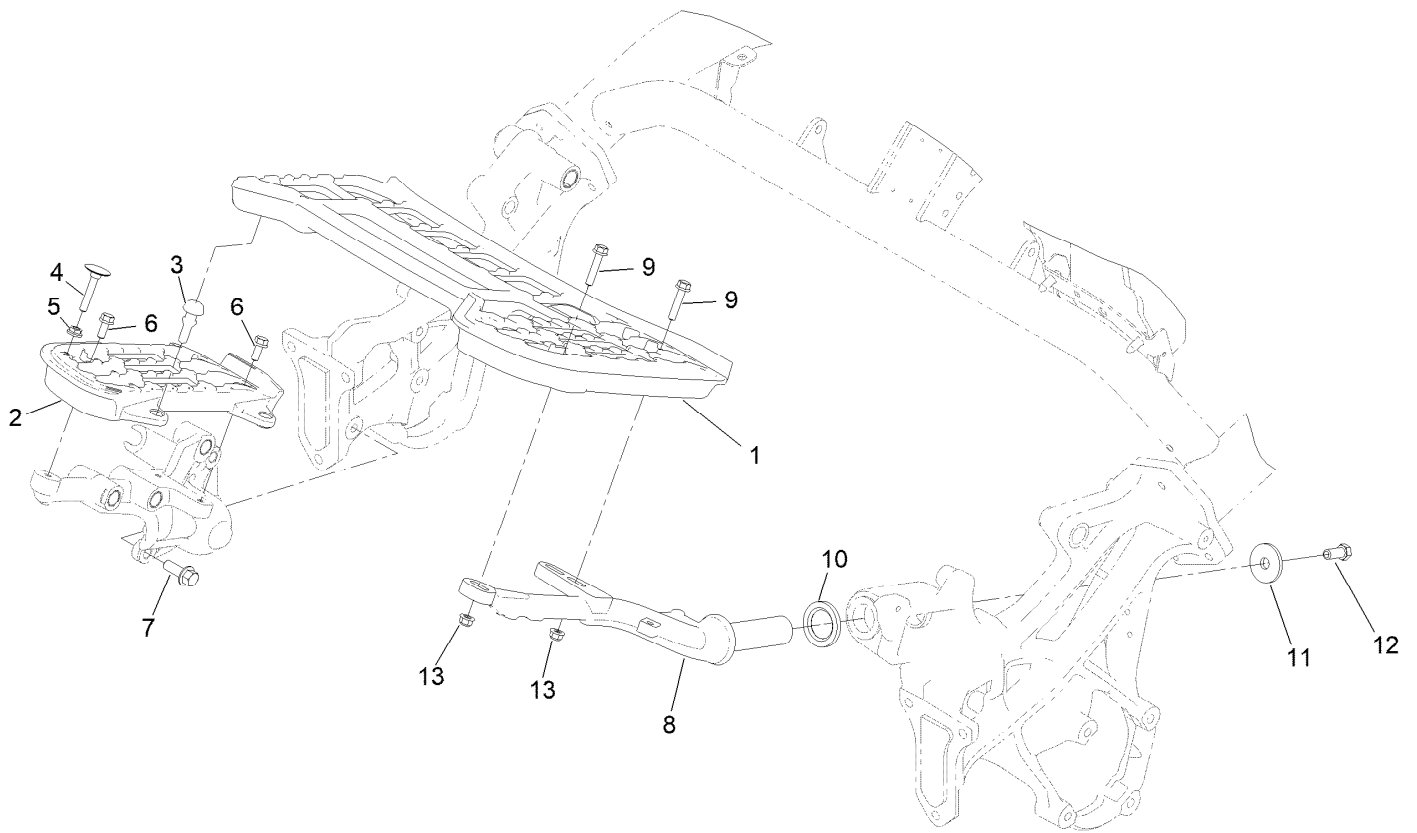
## Brake Cable Grommet Assembly

<i>Ref.</i>	<i>Part Number</i>	<i>Qty.</i>	<i>Description</i>
1	240-5	2	Grommet
2	98-8529	3	Grommet



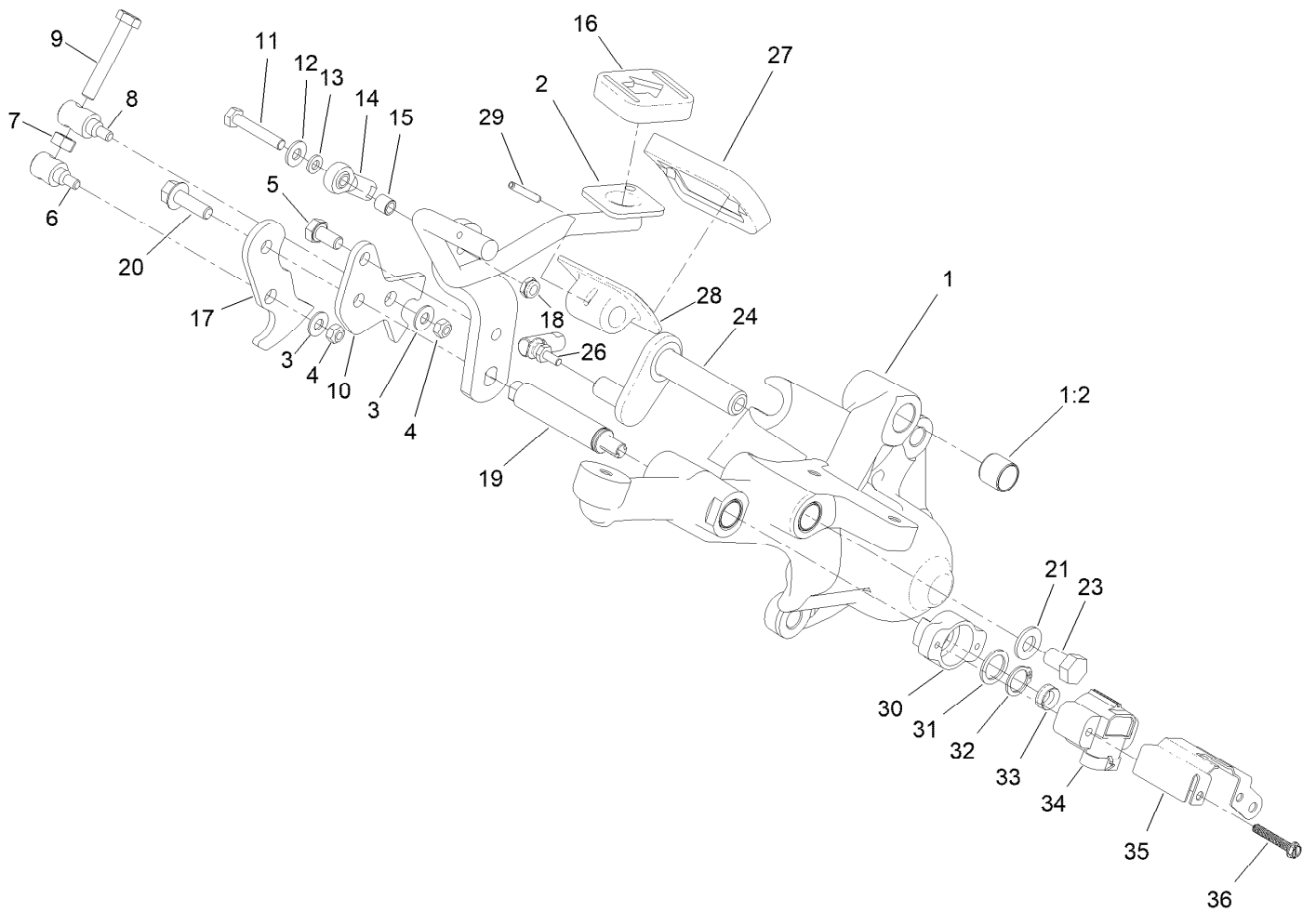
## Frame Assembly

Ref.	Part Number	Qty.	Description
1	147-3072-01	1	Frame ASM [red]
2	323-15	3	Screw-HH
3	322-4	4	Screw-HH
4	121-9076	2	Mount-Engine
5	104-8300	4	Nut-HF, NI
6	117-9330	2	Spacer
7	104-8301	7	Nut-HF, NI
9	323-14	2	Screw-HH
10	323-5	2	Screw-HH
11	131-1821	1	Mount-Engine
12	117-9256-01	1	Mount-Engine, Rear
13	52-2480	1	Spacer-Wheel
14	104-0151	2	Spacer
15	87-5100	1	Washer-Snubbing
16	115-8195	1	Decal



## Platform Assembly

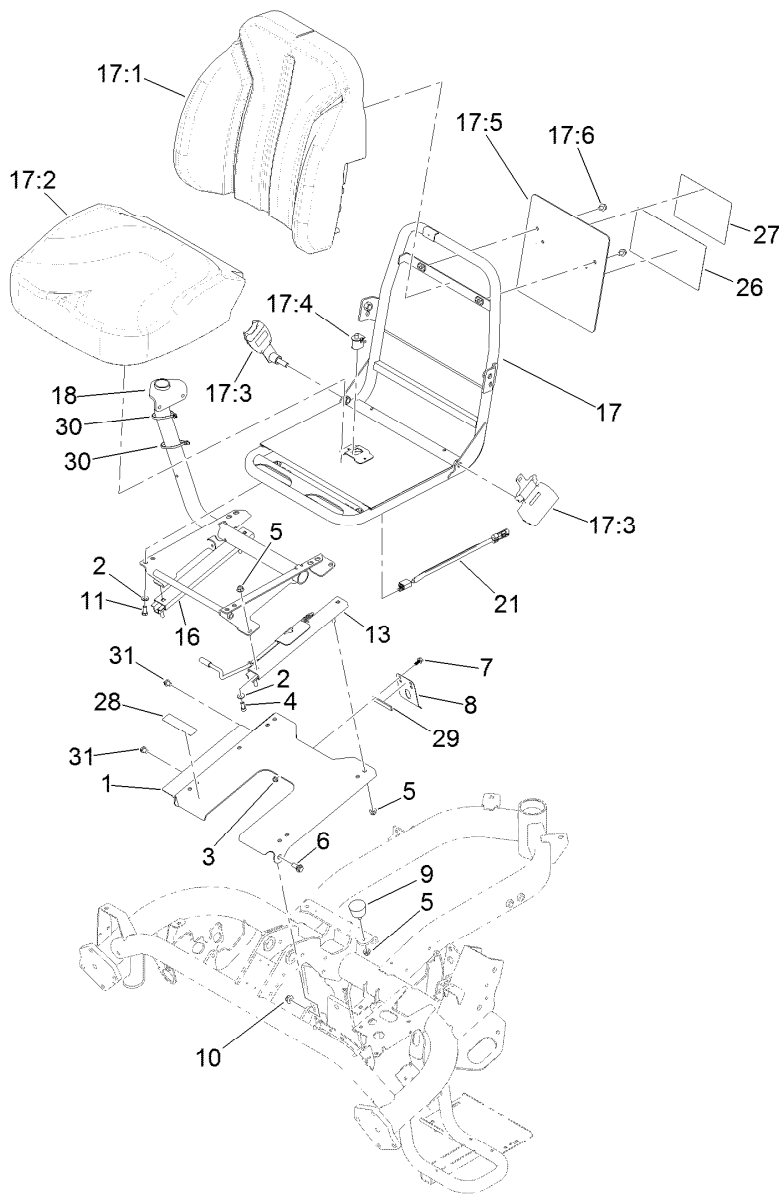
<i>Ref.</i>	<i>Part Number</i>	<i>Qty.</i>	<i>Description</i>
1	137-7768	1	Platform-LH
2	117-9008	1	Platform-RH
3	117-9072	2	Bumper-Rubber
4	115-8240	1	Screw-Elevator
5	32128-20	1	Nut-HF
6	3234-47	3	Screw-HHF
7	117-9035	3	Screw-HHF
8	139-8575-01	1	Support-Platform, LH (Mach)
9	115-1794	3	Screw-HHF
10	94-8946	1	Washer-Thrust
11	84-1560	1	Washer-Thrust
12	324-4	1	Screw-HH
13	104-8300	3	Nut-HF, NI



## Right Hand Support Platform Assembly

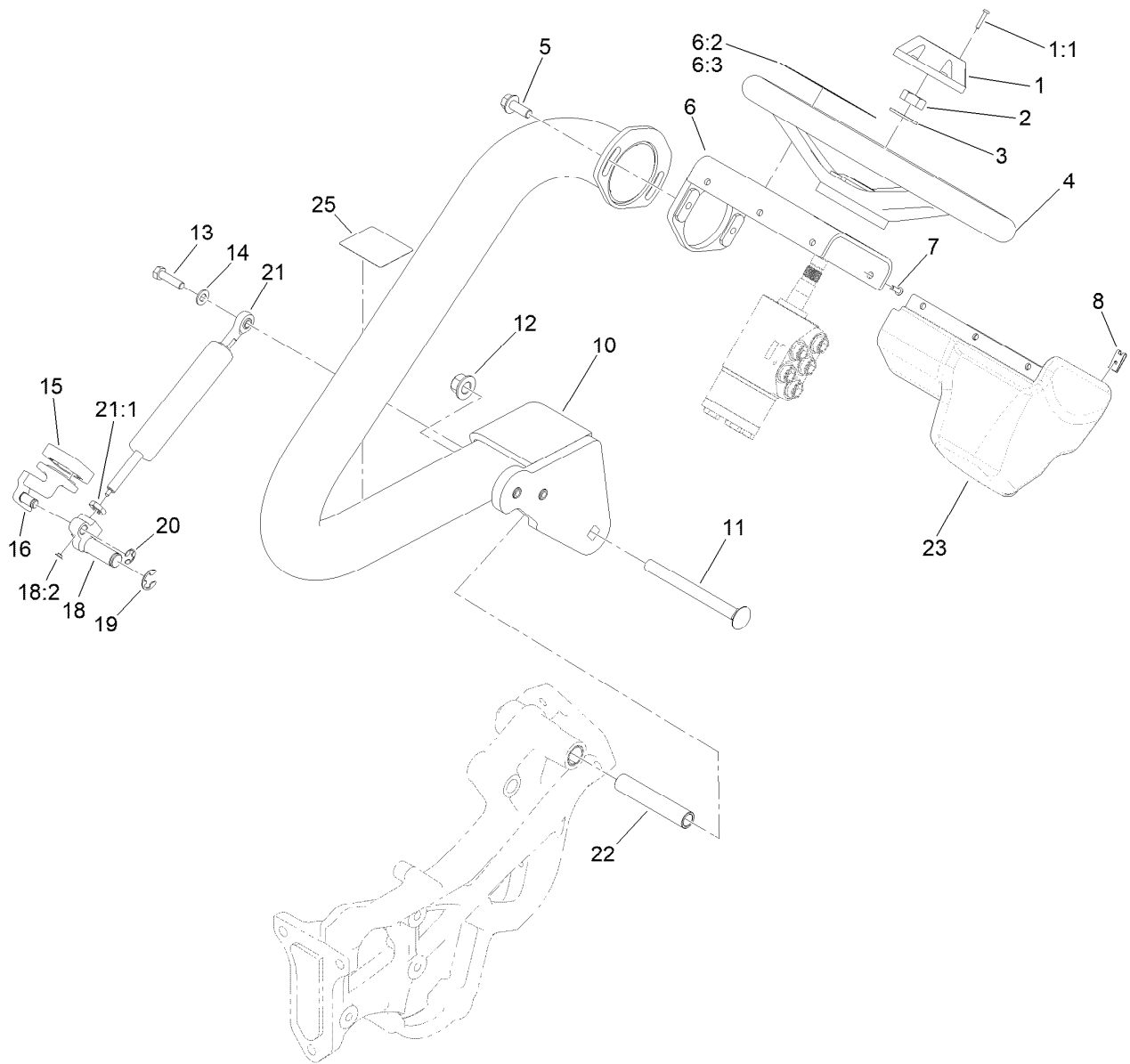
<i>Ref.</i>	<i>Part Number</i>	<i>Qty.</i>	<i>Description</i>	<i>Ref.</i>	<i>Part Number</i>	<i>Qty.</i>	<i>Description</i>
1	133-2313	1	Support-Platform, RH	18	3296-56	1	Nut-Lock, NI
1:2	256-311	6	Bushing-Split	19	131-3177	1	Shaft-Pedal
2	131-3179-01	1	Pedal-Traction	20	3234-29	1	Screw-HHF
3	3256-1	2	Washer-Flat	21	3256-24	1	Washer-Plain
4	33023-00	2	Nut-Lock	23	33115-016	1	Screw-HH
5	33114-016	1	Screw-HH	24	140-6108	1	Pin-Flag, Neutral Lock
6	94-1374	1	Trunnion-Bracket, Mow	26	2411-38	1	Joint-Ball
7	33014-00	1	Nut-Hex	27	74-9100	1	Pad-Pedal, Forward
8	94-1375	1	Trunnion-Bracket, Lock	28	117-9507	1	Pedal-Accelerator
9	94-3489	1	Screw-HH	29	32121-45	1	Pin-Spring
10	131-3181	1	Bracket-Lock	30	131-3178	1	Adaptor-Sensor
11	321-9	1	Screw-HH	31	7-3590	1	Washer
12	3256-22	1	Washer-Flat	32	32151-62	1	Ring-Retaining
13	33093-00	1	Washer-Flat	33	131-3187	1	Seal-V-Ring
14	2411-41	1	Rod End-Ball Joint	34	122-0055	1	Sensor Position
15	99-3545	1	Spacer	35	131-3184	1	Shield-Sensor
16	74-9110	1	Pad-Pedal, Reverse	36	692501	2	Screw-SHWH
17	140-5254	1	Bracket-Mow				





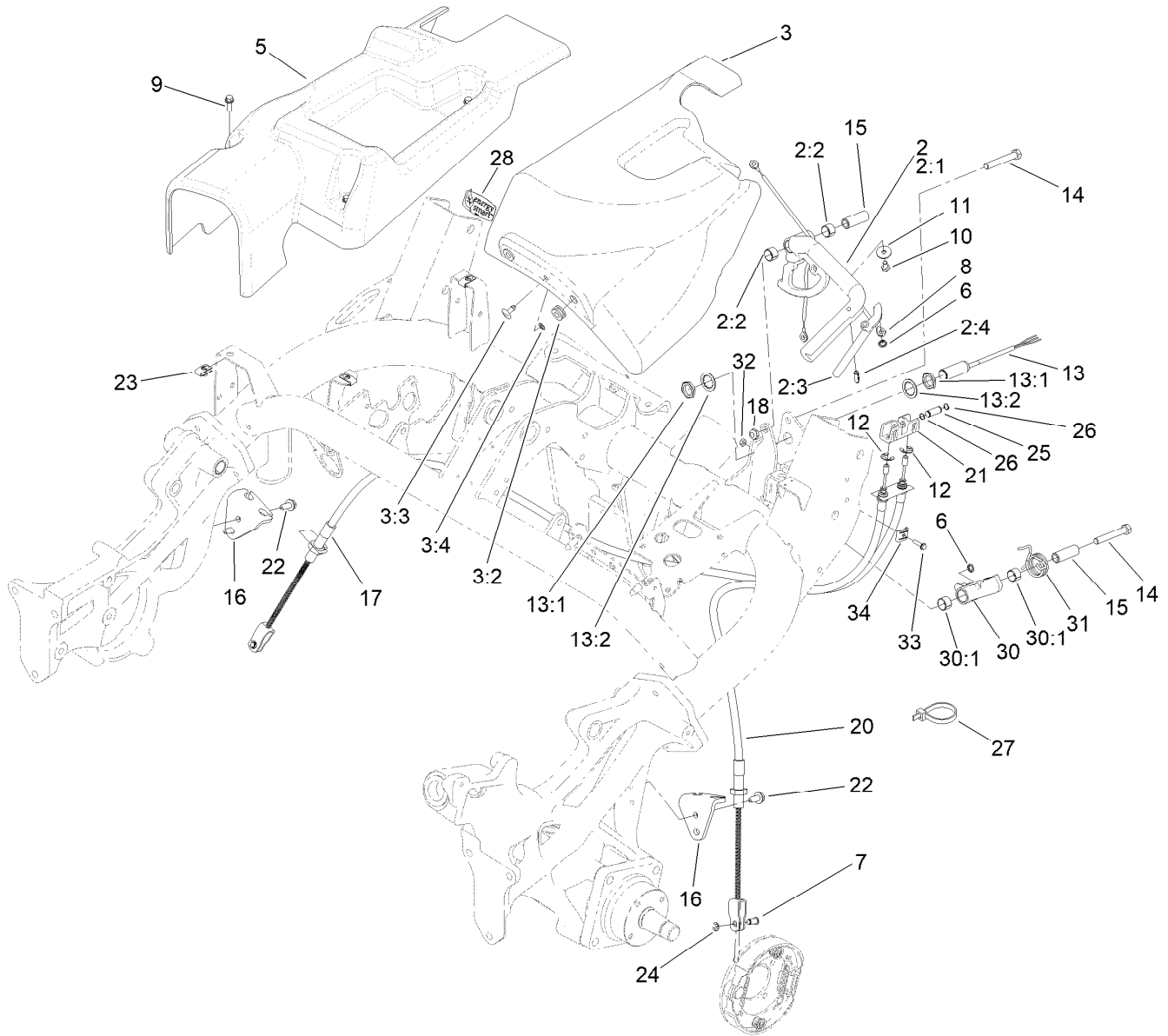
## Seatbase Assembly

<i>Ref.</i>	<i>Part Number</i>	<i>Qty.</i>	<i>Description</i>	<i>Ref.</i>	<i>Part Number</i>	<i>Qty.</i>	<i>Description</i>
1	136-8405-03	1	Plate-Seat	18	139-6453-03	1	Console Mount ASM, Welded
2	3256-23	8	Washer-Plain	21	108-8657	1	Harness-Wire, Seat
3	104-7201	2	Nut-HF, NI	26	115-8159	1	Decal-Service, Spanish
4	3274-10	4	Screw-HSH	26	115-8160	1	Decal-Service, French
5	104-8300	10	Nut-HF, NI	26	115-8161	1	Decal-Service, German
6	94-7582	2	Bolt-Shoulder	26	115-8162	1	Decal-Service, Swedish
7	99-6810	2	Screw-HHF	26	115-8163	1	Decal-Service, Italian
8	66-2630	1	Latch-Seat	26	115-8164	1	Decal-Service, Portuguese
9	68-3270	2	Bumper-Rubber	26	115-8165	1	Decal-Service, Norwegian
10	104-8301	2	Nut-HF, NI	26	115-8166	1	Decal-Service, Finnish
11	322-3	4	Screw-HH	26	115-8167	1	Decal-Service, Danish
13	133-8896	1	Seat Adjuster Lever ASM	26	115-8168	1	Decal-Service, Dutch
16	92-8990	1	Adjuster-Seat, Non-Locking	26	115-8169	1	Decal-Service, Japanese
17	139-2680	1	Seat ASM	26	139-2727	1	Decal-Service, GR3300/3320
17:1	145-0083	1	Cover-Seat, Back	27	115-8156	1	Decal-Speed, Clip
17:2	145-0084	1	Cover-Seat, Bottom	28	133-8062	1	Decal-Spark Arrestor
17:3	139-2707	1	Seat Belt Kit	29	120-5753	1	Strip-Foam
17:4	82-2190	1	Switch-Bail	30	3290-379	2	Tie-Cable
17:5	139-2701	1	Plate-Decal	31	32180-030	2	Clip-Tie
17:6	3234-30	2	Screw-HHF				



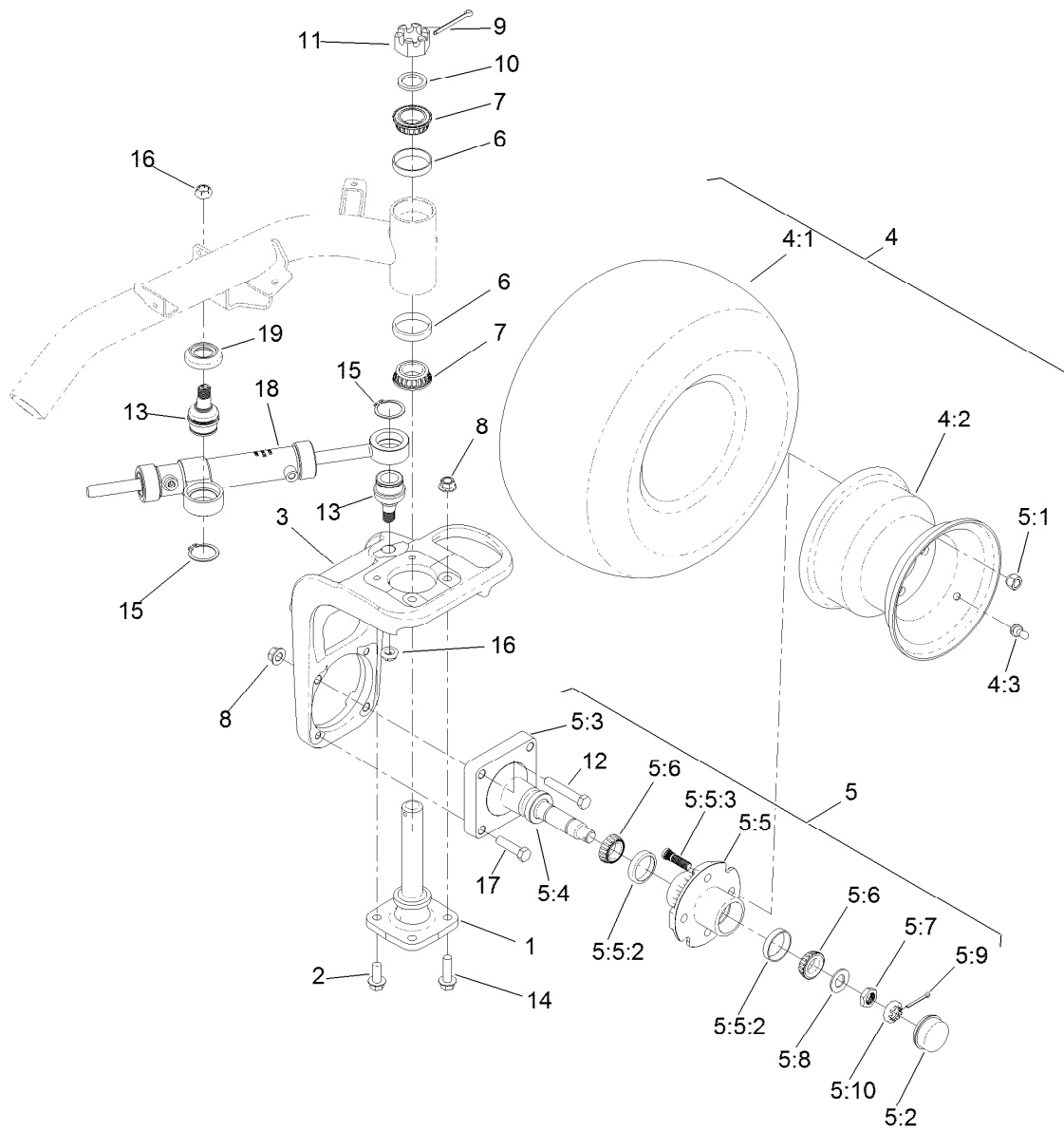
## Steering Arm and Adjuster Assembly

<i>Ref.</i>	<i>Part Number</i>	<i>Qty.</i>	<i>Description</i>	<i>Ref.</i>	<i>Part Number</i>	<i>Qty.</i>	<i>Description</i>
1	68-5140	1	Cap-Wheel, Steering	13	322-5	1	Screw-HH
1:1	32144-21	1	Screw	14	3256-23	1	Washer-Plain
2	3296-33	1	Nut-Lock, NI	15	74-9110	1	Pad-Pedal, Reverse
3	3256-27	1	Washer-Flat	16	138-6456	1	Lever (Mach)
4	145-0051	1	Steering Wheel	18	133-9030	1	Pivot Lever ASM
5	3234-42	2	Screw-HHF	18:2	133-8995	1	Bushing
6	136-8571	1	Mount-Steering	19	32120-19	1	E-Ring
6:2	136-8506	1	Decal-Danger	20	105-7004	1	E-Ring
6:3	136-8505	1	Decal-Danger, CE	21	133-9036	1	Cylinder-Gas
7	3274-39	6	Screw-HSBH	21:1	112-8617	1	Nut-Hex
8	3290-277	6	Nut-Speed	22	117-9002	1	Spacer
10	145-0093-01	1	Steering Arm ASM [red]	23	119-9300	1	Cover-Valve, Steering
11	140-7029	1	Screw-CARR	25	119-9346	1	Decal-Arm, Steering
12	99-5107	1	Nut-Lock				



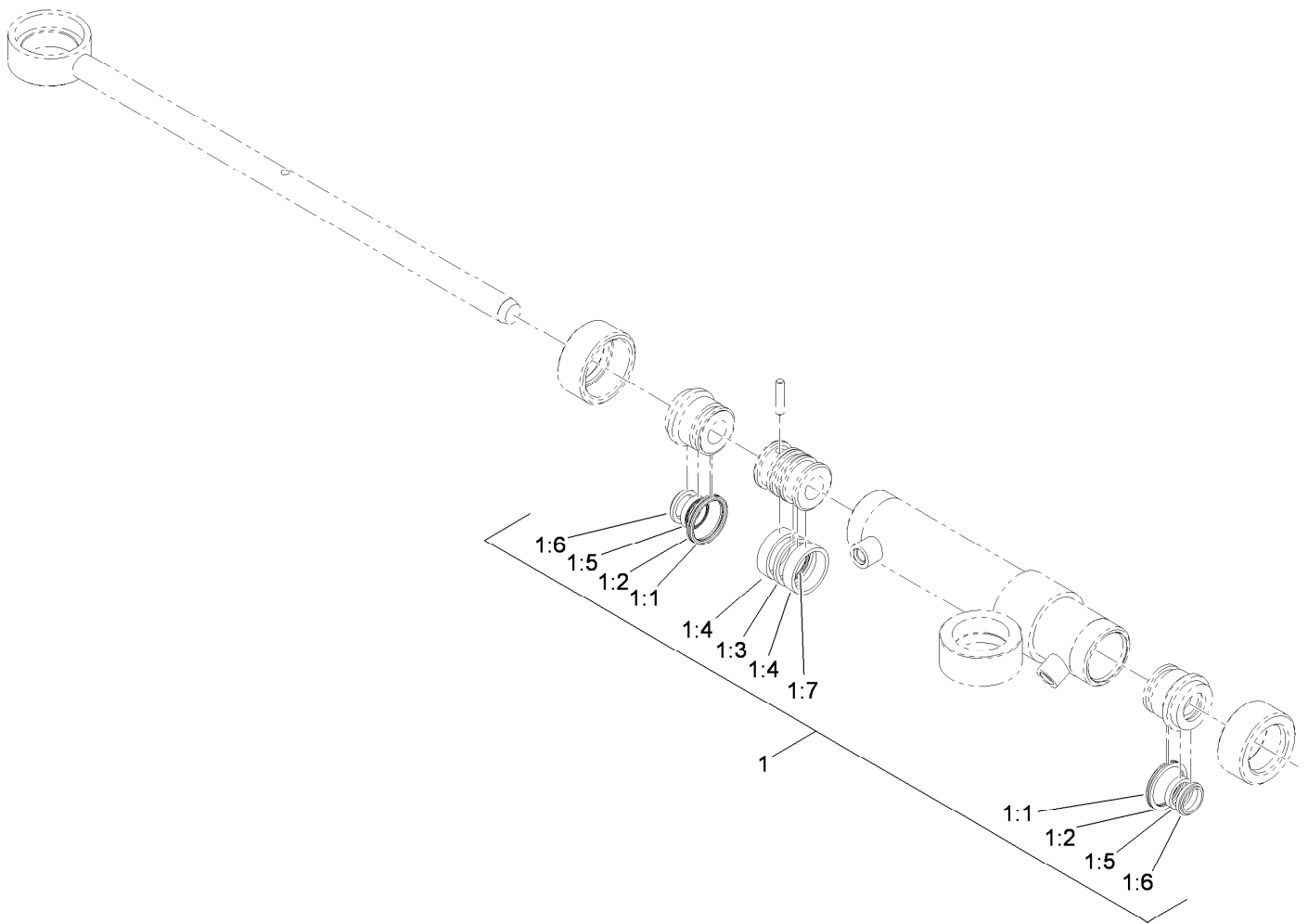
## Brake Cable and Lever Assembly

Ref.	Part Number	Qty.	Description	Ref.	Part Number	Qty.	Description
2	140-6217	1	Hand Brake Lever Assembly	14	323-12	2	Screw-HH
2:1	131-3024	1	Lever-Brake, Hand	15	131-3017	2	Spacer
2:2	1-653600	2	Bushing	16	133-8901	2	Bracket-Cable, Brake
2:3	131-3003	1	Lever-Release	17	131-1833	1	Cable-Brake, RH
2:4	32121-24	1	Pin-Spring	18	3296-59	2	Nut-Lock, NI
3	131-3025	1	LH Cover ASM	20	131-1834	1	Cable-Brake, LH
3:2	119-1728	1	Stud-1/4 Turn	21	131-3065	1	Equalizer-Cable
3:3	119-1729	1	Retainer-Stud	22	32104-32	4	Screw-HWH
3:4	92-5972	2	Grommet-Rubber	23	107069	3	Clip
5	138-5029	1	Cover-Side, RH	24	701197	2	E-Ring
6	104-8310	2	Ring-Retaining	25	131-3021	1	Pin
7	109-6887	2	Pin-Clevis	26	32120-46	2	Ring-Retaining
8	131-3004	1	Cable	27	3290-379	1	Tie-Cable
9	115-5103	3	Screw-HHF	28	119-7580	1	Decal-Smart, Energy
10	321-2	1	Screw-HH	30	137-1659	1	Brake Pawl ASM
11	3256-67	1	Washer	30:1	1-653600	2	Bushing
12	32120-47	2	Ring-Retaining, External	31	132-3833	1	Spring-Torsion
13	115-5300	1	Proximity Switch ASM	32	3296-2	1	Nut-Lock, NI
13:1	117-3207	2	Nut-Hex	33	3290-126	1	Screw-HWH
13:2	117-3208	2	Washer-Lock, Internal Tooth	34	81-1690	1	Clamp-Cable



## Back Wheel Assembly

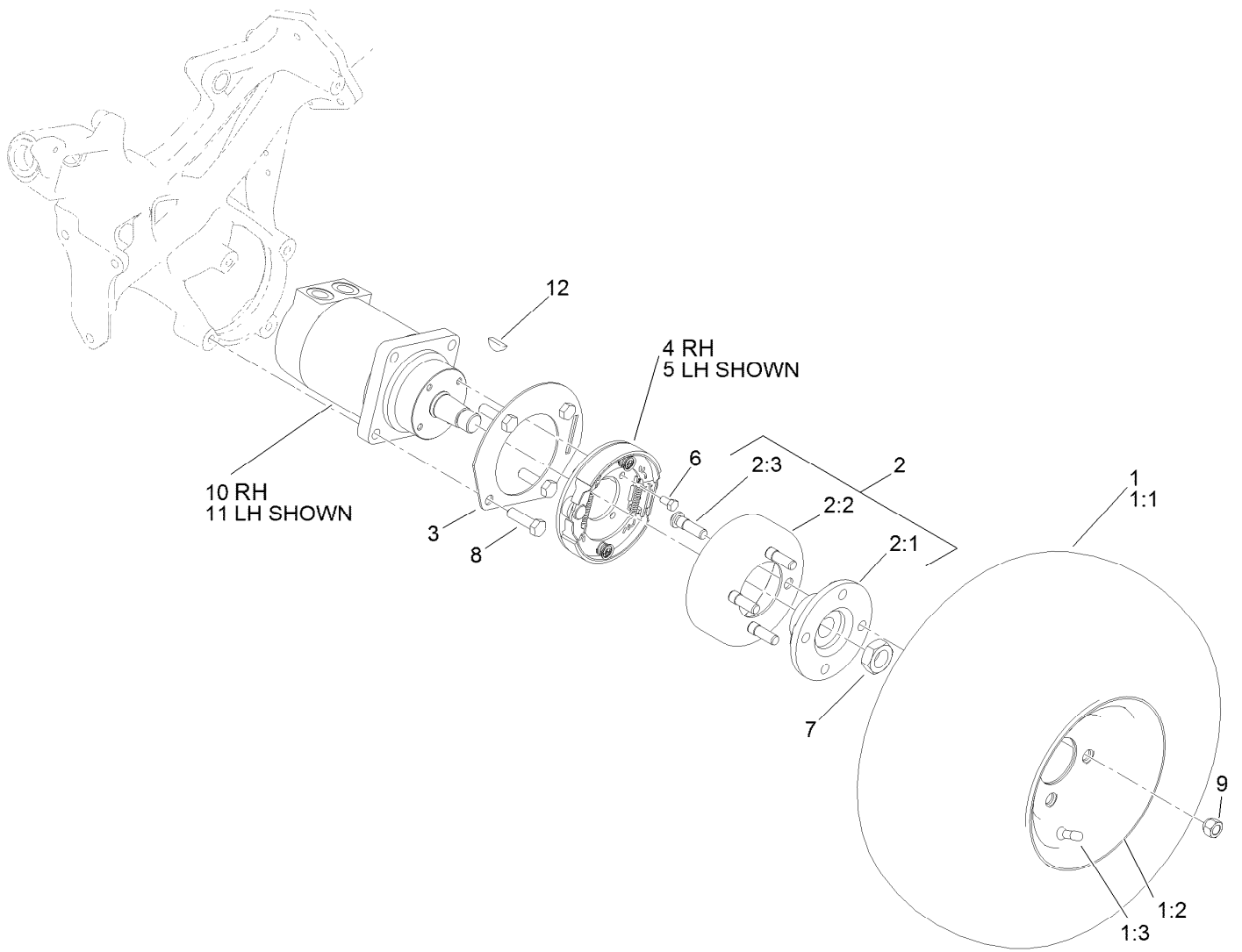
Ref.	Part Number	Qty.	Description	Ref.	Part Number	Qty.	Description
1	115-2657	1	Spindle-Steering	5:8	117-8259	1	Washer-Spindle
2	3234-38	2	Screw-HHF	5:9	3272-18	1	Pin-Cotter
3	117-4366-01	1	Base-Fork, Rear	5:10	93-0307	1	Nut-Lock, Retainer
4	117-9033	1	Wheel And Tire ASM	6	115-9471	2	Bearing-Cup
4:1	120-2783	1	Tire	7	115-9472	2	Bearing-Cone And Seal
4:2	217-60	1	Rim	8	99-5107	4	Nut-Lock
4:3	232-27	1	Stem-Valve	9	3272-37	1	Pin-Cotter
5	119-4490	1	Wheel Spindle ASM	10	18-6320	1	Washer
5:1	242-50	4	Nut-Lug	11	32136-9	1	Nut-Hex, Slotted
5:2	241-119	1	Cap-Dust	12	325-12	2	Screw-HH
5:3	112-7173	1	Spindle	13	121-3605	2	Ball Joint
5:4	112-1690	1	Seal-Oil	14	3234-22	2	Screw-HHF
5:5	117-9093	1	Hub ASM	15	32151-104	2	Ring-Retaining, External
5:5:2	254-72	2	Bearing-Cup, Tapered	16	121-3611	2	Nut-Hex, Flextop
5:5:3	114-3918	4	Stud-Wheel	17	325-8	2	Screw-HH
5:6	254-92	2	Cone-Bearing, Outer	18	117-4480	1	HYD Cylinder ASM
5:7	117-8260	1	Nut	19	120-2026	1	Spacer-Cylinder



## Hydraulic Cylinder Assembly No. 117-4480

<i>Ref.</i>	<i>Part Number</i>	<i>Qty.</i>	<i>Description</i>
1	119-7124	1	Kit-Seal
1:1		2	O-Ring ●
1:2		2	Ring-Backup ●
1:3		1	Seal-Psp ●
1:4		2	Ring-Wear ●
1:5		2	Seal-Bs ●
1:6		2	Seal-Dust ●
1:7		1	O-Ring ●

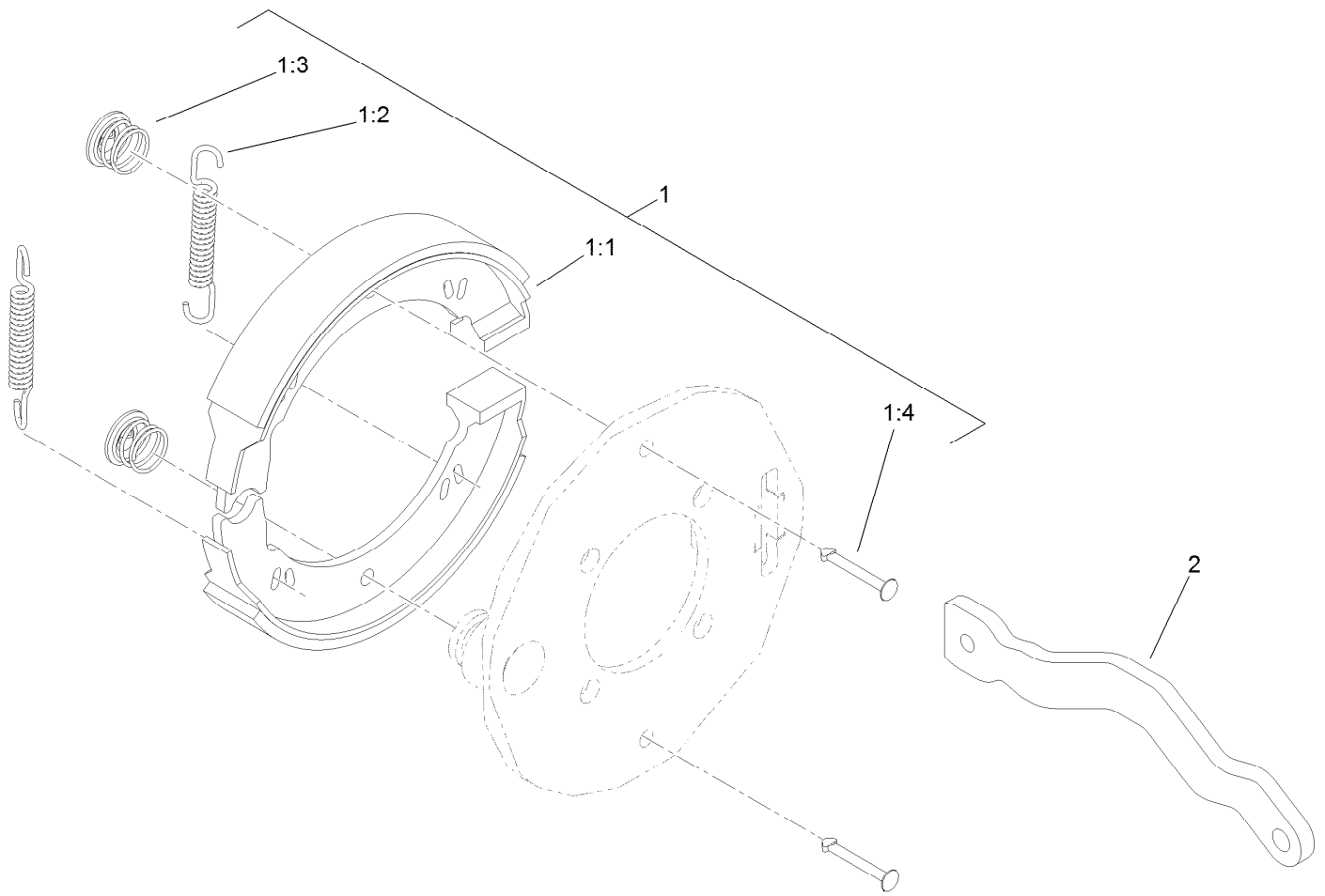
● Not serviced separately



## Front Wheel Assembly

Ref.	Part Number	Qty.	Description
1	117-9030	2	Wheel And Tire ASM
1:1	120-2783	1	Tire
1:2	117-9032	1	Rim
1:3	232-27	1	Stem-Valve
2	115-2661	2	Brake Drum ASM
2:1	115-2662-0P	1	Hub-Wheel [primed]
2:2	115-2663	1	Drum-Brake
2:3	85-6540	4	Stud-Drive
3	114-9998-03	2	Tab-Lever, Brake

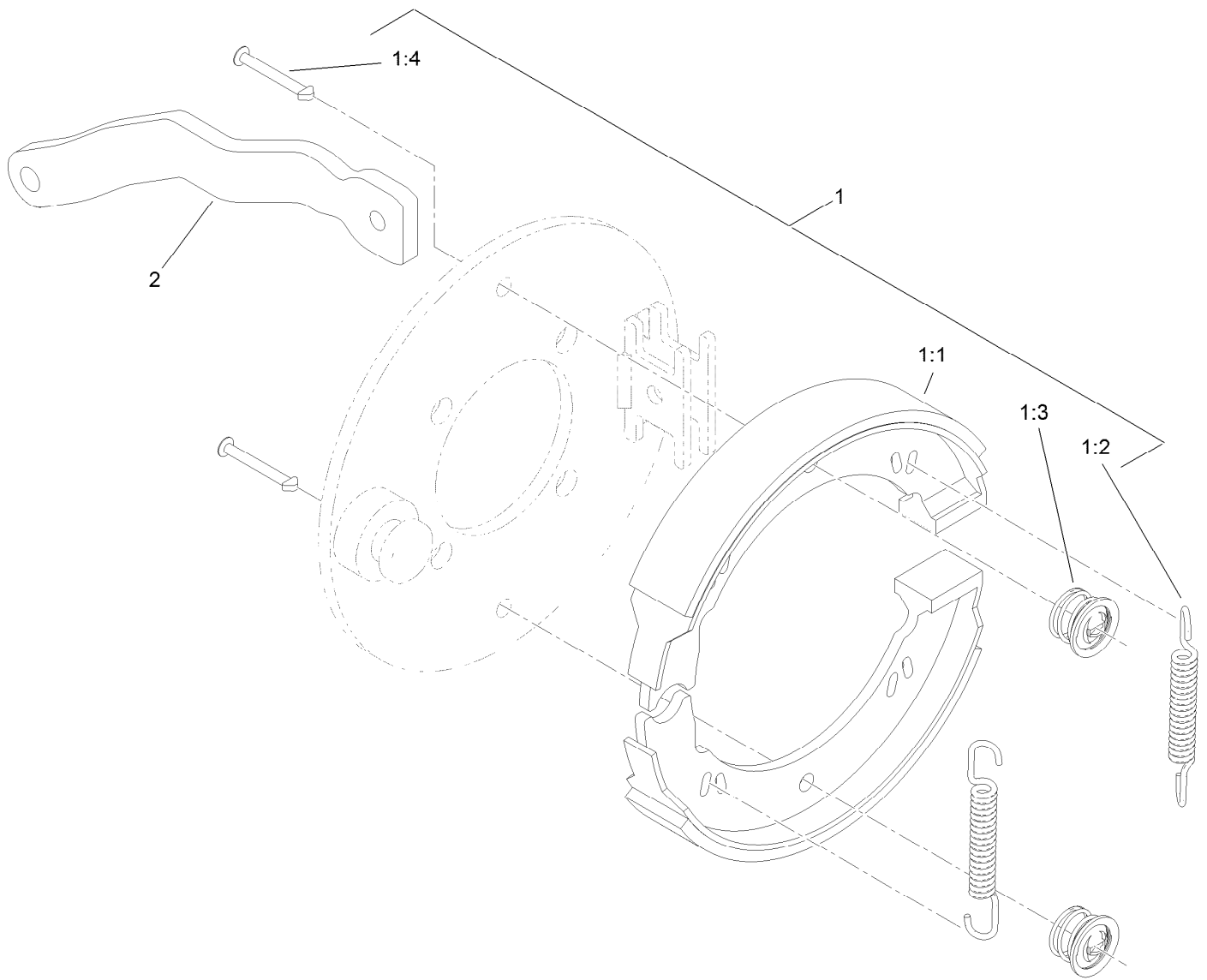
Ref.	Part Number	Qty.	Description
4	139-2722	1	RH Brake ASM
5	139-2721	1	LH Brake ASM
6	322-2	8	Screw-HH
7	26-3790	2	Nut-Lock
8	325-7	8	Screw-HH
9	242-50	8	Nut-Lug
10	117-4302	1	RH Wheel Motor ASM
11	117-4303	1	LH Wheel Motor ASM
12	3257-42	1	Key-Woodruff



## Right Hand Brake Assembly No. 139-2722

Ref.	Part Number	Qty.	Description
1	139-2723	1	Kit-Brake
1:1		2	Shoe-Brake ●
1:2		2	Spring ●
1:3		2	Clip ●
1:4		2	Pin-Retainer ●
2	115-5789	1	Lever-Brake, RH

● Not serviced separately

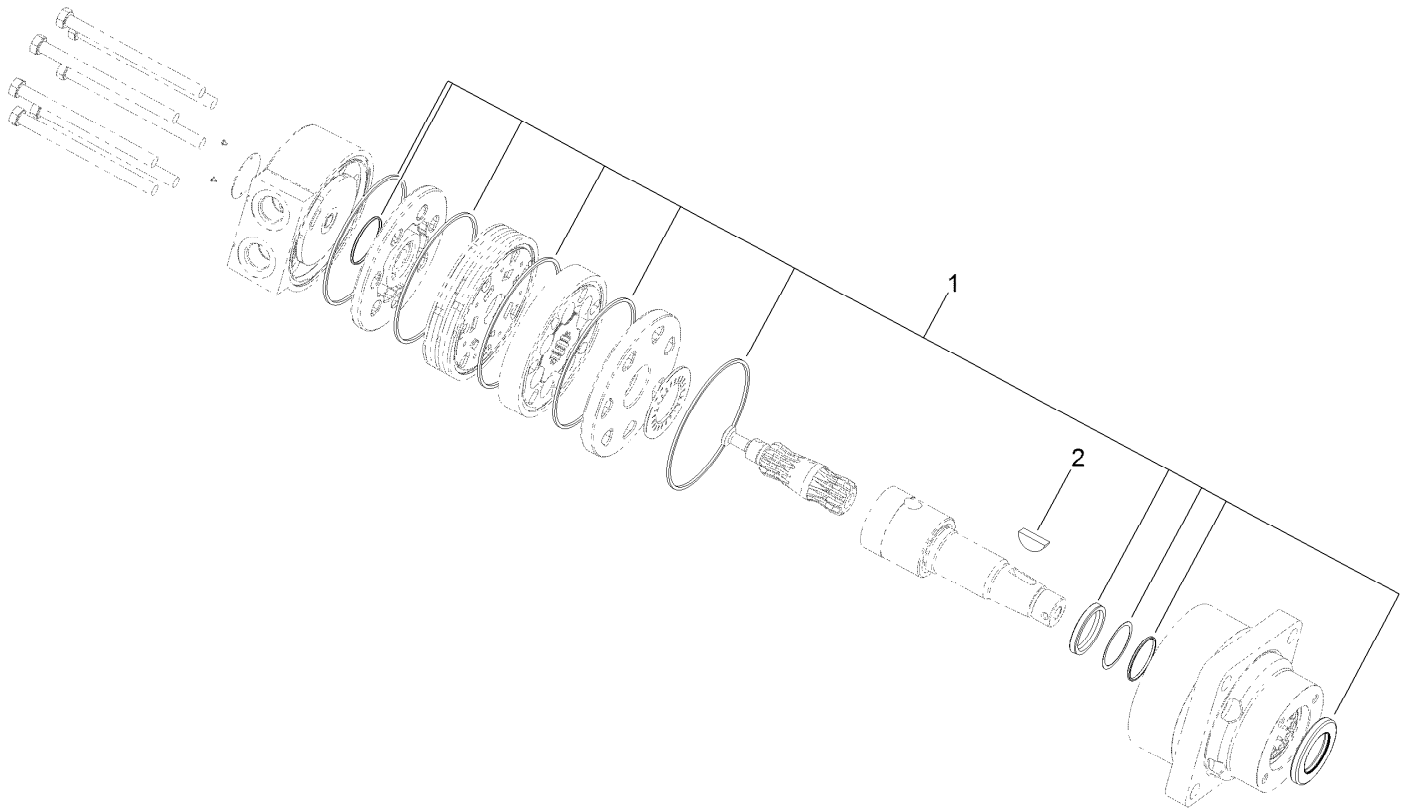


## Left Hand Brake Assembly No. 139-2721

Ref.	Part Number	Qty.	Description
1	139-2723	1	Kit-Brake
1:1		2	Shoe-Brake ●
1:2		2	Spring ●
1:3		2	Clip ●
1:4		2	Pin-Retainer ●
2	115-2664	1	Lever-Brake, LH

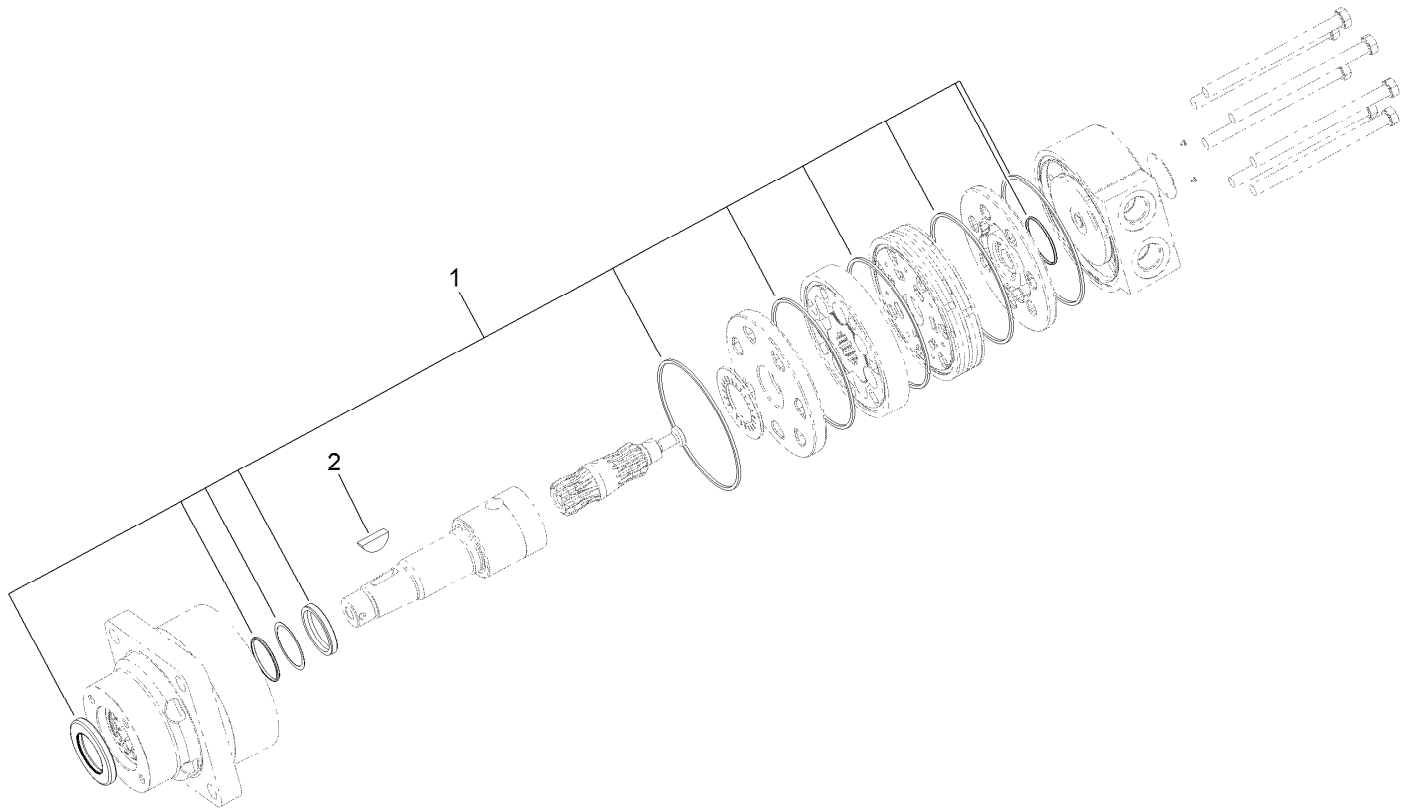
● Not serviced separately





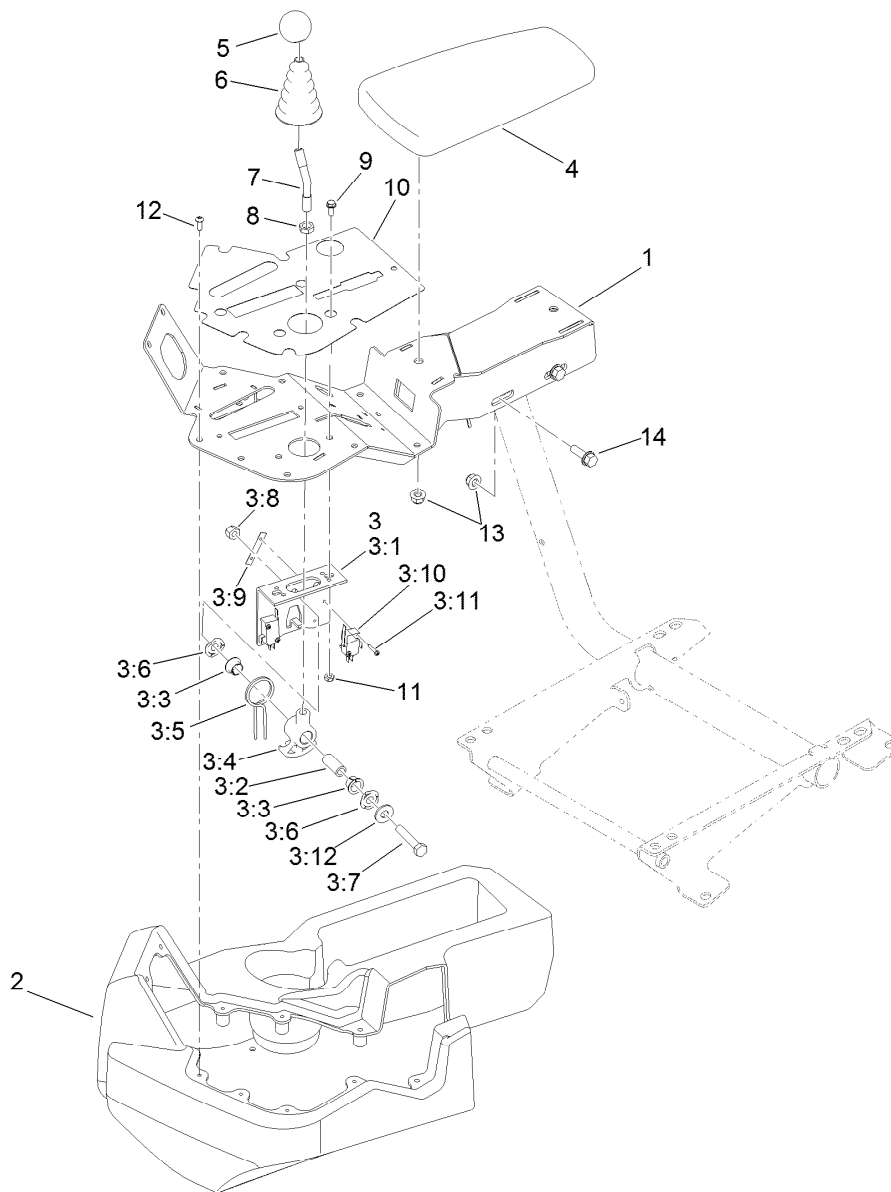
## Left Hand Wheel Motor Assembly No. 117-4303

<i>Ref.</i>	<i>Part Number</i>	<i>Qty.</i>	<i>Description</i>
1	94-8178	1	Seal Kit
2	3257-42	1	Key-Woodruff



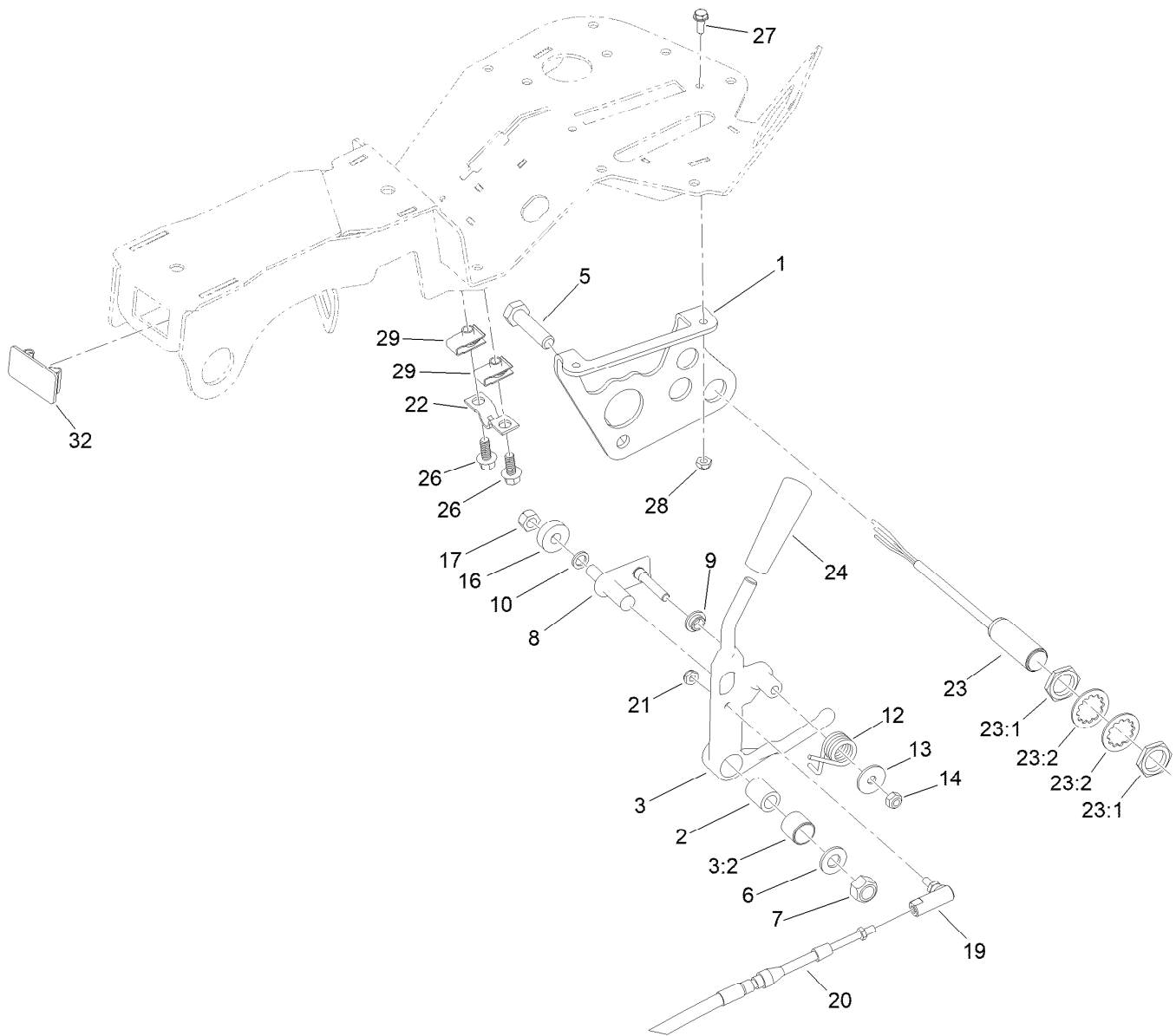
## Right Hand Wheel Motor Assembly No. 117-4302

<i>Ref.</i>	<i>Part Number</i>	<i>Qty.</i>	<i>Description</i>
1	94-8178	1	Seal Kit
2	3257-42	1	Key-Woodruff



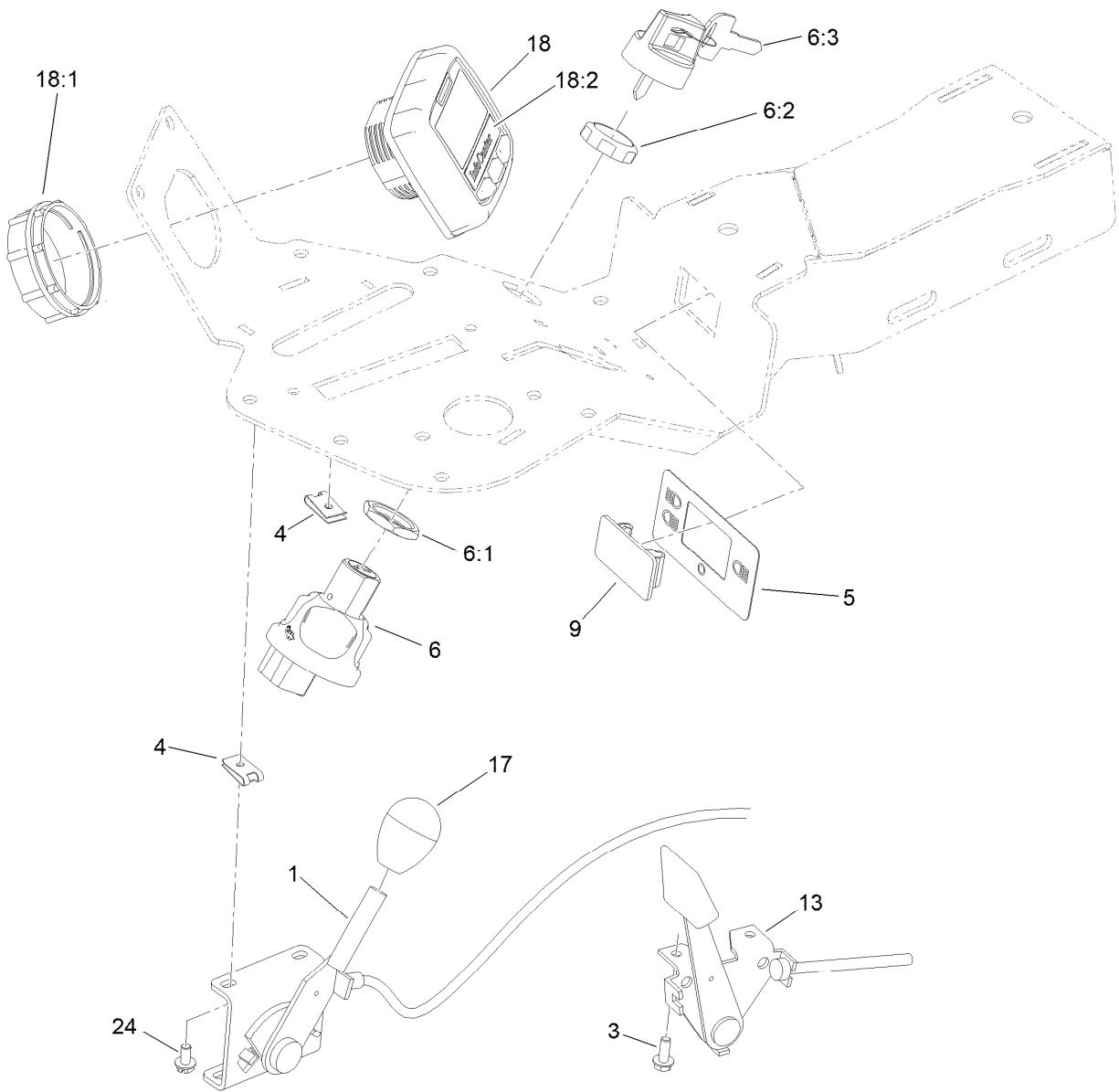
## Console and Reel Control Assembly

Ref.	Part Number	Qty.	Description	Ref.	Part Number	Qty.	Description
1	140-5244-03	1	Console-Info Center	3:11	95-3003	4	Screw-PPHTF
2	132-9955	1	Cover-Console	3:12	3256-3	1	Washer-Flat
3	106-4167	1	Joystick Bracket ASM	4	108-7602	1	Rest-Arm
3:1	115-5357-03	1	Bracket-Joystick	5	120-9752	1	Knob-Round, Yellow
3:2	106-4192	1	Spacer	6	93-5961	1	Boot-Lever
3:3	93-5547	2	Bushing-Nylon	7	121-6681	1	Stem-Joystick
3:4	147-3050	1	Hub-Pivot, Joystick	8	3218-3	1	Nut-Jam
3:5	105-8289	1	Spring-Torsion	9	3290-321	2	Screw-HWH
3:6	106-4193	2	Washer-Finger, Spring	10	139-6493	1	Decal-Console
3:7	322-9	1	Screw-HH	11	3296-12	2	Nut-Lock, NI
3:8	3296-29	1	Nut-Lock, NI	12	115-9830	8	Screw-HSBH
3:9	3290-354	2	Nut-Speed	13	104-8300	4	Nut-HF, NI
3:10	108-6496	2	Switch (W/Boot)	14	3234-29	2	Screw-HHF



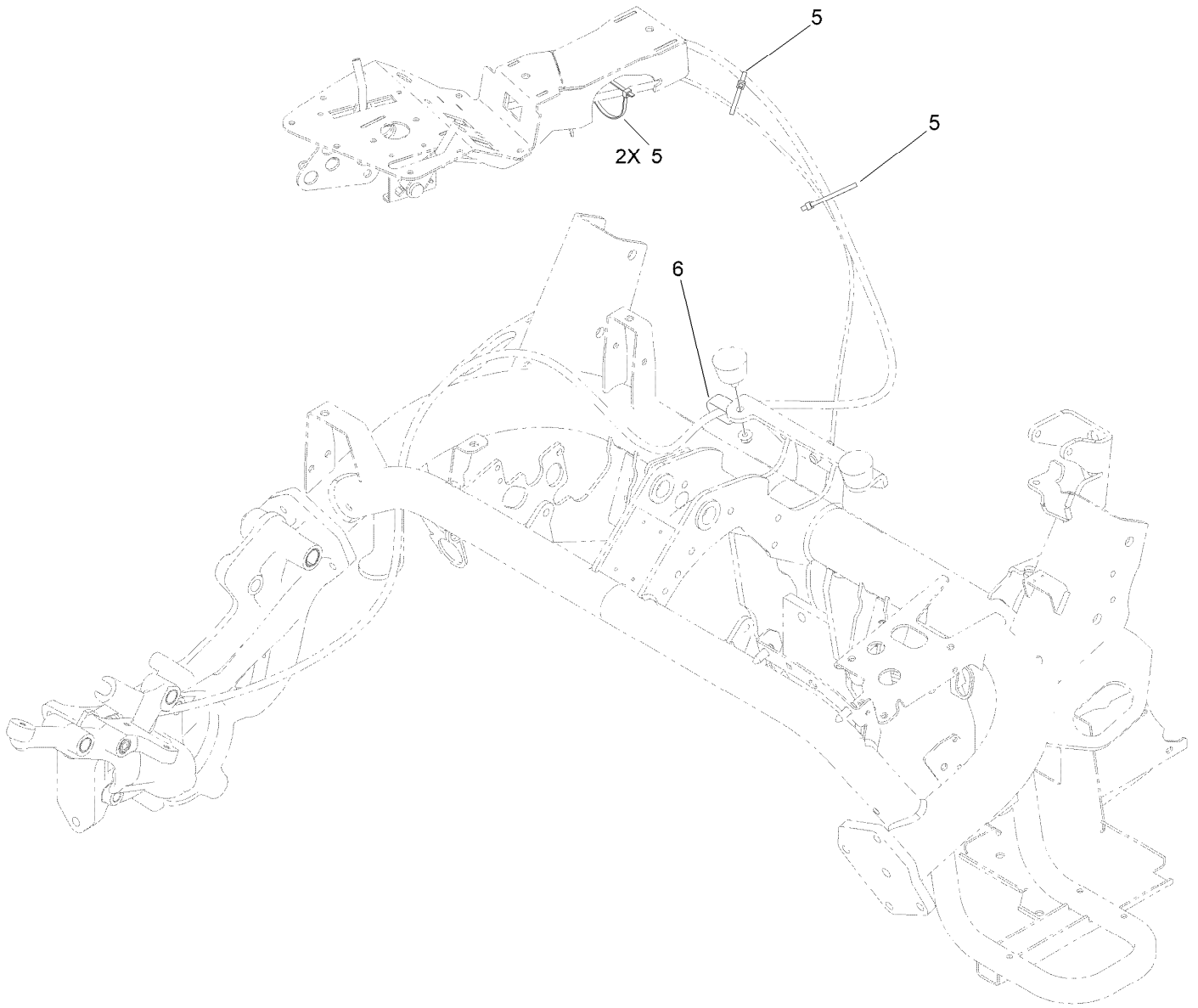
## Traction Interface Control Assembly

<i>Ref.</i>	<i>Part Number</i>	<i>Qty.</i>	<i>Description</i>	<i>Ref.</i>	<i>Part Number</i>	<i>Qty.</i>	<i>Description</i>
1	132-3822-03	1	Bracket	17	33024-00	1	Nut-Lock, NI
2	94-1378	1	Tube-Pivot, Handle	19	2411-38	1	Joint-Ball
3	145-0062	1	Handle ASM	20	132-6991	1	Cable-Lock, Neutral
3:2	136-8417	1	Bushing	21	3296-27	1	Nut-Lock, NI
5	33115-040	1	Screw-HH	22	93-2279	1	Clamp-Cable
6	3256-24	1	Washer-Plain	23	115-5300	2	Proximity Switch ASM
7	33025-00	1	Nut-Lock, NI	23:1	117-3207	2	Nut-Hex
8	125-1928	1	Pin	23:2	117-3208	2	Washer-Lock, Internal Tooth
9	94-9619	1	Bushing	24	233-39	1	Knob-Control
10	75-5470	1	Spacer-Bearing	26	99-6810	2	Screw-HHF
12	94-9620	1	Spring-Torsion	27	3290-321	2	Screw-HWH
13	3256-67	1	Washer	28	3296-12	2	Nut-Lock, NI
14	33023-00	1	Nut-Lock	29	107069	2	Clip
16	251-259	1	Bearing-Ball	32	99-7420	1	Plug-Hole



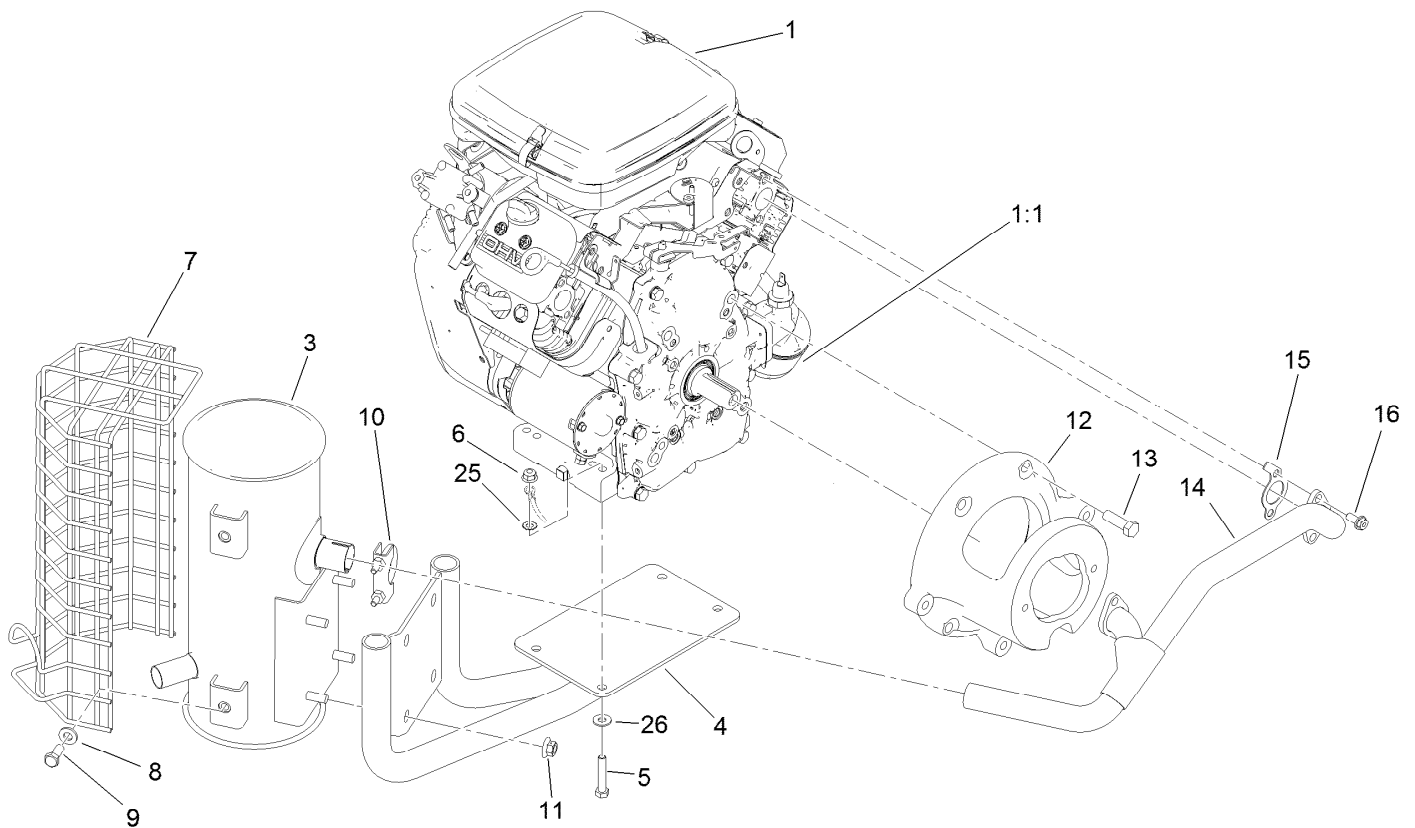
## Ignition, Throttle and Choke Control Assembly

Ref.	Part Number	Qty.	Description
1	119-1652	1	Throttle
3	3290-321	2	Screw-HWH
4	3290-277	4	Nut-Speed
5	131-2046	1	Decal-Light, Console
6	121-5159	1	Switch-Ignition
6:1	121-5160	1	Nut-Hex
6:2	122-2704	1	Nut-Face, M22 (Plastic)
6:3	121-5162	1	Set-Key, Ignition
9	99-7420	1	Plug-Hole
13	132-9540	1	Lever-Choke
17	120-9751	1	Knob-Oval, Black
18	120-6310	1	LCD Display ASM Kantrak 1700
18:1	120-4630	1	Nut-Display
18:2	120-6311	1	Decal-Display
24	3290-144	2	Screw-SHWH



## Console Cable Routing Assembly

<i>Ref.</i>	<i>Part Number</i>	<i>Qty.</i>	<i>Description</i>
5	3290-379	4	Tie-Cable
6	120-1959	1	Clamp

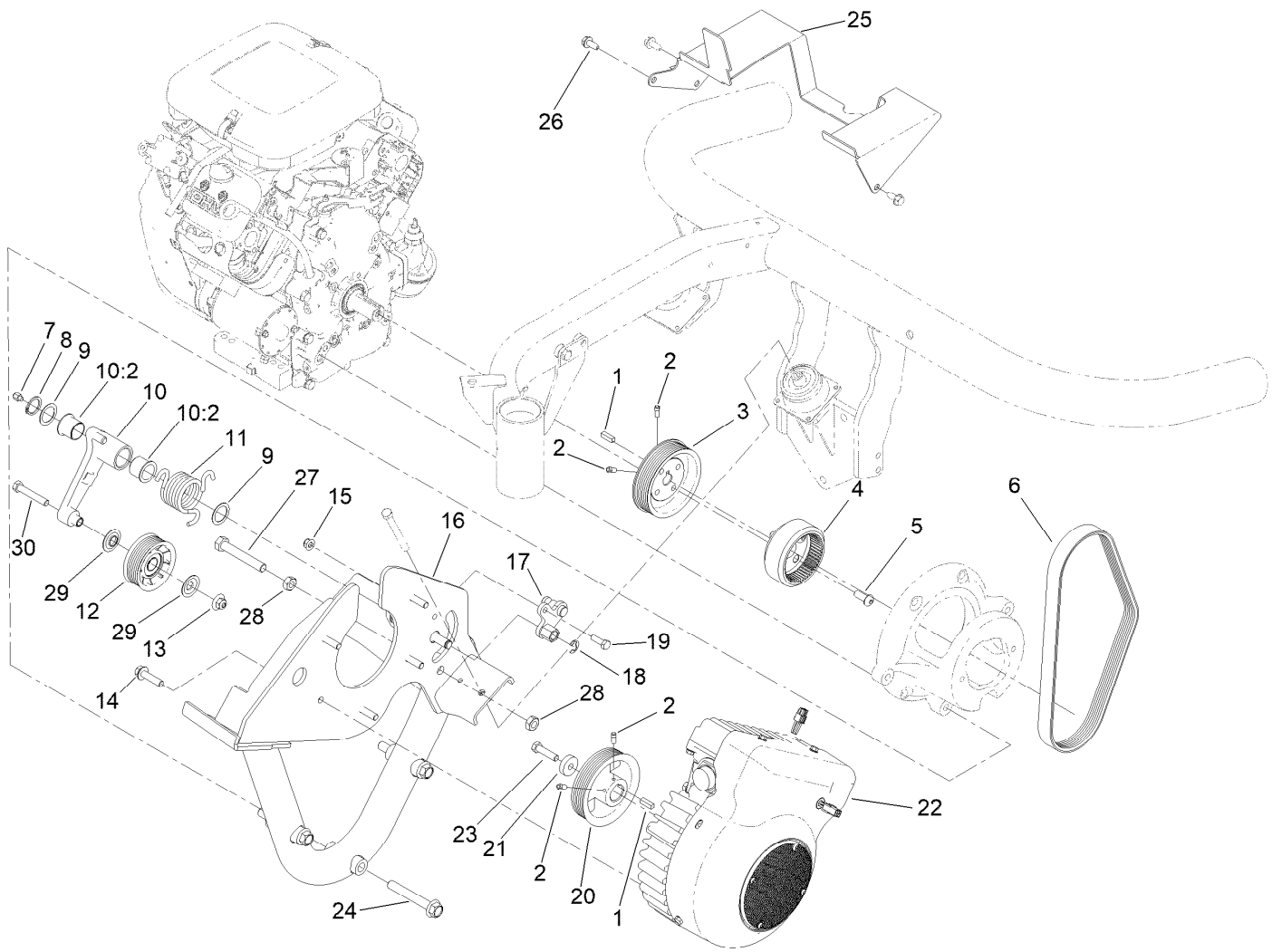


## Engine and Exhaust Assembly

Ref.	Part Number	Qty.	Description	Ref.	Part Number	Qty.	Description
1	161-4662	1	Engine-23 HP Vanguard ■	10	2112-11	1	Clamp-Muffler
1:1	107-7817	1	Filter-Oil, Engine	11	32128-19	4	Nut-HF Lock, Large Flg
1:2	147-3139	1	Filter-Air ●	12	117-4363-0P	1	Mount-Pump (Machining)
3	110-4001	1	Muffler	13	324-32	4	Screw-HH
4	117-4364-03	1	Mount-Muffler	14	117-4379	1	Manifold-Exhaust
5	322-10	4	Screw-HH	15	115-8154	2	Gasket-Manifold, Exhaust
6	104-8300	4	Nut-HF, NI	16	94-5300	4	Screw-HHF
7	112-0291	1	Shield-Muffler	25	3256-23	1	Washer-Plain
8	100-4852	4	Washer-Hardened	26	87-8640	4	Washer-Flat
9	323-5	4	Screw-HH				

● Not illustrated

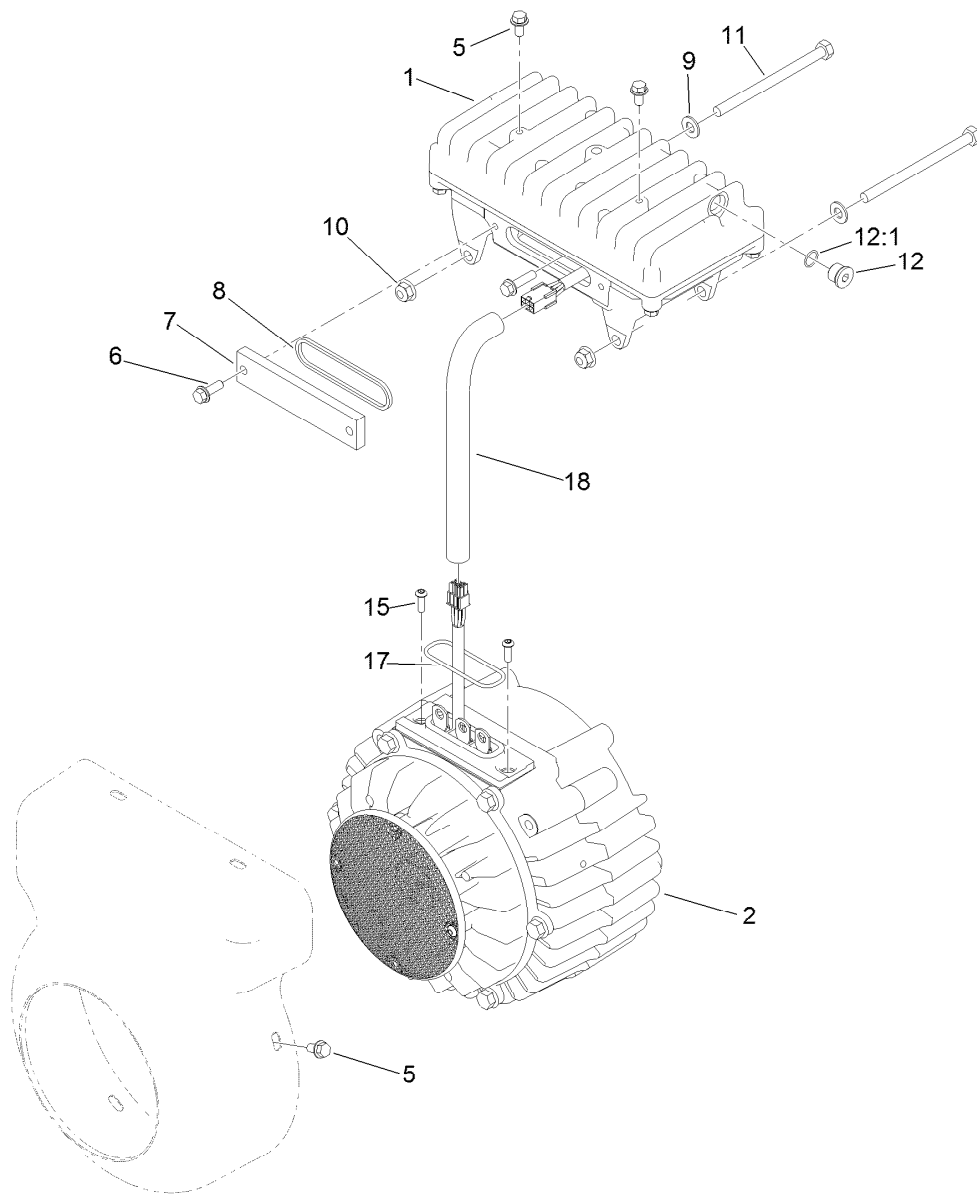
■ Obtain parts from [www.briggsandstratton.com](http://www.briggsandstratton.com)



## Generator and Engine Frame Assembly

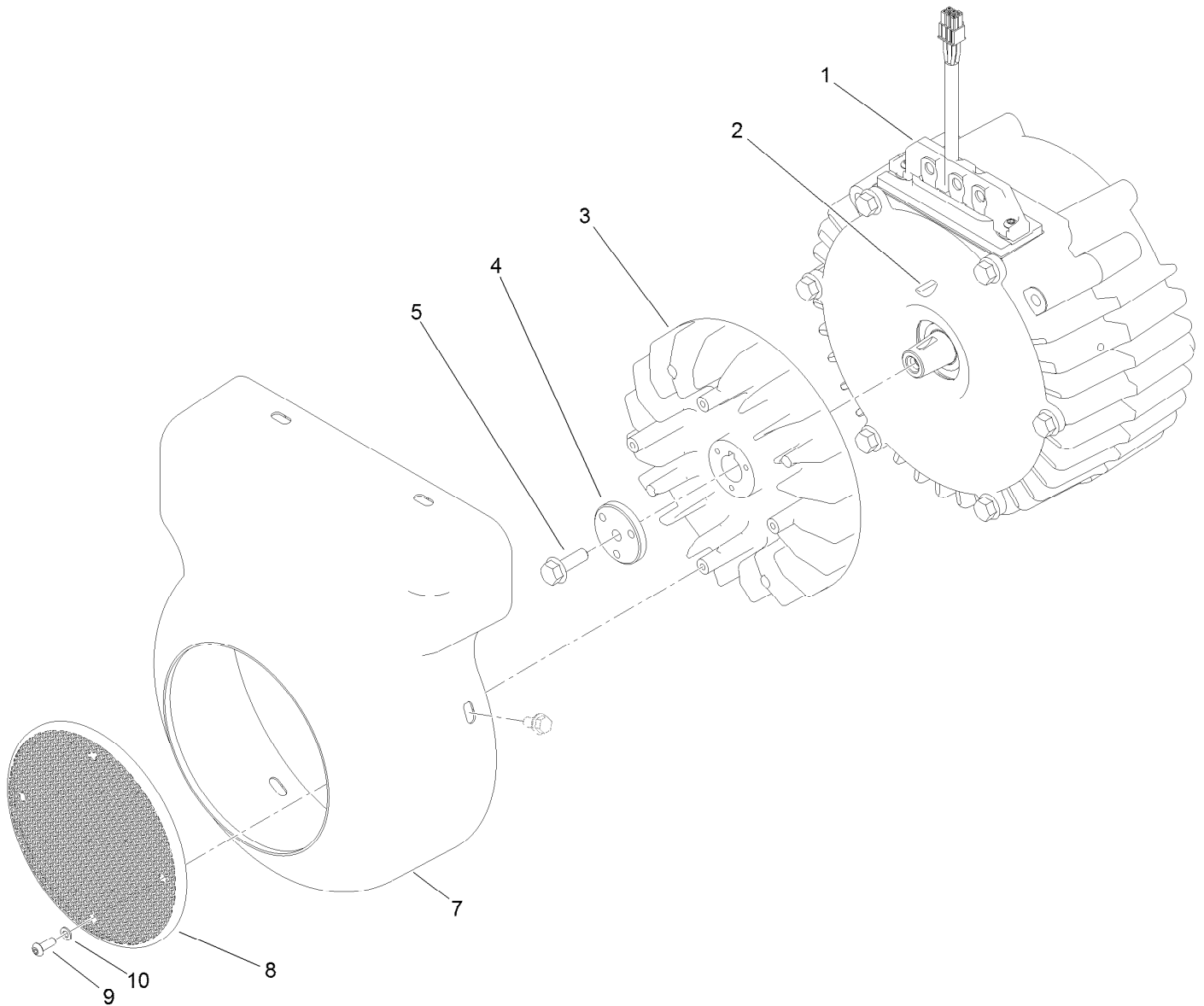
Ref.	Part Number	Qty.	Description	Ref.	Part Number	Qty.	Description
1	10-7070	2	Key-Square	16	117-4423-03	1	Frame-Engine
2	3241-7	4	Screw-SQH	17	117-9289	1	Adjuster-Spring
3	117-4449	1	Pulley-Engine	18	32120-47	1	Ring-Retaining, External
4	119-4484	1	Coupling	19	322-5	1	Screw-HH
5	119-8195	4	Screw-HSBH	20	115-9806	1	Pulley-Generator
6	117-4406	1	Belt-V	21	138-8594	1	Spacer
7	302-11	1	Fitting-Lube, 45 DEG	22	127-2580	1	Generator/Controller ASM
8	32151-36	1	Ring-Retaining	23	3211-6	1	Screw-HH
9	74-1810	2	Washer	24	126-3900	3	Screw-HHF
10	145-0052	1	Idler Bracket ASM	25	145-4561-03	1	Shield-Belt
10:2	126-1963	2	Bushing-Pivot	26	32104-32	1	Screw-HWH
11	117-9282	1	Spring-Torsion	27	325-13	1	Screw-HH
12	120-5766	1	Pulley	28	3218-5	2	Nut-Jam
13	109-6658	1	Nut-Flange, NI	29	120-5757	2	Washer-Flange
14	114-4681	5	Screw-HHF	30	323-11	1	Screw-HH
15	104-8300	1	Nut-HF, NI				





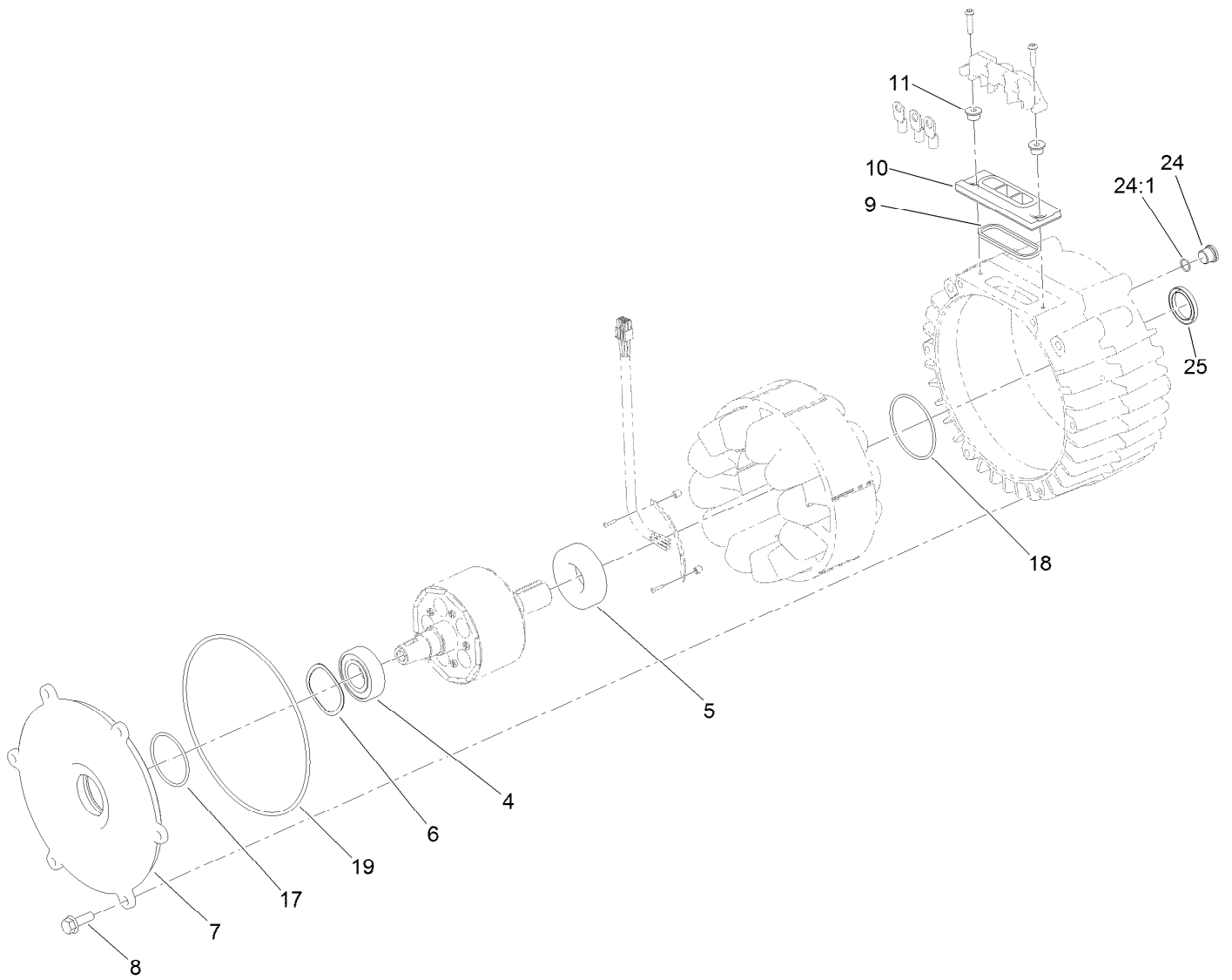
## Generator/Controller Assembly No. 127-2580

Ref.	Part Number	Qty.	Description
1	117-8181	1	Controller ASM
2	127-2579	1	Generator ASM
5	119-1065	6	Screw-Lock, HF
6	119-1138	2	Screw-HHF, Patch
7	120-4511	1	Cover-Access
8	120-4513	1	Gasket-Cover, Access
9	3256-23	2	Washer-Plain
10	104-8300	2	Nut-HF, NI
11	322-38	2	Screw-HH
12	353-989	1	Plug-Hex, Hollow
12:1	237-42	1	O-Ring
15	119-7568	2	Screw-HSBH
17	117-8176	1	O-Ring
18	127-2747	1	Sleeve-Harness, Expandable



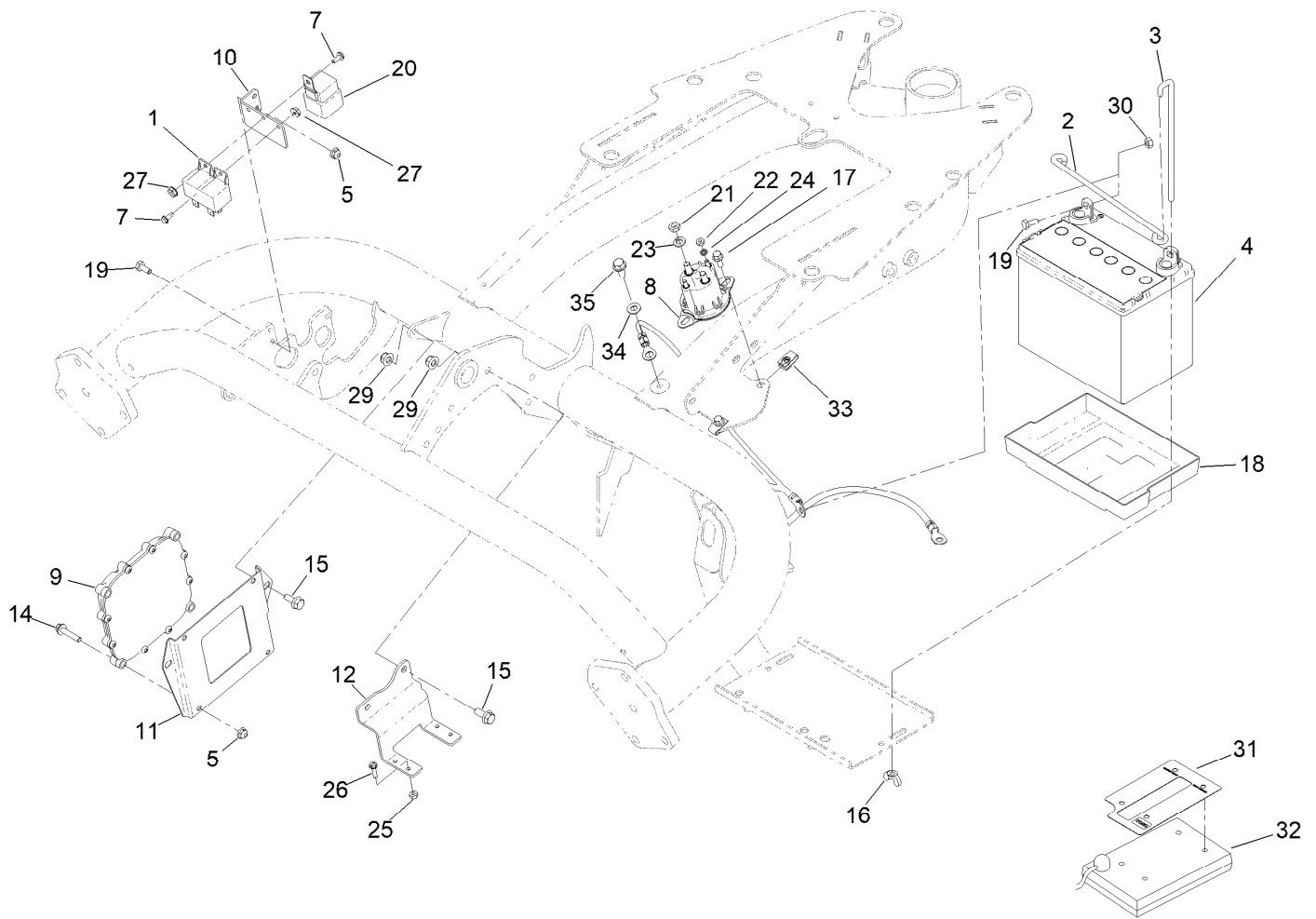
## Generator Assembly No. 127-2579

<i>Ref.</i>	<i>Part Number</i>	<i>Qty.</i>	<i>Description</i>
1	127-2578	1	Generator Service ASM
2	112-5193	1	Key-Woodruff
3	117-8184	1	Fan-Generator
4	112-9604	1	Collar
5	33104-025	1	Screw-HHF
7	121-7082	1	Cover-Generator
8	120-4582	1	Screen-Fan
9	120-4564	4	Screw-BHCS
10	120-4563	4	Washer-Flat



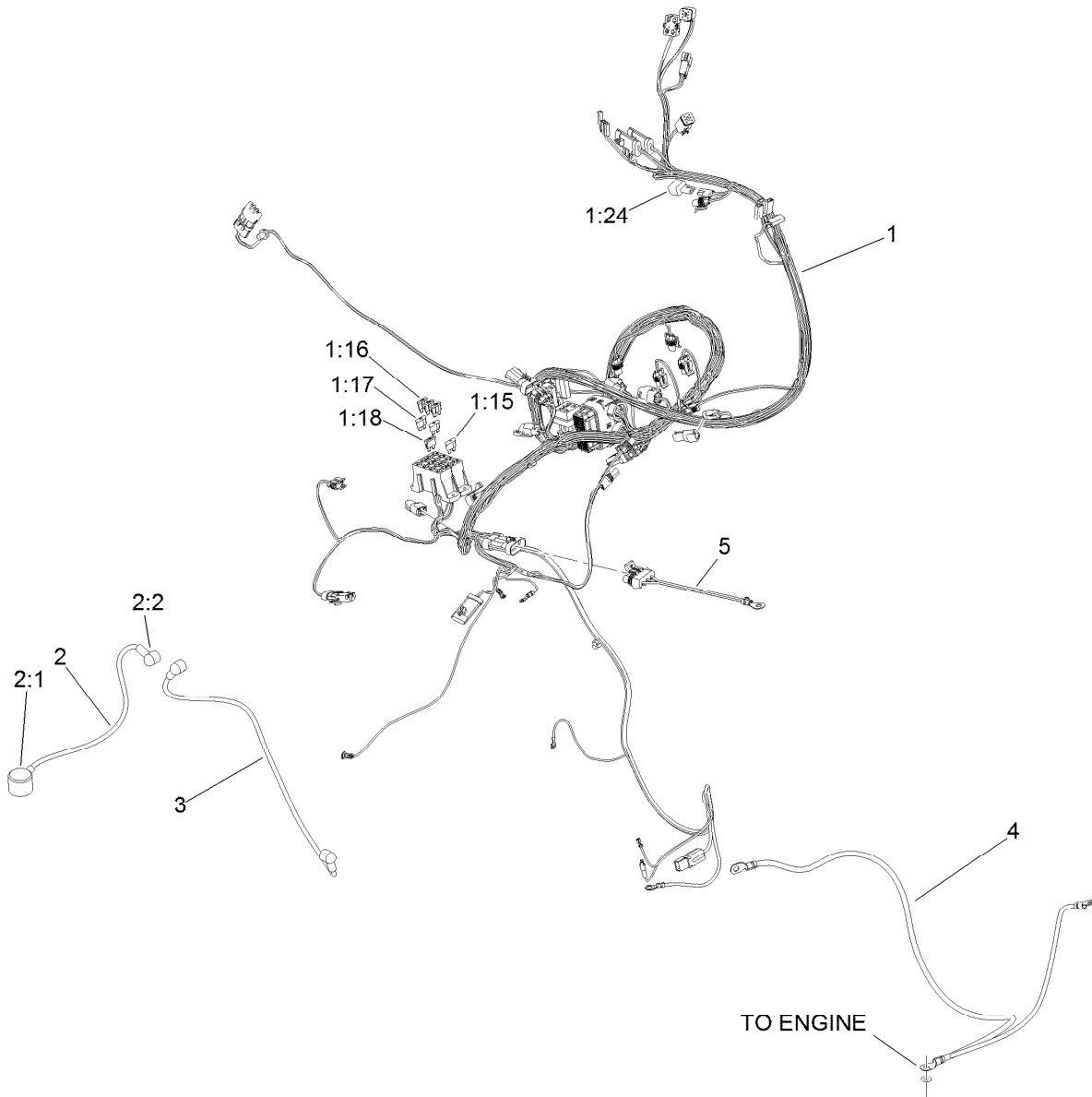
## Generator Service Assembly No. 127-2578

<i>Ref.</i>	<i>Part Number</i>	<i>Qty.</i>	<i>Description</i>
4	120-4621	1	Bearing
5	120-4622	1	Bearing
6	117-8148	1	Washer-Wave
7	117-4514	1	Cover-Generator
8	33104-025	6	Screw-HHF
9	120-4518	1	Gasket-Isolator
10	112-5155	1	Isolator-Thermal
11	117-4501	2	Spacer-Shoulder
17	107-3244	1	O-Ring
18	117-8177	1	O-Ring
19	112-5199	1	O-Ring
24	353-989	1	Plug-Hex, Hollow
24:1	237-42	1	O-Ring
25	125-1509	1	Seal



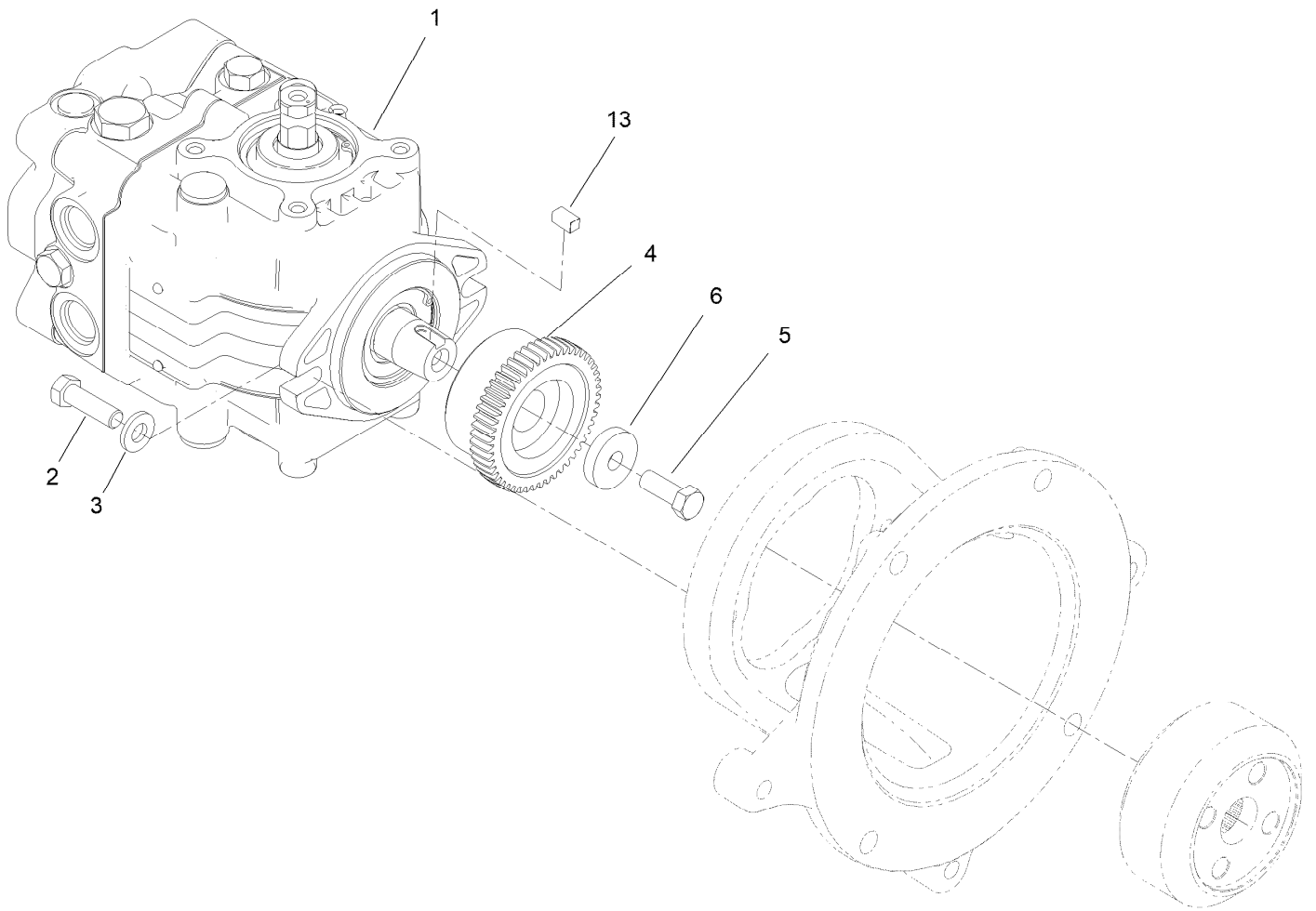
## Battery Assembly

Ref.	Part Number	Qty.	Description	Ref.	Part Number	Qty.	Description
1	99-7435	2	Relay	19	321-3	2	Screw-HH
2	100-6434	1	Rod-Hold Down, Battery	20	99-7430	1	Relay-Mini
3	100-6435	2	Post-Battery	21	3220-2	2	Nut-Jam
4	99-7421	1	Battery- Wet, 12V, 300 CCA	22	3219-14	2	Nut-Hex
5	104-7201	6	Nut-HF, NI	23	3253-4	2	Washer-Lock
7	112-6349	2	Screw-HWH	24	3254-1	2	Washer-Lock, Int
8	114-3315	1	Solenoid	25	3296-2	4	Nut-Lock, NI
9	122-3374	1	Controller	26	32105-13	4	Screw-HWH
10	119-2097-01	1	Bracket-Relay	27	32149-8	2	Nut-Keps
11	119-2099-01	1	Plate-Mounting, Controller	29	104-8300	4	Nut-HF, NI
12	119-2119-01	1	Bracket-Block, Fuse	30	3217-5	2	Nut-Hex
14	3234-21	4	Screw-HHF	31	115-8227	1	Decal-Controller
15	3234-47	4	Screw-HHF	32	85-4750	1	Box-Display, Diagnostic
16	32103-22	2	Nut-Wing	33	107069	2	Clip
17	3234-33	2	Screw-HHF	34	3256-23	1	Washer-Plain
18	106948	1	Tray-Battery	35	32104-32	1	Screw-HWH



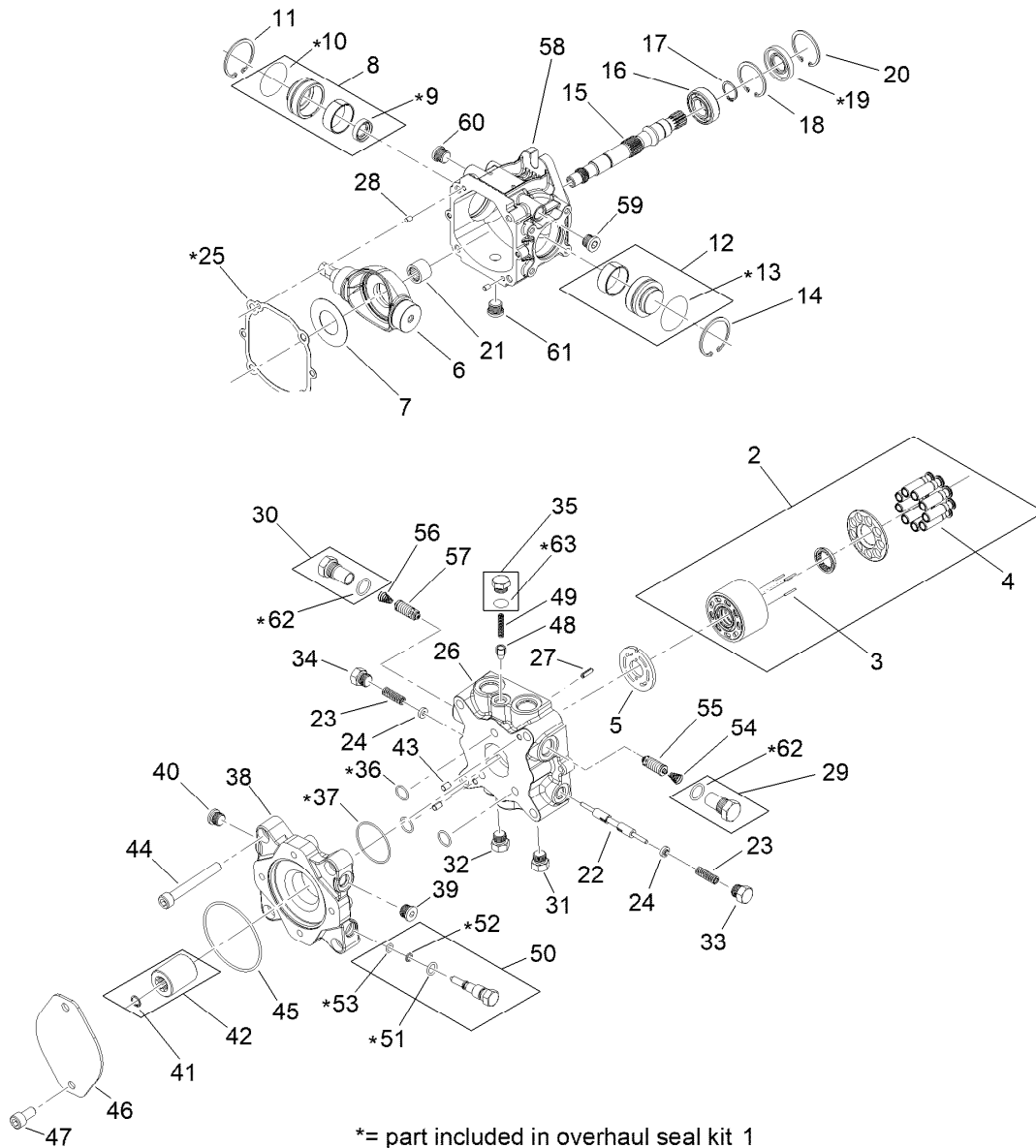
## Wire Harness Assembly

<i>Ref.</i>	<i>Part Number</i>	<i>Qty.</i>	<i>Description</i>
1	122-1736	1	Harness-Wire, Triflex Gas
1:15	94-6710	1	Fuse-2 Amp
1:16	114241	3	Fuse-Blade, 7.5 Amp
1:17	218-578	2	Fuse-Blade, 10 Amp
1:18	109355	1	Fuse-Blade, 15 Amp
1:24	104-4022	1	Resistor-75 Ohm
2	109-7653	1	Positive Battery Cable ASM
2:1	109-2407	1	Insulator-Battery
2:2	1-543393	1	Insulator-Solenoid
3	119-1781	1	Cable-Battery, Positive
4	114-9748	1	Cable-Battery, Negative
5	99-3441	1	Harness-Wire, Fusible Link



## Pump Coupling Assembly

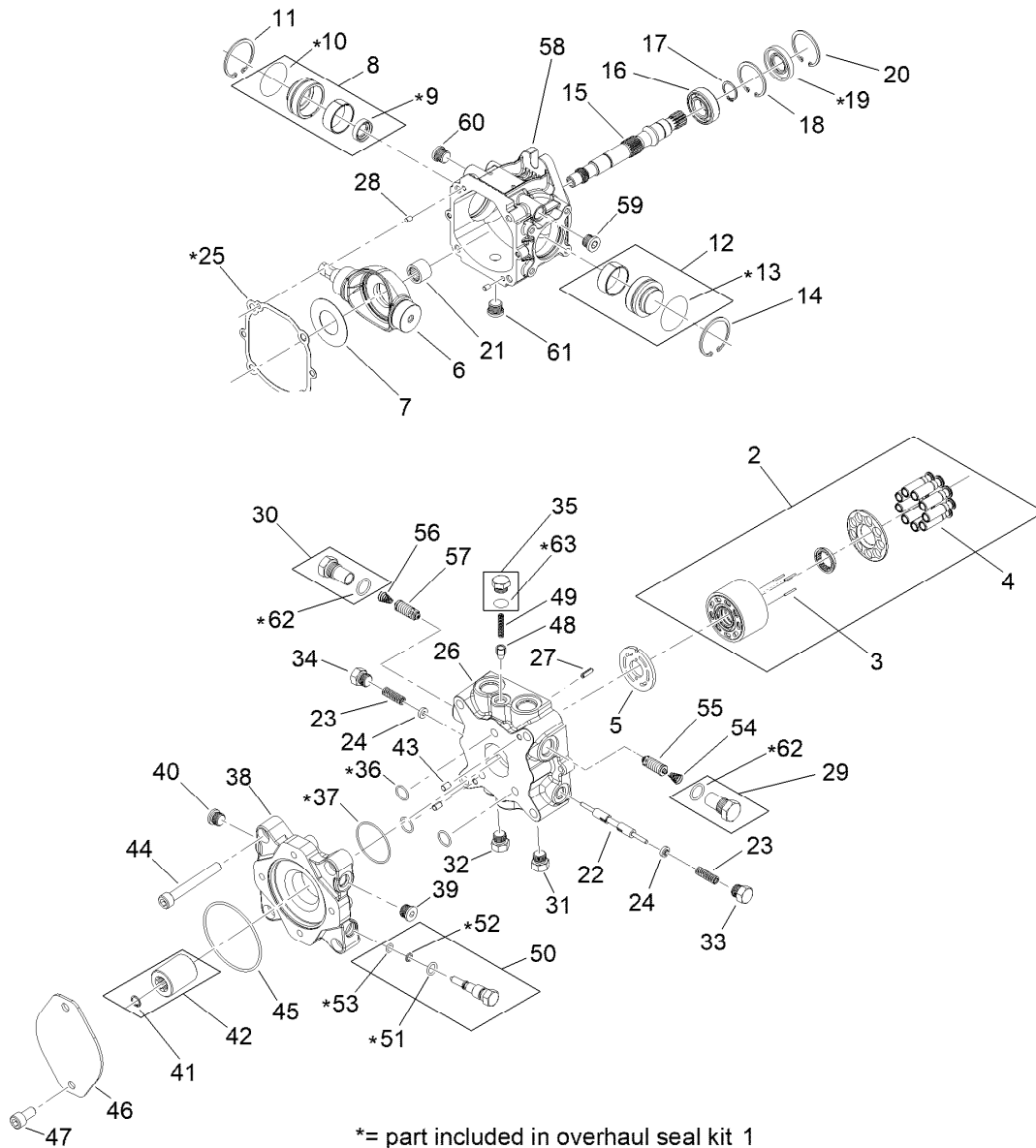
<i>Ref.</i>	<i>Part Number</i>	<i>Qty.</i>	<i>Description</i>
1	139-6474	1	Pump-Hydro, Danfoss
2	323-7	2	Screw-HH
3	100-4852	2	Washer-Hardened
4	119-4418	1	Coupling
5	3211-4	1	Screw-HH
6	138-8594	1	Spacer
13	145-4589	1	Key-Squ



\*= part included in overhaul seal kit 1

## Hydraulic Pump Assembly No. 139-6474

Ref.	Part Number	Qty.	Description	Ref.	Part Number	Qty.	Description
1	136-1010	1	Seal Overhaul Kit	22	145-2690	1	Spool-Flushing
2	145-2670	1	Kit-Cylinder Block	23	145-2691	2	Spring Flushing
3	145-2671	3	Pin-Slipper Holddown	24	145-2692	2	Guide Spring
4	145-2672	9	Piston Assy	25	145-2693	1	Gasket
5	145-2673	1	Valveplate-Pump	26	145-2694	1	Endcap
6	145-2674	1	Swashplate	27	145-2695	1	Pin-Slitted
7	145-2675	1	Plate-Thrust	28	145-2696	2	Pin-Straight
8	145-2676	1	Journal Carrier (A) Assy	29	145-2697	1	Plug Assy
9	145-2677	1	Seal Lip	30	145-2698	1	Plug Assy
10	145-2678	1	O-Ring	31	145-2699	1	Plug Assy
11	145-2679	1	Ring-Retaining	32	145-2700	1	Plug Assy
12	145-2680	1	Journal Carrier (B) Assy	33	145-2701	1	Plug Assy
13	145-2681	1	O-Ring	34	145-2702	1	Plug Assy
14	145-2682	1	Ring-Retaining	35	145-2703	1	Plug Assy
15	145-2683	1	Shaft-Pump	36	145-2704	3	O-Ring
16	145-2684	1	Bearing-Ball	37	145-2705	1	O-Ring
17	145-2685	1	Ring-Retaining	38	145-2706	1	Adapter
18	145-2686	1	Ring-Retaining	39	145-2707	1	Plug Assy
19	145-2687	1	Seal-Lip	40	145-2708	1	Plug Assy
20	145-2688	1	Ring-Retaining	41	145-2709	1	Ring-Retaining
21	145-2689	1	Needle Bearing	42	145-2710	1	Coupling Assy

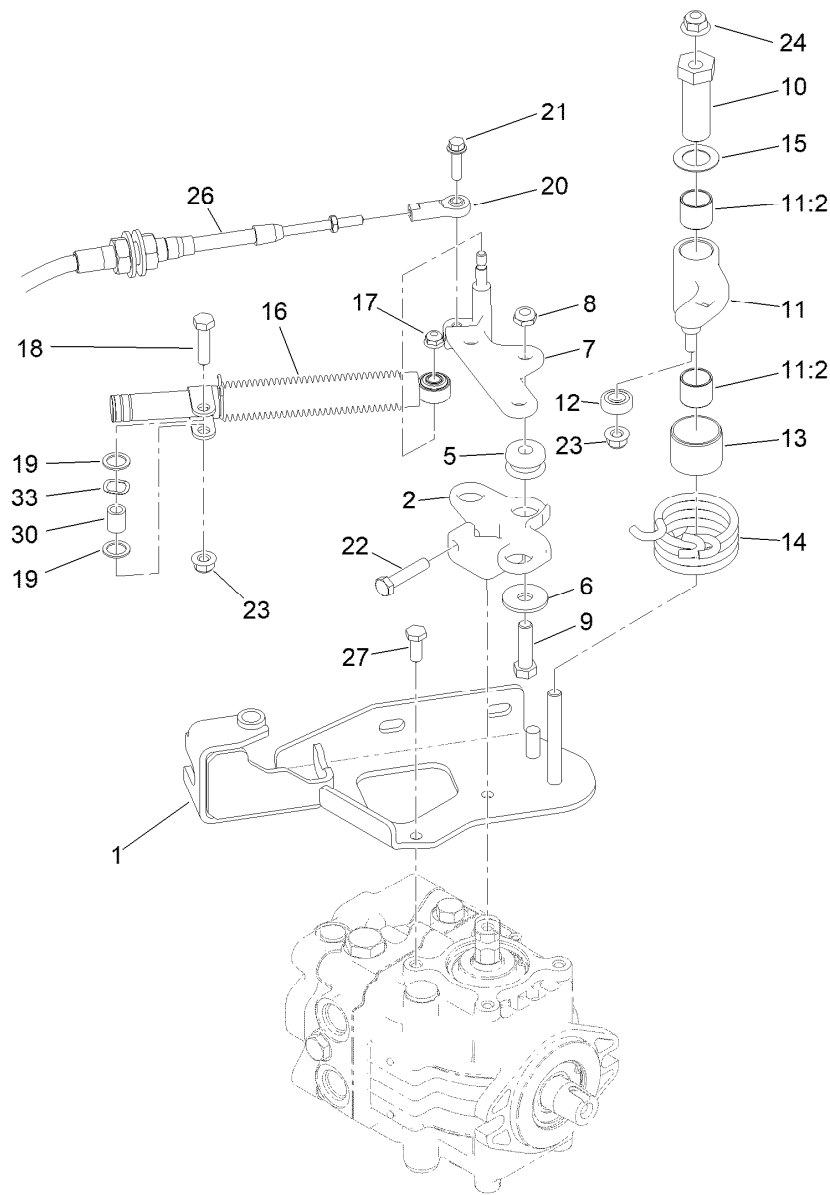


\*= part included in overhaul seal kit 1

## Hydraulic Pump Assembly No. 139-6474 (continued)

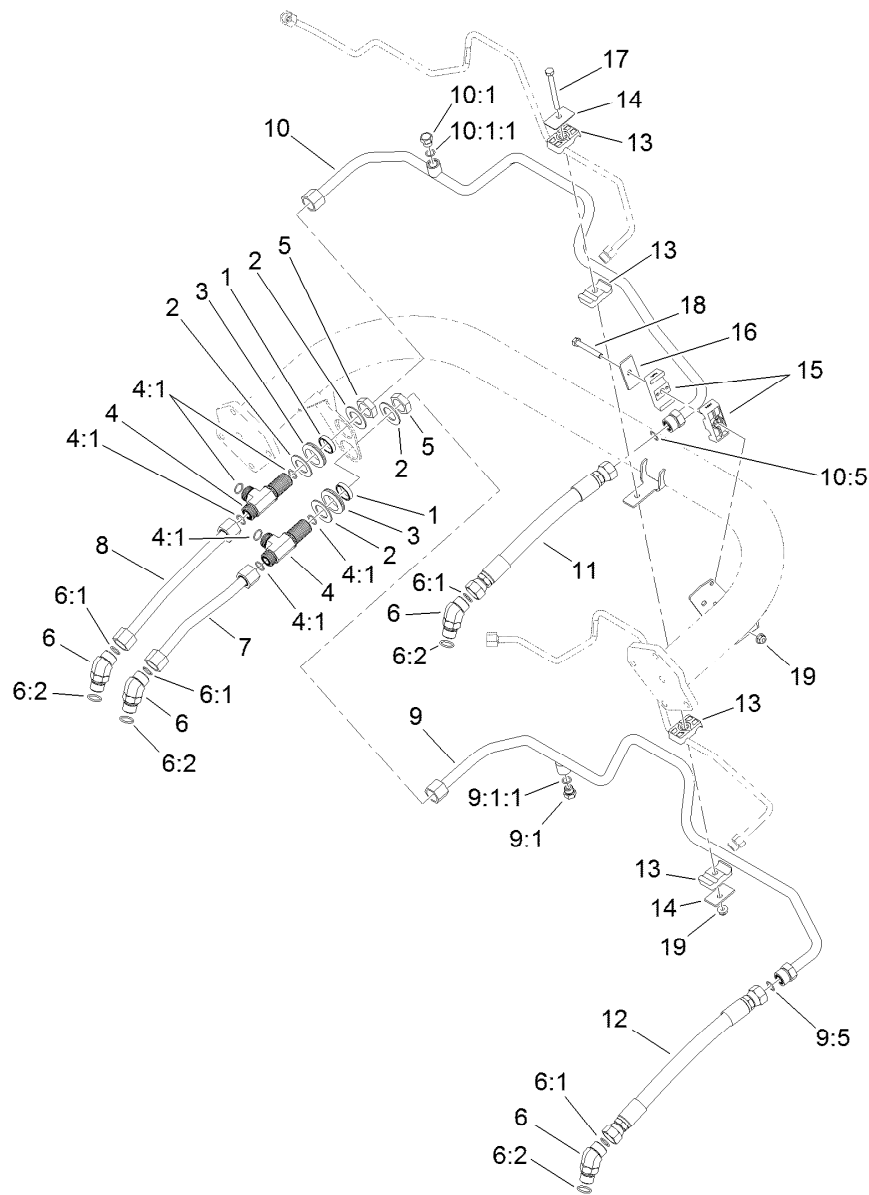
Ref.	Part Number	Qty.	Description	Ref.	Part Number	Qty.	Description
43	145-2711	2	Pin-Straight	54	145-2722	1	Spring-Compression
44	145-2712	4	Screw-Soc	55	145-2723	1	Valve Assy-Scr
45	145-2713	1	O-Ring	56	145-2724	1	Spring-Compression
46	145-2714	1	Flange Cover	57	145-2725	1	Valve Assy-Scr
47	145-2715	2	Screw-Soc	58	145-2726	1	Housing A-Pad Ddc20
48	145-2716	1	Cone Relief Valve	59	145-2727	1	Plug Assy-Soc
49	145-2717	1	Spring	60	145-2728	1	Plug Assy-Soc
50	145-2718	1	Valve Assy-Bypass	61	145-2729	1	Plug Assy-Soc
51	145-2719	1	O-Ring	62	145-2730	2	O-Ring
52	145-2720	1	Ring-Back Up	63	145-2731	1	O-Ring
53	145-2721	1	O-Ring				





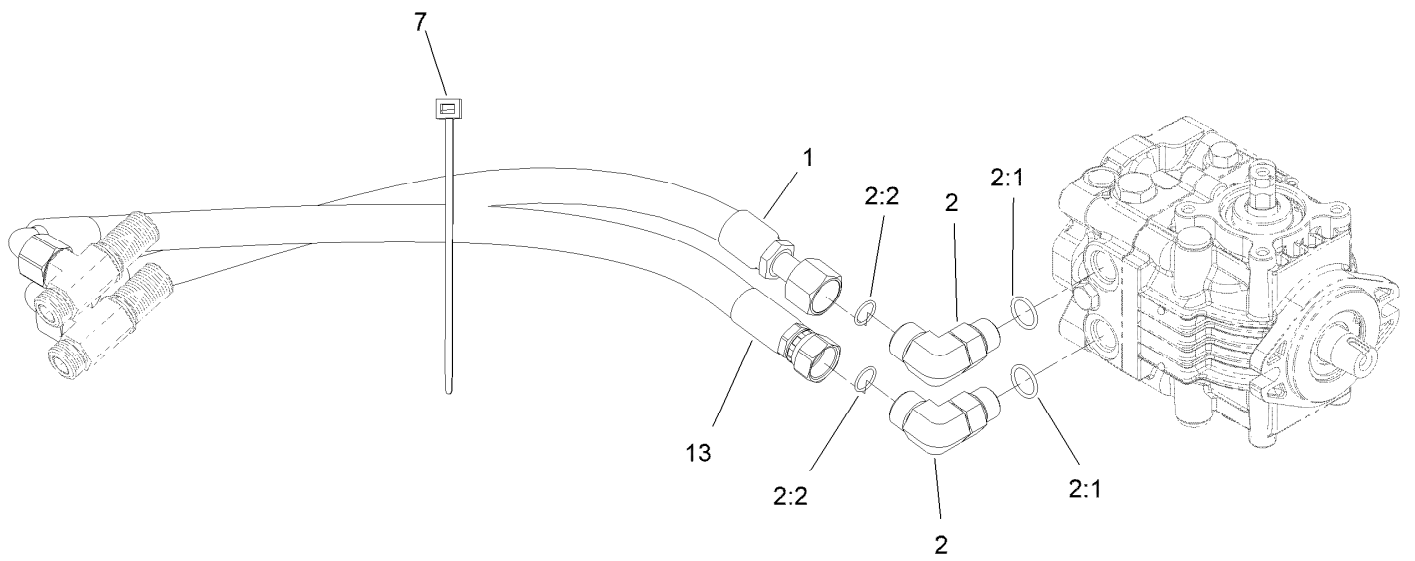
## Neutral Centering Assembly

Ref.	Part Number	Qty.	Description	Ref.	Part Number	Qty.	Description
1	140-5211-03	1	Bracket-Cable, Hydro [black]	15	119-8199	1	Washer-Nylon
2	140-5231	1	Cam-Neutral	16	140-6248	1	Damper
5	63-9750	3	Mount	17	104-7201	1	Nut-HF, NI
6	93-8806	3	Washer-Hardened	18	322-6	1	Screw-HH
7	140-5221	1	Lever-Hydro	19	94-8196	2	Washer-Nylon
8	3296-59	3	Nut-Lock, NI	20	2411-41	1	Rod End-Ball Joint
9	323-29	3	Screw-HH	21	119-1066	1	Screw-HHF, Patch
10	117-9046	1	Stud-Eccentric	22	120-2779	1	Screw-HH
11	145-0071	1	Neutral Arm ASM	23	104-8300	2	Nut-HF, NI
11:2	94-9609	2	Bushing-Straight	24	104-8301	1	Nut-HF, NI
12	251-259	1	Bearing-Ball	26	119-1735	1	Cable-Control, Traction
13	136-8418	1	Bushing	27	33114-020	2	Screw-HH
14	117-9047	1	Spring-Torsion	30	94-8197	1	Tube-Pivot
				33	108473	1	Washer-Wave



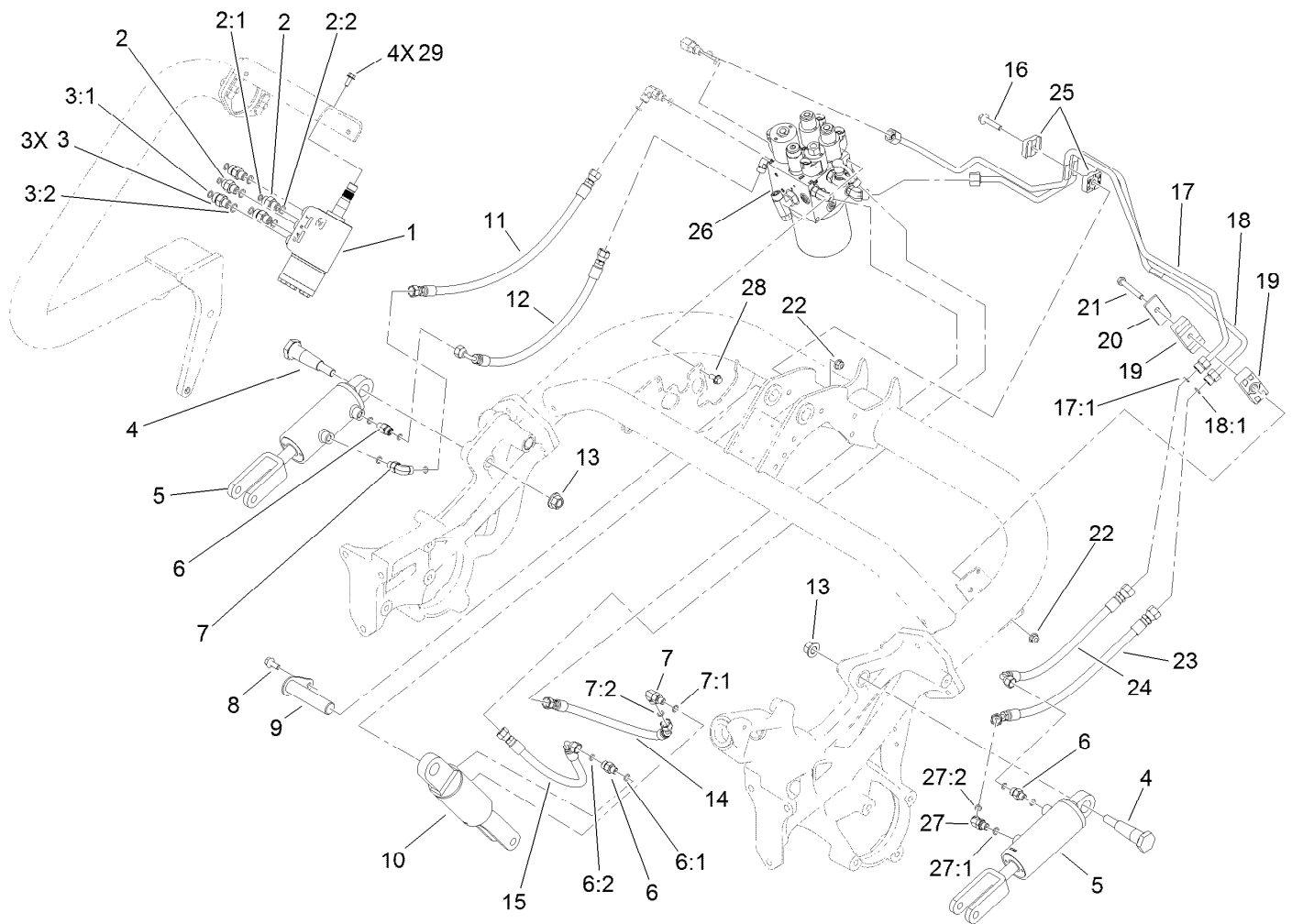
## Traction Drive Hydraulic Line Assembly

<i>Ref.</i>	<i>Part Number</i>	<i>Qty.</i>	<i>Description</i>	<i>Ref.</i>	<i>Part Number</i>	<i>Qty.</i>	<i>Description</i>
1	125-1984	2	Spacer	9:5	237-65	1	O-Ring
2	69-9010	4	Washer	10	119-2064	1	HYD Tube ASM
3	240-3	2	Grommet-Rubber	10:1	353-508	1	Plug-HH
4	94-5350	2	Fitting-Tee	10:1:1	237-42	1	O-Ring
4:1	237-65	3	O-Ring	10:5	237-65	1	O-Ring
5	340-74	2	Nut-Lock, Bulkhead	11	115-9484	1	Hose-HYD
6	340-14	4	Fitting-HYD, 45 DEG	12	115-9485	1	Hose-HYD
6:1	237-65	1	O-Ring	13	56-7970	4	Clamp-Tube
6:2	237-80	1	O-Ring	14	69-9760	2	Plate-Cover
7	119-2057	1	Tube-HYD	15	138-5045	2	Clamp-Tube
8	119-2058	1	Tube-HYD	16	69-9761	1	Plate-Cover
9	119-2063	1	Tube-HYD	17	322-20	1	Screw-HH
9:1	353-508	1	Plug-HH	18	322-12	1	Screw-HH
9:1:1	237-42	1	O-Ring	19	104-8300	2	Nut-HF, NI



## Traction Drive Hose Routing Assembly

<i>Ref.</i>	<i>Part Number</i>	<i>Qty.</i>	<i>Description</i>
1	119-2060	1	Hose-HYD
2	340-17	2	Fitting-Elbow, 90 DEG
2:1	237-65	1	O-Ring
2:2	237-80	1	O-Ring
7	3290-378	1	Tie-Cable
13	120-1988	1	Hose-HYD

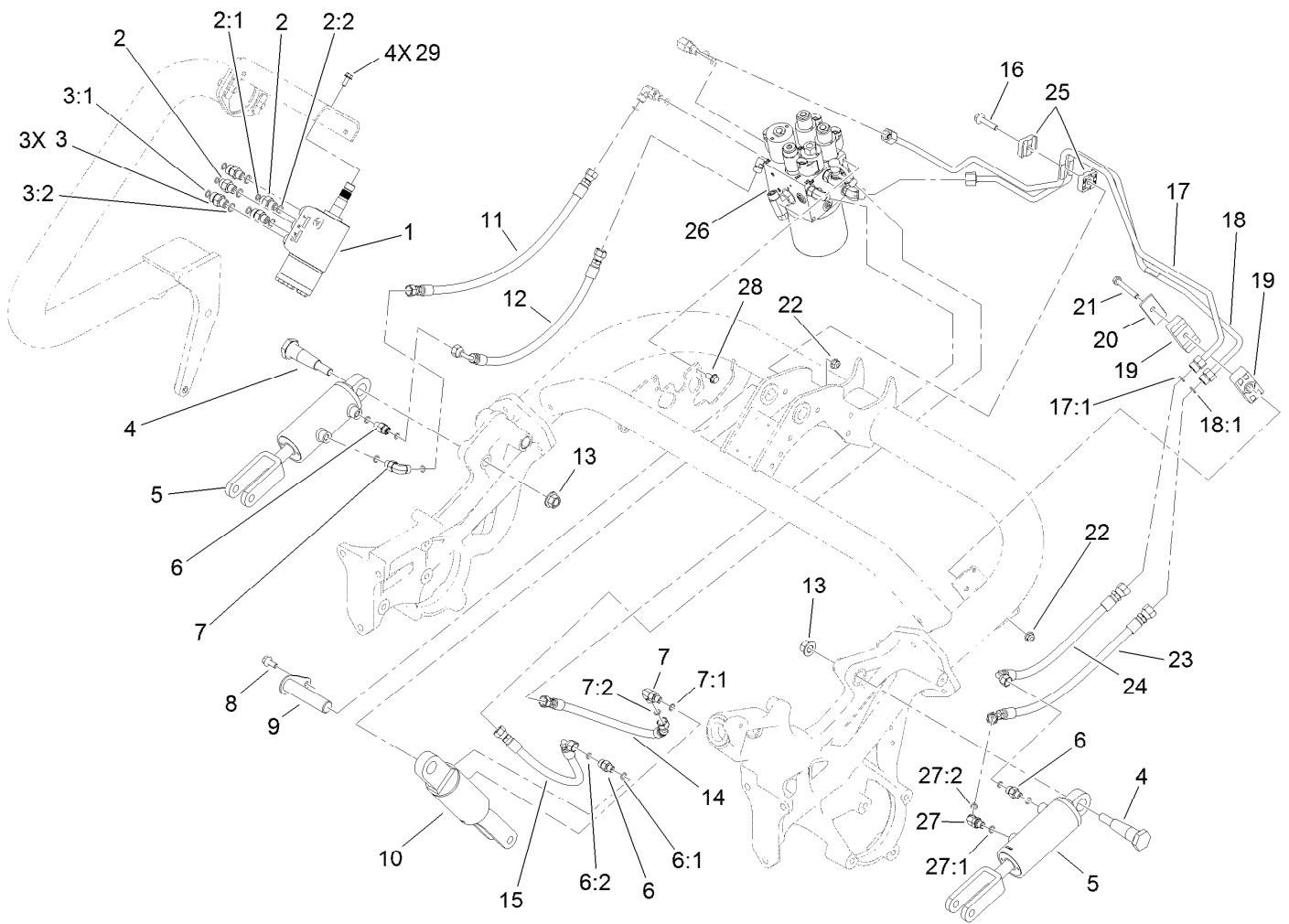


## Lift Circuit Assembly

Ref.	Part Number	Qty.	Description
1	114-4672	1	Steering Valve ASM
2	340-1	2	Fitting-Straight
2:1	237-21	1	O-Ring
2:2	237-42	1	O-Ring
3	340-2	3	Fitting-Straight
3:1	237-22	1	O-Ring
3:2	237-42	1	O-Ring
4	112-5709	2	Pin-Tapered
5	119-8129	2	No. 2 And 3 HYD Cylinder ASM
6	340-92	3	Fitting-Straight
6:1	237-78	1	O-Ring
6:2	237-21	1	O-Ring
7	340-132	2	Fitting-Elbow, 90 DEG
7:1	237-78	1	O-Ring
7:2	237-21	1	O-Ring
8	3234-47	1	Screw-HHF
9	119-8104	1	Pin

Ref.	Part Number	Qty.	Description
10	119-8128	1	No. 1 HYD Cylinder ASM
11	119-2052	1	Hose-HYD
12	119-2053	1	Hose-HYD
13	99-5107	2	Nut-Lock
14	119-2051	1	Hose-HYD
15	119-2050	1	Hose-HYD
16	115-1794	1	Screw-HHF
17	119-8126	1	HYD Tube ASM
17:1	237-22	1	O-Ring
18	119-8127	1	HYD Tube ASM
18:1	237-22	1	O-Ring
19	120-3200	2	Clamp-Tube
20	69-9761	1	Plate-Cover
21	322-12	1	Screw-HH
22	104-8300	3	Nut-HF, NI
23	119-2066	1	Hose-HYD
24	119-2065	1	Hose-HYD
25	56-7973	2	Clamp-Tube

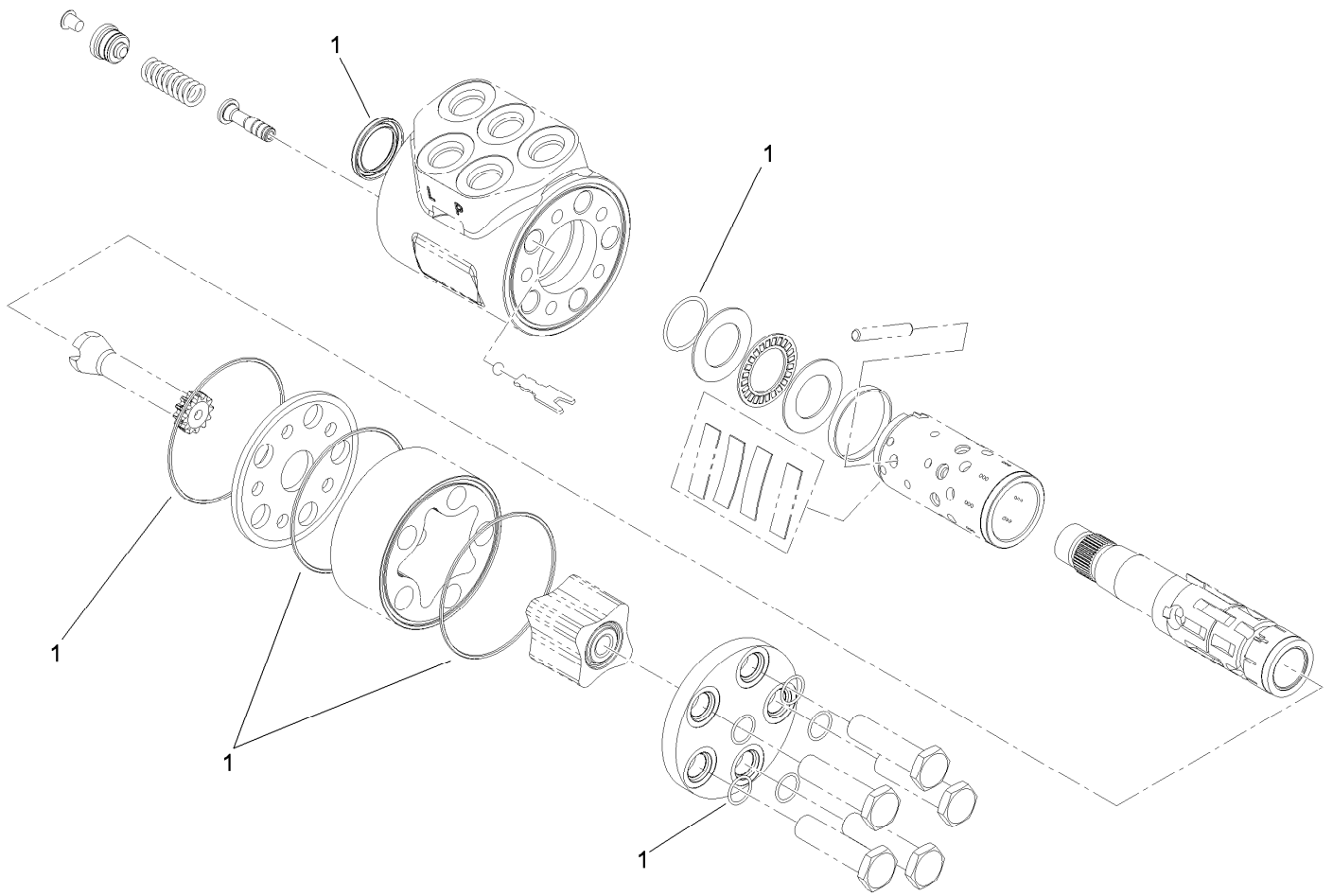
● Not serviced separately



## Lift Circuit Assembly (continued)

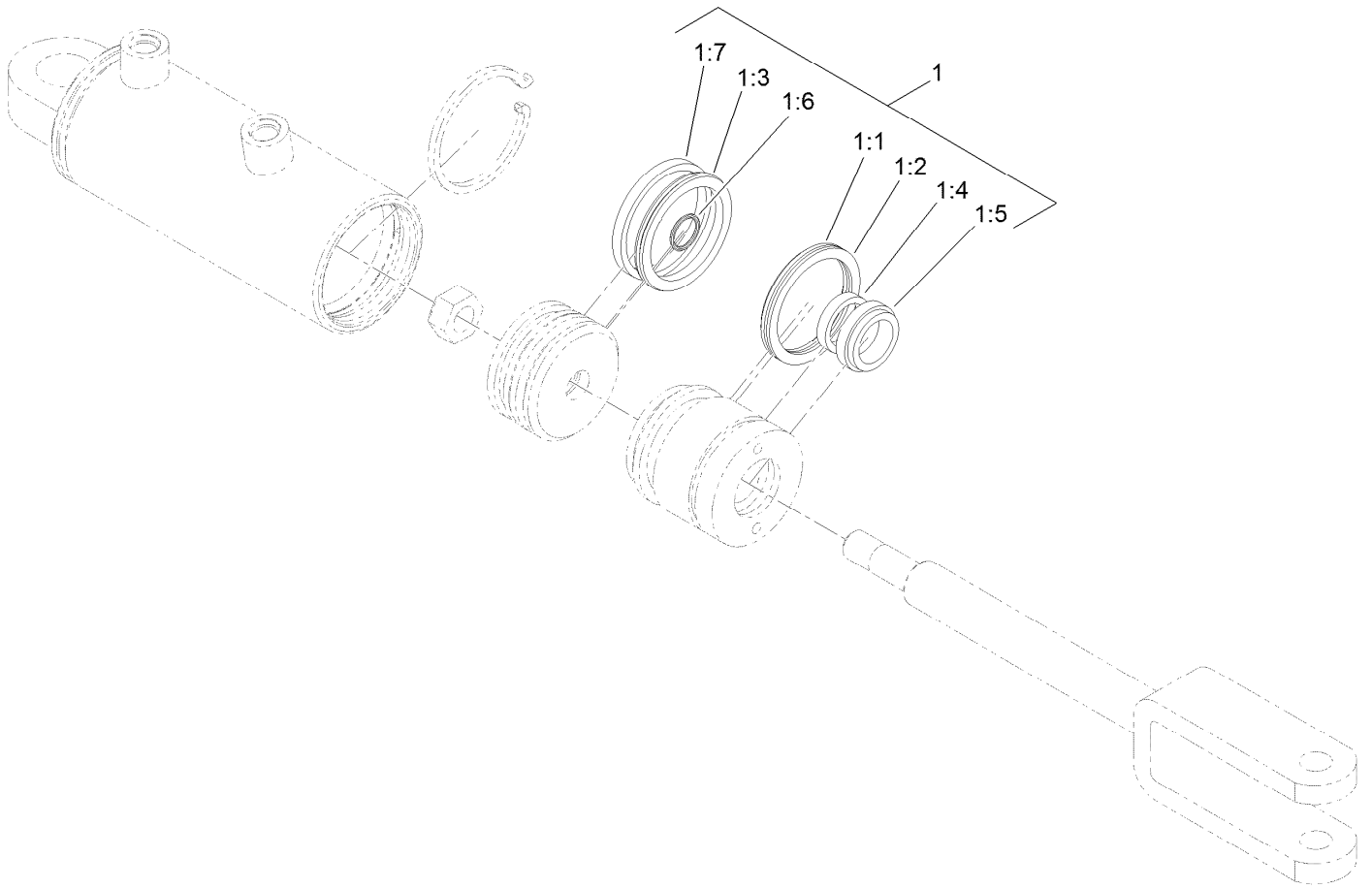
<i>Ref.</i>	<i>Part Number</i>	<i>Qty.</i>	<i>Description</i>	<i>Ref.</i>	<i>Part Number</i>	<i>Qty.</i>	<i>Description</i>
26		1	Hydraulic Lift Manifold ASM	27:2	237-21	1	O-Ring
27	340-103	1	Fitting-HYD, 45 DEG	28	3234-7	2	Screw-HHF
27:1	237-78	1	O-Ring	29	33103-016	4	Screw-HHF

● Not serviced separately



## Steering Valve Assembly No. 114-4672

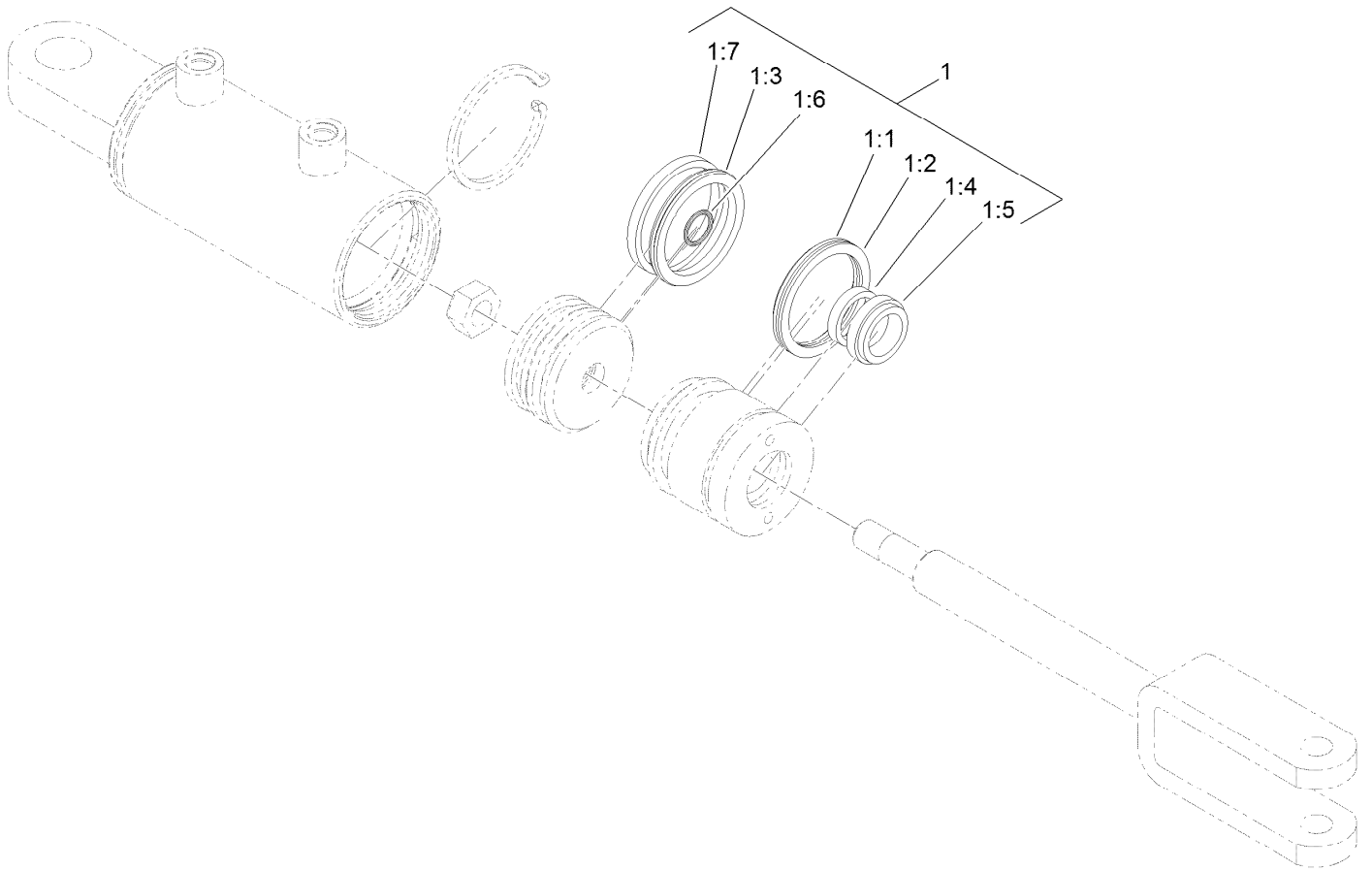
<i>Ref.</i>	<i>Part Number</i>	<i>Qty.</i>	<i>Description</i>
1	106-6716	1	Seal Kit



## Hydraulic Cylinder Assembly No. 119-8129

<i>Ref.</i>	<i>Part Number</i>	<i>Qty.</i>	<i>Description</i>
1	115-3410	1	Seal Kit
1:1		1	O-Ring ●
1:2		1	Backup ●
1:3		1	Bp Seal ●
1:4		1	Bs Seal ●
1:5		1	Seal-Dust ●
1:6		1	O-Ring ●
1:7		1	Ring-Wear ●

● Not serviced separately

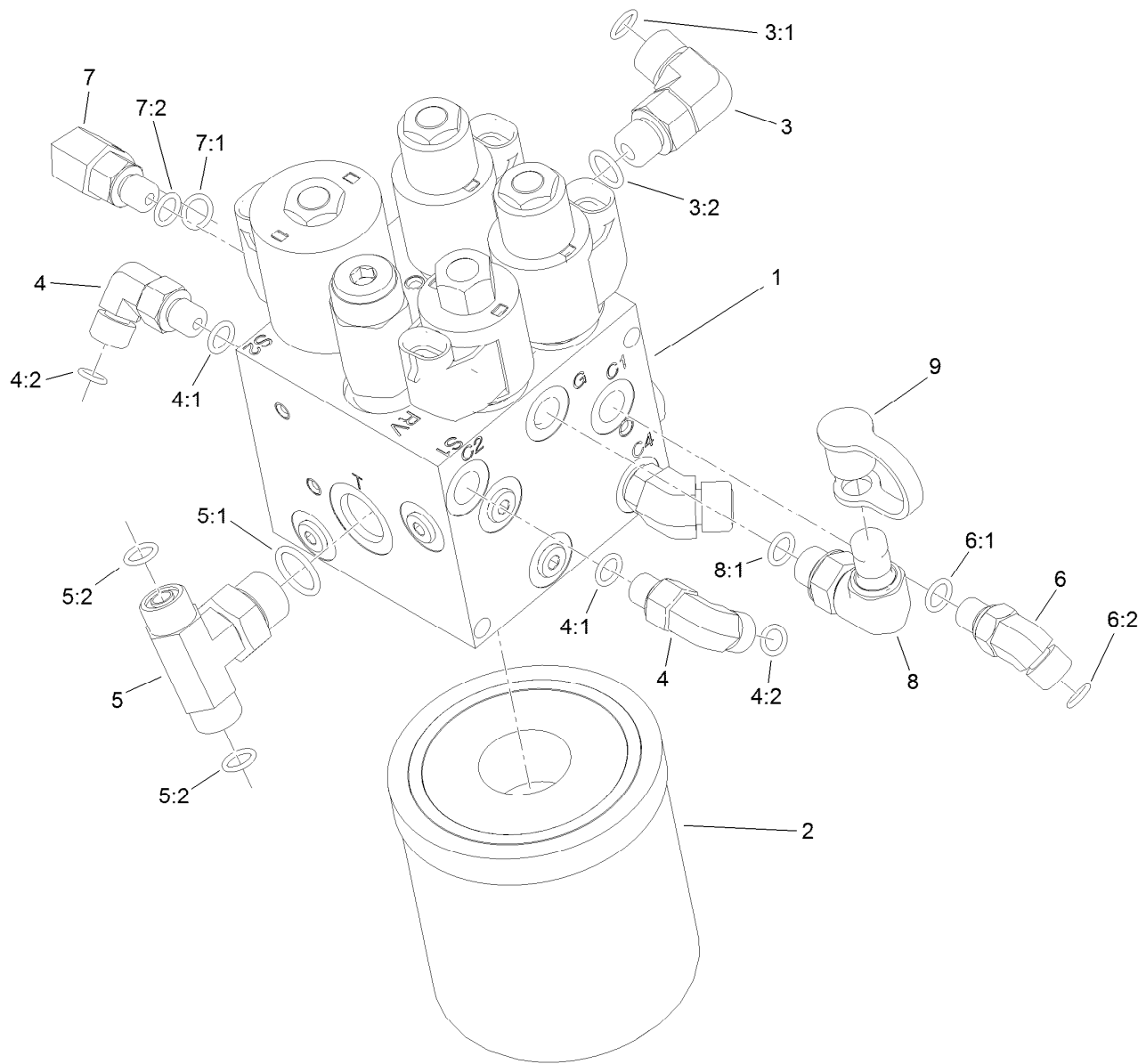


## Hydraulic Cylinder Assembly No. 119-8128

<i>Ref.</i>	<i>Part Number</i>	<i>Qty.</i>	<i>Description</i>
1	115-3410	1	Seal Kit
1:1		1	O-Ring ●
1:2		1	Backup ●
1:3		1	Bp Seal ●
1:4		1	Bs Seal ●
1:5		1	Seal-Dust ●
1:6		1	O-Ring ●
1:7		1	Ring-Wear ●

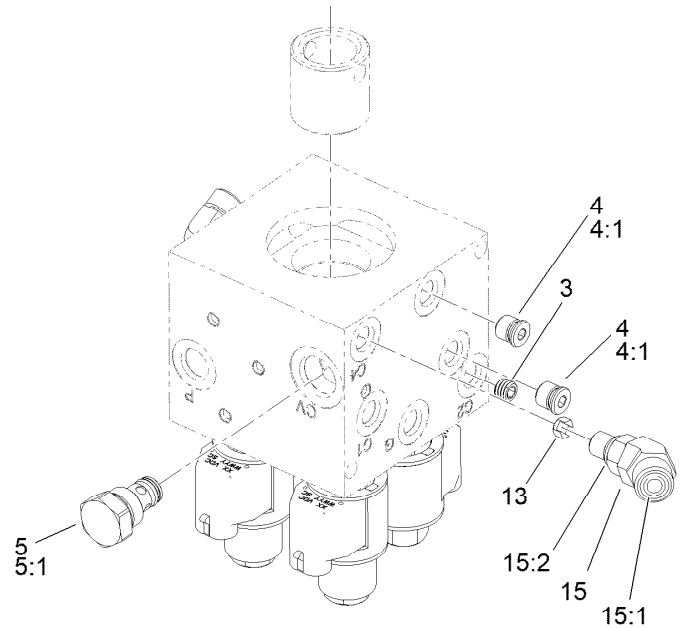
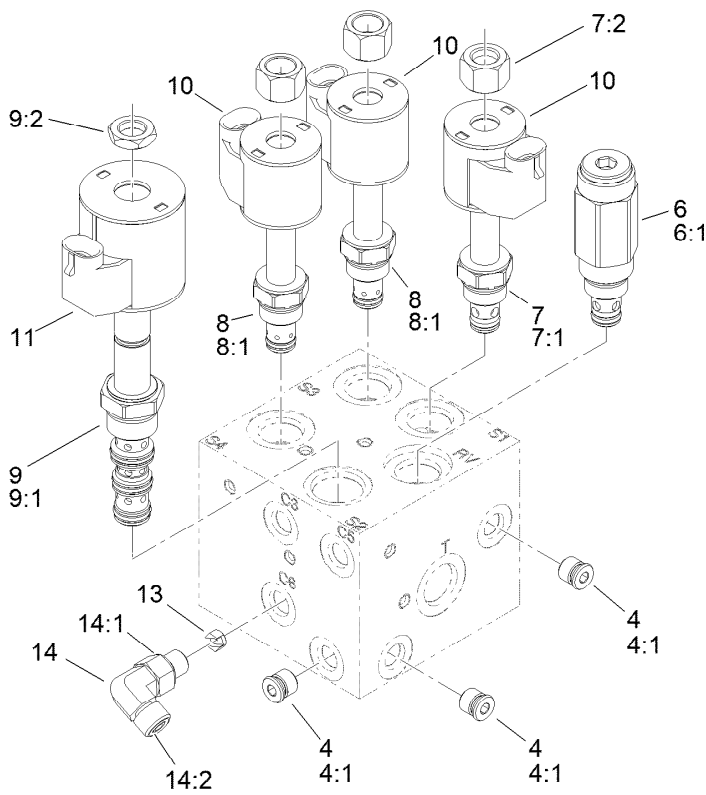
● Not serviced separately





## Hydraulic Lift Manifold Assembly

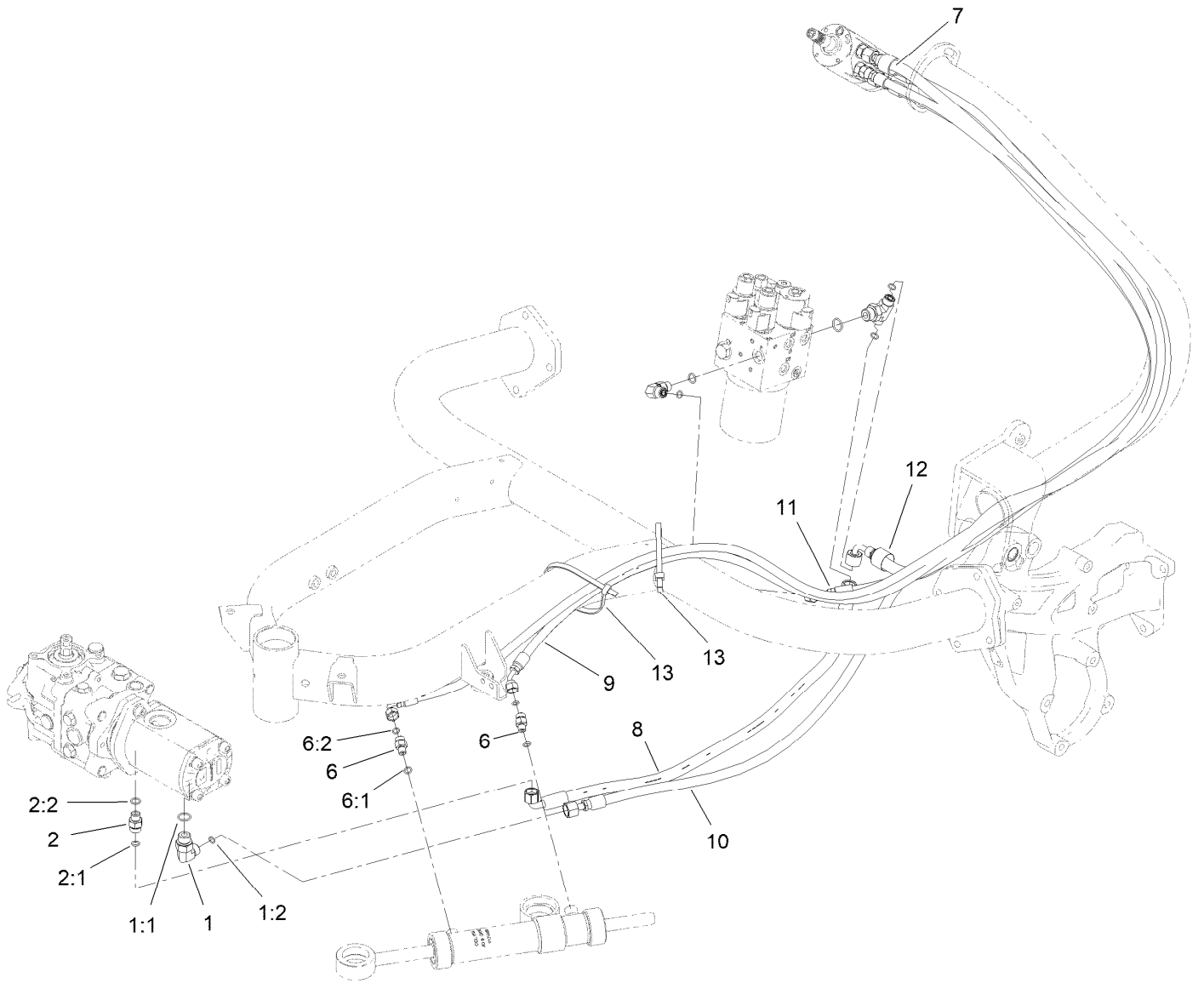
Ref.	Part Number	Qty.	Description	Ref.	Part Number	Qty.	Description
1	125-5187	1	Manifold-Lift, HYD	5:2	237-22	2	O-Ring
2	108-5194	1	Filter-Oil, HYD	6	340-103	1	Fitting-HYD, 45 DEG
3	340-77	1	Fitting-Elbow, 90 DEG	6:1	237-78	1	O-Ring
3:1	237-22	1	O-Ring	6:2	237-21	1	O-Ring
3:2	237-42	1	O-Ring	7	340-97	1	Fitting-Elbow, 90 DEG
4	340-132	2	Fitting-Elbow, 90 DEG	7:1	237-22	1	O-Ring
4:1	237-78	1	O-Ring	7:2	237-78	1	O-Ring
4:2	237-21	1	O-Ring	8	115-9147	1	Fitting-Elbow, 90 DEG
5	92-4799	1	Fitting-Tee, HYD	8:1	237-78	1	O-Ring
5:1	237-79	1	O-Ring	9	354-79	1	Cap-Dust



## Hydraulic Lift Manifold Assembly No. 125-5187

Ref.	Part Number	Qty.	Description
3	119-7144	1	Orifice (.037 Inch)
4	353-990	5	Plug ASM
4:1	237-78	1	O-Ring
5	107-7524	1	Check Valve ASM
5:1	105-9156	1	Seal Kit
6	112-9207	1	Valve-Relief
6:1	105-9156	1	Seal Kit
7	107-7517	1	Valve-Solenoid
7:1	105-9156	1	Seal Kit
7:2	107-7812	1	Nut-Solenoid
8	147-3090	2	Valve-Solenoid
8:1	107-7527	1	Seal Kit

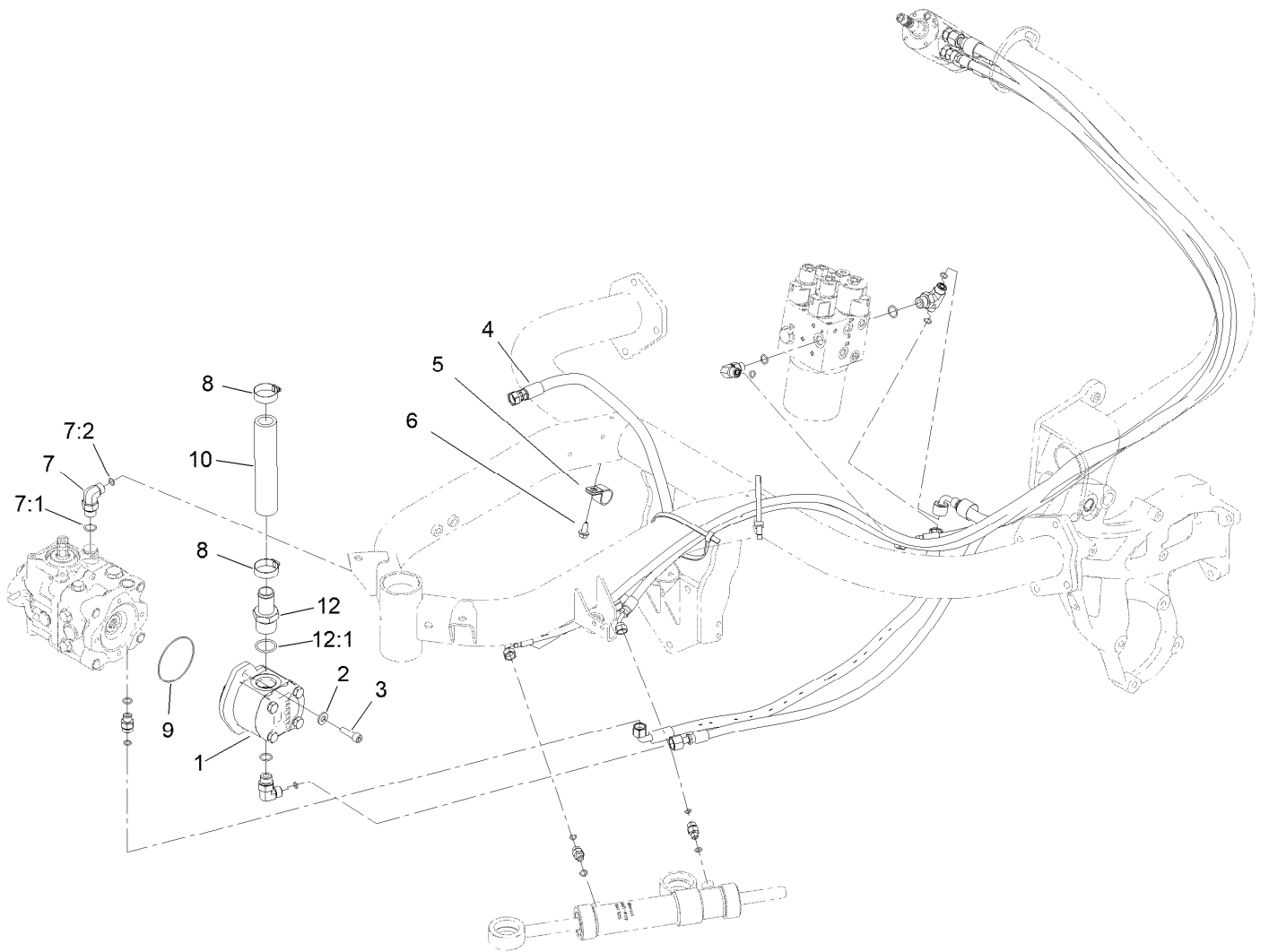
Ref.	Part Number	Qty.	Description
9	110-8906	1	Valve-Solenoid
9:1	110-8908	1	Spool Valve Seal Kit
9:2	110-2634	1	Nut-Coil
10	110-0497	3	Coil-Solenoid
11	110-6344	1	Coil-12V, DC
13	125-5211	2	Orifice-Control, Flow (0.030)
14	340-132	1	Fitting-Elbow, 90 DEG
14:1	237-78	1	O-Ring
14:2	237-21	1	O-Ring
15	340-54	1	Elbow-45 DEG
15:1	237-22	1	O-Ring
15:2	237-78	1	O-Ring



## Steering Circuit Assembly

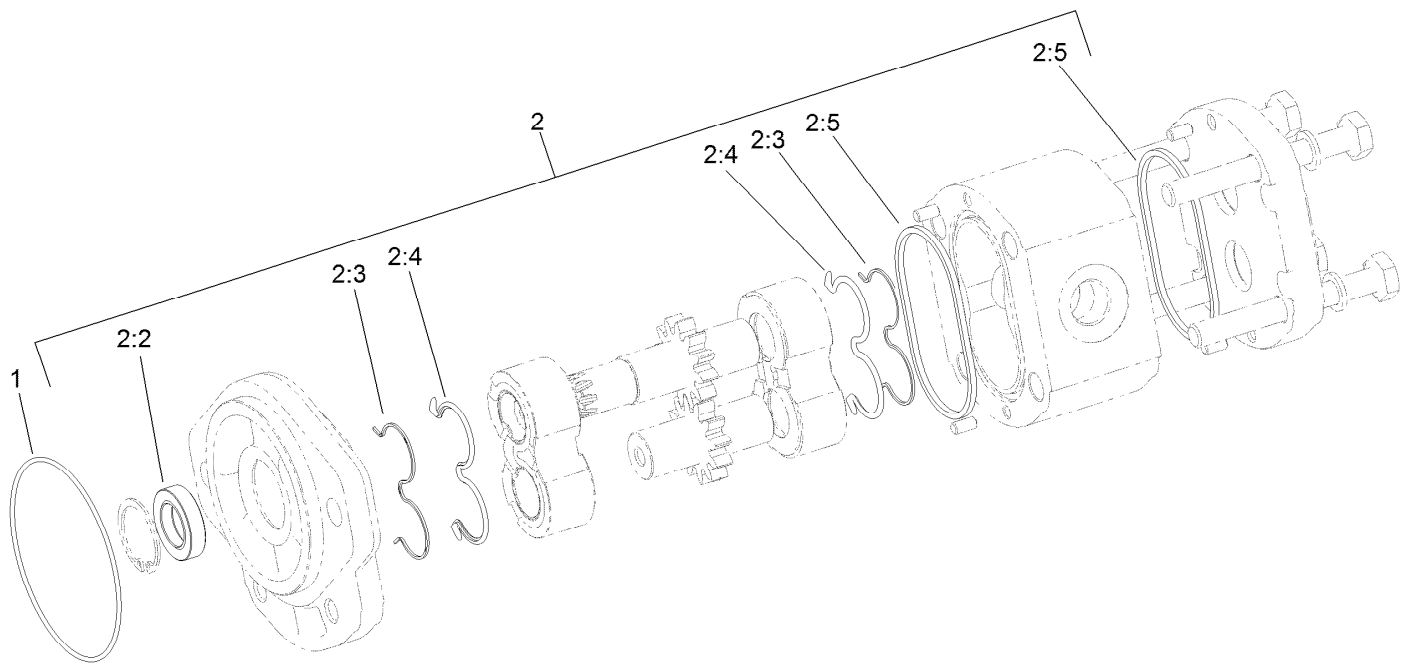
Ref.	Part Number	Qty.	Description
1	340-18	1	Fitting-HYD, 90 DEG
1:1	237-79	1	O-Ring
1:2	237-22	1	O-Ring
2	340-2	1	Fitting-Straight
2:1	237-22	1	O-Ring
2:2	237-42	1	O-Ring
6	340-92	2	Fitting-Straight
6:1	237-78	1	O-Ring

Ref.	Part Number	Qty.	Description
6:2	237-21	1	O-Ring
7	119-8124	1	Hose-HYD
8	140-5230	1	Hose ASM
9	119-8123	1	Hose-HYD
10	145-0056	1	HYD Hose ASM
11	117-3683	1	Hose-HYD
12	140-5270	1	Hose ASM, HYD
13	3334-945	2	Tie-Cable



## Steering Circuit Assembly (2)

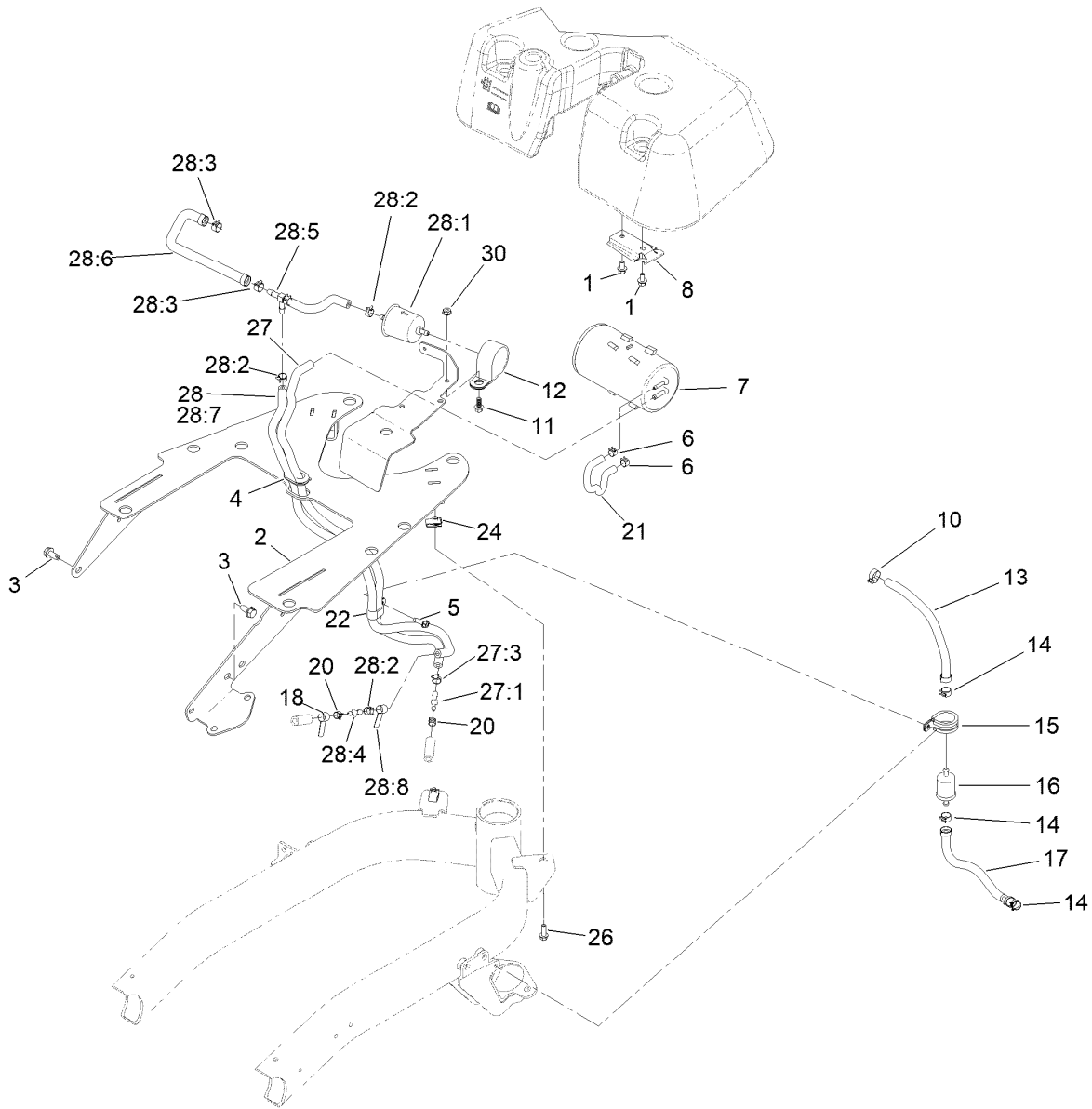
Ref.	Part Number	Qty.	Description
1	114-9958	1	HYD Gear Pump ASM
2	100-4852	2	Washer-Hardened
3	3274-1	2	Screw-HSH
4	119-8125	1	Hose-HYD
5	2412-39	2	Clamp-R
6	32104-32	1	Screw-HWH
7	340-18	1	Fitting-HYD, 90 DEG
7:1	237-79	1	O-Ring
7:2	237-22	1	O-Ring
8	2412-34	2	Clamp-Hose
9	237-161	1	O-Ring
10	119-2069	1	Hose-Suction
12	354-78	1	Fitting-STR
12:1	237-146	1	O-Ring



## Hydraulic Gear Pump Assembly No. 114-9958

<i>Ref.</i>	<i>Part Number</i>	<i>Qty.</i>	<i>Description</i>
1	353-949	1	O-Ring
2	119-7135	1	Kit-Seal
2:2		1	Shaft Seal ●
2:3		2	Anti-Extrusion Seal ●
2:4		2	Seal ●
2:5		2	Seal Square Section ●

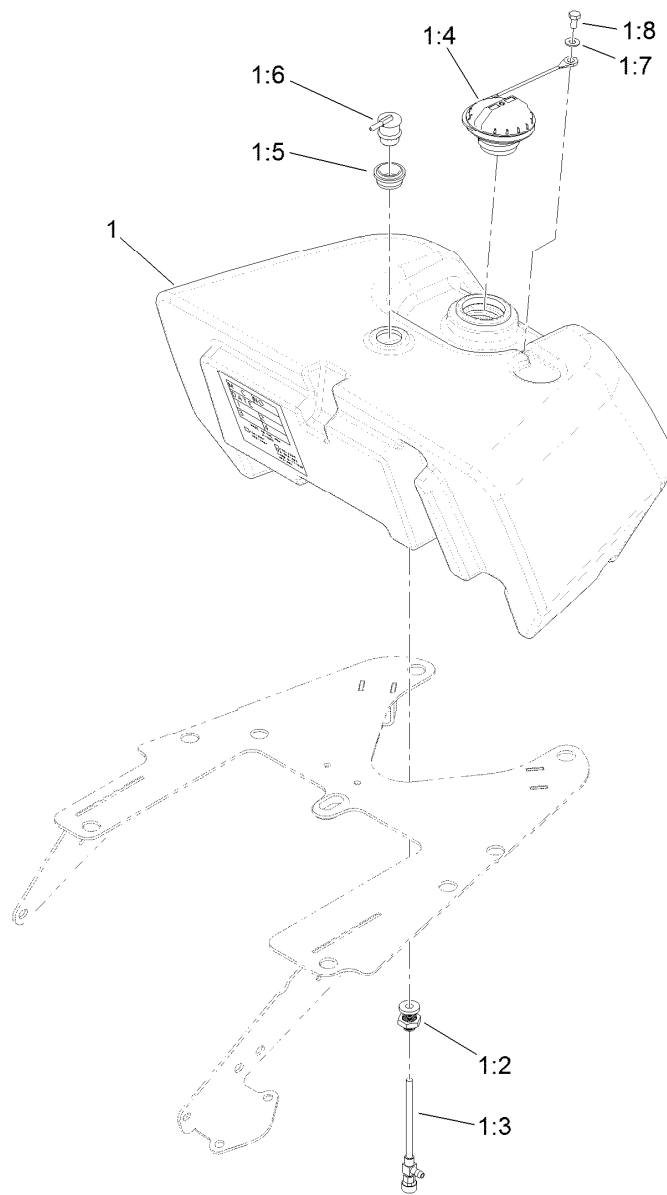
● Not serviced separately



## Fuel Line and Carbon Canister Hose Routing Assembly

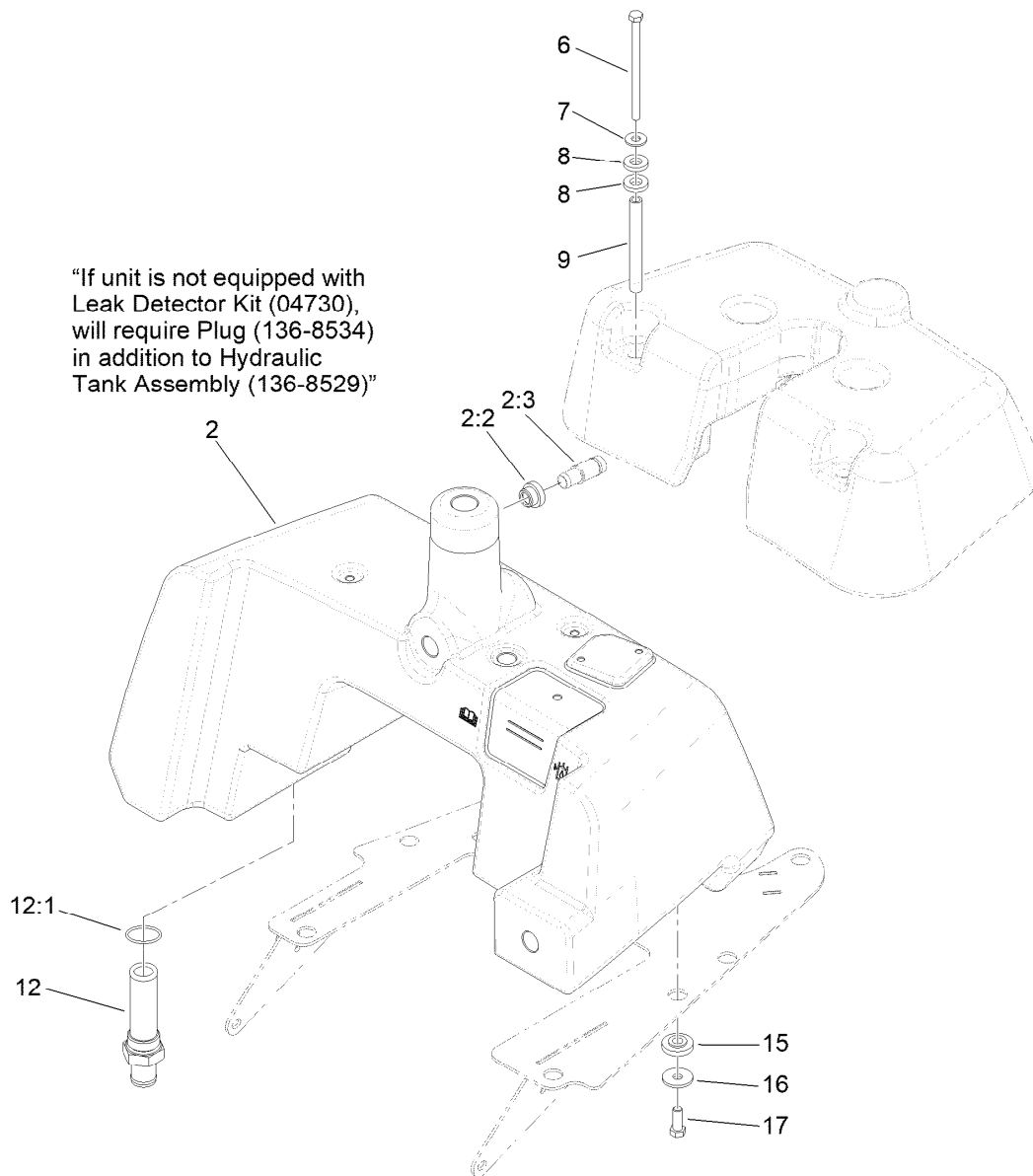
Ref.	Part Number	Qty.	Description	Ref.	Part Number	Qty.	Description
1	3234-13	2	Screw-HHF	21	119-8523	1	Hose-Fuel
2	132-9597-03	1	Plate Wa [black]	22	119-8153	1	Clamp-R, Double Tube
3	32104-32	2	Screw-HWH	24	107069	2	Clip
4	240-5	2	Grommet	26	115-5103	2	Screw-HHF
5	49-2040	1	Screw-HWHTF	27	121-5181	1	Purge Hose ASM
6	2412-146	2	Clamp-Hose	27:1	121-2573	1	Fitting-Straight
7	127-8685	1	Canister-Carbon	27:3	2412-98	2	Clamp-Hose
8	114-0292	1	Bracket-Canister, Carbon	28		1	Tee Hose ASM ●
10	2412-108	1	Clamp-Worm	28:1	121-2583	1	Filter-Fuel, Inline
11	99-6810	1	Screw-HHF	28:2	2412-98	3	Clamp-Hose
12	100-1424	1	Clamp-R	28:3	92-2379	2	Clamp-Hose
13	109-0282	1	Hose-Fuel	28:4	121-2573	1	Fitting-Straight
14	92-2379	3	Clamp-Hose	28:5	121-6663	1	Check Valve Hose ASM
15	120-2037	1	R-Clamp	28:6	139-6544	1	Hose-Formed
16	94-2690	1	Filter-Fuel	28:7	109-3491	1	Hose-Fuel
17	109-0293	1	Hose-Fuel	28:8	121-6664	1	Decal-Cleaner, Air
18	121-6664	1	Decal-Cleaner, Air	30	32149-2	1	Nut-Keps
20	2412-80	2	Clamp-Hose				

● Not serviced separately



## Fuel Tank Assembly

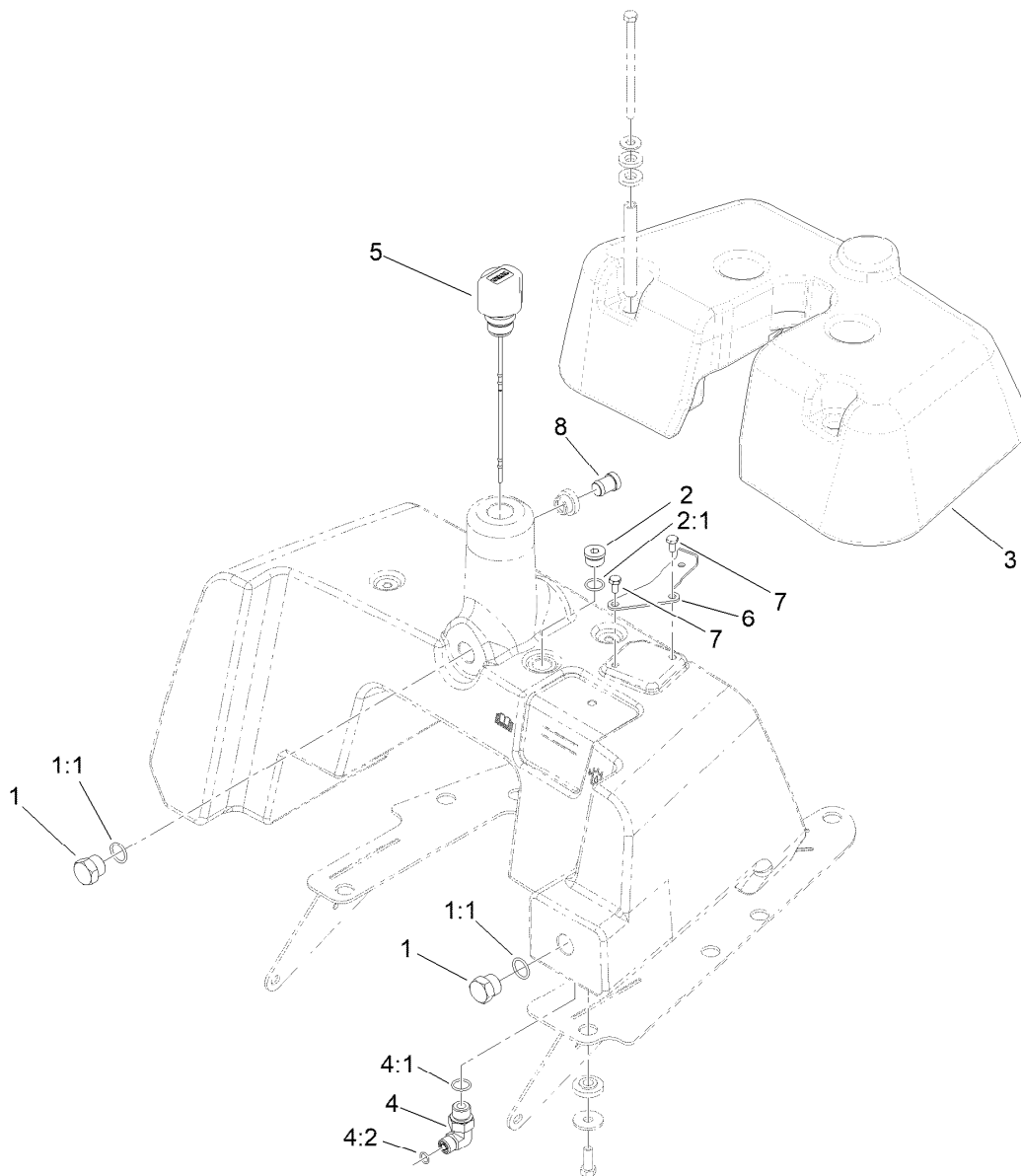
<b>Ref.</b>	<b>Part Number</b>	<b>Qty.</b>	<b>Description</b>
1	139-2664	1	Fuel Tank ASM, Gas
1:2	114-4677	1	Bulkhead ASM
1:3	114-4679	1	Fitting-Shut Off, Fuel
1:4	117-1722	1	Cap-Fuel
1:5	114-0284	1	Grommet
1:6	119-3547	1	Valve-Vent, Fuel
1:7	3256-1	1	Washer-Flat
1:8	321-2	1	Screw-HH



## Hydraulic Tank Assembly

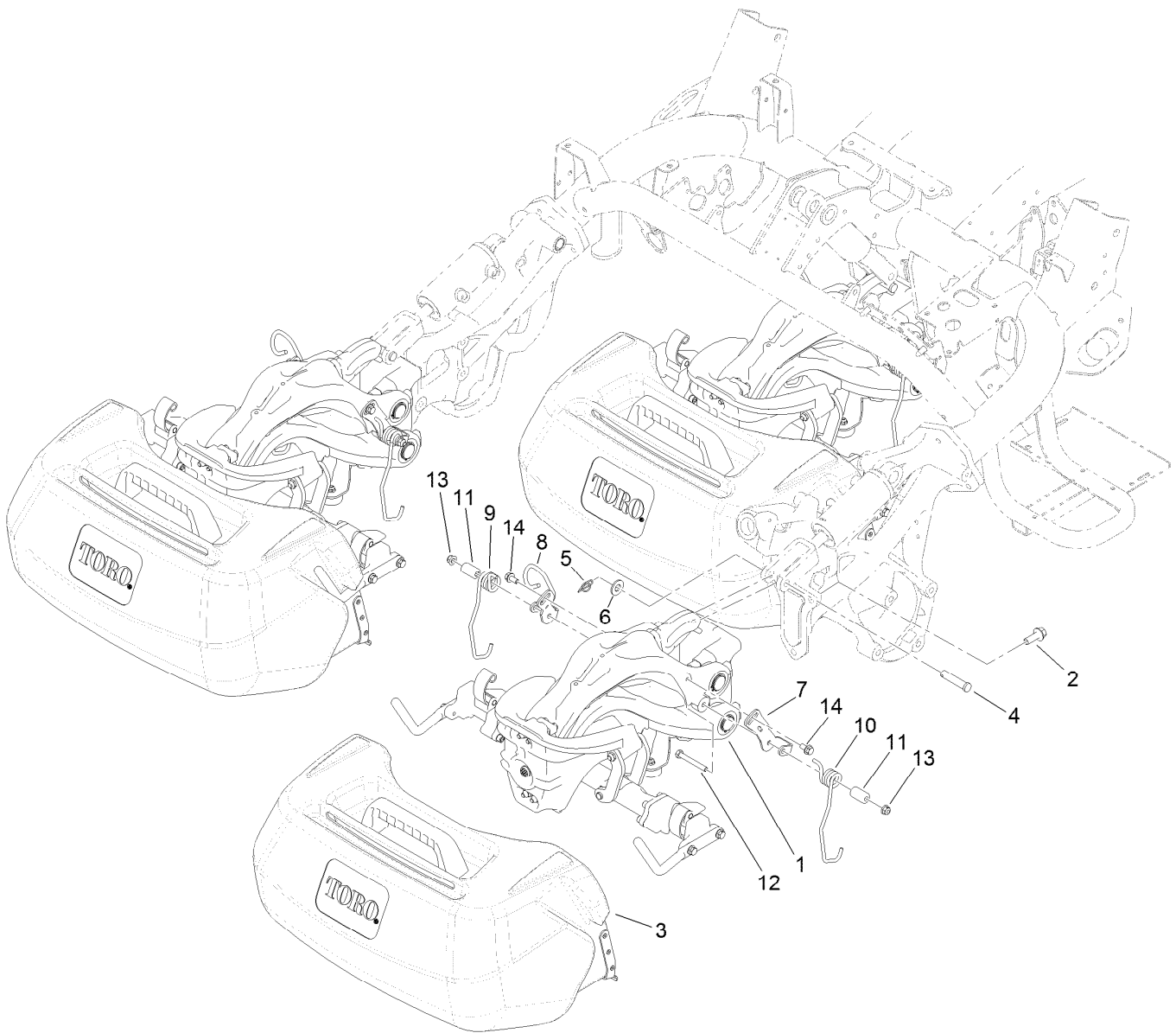
Ref.	Part Number	Qty.	Description
2	136-8529	1	HYD Tank ASM
2:2	136-8531	1	Grommet
2:3	136-8532	1	Spout
6	322-29	4	Screw-HH
7	3256-71	4	Washer-Flat
8	83-1470	8	Washer-Neoprene
9	145-4580	4	Spacer-Tube
12	112-0211	1	Strainer Fitting ASM
12:1	237-146	1	O-Ring
15	240-11	8	Bushing-Flange
16	63-8410	8	Washer
17	323-6	8	Screw-HH





## Hydraulic Tank Cover Assembly

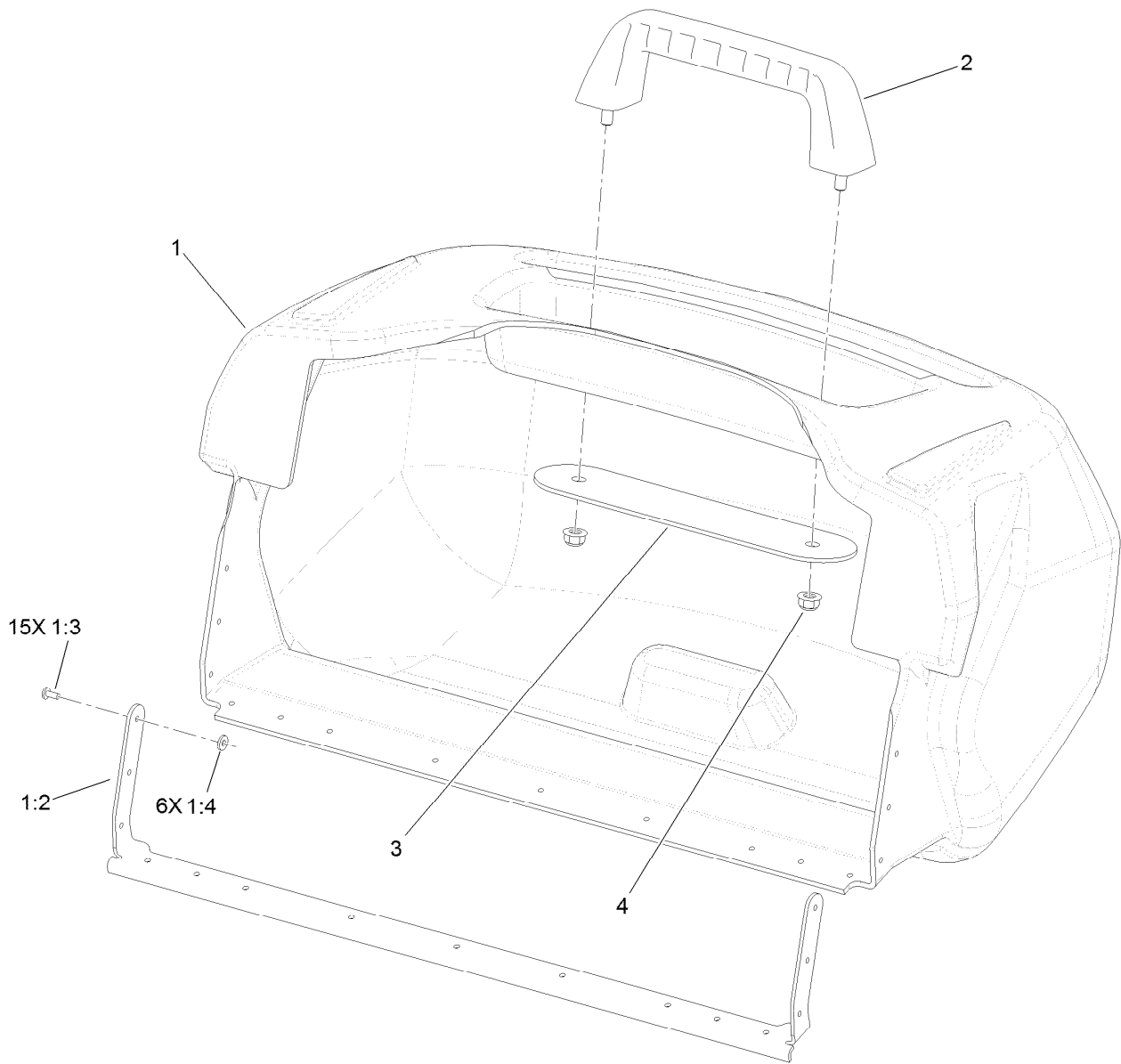
Ref.	Part Number	Qty.	Description
1	353-551	2	Plug-HH
1:1	237-80	1	O-Ring
2	353-988	1	Plug-Hex
2:1	237-79	1	O-Ring
3	136-8520	1	Cover-Tank
4	340-18	1	Fitting-HYD, 90 DEG
4:1	237-79	1	O-Ring
4:2	237-22	1	O-Ring
5	136-8559	1	Dipstick-Breather
6	121-5182	1	Plate-Filter
7	120-9688	2	Screw-HH
8	136-8534	1	Plug



## Suspension and Basket Assembly

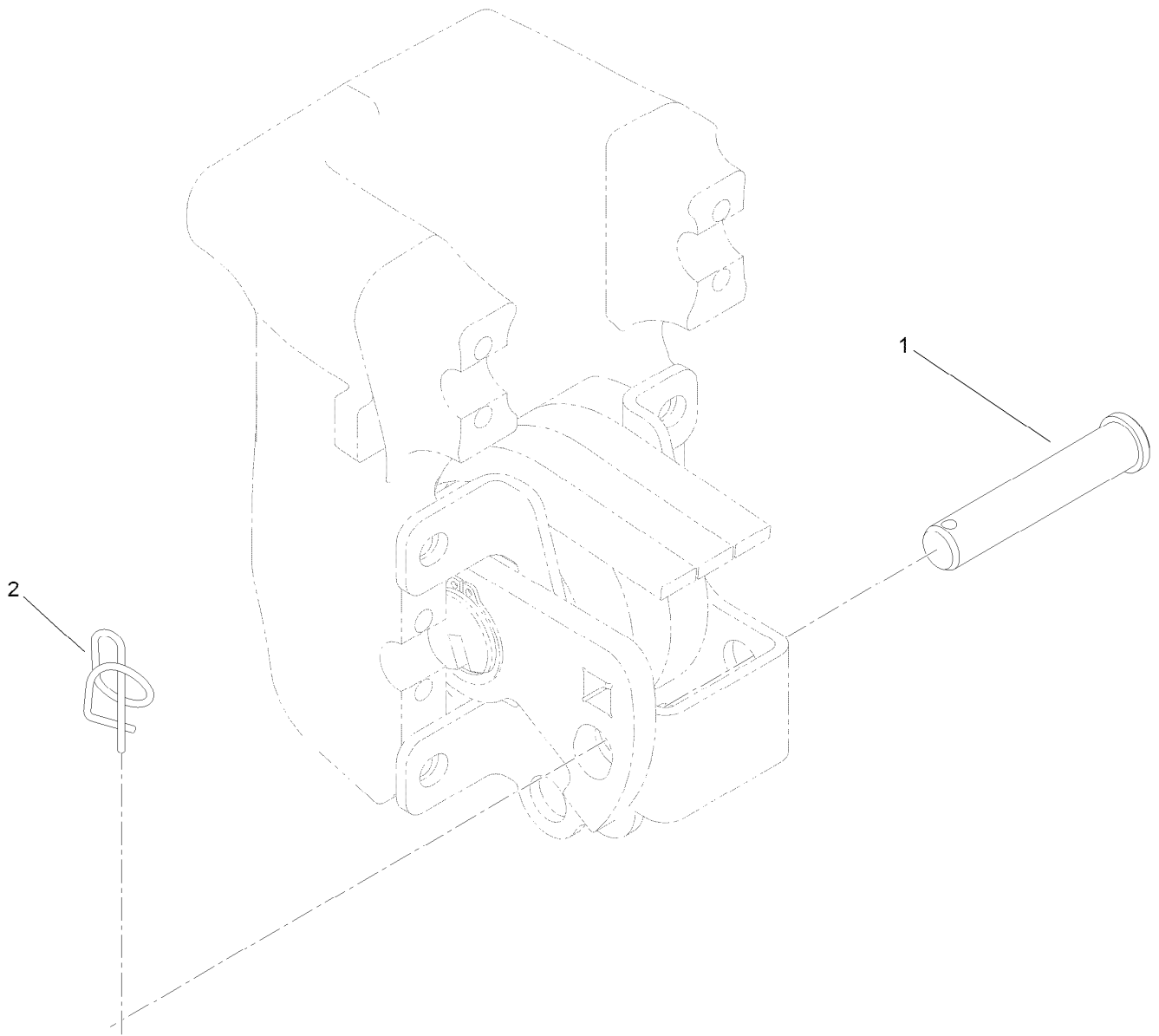
Ref.	Part Number	Qty.	Description
1		3	Suspension ASM ●
2	117-9035	9	Screw-HHF
3	132-9599	3	Basket ASM
4	92-2739	3	Pin-Clevis
5	112-1491	3	Pin-Cotter
6	29-8910	3	Washer
7	133-8998	3	Retainer-Spring, LH
8	133-9025	3	Bracket ASM
9	117-6826	3	Spring-Stabilizer, RH
10	117-6827	3	Spring-Stabilizer, LH
11	117-6825	6	Spacer
12	322-12	6	Screw-HH
13	104-8300	6	Nut-HF, NI
14	114-7728	6	Screw-HHF, Patch

● Not serviced separately



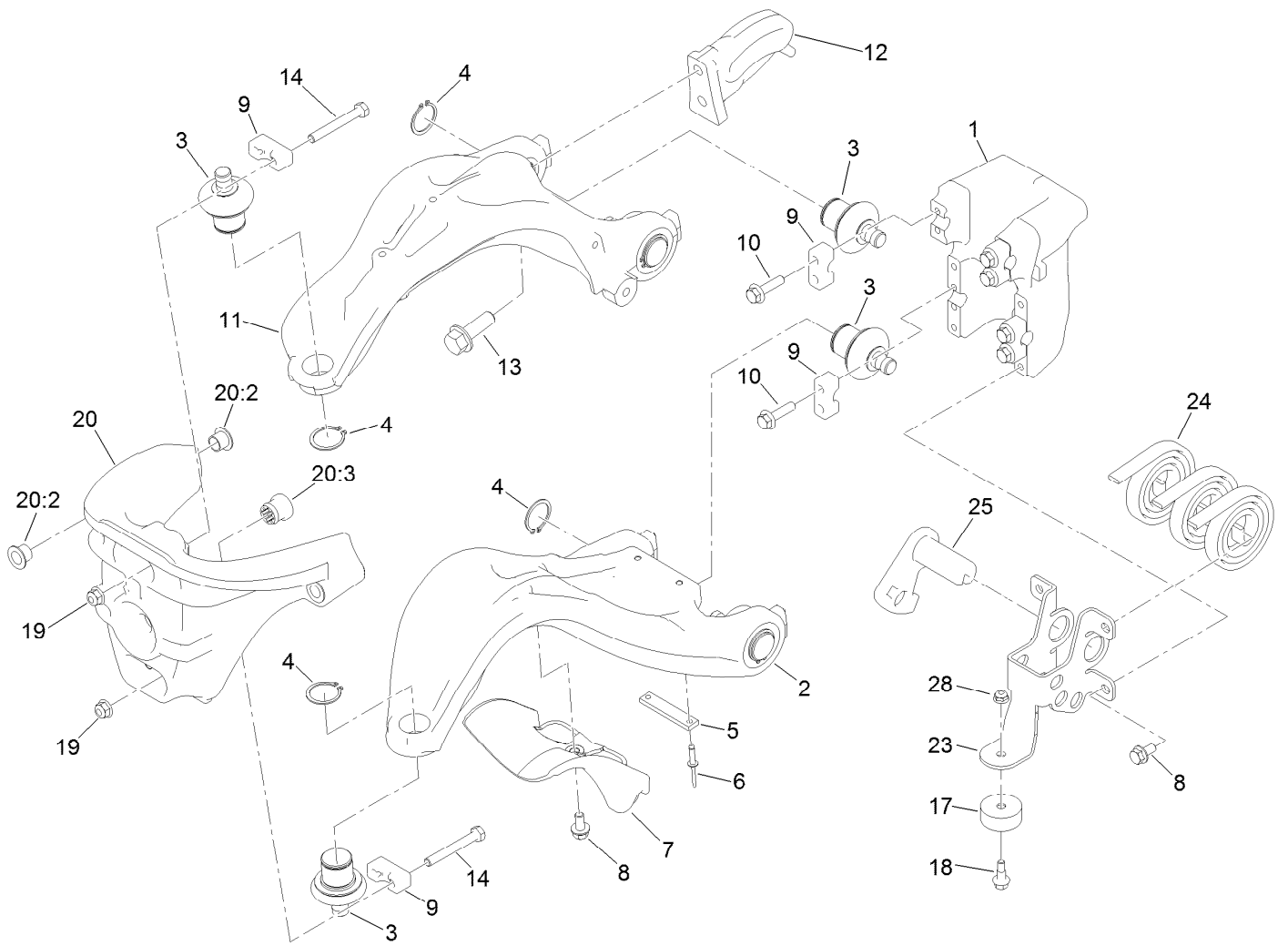
## Basket Assembly No. 132-9599

<i>Ref.</i>	<i>Part Number</i>	<i>Qty.</i>	<i>Description</i>
1	132-9510	1	Basket Assembly
1:2	132-3806	1	Support-Basket
1:3	3269-25	15	Rivet-Pop
1:4	3256-75	6	Washer-Flat
2	117-8088	1	Handle-Grab
3	117-8092-03	1	Plate-Mounting
4	104-8300	2	Nut-HF, NI



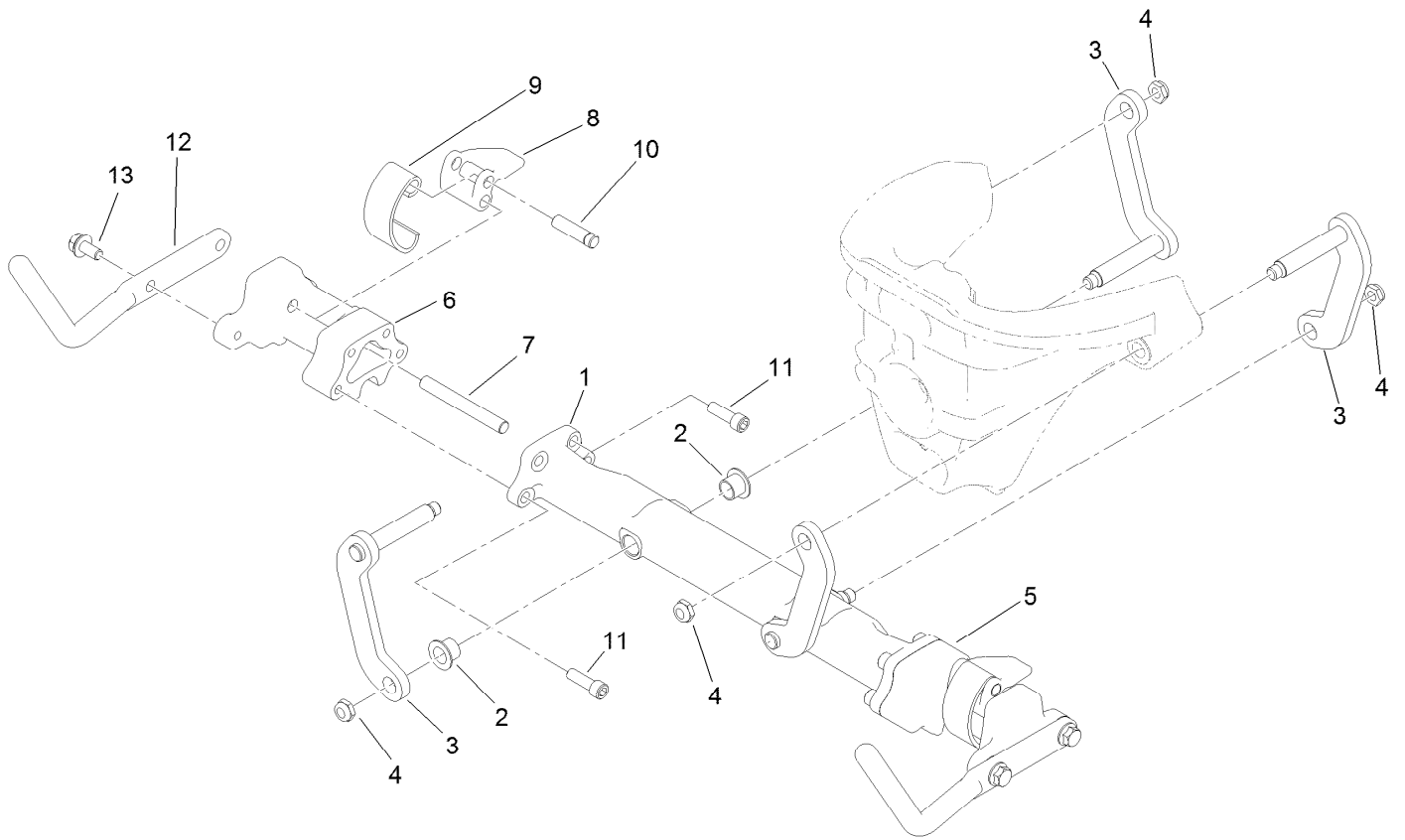
## Suspension Pin Position Assembly

<i>Ref.</i>	<i>Part Number</i>	<i>Qty.</i>	<i>Description</i>
1	100-6541	3	Pin-Clevis
2	112-1491	3	Pin-Cotter



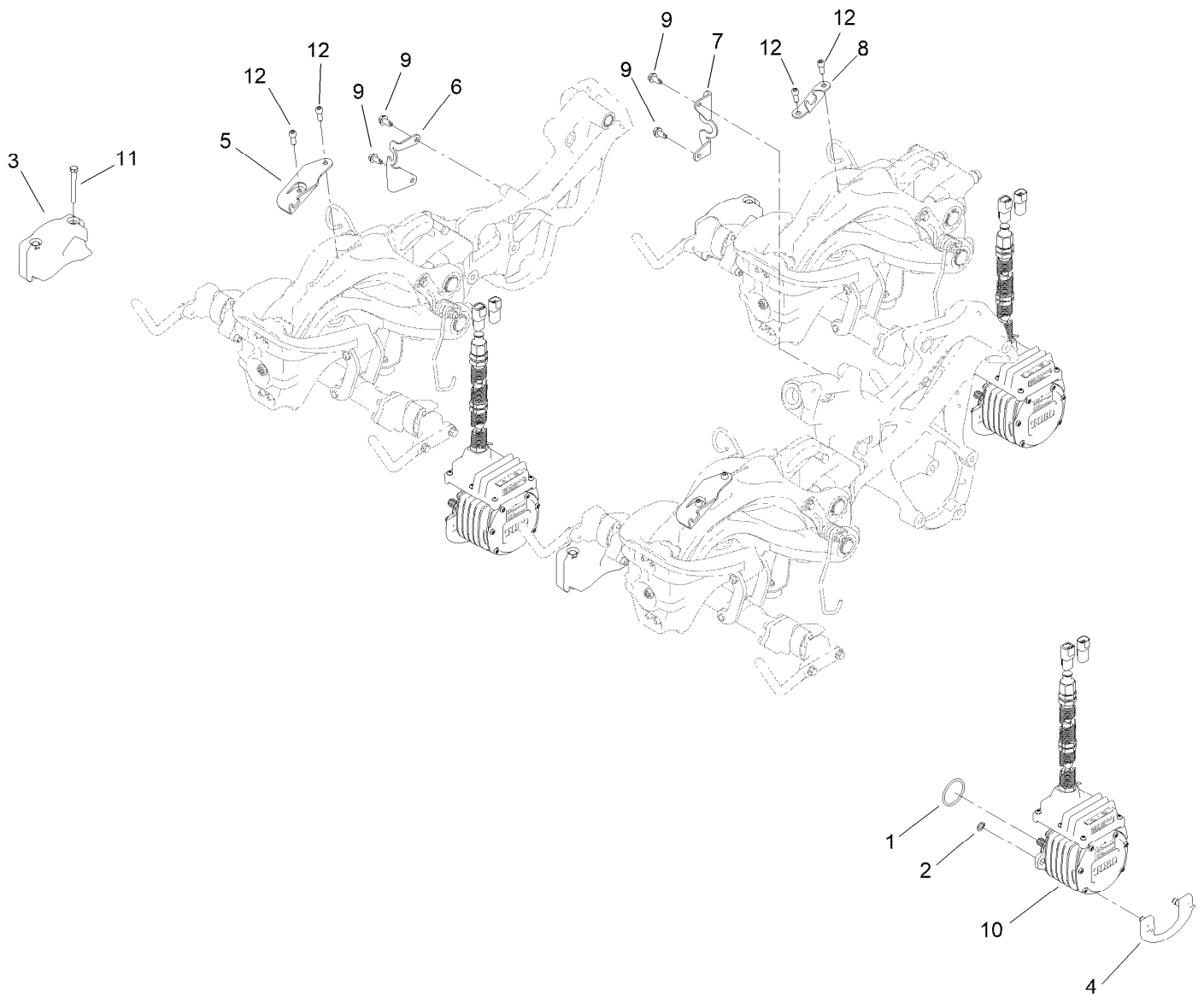
## Suspension A-Arm Assembly

Ref.	Part Number	Qty.	Description	Ref.	Part Number	Qty.	Description
1	117-9480	1	Mount-Pivot, A-Arms	13	100-6116	2	Screw-HHF
2	117-6656	1	A-Arm, Lower	14	132-3838	4	Screw-HH
3	132-6959	6	Balljoint	17	133-0308	1	Bumper-Rubber
4	120-3225	6	Ring-Retaining, EXT	18	133-0315	1	Screw-Shoulder, HF
5	117-6674	1	Plate-Striker	19	104-8300	4	Nut-HF, NI
6	3269-28	2	Rivet-Pop	20	120-3216	1	Steering Head ASM
7	117-6755	1	Stop-Steering	20:2	125-5239	4	Bushing-Flange
8	114-7728	5	Screw-HHF, Patch	20:3	131-1836	1	Grommet
9	112-5647	6	Clamp	23	140-5232	1	C-Balance Mount
10	132-3837	8	Screw-HHF	24	114-9306	3	Spring
11	139-6452	1	A-Arm, Upper	25	140-5234	1	Tensioner
12	139-8407	1	Plate-Lift	28	104-7201	1	Nut-HF, NI



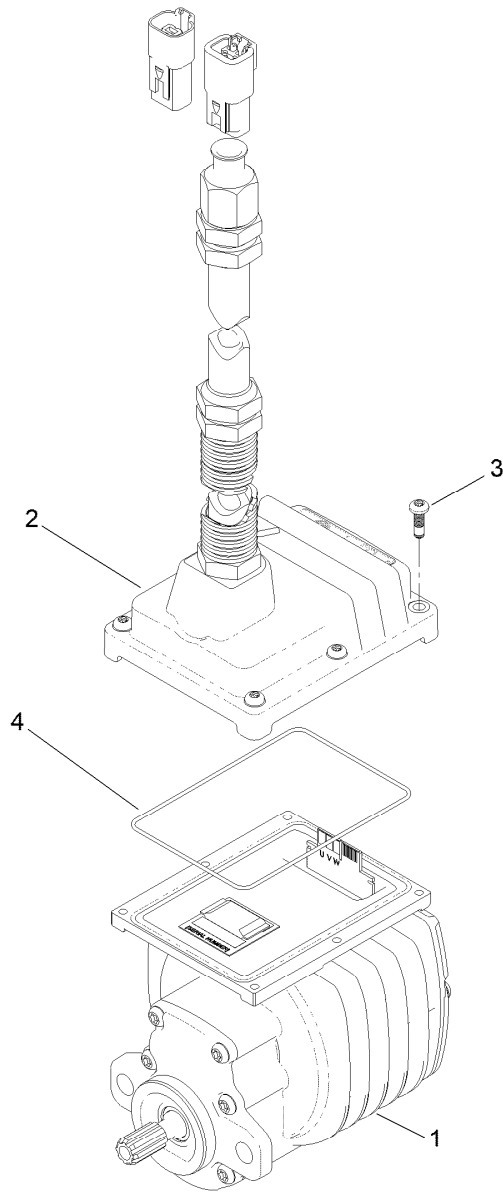
## Suspension Crossarm Assembly

<i>Ref.</i>	<i>Part Number</i>	<i>Qty.</i>	<i>Description</i>
1	120-3217	1	Crossarm
2	125-5239	4	Bushing-Flange
3	117-6654	4	Link
4	3296-59	4	Nut-Lock, NI
5	117-9482	1	Mount-Cross Arm, LH
6	117-9492	1	Mount-Cross Arm, RH
7	114-8051	2	Pin-Pivot
8	114-8047	2	Lever
9	114-8048	2	Spring
10	114-8049	2	Pin-Pivot
11	120-3227	8	Screw-HSH
12	120-2784-01	2	Horn-Basket
13	114-7728	4	Screw-HHF, Patch



## Electric Motor and Bracket Assembly

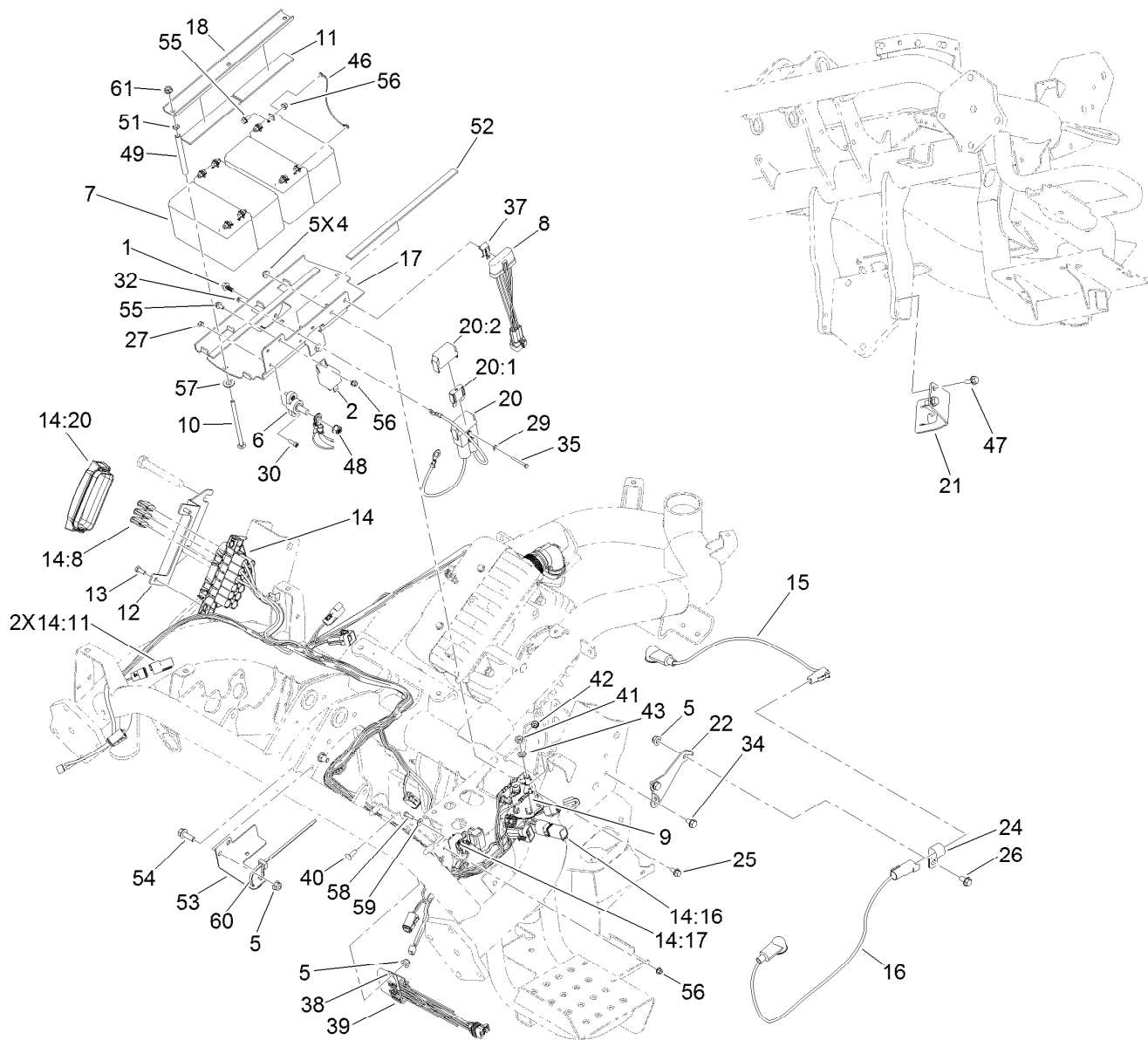
Ref.	Part Number	Qty.	Description
1	115-3298	3	O-Ring
2	133-8926	6	Ring-Retaining (Metric)
3	117-6774-03	3	Weight-Electric
4	115-5389	3	Cam-Mount, Motor
5	119-7487	2	Bracket-Clamp, Hose
6	138-9741	1	Bracket-Hose
7	120-4531	1	Bracket-Hose
8	119-7540	1	Bracket-Hose, Rear
9	32104-32	4	Screw-HWH
10	144-6666	3	Rem/Inv Assy, 5In Grn
11	322-13	6	Screw-HH
12	100-2401	6	Screw-HSH



## Motor Assembly No. 144-6666

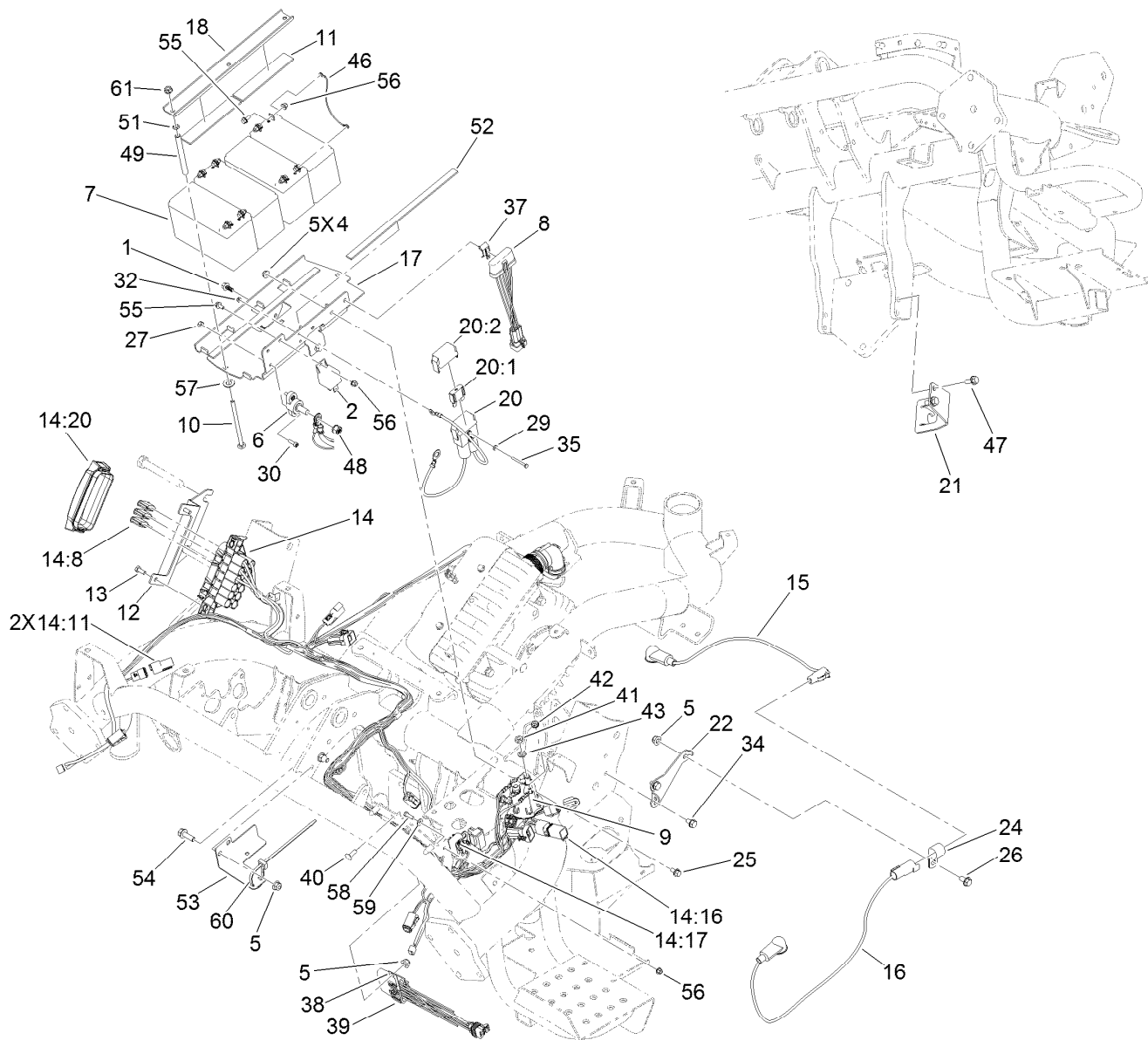
<i>Ref.</i>	<i>Part Number</i>	<i>Qty.</i>	<i>Description</i>
1	161-0344	1	Rem-5In Greens
2	161-0345	1	Inverter-5In Greens
3	144-6692	6	Screw-Tph
4	144-6731	1	Service Kit-Controller & Motor





## Electric Mow Battery Assembly

Ref.	Part Number	Qty.	Description	Ref.	Part Number	Qty.	Description
1	99-6810	3	Screw-HHF	16	119-1784	1	Harness-Wire, Battery Disconnect
2	99-7435	1	Relay	17	132-3770-01	1	Plate-Battery
4	104-7201	5	Nut-HF, NI	18	119-2104-01	1	Channel-Clamp, Battery
5	104-8300	4	Nut-HF, NI	20	119-5773	1	Harness-Wire
6	110-8823	1	Block-Junction	20:1	120-3954	1	Fuse-60 Amp
7	112-9621	4	Battery-Wet, 12V 9Ah, Sealed	20:2	32180-085	1	Fuse-Cover
8	112-9630	1	Module-Reel, I.D.	21	119-7566-03	1	Bracket-Hose, Rear
9	122-1274	1	Contactor-DC, 48V	22	119-8175	1	Bracket-Disconnect
10	120-4585	3	Screw-CARR	24	2412-4	1	Clamp-R
11	115-9477	2	Strip-Foam	25	3234-13	2	Screw-HHF
12	131-3100-03	1	Bracket-Holder, Fuse	26	3234-7	1	Screw-HHF
13	33113-016	2	Screw-HH	27	3296-21	2	Nut-Hex
14	122-0523	1	Harness-Wire, E-Reels	29	3256-12	2	Washer-Flat
14:8	122-0255	3	Fuse-Maxi, 35 Amp-58V	30	3273-26	2	Screw-HSH
14:11	32180-043	2	Resistor-120 Ohm	32	3296-9	2	Nut-Hex
14:16	119-7781	1	Diode-Sealed	34	32104-82	2	Screw-HHF
14:17	120-3958	1	Fuse-Blade, 10A	35	32105-21	2	Screw-HH
14:20	32180-146	1	Cover-Fuse	37	32180-011	1	Clip-Connector
15	119-1783	1	Harness-Wire, Battery Disconnect	38	32180-020	1	Clip-Connector
				39	119-4330	1	Isolated Can Module ASM



## Electric Mow Battery Assembly (continued)

<i>Ref.</i>	<i>Part Number</i>	<i>Qty.</i>	<i>Description</i>	<i>Ref.</i>	<i>Part Number</i>	<i>Qty.</i>	<i>Description</i>
40	1-807512	1	Bolt-CARR	52	115-8827	2	Foam-Strip
41	3220-2	2	Nut-Jam	53	120-4570	1	Bracket-Harness
42	32149-8	2	Nut-Keps	54	3234-29	2	Screw-HHF
43	3253-4	2	Washer-Lock	55	120-4579	9	Screw-HHF
46	119-1782	3	Harness-Wire, Jumper (Battery)	56	120-4580	10	Nut-HF
47	32144-14	2	Screw-HWHTF	57	48-9220	3	Washer-Flat
48	32149-10	1	Nut-Keps	58	60-6910	1	Screw-HH
49	120-4586	3	Tube	59	3256-14	1	Washer-Flat
51	1-803037	3	Nut-Retaining	60	3290-378	1	Tie-Cable
				61	32128-33	3	Nut-HF

# Attachments and Accessories

## For 04530 Greensmaster 3320 TriFlex Traction Unit

<b>Product Name</b>	<b>Model/Part</b>
Turf Evaluator .....	04399
Standard Greensmower Seat Kit .....	04508
Light Kit.....	04554
8-Blade DPA Reel Mower .....	04651
11-Blade DPA Reel Mower .....	04653
14-Blade DPA Reel Mower .....	04655
Three-Wheel Drive Kit .....	04714
Anti-Bobbing Kit.....	04716
Dethatching Unit .....	04720
Tri-Roller .....	04722
Spiker .....	04723
Premium Seat.....	04729
Hydraulic Oil Leak Detector Kit .....	04730
Spark Arrestor Screen .....	104-6540
Wireless Hourmeter .....	115-4754
Premium Synthetic Bio-Degradable Hydraulic Fluid (5 Gallon Pail) .....	119-2157
Premium Synthetic Bio-Degradable Hydraulic Fluid (55 Gallon Drum).....	119-2158
Premium Armrest Kit.....	119-7105
Weight Kit .....	119-7129
Three-Wheel Drive Weight Kit .....	120-5750
Armrest Kit.....	121-3660
Premium Engine Oil 10w30 (55 Gallon Drum) .....	121-6392
Premium Engine Oil 10w30 (5 Gallon Pail) .....	121-6393
Hi-Back Seat Cover .....	133-1308
PX Hydraulic Fluid (5 Gal) .....	133-8086
PX Hydraulic Fluid (55 Gal).....	133-8087
Bag Kit .....	137-8130
Bimini Shade Kit .....	138-8579
TriFlex Hydraulic Hose Rebuild MVP Kit.....	140-5233
Tire - 20 X 10.00-8, 4ply.....	144-3665
MVP Kit 1000 Hour - GR3300/3320 .....	44969
Height-of-Cut Bar.....	94-9010



**Count on it.**