



Count on it.

Parts Catalog

**Greensmaster® eFlex® 1021
Greensmower**

Model No. 04865—Serial No. 416500000 and Up



Ordering Replacement Parts

To order replacement parts, please supply the part number, the quantity, and the description of each part desired.

Understanding Reference Numbers

Each identified part in an illustration has a reference number. The reference number for a part also appears in the parts list, along with other information about the part.

This catalog uses two special reference number formats, one to indicate parts in a service assembly and another to indicate the quantity of a given part in an illustration.

Service Assembly Reference Numbers

Parts in service assemblies have reference numbers in the form a:b. The a represents the reference number of the entire service assembly and the b represents a sequential number unique to each part within the service assembly.

For example, a wheel assembly might be identified by reference number 6, the tire by 6:1, the valve by 6:2, and the wheel by 6:3. When you order the assembly identified by reference number 6, you receive all parts identified by reference numbers 6:1, 6:2, and 6:3. However, you may also order any part individually. Reference numbers of this type appear in illustration and in parts lists.

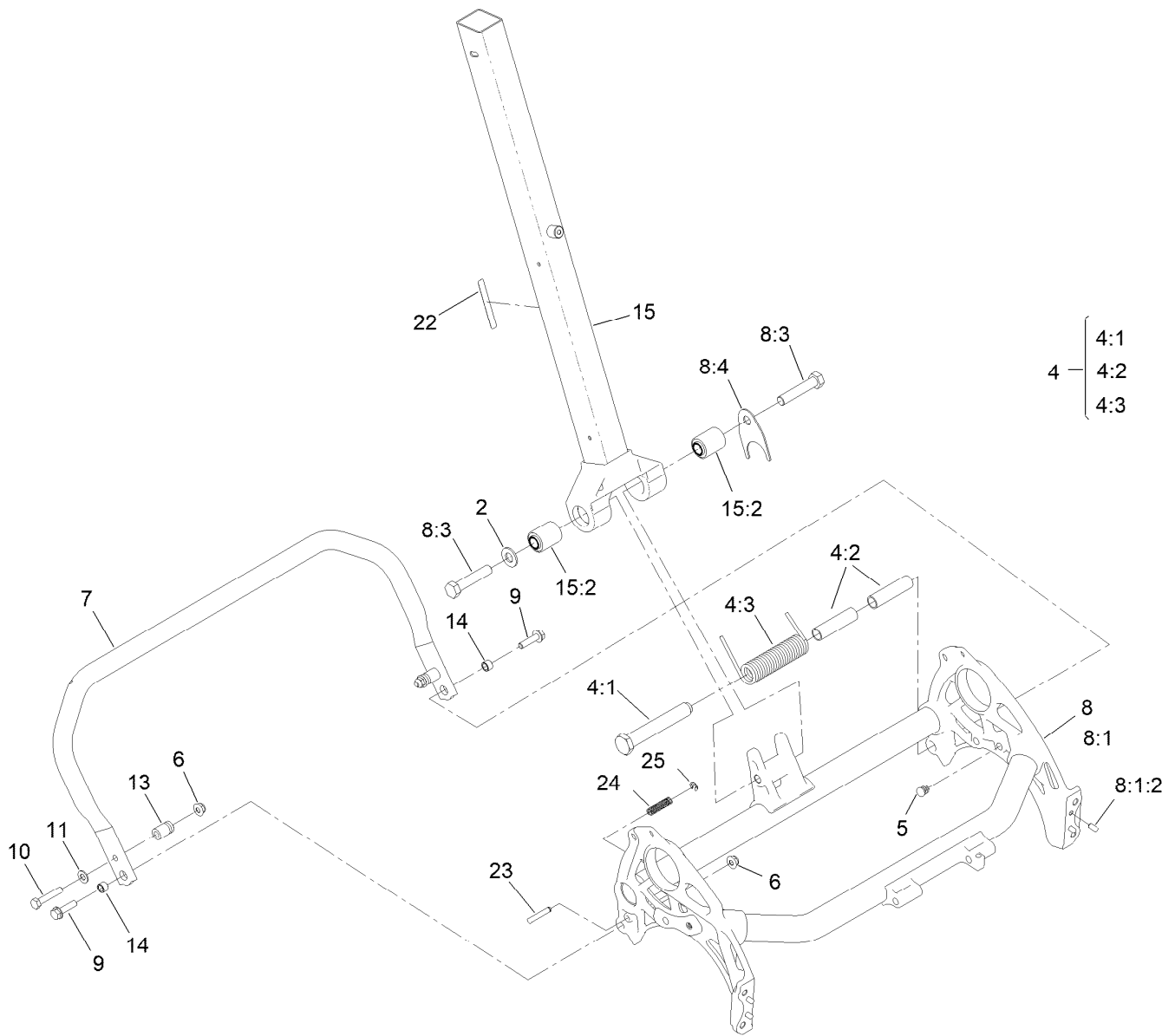
Reference Numbers Indicating Quantity

In an illustration, if a reference number indicates more than one part, the reference number has the form nX y. The n represents the quantity of the part, the X is the multiplication symbol, and the y represents the reference number.

For example, in an illustration, the reference number 2X 37 means that two of the parts identified by reference number 37 are indicated.

Contents

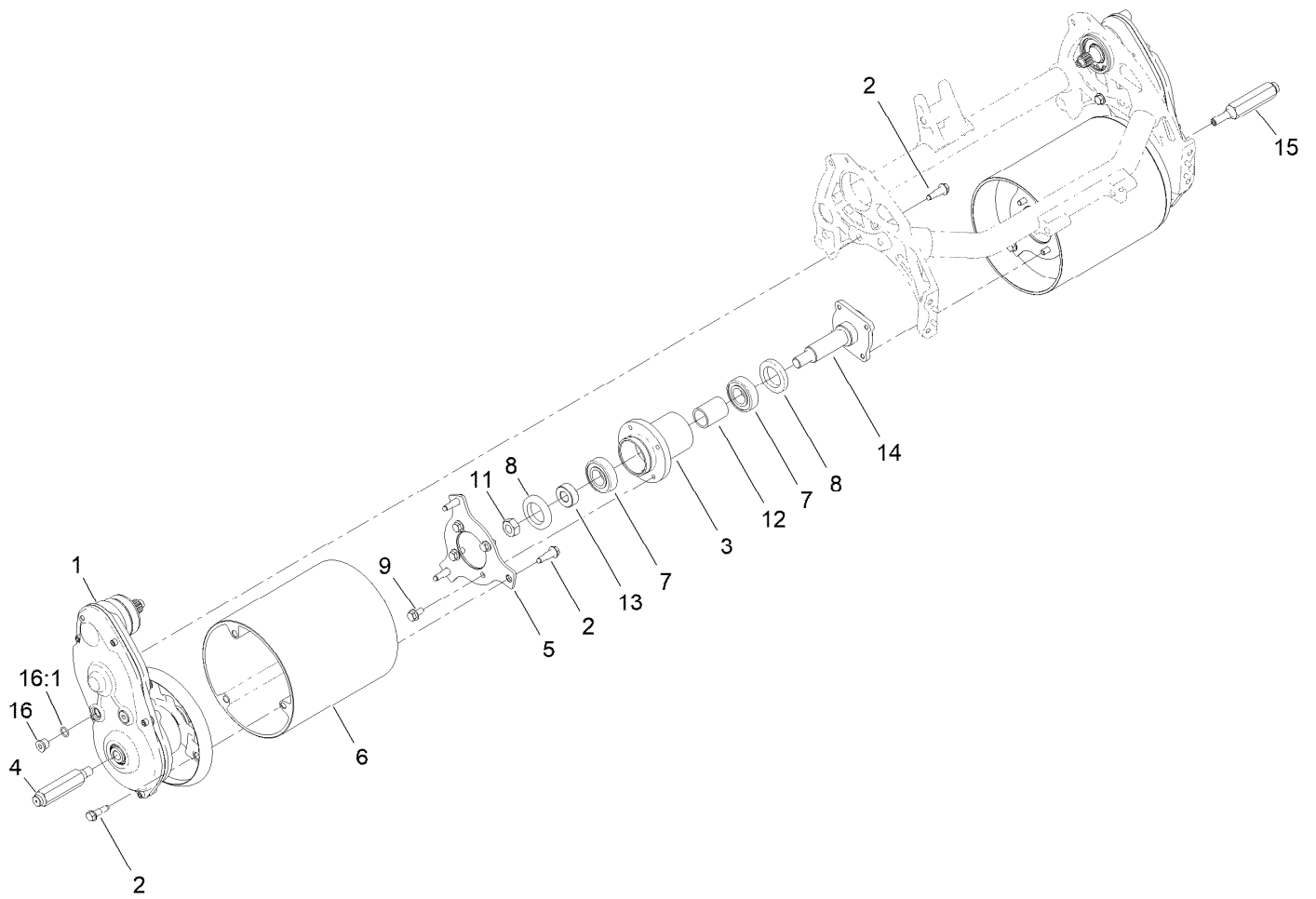
Frame and Handle Mount Assembly	4
Drum Drive Assembly	5
Drum Drive Replacement Kit Assembly No. 147-2345	6
Drum Drive Gear Box Assembly	7
Drive Shaft and Reel Components Assembly	8
Transmission Assembly	9
Transmission Assembly No. 140-9327 Transmission Case Assembly	10
Transmission Assembly No. 140-9327 Reel Drive Assembly	11
Transmission Assembly No. 140-9327 Traction Drive Assembly	12
Differential Assembly No. 132-4555	13
Electric Motor Assembly No. 161-4651	14
Inverter Controller Assembly	15
Flex Frame and Grass Basket Assembly	16
Grass Basket Assembly No. 125-3500	17
Reel Controls and Covers Assembly	18
Upper Handle Assembly	19
Traction Bail Assembly	20
Electric Handle Components Assembly	21
Battery Frame Assembly	22
Miscellaneous Parts Assembly	23
Attachments and Accessories	24



Frame and Handle Mount Assembly

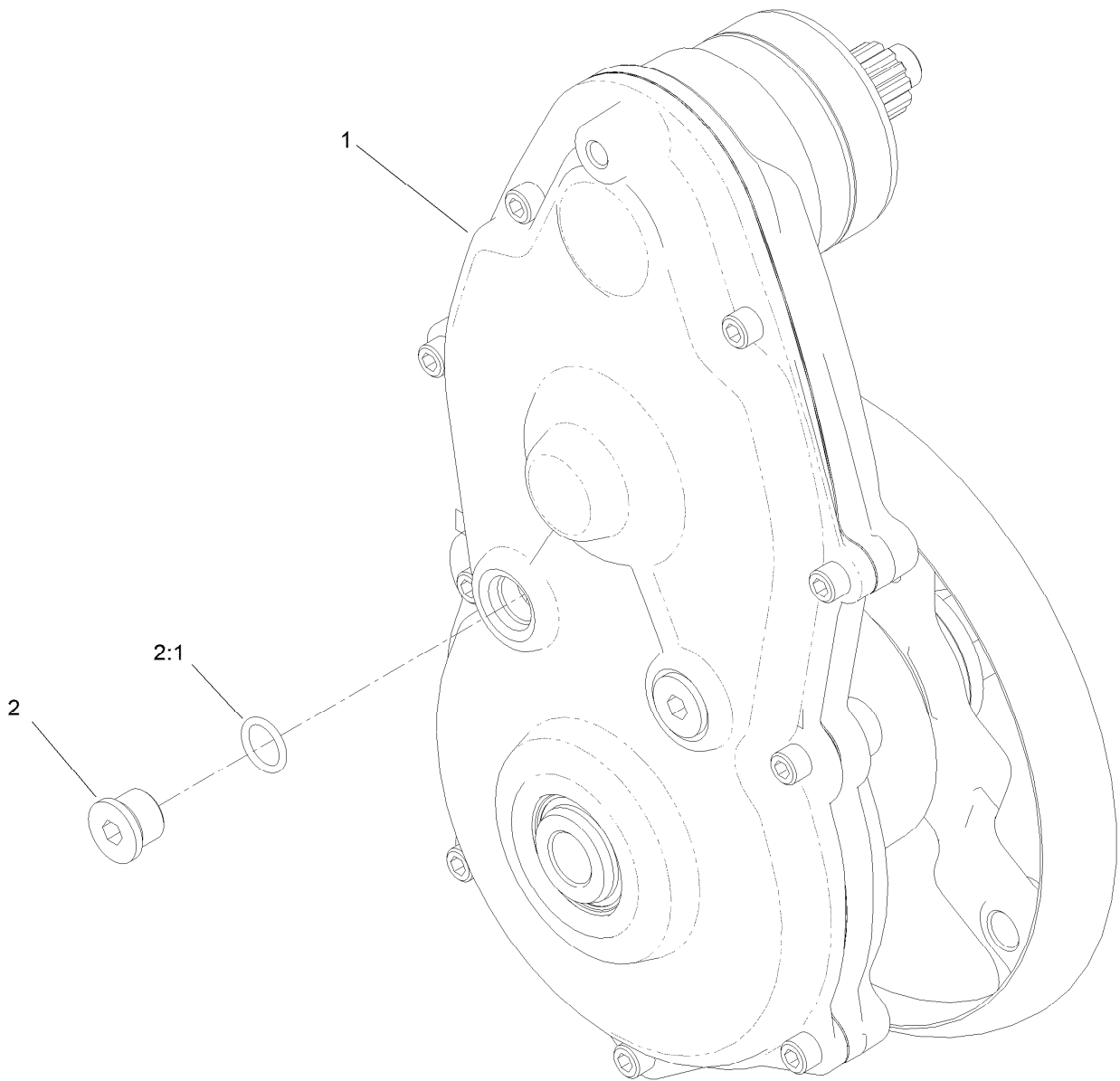
Ref.	Part Number	Qty.	Description	Ref.	Part Number	Qty.	Description
2	3256-26	1	Washer-Flat	8:4	140-9333	1	Washer, Anti-Rotation
4	147-2290	1	Kit-Kickstand Spring Replacement	9	112-6913	2	Screw-HF
4:1	147-2285	1	Pin-Mount, Spring	10	322-9	2	Screw-HH
4:2	147-2286	2	Sleeve, Spring-Mount	11	3256-23	2	Washer-Plain
4:3	147-2268	1	Spring-Torsion, LH	13	65-7900	2	Retainer-Spring
5	139-4326	2	Plug-Plastic	14	65-7910	2	Spacer
6	119-4041	3	Nut-HF	15	137-0292	1	Lower Handle ASM
7	147-2272	1	Kickstand, 21 Inch	15:2	138-1469	2	Bushing-Straight
8	140-9341	1	Frame ASM, 21" Electric	22	133-8061	1	Decal-Warning
8:1		1	Frame ASM, Electric 21" ●	23	139-7431	1	Pin-Kickstand, Lock
8:1:2	95-0715	4	Pin-Dowel	24	73-3450	1	Spring-Compression
8:3	325-10	2	Screw-HH	25	32151-86	1	E-Ring

● Not serviced separately



Drum Drive Assembly

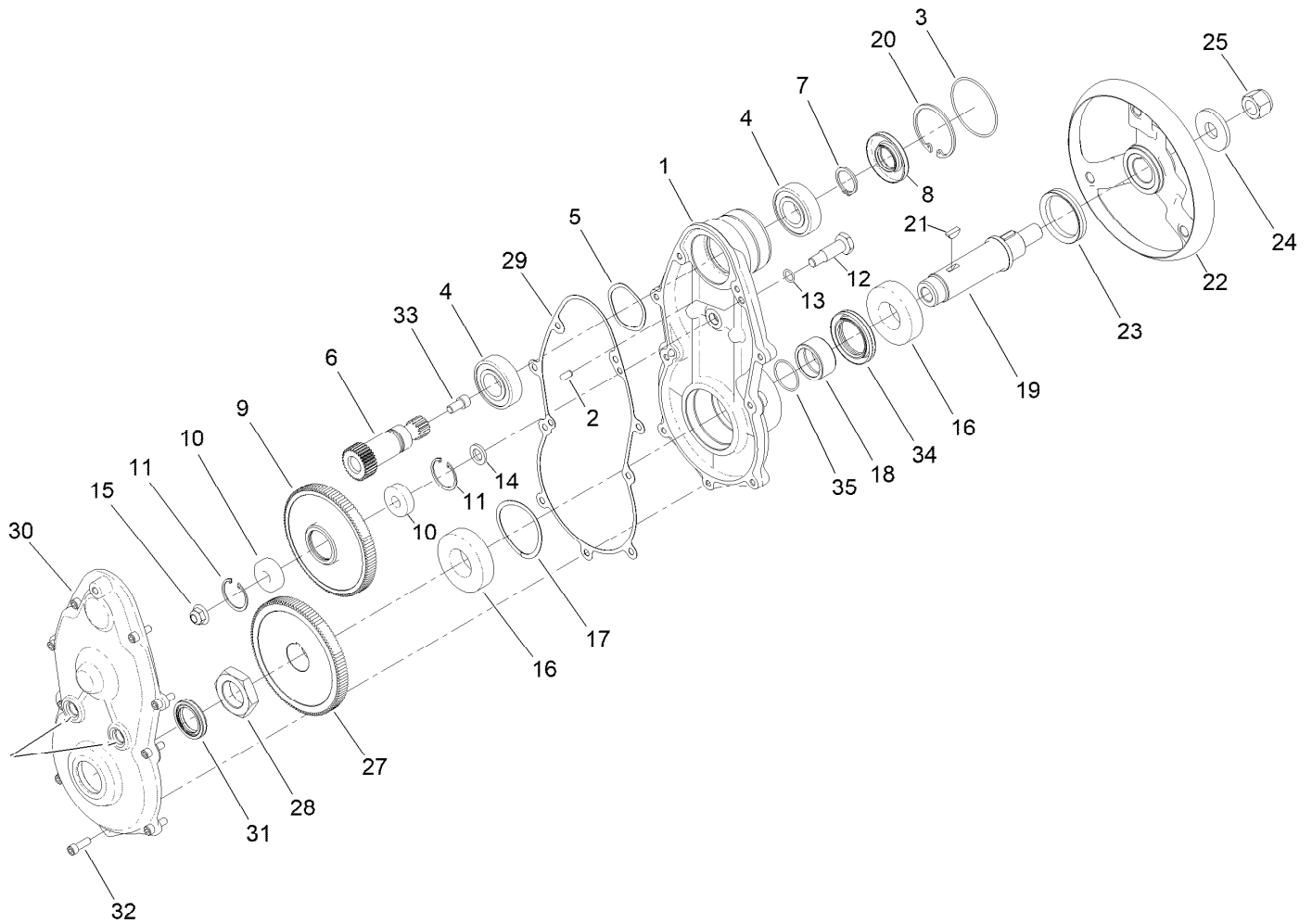
<i>Ref.</i>	<i>Part Number</i>	<i>Qty.</i>	<i>Description</i>	<i>Ref.</i>	<i>Part Number</i>	<i>Qty.</i>	<i>Description</i>
1	147-2345	1	Kit-Drum Drive Replacement	9	114-7728	8	Screw-HHF, Patch
2	132-4607	14	Bolt-Shoulder, Flange	11	3296-33	1	Nut-Lock, NI
3	132-6971	1	Hub-Drum	12	65-6520	1	Spacer
4	132-4605	1	Shaft-Hex, RH	13	65-6530	1	Spacer
5	147-2257	2	Plate-Drum, Hub	14	94-5850	1	Spindle-Drum
6	139-4362	2	Drum-Traction, Flex	15	132-4606	1	Shaft-Hex, LH
7	251-82	2	Bearing-Ball	16	353-989	4	Plug-Hex, Hollow
8	253-159	2	Seal	16:1	237-42	1	O-Ring



Drum Drive Replacement Kit Assembly No. 147-2345

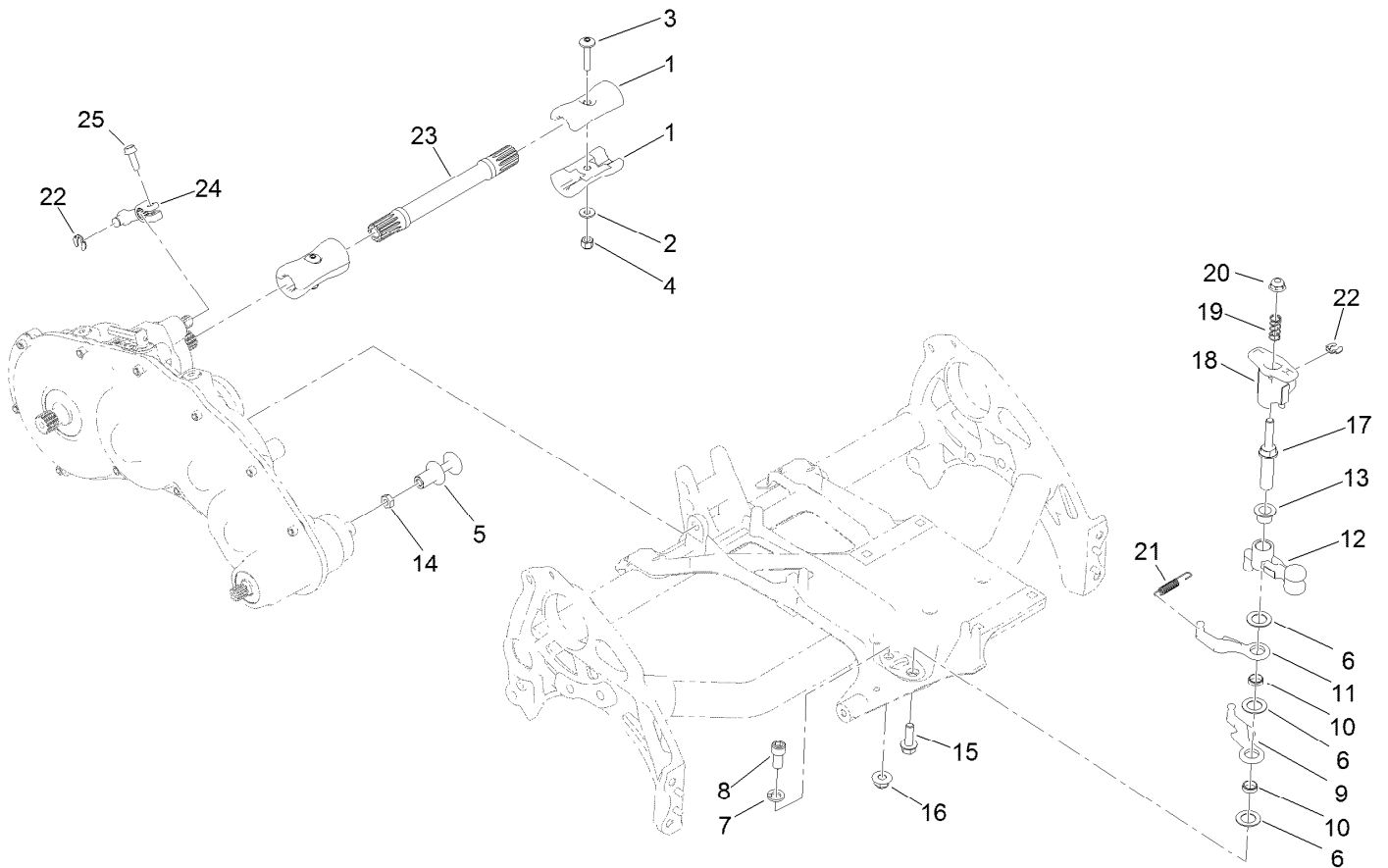
<i>Ref.</i>	<i>Part Number</i>	<i>Qty.</i>	<i>Description</i>
1		1	Drum Drive Gear Box ASM ●
2	353-989	2	Plug-Hex, Hollow
2:1	237-42	1	O-Ring

● Not serviced separately



Drum Drive Gear Box Assembly

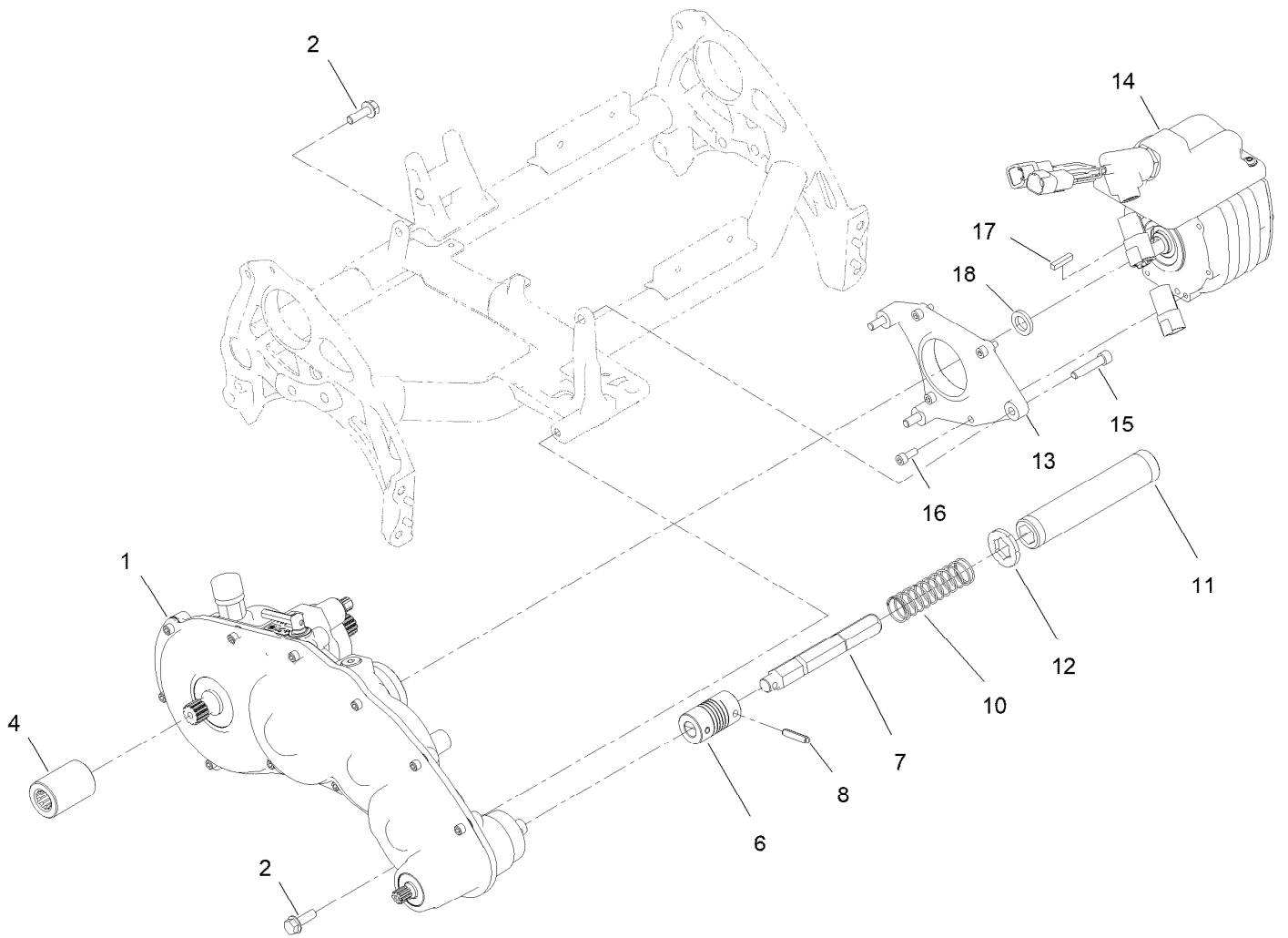
Ref.	Part Number	Qty.	Description	Ref.	Part Number	Qty.	Description
1	147-2321	1	Housing-Drive, Drum	18	147-2348	1	Spacer
2	133-4591	2	Pin-Dowel	19	133-4562	1	Shaft-Drum, Drive
3	133-9082	1	O-Ring	20	138-1480	1	Ring-Retaining, Int (52MM)
4	251-82	2	Bearing-Ball	21	138-1504	2	Key-Woodruff, 5MM
5	3290-485	1	Washer-Wave	22	133-9244	1	Hub-Drum, Outer
6	132-4565	1	Gear-Spur, 30T	23	253-161	1	Seal-V-Ring
7	138-1507	1	Ring-Retaining, EXT (25MM)	24	104-9216	1	Washer-Hardened
8	138-1491	1	Seal-Oil	25	126-3841	1	Nut-Hex, NI
9	137-0274	1	Gear-Spur, 108T	27	147-2349	1	Gear-Spur, 114T
10	49-2410	2	Bearing-Ball	28	133-9078	1	Nut-Hex
11	138-1506	2	Ring-Retaining, Int (32MM)	29	147-2324	1	Gasket-Drum Drive
12	133-4558	1	Pin-Bearing, Short	30	147-2323	1	Cover-Drive, Drum
13	80-8460	1	O-Ring	31	133-4559	1	Seal-Oil
14	133-4553	1	Spacer-Bearing	32	140-9233	9	Screw-HSH
15	119-4042	1	Nut-HF, NI	33	3274-12	1	Screw-HSH
16	251-312	2	Bearing-Ball	34	147-2346	1	Seal-Oil
17	115-5258	1	Spring-Wire, Flat	35	147-2347	1	O-Ring



Drive Shaft and Reel Components Assembly

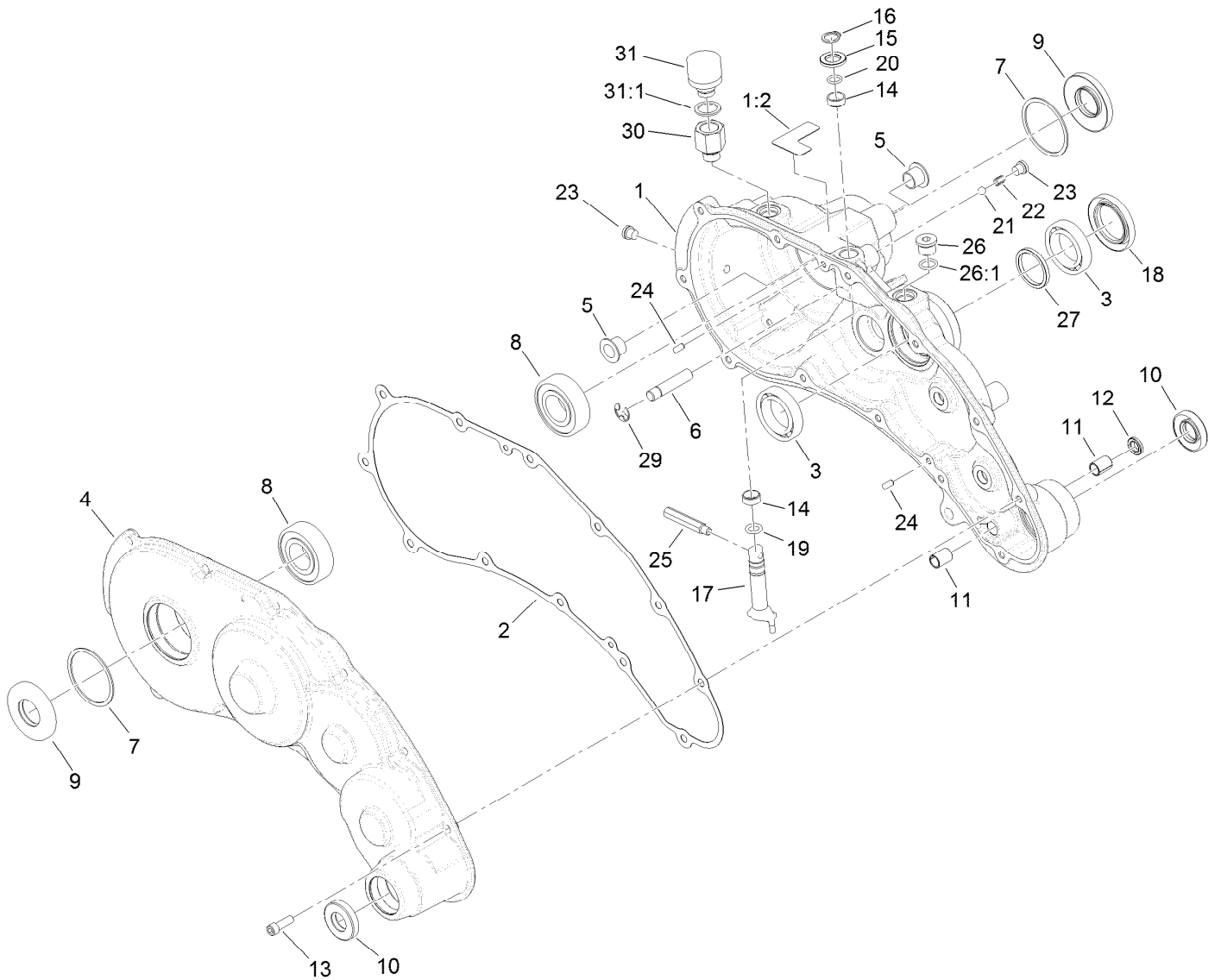
Ref.	Part Number	Qty.	Description
1	133-9100	4	Coupler-Splined, 4 Tooth
2	119-8952	2	Washer-Spcl
3	126-8232	2	Screw-Truss Hex Skt
4	3296-42	2	Nut-Lock, NI
5	133-9207	1	Adapter-Slider
6	139-7362	3	Washer-Poly
7	3253-21	1	Washer-Lock
8	131-8573	1	Screw-HSH
9	138-1523	1	Reel Lever
10	133-9226	2	Bushing-Straight
11	138-1524	1	Lever-Reel
12	133-9206	1	Bellcrank-Reel
13	125-5239	1	Bushing-Flange

Ref.	Part Number	Qty.	Description
14	120-9638	1	Nut-Jam
15	115-5142	1	Screw-HHF, Patch
16	119-4042	1	Nut-HF, NI
17	137-0298	1	Shaft-Selector, Reel
18	137-0299	1	Hub-Selector, Reel
19	117-1031	1	Spring-Compression
20	119-4041	1	Nut-HF
21	119-4609	1	Spring-Extension
22	32151-47	2	Ring-Retaining
23	139-5133	1	Shaft-Drive, Electric
24	133-9117	1	Lever-Brake, Cable
25	131-6150	1	Screw-HWHTF



Transmission Assembly

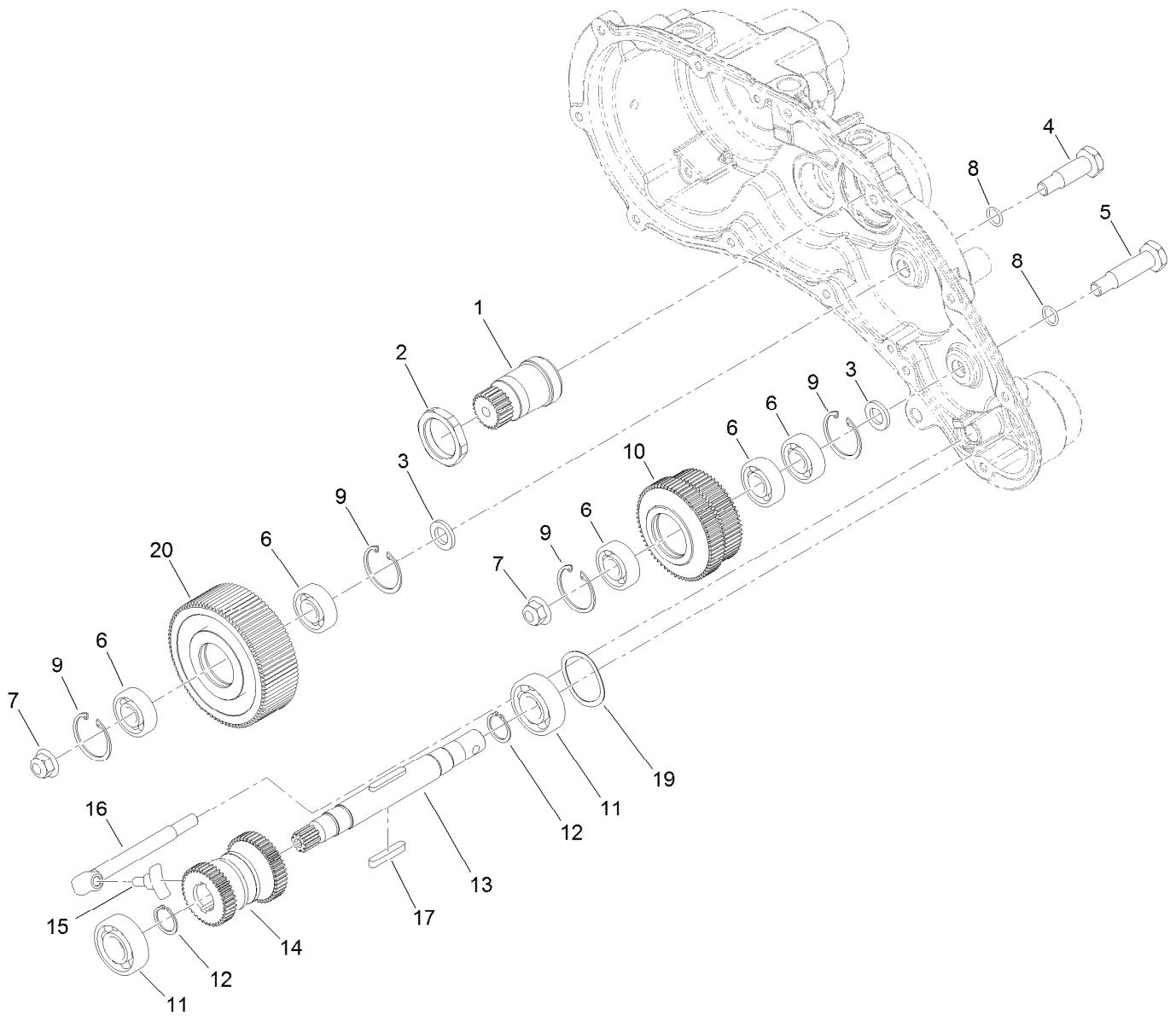
Ref.	Part Number	Qty.	Description
1	140-9327	1	Kit-Transmission Replacement
2	115-5142	2	Screw-HHF, Patch
4	138-1615	1	Tube-Drive
6	133-2341	1	Coupling-Helical
7	139-7379	1	Shaft-Coupler
8	125-3542	2	Pin-Roll
10	139-7390	1	Spring-Compression
11	140-3406	1	Tube-Hex, Coupler
12	139-7391	1	Collar-Lock
13	139-5132-0P	1	Adapter-Motor
14	161-4651	1	Electric Motor ASM, Dd
15	3274-83	3	Screw-HSH
16	105-2409	4	Screw-HSH
17	1-807272	1	Key
18	140-9257	1	Gasket-Motor, Electric



Transmission Assembly No. 140-9327

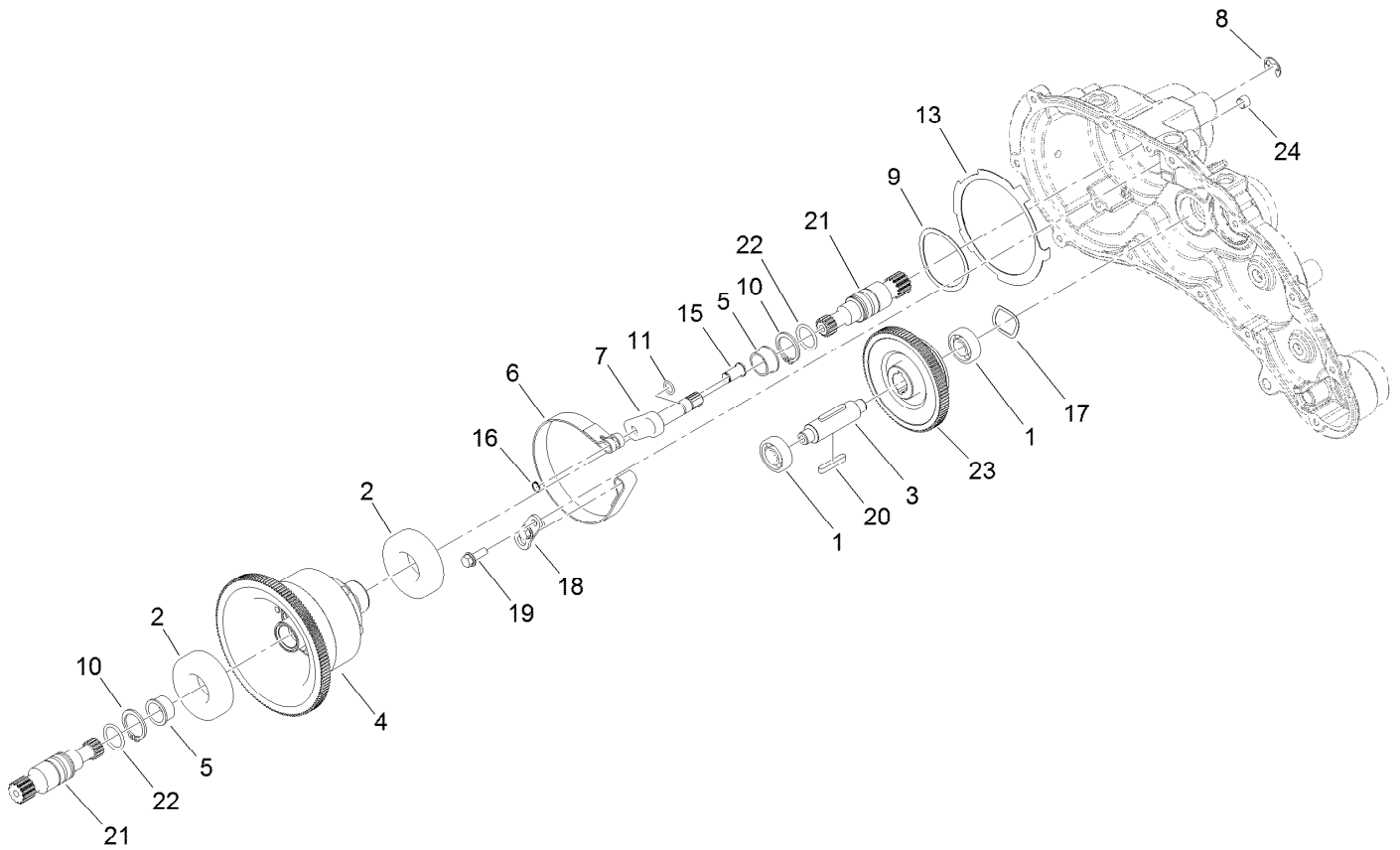
Transmission Case Assembly

Ref.	Part Number	Qty.	Description	Ref.	Part Number	Qty.	Description
1	140-9307	1	Transmission Housing ASM, Elec.	16	32151-61	1	Ring-Retaining
1:2	138-1644	1	Decal-Release, Traction	17	130-6816	1	Shaft-Selector, Traction
2	132-4551	1	Gasket-Transmission	18	140-9325	1	Seal-Grease, High Temp
3	140-9287	2	Bearing-Ball	19	131-1879	1	O-Ring Seal
4	138-1603	1	Transmission Cover ASM	20	237-22	1	O-Ring
5	125-5239	2	Bushing-Flange	21	105-2442	1	Ball-Detent
6	133-9122	1	Pin-Mount, Brake	22	105-2443	1	Spring-Detent
7	32151-92	2	Ring-Retaining	23	131-1825	2	Plug-ORB
8	251-82	2	Bearing-Ball	24	121-9249	2	Pin-Dowel
9	133-9075	2	Seal-Oil	25	133-9149	1	Pin-Groomer
10	130-9463	2	Seal-Oil	26	353-989	1	Plug-Hex, Hollow
11	131-3038	2	Bushing-Sleeve	26:1	237-42	1	O-Ring
12	131-3126	1	Seal-Oil	27	138-1496	1	Spacer
13	140-9233	12	Screw-HSH	29	105-7004	1	E-Ring
14	121-4738	2	Bushing-Straight	30	140-9299	1	Adapter-Vent
15	108-5059	1	Spacer-Bushing	31	133-2359	1	Breather-Vent, Nylon
				31:1	133-5659	1	Washer-Rubber



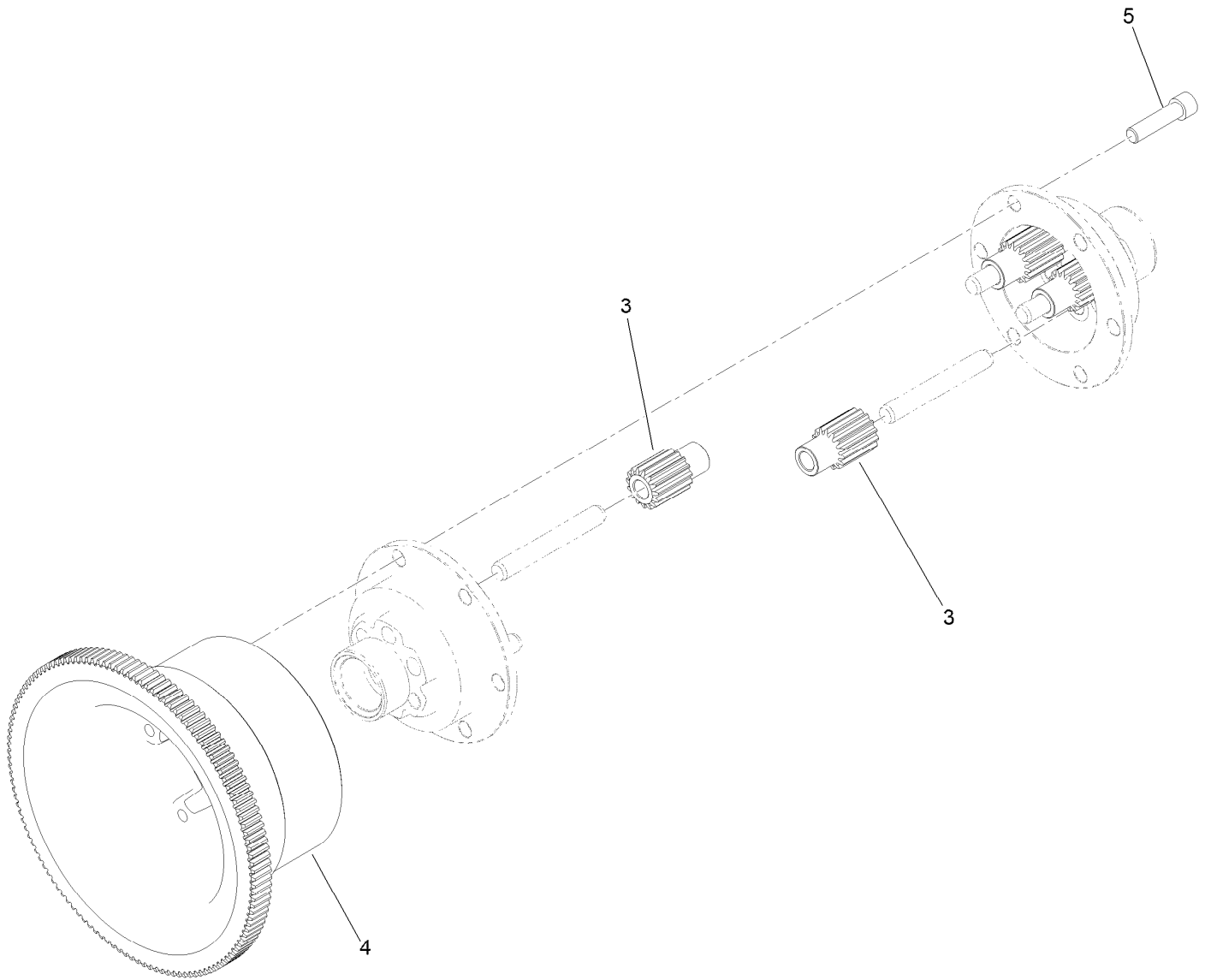
Transmission Assembly No. 140-9327 Reel Drive Assembly

<i>Ref.</i>	<i>Part Number</i>	<i>Qty.</i>	<i>Description</i>	<i>Ref.</i>	<i>Part Number</i>	<i>Qty.</i>	<i>Description</i>
1	137-0237	1	Shaft-Electric Motor, 22T	11	140-9285	2	Bearing-Ball
2	138-1495	1	Nut-Lock, Thin	12	138-1629	2	Ring-Retaining, EXT (17MM)
3	133-4553	2	Spacer-Bearing	13	139-4359	1	Shaft-Drive, Reel
4	133-4558	1	Pin-Bearing, Short	14	130-6834	1	Gear-Spur, Slider
5	133-4557	1	Pin-Bearing, Long	15	133-9120	1	Shoe-Clutch, Reel
6	49-2410	5	Bearing-Ball	16	133-9121	1	Actuator-Clutch, Reel
7	104-8301	2	Nut-HF, NI	17	103-2739	2	Key
8	80-8460	2	O-Ring	19	131-3170	1	Spring-Wave
9	138-1506	4	Ring-Retaining, Int (32MM)	20	137-0273	1	Gear-Spur, 85T
10	137-0272	1	Gear-Spur, 60T/65T				



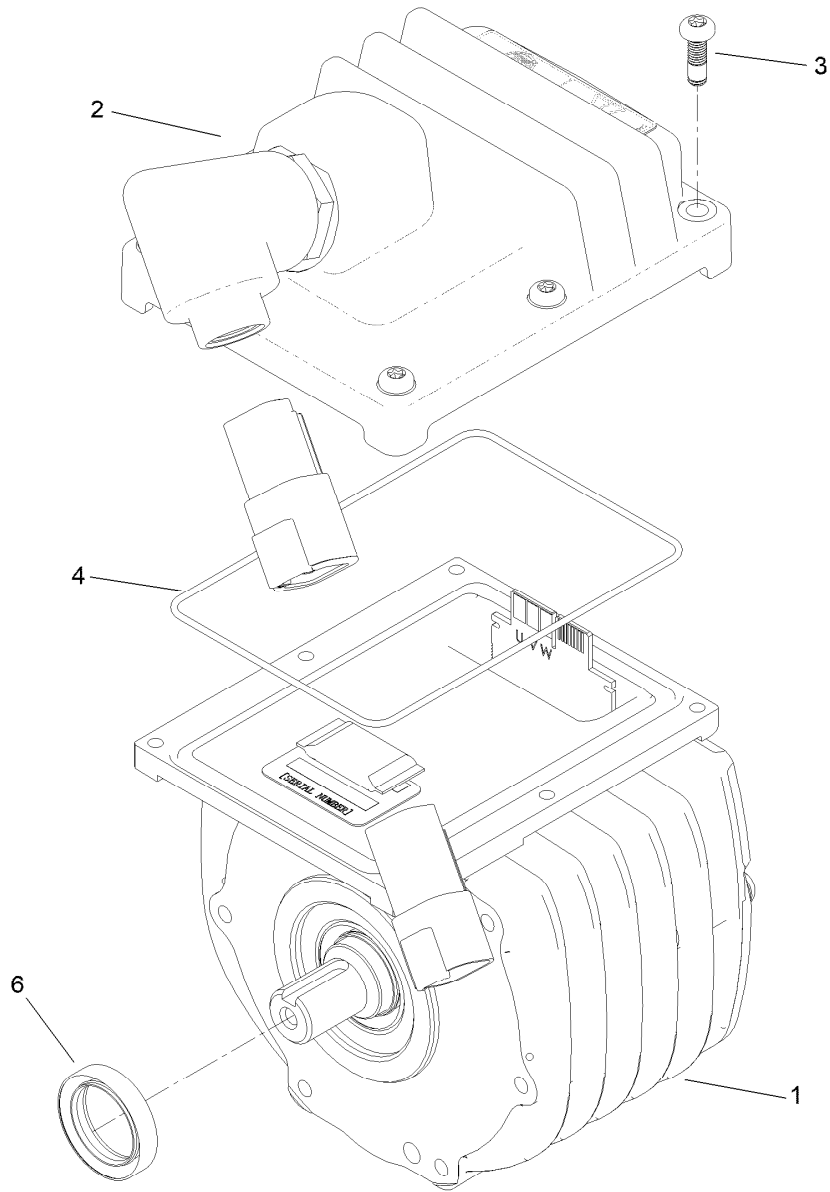
Transmission Assembly No. 140-9327 Traction Drive Assembly

<i>Ref.</i>	<i>Part Number</i>	<i>Qty.</i>	<i>Description</i>	<i>Ref.</i>	<i>Part Number</i>	<i>Qty.</i>	<i>Description</i>
1	49-2410	2	Bearing-Ball	13	140-9236	1	Plate-Retainer, Brake
2	251-312	2	Bearing-Ball	15	120-9687	1	Pin-Clevis, Brake
3	137-0236	1	Shaft-Slider, Neutral	16	32120-46	1	Ring-Retaining
4	132-4555	1	Differential ASM	17	112-5163	1	Washer-Wave
5	256-252	2	Bearing-Flange	18	140-9279	1	Plate-Retainer, Pin
6	140-9277	1	Band-Brake	19	119-1138	2	Screw-HHF, Patch
7	132-4550	1	Lever-Brake	20	103-2739	2	Key
8	32120-47	1	Ring-Retaining, External	21	130-6841	2	Shaft-Differential
9	115-5258	1	Spring-Wire, Flat	22	237-159	2	O-Ring
10	32151-36	2	Ring-Retaining	23	137-0276	1	Gear-Spur, Neutral (93T)
11	237-22	1	O-Ring	24	285-17	1	Plug-Pipe



Differential Assembly No. 132-4555

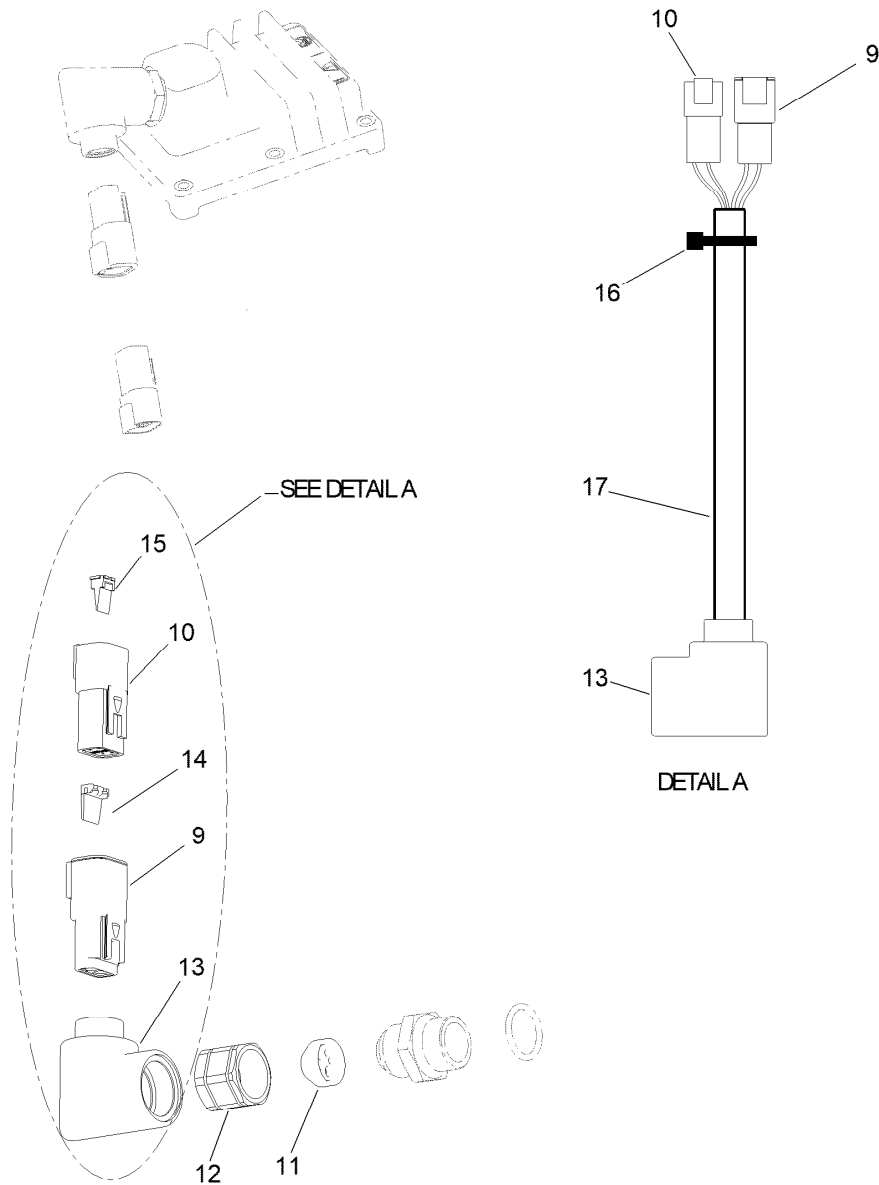
<i>Ref.</i>	<i>Part Number</i>	<i>Qty.</i>	<i>Description</i>
3	130-6840	6	Gear-Spur, Differential
4	137-0294	1	Gear-Differential, 127T
5	3274-26	6	Screw-HSH



Electric Motor Assembly No. 161-4651

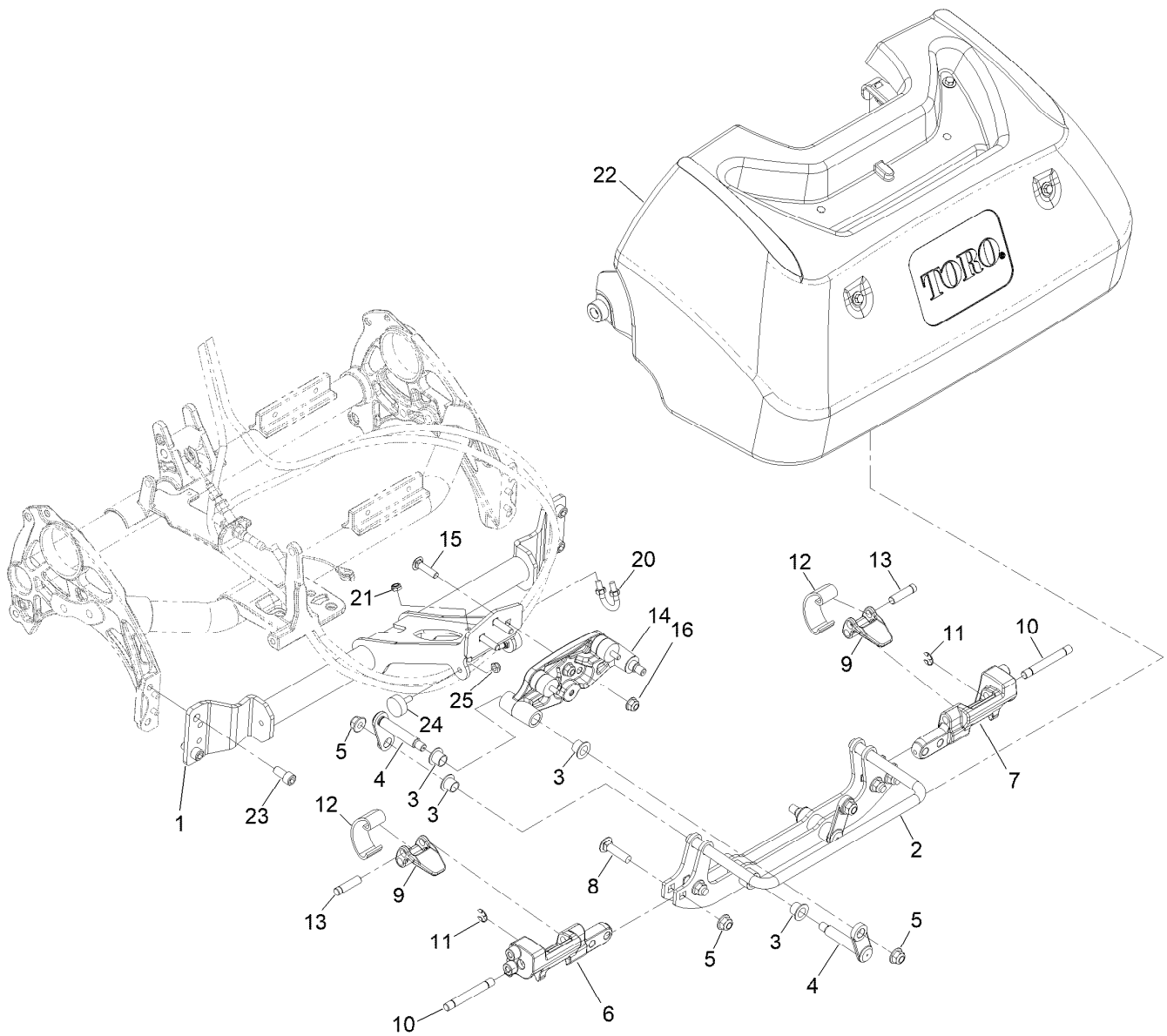
<i>Ref.</i>	<i>Part Number</i>	<i>Qty.</i>	<i>Description</i>
1	161-0342	1	Rem-Direct Drive
2	144-6677	1	Inverter/Cntrlr ASM
3	144-6692	6	Screw-Tph
4	144-6731	1	Service Kit-Controller & Motor
5	136-8595	1	Grease-Synthetic ●
6	139-8597	1	Seal-Oil

● Not illustrated



Inverter Controller Assembly

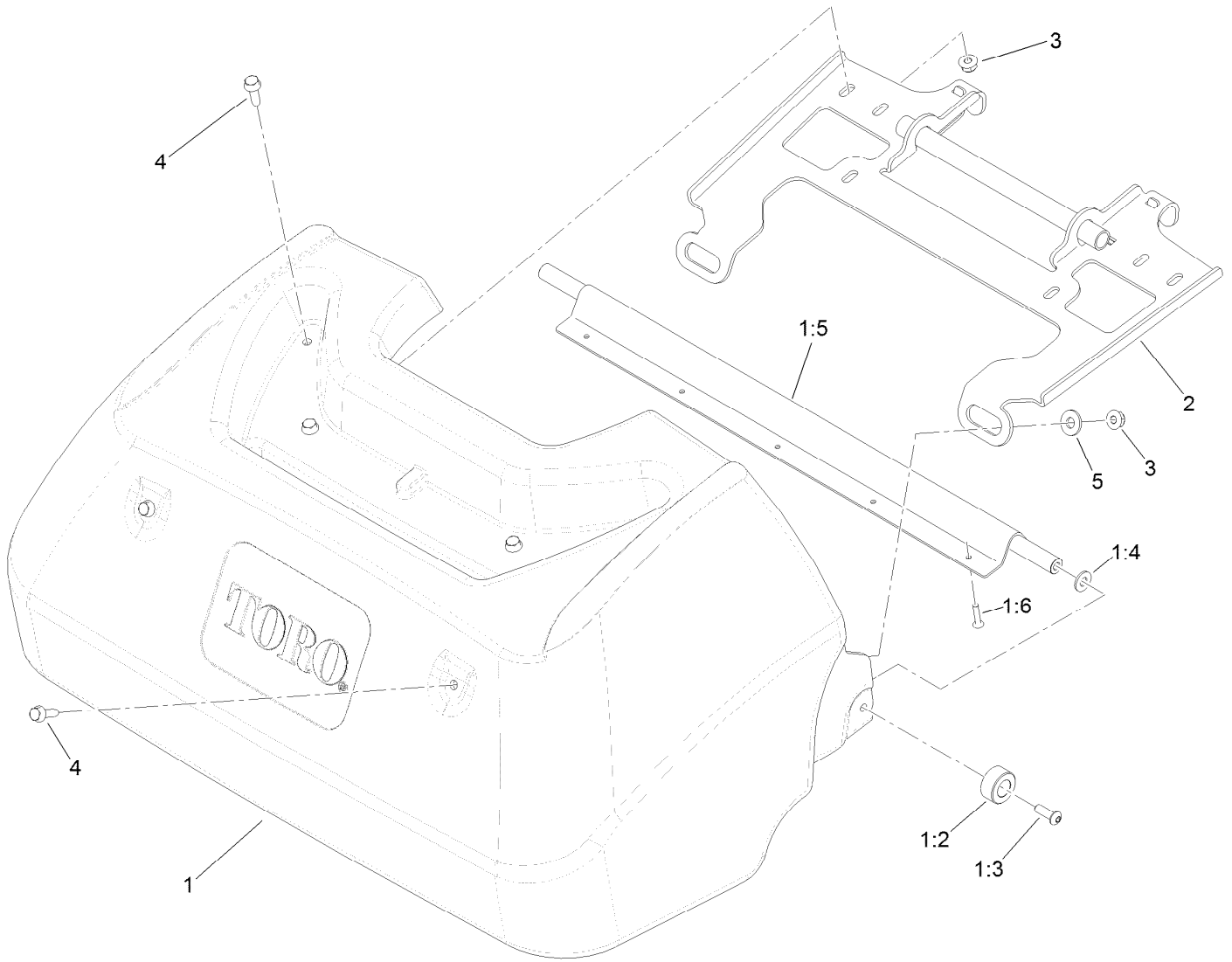
<i>Ref.</i>	<i>Part Number</i>	<i>Qty.</i>	<i>Description</i>
9	32160-698	1	Connector-Deutsch, Dtp, 2M
10	32160-315	1	Connector
11	144-6691	1	Ferrule-Wire Seal
12	119-7477	1	Nut-Fitting, Ferrule -8
13	119-7497	1	Backshell-90 Degree
14	32180-083	1	Wedge
15	32180-084	1	Wedge
16	3290-378	1	Tie-Cable
17	138-8962	1	Tubing-Convolutd Slit



Flex Frame and Grass Basket Assembly

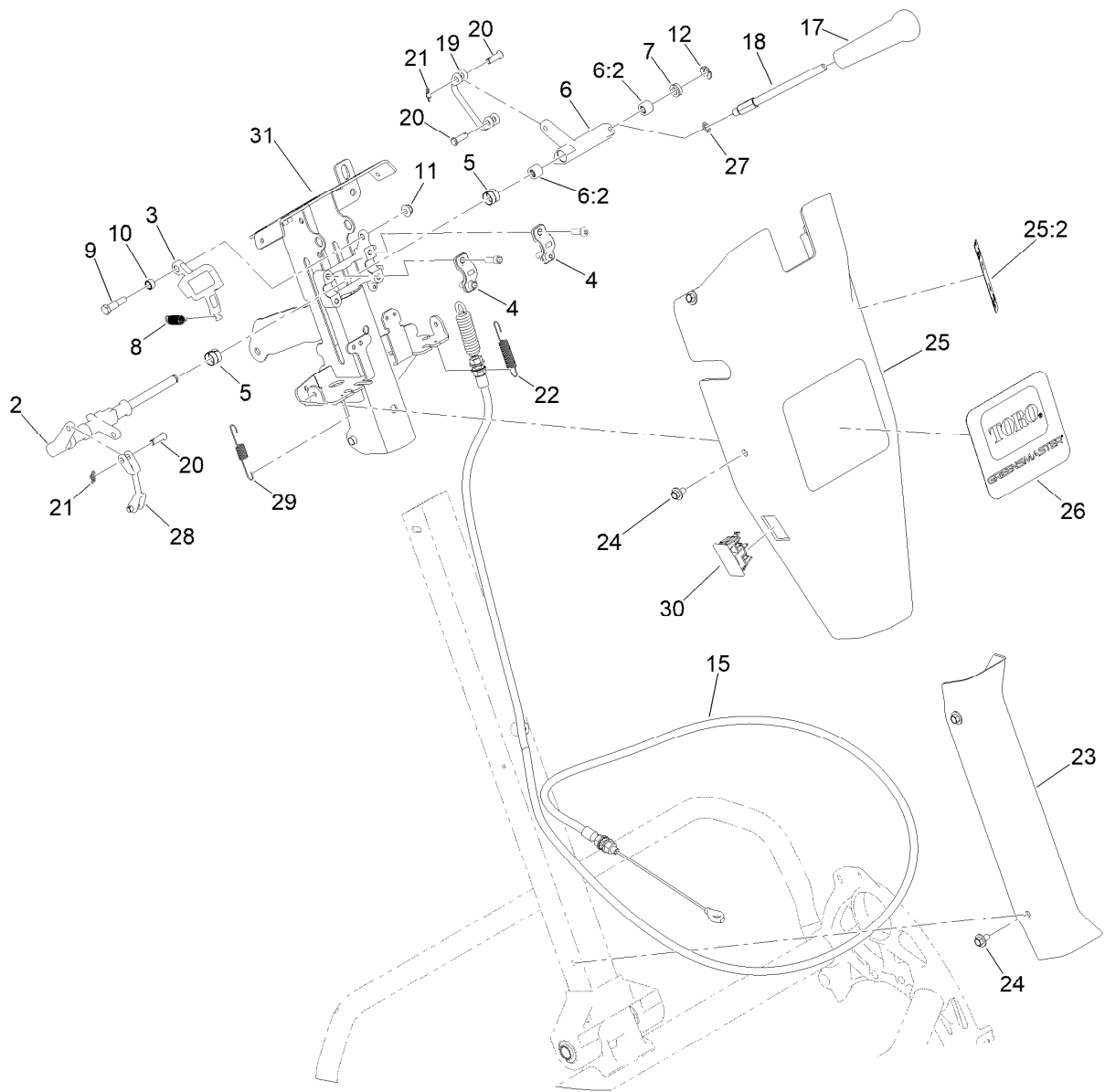
Ref.	Part Number	Qty.	Description
1	147-2296-01	1	Flex Frame Welded [red]
2	139-7435-01	1	Roll Frame ASM, Welded [red]
3	125-5239	8	Bushing-Flange
4	140-6437	4	Link Flex (Mach)
5	104-8301	8	Nut-HF, NI
6	139-7372	1	Hub-End, RH
7	139-7374	1	Hub-End, LH
8	3231-4	4	Screw-CARR
9	114-8047	2	Lever
10	139-7380	2	Pin-Pivot, Latch
11	32120-18	2	E-Ring

Ref.	Part Number	Qty.	Description
12	114-8048	2	Spring
13	114-8049	2	Pin-Pivot
14	139-7439	1	Frame-Link
15	99-6005	3	Bolt-Carriage
16	104-8300	3	Nut-HF, NI
20	01-170-0040	1	U-Bolt
21	3296-56	2	Nut-Lock, NI
22	125-3500	1	Grass Basket ASM
23	131-8573	4	Screw-HSH
24	138-2662	2	Bumper-Rubber
25	3296-56	2	Nut-Lock, NI



Grass Basket Assembly No. 125-3500

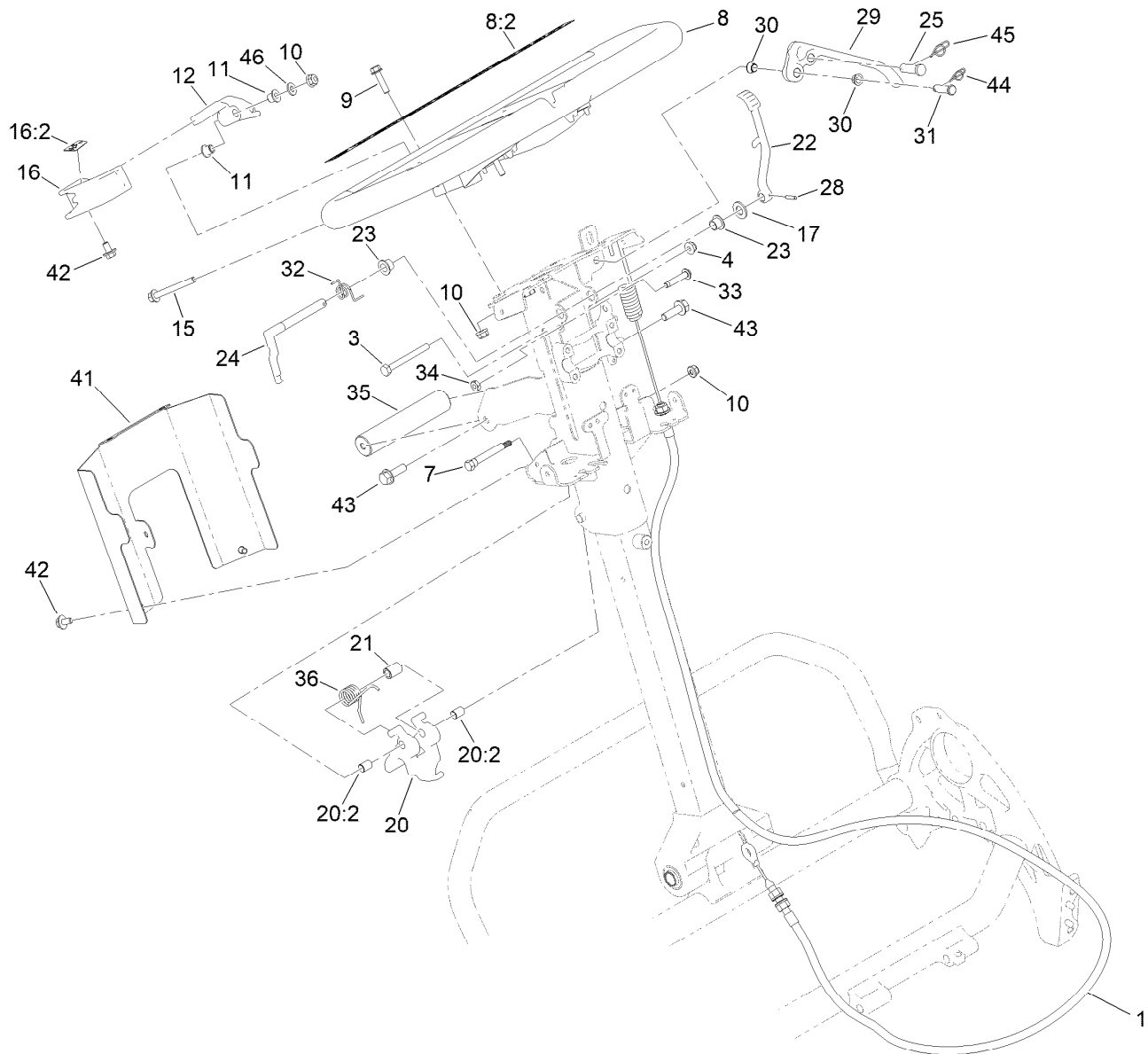
Ref.	Part Number	Qty.	Description
1	127-1539	1	Basket ASM
1:2	121-4730	2	Bumper-Basket
1:3	3274-69	2	Screw-HSBH
1:4	120-9679	2	Washer-Flat
1:5	127-1541	1	Channel
1:6	3290-382	5	Rivet-Pop
2	133-8833-03	1	Bracket-Basket
3	119-4040	6	Nut-HF, NI
4	119-4012	6	Screw-HWHTF
5	1-603716	2	Washer-Friction



Reel Controls and Covers Assembly

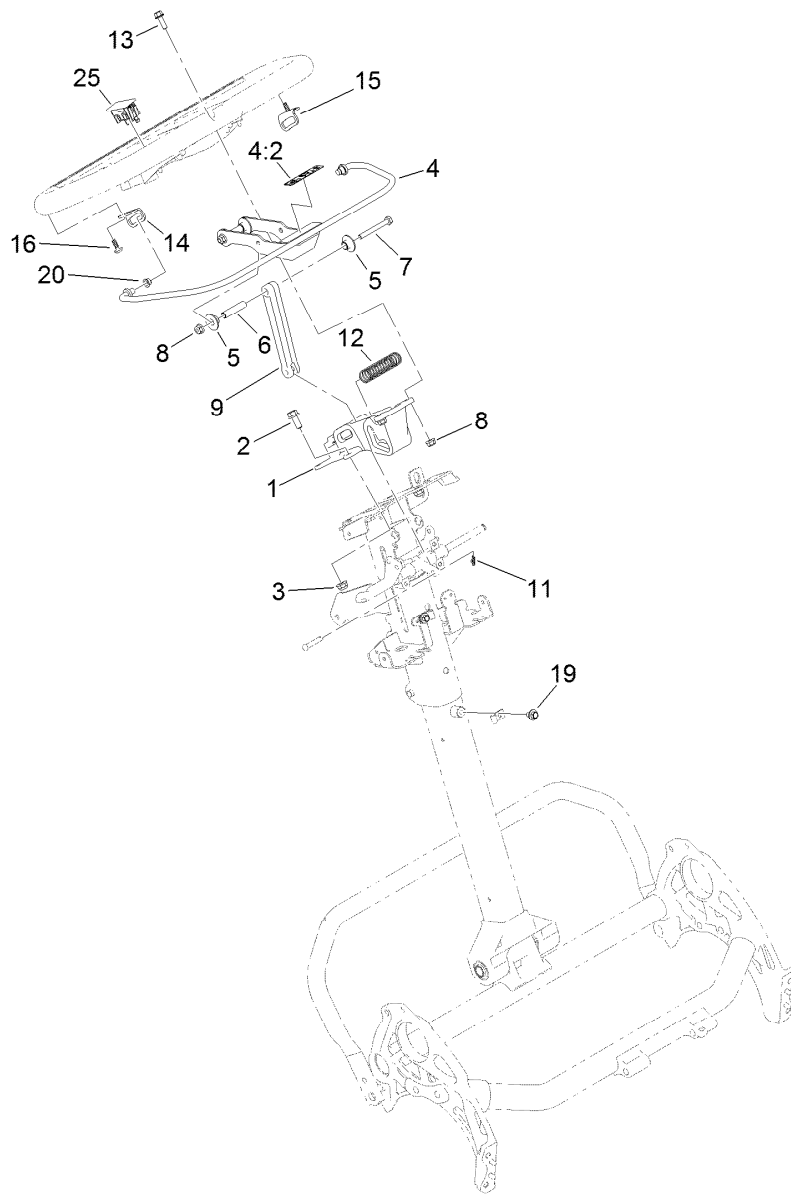
Ref.	Part Number	Qty.	Description
2	140-9305	1	Shaft-Main, Controls
3	137-0266	1	Cam-Latch, Upper
4	138-1513	2	Clamp-Shaft, Control
5	137-0263	2	Bushing-Split
6	137-0312	1	Reel Lever ASM
6:2	138-1637	2	Bearing-Needle
7	131-3187	1	Seal-V-Ring
8	140-3410	1	Spring-Extension
9	137-0313	1	Screw-Shoulder
10	137-0346	1	Spacer-Latch, Bail
11	104-7201	1	Nut-HF, NI
12	32151-47	1	Ring-Retaining
15	140-9330	1	Cable-Reel Engagement
17	104-9760	1	Knob-Black
18	137-0190	1	Rod-Handle, Reel Lever
19	137-0232	1	Connector-Clevis

Ref.	Part Number	Qty.	Description
20	1-808265	4	Pin-Clevis
21	138-1587	2	Clip-Pin, Cotter
22	138-1536	1	Spring-Extension
23	138-1479	1	Cover-Handle, Lower
24	46-6810	8	Screw And Washer ASM
25	139-4304	1	Control Upper Cover ASM
25:2	138-1589	1	Decal-Reel Drive Engagement
26	139-5179	1	Decal-Greensmaster Eflex 1021
27	75-5470	1	Spacer-Bearing
28	138-1592	1	Connector-Clevis
29	140-3417	1	Spring-Extension
30	119-7791	1	Plug-Hole
31	147-2284-0P	1	Upper Receiver, Welded



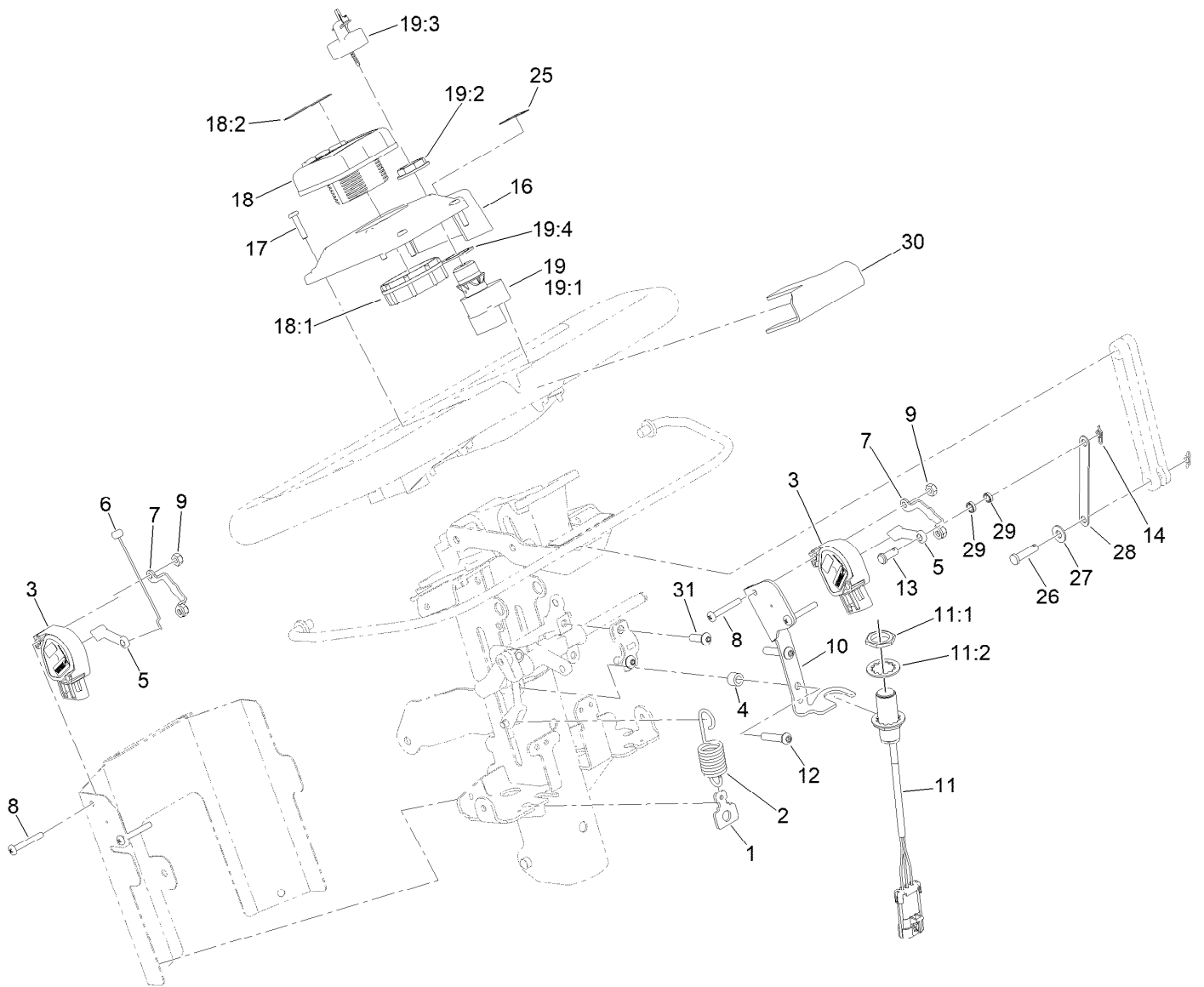
Upper Handle Assembly

Ref.	Part Number	Qty.	Description	Ref.	Part Number	Qty.	Description
1	140-9318	1	Cable ASM, Brake	24	138-1573	1	Latch-Brake
3	321-15	1	Screw-HH	25	1-808285	1	Pin-Clevis
4	104-7201	1	Nut-HF, NI	28	32121-73	1	Pin-Roll
7	147-2269	1	Cam-Handle, Pivot	29	140-9298	1	Lever-Brake
8	138-1645	1	Handle ASM	30	138-5538	2	Bushing-Flange
8:2	138-5532	1	Decal-Warning, General	31	283-6	1	Pin-Clevis
9	120-4654	2	Screw-HHF	32	138-1518	1	Spring-Brake, Torsion
10	119-4040	4	Nut-HF, NI	33	132-6777	1	Screw-Twh Thd Roll
11	138-3538	2	Bushing-Flange	34	120-9695	1	Nut-Jam
12	138-1636	1	Arm-Throttle	35	138-1535	1	Handle-Assist, Lift
15	140-9317	1	Screw-HHF,Lock	36	140-9334	1	Spring-Handle, Torsion
16	139-4303	1	Throttle Lever ASM	41	139-5141-03	1	Cover-Bottom, Controls [black
16:2	138-5534	1	Decal-Throttle	42	46-6810	3	Screw And Washer ASM
17	100-4852	1	Washer-Hardened	43	115-5142	2	Screw-HHF, Patch
20	137-0317	1	Handle Adjuster ASM	44	116-6639	1	Pin-Cotter, Locking
20:2	137-0308	2	Bushing-Igus	45	140-9312	1	Pin-Cotter, Locking
21	140-9335	1	Spacer-Spring	46	139-1323	1	Washer-Spcl
22	140-3377	1	Lever-Lock, Brake				
23	138-1514	2	Bushing-Flange				



Traction Bail Assembly

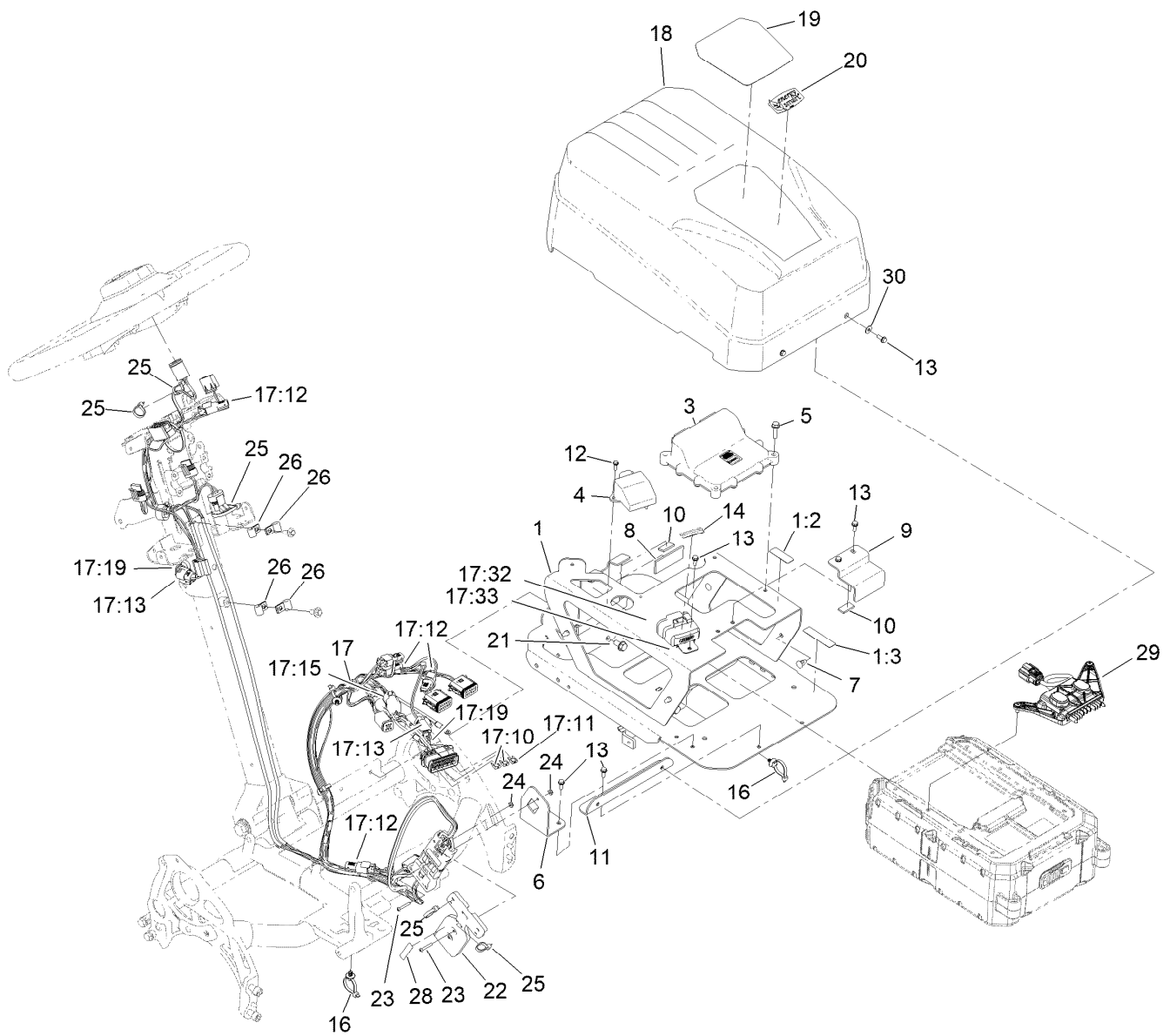
<i>Ref.</i>	<i>Part Number</i>	<i>Qty.</i>	<i>Description</i>	<i>Ref.</i>	<i>Part Number</i>	<i>Qty.</i>	<i>Description</i>
1	138-5524	1	Mount-Handle	11	138-1587	1	Clip-Pin, Cotter
2	3234-47	2	Screw-HHF	12	138-3468	1	Spring-Compression
3	119-4041	2	Nut-HF	13	120-9678	2	Screw-HHF
4	139-4302	1	Clutch Bail ASM	14	138-3539	1	Bracket-Bail, RH
4:2	138-5533	1	Decal-Bail, Traction	15	138-3540	1	Bracket-Bail, LH
5	138-3466	4	Bushing-Flange	16	138-5775	2	Screw-Delta Point
6	138-3465	2	Spacer-Tube	19	46-6811	2	Screw-Thd Roll Sems
7	321-18	2	Screw-HH	20	138-5538	2	Bushing-Flange
8	119-4040	4	Nut-HF, NI	25	119-7791	1	Plug-Hole
9	138-5515	1	Link-Bail, Clutch				



Electric Handle Components Assembly

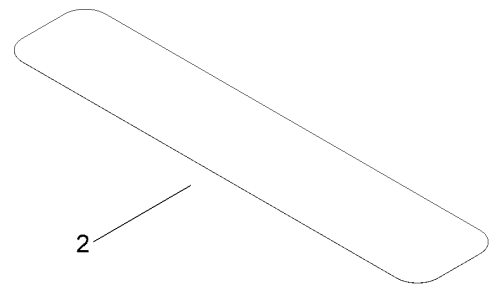
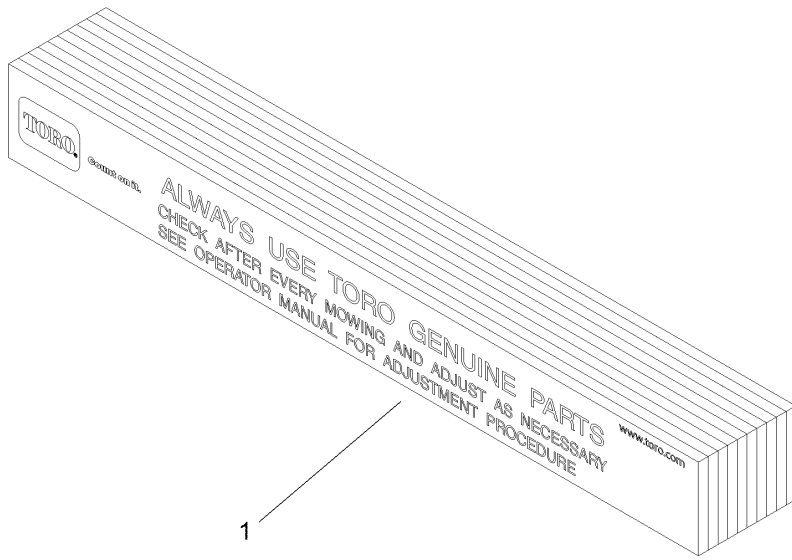
Ref.	Part Number	Qty.	Description	Ref.	Part Number	Qty.	Description
1	140-9328	1	Tab-Spring	18	120-6310	1	LCD Display ASM Kantrak 1700
2	140-9300	1	Spring-Extension	18:1	120-4630	1	Nut-Display
3	119-0737	2	Sensor-Position	18:2	120-6311	1	Decal-Display
4	66-8010	2	Spacer	19	161-7350	1	Ignition Switch ASM
5	139-5147	2	Lever-Bail, Control	19:1		1	Switch-Ignition ●
6	139-5149	1	Cable-Throttle	19:2	108-8660	1	Nut-Mounting
7	139-5144	2	Lock	19:3	106-5270	1	Ignition Key Set
8	104-1452	4	Screw-PPH	19:4	108-8659	1	Washer-Backup
9	120-9681	4	Nut-Lock, NI	25	139-5178	1	Decal-On/Off Greensmaster Eflex 1021
10	139-5153-0P	1	Mount	26	99-7149	1	Pin-Clevis
11	115-0282	1	Proximity Sensor ASM	27	360-0140	1	Washer-Flat
11:1	117-3207	2	Nut-Hex	28	140-3379	1	Link-Shaft, Pot
11:2	117-3208	2	Washer-Lock, Internal Tooth	29	138-5368	2	Spacer
12	120-0834	2	Screw-HSBH	30	139-4386	1	Fork-Catch, Bail
13	60-1730	1	Pin-Clevis	31	140-9233	2	Screw-HSH
14	138-1587	1	Clip-Pin, Cotter				
16	139-5151	1	Mount-Infocenter				
17	32144-36	4	Screw-PPH				

● Not serviced separately



Battery Frame Assembly

Ref.	Part Number	Qty.	Description	Ref.	Part Number	Qty.	Description
1	147-2326	1	Frame ASM-Battery (Service)	17:11	121-8884	1	Fuse-Mini Blade, 30 Amp
1:2	139-5614	1	Decal-Op Manual	17:12	32180-282	4	Resistor-120 Ohm
1:3	137-9693	1	Decal-Warning	17:13	32180-089	2	Cap-Plug, 3 Way
3	122-1683	1	Controller-Tec 2402	17:15	32180-156	1	Cap-Plug, 6 Way
4	147-2258	1	Gateway-Can, 250K-500K Baud Rate	17:19	32180-139	2	Mount-Tie Wrap, Magnetic
5	32144-86	2	Screw-HWHTF	17:32	32180-176	1	Cover-Block, Fuse
6	147-2267-01	1	Mount-Battery Connect	17:33	32180-177	1	Clip-Mounting
7	121-4729	4	Plug	18	140-9278	1	Cover-Electric
8	133-0081	1	Strip-Foam	19	139-5180	1	Decal-Lithium
9	147-2253-0P	1	Bracket-Battery, Hold	20	119-7580	1	Decal-Smart, Energy
10	115-5417	4	Strip-Foam	21	3234-7	4	Screw-HHF
11	147-2266-01	1	Cover-Mounting ASM [red]	22	120-4646	1	Handle-Connector
12	32144-87	2	Screw-HWHTF	23	120-9693	3	Screw-PPH
13	139-1713	11	Screw-Thd Roll	24	120-9684	3	Nut-Lock
14	147-2319	1	Decal-Fuse Block	25	3290-378	5	Tie-Cable
16	32180-400	2	Clip-Tie, Fir Tree W/Tie, 5MM/.196" Hole	26	2412-91	4	Clamp
17	122-3457	1	Harness-Wire, Main	28	147-2310	1	Decal-Voltage, High
17:10	121-8876	2	Fuse-Mini Blade, 3 Amp	29	161-7379	1	Flying Lead-Battery
				29	161-7381	1	Kit-Hardware, Flying Lead
				30	137-3079	4	Washer-Plain



Miscellaneous Parts Assembly

<i>Ref.</i>	<i>Part Number</i>	<i>Qty.</i>	<i>Description</i>
1	125-5610	1	Paper-Reel, Toro (10 Pack)
2	140-5531	1	Shim-Toro Reel (.002In)

Attachments and Accessories

For 04865 Greensmaster eFlex 1021 Greensmower

Product Name	Model/Part
Narrow Wiehle Roller Kit, Greensmaster DPA Cutting Units	04027
Paspalum Wiehle Roller, Greensmaster Flex 1021 Traction Unit	04028
Extended Wiehle Roller Kit, Greensmaster Flex 1021 Traciton Unit.....	04029
Wheel Kit	04123
Light Kit (2019+)	04135
Push Broom Kit, Walk Greensmower (2019+)	04136
CU Light Kit Mount.....	04138
Wheel Loading Kit, Tp200	04219
Rail Loading Kit, Tp200	04229
Trans Pro 80 Tow-Behind Trailer.....	04238
TRANS PRO 200.....	04239
Flat Ramp	04245
Rail Ramp Kit (Update).....	04247
Split Full Front Roller	04249
Split Narrow Wiehle Roller	04250
21in Soft Grooming Brush.....	04270
21in Stiff Grooming Brush.....	04271
Turf Evaluator	04399
Universal Groomer Drive Kit	04648
21in Twin Tip Groomer Reel	04802
21in Full Roller.....	04815
21in Wide Wiehle Roller.....	04825
11-Blade 21in FLEX ES CU	04863
14-Blade 21in FLEX ES CU	04864
Bedbar	106-2648-01
Bedknife-Tournament, Extended	108-4302
Bedknife-Microcut, Extended.....	108-4303
Bedknife-EDGEMAX, Microcut.....	115-1880
Bedknife-EDGEMAX, Tournament Cut	115-1881
Wireless Hourmeter	115-4754
Roller Extension Kit	115-7361
Front Brush for Narrow Wiehle Roller (Qty 1).....	115-7377
Front Brush for Wide Wiehle Roller (Qty 1)	115-7378
Front Brush for Full Roller (Qty 1)	115-7379
Front Comb for Narrow Wiehle Roller (Qty 1).....	115-7380
Front Comb for Wide Wiehle Roller (Qty 1).....	115-7381
Front Comb for Full Roller (Qty 1)	115-7382
Rear Roller Scraper Kit with Roller.....	115-7383
High Height-of-Cut Arms (Qty 1).....	120-9600
Rear Roller Adjustment (Qty 1).....	120-9602
MVP Kit-Cutting Unit Re-Build	121-2637
Front Scraper for Narrow Wiehle Roller (Qty 1).....	125-3503
Front Scraper for Wide Wiehle Roller (Qty 1).....	125-3504
Front Scraper for Full Roller (Qty 1)	125-3505
Toro Reel Paper (10 Pack).....	125-5610
21in Soft Grooming Brush Kit.....	127-1547

Attachments and Accessories (continued)

21in Stiff Grooming Brush Kit.....	127-1548
Angle Indicator.....	131-6828
Angle Indicator Mount.....	131-6829
Grease-Synthetic.....	136-8595
Bedknife-EDGEMAX	137-6092
Bedknife-Fairway.....	137-6097
Rail Ramp Kit TP100	138-5011
Retention Kit	139-2683
Bedknife-EDGEMAX, Microcut Short	139-4320
Bedknife-EDGEMAX, Tournament Short	139-4321
Access Backlap Kit	139-4342
Retention Straps Kit.....	139-6477
Shim-TORO Reel (.002in)	140-5531
Full Rear Roller(2.0in Dia)(21in)	140-5560
Blade-GR Groomer, Twin Tip (0.032in).....	140-5580
Blade-GR Groomer, Helix (0.028in).....	140-5581
Blade-GR Groomer, Helix (0.015" in).....	140-5582
Rear Roller ASM, 21 Inch	140-9259
Kit-flex Roller Bracket, Tp80	147-2291
Bedknife-Microcut.....	93-4262
Bedknife-Tournament Cut.....	93-4263
Bedknife-Low Cut	93-4264
Bedknife-Highcut	94-6392
Height-of-Cut Bar.....	94-9010
Bedbar-Aggressive	99-3794-0P

Notes:

Notes:



Count on it.