



Count on it.

Parts Catalog

**Power Clear® 518 ZR
Snowthrower**

Model No. 38474—Serial No. 416203000 and Up



Ordering Replacement Parts

To order replacement parts, please supply the part number, the quantity, and the description of each part desired.

Understanding Reference Numbers

Each identified part in an illustration has a reference number. The reference number for a part also appears in the parts list, along with other information about the part.

This catalog uses two special reference number formats, one to indicate parts in a service assembly and another to indicate the quantity of a given part in an illustration.

Service Assembly Reference Numbers

Parts in service assemblies have reference numbers in the form a:b. The a represents the reference number of the entire service assembly and the b represents a sequential number unique to each part within the service assembly.

For example, a wheel assembly might be identified by reference number 6, the tire by 6:1, the valve by 6:2, and the wheel by 6:3. When you order the assembly identified by reference number 6, you receive all parts identified by reference numbers 6:1, 6:2, and 6:3. However, you may also order any part individually. Reference numbers of this type appear in illustration and in parts lists.

Reference Numbers Indicating Quantity

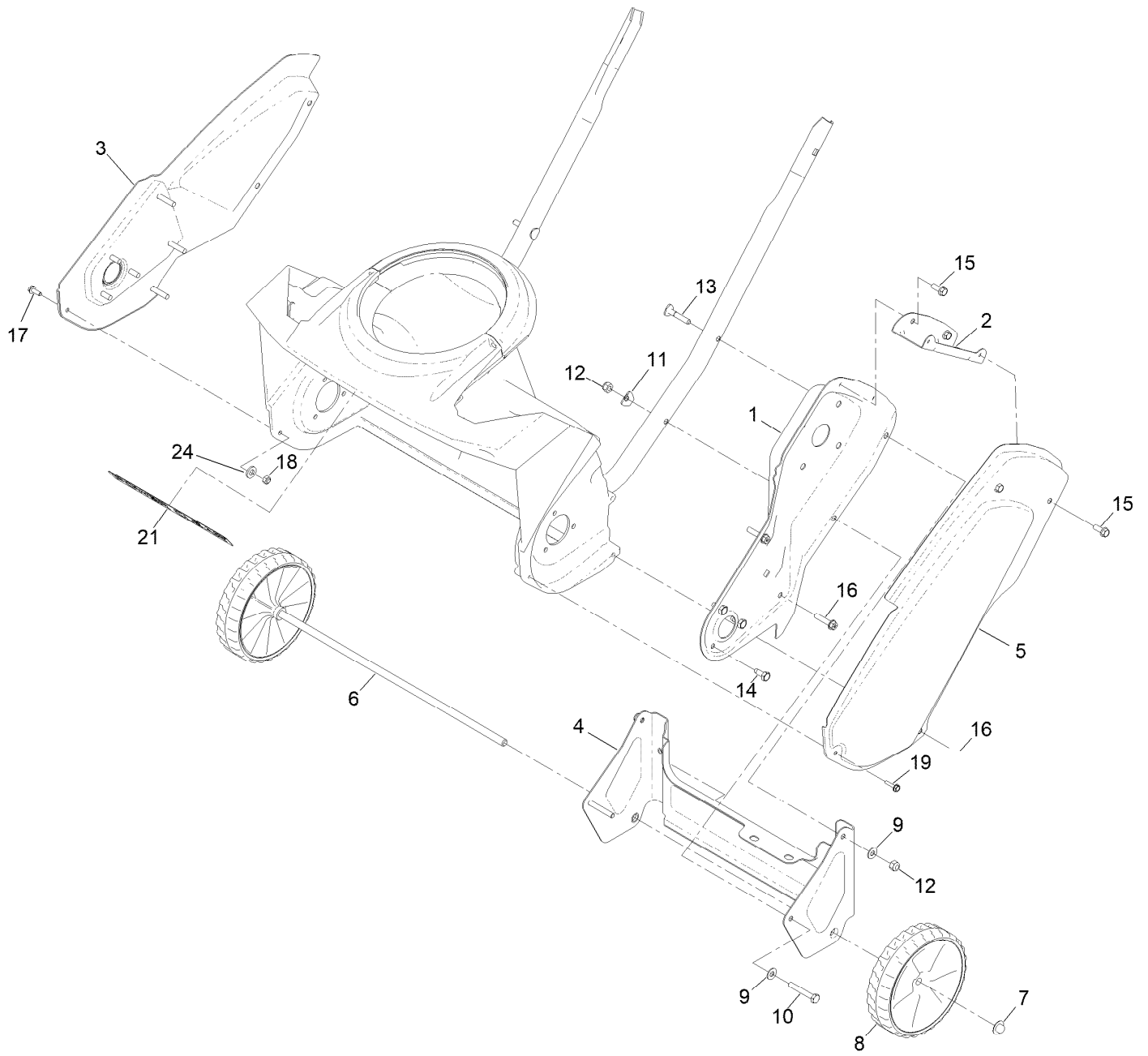
In an illustration, if a reference number indicates more than one part, the reference number has the form nX y. The n represents the quantity of the part, the X is the multiplication symbol, and the y represents the reference number.

For example, in an illustration, the reference number 2X 37 means that two of the parts identified by reference number 37 are indicated.

Contents

Frame Assembly.....	4
Rotor Housing Assembly.....	6
Rotor Assembly.....	8
Belt and Drive Assembly.....	10
Engine Assembly.....	12
Engine Assembly No. 1.....	14
Engine Assembly No. 2.....	16
Engine Assembly No. 3.....	18
Shroud Assembly.....	20
Handle Assembly.....	22
Chute Assembly.....	24
Attachments and Accessories.....	26

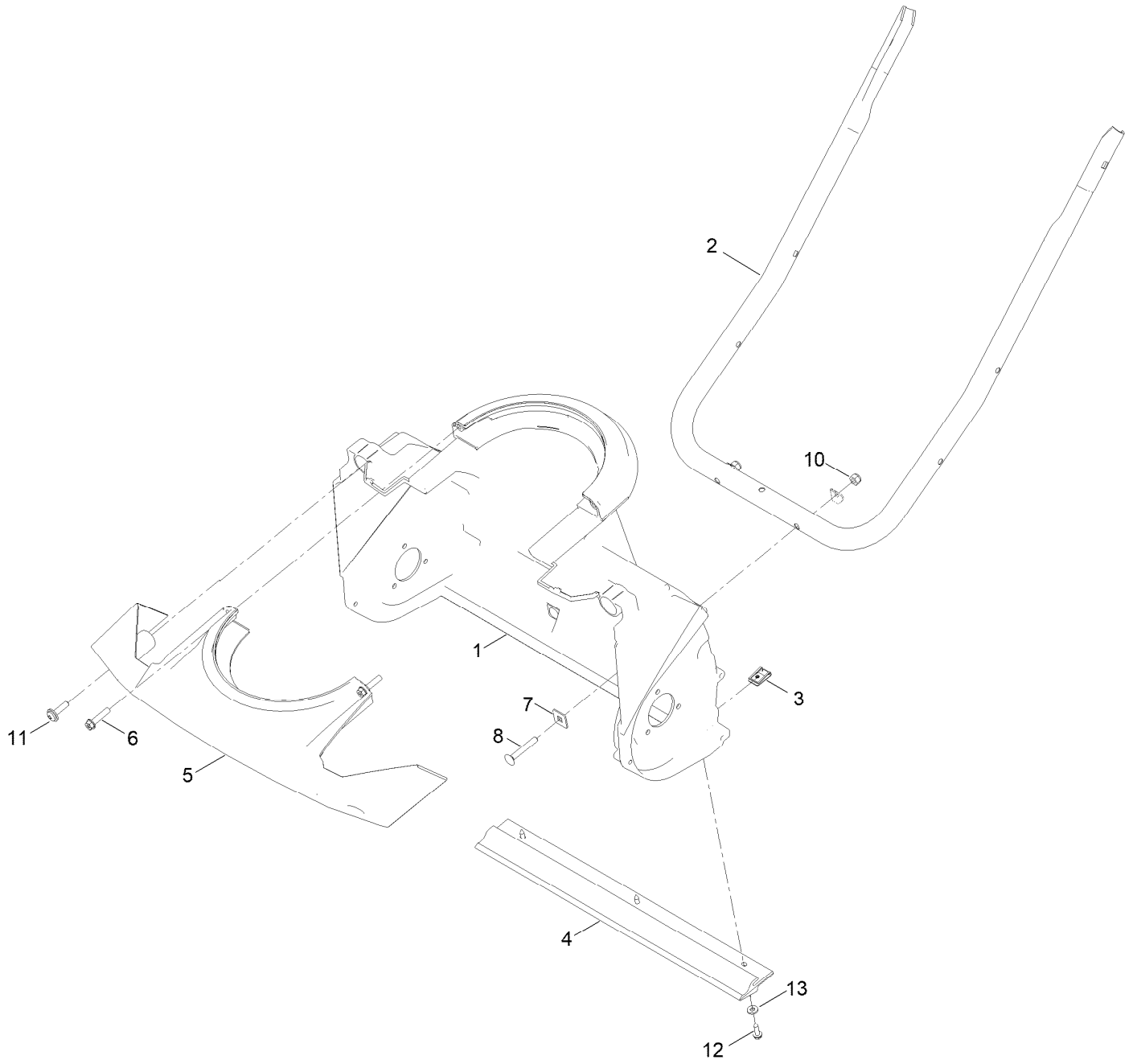
Frame Assembly



Frame Assembly (continued)

<i>Ref.</i>	<i>Part Number</i>	<i>Qty.</i>	<i>Description</i>	<i>Ref.</i>	<i>Part Number</i>	<i>Qty.</i>	<i>Description</i>
1	117-2349-03	1	Sideplate-LH	11	3-7501	2	Washer
2	117-2334-03	1	Bracket-Cover, Belt	12	3296-73	4	Nut-Lock, NI
3	117-7704-03	1	Sideplate-RH	13	117-7737	2	Screw-Handle
4	117-7702-03	1	Bracket-Wheel	14	114-9291	3	Screw-HH,Thd Roll
5	117-7703-03	1	Cover-Belt	15	32144-85	7	Screw-HWH Thd Form
6	136-7139	1	Axle	16	137-3101	6	Screw-Plastic, HWH
7	3290-320	2	Nut-Push	17	137-3030	1	Screw-HWH
8	145-4080	2	Wheel ASM, 3/8" Axle, 5.875 In	18	137-3085	1	Nut-Hex
9	139-1699	4	Washer-Flat	19	137-3110	1	Screw-Plastite, HWH
10	137-3048	2	Screw-HH	21	145-4088	1	Decal-Front
				24	137-3073	1	Washer-Plain

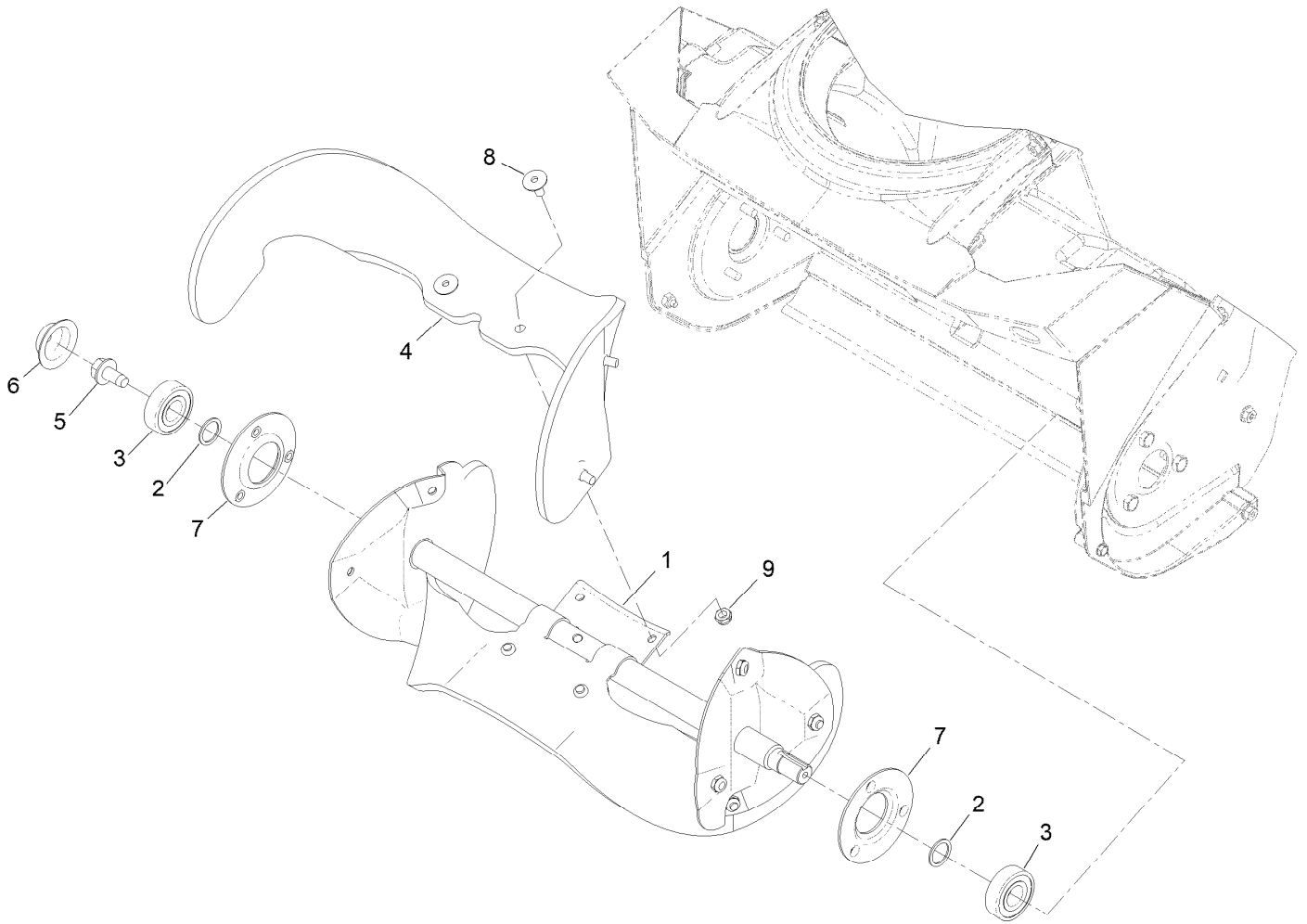
Rotor Housing Assembly



Rotor Housing Assembly (continued)

<i>Ref.</i>	<i>Part Number</i>	<i>Qty.</i>	<i>Description</i>	<i>Ref.</i>	<i>Part Number</i>	<i>Qty.</i>	<i>Description</i>
1	145-1665	1	Housing-Rotor	7	75-9040	2	Washer-Square
2	117-2348-03	1	Handle-Lower	8	120-9698	2	Bolt-CARR
3	32115-19	3	Nut-Clip, U	10	3296-73	2	Nut-Lock, NI
4	117-7717	1	Scraper	11	137-3013	2	Screw-PPH, Sems
5	145-1664	1	Bumper-Front	12	163-0258	3	Screw-Thd Form, HWH
6	137-3101	2	Screw-Plastic, HWH	13	137-3073	3	Washer-Plain

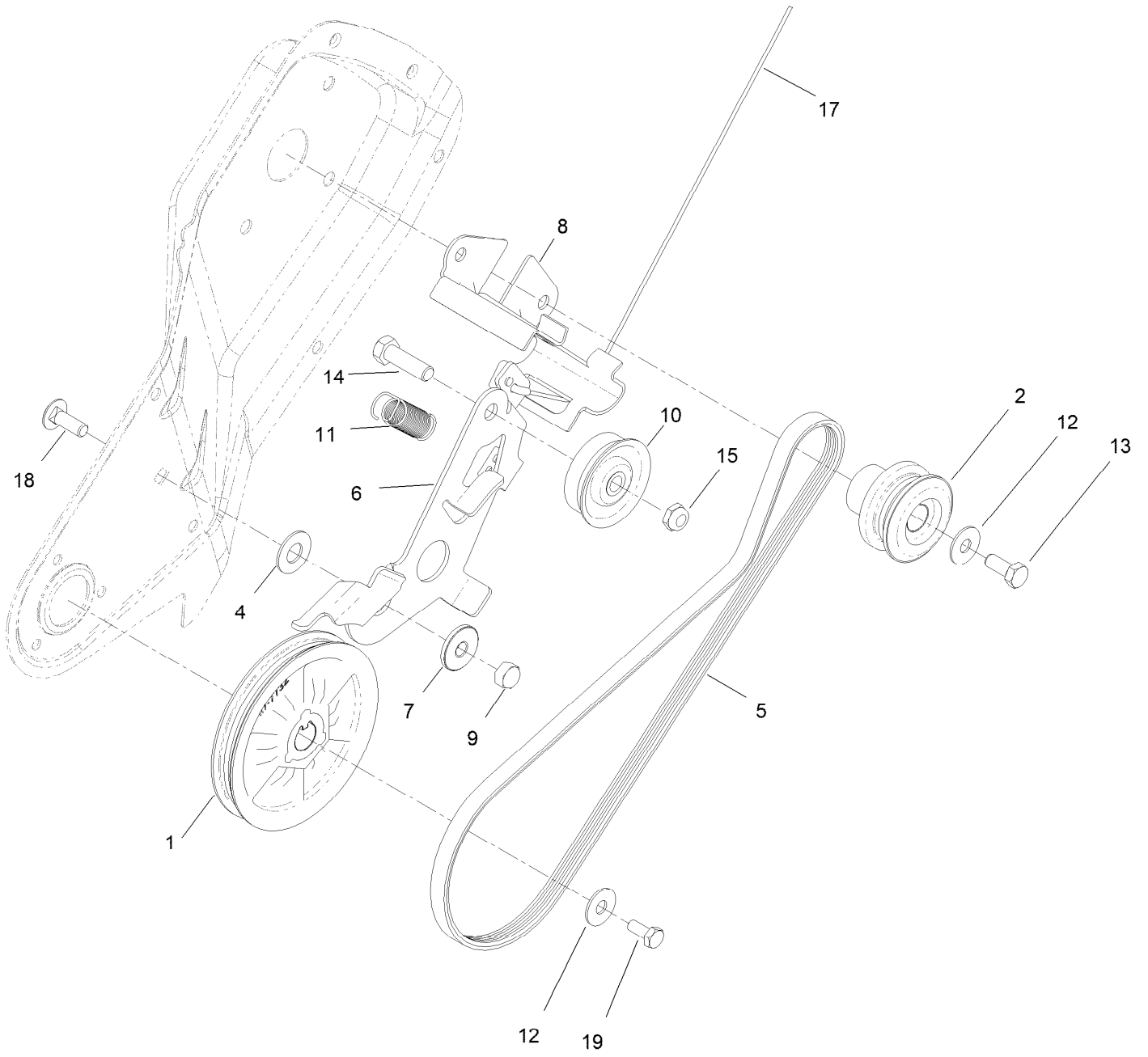
Rotor Assembly



Rotor Assembly (continued)

<i>Ref.</i>	<i>Part Number</i>	<i>Qty.</i>	<i>Description</i>	<i>Ref.</i>	<i>Part Number</i>	<i>Qty.</i>	<i>Description</i>
1	117-2315-03	1	Rotor ASM	6	117-7720	1	Cap-Sideplate, RH
2	52-7280	2	Washer-Thrust	7	136-7122	2	Flange-Bearing
3	38-7820	2	Bearing-Ball	8	136-7183	12	Screw-Countersunk, Oval
4	117-7700	2	Blade-Rotor	9	137-3091	12	Nut-Hex
5	110-9380	1	Screw-HWH				

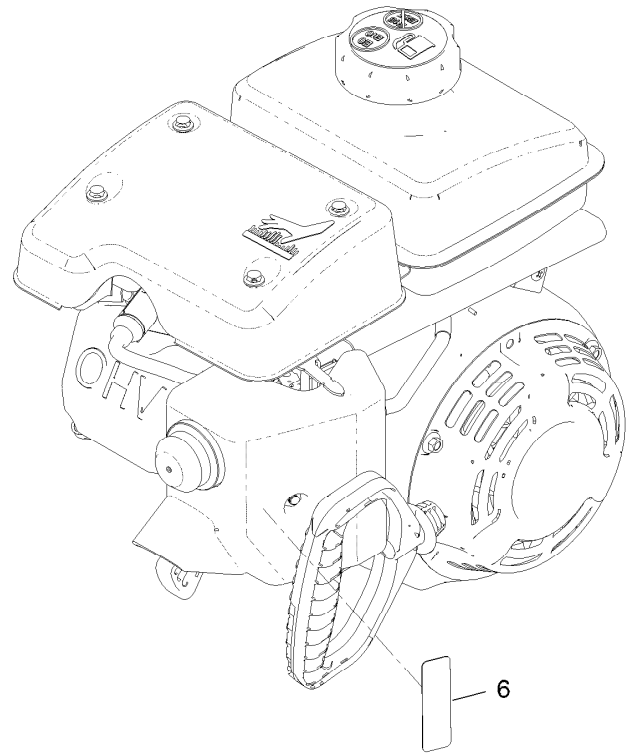
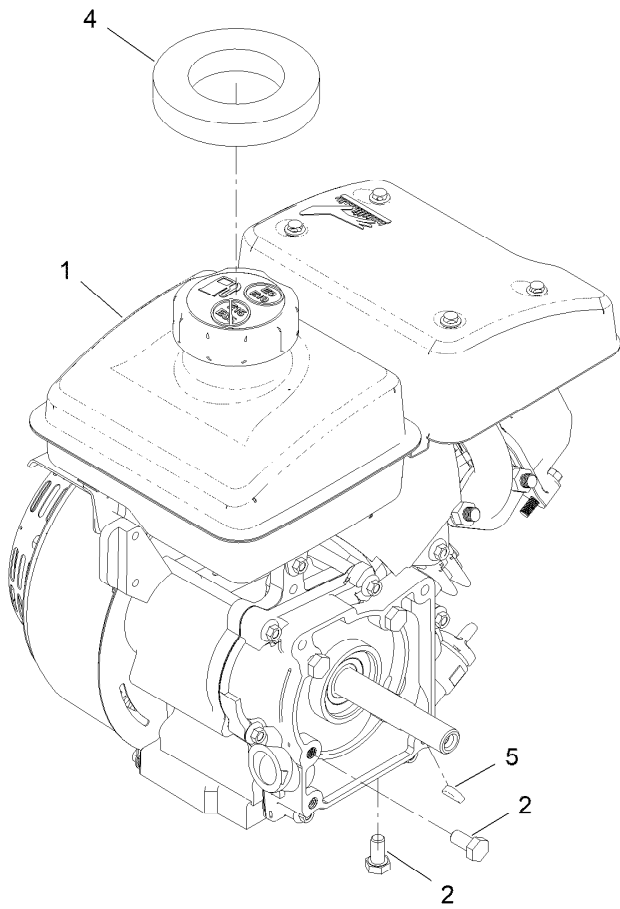
Belt and Drive Assembly



Belt and Drive Assembly (continued)

<i>Ref.</i>	<i>Part Number</i>	<i>Qty.</i>	<i>Description</i>	<i>Ref.</i>	<i>Part Number</i>	<i>Qty.</i>	<i>Description</i>
1	117-7732	1	Rotor Pulley ASM	11	117-7715	1	Spring-Brake
2	117-7734	1	Pulley-Engine	12	3290-456	2	Washer-Belleville
4	25-5640	1	Washer	13	137-3069	1	Screw-HH Lock
5	117-7733	1	Belt-V, Ribbed	14	136-8684	1	Screw-HH
6	136-7123	1	Arm-Idler	15	121-4600	1	Nut-Hex
7	117-7711	1	Bushing-Idler	17	117-7721	1	Cable-Clutch
8	136-7142	1	Guide-Belt	18	137-3058	1	Bolt-CARR
9	119-4038	1	Nut-Hex	19	137-3014	1	Screw-HH Lock
10	117-9105	1	Pulley-Idler				

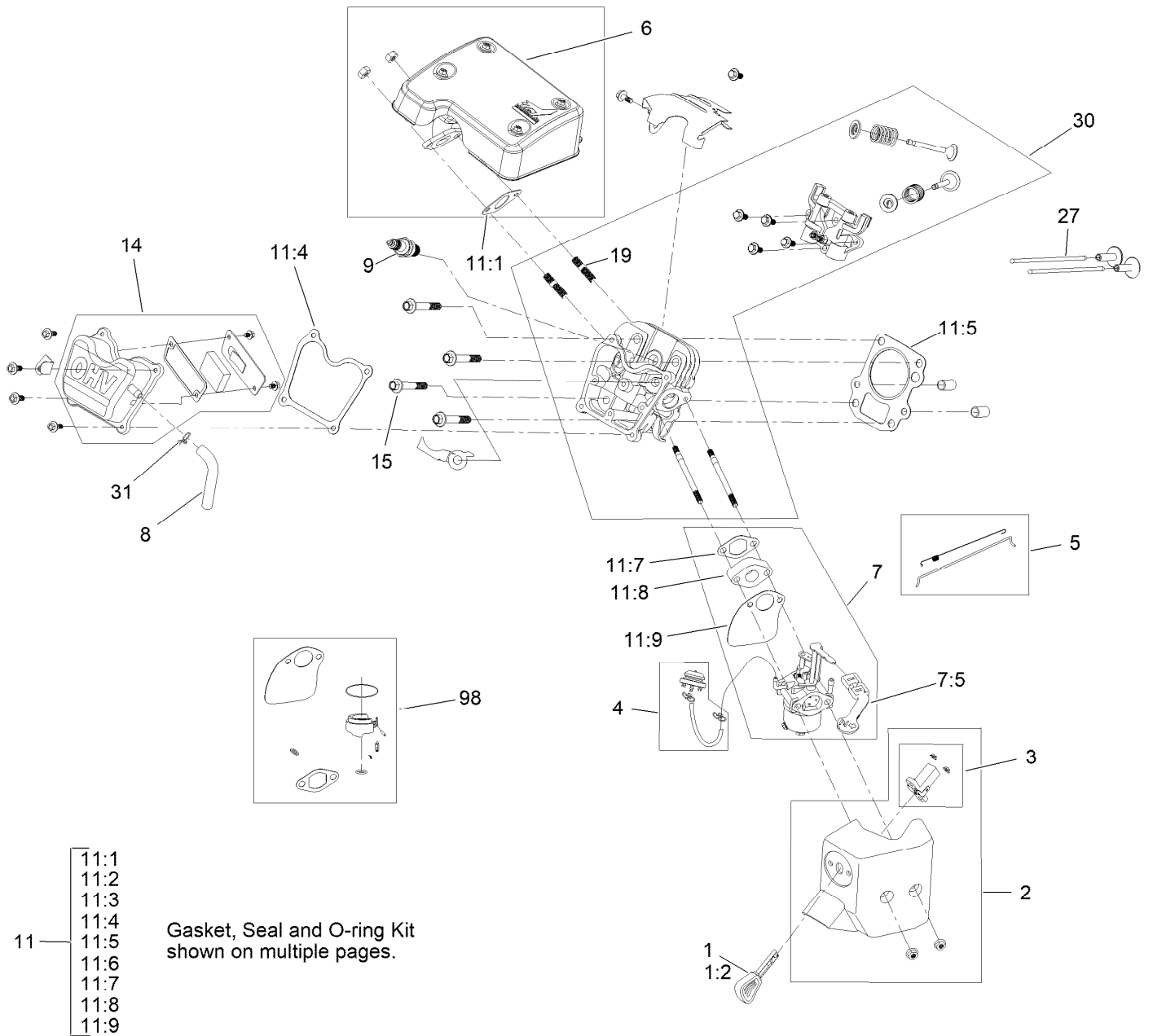
Engine Assembly



Engine Assembly (continued)

<i>Ref.</i>	<i>Part Number</i>	<i>Qty.</i>	<i>Description</i>	<i>Ref.</i>	<i>Part Number</i>	<i>Qty.</i>	<i>Description</i>
1	144-1031	1	Engine-Lc156Fs	5	3257-3	1	Key-Woodruff
2	139-9940	6	Screw-HH	6	120-0149	1	Decal-Controls, Engine
4	117-7723	1	Seal-Tank				

Engine Assembly No. 1

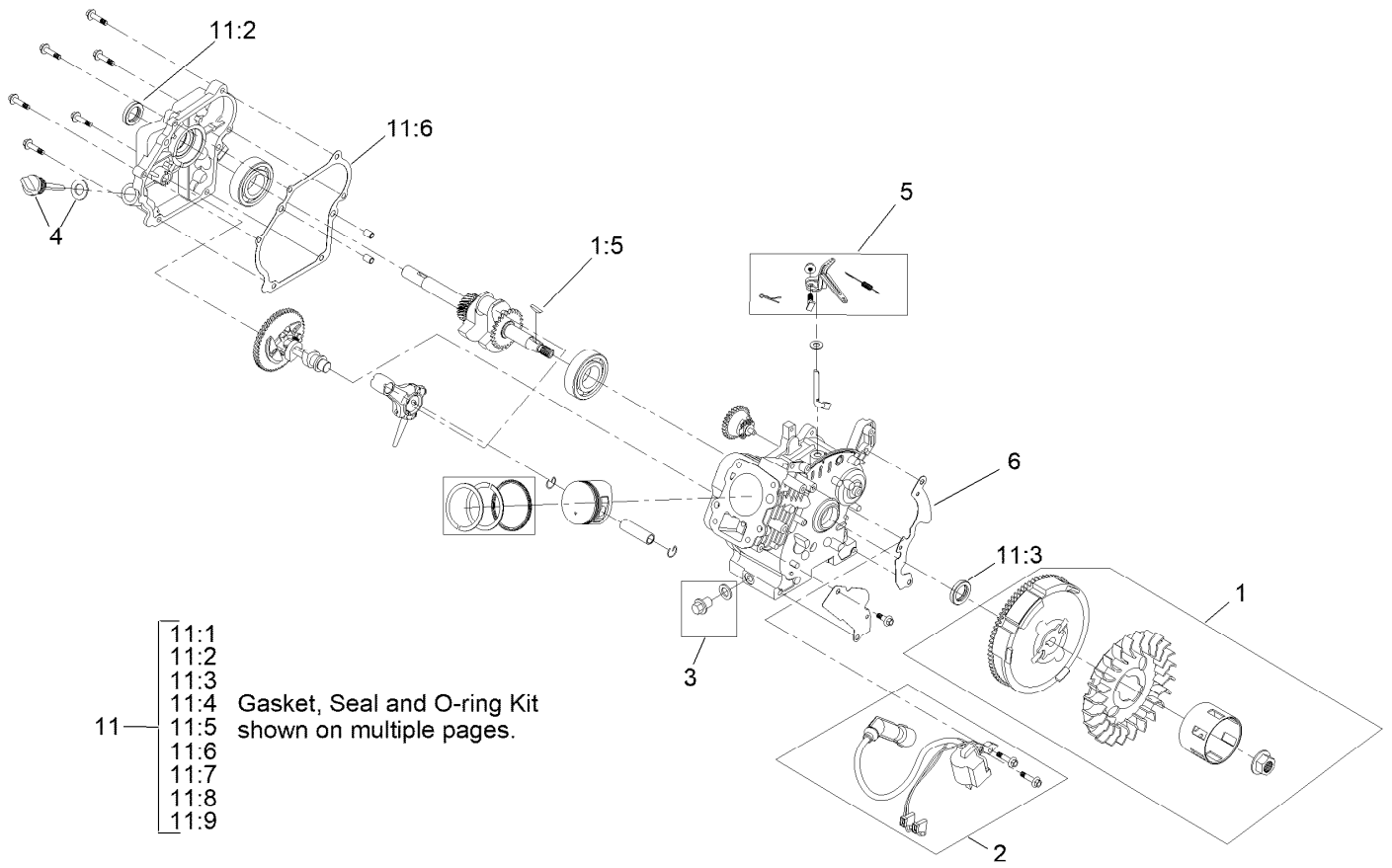


Engine Assembly No. 1 (continued)

<i>Ref.</i>	<i>Part Number</i>	<i>Qty.</i>	<i>Description</i>	<i>Ref.</i>	<i>Part Number</i>	<i>Qty.</i>	<i>Description</i>
1	119-1929	1	Key And Lanyard Kit	11:3	121-0210	1	Seal-Oil
1:2	117-7728	2	Key	11:4	144-1001	1	Gasket-Cover, Valve
2	119-1982	1	Heater Box Kit	11:5	127-9039	1	Gasket-Head, Cylinder
3	119-1932	1	Switch Kit	11:6	121-0106	1	Gasket-Cover, Crankcase
4	119-1981	1	Primer Bulb Kit	11:7	120-4486	1	Gasket-Insulator
5	121-0489	1	Governor Kit	11:8	121-0093	1	Insulator-Carburetor
6	144-1028	1	Muffler Kit	11:9	127-9052	1	Gasket-Carburetor
7	136-7931	1	Complete Carb Service Kit	14	144-1007	1	Valve Cover ASM
7:5	133-9975	1	Lever-Choke	15	121-0473	4	Screw-HHF
8	139-0631	1	Tube-Breather	19	121-0464	2	Stud-Exhaust
9	121-4199	1	Spark Plug	27	127-9055	2	Rod-Push
11	144-1005	1	Gasket, Seal, And O-Ring Kit	30	133-9825	1	Complete Head ASM
11:1	121-0168	1	Gasket-Exhaust	31	121-0327	1	Clamp-Hose
11:2	121-0207	1	Seal-Oil	98	127-9158	1	Carburetor Repair Kit
				99	127-9300	1	High Altitude Kit ●

● Not illustrated

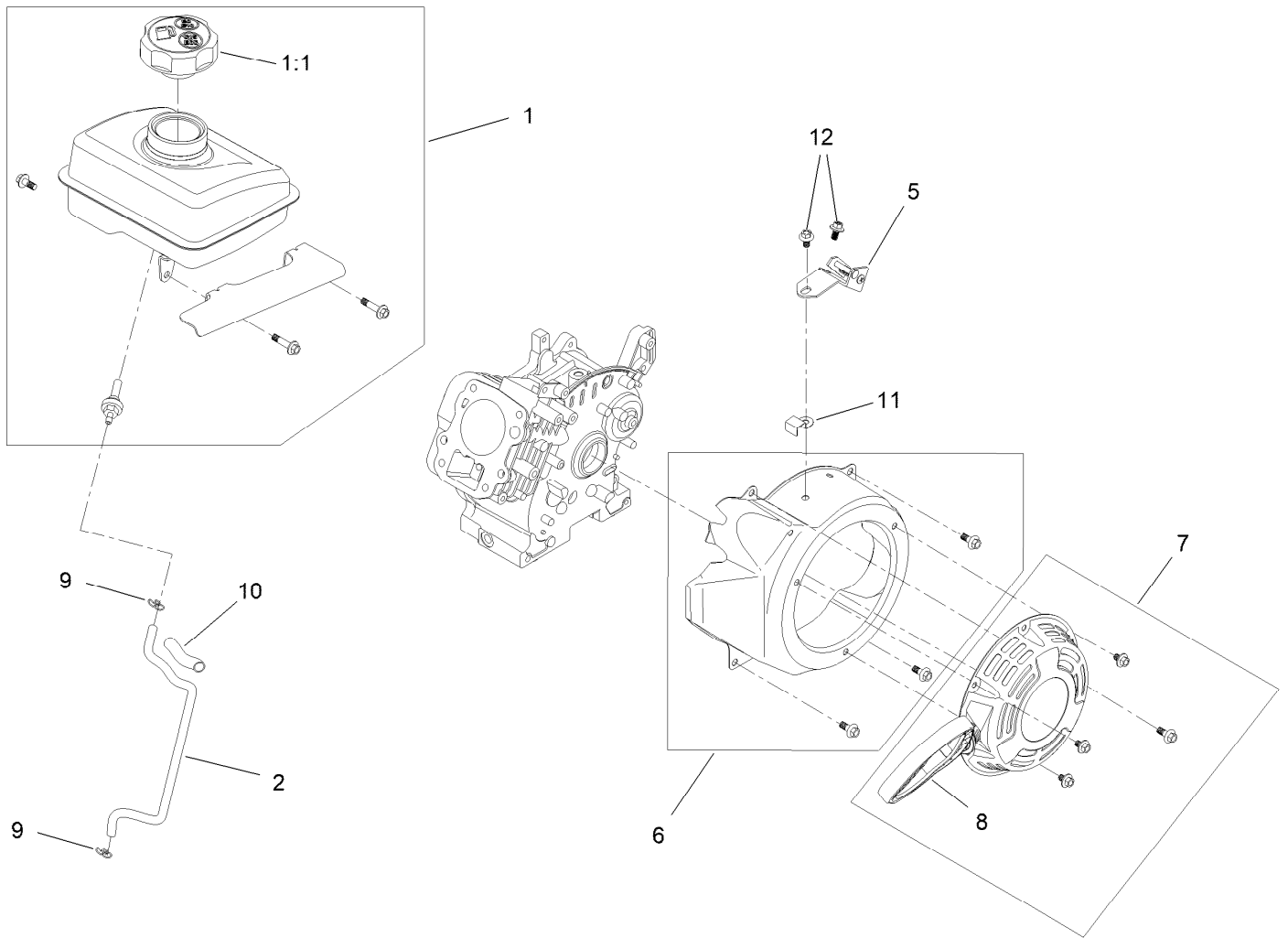
Engine Assembly No. 2



Engine Assembly No. 2 (continued)

<i>Ref.</i>	<i>Part Number</i>	<i>Qty.</i>	<i>Description</i>	<i>Ref.</i>	<i>Part Number</i>	<i>Qty.</i>	<i>Description</i>
1	119-1962	1	Flywheel And Fan Kit	11:1	121-0168	1	Gasket-Exhaust
1:5	121-0206	1	Key-Woodruff	11:2	121-0207	1	Seal-Oil
2	136-7772	1	Ignition Kit	11:3	121-0210	1	Seal-Oil
3	119-1923	1	Drain Plug Kit	11:4	144-1001	1	Gasket-Cover, Valve
4	119-1922	1	Dipstick And O-Ring Kit	11:5	127-9039	1	Gasket-Head, Cylinder
5	121-0489	1	Governor Kit	11:6	121-0106	1	Gasket-Cover, Crankcase
6	119-1927	1	Blower Shroud Kit	11:7	120-4486	1	Gasket-Insulator
11	144-1005	1	Gasket, Seal, And O-Ring Kit	11:8	121-0093	1	Insulator-Carburetor
				11:9	127-9052	1	Gasket-Carburetor

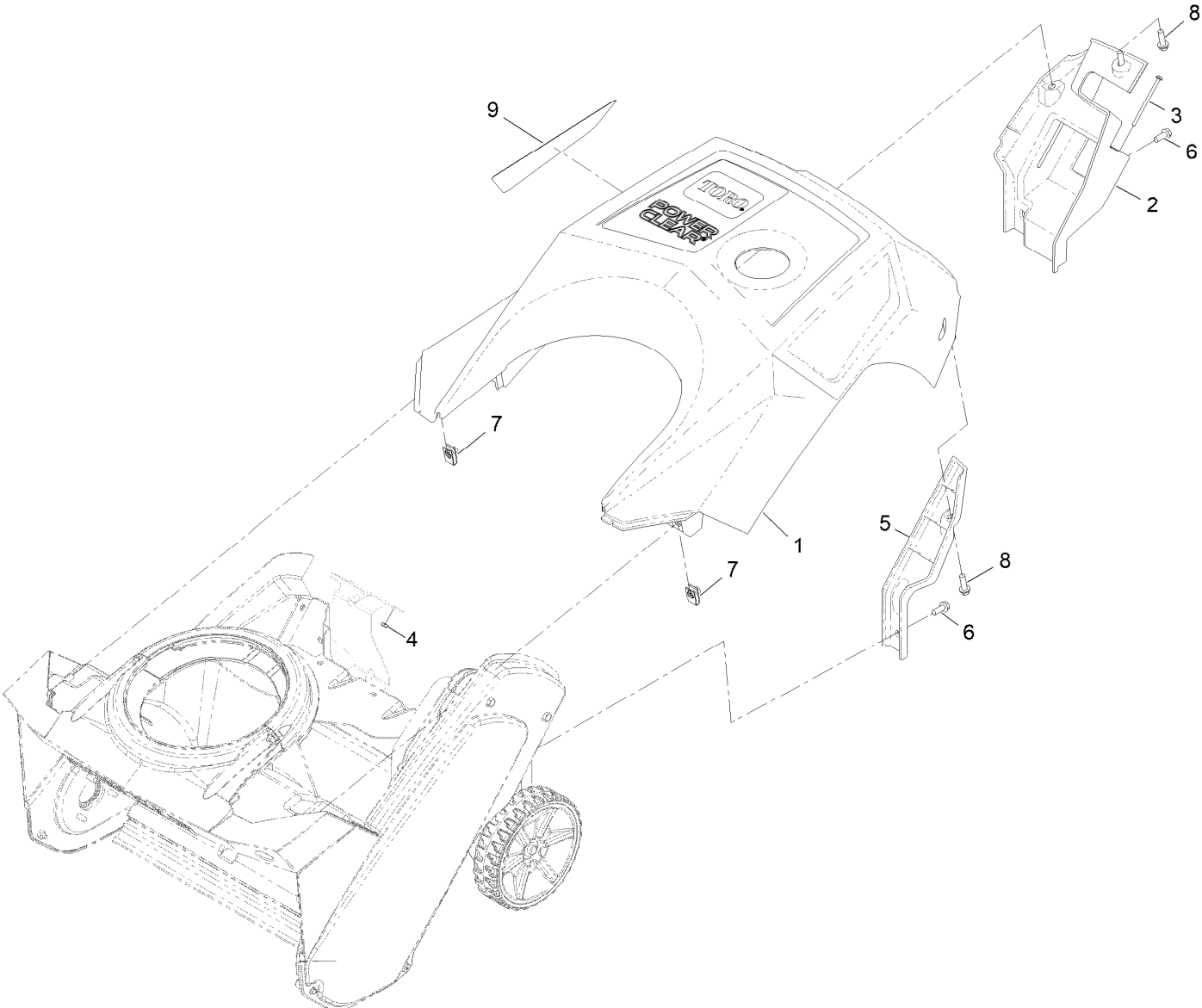
Engine Assembly No. 3



Engine Assembly No. 3 (continued)

<i>Ref.</i>	<i>Part Number</i>	<i>Qty.</i>	<i>Description</i>	<i>Ref.</i>	<i>Part Number</i>	<i>Qty.</i>	<i>Description</i>
1	127-9368	1	Fuel Tank And Cap Kit	8	121-0287	1	Handle-Recoil
1:1	133-9823	1	Cap-Fuel	9	147-7077	2	Clip-Hose
2	147-7076	1	Hose-Fuel	10	147-7078	1	Sleeve-Abrasion
5	147-7100	1	Speed Control ASM	11	147-7099	1	Clamp-Hose
6	119-1927	1	Blower Shroud Kit	12	121-0116	2	Screw-HHF
7	119-1925	1	Recoil ASM Kit				

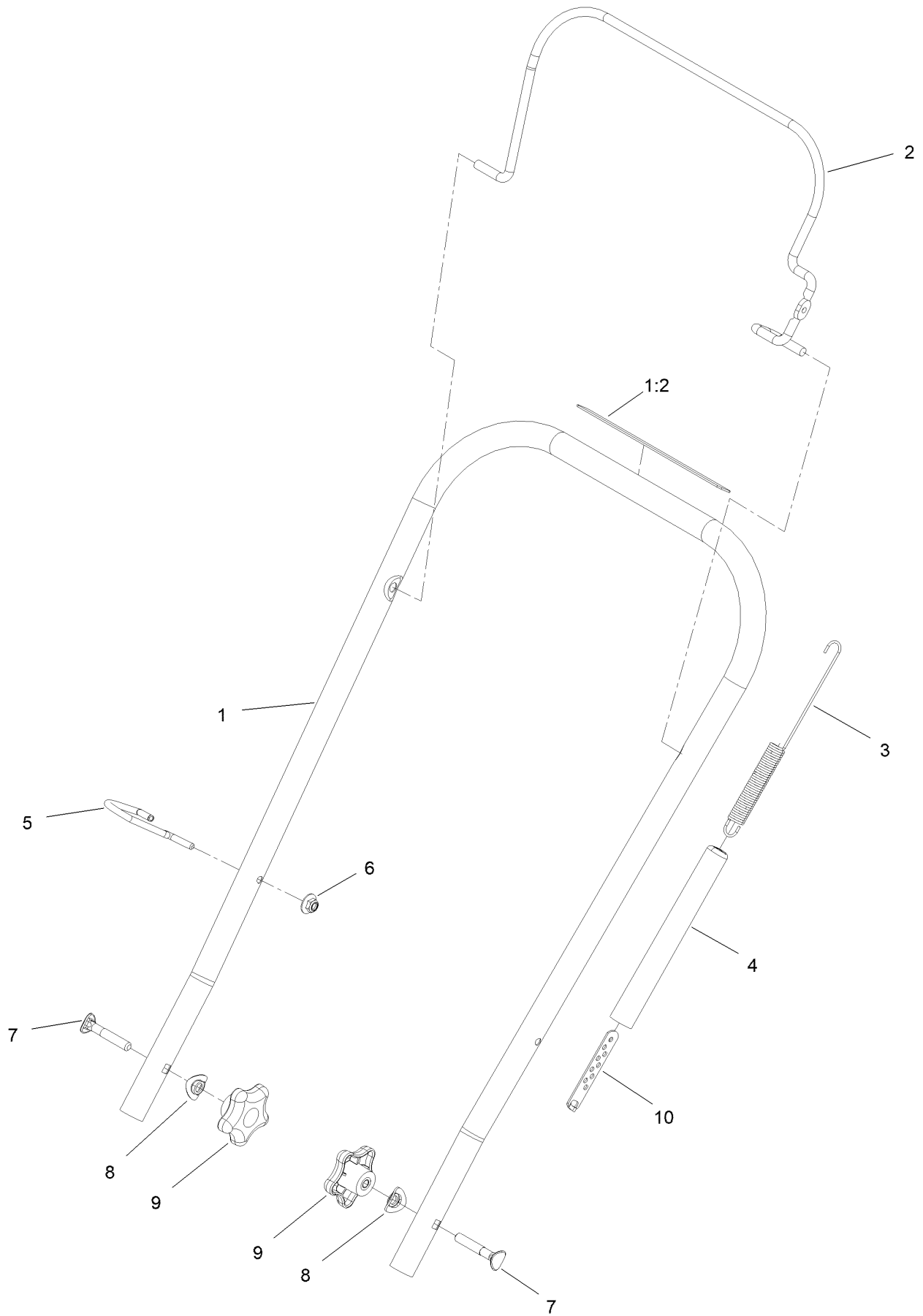
Shroud Assembly



Shroud Assembly (continued)

<i>Ref.</i>	<i>Part Number</i>	<i>Qty.</i>	<i>Description</i>	<i>Ref.</i>	<i>Part Number</i>	<i>Qty.</i>	<i>Description</i>
1	145-4078	1	Shroud-Upper	6	32144-85	2	Screw-HWH Thd Form
2	145-4081	1	Shroud-Lower, RH	7	107069	2	Clip
3	137-3018	2	Screw-HWH	8	137-3099	3	Screw-Plastite, HWH
4	137-3096	2	Nut-Hex	9	145-4086	1	Decal-Rs Shroud Zr
5	145-4076	1	Shroud-Lower, LH				

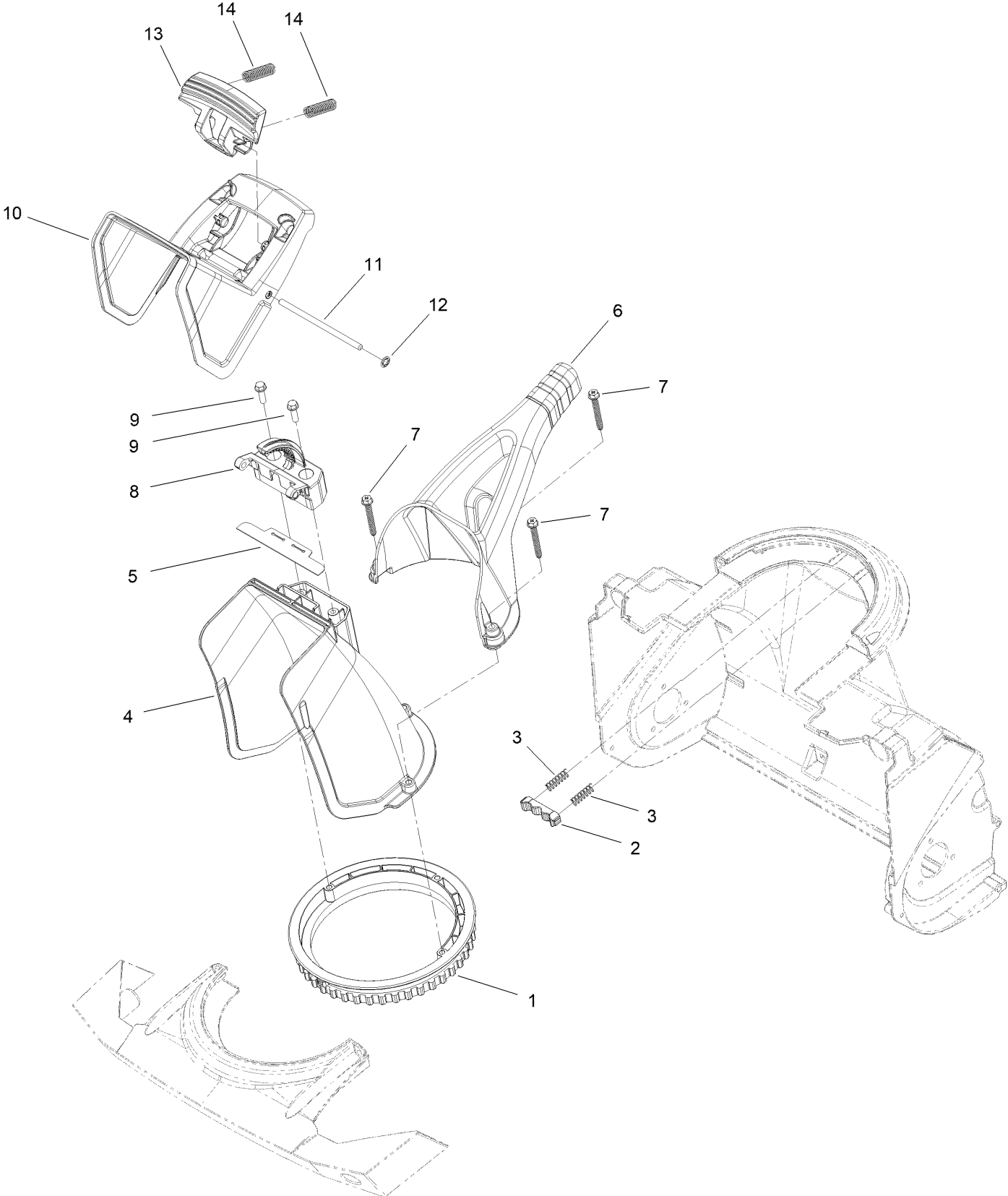
Handle Assembly



Handle Assembly (continued)

<i>Ref.</i>	<i>Part Number</i>	<i>Qty.</i>	<i>Description</i>	<i>Ref.</i>	<i>Part Number</i>	<i>Qty.</i>	<i>Description</i>
1	117-7743	1	Upper Handle ASM	6	114-3778	1	Nut-HF
1:2	117-7713	1	Decal-Safety	7	137-3107	2	Screw-Handle
2	117-7718-03	1	Bail-Clutch	8	137-3009	2	Washer-Cup
3	119-2913	1	Spring-Clutch	9	106-4161	2	Knob-Handle
4	114-3796	1	Cover-Spring	10	136-7126	1	Adjuster-Cable, Clutch
5	145-0653	1	Guide-Rope				

Chute Assembly



Chute Assembly (continued)

<i>Ref.</i>	<i>Part Number</i>	<i>Qty.</i>	<i>Description</i>	<i>Ref.</i>	<i>Part Number</i>	<i>Qty.</i>	<i>Description</i>
1	145-1666	1	Ring-Chute	8	108-4942	1	Hinge-Ratchet, Deflector
2	75-9160	1	Detent-Chute	9	137-3099	2	Screw-Plastite, HWH
3	75-9170	2	Spring-Compression	10	117-9121	1	Deflector-Chute, CE
4	108-4939	1	Chute	11	136-8672	1	Pin-Hinge, Deflector
5	114-3790	1	Seal-Deflector	12	104-8310	1	Ring-Retaining
6	110-9366	1	Handle-Chute	13	108-4941	1	Trigger-Deflector
7	114-3751	3	Screw-HWH, Plastite	14	136-7136	2	Spring-Compression

Attachments and Accessories

For 38474 Power Clear 518 ZR Snowthrower

Product Name	Model/Part
High-Altitude Kit.....	121-4239
Engine Maintenance Kit.....	138-0698
Paddle Replacement Kit.....	38266
Case of 24 12-Ounce Bottles 5W30 Winter Oil	38907
Toro Snow Oil 0W30 Synthetic 20-Ounce Bottle	38913

Notes:



Count on it.