



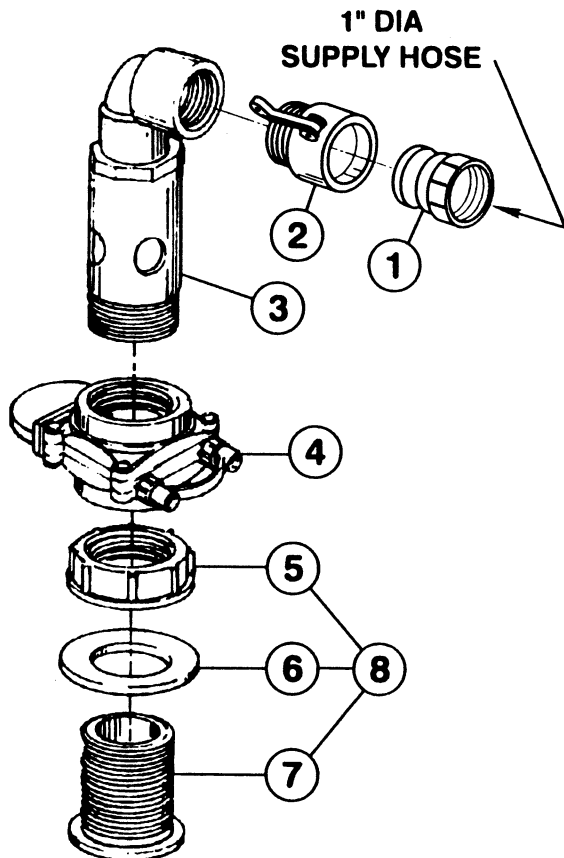
PART NO. 86-3610

SET-UP & PARTS
MANUAL

ANTI-SIPHON KIT
For the MULTI-PRO® 1100 and 5500 Vehicles

SET-UP INSTRUCTIONS:

1. If necessary, locate, mark, and drill a 2-3/8" DIA. hole centered as nearly as possible on the flat surface in the top of the Tank, at the rear of the Tank.
2. Assemble the Siphon Kit to the Tank with the Bulkhead and Sealing Washer inside the Tank and secured with the Flynut on the outside of the Tank.
3. Thread the Knife Valve and Standup Assembly onto the Bulkhead.
4. A quick coupler for 1" hose is supplied for your convenience.



SINGLE NOZZLE KIT

#	Part No.	Description	Qty
1	041316	Quick Adapter	1
2	92-0238	Quick Coupler	1
3	43069	Standup Assembly	1
4	43064	Knife Valve	1
5	43068	Flynut, 2" NPT	1

#	Part No.	Description	Qty
6	43067	Sealing Washer	1
7	43066	Bulkhead, 2" NPT	1
8	43065	Tank Fitting Ass'y, 2" NPT	1