



**Count on it.**

**Parts Catalog**

**Workman® UTX**  
**2 Passenger Utility Vehicle**

Model No. 08100—Serial No. 415260000 and Up



# Ordering Replacement Parts

To order replacement parts, please supply the part number, the quantity, and the description of each part desired.

## Understanding Reference Numbers

Each identified part in an illustration has a reference number. The reference number for a part also appears in the parts list, along with other information about the part.

This catalog uses two special reference number formats, one to indicate parts in a service assembly and another to indicate the quantity of a given part in an illustration.

## Service Assembly Reference Numbers

Parts in service assemblies have reference numbers in the form a:b. The a represents the reference number of the entire service assembly and the b represents a sequential number unique to each part within the service assembly.

For example, a wheel assembly might be identified by reference number 6, the tire by 6:1, the valve by 6:2, and the wheel by 6:3. When you order the assembly identified by reference number 6, you receive all parts identified by reference numbers 6:1, 6:2, and 6:3. However, you may also order any part individually. Reference numbers of this type appear in illustration and in parts lists.

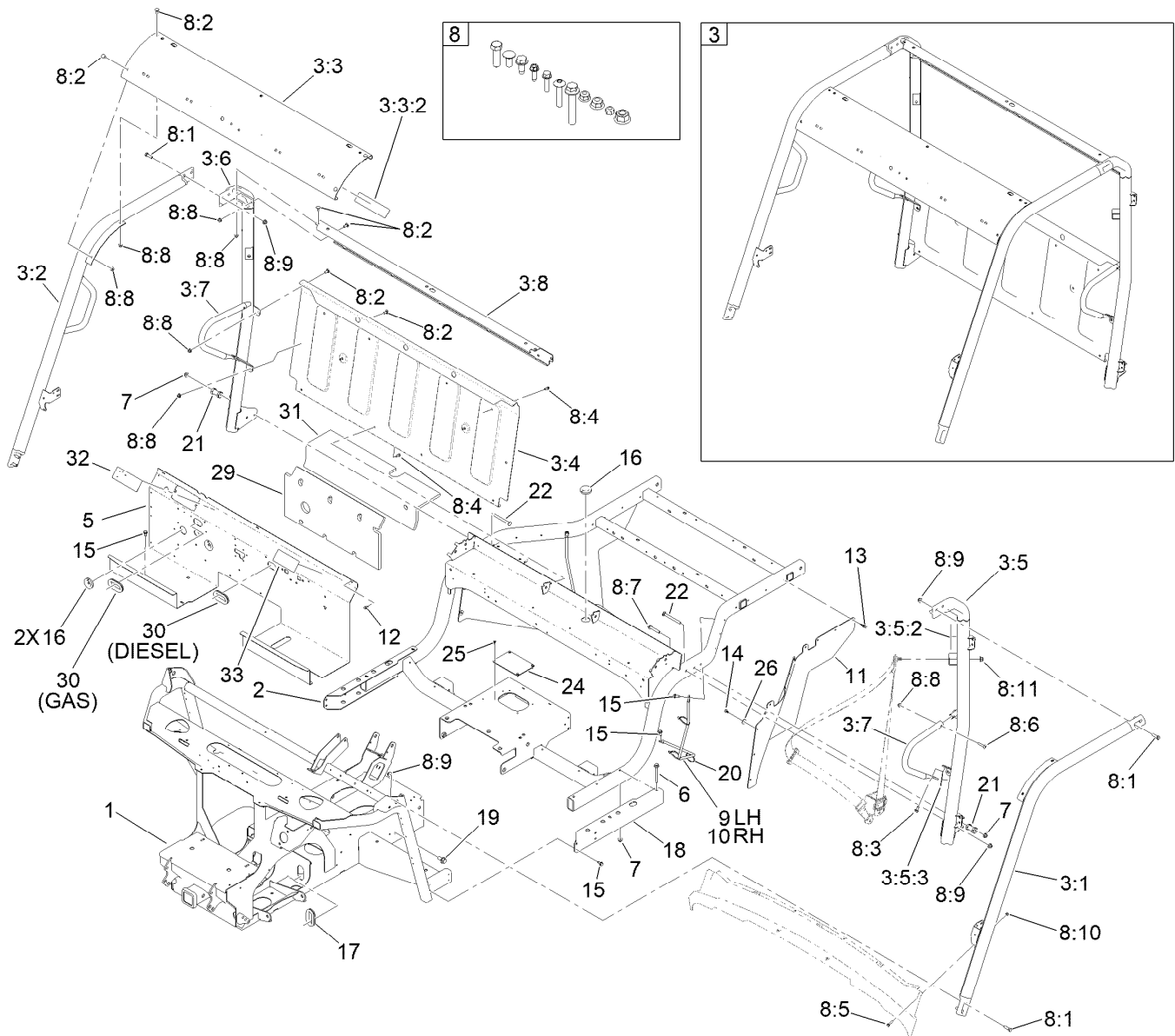
## Reference Numbers Indicating Quantity

In an illustration, if a reference number indicates more than one part, the reference number has the form nX y. The n represents the quantity of the part, the X is the multiplication symbol, and the y represents the reference number.

For example, in an illustration, the reference number 2X 37 means that two of the parts identified by reference number 37 are indicated.

# Contents

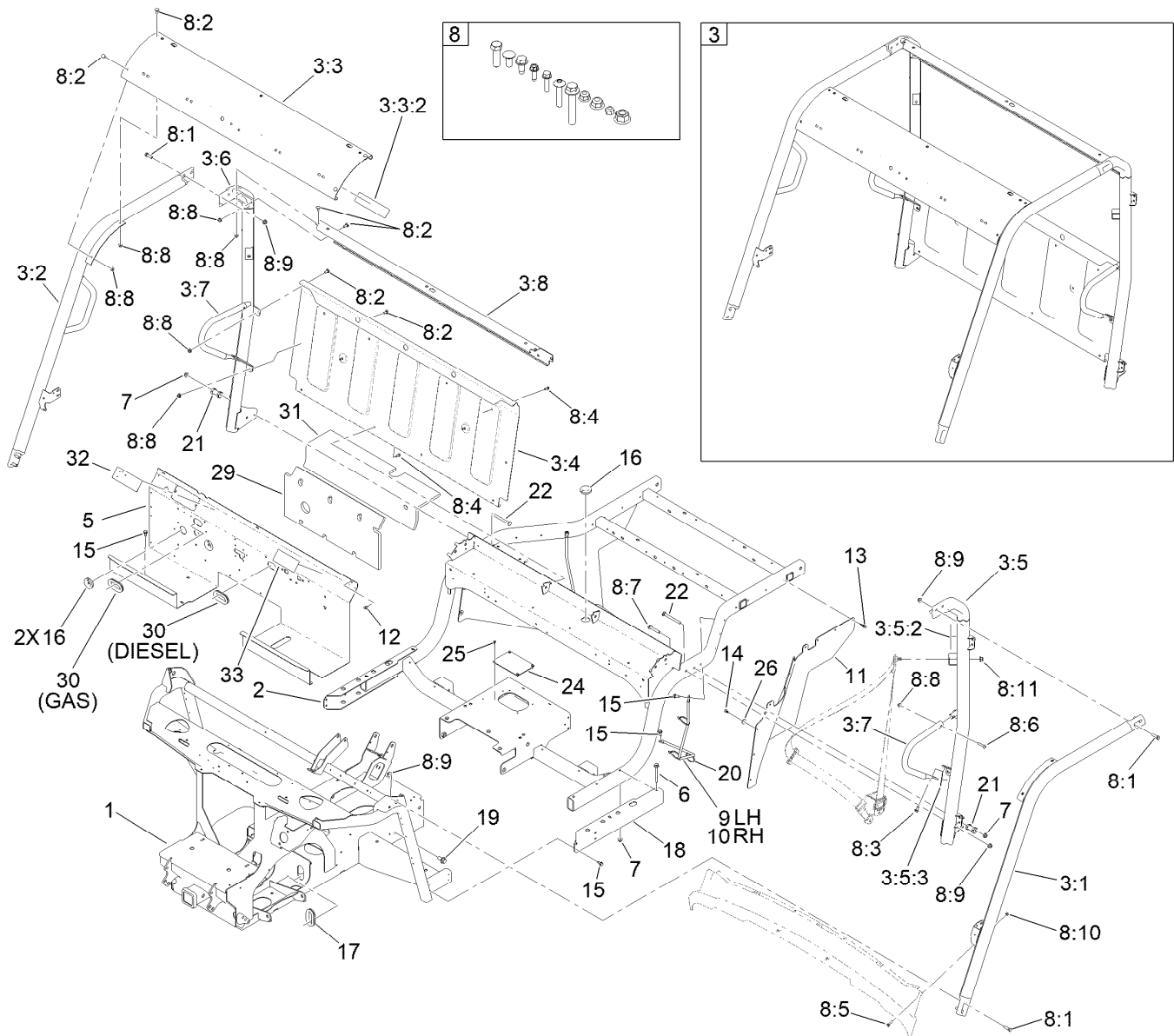
|   |    |
|---|----|
| Frame and ROPS Assembly                       | 4  |
| Front Suspension Assembly                     | 6  |
| Front Control Arm Assembly No. 145-7771       | 7  |
| Rear Suspension and Subframe Assembly         | 8  |
| Pedals and Controls Assembly                  | 10 |
| Steering Assembly                             | 11 |
| Brake Assembly                                | 12 |
| Master Cylinder Assembly No. 104-6782         | 13 |
| Brake Caliper Assembly No. 127-7424           | 14 |
| Hood and Front Fender Assembly                | 15 |
| Dash Assembly                                 | 16 |
| Seat Base Assembly                            | 17 |
| Cargo Bed Assembly                            | 18 |
| Cargo Bed Kit Assembly                        | 19 |
| Electrical Assembly                           | 20 |
| Battery Assembly                              | 22 |
| Engine Drivetrain and Exhaust Assembly        | 23 |
| Engine, Transaxle and Clutch Assembly         | 24 |
| Secondary Clutch Assembly No. 139-4591        | 25 |
| Primary Clutch Assembly No. 139-4590          | 26 |
| Transaxle Assembly No. 140-2611               | 27 |
| Front Differential and Driveshaft Assembly    | 28 |
| Front Differentail Assembly No. 140-4752      | 29 |
| Intermediate Driveshaft Assembly No. 140-4771 | 30 |
| Driveshaft Assembly No. 140-2647              | 31 |
| Cooling System Assembly                       | 32 |
| Radiator Assembly No. 147-7970                | 33 |
| Fuel System Assembly                          | 34 |
| Air Cleaner Assembly                          | 35 |
| Air Cleaner Assembly No. 106-5277             | 36 |
| Hose Intake Assembly No. 145-2118             | 37 |
| Cylinder Block Assembly                       | 38 |
| Crankshaft and Piston Assembly                | 39 |
| Camshaft and Rocker Arm Assembly              | 40 |
| Cylinder Head Assembly                        | 41 |
| Timing Cover Assembly                         | 42 |
| Intake Manifold Assembly                      | 43 |
| Exhaust Manifold Assembly                     | 44 |
| Oil Pan Assembly                              | 45 |
| Oil Pump Assembly                             | 46 |
| Water Pump Assembly                           | 47 |
| Starter Assembly                              | 48 |
| Alternator Assembly                           | 49 |
| Rear Plate Assembly                           | 50 |
| Ignition Assembly                             | 51 |
| Throttle Body Assembly                        | 52 |
| Coolant Plug Assembly                         | 53 |
| Coolant Inlet Assembly                        | 54 |
| Electrical Assembly                           | 55 |
| Attachments and Accessories                   | 56 |



## Frame and ROPS Assembly

| Ref.  | Part Number | Qty. | Description                   | Ref. | Part Number | Qty. | Description                |
|-------|-------------|------|-------------------------------|------|-------------|------|----------------------------|
| 1     | 147-8107    | 1    | Front Frame ASM (2 Passenger) | 8    | 144-2286    | 1    | Standard ROPS Hardware Kit |
| 2     | 147-8106    | 1    | Rear Frame ASM                | 8:1  | 144-2258    | 8    | Screw-HH                   |
| 3     |             | 1    | Standard ROPS Kit ●           | 8:2  | 144-2265    | 12   | Bolt-CARR                  |
| 3:1   | 137-2737-05 | 1    | Front ROPS ASM-LH             | 8:3  | 32144-70    | 4    | Screw-HWHTF                |
| 3:2   | 137-2738-05 | 1    | Front ROPS ASM-RH             | 8:4  | 49-2040     | 10   | Screw-HWHTF                |
| 3:3   | 140-2583    | 1    | ROPS Front Crosslink ASM      | 8:5  | 32144-86    | 2    | Screw-HWHTF                |
| 3:3:2 | 144-1143    | 1    | Decal-Utx, Safety             | 8:6  | 126-7439    | 2    | Screw-Torx                 |
| 3:4   | 138-9438-05 | 1    | Panel-Back, Seat              | 8:7  | 144-2409    | 2    | Screw-HHF                  |
| 3:5   | 140-2597    | 1    | LH ROPS Rear Tube ASM         | 8:8  | 104-8300    | 14   | Nut-HF, NI                 |
| 3:5:2 | 145-2215    | 1    | Decal-ROPS Safety, Utx        | 8:9  | 104-8301    | 10   | Nut-HF, NI                 |
| 3:5:3 | 144-2267    | 1    | Decal-Compliance, ROPS        | 8:10 | 3296-73     | 2    | Nut-Lock, NI               |
| 3:6   | 137-2726-05 | 1    | ROPS Rear Tube ASM-RH         | 8:11 | 144-2269    | 2    | Nut-HF, NI                 |
| 3:7   | 138-5787-05 | 2    | Tube-Restraint, Shoulder      | 9    | 139-3432    | 1    | Support-Skirt, LH Side     |
| 3:8   | 137-6892-05 | 1    | Crosslink-Rear, ROPS          | 10   | 139-3433    | 1    | Support-Skirt, RH Side     |
| 5     | 145-7960-03 | 1    | Panel-Underseat               | 11   | 147-2825    | 2    | Skirt-Side                 |
| 6     | 116-4701    | 4    | Screw-HHF                     | 12   | 32144-4     | 3    | Screw-HWH                  |
| 7     | 104-8301    | 6    | Nut-HF, NI                    | 13   | 125-9622    | 16   | Rivet-Blind                |

● Not serviced separately

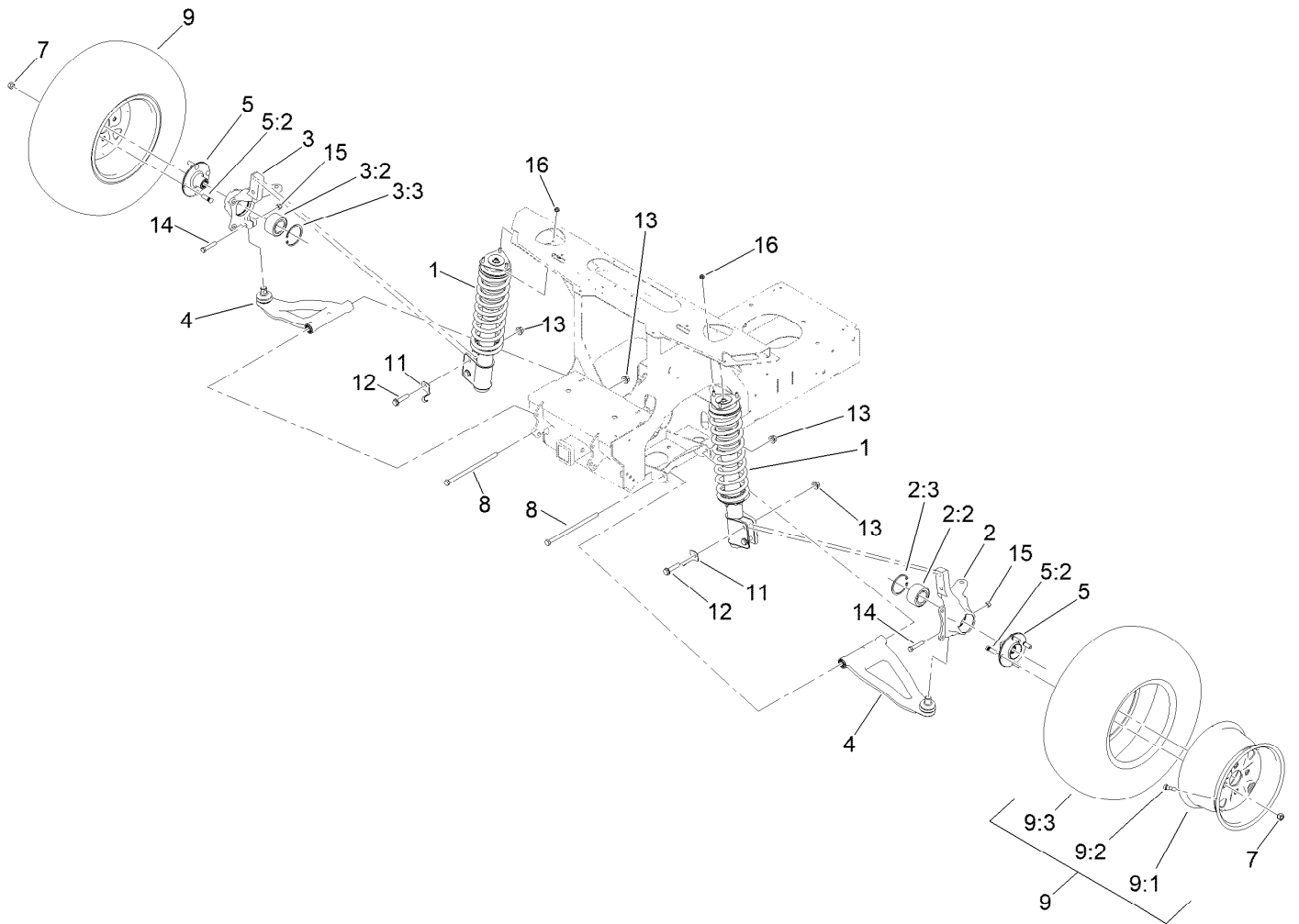


## Frame and ROPS Assembly (continued)

| <i>Ref.</i> | <i>Part Number</i> | <i>Qty.</i> | <i>Description</i> |
|-------------|--------------------|-------------|--------------------|
| 14          | 138-5775           | 6           | Screw-Delta Point  |
| 15          | 32144-70           | 16          | Screw-HWHTF        |
| 16          | 139-3436           | 3           | Grommet            |
| 17          | 240-12             | 1           | Grommet-Rubber     |
| 18          | 139-4433-03        | 2           | Rail-Frame         |
| 19          | 3234-6             | 7           | Screw-HHF          |
| 20          | 3290-378           | 6           | Tie-Cable          |
| 21          | 140-4775           | 2           | Pin-Latch          |
| 22          | 3231-37            | 2           | Screw-CARR         |

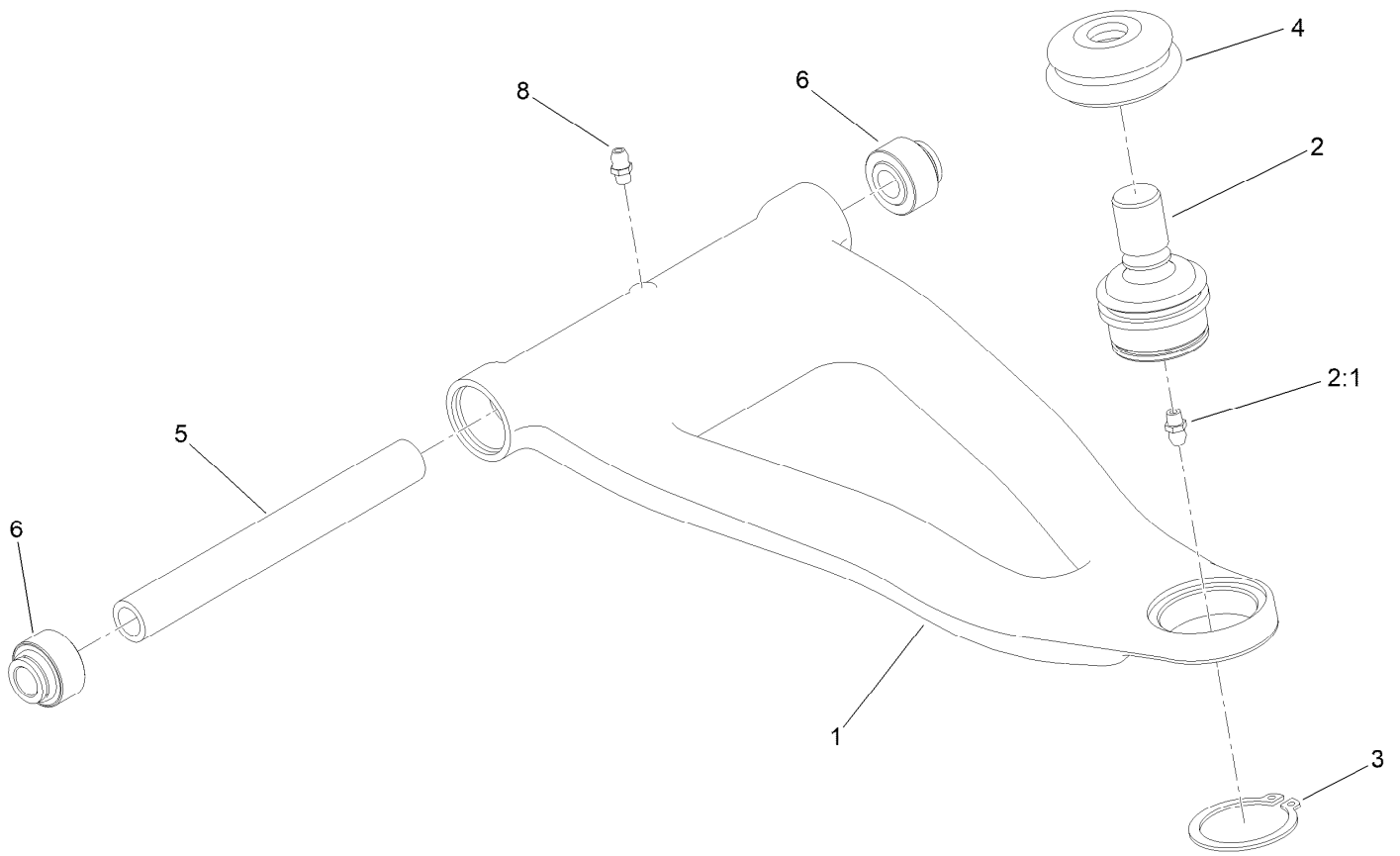
| <i>Ref.</i> | <i>Part Number</i> | <i>Qty.</i> | <i>Description</i>  |
|-------------|--------------------|-------------|---------------------|
| 24          | 144-2245           | 1           | Cover-Access        |
| 25          | 117-1092           | 4           | Screw-PTH           |
| 26          | 3256-67            | 6           | Washer              |
| 29          | 145-7990           | 1           | Foam-Barrier, Heat  |
| 30          | 110-5090           | 1           | Grommet             |
| 31          | 145-7998           | 1           | Foam-Barrier, Heat  |
| 32          | 147-8164           | 1           | Decal-Fuse, Utx Gas |
| 33          | 147-8165           | 1           | Decal-Service, Gas  |

● Not serviced separately



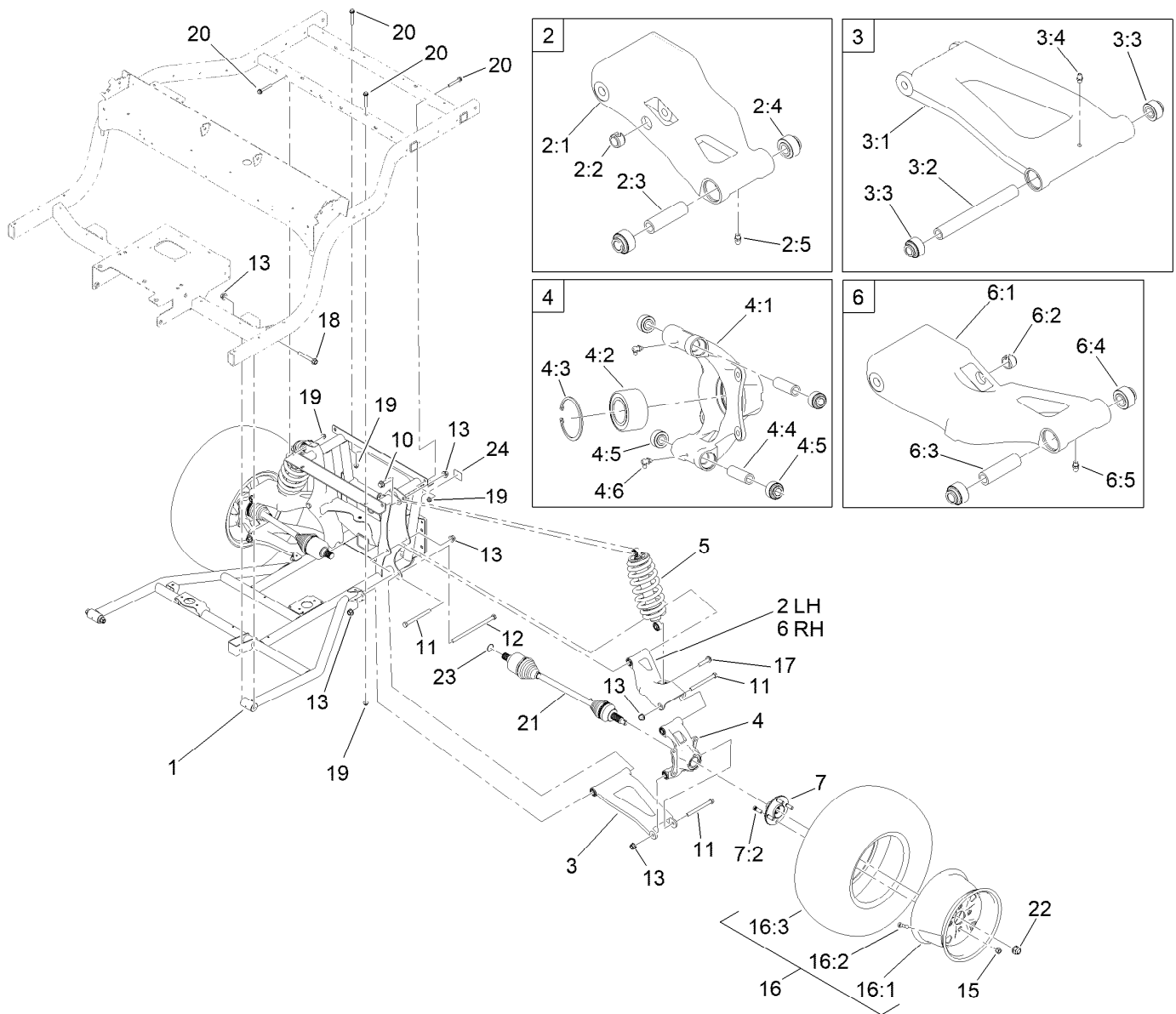
## Front Suspension Assembly

| Ref. | Part Number | Qty. | Description           | Ref. | Part Number | Qty. | Description         |
|------|-------------|------|-----------------------|------|-------------|------|---------------------|
| 1    | 147-2706    | 2    | Strut ASM             | 8    | 325-39      | 2    | Screw-HH            |
| 2    | 138-9319    | 1    | Knuckle ASM-Front, LH | 9    | 136-9419    | 2    | Tire/Wheel ASM      |
| 2:2  | 133-7272    | 1    | Bearing-Ball          | 9:1  | 136-9418    | 1    | Wheel-12X7-12       |
| 2:3  | 144-2207    | 1    | Ring-Retaining        | 9:2  | 232-27      | 1    | Stem-Valve          |
| 3    | 138-9320    | 1    | Knuckle ASM-Front, RH | 9:3  | 137-2689    | 1    | Tire                |
| 3:2  | 133-7272    | 1    | Bearing-Ball          | 11   | 137-6766    | 2    | Bracket-Hose, Brake |
| 3:3  | 144-2207    | 1    | Ring-Retaining        | 12   | 3234-46     | 4    | Screw-HHF           |
| 4    | 145-7771    | 2    | Control Arm ASM-Front | 13   | 99-5107     | 6    | Nut-Lock            |
| 5    | 137-6754    | 2    | Hub ASM               | 14   | 115-2398    | 2    | Bolt-HH             |
| 5:2  | 137-6760    | 4    | Stud-Wheel            | 15   | 3296-48     | 2    | Nut-Hex             |
| 7    | 242-50      | 8    | Nut-Lug               | 16   | 112-2844    | 6    | Nut-HF              |



## Front Control Arm Assembly No. 145-7771

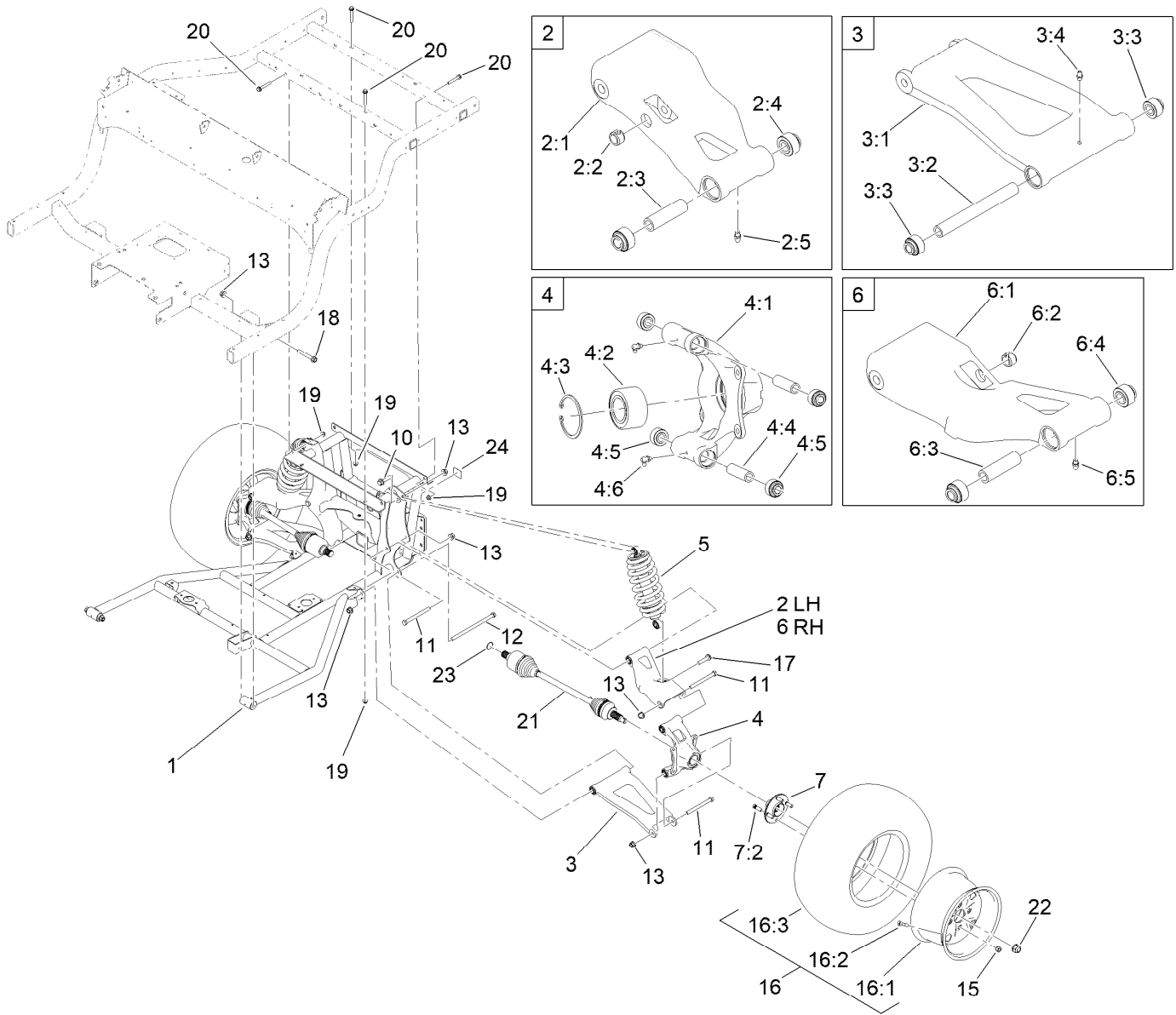
| <i>Ref.</i> | <i>Part Number</i> | <i>Qty.</i> | <i>Description</i>       |
|-------------|--------------------|-------------|--------------------------|
| 1           | 145-7762           | 1           | Control Arm-Front        |
| 2           | 115-2165           | 1           | Ball Joint               |
| 2:1         | 302-5              | 1           | Fitting-Grease           |
| 3           | 32151-104          | 1           | Ring-Retaining, External |
| 4           | 87-2420            | 1           | Seal-Joint, Ball         |
| 5           | 145-7757           | 1           | Spacer                   |
| 6           | 145-7756           | 2           | Bushing-Ball             |
| 8           | 302-60             | 1           | Fitting-Grease           |



## Rear Suspension and Subframe Assembly

| Ref. | Part Number | Qty. | Description                    | Ref. | Part Number | Qty. | Description                    |
|------|-------------|------|--------------------------------|------|-------------|------|--------------------------------|
| 1    | 147-8109    | 1    | Engine Cradle ASM              | 6    | 145-7774    | 1    | Control Arm ASM-Rear, RH Upper |
| 2    | 145-7775    | 1    | Control Arm ASM-Rear, LH Upper | 6:1  | 145-7766    | 1    | Control Arm-Rear Up, RH        |
| 2:1  | 145-7765    | 1    | Control Arm-Rear Up, LH        | 6:2  | 137-2659    | 1    | Bushing-Tension                |
| 2:2  | 137-2659    | 1    | Bushing-Tension                | 6:3  | 145-7770    | 1    | Spacer                         |
| 2:3  | 145-7770    | 1    | Spacer                         | 6:4  | 145-7756    | 2    | Bushing-Ball                   |
| 2:4  | 145-7756    | 2    | Bushing-Ball                   | 6:5  | 302-5       | 1    | Fitting-Grease                 |
| 2:5  | 302-5       | 1    | Fitting-Grease                 | 7    | 137-6754    | 2    | Hub ASM                        |
| 3    | 145-7772    | 2    | Control Arm ASM-Rear           | 7:2  | 137-6760    | 4    | Stud-Wheel                     |
| 3:1  | 145-7763    | 1    | Control Arm-Rear, Lower        | 10   | 3234-27     | 2    | Screw-HHF                      |
| 3:2  | 145-7757    | 1    | Spacer                         | 11   | 325-22      | 6    | Screw-HH                       |
| 3:3  | 145-7756    | 2    | Bushing-Ball                   | 12   | 325-39      | 2    | Screw-HH                       |
| 3:4  | 302-5       | 1    | Fitting-Grease                 | 13   | 99-5107     | 12   | Nut-Lock                       |
| 4    | 145-7773    | 2    | Knuckle ASM-Rear               | 15   | 242-50      | 8    | Nut-Lug                        |
| 4:1  | 145-7764    | 1    | Knuckle-Rear                   | 16   | 136-9420    | 2    | Tire/Wheel ASM                 |
| 4:2  | 133-7272    | 1    | Bearing-Ball                   | 16:1 | 136-9418    | 1    | Wheel-12X7-12                  |
| 4:3  | 144-2207    | 1    | Ring-Retaining                 | 16:2 | 232-27      | 1    | Stem-Valve                     |
| 4:4  | 145-7770    | 2    | Spacer                         | 16:3 | 137-2690    | 1    | Tire                           |
| 4:5  | 145-7756    | 4    | Bushing-Ball                   | 17   | 3234-46     | 2    | Screw-HHF                      |
| 4:6  | 302-60      | 2    | Fitting-Grease                 | 18   | 114-8419    | 2    | Screw-HHF                      |
| 5    | 145-7758    | 2    | Shock/Spring ASM               | 19   | 104-8301    | 8    | Nut-HF, NI                     |

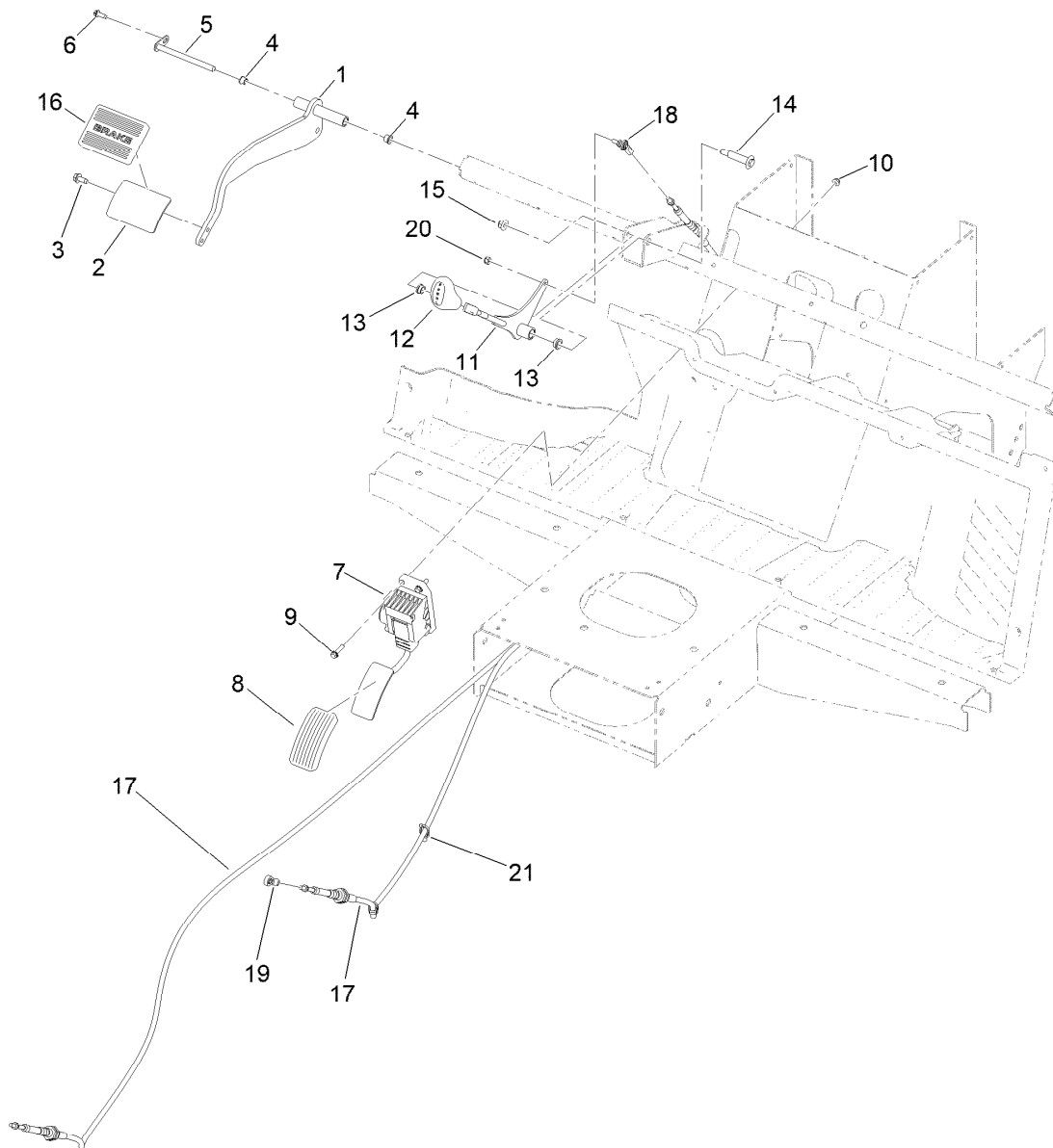




## Rear Suspension and Subframe Assembly (continued)

| Ref. | Part Number | Qty. | Description |
|------|-------------|------|-------------|
| 20   | 3234-39     | 8    | Screw-HHF   |
| 21   | 140-2608    | 2    | Cv Axle ASM |
| 22   | 115-2164    | 2    | Nut-Spindle |

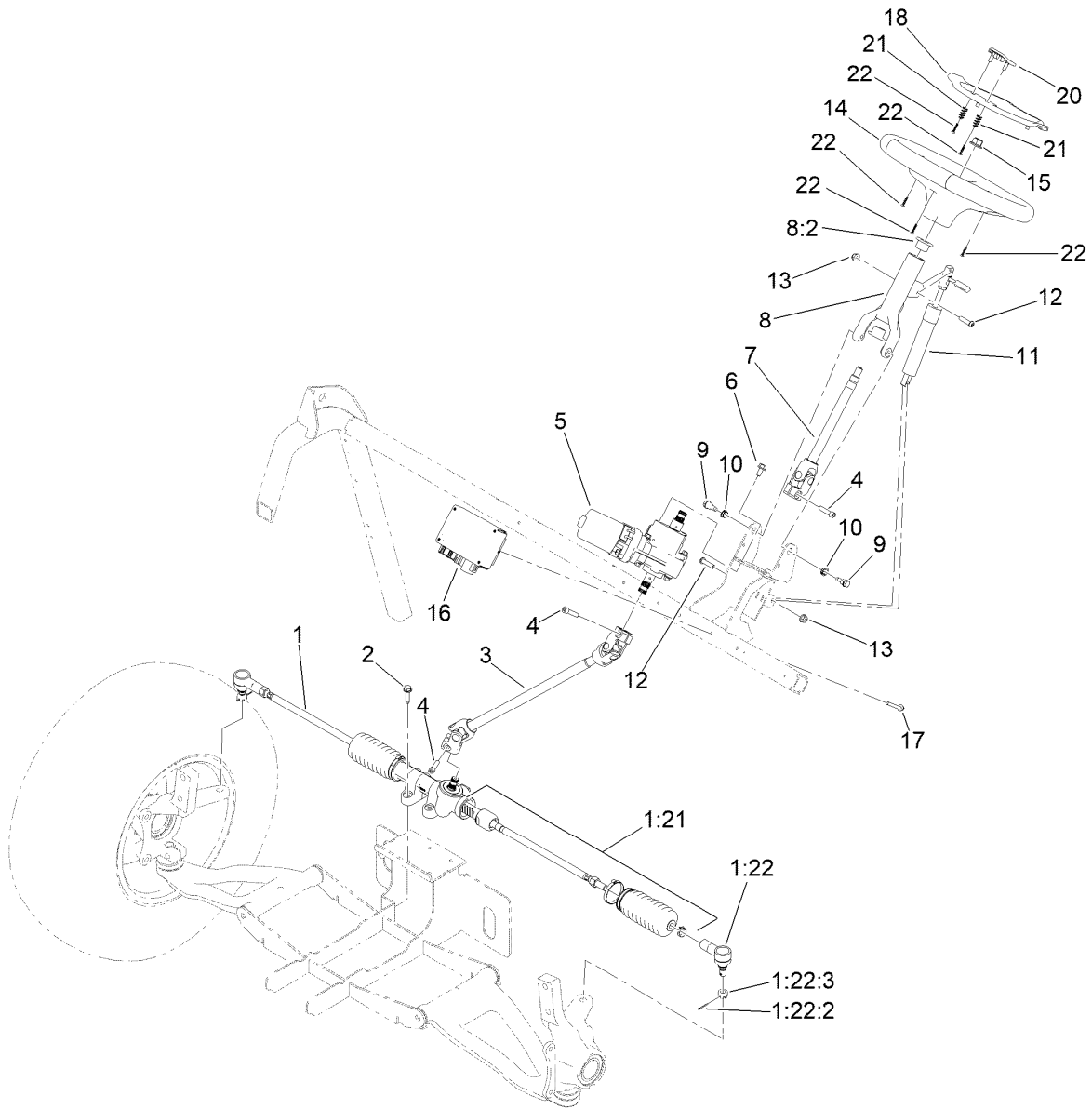
| Ref. | Part Number | Qty. | Description        |
|------|-------------|------|--------------------|
| 23   | 119-1156    | 2    | O-Ring             |
| 24   | 145-2205    | 1    | Decal-Load, Towing |



## Pedals and Controls Assembly

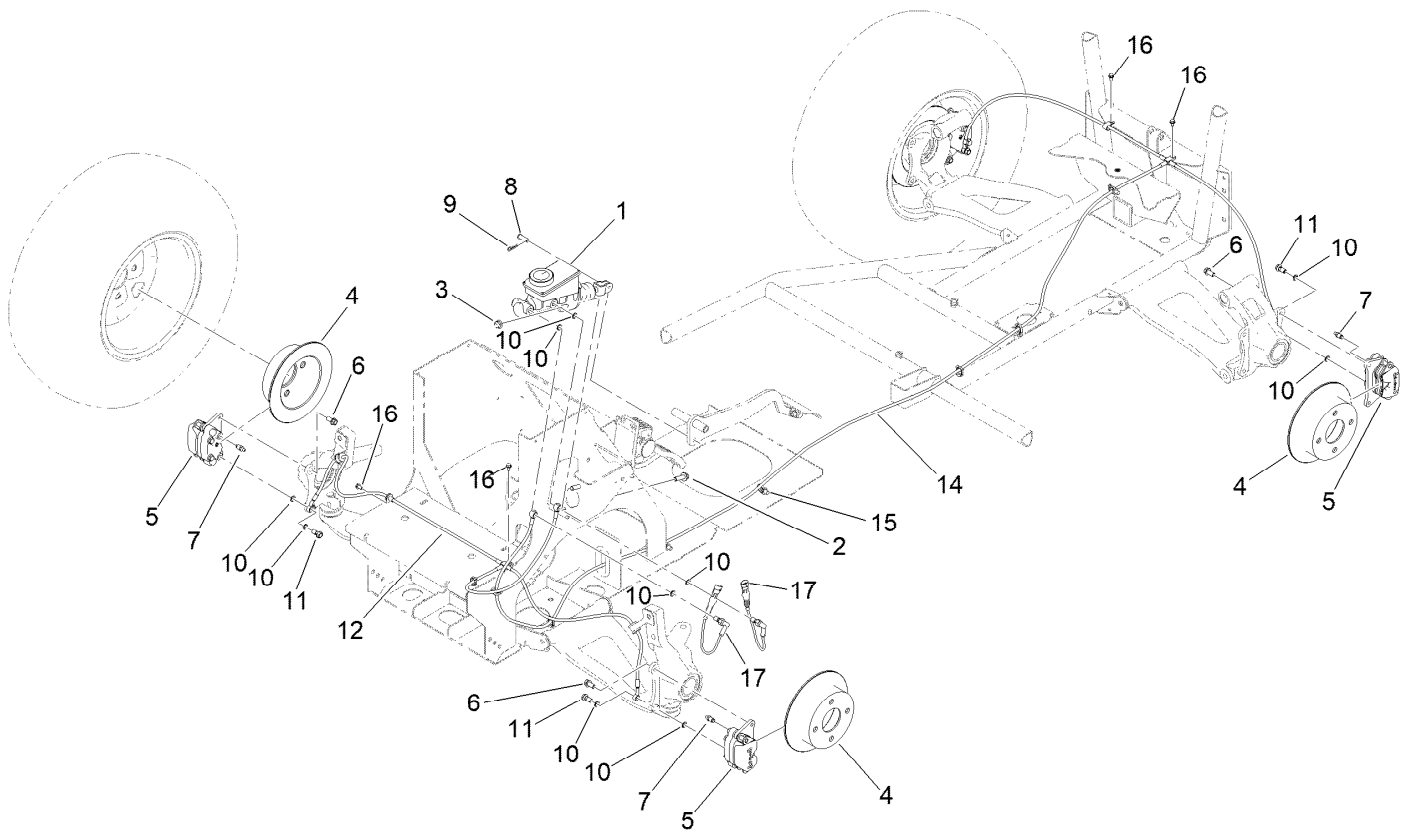
| Ref. | Part Number | Qty. | Description           |
|------|-------------|------|-----------------------|
| 1    | 138-5761-03 | 1    | Brake Pedal ASM       |
| 2    | 138-5763-03 | 1    | Brake Pedal ASM       |
| 3    | 32144-70    | 2    | Screw-HWHTF           |
| 4    | 256-116     | 2    | Bushing-Flange        |
| 5    | 136-9306    | 1    | Pivot Shaft ASM       |
| 6    | 49-2040     | 1    | Screw-HWHTF           |
| 7    | 144-2740    | 1    | Pedal ASM-Accelerator |
| 8    | 140-4572    | 1    | Pedal Pad-Throttle    |
| 9    | 120-4654    | 3    | Screw-HHF             |
| 10   | 104-7201    | 3    | Nut-HF, NI            |
| 11   | 145-2108    | 1    | Shifter ASM           |

| Ref. | Part Number | Qty. | Description       |
|------|-------------|------|-------------------|
| 12   | 139-4655    | 1    | Knob-Shifter      |
| 13   | 256-156     | 2    | Bushing-Flange    |
| 14   | 92-1057     | 1    | Bolt-Shoulder     |
| 15   | 104-8301    | 1    | Nut-HF, NI        |
| 16   | 7-3900      | 1    | Pad-Brake         |
| 17   | 140-2649    | 1    | Cable-Shift       |
| 18   | 110-2554    | 1    | Rod End-Spherical |
| 19   | 147-2705    | 1    | Rod End-Spherical |
| 20   | 3296-3      | 1    | Nut-Lock          |
| 21   | 32180-030   | 2    | Clip-Tie          |



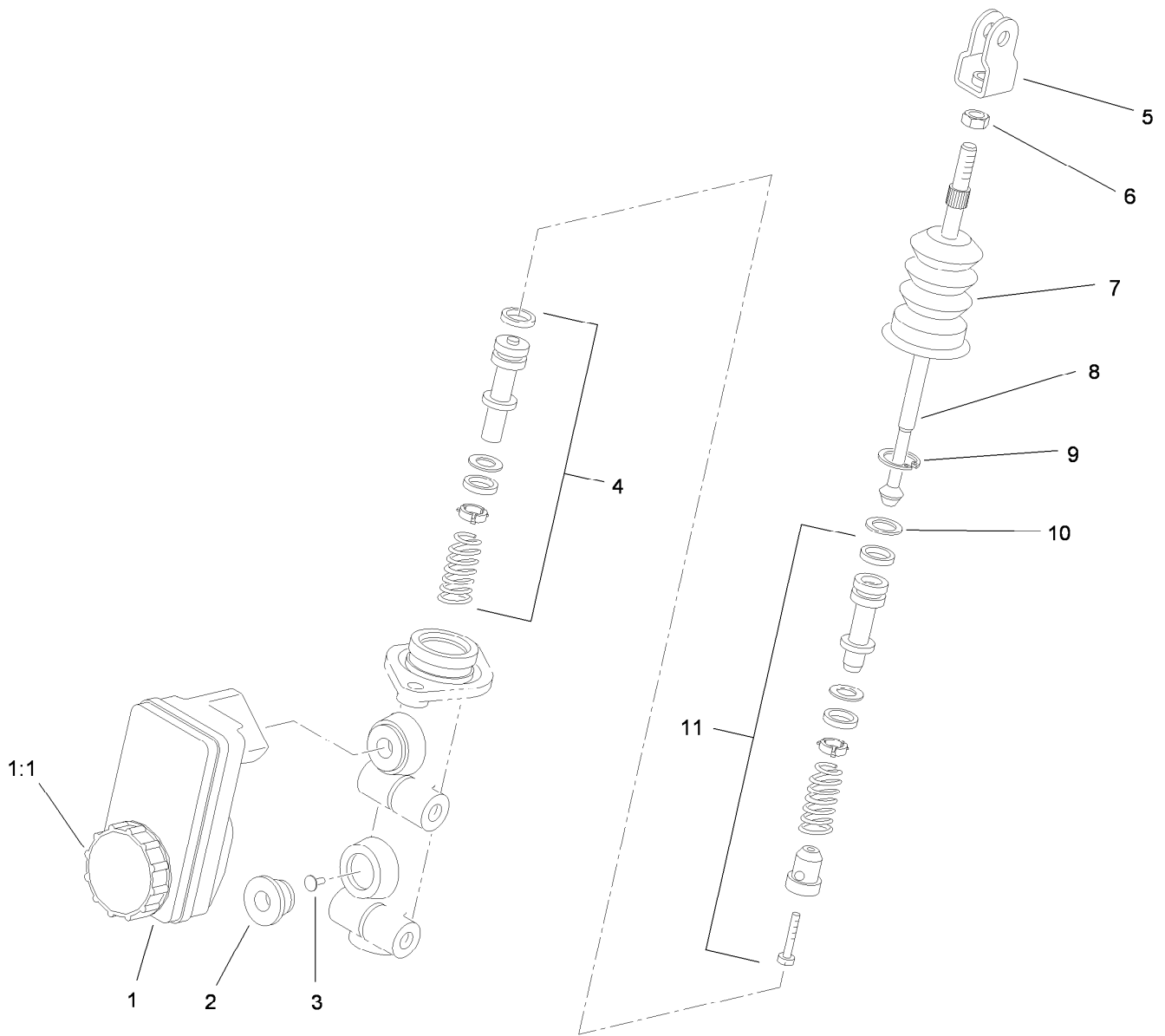
## Steering Assembly

| Ref.   | Part Number | Qty. | Description              | Ref. | Part Number | Qty. | Description                 |
|--------|-------------|------|--------------------------|------|-------------|------|-----------------------------|
| 1      | 138-9322    | 1    | Steering Rack ASM        | 9    | 115-1958    | 2    | Bolt-Shoulder               |
| 1:21   | 140-4823    | 1    | Kit-Tie Rod ASM, Utx     | 10   | 256-156     | 2    | Bushing-Flange              |
| 1:22   | 140-4592    | 1    | Kit-Rod End ASM          | 11   | 137-2827    | 1    | Spring-Gas, Adjustable Stop |
| 1:22:2 | 3272-42     | 1    | Pin-Cotter               | 12   | 3290-511    | 2    | Screw-HSBH                  |
| 1:22:3 | 140-2493    | 1    | Nut-Hex, Slotted         | 13   | 130-6655    | 2    | Nut-Flange, NI              |
| 2      | 32144-49    | 4    | Screw-HWHTF              | 14   | 144-5570    | 1    | Steering Wheel ASM          |
| 3      | 138-3347    | 1    | Steering Shaft ASM       | 15   | 99-5107     | 1    | Nut-Lock                    |
| 4      | 145-7145    | 3    | Screw-HSH,Lock           | 16   | 138-3349    | 1    | Controller-Power Steering   |
| 5      | 138-3348    | 1    | Motor-Power Steering     | 17   | 33103-050   | 2    | Screw-HHF                   |
| 6      | 33104-016   | 3    | Screw-HHF                | 18   | 144-5567    | 1    | Cover-Wheel, Steering       |
| 7      | 138-3344    | 1    | Upper Steering Shaft ASM | 20   | 144-5566    | 1    | Clip-Wheel, Steering        |
| 8      | 139-4439    | 1    | Tilt Steering Column ASM | 21   | 144-5537    | 2    | Spring-Compression          |
| 8:2    | 133-0594    | 2    | Bushing-Flange           | 22   | 94-4496     | 5    | Screw-PPH                   |



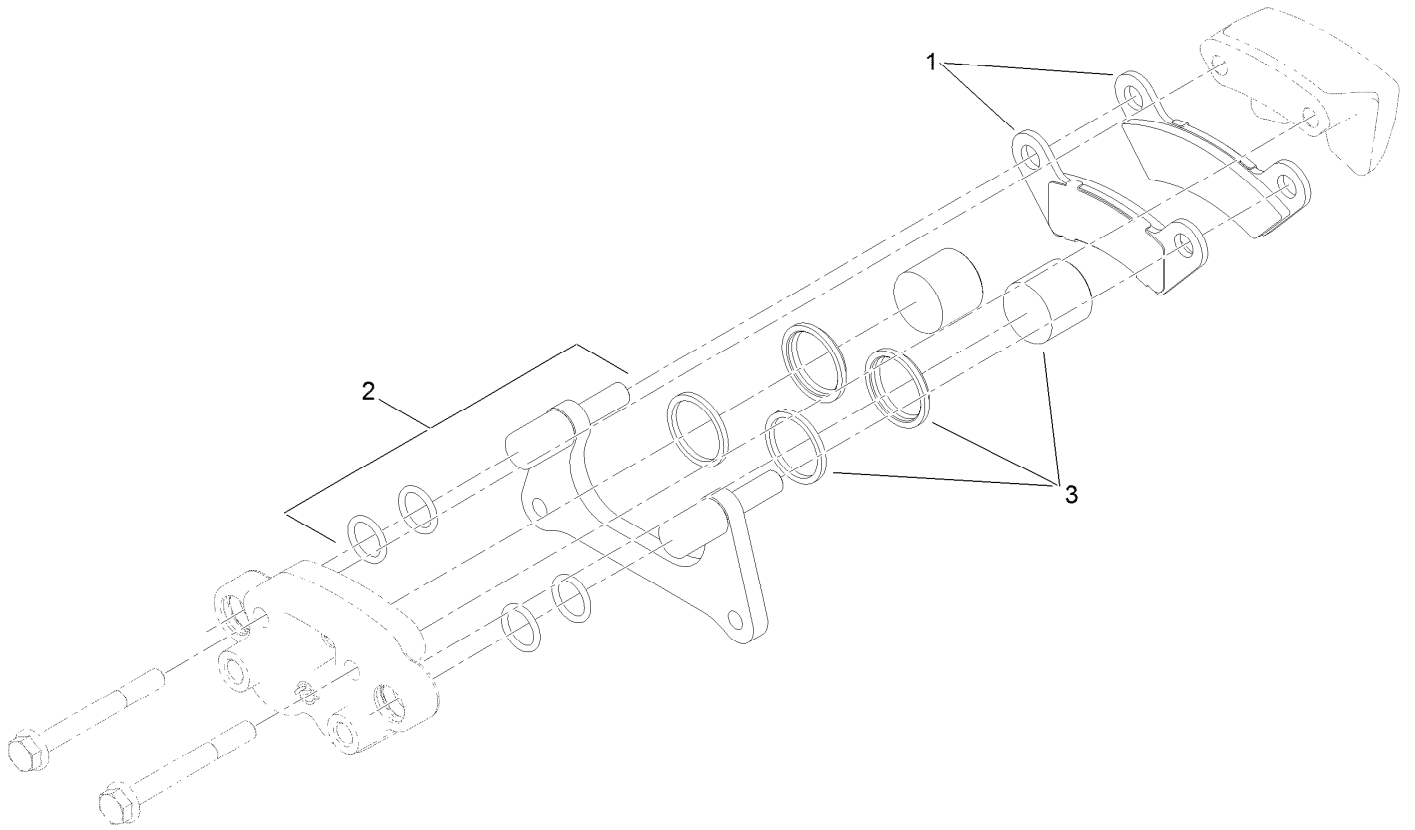
## Brake Assembly

| <i>Ref.</i> | <i>Part Number</i> | <i>Qty.</i> | <i>Description</i>  | <i>Ref.</i> | <i>Part Number</i> | <i>Qty.</i> | <i>Description</i>     |
|-------------|--------------------|-------------|---------------------|-------------|--------------------|-------------|------------------------|
| 1           | 104-6782           | 1           | Master Cylinder ASM | 9           | 1-806003           | 1           | Pin-Cotter             |
| 2           | 119-4061           | 2           | Screw-HHF           | 10          | 115-2341           | 12          | Washer-Banjo           |
| 3           | 104-8301           | 2           | Nut-HF, NI          | 11          | 120-4875           | 4           | Bolt-Flange, Banjo     |
| 4           | 133-7273           | 4           | Rotor-Brake         | 12          | 137-6768           | 1           | Hose ASM-Brake, Front  |
| 5           | 127-7424           | 4           | Brake Caliper ASM   | 14          | 137-6769           | 1           | Hose ASM-Brake, Rear   |
| 6           | 144-5550           | 8           | Screw-Spl           | 15          | 32180-030          | 8           | Clip-Tie               |
| 7           | 119-9509           | 4           | Screw-Bleed         | 16          | 32144-4            | 4           | Screw-HWH              |
| 8           | 283-2              | 1           | Pin-Clevis          | 17          | 144-2227           | 2           | Switch-Brake, Pressure |



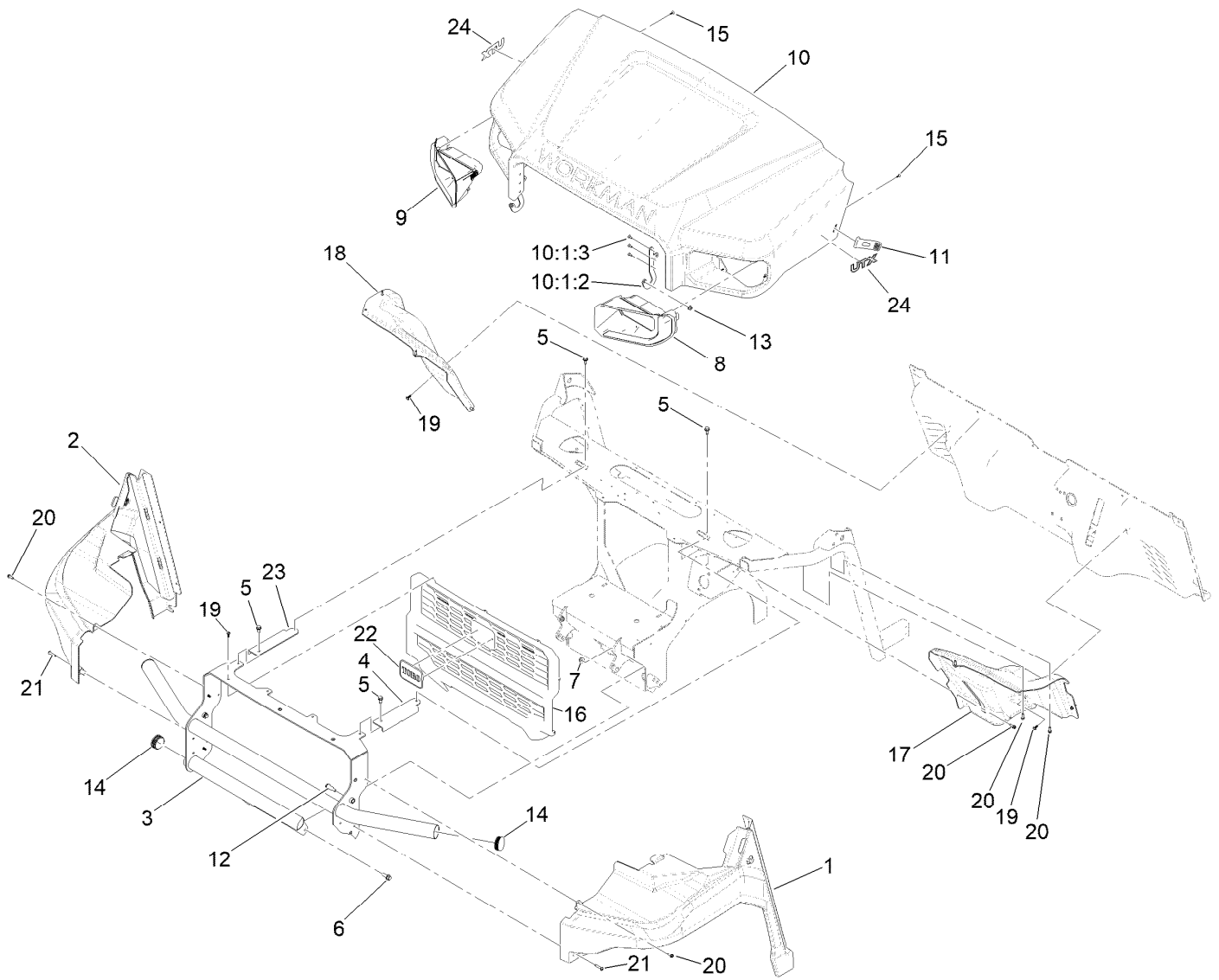
## Master Cylinder Assembly No. 104-6782

| <i>Ref.</i> | <i>Part Number</i> | <i>Qty.</i> | <i>Description</i>   |
|-------------|--------------------|-------------|----------------------|
| 1           | 104-6845           | 1           | Reservoir ASM        |
| 1:1         | 92-4112            | 1           | Cap ASM              |
| 2           | 93-8971            | 2           | Seal-Port, Flange    |
| 3           | 92-4103            | 1           | Pin-Stop             |
| 4           | 92-4102            | 1           | Secondary Piston ASM |
| 5           | 92-4110            | 1           | Clevis               |
| 6           | 21-0360            | 1           | Nut-Hex              |
| 7           | 94-5209            | 1           | Cover-Dust           |
| 8           | 94-5210            | 1           | Rod-Push             |
| 9           | 92-4109            | 1           | Ring-Snap            |
| 10          | 92-4108            | 1           | Retainer-Washer      |
| 11          | 92-4101            | 1           | Primary Piston ASM   |



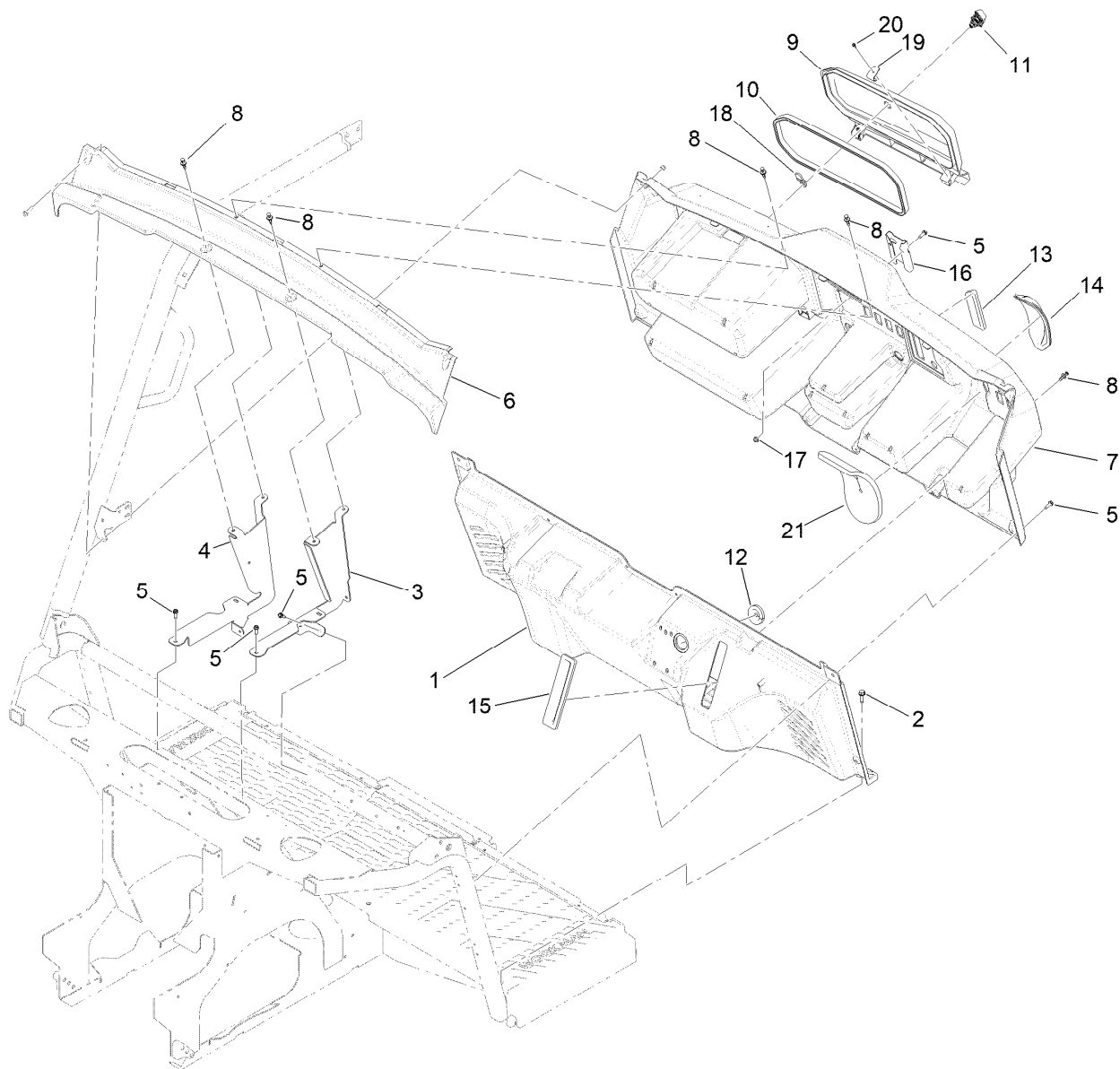
## Brake Caliper Assembly No. 127-7424

| <i>Ref.</i> | <i>Part Number</i> | <i>Qty.</i> | <i>Description</i> |
|-------------|--------------------|-------------|--------------------|
| 1           | 133-0628           | 1           | Brake Pad Kit      |
| 2           | 119-9511           | 1           | Bracket Kit        |
| 3           | 133-0614           | 1           | Piston Kit         |



## Hood and Front Fender Assembly

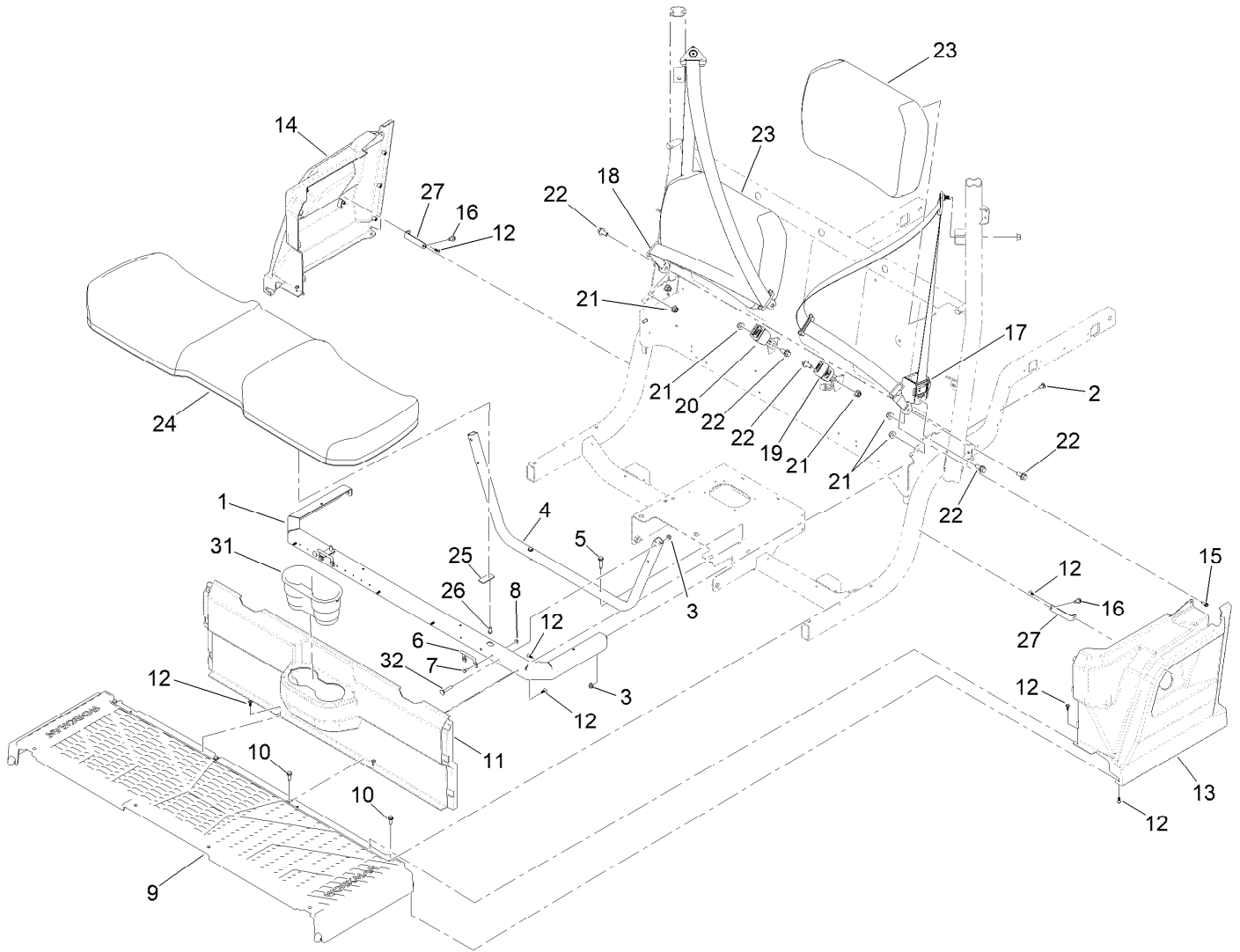
| Ref.   | Part Number | Qty. | Description                            | Ref. | Part Number | Qty. | Description                            |
|--------|-------------|------|--|------|-------------|------|--|
| 1      | 137-2816SP  | 1    | Fender-Front, LH                       | 12   | 136-7192    | 2    | Bolt-Shoulder, HHF                     |
| 2      | 137-2817SP  | 1    | Fender-Front, RH                       | 13   | 104-8300    | 2    | Nut-HF, NI                             |
| 3      | 136-9540    | 1    | UTV Bumper ASM                         | 14   | 137-6827    | 4    | Plug-Plastic                           |
| 4      | 144-2421-05 | 1    | Bracket-Mount, Utx Bumper<br>[blk-Txt] | 15   | 139-3430    | 8    | Screw-Bhf                              |
| 5      | 32144-70    | 4    | Screw-HWHTF                            | 16   | 140-4646    | 1    | Grill-Utx                              |
| 6      | 3234-42     | 2    | Screw-HHF                              | 17   | 138-5765    | 1    | Fender-Inner, LH                       |
| 7      | 104-8301    | 2    | Nut-HF, NI                             | 18   | 138-5766    | 1    | Fender-Inner, RH                       |
| 8      | 138-5778    | 1    | Headlight ASM, LH                      | 19   | 138-5775    | 9    | Screw-Delta Point                      |
| 9      | 138-5779    | 1    | Headlight ASM, RH                      | 20   | 49-2040     | 12   | Screw-HWHTF                            |
| 10     | 137-6820SP  | 1    | UTV Hood ASM                           | 21   | 132-6777    | 2    | Screw-Twh Thd Roll                     |
| 10:1:2 | 137-6817    | 2    | Bracket-Pivot, Hood                    | 22   | 144-2294    | 1    | Emblem-Toro                            |
| 10:1:3 | 114439      | 6    | Rivet-Blind                            | 23   | 144-2423-05 | 1    | Bracket-Mount, Utx Bumper<br>[blk-Txt] |
| 11     | 137-6856    | 2    | Strap-Hood                             | 24   | 144-1145    | 2    | Decal-Utx, Emblem                      |



## Dash Assembly

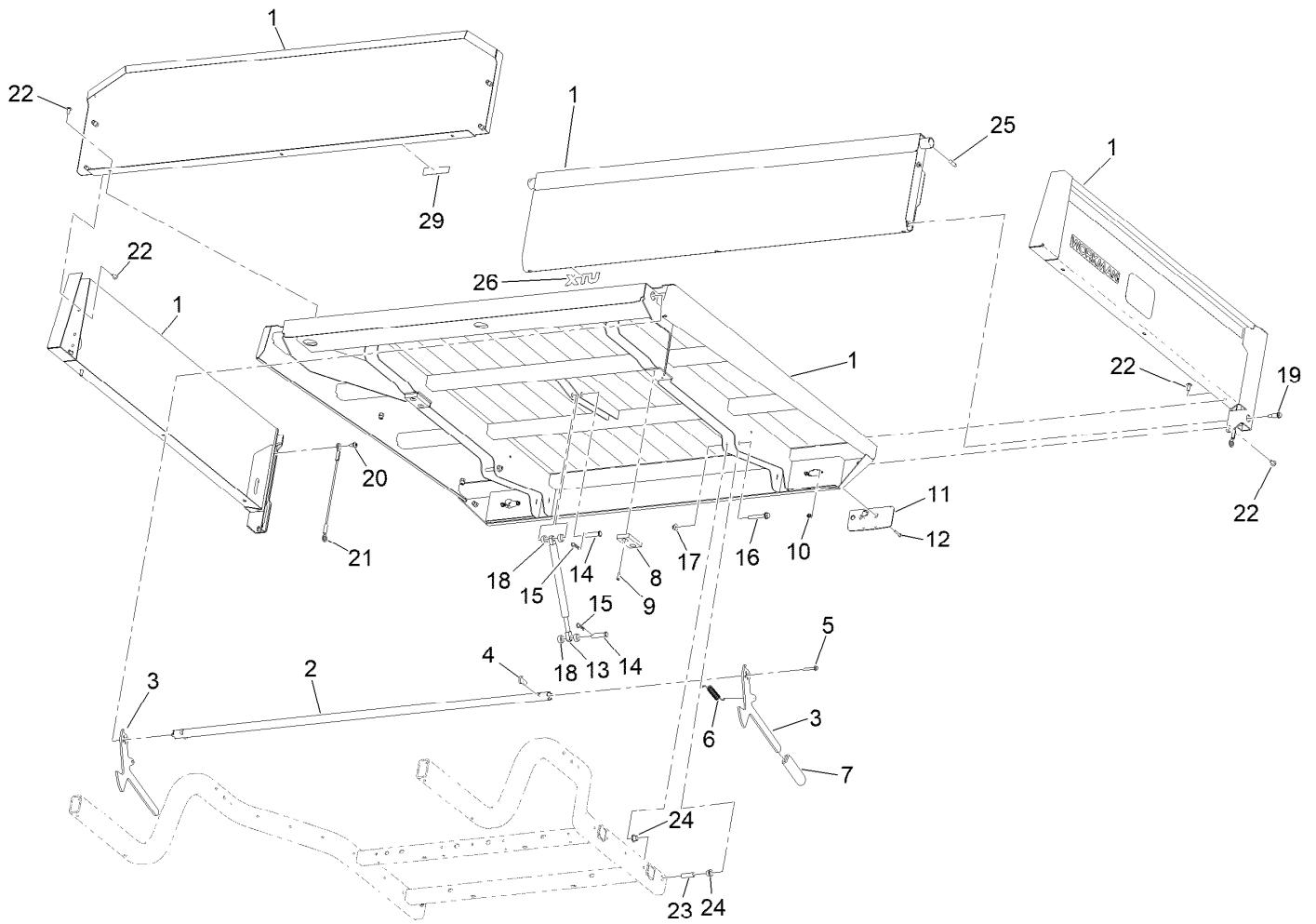
| <i>Ref.</i> | <i>Part Number</i> | <i>Qty.</i> | <i>Description</i>     | <i>Ref.</i> | <i>Part Number</i> | <i>Qty.</i> | <i>Description</i>         |
|-------------|--------------------|-------------|------------------------|-------------|--------------------|-------------|----------------------------|
| 1           | 137-2749SP         | 1           | Footboard              | 12          | 139-3436           | 1           | Grommet                    |
| 2           | 701243             | 4           | Screw-Thd Roll, HWH    | 13          | 139-3487           | 1           | Grommet-Shifter            |
| 3           | 145-2174-03        | 1           | Bracket-Dash, LH       | 14          | 139-3488           | 1           | Grommet-Steering Column    |
| 4           | 145-2178-03        | 1           | Bracket-Dash, RH       | 15          | 139-3489           | 1           | Grommet-Brake Pedal        |
| 5           | 49-2040            | 10          | Screw-HWHTF            | 16          | 139-3449-05        | 1           | Bracket-Mount, Radio       |
| 6           | 138-0041SP         | 1           | Panel-Windshield, Dash | 17          | 104-7201           | 2           | Nut-HF, NI                 |
| 7           | 138-0040SP         | 1           | Dash                   | 18          | 140-4680           | 1           | Cam-Latch, Quarter Turn    |
| 8           | 125-9622           | 8           | Rivet-Blind            | 19          | 145-0840           | 2           | Bracket-Glove Box          |
| 9           | 138-0039SP         | 1           | Door-Glove Box         | 20          | 32144-42           | 2           | Screw-Thd Form, HWH        |
| 10          | 139-3462           | 1           | Seal-Door, Glove Box   | 21          | 147-2822           | 1           | Seal-Foam, Steering Column |
| 11          | 140-4679           | 1           | Latch-Quarter Turn     |             |                    |             |                            |





## Seat Base Assembly

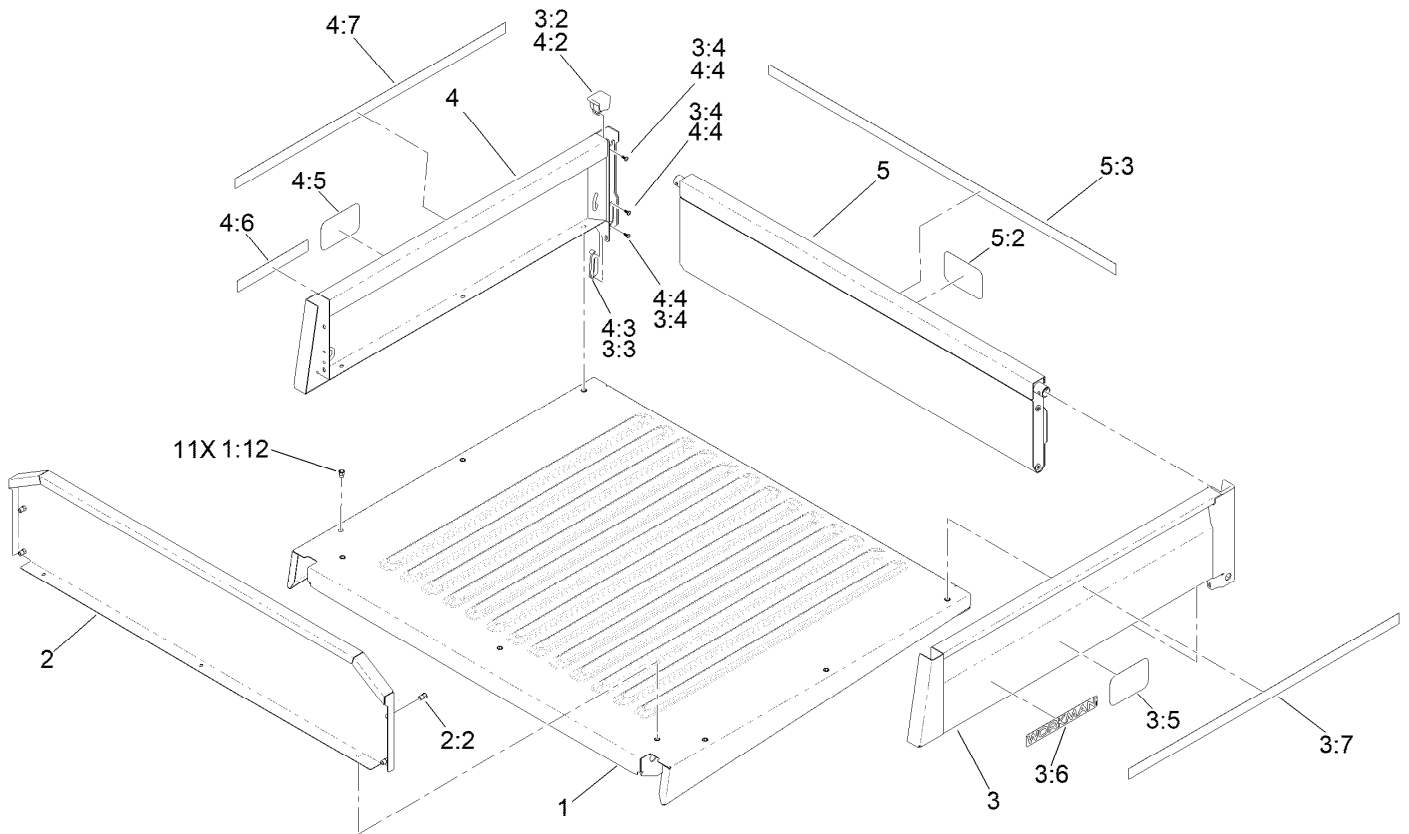
| <i>Ref.</i> | <i>Part Number</i> | <i>Qty.</i> | <i>Description</i>  | <i>Ref.</i> | <i>Part Number</i> | <i>Qty.</i> | <i>Description</i>         |
|-------------|--------------------|-------------|---------------------|-------------|--------------------|-------------|----------------------------|
| 1           | 137-6896-03        | 1           | Frame-Seat, Bottom  | 16          | 32144-70           | 2           | Screw-HWHTF                |
| 2           | 3230-23            | 2           | Bolt-CARR           | 17          | 140-2676           | 1           | Retractor-Seat Belt, LH    |
| 3           | 104-8300           | 4           | Nut-HF, NI          | 18          | 140-2677           | 1           | Retractor-Seat Belt, RH    |
| 4           | 137-2746-03        | 1           | Tube-Support, Seat  | 19          | 140-2678           | 1           | Buckle-Seat Belt, W/Switch |
| 5           | 32144-57           | 2           | Screw               | 20          | 140-2679           | 1           | Buckle-Seat Belt           |
| 6           | 137-6888           | 2           | Wire-Hinge          | 21          | 144-2269           | 6           | Nut-HF, NI                 |
| 7           | 321-3              | 4           | Screw-HH            | 22          | 144-2289           | 6           | Screw-HHF                  |
| 8           | 104-7201           | 4           | Nut-HF, NI          | 23          | 145-2211           | 2           | Seat Backrest ASM          |
| 9           | 137-6874SP         | 1           | Plate-Floor         | 24          | 145-2207           | 1           | Bench Seat Bottom ASM      |
| 10          | 701243             | 4           | Screw-Thd Roll, HWH | 25          | 145-7954           | 2           | Bracket-Hinge, Seat        |
| 11          | 137-6875SP         | 1           | Panel-Seat Base     | 26          | 3274-55            | 2           | Screw-HSBH                 |
| 12          | 138-5775           | 14          | Screw-Delta Point   | 27          | 138-9411           | 2           | Support-Panel-Side         |
| 13          | 137-2813SP         | 1           | Panel-Seat Base, LH | 31          | 139-3454           | 1           | Cup Holder                 |
| 14          | 137-2814SP         | 1           | Panel-Seat Base, RH | 32          | 3230-5             | 2           | Bolt-CARR                  |
| 15          | 49-2040            | 2           | Screw-HWHTF         |             |                    |             |                            |



## Cargo Bed Assembly

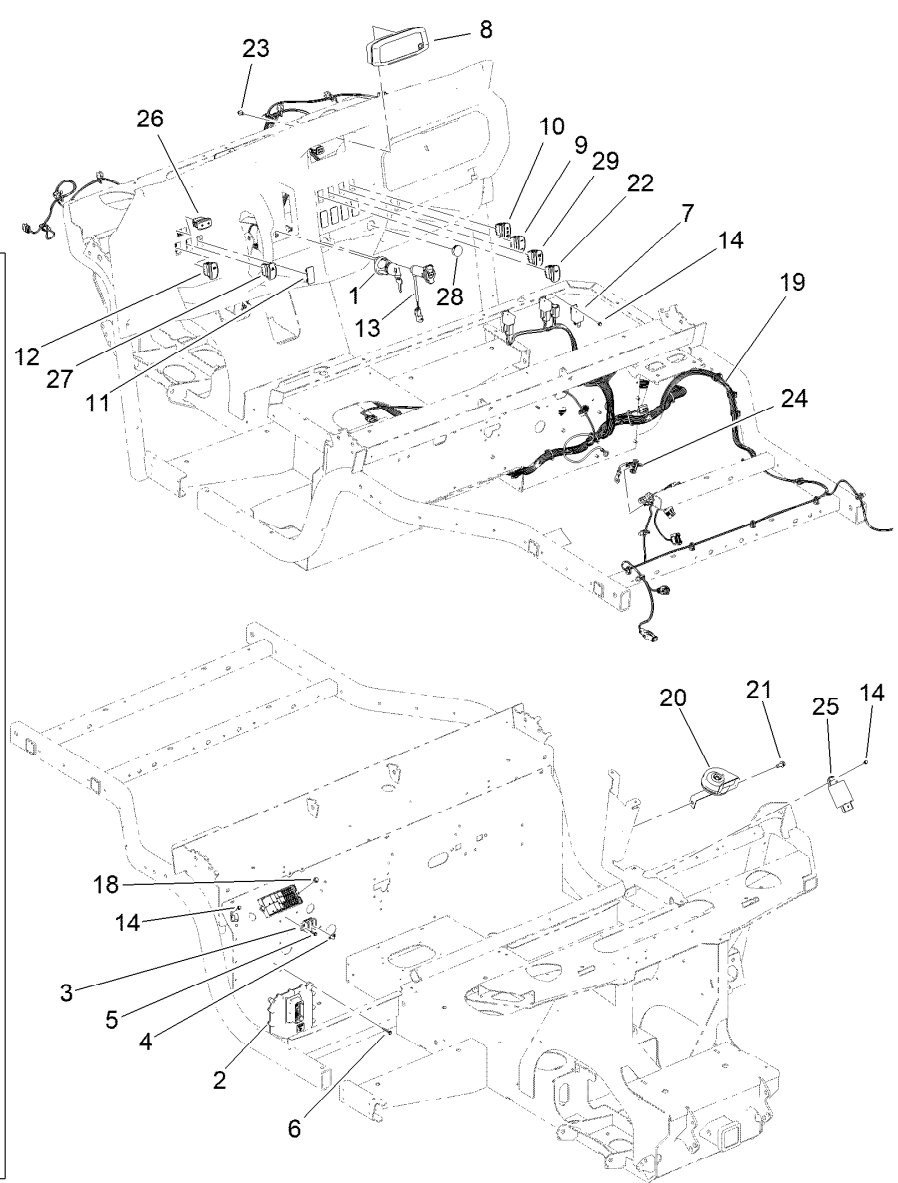
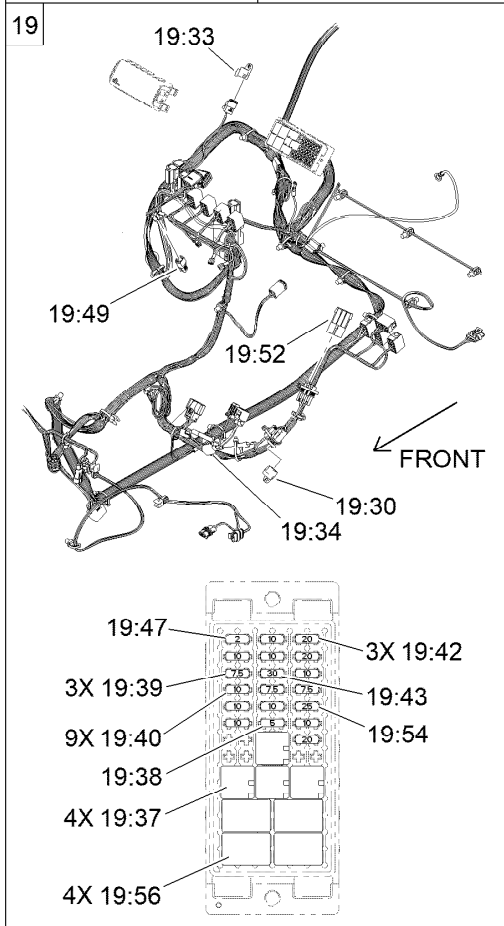
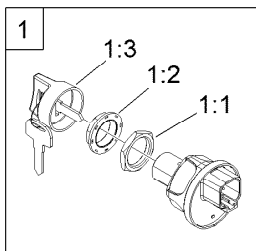
| Ref. | Part Number | Qty. | Description               | Ref. | Part Number | Qty. | Description                |
|------|-------------|------|---------------------------|------|-------------|------|----------------------------|
| 1    |             | 1    | Cargo Bed Kit ●           | 15   | 3290-467    | 2    | Pin-Hair                   |
| 2    | 139-4421-03 | 1    | Tube-Latch                | 16   | 3234-39     | 2    | Screw-HHF                  |
| 3    | 147-2709    | 2    | Latch-Bed                 | 17   | 104-8301    | 2    | Nut-HF, NI                 |
| 4    | 139-4422    | 2    | Plate-Threaded            | 18   | 66-6500     | 4    | Spacer-Wheel               |
| 5    | 147-2746    | 2    | Screw-HHF,Lock            | 19   | 147-2747    | 2    | Screw-Shoulder,HHF,Lock    |
| 6    | 140-2663    | 2    | Spring-Extension          | 20   | 120-9471    | 4    | Bolt-Shoulder              |
| 7    | 1-633268    | 2    | Grip-Lever                | 21   | 130-5726    | 2    | Lanyard                    |
| 8    | 93-9719     | 2    | Block-Wear                | 22   | 126-6268    | 15   | Screw-TTH                  |
| 9    | 3274-69     | 4    | Screw-HSBH                | 23   | 144-2211    | 2    | Sleeve-Pivot, Bed          |
| 10   | 120-4578    | 4    | Nut-HF                    | 24   | 125-5239    | 4    | Bushing-Flange             |
| 11   | 139-2071    | 2    | Light-Rear Tail/Stop/Turn | 25   | 133-7146    | 2    | Plug-Tailgate, Anti-Rattle |
| 12   | 3250-52     | 4    | Screw-PPH                 | 26   | 144-1145    | 1    | Decal-Utx, Emblem          |
| 13   | 139-4417    | 1    | Spring-Gas                | 29   | 144-1144    | 1    | Decal-Cargo Bed Safety     |
| 14   | 283-5       | 2    | Pin-Clevis                |      |             |      |                            |

● Not serviced separately



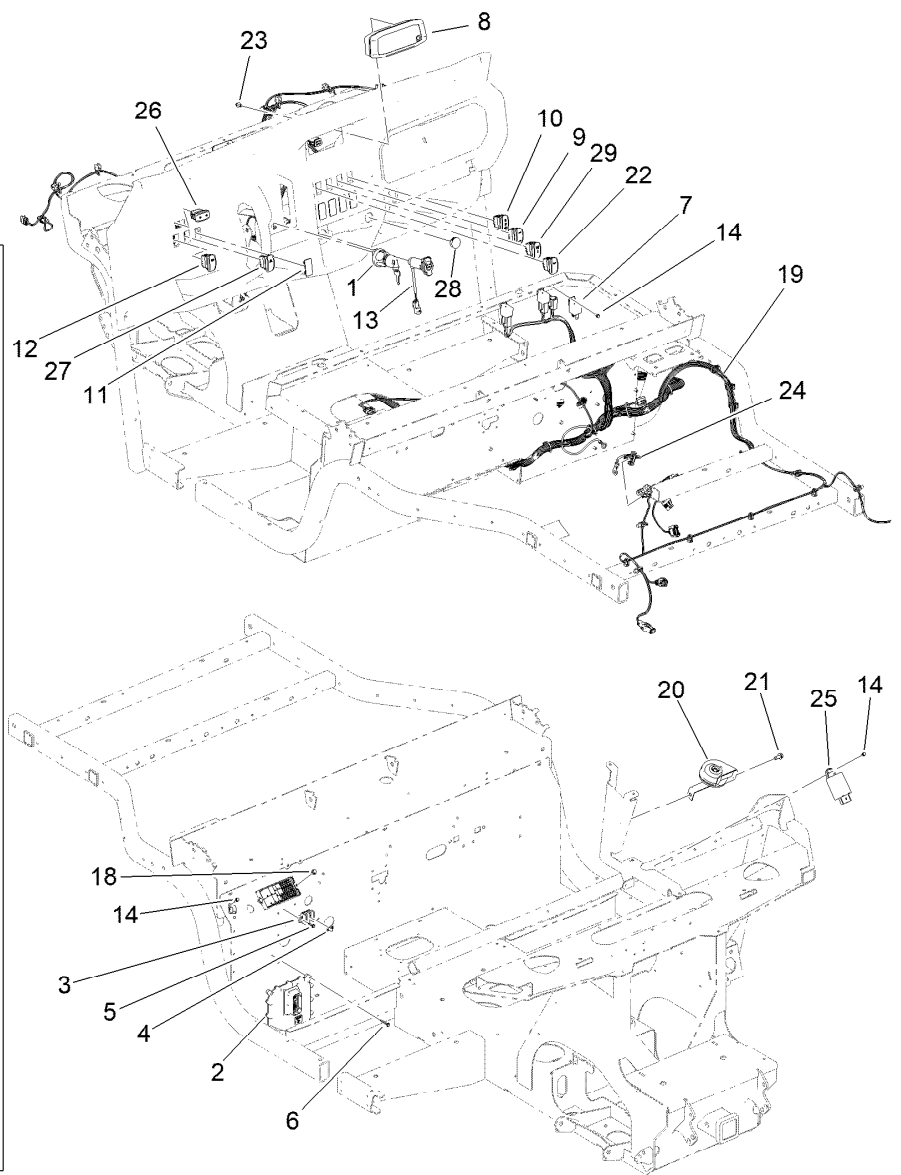
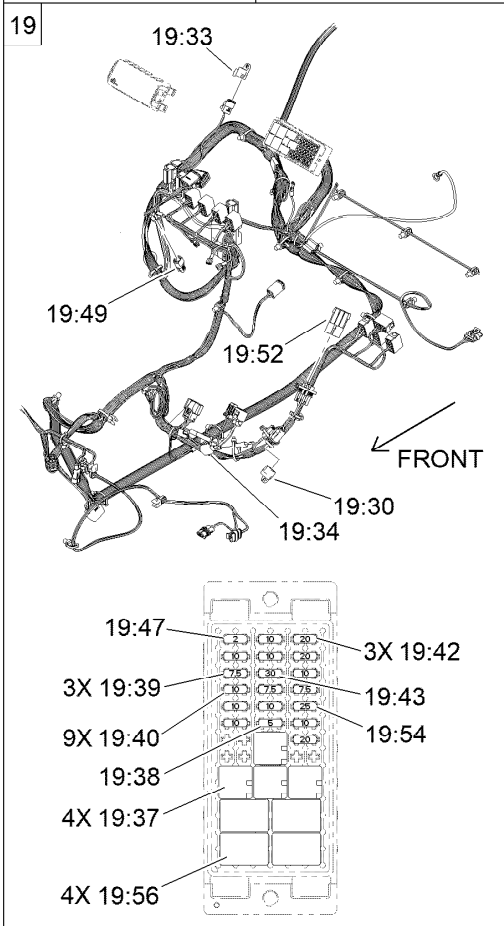
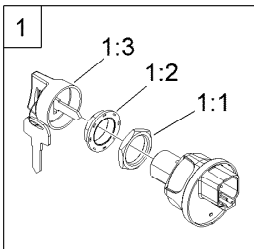
## Cargo Bed Kit Assembly

| <i>Ref.</i> | <i>Part Number</i> | <i>Qty.</i> | <i>Description</i>    | <i>Ref.</i> | <i>Part Number</i> | <i>Qty.</i> | <i>Description</i>       |
|-------------|--------------------|-------------|-----------------------|-------------|--------------------|-------------|--------------------------|
| 1           | 147-2750           | 1           | Flat Bed ASM          | 4           | 147-8104           | 1           | Bed Side ASM, RH         |
| 1:12        | 138-2899           | 15          | Nut-Clinch            | 4:2         | 140-2690           | 1           | Retainer-Tailgate        |
| 2           | 140-4675           | 1           | Panel ASM-Front, Bed  | 4:3         | 139-4690           | 1           | Bushing-Tailgate         |
| 2:2         | 138-2899           | 4           | Nut-Clinch            | 4:4         | 138-5775           | 3           | Screw-Delta Point        |
| 3           | 147-8103           | 1           | Bed Side ASM, LH      | 4:5         | 105-1217           | 1           | Decal                    |
| 3:2         | 140-2690           | 1           | Retainer-Tailgate     | 4:6         | 140-4835           | 1           | Decal-Workman, Gray      |
| 3:3         | 139-4690           | 1           | Bushing-Tailgate      | 4:7         | 144-2277           | 1           | Decal-Red Stripe, 43"    |
| 3:4         | 138-5775           | 3           | Screw-Delta Point     | 5           | 147-8102           | 1           | Tailgate ASM             |
| 3:5         | 105-1217           | 1           | Decal                 | 5:2         | 105-1217           | 1           | Decal                    |
| 3:6         | 140-4835           | 1           | Decal-Workman, Gray   | 5:3         | 144-2281           | 1           | Decal-Red Stripe, 55.25" |
| 3:7         | 144-2277           | 1           | Decal-Red Stripe, 43" |             |                    |             |                          |



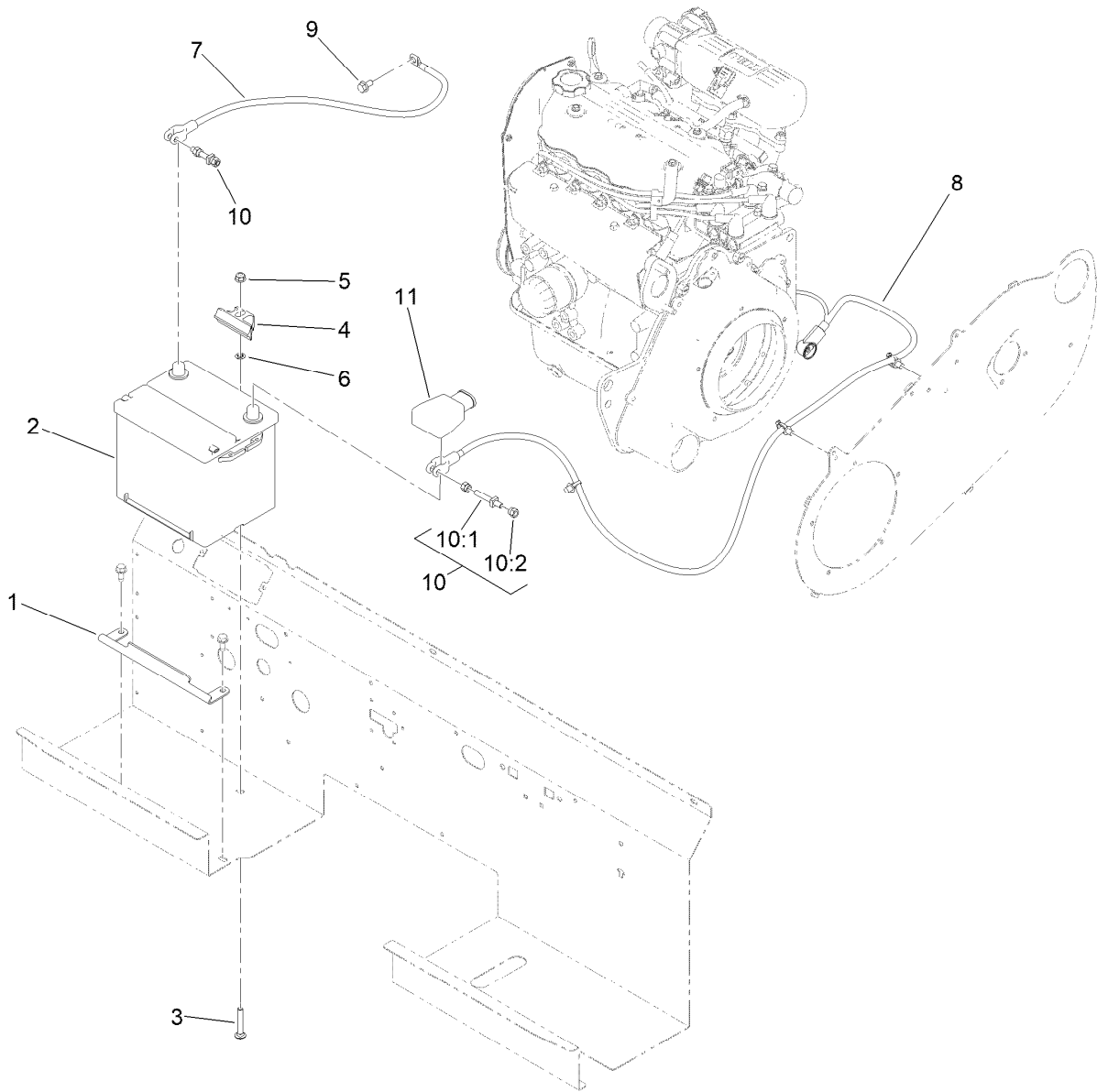
## Electrical Assembly

| Ref. | Part Number | Qty. | Description               | Ref.  | Part Number | Qty. | Description                       |
|------|-------------|------|---------------------------|-------|-------------|------|-----------------------------------|
| 1    | 122-3614    | 1    | Switch-Ignition           | 19    | 122-2315    | 1    | Harness-Wire, Utx Gas 2 Passenger |
| 1:1  | 121-5160    | 1    | Nut-Hex                   | 19:30 | 32180-156   | 1    | Cap-Plug, 6 Way                   |
| 1:2  | 122-2704    | 1    | Nut-Face, M22 (Plastic)   | 19:33 | 32180-089   | 1    | Cap-Plug, 3 Way                   |
| 1:3  | 121-5162    | 1    | Set-Key, Ignition         | 19:34 | 100-4918    | 1    | Diode                             |
| 2    | 127-2770    | 1    | Controller                | 19:37 | 126-3991    | 4    | Relay-Micro                       |
| 3    | 42862       | 1    | Block-Terminal, Ground    | 19:38 | 121-8864    | 1    | Fuse-Mini Blade, 5 Amp            |
| 4    | 42863       | 1    | Strip-Jumper              | 19:39 | 121-8865    | 3    | Fuse-Mini Blade, 7.5 Amp          |
| 5    | 100-4351    | 2    | Screw-HWH                 | 19:40 | 121-8866    | 9    | Fuse-Mini Blade, 10 Amp           |
| 6    | 32144-110   | 4    | Screw-HWH                 | 19:42 | 121-8868    | 3    | Fuse-Mini Blade, 20 Amp           |
| 7    | 99-7435     | 3    | Relay                     | 19:43 | 121-8870    | 1    | Fuse-Mini Blade, 30 Amp           |
| 8    | 136-9450    | 1    | Cluster-Instrument        | 19:47 | 121-8861    | 1    | Fuse-Mini Blade, 2 Amp            |
| 9    | 144-2440    | 1    | Switch-Rocker, On-None-On | 19:49 | 32180-282   | 1    | Resistor-120 Ohm                  |
| 10   | 144-2445    | 1    | Switch-Rocker, On-On-On   | 19:52 | 32160-128   | 1    | Connector-Mp280, 3M (Sealed)      |
| 11   | 99-7420     | 5    | Plug-Hole                 | 19:54 | 121-8869    | 1    | Fuse-Mini Blade, 25 Amp           |
| 12   | 144-2405    | 1    | Switch-Rocker, On-None-On | 19:56 | 126-6157    | 4    | Relay-Micro 280, Spdt             |
| 13   | 139-3420    | 1    | Port-USB                  | 20    | 139-4557    | 1    | Horn-ASM                          |
| 14   | 32144-112   | 5    | Screw-HWH                 | 21    | 32144-70    | 1    | Screw-HWHTF                       |
| 18   | 33103-012   | 2    | Screw-HHF                 | 22    | 144-2415    | 1    | Switch-Rocker, (On)-None-Off      |



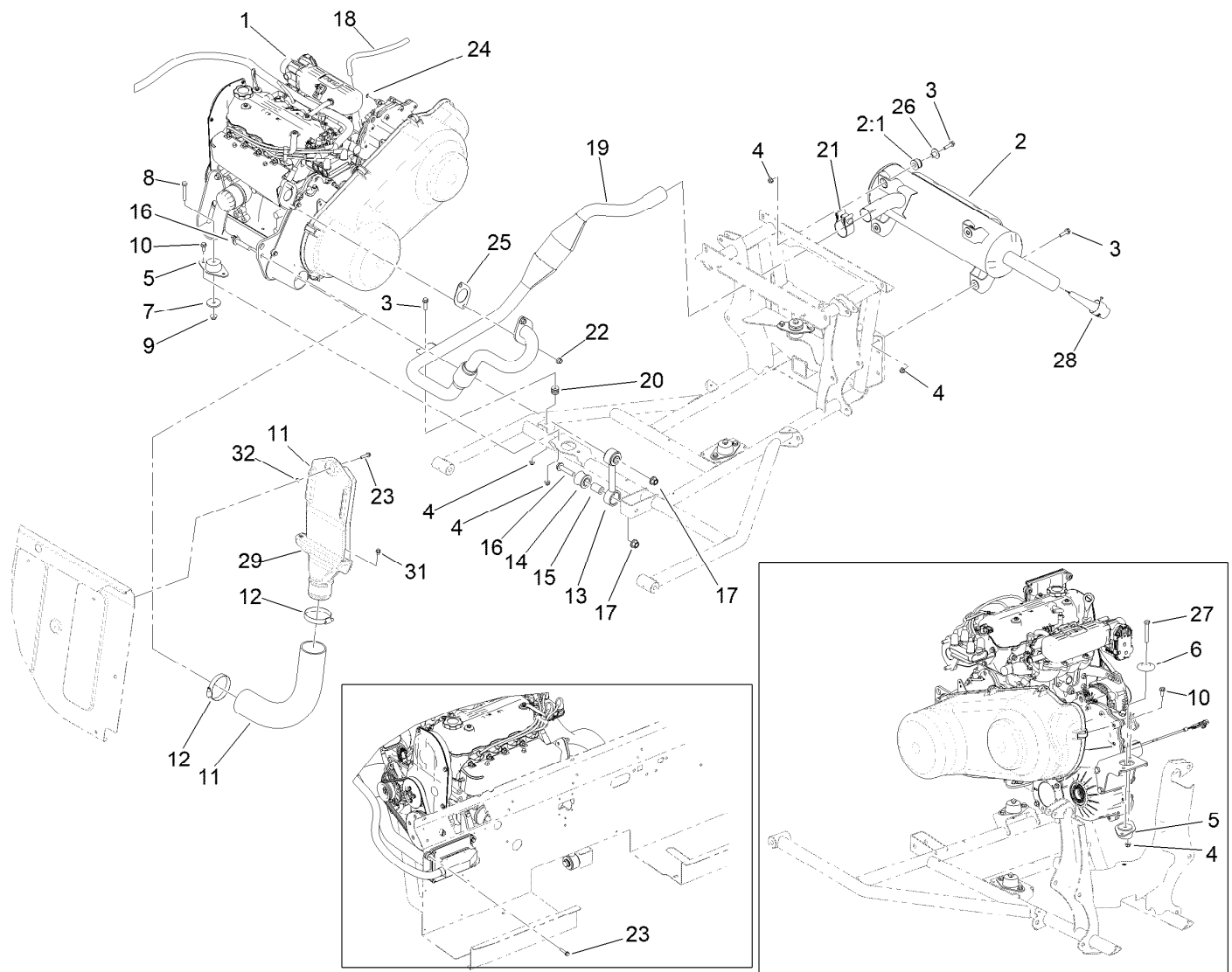
## Electrical Assembly (continued)

| Ref. | Part Number | Qty. | Description                | Ref. | Part Number | Qty. | Description                |
|------|-------------|------|----------------------------|------|-------------|------|----------------------------|
| 23   | 3234-13     | 2    | Screw-HHF                  | 27   | 144-2400    | 1    | Switch-Rocker, On-None-On  |
| 24   | 99-3441     | 1    | Harness-Wire, Fusible Link | 28   | 145-2160    | 1    | Plug-Panel                 |
| 25   | 139-2080    | 1    | Flasher-Dual Rate          | 29   | 145-2200    | 1    | Switch-Rocker, (On)-On-Off |
| 26   | 144-2425    | 1    | Switch-Rocker, On-Off-On   |      |             |      |                            |



## Battery Assembly

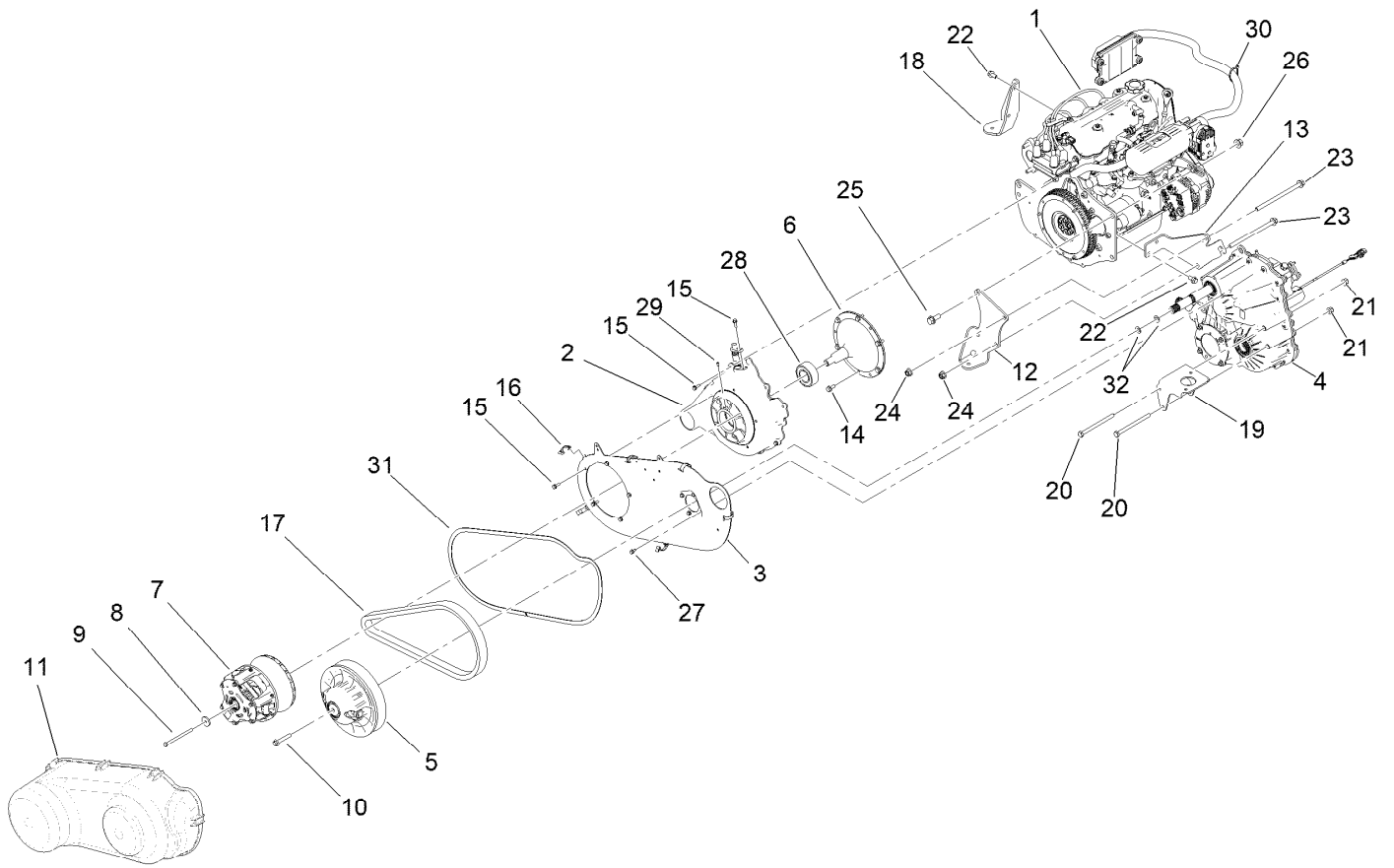
| <b>Ref.</b> | <b>Part Number</b> | <b>Qty.</b> | <b>Description</b>         |
|-------------|--------------------|-------------|----------------------------|
| 1           | 147-8051           | 1           | Hold Down-Battery          |
| 2           | 106-5187           | 1           | Battery- Dry, 12V, 525 CCA |
| 3           | 3230-6             | 1           | Bolt-CARR                  |
| 4           | 138-6335           | 1           | Retainer-Battery           |
| 5           | 104-8300           | 1           | Nut-HF, NI                 |
| 6           | 109-5667           | 1           | Nut-Push                   |
| 7           | 122-1781           | 1           | Cable-Battery, Bk ASM      |
| 8           | 122-1780           | 1           | Cable-Battery, Rd ASM      |
| 9           | 33104-016          | 1           | Screw-HHF                  |
| 10          | 112-9921           | 2           | Bolt ASM                   |
| 10:1        | 32180-107          | 1           | Bolt-Clamp, Battery        |
| 10:2        | 32180-108          | 2           | Nut-Hex Shoulder           |
| 11          | 32180-110          | 1           | Insulator-Lead Cast        |



## Engine Drivetrain and Exhaust Assembly

| Ref. | Part Number | Qty. | Description               | Ref. | Part Number | Qty. | Description                |
|------|-------------|------|---------------------------|------|-------------|------|----------------------------|
| 1    |             | 1    | Engine/Drivetrain ASM ●   | 16   | 3234-46     | 2    | Screw-HHF                  |
| 2    | 138-9335    | 1    | Muffler ASM (With Mounts) | 17   | 99-5107     | 2    | Nut-Lock                   |
| 2:1  | 138-9300    | 4    | Isolator-Mount, Muffler   | 18   | 110-4110    | 1    | Hose-Fuel                  |
| 3    | 3234-36     | 5    | Screw-HHF                 | 19   | 140-2617    | 1    | Pipe-Exhaust               |
| 4    | 104-8300    | 11   | Nut-HF, NI                | 20   | 131-5945    | 1    | Isolator-Engine            |
| 5    | 139-0856    | 3    | Mount-Engine              | 21   | 144-2413    | 1    | Clamp-Manifold (1.87" DIA) |
| 6    | 138-6462    | 1    | Support-Isolator          | 22   | 136-8683    | 2    | Nut-Lock                   |
| 7    | 80-8560     | 2    | Washer-Hardened           | 23   | 32144-110   | 5    | Screw-HWH                  |
| 8    | 323-11      | 2    | Screw-HH                  | 24   | 32151-86    | 1    | E-Ring                     |
| 9    | 104-8301    | 2    | Nut-HF, NI                | 25   | 145-2119    | 1    | Gasket-Exhaust             |
| 10   | 3234-47     | 6    | Screw-HHF                 | 26   | 138-9301    | 4    | Mount-Top Hat, Muffler     |
| 11   | 147-2704    | 1    | Duct-Inlet, Cvt           | 27   | 323-12      | 1    | Screw-HH                   |
| 12   | 2412-125    | 2    | Clamp-Hose                | 28   | 144-2433    | 1    | Arrester- Spark, 1.75"     |
| 13   | 140-4685    | 1    | Link Rod ASM              | 29   | 147-2700    | 1    | Hood-Cvt Intake            |
| 14   | 140-4697    | 2    | Bushing, Rubber           | 31   | 3234-26     | 2    | Screw-HHF                  |
| 15   | 109-5010    | 2    | Spacer                    | 32   | 1-803037    | 1    | Nut-Retaining              |

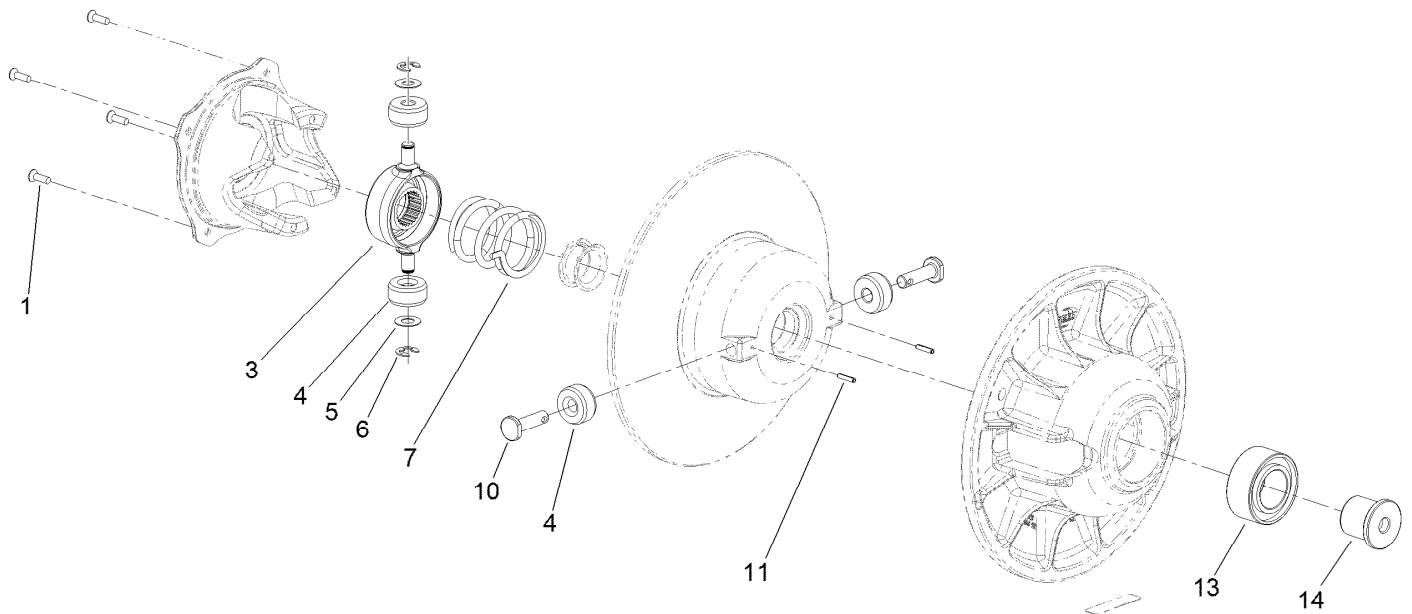
● Not serviced separately



## Engine, Transaxle and Clutch Assembly

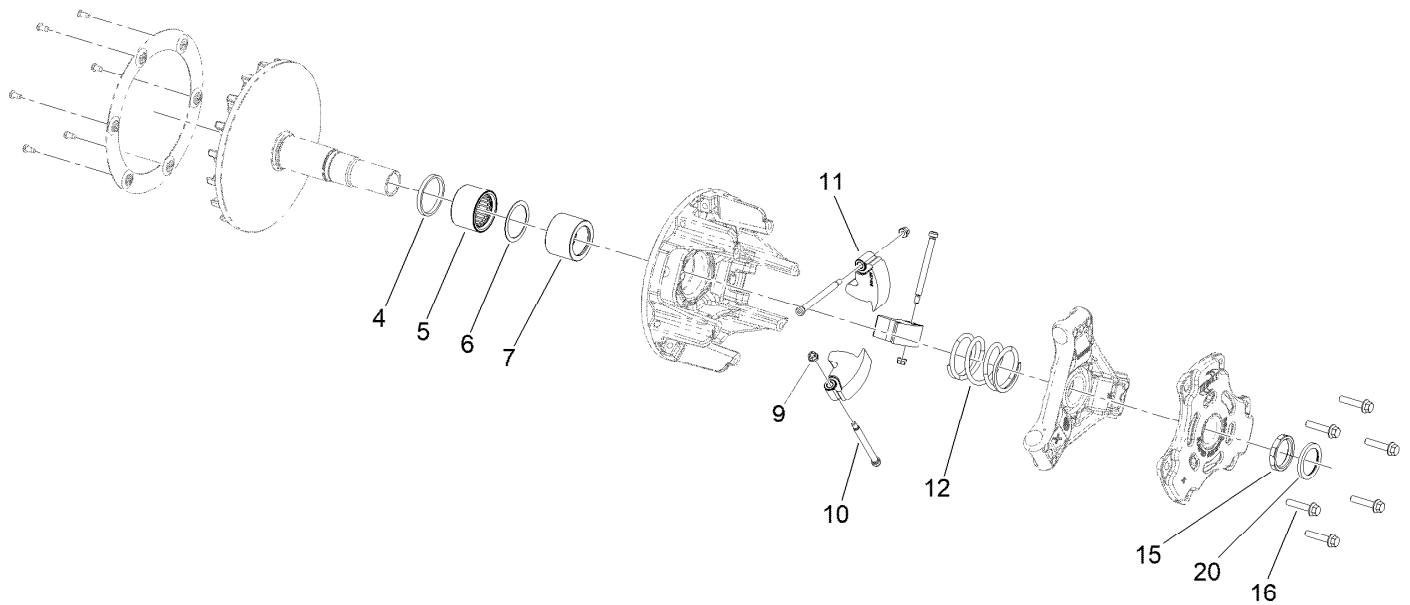
| <i>Ref.</i> | <i>Part Number</i> | <i>Qty.</i> | <i>Description</i>       | <i>Ref.</i> | <i>Part Number</i> | <i>Qty.</i> | <i>Description</i>              |
|-------------|--------------------|-------------|--------------------------|-------------|--------------------|-------------|---------------------------------|
| 1           | 144-2216           | 1           | Engine (Gas, 40 HP)      | 18          | 145-2235-0P        | 1           | PSI Front Engine Mount ASM [pri |
| 2           | 145-2143           | 1           | Housing-Flywheel, Gas    | 19          | 140-2624-0P        | 1           | Bracket-Drivetrain, Rear        |
| 3           | 139-4598-0P        | 1           | Plate-Spanner            | 20          | 33115-140          | 2           | Screw-HH                        |
| 4           | 140-2611           | 1           | Transaxle ASM            | 21          | 103-9511           | 2           | Nut-Lock, NI                    |
| 5           | 139-4591           | 1           | Clutch-Secondary         | 22          | 120-4839           | 4           | Screw-HHF                       |
| 6           | 145-2145           | 1           | Adapter-Clutch           | 23          | 140-2689           | 2           | Screw-HH                        |
| 7           | 139-4590           | 1           | Clutch-Primary           | 24          | 114-8417           | 2           | Nut-HF, NI                      |
| 8           | 104-6550           | 1           | Washer-Clutch            | 25          | 3234-38            | 2           | Screw-HHF                       |
| 9           | 99-7201            | 1           | Screw-HH                 | 26          | 99-5107            | 2           | Nut-Lock                        |
| 10          | 140-4777           | 1           | Screw-HHF                | 27          | 104-2628           | 4           | Screw                           |
| 11          | 140-2603           | 1           | Enclosure-Cvt            | 28          | 145-2146           | 1           | Bearing-Ball                    |
| 12          | 140-2604-0P        | 1           | Bracket-Transmission, LH | 29          | 133-1717           | 1           | Screw-Set                       |
| 13          | 145-7785-0P        | 1           | Bracket-Trans, RH (Gas)  | 30          | 3290-378           | 1           | Tie-Cable                       |
| 14          | 33104-020          | 6           | Screw-HHF                | 31          | 145-7799           | 1           | Gasket-Cover, Cvt               |
| 15          | 110-3986           | 14          | Screw                    | 32          | 36-4780            | 2           | Washer-Plain                    |
| 16          | 140-4669           | 6           | Clip-Spring              |             |                    |             |                                 |
| 17          | 145-7789           | 1           | Belt-Variable            |             |                    |             |                                 |





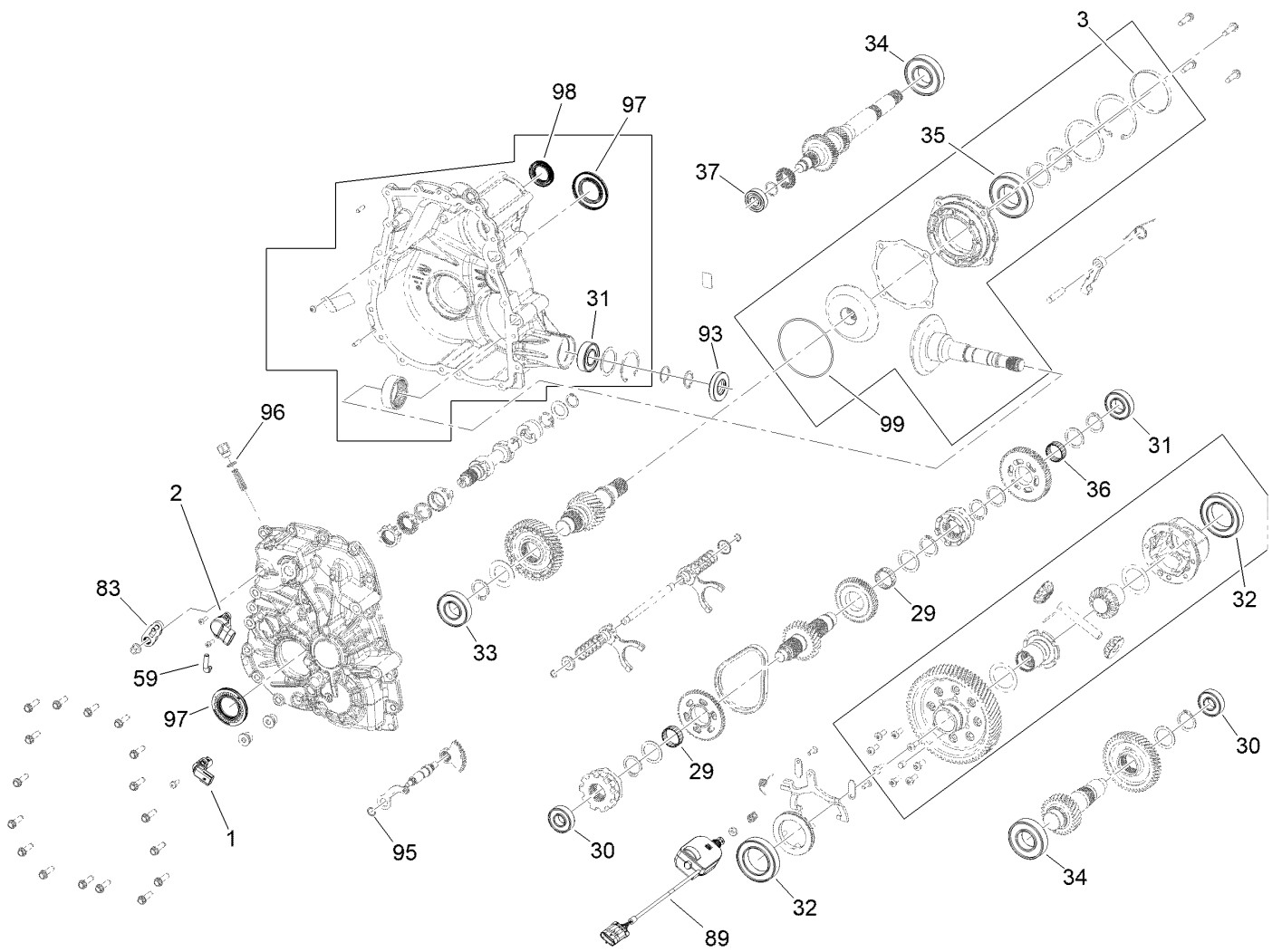
## Secondary Clutch Assembly No. 139-4591

| Ref. | Part Number | Qty. | Description                              |
|------|-------------|------|--|
| 1    | 145-2104    | 4    | Screw, Machine Torx Sfch 10-32 X .625    |
| 3    | 145-2025    | 1    | Spider 9.5 25T Mach                      |
| 4    | 145-2026    | 4    | Roller-Clutch 1.135 X .550               |
| 5    | 130-4059    | 2    | Washer-Thrust                            |
| 6    | 130-4058    | 2    | E-Ring                                   |
| 7    | 145-2027    | 1    | Spring-Comp 2.00 OD Secondary<br>175-320 |
| 10   | 130-4063    | 2    | Pin-Roller                               |
| 11   | 130-4065    | 2    | Pin-Spring, Slotted                      |
| 13   | 145-2028    | 1    | Bearing-Ball                             |
| 14   | 145-2029    | 1    | Sleeve-Shoulder                          |



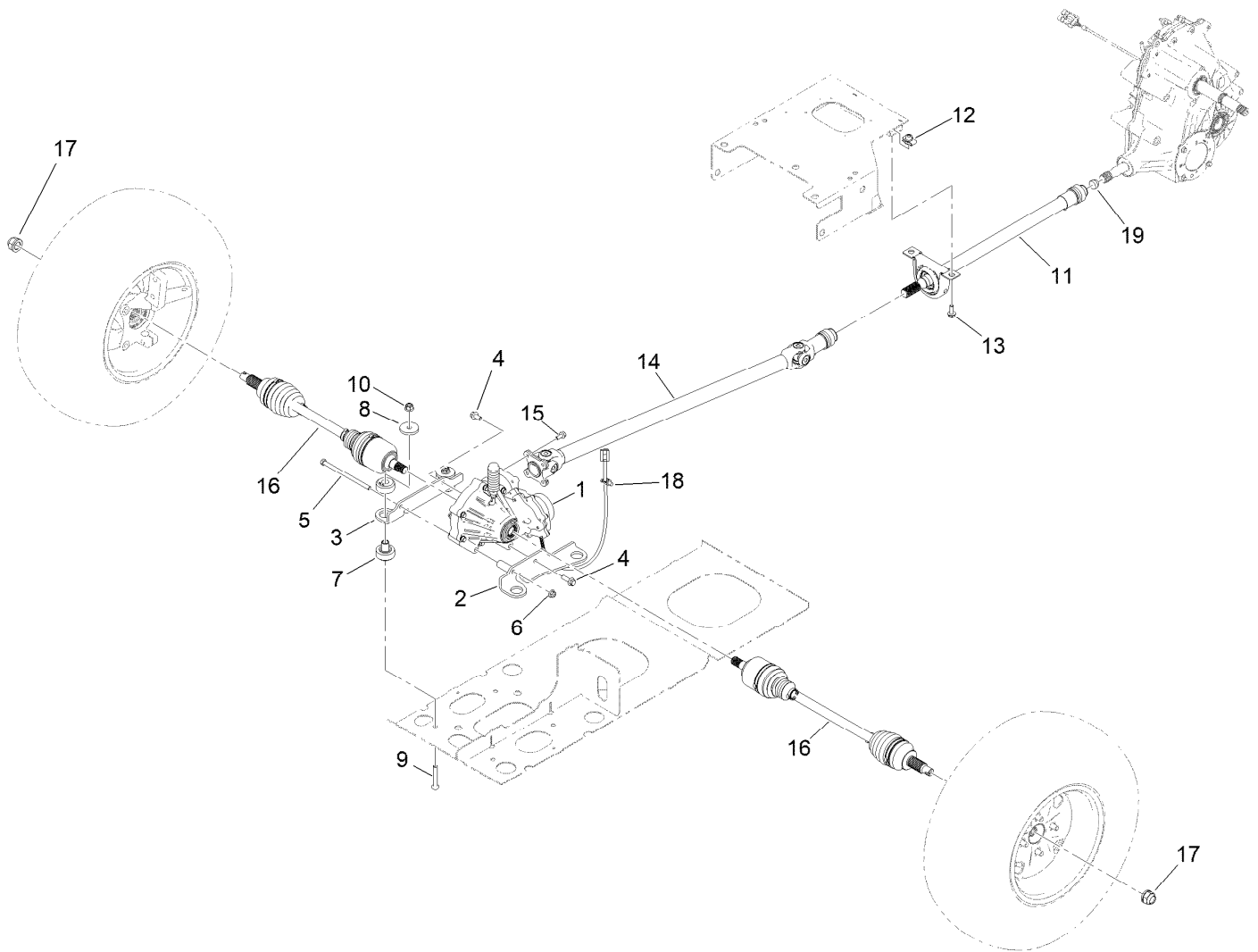
## Primary Clutch Assembly No. 139-4590

| <i>Ref.</i> | <i>Part Number</i> | <i>Qty.</i> | <i>Description</i>                          |
|-------------|--------------------|-------------|---|
| 4           | 145-2018           | 1           | Washer-Thrust                               |
| 5           | 145-2019           | 1           | Subassembly, Idler Primary                  |
| 6           | 130-4069           | 1           | Washer-Thrust                               |
| 7           | 145-2020           | 1           | Cap-Idler Sleeve                            |
| 9           | 145-2103           | 3           | Nut, Lock Hex 10-24 Flexloc                 |
| 10          | 119-6016           | 3           | Screw-Shoulder                              |
| 11          | 145-2021           | 3           | Weight-Clutch M17-198                       |
| 12          | 145-2022           | 1           | Spring-Compression 2.00 OD Primary<br>70-13 |
| 15          | 145-2023           | 1           | Nut-Jam                                     |
| 16          | 145-2024           | 6           | Screw-Hex Flange 1/4-20 X 1.25              |
| 20          | 145-7784           | 1           | Collar Primary Shift Stop                   |



## Transaxle Assembly No. 140-2611

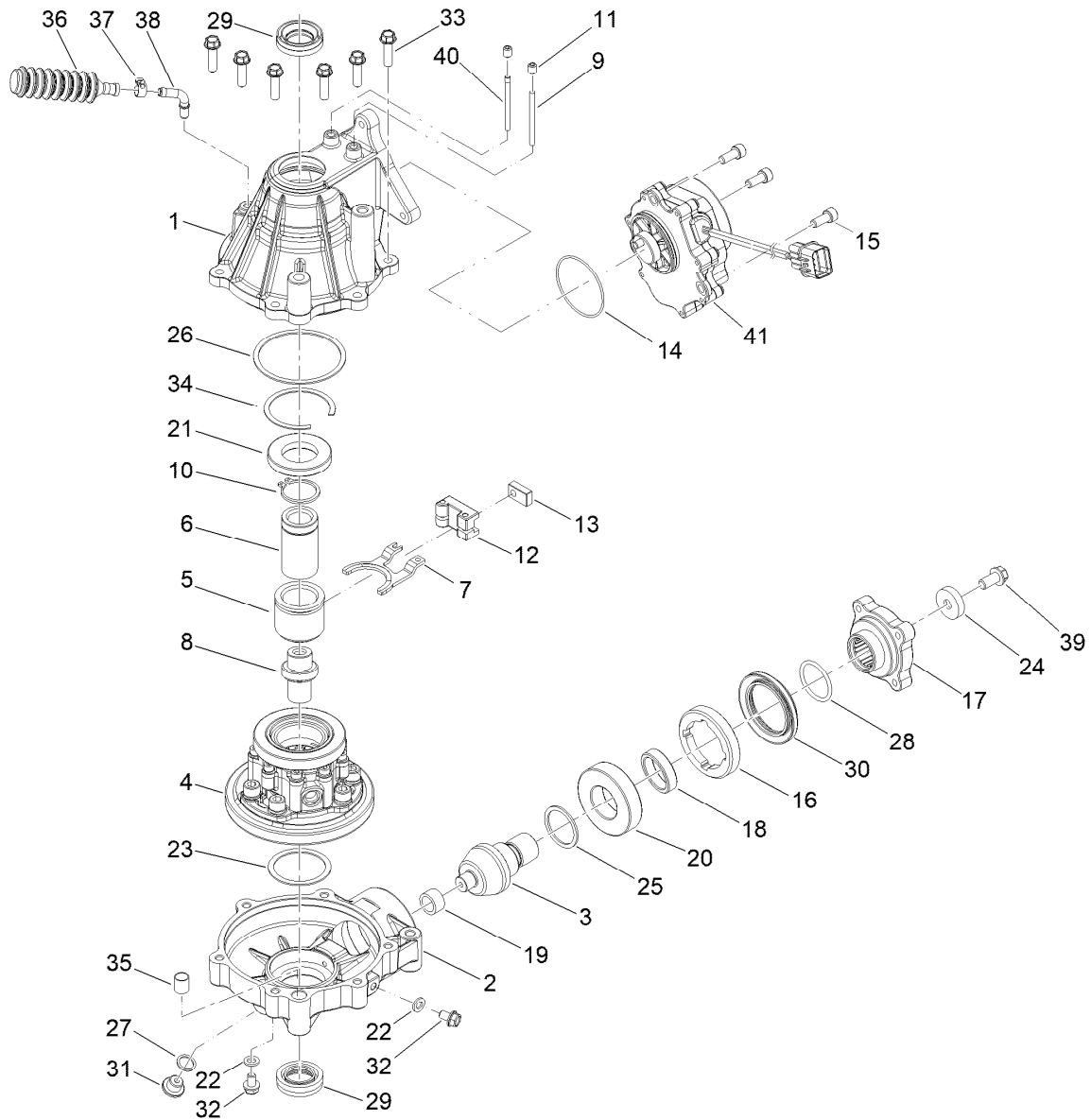
| <i>Ref.</i> | <i>Part Number</i> | <i>Qty.</i> | <i>Description</i>                | <i>Ref.</i> | <i>Part Number</i> | <i>Qty.</i> | <i>Description</i>                       |
|-------------|--------------------|-------------|-----------------------------------|-------------|--------------------|-------------|--|
| 1           | 145-2039           | 1           | Sensor,Speed, Transaxle           | 59          | 145-2037           | 1           | Tube,Vent, 90-1/4" Hose                  |
| 2           | 145-2040           | 1           | Sensor, Assembly, Rotary Position | 83          | 145-2038           | 1           | Subassembly, Bellcrank                   |
| 3           | 145-2030           | 1           | Plug-Expansion 80MM X 10MM        | 89          | 145-2041           | 1           | Shift Actuator, 2 Position               |
| 29          | 130-4616           | 2           | Bearing-Needle                    | 93          | 145-2042           | 1           | Seal, Triple Lip, 0.984 X 2.047 X 0.394  |
| 30          | 145-2031           | 2           | Bearing, Ball 6204 C3             | 95          | 145-2043           | 1           | O-Ring                                   |
| 31          | 145-2032           | 2           | Bearing, Ball 6205 C3             | 96          | 145-2044           | 1           | O-Ring, 0.530 ID X .082 Wide             |
| 32          | 130-4666           | 2           | Bearing-Ball                      | 97          | 145-2045           | 2           | Seal, Triple Lip, Viton, 40 X 70 X 7     |
| 33          | 145-2033           | 1           | Bearing, Ball 6206 C3             | 98          | 145-2046           | 1           | Seal, Triple Lip, 1.180 X 1.8520 X 0.315 |
| 34          | 145-2034           | 2           | Bearing, Ball 6207 C3             | 99          | 145-2047           | 1           | O-Ring, Nitrile                          |
| 35          | 145-2035           | 1           | Bearing, Ball 6208 C3             |             |                    |             |  |
| 36          | 130-4618           | 1           | Bearing-Needle                    |             |                    |             |  |
| 37          | 145-2036           | 1           | Bearing, Ball 6203 C3             |             |                    |             |  |



## Front Differential and Driveshaft Assembly

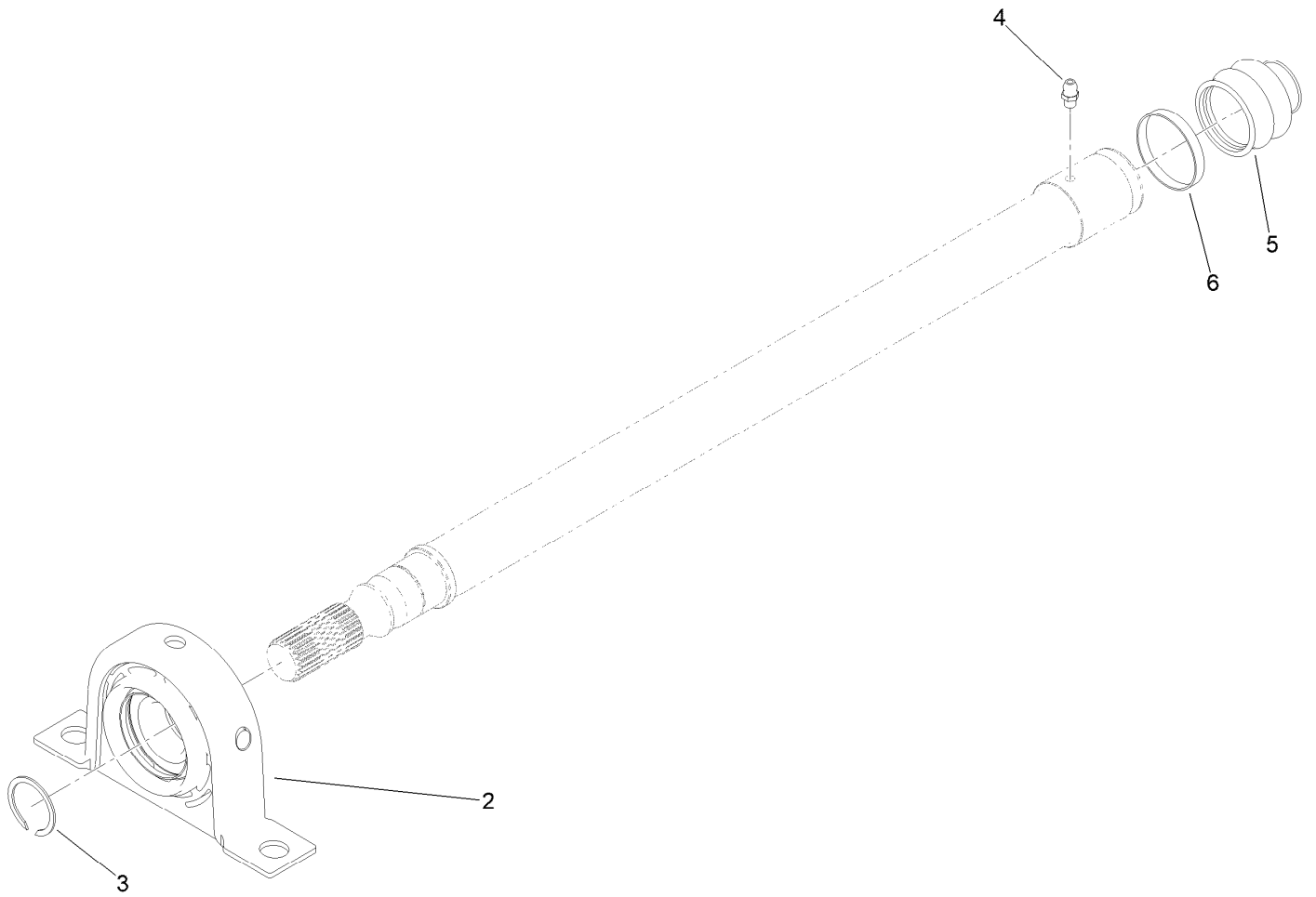
| Ref. | Part Number | Qty. | Description                |
|------|-------------|------|----------------------------|
| 1    | 140-4752    | 1    | Differential-Front         |
| 2    | 144-2213-0P | 1    | Mount ASM-Differential, LH |
| 3    | 140-4692-0P | 1    | Mount-Differential, RH     |
| 4    | 145-7778    | 2    | Screw-HHF                  |
| 5    | 323-26      | 1    | Screw-HH                   |
| 6    | 104-8301    | 1    | Nut-HF, NI                 |
| 7    | 147-2708    | 4    | Mount-Isolator             |
| 8    | 109-6919    | 4    | Washer-Plain               |
| 9    | 144-2215    | 4    | Screw-Bht                  |
| 10   | 114-8417    | 4    | Nut-HF, NI                 |

| Ref. | Part Number | Qty. | Description                    |
|------|-------------|------|--------------------------------|
| 11   | 140-4771    | 1    | Driveshaft<br>ASM-Intermediate |
| 12   | 105-4886    | 2    | Nut-Tinnerman                  |
| 13   | 3234-42     | 2    | Screw-HHF                      |
| 14   | 140-2647    | 1    | Driveshaft ASM                 |
| 15   | 139-3392    | 4    | Screw-Lock                     |
| 16   | 140-2644    | 2    | Cv Axle ASM, Front             |
| 17   | 115-2164    | 2    | Nut-Spindle                    |
| 18   | 32180-030   | 1    | Clip-Tie                       |
| 19   | 145-7787    | 1    | Bumper-Drive Shaft             |



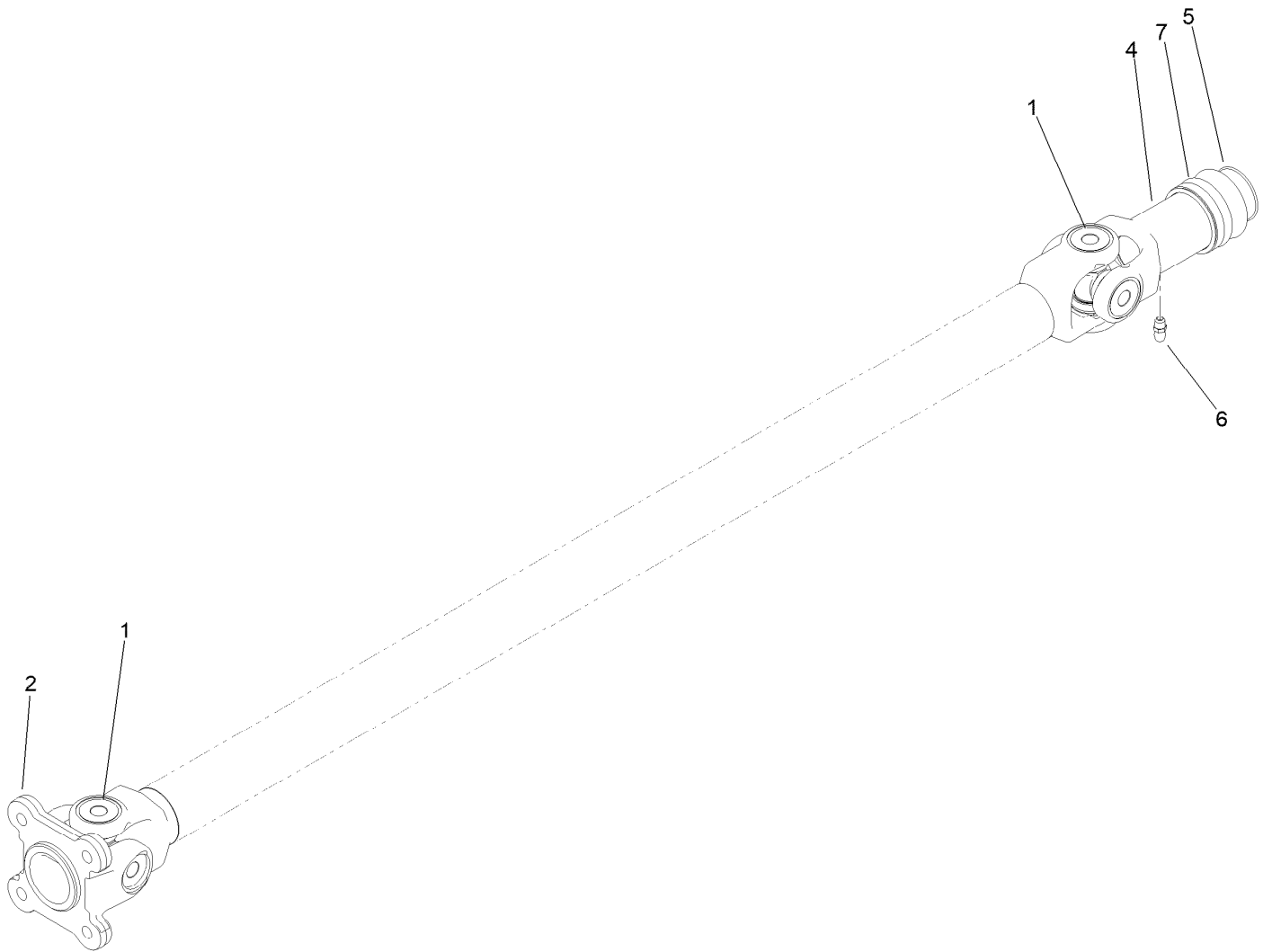
## Front Differential Assembly No. 140-4752

| Ref. | Part Number | Qty. | Description                 | Ref. | Part Number | Qty. | Description                 |
|------|-------------|------|-----------------------------|------|-------------|------|-----------------------------|
| 1    | 145-7895    | 1    | Cover                       | 22   | 145-7916    | 2    | Washer, 8.2 X 16 X 2T       |
| 2    | 145-7896    | 1    | Housing                     | 23   | 145-7917    | 1    | Shim, 50.5 X 61             |
| 3    | 145-7897    | 1    | Pinion                      | 24   | 145-7918    | 1    | Lock Washer                 |
| 4    | 145-7898    | 1    | Planet Carrier Sub-ASM      | 25   | 145-7919    | 1    | Shim, 36 X 44               |
| 5    | 145-7899    | 1    | Clutch                      | 26   | 145-7920    | 1    | Shim, 79 X 89               |
| 6    | 145-7900    | 1    | Support Ring                | 27   | 145-7921    | 1    | Washer, 14.5 X 22 X 1T      |
| 7    | 145-7901    | 1    | Fork                        | 28   | 145-7922    | 1    | O-Ring, P26                 |
| 8    | 145-7902    | 1    | Gear A                      | 29   | 145-7923    | 2    | Seal, 25 X 45 X 7T X 11T    |
| 9    | 145-7903    | 1    | Pin, 5 X 62L                | 30   | 145-7924    | 1    | Seal, 40 X 75 X 8T X 12T    |
| 10   | 145-7904    | 1    | Retaining Ring, External 34 | 31   | 145-7925    | 1    | Plug, M14 X 9.5L            |
| 11   | 145-7905    | 2    | Bolt, M10 X 10L             | 32   | 145-7926    | 2    | Screw, HH, M8Xp1.25X12L     |
| 12   | 145-7906    | 1    | Slider A                    | 33   | 145-7927    | 6    | Screw, HH, M8Xp1.25X30L     |
| 13   | 145-7907    | 1    | Slider B                    | 34   | 145-7928    | 1    | Retaining Ring, Internal 62 |
| 14   | 145-7908    | 1    | O-Ring, 62 I.D. X 2 Wide    | 35   | 145-7929    | 1    | Location Pin                |
| 15   | 145-7909    | 3    | Screw, Sh, M8X20L           | 36   | 145-7930    | 1    | Breaching Tube              |
| 16   | 145-7910    | 1    | Nut, M74                    | 37   | 145-7931    | 1    | Ring                        |
| 17   | 145-7911    | 1    | Flange                      | 38   | 145-7932    | 1    | Tube, Vent, 90 DEG          |
| 18   | 145-7912    | 1    | Bushing                     | 39   | 145-7933    | 1    | Screw, HH, M10Xp1.25X20L    |
| 19   | 145-7913    | 1    | Needle Bearing, Hk1612      | 40   | 145-7934    | 1    | Pin, 5 X 4.63 X 62L         |
| 20   | 145-7914    | 1    | Ball Bearing, 6207          | 41   | 145-7935    | 1    | Actuator                    |
| 21   | 145-7915    | 1    | Ball Bearing, 16007         |      |             |      |                             |



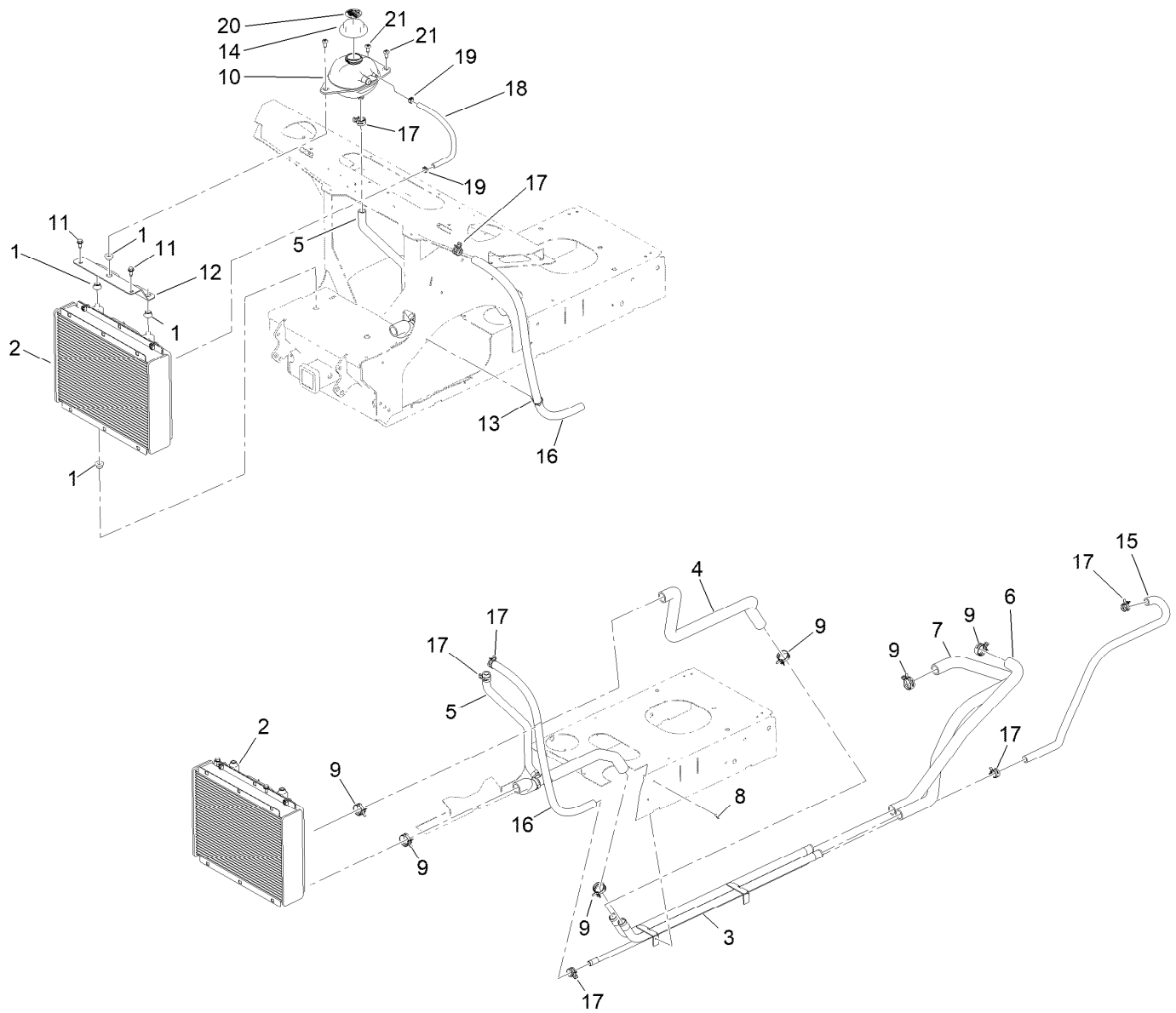
## Intermediate Driveshaft Assembly No. 140-4771

| <i>Ref.</i> | <i>Part Number</i> | <i>Qty.</i> | <i>Description</i> |
|-------------|--------------------|-------------|--------------------|
| 2           | 139-4442           | 1           | Bearing-Hanger     |
| 3           | 144-2208           | 1           | Retainer-Bearing   |
| 4           | 302-5              | 1           | Fitting-Grease     |
| 5           | 140-4772           | 1           | Boot-Joint, Slip   |
| 6           | 140-4760           | 1           | Band               |



## Driveshaft Assembly No. 140-2647

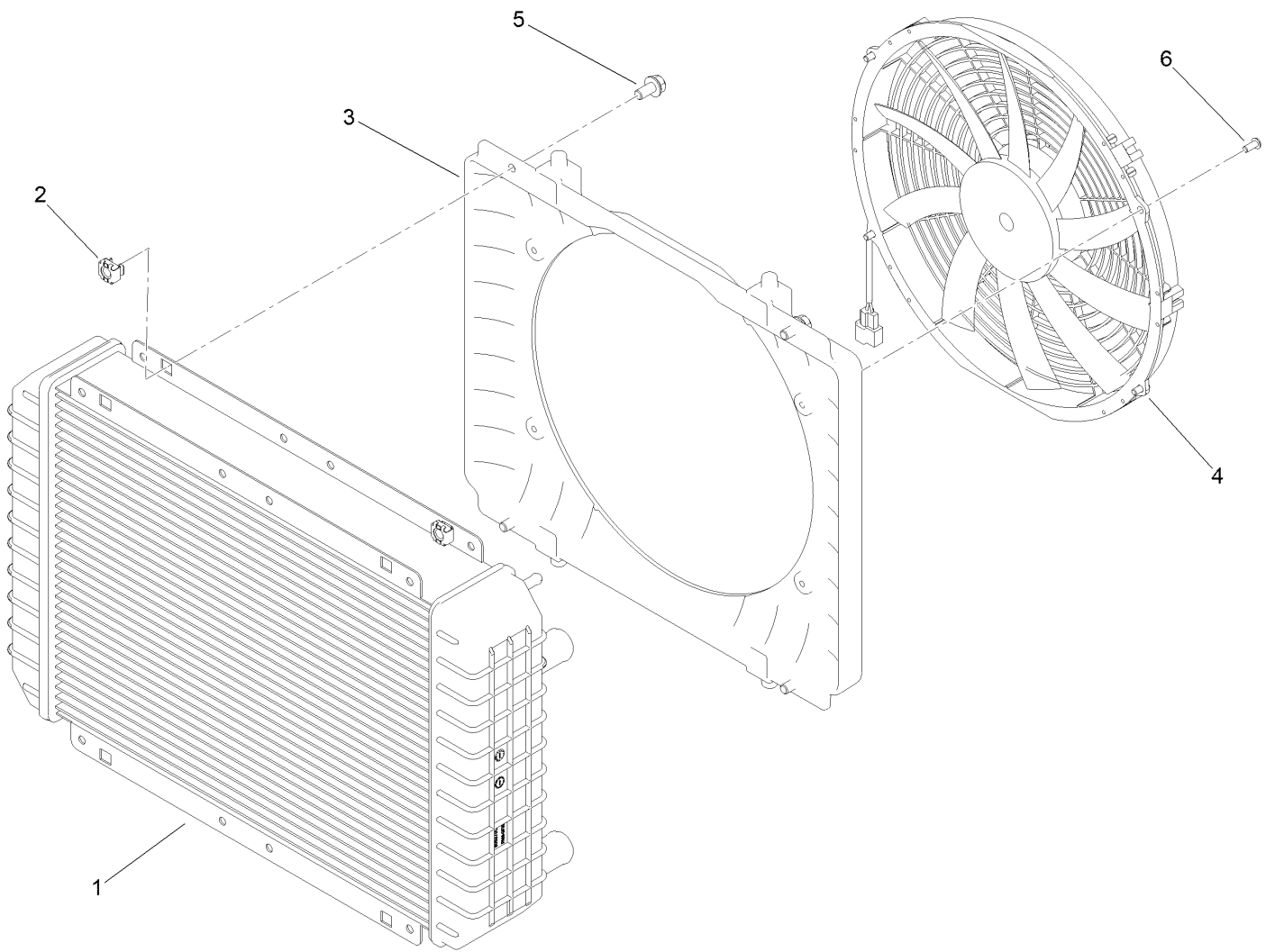
| <i>Ref.</i> | <i>Part Number</i> | <i>Qty.</i> | <i>Description</i> |
|-------------|--------------------|-------------|--------------------|
| 1           | 138-9162           | 2           | U-Joint Kit        |
| 2           | 138-9178           | 1           | Yoke-Flange        |
| 4           | 140-4753           | 1           | Yoke-Slip, Female  |
| 5           | 140-4754           | 1           | Boot-Joint, Slip   |
| 6           | 110-4755           | 1           | Fitting-Grease     |
| 7           | 140-4760           | 1           | Band               |



## Cooling System Assembly

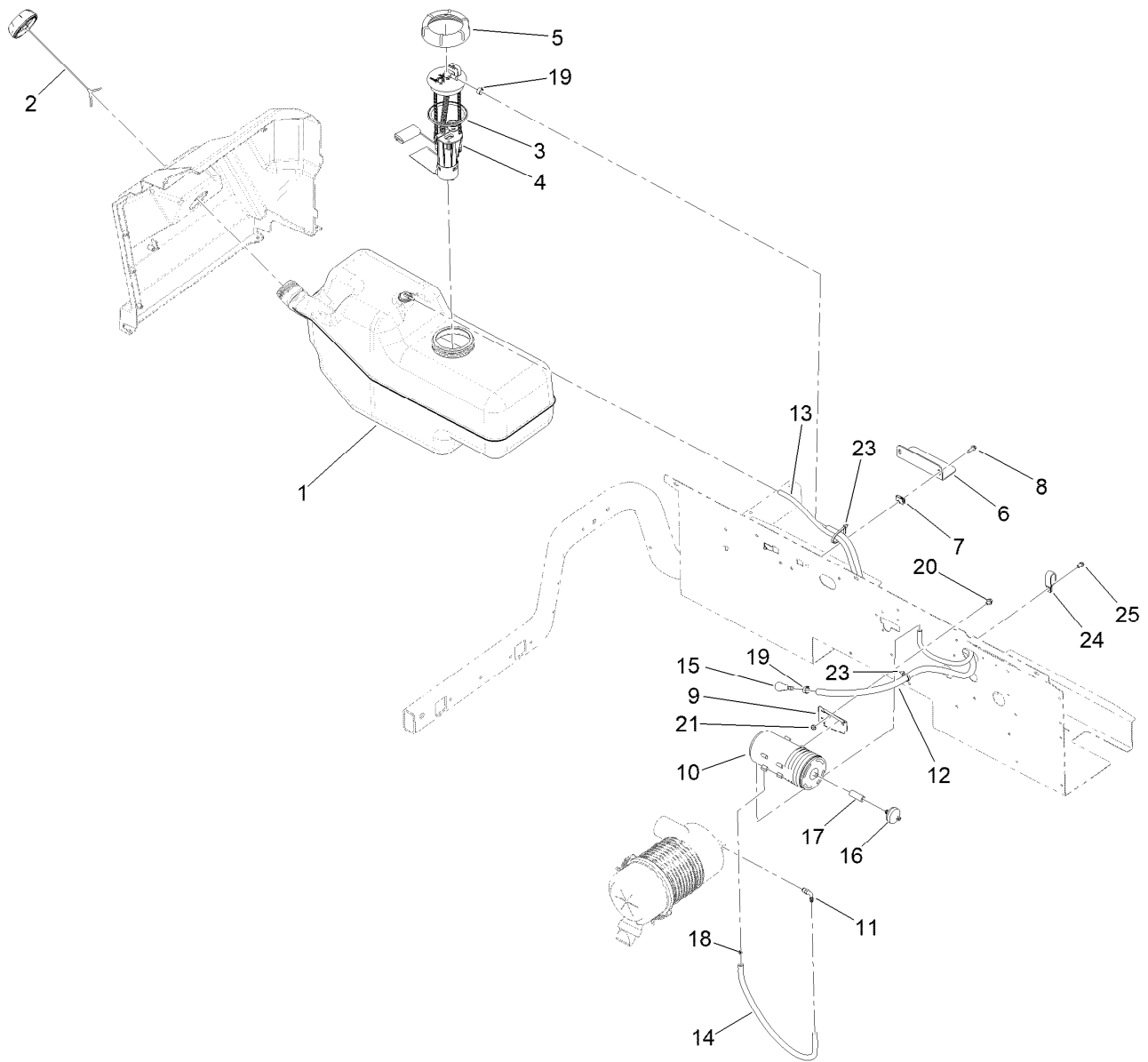
| <i>Ref.</i> | <i>Part Number</i> | <i>Qty.</i> | <i>Description</i>   | <i>Ref.</i> | <i>Part Number</i> | <i>Qty.</i> | <i>Description</i>         |
|-------------|--------------------|-------------|----------------------|-------------|--------------------|-------------|----------------------------|
| 1           | 137-6828           | 4           | Bushing-Flange       | 12          | 147-8056-05        | 1           | Bracket-Mount, Radiator    |
| 2           | 147-7970           | 1           | Radiator ASM         | 13          | 32180-030          | 2           | Clip-Tie                   |
| 3           | 137-2681           | 1           | Tube ASM-Coolant     | 14          | 161-5218           | 1           | Ratcheting Coolant Cap ASM |
| 4           | 140-2628           | 1           | Hose-Radiator, Upper | 15          | 144-2220           | 1           | Hose-Coolant, Minor        |
| 5           | 140-4751           | 1           | Hose ASM-Coolant     | 16          | 140-4757           | 1           | Hose-Coolant               |
| 6           | 140-2634           | 1           | Hose-Coolant, Upper  | 17          | 144-2248           | 5           | Clamp-Sc Band              |
| 7           | 144-2242           | 1           | Hose-Coolant, Lower  | 18          | 120-5019           | 1           | Hose-Coolant               |
| 8           | 32144-4            | 2           | Screw-HWH            | 19          | 92-2379            | 2           | Clamp-Hose                 |
| 9           | 144-2246           | 8           | Clamp-Sc Band        | 20          | 106-6755           | 1           | Decal-Cap, Radiator        |
| 10          | 147-8086           | 1           | Coolant Tank ASM     | 21          | 138-9753           | 3           | Screw                      |
| 11          | 32144-70           | 2           | Screw-HWHTF          |             |                    |             |                            |





## Radiator Assembly No. 147-7970

| <i>Ref.</i> | <i>Part Number</i> | <i>Qty.</i> | <i>Description</i>   |
|-------------|--------------------|-------------|----------------------|
| 1           | 147-7971           | 1           | Radiator             |
| 2           | 703856             | 4           | Nut-Sq, Caged        |
| 3           | 139-4587           | 1           | Shroud-Fan, Radiator |
| 4           | 140-4694           | 1           | Fan                  |
| 5           | 139-2593           | 4           | Screw-HHF            |
| 6           | 147-7972           | 4           | Screw-BHCS           |

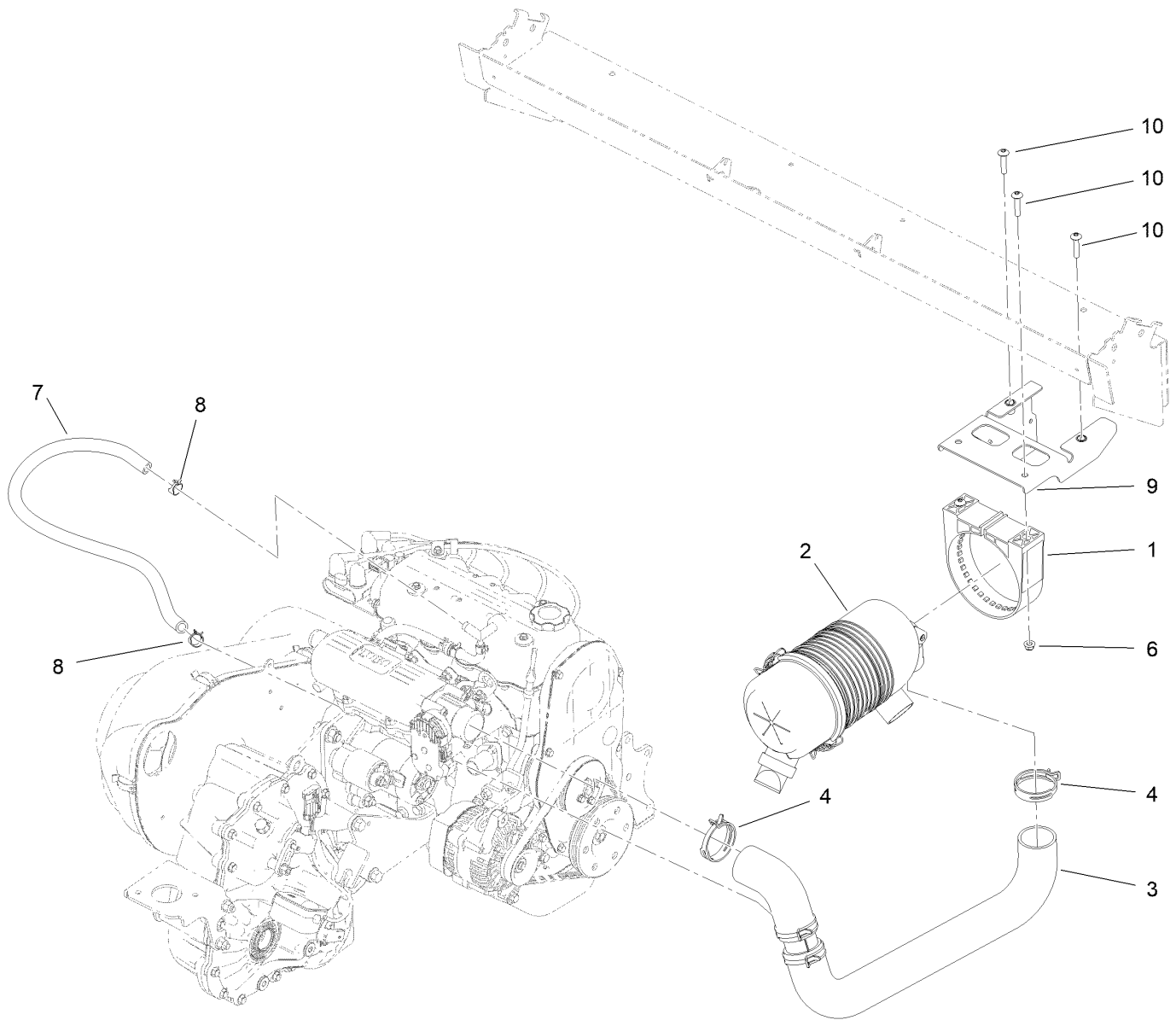


## Fuel System Assembly

| Ref. | Part Number | Qty. | Description                  |
|------|-------------|------|------------------------------|
| 1    | 137-2711    | 1    | Fuel Tank ASM (8 Gallon Gas) |
| 2    | 126-1789    | 1    | Cap-Fuel, Ratcheting         |
| 3    | 138-9333    | 1    | Gasket-Fuel Sender           |
| 4    | 138-9330    | 1    | Fuel Pump ASM                |
| 5    | 138-9332    | 1    | Cap-Fuel Sender              |
| 6    | 138-9445    | 1    | Bracket-Mount, Fuel Tank     |
| 7    | 107069      | 2    | Clip                         |
| 8    | 49-2040     | 2    | Screw-HWHTF                  |
| 9    | 114-0292    | 1    | Bracket-Canister, Carbon     |
| 10   | 117-1221    | 1    | Canister-Carbon, 800Cc       |
| 11   | 94-7222     | 1    | Barb-Hose                    |
| 12   | 144-2247    | 1    | Hose-Fuel                    |

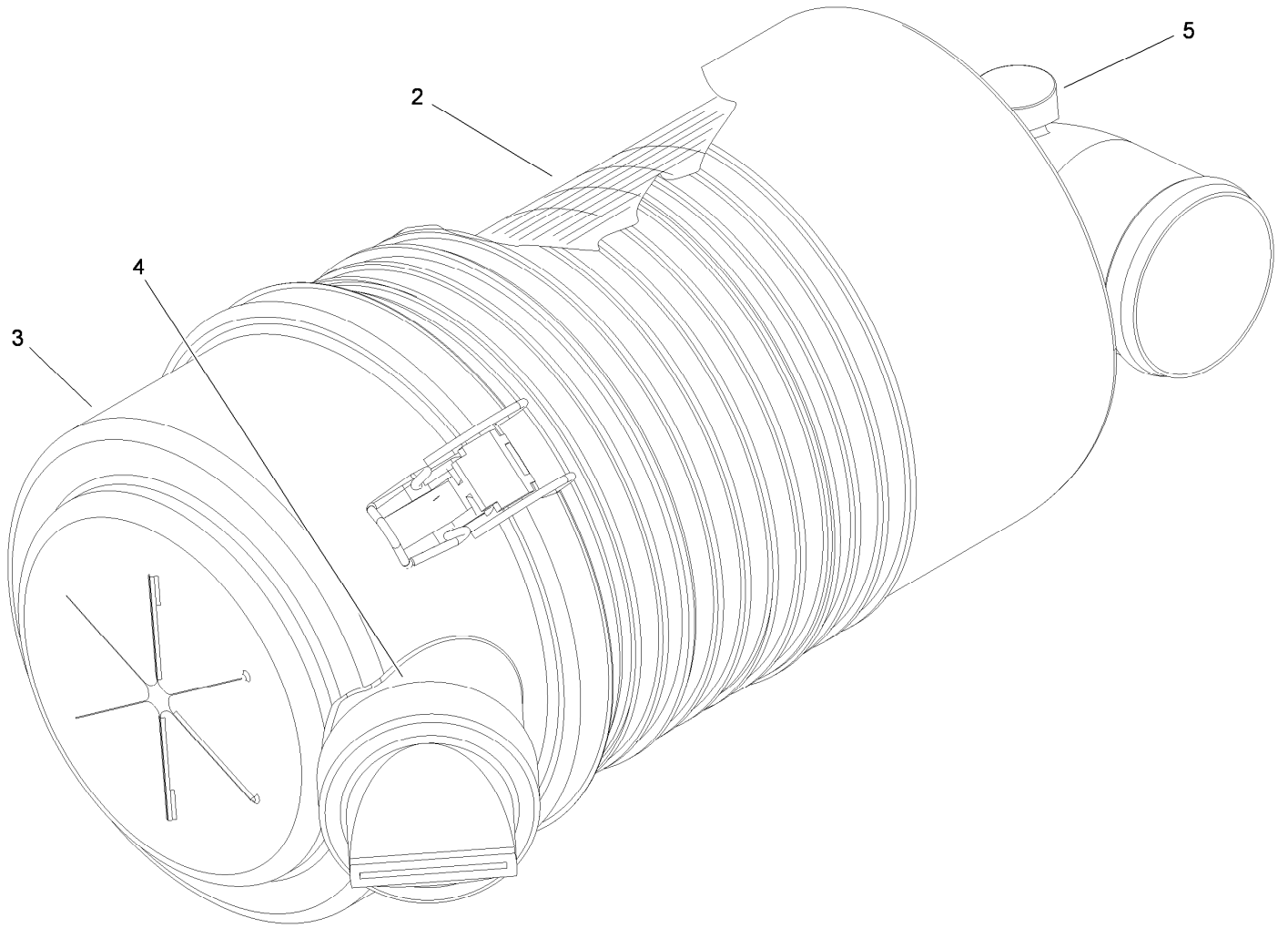
| Ref. | Part Number | Qty. | Description            |
|------|-------------|------|------------------------|
| 13   | 119-3517    | 1    | Hose-Fuel              |
| 14   | 109-0298    | 1    | Line-Fuel              |
| 15   | 125-2921    | 1    | Fitting-Fuel           |
| 16   | 115-7854    | 1    | Filter-Fuel, Inline    |
| 17   | 106-5317    | 1    | Hose-Fuel              |
| 18   | 120-2038    | 1    | Cartridge-Valve, Check |
| 19   | 92-2379     | 2    | Clamp-Hose             |
| 20   | 3234-26     | 2    | Screw-HHF              |
| 21   | 3296-56     | 2    | Nut-Lock, NI           |
| 23   | 3290-378    | 3    | Tie-Cable ●            |
| 24   | 92-5753     | 2    | Clamp-Hose             |
| 25   | 32144-4     | 2    | Screw-HWH              |

● Not illustrated



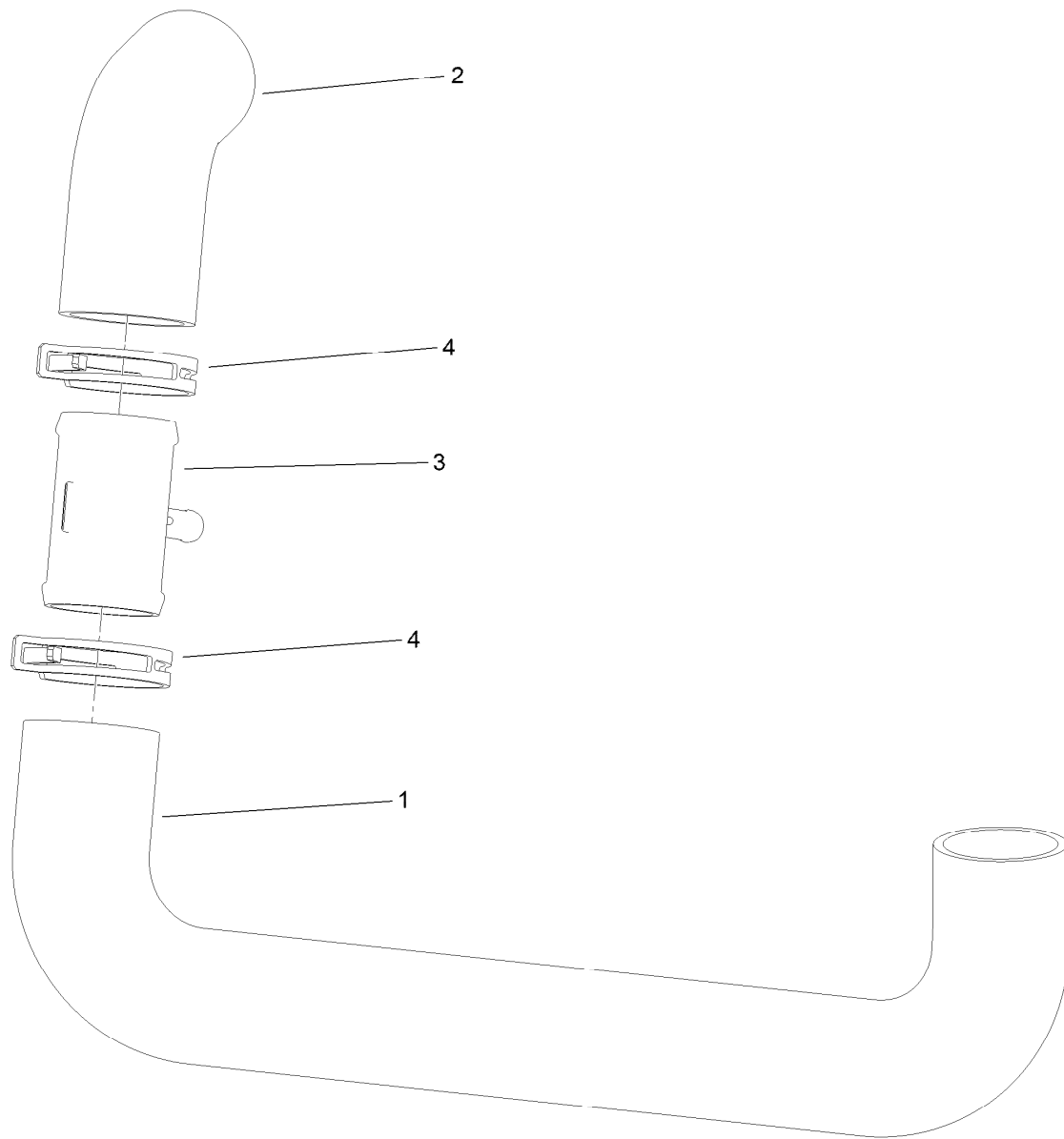
## Air Cleaner Assembly

| Ref. | Part Number | Qty. | Description             |
|------|-------------|------|-------------------------|
| 1    | 98-4525     | 1    | Bracket-Cleaner, Air    |
| 2    | 106-5277    | 1    | Air Cleaner ASM         |
| 3    | 145-2118    | 1    | Hose ASM-Intake         |
| 4    | 144-2200    | 2    | Clamp-Sc Band           |
| 6    | 104-8300    | 2    | Nut-HF, NI              |
| 7    | 127-1777    | 1    | Hose-Fuel               |
| 8    | 2412-143    | 2    | Clamp-Hose              |
| 9    | 147-8105    | 1    | Air Cleaner Bracket ASM |
| 10   | 126-7439    | 4    | Screw-Torx              |



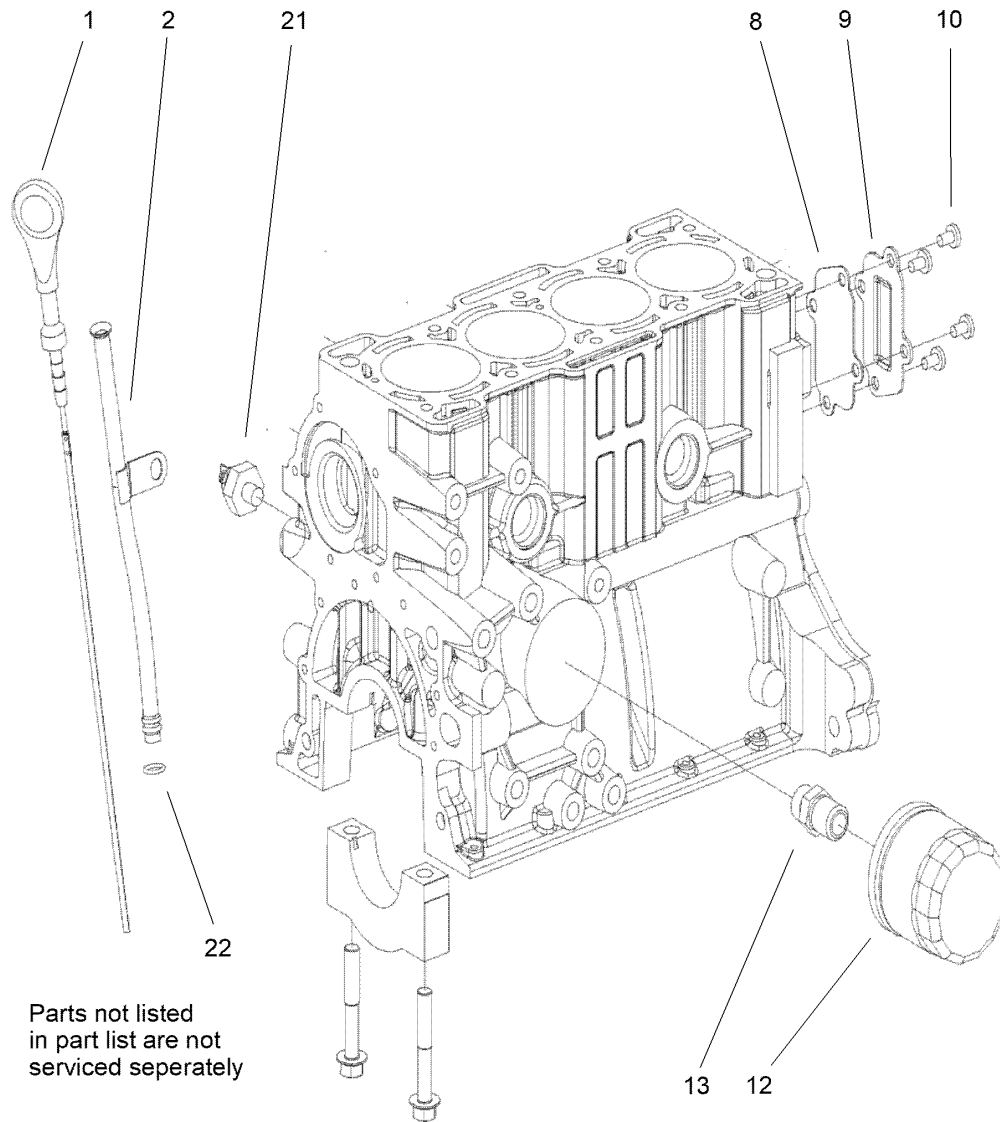
## Air Cleaner Assembly No. 106-5277

| <i>Ref.</i> | <i>Part Number</i> | <i>Qty.</i> | <i>Description</i> |
|-------------|--------------------|-------------|--------------------|
| 2           | 108-3810           | 1           | Filter-Air         |
| 3           | 98-9771            | 1           | Cover ASM          |
| 4           | 87-9400            | 1           | Valve-Vacuator     |
| 5           | 285-17             | 1           | Plug-Pipe          |



## Hose Intake Assembly No. 145-2118

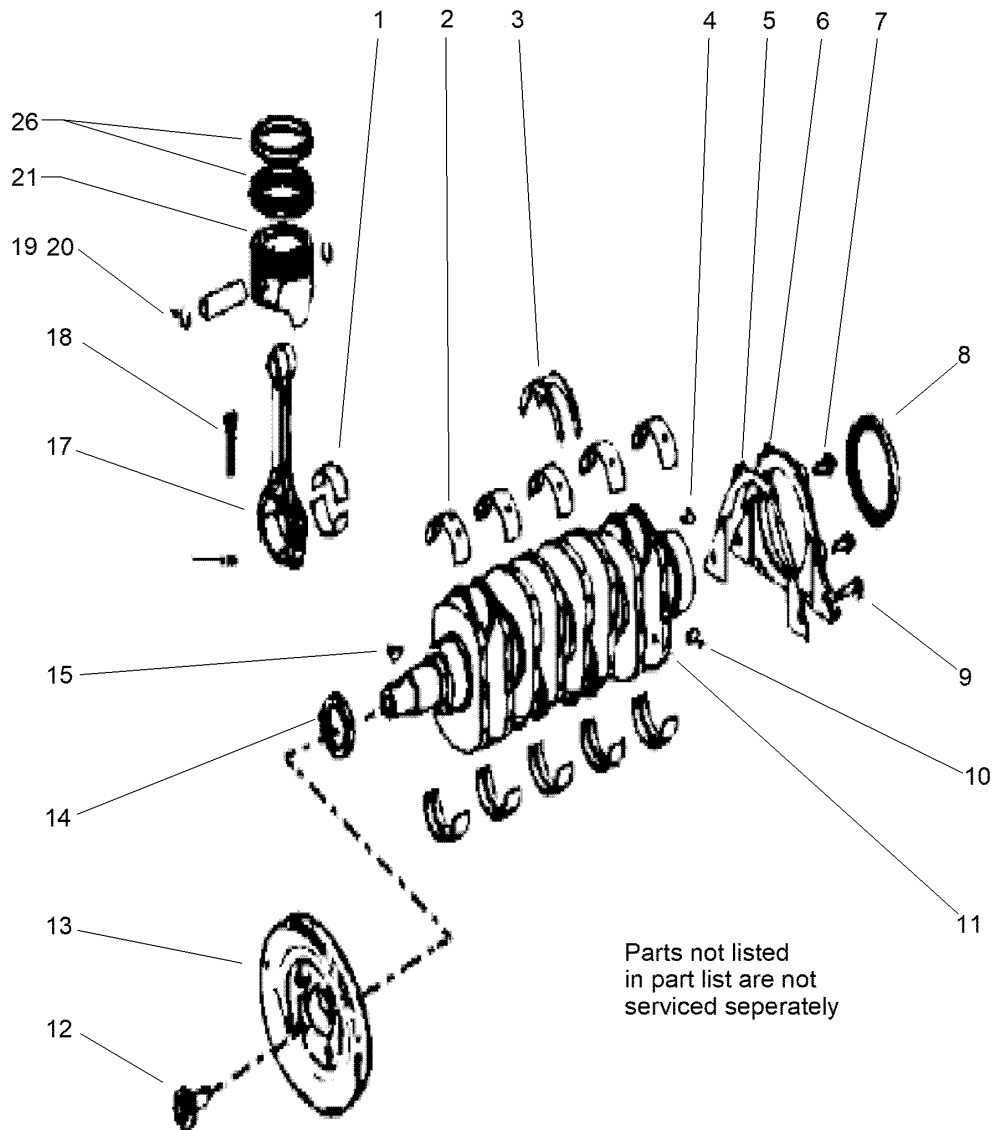
| <i>Ref.</i> | <i>Part Number</i> | <i>Qty.</i> | <i>Description</i> |
|-------------|--------------------|-------------|--------------------|
| 1           | 145-2116           | 1           | Hose-Air Intake, A |
| 2           | 145-2117           | 1           | Hose-Air Intake, B |
| 3           | 145-2112           | 1           | Fitting-Tee        |
| 4           | 144-2200           | 2           | Clamp-Sc Band      |



Parts not listed  
in part list are not  
serviced seperately

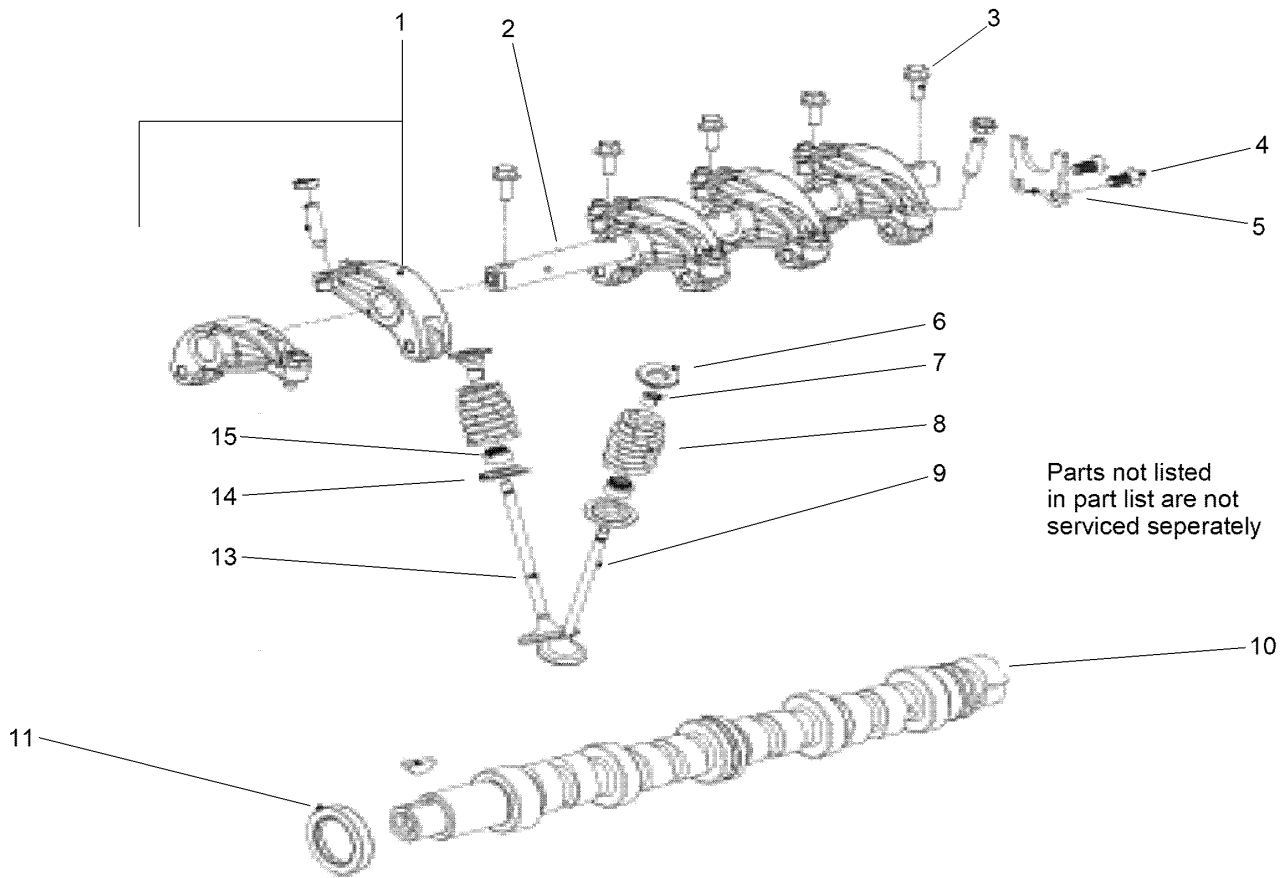
## Cylinder Block Assembly

| <b>Ref.</b> | <b>Part Number</b> | <b>Qty.</b> | <b>Description</b>          |
|-------------|--------------------|-------------|-----------------------------|
| 1           | 145-7937           | 1           | Dip Stick, Oil              |
| 2           | 145-7938           | 1           | Tube, Dipstick              |
| 8           | 145-7939           | 1           | Gasket, Water Sealing Cover |
| 9           | 145-7940           | 1           | Cover, Water Sealing        |
| 10          | 145-7941           | 4           | Bolt                        |
| 12          | 145-7942           | 1           | Filter, Oil                 |
| 13          | 145-7943           | 1           | Fitting, Oil Filter         |
| 21          | 145-7944           | 1           | Switch, Oil Pressure        |
| 22          | 145-7945           | 1           | Seal, Dipstick Tube         |



## Crankshaft and Piston Assembly

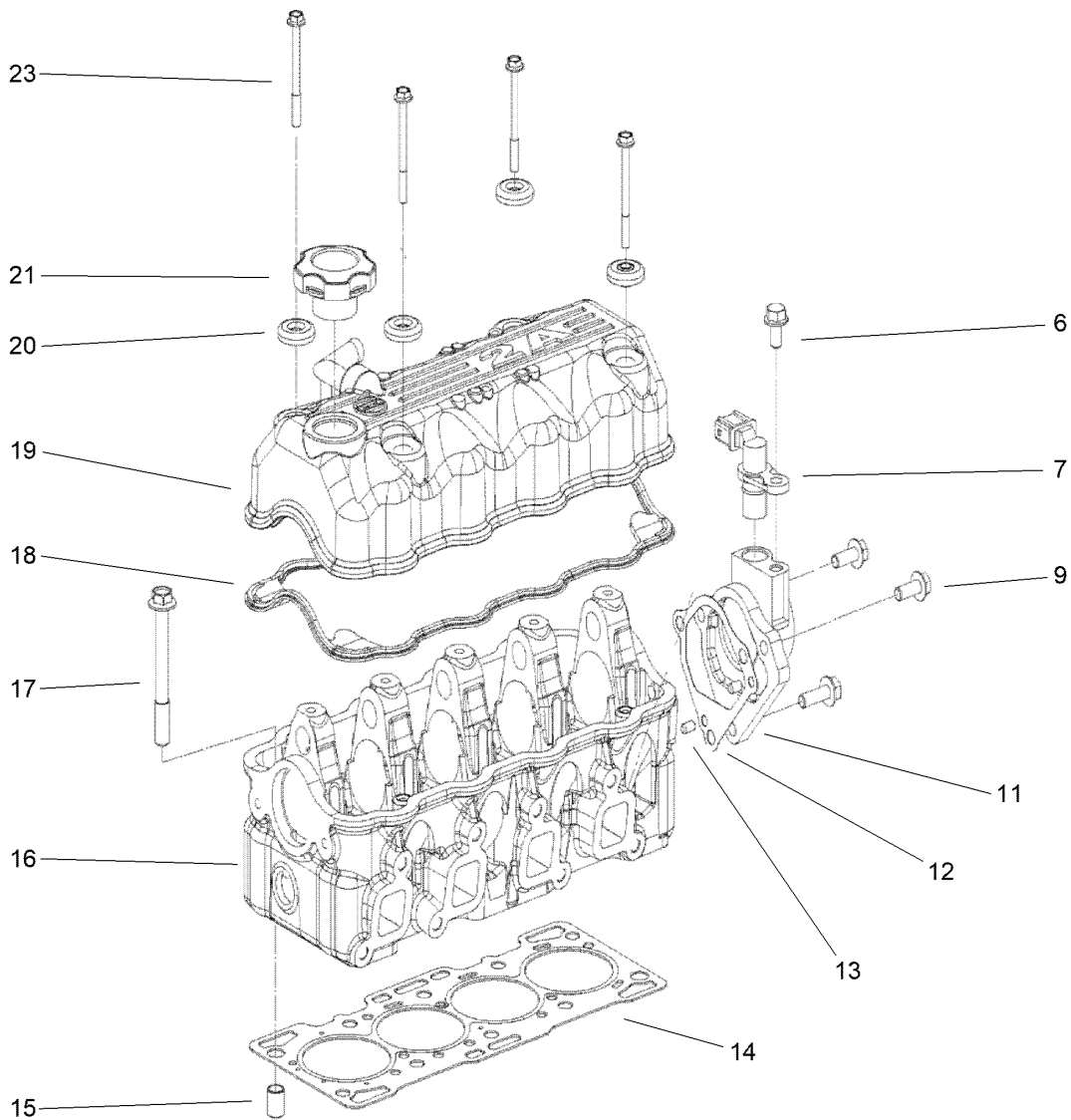
| <i>Ref.</i> | <i>Part Number</i> | <i>Qty.</i> | <i>Description</i>        | <i>Ref.</i> | <i>Part Number</i> | <i>Qty.</i> | <i>Description</i>         |
|-------------|--------------------|-------------|---------------------------|-------------|--------------------|-------------|----------------------------|
| 1           | 145-7946           | 1           | Bearing, Main (Set Of 10) | 12          | 147-2557           | 1           | Bolt, Crankshaft Pulley    |
| 2           | 145-7947           | 1           | Bearing, Connecting Rod   | 13          | 147-2558           | 1           | Pulley, Crankshaft         |
| 3           | 145-7948           | 1           | Bearing, Thrust           | 14          | 147-2559           | 2           | Seal, Crankshaft Front     |
| 4           | 145-7949           | 1           | Pin, Locating             | 15          | 147-2560           | 2           | Key, Woodruff              |
| 5           | 147-2550           | 1           | Gasket, Oil Seal Housing  | 17          | 147-2561           | 4           | Connecting Rod             |
| 6           | 147-2551           | 1           | Housing, Oil Seal         | 18          | 147-2562           | 8           | Rod, Connecting            |
| 7           | 147-2552           | 4           | Bolt, Oil Seal Housing    | 19          | 147-2563           | 8           | Clip, Piston Pin           |
| 8           | 147-2553           | 1           | Seal, Oil (Rear)          | 20          | 147-2564           | 4           | Pin, Piston                |
| 9           | 147-2554           | 2           | Bolt, Oil Seal Housing    | 21          | 147-2565           | 4           | Piston                     |
| 10          | 147-2555           | 3           | Bushing                   | 26          | 147-2566           | 4           | Piston Ring Set - Complete |
| 11          | 147-2556           | 1           | Crankshaft                |             |                    |             |                            |



## Camshaft and Rocker Arm Assembly

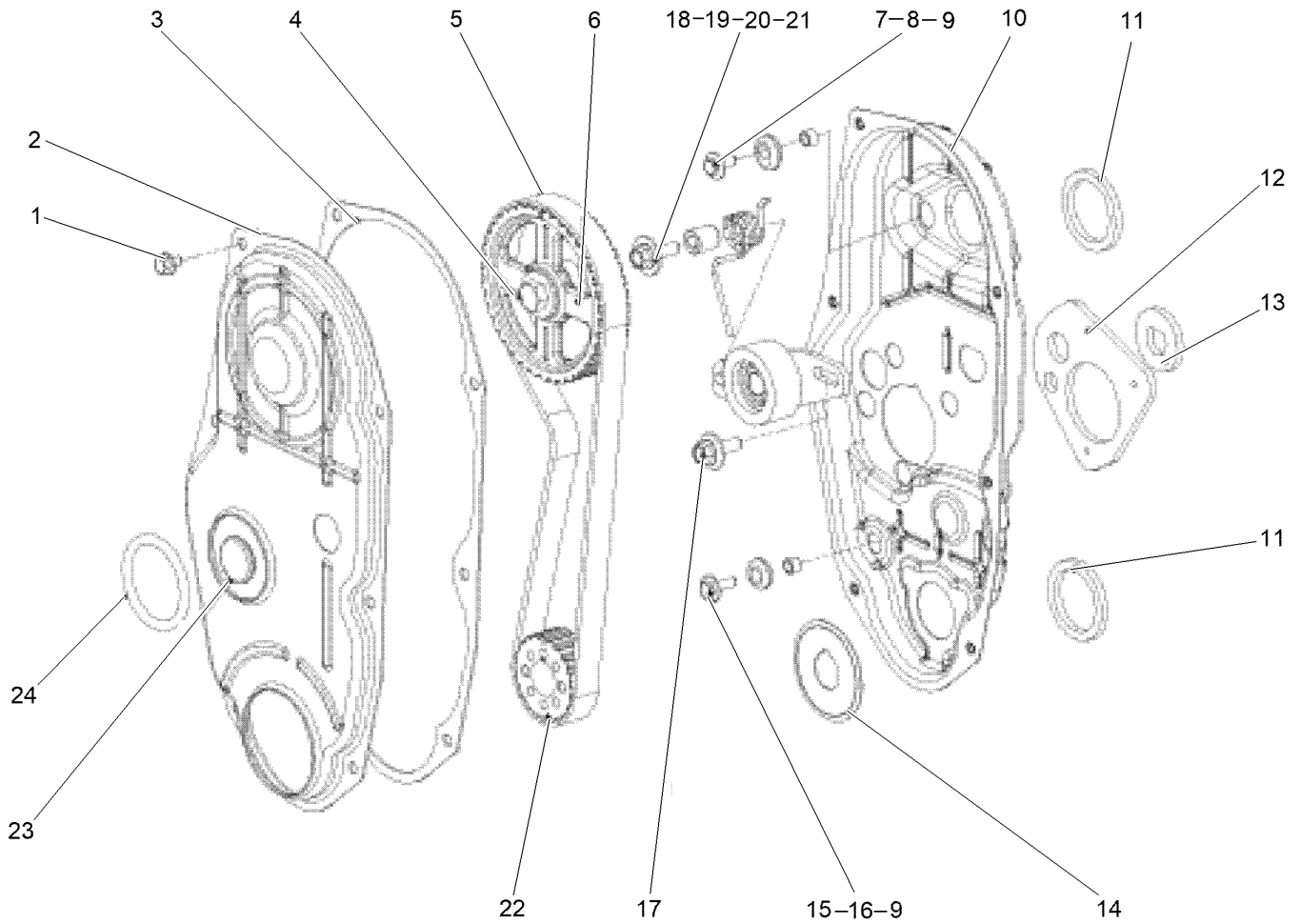
| <i>Ref.</i> | <i>Part Number</i> | <i>Qty.</i> | <i>Description</i>     |
|-------------|--------------------|-------------|------------------------|
| 1           | 147-2567           | 8           | Arm, Rocker            |
| 2           | 147-2568           | 1           | Shaft, Rocker Arm      |
| 3           | 147-2569           | 1           | Bolt                   |
| 4           | 147-2570           | 2           | Bolt                   |
| 5           | 147-2571           | 1           | Plate, Camshaft Thrust |
| 6           | 147-2572           | 8           | Seat, Valve Spring     |
| 7           | 147-2573           | 16          | Rotaton, Valve         |
| 8           | 147-2574           | 8           | Valve, Spring          |
| 9           | 147-2575           | 4           | Valve, Exhaust         |
| 10          | 147-2576           | 1           | Camshaft               |
| 11          | 147-2577           | 1           | Seal, Camshaft         |
| 13          | 147-2578           | 4           | Valve, Intake          |
| 14          | 147-2579           | 8           | Seal, Valve Stem       |
| 15          | 147-2580           | 8           | Seat, Valve Spring     |





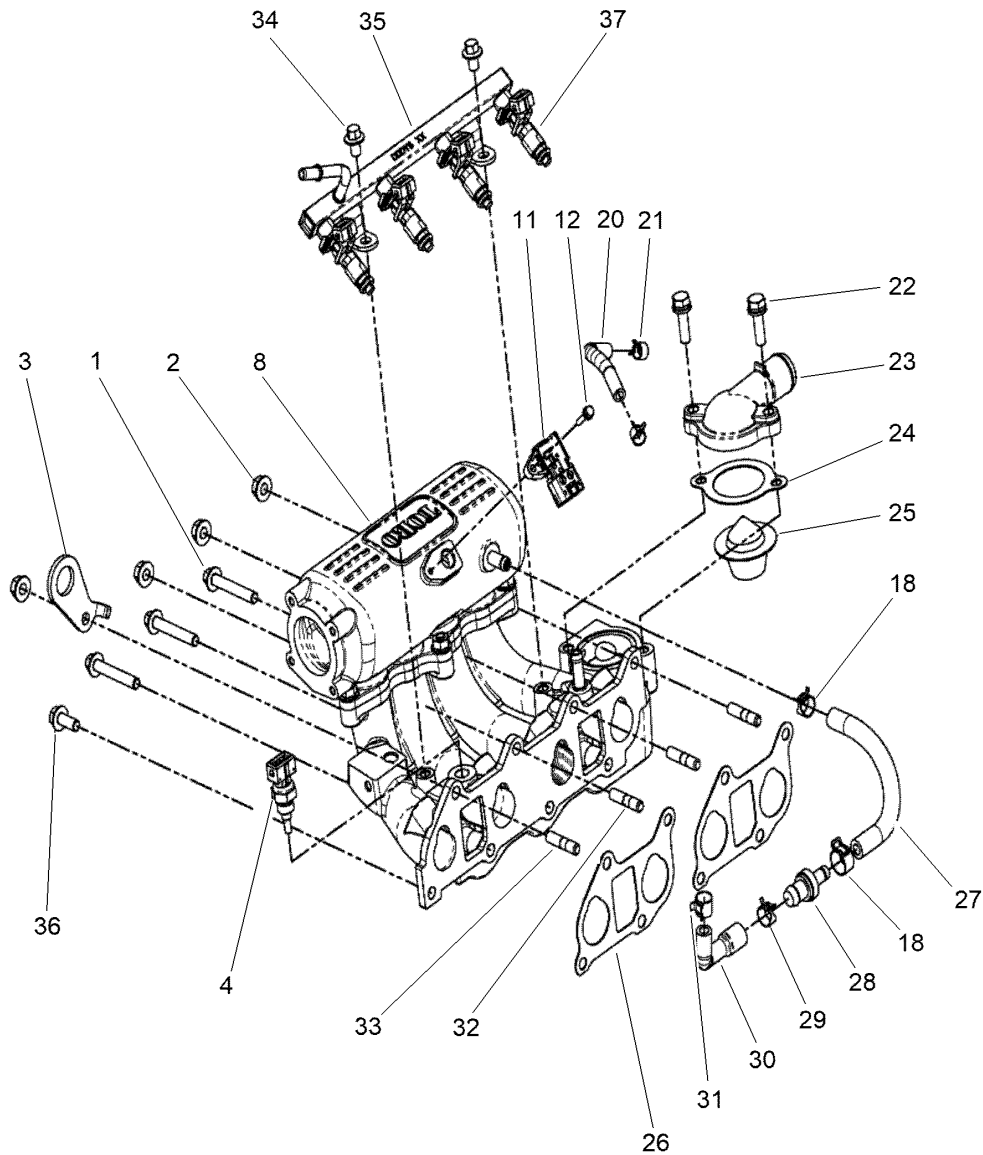
## Cylinder Head Assembly

| <b>Ref.</b> | <b>Part Number</b> | <b>Qty.</b> | <b>Description</b>              |
|-------------|--------------------|-------------|---------------------------------|
| 6           | 147-2581           | 1           | Bolt                            |
| 7           | 147-2582           | 1           | Sensor, Camshaft                |
| 9           | 147-2583           | 4           | Bolt, Intake Manifold           |
| 11          | 147-2584           | 1           | Housing, Camshaft Sensor        |
| 12          | 147-2585           | 1           | Gasket, Camshaft Sensor Housing |
| 13          | 147-2586           | 2           | Pin, Locating                   |
| 14          | 147-2587           | 1           | Gasket, Cylinder Head           |
| 15          | 147-2588           | 4           | Pin, Locating                   |
| 16          | 147-2589           | 1           | Head, Cylinder                  |
| 17          | 147-2590           | 10          | Bolt, Cylinder Head             |
| 18          | 147-2591           | 1           | Gasket, Rocker Cover            |
| 19          | 147-2592           | 1           | Cover, Rocker                   |
| 20          | 147-2593           | 4           | Spacer                          |
| 21          | 147-2594           | 1           | Cap, Oil                        |
| 23          | 147-2595           | 4           | Bolt, Rocker Cover              |



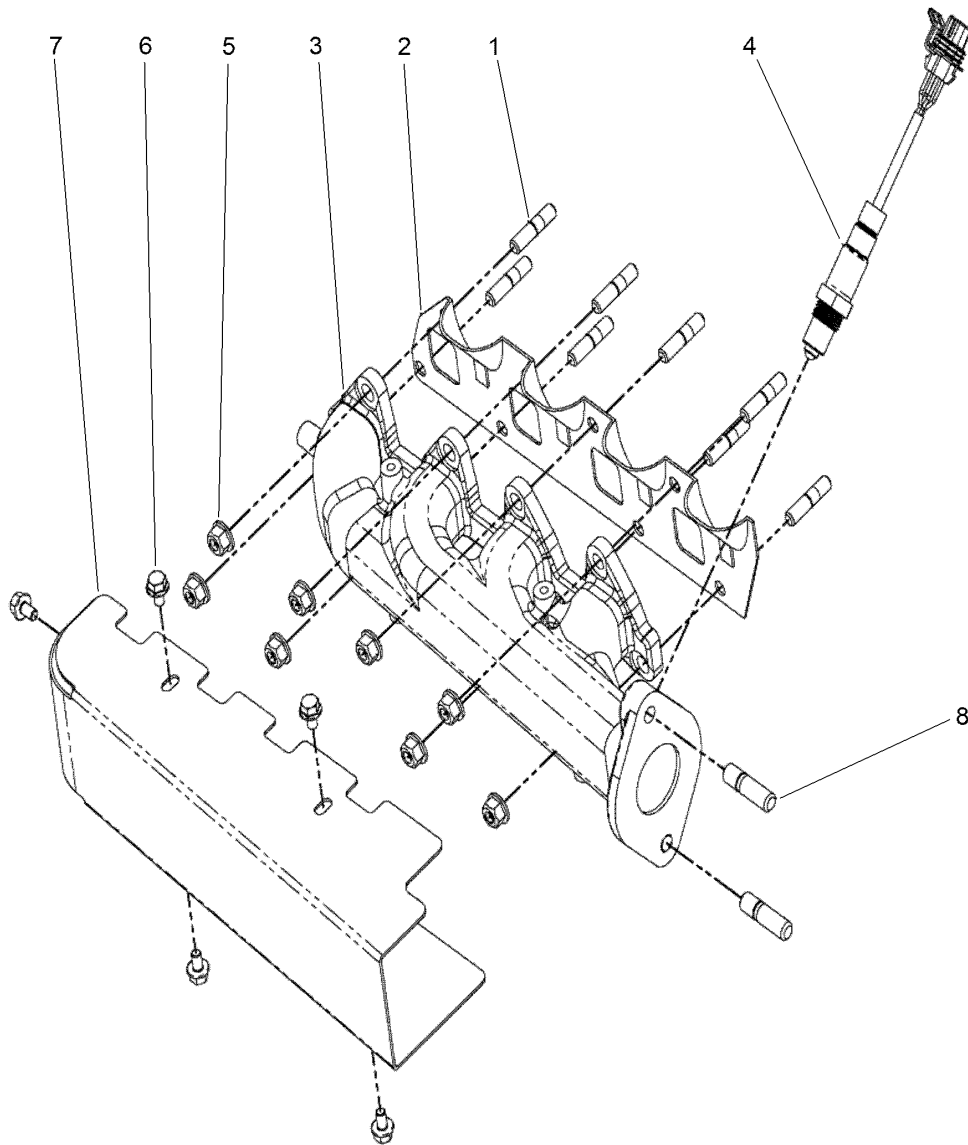
## Timing Cover Assembly

| <i>Ref.</i> | <i>Part Number</i> | <i>Qty.</i> | <i>Description</i>      | <i>Ref.</i> | <i>Part Number</i> | <i>Qty.</i> | <i>Description</i>               |
|-------------|--------------------|-------------|-------------------------|-------------|--------------------|-------------|----------------------------------|
| 1           | 147-2596           | 1           | Bolt                    | 14          | 147-2609           | 1           | Cover                            |
| 2           | 147-2597           | 1           | Front Cover             | 15          | 147-2610           | 2           | Bolt, Front Cover                |
| 3           | 147-2598           | 1           | Gasket, Front Cover     | 16          | 147-2611           | 2           | Gasket, Rear Cover               |
| 4           | 147-2599           | 1           | Bolt                    | 17          | 147-2612           | 1           | Bolt, Front Cover (Incls Washer) |
| 5           | 147-2600           | 1           | Belt, Timing (90 Teeth) | 18          | 147-2613           | 1           | Bolt, Tensioner                  |
| 6           | 147-2601           | 1           | Sprocket, Camshaft      | 19          | 147-2614           | 1           | Bushing, Torsion Spring          |
| 7           | 147-2602           | 2           | Bolt, Front Cover       | 20          | 147-2615           | 1           | Spring, Torsion                  |
| 8           | 147-2603           | 2           | Washer                  | 21          | 147-2616           | 1           | Tensioner                        |
| 9           | 147-2604           | 4           | Spacer                  | 22          | 147-2617           | 1           | Sprocket, Crankshaft             |
| 10          | 147-2605           | 1           | Rear Cover              | 23          | 147-2618           | 1           | Cover                            |
| 11          | 147-2606           | 2           | Seal, Oil Cover         | 24          | 147-2619           | 1           | Seal, Front Cover                |
| 12          | 147-2607           | 1           | Plate, Cover            |             |                    |             |                                  |
| 13          | 147-2608           | 1           | Washer                  |             |                    |             |                                  |



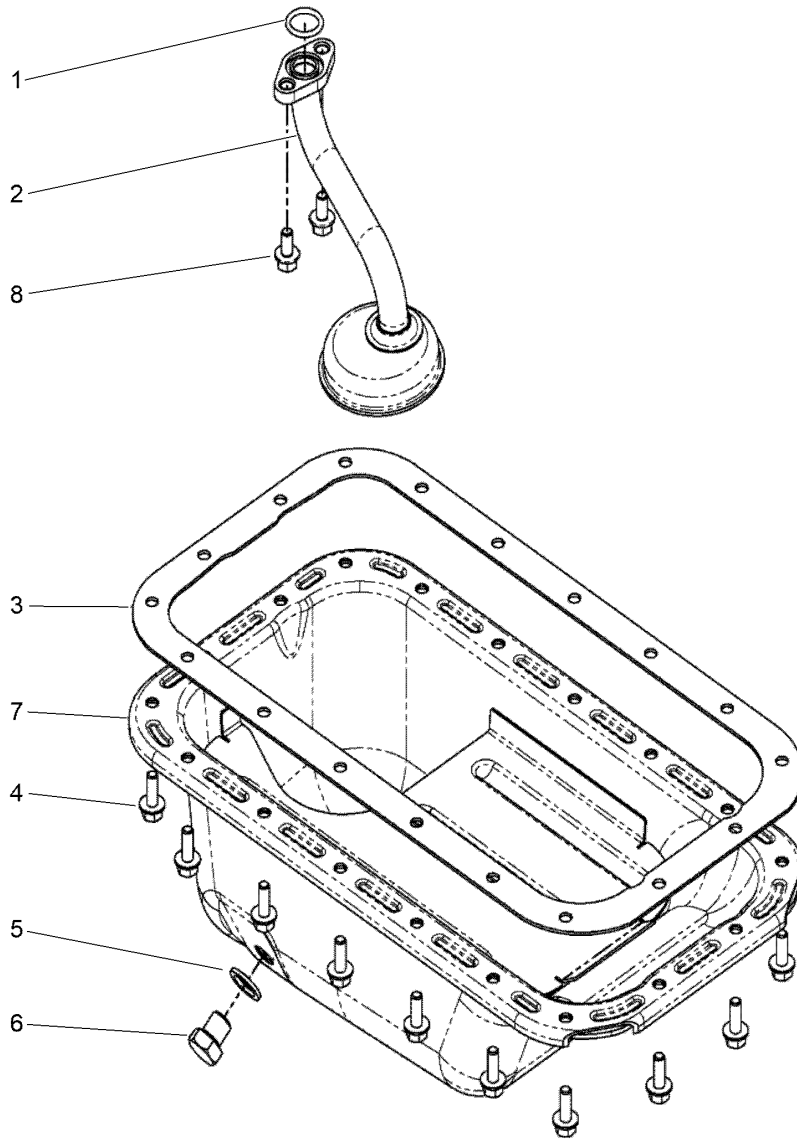
## Intake Manifold Assembly

| <i>Ref.</i> | <i>Part Number</i> | <i>Qty.</i> | <i>Description</i>       | <i>Ref.</i> | <i>Part Number</i> | <i>Qty.</i> | <i>Description</i>      |
|-------------|--------------------|-------------|--------------------------|-------------|--------------------|-------------|-------------------------|
| 1           | 147-2620           | 3           | Bolt, Intake Manifold    | 25          | 147-2633           | 1           | Thermostat              |
| 2           | 147-2621           | 4           | Nut, Intake Manifold     | 26          | 147-2634           | 2           | Gasket, Intake Manifold |
| 3           | 147-2622           | 1           | Lifting Eye              | 27          | 147-2635           | 1           | Hose, Pvc Vent          |
| 4           | 147-2623           | 1           | Sensor, Water Temp       | 28          | 147-2636           | 1           | Pcv                     |
| 8           | 147-2624           | 1           | Manifold, Intake         | 29          | 147-2637           | 1           | Clamp                   |
| 11          | 147-2625           | 1           | Sensor, Air              | 30          | 147-2638           | 1           | Hose, Pcv               |
| 12          | 147-2626           | 1           | Bolt                     | 31          | 147-2639           | 1           | Clamp                   |
| 18          | 147-2627           | 2           | Clamp                    | 32          | 147-2640           | 3           | Stud, Intake Manifold   |
| 20          | 147-2628           | 1           | Hose, Coolant            | 33          | 147-2641           | 1           | Stud, Exhaust Manifold  |
| 21          | 147-2629           | 2           | Clamp                    | 34          | 147-2642           | 2           | Bolt, Fuel Rail         |
| 22          | 147-2630           | 2           | Bolt                     | 35          | 147-2643           | 1           | Rail, Fuel              |
| 23          | 147-2631           | 1           | Outlet, Water            | 36          | 147-2583           | 1           | Bolt, Intake Manifold   |
| 24          | 147-2632           | 1           | Gasket, Thermostat Cover | 37          | 145-7936           | 4           | Injector W/Clip         |



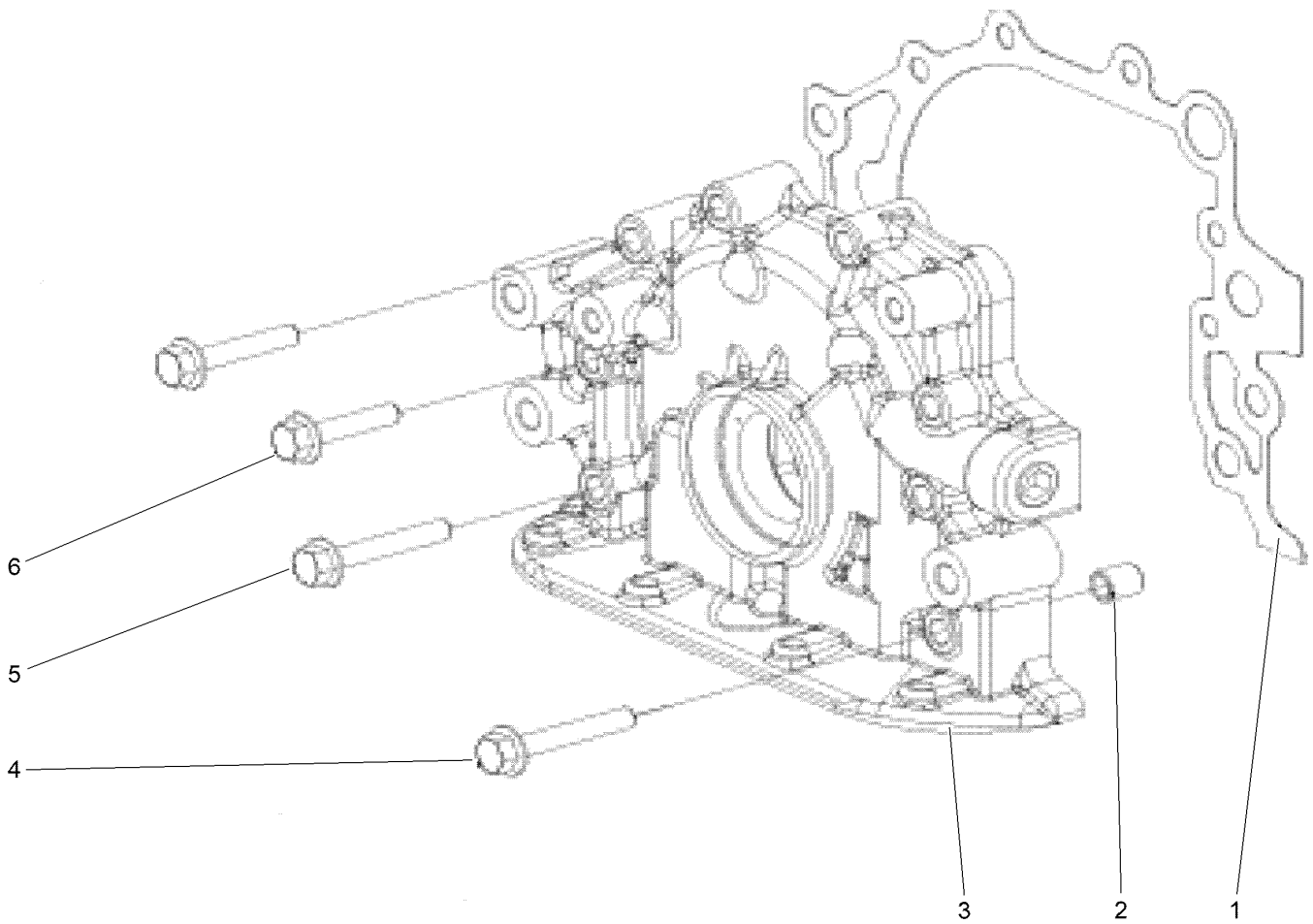
## Exhaust Manifold Assembly

| <i>Ref.</i> | <i>Part Number</i> | <i>Qty.</i> | <i>Description</i>       |
|-------------|--------------------|-------------|--------------------------|
| 1           | 147-2644           | 8           | Stud                     |
| 2           | 147-2645           | 1           | Gasket, Exhaust Manifold |
| 3           | 147-2646           | 1           | Manifold, Exhaust        |
| 4           | 147-2647           | 1           | Sensor, O2               |
| 5           | 147-2648           | 8           | Nut                      |
| 6           | 147-2649           | 5           | Screw                    |
| 7           | 147-2650           | 1           | Shield, Exhaust          |
| 8           | 147-2651           | 2           | Stud                     |



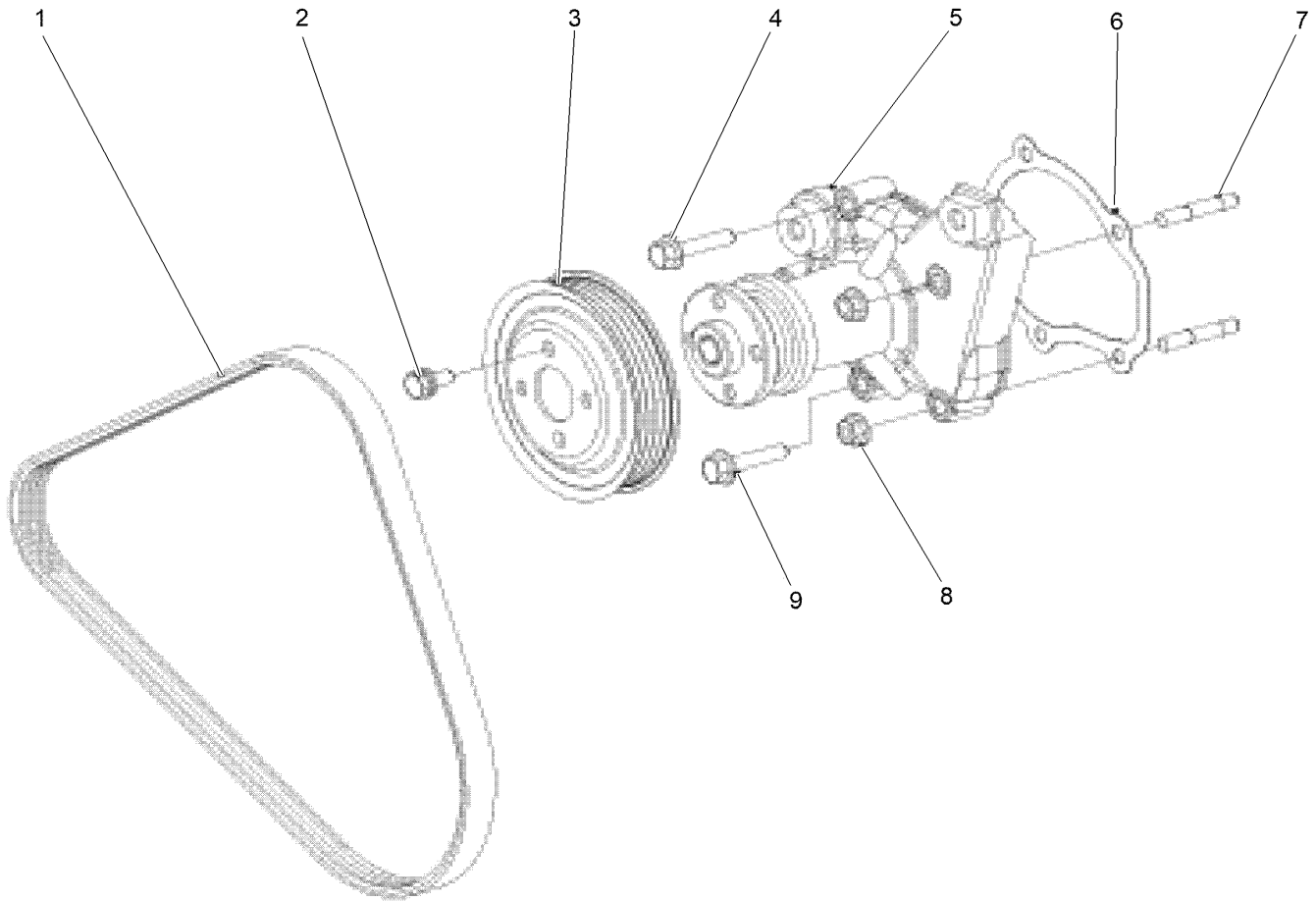
## Oil Pan Assembly

| <i>Ref.</i> | <i>Part Number</i> | <i>Qty.</i> | <i>Description</i> |
|-------------|--------------------|-------------|--------------------|
| 1           | 147-2652           | 1           | Seal, Oil Strainer |
| 2           | 147-2653           | 1           | Tube, Oil Pick Up  |
| 3           | 147-2654           | 1           | Gasket, Oil Pan    |
| 4           | 147-2569           | 18          | Bolt               |
| 5           | 147-2655           | 1           | Seal, Drain Plug   |
| 6           | 147-2656           | 1           | Plug, Drain        |
| 7           | 147-2657           | 1           | Pan, Oil           |
| 8           | 147-2658           | 2           | Bolt               |



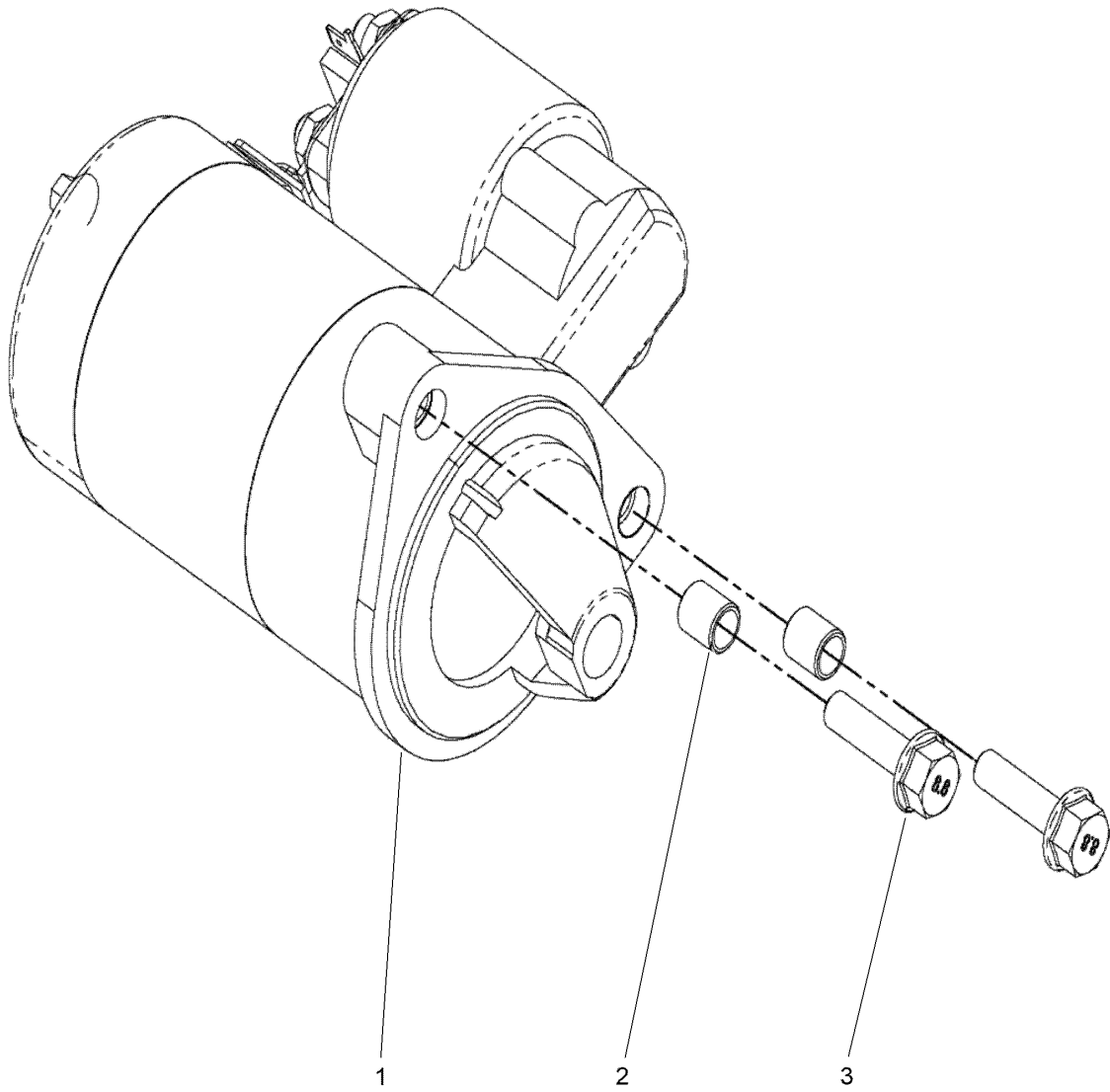
## Oil Pump Assembly

| <i>Ref.</i> | <i>Part Number</i> | <i>Qty.</i> | <i>Description</i> |
|-------------|--------------------|-------------|--------------------|
| 1           | 147-2659           | 1           | Gasket, Oil Pump   |
| 2           | 147-2555           | 1           | Bushing            |
| 3           | 147-2660           | 1           | Pump, Oil          |
| 4           | 147-2661           | 1           | Bolt, Water Pump   |
| 5           | 147-2662           | 3           | Bolt, Water Pump   |
| 6           | 147-2663           | 5           | Bolt, Oil Pump     |



## Water Pump Assembly

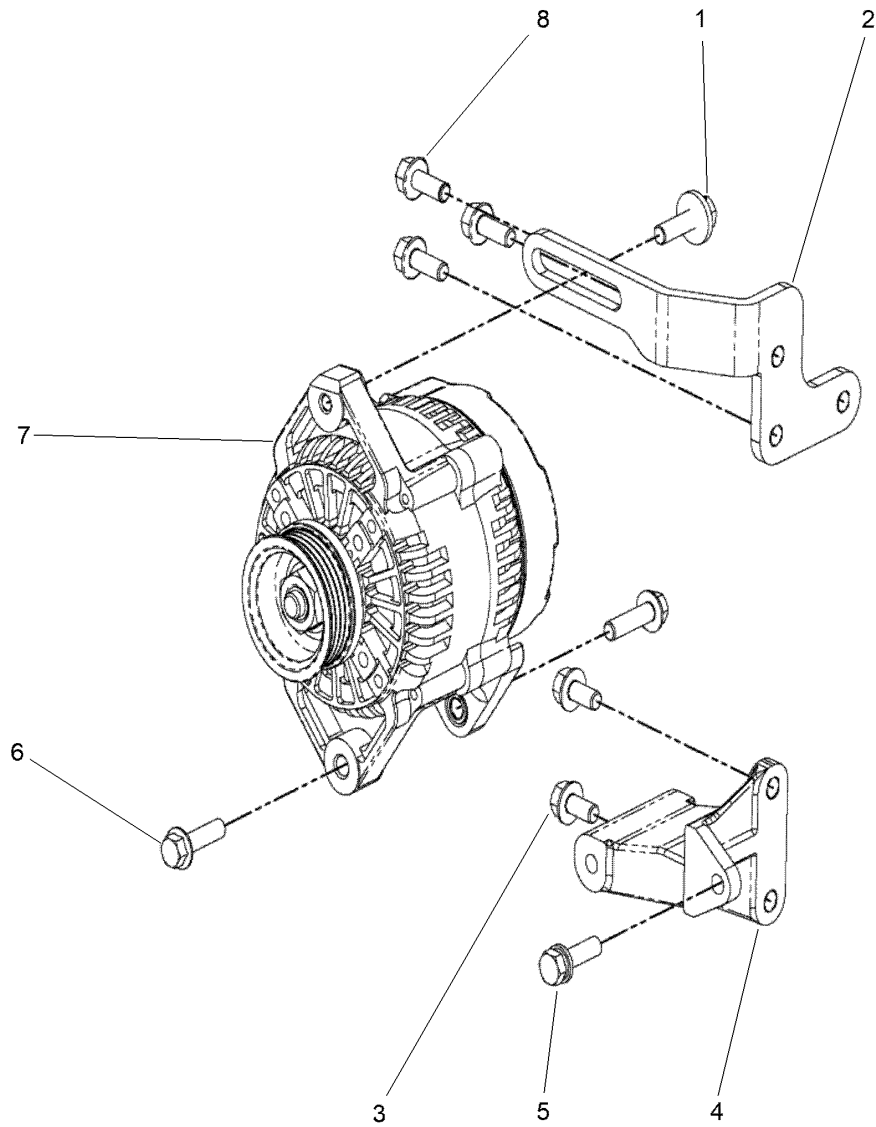
| <i>Ref.</i> | <i>Part Number</i> | <i>Qty.</i> | <i>Description</i> |
|-------------|--------------------|-------------|--------------------|
| 1           | 147-2664           | 1           | Belt               |
| 2           | 147-2665           | 4           | Bolt               |
| 3           | 147-2666           | 1           | Pulley, Water Pump |
| 4           | 147-2661           | 1           | Bolt, Water Pump   |
| 5           | 147-2667           | 1           | Pump, Water        |
| 6           | 147-2668           | 1           | Gasket, Water Pump |
| 7           | 147-2669           | 2           | Stud, Water Pump   |
| 8           | 147-2670           | 2           | Nut                |
| 9           | 147-2662           | 1           | Bolt, Water Pump   |



## Starter Assembly

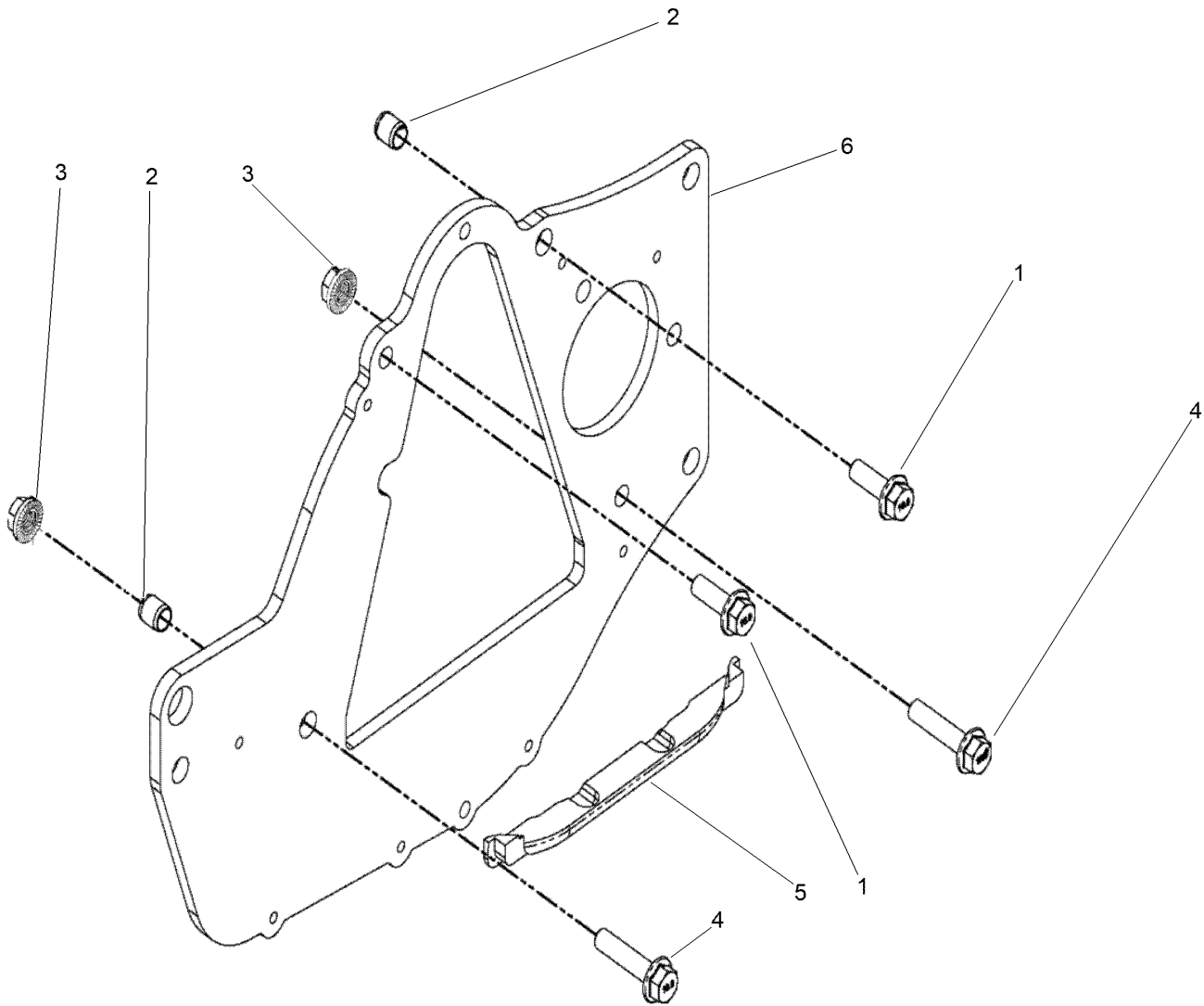
| <i>Ref.</i> | <i>Part Number</i> | <i>Qty.</i> | <i>Description</i> |
|-------------|--------------------|-------------|--------------------|
| 1           | 147-2671           | 1           | Starter            |
| 2           | 147-2672           | 2           | Dowel              |
| 3           | 147-2673           | 2           | Bolt               |





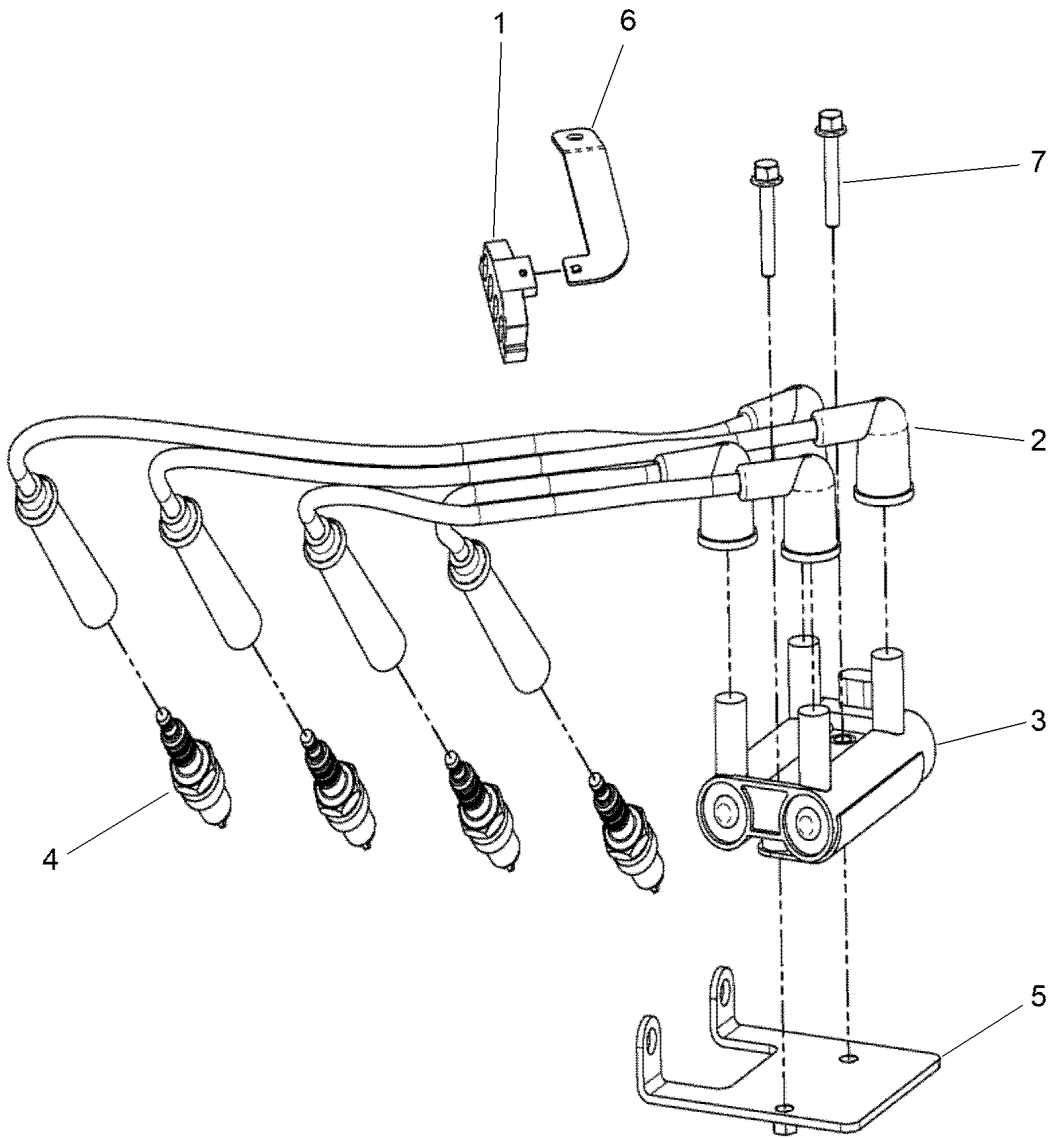
## Alternator Assembly

| Ref. | Part Number | Qty. | Description         |
|------|-------------|------|---------------------|
| 1    | 147-2674    | 1    | Bolt, Alternator    |
| 2    | 147-2675    | 1    | Bracket, Alternator |
| 3    | 147-2676    | 2    | Bolt, Alt Support   |
| 4    | 147-2677    | 1    | Support, Alternator |
| 5    | 147-2678    | 1    | Bolt, Alt Support   |
| 6    | 147-2679    | 1    | Bolt                |
| 7    | 147-2680    | 1    | Alternator          |
| 8    | 147-2681    | 3    | Bolt                |



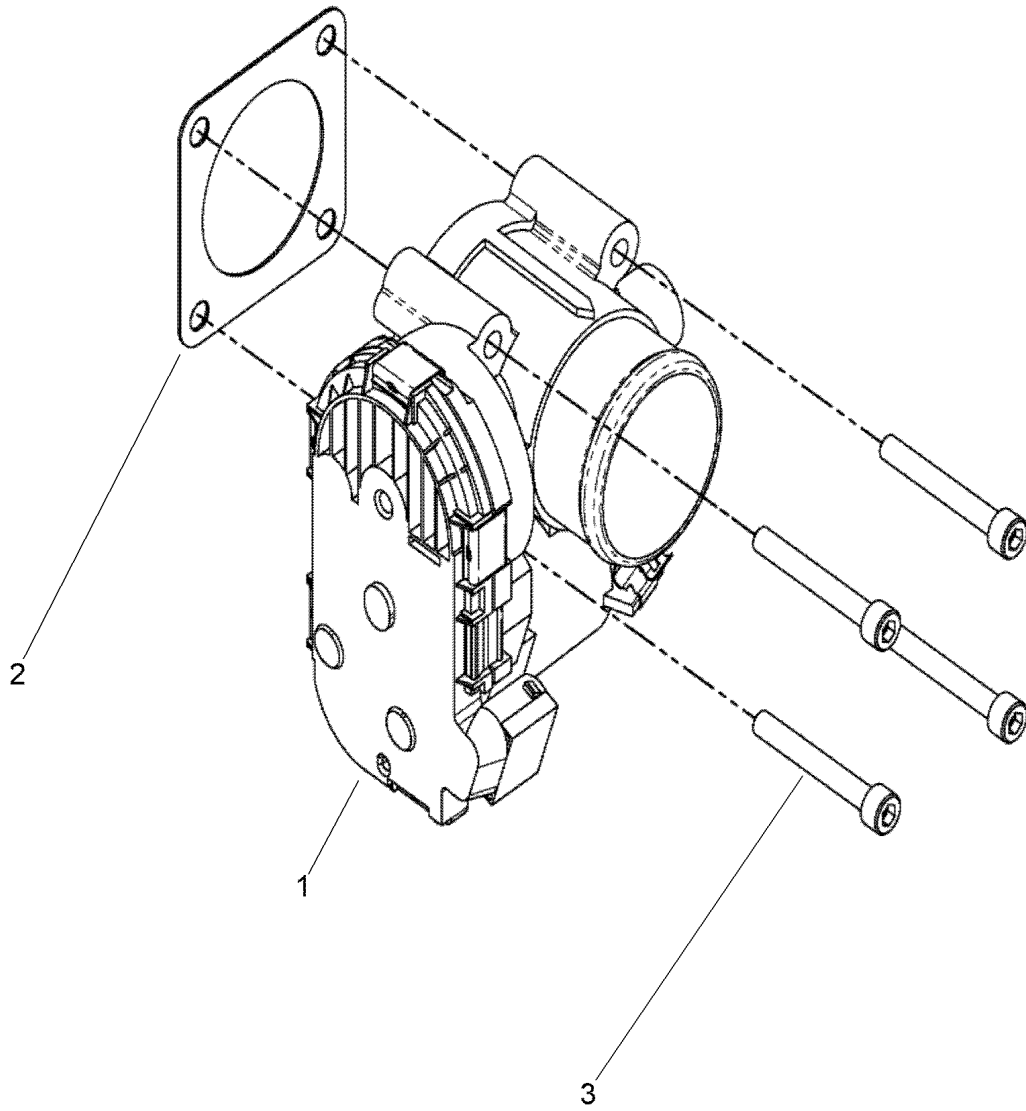
## Rear Plate Assembly

| <i>Ref.</i> | <i>Part Number</i> | <i>Qty.</i> | <i>Description</i> |
|-------------|--------------------|-------------|--------------------|
| 1           | 147-2682           | 2           | Bolt               |
| 2           | 147-2683           | 2           | Spacer             |
| 3           | 147-2684           | 2           | Nut                |
| 4           | 147-2685           | 2           | Bolt               |
| 5           | 145-2003           | 1           | Seal-Plate, Rear   |
| 6           | 144-2201           | 1           | Plate-Engine       |



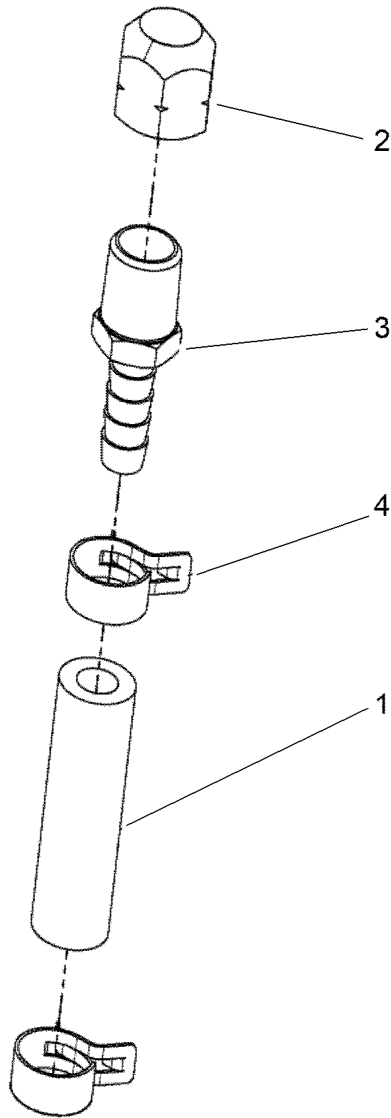
## Ignition Assembly

| <i>Ref.</i> | <i>Part Number</i> | <i>Qty.</i> | <i>Description</i>      |
|-------------|--------------------|-------------|-------------------------|
| 1           | 147-2688           | 1           | Retainer, Wire#4        |
| 2           | 147-2689           | 1           | Wires, Spark Plug       |
| 3           | 147-2690           | 1           | Coil, Ignition          |
| 4           | 145-2128           | 4           | Kit-Spark Plug          |
| 5           | 147-2691           | 1           | Bracket, Coil Rear      |
| 6           | 147-2692           | 1           | Bracket, Ignition Wires |
| 7           | 147-2693           | 2           | Bolt                    |



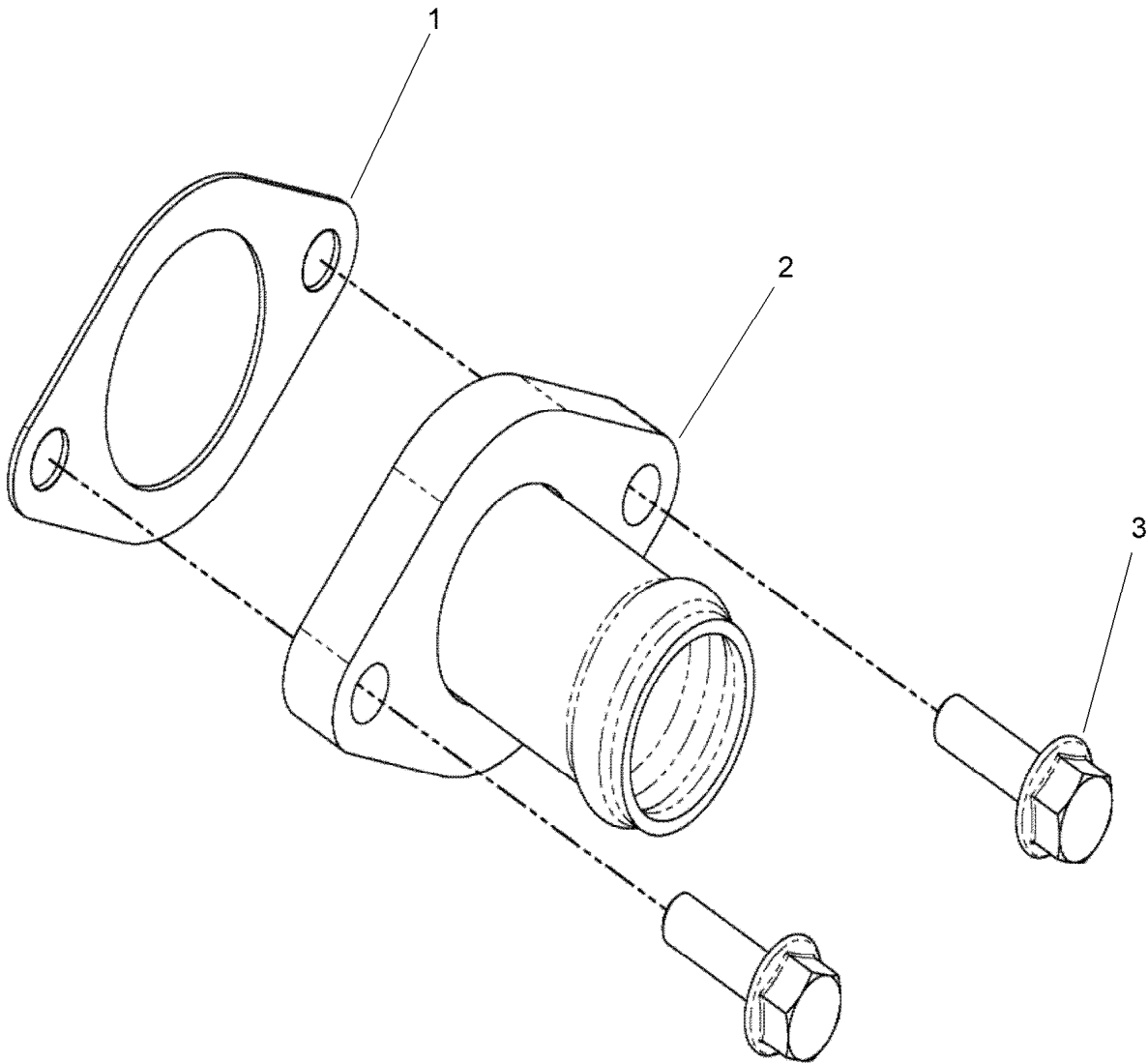
## Throttle Body Assembly

| <i>Ref.</i> | <i>Part Number</i> | <i>Qty.</i> | <i>Description</i> |
|-------------|--------------------|-------------|--------------------|
| 1           | 147-2694           | 1           | Body, Throttle     |
| 2           | 147-2695           | 1           | Gasket             |
| 3           | 147-2696           | 4           | Screw              |



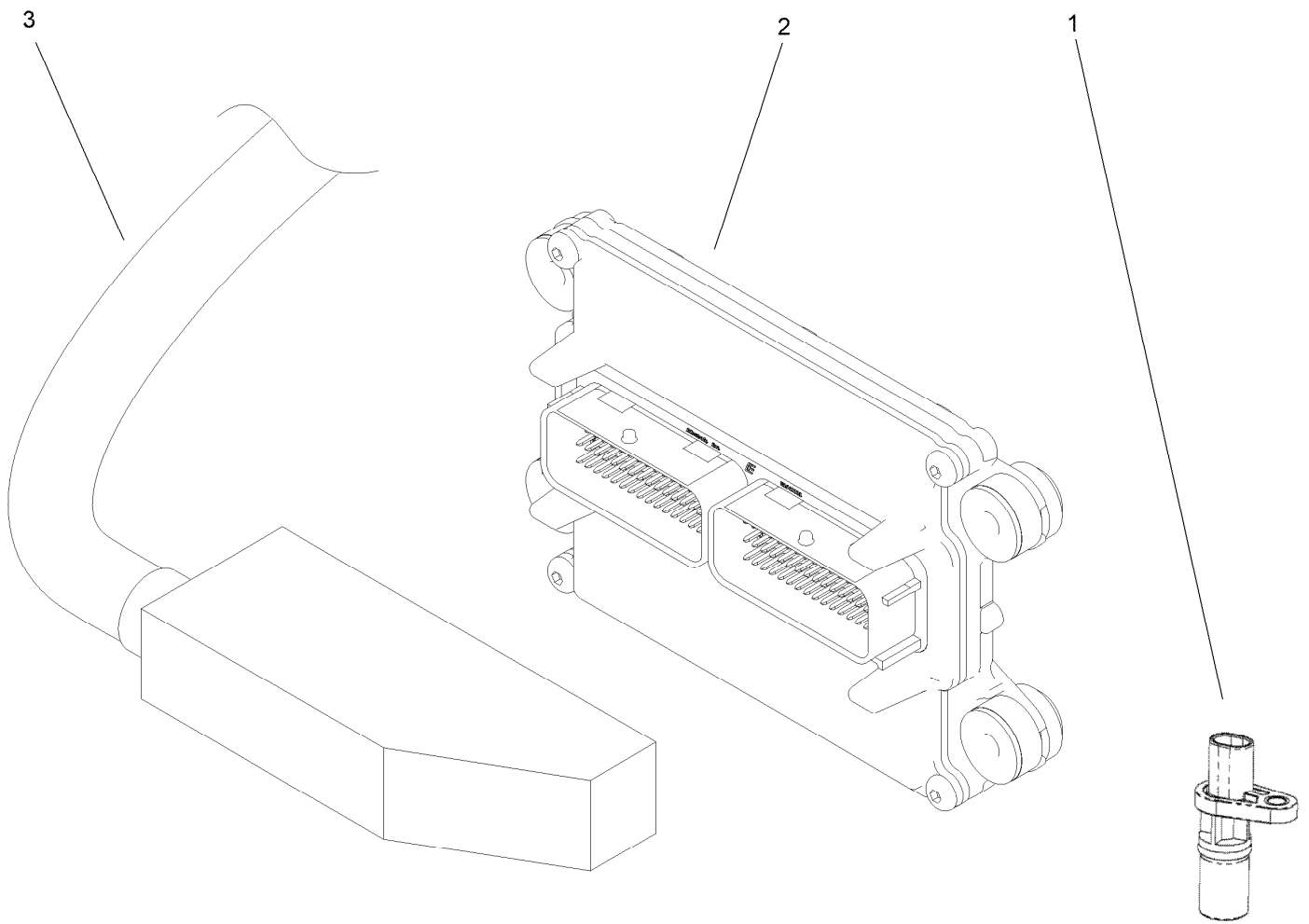
## Coolant Plug Assembly

| <i>Ref.</i> | <i>Part Number</i> | <i>Qty.</i> | <i>Description</i>      |
|-------------|--------------------|-------------|-------------------------|
| 1           | 147-2697           | 1           | Hose, Heater (2 Inches) |
| 2           | 147-2698           | 1           | Fitting                 |
| 3           | 147-2699           | 1           | Fitting                 |
| 4           | 145-2660           | 2           | Clamp, Tension          |



## Coolant Inlet Assembly

| <i>Ref.</i> | <i>Part Number</i> | <i>Qty.</i> | <i>Description</i>      |
|-------------|--------------------|-------------|-------------------------|
| 1           | 145-2661           | 1           | Gasket, Water Inlet     |
| 2           | 145-2662           | 1           | Inlet, Coolant Straight |
| 3           | 145-2663           | 2           | Bolt, Flange            |



## Electrical Assembly

| <i>Ref.</i> | <i>Part Number</i> | <i>Qty.</i> | <i>Description</i>          |
|-------------|--------------------|-------------|-----------------------------|
| 1           | 145-2010           | 1           | Sensor-Position, Crankshaft |
| 2           | 144-2232           | 1           | Ecu                         |
| 3           | 145-2666           | 1           | Harness                     |

# Attachments and Accessories

## For 08100 Workman UTX 2 Passenger Utility Vehicle

| <b>Product Name</b>                         | <b>Model/Part</b> |
|---|-------------------|
| Canopy-Standard .....                       | 08110             |
| Glass Windshield and Wiper .....            | 08112             |
| Polycarbonate Windshield .....              | 08113             |
| Polycarbonate Doors - Standard.....         | 08114             |
| Polycarbonate Rear Windshield .....         | 08116             |
| Overhead Console and Wire Harness .....     | 08130             |
| Work Lights.....                            | 08131             |
| Beacon .....                                | 08132             |
| Electric Bed Lift.....                      | 08134             |
| Supervisor Key .....                        | 08136             |
| Side View Mirror Kit .....                  | 08140             |
| Rear View Mirror Kit.....                   | 08141             |
| Center Bed Racking, Workman UTX/MDX .....   | 08142             |
| Under Seat Storage .....                    | 08143             |
| 27in Alloy Wheels and Tires.....            | 08144             |
| Draw Bar.....                               | 08146             |
| Side Bed Racking, Workman UTX/MDX/GTX.....  | 08148             |
| Reverse Alarm Kit.....                      | 131-8549          |
| Wrench-Adjuster, Spring.....                | 139-4678          |
| Puller-Clutch, UTX.....                     | 140-4672          |
| Universal Wireless Hourmeter Kit .....      | 144-2436          |
| Universal 12V Power Point Kit .....         | 144-2438          |
| Spark Arrester Kit .....                    | 144-2443          |
| Toro Premium Synthetic Transaxle Fluid..... | 145-2048          |



**Notes:**

**Notes:**

**Notes:**



**Count on it.**