



**Count on it.**

**Parts Catalog**

**Workman® UTX  
2 Passenger Utility Vehicle**

Model No. 08100—Serial No. 40000000 and Up



# Ordering Replacement Parts

To order replacement parts, please supply the part number, the quantity, and the description of each part desired.

## Understanding Reference Numbers

Each identified part in an illustration has a reference number. The reference number for a part also appears in the parts list, along with other information about the part.

This catalog uses two special reference number formats, one to indicate parts in a service assembly and another to indicate the quantity of a given part in an illustration.

## Service Assembly Reference Numbers

Parts in service assemblies have reference numbers in the form a:b. The a represents the reference number of the entire service assembly and the b represents a sequential number unique to each part within the service assembly.

For example, a wheel assembly might be identified by reference number 6, the tire by 6:1, the valve by 6:2, and the wheel by 6:3. When you order the assembly identified by reference number 6, you receive all parts identified by reference numbers 6:1, 6:2, and 6:3. However, you may also order any part individually. Reference numbers of this type appear in illustration and in parts lists.

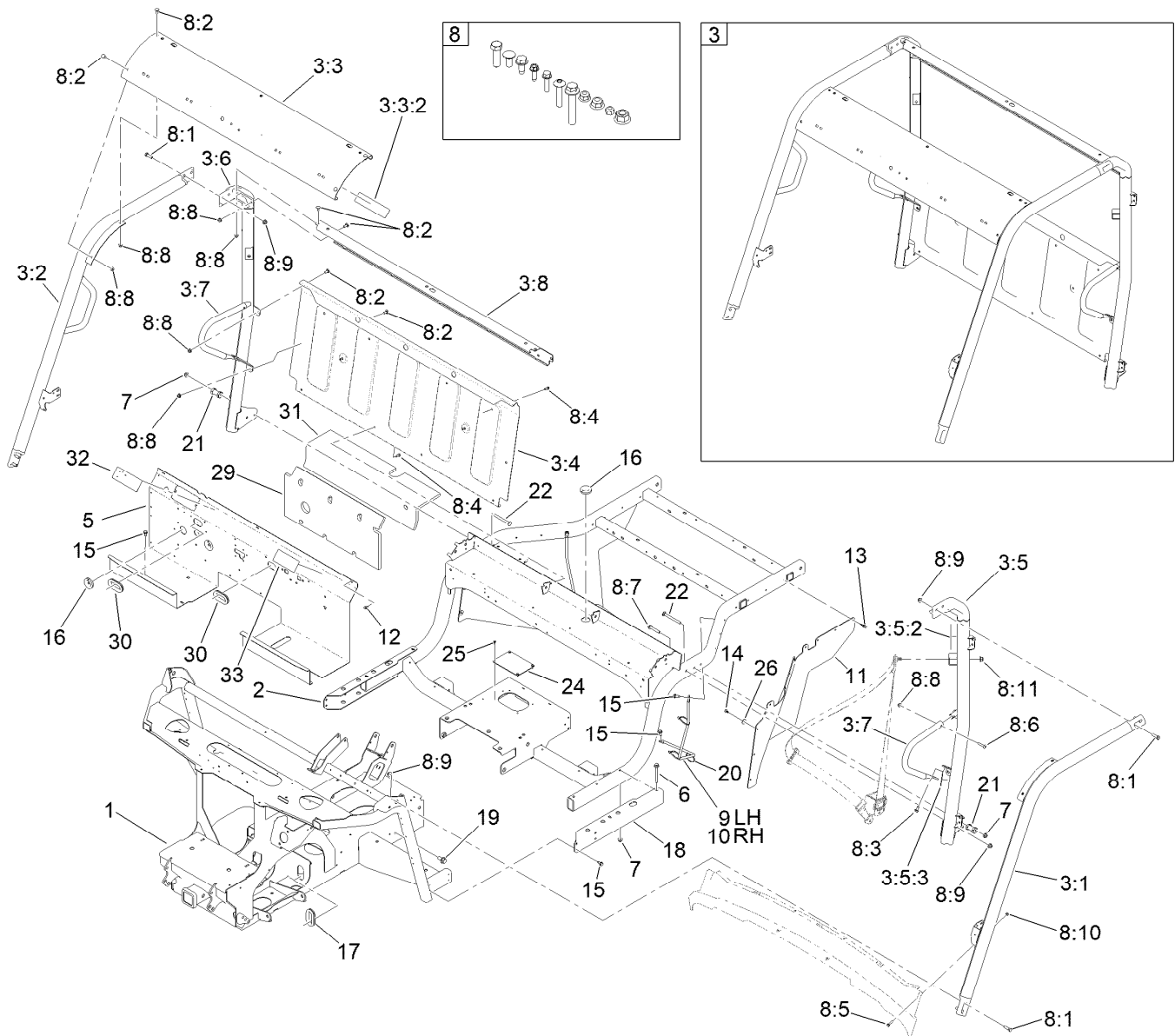
## Reference Numbers Indicating Quantity

In an illustration, if a reference number indicates more than one part, the reference number has the form nX y. The n represents the quantity of the part, the X is the multiplication symbol, and the y represents the reference number.

For example, in an illustration, the reference number 2X 37 means that two of the parts identified by reference number 37 are indicated.

# Contents

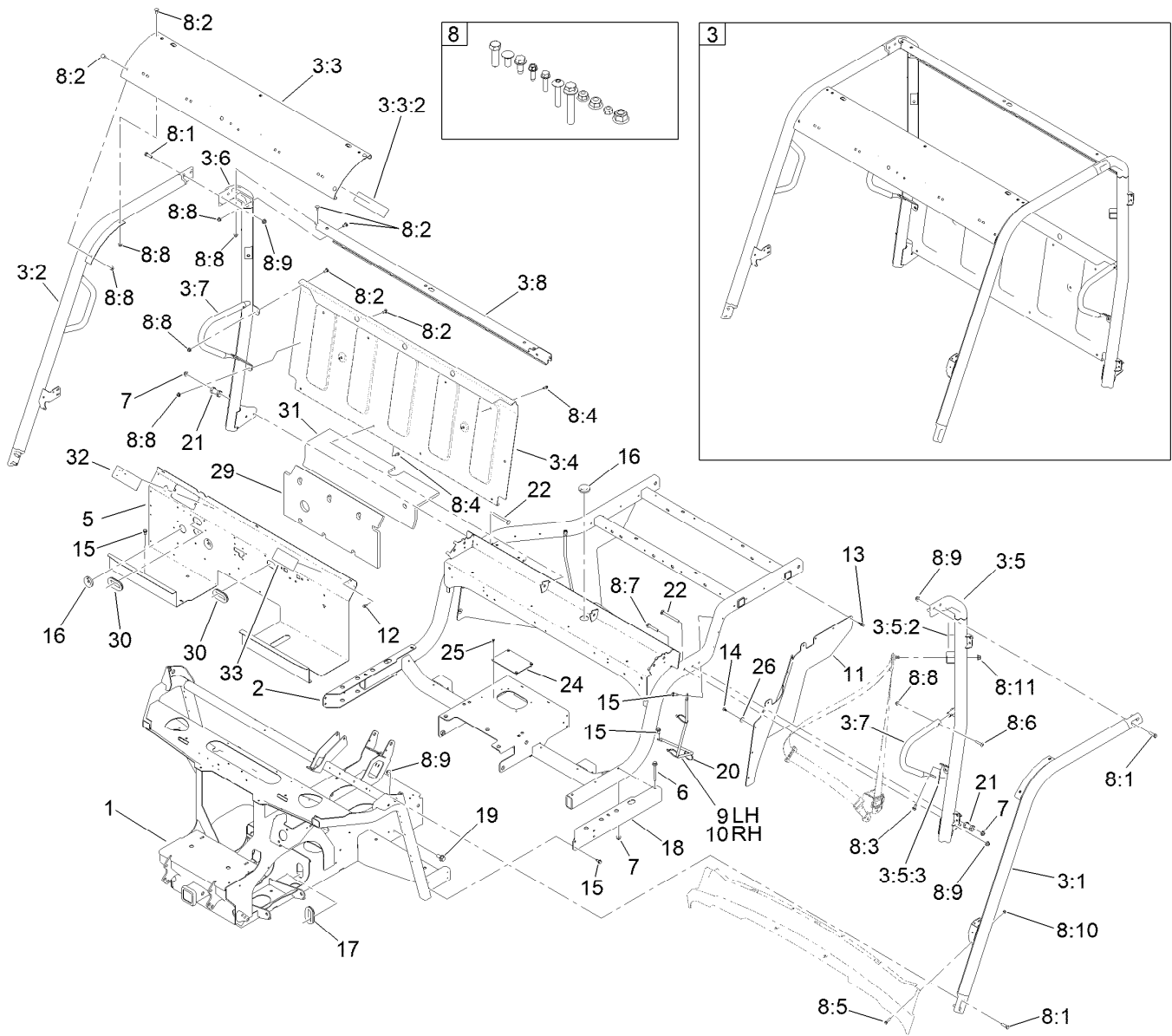
Frame and ROPS Assembly	4
Front Suspension Assembly	6
Front Control Arm Assembly No. 145-7771	7
Rear Suspension and Subframe Assembly	8
Pedals and Controls Assembly	10
Steering Assembly	11
Brake Assembly	12
Master Cylinder Assembly No. 104-6782	13
Brake Caliper Assembly No. 127-7424	14
Hood and Front Fender Assembly	15
Dash Assembly	16
Seat Base Assembly	17
Cargo Bed Assembly	18
Cargo Bed Kit Assembly	19
Electrical Assembly	20
Battery Assembly	22
Engine Drivetrain and Exhaust Assembly	23
Engine, Transaxle and Clutch Assembly	24
Transaxle Assembly No. 140-2611	25
Secondary Clutch Assembly No. 139-4591	26
Primary Clutch Assembly No. 139-4590	27
Front Differential and Driveshaft Assembly	28
Front Differentail Assembly No. 140-4752	29
Intermediate Driveshaft Assembly No. 140-4771	30
Driveshaft Assembly No. 140-2647	31
Cooling System Assembly	32
Radiator Assembly No. 140-2641	33
Fuel System Assembly	34
Air Cleaner Assembly	35
Air Cleaner Assembly No. 106-5277	36
Hose Intake Assembly No. 145-2118	37
Cylinder Block Assembly	38
Crankshaft and Piston Assembly	39
Camshaft and Rocker Arm Assembly	40
Cylinder Head Assembly	41
Timing Cover Assembly	42
Intake Manifold Assembly	43
Exhaust Manifold Assembly	44
Oil Pan Assembly	45
Oil Pump Assembly	46
Water Pump Assembly	47
Starter Assembly	48
Alternator Assembly	49
Rear Plate Assembly	50
Ignition Assembly	51
Throttle Body Assembly	52
Coolant Plug Assembly	53
Coolant Inlet Assembly	54
Electrical Assembly	55
Attachments and Accessories	56



## Frame and ROPS Assembly

Ref.	Part Number	Qty.	Description	Ref.	Part Number	Qty.	Description
1	136-9268-03	1	Front Frame ASM [black]	8	144-2286	1	Standard ROPS Hardware Kit
2	137-2800-03	1	Rear Frame ASM [black]	8:1	144-2258	8	Screw-HH
3		1	Standard ROPS Kit ●	8:2	144-2265	12	Bolt-CARR
3:1	137-2737-05	1	Front ROPS ASM-LH	8:3	32144-70	4	Screw-HWHTF
3:2	137-2738-05	1	Front ROPS ASM-RH	8:4	49-2040	10	Screw-HWHTF
3:3	140-2583	1	ROPS Front Crosslink ASM	8:5	32144-86	2	Screw-HWHTF
3:3:2	144-1143	1	Decal-Utx, Safety	8:6	126-7439	2	Screw-Torx
3:4	138-9438-05	1	Panel-Back, Seat	8:7	144-2409	2	Screw-HHF
3:5	140-2597	1	LH ROPS Rear Tube ASM	8:8	104-8300	14	Nut-HF, NI
3:5:2	145-2215	1	Decal-ROPS Safety, Utx	8:9	104-8301	10	Nut-HF, NI
3:5:3	144-2267	1	Decal-Compliance, ROPS	8:10	3296-73	2	Nut-Lock, NI
3:6	137-2726-05	1	ROPS Rear Tube ASM-RH	8:11	144-2269	2	Nut-HF, NI
3:7	138-5787-05	2	Tube-Restraint, Shoulder	9	139-3432	1	Support-Skirt, LH Side
3:8	137-6892-05	1	Crosslink-Rear, ROPS	10	139-3433	1	Support-Skirt, RH Side
5	145-7960-03	1	Panel-Underseat	11	138-9409	2	Skirt-Side
6	116-4701	4	Screw-HHF	12	32144-4	3	Screw-HWH
7	104-8301	6	Nut-HF, NI	13	125-9622	16	Rivet-Blind

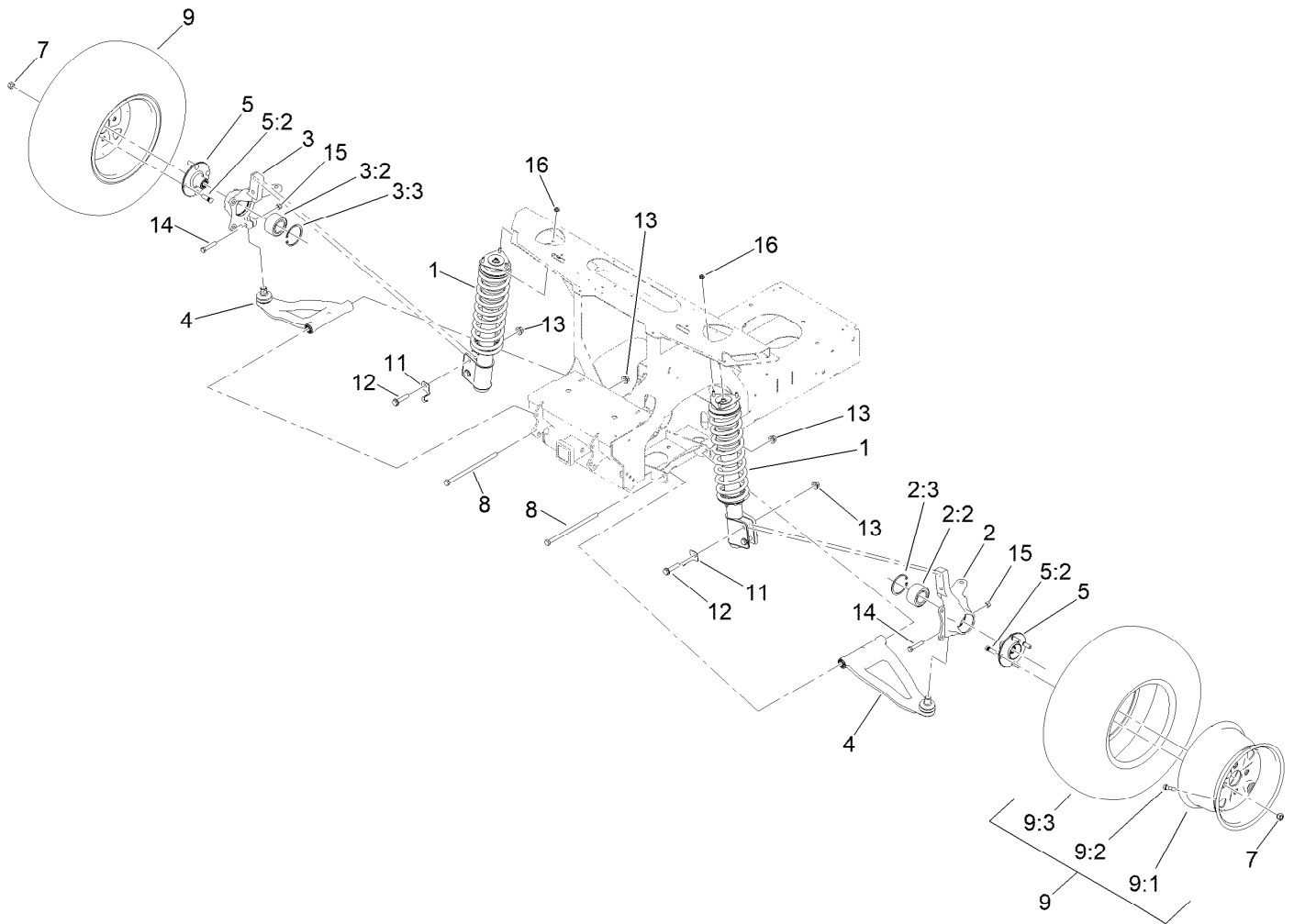
● Not serviced separately



## Frame and ROPS Assembly (continued)

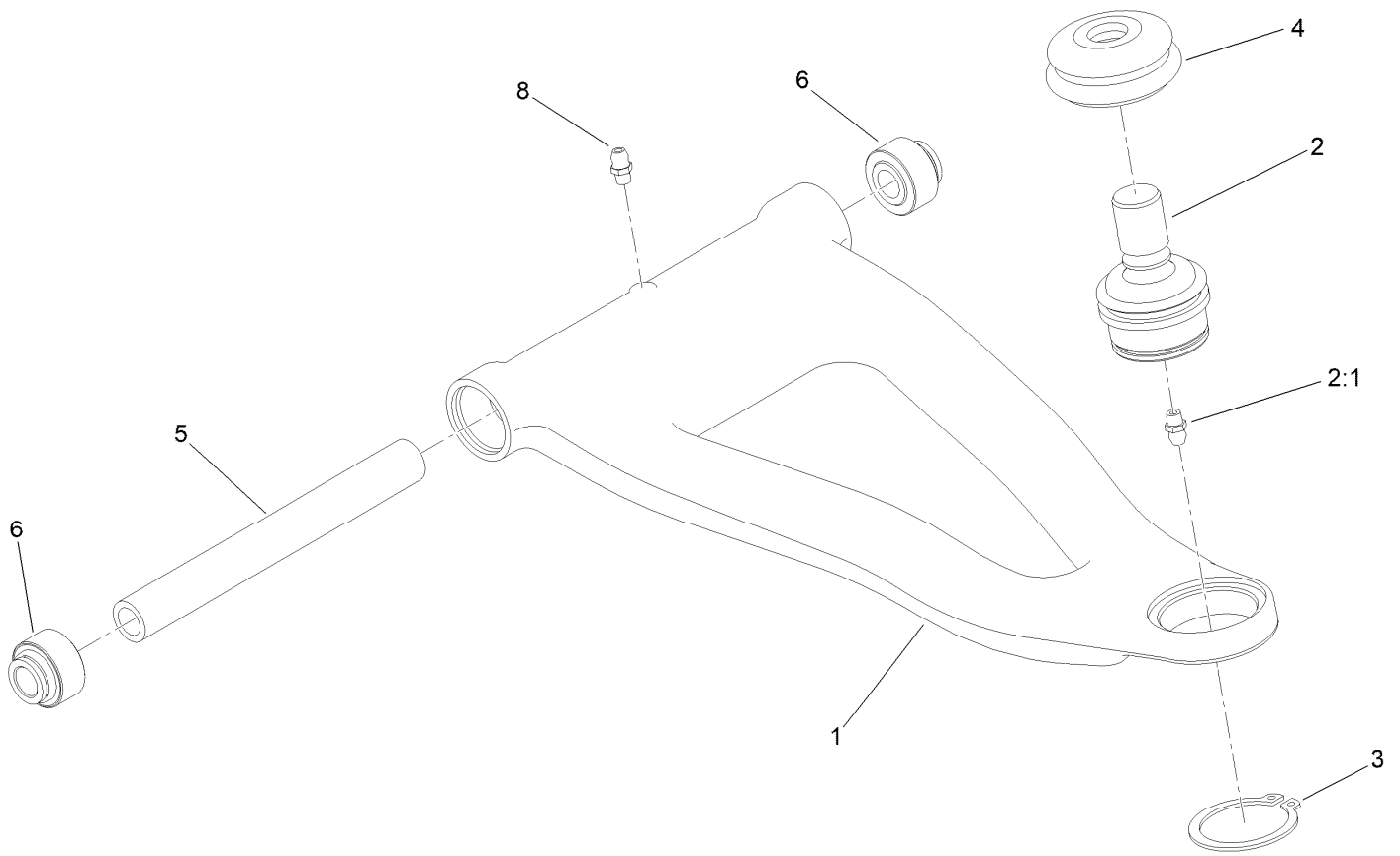
Ref.	Part Number	Qty.	Description	Ref.	Part Number	Qty.	Description
14	138-5775	6	Screw-Delta Point	24	144-2245	1	Cover-Access
15	32144-70	16	Screw-HWHTF	25	117-1092	4	Screw-PTH
16	139-3436	3	Grommet	26	3256-67	6	Washer
17	240-12	1	Grommet-Rubber	29	145-7990	1	Foam-Barrier, Heat
18	139-4433-03	2	Rail-Frame	30	110-5090	1	Grommet
19	3234-6	7	Screw-HHF	31	145-7998	1	Foam-Barrier, Heat
20	3290-378	6	Tie-Cable	32	145-2225	1	Decal-Fuse, Utx
21	140-4775	2	Pin-Latch	33	144-2259	1	Decal-Service, Gas
22	3231-37	2	Screw-CARR				

● Not serviced separately



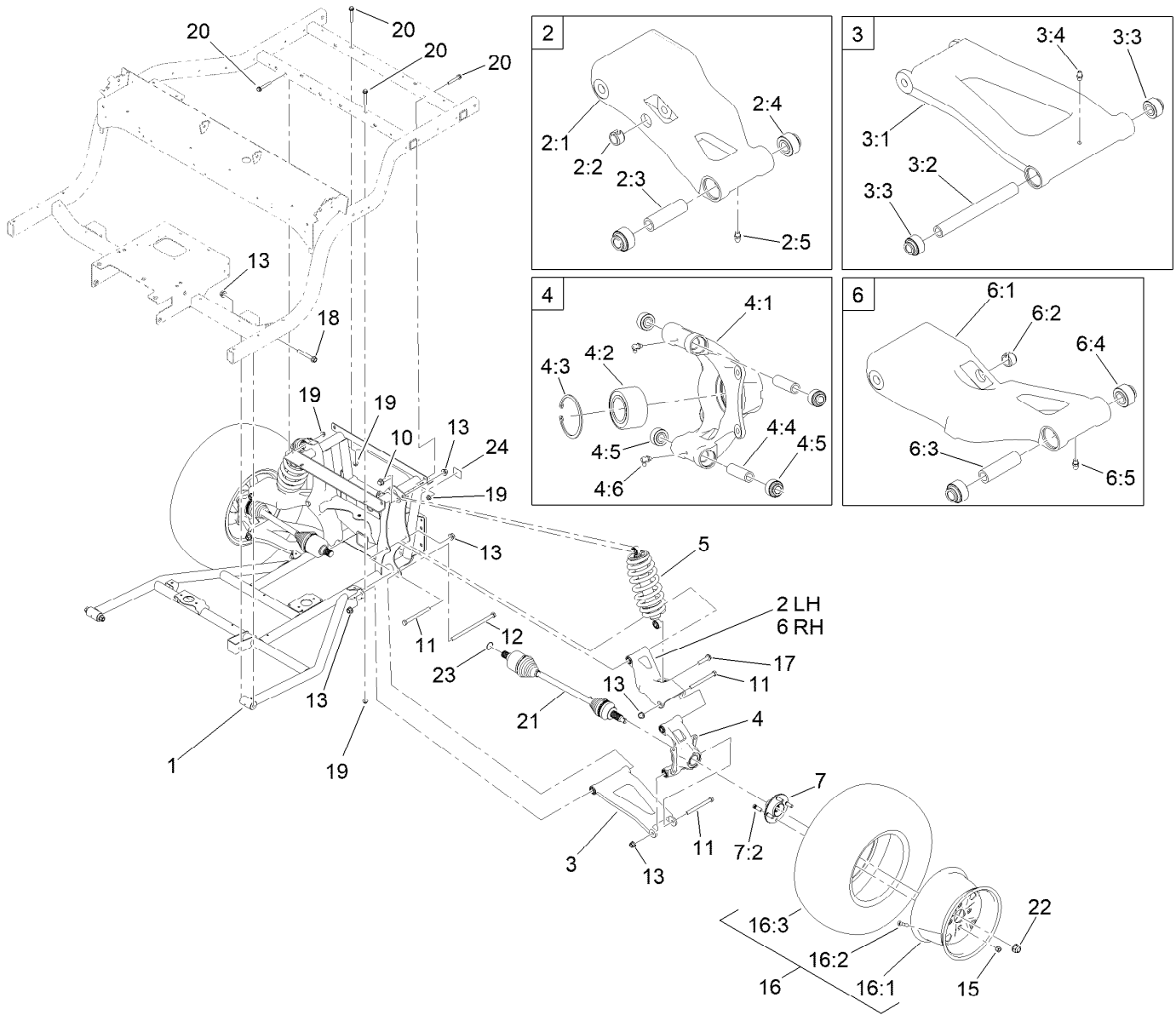
## Front Suspension Assembly

Ref.	Part Number	Qty.	Description	Ref.	Part Number	Qty.	Description
1	147-2706	2	Strut ASM	8	325-39	2	Screw-HH
2	138-9319	1	Knuckle ASM-Front, LH	9	136-9419	2	Tire/Wheel ASM
2:2	133-7272	1	Bearing-Ball	9:1	136-9418	1	Wheel-12X7-12
2:3	144-2207	1	Ring-Retaining	9:2	232-27	1	Stem-Valve
3	138-9320	1	Knuckle ASM-Front, RH	9:3	137-2689	1	Tire
3:2	133-7272	1	Bearing-Ball	11	137-6766	2	Bracket-Hose, Brake
3:3	144-2207	1	Ring-Retaining	12	3234-46	4	Screw-HHF
4	145-7771	2	Control Arm ASM-Front	13	99-5107	6	Nut-Lock
5	137-6754	2	Hub ASM	14	115-2398	2	Bolt-HH
5:2	137-6760	4	Stud-Wheel	15	3296-48	2	Nut-Hex
7	242-50	8	Nut-Lug	16	112-2844	6	Nut-HF



## Front Control Arm Assembly No. 145-7771

<i>Ref.</i>	<i>Part Number</i>	<i>Qty.</i>	<i>Description</i>
1	145-7762	1	Control Arm-Front
2	115-2165	1	Ball Joint
2:1	302-5	1	Fitting-Grease
3	32151-104	1	Ring-Retaining, External
4	87-2420	1	Seal-Joint, Ball
5	145-7757	1	Spacer
6	145-7756	2	Bushing-Ball
8	302-60	1	Fitting-Grease

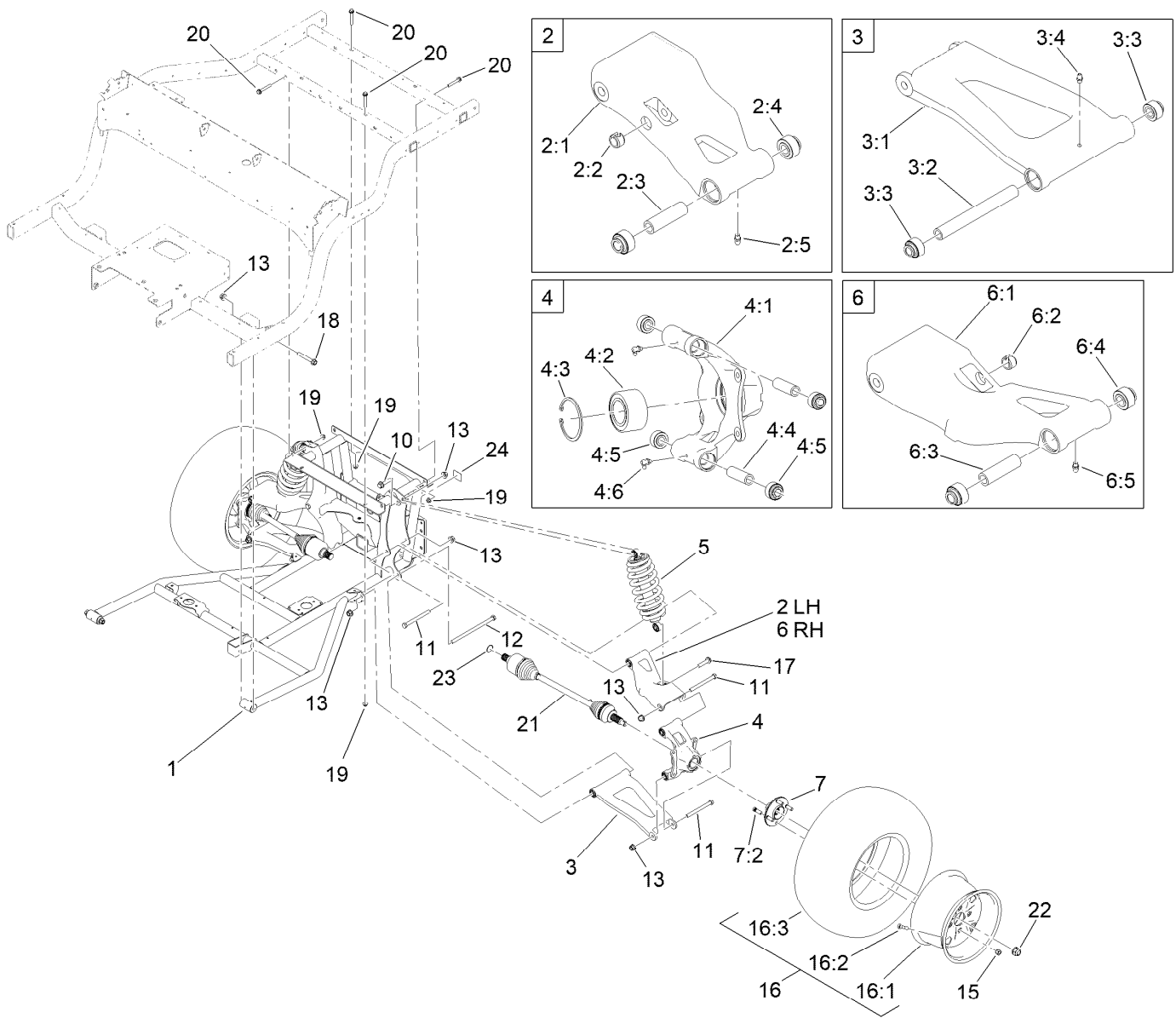


## Rear Suspension and Subframe Assembly

Ref.	Part Number	Qty.	Description
1	139-4592-03	1	Engine Cradle ASM
2	145-7775	1	Control Arm ASM-Rear, LH Upper
2:1	145-7765	1	Control Arm-Rear Uprr, LH
2:2	137-2659	1	Bushing-Tension
2:3	145-7770	1	Spacer
2:4	145-7756	2	Bushing-Ball
2:5	302-5	1	Fitting-Grease
3	145-7772	2	Control Arm ASM-Rear
3:1	145-7763	1	Control Arm-Rear, Lower
3:2	145-7757	1	Spacer
3:3	145-7756	2	Bushing-Ball
3:4	302-5	1	Fitting-Grease
4	145-7773	2	Knuckle ASM-Rear
4:1	145-7764	1	Knuckle-Rear
4:2	133-7272	1	Bearing-Ball
4:3	144-2207	1	Ring-Retaining
4:4	145-7770	2	Spacer
4:5	145-7756	4	Bushing-Ball
4:6	302-60	2	Fitting-Grease
5	145-7758	2	Shock/Spring ASM

Ref.	Part Number	Qty.	Description
6	145-7774	1	Control Arm ASM-Rear, RH Upper
6:1	145-7766	1	Control Arm-Rear Uprr, RH
6:2	137-2659	1	Bushing-Tension
6:3	145-7770	1	Spacer
6:4	145-7756	2	Bushing-Ball
6:5	302-5	1	Fitting-Grease
7	137-6754	2	Hub ASM
7:2	137-6760	4	Stud-Wheel
10	3234-27	2	Screw-HHF
11	325-22	6	Screw-HH
12	325-39	2	Screw-HH
13	99-5107	12	Nut-Lock
15	242-50	8	Nut-Lug
16	136-9420	2	Tire/Wheel ASM
16:1	136-9418	1	Wheel-12X7-12
16:2	232-27	1	Stem-Valve
16:3	137-2690	1	Tire
17	3234-46	2	Screw-HHF
18	114-8419	2	Screw-HHF
19	104-8301	8	Nut-HF, NI

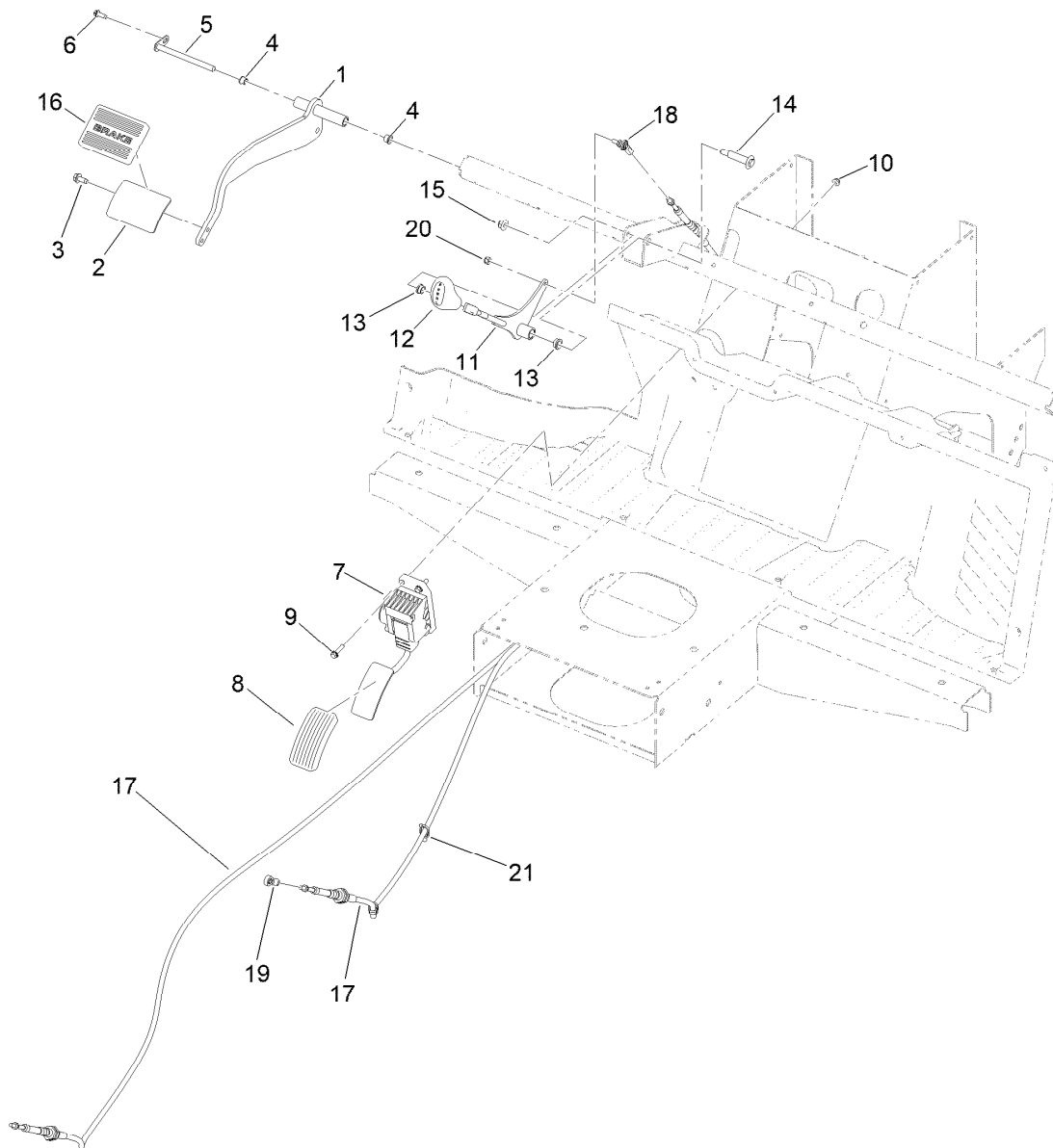




## Rear Suspension and Subframe Assembly (continued)

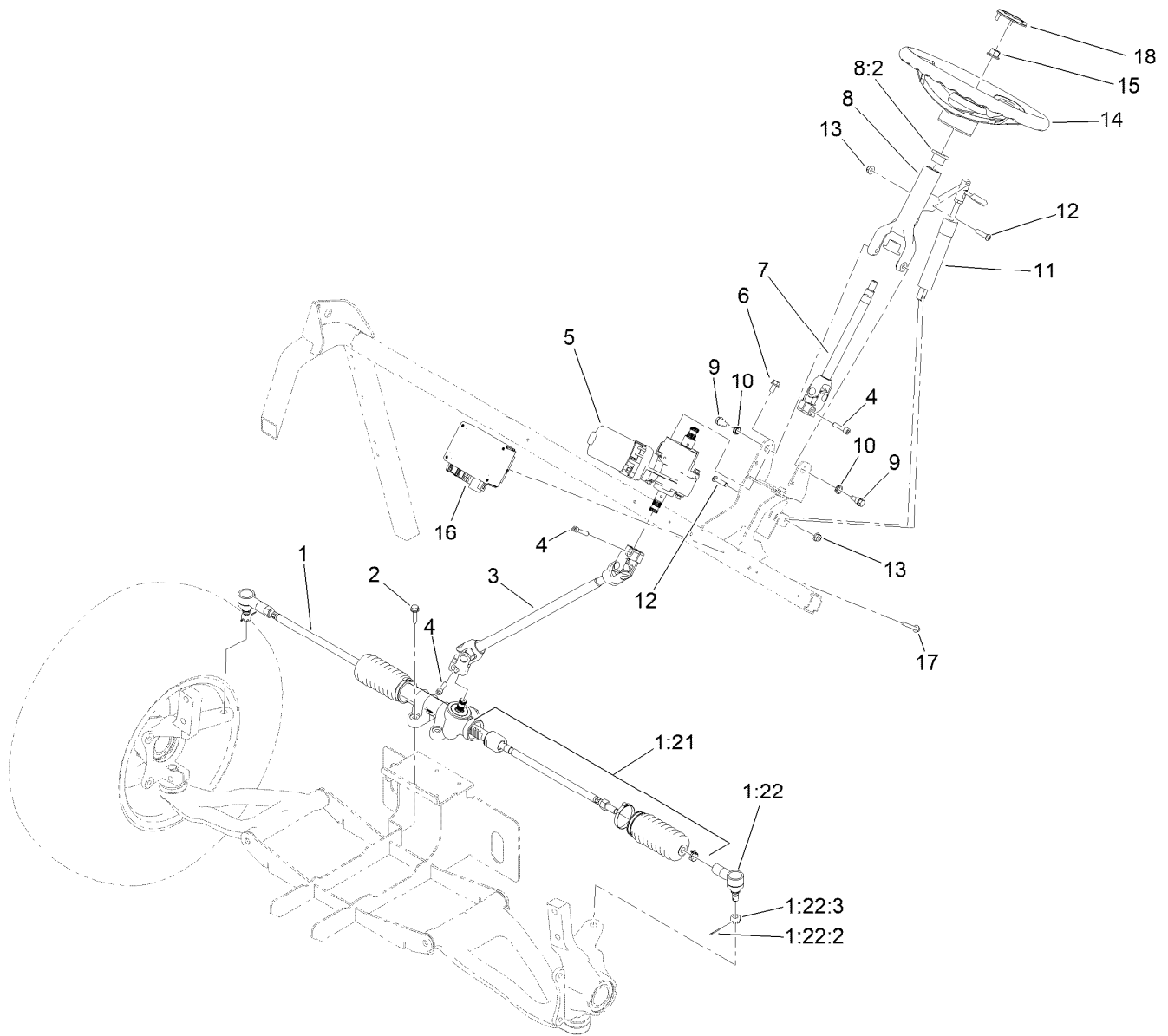
Ref.	Part Number	Qty.	Description
20	3234-39	8	Screw-HHF
21	140-2608	2	Cv Axle ASM
22	115-2164	2	Nut-Spindle

Ref.	Part Number	Qty.	Description
23	119-1156	2	O-Ring
24	145-2205	1	Decal-Load, Towing



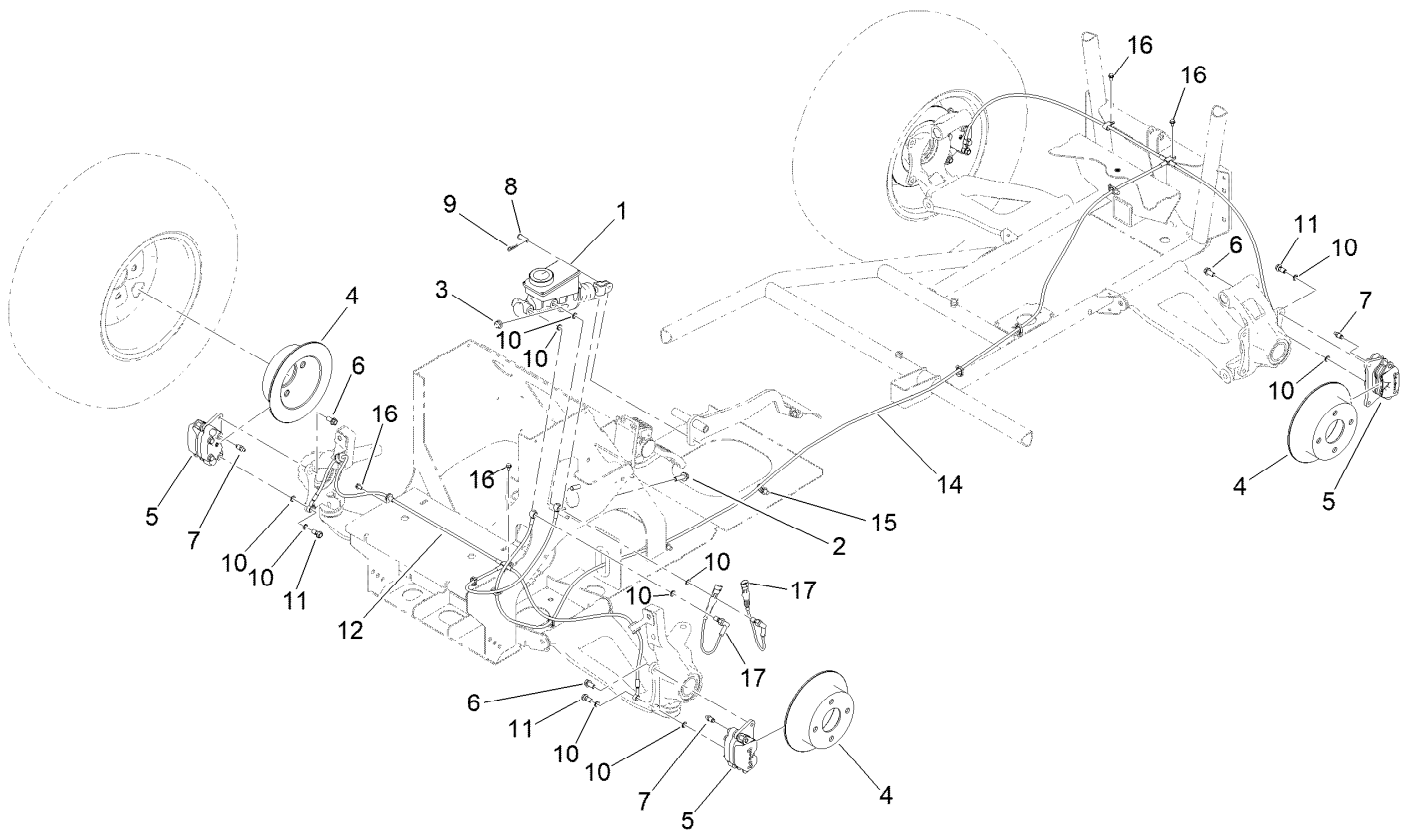
## Pedals and Controls Assembly

<i>Ref.</i>	<i>Part Number</i>	<i>Qty.</i>	<i>Description</i>	<i>Ref.</i>	<i>Part Number</i>	<i>Qty.</i>	<i>Description</i>
1	138-5761-03	1	Brake Pedal ASM	12	139-4655	1	Knob-Shifter
2	138-5763-03	1	Brake Pedal ASM	13	256-156	2	Bushing-Flange
3	32144-70	2	Screw-HWHTF	14	92-1057	1	Bolt-Shoulder
4	256-116	2	Bushing-Flange	15	104-8301	1	Nut-HF, NI
5	136-9306	1	Pivot Shaft ASM	16	7-3900	1	Pad-Brake
6	49-2040	1	Screw-HWHTF	17	140-2649	1	Cable-Shift
7	144-2740	1	Pedal ASM-Accelerator	18	110-2554	1	Rod End-Spherical
8	140-4572	1	Pedal Pad-Throttle	19	147-2705	1	Rod End-Spherical
9	120-4654	3	Screw-HHF	20	3296-3	1	Nut-Lock
10	104-7201	3	Nut-HF, NI	21	32180-030	2	Clip-Tie
11	145-2108	1	Shifter ASM				



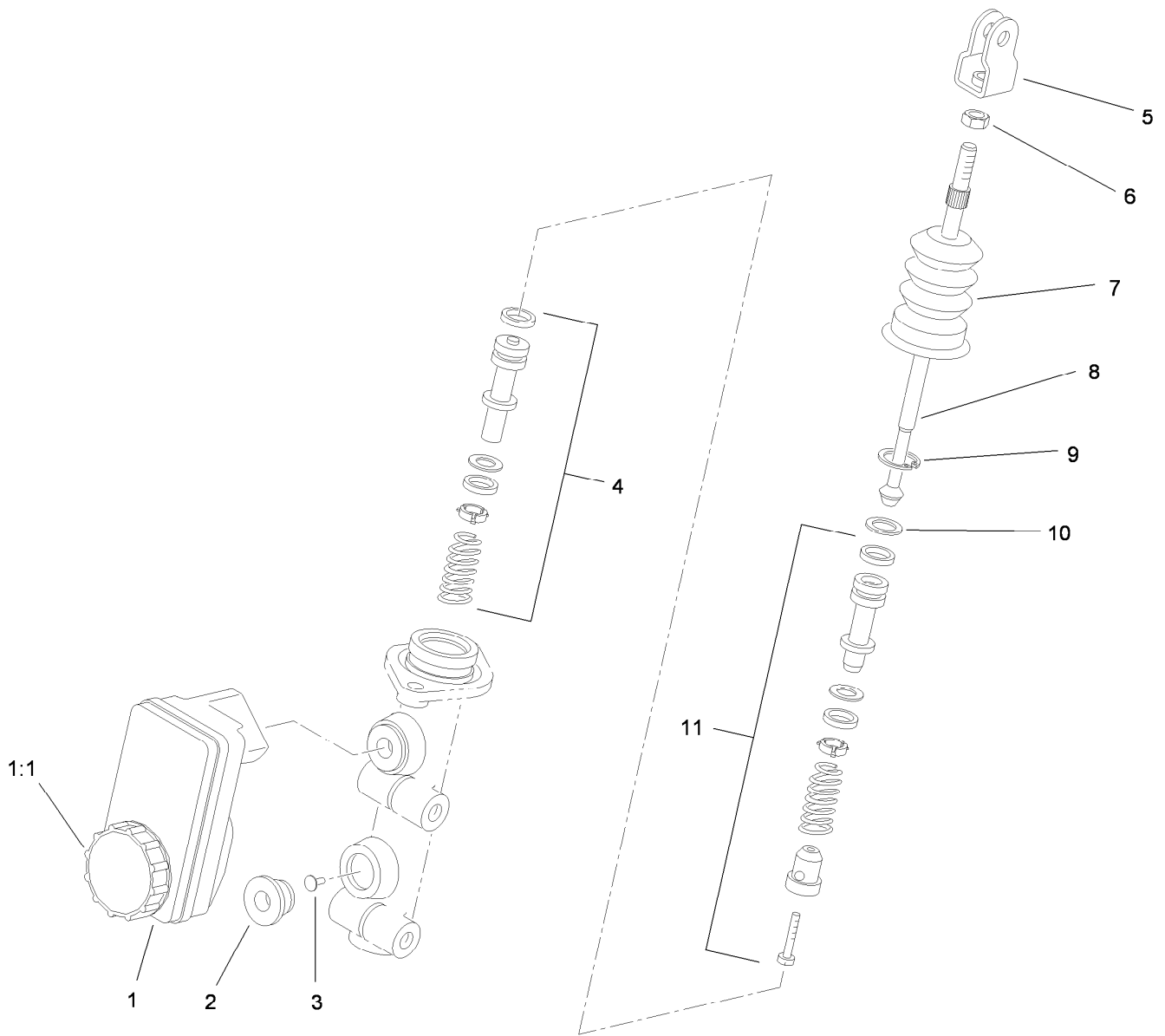
## Steering Assembly

<i>Ref.</i>	<i>Part Number</i>	<i>Qty.</i>	<i>Description</i>	<i>Ref.</i>	<i>Part Number</i>	<i>Qty.</i>	<i>Description</i>
1	138-9322	1	Steering Rack ASM	8:2	133-0594	2	Bushing-Flange
1:21	140-4823	1	Kit-Tie Rod ASM, Utx	9	115-1958	2	Bolt-Shoulder
1:22	140-4592	1	Kit-Rod End ASM	10	110-3318	2	Bushing-Snap
1:22:2	3272-42	1	Pin-Cotter	11	137-2827	1	Spring-Gas, Adjustable Stop
1:22:3	140-2493	1	Nut-Hex, Slotted	12	3290-511	2	Screw-HSBH
2	32144-49	4	Screw-HWHTF	13	130-6655	2	Nut-Flange, NI
3	138-3347	1	Steering Shaft ASM	14	138-5773	1	Wheel-Steering
4	3274-18	3	Screw-HSH	15	99-5107	1	Nut-Lock
5	138-3348	1	Motor-Power Steering	16	138-3349	1	Controller-Power Steering
6	33104-016	3	Screw-HHF	17	33103-050	2	Screw-HHF
7	138-3344	1	Upper Steering Shaft ASM	18	131-3630	1	Cap-Wheel, Steering
8	139-4439	1	Tilt Steering Column ASM				



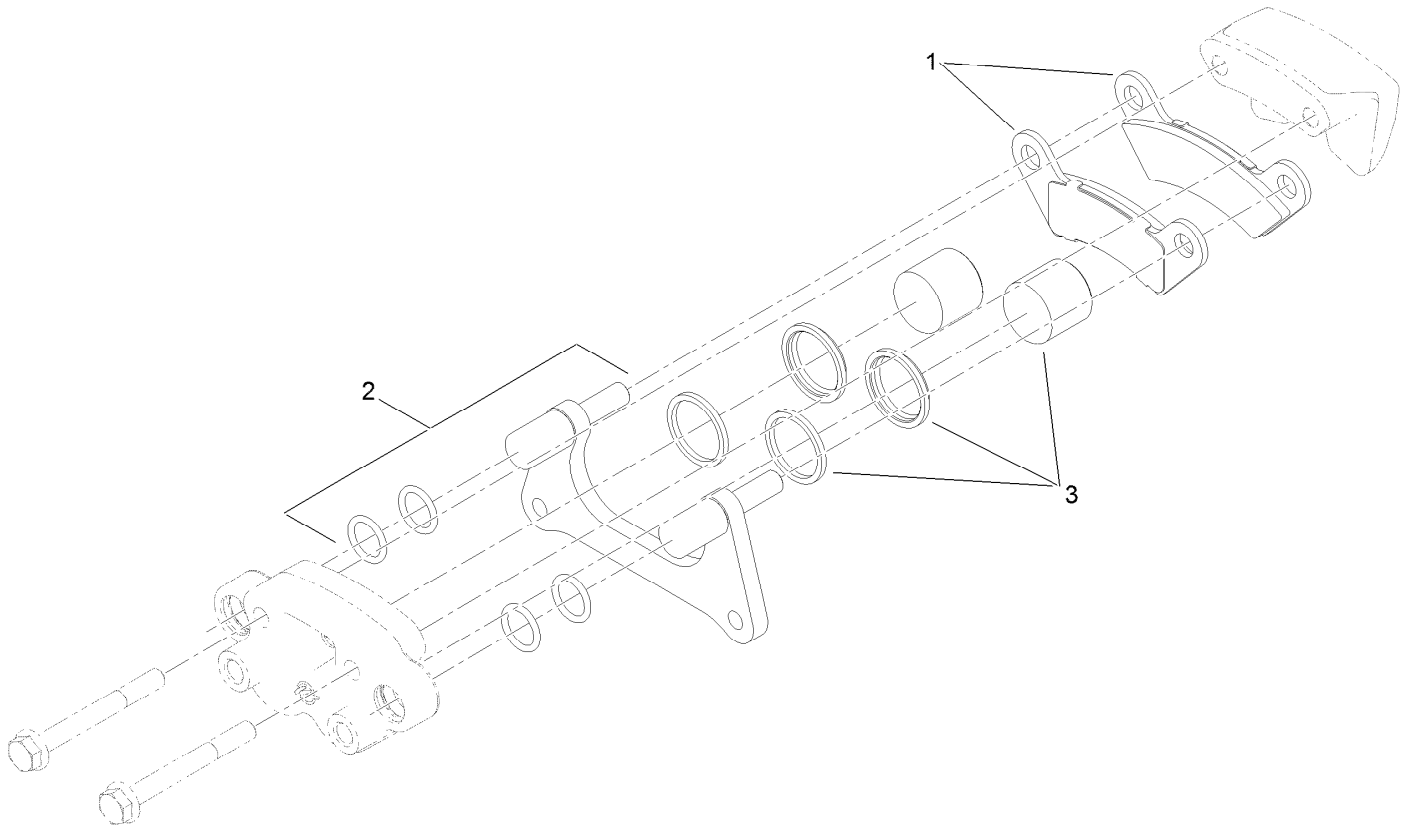
## Brake Assembly

<i>Ref.</i>	<i>Part Number</i>	<i>Qty.</i>	<i>Description</i>	<i>Ref.</i>	<i>Part Number</i>	<i>Qty.</i>	<i>Description</i>
1	104-6782	1	Master Cylinder ASM	9	1-806003	1	Pin-Cotter
2	119-4061	2	Screw-HHF	10	115-2341	12	Washer-Banjo
3	104-8301	2	Nut-HF, NI	11	120-4875	4	Bolt-Flange, Banjo
4	133-7273	4	Rotor-Brake	12	137-6768	1	Hose ASM-Brake, Front
5	127-7424	4	Brake Caliper ASM	14	137-6769	1	Hose ASM-Brake, Rear
6	144-5550	8	Screw-Spl	15	32180-030	8	Clip-Tie
7	119-9509	4	Screw-Bleed	16	32144-4	4	Screw-HWH
8	283-2	1	Pin-Clevis	17	144-2227	2	Switch-Brake, Pressure



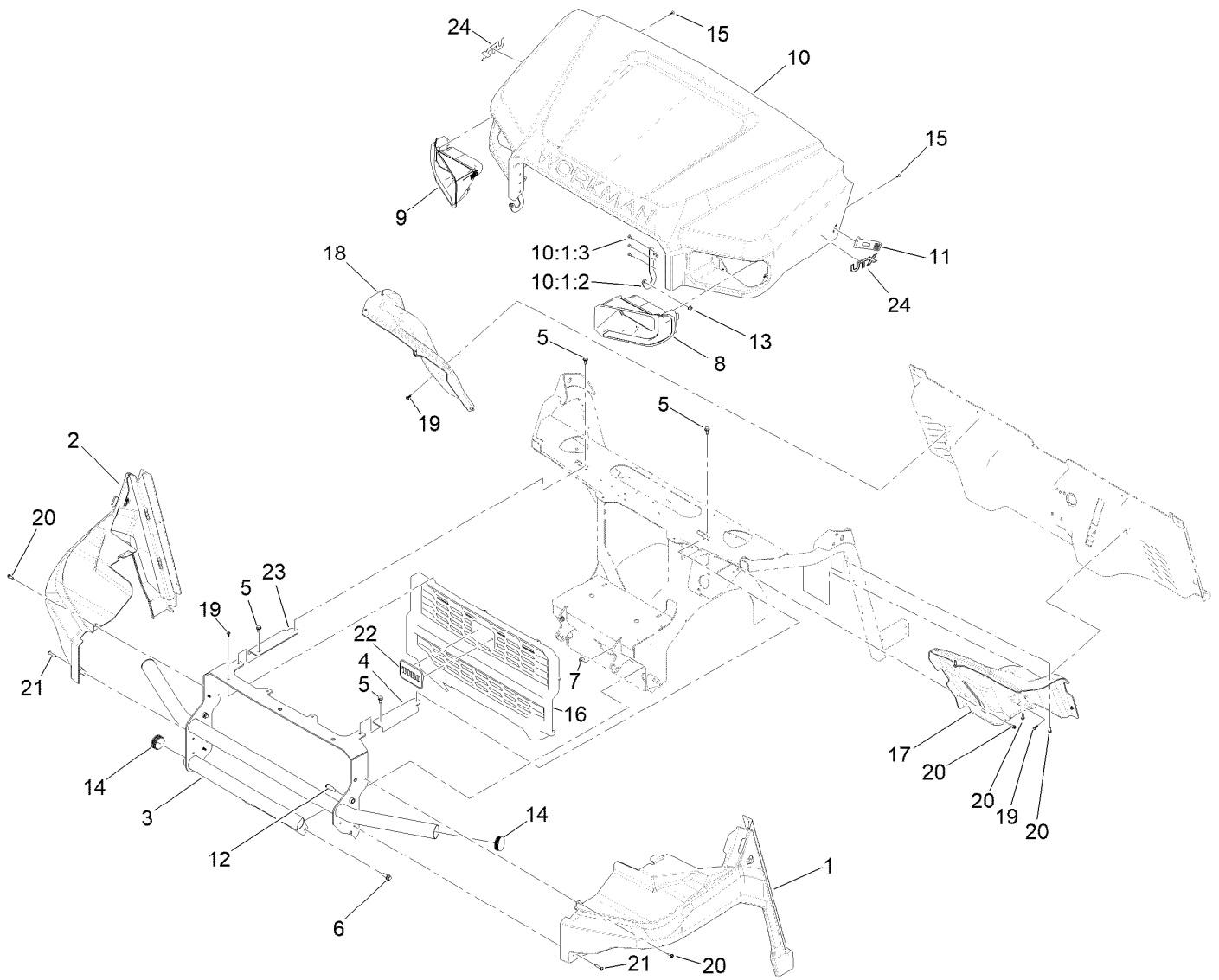
## Master Cylinder Assembly No. 104-6782

<i>Ref.</i>	<i>Part Number</i>	<i>Qty.</i>	<i>Description</i>
1	104-6845	1	Reservoir ASM
1:1	92-4112	1	Cap ASM
2	93-8971	2	Seal-Port, Flange
3	92-4103	1	Pin-Stop
4	92-4102	1	Secondary Piston ASM
5	92-4110	1	Clevis
6	21-0360	1	Nut-Hex
7	94-5209	1	Cover-Dust
8	94-5210	1	Rod-Push
9	92-4109	1	Ring-Snap
10	92-4108	1	Retainer-Washer
11	92-4101	1	Primary Piston ASM



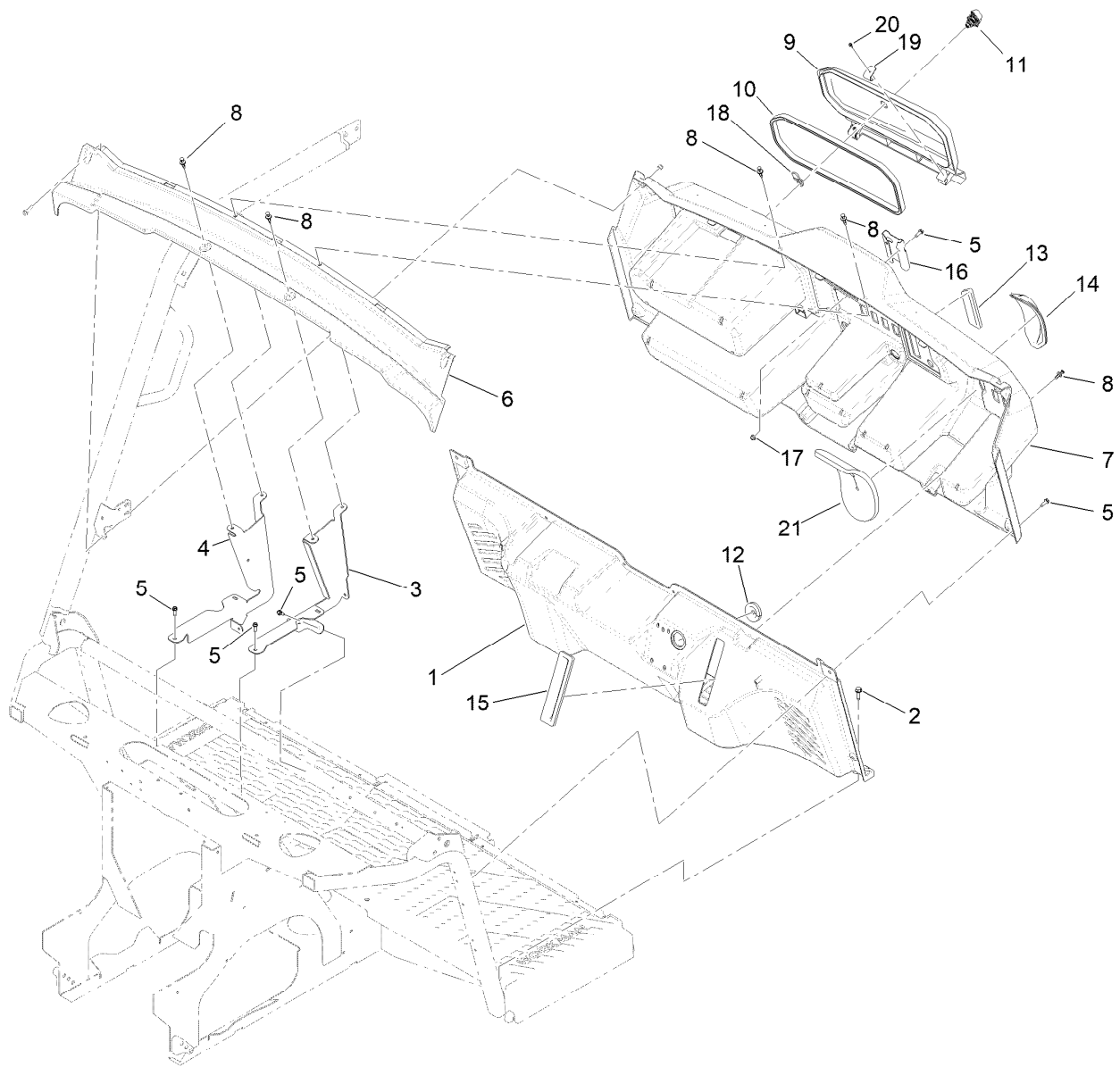
## Brake Caliper Assembly No. 127-7424

<i>Ref.</i>	<i>Part Number</i>	<i>Qty.</i>	<i>Description</i>
1	133-0628	1	Brake Pad Kit
2	119-9511	1	Bracket Kit
3	133-0614	1	Piston Kit



## Hood and Front Fender Assembly

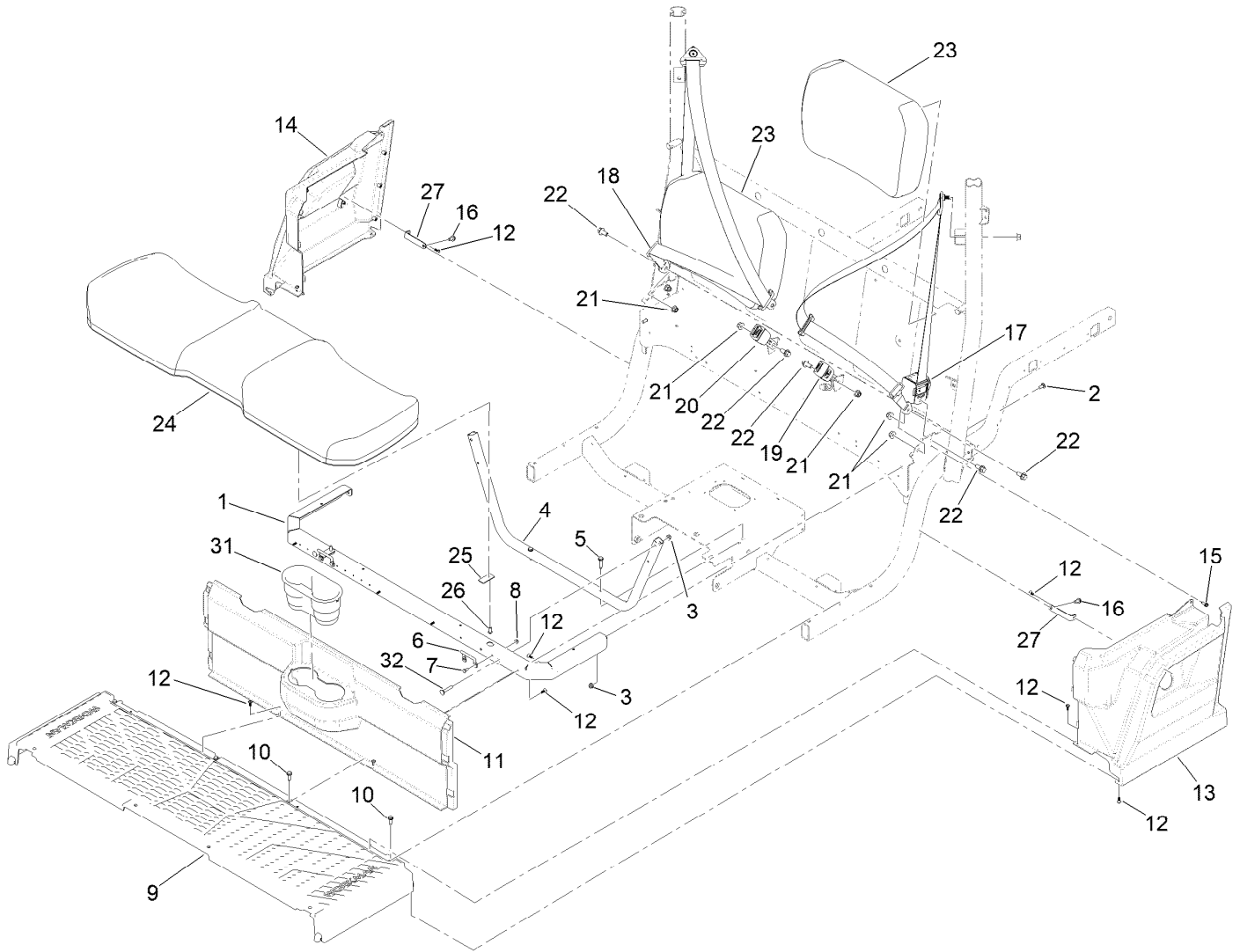
<i>Ref.</i>	<i>Part Number</i>	<i>Qty.</i>	<i>Description</i>	<i>Ref.</i>	<i>Part Number</i>	<i>Qty.</i>	<i>Description</i>
1	137-2816SP	1	Fender-Front, LH	12	136-7192	2	Bolt-Shoulder, HHF
2	137-2817SP	1	Fender-Front, RH	13	104-8300	2	Nut-HF, NI
3	136-9540	1	UTV Bumper ASM	14	137-6827	4	Plug-Plastic
4	144-2421-05	1	Bracket-Mount, Utx Bumper [blk-Txt]	15	139-3430	8	Screw-Bhf
5	32144-70	4	Screw-HWHTF	16	140-4646	1	Grill-Utx
6	3234-42	2	Screw-HHF	17	138-5765	1	Fender-Inner, LH
7	104-8301	2	Nut-HF, NI	18	138-5766	1	Fender-Inner, RH
8	138-5778	1	Headlight ASM, LH	19	138-5775	9	Screw-Delta Point
9	138-5779	1	Headlight ASM, RH	20	49-2040	12	Screw-HWHTF
10	137-6820SP	1	UTV Hood ASM	21	132-6777	2	Screw-Twh Thd Roll
10:1:2	137-6817	2	Bracket-Pivot, Hood	22	144-2294	1	Emblem-Toro
10:1:3	114439	6	Rivet-Blind	23	144-2423-05	1	Bracket-Mount, Utx Bumper [blk-Txt]
11	137-6856	2	Strap-Hood	24	144-1145	2	Decal-Utx, Emblem



## Dash Assembly

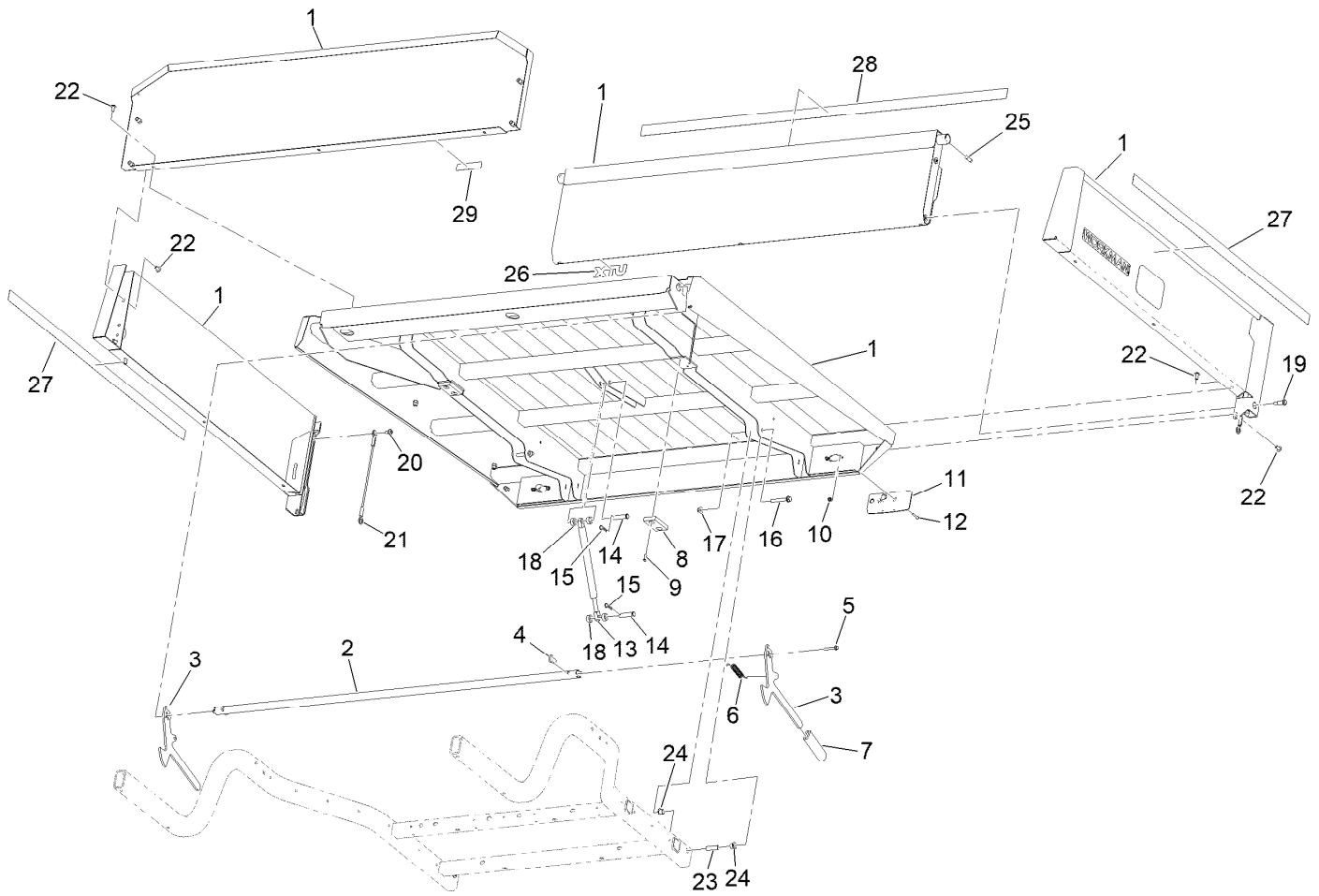
<i>Ref.</i>	<i>Part Number</i>	<i>Qty.</i>	<i>Description</i>	<i>Ref.</i>	<i>Part Number</i>	<i>Qty.</i>	<i>Description</i>
1	137-2749SP	1	Footboard	12	139-3436	1	Grommet
2	701243	4	Screw-Thd Roll, HWH	13	139-3487	1	Grommet-Shifter
3	145-2174-03	1	Bracket-Dash, LH	14	139-3488	1	Grommet-Steering Column
4	145-2178-03	1	Bracket-Dash, RH	15	139-3489	1	Grommet-Brake Pedal
5	49-2040	10	Screw-HWHTF	16	139-3449-05	1	Bracket-Mount, Radio
6	138-0041SP	1	Panel-Windshield, Dash	17	104-7201	2	Nut-HF, NI
7	138-0040SP	1	Dash	18	140-4680	1	Cam-Latch, Quarter Turn
8	125-9622	8	Rivet-Blind	19	145-0840	2	Bracket-Glove Box
9	138-0039SP	1	Door-Glove Box	20	32144-42	2	Screw-Thd Form, HWH
10	139-3462	1	Seal-Door, Glove Box	21	147-2822	1	Seal-Foam, Steering Column
11	140-4679	1	Latch-Quarter Turn				





## Seat Base Assembly

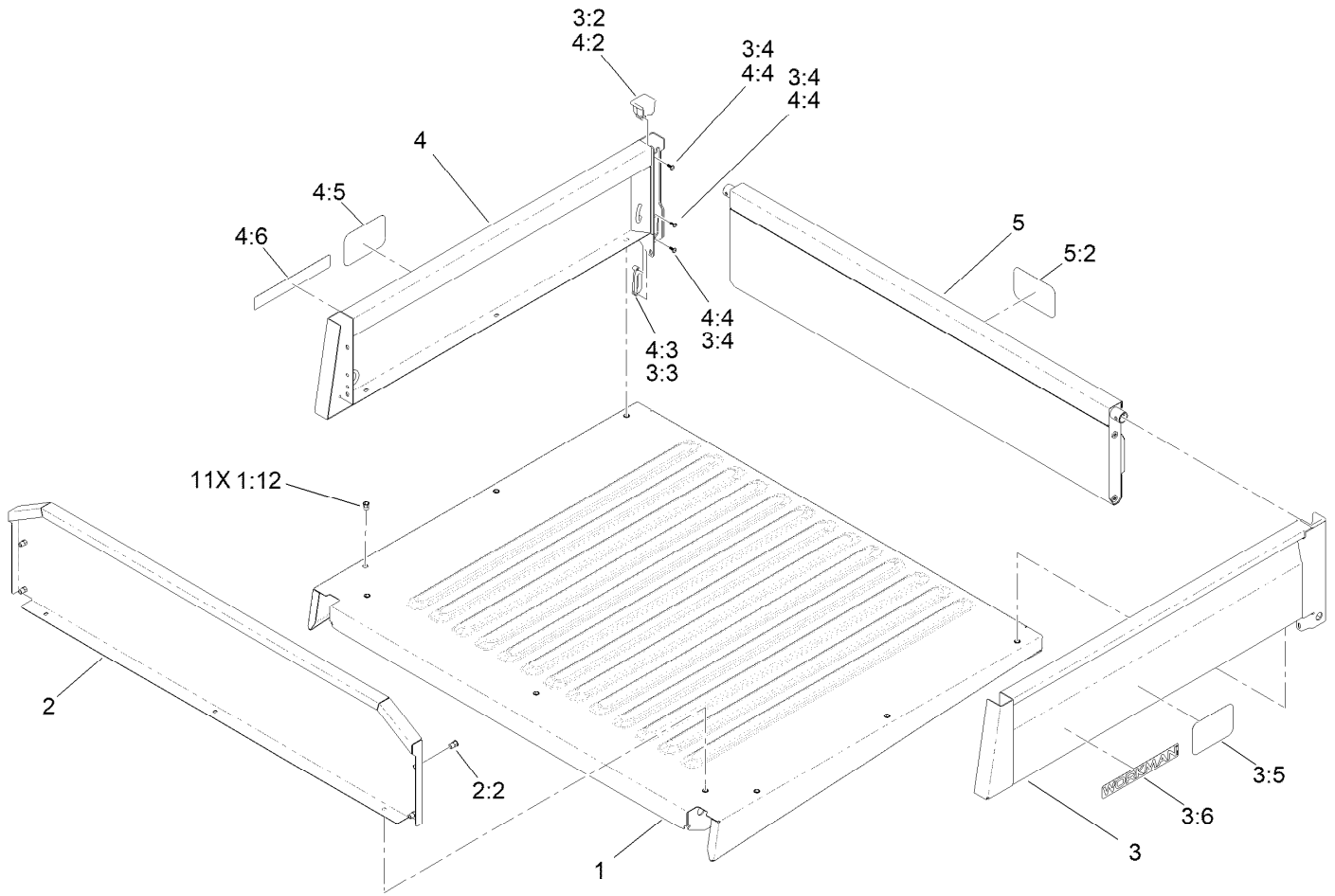
<i>Ref.</i>	<i>Part Number</i>	<i>Qty.</i>	<i>Description</i>	<i>Ref.</i>	<i>Part Number</i>	<i>Qty.</i>	<i>Description</i>
1	137-6896-03	1	Frame-Seat, Bottom	16	32144-70	2	Screw-HWHTF
2	3230-23	2	Bolt-CARR	17	140-2676	1	Retractor-Seat Belt, LH
3	104-8300	4	Nut-HF, NI	18	140-2677	1	Retractor-Seat Belt, RH
4	137-2746-03	1	Tube-Support, Seat	19	140-2678	1	Buckle-Seat Belt, W/Switch
5	32144-57	2	Screw	20	140-2679	1	Buckle-Seat Belt
6	137-6888	2	Wire-Hinge	21	144-2269	6	Nut-HF, NI
7	321-3	4	Screw-HH	22	144-2289	6	Screw-HHF
8	104-7201	4	Nut-HF, NI	23	138-9420	2	Seat Backrest ASM
9	137-6874SP	1	Plate-Floor	24	138-9419	1	Bench Seat Bottom ASM
10	701243	4	Screw-Thd Roll, HWH	25	145-7954	2	Bracket-Hinge, Seat
11	137-6875SP	1	Panel-Seat Base	26	3274-55	2	Screw-HSBH
12	138-5775	14	Screw-Delta Point	27	138-9411	2	Support-Panel-Side
13	137-2813SP	1	Panel-Seat Base, LH	31	139-3454	1	Cup Holder
14	137-2814SP	1	Panel-Seat Base, RH	32	3230-5	2	Bolt-CARR
15	49-2040	2	Screw-HWHTF				



## Cargo Bed Assembly

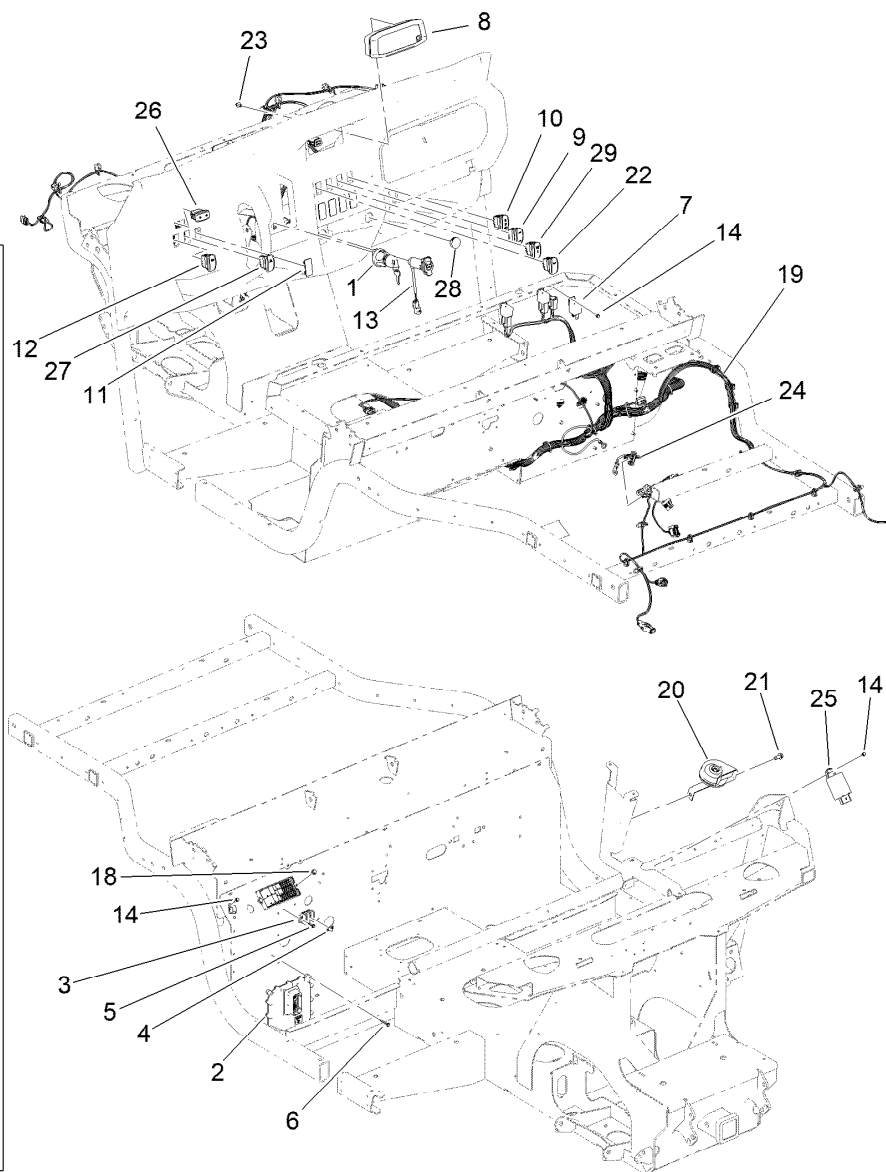
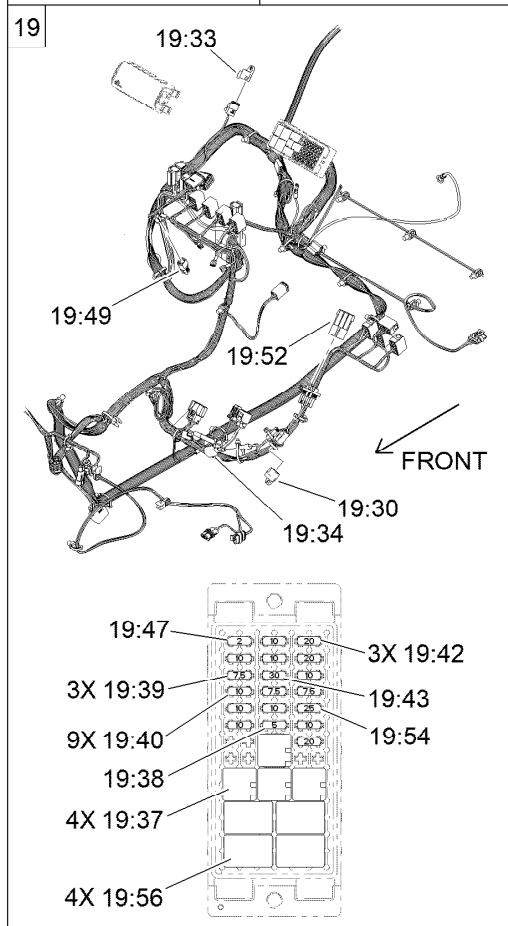
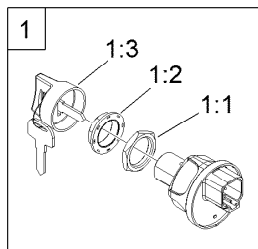
Ref.	Part Number	Qty.	Description	Ref.	Part Number	Qty.	Description
1		1	Cargo Bed Kit ●	16	3234-39	2	Screw-HHF
2	139-4421-03	1	Tube-Latch	17	104-8301	2	Nut-HF, NI
3	145-2001	2	Latch-Bed	18	66-6500	4	Spacer-Wheel
4	139-4422	2	Plate-Threaded	19	136-7192	2	Bolt-Shoulder, HHF
5	32105-18	2	Screw-HHF	20	120-9471	4	Bolt-Shoulder
6	140-2663	2	Spring-Extension	21	130-5726	2	Lanyard
7	1-633268	2	Grip-Lever	22	126-6268	15	Screw-TTH
8	93-9719	2	Block-Wear	23	144-2211	2	Sleeve-Pivot, Bed
9	3274-69	4	Screw-HSBH	24	125-5239	4	Bushing-Flange
10	120-4578	4	Nut-HF	25	133-7146	2	Plug-Tailgate, Anti-Rattle
11	139-2071	2	Light-Rear Tail/Stop/Turn	26	144-1145	1	Decal-Utx, Emblem
12	3250-52	4	Screw-PPH	27	144-2277	2	Decal-Red Stripe, 43"
13	139-4417	1	Spring-Gas	28	144-2281	1	Decal-Red Stripe, 55.25"
14	283-5	2	Pin-Clevis	29	144-1144	1	Decal-Cargo Bed Safety
15	3290-467	2	Pin-Hair				

● Not serviced separately



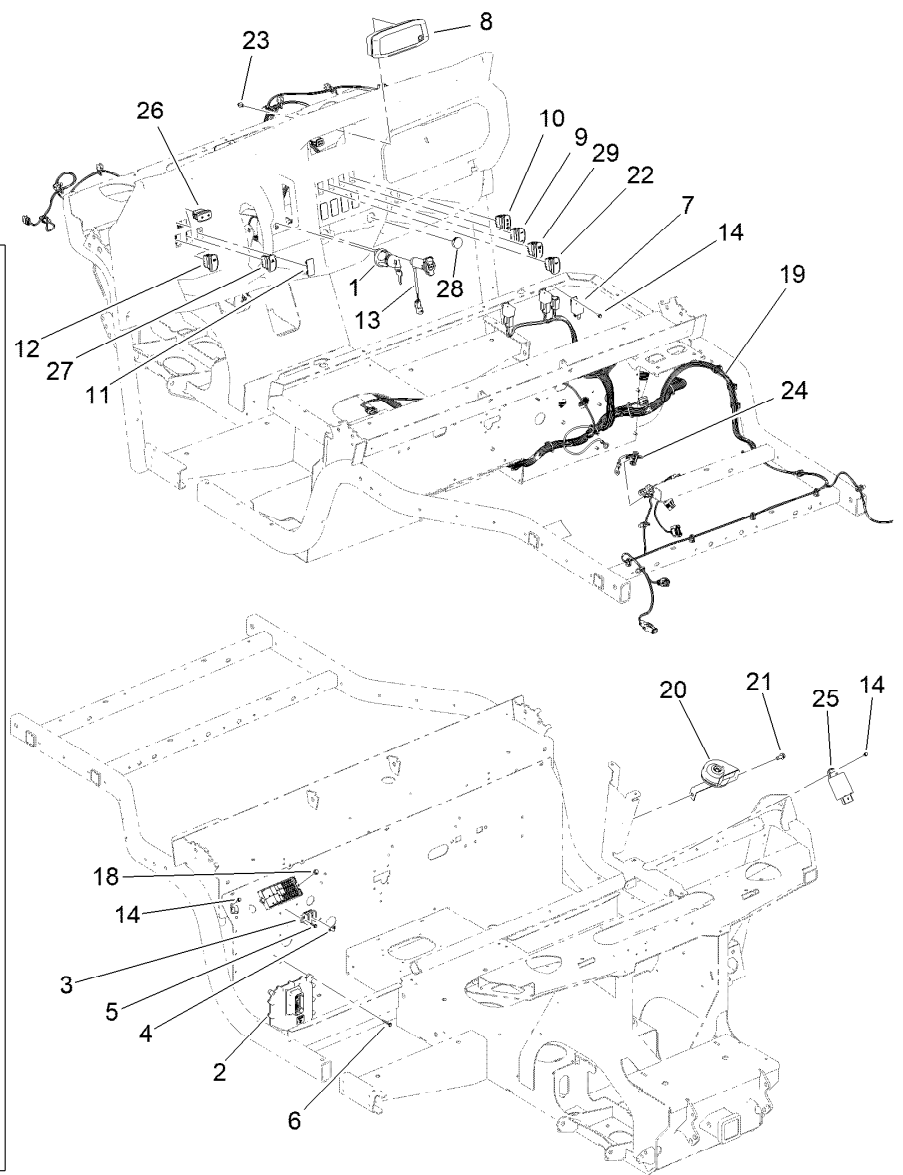
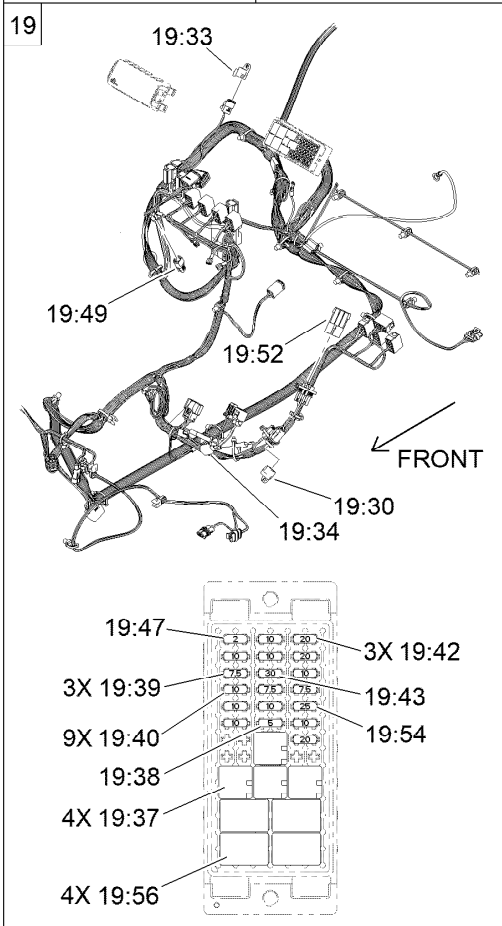
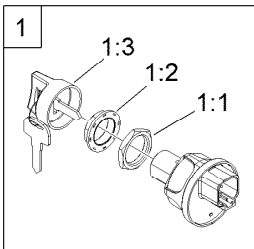
## Cargo Bed Kit Assembly

<i>Ref.</i>	<i>Part Number</i>	<i>Qty.</i>	<i>Description</i>	<i>Ref.</i>	<i>Part Number</i>	<i>Qty.</i>	<i>Description</i>
1	139-4420	1	Flat Bed ASM	3:6	140-4835	1	Decal-Workman, Gray
1:12	138-2899	11	Nut-Clinch	4	140-4635	1	Bed Side ASM, RH
2	140-4675	1	Panel ASM-Front, Bed	4:2	140-2690	1	Retainer-Tailgate
2:2	138-2899	4	Nut-Clinch	4:3	139-4690	1	Bushing-Tailgate
3	140-4625	1	Bed Side ASM, LH	4:4	138-5775	3	Screw-Delta Point
3:2	140-2690	1	Retainer-Tailgate	4:5	105-1217	1	Decal
3:3	139-4690	1	Bushing-Tailgate	4:6	140-4835	1	Decal-Workman, Gray
3:4	138-5775	3	Screw-Delta Point	5	144-2275	1	Tailgate ASM
3:5	105-1217	1	Decal	5:2	105-1217	1	Decal



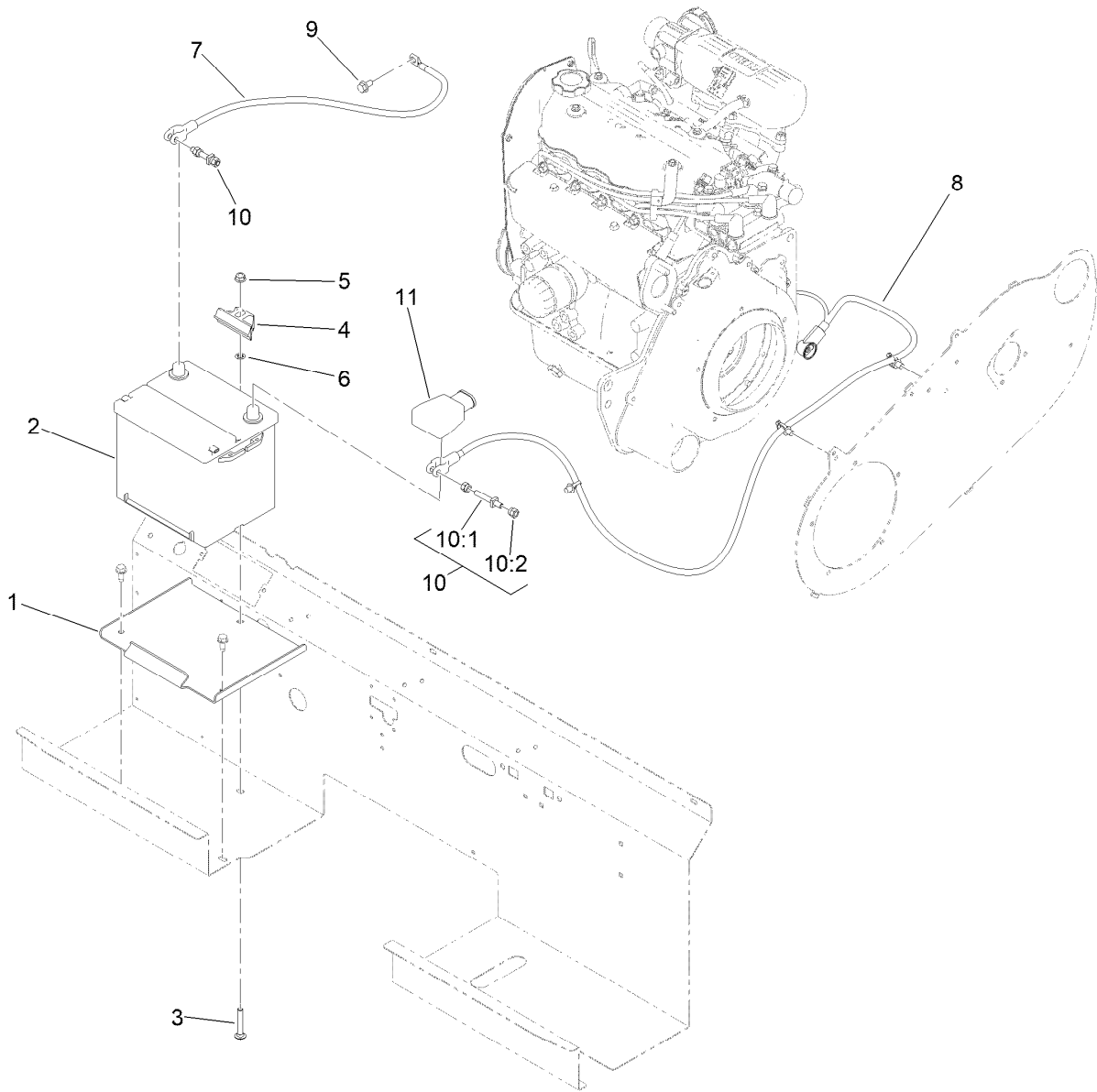
## Electrical Assembly

Ref.	Part Number	Qty.	Description	Ref.	Part Number	Qty.	Description
1	121-5159	1	Switch-Ignition	19	122-2315	1	Harness-Wire, Utx Gas 2 Passenger
1:1	121-5160	1	Nut-Hex	19:30	32180-156	1	Cap-Plug, 6 Way
1:2	122-2704	1	Nut-Face, M22 (Plastic)	19:33	32180-089	1	Cap-Plug, 3 Way
1:3	121-5162	1	Set-Key, Ignition	19:34	100-4918	1	Diode
2	127-2770	1	Controller	19:37	126-3991	4	Relay-Micro
3	42862	1	Block-Terminal, Ground	19:38	121-8864	1	Fuse-Mini Blade, 5 Amp
4	42863	1	Strip-Jumper	19:39	121-8865	3	Fuse-Mini Blade, 7.5 Amp
5	100-4351	2	Screw-HWH	19:40	121-8866	9	Fuse-Mini Blade, 10 Amp
6	32144-110	4	Screw-HWH	19:42	121-8868	3	Fuse-Mini Blade, 20 Amp
7	99-7435	3	Relay	19:43	121-8870	1	Fuse-Mini Blade, 30 Amp
8	136-9450	1	Cluster-Instrument	19:47	121-8861	1	Fuse-Mini Blade, 2 Amp
9	144-2440	1	Switch-Rocker, On-None-On	19:49	32180-282	1	Resistor-120 Ohm
10	144-2445	1	Switch-Rocker, On-On-On	19:52	32160-128	1	Connector-Mp280, 3M (Sealed)
11	99-7420	5	Plug-Hole	19:54	121-8869	1	Fuse-Mini Blade, 25 Amp
12	144-2405	1	Switch-Rocker, On-None-On	19:56	126-6157	4	Relay-Micro 280, Spdt
13	139-3420	1	Port-USB	20	139-4557	1	Horn-ASM
14	32144-112	5	Screw-HWH	21	32144-70	1	Screw-HWHTF
18	33103-012	2	Screw-HHF	22	144-2415	1	Switch-Rocker, (On)-None-Off



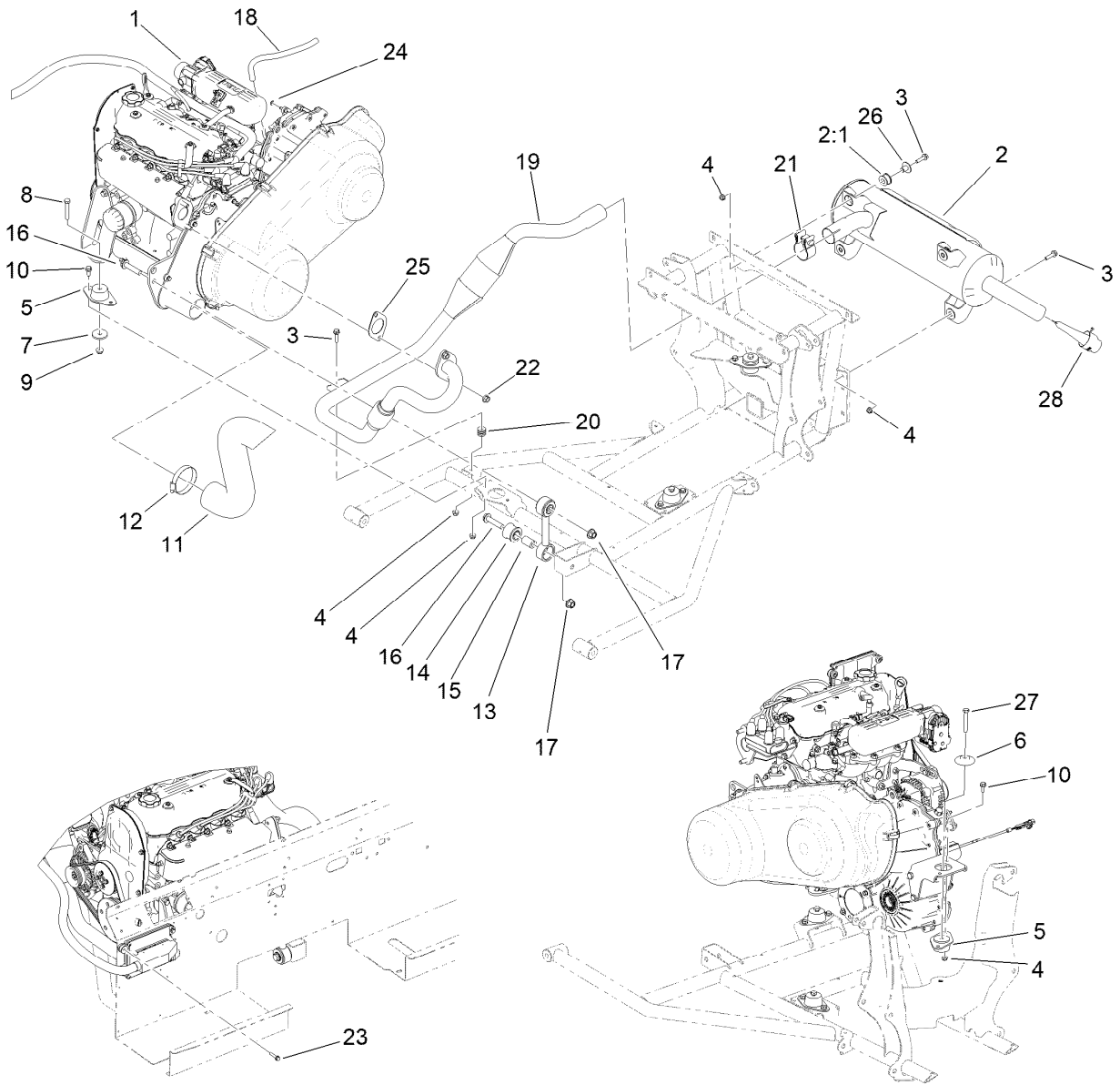
## Electrical Assembly (continued)

Ref.	Part Number	Qty.	Description	Ref.	Part Number	Qty.	Description
23	3234-13	2	Screw-HHF	27	144-2400	1	Switch-Rocker, On-None-On
24	99-3441	1	Harness-Wire, Fusible Link	28	145-2160	1	Plug-Panel
25	139-2080	1	Flasher-Dual Rate	29	145-2200	1	Switch-Rocker, (On)-On-Off
26	144-2425	1	Switch-Rocker, On-Off-On				



## Battery Assembly

<i>Ref.</i>	<i>Part Number</i>	<i>Qty.</i>	<i>Description</i>
1	137-9944-03	1	Tray-Battery
2	106-5187	1	Battery- Dry, 12V, 525 CCA
3	3230-6	1	Bolt-CARR
4	138-6335	1	Retainer-Battery
5	104-8300	1	Nut-HF, NI
6	109-5667	1	Nut-Push
7	122-1781	1	Cable-Battery, Bk ASM
8	122-1780	1	Cable-Battery, Rd ASM
9	33104-016	1	Screw-HHF
10	112-9921	2	Bolt ASM
10:1	32180-107	1	Bolt-Clamp, Battery
10:2	32180-108	2	Nut-Hex Shoulder
11	32180-110	1	Insulator-Lead Cast

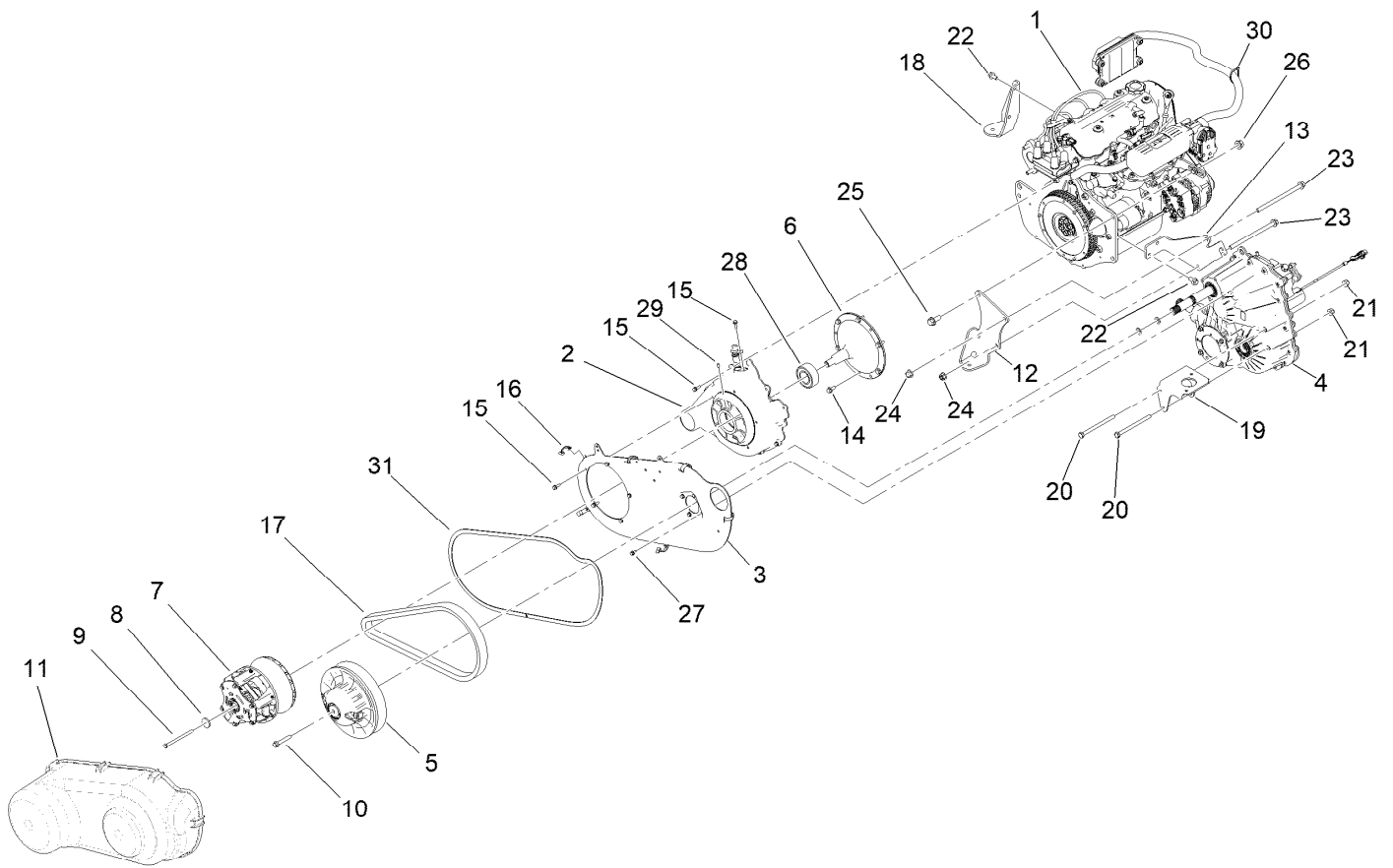


## Engine Drivetrain and Exhaust Assembly

Ref.	Part Number	Qty.	Description
1		1	Engine/Drivetrain ASM ●
2	138-9335	1	Muffler ASM (With Mounts)
2:1	138-9300	4	Isolator-Mount, Muffler
3	3234-36	5	Screw-HHF
4	104-8300	11	Nut-HF, NI
5	139-0856	3	Mount-Engine
6	138-6462	1	Support-Isolator
7	80-8560	2	Washer-Hardened
8	323-11	2	Screw-HH
9	104-8301	2	Nut-HF, NI
10	3234-47	6	Screw-HHF
11	140-4667	1	Duct-Inlet, Cvt
12	2412-125	1	Clamp-Hose
13	140-4685-03	1	Link Rod ASM [black]
14	140-4697	2	Bushing, Rubber

Ref.	Part Number	Qty.	Description
15	109-5010	2	Spacer
16	3234-46	2	Screw-HHF
17	99-5107	2	Nut-Lock
18	110-4110	1	Hose-Fuel
19	140-2617	1	Pipe-Exhaust
20	131-5945	1	Isolator-Engine
21	144-2413	1	Clamp-Manifold (1.87" DIA)
22	136-8683	2	Nut-Lock
23	32144-110	4	Screw-HWH
24	32151-86	1	E-Ring
25	145-2119	1	Gasket-Exhaust
26	138-9301	4	Mount-Top Hat, Muffler
27	323-12	1	Screw-HH
28	144-2433	1	Arrester- Spark, 1.75"

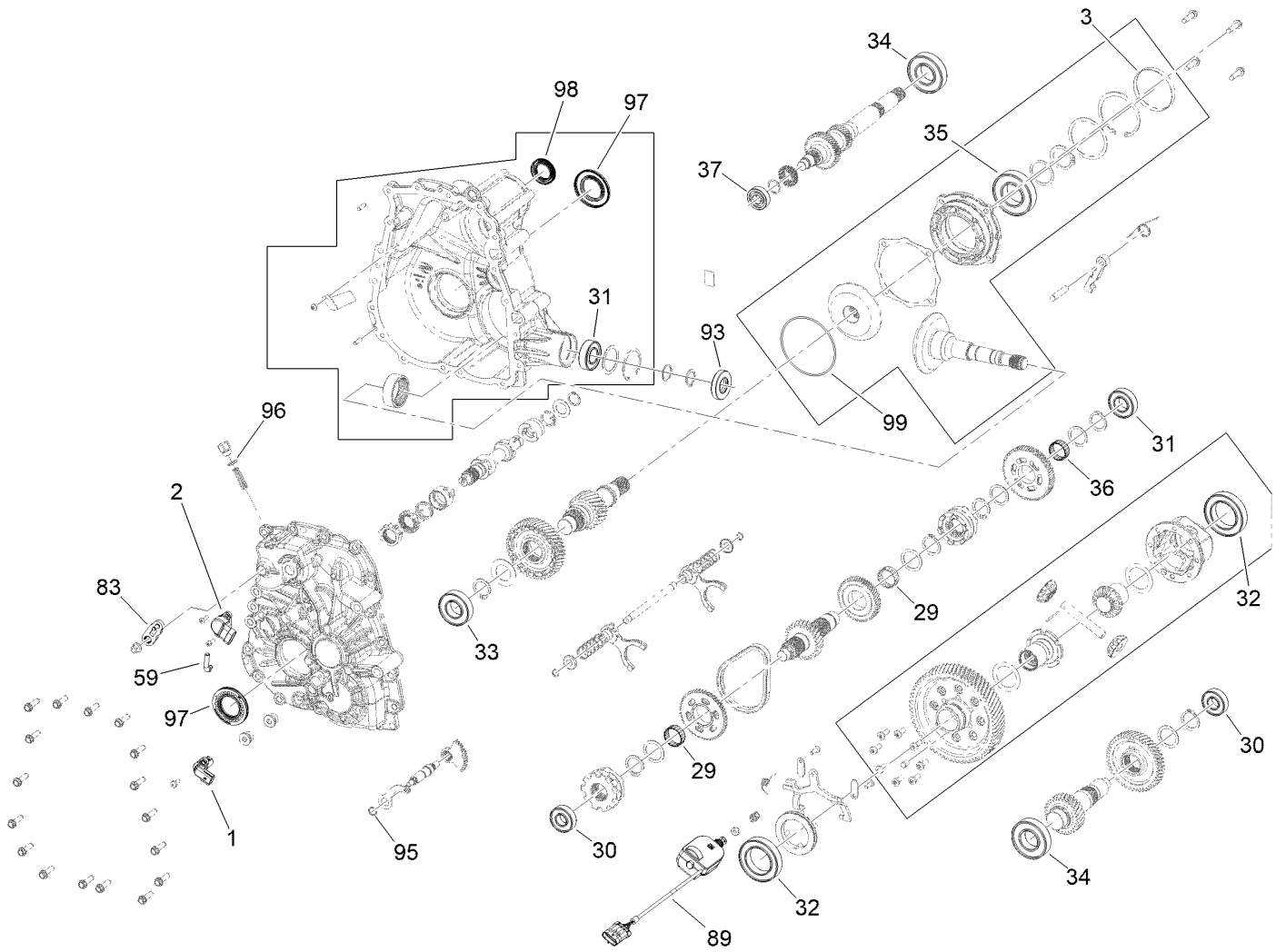
● Not serviced separately



## Engine, Transaxle and Clutch Assembly

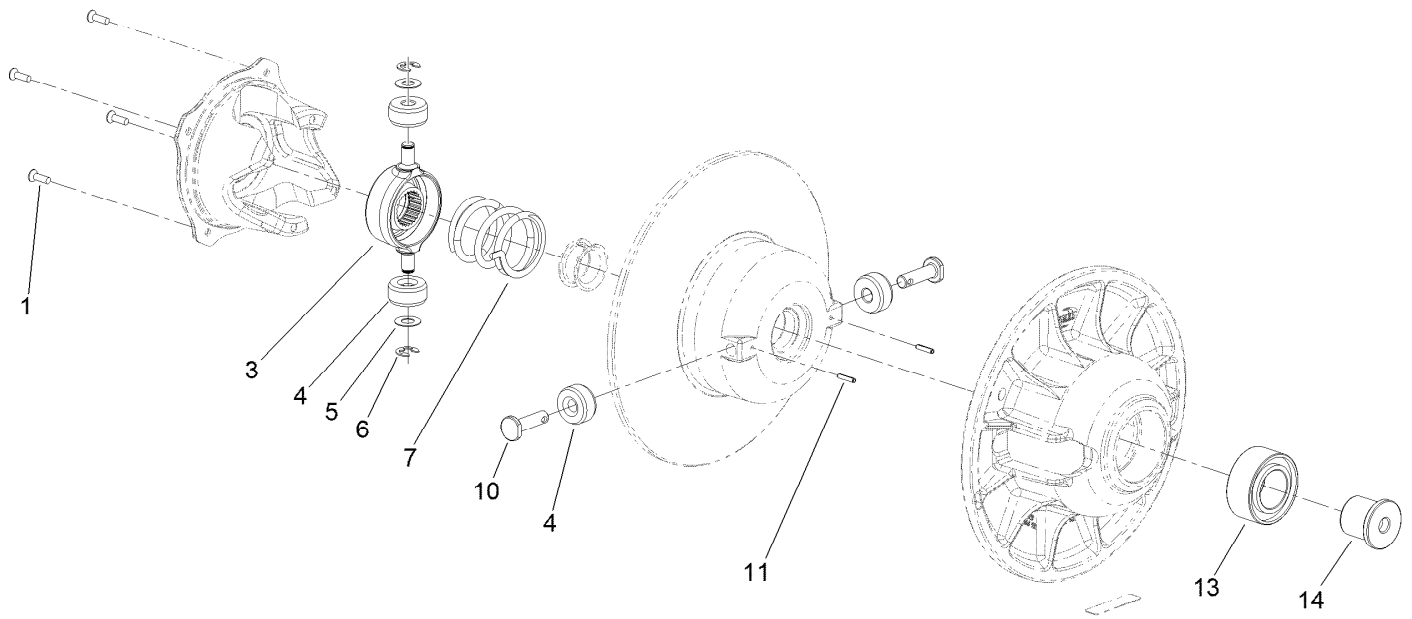
<i>Ref.</i>	<i>Part Number</i>	<i>Qty.</i>	<i>Description</i>	<i>Ref.</i>	<i>Part Number</i>	<i>Qty.</i>	<i>Description</i>
1	144-2216	1	Engine (Gas, 40 HP)	17	145-7789	1	Belt-Variable
2	145-2143	1	Housing-Flywheel, Gas	18	145-2235-0P	1	PSI Front Engine Mount ASM [pri
3	139-4598-0P	1	Plate-Spanner	19	140-2624-0P	1	Bracket-Drivetrain, Rear
4	140-2611	1	Transaxle ASM	20	33115-140	2	Screw-HH
5	139-4591	1	Clutch-Secondary	21	103-9511	2	Nut-Lock, NI
6	145-2145	1	Adapter-Clutch	22	120-4839	4	Screw-HHF
7	139-4590	1	Clutch-Primary	23	140-2689	2	Screw-HH
8	104-6550	1	Washer-Clutch	24	114-8417	2	Nut-HF, NI
9	99-7201	1	Screw-HH	25	3234-38	2	Screw-HHF
10	140-4777	1	Screw-HHF	26	99-5107	2	Nut-Lock
11	140-2603	1	Enclosure-Cvt	27	104-2628	4	Screw
12	140-2604-0P	1	Bracket-Transmission, LH	28	145-2146	1	Bearing-Ball
13	145-7785-0P	1	Bracket-Trans, RH (Gas)	29	133-1717	1	Screw-Set
14	33104-020	6	Screw-HHF	30	3290-378	1	Tie-Cable
15	110-3986	14	Screw	31	145-7799	1	Gasket-Cover, Cvt
16	140-4669	6	Clip-Spring				





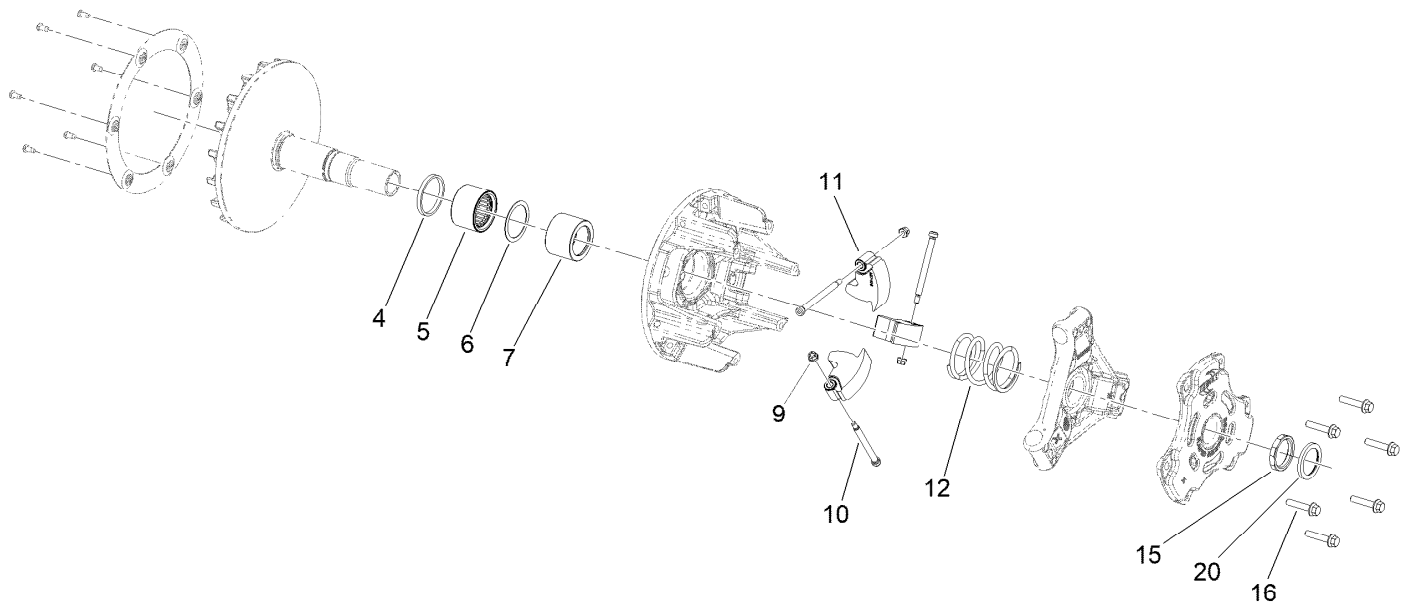
## Transaxle Assembly No. 140-2611

Ref.	Part Number	Qty.	Description	Ref.	Part Number	Qty.	Description
1	145-2039	1	Sensor,Speed, Transaxle	59	145-2037	1	Tube,Vent, 90-1/4" Hose
2	145-2040	1	Sensor, Assembly, Rotary Position	83	145-2038	1	Subassembly, Bellcrank
3	145-2030	1	Plug-Expansion 80MM X 10MM	89	145-2041	1	Shift Actuator, 2 Position
29	130-4616	2	Bearing-Needle	93	145-2042	1	Seal, Triple Lip, 0.984 X 2.047 X 0.394
30	145-2031	2	Bearing, Ball 6204 C3	95	145-2043	1	O-Ring
31	145-2032	2	Bearing, Ball 6205 C3	96	145-2044	1	O-Ring, 0.530 ID X .082 Wide
32	130-4666	2	Bearing-Ball	97	145-2045	2	Seal, Triple Lip, Viton, 40 X 70 X 7
33	145-2033	1	Bearing, Ball 6206 C3	98	145-2046	1	Seal, Triple Lip, 1.180 X 1.8520 X 0.315
34	145-2034	2	Bearing, Ball 6207 C3	99	145-2047	1	O-Ring, Nitrile
35	145-2035	1	Bearing, Ball 6208 C3				
36	130-4618	1	Bearing-Needle				
37	145-2036	1	Bearing, Ball 6203 C3				



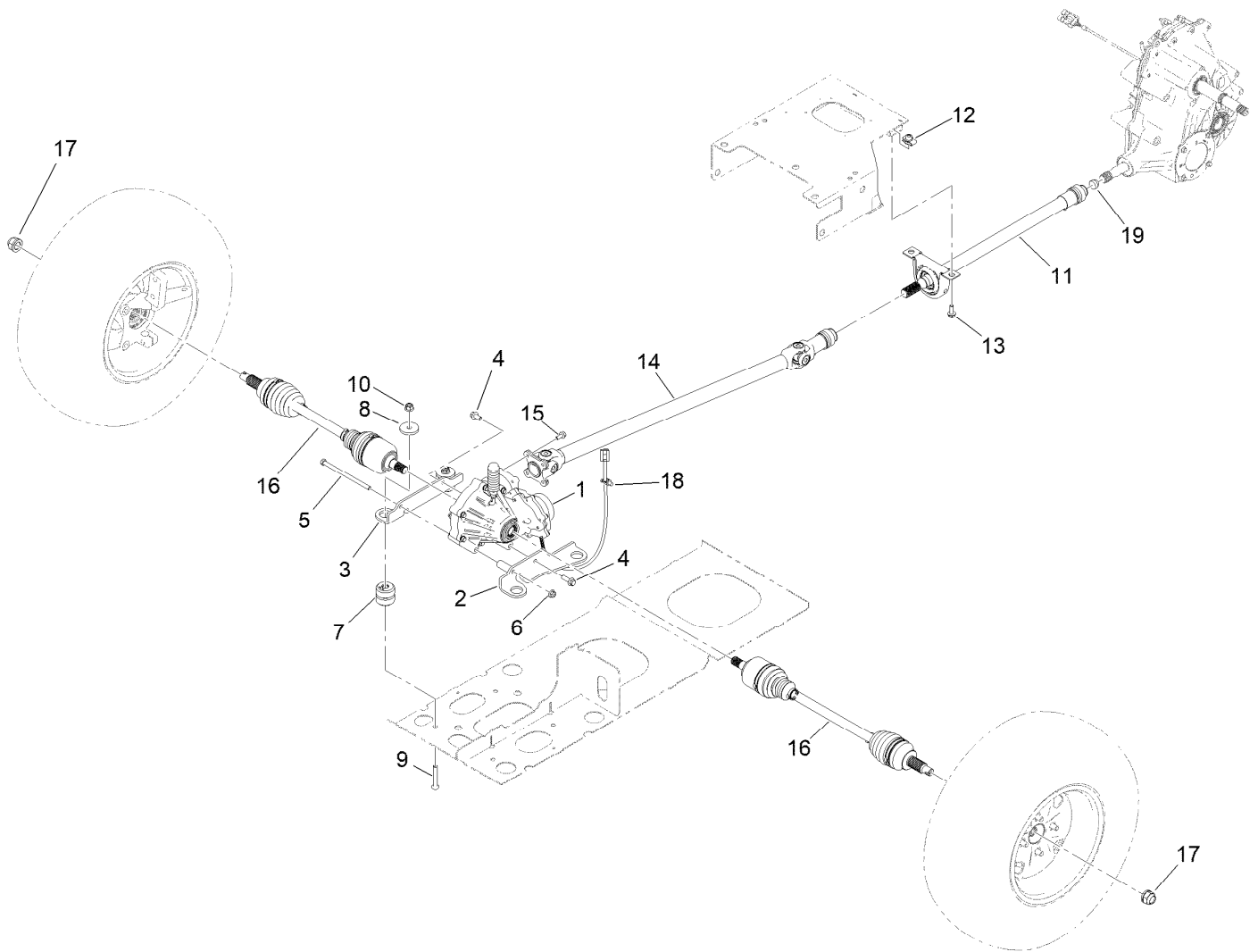
## Secondary Clutch Assembly No. 139-4591

<i>Ref.</i>	<i>Part Number</i>	<i>Qty.</i>	<i>Description</i>
1	145-2104	4	Screw, Machine Torx Sfch 10-32 X .625
3	145-2025	1	Spider 9.5 25T Mach
4	145-2026	4	Roller-Clutch 1.135 X .550
5	130-4059	2	Washer-Thrust
6	130-4058	2	E-Ring
7	145-2027	1	Spring-Comp 2.00 OD Secondary 175-320
10	130-4063	2	Pin-Roller
11	130-4065	2	Pin-Spring, Slotted
13	145-2028	1	Bearing-Ball
14	145-2029	1	Sleeve-Shoulder



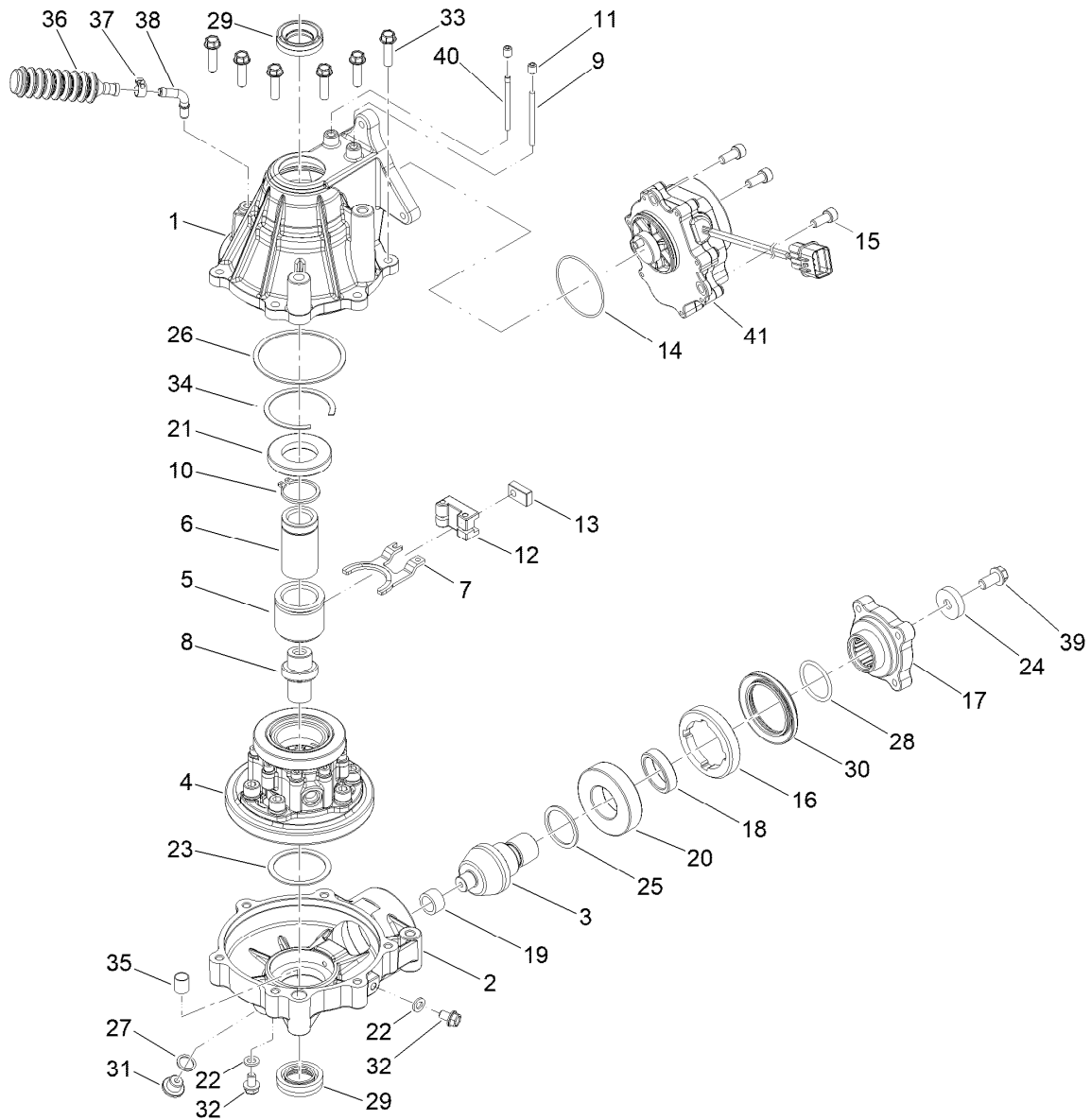
## Primary Clutch Assembly No. 139-4590

<i>Ref.</i>	<i>Part Number</i>	<i>Qty.</i>	<i>Description</i>
4	145-2018	1	Washer-Thrust
5	145-2019	1	Subassembly, Idler Primary
6	130-4069	1	Washer-Thrust
7	145-2020	1	Cap-Idler Sleeve
9	145-2103	3	Nut, Lock Hex 10-24 Flexloc
10	119-6016	3	Screw-Shoulder
11	145-2021	3	Weight-Clutch M17-198
12	145-2022	1	Spring-Compression 2.00 OD Primary 70-13
15	145-2023	1	Nut-Jam
16	145-2024	6	Screw-Hex Flange 1/4-20 X 1.25
20	145-7784	1	Collar Primary Shift Stop



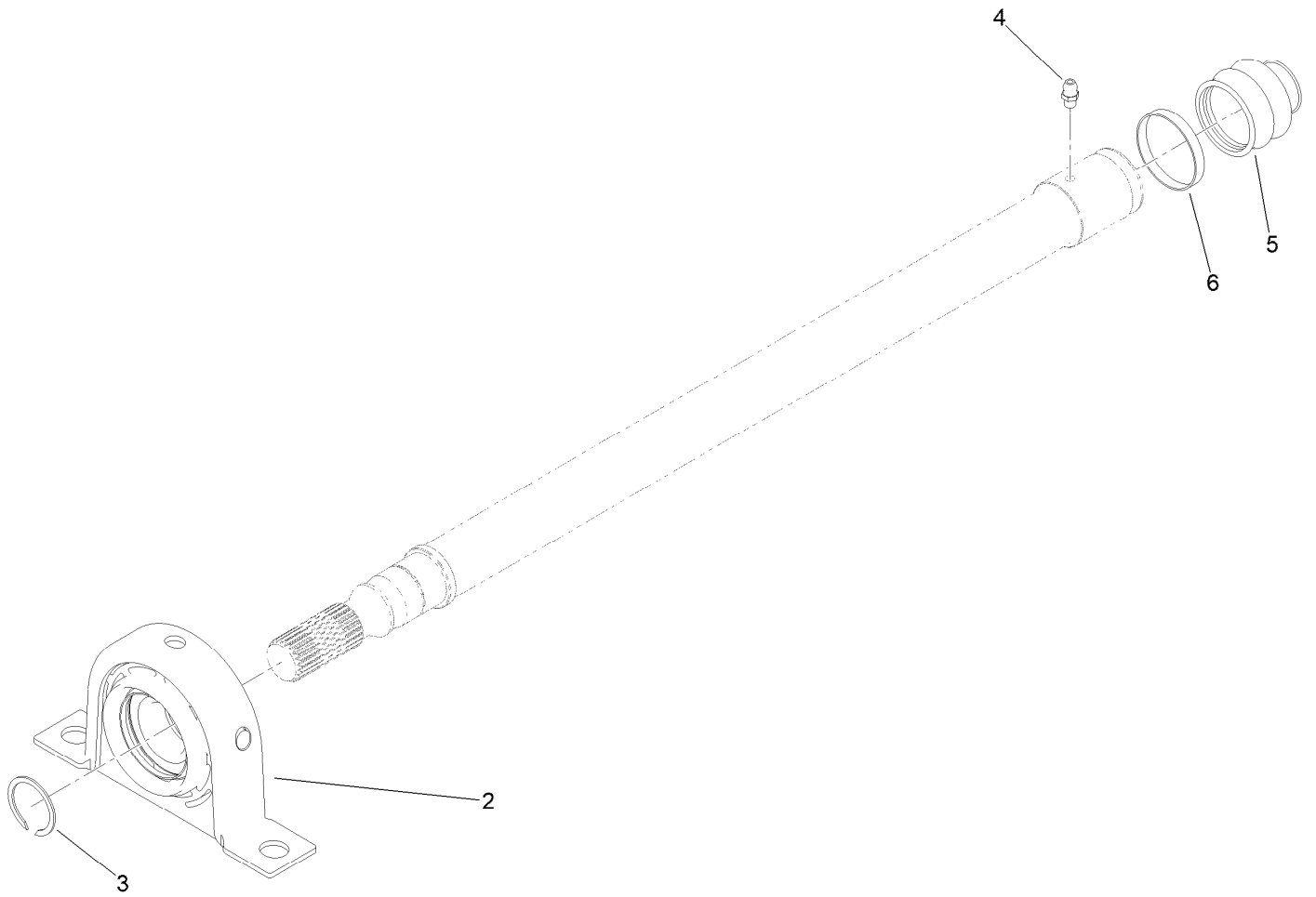
## Front Differential and Driveshaft Assembly

<i>Ref.</i>	<i>Part Number</i>	<i>Qty.</i>	<i>Description</i>	<i>Ref.</i>	<i>Part Number</i>	<i>Qty.</i>	<i>Description</i>
1	140-4752	1	Differential-Front	11	140-4771	1	Driveshaft ASM-Intermediate
2	144-2213-0P	1	Mount ASM-Differential, LH	12	105-4886	2	Nut-Tinnerman
3	140-4692-0P	1	Mount-Differential, RH	13	3234-42	2	Screw-HHF
4	145-7778	2	Screw-HHF	14	140-2647	1	Driveshaft ASM
5	323-26	1	Screw-HH	15	139-3392	4	Screw-Lock
6	104-8301	1	Nut-HF, NI	16	140-2644	2	Cv Axle ASM, Front
7	126-6095	4	Mount-Isolator	17	115-2164	2	Nut-Spindle
8	109-6919	4	Washer-Plain	18	32180-030	1	Clip-Tie
9	144-2215	4	Screw-Bht	19	145-7787	1	Bumper-Drive Shaft
10	114-8417	4	Nut-HF, NI				



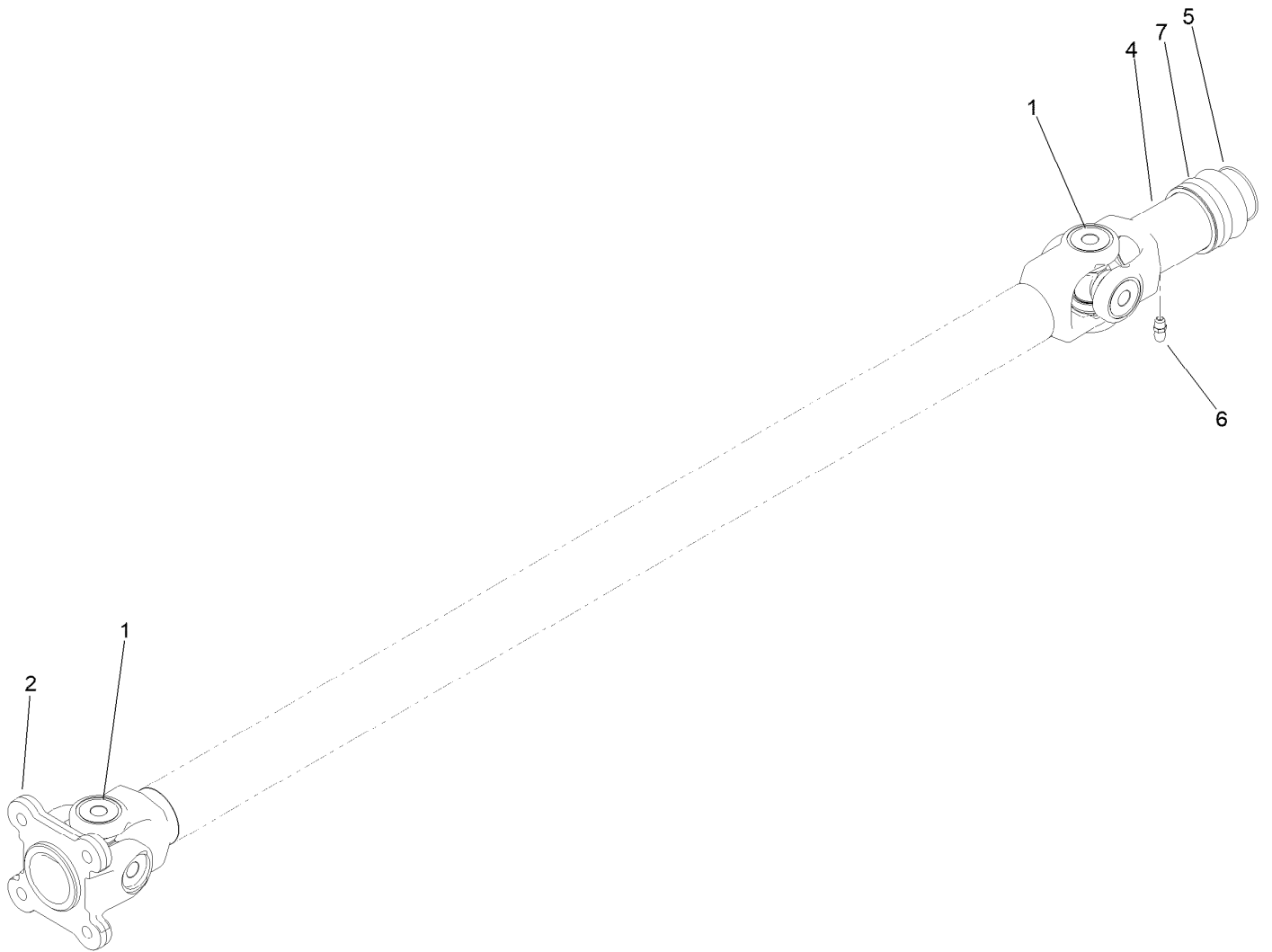
## Front Differential Assembly No. 140-4752

Ref.	Part Number	Qty.	Description	Ref.	Part Number	Qty.	Description
1	145-7895	1	Cover	22	145-7916	2	Washer, 8.2 X 16 X 2T
2	145-7896	1	Housing	23	145-7917	1	Shim, 50.5 X 61
3	145-7897	1	Pinion	24	145-7918	1	Lock Washer
4	145-7898	1	Planet Carrier Sub-ASM	25	145-7919	1	Shim, 36 X 44
5	145-7899	1	Clutch	26	145-7920	1	Shim, 79 X 89
6	145-7900	1	Support Ring	27	145-7921	1	Washer, 14.5 X 22 X 1T
7	145-7901	1	Fork	28	145-7922	1	O-Ring, P26
8	145-7902	1	Gear A	29	145-7923	2	Seal, 25 X 45 X 7T X 11T
9	145-7903	1	Pin, 5 X 62L	30	145-7924	1	Seal, 40 X 75 X 8T X 12T
10	145-7904	1	Retaining Ring, External 34	31	145-7925	1	Plug, M14 X 9.5L
11	145-7905	2	Bolt, M10 X 10L	32	145-7926	2	Screw, HH, M8Xp1.25X12L
12	145-7906	1	Slider A	33	145-7927	6	Screw, HH, M8Xp1.25X30L
13	145-7907	1	Slider B	34	145-7928	1	Retaining Ring, Internal 62
14	145-7908	1	O-Ring, 62 I.D. X 2 Wide	35	145-7929	1	Location Pin
15	145-7909	3	Screw, Sh, M8X20L	36	145-7930	1	Breathing Tube
16	145-7910	1	Nut, M74	37	145-7931	1	Ring
17	145-7911	1	Flange	38	145-7932	1	Tube, Vent, 90 DEG
18	145-7912	1	Bushing	39	145-7933	1	Screw, HH, M10Xp1.25X20L
19	145-7913	1	Needle Bearing, Hk1612	40	145-7934	1	Pin, 5 X 4.63 X 62L
20	145-7914	1	Ball Bearing, 6207	41	145-7935	1	Actuator
21	145-7915	1	Ball Bearing, 16007				



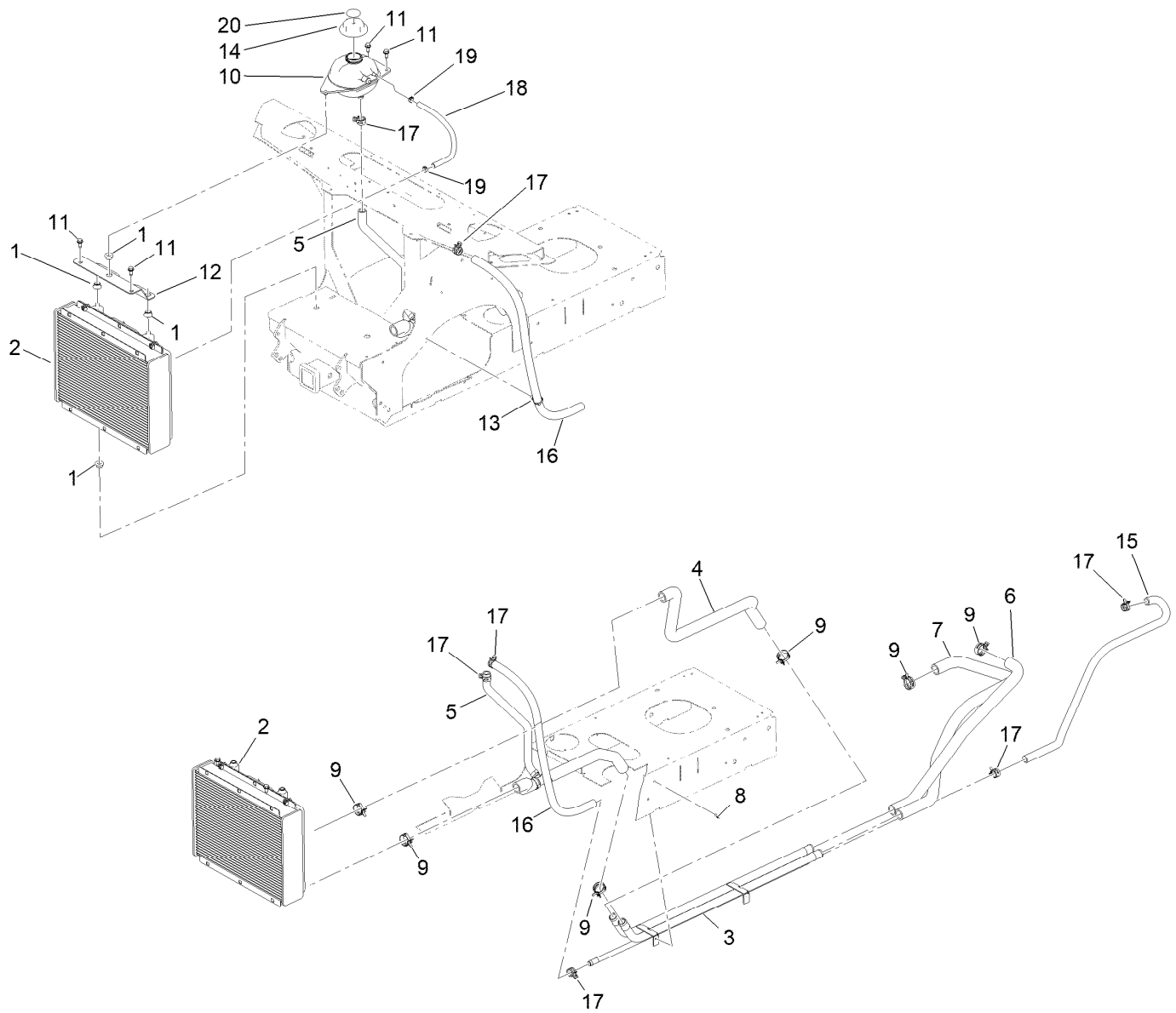
## Intermediate Driveshaft Assembly No. 140-4771

<i>Ref.</i>	<i>Part Number</i>	<i>Qty.</i>	<i>Description</i>
2	139-4442	1	Bearing-Hanger
3	144-2208	1	Retainer-Bearing
4	302-5	1	Fitting-Grease
5	140-4772	1	Boot-Joint, Slip
6	140-4760	1	Band



## Driveshaft Assembly No. 140-2647

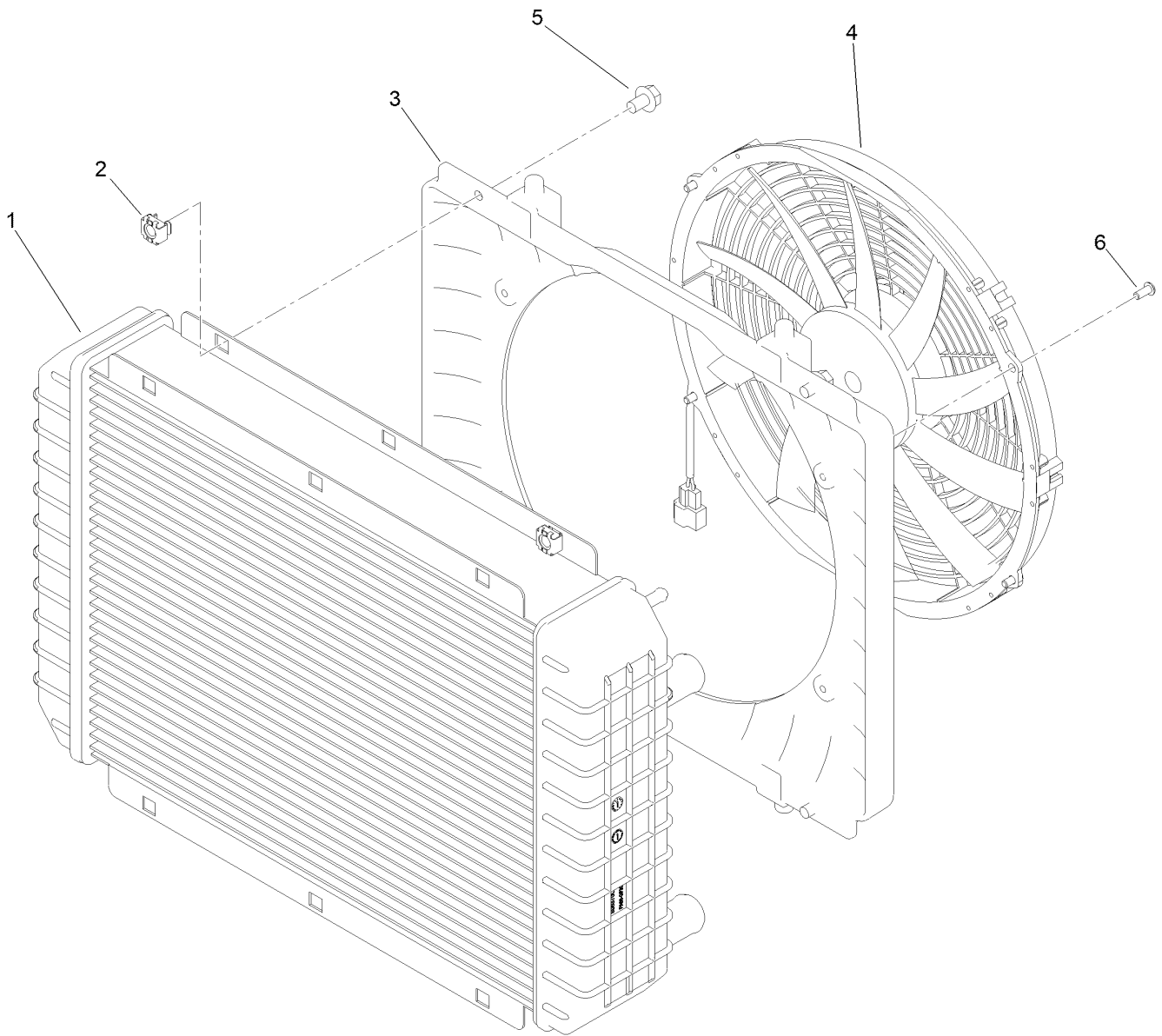
<i>Ref.</i>	<i>Part Number</i>	<i>Qty.</i>	<i>Description</i>
1	138-9162	2	U-Joint Kit
2	138-9178	1	Yoke-Flange
4	140-4753	1	Yoke-Slip, Female
5	140-4754	1	Boot-Joint, Slip
6	110-4755	1	Fitting-Grease
7	140-4760	1	Band



## Cooling System Assembly

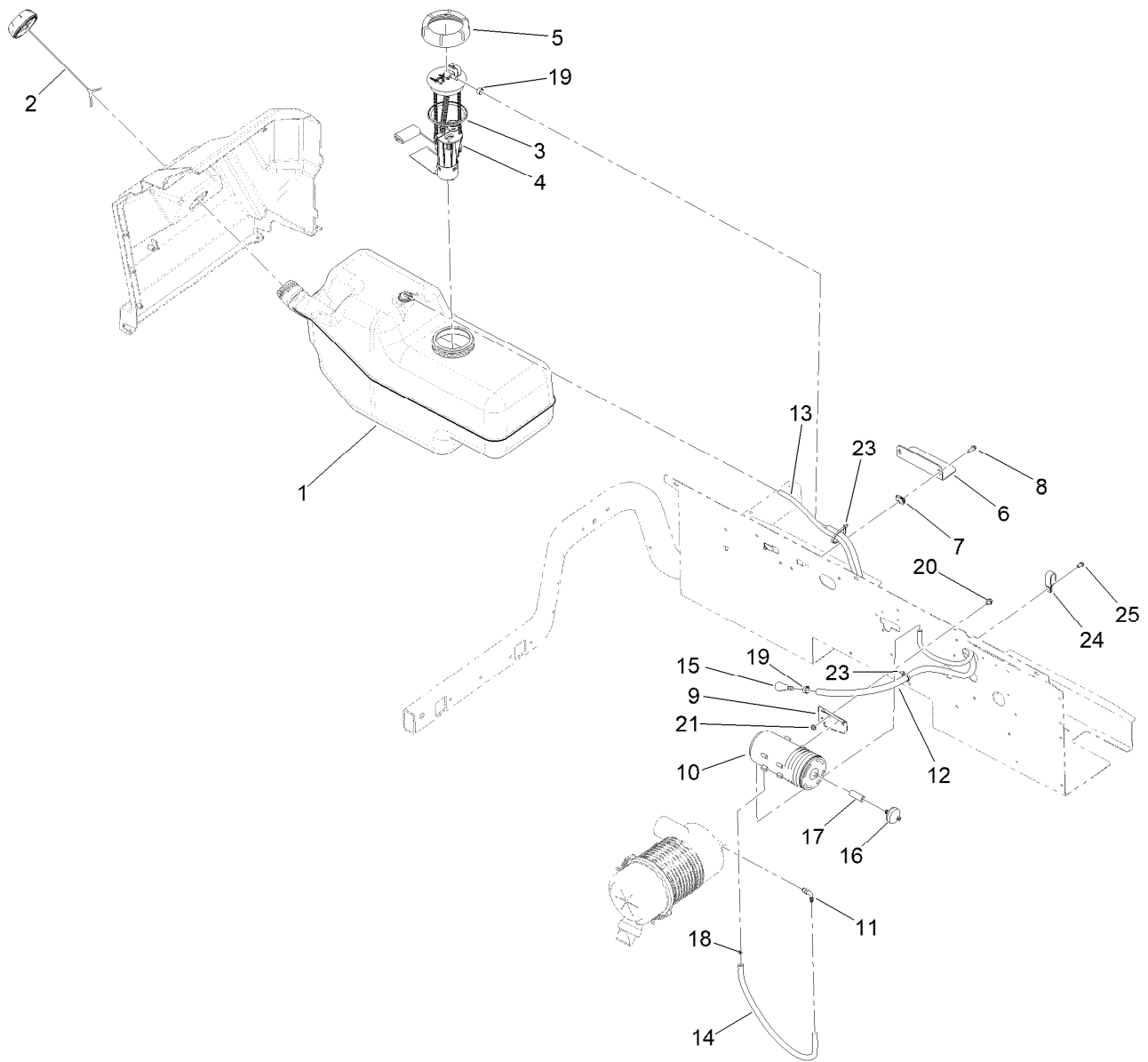
<i>Ref.</i>	<i>Part Number</i>	<i>Qty.</i>	<i>Description</i>	<i>Ref.</i>	<i>Part Number</i>	<i>Qty.</i>	<i>Description</i>
1	137-6828	5	Bushing-Flange	12	138-9327-05	1	Bracket-Mount, Radiator
2	140-2641	1	Radiator ASM	13	32180-030	2	Clip-Tie
3	137-2681	1	Tube ASM-Coolant	14	120-4867	1	Cap-Coolant, Threaded (15 PSI)
4	140-2628	1	Hose-Radiator, Upper	15	144-2220	1	Hose-Coolant, Minor
5	140-4751	1	Hose ASM-Coolant	16	140-4757	1	Hose-Coolant
6	140-2634	1	Hose-Coolant, Upper	17	144-2248	5	Clamp-Sc Band
7	144-2242	1	Hose-Coolant, Lower	18	120-5019	1	Hose-Coolant
8	32144-4	2	Screw-HWH	19	92-2379	2	Clamp-Hose
9	144-2246	8	Clamp-Sc Band	20	106-6755	1	Decal-Cap, Radiator
10	144-0033	1	Tank-ASM				
11	32144-70	4	Screw-HWHTF				





## Radiator Assembly No. 140-2641

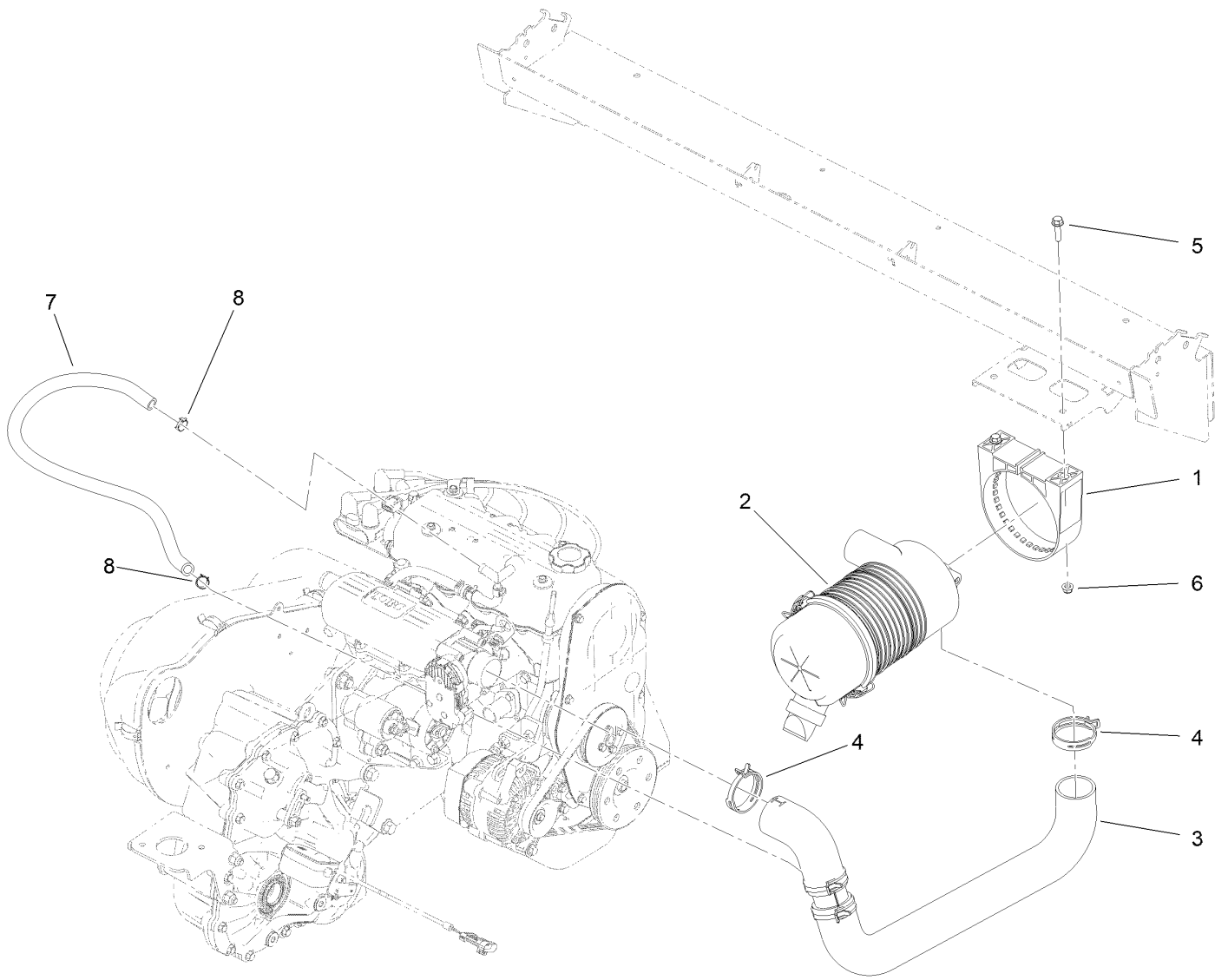
<i>Ref.</i>	<i>Part Number</i>	<i>Qty.</i>	<i>Description</i>
1	140-4695	1	Radiator
2	703856	4	Nut-Sq, Caged
3	139-4587	1	Shroud-Fan, Radiator
4	140-4694	1	Fan
5	3234-30	4	Screw-HHF
6	120-4564	4	Screw-BHCS



## Fuel System Assembly

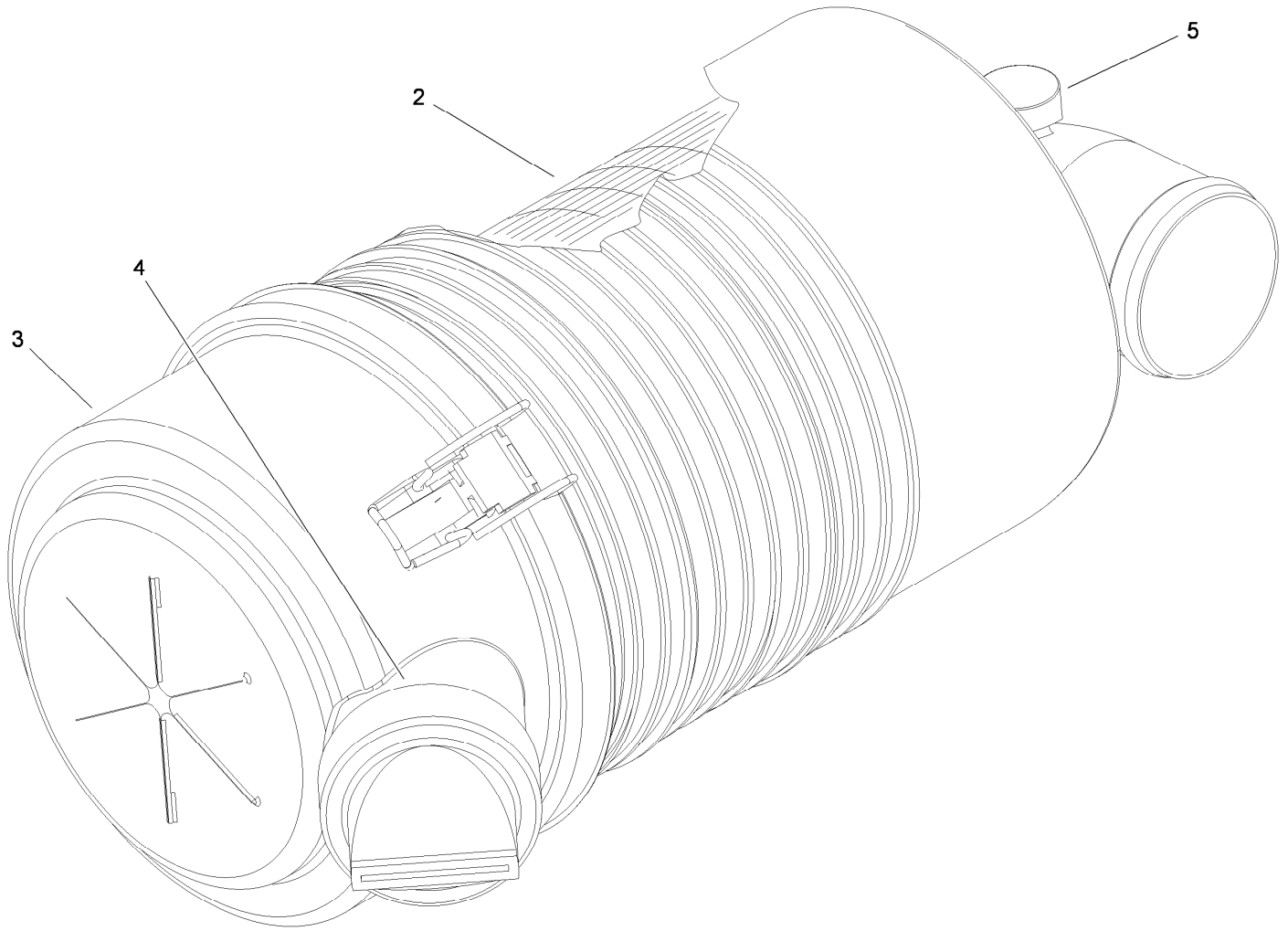
Ref.	Part Number	Qty.	Description	Ref.	Part Number	Qty.	Description
1	137-2711	1	Fuel Tank ASM (8 Gallon Gas)	13	119-3517	1	Hose-Fuel
2	126-1789	1	Cap-Fuel, Ratcheting	14	109-0298	1	Line-Fuel
3	138-9333	1	Gasket-Fuel Sender	15	125-2921	1	Fitting-Fuel
4	138-9330	1	Fuel Pump ASM	16	115-7854	1	Filter-Fuel, Inline
5	138-9332	1	Cap-Fuel Sender	17	106-5317	1	Hose-Fuel
6	138-9445	1	Bracket-Mount, Fuel Tank	18	120-2038	1	Cartridge-Valve, Check
7	107069	2	Clip	19	92-2379	2	Clamp-Hose
8	49-2040	2	Screw-HWHTF	20	3234-26	2	Screw-HHF
9	114-0292	1	Bracket-Canister, Carbon	21	3296-56	2	Nut-Lock, NI
10	117-1221	1	Canister-Carbon, 800Cc	23	3290-378	2	Tie-Cable ●
11	94-7222	1	Barb-Hose	24	92-5753	2	Clamp-Hose
12	144-2247	1	Hose-Fuel	25	32144-4	2	Screw-HWH

● Not illustrated



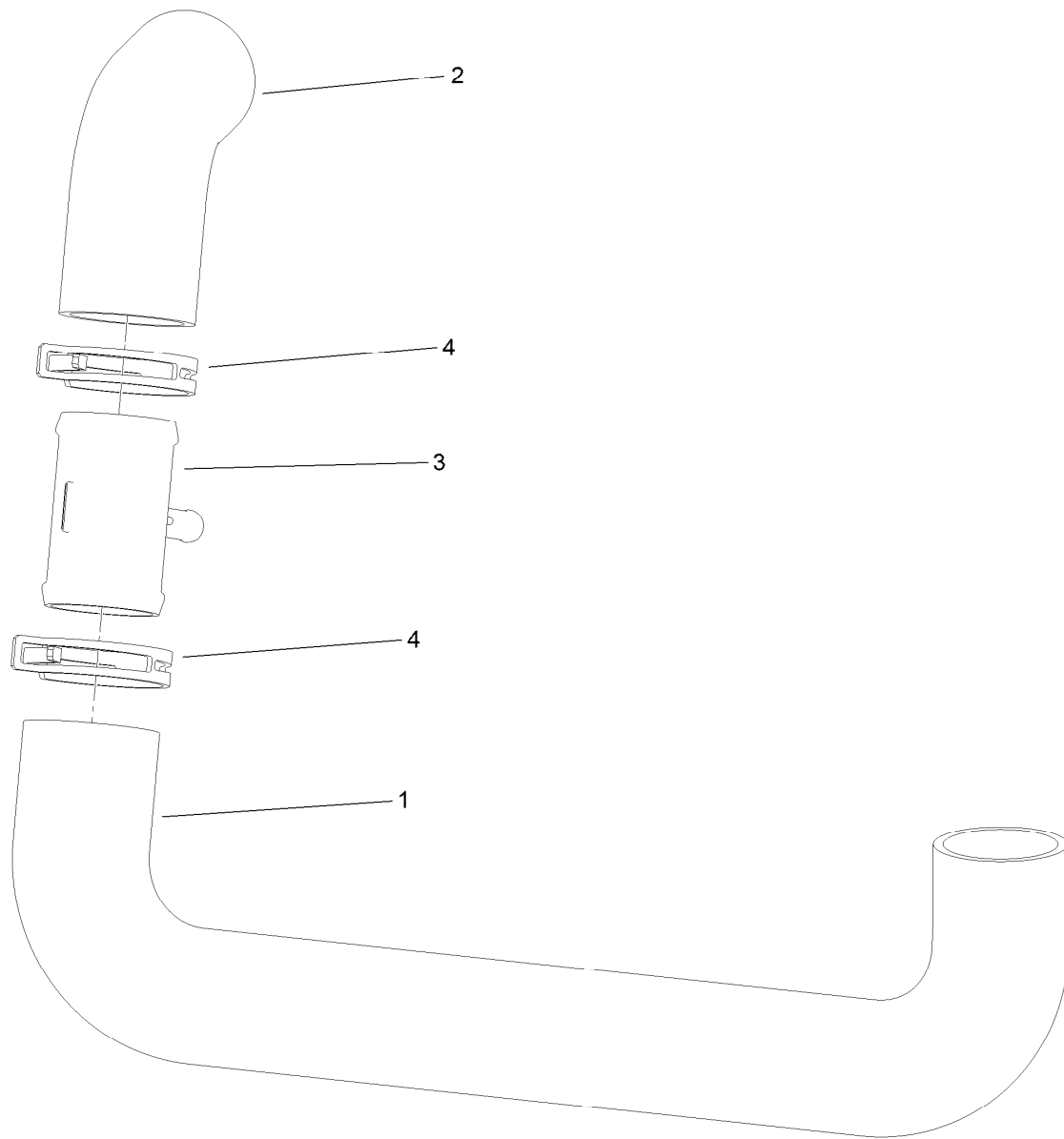
## Air Cleaner Assembly

<b>Ref.</b>	<b>Part Number</b>	<b>Qty.</b>	<b>Description</b>
1	98-4525	1	Bracket-Cleaner, Air
2	106-5277	1	Air Cleaner ASM
3	145-2118	1	Hose ASM-Intake
4	144-2200	2	Clamp-Sc Band
5	3234-36	2	Screw-HHF
6	104-8300	2	Nut-HF, NI
7	127-1777	1	Hose-Fuel
8	2412-143	2	Clamp-Hose



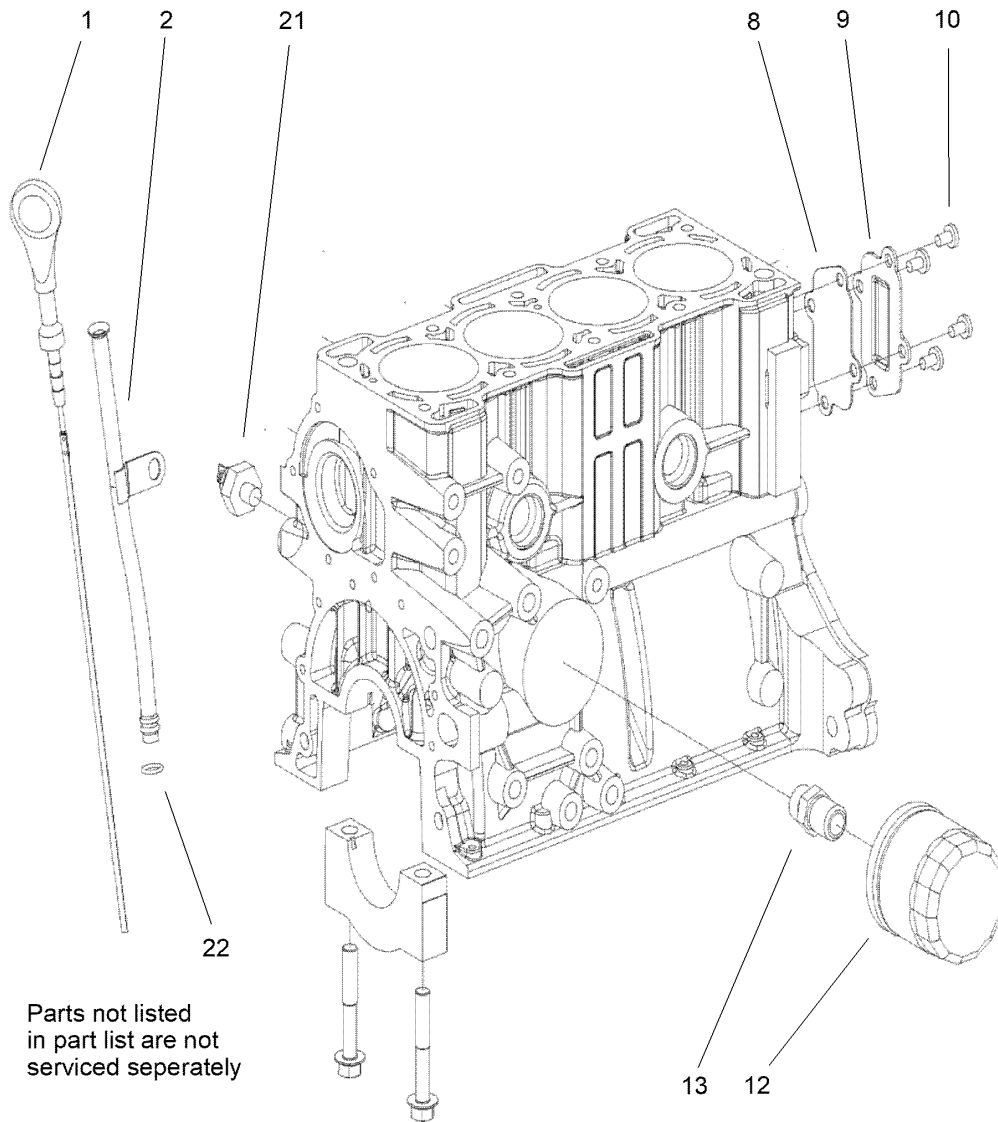
## Air Cleaner Assembly No. 106-5277

<i>Ref.</i>	<i>Part Number</i>	<i>Qty.</i>	<i>Description</i>
2	108-3810	1	Filter-Air
3	98-9771	1	Cover ASM
4	87-9400	1	Valve-Vacuator
5	285-17	1	Plug-Pipe



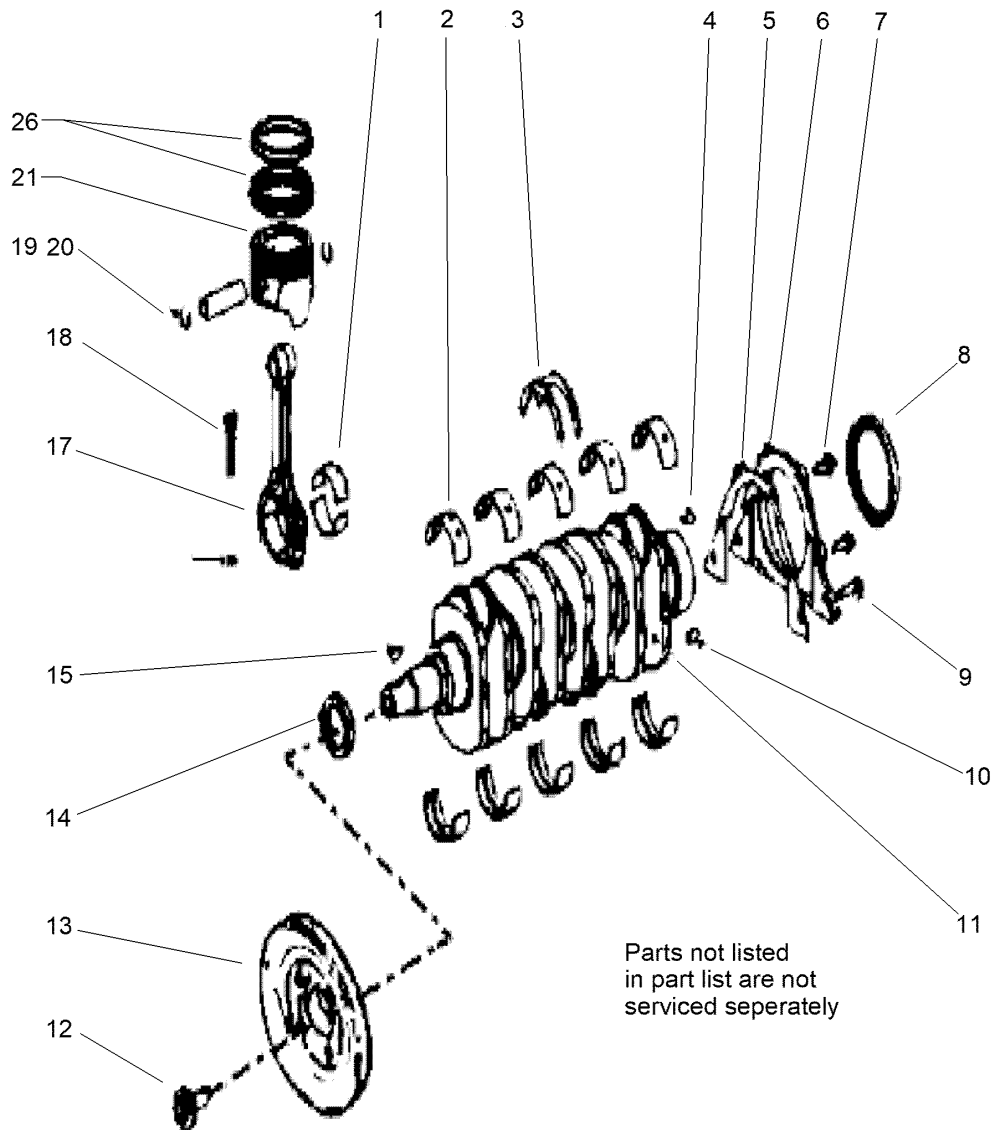
## Hose Intake Assembly No. 145-2118

<i>Ref.</i>	<i>Part Number</i>	<i>Qty.</i>	<i>Description</i>
1	145-2116	1	Hose-Air Intake, A
2	145-2117	1	Hose-Air Intake, B
3	145-2112	1	Fitting-Tee
4	144-2200	2	Clamp-Sc Band



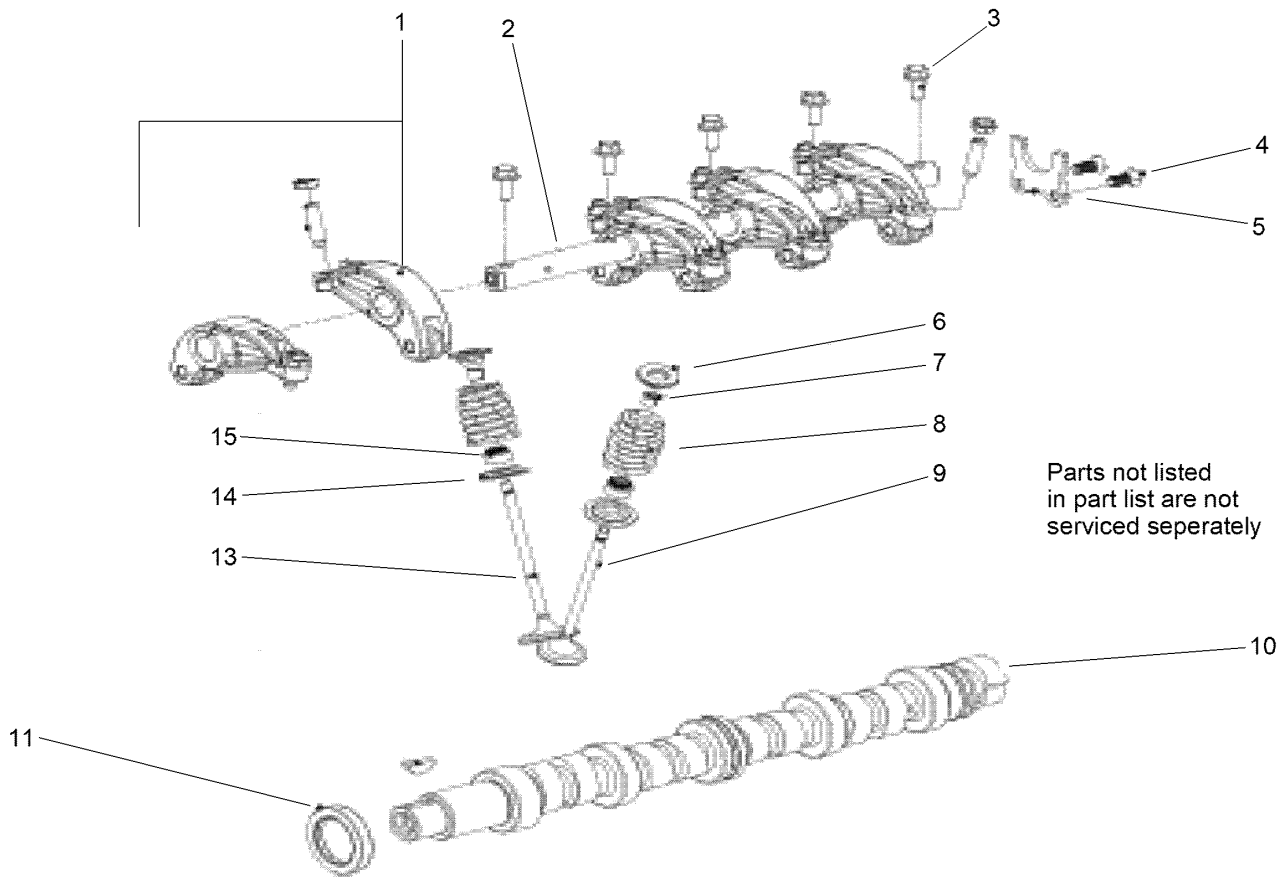
## Cylinder Block Assembly

<b>Ref.</b>	<b>Part Number</b>	<b>Qty.</b>	<b>Description</b>
1	145-7937	1	Dip Stick, Oil
2	145-7938	1	Tube, Dipstick
8	145-7939	1	Gasket, Water Sealing Cover
9	145-7940	1	Cover, Water Sealing
10	145-7941	4	Bolt
12	145-7942	1	Filter, Oil
13	145-7943	1	Fitting, Oil Filter
21	145-7944	1	Switch, Oil Pressure
22	145-7945	1	Seal, Dipstick Tube



## Crankshaft and Piston Assembly

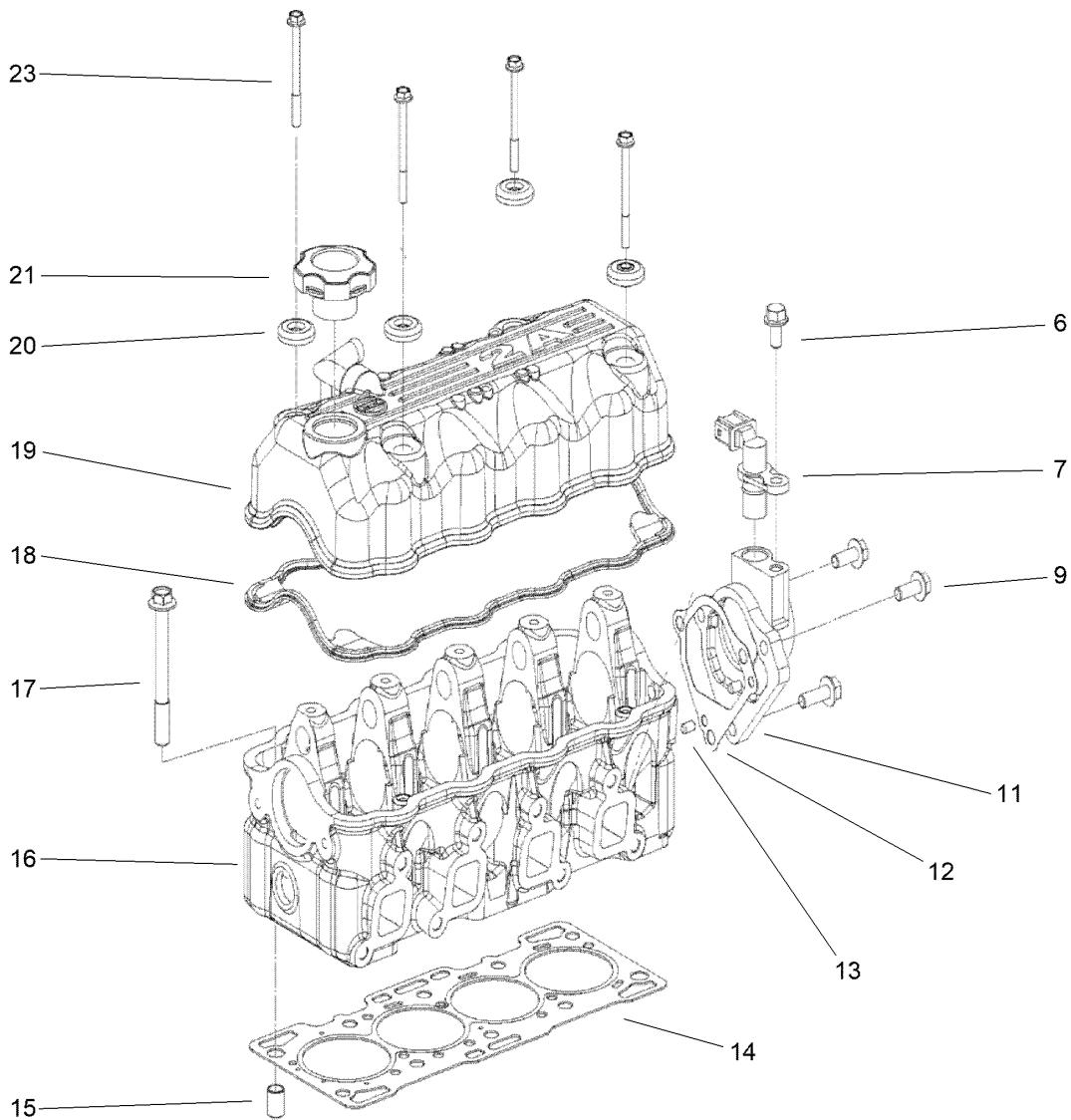
<i>Ref.</i>	<i>Part Number</i>	<i>Qty.</i>	<i>Description</i>	<i>Ref.</i>	<i>Part Number</i>	<i>Qty.</i>	<i>Description</i>
1	145-7946	1	Bearing, Main (Set Of 10)	12	147-2557	1	Bolt, Crankshaft Pulley
2	145-7947	1	Bearing, Connecting Rod	13	147-2558	1	Pulley, Crankshaft
3	145-7948	1	Bearing, Thrust	14	147-2559	2	Seal, Crankshaft Front
4	145-7949	1	Pin, Locating	15	147-2560	2	Key, Woodruff
5	147-2550	1	Gasket, Oil Seal Housing	17	147-2561	4	Connecting Rod
6	147-2551	1	Housing, Oil Seal	18	147-2562	8	Rod, Connecting
7	147-2552	4	Bolt, Oil Seal Housing	19	147-2563	8	Clip, Piston Pin
8	147-2553	1	Seal, Oil (Rear)	20	147-2564	4	Pin, Piston
9	147-2554	2	Bolt, Oil Seal Housing	21	147-2565	4	Piston
10	147-2555	3	Bushing	26	147-2566	4	Piston Ring Set - Complete
11	147-2556	1	Crankshaft				



## Camshaft and Rocker Arm Assembly

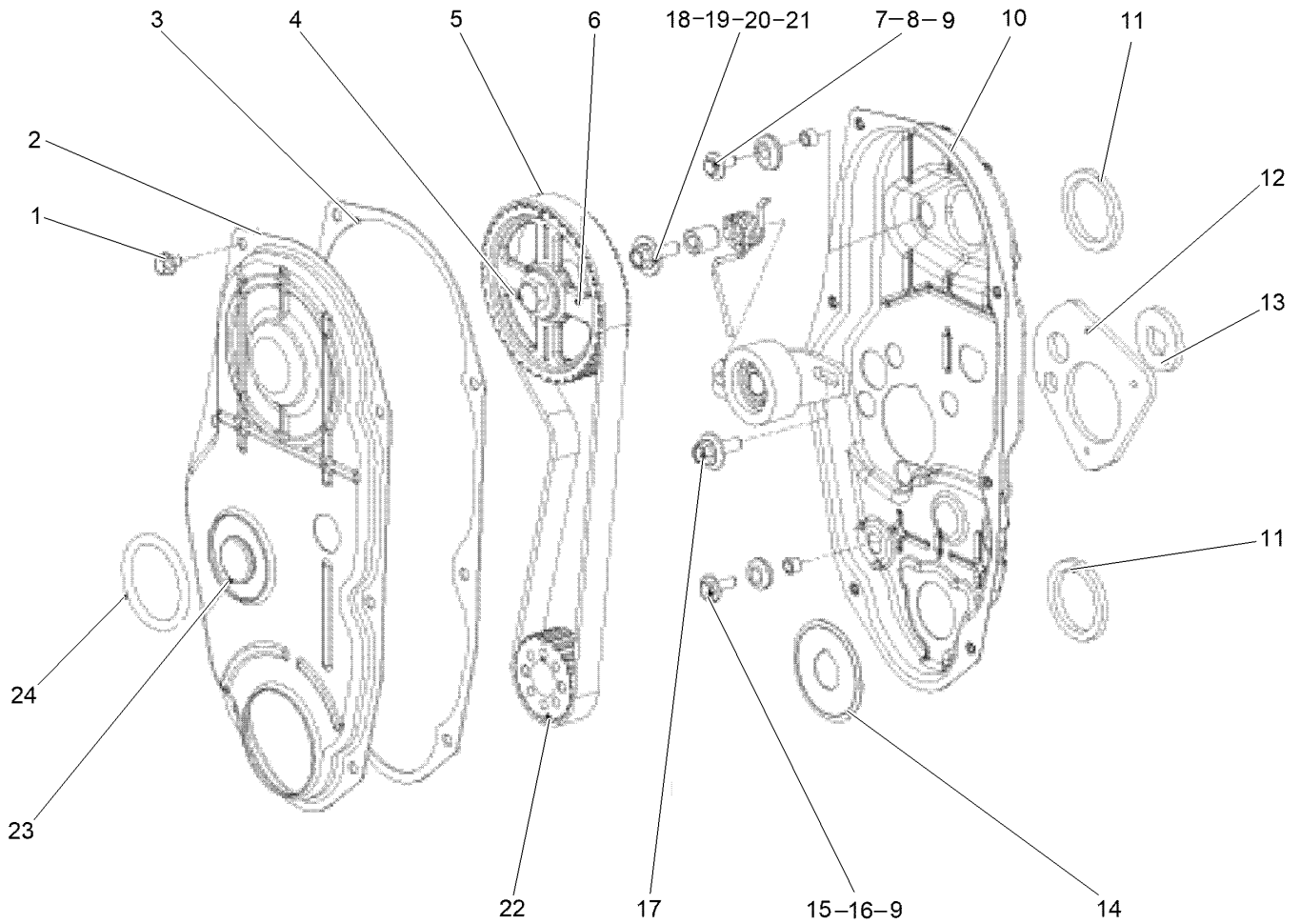
<i>Ref.</i>	<i>Part Number</i>	<i>Qty.</i>	<i>Description</i>
1	147-2567	8	Arm, Rocker
2	147-2568	1	Shaft, Rocker Arm
3	147-2569	1	Bolt
4	147-2570	2	Bolt
5	147-2571	1	Plate, Camshaft Thrust
6	147-2572	8	Seat, Valve Spring
7	147-2573	16	Rotaton, Valve
8	147-2574	8	Valve, Spring
9	147-2575	4	Valve, Exhaust
10	147-2576	1	Camshaft
11	147-2577	1	Seal, Camshaft
13	147-2578	4	Valve, Intake
14	147-2579	8	Seal, Valve Stem
15	147-2580	8	Seat, Valve Spring





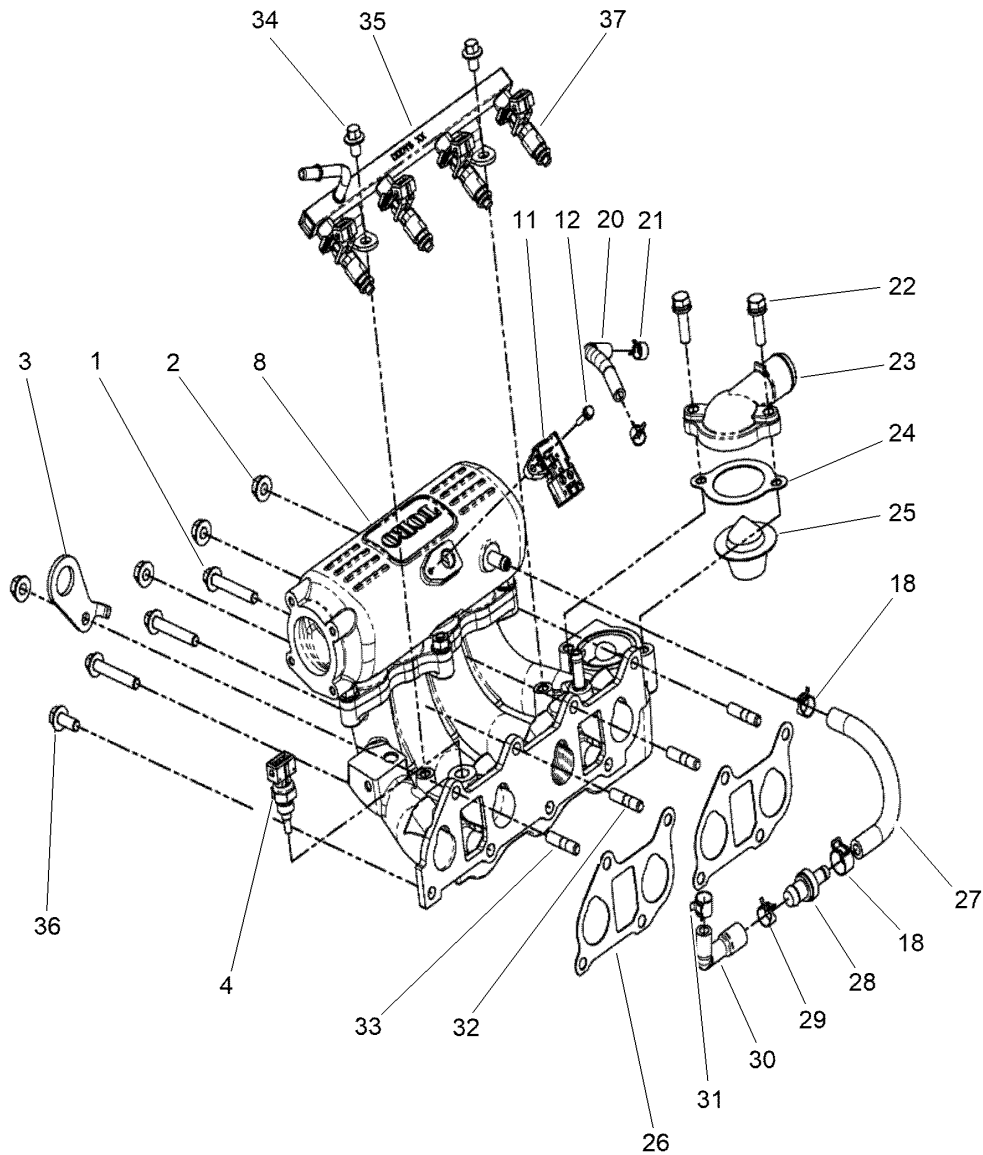
## Cylinder Head Assembly

<i>Ref.</i>	<i>Part Number</i>	<i>Qty.</i>	<i>Description</i>
6	147-2581	1	Bolt
7	147-2582	1	Sensor, Camshaft
9	147-2583	4	Bolt, Intake Manifold
11	147-2584	1	Housing, Camshaft Sensor
12	147-2585	1	Gasket, Camshaft Sensor Housing
13	147-2586	2	Pin, Locating
14	147-2587	1	Gasket, Cylinder Head
15	147-2588	4	Pin, Locating
16	147-2589	1	Head, Cylinder
17	147-2590	10	Bolt, Cylinder Head
18	147-2591	1	Gasket, Rocker Cover
19	147-2592	1	Cover, Rocker
20	147-2593	4	Spacer
21	147-2594	1	Cap, Oil
23	147-2595	4	Bolt, Rocker Cover



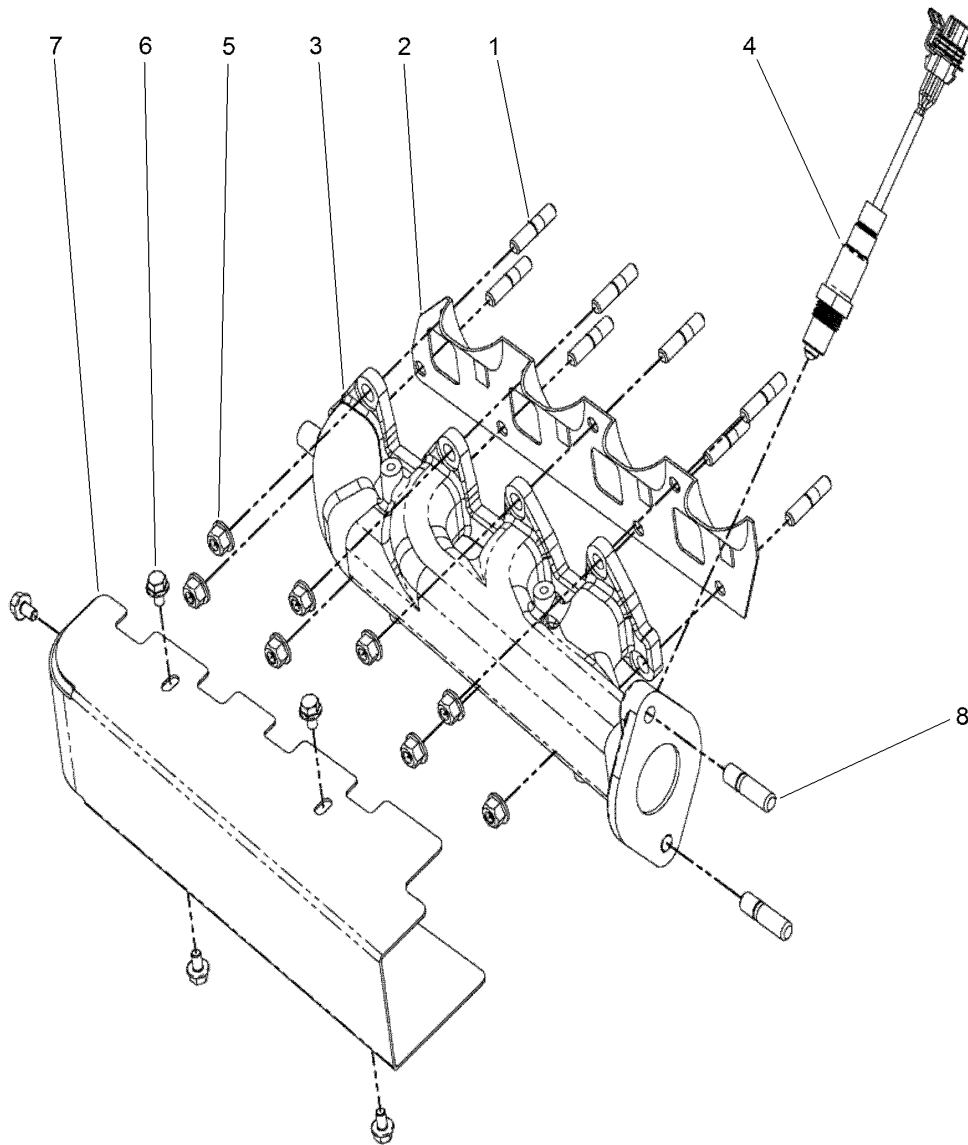
## Timing Cover Assembly

<i>Ref.</i>	<i>Part Number</i>	<i>Qty.</i>	<i>Description</i>	<i>Ref.</i>	<i>Part Number</i>	<i>Qty.</i>	<i>Description</i>
1	147-2596	1	Bolt	14	147-2609	1	Cover
2	147-2597	1	Front Cover	15	147-2610	2	Bolt, Front Cover
3	147-2598	1	Gasket, Front Cover	16	147-2611	2	Gasket, Rear Cover
4	147-2599	1	Bolt	17	147-2612	1	Bolt, Front Cover (Incls Washer)
5	147-2600	1	Belt, Timing (90 Teeth)	18	147-2613	1	Bolt, Tensioner
6	147-2601	1	Sprocket, Camshaft	19	147-2614	1	Bushing, Torsion Spring
7	147-2602	2	Bolt, Front Cover	20	147-2615	1	Spring, Torsion
8	147-2603	2	Washer	21	147-2616	1	Tensioner
9	147-2604	4	Spacer	22	147-2617	1	Sprocket, Crankshaft
10	147-2605	1	Rear Cover	23	147-2618	1	Cover
11	147-2606	2	Seal, Oil Cover	24	147-2619	1	Seal, Front Cover
12	147-2607	1	Plate, Cover				
13	147-2608	1	Washer				



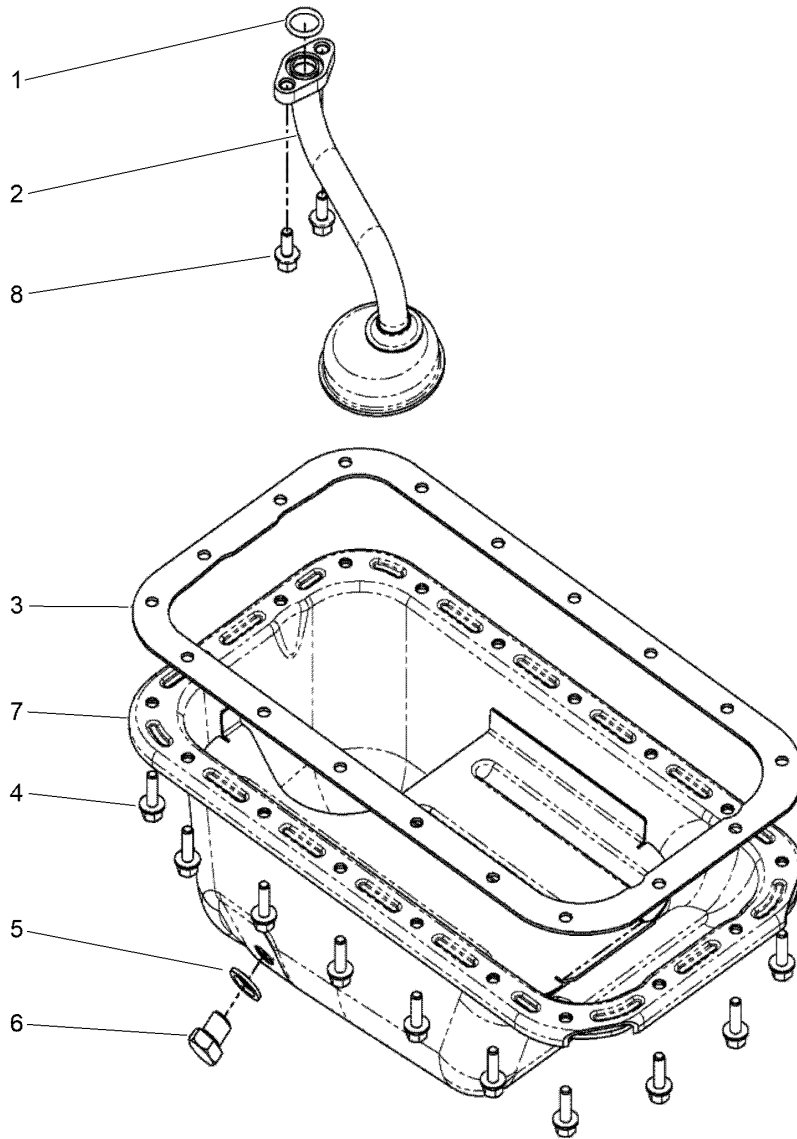
## Intake Manifold Assembly

<i>Ref.</i>	<i>Part Number</i>	<i>Qty.</i>	<i>Description</i>	<i>Ref.</i>	<i>Part Number</i>	<i>Qty.</i>	<i>Description</i>
1	147-2620	3	Bolt, Intake Manifold	25	147-2633	1	Thermostat
2	147-2621	4	Nut, Intake Manifold	26	147-2634	2	Gasket, Intake Manifold
3	147-2622	1	Lifting Eye	27	147-2635	1	Hose, Pvc Vent
4	147-2623	1	Sensor, Water Temp	28	147-2636	1	Pcv
8	147-2624	1	Manifold, Intake	29	147-2637	1	Clamp
11	147-2625	1	Sensor, Air	30	147-2638	1	Hose, Pcv
12	147-2626	1	Bolt	31	147-2639	1	Clamp
18	147-2627	2	Clamp	32	147-2640	3	Stud, Intake Manifold
20	147-2628	1	Hose, Coolant	33	147-2641	1	Stud, Exhaust Manifold
21	147-2629	2	Clamp	34	147-2642	2	Bolt, Fuel Rail
22	147-2630	2	Bolt	35	147-2643	1	Rail, Fuel
23	147-2631	1	Outlet, Water	36	147-2583	1	Bolt, Intake Manifold
24	147-2632	1	Gasket, Thermostat Cover	37	145-7936	4	Injector W/Clip



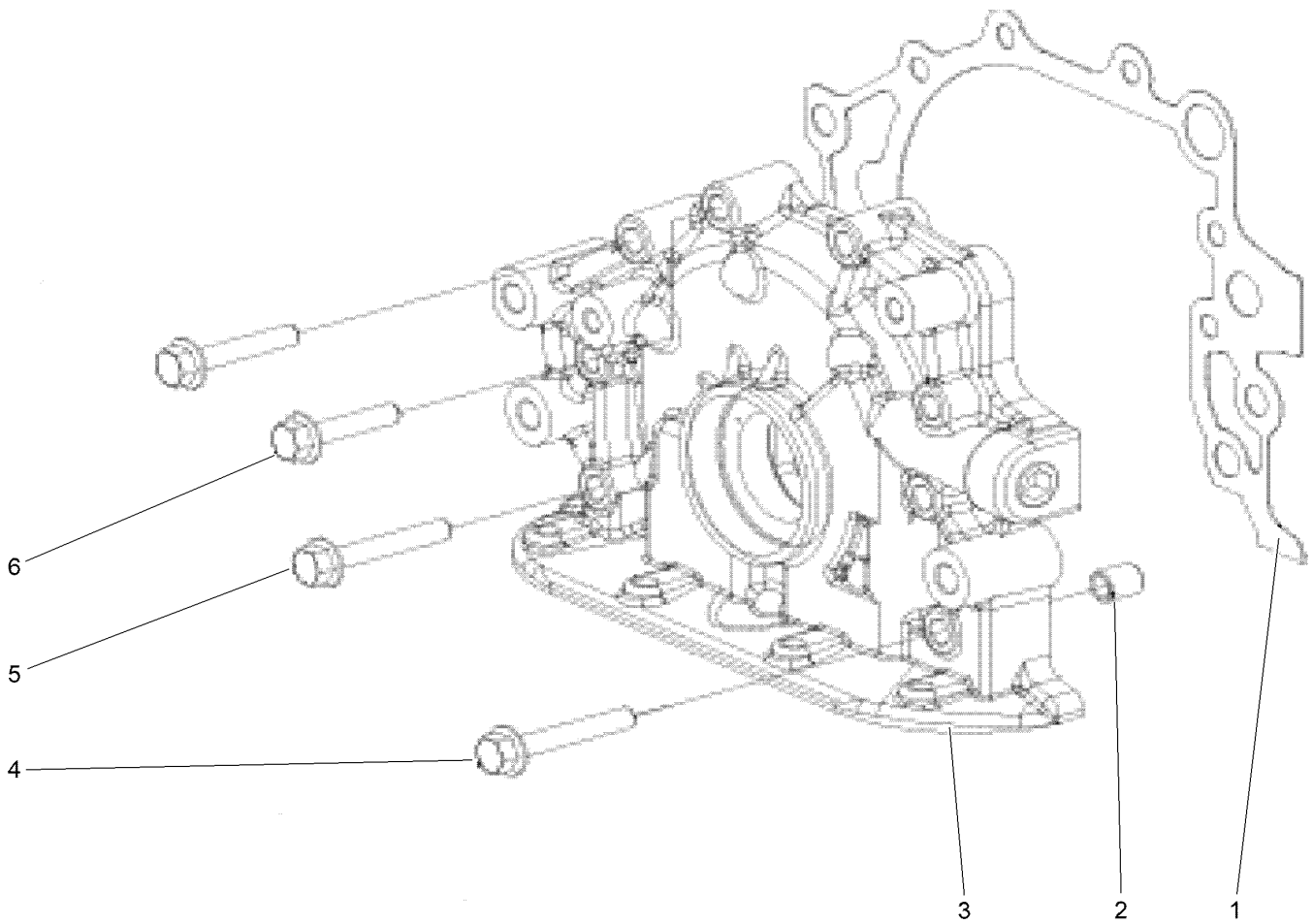
## Exhaust Manifold Assembly

<i>Ref.</i>	<i>Part Number</i>	<i>Qty.</i>	<i>Description</i>
1	147-2644	8	Stud
2	147-2645	1	Gasket, Exhaust Manifold
3	147-2646	1	Manifold, Exhaust
4	147-2647	1	Sensor, O2
5	147-2648	8	Nut
6	147-2649	5	Screw
7	147-2650	1	Shield, Exhaust
8	147-2651	2	Stud



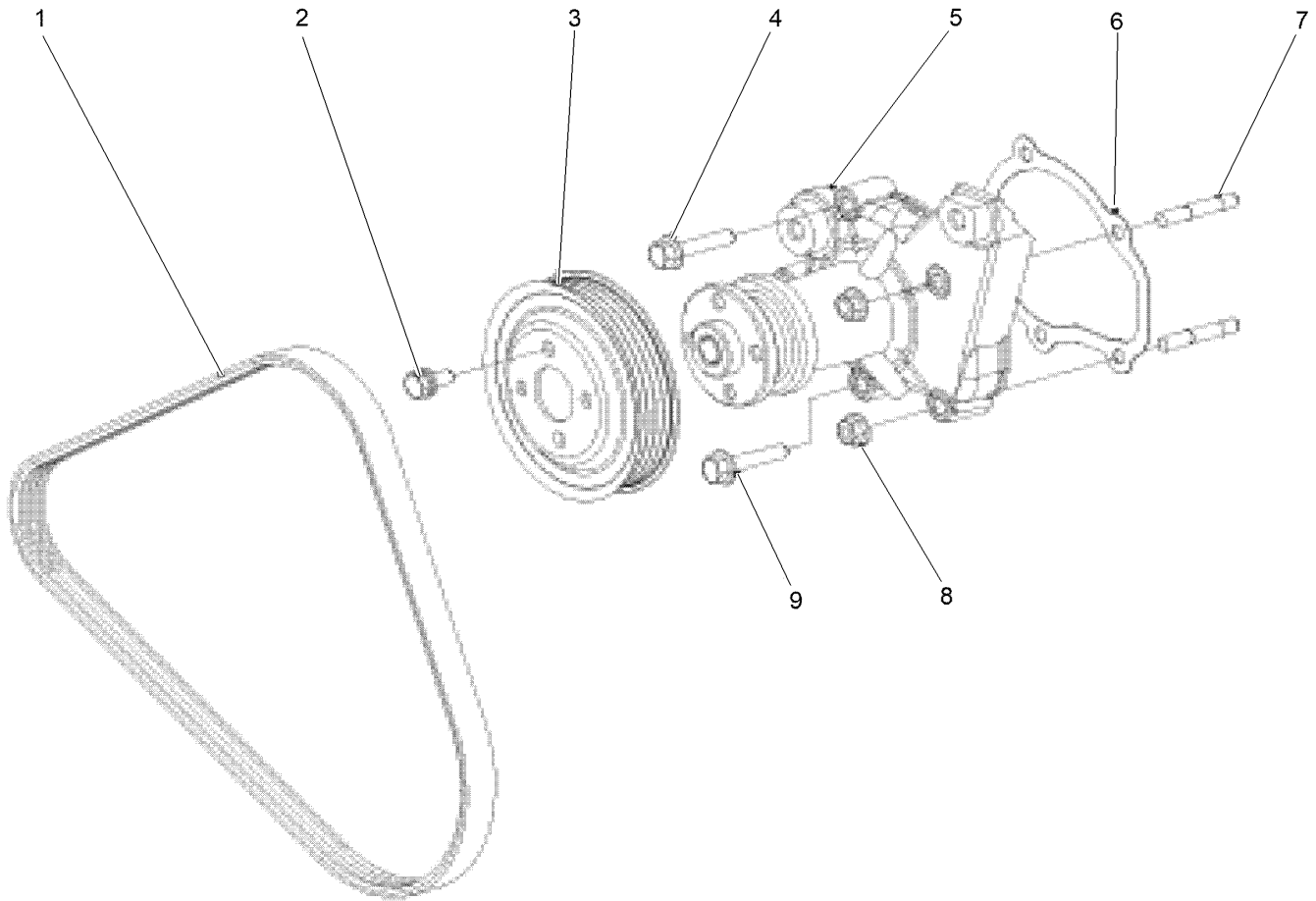
## Oil Pan Assembly

<i>Ref.</i>	<i>Part Number</i>	<i>Qty.</i>	<i>Description</i>
1	147-2652	1	Seal, Oil Strainer
2	147-2653	1	Tube, Oil Pick Up
3	147-2654	1	Gasket, Oil Pan
4	147-2569	18	Bolt
5	147-2655	1	Seal, Drain Plug
6	147-2656	1	Plug, Drain
7	147-2657	1	Pan, Oil
8	147-2658	2	Bolt



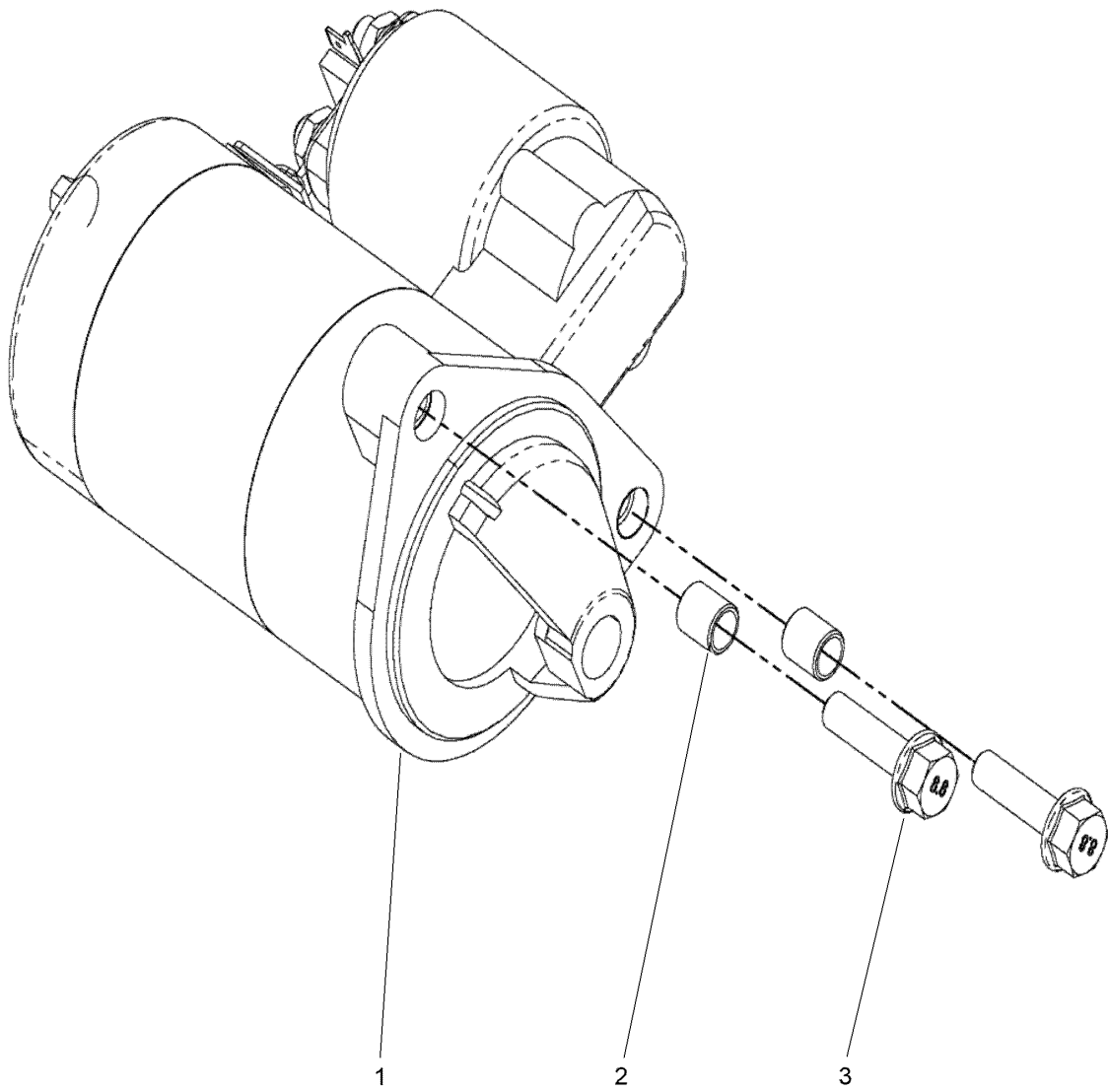
## Oil Pump Assembly

<i>Ref.</i>	<i>Part Number</i>	<i>Qty.</i>	<i>Description</i>
1	147-2659	1	Gasket, Oil Pump
2	147-2555	1	Bushing
3	147-2660	1	Pump, Oil
4	147-2661	1	Bolt, Water Pump
5	147-2662	3	Bolt, Water Pump
6	147-2663	5	Bolt, Oil Pump



## Water Pump Assembly

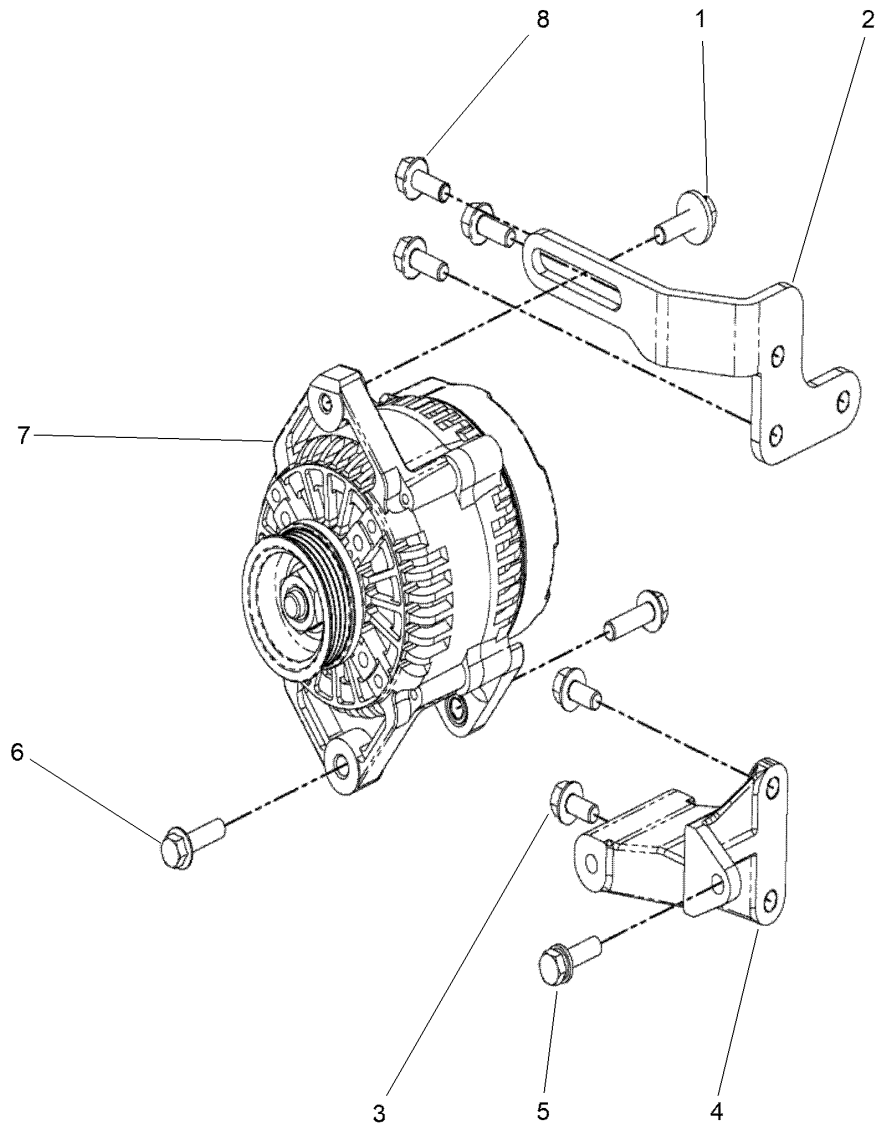
<i>Ref.</i>	<i>Part Number</i>	<i>Qty.</i>	<i>Description</i>
1	147-2664	1	Belt
2	147-2665	4	Bolt
3	147-2666	1	Pulley, Water Pump
4	147-2661	1	Bolt, Water Pump
5	147-2667	1	Pump, Water
6	147-2668	1	Gasket, Water Pump
7	147-2669	2	Stud, Water Pump
8	147-2670	2	Nut
9	147-2662	1	Bolt, Water Pump



## Starter Assembly

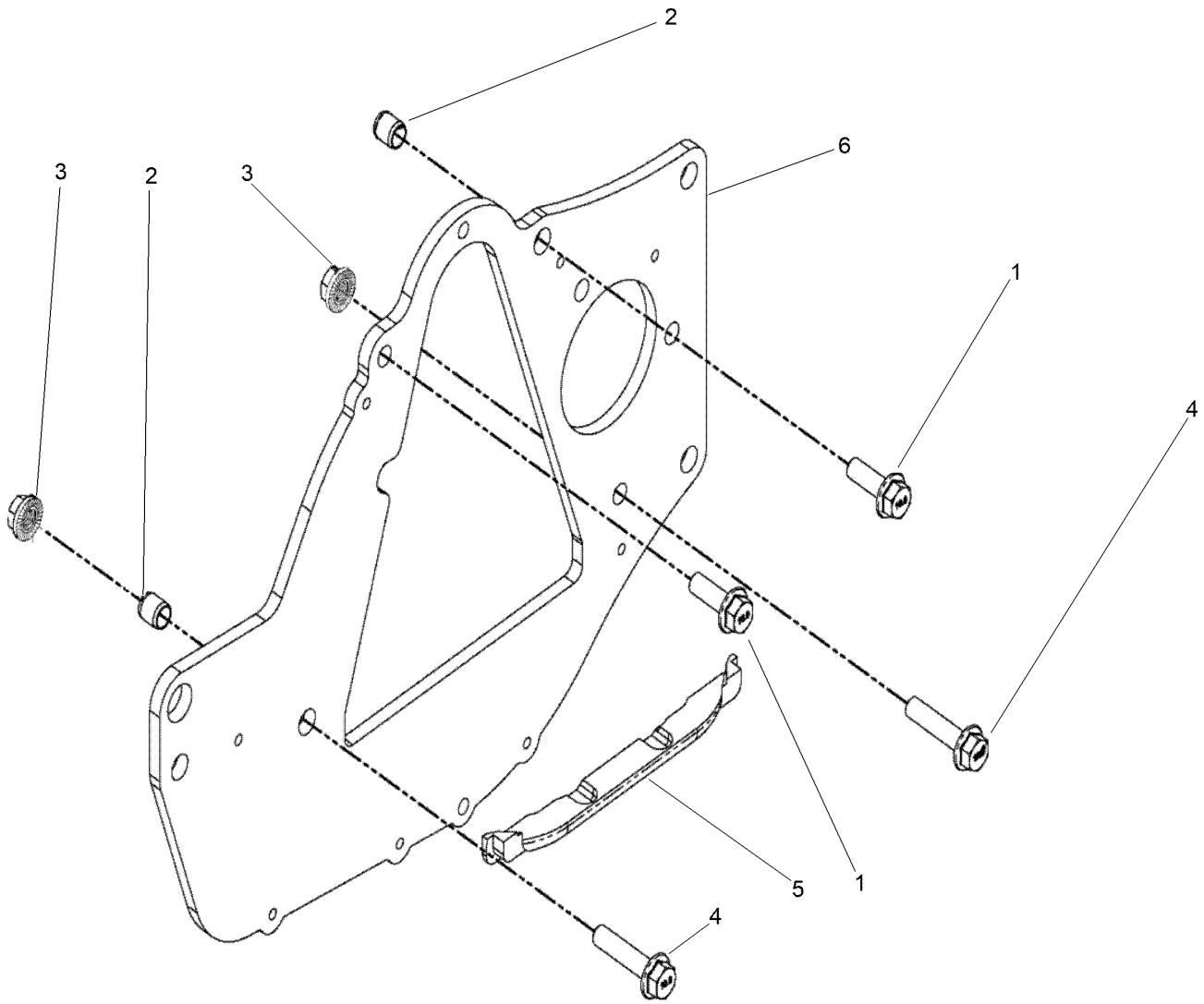
<i>Ref.</i>	<i>Part Number</i>	<i>Qty.</i>	<i>Description</i>
1	147-2671	1	Starter
2	147-2672	2	Dowel
3	147-2673	2	Bolt





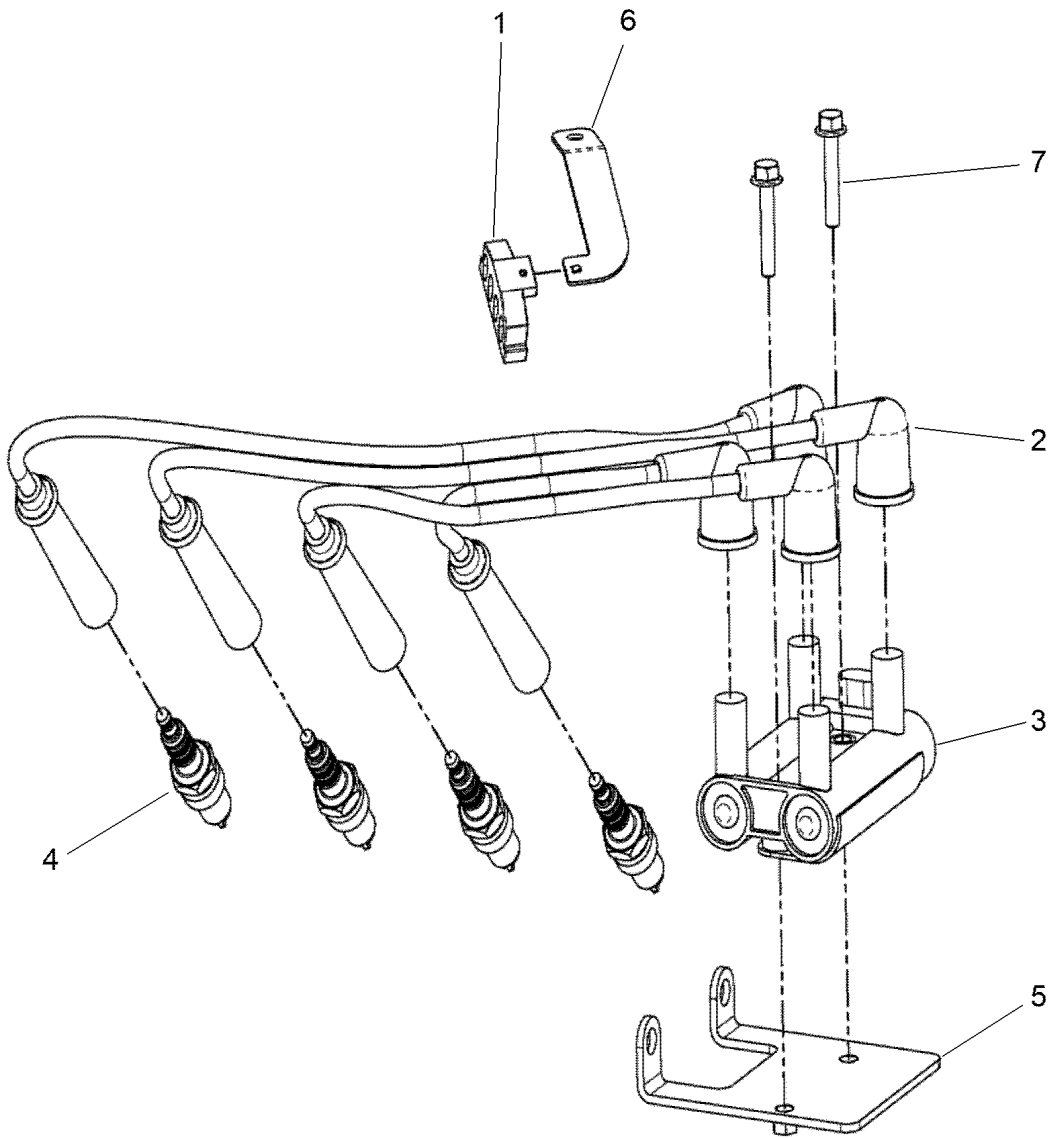
## Alternator Assembly

Ref.	Part Number	Qty.	Description
1	147-2674	1	Bolt, Alternator
2	147-2675	1	Bracket, Alternator
3	147-2676	2	Bolt, Alt Support
4	147-2677	1	Support, Alternator
5	147-2678	1	Bolt, Alt Support
6	147-2679	1	Bolt
7	147-2680	1	Alternator
8	147-2681	3	Bolt



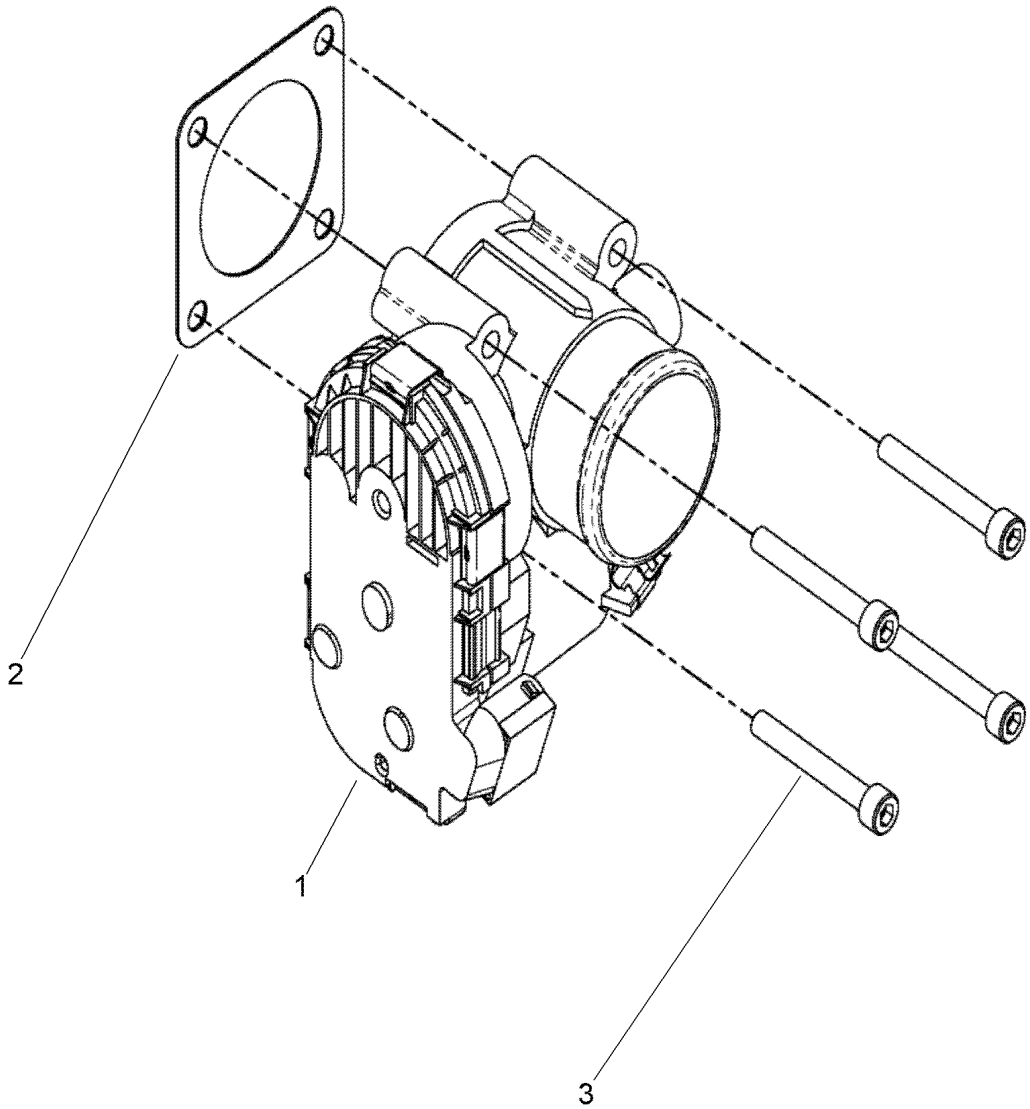
## Rear Plate Assembly

<i>Ref.</i>	<i>Part Number</i>	<i>Qty.</i>	<i>Description</i>
1	147-2682	2	Bolt
2	147-2683	2	Spacer
3	147-2684	2	Nut
4	147-2685	2	Bolt
5	145-2003	1	Seal-Plate, Rear
6	144-2201	1	Plate-Engine



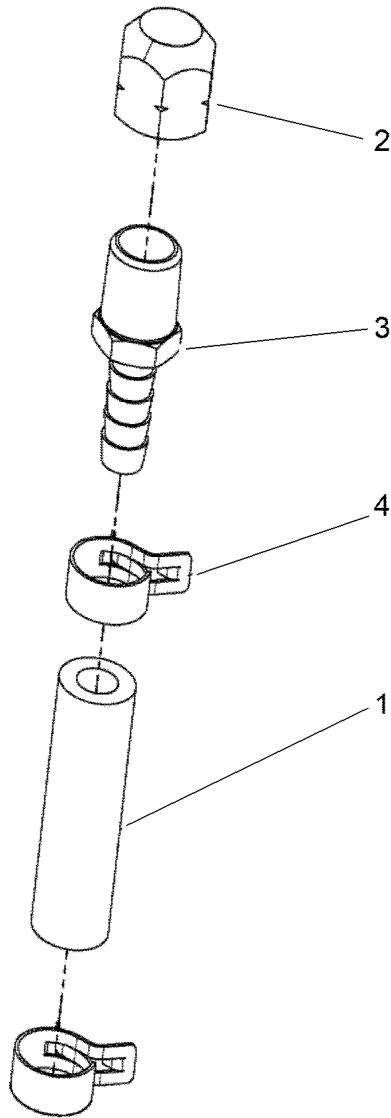
## Ignition Assembly

<i>Ref.</i>	<i>Part Number</i>	<i>Qty.</i>	<i>Description</i>
1	147-2688	1	Retainer, Wire#4
2	147-2689	1	Wires, Spark Plug
3	147-2690	1	Coil, Ignition
4	145-2128	4	Kit-Spark Plug
5	147-2691	1	Bracket, Coil Rear
6	147-2692	1	Bracket, Ignition Wires
7	147-2693	2	Bolt



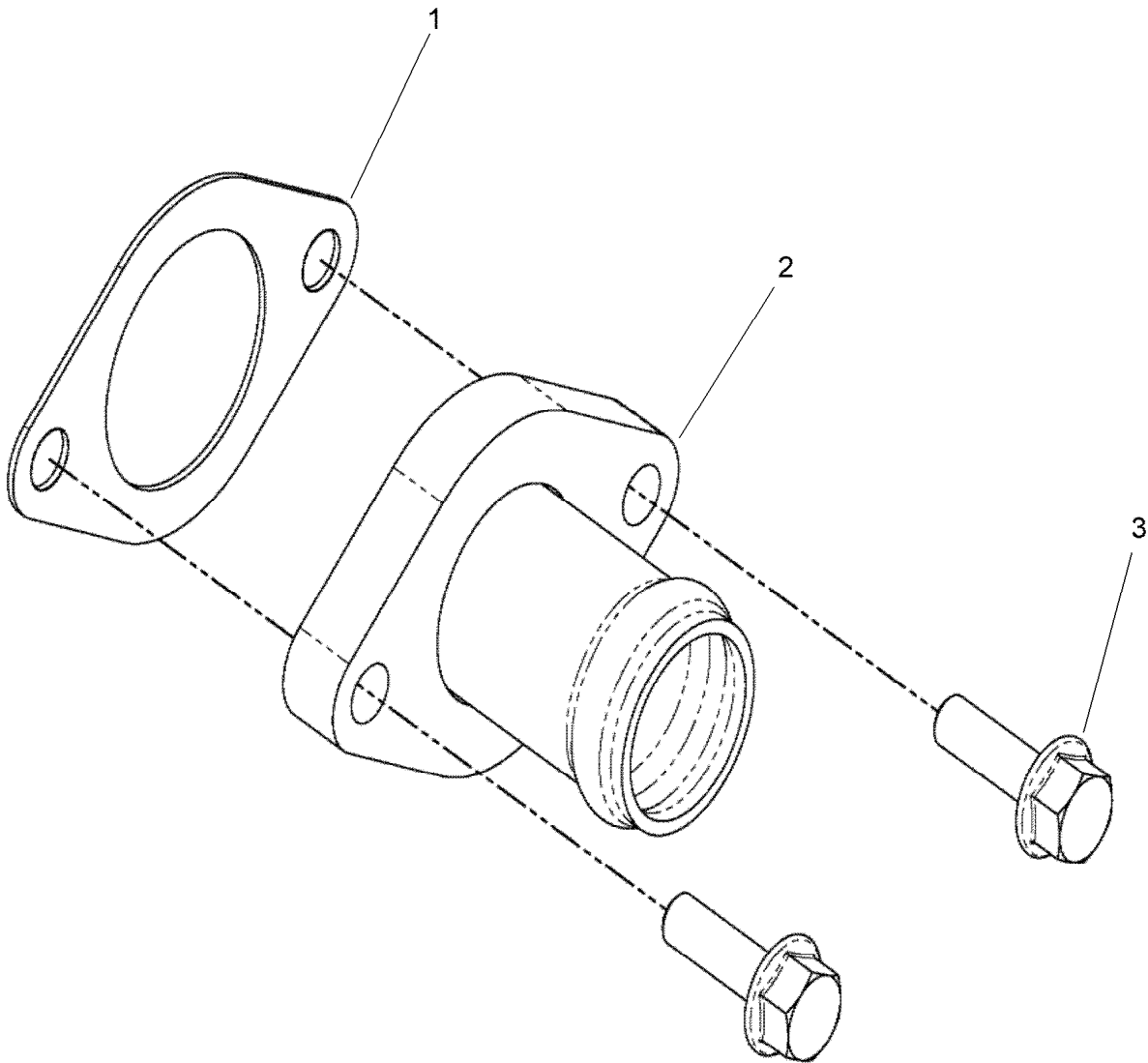
## Throttle Body Assembly

<i>Ref.</i>	<i>Part Number</i>	<i>Qty.</i>	<i>Description</i>
1	147-2694	1	Body, Throttle
2	147-2695	1	Gasket
3	147-2696	4	Screw



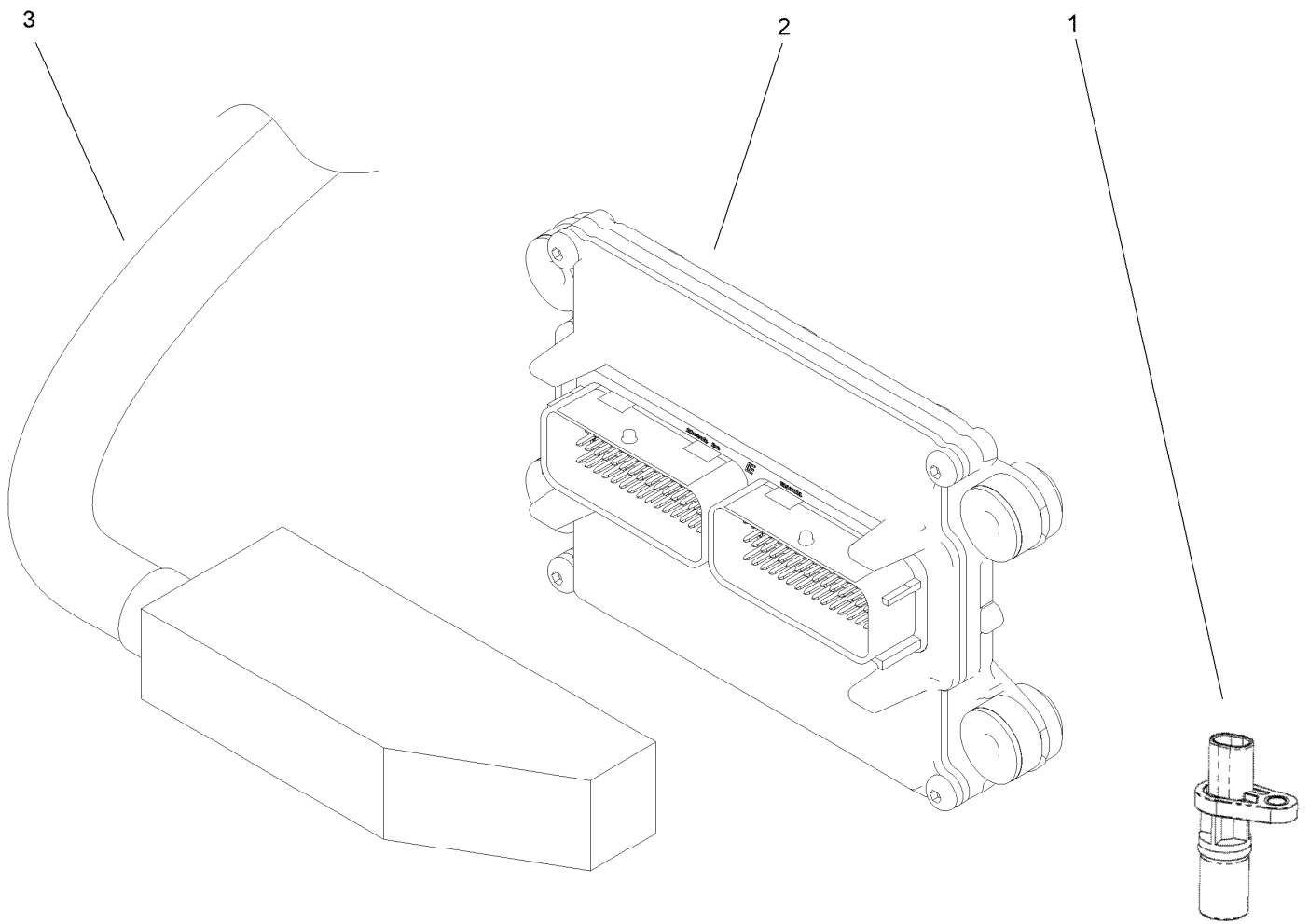
## Coolant Plug Assembly

<i>Ref.</i>	<i>Part Number</i>	<i>Qty.</i>	<i>Description</i>
1	147-2697	1	Hose, Heater (2 Inches)
2	147-2698	1	Fitting
3	147-2699	1	Fitting
4	145-2660	2	Clamp, Tension



## Coolant Inlet Assembly

<i>Ref.</i>	<i>Part Number</i>	<i>Qty.</i>	<i>Description</i>
1	145-2661	1	Gasket, Water Inlet
2	145-2662	1	Inlet, Coolant Straight
3	145-2663	2	Bolt, Flange



## Electrical Assembly

<i>Ref.</i>	<i>Part Number</i>	<i>Qty.</i>	<i>Description</i>
1	145-2010	1	Sensor-Position, Crankshaft
2	144-2232	1	Ecu
3	145-2666	1	Harness

# Attachments and Accessories

## For 08100 Workman UTX 2 Passenger Utility Vehicle

<b>Product Name</b>	<b>Model/Part</b>
Canopy-Standard .....	08110
Glass Windshield and Wiper .....	08112
Polycarbonate Windshield .....	08113
Polycarbonate Doors - Standard.....	08114
Polycarbonate Rear Windshield .....	08116
Overhead Console and Wire Harness .....	08130
Work Lights.....	08131
Beacon .....	08132
Electric Bed Lift.....	08134
Supervisor Key .....	08136
Side View Mirror Kit .....	08140
Rear View Mirror Kit.....	08141
Under Seat Storage .....	08143
27in Alloy Wheels and Tires.....	08144
Draw Bar.....	08146
Reverse Alarm Kit.....	131-8549
Universal Wireless Hourmeter Kit .....	144-2436
Universal 12V Power Point Kit .....	144-2438
Spark Arrester Kit .....	144-2443



**Notes:**

**Notes:**

**Notes:**



**Count on it.**