



Count on it.

Parts Catalog

**e-HoverPro 450
60V Mower**

Model No. 02614T—Serial No. 400000000 and Up



Ordering Replacement Parts

To order replacement parts, please supply the part number, the quantity, and the description of each part desired.

Understanding Reference Numbers

Each identified part in an illustration has a reference number. The reference number for a part also appears in the parts list, along with other information about the part.

This catalog uses two special reference number formats, one to indicate parts in a service assembly and another to indicate the quantity of a given part in an illustration.

Service Assembly Reference Numbers

Parts in service assemblies have reference numbers in the form a:b. The a represents the reference number of the entire service assembly and the b represents a sequential number unique to each part within the service assembly.

For example, a wheel assembly might be identified by reference number 6, the tire by 6:1, the valve by 6:2, and the wheel by 6:3. When you order the assembly identified by reference number 6, you receive all parts identified by reference numbers 6:1, 6:2, and 6:3. However, you may also order any part individually. Reference numbers of this type appear in illustration and in parts lists.

Reference Numbers Indicating Quantity

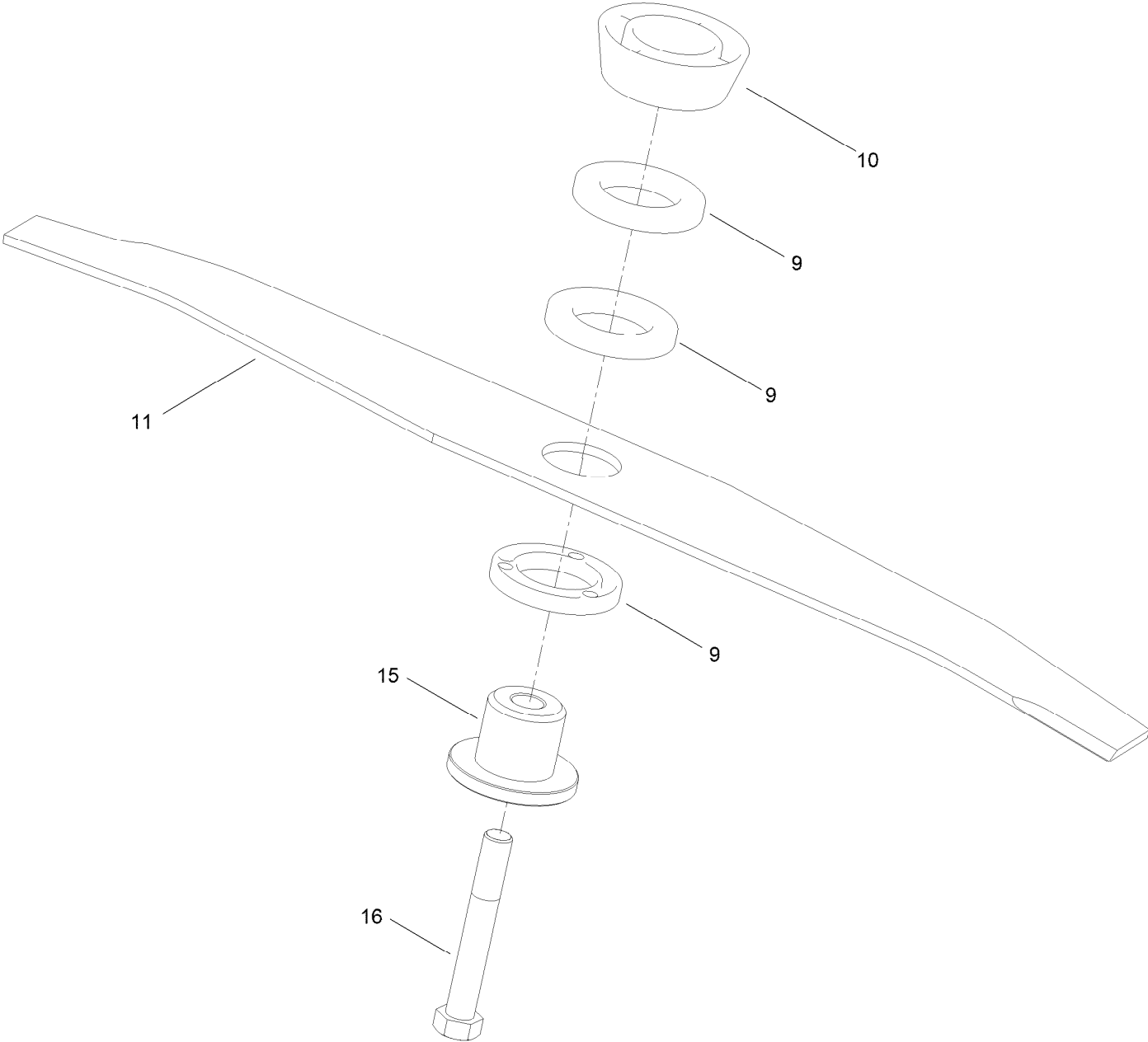
In an illustration, if a reference number indicates more than one part, the reference number has the form nX y. The n represents the quantity of the part, the X is the multiplication symbol, and the y represents the reference number.

For example, in an illustration, the reference number 2X 37 means that two of the parts identified by reference number 37 are indicated.

Contents

| | |
|---------------------------------------|----|
| Cutting Assembly | 4 |
| Motor Module and Blade Assembly | 6 |
| Motor Module No. 134-7868 | 8 |
| Motor Module No. 134-7868 | 10 |
| Handle Assembly | 12 |
| Attachments and Accessories | 14 |

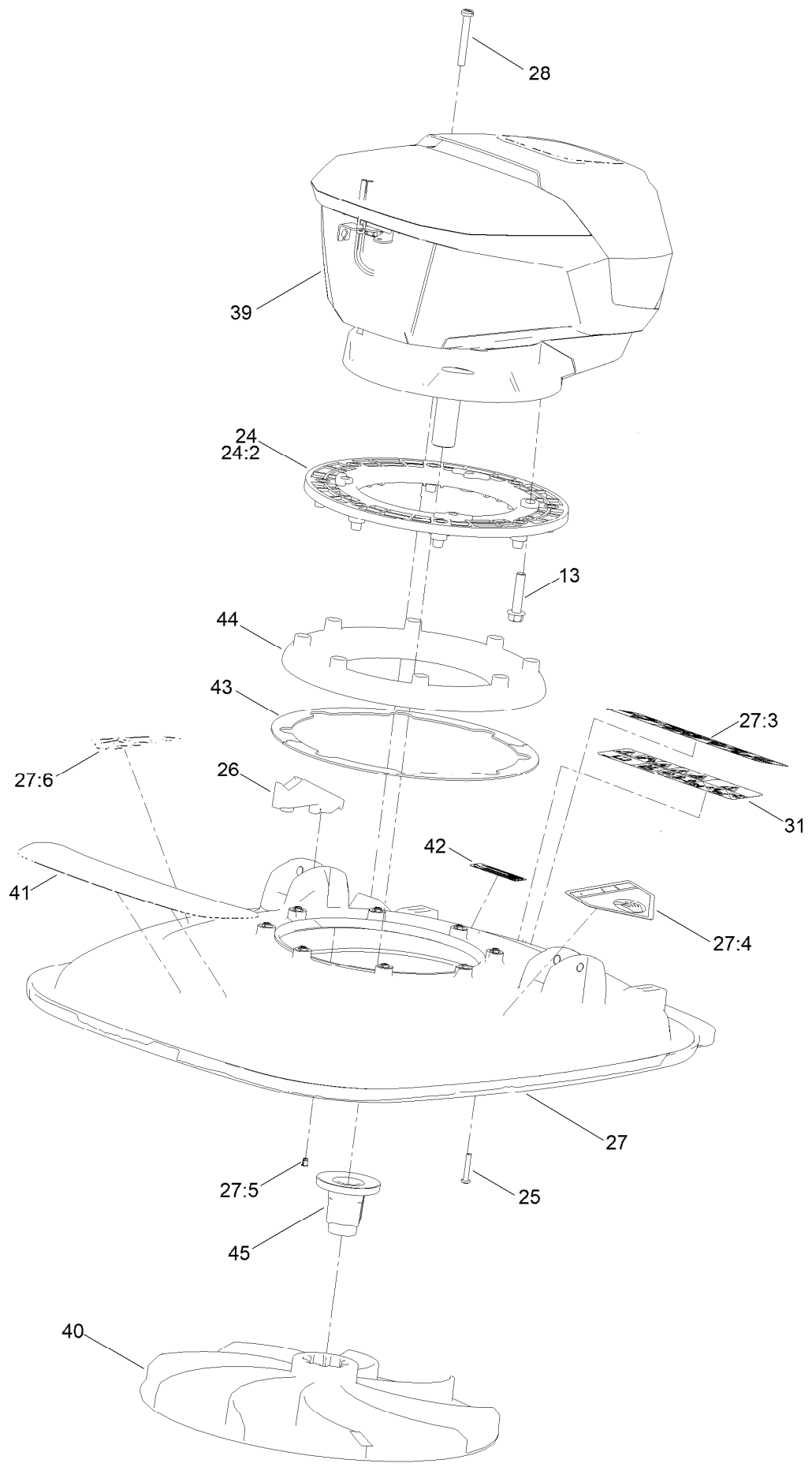
Cutting Assembly



Cutting Assembly (continued)

| <i>Ref.</i> | <i>Part Number</i> | <i>Qty.</i> | <i>Description</i> | <i>Ref.</i> | <i>Part Number</i> | <i>Qty.</i> | <i>Description</i> |
|-------------|--------------------|-------------|-------------------------|-------------|--------------------|-------------|------------------------------------|
| 9 | H192025 | 3 | Spacer-Blade, Aluminium | 15 | 134-8061 | 1 | Retainer-Blade Ehoverpro |
| 10 | H192270 | 1 | Spacer-Distance | 16 | 134-1682 | 1 | Bolt, Unf 7/16 X 3 (Grade 8, Rohs) |
| 11 | 134-8685 | 1 | Blade-46 CM | | | | |

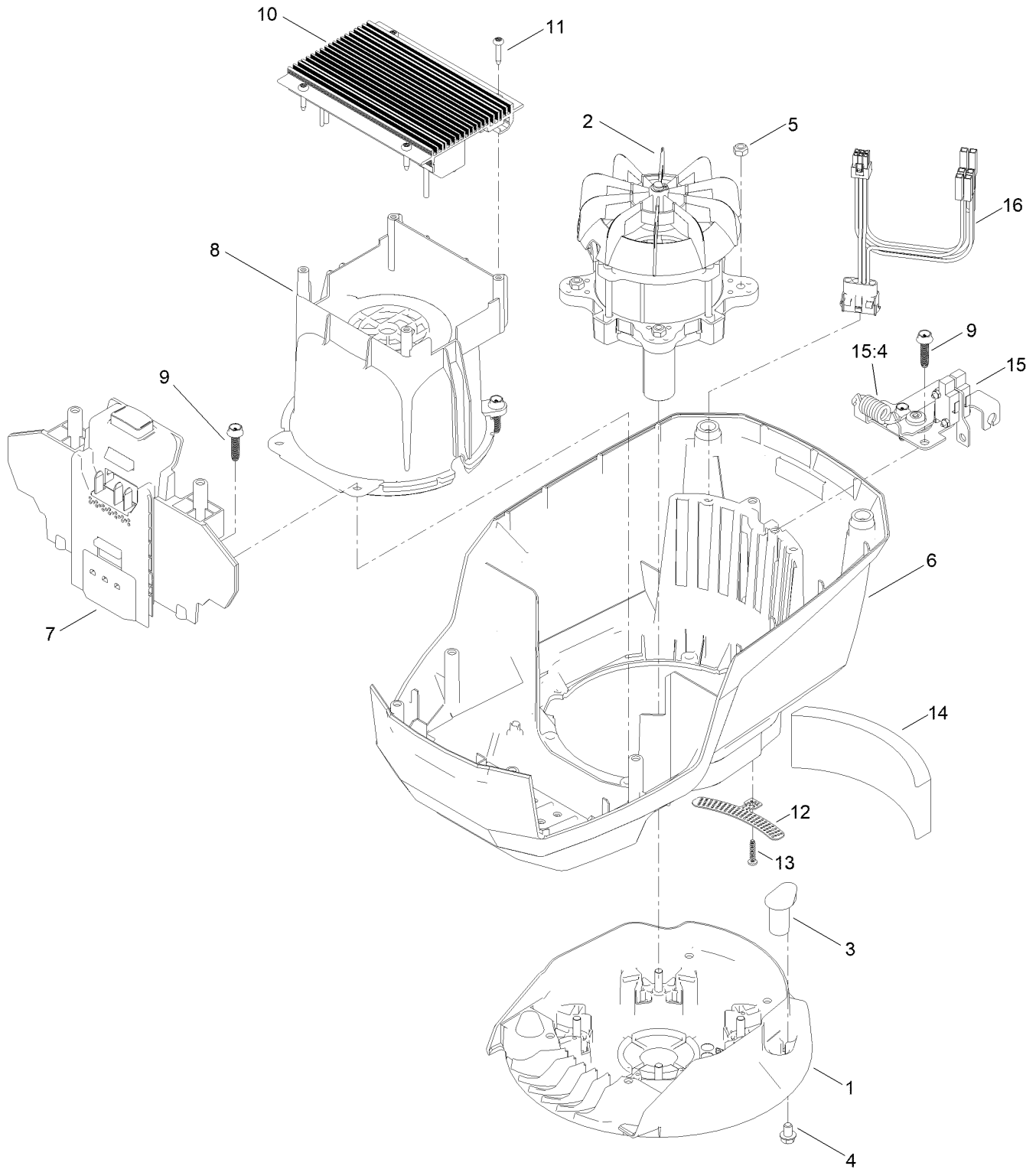
Motor Module and Blade Assembly



Motor Module and Blade Assembly (continued)

| <i>Ref.</i> | <i>Part Number</i> | <i>Qty.</i> | <i>Description</i> | <i>Ref.</i> | <i>Part Number</i> | <i>Qty.</i> | <i>Description</i> |
|-------------|--------------------|-------------|--------------------|-------------|--------------------|-------------|----------------------------------|
| 13 | 111-2157 | 4 | Screw-Taptite | 31 | 134-8067 | 1 | Decal - Warning, 60V Ehoverpro |
| 24 | H290003 | 1 | Frame-Engine | 39 | 134-7868 | 1 | Motor Module |
| 24:2 | H192266 | 8 | Insert-Brass | 40 | 134-7843 | 1 | Impeller |
| 25 | 111-1501 | 8 | Screw-PPH | 41 | 134-8065 | 1 | Decal - Front 60V Ehoverpro 450 |
| 26 | H292269 | 1 | Bracket | 42 | 133-8054 | 1 | Decal-Prop 65, Short, Trilingual |
| 27 | 111-6003 | 1 | Deck ASM | 43 | 134-8529 | 1 | Gasket-Frame |
| 27:3 | 111-5393 | 1 | Decal-Warning | 44 | 134-7538 | 1 | Bell Mouth |
| 27:4 | 94-8072 | 1 | Decal-Danger | 45 | 134-8059 | 1 | Drive |
| 27:5 | H292280 | 2 | Insert | | | | |
| 27:6 | 111-9826 | 1 | Decal-Danger | | | | |
| 28 | H292279 | 2 | Screw | | | | |

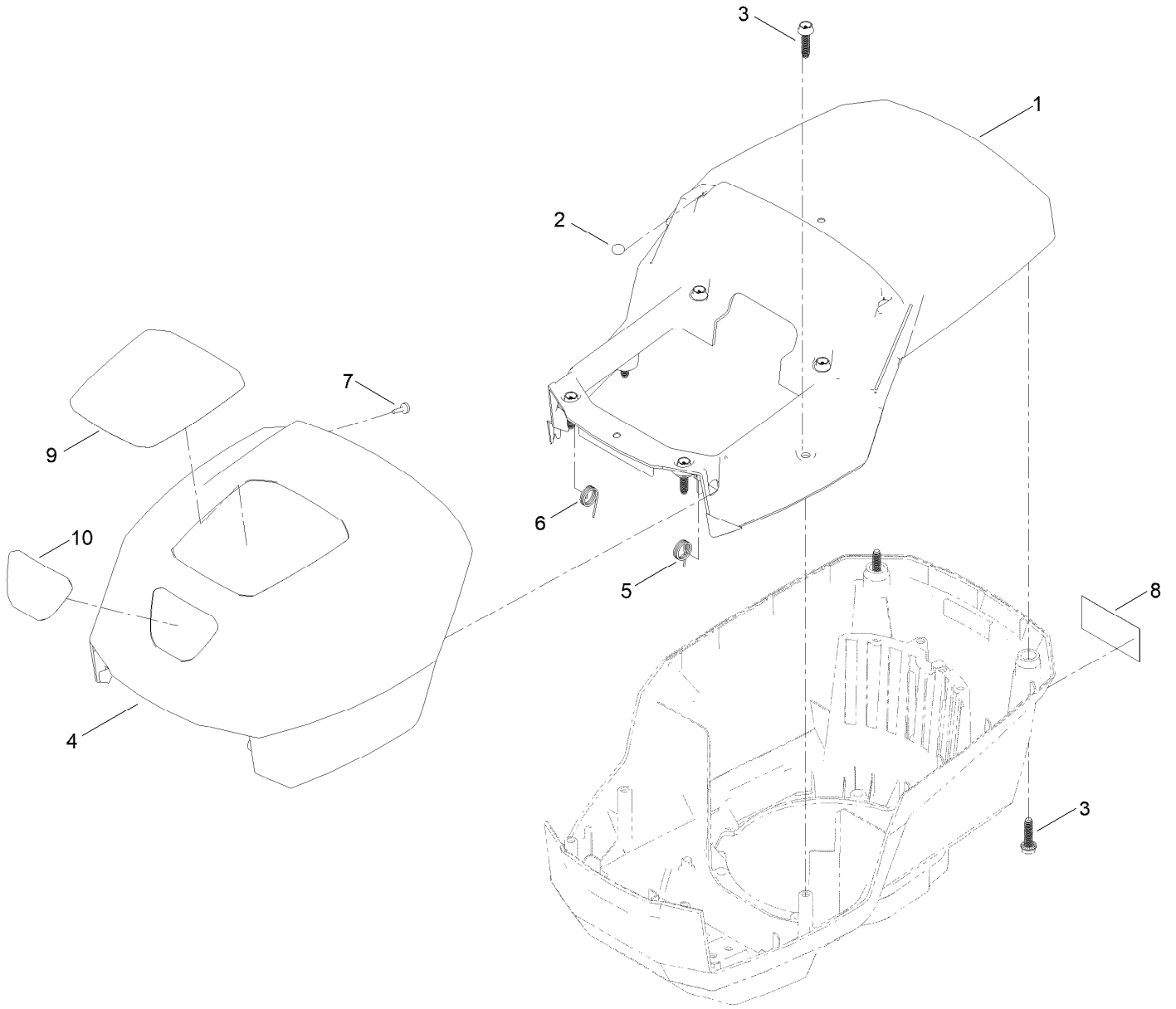
Motor Module No. 134-7868



Motor Module No. 134-7868 (continued)

| <i>Ref.</i> | <i>Part Number</i> | <i>Qty.</i> | <i>Description</i> | <i>Ref.</i> | <i>Part Number</i> | <i>Qty.</i> | <i>Description</i> |
|-------------|--------------------|-------------|-----------------------|-------------|--------------------|-------------|--------------------|
| 1 | 139-6628 | 1 | Base-Mount, Motor | 10 | 134-8284 | 1 | Controller-Motor |
| 2 | 140-4119 | 1 | Motor-2Kw | 11 | 139-6642 | 4 | Screw |
| 3 | 131-9732 | 3 | Insert-Mount, Motor | 12 | 139-6635 | 1 | Bracket-Foam |
| 4 | 137-4795 | 3 | Screw | 13 | 138-3273 | 1 | Screw-Plastic, PPH |
| 5 | 115-7373 | 4 | Nut-Lock | 14 | 139-6636 | 1 | Foam |
| 6 | 140-4118 | 1 | Shroud-Lower | 15 | 133-1918 | 1 | Bail Switch ASM |
| 7 | 139-6632 | 1 | Battery Reciever ASM | 15:4 | 145-5800 | 1 | Spring-Extension |
| 8 | 139-6633 | 1 | Shroud-Motor | 16 | 139-6637 | 1 | Harness-Wire |
| 9 | 130-6658 | 6 | Screw-Flange, Plastic | | | | |

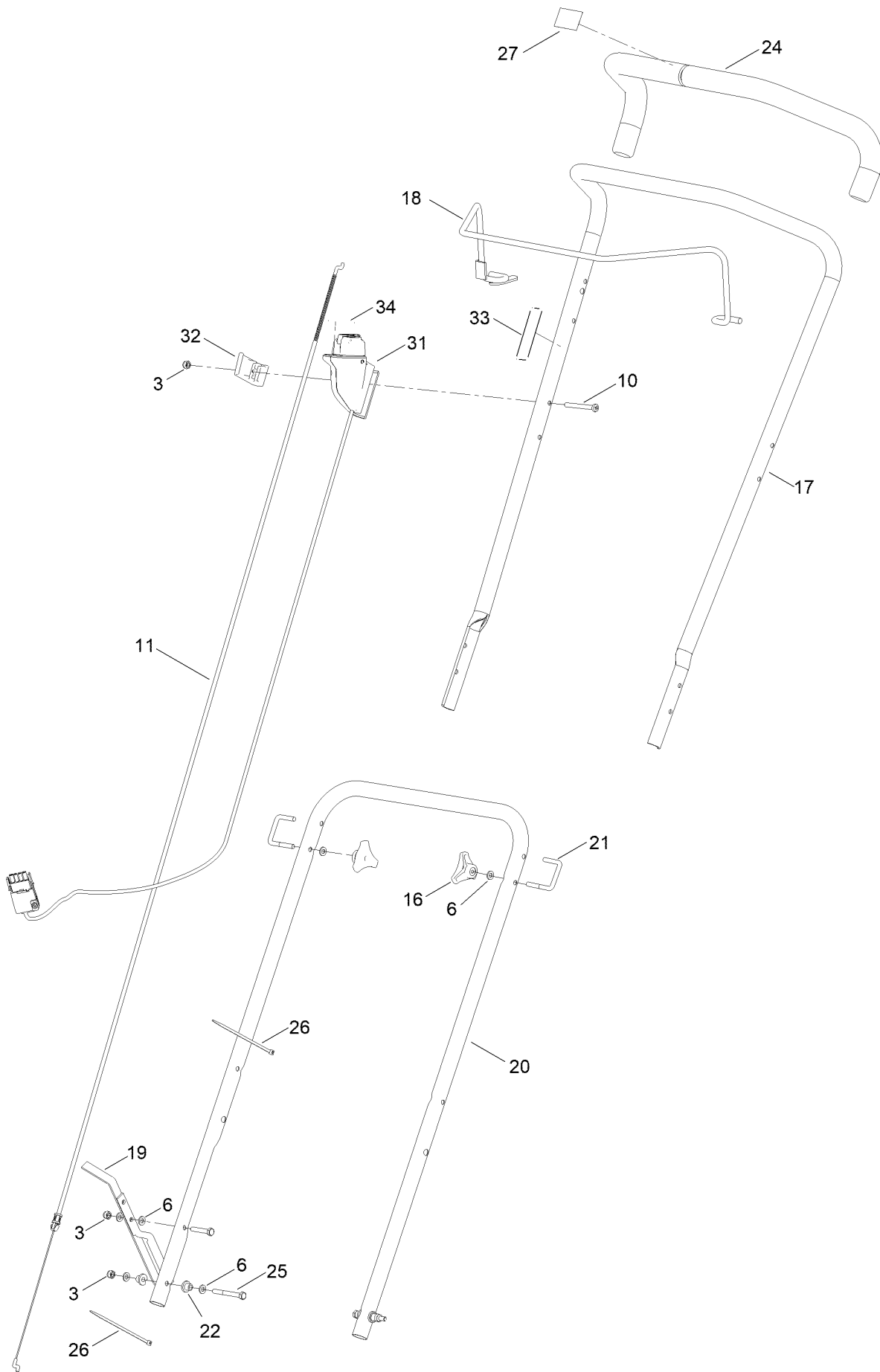
Motor Module No. 134-7868



Motor Module No. 134-7868 (continued)

| <i>Ref.</i> | <i>Part Number</i> | <i>Qty.</i> | <i>Description</i> | <i>Ref.</i> | <i>Part Number</i> | <i>Qty.</i> | <i>Description</i> |
|-------------|--------------------|-------------|-----------------------|-------------|--------------------|-------------|-----------------------|
| 1 | 140-3886 | 1 | Shroud-Upper | 6 | 139-6641 | 1 | Spring-RH |
| 2 | 114-5896 | 2 | Magnet | 7 | 95-4234 | 2 | Screw-PPH |
| 3 | 130-6658 | 8 | Screw-Flange, Plastic | 8 | 134-8296 | 1 | Label-Part/Serial |
| 4 | 139-6639 | 1 | Hood | 9 | 134-7037 | 1 | Decal - Cover Top 60V |
| 5 | 139-6640 | 1 | Spring-LH | 10 | 134-7038 | 1 | Decal - Cover Front |

Handle Assembly



Handle Assembly (continued)

| <i>Ref.</i> | <i>Part Number</i> | <i>Qty.</i> | <i>Description</i> | <i>Ref.</i> | <i>Part Number</i> | <i>Qty.</i> | <i>Description</i> |
|-------------|--------------------|-------------|--------------------|-------------|--------------------|-------------|------------------------|
| 3 | 09438 | 4 | Nut-Nyloc | 22 | H292058 | 4 | Spacer-Handle |
| 6 | 111-7679 | 8 | Washer-Plain | 24 | H292276 | 2 | Grip-Handle |
| 10 | 09780 | 1 | Setscrew | 25 | H292309 | 2 | Bolt-Hex |
| 11 | 134-8213 | 1 | OPC Cable | 26 | HY3966 | 2 | Tie-Cable |
| 16 | H192204 | 2 | Handwheel | 27 | H295159 | 1 | Decal-Stop |
| 17 | H290237 | 1 | Handle-Upper | 31 | 134-8203 | 1 | Switch-Starter ASM |
| 18 | H290239 | 1 | Arm-Bail | 32 | 136-7029 | 1 | Clamp-Cable |
| 19 | H290286 | 1 | Footstop | 33 | 134-4551 | 1 | Decal-Buton, Push, 60V |
| 20 | 111-7260-03 | 1 | Handle-Lower | 34 | 134-8124 | 1 | Decal - Speed Control |
| 21 | H292026 | 2 | Bolt-U | | | | |

Attachments and Accessories

For 02614T e-HoverPro 450 60V Mower

| Product Name | Model/Part |
|-----------------------------------|-------------------|
| High-Rise Kit..... | 02619 |
| Transport Wheel Kit | 02622 |
| Ext. Handlebar Ehoverpro Kit..... | 02630 |

Notes:



Count on it.